

# DVE60M9900V

SAMSUNG

## Samsung FlexDry™ Dryer

7.5 cu. ft. Capacity DOE



### Signature Features

#### FlexDry™

- Two dryers in one lets you dry delicates and everyday garments at the same time.

#### Delicate Dryer

- Flat dry delicates, sweaters, and accessories to prevent items from shrinking and fabric damage.

#### Multi-Steam Technology

- Steam away wrinkles, odors, bacteria and static.

### Available Colors



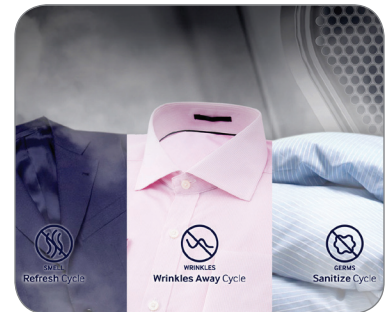
Black Stainless Steel (shown)



White



FlexDry™ with Delicate Dryer



Multi-Steam Technology

### Tumble Dryer Features

- Steam
- Vent Sensor
- Wi-Fi Connectivity
- Eco Dry
- Sensor Dry
- Smart Care
- Touch Controls
- Stainless Steel Drum
- 12 Preset Dry Cycles
- 11 Options
- 5 Temperature Settings
- Interior Drum Light
- LED Display: Ice Blue

### Convenience

- Child Lock
- Filter Check Indicator
- Door Lock

### Delicate Dryer Features

- Wi-Fi Connectivity
- Smart Care
- Drying Rack
- 4 Preset Dry Cycles
- 7 Options

### Convenience

- Child Lock

# DVE60M9900V

# SAMSUNG

## Samsung FlexDry™ Dryer

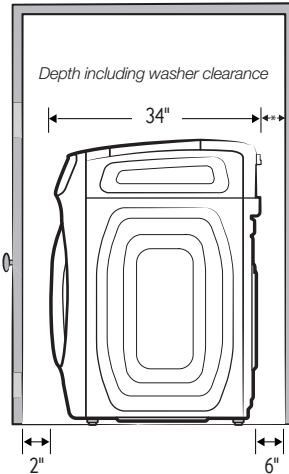
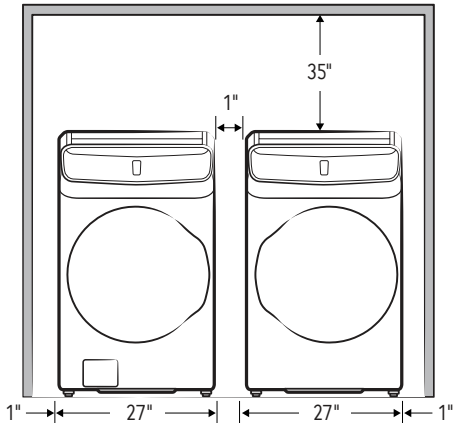
7.5 cu. ft. Capacity DOE

### Installation Specifications

If the washer and dryer are installed together or the dryer alone, the closet front must have two unobstructed air openings for a combined minimum total area of 72-inch.<sup>2</sup> Your washer alone does not require a specific air opening.

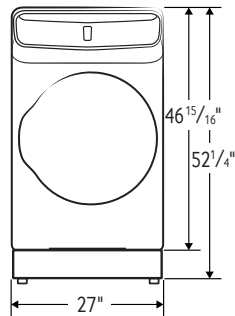
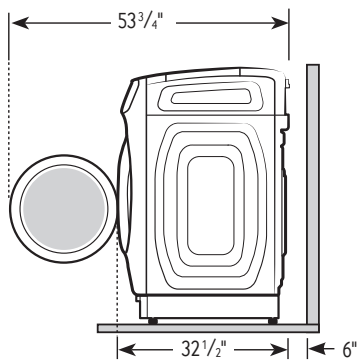
#### Alcove or closet installation

Minimum Clearance for Closet and Alcove Installations:

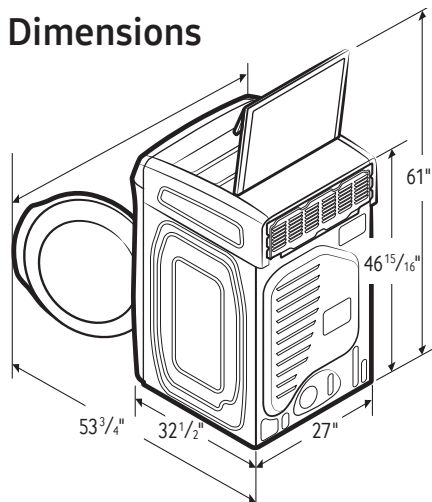


\*Required spacing (External exhaust elbow may require additional space.)

#### Installation with pedestal



### Dimensions



#### 4-Way Venting

#### Tumble Dryer

#### 12 Preset Dry Cycles:

Refresh, Wrinkle Away, Steam Sanitize, Normal, Heavy Duty, Towels, Permanent Press, Active Wear, Bedding, Delicates, Time Dry, Air Fluff

#### 11 Options:

Eco Dry, Adjust Time (up), Adjust Time (down), Anti Static, Mixed Load Bell, Smart Control, Smart Care, Drum Light, Child Lock, Sound, Wrinkle Prevent

#### 5 Temperature Settings:

High, Medium, Medium Low, Low, Extra Low

#### 5 Dry Levels:

Very Dry, More Dry, Normal Dry, Less Dry, Damp Dry

#### Delicate Dryer

#### 4 Preset Dry Cycles:

Wool, Shirt/Blouse, Undergarment, Accessory

#### 7 Options:

Time+, Super Speed, Air Dry, Smart Control, Smart Care, Child Lock, Sound

#### Warranty

One (1) Year Parts and Labor

#### Product Dimensions & Weight (WxHxD)

Dimensions: 27" x 46<sup>15</sup>/<sub>16</sub>" x 32<sup>1</sup>/<sub>2</sub>"

Weight: 167 lbs

#### Shipping Dimensions & Weight (WxHxD)

Dimensions: 29<sup>9</sup>/<sub>16</sub>" x 50<sup>1</sup>/<sub>4</sub>" x 34<sup>11</sup>/<sub>16</sub>"

Weight: 178 lbs

#### Electric

Model #	UPC Code
Black Stainless Steel DVE60M9900V	887276197562
White DVE60M9900W	887276197586

#### Gas

Black Stainless Steel DVG60M9900V	887276197616
White DVG60M9900W	887276197623

#### Matching Washer

Black Stainless Steel WV60M9900AV	887276196947
White WV60M9900AW	887276196954