

NZ36K7880US

36" Induction Cooktop

Features

- Power Boost
- Wi-Fi Connectivity
- Bluetooth Connected to Hood
- 15 Power Levels plus Booster
- Simmer
- Melt Setting
- 5 Induction Elements – Including 4800W Dual Element – 7"/11"
- 10.8 kW Power
- 2-Stage Residual Heat Indicator
- ADA Compliant

Convenience

- Kitchen Timer
- Child Safety Lock
- Safety Shutoff
- Direct Access
- Quick Stop/Start/Pause Controls
- Demo Mode



ADA Compliant



Flex Zone



Magnetic Knob

Available Colors



Stainless Steel (shown)



Black Stainless Steel

Signature Features

VIRTUAL FLAME™ TECHNOLOGY

- LED Surface lights shine onto pans to give the visual of gas cooking, with the precision of induction.

FLEX ZONE

- Large cooking area designed to adapt to different pot shapes and sizes for optimal flexibility.

DIGITAL-ANALOG CONTROLS

- The ultimate interface, choose between a removable magnetic analog-knob or digital touch controls.

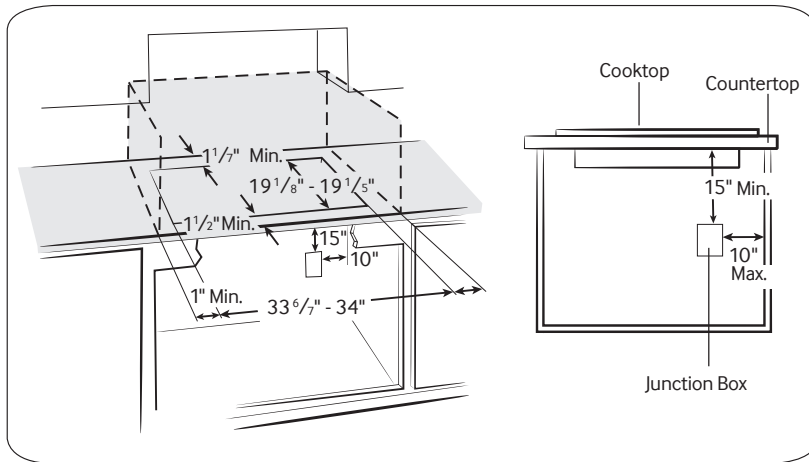
SAMSUNG

NZ36K7880US

36" Induction Cooktop

Installing Your Cooktop

Can be installed over a single oven.



Total Power

10.8 kW

Power Source

240V / 60 Hz / 45A

Induction Cooktop

- Left Front: Flex Zone 1800W (Boost 2600W)
- Left Rear: Flex Zone 1800W (Boost 2600W)
- Right Front: 8" (Virtual Flame™) 2200W (Boost 3200W)
- Right Rear: 6" (Virtual Flame™) 1400W (Boost 1800W)
- Center: 7/11" (Virtual Flame™) 3600W (Boost 4800W)
- Flex Zone: 7¹¹/₁₆" x 15³/₄"

Warranty

One (1) Year All Parts and Labor

Five (5) Years Parts Warranty for Glass Cooktop

Product Dimensions & Weight (WxHxD)

Outside (Max) Cooktop Dimensions:

36" x 4" x 21¹/₄"

Cooktop Cut-Out Dimensions:

33⁶/₇" x 4" x 19¹/₈"

Weight: 58.8 lbs.

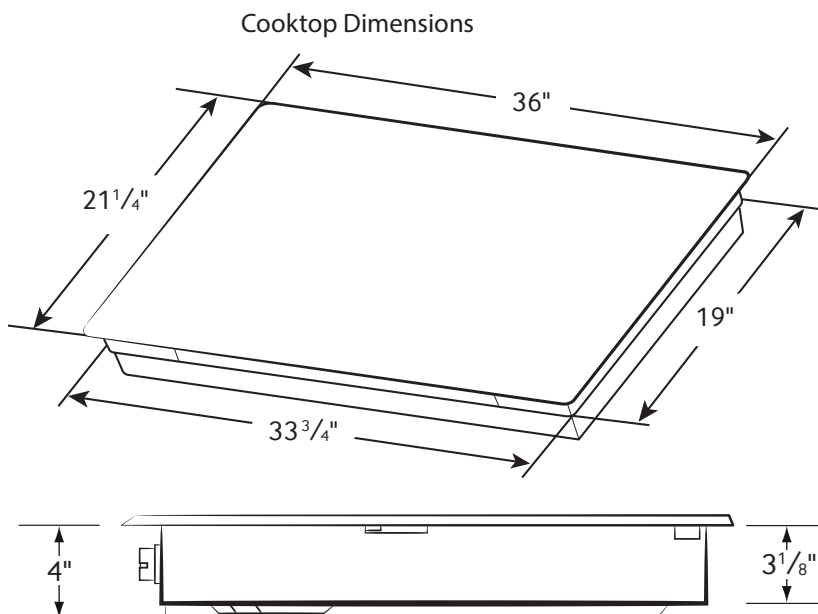
Shipping Dimensions & Weight (WxHxD)

Dimensions:

40¹/₆" x 7⁵/₁₆" x 25"

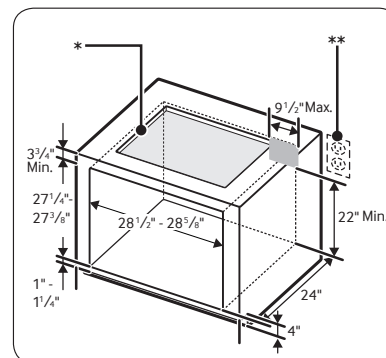
Weight: 69.9 lbs.

Dimensions



Color	Model #	UPC Code
Stainless Steel	NZ36K7880US	887276183367
Black Stainless Steel	NZ36K7880UG	887276183350

Cut-Out Dimensions of Countertop



* See built-in oven installation for complete installation instructions. See label on top of approved built-in oven models.

** Refer to installation manual of oven.

SAMSUNG

Actual color may vary. Design, specifications, and color availability are subject to change without notice. Non-metric weights and measurements are approximate.

©2017 Samsung Electronics America, Inc. 85 Challenger Road, Ridgefield Park, NJ 07660. Tel: 800-SAMSUNG. samsung.com. Samsung is a registered trademark of Samsung Electronics Co., Ltd.