



# MM3011LP

## NXR 30" 4.5 cu. Ft. Professional Style Liquid Propane Range with Convection Oven in Stainless Steel

- 4 Burners featuring high power 15,000 BTU and 9,000 BTU German made single-stack burners
- Extra-large 4.5 cu ft oven capacity
- 10,000 BTU broiler burner
- 2 Year manufacturer's warranty for service and parts



### Cooktop Properties and Features

Cooking Grates	Cast-Iron, Continues
Total Number of Sealed Burners	4
Drip Pan	Black porcelain
Knob	Black Cover Knob
Front Left Burner Power	15,000BTU
Front Right Burner Power	15,000BTU
Rear Left Burner Power	9,000BTU
Rear Right Burner Power	9,000BTU



Heavy-Duty Grates

### Oven Properties and Features

Oven Capacity	4.5-cu. Ft.
Cooking Modes (Large)	Bake, Convection, Broil
Cleaning Type	Manual Clean
Oven Burner	U-Shape
Bake Power	22,000 BTU
Interior Material	Black Porcelain
Convection	True European



Black zinc knobs for a sleek look

### Additional Information

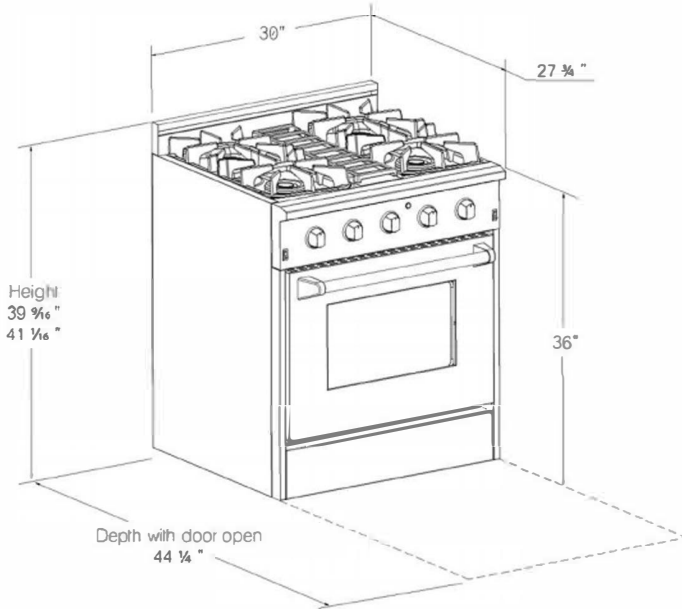
Warranty	2 Year
Available Accessories	



Convection Cooking and Halogen Light

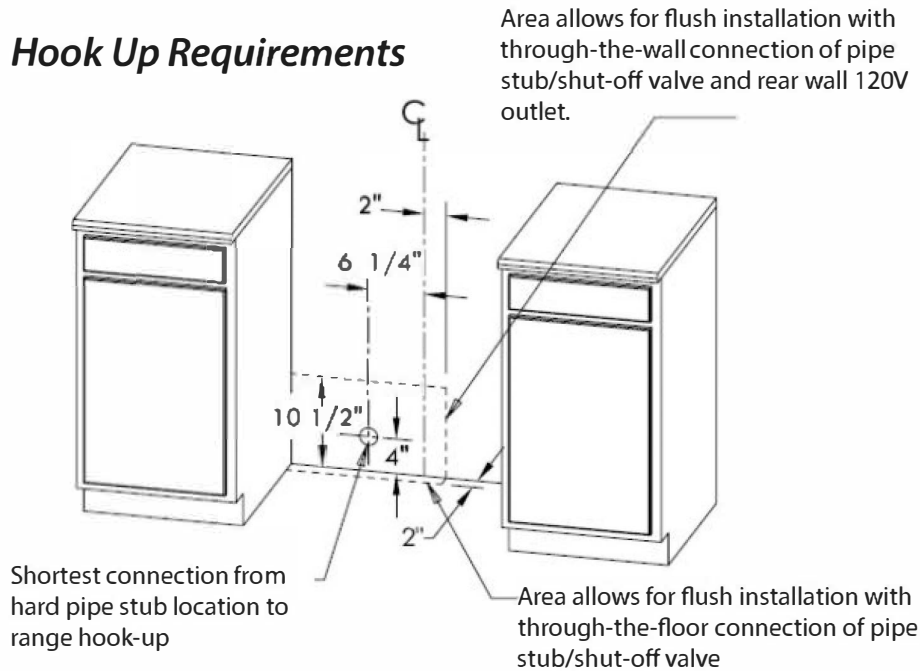


## Overall Dimensions



Technical Details	
Overall Dimensions	28" D x 30" W x 40" H
Net Weight	349 lbs.
Amps/Volts/Freq	20A/120V/60Hz
Plug Type/Cord Length	3 Prong/72"
Gas Type	Natural Gas (15mbar)

## Hook Up Requirements



## Hood Install Guides

