



LAIID-BACK LOOKOUT ASSEMBLY INSTRUCTIONS

COMPONENTS



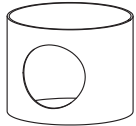
A Base board
450 x 310 x 30mm
(1pc)



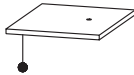
B Back panel of hut
310 x 310 x 17mm
(1pc)



C Top panel of hut
300 x 300 x 12mm
(1pc)



D Cover of hut
(1pc)



E Shelf board
310 x 250 x 17mm
(1pc)



F Platform
400 x 250 x 17mm
(1pc)



G Cushion (1pc)



H Post 215mm
(3pcs)



I Post 400mm
(2pcs)



J Post 235mm
(1pc)



1 Assembly component
8 x 85mm (1pc)



2 Assembly component
8 x 35mm (4pcs)



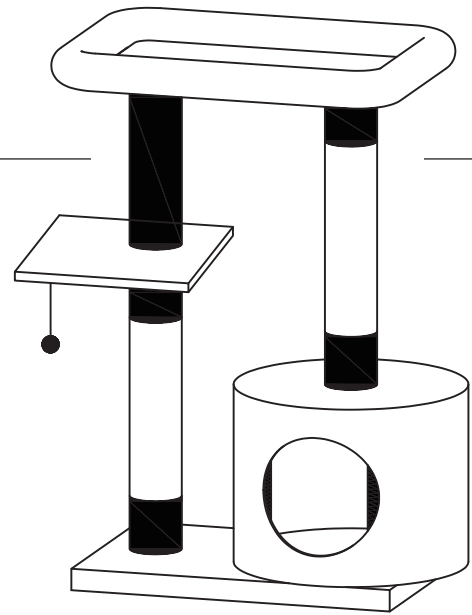
3 Assembly component
6 x 35mm (6pcs)



4 Assembly component
8 x 32mm (1pc)



5 Assembly component
5mm (1pc)



WARNING

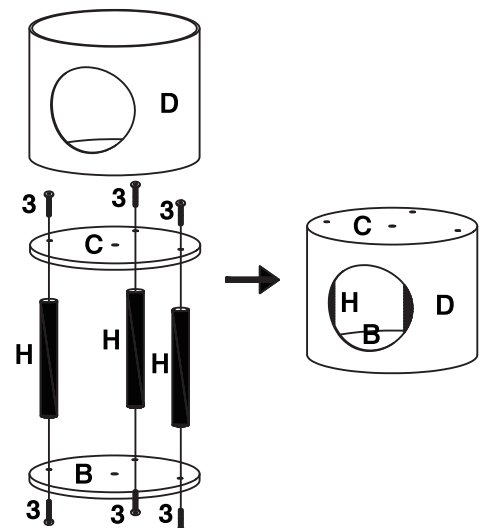
Designed specifically for use by a cat. Always place furniture against a wall or two corner walls, on a flat and level floor surface, in a safe location in the home. Image does not reflect proper use. Never climb, rock or tilt furniture, as this action could result in harm or injury to people and/or pets. Ingestion of this product can result in serious injury.

ADVICE FOR USE

Observe you pet's behavior with this product for suitability. Some items maybe inappropriate for your pet. Remove and replace the item if it becomes damaged.

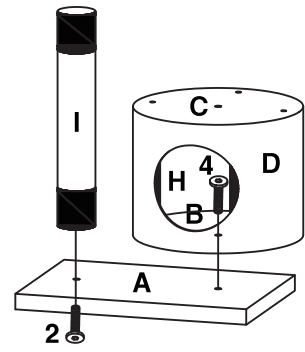
STEP 1

Use assembly component 3 to connect panel B, panel C and posts H Put cover D on it.



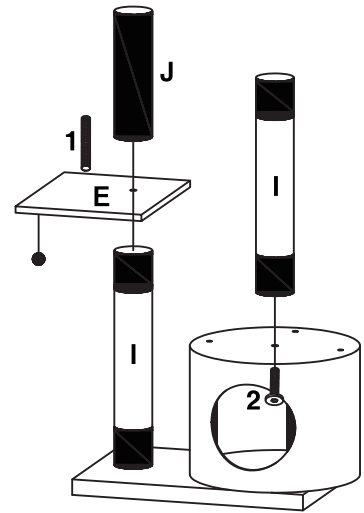
STEP 2

Use assembly component 2 to connect board A and post I.
Use assembly component 4 to connect hut.



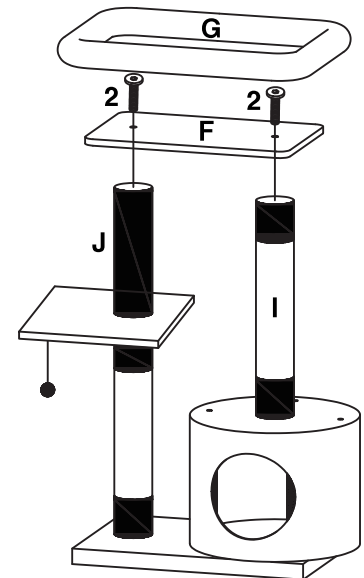
STEP 3

Use assembly component 1 to connect board E, post J and post I.
Use assembly component 2 to connect hut and post I.



STEP 4

Use assembly component 2 to connect platform F, post I and post J.
Place cushion G on top.



Dist. by/par: Pacific Coast Distributing, Inc., 19601 N. 27th Ave., Phoenix, AZ USA 85027
If you are not satisfied with this product, return it with your valid proof of purchase for a refund. Conditions apply. See store or PetSmart.com for details. For more information about Whisker City® products, please call 1-888-839-9638.