



INSTRUCTION MANUAL

DRAINAGE LAYER ACCESSORY

DLA-R02

FEATURES

Access to water table allows you to better regulate your terrarium's environment.

Easily snap/cut grid size to fit inside appropriate Thrive terrarium.

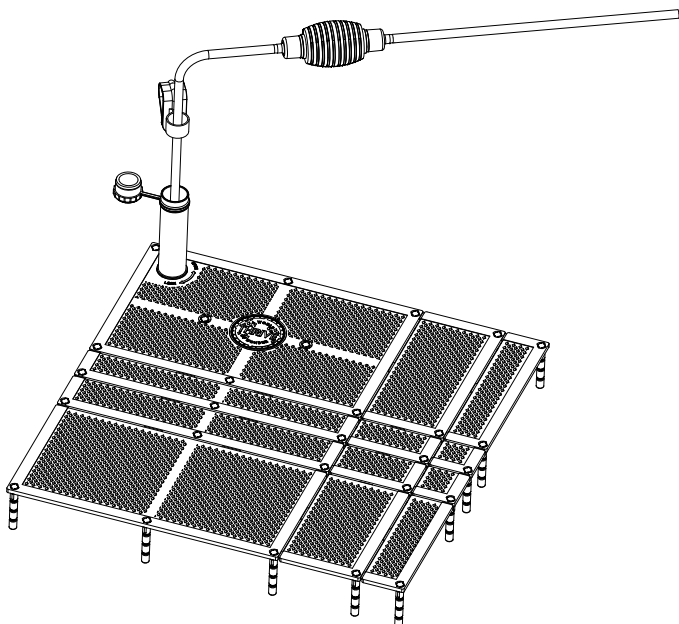
Easily snap/cut legs to customize your layer height.

Plastic grid lets water pass through and fall into water table.

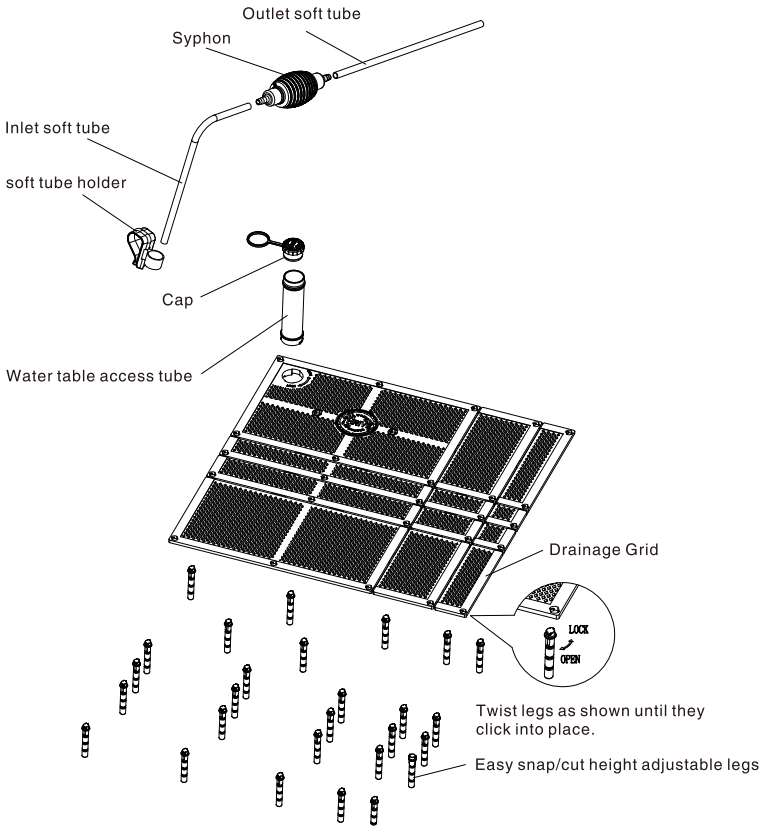
CAUTION

Wash the entire drainage layer if it becomes dirty. Never use soap or detergent on any items placed in your terrarium, as they are highly toxic to pets.

To prevent injury, ensure that pets do not come into direct contact with drainage layer. Always top with suitable substrate.

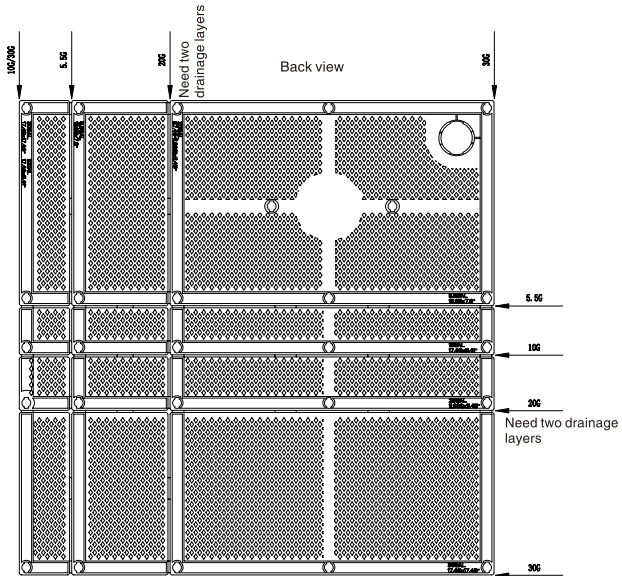
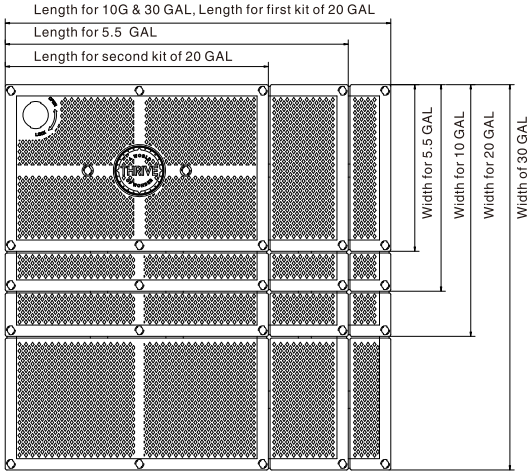


INSTALLATION



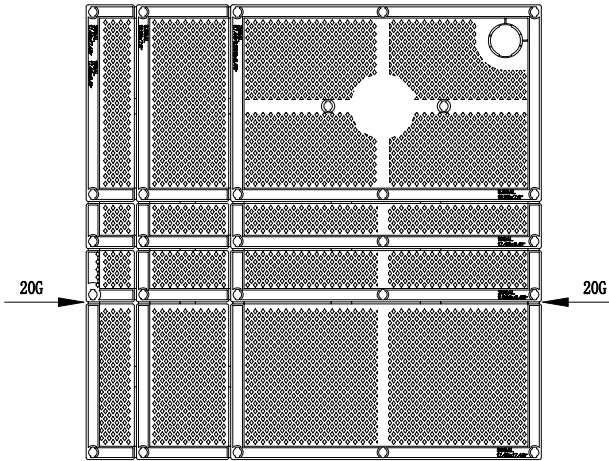
1. If using drainage layer in a terrarium other than the Thrive Tropical Terrarium, snap the drainage layer grid into the appropriate size. (Refer to chart on next page and markings on underside of the grid.)
2. Determine desired drainage layer height and snap or cut legs accordingly. Attach legs to the underside of the drainage layer by turning clockwise until they click into place.
3. Attach the provided cap onto the water table access tube. Place the water table access tube into the appropriate hole and twist until it clicks into place.
4. To remove water from your terrarium uncap the water table access tube and insert your syphon. Place the other end of the syphon into a water receptacle (The soft tube holder can be clipped onto the edge of your water receptacle to ensure your syphon tube stays in place). Pump syphon until the desired amount of water has been removed.

USAGE

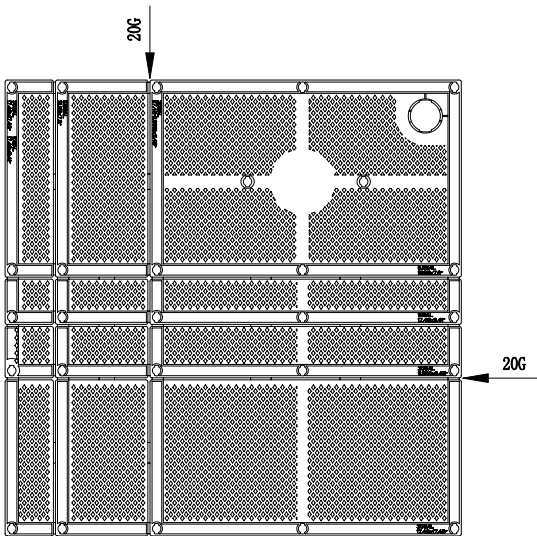


SNAPPING METHOD

20G Snapping method for 20gal terrarium (Back view)

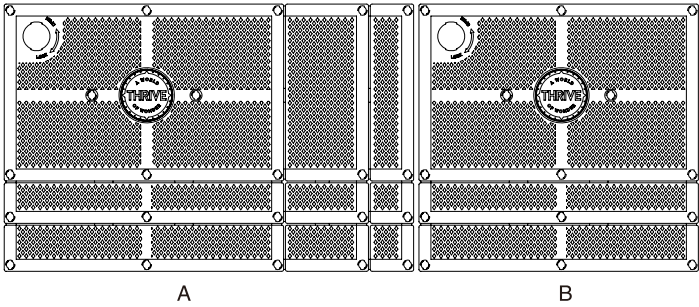


1. Kit 1: Snap off lower portion of the drainage grid at the 20G mark as shown above. New piece A: 17.48"x11.45".

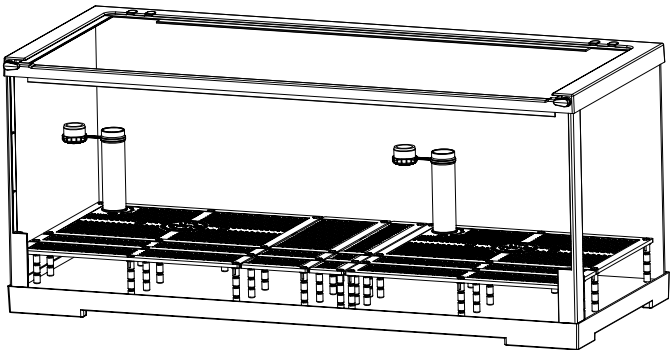


2. Kit 2: Snap the drainage grid according to the arrows in the above diagram. New piece B: 11.968"x11.45".

20G Snapping method for 20gal terrarium (Front view)



3. See above diagram for proper placement of pieces A and B



4. Attach legs and access tubes to the drainage grid and place into 20g terrarium.

TERRARIUM

USE ABOVE DIAGRAM AS REFERENCE WHEN SNAPPING DRAINAGE LAYER TO FIT THRIVE TERRARIUMS.

REFER TO DIMENSIONS ON THE UNDERSIDE OF DRAINAGE LAYER FOR INTERIOR MEASUREMENTS:

ALL DIMENSIONS BELOW ARE EXTERNAL.

-THRIVE 30G TROPICAL KIT: (NO SNAPPING REQUIRED) 18"X18"

-THRIVE 20G ESSENTIALS: (WILL REQUIRE PURCHASING 2 KITS) 30"X12"

-THRIVE 10G ESSENTIALS: 20"X10"

-THRIVE 5.5G: 16"X8"

-THRIVE 40G: (WILL REQUIRE PURCHASING 2 KITS, NO SNAPPING REQUIRED) 36"X18"

If you are not satisfied with this product, return it with your valid proof of purchase for a refund. Conditions apply. See store or [PetSmart.com](https://www.petSMART.com) for details.

For more information about Thrive™ products, please call 1-888-839-9638.

Dist. by/par: Pacific Coast Distributing, Inc.
19601 N. 27th Ave., Phoenix, AZ USA 85027
Made in Vietnam

Product SKU #: 5328858

Last revision: 1/11/21