

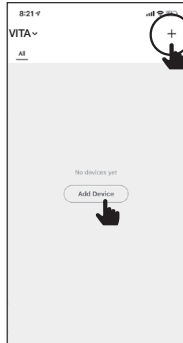
4 Launch and use the Aquatic VITA app to complete the set up.

- Open the VITA app.
- Complete the requested information to create a new account, or sign into your existing account.

5 Tap Add Device or the + sign, then select "ColorPlus Aquarium LED" and confirm. Then enter your Wi-Fi network & password.

Light must be rapidly blinking to connect. If not already blinking, press and hold the button on the controller for nine seconds to put light in pairing mode.

Be sure to connect to a 2.4 GHz Wi-Fi network that covers your installation location.



App will connect controller to your mobile device, connection can take 30-60 seconds. Visit www.aquaticvita.com for additional tips and help.

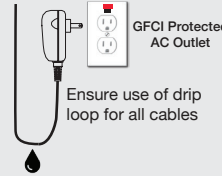
IMPORTANT SAFETY INSTRUCTIONS

READ AND FOLLOW ALL SAFETY INSTRUCTIONS

1. Never attempt repairs yourself, return the device to an authorized repair facility for service or discard.
2. Carefully examine light after installation and BEFORE plugging it into the GFCI wall outlet. Be sure there is NO water or moisture on the light.
3. Never plug in a wet cord. If a plugged in light or socket does get wet, DO NOT TOUCH IT. Instead, promptly disconnect the fuse or circuit breaker that supplies power to the light.
4. Never operate a light that is damaged or malfunctioning, discontinue use immediately and return or discard.
5. This is NOT a toy. Close supervision is required when any appliance is used by or near children.
6. Always unplug fixture when not in use, before putting on or taking off parts, and before cleaning. Never pull the cord to unplug from GFCI.
7. Do not use this light for anything other than its intended use.
8. Ensure light is securely installed before supplying power to the unit.
9. Do not use with an extension cord.
10. Do not look directly into the LEDs.

WARNING:

Drip Loops should always be used to help prevent water from traveling along the cord and coming into contact with an electrical outlet. Drip loops must always be below the level of the outlet. If the plug or outlet does get wet, DO NOT TOUCH the cord. Disconnect the fuse or circuit breaker that supplies power.



WARNING:

Risk of Electric Shock. ONLY plug into a GFCI protected receptacle. If one is not provided, contact a certified electrician for proper installation.

LIMITED WARRANTY

Current USA, Inc. warrants this product against defects in materials and workmanship of a period of ONE (1) YEAR from the date of original retail purchase and is not transferable.

Warranty on all Products, including Aquariums, is limited to replacement of the product and does not cover fish loss, personal injury, property loss or direct, incidental or consequential damage arising to the use of this product.

Note: Current-USA, Inc. One-Year Limited Warranty does not cover damage caused by the following: improper installation, saltwater corrosion, electrical surges, or modifications.

This warranty does not apply if the product has been damaged by accident, abuse, misuse or misapplication or if the product has been modified without the written permission of Current-USA, Inc.; or if any Current-USA, Inc. logos have been removed or defaced.

THE WARRANTY AND REMEDIES SET FORTH ABOVE ARE EXCLUSIVE AND IN LIEU OF ALL OTHERS, WHETHER ORAL OR WRITTEN, EXPRESS OR IMPLIED. CURRENT USA, INC. SPECIFICALLY DISCLAIMS ANY AND ALL IMPLIED WARRANTIES, INCLUDING BUT NOT LIMITED TO LOST PROFITS, DOWNTIME, GOODWILL, DAMAGE TO OR REPLACEMENT OF EQUIPMENT AND PROPERTY, AND ANY COSTS OF RECOVERING ANIMALS, PLANTS, TANKS OR OTHER AQUARIUM RELATED ITEMS AND/OR EQUIPMENT. CURRENT USA, INC. IS NOT RESPONSIBLE FOR SPECIAL, INCIDENTAL, OR CONSEQUENTIAL DAMAGES RESULTING FROM ANY BREACH OF WARRANTY, OR REPLACEMENT OF EQUIPMENT OR PROPERTY, OR ANY COSTS OF RECOVERING OR REPRODUCING ANY EQUIPMENT, ANIMALS OR PLANTS USED OR GROWN WITH CURRENT USA, INC. PRODUCTS. Some jurisdictions do not allow the exclusion or limitation of incidental or consequential damages or exclusions of implied warranties, so the above limitations or exclusions may not apply to you. This warranty gives you specific legal rights, and you may also have other rights that vary from jurisdiction to jurisdiction.

SERENE

 current

ColorCast Background LED Light

Quick Install Guide

What's Included:

- 1 ea. - ColorCast LED Light
- 1 ea. - Frosted Glass Background Film
- 1 ea. - Inline LED Controller
- 1 ea. - 12V DC Power Supply
- 2 ea. - Suction Cup Light Clips
- 2 ea. - Cabinet Mount Clips w/Screws
- 2 ea. - Adhesive Tape

NOTE: If you are missing any components, please contact us at: info@current-usa.com

DO NOT RETURN TO RETAILER



This device Contains Transmitter Module
FCC ID:2ANDL-CB3S
IC: 23243-CB3S

ELECTRICAL RATINGS:
INPUT: 120-240VAC,50/60HZ
OUTPUT: 12VDC, 2A, 24W MAX

Supplier's Declaration of Conformity:
47 CFR § 2.1077 Compliance Information

Responsible Party:
Current USA, Inc.

2640 Business Park DR.
Vista, CA 92081

760-727-7011
Unique Identifier:

Models: 9053, 9054

This device complies with Part 15 of the FCC Rules. Operation is subject to the following two conditions: (1) This device may not cause harmful interference, and (2) this device must accept any interference received, including interference that may cause undesired operation.

Note: This equipment has been tested and found to comply with the limits for a Class B digital device, pursuant to part 15 of the FCC Rules. These limits are designed to provide reasonable protection against harmful interference in a residential installation. This equipment generates, uses and can radiate radio frequency energy and, if not installed and used in accordance with the instructions, may cause harmful interference to radio communications. However, there is no guarantee that interference will not occur in a particular installation. If this equipment does cause harmful interference to radio or television reception, which can be determined by turning the equipment off and on, the user is encouraged to try to correct the interference by one or more of the following measures:

- Reorient or relocate the receiving antenna.
- Increase the separation between the equipment and receiver.
- Connect the equipment into an outlet on a circuit different from that to which the receiver is connected.
- Consult the dealer or an experienced radio/TV technician for help.

Getting Started:

1 Download the Aquatic VITA app on your smart device



AquaticVITA App



Only supports 2.4GHz Wi-Fi networks

2 Attach Frosted Glass Background Film

NOTE: The only tools required for basic installation are a pair of scissors and clear tape.

STEP 1: Unroll and flatten background film. Measure length (L) and height (H) of glass aquarium panel. (glass only, don't include the plastic frame.) Lightly mark cutting lines with pencil.



STEP 2: Using sharp scissors, carefully cut background film to size. You can also use a razor blade & straight edge to cut/trim.



STEP 3: Clean glass panel. Remove any hang-on filters or other accessories from back of aquarium. Use a cloth/sponge and freshwater (NO SOAP or CHEMICALS) & clean back glass panel. Dry with cloth towel.



We recommend cleaning the inside tank glass of any algae.

STEP 4: Attach film with clear tape. Start at one side of aquarium and attach background film to outer back glass panel using clear tape at each corner (textured side facing in & smooth glossy side facing out.) Unroll film, covering entire back glass panel, tape edge to other side of aquarium, ensuring film is tight against glass.



STEP 5: Attach Background LED Light. Moisten suction cups, position Background LED light in desired location on plastic frame, then press firmly to attach to aquarium frame. We recommend mounting it to the bottom frame for best lighting effects.

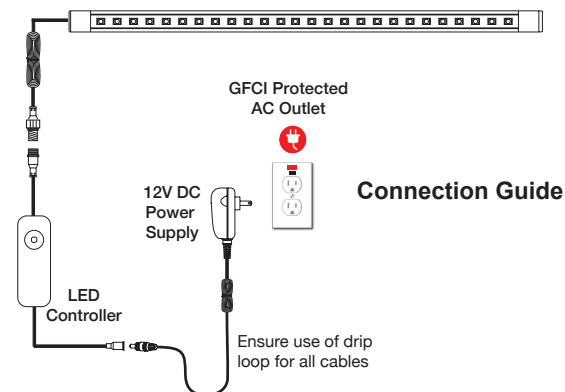


NOTE: For rimless aquariums installations and/or cabinet brackets, visit www.current-usa.com/colorcast-led-guide

3 You are now ready to use the LED light via the inline LED controller.

To activate smart mobile app features, proceed to steps 4 & 5. When in Smart Wi-Fi pairing mode, the LED light will blink. Note: the light will stop blinking after 3 minutes or when controlled via the inline controller.

- Connect the 3-pin plug on the light fixture to the matching 3-pin plug on the LED controller,
- Connect the male DC plug from the power supply to the LED controller.
- Plug power supply into a GFCI protected AC outlet ensuring a drip loop is in place.



- Rotate LED light so LED's point up towards back of aquarium.

LED Controller Button:

WARNING:
LED Controller is NOT waterproof. Keep in a dry place away from dripping water or where it may drop into water.



Main control features:

- Press once (1x) to turn **ON**, light will display default Blue color spectrum.
- Press and hold button 3 seconds to turn light **OFF**.

*To reset controller for pairing with the Vita app and mobile device, press and hold button for 9 seconds - LED light will blink red when ready for pairing and connection.

Manual Scene control:

- Press 2x to display Sunset fade scene.
- Press 3x to display Sunshine fade scene.
- Press 4x to display Stream fade scene.
- Press 5x to display Enhance scene.
- Press 6x to display Panorama scene.
- Press 7x to display Focus scene.

For more information, check the App User Guide at www.aquaticvita.com for help.