



Townhome Hamster Habitat Assembly Instructions

SKU #5318974 Use care to avoid pinching of fingers during assembly.

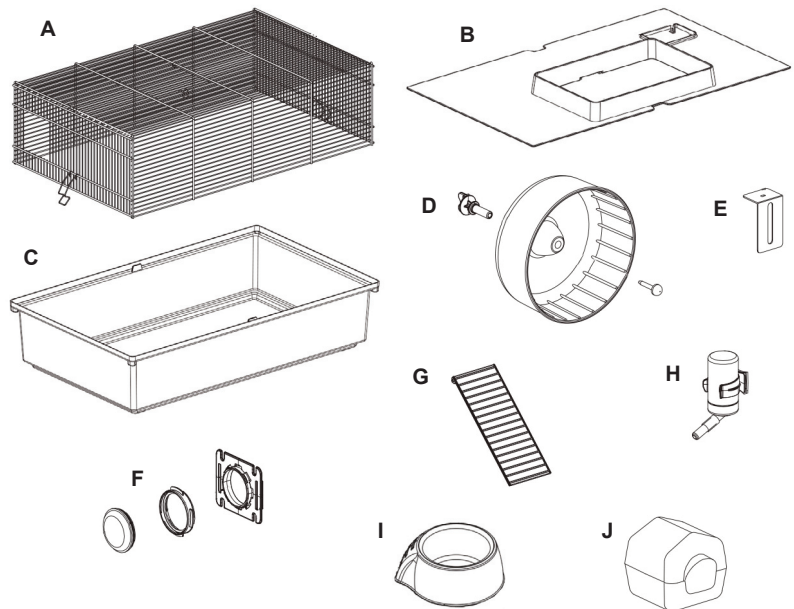
IMPORTANT INFORMATION

Unwrap and remove all parts from the box. Keep the box and packing material until the product is assembled. In case of return or exchange, failure to return product in similar condition as received could result in limited reimbursement. Please save sales receipt as proof of purchase for warranty purposes. Check to ensure you have all the parts below. If you discover any parts are missing, immediately call our toll-free service helpline at 1-800-428-8560 (Monday - Friday 9 a.m. to 4 p.m. EST) or email info@midwesthomes4pets.com.

Your Full Cheeks™ Townhome Hamster Habitat is expandable, with the option to attach tubes and other accessories (sold separately) or to connect this home to another hamster home. **PLEASE KEEP THE WHITE AND BLUE RINGS FOR FUTURE USE.** Their application and usage is explained in detail in Step 4.

PARTS IDENTIFICATION

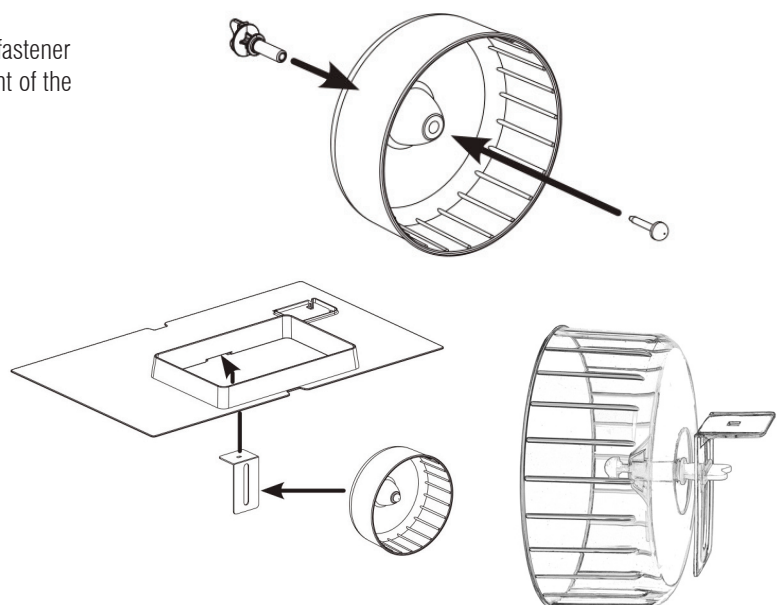
- A - Wire Top
- B - Platform
- C - Plastic Bottom
- D - Exercise Wheel - 3 pieces
- E - Wheel Mount
- F - Tube Adapter with Clear Cap, White Ring & Blue Ring
- G - Ramp
- H - Water Bottle with Mount
- I - Food Bowl
- J - Hideout Hut



ASSEMBLY INSTRUCTIONS

Wheel Mount to Platform

1. Begin by assembling the Exercise Wheel (D). Insert the swivel fastener through the back of the Wheel and insert the pin through the front of the Wheel. Secure these pieces together tightly.
2. Attach the Wheel Mount (E) to the bottom of the Platform (B) in the slot provided. Then, attach the Wheel to the Mount by sliding the wings of the swivel fastener into the Mount vertically. Place the Wheel at the desired height within the mount, then twist the swivel fastener until the wings are horizontal and the Wheel is secure. The height of the Wheel within the home can be adjusted over time as desired.



Home & Accessory Assembly

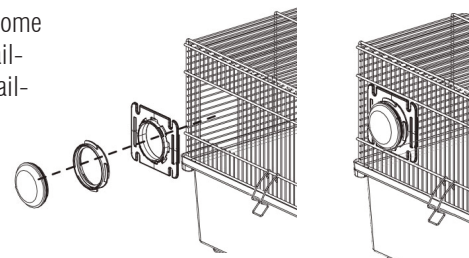
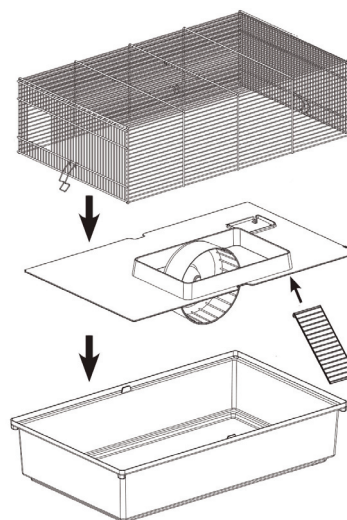
- Attach the Ramp (G) to the underside of the Platform (B), then place the Platform on top of the Plastic Bottom (C), and place the Wire Top (A) on the Platform. Be sure the bottom wire on the Wire Top rests between the outside edge and the tab on both sides of the Plastic Bottom.

Use the wire clips on each end to secure the Wire Top to the Plastic Bottom.

- Place the Tube Adapter over the square opening in wire top. The Adapter connects to the wires on the right and left side of the opening. Place the BLUE ring on the Tube Adapter and attach the clear cap to close the opening.

Your Full Cheeks™ Townhome Hamster Habitat is expandable, with the option to attach tubes and other accessories (sold separately) or to connect the home to another hamster home. When additional accessories are not in use, cover the hole in the side of your hamster home with the Tube Adapter, one BLUE RING, and a cap. The cap can only be secured with the BLUE ring; it is important to keep all rings for future use. The WHITE rings allow you to attach tubes to the home for additional recreation and play space. The WHITE ring fits accessory tubes commonly available through retailers in the United States. The BLUE ring fits accessory tubes commonly available through international retailers.

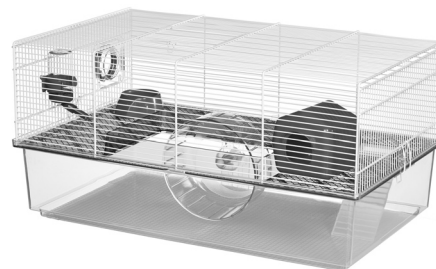
PLEASE KEEP THE WHITE AND BLUE RINGS FOR FUTURE USE.



- Attach the Water Bottle in the desired location on the inside of the home, making sure there is no gap in the wires. Then, place the Hideout Hut and Food Bowl in the home.



- Your Full Cheeks™ Townhome Hamster Habitat is now fully assembled and ready for use. Furnish with bedding, toys, and accessories as desired.



Care Instructions

Wipe with a damp cloth and mild, pet-safe cleaner. Allow to air-dry. Do not expose to direct sunlight for extended periods of time.

TOLL-FREE SERVICE HELPLINE: If you have any problems or questions with the assembly of your Full Cheeks™ Townhome Hamster Habitat, call our Service Helpline at: 1-800-428-8560 between 9:00 a.m. and 4:00 p.m. (EST) Monday through Friday.

LIMITED MANUFACTURER'S WARRANTY

- For one (1) year from the date of original purchase, the manufacturer warrants to the purchaser of this pet home that, should it prove defective by reason of improper workmanship and/or material, the manufacturer will repair or replace, at its option, any defective part of the pet home, without charge for the part or for shipping. Replacement parts are warranted for the remainder of the original period.
- THIS WARRANTY DOES NOT COVER** defects in the home caused by any animal, any physical abuse to or misuse of the pet home, any damage caused by the original purchaser or any third party, or any defects arising or discovered more than one (1) year from the original retail purchase date.
- STEPS TO OBTAIN WARRANTY SERVICE:**
 - The purchaser must call the manufacturer's HELPLINE, 1-800-428-8560, to report the alleged defect to a customer service representative or obtain missing parts.
 - The customer service representative will determine if the defect is covered by this warranty and, if it is, will authorize and instruct the purchaser in how to obtain corrective action.
 - The manufacturer may require the purchaser to present the sales receipt or other proof of purchase prior to authorizing any return or replacement. No returns or replacements will be permitted without proper authorization. If a return or replacement is authorized, you may be requested to return the item to the manufacturer or to make the item available for pick-up by the manufacturer.
- ANY EXPRESS WARRANTY NOT PROVIDED IN THIS WARRANTY DOCUMENT, AND ANY REMEDY FOR BREACH OF CONTRACT THAT, BUT FOR THIS PROVISION, MIGHT ARISE BY IMPLICATION OR OPERATION OF LAW, IS HEREBY EXCLUDED AND DISCLAIMED. THE IMPLIED WARRANTIES OF MERCHANTABILITY AND OF FITNESS FOR ANY PARTICULAR PURPOSE ARE EXPRESSLY LIMITED TO A TERM OF ONE (1) YEAR. SOME STATES DO NOT ALLOW LIMITATIONS ON HOW LONG AN IMPLIED WARRANTY LASTS, SO THE ABOVE LIMITATIONS MAY NOT APPLY TO YOU.**
- UNDER NO CIRCUMSTANCES SHALL THE MANUFACTURER BE LIABLE TO PURCHASER OR ANY OTHER PERSON FOR ANY SPECIAL, INCIDENTAL OR CONSEQUENTIAL DAMAGES, WHETHER ARISING OUT OF BREACH OF WARRANTY, BREACH OF CONTRACT OR OTHERWISE, SOME STATES DO NOT ALLOW THE EXCLUSION OR LIMITATIONS OF INCIDENTAL OR CONSEQUENTIAL DAMAGES, SO THE ABOVE LIMITATIONS OR EXCLUSION MAY NOT APPLY TO YOU.**
- This warranty gives you specific legal rights, and you may also have other rights which vary from state to state.

For more information about Full Cheeks™ products, please call 1-888-839-9638.

Dist. by/par: Pacific Coast Distributing, Inc., 19601 N. 27th Ave., Phoenix, AZ USA 85027

FC-21-5318974 IM 2