



# Customizable Home Guinea Pig Habitat Assembly Instructions

SKU #5318973 Use care to avoid pinching of fingers during assembly.



An instructional video on how to assemble this product is available at [petsmart.com](http://petsmart.com). Search the product page with SKU detail information.

## IMPORTANT INFORMATION

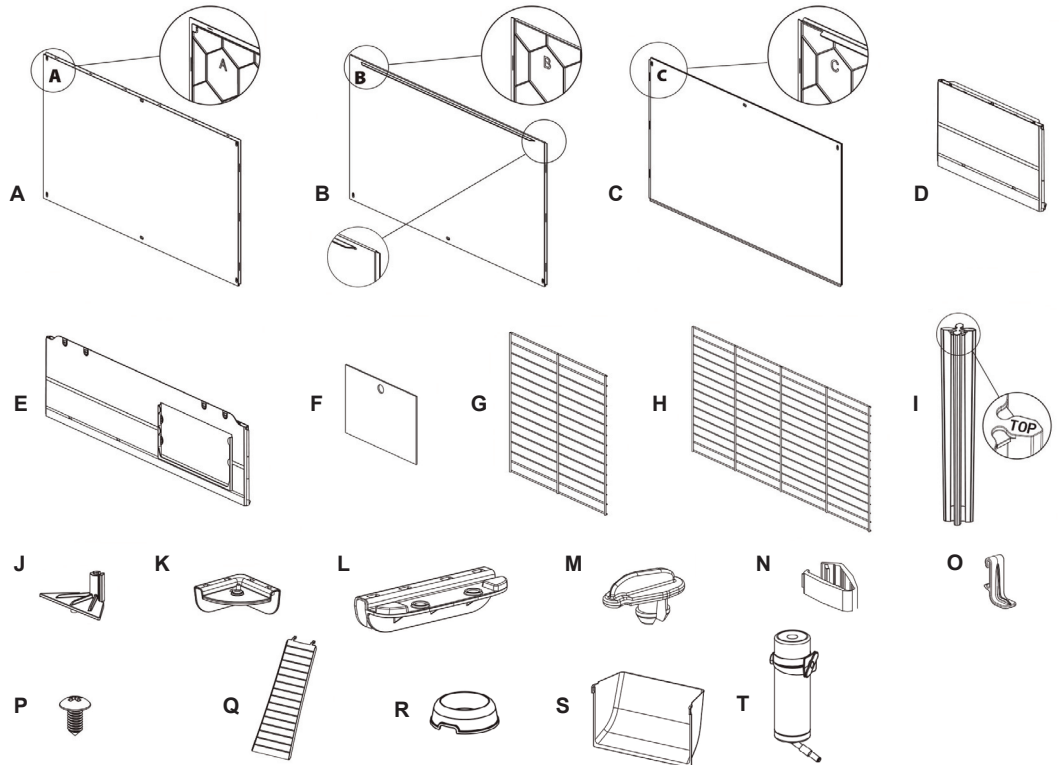
Unwrap and remove all parts from the box. Keep the box and packing material until the product is assembled. In case of return or exchange, failure to return product in similar condition as received could result in limited reimbursement. Please save sales receipt as proof of purchase for warranty purposes. Check to ensure you have all the parts below. If you discover any parts are missing, immediately call our toll-free service helpline at 1-800-428-8560 (Monday - Friday 9 a.m. to 4 p.m. EST) or email [info@midwesthomes4pets.com](mailto:info@midwesthomes4pets.com).

Your Full Cheeks™ Customizable Home is expandable, with the option to add Full Cheeks™ Expansion Kits (sold separately). See page 8 for examples.

Caution: Adult assembly required. Small parts may be present.

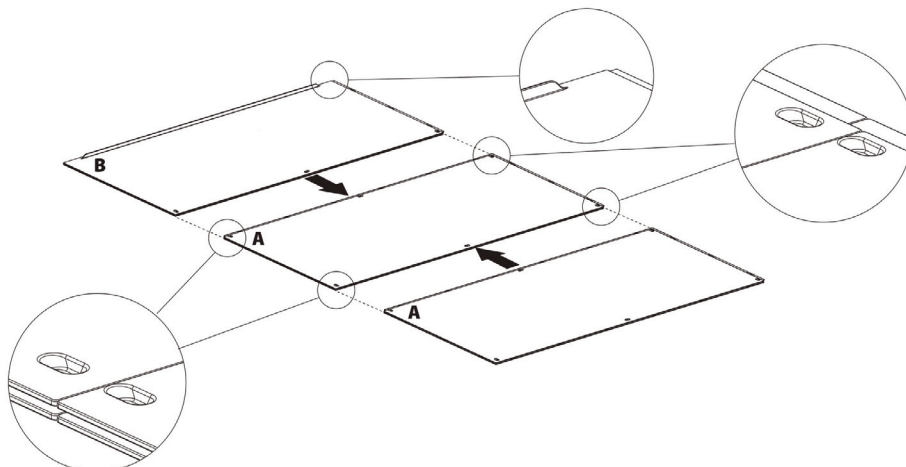
## PARTS IDENTIFICATION

- A Plastic Bottom A (2 pieces)
- B Plastic Bottom B
- C Hide Cover C
- D Plastic Side Panel (8 pieces)
- E Door Panel (2 pieces)
- F Liffable Door
- G Wire Panel (8 pieces)
- H Long Wire Panel (4 pieces)
- I Base Joint (9 pieces)
- J Floor Shim (3 pieces)
- K Corner Stabilizer (4 pieces)
- L Straight Stabilizer (6 pieces)
- M Top Lock (16 pieces)
- N Plastic Clasp (9 pieces)
- O Hide Clip (4 pieces)
- P Self-Tapping Screw (8 pieces)
- Q Ramp
- R Food Bowl
- S Hay Feeder
- T Water Bottle

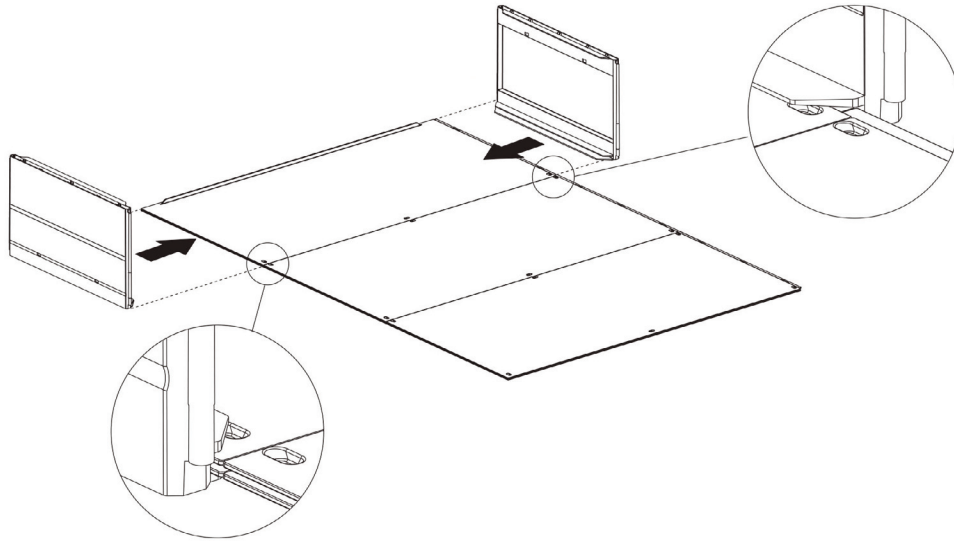


## ASSEMBLY INSTRUCTIONS

1. Begin by assembling the three pieces that make up the plastic bottom. Connect both bottom pieces labeled A together. Then connect the bottom piece labeled B to the end. Be sure to pay attention to the small lip on part B, which needs to be on the end of the assembled floor.

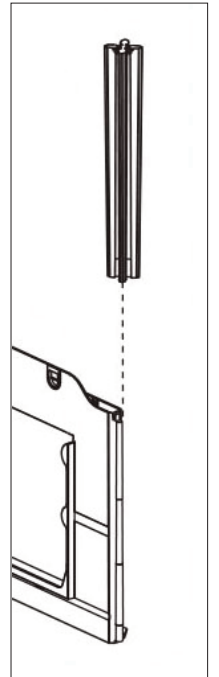
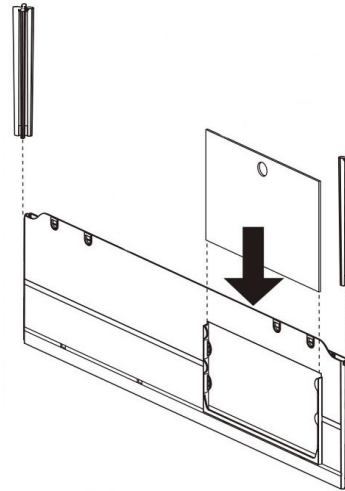
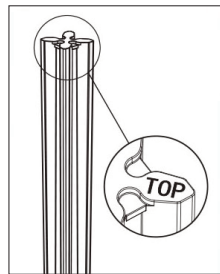


2. Begin by attaching two Plastic Side Panels (D) to the floor starting at part B, the end with the small lip.

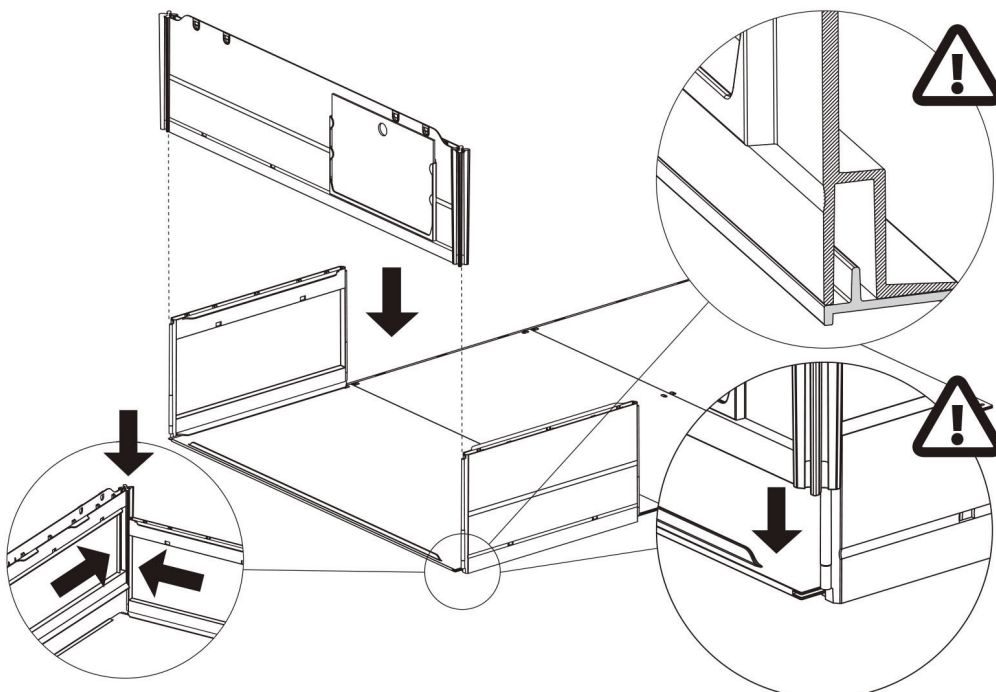


3. Use the Lifiable Door (F) to close the opening on one Door Panel (E).

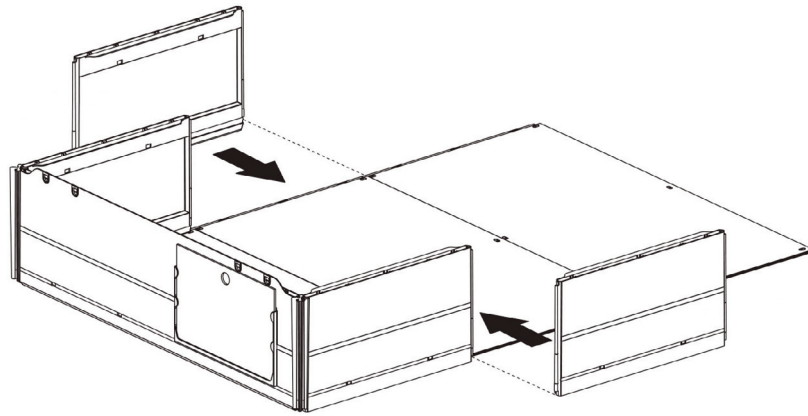
Slide two Base Joints (I) onto each side of the Door Panel. Note that the top of the Base Joints have a wider, thicker "star" than the bottom of the joints. Be sure to slide them down accordingly and push down completely.



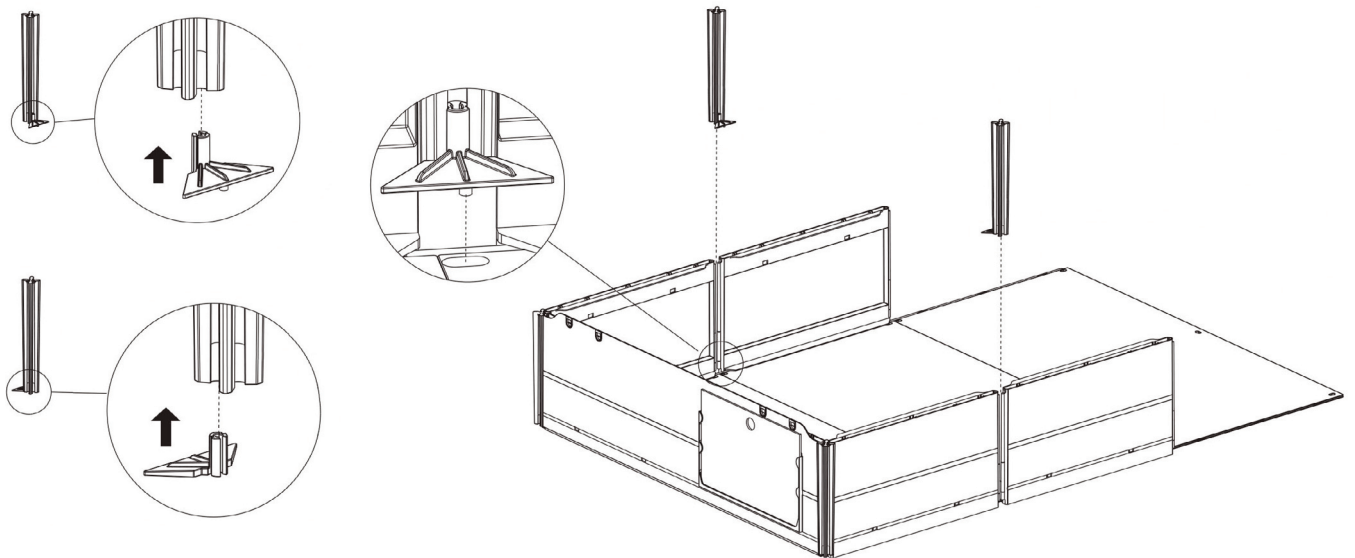
4. Using the Base Joints you attached in Step 3, slide the Door Panel (E) down on the end, carefully connecting with each of the Plastic Side Panels. Be sure the "lip" on the floor fits into the groove on the underside of the Door Panel.



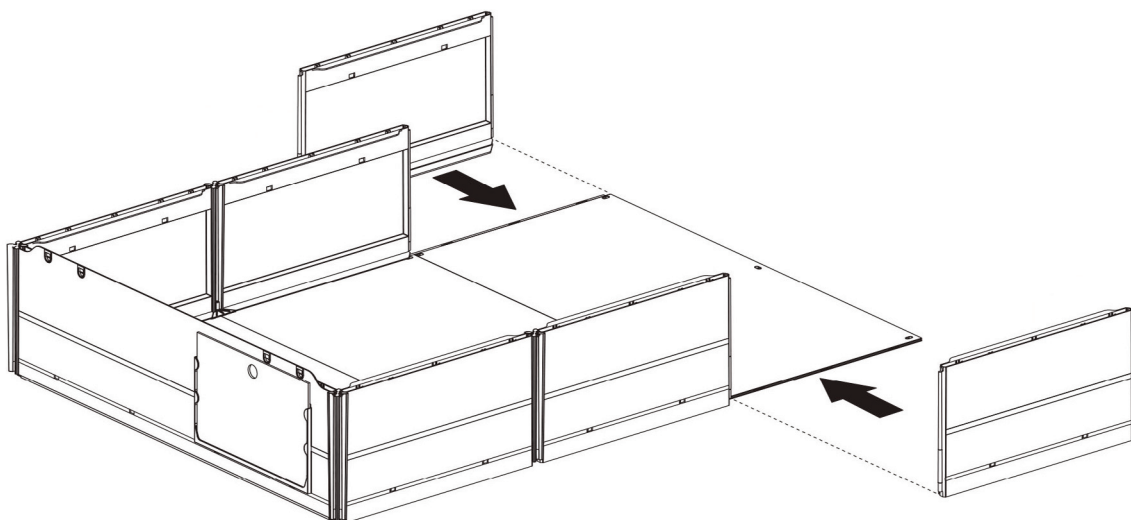
5. Attach two more Plastic Side Panels (D) to the middle section of the floor.



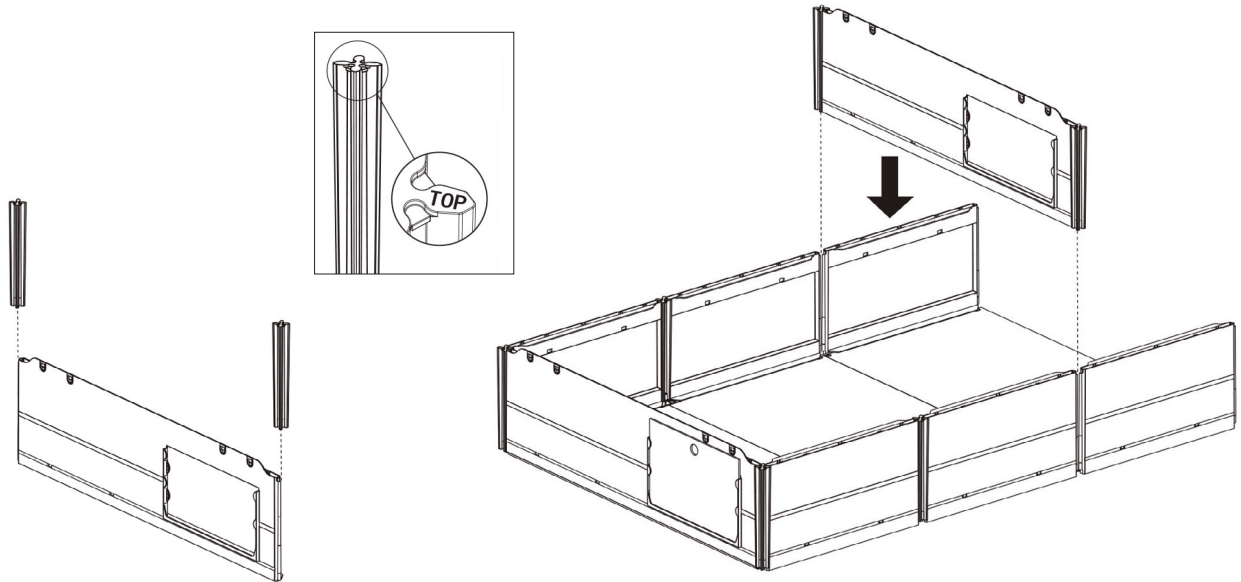
6. Insert a Floor Shim (J) into the bottom of each of the two Base Joints (I). With the triangle of the shims facing the inside of the habitat, slide the Base Joints down between the Plastic Side Panels, connecting them together. Push all the way down until fully connected to the floor.



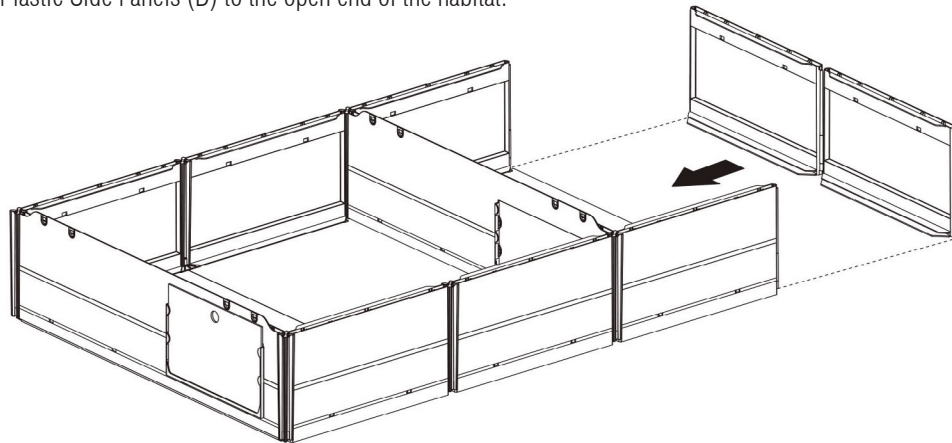
7. Attach two additional Plastic Side Panels (D) to the last section of the floor.



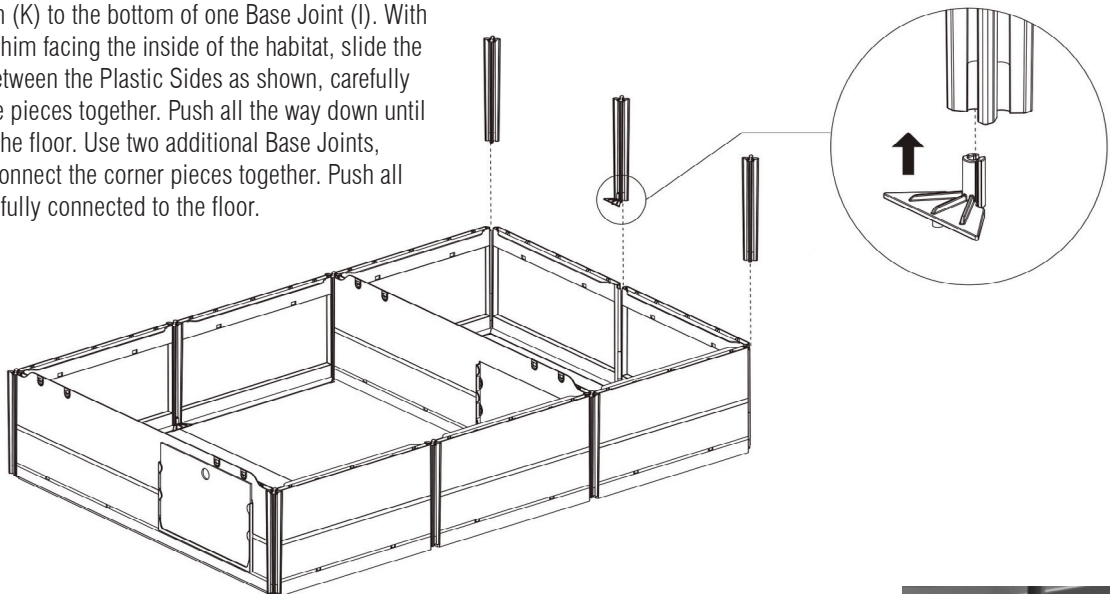
8. Slide two Base Joints (I) down on each side of the second Door Panel (E). Note that the top of the Base Joints have a wider, thicker "star" than the bottom of the joints. Be sure to slide them down accordingly and completely. Using the Base Joints you attached, slide the Door Panel (E) down between the second and third floor sections; this will create the Hide of the habitat.



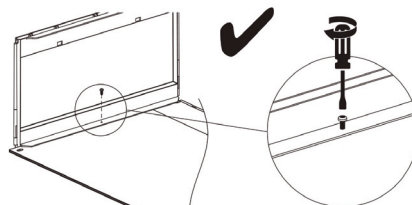
9. Attach two additional Plastic Side Panels (D) to the open end of the habitat.



10. Attach a Floor Shim (K) to the bottom of one Base Joint (I). With the triangle of the shim facing the inside of the habitat, slide the Base Joint down between the Plastic Sides as shown, carefully connecting the side pieces together. Push all the way down until fully connected to the floor. Use two additional Base Joints, without shims, to connect the corner pieces together. Push all the way down until fully connected to the floor.

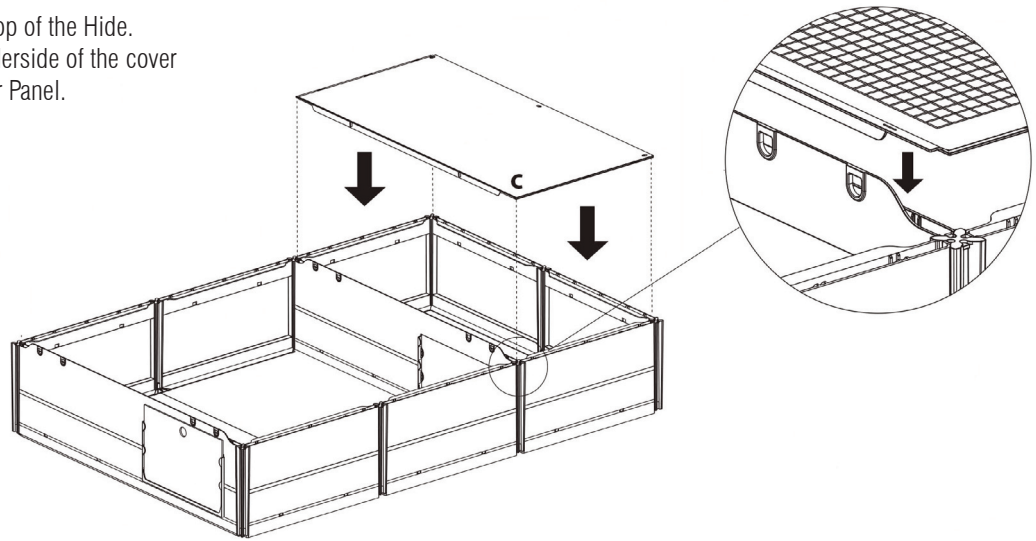


11. To secure the base and add stability, place a Self-Tapping Screw (P) in the middle of each Plastic Side Panel (D) to secure the panels to the floor of the expansion.



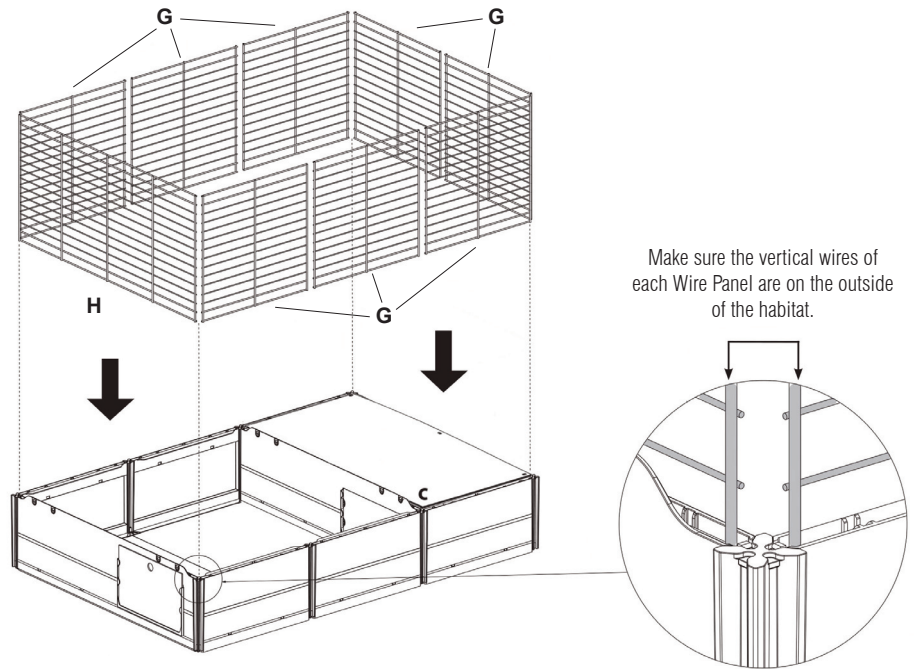


12. Place the Hide Cover (C) on top of the Hide. Make sure the "lip" on the underside of the cover fits into the groove of the Door Panel.

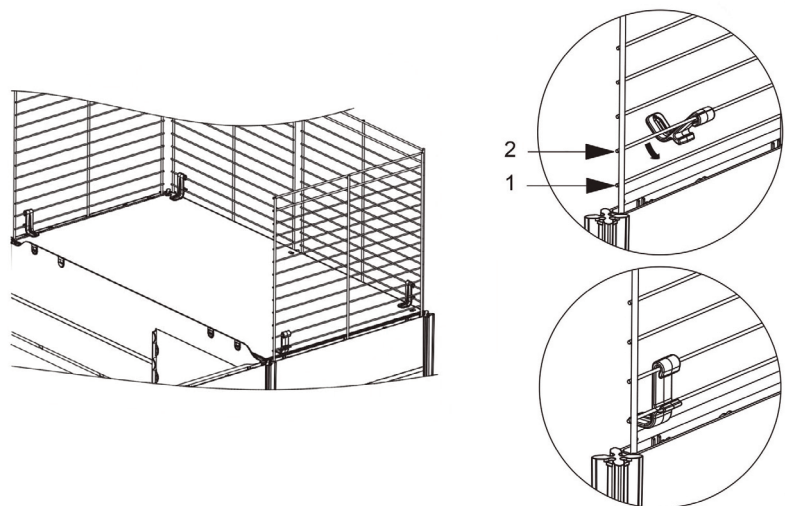


13. With the vertical wires facing the outside of the habitat, place each one of the Wire Panels (G) down and into the Plastic Side Panels until they click into place. The bottom two horizontal wires will rest inside the plastic.

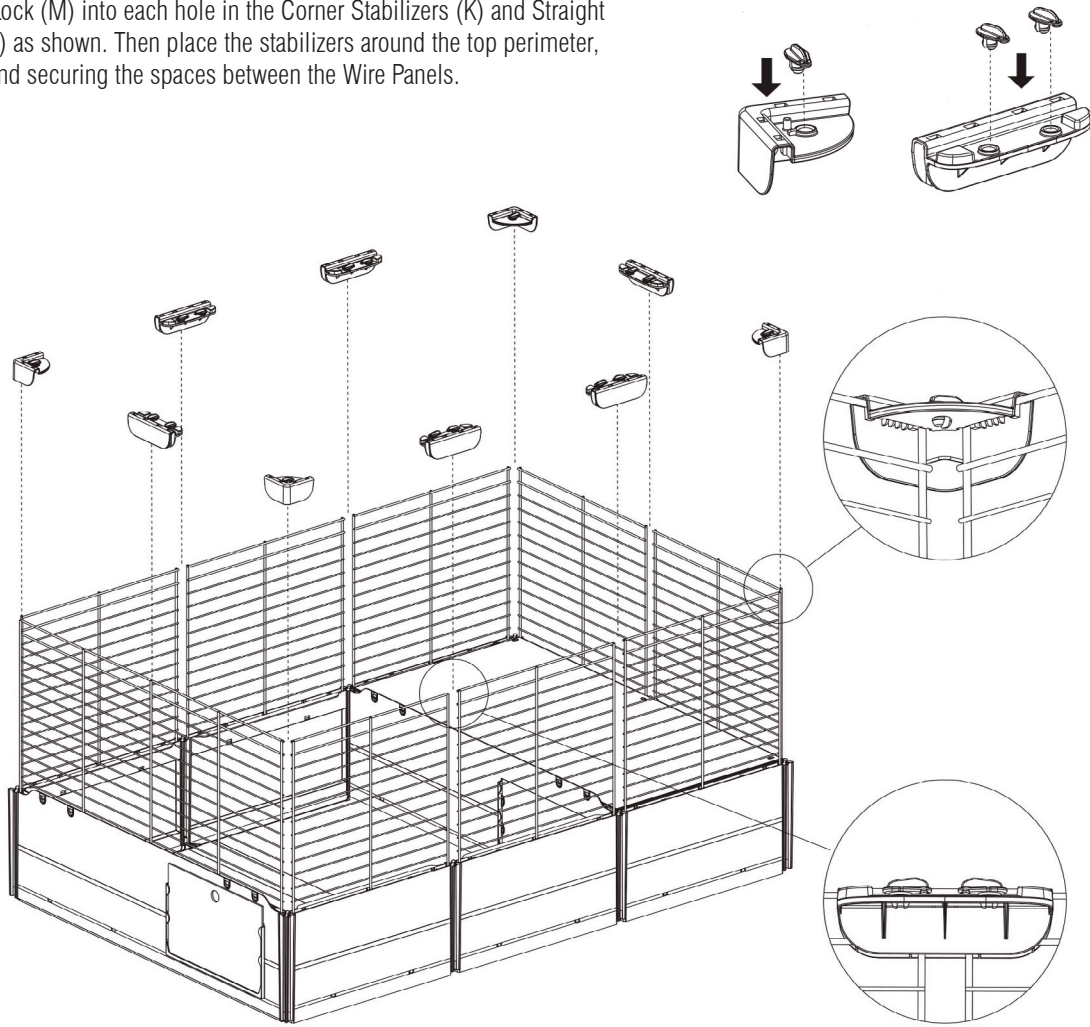
Do the same with one Long Wire Panel (H), placing it on the end with the Door Panel.



14. Secure the Hide Top with four Hide Clips (O). Attach each clip to the second visible horizontal wire, then swing down and secure the clip under the first visible wire. The Hide Clips will prevent the Hide Top from shifting.



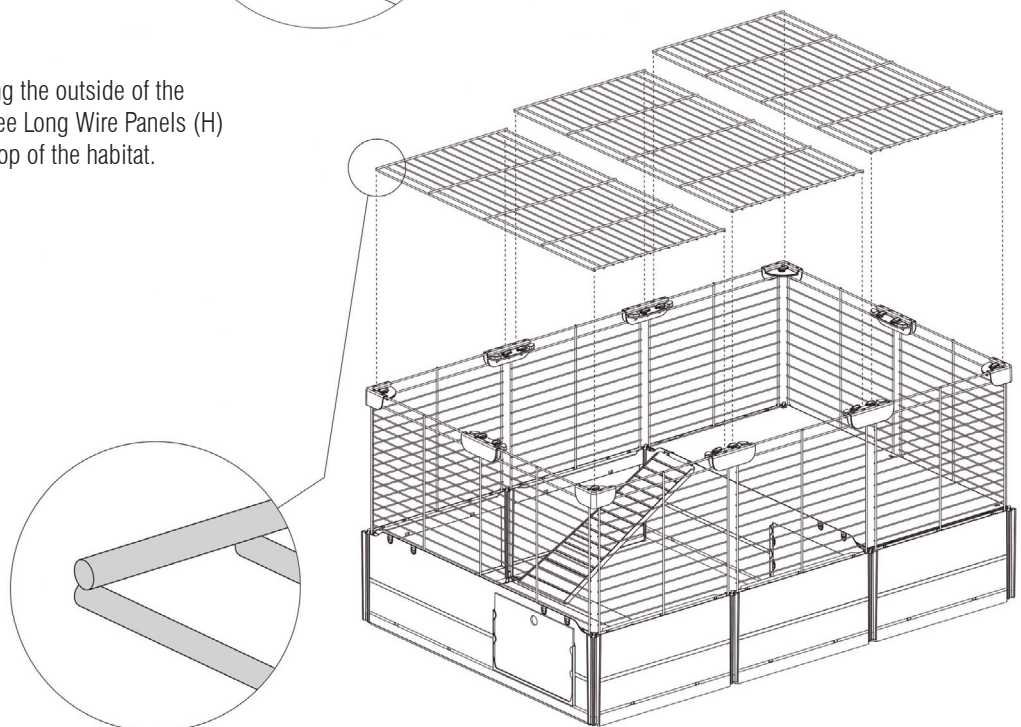
15. Insert a Top Lock (M) into each hole in the Corner Stabilizers (K) and Straight Stabilizers (L) as shown. Then place the stabilizers around the top perimeter, connecting and securing the spaces between the Wire Panels.



16. Attach the Ramp (Q) to the Hide.

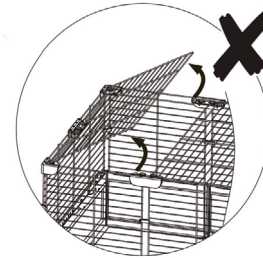
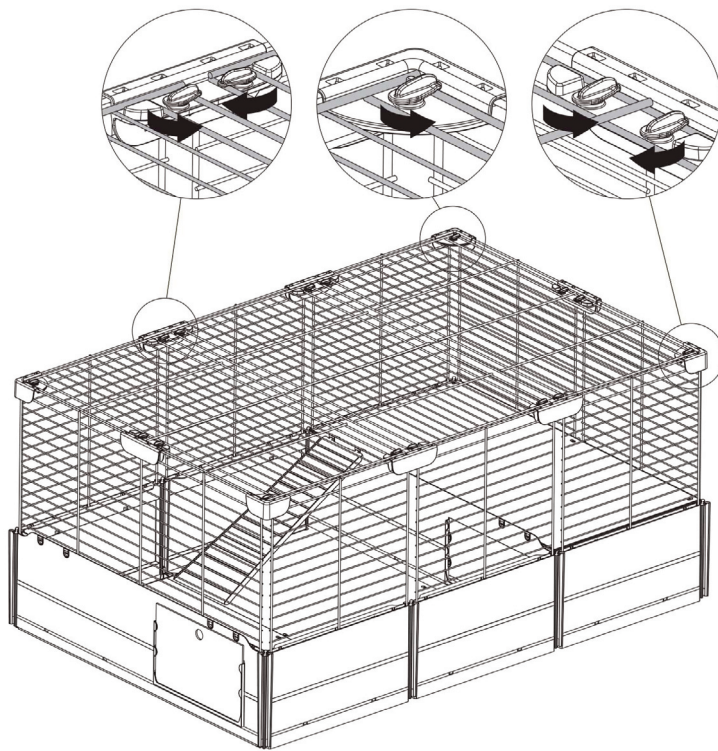


17. With the five vertical wires facing the outside of the habitat, place the remaining three Long Wire Panels (H) on the stabilizers to create the top of the habitat.

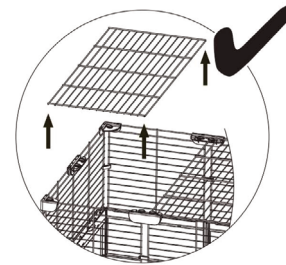




18. The wire top is secured by the Top Locks (M). Simply rotate the locks on each stabilizer to cover the wires and secure the top.  
**Please Note:** The Top Locks are not to be used as hinges. Do not attempt to swing the wire top panels open like a door. Always remove the wire top panels completely to access your pet.

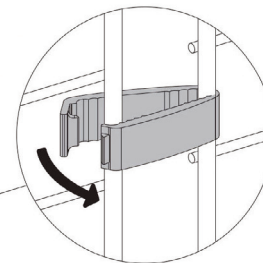
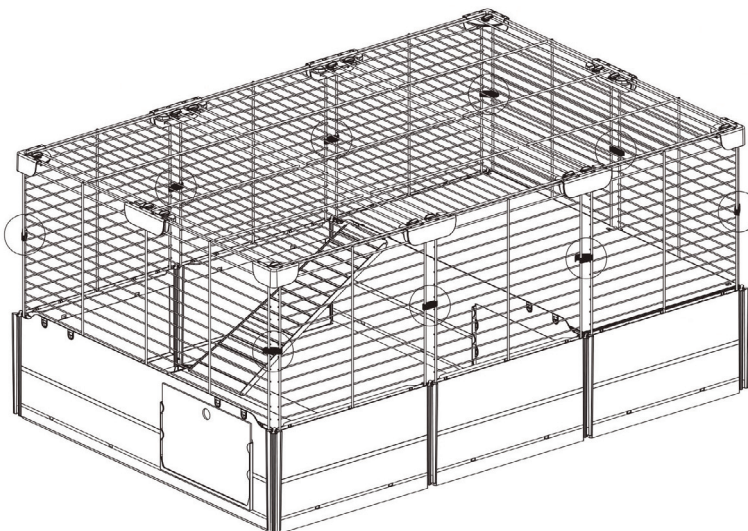


Never unlock one side of a Long Wire Panel and swing open.



Always unlock all sides of the Long Wire Panel and remove completely to access your pet.

19. Place the Plastic Clasps (N) at the mid-point of each set of Wire Panels to secure them together.



20. Attach the Water Bottle (T) in the desired location on the outside of the habitat. Place the Food Bowl (R) inside the habitat in the desired location.

Your Full Cheeks™ Customizable Home is now fully assembled and ready for use. Furnish with bedding, toys, and accessories as desired.



## Safety Note

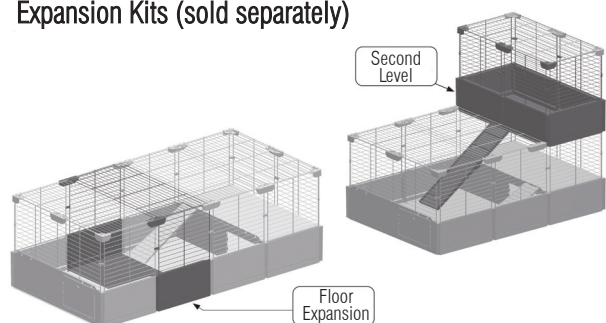
When moving your assembled habitat from one location to another, ALWAYS use two people, be sure there are NO PETS in the habitat, and pick up the habitat from the bottom to transport. NEVER move the assembled habitat with pets inside and DO NOT lift the habitat by the wire top or wire sides.



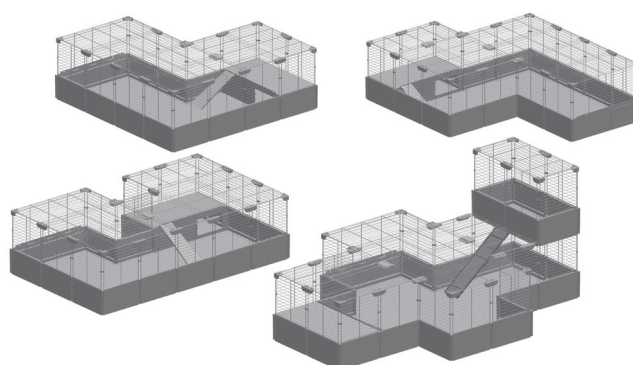
## Expansion Options

Your Full Cheeks™ Customizable Home is expandable and able to be configured in numerous ways: By connecting the habitat to a pen (sold separately) or a Full Cheeks™ Expansion Kit (sold separately).

### Expansion Kits (sold separately)



### Sample Configuration Options



## Care Instructions

Wipe with a damp cloth and mild, pet-safe cleaner. Allow to air-dry. Do not soak or submerge the habitat's pieces or expose to direct sunlight for extended periods of time.

**TOLL-FREE SERVICE HELPLINE:** If you have any problems or questions with the assembly of your Full Cheeks™ Customizable Home, call our Service Helpline at: 1-800-428-8560 between 9:00 a.m. and 4:00 p.m. (EST) Monday through Friday.

### LIMITED MANUFACTURER'S WARRANTY

- For one (1) year from the date of original purchase, the manufacturer warrants to the purchaser of this pet home that, should it prove defective by reason of improper workmanship and/or material, the manufacturer will repair or replace, at its option, any defective part of the pet home, without charge for the part or for shipping. Replacement parts are warranted for the remainder of the original period.
- THIS WARRANTY DOES NOT COVER** defects in the home caused by any animal, any physical abuse to or misuse of the pet home, any damage caused by the original purchaser or any third party, or any defects arising or discovered more than one (1) year from the original retail purchase date.
- STEPS TO OBTAIN WARRANTY SERVICE:**
  - The purchaser must call the manufacturer's HELPLINE, 1-800-428-8560, to report the alleged defect to a customer service representative or obtain missing parts.
  - The customer service representative will determine if the defect is covered by this warranty and, if it is, will authorize and instruct the purchaser in how to obtain corrective action.
  - The manufacturer may require the purchaser to present the sales receipt or other proof of purchase prior to authorizing any return or replacement. No returns or replacements will be permitted without proper authorization. If a return or replacement is authorized, you may be requested to return the item to the manufacturer or to make the item available for pick-up by the manufacturer.
- ANY EXPRESS WARRANTY NOT PROVIDED IN THIS WARRANTY DOCUMENT, AND ANY REMEDY FOR BREACH OF CONTRACT THAT, BUT FOR THIS PROVISION, MIGHT ARISE BY IMPLICATION OR OPERATION OF LAW, IS HEREBY EXCLUDED AND DISCLAIMED. THE IMPLIED WARRANTIES OF MERCHANTABILITY AND OF FITNESS FOR ANY PARTICULAR PURPOSE ARE EXPRESSLY LIMITED TO A TERM OF ONE (1) YEAR. SOME STATES DO NOT ALLOW LIMITATIONS ON HOW LONG AN IMPLIED WARRANTY LASTS, SO THE ABOVE LIMITATIONS MAY NOT APPLY TO YOU.**
- UNDER NO CIRCUMSTANCES SHALL THE MANUFACTURER BE LIABLE TO PURCHASER OR ANY OTHER PERSON FOR ANY SPECIAL, INCIDENTAL OR CONSEQUENTIAL DAMAGES, WHETHER ARISING OUT OF BREACH OF WARRANTY, BREACH OF CONTRACT OR OTHERWISE, SOME STATES DO NOT ALLOW THE EXCLUSION OR LIMITATIONS OF INCIDENTAL OR CONSEQUENTIAL DAMAGES, SO THE ABOVE LIMITATIONS OR EXCLUSION MAY NOT APPLY TO YOU.**
- This warranty gives you specific legal rights, and you may also have other rights which vary from state to state.

For more information about Full Cheeks™ products, please call 1-888-839-9638.  
Dist. by/par: Pacific Coast Distributing, Inc., 19601 N. 27th Ave., Phoenix, AZ USA 85027