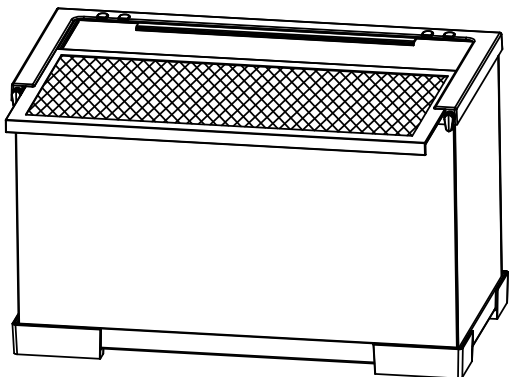




INSTRUCTION MANUAL

10G Snake Essentials Kit



SSK-10

If you are not satisfied with this product, return it with your valid proof of purchase for a refund. Conditions apply. See store or PetSmart.com for details.

For more information about Thrive products, please call 1-888-839-9638.

Dist. by/par: Pacific Coast Distributing, Inc., 19601 N. 27th Ave., Phoenix,

AZ USA 85027
Made in China

SKU 5290982
Last revision 04/23/19

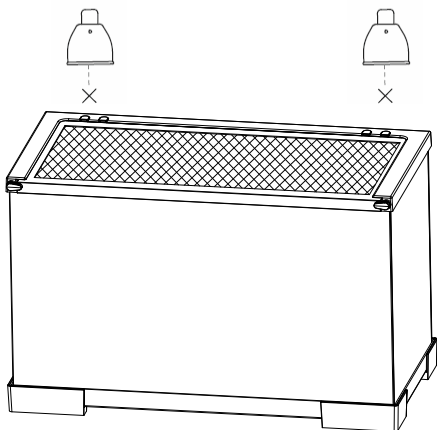
(Continued)

READ AND FOLLOW ALL SAFETY INSTRUCTIONS

CAUTION

Please read this instruction guide carefully and completely. Make sure that all components are present and there are no cracks in the glass that may have been caused during transport.

- Not intended for use by children. Supervise children closely when they are near the terrarium.
- Monitor your pet's environment to ensure optimum health. Clean on a regular basis and follow all directions carefully.
- Inspect product often and replace if there are any cracks or other damage.
- Make sure the terrarium is placed on a dry surface so leakage can be detected easily.
- Do not place the terrarium where it will receive direct sunlight.
- Do not rest the lamp's reflector directly on the plastic parts of the screen cover. Be careful not to put the light bulb directly over the plastic frame but position the center of the lamp over the mesh screen only.
- Do not fill with water.



SAVE THESE INSTRUCTIONS FOR FUTURE USE

(Continued)

FEATURES

- Mesh top allows for easier maintenance and ventilation
- Locks help prevent the reptile from escaping
- Essential accessories ideal for care of reptile

COMPONENTS

Starter Kit	Components
10G Snake Essentials Kit	1 10-Gallon terrarium 1 Thermo-hygrometer 1 Hide décor 1 Soaking dish 1 Heat mat 8W

INSTRUCTIONS

1. Consult a pet-care guide to ensure you address all of your pet's heating, lighting and nutritional needs, as well as proper care of your animal.
2. Before using, remove the tank from the packaging material. Wash and clean the terrarium using a wet paper towel or clean sponge to remove dust.
3. Carefully select a permanent site for your tank. Select an area with a fairly constant temperature of 68 to 77° F. Position the tank in an area where it will receive diffused light as direct sunlight will raise the temperature drastically and should be avoided at all times. Do not place the terrarium in areas where it is subjected to chemical fumes or smoke.
4. Position components according to the pet-care guide in or on terrarium.

Hygrometer/Thermometer Instructions:

Attach the thermometer/hygrometer midway between the basking area and the cool area of the habitat inside the enclosure.

Substrate Care Instructions:

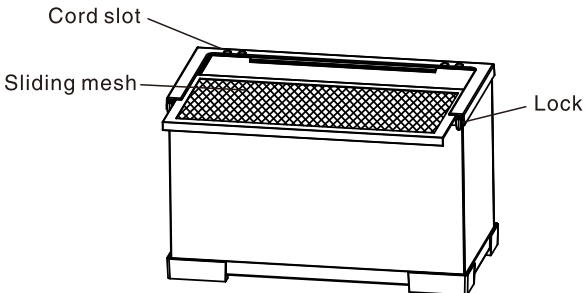
1. To clean, remove the carpet and wash thoroughly with warm, soapy water.
2. Rinse the carpet well and air dry.
3. Once dry, place the carpet back on the bottom of the terrarium. Instruction manual found within this kit.
4. Clean the carpet weekly as needed or if a foul odor persists.

Dome Lamp Instructions:

For use and care of the included dome lamps, refer to the packaging and instruction manual found within this kit.

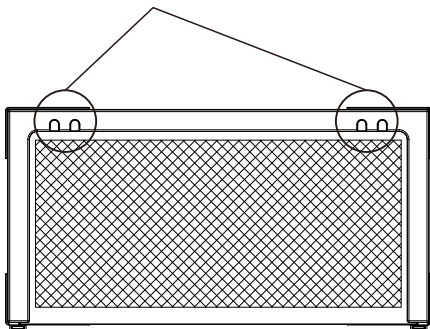
(Continued)

USAGE



10-Gallon Snake Essentials Kit

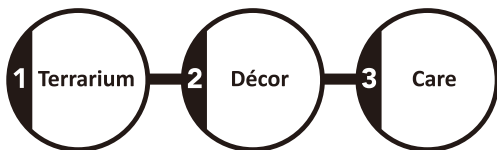
These terrariums feature a cord management system (cord slot/fogger hole) to help organize cords for electrical equipment that is to be placed inside the terrarium. Hold the closable wire or tube inlet cover and slide left to open the inlet. Select a location for the electrical unit in the terrarium and guide the wires over the rear glass through one of the wire inlets.



(Continued)

SETTING UP YOUR REPTILE HABITAT

Shop for your reptile in
3 Simple Steps



Safety Tip: Set up your reptile habitat before you bring your pet home. Your reptile should only be left in the transport carrier provided in stores for a short period of time.

PetSmart® Care Guides were developed and approved by PetSmart veterinarians. For more information on the care of pets, visit [PetSmart.com/careguides](https://www.petSMART.com/careguides)

Shopping List

Step 1: Terrarium

- Appropriately sized and type of terrarium
- Screen lid, locking if necessary
- Stand

Step 2: Décor

- Species-appropriate substrate
- Basking site, if necessary
- Hiding spot
- Branches and plants for hiding and climbing
- Food and water dishes, if necessary

Step 3: Care

- Heating and Lighting
- Thermometers (2)
- Hygrometer (humidity gauge)
- Daytime UVA/UVB bulb and fixture, if necessary
- Basking bulb, if necessary
- Lamp stand, if desired
- Ceramic heat emitter or nighttime bulb
- Humidifier, if necessary
- Spray bottle or humidifier, if desired
- Timer, if desired

Food

- Live food, cricket food, and cricket habitat, if necessary
- Species-specific pellet blend, if necessary
- Fresh fruits and vegetables, if necessary
- Calcium supplement
- Vitamin supplement, if desired

(Continued)

Note: Some habitats and starter kits include some of these items.

This care guide contains general information for the proper care of your pet, but it is not comprehensive. For more information, visit [PetSmart.com](https://www.petsmart.com) and other educational material.

Step 1 Terrarium

Choose terrarium that's the right size, type, and shape for your reptile. It should be big enough for your pet's adult size and offer plenty of room for your reptile to move around, explore, and hide. Proper habitat and environment is important for every pet but especially for reptiles because setup varies depending upon the species. Allow up to 2 hours to assemble your reptile habitat. Set up the terrarium before bringing your pet home, or your reptile can stay in the transport carrier until the habitat is ready, as long as they are not exposed to extreme heat or cold.

Choosing a Location for Your Habitat

- Terrariums should be placed out of direct sunlight and in a low-traffic area, out of reach of other pets.
- Keep the habitat away from areas of food preparation. Hallways, dens, and living rooms are ideal locations.
- Electrical outlets should be easily accessible for lighting and heating elements.
- Terrariums should only be placed on surfaces that are stable enough to support their weight.

Specially made terrarium stands are ideal.

Step 2 Décor

The proper substrate and décor should mimic your reptile's natural environment and help regulate humidity in the terrarium. Follow individual package instructions on washing or rinsing décor before placing it in the habitat.

Substrates

Substrates allow reptiles to burrow and help collect waste.

- Add the proper substrate for your reptile and refer to package instructions or your species' care guide to determine the depth needed.

Décor

Decorative elements provide interesting detail and support reptiles' natural behaviors.

- Hiding: Caves and hollow logs provide your reptile a place to hide, to lower their body temperature, and to relieve stress.
- Basking: Logs and rocks provide a flat surface for basking reptiles to elevate themselves closer to the heat source.
- Climbing: Natural or artificial branches and plants offer reptiles places to climb. Make sure live plants are safe for your reptile and not treated with any chemicals.

(Continued)

Eating, Drinking & Soaking

- Water dishes provide essential hydration for drinking and soaking.
- Food bowls help prevent your reptile from accidentally ingesting substrate when they eat.

Step 3 Care

Heating

Reptiles live in one of four basic types of climates. Refer to your reptile's specific care guide to learn which climate your reptile needs, or visit [PetSmart.com/careguides](https://www.petSMART.com/careguides) for more information.

HABITAT TYPE	AVERAGE TEMP. RANGE	AVERAGE BASKING TEMP.	HUMIDITY LEVEL
DESERT	65-85° F (18-29°C)	90-110° F (32-43°C)	10-30%
TEMPERATE	65-85° F (18-29°C)	90-100° F (32-38°C)	30-50%
TROPICAL	70-85° F (21-29°C)	85-95° F (29-35°C)	50-80%
SEMI-AQUATIC	60-75° F (16-24°C)	80-95° F (27-35°C)	50-80%

Step 3 Care (continued)

Reptiles need both warm and cool areas to regulate their body temperature. Provide the appropriate wattage bulbs to maintain the right temperatures.

- Basking bulbs provide necessary daytime light and heat for basking reptiles.
- Infrared bulbs provide heat with very little visible light for viewing reptiles at nighttime without disturbing their nocturnal behavior.
- Under-tank heaters provide warmth without light to maintain a 12-hour light/dark cycle.
- Include thermometers on both sides of the terrarium to measure temperatures in both the warm and cool areas. Monitor temperatures to ensure your pet stays healthy and active.

Humidity

Humidity is essential to help your reptile shed its skin. Use a hygrometer (humidity gauge) to monitor the humidity of your reptile habitat.

- For mild humidity, use a hand or pump mister as needed and provide a moist retreat with a water dish.
- For greater humidity, use automatic misters and foggers that provide constant moisture.

(Continued)

Lighting

Most reptiles require a 12-hour light/dark cycle.

- UVB bulbs are essential for most reptiles as they provide vitamin D to support your reptile's metabolism and calcium absorption.
- Daytime bulbs provide some heat and light for non-basking reptiles.
- Replace UVA/UVB bulbs every 6 months, as bulbs may continue producing light without emitting proper UVB.
- Ensure all heating, humidity, and lighting elements are set up and producing the right climate for your reptile before placing your pet in the habitat.

Habitat Maintenance

Daily

- Spot clean the substrate and remove uneaten food.
- Empty, clean, and refill food and water dishes.

Monthly

- Completely replace substrate and thoroughly clean the terrarium with a reptile-specific cleaner.

PETSMART.



VET ASSURED

The standard for pet care

HEALTHY DIET: Each reptile is fed the right food according to dietary needs.

HEALTH CARE: Our exclusive vet-designed program helps to promote the health and well-being of your pet.

INSPECTION: Our associates inspect each reptile for good health when they arrive in-store.

PET PROVIDERS: We hold our pet providers to high standards of care.

Health

New surroundings and environments can be stressful for pets. Prior to handling your pet, give them 3-4 days to adjust to their new surroundings while monitoring behavior for any signs of excessive stress or illness.

Things To Watch For

- Runny droppings for more than two days
- Eating or drinking less; weight loss
- Swollen joints
- Discharge from the eyes, nose, or mouth
- Discolored skin or difficulty shedding
- More time spent hiding

If you notice any of the signs described above, speak with a PetSmart store associate or a veterinarian about the health of your pet.

(Continued)

INSTRUCTIONS DE SÉCURITÉ IMPORTANTES VEUILLEZ LIRE ET SUIVRE TOUTES LES INSTRUCTIONS DE SÉCURITÉ

ATTENTION:

Veillez lire attentivement et complètement le présent guide d'instruction. Garantir que tous les composants sont présents et il n'existe pas de fissures dans le verre qui peut avoir été causés pendant le transport.

- Il est interdit de destiner à l' utilisation par des enfants. Surveiller les enfants à proximité quand ils sont près du terrarium.
- Surveillez l'environnement de votre animal domestique pour assurer une santé optimale. Nettoyer sur une base régulière et suivre attentivement toutes les instructions.
- Inspecter souvent le produit et remplacer s'il existe les fissures ou d'autres dommages.
- Garantir que le terrarium est placé sur une surface sèche alors les fuites peuvent être facilement détectées.
- Il est interdit de placer le terrarium où il recevra la lumière directe du soleil.
- Il est interdit de Mettre directement le réflecteur de lampe sur les pièces en plastique de couvercle de grillage. Faire attention à ne pas mettre directement l'ampoule sur la structure en plastique mais la position au centre de la lampe sur le grillage à maille.
- Il est interdit de remplir l'eau.

CONSERVEZ CES INSTRUCTIONS