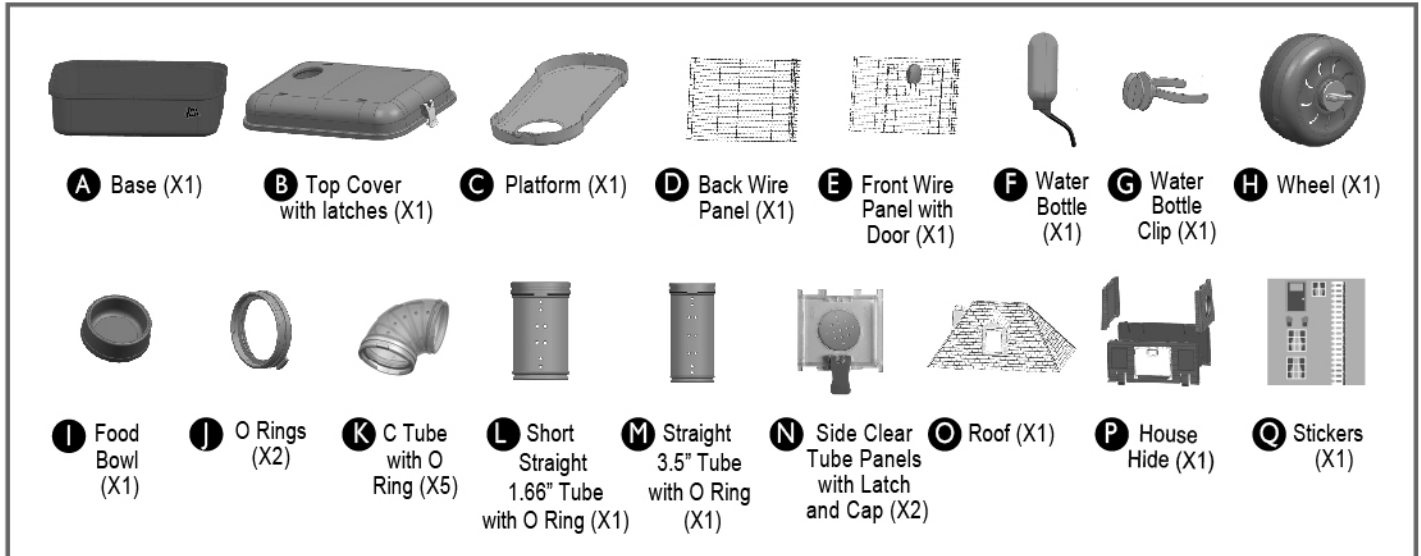


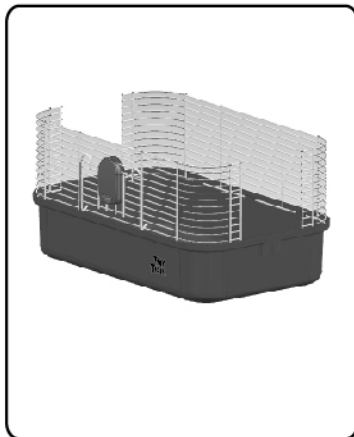


# Comfy House Connectable Hamster Home Assembly Instructions

**Item # 5282073** Warning: Use care to avoid pinching fingers during assembly. Handle with care.

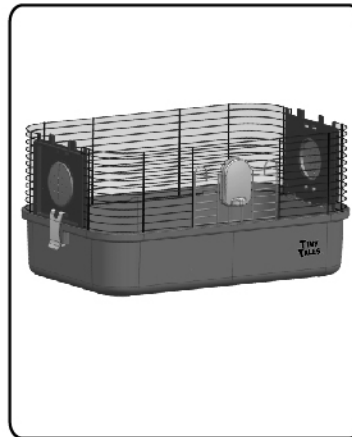


## Step 1



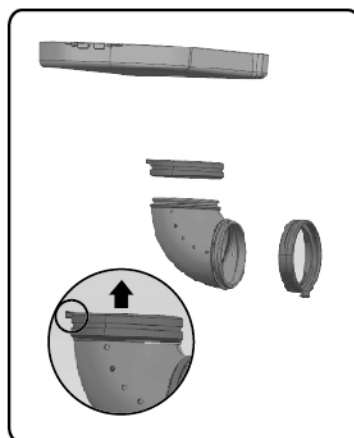
On the Base (A), stand the Back Wire Panel (D) and the Front Wire Panel with Door (E) up vertically. Ensure that the door attachment slider is on the top side.

## Step 2



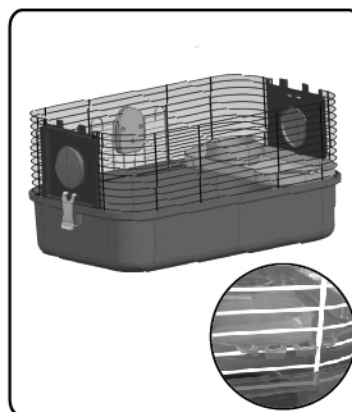
Slide a Side Clear Tube Panel (N) between each end of the Wire Panels (D,E) to connect them. Ensure that the clip is on the bottom and on the outside of the habitat. Repeat this step on the other side with the other Side Clear Tube Panel with Latch and Cap (N).

## Step 3



Build the Platform (C). Attach an O Ring (J) to a C Tube with O Ring (K) as shown in picture. Attach the C Tube with O Rings (K) to the underside of the Platform (C) by first angling the O Ring Tab into the opening in the platform.

## Step 4



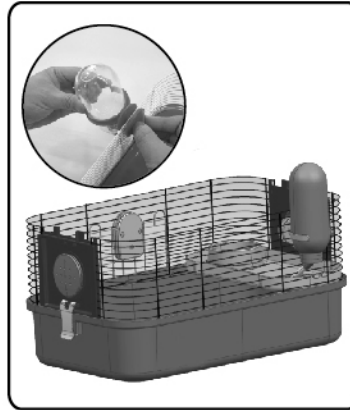
Attach the Platform (C) to the sides of the Wire Panels (D, E), on one end of the habitat, aligned just above the top of the Base (A), make sure to press onto Platform (D) clips to secure into place. Ensure that the opening of the C Tube with O Ring (L) would be accessible from the floor of the habitat. Place the Food Bowl (I) on the Platform (C).

### Step 5



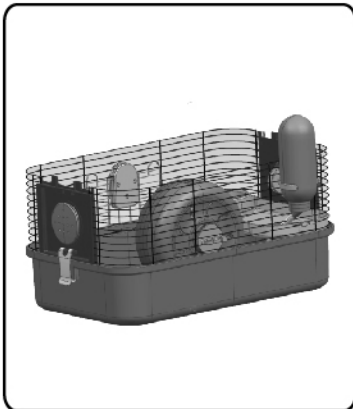
Fill the Water Bottle (F) with clean, cool water and screw the cap tight. Place the Bottle Clip (G) on the Water Bottle (F) so that the screw and the nozzle are facing the same direction.

### Step 6



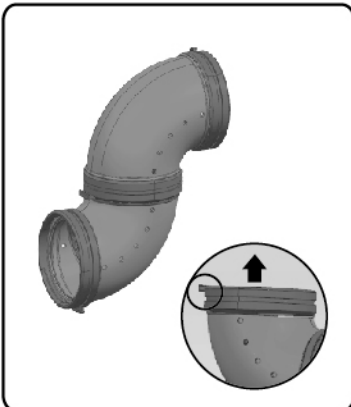
Unscrew the top of the screw and hold the water bottle up to the outside of the habitat in a desired location where animals can easily access the nozzle. Ensure that the end of the nozzle is through the Wire Panels (D or E) and inside the habitat. Screw the top of the screw back in place from inside the habitat to affix the bottle.

### Step 7



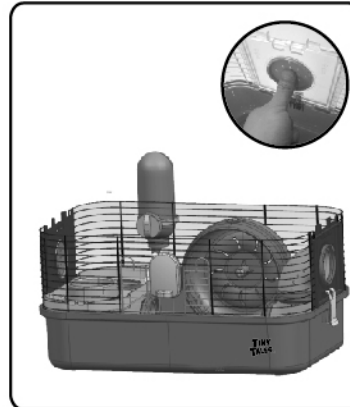
In the middle of the Back Wire Panel (D), attach the Wheel (H). From inside the habitat, line up the wheel so it is accessible for the animal from the base. With the screw handle horizontal, slide it through the Back Wire Panel (D) to the outside of the habitat and turn it vertically to secure the wheel. Ensure that the wheel freely turns and is only 1-2 inches above your bedding in the Base (A).

### Step 8



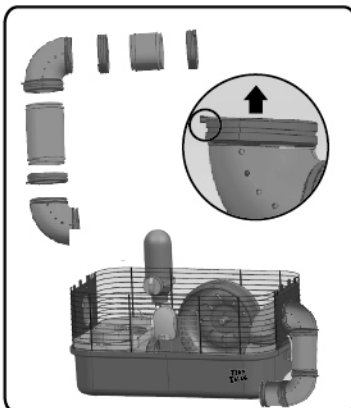
Attach two C Tubes with O Rings (K) with one O ring (J) together to form an "S" shape.

### Step 9



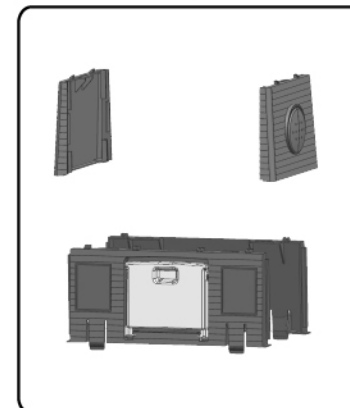
Remove Cap from the Side Clear Tube Panel (N). From inside the habitat, attach the connected tubes to the Side Clear Tube Panel (N) on the opposite side of the Platform (C) so that the opening is accessible to the animal from the Base (A).

### Step 10



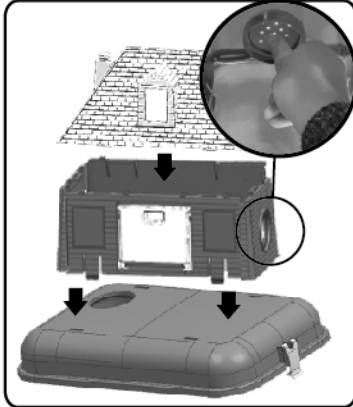
Connect Two C Tubes with O Rings (L) to each end of the Straight 3.5" Tube with O Ring (M). Next attach the Short Straight 1.66" Tube with O Ring (M). Add one more O ring (J) on the end of the tube to make sure all tubes have O Rings on each end like picture shown. Attach the tubes by first angling the O Ring Tab into the opening in the Side Clear Tube Panel (N).

### Step 11



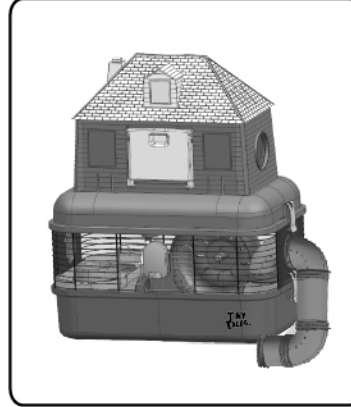
Create the House Hide (P) so that the tube opening is on the same side as the "S" shaped tubes you connected earlier.

### Step 12



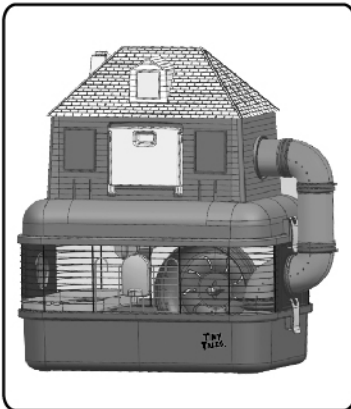
Remove the Cap from the right side of the House Hide (P). Attach the Roof (O) onto the House Hide (P) by snapping into place. Affix the House Hide with Roof (O,P) onto the Top Cover with Latches (B). Ensure the tabs on the bottom of the House Hide (P) are inserted into the slots in the Top Cover with Latches (B).

### Step 13



Affix the Top Cover (B) on top of the habitat. Make sure the tube opening on the House Hide (O,P) is facing the same side of the S shape C tube. Attach the Latches to secure.

### Step 14



Connect the tube to opening in the House Hide

### Step 15



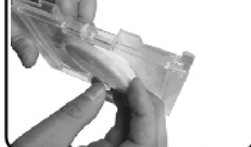
Place Stickers (Q) onto the habitat as shown in image. Add 2-3 inches of bedding to your new habitat's House Hide and Base. Fill the Food Bowl with your pet's favorite food.

### Step 1



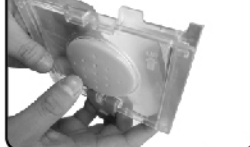
Twist O rings.

### Step 2



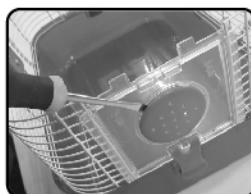
Assemble left side to clear tube panels.

### Step 3

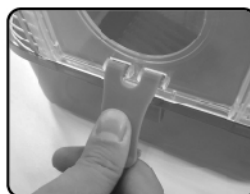


Assemble right side to clear tube panels and push to make O rings flat.

**TIP 1:** Attach Round caps to cover all opening leading to the exterior so the animal is secured.



**TIP 2:** Pop out the Round cap by hand or using flat head screwdriver.



**TIP 3:** Press the middle part of the latch for easy open and close.

---

**ADVICE FOR USE:** Always select the appropriate size and type of home for your specific pet. Be sure to observe your pet's behavior with a new home. Remove and replace the home if it becomes damaged. Gradually help your pet to accept the containment. Not recommended for children under 4 years of age. Adult supervision recommended. This is not a toy.

**CARE INSTRUCTIONS:**

- Clean the habitat with a damp cloth using mild soap.
- To easily remove bedding or pet waste, remove the pet safely first. Then, unclip the bottom of the habitat and remove the bottom base. Clean and replace bedding weekly.

**Care Tip:** Your pet needs a constant supply of food and water as well as occasional treats. Provide your pet with fresh water and food daily. When refilling the water bottle, remove from wire hanger and unscrew cap. Be sure to fill completely with cool, clean water and replace the cap. (A few initial drips are normal while the vacuum forms so the bottle will perform properly.)

If you are not satisfied with this product, return it with your valid proof of purchase for a refund. Conditions apply. See store or PetSmart.com for details. For more information about All Living Things® products call 1-888-839-9638. Dist. by/par: Pacific Coast Distributing, Inc., 19601 N. 27<sup>th</sup> Ave., Phoenix, AZ 85027