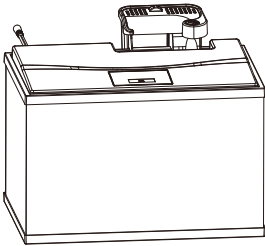


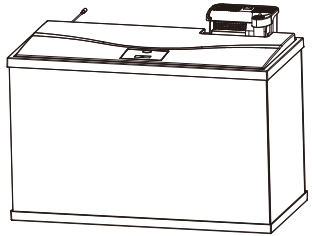
TOP FISH™

UNDERWATER WORLDS™

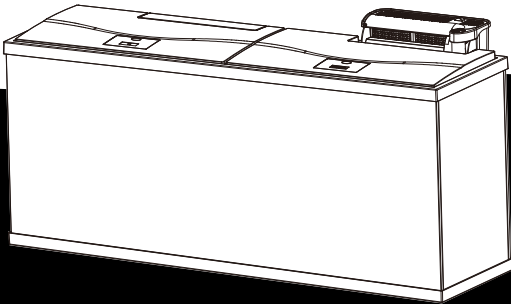
ESSENTIAL™
AQUARIUM



5.5, 10 & 20 Gallon



29 & 37 Gallon



55 Gallon

INSTRUCTION MANUAL

IMPORTANT SAFETY INSTRUCTIONS

WARNING:

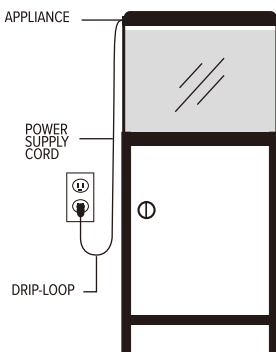
To guard against injury, basic safety precautions should be observed, including the following:

READ AND FOLLOW ALL SAFETY INSTRUCTIONS

DANGER: To avoid possible electric shock, special care should be taken since water is employed in the use of aquarium equipment. For each of the following situations, do not attempt repairs by yourself; return the appliance to an authorized service facility for service or discard the appliance:

1. If the appliance shows any sign of abnormal water leakage, immediately unplug it from the power source.
2. Carefully examine the appliance after installation. It should not be plugged in if there is water on the parts not intended to be wet.
3. Do not operate any appliance if it has a damaged cord or plug, if it is malfunctioning, or if it has been dropped or damaged in any manner.

4. To avoid the possibility of the appliance plug or outlet getting wet, position aquarium stand and tank to one side of a wall-mounted outlet. This will prevent water from dripping onto the plug or outlet. A drip-loop, shown in the figure to the right, should be arranged by the user for each cord connection of an aquarium appliance to an outlet. The drip-loop is that part of the cord below the level of the outlet, or the connector if an extension cord is used, to prevent water traveling along the cord and coming in contact with the outlet.



5. If the plug or outlet does get wet, DO NOT unplug the cord. Disconnect the fuse or circuit breaker that supplies power to the appliance. Then, unplug and examine for presence of water in the outlet.
6. Close supervision is necessary when any appliance is used by or near children.
7. To avoid injury, do not contact moving parts or hot parts, such as heaters, reflectors, lamp bulbs, and the like.
8. Always unplug an appliance from an outlet when not in use, before putting on or taking off parts, and before cleaning. Never yank the cord to pull the plug from the outlet. Grasp the plug and pull to disconnect.
9. Do not use an appliance for other than its intended use. The use of attachments not recommended or sold by the appliance manufacturer may cause an unsafe condition.
10. Do not install or store the appliance where it will be exposed to weather or to temperatures below freezing.
11. Make sure an appliance mounted on a tank is securely installed before operating it.
12. Read and observe all the important notices on the appliances.

13. If an extension cord is necessary, a cord with a proper rating should be used. A cord rated for less amperes or watts than the appliance rating may overheat. Care should be taken to arrange the cord so that it will not be tripped over or pulled.
14. This appliance has a polarized plug (one blade is wider than the other). As a safety feature, this plug will fit in a polarized outlet only one way. If the plug does not fit fully in the outlet, reverse the plug. If it still does not fit, contact a qualified electrician. Never use with an extension cord unless the plug can be fully inserted. Do not attempt to defeat this safety feature.
15. Before installing, cleaning, and maintenance, disconnect the tank from the main power supply. Every time you unplug the appliance from the power socket, make sure your hands and receptacle are dry. Not for use by the elderly or children.
16. Operate the appliance under the rated voltage and frequency. Failure to do so may cause the product to break or cause danger to the human body.
17. Never place polystyrene under the bottom frame of this aquarium.
18. Your aquarium must be located on a surface that is flat and level and able to withstand the weight of the aquarium when filled with water, gravel, etc.
19. All aquarium and stand locations should take into account of the position of floor boards/joists, etc., bearing in mind the weight to be supported.
20. When cleaning the aquarium tank, please DO NOT use any organic solvent or sharp objects such as rocks and razor edged algae scrapers.
21. Never place an aquarium on top of electrical appliances. This guarantee covers leakages arising from either faulty materials or workmanship. We cannot be responsible for breakage of glass.
22. Never try to move a full or partially full aquarium. Never lift an aquarium with wet hands.
23. Choose the appropriate quantity of compatible fish.

SAVE THESE INSTRUCTIONS

FEATURES

- Capacity: 5.5Gal, 10Gal, 20Gal, 29Gal, 37Gal, 55Gal
- Black trim glass
- Quick, easy setup
- LED lights
- Easy-access feeding door
- Essential accessories ideal for care of fish

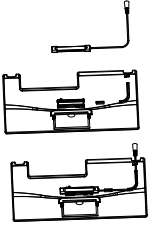
Starter Kit	Components
5.5Gal Starter Kit	5.5Gal glass tank Hood with LED lights Top Fin® Silenstream™ 10 Power Filter with Top Fin™ Silenstream™ Small Filter Cartridge 4" nylon net Thermometer Water test vial

10Gal Starter Kit	<p>10Gal glass tank Black trim glass Hood with LED lights Top Fin® Silenstream™ 10 Power Filter with Top Fin™ Silenstream™ Small Filter Cartridge 50W heater 4" nylon net Thermometer Water test vial</p>
20Gal Starter Kit	<p>20Gal glass tank Black trim glass Hood with LED lights Top Fin® Silenstream™ 20 Power Filter with Top Fin™ Silenstream™ Large Filter Cartridge 100W heater 4" nylon net Thermometer Water test vial</p>
29Gal Starter Kit	<p>29Gal glass tank Black trim glass Hood with LED lights Top Fin® Silenstream™ 30 Power Filter with Top Fin™ Silenstream™ Large Filter Cartridge 100W heater 6" nylon net Thermometer Water test vial</p>
37Gal Starter Kit	<p>37Gal glass tank Black trim glass Hood with LED lights Top Fin® Silenstream™ 40 Power Filter with Top Fin™ Silenstream™ Large Filter Cartridge 200W heater 6" nylon net Thermometer Water test vial</p>
55Gal Starter Kit	<p>55Gal glass tank Black trim glass Hood with LED lights Top Fin® Silenstream™ 75 Power Filter with Top Fin™ Silenstream™ Large Filter Cartridge 200W heater 6" nylon net Thermometer Water test vial</p>

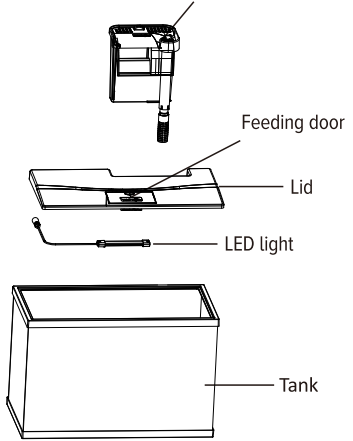
OPERATING INSTRUCTIONS

1. Consider where you are going to place the aquarium. Keep it away from direct light areas with large temperature fluctuations.
2. Place the aquarium on a flat, level surface strong enough to support its weight.
3. Thoroughly rinse aquarium, gravel, and décor with water. Do not use soap or detergent as they may harm fish.
4. Place the rinsed gravel into the tank and then set up your desired ornaments and plants.

LED Light Installation

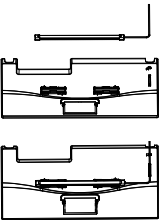


Top Fin® Silenstream™ 10 Power Filter

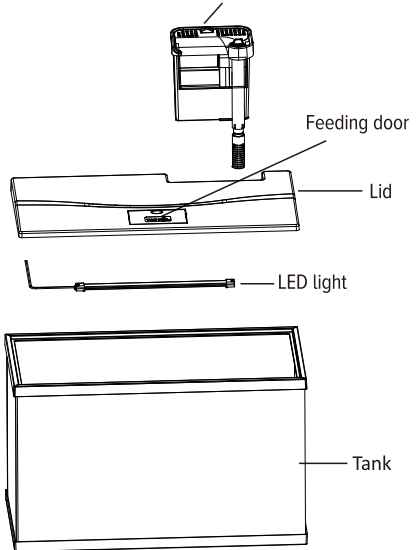


5.5 Gallon

LED Light Installation

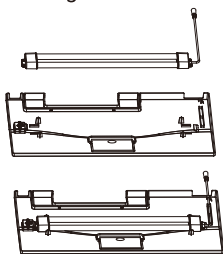


Top Fin® Silenstream™ 10 Power Filter

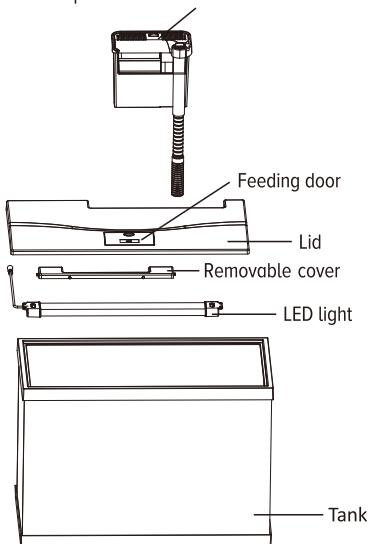


10 Gallon

LED Light Installation

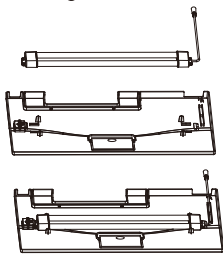


Top Fin® Silenstream™ 20 Power Filter

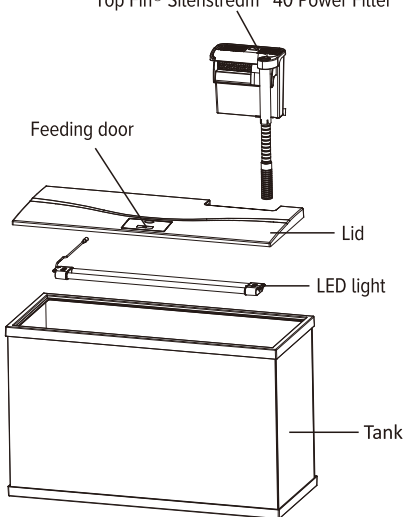


20 Gallon

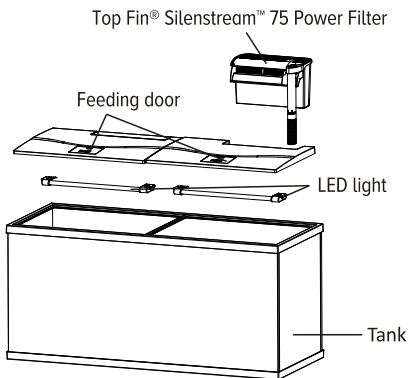
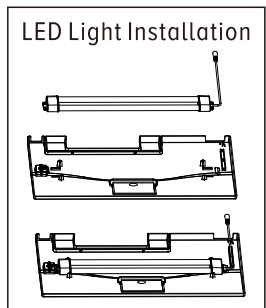
LED Light Installation



Top Fin® Silenstream™ 30 Power Filter or Top Fin® Silenstream™ 40 Power Filter

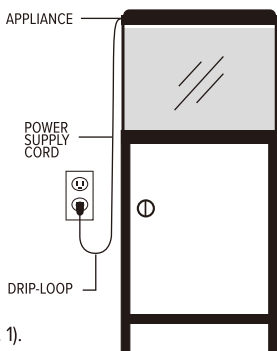


29 & 37 Gallon



55 Gallon

5. Refer to above figures to install the tank.
6. Carefully fill the tank with water, making sure not to disturb the gravel and décor.
7. Use the proper water conditioner to remove harmful chlorine and chloramines from tap water. **DO NOT** introduce fish into your tank immediately. Let water sit for 24 hours before introducing your fish. Follow the water conditioner instructions to make sure that the water is safe enough for fish before introducing fish into the tank.
8. Plug the adapter into the outlet. Create a drip-loop for both the filter and aquarium (see Fig. 1).
9. Press the switch to turn on the light.



MAINTENANCE

Change the filter media

The filter cartridge will get dirty. Change the cartridge every 3 to 4 weeks.

Maintaining proper water quality is an important part of fish keeping.

Without clean water, fish can become stressed and more susceptible to diseases and parasites. Follow these water care guidelines to keep your fish and aquarium

healthy:

- Tap water is toxic to fish. Make water safe with water conditioners and beneficial bacteria:
- Water conditioners and beneficial bacteria are needed for new aquarium setup and with every water change.
- Water conditioners remove harsh chemicals and minerals from tap water.
- Beneficial bacteria boost healthy levels of good bacteria to remove harmful ammonia and nitrites.

- Keep your fish and aquarium healthy by testing the waters:
- Test water every 1–2 weeks to monitor aquarium health.
- Partially change water every 2–4 weeks to keep it balanced.

- Troubled waters? Troubleshoot common problems:
- Reduce algae
- Manage ammonia levels
- Improve water clarity
- Balance pH levels
- Care for sick fish

After you have properly set up your aquarium and established good water quality, follow these steps:

- Only add about three new fish at a time.
- Take fish home immediately after purchasing.
- Float the sealed bag of fish for about 15 minutes to balance the water temperature.
- Carefully add the fish to their new home, and be careful to avoid adding water from the bag to the aquarium.
- Feed the new fish 1–2 hours after adding them to their new home.
- Don't overfeed your fish! It's one of the most common mistakes.

Need help? Come in to PetSmart® to have your water tested for FREE.

If you are not satisfied with this product,
return it with your valid receipt
to the place of purchase for a refund.
For more information about Top Fin® products,
please call 1-888-839-9638.

Dist. by/par: Pacific Coast Distributing, Inc.
19601 N. 27th Ave., Phoenix, AZ USA 85027