

VERY IMPORTANT SAFETY INSTRUCTIONS

WARNING: To guard against injury, basic safety precautions should be observed, including the following:

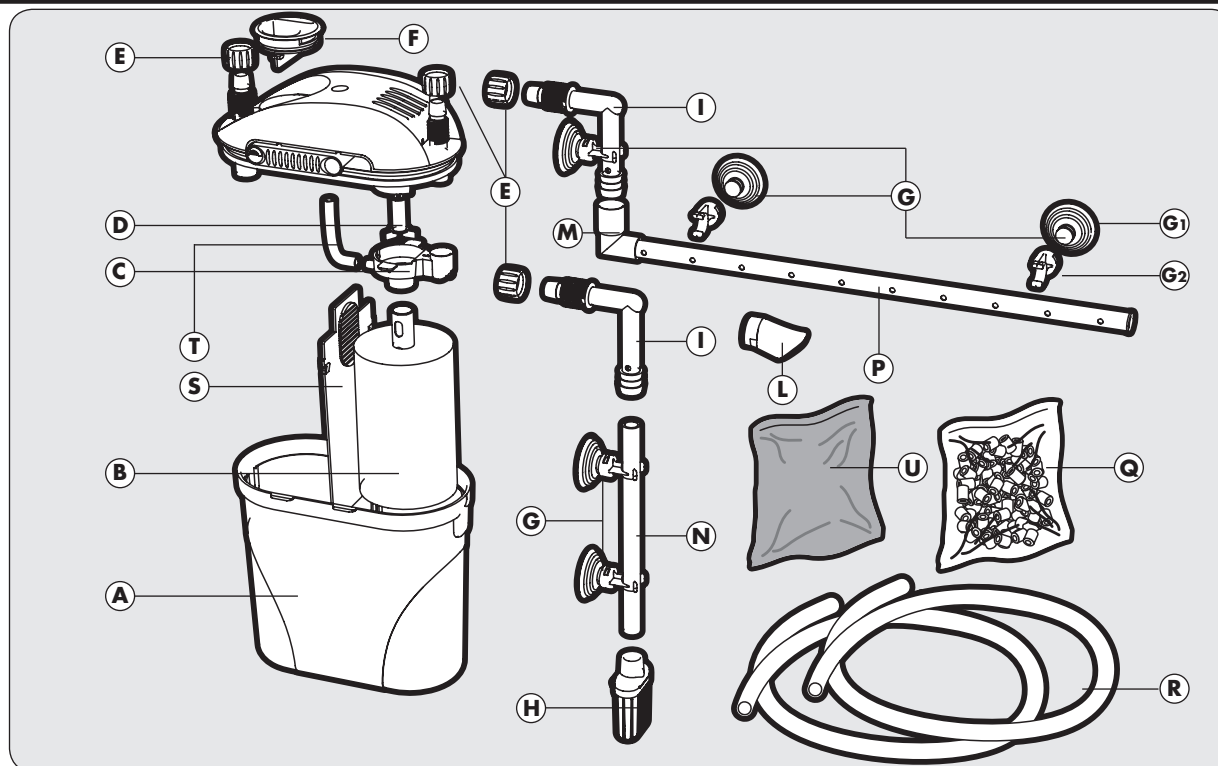
The installation instructions shall contain information on the intended installation of the appliance. Such instruction shall specify that before plugging the appliance into the electrical power source, the user is to install the appliance.

a) READ AND FOLLOW ALL SAFETY INSTRUCTIONS

b) DANGER To avoid possible electric shock, special care should be taken since water is employed in the use of aquarium equipment. For each of the following situations, do not attempt repairs by yourself; return the appliance to an authorized service facility for service or discard the appliance:

1. If the appliance falls into the water, DON'T reach for it! First unplug it and then retrieve it. If electrical components of the appliance get wet, unplug the appliance immediately.
 2. Carefully examine the appliance after installation. It should not be plugged in if there is water on parts not intended to be wet.
 3. Do not operate any appliance if it has a damaged cord or plug, or if it is malfunctioning or has been dropped or damaged in any manner.
 4. To avoid the possibility of the appliance plug or receptacle getting wet, position aquarium stand and tank to one side of a wall-mounted receptacle to prevent water from dripping onto the receptacle or plug. A "drip loop," shown in the figure below, should be arranged by the user for each cord connecting an aquarium appliance to a receptacle. The "drip loop" is that part of the cord below the level of the receptacle, or the connector if an extension cord is used, to prevent water traveling along the cord and coming in contact with the receptacle. If the plug or receptacle does get wet, **DON'T** unplug the cord. Disconnect the fuse or circuit breaker that supplies power to the appliance. Then, unplug and examine for presence of water in the receptacle.
- c) Close supervision is necessary when any appliance is used by or near children.
- d) To avoid injury, do not contact moving parts or hot parts such as heaters, reflectors, lamp bulbs, and the like.
- e) Always unplug an appliance from an outlet when not in use, before putting on or taking off parts, and before cleaning. Never yank cord to pull plug from outlet. Grasp the plug and pull to disconnect.
- f) Do not use an appliance for other than intended use. The use of attachments not recommended or sold by the appliance manufacturer may cause an unsafe condition.
- g) Do not install or store the appliance where it will be exposed to the weather or to temperatures below freezing.
- h) Make sure an appliance mounted on a tank is securely installed before operating it.
- i) Read and observe all the important notices on the appliance.
- j) If an extension cord is necessary, a cord with a proper rating should be used. A cord rated for less amperes or watts than the appliance rating may overheat. Care should be taken to arrange the cord so that it will not be tripped over or pulled.

k) KEEP THESE INSTRUCTIONS FOR FUTURE REFERENCE.



SPARE PARTS

A	PTC-1 Filter Body
B	PTC-2 Mech. Filter Sponge
C	PTC-3 Impeller Housing
D (60 Hz)	PTC-4 Impeller/TC-30
E	PTC-5 Screw Nut
F	PTC-6 Top Cap
G	PTC-7 Suction Cup w/clip
H	PTC-8 Strainer
I	PTC-9 Intake/Outlet Elbow

L	PTC-10 Diverter
M	PTC-11 Rubber Elbow
N	PTC-12 Intake Tube
P	PTC-13 Spray Bar
Q	PTC-14 Ceramic Media
R	PTC-15 Hose
S	PTC-16 Chamber Divider
T	PTC-17 Air Vent Hose
U	PTC-18 Carbon Bag

Parts and Filter Media:

If replacement filter media or parts are not available at the retailer where you purchased this item, you can order them from the "STORE" section of our website at www.zoomed.com.

ITEM# TC-30 Made in the E.U.

WARRANTY

This unit has been manufactured according to IEC EN 60 335-2-41 safety standards, and with the highest quality materials and accuracy.

This product is guaranteed against manufactured defect for 12 months from date of purchase. In the unlikely event of a failure, the unit should be returned to ZOO MED within one year of purchase, together with the original sales receipt. It is important that the unit should not have been tampered with.

Please note, the guarantee is not valid if the defects are caused by tampering, negligence, misuse or not observing the safety warnings. No responsibility is assumed for indirect damage that may result from the use of this appliance.

MAINTENANCE

Follow these instructions carefully for any maintenance, replacement of filter media, cleaning operation, etc.:

- Always disconnect all electrical appliances before placing your hands in water.
- Unlock the screw nuts and detach the hoses from the intake and outlet spigots (fig. 8) to avoid siphoning of the tank.
- Move the complete filter to a sink or similar place.
- Open the filter by pushing the orange safety device and then sliding the clips toward the right side (fig. 2).
- Open the pump chamber.
- Remove the impeller and carefully wash under running water together with the other components (fig. 9).
- Rinse or replace the blue mechanical sponge.
- Replace carbon bag monthly.
- Do not replace ceramic media; this is where beneficial bacteria live. Occasionally rinse them gently.
- Reassemble the parts paying close attention to the right positioning of the tube (fig. 9) that must be oriented towards the upper side of the filter.

A special internal device (fig. 9) discharges the air that remains in the upper part of the filter head. This may take a few minutes. The noise will disappear as soon as the system has discharged all the air.



ZOO MED LABS, INC.
3650 Sacramento Dr.
San Luis Obispo, CA 93401 USA
Ph: (888) 496-6633

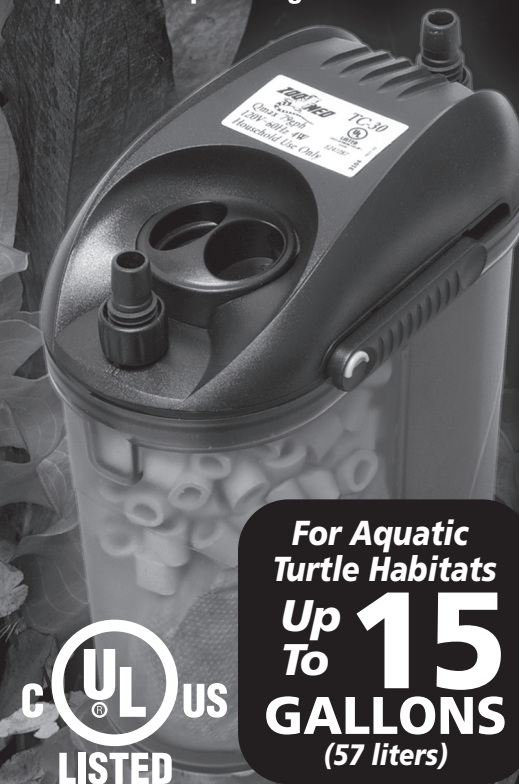
www.zoomed.com



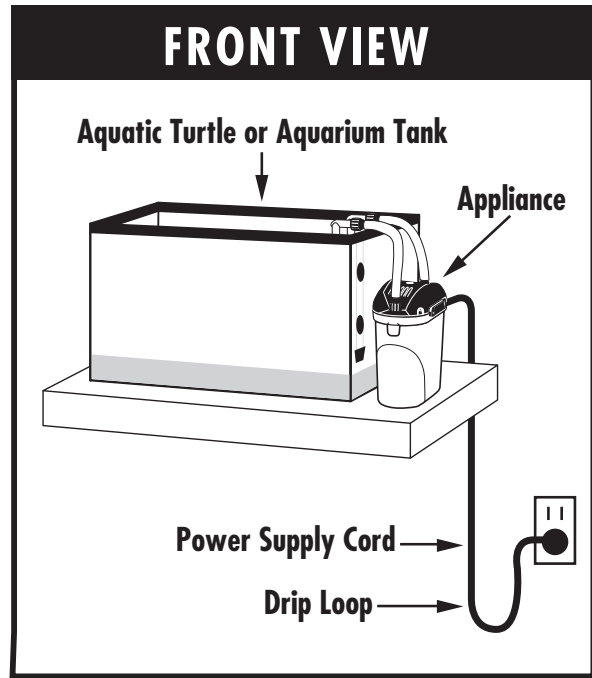
TC-30

TURTLE CLEAN 15 INSTRUCTIONS

External canister filter for turtle tanks, vivariums, turtle & tortoise pools, or aquariums up to 15 gallons.



For Aquatic Turtle Habitats
Up To **15**
GALLONS
(57 liters)



ASSEMBLY INSTRUCTIONS

Identify the parts you have found in the box and in the accessories bag. See diagram of parts on reverse side.

Assemble the suction cups (G1) onto the clips (G2).

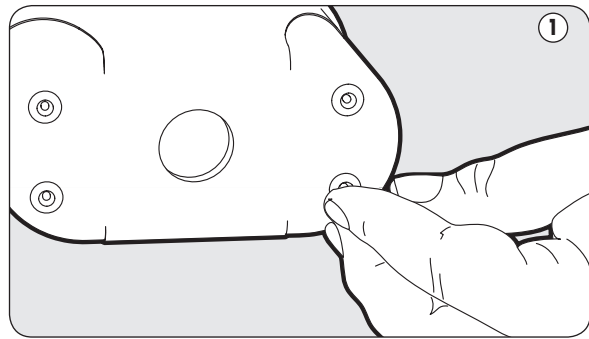
Mount the screw-nuts (E) onto the hard elbows (I) and on the filter head.

Insert the strainer (H) onto the intake tube (N).

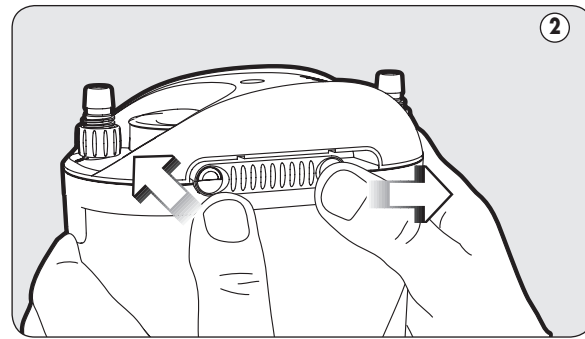
Close one end of the spray bar tube (tube with holes P) with the plug supplied (in the parts bag).

Mount the rubber elbow (M) onto the one hard elbow (I).

If you prefer to use the diverter (L) mount it directly onto the rubber elbow (M).

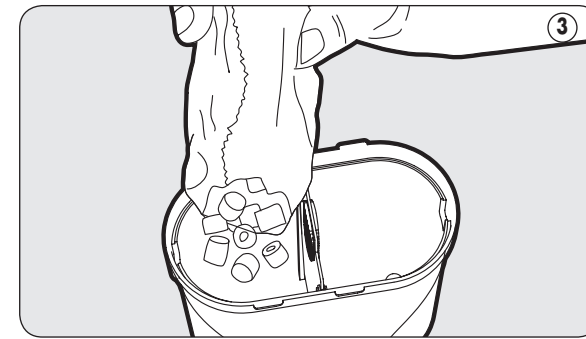


Insert the feet in their locations.

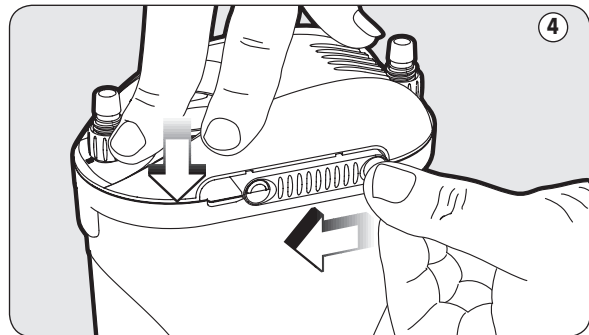


Open the filter by pushing first on the orange safety device, and then slide the clip towards the right end side.

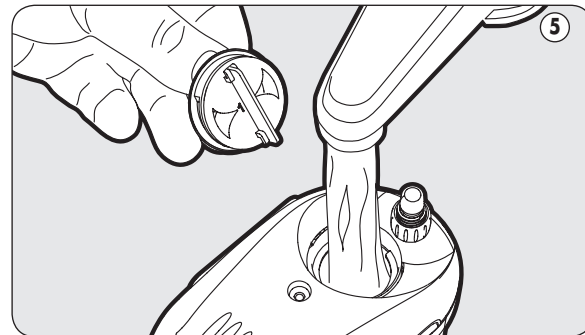
HELPFUL HINT: Hold the orange button in while sliding the clip into the un-locked position.



Rinse carbon bag (U) under running water and insert it into the filter chamber. Do not open the carbon bag. Remove the ceramic media from plastic bag, wash under running water and put into in the filter chamber on top of the carbon media.

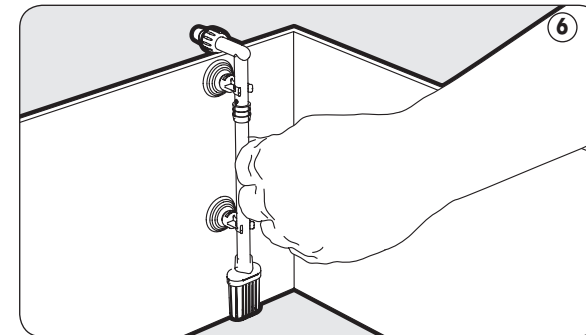


Close the filter by pressing down the head completely and slide each locking clip from right to left.



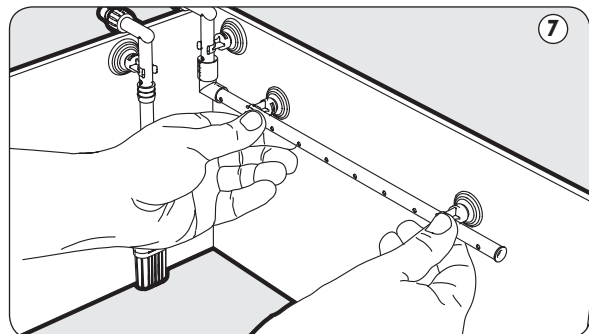
Open the top cap and **FILL UP COMPLETELY.** To close the cap, rotate it until the locking device clicks.

HELPFUL HINT: Replace the top cap before plugging the filter in.

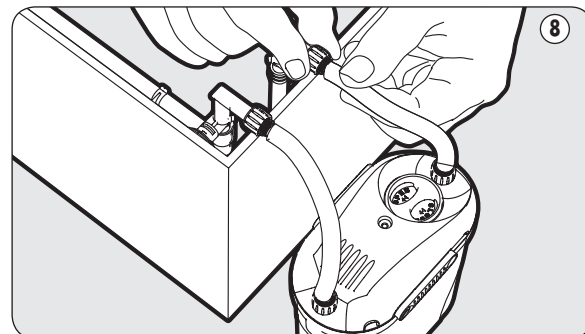


Thoroughly clean the wall before pressing the suction cups and tube against it.

HELPFUL HINT: If necessary, carefully trim the rigid intake tube and spray bar. With the intake strainer in place, the intake tube should just reach the bottom of your tank.

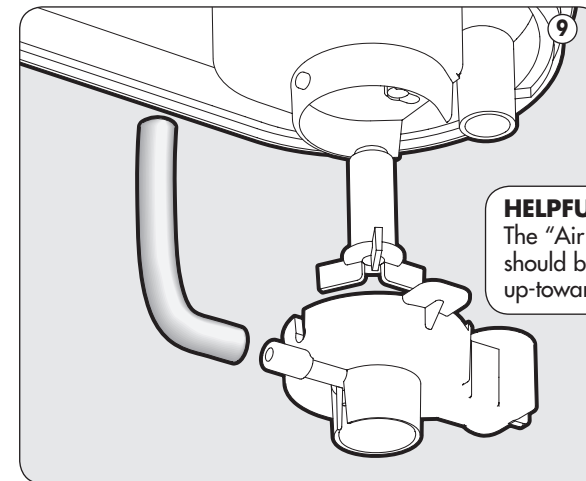


Press the suction cups on the spray bar against the thoroughly cleaned wall.

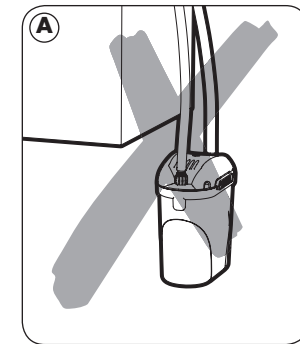


Push the pipes onto their spigots and lock with the screw nuts.

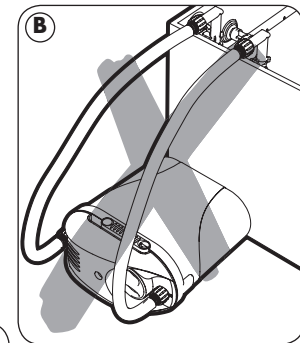
HELPFUL HINT: Be sure that the intake tube is connected to the spigot labeled "IN."



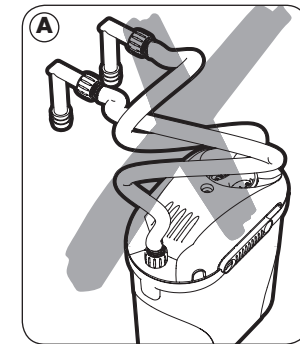
HELPFUL HINT: The "Air Vent Tube" should be pointed up-toward the motorhead.



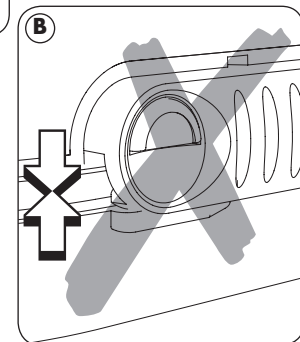
It is recommended that the filter is placed on the same level as the tank.



For best performance place the filter in an upright position beside the tank.



Avoid tight bends or kinks in the (inlet or outlet) pipes.



The filter will be closed only after pushing fully down the head and the clips from the right to the left hand side.