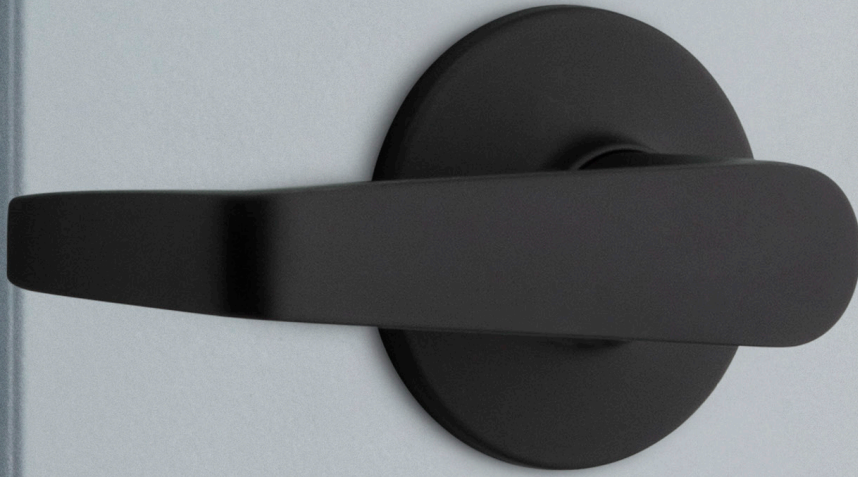


Kwikset
— Security Series



CARSON LEVER

A smart solution for both residential and commercial applications, the Carson Lever offers convenient push locking with ANSI/BHMA Grade 3 certified security.

- Featuring SmartKey Security™
- ANSI/BHMA Grade 3 Certification
- Easy to install



Carson Entry Lever in Satin Nickel

#1 SELLING U.S. LOCK BRAND*

Numerator TruView, Unit Share Report, 2024

Specifications

Door Prep	Cross Bore 2 1/8". Edge Bore 1" Latch Face 1 x 2 1/4"
Backset	Adjustable 2 3/8" or 2 3/4"
Door Thickness	1 3/8" - 1 3/4" Doors standard.
Cylinder	SmartKey Security™
Faceplates	1" x 2 1/4" includes round corner
Strikes	2 1/4" full lip UL. Includes round corner. Other options available.
Bolt	1/2" throw
Door Handing	Reversible for right or left-handed doors.
ANSI/BHMA	A156.2 Grade 3 (all functions except 488).
UL	3 Hr UL certification for passage, privacy, entry & storeroom functions
ADA	Lever options are in compliance with the American National Standards Institute (ANSI A117.1) and the Americans with Disabilities Act (ADA).
Warranty	Lifetime Mechanical and Lifetime Finish

Functions



Passage/Hall/Closet: Both levers always free.
- 407 CNL



Privacy/Bed/Bath: Both levers locked or unlocked by push-button inside. Outside lever unlocked by emergency key.
- 408 CNL



Keyed Entry: Both sides locked or unlocked by key outside or push-button inside.
- 438 CNL SMT UL

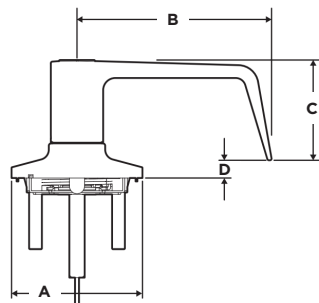


Storeroom: Outside unlocked only while key is turned. Inside always free.
- 439 CNL SMT UL



Half Dummy Trim, Surface Mounted: For doors where only a pull is required. No operation.
- 488 CNL

Dimensions

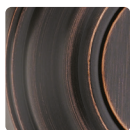


Design	A	B	C	D
Carson	2 14/25"	3 4/5"	1 24/25"	7/20"

Finishes



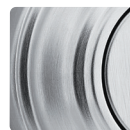
Matte Black **514**



Venetian Bronze **11P**



Satin Nickel **15**

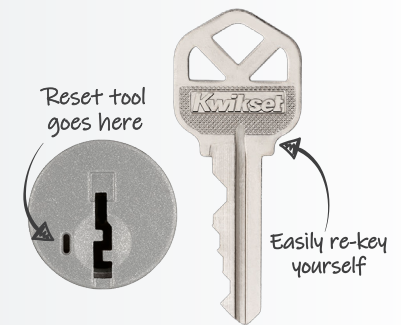


Satin Chrome **26D**



One Key For All Your Locks

Protects against advanced break-in techniques and allows you to re-key your lock yourself in seconds.



LIFETIME WARRANTY