

Kwikset



SMARTCODE 915

TOUCHSCREEN ELECTRONIC DEADBOLT

The SmartCode 915 features a capacitive touchscreen with Kwikset's patented SecureScreen™ technology to prevent code detection from fingerprints on the touchscreen. The contemporary design complements homes with a modern décor.

New Features

- New contemporary design
- 10 digit capacitive touchscreen with one touch locking
- Motorized deadbolt
- Sleek metal design for enhanced quality

User Codes

- Up to 16 user access codes for family & guests
- MasterCode feature for improved user access code management

Additional Features

- Patented SecureScreen™ Technology—helps to ensure that user codes cannot be identified by examining fingerprints



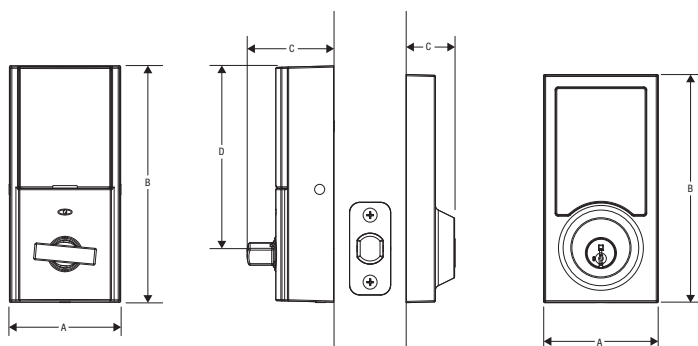
#1 SELLING U.S. LOCK BRAND*

*Source: TraQline US quarterly brand unit share report, Q4 2006 through Q3 2017

Specifications

Function	Single Cylinder Deadbolt
Door Prep	2 1/8" diameter face hole & 1" diameter latch hole
Backset	Adjustable 2 3/8" or 2 3/4"
Door Thickness	1 3/8" - 2 1/8" automatic adjustment
Cylinder	SmartKey®
Faceplates	1" x 2 1/4" round corner standard
Strikes	Round corner, 4 hole strike, 2 3/4" x 1 1/8"
Latch	Round corner adjustable 2 3/8" x 2 3/4"
Bolt	1" throw, steel deadbolt
Door Handing	Reversible
Batteries	4AA Required

Dimensions



Design	A	B	C	D
Interior	2 11/16" (68.6 mm)	5 3/4" (145.8 mm)	2 3/32" (53.3 mm)	4 9/16" (116.1 mm)
Exterior	2 25/32" (70.7 mm)	5 17/32" (140.7 mm)	1 3/16" (29.8 mm)	---

Easy Installation

- Replaces existing door hardware with just a screwdriver
- No hard wiring needed
- Operates on 4 AA batteries that will last for approximately 1 year

Innovative Security

- BHMA grade 2 certified
- 20 Minute fire rating - UL certified
- SmartKey® re-key technology with BumpGuard™ protection
- Revolutionary tapered deadbolt design—enables misaligned doors to lock without pulling and pushing your door shut

Finishes



99150-004
Satin Nickel 15
915CNT 15



99150-005
Venetian Bronze 11P
915CNT 11P



99140-006
Polished Chrome 26
915CNT 26

FINISH AND
**LIFETIME
WARRANTY**
MECHANICAL
ONE YEAR
ELECTRONIC WARRANTY

Kwikset

19701 DaVinci, Lake Forest, CA 92610 • Kwikset.com • 1-800-327-LOCK

© 2017 Spectrum Brands, Inc. Kwikset is a trademark of Spectrum Brands, Inc. Lake Forest, CA 92610 • 161233-KW