

# Kwikset



## KEYLESS ENTRY TOUCHPAD DEADBOLT MODEL 905

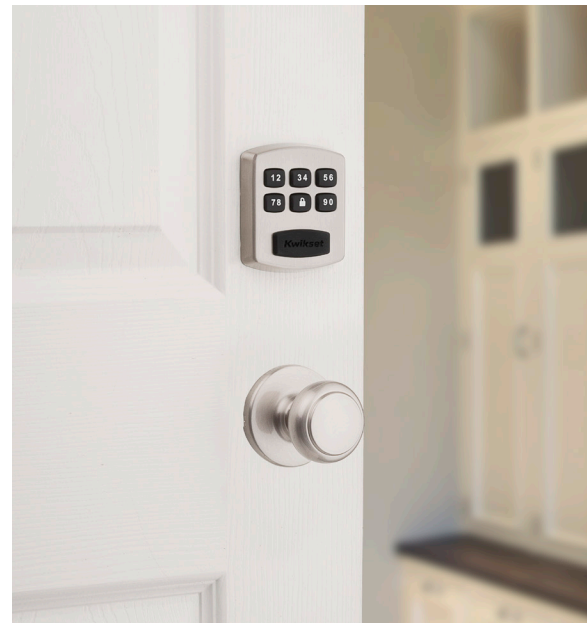
The Model 905 Keyless Entry Touchpad Deadbolt is a keywayless electronic lock. It is capable of storing up to four user codes, so different codes can be assigned to family and guests. No keyway makes this lock bump & pick proof. This electronic deadbolt is a notable option for those who want to experience keyless convenience. Lock and unlock using the keypad from the outside as well as the turn piece from the inside.

### Features

- Keyless entry deadbolt
- One touch locking with a motorized deadbolt
- No keyway makes this lock Bump proof and pick proof
- Low battery alarm along with a 9V terminal behind the Kwikset logo acts as a backup if batteries are not replaced.
- Textured black ABS interior cover

### User Codes

- Up to 4 user access codes (4-8 digit long) for family & guests

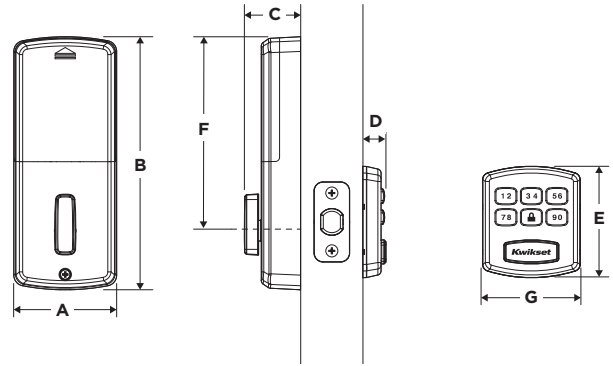


THE LEADER IN RESIDENTIAL SECURITY

## Specifications

<b>Function</b>	Single cylinder deadbolt
<b>Door Prep</b>	2 1/8" diameter face hole & 1" diameter latch hole
<b>Latch Backset</b>	Adjustable 2 3/8" or 2 3/4"
<b>Door Thickness</b>	Fits 1 3/8" - 1 3/4" door thickness
<b>Latch Faceplate</b>	1" x 2 1/4" round corner standard
<b>Strike</b>	Round corner strike 2 3/4" x 1 1/8"
<b>Bolt</b>	1" throw, steel deadbolt
<b>Door Handing</b>	Reversible
<b>Batteries</b>	Requires 4 X AA alkaline batteries

## Dimensions



Design	A	B	C	D	E	F	G
Interior	3" (76 mm)	7 3/8" (187 mm)	1 21/32" (42 mm)	11/36" (8 mm)	-	5 19/32" (142 mm)	-
Exterior	-	-	-	-	3 1/4" (95 mm)	-	2 27/32" (72 mm)

## Easy Installation

- Replaces existing door hardware with just a screwdriver
- No hard wiring needed
- Operates on 4 AA batteries that will last for approximately 1 year

## Innovative Security

- Meets Grade 3 security requirements
- No keyway makes this lock Bump proof and pick proof
- 60-second lockout after 3 consecutive incorrect codes entered

## Finishes



**99050-002**  
Polished Brass **03**  
905 03



**99050-003**  
Satin Nickel **15**  
905 15



**99050-004**  
Venetian Bronze **11P**  
905 11P

FINISH AND  
**LIFETIME WARRANTY**  
MECHANICAL  
ONE YEAR  
ELECTRONIC WARRANTY  
UN AÑO DE GARANTÍA EN  
COMPONENTES ELECTRONICOS