

Kwikset
SIGNATURE SERIES



KINGSTON & TUSTIN INTERCONNECT

The perfect solution for multi-family housing, Interconnect provides quality, security, and style while meeting ADA requirements and fire code ratings.

- Features SmartKey Security™ Re-key Technology with BumpGuard™ Protection
- Lifetime mechanical and finish warranty
- Lever options are in compliance with the American National Standards Institute (ANSI A117.1) and the Americans with Disabilities Act (ADA)
- Meets fire code rating for emergency panic exit



Tustin Interconnect with
Smartkey Security in Satin Nickel



#1 SELLING U.S. LOCK BRAND*

Numerator TruView, Unit Share Report, 2024

Specifications

Door Prep	Cross Bore: 2 1/8" Edge Bore: 1" Center-To-Center: 5 1/2" only
Backset	Deadbolt: Adjustable to 2 3/8" or 2 3/4" Lever: Fixed 2 3/8" or Fixed 2 3/4"
Door Thickness	1 3/4" standard. Thick Door Kit Available for up to 2 1/4"
Cylinder	SmartKey™ on 780 Deadbolt or Traditional P&T
Faceplates	Deadbolt: Specify Round or Square 1" x 2 1/4" Lever: Specify Round or Square 1" x 2 1/4"
Strikes	Deadbolt: Specify 5278 square corner 1 1/8" x 2 3/4", 5279 round corner 1 1/8" x 2 3/4", 3028 T strike 1 13/16" x 2 3/4" or 3223 round corner 1 1/4" x 3 5/8" Lever: 3030 square corner full lip UL 2 1/4" or 3031 round corner full lip UL 2 1/4"
Bolt	Deadbolt: 1" Throw Lever: 1/2" Throw
Door Handing	Reversible
ANSI/BHMA	A156.12, Grade 2
ADA	Lever options are in compliance with the American National Standards Institute (ANSI A156.12) and the Americans with Disabilities Act (ADA)
UL	Meets 3 Hour UL Fire Rating

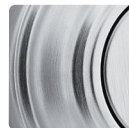
Finishes



Matte
Black 514

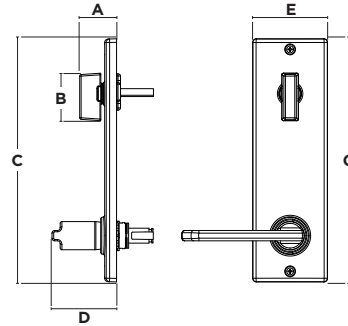


Satin
Nickel 15

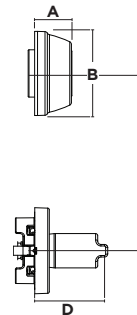


Satin
Chrome 26D

Dimensions



Design	A	B	C	D	E
508KNL	1 7/16"	1 25/32"	10"	2 1/2"	2 27/32"
508TNL	1 13/32"	1 25/32"	10"	2 1/32"	2 27/32"



Design	A	B	C	D
508KNL	1 5/32"	2 5/8"	5 1/2"	2 5/16"
508TNL	1 5/32"	2 5/8"	5 1/2"	1 27/32"



One Key For All Your Locks

Protects against advanced break-in techniques and allows you to re-key your lock yourself in seconds.



Reset tool goes here

Easily re-key yourself

LIFETIME
WARRANTY