

HBF

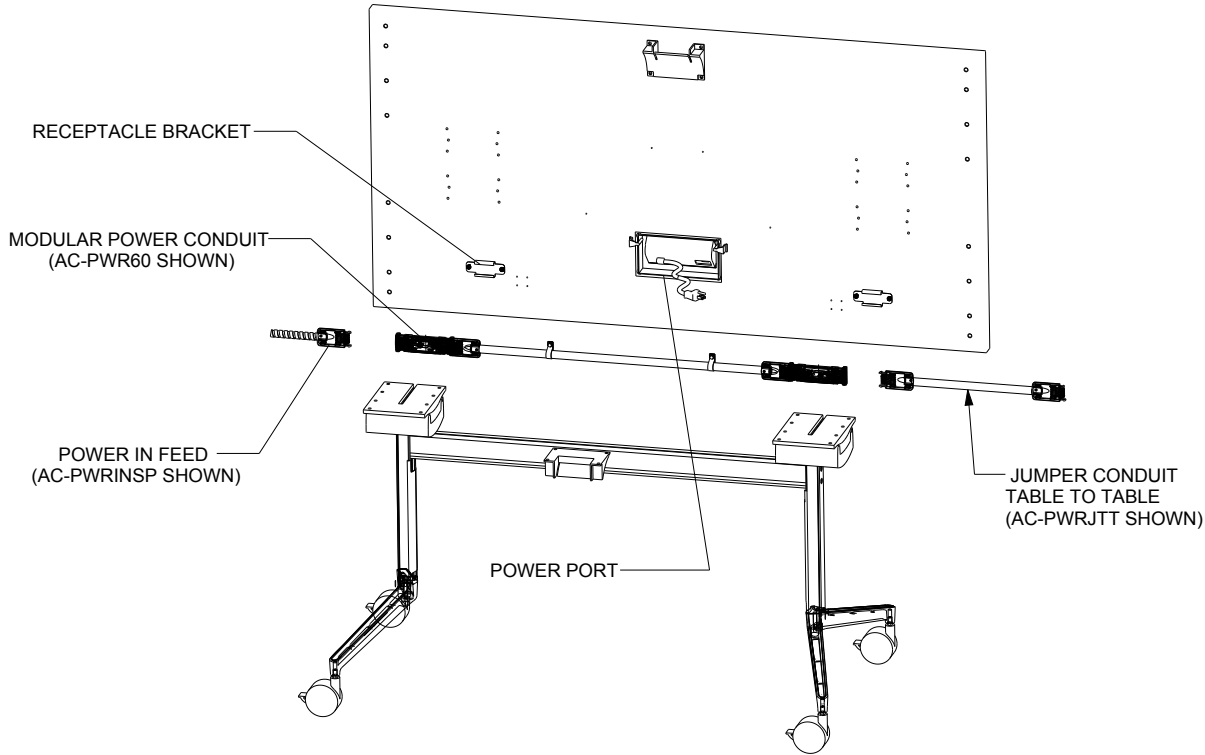
ELECTRICAL SYSTEM INSTRUCTION

GENERAL NOTES

- 1. PROTECT THE WORKSURFACE AND OFFICE AREA DURING INSTALLATION

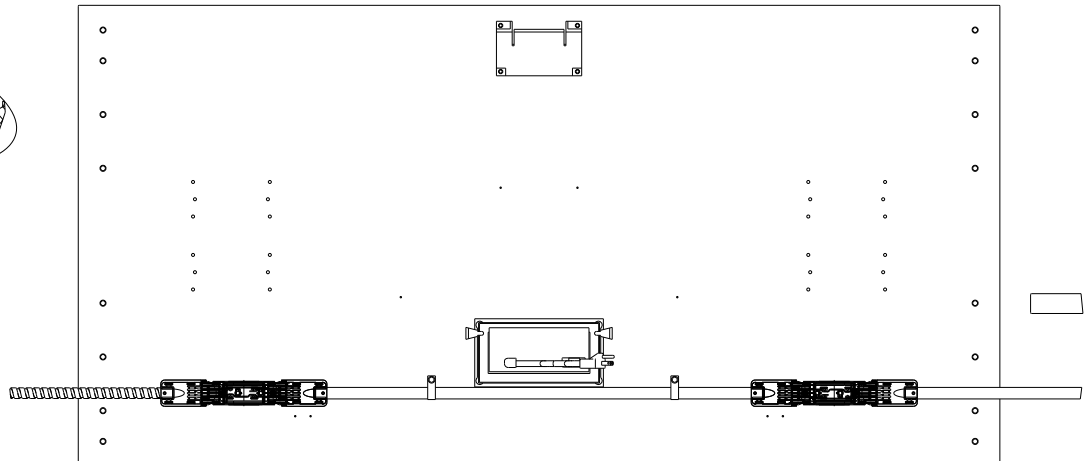
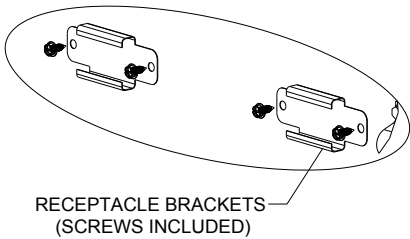
MODULAR POWER

- 1. FOLLOW LOCAL BUILDING CODES, ZONING ORDINANCES AND OSHA ELECTRICAL SAFETY REQUIREMENTS



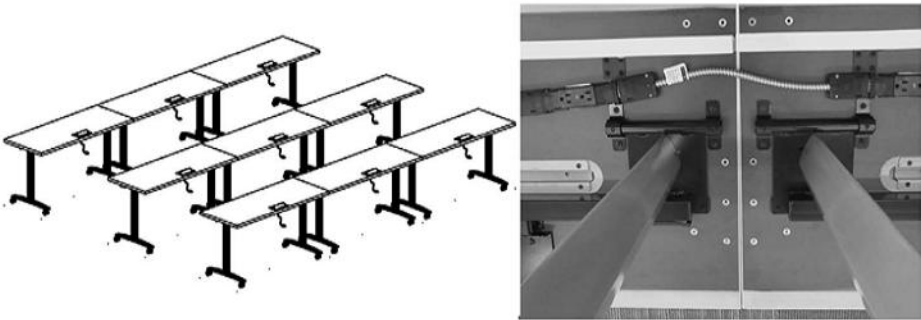
MODULAR POWER ATTACHMENT

- 1. USE THE DIMENSION BELOW AS A GUIDE TO ATTACH THE BRACKETS AND CLAMPS BENEATH WORKSURFACE
- 2. DRILL PILOT HOLES FOR SCREWS  $\varnothing .125 \times .500 \nabla$ , USE CAUTION NOT TO DRILL THROUGH WORKSURFACE



HBF ELECTRICAL SYSTEM INSTRUCTION

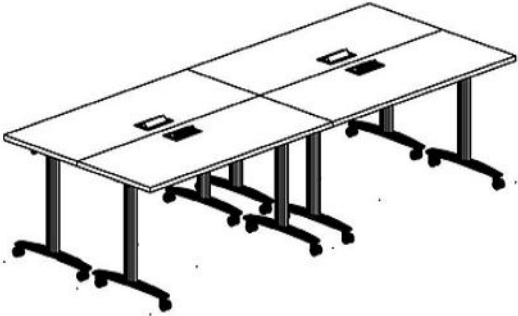
JUMPERS



AC-HK1PWRJTJTT JUMPER SHOWN



AC-HK1PWRJTCT JUMPER SHOWN



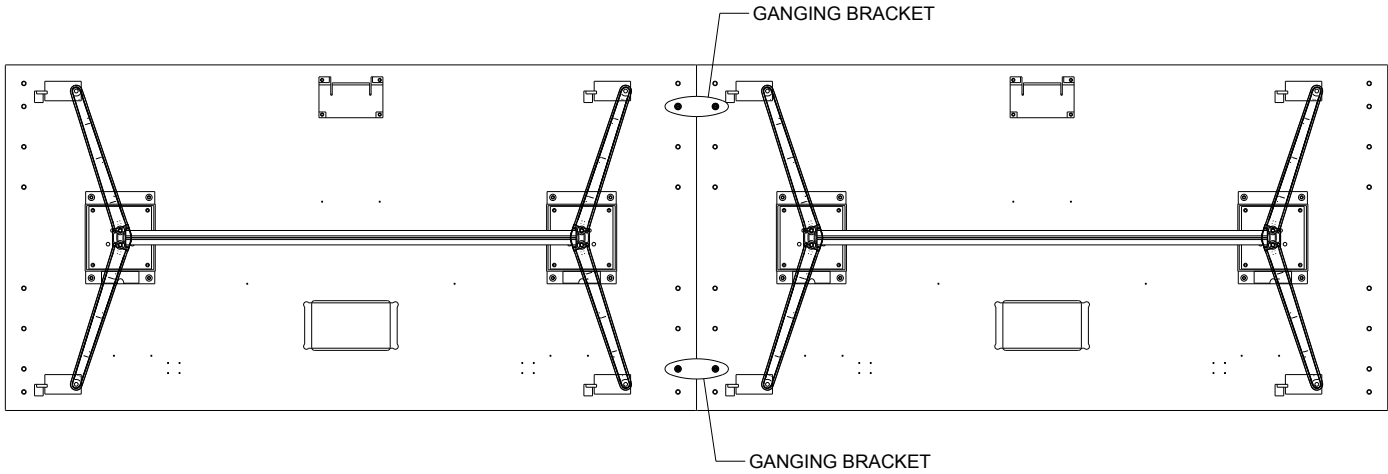
AC-HK1PWRJTCT JUMPER SHOWN

HBF

# ELECTRICAL SYSTEM INSTRUCTION

## GANGING BRACKETS

1. THE GANGING BRACKETS ARE DESIGNED TO GANG TABLES, END TO END  
INSTRUCTION INCLUDED WITH GANGING BRACKET HARDWARE (AC-T3G)



## WIRE MANAGEMENT

1. USE HK1WM FULL LENGTH OR CUT TO DESIRED LENGTH FOR UNDER WORKSURFACE WIRE MANAGEMENT  
WIRE MANAGEMENT EXTRUSION IS PRESS FIT OR SNAPS OVER BASE EXTRUSION

