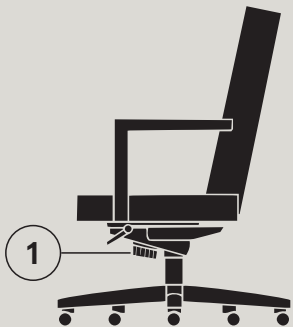


Finding harmony in the details.

HBF reveals the intentionality of design in everything we make through attention to detail and bespoke American craftsmanship.

Technical precision is married to honesty of materials and purity of form, making the use of your chair a simple process. Please follow these basic instructions for height, back height, locking and tilt/tension adjustments.

Détente

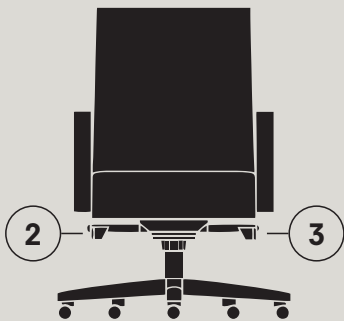


1—Tilt Tension

To adjust the tension to the backward tilt, grasp the textured hand wheel located underneath the front of the chair. A clockwise rotation while seated will loosen the tension, counterclockwise rotation will tighten the tension.

2—Height

While seated, lift the right hand lever. Your weight on the seat will lower the height. By leaning forward and transferring your weight to your feet you will raise the seat height by again lifting the lever.



3—Lock

To lock the chair back, while seated push the handle on the left side downward and the automatic searching system will find one of the seven different positions available. To unlock, pull up on the left handle while applying pressure to the chair back.

To achieve a forward back and seat angle, press the knob at the end of the lever on the right side while tilting halfway back. To return to the neutral position pull knob out while tilting halfway back.

Détente Back Height Adjustment

The Détente back height adjustment has seven different positions. To adjust the back height to the desired position simply lift the back and listen for the “click” made by the ratcheting mechanism.

To reset the back height to the zero position, raise the back to its highest position. The adjusting mechanism is now free and will allow you to lower the back.

