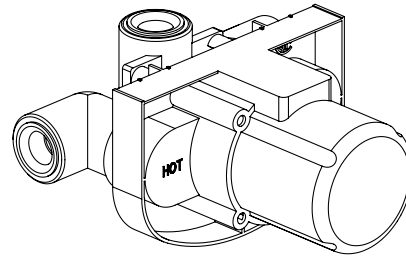


VALVE711

3/4" Thermostatic Valve



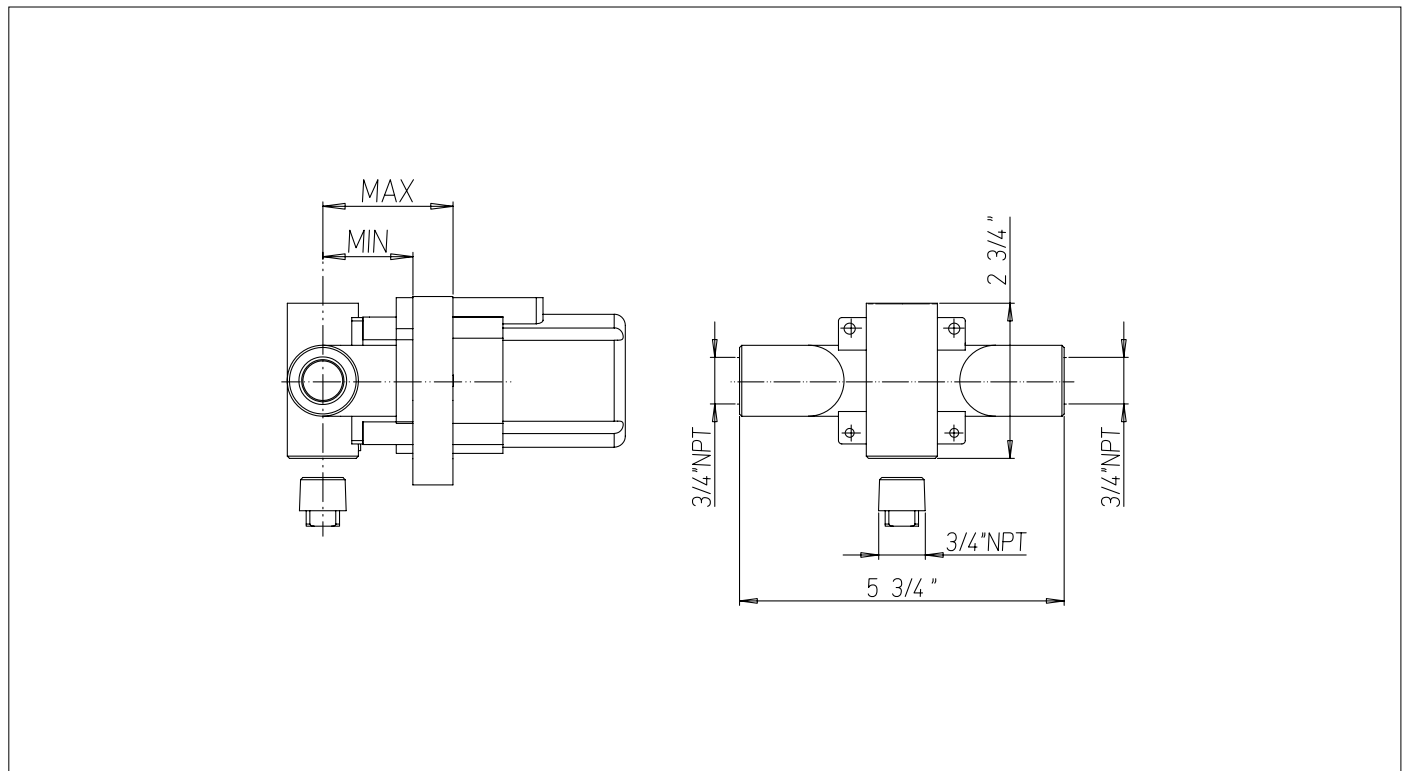
STANDARDS

- Compliant with ASME A112.18.1 B125.1 when sold with external trim
- Certified by or IAPMO R&T Lab when sold with external

FEATURES

- Thermo control cartridge
- 1/2" NPT connections
- Flows 9.6 GPM @ 60 PSI
- Step-By-Step Installation Instructions
- Limited Lifetime Warranty
- Includes Test Plug

DIMENSIONS



Project _____
 Contractor _____