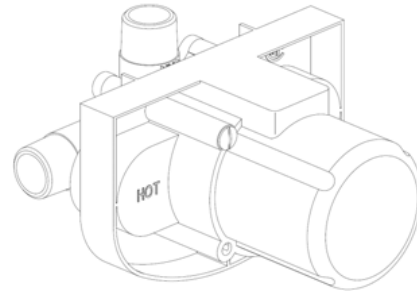


**VALVE697**

1/2" Pressure Balance  
Rough-in Valve



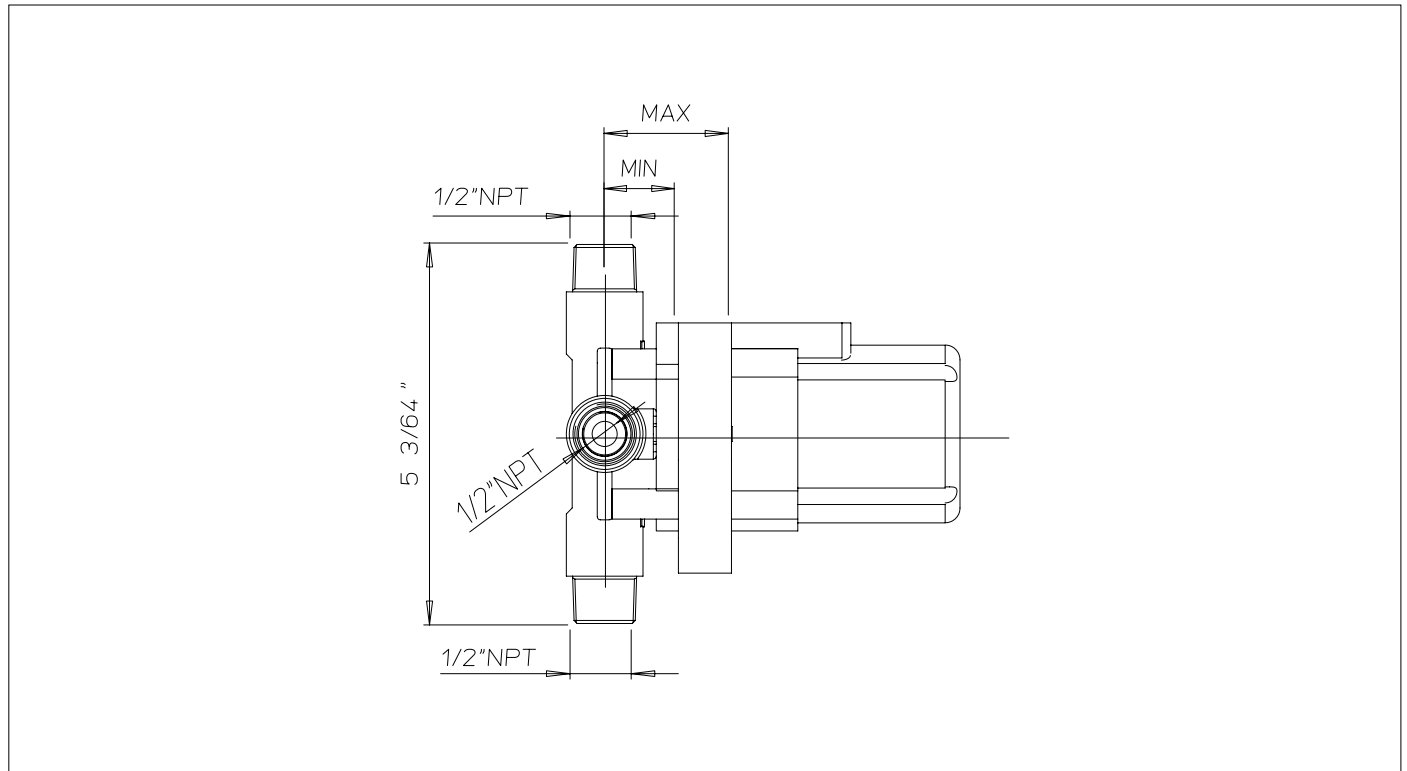
**STANDARDS**

- Compliant with ASME A112.18.1 B125.1 when sold with external trim
- Certified by or IAPMO R&T Lab when sold with external

**FEATURES**

Pressure Balance Shower valve only  
1/2" NPT connections  
Flows 5.0 GPM @ 60 PSI  
Step-By-Step Installation Instructions  
Limited Lifetime Warranty  
Includes Test Plug

**DIMENSIONS**



Project \_\_\_\_\_  
Contractor \_\_\_\_\_