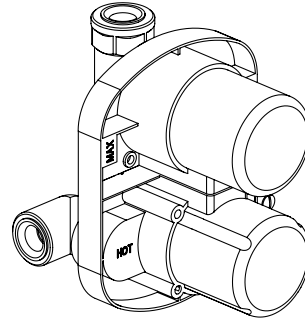


**VALVE690**

1/2" Thermostatic  
Rough-in Valve



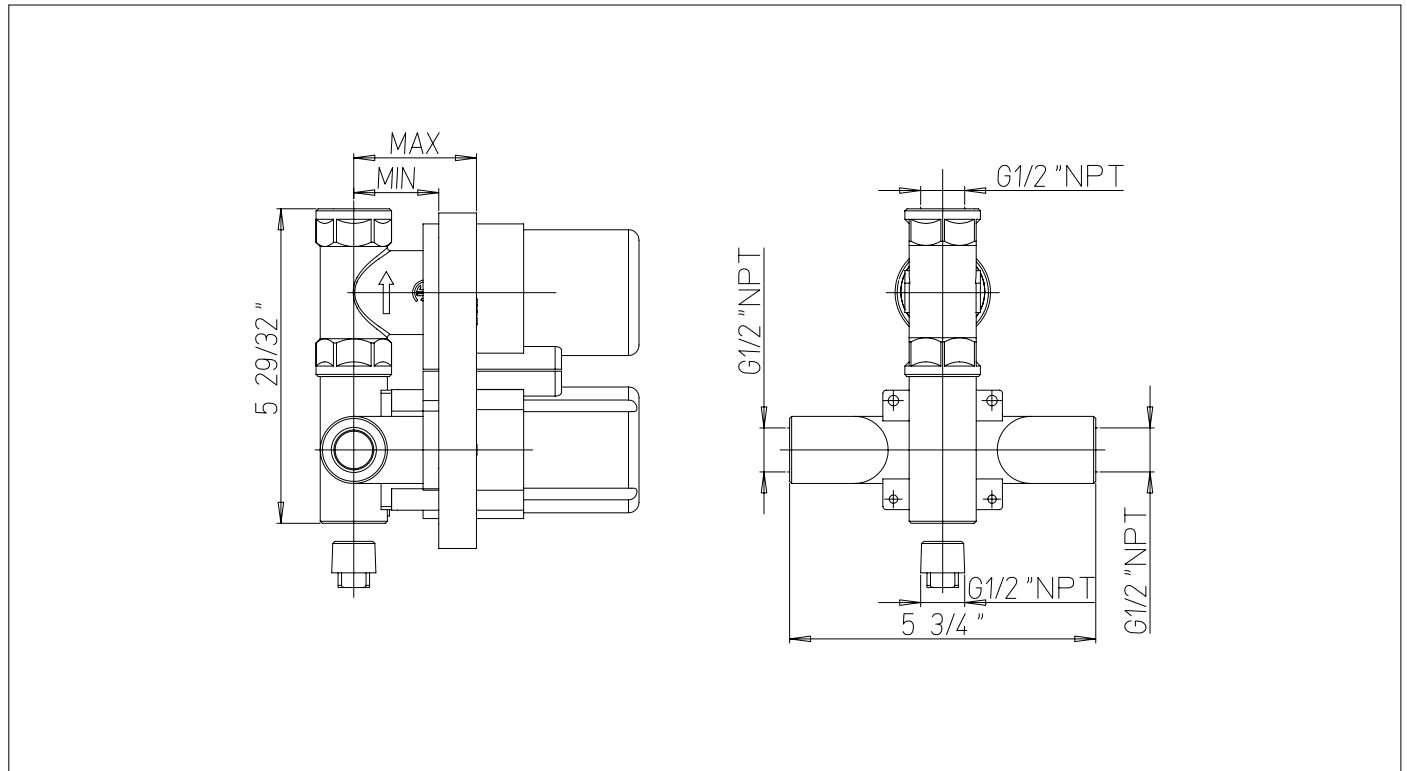
**STANDARDS**

- Compliant with ASME A112.18.1 B125.1 when sold with external trim
- Certified by or IAPMO R&T Lab when sold with external

**FEATURES**

- Thermo control cartridge
- 1/2" NPT connections
- Flows 7.1 GPM @ 60 PSI
- Step-By-Step Installation Instructions
- Limited Lifetime Warranty
- Includes Test Plug

**DIMENSIONS**



Project \_\_\_\_\_  
Contractor \_\_\_\_\_