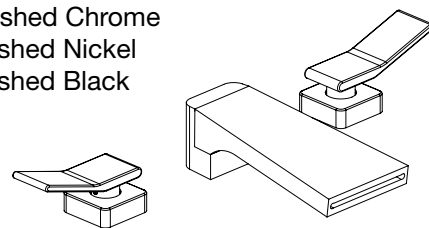


9410200

3-hole Roman tub kit

FINISHES

- 9410200PC Polished Chrome
- 7910200BN Brushed Nickel
- 7910200BB Brushed Black



STANDARDS

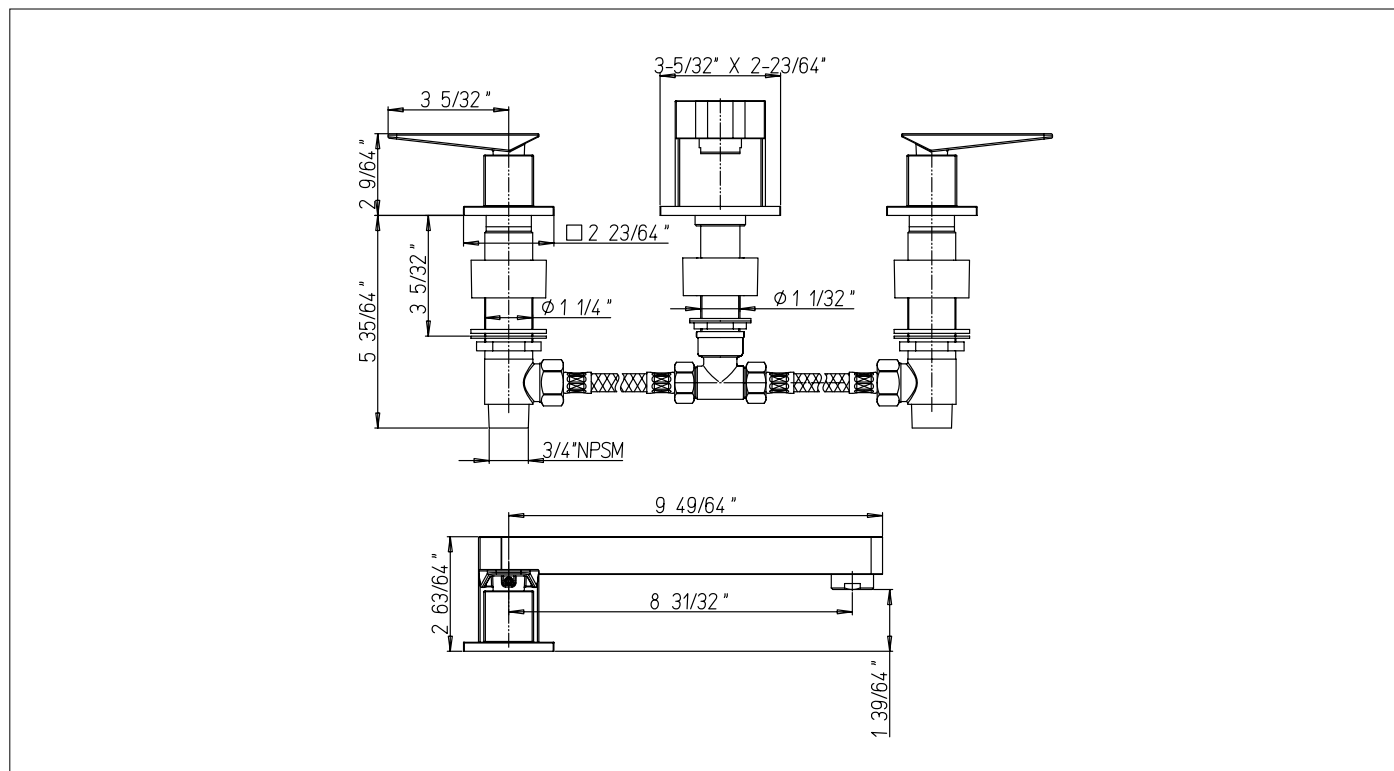


- Compliant with ASME A112.18.1 - CSA B125.1
- Certified by IAPMO R&T Lab
- ADA Compliant

FEATURES

- Solid Brass Construction
- 3/4 turn Ceramic Disc Valve
- Flow rate 10 gpm, @60 psi
- Step-By-Step Installation Instructions

DIMENSIONS



Project _____
 Contractor _____