

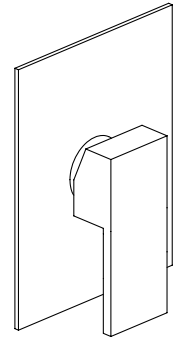
**84687SQ**

Pressure Balance Valve Trim Only

needs rough VALVE 697

**FINISHES**

- 84687SQPC Polished Chrome
- 84687SQBN Brushed Nickel
- 84687SQBB Brushed Black



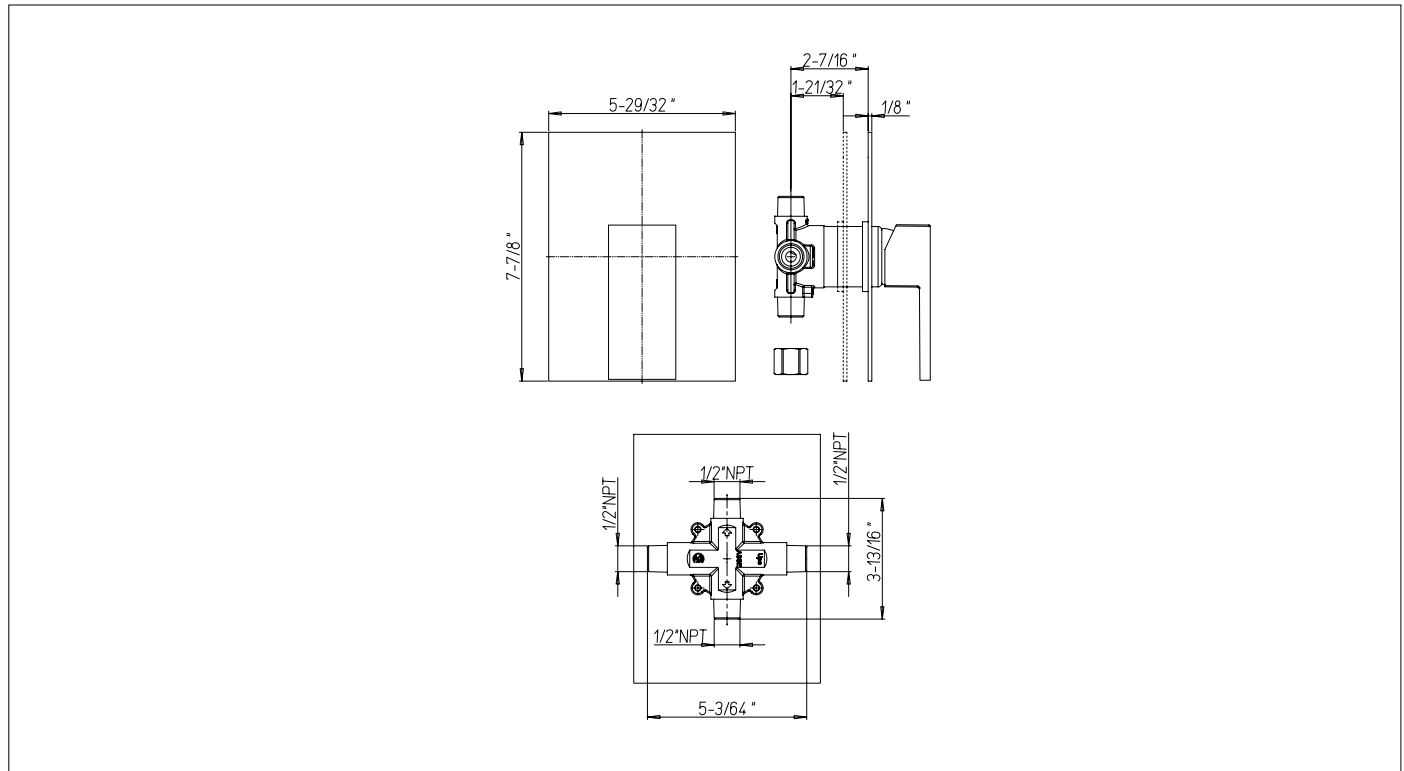
**STANDARDS**

- Compliant with ASME A112.18.1 - CSA B125.1 when sold with rough valve
- Certified by IAPMO R&T Lab when sold with rough valve
- ADA Compliant

**FEATURES**

- Solid Brass Construction
- Pressure Balance Trim
- Built-in volume control
- Includes pressure balance cartridge
- 1/2" Pressure Balance Valve featuring Ceramic Discs
- Step-By-Step Installation Instructions

**DIMENSIONS**



Project \_\_\_\_\_  
 Contractor \_\_\_\_\_