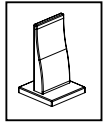


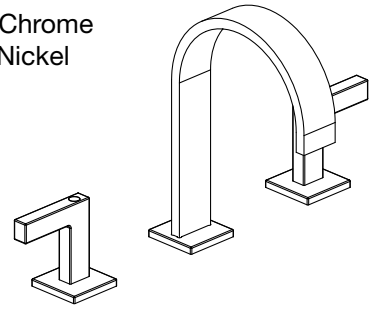
8410200
3-Hole Roman Tub



Both handle
included

FINISHES

- 8410200PC Polished Chrome
- 8410200BN Brushed Nickel



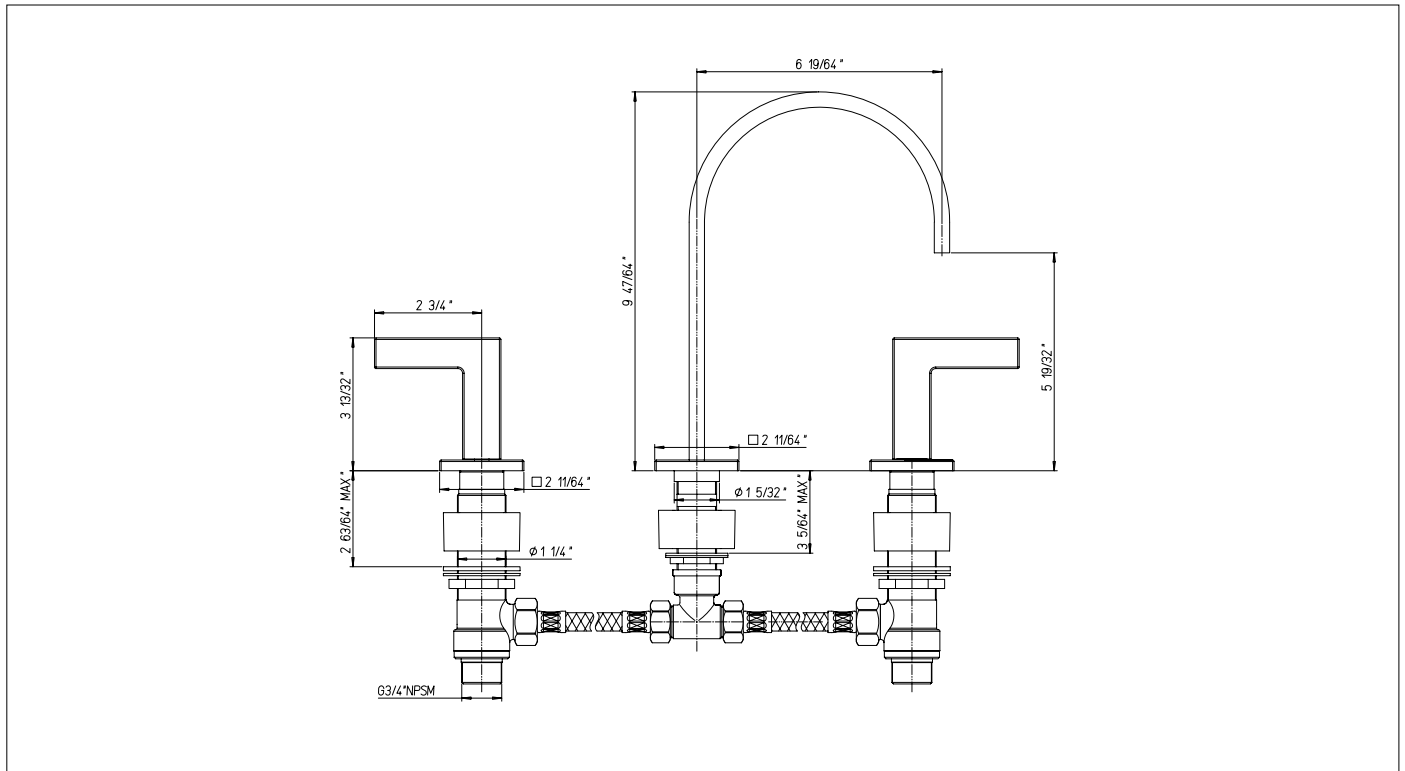
STANDARDS 

- Compliant with ASME A112.18.1 - CSA B125.1
- Certified by IAPMO R&T Lab
- ADA Compliant

FEATURES

- Solid Brass Construction
- 3/4 Ceramic Disc Valve
- Flow rate 10 gpm, @60 psi
- Step-By-Step Installation Instructions

DIMENSIONS



Project _____
Contractor _____