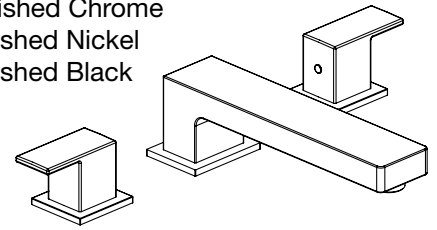


8410000
3-Hole Roman Tub

FINISHES

- 8410000PC Polished Chrome
- 8410000BN Brushed Nickel
- 8410000BB Brushed Black



STANDARDS

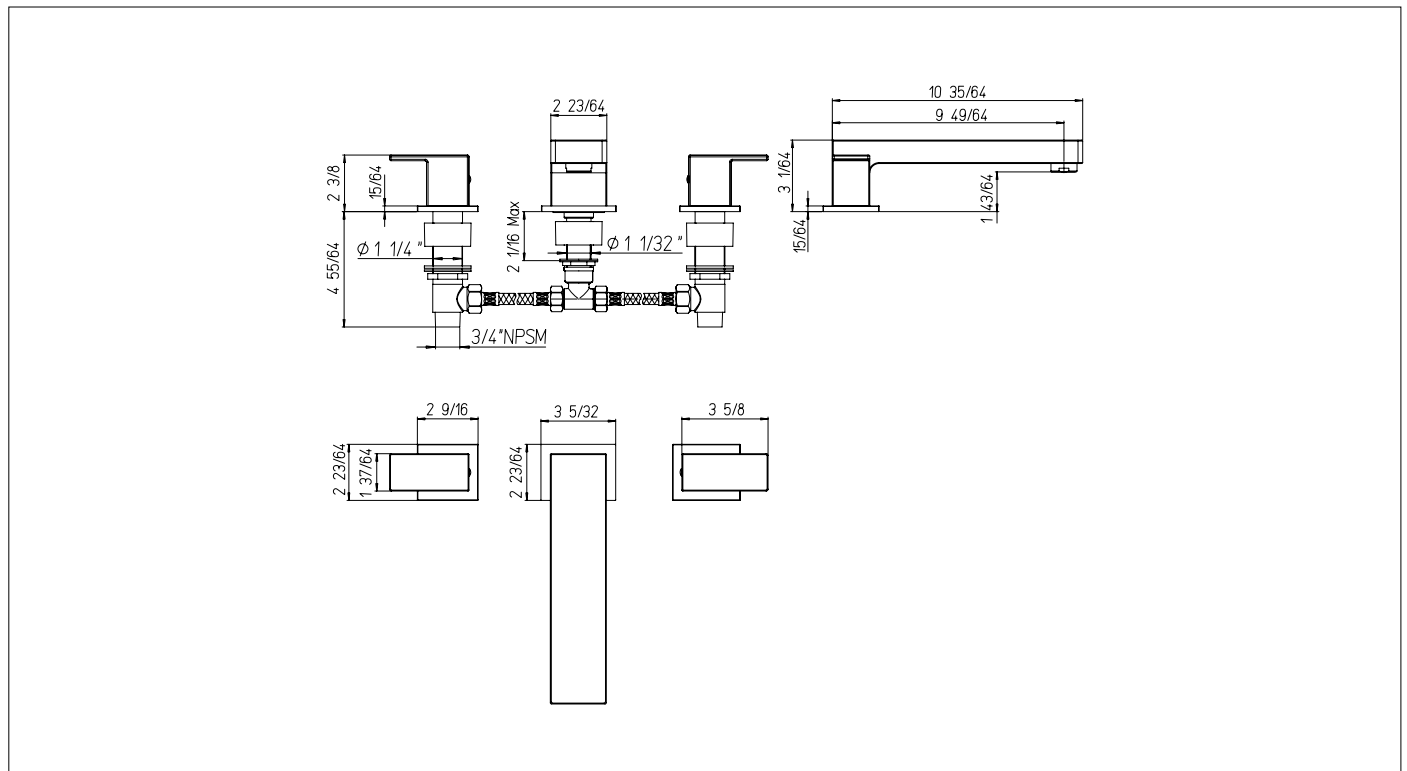


- Compliant with ASME A112.18.1 - CSA B125.1
- Compliant with ANSI/NSF 61
- Compliant with NSF 372 (Low lead)
- Certified by IAPMO R&T Lab
- ADA Compliant

FEATURES

- Solid Brass Construction
- 1/4 turn Ceramic Disc Valve
- Step-By-Step Installation Instructions

DIMENSIONS



Project _____
Contractor _____