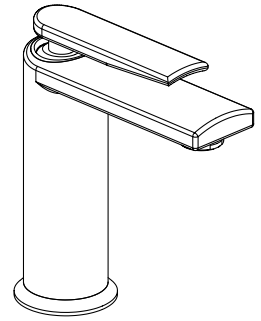


602110C
Single Control Lavatory

FINISHES
602110CPC Polished Chrome
602110CBG Brushed Gold
602110CBB Brushed Black

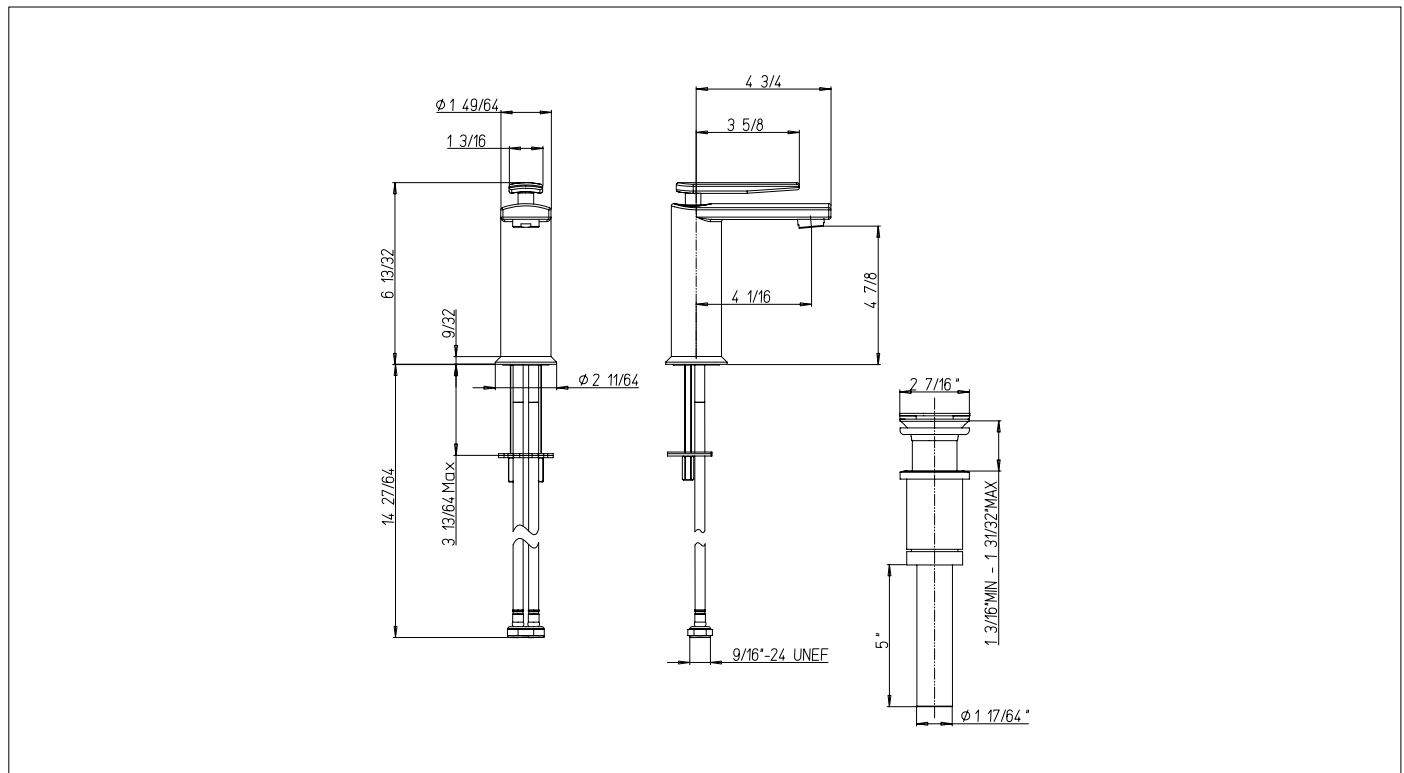


- Compliant with ASME A112.18.1 - CSA B125.1
- Compliant with ANSI/NSF 61
- Compliant with NSF 372 (Low lead)
- Certified by IAPMO R&T Lab
- Meets EPA Water Sense Certification:
1.2gpm, 4.5L/min
- ADA Compliant

FEATURES

- Solid Brass Construction
- Single Control Ceramic Disc Valve
- Metal Pop-up assembly
- 1 hole installation. Optional 3-hole deckplate sold separately
- Step-By-Step Installation Instructions

DIMENSIONS



Project _____
Contractor _____