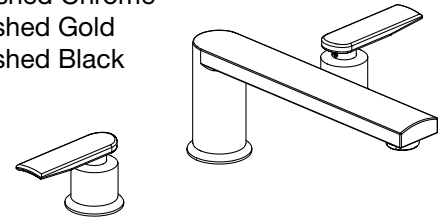


**6010200**

3-hole Roman tub kit

**FINISHES**

- 6010200PC Polished Chrome
- 6010200BG Brushed Gold
- 6010200BB Brushed Black



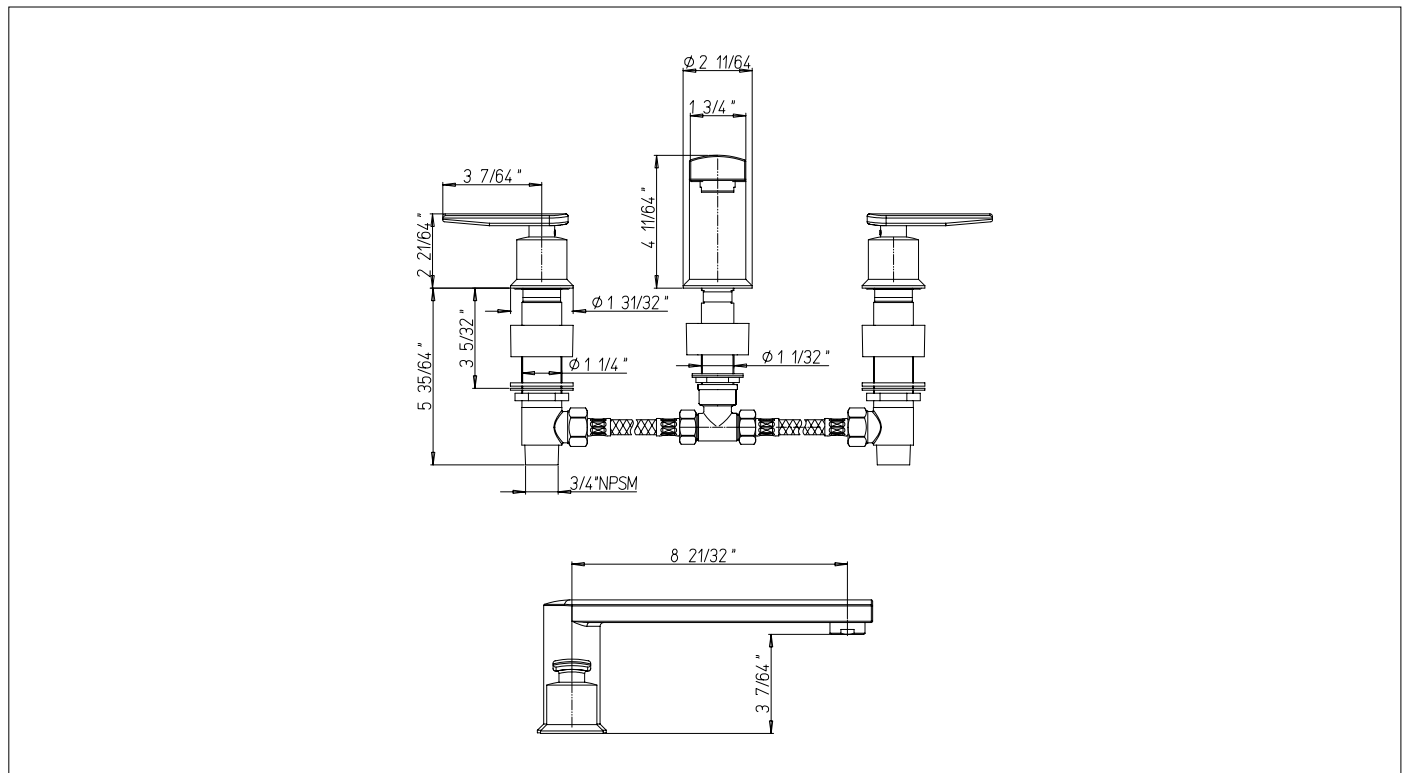
**STANDARDS** 

- Compliant with ASME A112.18.1 - CSA B125.1
- Certified by IAPMO R&T Lab
- ADA Compliant

**FEATURES**

- Solid Brass Construction
- 1/4 turn Ceramic Disc Valve
- Flow rate 10 gpm, @60 psi
- Step-By-Step Installation Instructions

**DIMENSIONS**



Project \_\_\_\_\_  
 Contractor \_\_\_\_\_