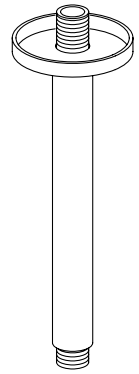


**5074412**  
 12" Ceiling Mount  
 Shower Arm

**FINISHES**

- 5074412PC Polished Chrome
- 5074412BN Brushed Nickel
- 5074412BG Brushed Gold
- 5074412BB Brushed Black



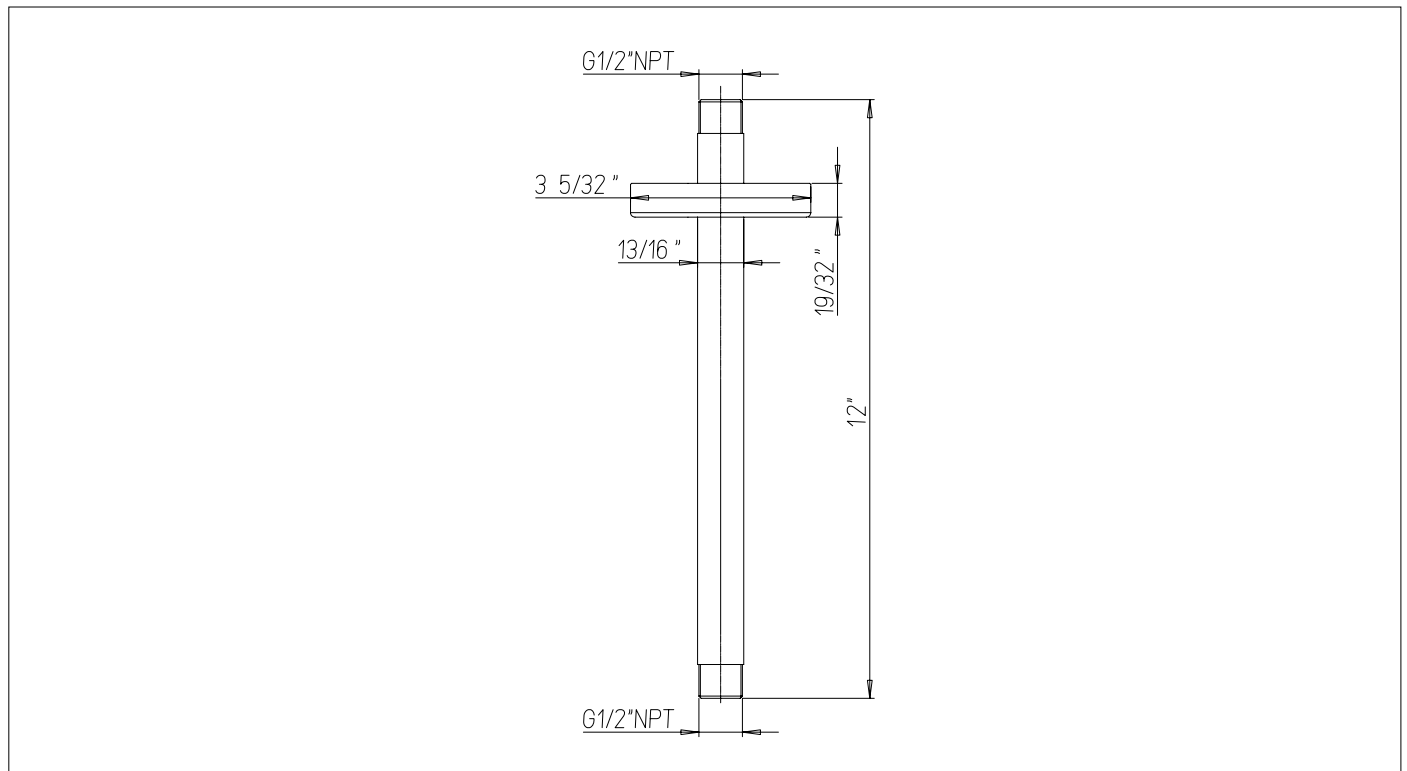
**STANDARDS**

- Compliant with ASME A112.18.1 - CSA B125.1

**FEATURES**

- Solid Brass Construction
- 1/2" male NPT connection
- Round Flange to support arm
- Step-By-Step Installation Instructions

**DIMENSIONS**



Project \_\_\_\_\_  
 Contractor \_\_\_\_\_