

IMAGE IS NOT
AVAILABLE

SPECIFICATIONS

V-8, 4-Stroke-Cycle-Diesel

Emissions IMO compliant
 Displacement 34.5 L (2105 cu. in.)
 Rated Engine Speed 1800 rpm
 Bore 170 mm (6.7 in.)
 Stroke 190 mm (7.5 in.)
 Aspiration Turbocharged-Aftercooled
 Governor Electronic
 Engine Weight, Net Dry (approx) 5216 kg (11,500 lb)
 Capacity for Liquids
 Cooling System (engine only) 285 L (75.3 U.S. gal)
 Lube Oil System 223 L (59 U.S. gal)
 Oil Change Interval 500 hr
 Caterpillar® DEO 10W30 or 15W40
 Rotation (from flywheel end) Counterclockwise
 or Clockwise

STANDARD EQUIPMENT

Air Inlet System

Corrosion-resistant separate circuit aftercooler core (air side); regular duty air cleaner; dual turbochargers, 152 mm (6 in.) OD

Cooling System

Non-self-priming centrifugal auxiliary sea water pump, gear driven centrifugal jacket water pump, auxiliary fresh water pump, expansion tank, oil cooler, thermostats and housing with 92°C (198°F) full open temperature

Exhaust System

Dry gas tight manifolds with thermo-laminated heat shields; dual turbochargers with water cooled bearings and thermo-laminated heat shields; vertical exhaust outlet, 203 mm (8 in.) round flanged outlet

Flywheel and Flywheel Housing

SAE No. 00 (183 teeth)

Fuel System

RH fuel filter with service indicators, fuel transfer pump, Electronic Unit Injector (EUI) fuel system

Instruments

RH instrument panel with oil pressure, water temperature, and fuel pressure gauges; system DC voltage gauge; air inlet restriction gauge; exhaust temperature gauges; fuel and oil filter differential pressure gauges; service meter; tachometer; instantaneous fuel consumption; four-position start-stop

Lube System

Top-mounted crankcase breather, RH oil filter and oil level gauge, gear-type oil pump, standard sump oil pan

Mounting System

Engine length mounting rails, 254 mm (10 in.); C-channel

Power Take-Offs

Lower RH and LH accessory drive, two-sided front housing

General

Vibration damper and guard, Caterpillar yellow paint, lifting eyes

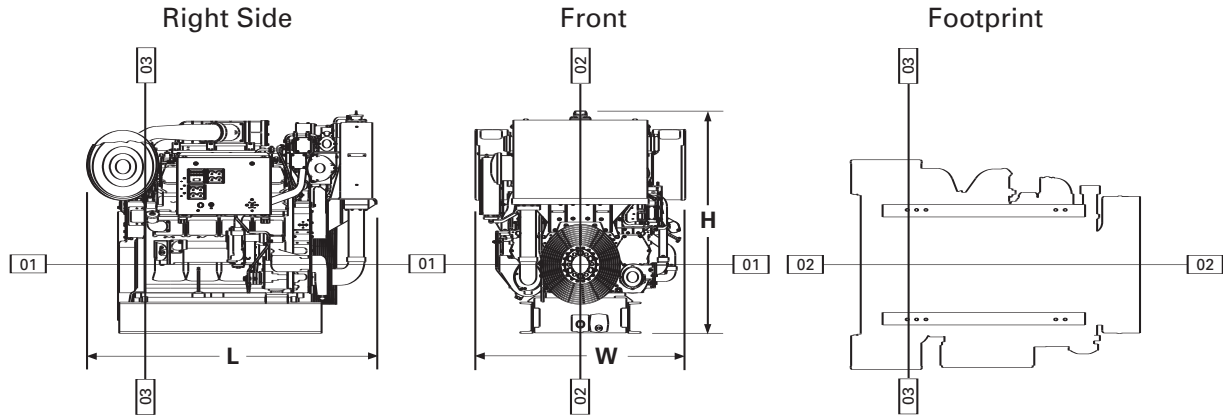
ACCESSORY EQUIPMENT

24V 60 Amp Alternator
 24V Electric Starting Motor
 Air Inlet Overspeed Shutoffs
 Air Starting Motor
 Auxiliary Drive Pulley and Shaft
 Crankshaft Pulleys
 Customer Communication Module (CCM)
 Deep Sump Oil Pan
 Dual Jacket Water Heater
 Duplex Fuel Filter
 Duplex Oil Filter
 Exhaust Elbow, Flange, Flexible Fitting
 Front Enclosed Clutch
 Front Stub Shafts
 Generators — 630 to 910 kW
 Air Filter, Bearing Temperature Detectors, Low Voltage Extension Box, RFI Filter, Voltage Regulator (Auto, Digital, Manual)
 Heat Exchanger
 Instrument Panel Extension Harness — 8M or 16M
 Keel Cooling Connections
 LH Engine-Mounted Instrument Panel
 LH Fuel Priming Pump
 Load Sharing Module
 Premium Wiring Harness
 Program Relay Control Module
 Pyrometer and Thermocouples
 Pyrometer Extension Harness — 8M or 16M
 Radiator Cooling Conversion
 Self-Priming Auxiliary Sea Water Pump
 Shutoff and Alarm Contactors for Oil Pres. and Water Temp.
 Spare Parts Kit
 Sump Pump
 Upper RH Front Accessory Drives

PERFORMANCE DATA

Turbocharged-Aftercooled
DM4551-02 Aftercooler Temperature 30°C (86°F)

760 bkW (.8 pf) 1019 bhp			
% load	bkW	Lph	gph
100	753	186.8	49.3
75	562	143.9	38.0
50	375	101.7	26.9
25	191	60.6	16.0



DIMENSIONS*

	mm	in.		
Overall Length	2350.4	92.5		
Length from front to rear face of block	1880.0	74.0		
Length from rear face of block to back of engine	470.4	18.5		
Overall Height	1806.3	71.1		
Height from crankshaft centerline to top of engine	1247.8	49.1		
Height from crankshaft centerline to bottom of rails	558.5	22.0		
Overall Width	1703.0	67.1		
Width from crankshaft centerline to port side (left side)	851.5	33.5		
Width from crankshaft centerline to starboard side (right side)	851.5	33.5		
			Front	Rear
Customer mounting hole diameter	23.8	0.9	mm	in.
Width from crankshaft centerline to side	444.5	17.5	mm	in.
Length from rear face of block to mounting hole	1196.0	47.1	mm	in.
	1272.2	50.1	mm	in.
			141.9	5.6
			10.5	0.4

*Illustrations and dimensions from drawing: 125-6278.

RATING CONDITIONS

Engine Performance Parameters

Power	±3%
Specific Fuel Consumption	±3%
Fuel Rate	±5%

Ratings are based on SAE J1228/ISO8665 standard conditions of 100 kPa (29.61 in. Hg), 25°C (77°F), and 30% relative humidity. These ratings also apply at ISO3046/1, DIN6271/3, and BS5514 conditions of 100 kPa (29.61 in. Hg), 27°C (81°F), and 60% relative humidity.

Fuel rates are based on fuel oil of 35° API [16°C (60°F)] gravity having an LHV of 42 780 kJ/kg (18,390 Btu/lb) when used at 29°C (85°F) and weighing 838.9 g/L (7.001 lb/U.S. gal).

Additional ratings may be available for specific customer requirements. Consult your Caterpillar representative for additional information.

Performance data is calculated in accordance with tolerances and conditions stated in this specification sheet and is only intended for purposes of comparison with other manufacturers' engines. Actual engine performance may vary according to the particular application of the engine and operating conditions beyond Caterpillar's control.

CAT, CATERPILLAR, their respective logos, "Caterpillar Yellow" and the POWER EDGE trade dress, as well as corporate and product identity used herein, are trademarks of Caterpillar and may not be used without permission.