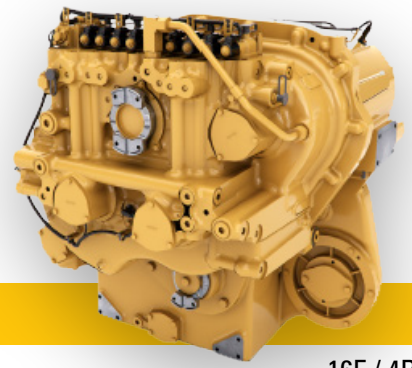


THE CAT® TA22 TRANSMISSION

The Cat® TA22 transmission is designed for agriculture applications and is compatible with the Cat C15 and C18 engines.



NUMBER OF GEARS

# Gears (Forward/Reverse)	16F / 4R
---------------------------	----------

RATINGS

Rated Input Power	440 kW	590 hp
Rated Input Torque	2000 N•m	1,475 lb-ft
Rated Input Speed		2,100 rpm
Minimum Input Speed		1,000 rpm

ROTATION

Rotation Direction	Input shaft rotation: clockwise as viewed from front of transmission
Output Rotation	Output shafts rotate in the opposite direction of input shaft for forward gears and in the same direction as input shaft for reverse gears

MOUNTINGS

Engine Output and Transmission Input	SAE 9C Input Yoke
Transmission output	SAE 8.5C or 9C output Yoke

ELECTRICAL SYSTEM

Electrical System	12V
-------------------	-----

CLUTCHES

Electro-Hydraulic Oil Cooled, Multidisc

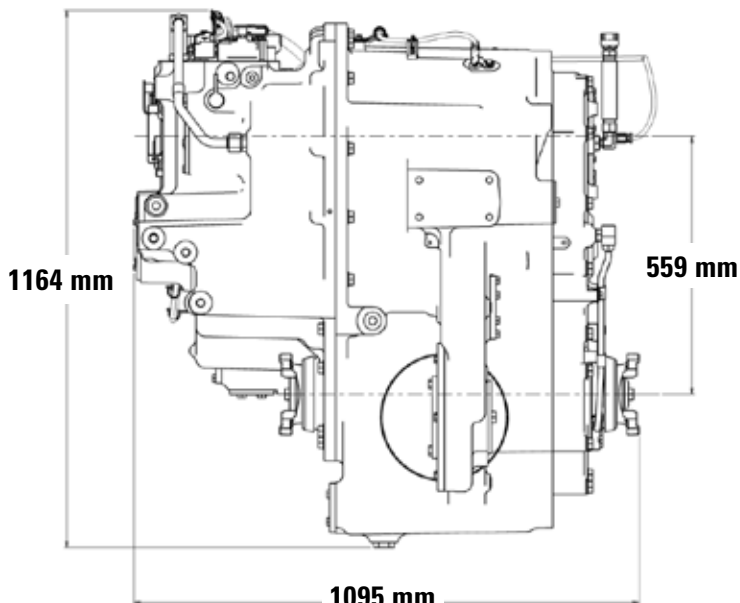
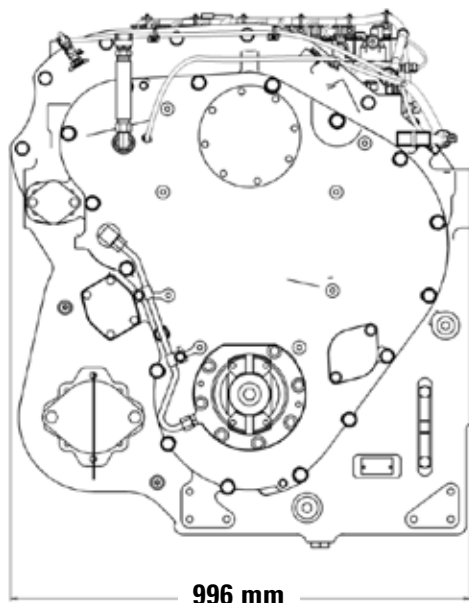
Cat® Electronic Clutch Pressure Control (ECPC)

INSTALLATION CONNECTIONS

Cooler, oil filter, filter pressure switch, hydraulic pumps

OIL SYSTEM

Oil	Cat 10W30 Multi-purpose Tractor Oil (MTO) or Equivalent
Max Oil Temperatures	93°C (199°F) continuous at transmission sump 95°C (203°F) peak at transmission sump 90°C (194°F) oil cooler maximum outlet
Hydraulic Fill Capacity	54 L 14.2 gal
Filter Type	11 Micron or better with a Beta=75 Remote Mounted



GEARS

Transmission Gearing Type	Straight Spur Countershaft	
	Gear	Ratio
Forward	1F	8.442
	2F	6.648
	3F	5.253
	4F	4.137
	5F	3.474
	6F	3.086
	7F	2.736
	8F	2.430
	9F	2.162
	10F	1.920
	11F	1.702
	12F	1.512
	13F	1.270
	14F	1.000
	15F	0.790
	16F	0.622
Reverse	1R	-10.553
	2R	-4.343
	3R	-3.857
	4R	-1.587

WEIGHT

Approximate Dry Weight	1600 kg	3,530 lb
------------------------	---------	----------

For more information, contact your OEM Solutions Account Manager or email oem_solutions@cat.com

AEXJ0168-01

© 2026 Caterpillar. All rights reserved.

Materials and specifications are subject to change without notice. The International System of Units (SI) is used in this publication.

CAT, CATERPILLAR, LET'S DO THE WORK, their respective logos, "Caterpillar Corporate Yellow," the "Power Edge" and Cat "Modern Hex" trade dress as well as corporate and product identity used herein, are trademarks of Caterpillar and may not be used without permission.

