

MULCHERS

MINI HYDRAULIC EXCAVATORS



Models

HM208

HM210

HM608

HM810

HM912

Machine Compatibility

307.5, 308 CR, 309 CR, 310

307.5, 308 CR, 309 CR, 310

306 CR

307.5, 308 CR, 310

309 CR

Current machines listed. Machine models and attachments vary by region. Contact your local Cat® dealer for exact compatibility and availability.



Cat® Mulchers for mini excavators are designed for high performance cutting and mulching of vegetation, saplings, and undergrowth from overgrown agricultural areas and forested terrain. The hydraulic mulchers reduce saplings, shrubs and trees into mulched material, making it ideal for environmental maintenance, such as brush clearing and creating fire lanes. Other applications include reclaiming untilled land, removing foliage from building construction sites and shredding pruned material and organic waste for biomass production.

FEATURES – STANDARD MULCHERS



VARIABLE DISPLACEMENT PISTON MOTOR

Motor displacement will change to provide high torque at low speed to power through material with reduced risk of stalling. Motor automatically switches the displacement back for high speed operation once the material is cleared.



DUAL HYDRAULIC DOORS

Dual hydraulic doors (front and back) are standard and allow for debris to be recirculated through drum longer for a finer finished product.



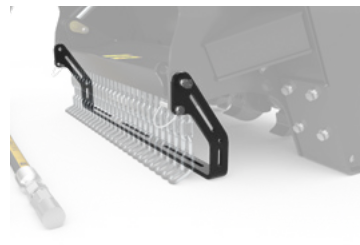
BOLT-ON REPLACEABLE SKID SHOES

Bolt-on replaceable skid shoes are reinforced and built to last, yet easily replaceable as needed.



BALANCED DRUM

Mulching drum is weighted for maximum mulching performance and smooth operation. Staggered tooth design allows for only one tooth to contact material at all times for efficient cutting performance.



INTEGRATED STAND

Integrated stand eases access for attachment and removal. Allows mulcher to sit flat for storage.



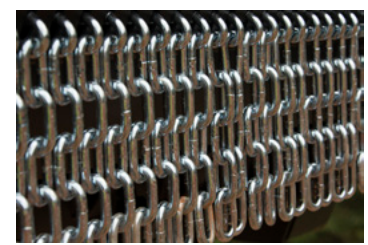
(OMM) CONTAINER

Located inside the lockable service panel and sealed from the elements, this container holds the Operation and Maintenance Manual (OMM) required for proper operation of the work tool.



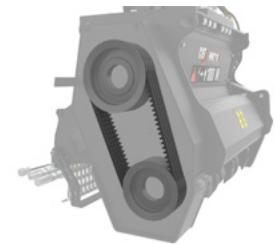
CAT XTC HYDRAULIC HOSES

Quick disconnect hydraulic lines allow for easy tool swapping. Case drain line improves motor life and protects internal motor components. Spiral protective hose wrap helps protect hydraulic lines during use.



REAR CHAIN GUARD

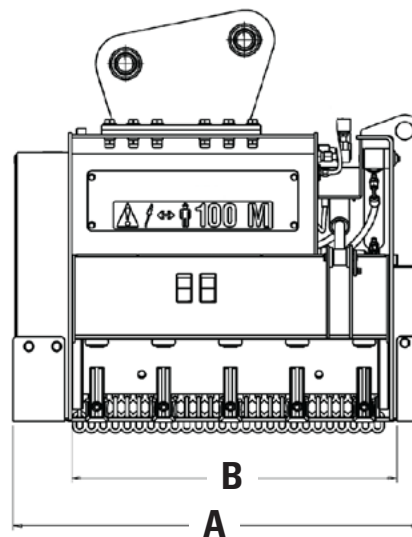
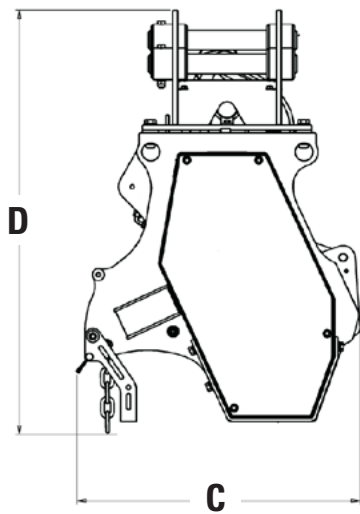
Rear chain guard limits the amount of debris thrown behind the machine.



MULTI V-BELT DESIGN

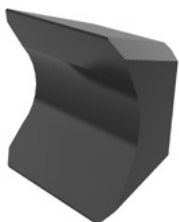
Multi v-belt design enables the transmission of torques between the hydraulic motor and the cutting head.

SPECIFICATIONS – STANDARD MULCHERS



STANDARD MULCHERS

Model	HM208	HM210
A Overall Width – mm (in)	1026 (40.4)	1226 (48.3)
B Working Width – mm (in)	818 (32.2)	1012 (39.8)
C Length – mm (in)	714 (28.1)	714 (28.1)
D Overall Height – mm (in)	1065 (41.9)	1065 (41.9)
Weight – kg (lb)	490 (1080)	540 (1191)
Drive Method	V-Belt	V-Belt
Optimal Hydraulic Flow – L/min (gpm)	70-130 (18-34)	70-130 (18-34)
Optimal Hydraulic Pressure – bar (psi)	150-250 (2175-3626)	150-250 (2175-3626)
Drum Speed – rpm	2770-2890	2770-2890
Fixed Teeth per Drum	15	24
Maximum Cutting Diameter – mm (in)	200 (8)	200 (8)
Required Hydraulics	1st Auxiliary	1st Auxiliary
Interface	Pin On (Pin Grabber)	Pin On (Pin Grabber)



REVERSIBLE CHISEL TEETH (STANDARD)

For general purpose agricultural mulching.



CARBIDE-TIPPED CHISEL TEETH (OPTIONAL)

For extra long wear.

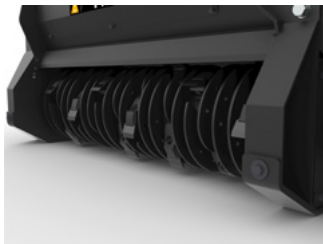


STANDARD TWO-YEAR WARRANTY

All mulchers come standard with a two-year warranty to give you peace of mind when purchasing a quality Cat attachment.

Cat Bite Limiter Mulchers for mini excavators features a drum with bite limiting plates that restrict how far teeth can cut into material to significantly reduce stalling and recovery time. This decreased stall time allows these mulchers to increase productivity for both new and experienced operators. Additionally, the restricted cutting depth produces a finer, more consistent mulch.

FEATURES – BITE LIMITER MULCHERS



BITE LIMITING PLATES

Ribs on the rotor limit the penetration of chisel teeth into the material. Limiting the amount of processed material helps prevent the mulcher from stalling on harder material and helps with recovery time. Smaller bites provide a finer finish product for fast decomposition and allow less experienced operators to be more productive.



VARIABLE TORQUE HYDRAULIC MOTOR

Motor displacement will change to provide high torque at low speed to power through material with reduced risk of stalling. Motor automatically switches the displacement back for high speed operation once the material is cleared.



MOUNTING BRACKET STANDARDIZATION

All bite limiter mulchers use the small-large bolt pattern. The machine interface will determine the mounting bracket that should be installed on the mulcher. Mounting brackets are available in these bolt patterns to fit the full range of compatible Cat machines and coupler styles.



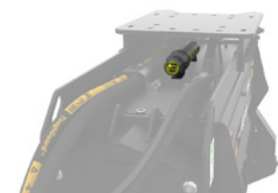
BUILT IN THUMB BRACKET

Integrated thumb bracket allows operator to pull or push the material into position to mulch or move it away from mulching area. The machine thumb can be utilized with the integrated thumb bracket to pick up material on some Cat excavators.



GUARDED HOSES

Quick disconnect hydraulic lines allow for easy tool swapping. Case drain line improves motor life and protects internal motor components. Spiral protective hose wrap helps protect hydraulic lines during use.



(OMM) CONTAINER

Tool-mounted and sealed from the elements, this container holds the Operation and Maintenance Manual (OMM) required for proper operation of the work tool.



MULTI V-BELT DESIGN

Multi v-belt design enables the transmission of torques between the hydraulic motor and the cutting head.



BOLT-ON REPLACEABLE SKID SHOES

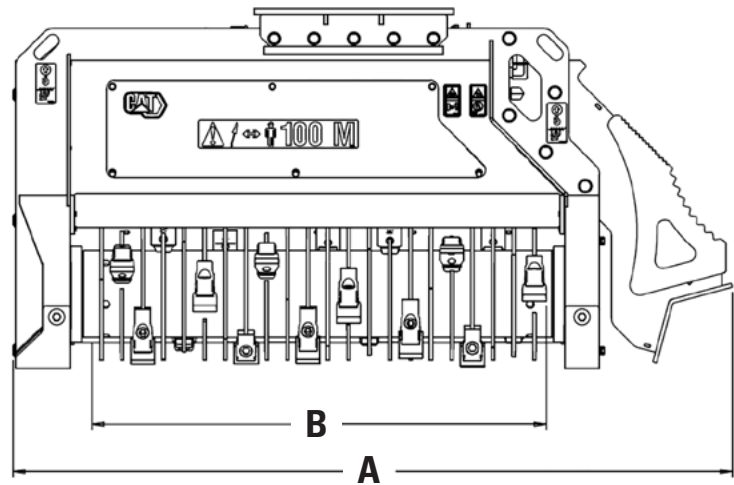
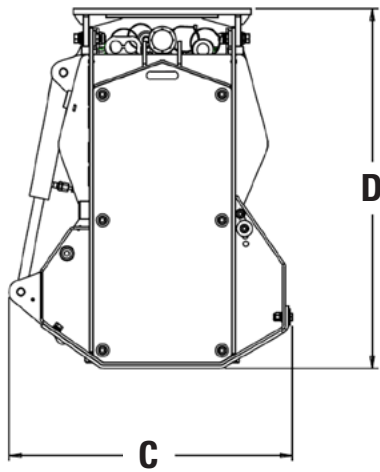
Bolt-on replaceable skid shoes are reinforced and built to last, yet easily replaceable as needed.



HYDRAULIC HOOD

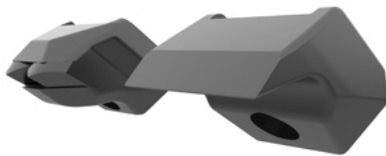
Standard hydraulic door (HM810 and HM912 only) allow for debris to be recirculated through drum longer for a finer finished product. Not available on the HM608.

SPECIFICATIONS – BITE LIMITER MULCHERS



BITE LIMITER MULCHERS

Model	HM608	HM810	HM912
A Overall Width – mm (in)	1388 (54.6)	1566 (61.7)	1806 (71.1)
B Working Width – mm (in)	794 (31.3)	960 (37.8)	1200 (47.2)
C Length – mm (in)	555 (21.9)	713 (28.1)	713 (28.1)
D Overall Height – mm (in)	779 (30.7)	901 (35.5)	901 (35.5)
Weight – kg (lb)	501 (1105)	686 (1512)	750 (1654)
Drive Method	V-Belt	V-Belt	V-Belt
Optimal Hydraulic Flow – L/min (gpm)	70-90 (18.5-23.8)	95-131 (25-34.6)	100-140 (26.4-37)
Optimal Hydraulic Pressure – bar (psi)	150-250 (2175-3626)	150-250 (2175-3626)	150-250 (2175-3626)
Drum Speed – rpm	2749	2767	2931
Fixed Teeth per Drum	14	18	22
Maximum Cutting Diameter – mm (in)	5 (127)	6 (152)	6 (152)
Hydraulic Door	—	Standard	Standard
Required Hydraulics	1st Auxiliary	1st Auxiliary	1st Auxiliary
Interface	Tool Interface	Tool Interface	Tool Interface



CHISEL TEETH

Standard chisel teeth (right) for general purpose agricultural mulching. Optional carbide-tipped chisel teeth (left) are for extra long wear.



STANDARD CHISEL TEETH GAUGE

A gauge to ensure correct sharpening of the standard chisel teeth is included.



STANDARD TWO-YEAR WARRANTY

All mulchers come standard with a two-year warranty to give you peace of mind when purchasing a quality Cat attachment.

For more complete information on Cat products, dealer services and industry solutions, visit us on the web at www.cat.com

© 2025 Caterpillar. All Rights Reserved.

Materials and specifications are subject to change without notice. Featured machines in photos may include additional equipment. See your Cat dealer for available options.

CAT, CATERPILLAR, LET'S DO THE WORK, VisionLink™, their respective logos, "Caterpillar Corporate Yellow," the "Power Edge" and Cat "Modern Hex" trade dress as well as corporate and product identity used herein, are trademarks of Caterpillar and may not be used without permission.

www.cat.com www.caterpillar.com

AEHQ8524-00 (09-2025)
Replaces AEHQ8048-01
(Global, excluding China)

