

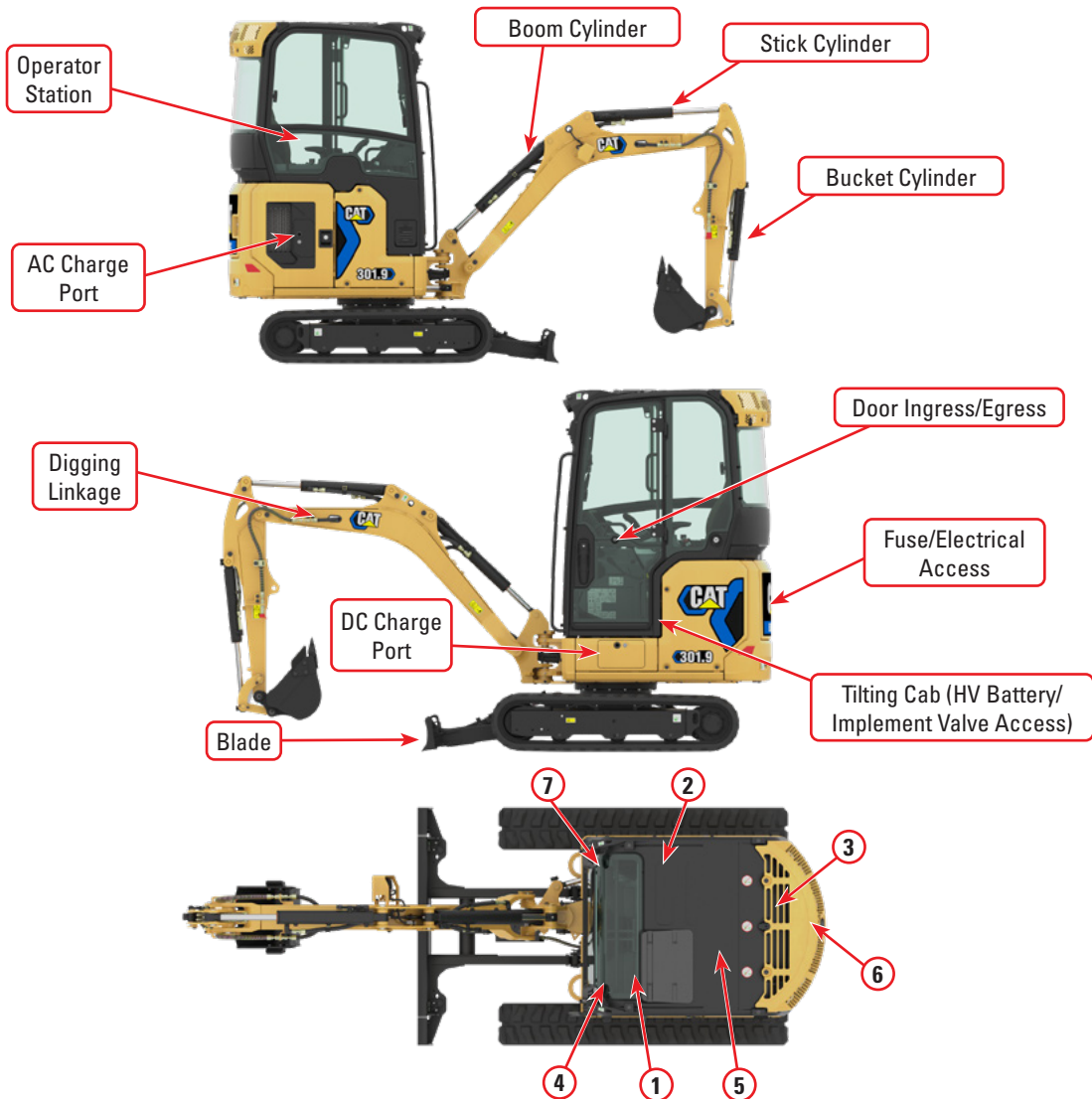
CAT[®] 301.9 ELECTRIC MINI EXCAVATOR EMERGENCY GUIDE

INFORMATION FOR FIRST AND SECOND RESPONDERS EMERGENCY RESPONSE GUIDE MACHINE



Cat 301.9 Electric Mini Hydraulic Excavator Li-ion Battery

Li-ion



- 1. Implement Valve (Under Cab)
- 2. Hydraulic Tank
- 3. Electric Drive Electronic Control Module (ECM)

- 4. Machine Control ECM
- 5. High Voltage (HV) Battery Access (Under Cab)
- 6. Low Voltage (LV) Battery Access
- 7. Machine Control Display

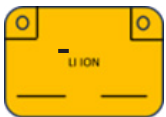
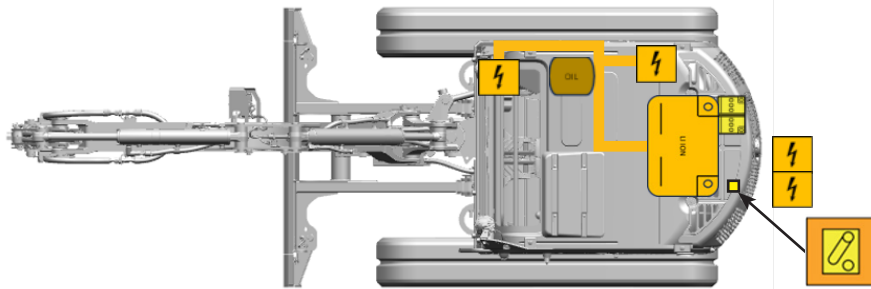
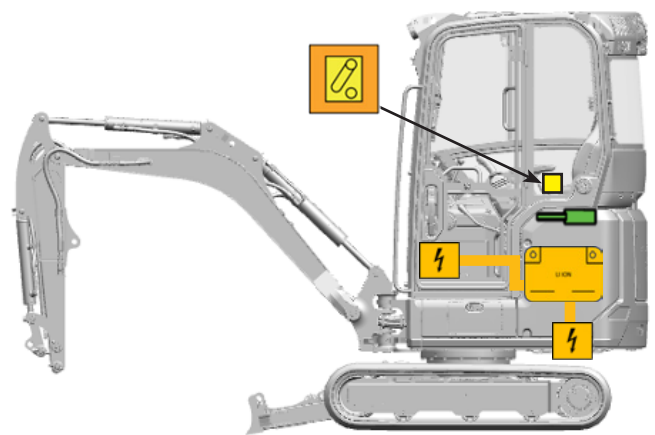
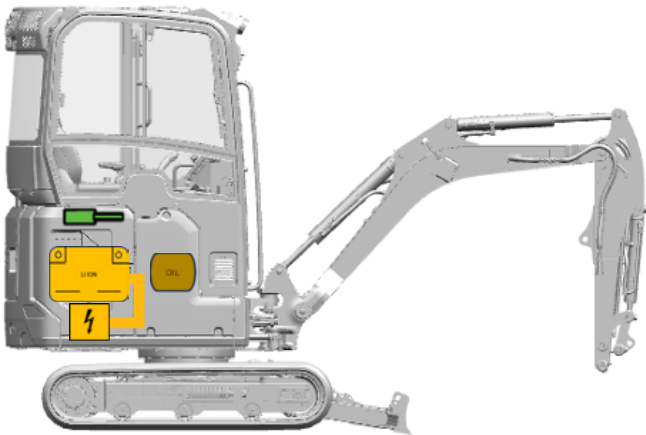
CONTENTS

Rescue Sheet	Page	3
Identification/Recognition	Page	4
Immobilization/Stabilization/Lifting	Page	5
Disable Direct Hazards/Safety Regulations	Page	6
Access to the Occupants	Page	7
Stored Energy/Liquids/Gases/Solids	Page	8
In Case of Fire	Page	9
In Case of Submersion	Page	10
Towing/Transportation/Storage	Page	11
Important Additional Information	Page	12

RESCUE SHEET



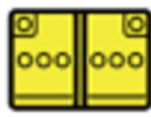
Cat 301.9 Electric Mini Hydraulic Excavator (2024 – Present)



Hazardous voltage lithium-ion battery



Low voltage device that disconnects the high voltage



Low voltage battery



Hydraulic oil tank



Hazardous voltage component



Hazardous voltage cable



Gas strut, pre-loaded gas cylinder

Field may be used for additional information, e.g. applicable country or region for the vehicle model.

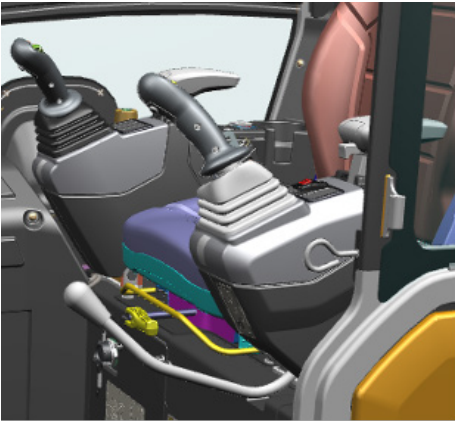
ID Number	Version Number	Page Number
	1.0	

IDENTIFICATION/RECOGNITION

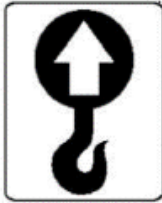


Cat trade dress for Machine Model and designation of Electric Machine, visible on left side, right side and rear of machine.

IMMOBILIZATION/STABILIZATION/LIFTING

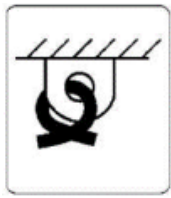
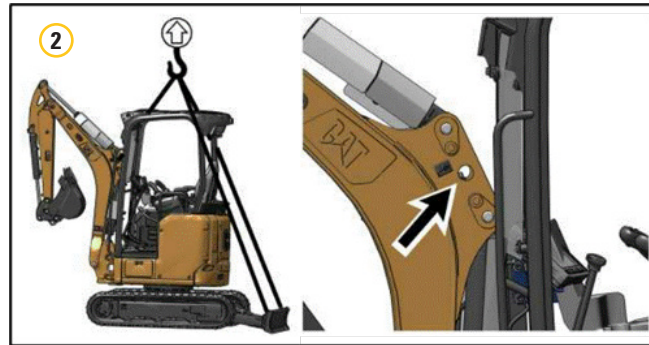


Lower linkage and blade to the ground, set hydraulic lock (move lever to raised position).



Lifting Point – To lift the machine, attach the lifting devices to the lifting points. Ensure that the undercarriage is fully expanded before you lift the machine. Ensure that an empty standard bucket is installed on the machine.

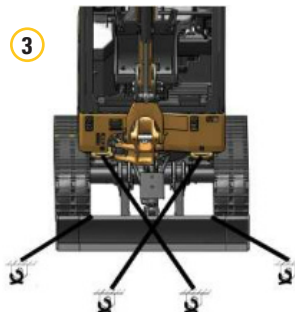
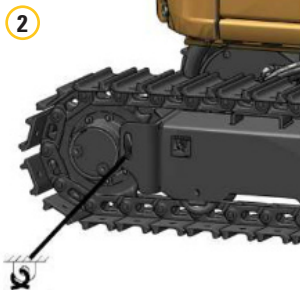
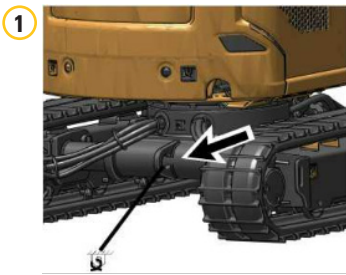
- ① Option 1
- ② Option 2



Tie Down Point – To tie down the machine, install tie-downs on the bucket control linkage to prevent the boom from shifting. Install tie-downs on the rear eye on the lower frame to prevent shifting in transit.

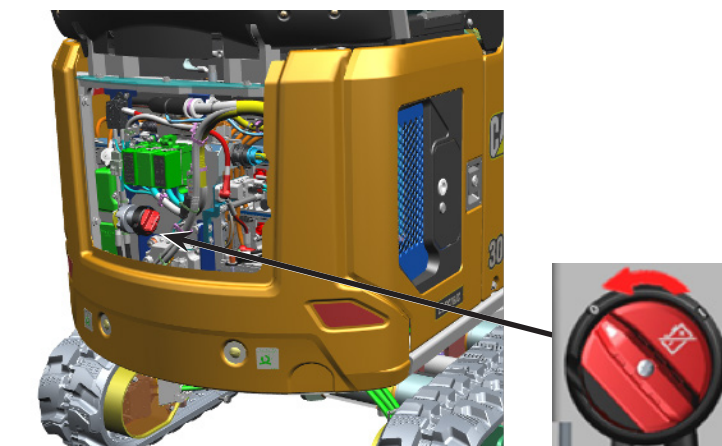
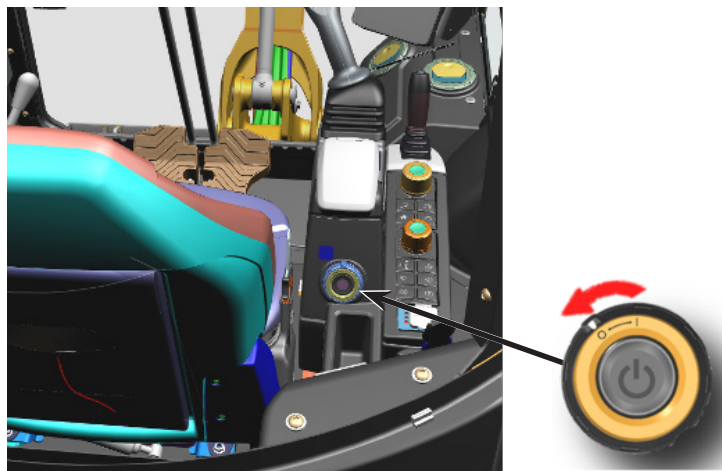
- ① Install tie-downs on each side of the tracks
- ② Install tie-downs on the lower portion of the machine by referring to either Illustration ③ or ④.

Note: To utilize the tie-down points on the rear of the machine, install M16x2 eye bolts. Thread depth is 24 mm (1 inch).

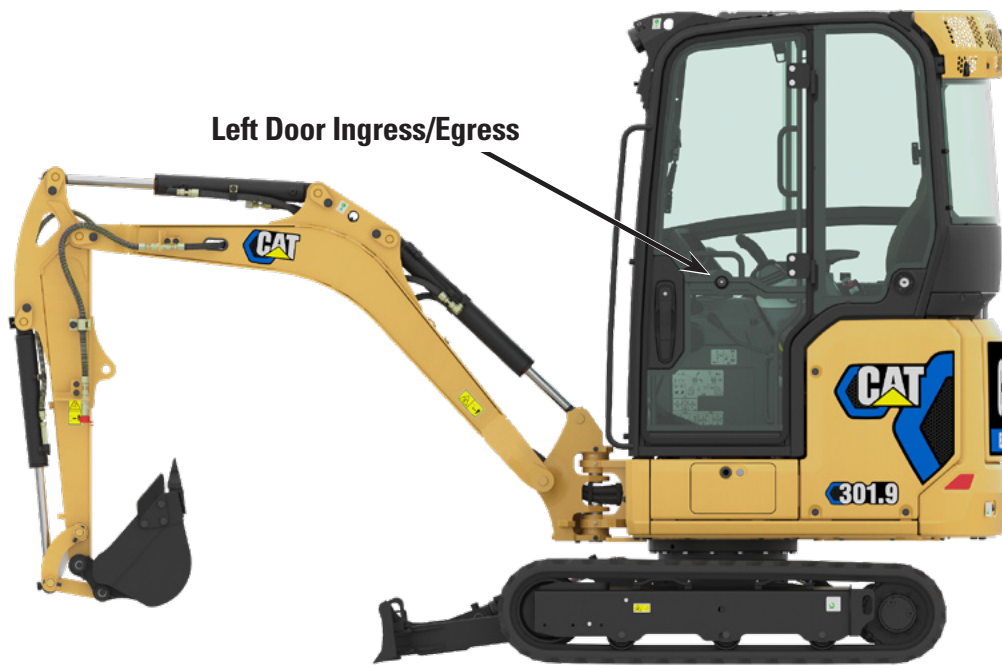


DISABLE DIRECT HAZARDS/SAFETY REGULATIONS

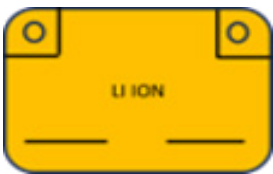
Lower linkage and blade to the ground, set hydraulic lock (move lever to raised position), turn ignition switch to 0 position. Turn main power disconnect on the rear of the machine (inside access door) to 0 position.



ACCESS TO THE OCCUPANTS



STORED ENERGY/LIQUIDS/GASES/SOLIDS



50 Volt lithium-ion battery.



Shock/Electrocution Hazard



Hydraulic Oil under high pressure, potential skin puncture

IN CASE OF FIRE



Use large, sustained volume of water for lithium-ion battery related fire.



Class ABC fire extinguisher can be used if other materials are involved.



In case of thermal runaway, hydrogen fluoride can be released by the lithium-ion batteries.

IN CASE OF SUBMERSION

The machine is not designed to be submerged. In case of submersion, the vehicle and lithium-ion battery may become damaged. Leave the machine in a suitable location, maintaining a safe distance from other vehicles, buildings, and combustible objects. Monitor the machine for a minimum period of 48 hours and contact an authorised dealer for next steps prior to handling or operating the machine. For lithium-ion battery reference M0168245, Special Instruction "Procedure to Determine the Damage Classification for Certain Energy Storage Packs".

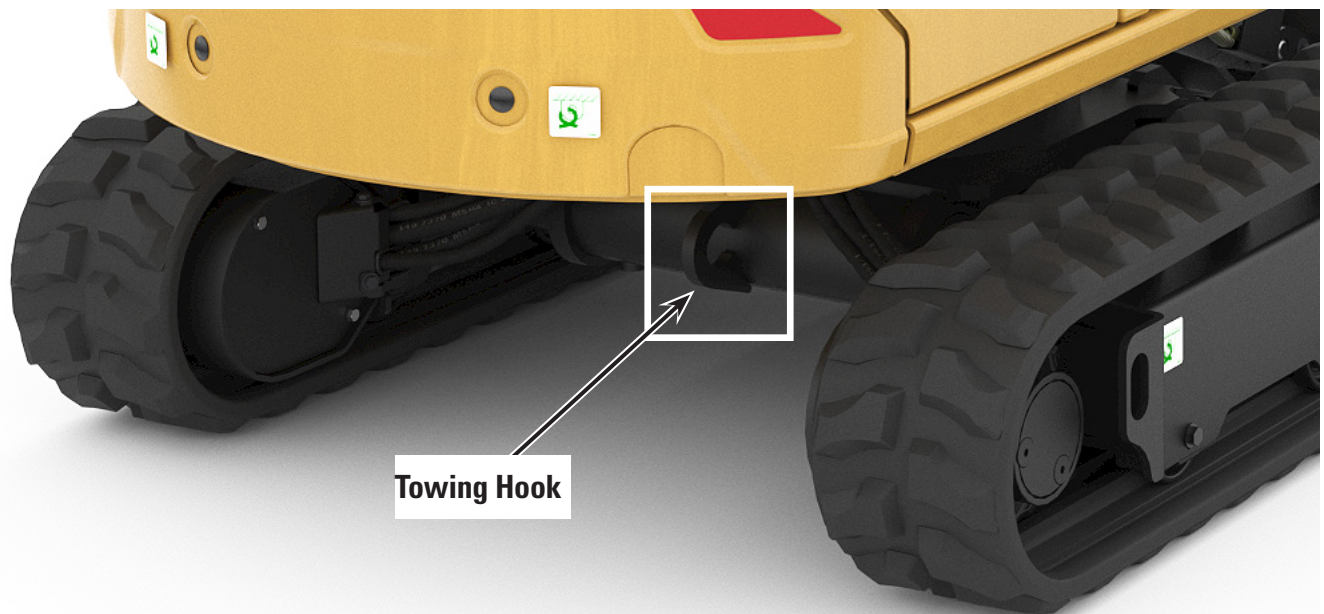
TOWING/TRANSPORTATION/STORAGE

Towing the Machine:

These towing instructions are for moving a disabled machine for a short distance at low speed. Move the machine to a convenient location for recovery or repair. These instructions are only for emergency recovery. Always haul the machine if long distance moving is required.

- Ensure that the excavator can be towed safely
- Use the towing bracket for towing the machine
- Use the towing bracket only for towing the machine
- Use a shackle pin with a lock pin
- Take off slowly
- Ensure that there are no persons close to the towing equipment (towing bar, cable)!

The maximum admissible load of the towing bracket is one and a half times the machine weight.



Use the towing bracket on the undercarriage. Use a shackle and secure the shackle with the shackle pin and a lock pin. Mount a towing bar or cable of adequate size to the towing eye. Pull the machine slowly.

IMPORTANT ADDITIONAL INFORMATION

Hazard Description

Physical and Chemical Hazards

When the outer enclosure and safety circuits have been compromised or have been significantly damaged, it is likely to contain substantial electrical charge and can cause injury or death if mishandled. Mechanical damage can lead to danger. Battery products exposed to high temperature conditions may produce heat out of control, causing fire.

Health Hazards

Inhaled	According to the material form, it is not the normal way of contacting.
Ingestion	Accidental ingestion of the product may be harmful to the health of the individual.
Skin Contact	No harm in general situation.
Eye	The product may cause temporary discomfort following direct contact with the eye.

First Aid Measures

Description of first aid measures

General advice	Immediate medical attention is required. Show this safety data sheet (SDS) to the doctor in attendance.
Eye contact	Rinse thoroughly with plenty of water for at least 15 minutes and consult a physician if feeling uncomfortable.
Skin contact	No harm in general situation. First aid is not needed.
Ingestion	Never give anything by mouth to an unconscious person. Call a physician immediately.
Inhalation	Move victim into fresh air. If breathing is difficult, give oxygen and consult a physician immediately.
Protecting of First-Aiders	Ensure that medical personnel are aware of the substance involved. Take precautions to protect themselves and prevent spread of contamination.

Full Safety Datasheet Information from www.catmsds.com and reference 618-5950.



Materials and specifications are subject to change without notice. Featured machines in photos may include additional equipment. See your Cat dealer for available Layout Options. CAT, CATERPILLAR, LET'S DO THE WORK, their respective logos, Product Link™, "Caterpillar Corporate Yellow," the "Power Edge" and Cat "Modern Hex" trade dress as well as corporate and product identity used herein, are trademarks of Caterpillar and may not be used without permission.

AEXQ4163
(Global)
© 2024 Caterpillar
All rights reserved.

