



# Cat<sup>®</sup> 250

## SKID STEER LOADER

### FEATURES:

The Cat<sup>®</sup> 250 Skid Steer Loader, with its vertical lift design, delivers extended reach and lift height for quick and easy truck loading. Its stability and lifting performance provides excellent material handling. The 250 features the following:

- **Redesigned Operator Station** delivers a larger operating environment and combined with additional seat travel, the 250 provides more space for operators of any size. The optional one-piece, sealed, and pressurized cab offers a clean and quiet workspace with excellent air distribution through optimally placed vents throughout the cab.
- **Available ventilated and heated high-back air ride seat** with seat-mounted adjustable joystick controls deliver industry-leading operator comfort.
- **High performance power train** provides maximum performance and production capability through the Electronic Torque Management system, optional two speed travel and an electronic hand/foot throttle with decel pedal capability.
- **Three levels of auxiliary hydraulic performance** available, **Standard Flow, High Flow, and High Flow XPS**. Standard flow for attachments that require a base level of auxiliary flow and horsepower, High Flow boosts the auxiliary flow for applications that demand additional hydraulic flow for increased attachment performance, and the High Flow XPS hydraulic system provides maximum auxiliary hydraulic performance by delivering additional flow and additional pressure for the most demanding attachments and applications.
- **Electronically controlled Cat C2.8T engine** meets Brazil MAR-1 emission standards, equivalent to U.S. EPA Tier 3 and EU Stage IIIA standards while delivering maximum horsepower across a wide RPM range and providing high torque for increased working performance, no matter the application.
- **Speed sensitive ride control option** improves operation on rough terrain, enabling better load retention, increased productivity, and greater operator comfort.
- **Maximize machine capability and control** with the Advanced Joysticks and Advanced Touchscreen Monitor. The **20.3 cm (8-inch)** Advanced Touchscreen monitor offers cutting-edge functionality and control that includes an integrated radio, Bluetooth<sup>®</sup> connectivity, and multi-camera (side-view) option, and supports 32 different language choices. The **Advanced Joysticks** provide unmatched control of machine functions and adjustments within the display without the operator having to remove their hands from the controls. This includes on-joystick navigation of the Advanced Touchscreen Monitor, radio volume up/down/mute, creep activation, creep speed increment/decrement, one-button Smart Attachment control activation, and additional auxiliary control buttons that deliver single button control of complex attachment functions.
- **Ground-level access** to all daily service and routine maintenance points helps reduce machine downtime for greater productivity.
- **Broad range of performance matched Cat Attachments** make the Cat Skid Steer Loader the most versatile machine on the job site.

## Specifications

### Engine

Engine Model	Cat C2.8T (turbo)	
Gross Power ISO 14396	55 kW	74 hp
Net Power ISO 9249	55 kW	73 hp
Peak Torque at 1,600 rpm ISO 14396	300 N·m	221 lbf·ft
Displacement	2.8 L	171 in <sup>3</sup>
Stroke	110 mm	4.3 in
Bore	90 mm	3.5 in

- Advertised power is tested per the specified standard in effect at the time of manufacture. Net power advertised is the power available at the flywheel when the engine is equipped with fan at minimum speed, air intake system, exhaust system, and alternator.

### Weights\*

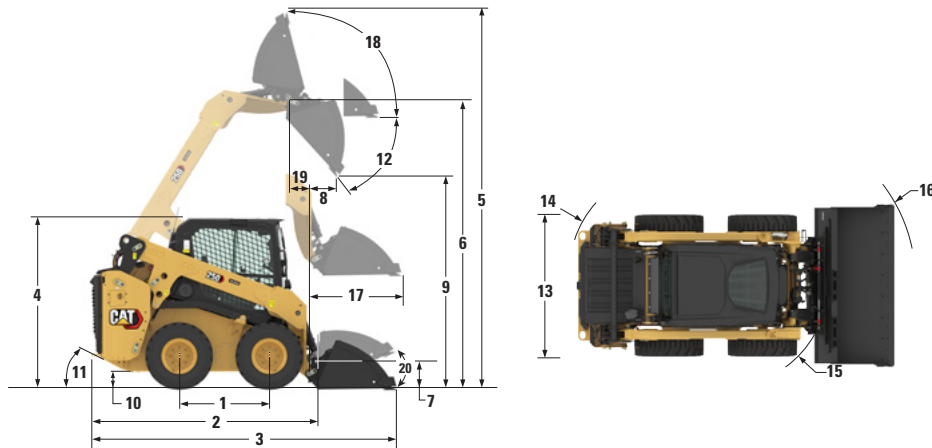
Operating Weight	3551 kg	7,829 lb
------------------	---------	----------

### Power Train

Travel Speed (Forward or Reverse):		
One Speed	12.9 km/h	8.0 mph
Two Speed Option	16.9 km/h	10.5 mph



# 250 Skid Steer Loader



## Dimensions\*

<b>1</b> Wheelbase	1094 mm	43.1 in	<b>11</b> Departure Angle	23°
<b>2</b> Length without Bucket	2800 mm	110.2 in	<b>12</b> Maximum Dump Angle	46°
<b>3</b> Length with Bucket on Ground	3430 mm	135.0 in	<b>13</b> Vehicle Width over Tires	1677 mm 66 in
<b>4</b> Height to Top of Cab	2080 mm	81.9 in	<b>14</b> Turning Radius from Center – Machine Rear	1649 mm 64.9 in
<b>5</b> Maximum Overall Height	3957 mm	155.8 in	<b>15</b> Turning Radius from Center – Coupler	1296 mm 51.0 in
<b>6</b> Bucket Pin Height at Maximum Lift	3150 mm	124.0 in	<b>16</b> Turning Radius from Center – Bucket	2024 mm 79.7 in
<b>7</b> Bucket Pin Height at Carry Position	200 mm	7.9 in	<b>17</b> Maximum Reach with Arms Parallel to Ground	833 mm 32.8 in
<b>8</b> Reach at Maximum Lift and Dump	448 mm	17.6 in	<b>18</b> Rack Back Angle at Maximum Height	97°
<b>9</b> Clearance at Maximum Lift and Dump	2443 mm	96.2 in	<b>19</b> Bucket Pin Reach at Maximum Lift	75 mm 3.0 in
<b>10</b> Ground Clearance	195 mm	7.7 in	<b>20</b> Bucket rollback angle (Ground Level)	28°

\*Operating Weight, Operating Specifications and Dimensions all based on 75 kg (165 lb) operator, all fluids, one speed, OROPS (Open Roll Over Protection System), 1730 mm (68 in) low profile bucket, Cat 12 × 16.5 tires, standard flow hydraulics, mechanical suspension seat, no optional counterweights and manual quick coupler (unless otherwise noted).

## Operating Specifications\*

Open Canopy:		
Operating Weight	3551 kg	7,829 lb
Tipping Load	2440 kg	5,378 lb
Rated Operating Capacity (50%)	1220 kg	2,689 lb
Rated Operating Capacity with Optional Counterweights (@50%)		
Breakout Force, Tilt Cylinder	3077 kg	6,784 lb
Breakout Force, Lift Cylinder	2698 kg	5,948 lb

## Hydraulic System

Hydraulic Flow – Standard:		
Loader Hydraulic Pressure	24 130 kPa	3,500 psi
Loader Hydraulic Flow	86 L/min	23 gal/min
Hydraulic Power (calculated)	34.6 kw	46.4 hp
Hydraulic Flow – High Flow:		
Maximum Loader Hydraulic Pressure	24 130 kPa	3,500 psi
Maximum Loader Hydraulic Flow	113 L/min	30 gal/min
Hydraulic Power (calculated)	45.4 kW	60.9 hp
Hydraulic Flow – High Flow XPS:		
Maximum Loader Hydraulic Pressure	28 000 kPa	4,061 psi
Maximum Loader Hydraulic Flow	113 L/min	30 gpm
Hydraulic Power (calculated)	52.7 kW	70.7 hp

## Cab

Rollover Protective Structure (ROPS)	ISO 3471:2008
Falling Object Protective Structure (FOPS)	ISO 3449:2005 Level I
FOPS Level II	ISO 3449:2005 Level II (Optional)

## Service Refill Capacities

Chain Box, each side	8.3 L	2.2 gal
Cooling System	11.5 L	3.0 gal
Engine Crankcase	8.0 L	2.1 gal
Fuel Tank	94.4 L	24.9 gal
Hydraulic System	36.8 L	9.7 gal
Hydraulic Tank	26 L	6.9 gal

## ATTACHMENTS

Get more from your machine with Cat attachments. Choose from a wide variety of options and tailor your machine to different tasks and conditions.

- Augers
- Backhoes
- Bale Grabs
- Bale Spears
- Blades, Grader, Box, Angle and Dozer
- Brooms, Angle, Pickup and Utility
- Brushcutters
- Buckets
- Cold Planers
- Compactors
- Fork Tines and Carriages
- Hammers
- Material Handling Arm
- Mulchers
- Nursery Forks
- Rakes, Grapple, Landscape and Power Box
- Shears
- Snow Blowers
- Snow Plows
- Snow Pushes
- Snow Wings
- Stump Grinders
- Tillers
- Trenchers
- Wheel Saws
- Smart Backhoe
- Smart Dozer Blade with Assist
- Smart Grader Blade with Assist



# 250 Skid Steer Loader

## MANDATORY EQUIPMENT

- Auxiliary Hydraulics: Standard or High Flow XPS
- Quick Coupler: Mechanical or Hydraulic
- High Visibility Seat Belt: 50 mm (2 in), 75 mm (3 in), or 3-point lap/shoulder
- Tires: 10 x 16.5 or 12 x 16.5
- Axles: Standard or Special Application

## PERFORMANCE PACKAGES

- Performance Package HP1: *Standard Flow Hydraulics*
- Performance Package HP3: *High Flow XPS Hydraulics*

## COMFORT PACKAGES

- Open canopy: *Cup Holder, Cell Phone Pocket, choice of vinyl seat (Mechanical Suspension, High Back/Heated/Air Ride Seat)*
- Enclosed Cab with heat and air conditioning: *Side Windows, Cup Holder, Cell Phone Pocket, choice of Seat (Mechanical Suspension, High Back/Heated Air Ride Seat, High Back/Ventilated and Heated Air Ride Seat) and Door choice (Glass or Polycarbonate)*

## TECHNOLOGY PACKAGES

- T2 – *Standard 12.7 cm (5 in) LCD Monitor, Standard Joysticks and Rear-view camera.*
- T4 – *20.3 cm (8 in) Advanced Touchscreen Monitor, Advanced Joysticks, Push start, X-mount cell phone holder, and a Rear-view camera.*
- T5 – *T4 + 2 additional side view cameras.*

## RADIO

- *Radio, none – for open canopy machines and countries not certified for Bluetooth® technology*
- *Integrated AM/FM radio with Bluetooth technology. Includes USB port, 3.5 mm Auxiliary (AUX) input, and Bluetooth microphone. Only for use with enclosed cab. Availability varies by country.*
- *Integrated DAB+/AM/FM radio with Bluetooth technology. Includes USB port, 3.5 mm AUX input, and Bluetooth microphone. Only for use with enclosed cab. Availability varies by country.*

## PRODUCT LINK™

- *Product Link Basic series PL243*
- *Product Link Elite series PLE643*

## COOLING FAN

- *On-demand, variable speed hydraulic cooling fan*
- *On-demand, variable speed hydraulic cooling fan, with automatic and manual purge reversing operation*

## GUARDING AND SEALING PACKAGES

- *HD0 – base guarding and sealing (engine air inlet rain cap, front cab-to-frame sealing, and hydraulic fill access door)*
- *HD1 – intermediate guarding and sealing (HD0 + cab-to-frame side sealing, lockable fuel fill access door, tilt cylinder guarding, and drive line bottom guarding. Some equipment varies by region)*
- *HD2 – most comprehensive guarding and sealing (HD1 + turbo guard, exhaust stack wrap, Diesel Particulate Filter (DPF) wrap, quick disconnect guarding, fully enclosed drive line guarding, under step hydraulic lines guard cover, engine air inlet pre-cleaner. Some equipment varies by region)*

## STANDARD EQUIPMENT

### ELECTRICAL

- Work Tool Electrical Harness
- Heavy duty battery
- 12-volt Electrical System
- 85 Ampere Alternator
- LED Work Lights
- Auto Reverse Lights
- Switch Backlighting
- Interior LED Dome Light
- Backup Alarm
- Electrical Outlet, Beacon
- Exterior Courtesy Lighting
- Automatic Work light notification flash when parking brake is released

### OPERATOR ENVIRONMENT

- Full color LCD monitor: *Creep speed control, Drive response adjustment, Implement response adjustment, Drive Power Priority adjustment, Language selection (×32), Multi-operator Anti-theft Security System and Monitoring, Maintenance schedule and reminders, Event and Diagnostic Code monitoring, Date /Time/Units/Brightness settings, and Smart Technology for use with Smart Attachments.*
- Operator Warning System Indicators: *Air Filter Restriction, Alternator Output, Armrest Raised/Operator Out of Seat, Engine Coolant Temperature, Engine Oil Pressure, Glow Plug Activation, Hydraulic Supply Filter Restriction, Hydraulic Oil Temperature, Park Brake Engaged, Engine Emission System (where applicable)*
- Gauges: *Fuel Level, Hour Meter, Hydraulic Temperature, Hour Meter, Battery Voltage, Tachometer*
- Fold In Ergonomic Contoured Armrest
- Control Interlock System, when operator leaves seat or armrest raised: *Hydraulic System Disables, Hydrostatic Transmission Disables, Parking Brake Engages*
- ROPS Cab, Tilt Up
- FOPS, Level I
- Top and Rear Windows
- Floor Mat
- Headliner
- Interior Rearview Mirror
- Horn
- Hand (Dial) Throttle, Electronic
- Seat Mounted Joystick Controls
- Cell Phone Storage Pocket
- Cup Holder
- 12-volt power port
- Foot Throttle

### HYDRAULICS

- Selectable control pattern – ISO or H
- Electro/hydraulic implement control
- Electro/hydraulic hydrostatic transmission control
- Speed sensor guarding
- Heavy duty flat faced quick disconnects with integrated pressure release lever
- Hydraulic oil level sight gauge

### POWER TRAIN

- Cat C2.8T turbocharged diesel engine, meeting Brazil MAR-1 emission standards, equivalent to U.S. EPA Tier 3 and EU Stage IIIA
- Glow plugs starting aid
- Liquid cooled, direct injection
- Extended life antifreeze (–37°C, –34°F)
- Air cleaner, dual element, radial seal
- Scheduled Oil Sampling (S-O-S<sup>SM</sup>) Valve, Hydraulic Oil
- Ecology drain – coolant
- Radiator coolant level sight gauge
- Radiator expansion bottle
- Filter, hydraulic supply, cartridge type
- Filter, hydraulic return, cartridge type
- Filter, canister type, engine oil
- Spring applied, hydraulically released, parking brakes
- Hydrostatic transmission
- Lockable fuel cap
- Hydraulic demand cooling fan
- Auto engine idle

### FRAME

- Machine tie down points (9)
- Removable panels for machine frame cleanout
- Support, lift arm
- Steel rear and front bumpers, welded
- Fuel fill, machine right hand side

### OTHER

- Auxiliary Hydraulics, Continuous Flow
- Telematics, Product Link, Cellular
- Steel engine door with replaceable louvers
- Engine door – lockable
- Work tool attachment coupler
- Cat ToughGuard<sup>TM</sup> hose

# 250 Skid Steer Loader

## OPTIONAL EQUIPMENT

---

- External Counterweights
- Beacon, LED
- Engine Block Heater – 120V
- Oil, Hydraulic, Cold Operation
- 4-point machine lifting eyes
- Paint, Custom
- Speed Sensitive Ride Control
- Bluetooth Key Security
- Attachment Hose Guide
- Corrosion Inhibitor Coating



# 250 Skid Steer Loader

---



For more complete information on Cat products, dealer services, and industry solutions, visit us on the web at [www.cat.com](http://www.cat.com)

© 2025 Caterpillar  
All rights reserved

Materials and specifications are subject to change without notice. Featured machines in photos may include additional equipment. See your Cat dealer for available options.

CAT, CATERPILLAR, LET'S DO THE WORK, their respective logos, "Caterpillar Yellow," the "Power Edge" and Cat "Modern Hex" trade dress as well as corporate and product identity used herein, are trademarks of Caterpillar and may not be used without permission.

AEHQ8506-00 (01-2025)  
(AME, S Am, ANZ,  
APD excluding Japan)

