



Parts Manual

TH408D Telehandler

CJ41-UP (Engine)
JKT1-UP (Engine)
W231-UP (Engine)
TH91-UP (Machine)
TH41-UP (Machine)
CF51-UP (Transmission)
H5E1-UP (Transmission)
HA51-UP (Transmission)
SD31-UP (Transmission)

Powered By C4.4 or C3.4 Engine

Product and Dealer Information

Note: For product identification plate locations, see the section "Product Identification Information" in the Operation and Maintenance Manual.

Delivery Date: _____

Product Information

Model: _____

Product Identification Number: _____

Engine Serial Number: _____

Transmission Serial Number: _____

Generator Serial Number: _____

Attachment Serial Numbers: _____

Attachment Information: _____

Customer Equipment Number: _____

Dealer Equipment Number: _____

Dealer Information

Name: _____ Branch: _____

Address: _____

Dealer Contact

Phone Number

Hours

Sales: _____

Parts: _____

Service: _____

MEMORANDA

TABLE OF CONTENTS

NAME	PAGE	NAME	PAGE
GENERAL INFORMATION.....	A6	LUBRICATION SYSTEM	181
REPAIR ALTERNATIVES.....	A9	FILLER GP-ENGINE OIL.....	181
SUPPLEMENTAL COOLANT ADDITIVES.....	A10	FILTER GP-ENGINE OIL.....	184
MAINTENANCE PARTS.....	A11	FILTER GP-FUMES DISPOSAL.....	187
INDEX.....	A15	FUMES DISPOSAL GP	188
MACHINE ARRANGEMENT	1	GAUGE GP-OIL LEVEL (DIPSTICK)	193
CHASSIS AR.....	1	LINES GP-FAN DRIVE.....	195
COMMON AR.....	2	LINES GP-TURBOCHARGER OIL.....	198
CONFIGURATION AR.....	3	MOUNTING GP-ENGINE OIL FILTER	199
INSTALLATION AR-MACHINE	12	PLUG GP-OIL FILTER MOUNTING	200
TRAILER AR.....	17	PUMP GP-ENGINE OIL.....	202
ENGINE ARRANGEMENT.....	18	COOLING SYSTEM.....	207
ENGINE AR.....	18	CONNECTION GP-WATER	207
ENGINE AR-COMPLETE	19	COOLER GP-ENGINE OIL	212
ENGINE AR-PRIMARY	23	COVER GP-ENGINE OIL COOLER	218
INSTALLATION AR-ENGINE.....	32	EXTENSION GP-FAN	219
BASIC ENGINE	35	FAN & MOTOR GP.....	220
BELT TENSIONER GP.....	35	FAN GP	222
BRACKET GP-MOUNTING	38	LINES GP-COOLANT	224
CAMSHAFT GP	40	PLUG GP-WATER LINES	234
COVER GP-VALVE MECHANISM.....	44	PUMP GP-WATER.....	236
CRANKSHAFT AS	48	RADIATOR & HYD OIL COOLER GP	241
CRANKSHAFT GP.....	50	RADIATOR & MOUNTING GP.....	244
CYLINDER BLOCK AS.....	64	TANK GP-COOLANT.....	258
CYLINDER BLOCK GP	69	AIR INLET AND EXHAUST SYSTEM	259
CYLINDER BLOCK GP-SHORT.....	82	AIR CLEANER GP.....	259
CYLINDER HEAD AS.....	87	BRACKET GP-SUPPORT.....	262
CYLINDER HEAD GP.....	95	COOLER & MTG GP-EXHAUST (NRS).....	263
DRAIN GP-ENGINE OIL.....	105	ELBOW GP-AIR INLET	265
DRIVE GP-AUXILIARY	109	EXHAUST GP.....	267
DRIVE GP-FAN.....	112	EXHAUST GP-FLEXIBLE.....	271
FLYWHEEL GP.....	115	EXTENSION GP-EXHAUST.....	272
HOUSING GP-FLYWHEEL.....	118	FASTENER GP-CEM.....	276
HOUSING GP-FRONT	122	FILTER GP-DIESEL PARTICULATE.....	277
JET GP-PISTON COOLING	129	LINES GP-AIR.....	280
KIT-CYLINDER BLOCK.....	131	LINES GP-DIESEL EXHAUST FLUID	296
LIFTING GP-ENGINE	132	LINES GP-TURBOCHARGER AIR.....	301
MOUNTING GP-BELT TENSIONER	136	MANIFOLD GP-DEF	303
MOUNTING GP-ENGINE	137	MANIFOLD GP-EXHAUST	304
MOUNTING GP-ENGINE & XMSN	143	MANIFOLD GP-INLET.....	307
PAN GP-OIL	144	MODULE AR-CLEAN EMISSIONS	309
PISTON & ROD GP	148	MODULE AR-DIESEL EXHAUST FLUID	311
PLUG GP-ENGINE.....	158	MOUNTING GP-EXHAUST	312
PLUG GP-FRONT HOUSING	162	PIPE GP-FLEXIBLE EXHAUST	322
PULLEY GP-ALTERNATOR.....	163	PUMP GP-DIESEL EXHAUST FLUID	323
PULLEY GP-AUXILIARY DRIVE	164	SEAL GP-AIR INLET.....	327
PULLEY GP-CRANKSHAFT	165	TANK & MTG GP-DEF.....	328
ROCKER ARM GP	168	TANK GP-DIESEL EXHAUST FLUID.....	330
		TUBE & MTG GP-DEF BLEND.....	337

TABLE OF CONTENTS

NAME	PAGE	NAME	PAGE
TURBOCHARGER GP	338	LAMP GP-ROADING	489
VALVE & MOUNTING GP (NRS)	345	LIGHTING AR-ROADING	490
VALVE GP-COOLANT CONTROL	346	LIGHTING GP-BOOM	494
VALVE GP-EXHAUST GAS (NRS)	348	LIGHTING GP-FLOOD	495
FUEL SYSTEM	350	LIGHTING GP-FRONT	496
BRACKET GP-MOUNTING	350	LIGHTING GP-ROADING	501
CONNECTION GP-FUEL	351	LIGHTING GP-WARNING	515
FILTER GP-FUEL	352	MODULE & MTG GP-CONTROL	517
FILTER GP-PRIMARY FUEL	360	MOUNTING GP-CONTROL	518
FILTER GP-WATER SEP & FUEL	363	PANEL GP-SWITCH	519
INJECTOR GP-FUEL	366	SENSOR & MOUNTING GP	523
LINES GP-FUEL	371	SENSOR & MTG GP-POSITION	533
LINES GP-FUEL FILTER	381	SENSOR & MTG GP-PRESSURE	534
LINES GP-FUEL INJECTION	384	SENSOR GP	537
PUMP GP-FUEL INJECTION	386	SENSOR GP-COMBUSTION	539
PUMP GP-FUEL TRANSFER	393	SENSOR GP-ENGINE	540
RAIL GP-FUEL	394	SENSOR GP-LIQUID LEVEL	546
TANK & MTG GP-FUEL	398	SENSOR GP-OBJECT DETECTION	547
TANK GP-FUEL	399	SENSOR GP-POSITION	551
ELECTRICAL AND STARTING		SENSOR GP-PRESSURE	552
SYSTEM	400	SENSOR GP-TEMPERATURE	553
ALARM GP	400	STARTING AID GP	557
ALTERNATOR GP-CHARGING	401	STARTING MOTOR GP-ELECTRIC	560
BATTERY & MOUNTING GP	405	SWITCH & MTG GP-SIGNAL	563
BATTERY GP	406	SWITCH GP-DISCONNECT	564
BOARD AS-CIRCUIT	412	SWITCH GP-REVERSING FAN	565
CAMERA & MOUNTING GP	413	SWITCH GP-ROCKER	566
CONTROL GP-ELECTRONIC	415	SWITCH GP-TOGGLE	567
ELECTRICAL GP-DEF	421	SWITCH GP-TRANSMISSION	569
HARNESS AS-CAB	423	SWITCH GP-WIPER	572
HARNESS AS-CHASSIS	431	WIRING GP-BOOM	573
HARNESS AS-CONTROL	434	WIRING GP-CAB	575
HARNESS AS-ENGINE	435	WIRING GP-CHASSIS	580
HARNESS AS-FRONT	445	WIRING GP-CONTROL	587
HARNESS AS-FRONT CHASSIS	446	WIRING GP-ENGINE	590
HARNESS AS-HEATER & AIR		WIRING GP-TRAILER	615
COND	447	POWER TRAIN	616
HARNESS AS-LIGHTING	448	AXLE & MOUNTING GP	616
HARNESS AS-REAR	450	AXLE AR	618
HARNESS AS-REAR CHASSIS	453	AXLE GP-FRONT	619
HARNESS AS-WIRING	456	AXLE GP-REAR	626
HEATER GP-BLOCK	458	BASE GP-OIL FILTER	634
HEATER GP-JACKET WATER	462	CASE & PARTS GP-PLANETARY	635
INSTALLATION AR-		CASE GP-TRANSFER	637
COMMUNICATION	466	CASE GP-TRANSMISSION	638
INSTALLATION AR-LOAD MGT IND	468	CLUTCH & GEAR GP	651
INSTALLATION GP-		CONTROL GP-TRANSMISSION	
COMMUNICATION	469	HYD	655
INSTALLATION GP-WARNING		DIFFERENTIAL GP	658
BEACON	471	GEAR & CASE GP-TRANSFER	659
KIT-LIGHTING	472	GEAR GP-IDLER	666
KIT-SWITCH	477	GEAR GP-TRANSFER	667
LAMP GP-FRONT	478	PUMP GP-TRANSMISSION	671
LAMP GP-HEAD & SIGNAL	482	SHAFT GP-DRIVE	672
LAMP GP-REAR	486	SHAFT GP-INPUT	673

TABLE OF CONTENTS

NAME	PAGE	NAME	PAGE
SHAFT GP-OUTPUT	677	CYLINDER & MTG GP-TELESCOPING	833
SHIM GP-AXLE INSTALLATION	678	CYLINDER & MTG GP-TILT	834
TIRE & RIM AR	679	CYLINDER GP-CARRIAGE	835
TIRE & RIM GP	687	CYLINDER GP-COMPENSATING	837
TORQUE CONVERTER GP	711	CYLINDER GP-COUPLER	838
TRANSMISSION AR	717	CYLINDER GP-FORK	840
TRANSMISSION AR-POWER SHIFT	724	CYLINDER GP-HYDRAULIC	843
VALVE GP-SOLENOID	733	CYLINDER GP-LIFT	845
VALVE GP-TIRE	735	CYLINDER GP-MULTIPURPOSE	
WHEEL & TIRE AR	736	BUKT	847
FRAME AND BODY	737	CYLINDER GP-TELESCOPING	849
BOX & MOUNTING GP-TOOL	737	CYLINDER GP-TILT	851
BRACKET GP-MOUNTING	738	FITTING GP-HYDRAULIC	855
COUNTERWEIGHT GP	740	HYDRAULIC AR	856
COVER GP	741	HYDRAULIC AR-AUXILIARY	857
COVER GP-ACCESS	742	INSTALLATION GP-RIDE CONTROL	858
COVER & MTG GP-ENCLOSURE	745	LINES GP-AUXILIARY HYDRAULIC	861
ENCLOSURE GP-ENGINE	746	LINES GP-BOOM	869
FENDER & MOUNTING GP	758	LINES GP-CONNECTING	872
FENDER GP	759	LINES GP-COUPLER	876
FRAME GP-LOADER	761	LINES GP-HYDRAULIC	887
HITCH AR	762	LINES GP-HYDRAULIC FAN	889
HITCH GP	765	LINES GP-HYDRAULIC OIL	
HITCH GP-TOWING	773	COOLER	895
HOOD GP-ENGINE	784	LINES GP-LIFT CYLINDER	897
MOUNTING GP-ALARM	789	LINES GP-MULTIPURPOSE	
MOUNTING GP-LAMP & BCKP		BUCKET	907
ALARM	790	LINES GP-PUMP	909
PIN GP-HITCH	791	LINES GP-RETURN	913
PLATE & MTG GP	792	LINES GP-TRAILER	923
STEP GP	796	MANIFOLD GP-CONTROL	935
BRAKING SYSTEM	797	MOTOR & MTG GP-HYDRAULIC	
BRAKE AR-TRAILER	797	FAN	936
BRAKE GP-PARKING	799	MOUNTING GP-CYLINDER	938
BRAKE GP-SERVICE	800	PUMP & MOUNTING GP	939
LINES GP-BRAKE	801	PUMP & MTG GP-HYDRAULIC	940
PEDAL & MOUNTING GP-BRAKE	805	PUMP & MTG GP-HYDRAULIC	
VALVE & MTG GP-BRAKE	809	FAN	941
VALVE GP-BRAKE CONTROL	817	PUMP GP-PISTON	944
STEERING SYSTEM	818	TANK & MTG GP-HYDRAULIC	945
LINES GP-STEERING	818	TANK GP-HYDRAULIC	946
STEERING COLUMN GP	823	VALVE & MTG GP-MAIN	
STEERING GP-HYDRAULIC	824	CONTROL	948
VALVE & MTG GP-STEERING	825	VALVE & MTG GP-PRIORITY	954
VALVE GP-STEERING	826	VALVE GP-CONTROL	958
HYDRAULIC SYSTEM	827	VALVE GP-DIVERTER	962
CONTROL AR-AUXILIARY	827	VALVE GP-FAN REVERSING	966
COOLER GP-HYDRAULIC OIL	828	VALVE GP-MAIN CONTROL	967
CYLINDER & MTG GP-CARRIAGE	829	VALVE GP-PRIORITY	970
CYLINDER & MTG GP-		VALVE GP-PUMP CONTROL	973
COMPENSATING	831	VALVE GP-RELIEF	974
CYLINDER & MTG GP-LIFT	832	VALVE GP-SOLENOID & RELIEF	975
		IMPLEMENTS	977
		BOOM AR	977
		BOOM GP	983

TABLE OF CONTENTS

NAME	PAGE	NAME	PAGE
BRUSH GP	990	AIR CONDITIONER AR	1136
INDICATOR GP-BOOM ANGLE	991	AIR CONDITIONER GP	1137
LEVER GP-TILT	992	ANGLE-INDICATOR	1138
WORK TOOLS	993	ARMREST GP	1139
ARM GP-MATERIAL HANDLING	993	BRACKET & MTG GP-CAB	1141
BIT GP-AUGER	994	CAB AR	1142
BOOM GP-TRUSS	1001	CAB GP	1144
BROOM GP	1006	CONDENSER GP-REFRIGERANT	1145
BUCKET AR-GENERAL PURPOSE	1012	CONTROL GP-JOYSTICK	1147
BUCKET AR-MULTIPURPOSE	1013	COVER GP-ACCESS	1148
BUCKET AS	1015	COVER GP-CAB	1153
BUCKET AS-LIGHT MATERIAL	1016	DISPLAY AR-MONITOR	1156
BUCKET GP-GENERAL PURPOSE	1019	DOOR GP-CAB	1157
BUCKET GP-GRAPPLE	1021	ENCLOSURE GP-CAB	1161
BUCKET GP-LIGHT MATERIAL	1026	FLOOR MAT GP	1167
BUCKET GP-MATERIAL HANDLING	1029	GLASS & DOOR SEAL GP-CAB	1168
BUCKET GP-MIXING	1031	GUARD GP-FRONT WINDOW	1170
BUCKET GP-MULTIPURPOSE	1032	GUARD GP-ROOF	1171
BULLDOZER AS	1034	HEADLINER GP-CAB	1172
CARRIAGE AS-FORK	1036	HEATER & MTG GP-CAB	1175
CARRIAGE GP	1037	HEATER AR-CAB	1176
CARRIAGE GP-FORK	1042	HEATER GP-CAB	1180
CARRIAGE GP-ROTATING	1051	HORN GP-ELECTRIC	1185
CARRIAGE GP-SIDESHIFT	1061	INSTALLATION GP-RADIO	1186
CLAM AS	1062	KIT-DOOR	1188
COUPLER & MTG AR-HYDRAULIC	1063	KIT-SEAT SUSPENSION	1190
COUPLER & MTG AR-MANUAL	1066	KNOB GP-REAR WINDOW	1192
COUPLER & MTG GP-QUICK	1067	LINES GP-AIR CONDITIONER	1193
COUPLER AR-HYDRAULIC	1069	LINES GP-HEATER & AIR COND	1199
COUPLER AR-QUICK	1072	MIRROR GP	1212
COUPLER GP-QUICK	1081	MIRROR GP-REAR VIEW	1214
EDGE GP-CUTTING	1087	MONITOR & MOUNTING GP	1220
FORK AR	1091	MOUNTING GP-CAB	1221
FORK AS	1092	PANEL GP-INSTRUMENT	1222
FORK AS-BLOCK	1095	PEDAL GP-GOVERNOR	1227
FORK AS-PALLET	1096	PLATFORM GP	1228
FORK GP	1099	PLUG GP-CAB	1232
FORK GP-GRAPPLE	1108	SEAT & MOUNTING GP	1235
FORK GP-PALLET	1110	SEAT BELT GP	1237
GRAPPLE GP	1113	SEAT GP	1241
GUARD GP-BUCKET	1115	TANK GP-WINDOW WASHER	1247
HANDLER AR-BALE	1116	TRIM GP-CAB	1249
HOOK GP-LIFTING	1117	VISOR GP-CAB	1253
HOPPER GP	1120	WINDOW GP-CAB	1254
KIT-FORK EXTENSION	1122	WIPER GP-UPPER	1257
KIT-TOOTH	1123	WIPER GP-WINDOW	1258
MOTOR & MTG GP-AUGER	1124	SERVICE EQUIPMENT AND SUPPLIES	1260
PLATFORM AR-ACCESS	1126	BRACKET GP-TRANSPORT	1260
PLATFORM GP-ACCESS	1129	CAP GP-PROTECTION	1261
OPERATOR STATION	1130	CHART GP-LIFT/LOAD EXTENSION	1263
AIR CONDITIONER & MOUNTING GP	1130	CHOCK GP-WHEEL	1267
		FILM GP	1268
		LOCK GP-VANDALISM	1283

TABLE OF CONTENTS

NAME	PAGE	NAME	PAGE
PLATE & FILM GP	1284		
PART NUMBER INDEX	B1		

GENERAL INFORMATION

1. MACHINE IDENTIFICATION

Cat machines are identified by Product Identification Numbers (PIN). Some components included in a machine may be identified by Serial Numbers (S/N). Typical components that will be serialized include engines, transmissions, bulldozers, and rippers. The machine and engine are further identified by arrangement numbers and in some cases modification numbers. These numbers are shown on the product identification plate(s) and on the master plate in the operator's compartment.

Cat dealers need all of these numbers to determine accurate parts identification.

Effective First Quarter 2001 the Cat Product Identification Number (PIN) changed from 8 to 17 characters. In an effort to provide uniform equipment identification, Caterpillar and other construction equipment manufacturers are moving to comply with the latest version of the product identification numbering standard. Non-road machine PINs are defined by ISO 10261. The new PIN format will apply to all Cat machines and generator sets. The PIN plates and frame marking will display the 17 character PIN. The new format will look like the following:

CAT 0789BG 6SL12345

1 2 3 4

Where:

1. Caterpillar's World Manufacturing Code (characters 1-3)
2. Machine Descriptor (characters 4-8)
3. Check Character (character 9)
4. Machine Indicator Section (MIS) or Product Sequence Number (characters 10-17). These were previously referred to as the Serial Number.

Machines and generator sets produced before First Quarter 2001 will maintain their 8 character PIN format.

Components such as engines, transmissions, axles, etc. and work tools will continue to use an 8 character Serial Number (S/N).

2. ORDERING PARTS

WARNING

When replacement parts are required for this product Caterpillar recommends using Caterpillar replacement parts or parts with equivalent specifications including, but not limited to, physical dimensions, type, strength and material.

Failure to heed this warning can lead to premature failures, product damage, personal injury or death.

Quality Cat replacement parts are available from Cat dealers throughout the world. Their parts inventories are up to date and include all parts normally required to protect your investment in Cat machines. Dealers may offer repair kits or remanufactured parts to allow selection of the most effective repair alternative for a particular situation. When ordering parts, your order should specify the quantity, part number, part name, and the serial number/product identification number of the machine for which the parts are needed.

3. PARTS MANUAL ORGANIZATION

Product information in this manual is presented as "information elements" that represent all of the components for the specific model. Engine Arrangement and Seat Group are examples of information elements. The information elements are organized alphabetically by part name and secondarily by part number within each major section of the manual.

4. TABLE OF CONTENTS

A table of contents (TOC) is found at the beginning of the manual. The TOC lists each section of the manual with a complete list of all information elements organized as they appear in the manual. Page numbers are provided for quick reference to detailed parts identification illustrations and serviceable consist lists.

5. MAINTENANCE PARTS INDEX

The Maintenance Parts Index, located near the beginning of the manual, references most frequently used maintenance part numbers, providing description, quantity, usage and page number. This information is organized alphabetically by part description.

GENERAL INFORMATION

6. INDEX

The index located near the front of the manual is an alphabetical listing of all information elements included in the manual. Page numbers are provided for quick reference to detailed parts identification illustrations and serviceable consist lists.

7. PART NUMBER INDEX

A numerical index listing all part numbers and the corresponding page number(s) appears at the back of the manual.

8. CAPTIONS

Captions located at the beginning of each information element identify the part number and part name along with additional descriptive information. PIN and S/N information found in each caption should be used to select correct information for a specific machine. Field replacement options, identification of optional attachment components, and where used ("part of") information is also provided.

The first line of a caption is shown in larger type font to indicate the beginning of an information element. Captions for additional pages that may be required to illustrate an information element will be shown in standard type font and will include the term (contd.).

9. NON-SERVICED PARTS

In some instances it is necessary to display non-serviced parts that are a link to a lower level serviceable consist lists. These non-serviced part numbers are shown in italic type indicating that they are not available.

10. PARTS LIST REFERENCE NUMBERS

Numbers shown in the Ref No column correspond to numbers used in the associated graphic(s). An alphabetic suffix may be added to a reference number to identify lower level consist items. Numbers shown in the Graphic Ref column refer to the graphic number identifier displayed in the lower left corner of each illustration. The Graphic Ref number may be used in combination with the item Ref No to determine the correct part number. There may be intentional omission of a Ref No in a consist list as information is updated to reflect the latest serviceable part numbers.

11. INDENTED PART NAMES

When a part name is indented in a parts list, it is part of (included in) the group or assembly under which it is indented.

12. ILLUSTRATION REFERENCE LETTERS

When necessary, illustrations contain reference letters (A, B, C etc.) that are intended to track lines and harnesses from one point to another. They are also used to show where to reconnect illustrations that have been separated.

13. ABBREVIATIONS AND SYMBOLS

O.D. – Outside Diameter
I.D. – Inside Diameter
A – Not Part Of This Group
B – Use As Required
C – Change From Previous Type
D – Order By The Meter
E – Order By The Centimeter
F – Not Shown
G – Order By The Inch
I – Refer To Hydraulic Information System
M – Metric Part
R – Remfg Part May Be Available
Y – Separate Illustration
Z – Not Serviced Separately

14. DESCRIPTION OF TYPE CHANGES

Type - A type is defined as any configuration change that requires an additional Information Element for an Arrangement, Group, or Assembly. If serial number breaks for types are not available, a type # (Type 1, Type 2, etc.) will be displayed in the caption. These "type" changes are identified with a "C" note (change from previous type) in the Parts List. Only the "types" that apply to this Parts Manual will be included. Additional types may exist causing "C" notes to appear on an Information Element when no other types are shown.

15.<END>

This symbol indicates the end of an information element.

NOTE:

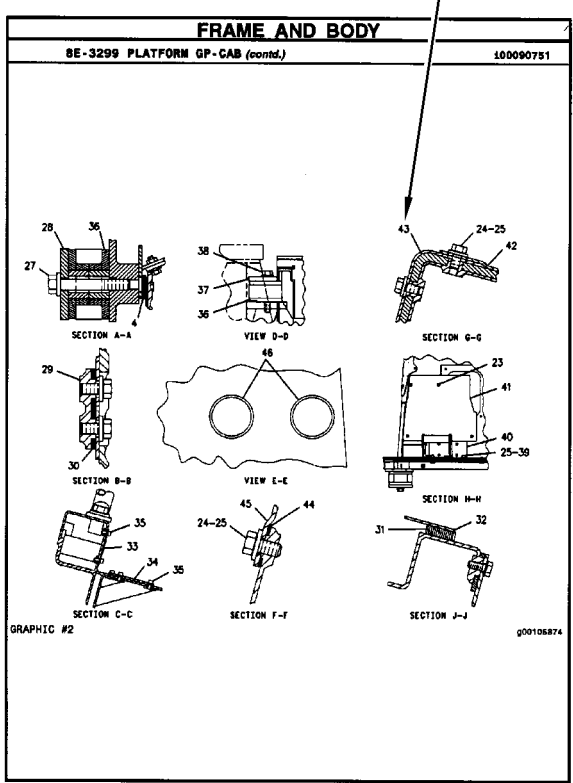
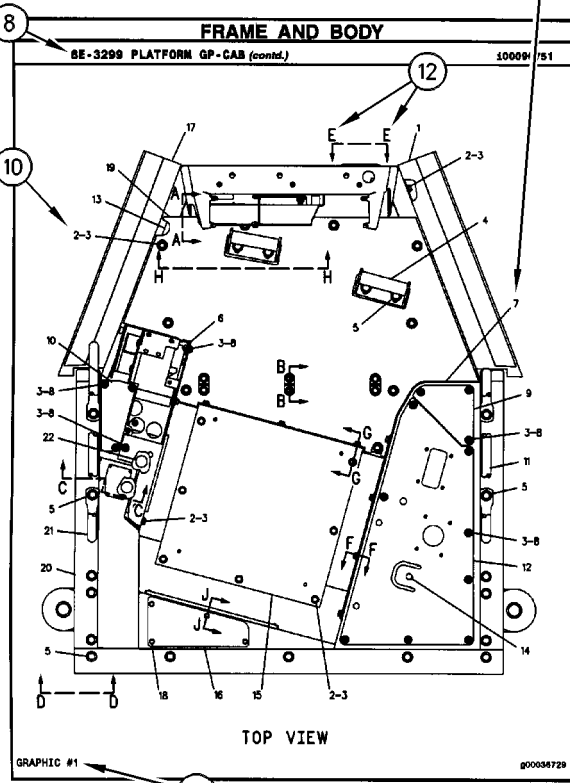
Continuing improvement and advancement of product design may cause changes to your machine which may not be included in this publication. Whenever a question arises regarding your Cat product or this publication, please consult your Cat dealer for the latest available information.

GENERAL INFORMATION

8E-3299 PLATFORM GP-CAB						
SBCS-7283 100090751						
NOTE	REF NO	GRAPHIC REF	PART NUMBER	QTY	PART NAME	SEE PAGE
			31-3963	1	PLATE AS	
			68-2092	25	BOLT (3/8-18X.750IN)	
			67-1076	41	WASHER-HAND (2MM THK)	
			97-1664	2	SUPPORT BR FOOT	
			67-2229	19	BOLT (1/2-13X1IN)	
			67-1076	19	WASHER-HAND (4MM THK)	
			68-8136	1	COVER AS-LH	
			67-2078	4	NUT WELD (3/8-18 THD)	
			17-8189	1	CLIP	
			78-2411	4	COVER	
			68-8089	18	SCREW-HEAD (3/8-18X.875IN)	
			67-2476	1	COVER	
			68-8978	1	GASKET	
			68-3249	1	COVER	
			68-2092	1	GASKET	
			31-3935	1	HANDHOLD	
			68-8978	1	COVER AS	
			97-2078	8	NUT WELD (3/8-18 THD)	
			68-2092	1	GASKET	
			77-0191	1	FLOORPLATE AS	
			17-0748	4	NUT WELD (1/2-13 THD)	
			77-8087	1	PLUG-BUTTON	
			77-0190	1	PLATE AS	
			97-2078	5	NUT WELD (3/8-18 THD)	
			77-8086	1	COVER	
			77-8270	1	GASKET	
			61-3981	1	PLATE AS	
			61-8244	4	BOLT (1/4-20X.825IN)	
			61-8205	4	WASHER-HAND (2MM THK)	
			61-8244	1	FLOOR MNT	
			68-8848	1	MODULE AS-OPERATOR	
			31-3934	1	HANDHOLD	
			97-8871	2	PLUG	
			61-8244	4	BOLT (1/4-20X.825IN)	
			61-8205	4	WASHER-HAND (2MM THK)	
			68-3082	17	BOLT (3/8-18X.750IN)	
			67-1076	21	WASHER-HAND (2MM THK)	
			77-0190	1	PLATE AS	
			77-0378	2	BOLT (3/4-10X5IN)	
			77-0682	2	WASHER-HAND (2MM THK)	
			31-3935	2	PLATE AS	
			31-8930	1	PLATE AS	
			78-8928	6	SPACER	
			31-8911	1	SEAL	
			78-8917	1	GASKET	
			78-8916	1	COVER AS	
			28-8378	2	WASHER	
			67-8928	2	SCREW-DIMBLED	
			68-8429	1	COVER	
			68-8927	1	COVER	
			68-3091	8	SCREW-SOCKET HEAD	
			68-3144	8	MOUNTING	
			68-8927	2	PLATE	
			77-0390	2	BOLT (7/8-9X5IN)	
			77-0672	2	WASHER-HAND	
			61-8244	4	BOLT (3/8-18X1.0IN)	
			31-6788	1	COVER	

8E-3299 PLATFORM GP-CAB (contd.)						
100090751						
NOTE	REF NO	GRAPHIC REF	PART NUMBER	QTY	PART NAME	SEE PAGE
	41	2	68-2616	1	COVER	
	42	2	77-0134	1	PLATE	
	43	2	77-0138	1	GASKET	
	44	2	78-8724	1	GASKET	
	45	2	78-8723	1	COVER	
	46	2	67-1260	2	PLUG-BUTTON	

M-METRIC PART



REPAIR ALTERNATIVES

REMANUFACTURED COMPONENTS

As an option when making repairs consider Cat Remanufactured Components. Components that are available through the Cat Remanufactured Program are identified three ways in the parts book:

- with the letter R in the note field of the parts list
- with an R* at the beginning of the first line of the caption
- with an *R at the end of the first line of the caption

Typical components included in the Remanufacturing Program include:

ALTERNATORS
CONNECTING RODS
CRANKSHAFTS - UNDERSIZE
CRANKSHAFTS - UPGRADE TO NEW
CYLINDER HEADS
ELECTRONIC CONTROL MODULES (ECM)
ELECTRONIC SENSORS
FUEL INJECTORS
FUEL NOZZLES
FUEL PUMPS
GOVERNORS
OIL PUMPS
PISTONS
SHORT BLOCKS
STARTERS
TURBOCHARGERS - COMPLETE
TURBOCHARGER CARTRIDGES
WATER PUMPS

Cat Remanufactured engines for many engine arrangements are also available.

SUPPLEMENTAL COOLANT ADDITIVES

CUSTOMER BENEFITS:

Protects against cavitation, foam, erosion, corrosion, and scale buildup in cooling systems.

- Provides measured coolant conditioner.

DESCRIPTION:

Additives deplete from the coolant with normal operation. For this reason, Supplemental Coolant Additives (SCA) must be added to all heavy duty coolants at regular intervals. In addition, when not using a fully formulated, pre-charged antifreeze, like Cat DEAC, an initial charge of SCA must be added to the cooling system. The amount of SCA added to the system is dependent on the capacity of the system.

The SCA for initial fill is provided as a liquid. SCA's for maintenance intervals are available in liquid form and as a spin-on element. (No Spin-on available for 3600 Family of Engines)

NOTE:

The amount of SCA added at initial fill is not the same as the amount added at maintenance intervals.

The coolant additive elements can be used with any ethylene or propylene glycol type antifreeze which meets ASTM D4985 or ASTM D5345 Specifications.

NOTE:

For use with standard heavy duty coolant only, not for use with Extended Life Coolant.

PARTS NEEDED:

Cooling System Capacity		Liquid SCA at Initial Fill	Liquid SCA at Maintenance*	Spin-on SCA Maintenance Element*
Liters	Gallons			
22-30	(6-8)	3P-2044 (1)	6V-3542 (1)	111-2370 (1)
30-38	(8-10)	3P-2044 (1) 6V-3542 (1)	111-2372 (1)	111-2369 (1)
38-49	(10-13)	3P-2044 (1) 8T-1589 (1)	111-2372 (1)	111-2369 (1)
49-64	(13-17)	3P-2044 (2)	8T-1589 (1)	9N-3368 (1)
64-83	(17-22)	3P-2044 (2) 8T-1589 (1)	111-2372 (1) 6V-3542 (1)	111-2371 (1)
83-114	(22-30)	3P-2044 (3) 8T-1589 (1)	3P-2044 (1)	9N-3718 (1)
114-163	(30-43)	3P-2044 (5)	3P-2044 (1) 6V-3542 (1)	111-2371 (2)
163-242	(43-64)	3P-2044 (8)	3P-2044 (2)	9N-3718 (2)

* Normal maintenance period is 250 hrs. See your Operation and Maintenance Manual for complete coolant maintenance instructions.

() Indicates quantity required.

MAINTENANCE PARTS

DESCRIPTION	PART NUMBER	QTY	WHERE USED	PAGE
AIR INLET AND EXHAUST SYSTEM				
FILTER AS	481-3374	1	PUMP GP-DIESEL EXHAUST FLUID	324
FILTER AS (DIESEL EXHAUST FLUID)	461-9113	1	MANIFOLD GP-DEF	303
FILTER AS-DIESEL PARTICULATE	464-8795	1	FILTER GP-DIESEL PARTICULATE	279
	565-9868	1	TANK GP-DIESEL EXHAUST FLUID	331
GASKET-EXHAUST MANIFOLD	298-4570	1	MANIFOLD GP-EXHAUST	306
BASIC ENGINE				
BELT-SERPENTINE	286-7845	1	DRIVE GP-FAN	112
BELT-SERPENTINE (AIR CONDITIONER)	365-2985	1	BELT TENSIONER GP	37
BELT-SERPENTINE (FAN DRIVE)	286-7845	1	DRIVE GP-FAN	114
BREATHER AS (FRONT HOUSING)	386-2778	1	HOUSING GP-FRONT	128
CAP AS-FILLER (ENGINE OIL)	359-1310	1	COVER GP-VALVE MECHANISM	47
GASKET (VALVE COVER)	392-9472	1	COVER GP-VALVE MECHANISM	45
	464-8216	1	COVER GP-VALVE MECHANISM	46
PLUG-DRAIN (ENGINE OIL)	7C-0351	1	DRAIN GP-ENGINE OIL	105
COOLING SYSTEM				
CAP AS-COOLANT TANK (RADIATOR)	251-3227	1	TANK GP-COOLANT	258
GASKET-WATER REGULATOR	281-8744	1	CONNECTION GP-WATER	209
KEY (FAN HUB)	450-4786	1	FAN & MOTOR GP	220
REGULATOR AS-WATER TEMPERATURE	497-3998	1	CONNECTION GP-WATER	207
REGULATOR AS-WATER TEMPERATURE (INCLUDES CONNECTOR)	417-7782	1	CONNECTION GP-WATER	209
ELECTRICAL AND STARTING SYSTEM				
BATTERY (12-VOLT,50-AMPERE)	459-9625	2	BATTERY GP	408
BATTERY (12-VOLT,50-AMPERE) (50- AMPERE)	459-9625	2	BATTERY GP	407
BATTERY AS (12-VOLT, MAINTENANCE FREE, WET)	175-4390	1	BATTERY & MOUNTING GP	405
		1	BATTERY GP	406
BULB-HALOGEN (2000 HOUR)	548-1662	1	LIGHTING GP-BOOM	494
		1	LIGHTING GP-FLOOD	495
		1	LIGHTING GP-ROADING	501
CAP AS-FILLER (7/8-9-THD)	123-1373	6	BATTERY & MOUNTING GP	405
		6	BATTERY GP	406
FUSE (10-AMPERE)	113-8490	1	BOARD AS-CIRCUIT	412
		8	WIRING GP-CAB	576
				578
	9W-1442	3	BOARD AS-CIRCUIT	412
		1	WIRING GP-CAB	576
				578
FUSE (15-AMPERE)	9W-1441	6	WIRING GP-CAB	576
FUSE (15-AMPERE) (FRAME)	9W-1441	1	CONTROL GP-ELECTRONIC	418
FUSE (150-AMPERE) (GLOW PLUGS)	478-5135	1	CONTROL GP-ELECTRONIC	418
FUSE (200-AMPERE) (ALTERNATOR)	478-5136	1	CONTROL GP-ELECTRONIC	418

MAINTENANCE PARTS

DESCRIPTION	PART NUMBER	QTY	WHERE USED	PAGE
FUSE (25-AMPERE) (CAB)	113-8493	1	CONTROL GP-ELECTRONIC	418
FUSE (25-AMPERE) (IGNITION)	113-8493	1	CONTROL GP-ELECTRONIC	418
FUSE (30-AMPERE)	8T-9636	1	BOARD AS-CIRCUIT	412
FUSE (30-AMPERE) (AIR CONDITIONER, HEATER FAN)	8T-9636	1	CONTROL GP-ELECTRONIC	418
FUSE (30-AMPERE) (CAB)	8T-9636	1	CONTROL GP-ELECTRONIC	418
FUSE (30-AMPERE) (ECM)	8T-9636	1	CONTROL GP-ELECTRONIC	418
FUSE (30-AMPERE) (STARTER)	8T-9636	1	CONTROL GP-ELECTRONIC	418
FUSE (40-AMPERE)	339-6361	2	WIRING GP-ENGINE	595
FUSE (5-AMPERE)	141-2759	5	BOARD AS-CIRCUIT	412
		1	WIRING GP-CAB	576
				578
FUSE (60-AMPERE)	339-6363	1	WIRING GP-ENGINE	595
FUSE (80-AMPERE) (CAB)	478-5142	1	CONTROL GP-ELECTRONIC	418
FUSE (80-AMPERE) (FRONT FRAME)	478-5142	1	CONTROL GP-ELECTRONIC	418
FUSE (80-AMPERE) (REAR FRAME)	478-5142	1	CONTROL GP-ELECTRONIC	418
FUSE AS (POWER MODULE)	481-1051	1	WIRING GP-ENGINE	595
	481-1056	1	WIRING GP-ENGINE	595
GLOW PLUG	469-1359	4	STARTING AID GP	558
GLOW PLUG (12-VOLT)	452-3112	4	STARTING AID GP	557
KEY	5P-8500	1	KIT-SWITCH	477
KEY (BATTERY DISCONNECT)	8H-5306	1	SWITCH GP-DISCONNECT	564
LAMP	480-7030	2	LAMP GP-ROADING	489
LAMP (12-VOLT, 21-WATT) (AMBER)	226-4560	1	LAMP GP-HEAD & SIGNAL	482
LAMP (12-VOLT, 5-WATT) (CLEAR)	226-4561	1	LAMP GP-HEAD & SIGNAL	482
LAMP (12-VOLT, 55-WATT) (BEACON)	323-5644	1	LIGHTING GP-WARNING	516
LAMP (12-VOLT)	323-5648	1	LIGHTING GP-ROADING	502
	323-5649	1	LIGHTING GP-ROADING	502
	473-9371	1	WIRING GP-ENGINE	599
LAMP (12-VOLT) (FRONT, LH)	590-3915	1	LAMP GP-FRONT	480
LAMP (12-VOLT) (FRONT, RH)	590-3914	1	LAMP GP-FRONT	480
LAMP (12-VOLT) (HEADLIGHT)	305-2108	1	LAMP GP-FRONT	478
LAMP (12-VOLT) (INDICATOR LIGHT)	323-5648	1	LAMP GP-REAR	487
	323-5649	1	KIT-LIGHTING	472
		1	LAMP GP-REAR	486
		1	LIGHTING GP-FRONT	499
		1	LIGHTING GP-ROADING	506
LAMP (12-VOLT) (LED)	473-9371	1	WIRING GP-ENGINE	595
LAMP (12-VOLT) (LOW BEAM)	305-2107	1	LAMP GP-FRONT	478
LAMP (12-VOLT) (TAIL LIGHTS)	323-5648	1	KIT-LIGHTING	472
		1	LAMP GP-REAR	486
		1	LIGHTING GP-FRONT	499
		1	LIGHTING GP-ROADING	506
	323-5649	1	LAMP GP-REAR	487
LAMP (12-VOLT) (TURN SIGNAL)	305-2109	1	KIT-LIGHTING	472
		1	LAMP GP-FRONT	478

MAINTENANCE PARTS

DESCRIPTION	PART NUMBER	QTY	WHERE USED	PAGE
		1	LAMP GP-REAR	486
LAMP (12-VOLT/24-VOLT, 3-WATT) (SIDE MARKER)	590-3933	2	LAMP GP-FRONT	480
		2	LAMP GP-REAR	487
LAMP (50-WATT) (200 HOUR)	323-5646	1	LIGHTING GP-BOOM	494
		1	LIGHTING GP-FLOOD	495
		1	LIGHTING GP-ROADING	501
LAMP AS (12-VOLT, 55-WATT)	317-3270	1	LIGHTING GP-WARNING	516
LAMP AS (50-WATT) (WORK LIGHT)	312-3332	2	LIGHTING GP-BOOM	494
		4	LIGHTING GP-FLOOD	495
		4	LIGHTING GP-ROADING	501
LAMP AS (SIDE, LH)	333-8792	1	LIGHTING GP-FRONT	499
		1	LIGHTING GP-ROADING	502
				504
				506
LAMP AS (SIDE, RH)	333-8793	1	LIGHTING GP-FRONT	499
		1	LIGHTING GP-ROADING	502
				504
				506
LAMP-HEAD (12-VOLT, 60/55-WATT) (CLEAR)	9W-3324	1	LAMP GP-HEAD & SIGNAL	482
PLUG-GLOW	375-1424	1	STARTING AID GP	558
		1	WIRING GP-ENGINE	596
FRAME AND BODY				
KEY	5P-8500	1	BOX & MOUNTING GP-TOOL	737
FUEL SYSTEM				
CAP (VENTED)	548-1091	1	TANK & MTG GP-FUEL	398
ELEMENT-WATER SEPARATOR	311-3901	1	FILTER GP-WATER SEP & FUEL	363
	479-4133	1	FILTER GP-WATER SEP & FUEL	365
FILTER AS-WATER SEP & FUEL	439-5037	1	FILTER GP-FUEL	356
FILTER ELEMENT-FUEL	360-8960	1	FILTER GP-FUEL	352
FILTER GP-PRIMARY FUEL	393-5525	1	FILTER GP-PRIMARY FUEL	361
		1	LINES GP-FUEL	377
FILTER-FUEL (IN-LINE)	525-6205	1	FILTER GP-FUEL	353
		1	LINES GP-FUEL	379
HYDRAULIC SYSTEM				
CAP AS-FILLER (LOCKABLE)	142-8937	1	TANK & MTG GP-HYDRAULIC	945
FILTER (BREATHING)	473-9271	1	TANK GP-HYDRAULIC	946
FILTER (HYDRAULIC OIL)	481-6649	1	TANK GP-HYDRAULIC	946
FILTER-OIL	558-3854	1	VALVE GP-PRIORITY	972
KEY (FAN HUB)	450-4786	1	MOTOR & MTG GP-HYDRAULIC FAN	936
LUBRICATION SYSTEM				
CAP AS-OIL FILLER (ENGINE)	130-9888	1	FILLER GP-ENGINE OIL	181
	369-3867	1	FILLER GP-ENGINE OIL	181
FILTER AS-ENGINE OIL	558-0428	1	FILTER GP-ENGINE OIL	186

MAINTENANCE PARTS

DESCRIPTION	PART NUMBER	QTY	WHERE USED	PAGE
	7W-2326	1	FILTER GP-ENGINE OIL	184
FILTER ELEMENT-BREATHER (CRANKCASE)	481-3598	1	FUMES DISPOSAL GP	190
MACHINE ARRANGEMENT				
KEY	5P-8500	1	CHASSIS AR	1
SEAT BELT GP	229-0582	1	CONFIGURATION AR	8
	470-0859	1	CONFIGURATION AR	10
OPERATOR STATION				
BELT	477-3325	1	AIR CONDITIONER & MOUNTING GP	1132
BLADE-WIPER	459-2709	1	WIPER GP-WINDOW	1259
	459-2710	1	WIPER GP-WINDOW	1259
FILTER (HVAC) (RECIRCULATION)	473-2651	1	AIR CONDITIONER GP	1137
		1	HEATER & MTG GP-CAB	1175
FILTER-AIR (HVAC) (FRESH AIR)	528-8853	1	AIR CONDITIONER GP	1137
		1	HEATER & MTG GP-CAB	1175
LAMP (12-VOLT) (DOME)	474-9787	1	HEADLINER GP-CAB	1173
		1	INSTALLATION GP-RADIO	1186
MOTOR-WIPER	459-9780	1	WIPER GP-UPPER	1257
SEAT BELT	298-8669	1	SEAT BELT GP	1239
POWER TRAIN				
BREATHER (ATMOSPHERIC)	9G-5127	1	GEAR & CASE GP-TRANSFER	662
BREATHER (ATMOSPHERIC) (TRANSMISSION)	9G-5127	1	CASE GP-TRANSMISSION	642
BREATHER AS	461-7838	1	CASE GP-TRANSMISSION	641
BREATHER AS (TRANSFER CASE)	461-7838	1	CASE GP-TRANSFER	637
FILTER-TRANSMISSION (HYDRAULIC)	471-7003	1	CASE GP-TRANSMISSION	642
		1	GEAR & CASE GP-TRANSFER	662
PLUG-DRAIN (MAGNETIC)	9X-2230	1	CASE GP-TRANSFER	637
		1	CASE GP-TRANSMISSION	638
				641
				647
STRAINER AS (SUCTION)	334-7523	1	CASE & PARTS GP-PLANETARY	635
		1	CASE GP-TRANSMISSION	644
	334-7562	1	CASE & PARTS GP-PLANETARY	635
		1	CASE GP-TRANSMISSION	644
SERVICE EQUIPMENT AND SUPPLIES				
CAP AS-FILLER (LOCKABLE) (HYDRAULIC TANK)	142-8937	1	CAP GP-PROTECTION	1261
CAP-FUEL (VENTED)	284-9039	1	CAP GP-PROTECTION	1261
KEY	5P-8500	1	LOCK GP-VANDALISM	1283

INDEX

NAME	PAGE	NAME	PAGE
A			
AIR CLEANER GP	259	BLADE-WIPER	1259
	261	BOARD AS-CIRCUIT.....	412
AIR CLEANER GP (BASIC).....	260	BOOM AR	977
AIR CLEANER GP-AIR.....	260		978
AIR COMPRESSOR GP (SUSPENSION SEAT)	1190		979
AIR CONDITIONER & MOUNTING GP.....	1130	BOOM GP	980
	1132	BOOM GP-TRUSS.....	983
	1135		1001
AIR CONDITIONER AR.....	1136		1002
AIR CONDITIONER GP.....	1137		1003
ALARM GP	400		1004
ALTERNATOR GP-CHARGING	401	BOOM GP-INNER.....	987
	402		988
	403	BOOM GP-OUTER.....	986
	404	BOOM GP-WITH WINCH.....	984
ANGLE-INDICATOR.....	1138	BOX & MOUNTING GP-TOOL-TOOL BOX.....	737
ARM GP-MATERIAL HANDLING.....	993	BRACKET & MTG GP-CAB	1141
ARMREST GP	1139	BRACKET GP.....	382
ARMREST GP-ADJUSTABLE.....	1139	BRACKET GP-MOUNTING	350
AXLE & MOUNTING GP-FRONT.....	617		739
AXLE & MOUNTING GP-REAR	616	BRACKET GP-MOUNTING (FIXED).....	1139
AXLE AR-PARKING BRAKE	618	BRACKET GP-MOUNTING-ARMREST	38
AXLE GP-FRONT.....	619	BRACKET GP-MOUNTING-BOOM	738
AXLE GP-REAR.....	626	BRACKET GP-SUPPORT	262
B			
BASE GP-OIL FILTER.....	634	BRACKET GP-TRANSPORT-FORKS.....	1260
BATTERY (12-VOLT,50-AMPERE).....	408	BRAKE AR-TRAILER	797
	410		798
BATTERY (12-VOLT,50-AMPERE) (50- AMPERE)	407	BRAKE AR-TRAILER-ELECTRIC.....	798
BATTERY & MOUNTING GP.....	405	BRAKE GP-PARKING.....	799
BATTERY AS (12-VOLT, MAINTENANCE FREE, WET)	405	BRAKE GP-SERVICE.....	800
	406	BREATHER (ATMOSPHERIC)	662
BATTERY GP	408	BREATHER (ATMOSPHERIC) (TRANSMISSION).....	642
	410	BREATHER AS.....	641
BATTERY GP-COLD START.....	407	BREATHER AS (FRONT HOUSING).....	128
BATTERY GP-SINGLE.....	406	BREATHER AS (TRANSFER CASE).....	637
BEARING GP-AXLE	619	BRIDGE GP-CYLINDER SUPPORT	82
	626	BRIDGE GP-VALVE	177
BELT	1132	BROOM GP.....	1006
BELT TENSIONER GP.....	35	BRUSH GP-BOOM.....	990
	36	BUCKET AR-GENERAL PURPOSE	1012
BELT TENSIONER GP-WITH AIR CONDITIONER.....	37	BUCKET AR-MULTIPURPOSE.....	1013
BELT-SERPENTINE.....	112		1014
BELT-SERPENTINE (AIR CONDITIONER).....	37	BUCKET AS	1015
BELT-SERPENTINE (FAN DRIVE).....	114	BUCKET AS-LIGHT MATERIAL.....	1016
BIT GP-AUGER	994		1017
	995		1018
	996	BUCKET GP-GENERAL PURPOSE	1019
	997	BUCKET GP-GENERAL PURPOSE-DIRT	1020
	998	BUCKET GP-GRAPPLE.....	1021
	999		1023
	1000		1024
		BUCKET GP-LIGHT MATERIAL.....	1025
			1026
		BUCKET GP-MATERIAL HANDLING	1029
			1030
		BUCKET GP-MIXING	1031
		BUCKET GP-MULTIPURPOSE.....	1032
			1033

INDEX

NAME	PAGE	NAME	PAGE
BULB-HALOGEN (2000 HOUR).....	494	CASE GP-TRANSMISSION.....	638
	495		642
	501		644
BULLDOZER AS	1034		647
	1035		649
 C 			
CAB AR	1142	CASE GP-TRANSMISSION-FRONT.....	641
CAB AR-ENCLOSED	1143	CASE GP-TRANSMISSION-REAR	640
CAB GP	1144	CHART GP-LIFT/LOAD EXTENSION.....	3
CAMERA & MOUNTING GP	413		4
	414		5
CAMSHAFT GP	40		7
	41	CHART GP-LIFT/LOAD EXTENSION	
	42	(COUPLER)	6
	43		7
CAP (VENTED).....	398	CHART GP-LIFT/LOAD EXTENSION (METRIC)...	3
CAP AS-COOLANT TANK (RADIATOR).....	258		4
CAP AS-FILLER (7/8-9-THD)	405		5
	406		6
CAP AS-FILLER (ENGINE OIL).....	47		7
CAP AS-FILLER (LOCKABLE)	945	CHART GP-LIFT/LOAD EXTENSION-ANSI	1264
CAP AS-FILLER (LOCKABLE) (HYDRAULIC		CHART GP-LIFT/LOAD EXTENSION-	
TANK)	1261	METRIC	1263
CAP AS-OIL FILLER (ENGINE).....	181	CHASSIS AR.....	1
	183		2
CAP GP-PROTECTION-AIR FILTER	1262	CHOCK GP-WHEEL	1267
CAP GP-PROTECTION-FUEL	1261	CLAM AS.....	1062
CAP-FUEL (VENTED).....	1261	CLUTCH & GEAR GP	651
CARRIAGE AS-FORK.....	1036		653
CARRIAGE GP.....	1039	COMMON AR.....	2
	1040		3
	1041	COMPRESSOR GP-REFRIGERANT.....	1132
CARRIAGE GP-FORK.....	1043	CONDENSER GP-REFRIGERANT-CAB	1145
	1044	CONFIGURATION AR.....	3
	1046		4
	1048		5
	1049		6
	1050		7
CARRIAGE GP-FORK (4 TINE,			8
ADJUSTABLE).....	1048		9
	1048		10
CARRIAGE GP-FORK-SIDESHIFT	1042		11
CARRIAGE GP-ROTATING.....	1057	CONNECTING ROD GP	148
	1059	CONNECTION GP-FUEL.....	351
CARRIAGE GP-ROTATING-STANDARD.....	1055	CONNECTION GP-INLET	265
CARRIAGE GP-ROTATING-WIDE, 4/5 TINE...	1051	CONNECTION GP-WATER.....	207
	1053		208
	1061		209
CARRIAGE GP-SIDESHIFT.....	1037		210
CARRIAGE GP-TILT.....	1038		211
	1038	CONTROL AR-AUXILIARY	827
CARRIER GP-FORK.....	1051	CONTROL GP-ELECTRONIC.....	415
	1053		416
	1055		417
CASE & PARTS GP-PLANETARY	635		418
CASE GP-TRANSFER	637		420

INDEX

NAME	PAGE	NAME	PAGE
CONTROL GP-ELECTRONIC (FRONT FRAME)	596	COVER GP-ACCESS (AUGER).....	1252
	600	COVER GP-ACCESS (EXTENSION)	1252
	604	COVER GP-ACCESS-BOOM	1151
	608	COVER GP-ACCESS-CAB ROOF	1148
	611	COVER GP-ACCESS-FRAME	1149
CONTROL GP-ELECTRONIC (HVAC)	575	COVER GP-ACCESS-REAR AUXILIARY HYDRAULICS	1152
CONTROL GP-ELECTRONIC (LOAD MANAGEMENT INDICATOR SYSTEM).....	420	COVER GP-ACCESS-TRAILER BRAKE.....	1150
CONTROL GP-ELECTRONIC (REAR FRAME)	596	COVER GP-CAB	1153
	600		1220
	604	COVER GP-CAB-ROOF.....	1154
	608	COVER GP-ENGINE OIL COOLER	218
	611	COVER GP-VALVE MECHANISM.....	44
CONTROL GP-JOYSTICK	867		45
	1147		46
CONTROL GP-JOYSTICK (STABILIZER)	861		47
	863	COVER GP-FRONT	741
	865	CRANKSHAFT AS.....	48
CONTROL GP-JOYSTICK-FORWARD, NEUTRAL, REVERSE.....	1147		49
CONTROL GP-TRANSMISSION HYD	655	CRANKSHAFT GP.....	50
	656		51
CONTROL GP-UNPROGRAMMED	415		53
COOLER & MTG GP-EXHAUST (NRS)	263		54
COOLER GP-ENGINE OIL	212		56
	213		58
	214		59
	215		61
	216		62
	217	CYLINDER & MTG GP-CARRIAGE-FORK.....	829
COOLER GP-FUEL	252	CYLINDER & MTG GP-CARRIAGE-ROTATING.....	830
	256	CYLINDER & MTG GP-COMPENSATING	831
COOLER GP-HYDRAULIC OIL	828	CYLINDER & MTG GP-LIFT.....	832
COUNTERWEIGHT GP	740	CYLINDER & MTG GP-TELESCOPING-EXTENSION.....	833
COUPLER & MTG AR-HYDRAULIC.....	1063	CYLINDER & MTG GP-TILT.....	834
	1064	CYLINDER BLOCK AS.....	64
	1065		65
COUPLER & MTG AR-MANUAL	1066		66
COUPLER & MTG GP-QUICK.....	1067		67
	1068	CYLINDER BLOCK GP	69
COUPLER AR-HYDRAULIC	1069		70
	1071		71
COUPLER AR-QUICK.....	1072		73
	1073		74
	1079		75
	1080		76
COUPLER AR-QUICK-MERLO.....	1075		77
COUPLER AR-QUICK-VOLVO.....	1077		78
COUPLER GP-QUICK.....	1081		79
	1082		81
	1083	CYLINDER BLOCK GP-SHORT.....	82
	1085		83
COUPLER GP-QUICK-MANITOU	1084		84
COVER & MTG GP-ENCLOSURE-CHASSIS ...	745		85
COVER GP	741		86
COVER GP (DASH, LOWER)	1249	CYLINDER GP-CARRIAGE	836
COVER GP-ACCESS	742	CYLINDER GP-CARRIAGE (ROTATE).....	830
	743	CYLINDER GP-CARRIAGE-SIDESHIFT.....	835
	744	CYLINDER GP-COMPENSATING	837
	744	CYLINDER GP-COUPLER.....	839

INDEX

NAME	PAGE	NAME	PAGE
FILM GP.....	1268	FILM-IDENTIFICATION (DO NOT STAND/RIDE FORKS).....	1285
	1269		1288
	1270		1291
	1271		1294
	1272		1297
	1273	FILM-IDENTIFICATION (EAC).....	1294
	1274		1300
	1278	FILM-IDENTIFICATION (ECU)	517
	1279	FILM-IDENTIFICATION (EMERGENCY EXIT)	1192
	1281	FILM-IDENTIFICATION (FORWARD, NEUTRAL, REVERSE).....	569
FILM GP (ALTERNATOR).....	27	FILM-IDENTIFICATION (FUSE PANEL).....	1285
FILM GP (ALTERNATOR) (ALTERNATOR).....	29		1288
FILM GP-REAR.....	1280		1291
FILM GP-SENSING.....	1276		1294
	1277		1300
FILM-DANGER	1124	FILM-IDENTIFICATION (HVAC)	519
FILM-IDENTIFICATION	905		521
FILM-IDENTIFICATION (12V, CAT).....	346		1223
	347		1225
FILM-IDENTIFICATION (AGGREGATE HANDLER).....	1281	FILM-IDENTIFICATION (HYDRAULIC OIL FILLER).....	1285
FILM-IDENTIFICATION (AIR CONDITIONER REFRIGERANT)	1130		1288
	1132		1291
FILM-IDENTIFICATION (BATTERY DISCONNECT, READ OMM).....	1285		1294
	1288		1297
	1291		1300
	1294	FILM-IDENTIFICATION (IGNITION SWITCH)....	477
	1297		519
	1300		521
FILM-IDENTIFICATION (BLANK)	571		1223
FILM-IDENTIFICATION (BOOM ANGLE).....	991		1225
FILM-IDENTIFICATION (BOOM, EXTEND).....	1285	FILM-IDENTIFICATION (JACKING POINT).....	1285
	1288		1288
	1291		1294
	1294	FILM-IDENTIFICATION (JOYSTICK)	1147
	1297	FILM-IDENTIFICATION (LANYARD ATTACH)	1129
FILM-IDENTIFICATION (BREATHER).....	187		1230
FILM-IDENTIFICATION (CAB CATEGORY STANDARD)	1285	FILM-IDENTIFICATION (LIFTING, TIE-DOWN)	1285
	1288		1288
	1294		1291
FILM-IDENTIFICATION (CANADIAN STANDARDS ASSOCIATION).....	1297		1294
FILM-IDENTIFICATION (CAT BOOM, LH)	1274		1297
FILM-IDENTIFICATION (CAT BOOM, RH).....	1274	FILM-IDENTIFICATION (MANUAL)	1129
FILM-IDENTIFICATION (CAT HOOD).....	1274		1230
FILM-IDENTIFICATION (CAT, REAR).....	1	FILM-IDENTIFICATION (MANUALS INSIDE) ...	1285
	2		1288
	1280		1291
FILM-IDENTIFICATION (CAT).....	1268		1294
	1269		1297
	1270	FILM-IDENTIFICATION (OIL FILL, READ OMM).....	181
	1271		187
	1272		
	1273		
	1281		
FILM-IDENTIFICATION (CAT) (OPEN CAB)....	1274		

INDEX

NAME	PAGE	NAME	PAGE
FILM-IDENTIFICATION (OIL LEVEL)	1285	FILM-INFORMATION (NO WELD, NO DRILL, READ OMM).....	1285
	1288		1288
	1291		1291
	1294		1294
	1297		1297
	1300		1300
FILM-IDENTIFICATION (PARKING BRAKE, READ MANUAL)	1288	FILM-INFORMATION (PCT).....	1294
	1291	FILM-INFORMATION (REAR WINDOW)	1278
	1294	FILM-INFORMATION (REVERSE ALARM)	547
	1297		549
	1285		1276
FILM-IDENTIFICATION (PARKING BRAKE)....	1285	FILM-INFORMATION (REVERSE SENSOR).....	548
FILM-IDENTIFICATION (PINCH POINT)	1108	FILM-INFORMATION (REVERSE SENSOR) (ALARM).....	1277
FILM-IDENTIFICATION (READ OMM)	1285		1277
	1288	FILM-INFORMATION (REVERSE SENSOR) (REVERSE ALARM)	550
	1291	FILM-INFORMATION (TIRE PRESSURE)	679
	1294		680
FILM-IDENTIFICATION (READ SERVICE MANUAL, STORED ENERGY).....	13		681
	15		682
	800		685
	905	FILM-INFORMATION (ULTRA LOW SULFUR FUEL)	1285
FILM-IDENTIFICATION (RETRIEVAL).....	768		1297
	773		1300
	774	FILM-INSTRUCTION (LIFT POINT).....	1288
	775		1291
	776		1294
	777		1297
	778	FILM-INSTRUCTION (LOAD CAPACITY, READ OMM).....	993
	782	FILM-INSTRUCTION (NO PRESSURE WASHER).....	1285
FILM-IDENTIFICATION (SERIAL NUMBER)....	1273		1288
FILM-IDENTIFICATION (SWINGING LOAD)....	1004		1291
FILM-IDENTIFICATION (TH408D)	1281		1294
FILM-IDENTIFICATION (TIE-DOWN LOCATION)	1285		1297
	1288		1300
	1291	FILM-WARNING	1124
	1294	FILM-WARNING (BATTERY, EXPLOSIVE GAS)	1297
	1297		1300
	1300	FILM-WARNING (BATTERY).....	1285
FILM-IDENTIFICATION (TIRE PRESSURE)	684		1288
FILM-IDENTIFICATION (TRAILER BRAKE)	567		1291
	568		1294
FILM-INFORMATION (3.0-BAR)	683	FILM-WARNING (CAB).....	1285
FILM-INFORMATION (5.25 BAR).....	694		1288
	736		1291
FILM-INFORMATION (BATTERY POSITIVE) ...	1285		1294
	1288	FILM-WARNING (CARRY PERSONNEL).....	1300
	1291	FILM-WARNING (CRUSH HAZARD, STAY BACK)	1013
	1294		1033
	1297		1116
	1300		
FILM-INFORMATION (BOOM EXTEND, RETRACT)	1300		
FILM-INFORMATION (JOYSTICK).....	1300		
FILM-INFORMATION (LOAD CAPACITY).....	984		
FILM-INFORMATION (MADE IN USA).....	984		
	1004		
	1046		
FILM-INFORMATION (MANUAL)	1300		

INDEX

NAME	PAGE	NAME	PAGE
FILM-WARNING (CRUSH HAZARD).....	1116	FILM-WARNING (PLATFORM).....	1126
	1285		1128
	1288		1228
	1291		1229
	1294	FILM-WARNING (POWER LINES	
	1297	CLEARANCE)	1297
	1300		1300
FILM-WARNING (CYLINDER LOCK)	1285	FILM-WARNING (PROPOSITION 65).....	1297
	1288	FILM-WARNING (RAISED BOOM, BUCKET)...	1285
	1291		1288
	1294		1291
FILM-WARNING (DIESEL).....	1285		1294
	1297	FILM-WARNING (ROTATING).....	984
	1300		1297
FILM-WARNING (DO NOT SPRAY, READ			1300
OMM).....	1272	FILM-WARNING (SET BRAKE LEVER).....	1285
	1273		1288
FILM-WARNING (ELECTROCUTION			1291
HAZARD)	1285		1294
	1288	FILM-WARNING (STAY CLEAR OF SWING	
	1291	AREA)	1285
	1294		1288
FILM-WARNING (EMERGENCY EXIT).....	1285		1291
	1288		1294
	1291		1297
	1294		1300
	1297	FILM-WARNING (TIP OVER)	1285
FILM-WARNING (ETHER START).....	1285		1288
	1288		1291
	1291		1294
	1294		1297
	1297		1300
	1300	FILM-WARNING (TIPPING HAZARD, READ	
FILM-WARNING (HAZARD, READ OMM).....	1297	OMM).....	1126
	1300		1128
FILM-WARNING (HIGH PRESSURE).....	984		1228
	1046		1229
FILM-WARNING (LOAD CAPACITY, READ		FILM-WARNING (TIPPING HAZARD,	
OMM).....	1127	WEIGHT)	1127
FILM-WARNING (MOVING PARTS).....	1285	FILM-WARNING (UNIVERSAL WARNING).....	1272
	1288		1273
	1291		1284
	1294	FILTER (BREATHER).....	946
FILM-WARNING (NO RIDERS)	1285	FILTER (HVAC) (RECIRCULATION).....	1137
	1288		1175
	1291	FILTER (HYDRAULIC OIL)	946
	1294	FILTER AS.....	324
	1297	FILTER AS (DIESEL EXHAUST FLUID).....	303
	1300	FILTER AS-DIESEL PARTICULATE	279
FILM-WARNING (NO TOWING).....	984		331
FILM-WARNING (OPERATOR PLATFORM)....	1127		333
FILM-WARNING (PINCH POINT).....	1046	FILTER AS-ENGINE OIL	184
	1120		185
	1285		186
	1288	FILTER AS-WATER SEP & FUEL	356
	1291	FILTER ELEMENT-BREATHER	
	1294	(CRANKCASE)	190
	1297	FILTER ELEMENT-FUEL	352
	1300	FILTER GP-DIESEL EXHAUST FLUID	
		(PUMP)	325

INDEX

NAME	PAGE	NAME	PAGE
FILTER GP-DIESEL PARTICULATE.....	277	FUSE (10-AMPERE)	412
	278		576
	279		578
FILTER GP-ENGINE OIL.....	184	FUSE (15-AMPERE)	576
	185		578
	186	FUSE (15-AMPERE) (FRAME).....	418
FILTER GP-FUEL.....	352	FUSE (150-AMPERE) (GLOW PLUGS).....	418
	353	FUSE (200-AMPERE) (ALTERNATOR)	418
	354	FUSE (25-AMPERE) (CAB).....	418
	355	FUSE (25-AMPERE) (IGNITION).....	418
	356	FUSE (30-AMPERE)	412
	357	FUSE (30-AMPERE) (AIR CONDITIONER, HEATER	
	358	FAN)	418
	359	FUSE (30-AMPERE) (CAB).....	418
FILTER GP-FUMES DISPOSAL.....	187	FUSE (30-AMPERE) (ECM)	418
FILTER GP-OIL	946	FUSE (30-AMPERE) (STARTER)	418
FILTER GP-PRIMARY FUEL	360	FUSE (40-AMPERE)	595
	361		603
	362	FUSE (5-AMPERE)	412
	377		576
FILTER GP-WATER SEP & FUEL.....	363		578
	364	FUSE (60-AMPERE)	595
	365	FUSE (80-AMPERE) (CAB).....	418
FILTER-AIR (HVAC) (FRESH AIR).....	1137	FUSE (80-AMPERE) (FRONT FRAME).....	418
	1175	FUSE (80-AMPERE) (REAR FRAME)	418
FILTER-FUEL (IN-LINE)	353	FUSE AS (POWER MODULE).....	595
	379		599
FILTER-OIL	972		603
FILTER-TRANSMISSION (HYDRAULIC)	642		
	662		
FITTING GP-HYDRAULIC	855	G	
FLOOR MAT GP	1167	GASKET (VALVE COVER)	45
FLYWHEEL GP	115		46
	116	GASKET-EXHAUST MANIFOLD.....	306
	117	GASKET-WATER REGULATOR.....	209
FORK AR.....	1091	GAUGE (TILT ANGLE).....	1138
FORK AS.....	1092		1291
	1093	GAUGE AS-OIL LEVEL (DIPSTICK).....	635
	1094		644
FORK AS-BLOCK	1095	GAUGE AS-OIL LEVEL (DIPSTICK)	
FORK AS-PALLET.....	1096	(ENGINE)	193
	1097	GAUGE GP-CLUSTER	519
	1098		521
FORK GP.....	1099	GAUGE GP-OIL LEVEL (DIPSTICK)	194
	1100	GAUGE GP-OIL LEVEL (DIPSTICK)	
	1101	(ENGINE)	193
	1102		194
	1103	GAUGE GP-OIL LEVEL (DIPSTICK)-ENGINE...	193
	1104	GEAR & CASE GP-TRANSFER	659
	1105		661
FORK GP-GRAPPLE.....	1108		662
FORK GP-PALLET.....	1110		664
	1111	GEAR GP-BEVEL	626
	1112	GEAR GP-IDLER.....	666
FORK GP-GRAB	1106	GEAR GP-TRANSFER	667
FRAME GP-LOADER	761	GEAR GP-TRANSFER-POWER.....	669
FUMES DISPOSAL GP	188	GLASS & DOOR SEAL GP-CAB	1168
	189	GLOW PLUG.....	558
	190	GLOW PLUG (12-VOLT)	557
	192		559

INDEX

NAME	PAGE	NAME	PAGE
GRAPPLE GP-MANURE	1113	HARNESS AS-SENSOR (REVERSE).....	524
GUARD GP-BUCKET-FRONT	1115		530
GUARD GP-FRONT WINDOW.....	1170		531
GUARD GP-ROOF.....	1171		547
			548
			549
			550
		HARNESS AS-STARTING AID.....	558
		HARNESS AS-SWITCH	1236
		HARNESS AS-WIRING.....	457
			590
		HARNESS AS-WIRING-LIGHT.....	456
		HEADLINER GP-CAB	1172
			1173
			1174
			1186
		HEATER & MTG GP-CAB.....	1175
		HEATER AR-CAB	1176
			1179
		HEATER AR-CAB-AIR CONDITIONER.....	1177
		HEATER GP-BLOCK.....	458
			459
			460
			461
		HEATER GP-CAB	1181
			1184
		HEATER GP-CAB-EVAPORATOR	1180
		HEATER GP-JACKET WATER.....	462
			463
			464
			465
		HITCH AR	762
			763
		HITCH AR-HYDRAULIC.....	764
		HITCH AR-RETRIEVAL	762
		HITCH GP	765
			766
			767
			776
		HITCH GP-TOWING	773
			774
			775
			776
			777
			778
			780
			782
		HITCH GP-TOWING-HYDRAULIC.....	779
		HITCH GP-HYDRAULIC.....	771
		HITCH GP-RELEASE CABLE	769
			770
		HITCH GP-RETRIEVAL	768
		HOOD GP-ENGINE.....	784
		HOOD GP-ENGINE-HINGED	785
			786
			788
		HOOK GP-LIFTING	1117
			1118
			1119
		HOPPER GP.....	1120
		HORN GP-ELECTRIC.....	1185

INDEX

NAME	PAGE	NAME	PAGE
HOUSING GP-FLYWHEEL	118	K	
	119	KEY	1
	120		2
	121		477
HOUSING GP-FRONT	122		737
	124		1283
	125	KEY (BATTERY DISCONNECT)	564
	127	KEY (FAN HUB).....	220
	128		936
HYDRAULIC AR.....	856		937
HYDRAULIC AR-AUXILIARY.....	857	KIT-CYLINDER BLOCK	131
I			
INDICATOR (CUTOFF).....	259	KIT-DOOR	1188
	260		1189
INDICATOR GP-BOOM ANGLE.....	991	KIT-FORK EXTENSION	1122
INJECTOR & MTG GP-DEF.....	421	KIT-LIGHTING.....	474
	422	KIT-LIGHTING-ROADING LIGHTS	472
INJECTOR GP-FUEL	366	KIT-SEAT SUSPENSION.....	1190
	367	KIT-SWITCH-KEY	477
	368	KIT-TOOTH-DIRT.....	1123
	369	KNOB GP-REAR WINDOW-REAR VIEW.....	1192
	370	L	
INSTALLATION AR-COMMUNICATION-PL641, 3.4L	466	LAMP.....	489
INSTALLATION AR-COMMUNICATION-PL641, 4.4L	466	LAMP (12-VOLT, 21-WATT) (AMBER).....	482
INSTALLATION AR-COMMUNICATION-PL641, A/C, 3.4L	466		483
INSTALLATION AR-COMMUNICATION-PL641, A/C, 4.4L	466		484
INSTALLATION AR-COMMUNICATION-PL641, A/C, LESSER REGULATED COUNTRIES	467		485
INSTALLATION AR-COMMUNICATION-PL641, LESSER REGULATED COUNTRIES	467	LAMP (12-VOLT, 5-WATT) (CLEAR)	482
INSTALLATION AR-ENGINE.....	32		483
	33		484
	34		485
INSTALLATION AR-LOAD MGT IND	468	LAMP (12-VOLT, 55-WATT) (BEACON)	516
INSTALLATION AR-MACHINE-HYDRAULIC.....	13	LAMP (12-VOLT)	502
	15		599
INSTALLATION AR-MACHINE-RIDE CONTROL	12	LAMP (12-VOLT) (DOME).....	1173
INSTALLATION GP-COMMUNICATION	469		1186
INSTALLATION GP-COMMUNICATION-PRODUCT LINK.....	470		1187
INSTALLATION GP-RADIO	1186	LAMP (12-VOLT) (FRONT, LH).....	480
	1187		481
INSTALLATION GP-RIDE CONTROL.....	858	LAMP (12-VOLT) (FRONT, RH).....	480
	859	LAMP (12-VOLT) (HEADLIGHT)	478
INSTALLATION GP-WARNING BEACON	471		479
J			
JET GP-PISTON COOLING	129	LAMP (12-VOLT) (INDICATOR LIGHT).....	472
	130		474
			486
			487
			499
			506
		LAMP (12-VOLT) (LED).....	595
			603
			608
			611
		LAMP (12-VOLT) (LOW BEAM).....	478
			479

INDEX

NAME	PAGE	NAME	PAGE
LAMP (12-VOLT) (TAIL LIGHTS)	472	LAMP GP-HEAD & SIGNAL-FRONT, LH.....	483
	474	LAMP GP-HEAD & SIGNAL-FRONT, RH.....	482
	486	LAMP GP-HEAD & SIGNAL-LH	485
	487	LAMP GP-HEAD & SIGNAL-RH.....	484
	499	LAMP GP-REAR.....	486
	506		487
LAMP (12-VOLT) (TURN SIGNAL).....	472	LAMP GP-ROADING-LICENSE PLATE.....	489
	474	LAMP GP-WARNING BEACON (12-VOLT,	
	478	AMBER)	516
	479	LAMP-HEAD (12-VOLT, 60/55-WATT)	
	486	(CLEAR)	482
	487		483
LAMP (12-VOLT/24-VOLT, 3-WATT) (SIDE			484
MARKER).....	480		485
	481	LEVER GP-TILT	992
	487	LIFTING GP-ENGINE	132
LAMP (50-WATT) (200 HOUR)	494		133
	495		134
	501		135
LAMP AS (12-VOLT, 55-WATT)	516	LIGHTING AR-ROADING.....	492
LAMP AS (50-WATT) (WORK LIGHT).....	494	LIGHTING AR-ROADING-AIR CONDITIONER...	491
	495	LIGHTING AR-ROADING-WITH AIR	
	501	CONDITIONER	493
LAMP AS (SIDE, LH).....	499	LIGHTING AR-ROADING-WITHOUT AIR	
	502	CONDITIONER	490
	504	LIGHTING GP-BOOM.....	494
	506	LIGHTING GP-FLOOD	495
LAMP AS (SIDE, RH).....	499	LIGHTING GP-FRONT	499
	502	LIGHTING GP-FRONT (LH)	479
	504	LIGHTING GP-FRONT (RH).....	479
	506	LIGHTING GP-FRONT-WORK LIGHT	496
LAMP GP (LH).....	478		497
LAMP GP (RH).....	478		498
LAMP GP (STOP, TAIL, TURN, BACKUP,		LIGHTING GP-ROADING.....	501
LH).....	472		508
	474		509
	486		510
	487		511
	487		512
LAMP GP (STOP, TAIL, TURN, BACKUP,			513
RH).....	472		514
	474	LIGHTING GP-ROADING-FRONT.....	502
	486		504
	487		506
LAMP GP-FLOOD (12/24-VOLT, LED).....	496	LIGHTING GP-WARNING	515
LAMP GP-FLOOD (12/24-VOLT, LED) (FRONT,		LIGHTING GP-WARNING-BEACON	516
LH).....	497	LINES GP-AIR	280
	498		282
LAMP GP-FLOOD (12/24-VOLT, LED) (FRONT,			284
RH).....	497		285
	498		286
LAMP GP-FLOOD (12/24-VOLT, LED) (REAR,			287
LH).....	497		288
	498		290
LAMP GP-FLOOD (12/24-VOLT, LED) (REAR,			292
RH).....	497	LINES GP-AIR CONDITIONER	1193
	498		1195
LAMP GP-FRONT	478		1197
	479	LINES GP-AIR-CHARGE AIR COOLER.....	293
	480		294
	481		

INDEX

NAME	PAGE	NAME	PAGE
LINES GP-AUXILIARY HYDRAULIC-REAR	861	LINES GP-LIFT CYLINDER-RIDE CONTROL	901
	863	LINES GP-MULTIPURPOSE BUCKET	907
	865	LINES GP-PUMP	909
	867		911
LINES GP-BOOM	869	LINES GP-RETURN	913
	870		914
LINES GP-BRAKE	801		918
	802	LINES GP-RETURN-HYDRAULIC TANK	920
	803		921
	804		922
LINES GP-CONNECTING-FORK	874	LINES GP-RETURN-INSTALLATION	915
LINES GP-CONNECTING-MULTIPURPOSE			917
BUCKET	872	LINES GP-STEERING	818
LINES GP-COOLANT	224		820
	228		822
	230	LINES GP-TRAILER	923
	231		925
	232		927
LINES GP-COOLANT-INSTALLATION	226		929
LINES GP-COUPLER	876		931
	879		933
	881	LINES GP-TURBOCHARGER AIR	301
	883		302
	885	LINES GP-TURBOCHARGER OIL	198
LINES GP-COUPLER-COUPLER	877	LOCK GP-VANDALISM	1283
LINES GP-DIESEL EXHAUST FLUID	296		
	298		
	300		
LINES GP-FAN DRIVE	195		
LINES GP-FUEL	371		
	372		
	373		
	375		
	377		
	379		
	382		
LINES GP-FUEL (INJECTORS 2 & 4)	395		
LINES GP-FUEL FILTER	381		
	382		
LINES GP-FUEL INJECTION-INJECTORS 1 &			
3	384		
LINES GP-FUEL INJECTION-INJECTORS 2 &			
4	385		
LINES GP-HEATER & AIR COND	1199		
	1201		
	1210		
LINES GP-HEATER & AIR COND-			
INSTALLATION	1203		
	1206		
	1208		
LINES GP-HYDRAULIC FAN	889		
	891		
	893		
LINES GP-HYDRAULIC OIL COOLER	895		
	896		
LINES GP-HYDRAULIC-ROTATING			
CARRIAGE	887		
LINES GP-LIFT CYLINDER	897		
	899		
	903		
	905		

M

MANIFOLD GP-CONTROL	935
MANIFOLD GP-DEF	303
MANIFOLD GP-EXHAUST	304
	305
	306
MANIFOLD GP-INLET	307
	308
MIRROR GP-REAR VIEW	1215
	1216
	1217
	1218
	1219
MIRROR GP-REAR VIEW-INTERIOR	1214
MIRROR GP-EXTERNAL	1212
MIRROR GP-INTERNAL	1213
MODULE & MTG GP-CONTROL	517
MODULE AR-CLEAN EMISSIONS	309
	310
MODULE AR-DIESEL EXHAUST FLUID	311
MONITOR & MOUNTING GP	1220
MOTOR & MTG GP-AUGER	1124
MOTOR & MTG GP-HYDRAULIC FAN	936
	937
MOTOR AS-WINDOW WIPER	1258
MOTOR-WIPER	1257
MOUNTING GP	328
MOUNTING GP-ALARM-ROADING	
LIGHTING	789
MOUNTING GP-BELT TENSIONER	136
MOUNTING GP-CAB	1221
MOUNTING GP-CONTROL	518

INDEX

NAME	PAGE	NAME	PAGE
MOUNTING GP-CYLINDER-MULTIPURPOSE		PLATFORM AR-ACCESS.....	1126
BUCKET.....	938		1127
MOUNTING GP-DEF TANK.....	329		1128
MOUNTING GP-ENGINE.....	137	PLATFORM GP.....	1228
	138		1229
	139	PLATFORM GP-ACCESS.....	1129
	140	PLATFORM GP-SIDE.....	1230
	141	PLUG GP-CAB.....	1232
	142		1234
MOUNTING GP-ENGINE & XMSN.....	143	PLUG GP-CONNECTOR (64-PIN).....	457
MOUNTING GP-ENGINE OIL FILTER.....	199	PLUG GP-ENGINE.....	158
MOUNTING GP-EXHAUST.....	312		159
	313		160
	315		161
	317	PLUG GP-FRONT HOUSING-ENGINE OIL	
	319	FILLER.....	162
MOUNTING GP-LAMP & BCKP ALARM-		PLUG GP-OIL FILTER MOUNTING.....	200
REVERSE.....	790		201
		PLUG GP-WATER LINES.....	234
			235
		PLUG-DRAIN (ENGINE OIL).....	105
			106
		PLUG-DRAIN (MAGNETIC).....	637
			638
			641
			647
		PLUG-GLOW.....	558
			596
		PULLEY GP-ALTERNATOR.....	163
		PULLEY GP-AUXILIARY DRIVE.....	164
		PULLEY GP-CRANKSHAFT.....	165
			166
			167
		PUMP & MOUNTING GP.....	939
		PUMP & MTG GP-HYDRAULIC.....	940
		PUMP & MTG GP-HYDRAULIC FAN.....	943
		PUMP & MTG GP-HYDRAULIC FAN-FAN	
		PUMP.....	941
		PUMP GP-DIESEL EXHAUST FLUID.....	323
			324
			325
			326
		PUMP GP-ENGINE OIL.....	203
			204
			205
			206
		PUMP GP-ENGINE OIL-ENGINE.....	202
		PUMP GP-FUEL INJECTION.....	386
			387
			388
			389
			391
			392
		PUMP GP-FUEL TRANSFER.....	393
		PUMP GP-GEAR.....	941
			943
		PUMP GP-PISTON.....	944
		PUMP GP-PISTON (HYDRAULIC).....	939
		PUMP GP-TRANSMISSION.....	671

P

INDEX

NAME	PAGE	NAME	PAGE
PUMP GP-WATER.....	236	SEAT BELT GP.....	8
	237		9
	238		10
	239		11
	240		1239
		SEAT BELT GP-2 IN.....	1237
		SEAT BELT GP-3 IN.....	1238
		SEAT GP.....	1241
			1243
			1245
			1246
		SEAT GP-SUSPENSION (CLOTH).....	1236
		SENSOR.....	544
			859
		SENSOR (AMBIENT AIR TEMP).....	543
		SENSOR (AXLE LOCK).....	528
			529
		SENSOR (BOOM ANGLE).....	525
			533
		SENSOR (BOOM POSITION).....	535
		SENSOR (CAMSHAFT).....	544
		SENSOR (FUEL RAIL PRESSURE).....	396
		SENSOR (HVAC) (THERMOSTAT).....	1177
		SENSOR (PRESSURE).....	544
		SENSOR (STEERING).....	621
			627
		SENSOR (TILT).....	551
		SENSOR & MOUNTING GP.....	527
			528
			529
		SENSOR & MOUNTING GP (AXLE LOCK).....	3
			4
			5
			6
			7
		SENSOR & MOUNTING GP (BOOM ANGLE) ..	979
		SENSOR & MOUNTING GP (RETRACT).....	979
		SENSOR & MOUNTING GP-BOOM ANGLE....	525
		SENSOR & MOUNTING GP-HITCH.....	523
			524
		SENSOR & MOUNTING GP-RETRACT.....	532
		SENSOR & MOUNTING GP-REVERSE.....	530
			531
		SENSOR & MTG GP-POSITION (BOOM ANGLE).....	468
		SENSOR & MTG GP-POSITION-BOOM ANGLE.....	533
		SENSOR & MTG GP-PRESSURE.....	534
			535
		SENSOR & MTG GP-PRESSURE (LOAD MANAGEMENT INDICATOR SYSTEM).....	468
		SENSOR AS (PROXIMITY).....	527
			532
		SENSOR AS-AMMONIA (EXHAUST GAS).....	539
		SENSOR AS-LIQUID LEVEL (FUEL, WATER SEPARATOR).....	363
		SENSOR AS-NITROGEN OXIDE (12-VOLT)....	539
		SENSOR AS-NITROGEN OXIDE (DOWNSTREAM).....	538
		SENSOR AS-TEMPERATURE.....	279

R

S

INDEX

NAME	PAGE	NAME	PAGE
SENSOR AS-TEMPERATURE (2-PIN) (NOX REDUCTION SYSTEM)	541	SENSOR GP-TEMPERATURE	18
SENSOR AS-TEMPERATURE (DOC INLET)....	538		23
SENSOR AS-TEMPERATURE (EXHAUST GAS)	421		26
	422		553
SENSOR AS-TEMPERATURE (SCR INLET)	538		554
SENSOR GP	537		555
	538	SENSOR GP-TEMPERATURE (2-PIN) (ENGINE COOLANT).....	540
SENSOR GP (CLEAN EMISSIONS MODULE) ...	31	SENSOR GP-TEMPERATURE (INLET AIR).....	30
SENSOR GP-COMBUSTION.....	539	SENSOR GP-TEMPERATURE (TRANSMISSION).....	721
SENSOR GP-ENGINE	23		722
	26	SENSOR-LEVEL (WATER IN FUEL) (WATER IN FUEL)	356
	28	SENSOR-LEVEL (WATER)	1177
	30		1181
	31	SENSOR-NITROGEN OXIDE (UPSTREAM).....	538
	540	SENSOR-PRESSURE (COMPRESSION).....	535
	541	SENSOR-PRESSURE (ENGINE).....	534
	543		858
	544		859
SENSOR GP-LIQUID LEVEL	546	SENSOR-PRESSURE (LIFT).....	535
SENSOR GP-LIQUID LEVEL (WATER IN FUEL)	365	SENSOR-SPEED	544
SENSOR GP-OBJECT DETECTION.....	523	SENSOR-SPEED (PRIMARY, TIMING)	541
	524	SENSOR-SPEED (SECONDARY, TIMING).....	541
	548	SENSOR-TEMPERATURE.....	544
SENSOR GP-OBJECT DETECTION (REVERSE)	530	SENSOR-TEMPERATURE (2-PIN)	246
	531		254
	547		292
	548		294
	549		464
	550		553
SENSOR GP-OBJECT DETECTION-ANSI.....	547		555
SENSOR GP-OBJECT DETECTION-HYDRAULIC.....	549		656
	550	SENSOR-TEMPERATURE (2-PIN) (AIR CLEANER).....	293
SENSOR GP-POSITION-BOOM	551	SENSOR-TEMPERATURE (2-PIN) (AMBIENT AIR)	290
SENSOR GP-PRESSURE	552		465
SENSOR GP-PRESSURE (ATMOSPHERIC AIR)	541	SENSOR-TEMPERATURE (2-PIN) (COOLANT).....	256
SENSOR GP-PRESSURE (ENGINE OIL).....	540		541
	541	SENSOR-TEMPERATURE (2-PIN) (ENGINE COOLANT).....	248
SENSOR GP-PRESSURE (INLET MANIFOLD AIR)	540	SENSOR-TEMPERATURE (2-PIN) (HYDRAULIC OIL)	946
SENSOR GP-PRESSURE (INTAKE MANIFOLD AIR)	541	SENSOR-TEMPERATURE (2-PIN) (INTAKE MANIFOLD AIR).....	541
SENSOR GP-PRESSURE (NRS INLET).....	541	SENSOR-TEMPERATURE (2-PIN) (TRANSMISSION).....	556
SENSOR GP-PRESSURE (NRS OUTLET).....	541	SENSOR-TEMPERATURE (AMBIENT).....	544
SENSOR GP-PRESSURE (TRAILER BRAKE)...	804	SENSOR-TEMPERATURE (FUEL TEMPERATURE)	389
	923	SENSOR-TEMPERATURE (FUEL)	354
	925	SHAFT GP-DRIVE.....	672
SENSOR GP-SPEED	540	SHAFT GP-IDLER	635
SENSOR GP-SPEED (LOW OUTPUT) (TRANSMISSION).....	642		644
	662	SHAFT GP-INPUT	673
			675
		SHAFT GP-OUTPUT.....	677

INDEX

NAME	PAGE	NAME	PAGE
SHIM GP-AXLE INSTALLATION	678	SWITCH AS-ROCKER (AUXILIARY CONTROL).....	519
SOFTWARE GP-ENGINE.....	325		521
SOFTWARE GP-MACHINE.....	1		1223
	2		1225
	1156	SWITCH AS-ROCKER (AUXILIARY, DECOMPRESSION).....	519
SOLENOID (24-VOLT)	266		521
SOLENOID AS	656		1223
	733		1225
	863	SWITCH AS-ROCKER (BOOM WORKLIGHTS).....	490
	962		491
SOLENOID AS (ON/OFF)	734		519
SPRING AS-GAS	1139		521
SPRING-GAS.....	784		472
	785		474
	786		519
	788		521
STARTING AID GP.....	557		1223
	558		1225
	559	SWITCH AS-ROCKER (FOG LIGHT).....	519
STARTING MOTOR GP-ELECTRIC	560		521
	561		1223
	562		1225
STEERING COLUMN GP	823	SWITCH AS-ROCKER (FRONT WORKLIGHT)	490
STEERING GP-HYDRAULIC.....	824		491
STEP GP.....	796		492
STRAINER AS (SUCTION).....	635		493
	644	SWITCH AS-ROCKER (HAZARD).....	472
STRAP GP.....	1157		474
SUPPORT GP-FILTER.....	382		519
SWITCH (CLUTCH CONTROL)	571		521
SWITCH (DISCONNECT).....	595		1223
	603		1225
	611	SWITCH AS-ROCKER (HVAC (RECIRCULATION)	1135
SWITCH (HORN) (BUTTON)	1185		1175
SWITCH (OIL PRESSURE).....	544	SWITCH AS-ROCKER (LOADER).....	519
SWITCH (QUICK COUPLER).....	881		521
	885		1223
SWITCH (WIPER)	569		1225
	572	SWITCH AS-ROCKER (ON/OFF)	1135
SWITCH & MTG GP-SIGNAL-BRAKE	563	SWITCH AS-ROCKER (OVERRIDE).....	519
SWITCH AS	563		521
SWITCH AS (TOGGLE).....	567		1223
SWITCH AS (USB CHARGER)	519		1225
	521	SWITCH AS-ROCKER (REAR WORKLIGHT) ...	490
	1223		491
	1225		492
SWITCH AS-AIR CONDITIONER (HVAC).....	1135		493
	1175	SWITCH AS-ROCKER (LOADING).....	519
SWITCH AS-AIR CONDITIONER (ROTARY)...	1135		521
	1175		1223
SWITCH AS-DISCONNECT (RIDE CONTROL) (BOOM).....	901		1225
	903	SWITCH AS-ROCKER (STEERING MODE).....	519
	905		521
SWITCH AS-INDICATOR (BOOM)	534		1223
	858		1225
SWITCH AS-ROCKER	516		1225

INDEX

NAME	PAGE	NAME	PAGE
SWITCH AS-ROCKER (WIPER)	1257	TIRE & RIM GP (RH)	686
SWITCH AS-SPEED	569	TIRE & RIM GP-LH	700
SWITCH AS-WIPER (REAR WIPER)	1259		704
SWITCH GP-DISCONNECT-BATTERY	564		706
SWITCH GP-LIGHT	563		707
SWITCH GP-REVERSING FAN	565	TIRE & RIM GP-RH	687
SWITCH GP-ROCKER	490		688
	492		689
	493		690
	566		691
SWITCH GP-TOGGLE	567		695
	568		699
SWITCH GP-TRANSMISSION	570		703
	571		705
SWITCH GP-TRANSMISSION-WIPER	569		708
SWITCH GP-WIPER	572	TORQUE CONVERTER GP	711
SWITCH-IGNITION	519		713
	1223		715
SWITCH-KEY	477	TRAILER AR	17
	521	TRANSMISSION AR	718
	1225		719
SWITCH-LIGHT	492		720
	493		721
SWITCH-OIL PRESSURE (OIL PRESSURE)	946		722
		TRANSMISSION AR-POWER SHIFT	724
			726
			727
			728
			729
			732
		TRANSMISSION AR-POWER SHIFT-	
		POWERSHIFT	731
		TRANSMISSION AR-POWER SHIFT	723
		TRANSMISSION AR-POWERSHIFT	717
		TRIM GP-CAB	1249
			1251
		TRIM GP-CAB-SIDE	1252
		TUBE & MTG GP-DEF BLEND	337
		TURBOCHARGER GP	338
			339
			340
			342
			343
			680
			681
			682
			683
			684
			685
TIRE & RIM AR-SOLID	686		
TIRE & RIM GP	692		
	693		
	694		
	696		
	697		
	698		
	701		
	702		
	709		
	710		
	736		
TIRE & RIM GP (LH)	686		

T

V

INDEX

NAME	PAGE	NAME	PAGE
VALVE AS-RELIEF (MAIN CONTROL)	967	WIPER GP-WINDOW-REAR	1259
VALVE GP-BRAKE CONTROL (TRAILER BRAKE)	813	WIRING GP-BOOM	573
VALVE GP-BRAKE CONTROL-TRAILER	817		574
VALVE GP-CHECK	813	WIRING GP-CAB	576
	960		578
VALVE GP-CHECK (HYDRAULIC FAN OIL)	966	WIRING GP-CAB-HEATER	575
VALVE GP-CONTROL	958	WIRING GP-CHASSIS	580
	959		582
	960		583
	961		584
VALVE GP-COOLANT CONTROL	347	WIRING GP-CONTROL	587
VALVE GP-COOLANT CONTROL-DEF TEMPERATURE	346		588
VALVE GP-COUNTERBALANCE	849	WIRING GP-ENGINE	590
VALVE GP-COUNTERBALANCE (LIFT CYLINDER)	899		592
VALVE GP-COUNTERBALANCE (RELIEF)	853		593
VALVE GP-COUNTERBALANCE (TELESCOPING)	897		594
VALVE GP-DIVERTER	962		595
	963		599
VALVE GP-DIVERTER-HIGH FLOW	964		603
	965		608
VALVE GP-EXHAUST GAS (NRS)	348	WIRING GP-TRAILER	611
VALVE GP-FAN REVERSING-FAN	966		615
VALVE GP-HITCH (HYDRAULIC)	782		
VALVE GP-MAIN CONTROL	967		
VALVE GP-MOTOR CONTROL	248		
	250		
	252		
VALVE GP-PRIORITY (FLOW DIVIDER)	954		
VALVE GP-PRIORITY-FLOW DIVIDER	970		
	972		
VALVE GP-PUMP CONTROL	973		
VALVE GP-RELIEF	656		
	974		
VALVE GP-RELIEF (CONVERTER)	655		
VALVE GP-RIDE CONTROL	903		
VALVE GP-RIDE CONTROL (BOOM FLOAT) ...	901		
	905		
VALVE GP-SOLENOID	960		
VALVE GP-SOLENOID (MODULATING)	655		
	656		
VALVE GP-SOLENOID & RELIEF-FAN	975		
VALVE GP-SOLENOID-MODULATING	733		
	734		
VALVE GP-STEERING	825		
	826		
VALVE GP-STEERING (LOAD SENSING)	825		
VALVE GP-TIRE	735		
VISOR GP-CAB	1253		

W

WHEEL & TIRE AR	736
WINDOW GP-CAB	1254
	1255
WIPER GP-UPPER	1257
WIPER GP-WINDOW-FRONT	1258

MACHINE ARRANGEMENT

518-0076 CHASSIS AR

S/N: TH41-UP; TH91-UP

PART OF 518-0078, 518-0079, 567-5082 COMMON AR

SMCS - 7000

i08058947

NOTE	PART NUMBER	QTY	PART NAME						SEE PAGE
			1	2	3	4	5	6 (PRODUCT LEVEL)	
Y	495-7754	1	ALARM GP (REVERSE)						400
Y	513-0902	1	BRUSH GP (BOOM)						990
Y	520-7737	1	COUNTERWEIGHT GP						740
Y	501-5070	1	COVER GP-ACCESS (BOOM)						1151
Y	516-1393	1	ENCLOSURE GP-CAB (CAB)						1161
Y	516-1438	1	ENCLOSURE GP-CAB (CHASSIS)						1165
			-OR-						
Y	499-7305	1	ENCLOSURE GP-ENGINE						746
Y	513-8559	1	FILM GP (CAT)						1274
			-OR-						
Y	590-3204	1	FILM GP						1281
Y	520-6928	1	FILM GP (AGRICULTURE HANDLER)						1279
Y	557-8876	1	FILM GP (REAR)						1280
Y	513-9440	1	FRAME GP-LOADER						761
Y	499-0186	1	HORN GP-ELECTRIC						1185
Y	496-8301	1	MIRROR GP-REAR VIEW						1216
Y	471-6019	1	MOUNTING GP-CAB						1221
Y	518-2993	1	PLUG GP-CAB						1234
Y	505-0884	1	STEP GP						796
Y	513-9451	1	TANK & MTG GP-FUEL						398
Y	515-1888	1	WIRING GP-CHASSIS						580
	322-8032	1	FILM-IDENTIFICATION (CAT, REAR)						
	5P-8500	1	KEY						
	574-4848	1	SOFTWARE GP-MACHINE						
	317-1311	1	BAG (STORAGE)						

Y - SEPARATE ILLUSTRATION

<END>

MACHINE ARRANGEMENT

518-0077 CHASSIS AR

S/N: TH4167-UP

PART OF 567-5088 COMMON AR

SMCS-7000

i08088921

NOTE	PART NUMBER	QTY	PART NAME						SEE PAGE
			1	2	3	4	5	6 (PRODUCT LEVEL)	
Y	495-7754	1	ALARM GP (REVERSE)						400
Y	513-0902	1	BRUSH GP (BOOM)						990
Y	487-3912	1	CONTROL GP-JOYSTICK						1147
Y	520-7737	1	COUNTERWEIGHT GP						740
Y	516-1439	1	COVER & MTG GP-ENCLOSURE (CHASSIS)						745
Y	501-5070	1	COVER GP-ACCESS (BOOM)						1151
Y	516-1437	1	ENCLOSURE GP-CAB						1163
Y	513-8559	1	FILM GP (CAT)						1274
-OR-									
Y	590-3204	1	FILM GP (CAT)						1281
Y	520-6928	1	FILM GP (AGRICULTURE HANDLER)						1279
Y	557-8876	1	FILM GP (REAR)						1280
Y	513-9440	1	FRAME GP-LOADER						761
Y	499-0186	1	HORN GP-ELECTRIC						1185
Y	496-8301	1	MIRROR GP-REAR VIEW (INSTALLATION)						1216
Y	518-2993	1	PLUG GP-CAB						1234
Y	505-0884	1	STEP GP (CAB)						796
Y	513-9451	1	TANK & MTG GP-FUEL						398
Y	515-1888	1	WIRING GP-CHASSIS						580
	317-1311	1	BAG (STORAGE)						
	322-8032	1	FILM-IDENTIFICATION (CAT, REAR)						
	5P-8500	1	KEY						
	574-4848	1	SOFTWARE GP-MACHINE						

Y - SEPARATE ILLUSTRATION

<END>

518-0078 COMMON AR

S/N: TH91-UP

SMCS-7000

i06895478

NOTE	PART NUMBER	QTY	PART NAME						SEE PAGE
			1	2	3	4	5	6 (PRODUCT LEVEL)	
Y	518-0048	1	BOOM AR						979
Y	518-0076	1	CHASSIS AR						1
Y	518-0046	1	HYDRAULIC AR						856

Y - SEPARATE ILLUSTRATION

<END>

518-0079 COMMON AR

S/N: TH41-UP

SMCS-7000

i06902572

NOTE	PART NUMBER	QTY	PART NAME						SEE PAGE
			1	2	3	4	5	6 (PRODUCT LEVEL)	
Y	518-0048	1	BOOM AR						979
Y	518-0076	1	CHASSIS AR						1
Y	518-0046	1	HYDRAULIC AR						856

Y - SEPARATE ILLUSTRATION

<END>

MACHINE ARRANGEMENT

567-5082 COMMON AR

S/N: TH9416-UP

SMCS-7000

i07594972

NOTE	PART NUMBER	QTY	PART NAME 1 2 3 4 5 6 (PRODUCT LEVEL)	SEE PAGE
Y	518-0048	1	BOOM AR	979
Y	518-0076	1	CHASSIS AR	1
Y	567-5059	1	HYDRAULIC AR	856
Y - SEPARATE ILLUSTRATION				
<END>				

567-5088 COMMON AR

S/N: TH4167-UP

SMCS-7000

i07594941

NOTE	PART NUMBER	QTY	PART NAME 1 2 3 4 5 6 (PRODUCT LEVEL)	SEE PAGE
Y	518-0048	1	BOOM AR	979
Y	518-0077	1	CHASSIS AR	2
Y	567-5059	1	HYDRAULIC AR	856
Y - SEPARATE ILLUSTRATION				
<END>				

523-1878 CONFIGURATION AR

S/N: TH91-UP

ITALY

AN ATTACHMENT

SMCS-0645, 1433, 7405, 7431, 7557

i07714524

NOTE	PART NUMBER	QTY	PART NAME 1 2 3 4 5 6 (PRODUCT LEVEL)	SEE PAGE
Y	492-5088	1	BRACKET GP-MOUNTING	738
Y	538-2388	1	CHART GP-LIFT/LOAD EXTENSION (METRIC)	1263
Y	551-0600	1	CHART GP-LIFT/LOAD EXTENSION	1266
Y	552-3921	1	COVER GP-ACCESS	743
Y	501-7261	1	PLATE & FILM GP	1285
Y	519-3823	1	FILM GP (SENSING)	1278
Y	496-8309	1	SENSOR & MOUNTING GP (AXLE LOCK)	528
Y - SEPARATE ILLUSTRATION				
<END>				

MACHINE ARRANGEMENT

523-1879 CONFIGURATION AR

S/N: TH91-UP
GERMANY
AN ATTACHMENT

SMCS-0645, 1433, 7405, 7431, 7557

i07714523

NOTE	PART NUMBER	QTY	PART NAME						SEE PAGE
			1	2	3	4	5	6 (PRODUCT LEVEL)	
Y	492-5088	1	BRACKET GP-MOUNTING						738
Y	538-2388	1	CHART GP-LIFT/LOAD EXTENSION (METRIC)						1263
Y	551-0600	1	CHART GP-LIFT/LOAD EXTENSION						1266
Y	552-3921	1	COVER GP-ACCESS						743
Y	501-7261	1	PLATE & FILM GP						1285
Y	519-3823	1	FILM GP (SENSING)						1278
Y	496-8309	1	SENSOR & MOUNTING GP (AXLE LOCK)						528

Y - SEPARATE ILLUSTRATION

<END>

523-1880 CONFIGURATION AR

S/N: TH91-UP
FRANCE
AN ATTACHMENT

SMCS-0645, 1433, 7405, 7431, 7557

i07714522

NOTE	PART NUMBER	QTY	PART NAME						SEE PAGE
			1	2	3	4	5	6 (PRODUCT LEVEL)	
Y	492-5088	1	BRACKET GP-MOUNTING						738
Y	538-2388	1	CHART GP-LIFT/LOAD EXTENSION (METRIC)						1263
Y	551-0600	1	CHART GP-LIFT/LOAD EXTENSION						1266
Y	552-3921	1	COVER GP-ACCESS						743
Y	501-7261	1	PLATE & FILM GP						1285
Y	519-3823	1	FILM GP (SENSING)						1278
Y	496-8309	1	SENSOR & MOUNTING GP (AXLE LOCK)						528

Y - SEPARATE ILLUSTRATION

<END>

523-1881 CONFIGURATION AR

S/N: TH91-UP
UNITED KINGDOM
AN ATTACHMENT

SMCS-0645, 1433, 7405, 7431, 7557

i07714529

NOTE	PART NUMBER	QTY	PART NAME						SEE PAGE
			1	2	3	4	5	6 (PRODUCT LEVEL)	
Y	492-5088	1	BRACKET GP-MOUNTING						738
Y	551-0600	1	CHART GP-LIFT/LOAD EXTENSION						1266
Y	538-2388	1	CHART GP-LIFT/LOAD EXTENSION (METRIC)						1263
Y	552-3921	1	COVER GP-ACCESS						743
Y	501-7261	1	PLATE & FILM GP						1285
Y	519-3823	1	FILM GP (SENSING)						1278
Y	496-8309	1	SENSOR & MOUNTING GP (AXLE LOCK)						528

Y - SEPARATE ILLUSTRATION

<END>

MACHINE ARRANGEMENT

523-1882 CONFIGURATION AR

S/N: TH91-UP
EUROPE
AN ATTACHMENT

SMCS-0645, 1433, 7405, 7431, 7557

i07714531

NOTE	PART NUMBER	QTY	PART NAME						SEE PAGE
			1	2	3	4	5	6 (PRODUCT LEVEL)	
Y	492-5088	1	BRACKET GP-MOUNTING						738
Y	538-2388	1	CHART GP-LIFT/LOAD EXTENSION (METRIC)						1263
Y	551-0600	1	CHART GP-LIFT/LOAD EXTENSION						1266
Y	552-3921	1	COVER GP-ACCESS						743
Y	501-7261	1	PLATE & FILM GP						1285
Y	519-3823	1	FILM GP (SENSING)						1278
Y	496-8309	1	SENSOR & MOUNTING GP (AXLE LOCK)						528

Y - SEPARATE ILLUSTRATION

<END>

523-1883 CONFIGURATION AR

S/N: TH91-UP
UNITED STATES
AN ATTACHMENT

SMCS-0645, 1433, 7405, 7431, 7557

i07716570

NOTE	PART NUMBER	QTY	PART NAME						SEE PAGE
			1	2	3	4	5	6 (PRODUCT LEVEL)	
Y	519-3821	1	FILM GP (SENSING)						1276
Y	514-9456	1	PLATE & FILM GP						1300
			-OR-						
Y	501-7265	1	PLATE & FILM GP						1297
	538-2572	1	CHART GP-LIFT/LOAD EXTENSION						

Y - SEPARATE ILLUSTRATION

<END>

523-1884 CONFIGURATION AR

S/N: TH91-UP
CANADA
AN ATTACHMENT

SMCS-0645, 1433, 7405, 7431, 7557

i07716567

NOTE	PART NUMBER	QTY	PART NAME						SEE PAGE
			1	2	3	4	5	6 (PRODUCT LEVEL)	
Y	519-3822	1	FILM GP (SENSING)						1277
Y	514-9456	1	PLATE & FILM GP						1300
			-OR-						
Y	501-7265	1	PLATE & FILM GP						1297
	538-2572	1	CHART GP-LIFT/LOAD EXTENSION						

Y - SEPARATE ILLUSTRATION

<END>

MACHINE ARRANGEMENT

523-1919 CONFIGURATION AR

S/N: TH41-UP
AN ATTACHMENT

SMCS-0645, 1433, 7405, 7431, 7557

i07692910

NOTE	PART NUMBER	QTY	PART NAME						SEE PAGE
			1	2	3	4	5	6 (PRODUCT LEVEL)	
Y	492-5088	1	BRACKET GP-MOUNTING						738
Y	552-3921	1	COVER GP-ACCESS						743
Y	519-3823	1	FILM GP (SENSING)						1278
Y	501-7262	1	PLATE & FILM GP						1288
Y	496-8309	1	SENSOR & MOUNTING GP (AXLE LOCK)						528
	551-0600	1	CHART GP-LIFT/LOAD EXTENSION (COUPLER)						
	538-2388	1	CHART GP-LIFT/LOAD EXTENSION (METRIC)						

Y - SEPARATE ILLUSTRATION

<END>

523-1920 CONFIGURATION AR

S/N: TH41-UP
AN ATTACHMENT

SMCS-0645, 1433, 7405, 7431, 7557

i07692980

NOTE	PART NUMBER	QTY	PART NAME						SEE PAGE
			1	2	3	4	5	6 (PRODUCT LEVEL)	
Y	492-5088	1	BRACKET GP-MOUNTING (BOOM)						738
Y	552-3921	1	COVER GP-ACCESS						743
Y	501-7262	1	PLATE & FILM GP (ISO)						1288
Y	519-3823	1	FILM GP (SENSING)						1278
Y	496-8309	1	SENSOR & MOUNTING GP (AXLE LOCK)						528
	538-2388	1	CHART GP-LIFT/LOAD EXTENSION (METRIC)						
	551-0600	1	CHART GP-LIFT/LOAD EXTENSION (COUPLER)						

Y - SEPARATE ILLUSTRATION

<END>

523-1921 CONFIGURATION AR

S/N: TH41-UP
AN ATTACHMENT

SMCS-0645, 1433, 7405, 7431, 7557

i07692985

NOTE	PART NUMBER	QTY	PART NAME						SEE PAGE
			1	2	3	4	5	6 (PRODUCT LEVEL)	
Y	492-5088	1	BRACKET GP-MOUNTING						738
Y	552-3921	1	COVER GP-ACCESS						743
Y	519-3823	1	FILM GP (SENSING)						1278
Y	501-7262	1	PLATE & FILM GP (ISO)						1288
Y	496-8309	1	SENSOR & MOUNTING GP (AXLE LOCK)						528
	538-2388	1	CHART GP-LIFT/LOAD EXTENSION (METRIC)						
	551-0600	1	CHART GP-LIFT/LOAD EXTENSION (COUPLER)						

Y - SEPARATE ILLUSTRATION

<END>

MACHINE ARRANGEMENT

523-1922 CONFIGURATION AR

S/N: TH41-UP
AN ATTACHMENT

SMCS-0645, 1433, 7405, 7431, 7557

i07692964

NOTE	PART NUMBER	QTY	PART NAME						SEE PAGE
			1	2	3	4	5	6 (PRODUCT LEVEL)	
Y	492-5088	1	BRACKET GP-MOUNTING						738
Y	552-3921	1	COVER GP-ACCESS						743
Y	519-3823	1	FILM GP (SENSING)						1278
Y	501-7264	1	PLATE & FILM GP						1294
Y	496-8309	1	SENSOR & MOUNTING GP (AXLE LOCK)						528
	538-2388	1	CHART GP-LIFT/LOAD EXTENSION (METRIC)						
	551-0600	1	CHART GP-LIFT/LOAD EXTENSION (COUPLER)						

Y - SEPARATE ILLUSTRATION

<END>

523-1923 CONFIGURATION AR

S/N: TH41-UP
AUSTRALIA/NEW ZEALAND
AN ATTACHMENT

SMCS-0645, 1433, 7405, 7431, 7557

i07345064

NOTE	PART NUMBER	QTY	PART NAME						SEE PAGE
			1	2	3	4	5	6 (PRODUCT LEVEL)	
Y	550-5677	1	CHART GP-LIFT/LOAD EXTENSION						1265
Y	551-0600	1	CHART GP-LIFT/LOAD EXTENSION						1266
Y	552-3921	1	COVER GP-ACCESS						743
Y	519-3823	1	FILM GP (SENSING)						1278
Y	492-5091	1	INDICATOR GP-BOOM ANGLE						991
Y	501-7263	1	PLATE & FILM GP						1291
Y	496-8309	1	SENSOR & MOUNTING GP (AXLE LOCK)						528

Y - SEPARATE ILLUSTRATION

<END>

MACHINE ARRANGEMENT

590-9758 CONFIGURATION AR

S/N: TH41-UP; TH91-UP
AN ATTACHMENT

SMCS-0645, 1433, 7405, 7431, 7557

i08073046

NOTE	PART NUMBER	QTY	PART NAME						SEE PAGE
			1	2	3	4	5	6 (PRODUCT LEVEL)	
Y	558-7153	1	AIR CLEANER GP						261
Y	508-7849	1	AIR CONDITIONER AR						1136
Y	517-9299	1	AXLE AR						618
Y	499-0257	1	BATTERY GP						406
Y	553-5770	1	BRAKE AR-TRAILER						798
Y	517-9179	1	CAB AR						1142
Y	567-5082	1	COMMON AR						3
Y	506-3317	1	CONTROL AR-AUXILIARY						827
Y	506-3031	1	COUPLER AR-QUICK						1072
Y	520-9601	1	ENGINE AR-COMPLETE						20
Y	514-4640	1	FENDER & MOUNTING GP						758
Y	513-4181	1	INSTALLATION GP-RADIO						1186
Y	515-1886	1	LIGHTING AR-ROADING						493
Y	495-7659	1	LIGHTING GP-WARNING						516
Y	495-7651	1	LINES GP-COUPLER						879
Y	550-7931	1	LINES GP-LIFT CYLINDER						903
Y	476-5226	1	PANEL GP-INSTRUMENT						1222
Y	476-8930	1	SEAT & MOUNTING GP						1235
Y	229-0582	1	SEAT BELT GP						1237
Y	492-4839	1	SWITCH GP-TRANSMISSION						569

Y - SEPARATE ILLUSTRATION

<END>

MACHINE ARRANGEMENT

590-9759 CONFIGURATION AR

S/N: TH41-UP; TH91-UP

AN ATTACHMENT

SMCS-0645, 1433, 7405, 7431, 7557

i08101609

NOTE	PART NUMBER	QTY	PART NAME						SEE PAGE
			1	2	3	4	5	6 (PRODUCT LEVEL)	
Y	558-7153	1	AIR CLEANER GP						261
Y	508-7849	1	AIR CONDITIONER AR						1136
Y	517-9299	1	AXLE AR						618
Y	499-0257	1	BATTERY GP						406
Y	553-5770	1	BRAKE AR-TRAILER						798
Y	517-9179	1	CAB AR						1142
Y	567-5082	1	COMMON AR						3
Y	506-3031	1	COUPLER AR-QUICK						1072
Y	523-1976	1	ENGINE AR-COMPLETE						20
Y	514-4640	1	FENDER & MOUNTING GP						758
Y	506-3318	1	HYDRAULIC AR-AUXILIARY						857
Y	513-4181	1	INSTALLATION GP-RADIO						1186
Y	515-1886	1	LIGHTING AR-ROADING						493
Y	495-7659	1	LIGHTING GP-WARNING						516
Y	495-7651	1	LINES GP-COUPLER						879
Y	550-7931	1	LINES GP-LIFT CYLINDER						903
Y	476-5226	1	PANEL GP-INSTRUMENT						1222
Y	503-1690	1	SEAT & MOUNTING GP						1236
Y	229-0582	1	SEAT BELT GP						1237
Y	492-4839	1	SWITCH GP-TRANSMISSION						569

Y - SEPARATE ILLUSTRATION

<END>

MACHINE ARRANGEMENT

590-9760 CONFIGURATION AR

S/N: TH41-UP; TH91-UP

AN ATTACHMENT

SMCS-0645, 1433, 7405, 7431, 7557

i08073043

NOTE	PART NUMBER	QTY	PART NAME						SEE PAGE
			1	2	3	4	5	6 (PRODUCT LEVEL)	
Y	558-7153	1	AIR CLEANER GP						261
Y	508-7849	1	AIR CONDITIONER AR						1136
Y	517-9299	1	AXLE AR						618
Y	499-0257	1	BATTERY GP						406
Y	517-9179	1	CAB AR						1142
Y	567-5082	1	COMMON AR						3
Y	506-3317	1	CONTROL AR-AUXILIARY						827
Y	506-3031	1	COUPLER AR-QUICK						1072
Y	520-9601	1	ENGINE AR-COMPLETE						20
Y	514-4640	1	FENDER & MOUNTING GP						758
Y	389-3543	1	HEATER GP-BLOCK						458
Y	513-4181	1	INSTALLATION GP-RADIO						1186
Y	515-1886	1	LIGHTING AR-ROADING						493
Y	495-7659	1	LIGHTING GP-WARNING						516
Y	495-7651	1	LINES GP-COUPLER						879
Y	550-7931	1	LINES GP-LIFT CYLINDER						903
Y	476-5226	1	PANEL GP-INSTRUMENT						1222
Y	476-8930	1	SEAT & MOUNTING GP						1235
Y	470-0859	1	SEAT BELT GP						1239
Y	492-4839	1	SWITCH GP-TRANSMISSION						569
Y	506-7647	1	TRAILER AR						17

Y - SEPARATE ILLUSTRATION

<END>

MACHINE ARRANGEMENT

590-9761 CONFIGURATION AR

S/N: TH41-UP; TH91-UP

AN ATTACHMENT

SMCS-0645, 1433, 7405, 7431, 7557

i08073042

NOTE	PART NUMBER	QTY	PART NAME						SEE PAGE
			1	2	3	4	5	6 (PRODUCT LEVEL)	
Y	558-7153	1	AIR CLEANER GP						261
Y	508-7849	1	AIR CONDITIONER AR						1136
Y	517-9299	1	AXLE AR						618
Y	499-0257	1	BATTERY GP						406
Y	517-9179	1	CAB AR						1142
Y	567-5082	1	COMMON AR						3
Y	506-3317	1	CONTROL AR-AUXILIARY						827
Y	506-3031	1	COUPLER AR-QUICK						1072
Y	523-1976	1	ENGINE AR-COMPLETE						20
Y	514-4640	1	FENDER & MOUNTING GP						758
Y	389-3543	1	HEATER GP-BLOCK						458
Y	513-4181	1	INSTALLATION GP-RADIO						1186
Y	515-1886	1	LIGHTING AR-ROADING						493
Y	495-7659	1	LIGHTING GP-WARNING						516
Y	495-7651	1	LINES GP-COUPLER						879
Y	550-7931	1	LINES GP-LIFT CYLINDER						903
Y	476-5226	1	PANEL GP-INSTRUMENT						1222
Y	476-8930	1	SEAT & MOUNTING GP						1235
Y	470-0859	1	SEAT BELT GP						1239
Y	492-4839	1	SWITCH GP-TRANSMISSION						569
Y	506-7647	1	TRAILER AR						17

Y - SEPARATE ILLUSTRATION

<END>

MACHINE ARRANGEMENT

520-7784 INSTALLATION AR-MACHINE-RIDE CONTROL

S/N: TH41-UP; TH91-UP

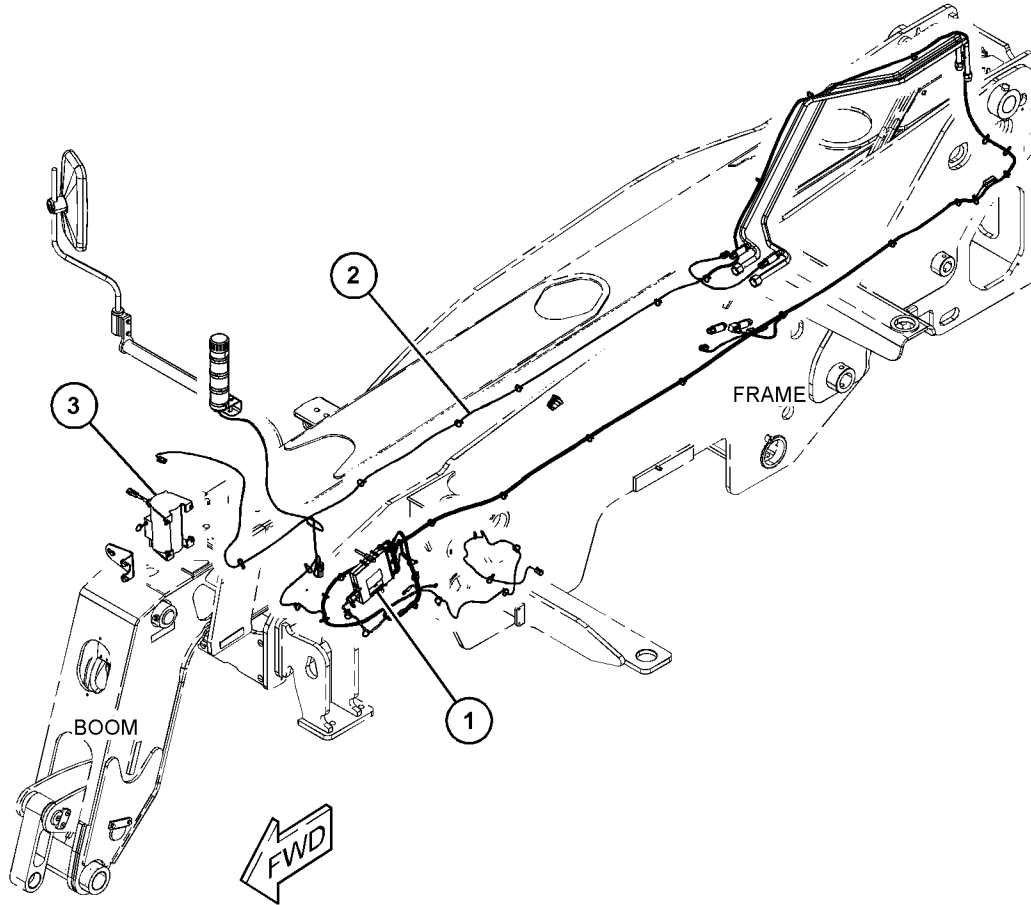
AN ATTACHMENT

SMCS-7000

i06893342

NOTE	REF NO	GRAPHIC REF	PART NUMBER	QTY	PART NAME						SEE PAGE
					1	2	3	4	5	6 (PRODUCT LEVEL)	
Y	1	1	496-8312	1	CONTROL GP-ELECTRONIC						420
Y	2	1	496-8318	1	WIRING GP-BOOM (LOAD MANAGEMENT INDICATOR SYSTEM)						573
Y	3	1	520-7768	1	INSTALLATION GP-RIDE CONTROL						858

Y - SEPARATE ILLUSTRATION



GRAPHIC #1

<END>

g06160471

MACHINE ARRANGEMENT

567-4993 INSTALLATION AR-MACHINE-HYDRAULIC

S/N: TH4167-UP; TH9416-UP
SOUND SUPPRESSION
PART OF 567-5059 HYDRAULIC AR
TYPE 1

SMCS-7000

i07726126

NOTE	REF NO	GRAPHIC REF	PART NUMBER	QTY	PART NAME						SEE PAGE
					1	2	3	4	5	6 (PRODUCT LEVEL)	
M	1	1	8T-4138	2	BOLT (M6X1X20-MM)						
M	2	1	8T-4189	1	BOLT (M8X1.25X20-MM)						
	3	1	298-0497	1	FITTING-ADAPTER						
	4	1	298-0508	1	FITTING						
M	5	1	5C-2890	2	NUT (M6X1-THD)						
M	6	1	5C-7261	1	NUT (M8X1.25-THD)						
M	7	1	344-5673	1	NUT (M6X1-THD)						
	8	1	323-7231	1	TIE-CABLE						
	9	1	5W-1417	4	WASHER (6.4X18X1.6-MM THK)						
	10	1	8T-4224	1	WASHER-HARD (8.8X16X2-MM THK)						
	11	1	260-6685	1	WASHER (9X25X1.6-MM THK)						
	12	1	8T-4121	1	WASHER-HARD (11X21X2.5-MM THK)						
	14	1	155-8994	1	ADAPTER AS						
		1	6V-8398	1	SEAL-O-RING						
		1	155-9644	1	SEAL						
		1	377-9591	1	ADAPTER						
	15	1	500-2293	1	CLIP (LADDER)						
	16	1	462-5368	1	ACCUMULATOR						
	17	1	514-1944	1	SPACER (11X20X16-MM THK)						
	18	1	567-4958	1	MOUNT (SOUND SUPPRESSION)						
	19	1	184-7211	1	CLIP						
I	20	1	567-4986	1	HOSE AS						
	21	1	577-8021	1	FILM-IDENTIFICATION (READ SERVICE MANUAL, STORED ENERGY)						

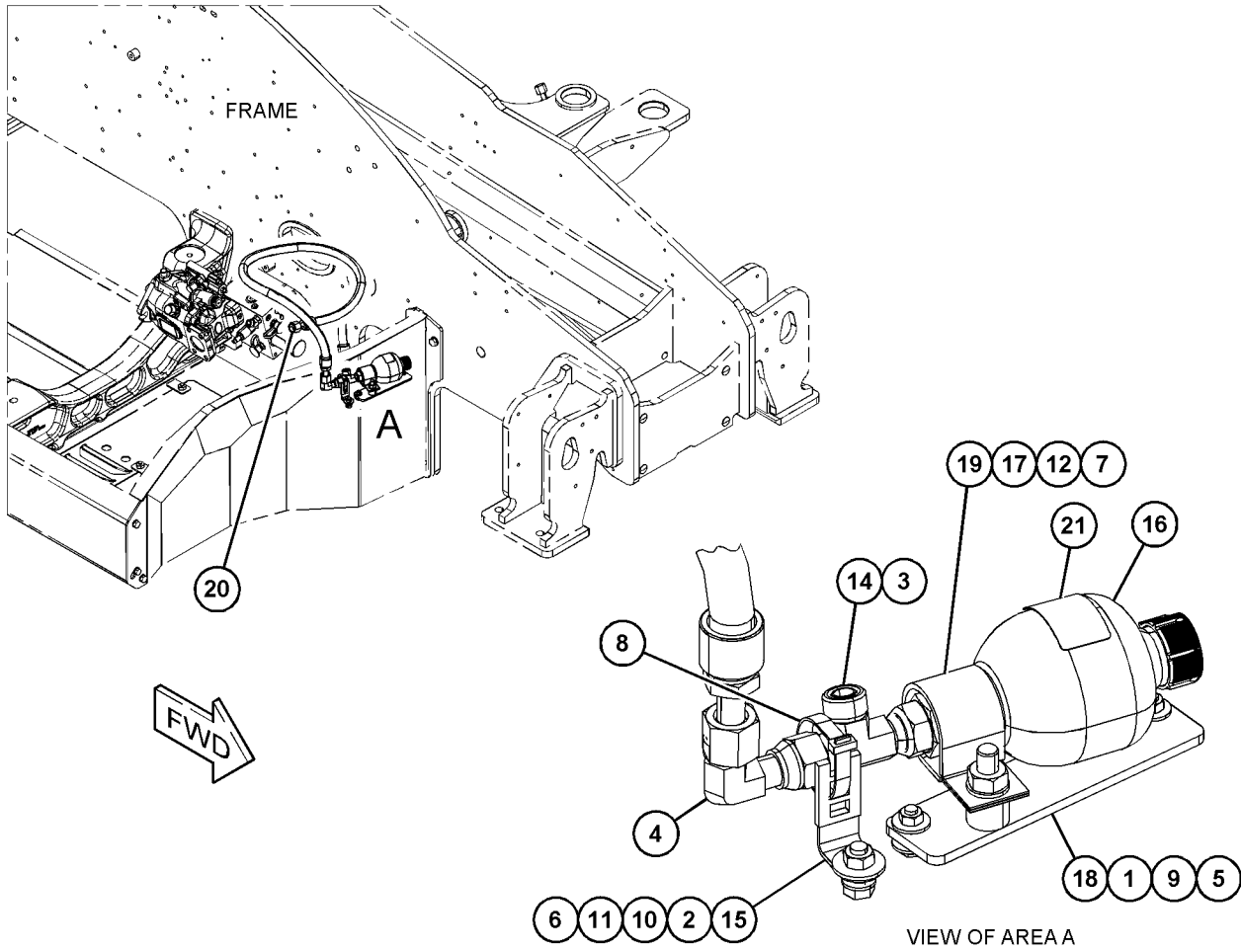
I - REFER TO HYDRAULIC INFORMATION SYSTEM

M - METRIC PART

MACHINE ARRANGEMENT

567-4993 INSTALLATION AR-MACHINE (contd.)

i07726126



GRAPHIC #1

<END>

g06440319

MACHINE ARRANGEMENT

567-4993 INSTALLATION AR-MACHINE-HYDRAULIC

S/N: TH4167-UP; TH9416-UP
SOUND SUPPRESSION
PART OF 567-5059 HYDRAULIC AR
TYPE 2

SMCS-7000

i08097053

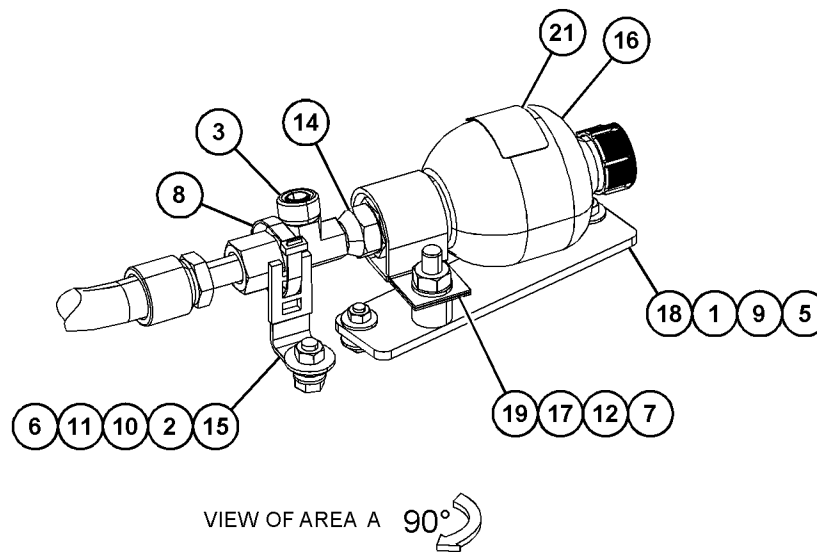
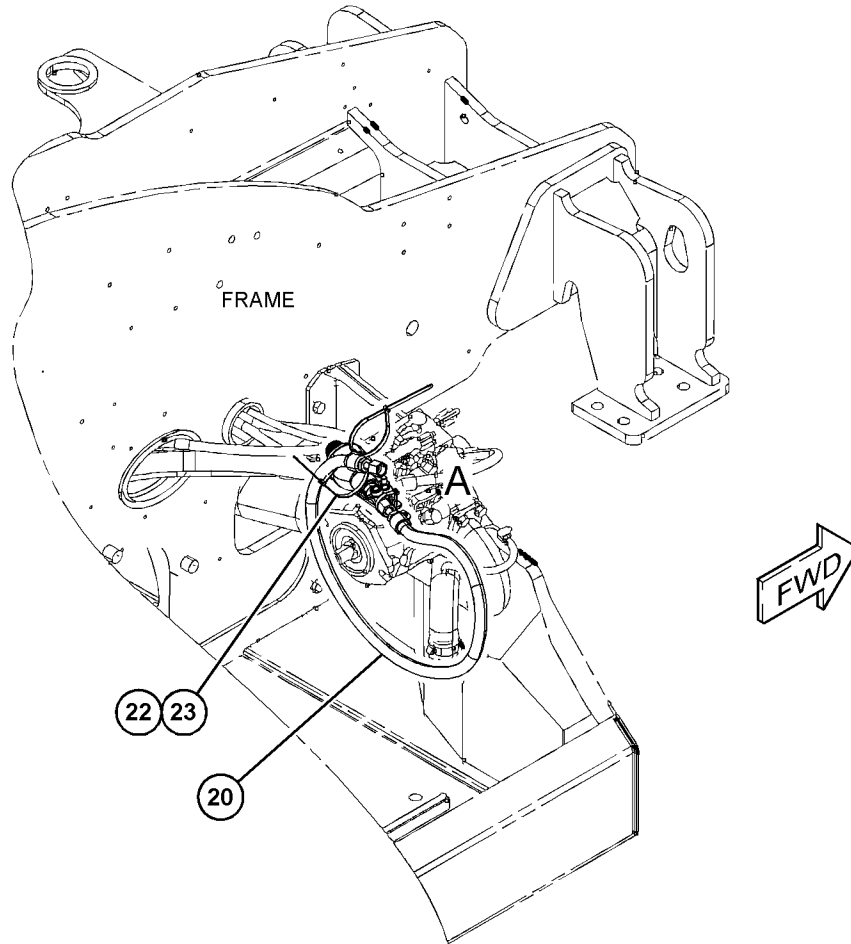
NOTE	REF NO	GRAPHIC REF	PART NUMBER	QTY	PART NAME						SEE PAGE
					1	2	3	4	5	6 (PRODUCT LEVEL)	
M	1	1	8T-4138	2	BOLT (M6X1X20-MM)						
M	2	1	8T-4189	1	BOLT (M8X1.25X20-MM)						
	3	1	298-0497	1	FITTING-ADAPTER						
M	5	1	5C-2890	2	NUT (M6X1-THD)						
M	6	1	5C-7261	1	NUT (M8X1.25-THD)						
M	7	1	344-5673	1	NUT (M6X1-THD)						
	8	1	323-7231	1	TIE-CABLE						
	9	1	5W-1417	4	WASHER (6.4X18X1.6-MM THK)						
	10	1	8T-4224	1	WASHER-HARD (8.8X16X2-MM THK)						
	11	1	260-6685	1	WASHER (9X25X1.6-MM THK)						
	12	1	8T-4121	1	WASHER-HARD (11X21X2.5-MM THK)						
	14	1	155-8994	1	ADAPTER AS						
		1	6V-8398	1	SEAL-O-RING						
		1	155-9644	1	SEAL						
		1	377-9591	1	ADAPTER						
	15	1	500-2293	1	CLIP (LADDER)						
	16	1	462-5368	1	ACCUMULATOR						
	17	1	514-1944	1	SPACER (11X20X16-MM THK)						
	18	1	567-4958	1	MOUNT (SOUND SUPPRESSION)						
	19	1	184-7211	1	CLIP						
I	20	1	567-4986	1	HOSE AS						
	21	1	577-8021	1	FILM-IDENTIFICATION (READ SERVICE MANUAL, STORED ENERGY)						
C	22	1	7K-1181	1	STRAP-CABLE						
C	23	1	206-2423	1	SADDLE-MOUNTING						

C - CHANGE FROM PREVIOUS TYPE
I - REFER TO HYDRAULIC INFORMATION SYSTEM
M - METRIC PART

MACHINE ARRANGEMENT

567-4993 INSTALLATION AR-MACHINE (contd.)

i08097053



GRAPHIC #1

<END>

g06565318

MACHINE ARRANGEMENT

506-7647 TRAILER AR

S/N: TH41-UP; TH91-UP
PART OF 590-9760, 590-9761 CONFIGURATION AR
AN ATTACHMENT

SMCS-6331

i06613306

NOTE	PART NUMBER	QTY	PART NAME 1 2 3 4 5 6 (PRODUCT LEVEL)	SEE PAGE
Y	497-9628	1	COVER GP-ACCESS	1149
Y - SEPARATE ILLUSTRATION				
<END>				

506-7655 TRAILER AR

S/N: TH91-UP
AN ATTACHMENT

SMCS-6331

i06613293

NOTE	PART NUMBER	QTY	PART NAME 1 2 3 4 5 6 (PRODUCT LEVEL)	SEE PAGE
Y	497-9630	1	COVER GP-ACCESS (TRAILER)	1150
Y	501-2452	1	LINES GP-TRAILER (STEERING COLUMN)	923
Y	501-2456	1	VALVE & MTG GP-BRAKE (MAIN CONTROL VALVE)	809
Y	501-7471	1	VALVE & MTG GP-BRAKE (DYNAMIC BRAKE)	814
Y	496-8310	1	WIRING GP-TRAILER	615
Y - SEPARATE ILLUSTRATION				
<END>				

521-6813 TRAILER AR

S/N: TH41-UP; TH91-UP
AN ATTACHMENT

SMCS-6331

i06893929

NOTE	PART NUMBER	QTY	PART NAME 1 2 3 4 5 6 (PRODUCT LEVEL)	SEE PAGE
Y	497-9628	1	COVER GP-ACCESS	1149
	492-4869	1	HARNES AS-BRAKE	
	8T-8737	1	PLUG-SEAL	
	9W-0852	5	PIN-CONNECTOR (14-GA TO 16-GA)	
	334-5873	1	TERMINAL (6-PIN)	
	362-6352	14	RECEPTACLE AS-CONNECTOR (1-PIN)	
Y - SEPARATE ILLUSTRATION				
<END>				

ENGINE ARRANGEMENT

465-0435 ENGINE AR

S/N: JKT1-UP

SMCS-1000

i07184538

NOTE	PART NUMBER	QTY	PART NAME						SEE PAGE
			1	2	3	4	5	6 (PRODUCT LEVEL)	
Y	449-5064	1	CYLINDER BLOCK GP-SHORT						83
Y	384-4902	1	CYLINDER HEAD GP (SHORT)						99
YR	464-2307	1	ENGINE AR-PRIMARY						27

R - REMANUFACTURED PART MAY BE AVAILABLE

Y - SEPARATE ILLUSTRATION

<END>

466-2883 ENGINE AR

S/N: JKT1-UP

ALSO AN ATTACHMENT

SMCS-1000

i07177472

NOTE	PART NUMBER	QTY	PART NAME						SEE PAGE
			1	2	3	4	5	6 (PRODUCT LEVEL)	
Y	449-5064	1	CYLINDER BLOCK GP-SHORT						83
Y	384-4902	1	CYLINDER HEAD GP (SHORT)						99
YR	464-2308	1	ENGINE AR-PRIMARY						29
Y	399-1209	1	MODULE AR-DIESEL EXHAUST FLUID						311
Y	373-7250	1	PIPE GP-FLEXIBLE EXHAUST						322
Y	377-9847	1	SENSOR GP-TEMPERATURE						553
Y	425-6359	1	VALVE GP-COOLANT CONTROL						346

R - REMANUFACTURED PART MAY BE AVAILABLE

Y - SEPARATE ILLUSTRATION

<END>

467-4409 ENGINE AR

S/N: W231-UP

SMCS-1000

i08171606

NOTE	PART NUMBER	QTY	PART NAME						SEE PAGE
			1	2	3	4	5	6 (PRODUCT LEVEL)	
Y	452-7366	1	CYLINDER BLOCK GP-SHORT						84
Y	452-7394	1	CYLINDER HEAD GP (SHORT)						103
Y	463-8848	1	ENGINE AR-PRIMARY						23

Y - SEPARATE ILLUSTRATION

<END>

467-8302 ENGINE AR

S/N: W231-UP

SMCS-1000

i08171607

NOTE	PART NUMBER	QTY	PART NAME						SEE PAGE
			1	2	3	4	5	6 (PRODUCT LEVEL)	
Y	452-7366	1	CYLINDER BLOCK GP-SHORT						84
Y	452-7394	1	CYLINDER HEAD GP (SHORT)						103
Y	463-8910	1	ENGINE AR-PRIMARY						25

Y - SEPARATE ILLUSTRATION

<END>

ENGINE ARRANGEMENT

523-2257 ENGINE AR

S/N: TH91-UP

85 BRAKE KW (111 BHP) AT 2200 RPM
PART OF 520-9600 ENGINE AR-COMPLETE
AN ATTACHMENT

SMCS-1000

i08034469

NOTE	PART NUMBER	QTY	PART NAME						SEE PAGE
			1	2	3	4	5	6 (PRODUCT LEVEL)	
Y	465-2880	1	ENGINE AR-PRIMARY						31
Y	442-1647	1	PUMP GP-DIESEL EXHAUST FLUID						323
Y - SEPARATE ILLUSTRATION									
<END>									

520-9600 ENGINE AR-COMPLETE

S/N: TH91-UP

AN ATTACHMENT

SMCS-1000

i08034462

NOTE	PART NUMBER	QTY	PART NAME						SEE PAGE
			1	2	3	4	5	6 (PRODUCT LEVEL)	
Y	481-1029	1	DRAIN GP-ENGINE OIL						108
Y	500-3072	1	ENCLOSURE GP-ENGINE						747
Y	465-2880	1	ENGINE AR-PRIMARY						31
-OR-									
Y	523-2257	1	ENGINE AR						19
Y	497-9592	1	FAN & MOTOR GP						220
Y	518-5879	1	INSTALLATION AR-ENGINE						32
Y	513-2329	1	LINES GP-AIR						292
Y	501-2993	1	LINES GP-COOLANT						226
Y	503-4920	1	LINES GP-FUEL						377
Y	497-9597	1	LINES GP-HYDRAULIC FAN						889
Y	515-9554	1	LINES GP-HYDRAULIC OIL COOLER						895
Y	486-3235	1	MOUNTING GP-ENGINE						137
Y	496-3425	1	PUMP & MTG GP-HYDRAULIC FAN						943
Y	501-0765	1	SWITCH GP-REVERSING FAN						565
Y	518-5881	1	TRANSMISSION AR						721
Y - SEPARATE ILLUSTRATION									
<END>									

ENGINE ARRANGEMENT

520-9601 ENGINE AR-COMPLETE

S/N: TH41-UP; TH91-UP

PART OF 590-9758, 590-9760 CONFIGURATION AR
AN ATTACHMENT

SMCS-1000

i07420585

NOTE	PART NUMBER	QTY	PART NAME						SEE PAGE
			1	2	3	4	5	6 (PRODUCT LEVEL)	
Y	499-4950	1	COOLER GP-HYDRAULIC OIL						828
Y	474-5150	1	DRAIN GP-ENGINE OIL						107
Y	500-4356	1	ENCLOSURE GP-ENGINE						751
Y	497-9592	1	FAN & MOTOR GP						220
Y	518-5880	1	INSTALLATION AR-ENGINE						32
Y	513-5772	1	LINES GP-AIR						294
Y	496-3423	1	LINES GP-COOLANT (ENGINE)						224
Y	515-9553	1	LINES GP-COOLANT (TRANSMISSION)						230
Y	503-6870	1	LINES GP-FUEL						379
Y	497-9599	1	LINES GP-HYDRAULIC FAN						893
-OR-									
Y	556-5838	1	LINES GP-FAN DRIVE						195
Y	499-5297	1	MOUNTING GP-ENGINE						140
Y	496-3417	1	PUMP & MTG GP-HYDRAULIC FAN						941
Y	501-0765	1	SWITCH GP-REVERSING FAN						565
Y	505-5341	1	TRANSMISSION AR						721

Y - SEPARATE ILLUSTRATION

<END>

523-1976 ENGINE AR-COMPLETE

S/N: TH41-UP; TH91-UP; JKT1-UP

PART OF 590-9759, 590-9761 CONFIGURATION AR
AN ATTACHMENT

SMCS-1000

i08101621

NOTE	PART NUMBER	QTY	PART NAME						SEE PAGE
			1	2	3	4	5	6 (PRODUCT LEVEL)	
Y	499-4950	1	COOLER GP-HYDRAULIC OIL						828
YR	464-2307	1	ENGINE AR-PRIMARY						27
Y	474-5150	1	DRAIN GP-ENGINE OIL						107
Y	513-2323	1	ENCLOSURE GP-ENGINE						757
Y	497-9592	1	FAN & MOTOR GP						220
Y	523-1977	1	INSTALLATION AR-ENGINE						33
Y	513-5772	1	LINES GP-AIR						294
Y	496-3423	1	LINES GP-COOLANT (ENGINE)						224
Y	515-9553	1	LINES GP-COOLANT (TRANSMISSION)						230
Y	497-9599	1	LINES GP-HYDRAULIC FAN						893
-OR-									
Y	556-5838	1	LINES GP-FAN DRIVE						195
Y	503-6870	1	LINES GP-FUEL						379
Y	499-5297	1	MOUNTING GP-ENGINE						140
Y	496-3417	1	PUMP & MTG GP-HYDRAULIC FAN						941
Y	501-0765	1	SWITCH GP-REVERSING FAN						565
Y	505-5341	1	TRANSMISSION AR						721

R - REMANUFACTURED PART MAY BE AVAILABLE

Y - SEPARATE ILLUSTRATION

<END>

ENGINE ARRANGEMENT

523-2010 ENGINE AR-COMPLETE

S/N: TH41-UP; TH91-UP
AN ATTACHMENT

SMCS - 1000

i07196830

NOTE	PART NUMBER	QTY	PART NAME						SEE PAGE
			1	2	3	4	5	6 (PRODUCT LEVEL)	
Y	474-5150	1	DRAIN GP-ENGINE OIL						107
Y	500-3072	1	ENCLOSURE GP-ENGINE						747
Y	497-9592	1	FAN & MOTOR GP						220
Y	523-2012	1	INSTALLATION AR-ENGINE						34
Y	513-4184	1	LINES GP-AIR (CHARGE AIR COOLER)						293
Y	501-2998	1	LINES GP-COOLANT						228
Y	503-4909	1	LINES GP-FUEL						375
Y	497-9597	1	LINES GP-HYDRAULIC FAN						889
Y	515-9554	1	LINES GP-HYDRAULIC OIL COOLER						895
Y	486-7983	1	MOUNTING GP-ENGINE						139
Y	496-3425	1	PUMP & MTG GP-HYDRAULIC FAN						943
Y	501-0765	1	SWITCH GP-REVERSING FAN						565
Y	518-5884	1	TRANSMISSION AR						722

Y - SEPARATE ILLUSTRATION

<END>

523-2011 ENGINE AR-COMPLETE

S/N: TH91-UP
AN ATTACHMENT

SMCS - 1000

i07420587

NOTE	PART NUMBER	QTY	PART NAME						SEE PAGE
			1	2	3	4	5	6 (PRODUCT LEVEL)	
Y	499-4950	1	COOLER GP-HYDRAULIC OIL						828
Y	474-5150	1	DRAIN GP-ENGINE OIL						107
Y	500-4356	1	ENCLOSURE GP-ENGINE						751
Y	497-9592	1	FAN & MOTOR GP						220
Y	518-5955	1	INSTALLATION AR-ENGINE						33
Y	513-4184	1	LINES GP-AIR (CHARGE AIR COOLER)						293
Y	501-2998	1	LINES GP-COOLANT						228
Y	503-4909	1	LINES GP-FUEL						375
Y	497-9599	1	LINES GP-HYDRAULIC FAN						893
			-OR-						
Y	556-5838	1	LINES GP-FAN DRIVE						195
Y	486-7983	1	MOUNTING GP-ENGINE						139
Y	496-3417	1	PUMP & MTG GP-HYDRAULIC FAN						941
Y	501-0765	1	SWITCH GP-REVERSING FAN						565
Y	505-5341	1	TRANSMISSION AR						721

Y - SEPARATE ILLUSTRATION

<END>

ENGINE ARRANGEMENT

550-0081 ENGINE AR-COMPLETE

S/N: TH91-UP
AN ATTACHMENT

SMCS-1000

i08075244

NOTE	PART NUMBER	QTY	PART NAME						SEE PAGE
			1	2	3	4	5	6 (PRODUCT LEVEL)	
Y	499-4950	1	COOLER GP-HYDRAULIC OIL						828
Y	474-5150	1	DRAIN GP-ENGINE OIL						107
Y	500-4356	1	ENCLOSURE GP-ENGINE						751
Y	497-9592	1	FAN & MOTOR GP						220
Y	518-5880	1	INSTALLATION AR-ENGINE						32
Y	513-5772	1	LINES GP-AIR						294
Y	496-3423	1	LINES GP-COOLANT (ENGINE)						224
Y	515-9553	1	LINES GP-COOLANT (TRANSMISSION)						230
-OR-									
Y	588-6954	1	LINES GP-COOLANT						232
Y	503-6870	1	LINES GP-FUEL						379
Y	497-9599	1	LINES GP-HYDRAULIC FAN						893
Y	499-5297	1	MOUNTING GP-ENGINE						140
Y	496-3417	1	PUMP & MTG GP-HYDRAULIC FAN						941
Y	501-0765	1	SWITCH GP-REVERSING FAN						565
Y	518-5883	1	TRANSMISSION AR						721

Y - SEPARATE ILLUSTRATION

<END>

550-0083 ENGINE AR-COMPLETE

S/N: TH91-UP
AN ATTACHMENT

SMCS-1000

i08108823

NOTE	PART NUMBER	QTY	PART NAME						SEE PAGE
			1	2	3	4	5	6 (PRODUCT LEVEL)	
Y	499-4950	1	COOLER GP-HYDRAULIC OIL						828
Y	474-5150	1	DRAIN GP-ENGINE OIL						107
Y	513-2323	1	ENCLOSURE GP-ENGINE						757
YR	464-2307	1	ENGINE AR-PRIMARY						27
Y	497-9592	1	FAN & MOTOR GP						220
Y	523-1977	1	INSTALLATION AR-ENGINE						33
Y	515-9553	1	LINES GP-COOLANT (TRANSMISSION)						230
-OR-									
Y	588-6954	1	LINES GP-COOLANT						232
Y	503-6870	1	LINES GP-FUEL						379
Y	497-9599	1	LINES GP-HYDRAULIC FAN						893
Y	499-5297	1	MOUNTING GP-ENGINE						140
Y	496-3417	1	PUMP & MTG GP-HYDRAULIC FAN						941
Y	501-0765	1	SWITCH GP-REVERSING FAN						565
Y	518-5883	1	TRANSMISSION AR						721

R - REMANUFACTURED PART MAY BE AVAILABLE

Y - SEPARATE ILLUSTRATION

<END>

ENGINE ARRANGEMENT

463-8848 ENGINE AR-PRIMARY

S/N: W231-UP

97 BRAKE KW (129 BHP) AT 2200 RPM

OPTIONAL FIELD REPLACEMENT ORDER 452-7386-PAGE: 85, 452-7397-PAGE: 104

PART OF 467-4409 ENGINE AR

SMCS-1000

i06649703

NOTE	PART NUMBER	QTY	PART NAME						SEE PAGE
			1	2	3	4	5	6 (PRODUCT LEVEL)	
Y	416-8716	1	FILM GP (ALTERNATOR)						1271
Y	425-8162	1	ALTERNATOR GP-CHARGING						404
Y	433-5258	1	FUMES DISPOSAL GP						189
Y	435-7778	1	CAMSHAFT GP						41
Y	416-1867	1	CONNECTION GP-WATER						209
Y	415-5534	1	CONTROL GP-ELECTRONIC						415
Y	418-7659	1	COOLER GP-ENGINE OIL						217
Y	415-7105	1	COVER GP-VALVE MECHANISM						45
Y	433-6323	1	CRANKSHAFT GP						58
Y	415-3299	1	CYLINDER BLOCK GP						74
Y	415-5520	1	CYLINDER HEAD GP						101
Y	419-8538	1	DRAIN GP-ENGINE OIL						106
Y	416-1043	1	DRIVE GP-FAN						114
Y	418-7425	1	BELT TENSIONER GP						36
Y	416-9543	1	ELBOW GP-AIR INLET						265
Y	432-0065	1	FILLER GP-ENGINE OIL						183
Y	417-4284	1	FILM GP (EMISSIONS)						1272
Y	417-3394	1	FILTER GP-ENGINE OIL						185
Y	421-3853	1	LINES GP-FUEL						373
Y	441-1215	1	FILTER GP-FUEL (WATER SEPARATOR)						357
Y	453-7163	1	FILTER GP-FUEL						359
Y	423-1270	1	FLYWHEEL GP						117
Y	441-9154	1	GAUGE GP-OIL LEVEL (DIPSTICK)						194
Y	492-2945	1	WIRING GP-ENGINE						593
Y	431-7048	1	HOUSING GP-FLYWHEEL						121
Y	415-7116	1	HOUSING GP-FRONT						125
Y	416-8722	1	HOUSING GP-FRONT						127
Y	415-5522	1	INJECTOR GP-FUEL						367
Y	415-7948	1	JET GP-PISTON COOLING						130
Y	417-3463	1	LIFTING GP-ENGINE						134
Y	416-9552	1	MANIFOLD GP-EXHAUST						306
Y	415-7949	1	MOUNTING GP-CONTROL						518
Y	416-8775	1	MOUNTING GP-EXHAUST						312
Y	416-1051	1	PAN GP-OIL						147
Y	415-5519	1	PISTON & ROD GP						153
Y	417-4190	1	PLUG GP-OIL FILTER MOUNTING						201
Y	417-4286	1	PLUG GP-ENGINE						160
Y	446-2236	1	PLUG GP-ENGINE						161
Y	416-1089	1	PULLEY GP-CRANKSHAFT						167
Y	416-8723	1	PUMP GP-ENGINE OIL						205
Y	415-5523	1	PUMP GP-FUEL INJECTION						388
Y	416-1864	1	PUMP GP-WATER						240
Y	415-5527	1	RAIL GP-FUEL						396
Y	415-7947	1	ROCKER ARM GP						177
Y	425-9760	1	SENSOR GP-ENGINE						540
Y	430-5204	1	SENSOR GP-TEMPERATURE						554

ENGINE ARRANGEMENT

463-8848 ENGINE AR-PRIMARY (contd.)

i06649703

NOTE	PART NUMBER	QTY	PART NAME						SEE PAGE
			1	2	3	4	5	6 (PRODUCT LEVEL)	
Y	417-3453	1	STARTING AID GP						557
Y	416-1042	1	FILM GP (STARTING MOTOR)						1270
Y	425-9174	1	STARTING MOTOR GP-ELECTRIC						562
Y	432-6655	1	TURBOCHARGER GP						340
	462-5117	1	ELECTRONICS GP-ENGINE						
	415-9834	1	PLATE GP-SERIAL NUMBER						

Y - SEPARATE ILLUSTRATION

<END>



ENGINE ARRANGEMENT

463-8910 ENGINE AR-PRIMARY

S/N: W231-UP

75 BRAKE KW (100 BHP) AT 2200 RPM

OPTIONAL FIELD REPLACEMENT ORDER 452-7397-PAGE: 104, 452-7386-PAGE: 85

PART OF 467-8302 ENGINE AR

SMCS-1000

i07026818

NOTE	PART NUMBER	QTY	PART NAME						SEE PAGE
			1	2	3	4	5	6 (PRODUCT LEVEL)	
Y	425-8162	1	ALTERNATOR GP-CHARGING						404
Y	418-7425	1	BELT TENSIONER GP						36
Y	435-7778	1	CAMSHAFT GP						41
Y	416-1867	1	CONNECTION GP-WATER						209
Y	415-5534	1	CONTROL GP-ELECTRONIC						415
Y	418-7659	1	COOLER GP-ENGINE OIL						217
Y	415-7105	1	COVER GP-VALVE MECHANISM						45
Y	433-6323	1	CRANKSHAFT GP						58
			-OR-						
Y	510-5297	1	CRANKSHAFT GP						62
Y	415-3299	1	CYLINDER BLOCK GP						74
Y	415-5520	1	CYLINDER HEAD GP						101
Y	419-8538	1	DRAIN GP-ENGINE OIL						106
Y	416-1043	1	DRIVE GP-FAN						114
Y	416-9543	1	ELBOW GP-AIR INLET						265
Y	432-0065	1	FILLER GP-ENGINE OIL						183
Y	416-1042	1	FILM GP (STARTING MOTOR)						1270
Y	416-8716	1	FILM GP (ALTERNATOR)						1271
Y	417-4284	1	FILM GP (EMISSIONS)						1272
Y	417-3394	1	FILTER GP-ENGINE OIL						185
Y	421-3853	1	LINES GP-FUEL						373
Y	441-1215	1	FILTER GP-FUEL (WATER SEPARATOR)						357
Y	453-7163	1	FILTER GP-FUEL						359
Y	423-1270	1	FLYWHEEL GP						117
Y	433-5258	1	FUMES DISPOSAL GP						189
Y	441-9154	1	GAUGE GP-OIL LEVEL (DIPSTICK) (ENGINE)						194
Y	431-7048	1	HOUSING GP-FLYWHEEL						121
Y	415-7116	1	HOUSING GP-FRONT						125
Y	416-8722	1	HOUSING GP-FRONT						127
Y	415-5522	1	INJECTOR GP-FUEL						367
Y	415-7948	1	JET GP-PISTON COOLING						130
Y	417-3463	1	LIFTING GP-ENGINE						134
Y	416-9552	1	MANIFOLD GP-EXHAUST						306
Y	415-7949	1	MOUNTING GP-CONTROL						518
Y	416-8775	1	MOUNTING GP-EXHAUST						312
Y	416-1051	1	PAN GP-OIL						147
Y	415-5519	1	PISTON & ROD GP						153
Y	417-4286	1	PLUG GP-ENGINE						160
Y	446-2236	1	PLUG GP-ENGINE						161
Y	417-4190	1	PLUG GP-OIL FILTER MOUNTING						201
Y	416-1089	1	PULLEY GP-CRANKSHAFT						167
Y	416-8723	1	PUMP GP-ENGINE OIL						205
			-OR-						
Y	508-3673	1	PUMP GP-ENGINE OIL						206
Y	415-5523	1	PUMP GP-FUEL INJECTION						388
Y	416-1864	1	PUMP GP-WATER						240
Y	415-5527	1	RAIL GP-FUEL						396

ENGINE ARRANGEMENT

463-8910 ENGINE AR-PRIMARY (contd.)

i07026818

NOTE	PART NUMBER	QTY	PART NAME						SEE PAGE
			1	2	3	4	5	6 (PRODUCT LEVEL)	
Y	415-7947	1	ROCKER ARM GP						177
Y	425-9760	1	SENSOR GP-ENGINE						540
Y	430-5204	1	SENSOR GP-TEMPERATURE						554
Y	417-3453	1	STARTING AID GP						557
Y	425-9174	1	STARTING MOTOR GP-ELECTRIC						562
Y	432-6628	1	TURBOCHARGER GP						339
Y	492-2945	1	WIRING GP-ENGINE						593
	524-2574	1	ELECTRONICS GP-ENGINE						

PLEASE USE THE GASKET KIT LINK IN SIS OR
CONTACT YOUR LOCAL DEALER FOR THE LATEST GASKET
KIT INFORMATION

Y - SEPARATE ILLUSTRATION

<END>

ENGINE ARRANGEMENT

464-2307 ENGINE AR-PRIMARY*R

S/N: JKT1-UP

106 BRAKE KW (142 BHP) AT 2200 RPM

OPTIONAL FIELD REPLACEMENT ORDER 384-4902-PAGE: 99, 449-5062-PAGE: 82, 384-4906-

PAGE: 100, 449-5062-PAGE: 82

PART OF 465-0435 ENGINE AR, 523-1976 ENGINE AR-COMPLETE

ALSO AN ATTACHMENT

SMCS-1000

i08108773

NOTE	PART NUMBER	QTY	PART NAME						SEE PAGE
			1	2	3	4	5	6 (PRODUCT LEVEL)	
Y	350-1459	1	ALTERNATOR GP-CHARGING						401
Y	339-5858	1	CAMSHAFT GP						40
Y	332-4634	1	CONNECTION GP-WATER						207
Y	433-4674	1	CONTROL GP-ELECTRONIC						416
Y	356-7409	1	COOLER & MTG GP-EXHAUST (NRS)						263
Y	356-7156	1	COOLER GP-ENGINE OIL						214
Y	355-5048	1	COVER GP-VALVE MECHANISM						44
Y	346-4197	1	CRANKSHAFT GP						50
Y	355-3530	1	CYLINDER BLOCK GP						71
Y	355-7044	1	CYLINDER HEAD GP						95
Y	332-4667	1	DRAIN GP-ENGINE OIL						105
Y	329-8428	1	DRIVE GP-AUXILIARY						109
Y	339-2997	1	DRIVE GP-FAN						112
Y	459-3633	1	ELBOW GP-AIR INLET						266
Y	355-5592	1	FASTENER GP-CEM						276
Y	329-8098	1	FILM GP (STARTING MOTOR)						1268
Y	329-8409	1	FILM GP (ALTERNATOR)						1269
Y	447-1044	1	FILM GP						1273
Y	329-8386	1	FILTER GP-ENGINE OIL						184
Y	361-1224	1	FILTER GP-FUEL						353
Y	360-7817	1	FILTER GP-FUMES DISPOSAL						187
Y	361-1562	1	FILTER GP-PRIMARY FUEL						360
Y	329-7900	1	FLYWHEEL GP						115
Y	356-7282	1	FUMES DISPOSAL GP						188
Y	338-9479	1	GAUGE GP-OIL LEVEL (DIPSTICK)						193
Y	329-7884	1	HOUSING GP-FLYWHEEL						118
Y	329-8421	1	HOUSING GP-FRONT						122
Y	392-1368	1	INJECTOR GP-FUEL						366
Y	330-9652	1	JET GP-PISTON COOLING						129
Y	350-1044	1	LIFTING GP-ENGINE						132
Y	398-8198	1	LINES GP-FUEL FILTER						382
Y	356-1124	1	MANIFOLD GP-EXHAUST						304
Y	329-7945	1	PAN GP-OIL						144
Y	392-1366	1	PISTON & ROD GP						148
Y	329-8482	1	PLUG GP-ENGINE (HEATER, LINES)						158
Y	337-8032	1	PLUG GP-ENGINE						159
Y	347-6547	1	PLUG GP-FRONT HOUSING						162
Y	329-8473	1	PLUG GP-OIL FILTER MOUNTING						200
Y	350-6265	1	PULLEY GP-ALTERNATOR						163
			-OR-						
Y	350-6268	1	BELT TENSIONER GP						35
Y	329-7997	1	PULLEY GP-CRANKSHAFT						165
Y	329-8435	1	PUMP GP-ENGINE OIL						202
Y	419-0677	1	PUMP GP-FUEL INJECTION						389
Y	333-7914	1	PUMP GP-WATER						236

ENGINE ARRANGEMENT

464-2307 ENGINE AR-PRIMARY (contd.)

i08108773

NOTE	PART NUMBER	QTY	PART NAME						SEE PAGE
			1	2	3	4	5	6 (PRODUCT LEVEL)	
Y	361-2883	1	RAIL GP-FUEL						394
Y	351-9797	1	ROCKER ARM GP						172
Y	428-8196	1	SENSOR GP-COMBUSTION						539
Y	433-4681	1	SENSOR GP-ENGINE						541
Y	465-3619	1	STARTING AID GP						559
Y	329-7919	1	STARTING MOTOR GP-ELECTRIC						560
Y	425-9719	1	TURBOCHARGER GP						338
Y	433-4677	1	WIRING GP-ENGINE						590
	528-6601	1	ELECTRONICS						
	447-7816	1	ELECTRONICS GP-ENGINE						

Y - SEPARATE ILLUSTRATION

<END>

ENGINE ARRANGEMENT

464-2308 ENGINE AR-PRIMARY*R

S/N: JKT1-UP

93 BRAKE KW (124 BHP) AT 2200 RPM

OPTIONAL FIELD REPLACEMENT ORDER 384-4906—PAGE: 100, 449-5062—PAGE: 82

PART OF 466-2883 ENGINE AR

ALSO AN ATTACHMENT

SMCS-1000

i07162356

NOTE	PART NUMBER	QTY	PART NAME						SEE PAGE
			1	2	3	4	5	6 (PRODUCT LEVEL)	
Y	350-1459	1	ALTERNATOR GP-CHARGING						401
Y	356-7282	1	FUMES DISPOSAL GP						188
Y	339-5858	1	CAMSHAFT GP						40
Y	332-4634	1	CONNECTION GP-WATER						207
Y	433-4674	1	CONTROL GP-ELECTRONIC						416
Y	356-7409	1	COOLER & MTG GP-EXHAUST (NRS)						263
Y	356-7156	1	COOLER GP-ENGINE OIL						214
Y	355-5048	1	COVER GP-VALVE MECHANISM						44
Y	346-4197	1	CRANKSHAFT GP						50
Y	355-3530	1	CYLINDER BLOCK GP						71
Y	355-7044	1	CYLINDER HEAD GP						95
Y	332-4667	1	DRAIN GP-ENGINE OIL						105
Y	329-8428	1	DRIVE GP-AUXILIARY						109
Y	339-2997	1	DRIVE GP-FAN						112
Y	459-3633	1	ELBOW GP-AIR INLET						266
Y	355-5592	1	FASTENER GP-CEM						276
Y	329-8098	1	FILM GP (STARTING MOTOR) (STARTING MOTOR)						1268
Y	329-8409	1	FILM GP (ALTERNATOR) (ALTERNATOR)						1269
Y	447-1044	1	FILM GP						1273
Y	329-8386	1	FILTER GP-ENGINE OIL						184
Y	361-1224	1	FILTER GP-FUEL						353
Y	360-7817	1	FILTER GP-FUMES DISPOSAL						187
Y	361-1562	1	FILTER GP-PRIMARY FUEL						360
Y	329-7900	1	FLYWHEEL GP						115
Y	338-9479	1	GAUGE GP-OIL LEVEL (DIPSTICK) (ENGINE)						193
Y	433-4677	1	WIRING GP-ENGINE						590
Y	329-7884	1	HOUSING GP-FLYWHEEL						118
Y	329-8421	1	HOUSING GP-FRONT						122
Y	392-1368	1	INJECTOR GP-FUEL						366
Y	330-9652	1	JET GP-PISTON COOLING						129
Y	350-1044	1	LIFTING GP-ENGINE						132
Y	398-8198	1	LINES GP-FUEL FILTER						382
Y	356-1124	1	MANIFOLD GP-EXHAUST						304
Y	473-0267	1	EXHAUST GP						267
Y	329-7945	1	PAN GP-OIL						144
Y	373-7250	1	PIPE GP-FLEXIBLE EXHAUST						322
Y	392-1366	1	PISTON & ROD GP						148
Y	329-8482	1	PLUG GP-ENGINE (HEATER, LINES)						158
Y	337-8032	1	PLUG GP-ENGINE						159
Y	347-6547	1	PLUG GP-FRONT HOUSING						162
Y	329-8473	1	PLUG GP-OIL FILTER MOUNTING						200
Y	350-6265	1	PULLEY GP-ALTERNATOR						163
			—OR—						
Y	350-6268	1	BELT TENSIONER GP						35
Y	329-7997	1	PULLEY GP-CRANKSHAFT						165

ENGINE ARRANGEMENT

464-2308 ENGINE AR-PRIMARY (contd.)

i07162356

NOTE	PART NUMBER	QTY	PART NAME						SEE PAGE
			1	2	3	4	5	6 (PRODUCT LEVEL)	
Y	329-8435	1	PUMP GP-ENGINE OIL						202
Y	419-0677	1	PUMP GP-FUEL INJECTION						389
Y	333-7914	1	PUMP GP-WATER						236
Y	361-2883	1	RAIL GP-FUEL						394
Y	351-9797	1	ROCKER ARM GP						172
Y	428-8196	1	SENSOR GP-COMBUSTION						539
Y	433-4681	1	SENSOR GP-ENGINE						541
Y	377-9847	1	SENSOR GP-TEMPERATURE (INLET AIR)						553
Y	465-3619	1	STARTING AID GP						559
Y	329-7919	1	STARTING MOTOR GP-ELECTRIC						560
Y	425-9719	1	TURBOCHARGER GP						338
Y	425-6359	1	VALVE GP-COOLANT CONTROL						346
	465-8913	1	ELECTRONICS GP-ENGINE						

Y - SEPARATE ILLUSTRATION

<END>

ENGINE ARRANGEMENT

465-2880 ENGINE AR-PRIMARY

S/N: CN51-UP

83 BRAKE KW (111 BHP) AT 2200 RPM

PART OF 523-2257 ENGINE AR

AN ATTACHMENT

SMCS-1000

i06997362

NOTE	PART NUMBER	QTY	PART NAME						SEE PAGE
			1	2	3	4	5	6 (PRODUCT LEVEL)	
Y	350-1486	1	ALTERNATOR GP-CHARGING						402
Y	441-9678	1	CAMSHAFT GP						42
Y	441-9785	1	CONNECTION GP-WATER						210
Y	441-9720	1	CONTROL GP-ELECTRONIC						417
Y	350-1054	1	COOLER GP-ENGINE OIL						212
Y	441-9739	1	COVER GP-VALVE MECHANISM						46
Y	350-3746	1	CRANKSHAFT GP						53
Y	350-3745	1	CYLINDER BLOCK GP						69
Y	441-9675	1	CYLINDER HEAD GP						102
Y	355-4951	1	DRIVE GP-AUXILIARY						110
Y	350-0644	1	DRIVE GP-FAN						113
Y	452-1488	1	TUBE & MTG GP-DEF BLEND						337
Y	442-2325	1	EXHAUST GP-FLEXIBLE						271
Y	350-1474	1	EXTENSION GP-FAN						219
Y	377-5991	1	FILLER GP-ENGINE OIL						182
Y	442-0486	1	FILTER GP-DIESEL PARTICULATE						277
Y	442-1585	1	FILTER GP-DIESEL PARTICULATE						278
Y	418-3402	1	FILTER GP-ENGINE OIL						186
Y	418-3788	1	FILTER GP-FUEL						355
Y	366-9821	1	FILTER GP-PRIMARY FUEL						361
Y	349-9649	1	FLYWHEEL GP						116
Y	451-8483	1	FUMES DISPOSAL GP						192
Y	349-7415	1	HOUSING GP-FLYWHEEL						119
Y	377-6012	1	HOUSING GP-FRONT						124
Y	441-9679	1	INJECTOR GP-FUEL						369
Y	350-1826	1	LIFTING GP-ENGINE						133
Y	372-8164	1	LINES GP-FUEL FILTER						381
Y	350-1802	1	MANIFOLD GP-INLET						307
Y	350-5188	1	PAN GP-OIL						145
Y	441-9673	1	PISTON & ROD GP						157
Y	443-1143	1	PLATE & FILM GP						1284
Y	350-1959	1	PLUG GP-WATER LINES						234
Y	350-1117	1	PULLEY GP-AUXILIARY DRIVE						164
Y	350-1102	1	PULLEY GP-CRANKSHAFT						166
Y	350-1569	1	PUMP GP-ENGINE OIL						203
Y	441-9680	1	PUMP GP-FUEL INJECTION						391
Y	350-5644	1	PUMP GP-WATER						237
Y	441-9676	1	ROCKER ARM GP						178
Y	441-9798	1	SENSOR GP (CLEAN EMISSIONS MODULE)						537
Y	441-9700	1	SENSOR GP-ENGINE						543
Y	443-0630	1	STARTING AID GP						558
Y	350-0562	1	STARTING MOTOR GP-ELECTRIC						561
Y	441-9792	1	TURBOCHARGER GP						342
Y	442-2287	1	VALVE GP-COOLANT CONTROL						347
Y	443-0632	1	WIRING GP-ENGINE						592
	504-3282	1	ELECTRONICS GP-ENGINE						

ENGINE ARRANGEMENT

465-2880 ENGINE AR-PRIMARY (contd.)

i06997362

NOTE	PART NUMBER	QTY	PART NAME						SEE PAGE
			1	2	3	4	5	6 (PRODUCT LEVEL)	
	444-7262	1	ELECTRONICS GP-ENGINE						
	447-1847	1	ELECTRONICS GP-ENGINE						
Y - SEPARATE ILLUSTRATION									
<END>									

518-5879 INSTALLATION AR-ENGINE

S/N: TH91-UP

**PART OF 520-9600 ENGINE AR-COMPLETE
AN ATTACHMENT**

SMCS-1000

i07715156

NOTE	PART NUMBER	QTY	PART NAME						SEE PAGE
			1	2	3	4	5	6 (PRODUCT LEVEL)	
Y	499-9420	1	AIR CLEANER GP						259
Y	499-9429	1	LINES GP-AIR						280
Y	500-1123	1	LINES GP-RETURN (HYDRAULIC TANK)						913
Y	500-1125	1	LINES GP-RETURN (MAIN CONTROL VALVE)						915
Y	500-0760	1	MOUNTING GP-ENGINE & XMSN						143
Y	499-9422	1	MOUNTING GP-EXHAUST						313
Y	515-9703	1	RADIATOR & MOUNTING GP						254
-OR-									
Y	500-0767	1	RADIATOR & MOUNTING GP						246
Y	532-7513	1	SEAL GP-AIR INLET						327
Y	500-1062	1	TANK & MTG GP-DEF						328
Y	495-9896	1	TANK GP-COOLANT						258
Y	516-1390	1	WIRING GP-ENGINE						595
Y - SEPARATE ILLUSTRATION									
<END>									

518-5880 INSTALLATION AR-ENGINE

S/N: TH41-UP; TH91-UP

**PART OF 520-9601, 550-0081 ENGINE AR-COMPLETE
AN ATTACHMENT**

SMCS-1000

i07715159

NOTE	PART NUMBER	QTY	PART NAME						SEE PAGE
			1	2	3	4	5	6 (PRODUCT LEVEL)	
Y	500-3159	1	AIR CLEANER GP						260
Y	500-3104	1	EXTENSION GP-EXHAUST						272
Y	500-3139	1	LINES GP-AIR						288
Y	500-3153	1	LINES GP-RETURN (MAIN CONTROL VALVE)						918
Y	500-3157	1	LINES GP-RETURN (TANK)						920
Y	500-3142	1	MOUNTING GP-ENGINE						142
Y	515-9726	1	RADIATOR & MOUNTING GP						256
S/N: TH91-151									
Y	500-3146	1	RADIATOR & MOUNTING GP						252
S/N: TH9152-UP									
Y	500-3138	1	TANK & MTG GP-DEF						329
Y	495-9896	1	TANK GP-COOLANT						258
Y	516-1391	1	WIRING GP-ENGINE						599
Y - SEPARATE ILLUSTRATION									
<END>									

ENGINE ARRANGEMENT

518-5955 INSTALLATION AR-ENGINE

S/N: TH91-UP

PART OF 523-2011 ENGINE AR-COMPLETE
AN ATTACHMENT

SMCS-1000

i07715157

NOTE	PART NUMBER	QTY	PART NAME						SEE PAGE
			1	2	3	4	5	6 (PRODUCT LEVEL)	
Y	500-3159	1	AIR CLEANER GP						260
Y	497-9617	1	EXHAUST GP						269
Y	500-3068	1	LINES GP-AIR						286
Y	500-3153	1	LINES GP-RETURN (MAIN CONTROL VALVE)						918
Y	500-3157	1	LINES GP-RETURN (TANK)						920
Y	500-1296	1	MOUNTING GP-ENGINE						141
Y	515-9726	1	RADIATOR & MOUNTING GP						256
-OR-									
Y	500-3146	1	RADIATOR & MOUNTING GP						252
Y	495-9896	1	TANK GP-COOLANT						258
Y	516-1392	1	WIRING GP-ENGINE						608

Y - SEPARATE ILLUSTRATION

<END>

523-1977 INSTALLATION AR-ENGINE

S/N: TH41-UP; TH91-UP; JKT1-UP

PART OF 523-1976, 550-0083 ENGINE AR-COMPLETE
AN ATTACHMENT

SMCS-1000

i07423863

NOTE	PART NUMBER	QTY	PART NAME						SEE PAGE
			1	2	3	4	5	6 (PRODUCT LEVEL)	
Y	500-3159	1	AIR CLEANER GP						260
Y	500-3139	1	LINES GP-AIR						288
Y	500-3153	1	LINES GP-RETURN (MAIN CONTROL VALVE)						918
Y	500-3157	1	LINES GP-RETURN (TANK)						920
Y	500-3142	1	MOUNTING GP-ENGINE						142
Y	500-4277	1	MOUNTING GP-EXHAUST						317
Y	515-9726	1	RADIATOR & MOUNTING GP						256
S/N: TH91-151									
Y	500-3146	1	RADIATOR & MOUNTING GP						252
S/N: TH9152-UP									
Y	532-7513	1	SEAL GP-AIR INLET						327
Y	500-3138	1	TANK & MTG GP-DEF						329
Y	495-9896	1	TANK GP-COOLANT						258
Y	516-1391	1	WIRING GP-ENGINE						599

Y - SEPARATE ILLUSTRATION

<END>

ENGINE ARRANGEMENT

523-2012 INSTALLATION AR-ENGINE

S/N: TH41-UP; TH91-UP
PART OF 523-2010 ENGINE AR-COMPLETE
AN ATTACHMENT

SMCS-1000

i07423876

NOTE	PART NUMBER	QTY	PART NAME						SEE PAGE
			1	2	3	4	5	6 (PRODUCT LEVEL)	
Y	499-9420	1	AIR CLEANER GP						259
Y	497-9617	1	EXHAUST GP						269
Y	500-1294	1	LINES GP-AIR						284
Y	500-1123	1	LINES GP-RETURN (HYDRAULIC TANK)						913
Y	500-1125	1	LINES GP-RETURN (MAIN CONTROL VALVE)						915
Y	500-1296	1	MOUNTING GP-ENGINE						141
Y	515-9703	1	RADIATOR & MOUNTING GP						254
			S/N: TH91-151						
Y	500-0767	1	RADIATOR & MOUNTING GP						246
			S/N: TH9152-UP						
Y	532-7513	1	SEAL GP-AIR INLET						327
			S/N: TH91-151						
Y	495-9896	1	TANK GP-COOLANT (SURGE)						258
Y	516-1392	1	WIRING GP-ENGINE						608
Y - SEPARATE ILLUSTRATION									

<END>

BASIC ENGINE

350-6268 BELT TENSIONER GP

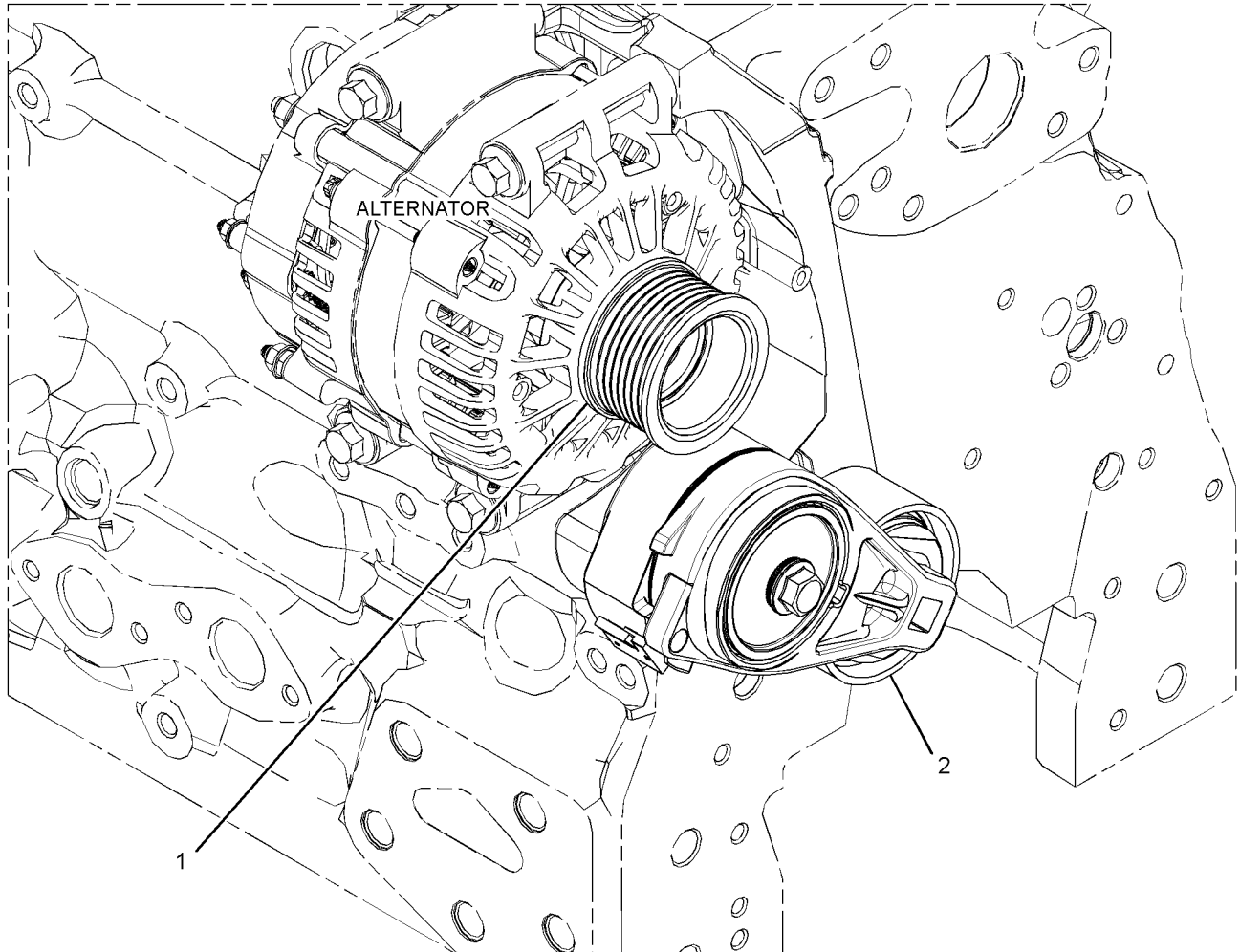
S/N: JKT1-UP

PART OF 464-2307, 464-2308 ENGINE AR-PRIMARY
ALSO AN ATTACHMENT

SMCS-1357, 1358, 1397

i05966813

NOTE	REF NO	GRAPHIC REF	PART NUMBER	QTY	PART NAME						SEE PAGE
					1	2	3	4	5	6 (PRODUCT LEVEL)	
	1	1	321-6131	1	PULLEY (8-GROOVE)						
	2	1	377-9082	1	BELT TENSIONER						



GRAPHIC #1

<END>

g02736725

BASIC ENGINE

418-7425 BELT TENSIONER GP

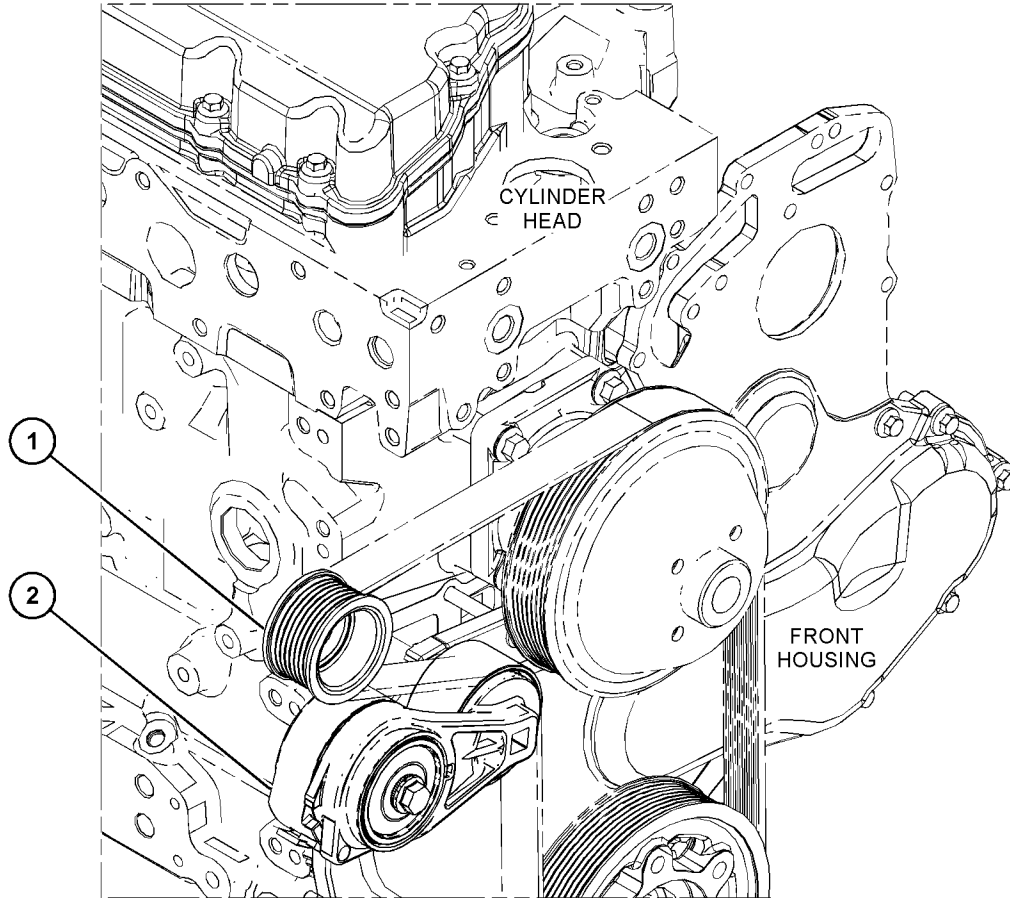
S/N: W231-UP

PART OF 463-8848, 463-8910 ENGINE AR-PRIMARY

SMCS-1357, 1358, 1397

i06134104

NOTE	REF NO	GRAPHIC REF	PART NUMBER	QTY	PART NAME						SEE PAGE
					1	2	3	4	5	6 (PRODUCT LEVEL)	
	1	1	321-6131	1	PULLEY (8-GROOVE)						
	2	1	377-9082	1	BELT TENSIONER						



GRAPHIC #1

<END>

g03817856

BASIC ENGINE

450-0003 BELT TENSIONER GP-WITH AIR CONDITIONER

S/N: TH41-UP; TH91-UP

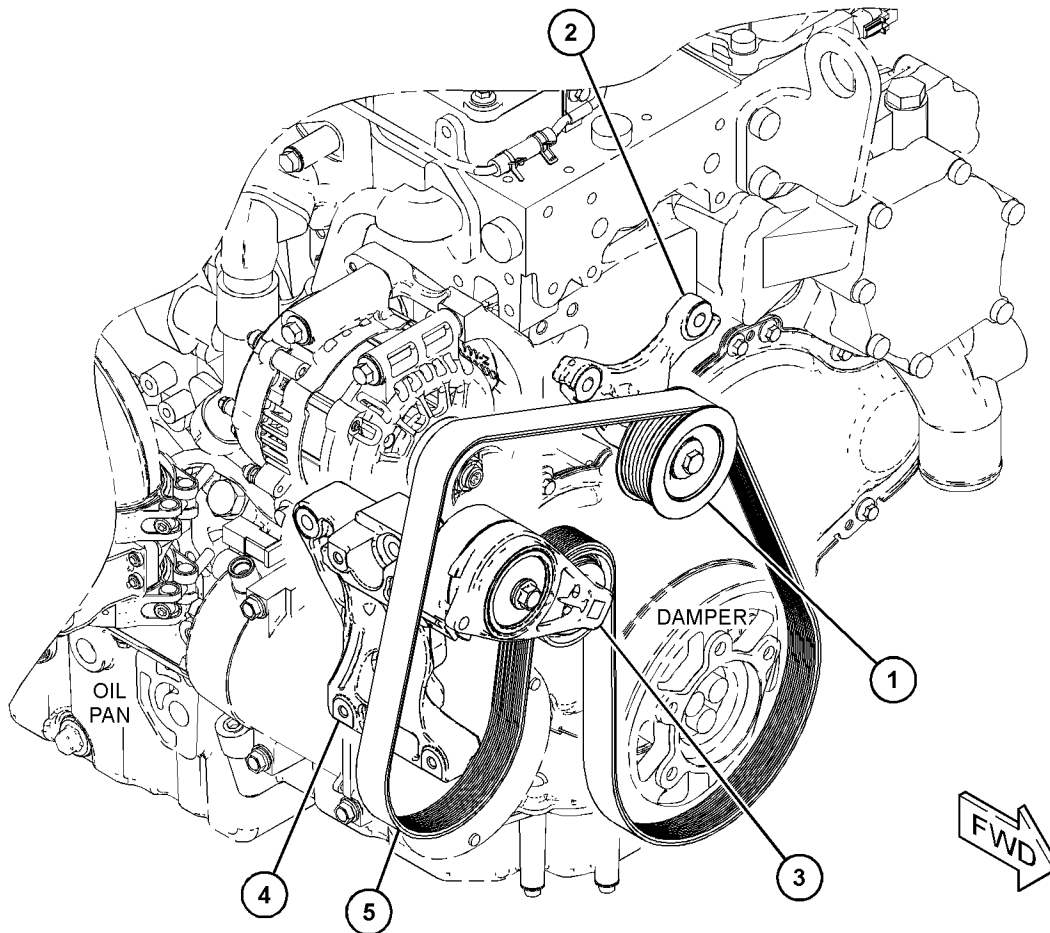
PART OF 501-0753 AIR CONDITIONER & MOUNTING GP
AN ATTACHMENT

SMCS-1357, 1358, 1397

i05921431

NOTE	REF NO	GRAPHIC REF	PART NUMBER	QTY	PART NAME						SEE PAGE
					1	2	3	4	5	6 (PRODUCT LEVEL)	
	1	1	377-9255	1	PULLEY AS (8-GROOVE)						
M		1	423-7576	1	BOLT (M10X1.5X50-MM)						
	2	1	336-1294	1	BRACKET						
	3	1	369-1255	1	TENSIONER						
	4	1	330-1725	1	BRACKET AS						
		1	161-9820	2	PIN						
	5	1	365-2985	1	BELT-SERPENTINE (AIR CONDITIONER)						

M - METRIC PART



GRAPHIC #1

<END>

g03663294

BASIC ENGINE

495-4802 BRACKET GP-MOUNTING-ARMREST

S/N: TH41-UP; TH91-UP
 PART OF 495-6206 ARMREST GP
 AN ATTACHMENT

SMCS-0635, 1153, 1262, 1263, 1317, 1375, 7174

i06708099

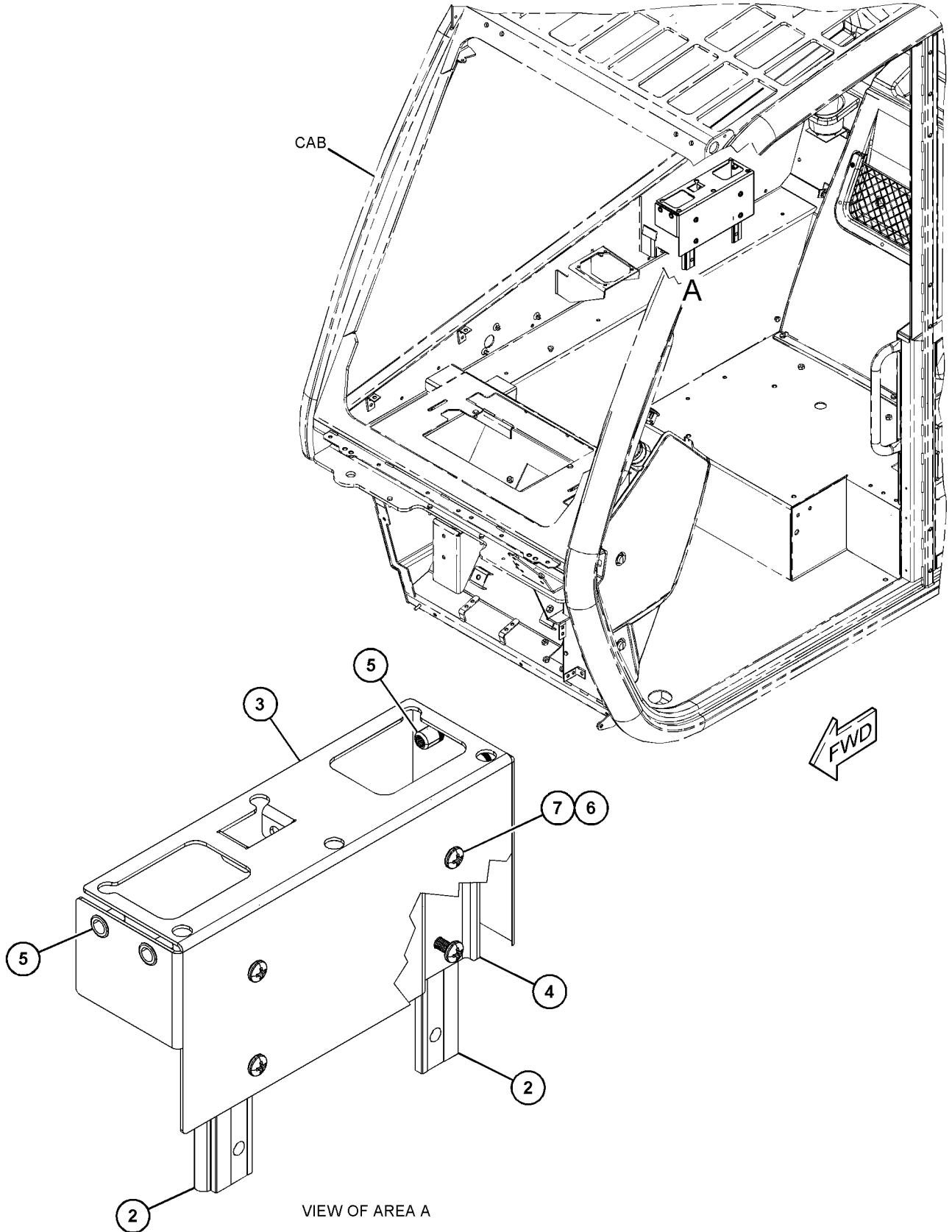
NOTE	REF NO	GRAPHIC REF	PART NUMBER	QTY	PART NAME						SEE PAGE
					1	2	3	4	5	6 (PRODUCT LEVEL)	
M	1	1	495-6228	4	SCREW-DRIVE (M6X1X25-MM)						
	2	1	495-4803	2	RAIL						
	3	1	495-4804	1	BRACKET						
	4	1	495-4805	1	PLATE						
M	5	1	495-4806	4	NUT (M6X1-THD)						
M	6	1	303-4779	4	LOCKNUT (M6X1-THD)						

M - METRIC PART

BASIC ENGINE

495-4802 BRACKET GP-MOUNTING (contd.)

106708099



GRAPHIC #1

<END>

g06090430

BASIC ENGINE

339-5858 CAMSHAFT GP

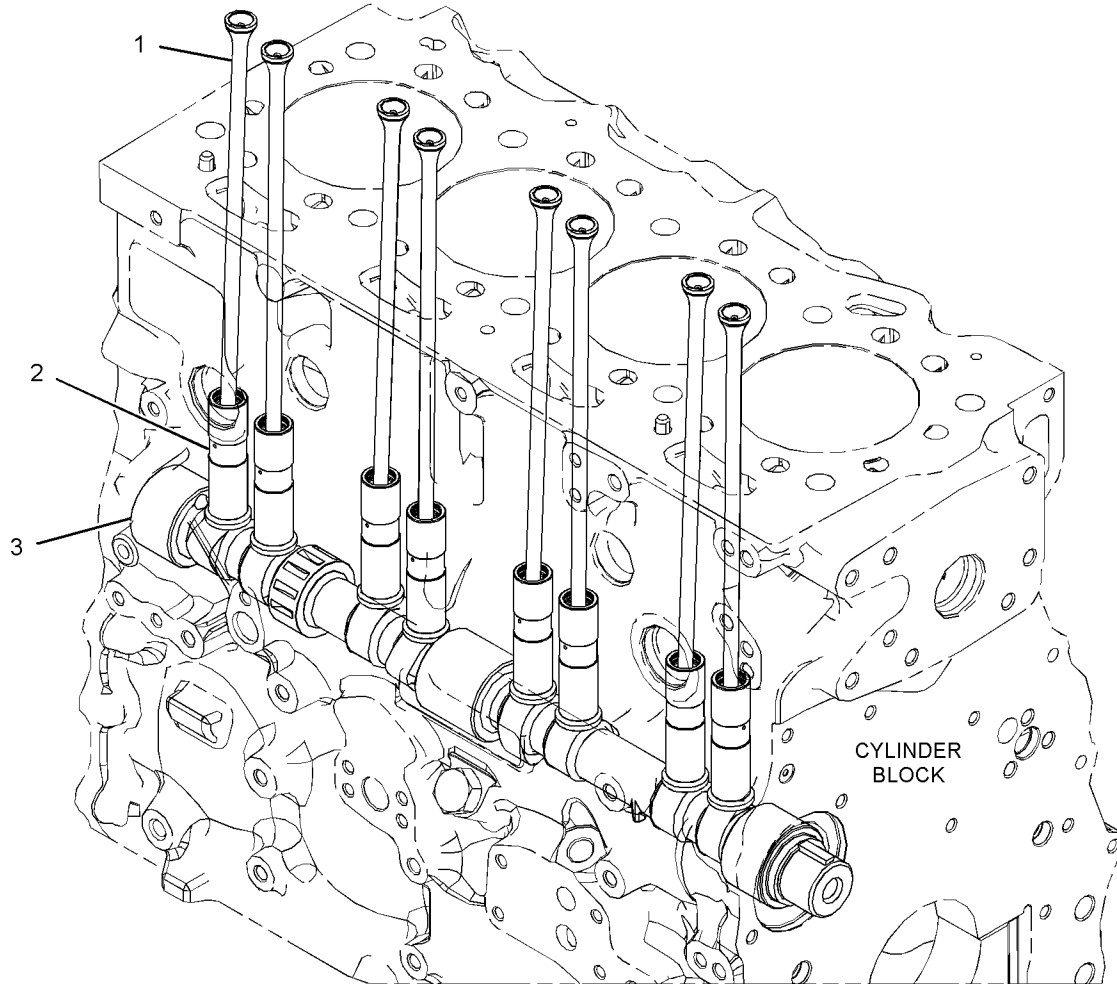
S/N: JKT1-UP

PART OF 464-2307, 464-2308 ENGINE AR-PRIMARY
ALSO AN ATTACHMENT

SMCS-1210

i04630461

NOTE	REF NO	GRAPHIC REF	PART NUMBER	QTY	PART NAME						SEE PAGE
					1	2	3	4	5	6 (PRODUCT LEVEL)	
	1	1	319-8426	8	PUSHROD						
	2	1	385-4313	8	TAPPET						
	3	1	363-3890	1	CAMSHAFT GP						
		1	1B-8736	1	KEY-WOODRUFF						



GRAPHIC #1

<END>

g02773480

BASIC ENGINE

435-7778 CAMSHAFT GP

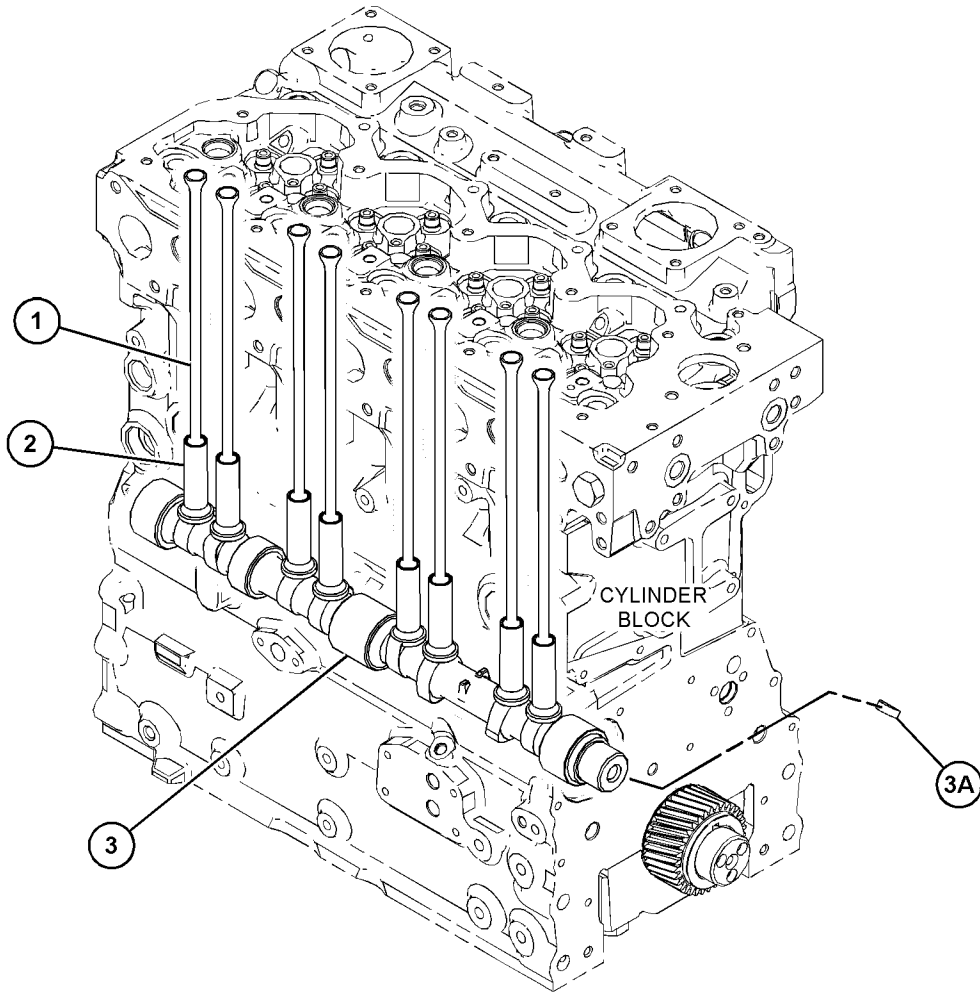
S/N: W231-UP

PART OF 463-8848, 463-8910 ENGINE AR-PRIMARY

SMCS-1210

i06134091

NOTE	REF NO	GRAPHIC REF	PART NUMBER	QTY	PART NAME						SEE PAGE
					1	2	3	4	5	6 (PRODUCT LEVEL)	
1	1	1	278-5126	8	PUSHROD						
2	1	1	315-3384	8	TAPPET						
3	1	1	454-0683	1	CAMSHAFT GP						
3A	1	1	067-6135	1	KEY-WOODRUFF						



GRAPHIC #1

<END>

g03811367

BASIC ENGINE

441-9678 CAMSHAFT GP

S/N: CN51-UP

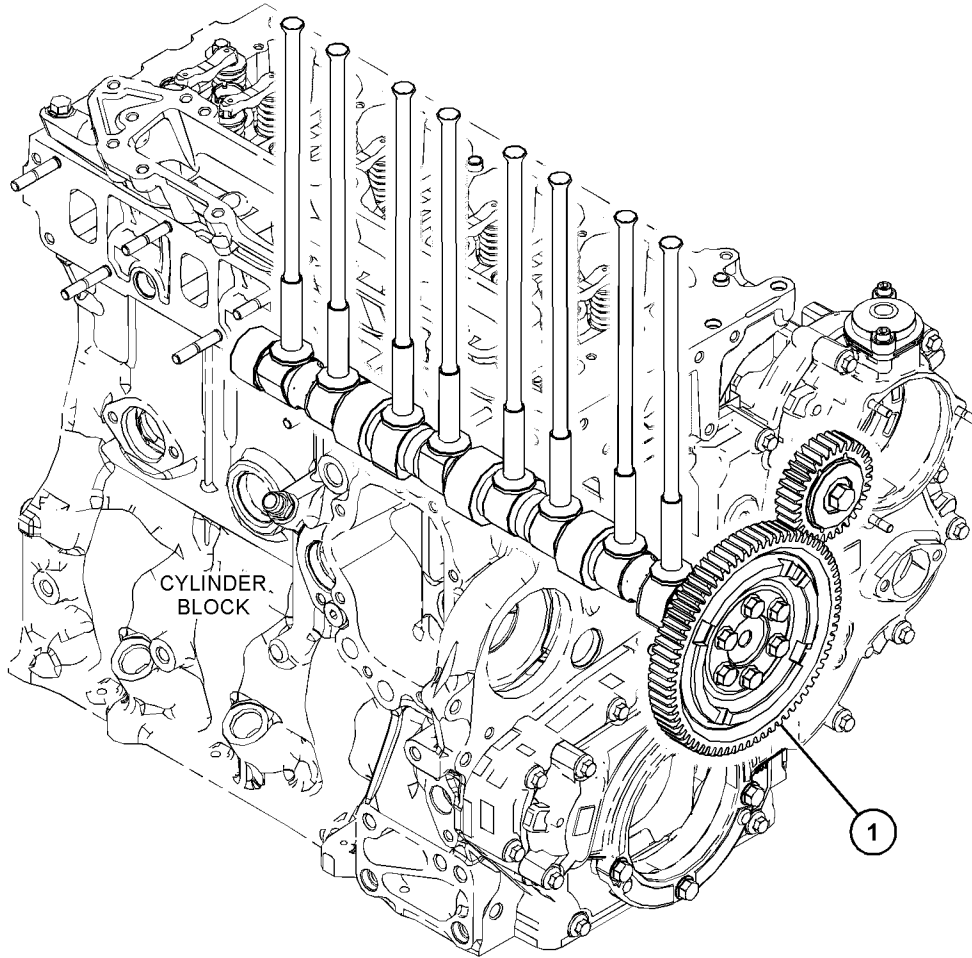
PART OF 465-2880 ENGINE AR-PRIMARY
AN ATTACHMENT

SMCS-1210

i06252165

NOTE	REF NO	GRAPHIC REF	PART NUMBER	QTY	PART NAME						SEE PAGE
					1	2	3	4	5	6 (PRODUCT LEVEL)	
Y	1	1	446-1405	1	CAMSHAFT GP						43

Y - SEPARATE ILLUSTRATION



GRAPHIC #1

<END>

g03825266

BASIC ENGINE

446-1405 CAMSHAFT GP

S/N: CN51-UP

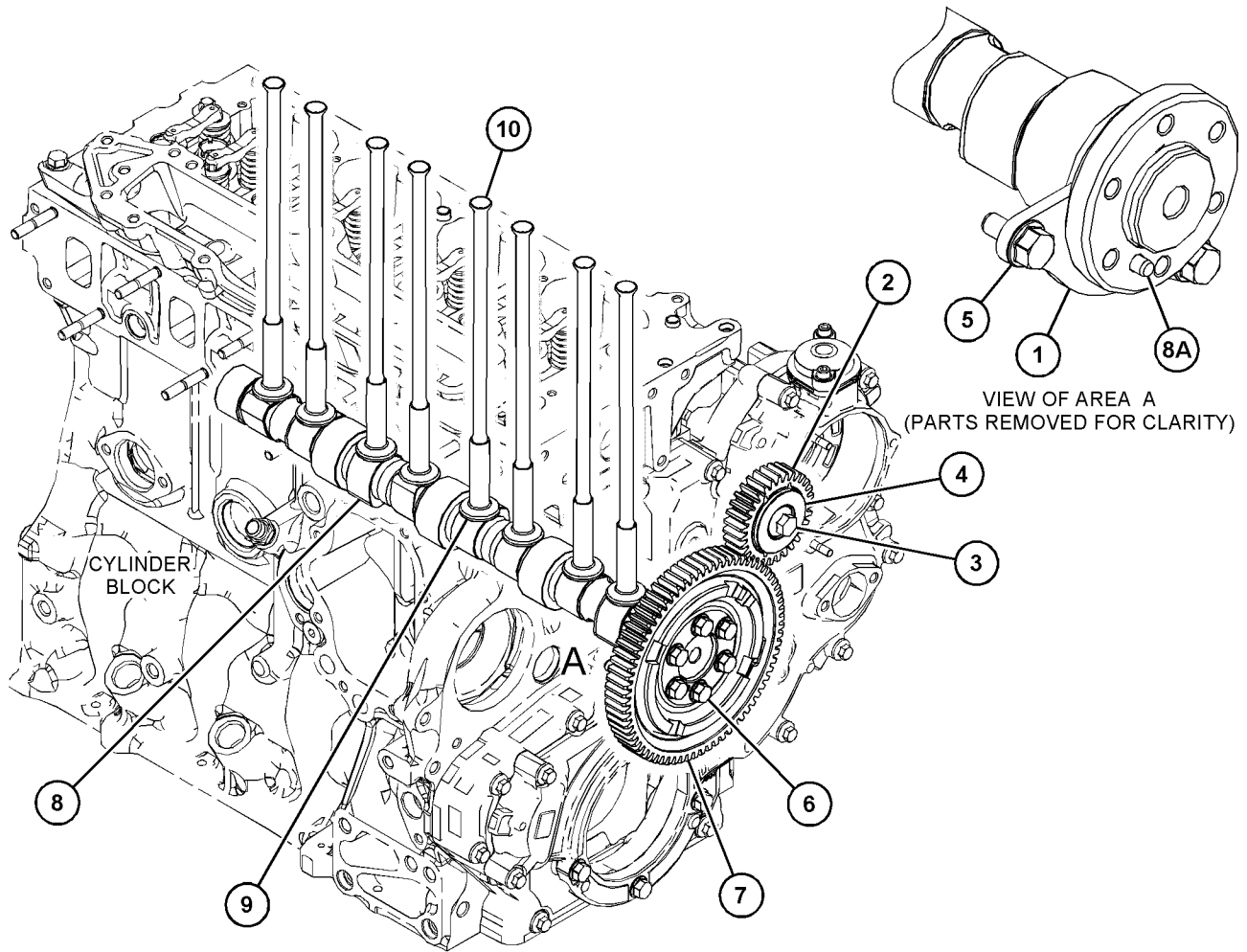
PART OF 441-9678 CAMSHAFT GP
AN ATTACHMENT

SMCS-1210

i06252175

NOTE	REF NO	GRAPHIC REF	PART NUMBER	QTY	PART NAME						SEE PAGE
					1	2	3	4	5	6 (PRODUCT LEVEL)	
	1	1	383-1333	1	YOKE						
	2	1	383-1335	1	GEAR						
M	3	1	385-1649	1	BOLT (M12X1.75X40-MM)						
	4	1	385-9077	1	PIN						
	5	1	389-1863	2	BOLT-SPECIAL						
	6	1	389-1874	6	BOLT-SPECIAL						
	7	1	423-0030	1	GEAR						
	8	1	463-8773	1	CAMSHAFT AS						
	8A	1	381-3515	1	DOWEL						
	9	1	463-8775	8	TAPPET						
	10	1	463-8776	8	PUSHROD						

M - METRIC PART



GRAPHIC #1

<END>

g03827991

BASIC ENGINE

355-5048 COVER GP-VALVE MECHANISM

S/N: JKT1-UP

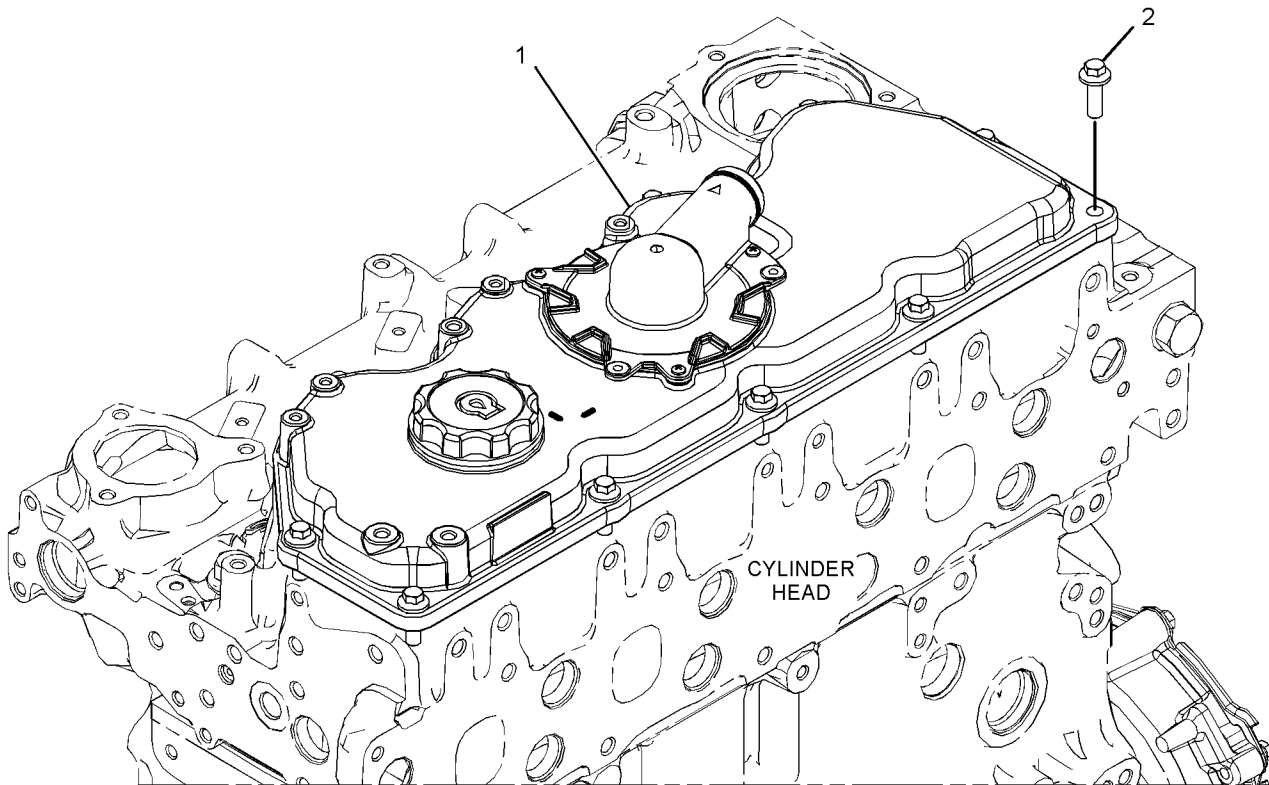
PART OF 464-2307, 464-2308 ENGINE AR-PRIMARY
ALSO AN ATTACHMENT

SMCS-1107, 1120

i05668070

NOTE	REF NO	GRAPHIC REF	PART NUMBER	QTY	PART NAME						SEE PAGE
					1	2	3	4	5	6 (PRODUCT LEVEL)	
Y	1	1	446-7562	1	COVER GP-VALVE MECHANISM						47
M	2	1	6I-0260	11	BOLT (M8X1.25X25-MM)						

M - METRIC PART
Y - SEPARATE ILLUSTRATION



GRAPHIC #1

<END>

g02784297

BASIC ENGINE

415-7105 COVER GP-VALVE MECHANISM

S/N: W231-UP

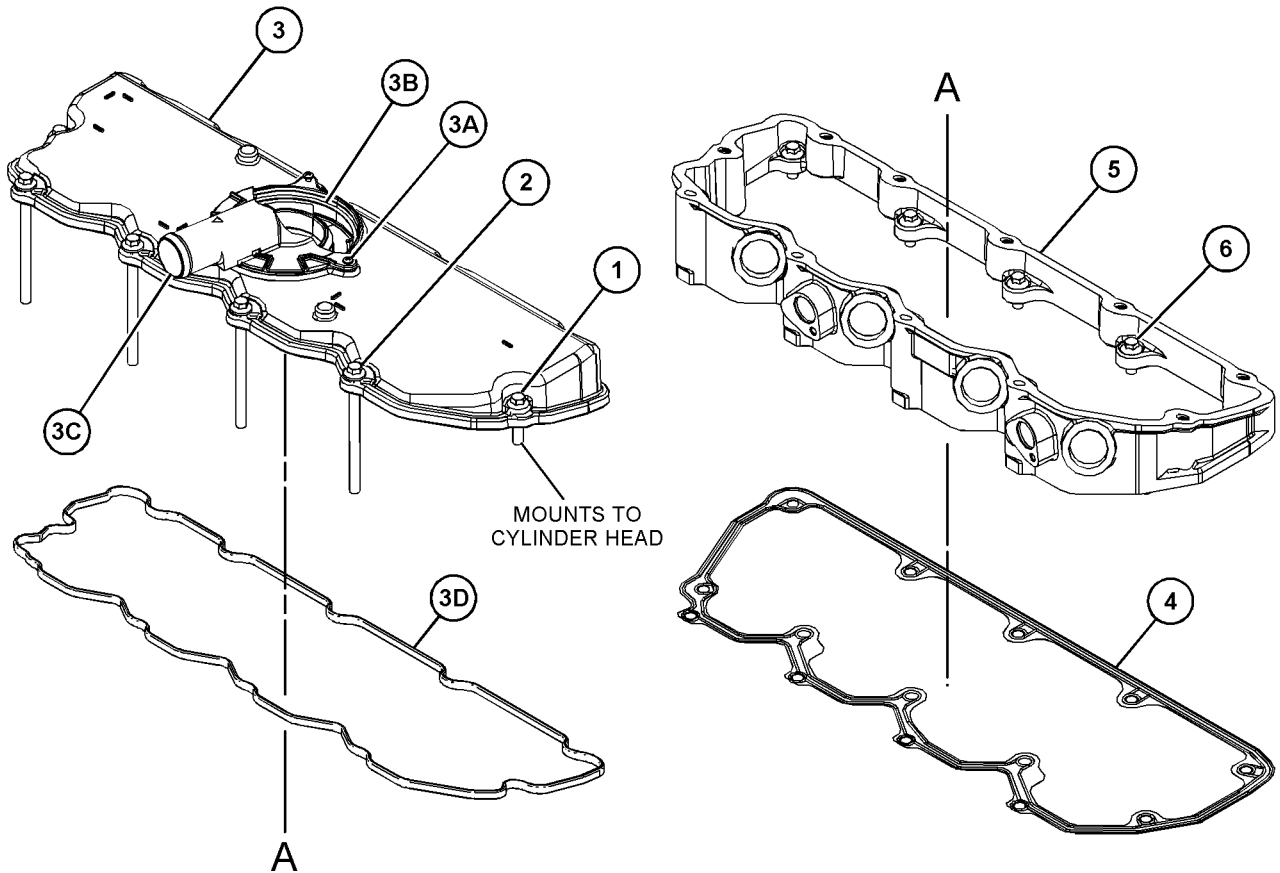
PART OF 463-8848, 463-8910 ENGINE AR-PRIMARY

SMCS-1107, 1120

i08001406

NOTE	REF NO	GRAPHIC REF	PART NUMBER	QTY	PART NAME						SEE PAGE
					1	2	3	4	5	6 (PRODUCT LEVEL)	
M	1	1	101-3895	7	BOLT (M8X1.25X35-MM) (S)						
M	2	1	103-5705	4	BOLT (M8X1.25X110-MM)						
	3	1	392-9458	1	COVER GP-VALVE MECHANISM						
M	3A	1	195-9245	3	SCREW (M4X0.7X10-MM)						
	3B	1	326-7289	1	SEAL-O-RING						
	3C	1	380-9615	1	BREATHER						
	3D	1	474-0599	1	SEAL						
	4	1	392-9472	1	GASKET (VALVE COVER)						
	5	1	455-6923	1	COVER-BASE						
M	6	1	6I-0217	10	BOLT (M8X1.25X20-MM)						

M - METRIC PART



GRAPHIC #1

<END>

g06504457

BASIC ENGINE

441-9739 COVER GP-VALVE MECHANISM

S/N: CN51-UP

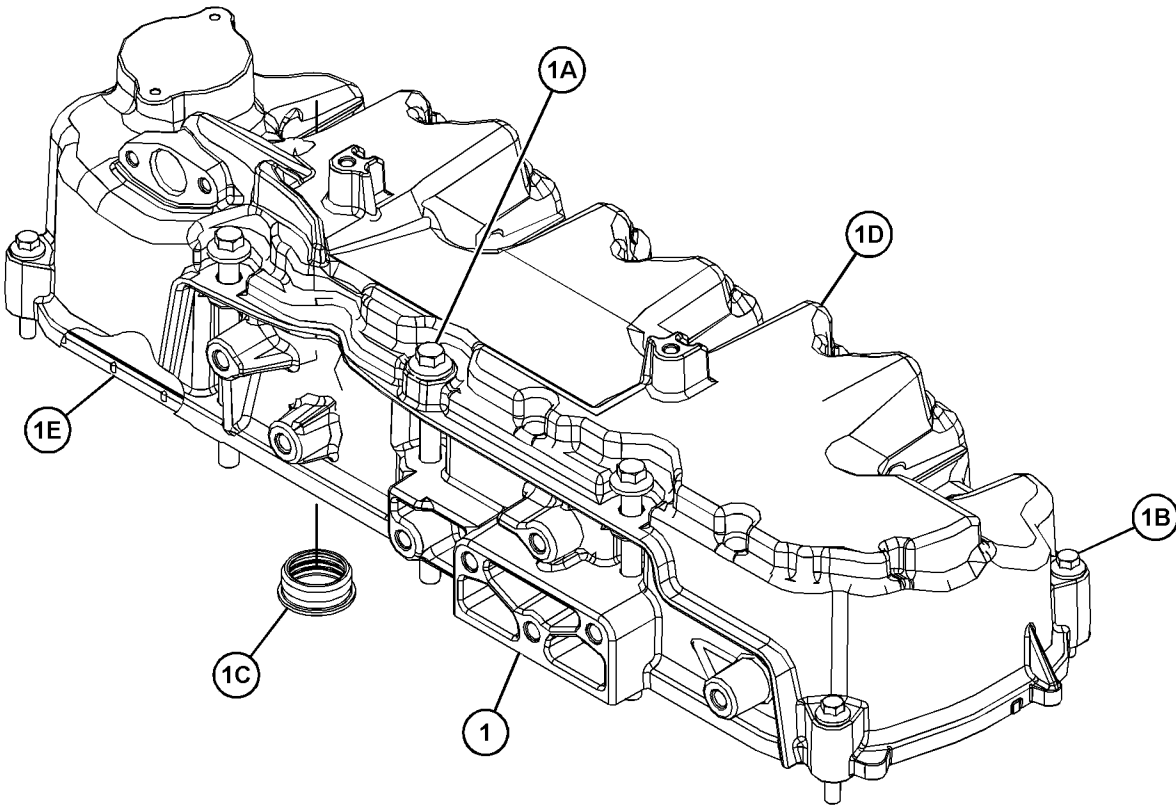
PART OF 465-2880 ENGINE AR-PRIMARY
AN ATTACHMENT

SMCS-1107, 1120

i06252191

NOTE	REF NO	GRAPHIC REF	PART NUMBER	QTY	PART NAME						SEE PAGE
					1	2	3	4	5	6 (PRODUCT LEVEL)	
	1	1	464-1147	1	COVER AS						
M	1A	1	6I-4709	3	BOLT (M8X1.25X100-MM)						
M	1B	1	243-3811	7	BOLT-FLANGE HEAD (M6X1X40-MM)						
	1C	1	464-8101	4	BUSHING						
	1D	1	464-8160	1	COVER AS						
	1E	1	464-8216	1	GASKET (VALVE COVER)						

M - METRIC PART



GRAPHIC #1

<END>

g03825684

BASIC ENGINE

446-7562 COVER GP-VALVE MECHANISM

S/N: JKT1-UP

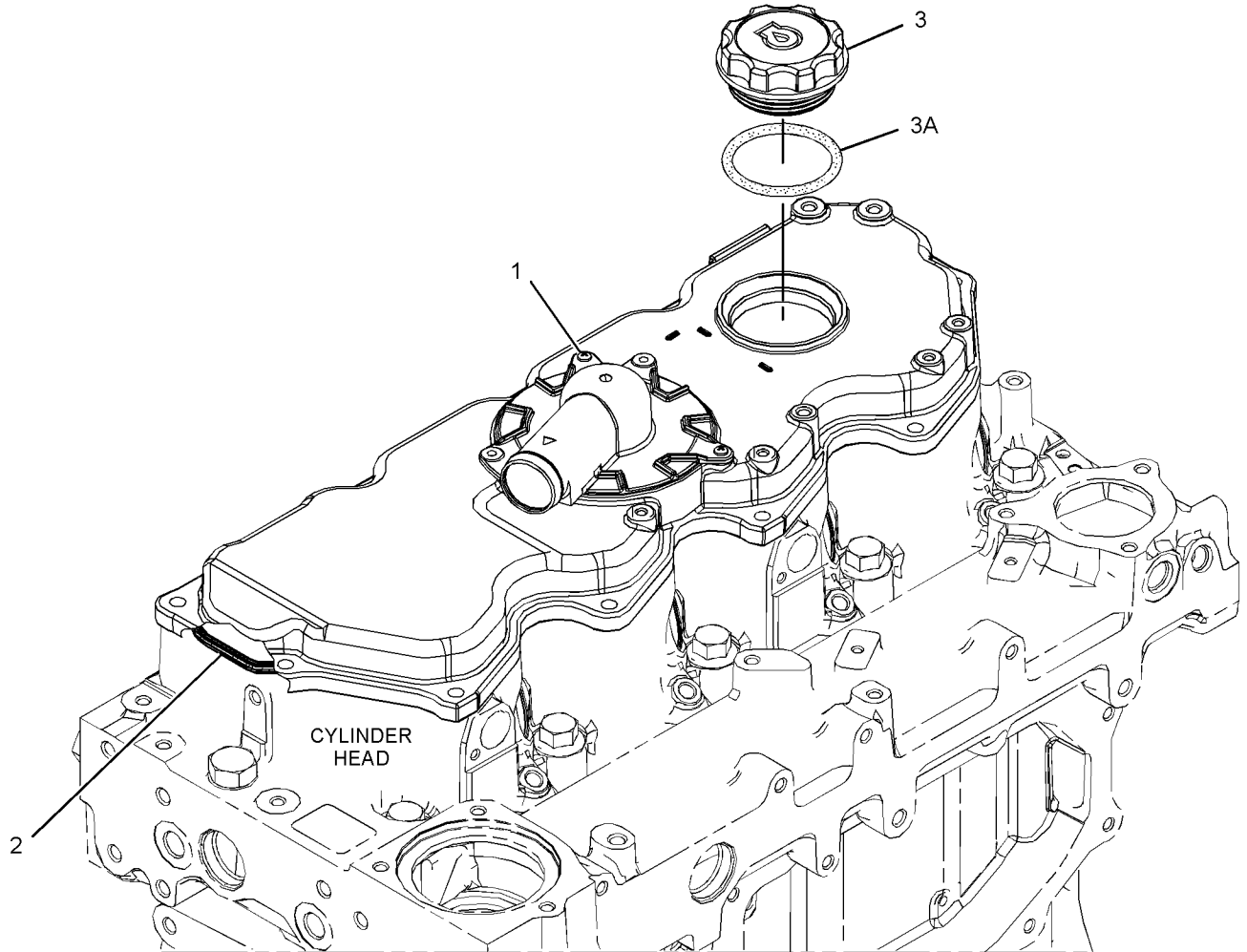
PART OF 355-5048 COVER GP-VALVE MECHANISM
ALSO AN ATTACHMENT

SMCS-1107, 1120

i07832145

NOTE	REF NO	GRAPHIC REF	PART NUMBER	QTY	PART NAME						SEE PAGE
					1	2	3	4	5	6 (PRODUCT LEVEL)	
M	1	1	195-9245	3	SCREW (M4X0.7X10-MM)						
	2	1	333-8052	1	SEAL (VALVE COVER)						
	3	1	359-1310	1	CAP AS-FILLER (ENGINE OIL)						
	3A	1	124-0506	1	SEAL						

M - METRIC PART



GRAPHIC #1

<END>

g03618216

BASIC ENGINE

466-8480 CRANKSHAFT AS

S/N: JKT1-UP

PART OF 364-5823 CRANKSHAFT GP

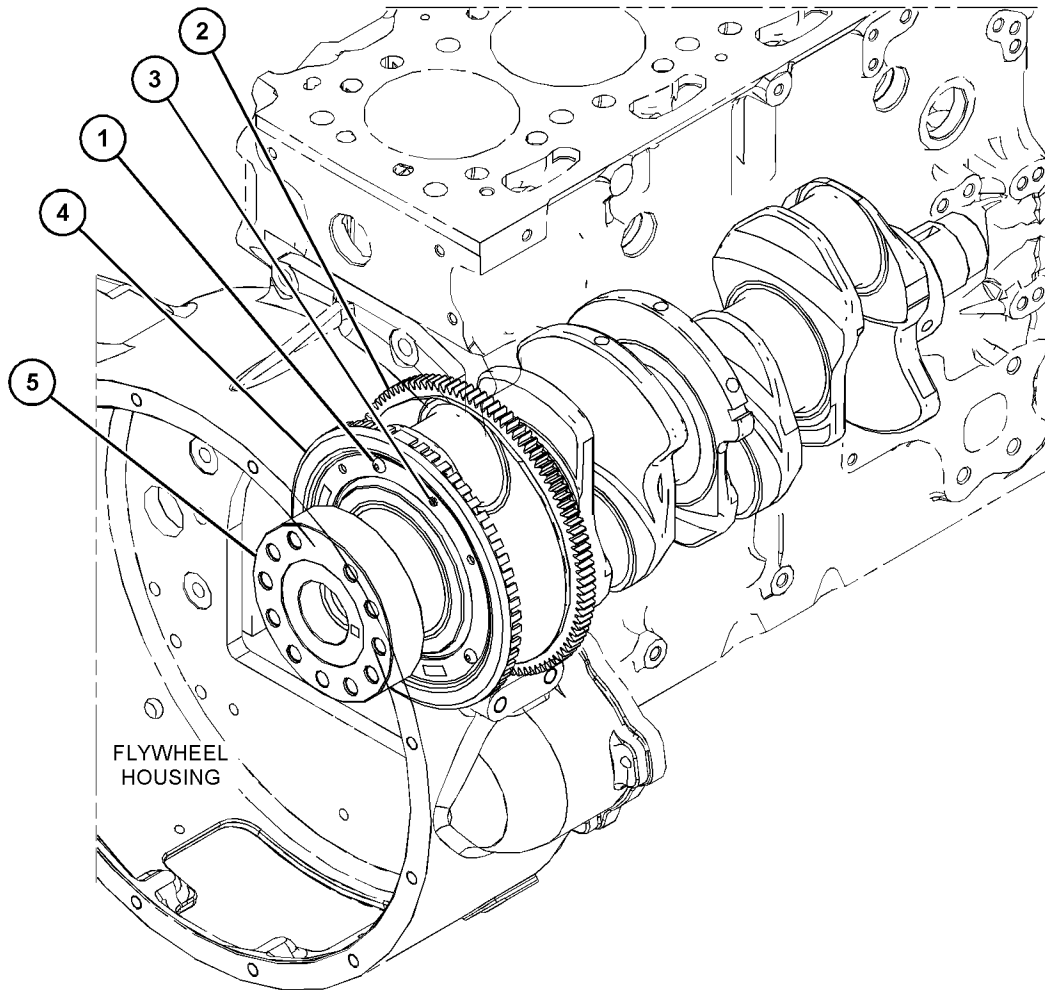
ALSO AN ATTACHMENT

SMCS-1202, 1204, 1232

i06113639

NOTE	REF NO	GRAPHIC REF	PART NUMBER	QTY	PART NAME						SEE PAGE
					1	2	3	4	5	6 (PRODUCT LEVEL)	
M	1	1	276-7394	3	SCREW (M6X1XX12-MM)						
	2	1	332-0137	1	GEAR-CRANKSHAFT (106-TEETH)						
	3	1	339-8780	1	DOWEL						
	4	1	376-4078	1	DISC-TIMING						
	5	1	466-4921	1	CRANKSHAFT						

M - METRIC PART



GRAPHIC #1

<END>

g03817605

BASIC ENGINE

491-5234 CRANKSHAFT AS

S/N: JKT1-UP

PART OF 346-4197 CRANKSHAFT GP

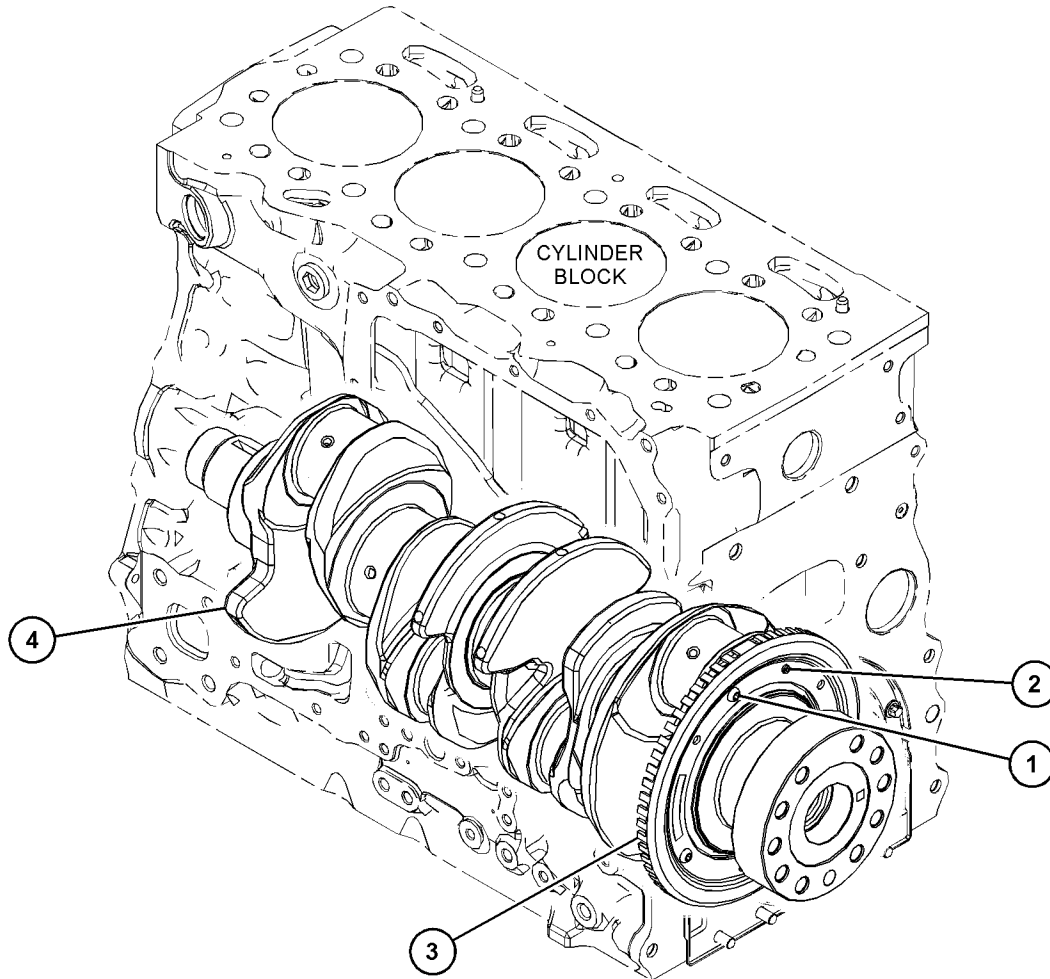
ALSO AN ATTACHMENT

SMCS-1202, 1204, 1232

i06560330

NOTE	REF NO	GRAPHIC REF	PART NUMBER	QTY	PART NAME						SEE PAGE
					1	2	3	4	5	6 (PRODUCT LEVEL)	
M	1	1	276-7394	3	SCREW (M6X1XX12-MM)						
	2	1	339-8780	1	DOWEL						
	3	1	376-4078	1	DISC-TIMING						
	4	1	472-0209	1	CRANKSHAFT						

M - METRIC PART



GRAPHIC #1

<END>

g03814016

BASIC ENGINE

346-4197 CRANKSHAFT GP

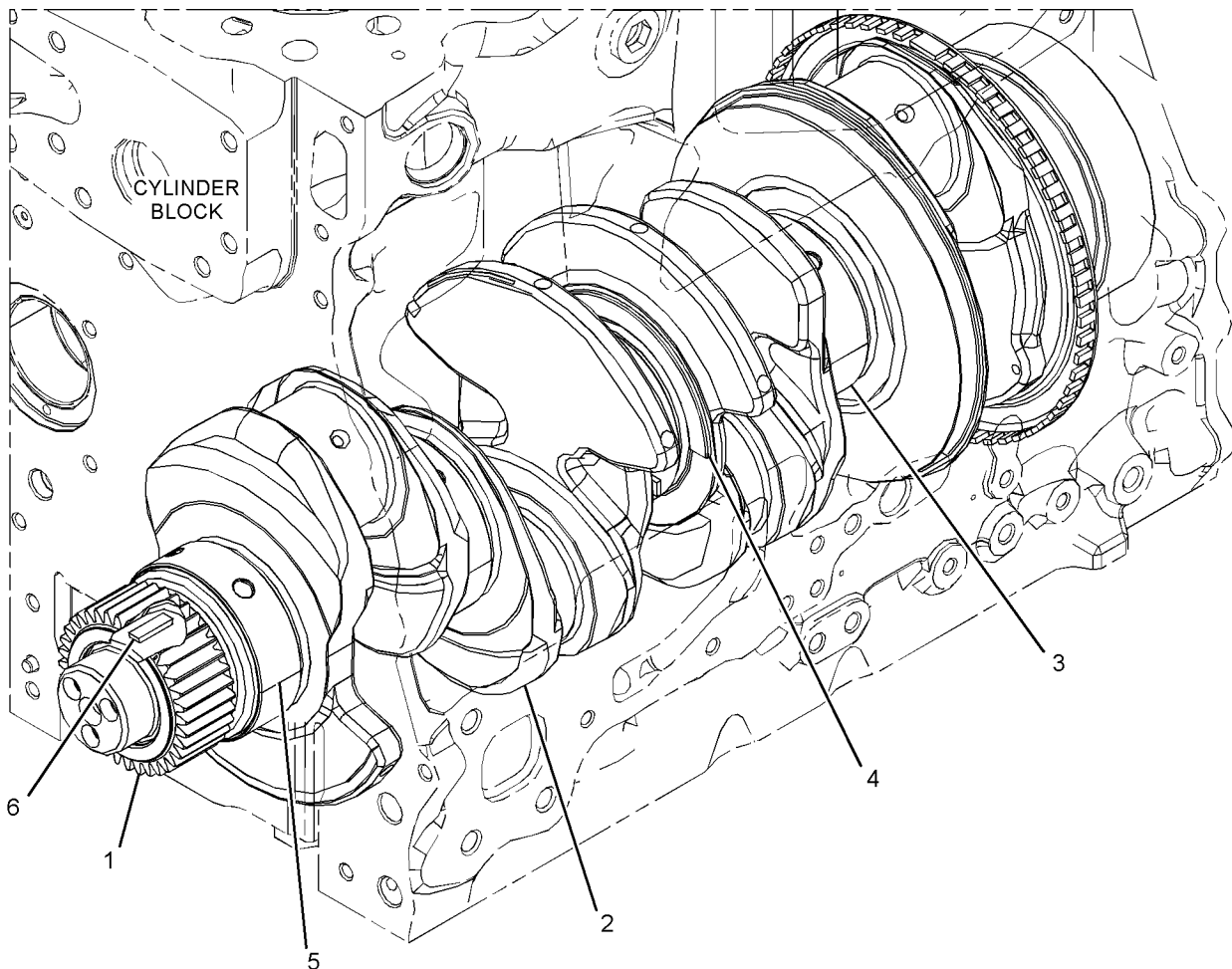
S/N: JKT1-UP
AN ATTACHMENT

SMCS-1202

i08068153

NOTE	REF NO	GRAPHIC REF	PART NUMBER	QTY	PART NAME						SEE PAGE
					1	2	3	4	5	6 (PRODUCT LEVEL)	
	1	1	338-1402	1	GEAR-CRANKSHAFT (36-TEETH)						
CY	2	1	491-5234	1	CRANKSHAFT AS						49
L	3	1	317-5486	5	BEARING						
J	4	1	363-0559	2	WASHER-THRUST						
L	5	1	317-5485	5	BEARING						
	6	1	1B-8736	1	KEY-WOODRUFF						
AVAILABLE REPAIR KIT(S) :											
L			360-3988	1	KIT-BEARING (STANDARD) (CRANKSHAFT MAIN BEARING) (INCLUDES BEARINGS)						
J			364-5145	1	KIT-WASHER (STANDARD) (INCLUDES WASHERS)						

C - CHANGE FROM PREVIOUS TYPE
 J - KIT MARKED J SERVICES PART(S) MARKED J
 L - KIT MARKED L SERVICES KIT MARKED L
 Y - SEPARATE ILLUSTRATION



GRAPHIC #1

<END>

g03326057

BASIC ENGINE

346-4197 CRANKSHAFT GP

S/N: JKT1-UP

PART OF 464-2307, 464-2308 ENGINE AR-PRIMARY
ALSO AN ATTACHMENT

SMCS-1202

i08068149

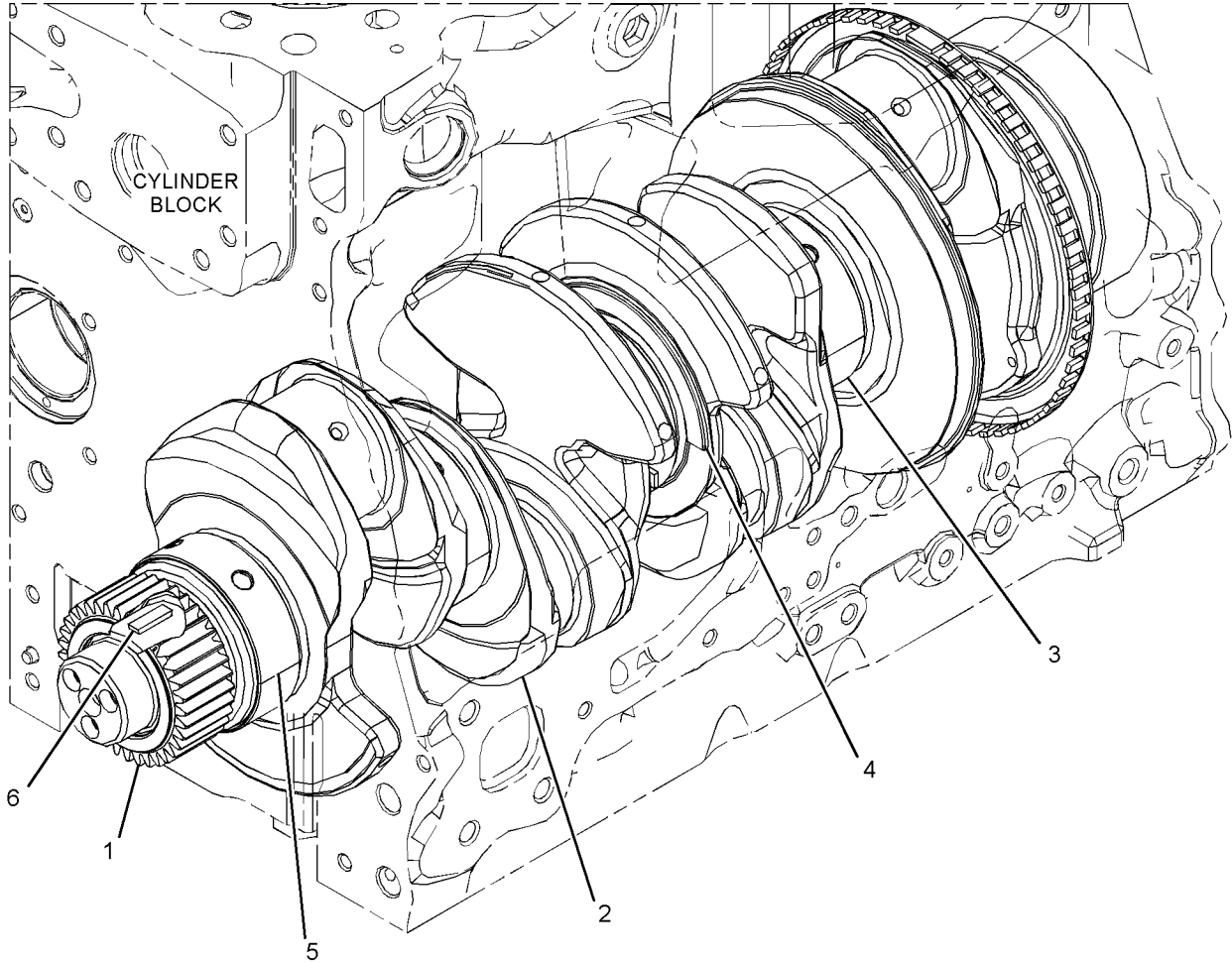
NOTE	REF NO	GRAPHIC REF	PART NUMBER	QTY	PART NAME						SEE PAGE
					1	2	3	4	5	6 (PRODUCT LEVEL)	
	1	1	338-1402	1	GEAR-CRANKSHAFT (36-TEETH)						
Y	2	1	491-5234	1	CRANKSHAFT AS						49
C	3	1	470-8171	5	BEARING-CRANKSHAFT (STANDARD-LOWER)						
J	4	1	363-0559	2	WASHER-THRUST						
CN	5	1	470-8101	5	BEARING-CRANKSHAFT (STANDARD-UPPER)						
	6	1	067-6135	1	KEY-WOODRUFF						
					AVAILABLE REPAIR KIT(S) :						
N			518-5431	1	KIT-BEARING (CRANKSHAFT)						
					(INCLUDES BEARINGS)						
AB			518-5432		KIT-BEARING (0.254-MM US)						
					(INCLUDES BEARINGS)						
AB			518-5433		KIT-BEARING (0.508-MM US)						
					(INCLUDES BEARINGS)						
AB			518-5436		KIT-BEARING (0.762-MM US)						
					(INCLUDES BEARINGS)						
J			364-5145	1	KIT-WASHER (STANDARD)						
					(INCLUDES THRUST WASHERS)						
AB			448-4227		KIT-WASHER (0.20-MM US)						
					(INCLUDES THRUST WASHERS)						

A - NOT PART OF THIS GROUP
 B - USE AS REQUIRED
 C - CHANGE FROM PREVIOUS TYPE
 J - KIT MARKED J SERVICES PART(S) MARKED J
 N - KIT MARKED N SERVICES PART(S) MARKED N
 Y - SEPARATE ILLUSTRATION

BASIC ENGINE

346-4197 CRANKSHAFT GP (contd.)

i08068149



GRAPHIC #1

<END>

g03326057

BASIC ENGINE

350-3746 CRANKSHAFT GP

S/N: CN51-UP

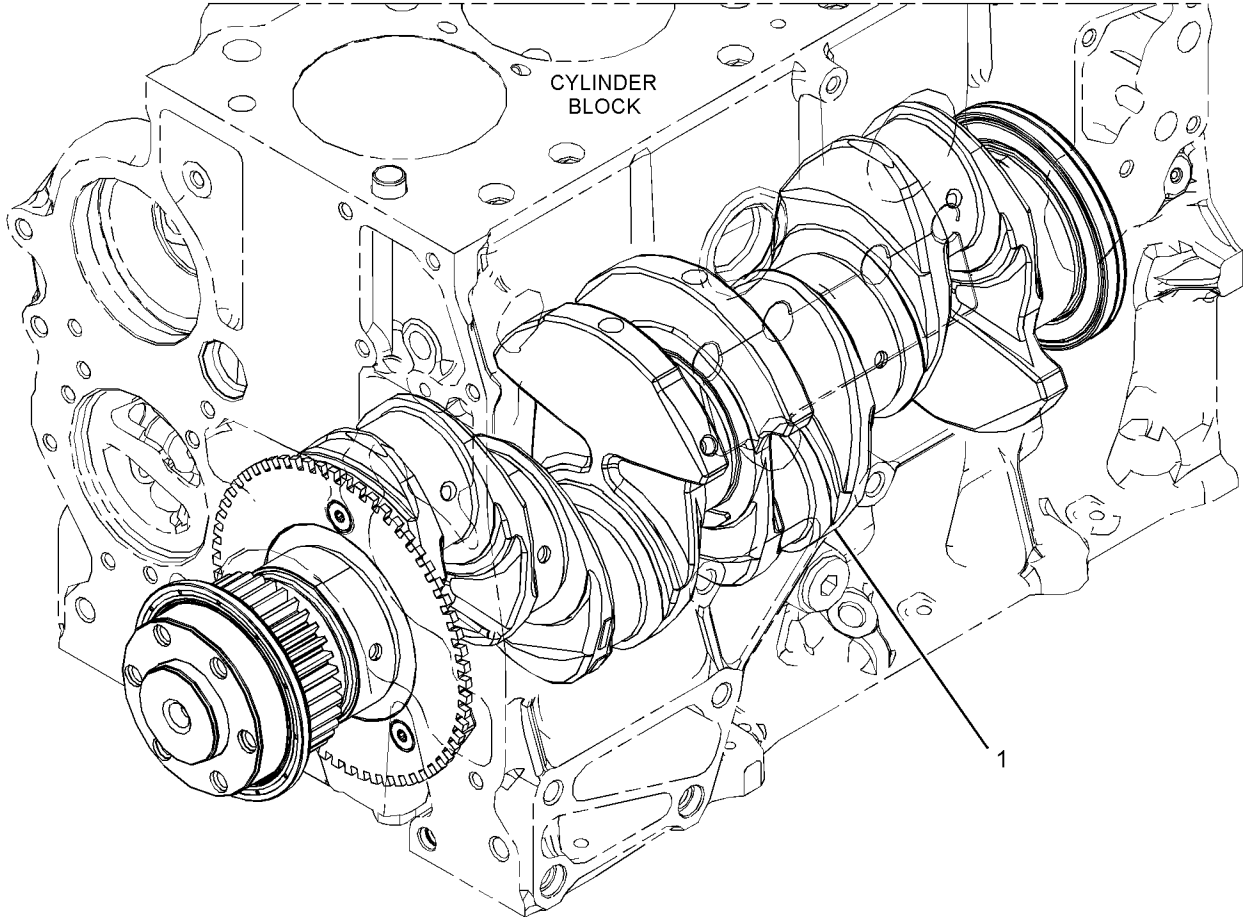
PART OF 465-2880 ENGINE AR-PRIMARY
AN ATTACHMENT

SMCS-1202

i06190715

NOTE	REF NO	GRAPHIC REF	PART NUMBER	QTY	PART NAME						SEE PAGE
					1	2	3	4	5	6 (PRODUCT LEVEL)	
CY	1	1	459-8174	1	CRANKSHAFT GP						61

C - CHANGE FROM PREVIOUS TYPE
Y - SEPARATE ILLUSTRATION



GRAPHIC #1

<END>

g02884156

BASIC ENGINE

364-5823 CRANKSHAFT GP

S/N: JKT1-UP

PART OF 449-5062 CYLINDER BLOCK GP-SHORT
ALSO AN ATTACHMENT

SMCS-1202

i08068240

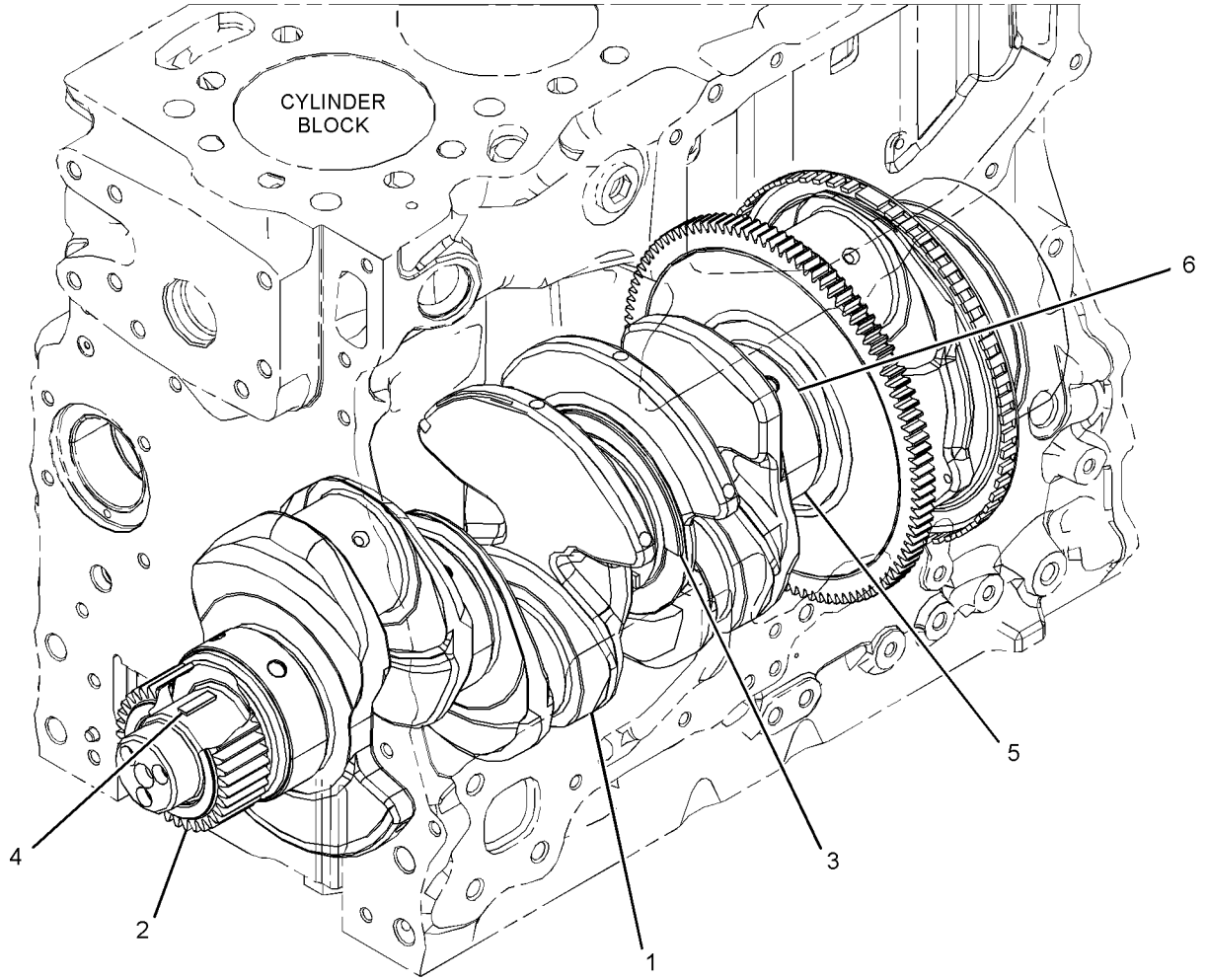
NOTE	REF NO	GRAPHIC REF	PART NUMBER	QTY	PART NAME						SEE PAGE
					1	2	3	4	5	6 (PRODUCT LEVEL)	
Y	1	1	466-8480	1	CRANKSHAFT AS						48
	2	1	338-1402	1	GEAR-CRANKSHAFT (36-TEETH)						
J	3	1	363-0559	2	WASHER-THRUST						
	4	1	067-6135	1	KEY-WOODRUFF						
L	5	1	470-8101	5	BEARING-CRANKSHAFT (STANDARD-UPPER)						
	6	1	470-8171	5	BEARING-CRANKSHAFT (STANDARD-LOWER)						
AVAILABLE REPAIR KIT(S) :											
J			364-5145	1	KIT-WASHER (STANDARD)						
(INCLUDES THRUST WASHERS)											
AB			448-4227		KIT-WASHER (0.20-MM US)						
(INCLUDES THRUST WASHERS)											
L			518-5431	1	KIT-BEARING (CRANKSHAFT)						
(INCLUDES BEARINGS)											
AB			518-5432		KIT-BEARING (0.254-MM US)						
(INCLUDES BEARINGS)											
AB			518-5433		KIT-BEARING (0.508-MM US)						
(INCLUDES BEARINGS)											
AB			518-5436		KIT-BEARING (0.762-MM US)						
(INCLUDES BEARINGS)											

A - NOT PART OF THIS GROUP
 B - USE AS REQUIRED
 J - KIT MARKED J SERVICES PART(S) MARKED J
 L - KIT MARKED L SERVICES PART(S) MARKED L
 Y - SEPARATE ILLUSTRATION

BASIC ENGINE

364-5823 CRANKSHAFT GP (contd.)

108068240



GRAPHIC #1

<END>

g03371855

BASIC ENGINE

433-6323 CRANKSHAFT GP

S/N: W231-UP

PART OF 452-7386 CYLINDER BLOCK GP-SHORT, 463-8848, 463-8910 ENGINE AR-PRIMARY

SMCS-1202

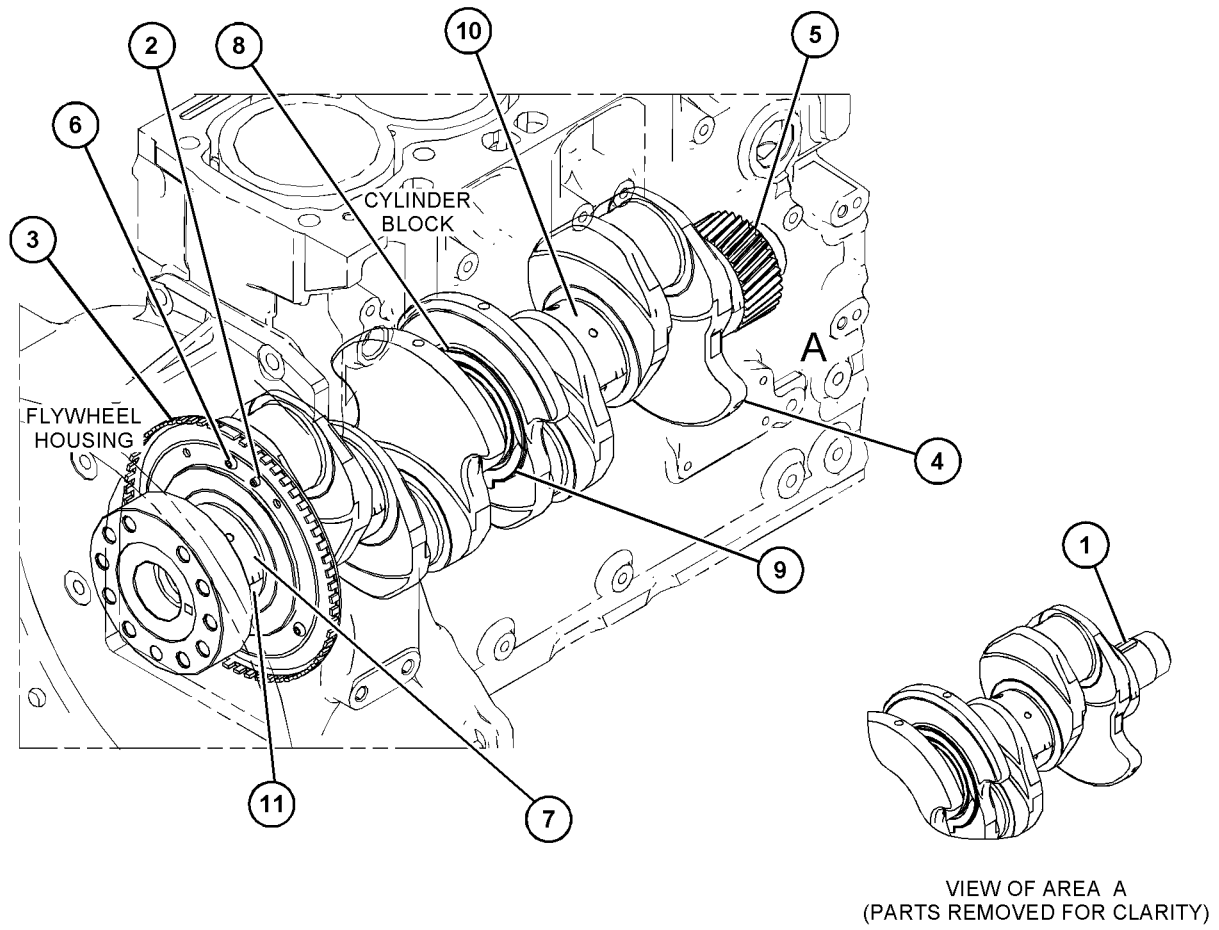
i08001577

NOTE	REF NO	GRAPHIC REF	PART NUMBER	QTY	PART NAME						SEE PAGE
					1	2	3	4	5	6 (PRODUCT LEVEL)	
	1	1	067-6135	1	KEY-WOODRUFF (CRANKSHAFT)						
	2	1	339-8780	1	DOWEL						
	3	1	341-4028	1	RING-TIMING						
	4	1	475-8373	1	CRANKSHAFT GP						
		1	455-3693	1	CRANKSHAFT						
	5	1	216-8314	1	GEAR-CRANKSHAFT (34-TEETH)						
M	6	1	276-7394	3	SCREW (M6X1XX12-MM)						
CJ	7	1	470-7971	1	BEARING (STANDARD-UPPER)						
CLP	8	1	470-7995	2	PLATE-THRUST (STANDARD) (UPPER)						
CLP	9	1	470-8021	2	PLATE-THRUST (STANDARD) (LOWER)						
C	10	1	470-8023	4	BEARING (STANDARD-UPPER)						
CJ	11	1	470-8031	5	BEARING (STANDARD-LOWER)						
					AVAILABLE REPAIR KIT(S):						
J			518-5437	1	KIT-BEARING (STANDARD)						
					(INCLUDES BEARINGS)						
AB			518-5440		KIT-BEARING (0.254-MM US)						
					(INCLUDES BEARINGS)						
AB			518-5441		KIT-BEARING (0.508-MM US)						
					(INCLUDES BEARINGS)						
AB			518-5885		KIT-BEARING (0.762-MM US)						
					(INCLUDES BEARINGS)						
P			518-5891	1	KIT-WASHER (STANDARD)						
					(INCLUDES WASHERS)						
AB			518-5892		KIT-WASHER (0.191-MM US)						
					(INCLUDES WASHERS)						
ABL			518-5893		KIT-WASHER (STANDARD, 0.191-MM US)						
					(INCLUDES WASHERS)						
<p>A - NOT PART OF THIS GROUP B - USE AS REQUIRED C - CHANGE FROM PREVIOUS TYPE J - KIT MARKED J SERVICES PART(S) MARKED J L - KIT MARKED L SERVICES PART(S) MARKED L M - METRIC PART P - KIT MARKED P SERVICES PART(S) MARKED P</p>											

BASIC ENGINE

433-6323 CRANKSHAFT GP (contd.)

i08001577



GRAPHIC #1

<END>

g06503111

BASIC ENGINE

433-6323 CRANKSHAFT GP

S/N: W231-UP

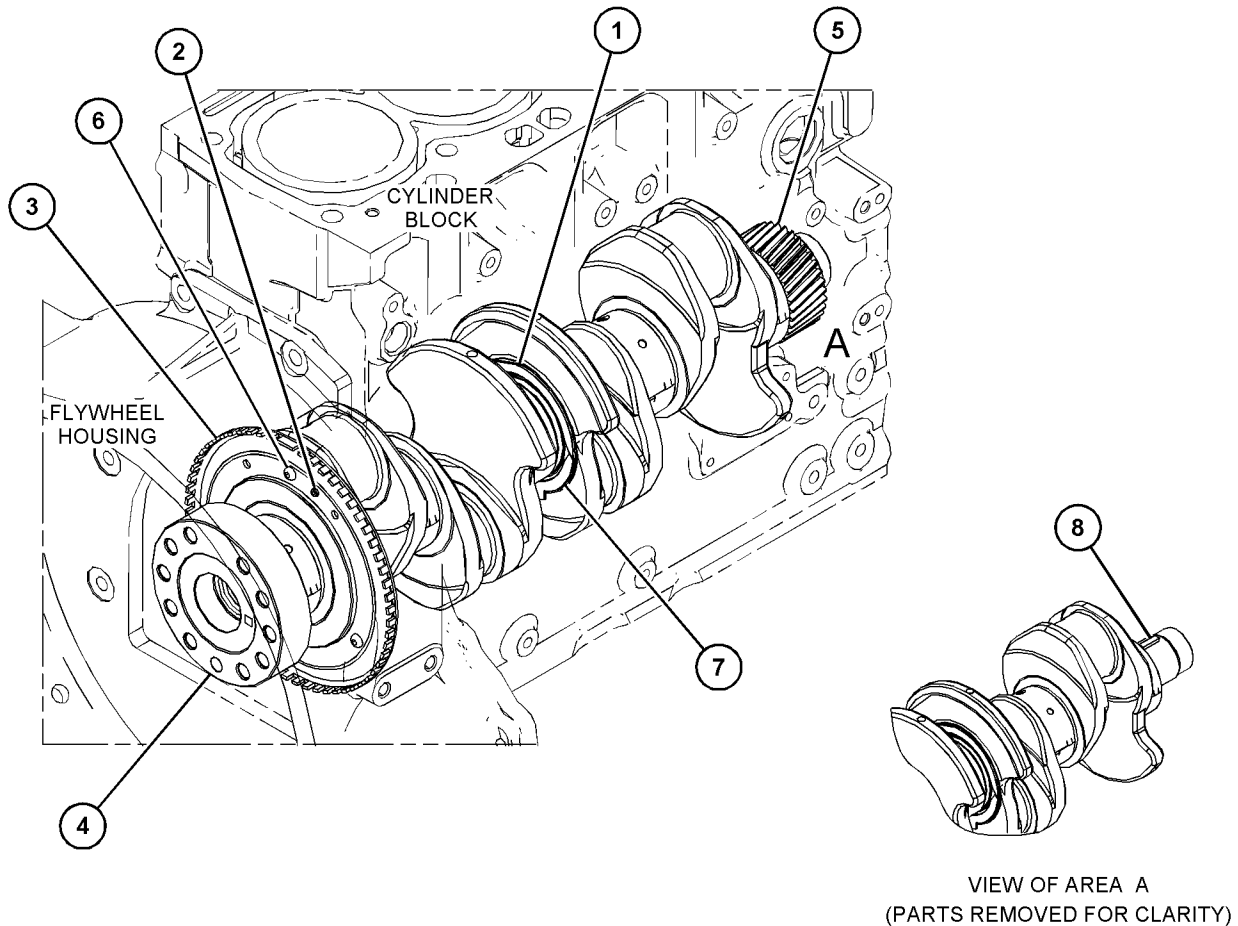
PART OF 452-7386 CYLINDER BLOCK GP-SHORT
TYPE 1

SMCS-1202

i06146724

NOTE	REF NO	GRAPHIC REF	PART NUMBER	QTY	PART NAME						SEE PAGE
					1	2	3	4	5	6 (PRODUCT LEVEL)	
	1	1	032-9090	2	WASHER-THRUST (STANDARD-UPPER) (S)						
	2	1	339-8780	1	DOWEL						
	3	1	341-4028	1	RING-TIMING						
	4	1	433-6521	1	CRANKSHAFT GP						
		1	361-2294	1	CRANKSHAFT						
	5	1	216-8314	1	GEAR-CRANKSHAFT (34-TEETH)						
M	6	1	276-7394	3	SCREW (M6X1XX12-MM)						
	7	1	032-9091	2	WASHER-THRUST (STANDARD-LOWER)						
	8	1	067-6135	1	KEY-WOODRUFF (CRANKSHAFT)						

M - METRIC PART



GRAPHIC #1

<END>

g03818280

BASIC ENGINE

433-6323 CRANKSHAFT GP

S/N: W231-UP

PART OF 452-7386 CYLINDER BLOCK GP-SHORT
TYPE 2

SMCS-1202

i08001576

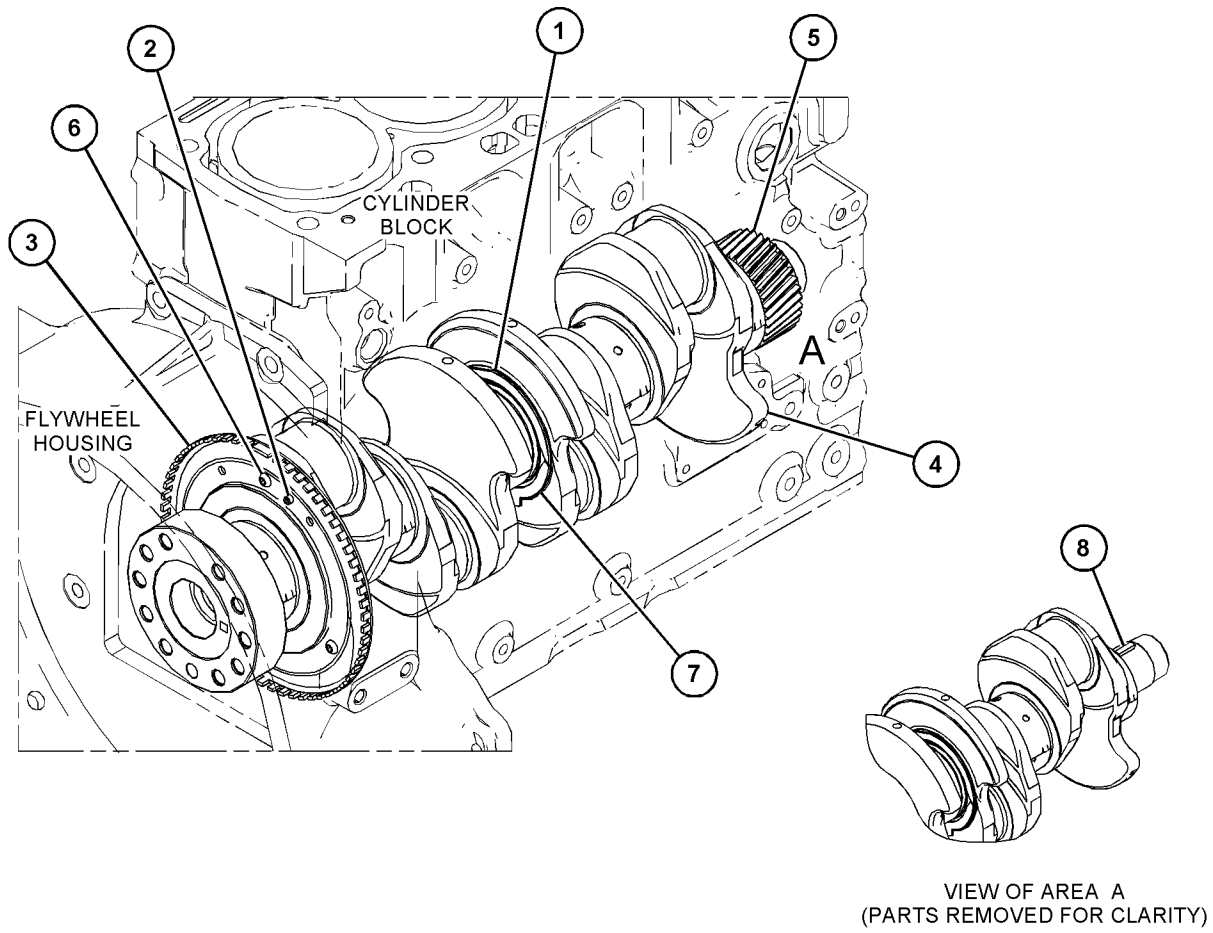
NOTE	REF NO	GRAPHIC REF	PART NUMBER	QTY	PART NAME						SEE PAGE
					1	2	3	4	5	6 (PRODUCT LEVEL)	
	1	1	032-9090	2	WASHER-THRUST (STANDARD-UPPER) (S)						
	2	1	339-8780	1	DOWEL						
	3	1	341-4028	1	RING-TIMING						
C	4	1	475-8373	1	CRANKSHAFT GP						
		1	455-3693	1	CRANKSHAFT						
	5	1	216-8314	1	GEAR-CRANKSHAFT (34-TEETH)						
M	6	1	276-7394	3	SCREW (M6X1XX12-MM)						
	7	1	032-9091	2	WASHER-THRUST (STANDARD-LOWER)						
	8	1	067-6135	1	KEY-WOODRUFF (CRANKSHAFT)						

C - CHANGE FROM PREVIOUS TYPE
M - METRIC PART

BASIC ENGINE

433-6323 CRANKSHAFT GP (contd.)

i08001576



GRAPHIC #1

<END>

g06503045

BASIC ENGINE

459-8174 CRANKSHAFT GP

S/N: CN51-UP

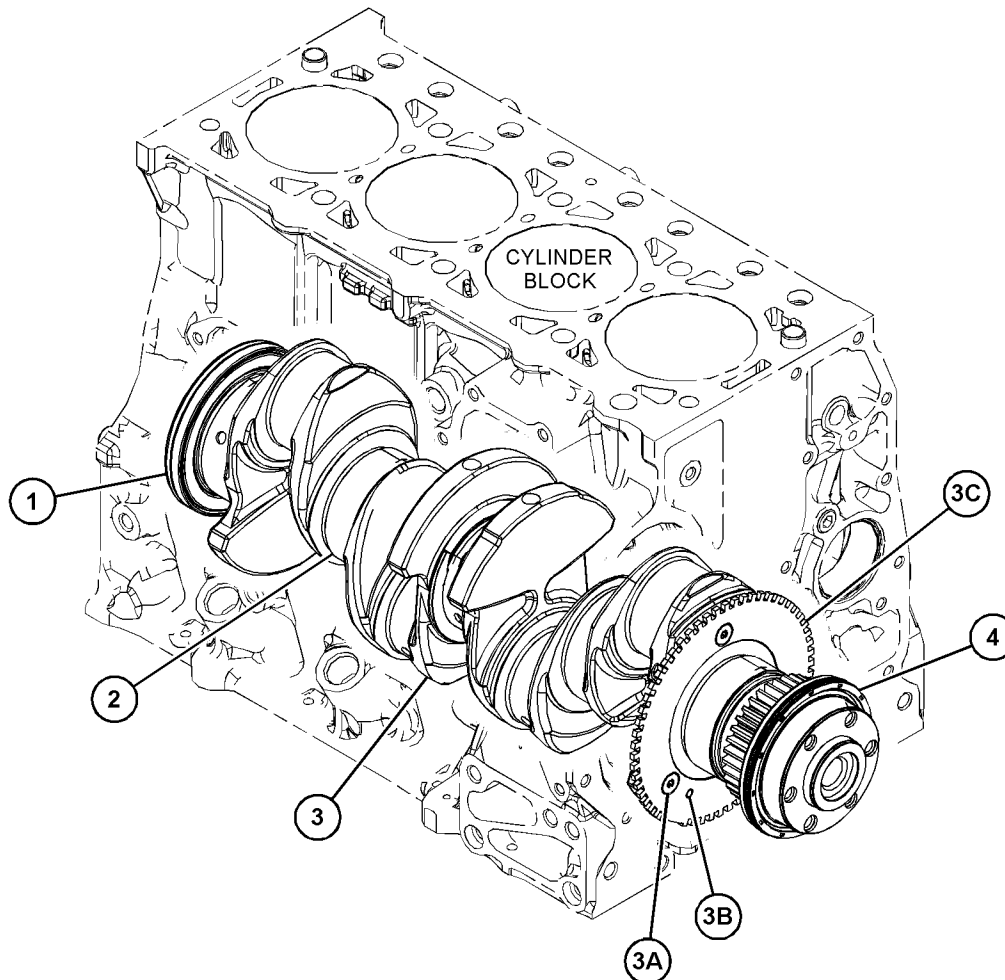
PART OF 350-3746 CRANKSHAFT GP
AN ATTACHMENT

SMCS-1202

i05950679

NOTE	REF NO	GRAPHIC REF	PART NUMBER	QTY	PART NAME						SEE PAGE
					1	2	3	4	5	6 (PRODUCT LEVEL)	
	1	1	385-9063	1	SEAL (REAR)						
	2	1	390-3066	1	BEARING SET-MAIN (STANDARD)						
AB			390-3076		BEARING SET-MAIN (0.25-MM US)						
AB			390-3077		BEARING SET-MAIN (0.51-MM US)						
	3	1	454-5820	1	CRANKSHAFT GP						
	3A	1	381-3513	3	BOLT						
	3B	1	381-3514	1	DOWEL						
	3C	1	385-9059	1	GEAR-CRANKSHAFT						
	4	1	460-2323	1	SEAL (FRONT)						

A - NOT PART OF THIS GROUP
B - USE AS REQUIRED



GRAPHIC #1

<END>

g03737955

BASIC ENGINE

510-5297 CRANKSHAFT GP

S/N: W231-UP

PART OF 452-7386 CYLINDER BLOCK GP-SHORT, 463-8910 ENGINE AR-PRIMARY

SMCS-1202

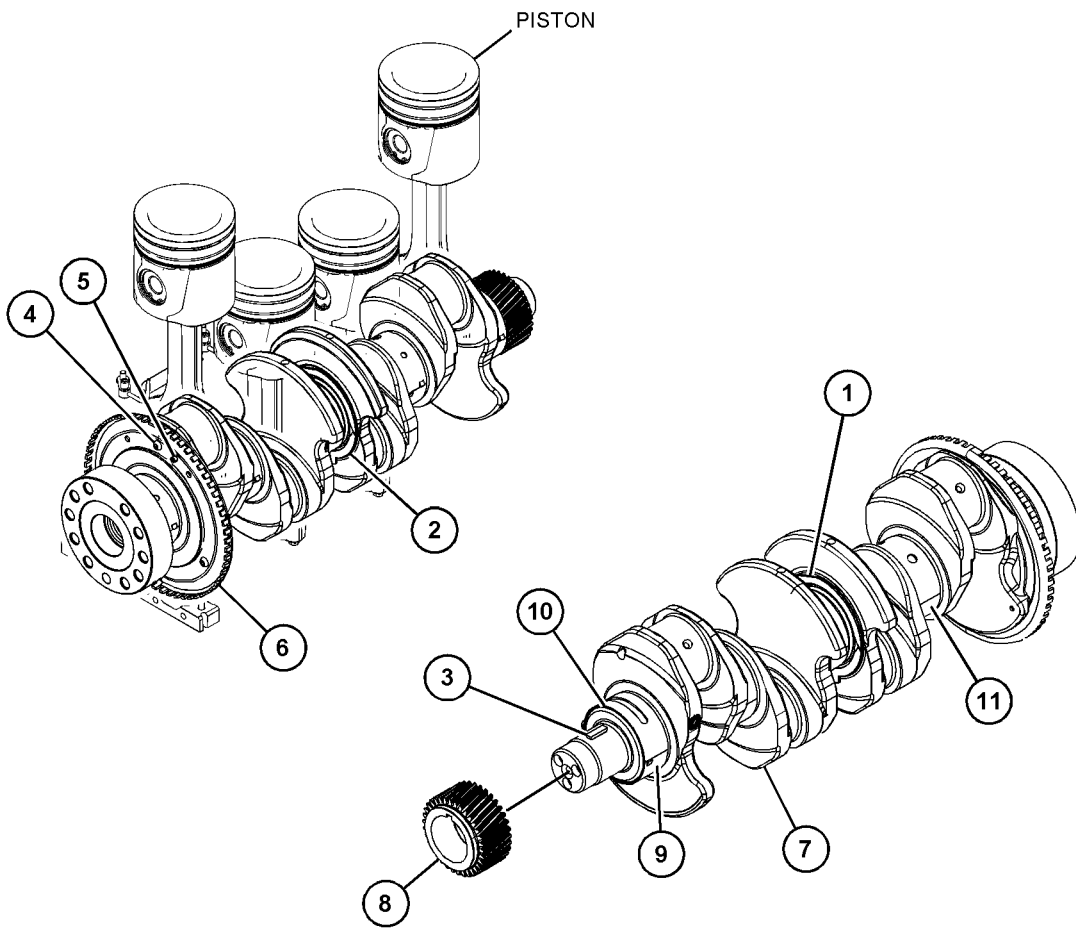
i08067899

NOTE	REF NO	GRAPHIC REF	PART NUMBER	QTY	PART NAME						SEE PAGE
					1	2	3	4	5	6	
CJ	1	1	470-7995	2	PLATE-THRUST (STANDARD) (UPPER)						
CJ	2	1	470-8021	2	PLATE-THRUST (STANDARD) (LOWER)						
	3	1	067-6135	1	KEY-WOODRUFF						
M	4	1	276-7394	3	SCREW (M6X1XX12-MM)						
	5	1	339-8780	1	DOWEL						
	6	1	341-4028	1	RING-TIMING						
	7	1	448-2620	1	CRANKSHAFT AS						
	8	1	216-8314	1	GEAR-CRANKSHAFT (34-TEETH)						
N	9	1	470-8031	5	BEARING						
N	10	1	470-7971	1	BEARING						
	11	1	470-8023	4	BEARING (STANDARD-UPPER)						
					AVAILABLE REPAIR KIT(S):						
N			518-5437	1	KIT-BEARING (STANDARD) (CRANKSHAFT)						
					(INCLUDES BEARINGS)						
AB			518-5440		KIT-BEARING (0.254-MM US)						
					(INCLUDES BEARINGS)						
AB			518-5441		KIT-BEARING (0.508-MM US)						
					(INCLUDES BEARINGS)						
AB			518-5885		KIT-BEARING (0.762-MM US)						
					(INCLUDES BEARINGS)						
J			518-5891	1	KIT-WASHER (STANDARD) (CRANKSHAFT)						
					(INCLUDES THRUST WASHERS)						
AB			518-5892		KIT-WASHER (0.191-MM US)						
					(INCLUDES THRUST WASHERS)						
ABJ			518-5893		KIT-WASHER (STANDARD, 0.191-MM US)						
					(INCLUDES THRUST WASHERS)						
<p>A - NOT PART OF THIS GROUP B - USE AS REQUIRED C - CHANGE FROM PREVIOUS TYPE J - KIT MARKED J SERVICES PART(S) MARKED J M - METRIC PART N - KIT MARKED N SERVICES PART(S) MARKED N</p>											

BASIC ENGINE

510-5297 CRANKSHAFT GP (contd.)

108067899



GRAPHIC #1

<END>

g06157281

BASIC ENGINE

351-8228 CYLINDER BLOCK AS

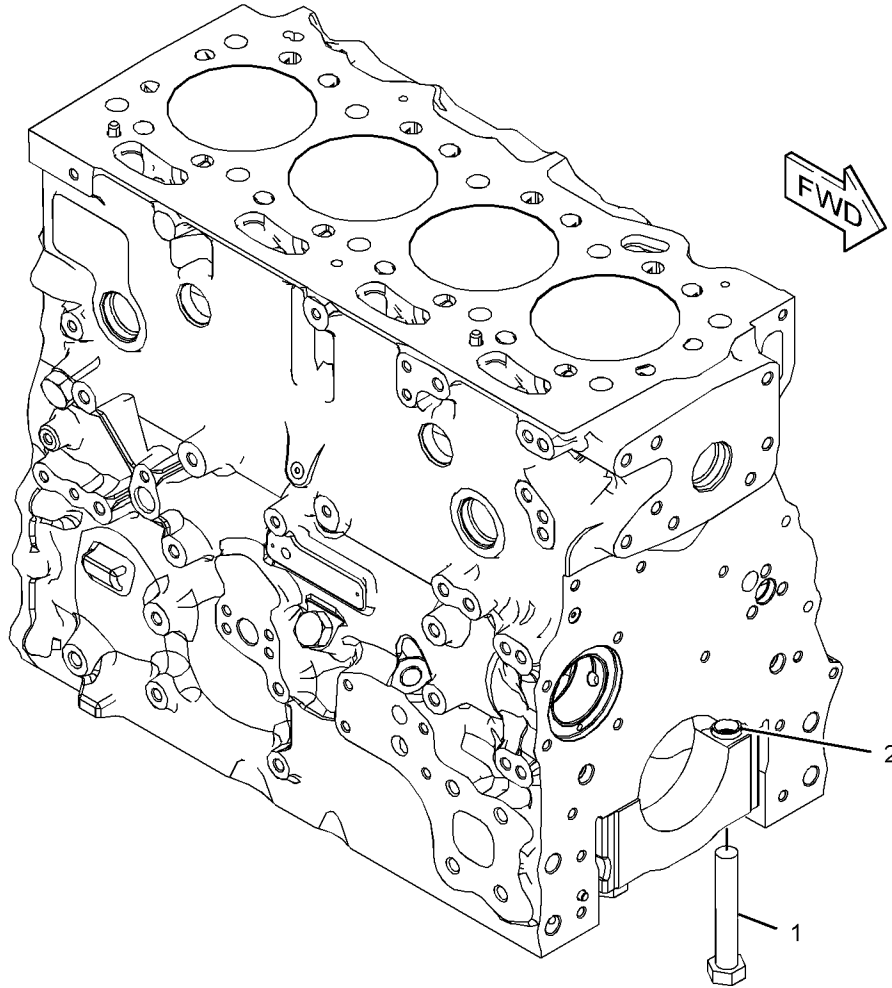
S/N: JKT1-UP

PART OF 351-8229 CYLINDER BLOCK AS
ALSO AN ATTACHMENT

SMCS-1201

i07884244

NOTE	REF NO	GRAPHIC REF	PART NUMBER	QTY	PART NAME						SEE PAGE
					1	2	3	4	5	6	
1	1	1	0S-2353	10	BOLT (5/8-18X3.75-IN)						
2	1	1	067-6002	10	DOWEL						



GRAPHIC #1

<END>

g02698636

BASIC ENGINE

351-8229 CYLINDER BLOCK AS

S/N: JKT1-UP

PART OF 355-3530 CYLINDER BLOCK GP
ALSO AN ATTACHMENT

SMCS-1201

i07884235

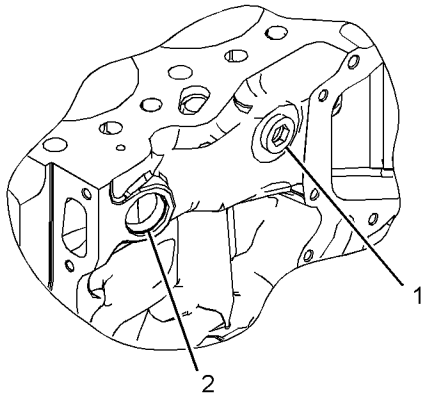
NOTE	REF NO	GRAPHIC REF	PART NUMBER	QTY	PART NAME						SEE PAGE
					1	2	3	4	5	6 (PRODUCT LEVEL)	
	1	1	067-6006	1	PLUG						
	2	1	067-6043	3	PLUG-SIDE						
	3	1	185-0884	2	DOWEL						
	4	1	232-7597	4	PLUG						
	5	1	232-7599	1	PLUG (7/8-14-THD)						
	6	1	331-6835	3	PLUG-SEAL						
	7	1	232-7596	1	PLUG						
Y	8	1	351-8228	1	CYLINDER BLOCK AS						64

Y - SEPARATE ILLUSTRATION

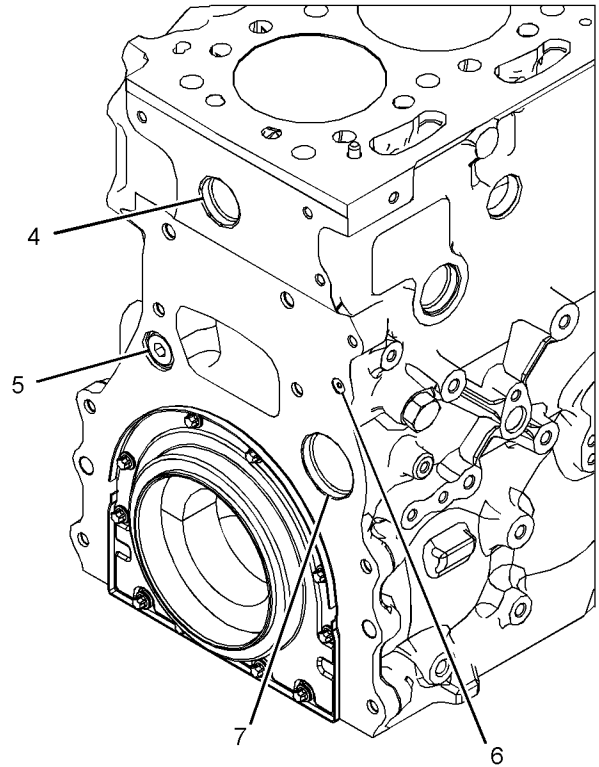
BASIC ENGINE

351-8229 CYLINDER BLOCK AS (contd.)

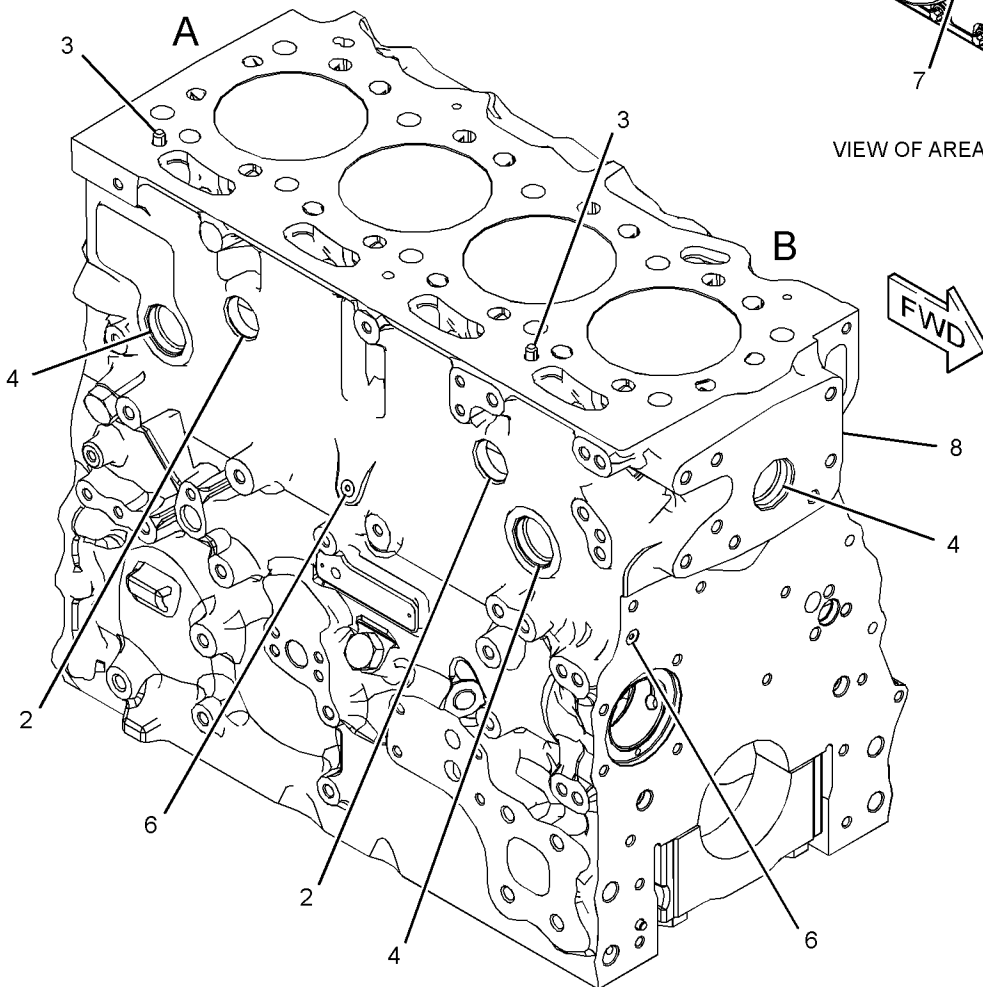
i07884235



VIEW OF AREA B



VIEW OF AREA A



GRAPHIC #1

<END>

g02698596

BASIC ENGINE

547-6893 CYLINDER BLOCK AS

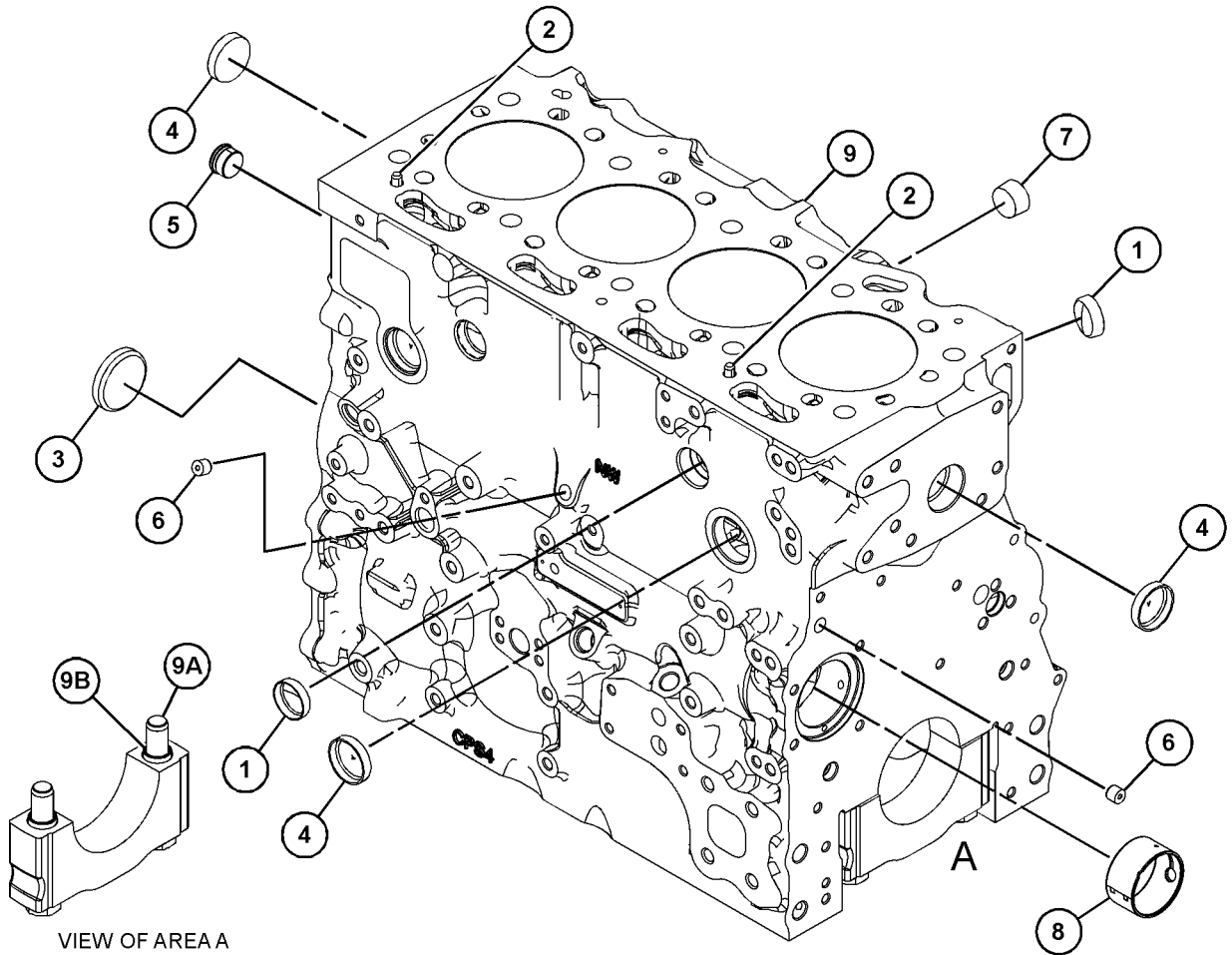
S/N: JKT1-UP

PART OF 355-3530 CYLINDER BLOCK GP
ALSO AN ATTACHMENT

SMCS-1201

i07668771

NOTE	REF NO	GRAPHIC REF	PART NUMBER	QTY	PART NAME						SEE PAGE
					1	2	3	4	5	6 (PRODUCT LEVEL)	
	1	1	067-6006	1	PLUG						
	2	1	067-6043	3	PLUG-SIDE						
	3	1	185-0884	2	DOWEL						
	4	1	232-7596	1	PLUG						
	5	1	232-7597	4	PLUG						
	6	1	232-7599	1	PLUG (7/8-14-THD)						
	7	1	331-6835	3	PLUG-SEAL						
	8	1	370-6545	1	BUSHING-CAMSHAFT						
	9	1	547-6892	1	CYLINDER BLOCK AS						
	9A	1	035-8068	10	BOLT (5/8-18X3.75-IN)						
	9B	1	067-6002	10	DOWEL						



VIEW OF AREA A
(PARTS REMOVED FOR CLARITY)

GRAPHIC #1

<END>

g06386392

BASIC ENGINE

564-8857 CYLINDER BLOCK AS

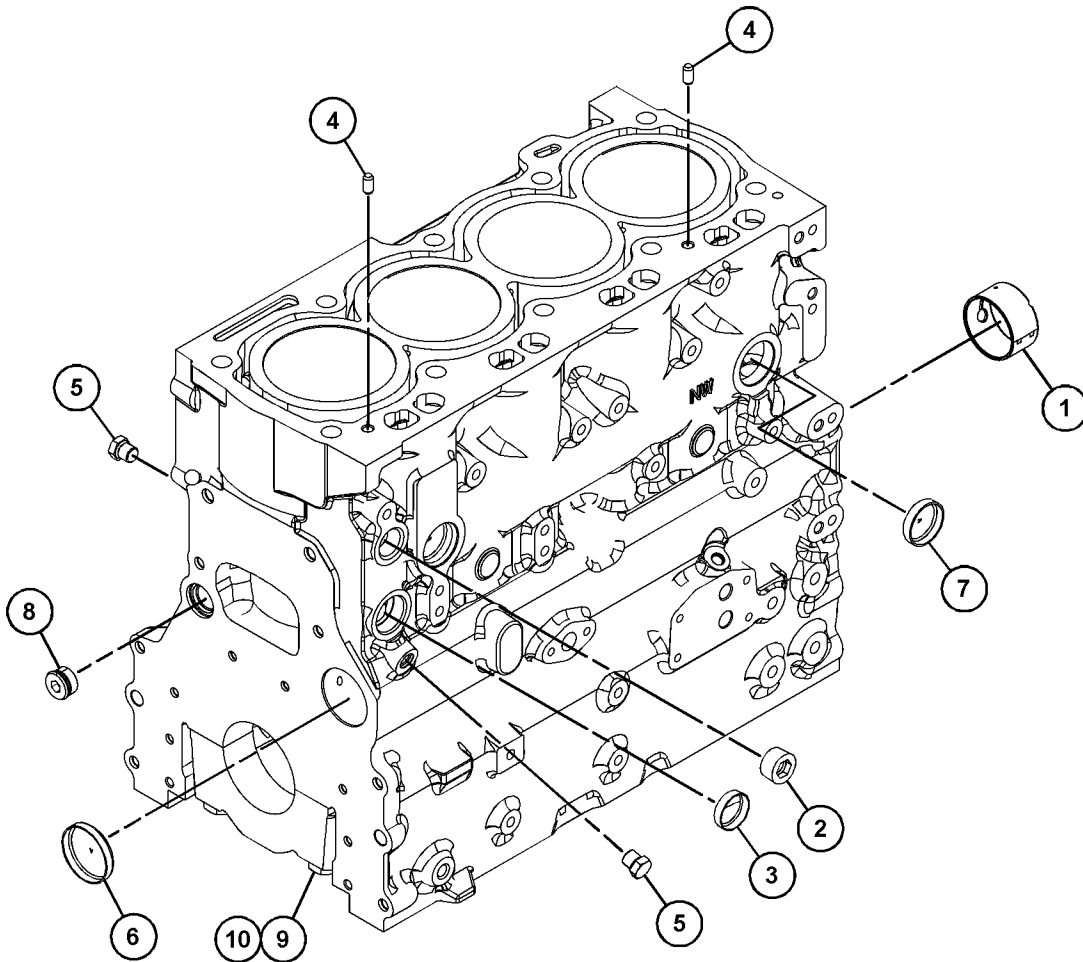
S/N: W231-UP

PART OF 415-3299 CYLINDER BLOCK GP

SMCS-1201

i07881900

NOTE	REF NO	GRAPHIC REF	PART NUMBER	QTY	PART NAME						SEE PAGE
					1	2	3	4	5	6	
	1	1	370-6545	1	BUSHING - CAMSHAFT						
	2	1	067-6006	1	PLUG						
	3	1	067-6043	1	PLUG - SIDE						
	4	1	185-0884	2	DOWEL						
	5	1	225-8858	2	PLUG						
	6	1	232-7596	1	PLUG						
	7	1	232-7597	2	PLUG						
	8	1	232-7599	1	PLUG (7/8-14-THD)						
	9	1	035-8068	10	BOLT (5/8-18X3.75-IN)						
	10	1	067-6002	10	DOWEL						



GRAPHIC #1

<END>

g06441630

BASIC ENGINE

350-3745 CYLINDER BLOCK GP

S/N: CN51-UP

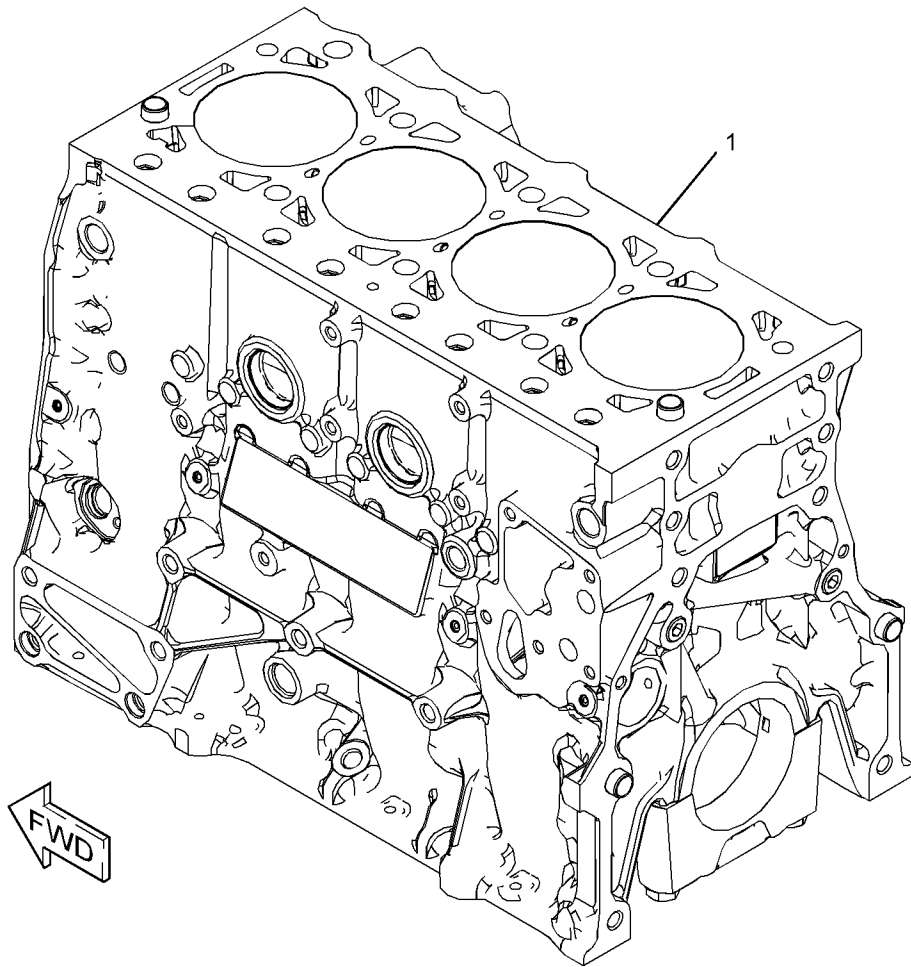
PART OF 465-2880 ENGINE AR-PRIMARY
AN ATTACHMENT

SMCS-1201

i05951129

NOTE	REF NO	GRAPHIC REF	PART NUMBER	QTY	PART NAME						SEE PAGE
					1	2	3	4	5	6 (PRODUCT LEVEL)	
CY	1	1	464-1143	1	CYLINDER BLOCK GP						77

C - CHANGE FROM PREVIOUS TYPE
Y - SEPARATE ILLUSTRATION



GRAPHIC #1

<END>

g02885556

BASIC ENGINE

355-3530 CYLINDER BLOCK GP

S/N: JKT1-UP

PART OF 464-2307, 464-2308 ENGINE AR-PRIMARY

ALSO AN ATTACHMENT

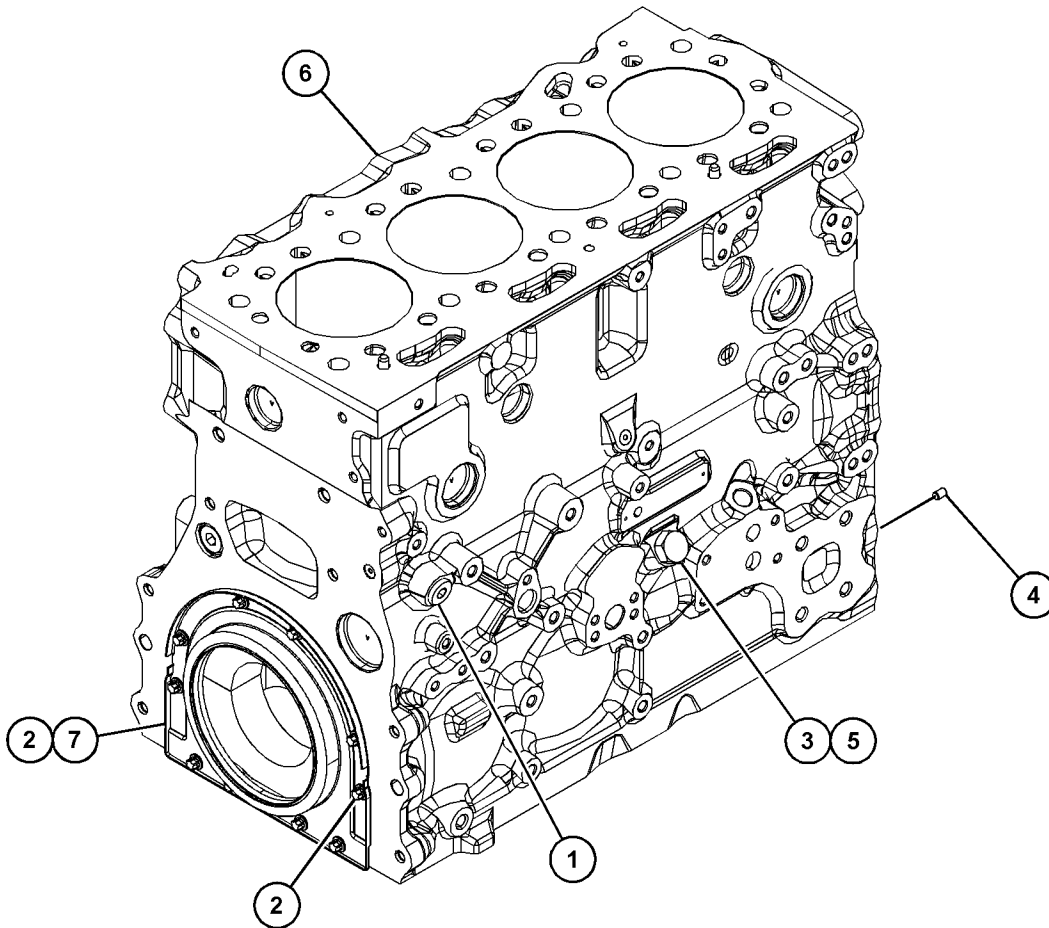
TYPE 1

SMCS-1201

i06915120

NOTE	REF NO	GRAPHIC REF	PART NUMBER	QTY	PART NAME						SEE PAGE
					1	2	3	4	5	6 (PRODUCT LEVEL)	
C	1	1	470-4925	1	PLUG						
M	2	1	209-9219	10	BOLT (M8X1.25X16-MM)						
C	3	1	232-1322	1	PLUG						
	4	1	276-5604	1	DOWEL						
	5	1	276-5603	1	SEAL-O-RING						
Y	6	1	351-8229	1	CYLINDER BLOCK AS						65
	7	1	232-7449	1	HOUSING AS						

C - CHANGE FROM PREVIOUS TYPE
M - METRIC PART
Y - SEPARATE ILLUSTRATION



GRAPHIC #1

<END>

g06170401

BASIC ENGINE

355-3530 CYLINDER BLOCK GP

S/N: JKT1-UP

PART OF 449-5062 CYLINDER BLOCK GP-SHORT, 464-2307 ENGINE AR-PRIMARY

ALSO AN ATTACHMENT

TYPE 2

SMCS-1201

i04584388

NOTE	REF NO	GRAPHIC REF	PART NUMBER	QTY	PART NAME	SEE PAGE
					1 2 3 4 5 6 (PRODUCT LEVEL)	
	1	1	199-9751	1	SEAL-O-RING	
M	2	1	209-9219	10	BOLT (M8X1.25X16-MM)	
	3	1	232-1322	2	PLUG	
	4	1	276-5604	1	DOWEL	
	5	1	276-5603	1	SEAL-O-RING	
Y	6	1	351-8229	1	CYLINDER BLOCK AS	65
	7	1	232-7449	1	HOUSING AS	

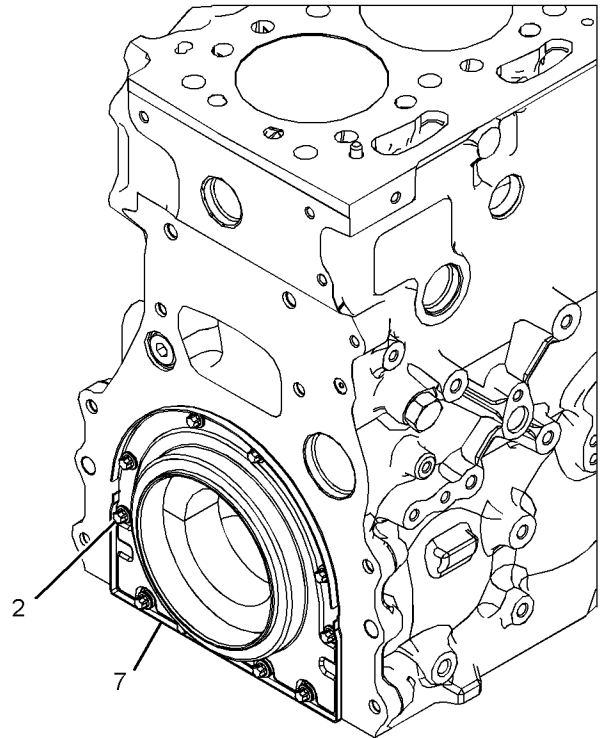
M - METRIC PART

Y - SEPARATE ILLUSTRATION

BASIC ENGINE

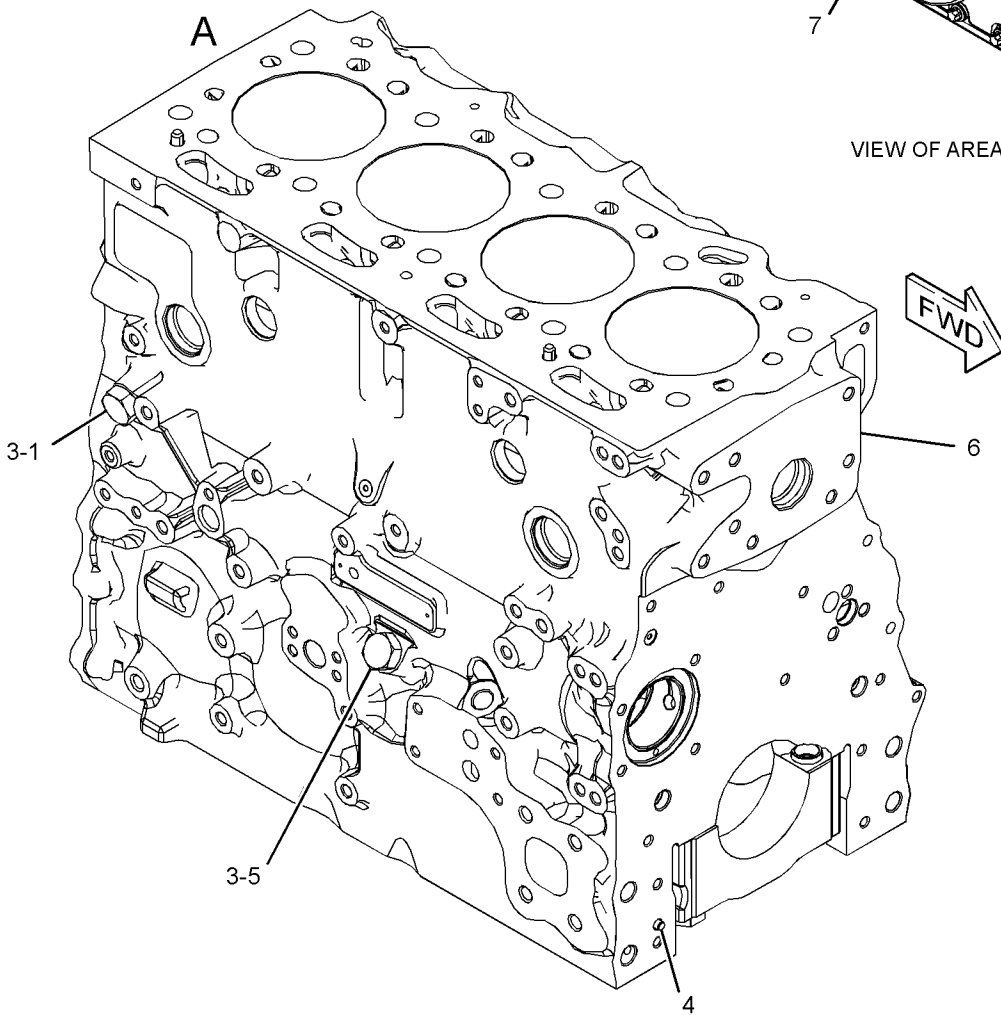
355-3530 CYLINDER BLOCK GP (contd.)

i04584388



A

VIEW OF AREA A \curvearrowright 90°



GRAPHIC #1

<END>

g02681756

BASIC ENGINE

355-3530 CYLINDER BLOCK GP

S/N: JKT1-UP

PART OF 464-2307, 464-2308 ENGINE AR-PRIMARY

ALSO AN ATTACHMENT

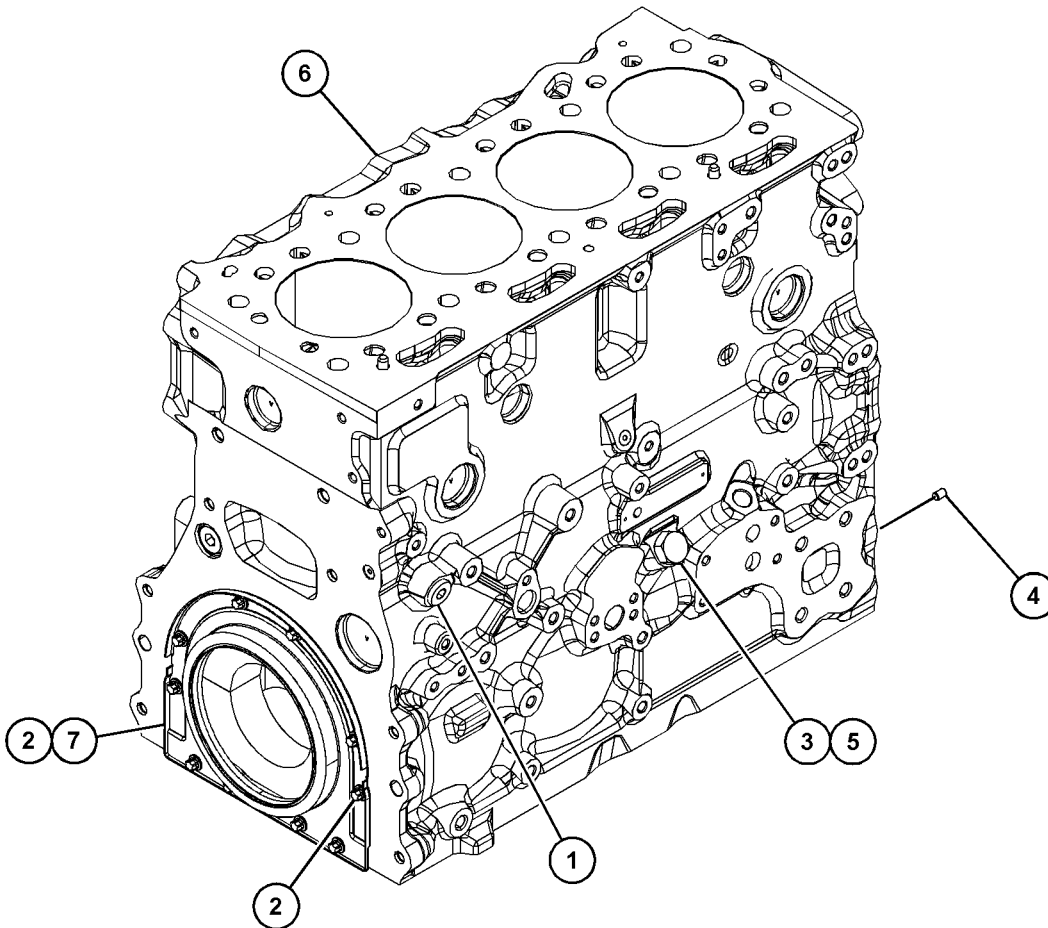
TYPE 3

SMCS-1201

i07640782

NOTE	REF NO	GRAPHIC REF	PART NUMBER	QTY	PART NAME						SEE PAGE
					1	2	3	4	5	6 (PRODUCT LEVEL)	
	1	1	470-4925	1	PLUG						
M	2	1	209-9219	10	BOLT (M8X1.25X16-MM)						
	3	1	232-1322	1	PLUG						
	4	1	276-5604	1	DOWEL						
	5	1	276-5603	1	SEAL-O-RING						
CY	6	1	547-6893	1	CYLINDER BLOCK AS						67
	7	1	232-7449	1	HOUSING AS						

C - CHANGE FROM PREVIOUS TYPE
M - METRIC PART
Y - SEPARATE ILLUSTRATION



GRAPHIC #1

<END>

g06170401

BASIC ENGINE

415-3299 CYLINDER BLOCK GP

S/N: W231-UP

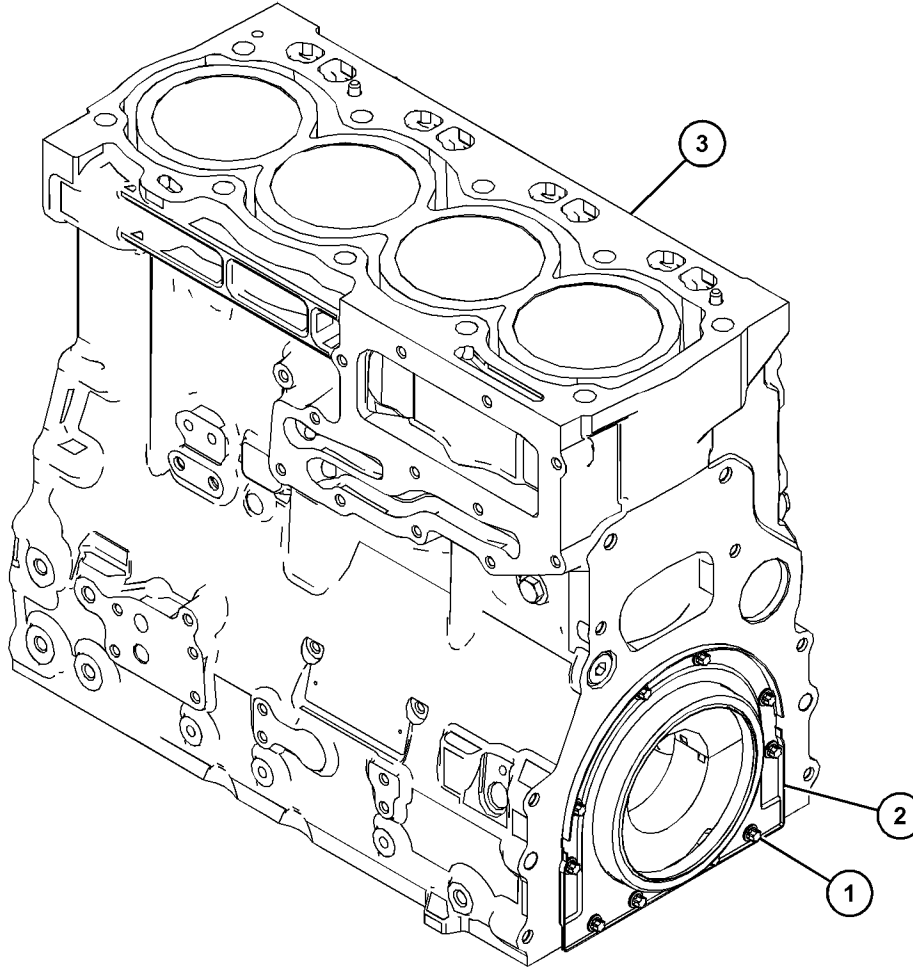
PART OF 452-7386 CYLINDER BLOCK GP-SHORT, 463-8848, 463-8910 ENGINE AR-PRIMARY
TYPE 1

SMCS-1201

i06170664

NOTE	REF NO	GRAPHIC REF	PART NUMBER	QTY	PART NAME						SEE PAGE
					1	2	3	4	5	6 (PRODUCT LEVEL)	
M	1	1	209-9219	10	BOLT (M8X1.25X16-MM)						
	2	1	232-7449	1	HOUSING AS						
Y	3	1	451-7736	1	CYLINDER BLOCK GP						76

M - METRIC PART
Y - SEPARATE ILLUSTRATION



GRAPHIC #1

<END>

g03813084

BASIC ENGINE

415-3299 CYLINDER BLOCK GP

S/N: W231-UP

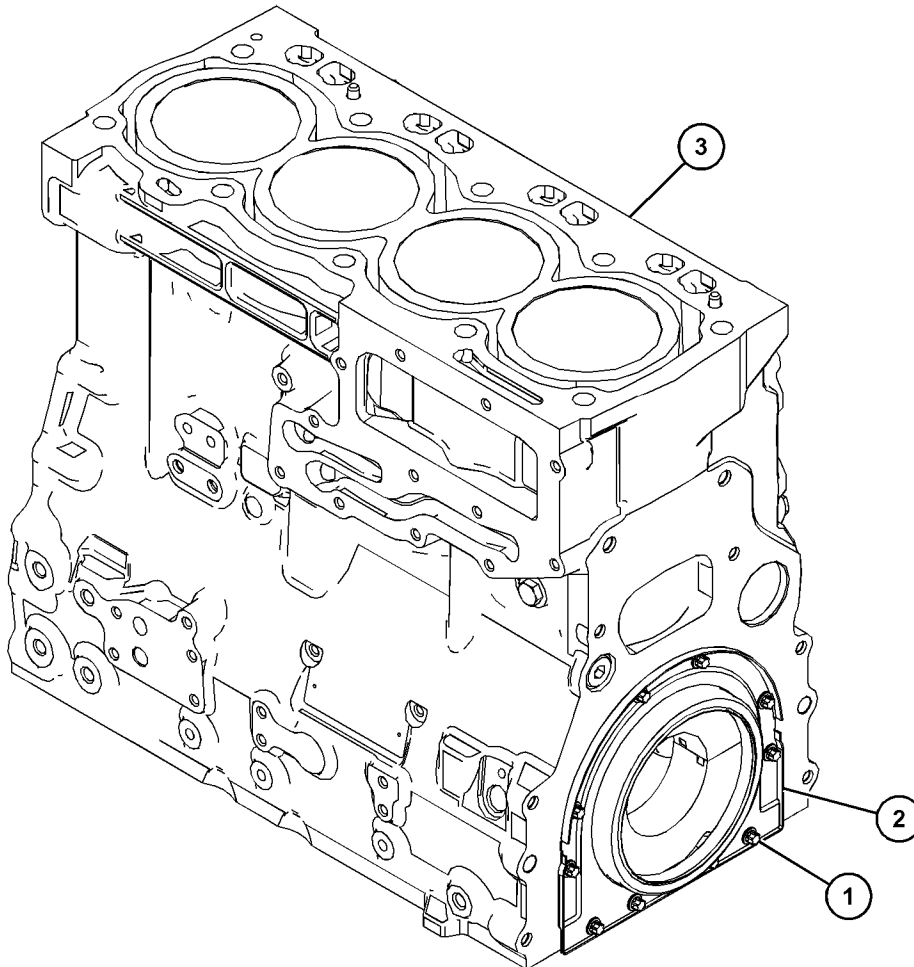
PART OF 452-7386 CYLINDER BLOCK GP-SHORT, 463-8848, 463-8910 ENGINE AR-PRIMARY
TYPE 2

SMCS-1201

i07793167

NOTE	REF NO	GRAPHIC REF	PART NUMBER	QTY	PART NAME						SEE PAGE
					1	2	3	4	5	6 (PRODUCT LEVEL)	
M	1	1	209-9219	10	BOLT (M8X1.25X16-MM)						
	2	1	232-7449	1	HOUSING AS						
CY	3	1	564-8857	1	CYLINDER BLOCK AS						68

C - CHANGE FROM PREVIOUS TYPE
M - METRIC PART
Y - SEPARATE ILLUSTRATION



GRAPHIC #1

<END>

g03813084

BASIC ENGINE

451-7736 CYLINDER BLOCK GP

S/N: W231-UP

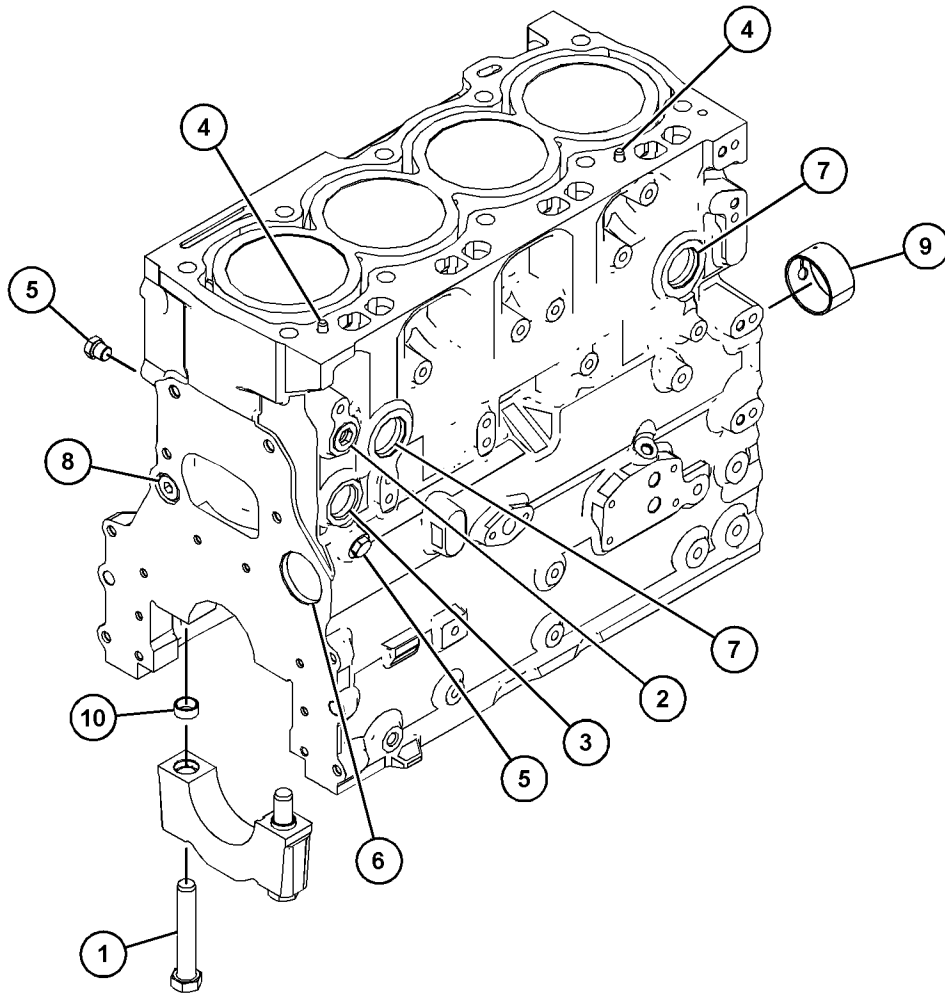
PART OF 415-3299 CYLINDER BLOCK GP

SMCS-1201

i06914865

NOTE	REF NO	GRAPHIC REF	PART NUMBER	QTY	PART NAME						SEE PAGE
					1	2	3	4	5	6	
	1	1	035-8068	10	BOLT (5/8-18X3.75-IN)						
	2	1	067-6006	1	PLUG (CYLINDER BLOCK)						
	3	1	067-6043	1	PLUG-SIDE						
	4	1	185-0884	2	DOWEL						
	5	1	225-8858	2	PLUG						
	6	1	232-7596	1	PLUG						
	7	1	232-7597	2	PLUG						
	8	1	232-7599	1	PLUG (7/8-14-THD)						
	9	1	366-8853	1	BEARING						
	10	1	067-6002	10	DOWEL						

PARTS SHOWN IN GRAPHIC(S) WITHOUT A REFERENCE NUMBER ARE NOT SERVICED SEPARATELY



GRAPHIC #1

<END>

g03811216

BASIC ENGINE

464-1143 CYLINDER BLOCK GP

S/N: CN51-UP; TH91-UP

FIELD REPLACEMENT ORDER 492-1082-PAGE: 131

PART OF 350-3745 CYLINDER BLOCK GP

AN ATTACHMENT AND FIELD INSTALLATION

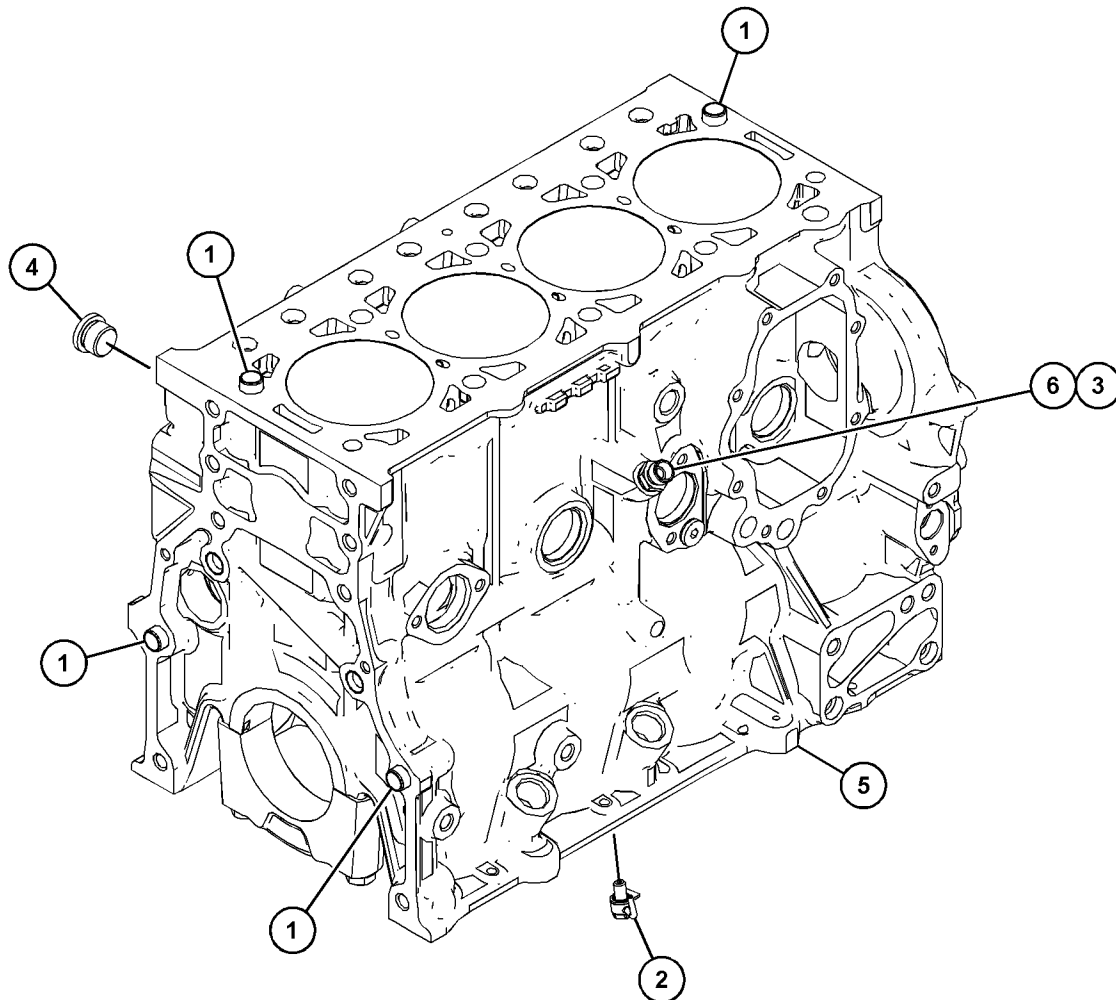
TYPE 1

SMCS-1201

i07222165

NOTE	REF NO	GRAPHIC REF	PART NUMBER	QTY	PART NAME						SEE PAGE
					1	2	3	4	5	6 (PRODUCT LEVEL)	
	1	1	379-3142	4	DOWEL						
	2	1	379-3158	4	NOZZLE AS (PISTON COOLING)						
	3	1	379-3163	1	WASHER						
	4	1	379-3164	1	PLUG						
Y	5	1	491-7329	1	CYLINDER BLOCK GP						79
	6	1	464-6417	1	ADAPTER						

Y - SEPARATE ILLUSTRATION



GRAPHIC #1

<END>

g03739227

BASIC ENGINE

464-1143 CYLINDER BLOCK GP

S/N: CN51-UP; TH91-UP

FIELD REPLACEMENT ORDER 492-1082-PAGE: 131

PART OF 350-3745 CYLINDER BLOCK GP

AN ATTACHMENT AND FIELD INSTALLATION

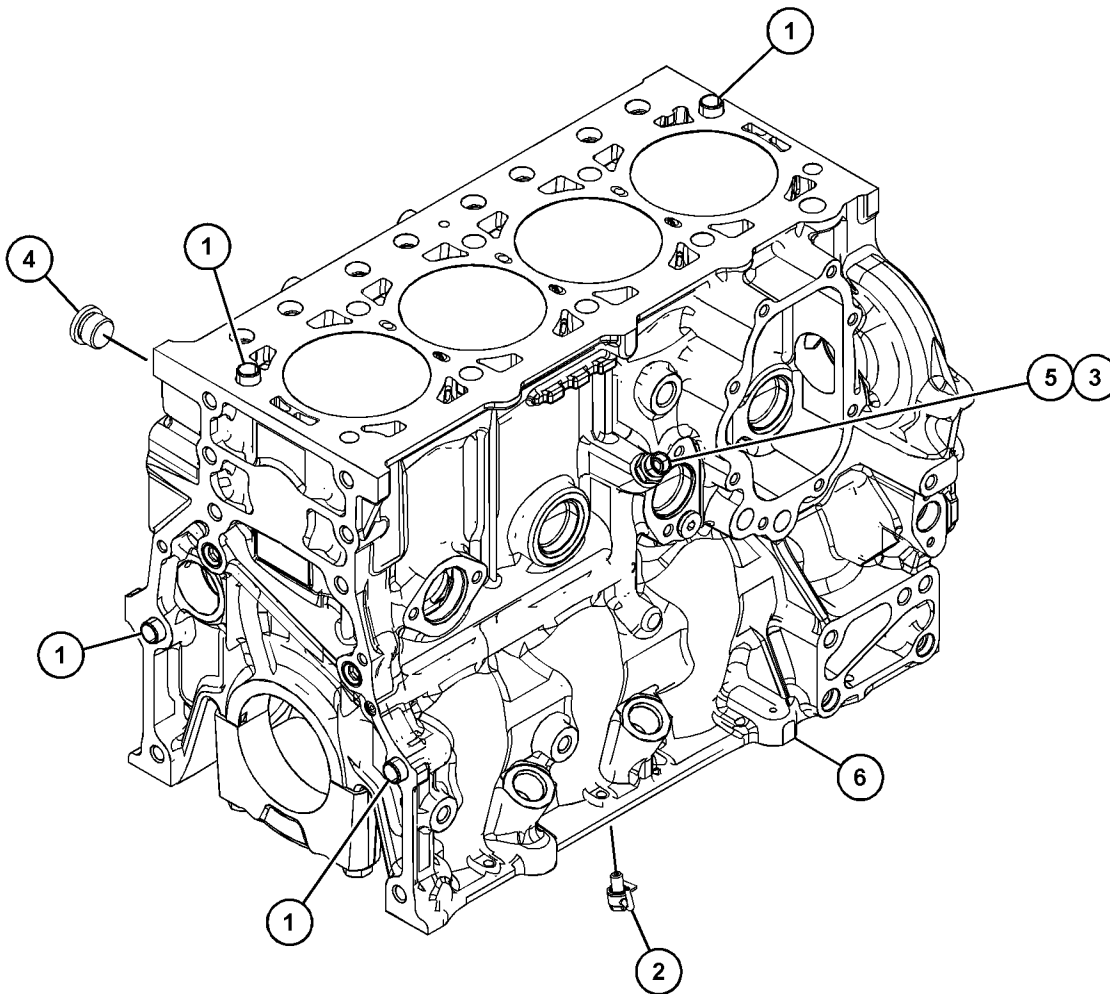
TYPE 2

SMCS-1201

i08113365

NOTE	REF NO	GRAPHIC REF	PART NUMBER	QTY	PART NAME						SEE PAGE
					1	2	3	4	5	6 (PRODUCT LEVEL)	
	1	1	379-3142	4	DOWEL						
	2	1	379-3158	4	NOZZLE AS (PISTON COOLING)						
	3	1	379-3163	1	WASHER						
	4	1	379-3164	1	PLUG						
	5	1	464-6417	1	ADAPTER						
Y	6	1	558-2879	1	CYLINDER BLOCK GP						81

Y - SEPARATE ILLUSTRATION



GRAPHIC #1

<END>

g06532710

BASIC ENGINE

491-7329 CYLINDER BLOCK GP

S/N: CN51-UP; TH91-UP

PART OF 464-1143 CYLINDER BLOCK GP, 492-1082 KIT-CYLINDER BLOCK
AN ATTACHMENT

SMCS-1201

i07424217

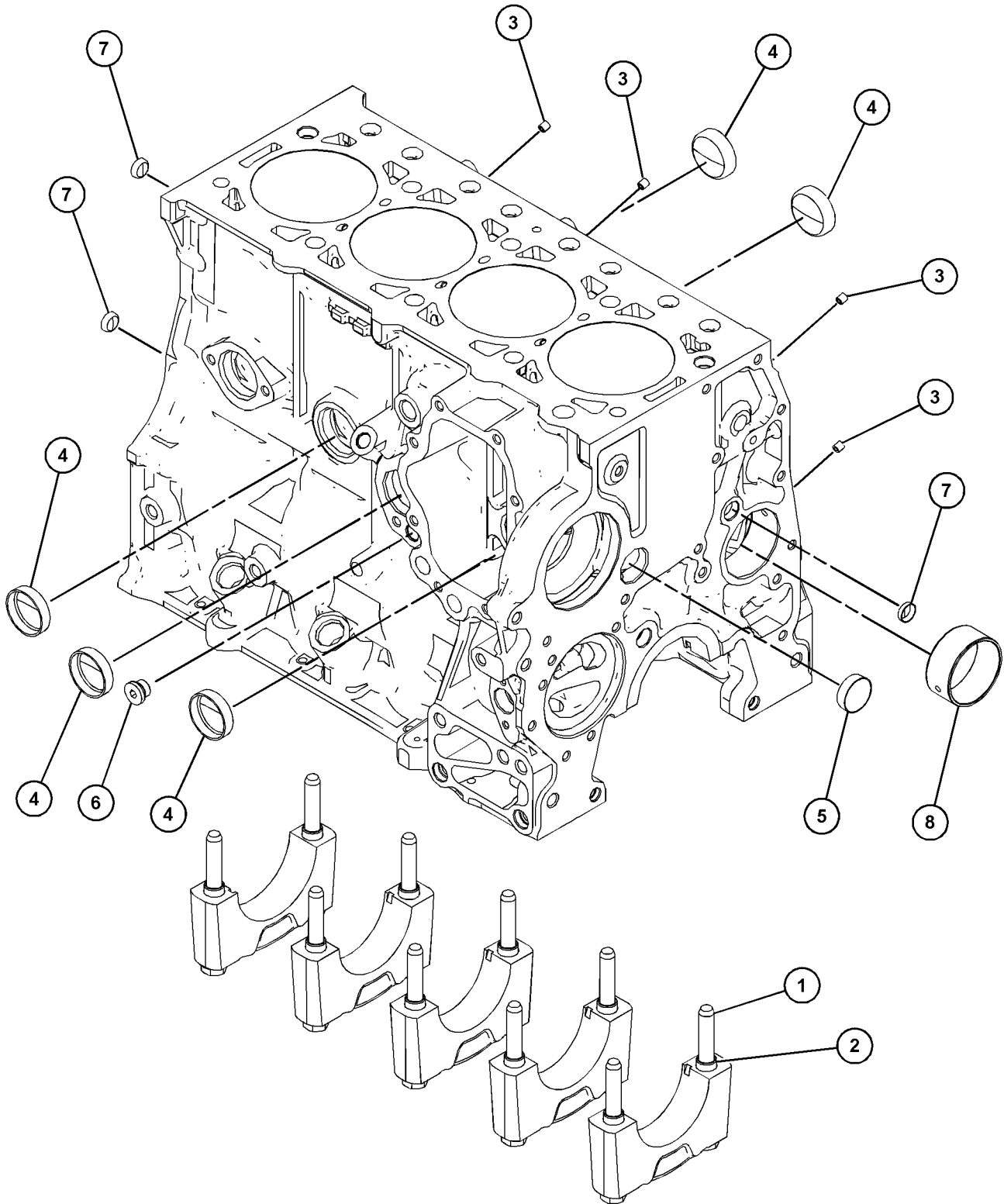
NOTE	REF NO	GRAPHIC REF	PART NUMBER	QTY	PART NAME						SEE PAGE
					1	2	3	4	5	6	
	1	1	379-3141	10	BOLT						
	2	1	379-3142	10	DOWEL						
	3	1	379-3144	4	PLUG						
	4	1	379-3145	5	PLUG						
	5	1	379-3146	1	PLUG						
	6	1	379-3147	1	PLUG						
	7	1	390-0320	3	PLUG						
	8	1	464-6447	1	BEARING						

PARTS SHOWN IN GRAPHIC(S) WITHOUT A REFERENCE NUMBER ARE NOT SERVICED SEPARATELY

BASIC ENGINE

491-7329 CYLINDER BLOCK GP (contd.)

i07424217



GRAPHIC #1

<END>

g06033120

BASIC ENGINE

558-2879 CYLINDER BLOCK GP

S/N: CN51-UP; TH91-UP

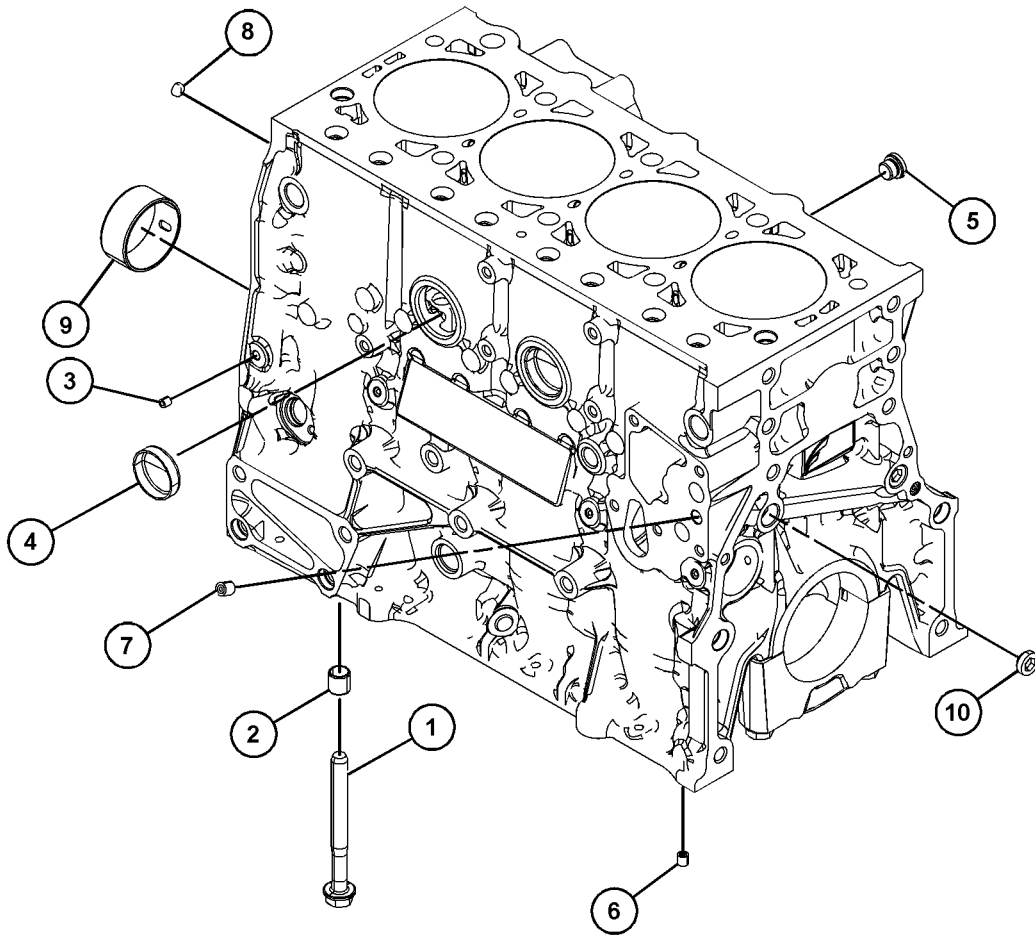
PART OF 464-1143 CYLINDER BLOCK GP
AN ATTACHMENT

SMCS-1201

i08066211

NOTE	REF NO	GRAPHIC REF	PART NUMBER	QTY	PART NAME						SEE PAGE
					1	2	3	4	5	6 (PRODUCT LEVEL)	
	1	1	379-3141	10	BOLT						
	2	1	379-3142	10	DOWEL						
	3	1	379-3144	4	PLUG						
	4	1	379-3145	5	PLUG						
	5	1	379-3147	1	PLUG						
	6	1	558-2890	1	PLUG						
	7	1	558-2889	2	PLUG						
	8	1	558-2887	1	PLUG						
	9	1	558-2882	1	BEARING						
	10	1	558-2883	3	PLUG						

PARTS SHOWN IN GRAPHIC(S) WITHOUT A REFERENCE NUMBER ARE NOT SERVICED SEPARATELY



GRAPHIC #1

<END>

g06527991

BASIC ENGINE

449-5062 CYLINDER BLOCK GP-SHORT

S/N: JKT1-UP

PART OF 449-5064 CYLINDER BLOCK GP-SHORT
ALSO AN ATTACHMENT

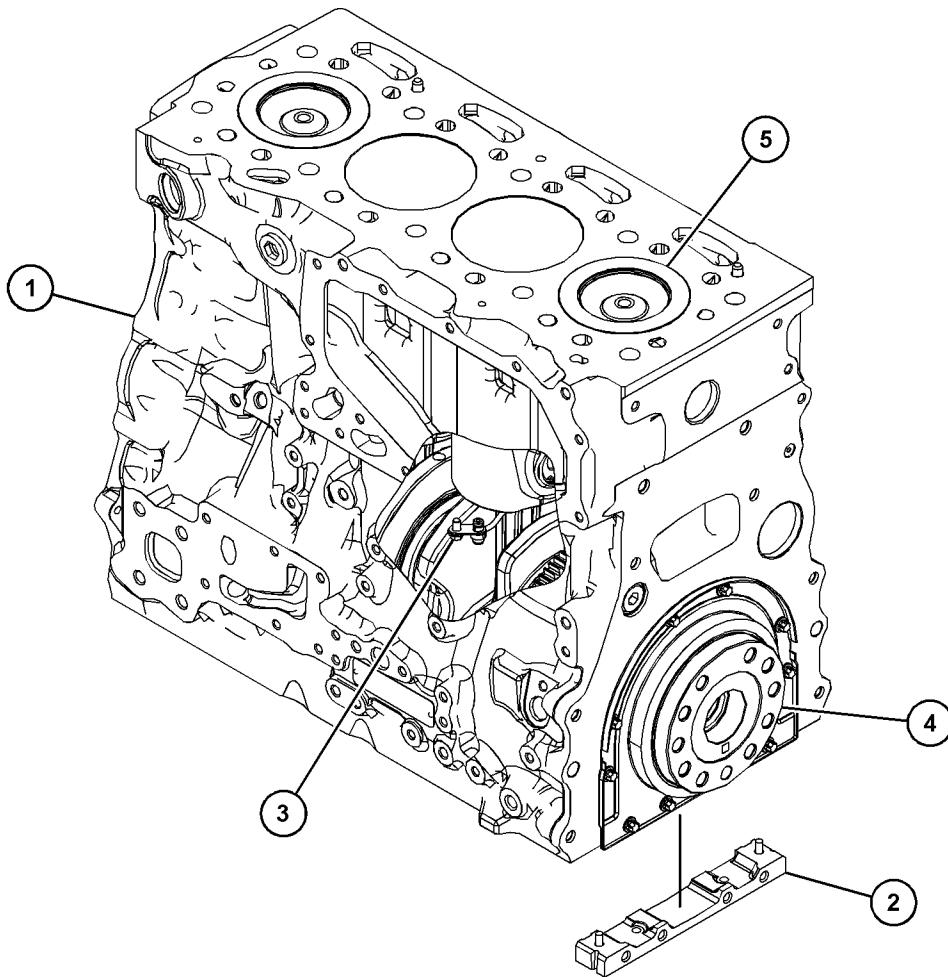
SMCS-1200, 1201

i08026407

NOTE	REF NO	GRAPHIC REF	PART NUMBER	QTY	PART NAME						SEE PAGE
					1	2	3	4	5	6 (PRODUCT LEVEL)	
Y	1	1	355-3530	1	CYLINDER BLOCK GP						71
	2	1	446-0181	1	BRIDGE GP-CYLINDER SUPPORT						
M		1	8T-0269	2	BOLT-SOCKET HEAD (M6X1X20-MM)						
		1	329-5230	1	BRIDGE-CYLINDER SUPPORT						
Y	3	1	330-9652	1	JET GP-PISTON COOLING						129
Y	4	1	364-5823	1	CRANKSHAFT GP						54
Y	5	1	392-1366	1	PISTON & ROD GP						148

M - METRIC PART

Y - SEPARATE ILLUSTRATION



GRAPHIC #1

<END>

g03734211

BASIC ENGINE

449-5064 CYLINDER BLOCK GP-SHORT

S/N: JKT1-UP

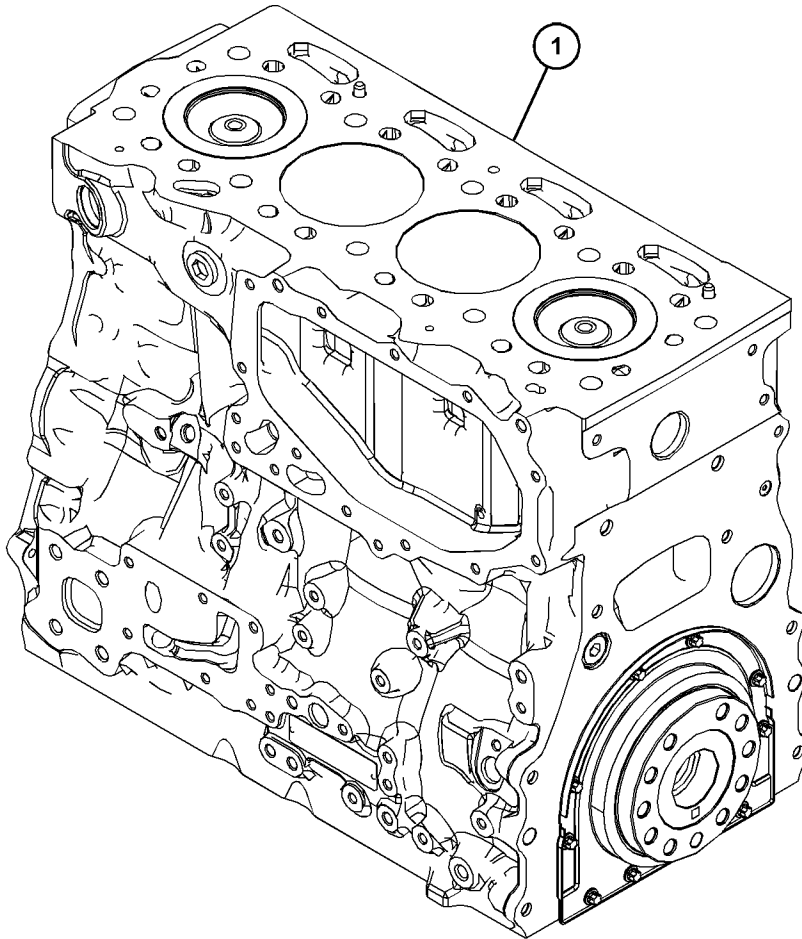
PART OF 465-0435, 466-2883 ENGINE AR
ALSO AN ATTACHMENT

SMCS-1200, 1201

i07195350

NOTE	REF NO	GRAPHIC REF	PART NUMBER	QTY	PART NAME						SEE PAGE
					1	2	3	4	5	6 (PRODUCT LEVEL)	
Y	1	1	449-5062	1	CYLINDER BLOCK GP-SHORT						82

Y - SEPARATE ILLUSTRATION



GRAPHIC #1

<END>

g03737923

BASIC ENGINE

452-7366 CYLINDER BLOCK GP-SHORT

S/N: W231-UP

PART OF 467-4409, 467-8302 ENGINE AR

SMCS-1200, 1201

i07197127

NOTE	PART NUMBER	QTY	PART NAME						SEE PAGE
			1	2	3	4	5	6 (PRODUCT LEVEL)	
Y	452-7386	1	CYLINDER BLOCK GP-SHORT						85

Y - SEPARATE ILLUSTRATION

<END>

BASIC ENGINE

452-7386 CYLINDER BLOCK GP-SHORT

S/N: W231-UP

FIELD REPLACEMENT FOR 463-8910-PAGE: 25: FOR 463-8848-PAGE: 23

PART OF 452-7366 CYLINDER BLOCK GP-SHORT

TYPE 1

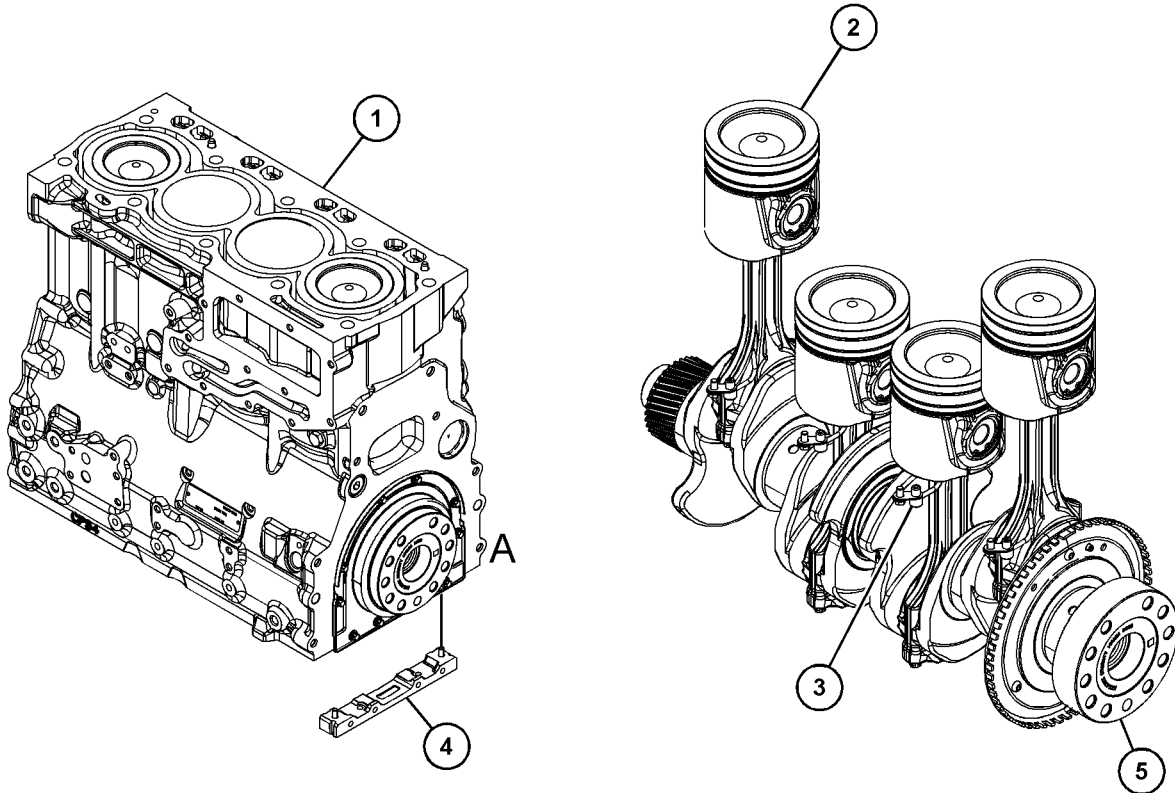
SMCS-1200, 1201

i07989548

NOTE	REF NO	GRAPHIC REF	PART NUMBER	QTY	PART NAME						SEE PAGE
					1	2	3	4	5	6 (PRODUCT LEVEL)	
Y	1	1	415-3299	1	CYLINDER BLOCK GP						74
Y	2	1	415-5518	1	PISTON & ROD GP						150
Y	3	1	415-7948	1	JET GP-PISTON COOLING						130
	4	1	460-6528	1	PAN GP-OIL						
M		1	8T-0269	2	BOLT-SOCKET HEAD (M6X1X20-MM)						
		1	230-8094	1	BRIDGE						
Y	5	1	433-6323	1	CRANKSHAFT GP						58

M - METRIC PART

Y - SEPARATE ILLUSTRATION



VIEW OF AREA A
(PARTS REMOVED FOR CLARITY)

GRAPHIC #1

<END>

g06499532

BASIC ENGINE

452-7386 CYLINDER BLOCK GP-SHORT

S/N: W231-UP

FIELD REPLACEMENT FOR 463-8910-PAGE: 25: FOR 463-8848-PAGE: 23

PART OF 452-7366 CYLINDER BLOCK GP-SHORT

TYPE 2

SMCS-1200, 1201

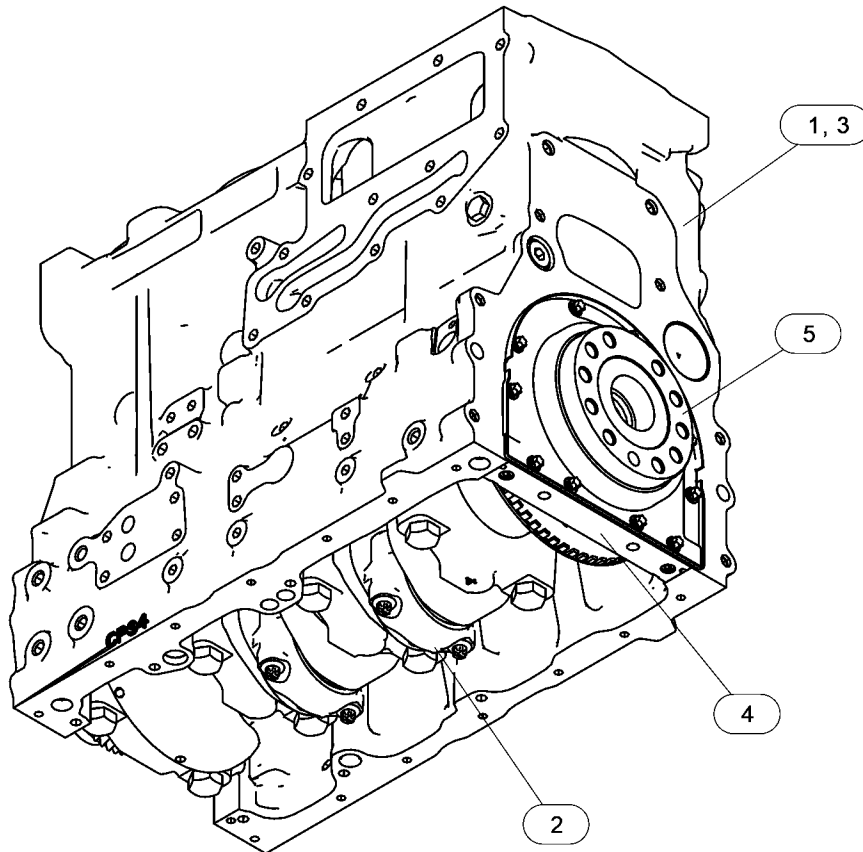
i08073934

NOTE	REF NO	GRAPHIC REF	PART NUMBER	QTY	PART NAME						SEE PAGE
					1	2	3	4	5	6 (PRODUCT LEVEL)	
Y	1	1	415-3299	1	CYLINDER BLOCK GP						74
Y	2	1	415-5518	1	PISTON & ROD GP						150
Y	3	1	415-7948	1	JET GP-PISTON COOLING						130
	4	1	460-6528	1	PAN GP-OIL						
M		1	8T-0269	2	BOLT-SOCKET HEAD (M6X1X20-MM)						
		1	230-8094	1	BRIDGE						
CY	5	1	510-5297	1	CRANKSHAFT GP						62

C - CHANGE FROM PREVIOUS TYPE

M - METRIC PART

Y - SEPARATE ILLUSTRATION



GRAPHIC #1

<END>

g06551313

BASIC ENGINE

353-9607 CYLINDER HEAD AS

S/N: JKT1-UP

HIGH POWER

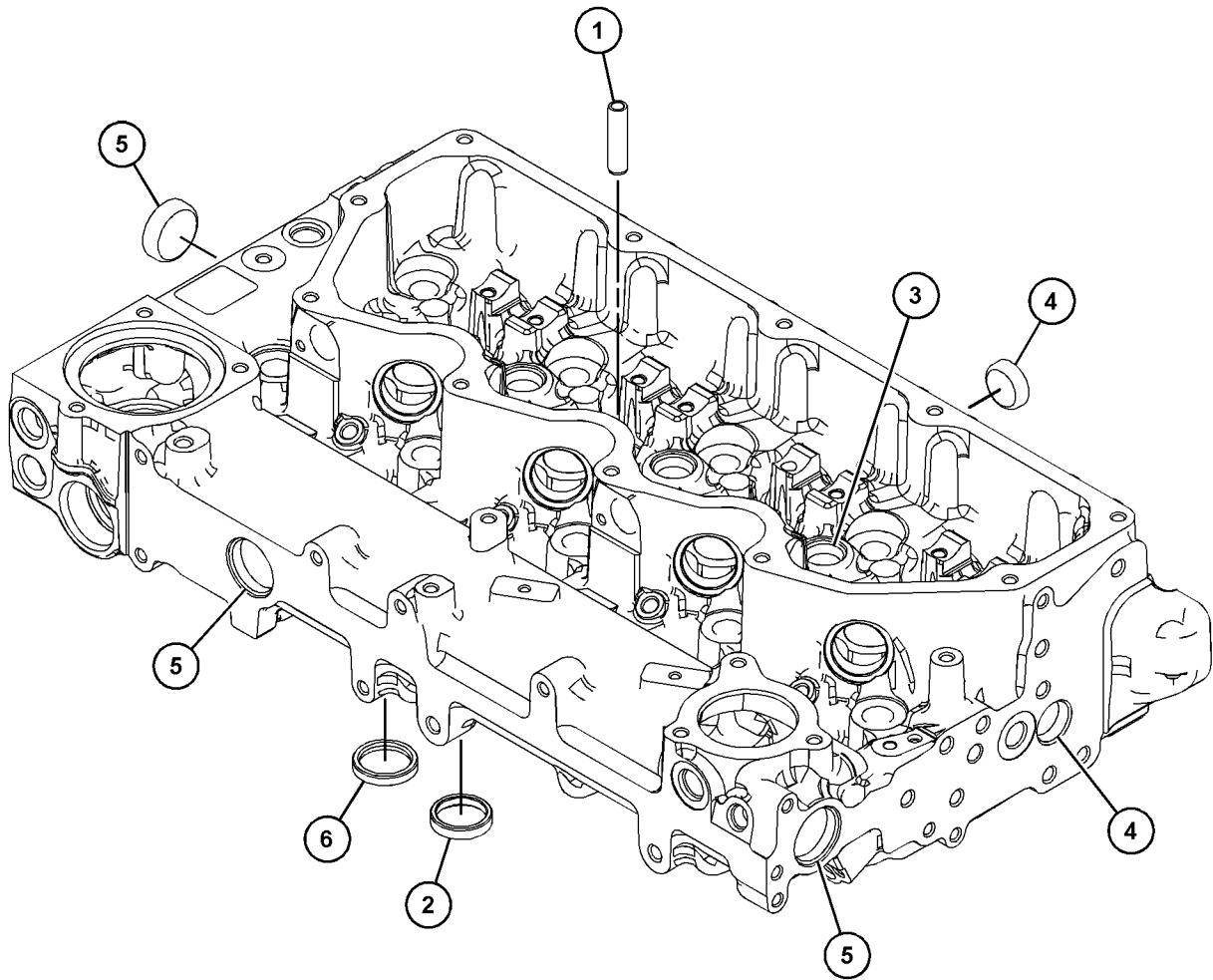
PART OF 384-4082 CYLINDER HEAD GP

ALSO AN ATTACHMENT

SMCS-1100, 1101

i06187390

NOTE	REF NO	GRAPHIC REF	PART NUMBER	QTY	PART NAME						SEE PAGE
					1	2	3	4	5	6 (PRODUCT LEVEL)	
	1	1	356-9640	16	GUIDE-VALVE						
	2	1	343-5964	8	INSERT-VALVE SEAT (EXHAUST)						
	3	1	276-8117	4	PLUG-CORE						
	4	1	188-5102	9	PLUG						
	5	1	298-4528	3	PLUG-CORE						
	6	1	322-4120	8	INSERT-VALVE SEAT (INLET)						



GRAPHIC #1

<END>

g03841876

BASIC ENGINE

353-9662 CYLINDER HEAD AS

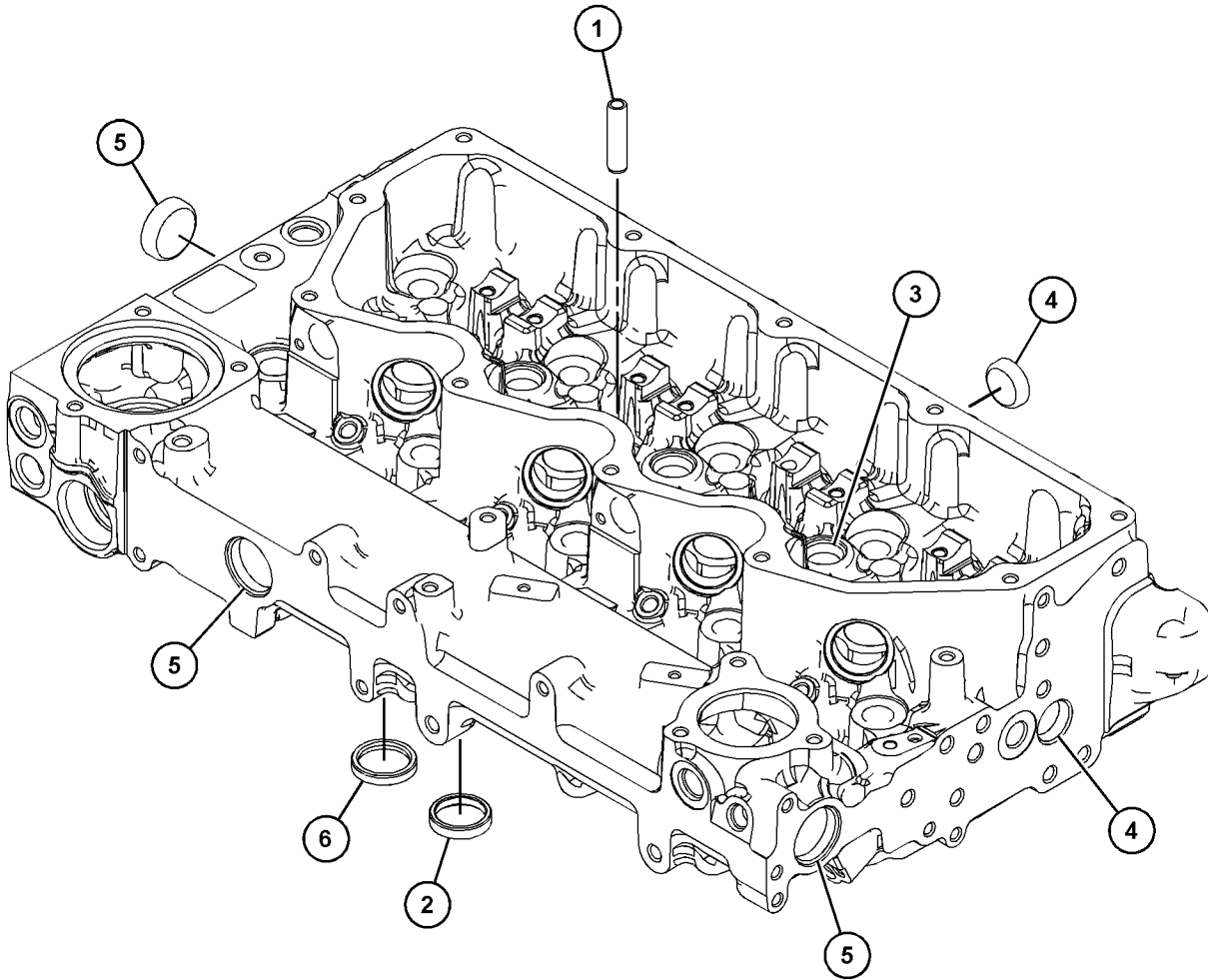
S/N: JKT1-UP

PART OF 587-7995 CYLINDER HEAD AS, 355-7044 CYLINDER HEAD GP
ALSO AN ATTACHMENT

SMCS-1100, 1101

i06660878

NOTE	REF NO	GRAPHIC REF	PART NUMBER	QTY	PART NAME						SEE PAGE
					1	2	3	4	5	6 (PRODUCT LEVEL)	
	1	1	356-9640	16	GUIDE-VALVE						
	2	1	343-5964	8	INSERT-VALVE SEAT (EXHAUST)						
	3	1	276-8117	4	PLUG-CORE						
	4	1	188-5102	9	PLUG						
	5	1	298-4528	3	PLUG-CORE						
	6	1	322-4120	8	INSERT-VALVE SEAT (INLET)						



GRAPHIC #1

<END>

g03841876

BASIC ENGINE

397-1559 CYLINDER HEAD AS

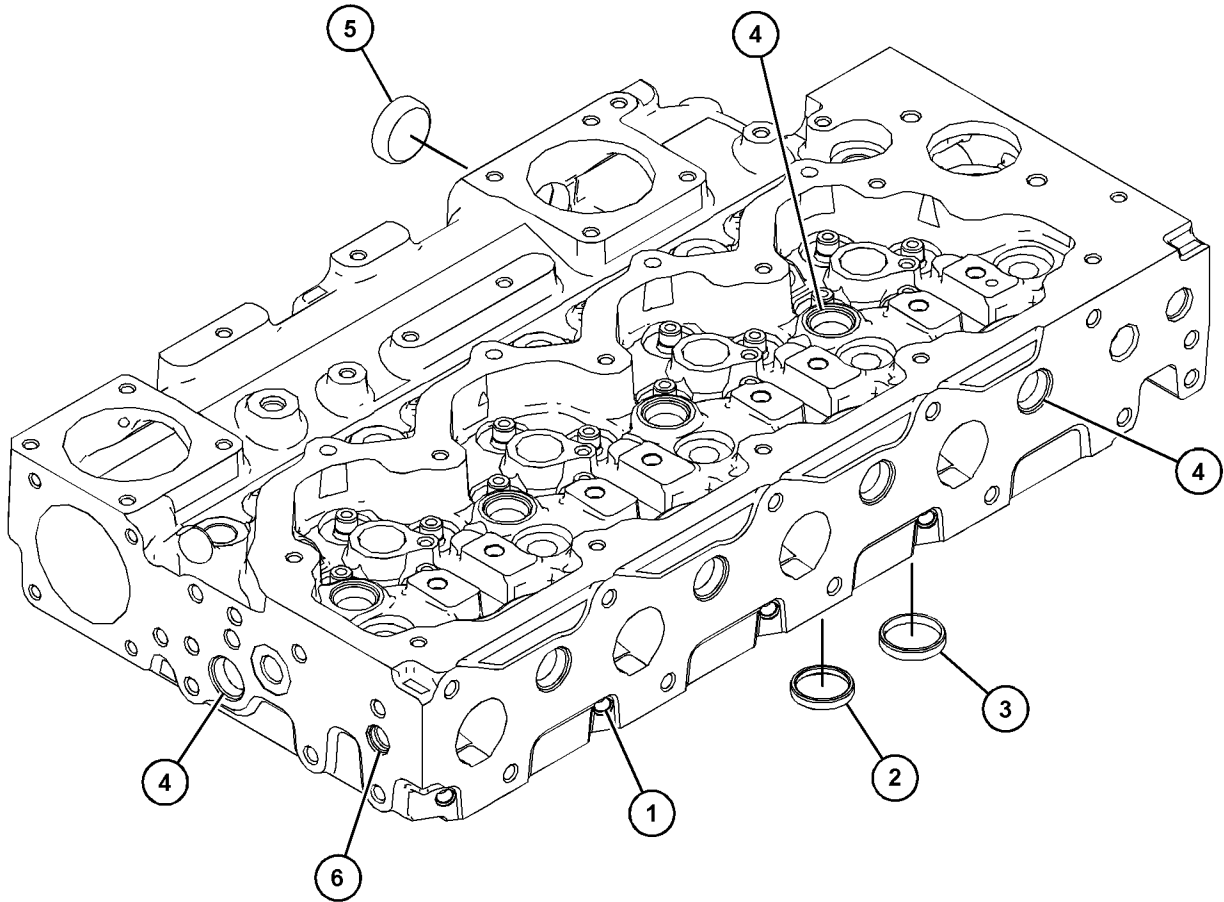
S/N: W231-UP

PART OF 460-7780 CYLINDER HEAD AS, 415-5520 CYLINDER HEAD GP

SMCS-1100, 1101

i06156134

NOTE	REF NO	GRAPHIC REF	PART NUMBER	QTY	PART NAME						SEE PAGE
					1	2	3	4	5	6 (PRODUCT LEVEL)	
	1	1	276-8116	4	PLUG-CORE						
	2	1	377-0400	8	INSERT-VALVE SEAT (EXHAUST)						
	3	1	377-0399	8	INSERT-VALVE SEAT (INTAKE)						
	4	1	276-8117	9	PLUG-CORE						
	5	1	298-4528	1	PLUG-CORE						
	6	1	298-4527	1	PLUG-CORE						



GRAPHIC #1

<END>

g03813035

BASIC ENGINE

445-9440 CYLINDER HEAD AS

S/N: CN51-UP

PART OF 441-9675 CYLINDER HEAD GP
AN ATTACHMENT

SMCS-1100, 1101

i06259164

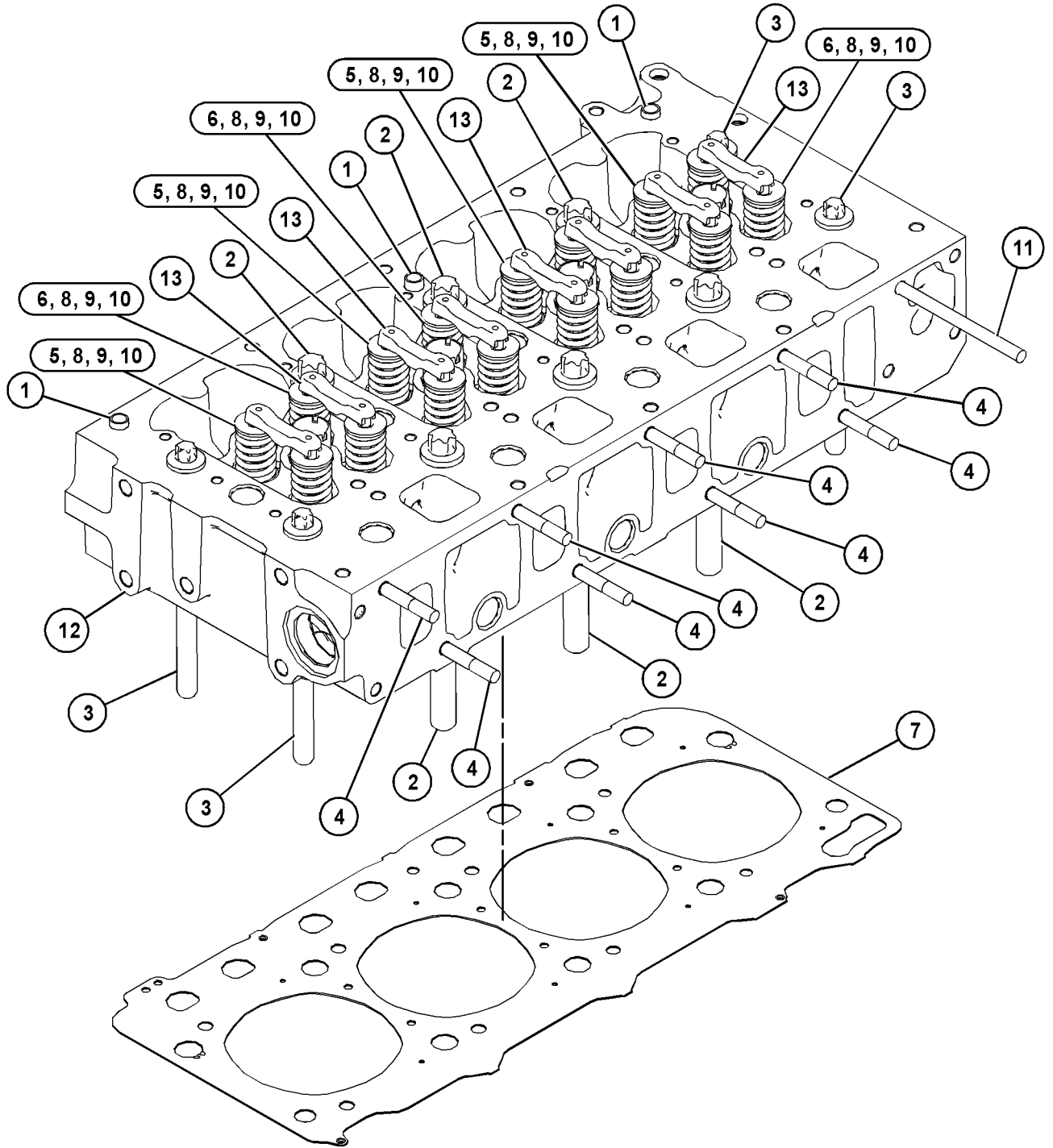
NOTE	REF NO	GRAPHIC REF	PART NUMBER	QTY	PART NAME						SEE PAGE
					1	2	3	4	5	6 (PRODUCT LEVEL)	
	1	1	381-3510	3	DOWEL						
	2	1	383-0799	6	STUD						
	3	1	387-7747	4	STUD						
	4	1	390-0319	8	STUD						
	5	1	463-7717	8	VALVE (EXHAUST)						
	6	1	463-7718	8	VALVE (INLET)						
	7	1	463-7726	1	GASKET (1.05-MM THK)						
					-OR-						
		1	485-9160	1	GASKET (0.95-MM THK)						
	8	1	463-7727	16	SPRING						
	9	1	463-7731	16	CAP						
	10	1	463-7732	16	CAP						
	11	1	463-7733	1	STUD						
Y	12	1	463-7738	1	CYLINDER HEAD AS						93
	13	1	463-7736	8	ARM (ROCKER)						

Y - SEPARATE ILLUSTRATION

BASIC ENGINE

445-9440 CYLINDER HEAD AS (contd.)

i06259164



GRAPHIC #1

<END>

g03826630

BASIC ENGINE

460-7780 CYLINDER HEAD AS

S/N: W231-UP

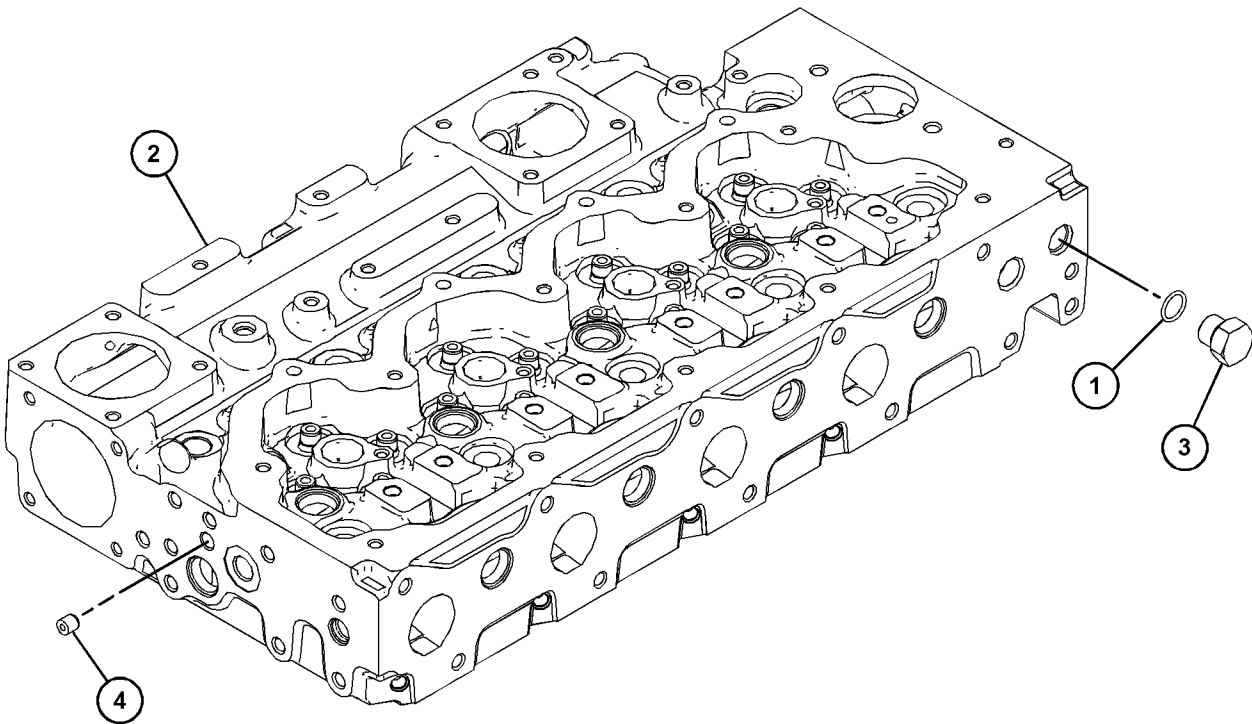
PART OF 452-7397 CYLINDER HEAD GP

SMCS-1100, 1101

i07075228

NOTE	REF NO	GRAPHIC REF	PART NUMBER	QTY	PART NAME						SEE PAGE
					1	2	3	4	5	6 (PRODUCT LEVEL)	
	1	1	199-9751	1	SEAL - O - RING						
Y	2	1	397-1559	1	CYLINDER HEAD AS						89
	3	1	232-1322	1	PLUG (BLANKING)						
	4	1	295-6661	1	PLUG						

Y - SEPARATE ILLUSTRATION



GRAPHIC #1

<END>

g06110937

BASIC ENGINE

463-7738 CYLINDER HEAD AS

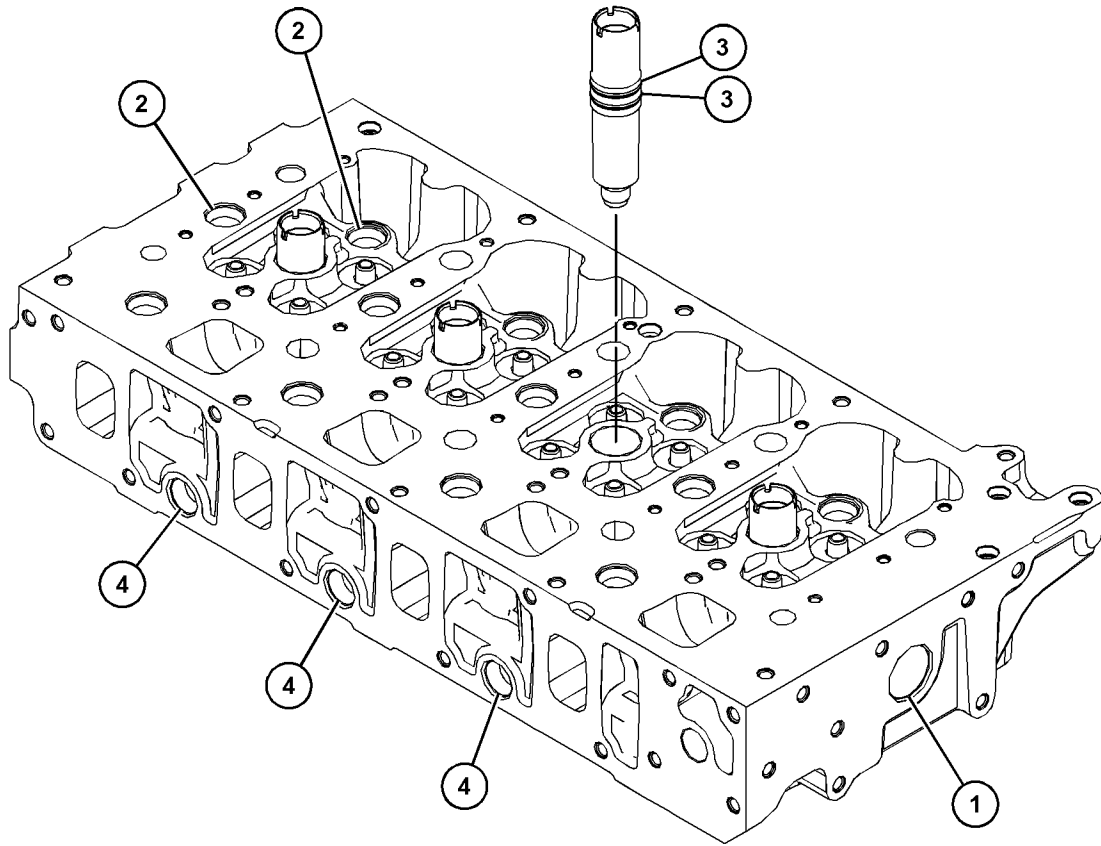
S/N: CN51-UP

PART OF 445-9440 CYLINDER HEAD AS
AN ATTACHMENT

SMCS-1100, 1101

i06145756

NOTE	REF NO	GRAPHIC REF	PART NUMBER	QTY	PART NAME						SEE PAGE
					1	2	3	4	5	6 (PRODUCT LEVEL)	
1	1	1	379-3146	1	PLUG						
2	1	1	381-3504	12	PLUG						
3	1	1	463-7715	8	SEAL						
4	1	1	463-7737	3	PLUG						



GRAPHIC #1

<END>

g03827856

BASIC ENGINE

587-7995 CYLINDER HEAD AS

S/N: JKT1-UP

PART OF 355-7044 CYLINDER HEAD GP
ALSO AN ATTACHMENT

SMCS-1100, 1101

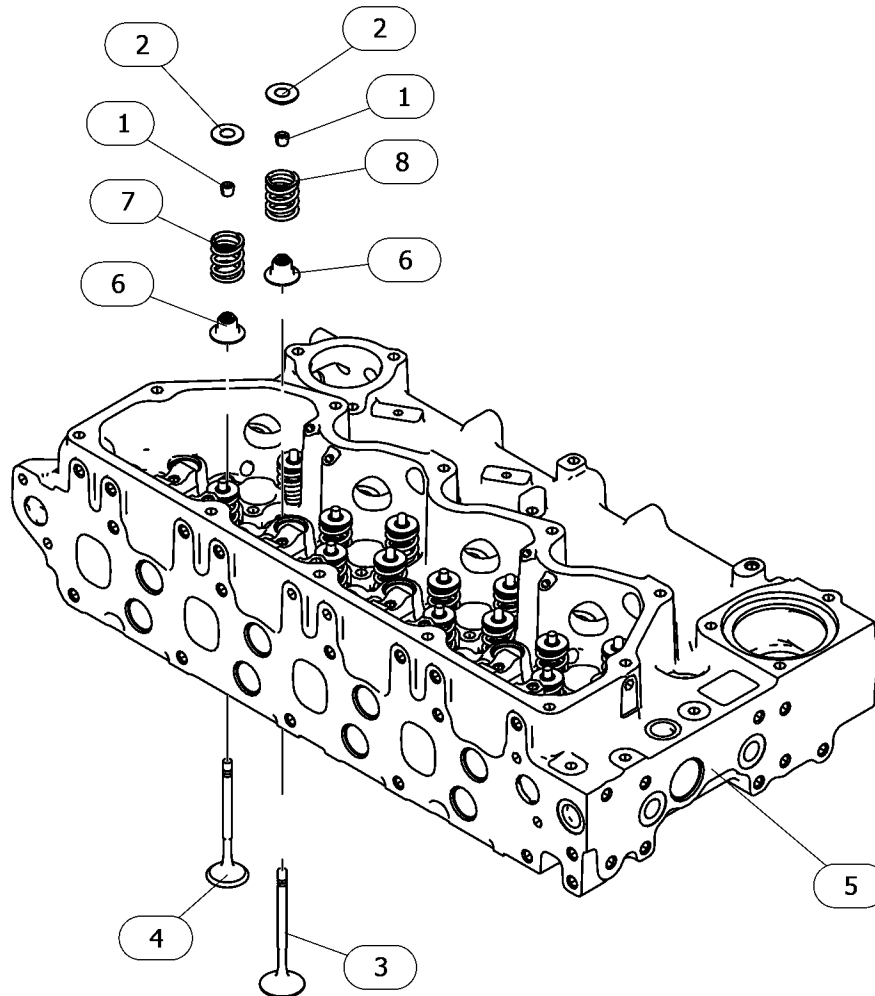
i08161612

NOTE	REF NO	GRAPHIC REF	PART NUMBER	QTY	PART NAME						SEE PAGE
					1	2	3	4	5	6	
	1	1	152-9860	32	RETAINER						
	2	1	336-5439	16	RETAINER-VALVE SPRING						
	3	1	336-5446	8	VALVE-INLET						
	4	1	336-5447	8	VALVE-EXHAUST						
Y	5	1	353-9662	1	CYLINDER HEAD AS						88
	6	1	387-9503	16	SEAL-VALVE STEM						
	7	1	436-0523	8	SPRING-VALVE						
	8	1	436-0525	8	SPRING-VALVE						

AVAILABLE REPAIR KIT(S) :

440-8443 1 KIT-CYLINDER HEAD REPAIR
(INCLUDES RETAINERS)

Y - SEPARATE ILLUSTRATION



GRAPHIC #1

<END>

g06569896

BASIC ENGINE

355-7044 CYLINDER HEAD GP

S/N: JKT1-UP

PART OF 464-2307, 464-2308 ENGINE AR-PRIMARY

ALSO AN ATTACHMENT

TYPE 1

SMCS-1100

i06937890

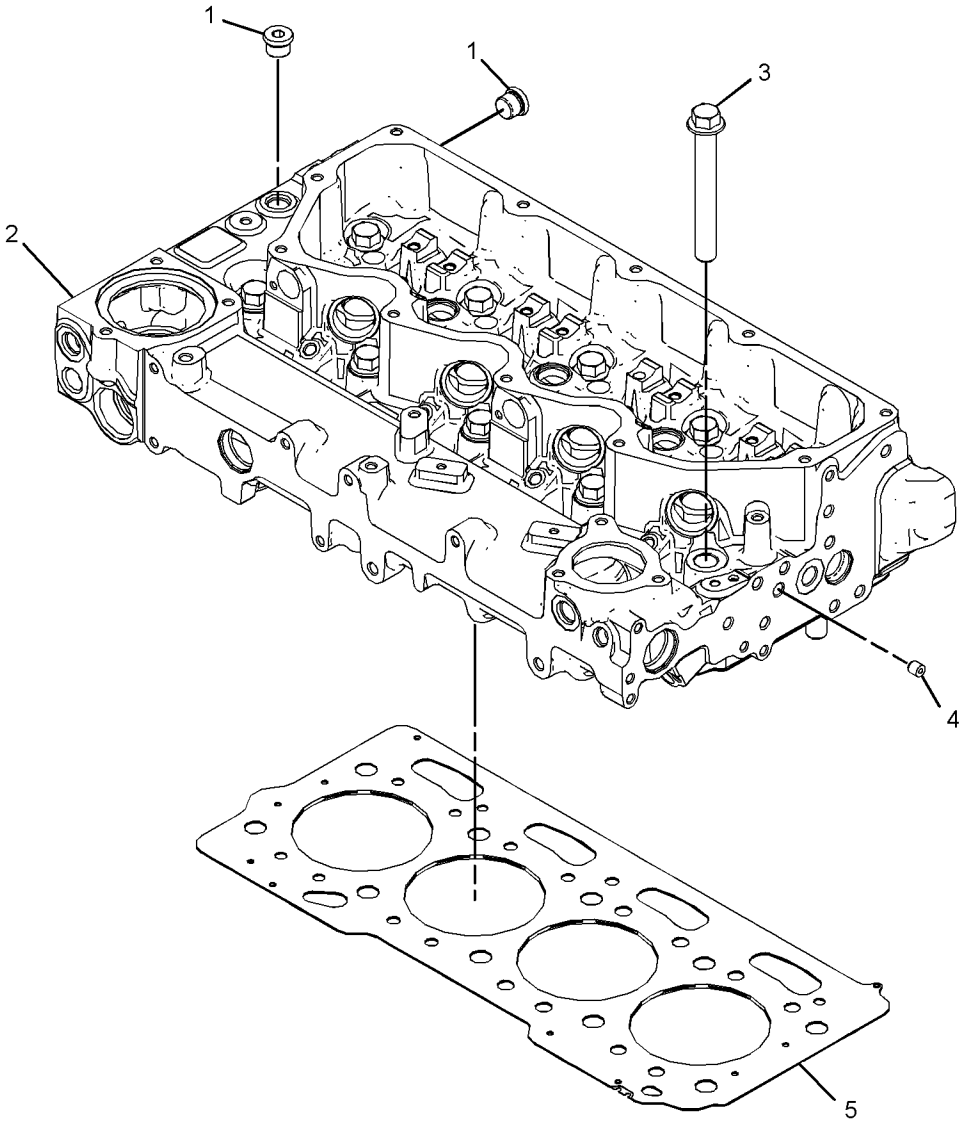
NOTE	REF NO	GRAPHIC REF	PART NUMBER	QTY	PART NAME						SEE PAGE
					1	2	3	4	5	6 (PRODUCT LEVEL)	
C	1	1	470-4925	2	PLUG						
Y	2	1	353-9662	1	CYLINDER HEAD AS						88
M	3	1	276-8134	10	BOLT-SPECIAL (M16X1.5X121-MM)						
	4	1	295-6661	1	PLUG						
	5	1	390-0341	1	GASKET-CYLINDER HEAD						
B		1	370-6891	1	GASKET-CYLINDER HEAD						
B		1	370-6892	1	GASKET-CYLINDER HEAD						

B - USE AS REQUIRED
 C - CHANGE FROM PREVIOUS TYPE
 M - METRIC PART
 Y - SEPARATE ILLUSTRATION

BASIC ENGINE

355-7044 CYLINDER HEAD GP (contd.)

i06937890



GRAPHIC #1

<END>

g06187872

BASIC ENGINE

355-7044 CYLINDER HEAD GP

S/N: JKT1-UP

PART OF 464-2307, 464-2308 ENGINE AR-PRIMARY

ALSO AN ATTACHMENT

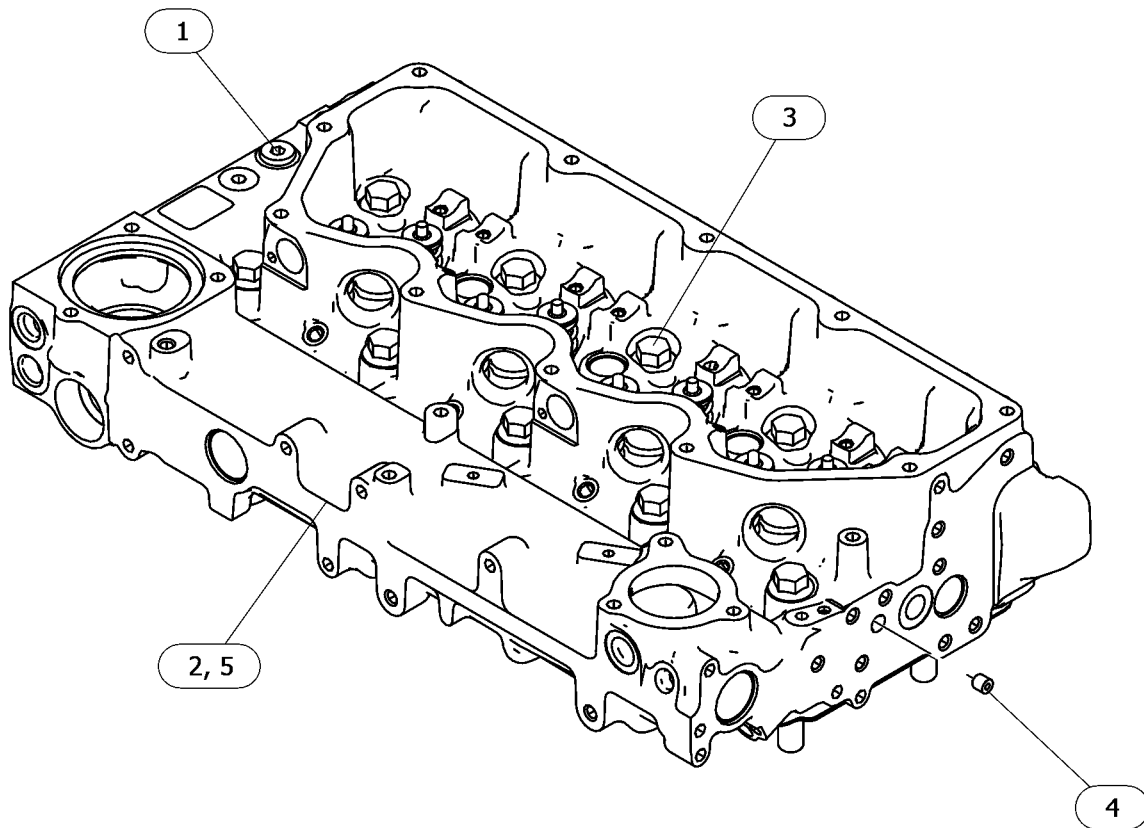
TYPE 2

SMCS-1100

i08161621

NOTE	REF NO	GRAPHIC REF	PART NUMBER	QTY	PART NAME						SEE PAGE
					1	2	3	4	5	6 (PRODUCT LEVEL)	
	1	1	470-4925	2	PLUG						
CY	2	1	587-7995	1	CYLINDER HEAD AS						94
M	3	1	276-8134	10	BOLT-SPECIAL (M16X1.5X121-MM)						
	4	1	295-6661	1	PLUG						
	5	1	390-0341	1	GASKET-CYLINDER HEAD						
BF			370-6891	1	GASKET-CYLINDER HEAD						
BF			370-6892	1	GASKET-CYLINDER HEAD						

B - USE AS REQUIRED
 C - CHANGE FROM PREVIOUS TYPE
 F - NOT SHOWN
 M - METRIC PART
 Y - SEPARATE ILLUSTRATION



GRAPHIC #1

<END>

g06569331

BASIC ENGINE

384-4082 CYLINDER HEAD GP

S/N: JKT1-UP

SHORT HEAD

PART OF 384-4906 CYLINDER HEAD GP

ALSO AN ATTACHMENT

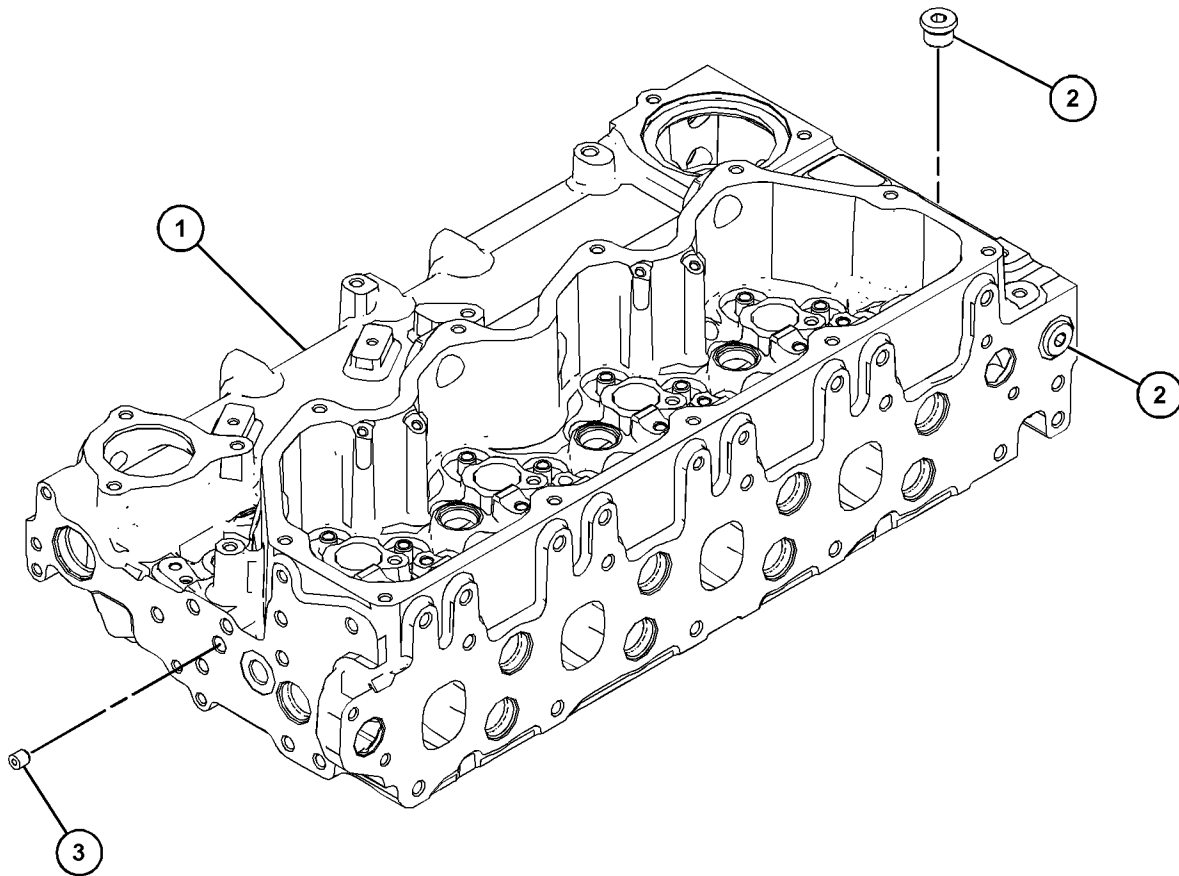
SMCS-1100

i06937905

NOTE	REF NO	GRAPHIC REF	PART NUMBER	QTY	PART NAME						SEE PAGE
					1	2	3	4	5	6 (PRODUCT LEVEL)	
Y	1	1	353-9607	1	CYLINDER HEAD AS						87
C	2	1	470-4925	2	PLUG						
	3	1	295-6661	1	PLUG						

C - CHANGE FROM PREVIOUS TYPE

Y - SEPARATE ILLUSTRATION



GRAPHIC #1

<END>

g06187743

BASIC ENGINE

384-4902 CYLINDER HEAD GP

S/N: JKT1-UP

FIELD REPLACEMENT FOR 464-2307-PAGE: 27: FOR 464-2308-PAGE: 29

PART OF 465-0435, 466-2883 ENGINE AR

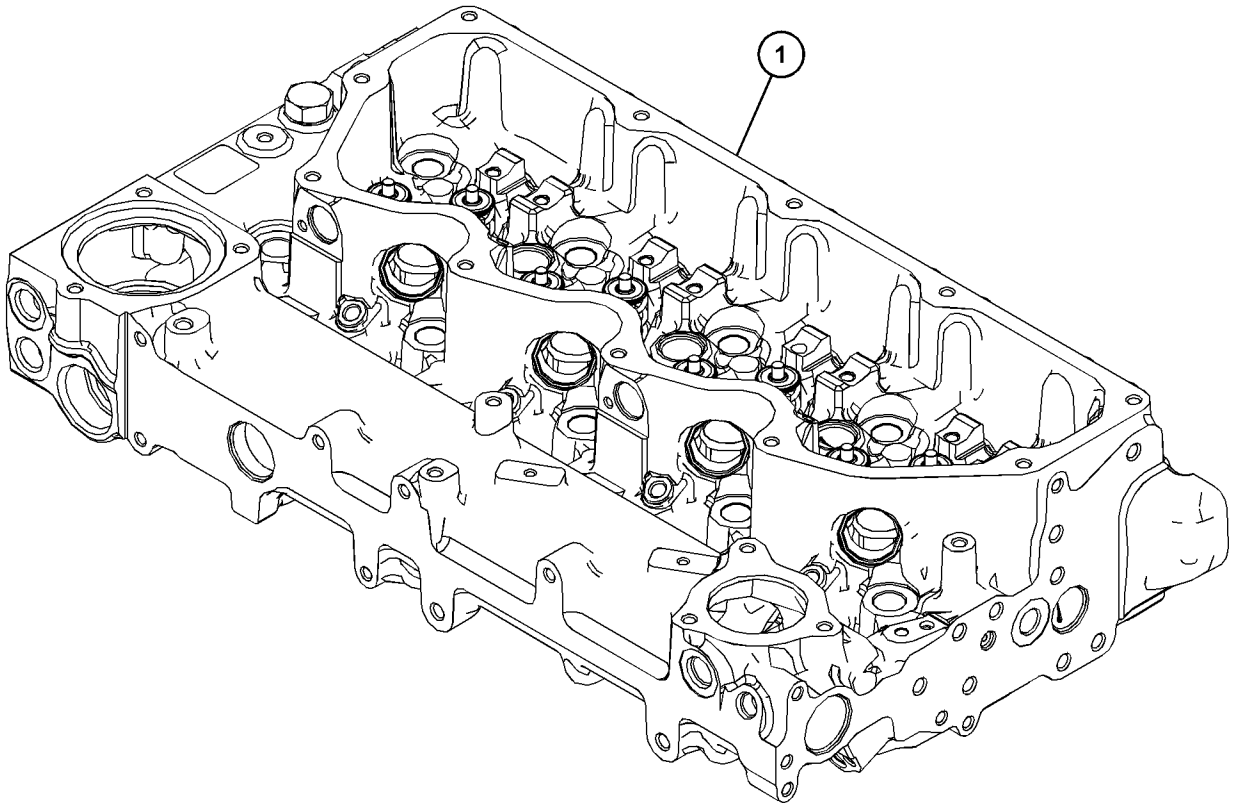
ALSO AN ATTACHMENT

SMCS-1100

i05943762

NOTE	REF NO	GRAPHIC REF	PART NUMBER	QTY	PART NAME						SEE PAGE
					1	2	3	4	5	6 (PRODUCT LEVEL)	
Y	1	1	384-4906	1	CYLINDER HEAD GP (SHORT)						100

Y - SEPARATE ILLUSTRATION



GRAPHIC #1

<END>

g03664199

BASIC ENGINE

384-4906 CYLINDER HEAD GP

S/N: JKT1-UP

FIELD REPLACEMENT FOR 464-2307—PAGE: 27

PART OF 384-4902 CYLINDER HEAD GP

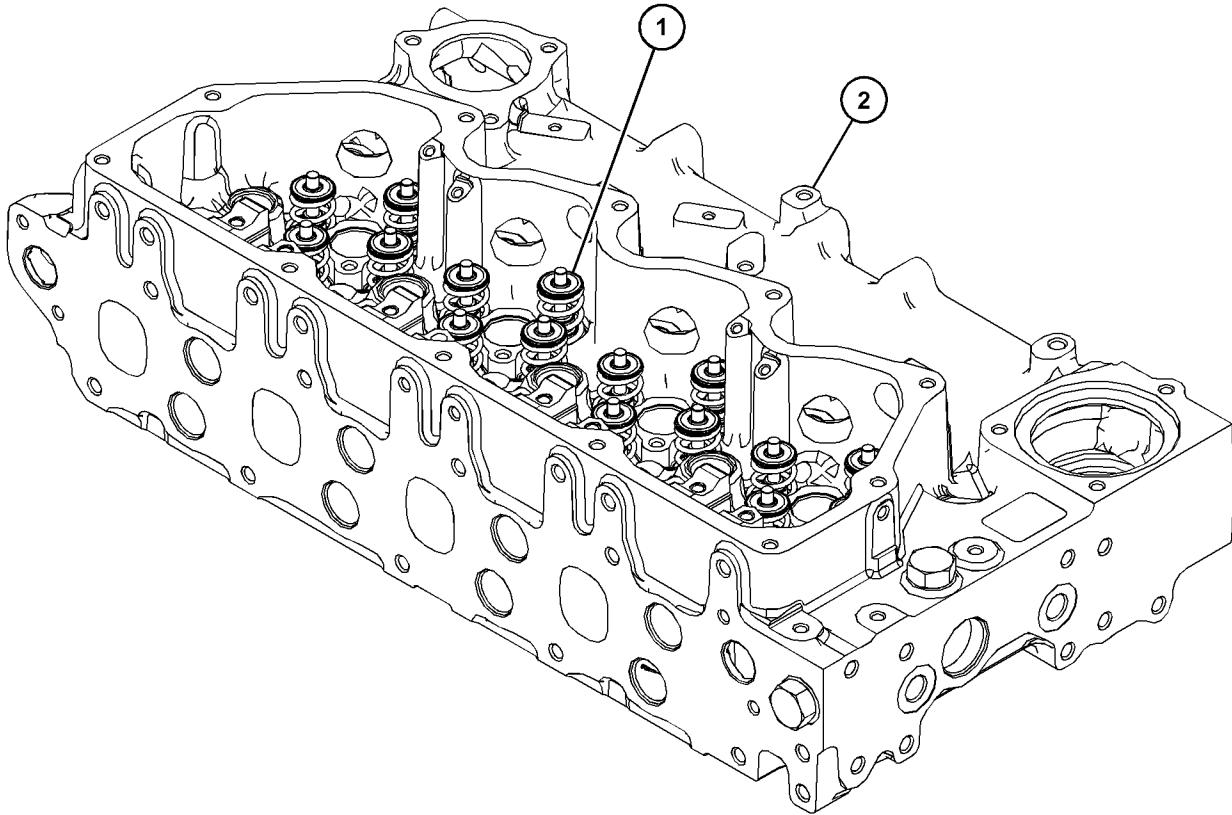
ALSO AN ATTACHMENT

SMCS-1100

i05775627

NOTE	REF NO	GRAPHIC REF	PART NUMBER	QTY	PART NAME	SEE PAGE
					1 2 3 4 5 6 (PRODUCT LEVEL)	
Y	1	1	384-4080	1	ROCKER ARM GP	176
Y	2	1	384-4082	1	CYLINDER HEAD GP	98

Y - SEPARATE ILLUSTRATION



GRAPHIC #1

<END>

g03664206

BASIC ENGINE

415-5520 CYLINDER HEAD GP

S/N: W231-UP

PART OF 463-8848, 463-8910 ENGINE AR-PRIMARY

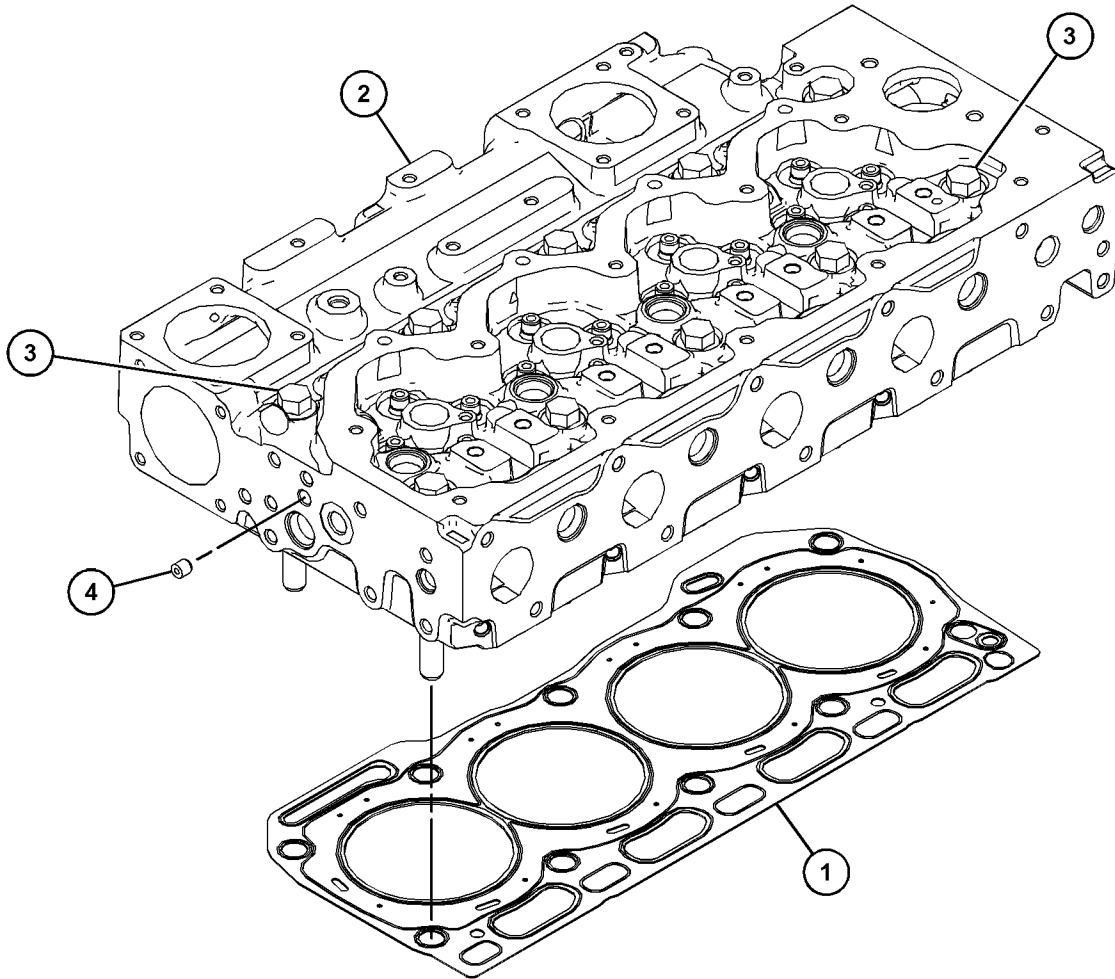
SMCS-1100

i06149428

NOTE	REF NO	GRAPHIC REF	PART NUMBER	QTY	PART NAME						SEE PAGE
					1	2	3	4	5	6 (PRODUCT LEVEL)	
	1	1	310-8520	1	GASKET-CYLINDER HEAD						
Y	2	1	397-1559	1	CYLINDER HEAD AS						89
	3	1	225-5501	10	BOLT (M15X1.5X137-MM)						
	4	1	295-6661	1	PLUG						
F			369-3707	1	GASKET-CYLINDER HEAD						

F - NOT SHOWN

Y - SEPARATE ILLUSTRATION



GRAPHIC #1

<END>

g03828609

BASIC ENGINE

441-9675 CYLINDER HEAD GP

S/N: CN51-UP

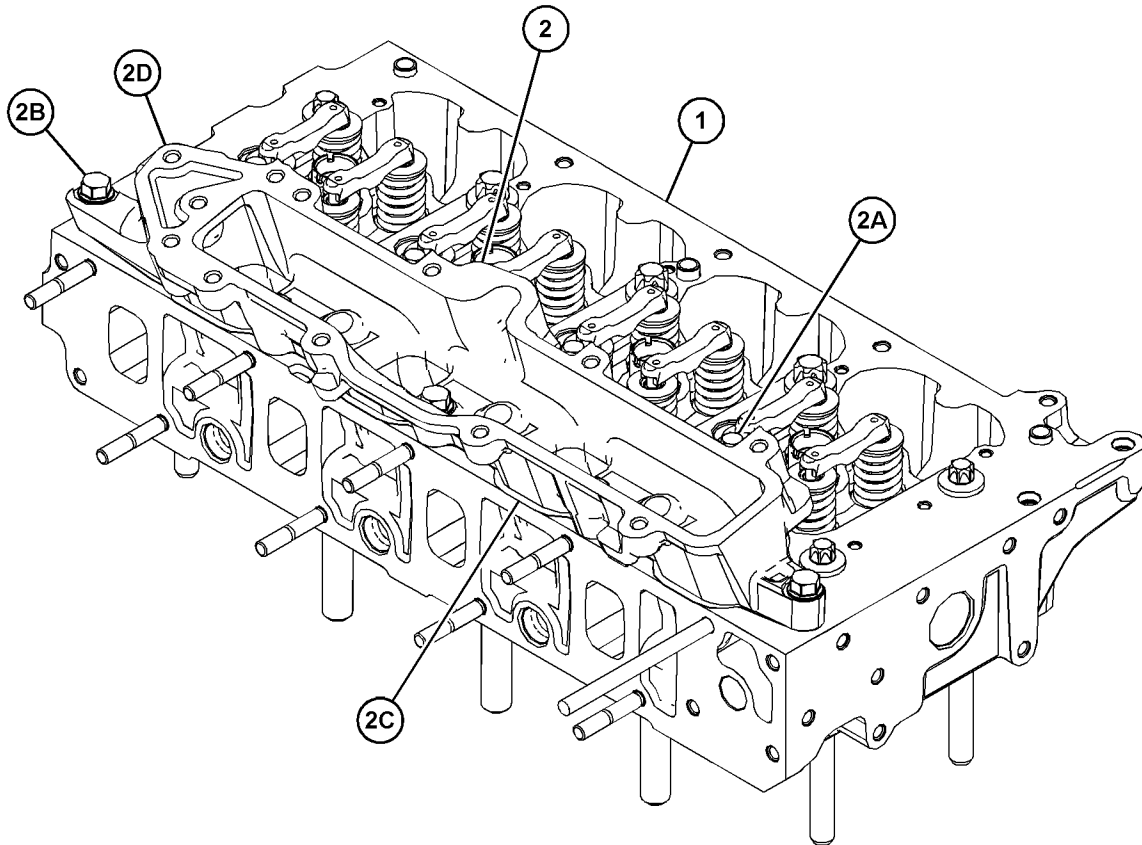
PART OF 465-2880 ENGINE AR-PRIMARY
AN ATTACHMENT

SMCS-1100

i06252192

NOTE	REF NO	GRAPHIC REF	PART NUMBER	QTY	PART NAME						SEE PAGE
					1	2	3	4	5	6 (PRODUCT LEVEL)	
Y	1	1	445-9440	1	CYLINDER HEAD AS						90
	2	1	445-9442	1	ADAPTER AS						
M	2A	1	6I-0455	4	BOLT (M8X1.25X55-MM)						
	2B	1	389-1920	5	BOLT						
	2C	1	463-7776	1	GASKET						
	2D	1	463-7831	1	ADAPTER						

M - METRIC PART
Y - SEPARATE ILLUSTRATION



GRAPHIC #1

<END>

g03825215

BASIC ENGINE

452-7394 CYLINDER HEAD GP

S/N: W231-UP

PART OF 467-4409, 467-8302 ENGINE AR

SMCS-1100

i07197129

NOTE	PART NUMBER	QTY	PART NAME						SEE PAGE
			1	2	3	4	5	6 (PRODUCT LEVEL)	
Y	452-7397	1	CYLINDER HEAD GP						104

Y - SEPARATE ILLUSTRATION

<END>

BASIC ENGINE

452-7397 CYLINDER HEAD GP

S/N: W231-UP

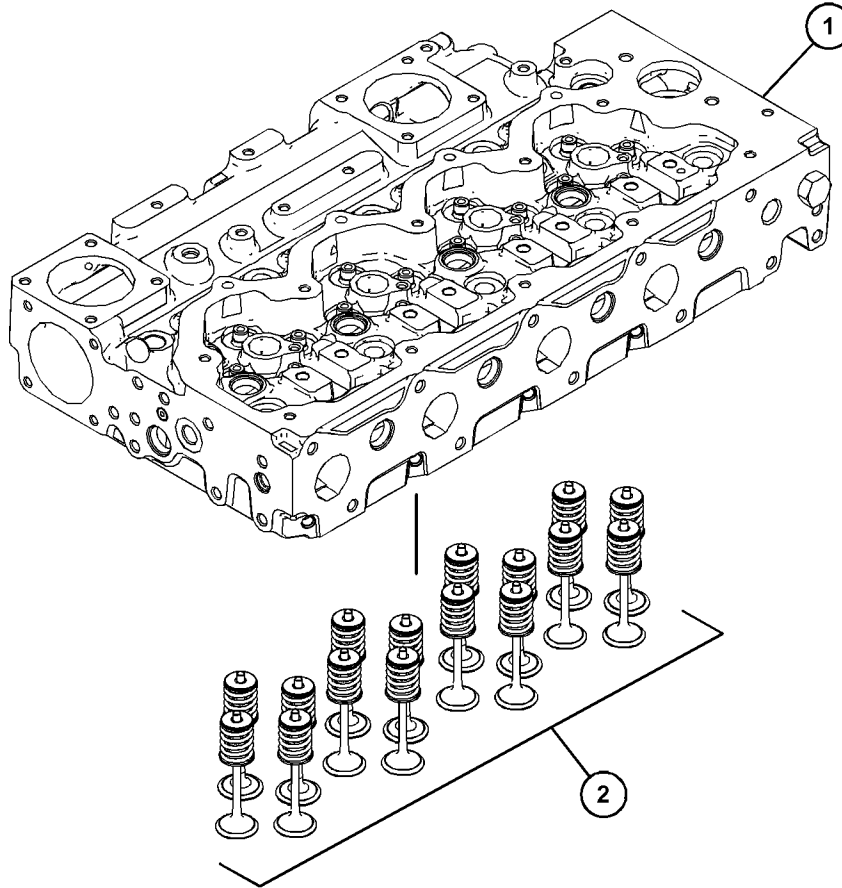
FIELD REPLACEMENT FOR 463-8910—PAGE: 25: FOR 463-8848—PAGE: 23
PART OF 452-7394 CYLINDER HEAD GP

SMCS-1100

i07075177

NOTE	REF NO	GRAPHIC REF	PART NUMBER	QTY	PART NAME						SEE PAGE
					1	2	3	4	5	6 (PRODUCT LEVEL)	
Y	1	1	460-7780	1	CYLINDER HEAD AS						92
Y	2	1	460-7781	1	ROCKER ARM GP						180

Y - SEPARATE ILLUSTRATION



GRAPHIC #1

<END>

g06116995

BASIC ENGINE

332-4667 DRAIN GP-ENGINE OIL

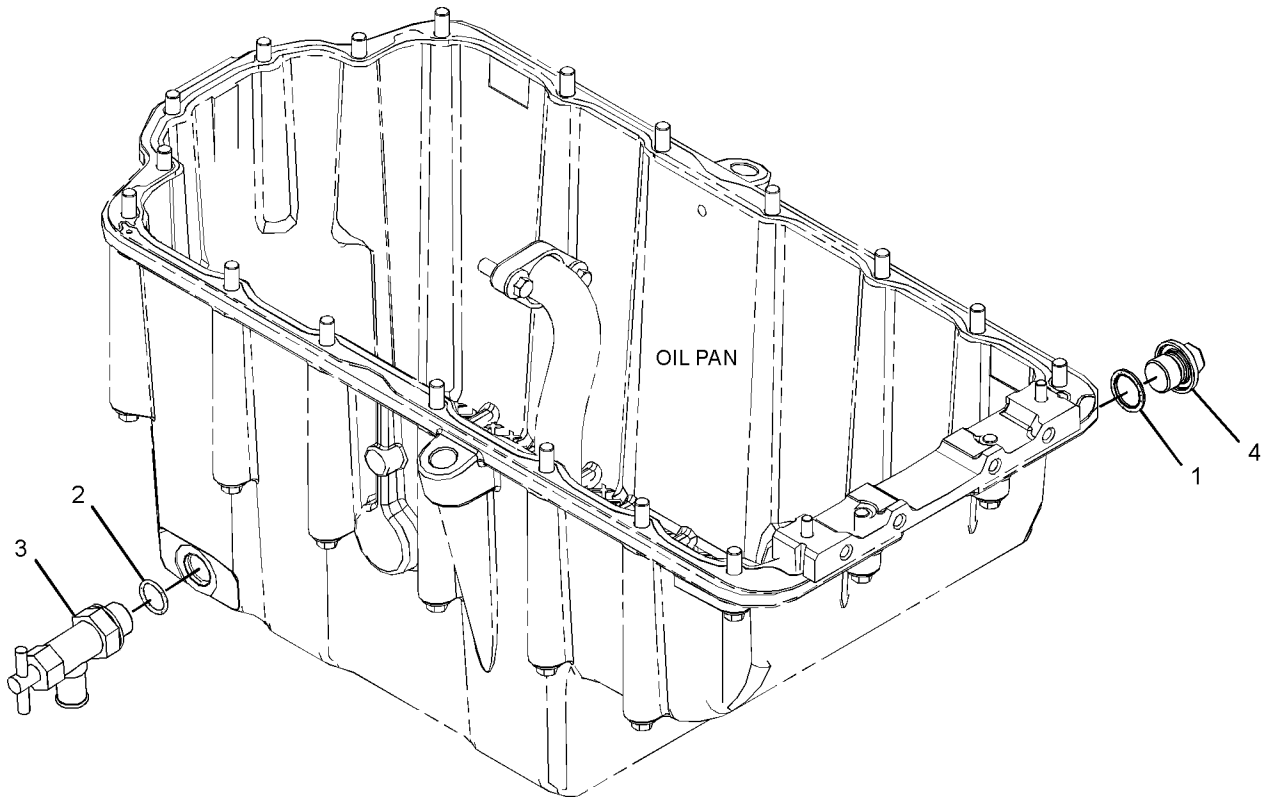
S/N: JKT1-UP

PART OF 464-2307, 464-2308 ENGINE AR-PRIMARY
ALSO AN ATTACHMENT

SMCS-1302

i04596275

NOTE	REF NO	GRAPHIC REF	PART NUMBER	QTY	PART NAME						SEE PAGE
					1	2	3	4	5	6 (PRODUCT LEVEL)	
	1	1	335-7585	1	SEAL						
	2	1	3K-0360	1	SEAL-O-RING						
	3	1	6V-7238	1	VALVE-SHUTOFF						
	4	1	7C-0351	1	PLUG-DRAIN (ENGINE OIL)						



GRAPHIC #1

<END>

g0275799

BASIC ENGINE

419-8538 DRAIN GP-ENGINE OIL

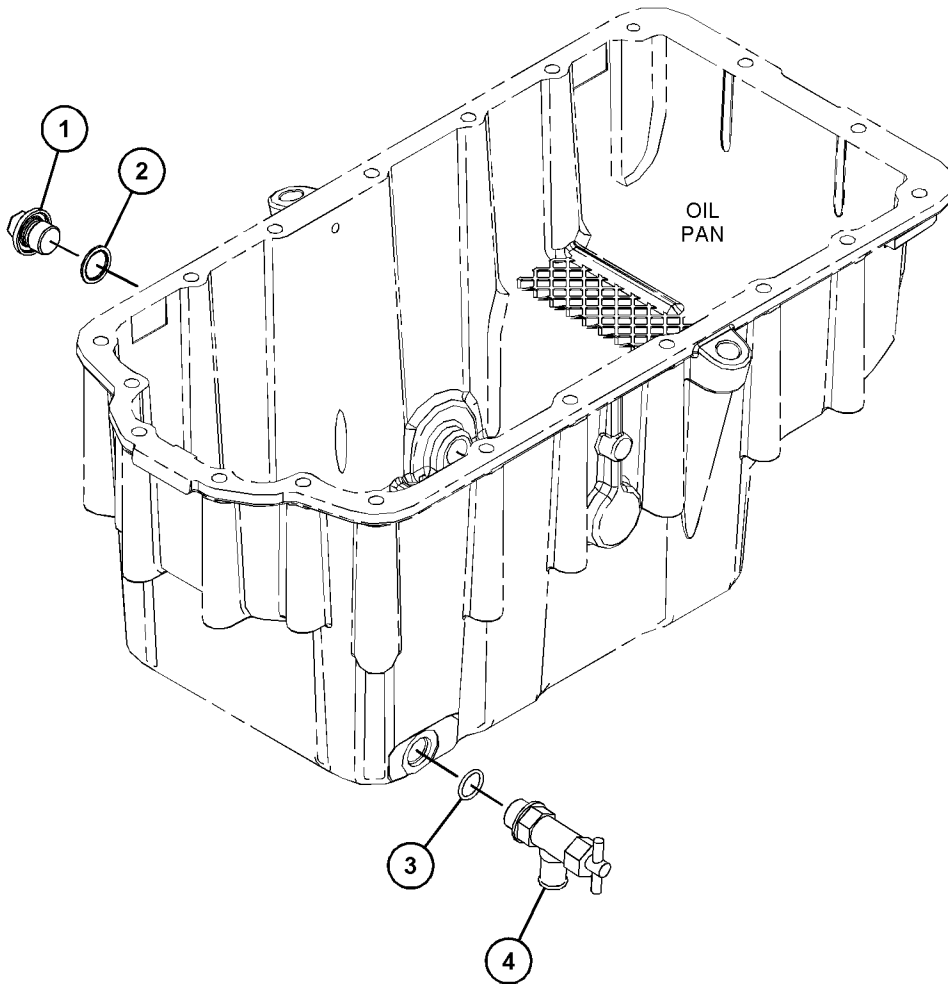
S/N: W231-UP

PART OF 463-8848, 463-8910 ENGINE AR-PRIMARY

SMCS-1302

i06124051

NOTE	REF NO	GRAPHIC REF	PART NUMBER	QTY	PART NAME						SEE PAGE
					1	2	3	4	5	6 (PRODUCT LEVEL)	
	1	1	7C-0351	1	PLUG-DRAIN (ENGINE OIL)						
	2	1	335-7585	1	SEAL						
	3	1	3K-0360	1	SEAL-O-RING						
	4	1	6V-7238	1	VALVE-SHUTOFF						



GRAPHIC #1

<END>

g03821648

BASIC ENGINE

474-5150 DRAIN GP-ENGINE OIL

S/N: TH41-UP; TH91-UP; JKT1-UP

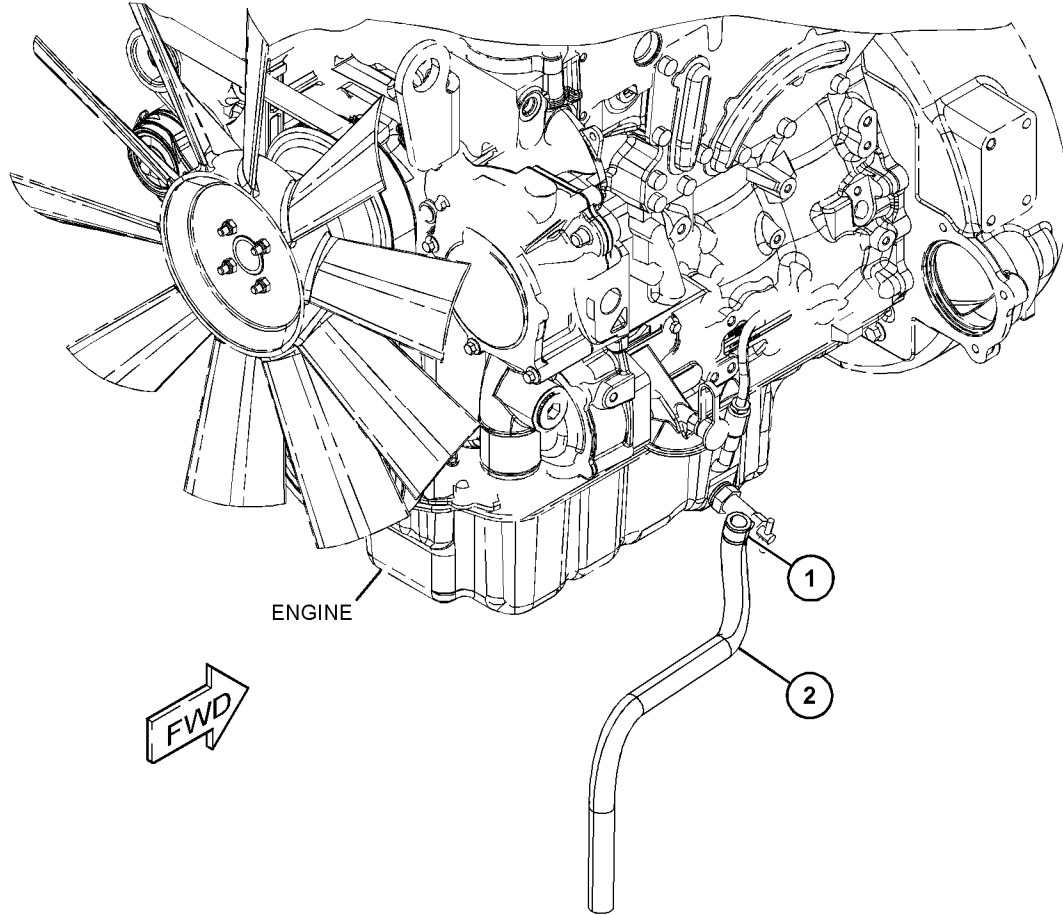
PART OF 520-9601, 523-1976, 523-2010, 523-2011, 550-0081, 550-0083 ENGINE AR-
COMPLETE
AN ATTACHMENT

SMCS-1302

i06789179

NOTE	REF NO	GRAPHIC REF	PART NUMBER	QTY	PART NAME						SEE PAGE
					1	2	3	4	5	6 (PRODUCT LEVEL)	
	1	1	309-2982	1	CLAMP						
E	2	1	281-8751		HOSE (50-CM)						

E - ORDER BY THE CENTIMETER



GRAPHIC #1

<END>

g03832013

BASIC ENGINE

481-1029 DRAIN GP-ENGINE OIL-OIL

S/N: TH91-UP

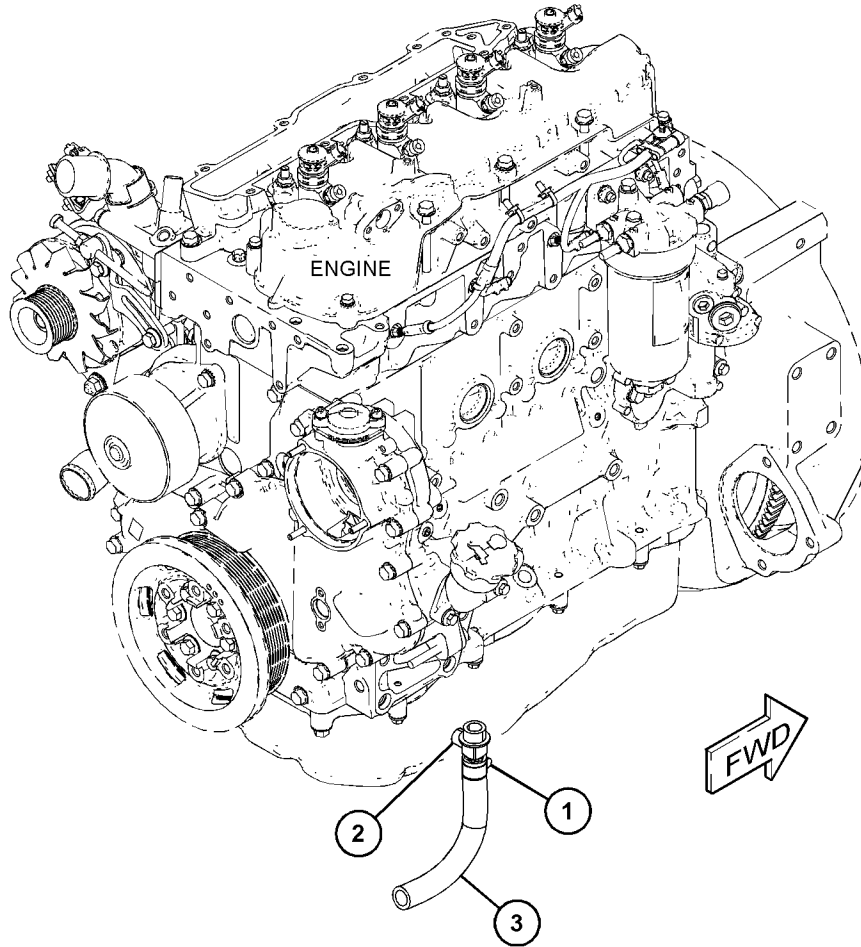
PART OF 520-9600 ENGINE AR-COMplete
AN ATTACHMENT

SMCS-1302

i06825154

NOTE	REF NO	GRAPHIC REF	PART NUMBER	QTY	PART NAME						SEE PAGE
					1	2	3	4	5	6 (PRODUCT LEVEL)	
	1	1	309-2982	1	CLAMP						
	2	1	399-1322	1	VALVE AS-DRAIN (ENGINE OIL)						
E	3	1	281-8751		HOSE (50-CM)						

E - ORDER BY THE CENTIMETER



GRAPHIC #1

<END>

g03885409

BASIC ENGINE

329-8428 DRIVE GP-AUXILIARY

S/N: JKT1-UP

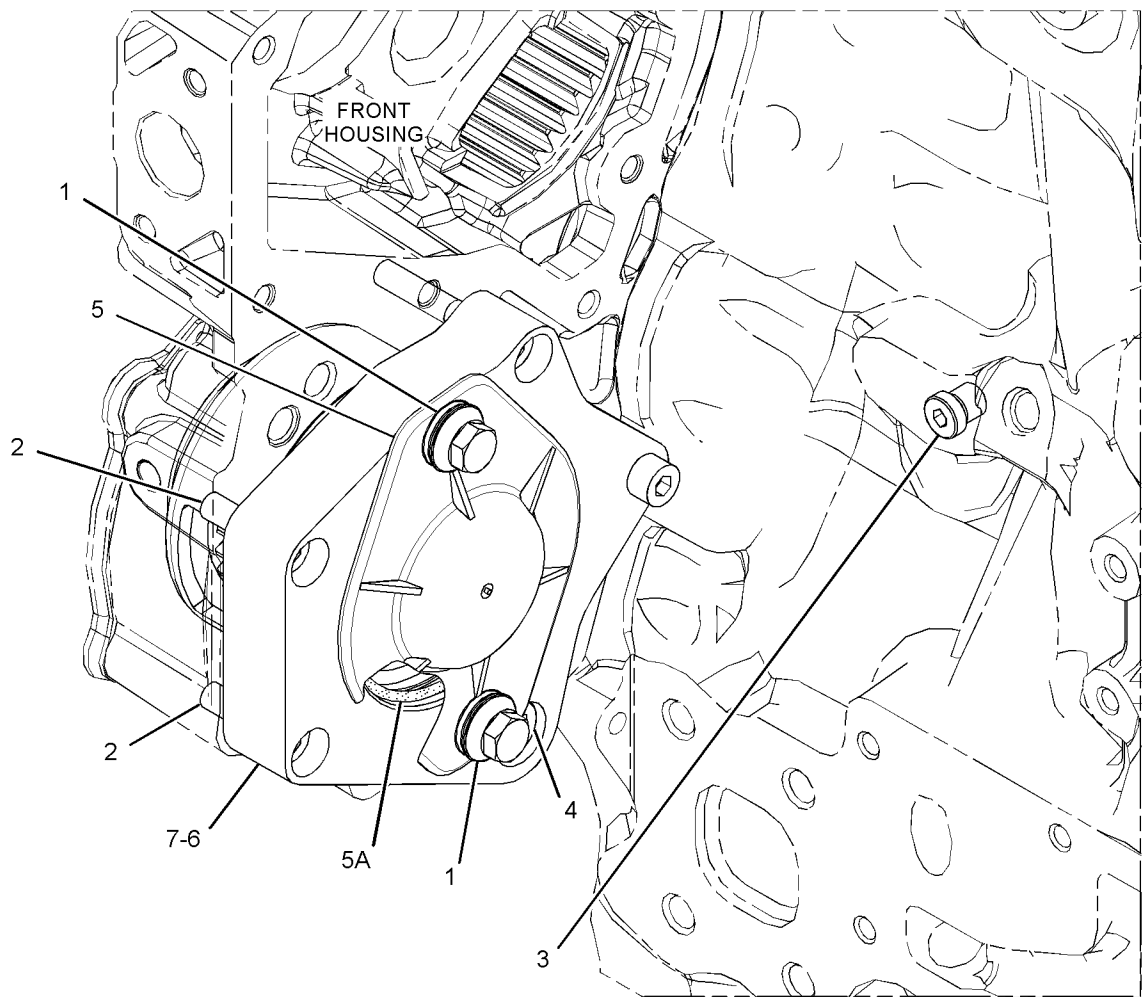
PART OF 464-2307, 464-2308 ENGINE AR-PRIMARY
ALSO AN ATTACHMENT

SMCS-1207, 3108

i05725331

NOTE	REF NO	GRAPHIC REF	PART NUMBER	QTY	PART NAME						SEE PAGE
					1	2	3	4	5	6 (PRODUCT LEVEL)	
M	1	1	100-4830	2	BOLT (M10X1.5X20-MM)						
M	2	1	126-3212	2	BOLT (M8X1.25X25-MM)						
	3	1	277-4223	1	PLUG						
	4	1	331-3797	1	BOLT						
	5	1	198-8262	1	COVER AS						
	5A	1	198-8263	1	SEAL-O-RING						
	6	1	330-1714	1	GASKET						
	7	1	363-0171	1	ADAPTER GP						

M - METRIC PART



GRAPHIC #1

<END>

g02718023

BASIC ENGINE

355-4951 DRIVE GP-AUXILIARY

S/N: CN51-UP

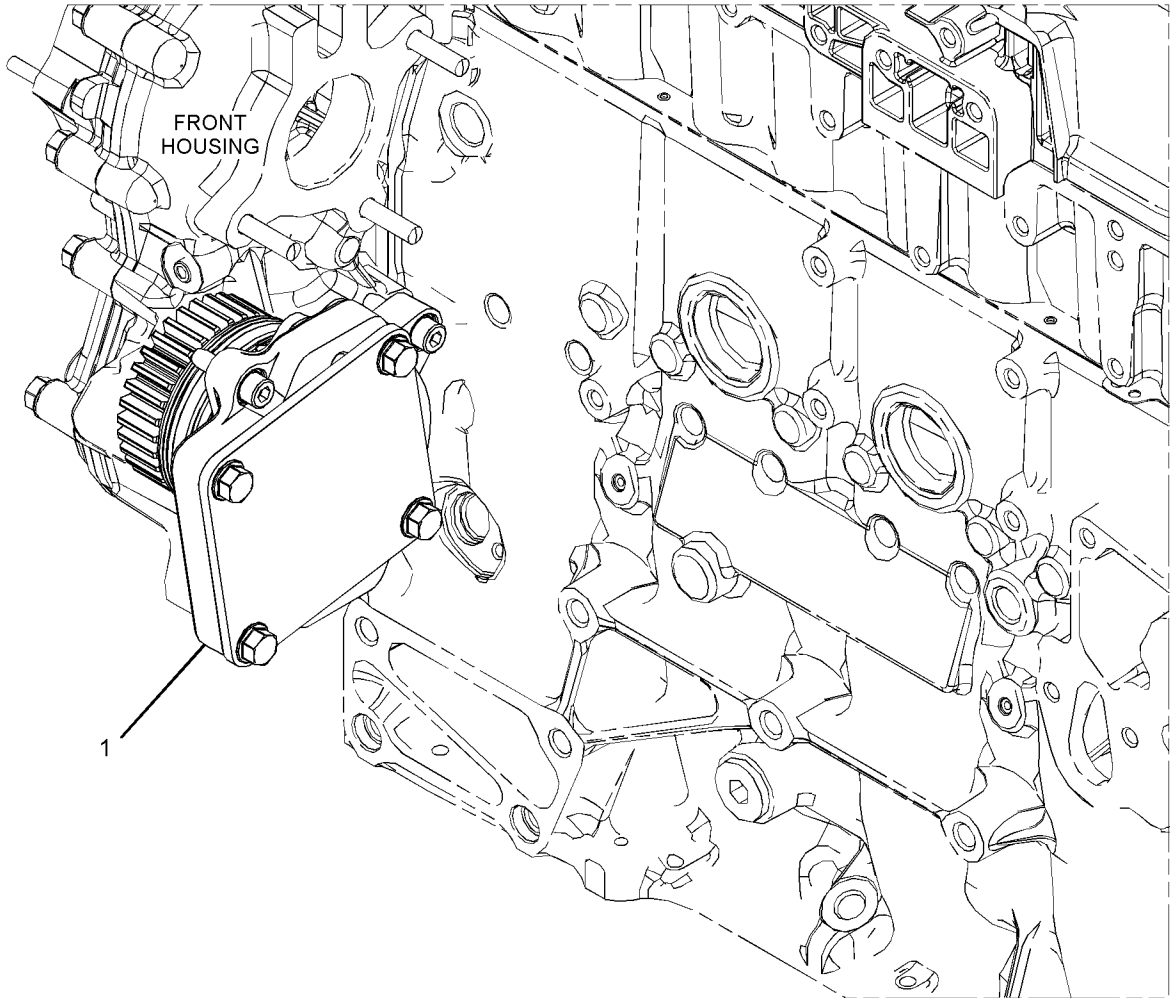
PART OF 465-2880 ENGINE AR-PRIMARY
AN ATTACHMENT

SMCS-1207, 3108

i06605456

NOTE	REF NO	GRAPHIC REF	PART NUMBER	QTY	PART NAME						SEE PAGE
					1	2	3	4	5	6 (PRODUCT LEVEL)	
Y	1	1	362-0555	1	DRIVE GP-AUXILIARY						111

Y - SEPARATE ILLUSTRATION



GRAPHIC #1

<END>

g02923536

BASIC ENGINE

362-0555 DRIVE GP-AUXILIARY

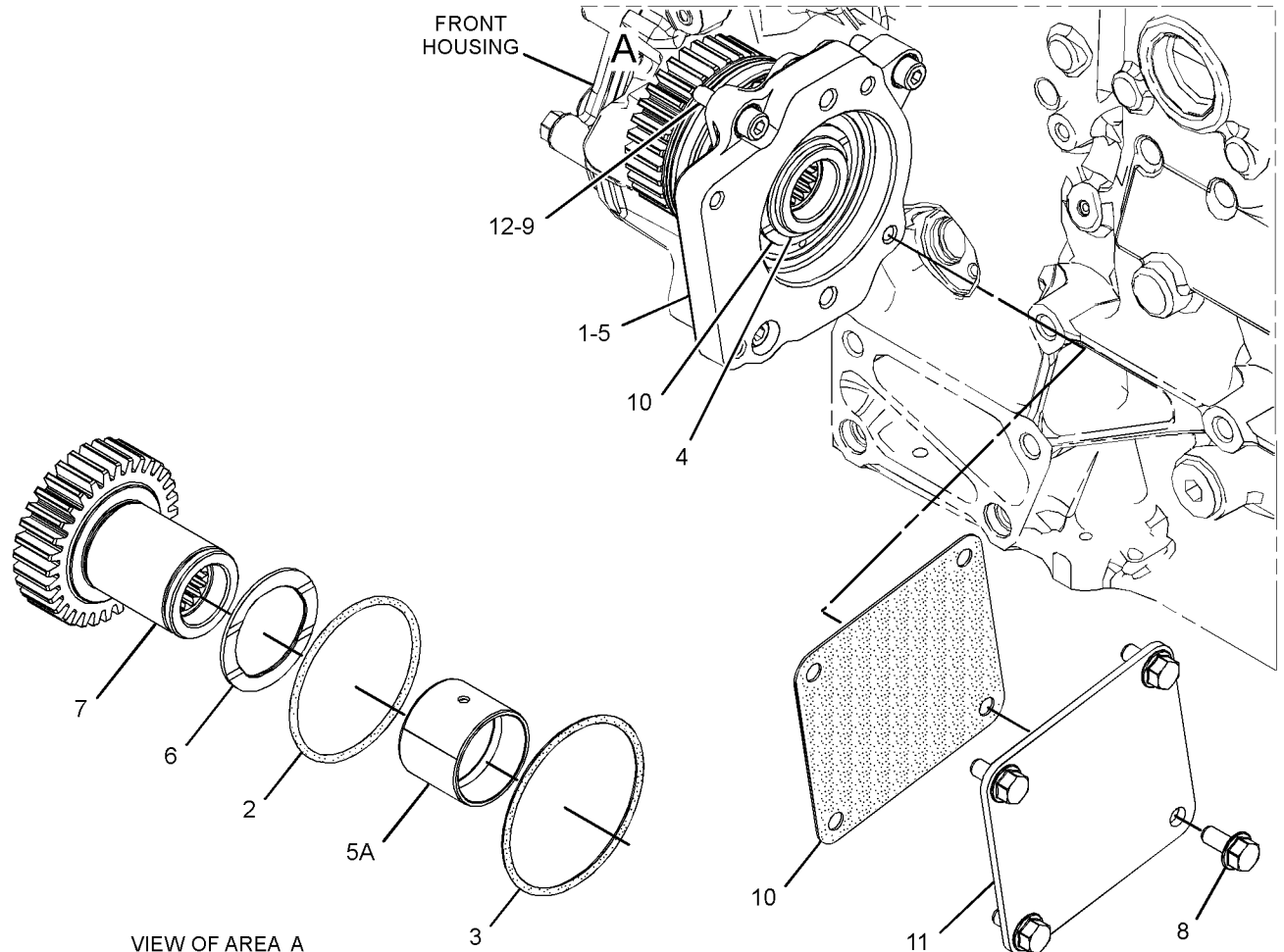
S/N: CN51-UP

PART OF 355-4951 DRIVE GP-AUXILIARY
AN ATTACHMENT

SMCS-1207, 3108

i06815606

NOTE	REF NO	GRAPHIC REF	PART NUMBER	QTY	PART NAME						SEE PAGE
					1	2	3	4	5	6 (PRODUCT LEVEL)	
	1	1	372-0494	1	DRIVE						
	2	1	387-7707	1	SEAL						
	3	1	387-7713	1	SEAL						
	4	1	393-0301	1	RING						
	5	1	434-6401	1	HOUSING AS						
	5A	1	390-2388	1	BUSHING						
	6	1	389-2864	2	WASHER						
	7	1	387-9154	1	GEAR						
	8	1	389-1863	4	BOLT - SPECIAL						
	9	1	389-2858	3	WASHER						
	10	1	387-9136	1	GASKET						
	11	1	387-9130	1	COVER						
	12	1	387-7717	3	BOLT						



VIEW OF AREA A
(PARTS REMOVED FOR CLARITY)

GRAPHIC #1

<END>

g03401457

BASIC ENGINE

339-2997 DRIVE GP-FAN

S/N: JKT1-UP

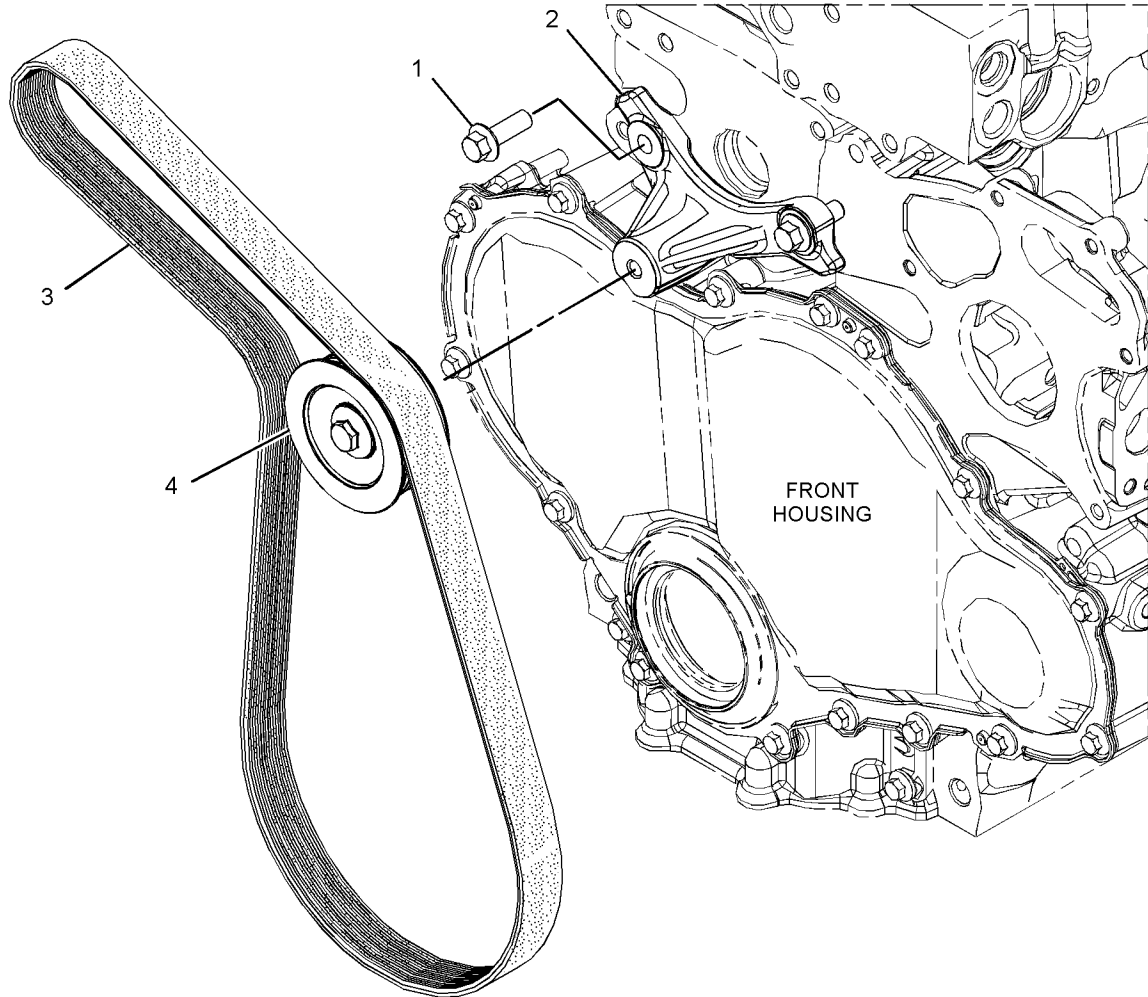
PART OF 464-2307, 464-2308 ENGINE AR-PRIMARY
ALSO AN ATTACHMENT

SMCS-1359

i07162361

NOTE	REF NO	GRAPHIC REF	PART NUMBER	QTY	PART NAME						SEE PAGE
					1	2	3	4	5	6 (PRODUCT LEVEL)	
M	1	1	6I-0593	2	BOLT (M10X1.5X30-MM)						
	2	1	336-1294	1	BRACKET						
	3	1	286-7845	1	BELT-SERPENTINE						
	4	1	377-9255	1	PULLEY AS (8-GROOVE)						

M - METRIC PART



GRAPHIC #1

<END>

g02926476

BASIC ENGINE

350-0644 DRIVE GP-FAN

S/N: CN51-UP

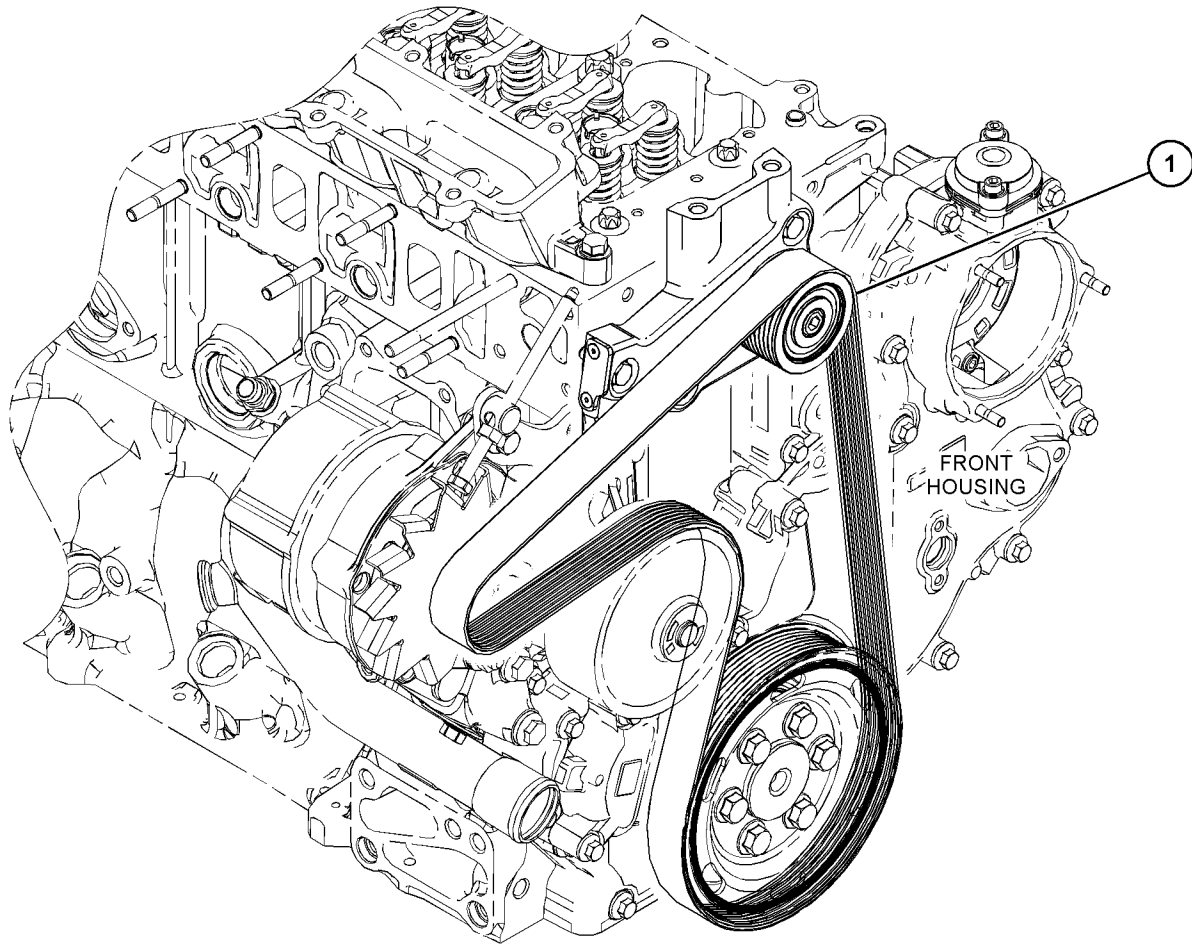
PART OF 465-2880 ENGINE AR-PRIMARY
AN ATTACHMENT

SMCS-1359

i06605449

NOTE	REF NO	GRAPHIC REF	PART NUMBER	QTY	PART NAME						SEE PAGE
					1	2	3	4	5	6 (PRODUCT LEVEL)	
Y	1	1	437-9758	1	MOUNTING GP-BELT TENSIONER						136

Y - SEPARATE ILLUSTRATION



GRAPHIC #1

<END>

g03827918

BASIC ENGINE

416-1043 DRIVE GP-FAN

S/N: W231-UP

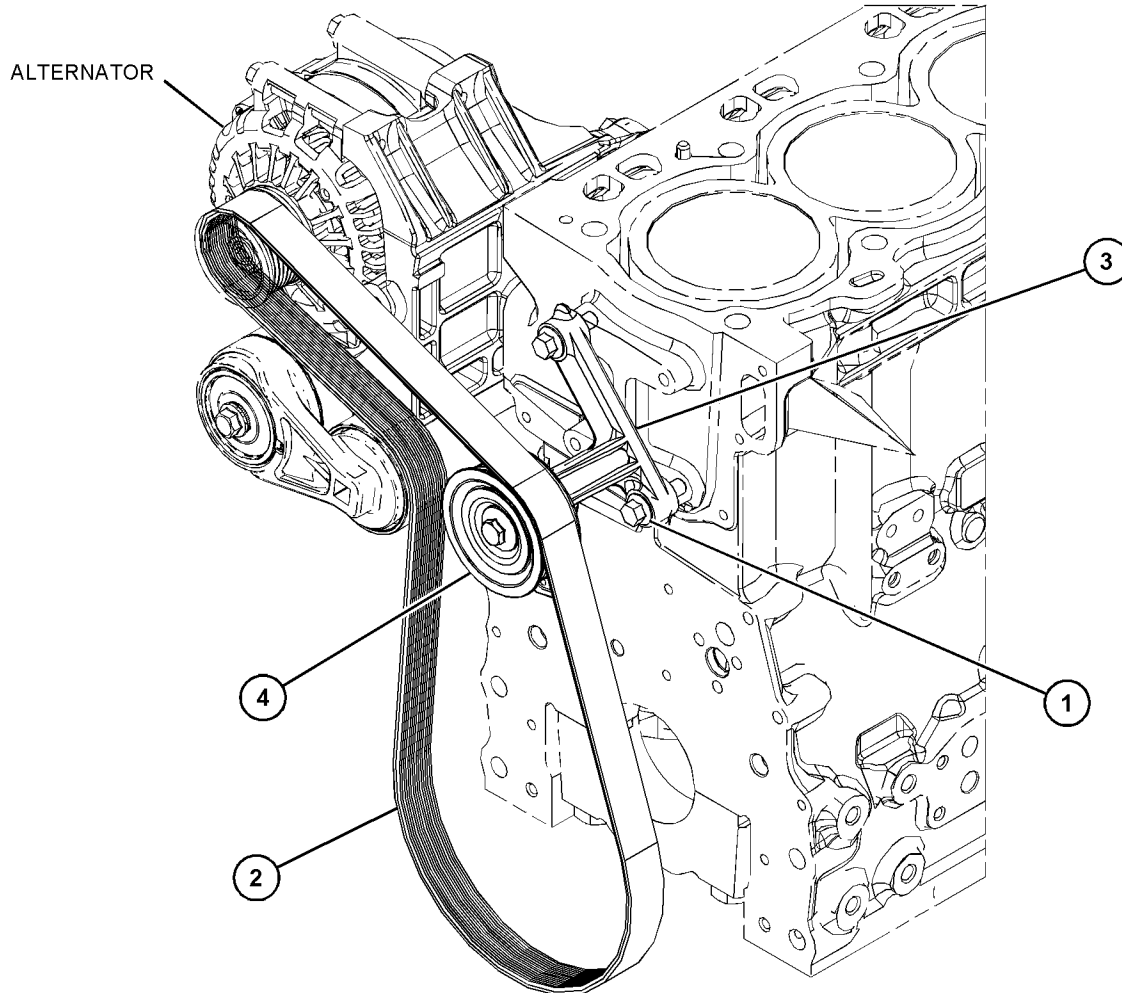
PART OF 463-8848, 463-8910 ENGINE AR-PRIMARY

SMCS - 1359

i06621171

NOTE	REF NO	GRAPHIC REF	PART NUMBER	QTY	PART NAME						SEE PAGE
					1	2	3	4	5	6 (PRODUCT LEVEL)	
M	1	1	111-0859	2	BOLT (M10X1.5X35-MM)						
	2	1	286-7845	1	BELT-SERPENTINE (FAN DRIVE)						
	3	1	371-8298	1	BRACKET						
	4	1	377-9255	1	PULLEY AS (8-GROOVE)						
M		1	423-7576	1	BOLT (M10X1.5X50-MM)						

M - METRIC PART



GRAPHIC #1

<END>

g06023287

BASIC ENGINE

329-7900 FLYWHEEL GP

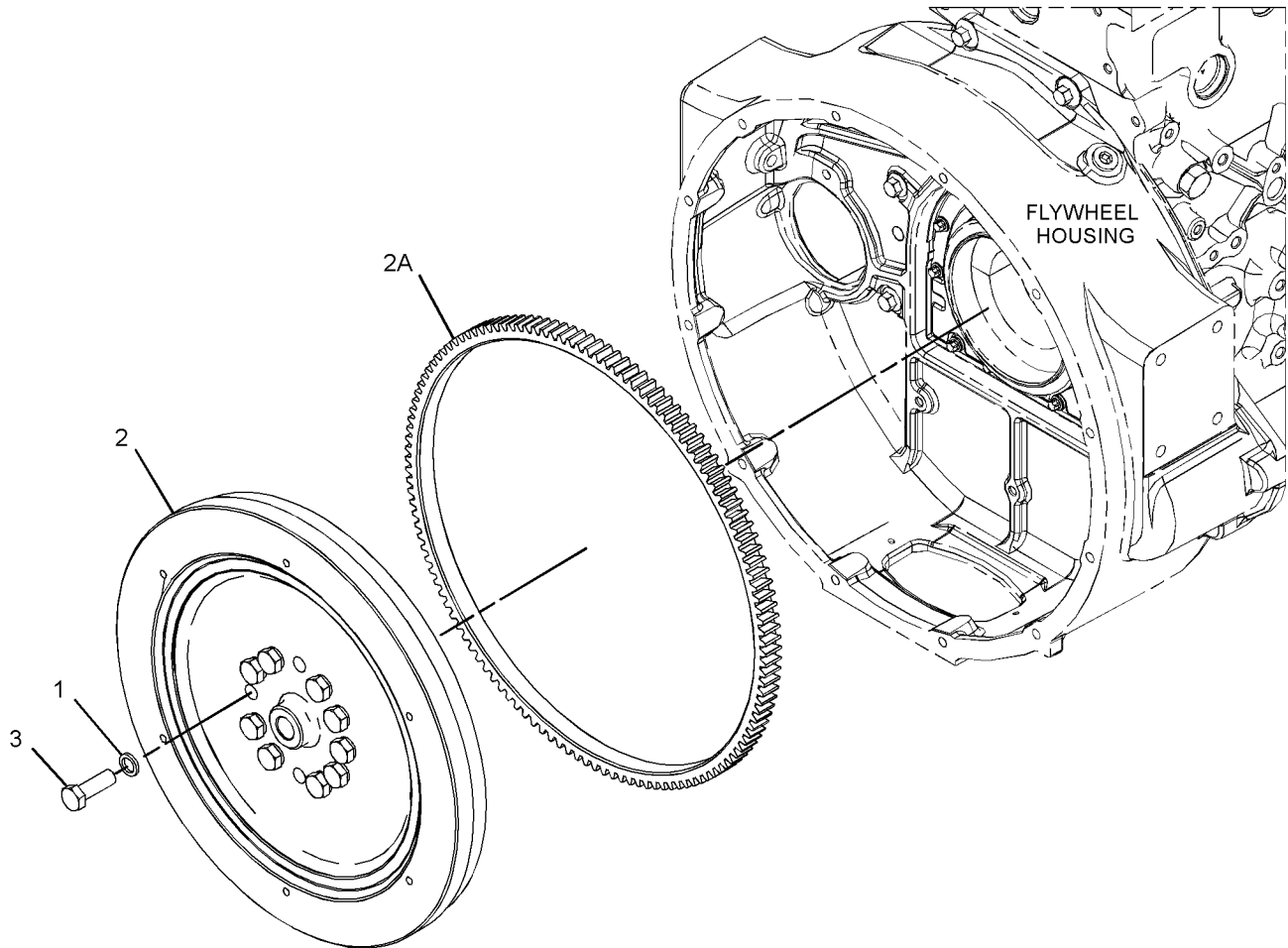
S/N: JKT1-UP

PART OF 464-2307, 464-2308 ENGINE AR-PRIMARY
ALSO AN ATTACHMENT

SMCS-1156

i05725390

NOTE	REF NO	GRAPHIC REF	PART NUMBER	QTY	PART NAME						SEE PAGE
					1	2	3	4	5	6 (PRODUCT LEVEL)	
	1	1	145-4911	10	WASHER						
	2	1	243-4278	1	FLYWHEEL AS						
	2A	1	033-7687	1	RING-STARTING MOTOR (126-TEETH)						
	3	1	05-1603	10	BOLT (1/2-20X1.5-IN)						



GRAPHIC #1

<END>

g02854537

BASIC ENGINE

349-9649 FLYWHEEL GP

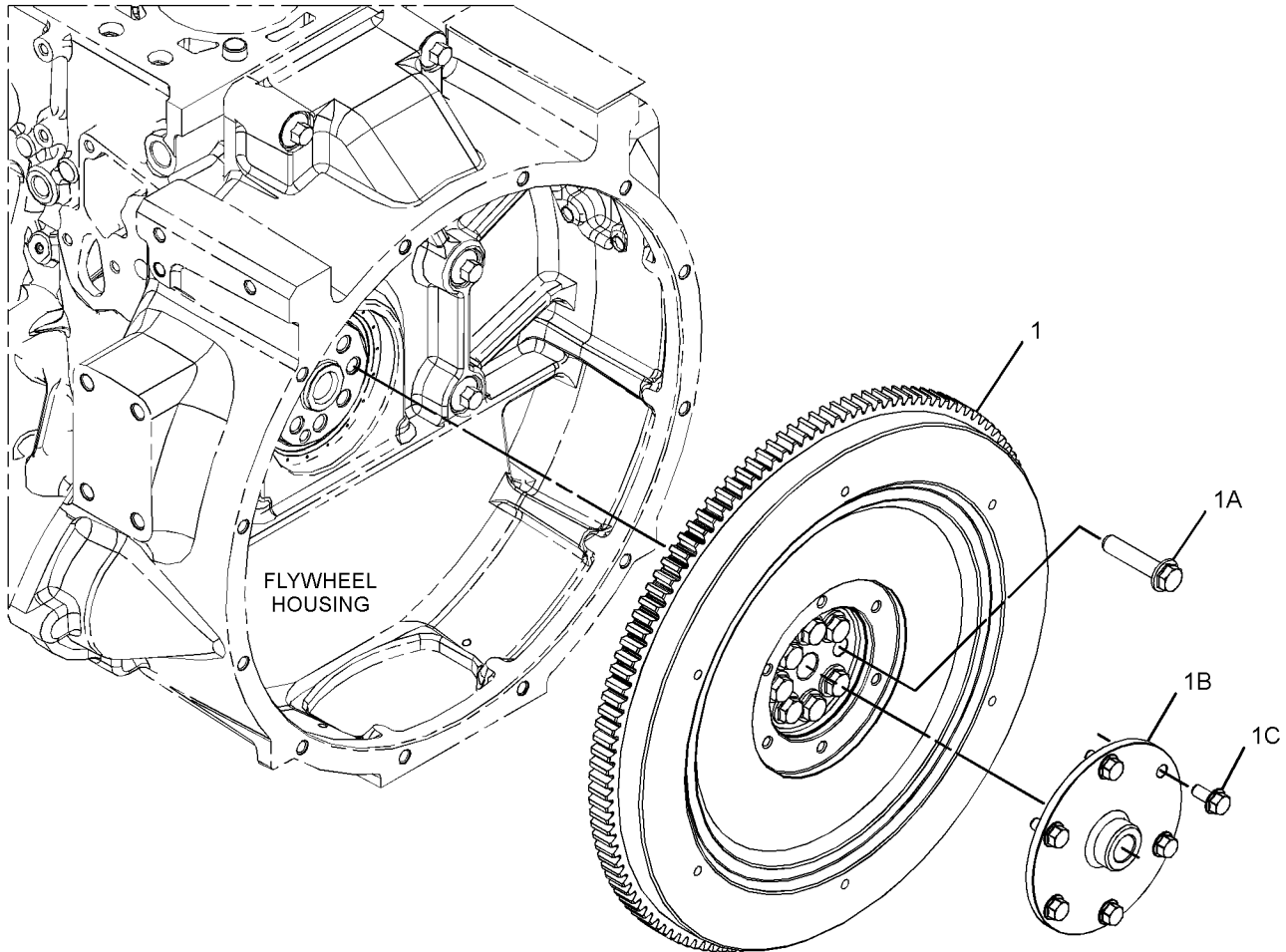
S/N: CN51-UP

PART OF 465-2880 ENGINE AR-PRIMARY
AN ATTACHMENT

SMCS-1156

i05722230

NOTE	REF NO	GRAPHIC REF	PART NUMBER	QTY	PART NAME						SEE PAGE
					1	2	3	4	5	6 (PRODUCT LEVEL)	
	1	1	369-3795	1	FLYWHEEL AS						
	1A	1	381-3940	8	BOLT						
	1B	1	388-7602	1	FLANGE						
	1C	1	389-1863	6	BOLT-SPECIAL						
		1	375-8190	1	FLYWHEEL						



GRAPHIC #1

<END>

g03044136

BASIC ENGINE

423-1270 FLYWHEEL GP

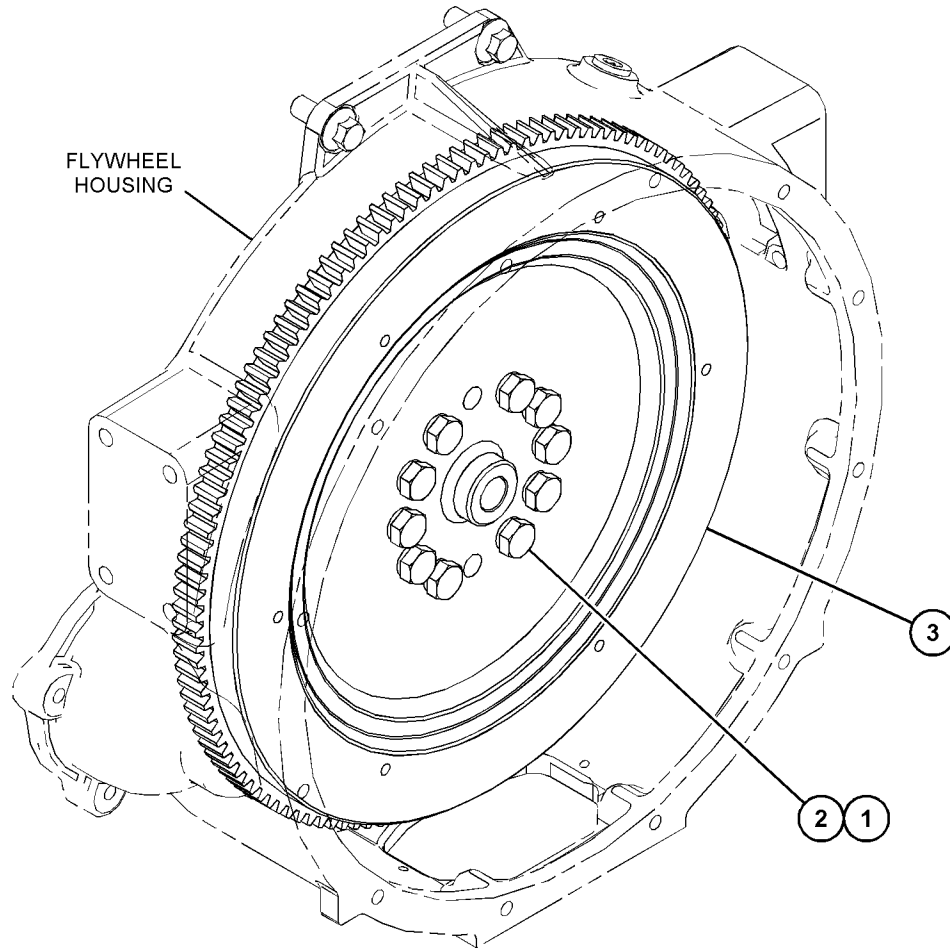
S/N: W231-UP

PART OF 463-8848, 463-8910 ENGINE AR-PRIMARY

SMCS-1156

i06139720

NOTE	REF NO	GRAPHIC REF	PART NUMBER	QTY	PART NAME						SEE PAGE
					1	2	3	4	5	6 (PRODUCT LEVEL)	
	1	1	145-4911	10	WASHER						
	2	1	0S-1603	10	BOLT (1/2-20X1.5-IN)						
	3	1	243-4278	1	FLYWHEEL AS						
		1	033-7687	1	RING-STARTING MOTOR (126-TEETH)						



GRAPHIC #1

<END>

g03824308

BASIC ENGINE

329-7884 HOUSING GP-FLYWHEEL

S/N: JKT1-UP

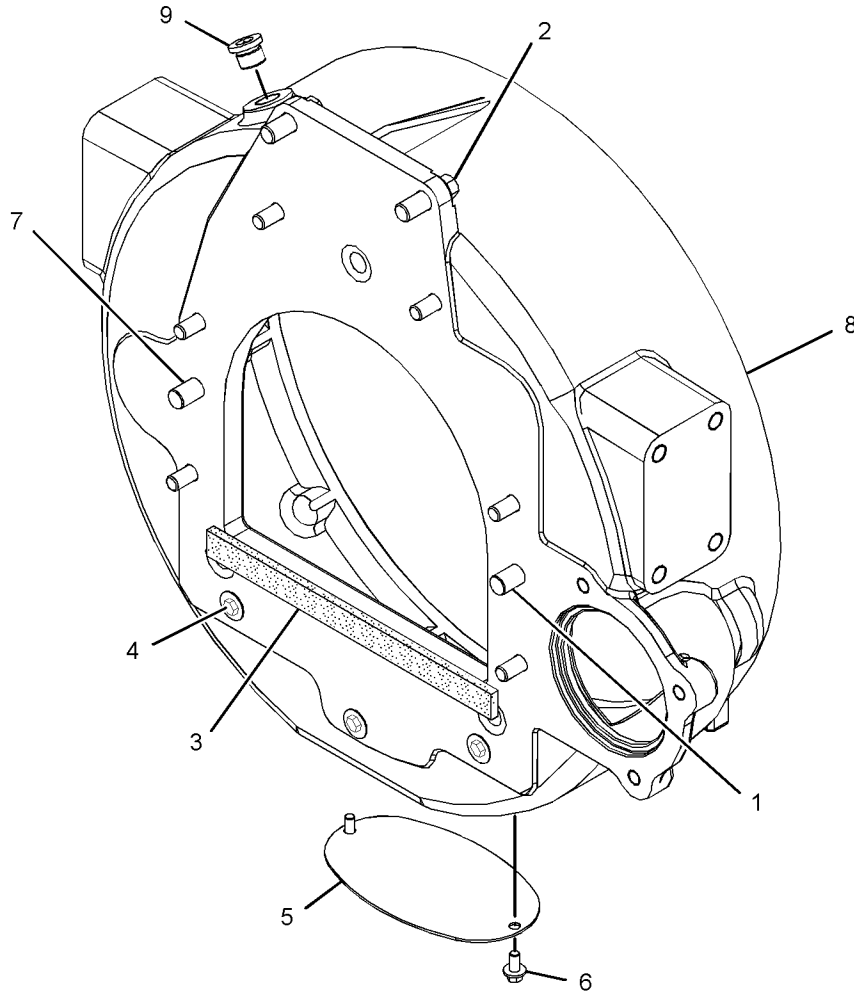
PART OF 464-2307, 464-2308 ENGINE AR-PRIMARY
ALSO AN ATTACHMENT

SMCS-1157

i05725396

NOTE	REF NO	GRAPHIC REF	PART NUMBER	QTY	PART NAME						SEE PAGE
					1	2	3	4	5	6 (PRODUCT LEVEL)	
M	1	1	121-0883	6	BOLT (M10X1.5X30-MM)						
M	2	1	6I-0423	2	BOLT (M12X1.75X30-MM)						
	3	1	7W-4642	1	SHIELD-DUST						
M	4	1	6I-4200	3	BOLT (M10X1.5X16-MM)						
	5	1	321-5595	1	PLATE						
M	6	1	6I-0631	2	BOLT (M6X1X12-MM)						
	7	1	287-8597	2	DOWEL						
	8	1	321-5594	1	HOUSING-FLYWHEEL						
	9	1	375-9272	1	PLUG						

M - METRIC PART



GRAPHIC #1

<END>

g02894351

BASIC ENGINE

349-7415 HOUSING GP-FLYWHEEL

S/N: CN51-UP

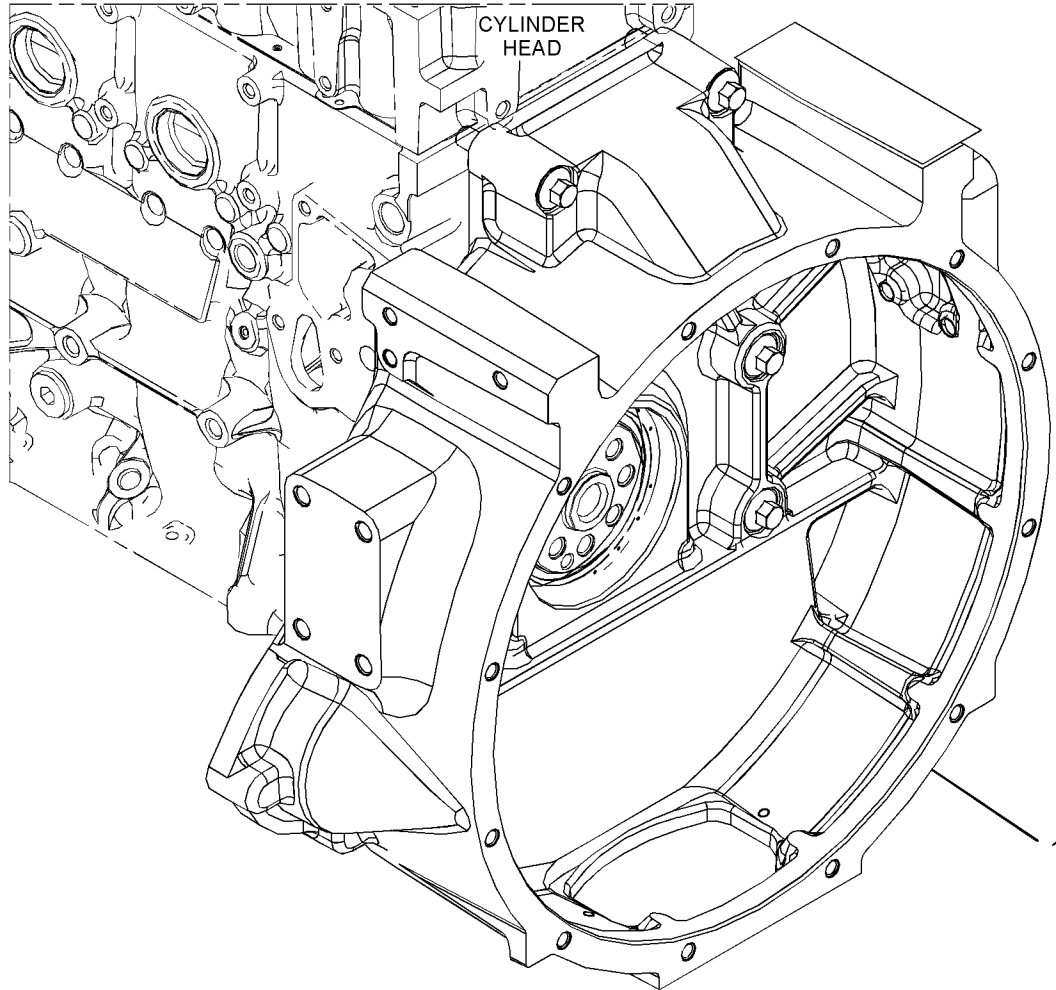
PART OF 465-2880 ENGINE AR-PRIMARY
AN ATTACHMENT

SMCS-1157

i05722309

NOTE	REF NO	GRAPHIC REF	PART NUMBER	QTY	PART NAME						SEE PAGE
					1	2	3	4	5	6 (PRODUCT LEVEL)	
Y	1	1	369-3793	1	HOUSING GP-FLYWHEEL						120

Y - SEPARATE ILLUSTRATION



GRAPHIC #1

<END>

g02878738

BASIC ENGINE

369-3793 HOUSING GP-FLYWHEEL

S/N: CN51-UP

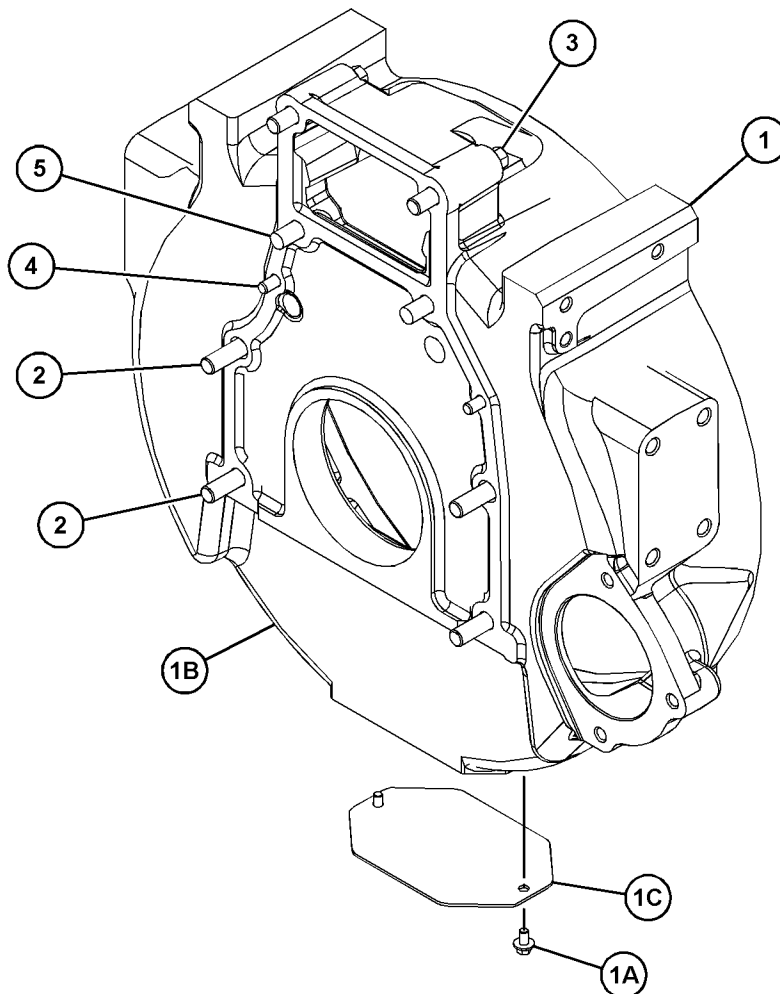
PART OF 349-7415 HOUSING GP-FLYWHEEL
AN ATTACHMENT

SMCS-1157

i05773216

NOTE	REF NO	GRAPHIC REF	PART NUMBER	QTY	PART NAME						SEE PAGE
					1	2	3	4	5	6 (PRODUCT LEVEL)	
	1	1	441-1161	1	HOUSING AS-FLYWHEEL						
M	1A	1	100-4841	2	BOLT (M6X1X10-MM)						
	1B	1	375-8223	1	HOUSING						
	1C	1	379-3314	1	COVER						
M	2	1	291-4146	4	BOLT-FLANGE HEAD (M12X1.75X60-MM)						
	3	1	331-7316	2	BOLT (M12X1.75X70-MM)						
	4	1	389-1920	2	BOLT						
M	5	1	385-1649	2	BOLT (M12X1.75X40-MM)						

M - METRIC PART



GRAPHIC #1

<END>

g03648158

BASIC ENGINE

431-7048 HOUSING GP-FLYWHEEL

S/N: W231-UP

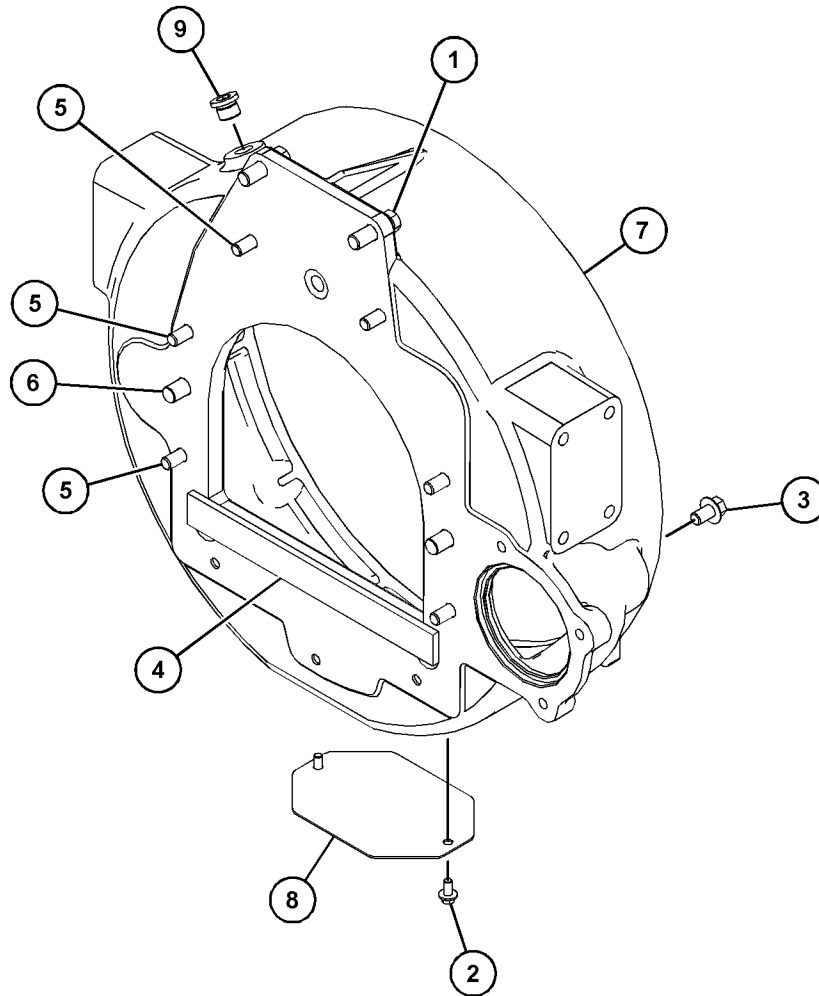
PART OF 463-8848, 463-8910 ENGINE AR-PRIMARY

SMCS-1157

i06151657

NOTE	REF NO	GRAPHIC REF	PART NUMBER	QTY	PART NAME						SEE PAGE
					1	2	3	4	5	6	
M	1	1	6I-0423	2	BOLT (M12X1.75X30-MM)						
M	2	1	6I-0631	2	BOLT (M6X1X12-MM)						
M	3	1	6I-4200	3	BOLT (M10X1.5X16-MM)						
	4	1	393-4006	1	GASKET						
M	5	1	121-0883	6	BOLT (M10X1.5X30-MM)						
	6	1	287-8597	2	DOWEL						
	7	1	321-5594	1	HOUSING-FLYWHEEL						
	8	1	321-5595	1	PLATE						
	9	1	375-9272	1	PLUG						

M - METRIC PART



GRAPHIC #1

<END>

g03833688

BASIC ENGINE

329-8421 HOUSING GP-FRONT

S/N: JKT1-UP

PART OF 464-2307, 464-2308 ENGINE AR-PRIMARY
ALSO AN ATTACHMENT

SMCS-1151, 1162

i06995891

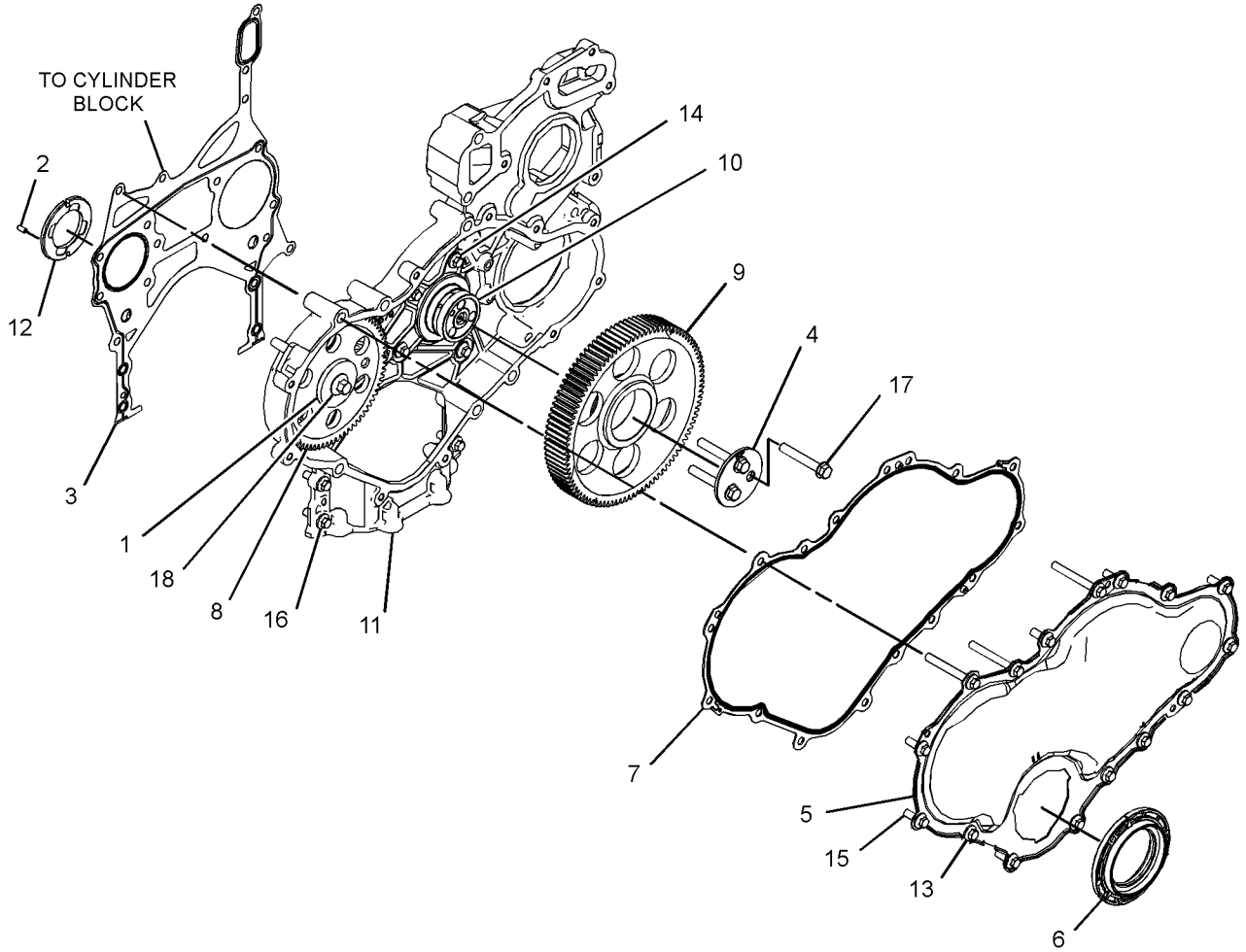
NOTE	REF NO	GRAPHIC REF	PART NUMBER	QTY	PART NAME						SEE PAGE
					1	2	3	4	5	6 (PRODUCT LEVEL)	
	1	1	133-1011	1	WASHER						
	2	1	067-6179	1	DOWEL						
	3	1	319-9361	1	GASKET						
	4	1	325-4374	1	PLATE-THRUST						
	5	1	371-8057	1	COVER-FRONT						
	6	1	371-8062	1	SEAL						
	7	1	335-5330	1	GASKET						
	8	1	340-0571	1	GEAR (72-TEETH)						
	9	1	342-1306	1	IDLER AS (97-TEETH)						
	10	1	419-0423	1	HUB-IDLER GEAR						
	11	1	502-3579	1	CASE-GEAR						
	12	1	232-3666	1	WASHER-THRUST						
M	13	1	100-3751	6	BOLT (M8X1.25X65-MM)						
M	14	1	101-3895	2	BOLT (M8X1.25X35-MM)						
M	15	1	6I-0217	17	BOLT (M8X1.25X20-MM)						
M	16	1	6I-0645	3	BOLT (M8X1.25X25-MM)						
M	17	1	6I-0789	3	BOLT (M10X1.5X60-MM)						
M	18	1	7C-4616	1	BOLT (M12X1.75X45-MM)						

M - METRIC PART

BASIC ENGINE

329-8421 HOUSING GP-FRONT (contd.)

106995891



GRAPHIC #1

<END>

g06193275

BASIC ENGINE

377-6012 HOUSING GP-FRONT

S/N: CN51-UP

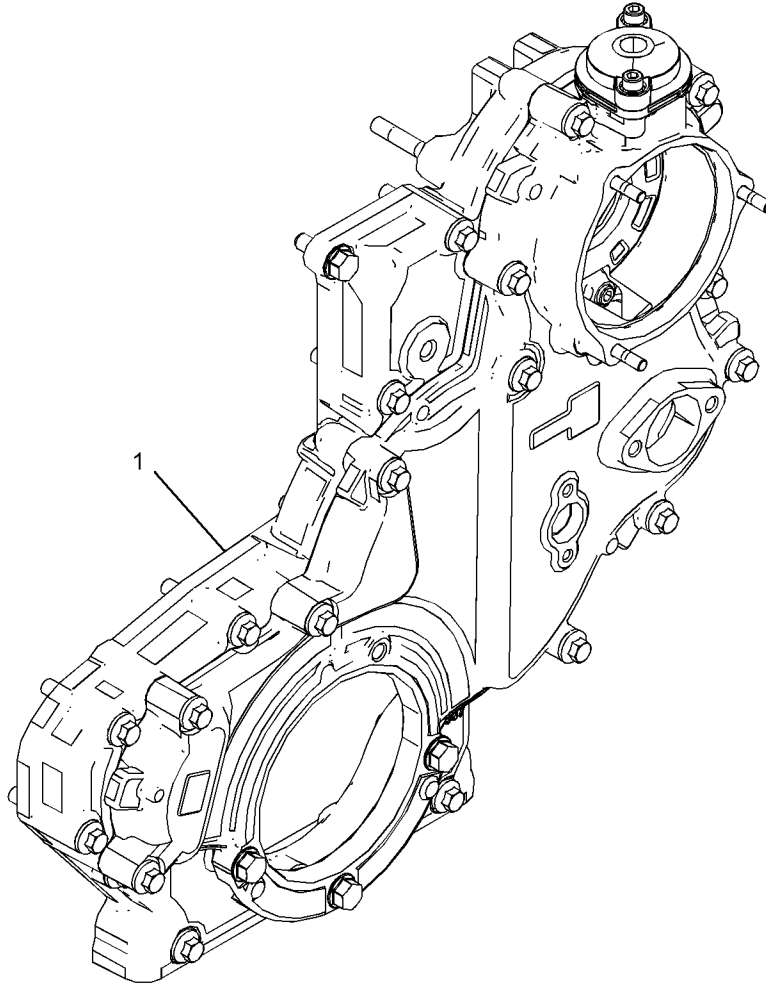
PART OF 465-2880 ENGINE AR-PRIMARY
AN ATTACHMENT

SMCS-1151, 1162

i05984438

NOTE	REF NO	GRAPHIC REF	PART NUMBER	QTY	PART NAME						SEE PAGE
					1	2	3	4	5	6 (PRODUCT LEVEL)	
Y	1	1	444-6164	1	HOUSING GP-FRONT						128

Y - SEPARATE ILLUSTRATION



GRAPHIC #1

<END>

g03676260

BASIC ENGINE

415-7116 HOUSING GP-FRONT

S/N: W231-UP

PART OF 463-8848, 463-8910 ENGINE AR-PRIMARY

SMCS-1151, 1162

i06852998

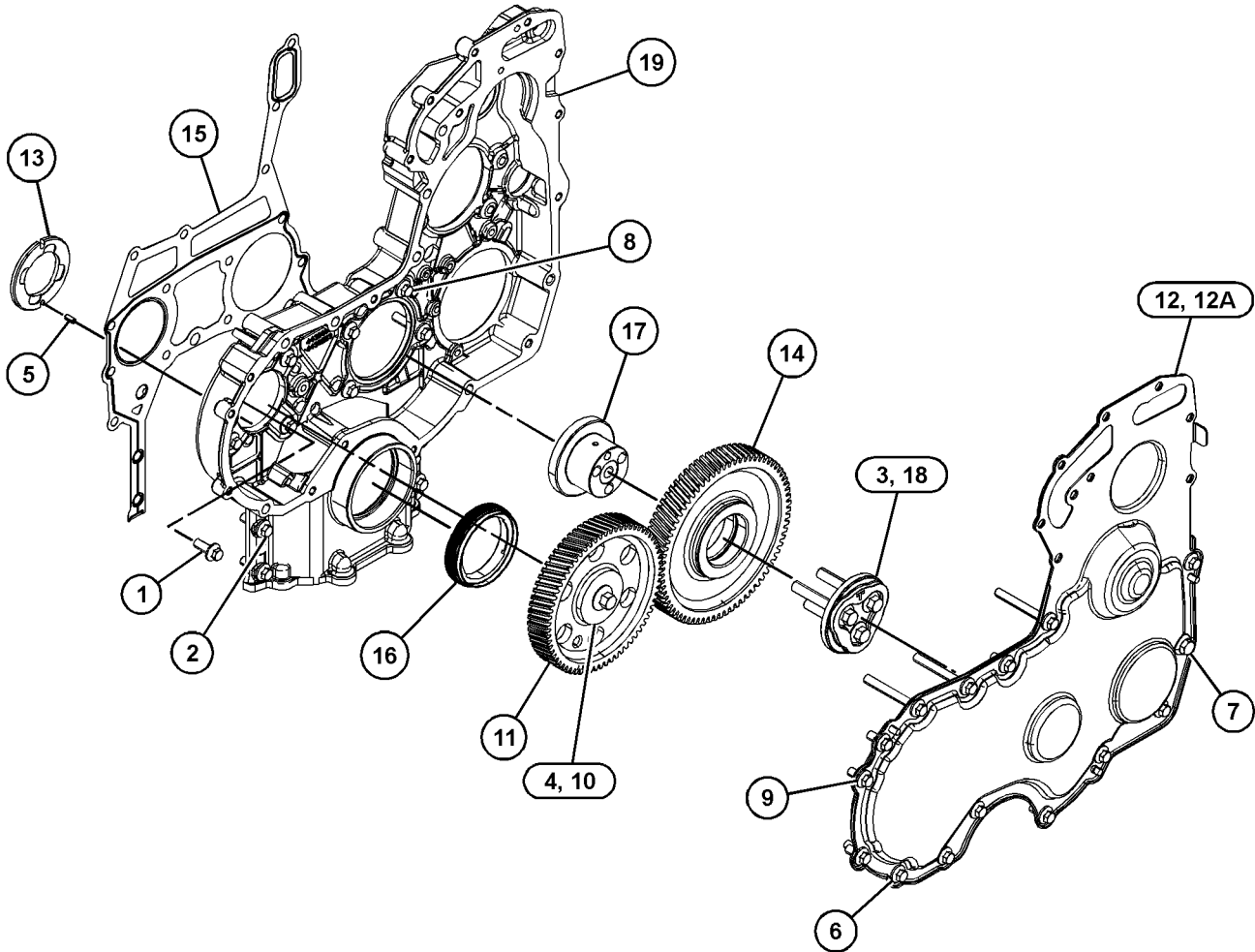
NOTE	REF NO	GRAPHIC REF	PART NUMBER	QTY	PART NAME						SEE PAGE
					1	2	3	4	5	6 (PRODUCT LEVEL)	
M	1	1	6I-0217	6	BOLT (M8X1.25X20-MM)						
M	2	1	6I-0645	4	BOLT (M8X1.25X25-MM)						
M	3	1	6I-0650	3	BOLT (M10X1.5X65-MM)						
M	4	1	7C-4616	1	BOLT (M12X1.75X45-MM)						
	5	1	067-6179	1	DOWEL						
M	6	1	100-3751	5	BOLT (M8X1.25X65-MM)						
M	7	1	100-4830	1	BOLT (M10X1.5X20-MM)						
M	8	1	101-3895	2	BOLT (M8X1.25X35-MM)						
M	9	1	124-3815	9	BOLT (M8X1.25X16-MM)						
	10	1	133-1011	1	WASHER						
	11	1	425-7103	1	GEAR (68-TEETH)						
	12	1	226-8767	1	COVER AS-FRONT						
	12A	1	226-8766	1	GASKET-COVER						
	13	1	232-3666	1	WASHER-THRUST						
	14	1	251-4336	1	GEAR AS-IDLER (73-TEETH)						
	15	1	277-3012	1	GASKET-COVER						
	16	1	277-3013	1	SEAL						
	17	1	324-0444	1	HUB-IDLER GEAR						
	18	1	346-0408	1	PLATE						
	19	1	443-9253	1	CASE-GEAR						

M - METRIC PART

BASIC ENGINE

415-7116 HOUSING GP-FRONT (contd.)

i06852998



GRAPHIC #1

<END>

g03831930

BASIC ENGINE

416-8722 HOUSING GP-FRONT

S/N: W231-UP

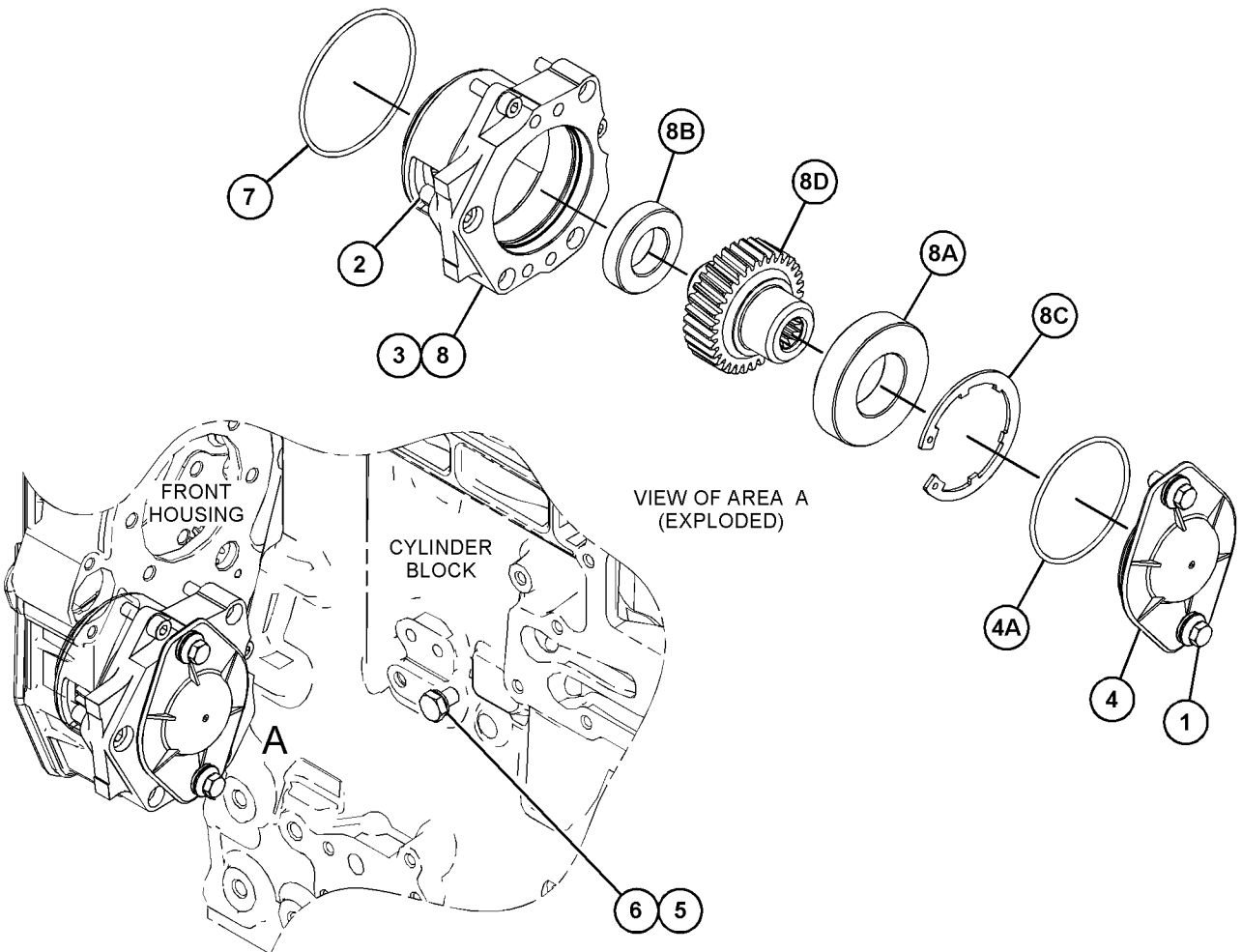
PART OF 463-8848, 463-8910 ENGINE AR-PRIMARY

SMCS-1151, 1162

i06621186

NOTE	REF NO	GRAPHIC REF	PART NUMBER	QTY	PART NAME						SEE PAGE
					1	2	3	4	5	6 (PRODUCT LEVEL)	
M	1	1	100-4830	2	BOLT (M10X1.5X20-MM)						
M	2	1	102-2078	1	BOLT (M10X1.5X25-MM)						
M	3	1	126-3212	5	BOLT (M8X1.25X25-MM)						
	4	1	198-8262	1	COVER AS						
	4A	1	198-8263	1	SEAL-O-RING						
	5	1	214-3203	1	WASHER (SEALING)						
M	6	1	6I-0646	1	BOLT (M10X1.5X14-MM)						
	7	1	102-2073	1	SEAL-O-RING						
	8	1	235-1063	1	ADAPTER AS						
	8A	1	6H-3957	1	BALL BEARING						
	8B	1	102-2075	1	BEARING						
	8C	1	102-2076	1	CLIP						
	8D	1	235-1061	1	GEAR (33-TEETH)						

M - METRIC PART



GRAPHIC #1

<END>

g03881057

BASIC ENGINE

444-6164 HOUSING GP-FRONT

S/N: CN51-UP

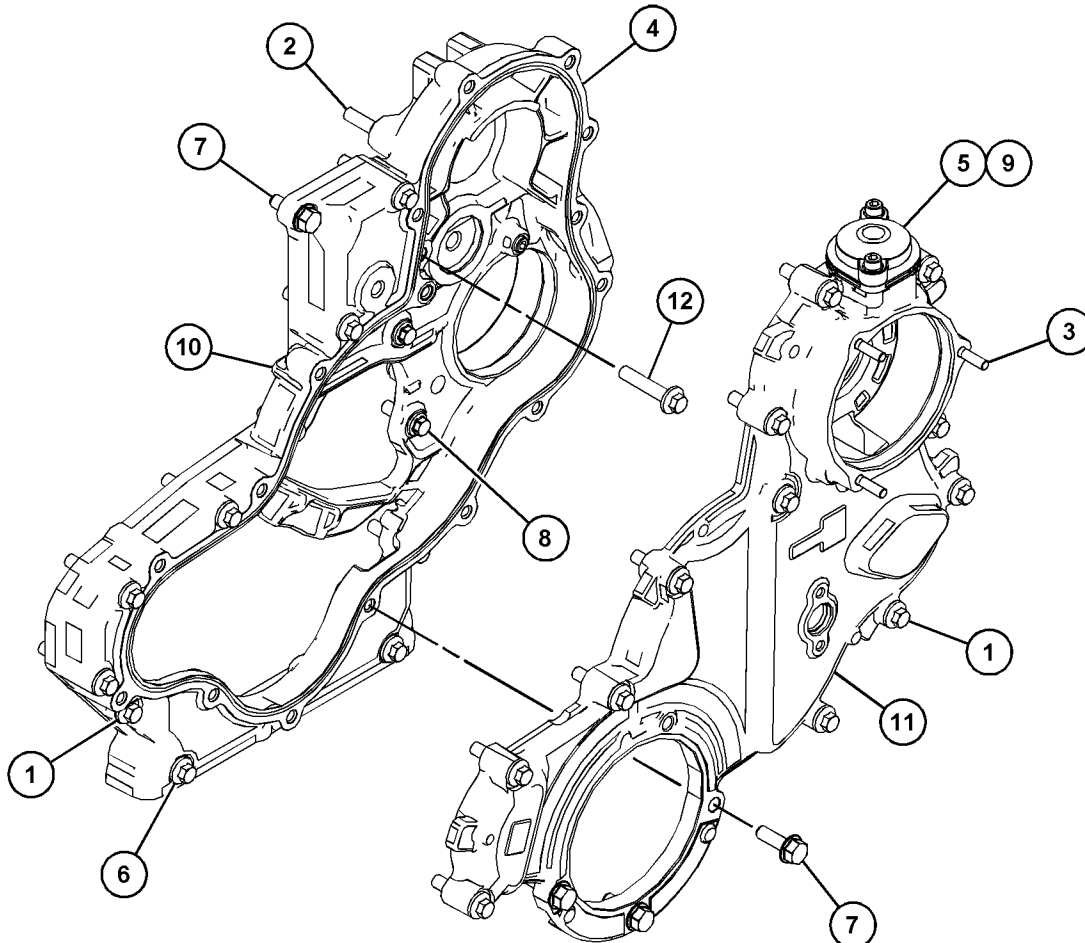
PART OF 377-6012 HOUSING GP-FRONT
AN ATTACHMENT

SMCS-1151, 1162

i05984437

NOTE	REF NO	GRAPHIC REF	PART NUMBER	QTY	PART NAME						SEE PAGE
					1	2	3	4	5	6 (PRODUCT LEVEL)	
M	1	1	101-3895	15	BOLT (M8X1.25X35-MM)						
	2	1	205-3686	3	STUD (M8X1.25X52-MM)						
	3	1	331-6839	3	STUD (M6X1X29-MM)						
	4	1	386-2777	1	GASKET						
	5	1	386-2778	1	BREATHER AS (FRONT HOUSING)						
	6	1	388-2068	7	BOLT						
	7	1	389-2868	4	BOLT-SPECIAL						
	8	1	389-2872	3	SCREW						
	9	1	390-2405	2	SCREW						
	10	1	439-1624	1	HOUSING AS						
		1	381-3510	2	DOWEL						
		1	386-1921	2	PLUG						
		1	386-1922	1	PLUG						
	11	1	444-7241	1	HOUSING						
M	12	1	6I-1090	1	BOLT (M8X1.25X40-MM)						

M - METRIC PART



GRAPHIC #1

<END>

g03787164

BASIC ENGINE

330-9652 JET GP-PISTON COOLING

S/N: JKT1-UP

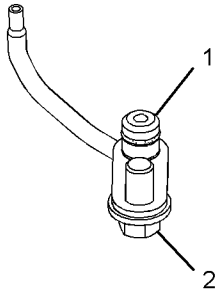
PART OF 449-5062 CYLINDER BLOCK GP-SHORT, 464-2307, 464-2308 ENGINE AR-PRIMARY
ALSO AN ATTACHMENT

SMCS-1331

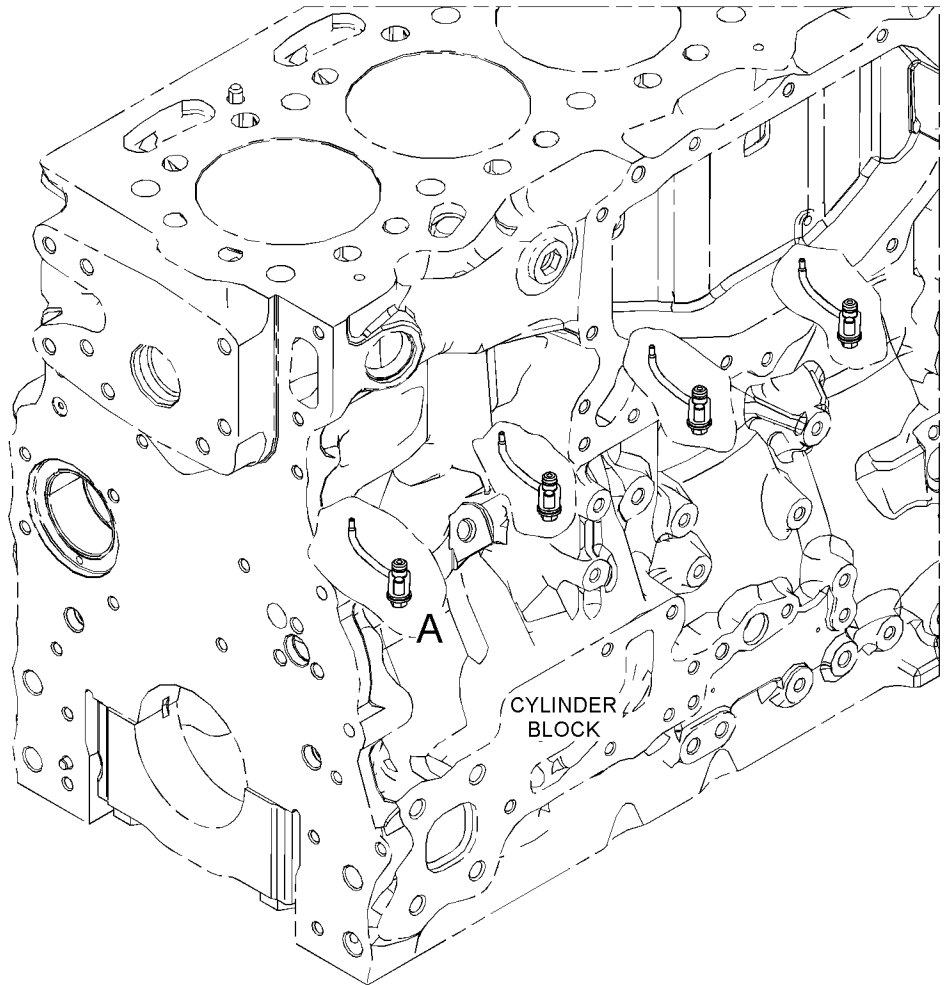
i04630544

NOTE	REF NO	GRAPHIC REF	PART NUMBER	QTY	PART NAME						SEE PAGE
					1	2	3	4	5	6 (PRODUCT LEVEL)	
	1	1	329-3796	4	TUBE AS-OIL JET						
M	2	1	100-4841	4	BOLT (M6X1X10-MM)						

M - METRIC PART



VIEW OF AREA A



GRAPHIC #1

<END>

g02693540

BASIC ENGINE

415-7948 JET GP-PISTON COOLING

S/N: W231-UP

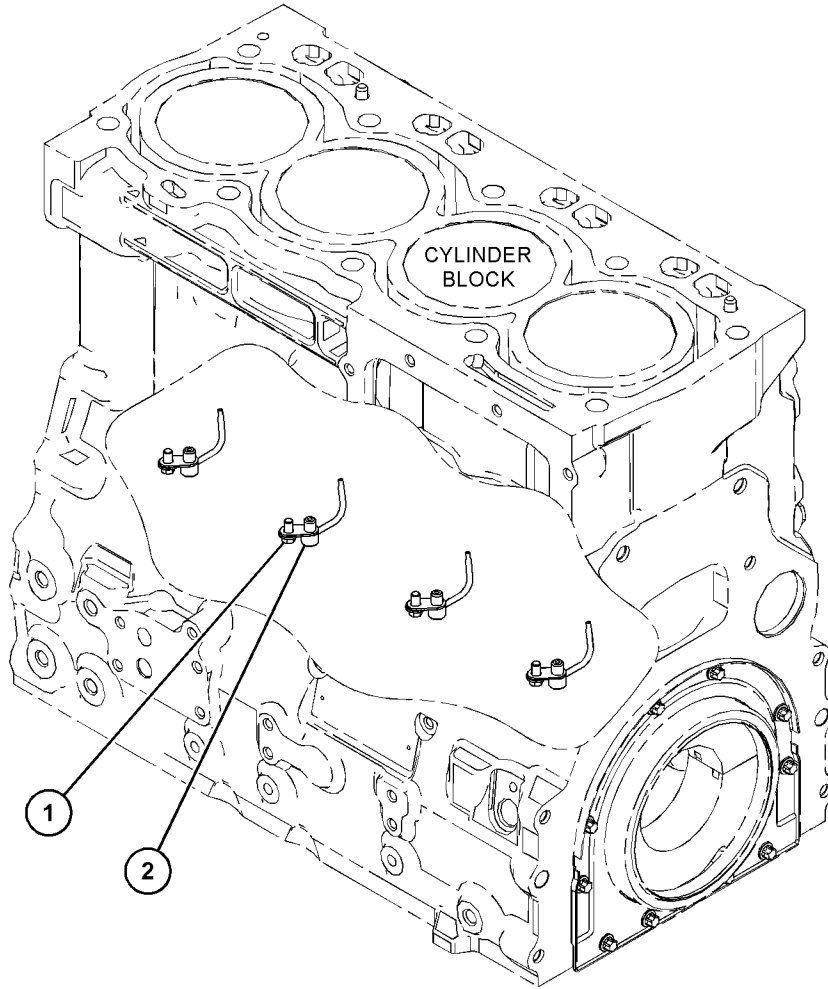
PART OF 452-7386 CYLINDER BLOCK GP-SHORT, 463-8848, 463-8910 ENGINE AR-PRIMARY

SMCS-1331

i06120073

NOTE	REF NO	GRAPHIC REF	PART NUMBER	QTY	PART NAME						SEE PAGE
					1	2	3	4	5	6 (PRODUCT LEVEL)	
M	1	1	100-4841	4	BOLT (M6X1X10-MM)						
	2	1	276-5605	4	JET AS-PISTON COOLING						

M - METRIC PART



GRAPHIC #1

<END>

g03813693

BASIC ENGINE

492-1082 KIT-CYLINDER BLOCK

S/N: TH91-UP

FIELD REPLACEMENT FOR 464-1143-PAGE: 77

SMCS-1201

i07641574

NOTE	PART NUMBER	QTY	PART NAME 1 2 3 4 5 6 (PRODUCT LEVEL)	SEE PAGE
Y	491-7329	1	CYLINDER BLOCK GP	79
	464-6417	1	ADAPTER	
M	6I-0846	2	BOLT (M6X1X14-MM)	
	379-3161	1	BOLT	
	379-3142	4	DOWEL	
	379-3158	4	NOZZLE AS (PISTON COOLING)	
	379-3164	1	PLUG	
	465-0250	1	VALVE AS	
	379-3163	1	WASHER	

M - METRIC PART
Y - SEPARATE ILLUSTRATION

<END>

BASIC ENGINE

350-1044 LIFTING GP-ENGINE

S/N: JKT1-UP

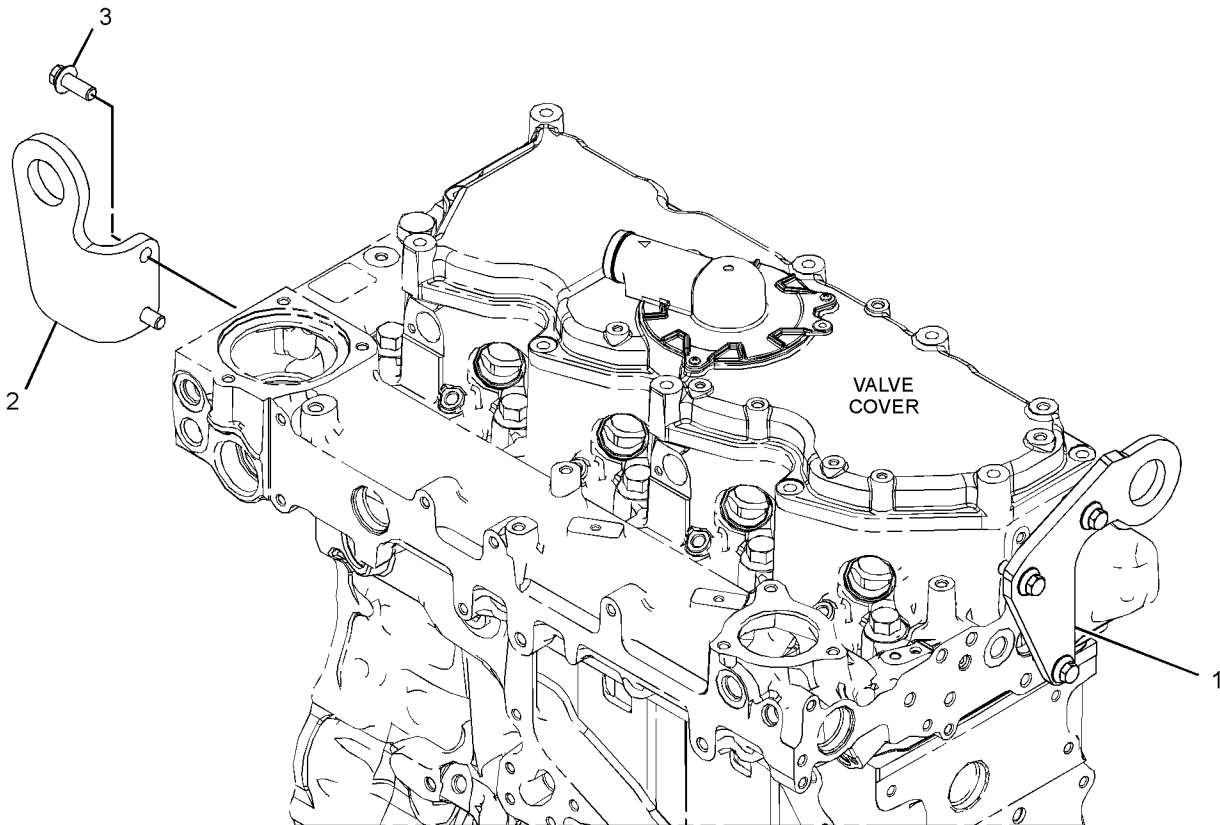
PART OF 464-2307, 464-2308 ENGINE AR-PRIMARY
ALSO AN ATTACHMENT

SMCS-1122

i04630546

NOTE	REF NO	GRAPHIC REF	PART NUMBER	QTY	PART NAME						SEE PAGE
					1	2	3	4	5	6 (PRODUCT LEVEL)	
	1	1	348-2822	1	BRACKET-LIFT						
	2	1	358-8132	1	BRACKET-LIFT						
M	3	1	6I-0654	5	BOLT (M10X1.5X25-MM)						

M - METRIC PART



GRAPHIC #1

<END>

g02677336

BASIC ENGINE

350-1826 LIFTING GP-ENGINE

S/N: CN51-UP

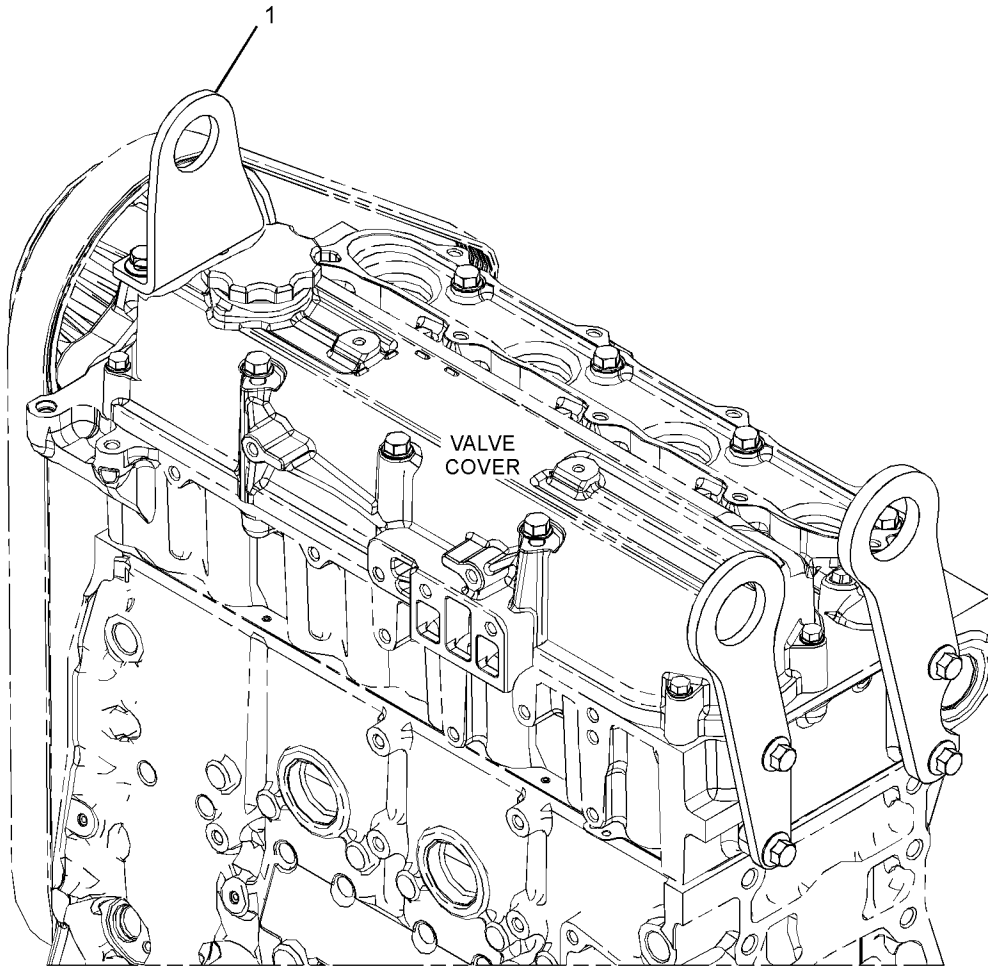
PART OF 465-2880 ENGINE AR-PRIMARY
AN ATTACHMENT

SMCS-1122

i05936433

NOTE	REF NO	GRAPHIC REF	PART NUMBER	QTY	PART NAME						SEE PAGE
					1	2	3	4	5	6 (PRODUCT LEVEL)	
Y	1	1	428-7127	1	LIFTING GP-ENGINE						135

Y - SEPARATE ILLUSTRATION



GRAPHIC #1

<END>

g02876337

BASIC ENGINE

417-3463 LIFTING GP-ENGINE

S/N: W231-UP

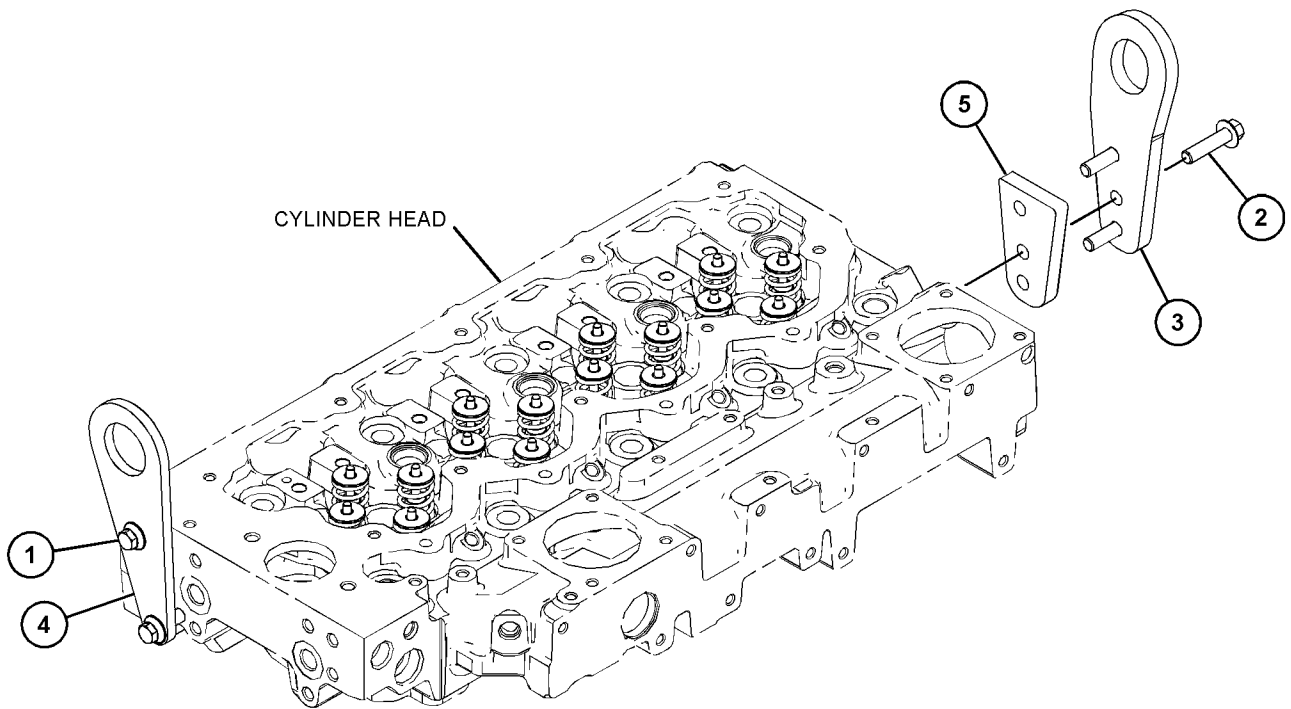
PART OF 463-8848, 463-8910 ENGINE AR-PRIMARY

SMCS-1122

i06146769

NOTE	REF NO	GRAPHIC REF	PART NUMBER	QTY	PART NAME						SEE PAGE
					1	2	3	4	5	6 (PRODUCT LEVEL)	
M	1	1	6I-0654	2	BOLT (M10X1.5X25-MM)						
M	2	1	123-2899	3	BOLT (M10X1.5X40-MM)						
	3	1	421-5383	1	BRACKET-LIFTING						
	4	1	279-9651	1	PLATE-LIFTING						
	5	1	326-0477	1	SPACER						

M - METRIC PART



GRAPHIC #1

<END>

g03826134

BASIC ENGINE

428-7127 LIFTING GP-ENGINE

S/N: CN51-UP

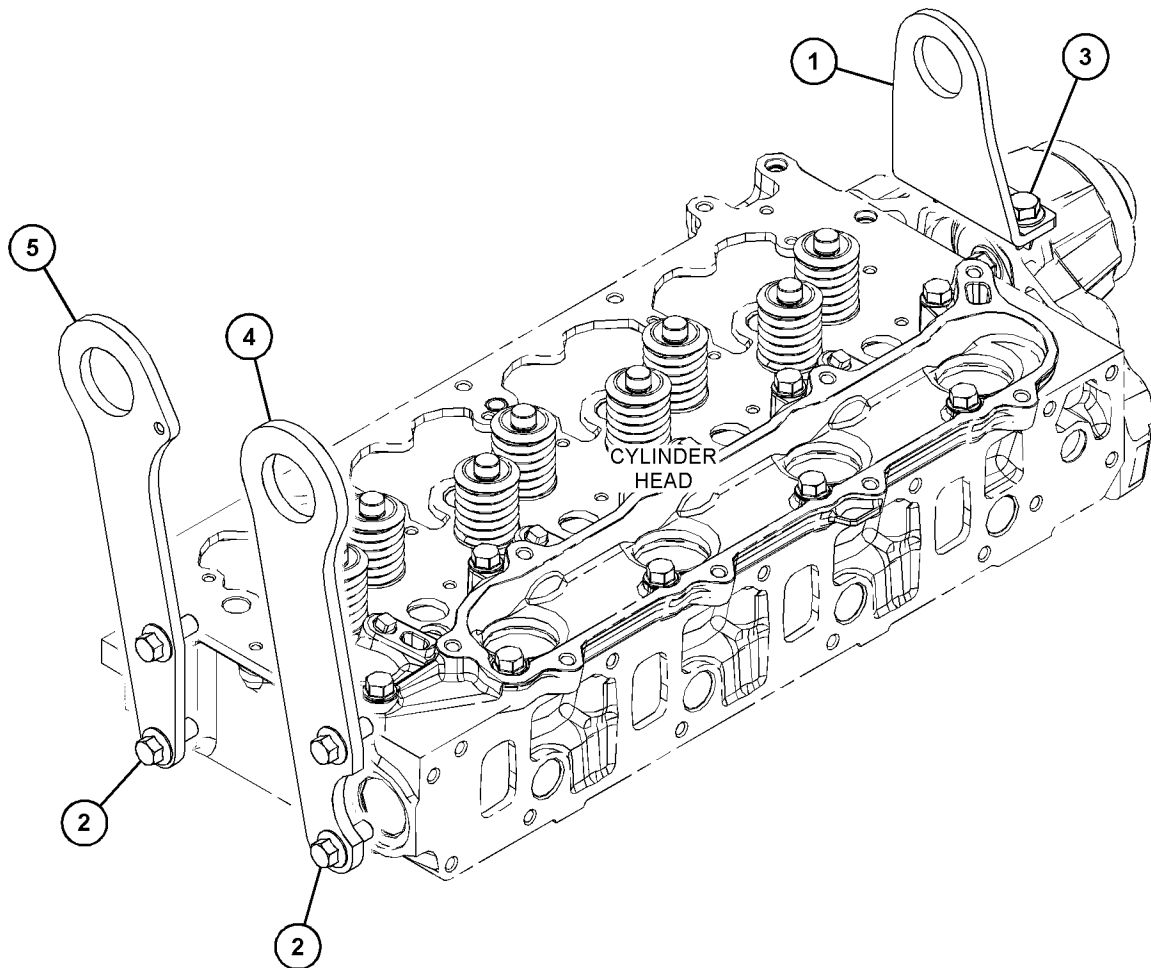
PART OF 350-1826 LIFTING GP-ENGINE
AN ATTACHMENT

SMCS-1122

i05936447

NOTE	REF NO	GRAPHIC REF	PART NUMBER	QTY	PART NAME						SEE PAGE
					1	2	3	4	5	6 (PRODUCT LEVEL)	
	1	1	387-9162	1	BRACKET						
M	2	1	390-5138	4	BOLT-FLANGE HEAD (M10X1.5X25-MM)						
	3	1	391-5559	2	BOLT-SPECIAL						
	4	1	428-7171	1	BRACKET						
	5	1	428-7183	1	BRACKET						

M - METRIC PART



GRAPHIC #1

<END>

g03739038

BASIC ENGINE

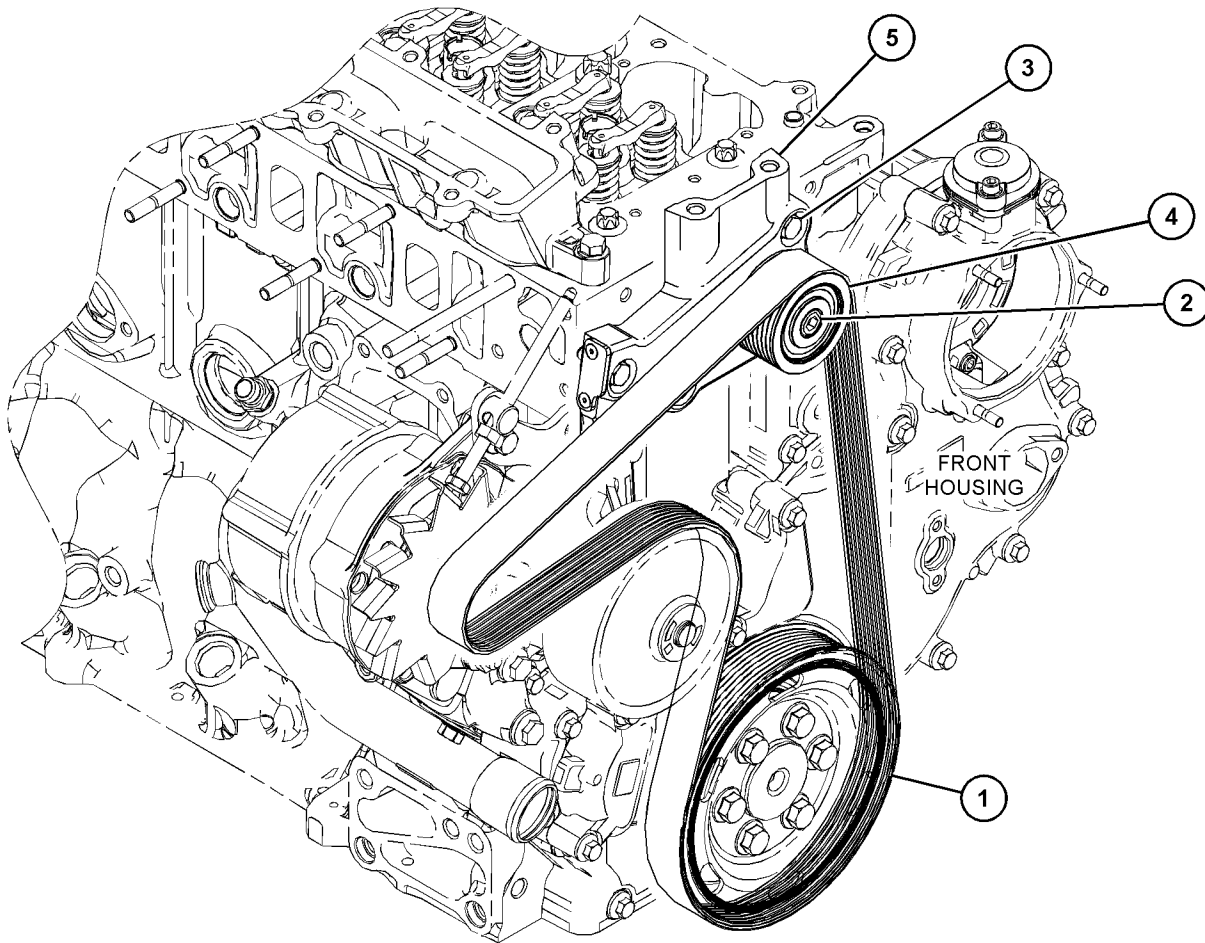
437-9758 MOUNTING GP-BELT TENSIONER

S/N: CN51-UP
PART OF 350-0644 DRIVE GP-FAN
AN ATTACHMENT

SMCS - 1358

i06815602

NOTE	REF NO	GRAPHIC REF	PART NUMBER	QTY	PART NAME						SEE PAGE
					1	2	3	4	5	6 (PRODUCT LEVEL)	
	1	1	422-0655	1	BELT						
	2	1	388-6986	1	SCREW-SPECIAL						
	3	1	389-2868	4	BOLT-SPECIAL						
	4	1	390-8959	1	PULLEY						
	5	1	435-9905	1	SUPPORT AS						



GRAPHIC #1

<END>

g03827878

BASIC ENGINE

486-3235 MOUNTING GP-ENGINE

S/N: TH91-UP

PART OF 520-9600 ENGINE AR-COMplete

AN ATTACHMENT

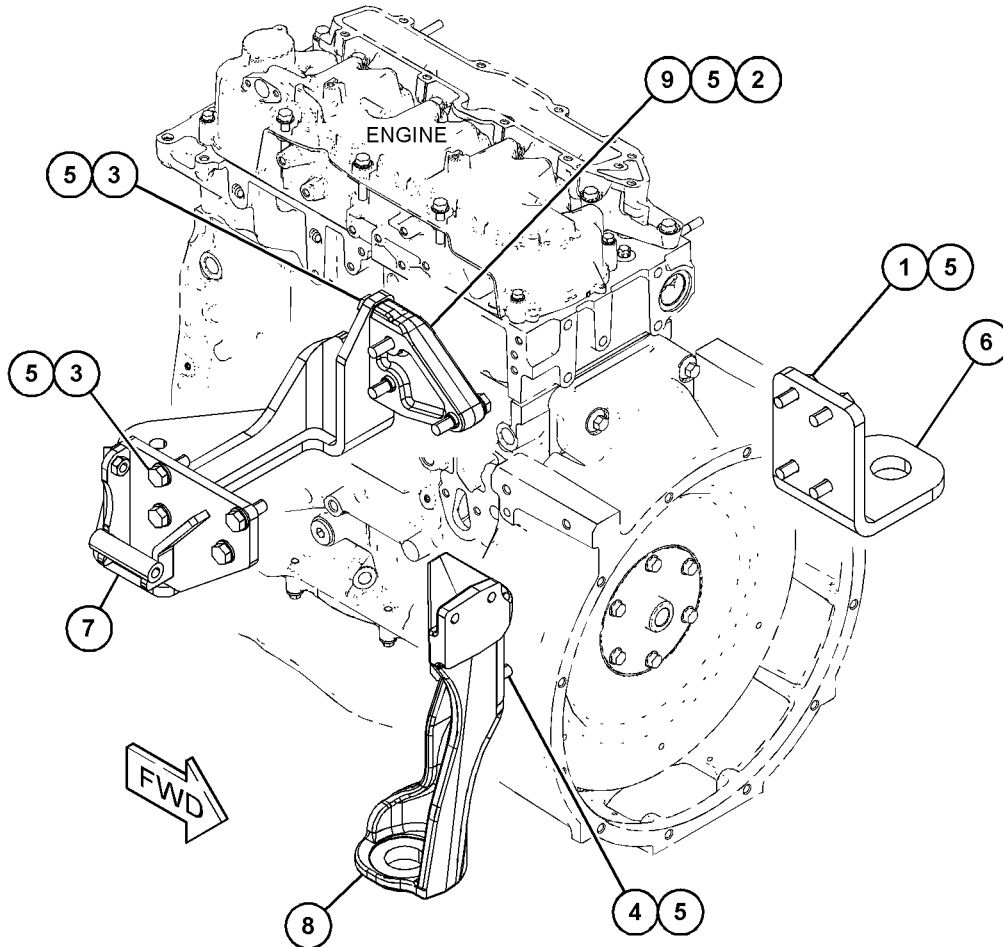
TYPE 1

SMCS-1152, 1153, 1154

i06604922

NOTE	REF NO	GRAPHIC REF	PART NUMBER	QTY	PART NAME						SEE PAGE
					1	2	3	4	5	6 (PRODUCT LEVEL)	
M	1	1	8T-4183	4	BOLT (M12X1.75X40-MM)						
M	2	1	481-9816	3	BOLT (M12X1.75X60-MM)						
M	3	1	8T-4956	6	BOLT (M12X1.75X35-MM)						
M	4	1	165-7019	4	BOLT (M12X1.75X45-MM)						
	5	1	8T-4223	17	WASHER-HARD (13.5X25.5X3-MM THK)						
	6	1	477-6069	1	PLATE						
	7	1	478-5162	1	BRACKET AS						
	8	1	477-6070	1	BRACKET						
	9	1	483-5164	1	BRACKET						

M - METRIC PART



GRAPHIC #1

<END>

g06053544

BASIC ENGINE

486-3235 MOUNTING GP-ENGINE

S/N: TH91-UP

PART OF 520-9600 ENGINE AR-COMplete

AN ATTACHMENT

TYPE 2

SMCS-1152, 1153, 1154

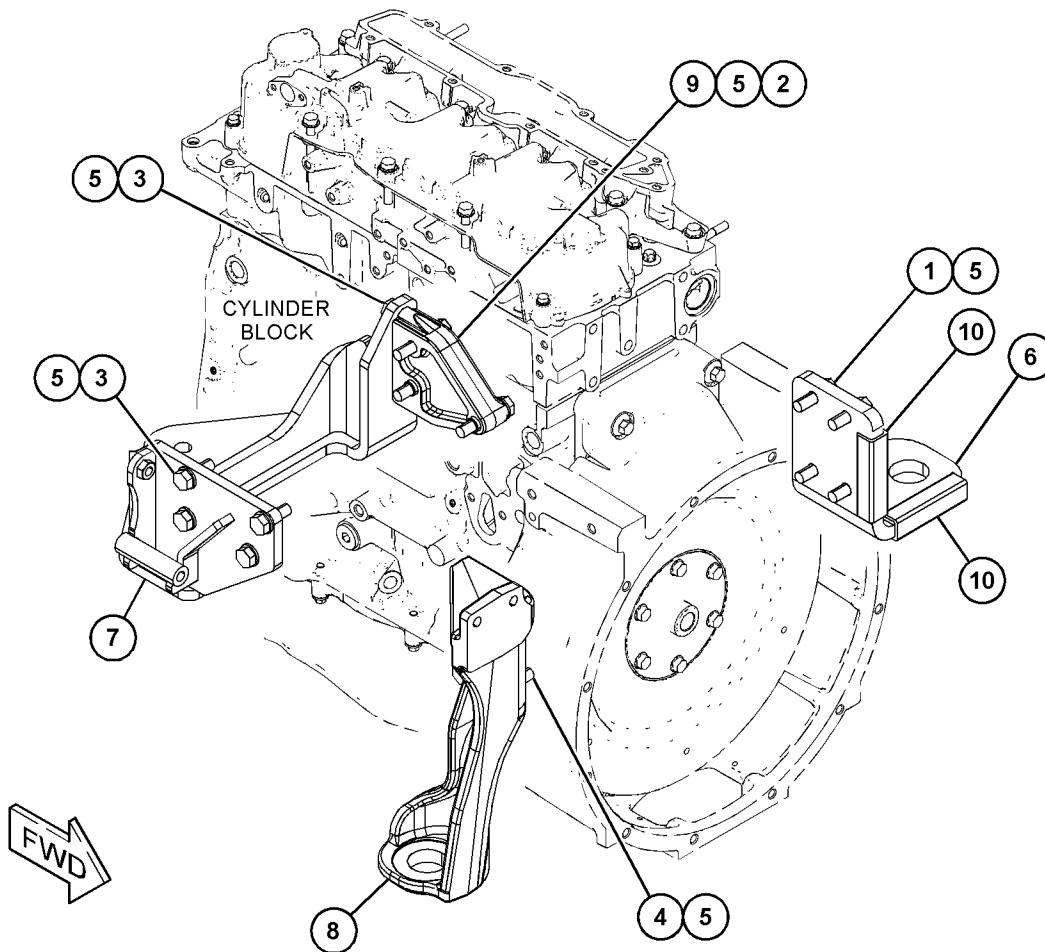
i07714509

NOTE	REF NO	GRAPHIC REF	PART NUMBER	QTY	PART NAME						SEE PAGE
					1	2	3	4	5	6 (PRODUCT LEVEL)	
M	1	1	8T-4183	4	BOLT (M12X1.75X40-MM)						
M	2	1	481-9816	3	BOLT (M12X1.75X60-MM)						
M	3	1	8T-4956	6	BOLT (M12X1.75X35-MM)						
M	4	1	165-7019	4	BOLT (M12X1.75X45-MM)						
	5	1	8T-4223	17	WASHER-HARD (13.5X25.5X3-MM THK)						
	6	1	477-6069	1	PLATE						
	7	1	478-5162	1	BRACKET AS						
	8	1	477-6070	1	BRACKET						
C	9	1	530-2770	1	MOUNT AS-ENGINE						
H	10	1	494-3694		TRIM (0.5-FT EACH)						

C - CHANGE FROM PREVIOUS TYPE

H - ORDER BY THE FOOT

M - METRIC PART



GRAPHIC #1

<END>

g06356828

BASIC ENGINE

486-7983 MOUNTING GP-ENGINE

S/N: TH41-UP; TH91-UP

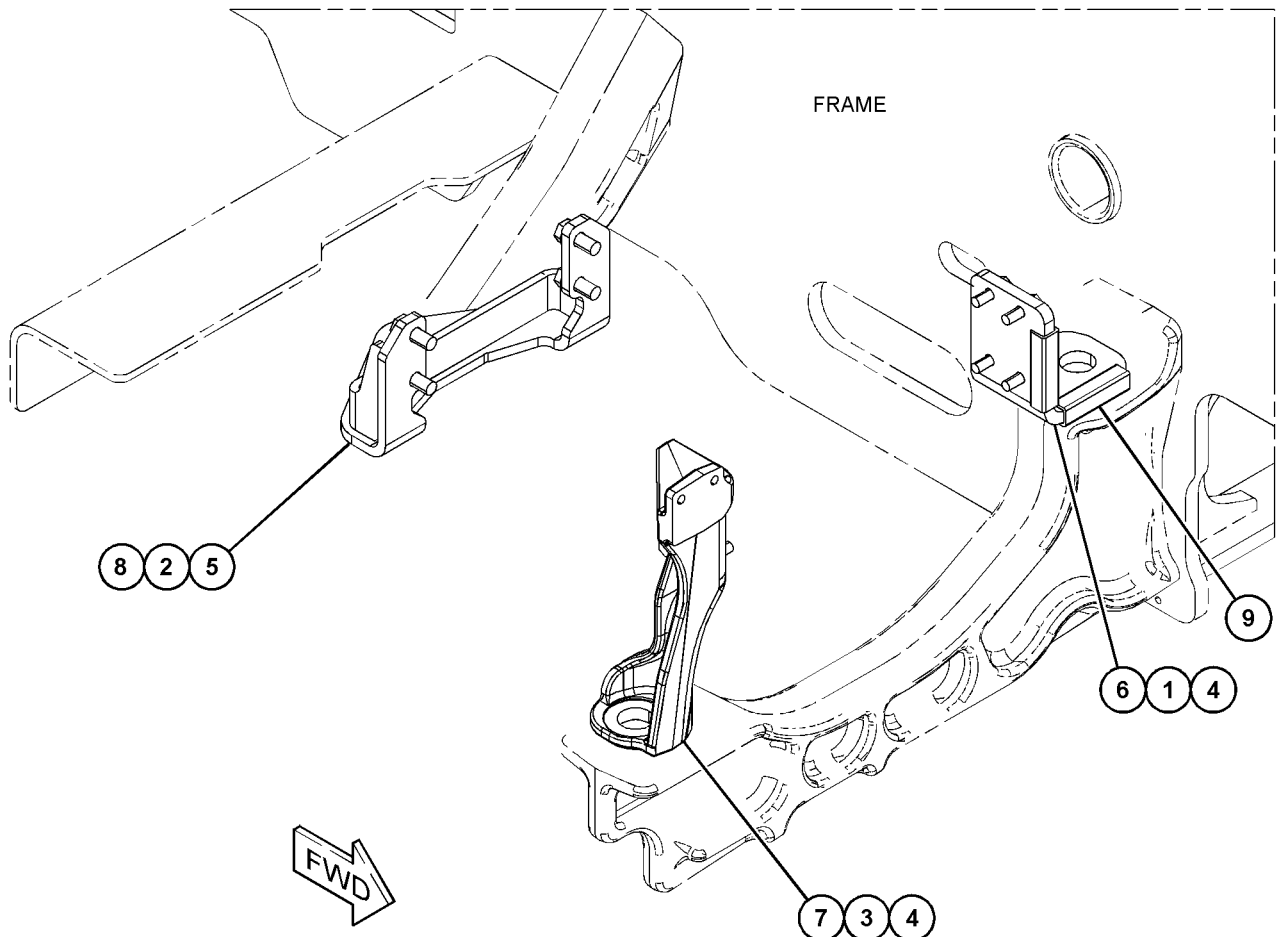
PART OF 523-2010, 523-2011 ENGINE AR-COMplete
AN ATTACHMENT

SMCS-1152, 1153, 1154

i07829660

NOTE	REF NO	GRAPHIC REF	PART NUMBER	QTY	PART NAME						SEE PAGE
					1	2	3	4	5	6 (PRODUCT LEVEL)	
M	1	1	8T-4183	4	BOLT (M12X1.75X40-MM)						
M	2	1	7X-2553	4	BOLT (M16X2X40-MM)						
M	3	1	165-7019	4	BOLT (M12X1.75X45-MM)						
	4	1	8T-4223	8	WASHER-HARD (13.5X25.5X3-MM THK)						
	5	1	9X-8257	4	WASHER (17.5X30X3.5-MM THK)						
	6	1	477-6069	1	PLATE						
	7	1	477-6070	1	BRACKET						
	8	1	478-2120	1	BRACKET AS						
BL	9	1	494-3694		TRIM (1-FT)						

B - USE AS REQUIRED
L - ORDER BY THE FEET
M - METRIC PART



GRAPHIC #1

<END>

g06363515

BASIC ENGINE

499-5297 MOUNTING GP-ENGINE

S/N: TH41-UP; TH91-UP; JKT1-UP

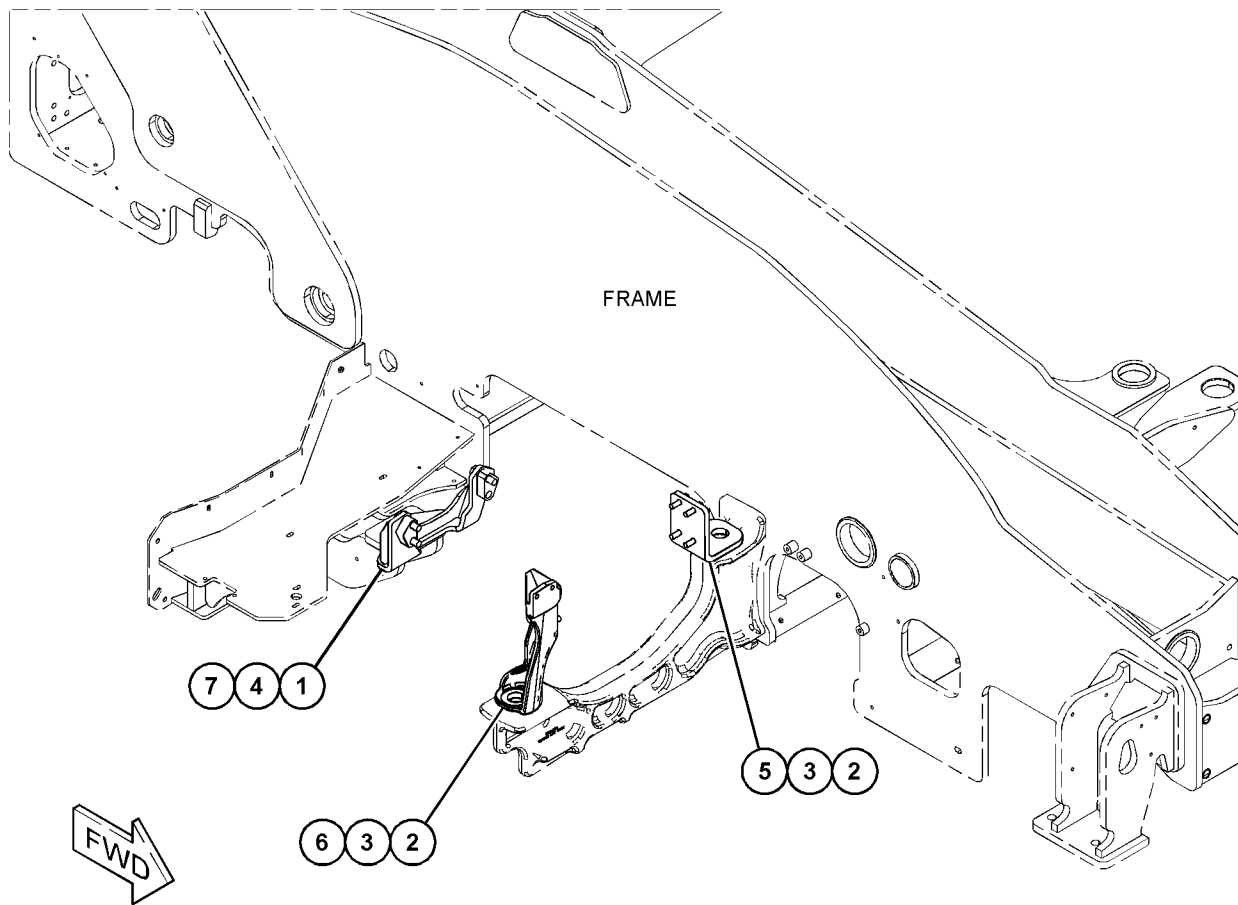
PART OF 520-9601, 523-1976, 550-0081, 550-0083 ENGINE AR-COMplete
AN ATTACHMENT

SMCS-1152, 1153, 1154

i06601112

NOTE	REF NO	GRAPHIC REF	PART NUMBER	QTY	PART NAME						SEE PAGE
					1	2	3	4	5	6 (PRODUCT LEVEL)	
M	1	1	6V-3303	3	BOLT (M16X2X60-MM)						
M	2	1	165-7019	8	BOLT (M12X1.75X45-MM)						
	3	1	8T-4223	8	WASHER-HARD (13.5X25.5X3-MM THK)						
	4	1	9X-8257	3	WASHER (17.5X30X3.5-MM THK)						
	5	1	477-6069	1	PLATE						
	6	1	477-6070	1	BRACKET						
	7	1	499-5296	1	BRACKET AS						

M - METRIC PART



GRAPHIC #1

<END>

g06048193

BASIC ENGINE

500-1296 MOUNTING GP-ENGINE

S/N: TH41-UP; TH91-UP

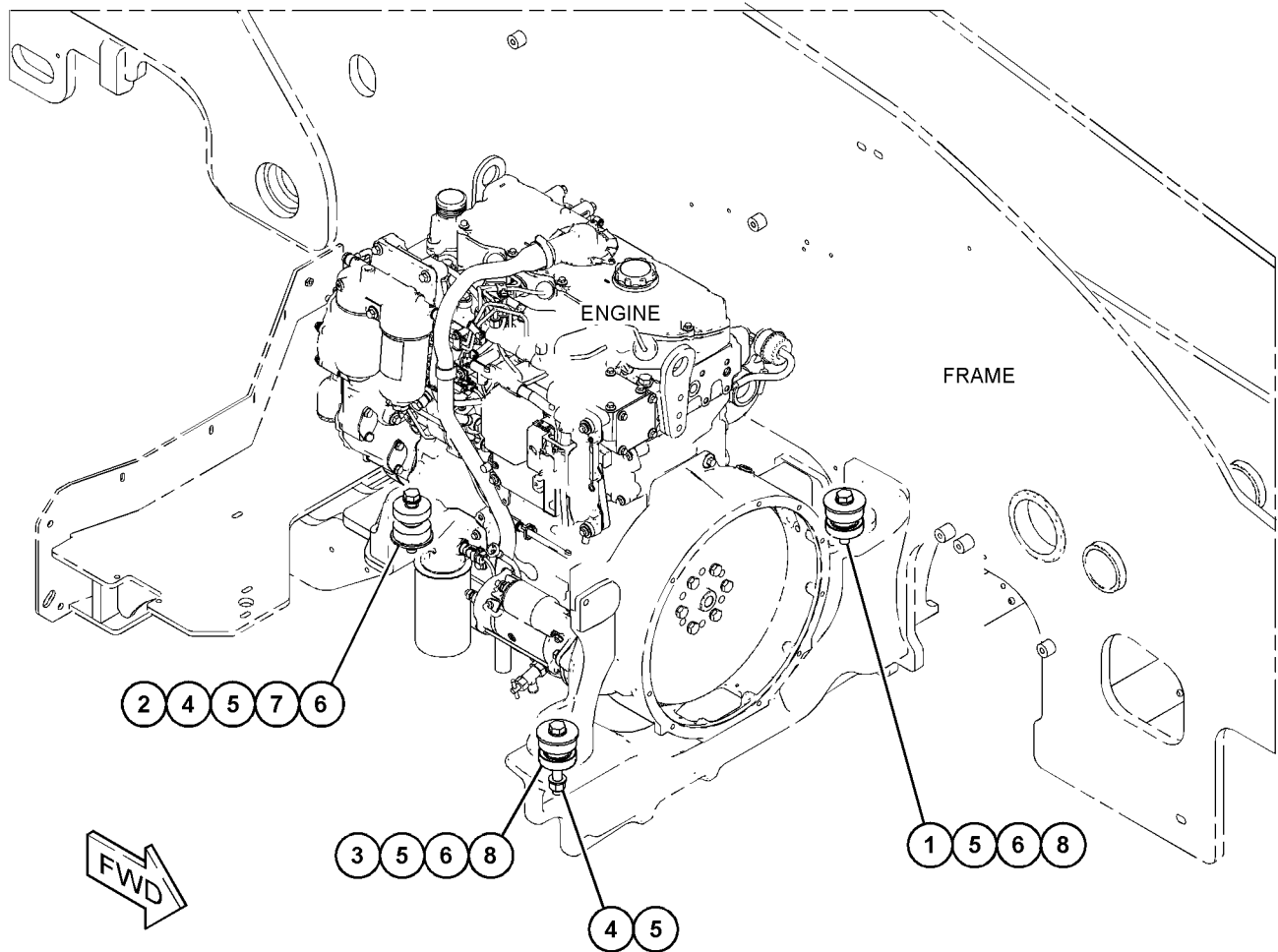
PART OF 518-5955, 523-2012 INSTALLATION AR-ENGINE
AN ATTACHMENT

SMCS-1152, 1153, 1154

i06603088

NOTE	REF NO	GRAPHIC REF	PART NUMBER	QTY	PART NAME						SEE PAGE
					1	2	3	4	5	6 (PRODUCT LEVEL)	
M	1	1	170-8555	1	BOLT (M16X2X90-MM)						
M	2	1	8T-4173	1	BOLT (M16X2X110-MM)						
M	3	1	477-7924	1	BOLT (M16X2X130-MM)						
M	4	1	459-8912	2	NUT (M16X2-THD)						
	5	1	9X-8257	5	WASHER (17.5X30X3.5-MM THK)						
	6	1	437-7653	3	WASHER (16.7X71.4X4.5-MM THK)						
	7	1	473-2080	1	MOUNT						
	8	1	484-1800	2	MOUNT						

M - METRIC PART



GRAPHIC #1

<END>

g06108094

BASIC ENGINE

500-3142 MOUNTING GP-ENGINE

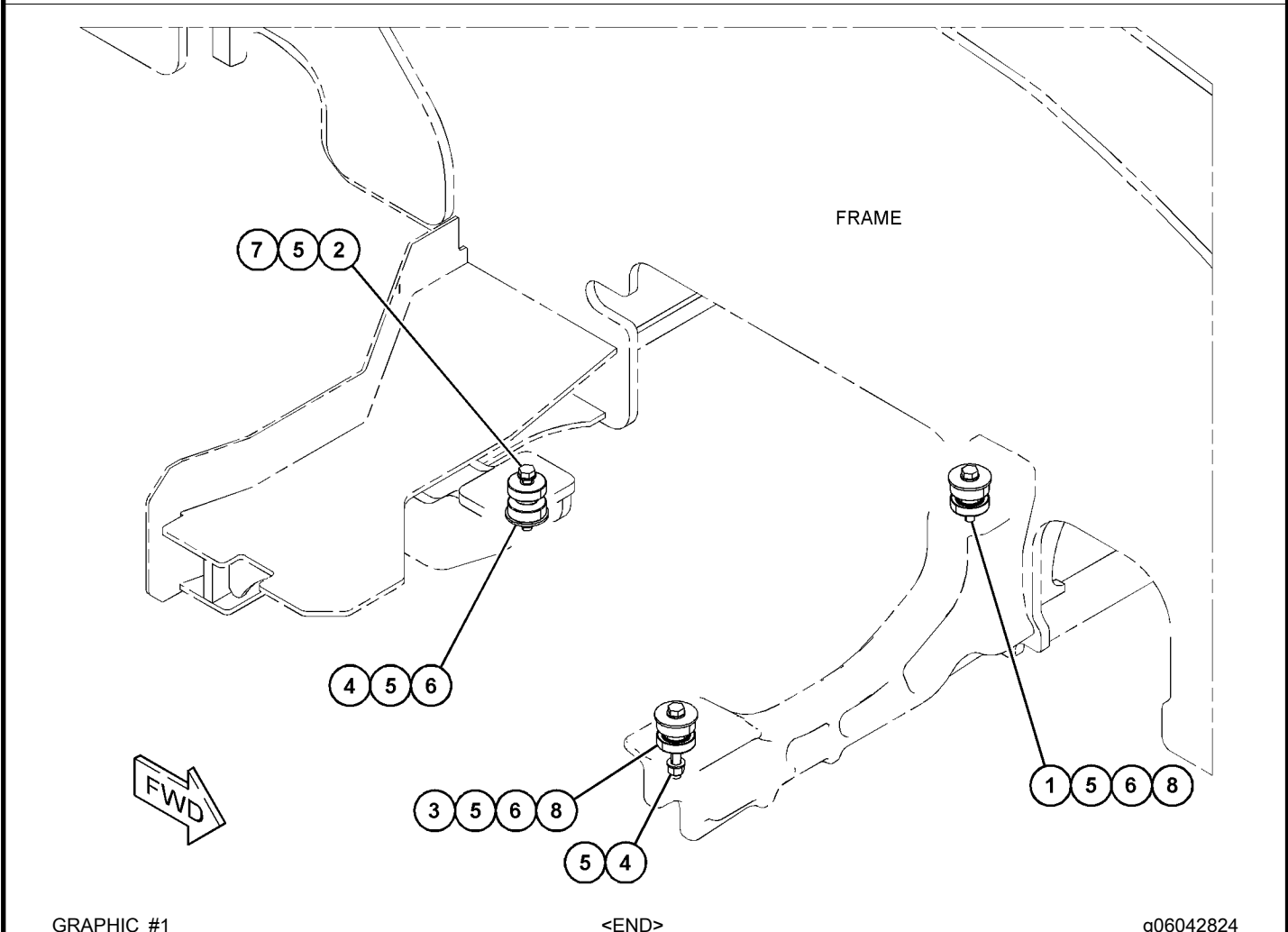
S/N: TH41-UP; TH91-UP; JKT1-UP
PART OF 518-5880, 523-1977 INSTALLATION AR-ENGINE
AN ATTACHMENT

SMCS-1152, 1153, 1154

i06601121

NOTE	REF NO	GRAPHIC REF	PART NUMBER	QTY	PART NAME						SEE PAGE
					1	2	3	4	5	6 (PRODUCT LEVEL)	
M	1	1	170-8555	1	BOLT (M16X2X90-MM)						
M	2	1	8T-4173	1	BOLT (M16X2X110-MM)						
M	3	1	477-7924	1	BOLT (M16X2X130-MM)						
M	4	1	459-8912	2	NUT (M16X2-THD)						
	5	1	9X-8257	5	WASHER (17.5X30X3.5-MM THK)						
	6	1	437-7653	3	WASHER (16.7X71.4X4.5-MM THK)						
	7	1	500-3143	1	MOUNT AS						
	8	1	484-1800	2	MOUNT						

M - METRIC PART



GRAPHIC #1

g06042824

BASIC ENGINE

500-0760 MOUNTING GP-ENGINE & XMSN

S/N: TH91-UP

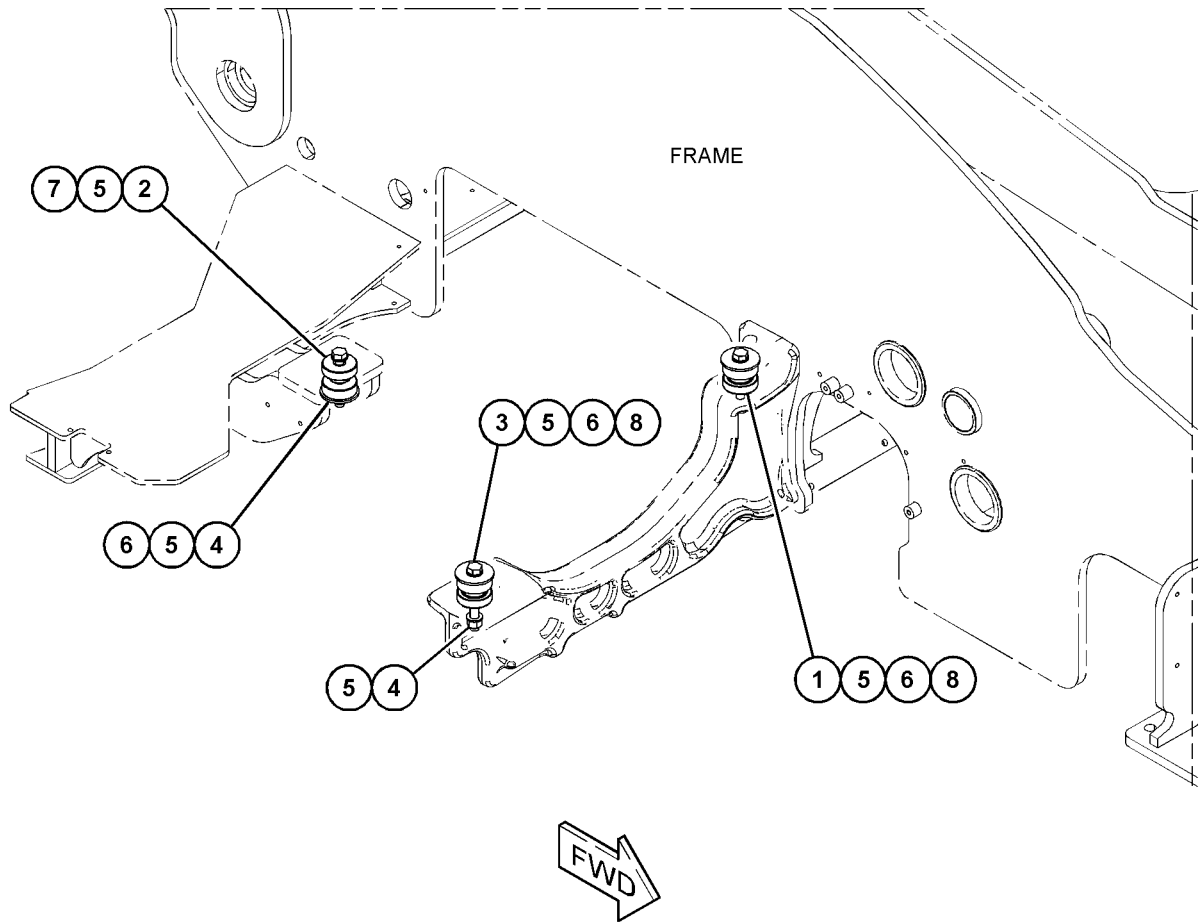
PART OF 518-5879 INSTALLATION AR-ENGINE
AN ATTACHMENT

SMCS-1152, 1154, 3082

i06608795

NOTE	REF NO	GRAPHIC REF	PART NUMBER	QTY	PART NAME						SEE PAGE
					1	2	3	4	5	6 (PRODUCT LEVEL)	
M	1	1	170-8555	1	BOLT (M16X2X90-MM)						
M	2	1	8T-4173	1	BOLT (M16X2X110-MM)						
M	3	1	477-7924	1	BOLT (M16X2X130-MM)						
M	4	1	459-8912	2	NUT (M16X2-THD)						
	5	1	9X-8257	5	WASHER (17.5X30X3.5-MM THK)						
	6	1	437-7653	3	WASHER (16.7X71.4X4.5-MM THK)						
	7	1	473-2083	1	MOUNT						
	8	1	484-1800	2	MOUNT						

M - METRIC PART



GRAPHIC #1

<END>

g06048120

BASIC ENGINE

329-7945 PAN GP-OIL

S/N: JKT1-UP

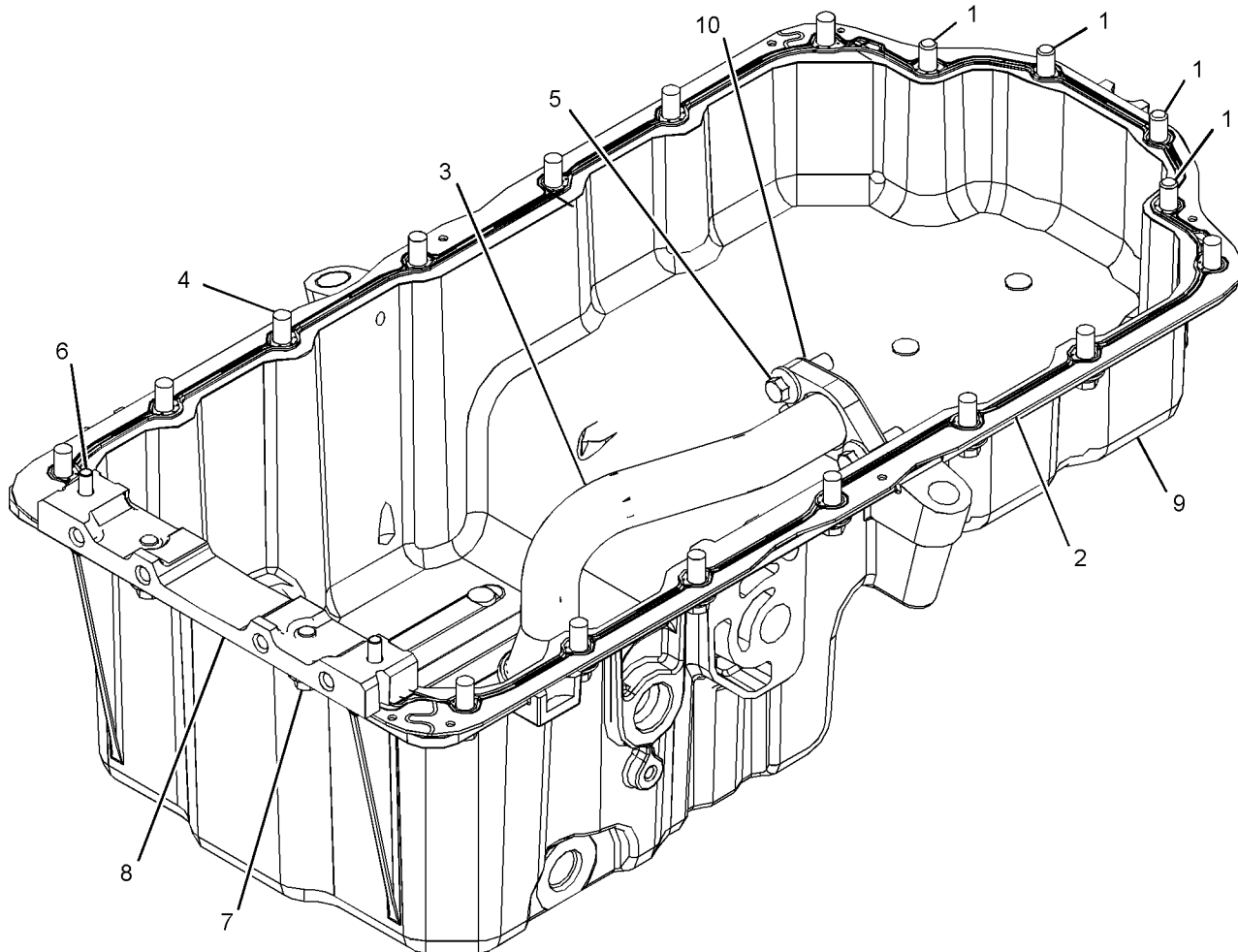
PART OF 464-2307, 464-2308 ENGINE AR-PRIMARY
ALSO AN ATTACHMENT

SMCS-1302

i06709354

NOTE	REF NO	GRAPHIC REF	PART NUMBER	QTY	PART NAME						SEE PAGE
					1	2	3	4	5	6	
M	1	1	101-3771	4	BOLT (M8X1.25X85-MM)						
	2	1	471-2882	1	GASKET						
	3	1	225-6041	1	TUBE						
M	4	1	6I-0217	14	BOLT (M8X1.25X20-MM)						
M	5	1	6I-0260	2	BOLT (M8X1.25X25-MM)						
M	6	1	8T-0269	2	BOLT-SOCKET HEAD (M6X1X20-MM)						
M	7	1	6I-0572	2	BOLT (M8X1.25X20-MM)						
	8	1	329-5230	1	BRIDGE-CYLINDER SUPPORT						
	9	1	480-4406	1	PAN						
	10	1	067-6213	1	GASKET						

M - METRIC PART



GRAPHIC #1

<END>

g06035887

BASIC ENGINE

350-5188 PAN GP-OIL

S/N: CN51-UP

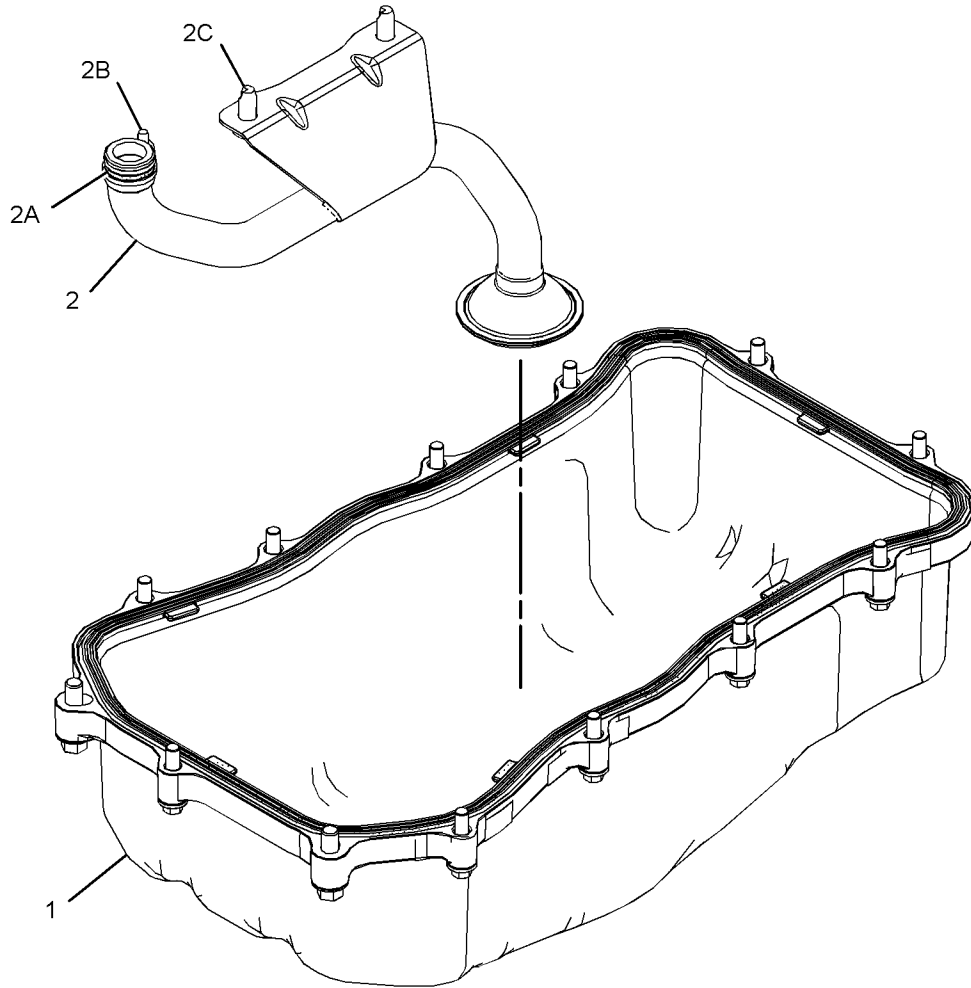
PART OF 465-2880 ENGINE AR-PRIMARY
AN ATTACHMENT

SMCS-1302

i06881664

NOTE	REF NO	GRAPHIC REF	PART NUMBER	QTY	PART NAME						SEE PAGE
					1	2	3	4	5	6 (PRODUCT LEVEL)	
Y	1	1	361-7866	1	PAN GP-OIL						146
	2	1	361-7867	1	STRAINER AS						
	2A	1	387-7711	1	SEAL						
	2B	1	387-9123	1	SCREW						
	2C	1	391-5559	2	BOLT-SPECIAL						
		1	387-9134	1	STRAINER						

Y - SEPARATE ILLUSTRATION



GRAPHIC #1

<END>

g02880487

BASIC ENGINE

361-7866 PAN GP-OIL

S/N: CN51-UP

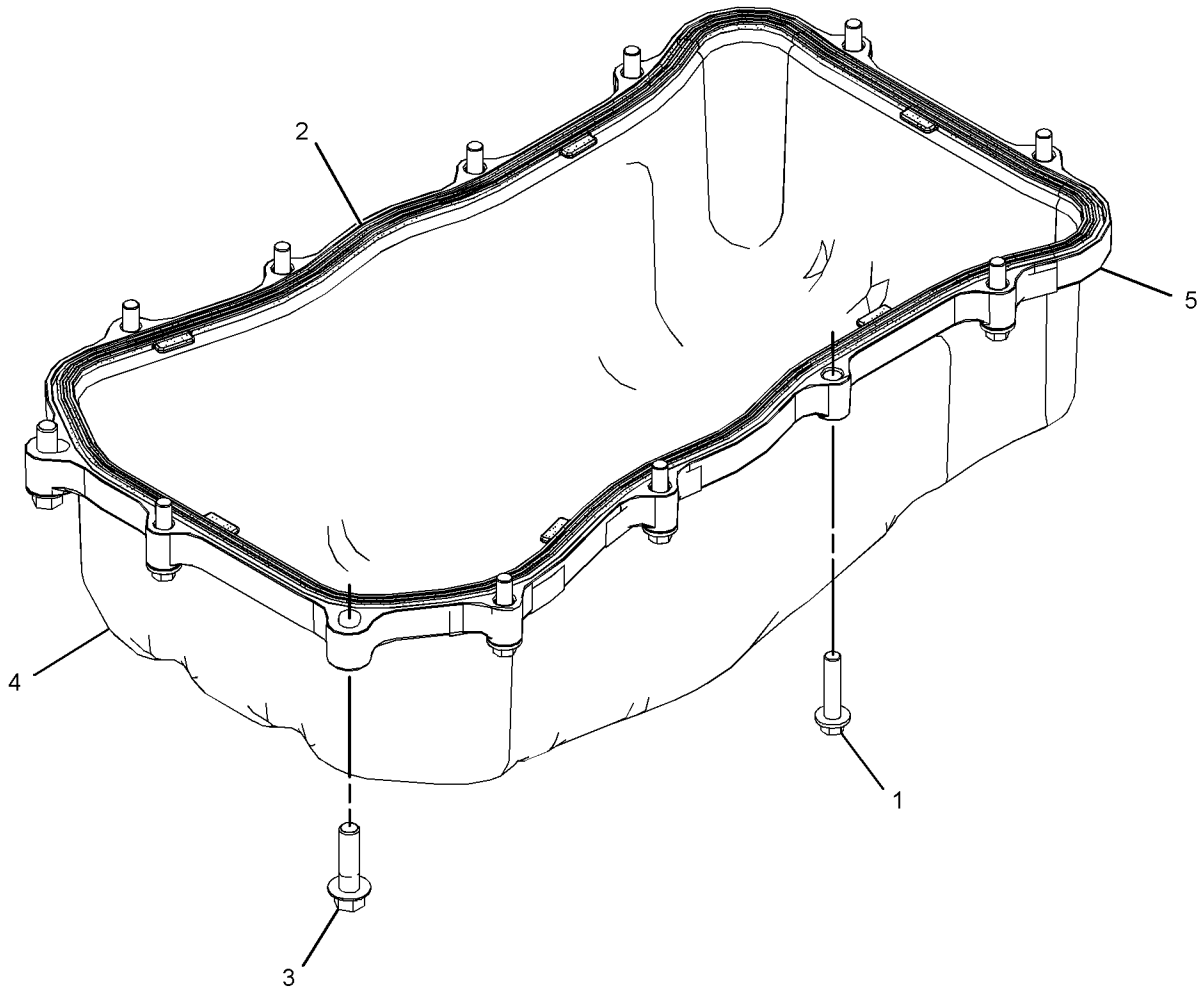
PART OF 350-5188 PAN GP-OIL
AN ATTACHMENT

SMCS-1302

i06876514

NOTE	REF NO	GRAPHIC REF	PART NUMBER	QTY	PART NAME						SEE PAGE
					1	2	3	4	5	6 (PRODUCT LEVEL)	
M	1	1	101-3895	11	BOLT (M8X1.25X35-MM)						
	2	1	363-9725	1	GASKET-SUMP						
M	3	1	111-0859	2	BOLT (M10X1.5X35-MM)						
C	4	1	511-7127	1	PAN GP-OIL						
	5	1	379-3111	1	SPACER						

C - CHANGE FROM PREVIOUS TYPE
M - METRIC PART



GRAPHIC #1

<END>

g03412102

BASIC ENGINE

416-1051 PAN GP-OIL

S/N: W231-UP

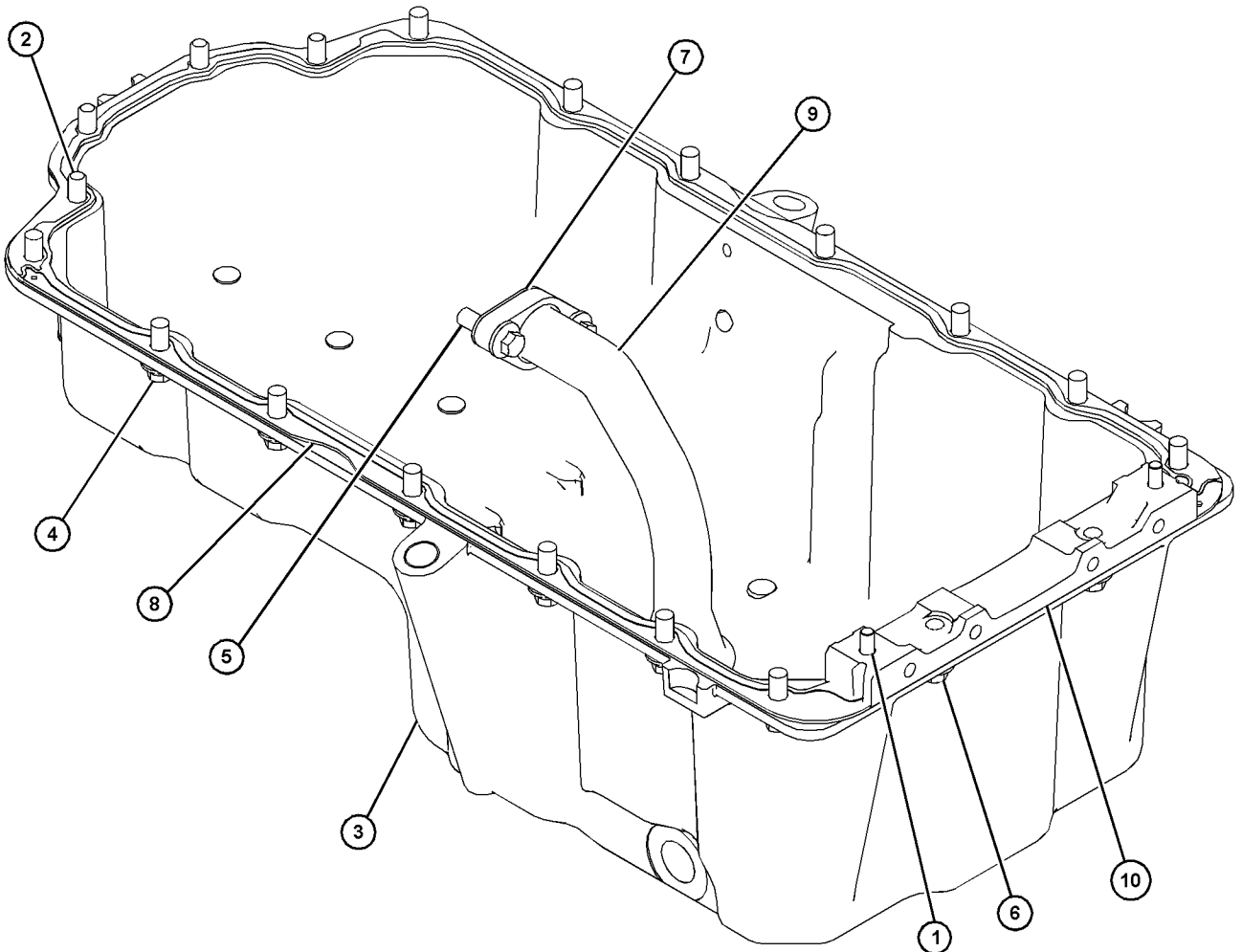
PART OF 463-8848, 463-8910 ENGINE AR-PRIMARY

SMCS-1302

i08131593

NOTE	REF NO	GRAPHIC REF	PART NUMBER	QTY	PART NAME						SEE PAGE
					1	2	3	4	5	6 (PRODUCT LEVEL)	
M	1	1	8T-0269	2	BOLT-SOCKET HEAD (M6X1X20-MM)						
M	2	1	101-3771	4	BOLT (M8X1.25X85-MM)						
	3	1	480-4406	1	PAN						
M	4	1	6I-0217	12	BOLT (M8X1.25X20-MM)						
M	5	1	6I-0260	2	BOLT (M8X1.25X25-MM)						
M	6	1	6I-0572	4	BOLT (M8X1.25X20-MM)						
	7	1	067-6213	1	GASKET						
	8	1	471-2882	1	GASKET						
	9	1	225-6041	1	TUBE						
	10	1	230-8094	1	BRIDGE						

M - METRIC PART



GRAPHIC #1

<END>

g03841817

BASIC ENGINE

392-1366 PISTON & ROD GP

S/N: JKT1-UP

PART OF 449-5062 CYLINDER BLOCK GP-SHORT, 464-2307, 464-2308 ENGINE AR-PRIMARY
ALSO AN ATTACHMENT

SMCS-1225

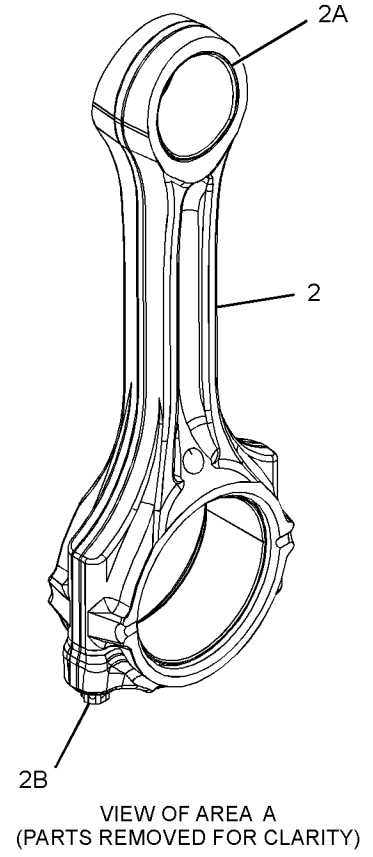
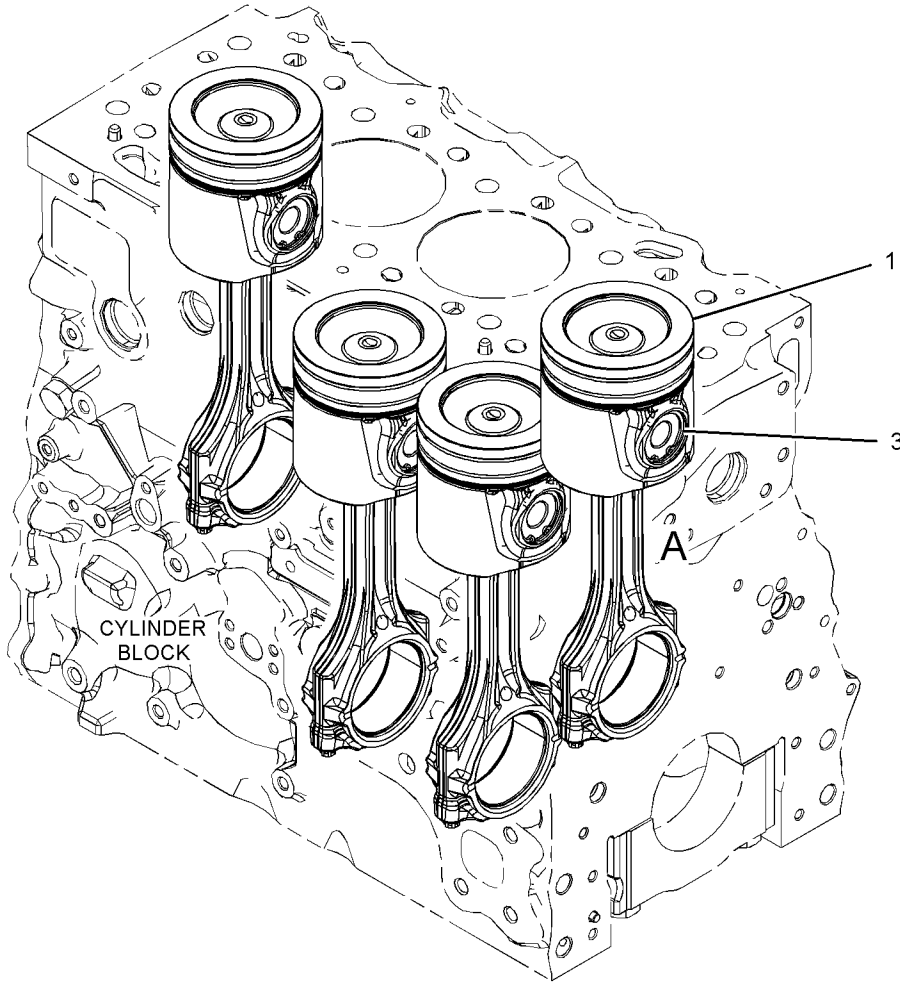
i06671538

NOTE	REF NO	GRAPHIC REF	PART NUMBER	QTY	PART NAME						SEE PAGE
					1	2	3	4	5	6	
CL	1	1	493-3286	4	PISTON GP						
	2	1	333-5465	4	CONNECTING ROD GP						
					(EACH INCLUDES)						
	2A	1	276-7478	1	BUSHING						
M	2B	1	323-9312	2	BOLT (M10X1X50-MM)						
	3	1	124-3536	8	RING-RETAINING						
					AVAILABLE REPAIR KIT(S):						
B			360-3986	1	KIT-BEARING (CONNECTING ROD) (STANDARD)						
					(INCLUDES BEARINGS)						
AB			468-7762	1	KIT-BEARING (0.254-MM US)						
					(INCLUDES BEARINGS)						
AB			468-7769	1	KIT-BEARING (0.508-MM US)						
					(INCLUDES BEARINGS)						
AB			468-7770	1	KIT-BEARING (0.762-MM US)						
					(INCLUDES BEARINGS)						
ABL			421-7760	1	KIT-PISTON (0.5-MM OS)						
					(INCLUDES PISTON, PIN, & RINGS)						
ABL			421-7763	1	KIT-PISTON (1-MM OS)						
					(INCLUDES PISTON, PIN, & RINGS)						
BL			464-0959	1	KIT-PISTON (STANDARD)						
					(INCLUDES PISTON, PIN, & RINGS)						
<p>A - NOT PART OF THIS GROUP B - USE AS REQUIRED C - CHANGE FROM PREVIOUS TYPE L - KIT MARKED L SERVICES PART(S) MARKED L M - METRIC PART</p>											

BASIC ENGINE

392-1366 PISTON & ROD GP (contd.)

106671538



GRAPHIC #1

<END>

g03620881

BASIC ENGINE

415-5518 PISTON & ROD GP

S/N: W231-UP

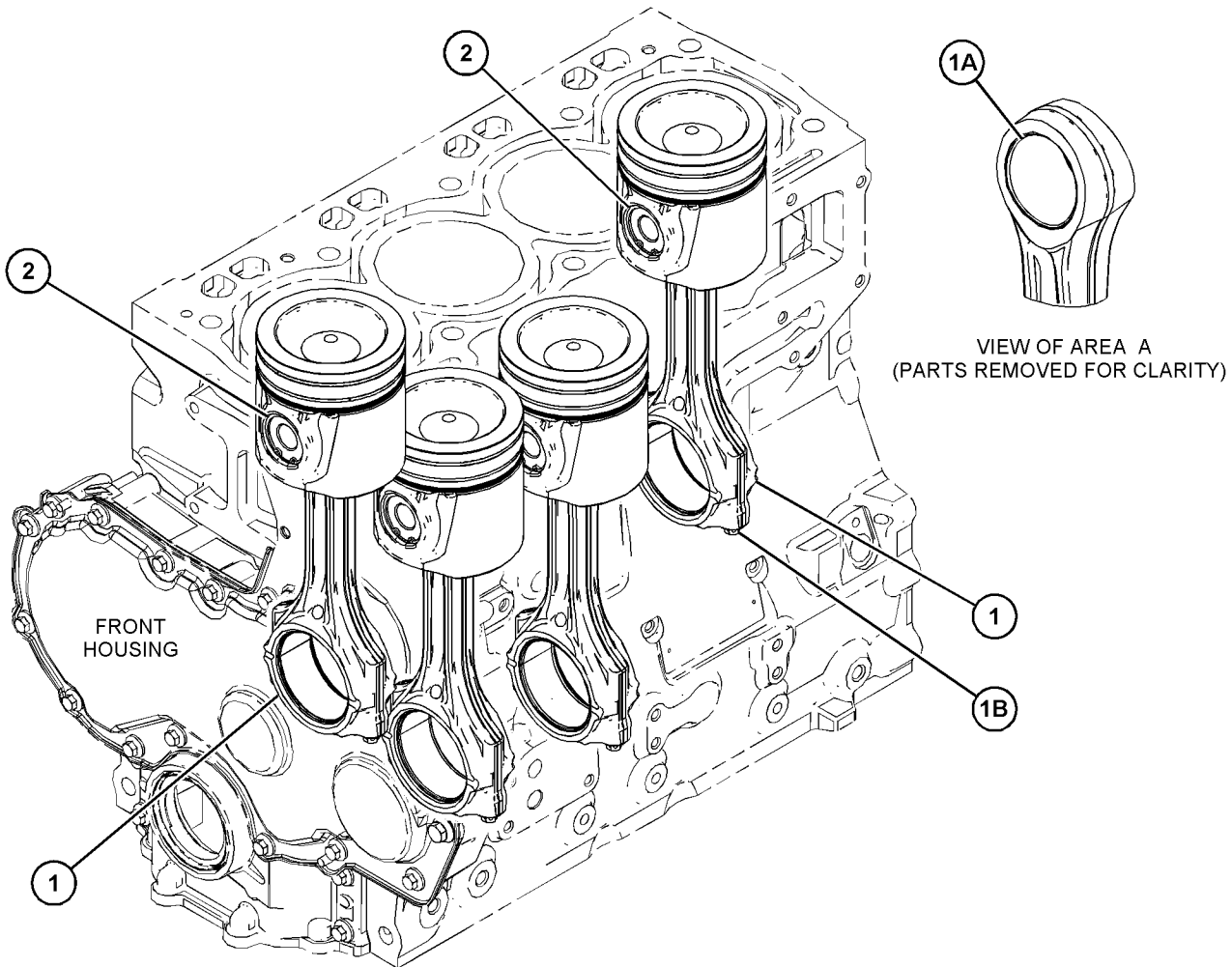
PART OF 452-7386 CYLINDER BLOCK GP-SHORT
TYPE 1

SMCS-1225

i06138442

NOTE	REF NO	GRAPHIC REF	PART NUMBER	QTY	PART NAME						SEE PAGE
					1	2	3	4	5	6	
	1	1	359-0719	4	ROD AS-CONNECTING (GRADE R)						
					(EACH INCLUDES)						
	1A	1	225-5438	1	BUSHING						
M	1B	1	323-9312	2	BOLT (M10X1X50-MM)						
	2	1	124-3536	8	RING-RETAINING						
AVAILABLE REPAIR KIT(S):											
B			360-3986	1	KIT-BEARING (CONNECTING ROD)						
					(INCLUDES BEARINGS)						
B			443-9543	1	KIT-RING (PISTON)						
					(INCLUDES RINGS)						
B			380-2065	1	KIT-PISTON RING (0.5-MM OS)						
					(INCLUDES RINGS)						
B			466-4849	1	KIT-PISTON RING (1-MM OS) (PISTON)						
					(INCLUDES RINGS)						
B			447-5251		KIT-PISTON (STANDARD)						
					(INCLUDES PISTON, PIN & RINGS)						

B - USE AS REQUIRED
M - METRIC PART



GRAPHIC #1

<END>

g03814933

BASIC ENGINE

415-5518 PISTON & ROD GP

S/N: W231-UP

PART OF 452-7386 CYLINDER BLOCK GP-SHORT

TYPE 2

SMCS-1225

i07898896

NOTE	REF NO	GRAPHIC REF	PART NUMBER	QTY	PART NAME						SEE PAGE
					1	2	3	4	5	6 (PRODUCT LEVEL)	
	1	1	359-0719	4	ROD AS-CONNECTING (GRADE R)						
					(EACH INCLUDES)						
	1A	1	225-5438	1	BUSHING						
M	1B	1	323-9312	2	BOLT (M10X1X50-MM)						
N	2	1	124-3536	8	RING-RETAINING						
L	3	1	329-7846	8	BEARING						
CHN	4	1	567-6047	4	PISTON GP						

PARTS SHOWN IN GRAPHIC(S) WITHOUT A REFERENCE NUMBER ARE NOT SERVICED SEPARATELY

AVAILABLE REPAIR KIT(S) :

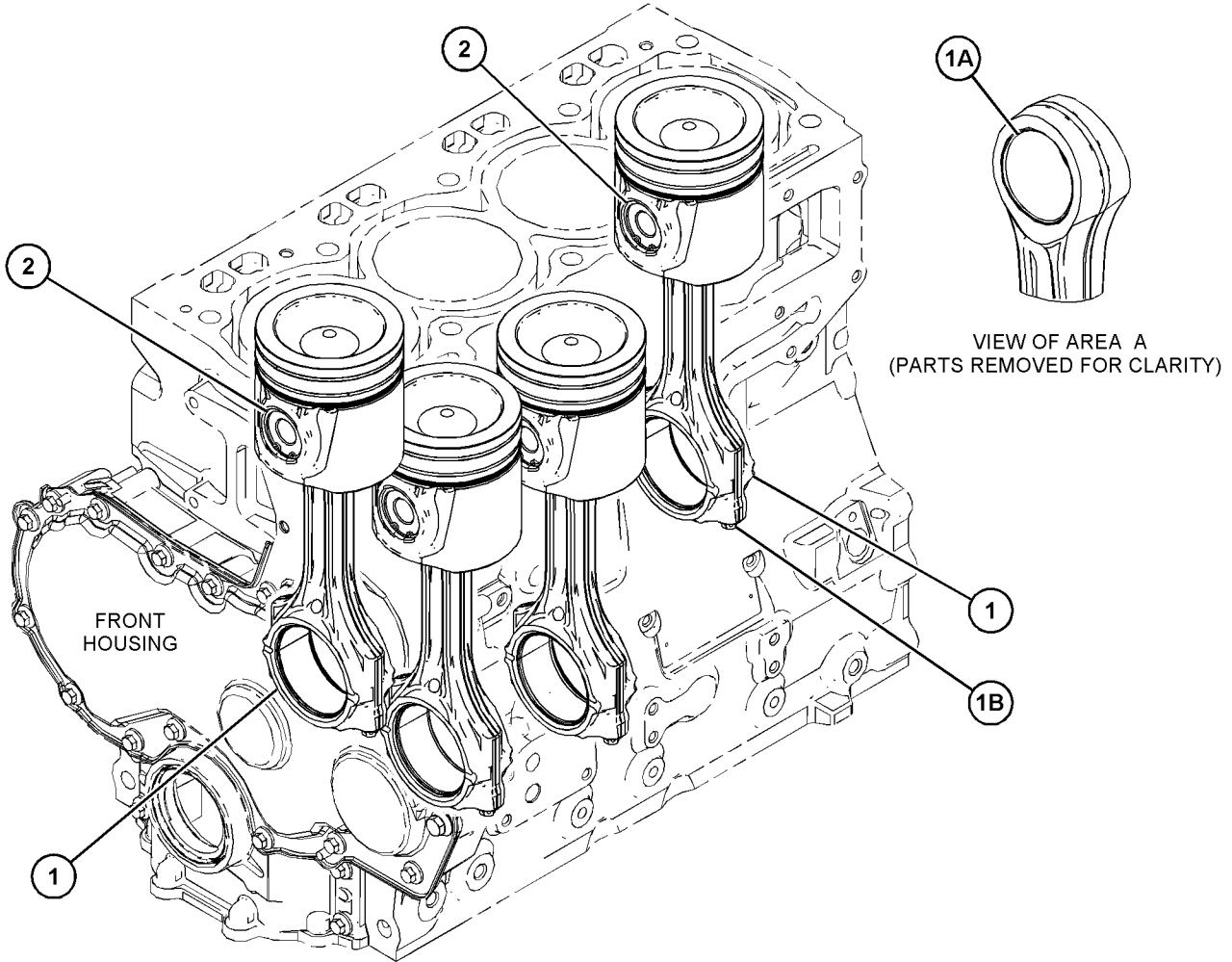
BL			360-3986	1	KIT-BEARING (CONNECTING ROD)						
					(INCLUDES BEARINGS)						
AB			468-7762		KIT-BEARING (0.254-MM US)						
					(INCLUDES BEARINGS)						
AB			468-7769		KIT-BEARING (0.508-MM US) (PISTON)						
					(INCLUDES BEARINGS)						
AB			468-7770		KIT-BEARING (0.762-MM US)						
					(INCLUDES BEARINGS)						
BH			574-9895	1	KIT-PISTON RING (STANDARD)						
					(INCLUDES RINGS)						
AB			574-9896		KIT-PISTON RING (0.5-MM OS)						
					(INCLUDES RINGS)						
AB			575-3353		KIT-PISTON RING (1.0-MM OS)						
					(INCLUDES RINGS)						
BHN			575-3356	1	KIT-PISTON (STANDARD)						
					(INCLUDES RINGS, PIN & PISTON)						
AB			574-9873		KIT-PISTON (0.5-MM OS)						
					(INCLUDES RINGS, PIN & PISTON)						
AB			574-9882		KIT-PISTON (1.0-MM OS)						
					(INCLUDES RINGS, PIN & PISTON)						

A - NOT PART OF THIS GROUP
 B - USE AS REQUIRED
 C - CHANGE FROM PREVIOUS TYPE
 H - KIT MARKED H SERVICES PART(S) MARKED H
 L - KIT MARKED L SERVICES PART(S) MARKED L
 M - METRIC PART
 N - KIT MARKED N SERVICES PART(S) MARKED N

BASIC ENGINE

415-5518 PISTON & ROD GP (contd.)

i07898896



GRAPHIC #1

<END>

g03814933

BASIC ENGINE

415-5519 PISTON & ROD GP

S/N: W231-UP

PART OF 463-8848, 463-8910 ENGINE AR-PRIMARY
TYPE 1

SMCS-1225

i06781892

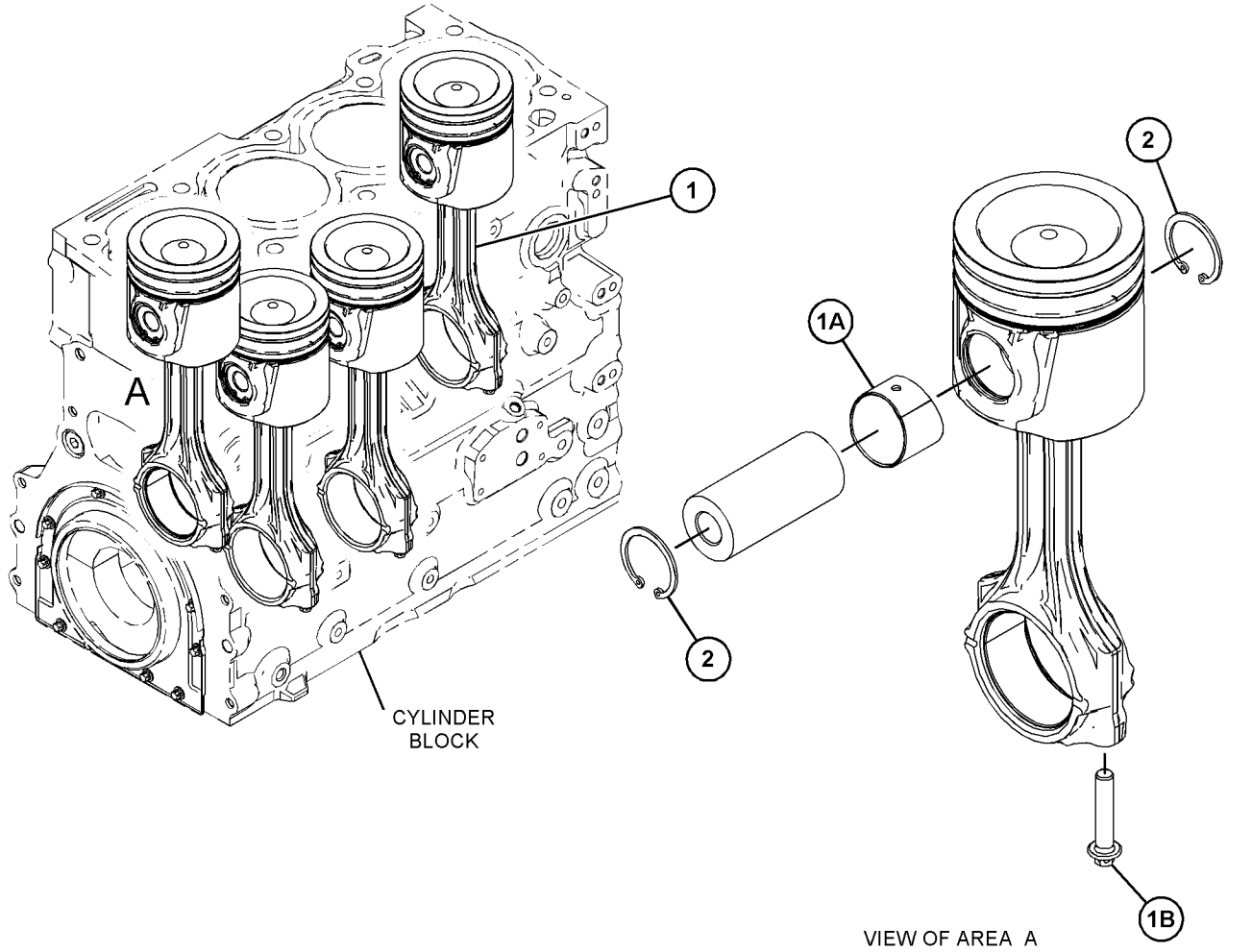
NOTE	REF NO	GRAPHIC REF	PART NUMBER	QTY	PART NAME						SEE PAGE
					1	2	3	4	5	6 (PRODUCT LEVEL)	
	1	1	359-0719	4	ROD AS-CONNECTING (GRADE R)						
					(EACH INCLUDES)						
	1A	1	225-5438	1	BUSHING						
M	1B	1	323-9312	2	BOLT (M10X1X50-MM)						
	2	1	124-3536	8	RING-RETAINING						
PARTS SHOWN IN GRAPHIC(S) WITHOUT A REFERENCE NUMBER ARE NOT SERVICED SEPARATELY											
AVAILABLE REPAIR KIT(S):											
B			360-3986	1	KIT-BEARING (CONNECTING ROD) (STANDARD)						
					(INCLUDES BEARING)						
B			468-7762	1	KIT-BEARING (0.254-MM US)						
					(INCLUDES BEARING)						
B			468-7769	1	KIT-BEARING (0.508-MM US)						
					(INCLUDES BEARING)						
B			468-7770	1	KIT-BEARING (0.762-MM US)						
					(INCLUDES BEARING)						
B			443-9543	1	KIT-RING (STANDARD)						
					(INCLUDES RINGS)						
B			380-2065	1	KIT-PISTON RING (0.5-MM OS)						
					(INCLUDES RINGS)						
B			466-4849	1	KIT-PISTON RING (1-MM OS) (PISTON)						
					(INCLUDES RINGS)						
B			447-5252	1	KIT-PISTON (STANDARD)						
					(INCLUDES PISTON, PIN, & RINGS)						
B			447-5249	1	KIT-PISTON (0.5-MM OS)						
					(INCLUDES PISTON, PIN, & RINGS)						
B			447-5250	1	KIT-PISTON (1-MM OS)						
					(INCLUDES PISTON, PIN, & RINGS)						

B - USE AS REQUIRED
M - METRIC PART

BASIC ENGINE

415-5519 PISTON & ROD GP (contd.)

i06781892



GRAPHIC #1

<END>

VIEW OF AREA A

g03826302

BASIC ENGINE

415-5519 PISTON & ROD GP

S/N: W231-UP

PART OF 463-8848, 463-8910 ENGINE AR-PRIMARY
TYPE 2

SMCS-1225

i07989994

NOTE	REF NO	GRAPHIC REF	PART NUMBER	QTY	PART NAME						SEE PAGE
					1	2	3	4	5	6 (PRODUCT LEVEL)	
	1	1	359-0719	4	ROD AS-CONNECTING (GRADE R)						
					(EACH INCLUDES)						
	1A	1	276-7478	1	BUSHING						
M	1B	1	323-9312	2	BOLT (M10X1X50-MM)						
N	2	1	124-3536	8	RING-RETAINING						
L	3	1	329-7846	8	BEARING						
CHN	4	1	567-6046	4	PISTON GP						

PARTS SHOWN IN GRAPHIC(S) WITHOUT A REFERENCE NUMBER ARE NOT SERVICED SEPARATELY

AVAILABLE REPAIR KIT(S) :

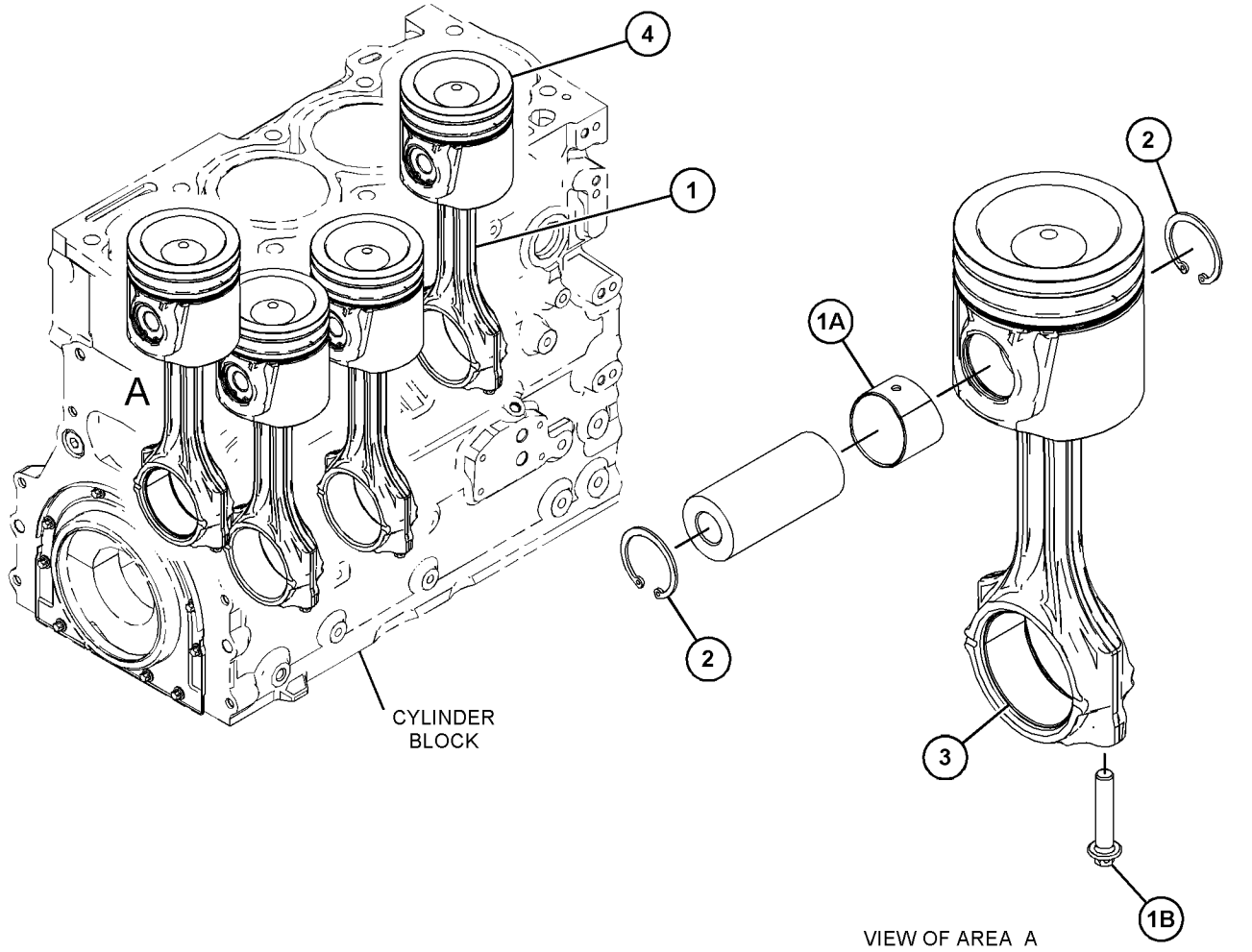
BL			360-3986	1	KIT-BEARING (CONNECTING ROD) (STANDARD)						
					(INCLUDES BEARINGS)						
AB			468-7762		KIT-BEARING (0.254-MM US)						
					(INCLUDES BEARING)						
AB			468-7769		KIT-BEARING (0.508-MM US)						
					(INCLUDES BEARING)						
AB			468-7770		KIT-BEARING (0.762-MM US)						
					(INCLUDES BEARING)						
BH			574-9895	1	KIT-PISTON RING (STANDARD)						
					(INCLUDES RINGS)						
AB			574-9896		KIT-PISTON RING (0.5-MM OS)						
					(INCLUDES RINGS)						
AB			575-3353		KIT-PISTON RING (1.0-MM OS)						
					(INCLUDES RINGS)						
BHN			575-3357	1	KIT-PISTON						
					(INCLUDES PISTON, PIN, & RINGS)						
AB			574-9877		KIT-PISTON						
					(INCLUDES RINGS, PISTON & PIN)						
AB			574-9883		KIT-PISTON						
					(INCLUDES RINGS, PISTON & PIN)						

- A - NOT PART OF THIS GROUP
- B - USE AS REQUIRED
- C - CHANGE FROM PREVIOUS TYPE
- H - KIT MARKED H SERVICES PART(S) MARKED H
- L - KIT MARKED L SERVICES PART(S) MARKED L
- M - METRIC PART
- N - KIT MARKED N SERVICES PART(S) MARKED N

BASIC ENGINE

415-5519 PISTON & ROD GP (contd.)

i07989994



GRAPHIC #1

<END>

VIEW OF AREA A

g06490161

BASIC ENGINE

441-9673 PISTON & ROD GP

S/N: CN51-UP

PART OF 465-2880 ENGINE AR-PRIMARY
AN ATTACHMENT

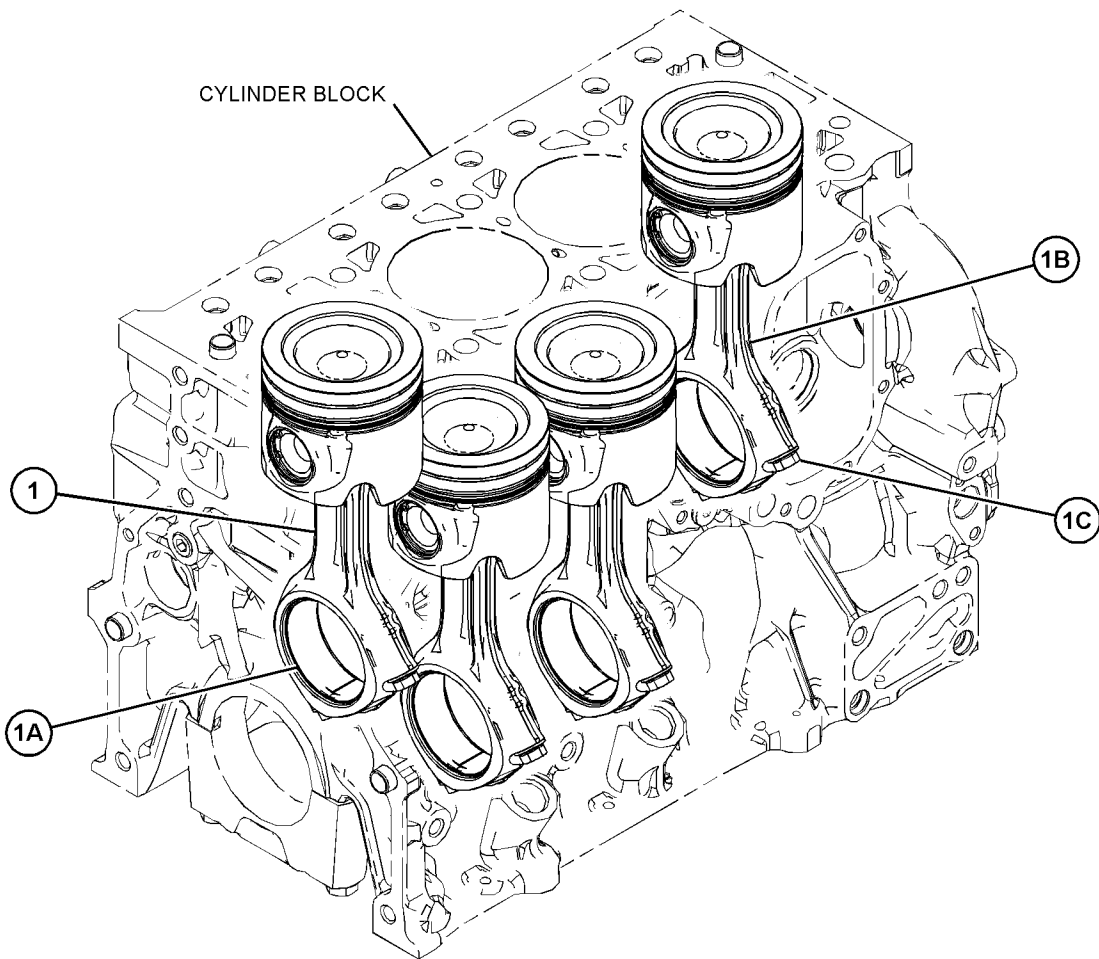
SMCS-1225

i06252212

NOTE	REF NO	GRAPHIC REF	PART NUMBER	QTY	PART NAME						SEE PAGE
					1	2	3	4	5	6 (PRODUCT LEVEL)	
	1	1	393-7738	1	ROD AS-CONNECTING						
	1A	1	390-2401	4	BEARING-CONNECTING ROD						
AB		1	390-2402		BEARING-CONNECTING ROD (0.254-MM US)						
AB		1	390-2403		BEARING-CONNECTING ROD (0.508-MM US)						
	1B	1	390-2404	4	ROD AS-CONNECTING						
					(EACH INCLUDES)						
	1C	1	386-6247	2	SCREW						

A - NOT PART OF THIS GROUP

B - USE AS REQUIRED



GRAPHIC #1

<END>

g03827541

BASIC ENGINE

329-8482 PLUG GP-ENGINE

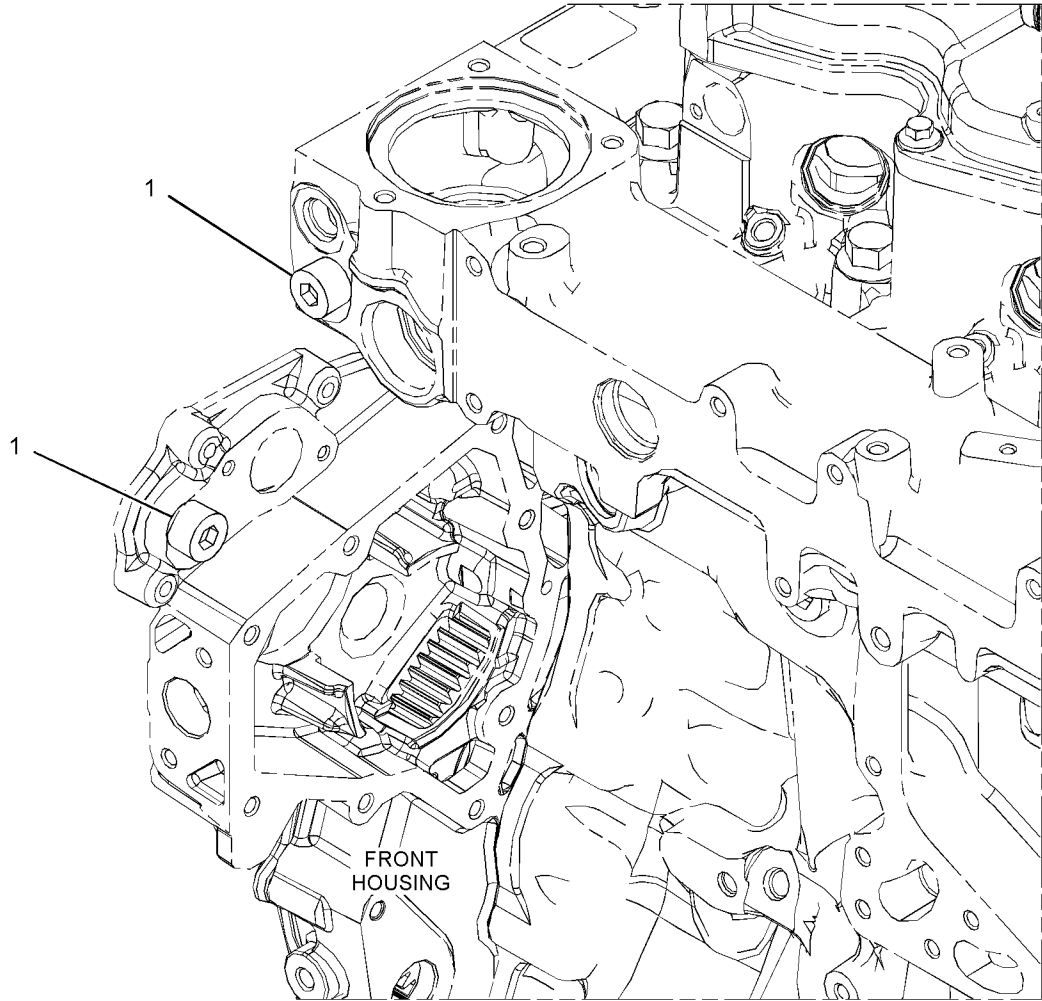
S/N: JKT1-UP

PART OF 464-2307, 464-2308 ENGINE AR-PRIMARY
ALSO AN ATTACHMENT

SMCS-1000

i04630572

NOTE	REF NO	GRAPHIC REF	PART NUMBER	QTY	PART NAME						SEE PAGE	
					1	2	3	4	5	6 (PRODUCT LEVEL)		
	1	1	067-6823	2	PLUG							



GRAPHIC #1

<END>

g02713169

BASIC ENGINE

337-8032 PLUG GP-ENGINE

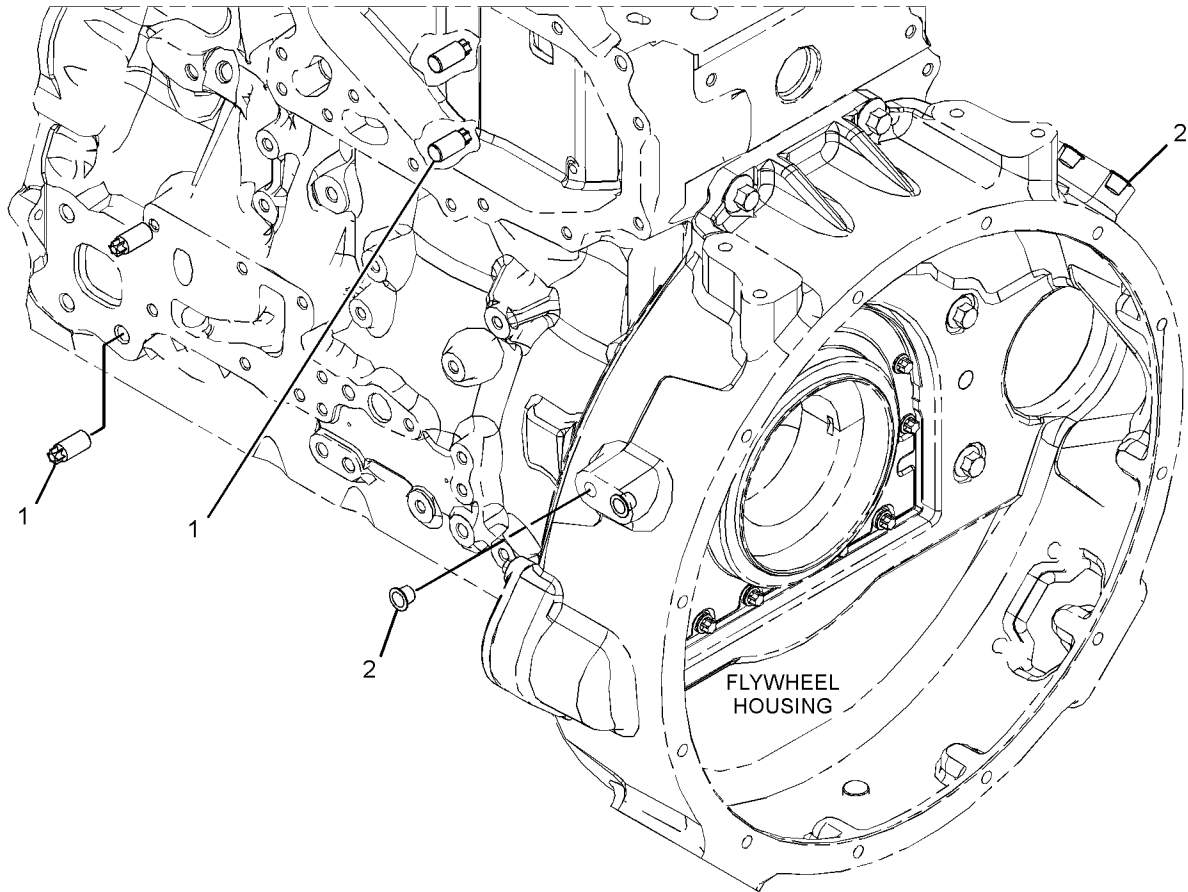
S/N: JKT1-UP

PART OF 464-2307, 464-2308 ENGINE AR-PRIMARY
ALSO AN ATTACHMENT

SMCS-1000

i05727449

NOTE	REF NO	GRAPHIC REF	PART NUMBER	QTY	PART NAME						SEE PAGE
					1	2	3	4	5	6 (PRODUCT LEVEL)	
1	1	1	233-9436	4	PLUG						
2	1	1	6H-3616	4	PLUG-PROTECTION						



GRAPHIC #1

<END>

g02854496

BASIC ENGINE

417-4286 PLUG GP-ENGINE

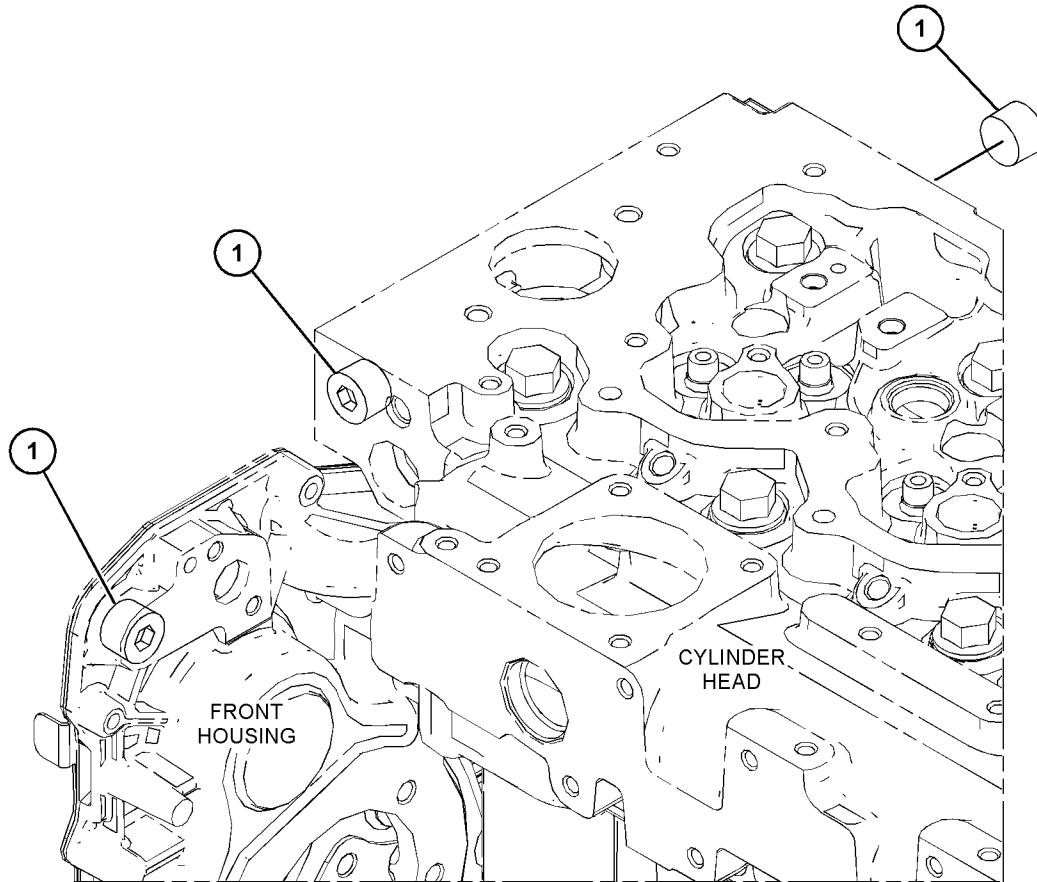
S/N: W231-UP

PART OF 463-8848, 463-8910 ENGINE AR-PRIMARY

SMCS - 1000

i06134086

NOTE	REF NO	GRAPHIC REF	PART NUMBER	QTY	PART NAME						SEE PAGE	
					1	2	3	4	5	6 (PRODUCT LEVEL)		
	1	1	067-6823	3	PLUG							



GRAPHIC #1

<END>

g03815206

BASIC ENGINE

446-2236 PLUG GP-ENGINE

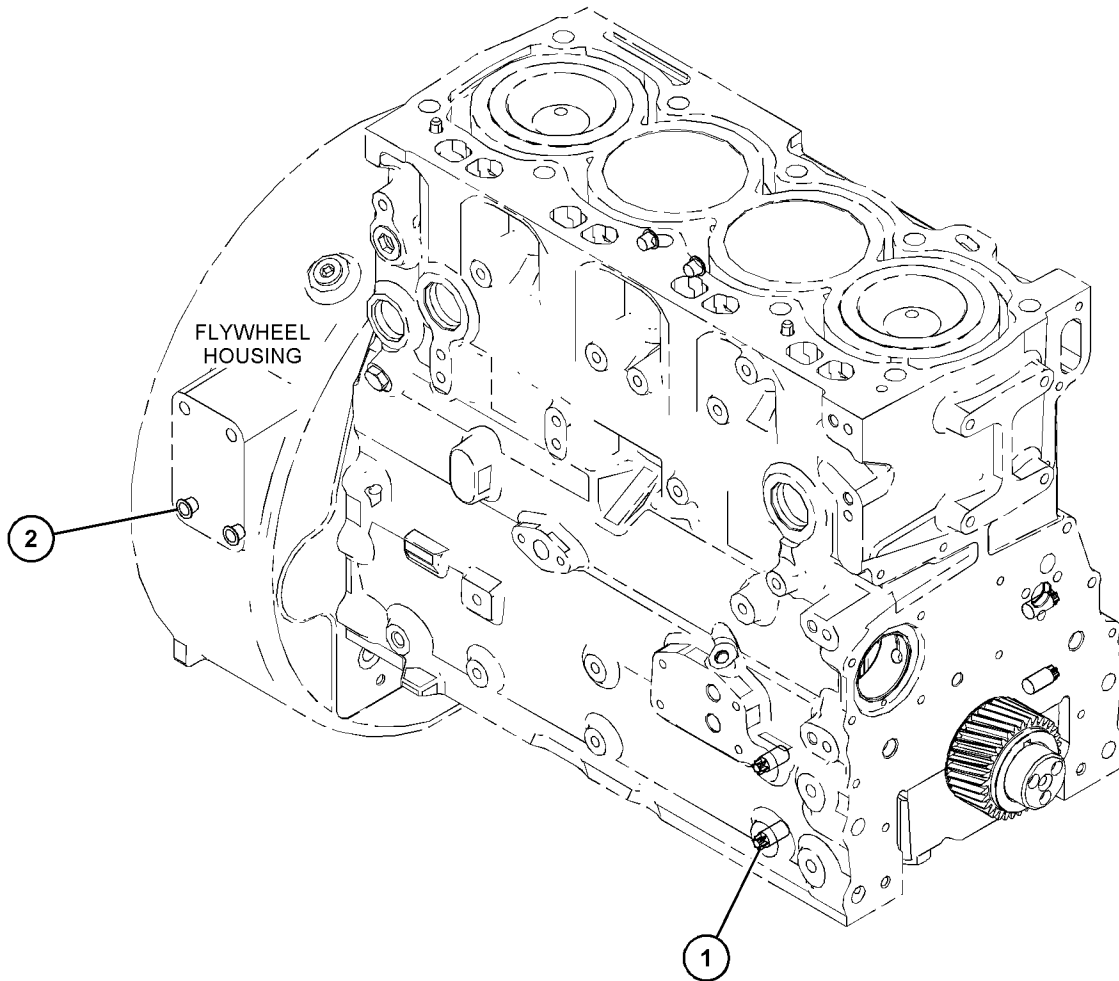
S/N: W231-UP

PART OF 463-8848, 463-8910 ENGINE AR-PRIMARY

SMCS - 1000

i06155141

NOTE	REF NO	GRAPHIC REF	PART NUMBER	QTY	PART NAME						SEE PAGE
					1	2	3	4	5	6 (PRODUCT LEVEL)	
	1	1	233-9436	4	PLUG						
	2	1	6H-3616	4	PLUG-PROTECTION						



GRAPHIC #1

<END>

g03830685

BASIC ENGINE

347-6547 PLUG GP-FRONT HOUSING-ENGINE OIL FILLER

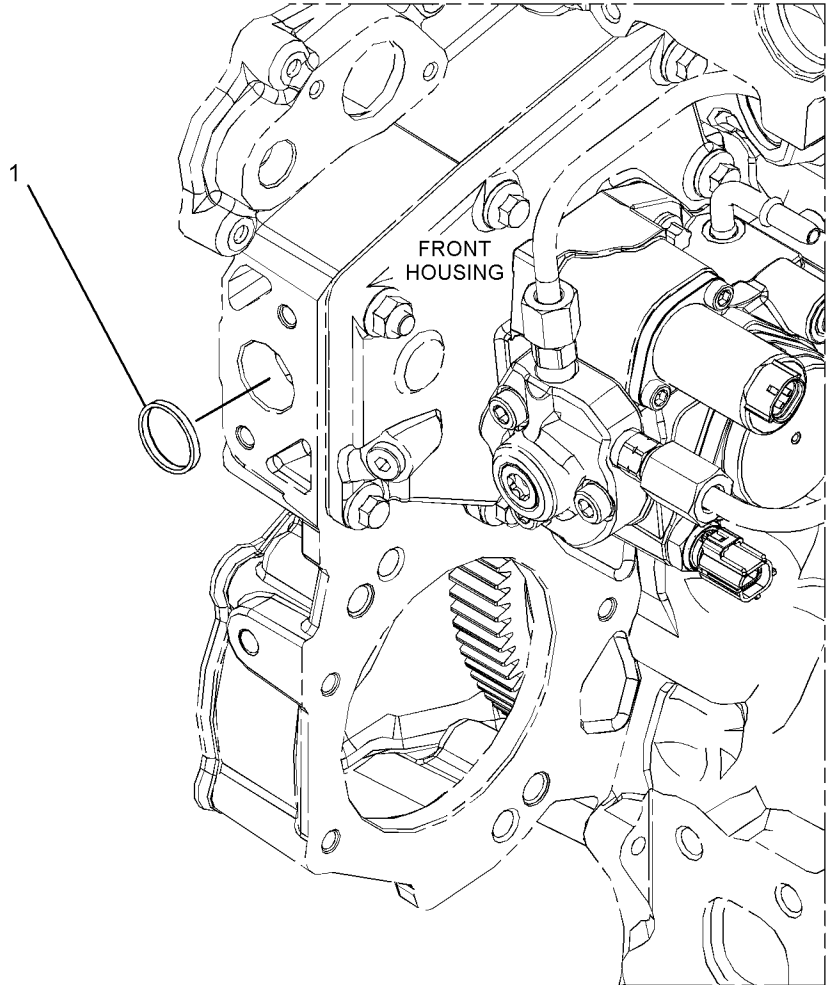
S/N: JKT1-UP

PART OF 464-2307, 464-2308 ENGINE AR-PRIMARY
ALSO AN ATTACHMENT

SMCS-1151, 1162

i05727289

NOTE	REF NO	GRAPHIC REF	PART NUMBER	QTY	PART NAME						SEE PAGE
					1	2	3	4	5	6 (PRODUCT LEVEL)	
	1	1	225-6524	1	PLUG-CUP						



GRAPHIC #1

<END>

g02896458

BASIC ENGINE

350-6265 PULLEY GP-ALTERNATOR

S/N: JKT1-UP

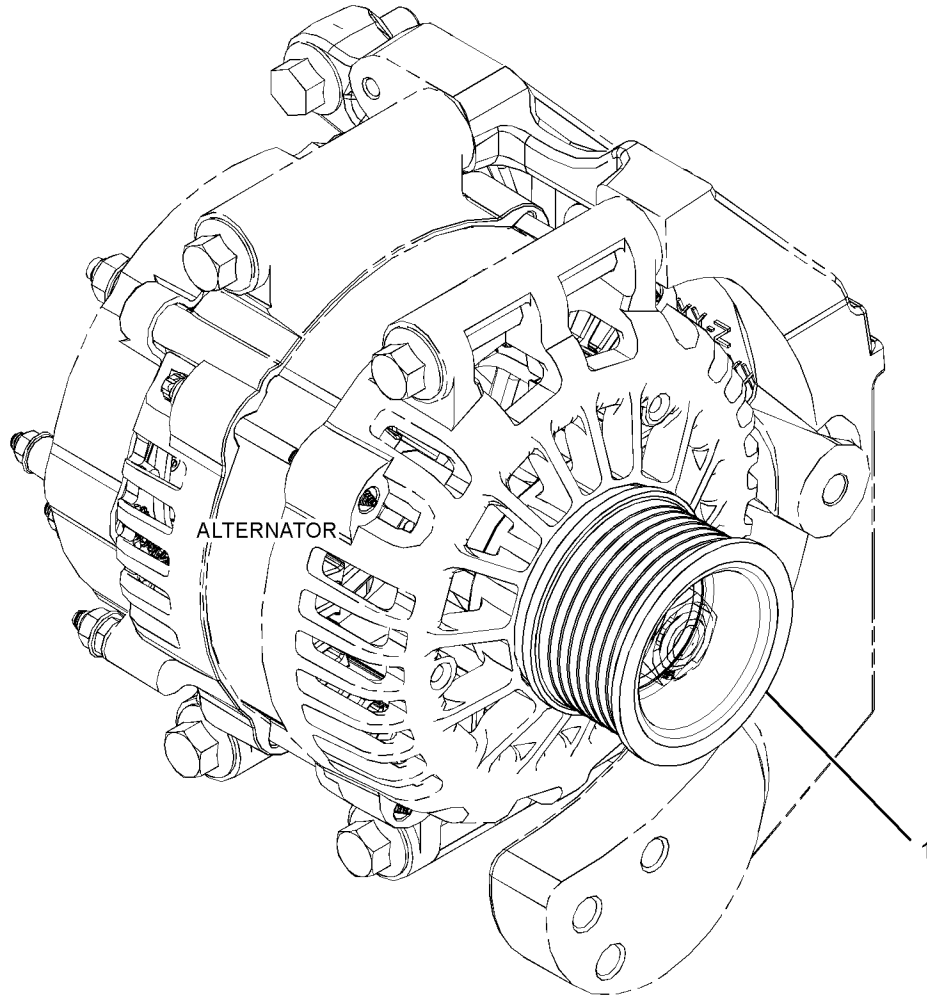
8-GROOVE

PART OF 464-2307, 464-2308 ENGINE AR-PRIMARY
AN ATTACHMENT

SMCS-1205, 1425

i04630456

NOTE	REF NO	GRAPHIC REF	PART NUMBER	QTY	PART NAME						SEE PAGE
					1	2	3	4	5	6 (PRODUCT LEVEL)	
	1	1	321-6131	1	PULLEY (8-GROOVE)						



GRAPHIC #1

<END>

g02720607

BASIC ENGINE

350-1117 PULLEY GP-AUXILIARY DRIVE

S/N: CN51-UP

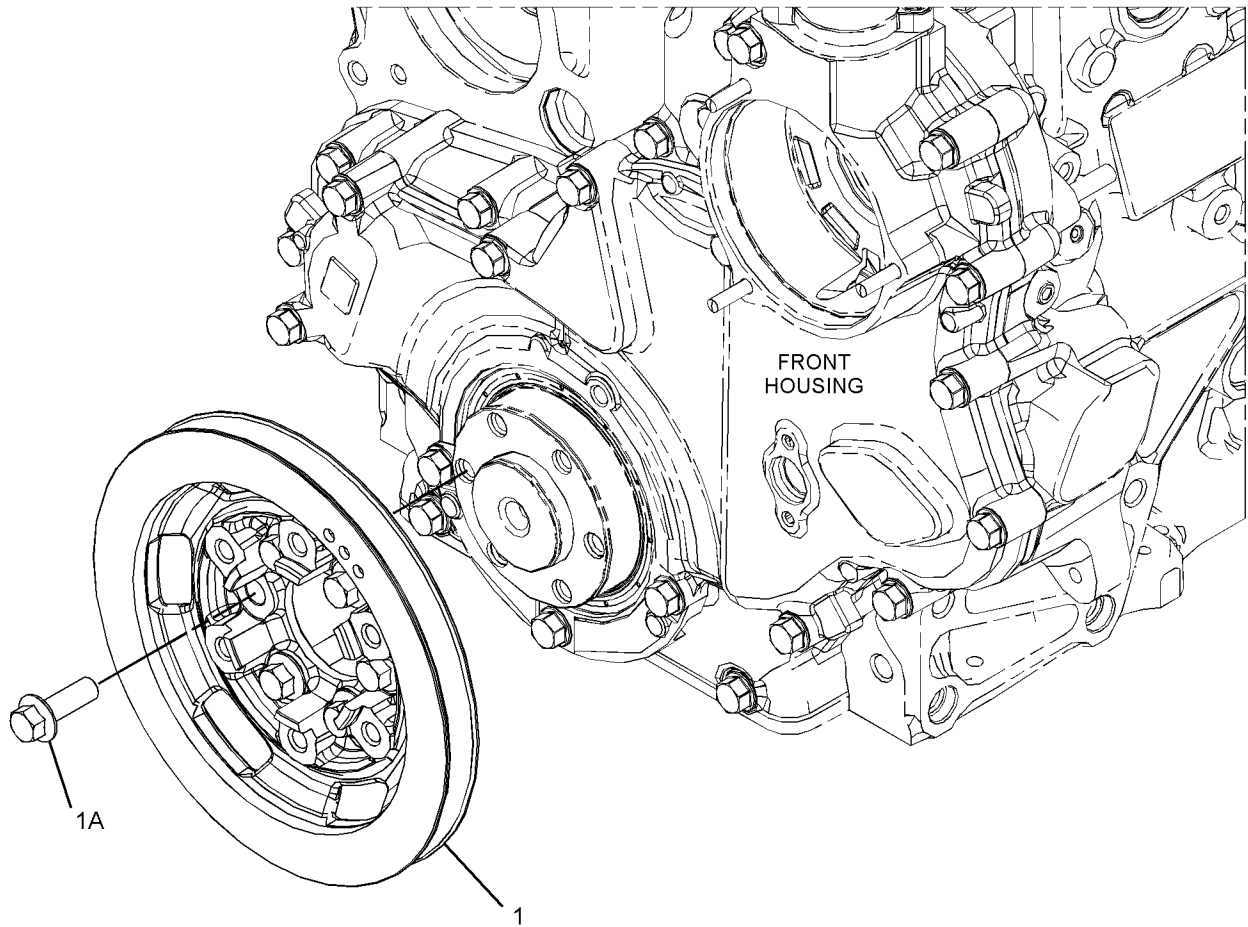
PART OF 465-2880 ENGINE AR-PRIMARY
AN ATTACHMENT

SMCS-1205

i05722355

NOTE	REF NO	GRAPHIC REF	PART NUMBER	QTY	PART NAME						SEE PAGE
					1	2	3	4	5	6 (PRODUCT LEVEL)	
	1	1	379-2999	1	PULLEY AS						
M	1A	1	121-0883	6	BOLT (M10X1.5X30-MM)						
		1	385-1451	1	PULLEY						

M - METRIC PART



GRAPHIC #1

<END>

g03043058

BASIC ENGINE

329-7997 PULLEY GP-CRANKSHAFT

S/N: JKT1-UP

8-GROOVE

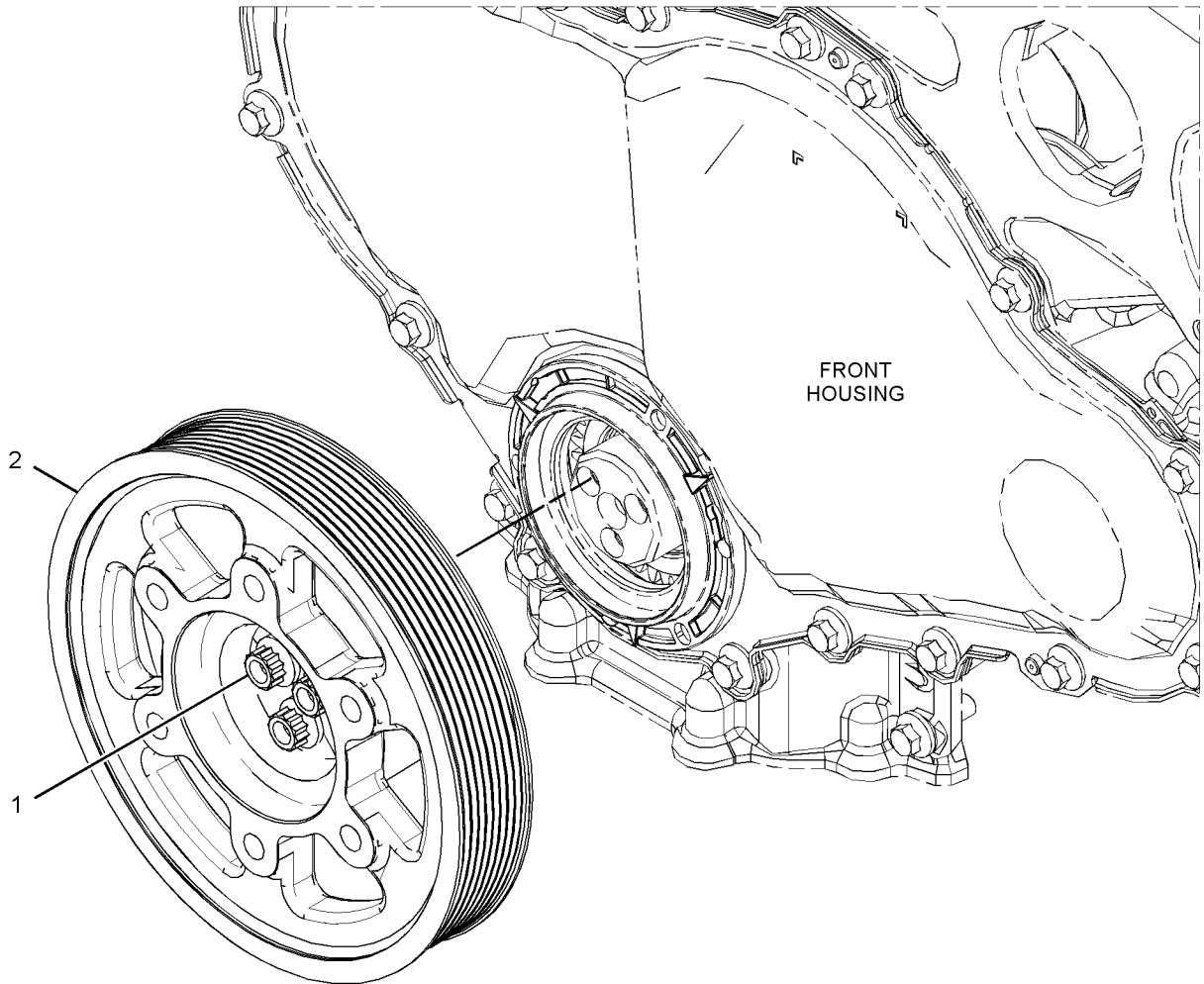
PART OF 464-2307, 464-2308 ENGINE AR-PRIMARY

ALSO AN ATTACHMENT

SMCS-1205

i04553381

NOTE	REF NO	GRAPHIC REF	PART NUMBER	QTY	PART NAME						SEE PAGE
					1	2	3	4	5	6 (PRODUCT LEVEL)	
	1	1	334-9334	3	BOLT						
	2	1	335-8270	1	PULLEY (8-GROOVE)						



GRAPHIC #1

<END>

g02715045

BASIC ENGINE

350-1102 PULLEY GP-CRANKSHAFT

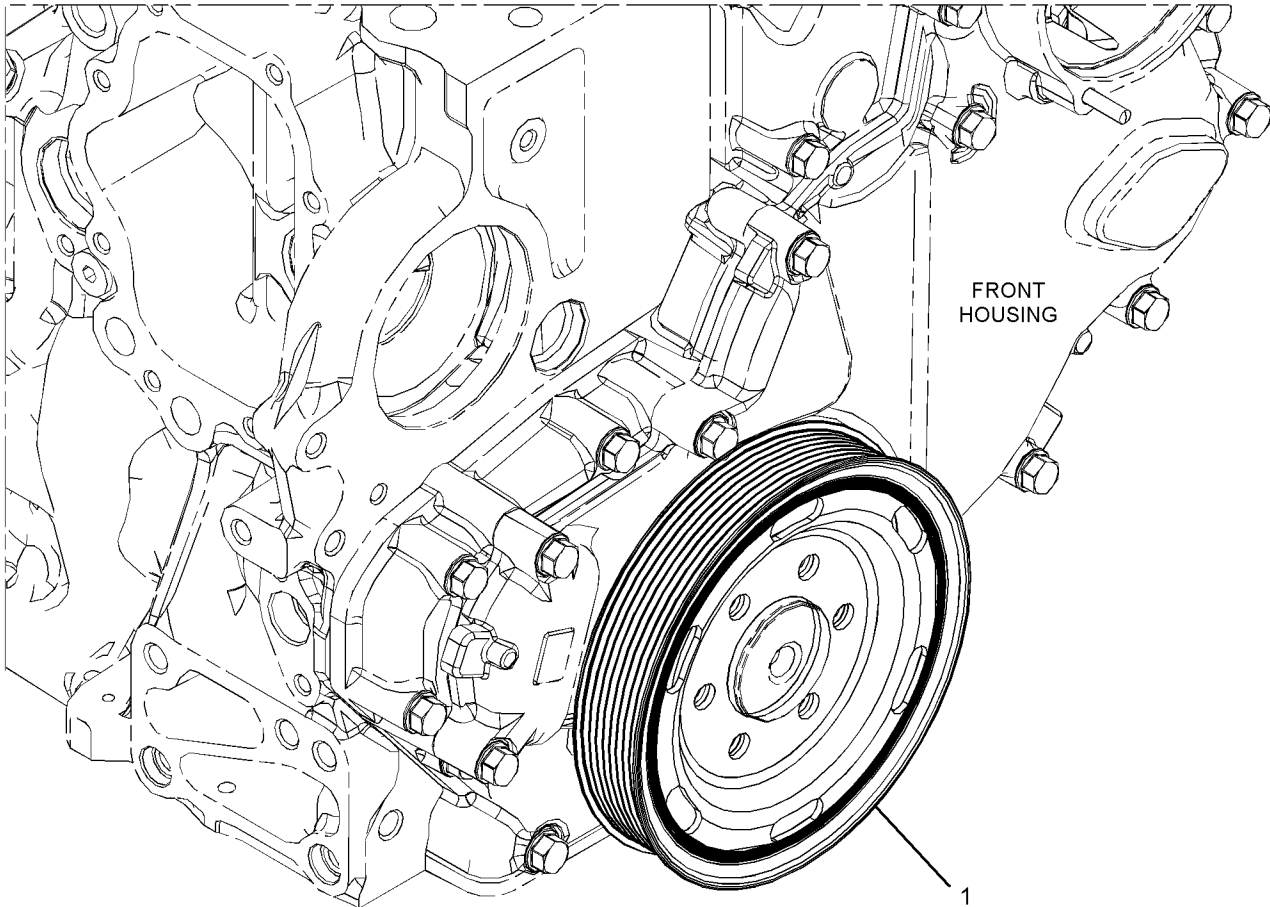
S/N: CN51-UP

PART OF 465-2880 ENGINE AR-PRIMARY
AN ATTACHMENT

SMCS-1205

i05722356

NOTE	REF NO	GRAPHIC REF	PART NUMBER	QTY	PART NAME						SEE PAGE
					1	2	3	4	5	6 (PRODUCT LEVEL)	
	1	1	360-8847	1	PULLEY AS-CRANKSHAFT						
		1	382-9620	1	PULLEY						



GRAPHIC #1

<END>

g02878516

BASIC ENGINE

416-1089 PULLEY GP-CRANKSHAFT

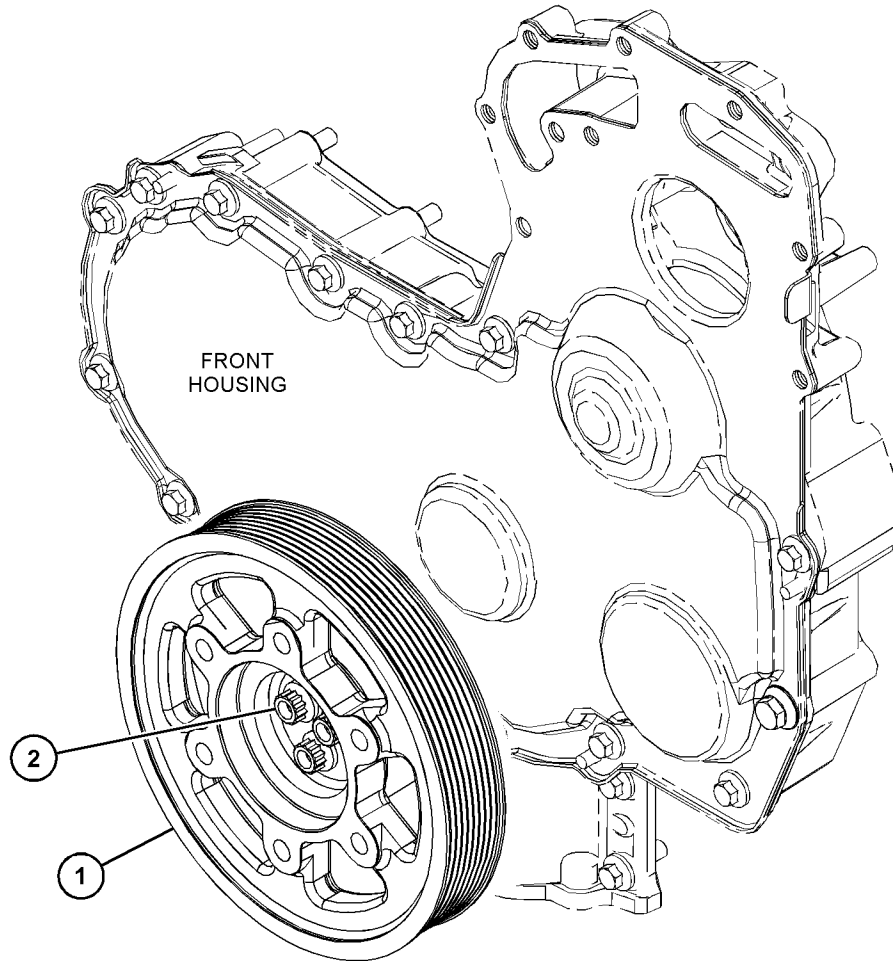
S/N: W231-UP

PART OF 463-8848, 463-8910 ENGINE AR-PRIMARY

SMCS - 1205

i06146777

NOTE	REF NO	GRAPHIC REF	PART NUMBER	QTY	PART NAME						SEE PAGE
					1	2	3	4	5	6 (PRODUCT LEVEL)	
	1	1	335-8270	1	PULLEY (8-GROOVE)						
	2	1	334-9334	3	BOLT						



GRAPHIC #1

<END>

g03822867

BASIC ENGINE

298-4533 ROCKER ARM GP

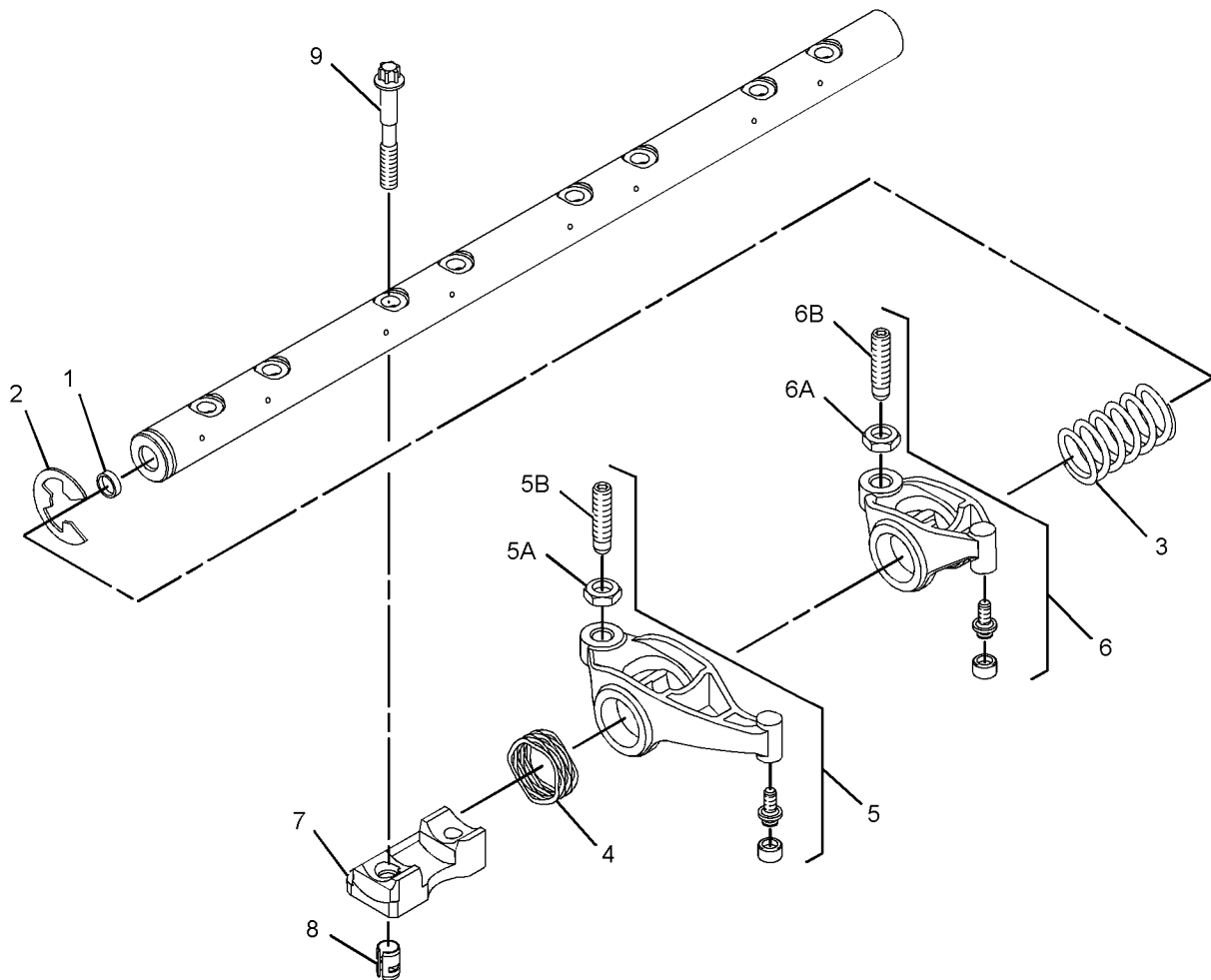
S/N: W231-UP

PART OF 415-7947 ROCKER ARM GP

SMCS-1102, 1123

i08003137

NOTE	REF NO	GRAPHIC REF	PART NUMBER	QTY	PART NAME						SEE PAGE
					1	2	3	4	5	6	
	1	1	276-9200	2	PLUG-SHAFT END						
	2	1	276-9201	1	CLIP						
	3	1	276-9206	3	SPRING-SHAFT						
	4	1	276-9207	1	SPRING-SHAFT						
	5	1	278-5111	4	ROCKER ARM AS						
					(EACH INCLUDES)						
	5A	1	276-9230	1	NUT						
	5B	1	278-5113	1	SCREW-ADJUSTING (TORX)						
	6	1	278-5112	4	ROCKER ARM AS						
					(EACH INCLUDES)						
	6A	1	276-9230	1	NUT						
	6B	1	278-5113	1	SCREW-ADJUSTING (TORX)						
	7	1	280-1912	4	BRACKET						
	8	1	280-1913	4	RETAINER						
	9	1	280-1914	8	BOLT (M8X1.25X55-MM)						



GRAPHIC #1

<END>

g01532745

BASIC ENGINE

349-4716 ROCKER ARM GP

S/N: JKT1-UP

PART OF 351-9797 ROCKER ARM GP
ALSO AN ATTACHMENT

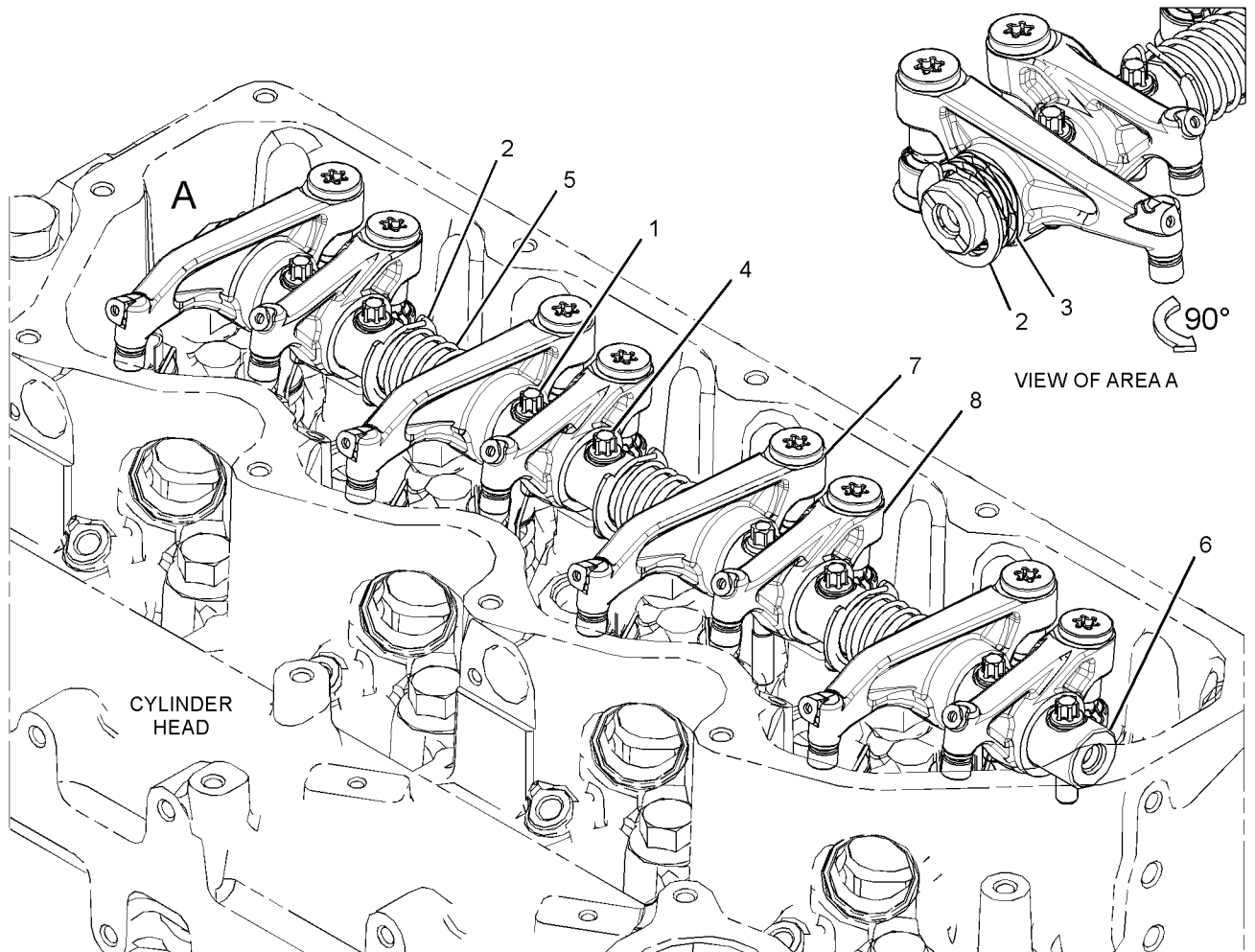
SMCS-1102, 1123

i06567540

NOTE	REF NO	GRAPHIC REF	PART NUMBER	QTY	PART NAME						SEE PAGE
					1	2	3	4	5	6 (PRODUCT LEVEL)	
M	1	1	8T-9535	1	BOLT-SOCKET HEAD (M8X1.25X60-MM)						
	2	1	276-9201	4	CLIP						
	3	1	276-9207	1	SPRING-SHAFT						
	4	1	322-4110	7	BOLT-TORQUE HEAD						
	5	1	338-9595	3	SPRING-SHAFT						
	6	1	349-4729	1	SHAFT AS						
		1	276-9200	2	PLUG-SHAFT END						
Y	7	1	349-4732	4	ROCKER ARM GP (INLET)						170
Y	8	1	349-4733	4	ROCKER ARM GP (EXHAUST)						171

M - METRIC PART

Y - SEPARATE ILLUSTRATION



GRAPHIC #1

<END>

g02711522

BASIC ENGINE

349-4732 ROCKER ARM GP

S/N: JKT1-UP

INTAKE

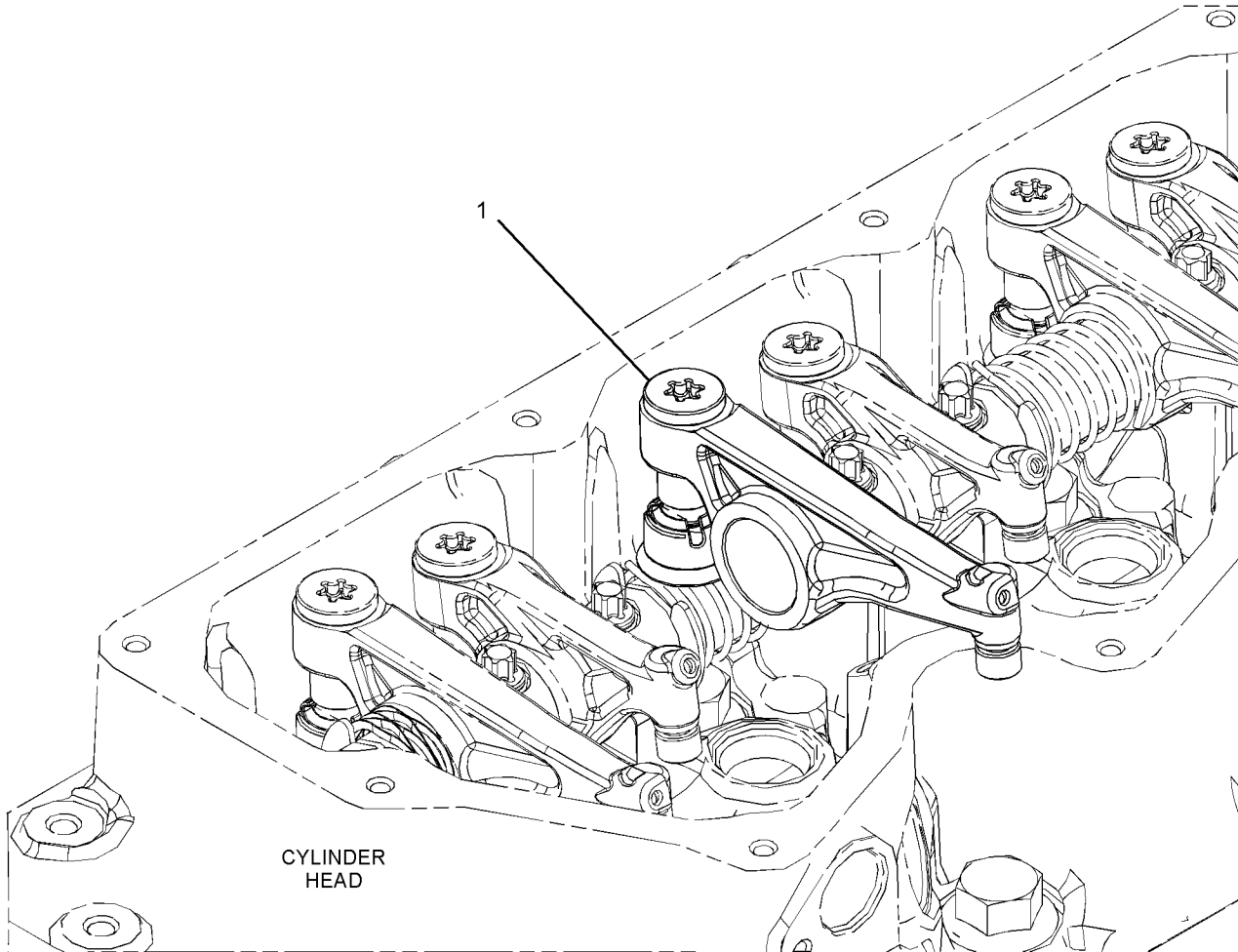
PART OF 349-4716 ROCKER ARM GP

ALSO AN ATTACHMENT

SMCS-1102, 1123

i05065861

NOTE	REF NO	GRAPHIC REF	PART NUMBER	QTY	PART NAME						SEE PAGE
					1	2	3	4	5	6 (PRODUCT LEVEL)	
	1	1	346-4772	1	INSERT - THREADED						



GRAPHIC #1

<END>

g03233437

BASIC ENGINE

349-4733 ROCKER ARM GP

S/N: JKT1-UP

EXHAUST

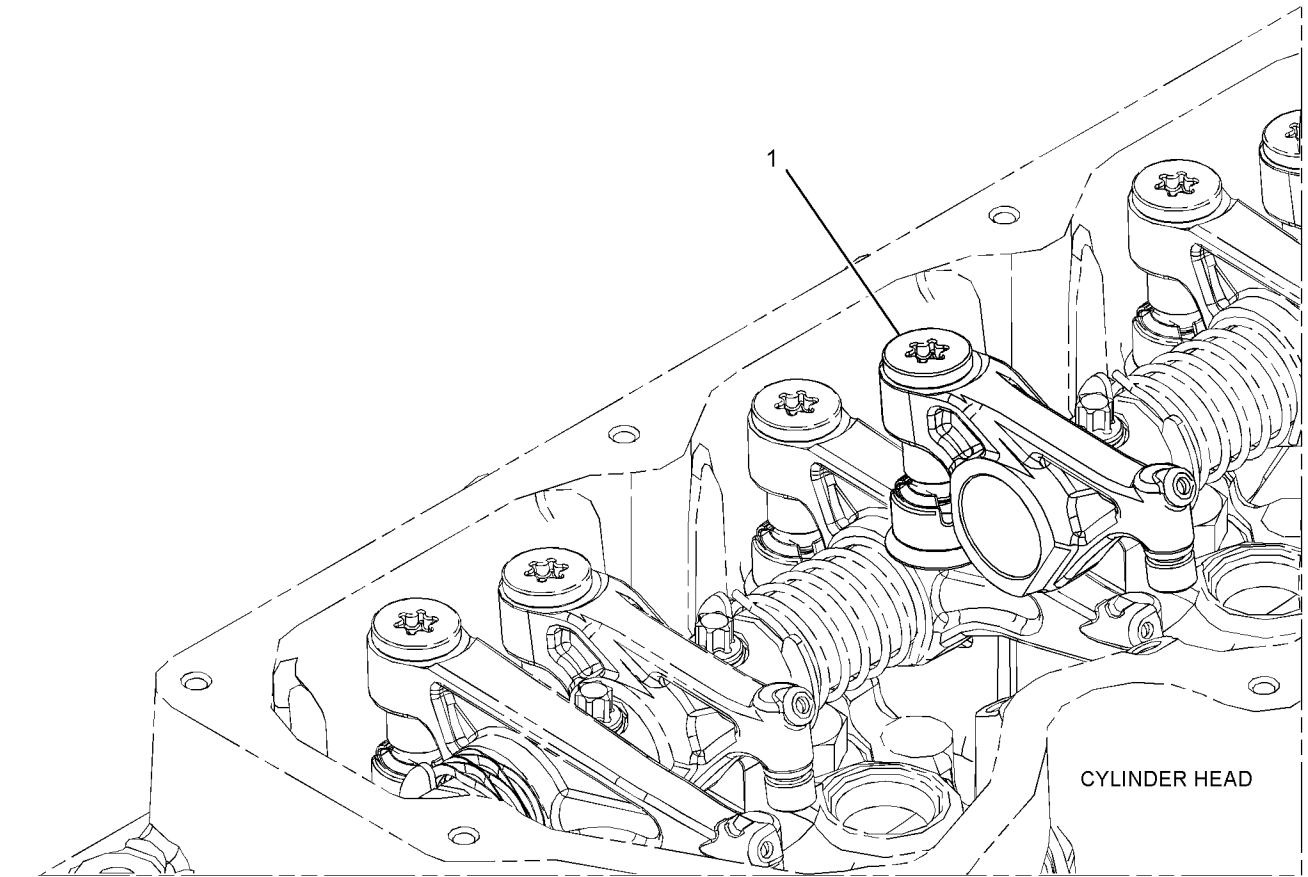
PART OF 349-4716 ROCKER ARM GP

ALSO AN ATTACHMENT

SMCS-1102, 1123

i05066062

NOTE	REF NO	GRAPHIC REF	PART NUMBER	QTY	PART NAME						SEE PAGE
					1	2	3	4	5	6 (PRODUCT LEVEL)	
	1	1	346-4772	1	INSERT - THREADED						



GRAPHIC #1

<END>

g03233439

BASIC ENGINE

351-9797 ROCKER ARM GP

S/N: JKT1-UP

PART OF 464-2307, 464-2308 ENGINE AR-PRIMARY
ALSO AN ATTACHMENT

SMCS-1102, 1123

i08009674

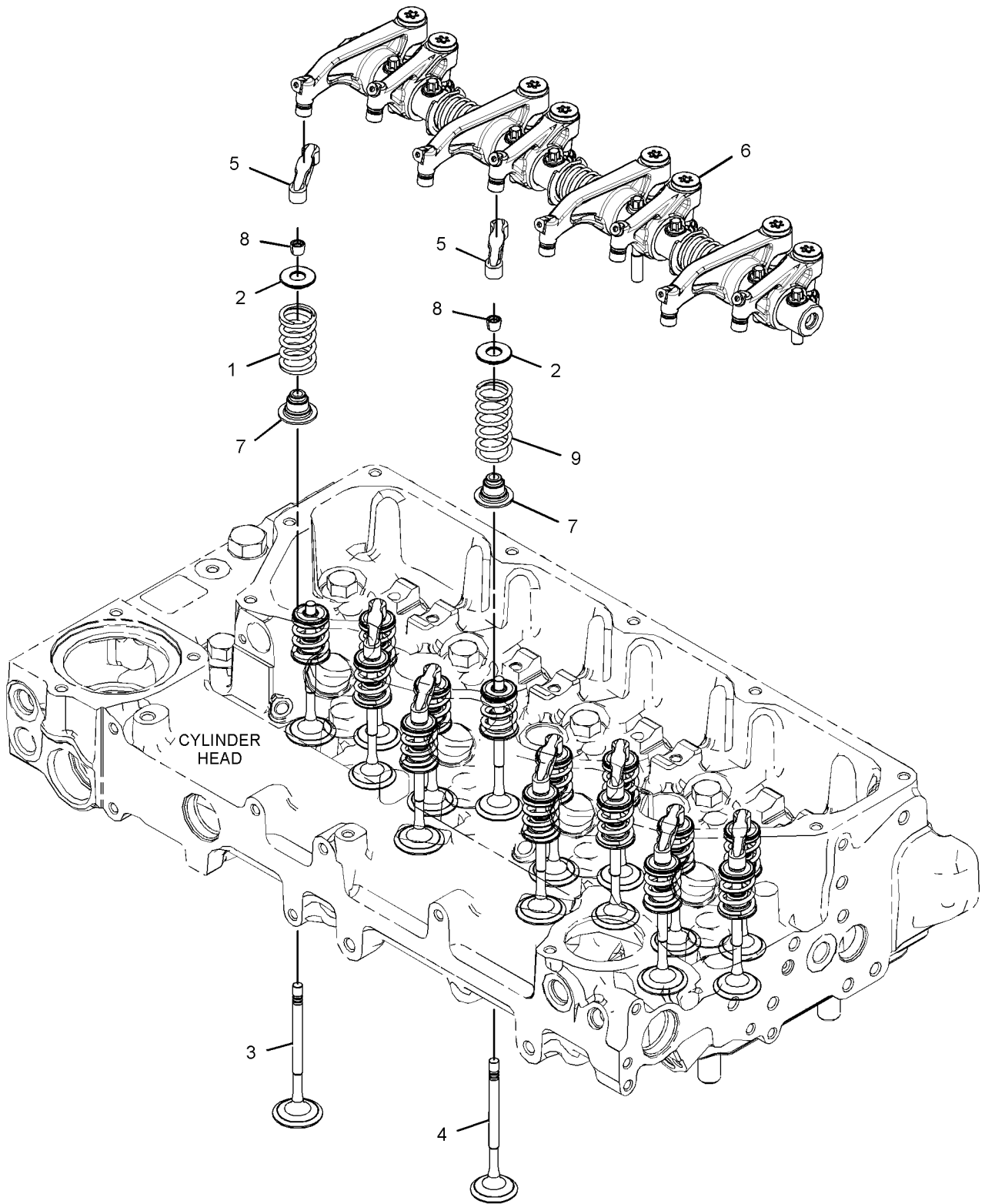
NOTE	REF NO	GRAPHIC REF	PART NUMBER	QTY	PART NAME						SEE PAGE
					1	2	3	4	5	6 (PRODUCT LEVEL)	
	1	1	436-0525	8	SPRING-VALVE						
	2	1	336-5439	16	RETAINER-VALVE SPRING						
	3	1	336-5446	8	VALVE-INLET						
	4	1	336-5447	8	VALVE-EXHAUST						
	5	1	346-4712	8	BRIDGE-VALVE						
Y	6	1	349-4716	1	ROCKER ARM GP						169
	7	1	387-9503	16	SEAL-VALVE STEM						
	8	1	152-9860	32	RETAINER						
	9	1	436-0523	8	SPRING-VALVE						
					AVAILABLE REPAIR KIT(S):						
			440-8443	1	KIT-CYLINDER HEAD REPAIR						
					(INCLUDES RETAINERS)						

Y - SEPARATE ILLUSTRATION

BASIC ENGINE

351-9797 ROCKER ARM GP (contd.)

i08009674



GRAPHIC #1

<END>

g03677152

BASIC ENGINE

351-9797 ROCKER ARM GP

S/N: JKT1-UP

PART OF 464-2307, 464-2308 ENGINE AR-PRIMARY

SMCS-1102, 1123

i08019738

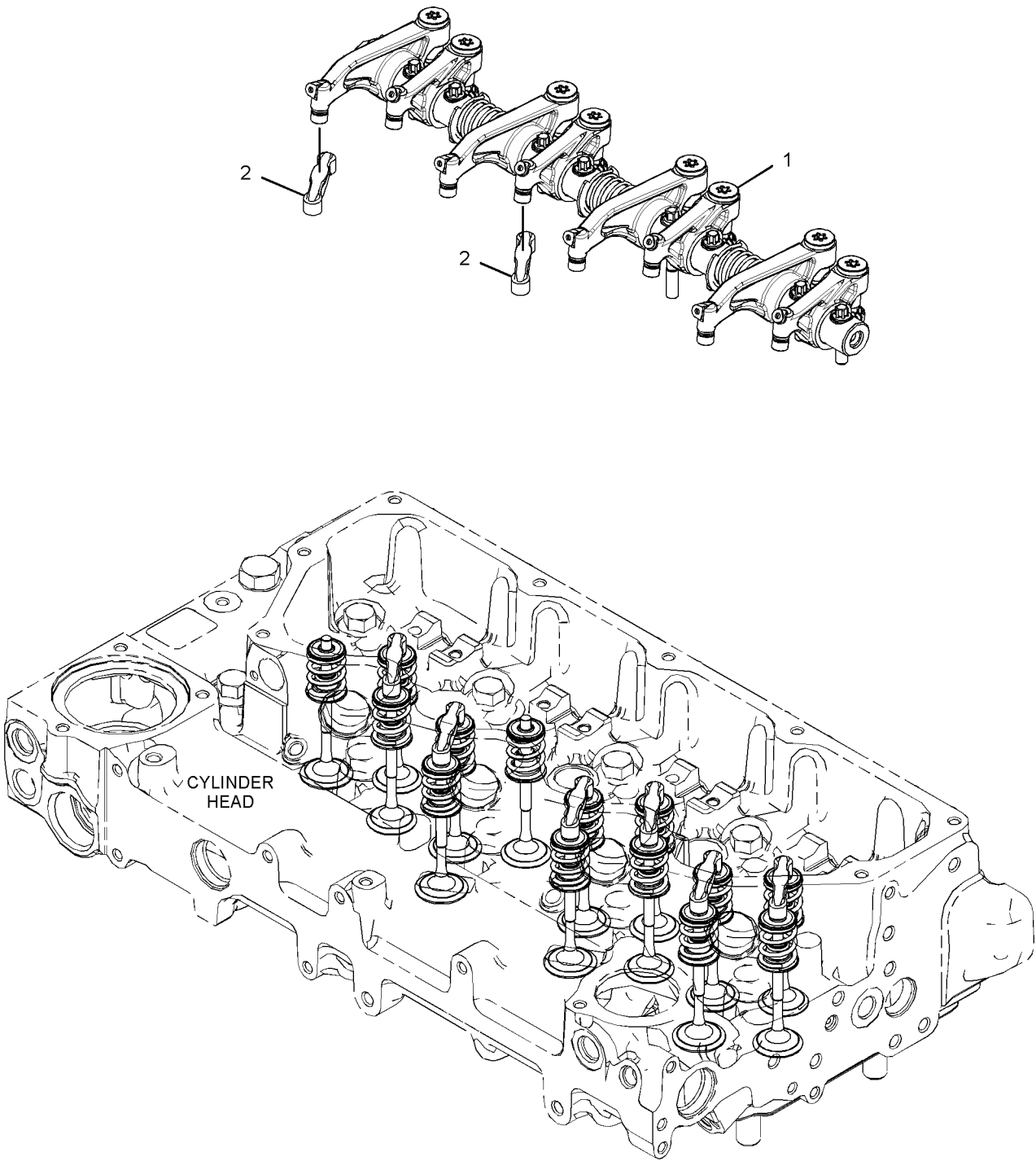
NOTE	REF NO	GRAPHIC REF	PART NUMBER	QTY	PART NAME	SEE PAGE
					1 2 3 4 5 6 (PRODUCT LEVEL)	
Y	1	1	349-4716	1	ROCKER ARM GP	169
	2	1	346-4712	8	BRIDGE-VALVE	

Y - SEPARATE ILLUSTRATION

BASIC ENGINE

351-9797 ROCKER ARM GP (contd.)

108019738



GRAPHIC #1

<END>

g06503572

BASIC ENGINE

384-4080 ROCKER ARM GP

S/N: JKT1-UP

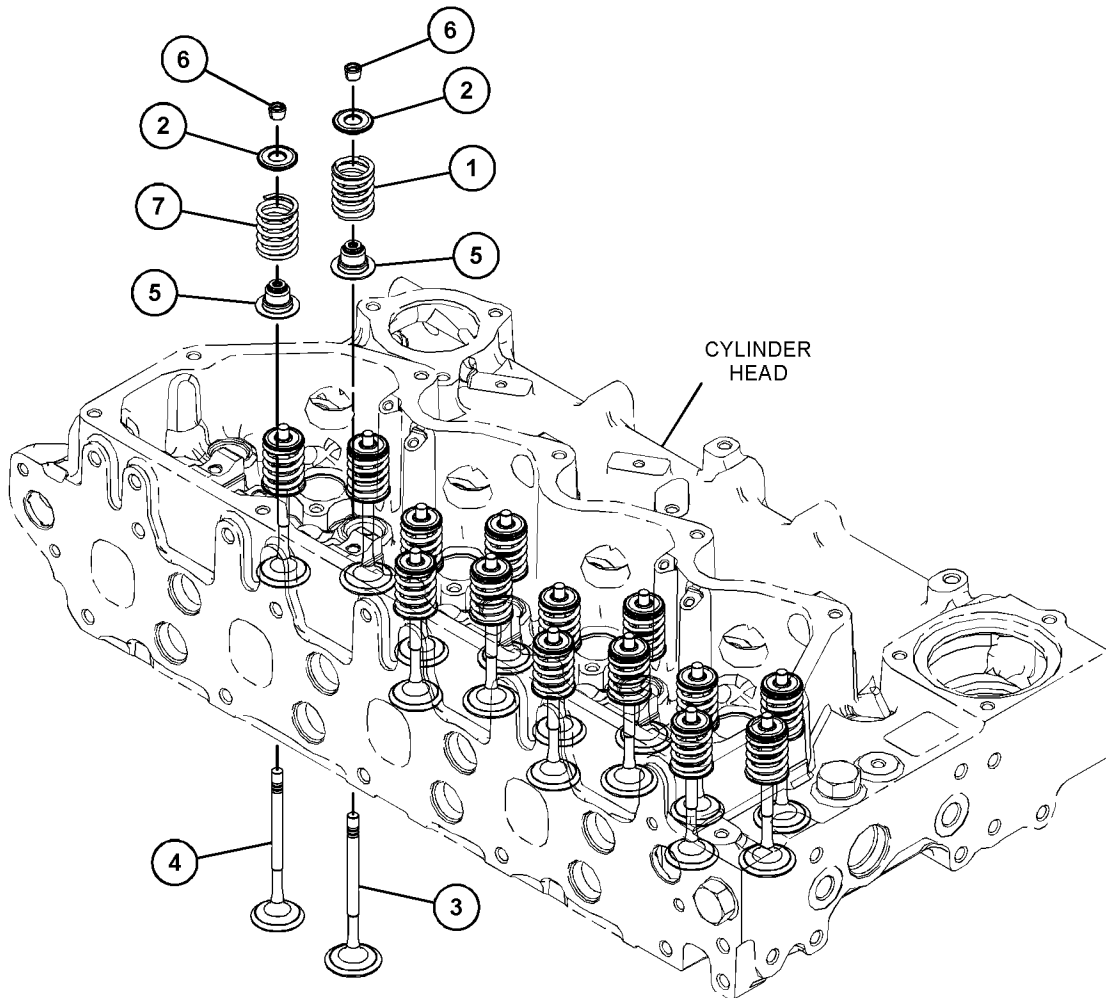
PART OF 384-4906 CYLINDER HEAD GP

ALSO AN ATTACHMENT

SMCS-1102, 1123

i06052740

NOTE	REF NO	GRAPHIC REF	PART NUMBER	QTY	PART NAME						SEE PAGE
					1	2	3	4	5	6 (PRODUCT LEVEL)	
	1	1	436-0525	8	SPRING-VALVE						
	2	1	336-5439	16	RETAINER-VALVE SPRING						
	3	1	336-5446	8	VALVE-INLET						
	4	1	336-5447	8	VALVE-EXHAUST						
	5	1	387-9503	16	SEAL-VALVE STEM						
	6	1	152-9860	32	RETAINER						
	7	1	436-0523	8	SPRING-VALVE						



GRAPHIC #1

<END>

g03664338

BASIC ENGINE

415-7947 ROCKER ARM GP

S/N: W231-UP

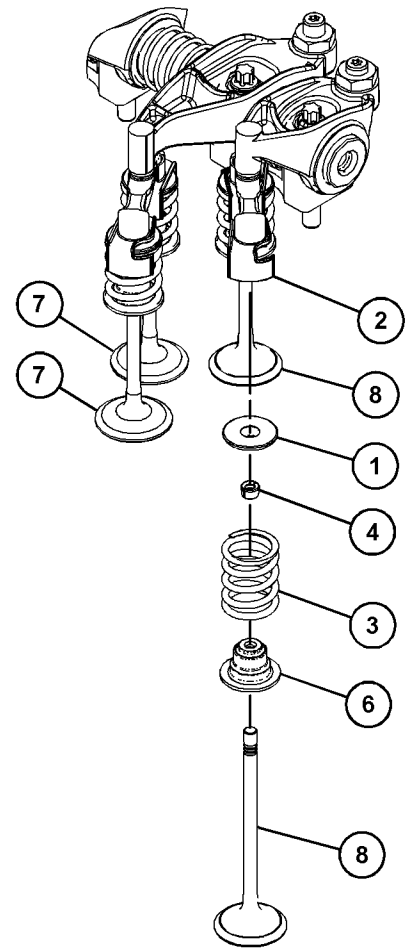
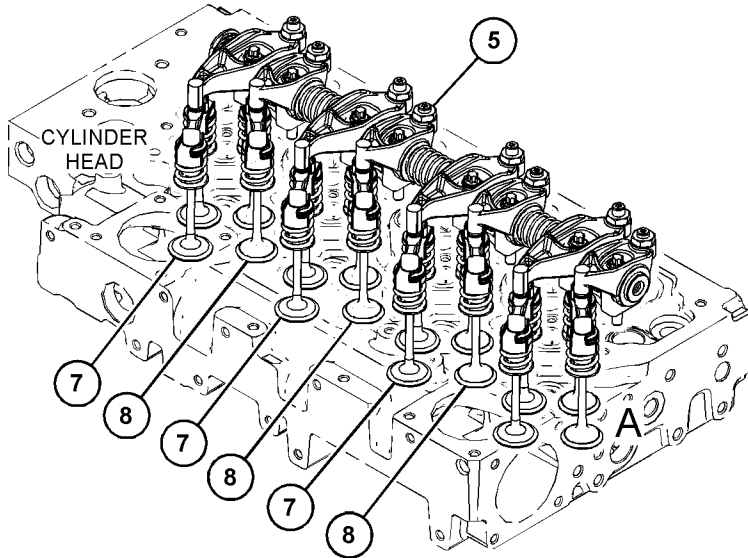
PART OF 463-8848, 463-8910 ENGINE AR-PRIMARY

SMCS-1102, 1123

i06138510

NOTE	REF NO	GRAPHIC REF	PART NUMBER	QTY	PART NAME						SEE PAGE
					1	2	3	4	5	6 (PRODUCT LEVEL)	
	1	1	276-8133	16	CAP-VALVE						
	2	1	346-4709	8	BRIDGE GP-VALVE						
	3	1	436-0524	16	SPRING-VALVE						
	4	1	276-8123	32	COTTER-CAP						
Y	5	1	298-4533	1	ROCKER ARM GP						168
	6	1	299-5511	16	SEAL-VALVE STEM						
	7	1	309-6678	8	VALVE-INLET						
	8	1	339-9637	8	VALVE-EXHAUST						

Y - SEPARATE ILLUSTRATION



VIEW OF AREA A
(EXPLODED)

GRAPHIC #1

<END>

g03815520

BASIC ENGINE

441-9676 ROCKER ARM GP

S/N: CN51-UP

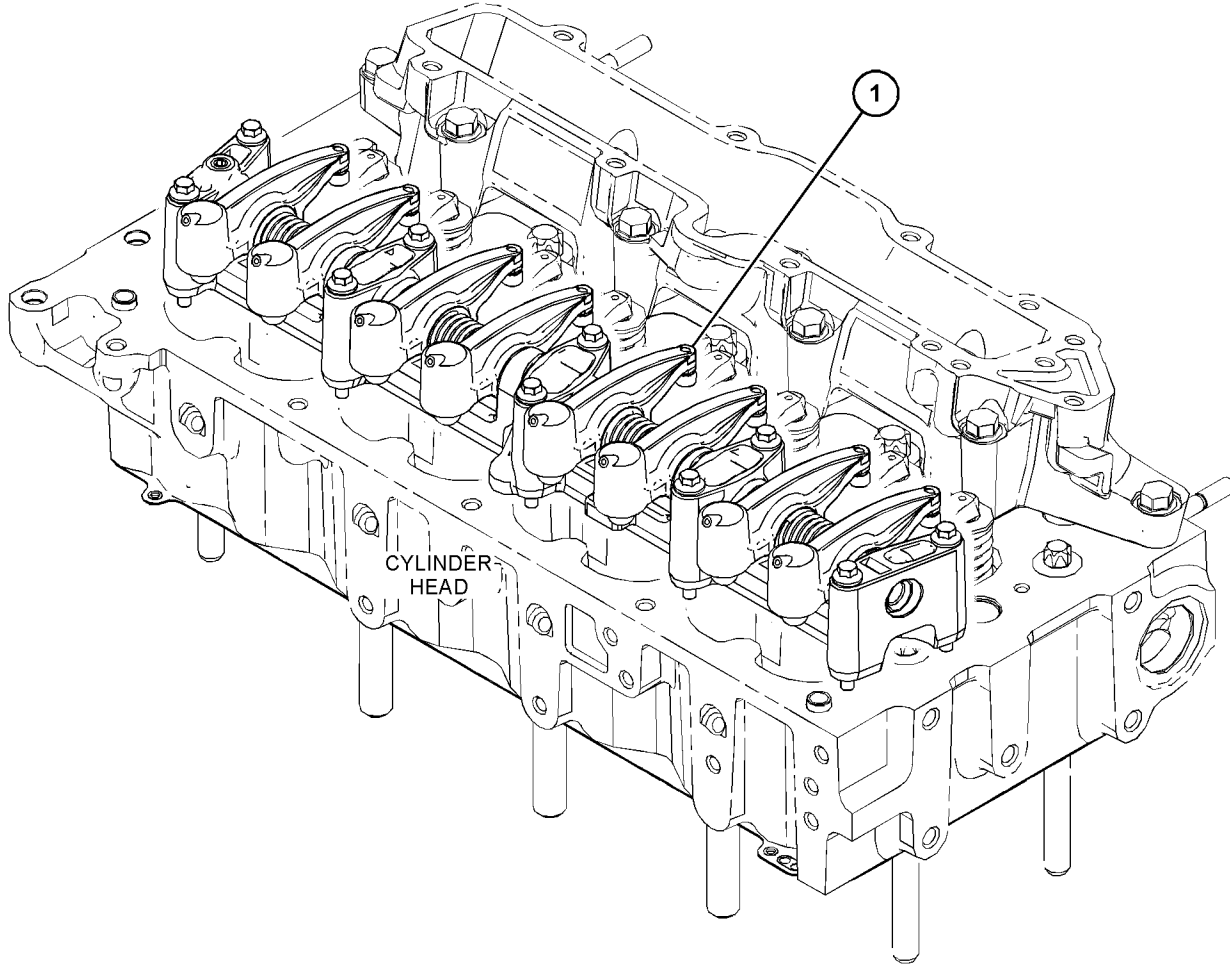
PART OF 465-2880 ENGINE AR-PRIMARY
AN ATTACHMENT

SMCS-1102, 1123

i06252229

NOTE	REF NO	GRAPHIC REF	PART NUMBER	QTY	PART NAME						SEE PAGE
					1	2	3	4	5	6 (PRODUCT LEVEL)	
Y	1	1	446-4785	1	ROCKER ARM GP						179

Y - SEPARATE ILLUSTRATION



GRAPHIC #1

<END>

g03825239

BASIC ENGINE

446-4785 ROCKER ARM GP

S/N: CN51-UP

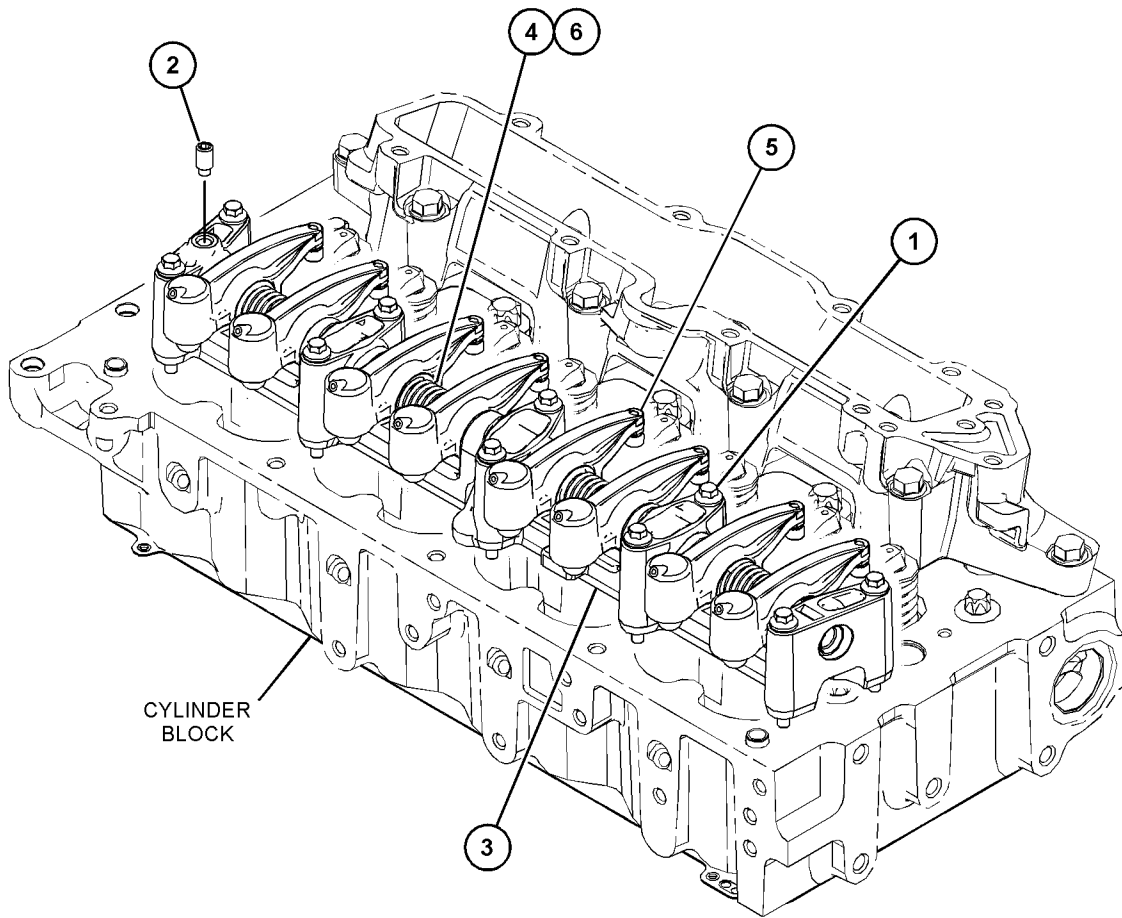
PART OF 441-9676 ROCKER ARM GP
AN ATTACHMENT

SMCS-1102, 1123

i06145428

NOTE	REF NO	GRAPHIC REF	PART NUMBER	QTY	PART NAME						SEE PAGE
					1	2	3	4	5	6 (PRODUCT LEVEL)	
M	1	1	204-7464	10	BOLT-FLANGE HEAD (M6X1X60-MM) (ROCKER ARM)						
	2	1	386-2062	1	SCREW						
	3	1	463-7837	1	BRACKET						
	4	1	463-7876	1	SHAFT AS						
		1	386-2061	2	PLUG						
	5	1	463-8750	8	ARM AS (ROCKER ARM)						
	6	1	463-8751	4	SPRING						

M - METRIC PART



GRAPHIC #1

<END>

g03782342

BASIC ENGINE

460-7781 ROCKER ARM GP

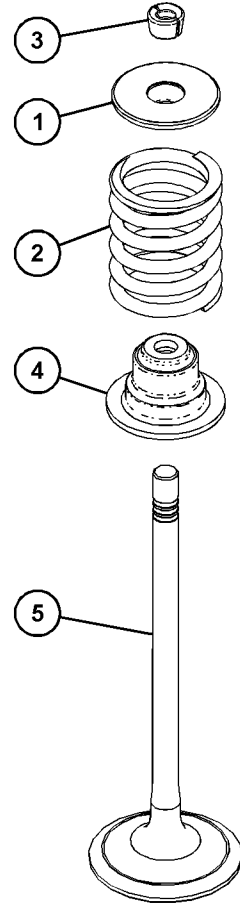
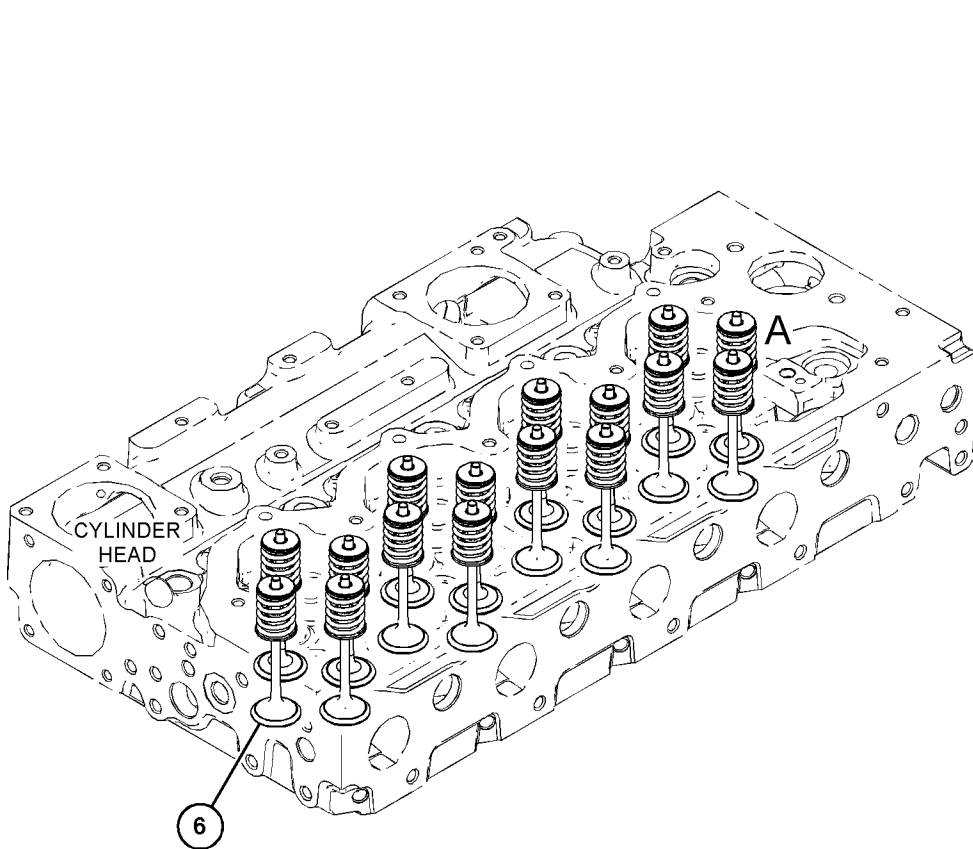
S/N: W231-UP

PART OF 452-7397 CYLINDER HEAD GP

SMCS-1102, 1123

i07075563

NOTE	REF NO	GRAPHIC REF	PART NUMBER	QTY	PART NAME						SEE PAGE
					1	2	3	4	5	6 (PRODUCT LEVEL)	
	1	1	276-8133	16	CAP - VALVE						
	2	1	436-0524	16	SPRING - VALVE						
	3	1	276-8123	32	COTTER - CAP						
	4	1	299-5511	16	SEAL - VALVE STEM						
	5	1	309-6678	8	VALVE - INLET						
	6	1	339-9637	8	VALVE - EXHAUST						



VIEW OF AREA A
(EXPLODED)
g06123274

GRAPHIC #1

<END>

LUBRICATION SYSTEM

373-0282 FILLER GP-ENGINE OIL

S/N: CN51-UP

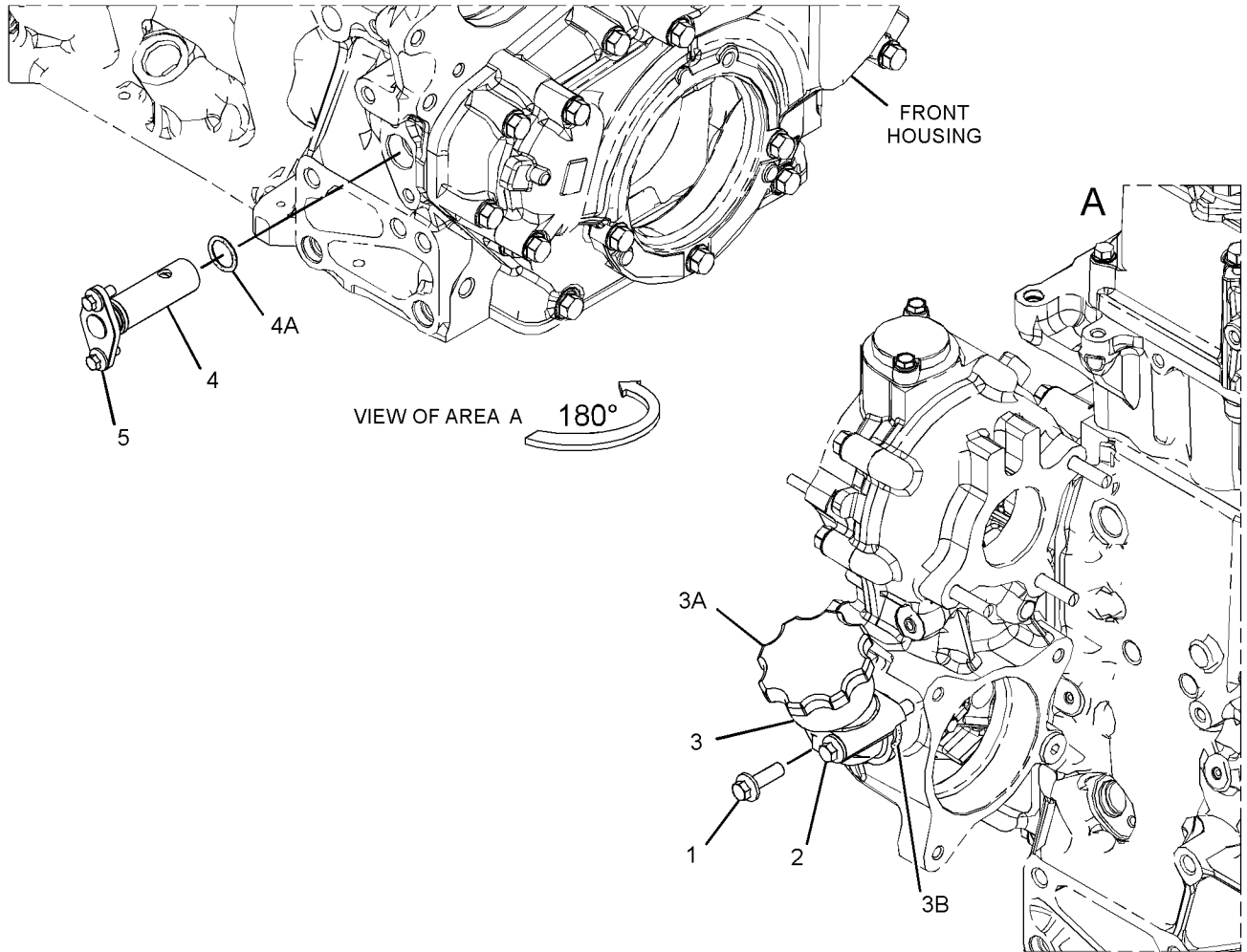
PART OF 377-5991 FILLER GP-ENGINE OIL
AN ATTACHMENT

SMCS-1316

i05979642

NOTE	REF NO	GRAPHIC REF	PART NUMBER	QTY	PART NAME						SEE PAGE
					1	2	3	4	5	6 (PRODUCT LEVEL)	
M	1	1	6I-0260	1	BOLT (M8X1.25X25-MM)						
M	2	1	6I-4374	1	BOLT (M8X1.25X60-MM)						
	3	1	321-2383	1	FILLER AS						
	3A	1	130-9888	1	CAP AS-OIL FILLER (ENGINE)						
	3B	1	306-2337	1	SEAL-O-RING						
	4	1	465-0250	1	VALVE AS						
	4A	1	386-1911	1	SEAL						
M	5	1	6I-0846	2	BOLT (M6X1X14-MM)						
F			369-3867	1	CAP AS-OIL FILLER (ENGINE)						
		1	357-0147	1	FILM-IDENTIFICATION (OIL FILL, READ OMM)						

F - NOT SHOWN
M - METRIC PART



GRAPHIC #1

<END>

g03384988

LUBRICATION SYSTEM

377-5991 FILLER GP-ENGINE OIL

S/N: CN51-UP

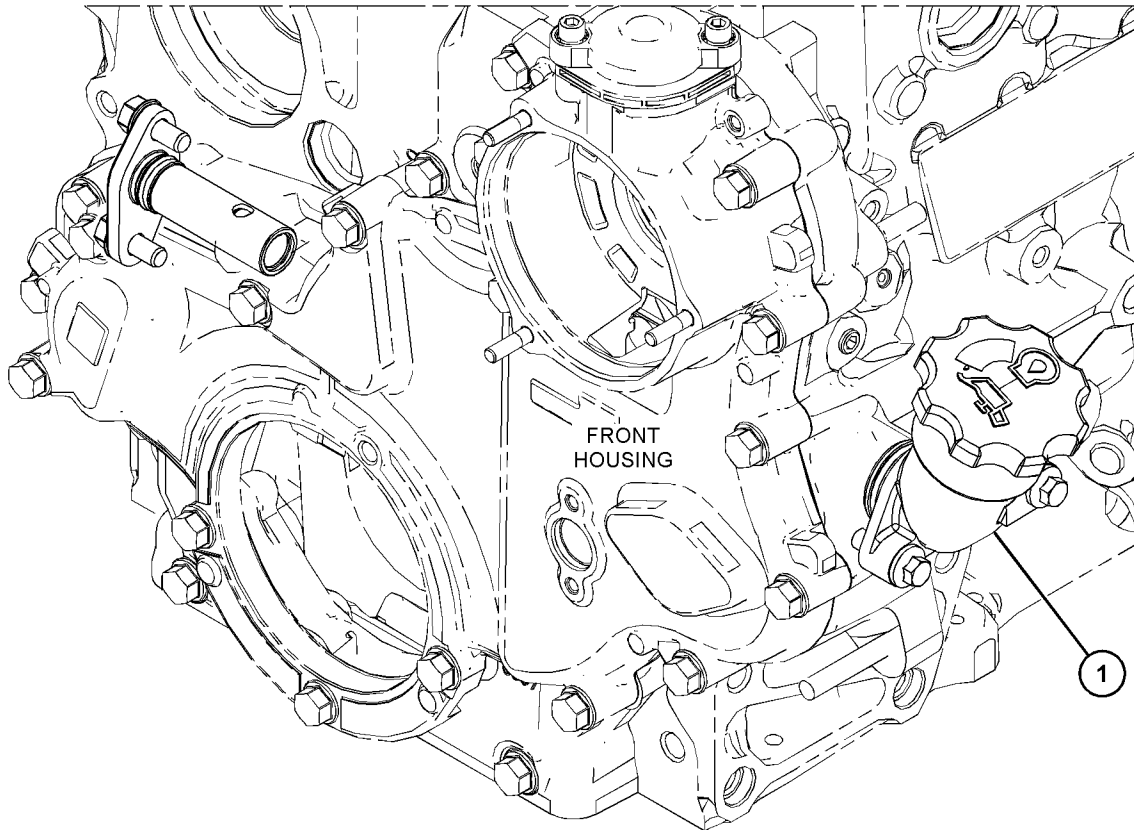
PART OF 465-2880 ENGINE AR-PRIMARY
AN ATTACHMENT

SMCS-1316

i05963873

NOTE	REF NO	GRAPHIC REF	PART NUMBER	QTY	PART NAME						SEE PAGE
					1	2	3	4	5	6 (PRODUCT LEVEL)	
Y	1	1	373-0282	1	FILLER GP-ENGINE OIL						181

Y - SEPARATE ILLUSTRATION



GRAPHIC #1

<END>

g03521779

LUBRICATION SYSTEM

432-0065 FILLER GP-ENGINE OIL

S/N: W231-UP

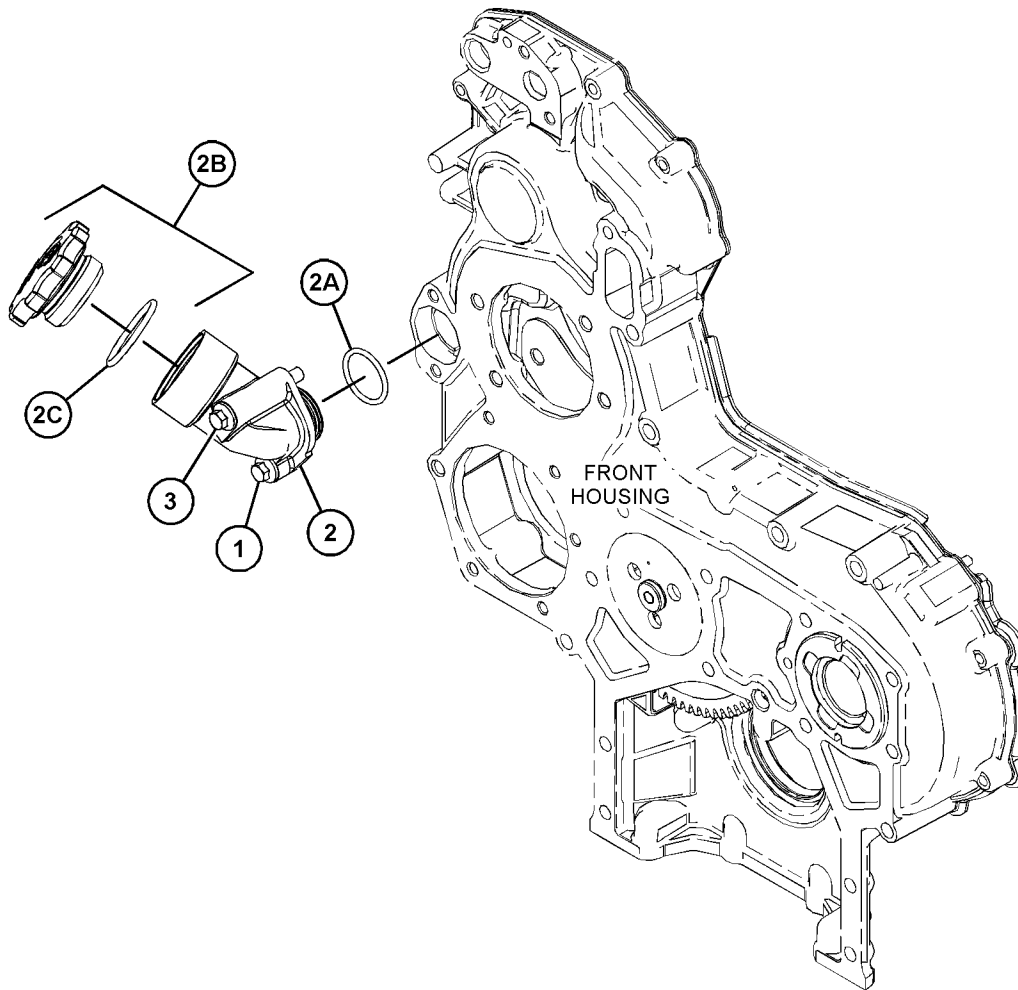
PART OF 463-8848, 463-8910 ENGINE AR-PRIMARY

SMCS-1316

i06621176

NOTE	REF NO	GRAPHIC REF	PART NUMBER	QTY	PART NAME						SEE PAGE
					1	2	3	4	5	6 (PRODUCT LEVEL)	
M	1	1	6I-0254	1	BOLT (M8X1.25X30-MM)						
	2	1	321-2383	1	FILLER AS						
	2A	1	306-2337	1	SEAL-O-RING						
	2B	1	130-9888	1	CAP AS-OIL FILLER (ENGINE)						
	2C	1	113-1504	1	SEAL-O-RING						
M	3	1	6I-4374	1	BOLT (M8X1.25X60-MM)						

M - METRIC PART



GRAPHIC #1

<END>

g03812334

LUBRICATION SYSTEM

329-8386 FILTER GP-ENGINE OIL

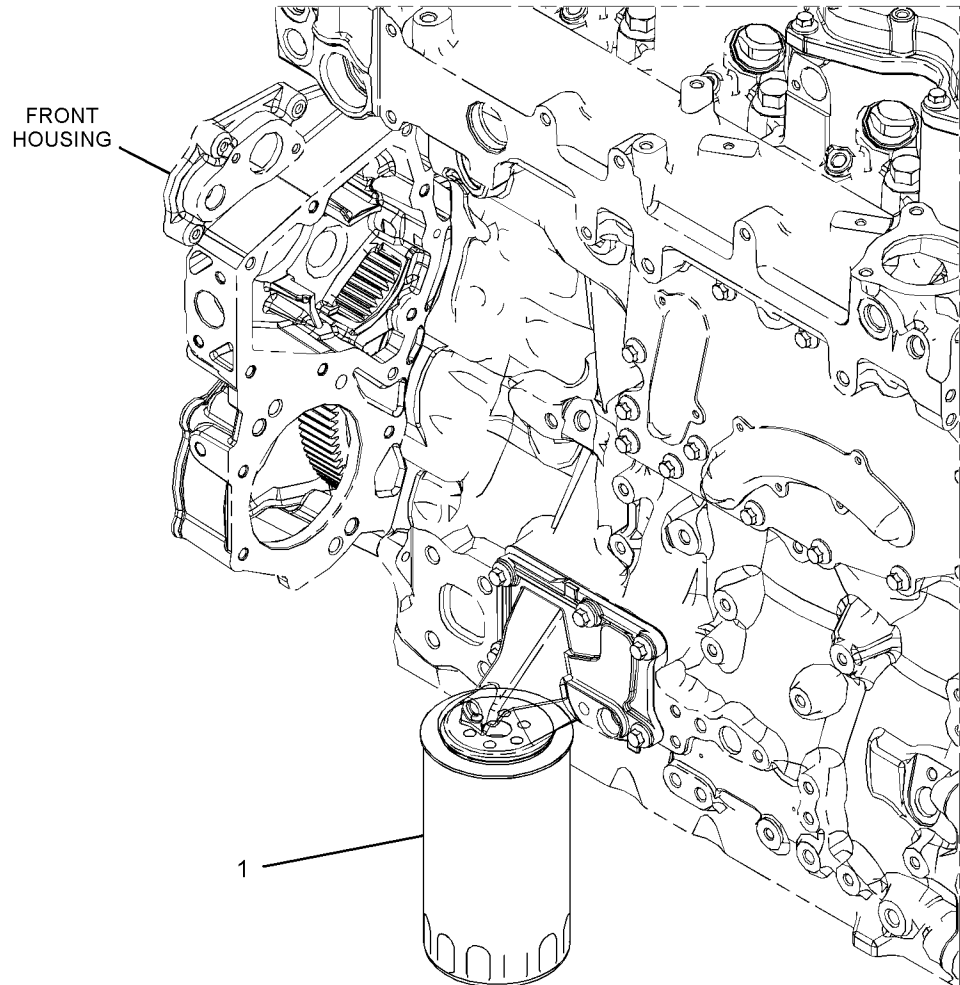
S/N: JKT1-UP

PART OF 464-2307, 464-2308 ENGINE AR-PRIMARY
ALSO AN ATTACHMENT

SMCS-1306, 1308

i05725355

NOTE	REF NO	GRAPHIC REF	PART NUMBER	QTY	PART NAME						SEE PAGE
					1	2	3	4	5	6 (PRODUCT LEVEL)	
	1	1	7W-2326	1	FILTER AS-ENGINE OIL						



GRAPHIC #1

<END>

g02713207

LUBRICATION SYSTEM

417-3394 FILTER GP-ENGINE OIL

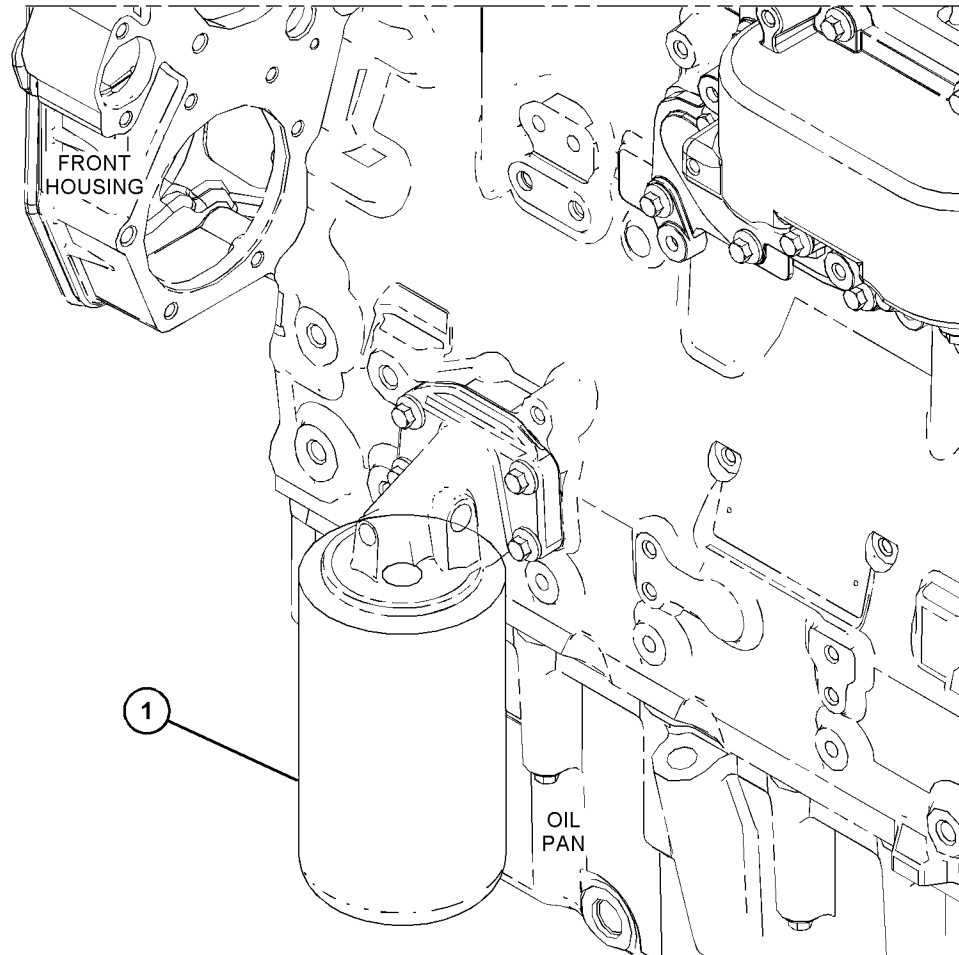
S/N: W231-UP

PART OF 463-8848, 463-8910 ENGINE AR-PRIMARY

SMCS-1306, 1308

i06151992

NOTE	REF NO	GRAPHIC REF	PART NUMBER	QTY	PART NAME						SEE PAGE
					1	2	3	4	5	6 (PRODUCT LEVEL)	
	1	1	7W-2326	1	FILTER AS-ENGINE OIL						



GRAPHIC #1

<END>

g03817298

LUBRICATION SYSTEM

418-3402 FILTER GP-ENGINE OIL

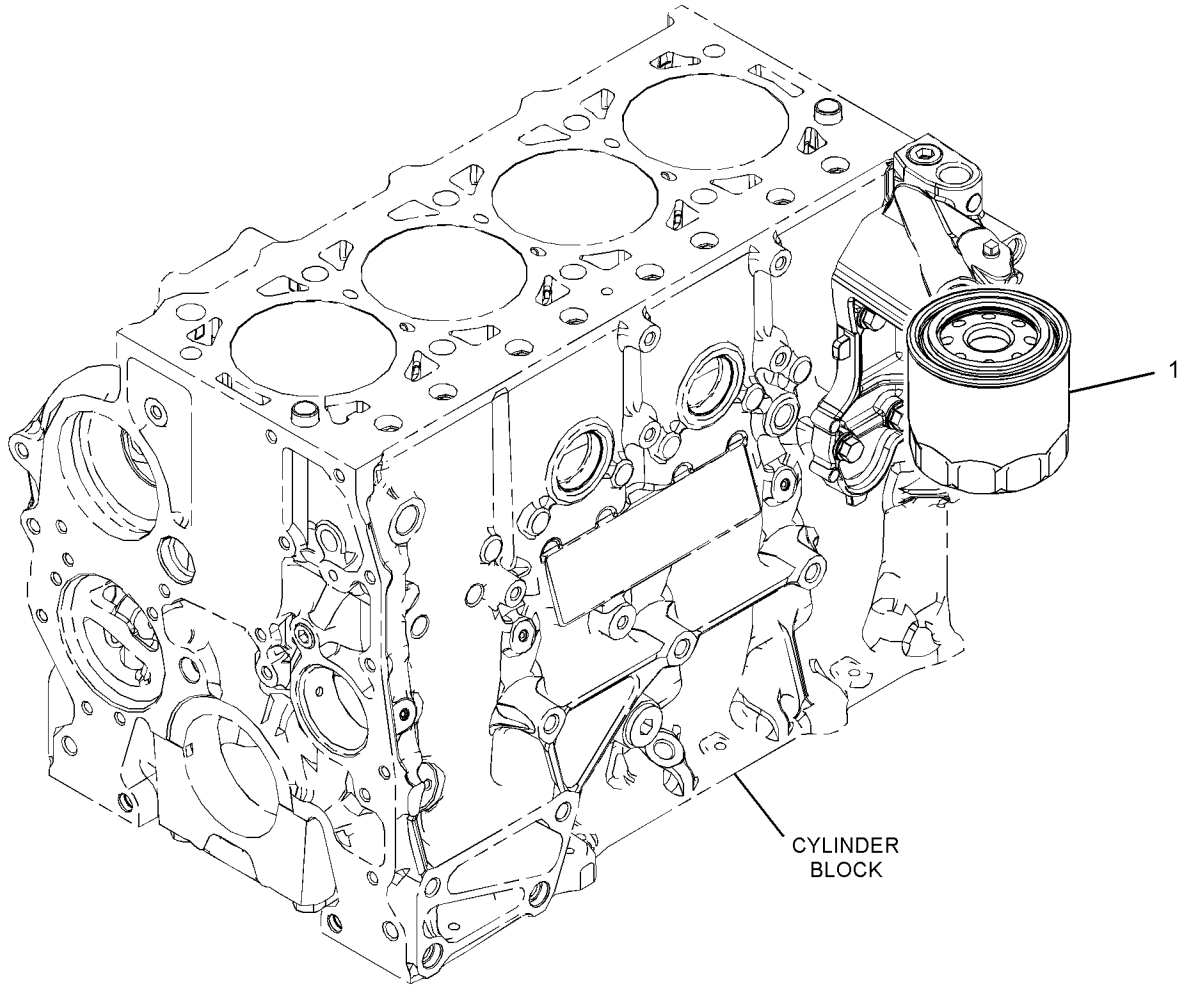
S/N: CN51-UP

PART OF 465-2880 ENGINE AR-PRIMARY
AN ATTACHMENT

SMCS-1306, 1308

i08067726

NOTE	REF NO	GRAPHIC REF	PART NUMBER	QTY	PART NAME						SEE PAGE
					1	2	3	4	5	6 (PRODUCT LEVEL)	
	1	1	558-0428	1	FILTER AS-ENGINE OIL						



GRAPHIC #1

<END>

g03358504

LUBRICATION SYSTEM

360-7817 FILTER GP-FUMES DISPOSAL

S/N: JKT1-UP

PART OF 464-2307, 464-2308 ENGINE AR-PRIMARY
ALSO AN ATTACHMENT

SMCS-1074, 1317

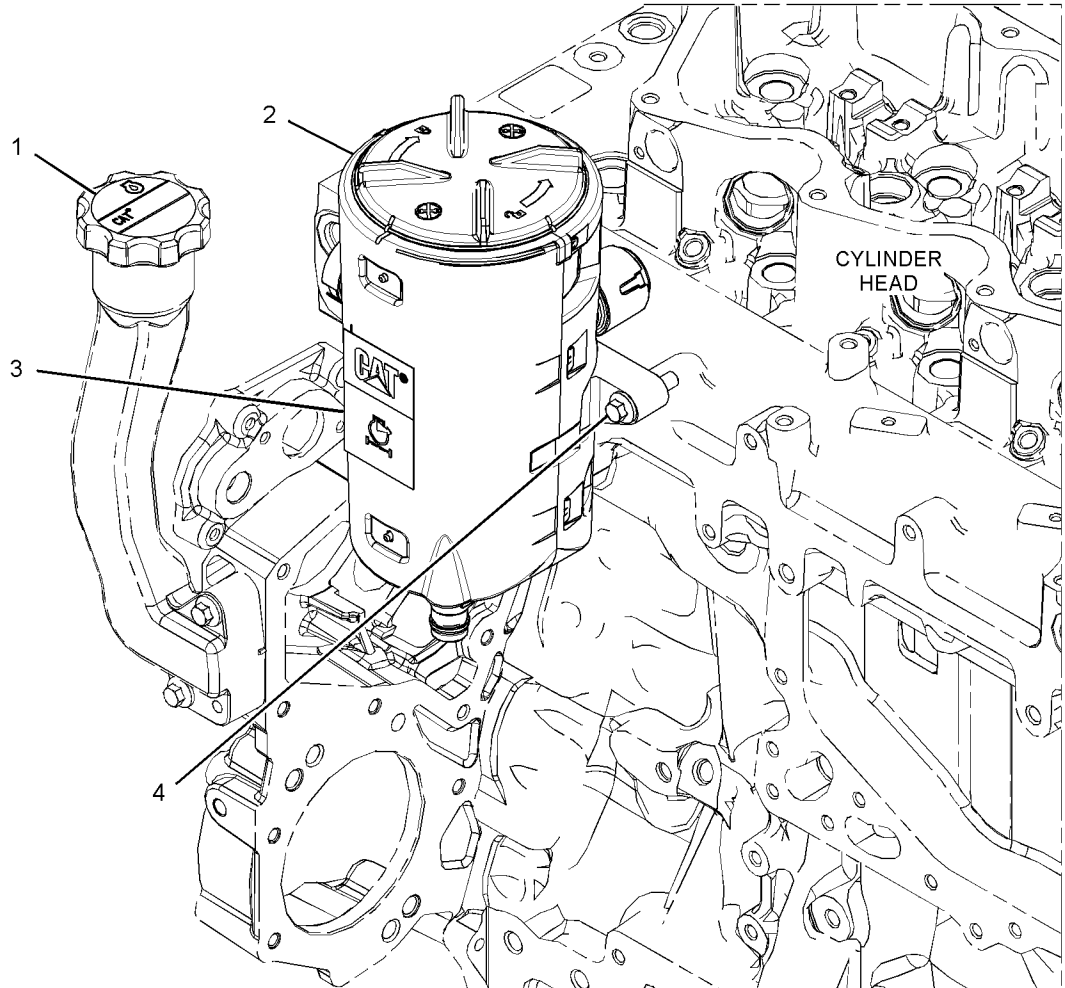
i07765455

NOTE	REF NO	GRAPHIC REF	PART NUMBER	QTY	PART NAME						SEE PAGE
					1	2	3	4	5	6 (PRODUCT LEVEL)	
	1	1	357-0147	1	FILM-IDENTIFICATION (OIL FILL, READ OMM)						
J	2	1	522-7283	1	FILTER AS-BREATHER						
J		1	339-1048	1	KIT-BREATHER (FUMES DISPOSAL)						
J		1	362-2915	1	SEAL						
J	3	1	571-8152	1	FILM-IDENTIFICATION (BREATHER)						
M	4	1	101-3895	3	BOLT (M8X1.25X35-MM)						

AVAILABLE REPAIR KIT(S) :

J		543-2858	1	KIT-FILTER (INCLUDES FILTER HOUSING, HEAD AS, VALVE AS, ELEMENT AS, SEAL & FILM) (NOTE: FILTER REPLACEMENT ELEMENT IS AVAILABLE SEPARATELY)
---	--	-----------------	---	---

J - KIT MARKED J SERVICES PART(S) MARKED J
M - METRIC PART



GRAPHIC #1

<END>

g02715965

LUBRICATION SYSTEM

356-7282 FUMES DISPOSAL GP

S/N: JKT1-UP

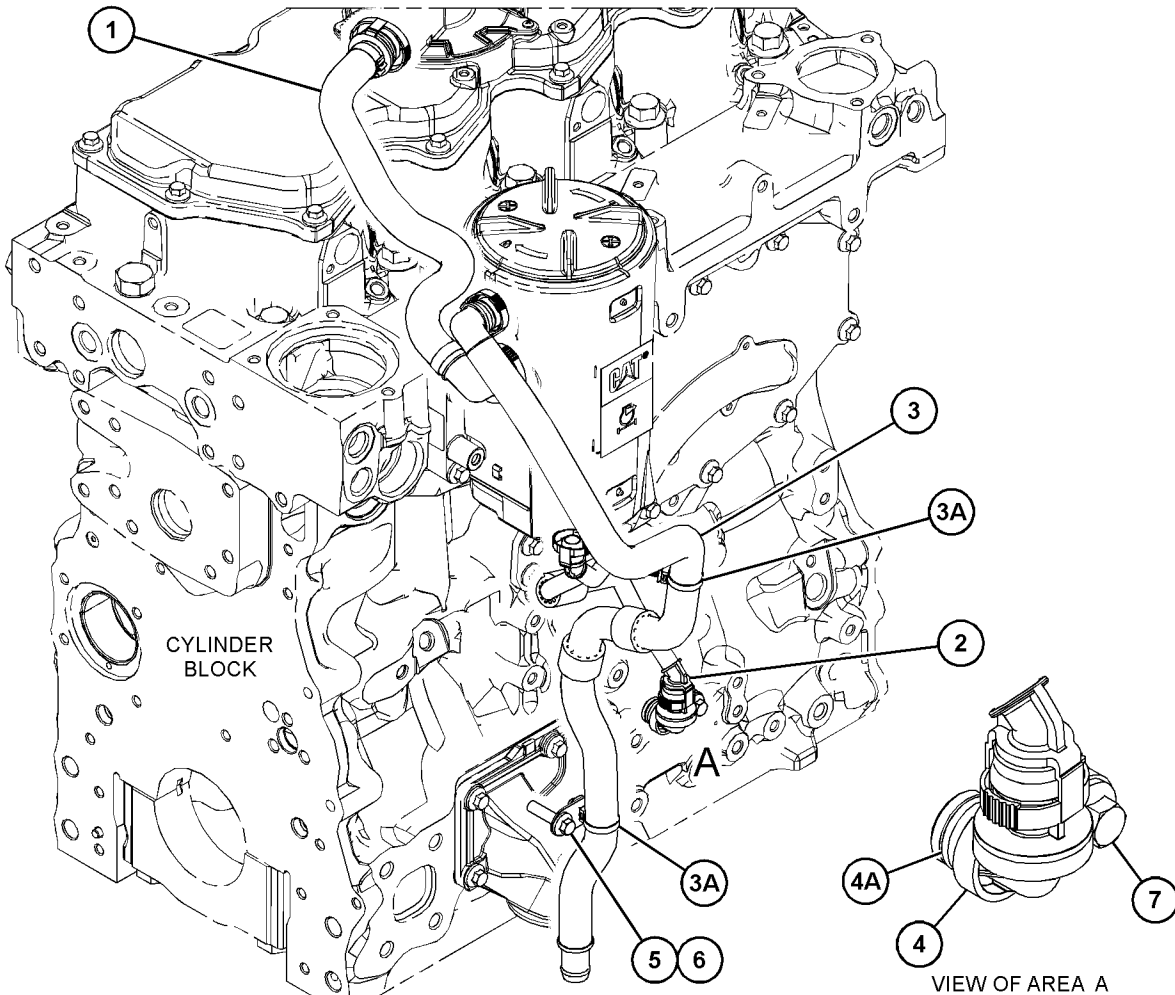
PART OF 464-2307, 464-2308 ENGINE AR-PRIMARY
ALSO AN ATTACHMENT

SMCS-1317

i06062214

NOTE	REF NO	GRAPHIC REF	PART NUMBER	QTY	PART NAME						SEE PAGE
					1	2	3	4	5	6	
	1	1	347-9981	1	PIPE-BREATHER (INLET)						
	2	1	448-5787	1	PIPE (BREATHER TO DRAIN)						
	3	1	356-4590	1	PIPE AS (VENT)						
	3A	1	316-9351	2	MOUNTING-CABLE TIE						
	4	1	356-8338	1	VALVE AS						
	4A	1	3E-6749	1	SEAL-O-RING						
	5	1	360-5696	1	BRACKET AS						
M	6	1	156-6964	1	BOLT (M8X1.25X30-MM)						
M	7	1	6I-0572	1	BOLT (M8X1.25X20-MM)						

M - METRIC PART



GRAPHIC #1

<END>

g03799883

LUBRICATION SYSTEM

433-5258 FUMES DISPOSAL GP

S/N: W231-UP

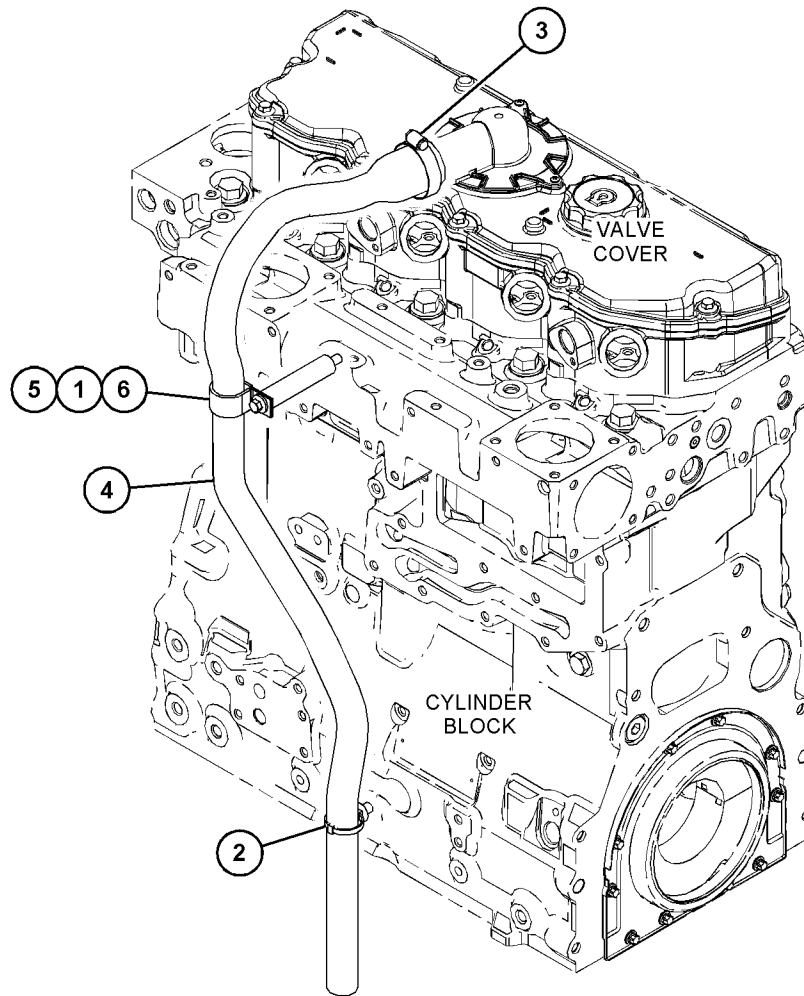
PART OF 463-8848, 463-8910 ENGINE AR-PRIMARY

SMCS-1317

i07531967

NOTE	REF NO	GRAPHIC REF	PART NUMBER	QTY	PART NAME						SEE PAGE
					1	2	3	4	5	6 (PRODUCT LEVEL)	
M	1	1	127-3361	1	BOLT (M8X1.25X95-MM)						
	2	1	316-9351	1	MOUNTING-CABLE TIE						
	3	1	363-5813	1	CLAMP-HOSE						
	4	1	433-1900	1	HOSE						
	5	1	433-2688	1	PILLAR						
	6	1	067-3045	1	CLIP (LOOP)						

M - METRIC PART



GRAPHIC #1

<END>

g03811633

LUBRICATION SYSTEM

449-2730 FUMES DISPOSAL GP

S/N: CN51-UP

PART OF 451-8483 FUMES DISPOSAL GP
AN ATTACHMENT

SMCS-1317

i07152440

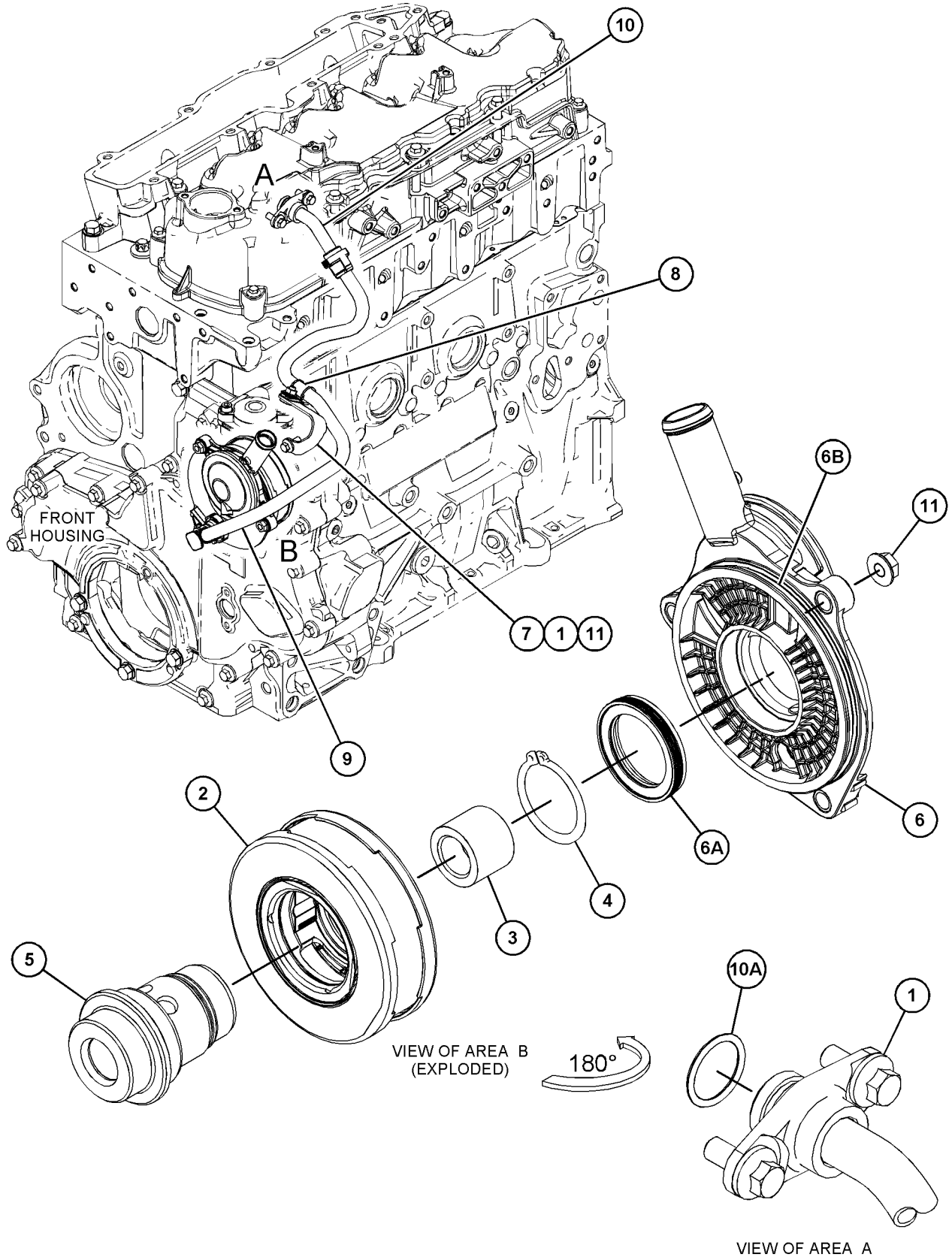
NOTE	REF NO	GRAPHIC REF	PART NUMBER	QTY	PART NAME						SEE PAGE
					1	2	3	4	5	6 (PRODUCT LEVEL)	
M	1	1	6I-0846	3	BOLT (M6X1X14-MM)						
	2	1	481-3598	1	FILTER ELEMENT-BREATHER (CRANKCASE)						
	3	1	379-3066	1	BUSHING						
	4	1	381-3938	1	SPRING						
	5	1	422-0638	1	SHAFT						
	6	1	422-0642	1	COVER AS						
	6A	1	379-3061	1	SEAL						
	6B	1	379-3064	1	SEAL-O-RING						
	7	1	422-0643	1	BRACKET AS						
	8	1	422-9961	1	CLIP						
	9	1	504-1913	1	PIPE AS						
	10	1	463-6995	1	PIPE AS						
	10A	1	463-6993	1	SEAL						
	11	1	6I-0918	4	NUT						

M - METRIC PART

LUBRICATION SYSTEM

449-2730 FUMES DISPOSAL GP (contd.)

i07152440



GRAPHIC #1

<END>

g03826956

LUBRICATION SYSTEM

451-8483 FUMES DISPOSAL GP

S/N: CN51-UP

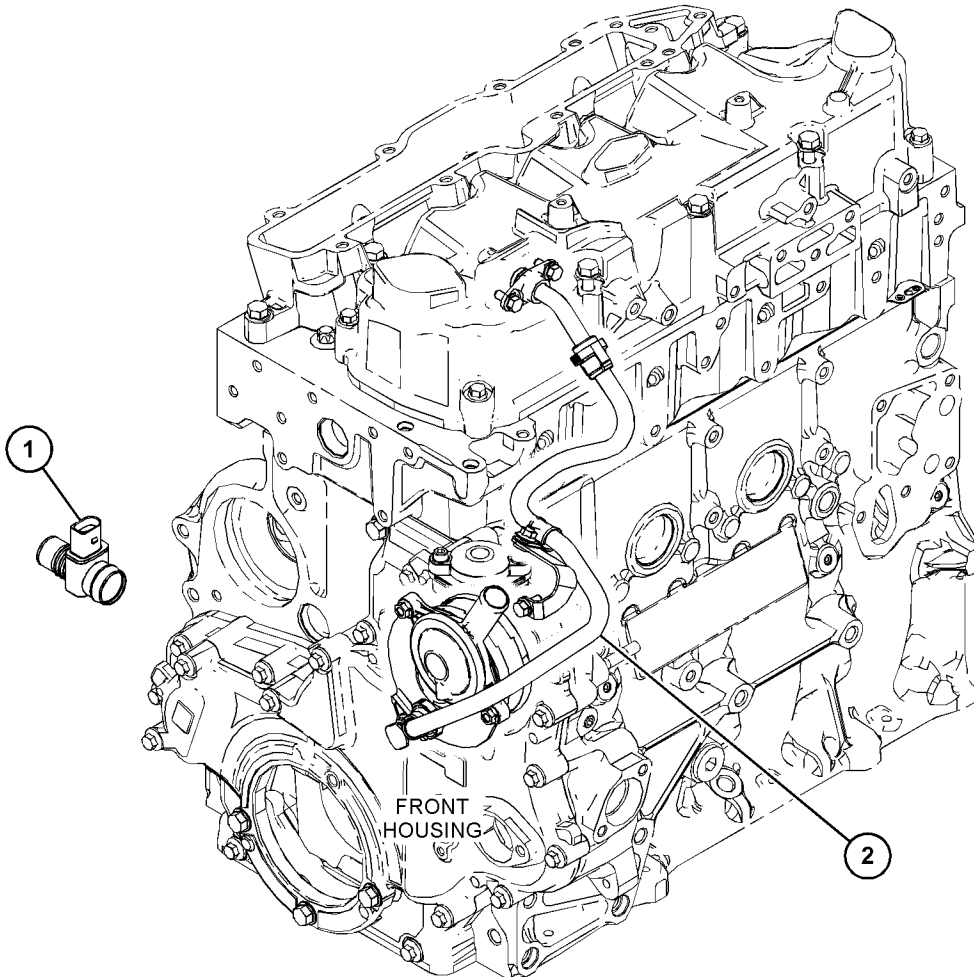
PART OF 465-2880 ENGINE AR-PRIMARY
AN ATTACHMENT

SMCS-1317

i06252161

NOTE	REF NO	GRAPHIC REF	PART NUMBER	QTY	PART NAME						SEE PAGE
					1	2	3	4	5	6 (PRODUCT LEVEL)	
	1	1	376-1398	1	CONNECTION						
Y	2	1	449-2730	1	FUMES DISPOSAL GP						190

Y - SEPARATE ILLUSTRATION



GRAPHIC #1

<END>

g03879482

LUBRICATION SYSTEM

338-9479 GAUGE GP-OIL LEVEL (DIPSTICK)-ENGINE

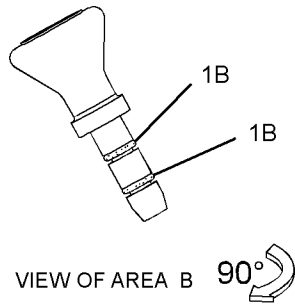
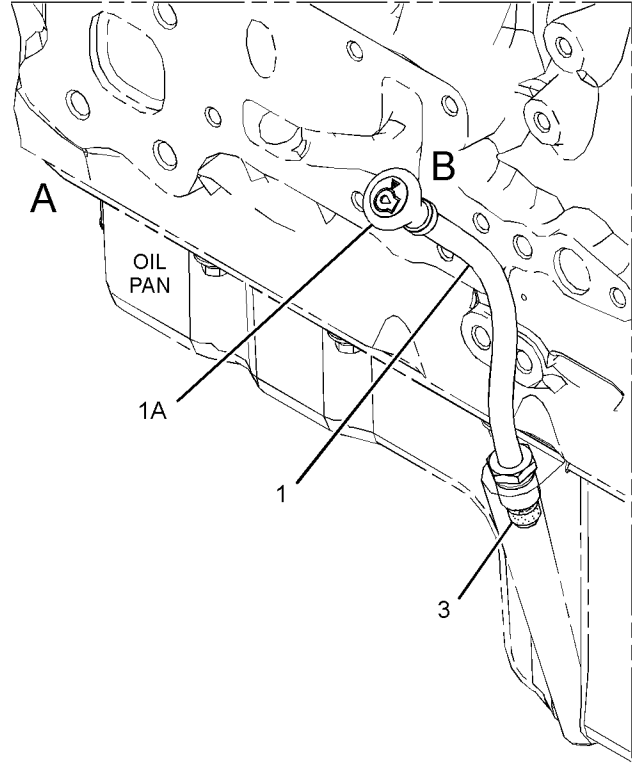
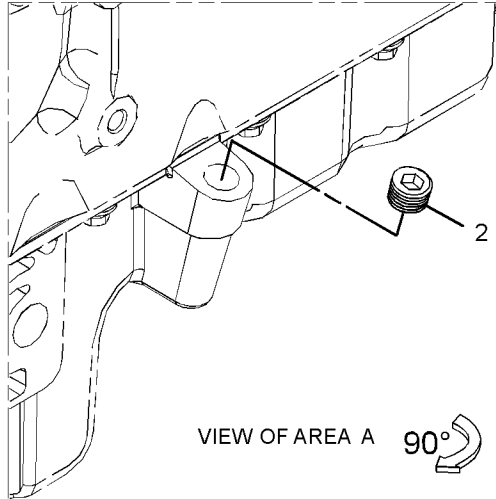
S/N: JKT1-UP

PART OF 464-2307, 464-2308 ENGINE AR-PRIMARY
ALSO AN ATTACHMENT

SMCS-1326

i06605488

NOTE	REF NO	GRAPHIC REF	PART NUMBER	QTY	PART NAME						SEE PAGE
					1	2	3	4	5	6 (PRODUCT LEVEL)	
	1	1	351-2100	1	GAUGE GP-OIL LEVEL (DIPSTICK) (ENGINE)						
	1A	1	351-2099	1	GAUGE AS-OIL LEVEL (DIPSTICK) (ENGINE)						
	1B	1	275-9891	2	SEAL-O-RING						
	2	1	6I-0289	1	PLUG						
	3	1	6I-1497	1	SEAL						



GRAPHIC #1

<END>

g02913977

LUBRICATION SYSTEM

441-9154 GAUGE GP-OIL LEVEL (DIPSTICK)

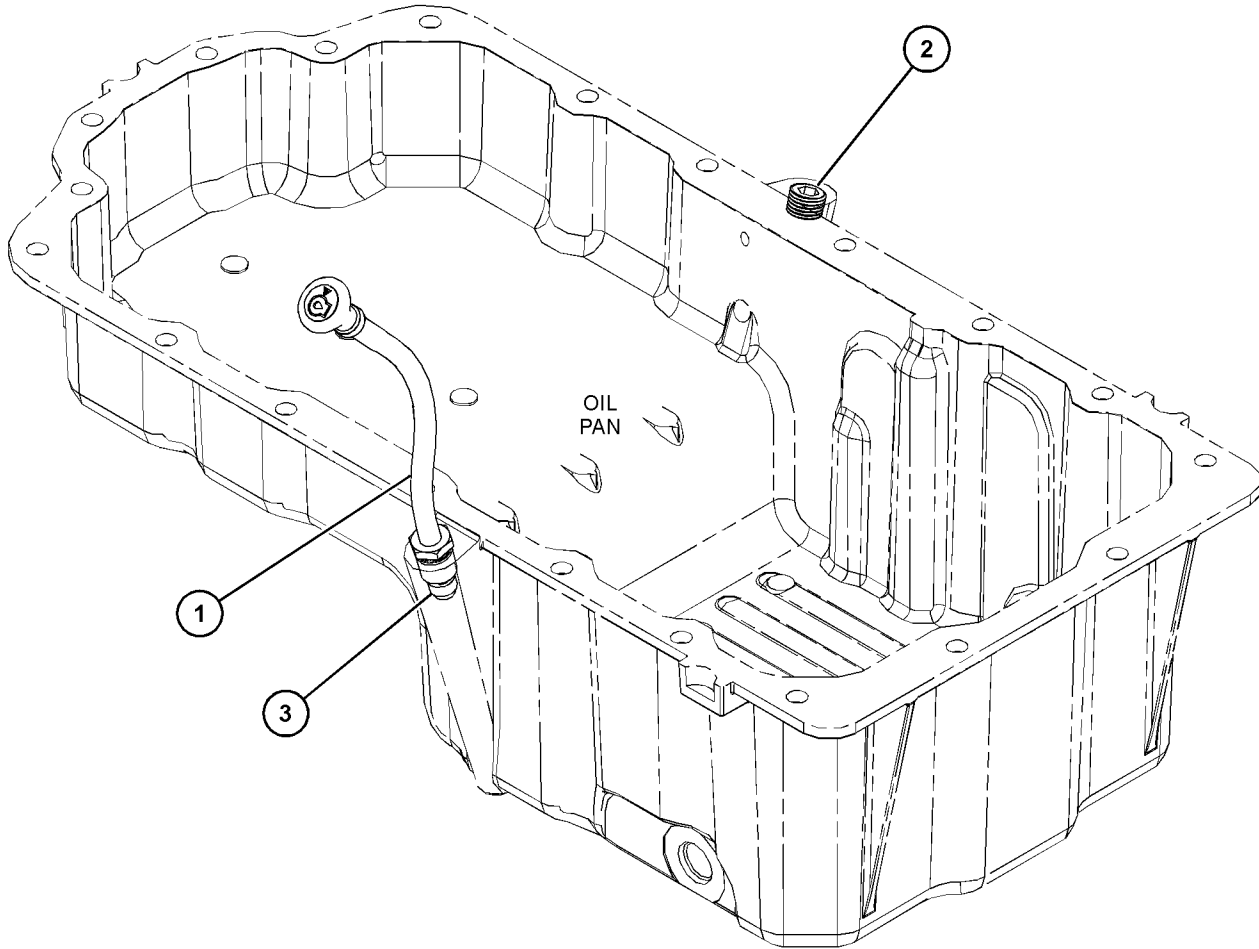
S/N: W231-UP

PART OF 463-8848, 463-8910 ENGINE AR-PRIMARY

SMCS-1326

i06621178

NOTE	REF NO	GRAPHIC REF	PART NUMBER	QTY	PART NAME						SEE PAGE
					1	2	3	4	5	6 (PRODUCT LEVEL)	
1	1	1	351-2100	1	GAUGE GP-OIL LEVEL (DIPSTICK) (ENGINE)						
		1	228-7089	1	SEAL-O-RING						
		1	275-9891	2	SEAL-O-RING						
2	1	1	6I-0289	1	PLUG						
3	1	1	6I-1497	1	SEAL						



GRAPHIC #1

<END>

g06002473

LUBRICATION SYSTEM

556-5838 LINES GP-FAN DRIVE

S/N: TH41-UP; TH91-UP

PART OF 520-9601, 523-1976, 523-2011 ENGINE AR-COMplete
AN ATTACHMENT

SMCS-1307, 1359, 5057

i08072435

NOTE	REF NO	GRAPHIC REF	PART NUMBER	QTY	PART NAME						SEE PAGE
					1	2	3	4	5	6 (PRODUCT LEVEL)	
I	1	2	497-9821	2	HOSE AS						
	2	1	206-2423	1	SADDLE-MOUNTING						
	3	2	556-3981	1	HOSE AS						
I	4	1	497-9824	1	HOSE AS						
I	5	1	556-4102	1	HOSE AS						
I	6	1	556-4226	1	HOSE AS						
I	7	1	556-5472	1	HOSE AS						
	8	1	556-5611	1	HOSE-SUCTION						
G	9	1	423-1982		HOSE (118-IN)						
G	9A	1	423-1982		HOSE (13.4-IN EACH)						
	10	1	1P-7009	1	CLIP						
	11	1	116-8517	1	WASHER (10.5X30X2.5-MM THK)						
I	12	2	497-9828	1	HOSE AS						
	13	1	556-5630	1	SPACER (13X25X15-MM THK)						
	14	2	6D-1641	2	CLIP (LOOP)						
M	15	2	3T-0852	1	LOCKNUT (M8X1.25-THD)						
	16	1,2	7K-1181	9	STRAP-CABLE						
M	17	1	344-5673	3	NUT (M6X1-THD)						
	18	1	8T-4121	5	WASHER-HARD (11X21X2.5-MM THK)						
	19	1	298-0507	1	ADAPTER-SWIVEL						
	20	1	8T-4223	1	WASHER-HARD (13.5X25.5X3-MM THK)						
	21	1	187-5086	1	TEE						
	22	2	330-8103	6	CLAMP-HOSE						
M	23	1	508-9820	1	BOLT-HEAD (M12X1.75X65-MM)						
	24	1	5P-2230	2	CLAMP-HOSE						
	25	2	9X-8250	1	CLIP (LOOP)						
	26	2	5K-8451	1	CLIP (LOOP)						
	27	1	465-2826	2	CLAMP						
	28	1	497-9601	1	BRACKET						
	29	1	7X-0872	1	TEE-SWIVEL						
	30	1	474-8989	1	ADAPTER						
M	31	2	8T-4908	1	BOLT (M8X1.25X25-MM)						
M	32	1	183-7121	2	BOLT (M10X1.5X35-MM)						
	33	2	8T-4224	2	WASHER-HARD (8.8X16X2-MM THK)						
	34	1	297-7107	1	SCREW						

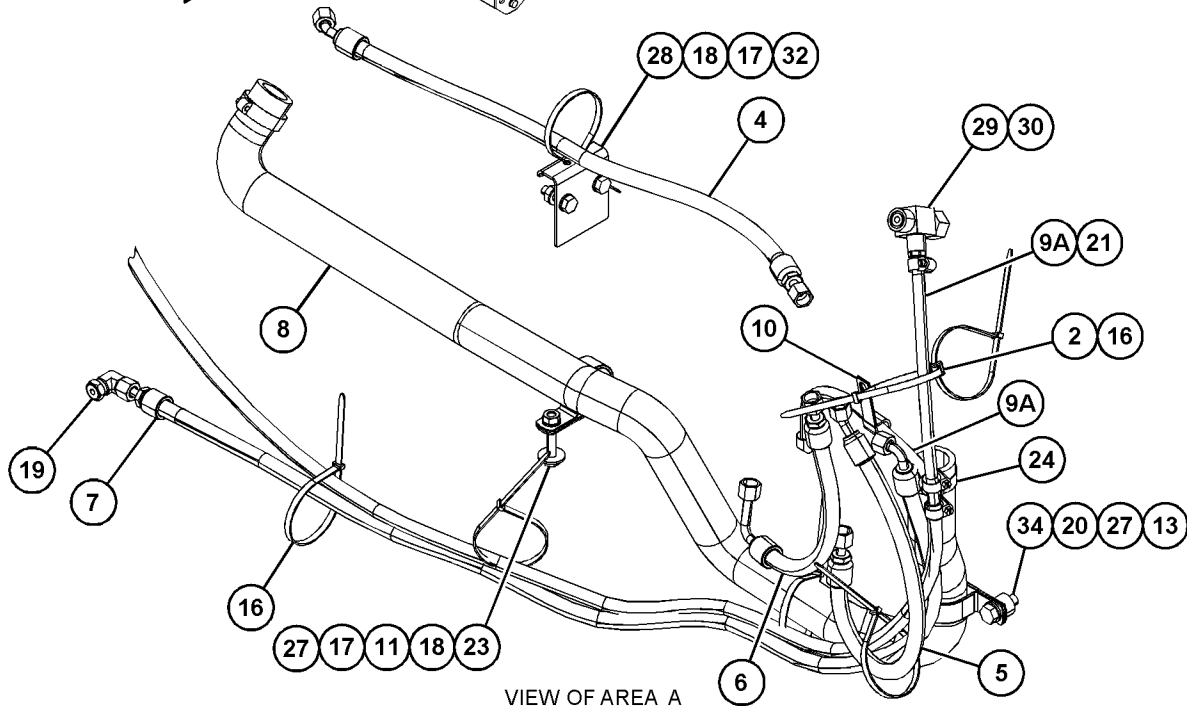
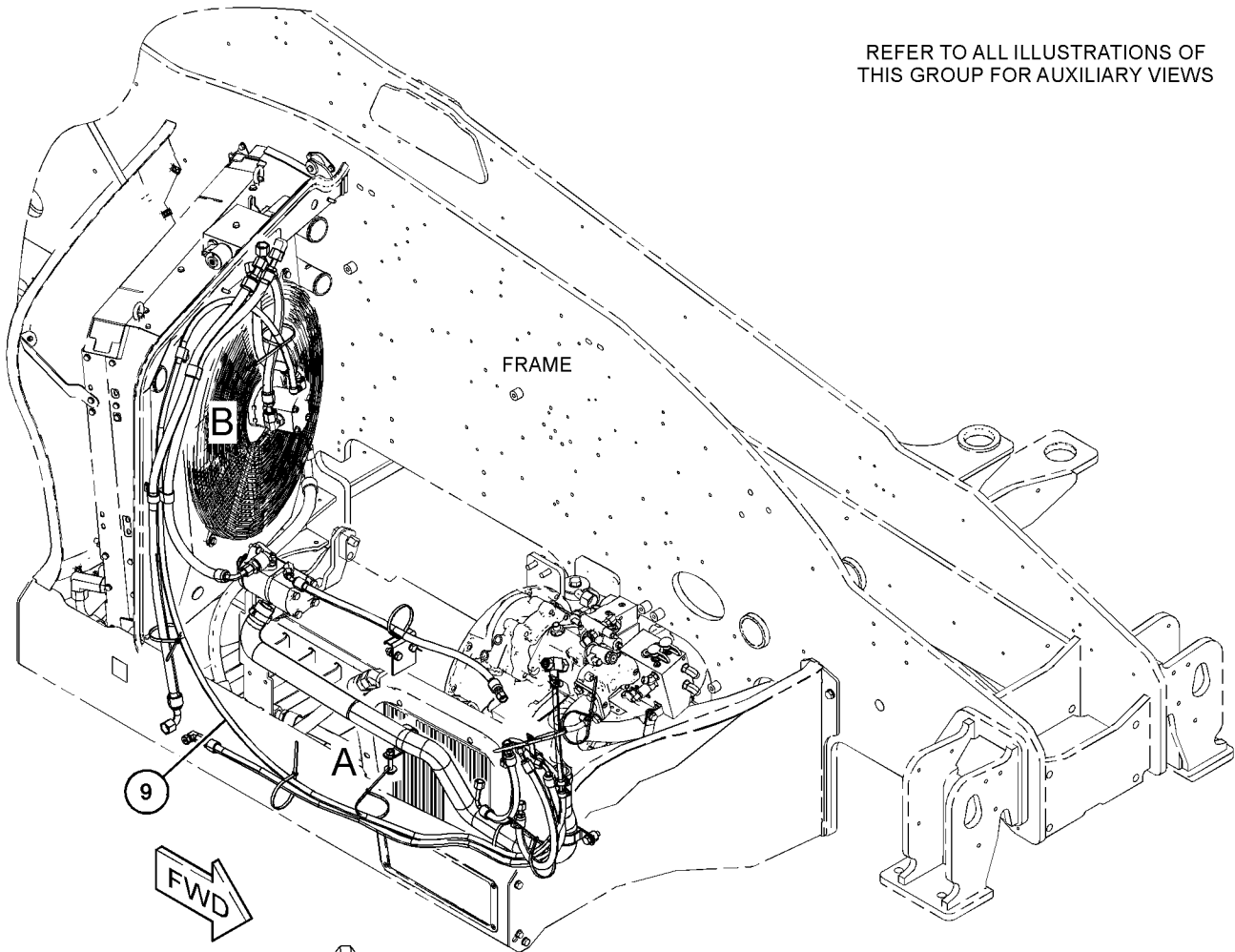
G - ORDER BY THE INCH
I - REFER TO HYDRAULIC INFORMATION SYSTEM
M - METRIC PART

LUBRICATION SYSTEM

556-5838 LINES GP-FAN DRIVE (contd.)

i08072435

REFER TO ALL ILLUSTRATIONS OF THIS GROUP FOR AUXILIARY VIEWS



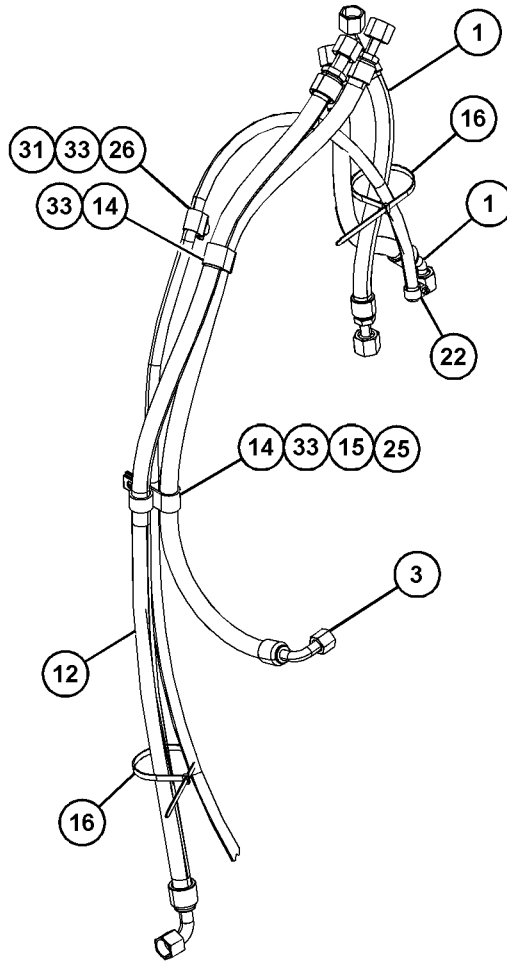
GRAPHIC #1

g06564126

LUBRICATION SYSTEM

556-5838 LINES GP-FAN DRIVE (contd.)

108072435



VIEW OF AREA B
<END>

GRAPHIC #2

g06564128

LUBRICATION SYSTEM

502-2907 LINES GP-TURBOCHARGER OIL

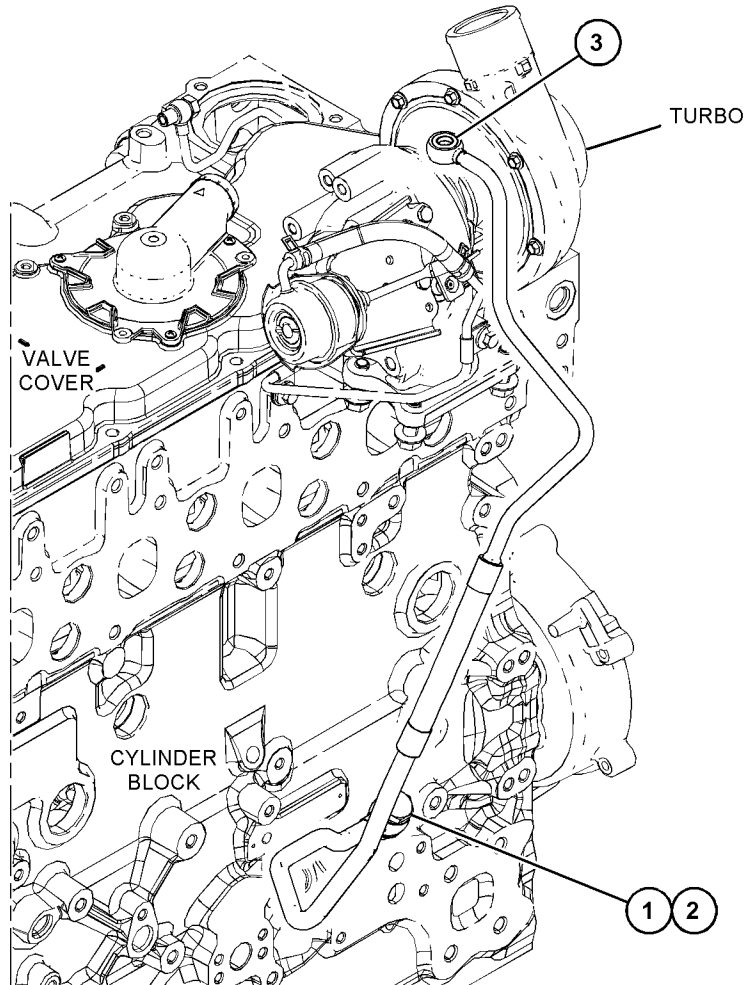
S/N: JKT1-UP

PART OF 356-1124 MANIFOLD GP-EXHAUST
ALSO AN ATTACHMENT

SMCS-1052, 1307

i08068263

NOTE	REF NO	GRAPHIC REF	PART NUMBER	QTY	PART NAME						SEE PAGE
					1	2	3	4	5	6 (PRODUCT LEVEL)	
1	1	1	348-8082	1	BOLT (BANJO) (M16X1.5X30-MM)						
2	1	1	348-8608	2	WASHER						
3	1	1	8L-2777	2	SEAL-O-RING						



GRAPHIC #1

<END>

g06142079

LUBRICATION SYSTEM

464-8169 MOUNTING GP-ENGINE OIL FILTER

S/N: CN51-UP

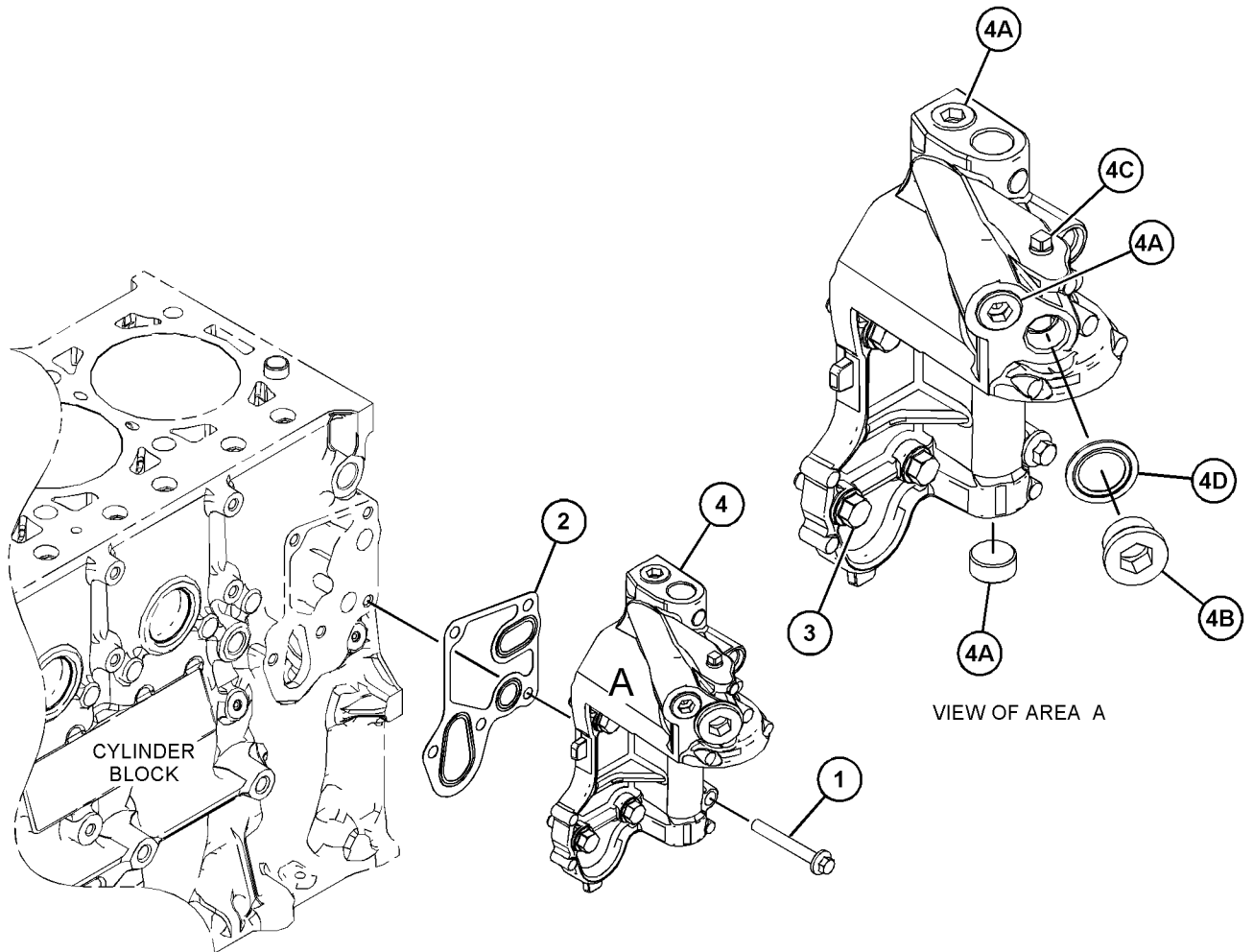
PART OF 350-1054 COOLER GP-ENGINE OIL
AN ATTACHMENT

SMCS-1306, 1308

i05951032

NOTE	REF NO	GRAPHIC REF	PART NUMBER	QTY	PART NAME						SEE PAGE
					1	2	3	4	5	6 (PRODUCT LEVEL)	
M	1	1	6I-4374	2	BOLT (M8X1.25X60-MM)						
	2	1	388-7604	1	GASKET						
	3	1	389-1920	3	BOLT						
	4	1	392-2042	1	HEADER AS (OIL FILTER)						
	4A	1	390-0324	3	PLUG						
	4B	1	390-3117	1	PLUG						
	4C	1	390-3118	1	PLUG						
	4D	1	419-8726	1	WASHER						

M - METRIC PART



GRAPHIC #1

<END>

g03738941

LUBRICATION SYSTEM

329-8473 PLUG GP-OIL FILTER MOUNTING

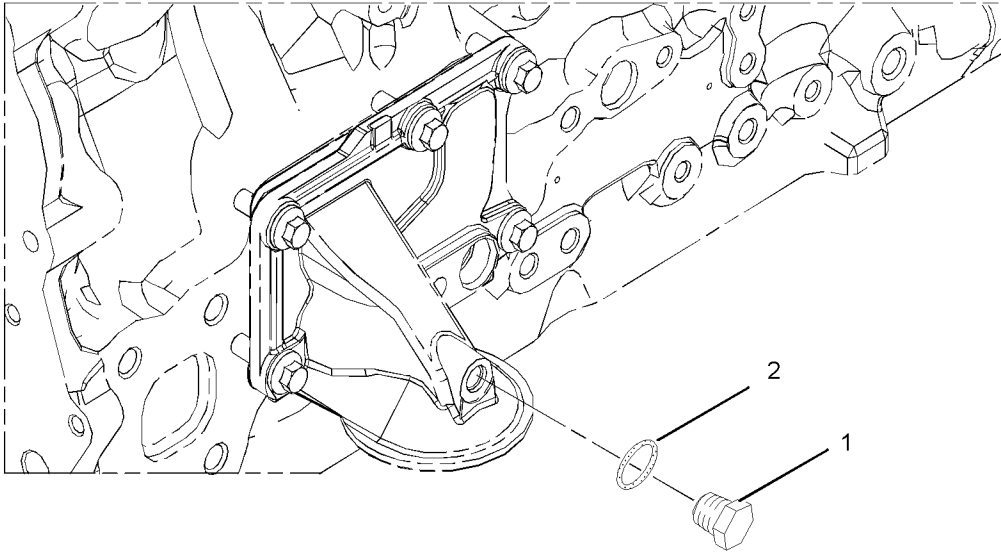
S/N: JKT1-UP

PART OF 464-2307, 464-2308 ENGINE AR-PRIMARY
ALSO AN ATTACHMENT

SMCS-1306

i05727311

NOTE	REF NO	GRAPHIC REF	PART NUMBER	QTY	PART NAME						SEE PAGE
					1	2	3	4	5	6 (PRODUCT LEVEL)	
1	1	1	225-7941	1	PLUG						
2	1	1	330-5898	1	SEAL-O-RING						



GRAPHIC #1

<END>

g02736196

LUBRICATION SYSTEM

417-4190 PLUG GP-OIL FILTER MOUNTING

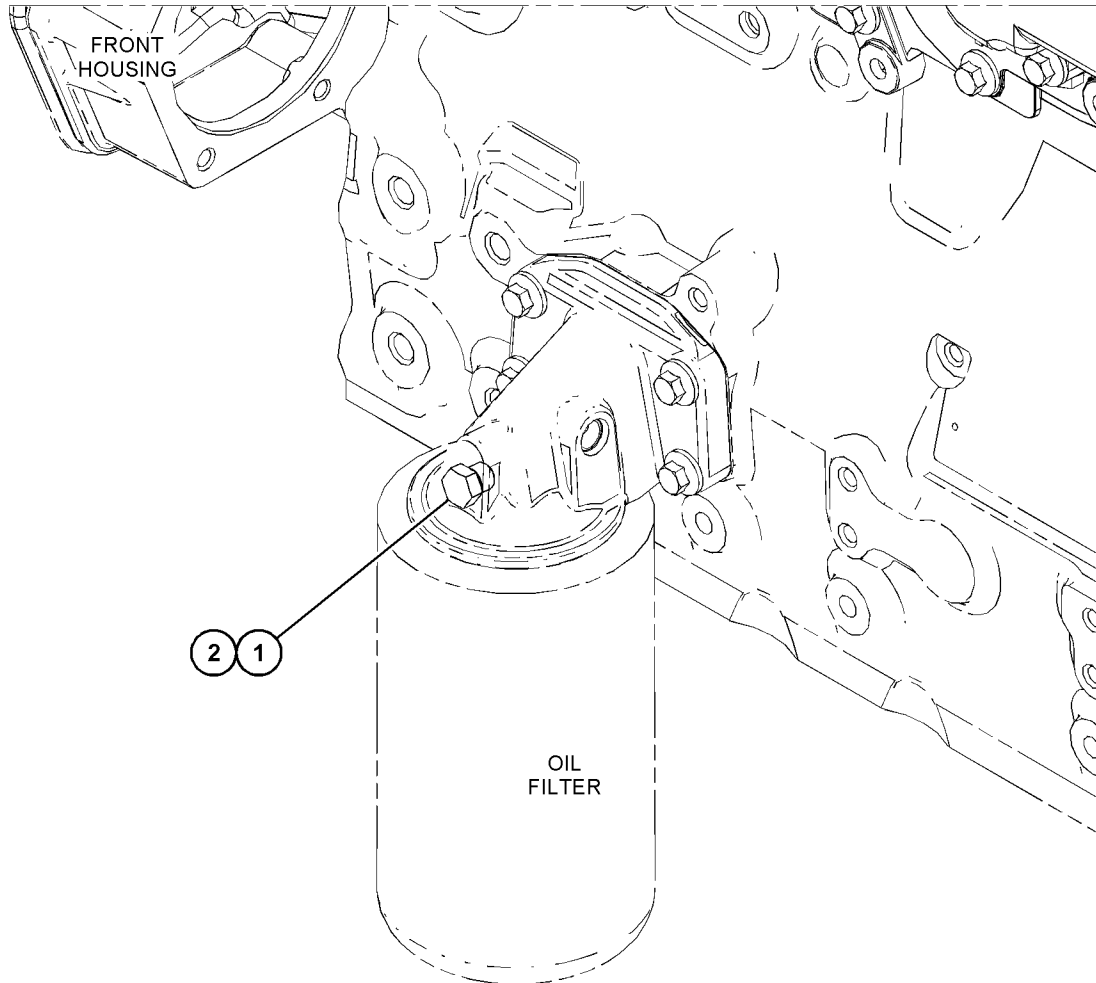
S/N: W231-UP

PART OF 463-8848, 463-8910 ENGINE AR-PRIMARY

SMCS - 1306

i06138453

NOTE	REF NO	GRAPHIC REF	PART NUMBER	QTY	PART NAME						SEE PAGE
					1	2	3	4	5	6 (PRODUCT LEVEL)	
	1	1	225-7941	1	PLUG						
	2	1	330-5898	1	SEAL - O-RING						



GRAPHIC #1

<END>

g03815199

LUBRICATION SYSTEM

329-8435 PUMP GP-ENGINE OIL-ENGINE

S/N: JKT1-UP

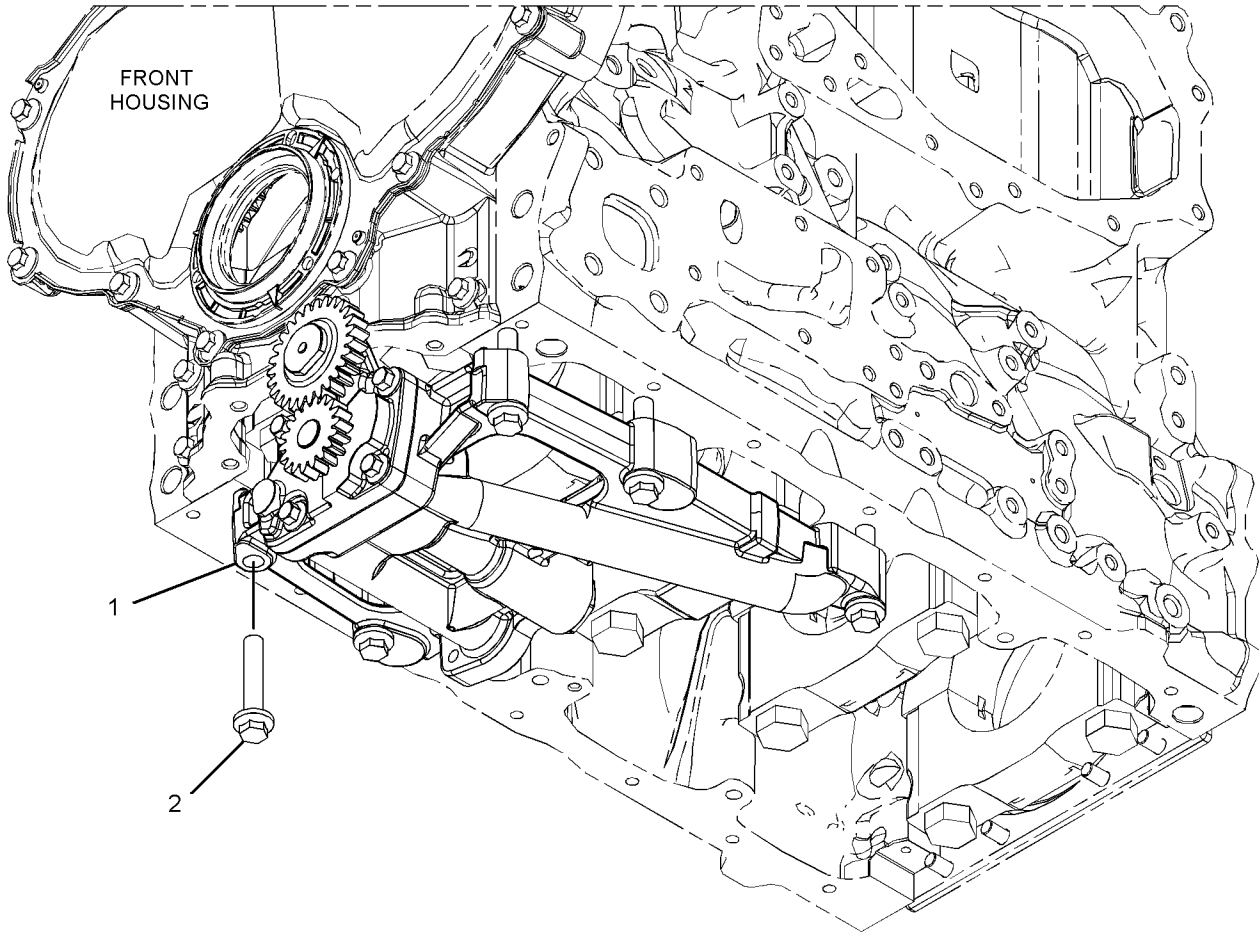
PART OF 464-2307, 464-2308 ENGINE AR-PRIMARY
ALSO AN ATTACHMENT

SMCS-1304, 1315

i08068293

NOTE	REF NO	GRAPHIC REF	PART NUMBER	QTY	PART NAME						SEE PAGE
					1	2	3	4	5	6 (PRODUCT LEVEL)	
	1	1	447-8576	1	PUMP AS-OIL						
M	2	1	208-9297	5	BOLT-FLANGE HEAD (M10X1.5X50-MM)						

M - METRIC PART



GRAPHIC #1

<END>

g03688512

LUBRICATION SYSTEM

350-1569 PUMP GP-ENGINE OIL

S/N: CN51-UP

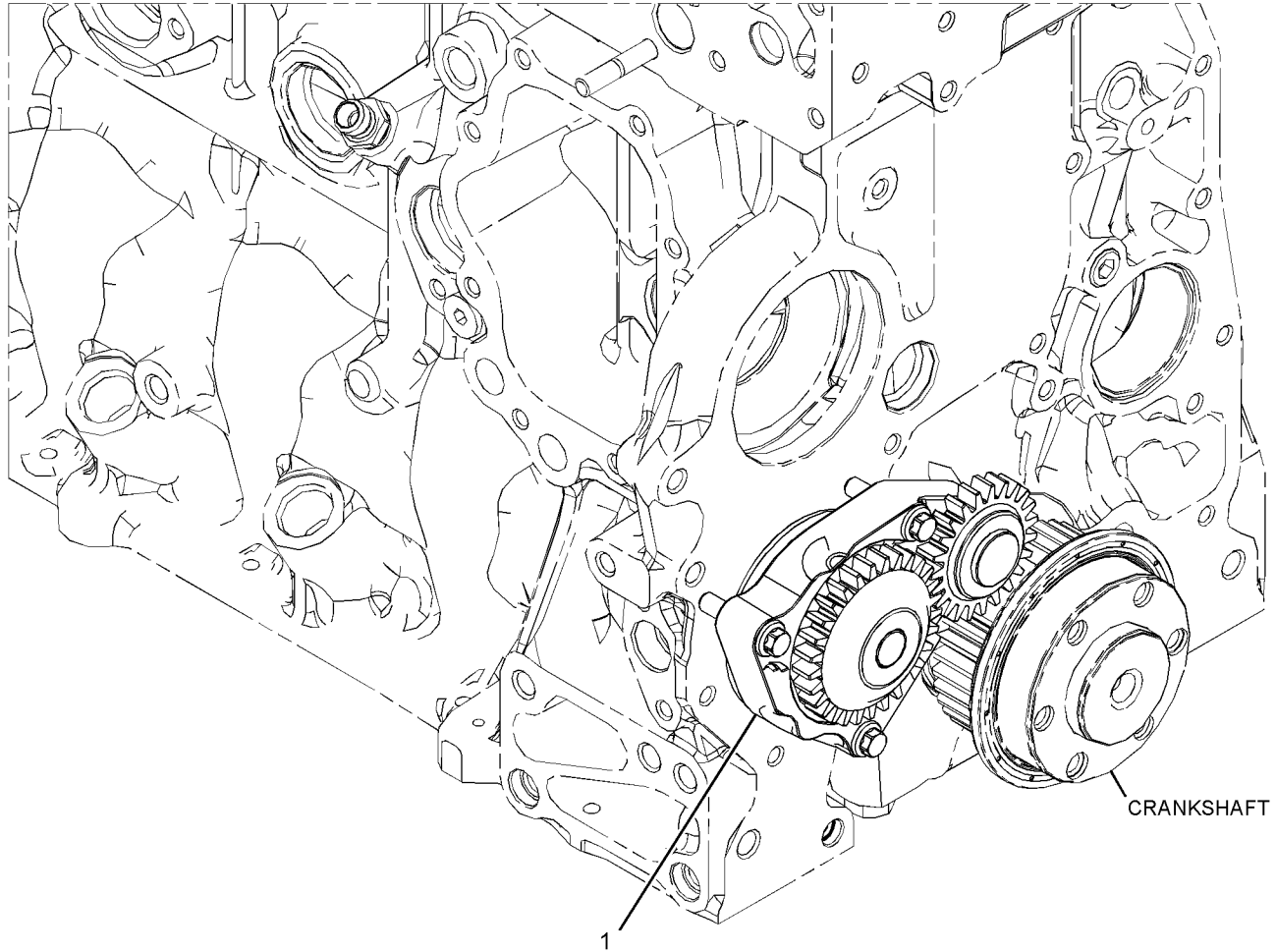
PART OF 465-2880 ENGINE AR-PRIMARY
AN ATTACHMENT

SMCS-1304, 1315

i05722360

NOTE	REF NO	GRAPHIC REF	PART NUMBER	QTY	PART NAME						SEE PAGE
					1	2	3	4	5	6 (PRODUCT LEVEL)	
Y	1	1	372-4967	1	PUMP GP-ENGINE OIL						204

Y - SEPARATE ILLUSTRATION



GRAPHIC #1

<END>

g02879038

LUBRICATION SYSTEM

372-4967 PUMP GP-ENGINE OIL

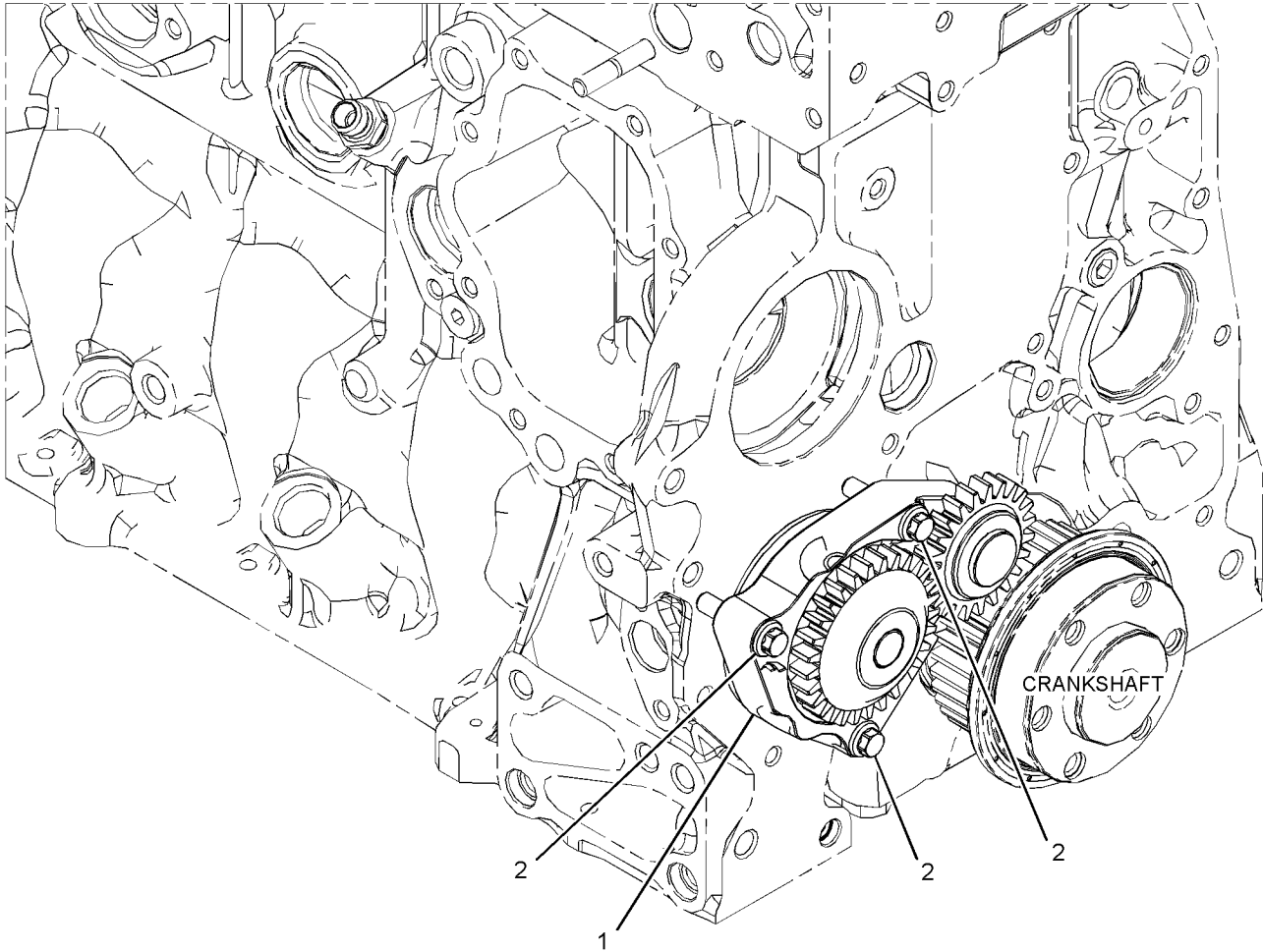
S/N: CN51-UP

PART OF 350-1569 PUMP GP-ENGINE OIL
AN ATTACHMENT

SMCS-1304, 1315

i05773241

NOTE	REF NO	GRAPHIC REF	PART NUMBER	QTY	PART NAME						SEE PAGE
					1	2	3	4	5	6 (PRODUCT LEVEL)	
1	1	1	387-9152	1	PUMP AS-ENGINE OIL						
2	1	1	389-2870	3	SCREW						



GRAPHIC #1

<END>

g02879040

LUBRICATION SYSTEM

416-8723 PUMP GP-ENGINE OIL

S/N: W231-UP

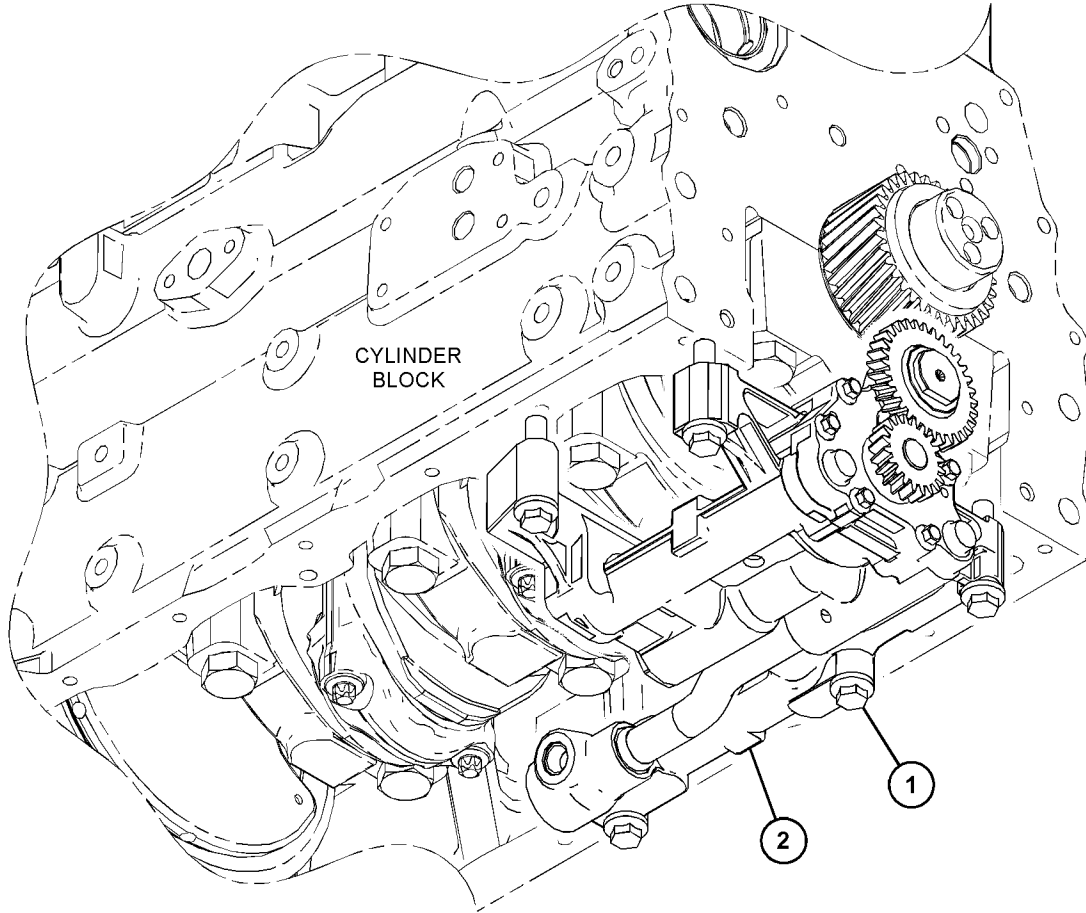
PART OF 463-8848, 463-8910 ENGINE AR-PRIMARY

SMCS-1304, 1315

i06238741

NOTE	REF NO	GRAPHIC REF	PART NUMBER	QTY	PART NAME						SEE PAGE
					1	2	3	4	5	6 (PRODUCT LEVEL)	
M	1	1	100-4461	5	BOLT (M10X1.5X50-MM)						
C	2	1	447-8572	1	PUMP AS-OIL						

C - CHANGE FROM PREVIOUS TYPE
M - METRIC PART



GRAPHIC #1

<END>

g03822861

LUBRICATION SYSTEM

508-3673 PUMP GP-ENGINE OIL

S/N: W231-UP

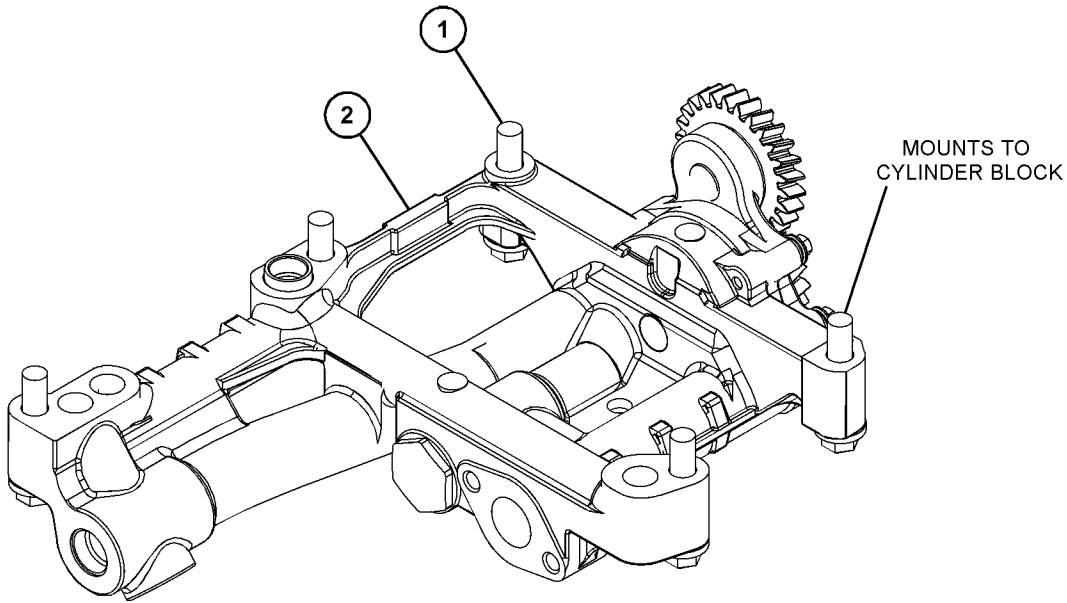
PART OF 463-8910 ENGINE AR-PRIMARY

SMCS-1304, 1315

i06909639

NOTE	REF NO	GRAPHIC REF	PART NUMBER	QTY	PART NAME						SEE PAGE
					1	2	3	4	5	6 (PRODUCT LEVEL)	
M	1	1	100-4461	5	BOLT (M10X1.5X50-MM)						
	2	1	420-0471	1	PUMP AS-ENGINE OIL						

M - METRIC PART



GRAPHIC #1

<END>

g06152360

COOLING SYSTEM

332-4634 CONNECTION GP-WATER

S/N: JKT1-UP

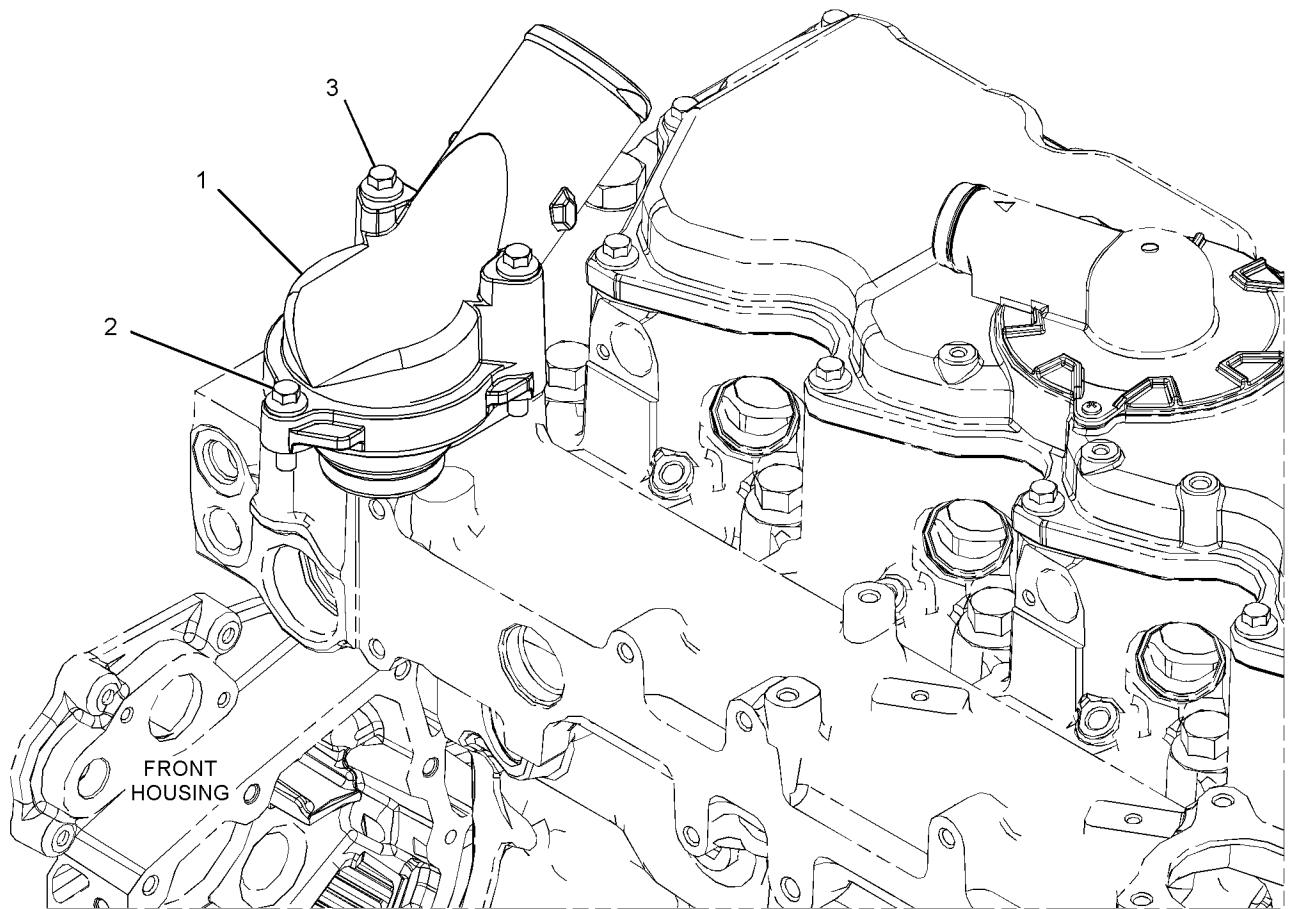
PART OF 464-2307, 464-2308 ENGINE AR-PRIMARY
ALSO AN ATTACHMENT

SMCS-1380

i06747241

NOTE	REF NO	GRAPHIC REF	PART NUMBER	QTY	PART NAME						SEE PAGE
					1	2	3	4	5	6 (PRODUCT LEVEL)	
	1	1	497-3998	1	REGULATOR AS-WATER TEMPERATURE						
M	2	1	6I-0254	1	BOLT (M8X1.25X30-MM)						
M	3	1	6I-0839	2	BOLT (M8X1.25X70-MM)						

M - METRIC PART



GRAPHIC #1

<END>

g02758376

COOLING SYSTEM

367-6788 CONNECTION GP-WATER

S/N: CN51-UP

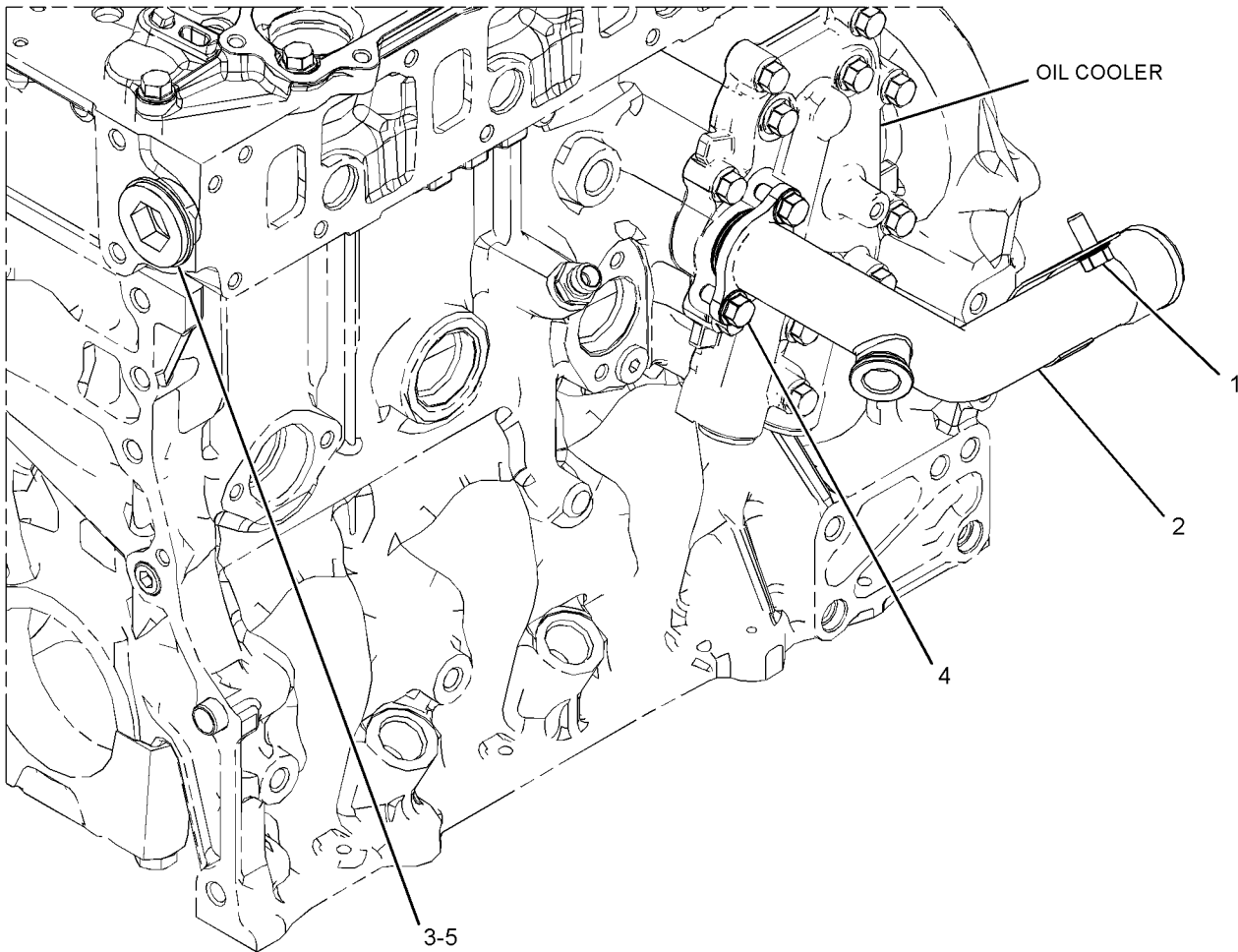
PART OF 350-5644 PUMP GP-WATER
AN ATTACHMENT

SMCS-1380

i06252243

NOTE	REF NO	GRAPHIC REF	PART NUMBER	QTY	PART NAME						SEE PAGE
					1	2	3	4	5	6 (PRODUCT LEVEL)	
M	1	1	100-4458	1	BOLT (M8X1.25X14-MM)						
	2	1	386-1927	1	PIPE						
	3	1	387-7732	1	PLUG						
	4	1	389-1863	2	BOLT-SPECIAL						
	5	1	389-2865	1	WASHER						

M - METRIC PART



GRAPHIC #1

<END>

g03614576

COOLING SYSTEM

416-1867 CONNECTION GP-WATER

S/N: W231-UP

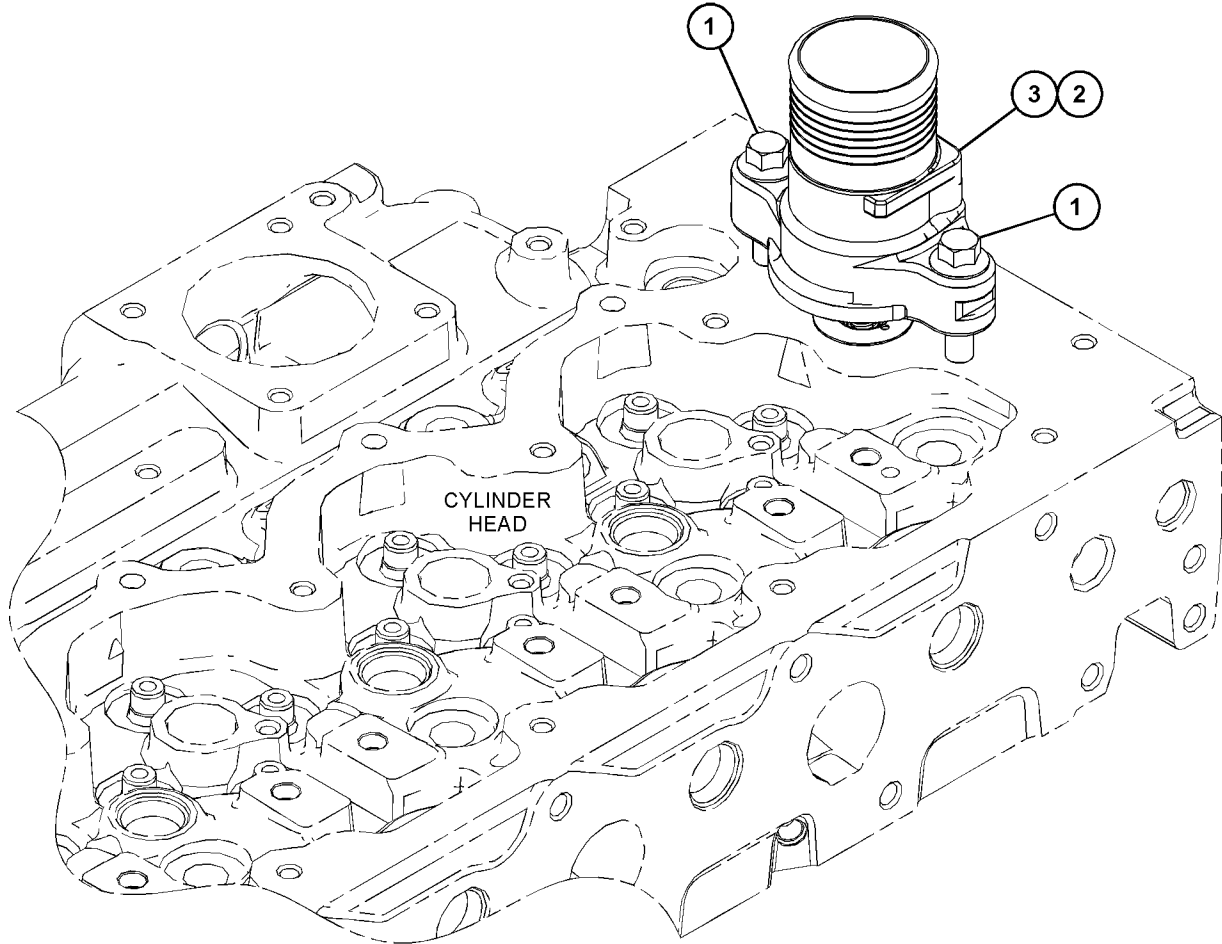
PART OF 463-8848, 463-8910 ENGINE AR-PRIMARY

SMCS-1380

i06134094

NOTE	REF NO	GRAPHIC REF	PART NUMBER	QTY	PART NAME						SEE PAGE
					1	2	3	4	5	6 (PRODUCT LEVEL)	
M	1	1	123-2899	2	BOLT (M10X1.5X40-MM)						
	2	1	281-8744	1	GASKET-WATER REGULATOR						
	3	1	417-7782	1	REGULATOR AS-WATER TEMPERATURE (INCLUDES CONNECTOR)						

M - METRIC PART



GRAPHIC #1

<END>

g03818151

COOLING SYSTEM

441-9785 CONNECTION GP-WATER

S/N: CN51-UP

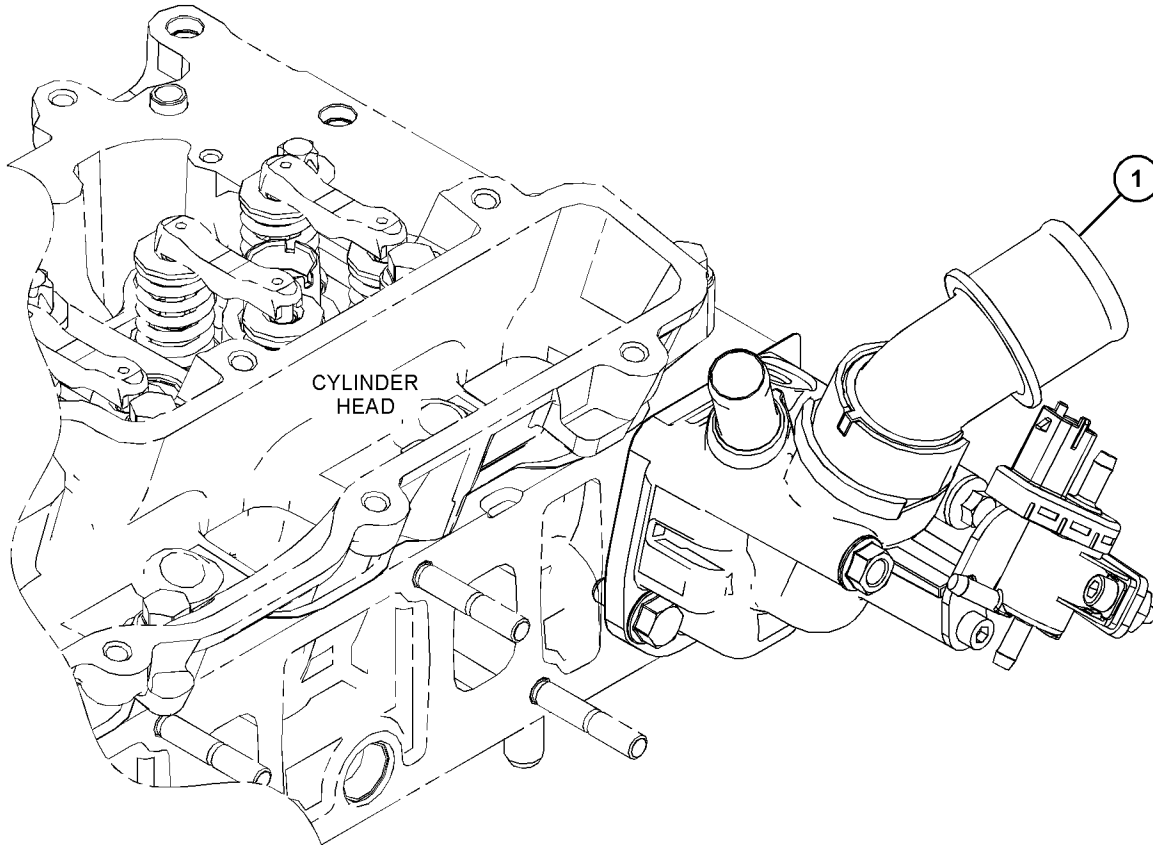
PART OF 465-2880 ENGINE AR-PRIMARY
AN ATTACHMENT

SMCS-1380

i06258471

NOTE	REF NO	GRAPHIC REF	PART NUMBER	QTY	PART NAME						SEE PAGE
					1	2	3	4	5	6 (PRODUCT LEVEL)	
CY	1	1	481-4382	1	CONNECTION GP-WATER						211

C - CHANGE FROM PREVIOUS TYPE
Y - SEPARATE ILLUSTRATION



GRAPHIC #1

<END>

g03825833

COOLING SYSTEM

481-4382 CONNECTION GP-WATER

S/N: CN51-UP

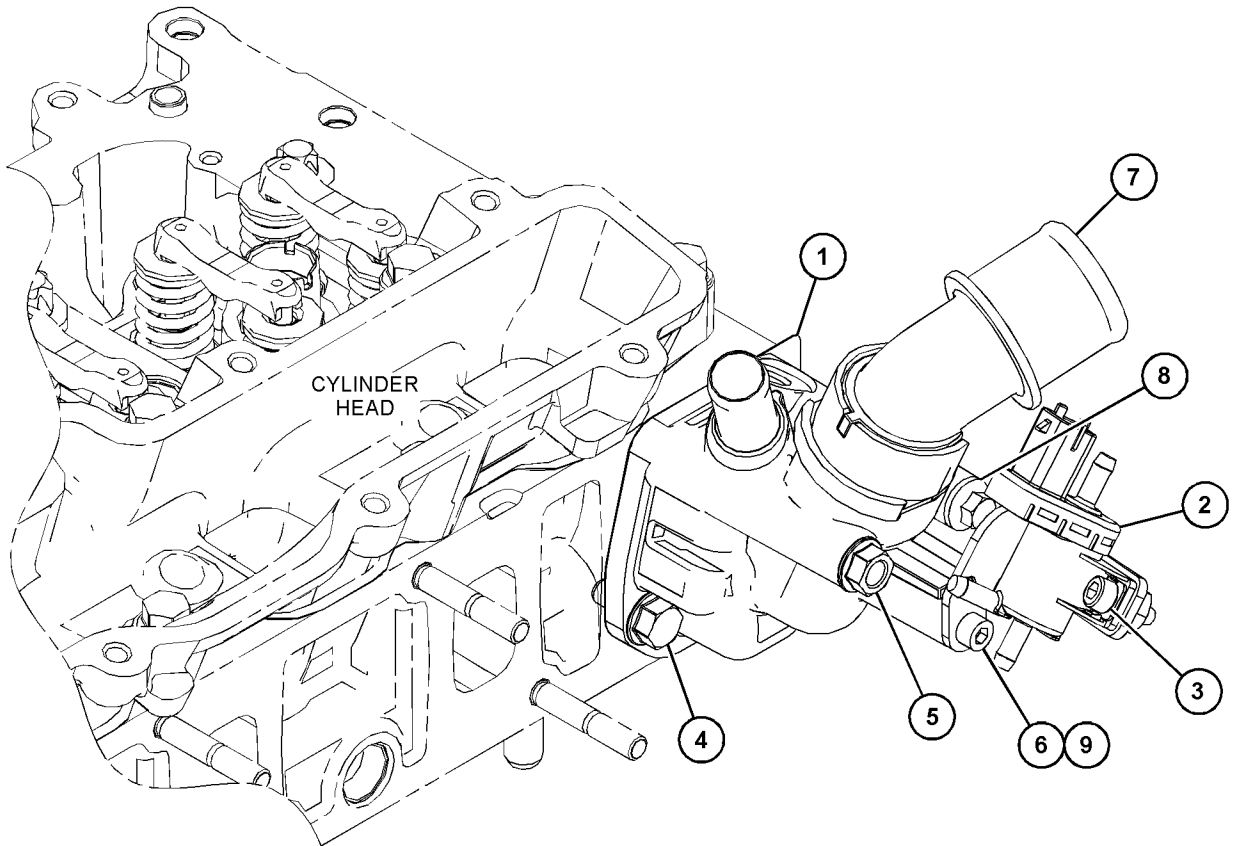
PART OF 441-9785 CONNECTION GP-WATER
AN ATTACHMENT

SMCS-1380

i06258497

NOTE	REF NO	GRAPHIC REF	PART NUMBER	QTY	PART NAME						SEE PAGE
					1	2	3	4	5	6 (PRODUCT LEVEL)	
	1	1	385-1422	1	GASKET						
	2	1	385-9082	1	ACTUATOR (WASTEGATE)						
	3	1	385-9087	2	SCREW						
	4	1	389-1874	2	BOLT -SPECIAL						
M	5	1	178-3336	1	NUT-HEX FLANGE (M8X1.25-THD)						
	6	1	428-8163	1	BRACKET AS						
	7	1	481-4381	1	REGULATOR-TEMPERATURE						
M	8	1	6I-4709	1	BOLT (M8X1.25X100-MM)						
M	9	1	6V-5683	1	BOLT (M6X1X16-MM)						

M - METRIC PART



GRAPHIC #1

<END>

g03825720

COOLING SYSTEM

350-1054 COOLER GP-ENGINE OIL

S/N: CN51-UP

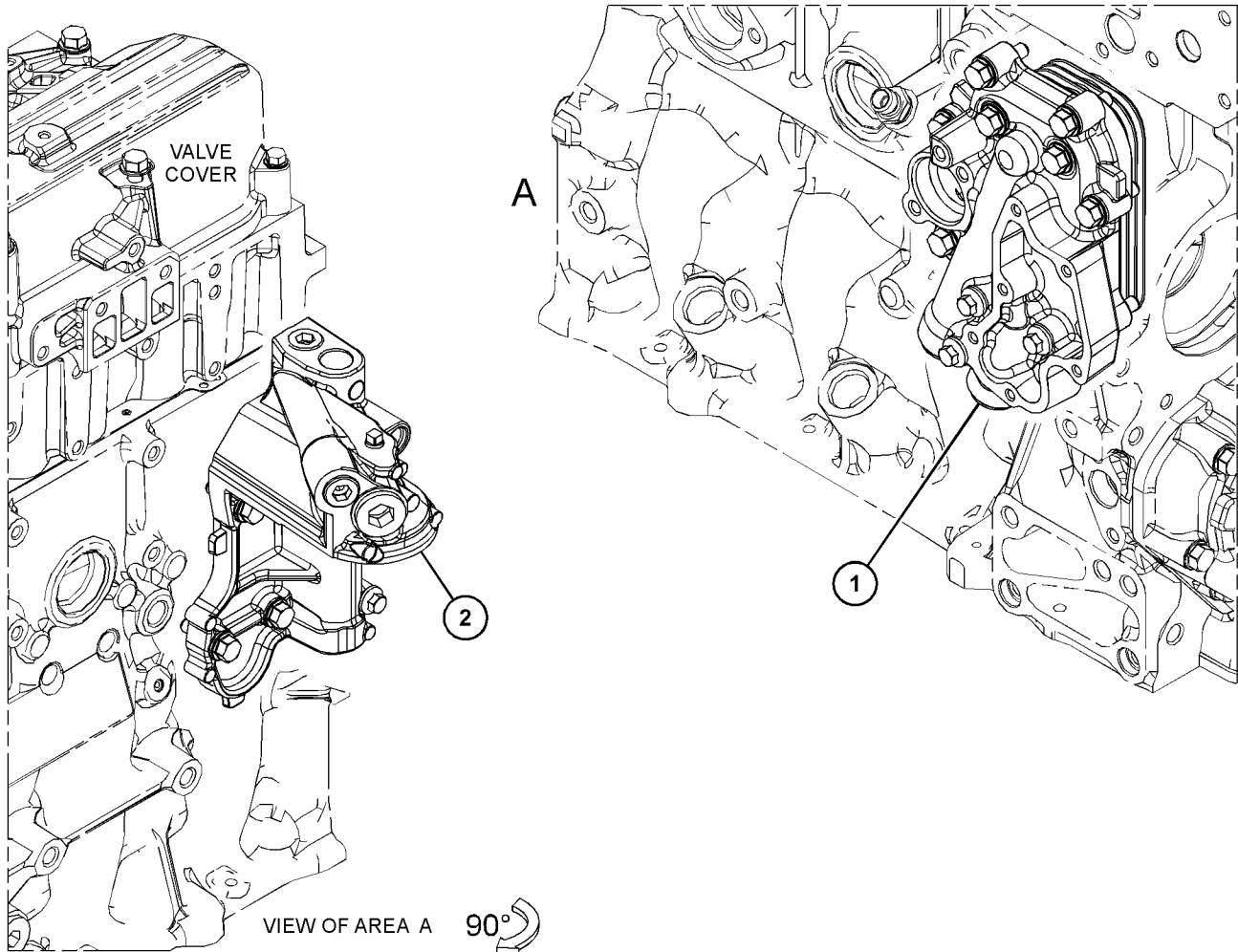
PART OF 465-2880 ENGINE AR-PRIMARY
AN ATTACHMENT

SMCS-1378

i05950811

NOTE	REF NO	GRAPHIC REF	PART NUMBER	QTY	PART NAME						SEE PAGE
					1	2	3	4	5	6 (PRODUCT LEVEL)	
Y	1	1	392-0563	1	COOLER GP-ENGINE OIL						215
CY	2	1	464-8169	1	MOUNTING GP-ENGINE OIL FILTER						199

C - CHANGE FROM PREVIOUS TYPE
Y - SEPARATE ILLUSTRATION



GRAPHIC #1

<END>

g03737745

COOLING SYSTEM

353-7717 COOLER GP-ENGINE OIL

S/N: W231-UP

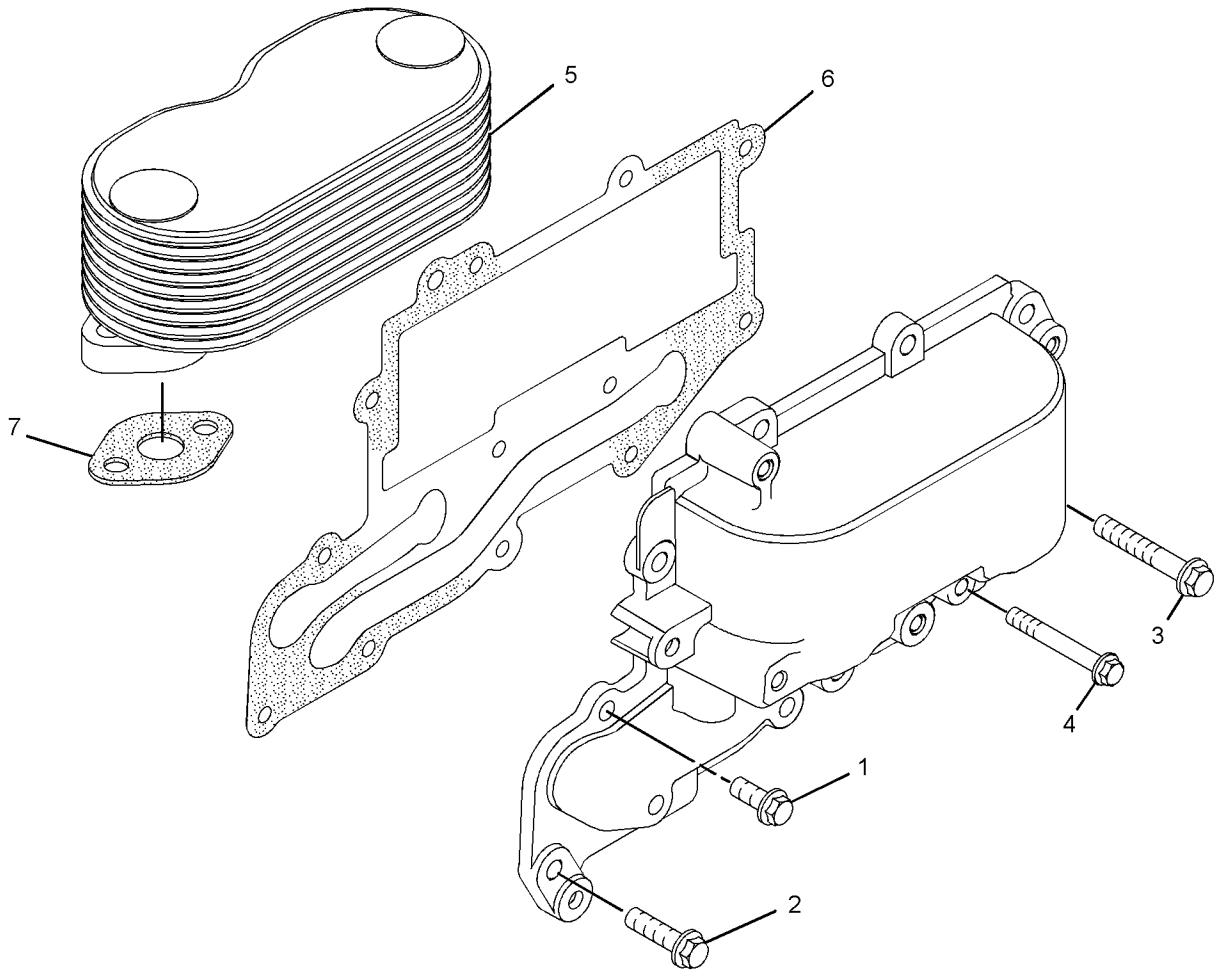
PART OF 418-7659 COOLER GP-ENGINE OIL

SMCS-1378

i04003848

NOTE	REF NO	GRAPHIC REF	PART NUMBER	QTY	PART NAME						SEE PAGE
					1	2	3	4	5	6	
M	1	1	6I-0217	2	BOLT (M8X1.25X20-MM)						
M	2	1	6I-0260	7	BOLT (M8X1.25X25-MM)						
M	3	1	6I-1090	1	BOLT (M8X1.25X40-MM)						
M	4	1	100-3751	2	BOLT (M8X1.25X65-MM)						
	5	1	298-4558	1	COOLER-OIL						
	6	1	353-7715	1	GASKET						
	7	1	298-4560	2	GASKET						

M - METRIC PART



GRAPHIC #1

<END>

g02196064

COOLING SYSTEM

356-7156 COOLER GP-ENGINE OIL

S/N: JKT1-UP

PART OF 464-2307, 464-2308 ENGINE AR-PRIMARY
ALSO AN ATTACHMENT

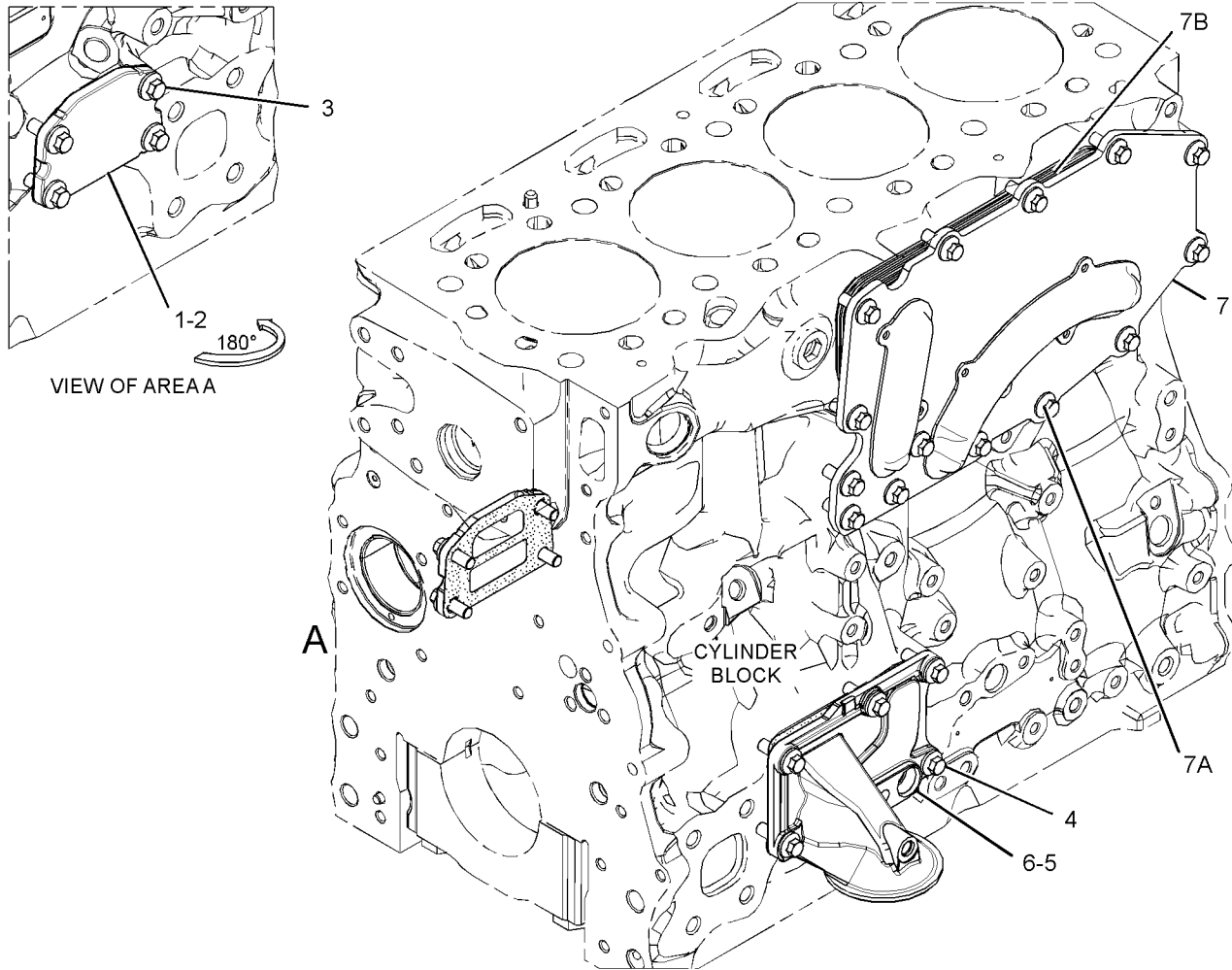
SMCS-1378

i05983224

NOTE	REF NO	GRAPHIC REF	PART NUMBER	QTY	PART NAME						SEE PAGE
					1	2	3	4	5	6 (PRODUCT LEVEL)	
	1	1	225-7944	1	GASKET						
	2	1	232-3751	1	PLATE						
M	3	1	6I-0572	4	BOLT (M8X1.25X20-MM)						
M	4	1	6I-0645	5	BOLT (M8X1.25X25-MM)						
	5	1	330-9847	1	GASKET						
Y	6	1	352-7822	1	BASE GP-OIL FILTER						634
	7	1	361-1225	1	COOLER GP-ENGINE OIL						
M	7A	1	6I-0217	14	BOLT (M8X1.25X20-MM)						
	7B	1	361-0841	1	GASKET						

M - METRIC PART

Y - SEPARATE ILLUSTRATION



GRAPHIC #1

<END>

g02753659

COOLING SYSTEM

392-0563 COOLER GP-ENGINE OIL

S/N: CN51-UP

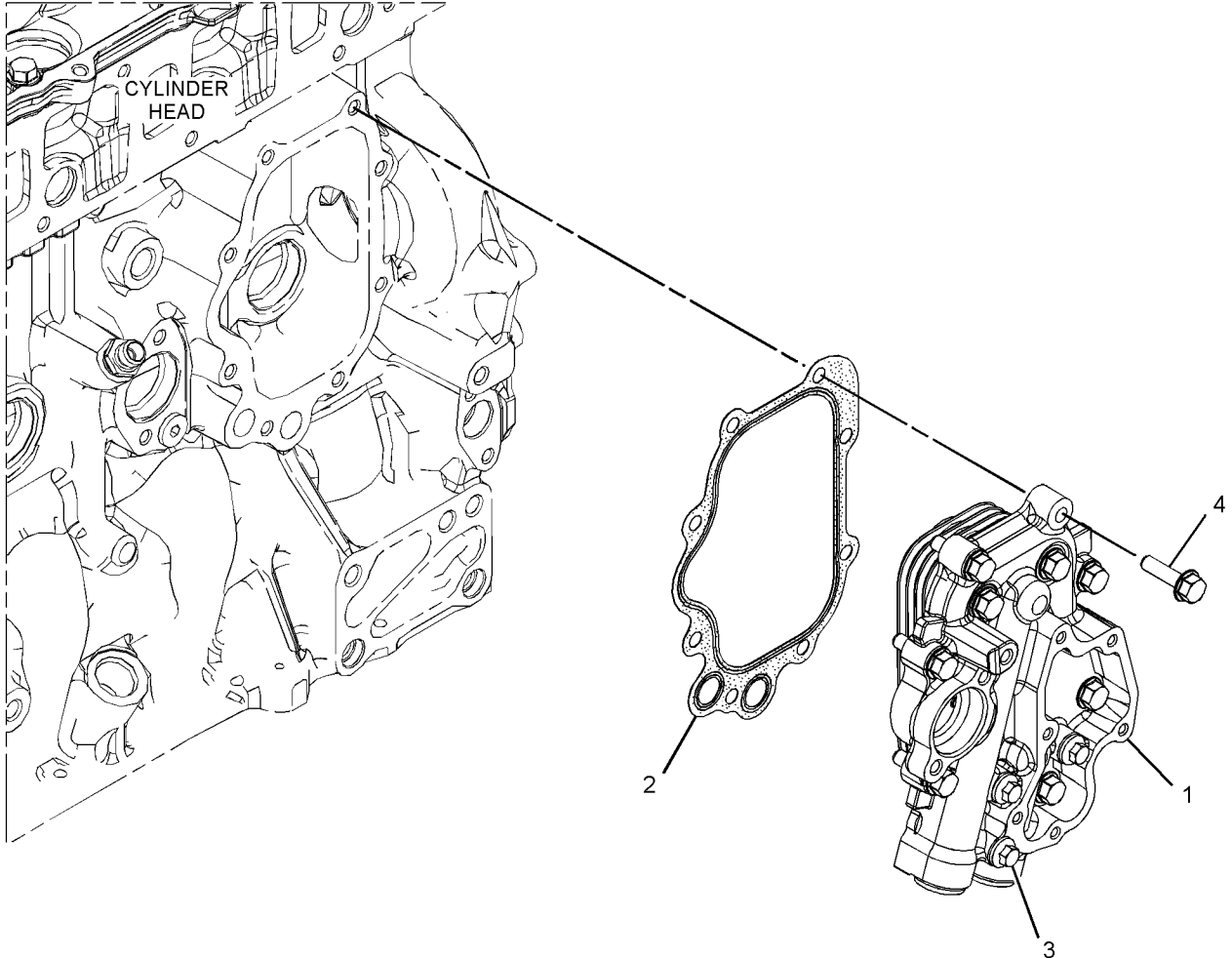
PART OF 350-1054 COOLER GP-ENGINE OIL
AN ATTACHMENT

SMCS-1378

i05773165

NOTE	REF NO	GRAPHIC REF	PART NUMBER	QTY	PART NAME						SEE PAGE
					1	2	3	4	5	6 (PRODUCT LEVEL)	
Y	1	1	392-2045	1	COOLER GP-ENGINE OIL						216
	2	1	386-6451	1	GASKET						
	3	1	388-2068	1	BOLT						
	4	1	389-1920	7	BOLT						

Y - SEPARATE ILLUSTRATION



GRAPHIC #1

<END>

g03412257

COOLING SYSTEM

392-2045 COOLER GP-ENGINE OIL

S/N: CN51-UP

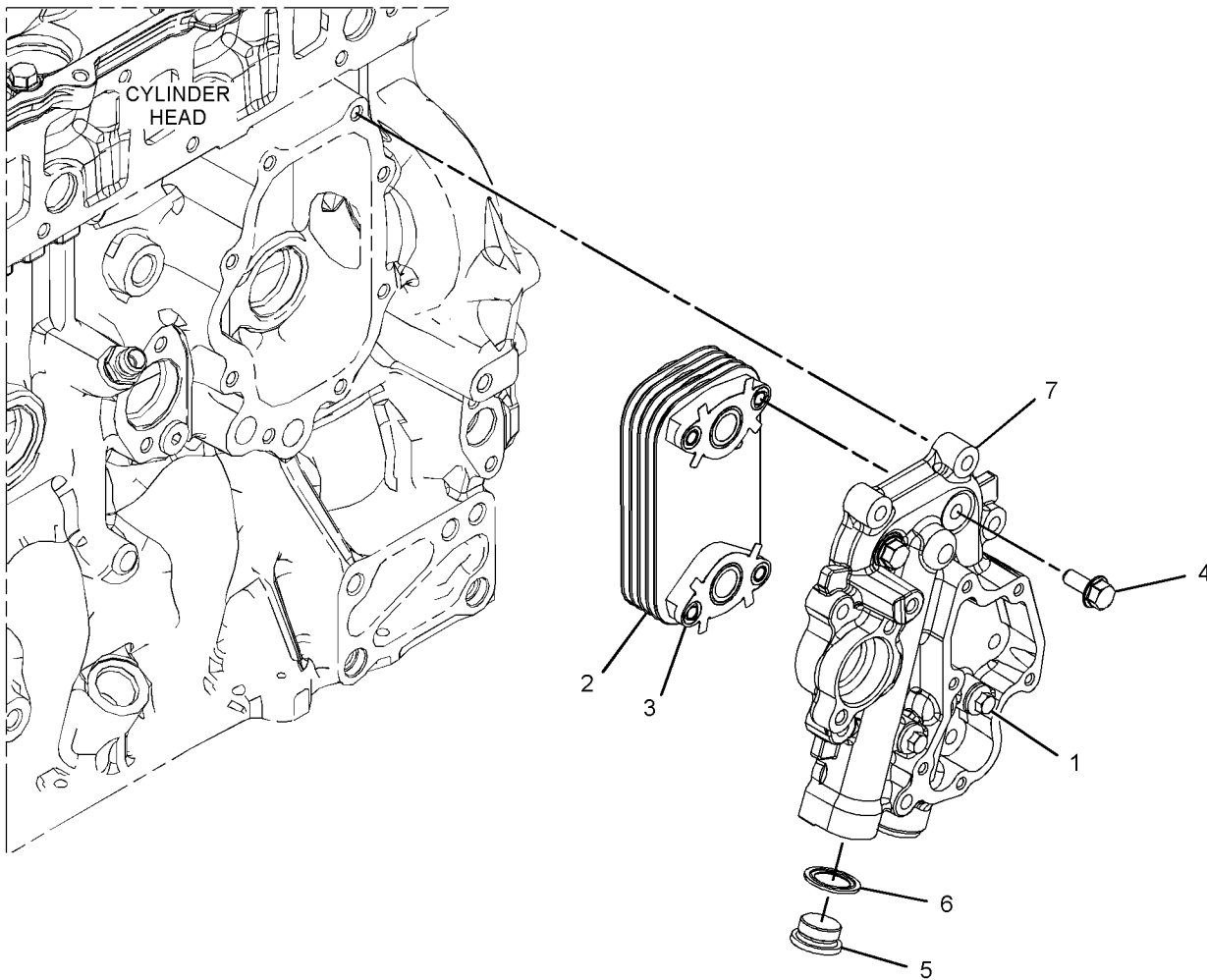
PART OF 392-0563 COOLER GP-ENGINE OIL
AN ATTACHMENT

SMCS-1378

i07837015

NOTE	REF NO	GRAPHIC REF	PART NUMBER	QTY	PART NAME						SEE PAGE
					1	2	3	4	5	6	
M	1	1	101-3895	2	BOLT (M8X1.25X35-MM)						
	2	1	583-0295	1	COOLER						
	3	1	388-0519	2	GASKET						
	4	1	389-1874	2	BOLT-SPECIAL						
	5	1	390-0321	2	PLUG						
	6	1	390-3130	2	SEAL						
	7	1	392-2047	1	HOUSING						

M - METRIC PART



GRAPHIC #1

<END>

g06468554

COOLING SYSTEM

418-7659 COOLER GP-ENGINE OIL

S/N: W231-UP

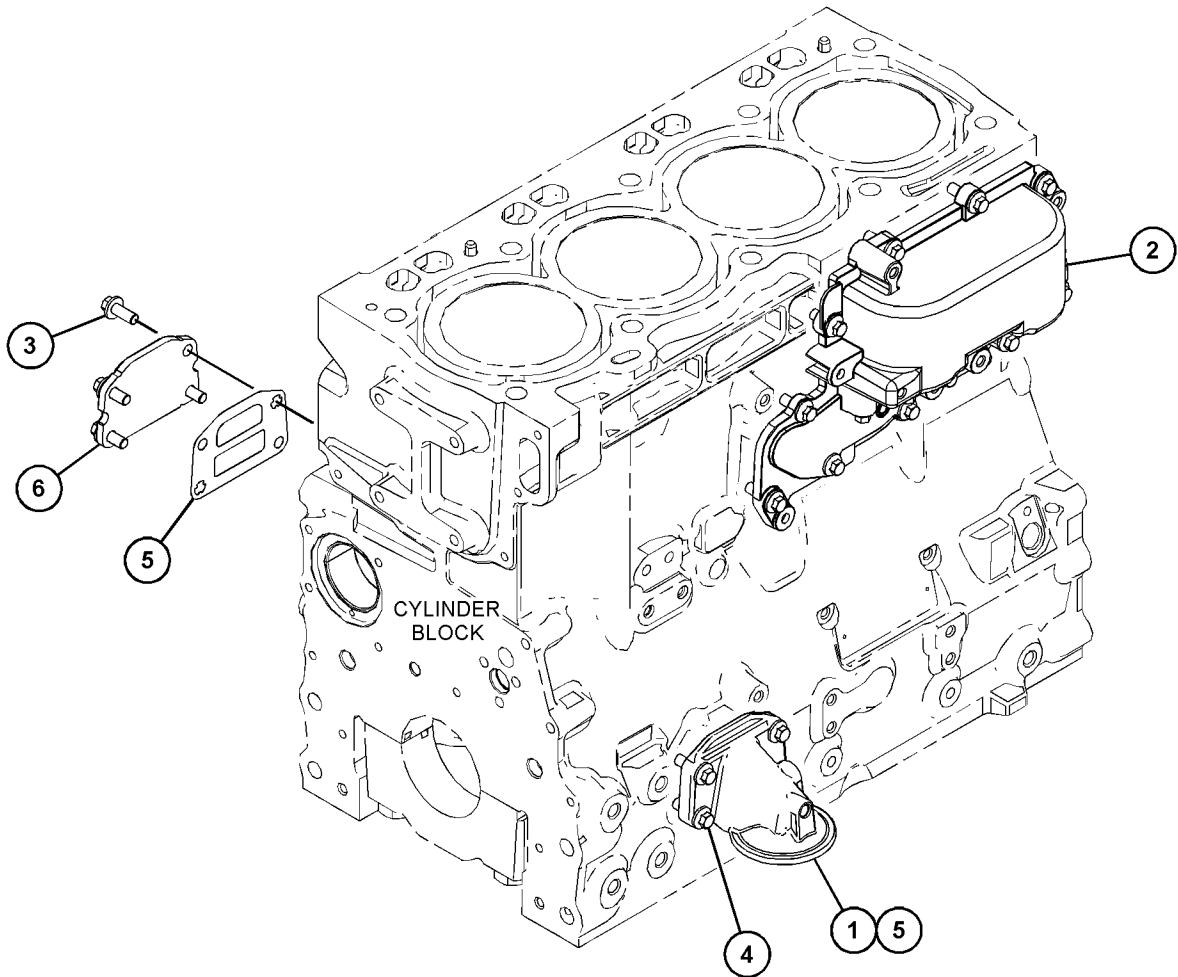
PART OF 463-8848, 463-8910 ENGINE AR-PRIMARY

SMCS-1378

i06124016

NOTE	REF NO	GRAPHIC REF	PART NUMBER	QTY	PART NAME						SEE PAGE
					1	2	3	4	5	6 (PRODUCT LEVEL)	
	1	1	249-0974	1	HEAD AS-OIL FILTER						
Y	2	1	353-7717	1	COOLER GP-ENGINE OIL						213
M	3	1	6I-0572	4	BOLT (M8X1.25X20-MM)						
M	4	1	6I-0645	4	BOLT (M8X1.25X25-MM)						
	5	1	225-7944	2	GASKET (ENGINE OIL FILTER BASE)						
	6	1	232-3751	1	PLATE (BLANKING)						

M - METRIC PART
Y - SEPARATE ILLUSTRATION



GRAPHIC #1

<END>

g03821671

COOLING SYSTEM

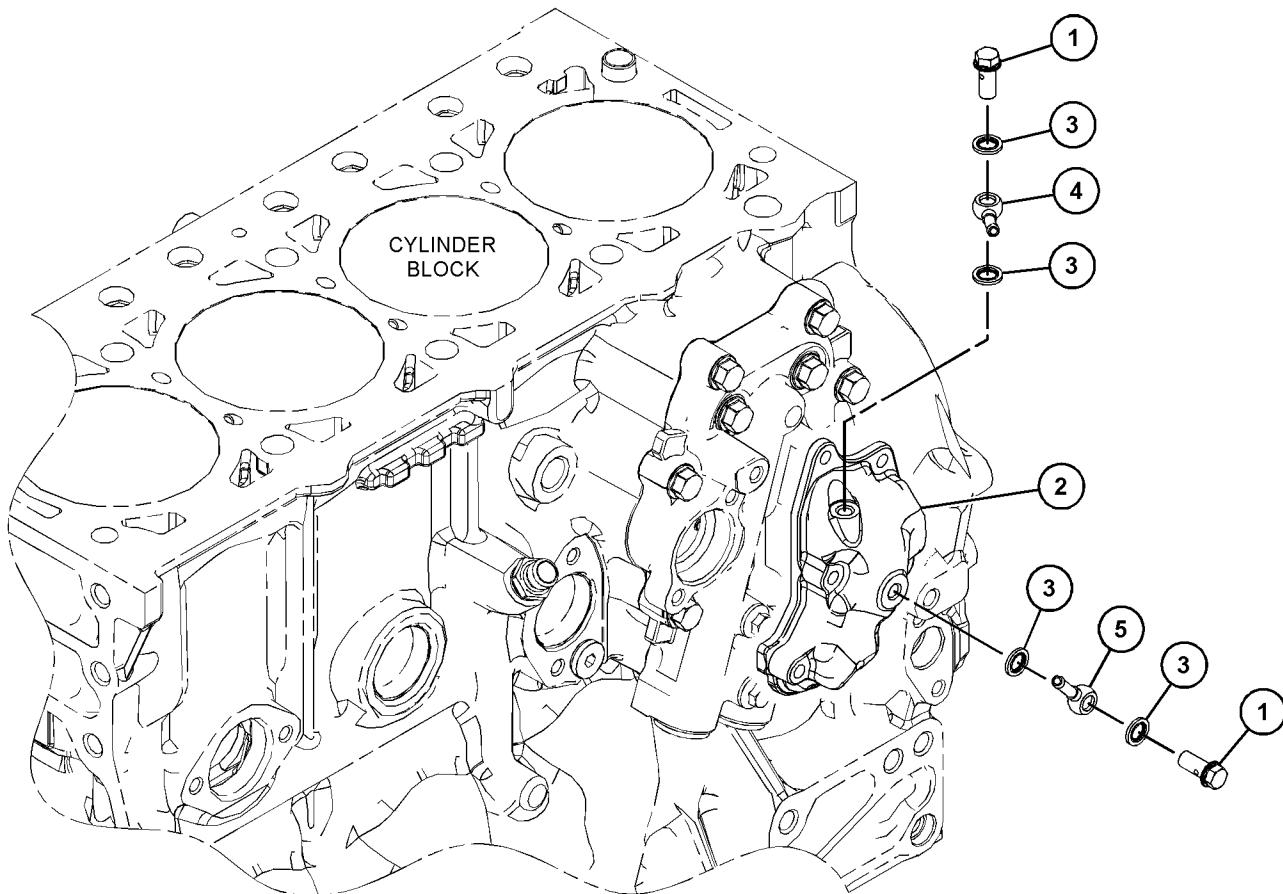
435-5729 COVER GP-ENGINE OIL COOLER

S/N: CN51-UP
PART OF 464-1175 TURBOCHARGER GP
AN ATTACHMENT

SMCS-1378

i06068719

NOTE	REF NO	GRAPHIC REF	PART NUMBER	QTY	PART NAME						SEE PAGE
					1	2	3	4	5	6 (PRODUCT LEVEL)	
	1	1	390-2386	2	BOLT						
	2	1	392-0744	1	COVER						
	3	1	392-2147	4	WASHER						
	4	1	435-5842	1	CONNECTOR						
	5	1	435-5844	1	CONNECTOR						



GRAPHIC #1

<END>

g03799949

COOLING SYSTEM

350-1474 EXTENSION GP-FAN

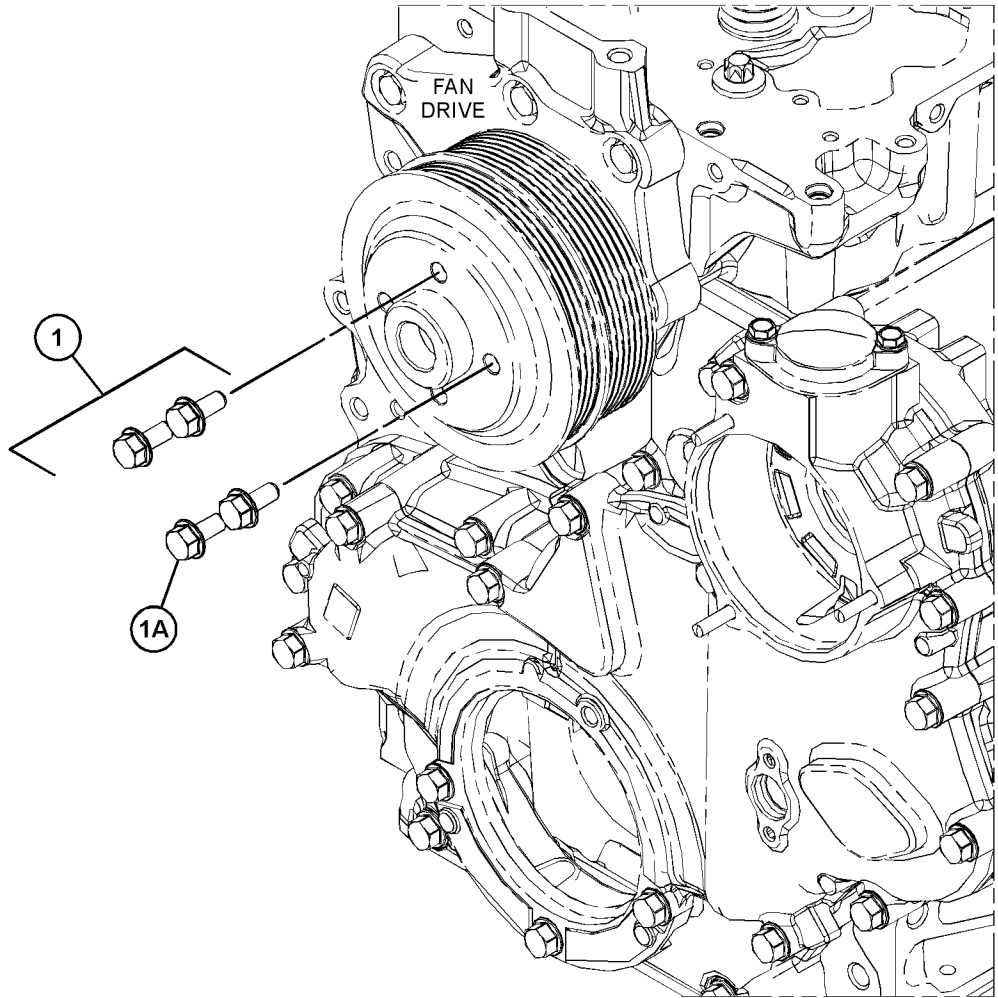
S/N: CN51-UP

PART OF 465-2880 ENGINE AR-PRIMARY
AN ATTACHMENT

SMCS-1356

i05963868

NOTE	REF NO	GRAPHIC REF	PART NUMBER	QTY	PART NAME						SEE PAGE
					1	2	3	4	5	6 (PRODUCT LEVEL)	
	1	1	423-8220	1	FASTENER GP-FAN						
	1A	1	389-1863	4	BOLT-SPECIAL						



GRAPHIC #1

<END>

g03676112

COOLING SYSTEM

497-9592 FAN & MOTOR GP

S/N: TH41-UP; TH91-UP; JKT1-UP

PART OF 520-9600, 520-9601, 523-1976, 523-2010, 523-2011, 550-0081, 550-0083 ENGINE
AR-COMPLETE
AN ATTACHMENT

SMCS-1356, 1360, 1386, 5057

i07488649

NOTE	REF NO	GRAPHIC REF	PART NUMBER	QTY	PART NAME						SEE PAGE
					1	2	3	4	5	6 (PRODUCT LEVEL)	
M	1	1	8T-4189	4	BOLT (M8X1.25X20-MM)						
M	2	1	8T-4908	4	BOLT (M8X1.25X25-MM)						
	3	1	298-0475	2	FITTING-ADAPTER						
J	4	1	497-9596	1	MOTOR GP-GEAR (COOLING FAN)						
	5	1	396-1025	4	BOLT-SOCKET HEAD						
	6	1	497-9595	1	FAN						
	7	1	116-8517	4	WASHER (10.5X30X2.5-MM THK)						
	8	1	5M-2894	13	WASHER-HARD (10.2X18.5X2.5-MM THK)						
	9	1	495-7633	4	NUT-HEX FLANGE						
	10	1	316-1999	1	ADAPTER						
	11	1	497-9594	1	GUARD AS-FAN						
	12	1	497-9593	1	HUB-ADAPTER						
M	13	1	8T-5093	1	BOLT-LOCKING (M8X1.25X25-MM)						
	14	1	450-4786	1	KEY (FAN HUB)						

AVAILABLE REPAIR KIT(S):

J			499-3351	1	KIT-SEAL (INCLUDES SEALS, BUSH HOLDER, ANTIEXTRUSION RING & SHAFT SEAL)						
---	--	--	-----------------	---	--	--	--	--	--	--	--

J - KIT MARKED J SERVICES PART(S) MARKED J
M - METRIC PART

COOLING SYSTEM

499-5286 FAN GP

S/N: TH41-UP; TH91-UP; JKT1-UP
 PART OF 499-4950 COOLER GP-HYDRAULIC OIL
 AN ATTACHMENT

SMCS-1356

i06601115

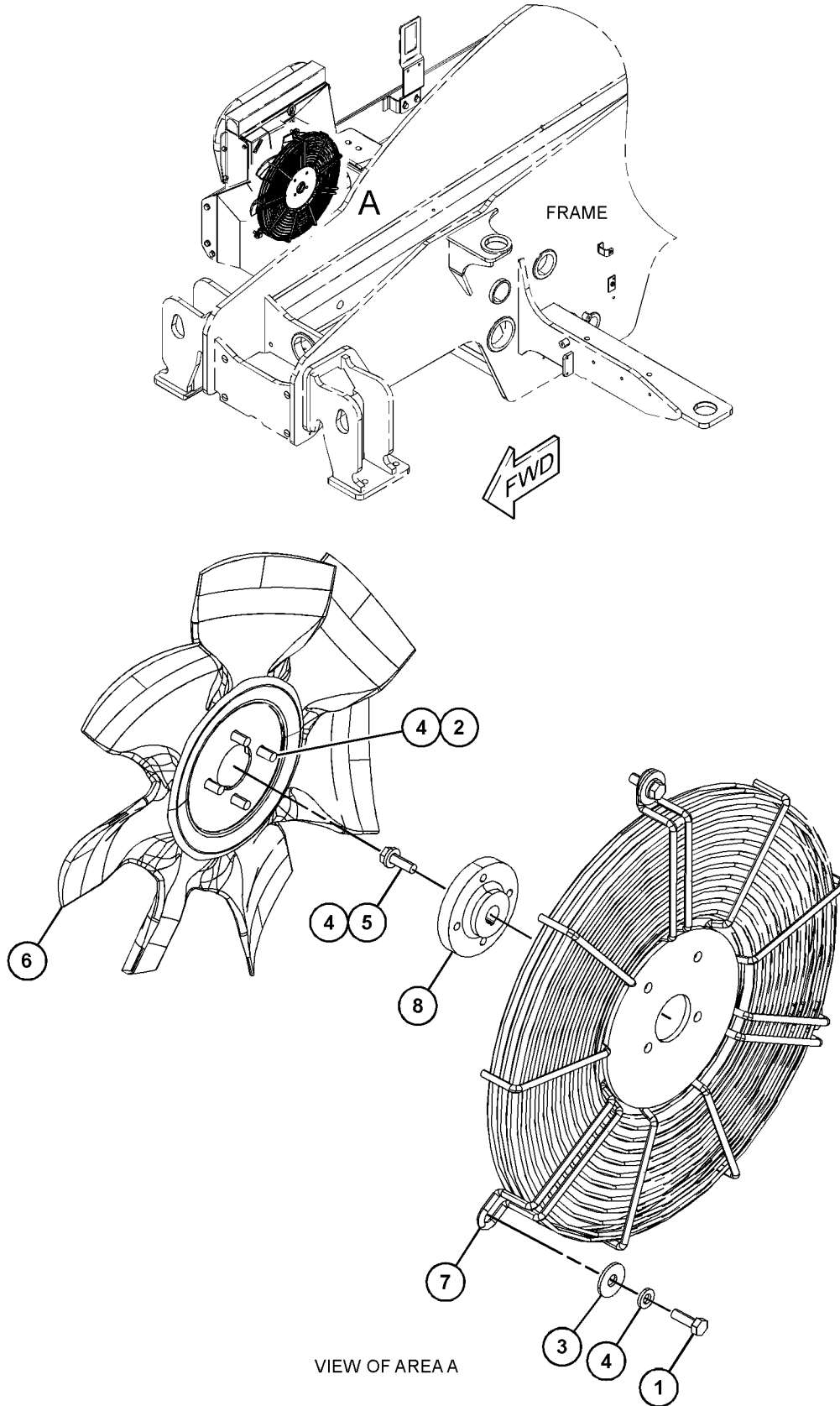
NOTE	REF NO	GRAPHIC REF	PART NUMBER	QTY	PART NAME						SEE PAGE
					1	2	3	4	5	6	
M	1	1	8T-4908	3	BOLT (M8X1.25X25-MM)						
M	2	1	8T-4189	4	BOLT (M8X1.25X20-MM)						
	3	1	116-8517	3	WASHER (10.5X30X2.5-MM THK)						
	4	1	5M-2894	8	WASHER-HARD (10.2X18.5X2.5-MM THK)						
M	5	1	8T-5093	1	BOLT-LOCKING (M8X1.25X25-MM)						
	6	1	499-5287	1	FAN						
	7	1	499-5288	1	GUARD AS-FAN						
	8	1	497-9593	1	HUB-ADAPTER						

M - METRIC PART

COOLING SYSTEM

499-5286 FAN GP (contd.)

106601115



GRAPHIC #1

<END>

g06048849

COOLING SYSTEM

496-3423 LINES GP-COOLANT

S/N: TH41-UP; TH91-UP; JKT1-UP
 PART OF 520-9601, 523-1976, 550-0081 ENGINE AR-COMplete
 AN ATTACHMENT

SMCS-1380

i07815086

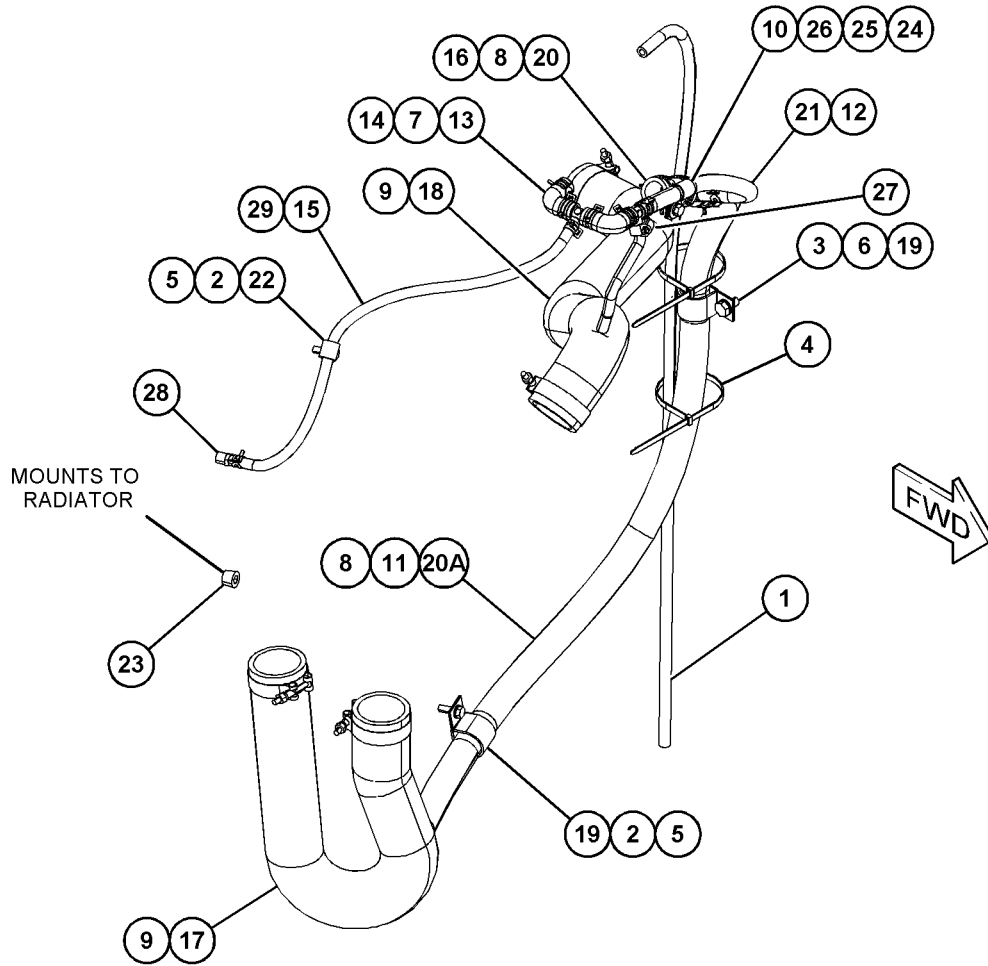
NOTE	REF NO	GRAPHIC REF	PART NUMBER	QTY	PART NAME						SEE PAGE
					1	2	3	4	5	6 (PRODUCT LEVEL)	
E	1	1	495-4683		HOSE (122-CM)						
M	2	1	8T-4908	2	BOLT (M8X1.25X25-MM)						
M	3	1	8T-4137	1	BOLT (M10X1.5X20-MM)						
	4	1	7K-1181	2	STRAP-CABLE						
	5	1	8T-4224	2	WASHER-HARD (8.8X16X2-MM THK)						
	6	1	8T-4121	1	WASHER-HARD (11X21X2.5-MM THK)						
	7	1	579-8258	4	CLAMP-BAND						
	8	1	450-5251	5	CLAMP-SPRING						
	9	1	268-5612	4	CLAMP						
	10	1	317-5987	1	CLIP						
	11	1	478-6916	1	ADAPTER-STRAIGHT						
	12	1	451-9869	2	CLAMP						
	13	1	425-9258	2	HOSE (COOLANT)						
	14	1	478-5153	2	ADAPTER						
E	15	1	326-1178		HOSE (60-CM)						
	16	1	477-0692	1	ADAPTER-TEE						
	17	1	496-3421	1	HOSE						
	18	1	496-3420	1	HOSE						
	19	1	184-7211	2	CLIP						
E	20	1	8I-1362		HOSE (8-CM)						
E	20A	1	8I-1362		HOSE (123-CM)						
E	21	1	9X-2133		HOSE (37-CM)						
	22	1	4K-8864	1	CLIP (LOOP)						
	23	1	464-1334	1	PLUG						
	24	1	309-3997	1	WASHER (8.4X25X2-MM THK)						
	25	1	3B-4505	1	LOCKWASHER						
M	26	1	8T-4200	1	BOLT (M8X1.25X16-MM)						
	27	1	330-8103	1	CLAMP-HOSE						
	28	1	496-3419	1	FITTING						
	29	1	317-7012	2	CLAMP-BAND						

E - ORDER BY THE CENTIMETER
 M - METRIC PART

COOLING SYSTEM

496-3423 LINES GP-COOLANT (contd.)

107815086



GRAPHIC #1

<END>

g06464381

COOLING SYSTEM

501-2993 LINES GP-COOLANT-INSTALLATION

S/N: TH91-UP

PART OF 520-9600 ENGINE AR-COMPLETE
AN ATTACHMENT

SMCS-1380

i07818062

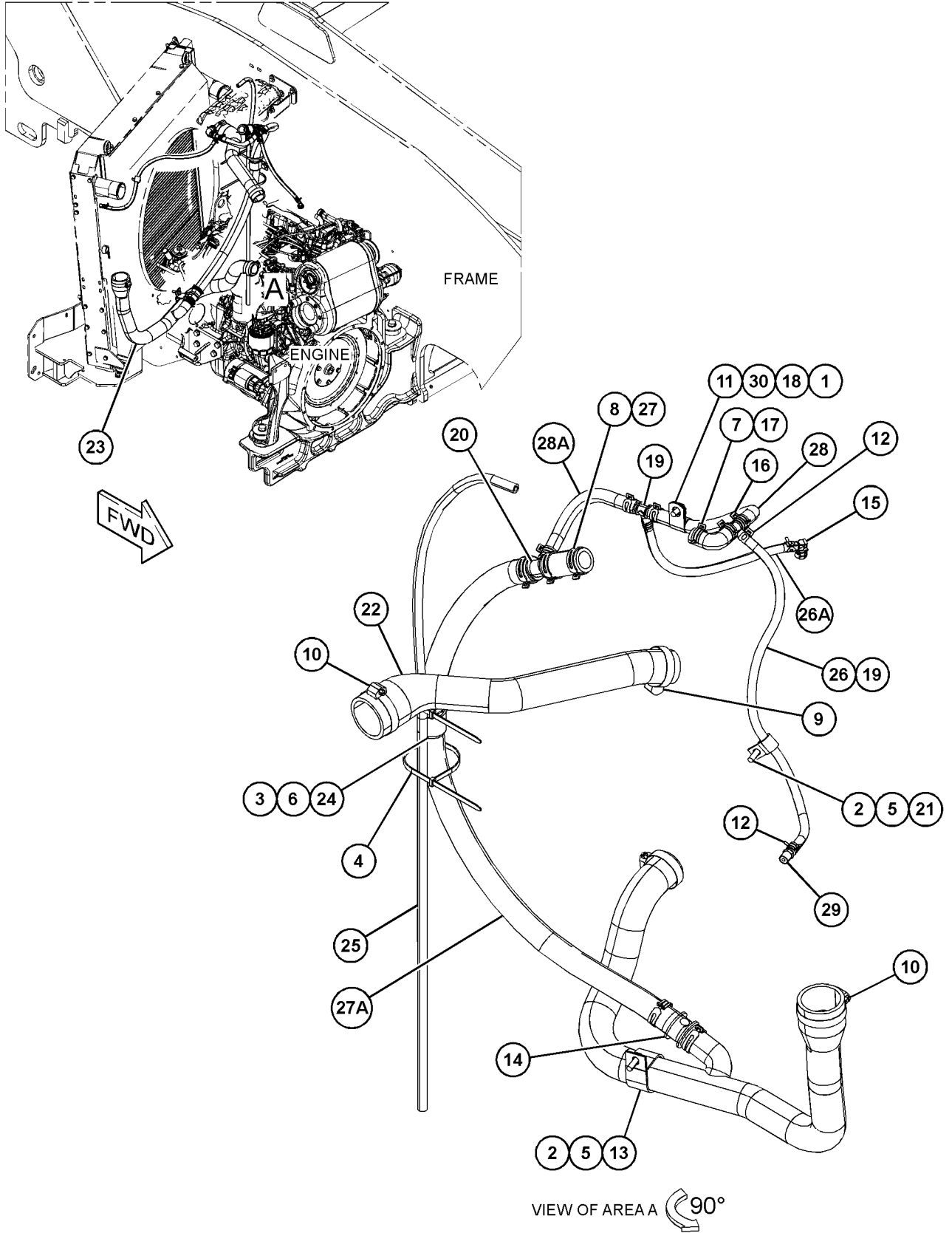
NOTE	REF NO	GRAPHIC REF	PART NUMBER	QTY	PART NAME						SEE PAGE
					1	2	3	4	5	6 (PRODUCT LEVEL)	
	1	1	3B-4505	1	LOCKWASHER						
M	2	1	8T-4908	2	BOLT (M8X1.25X25-MM)						
M	3	1	8T-4137	1	BOLT (M10X1.5X20-MM)						
	4	1	7K-1181	2	STRAP-CABLE						
	5	1	8T-4224	2	WASHER-HARD (8.8X16X2-MM THK)						
	6	1	8T-4121	1	WASHER-HARD (11X21X2.5-MM THK)						
	7	1	579-8258	2	CLAMP-BAND						
	8	1	450-5251	5	CLAMP-SPRING						
	9	1	332-1989	2	CLAMP						
	10	1	309-4001	2	CLAMP						
	11	1	317-5987	1	CLIP						
	12	1	317-7012	4	CLAMP-BAND						
	13	1	105-1866	1	CLIP						
	14	1	478-6916	1	ADAPTER-STRAIGHT						
	15	1	399-1410	1	ADAPTER AS						
	16	1	451-9869	4	CLAMP						
	17	1	425-9258	1	HOSE (COOLANT)						
M	18	1	8T-4200	1	BOLT (M8X1.25X16-MM)						
	19	1	478-5153	2	ADAPTER						
	20	1	477-0692	1	ADAPTER-TEE						
	21	1	4K-8864	1	CLIP (LOOP)						
	22	1	501-2994	1	HOSE (UPPER RADIATOR)						
	23	1	501-2995	1	HOSE (LOWER RADIATOR)						
	24	1	184-7211	1	CLIP						
E	25	1	495-4683		HOSE (122-CM)						
E	26	1	326-1178		HOSE (60-CM)						
E	26A	1	326-1178		HOSE (36-CM)						
E	27	1	8I-1362		HOSE (8-CM)						
E	27A	1	8I-1362		HOSE (97-CM)						
E	28	1	9X-2133		HOSE (26-CM)						
E	28A	1	9X-2133		HOSE (22-CM)						
	29	1	496-3419	1	FITTING						
	30	1	309-3997	1	WASHER (8.4X25X2-MM THK)						

E - ORDER BY THE CENTIMETER
M - METRIC PART

COOLING SYSTEM

501-2993 LINES GP-COOLANT (contd.)

i07818062



GRAPHIC #1

<END>

g06466620

COOLING SYSTEM

501-2998 LINES GP-COOLANT

S/N: TH41-UP; TH91-UP
PART OF 523-2010, 523-2011 ENGINE AR-COMPLETE
AN ATTACHMENT

SMCS-1380

i07776158

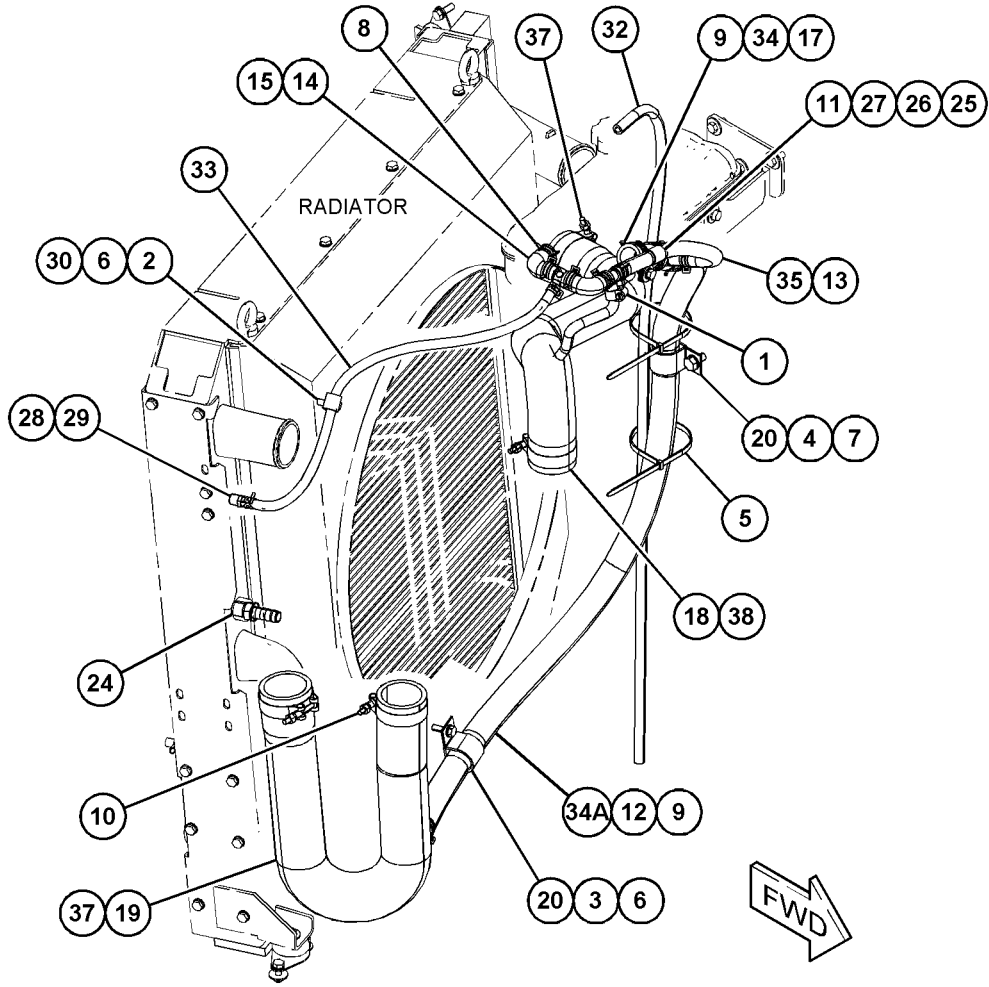
NOTE	REF NO	GRAPHIC REF	PART NUMBER	QTY	PART NAME						SEE PAGE
					1	2	3	4	5	6 (PRODUCT LEVEL)	
	1	1	330-8103	1	CLAMP-HOSE						
M	2	1	8T-4189	1	BOLT (M8X1.25X20-MM)						
M	3	1	8T-4908	1	BOLT (M8X1.25X25-MM)						
M	4	1	8T-4137	1	BOLT (M10X1.5X20-MM)						
	5	1	7K-1181	2	STRAP-CABLE						
	6	1	8T-4224	2	WASHER-HARD (8.8X16X2-MM THK)						
	7	1	8T-4121	1	WASHER-HARD (11X21X2.5-MM THK)						
	8	1	579-8258	4	CLAMP-BAND						
	9	1	450-5251	5	CLAMP-SPRING						
	10	1	268-5608	1	CLAMP						
	11	1	317-5987	1	CLIP						
	12	1	478-6916	1	ADAPTER-STRAIGHT						
	13	1	451-9869	2	CLAMP						
	14	1	425-9258	2	HOSE (COOLANT)						
	15	1	478-5153	2	ADAPTER						
	17	1	477-0692	1	ADAPTER-TEE						
	18	1	501-2999	1	HOSE						
	19	1	501-3000	1	HOSE						
	20	1	184-7211	2	CLIP						
	24	1	464-1335	1	ADAPTER						
	25	1	3B-4505	1	LOCKWASHER						
M	26	1	8T-4200	1	BOLT (M8X1.25X16-MM)						
	27	1	309-3997	1	WASHER (8.4X25X2-MM THK)						
	28	1	317-7012	2	CLAMP-BAND						
	29	1	496-3419	1	FITTING						
	30	1	4K-8864	1	CLIP (LOOP)						
E	32	1	495-4683		HOSE (122-CM)						
E	33	1	326-1178		HOSE (60-CM)						
E	34	1	8I-1362		HOSE (8-CM)						
E	34A	1	8I-1362		HOSE (123-CM)						
E	35	1	9X-2133		HOSE (37-CM)						
	37	1	268-5612	2	CLAMP						
	38	1	274-3266	1	CLAMP						

E - ORDER BY THE CENTIMETER
M - METRIC PART

COOLING SYSTEM

501-2998 LINES GP-COOLANT (contd.)

i07776158



GRAPHIC #1

<END>

g06453067

COOLING SYSTEM

515-9553 LINES GP-COOLANT

S/N: TH91-UP; JKT1-UP

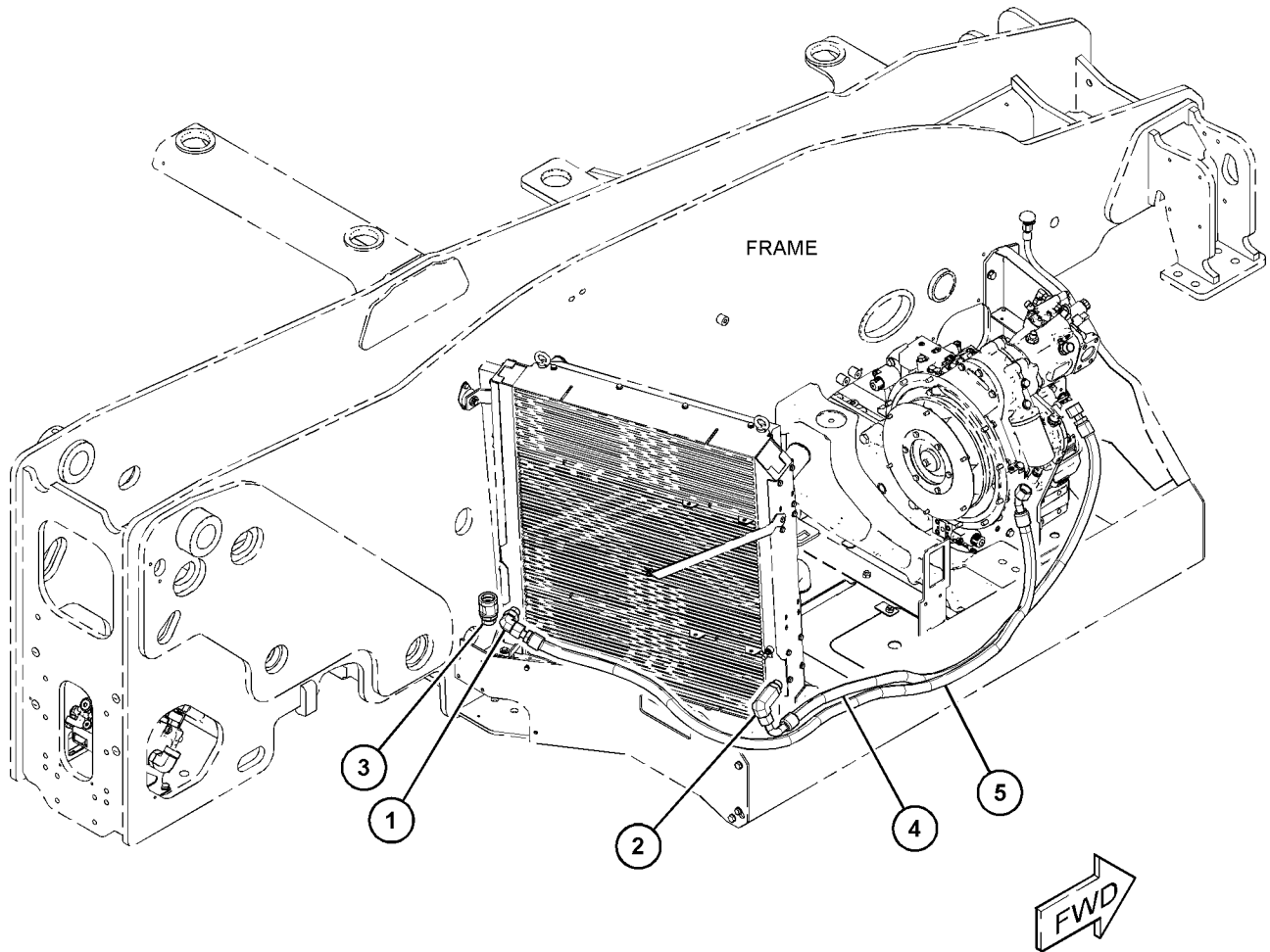
PART OF 520-9601, 523-1976, 550-0081, 550-0083 ENGINE AR-COMPLETE
AN ATTACHMENT

SMCS-1380

i07671400

NOTE	REF NO	GRAPHIC REF	PART NUMBER	QTY	PART NAME						SEE PAGE
					1	2	3	4	5	6 (PRODUCT LEVEL)	
	1	1	298-0476	1	FITTING-ADAPTER						
	2	1	298-0491	1	FITTING						
	3	1	495-1408	1	VALVE AS-CHECK						
I	4	1	499-4260	1	HOSE AS						
I	5	1	499-4258	1	HOSE AS						

I - REFER TO HYDRAULIC INFORMATION SYSTEM



GRAPHIC #1

<END>

g06163993

COOLING SYSTEM

515-9553 LINES GP-COOLANT

S/N: TH41-UP; TH91-UP

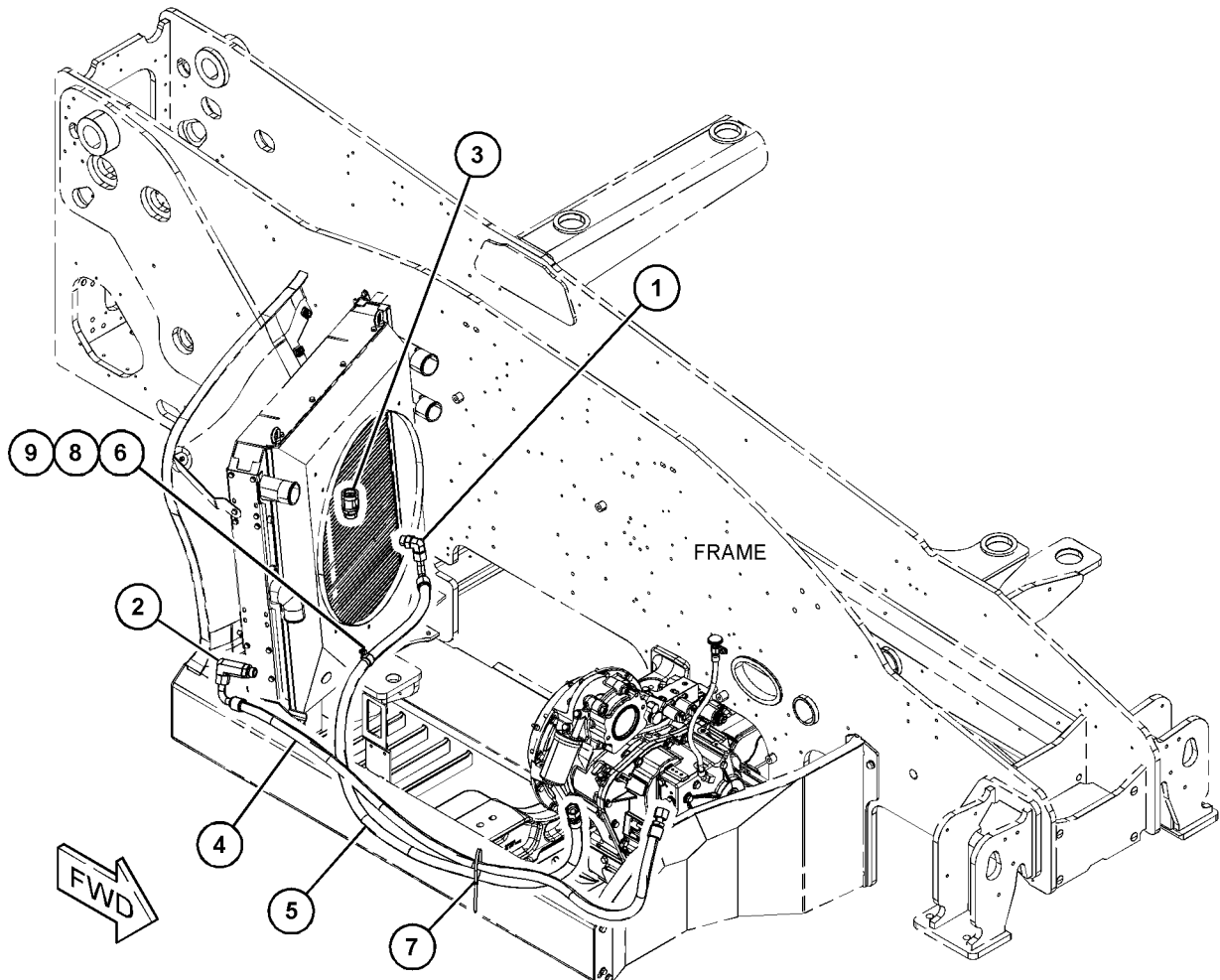
PART OF 520-9601, 523-1976, 550-0081, 550-0083 ENGINE AR-COMplete
AN ATTACHMENT

SMCS-1380

i07694062

NOTE	REF NO	GRAPHIC REF	PART NUMBER	QTY	PART NAME						SEE PAGE
					1	2	3	4	5	6 (PRODUCT LEVEL)	
	1	1	298-0476	1	FITTING-ADAPTER						
	2	1	298-0491	1	FITTING						
	3	1	495-1408	1	VALVE AS-CHECK						
I	4	1	499-4260	1	HOSE AS						
CI	5	1	559-9043	1	HOSE AS						
CM	6	1	8T-4199	1	BOLT (M8X1.25X12-MM)						
C	7	1	7K-1181	1	STRAP-CABLE						
C	8	1	8T-4224	1	WASHER-HARD (8.8X16X2-MM THK)						
C	9	1	7C-4354	1	CLIP						

C - CHANGE FROM PREVIOUS TYPE
I - REFER TO HYDRAULIC INFORMATION SYSTEM
M - METRIC PART



GRAPHIC #1

<END>

g06437062

COOLING SYSTEM

588-6954 LINES GP-COOLANT

S/N: TH91-UP

RADIATOR

PART OF 550-0081, 550-0083 ENGINE AR-COMPLETE
AN ATTACHMENT

SMCS-1380

i08057921

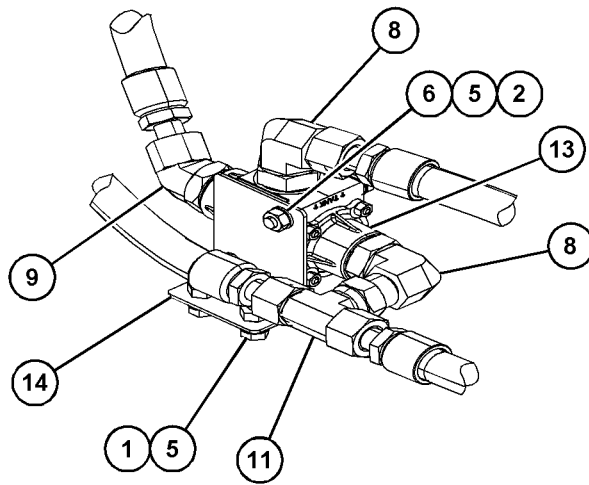
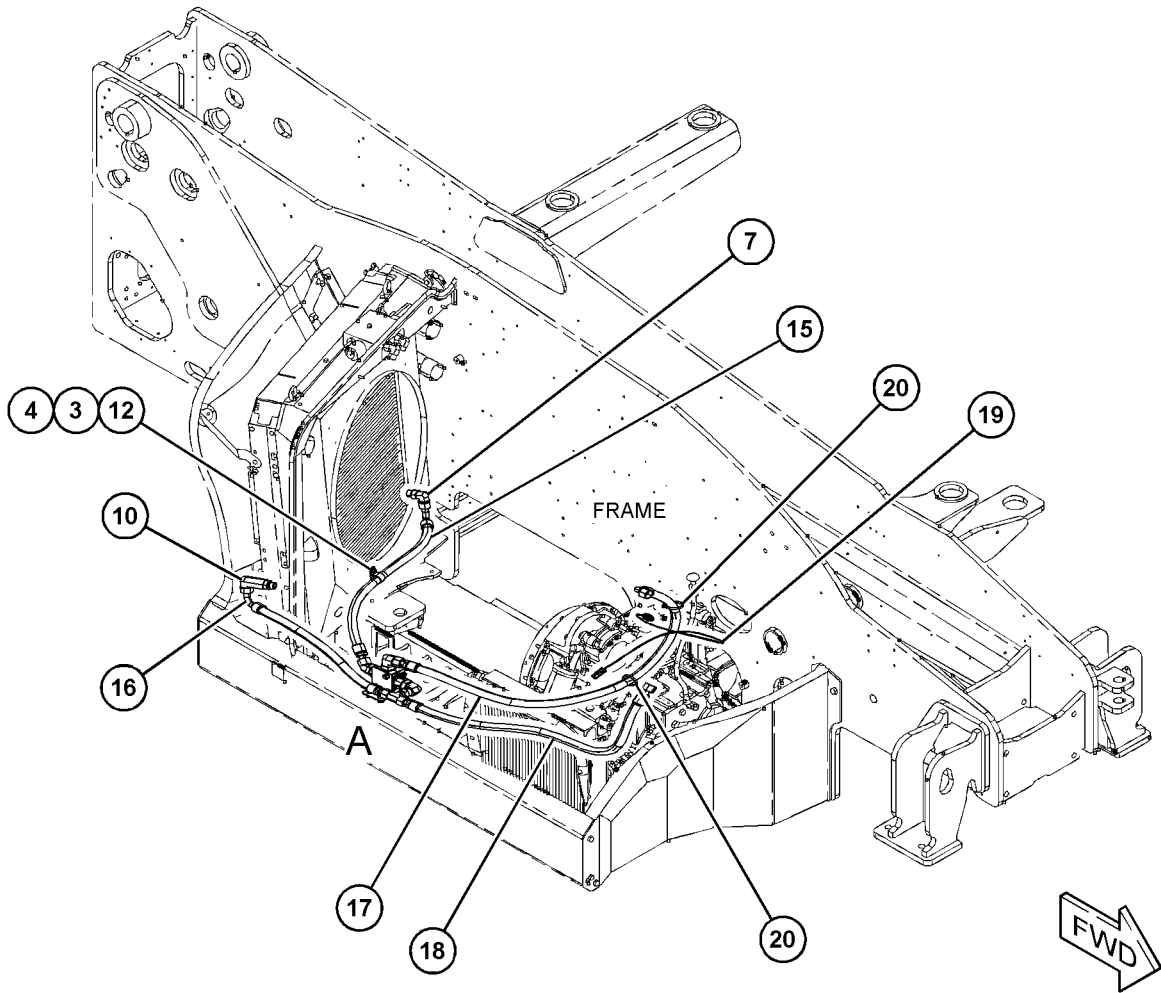
NOTE	REF NO	GRAPHIC REF	PART NUMBER	QTY	PART NAME						SEE PAGE
					1	2	3	4	5	6 (PRODUCT LEVEL)	
M	1	1	8T-4136	2	BOLT (M10X1.5X25-MM)						
	2	1	513-6578	2	BOLT-HEAD						
M	3	1	8T-4200	1	BOLT (M8X1.25X16-MM)						
	4	1	8T-4224	1	WASHER-HARD (8.8X16X2-MM THK)						
	5	1	8T-4121	6	WASHER-HARD (11X21X2.5-MM THK)						
M	6	1	344-5675	2	NUT (M10X1.5-THD)						
	7	1	298-0476	1	FITTING-ADAPTER						
	8	1	303-4758	2	FITTING						
	9	1	309-6351	1	CONNECTOR						
	10	1	298-0491	1	FITTING						
	11	1	<i>150-4033</i>	1	ADAPTER AS						
		1	6V-9746	2	SEAL-O-RING						
		1	6V-9846	1	TEE						
	12	1	329-2455	1	CLIP						
	13	1	368-0512	1	VALVE AS-BYPASS						
	14	1	539-0520	1	BRACKET AS						
I	15	1	539-0541	1	HOSE AS						
I	16	1	539-0542	1	HOSE AS						
I	17	1	539-0543	1	HOSE AS						
I	18	1	539-0544	1	HOSE AS						
	19	1	588-6582	1	HARNES AS-ENGINE						
		1	8T-8729	2	PIN-CONNECTOR (16-GA TO 20-GA)						
		1	8T-8730	2	SOCKET-CONNECTOR (16-GA TO 20-GA)						
		1	230-4011	1	PLUG AS-CONNECTOR (2-PIN)						
		1	455-0704	1	SEAL-CONNECTOR						
		1	479-8773	1	CONNECTOR						
	20	1	7K-1181	2	STRAP-CABLE						

I - REFER TO HYDRAULIC INFORMATION SYSTEM
M - METRIC PART

COOLING SYSTEM

588-6954 LINES GP-COOLANT (contd.)

i08057921



VIEW OF AREA A

GRAPHIC #1

<END>

g06564672

COOLING SYSTEM

350-1959 PLUG GP-WATER LINES

S/N: CN51-UP

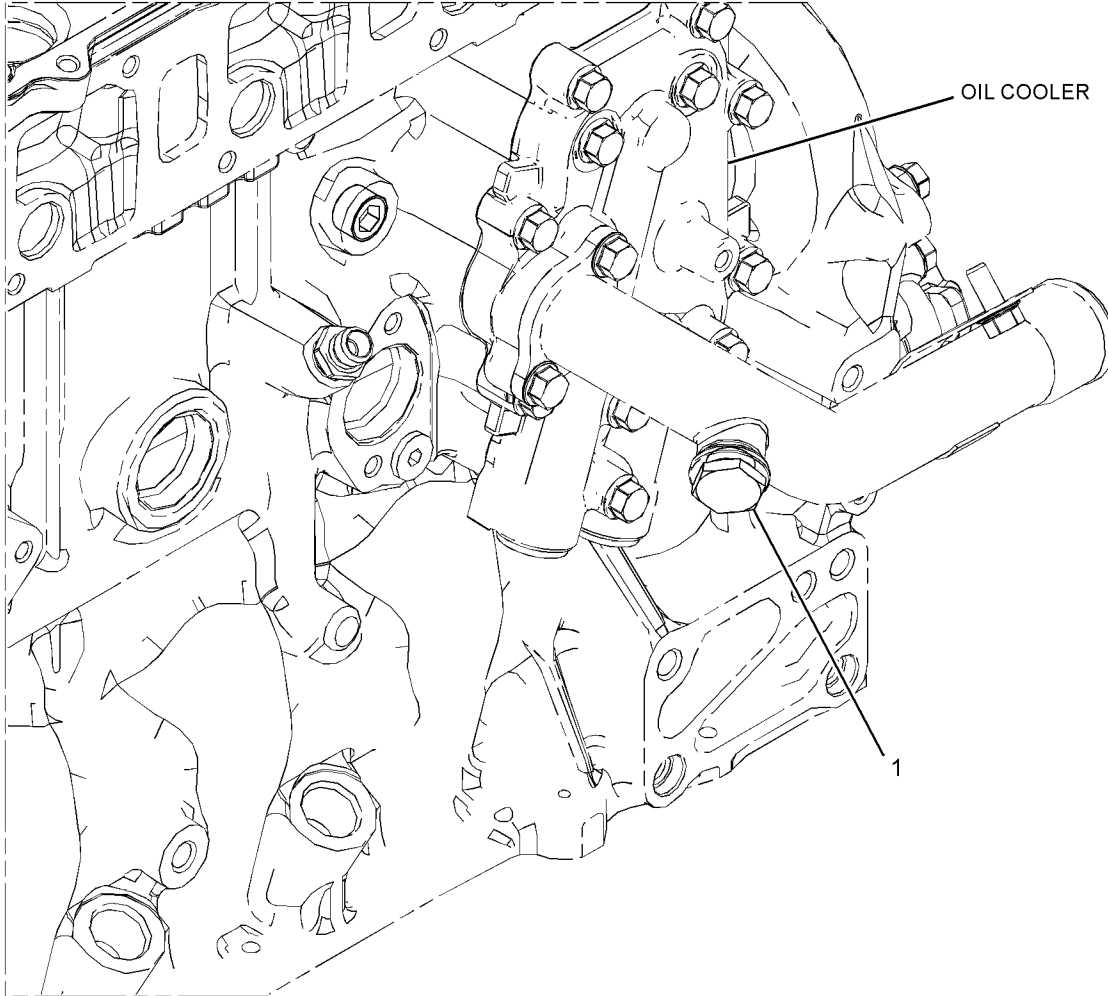
PART OF 465-2880 ENGINE AR-PRIMARY
AN ATTACHMENT

SMCS-1380, 1393

i05722351

NOTE	REF NO	GRAPHIC REF	PART NUMBER	QTY	PART NAME						SEE PAGE
					1	2	3	4	5	6 (PRODUCT LEVEL)	
Y	1	1	374-6765	1	PLUG GP-WATER LINES						235

Y - SEPARATE ILLUSTRATION



GRAPHIC #1

<END>

g02879057

COOLING SYSTEM

374-6765 PLUG GP-WATER LINES

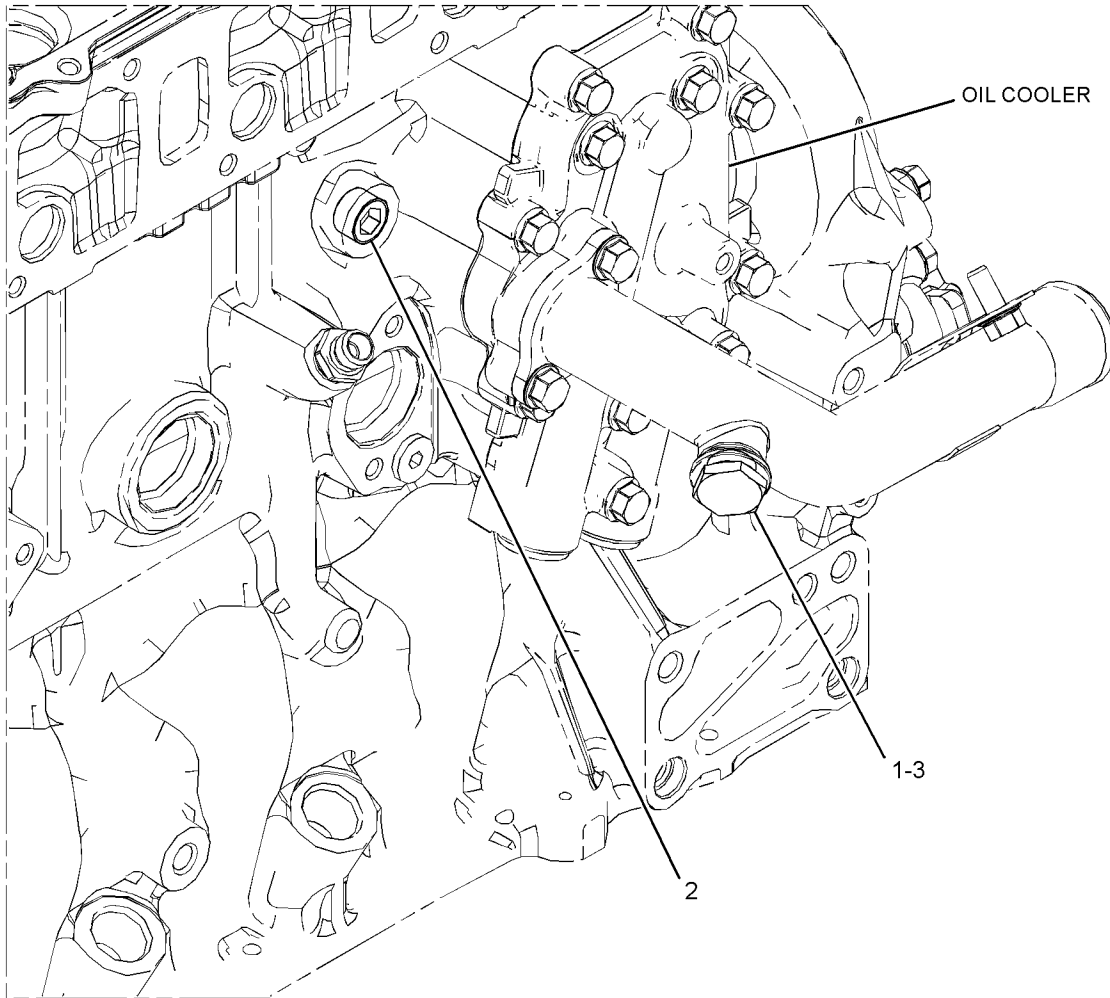
S/N: CN51-UP

PART OF 350-1959 PLUG GP-WATER LINES
AN ATTACHMENT

SMCS-1380, 1393

i05773239

NOTE	REF NO	GRAPHIC REF	PART NUMBER	QTY	PART NAME						SEE PAGE
					1	2	3	4	5	6 (PRODUCT LEVEL)	
1	1	1	387-7727	1	PLUG						
2	1	1	456-1357	1	PLUG						
3	1	1	389-2856	1	WASHER						



GRAPHIC #1

<END>

g02881402

COOLING SYSTEM

333-7914 PUMP GP-WATER

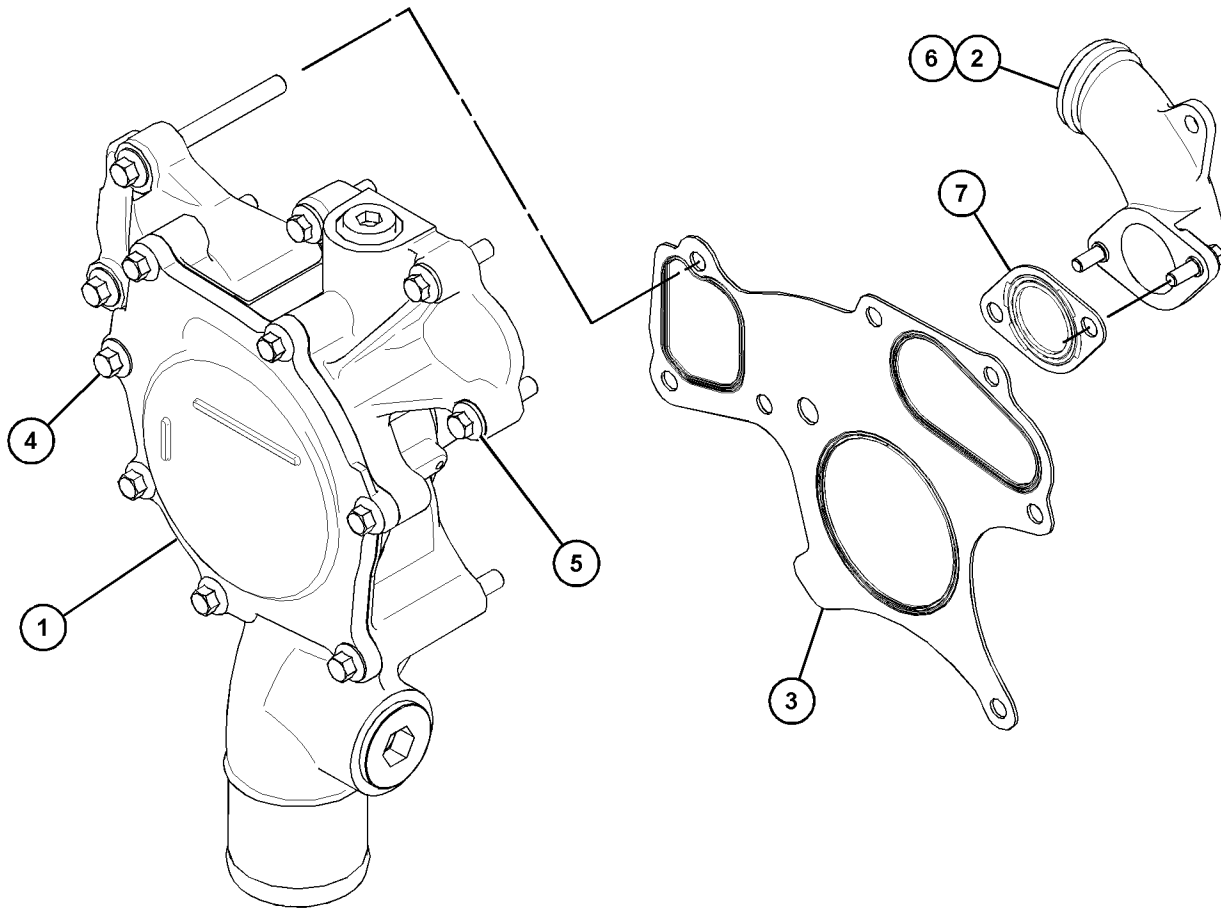
S/N: JKT1-UP

PART OF 464-2307, 464-2308 ENGINE AR-PRIMARY
ALSO AN ATTACHMENT

SMCS-1361

i08068810

NOTE	REF NO	GRAPHIC REF	PART NUMBER	QTY	PART NAME						SEE PAGE
					1	2	3	4	5	6 (PRODUCT LEVEL)	
JY	1	1	380-1659	1	PUMP GP-WATER						239
	2	1	482-2941	1	PIPE AS						
J	3	1	353-8578	1	GASKET						
M	4	1	101-3771	4	BOLT (M8X1.25X85-MM)						
M	5	1	101-3895	3	BOLT (M8X1.25X35-MM)						
MR	6	1	100-4838	2	BOLT (M6X1X20-MM)						
	7	1	482-2162	1	GASKET						
					AVAILABLE REPAIR KIT(S):						
J			397-5684	1	KIT-PUMP (WATER)						
					(INCLUDES GASKET & PUMP)						
J - KIT MARKED J SERVICES PART(S) MARKED J M - METRIC PART R - REMANUFACTURED PART MAY BE AVAILABLE Y - SEPARATE ILLUSTRATION											



GRAPHIC #1

<END>

g06121168

COOLING SYSTEM

350-5644 PUMP GP-WATER

S/N: CN51-UP

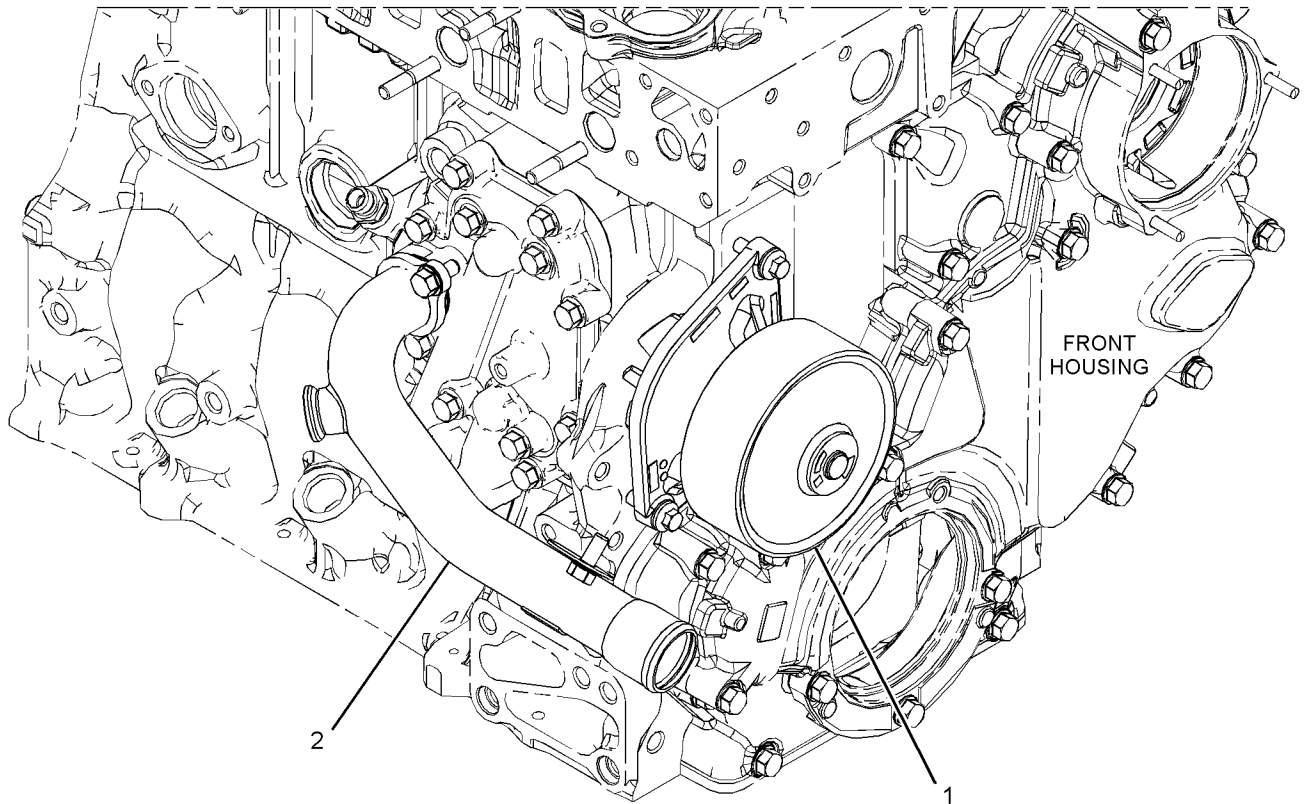
PART OF 465-2880 ENGINE AR-PRIMARY
AN ATTACHMENT

SMCS-1361

i06252222

NOTE	REF NO	GRAPHIC REF	PART NUMBER	QTY	PART NAME						SEE PAGE
					1	2	3	4	5	6 (PRODUCT LEVEL)	
Y	1	1	367-6033	1	PUMP GP-WATER						238
Y	2	1	367-6788	1	CONNECTION GP-WATER						208

Y - SEPARATE ILLUSTRATION



GRAPHIC #1

<END>

g02880663

COOLING SYSTEM

367-6033 PUMP GP-WATER

S/N: CN51-UP

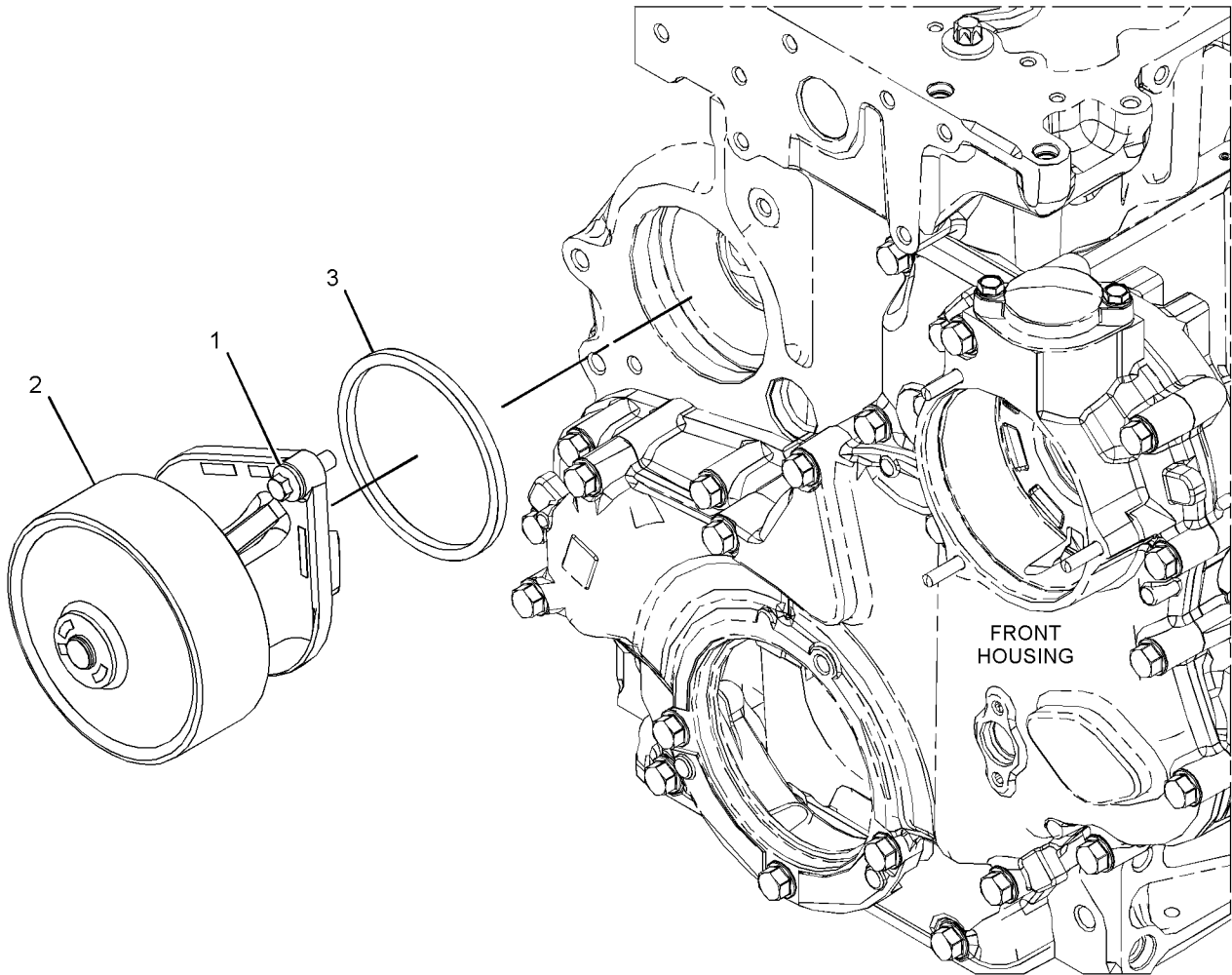
PART OF 350-5644 PUMP GP-WATER
AN ATTACHMENT

SMCS-1361

i06259816

NOTE	REF NO	GRAPHIC REF	PART NUMBER	QTY	PART NAME						SEE PAGE
					1	2	3	4	5	6 (PRODUCT LEVEL)	
M	1	1	6I-0260	2	BOLT (M8X1.25X25-MM)						
	2	1	477-5624	1	PUMP						
	3	1	389-2863	1	WASHER						

M - METRIC PART



GRAPHIC #1

<END>

g02880577

COOLING SYSTEM

380-1659 PUMP GP-WATER

S/N: JKT1-UP

MID FLOW 12-MM SHAFT

PART OF 333-7914 PUMP GP-WATER

ALSO AN ATTACHMENT

SMCS-1361

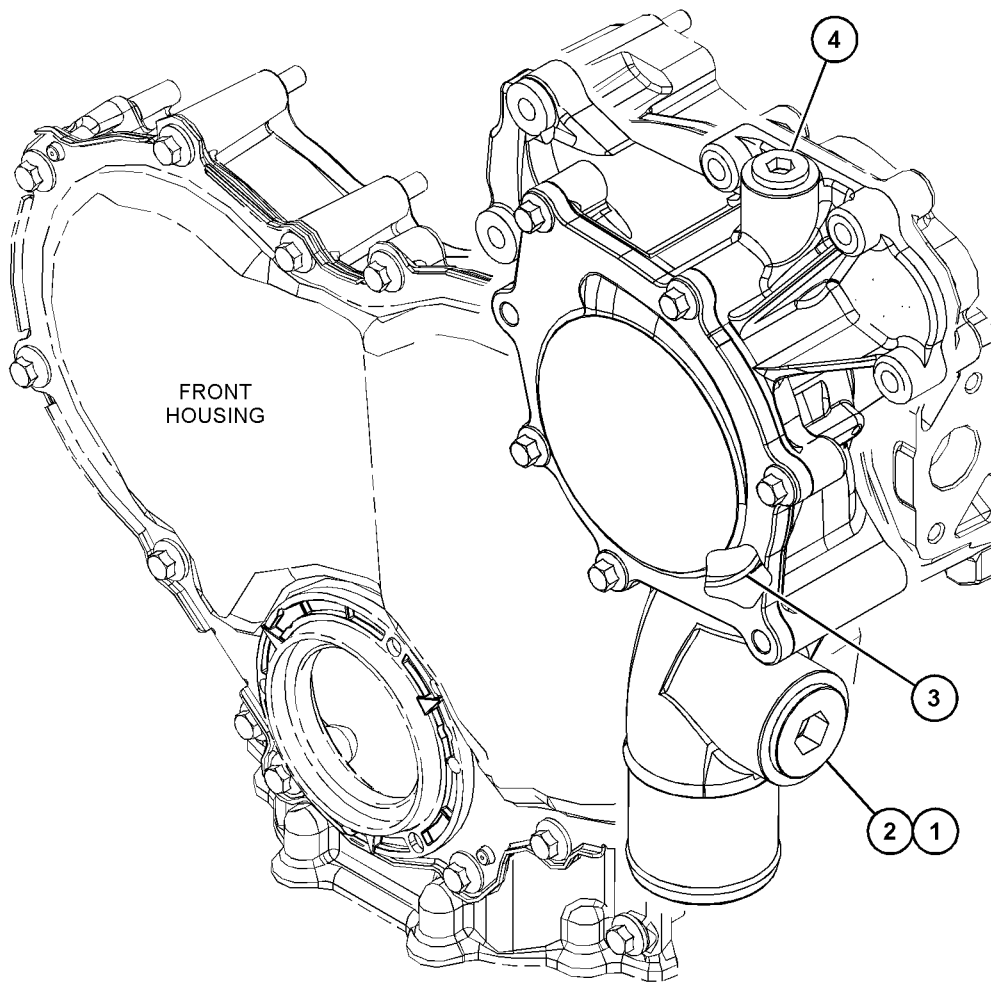
i07938410

NOTE	REF NO	GRAPHIC REF	PART NUMBER	QTY	PART NAME						SEE PAGE
					1	2	3	4	5	6 (PRODUCT LEVEL)	
	1	1	388-7652	1	SEAL						
	2	1	388-7644	1	PLUG						
	3	1	388-7649	1	GASKET						
	4	1	388-7651	1	PLUG						

AVAILABLE REPAIR KIT(S) :

397-5684 1 KIT-PUMP

(INCLUDES GASKET & PUMP)



GRAPHIC #1

<END>

g06486814

COOLING SYSTEM

416-1864 PUMP GP-WATER

S/N: W231-UP

PART OF 463-8848, 463-8910 ENGINE AR-PRIMARY

SMCS-1361

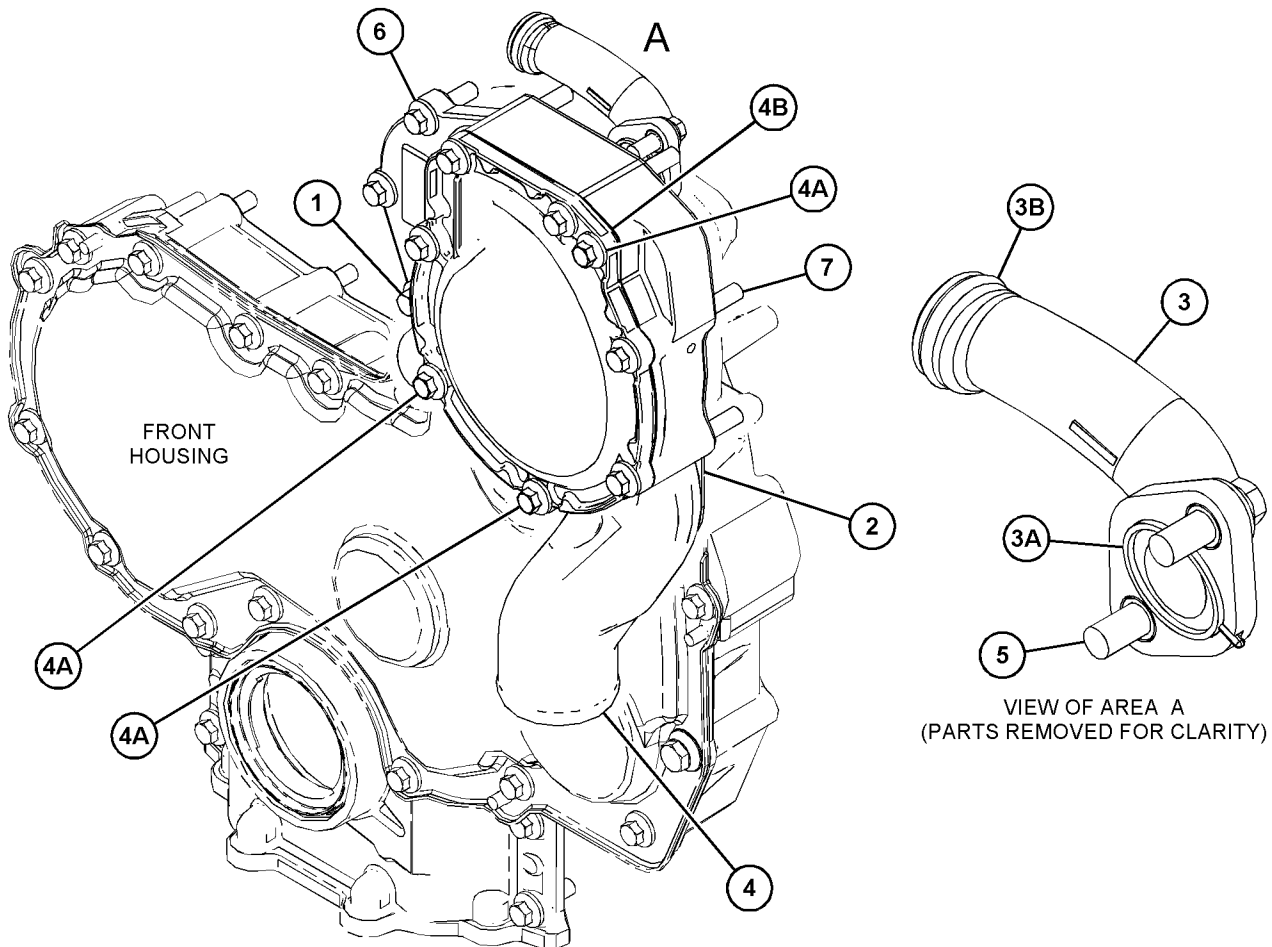
i06797683

NOTE	REF NO	GRAPHIC REF	PART NUMBER	QTY	PART NAME						SEE PAGE
					1	2	3	4	5	6 (PRODUCT LEVEL)	
M	1	1	113-8129	2	BOLT (M8X1.25X75-MM)						
J	2	1	225-8019	1	GASKET						
	3	1	277-2925	1	CONNECTION AS						
	3A	1	277-2923	1	GASKET						
	3B	1	225-7738	1	SEAL-O-RING						
CJ	4	1	485-4894	1	PUMP GP-WATER						
M	4A	1	278-3242	3	BOLT-FLANGE HEAD (M8X1.25X18-MM)						
	4B	1	374-4419	1	GASKET						
M	5	1	6I-0217	2	BOLT (M8X1.25X20-MM)						
M	6	1	6I-0254	2	BOLT (M8X1.25X30-MM)						
M	7	1	6I-0839	5	BOLT (M8X1.25X70-MM)						

AVAILABLE REPAIR KIT(S) :

CJ	485-4895	1	PUMP GP-WATER (INCLUDES WATER PUMP GP & GASKET)
----	-----------------	---	--

C - CHANGE FROM PREVIOUS TYPE
 J - KIT MARKED J SERVICES PART(S) MARKED J
 M - METRIC PART



GRAPHIC #1

<END>

g06120580

COOLING SYSTEM

500-0768 RADIATOR & HYD OIL COOLER GP

S/N: TH41-UP; TH91-UP

PART OF 500-0767, 515-9703 RADIATOR & MOUNTING GP
AN ATTACHMENT

SMCS-1351, 1353, 1374, 1382

i06750408

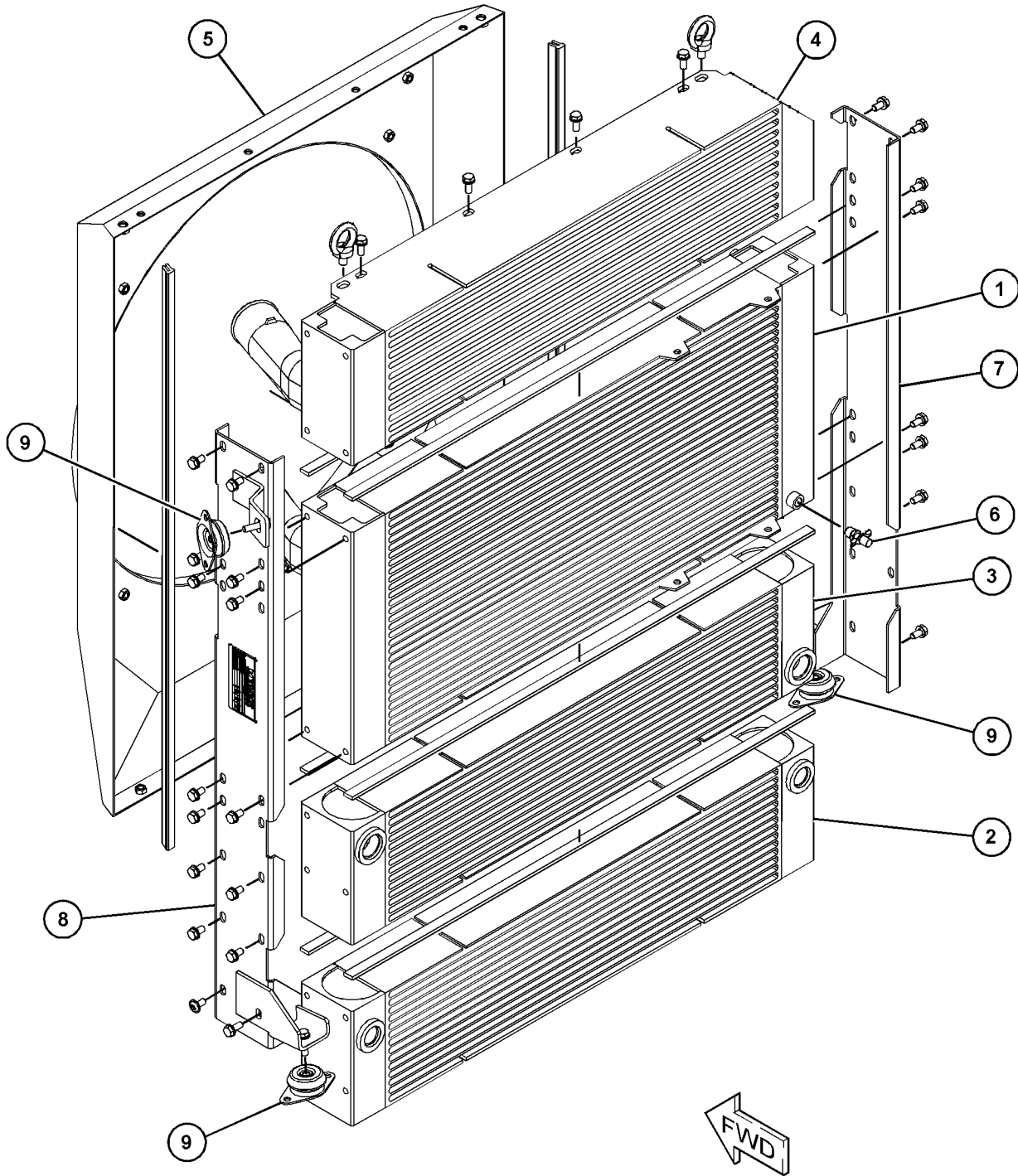
NOTE	REF NO	GRAPHIC REF	PART NUMBER	QTY	PART NAME						SEE PAGE
					1	2	3	4	5	6 (PRODUCT LEVEL)	
	1	1	510-8406	1	COOLER						
	2	1	510-8407	1	COOLER						
	3	1	510-8408	1	COOLER						
	4	1	510-8409	1	COOLER						
	5	1	510-8403	1	SHROUD						
	6	1	458-8403	1	VALVE AS-DRAIN						
	7	1	510-8404	1	BRACKET						
	8	1	510-8405	1	BRACKET						
	9	1	500-0786	3	MOUNT						

PARTS SHOWN IN GRAPHIC(S) WITHOUT A REFERENCE NUMBER ARE NOT SERVICED SEPARATELY

COOLING SYSTEM

500-0768 RADIATOR & HYD OIL COOLER GP (contd.)

i06750408



GRAPHIC #1

<END>

g06105429

COOLING SYSTEM

500-3149 RADIATOR & HYD OIL COOLER GP

S/N: TH41-UP; TH91-UP; JKT1-UP

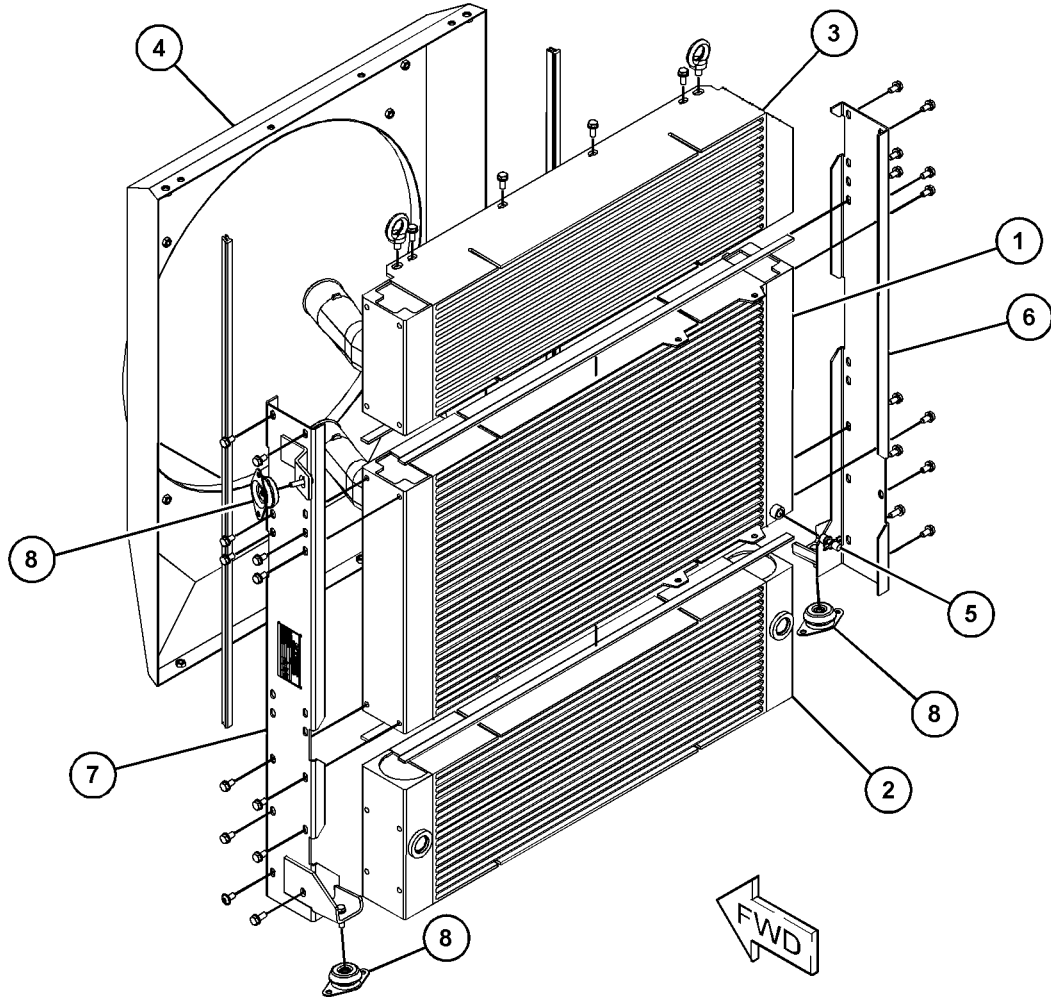
PART OF 500-3146, 515-9726 RADIATOR & MOUNTING GP
AN ATTACHMENT

SMCS-1351, 1353, 1374, 1382

i06826185

NOTE	REF NO	GRAPHIC REF	PART NUMBER	QTY	PART NAME						SEE PAGE
					1	2	3	4	5	6 (PRODUCT LEVEL)	
	1	1	510-8400	1	COOLER						
	2	1	510-8401	1	COOLER						
	3	1	510-8402	1	COOLER						
	4	1	510-8403	1	SHROUD						
	5	1	458-8403	1	VALVE AS-DRAIN						
	6	1	510-8404	1	BRACKET						
	7	1	510-8405	1	BRACKET						
	8	1	500-0786	3	MOUNT						

PARTS SHOWN IN GRAPHIC(S) WITHOUT A REFERENCE NUMBER ARE NOT SERVICED SEPARATELY



GRAPHIC #1

<END>

g06131723

COOLING SYSTEM

499-4946 RADIATOR & MOUNTING GP

S/N: TH41-UP; TH91-UP; JKT1-UP
 PART OF 499-4950 COOLER GP-HYDRAULIC OIL
 AN ATTACHMENT

SMCS-1353

i07458919

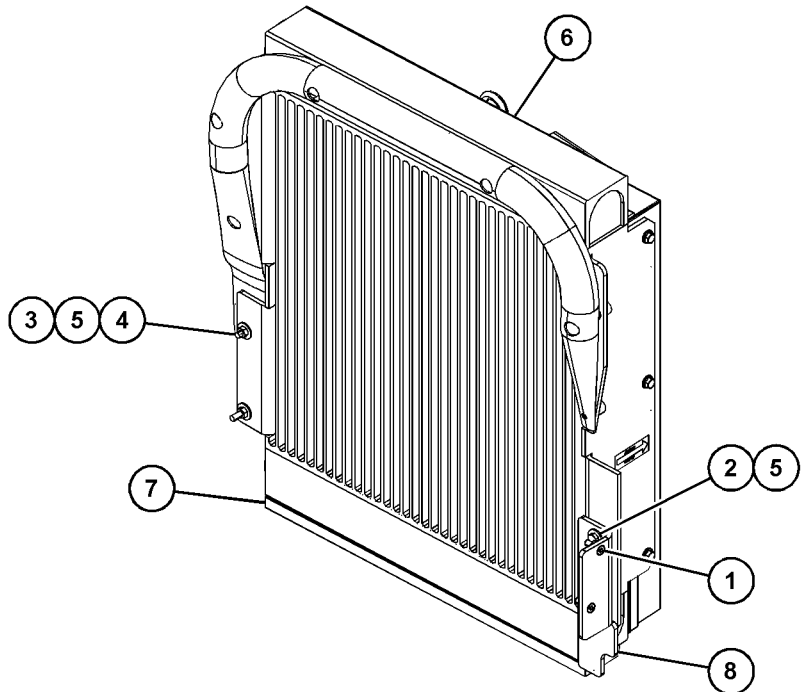
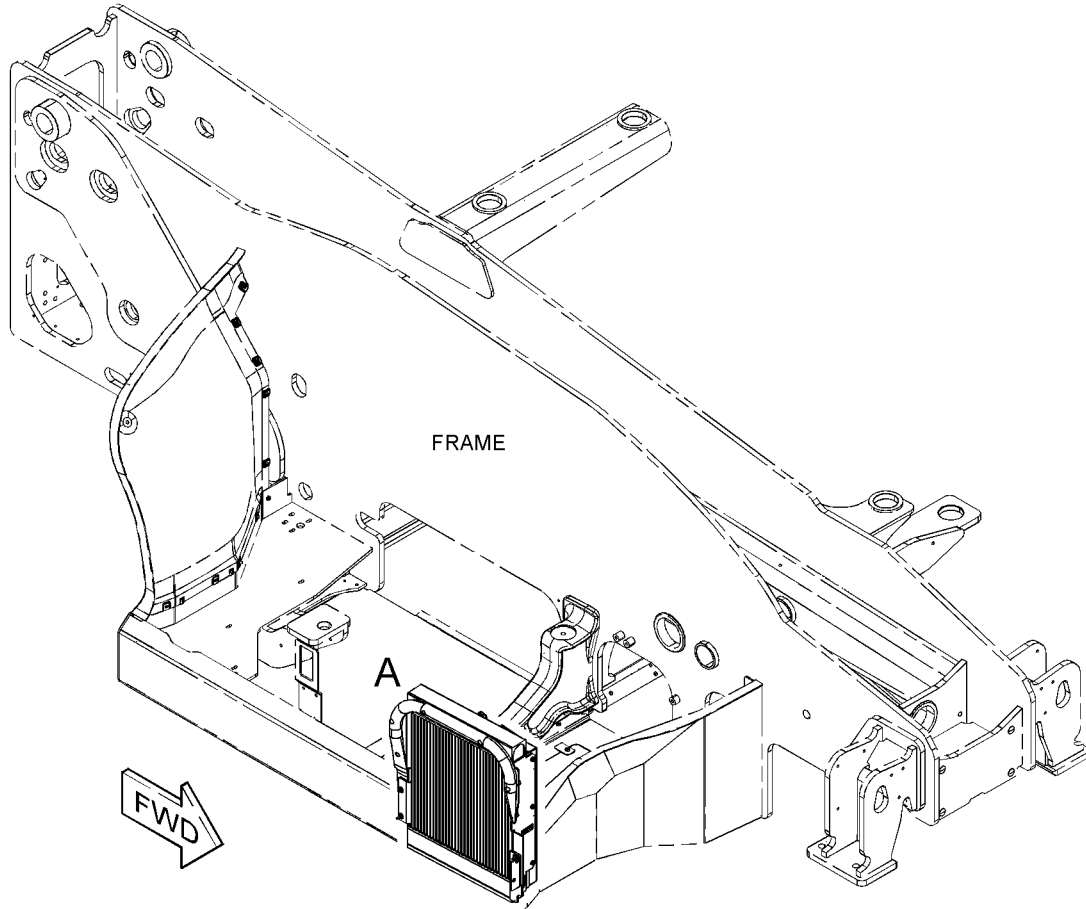
NOTE	REF NO	GRAPHIC REF	PART NUMBER	QTY	PART NAME						SEE PAGE
					1	2	3	4	5	6 (PRODUCT LEVEL)	
M	1	1	9X-6155	2	BOLT-SOCKET HEAD (M6X1X16.7-MM)						
M	2	1	8T-4138	2	BOLT (M6X1X20-MM)						
M	3	1	6V-7357	2	BOLT (M6X1X25-MM)						
M	4	1	5C-2890	2	NUT (M6X1-THD)						
	5	1	5Y-2425	6	WASHER (6.5X17.5X1.5-MM THK)						
	6	1	499-4947	1	RADIATOR & HYD OIL COOLER GP (BASIC)						
		1	510-8422	1	COOLER (OIL)						
		1	510-8423	1	SHROUD						
		1	510-8424	1	HOSE (SEALING)						
	7	1	563-5827	1	SEAL (REMOTE)						
	8	1	499-4949	1	BRACKET AS						

M - METRIC PART

COOLING SYSTEM

499-4946 RADIATOR & MOUNTING GP (contd.)

107458919



GRAPHIC #1

<END>

g06041866

COOLING SYSTEM

500-0767 RADIATOR & MOUNTING GP

S/N: TH41-UP; TH91-151

FIELD REPLACEMENT FOR 5159703

PART OF 523-2012 INSTALLATION AR-ENGINE

AN ATTACHMENT

SMCS-1353

i06603097

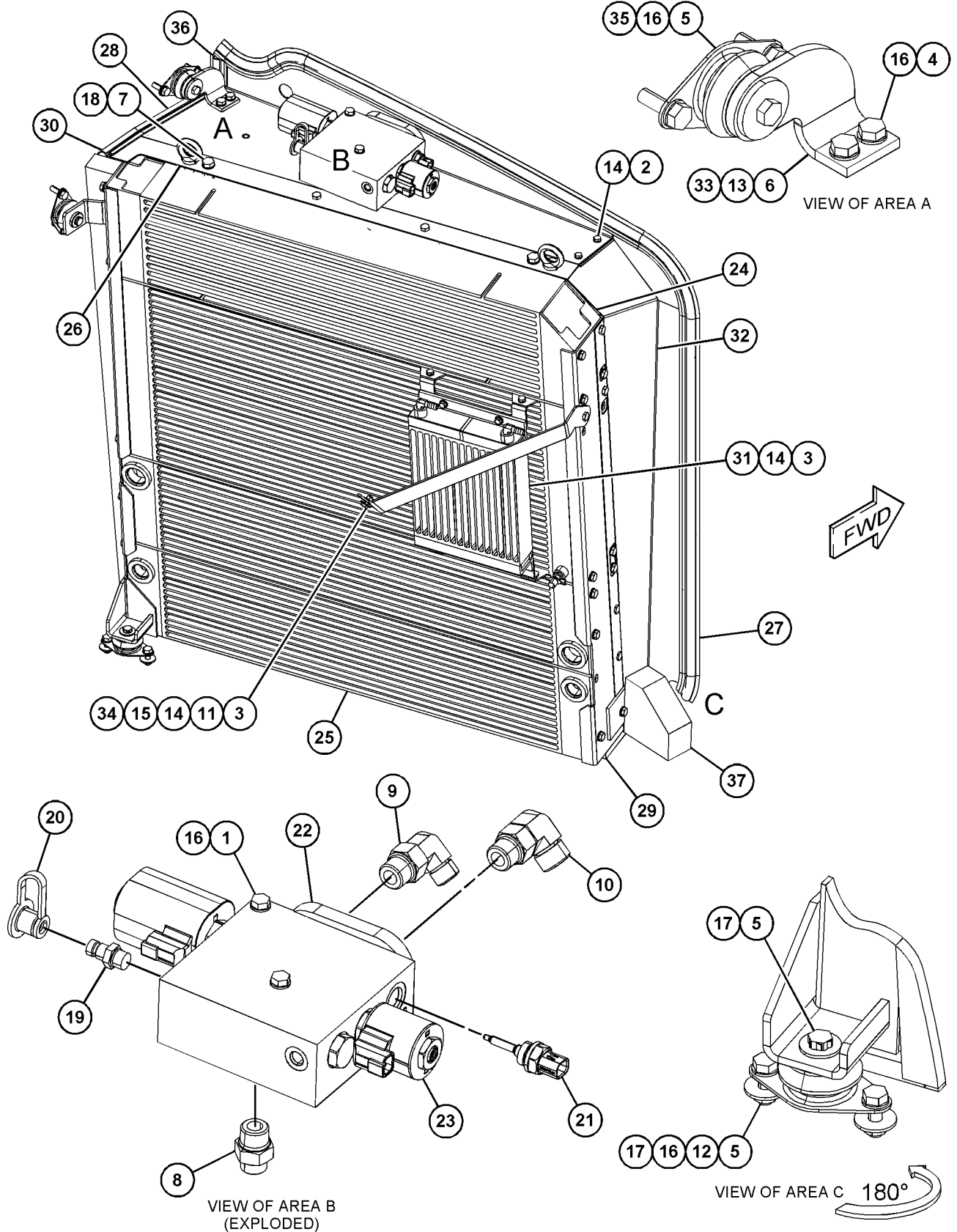
NOTE	REF NO	GRAPHIC REF	PART NUMBER	QTY	PART NAME						SEE PAGE
					1	2	3	4	5	6 (PRODUCT LEVEL)	
M	1	1	096-5866	2	BOLT (M8X1.25X75-MM)						
M	2	1	8T-4970	2	BOLT (M6X1X14-MM)						
M	3	1	5C-9553	5	BOLT (M6X1X16-MM)						
M	4	1	8T-4189	2	BOLT (M8X1.25X20-MM)						
M	5	1	8T-4908	11	BOLT (M8X1.25X25-MM)						
M	6	1	8T-7547	1	BOLT (M8X1.25X30-MM)						
M	7	1	8T-4137	2	BOLT (M10X1.5X20-MM)						
	8	1	298-0464	2	FITTING-ADAPTER						
	9	1	298-0475	1	FITTING-ADAPTER						
	10	1	300-6096	1	FITTING						
M	11	1	5C-2890	1	NUT (M6X1-THD)						
M	12	1	5C-7261	4	NUT (M8X1.25-THD)						
	13	1	7X-0632	1	WASHER-HARD (11X36X6-MM THK)						
	14	1	8T-4205	7	WASHER-HARD (7.2X14.5X2-MM THK)						
	15	1	5W-1417	1	WASHER (6.4X18X1.6-MM THK)						
	16	1	8T-4224	12	WASHER-HARD (8.8X16X2-MM THK)						
	17	1	309-3997	7	WASHER (8.4X25X2-MM THK)						
	18	1	8T-4121	2	WASHER-HARD (11X21X2.5-MM THK)						
	19	1	164-5567	1	COUPLER AS-QUICK DISCONNECT (MALE)						
		1	6V-3965	1	FITTING (QUICK DISCONNECT)						
		1	214-7568	1	SEAL-O-RING						
	20	1	6V-0852	1	CAP-DUST						
	21	1	256-6454	1	SENSOR-TEMPERATURE (2-PIN)						
	22	1	397-4750	1	SEAL						
	23	1	504-1315	1	VALVE GP-SOLENOID & RELIEF (FAN)						
	24	1	498-5771	1	STRAP						
Y	25	1	500-0768	1	RADIATOR & HYD OIL COOLER GP						241
	26	1	500-0769	1	PLATE AS						
	27	1	499-7135	1	SEAL						
	28	1	500-0770	1	SEAL						
	29	1	500-0771	1	SEAL						
	30	1	500-0772	1	SEAL						
	31	1	500-0773	1	COOLER AS-FUEL						
		1	510-8414	1	COOLER						
		1	510-8421	2	BRACKET						
	32	1	500-0775	1	PLATE AS						
	33	1	500-0781	1	PLATE						
	34	1	500-0952	1	PLATE						
	35	1	500-0786	1	MOUNT						
	36	1	499-8472	1	SEAL						
	37	1	499-8473	1	SEAL						

M - METRIC PART
Y - SEPARATE ILLUSTRATION

COOLING SYSTEM

500-0767 RADIATOR & MOUNTING GP (contd.)

106603097



GRAPHIC #1

<END>

g06107519

COOLING SYSTEM

500-0767 RADIATOR & MOUNTING GP

S/N: TH41-UP; TH9152-UP

FIELD REPLACEMENT FOR 5159703

PART OF 523-2012 INSTALLATION AR-ENGINE

AN ATTACHMENT

TYPE 1

SMCS-1353

i07515911

NOTE	REF NO	GRAPHIC REF	PART NUMBER	QTY	PART NAME						SEE PAGE
					1	2	3	4	5	6 (PRODUCT LEVEL)	
M	1	1	096-5866	2	BOLT (M8X1.25X75-MM)						
M	2	1	8T-4970	2	BOLT (M6X1X14-MM)						
M	3	1	5C-9553	5	BOLT (M6X1X16-MM)						
M	4	1	8T-4189	2	BOLT (M8X1.25X20-MM)						
M	5	1	8T-4908	11	BOLT (M8X1.25X25-MM)						
M	6	1	8T-7547	1	BOLT (M8X1.25X30-MM)						
M	7	1	8T-4137	2	BOLT (M10X1.5X20-MM)						
	8	1	298-0464	2	FITTING-ADAPTER						
	9	1	298-0475	1	FITTING-ADAPTER						
	10	1	300-6096	1	FITTING						
M	11	1	5C-2890	1	NUT (M6X1-THD)						
M	12	1	5C-7261	4	NUT (M8X1.25-THD)						
	13	1	7X-0632	1	WASHER-HARD (11X36X6-MM THK)						
	14	1	8T-4205	7	WASHER-HARD (7.2X14.5X2-MM THK)						
	15	1	5Y-2425	1	WASHER (6.5X17.5X1.5-MM THK)						
	16	1	8T-4224	12	WASHER-HARD (8.8X16X2-MM THK)						
	17	1	309-3997	7	WASHER (8.4X25X2-MM THK)						
	18	1	8T-4121	2	WASHER-HARD (11X21X2.5-MM THK)						
	19	1	164-5567	1	COUPLER AS-QUICK DISCONNECT (MALE)						
		1	6V-3965	1	FITTING (QUICK DISCONNECT)						
		1	214-7568	1	SEAL-O-RING						
	20	1	6V-0852	1	CAP-DUST						
	21	1	256-6454	1	SENSOR-TEMPERATURE (2-PIN) (ENGINE COOLANT)						
	22	1	397-4750	1	SEAL						
C	23	1	560-4755	1	VALVE GP-MOTOR CONTROL						
	24	1	498-5771	1	STRAP						
Y	25	1	500-0768	1	RADIATOR & HYD OIL COOLER GP						241
	26	1	500-0769	1	PLATE AS						
	27	1	499-7135	1	SEAL						
	28	1	500-0770	1	SEAL						
	29	1	500-0771	1	SEAL						
	30	1	500-0772	1	SEAL						
	31	1	500-0773	1	COOLER AS-FUEL						
		1	510-8414	1	COOLER						
		1	510-8421	2	BRACKET						
	32	1	500-0775	1	PLATE AS						
	33	1	500-0781	1	PLATE						
	34	1	500-0952	1	PLATE						
	35	1	500-0786	1	MOUNT						
	36	1	499-8473	1	SEAL						

C - CHANGE FROM PREVIOUS TYPE

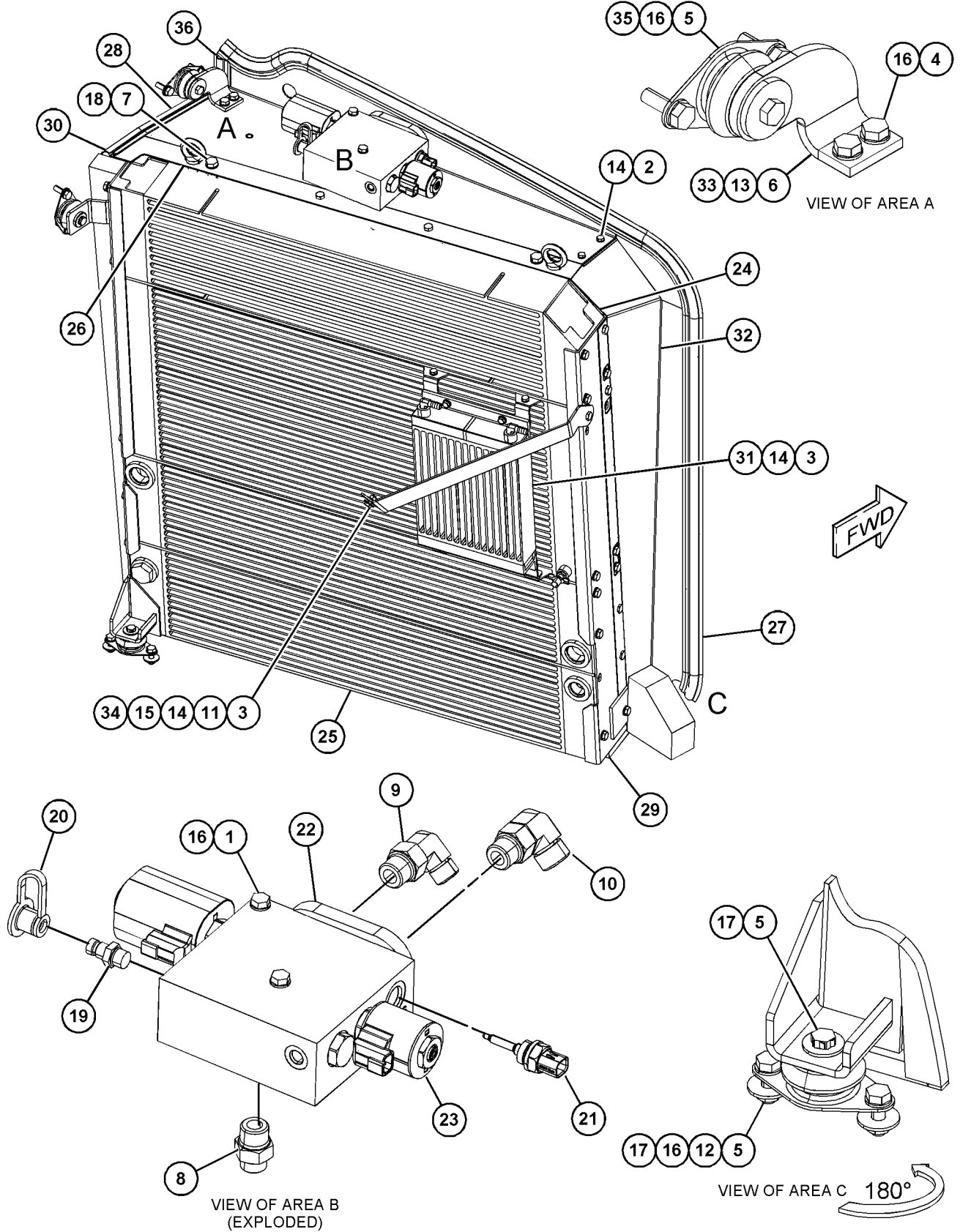
M - METRIC PART

Y - SEPARATE ILLUSTRATION

COOLING SYSTEM

500-0767 RADIATOR & MOUNTING GP (contd.)

i07515911



GRAPHIC #1

<END>

g06370724

COOLING SYSTEM

500-0767 RADIATOR & MOUNTING GP

S/N: TH41-UP; TH9152-UP

FIELD REPLACEMENT FOR 5159703

PART OF 518-5879, 523-2012 INSTALLATION AR-ENGINE

AN ATTACHMENT

TYPE 2

SMCS-1353

i07718950

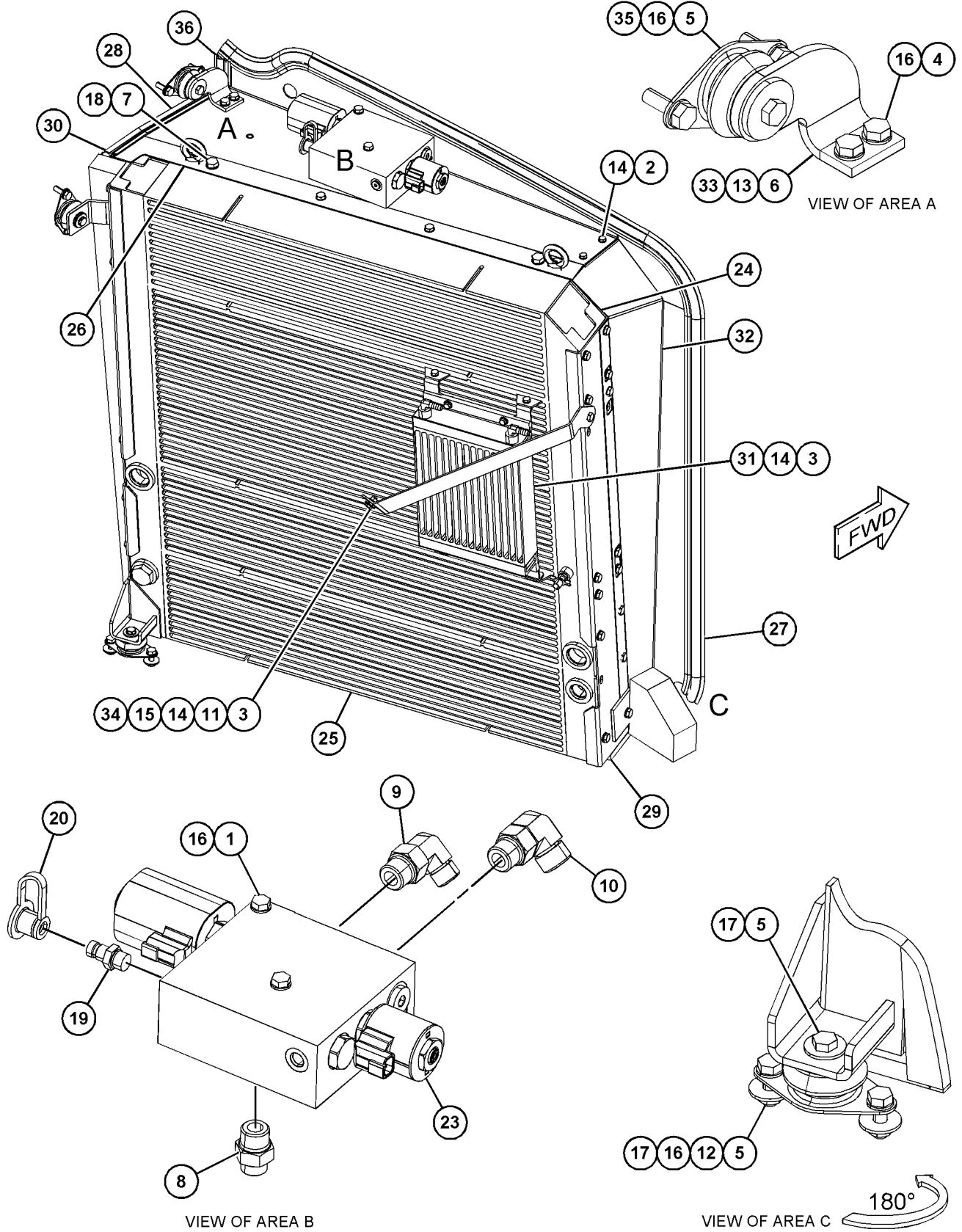
NOTE	REF NO	GRAPHIC REF	PART NUMBER	QTY	PART NAME						SEE PAGE
					1	2	3	4	5	6 (PRODUCT LEVEL)	
M	1	1	096-5866	2	BOLT (M8X1.25X75-MM)						
M	2	1	8T-4970	2	BOLT (M6X1X14-MM)						
M	3	1	5C-9553	5	BOLT (M6X1X16-MM)						
M	4	1	8T-4189	2	BOLT (M8X1.25X20-MM)						
M	5	1	8T-4908	11	BOLT (M8X1.25X25-MM)						
M	6	1	8T-7547	1	BOLT (M8X1.25X30-MM)						
M	7	1	8T-4137	2	BOLT (M10X1.5X20-MM)						
	8	1	298-0464	2	FITTING-ADAPTER						
	9	1	298-0475	1	FITTING-ADAPTER						
	10	1	300-6096	1	FITTING						
M	11	1	5C-2890	1	NUT (M6X1-THD)						
M	12	1	5C-7261	4	NUT (M8X1.25-THD)						
	13	1	7X-0632	1	WASHER-HARD (11X36X6-MM THK)						
	14	1	8T-4205	7	WASHER-HARD (7.2X14.5X2-MM THK)						
	15	1	5W-1417	1	WASHER (6.4X18X1.6-MM THK)						
	16	1	8T-4224	12	WASHER-HARD (8.8X16X2-MM THK)						
	17	1	309-3997	7	WASHER (8.4X25X2-MM THK)						
	18	1	8T-4121	2	WASHER-HARD (11X21X2.5-MM THK)						
	19	1	<i>164-5567</i>	1	COUPLER AS-QUICK DISCONNECT (MALE)						
		1	6V-3965	1	FITTING (QUICK DISCONNECT)						
		1	214-7568	1	SEAL-O-RING						
	20	1	6V-0852	1	CAP-DUST						
	23	1	560-4755	1	VALVE GP-MOTOR CONTROL						
	24	1	498-5771	1	STRAP						
Y	25	1	500-0768	1	RADIATOR & HYD OIL COOLER GP						241
	26	1	564-7750	1	PLATE AS						
	27	1	499-7135	1	SEAL						
	28	1	500-0770	1	SEAL						
	29	1	500-0771	1	SEAL						
	30	1	500-0772	1	SEAL						
	31	1	500-0773	1	COOLER AS-FUEL						
		1	510-8414	1	COOLER						
		1	510-8421	2	BRACKET						
	32	1	500-0775	1	PLATE AS						
	33	1	500-0781	1	PLATE						
	34	1	500-0952	1	PLATE						
	35	1	500-0786	1	MOUNT						
	36	1	499-8473	1	SEAL						

M - METRIC PART
Y - SEPARATE ILLUSTRATION

COOLING SYSTEM

500-0767 RADIATOR & MOUNTING GP (contd.)

i07718950



GRAPHIC #1

<END>

g06445635

COOLING SYSTEM

500-3146 RADIATOR & MOUNTING GP

S/N: TH41-UP; TH9152-UP

PART OF 518-5880, 518-5955, 523-1977 INSTALLATION AR-ENGINE
AN ATTACHMENT

SMCS-1353

i07509570

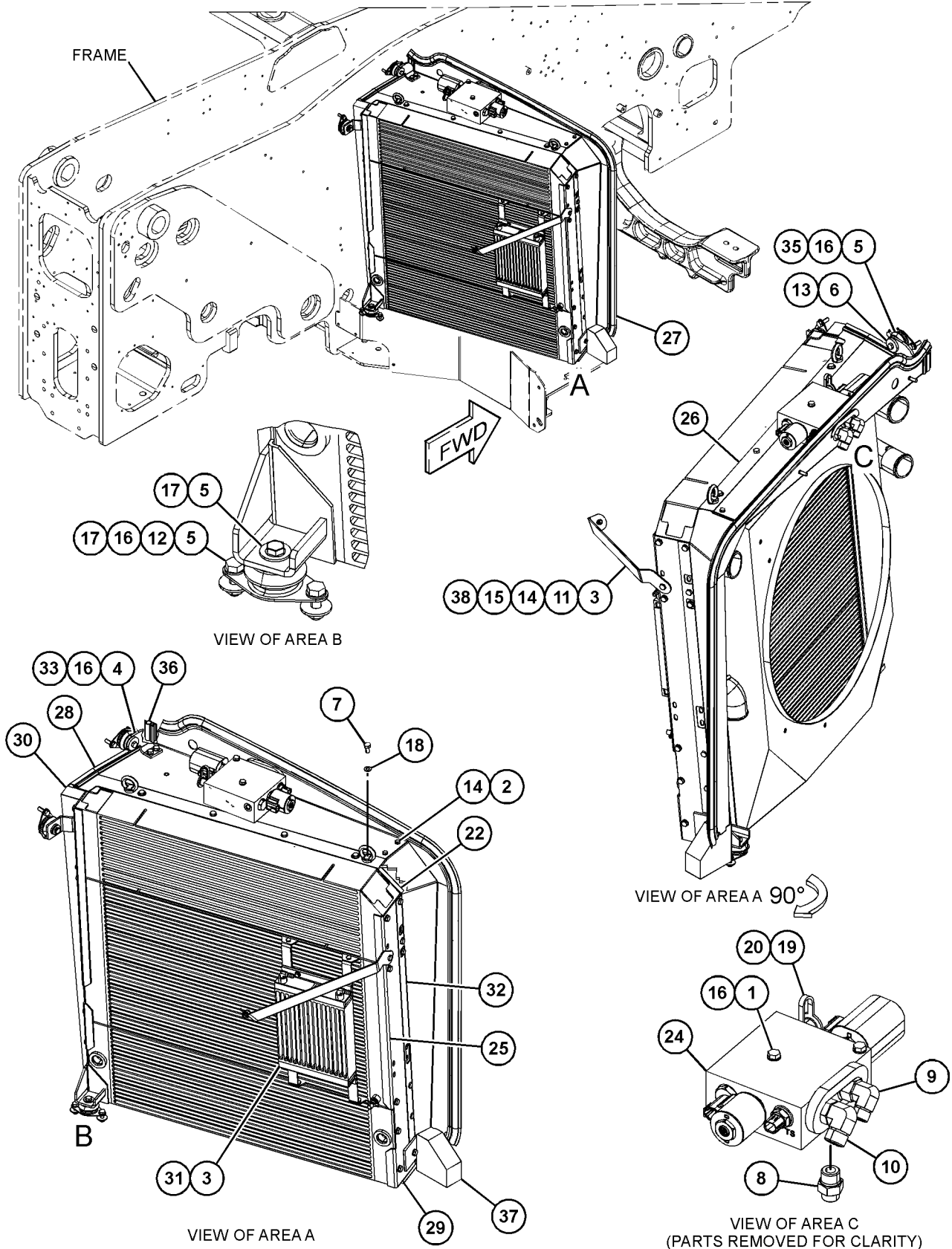
NOTE	REF NO	GRAPHIC REF	PART NUMBER	QTY	PART NAME						SEE PAGE
					1	2	3	4	5	6 (PRODUCT LEVEL)	
M	1	1	096-5866	2	BOLT (M8X1.25X75-MM)						
M	2	1	8T-4970	2	BOLT (M6X1X14-MM)						
M	3	1	5C-9553	5	BOLT (M6X1X16-MM)						
M	4	1	8T-4189	2	BOLT (M8X1.25X20-MM)						
M	5	1	8T-4908	11	BOLT (M8X1.25X25-MM)						
M	6	1	8T-7547	1	BOLT (M8X1.25X30-MM)						
M	7	1	8T-4137	2	BOLT (M10X1.5X20-MM)						
	8	1	298-0464	2	FITTING-ADAPTER						
	9	1	298-0475	1	FITTING-ADAPTER						
	10	1	300-6096	1	FITTING						
M	11	1	5C-2890	1	NUT (M6X1-THD)						
M	12	1	5C-7261	4	NUT (M8X1.25-THD)						
	13	1	7X-0632	1	WASHER-HARD (11X36X6-MM THK)						
	14	1	8T-4205	3	WASHER-HARD (7.2X14.5X2-MM THK)						
	15	1	5Y-2425	1	WASHER (6.5X17.5X1.5-MM THK)						
	16	1	8T-4224	12	WASHER-HARD (8.8X16X2-MM THK)						
	17	1	309-3997	7	WASHER (8.4X25X2-MM THK)						
	18	1	8T-4121	2	WASHER-HARD (11X21X2.5-MM THK)						
	19	1	164-5567	1	COUPLER AS-QUICK DISCONNECT (MALE)						
		1	6V-3965	1	FITTING (QUICK DISCONNECT)						
		1	214-7568	1	SEAL-O-RING						
	20	1	6V-0852	1	CAP-DUST						
	22	1	498-5771	1	STRAP						
C	24	1	560-4755	1	VALVE GP-MOTOR CONTROL						
Y	25	1	500-3149	1	RADIATOR & HYD OIL COOLER GP						243
	26	1	564-7750	1	PLATE AS						
	27	1	499-7135	1	SEAL						
	28	1	500-0770	1	SEAL						
	29	1	500-0771	1	SEAL						
	30	1	500-0772	1	SEAL						
	31	1	500-3151	1	COOLER GP-FUEL						
		1	510-8414	1	COOLER						
		1	510-8420	2	BRACKET						
	32	1	500-0775	1	PLATE AS						
	33	1	500-0781	1	PLATE						
	35	1	500-0786	1	MOUNT						
	36	1	499-8472	1	SEAL						
	37	1	499-8473	1	SEAL						
	38	1	500-0952	1	PLATE						

C - CHANGE FROM PREVIOUS TYPE
M - METRIC PART
Y - SEPARATE ILLUSTRATION

COOLING SYSTEM

500-3146 RADIATOR & MOUNTING GP (contd.)

i07509570



GRAPHIC #1

<END>

g06355001

COOLING SYSTEM

515-9703 RADIATOR & MOUNTING GP

S/N: TH41-UP; TH91-151

FIELD REPLACEMENT ORDER 500-0767-PAGE: 246

PART OF 518-5879, 523-2012 INSTALLATION AR-ENGINE
AN ATTACHMENT

SMCS-1353

i06893860

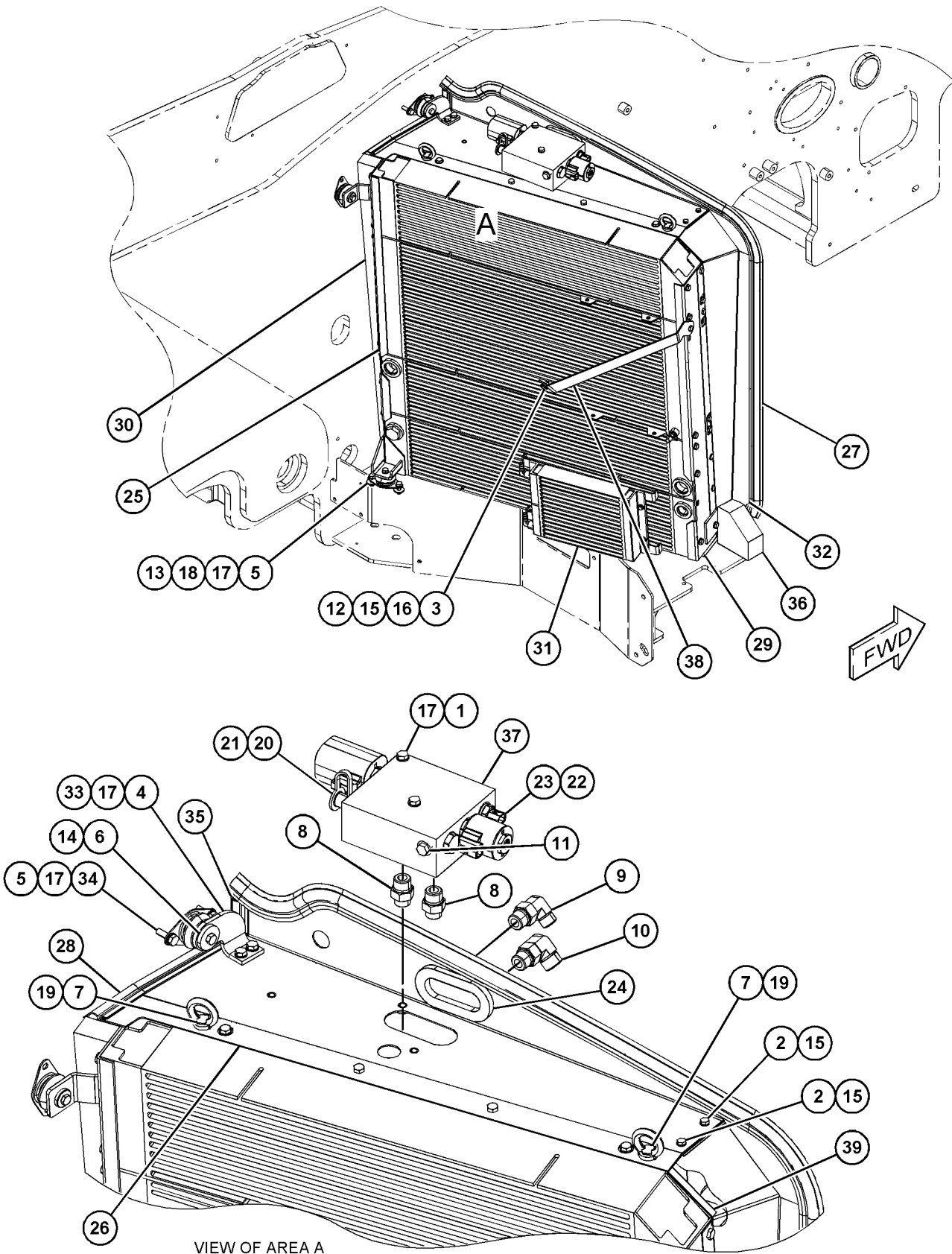
NOTE	REF NO	GRAPHIC REF	PART NUMBER	QTY	PART NAME						SEE PAGE
					1	2	3	4	5	6 (PRODUCT LEVEL)	
M	1	1	096-5866	2	BOLT (M8X1.25X75-MM)						
M	2	1	8T-4970	2	BOLT (M6X1X14-MM)						
M	3	1	5C-9553	1	BOLT (M6X1X16-MM)						
M	4	1	8T-4189	2	BOLT (M8X1.25X20-MM)						
M	5	1	8T-4908	6	BOLT (M8X1.25X25-MM)						
M	6	1	8T-7547	1	BOLT (M8X1.25X30-MM)						
M	7	1	8T-4137	2	BOLT (M10X1.5X20-MM)						
	8	1	298-0464	2	FITTING-ADAPTER						
	9	1	298-0475	1	FITTING-ADAPTER						
	10	1	300-6096	1	FITTING						
	11	1	337-9647	1	PLUG						
M	12	1	5C-2890	1	NUT (M6X1-THD)						
M	13	1	5C-7261	4	NUT (M8X1.25-THD)						
	14	1	7X-0632	1	WASHER-HARD (11X36X6-MM THK)						
	15	1	8T-4205	3	WASHER-HARD (7.2X14.5X2-MM THK)						
	16	1	5W-1417	1	WASHER (6.4X18X1.6-MM THK)						
	17	1	8T-4224	10	WASHER-HARD (8.8X16X2-MM THK)						
	18	1	309-3997	4	WASHER (8.4X25X2-MM THK)						
	19	1	8T-4121	2	WASHER-HARD (11X21X2.5-MM THK)						
	20	1	<i>164-5567</i>	1	COUPLER AS-QUICK DISCONNECT (MALE)						
		1	6V-3965	1	FITTING (QUICK DISCONNECT)						
		1	214-7568	1	SEAL-O-RING						
	21	1	6V-0852	1	CAP-DUST						
	22	1	8T-7524	1	SEAL-O-RING						
	23	1	256-6454	1	SENSOR-TEMPERATURE (2-PIN)						
	24	1	397-4750	1	SEAL						
Y	25	1	500-0768	1	RADIATOR & HYD OIL COOLER GP						241
	26	1	500-0769	1	PLATE AS						
	27	1	499-7135	1	SEAL						
	28	1	500-0770	1	SEAL						
	29	1	500-0771	1	SEAL						
	30	1	500-0772	1	SEAL						
	31	1	500-0773	1	COOLER AS-FUEL						
	32	1	500-0775	1	PLATE AS						
	33	1	500-0781	1	PLATE						
	34	1	500-0786	1	MOUNT						
	35	1	499-8472	1	SEAL						
	36	1	499-8473	1	SEAL						
	37	1	504-1315	1	VALVE GP-SOLENOID & RELIEF						
	38	1	500-0952	1	PLATE						
	39	1	498-5771	1	STRAP						

M - METRIC PART
Y - SEPARATE ILLUSTRATION

COOLING SYSTEM

515-9703 RADIATOR & MOUNTING GP (contd.)

106893860



GRAPHIC #1

<END>

g06162020

COOLING SYSTEM

515-9726 RADIATOR & MOUNTING GP

S/N: TH91-151; JKT1-UP

PART OF 518-5880, 518-5955, 523-1977 INSTALLATION AR-ENGINE
AN ATTACHMENT

SMCS-1353

i06893918

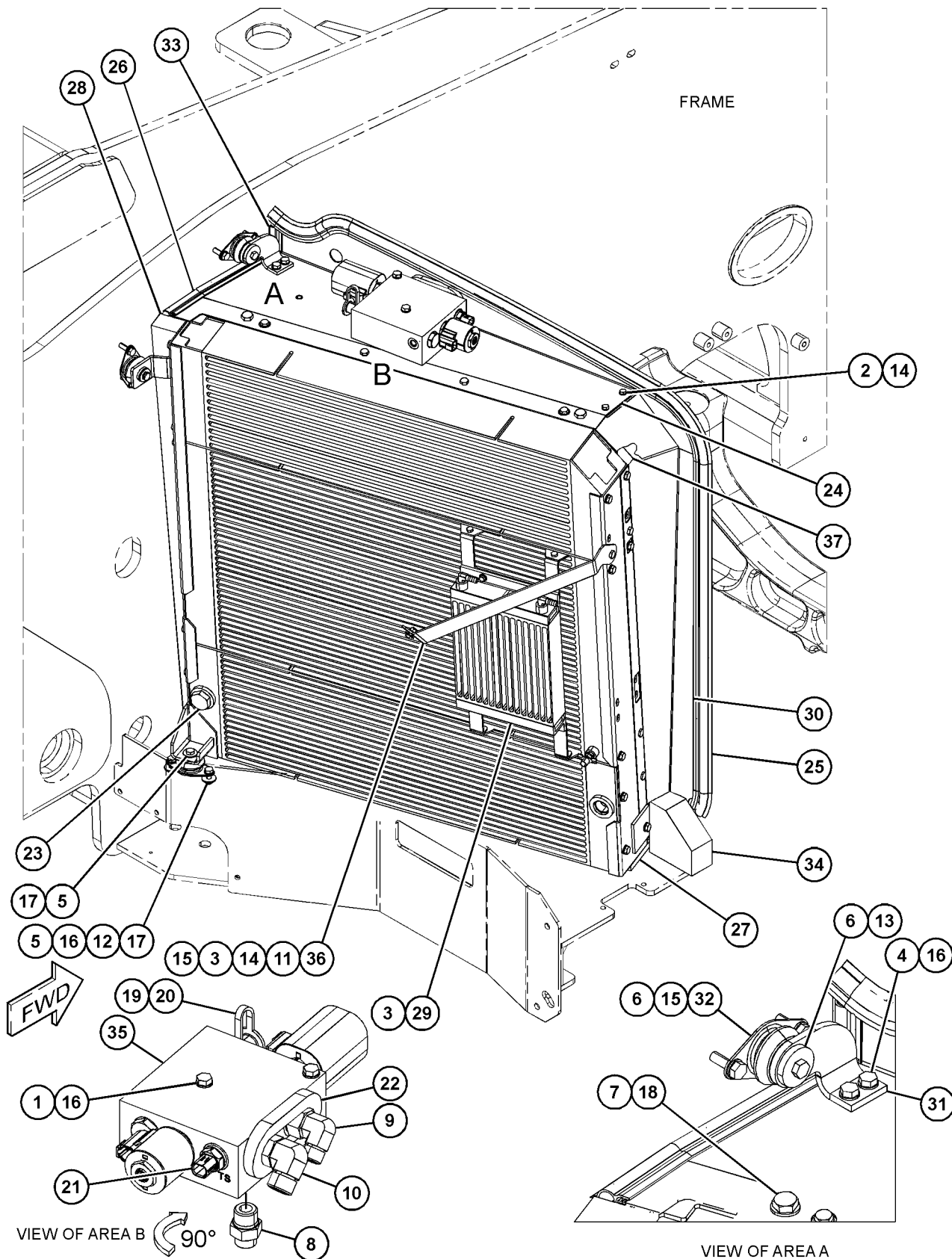
NOTE	REF NO	GRAPHIC REF	PART NUMBER	QTY	PART NAME						SEE PAGE
					1	2	3	4	5	6 (PRODUCT LEVEL)	
M	1	1	096-5866	2	BOLT (M8X1.25X75-MM)						
M	2	1	8T-4970	2	BOLT (M6X1X14-MM)						
M	3	1	5C-9553	5	BOLT (M6X1X16-MM)						
M	4	1	8T-4189	2	BOLT (M8X1.25X20-MM)						
M	5	1	8T-4908	11	BOLT (M8X1.25X25-MM)						
M	6	1	8T-7547	1	BOLT (M8X1.25X30-MM)						
M	7	1	8T-4137	2	BOLT (M10X1.5X20-MM)						
	8	1	298-0464	2	FITTING-ADAPTER						
	9	1	298-0475	1	FITTING-ADAPTER						
	10	1	300-6096	1	FITTING						
M	11	1	5C-2890	1	NUT (M6X1-THD)						
M	12	1	5C-7261	4	NUT (M8X1.25-THD)						
	13	1	7X-0632	1	WASHER-HARD (11X36X6-MM THK)						
	14	1	8T-4205	3	WASHER-HARD (7.2X14.5X2-MM THK)						
	15	1	5W-1417	1	WASHER (6.4X18X1.6-MM THK)						
	16	1	8T-4224	12	WASHER-HARD (8.8X16X2-MM THK)						
	17	1	309-3997	7	WASHER (8.4X25X2-MM THK)						
	18	1	8T-4121	2	WASHER-HARD (11X21X2.5-MM THK)						
	19	1	164-5567	1	COUPLER AS-QUICK DISCONNECT (MALE)						
		1	6V-3965	1	FITTING (QUICK DISCONNECT)						
		1	214-7568	1	SEAL-O-RING						
	20	1	6V-0852	1	CAP-DUST						
	21	1	256-6454	1	SENSOR-TEMPERATURE (2-PIN) (COOLANT)						
	22	1	397-4750	1	SEAL						
Y	23	1	500-3149	1	RADIATOR & HYD OIL COOLER GP						243
	24	1	500-0769	1	PLATE AS						
	25	1	499-7135	1	SEAL						
	26	1	500-0770	1	SEAL						
	27	1	500-0771	1	SEAL						
	28	1	500-0772	1	SEAL						
	29	1	500-3151	1	COOLER GP-FUEL						
		1	510-8414	1	COOLER						
		1	510-8420	2	BRACKET						
	30	1	500-0775	1	PLATE AS						
	31	1	500-0781	1	PLATE						
	32	1	500-0786	1	MOUNT						
	33	1	499-8472	1	SEAL						
	34	1	499-8473	1	SEAL						
Y	35	1	504-1315	1	VALVE GP-SOLENOID & RELIEF (FAN)						975
	36	1	500-0952	1	PLATE						
	37	1	498-5771	1	STRAP						

M - METRIC PART
Y - SEPARATE ILLUSTRATION

COOLING SYSTEM

515-9726 RADIATOR & MOUNTING GP (contd.)

i06893918



GRAPHIC #1

<END>

g06180817

COOLING SYSTEM

495-9896 TANK GP-COOLANT

S/N: TH41-UP; TH91-UP; JKT1-UP

4.3-LITER (1.1-US GAL)

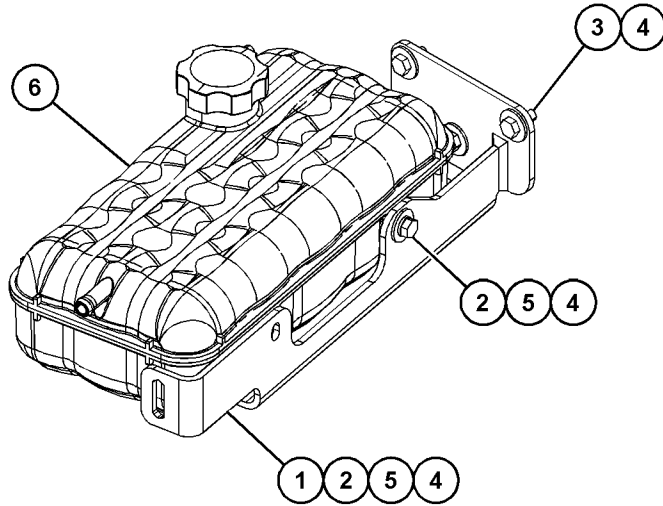
PART OF 518-5879, 518-5880, 518-5955, 523-1977, 523-2012 INSTALLATION AR-ENGINE
AN ATTACHMENT

SMCS-1354, 1377

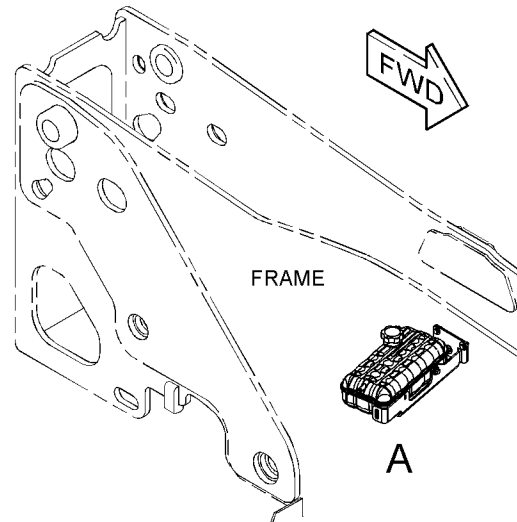
i06823053

NOTE	REF NO	GRAPHIC REF	PART NUMBER	QTY	PART NAME						SEE PAGE
					1	2	3	4	5	6 (PRODUCT LEVEL)	
	1	1	485-1681	1	BRACKET AS						
M	2	1	8T-4200	3	BOLT (M8X1.25X16-MM)						
M	3	1	8T-4189	3	BOLT (M8X1.25X20-MM)						
	4	1	309-3997	6	WASHER (8.4X25X2-MM THK)						
	5	1	298-7387	3	LOCKWASHER						
	6	1	247-1385	1	TANK GP-COOLANT						
		1	251-3227	1	CAP AS-COOLANT TANK (RADIATOR)						

M - METRIC PART



VIEW OF AREA A



GRAPHIC #1

<END>

g06131105

AIR INLET AND EXHAUST SYSTEM

499-9420 AIR CLEANER GP

S/N: TH41-UP; TH91-UP

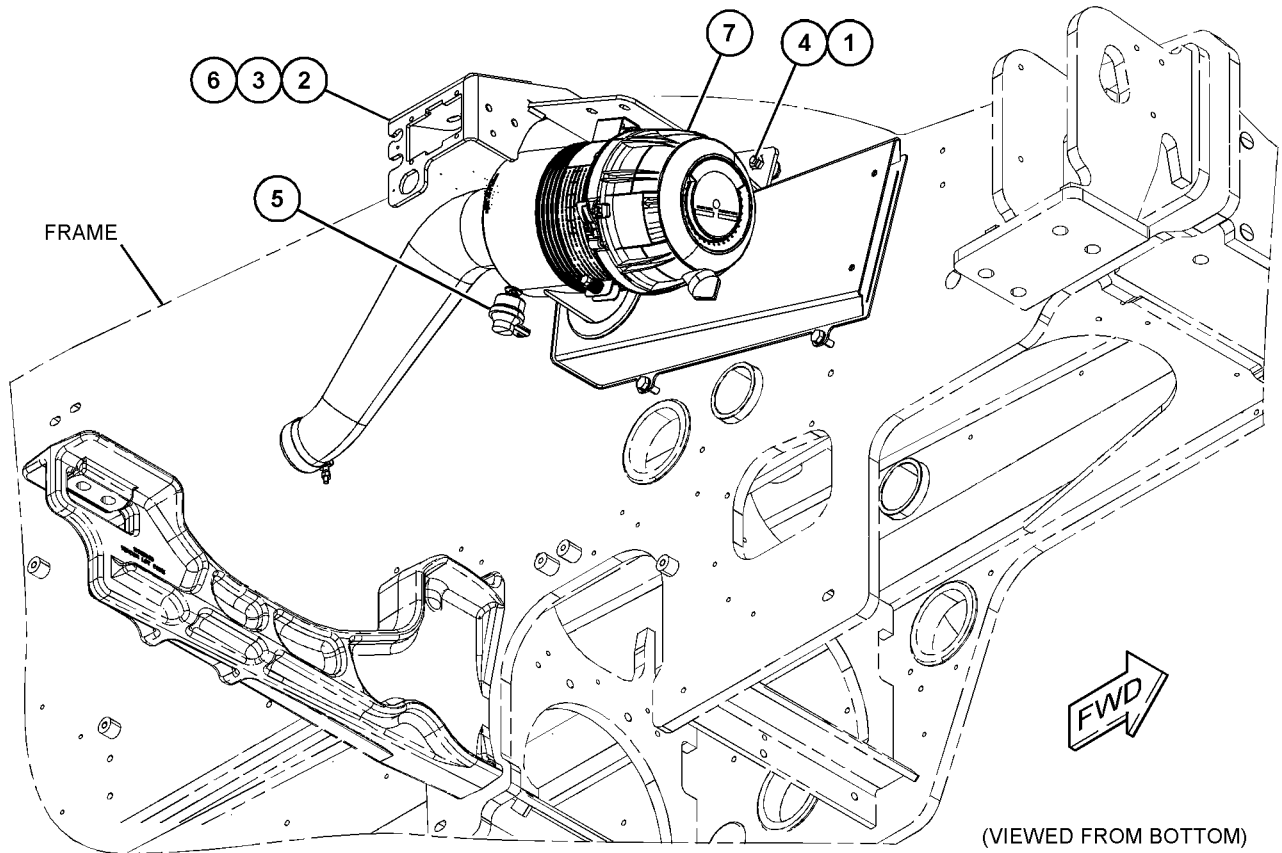
PART OF 518-5879, 523-2012 INSTALLATION AR-ENGINE
AN ATTACHMENT

SMCS-1051, 1054

i07228605

NOTE	REF NO	GRAPHIC REF	PART NUMBER	QTY	PART NAME						SEE PAGE
					1	2	3	4	5	6 (PRODUCT LEVEL)	
M	1	1	8T-4186	3	BOLT (M10X1.5X40-MM)						
M	2	1	8T-4189	2	BOLT (M8X1.25X20-MM)						
	3	1	309-3997	2	WASHER (8.4X25X2-MM THK)						
	4	1	116-8517	3	WASHER (10.5X30X2.5-MM THK)						
	5	1	477-0663	1	INDICATOR (CUTOFF)						
	6	1	548-8995	1	BRACKET AS						
	7	1	473-1346	1	AIR CLEANER GP						
		1	472-1148	1	ELEMENT (SECONDARY)						
		1	472-1149	1	ELEMENT (PRIMARY)						
		1	474-9465	1	COVER						
		1	474-9466	1	BRACKET AS						

M - METRIC PART



GRAPHIC #1

<END>

g06045204

AIR INLET AND EXHAUST SYSTEM

500-3159 AIR CLEANER GP-AIR

S/N: TH41-UP; TH91-UP; JKT1-UP

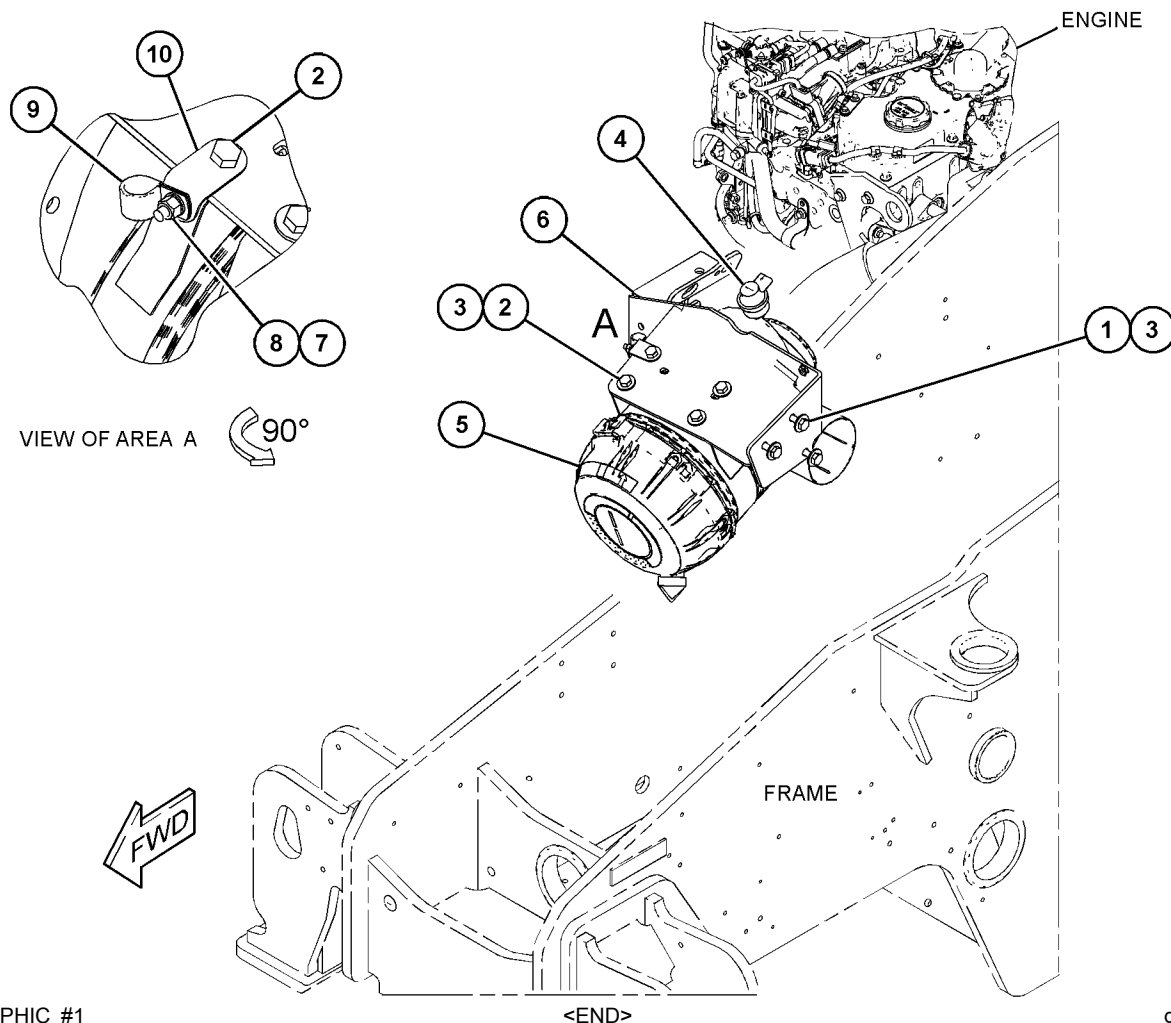
PART OF 518-5880, 518-5955, 523-1977 INSTALLATION AR-ENGINE
AN ATTACHMENT

SMCS-1051, 1054

i07511173

NOTE	REF NO	GRAPHIC REF	PART NUMBER	QTY	PART NAME						SEE PAGE
					1	2	3	4	5	6	
M	1	1	8T-4186	3	BOLT (M10X1.5X40-MM)						
M	2	1	8T-4137	4	BOLT (M10X1.5X20-MM)						
	3	1	116-8517	6	WASHER (10.5X30X2.5-MM THK)						
	4	1	477-0663	1	INDICATOR (CUTOFF)						
	5	1	473-1347	1	AIR CLEANER GP (BASIC)						
		1	473-1344	1	ELEMENT (SECONDARY)						
		1	473-1345	1	ELEMENT (PRIMARY)						
		1	474-3360	1	COVER						
		1	474-3386	2	BRACKET AS						
	6	1	548-8994	1	BRACKET AS						
M	7	1	3T-0852	1	LOCKNUT (M8X1.25-THD)						
	8	1	8T-4224	1	WASHER-HARD (8.8X16X2-MM THK)						
	9	1	495-0013	1	CLAMP						
	10	1	560-1901	1	BRACKET AS						

M - METRIC PART



GRAPHIC #1

g06380341

AIR INLET AND EXHAUST SYSTEM

558-7153 AIR CLEANER GP

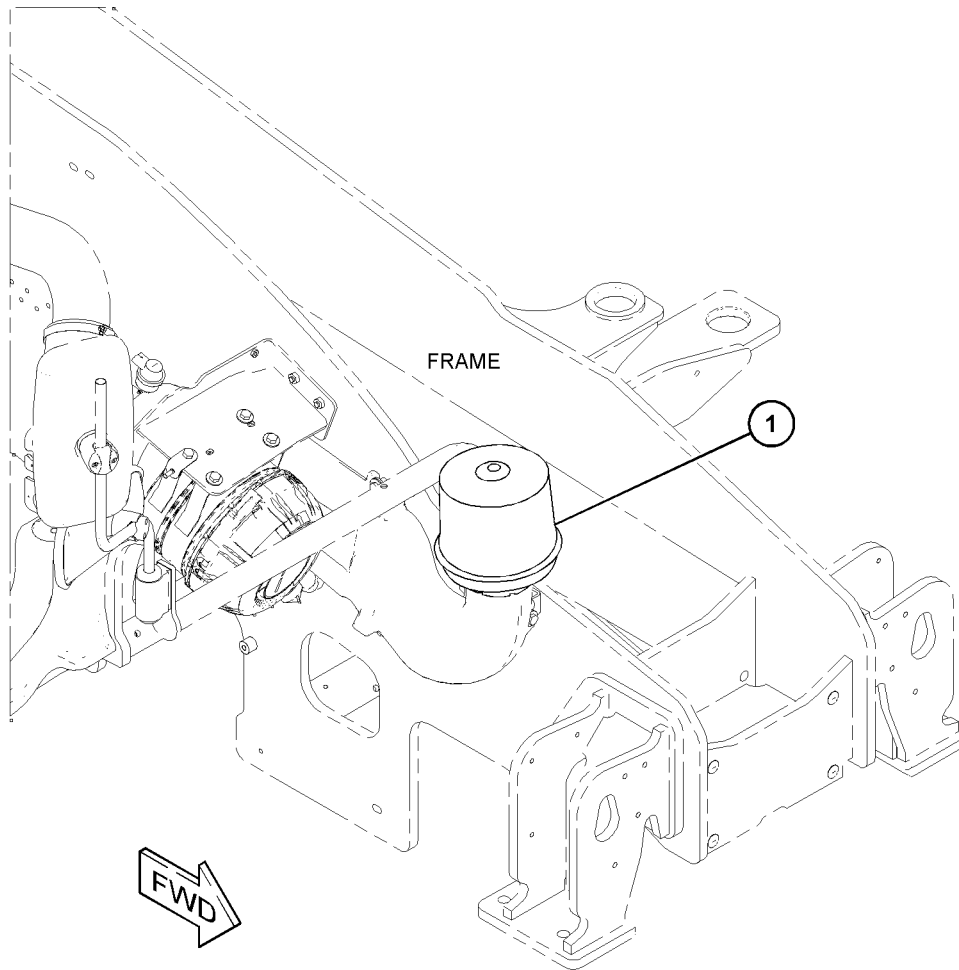
S/N: TH41-UP; TH91-UP

PART OF 590-9758, 590-9759, 590-9760, 590-9761 CONFIGURATION AR
AN ATTACHMENT

SMCS-1051, 1054

i07415183

NOTE	REF NO	GRAPHIC REF	PART NUMBER	QTY	PART NAME						SEE PAGE
					1	2	3	4	5	6 (PRODUCT LEVEL)	
	1	1	314-5631	1	PRECLEANER						



GRAPHIC #1

<END>

g06350789

AIR INLET AND EXHAUST SYSTEM

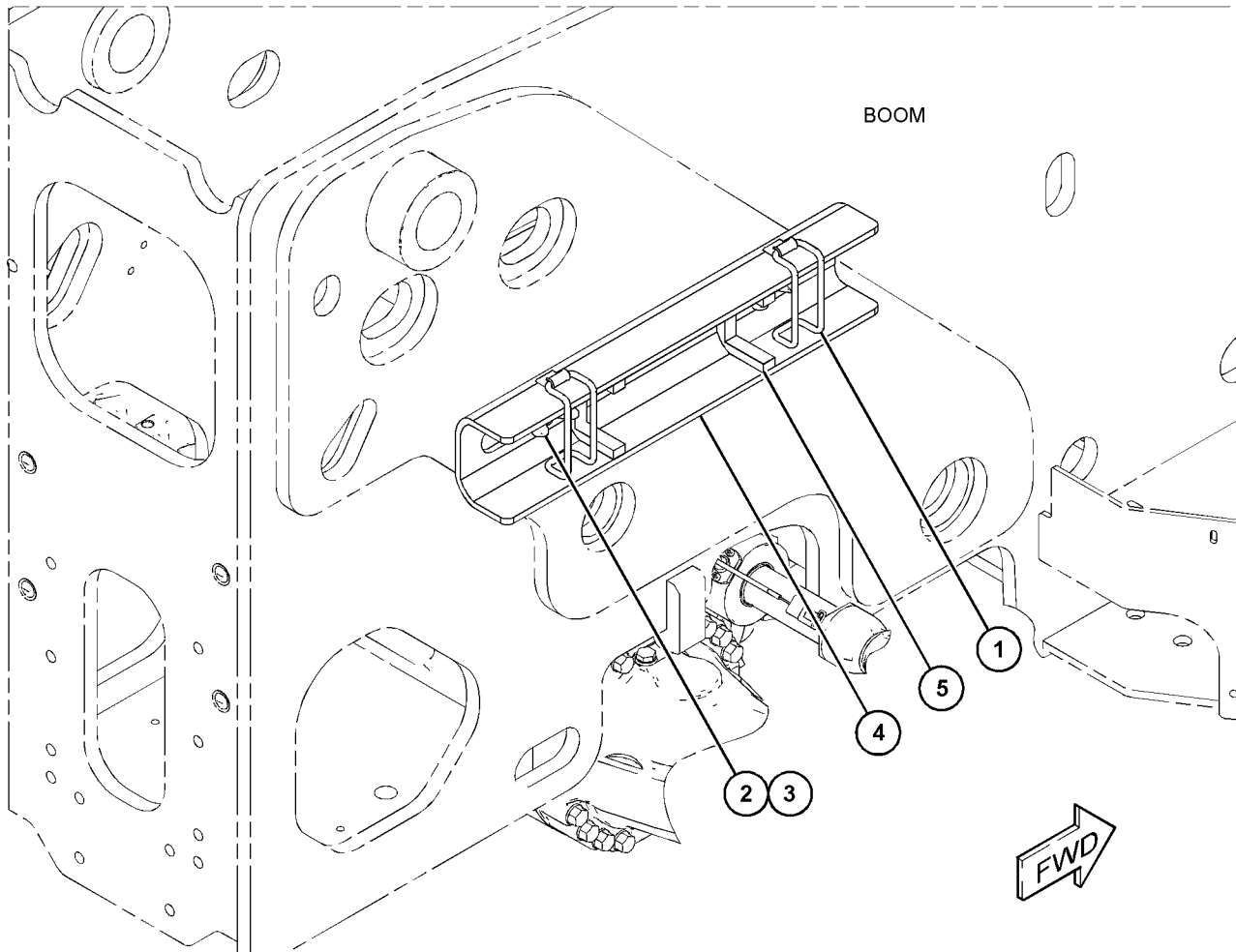
575-8210 BRACKET GP-SUPPORT

S/N: TH41-UP; TH91-UP
AN ATTACHMENT

SMCS-1071, 107P, 7279

i07816929

NOTE	REF NO	GRAPHIC REF	PART NUMBER	QTY	PART NAME						SEE PAGE
					1	2	3	4	5	6 (PRODUCT LEVEL)	
	1	1	329-3624	2	SEAL - O - RING						
	2	1	492-5067	2	NUT - WING						
	3	1	266-5360	2	WASHER (13X37X3-MM THK)						
	4	1	492-5068	1	BRACKET AS						
	5	1	492-5089	2	SEAL						



GRAPHIC #1

<END>

g06472027

AIR INLET AND EXHAUST SYSTEM

356-7409 COOLER & MTG GP-EXHAUST (NRS)

S/N: JKT1-UP

PART OF 464-2307, 464-2308 ENGINE AR-PRIMARY
ALSO AN ATTACHMENT

SMCS-1061, 1087, 108C

i07684756

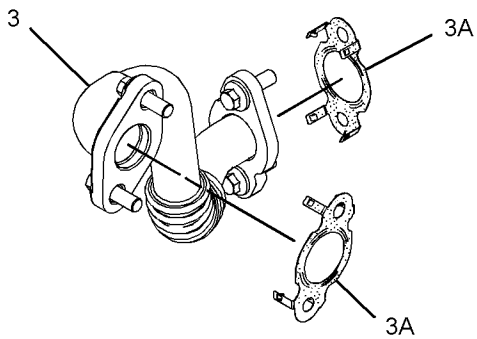
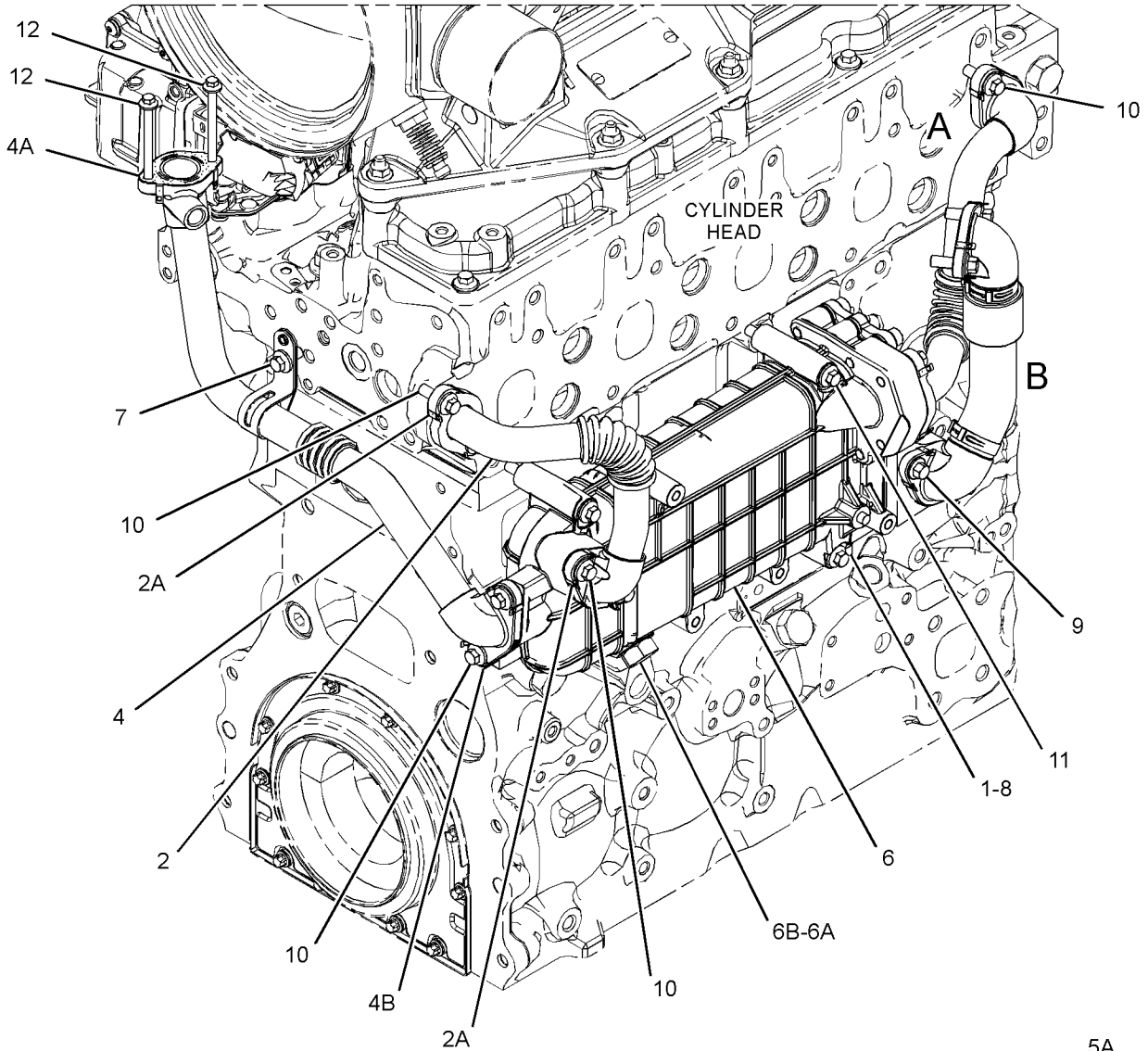
NOTE	REF NO	GRAPHIC REF	PART NUMBER	QTY	PART NAME						SEE PAGE
					1	2	3	4	5	6 (PRODUCT LEVEL)	
	1	1	232-1322	1	PLUG						
	2	1	357-7345	1	PIPE						
	2A	1	360-4066	2	GASKET						
	3	1	357-7346	1	PIPE						
	3A	1	360-4066	2	GASKET						
	4	1	357-7350	1	PIPE						
	4A	1	360-4064	1	GASKET						
	4B	1	360-4065	1	GASKET						
	5	1	371-3354	1	PIPE						
	5A	1	360-4063	2	GASKET						
	6	1	374-6307	1	COOLER						
	6A	1	199-9751	1	SEAL-O-RING						
	6B	1	232-1322	1	PLUG						
M	7	1	124-3815	1	BOLT (M8X1.25X16-MM)						
	8	1	199-9751	1	SEAL-O-RING						
	9	1	375-0351	4	BOLT-SPECIAL						
M	10	1	6I-0260	10	BOLT (M8X1.25X25-MM)						
M	11	1	6I-0293	3	BOLT (M8X1.25X80-MM)						
	12	1	6I-4068	2	BOLT (M6X1X75-MM)						

M - METRIC PART

AIR INLET AND EXHAUST SYSTEM

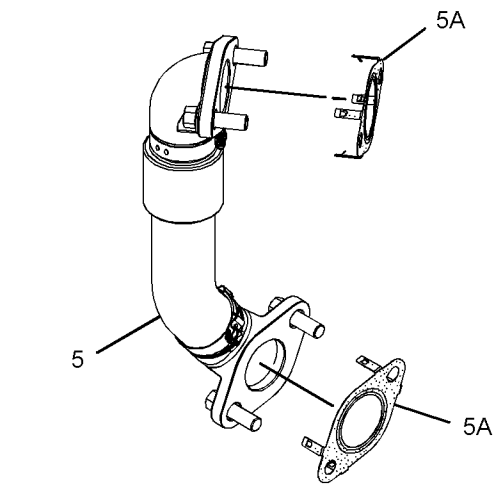
356-7409 COOLER & MTG GP-EXHAUST (NRS) (contd.)

i07684756



GRAPHIC #1

<END>



g02663019

AIR INLET AND EXHAUST SYSTEM

416-9543 ELBOW GP-AIR INLET

S/N: W231-UP

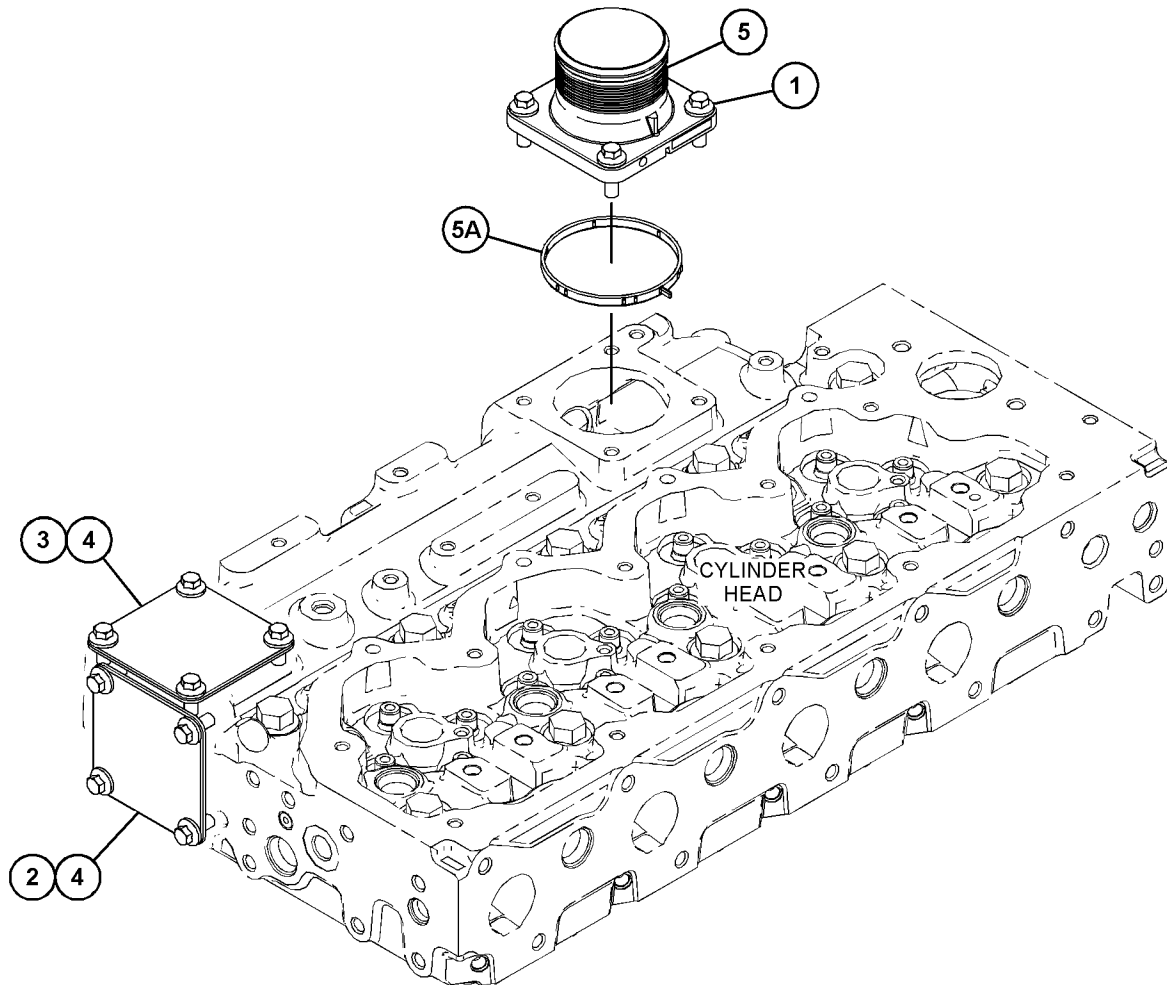
PART OF 463-8848, 463-8910 ENGINE AR-PRIMARY

SMCS-1087

i06174912

NOTE	REF NO	GRAPHIC REF	PART NUMBER	QTY	PART NAME						SEE PAGE
					1	2	3	4	5	6 (PRODUCT LEVEL)	
M	1	1	6I-0260	4	BOLT (M8X1.25X25-MM)						
M	2	1	111-8222	4	BOLT (M8X1.25X16-MM)						
M	3	1	124-3815	4	BOLT (M8X1.25X16-MM)						
	4	1	185-6627	2	PLATE						
	5	1	419-3740	1	CONNECTION GP-INLET						
	5A	1	238-8288	1	GASKET-INLET						

M - METRIC PART



GRAPHIC #1

<END>

g03822801

AIR INLET AND EXHAUST SYSTEM

459-3633 ELBOW GP-AIR INLET

S/N: JKT1-UP

12-VOLT

PART OF 464-2307, 464-2308 ENGINE AR-PRIMARY

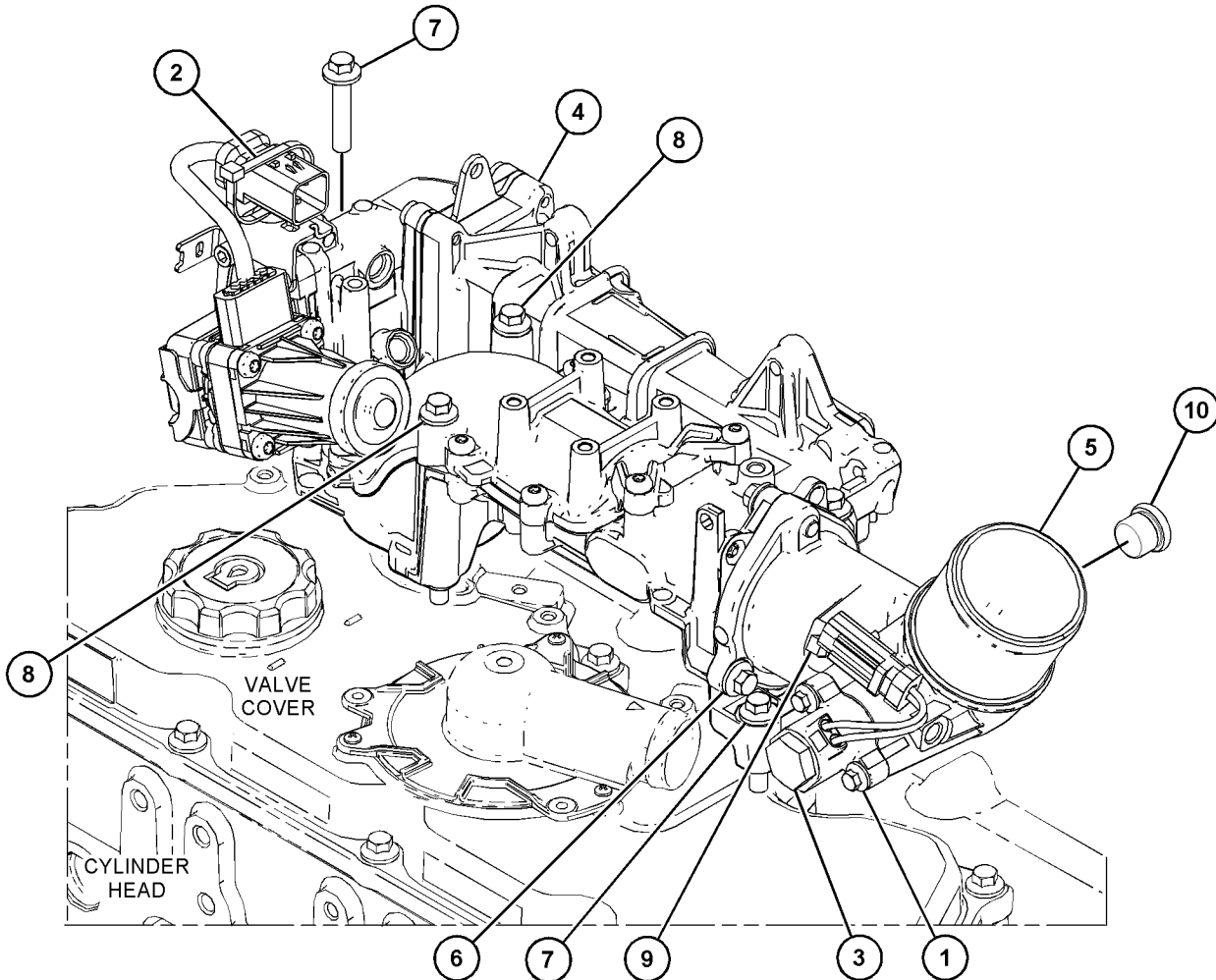
ALSO AN ATTACHMENT

SMCS-1087

i06845958

NOTE	REF NO	GRAPHIC REF	PART NUMBER	QTY	PART NAME						SEE PAGE
					1	2	3	4	5	6 (PRODUCT LEVEL)	
M	1	1	6I-0917	2	BOLT (M6X1X25-MM)						
	2	1	316-9351	1	MOUNTING-CABLE TIE						
	3	1	369-1658	1	SOLENOID (24-VOLT)						
CY	4	1	466-7874	1	VALVE & MOUNTING GP (NRS)						345
	5	1	434-0513	1	PIPE						
M	6	1	6I-0254	3	BOLT (M8X1.25X30-MM)						
M	7	1	6I-1090	2	BOLT (M8X1.25X40-MM)						
M	8	1,1	6I-4709	3	BOLT (M8X1.25X100-MM)						
	9	1	035-8063	1	PLUG						
	10	1	470-4925	1	PLUG						

C - CHANGE FROM PREVIOUS TYPE
M - METRIC PART
Y - SEPARATE ILLUSTRATION



GRAPHIC #1

<END>

g06138874

AIR INLET AND EXHAUST SYSTEM

473-0267 EXHAUST GP

S/N: JKT1-UP

PART OF 464-2308 ENGINE AR-PRIMARY

ALSO AN ATTACHMENT

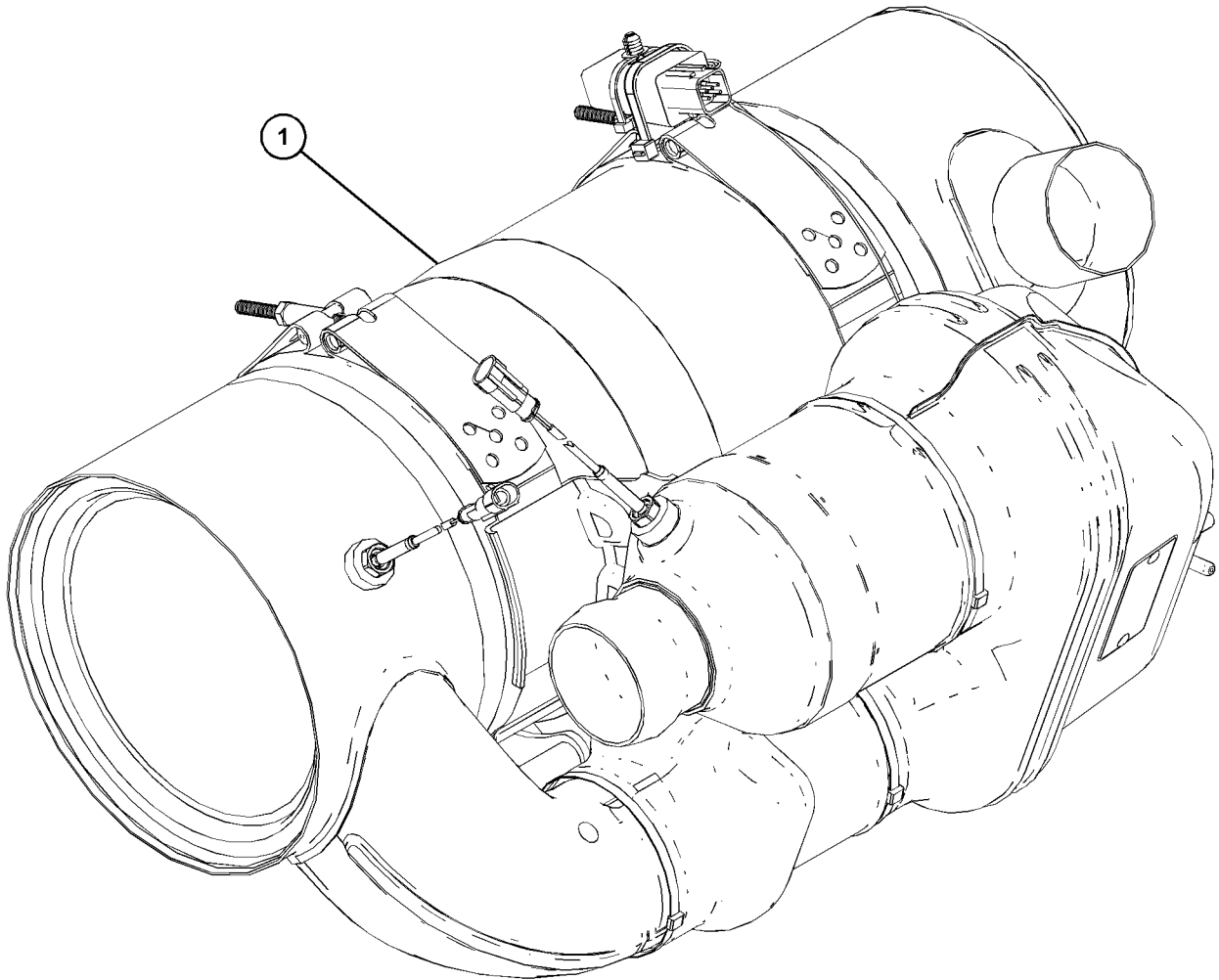
TYPE 1

SMCS-1061, 1062

i07162306

NOTE	REF NO	GRAPHIC REF	PART NUMBER	QTY	PART NAME						SEE PAGE
					1	2	3	4	5	6 (PRODUCT LEVEL)	
Y	1	1	479-6503	1	MODULE AR-CLEAN EMISSIONS						310

Y - SEPARATE ILLUSTRATION



GRAPHIC #1

<END>

g06158572

AIR INLET AND EXHAUST SYSTEM

473-0267 EXHAUST GP

S/N: JKT1-UP

PART OF 464-2308 ENGINE AR-PRIMARY

ALSO AN ATTACHMENT

TYPE 2

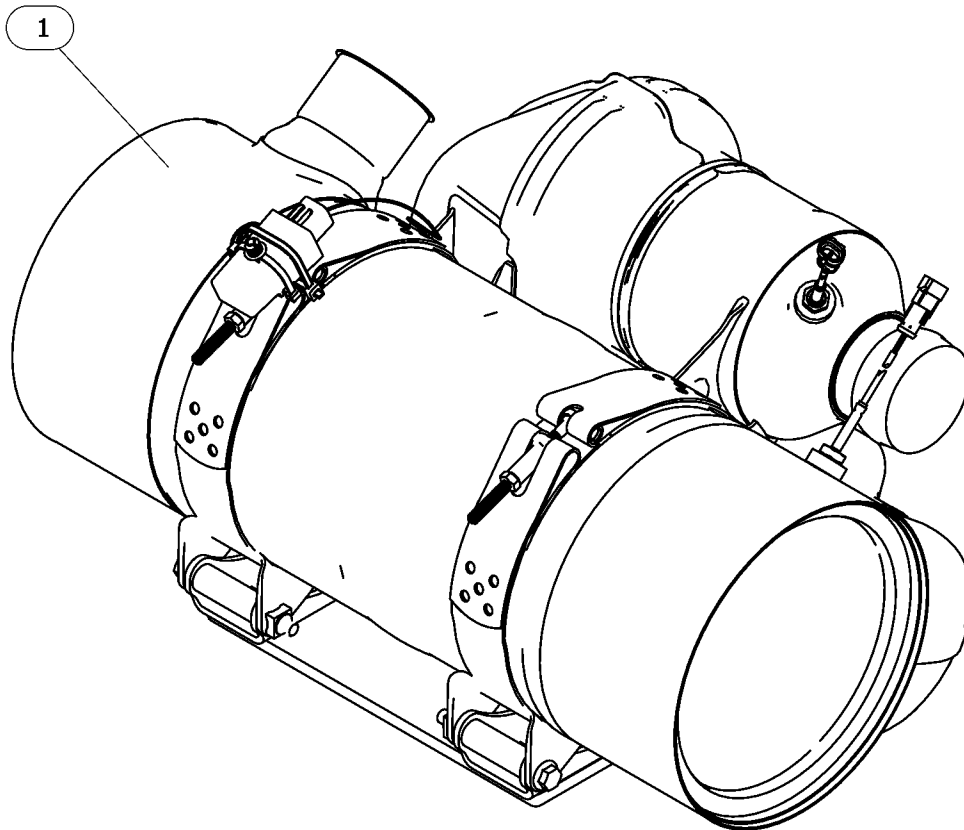
SMCS-1061, 1062

i07991737

NOTE	REF NO	GRAPHIC REF	PART NUMBER	QTY	PART NAME						SEE PAGE
					1	2	3	4	5	6 (PRODUCT LEVEL)	
CY	1	1	471-7018	1	MODULE AR-CLEAN EMISSIONS						309

C - CHANGE FROM PREVIOUS TYPE

Y - SEPARATE ILLUSTRATION



GRAPHIC #1

<END>

g06549007

AIR INLET AND EXHAUST SYSTEM

497-9617 EXHAUST GP-INSTALLATION

S/N: TH41-UP; TH91-UP

PART OF 518-5955, 523-2012 INSTALLATION AR-ENGINE
AN ATTACHMENT

SMCS-1061, 1062

i08054948

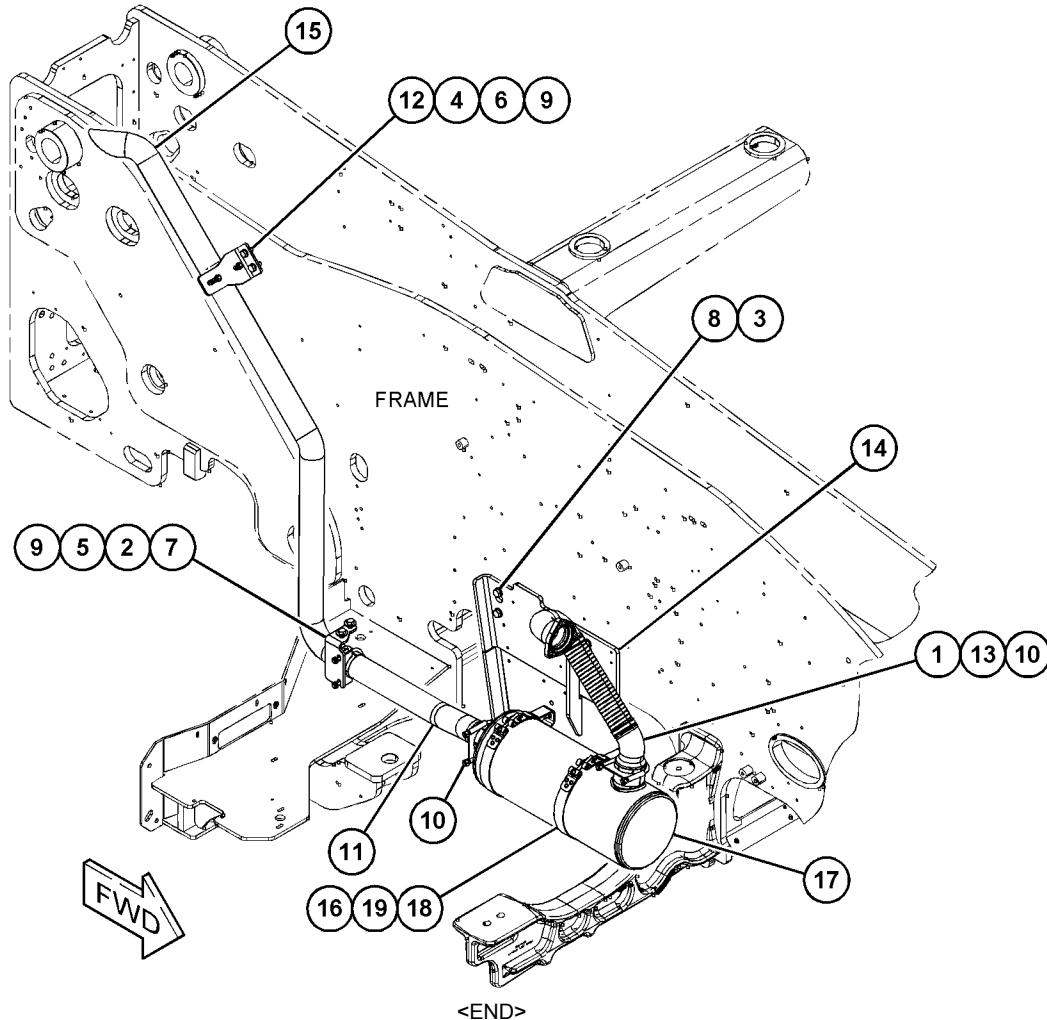
NOTE	REF NO	GRAPHIC REF	PART NUMBER	QTY	PART NAME						SEE PAGE
					1	2	3	4	5	6 (PRODUCT LEVEL)	
	1	1	519-1668	1	TUBE AS						
M	2	1	8T-4195	2	BOLT (M10X1.5X30-MM)						
M	3	1	8T-4139	4	BOLT (M12X1.75X30-MM)						
M	4	1	8T-4136	2	BOLT (M10X1.5X25-MM)						
	5	1	497-9622	1	BRACKET AS						
	6	1	8T-4121	2	WASHER-HARD (11X21X2.5-MM THK)						
	7	1	116-8517	2	WASHER (10.5X30X2.5-MM THK)						
	8	1	8T-4223	4	WASHER-HARD (13.5X25.5X3-MM THK)						
	9	1	331-4387	2	CLAMP						
	10	1	298-0530	2	CLAMP-MUFFLER						
	11	1	497-9621	1	TUBE						
	12	1	497-9620	1	BRACKET						
	13	1	225-8530	1	GASKET						
	14	1	515-9723	1	BRACKET AS						
	15	1	555-7342	1	PIPE-TAIL						
	16	1	8T-4224	4	WASHER-HARD (8.8X16X2-MM THK)						
	17	1	476-5235	1	MUFFLER AS						
	18	1	476-5236	2	CLAMP AS						
M	19	1	8T-7547	4	BOLT (M8X1.25X30-MM)						

M - METRIC PART

AIR INLET AND EXHAUST SYSTEM

497-9617 EXHAUST GP (contd.)

i08054948



GRAPHIC #1

g06562458

AIR INLET AND EXHAUST SYSTEM

442-2325 EXHAUST GP-FLEXIBLE

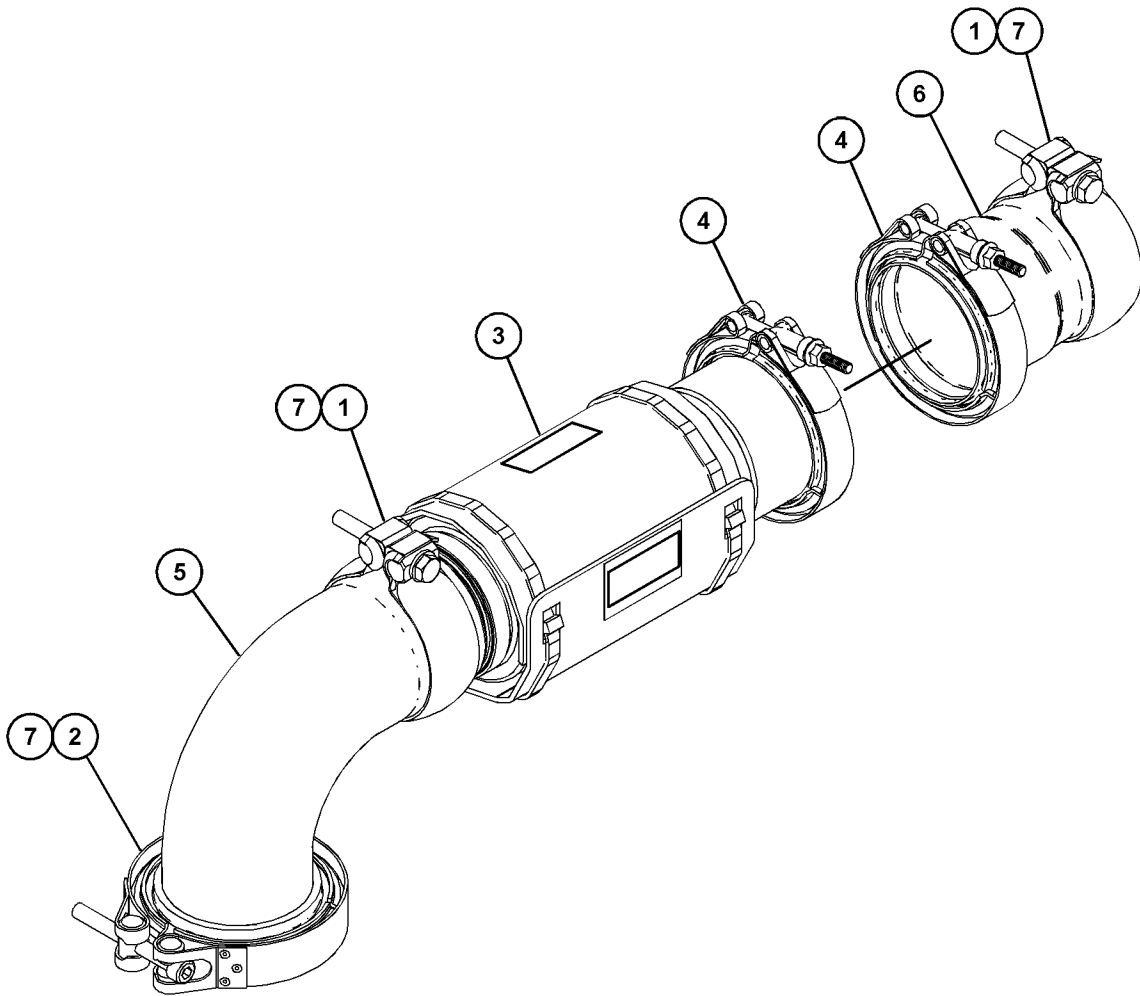
S/N: CN51-UP

PART OF 465-2880 ENGINE AR-PRIMARY
AN ATTACHMENT

SMCS-1061

i06252291

NOTE	REF NO	GRAPHIC REF	PART NUMBER	QTY	PART NAME						SEE PAGE
					1	2	3	4	5	6	
	1	1	359-5885	2	CLAMP AS						
	2	1	367-2071	1	CLAMP						
	3	1	447-3888	1	BELLOWS AS						
	4	1	451-4751	2	CLAMP AS						
	5	1	459-6647	1	ADAPTER AS						
	6	1	459-6656	1	TUBE - EXHAUST						
	7	1	470-0924	1	GASKET AS						



GRAPHIC #1

<END>

g03817816

AIR INLET AND EXHAUST SYSTEM

500-3104 EXTENSION GP-EXHAUST

S/N: TH41-UP; TH91-960

PART OF 518-5880 INSTALLATION AR-ENGINE
AN ATTACHMENT

SMCS-1061

i07434826

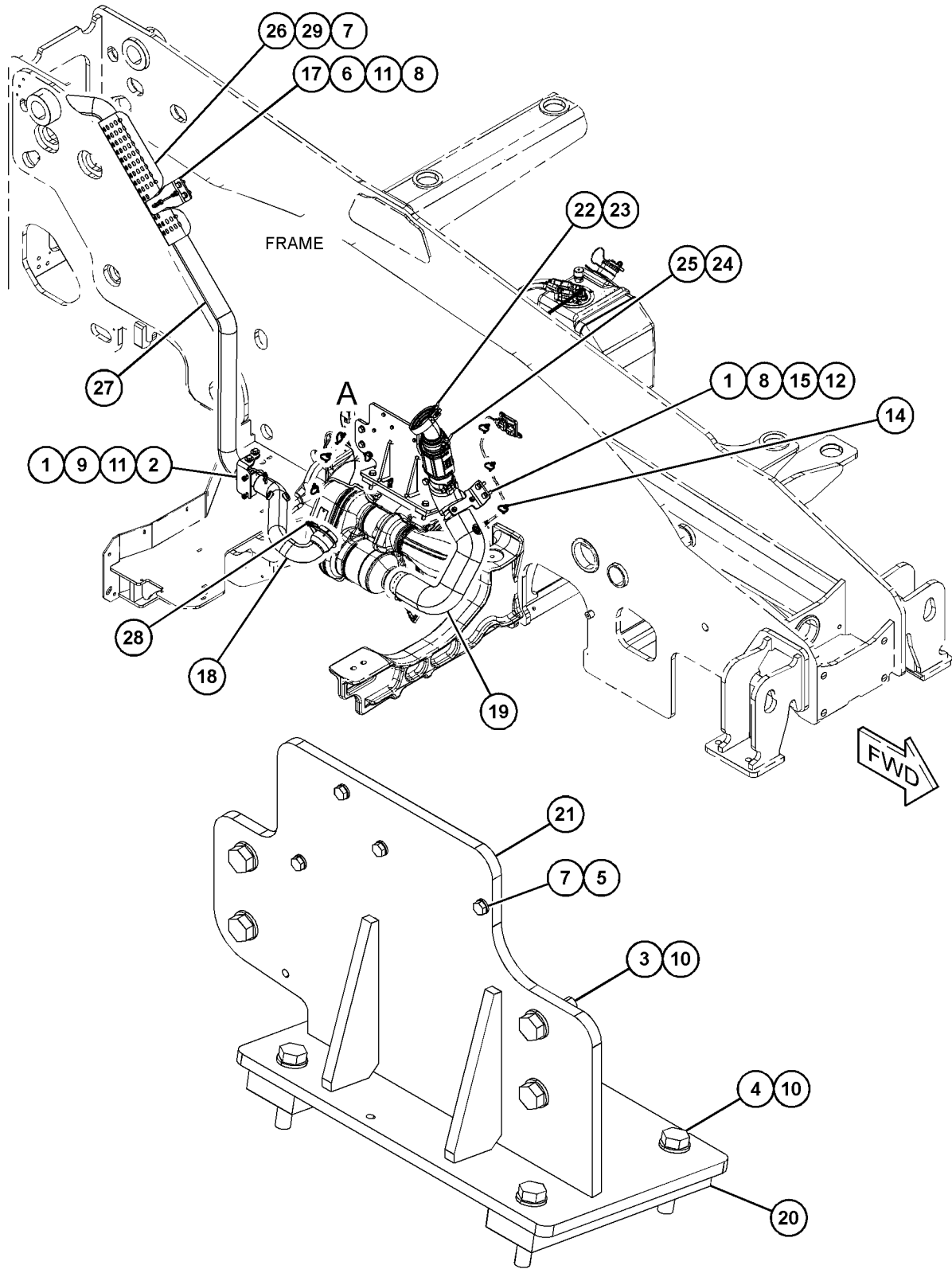
NOTE	REF NO	GRAPHIC REF	PART NUMBER	QTY	PART NAME						SEE PAGE
					1	2	3	4	5	6 (PRODUCT LEVEL)	
M	1	1	8T-4195	4	BOLT (M10X1.5X30-MM)						
	2	1	497-9622	1	BRACKET AS						
M	3	1	8T-4183	4	BOLT (M12X1.75X40-MM)						
M	4	1	8T-4910	4	BOLT (M12X1.75X60-MM)						
M	5	1	8T-4970	4	BOLT (M6X1X14-MM)						
M	6	1	8T-4136	2	BOLT (M10X1.5X25-MM)						
	7	1	8T-4205	10	WASHER-HARD (7.2X14.5X2-MM THK)						
	8	1	8T-4121	4	WASHER-HARD (11X21X2.5-MM THK)						
	9	1	116-8517	2	WASHER (10.5X30X2.5-MM THK)						
	10	1	8T-4223	8	WASHER-HARD (13.5X25.5X3-MM THK)						
	11	1	331-4387	2	CLAMP						
	12	1	298-0530	1	CLAMP-MUFFLER						
	14	1	455-3027	9	TIE-CABLE						
	15	1	500-3311	1	PLATE						
	17	1	497-9620	1	BRACKET						
	18	1	500-3135	1	TUBE AS						
	19	1	500-3136	1	TUBE AS						
	20	1	500-3137	2	PLATE-SPACER						
	21	1	500-3310	1	BRACKET AS						
	22	1	359-5885	2	CLAMP AS						
	23	1	367-2071	1	CLAMP						
	24	1	383-4141	1	ADAPTER AS-EXHAUST						
	25	1	362-9401	1	BELLOWS AS						
		1	034-1432	2	STRAP-CABLE						
		1	337-7304	1	CLAMP-BAND						
	26	1	558-9462	1	PLATE-GUARD						
	27	1	558-9455	1	PIPE-EXHAUST						
	28	1	444-9684	1	CLAMP						
M	29	1	8T-4171	6	BOLT (M6X1X12-MM)						

M - METRIC PART

AIR INLET AND EXHAUST SYSTEM

500-3104 EXTENSION GP-EXHAUST (contd.)

i07434826



VIEW OF AREA A
(PARTS REMOVED FOR CLARITY)

GRAPHIC #1

<END>

g06323567

AIR INLET AND EXHAUST SYSTEM

500-3104 EXTENSION GP-EXHAUST

S/N: TH41-UP; TH9961-UP

PART OF 518-5880 INSTALLATION AR-ENGINE
AN ATTACHMENT

SMCS-1061

i08094151

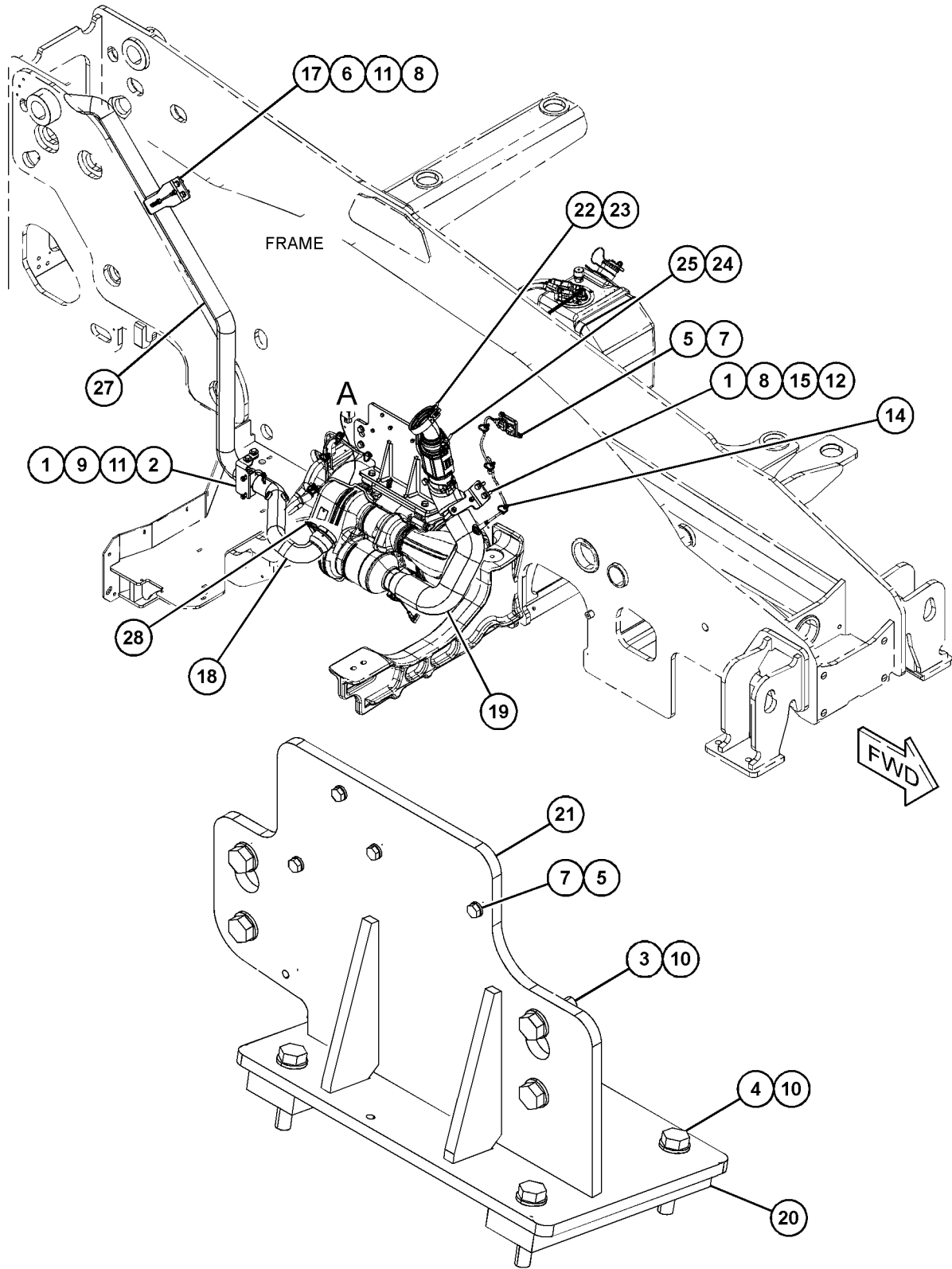
NOTE	REF NO	GRAPHIC REF	PART NUMBER	QTY	PART NAME						SEE PAGE
					1	2	3	4	5	6 (PRODUCT LEVEL)	
M	1	1	8T-4195	4	BOLT (M10X1.5X30-MM)						
	2	1	497-9622	1	BRACKET AS						
M	3	1	8T-4183	4	BOLT (M12X1.75X40-MM)						
M	4	1	8T-4910	4	BOLT (M12X1.75X60-MM)						
CM	5	1	8T-4970	6	BOLT (M6X1X14-MM)						
M	6	1	8T-4136	2	BOLT (M10X1.5X25-MM)						
C	7	1	8T-4205	6	WASHER-HARD (7.2X14.5X2-MM THK)						
	8	1	8T-4121	4	WASHER-HARD (11X21X2.5-MM THK)						
	9	1	116-8517	2	WASHER (10.5X30X2.5-MM THK)						
	10	1	8T-4223	8	WASHER-HARD (13.5X25.5X3-MM THK)						
	11	1	331-4387	2	CLAMP						
	12	1	298-0530	1	CLAMP-MUFFLER						
	14	1	455-3027	9	TIE-CABLE						
	15	1	500-3311	1	PLATE						
	17	1	497-9620	1	BRACKET						
	18	1	500-3135	1	TUBE AS						
	19	1	500-3136	1	TUBE AS						
	20	1	500-3137	2	PLATE-SPACER						
	21	1	500-3310	1	BRACKET AS						
	22	1	359-5885	2	CLAMP AS						
	23	1	367-2071	1	CLAMP						
	24	1	383-4141	1	ADAPTER AS-EXHAUST						
	25	1	362-9401	1	BELLOWS AS						
		1	337-7304	1	CLAMP-BAND						
C	27	1	555-7342	1	PIPE-TAIL						
	28	1	444-9684	1	CLAMP						

C - CHANGE FROM PREVIOUS TYPE
M - METRIC PART

AIR INLET AND EXHAUST SYSTEM

500-3104 EXTENSION GP-EXHAUST (contd.)

i08094151



VIEW OF AREA A
(PARTS REMOVED FOR CLARITY)

GRAPHIC #1

<END>

g06563756

AIR INLET AND EXHAUST SYSTEM

355-5592 FASTENER GP-CEM

S/N: JKT1-UP

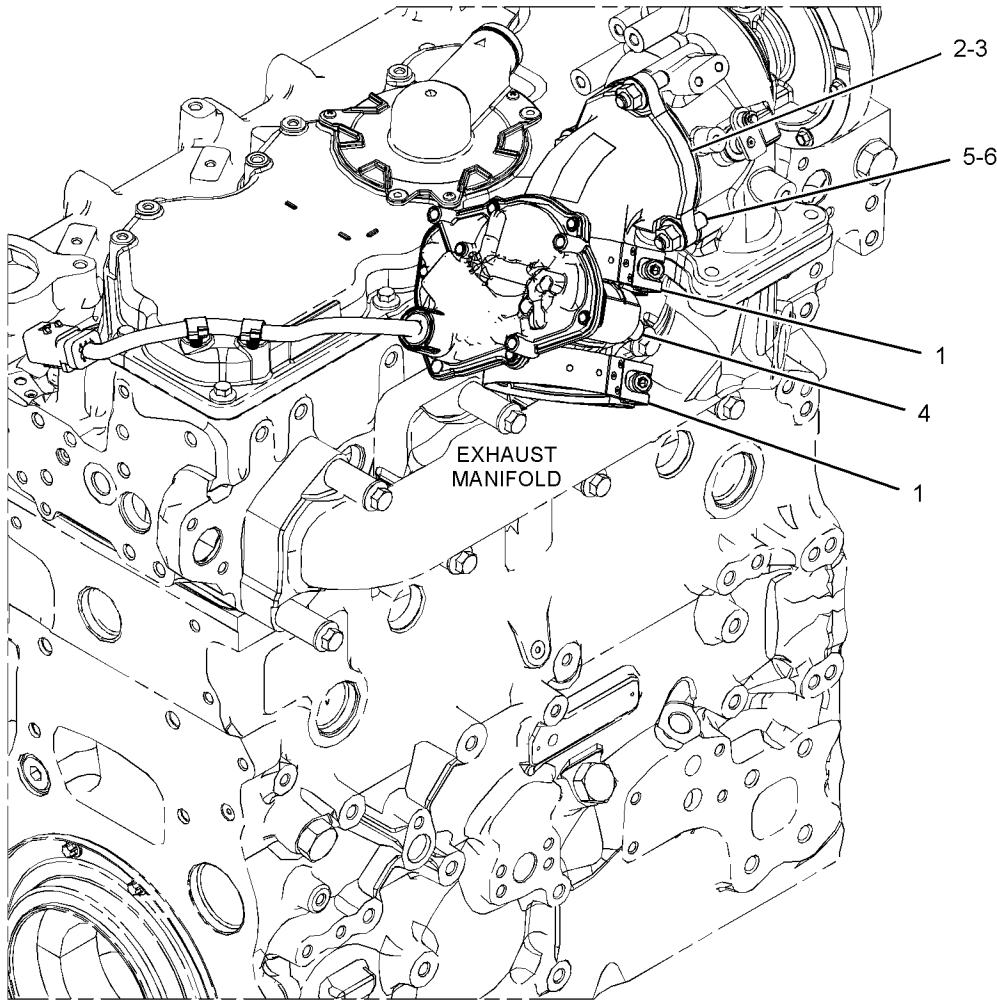
PART OF 464-2307, 464-2308 ENGINE AR-PRIMARY
ALSO AN ATTACHMENT

SMCS-7553

i04630475

NOTE	REF NO	GRAPHIC REF	PART NUMBER	QTY	PART NAME						SEE PAGE
					1	2	3	4	5	6 (PRODUCT LEVEL)	
	1	1	343-5908	2	CLAMP-V BAND						
	2	1	346-6185	1	GASKET						
	3	1	356-8242	1	ELBOW GP						
	4	1	362-9021	1	VALVE-EXHAUST BACK PRESSURE						
M	5	1	147-5553	3	STUD (M10X1.5X40-MM)						
M	6	1	6I-0563	3	NUT (M10X1.5-THD)						

M - METRIC PART



GRAPHIC #1

<END>

g02789633

AIR INLET AND EXHAUST SYSTEM

442-0486 FILTER GP-DIESEL PARTICULATE

S/N: CN51-UP

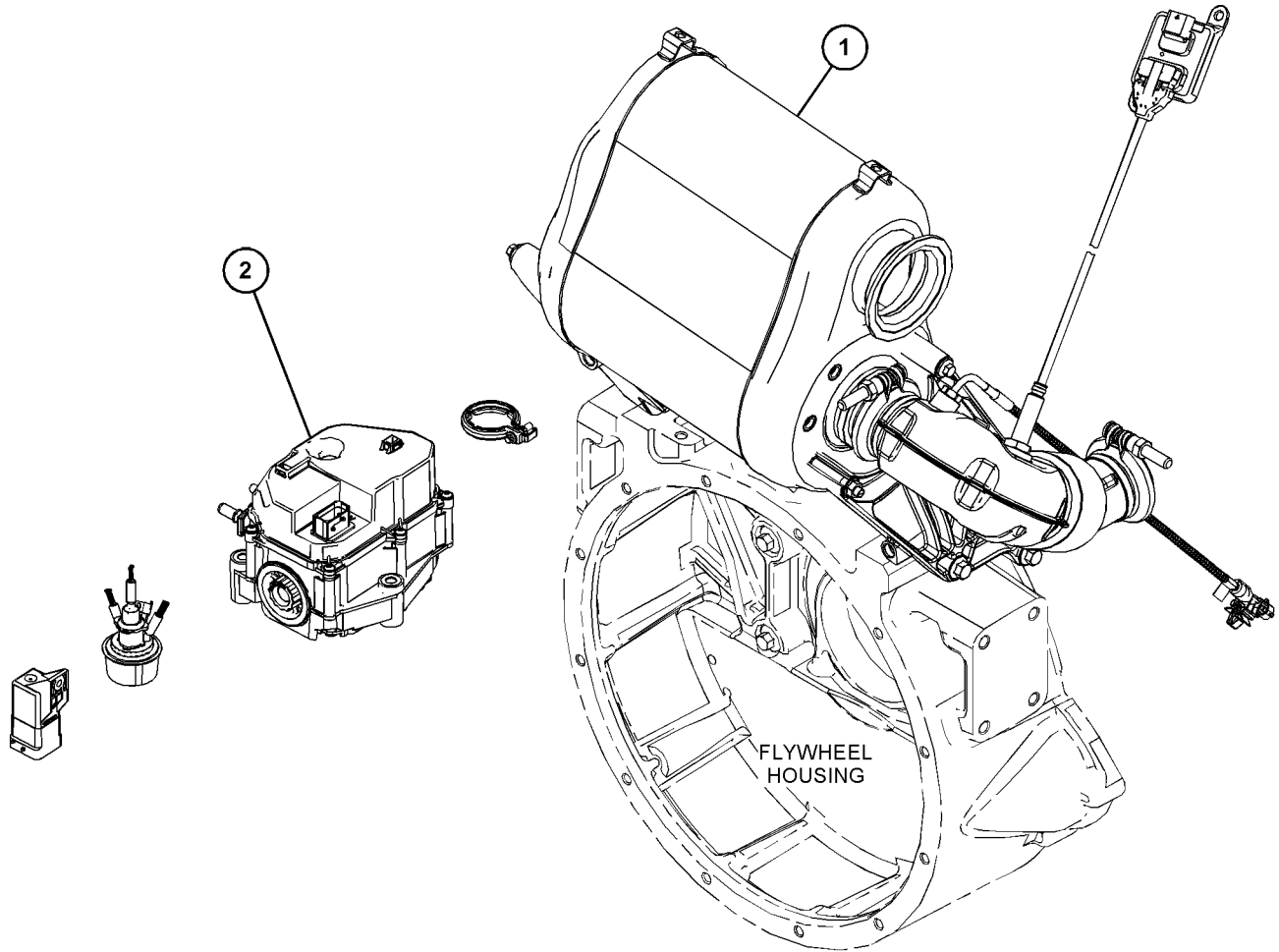
PART OF 465-2880 ENGINE AR-PRIMARY
AN ATTACHMENT

SMCS-108F, 1091

i06277234

NOTE	REF NO	GRAPHIC REF	PART NUMBER	QTY	PART NAME						SEE PAGE
					1	2	3	4	5	6 (PRODUCT LEVEL)	
Y	1	1	464-2121	1	FILTER GP-DIESEL PARTICULATE						279
CY	2	1	470-9781	1	PUMP GP-DIESEL EXHAUST FLUID						326

C - CHANGE FROM PREVIOUS TYPE
Y - SEPARATE ILLUSTRATION



GRAPHIC #1

<END>

g06079836

AIR INLET AND EXHAUST SYSTEM

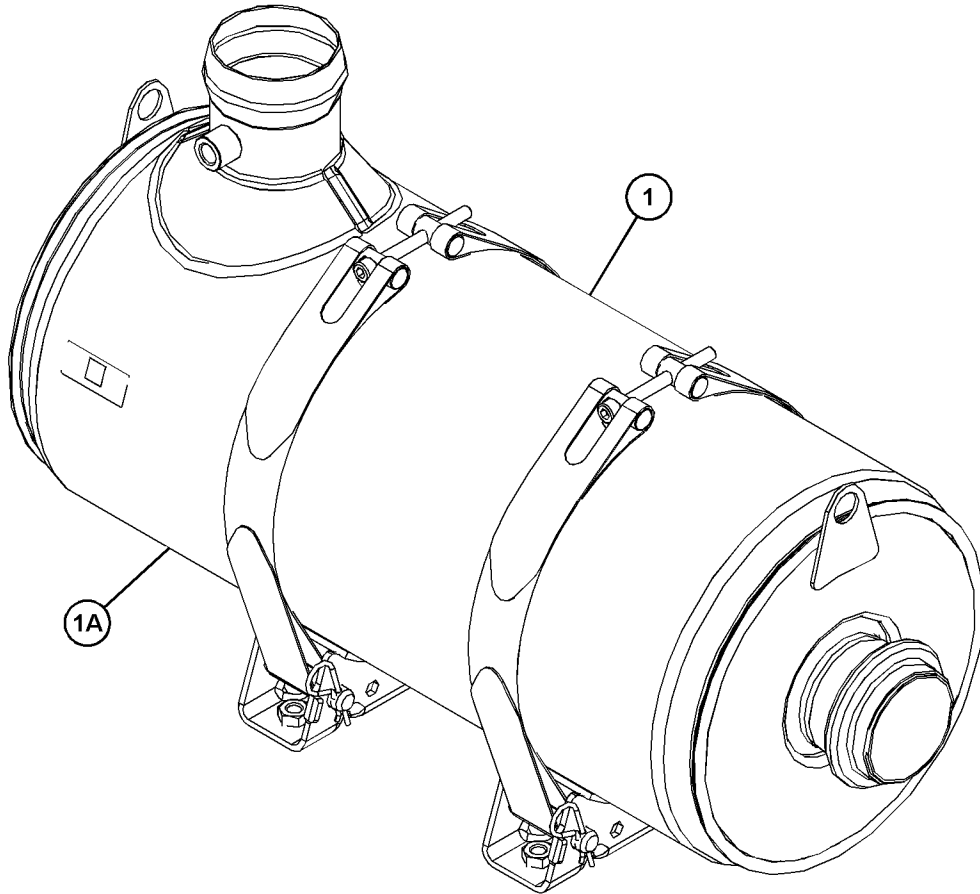
442-1585 FILTER GP-DIESEL PARTICULATE

S/N: CN51-UP
PART OF 465-2880 ENGINE AR-PRIMARY
AN ATTACHMENT

SMCS-108F, 1091

i06252194

NOTE	REF NO	GRAPHIC REF	PART NUMBER	QTY	PART NAME						SEE PAGE
					1	2	3	4	5	6 (PRODUCT LEVEL)	
	1	1	467-1399	1	FILTER GP-DIESEL PARTICULATE						
	1A	1	467-1400	1	FILTER GP-DIESEL PARTICULATE						



GRAPHIC #1

<END>

g03828010

AIR INLET AND EXHAUST SYSTEM

464-2121 FILTER GP-DIESEL PARTICULATE

S/N: CN51-UP

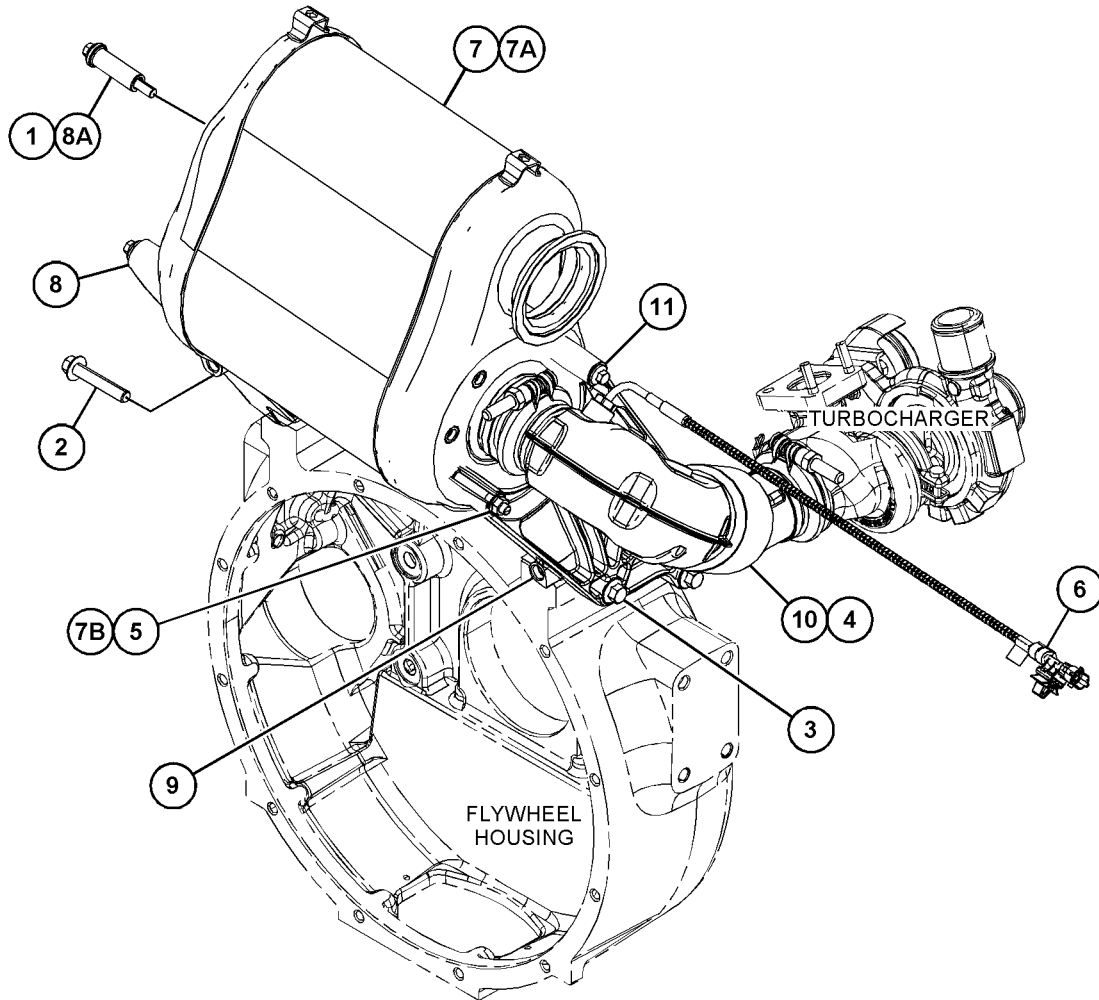
PART OF 442-0486 FILTER GP-DIESEL PARTICULATE
AN ATTACHMENT

SMCS-108F, 1091

i06839549

NOTE	REF NO	GRAPHIC REF	PART NUMBER	QTY	PART NAME						SEE PAGE
					1	2	3	4	5	6 (PRODUCT LEVEL)	
M	1	1	100-3751	3	BOLT (M8X1.25X65-MM)						
M	2	1	101-7178	3	BOLT (M10X1.5X55-MM)						
M	3	1	123-2899	3	BOLT (M10X1.5X40-MM)						
	4	1	387-9343	2	CLIP						
	5	1	394-8799	1	NUT-SPECIAL						
	6	1	450-7214	1	SENSOR AS-TEMPERATURE						
	7	1	<i>464-8795</i>	1	FILTER AS-DIESEL PARTICULATE						
	7A	1	463-9169	1	CATALYST AS						
	7B	1	464-8891	1	STUD						
	8	1	464-8797	1	BRACKET AS						
	8A	1	464-8806	3	BUSHING						
	9	1	464-8829	1	BRACKET						
	10	1	464-8973	1	PIPE AS						
M	11	1	6I-0455	2	BOLT (M8X1.25X55-MM)						

M - METRIC PART



GRAPHIC #1

<END>

g06137039

AIR INLET AND EXHAUST SYSTEM

499-9429 LINES GP-AIR

S/N: TH91-UP

PART OF 518-5879 INSTALLATION AR-ENGINE

AN ATTACHMENT

TYPE 1

SMCS-1071

i06907155

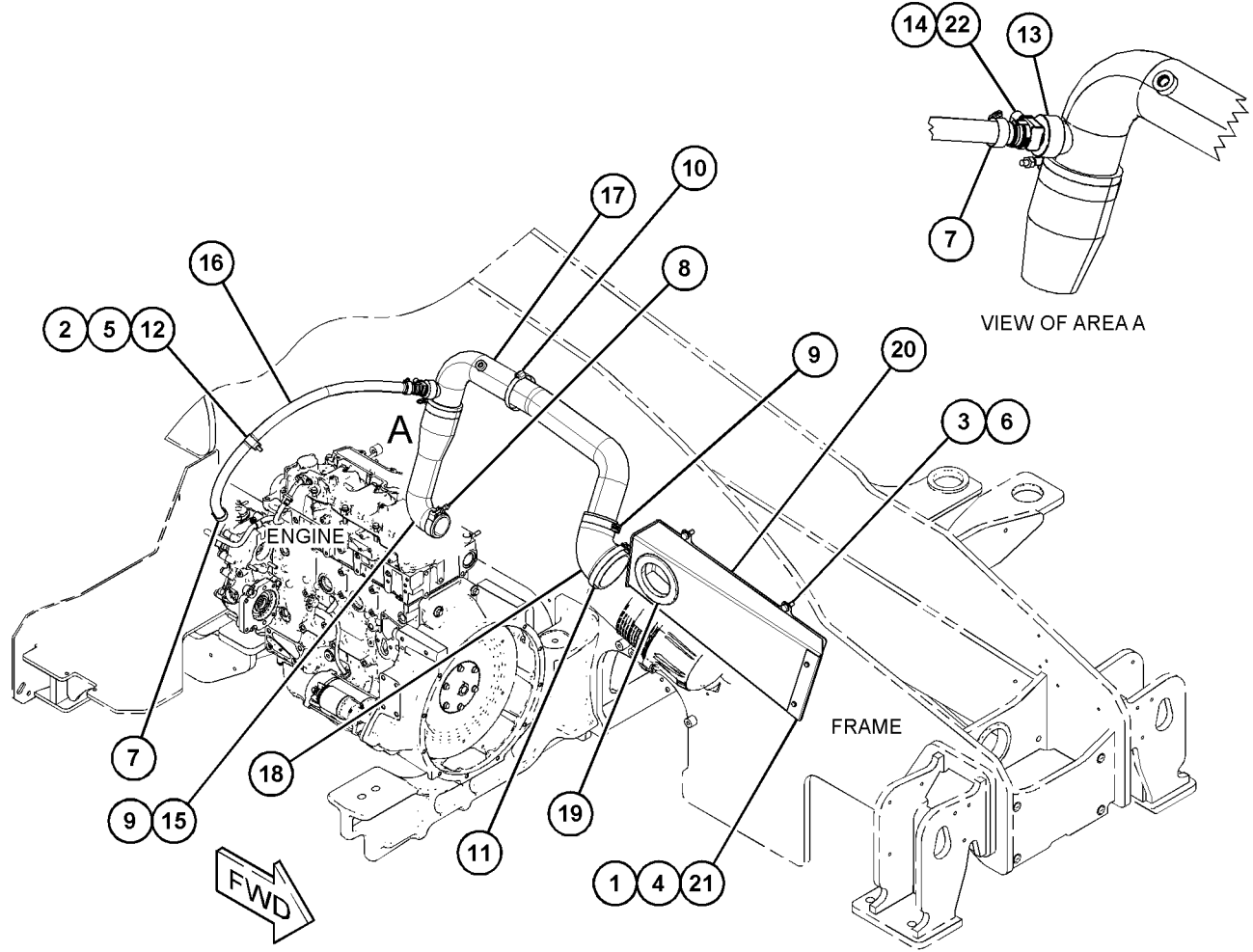
NOTE	REF NO	GRAPHIC REF	PART NUMBER	QTY	PART NAME						SEE PAGE
					1	2	3	4	5	6 (PRODUCT LEVEL)	
M	1	1	5C-9553	2	BOLT (M6X1X16-MM)						
M	2	1	8T-4189	1	BOLT (M8X1.25X20-MM)						
M	3	1	8T-4136	4	BOLT (M10X1.5X25-MM)						
	4	1	8T-4205	2	WASHER-HARD (7.2X14.5X2-MM THK)						
	5	1	8T-4224	1	WASHER-HARD (8.8X16X2-MM THK)						
	6	1	8T-4121	4	WASHER-HARD (11X21X2.5-MM THK)						
	7	1	303-8599	2	CLAMP						
	8	1	457-1255	1	CLAMP						
	9	1	309-4002	2	CLAMP						
	10	1	3E-7404	1	CLAMP-HOSE						
	11	1	332-7540	1	CLAMP						
	12	1	7C-4354	1	CLIP						
	13	1	398-2009	1	GROMMET						
	14	1	444-6962	1	ADAPTER						
	15	1	476-6644	1	HOSE						
	16	1	476-6640	1	HOSE						
	17	1	499-9432	1	TUBE AS						
	18	1	499-9433	1	HOSE						
	19	1	481-4436	1	GROMMET						
	20	1	499-9434	1	PLATE AS						
	21	1	499-9435	1	PLATE						
	22	1	376-1398	1	CONNECTION						

M - METRIC PART

AIR INLET AND EXHAUST SYSTEM

499-9429 LINES GP-AIR (contd.)

106907155



GRAPHIC #1

<END>

g06165549

AIR INLET AND EXHAUST SYSTEM

499-9429 LINES GP-AIR

S/N: TH91-UP

PART OF 518-5879 INSTALLATION AR-ENGINE

AN ATTACHMENT

TYPE 2

SMCS-1071

i07660883

NOTE	REF NO	GRAPHIC REF	PART NUMBER	QTY	PART NAME						SEE PAGE
					1	2	3	4	5	6 (PRODUCT LEVEL)	
C	1	1	558-8099	5	WASHER-RUBBER						
M	2	1	8T-4189	1	BOLT (M8X1.25X20-MM)						
	5	1	8T-4224	1	WASHER-HARD (8.8X16X2-MM THK)						
C	6	1	8T-4121	1	WASHER-HARD (11X21X2.5-MM THK)						
	7	1	303-8599	2	CLAMP						
	8	1	268-5608	1	CLAMP						
	9	1	309-4002	2	CLAMP						
	10	1	3E-7404	1	CLAMP-HOSE						
	11	1	332-7540	1	CLAMP						
	12	1	7C-4354	1	CLIP						
	13	1	398-2009	1	GROMMET						
	14	1	444-6962	1	ADAPTER						
	15	1	476-6644	1	HOSE						
	16	1	476-6640	1	HOSE						
	17	1	499-9432	1	TUBE AS						
	18	1	499-9433	1	HOSE						
	19	1	481-4436	1	GROMMET						
C	20	1	558-8060	1	DUCT-AIR						
	22	1	376-1398	1	CONNECTION						
CM	23	1	8T-4186	5	BOLT (M10X1.5X40-MM)						
CM	24	1	344-5673	1	NUT (M6X1-THD)						
C	25	1	116-8517	5	WASHER (10.5X30X2.5-MM THK)						
C	26	1	558-8076	1	BRACKET						
C	27	1	558-8092	5	SLEEVE-SPACER						

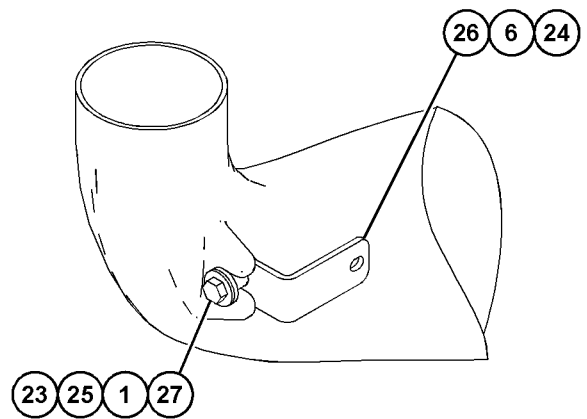
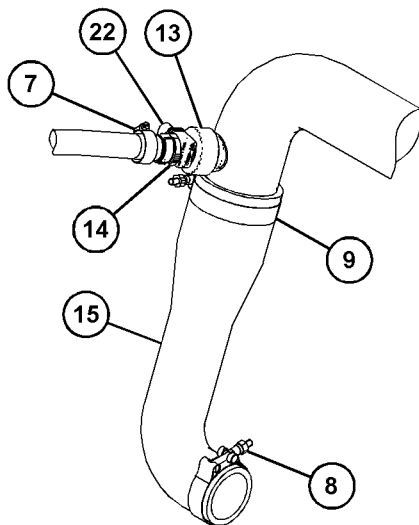
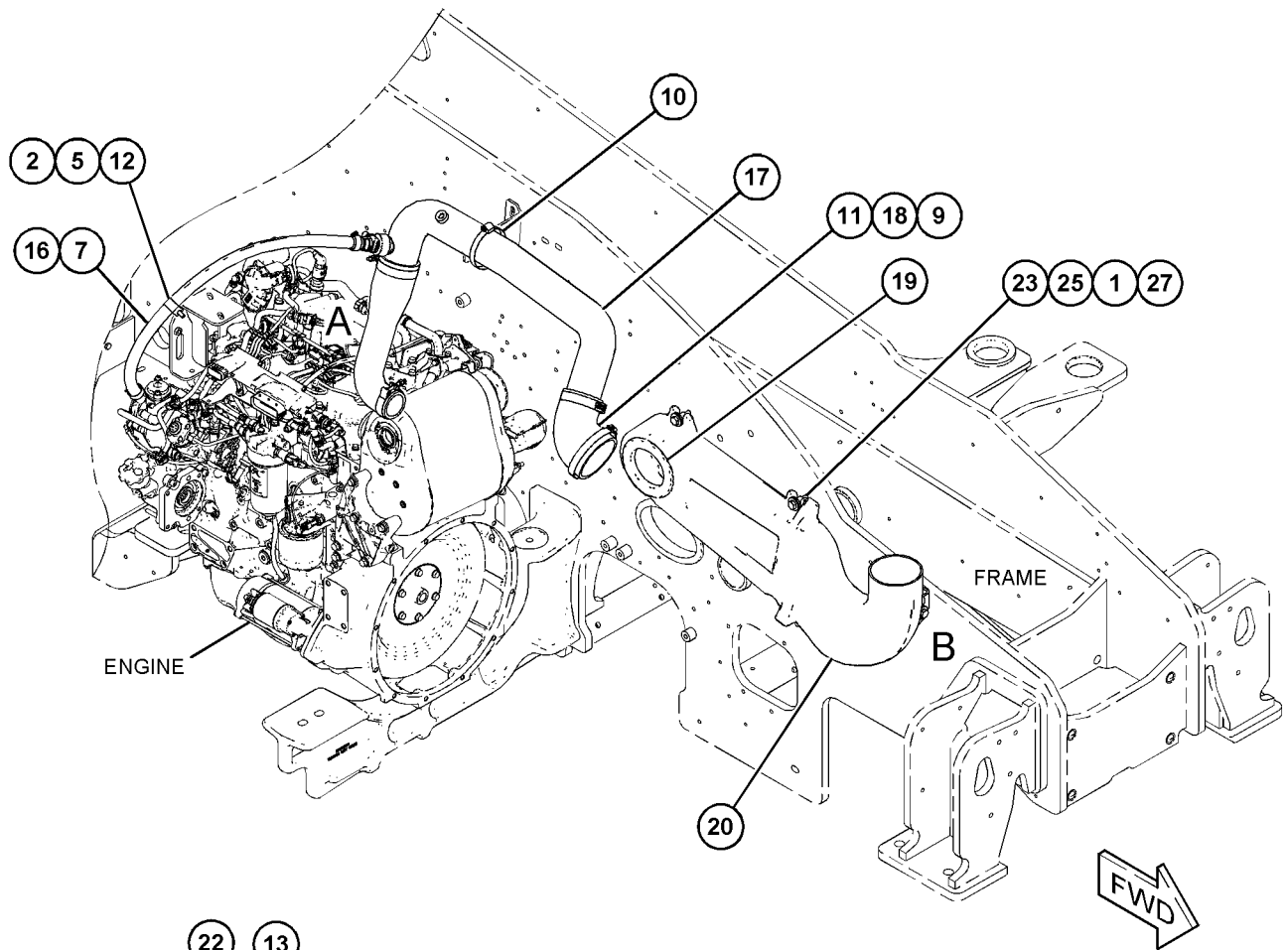
C - CHANGE FROM PREVIOUS TYPE

M - METRIC PART

AIR INLET AND EXHAUST SYSTEM

499-9429 LINES GP-AIR (contd.)

i07660883



GRAPHIC #1

<END>

g06392606

AIR INLET AND EXHAUST SYSTEM

500-1294 LINES GP-AIR

S/N: TH41-UP; TH91-UP

PART OF 523-2012 INSTALLATION AR-ENGINE

AN ATTACHMENT

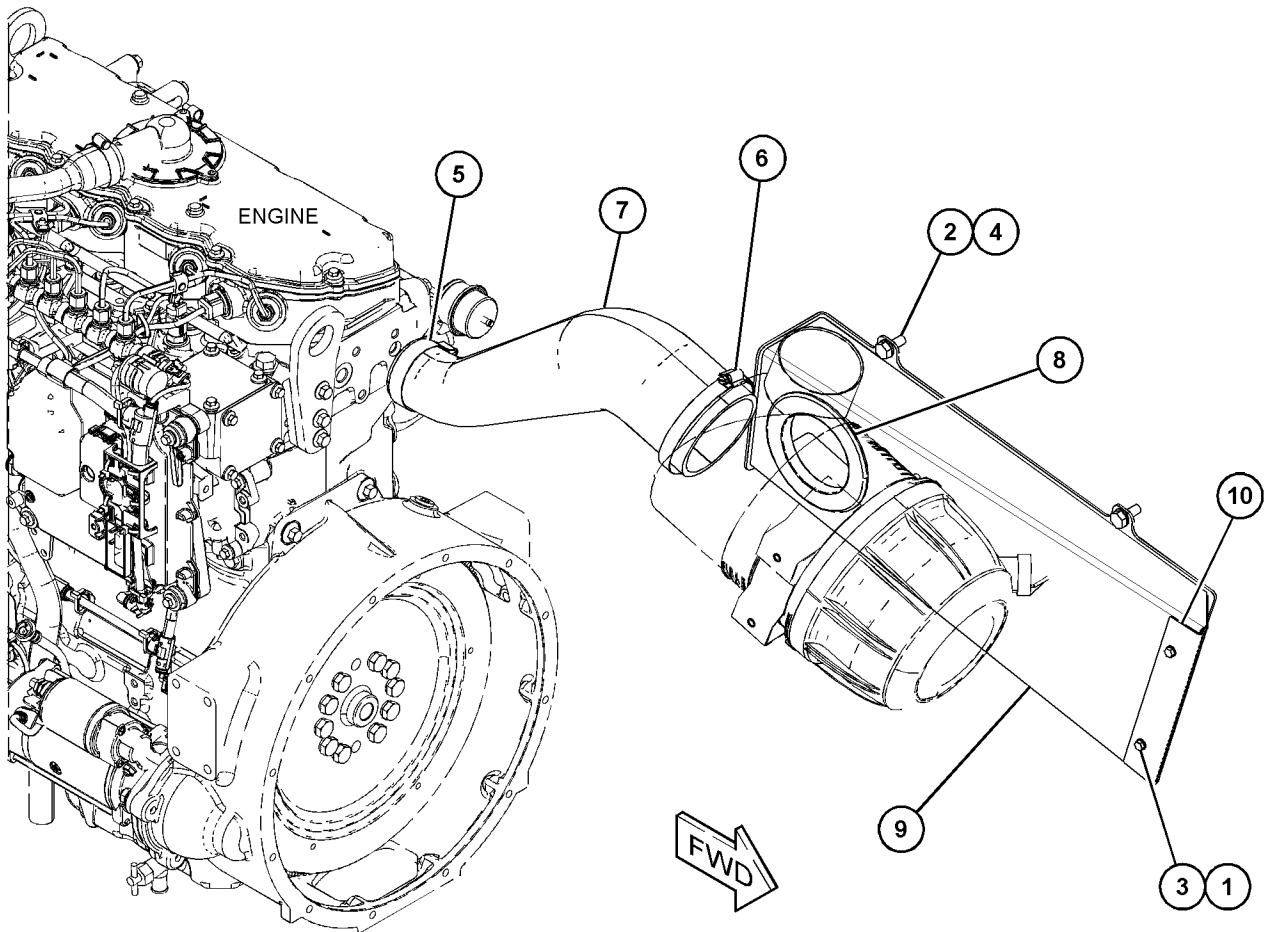
TYPE 1

SMCS-1071

i06603092

NOTE	REF NO	GRAPHIC REF	PART NUMBER	QTY	PART NAME						SEE PAGE
					1	2	3	4	5	6 (PRODUCT LEVEL)	
M	1	1	5C-9553	2	BOLT (M6X1X16-MM)						
M	2	1	8T-4136	4	BOLT (M10X1.5X25-MM)						
	3	1	8T-4205	2	WASHER-HARD (7.2X14.5X2-MM THK)						
	4	1	8T-4121	4	WASHER-HARD (11X21X2.5-MM THK)						
	5	1	457-9914	1	CLAMP						
	6	1	332-7540	1	CLAMP						
	7	1	500-1295	1	HOSE						
	8	1	481-4436	1	GROMMET						
	9	1	499-9434	1	PLATE AS						
	10	1	499-9435	1	PLATE						

M - METRIC PART



GRAPHIC #1

<END>

g06045268

AIR INLET AND EXHAUST SYSTEM

500-1294 LINES GP-AIR

S/N: TH41-UP; TH91-UP

PART OF 523-2012 INSTALLATION AR-ENGINE

AN ATTACHMENT

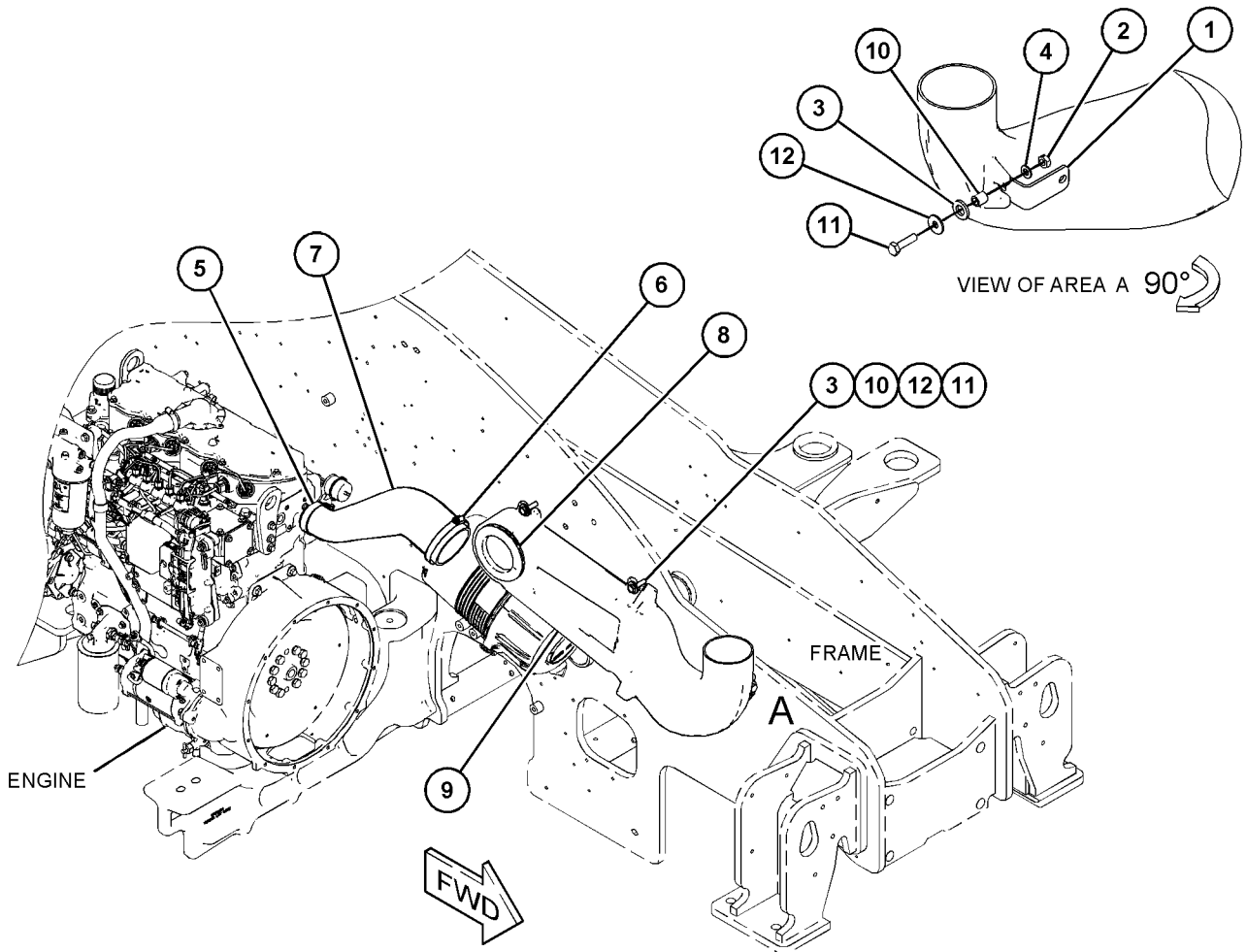
TYPE 2

SMCS-1071

i07660527

NOTE	REF NO	GRAPHIC REF	PART NUMBER	QTY	PART NAME						SEE PAGE
					1	2	3	4	5	6	
C	1	1	558-8076	1	BRACKET						
CM	2	1	344-5673	1	NUT (M6X1-THD)						
C	3	1	558-8099	5	WASHER - RUBBER						
C	4	1	8T-4121	1	WASHER - HARD (11X21X2.5-MM THK)						
	5	1	457-9914	1	CLAMP						
	6	1	332-7540	1	CLAMP						
	7	1	500-1295	1	HOSE						
	8	1	481-4436	1	GROMMET						
C	9	1	558-8060	1	DUCT - AIR						
C	10	1	558-8092	5	SLEEVE - SPACER						
CM	11	1	8T-4186	5	BOLT (M10X1.5X40-MM)						
C	12	1	116-8517	5	WASHER (10.5X30X2.5-MM THK)						

C - CHANGE FROM PREVIOUS TYPE
M - METRIC PART



GRAPHIC #1

<END>

g06392649

AIR INLET AND EXHAUST SYSTEM

500-3068 LINES GP-AIR

S/N: TH91-UP

PART OF 518-5955 INSTALLATION AR-ENGINE

AN ATTACHMENT

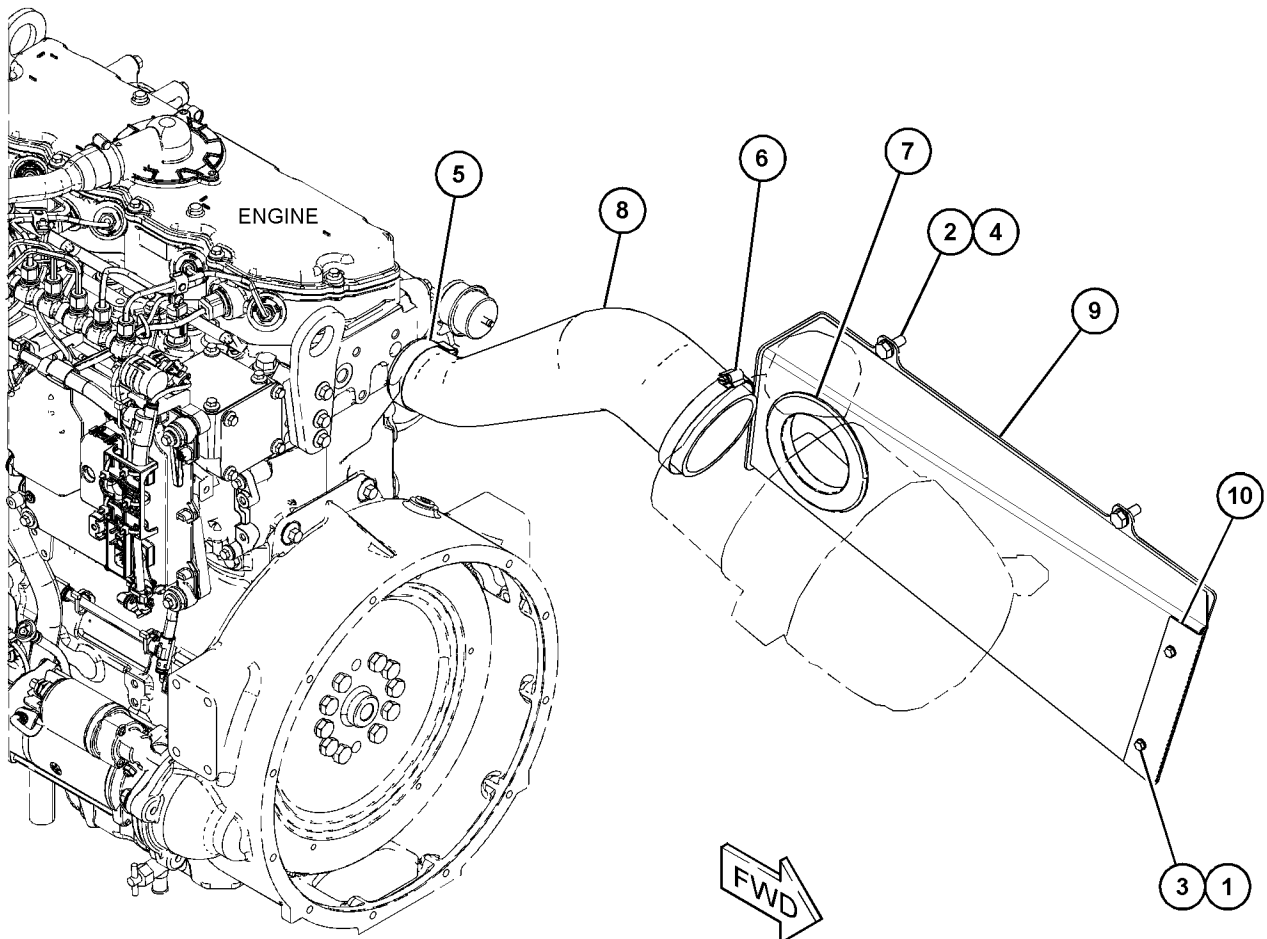
TYPE 1

SMCS-1071

i06603100

NOTE	REF NO	GRAPHIC REF	PART NUMBER	QTY	PART NAME						SEE PAGE
					1	2	3	4	5	6	
M	1	1	5C-9553	2	BOLT (M6X1X16-MM)						
M	2	1	8T-4136	4	BOLT (M10X1.5X25-MM)						
	3	1	8T-4205	2	WASHER-HARD (7.2X14.5X2-MM THK)						
	4	1	8T-4121	4	WASHER-HARD (11X21X2.5-MM THK)						
	5	1	457-9914	1	CLAMP						
	6	1	332-7540	1	CLAMP						
	7	1	482-8491	1	GROMMET						
	8	1	502-1188	1	HOSE						
	9	1	499-9434	1	PLATE AS						
	10	1	499-9435	1	PLATE						

M - METRIC PART



GRAPHIC #1

<END>

g06049966

AIR INLET AND EXHAUST SYSTEM

500-3068 LINES GP-AIR

S/N: TH91-UP

PART OF 518-5955 INSTALLATION AR-ENGINE

AN ATTACHMENT

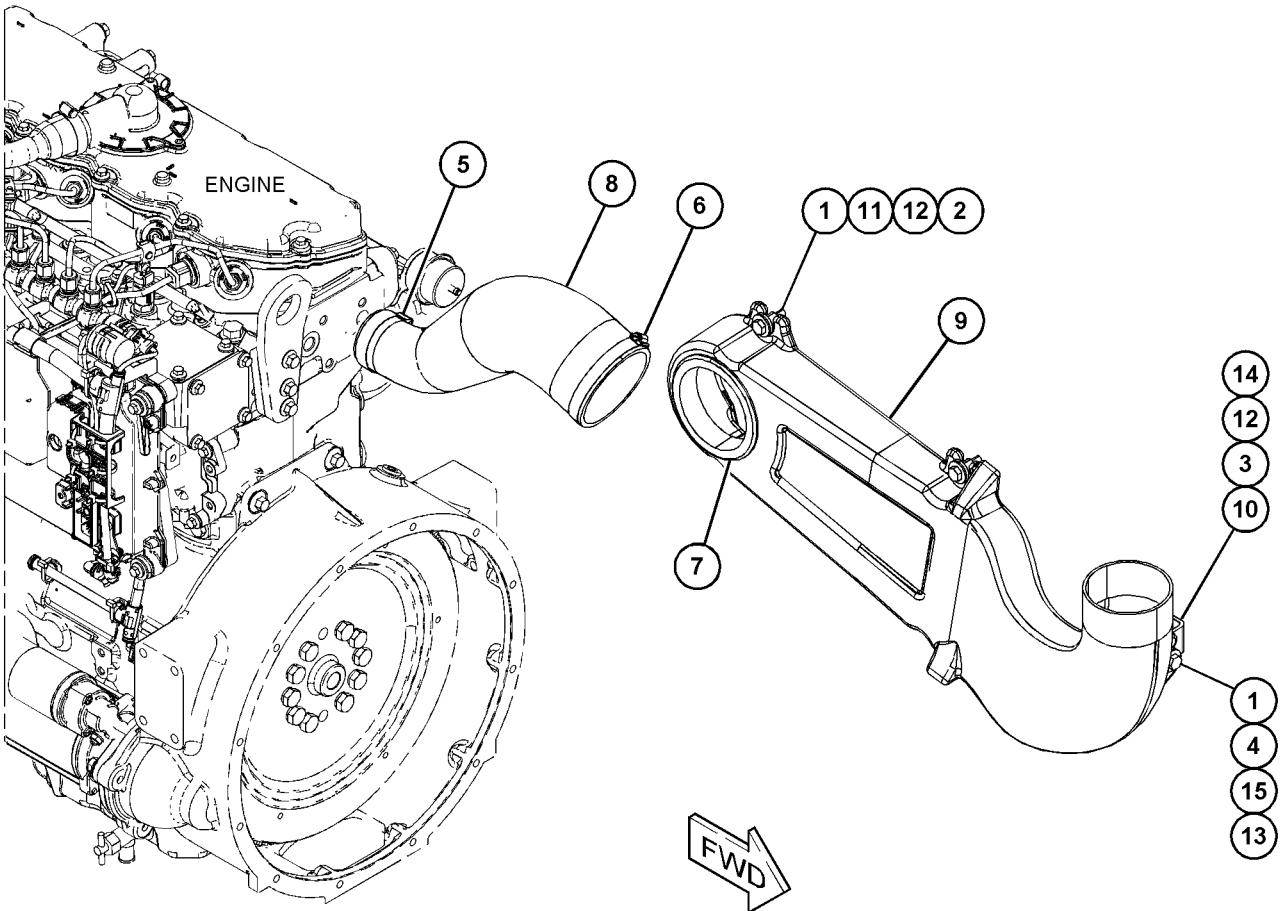
TYPE 2

SMCS-1071

i07385545

NOTE	REF NO	GRAPHIC REF	PART NUMBER	QTY	PART NAME						SEE PAGE
					1	2	3	4	5	6 (PRODUCT LEVEL)	
CM	1	1	8T-4186	5	BOLT (M10X1.5X40-MM)						
C	2	1	116-8517	5	WASHER (10.5X30X2.5-MM THK)						
CM	3	1	344-5673	1	NUT (M6X1-THD)						
C	4	1	8T-4121	1	WASHER-HARD (11X21X2.5-MM THK)						
	5	1	457-9914	1	CLAMP						
	6	1	332-7540	1	CLAMP						
	7	1	482-8491	1	GROMMET						
	8	1	502-1188	1	HOSE						
C	9	1	558-8060	1	DUCT-AIR						
C	10	1	558-8076	1	BRACKET						
C	11	1	558-8092	5	SLEEVE-SPACER						
C	12	1	558-8099	5	WASHER-RUBBER						

C - CHANGE FROM PREVIOUS TYPE
M - METRIC PART



GRAPHIC #1

<END>

g06322740

AIR INLET AND EXHAUST SYSTEM

500-3139 LINES GP-AIR

S/N: TH91-UP; JKT1-UP

PART OF 518-5880, 523-1977 INSTALLATION AR-ENGINE
AN ATTACHMENT

SMCS-1071

i06601122

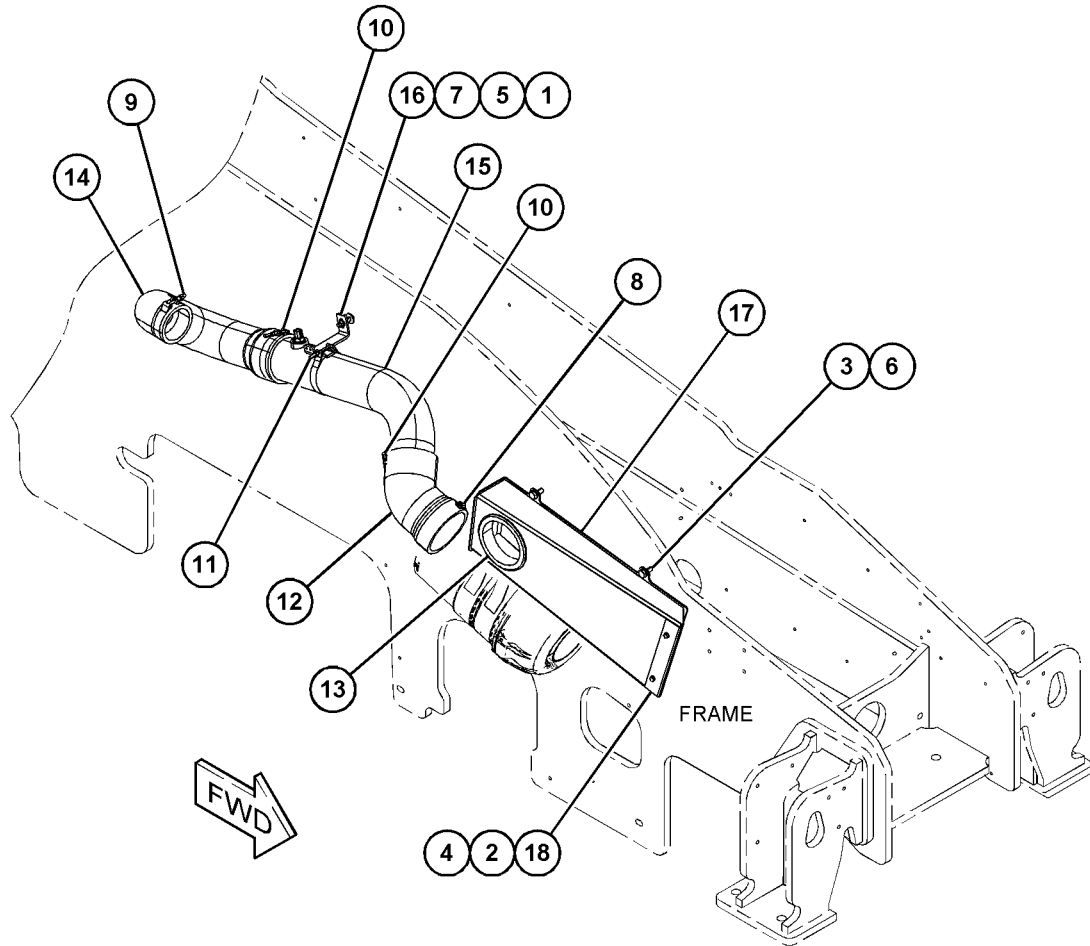
NOTE	REF NO	GRAPHIC REF	PART NUMBER	QTY	PART NAME						SEE PAGE
					1	2	3	4	5	6 (PRODUCT LEVEL)	
M	1	1	9X-2480	1	BOLT (M6X1X45-MM)						
M	2	1	5C-9553	2	BOLT (M6X1X16-MM)						
M	3	1	8T-4136	4	BOLT (M10X1.5X25-MM)						
	4	1	8T-4205	2	WASHER-HARD (7.2X14.5X2-MM THK)						
	5	1	309-3997	1	WASHER (8.4X25X2-MM THK)						
	6	1	8T-4121	4	WASHER-HARD (11X21X2.5-MM THK)						
M	7	1	178-3336	1	NUT-HEX FLANGE (M8X1.25-THD)						
	8	1	332-7540	1	CLAMP						
	9	1	464-6623	1	CLAMP						
	10	1	464-1268	2	CLAMP						
	11	1	303-5002	1	CLAMP-BAND						
	12	1	474-4048	1	HOSE						
	13	1	482-8491	1	GROMMET						
	14	1	474-4050	1	HOSE						
	15	1	500-3140	1	TUBE AS						
	16	1	500-3141	1	PLATE						
	17	1	499-9434	1	PLATE AS						
	18	1	499-9435	1	PLATE						

M - METRIC PART

AIR INLET AND EXHAUST SYSTEM

500-3139 LINES GP-AIR (contd.)

106601122



GRAPHIC #1

<END>

g06044685

AIR INLET AND EXHAUST SYSTEM

500-3139 LINES GP-AIR

S/N: TH41-UP; TH91-UP; JKT1-UP
 PART OF 518-5880, 523-1977 INSTALLATION AR-ENGINE
 AN ATTACHMENT

SMCS-1071

i07422935

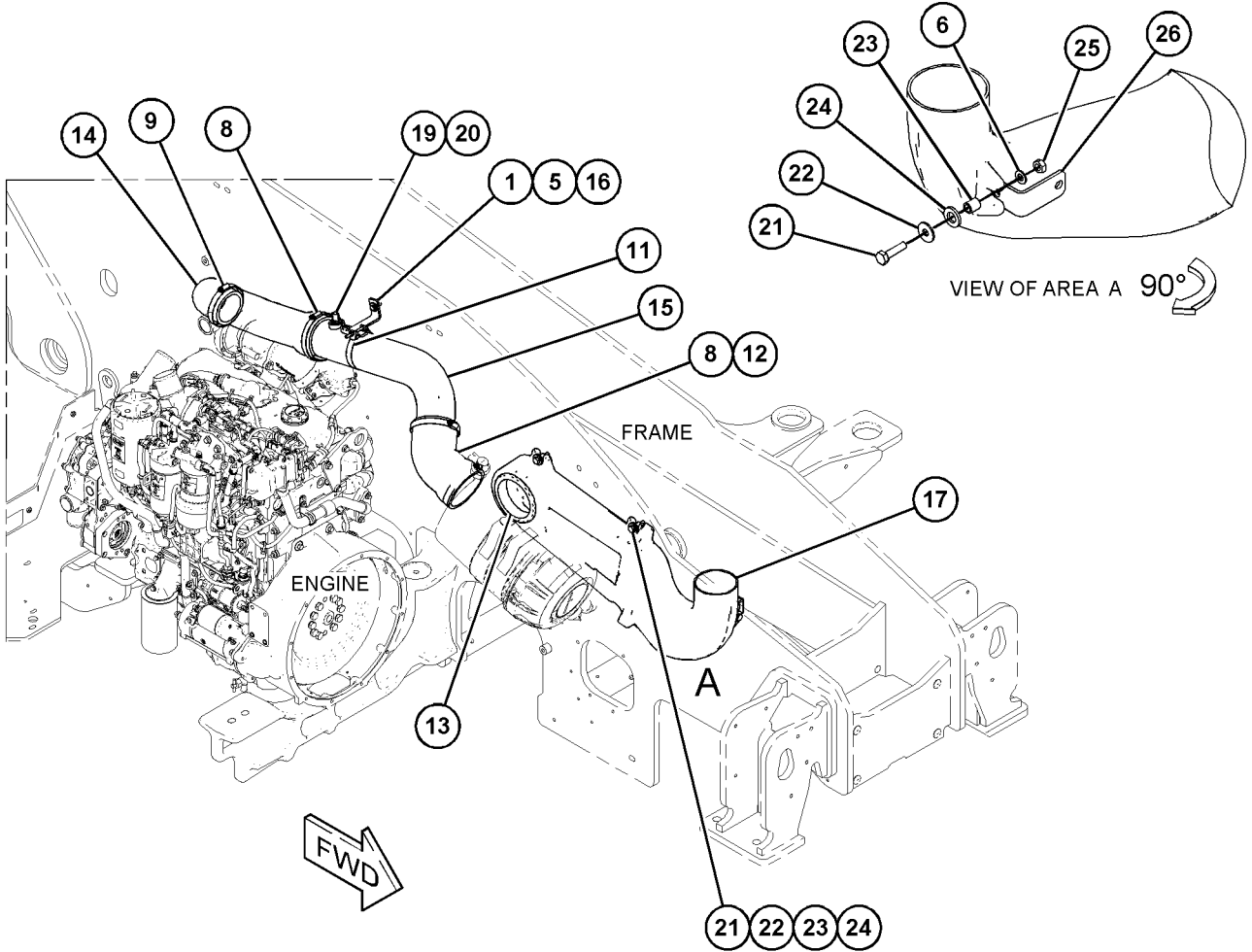
NOTE	REF NO	GRAPHIC REF	PART NUMBER	QTY	PART NAME						SEE PAGE
					1	2	3	4	5	6 (PRODUCT LEVEL)	
CM	1	1	8T-4908	1	BOLT (M8X1.25X25-MM)						
	5	1	260-6685	1	WASHER (9X25X1.6-MM THK)						
C	6	1	8T-4121	1	WASHER-HARD (11X21X2.5-MM THK)						
C	8	1	332-7540	3	CLAMP						
C	9	1	343-7049	1	CLAMP						
	11	1	174-5414	1	CLAMP						
	12	1	474-4048	1	HOSE						
	13	1	482-8491	1	GROMMET						
	14	1	474-4050	1	HOSE						
	15	1	500-3140	1	TUBE AS						
	16	1	500-3141	1	PLATE						
C	17	1	558-8060	1	DUCT-AIR						
C	19	1	256-6454	1	SENSOR-TEMPERATURE (2-PIN) (AMBIENT AIR)						
C	20	1	228-7103	1	SEAL-O-RING						
CM	21	1	8T-4186	5	BOLT (M10X1.5X40-MM)						
C	22	1	116-8517	5	WASHER (10.5X30X2.5-MM THK)						
C	23	1	558-8092	5	SLEEVE-SPACER						
C	24	1	558-8099	5	WASHER-RUBBER						
CM	25	1	344-5673	1	NUT (M6X1-THD)						
C	26	1	558-8076	1	BRACKET						

C - CHANGE FROM PREVIOUS TYPE
 M - METRIC PART

AIR INLET AND EXHAUST SYSTEM

500-3139 LINES GP-AIR (contd.)

107422935



GRAPHIC #1

<END>

g06355494

AIR INLET AND EXHAUST SYSTEM

513-2329 LINES GP-AIR

S/N: TH91-UP

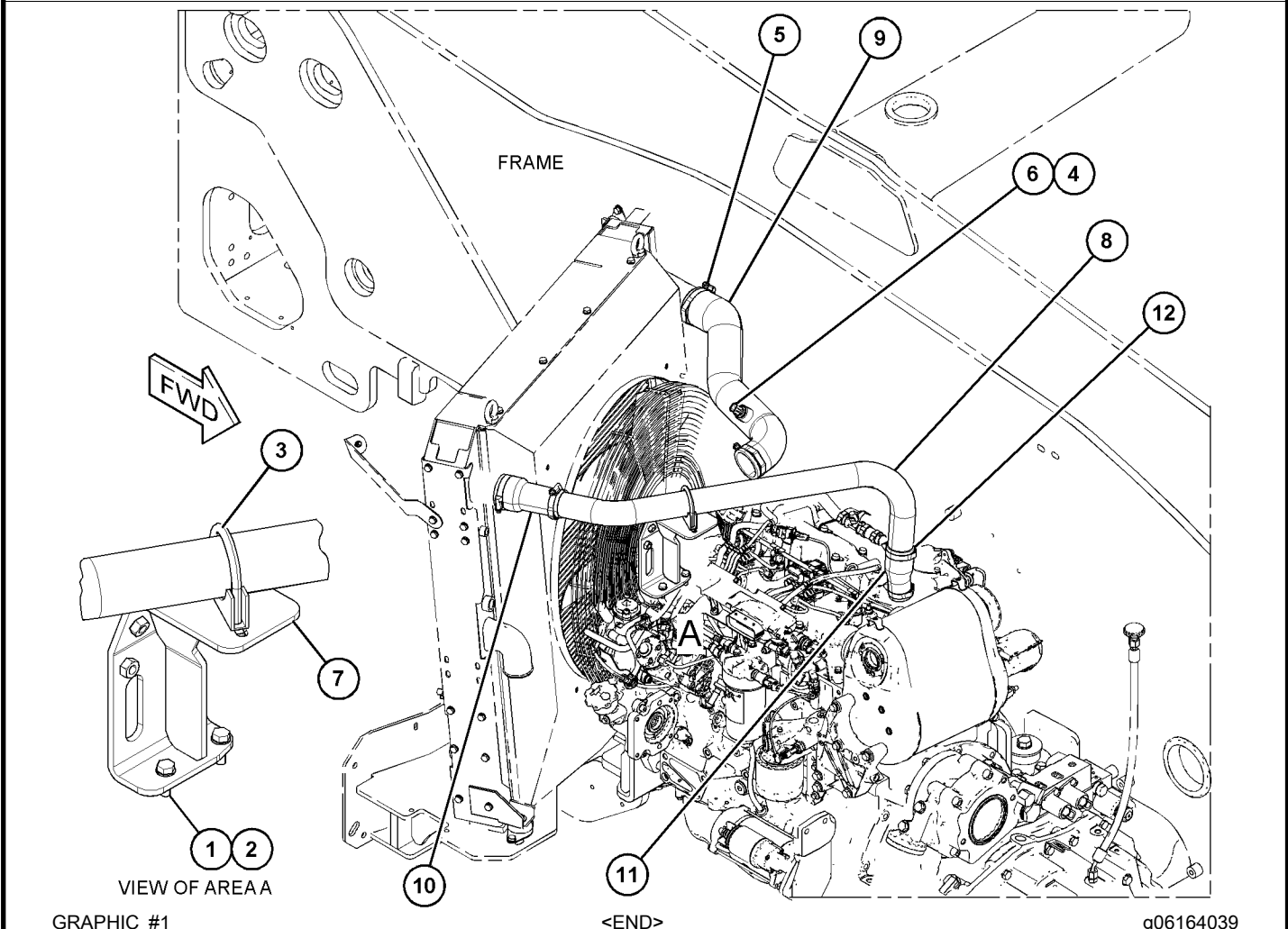
PART OF 520-9600 ENGINE AR-COMplete
AN ATTACHMENT

SMCS-1071

i06893853

NOTE	REF NO	GRAPHIC REF	PART NUMBER	QTY	PART NAME						SEE PAGE
					1	2	3	4	5	6	
M	1	1	8T-4908	2	BOLT (M8X1.25X25-MM)						
	2	1	8T-4224	2	WASHER-HARD (8.8X16X2-MM THK)						
	3	1	500-0762	1	CLAMP AS						
	4	1	8T-7524	1	SEAL-O-RING						
	5	1	513-2327	3	CLAMP-HOSE						
	6	1	256-6454	1	SENSOR-TEMPERATURE (2-PIN)						
	7	1	478-5145	1	BRACKET AS						
	8	1	500-0763	1	TUBE						
	9	1	500-0764	1	HOSE						
	10	1	500-0765	1	HOSE						
	11	1	500-0766	1	HOSE						
	12	1	513-2328	3	CLAMP-HOSE						

M - METRIC PART



AIR INLET AND EXHAUST SYSTEM

513-4184 LINES GP-AIR-CHARGE AIR COOLER

S/N: TH41-UP; TH91-UP

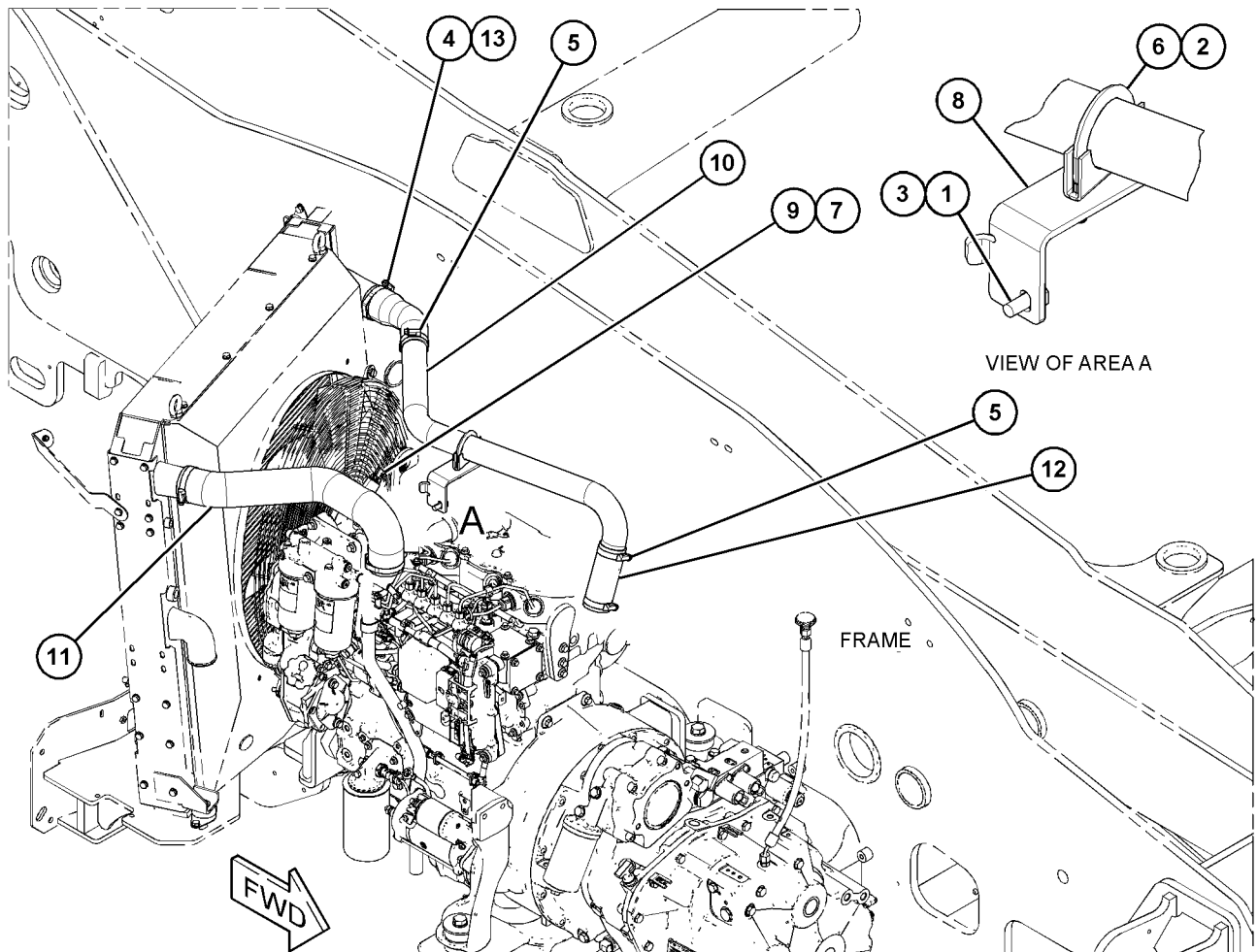
PART OF 523-2010, 523-2011 ENGINE AR-COMplete
AN ATTACHMENT

SMCS-1071

i06895402

NOTE	REF NO	GRAPHIC REF	PART NUMBER	QTY	PART NAME						SEE PAGE
					1	2	3	4	5	6	
M	1	1	8T-4136	1	BOLT (M10X1.5X25-MM)						
	2	1	8T-4224	2	WASHER-HARD (8.8X16X2-MM THK)						
	3	1	8T-4121	1	WASHER-HARD (11X21X2.5-MM THK)						
	4	1	513-2327	3	CLAMP-HOSE						
	5	1	513-2328	3	CLAMP-HOSE						
	6	1	500-1288	1	CLAMP AS						
	7	1	8T-7524	1	SEAL-O-RING						
	8	1	500-1293	1	BRACKET						
	9	1	256-6454	1	SENSOR-TEMPERATURE (2-PIN) (AIR CLEANER)						
	10	1	500-1289	1	TUBE						
	11	1	500-1290	1	HOSE						
	12	1	500-1291	1	HOSE						
	13	1	500-1292	1	HOSE						

M - METRIC PART



GRAPHIC #1

<END>

g06163522

AIR INLET AND EXHAUST SYSTEM

513-5772 LINES GP-AIR-CHARGE AIR COOLER

S/N: TH41-UP; TH91-UP; JKT1-UP

PART OF 520-9601, 523-1976, 550-0081 ENGINE AR-COMPLETE
AN ATTACHMENT

SMCS-1071

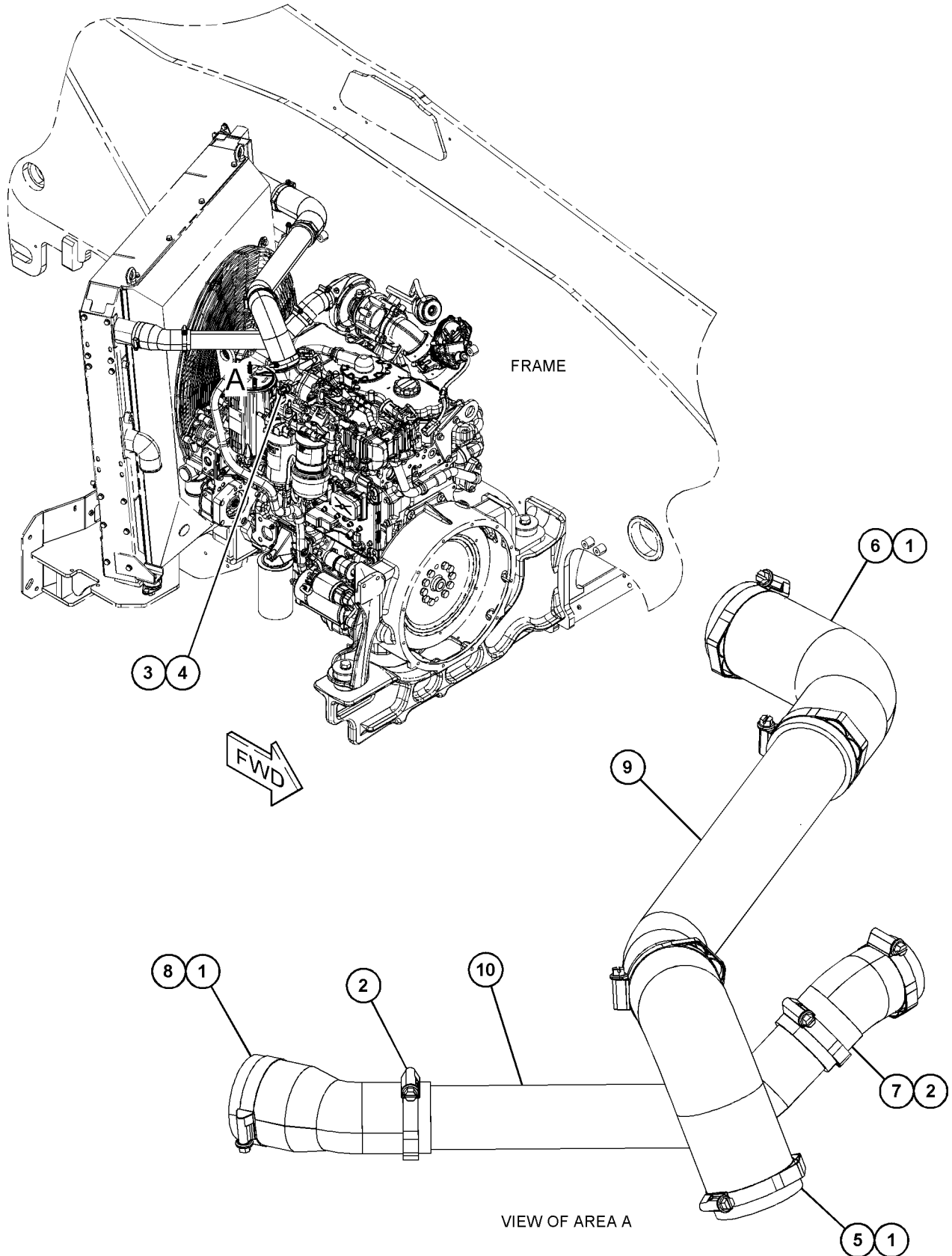
i06893871

NOTE	REF NO	GRAPHIC REF	PART NUMBER	QTY	PART NAME						SEE PAGE
					1	2	3	4	5	6 (PRODUCT LEVEL)	
	1	1	513-2327	5	CLAMP-HOSE						
	2	1	513-2328	3	CLAMP-HOSE						
	3	1	8T-7524	1	SEAL-O-RING						
	4	1	256-6454	1	SENSOR-TEMPERATURE (2-PIN)						
	5	1	499-5294	1	HOSE						
	6	1	499-5293	1	HOSE						
	7	1	499-5292	1	HOSE						
	8	1	499-5291	1	HOSE						
	9	1	499-5290	1	TUBE						
	10	1	499-5289	1	TUBE						

AIR INLET AND EXHAUST SYSTEM

513-5772 LINES GP-AIR (contd.)

i06893871



GRAPHIC #1

<END>

g06161926

AIR INLET AND EXHAUST SYSTEM

495-9884 LINES GP-DIESEL EXHAUST FLUID

S/N: TH91-151

PART OF 500-1062 TANK & MTG GP-DEF
AN ATTACHMENT

SMCS-108K, 1091

i06823056

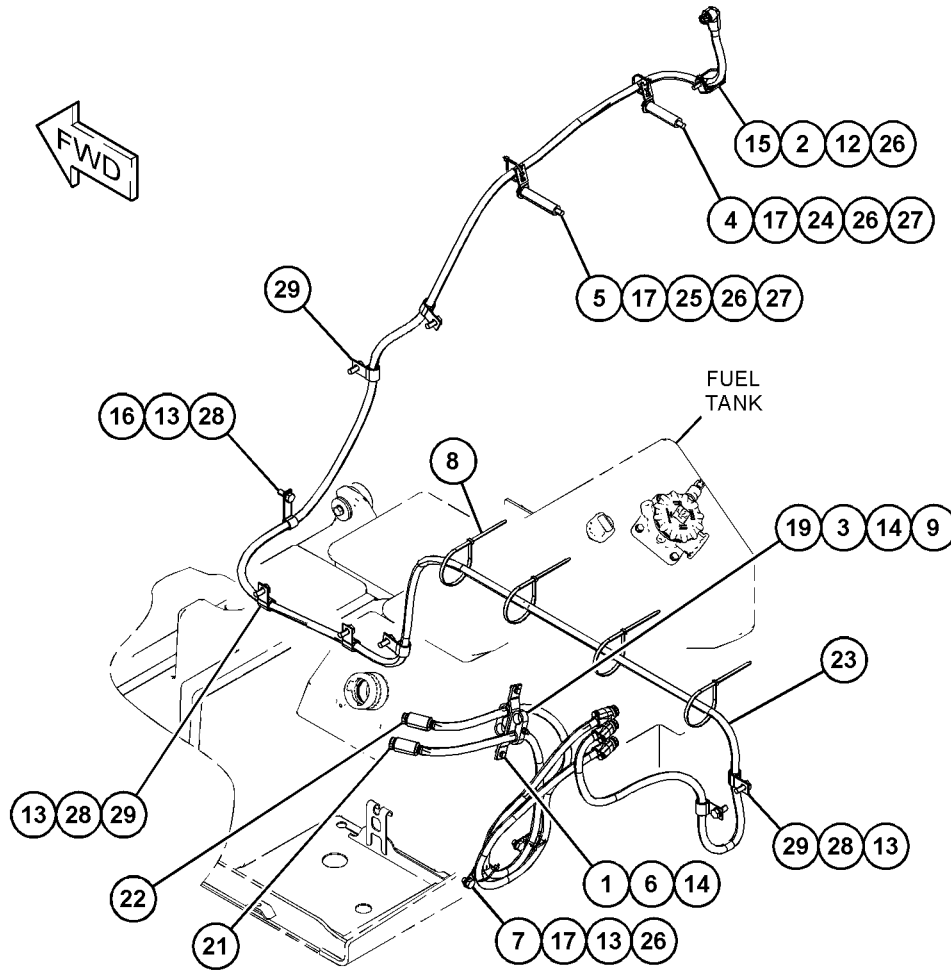
NOTE	REF NO	GRAPHIC REF	PART NUMBER	QTY	PART NAME						SEE PAGE
					1	2	3	4	5	6 (PRODUCT LEVEL)	
	1	1	495-9887	1	BRACKET						
M	2	1	8T-4189	1	BOLT (M8X1.25X20-MM)						
M	3	1	8T-6974	1	BOLT (M6X1X80-MM)						
M	4	1	8T-4198	1	BOLT (M10X1.5X100-MM)						
M	5	1	8T-6685	1	BOLT (M10X1.5X110-MM)						
M	6	1	5C-9553	2	BOLT (M6X1X16-MM)						
M	7	1	328-9688	2	SCREW (M10X1.5X14-MM)						
	8	1	7K-1181	4	STRAP-CABLE						
M	9	1	208-8469	1	LOCKNUT (M6X1-THD)						
	12	1	309-3997	1	WASHER (8.4X25X2-MM THK)						
	13	1	8T-4121	9	WASHER-HARD (11X21X2.5-MM THK)						
	14	1	303-4787	3	WASHER (6.1X11.8X1.6-MM THK)						
	15	1	132-5789	1	CLIP (LADDER)						
	16	1	1P-7009	1	CLIP						
	17	1	4P-7581	4	CLIP (LADDER)						
	19	1	495-9886	2	CLAMP						
	21	1	495-9888	1	HOSE AS						
	22	1	495-9889	1	HOSE AS						
	23	1	495-9891	1	HOSE AS						
	24	1	495-9893	1	TUBE						
	25	1	495-9895	1	TUBE						
	26	1	3S-2093	5	STRAP-CABLE						
	27	1	116-8517	2	WASHER (10.5X30X2.5-MM THK)						
M	28	1	8T-4191	7	BOLT (M10X1.5X16-MM)						
	29	1	4D-7735	7	CLIP						

M - METRIC PART

AIR INLET AND EXHAUST SYSTEM

495-9884 LINES GP-DIESEL EXHAUST FLUID (contd.)

106823056



GRAPHIC #1

<END>

g06129862

AIR INLET AND EXHAUST SYSTEM

495-9884 LINES GP-DIESEL EXHAUST FLUID

S/N: TH9152-UP

PART OF 500-1062 TANK & MTG GP-DEF
AN ATTACHMENT

SMCS-108K, 1091

i07422931

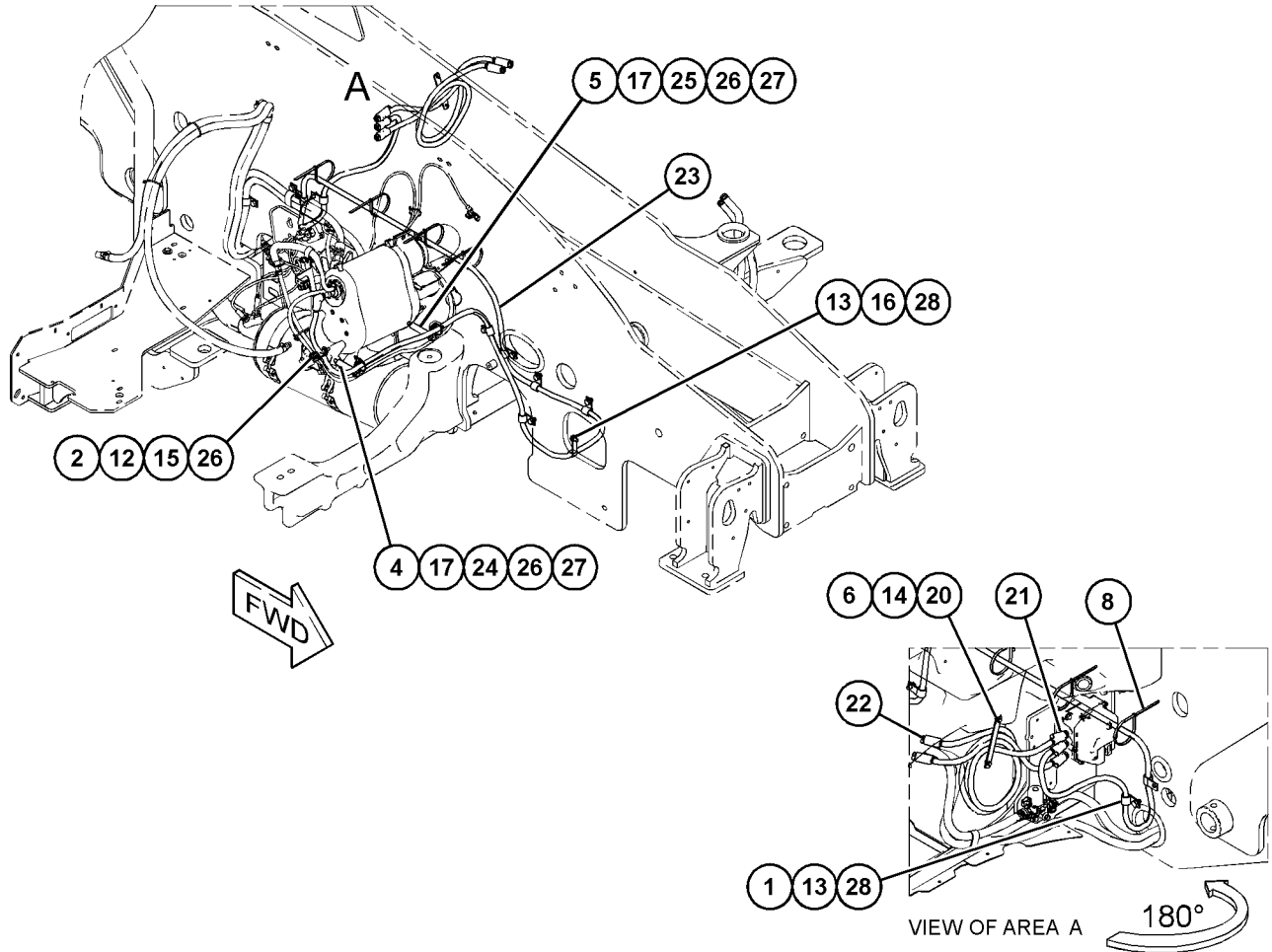
NOTE	REF NO	GRAPHIC REF	PART NUMBER	QTY	PART NAME						SEE PAGE
					1	2	3	4	5	6 (PRODUCT LEVEL)	
	1	1	4D-7735	7	CLIP						
M	2	1	8T-4189	1	BOLT (M8X1.25X20-MM)						
M	4	1	8T-4198	1	BOLT (M10X1.5X100-MM)						
M	5	1	8T-6685	1	BOLT (M10X1.5X110-MM)						
CM	6	1	8T-4970	2	BOLT (M6X1X14-MM)						
	8	1	7K-1181	4	STRAP-CABLE						
	12	1	260-6685	1	WASHER (9X25X1.6-MM THK)						
C	13	1	8T-4121	7	WASHER-HARD (11X21X2.5-MM THK)						
C	14	1	3B-4504	2	LOCKWASHER						
	15	1	132-5789	1	CLIP (LADDER)						
	16	1	1P-7009	1	CLIP						
C	17	1	4P-7581	2	CLIP (LADDER)						
C	20	1	474-9810	1	PLATE						
	21	1	495-9888	1	HOSE AS						
	22	1	495-9889	1	HOSE AS						
	23	1	495-9891	1	HOSE AS						
	24	1	495-9893	1	TUBE						
	25	1	495-9895	1	TUBE						
C	26	1	3S-2093	3	STRAP-CABLE						
	27	1	116-8517	2	WASHER (10.5X30X2.5-MM THK)						
M	28	1	8T-4191	7	BOLT (M10X1.5X16-MM)						

C - CHANGE FROM PREVIOUS TYPE
M - METRIC PART

AIR INLET AND EXHAUST SYSTEM

495-9884 LINES GP-DIESEL EXHAUST FLUID (contd.)

i07422931



GRAPHIC #1

<END>

g06359723

AIR INLET AND EXHAUST SYSTEM

496-3412 LINES GP-DIESEL EXHAUST FLUID

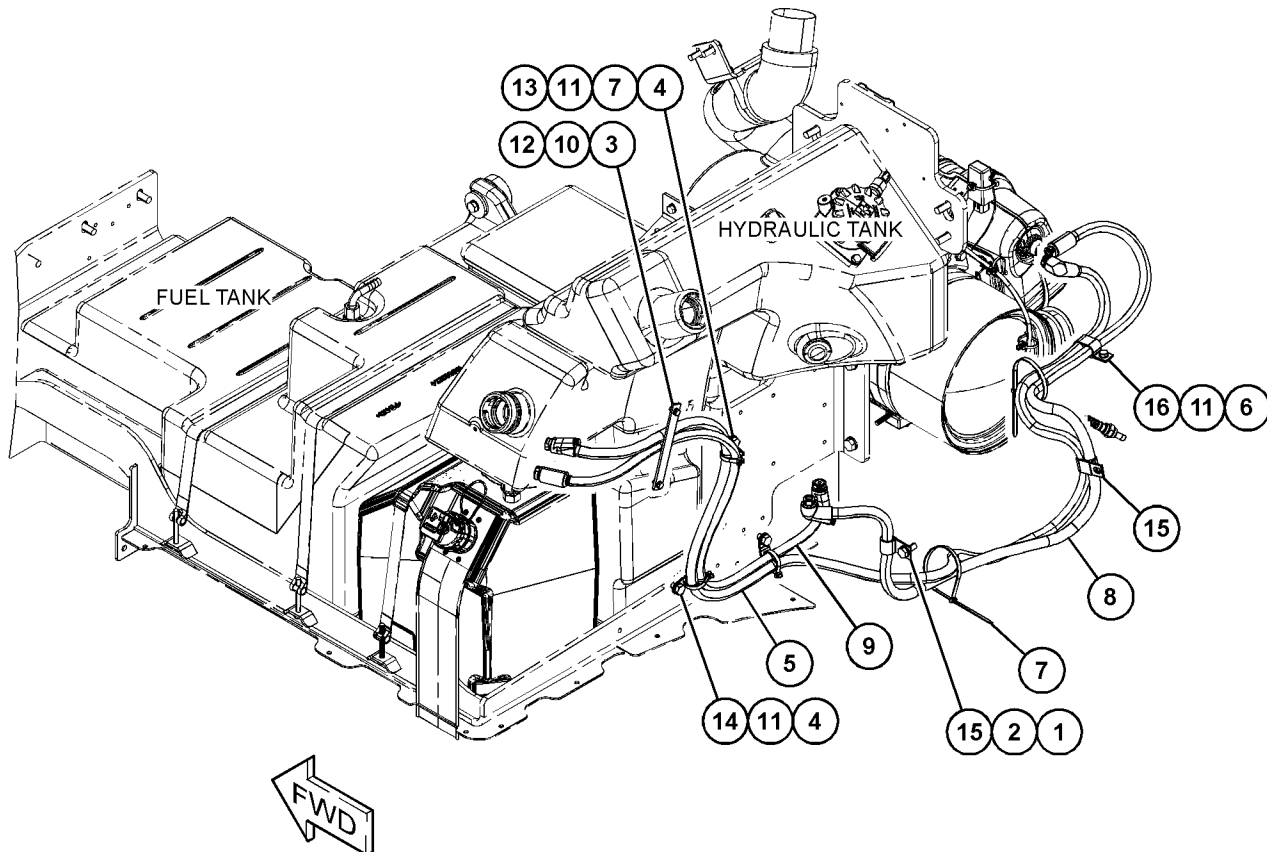
S/N: TH41-UP; TH91-UP; JKT1-UP
PART OF 500-3138 TANK & MTG GP-DEF
AN ATTACHMENT

SMCS-108K, 1091

i07003509

NOTE	REF NO	GRAPHIC REF	PART NUMBER	QTY	PART NAME						SEE PAGE
					1	2	3	4	5	6 (PRODUCT LEVEL)	
M	1	1	8T-4199	1	BOLT (M8X1.25X12-MM)						
	2	1	8T-4224	1	WASHER-HARD (8.8X16X2-MM THK)						
M	3	1	8T-4970	2	BOLT (M6X1X14-MM)						
M	4	1	328-9688	3	SCREW (M10X1.5X14-MM)						
	5	1	496-3408	1	HOSE AS						
M	6	1	8T-4136	1	BOLT (M10X1.5X25-MM)						
	7	1	7K-1181	5	STRAP-CABLE						
	8	1	518-7574	1	HOSE AS						
	9	1	518-7551	1	HOSE AS						
	10	1	474-9810	1	PLATE						
	11	1	8T-4121	4	WASHER-HARD (11X21X2.5-MM THK)						
	12	1	303-4787	2	WASHER (6.1X11.8X1.6-MM THK)						
	13	1	132-5789	1	CLIP (LADDER)						
	14	1	4P-7581	2	CLIP (LADDER)						
	15	1	5K-8451	2	CLIP (LOOP)						
	16	1	4D-7735	1	CLIP						

M - METRIC PART



GRAPHIC #1

<END>

g06205543

AIR INLET AND EXHAUST SYSTEM

356-4035 LINES GP-TURBOCHARGER AIR

S/N: JKT1-UP

TO ACTUATOR

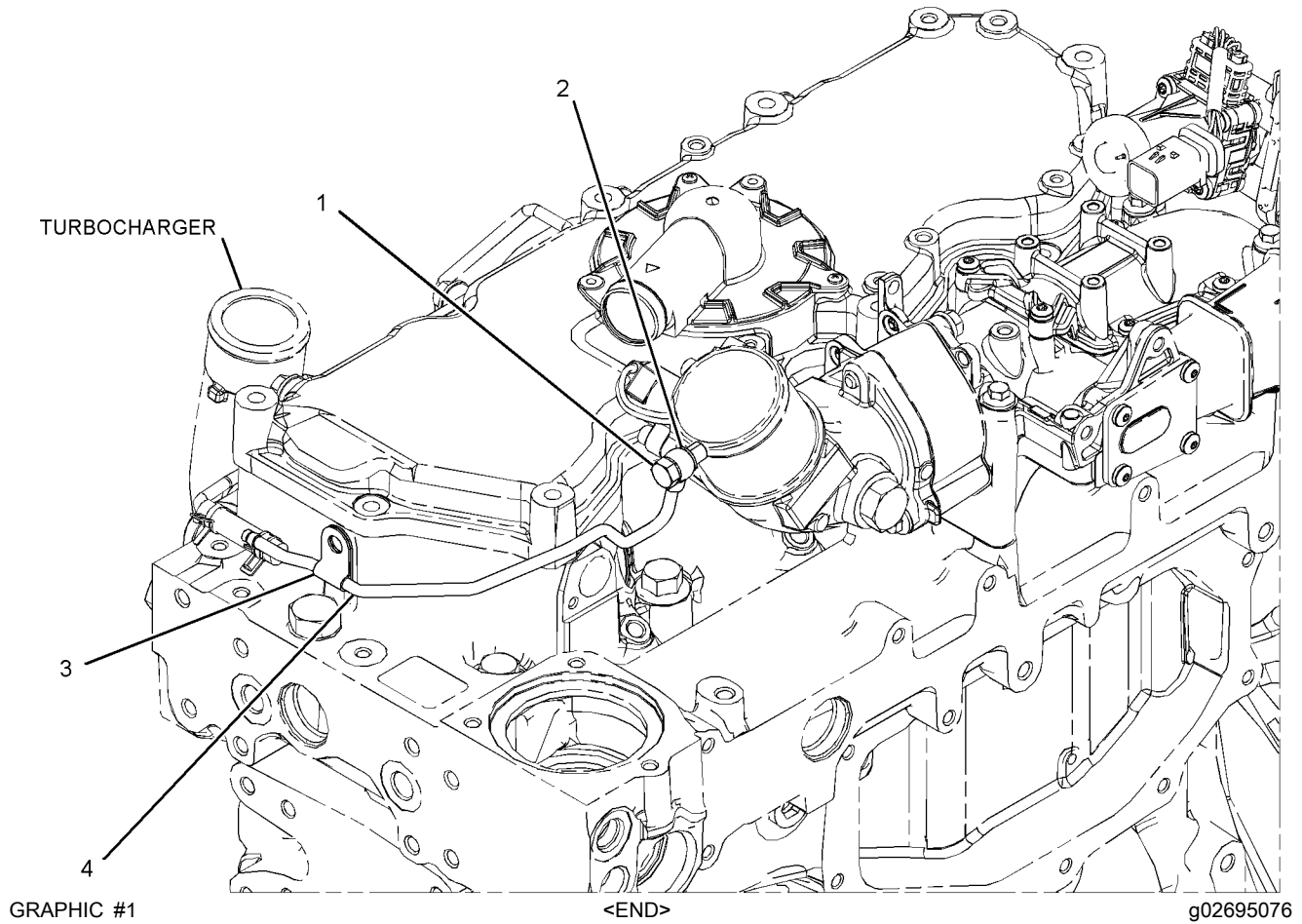
PART OF 425-9719 TURBOCHARGER GP

ALSO AN ATTACHMENT

SMCS-1052, 1071

i04631422

NOTE	REF NO	GRAPHIC REF	PART NUMBER	QTY	PART NAME						SEE PAGE
					1	2	3	4	5	6 (PRODUCT LEVEL)	
	1	1	225-8524	1	BOLT-SPECIAL (M10X1.5X23-MM)						
	2	1	225-8526	2	WASHER (10.4X13.75X1.37-MM THK)						
	3	1	335-8611	1	CLIP						
	4	1	356-4036	1	TUBE AS-TURBOCHARGER						



AIR INLET AND EXHAUST SYSTEM

425-9824 LINES GP-TURBOCHARGER AIR

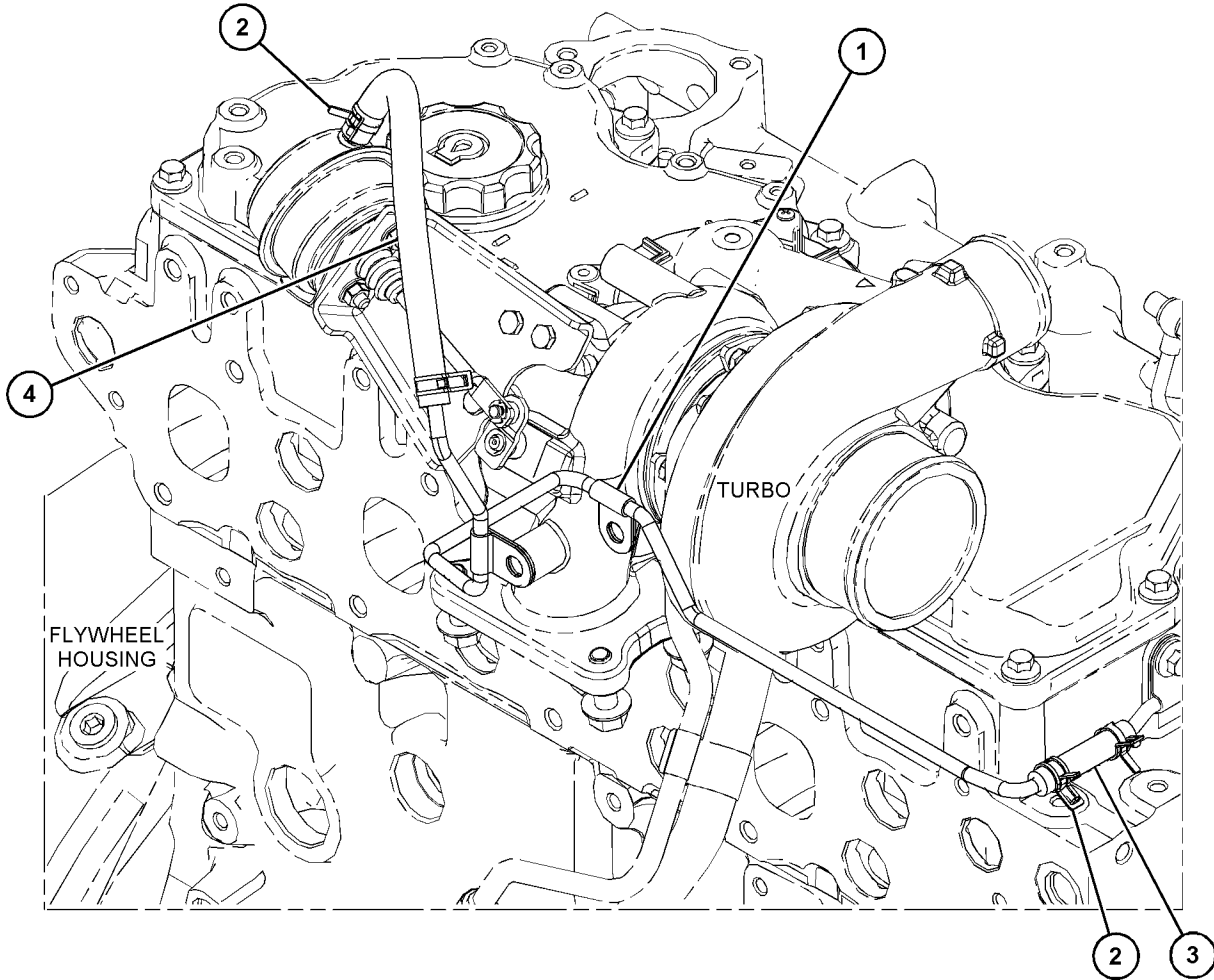
S/N: JKT1-UP

PART OF 425-9719 TURBOCHARGER GP
ALSO AN ATTACHMENT

SMCS-1052, 1071

i08066479

NOTE	REF NO	GRAPHIC REF	PART NUMBER	QTY	PART NAME						SEE PAGE
					1	2	3	4	5	6 (PRODUCT LEVEL)	
1	1	1	335-8611	2	CLIP						
2	1	1	107-2348	4	CLIP						
3	1	1	422-7716	1	HOSE						
4	1	1	426-0441	1	HOSE						



GRAPHIC #1

<END>

g06531921

AIR INLET AND EXHAUST SYSTEM

462-3219 MANIFOLD GP-DEF

S/N: TH91-UP; JKT1-UP

PART OF 399-1209 MODULE AR-DIESEL EXHAUST FLUID, 442-1647 PUMP GP-DIESEL EXHAUST FLUID, 474-9848 TANK GP-DIESEL EXHAUST FLUID
ALSO AN ATTACHMENT

SMCS-108K, 3206

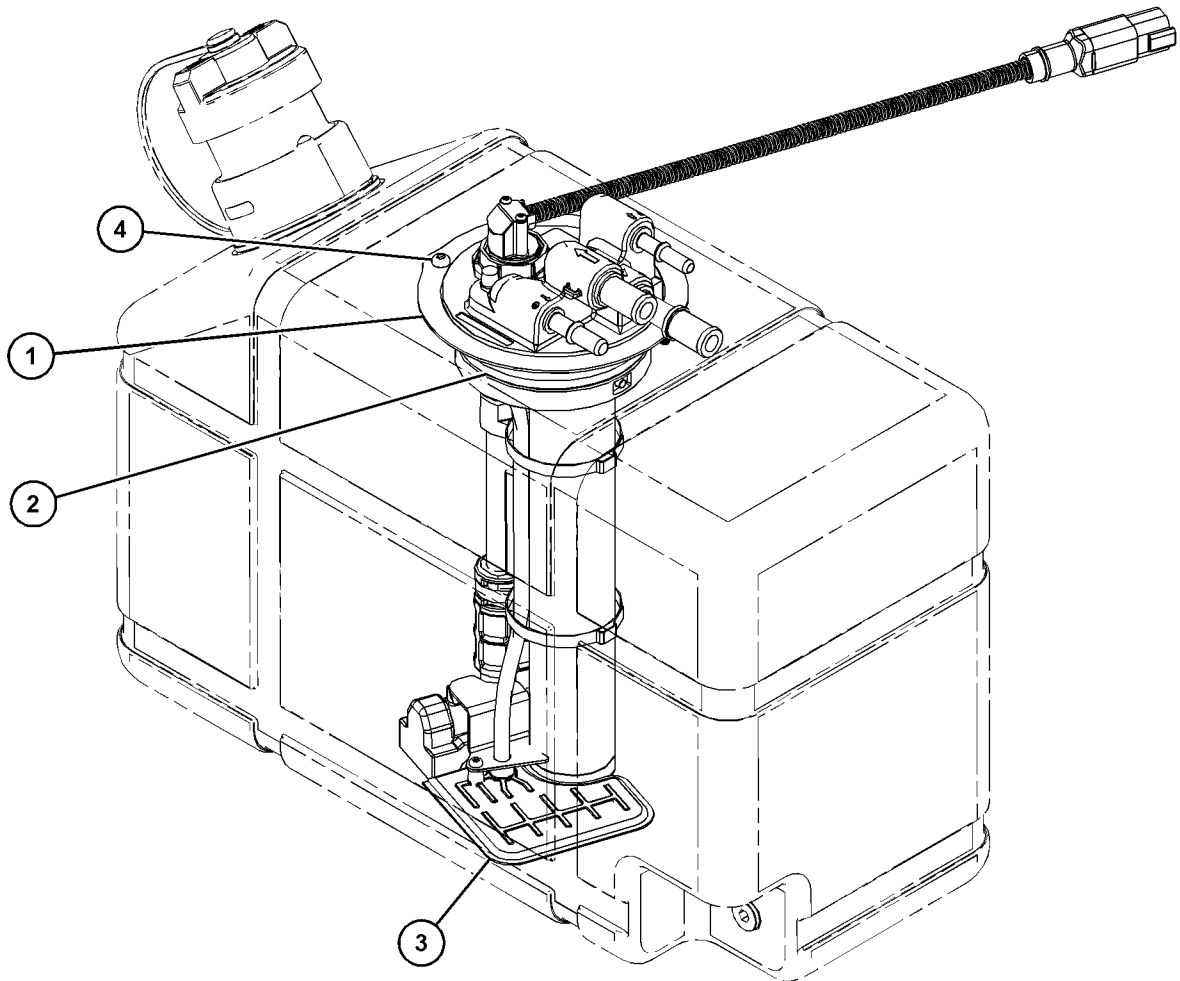
i08085104

NOTE	REF NO	GRAPHIC REF	PART NUMBER	QTY	PART NAME						SEE PAGE
					1	2	3	4	5	6 (PRODUCT LEVEL)	
	1	1	461-9107	1	CLAMP						
	2	1	461-9110	1	SEAL						
J	3	1	461-9113	1	FILTER AS (DIESEL EXHAUST FLUID)						
	4	1	461-9115	2	SCREW (10-32X0.5-IN)						

AVAILABLE REPAIR KIT(S) :

J			593-0641	1	KIT-SENSOR (INCLUDES STRAP-CABLES & SENSOR KIT)					
---	--	--	-----------------	---	--	--	--	--	--	--

J - KIT MARKED J SERVICES PART(S) MARKED J



GRAPHIC #1

<END>

g03841311

AIR INLET AND EXHAUST SYSTEM

356-1124 MANIFOLD GP-EXHAUST

S/N: JKT1-UP

PART OF 464-2307, 464-2308 ENGINE AR-PRIMARY
ALSO AN ATTACHMENT

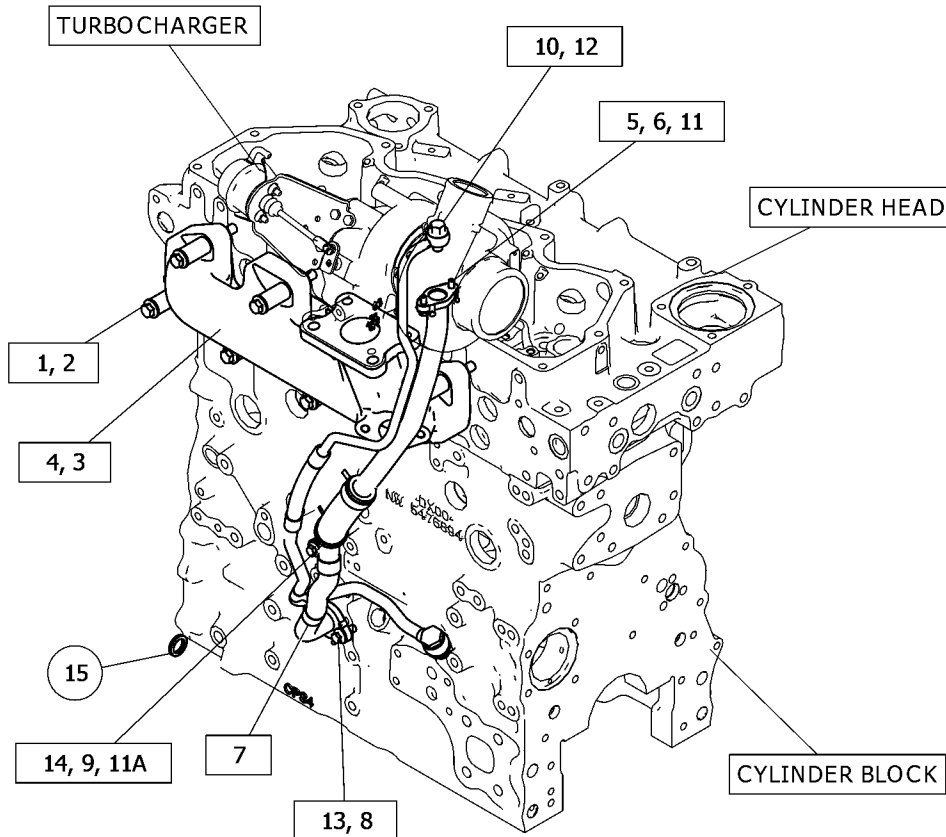
SMCS - 1059

i07486815

NOTE	REF NO	GRAPHIC REF	PART NUMBER	QTY	PART NAME	SEE PAGE
					1 2 3 4 5 6 (PRODUCT LEVEL)	
	1	1	238-8292	8	BOLT-FLANGE HEAD	
	2	1	286-7851	8	SPACER	
	3	1	349-1835	1	GASKET	
	4	1	355-2495	1	MANIFOLD (EXHAUST)	
M	5	1	106-8916	2	BOLT (M6X1X16-MM)	
	6	1	357-0617	1	GASKET	
	7	1	357-0646	1	CLIP	
	8	1	358-7592	1	GASKET	
	9	1	383-6037	1	SPACER (9.15X19.75X15-MM THK)	
M	10	1	457-8672	1	BOLT (M10X1X22-MM) (M10X1-THD)	
	11	1	487-2925	1	LINE AS-OIL	
	11A	1	359-4462	1	CLIP	
Y	12	1	502-2907	1	LINES GP-TURBOCHARGER OIL	198
M	13	1	6I-0217	2	BOLT (M8X1.25X20-MM)	
M	14	1	6I-0254	1	BOLT (M8X1.25X30-MM)	
	15	1	536-5034	2	WASHER	

M - METRIC PART

Y - SEPARATE ILLUSTRATION



GRAPHIC #1

<END>

g06339672

AIR INLET AND EXHAUST SYSTEM

381-3502 MANIFOLD GP-EXHAUST

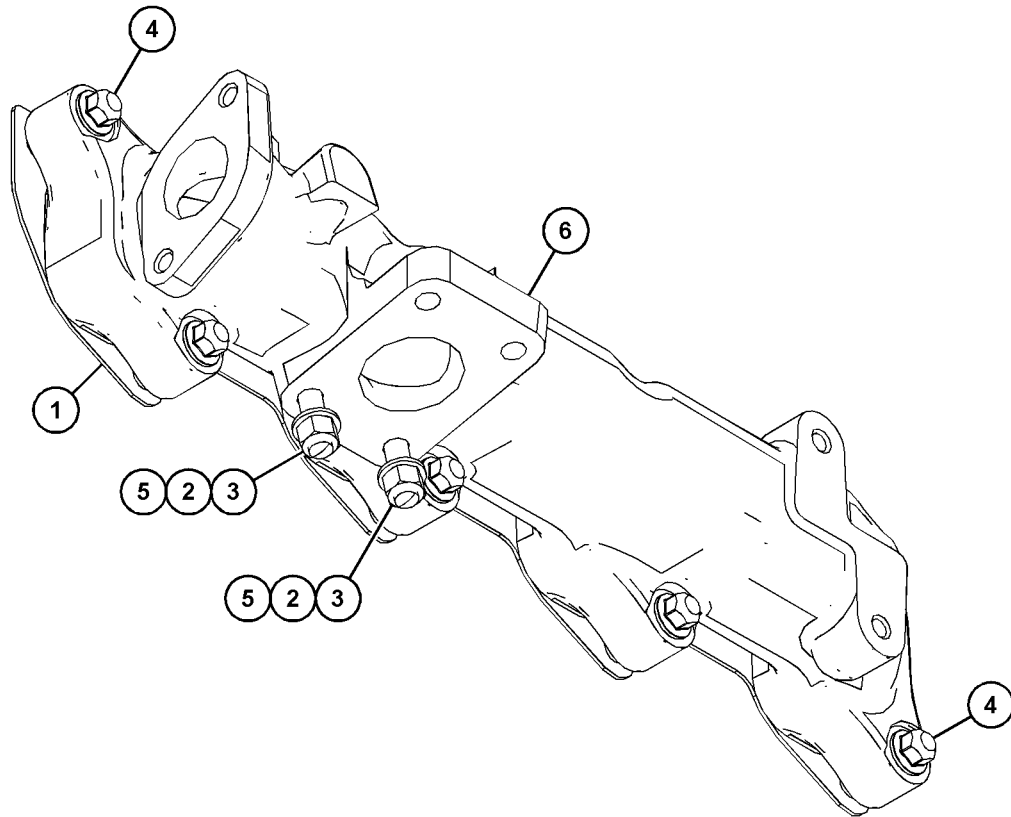
S/N: CN51-UP

PART OF 441-9792 TURBOCHARGER GP
AN ATTACHMENT

SMCS-1059

i07526848

NOTE	REF NO	GRAPHIC REF	PART NUMBER	QTY	PART NAME						SEE PAGE
					1	2	3	4	5	6	
	1	1	387-7702	1	GASKET						
	2	1	387-7725	2	STUD						
	3	1	389-1934	2	NUT						
	4	1	389-1935	8	NUT						
	5	1	566-5939	2	WASHER						
	6	1	511-5393	1	MANIFOLD-EXHAUST						



GRAPHIC #1

<END>

g06194625

AIR INLET AND EXHAUST SYSTEM

416-9552 MANIFOLD GP-EXHAUST

S/N: W231-UP

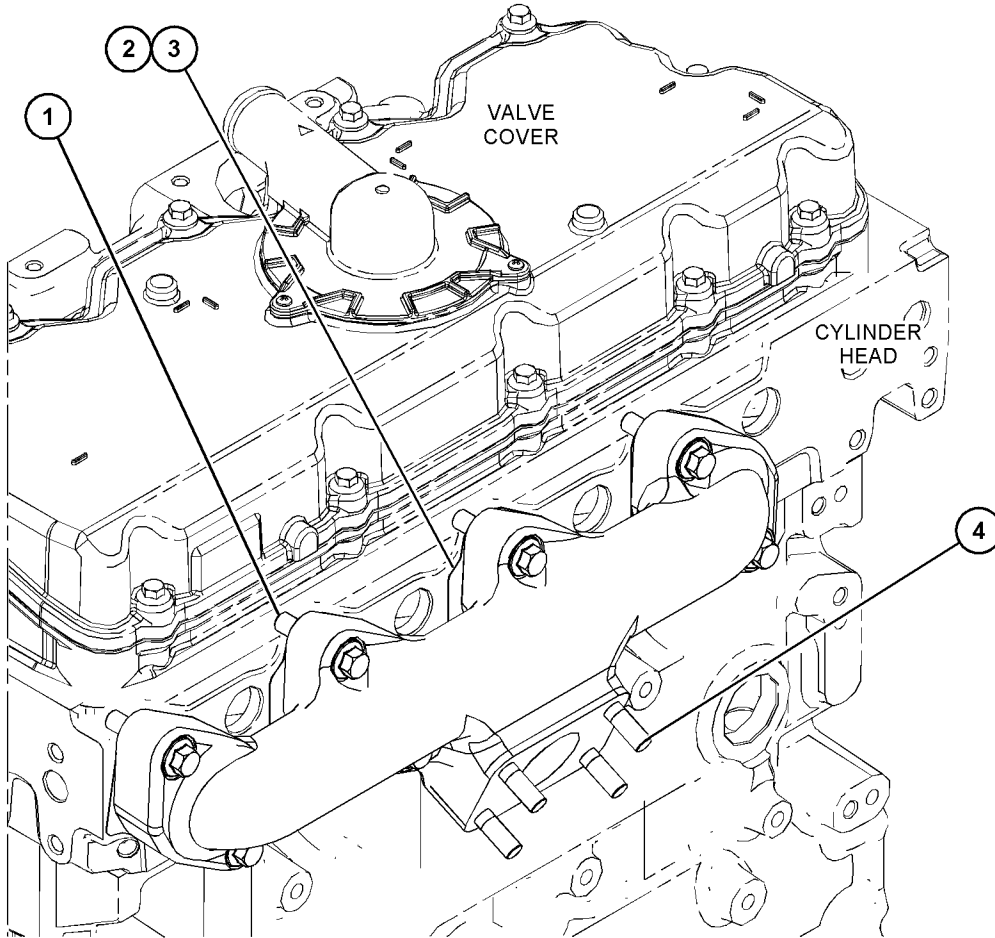
PART OF 463-8848, 463-8910 ENGINE AR-PRIMARY

SMCS - 1059

i06138400

NOTE	REF NO	GRAPHIC REF	PART NUMBER	QTY	PART NAME						SEE PAGE
					1	2	3	4	5	6 (PRODUCT LEVEL)	
M	1	1	278-0361	8	BOLT (M10X1.5X45-MM)						
	2	1	298-4570	1	GASKET-EXHAUST MANIFOLD						
	3	1	301-8256	1	MANIFOLD-EXHAUST						
	4	1	361-7519	4	ROD-THREADED						

M - METRIC PART



GRAPHIC #1

<END>

g03817296

AIR INLET AND EXHAUST SYSTEM

350-1802 MANIFOLD GP-INLET

S/N: CN51-UP

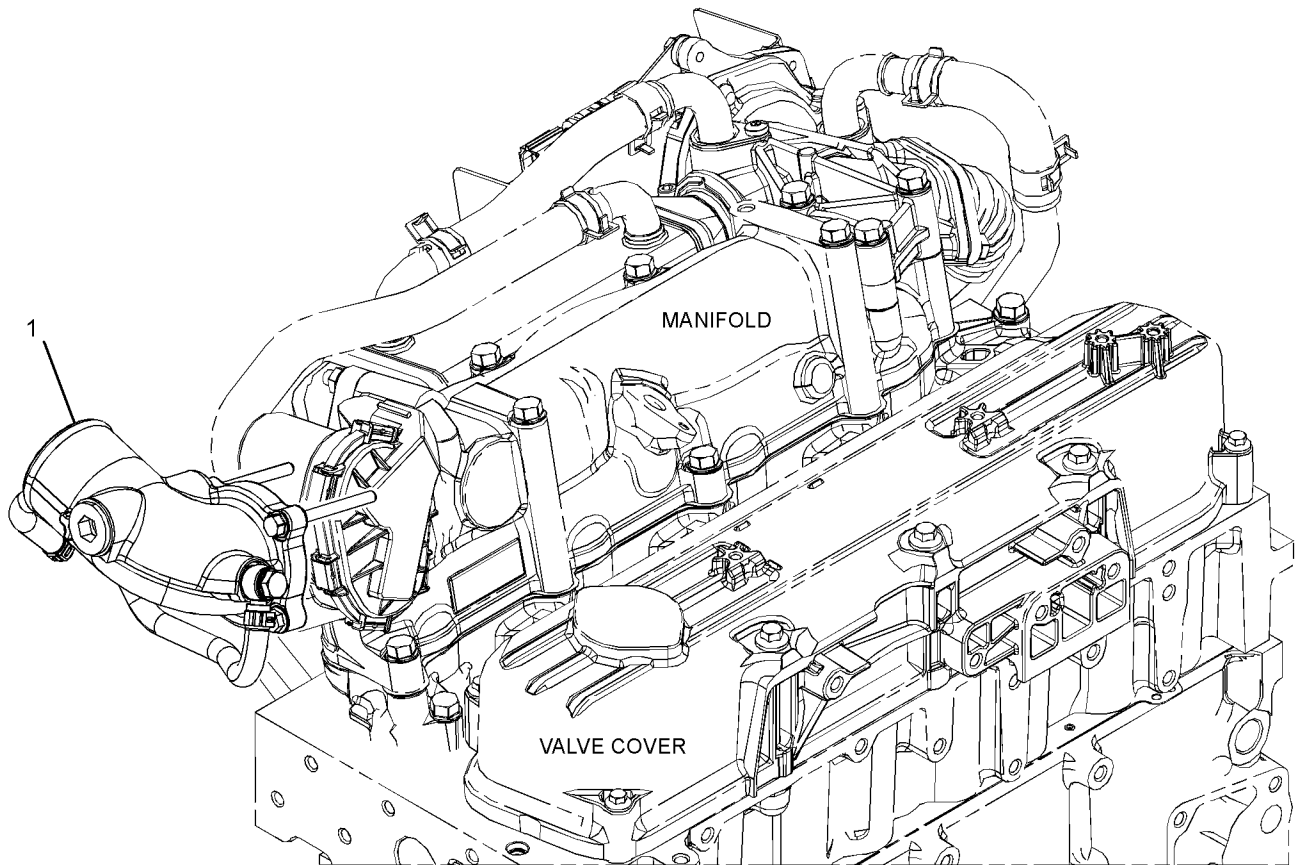
PART OF 465-2880 ENGINE AR-PRIMARY
AN ATTACHMENT

SMCS-1058

i06605455

NOTE	REF NO	GRAPHIC REF	PART NUMBER	QTY	PART NAME						SEE PAGE
					1	2	3	4	5	6 (PRODUCT LEVEL)	
Y	1	1	432-1689	1	MANIFOLD GP-INLET						308

Y - SEPARATE ILLUSTRATION



GRAPHIC #1

<END>

g03547748

AIR INLET AND EXHAUST SYSTEM

432-1689 MANIFOLD GP-INLET

S/N: CN51-UP

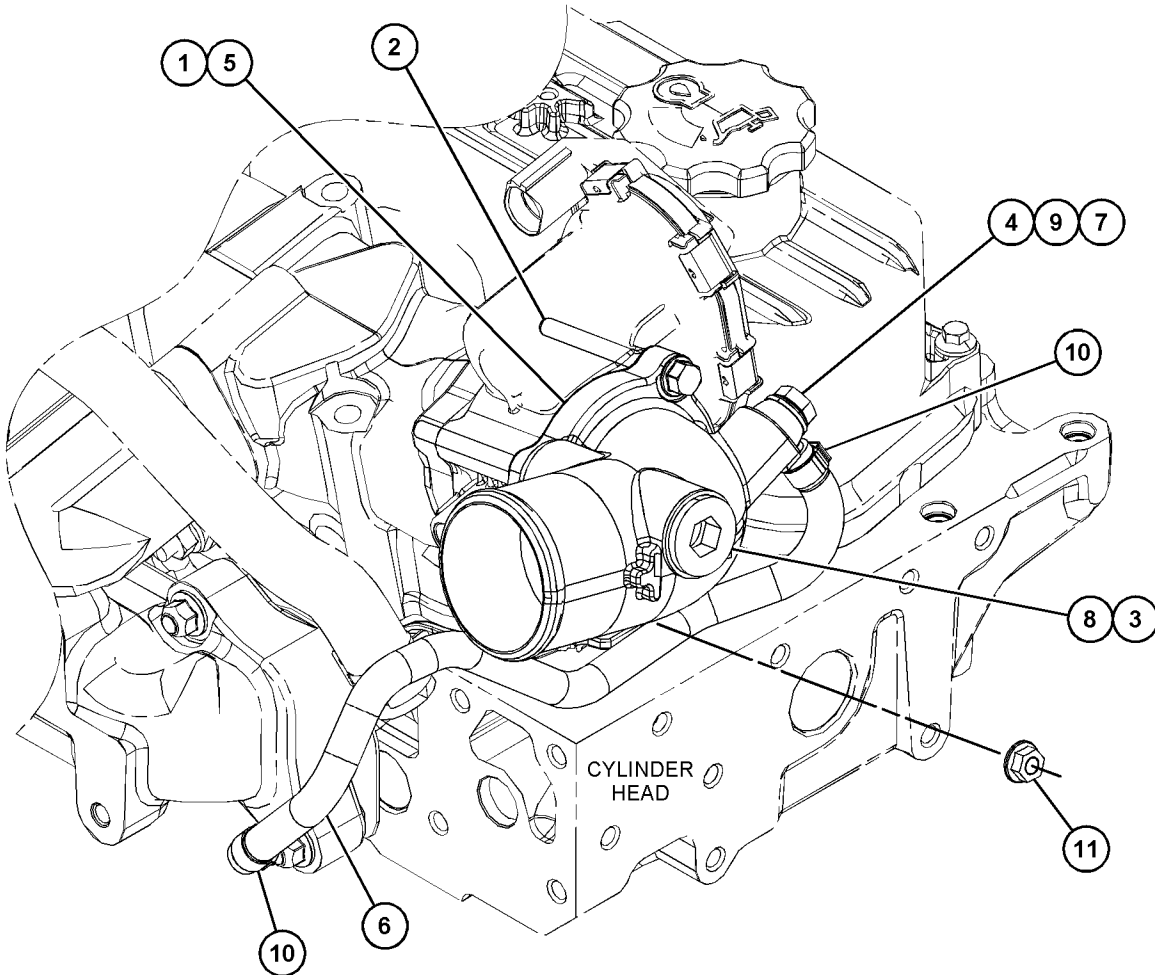
PART OF 350-1802 MANIFOLD GP-INLET
AN ATTACHMENT

SMCS-1058

i06815608

NOTE	REF NO	GRAPHIC REF	PART NUMBER	QTY	PART NAME						SEE PAGE
					1	2	3	4	5	6 (PRODUCT LEVEL)	
	1	1	386-2783	1	GASKET						
	2	1	389-2867	2	BOLT						
	3	1	390-3130	1	SEAL						
	4	1	428-8158	1	CONNECTOR						
	5	1	428-8210	1	ELBOW						
	6	1	428-8227	1	PIPE						
	7	1	428-8230	2	SEAL						
	8	1	428-8232	1	PLUG						
	9	1	428-8237	1	BOLT						
	10	1	489-0637	2	CLIP						
M	11	1	099-6418	2	NUT (M6X1-THD)						

M - METRIC PART



GRAPHIC #1

<END>

g03685406

AIR INLET AND EXHAUST SYSTEM

471-7018 MODULE AR-CLEAN EMISSIONS

S/N: JKT1-UP

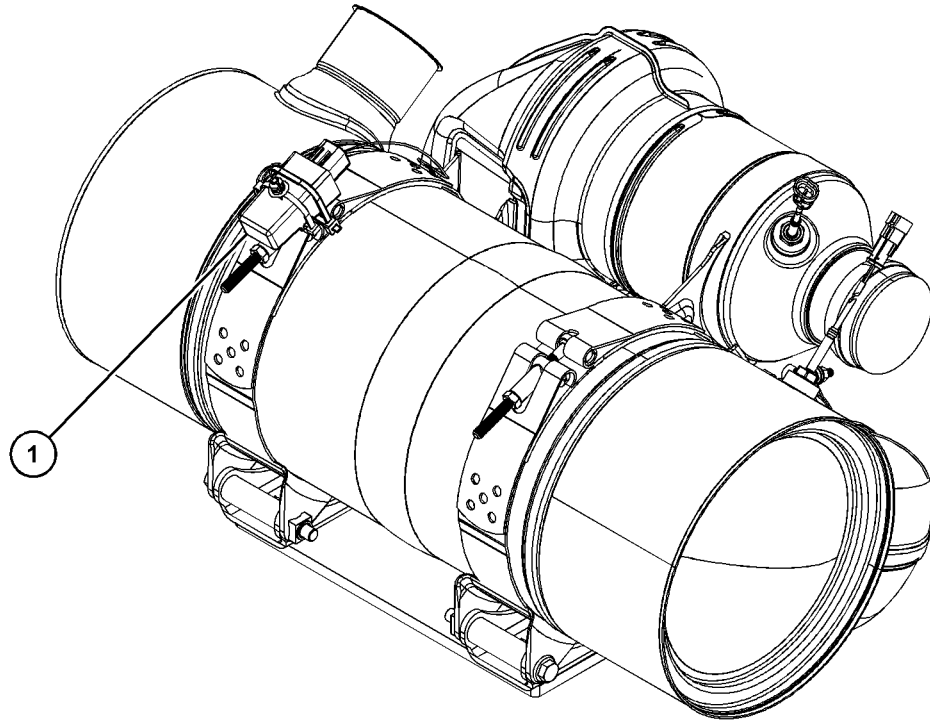
PART OF 473-0267 EXHAUST GP
ALSO AN ATTACHMENT

SMCS-1050, 108D

i07991889

NOTE	REF NO	GRAPHIC REF	PART NUMBER	QTY	PART NAME						SEE PAGE
					1	2	3	4	5	6 (PRODUCT LEVEL)	
Y	1	1	454-8290	1	ELECTRICAL GP-DEF (EXHAUST)						421

Y - SEPARATE ILLUSTRATION



GRAPHIC #1

<END>

g06125621

AIR INLET AND EXHAUST SYSTEM

479-6503 MODULE AR-CLEAN EMISSIONS

S/N: JKT1-UP

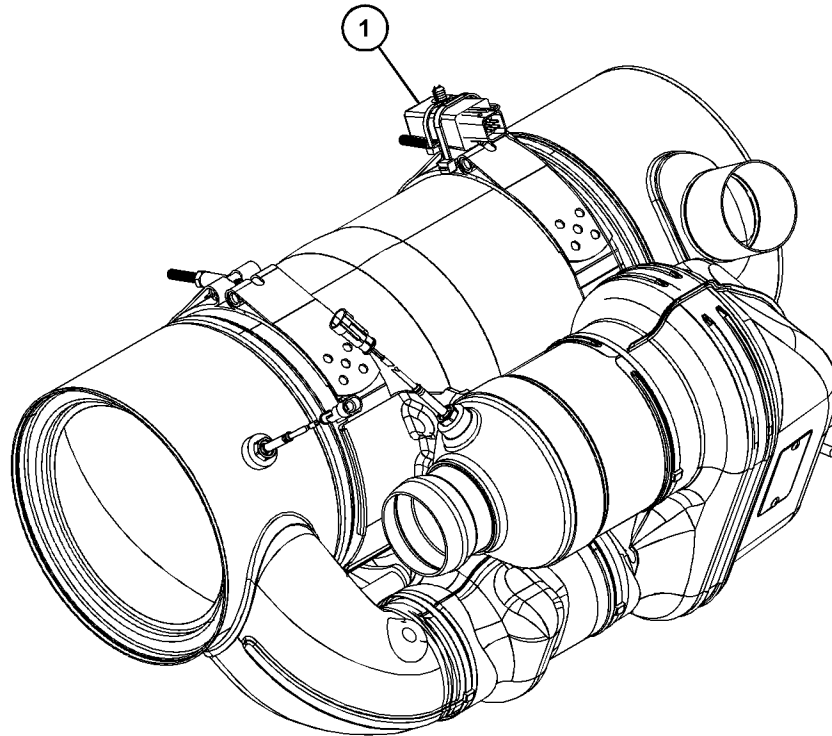
PART OF 473-0267 EXHAUST GP
ALSO AN ATTACHMENT

SMCS-1050, 108D

i07162348

NOTE	REF NO	GRAPHIC REF	PART NUMBER	QTY	PART NAME						SEE PAGE
					1	2	3	4	5	6 (PRODUCT LEVEL)	
Y	1	1	479-9470	1	ELECTRICAL GP-DEF						422

Y - SEPARATE ILLUSTRATION



GRAPHIC #1

<END>

g06143648

AIR INLET AND EXHAUST SYSTEM

399-1209 MODULE AR-DIESEL EXHAUST FLUID

S/N: JKT1-UP

TANK

PART OF 466-2883 ENGINE AR

ALSO AN ATTACHMENT

SMCS-108H, 108K

i06747208

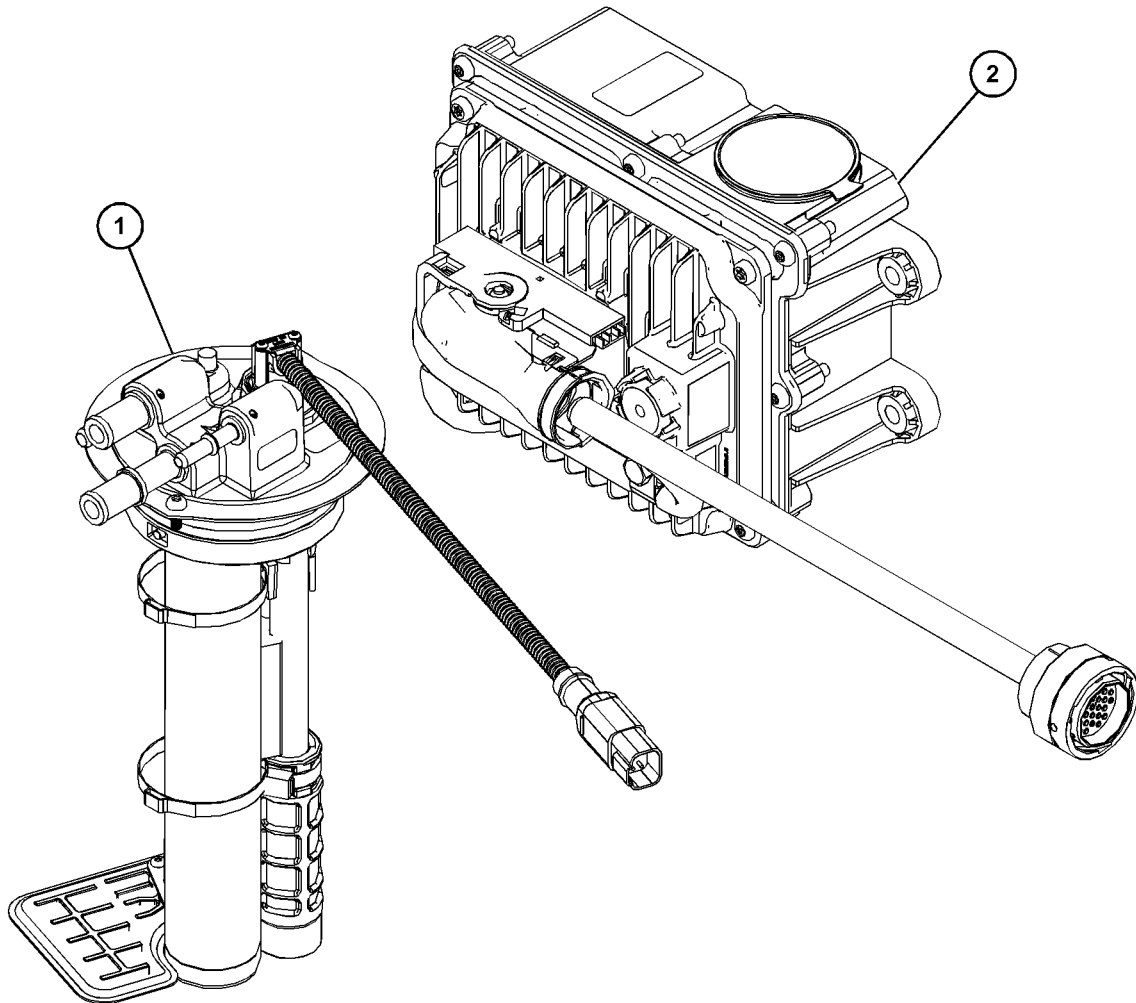
NOTE	REF NO	GRAPHIC REF	PART NUMBER	QTY	PART NAME						SEE PAGE
					1	2	3	4	5	6 (PRODUCT LEVEL)	
CY	1	1	462-3219	1	MANIFOLD GP-DEF						303
CY	2	1	466-8285	1	PUMP GP-DIESEL EXHAUST FLUID						325

AVAILABLE GASKET KIT(S) :

473-2944 1 KIT-EXHAUST PARTS

(INCLUDES CAPS & PLUGS)

C - CHANGE FROM PREVIOUS TYPE
Y - SEPARATE ILLUSTRATION



GRAPHIC #1

<END>

g06011231

AIR INLET AND EXHAUST SYSTEM

416-8775 MOUNTING GP-EXHAUST

S/N: W231-UP

HARDWARE

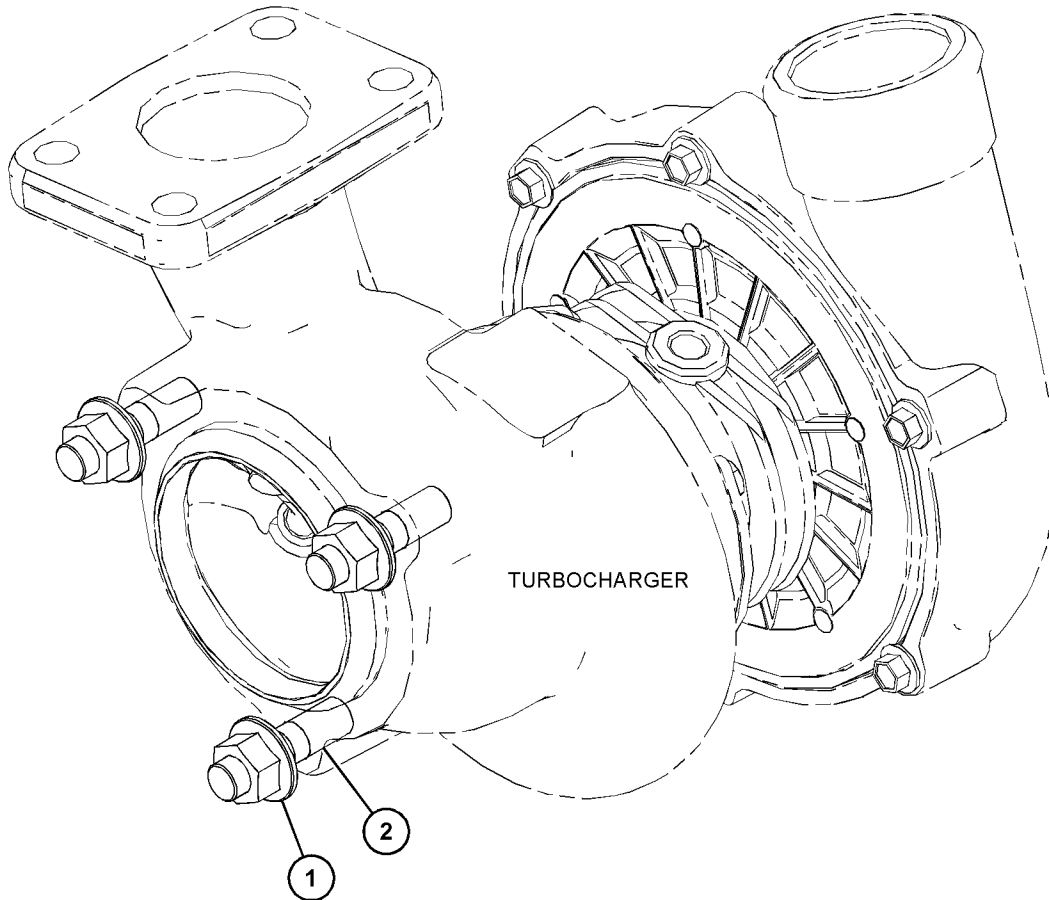
PART OF 463-8848, 463-8910 ENGINE AR-PRIMARY

SMCS-1061

i06146793

NOTE	REF NO	GRAPHIC REF	PART NUMBER	QTY	PART NAME						SEE PAGE
					1	2	3	4	5	6 (PRODUCT LEVEL)	
M	1	1	6I-0563	3	NUT (M10X1.5-THD)						
	2	1	361-7519	3	ROD-THREADED						

M - METRIC PART



GRAPHIC #1

<END>

g03828783

AIR INLET AND EXHAUST SYSTEM

499-9422 MOUNTING GP-EXHAUST

S/N: TH91-UP

PART OF 518-5879 INSTALLATION AR-ENGINE

AN ATTACHMENT

TYPE 1

SMCS-1061

i07434827

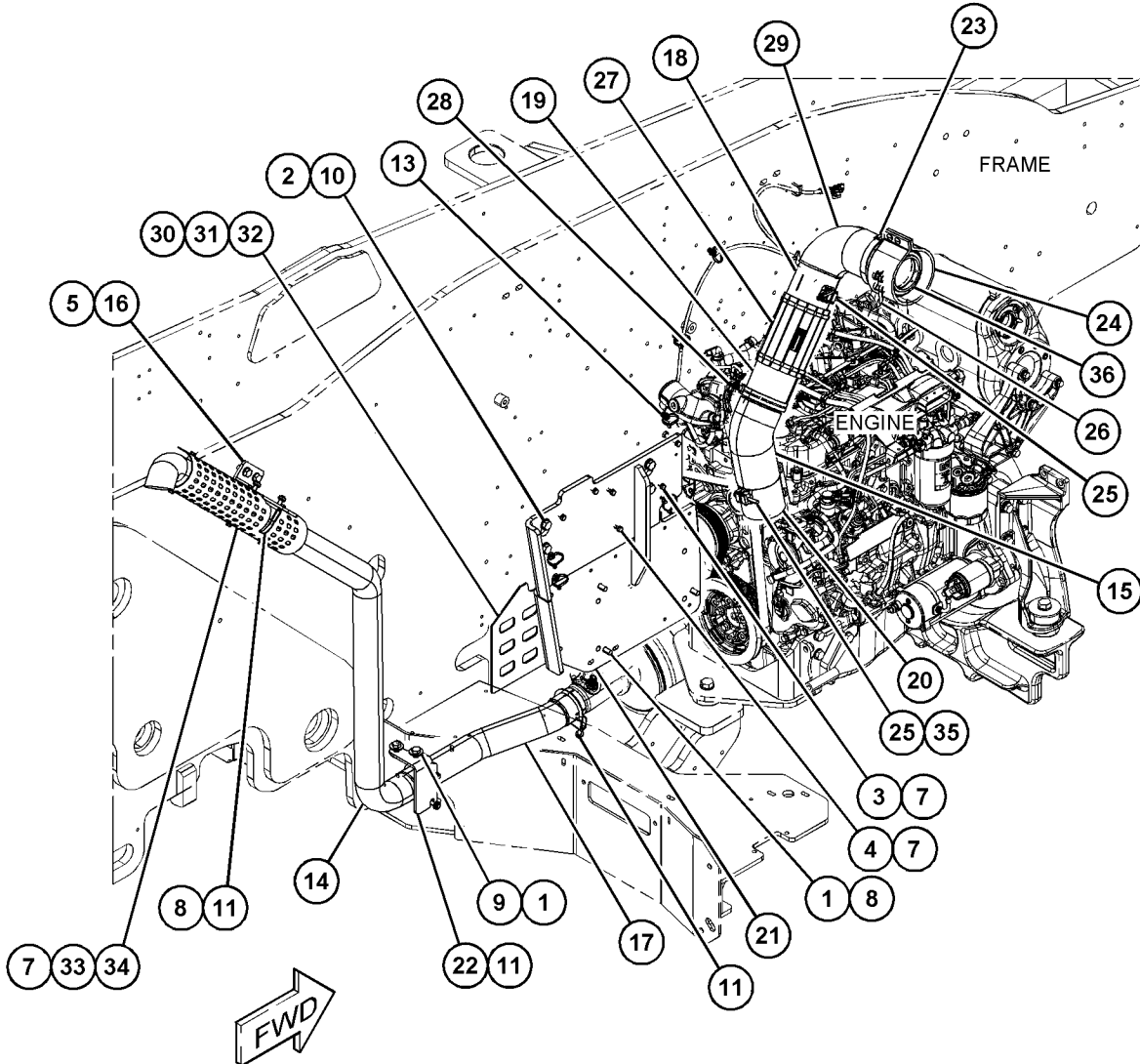
NOTE	REF NO	GRAPHIC REF	PART NUMBER	QTY	PART NAME						SEE PAGE
					1	2	3	4	5	6 (PRODUCT LEVEL)	
M	1	1	8T-4195	6	BOLT (M10X1.5X30-MM)						
M	2	1	8T-4139	4	BOLT (M12X1.75X30-MM)						
M	3	1	7X-2619	4	BOLT (M6X1X10-MM)						
M	4	1	8T-4970	2	BOLT (M6X1X14-MM)						
M	5	1	8T-4136	2	BOLT (M10X1.5X25-MM)						
	7	1	8T-4205	12	WASHER-HARD (7.2X14.5X2-MM THK)						
	8	1	8T-4121	6	WASHER-HARD (11X21X2.5-MM THK)						
	9	1	116-8517	2	WASHER (10.5X30X2.5-MM THK)						
	10	1	8T-4223	4	WASHER-HARD (13.5X25.5X3-MM THK)						
	11	1	331-4387	3	CLAMP						
	13	1	455-3027	7	TIE-CABLE						
	14	1	558-9455	1	PIPE-EXHAUST						
	15	1	499-9423	1	TUBE AS						
	16	1	497-9620	1	BRACKET						
	17	1	499-9426	1	TUBE						
	18	1	495-0200	1	CLAMP-EXHAUST						
	19	1	495-0201	1	CLAMP-EXHAUST						
	20	1	495-0202	1	CLAMP-EXHAUST						
	21	1	515-9723	1	BRACKET AS						
	22	1	497-9622	1	BRACKET AS						
	23	1	343-7049	1	CLAMP						
	24	1	515-9722	1	CLAMP						
	25	1	359-5885	2	CLAMP AS						
	26	1	367-2071	1	CLAMP						
	27	1	447-3888	1	BELLOWS AS						
	28	1	451-4751	1	CLAMP AS						
	29	1	459-6652	1	ADAPTER AS-EXHAUST						
M	30	1	8T-4189	2	BOLT (M8X1.25X20-MM)						
	31	1	8T-4224	2	WASHER-HARD (8.8X16X2-MM THK)						
	32	1	515-9724	1	PLATE						
M	33	1	8T-4171	6	BOLT (M6X1X12-MM)						
	34	1	558-9462	1	PLATE-GUARD						
	35	1	454-9258	1	GASKET-EXHAUST						
	36	1	454-9259	1	GASKET-EXHAUST						

M - METRIC PART

AIR INLET AND EXHAUST SYSTEM

499-9422 MOUNTING GP-EXHAUST (contd.)

i07434827



GRAPHIC #1

<END>

g06323791

AIR INLET AND EXHAUST SYSTEM

499-9422 MOUNTING GP-EXHAUST

S/N: TH91-UP

PART OF 518-5879 INSTALLATION AR-ENGINE

AN ATTACHMENT

TYPE 2

SMCS-1061

i08074839

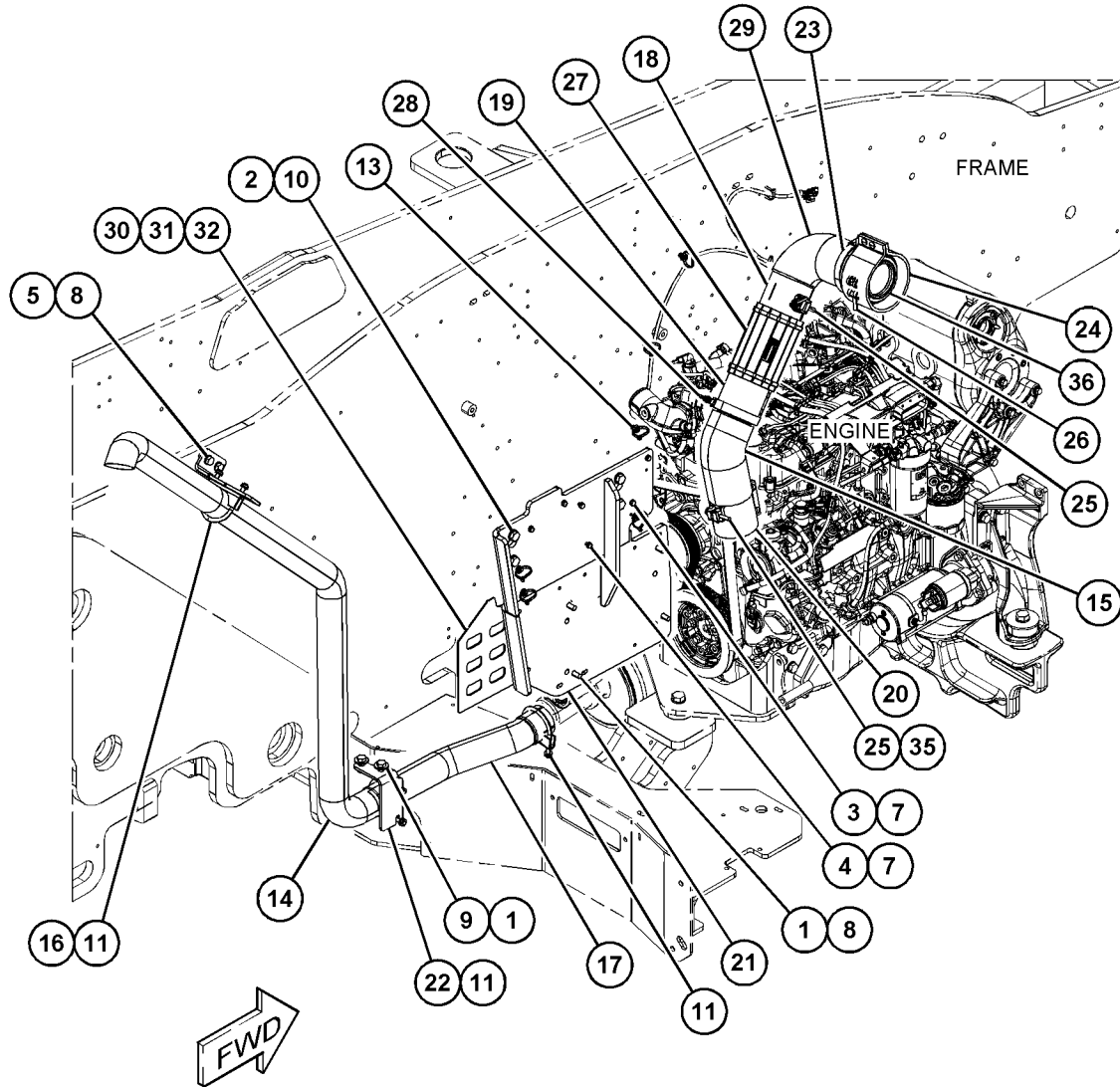
NOTE	REF NO	GRAPHIC REF	PART NUMBER	QTY	PART NAME						SEE PAGE
					1	2	3	4	5	6 (PRODUCT LEVEL)	
M	1	1	8T-4195	6	BOLT (M10X1.5X30-MM)						
M	2	1	8T-4139	4	BOLT (M12X1.75X30-MM)						
M	3	1	7X-2619	4	BOLT (M6X1X10-MM)						
M	4	1	8T-4970	2	BOLT (M6X1X14-MM)						
M	5	1	8T-4136	2	BOLT (M10X1.5X25-MM)						
C	7	1	8T-4205	6	WASHER-HARD (7.2X14.5X2-MM THK)						
	8	1	8T-4121	6	WASHER-HARD (11X21X2.5-MM THK)						
	9	1	116-8517	2	WASHER (10.5X30X2.5-MM THK)						
	10	1	8T-4223	4	WASHER-HARD (13.5X25.5X3-MM THK)						
	11	1	331-4387	3	CLAMP						
	13	1	455-3027	7	TIE-CABLE						
C	14	1	555-7342	1	PIPE-TAIL						
	15	1	499-9423	1	TUBE AS						
	16	1	497-9620	1	BRACKET						
	17	1	499-9426	1	TUBE						
	18	1	495-0200	1	CLAMP-EXHAUST						
	19	1	495-0201	1	CLAMP-EXHAUST						
	20	1	495-0202	1	CLAMP-EXHAUST						
	21	1	515-9723	1	BRACKET AS						
	22	1	497-9622	1	BRACKET AS						
	23	1	343-7049	1	CLAMP						
	24	1	515-9722	1	CLAMP						
	25	1	359-5885	2	CLAMP AS						
	26	1	367-2071	1	CLAMP						
	27	1	447-3888	1	BELLOWS AS						
	28	1	451-4751	1	CLAMP AS						
	29	1	459-6652	1	ADAPTER AS-EXHAUST						
M	30	1	8T-4189	2	BOLT (M8X1.25X20-MM)						
	31	1	8T-4224	2	WASHER-HARD (8.8X16X2-MM THK)						
	32	1	515-9724	1	PLATE						
	35	1	454-9258	1	GASKET-EXHAUST						
	36	1	454-9259	1	GASKET-EXHAUST						

C - CHANGE FROM PREVIOUS TYPE
M - METRIC PART

AIR INLET AND EXHAUST SYSTEM

499-9422 MOUNTING GP-EXHAUST (contd.)

i08074839



GRAPHIC #1

<END>

g06566875

AIR INLET AND EXHAUST SYSTEM

500-4277 MOUNTING GP-EXHAUST

S/N: TH41-UP; TH91-960; JKT1-UP
 PART OF 523-1977 INSTALLATION AR-ENGINE
 AN ATTACHMENT

SMCS-1061

i07434828

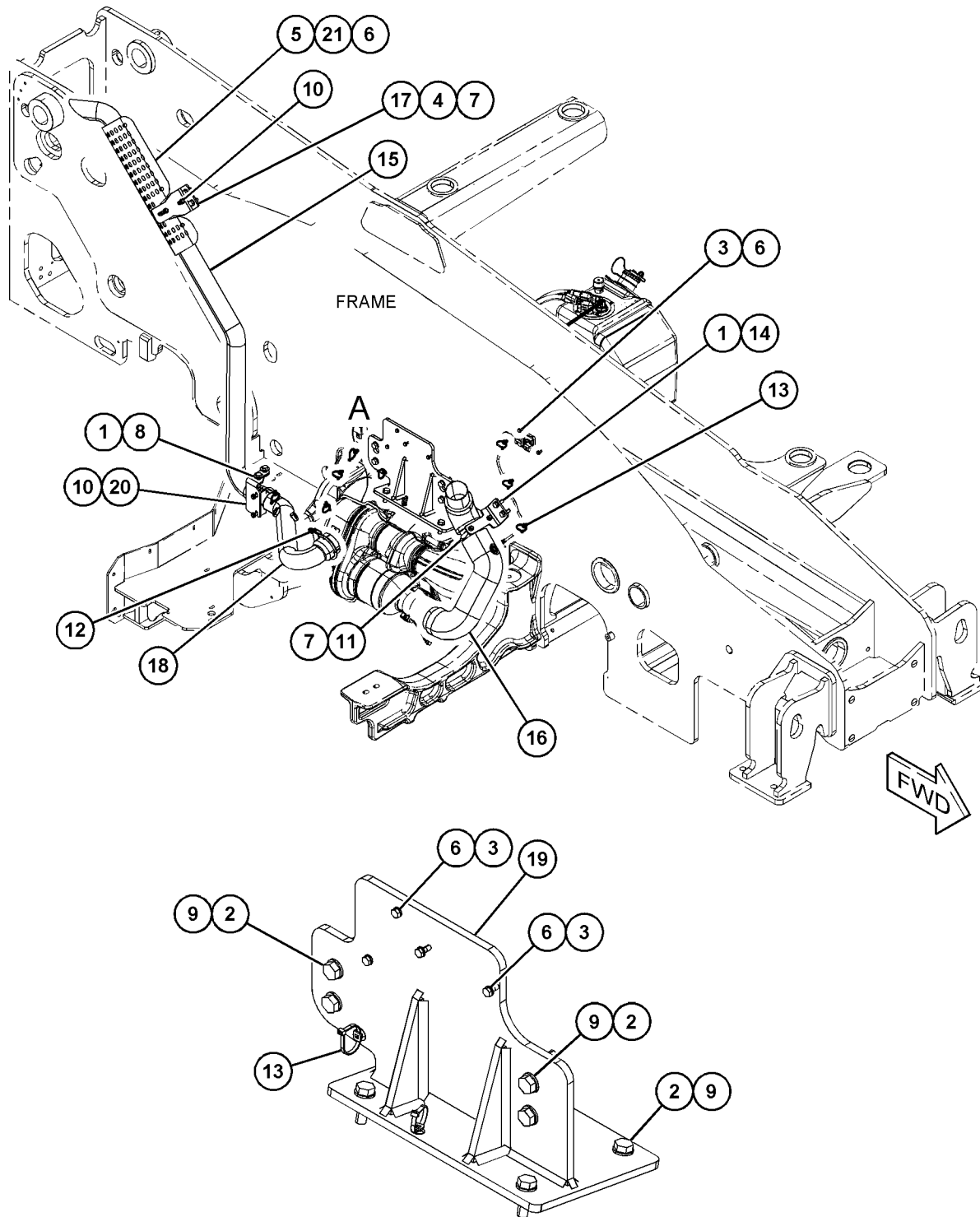
NOTE	REF NO	GRAPHIC REF	PART NUMBER	QTY	PART NAME						SEE PAGE
					1	2	3	4	5	6 (PRODUCT LEVEL)	
M	1	1	8T-4195	4	BOLT (M10X1.5X30-MM)						
M	2	1	8T-4183	8	BOLT (M12X1.75X40-MM)						
M	3	1	8T-4970	6	BOLT (M6X1X14-MM)						
M	4	1	8T-4136	2	BOLT (M10X1.5X25-MM)						
	5	1	558-9462	1	PLATE-GUARD						
	6	1	8T-4205	12	WASHER-HARD (7.2X14.5X2-MM THK)						
	7	1	8T-4121	4	WASHER-HARD (11X21X2.5-MM THK)						
	8	1	116-8517	2	WASHER (10.5X30X2.5-MM THK)						
	9	1	8T-4223	8	WASHER-HARD (13.5X25.5X3-MM THK)						
	10	1	331-4387	2	CLAMP						
	11	1	298-0530	1	CLAMP-MUFFLER						
	12	1	298-1758	1	CLAMP-PIPE						
	13	1	455-3027	9	TIE-CABLE						
	14	1	500-3311	1	PLATE						
	15	1	558-9455	1	PIPE-EXHAUST						
	16	1	500-4199	1	TUBE AS						
	17	1	497-9620	1	BRACKET						
	18	1	500-4200	1	TUBE AS						
	19	1	500-3310	1	BRACKET AS						
	20	1	497-9622	1	BRACKET AS						
M	21	1	8T-4171	6	BOLT (M6X1X12-MM)						

M - METRIC PART

AIR INLET AND EXHAUST SYSTEM

500-4277 MOUNTING GP-EXHAUST (contd.)

i07434828



VIEW OF AREA A
(PARTS REMOVED FOR CLARITY)

GRAPHIC #1

<END>

g06323783

AIR INLET AND EXHAUST SYSTEM

500-4277 MOUNTING GP-EXHAUST

S/N: TH9961-UP

PART OF 523-1977 INSTALLATION AR-ENGINE

AN ATTACHMENT

SMCS-1061

i08094181

NOTE	REF NO	GRAPHIC REF	PART NUMBER	QTY	PART NAME						SEE PAGE
					1	2	3	4	5	6 (PRODUCT LEVEL)	
M	1	2	8T-4195	4	BOLT (M10X1.5X30-MM)						
M	2	2	8T-4183	8	BOLT (M12X1.75X40-MM)						
M	3	2	8T-4970	6	BOLT (M6X1X14-MM)						
M	4	1	8T-4136	2	BOLT (M10X1.5X25-MM)						
	5	2	497-9622	1	BRACKET AS						
C	6	2	8T-4205	6	WASHER-HARD (7.2X14.5X2-MM THK)						
	7	1,2	8T-4121	4	WASHER-HARD (11X21X2.5-MM THK)						
	8	2	116-8517	2	WASHER (10.5X30X2.5-MM THK)						
	9	2	8T-4223	8	WASHER-HARD (13.5X25.5X3-MM THK)						
	10	1,2	331-4387	2	CLAMP						
	11	2	298-0530	1	CLAMP-MUFFLER						
	12	2	444-9684	1	CLAMP						
	13	2	455-3027	9	TIE-CABLE						
	14	2	500-3311	1	PLATE						
C	15	1	555-7342	1	PIPE-TAIL						
	16	2	500-4199	1	TUBE AS						
	17	1	497-9620	1	BRACKET						
	18	2	500-4200	1	TUBE AS						
	19	2	500-3310	1	BRACKET AS						

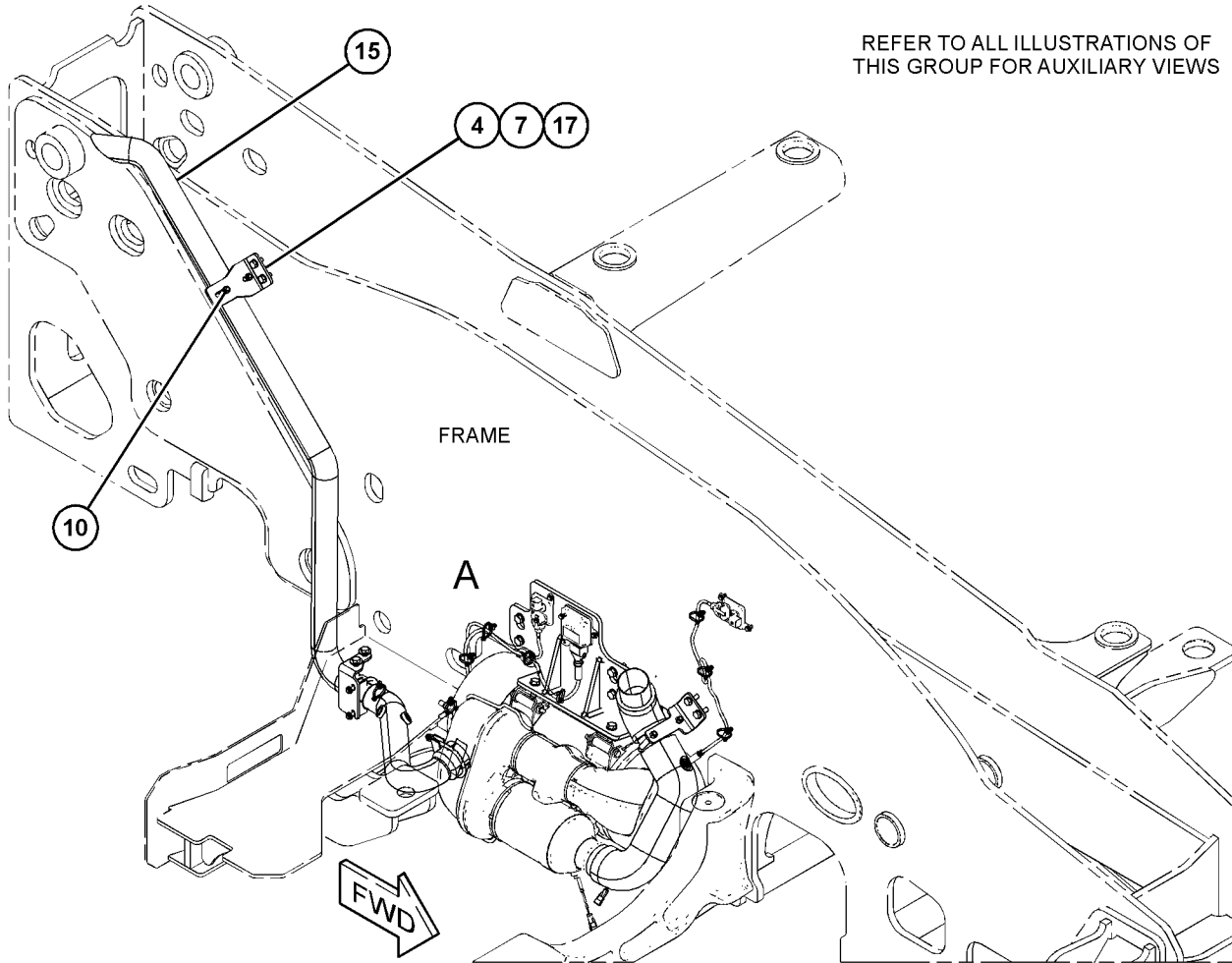
C - CHANGE FROM PREVIOUS TYPE

M - METRIC PART

AIR INLET AND EXHAUST SYSTEM

500-4277 MOUNTING GP-EXHAUST (contd.)

108094181



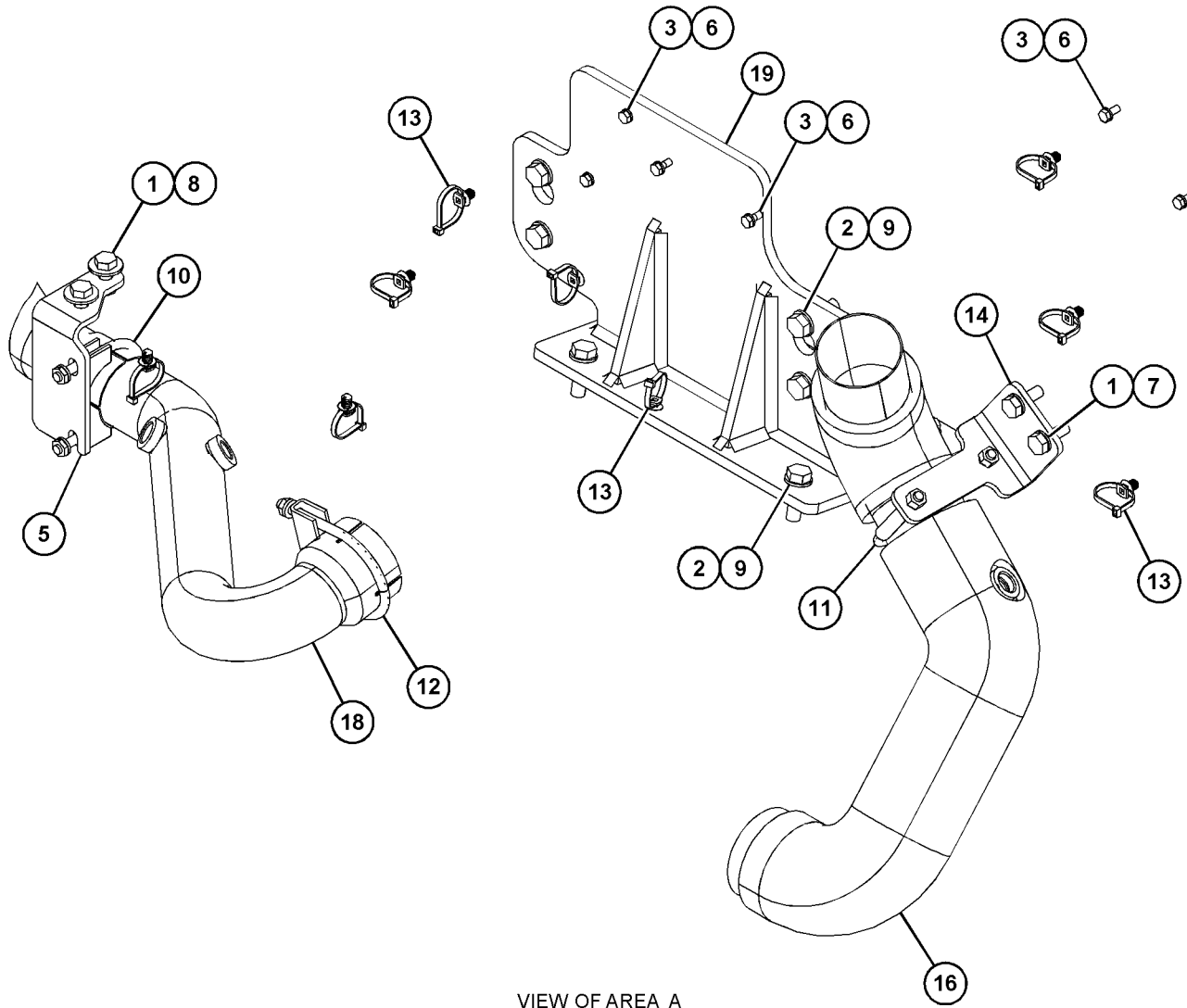
GRAPHIC #1

g06563073

AIR INLET AND EXHAUST SYSTEM

500-4277 MOUNTING GP-EXHAUST (contd.)

i08094181



VIEW OF AREA A

GRAPHIC #2

<END>

g06563075

AIR INLET AND EXHAUST SYSTEM

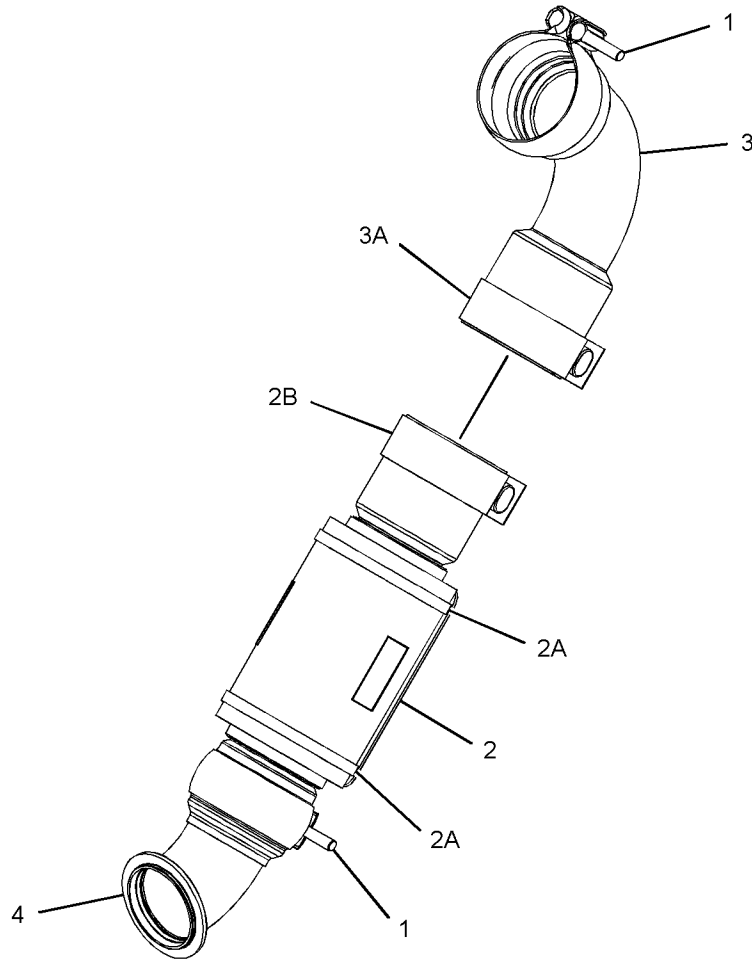
373-7250 PIPE GP-FLEXIBLE EXHAUST

S/N: JKT1-UP
PART OF 466-2883 ENGINE AR
ALSO AN ATTACHMENT

SMCS-1061

i06113698

NOTE	REF NO	GRAPHIC REF	PART NUMBER	QTY	PART NAME						SEE PAGE
					1	2	3	4	5	6 (PRODUCT LEVEL)	
	1	1	359-5885	2	CLAMP AS						
	2	1	362-9401	1	BELLOWS AS						
	2A	1	034-1432	2	STRAP-CABLE						
	2B	1	360-1731	1	CLAMP-BAND						
	3	1	363-8035	1	TUBE AS-EXHAUST						
	3A	1	360-1731	1	CLAMP-BAND						
	4	1	383-4141	1	ADAPTER AS-EXHAUST						



GRAPHIC #1

<END>

g03620217

AIR INLET AND EXHAUST SYSTEM

442-1647 PUMP GP-DIESEL EXHAUST FLUID

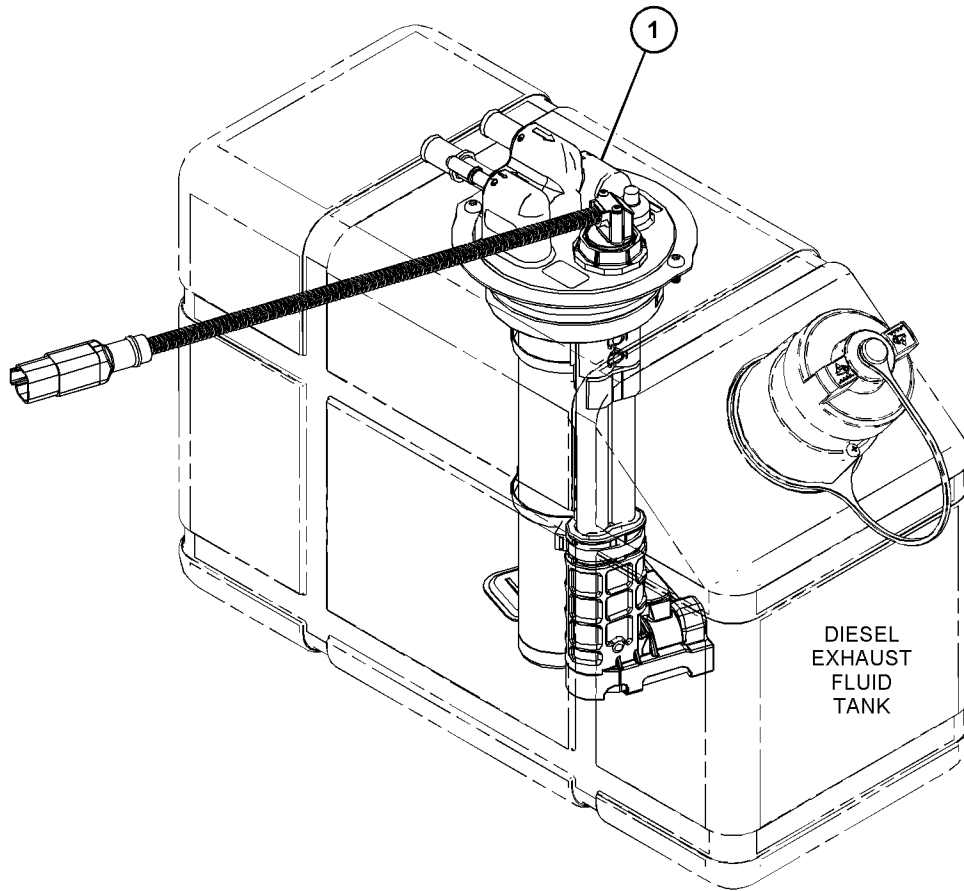
S/N: TH91-UP
PART OF 523-2257 ENGINE AR
AN ATTACHMENT

SMCS-108J

i06252209

NOTE	REF NO	GRAPHIC REF	PART NUMBER	QTY	PART NAME						SEE PAGE
					1	2	3	4	5	6 (PRODUCT LEVEL)	
Y	1	1	462-3219	1	MANIFOLD GP-DEF						303

Y - SEPARATE ILLUSTRATION



GRAPHIC #1

<END>

g03827390

AIR INLET AND EXHAUST SYSTEM

450-8101 PUMP GP-DIESEL EXHAUST FLUID

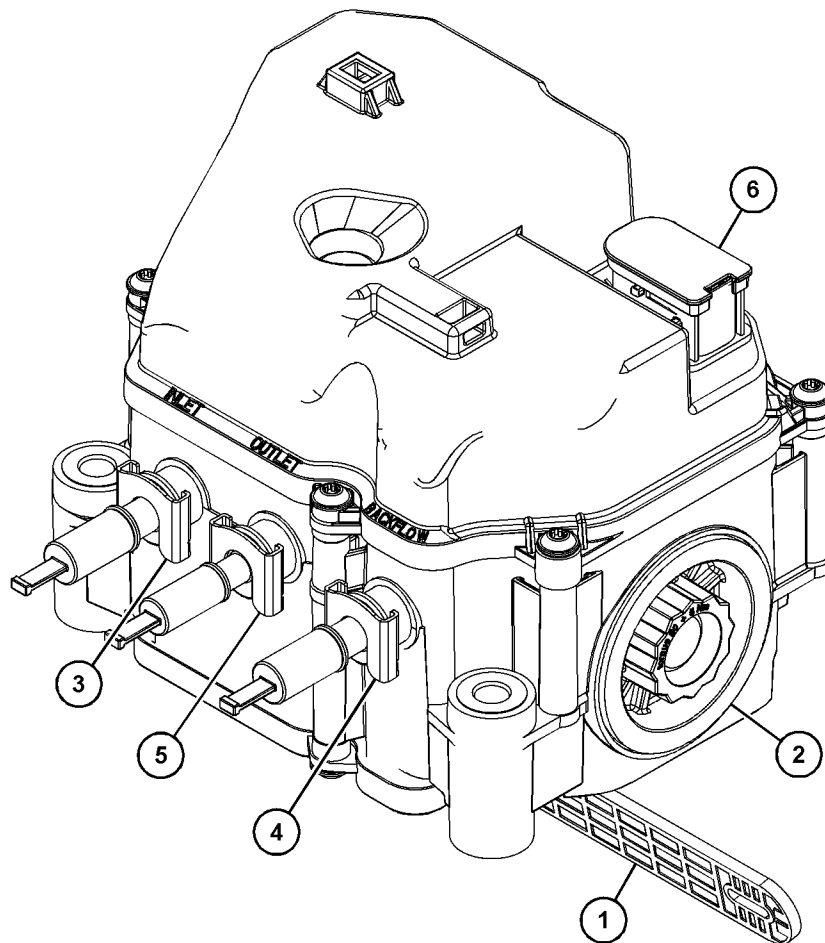
S/N: CN51-UP

PART OF 470-9781 PUMP GP-DIESEL EXHAUST FLUID
AN ATTACHMENT

SMCS-108J

i07458928

NOTE	REF NO	GRAPHIC REF	PART NUMBER	QTY	PART NAME						SEE PAGE
					1	2	3	4	5	6 (PRODUCT LEVEL)	
	1	1	481-3374	1	FILTER AS						
	2	1	481-3375	1	CAP						
	3	1	484-9787	1	CONNECTOR AS						
	4	1	484-9789	1	CONNECTOR AS						
	5	1	484-9788	1	CONNECTOR AS						
	6	1	484-9790	1	COVER AS						



GRAPHIC #1

<END>

g06328065

AIR INLET AND EXHAUST SYSTEM

466-8285 PUMP GP-DIESEL EXHAUST FLUID

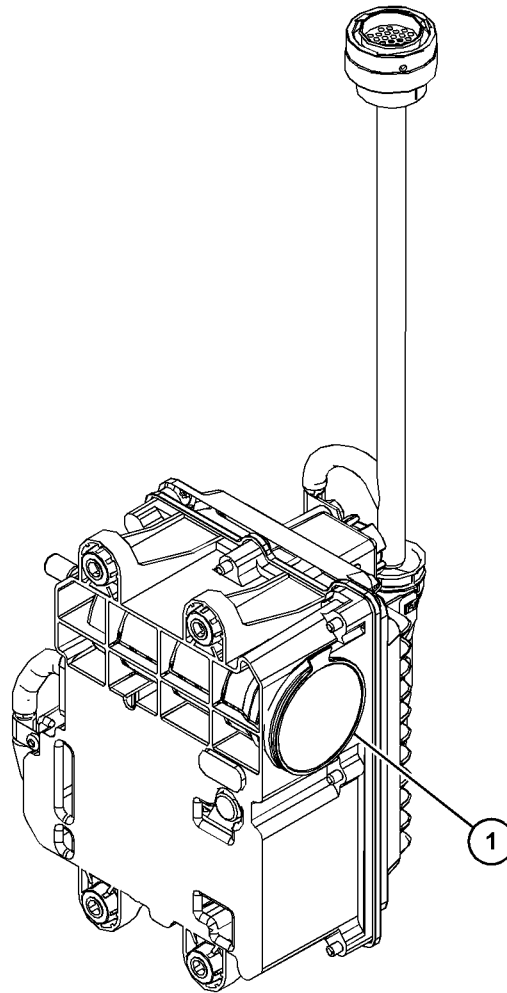
S/N: JKT1-UP

PART OF 399-1209 MODULE AR-DIESEL EXHAUST FLUID
ALSO AN ATTACHMENT

SMCS-108J

i07702738

NOTE	REF NO	GRAPHIC REF	PART NUMBER	QTY	PART NAME 1 2 3 4 5 6 (PRODUCT LEVEL)	SEE PAGE
	1	1	495-1507	1	FILTER GP-DIESEL EXHAUST FLUID (PUMP)	
F			457-7727	1	ELECTRONICS GP-ENGINE	
F			560-2832	1	SOFTWARE GP-ENGINE	
F - NOT SHOWN						



GRAPHIC #1

<END>

g03785216

AIR INLET AND EXHAUST SYSTEM

470-9781 PUMP GP-DIESEL EXHAUST FLUID

S/N: CN51-UP

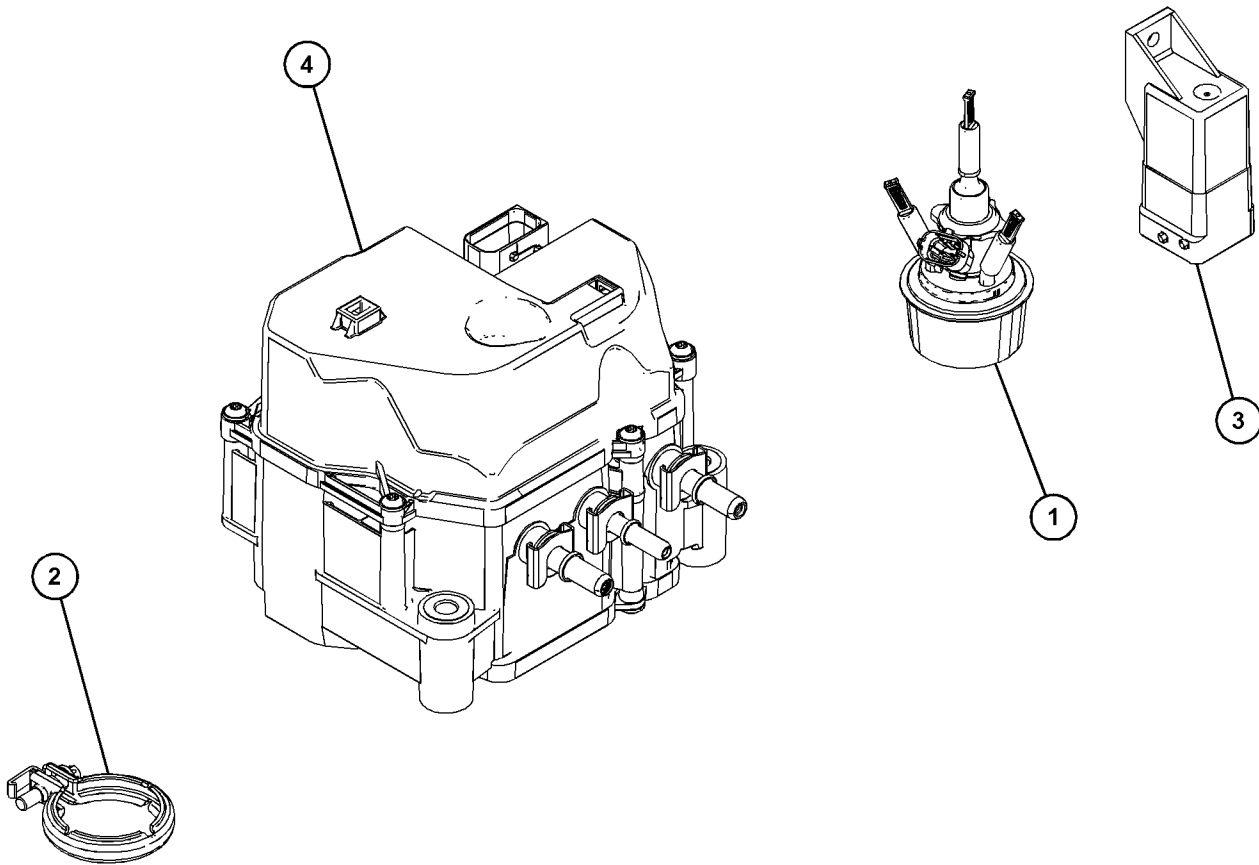
PART OF 442-0486 FILTER GP-DIESEL PARTICULATE
AN ATTACHMENT

SMCS-108J

i06983683

NOTE	REF NO	GRAPHIC REF	PART NUMBER	QTY	PART NAME						SEE PAGE
					1	2	3	4	5	6 (PRODUCT LEVEL)	
J	1	1	451-0188	1	INJECTOR AS-DEF						
	2	1	470-9832	1	CLAMP AS						
	3	1	451-0189	1	CONTROLLER						
Y	4	1	450-8101	1	PUMP GP-DIESEL EXHAUST FLUID						324
					AVAILABLE REPAIR KIT(S) :						
J			499-4850	1	KIT-CAP						
			499-4849	1	KIT-CLAMP						

J - KIT MARKED J SERVICES PART(S) MARKED J
Y - SEPARATE ILLUSTRATION



GRAPHIC #1

<END>

g06009008

AIR INLET AND EXHAUST SYSTEM

532-7513 SEAL GP-AIR INLET

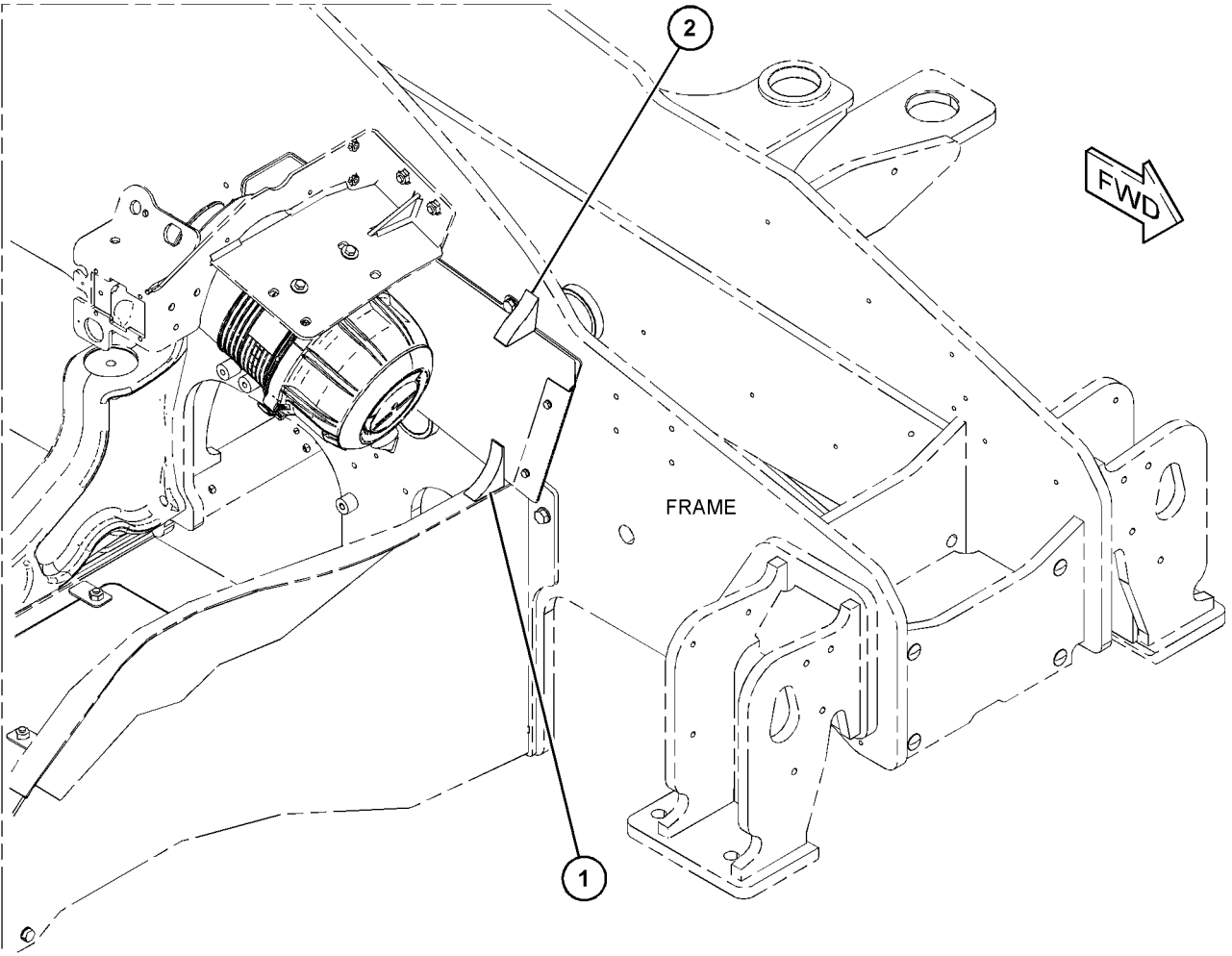
S/N: TH41-UP; TH91-UP; JKT1-UP

PART OF 518-5879, 523-1977, 523-2012 INSTALLATION AR-ENGINE
AN ATTACHMENT

SMCS-7555

i06999993

NOTE	REF NO	GRAPHIC REF	PART NUMBER	QTY	PART NAME						SEE PAGE
					1	2	3	4	5	6 (PRODUCT LEVEL)	
1	1	1	532-7514	1	SEAL (AIR INTAKE)						
2	1	1	532-7515	1	SEAL (AIR INTAKE)						



GRAPHIC #1

<END>

g06207100

AIR INLET AND EXHAUST SYSTEM

500-1062 TANK & MTG GP-DEF

S/N: TH91-UP

21.5-LITERS (5.6-US GAL)

PART OF 518-5879 INSTALLATION AR-ENGINE
AN ATTACHMENT

SMCS-108T

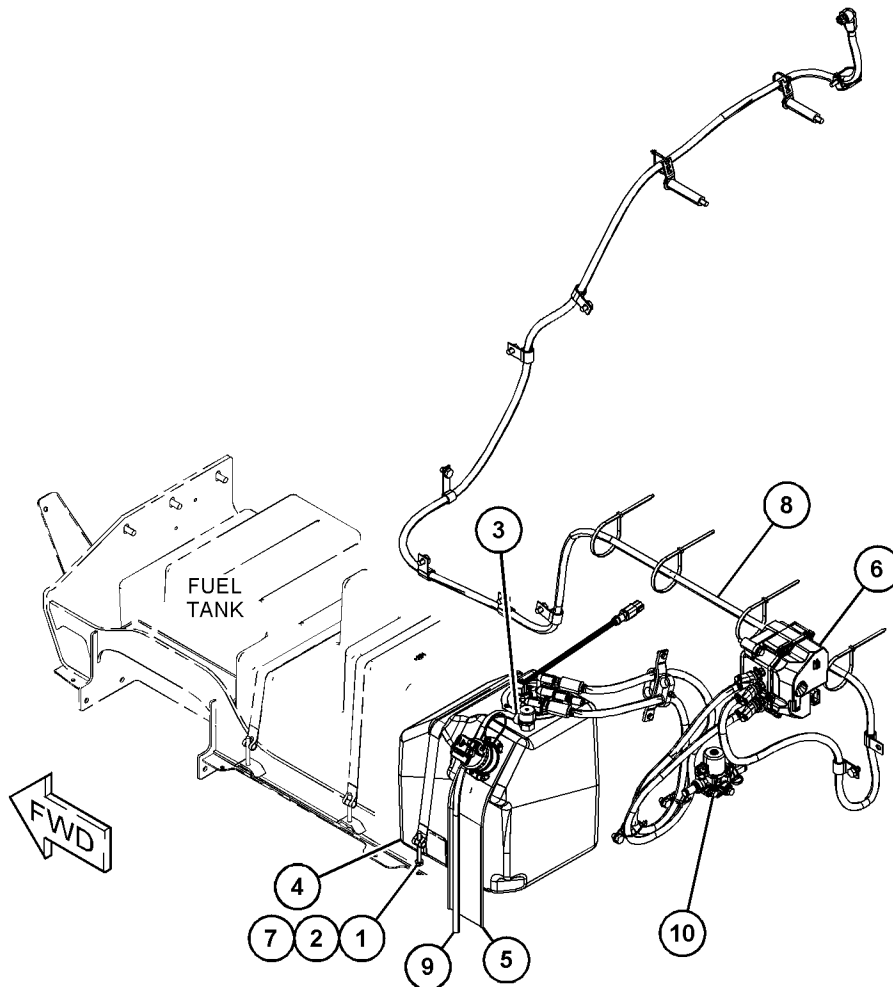
i06948960

NOTE	REF NO	GRAPHIC REF	PART NUMBER	QTY	PART NAME						SEE PAGE
					1	2	3	4	5	6 (PRODUCT LEVEL)	
M	1	1	6V-9804	1	BOLT (M8X1.25X75-MM)						
	2	1	8T-4224	1	WASHER-HARD (8.8X16X2-MM THK)						
	3	1	330-8103	1	CLAMP-HOSE						
Y	4	1	474-9848	1	TANK GP-DIESEL EXHAUST FLUID						330
	5	1	474-9758	1	SLEEVE						
	6	1	497-9591	1	MOUNTING GP						
		1	8T-4224	6	WASHER-HARD (8.8X16X2-MM THK)						
M		1	8T-6869	6	BOLT (M8X1.25X60-MM)						
	7	1	474-9760	1	STRAP AS						
Y	8	1	495-9884	1	LINES GP-DIESEL EXHAUST FLUID						296
E	9	1	326-1178		HOSE (60-CM)						
	10	1	443-9142	1	VALVE AS-COOLANT CONTROL						

E - ORDER BY THE CENTIMETER

M - METRIC PART

Y - SEPARATE ILLUSTRATION



GRAPHIC #1

<END>

g06179667

AIR INLET AND EXHAUST SYSTEM

500-3138 TANK & MTG GP-DEF

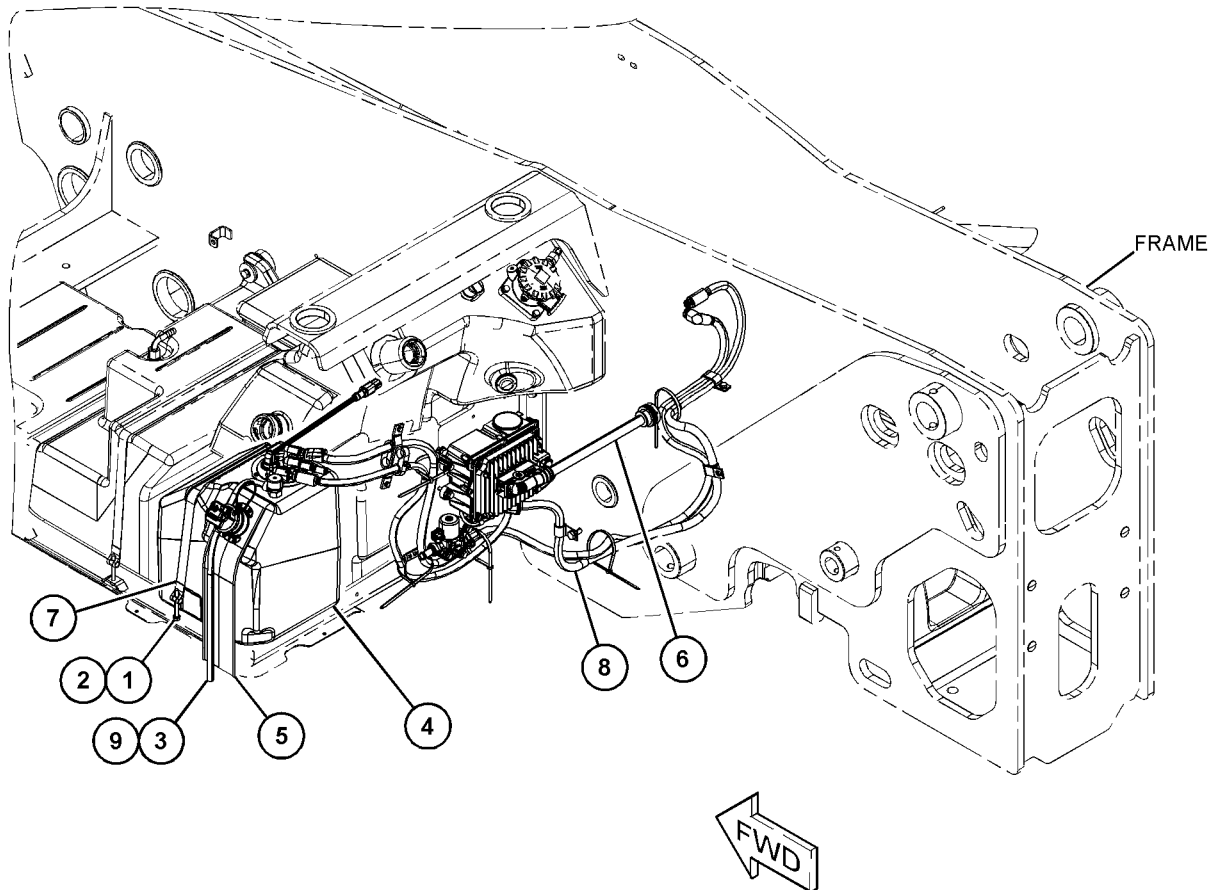
S/N: TH41-UP; TH91-UP; JKT1-UP
PART OF 518-5880, 523-1977 INSTALLATION AR-ENGINE
AN ATTACHMENT

SMCS-108T

i06601123

NOTE	REF NO	GRAPHIC REF	PART NUMBER	QTY	PART NAME						SEE PAGE
					1	2	3	4	5	6	
M	1	1	6V-9804	1	BOLT (M8X1.25X75-MM)						
	2	1	8T-4224	1	WASHER-HARD (8.8X16X2-MM THK)						
	3	1	330-8103	1	CLAMP-HOSE						
	4	1	474-9848	1	TANK GP-DIESEL EXHAUST FLUID						
		1	454-9427	1	MANIFOLD-DIESEL EXHAUST FLUID						
		1	474-9851	1	CAP AS (DEF TANK)						
		1	492-5709	1	VALVE-BREATHER (TANK)						
	5	1	474-9758	1	SLEEVE						
	6	1	497-9602	1	MOUNTING GP-DEF TANK						
M		1	7X-2537	4	BOLT (M8X1.25X35-MM)						
		1	8T-4224	7	WASHER-HARD (8.8X16X2-MM THK)						
M		1	8T-6869	3	BOLT (M8X1.25X60-MM)						
	7	1	474-9760	1	STRAP AS						
Y	8	1	496-3412	1	LINES GP-DIESEL EXHAUST FLUID						300
E	9	1	326-1178		HOSE (60-CM)						

E - ORDER BY THE CENTIMETER
M - METRIC PART
Y - SEPARATE ILLUSTRATION



GRAPHIC #1

<END>

g06043489

AIR INLET AND EXHAUST SYSTEM

474-9848 TANK GP-DIESEL EXHAUST FLUID

S/N: TH91-UP

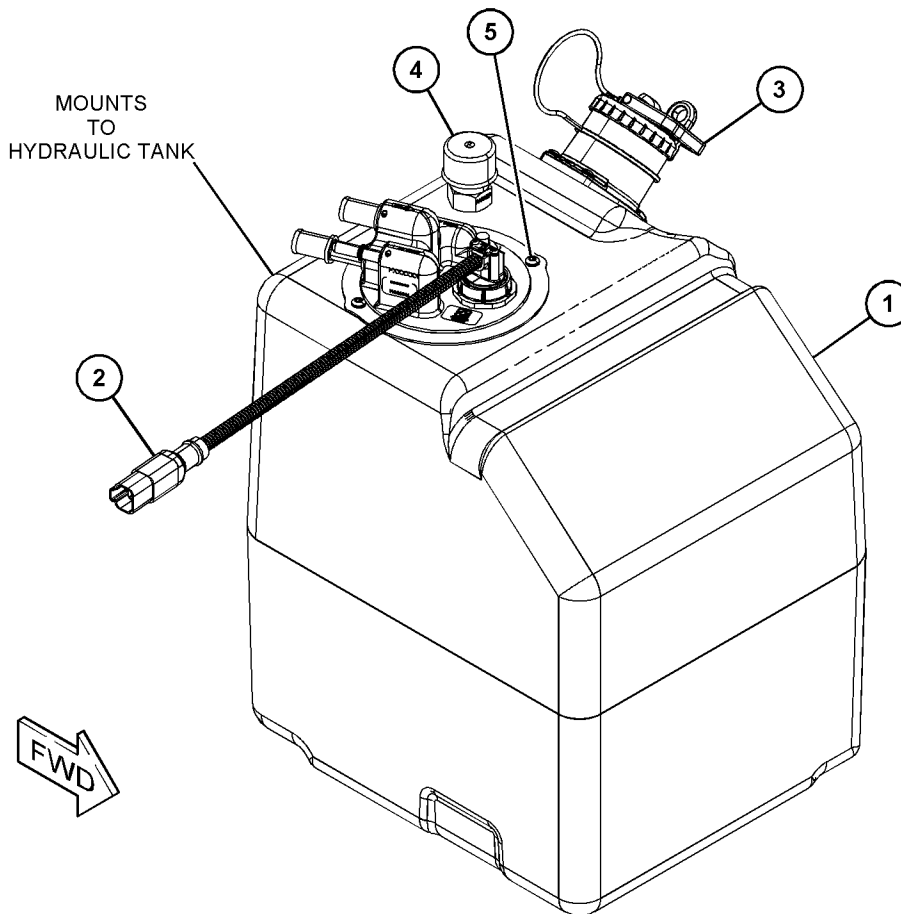
PART OF 500-1062 TANK & MTG GP-DEF
AN ATTACHMENT

SMCS-108K

i06825104

NOTE	REF NO	GRAPHIC REF	PART NUMBER	QTY	PART NAME						SEE PAGE
					1	2	3	4	5	6 (PRODUCT LEVEL)	
Y	1	1	474-9849	1	TANK GP-DIESEL EXHAUST FLUID						331
Y	2	1	462-3219	1	MANIFOLD GP-DEF						303
	3	1	474-9851	1	CAP AS						
	4	1	492-5709	1	VALVE-BREATHER						
	5	1	514-4831	2	SCREW-PAN HEAD						

Y - SEPARATE ILLUSTRATION



GRAPHIC #1

<END>

g06133415

AIR INLET AND EXHAUST SYSTEM

474-9849 TANK GP-DIESEL EXHAUST FLUID

S/N: TH91-UP

21.5-LITER (4.7-US GAL)

PART OF 474-9848 TANK GP-DIESEL EXHAUST FLUID

AN ATTACHMENT

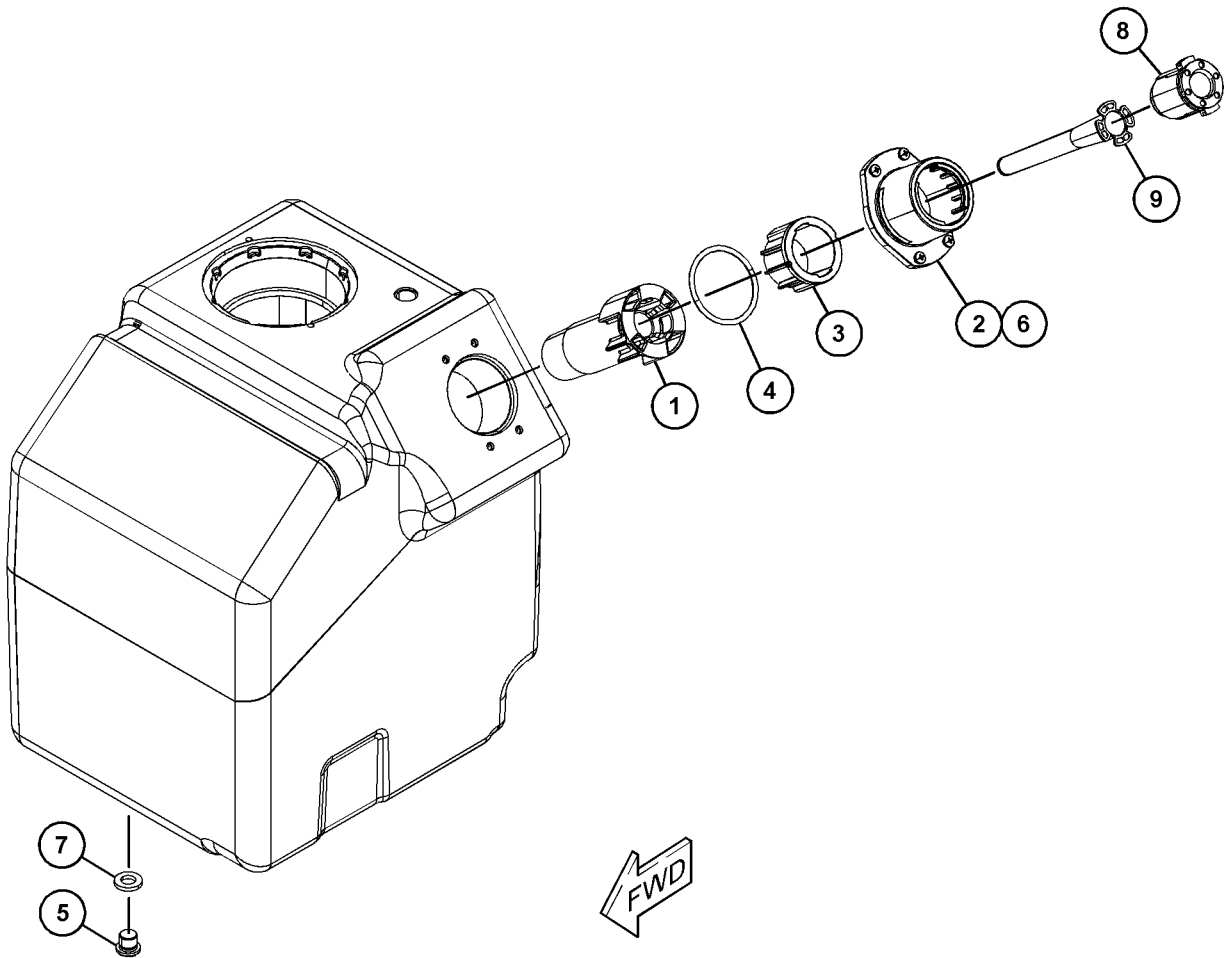
TYPE 1

SMCS-108K

i07534697

NOTE	REF NO	GRAPHIC REF	PART NUMBER	QTY	PART NAME						SEE PAGE
					1	2	3	4	5	6	
	1	1	509-0326	1	TUBE						
	2	1	565-9869	1	FLANGE						
	3	1	565-9872	1	ADAPTER						
	4	1	509-0329	1	SEAL - O-RING						
M	5	1	509-0331	1	PLUG (M14X1.5-THD)						
	6	1	215-2589	4	BOLT (10-24X0.626-IN)						
	7	1	509-0333	1	SEAL (GASKET)						
	8	1	565-9870	1	ADAPTER AS						
	9	1	565-9868	1	FILTER AS-DIESEL PARTICULATE						

M - METRIC PART



GRAPHIC #1

<END>

g06354937

AIR INLET AND EXHAUST SYSTEM

474-9849 TANK GP-DIESEL EXHAUST FLUID

S/N: TH91-UP

21.5-LITER (4.7-US GAL)

PART OF 474-9848 TANK GP-DIESEL EXHAUST FLUID

AN ATTACHMENT

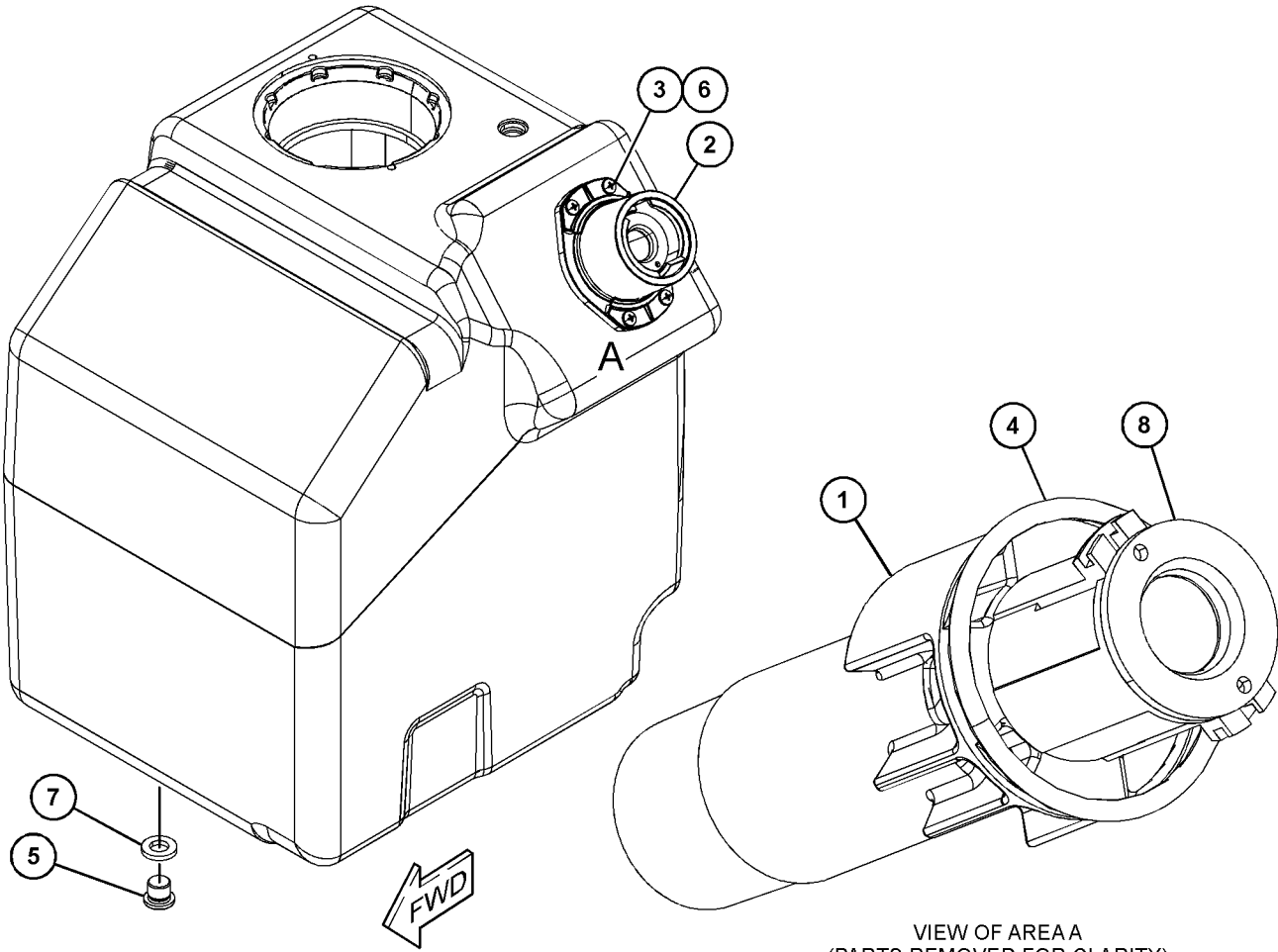
TYPE 2

SMCS-108K

i07694012

NOTE	REF NO	GRAPHIC REF	PART NUMBER	QTY	PART NAME						SEE PAGE
					1	2	3	4	5	6 (PRODUCT LEVEL)	
	1	1	509-0326	1	TUBE						
C	2	1	509-0327	1	TUBE						
C	3	1	509-0328	1	RING						
	4	1	509-0329	1	SEAL - O-RING						
M	5	1	509-0331	1	PLUG (M14X1.5-THD)						
	6	1	215-2589	4	BOLT (10-24X0.626-IN)						
	7	1	509-0333	1	SEAL						
C	8	1	509-0334	1	ADAPTER						

C - CHANGE FROM PREVIOUS TYPE
M - METRIC PART



GRAPHIC #1

<END>

g06450087

AIR INLET AND EXHAUST SYSTEM

474-9849 TANK GP-DIESEL EXHAUST FLUID

S/N: TH91-UP

21.5-LITER (4.7-US GAL)

PART OF 474-9848 TANK GP-DIESEL EXHAUST FLUID

AN ATTACHMENT

TYPE 3

SMCS-108K

i07840172

NOTE	REF NO	GRAPHIC REF	PART NUMBER	QTY	PART NAME						SEE PAGE
					1	2	3	4	5	6	
	1	1	509-0326	1	TUBE						
C	2	1	565-9869	1	FLANGE						
C	3	1	565-9872	1	ADAPTER						
	4	1	509-0329	1	SEAL -O-RING						
M	5	1	509-0331	1	PLUG (M14X1.5-THD)						
C	6	1	215-2589	1	BOLT (10-24X0.626-IN)						
	7	1	509-0333	1	SEAL						
C	8	1	565-9870	4	ADAPTER AS						
C	9	1	565-9868	1	FILTER AS-DIESEL PARTICULATE						

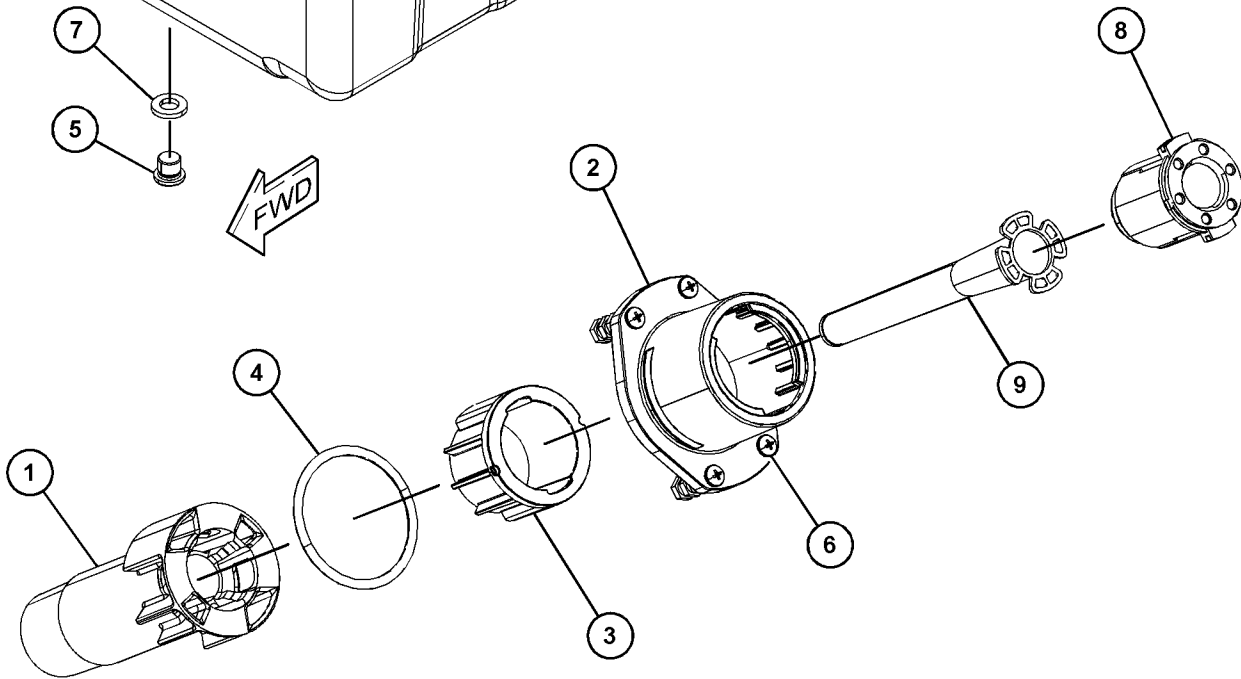
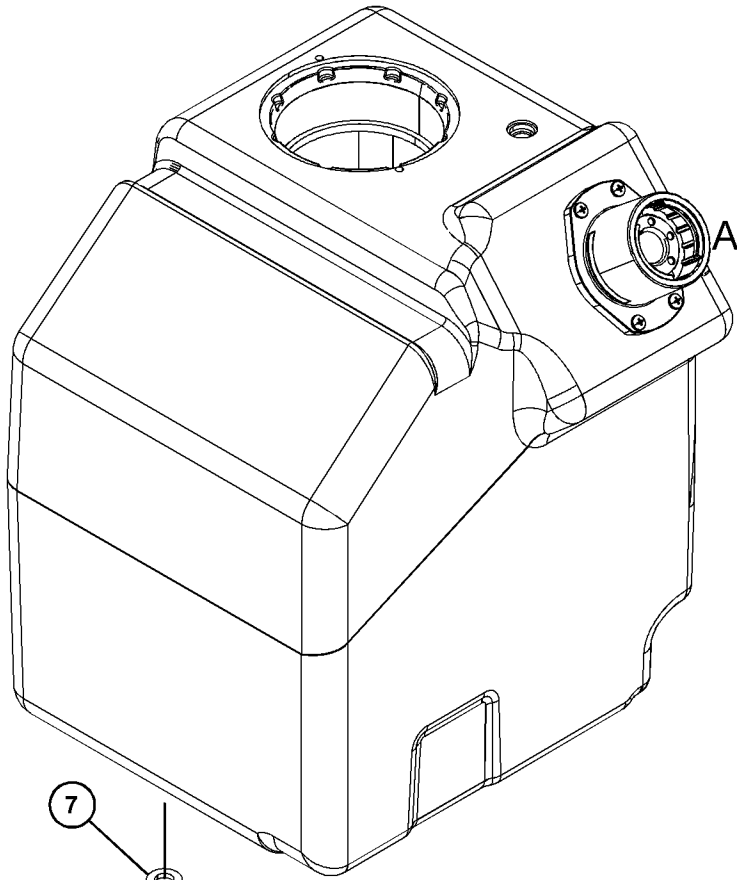
C - CHANGE FROM PREVIOUS TYPE

M - METRIC PART

AIR INLET AND EXHAUST SYSTEM

474-9849 TANK GP-DIESEL EXHAUST FLUID (contd.)

i07840172



VIEW OF AREA A
(PARTS REMOVED FOR CLARITY)

GRAPHIC #1

<END>

g06488035

AIR INLET AND EXHAUST SYSTEM

474-9849 TANK GP-DIESEL EXHAUST FLUID

S/N: TH91-UP

21.5-LITER (4.7-US GAL)

PART OF 474-9848 TANK GP-DIESEL EXHAUST FLUID

AN ATTACHMENT

TYPE 4

SMCS-108K

i08118565

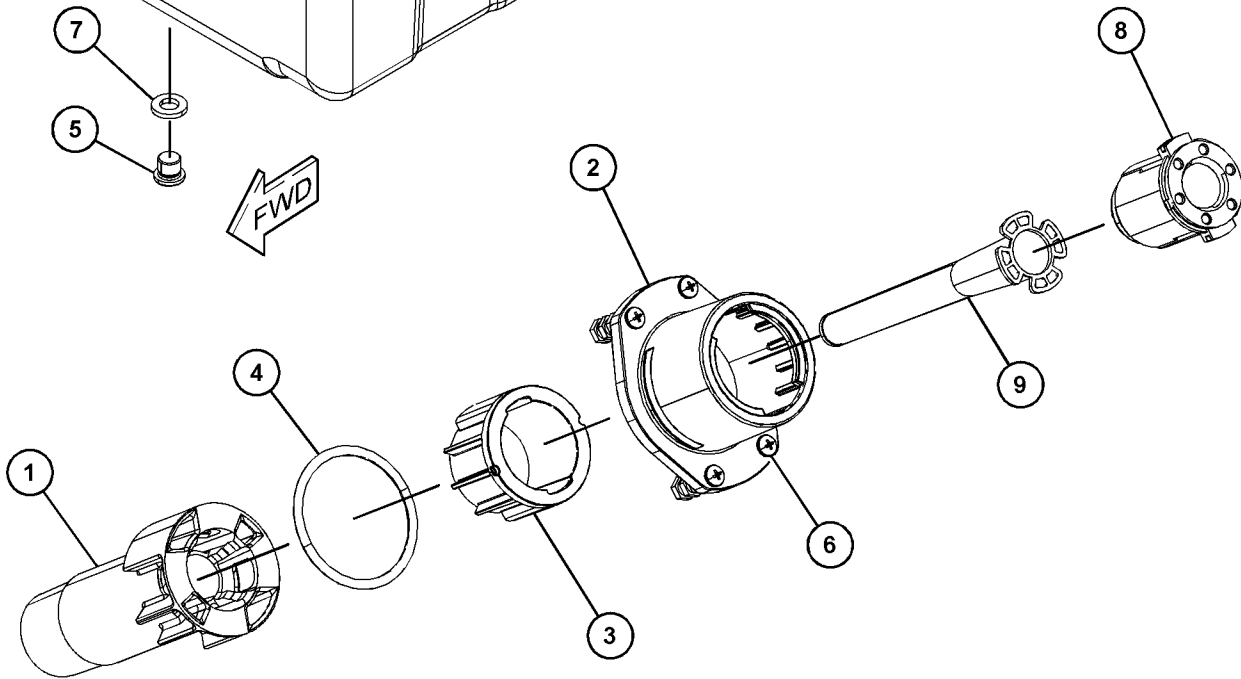
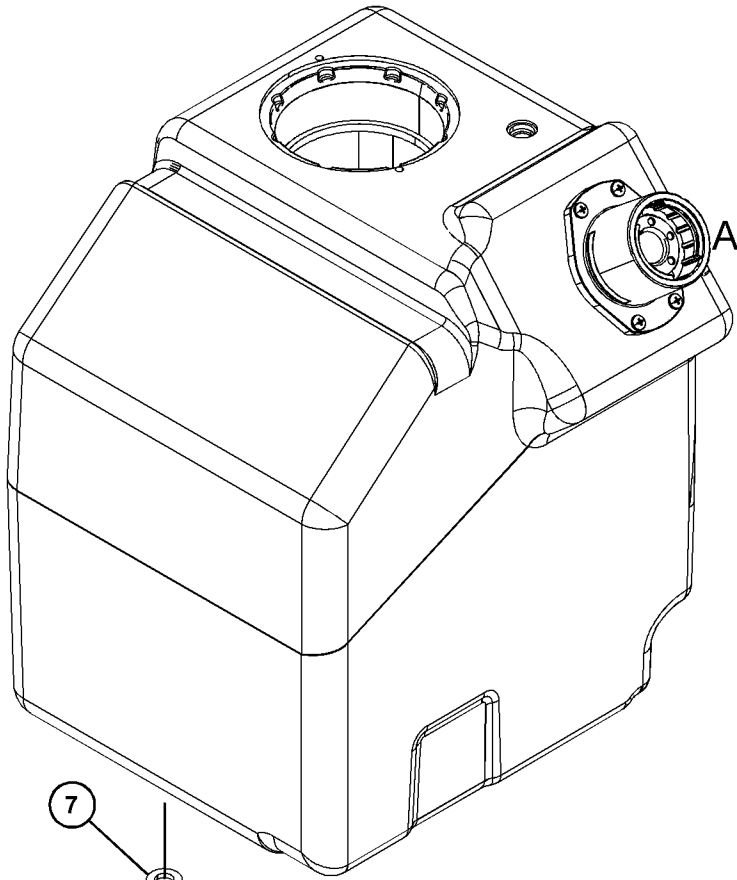
NOTE	REF NO	GRAPHIC REF	PART NUMBER	QTY	PART NAME						SEE PAGE
					1	2	3	4	5	6	
	1	1	509-0326	1	TUBE						
	2	1	565-9869	1	FLANGE						
	3	1	565-9872	1	ADAPTER						
	4	1	509-0329	1	SEAL -O-RING						
M	5	1	509-0331	1	PLUG (M14X1.5-THD)						
	6	1	215-2589	1	BOLT (10-24X0.626-IN)						
	7	1	509-0333	1	SEAL						
	8	1	565-9870	4	ADAPTER AS						
C	9	1	597-9038	1	FILTER AS-DIESEL PARTICULATE						

C - CHANGE FROM PREVIOUS TYPE
M - METRIC PART

AIR INLET AND EXHAUST SYSTEM

474-9849 TANK GP-DIESEL EXHAUST FLUID (contd.)

i08118565



VIEW OF AREA A
(PARTS REMOVED FOR CLARITY)

GRAPHIC #1

<END>

g06488035

AIR INLET AND EXHAUST SYSTEM

452-1488 TUBE & MTG GP-DEF BLEND

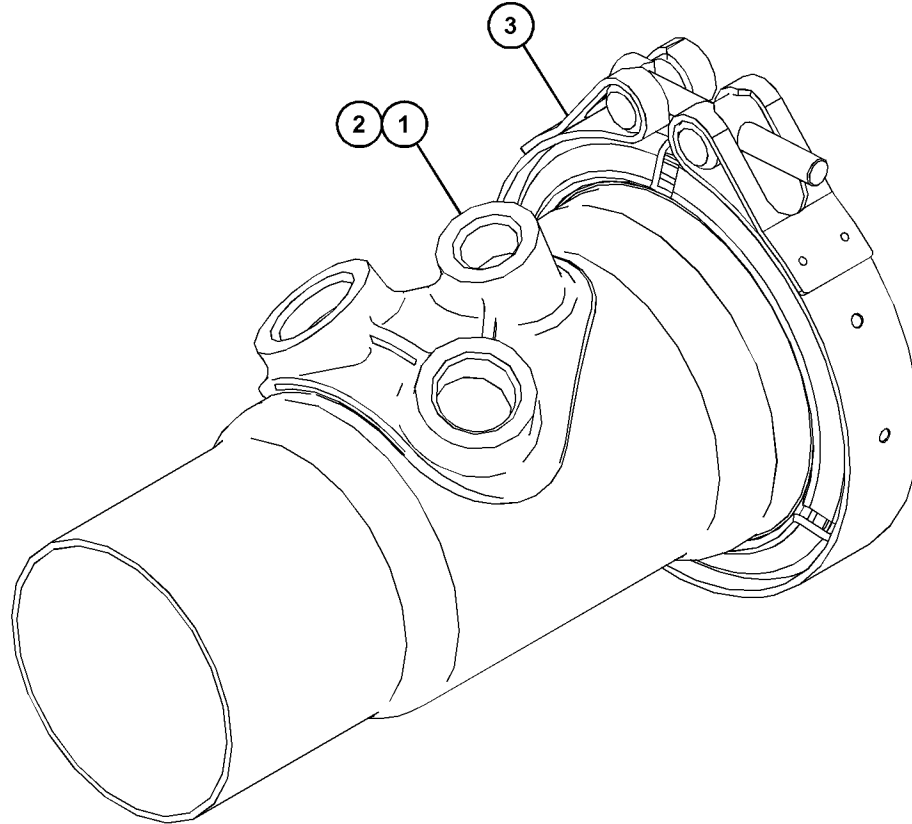
S/N: CN51-UP

PART OF 465-2880 ENGINE AR-PRIMARY
AN ATTACHMENT

SMCS-1050, 108K

i06252300

NOTE	REF NO	GRAPHIC REF	PART NUMBER	QTY	PART NAME						SEE PAGE
					1	2	3	4	5	6 (PRODUCT LEVEL)	
	1	1	477-5625	1	TUBE AS						
	2	1	454-6981	1	GASKET						
	3	1	454-6988	1	CLAMP						



GRAPHIC #1

<END>

g03868933

AIR INLET AND EXHAUST SYSTEM

425-9719 TURBOCHARGER GP

S/N: JKT1-UP

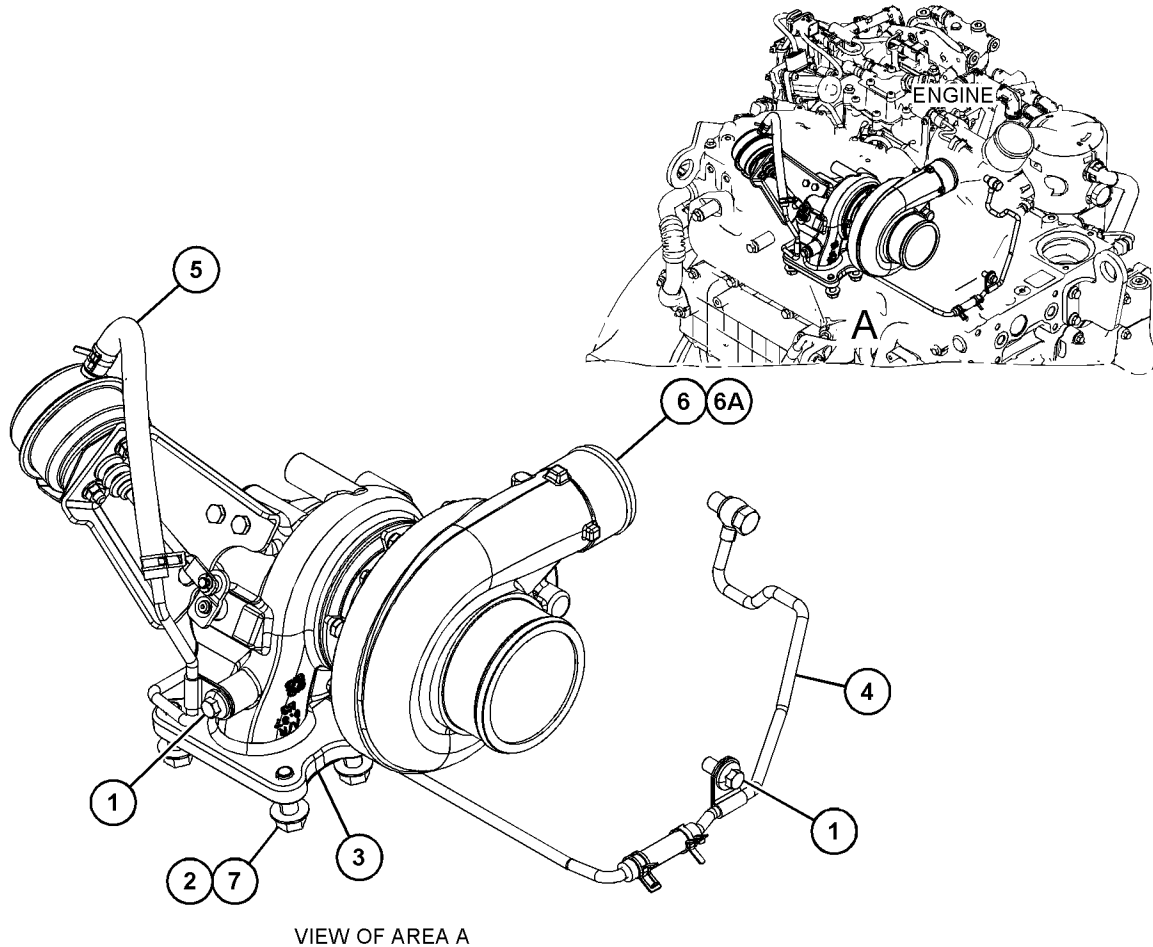
PART OF 464-2307, 464-2308 ENGINE AR-PRIMARY
ALSO AN ATTACHMENT

SMCS-1052, 1053

i07711406

NOTE	REF NO	GRAPHIC REF	PART NUMBER	QTY	PART NAME						SEE PAGE
					1	2	3	4	5	6 (PRODUCT LEVEL)	
M	1	1	124-3815	3	BOLT (M8X1.25X16-MM)						
M	2	1	147-5553	4	STUD (M10X1.5X40-MM)						
	3	1	345-6605	1	GASKET						
Y	4	1	356-4035	1	LINES GP-TURBOCHARGER AIR (WASTEGATE)						301
Y	5	1	425-9824	1	LINES GP-TURBOCHARGER AIR (ACTUATOR)						302
	6	1	556-7921	1	TURBOCHARGER AS						
	6A	1	487-8468	1	RING						
M	7	1	6I-0563	4	NUT (M10X1.5-THD)						

M - METRIC PART
Y - SEPARATE ILLUSTRATION



GRAPHIC #1

<END>

g06207092

AIR INLET AND EXHAUST SYSTEM

432-6628 TURBOCHARGER GP

S/N: W231-UP

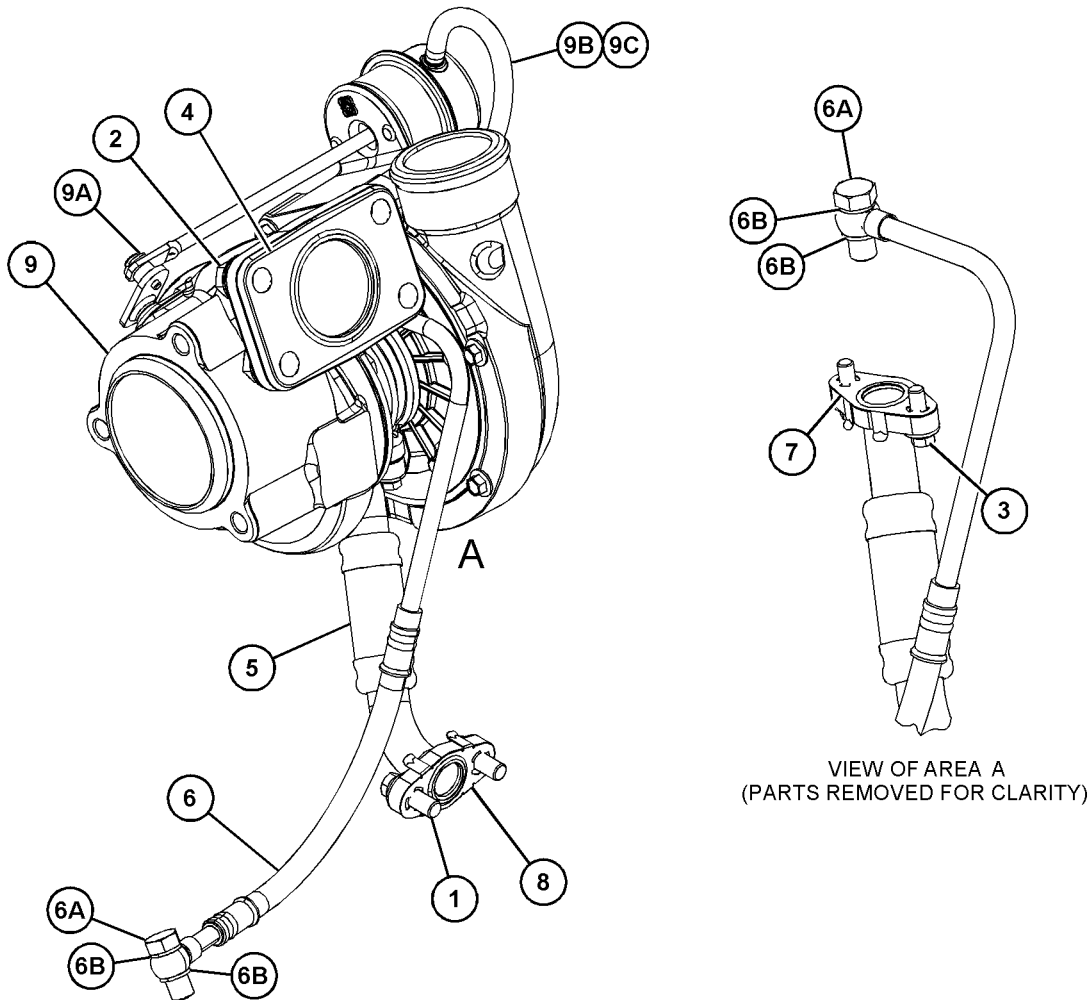
PART OF 463-8910 ENGINE AR-PRIMARY

SMCS-1052, 1053

i07989238

NOTE	REF NO	GRAPHIC REF	PART NUMBER	QTY	PART NAME						SEE PAGE
					1	2	3	4	5	6 (PRODUCT LEVEL)	
M	1	1	6I-0217	2	BOLT (M8X1.25X20-MM)						
M	2	1	6I-0563	4	NUT (M10X1.5-THD)						
M	3	1	106-8916	2	BOLT (M6X1X16-MM)						
	4	1	194-5390	1	GASKET-MANIFOLD						
	5	1	232-6189	1	TUBE AS						
	6	1	301-8255	1	TUBE AS						
	6A	1	225-8524	2	BOLT-SPECIAL (M10X1.5X23-MM)						
	6B	1	225-8526	4	WASHER (10.4X13.75X1.37-MM THK)						
	7	1	353-3477	1	GASKET-TURBOCHARGER						
	8	1	353-3478	1	GASKET-TURBOCHARGER						
	9	1	488-1825	1	TURBOCHARGER AS						
	9A	1	487-8468	1	RING						
	9B	1	487-8469	1	HOSE						
	9C	1	487-8470	2	CLIP						

M - METRIC PART



GRAPHIC #1

<END>

g06532842

AIR INLET AND EXHAUST SYSTEM

432-6655 TURBOCHARGER GP

S/N: W231-UP

PART OF 463-8848 ENGINE AR-PRIMARY

SMCS-1052, 1053

i07853601

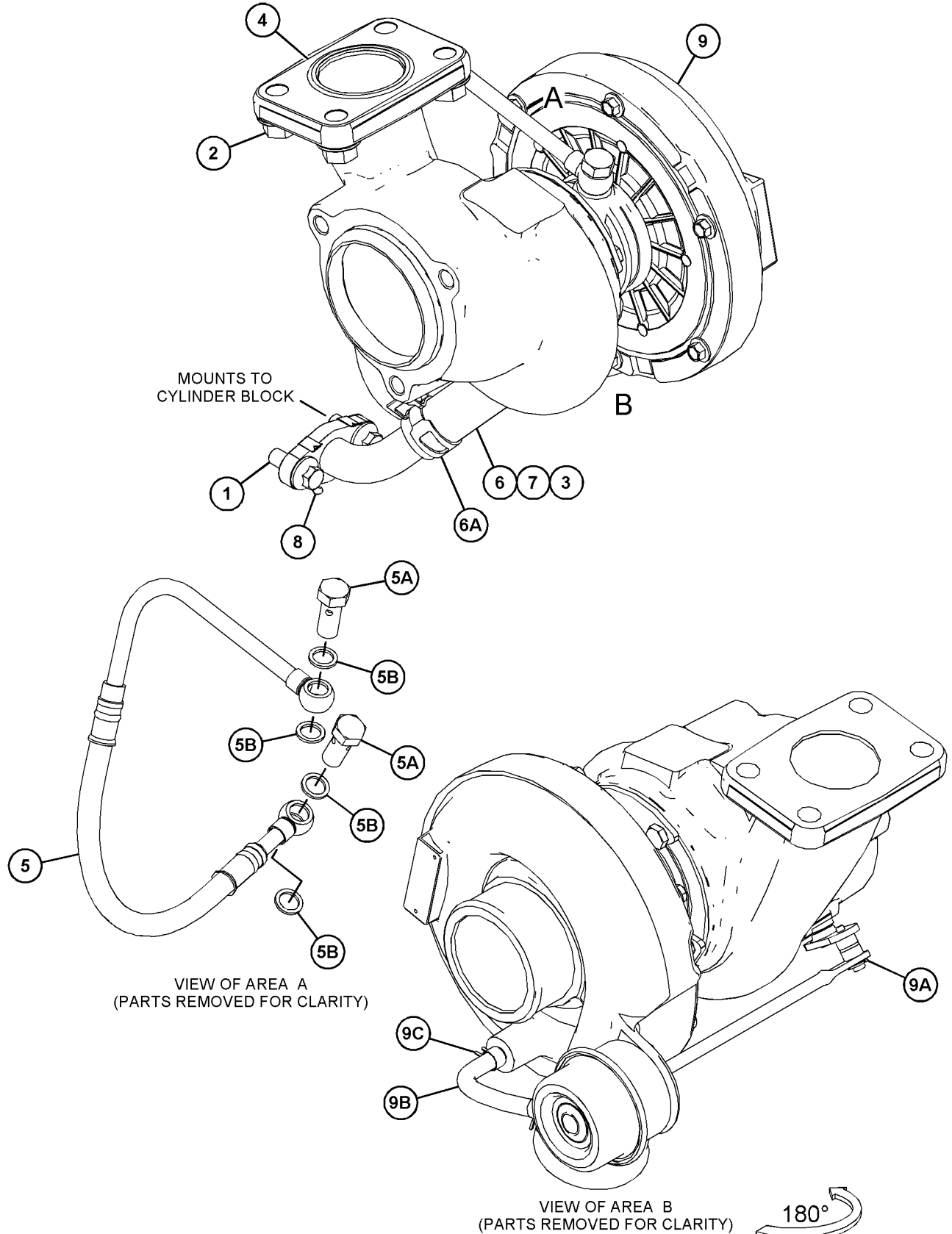
NOTE	REF NO	GRAPHIC REF	PART NUMBER	QTY	PART NAME						SEE PAGE
					1	2	3	4	5	6 (PRODUCT LEVEL)	
M	1	1	6I-0217	2	BOLT (M8X1.25X20-MM)						
M	2	1	6I-0563	4	NUT (M10X1.5-THD)						
M	3	1	106-8916	2	BOLT (M6X1X16-MM)						
	4	1	194-5390	1	GASKET-MANIFOLD						
	5	1	298-4566	1	TUBE AS						
	5A	1	225-8524	2	BOLT-SPECIAL (M10X1.5X23-MM)						
	5B	1	225-8526	4	WASHER (10.4X13.75X1.37-MM THK)						
	6	1	507-5015	1	LINE AS						
	6A	1	269-3086	2	CLAMP-BAND						
	7	1	353-3477	1	GASKET-TURBOCHARGER						
	8	1	353-3478	1	GASKET-TURBOCHARGER						
	9	1	488-1831	1	TURBOCHARGER AS						
	9A	1	487-8468	1	RING						
	9B	1	487-8469	1	HOSE						
	9C	1	487-8470	2	CLIP						

M - METRIC PART

AIR INLET AND EXHAUST SYSTEM

432-6655 TURBOCHARGER GP (contd.)

107853601



GRAPHIC #1

<END>

g06212728

AIR INLET AND EXHAUST SYSTEM

441-9792 TURBOCHARGER GP

S/N: CN51-UP

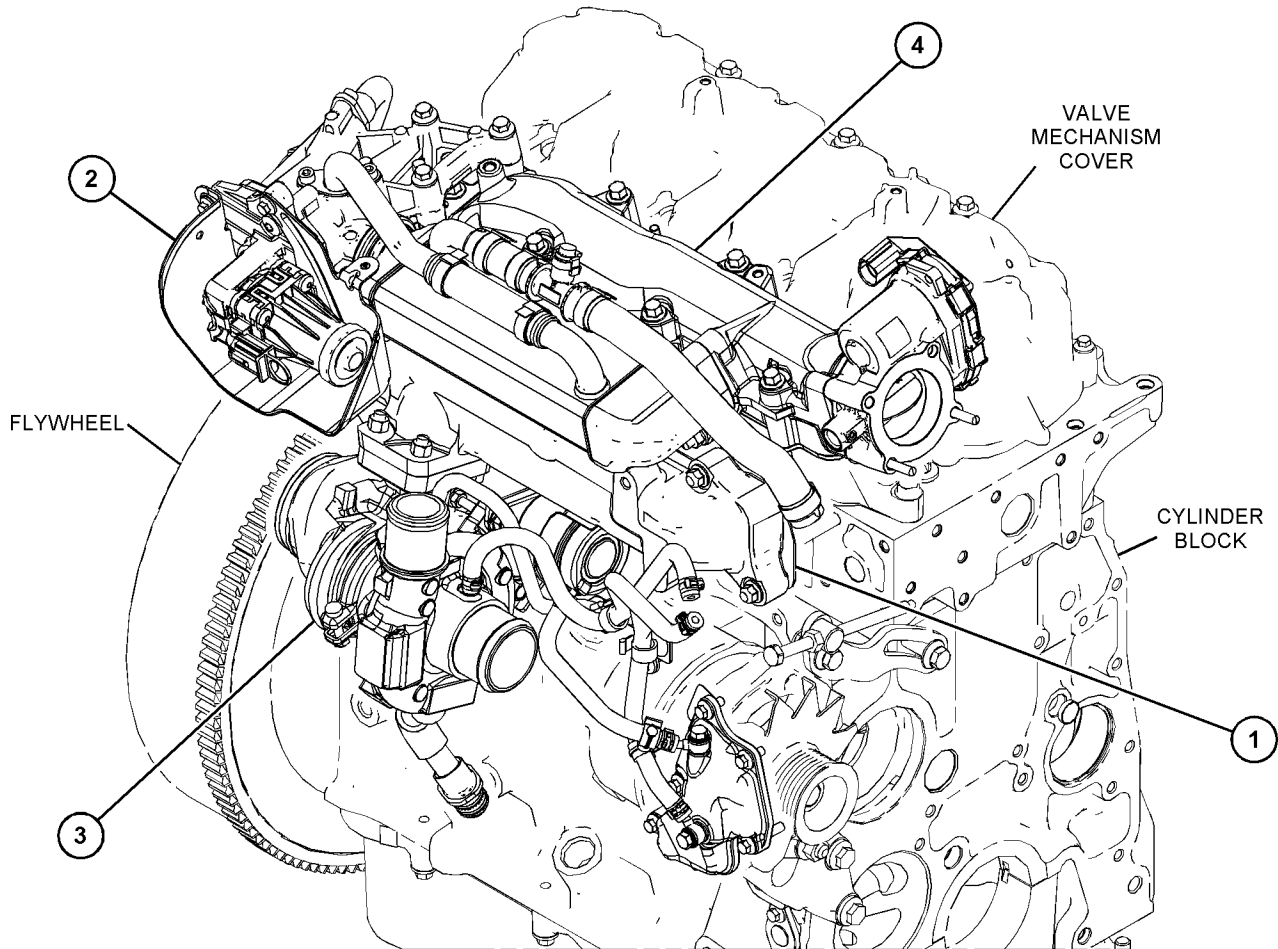
PART OF 465-2880 ENGINE AR-PRIMARY
AN ATTACHMENT

SMCS-1052, 1053

i06944124

NOTE	REF NO	GRAPHIC REF	PART NUMBER	QTY	PART NAME						SEE PAGE
					1	2	3	4	5	6 (PRODUCT LEVEL)	
CY	1	1	381-3502	1	MANIFOLD GP-EXHAUST						305
Y	2	1	449-1083	1	VALVE GP-EXHAUST GAS (NRS)						348
Y	3	1	464-1175	1	TURBOCHARGER GP						343
Y	4	1	464-3548	1	MANIFOLD GP-CONTROL						935

C - CHANGE FROM PREVIOUS TYPE
Y - SEPARATE ILLUSTRATION



GRAPHIC #1

<END>

g06205095

AIR INLET AND EXHAUST SYSTEM

464-1175 TURBOCHARGER GP

S/N: CN51-UP

PART OF 441-9792 TURBOCHARGER GP
AN ATTACHMENT

SMCS-1052, 1053

i06692987

NOTE	REF NO	GRAPHIC REF	PART NUMBER	QTY	PART NAME						SEE PAGE
					1	2	3	4	5	6 (PRODUCT LEVEL)	
M	1	1	6I-0846	3	BOLT (M6X1X14-MM)						
M	2	1	112-7704	3	BOLT (M6X1X30-MM)						
M	3	1	124-3815	1	BOLT (M8X1.25X16-MM)						
	4	1	386-6368	1	GASKET						
	5	1	387-7697	1	GASKET (EXHAUST MANIFOLD)						
	6	1	387-8113	1	TUBE AS						
		1	386-1911	2	SEAL						
	7	1	389-1934	2	NUT						
	8	1	390-2468	1	GASKET						
	9	1	428-8151	1	PIPE						
	10	1	428-8153	1	PIPE						
	11	1	428-8168	1	BRACKET AS						
	11A	1	390-2397	2	CLIP						
	12	1	489-0637	6	CLIP						
Y	13	1	435-5729	1	COVER GP-ENGINE OIL COOLER						218
	14	1	462-6745	2	WASHER						
	15	1	465-3458	1	TURBOCHARGER AS						
	16	1	465-3473	1	LINE AS						
	17	1	465-3480	1	BOLT						
	18	1	465-3481	1	PIPE						
	19	1	465-3482	1	CLIP AS						
M	20	1	6V-5683	2	BOLT (M6X1X16-MM)						

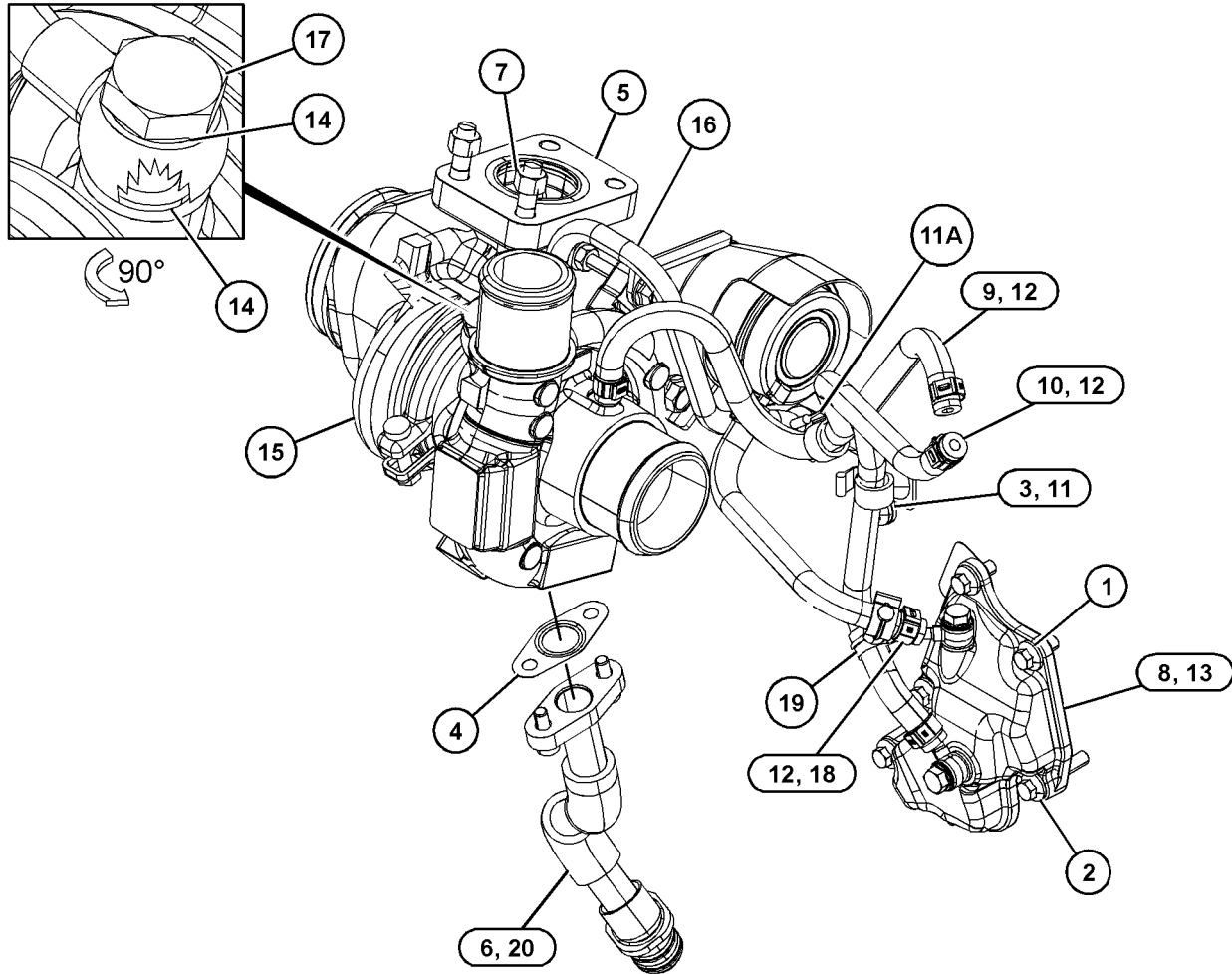
M - METRIC PART

Y - SEPARATE ILLUSTRATION

AIR INLET AND EXHAUST SYSTEM

464-1175 TURBOCHARGER GP (contd.)

i06692987



GRAPHIC #1

<END>

g03827463

AIR INLET AND EXHAUST SYSTEM

466-7874 VALVE & MOUNTING GP (NRS)

S/N: JKT1-UP

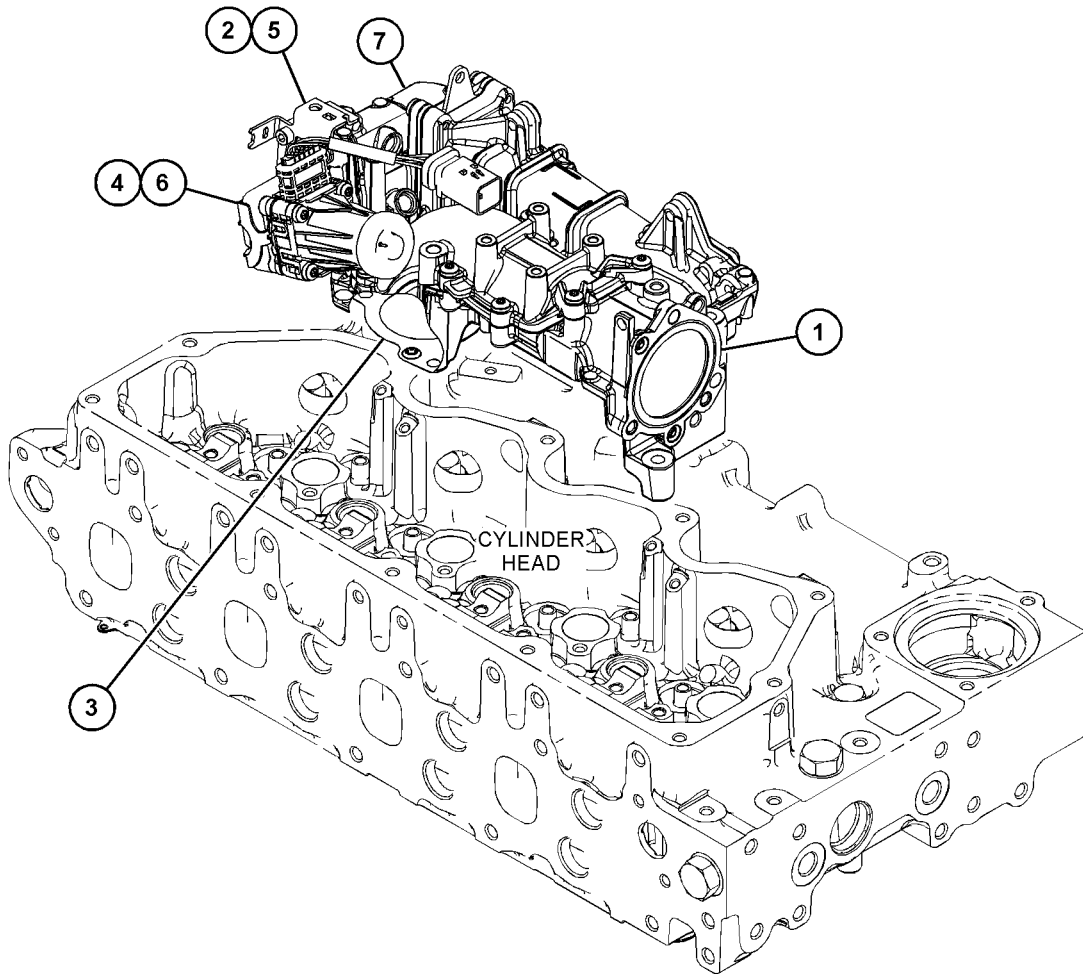
PART OF 459-3633 ELBOW GP-AIR INLET
ALSO AN ATTACHMENT

SMCS-1050, 108N

i07988219

NOTE	REF NO	GRAPHIC REF	PART NUMBER	QTY	PART NAME						SEE PAGE
					1	2	3	4	5	6	
	1	1	346-9507	1	GASKET						
M	2	1	3T-0849	4	BOLT-SOCKET HEAD (M6X1X25-MM)						
	3	1	332-7624	1	GASKET						
	4	1	345-0835	1	GASKET						
	5	1	348-9331	1	BRACKET						
	6	1	466-7876	1	VALVE						
	7	1	583-5596	1	VALVE AS-EXHAUST GAS (NRS)						
		1	466-7876	1	VALVE						

M - METRIC PART



GRAPHIC #1

<END>

g06500889

AIR INLET AND EXHAUST SYSTEM

425-6359 VALVE GP-COOLANT CONTROL-DEF TEMPERATURE

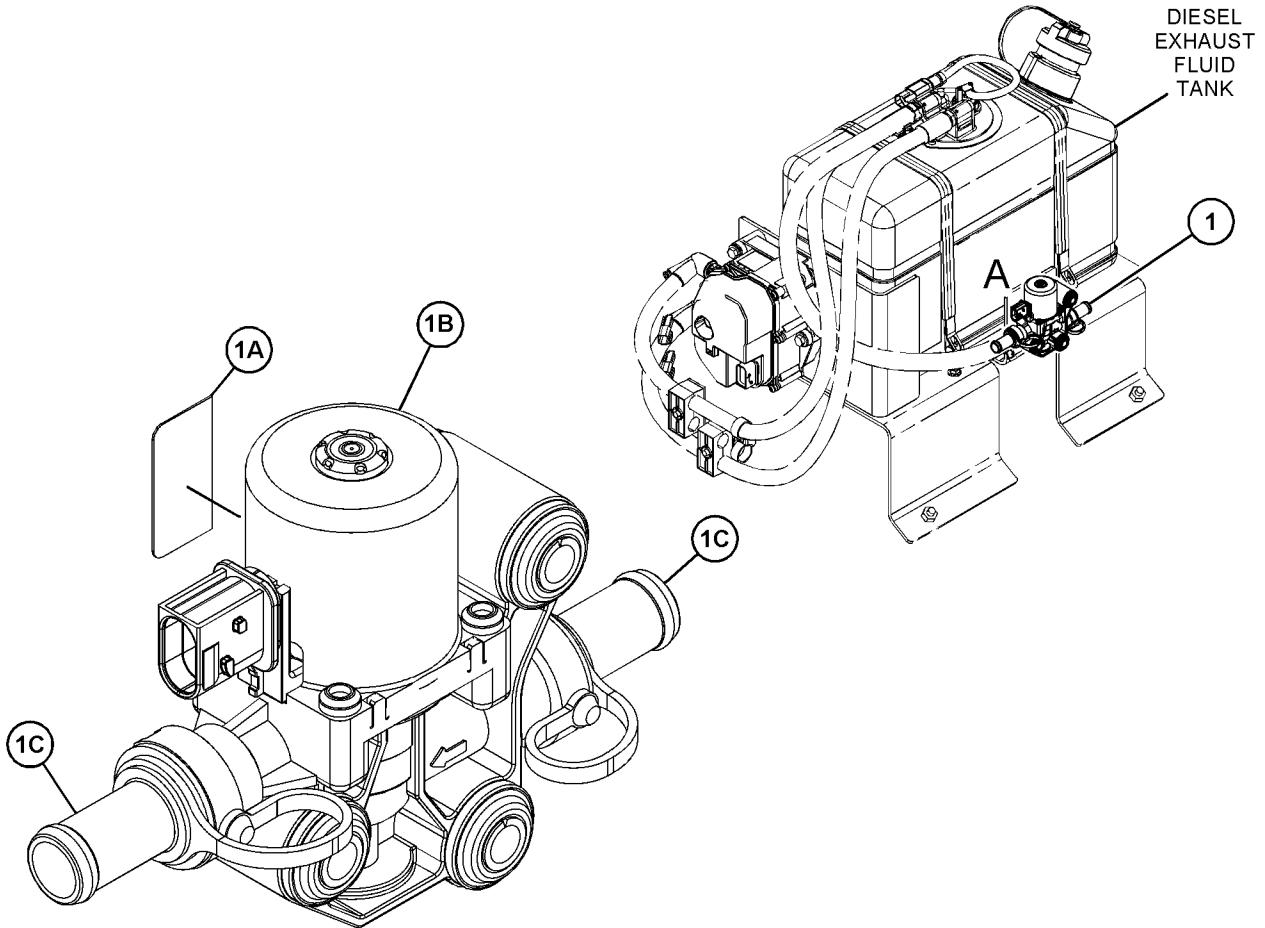
S/N: JKT1-UP

PART OF 466-2883 ENGINE AR
ALSO AN ATTACHMENT

SMCS-5479

i07060109

NOTE	REF NO	GRAPHIC REF	PART NUMBER	QTY	PART NAME						SEE PAGE
					1	2	3	4	5	6 (PRODUCT LEVEL)	
	1	1	526-8387	1	VALVE AS (12-VOLT)						
	1A	1	498-2822	1	FILM-IDENTIFICATION (12V, CAT)						
	1B	1	526-8388	1	VALVE AS-EXHAUST						
	1C	1	526-8391	2	CONNECTOR AS						



VIEW OF AREA A

GRAPHIC #1

<END>

g06222116

AIR INLET AND EXHAUST SYSTEM

442-2287 VALVE GP-COOLANT CONTROL

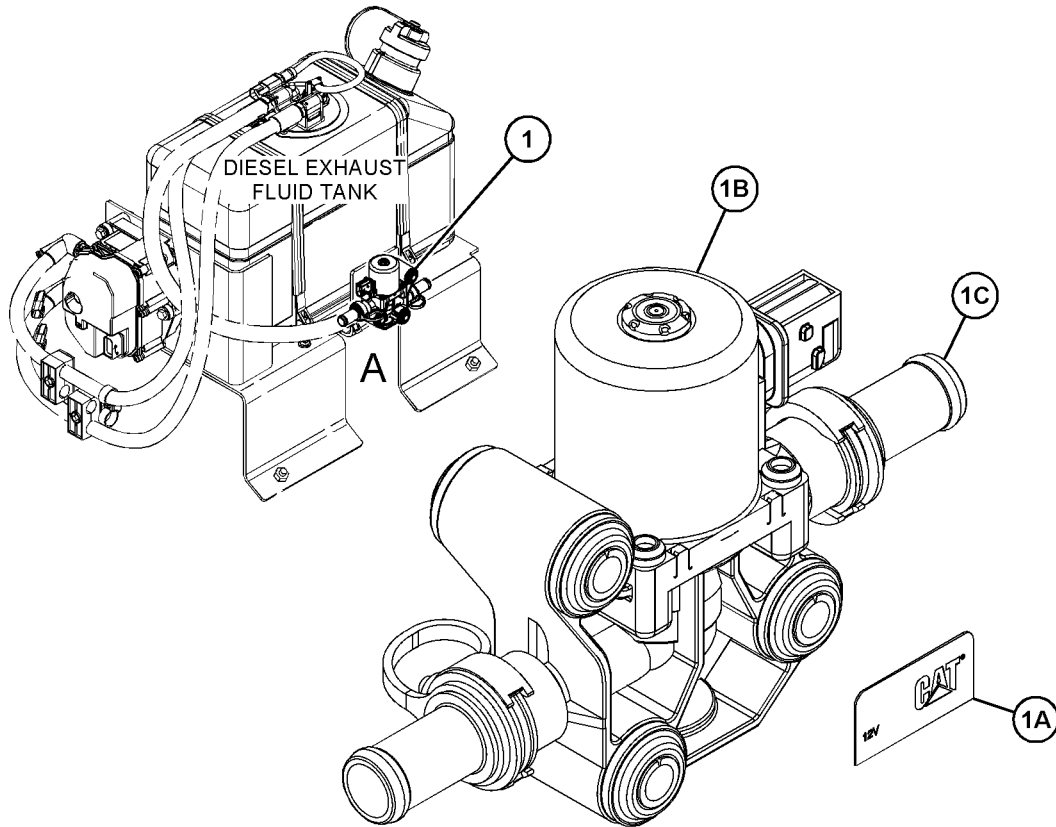
S/N: CN51-UP

PART OF 465-2880 ENGINE AR-PRIMARY
AN ATTACHMENT

SMCS-5479

i07155709

NOTE	REF NO	GRAPHIC REF	PART NUMBER	QTY	PART NAME						SEE PAGE
					1	2	3	4	5	6 (PRODUCT LEVEL)	
1	1	1	526-8387	1	VALVE AS (12-VOLT)						
1A	1	1	498-2822	1	FILM-IDENTIFICATION (12V, CAT)						
1B	1	1	526-8388	1	VALVE AS-EXHAUST						
1C	1	1	526-8391	2	CONNECTOR AS						



VIEW OF AREA A

GRAPHIC #1

<END>

g06244730

AIR INLET AND EXHAUST SYSTEM

449-1083 VALVE GP-EXHAUST GAS (NRS)

S/N: CN51-UP

PART OF 441-9792 TURBOCHARGER GP
AN ATTACHMENT

SMCS-3139, 5137, 5479

i06995811

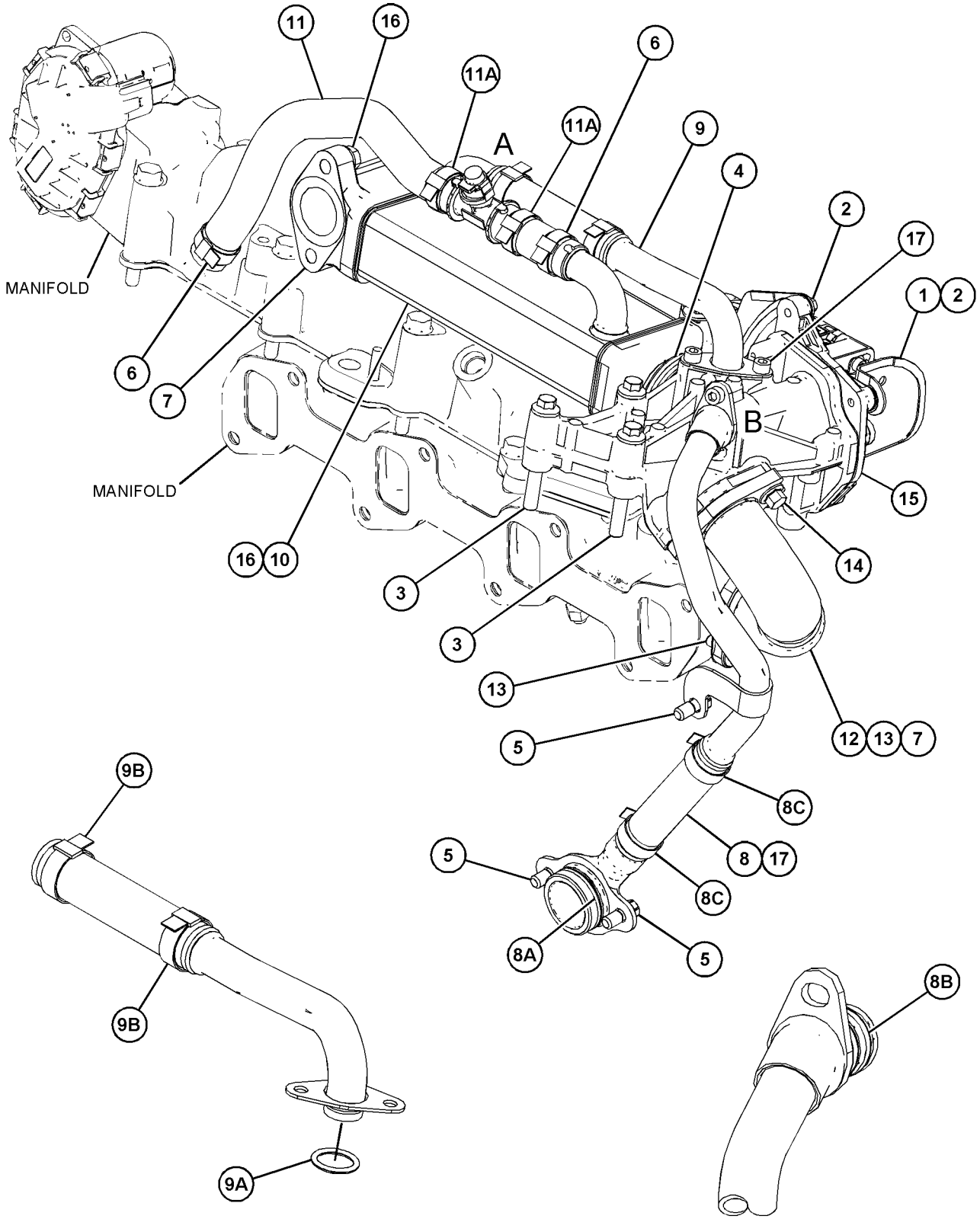
NOTE	REF NO	GRAPHIC REF	PART NUMBER	QTY	PART NAME						SEE PAGE
					1	2	3	4	5	6 (PRODUCT LEVEL)	
	1	1	390-3119	1	SHIELD						
M	2	1	6I-0846	3	BOLT (M6X1X14-MM)						
M	3	1	100-3751	3	BOLT (M8X1.25X65-MM)						
	4	1	386-2068	1	CLIP						
	5	1	389-2875	3	SCREW (SPECIAL)						
	6	1	390-2396	3	CLIP						
	7	1	515-0077	3	GASKET (EXHAUST MANIFOLD)						
	8	1	390-3292	1	TUBE AS						
	8A	1	386-1910	1	SEAL						
	8B	1	386-1911	2	SEAL						
	8C	1	390-2396	2	CLIP						
	9	1	390-3298	1	TUBE AS						
	9A	1	386-1911	1	SEAL						
	9B	1	390-2396	2	CLIP						
	10	1	487-5857	1	COOLER AS						
	11	1	417-9196	1	PIPE						
	11A	1	390-2396	2	CLIP						
	12	1	423-3785	1	PIPE						
	13	1	432-8596	2	BOLT-SPECIAL						
	14	1	463-8911	2	BOLT						
	15	1	463-8913	1	VALVE AS						
M	16	1	178-3336	2	NUT-HEX FLANGE (M8X1.25-THD)						
M	17	1	6V-5683	3	BOLT (M6X1X16-MM)						

M - METRIC PART

AIR INLET AND EXHAUST SYSTEM

449-1083 VALVE GP-EXHAUST GAS (NRS) (contd.)

106995811



VIEW OF AREA A
(PARTS REMOVED FOR CLARITY)

VIEW OF AREA B
(PARTS REMOVED FOR CLARITY)

GRAPHIC #1

<END>

g06204328

FUEL SYSTEM

375-1397 BRACKET GP-MOUNTING

S/N: CN51-UP

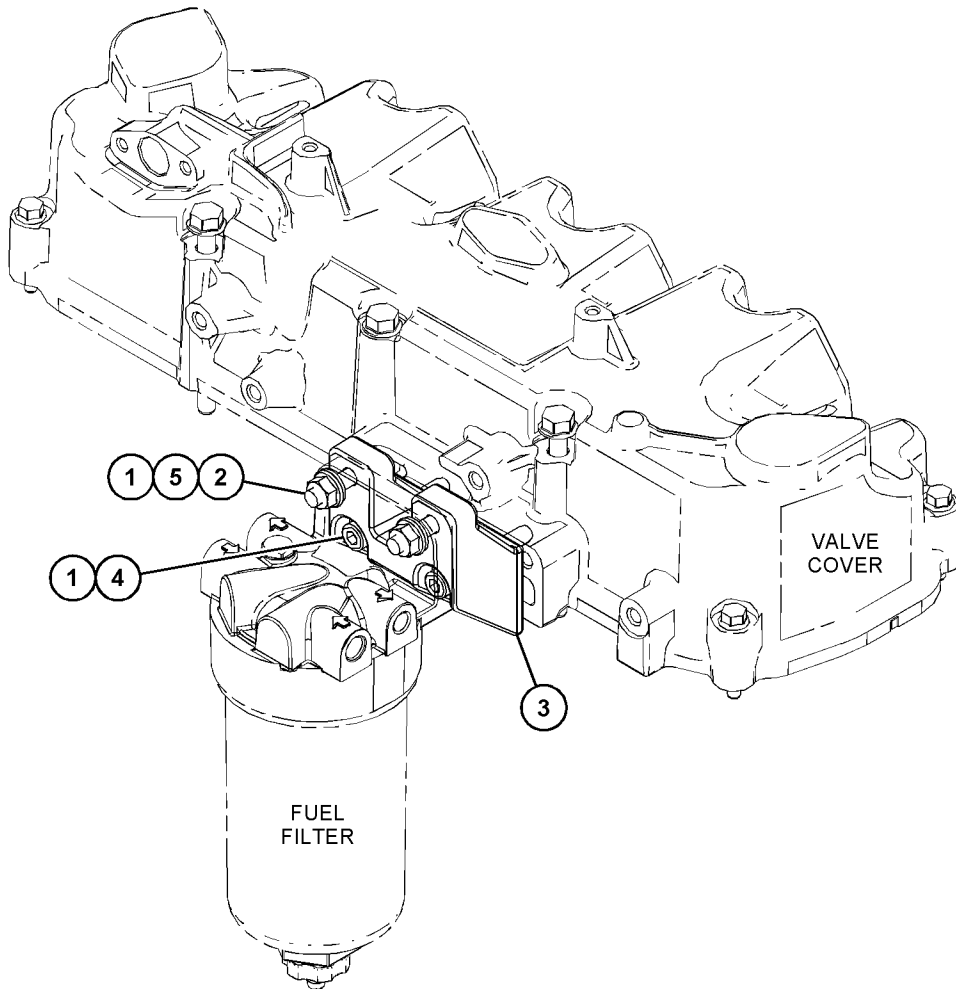
PART OF 372-8164 LINES GP-FUEL FILTER
AN ATTACHMENT

SMCS-1261, 1702

i06252234

NOTE	REF NO	GRAPHIC REF	PART NUMBER	QTY	PART NAME						SEE PAGE
					1	2	3	4	5	6 (PRODUCT LEVEL)	
	1	1	7W-2632	4	WASHER (8.5X16.8X1.6-MM THK)						
	2	1	390-0313	2	STUD						
	3	1	417-8427	1	BRACKET						
	4	1	417-8452	2	SCREW						
M	5	1	178-3336	2	NUT-HEX FLANGE (M8X1.25-THD)						
					AVAILABLE REPAIR KIT(S):						
			388-1289	1	KIT-FUEL SYSTEM PARTS (INCLUDES CAPS)						

M - METRIC PART



GRAPHIC #1

<END>

g03833252

FUEL SYSTEM

361-7347 CONNECTION GP-FUEL

S/N: JKT1-UP

9.49 SAE, M16

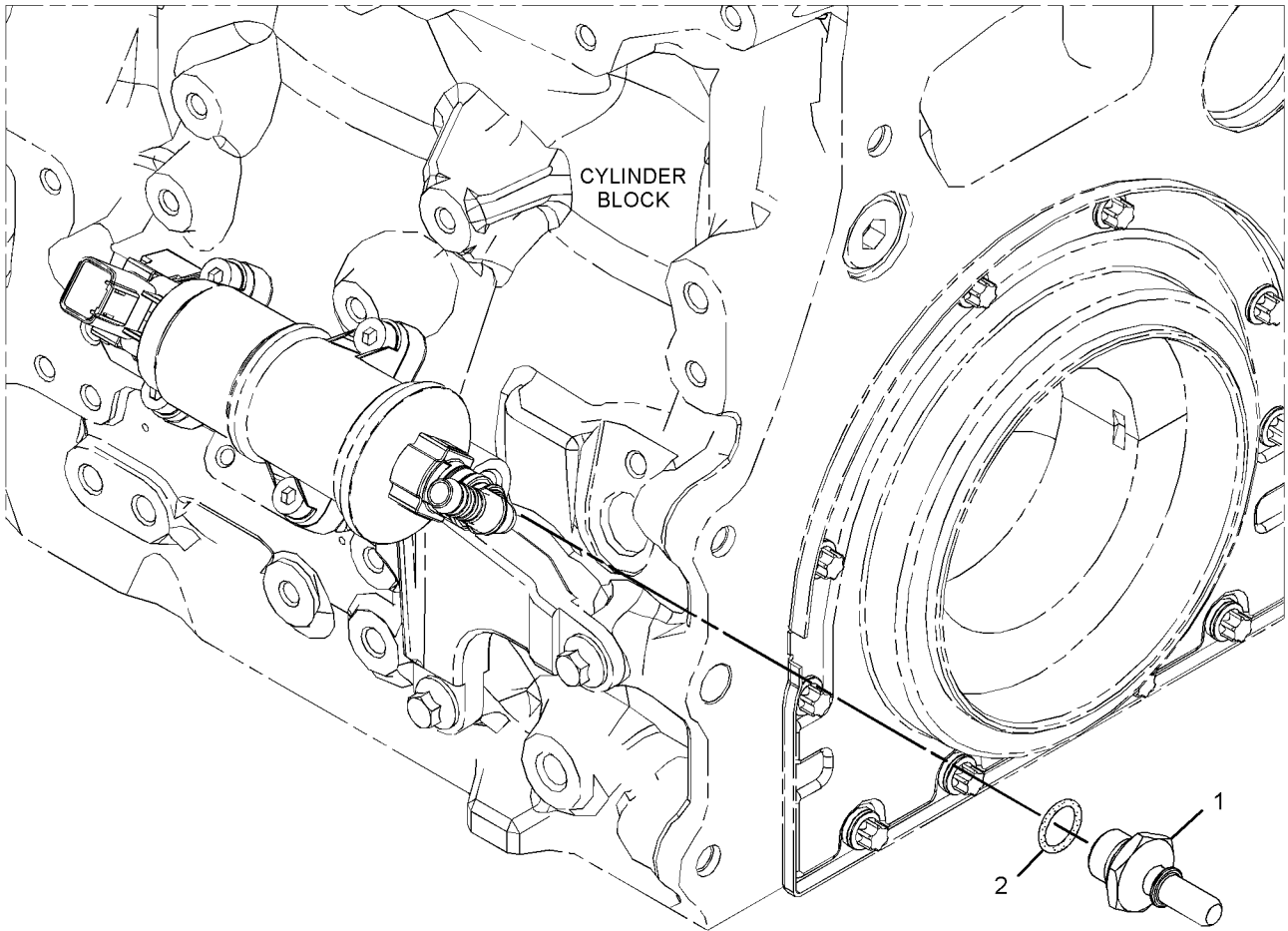
PART OF 446-5393 PUMP GP-FUEL TRANSFER

ALSO AN ATTACHMENT

SMCS-1250, 1274

i04758101

NOTE	REF NO	GRAPHIC REF	PART NUMBER	QTY	PART NAME						SEE PAGE
					1	2	3	4	5	6 (PRODUCT LEVEL)	
1	1	1	361-7346	1	CONNECTION						
2	1	1	228-7102	1	SEAL-O-RING						



GRAPHIC #1

<END>

g02716582

FUEL SYSTEM

360-8958 FILTER GP-FUEL

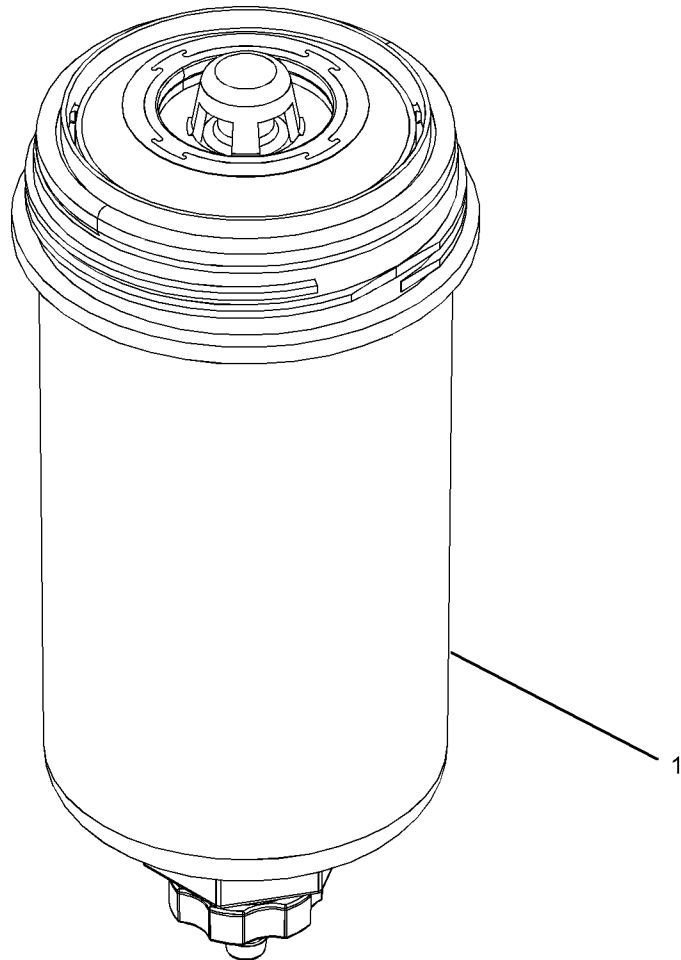
S/N: W231-UP; CN51-UP; JKT1-UP

PART OF 367-9085, 452-8547 FILTER GP-FUEL, 452-0344 FILTER GP-WATER SEP & FUEL
ALSO AN ATTACHMENT

SMCS-1261

i06791624

NOTE	REF NO	GRAPHIC REF	PART NUMBER	QTY	PART NAME						SEE PAGE
					1	2	3	4	5	6 (PRODUCT LEVEL)	
	1	1	360-8960	1	FILTER ELEMENT-FUEL						
					AVAILABLE REPAIR KIT(S):						
			362-5412	1	KIT-DRAIN (FUEL FILTER)						
					(INCLUDES DRAIN, KNOB, & SEALS)						
			370-8376	1	KIT-FUEL SYSTEM PARTS						



GRAPHIC #1

<END>

g03173178

FUEL SYSTEM

361-1224 FILTER GP-FUEL

S/N: JKT1-UP

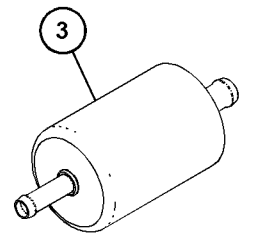
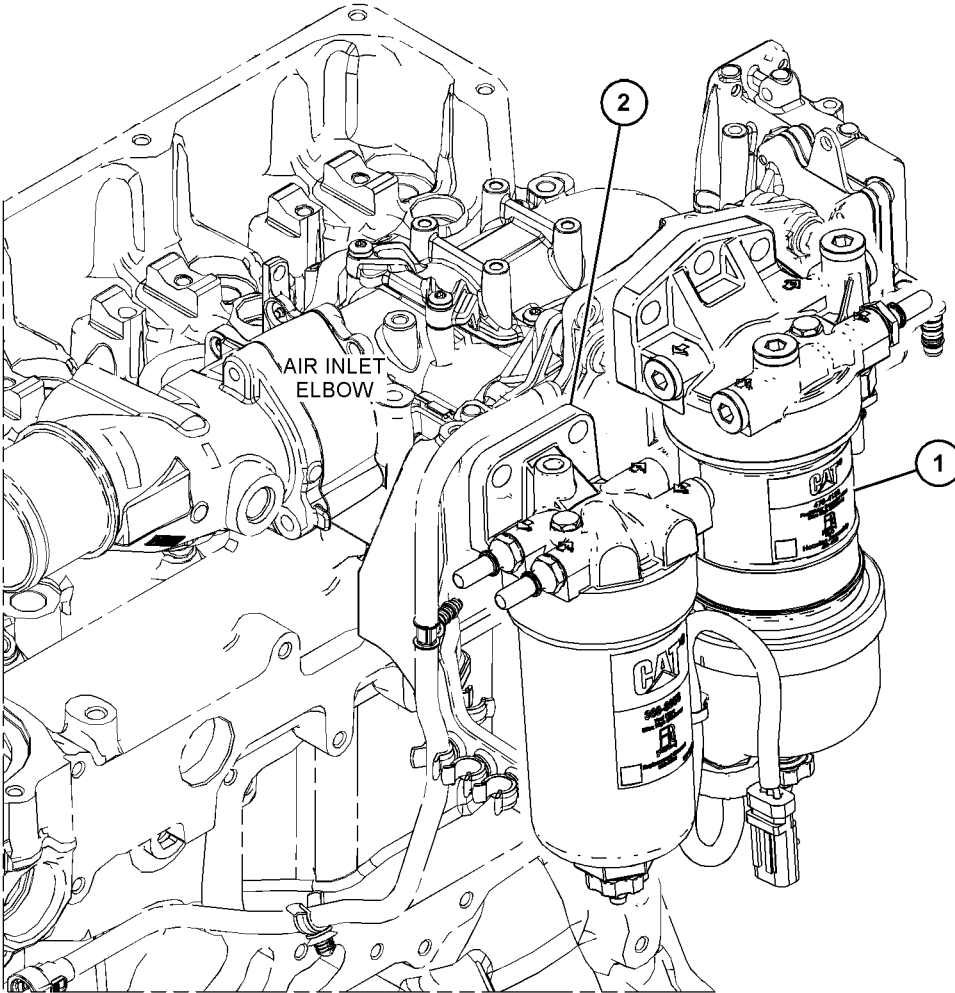
PART OF 464-2307, 464-2308 ENGINE AR-PRIMARY
ALSO AN ATTACHMENT

SMCS-1261

i07382219

NOTE	REF NO	GRAPHIC REF	PART NUMBER	QTY	PART NAME						SEE PAGE
					1	2	3	4	5	6 (PRODUCT LEVEL)	
CY	1	1	483-1002	1	FILTER GP-WATER SEP & FUEL						365
Y	2	1	452-0344	1	FILTER GP-WATER SEP & FUEL						364
	3	1	525-6205	1	FILTER-FUEL (IN-LINE)						

C - CHANGE FROM PREVIOUS TYPE
Y - SEPARATE ILLUSTRATION



GRAPHIC #1

<END>

g06284425

FUEL SYSTEM

367-9085 FILTER GP-FUEL

S/N: CN51-UP

PART OF 418-3788 FILTER GP-FUEL
AN ATTACHMENT

SMCS-1261

i06745935

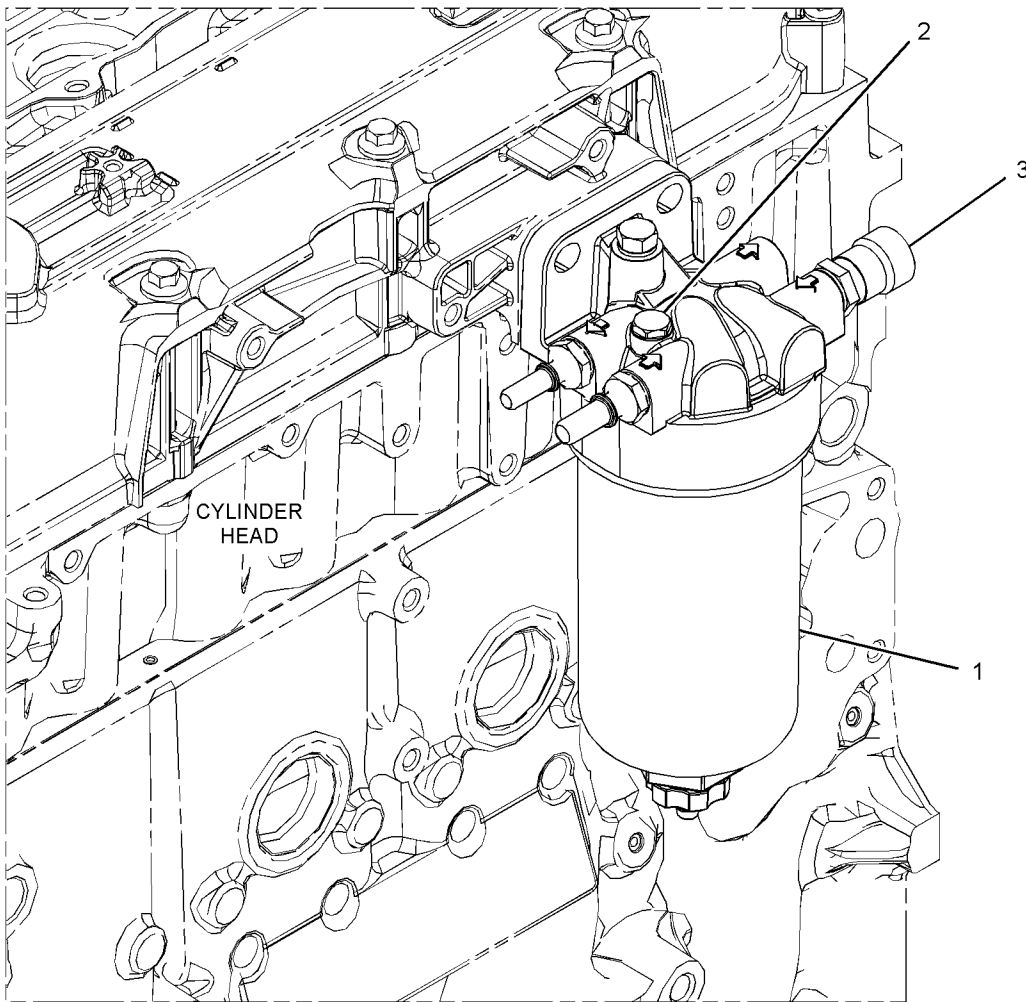
NOTE	REF NO	GRAPHIC REF	PART NUMBER	QTY	PART NAME						SEE PAGE
					1	2	3	4	5	6 (PRODUCT LEVEL)	
Y	1	1	360-8958	1	FILTER GP-FUEL						352
	2	1	362-9689	1	SCREW-SPECIAL						
	3	1	373-9526	1	SENSOR-TEMPERATURE (FUEL)						

AVAILABLE REPAIR KIT(S):

362-5412 1 KIT-DRAIN

(INCLUDES DRAIN, KNOB, & SEALS)

Y - SEPARATE ILLUSTRATION



GRAPHIC #1

<END>

g02939197

FUEL SYSTEM

418-3788 FILTER GP-FUEL

S/N: CN51-UP

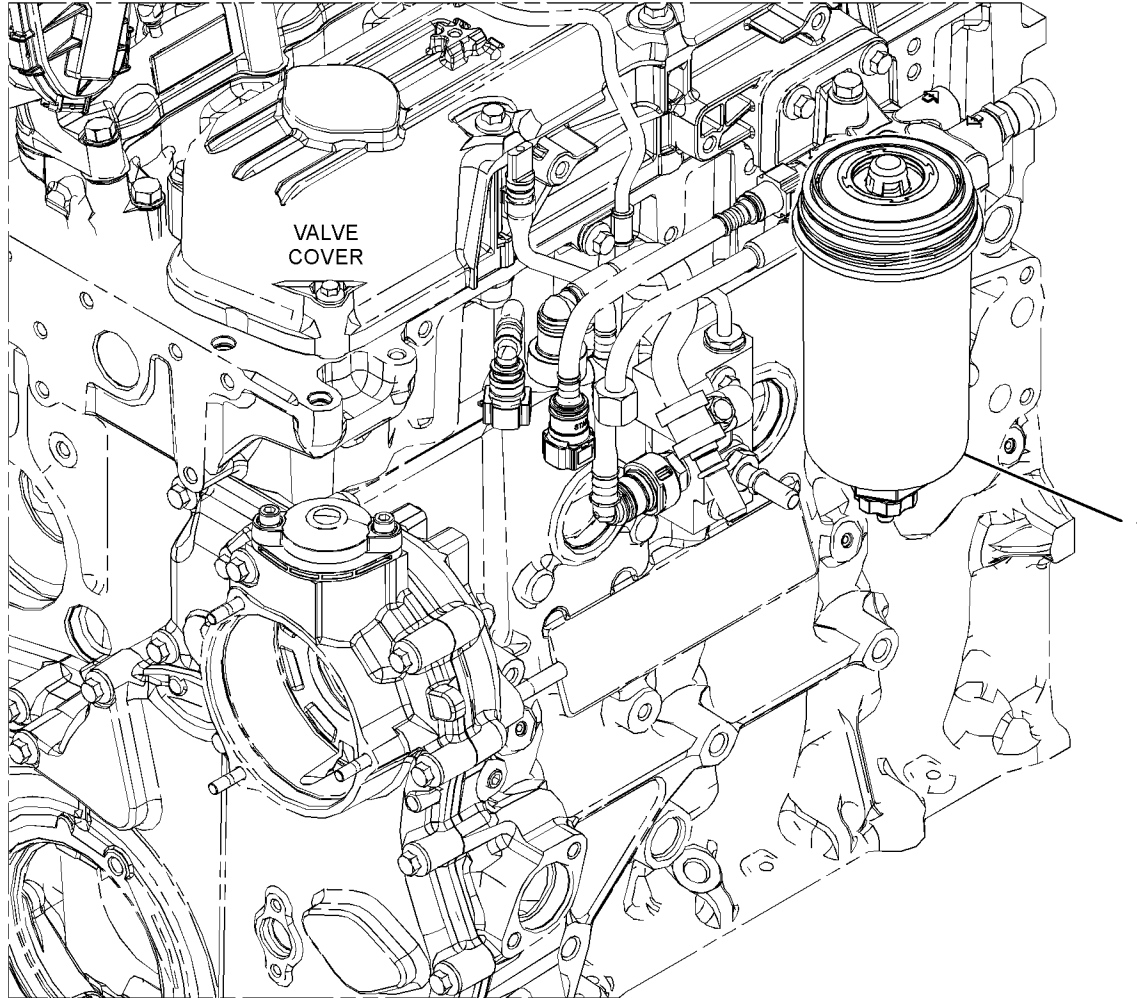
PART OF 465-2880 ENGINE AR-PRIMARY
AN ATTACHMENT

SMCS-1261

i06745975

NOTE	REF NO	GRAPHIC REF	PART NUMBER	QTY	PART NAME						SEE PAGE
					1	2	3	4	5	6 (PRODUCT LEVEL)	
Y	1	1	367-9085	1	FILTER GP-FUEL						354

Y - SEPARATE ILLUSTRATION



GRAPHIC #1

<END>

g03334746

FUEL SYSTEM

438-7763 FILTER GP-FUEL

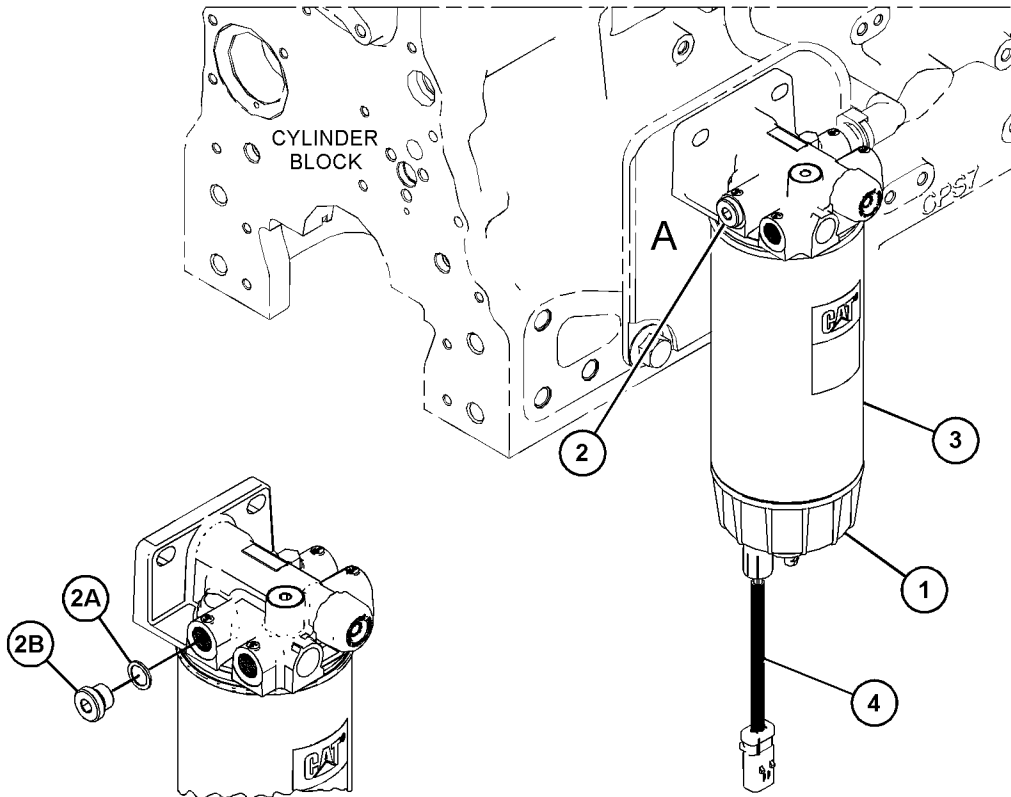
S/N: W231-UP

PART OF 441-1215 FILTER GP-FUEL

SMCS-1261

i07568958

NOTE	REF NO	GRAPHIC REF	PART NUMBER	QTY	PART NAME						SEE PAGE
					1	2	3	4	5	6 (PRODUCT LEVEL)	
	1	1	439-5040	1	BOWL AS						
	2	1	192-9207	1	PLUG AS						
	2A	1	126-9093	1	SEAL						
	2B	1	439-1841	1	PLUG						
	3	1	439-5037	1	FILTER AS-WATER SEP & FUEL						
	4	1	439-5039	1	SENSOR-LEVEL (WATER IN FUEL) (WATER IN FUEL)						



VIEW OF AREA A

GRAPHIC #1

<END>

g06217269

FUEL SYSTEM

441-1215 FILTER GP-FUEL

S/N: W231-UP

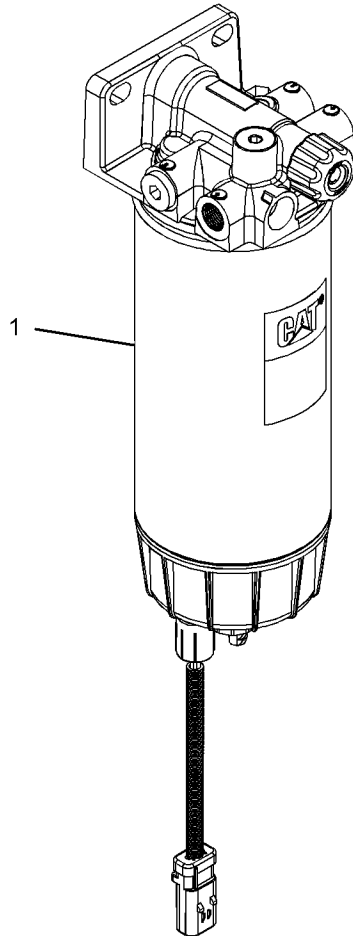
PART OF 463-8848, 463-8910 ENGINE AR-PRIMARY

SMCS-1261

i06174925

NOTE	REF NO	GRAPHIC REF	PART NUMBER	QTY	PART NAME						SEE PAGE
					1	2	3	4	5	6 (PRODUCT LEVEL)	
Y	1	1	438-7763	1	FILTER GP-FUEL						356

Y - SEPARATE ILLUSTRATION



GRAPHIC #1

<END>

g03535423

FUEL SYSTEM

452-8547 FILTER GP-FUEL

S/N: W231-UP

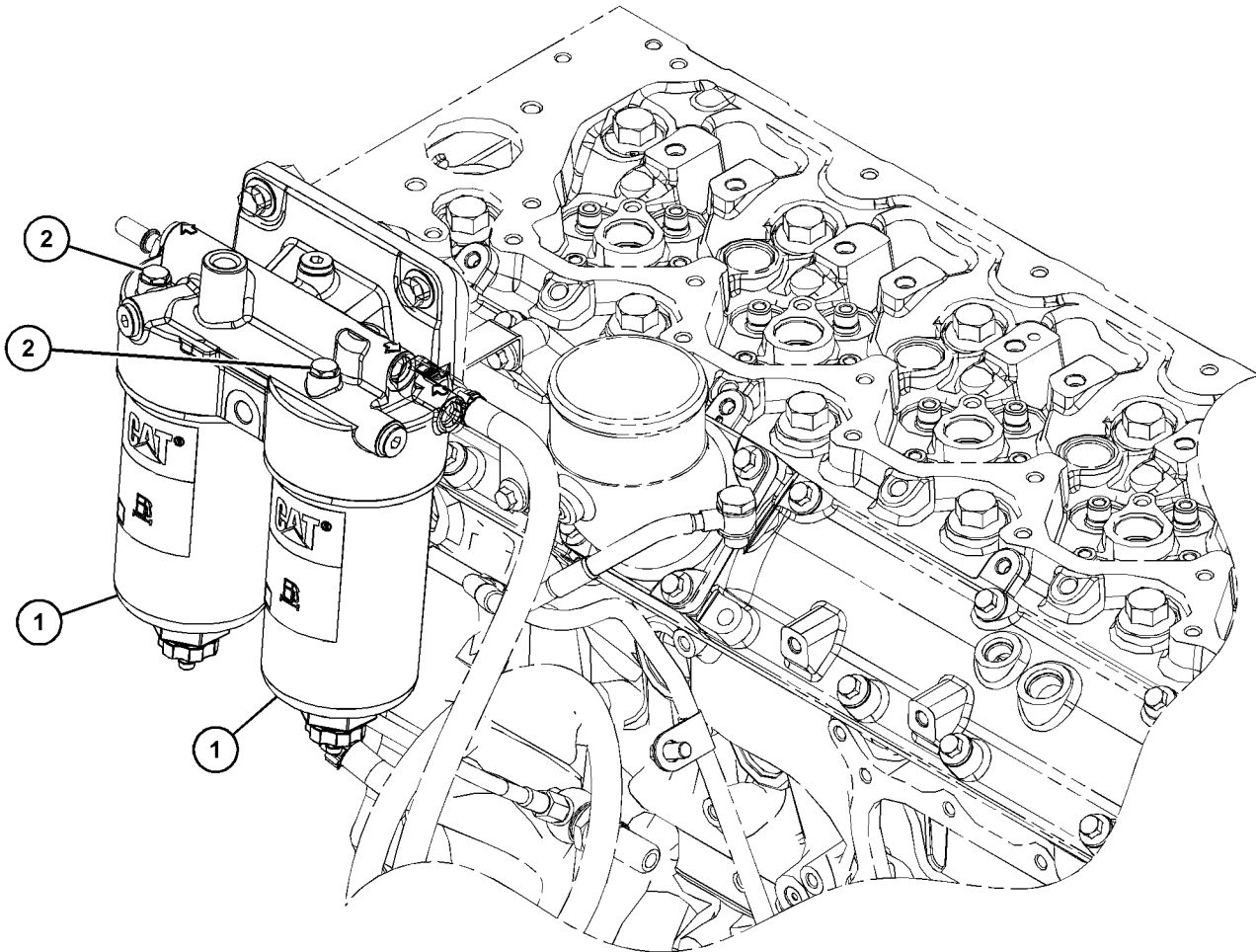
PART OF 453-7163 FILTER GP-FUEL

SMCS-1261

i06156141

NOTE	REF NO	GRAPHIC REF	PART NUMBER	QTY	PART NAME						SEE PAGE
					1	2	3	4	5	6 (PRODUCT LEVEL)	
Y	1	1	360-8958	2	FILTER GP-FUEL						352
	2	1	362-9689	2	SCREW-SPECIAL						
					AVAILABLE REPAIR KIT(S):						
			362-5412	2	KIT-DRAIN						
					(EACH KIT INCLUDES DRAIN, KNOB & SEAL)						

Y - SEPARATE ILLUSTRATION



GRAPHIC #1

<END>

g03701881

FUEL SYSTEM

453-7163 FILTER GP-FUEL

S/N: W231-UP

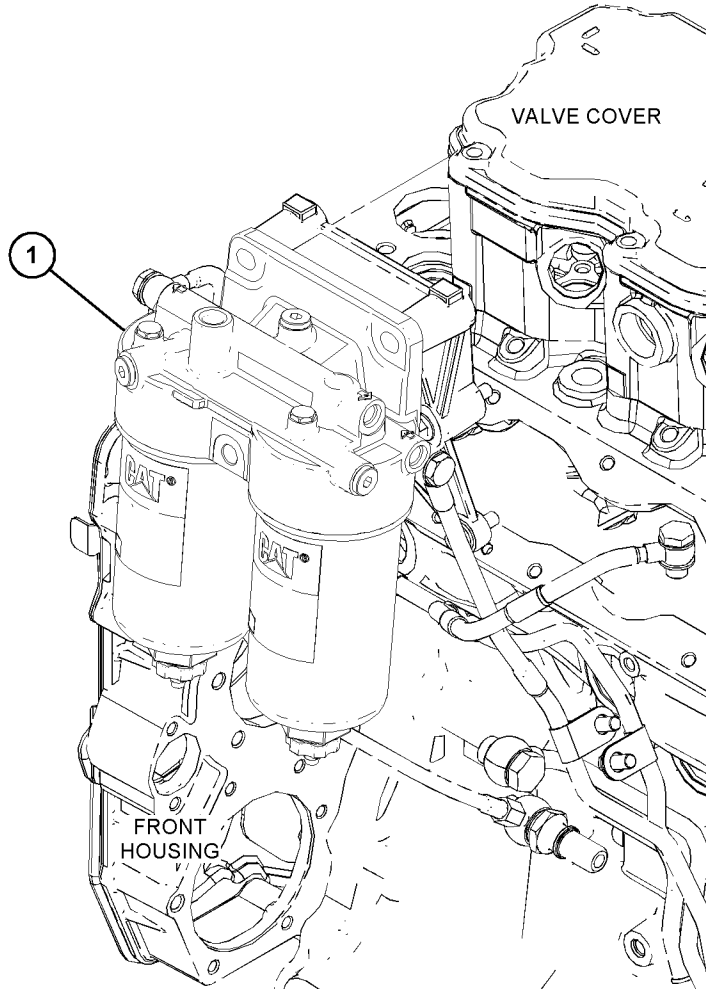
PART OF 463-8848, 463-8910 ENGINE AR-PRIMARY

SMCS-1261

i06120045

NOTE	REF NO	GRAPHIC REF	PART NUMBER	QTY	PART NAME						SEE PAGE
					1	2	3	4	5	6 (PRODUCT LEVEL)	
Y	1	1	452-8547	1	FILTER GP-FUEL						358

Y - SEPARATE ILLUSTRATION



GRAPHIC #1

<END>

g03695817

FUEL SYSTEM

361-1562 FILTER GP-PRIMARY FUEL

S/N: JKT1-UP

PART OF 464-2307, 464-2308 ENGINE AR-PRIMARY
ALSO AN ATTACHMENT

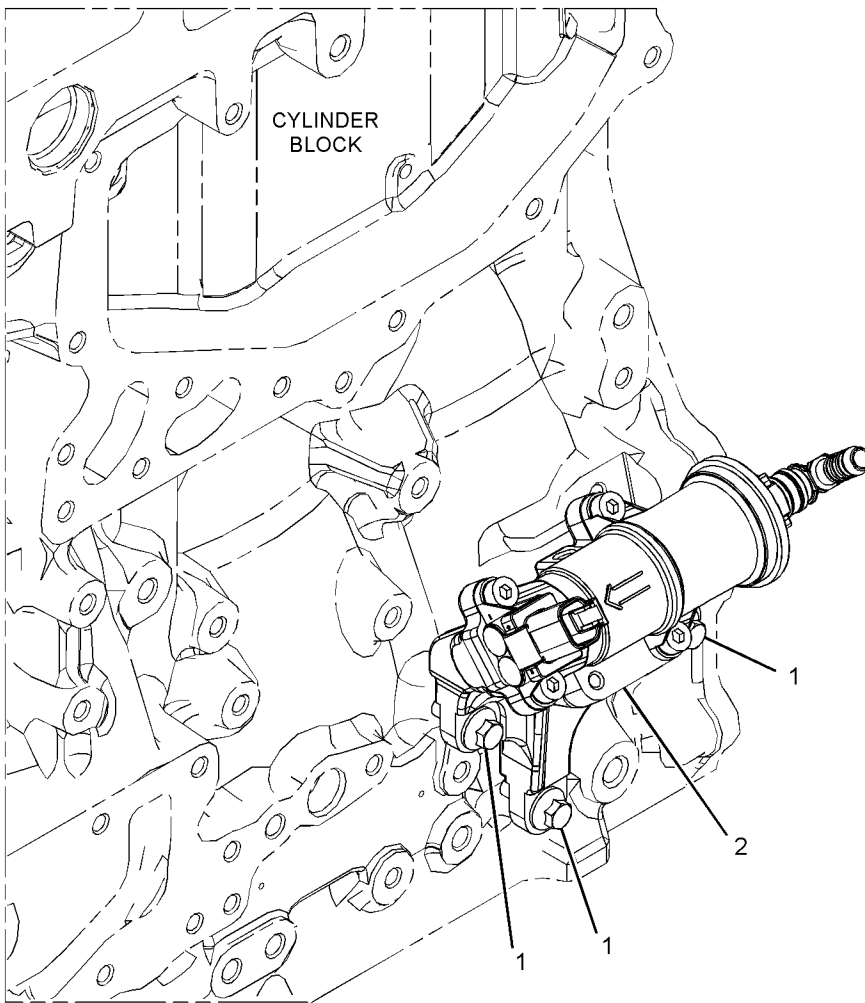
SMCS-1260, 1261

i07074286

NOTE	REF NO	GRAPHIC REF	PART NUMBER	QTY	PART NAME						SEE PAGE
					1	2	3	4	5	6 (PRODUCT LEVEL)	
M	1	1	6I-0217	3	BOLT (M8X1.25X20-MM)						
Y	2	1	446-5393	1	PUMP GP-FUEL TRANSFER						393

M - METRIC PART

Y - SEPARATE ILLUSTRATION



GRAPHIC #1

<END>

g06214736

FUEL SYSTEM

366-9821 FILTER GP-PRIMARY FUEL

S/N: CN51-UP

PART OF 465-2880 ENGINE AR-PRIMARY
AN ATTACHMENT

SMCS-1260, 1261

i05722210

NOTE	PART NUMBER	QTY	PART NAME						SEE
			1	2	3	4	5	6	(PRODUCT LEVEL)
Y	393-5525	1	FILTER GP-PRIMARY FUEL						362

Y - SEPARATE ILLUSTRATION

<END>

FUEL SYSTEM

393-5525 FILTER GP-PRIMARY FUEL

S/N: CN51-UP; TH91-UP

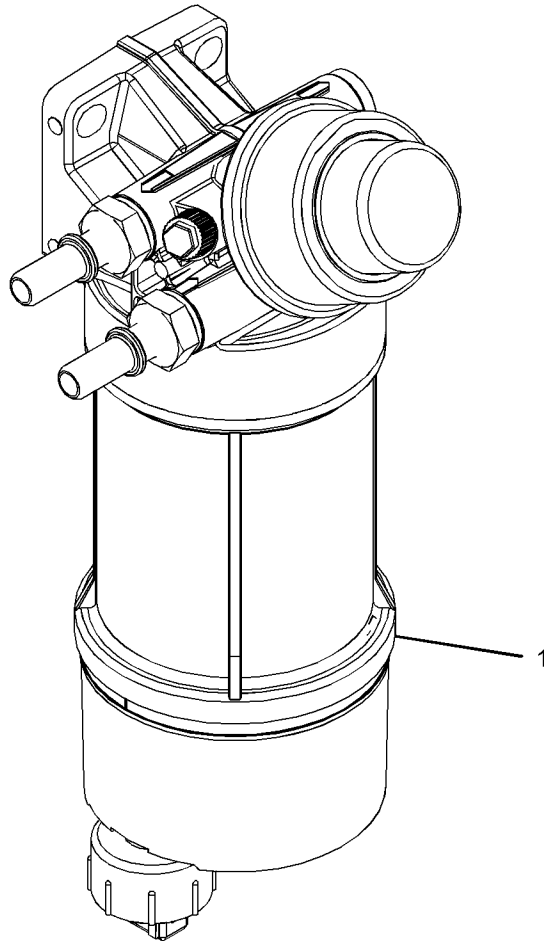
PART OF 366-9821 FILTER GP-PRIMARY FUEL, 503-4920 LINES GP-FUEL
AN ATTACHMENT

SMCS-1260, 1261

i05773221

NOTE	REF NO	GRAPHIC REF	PART NUMBER	QTY	PART NAME						SEE PAGE		
					1	2	3	4	5	6 (PRODUCT LEVEL)			
Y	1	1	369-6035	1	FILTER GP-WATER SEP & FUEL						363		
					AVAILABLE REPAIR KIT(S):								
					388-1289	1	KIT-FUEL SYSTEM PARTS						
					(INCLUDES CAPS)								

Y - SEPARATE ILLUSTRATION



GRAPHIC #1

<END>

g02885956

FUEL SYSTEM

369-6035 FILTER GP-WATER SEP & FUEL

S/N: CN51-UP; TH91-UP

PART OF 393-5525 FILTER GP-PRIMARY FUEL
AN ATTACHMENT

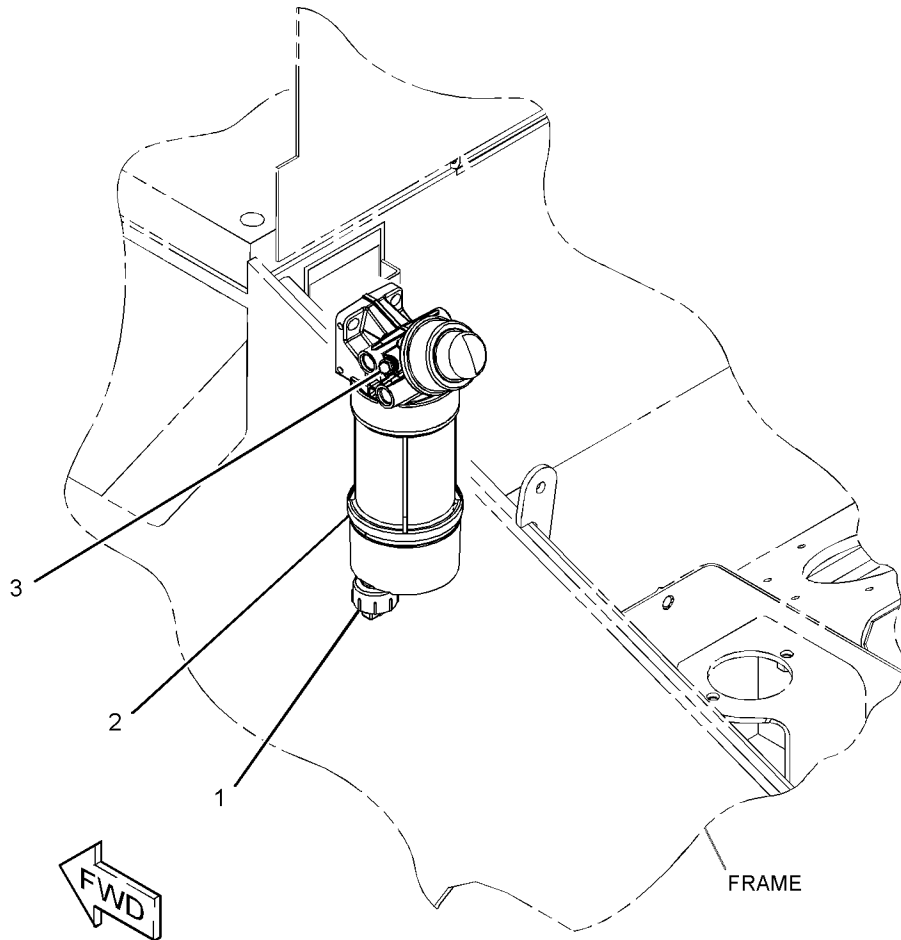
SMCS-1260, 1261, 1263

i07861034

NOTE	REF NO	GRAPHIC REF	PART NUMBER	QTY	PART NAME						SEE PAGE
					1	2	3	4	5	6 (PRODUCT LEVEL)	
	1	1	291-6570	1	SENSOR AS-LIQUID LEVEL (FUEL, WATER SEPARATOR)						
	2	1	311-3903	1	FILTER GP-WATER SEP & FUEL						
		1	311-3901	1	ELEMENT-WATER SEPARATOR						
		1	317-2236	1	PLUG-THREADED						
	3	1	362-8205	1	SCREW-SPECIAL						
FJ			228-7102	2	SEAL-O-RING						
FJ			241-6158	2	PLUG						
FJ			287-8089	2	ADAPTER AS						

F - NOT SHOWN

J - ITEMS MARKED J ARE SHIPPED LOOSE WITH THIS FILTER GP



GRAPHIC #1

<END>

g02797480

FUEL SYSTEM

452-0344 FILTER GP-WATER SEP & FUEL

S/N: JKT1-UP

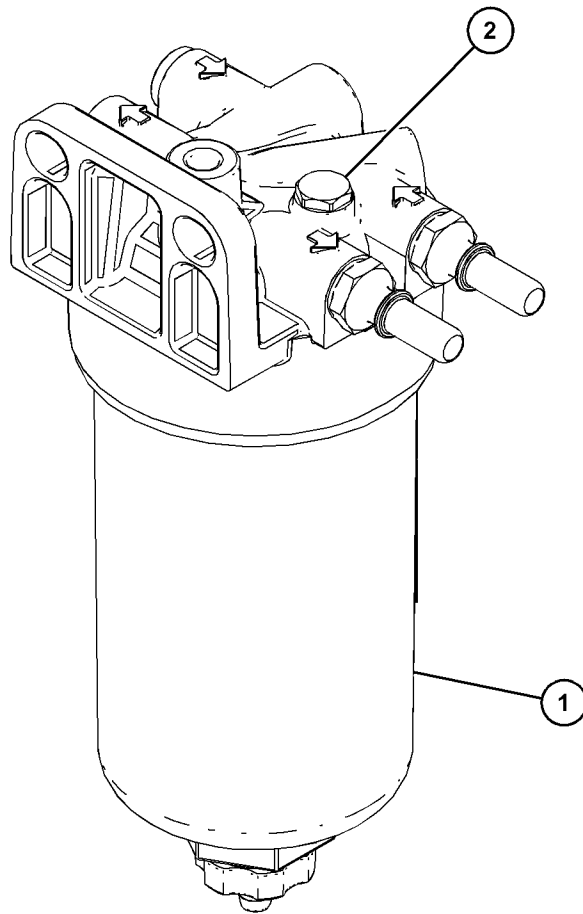
PART OF 361-1224 FILTER GP-FUEL
ALSO AN ATTACHMENT

SMCS-1260, 1261, 1263

i06792140

NOTE	REF NO	GRAPHIC REF	PART NUMBER	QTY	PART NAME						SEE PAGE	
					1	2	3	4	5	6 (PRODUCT LEVEL)		
Y	1	1	360-8958	1	FILTER GP-FUEL						352	
	2	1	362-9689	1	SCREW-SPECIAL							
					AVAILABLE REPAIR KIT(S) :							
					362-5412	1	KIT-DRAIN					
					(KIT INCLUDES DRAIN, KNOB, & SEALS)							
					370-8376	1	KIT-FUEL SYSTEM PARTS					

Y - SEPARATE ILLUSTRATION



GRAPHIC #1

<END>

g03703283

FUEL SYSTEM

483-1002 FILTER GP-WATER SEP & FUEL

S/N: JKT1-UP

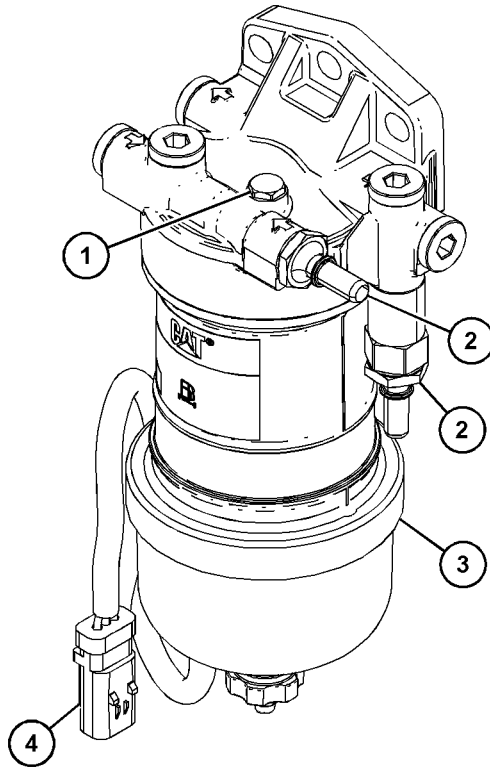
PART OF 361-1224 FILTER GP-FUEL
ALSO AN ATTACHMENT

SMCS-1260, 1261, 1263

i07377464

NOTE	REF NO	GRAPHIC REF	PART NUMBER	QTY	PART NAME						SEE PAGE
					1	2	3	4	5	6 (PRODUCT LEVEL)	
	1	1	362-9689	1	SCREW-SPECIAL						
	2	1	367-6363	2	CONNECTOR-HOSE						
J	3	1	479-4137	1	FILTER GP-WATER SEP & FUEL						
		1	479-4133	1	ELEMENT-WATER SEPARATOR						
		1	479-7459	1	FILM-IDENTIFICATION						
Y	4	1	423-6434	1	SENSOR GP-LIQUID LEVEL (WATER IN FUEL)						546
AVAILABLE REPAIR KIT(S) :											
J			362-5412	1	KIT-DRAIN						
(INCLUDES DRAIN, KNOB & SEALS)											

J - KIT MARKED J SERVICES PART(S) MARKED J
Y - SEPARATE ILLUSTRATION



GRAPHIC #1

<END>

g06091175

FUEL SYSTEM

392-1368 INJECTOR GP-FUEL

S/N: JKT1-UP

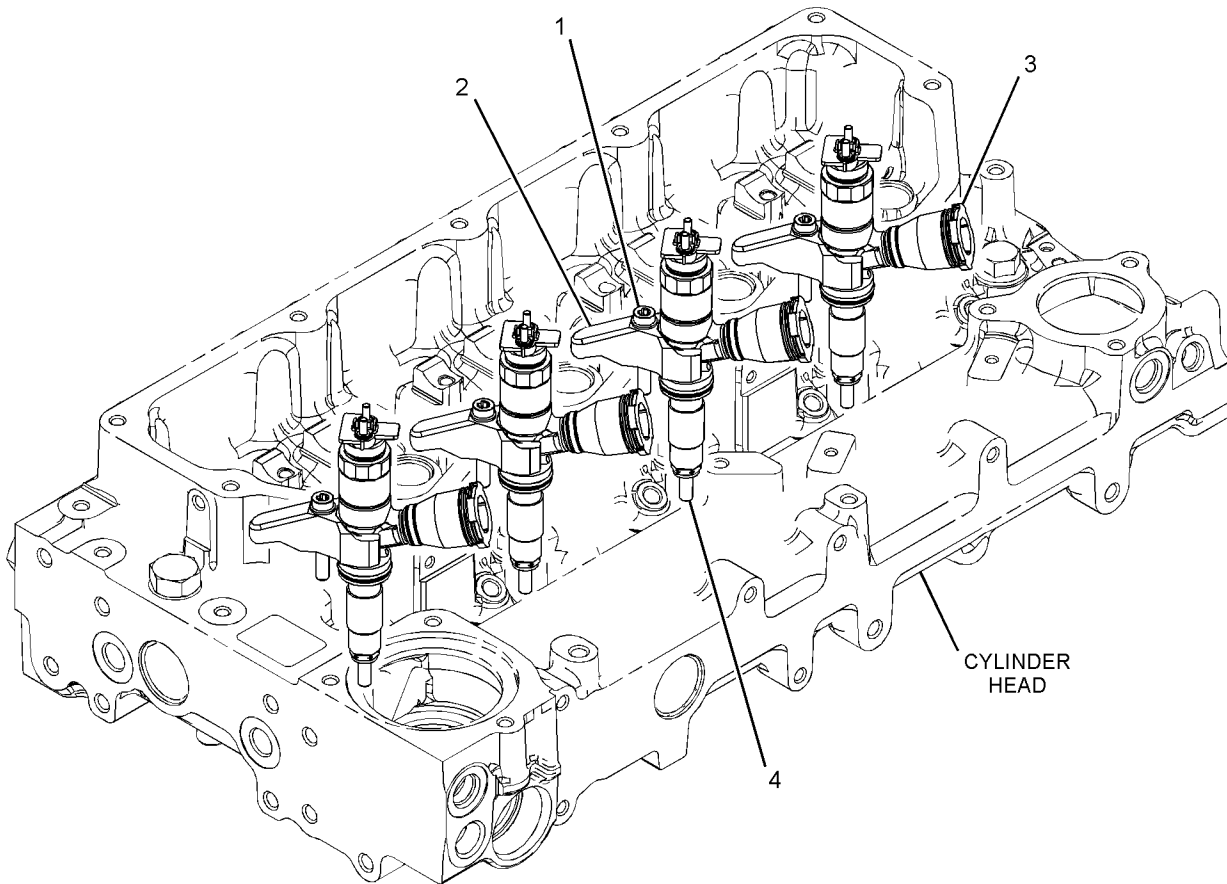
PART OF 464-2307, 464-2308 ENGINE AR-PRIMARY
ALSO AN ATTACHMENT

SMCS-1251, 1290

i05951607

NOTE	REF NO	GRAPHIC REF	PART NUMBER	QTY	PART NAME						SEE PAGE
					1	2	3	4	5	6 (PRODUCT LEVEL)	
	1	1	278-5170	4	BOLT						
	2	1	320-7149	4	CLAMP-INJECTOR						
	3	1	341-8536	4	SEAL						
Y	4	1	418-3229	4	INJECTOR GP-FUEL						368

Y - SEPARATE ILLUSTRATION



GRAPHIC #1

<END>

g03621399

FUEL SYSTEM

415-5522 INJECTOR GP-FUEL

S/N: W231-UP

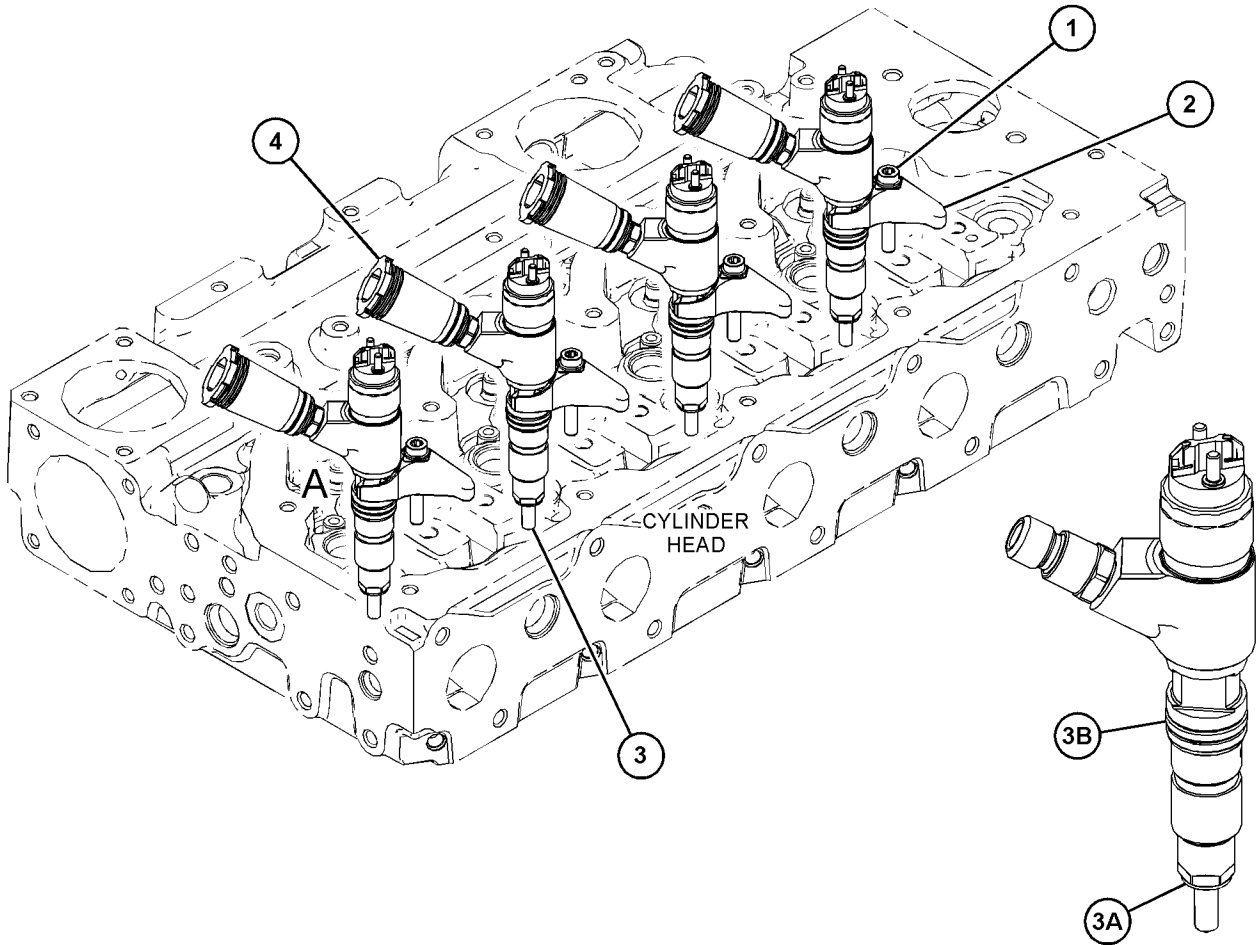
PART OF 463-8848, 463-8910 ENGINE AR-PRIMARY

SMCS-1251, 1290

i06919729

NOTE	REF NO	GRAPHIC REF	PART NUMBER	QTY	PART NAME						SEE PAGE
					1	2	3	4	5	6 (PRODUCT LEVEL)	
	1	1	278-5170	4	BOLT						
	2	1	369-7799	4	CLAMP-INJECTOR						
	3	1	449-3315	4	INJECTOR GP-FUEL						
					(EACH INCLUDES)						
	3A	1	376-6403	1	WASHER-SEALING						
	3B	1	376-6405	1	SEAL-O-RING						
	C	4	517-8243	4	SLEEVE-INJECTOR						

C - CHANGE FROM PREVIOUS TYPE



VIEW OF AREA A

g03808813

GRAPHIC #1

<END>

FUEL SYSTEM

418-3229 INJECTOR GP-FUEL

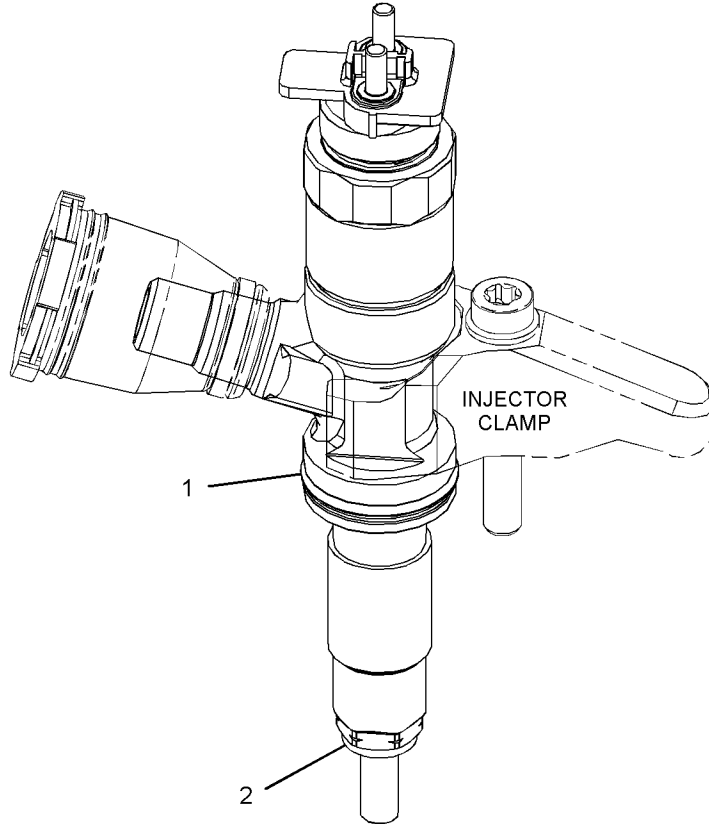
S/N: JKT1-UP

PART OF 392-1368 INJECTOR GP-FUEL
ALSO AN ATTACHMENT

SMCS-1251, 1290

i05951613

NOTE	REF NO	GRAPHIC REF	PART NUMBER	QTY	PART NAME						SEE PAGE
					1	2	3	4	5	6 (PRODUCT LEVEL)	
	1	1	320-8616	1	SEAL-O-RING						
	2	1	320-8617	1	WASHER (7.05X13.7X1.85-MM THK)						



GRAPHIC #1

<END>

g03631584

FUEL SYSTEM

441-9679 INJECTOR GP-FUEL

S/N: CN51-UP

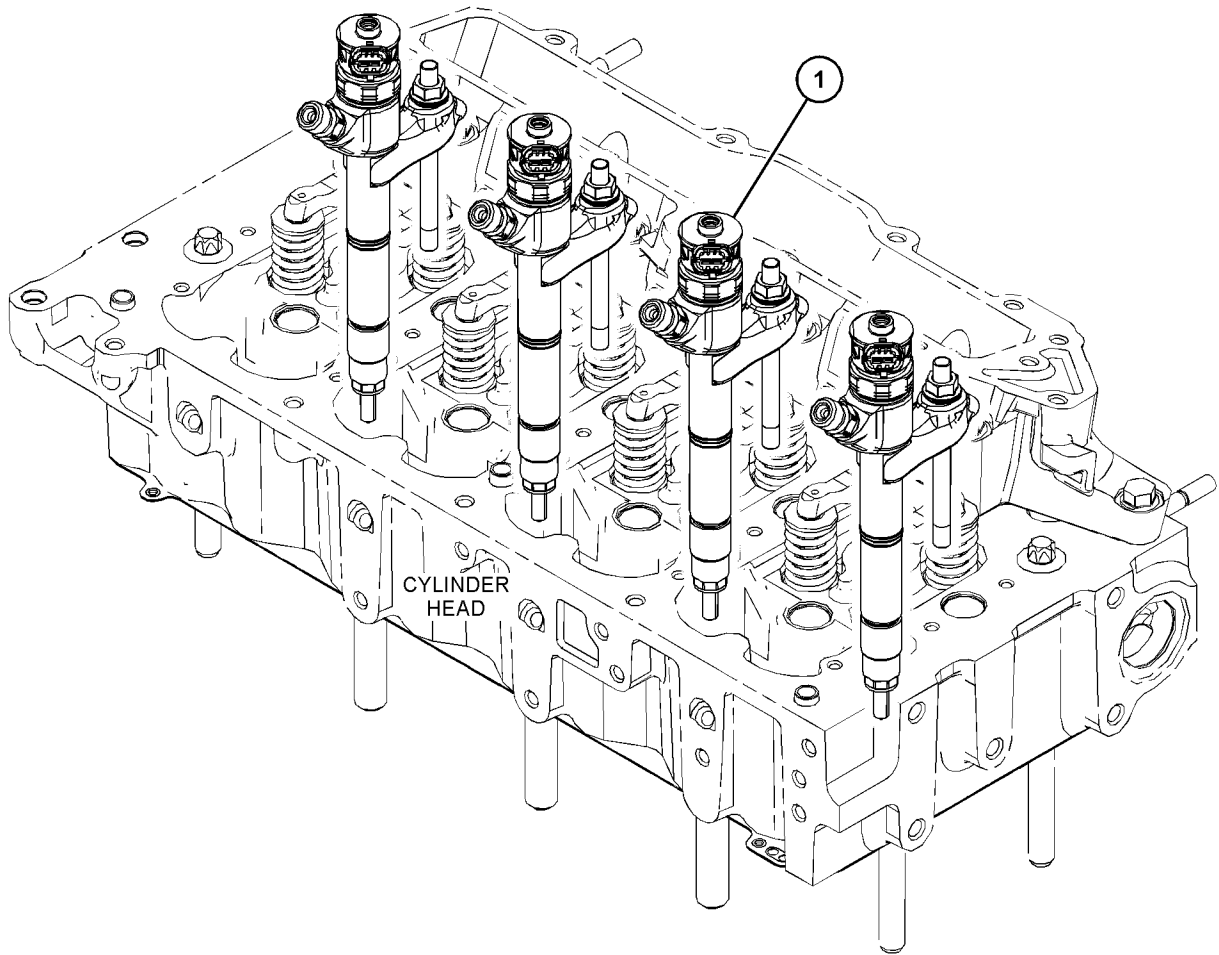
PART OF 465-2880 ENGINE AR-PRIMARY
AN ATTACHMENT

SMCS-1251, 1290

i06252198

NOTE	REF NO	GRAPHIC REF	PART NUMBER	QTY	PART NAME						SEE PAGE
					1	2	3	4	5	6 (PRODUCT LEVEL)	
Y	1	1	464-1152	1	INJECTOR GP-FUEL						370

Y - SEPARATE ILLUSTRATION



GRAPHIC #1

<END>

g03825290

FUEL SYSTEM

464-1152 INJECTOR GP-FUEL

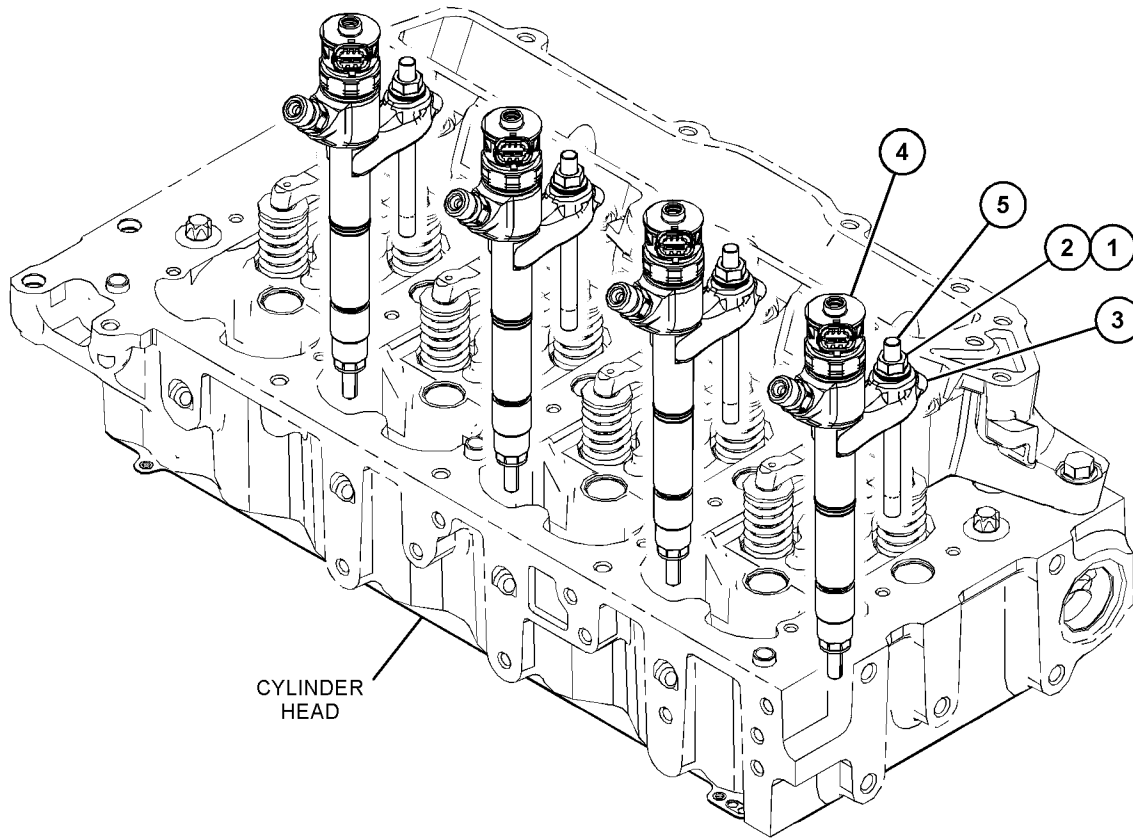
S/N: CN51-UP

PART OF 441-9679 INJECTOR GP-FUEL
AN ATTACHMENT

SMCS-1251, 1290

i06252204

NOTE	REF NO	GRAPHIC REF	PART NUMBER	QTY	PART NAME						SEE PAGE
					1	2	3	4	5	6 (PRODUCT LEVEL)	
	1	1	389-2862	4	WASHER - SPECIAL						
	2	1	394-8799	4	NUT - SPECIAL						
	3	1	463-8811	4	BRACKET						
	4	1	463-8812	4	INJECTOR AS						
	5	1	463-8816	4	STUD						



GRAPHIC #1

<END>

g03827826

FUEL SYSTEM

377-9003 LINES GP-FUEL

S/N: CN51-UP

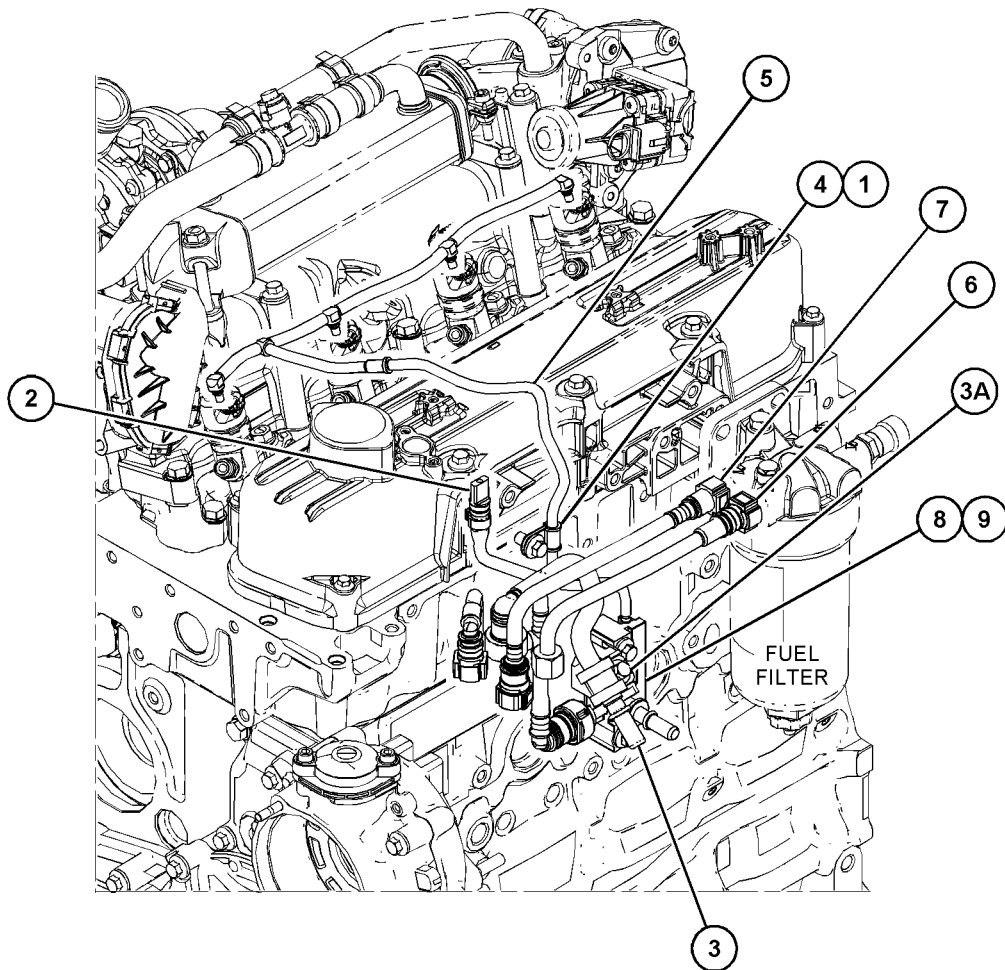
PART OF 372-8164 LINES GP-FUEL FILTER
AN ATTACHMENT

SMCS-1274

i07284685

NOTE	REF NO	GRAPHIC REF	PART NUMBER	QTY	PART NAME						SEE PAGE
					1	2	3	4	5	6 (PRODUCT LEVEL)	
M	1	1	100-4458	1	BOLT (M8X1.25X14-MM)						
	2	1	388-1200	1	LINE AS-FUEL						
	3	1	388-1201	1	LINE AS-FUEL						
M	3A	1	100-4458	1	BOLT (M8X1.25X14-MM)						
	4	1	390-0347	1	CLIP						
	5	1	390-2594	1	TUBE						
	6	1	506-9058	1	PIPE AS-FUEL						
	7	1	506-9059	1	PIPE AS-FUEL						
	8	1	463-8792	1	SOCKET						
M	9	1	6I-1090	2	BOLT (M8X1.25X40-MM)						

M - METRIC PART



GRAPHIC #1

<END>

g06273734

FUEL SYSTEM

396-2103 LINES GP-FUEL

S/N: W231-UP

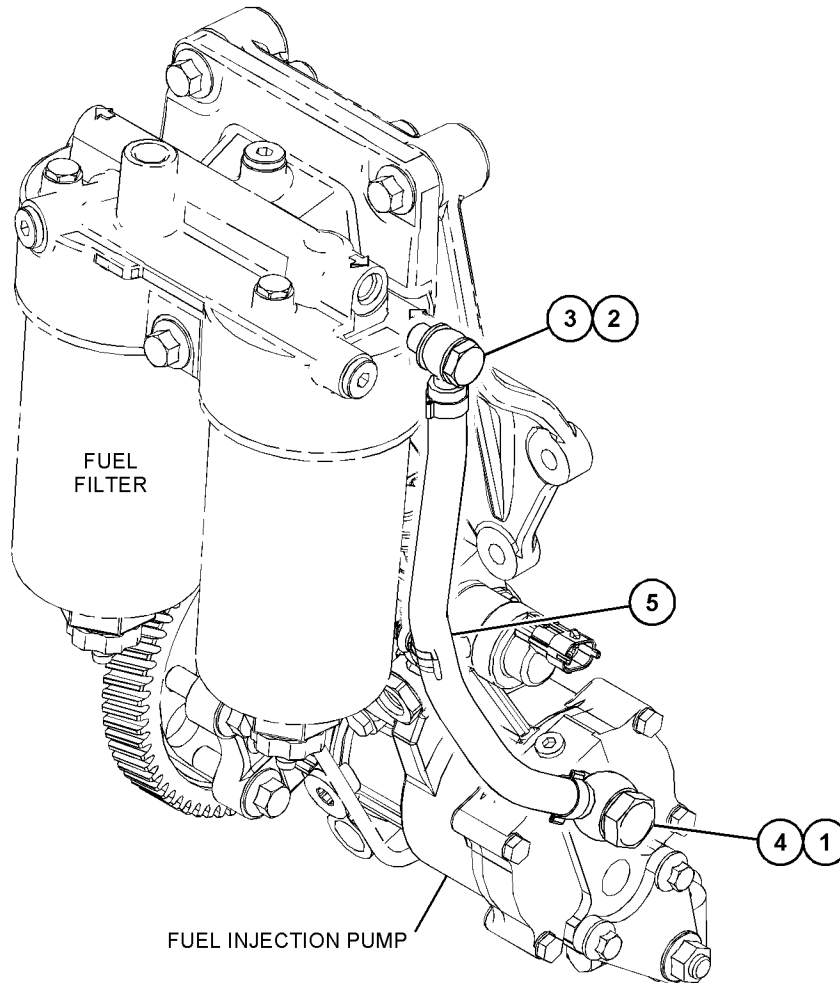
PART OF 421-3853 LINES GP-FUEL

SMCS-1274

i06140284

NOTE	REF NO	GRAPHIC REF	PART NUMBER	QTY	PART NAME						SEE PAGE
					1	2	3	4	5	6	
	1	1	247-4928	2	WASHER (16.5X20.5X1.6-MM THK)						
	2	1	286-2890	2	WASHER						
	3	1	295-4670	1	BOLT-SPECIAL (BANJO)						
M	4	1	386-2737	1	BOLT-BANJO (M16X1.5X27-MM)						
	5	1	396-2102	1	LINE AS-FUEL						
E		1	347-8645		HOSE (28-CM)						

E - ORDER BY THE CENTIMETER
M - METRIC PART



GRAPHIC #1

<END>

g03824380

FUEL SYSTEM

421-3853 LINES GP-FUEL

S/N: W231-UP

PART OF 463-8848, 463-8910 ENGINE AR-PRIMARY

SMCS-1274

i07213653

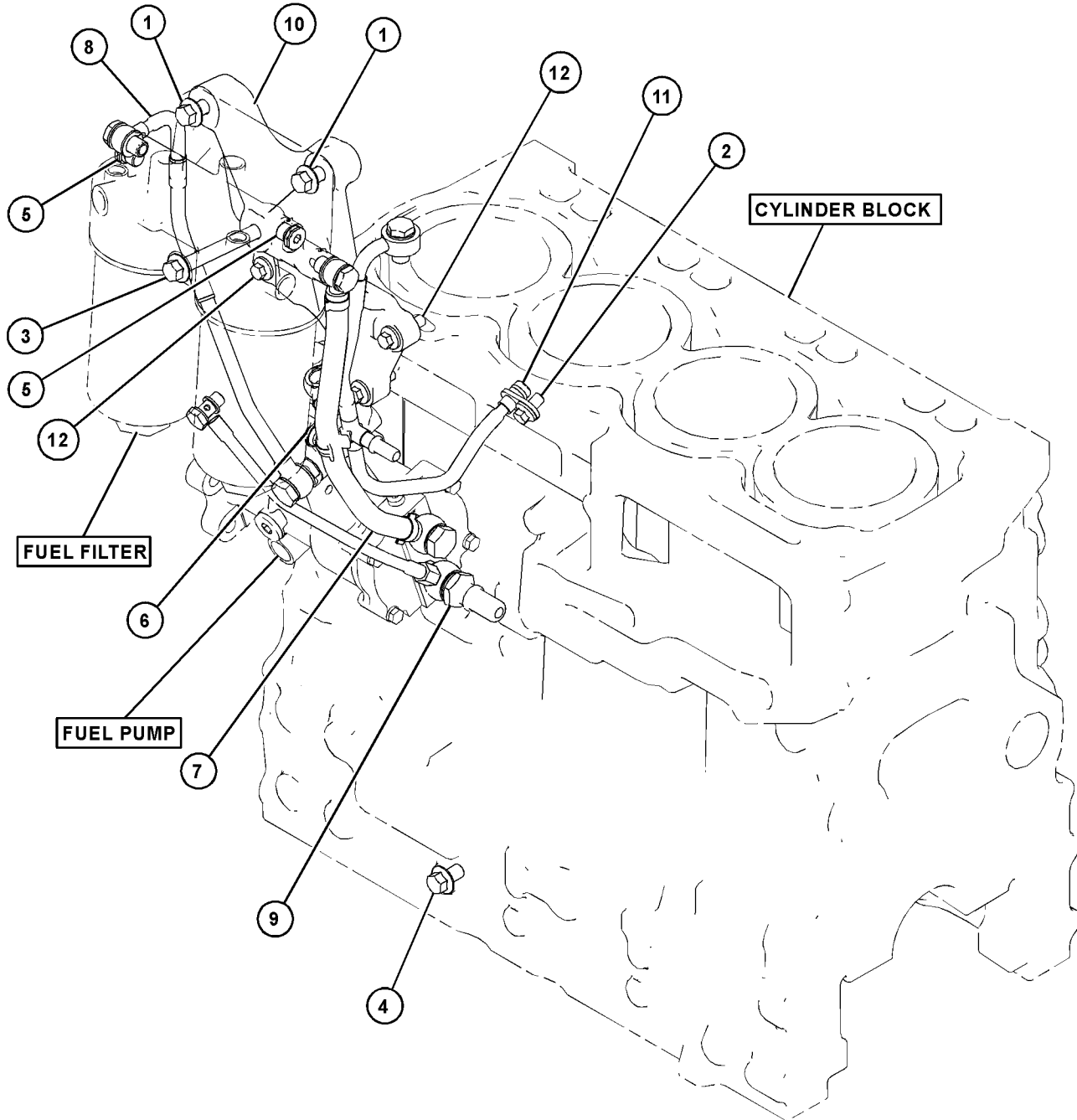
NOTE	REF NO	GRAPHIC REF	PART NUMBER	QTY	PART NAME						SEE PAGE
					1	2	3	4	5	6 (PRODUCT LEVEL)	
M	1	1	6I-0593	2	BOLT (M10X1.5X30-MM)						
M	2	1	100-4458	1	BOLT (M8X1.25X14-MM)						
M	3	1	164-7468	1	BOLT (M10X1.5X95-MM)						
M	4	1	293-1875	1	BOLT (M10X1.5X16-MM)						
	5	1	330-9723	2	PLUG AS						
					(EACH INCLUDES)						
		1	228-7100	1	SEAL-O-RING						
		1	241-6157	1	PLUG						
	6	1	342-3782	1	CLIP-PIPE						
Y	7	1	396-2103	1	LINES GP-FUEL						372
	8	1	396-2421	1	LINE AS-FUEL						
		1	348-0495	2	WASHER						
		1	277-9938	1	BOLT-SPECIAL (BANJO)						
		1	286-2890	2	WASHER						
		1	295-4670	1	BOLT-SPECIAL (BANJO)						
	9	1	433-1316	1	LINES GP-FUEL						
		1	246-4361	2	WASHER (10.5X14X1.5-MM THK)						
		1	247-4928	2	WASHER (16.5X20.5X1.6-MM THK)						
		1	385-1398	1	CONNECTION-FUEL						
		1	386-1864	1	BOLT-BANJO						
	10	1	454-9914	1	BRACKET-FILTER						
	11	1	456-1364	1	LINE AS-FUEL						
		1	277-4993	1	SEAL-O-RING						
		1	286-2890	2	WASHER						
		1	295-4670	1	BOLT-SPECIAL (BANJO)						
M	12	1	6I-0254	3	BOLT (M8X1.25X30-MM)						

M - METRIC PART
Y - SEPARATE ILLUSTRATION

FUEL SYSTEM

421-3853 LINES GP-FUEL (contd.)

i07213653



GRAPHIC #1

<END>

g03823887

FUEL SYSTEM

503-4909 LINES GP-FUEL

S/N: TH41-UP; TH91-UP

PART OF 523-2010, 523-2011 ENGINE AR-COMPLETE
AN ATTACHMENT

SMCS-1274

i07414792

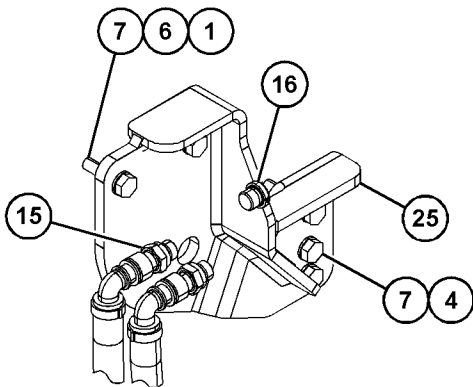
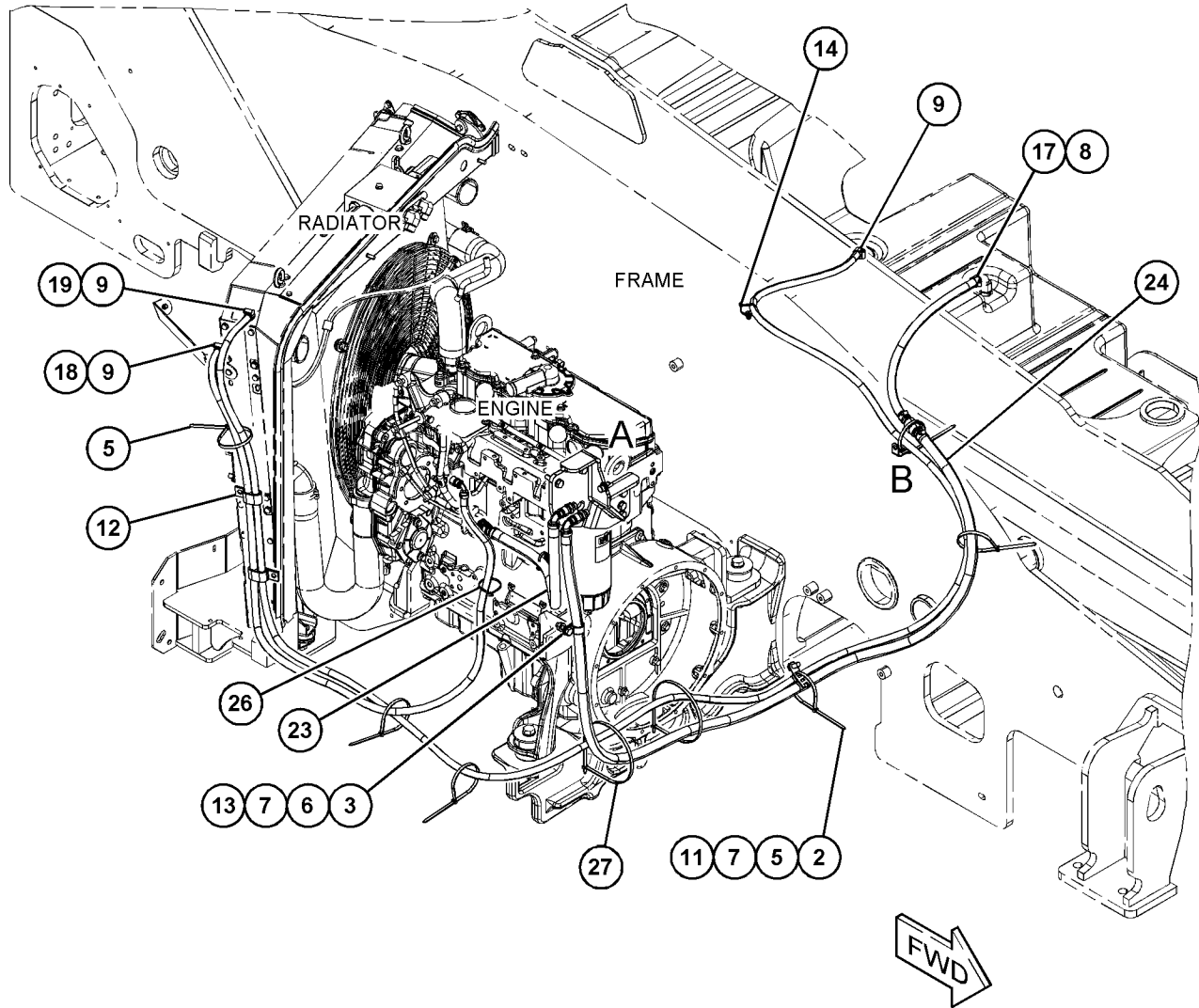
NOTE	REF NO	GRAPHIC REF	PART NUMBER	QTY	PART NAME						SEE PAGE
					1	2	3	4	5	6 (PRODUCT LEVEL)	
M	1	1	8T-4186	2	BOLT (M10X1.5X40-MM)						
M	2	1	8T-4136	1	BOLT (M10X1.5X25-MM)						
M	3	1	8T-4196	1	BOLT (M10X1.5X35-MM)						
M	4	1	8T-4185	3	BOLT (M10X1.5X50-MM)						
	5	1	7K-1181	6	STRAP-CABLE						
M	6	1	8T-4133	3	NUT (M10X1.5-THD)						
	7	1	8T-4121	10	WASHER-HARD (11X21X2.5-MM THK)						
	8	1	334-1073	2	CLAMP						
	9	1	330-8103	3	CLAMP-HOSE						
	10	1	132-5789	1	CLIP (LADDER)						
	11	1	4P-7581	1	CLIP (LADDER)						
	12	1	100-4336	2	CLIP (LOOP)						
	13	1	327-5534	1	CLIP						
	14	1	455-3027	2	TIE-CABLE						
	15	1	473-8713	2	COUPLING						
	16	1	473-8714	1	PLUG						
E	17	1	133-7442		HOSE (50-CM)						
	18	1	560-5639	1	HOSE						
E	19	1	103-2529		HOSE (439-CM)						
	20	1	044-4101	1	COUPLING-PIPE						
	21	1	030-8491	1	CONNECTOR						
	22	1	9M-4814	1	CONNECTOR-HOSE						
	23	1	503-4913	1	HOSE AS						
	24	1	503-4914	1	HOSE AS						
	25	1	503-4915	1	PLATE AS						
	26	1	3S-2093	1	STRAP-CABLE						
	27	1	034-1432	2	STRAP-CABLE						
	28	1	303-8599	1	CLAMP						

E - ORDER BY THE CENTIMETER
M - METRIC PART

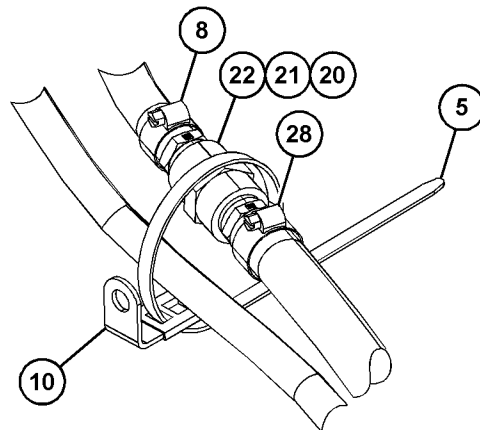
FUEL SYSTEM

503-4909 LINES GP-FUEL (contd.)

i07414792



VIEW OF AREA A



VIEW OF AREA B

GRAPHIC #1

<END>

g06471732

FUEL SYSTEM

503-4920 LINES GP-FUEL

S/N: TH91-UP

PART OF 520-9600 ENGINE AR-COMPLETE
AN ATTACHMENT

SMCS-1274

i06948956

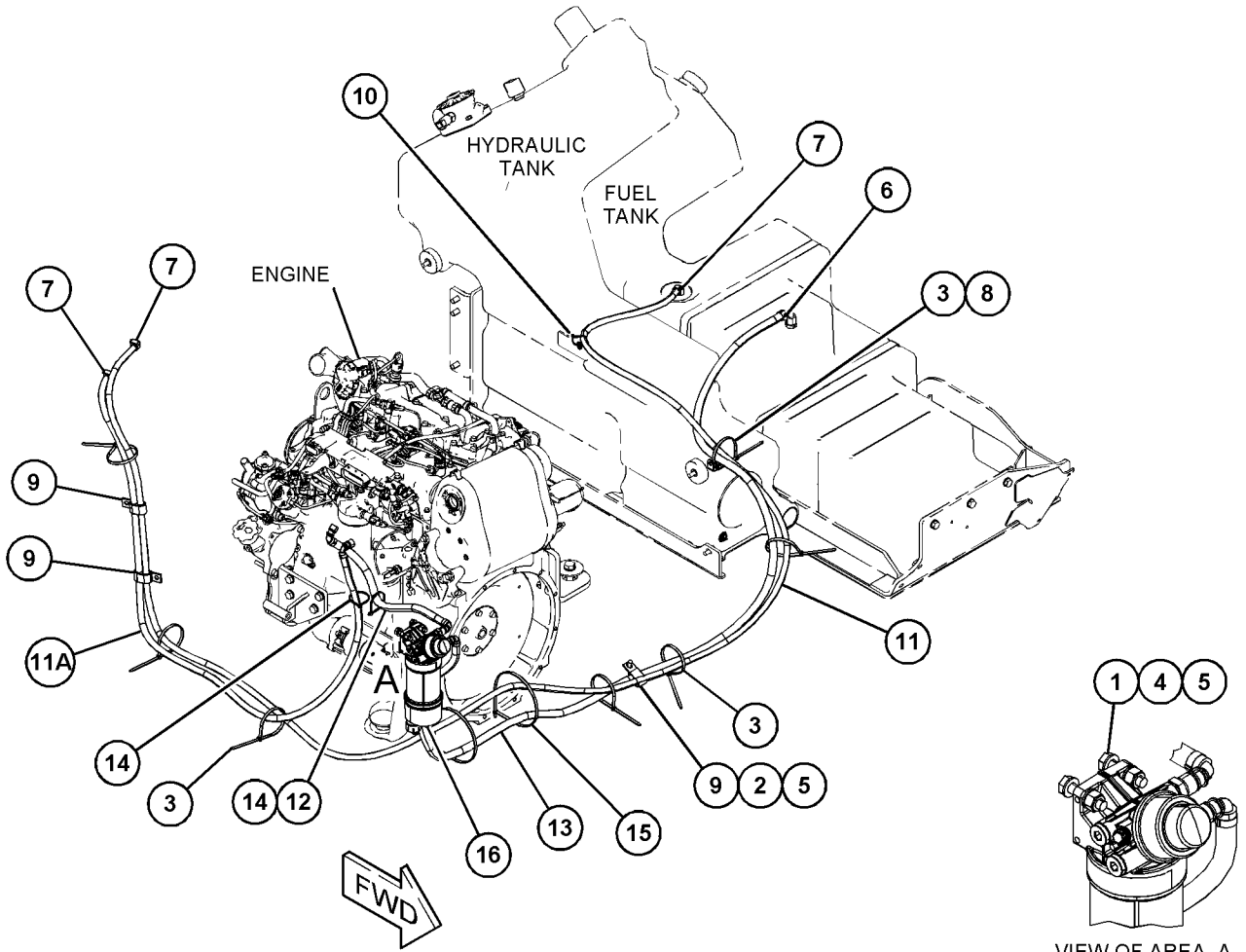
NOTE	REF NO	GRAPHIC REF	PART NUMBER	QTY	PART NAME						SEE PAGE
					1	2	3	4	5	6 (PRODUCT LEVEL)	
M	1	1	8T-4182	2	BOLT (M10X1.5X45-MM)						
M	2	1	8T-4136	1	BOLT (M10X1.5X25-MM)						
	3	1	7K-1181	7	STRAP-CABLE						
M	4	1	8T-0389	2	LOCKNUT (M10X1.5-THD)						
	5	1	8T-4121	5	WASHER-HARD (11X21X2.5-MM THK)						
	6	1	331-3890	1	CLAMP						
	7	1	330-8103	3	CLAMP-HOSE						
	8	1	132-5789	1	CLIP (LADDER)						
	9	1	100-4336	3	CLIP (LOOP)						
	10	1	455-3027	1	TIE-CABLE						
E	11	1	103-2529		HOSE (447-CM)						
E	11A	1	103-2529		HOSE (188-CM)						
	12	1	503-4917	1	HOSE AS						
	13	1	503-4919	1	HOSE AS						
	14	1	3S-2093	2	STRAP-CABLE						
	15	1	034-1432	2	STRAP-CABLE						
Y	16	1	393-5525	1	FILTER GP-PRIMARY FUEL						362

E - ORDER BY THE CENTIMETER
M - METRIC PART
Y - SEPARATE ILLUSTRATION

FUEL SYSTEM

503-4920 LINES GP-FUEL (contd.)

i06948956



GRAPHIC #1

<END>

VIEW OF AREA A

g06188522

FUEL SYSTEM

503-6870 LINES GP-FUEL

S/N: TH41-UP; TH91-UP; JKT1-UP

PART OF 520-9601, 523-1976, 550-0081, 550-0083 ENGINE AR-COMplete
AN ATTACHMENT

SMCS-1274

i07755201

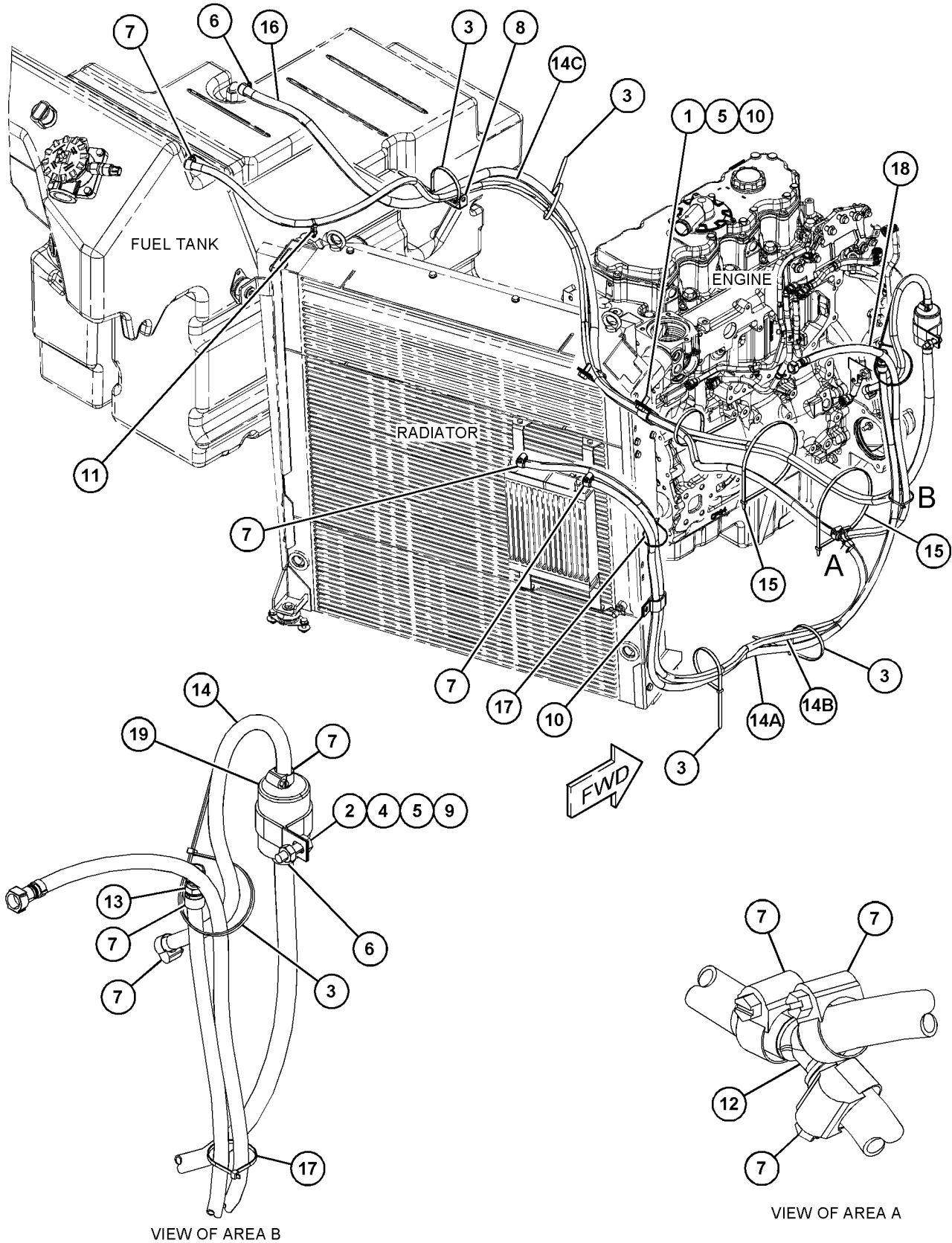
NOTE	REF NO	GRAPHIC REF	PART NUMBER	QTY	PART NAME						SEE PAGE
					1	2	3	4	5	6 (PRODUCT LEVEL)	
M	1	1	8T-4136	2	BOLT (M10X1.5X25-MM)						
M	2	1	8T-4196	1	BOLT (M10X1.5X35-MM)						
	3	1	7K-1181	6	STRAP-CABLE						
M	4	1	8T-4133	1	NUT (M10X1.5-THD)						
	5	1	8T-4121	3	WASHER-HARD (11X21X2.5-MM THK)						
	6	1	331-3890	2	CLAMP						
	7	1	330-8103	9	CLAMP-HOSE						
	8	1	132-5789	1	CLIP (LADDER)						
	9	1	5P-4325	1	CLIP (LOOP)						
	10	1	100-4336	3	CLIP (LOOP)						
	11	1	455-3027	1	TIE-CABLE						
	12	1	503-6871	1	ADAPTER						
	13	1	503-6872	1	ADAPTER AS						
E	14	1	103-2529		HOSE (54-CM)						
E	14A	1	103-2529		HOSE (194-CM)						
E	14B	1	103-2529		HOSE (173-CM)						
E	14C	1	103-2529		HOSE (252-CM)						
	15	1	034-1432	2	STRAP-CABLE						
E	16	1	133-7442		HOSE (266-CM)						
	17	1	3S-2093	2	STRAP-CABLE						
	18	1	558-7108	1	HOSE						
	19	1	525-6205	1	FILTER-FUEL (IN-LINE)						

E - ORDER BY THE CENTIMETER
M - METRIC PART

FUEL SYSTEM

503-6870 LINES GP-FUEL (contd.)

i07755201



VIEW OF AREA B

VIEW OF AREA A

GRAPHIC #1

<END>

g06335473

FUEL SYSTEM

372-8164 LINES GP-FUEL FILTER

S/N: CN51-UP

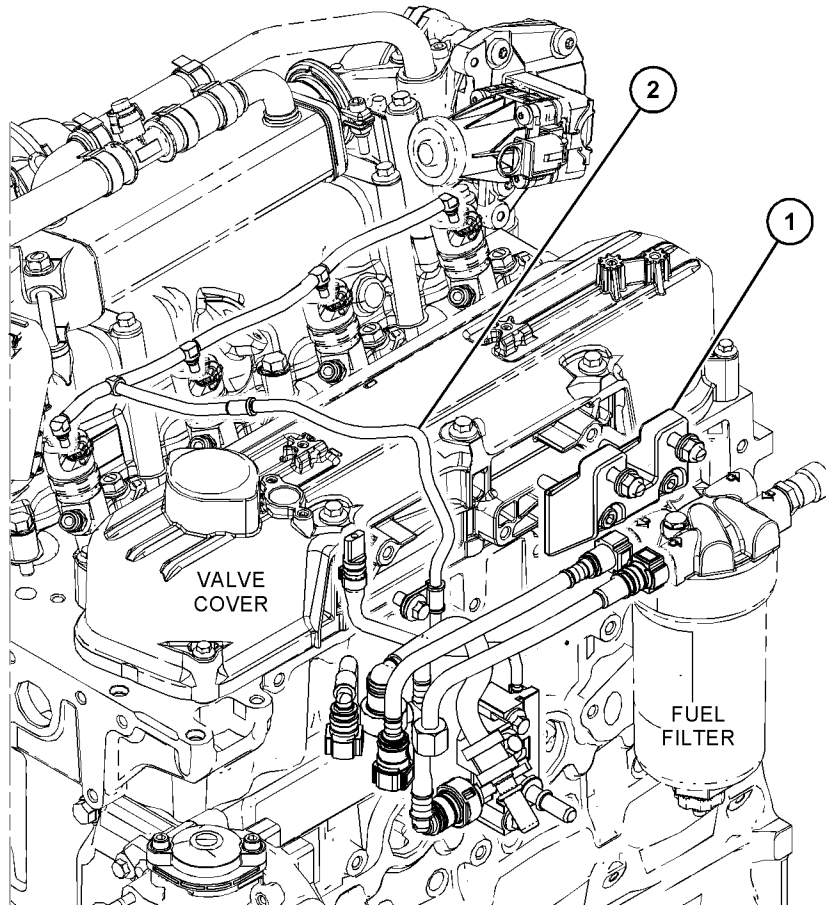
PART OF 465-2880 ENGINE AR-PRIMARY
AN ATTACHMENT

SMCS-1261, 1274

i06252207

NOTE	REF NO	GRAPHIC REF	PART NUMBER	QTY	PART NAME						SEE PAGE
					1	2	3	4	5	6 (PRODUCT LEVEL)	
Y	1	1	375-1397	1	BRACKET GP-MOUNTING						350
Y	2	1	377-9003	1	LINES GP-FUEL						371

Y - SEPARATE ILLUSTRATION



GRAPHIC #1

<END>

g03817300

FUEL SYSTEM

398-8198 LINES GP-FUEL FILTER

S/N: JKT1-UP

PART OF 464-2307, 464-2308 ENGINE AR-PRIMARY
ALSO AN ATTACHMENT

SMCS-1261, 1274

i07905581

NOTE	REF NO	GRAPHIC REF	PART NUMBER	QTY	PART NAME						SEE PAGE
					1	2	3	4	5	6 (PRODUCT LEVEL)	
M	1	1	6I-0631	3	BOLT (M6X1X12-MM)						
M	2	1	6I-0654	5	BOLT (M10X1.5X25-MM)						
M	3	1	6I-0846	1	BOLT (M6X1X14-MM)						
M	4	1	100-4458	1	BOLT (M8X1.25X14-MM)						
M	5	1	101-3895	3	BOLT (M8X1.25X35-MM)						
	6	1	101-3917	2	WASHER (10.5X21X2-MM THK)						
M	7	1	124-3815	1	BOLT (M8X1.25X16-MM)						
	8	1	347-3429	1	CLIP-PIPE						
	9	1	357-9545	2	CLIP-PIPE						
	10	1	455-9379	1	LINE AS-FUEL						
	11	1	360-5695	1	LINE AS-FUEL						
	11A	1	246-4361	2	WASHER (10.5X14X1.5-MM THK)						
	11B	1	341-3566	1	BOLT (M10X1-THD)						
		1	329-1194	1	CONNECTOR-FUEL						
	12	1	361-6344	1	SUPPORT GP-FILTER						
		1	347-3429	3	CLIP-PIPE						
		1	357-9545	5	CLIP-PIPE						
	13	1	361-7402	1	LINE AS-FUEL						
	14	1	371-5658	1	BRACKET GP						
	14A	1	347-3429	1	CLIP-PIPE						
	15	1	376-6895	1	LINES GP-FUEL						
	15A	1	228-7089	1	SEAL-O-RING						
	15B	1	277-4993	1	SEAL-O-RING						
	16	1	383-6121	1	LINE AS-FUEL						
		1	381-1558	2	CONNECTOR-FUEL						
	17	1	383-6123	1	LINE AS-FUEL						
		1	381-0011	1	CONNECTOR-FUEL						
		1	381-1558	1	CONNECTOR-FUEL						
	18	1	447-1936	1	BRACKET AS						
	19	1	434-7061	1	BRACKET AS-FUEL LINES						
M	20	1	6I-1090	2	BOLT (M8X1.25X40-MM)						
M	21	1	6I-0260	1	BOLT (M8X1.25X25-MM)						

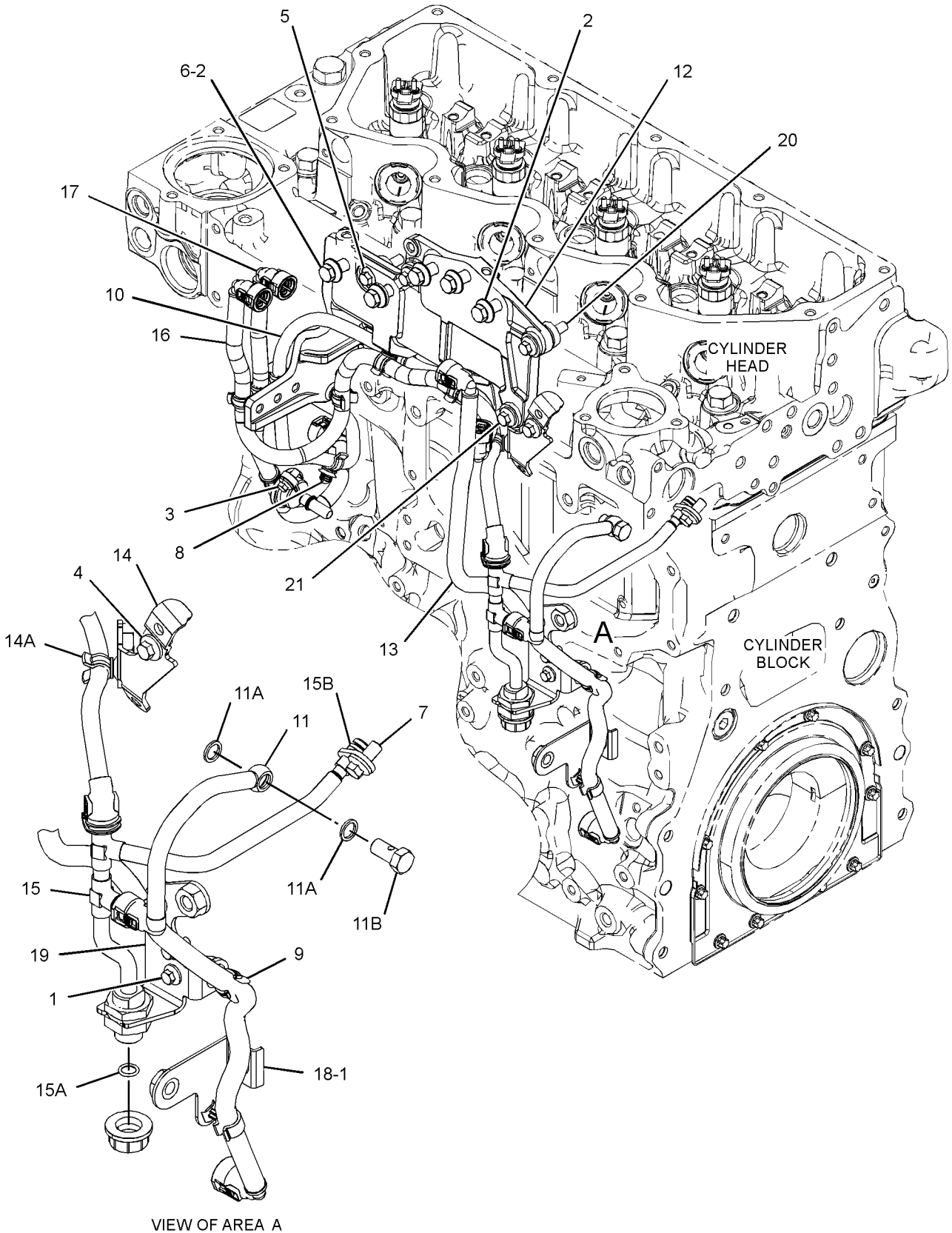
PARTS SHOWN IN GRAPHIC(S) WITHOUT A REFERENCE NUMBER ARE NOT SERVICED SEPARATELY

M - METRIC PART

FUEL SYSTEM

398-8198 LINES GP-FUEL FILTER (contd.)

i07905581



GRAPHIC #1

<END>

g03818196

FUEL SYSTEM

360-9061 LINES GP-FUEL INJECTION-INJECTORS 1 & 3

S/N: JKT1-UP

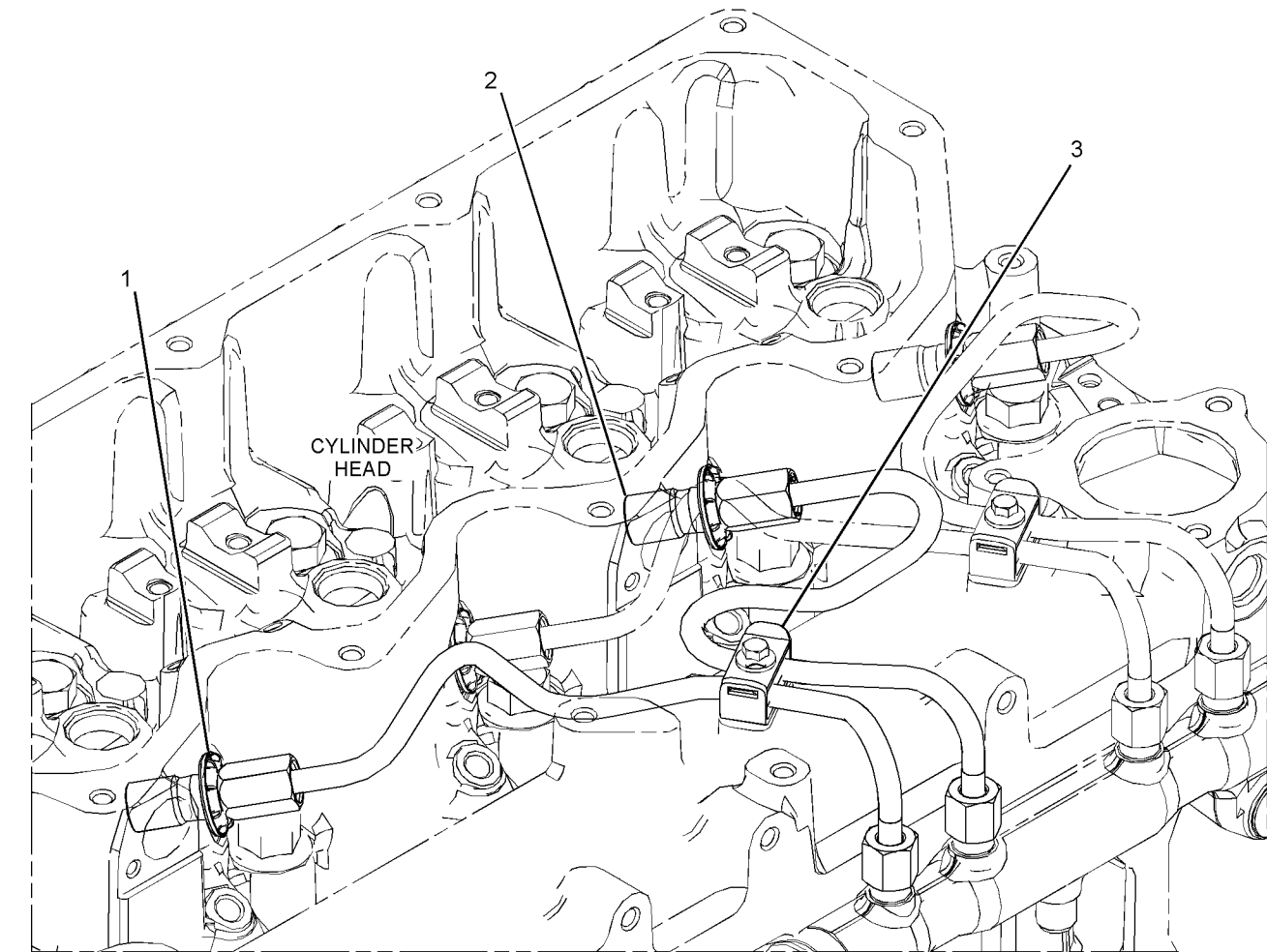
PART OF 361-2883 RAIL GP-FUEL

ALSO AN ATTACHMENT

SMCS-1252, 1254

i04590037

NOTE	REF NO	GRAPHIC REF	PART NUMBER	QTY	PART NAME						SEE PAGE
					1	2	3	4	5	6 (PRODUCT LEVEL)	
	1	1	360-9027	1	LINE AS-FUEL						
	2	1	360-9030	1	LINE AS-FUEL						
	3	1	360-9034	1	CLIP-PIPE						



GRAPHIC #1

<END>

g02717978

FUEL SYSTEM

360-9062 LINES GP-FUEL INJECTION-INJECTORS 2 & 4

S/N: JKT1-UP

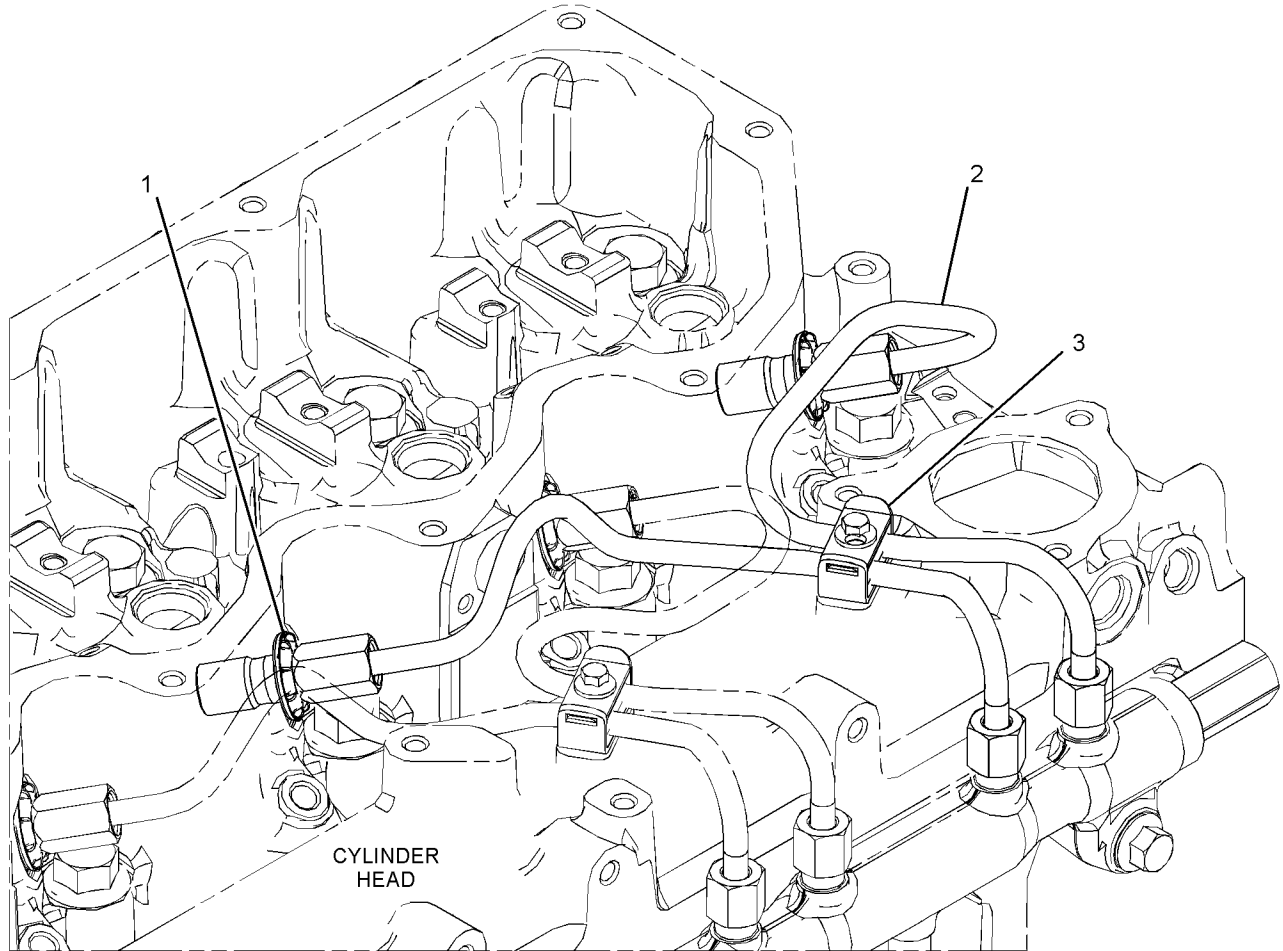
PART OF 361-2883 RAIL GP-FUEL

ALSO AN ATTACHMENT

SMCS-1252, 1254

i07570586

NOTE	REF NO	GRAPHIC REF	PART NUMBER	QTY	PART NAME						SEE PAGE
					1	2	3	4	5	6 (PRODUCT LEVEL)	
	1	1	360-9028	1	LINE AS-FUEL						
	2	1	360-9031	1	LINE AS-FUEL						
	3	1	360-9034	1	CLIP-PIPE						



GRAPHIC #1

<END>

g02717956

FUEL SYSTEM

375-2647 PUMP GP-FUEL INJECTION*R

S/N: W231-UP

PART OF 415-5523 PUMP GP-FUEL INJECTION

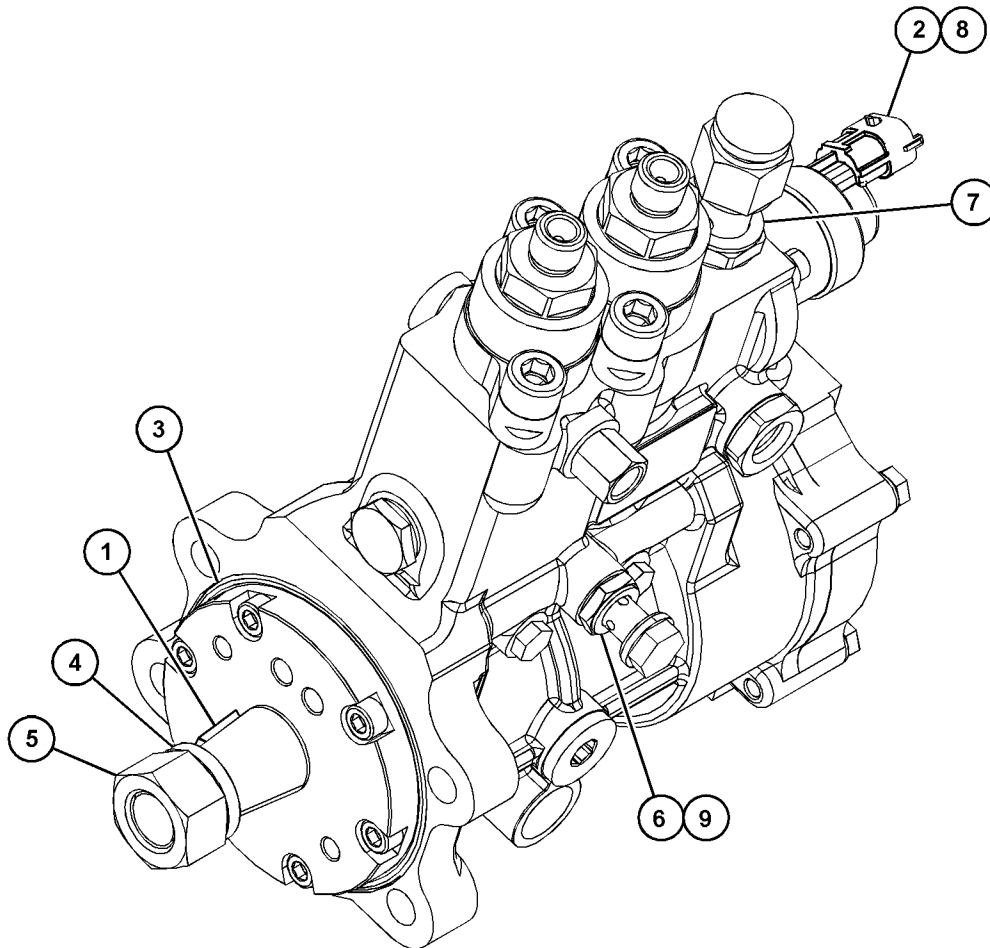
TYPE 1

SMCS-1251, 1290

i07351524

NOTE	REF NO	GRAPHIC REF	PART NUMBER	QTY	PART NAME						SEE PAGE
					1	2	3	4	5	6 (PRODUCT LEVEL)	
	1	1	386-3819	1	KEY-SHAFT						
	2	1	375-8254	1	VALVE						
	3	1	376-6409	1	SEAL						
	4	1	376-6410	1	RETAINER-WASHER						
	5	1	376-6411	1	NUT-SHAFT						
	6	1	386-2971	2	WASHER						
	7	1	386-2976	2	WASHER						
M	8	1	453-0790	3	BOLT (M5X0.8X12-MM)						
M	9	1	454-5109	1	BOLT-BANJO (M10X1X26-MM)						

M - METRIC PART



GRAPHIC #1

<END>

g06182840

FUEL SYSTEM

375-2647 PUMP GP-FUEL INJECTION*R

S/N: W231-UP

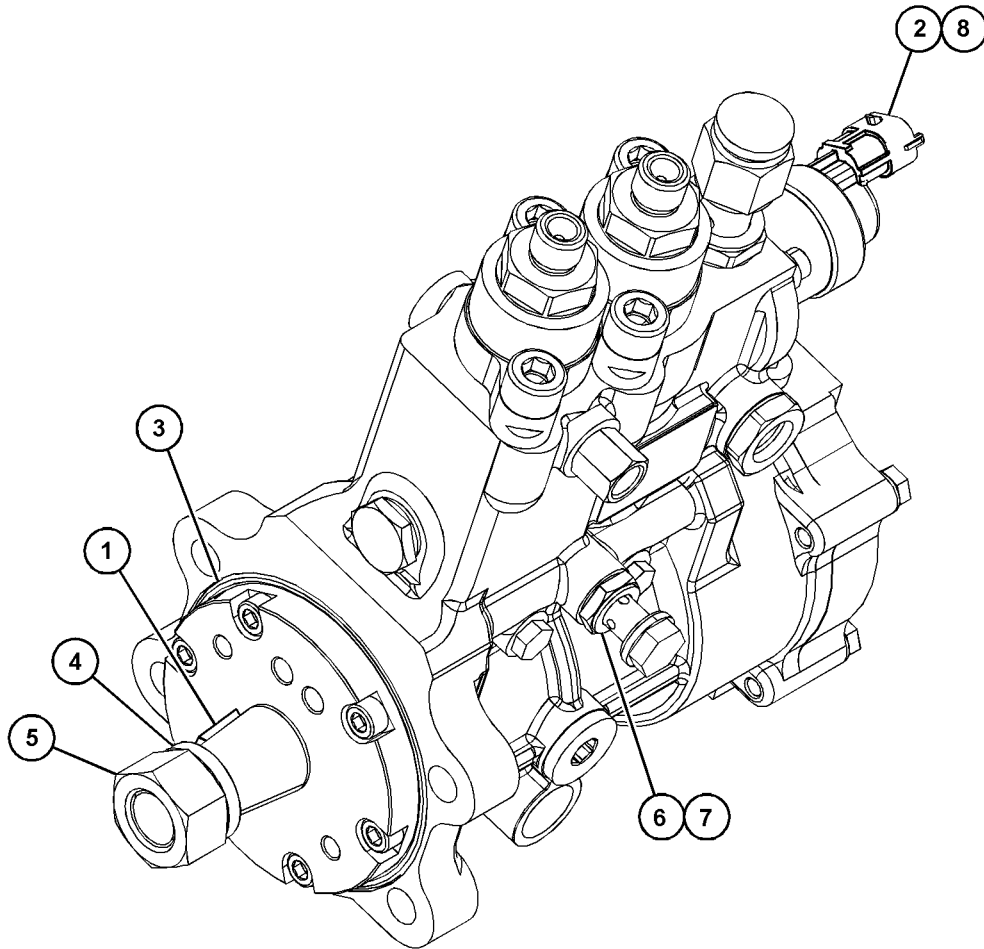
PART OF 415-5523 PUMP GP-FUEL INJECTION
TYPE 2

SMCS-1251, 1290

i08158700

NOTE	REF NO	GRAPHIC REF	PART NUMBER	QTY	PART NAME						SEE PAGE
					1	2	3	4	5	6	
	1	1	386-3819	1	KEY-SHAFT						
	2	1	375-8254	1	VALVE						
	3	1	376-6409	1	SEAL						
	4	1	376-6410	1	RETAINER-WASHER						
	5	1	376-6411	1	NUT-SHAFT						
	6	1	386-2971	2	WASHER						
M	7	1	454-5109	1	BOLT-BANJO (M10X1X26-MM)						
M	8	1	453-0790	3	BOLT (M5X0.8X12-MM)						

M - METRIC PART



GRAPHIC #1

<END>

g06572533

FUEL SYSTEM

415-5523 PUMP GP-FUEL INJECTION

S/N: W231-UP

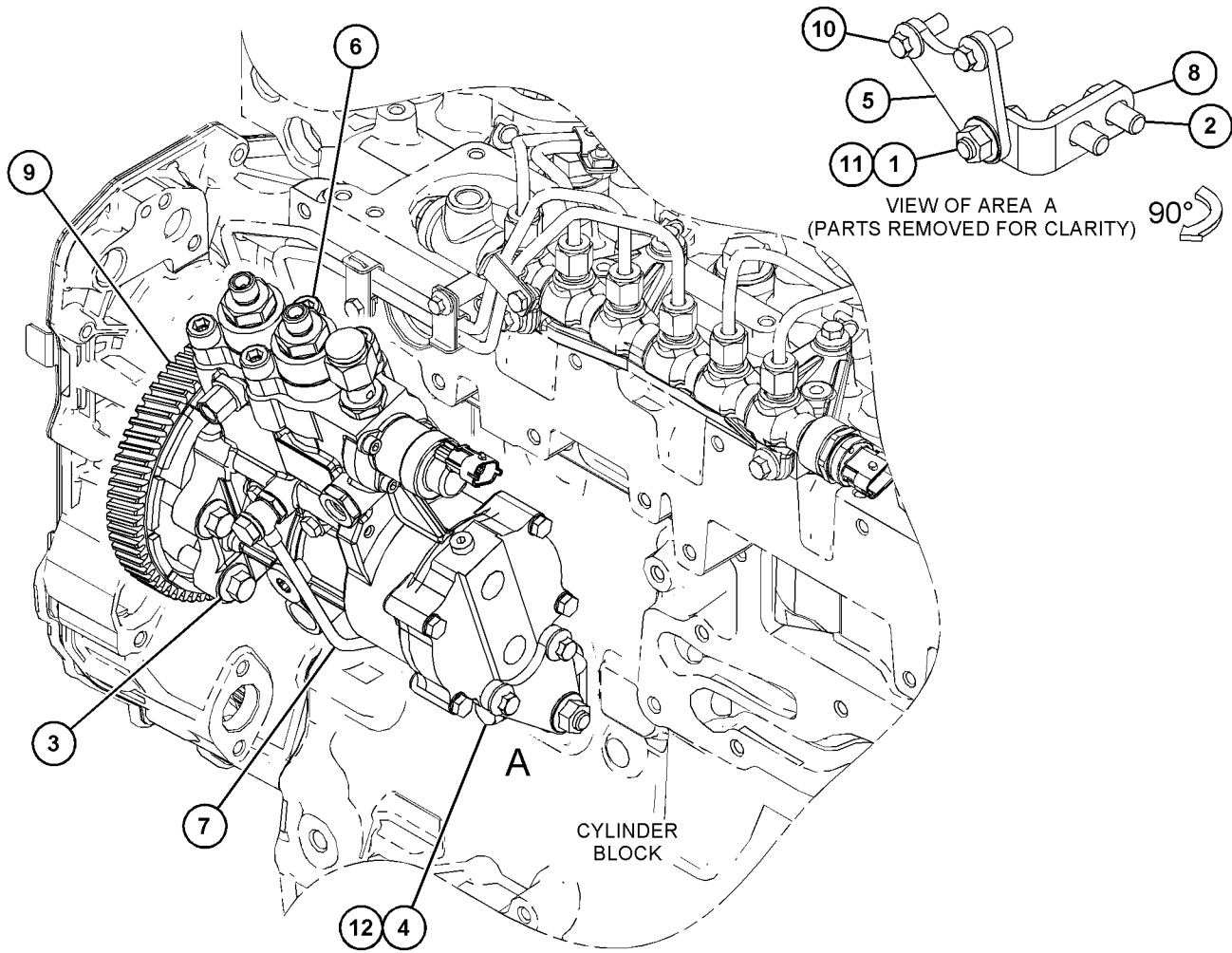
PART OF 463-8848, 463-8910 ENGINE AR-PRIMARY

SMCS-1251, 1290

i06952351

NOTE	REF NO	GRAPHIC REF	PART NUMBER	QTY	PART NAME						SEE PAGE
					1	2	3	4	5	6 (PRODUCT LEVEL)	
M	1	1	6I-0654	1	BOLT (M10X1.5X25-MM)						
M	2	1	100-4830	2	BOLT (M10X1.5X20-MM)						
M	3	1	286-0123	4	BOLT (M10X1.5X35-MM THK)						
	4	1	346-0006	1	BOLT-SPECIAL						
	5	1	371-2691	1	BRACKET						
YR	6	1	375-2647	1	PUMP GP-FUEL INJECTION						386
	7	1	445-9016	1	LINE AS-OIL						
	8	1	449-3333	1	BRACKET						
	9	1	500-3055	1	GEAR-FUEL PUMP (68-TEETH)						
M	10	1	6I-0217	2	BOLT (M8X1.25X20-MM)						
M	11	1	175-7141	1	NUT-HEX FLANGE (M10X1.5-THD)						
	12	1	346-0007	2	WASHER						

M - METRIC PART
R - REMANUFACTURED PART MAY BE AVAILABLE
Y - SEPARATE ILLUSTRATION



GRAPHIC #1

<END>

g03808909

FUEL SYSTEM

419-0677 PUMP GP-FUEL INJECTION

S/N: JKT1-UP

12-VOLT

PART OF 464-2307, 464-2308 ENGINE AR-PRIMARY

ALSO AN ATTACHMENT

SMCS-1251, 1290

i05983250

NOTE	REF NO	GRAPHIC REF	PART NUMBER	QTY	PART NAME						SEE PAGE
					1	2	3	4	5	6 (PRODUCT LEVEL)	
	1	1	5W-1437	2	LOCKWASHER						
	2	1	100-3752	2	STUD (M8X1.25X30-MM)						
M	3	1	111-3422	1	NUT (M14X1.5-THD)						
	4	1	185-7149	4	BOLT (M8X1.25X35-MM)						
	5	1	277-4223	1	PLUG						
	6	1	328-7837	1	GEAR (36-TEETH)						
	7	1	330-3036	1	GASKET						
M	8	1	331-6841	2	BOLT (M8X1.25X30-MM)						
	9	1	347-2165	1	PLATE-ADAPTER						
R	10	1	370-8363	1	PUMP AS						
	10A	1	337-3905	1	SENSOR-TEMPERATURE (FUEL TEMPERATURE)						
	10B	1	358-2583	1	VALVE (12-VOLT)						
	11	1	420-1641	1	LINE AS-FUEL						
M	12	1	178-3336	2	NUT-HEX FLANGE (M8X1.25-THD)						
M	13	1	6I-0645	2	BOLT (M8X1.25X25-MM)						
M	14	1	6I-4072	2	BOLT (M8X1.25X14-MM)						
	15	1	111-3423	1	WASHER						
	16	1	6V-8676	1	SEAL-O-RING						

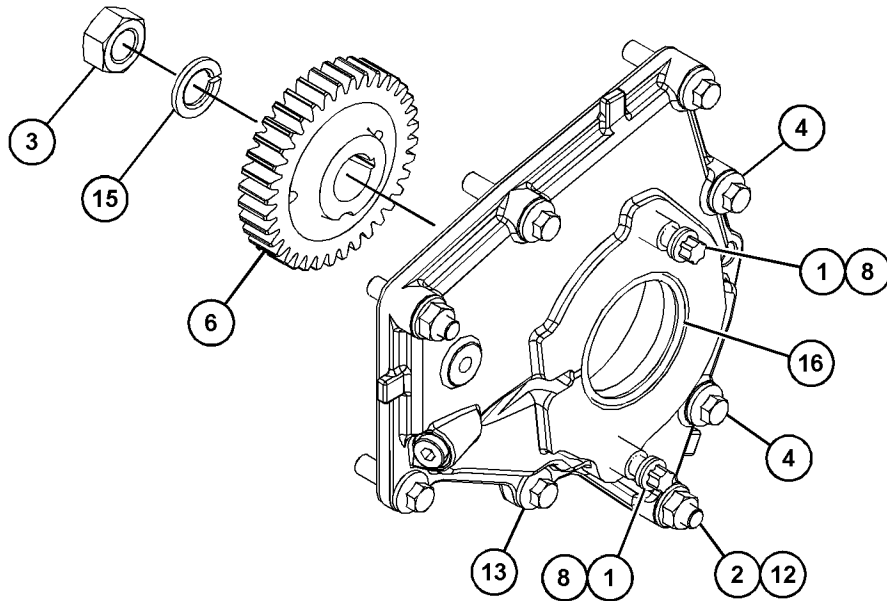
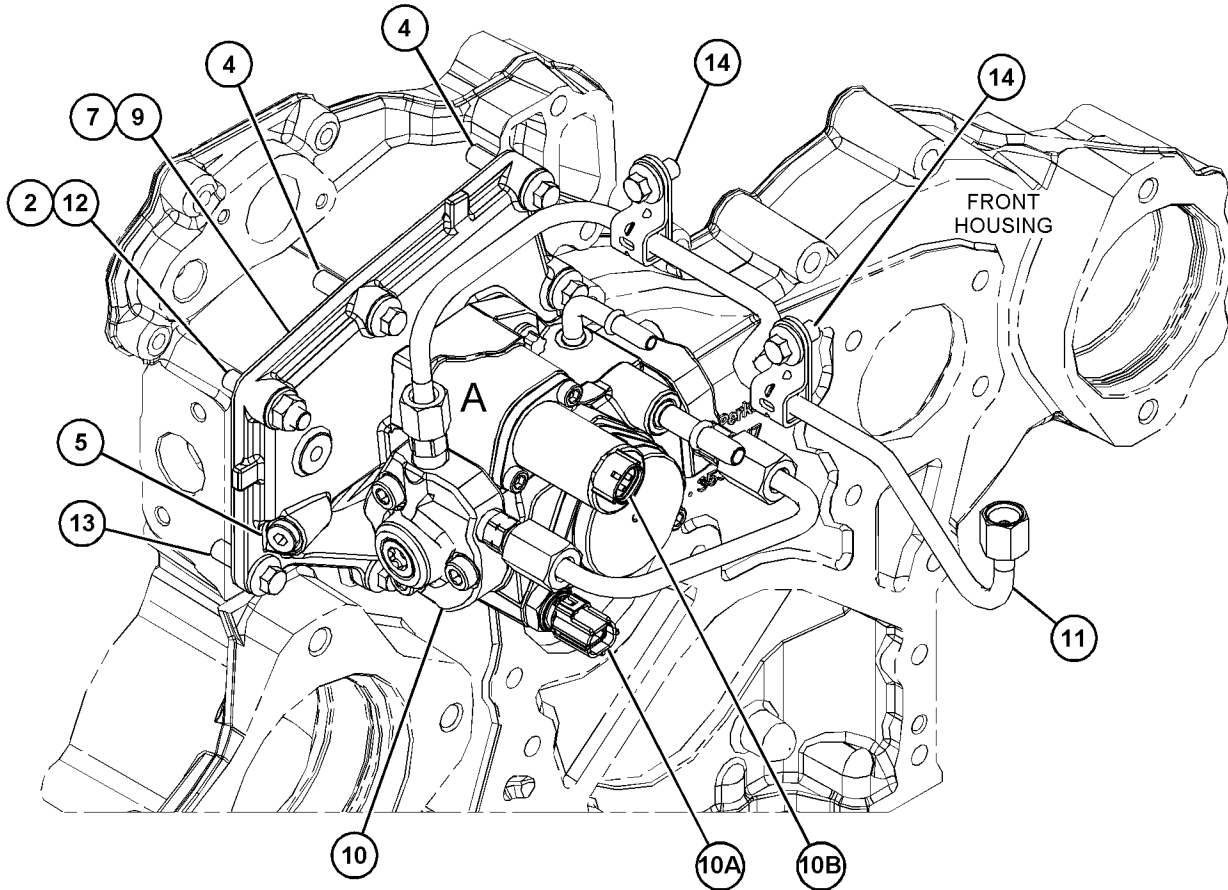
M - METRIC PART

R - REMANUFACTURED PART MAY BE AVAILABLE

FUEL SYSTEM

419-0677 PUMP GP-FUEL INJECTION (contd.)

i05983250



VIEW OF AREA A
(PARTS REMOVED FOR CLARITY)

GRAPHIC #1

<END>

g03653828

FUEL SYSTEM

441-9680 PUMP GP-FUEL INJECTION

S/N: CN51-UP

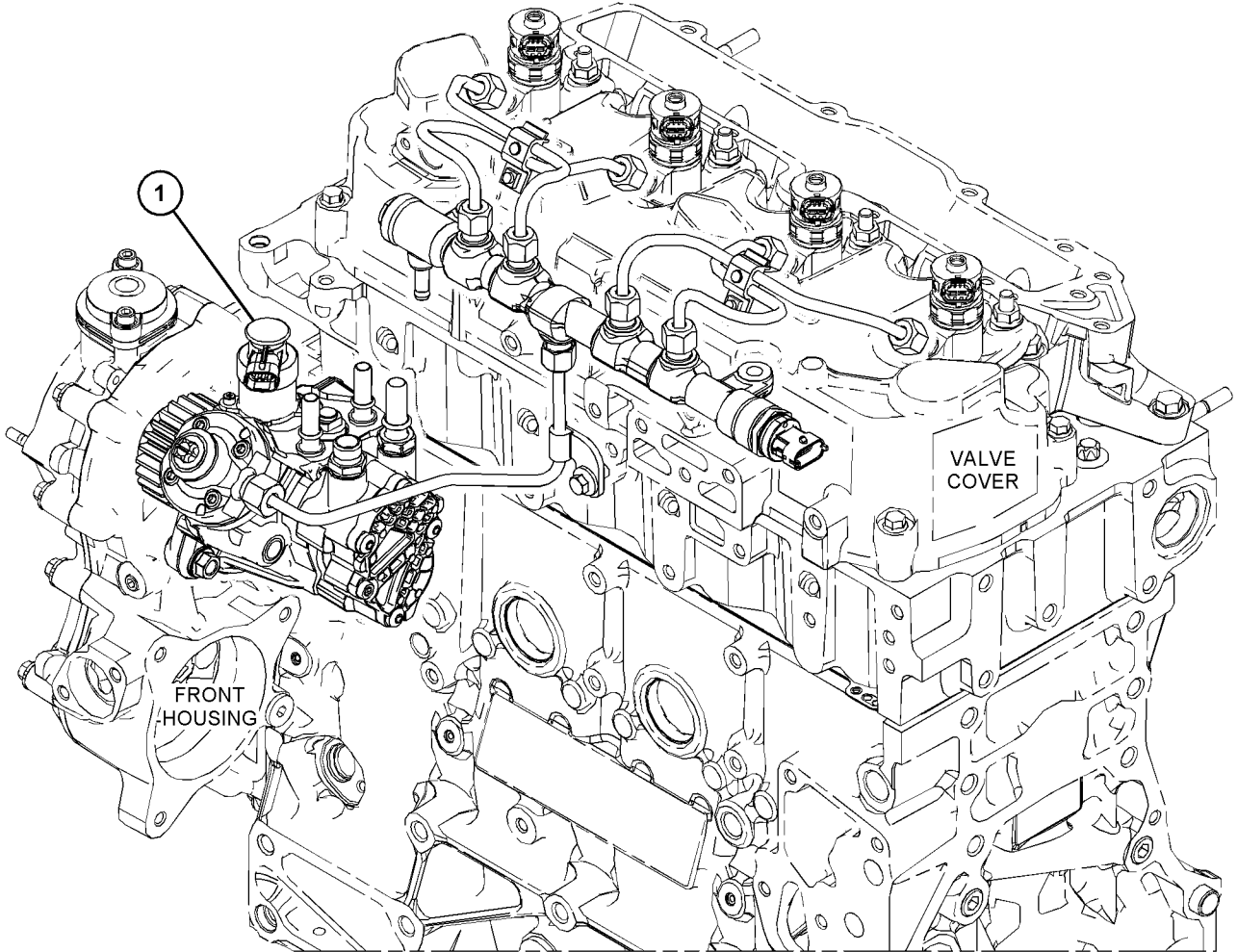
PART OF 465-2880 ENGINE AR-PRIMARY
AN ATTACHMENT

SMCS-1251, 1290

i06252219

NOTE	REF NO	GRAPHIC REF	PART NUMBER	QTY	PART NAME						SEE PAGE
					1	2	3	4	5	6 (PRODUCT LEVEL)	
Y	1	1	464-1169	1	PUMP GP-FUEL INJECTION						392

Y - SEPARATE ILLUSTRATION



GRAPHIC #1

<END>

g03825330

FUEL SYSTEM

464-1169 PUMP GP-FUEL INJECTION

S/N: CN51-UP

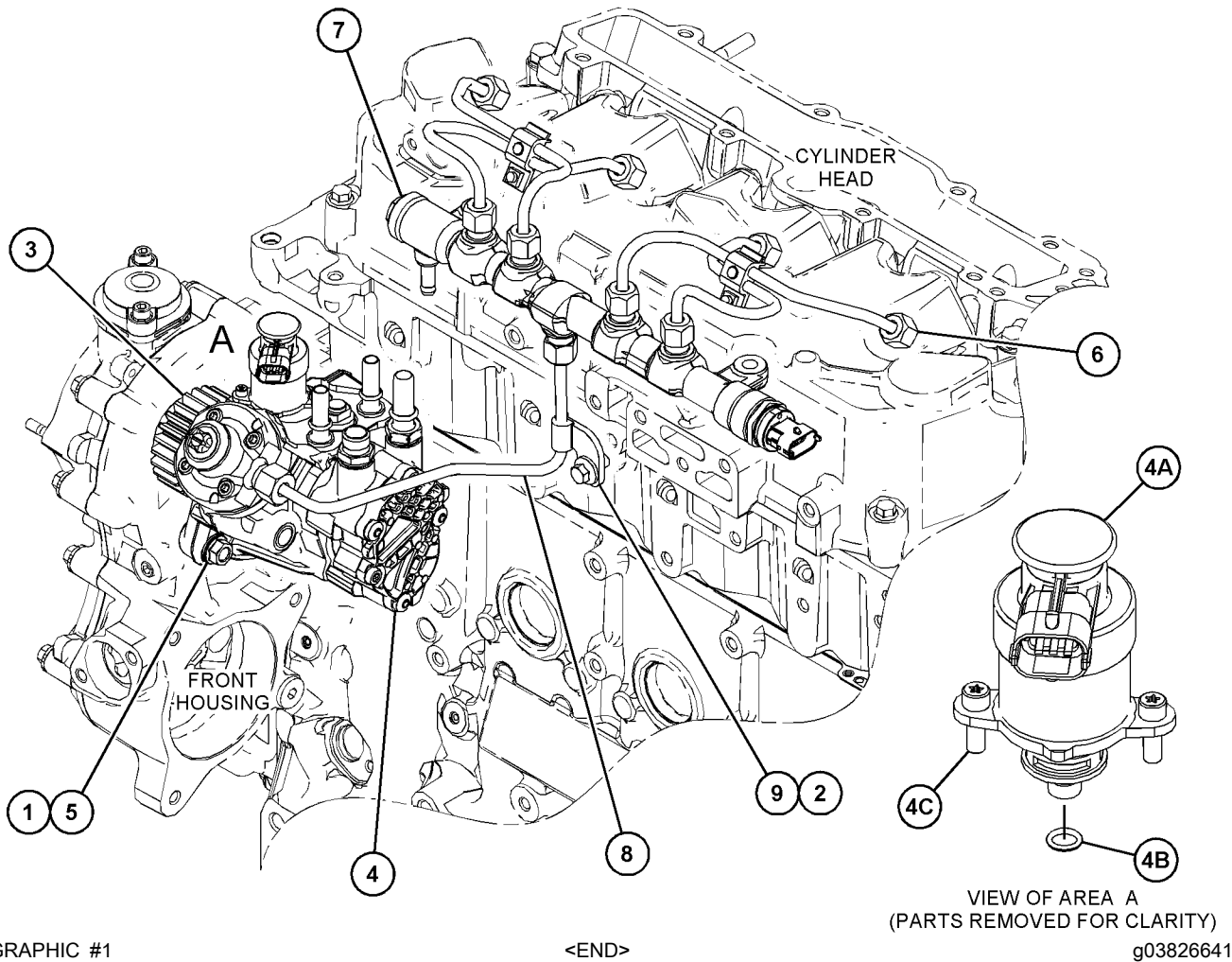
PART OF 441-9680 PUMP GP-FUEL INJECTION
AN ATTACHMENT

SMCS-1251, 1290

i06252232

NOTE	REF NO	GRAPHIC REF	PART NUMBER	QTY	PART NAME						SEE PAGE
					1	2	3	4	5	6 (PRODUCT LEVEL)	
	1	1	7W-2632	3	WASHER (8.5X16.8X1.6-MM THK)						
M	2	1	100-4458	1	BOLT (M8X1.25X14-MM)						
	3	1	386-2096	1	GEAR						
	4	1	390-3122	1	PUMP AS-FUEL INJECTION						
	4A	1	452-8698	1	CONTROL						
	4B	1	452-8769	1	SEAL						
	4C	1	452-9198	2	SCREW						
	5	1	394-8799	3	NUT-SPECIAL						
	6	1	464-9702	1	LINES GP-FUEL INJECTION						
	7	1	464-9707	1	RAIL AS						
	8	1	464-9735	1	LINE AS						
	9	1	464-9741	1	BRACKET AS						

M - METRIC PART



FUEL SYSTEM

446-5393 PUMP GP-FUEL TRANSFER

S/N: JKT1-UP

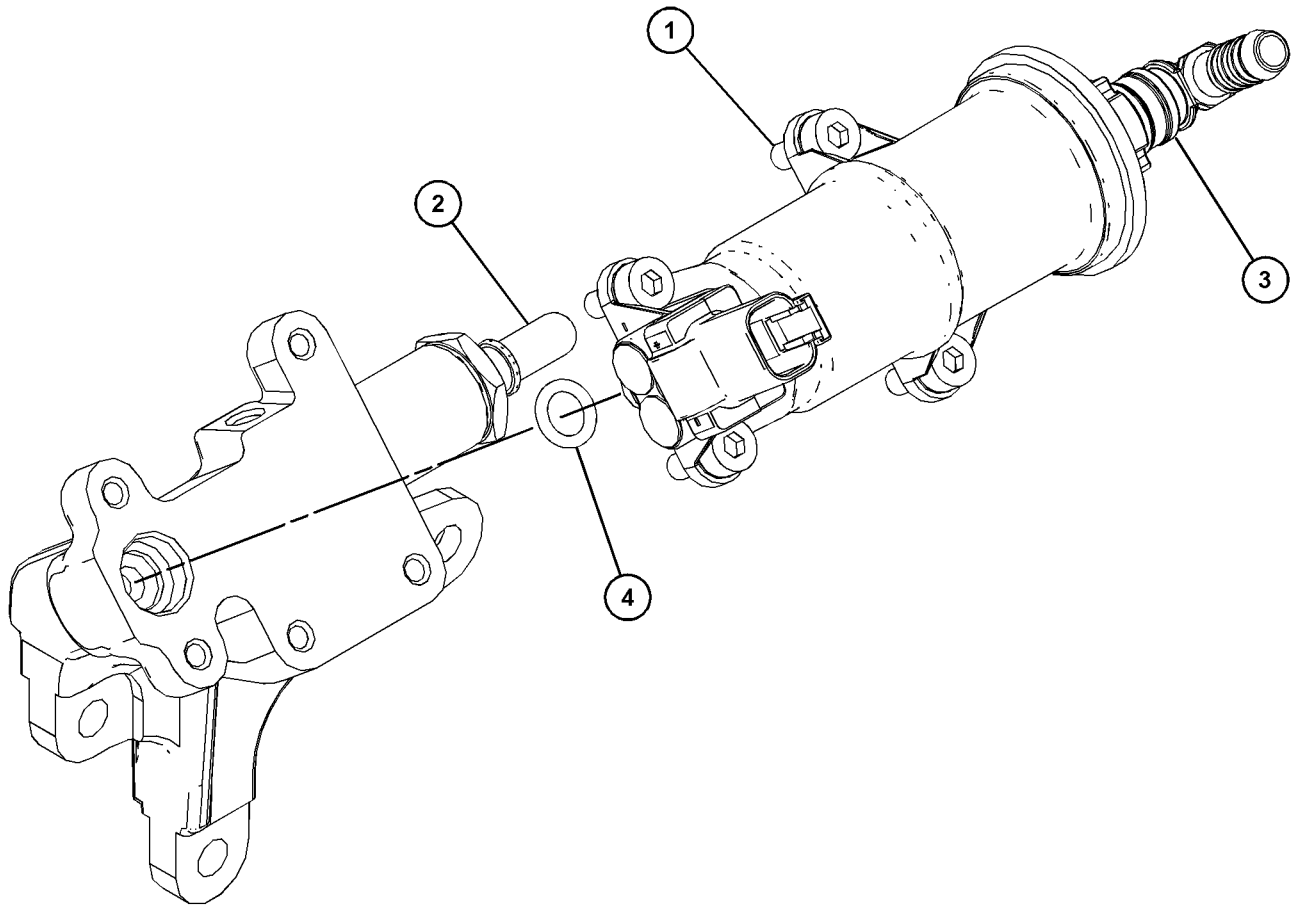
PART OF 361-1562 FILTER GP-PRIMARY FUEL
ALSO AN ATTACHMENT

SMCS-1256

i07445055

NOTE	REF NO	GRAPHIC REF	PART NUMBER	QTY	PART NAME						SEE PAGE
					1	2	3	4	5	6 (PRODUCT LEVEL)	
M	1	1	262-1618	4	BOLT-SOCKET HEAD (M6X1X16-MM)						
Y	2	1	361-7347	1	CONNECTION GP-FUEL						351
	3	1	355-0632	1	CONNECTOR-SPECIAL						
C	4	1	526-4589	1	SEAL						

C - CHANGE FROM PREVIOUS TYPE
M - METRIC PART
Y - SEPARATE ILLUSTRATION



GRAPHIC #1

<END>

g06069258

FUEL SYSTEM

361-2883 RAIL GP-FUEL

S/N: JKT1-UP

PART OF 464-2307, 464-2308 ENGINE AR-PRIMARY

ALSO AN ATTACHMENT

TYPE 1

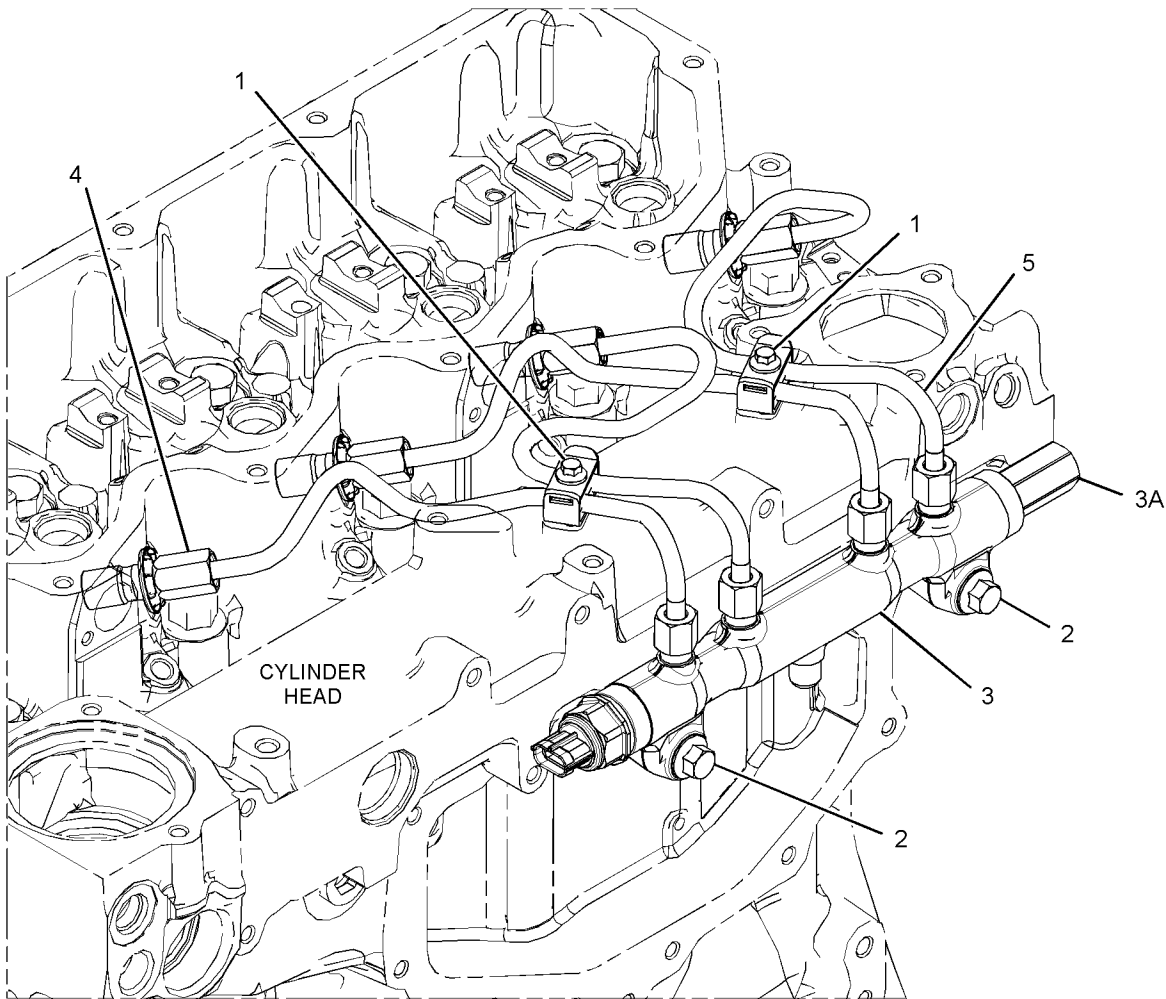
SMCS-127A, 1288

i04588850

NOTE	REF NO	GRAPHIC REF	PART NUMBER	QTY	PART NAME						SEE PAGE
					1	2	3	4	5	6 (PRODUCT LEVEL)	
M	1	1	6I-0917	2	BOLT (M6X1X25-MM)						
M	2	1	101-7178	2	BOLT (M10X1.5X55-MM)						
	3	1	345-4153	1	RAIL GP-FUEL						
	3A	1	334-7232	1	VALVE						
Y	4	1	360-9061	1	LINES GP-FUEL INJECTION (INJECTORS 1 & 3)						384
Y	5	1	360-9062	1	LINES GP-FUEL INJECTION (INJECTORS 2 & 4)						385

M - METRIC PART

Y - SEPARATE ILLUSTRATION



GRAPHIC #1

<END>

g02717938

FUEL SYSTEM

361-2883 RAIL GP-FUEL

S/N: JKT1-UP

PART OF 464-2307, 464-2308 ENGINE AR-PRIMARY

ALSO AN ATTACHMENT

TYPE 2

SMCS-127A, 1288

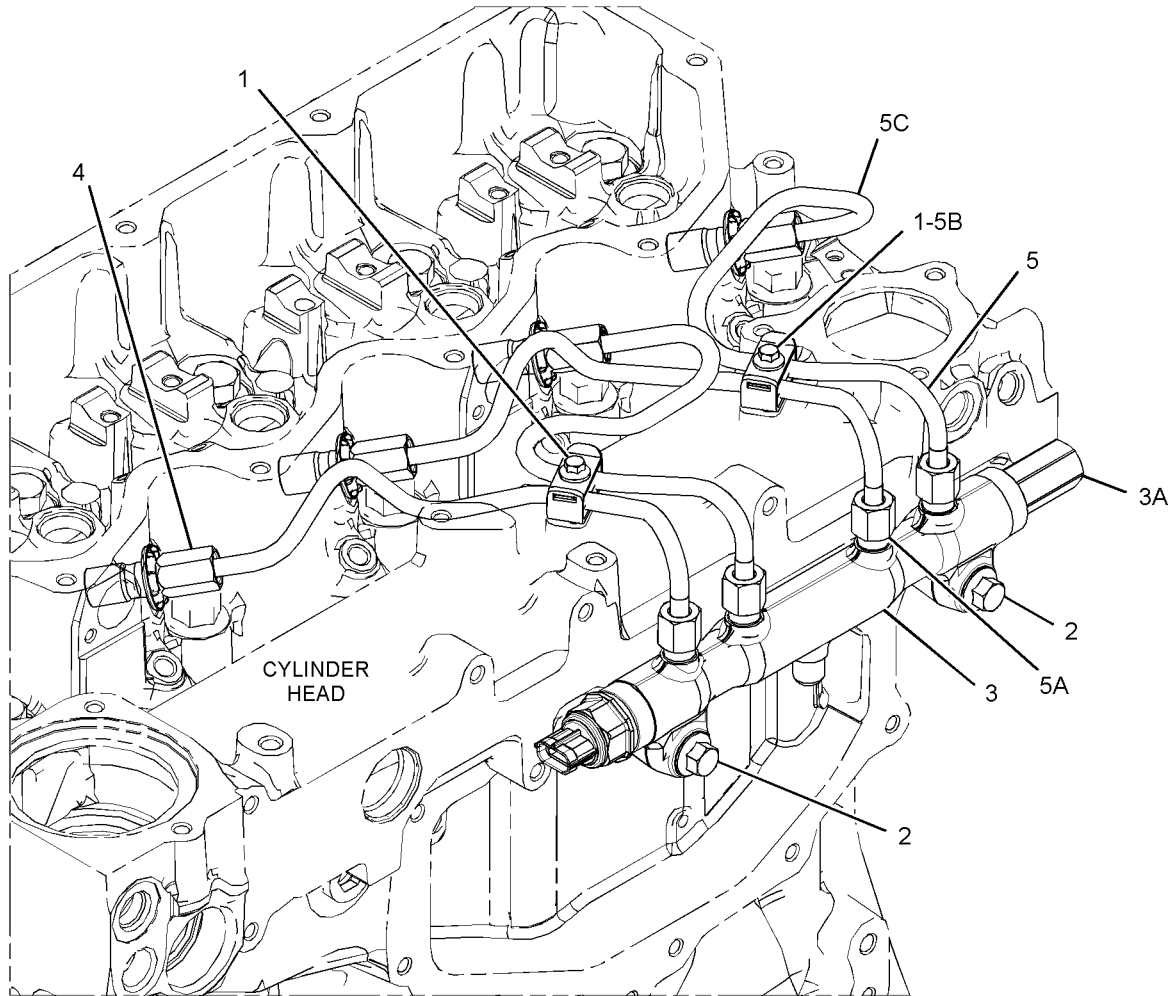
i07736975

NOTE	REF NO	GRAPHIC REF	PART NUMBER	QTY	PART NAME						SEE PAGE
					1	2	3	4	5	6 (PRODUCT LEVEL)	
M	1	1	6I-0917	2	BOLT (M6X1X25-MM)						
M	2	1	101-7178	2	BOLT (M10X1.5X55-MM)						
	3	1	345-4153	1	RAIL GP-FUEL						
	3A	1	334-7232	1	VALVE						
Y	4	1	360-9061	1	LINES GP-FUEL INJECTION (INJECTORS 1 & 3)						384
C	5	1	519-3671	1	LINES GP-FUEL (INJECTORS 2 & 4)						
	5A	1	360-9028	1	LINE AS-FUEL						
	5B	1	360-9034	1	CLIP-PIPE						
	5C	1	519-3663	1	LINE AS-FUEL						

C - CHANGE FROM PREVIOUS TYPE

M - METRIC PART

Y - SEPARATE ILLUSTRATION



GRAPHIC #1

<END>

g06427544

FUEL SYSTEM

415-5527 RAIL GP-FUEL

S/N: W231-UP

PART OF 463-8848, 463-8910 ENGINE AR-PRIMARY

SMCS-127A, 1288

i06138506

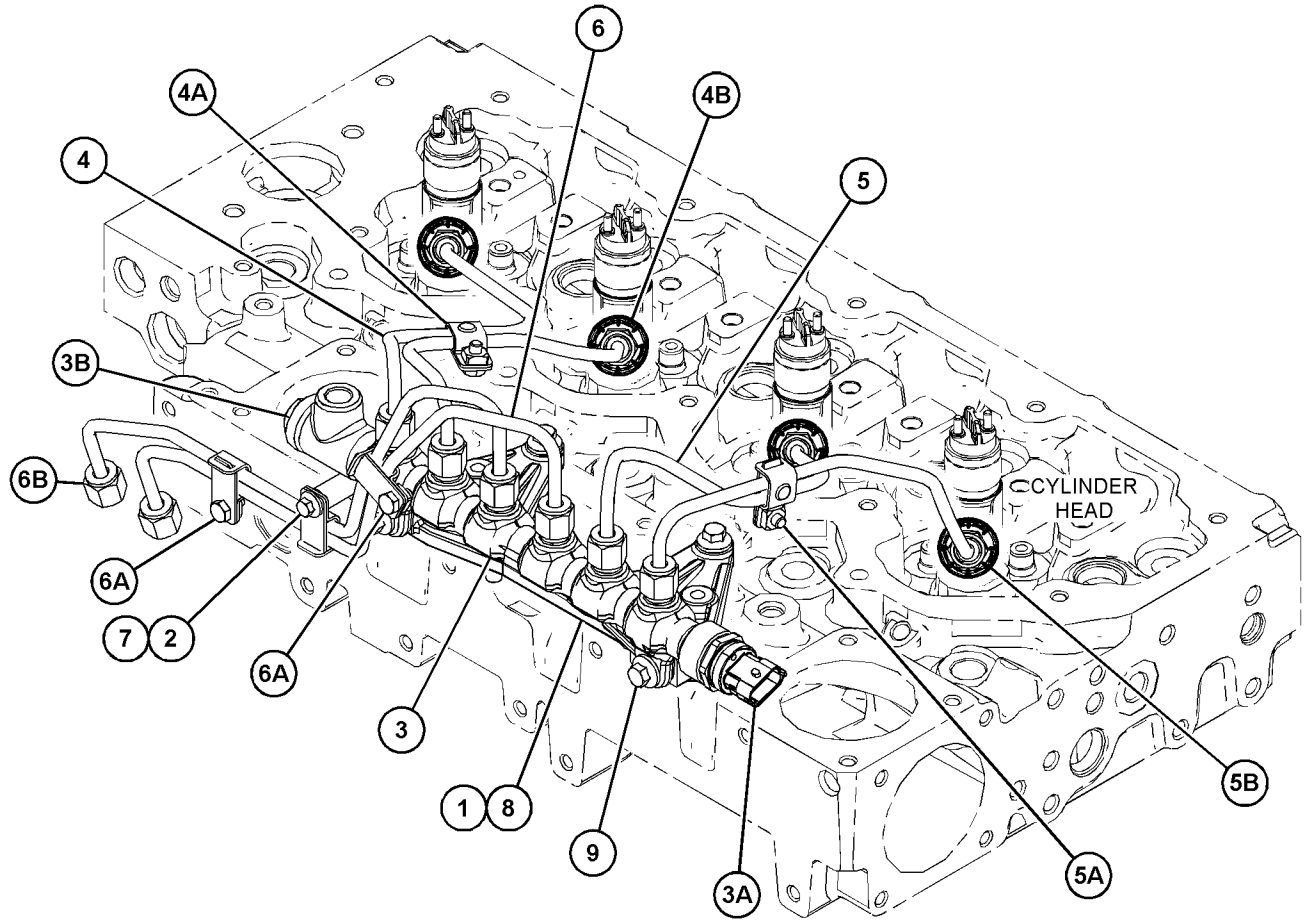
NOTE	REF NO	GRAPHIC REF	PART NUMBER	QTY	PART NAME						SEE PAGE
					1	2	3	4	5	6 (PRODUCT LEVEL)	
M	1	1	101-3895	2	BOLT (M8X1.25X35-MM)						
M	2	1	178-2510	1	BOLT (M6X1X45-MM)						
	3	1	396-2052	1	RAIL AS-FUEL						
	3A	1	375-6988	1	SENSOR (FUEL RAIL PRESSURE)						
	3B	1	398-6226	1	VALVE (FUEL RAIL PRESSURE)						
	4	1	<i>396-2602</i>	1	LINE AS-FUEL						
	4A	1	397-6836	1	CLAMP AS						
		1	396-2606	1	LINE-FUEL						
	4B	1	396-2607	1	LINE-FUEL						
	5	1	<i>396-2603</i>	1	LINE AS-FUEL						
	5A	1	397-6836	1	CLAMP AS						
		1	396-2608	1	LINE-FUEL						
	5B	1	396-2609	1	LINE-FUEL						
	6	1	<i>396-2604</i>	1	LINE AS-FUEL						
	6A	1	397-6836	2	CLAMP AS						
	6B	1	396-2610	1	LINE-FUEL						
		1	396-2611	1	LINE-FUEL						
	7	1	398-7219	1	PILLAR						
	8	1	399-8470	1	BRACKET						
M	9	1	6I-0260	4	BOLT (M8X1.25X25-MM)						
					AVAILABLE REPAIR KIT(S):						
			463-8336	1	KIT-CLIP						
					(INCLUDES PLATE, BRACKET & INSERT)						

M - METRIC PART

FUEL SYSTEM

415-5527 RAIL GP-FUEL (contd.)

106138506



GRAPHIC #1

<END>

g03815915

FUEL SYSTEM

513-9451 TANK & MTG GP-FUEL

S/N: TH41-UP; TH91-UP

148-LITER (39.1-US GAL)

PART OF 518-0076, 518-0077 CHASSIS AR

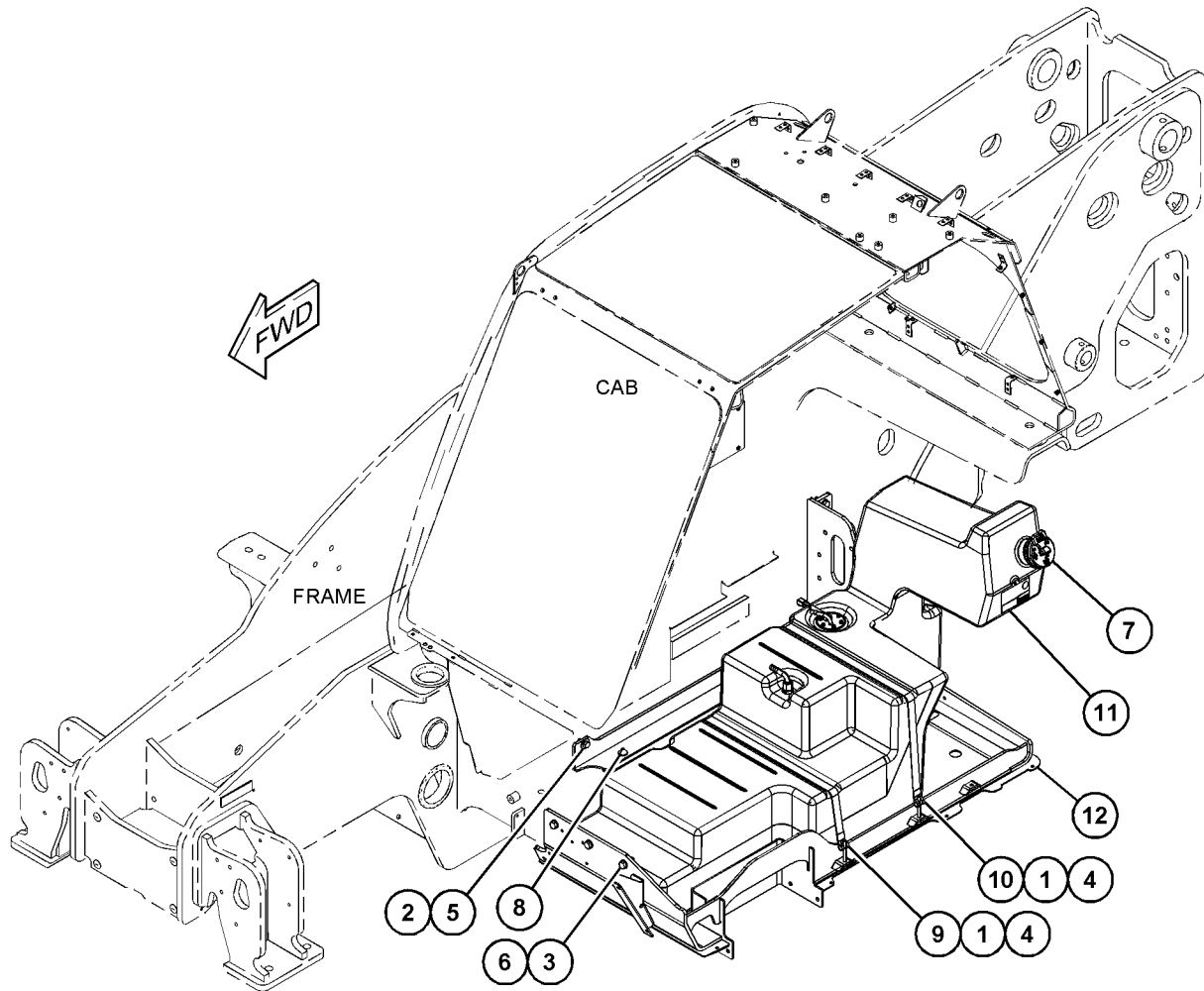
SMCS-1273

i07175294

NOTE	REF NO	GRAPHIC REF	PART NUMBER	QTY	PART NAME						SEE PAGE
					1	2	3	4	5	6 (PRODUCT LEVEL)	
M	1	1	6V-9804	2	BOLT (M8X1.25X75-MM)						
M	2	1	8T-4136	1	BOLT (M10X1.5X25-MM)						
M	3	1	8T-4956	6	BOLT (M12X1.75X35-MM)						
	4	1	8T-4224	2	WASHER-HARD (8.8X16X2-MM THK)						
	5	1	116-8517	1	WASHER (10.5X30X2.5-MM THK)						
	6	1	8T-4223	6	WASHER-HARD (13.5X25.5X3-MM THK)						
	7	1	548-1091	1	CAP (VENTED)						
	8	1	472-5352	4	MOUNT						
	9	1	477-2357	1	STRAP AS						
	10	1	477-2358	1	STRAP AS						
Y	11	1	490-8043	1	TANK GP-FUEL						399
	12	1	499-0185	1	PLATE AS						

M - METRIC PART

Y - SEPARATE ILLUSTRATION



GRAPHIC #1

<END>

g06244441

FUEL SYSTEM

490-8043 TANK GP-FUEL

S/N: TH41-UP; TH91-UP

148-LITER (39-US GAL)

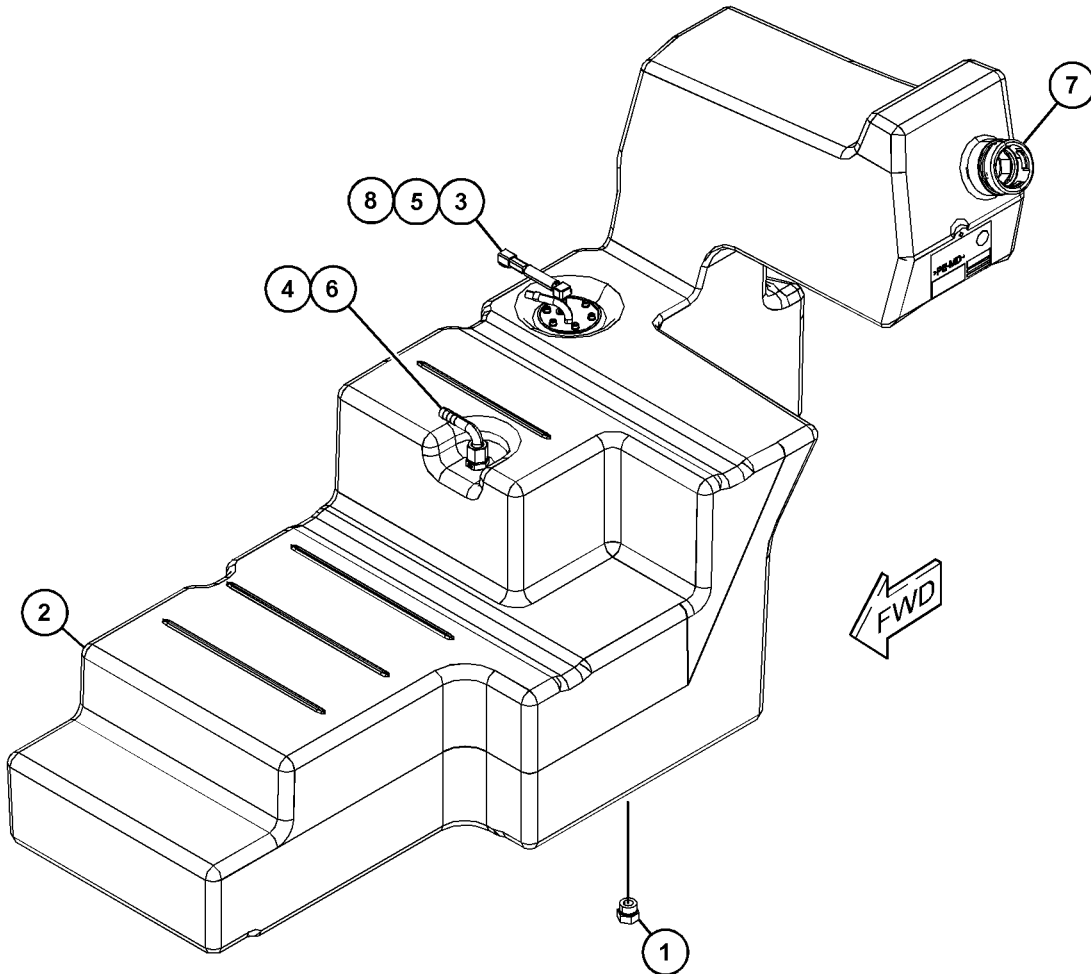
PART OF 513-9451 TANK & MTG GP-FUEL

SMCS-1273

i07409864

NOTE	REF NO	GRAPHIC REF	PART NUMBER	QTY	PART NAME						SEE PAGE
					1	2	3	4	5	6	
	1	1	148-8410	1	PLUG AS						
		1	2M-9780	1	SEAL-O-RING						
		1	9S-4190	1	PLUG-O-RING (7/8-14-THD)						
	2	1	490-1203	1	TANK AS-FUEL						
	3	1	541-1451	1	SENDER						
	4	1	477-1868	1	TUBE AS						
M	5	1	105-3480	6	BOLT-SOCKET HEAD (M5X0.8X16-MM)						
	6	1	477-1872	1	ELBOW						
	7	1	385-5360	1	ADAPTER-FUEL CAP						
	8	1	541-1452	6	WASHER						

M - METRIC PART



GRAPHIC #1

<END>

g06317785

ELECTRICAL AND STARTING SYSTEM

495-7754 ALARM GP

S/N: TH41-UP; TH91-UP

REVERSE

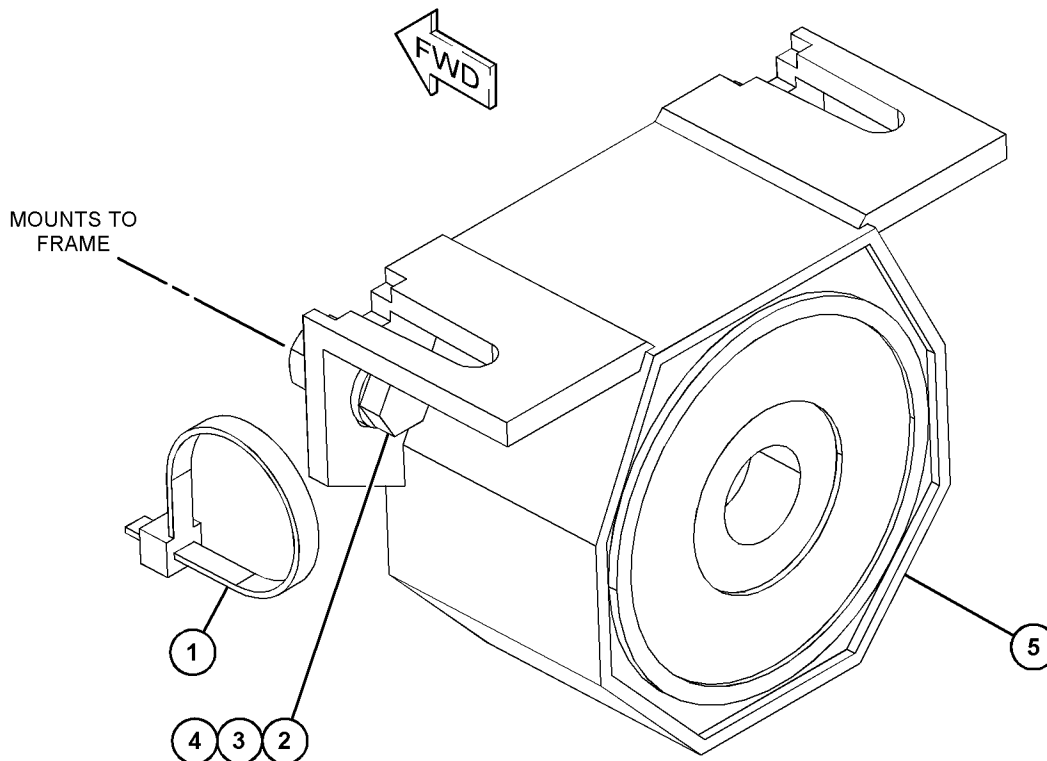
PART OF 518-0076, 518-0077 CHASSIS AR

SMCS-7400, 7402, 7407

i07382117

NOTE	REF NO	GRAPHIC REF	PART NUMBER	QTY	PART NAME						SEE PAGE
					1	2	3	4	5	6 (PRODUCT LEVEL)	
	1	1	3S-2093	1	STRAP-CABLE						
M	2	1	5C-9553	2	BOLT (M6X1X16-MM)						
M	3	1	5C-2890	2	NUT (M6X1-THD)						
	4	1	8T-4205	4	WASHER-HARD (7.2X14.5X2-MM THK)						
	5	1	425-0294	1	ALARM (REVERSE)						

M - METRIC PART



GRAPHIC #1

<END>

g06039506

ELECTRICAL AND STARTING SYSTEM

350-1459 ALTERNATOR GP-CHARGING

S/N: JKT1-UP

PART OF 464-2307, 464-2308 ENGINE AR-PRIMARY
ALSO AN ATTACHMENT

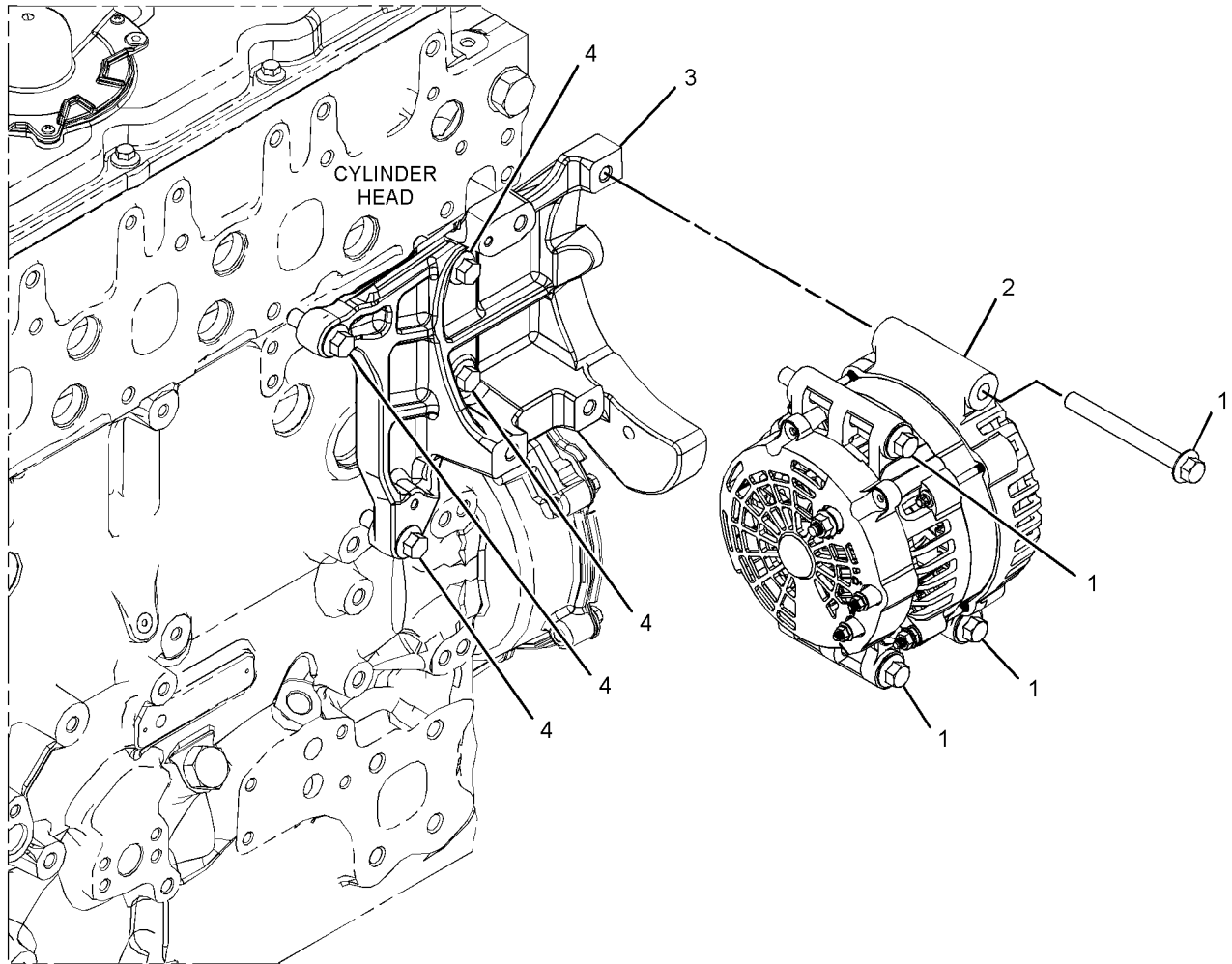
SMCS-1405

i07572783

NOTE	REF NO	GRAPHIC REF	PART NUMBER	QTY	PART NAME						SEE PAGE
					1	2	3	4	5	6 (PRODUCT LEVEL)	
M	1	1	164-7468	4	BOLT (M10X1.5X95-MM)						
R	2	1	560-6101	1	ALTERNATOR (12-VOLT, 150-AMPERE)						
	3	1	321-8952	1	BRACKET AS						
		1	161-9820	2	PIN						
M	4	1	111-0859	4	BOLT (M10X1.5X35-MM)						

M - METRIC PART

R - REMANUFACTURED PART MAY BE AVAILABLE



GRAPHIC #1

<END>

g02784199

ELECTRICAL AND STARTING SYSTEM

350-1486 ALTERNATOR GP-CHARGING

S/N: CN51-UP

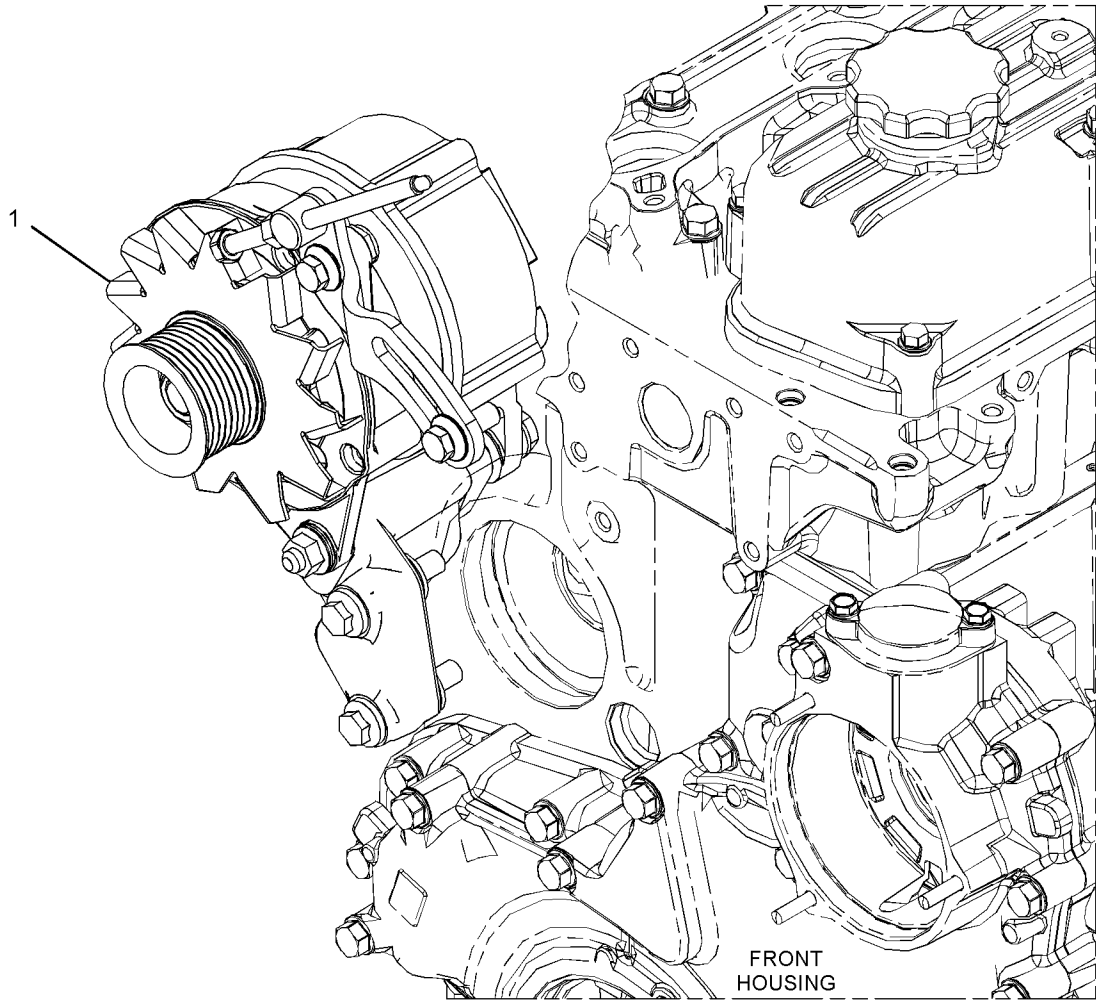
PART OF 465-2880 ENGINE AR-PRIMARY
AN ATTACHMENT

SMCS-1405

i05722395

NOTE	REF NO	GRAPHIC REF	PART NUMBER	QTY	PART NAME						SEE PAGE
					1	2	3	4	5	6 (PRODUCT LEVEL)	
Y	1	1	361-7141	1	ALTERNATOR GP-CHARGING						403

Y - SEPARATE ILLUSTRATION



GRAPHIC #1

<END>

g02886616

ELECTRICAL AND STARTING SYSTEM

361-7141 ALTERNATOR GP-CHARGING

S/N: CN51-UP

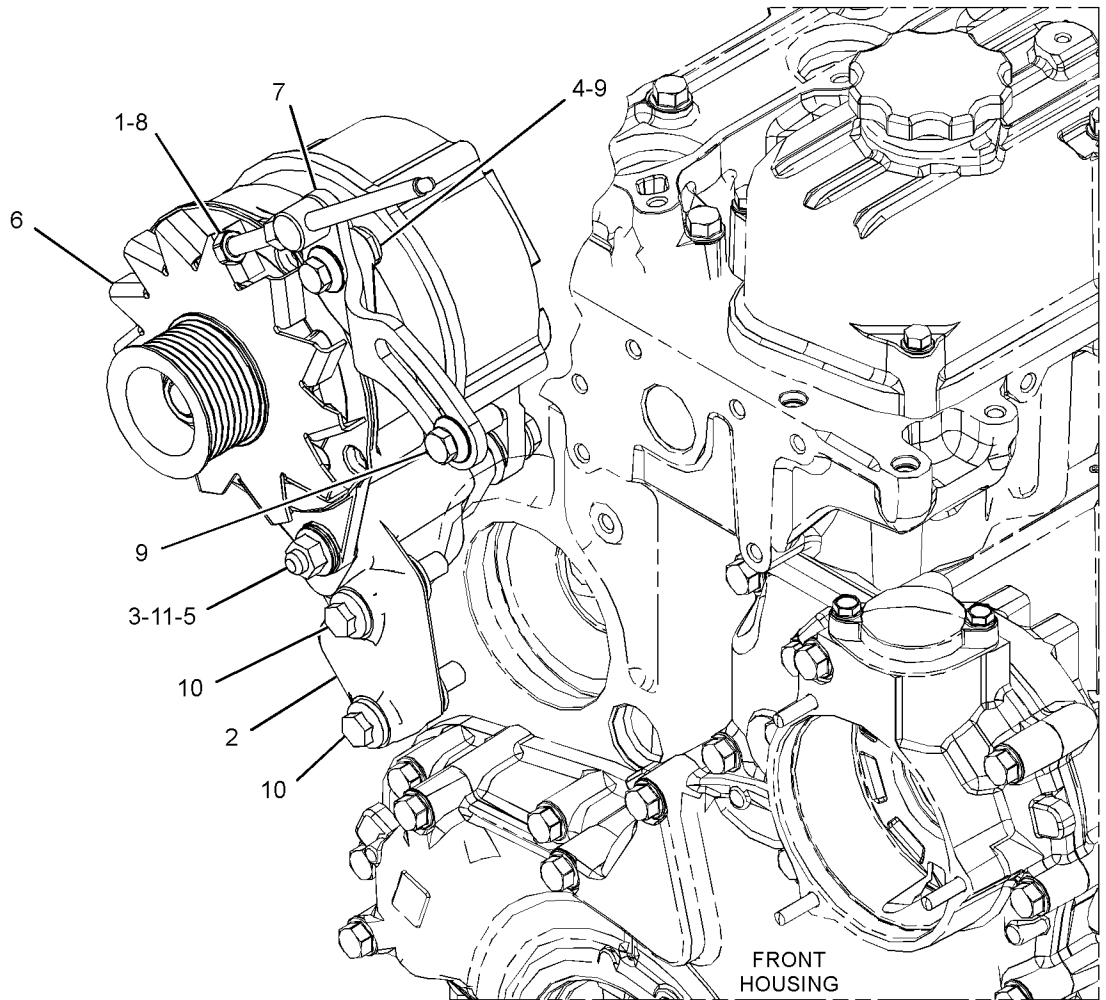
PART OF 350-1486 ALTERNATOR GP-CHARGING
AN ATTACHMENT

SMCS-1405

i05773242

NOTE	REF NO	GRAPHIC REF	PART NUMBER	QTY	PART NAME						SEE PAGE
					1	2	3	4	5	6 (PRODUCT LEVEL)	
	1	1	152-6578	1	NUT						
	2	1	385-9093	1	BRACKET						
	3	1	389-2722	1	BOLT						
	4	1	389-2854	1	NUT						
	5	1	389-2857	2	WASHER						
	6	1	390-2384	1	ALTERNATOR						
	7	1	390-2387	1	TENSIONER						
	8	1	393-0383	1	BOLT						
M	9	1	6I-0654	2	BOLT (M10X1.5X25-MM)						
M	10	1	100-4461	2	BOLT (M10X1.5X50-MM)						
M	11	1	6I-0594	1	NUT (M10X1.5-THD)						

M - METRIC PART



GRAPHIC #1

<END>

g02886597

ELECTRICAL AND STARTING SYSTEM

425-8162 ALTERNATOR GP-CHARGING

S/N: W231-UP

PART OF 463-8848, 463-8910 ENGINE AR-PRIMARY

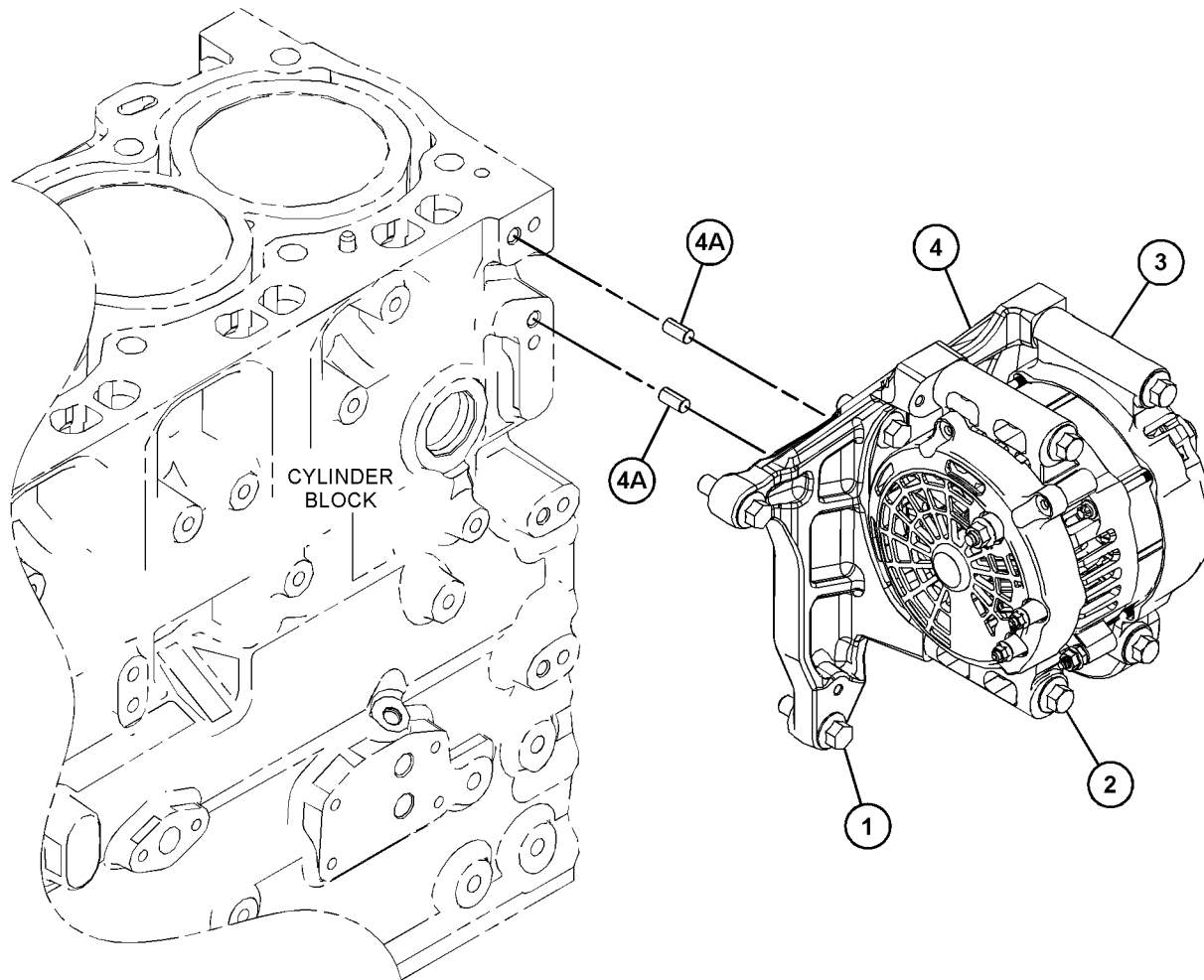
SMCS-1405

i07550925

NOTE	REF NO	GRAPHIC REF	PART NUMBER	QTY	PART NAME						SEE PAGE
					1	2	3	4	5	6 (PRODUCT LEVEL)	
M	1	1	111-0859	4	BOLT (M10X1.5X35-MM)						
M	2	1	164-7468	4	BOLT (M10X1.5X95-MM)						
R	3	1	560-6102	1	ALTERNATOR (12-VOLT, 120-AMPERE)						
	4	1	321-8952	1	BRACKET AS						
	4A	1	161-9820	2	PIN						

M - METRIC PART

R - REMANUFACTURED PART MAY BE AVAILABLE



GRAPHIC #1

<END>

g03814818

ELECTRICAL AND STARTING SYSTEM

513-4292 BATTERY & MOUNTING GP

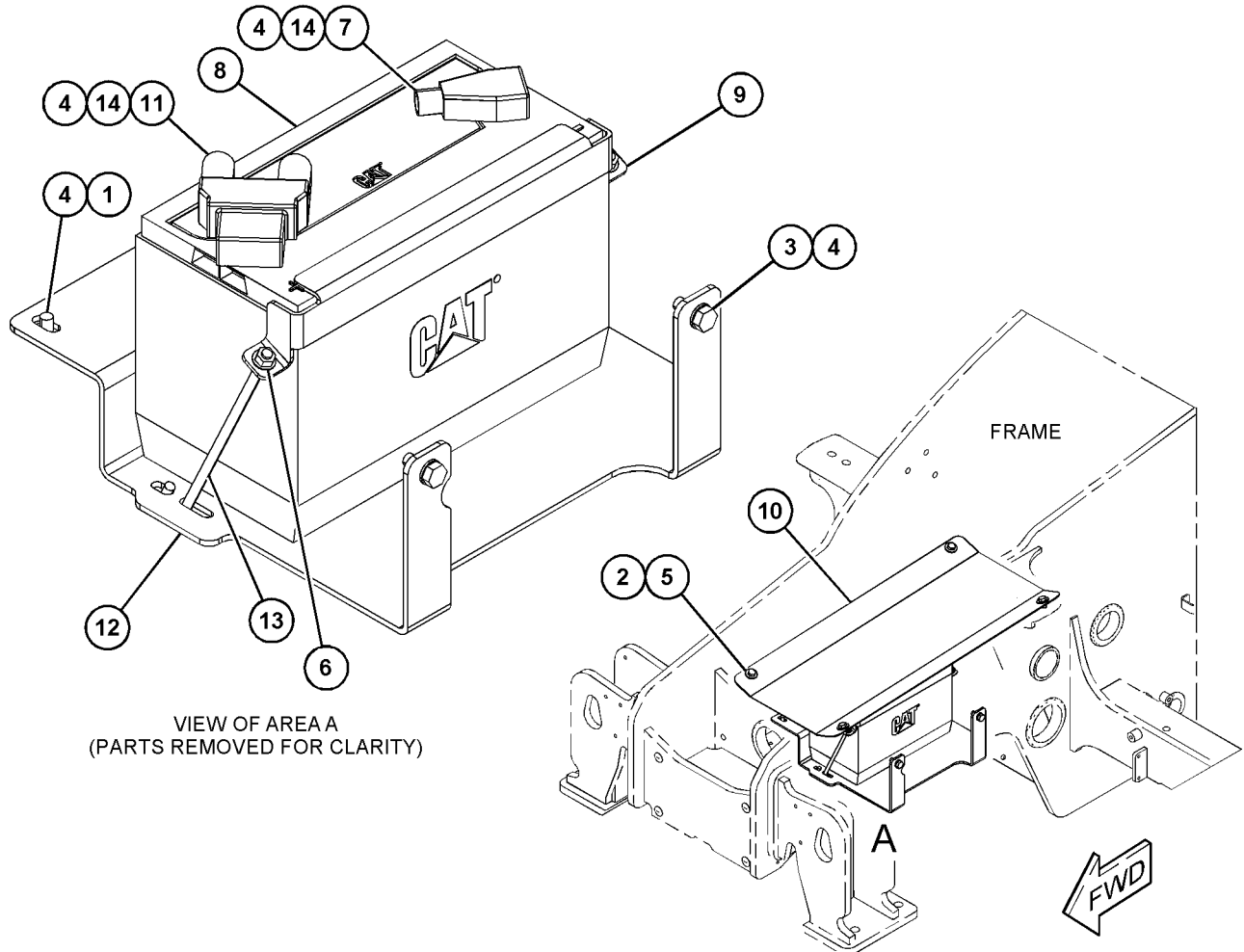
S/N: TH41-UP; TH91-UP
AN ATTACHMENT

SMCS-1401, 7257

i07742378

NOTE	REF NO	GRAPHIC REF	PART NUMBER	QTY	PART NAME						SEE PAGE
					1	2	3	4	5	6 (PRODUCT LEVEL)	
M	1	1	6I-0646	2	BOLT (M10X1.5X14-MM)						
M	2	1	8T-4137	4	BOLT (M10X1.5X20-MM)						
M	3	1	8T-4136	2	BOLT (M10X1.5X25-MM)						
	4	1	8T-4121	6	WASHER-HARD (11X21X2.5-MM THK)						
	5	1	116-8517	4	WASHER (10.5X30X2.5-MM THK)						
M	6	1	178-3336	2	NUT-HEX FLANGE (M8X1.25-THD)						
	7	1	495-4704	1	COVER-TERMINAL						
	8	1	175-4390	1	BATTERY AS (12-VOLT, MAINTENANCE FREE, WET)						
		1	123-1373	6	CAP AS-FILLER (7/8-9-THD)						
	9	1	416-8113	1	PLATE-BATTERY						
	10	1	499-7307	1	PLATE						
	11	1	513-4293	1	INSULATOR						
	12	1	559-5121	1	PLATE						
	13	1	499-0261	2	ROD						
	14	1	6V-8801	2	NUT (3/8-16-THD)						

M - METRIC PART



GRAPHIC #1

<END>

g06447326

ELECTRICAL AND STARTING SYSTEM

499-0257 BATTERY GP-SINGLE

S/N: TH41-UP; TH91-UP

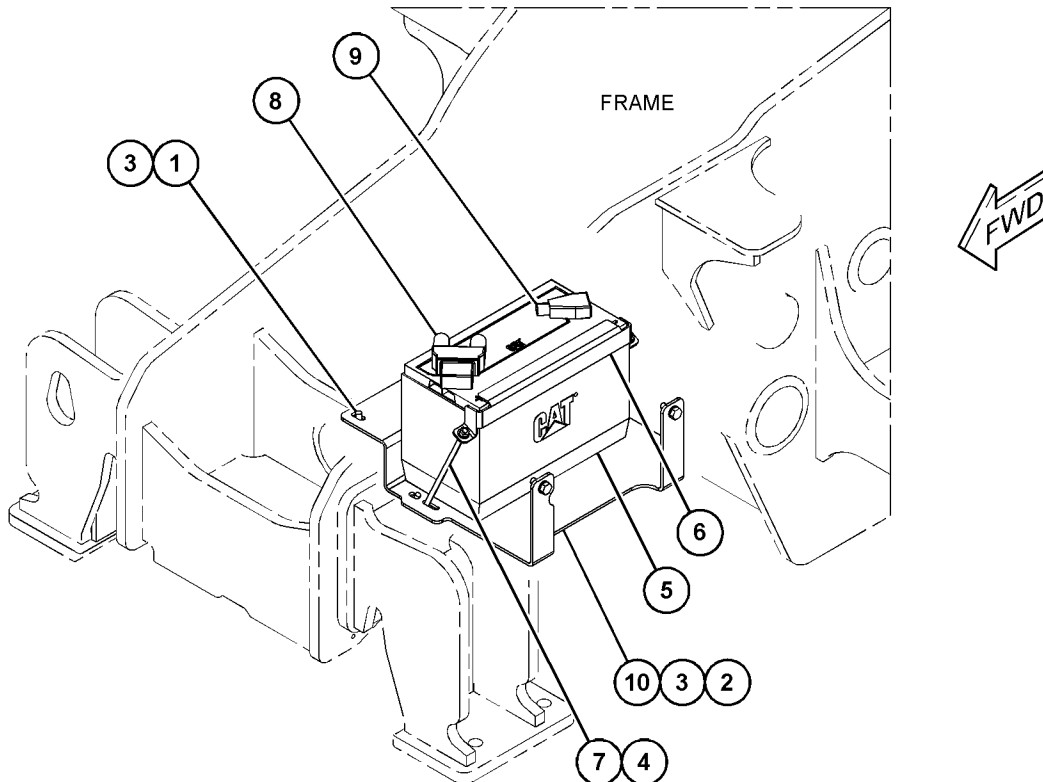
PART OF 590-9758, 590-9759, 590-9760, 590-9761 CONFIGURATION AR
AN ATTACHMENT

SMCS-1401

i07776222

NOTE	REF NO	GRAPHIC REF	PART NUMBER	QTY	PART NAME						SEE PAGE
					1	2	3	4	5	6 (PRODUCT LEVEL)	
M	1	1	6I-0646	2	BOLT (M10X1.5X14-MM)						
M	2	1	8T-4136	2	BOLT (M10X1.5X25-MM)						
	3	1	8T-4121	4	WASHER-HARD (11X21X2.5-MM THK)						
M	4	1	178-3336	2	NUT-HEX FLANGE (M8X1.25-THD)						
	5	1	175-4390	1	BATTERY AS (12-VOLT, MAINTENANCE FREE, WET)						
		1	123-1373	6	CAP AS-FILLER (7/8-9-THD)						
	6	1	416-8113	1	PLATE-BATTERY						
	7	1	499-0261	2	ROD						
C	8	1	513-4293	1	INSULATOR						
	9	1	495-4704	1	COVER-TERMINAL						
	10	1	559-5121	1	PLATE						

C - CHANGE FROM PREVIOUS TYPE
M - METRIC PART



GRAPHIC #1

<END>

g06453096

ELECTRICAL AND STARTING SYSTEM

513-4299 BATTERY GP-COLD START

S/N: TH41-UP; TH91-UP

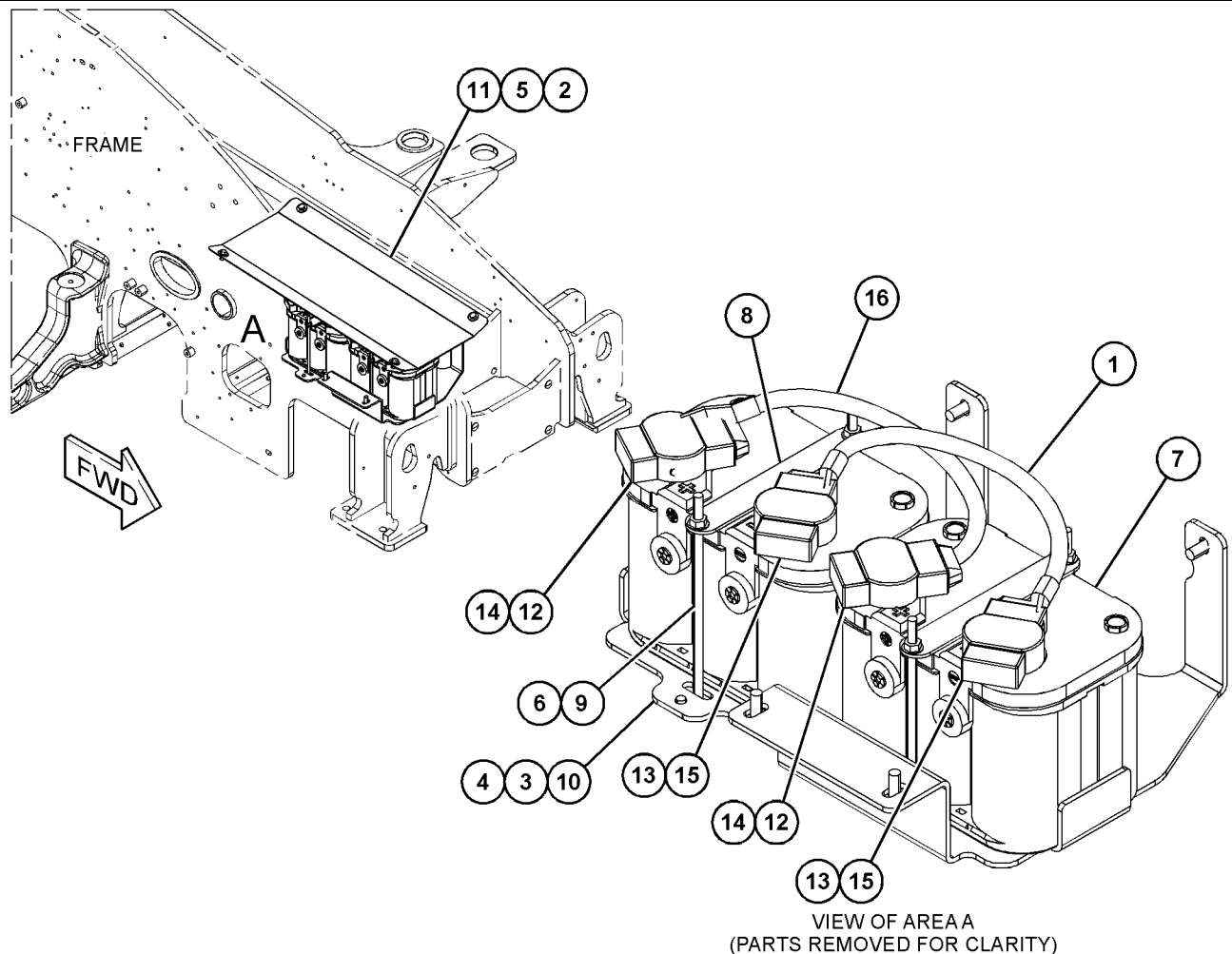
AN ATTACHMENT

SMCS-1401

i07511156

NOTE	REF NO	GRAPHIC REF	PART NUMBER	QTY	PART NAME						SEE PAGE
					1	2	3	4	5	6 (PRODUCT LEVEL)	
	1	1	566-0176	1	CABLE-BATTERY						
M	2	1	8T-4137	4	BOLT (M10X1.5X20-MM)						
M	3	1	8T-4136	4	BOLT (M10X1.5X25-MM)						
	4	1	8T-4121	4	WASHER-HARD (11X21X2.5-MM THK)						
	5	1	116-8517	4	WASHER (10.5X30X2.5-MM THK)						
M	6	1	178-3336	4	NUT-HEX FLANGE (M8X1.25-THD)						
	7	1	459-9625	2	BATTERY (12-VOLT,50-AMPERE) (50-AMPERE)						
	8	1	499-0260	2	PLATE						
	9	1	499-0261	4	ROD						
	10	1	567-8232	1	PLATE-SUPPORT (BATTERY)						
	11	1	499-7307	1	PLATE						
	12	1	513-4298	2	INSULATOR (BATTERY)						
	13	1	445-0847	2	CLAMP-CABLE (BATTERY NEGATIVE)						
	14	1	445-0848	2	CLAMP-CABLE (BATTERY POSITIVE)						
	15	1	513-4297	2	BOOT						
	16	1	566-0175	1	CABLE-BATTERY						

M - METRIC PART



GRAPHIC #1

<END>

g06352203

ELECTRICAL AND STARTING SYSTEM

578-6842 BATTERY GP

S/N: TH41-UP; TH91-UP

230-VOLT

AN ATTACHMENT

SMCS-1401

i07819349

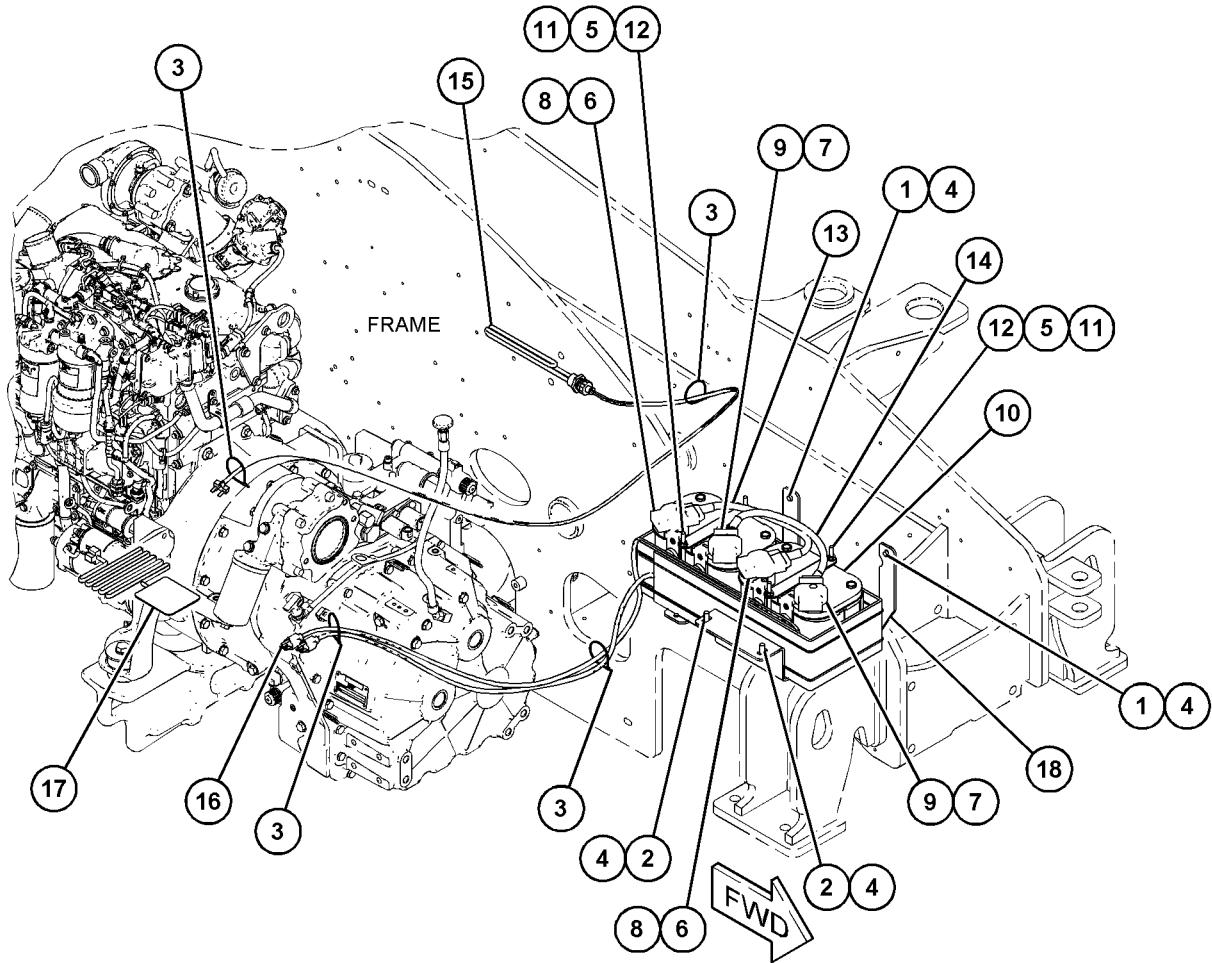
NOTE	REF NO	GRAPHIC REF	PART NUMBER	QTY	PART NAME						SEE PAGE
					1	2	3	4	5	6 (PRODUCT LEVEL)	
M	1	1	7X-2621	2	BOLT (M10X1.5X12-MM)						
M	2	1	8T-4136	2	BOLT (M10X1.5X25-MM)						
	3	1	346-2986	4	TIE						
	4	1	8T-4121	4	WASHER-HARD (11X21X2.5-MM THK)						
M	5	1	178-3336	4	NUT-HEX FLANGE (M8X1.25-THD)						
	6	1	513-4298	2	INSULATOR						
	7	1	445-0847	2	CLAMP-CABLE (BATTERY NEGATIVE)						
	8	1	445-0848	2	CLAMP-CABLE (BATTERY POSITIVE)						
	9	1	513-4297	2	BOOT						
	10	1	459-9625	2	BATTERY (12-VOLT, 50-AMPERE)						
	11	1	499-0260	2	PLATE						
	12	1	499-0261	4	ROD						
	13	1	566-0175	1	CABLE-BATTERY						
	14	1	566-0176	1	CABLE-BATTERY						
	15	1	487-4971	1	HEATER AS (240-VOLT, 1000-WATT)						
	16	1	487-3239	2	HEATER (240-VOLT, 80-WATT)						
	17	1	487-4969	1	HEATER (240-VOLT, 250-WATT)						
	18	1	567-8232	1	PLATE-SUPPORT						

M - METRIC PART

ELECTRICAL AND STARTING SYSTEM

578-6842 BATTERY GP (contd.)

i07819349



GRAPHIC #1

<END>

g06467784

ELECTRICAL AND STARTING SYSTEM

578-6850 BATTERY GP

S/N: TH41-UP; TH91-UP

AN ATTACHMENT

SMCS-1401

i07819350

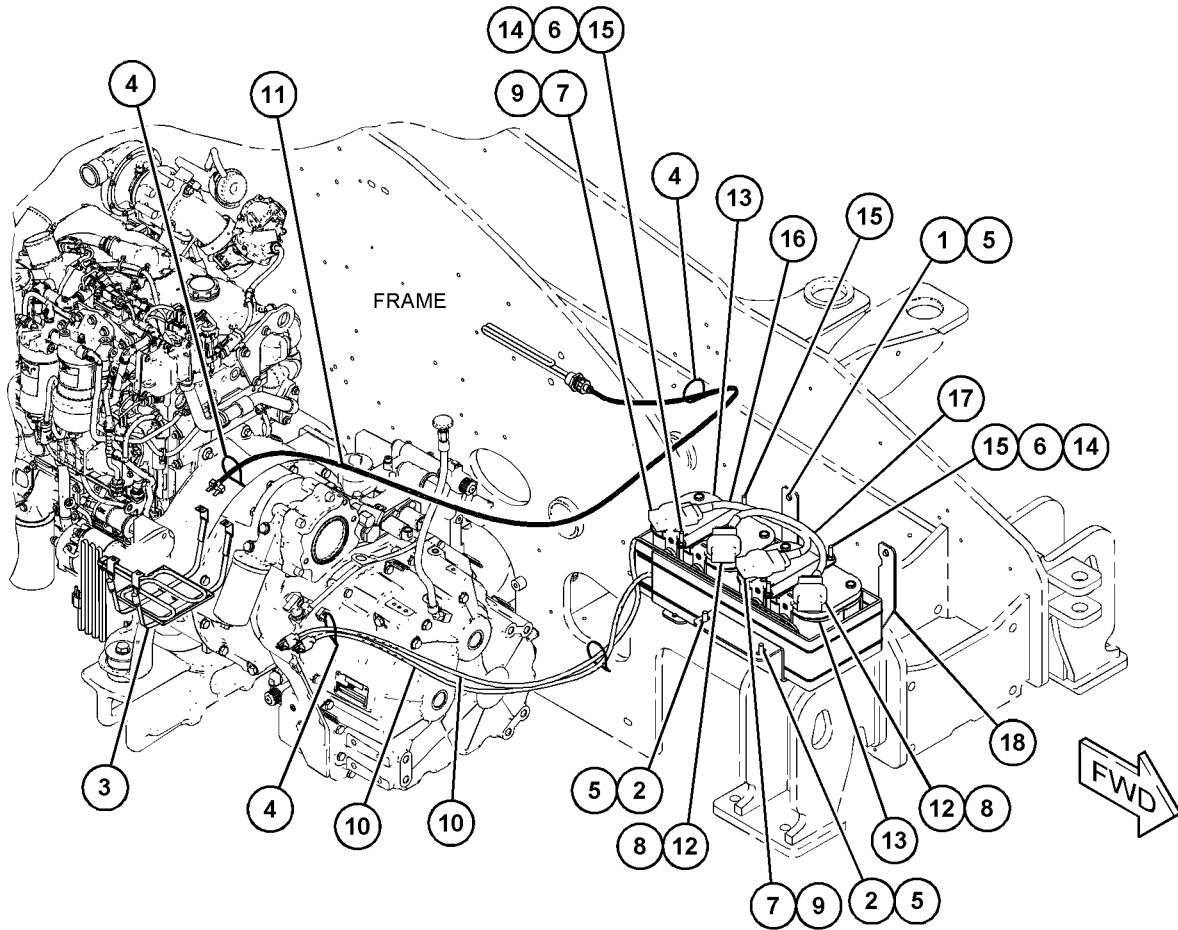
NOTE	REF NO	GRAPHIC REF	PART NUMBER	QTY	PART NAME						SEE PAGE
					1	2	3	4	5	6 (PRODUCT LEVEL)	
M	1	1	7X-2621	2	BOLT (M10X1.5X12-MM)						
M	2	1	8T-4136	2	BOLT (M10X1.5X25-MM)						
	3	1	464-2104	1	HEATER (120-VOLT, 500-WATT)						
	4	1	346-2986	4	TIE						
	5	1	8T-4121	4	WASHER-HARD (11X21X2.5-MM THK)						
M	6	1	178-3336	4	NUT-HEX FLANGE (M8X1.25-THD)						
	7	1	513-4298	2	INSULATOR						
	8	1	445-0847	2	CLAMP-CABLE						
	9	1	445-0848	2	CLAMP-CABLE						
	10	1	311-0679	2	HEATER (120-VOLT, 80-WATT)						
	11	1	464-2105	1	HEATER (120-VOLT, 1000-WATT)						
	12	1	513-4297	2	BOOT						
	13	1	459-9625	2	BATTERY (12-VOLT, 50-AMPERE)						
	14	1	499-0260	2	PLATE						
	15	1	499-0261	4	ROD						
	16	1	566-0175	1	CABLE-BATTERY						
	17	1	566-0176	1	CABLE-BATTERY						
	18	1	567-8232	1	PLATE-SUPPORT						

M - METRIC PART

ELECTRICAL AND STARTING SYSTEM

578-6850 BATTERY GP (contd.)

107819350



GRAPHIC #1

<END>

g06467701

ELECTRICAL AND STARTING SYSTEM

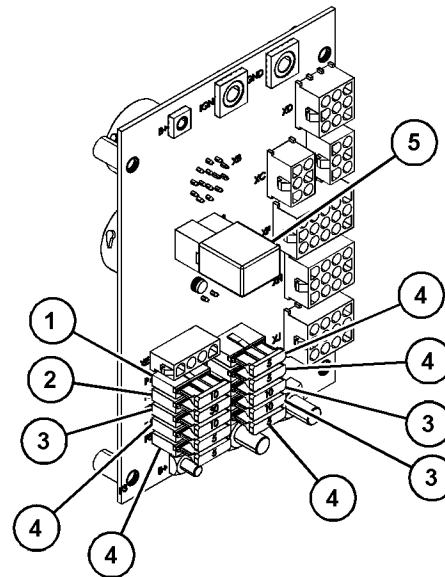
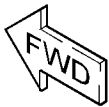
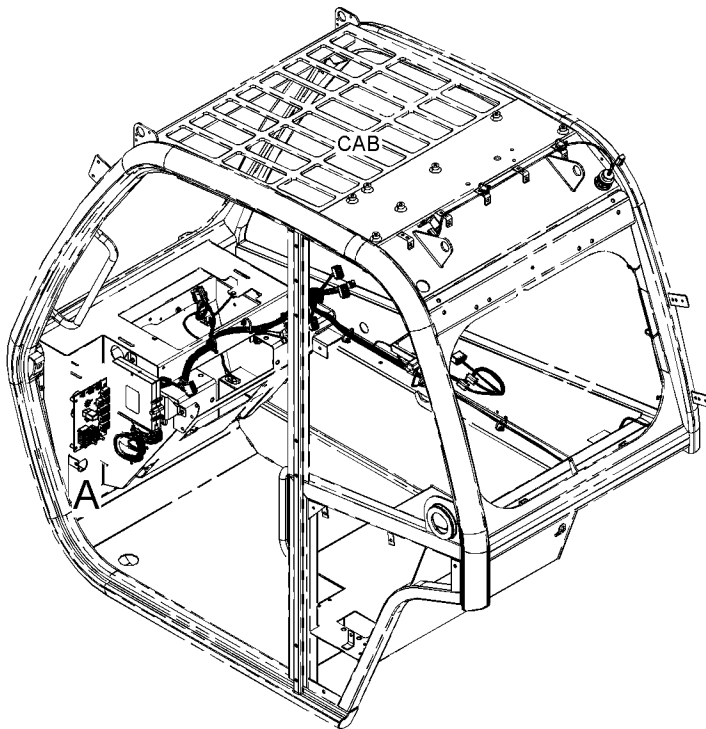
474-4149 BOARD AS-CIRCUIT

S/N: TH41-UP; TH91-UP
PART OF 493-1110 WIRING GP-CAB
AN ATTACHMENT

SMCS-1418

i06080179

NOTE	REF NO	GRAPHIC REF	PART NUMBER	QTY	PART NAME						SEE PAGE
					1	2	3	4	5	6 (PRODUCT LEVEL)	
	1	1	113-8490	1	FUSE (10-AMPERE)						
	2	1	8T-9636	1	FUSE (30-AMPERE)						
	3	1	9W-1442	3	FUSE (10-AMPERE)						
	4	1	141-2759	5	FUSE (5-AMPERE)						
	5	1	478-5125	1	RELAY AS (12-VOLT) (HORN)						



VIEW OF AREA A

GRAPHIC #1

<END>

g03821484

ELECTRICAL AND STARTING SYSTEM

499-5902 CAMERA & MOUNTING GP

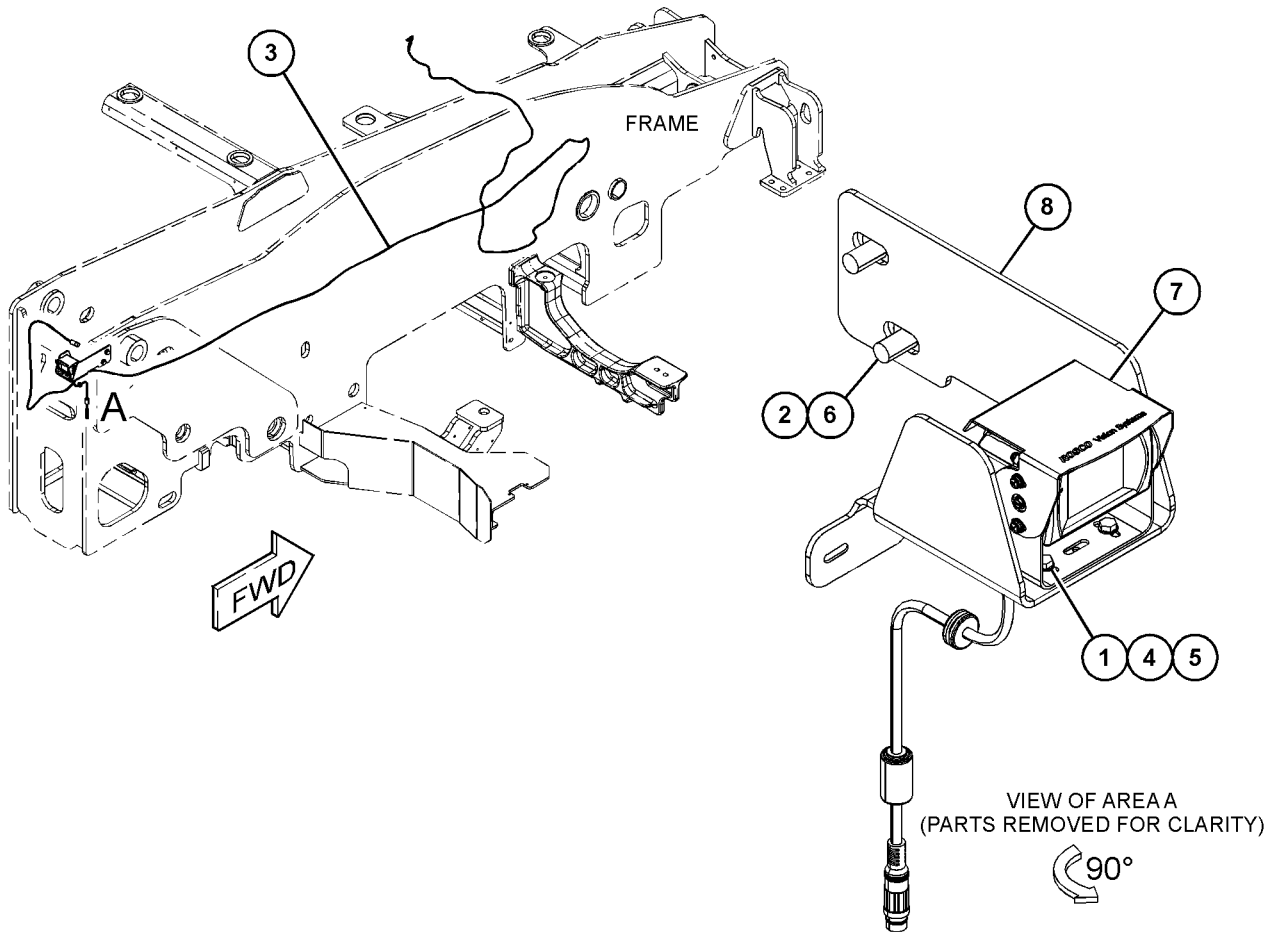
S/N: TH41-UP; TH91-UP
FOR USE WITH 474-6061-PAGE: 1220
AN ATTACHMENT

SMCS-7348

i07037552

NOTE	REF NO	GRAPHIC REF	PART NUMBER	QTY	PART NAME						SEE PAGE
					1	2	3	4	5	6	
M	1	1	170-5632	2	BOLT (M4X0.7X16-MM)						
M	2	1	8T-4137	2	BOLT (M10X1.5X20-MM)						
	3	1	499-5904	1	CABLE						
M	4	1	5C-8312	2	NUT (M4X0.7-THD)						
	5	1	5W-5038	4	WASHER (4.3X9X0.8-MM THK)						
	6	1	8T-4121	2	WASHER-HARD (11X21X2.5-MM THK)						
	7	1	474-9802	1	CAMERA						
	8	1	499-5900	1	BRACKET						

M - METRIC PART



GRAPHIC #1

<END>

g06204725

ELECTRICAL AND STARTING SYSTEM

528-2072 CAMERA & MOUNTING GP

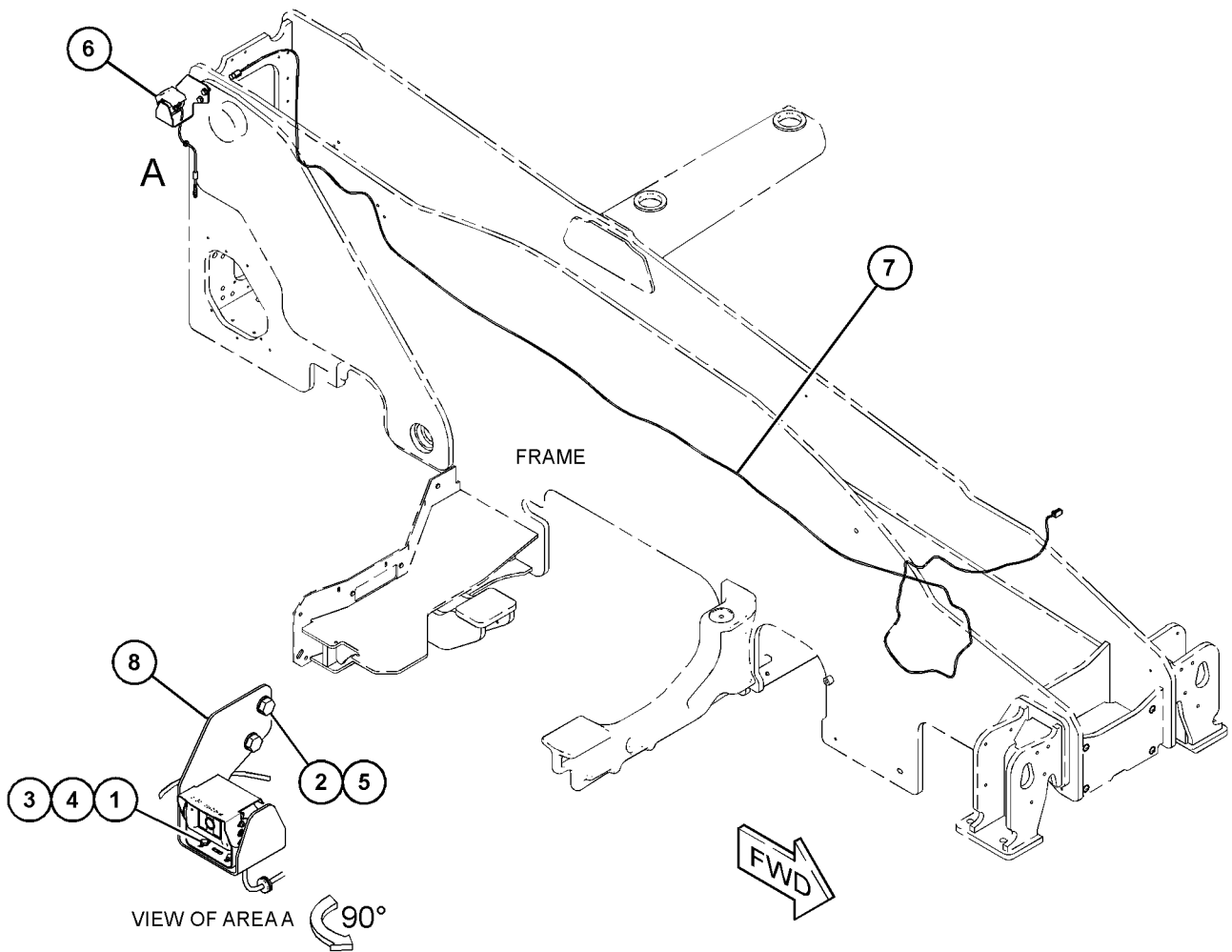
S/N: TH41-UP; TH91-UP
FOR USE WITH 474-6061-PAGE: 1220
AN ATTACHMENT

SMCS-7348

i07043346

NOTE	REF NO	GRAPHIC REF	PART NUMBER	QTY	PART NAME						SEE PAGE
					1	2	3	4	5	6	
M	1	1	170-5632	2	BOLT (M4X0.7X16-MM)						
M	2	1	264-3627	2	BOLT (M10X1.5X20-MM)						
M	3	1	5C-8312	2	NUT (M4X0.7-THD)						
	4	1	5W-5038	4	WASHER (4.3X9X0.8-MM THK)						
	5	1	8T-4121	2	WASHER-HARD (11X21X2.5-MM THK)						
	6	1	474-9802	1	CAMERA						
	7	1	499-5904	1	CABLE						
	8	1	539-3063	1	BRACKET						

M - METRIC PART



GRAPHIC #1

<END>

g06207257

ELECTRICAL AND STARTING SYSTEM

415-5534 CONTROL GP-ELECTRONIC

S/N: W231-UP

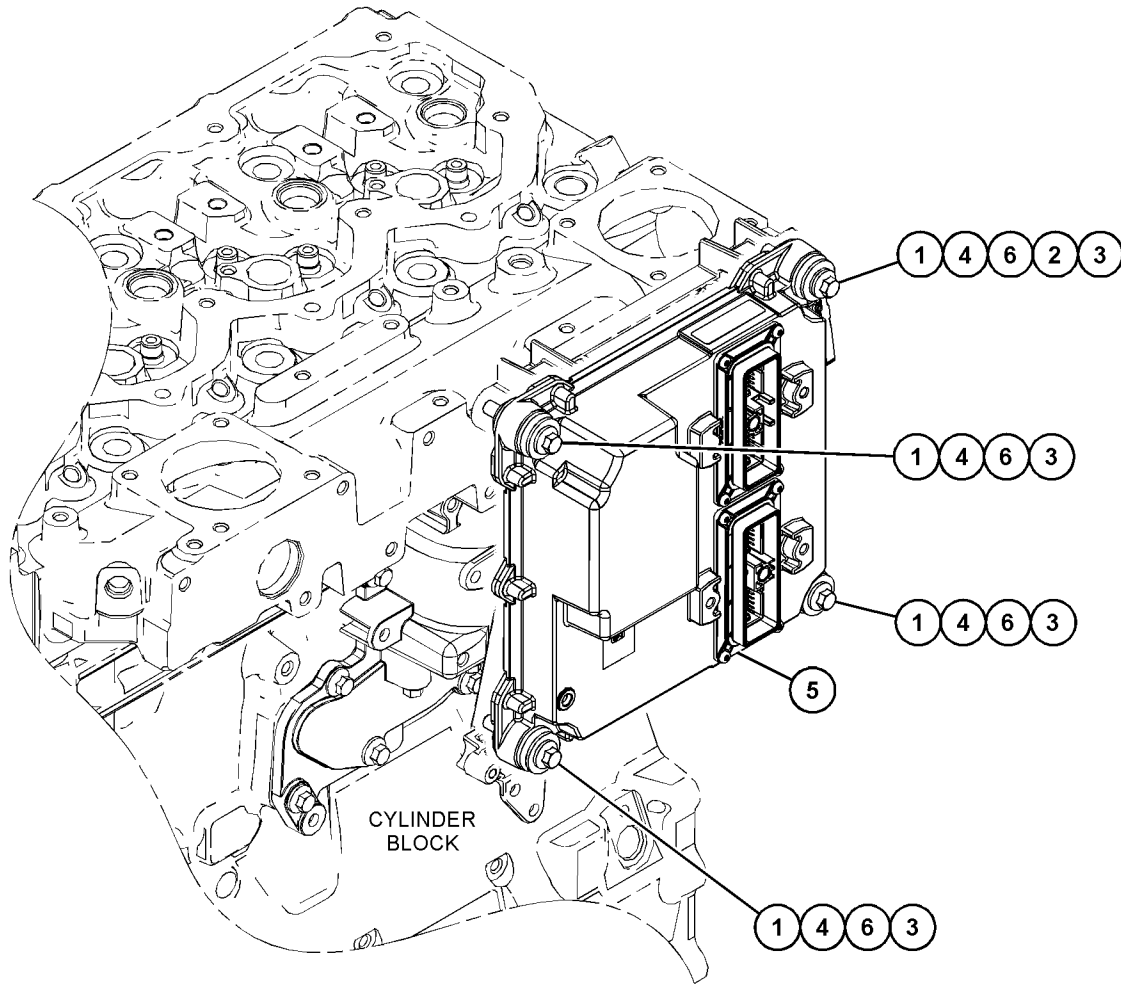
PART OF 463-8848, 463-8910 ENGINE AR-PRIMARY

SMCS-1901, 1902, 3168, 7490

i06181533

NOTE	REF NO	GRAPHIC REF	PART NUMBER	QTY	PART NAME						SEE PAGE
					1	2	3	4	5	6 (PRODUCT LEVEL)	
M	1	1	6I-0456	4	BOLT (M8X1.25X45-MM)						
	2	1	7W-2632	1	WASHER (8.5X16.8X1.6-MM THK)						
	3	1	217-0099	4	SPACER (8.2X25X2-MM THK)						
	4	1	278-5203	4	SPACER						
R	5	1	374-2640	1	CONTROL GP-UNPROGRAMMED						
	6	1	300-6714	8	MOUNT						

M - METRIC PART
R - REMANUFACTURED PART MAY BE AVAILABLE



GRAPHIC #1

<END>

g03824323

ELECTRICAL AND STARTING SYSTEM

433-4674 CONTROL GP-ELECTRONIC

S/N: JKT1-UP

PART OF 464-2307, 464-2308 ENGINE AR-PRIMARY
ALSO AN ATTACHMENT

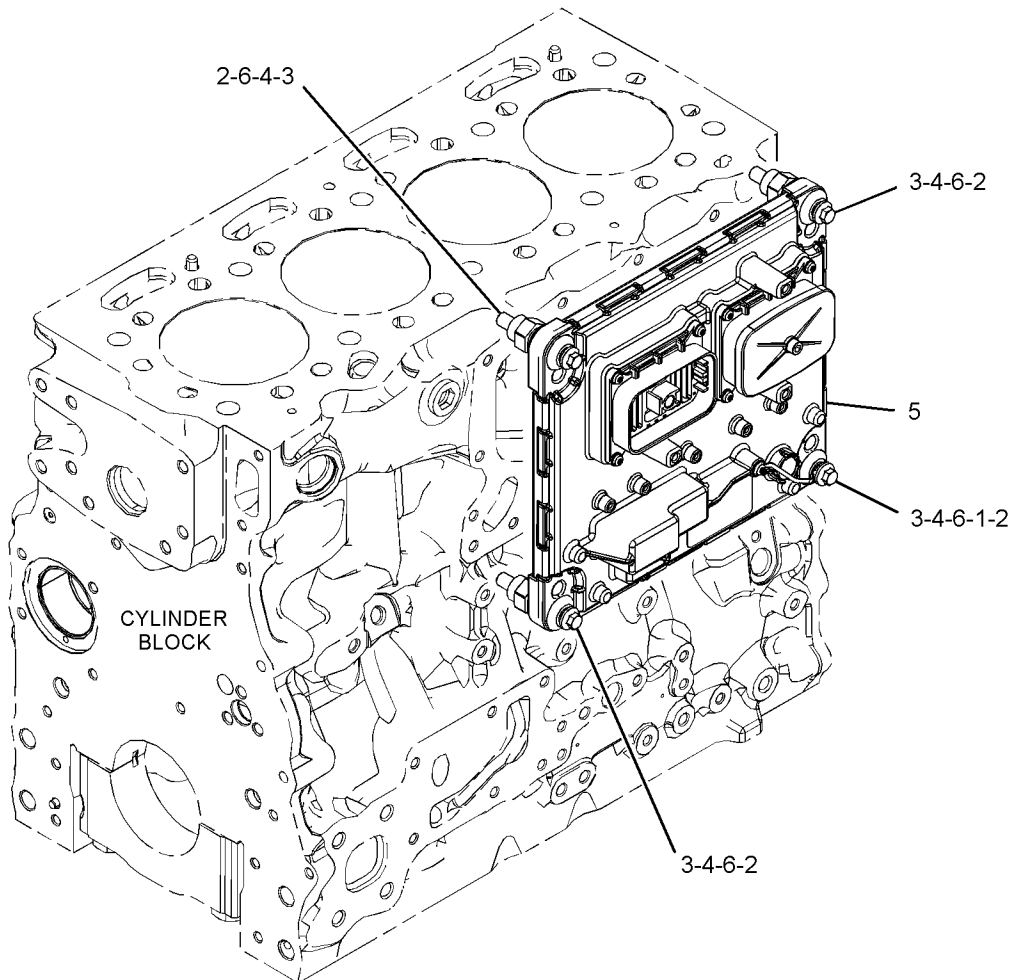
SMCS-1901, 1902, 3168, 7490

i05984890

NOTE	REF NO	GRAPHIC REF	PART NUMBER	QTY	PART NAME						SEE PAGE
					1	2	3	4	5	6 (PRODUCT LEVEL)	
	1	1	7W-2632	1	WASHER (8.5X16.8X1.6-MM THK)						
	2	1	278-5203	4	SPACER						
	3	1	332-9700	4	SPACER-SPECIAL						
	4	1	300-6714	8	MOUNT						
R	5	1	458-7273	1	CONTROL GP-ELECTRONIC						
M	6	1	6I-0456	4	BOLT (M8X1.25X45-MM)						

M - METRIC PART

R - REMANUFACTURED PART MAY BE AVAILABLE



GRAPHIC #1

<END>

g03629136

ELECTRICAL AND STARTING SYSTEM

441-9720 CONTROL GP-ELECTRONIC

S/N: CN51-UP

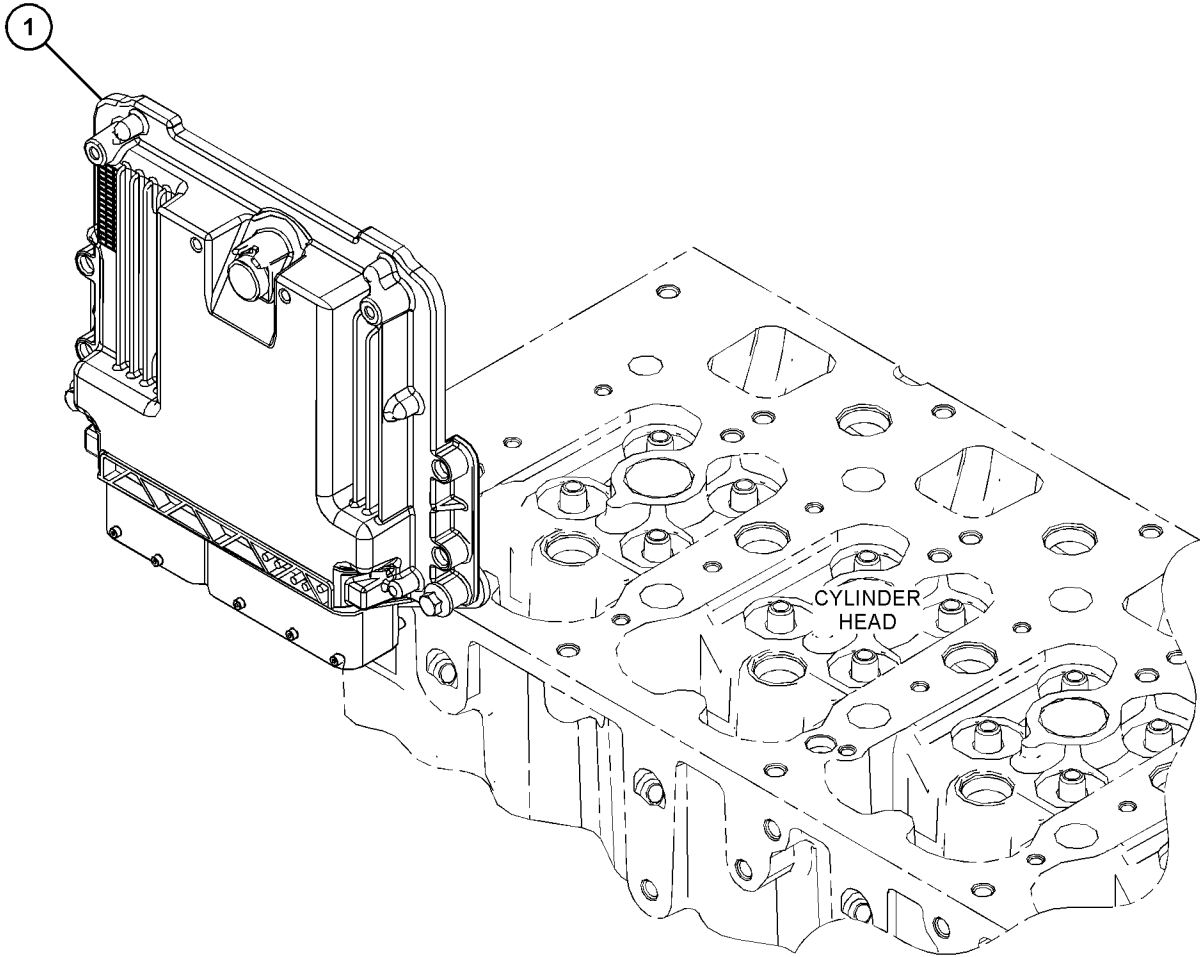
PART OF 465-2880 ENGINE AR-PRIMARY
AN ATTACHMENT

SMCS-1901, 1902, 3168, 7490

i06252182

NOTE	REF NO	GRAPHIC REF	PART NUMBER	QTY	PART NAME						SEE PAGE
					1	2	3	4	5	6 (PRODUCT LEVEL)	
Y	1	1	464-3477	1	MODULE & MTG GP-CONTROL						517

Y - SEPARATE ILLUSTRATION



GRAPHIC #1

<END>

g03817500

ELECTRICAL AND STARTING SYSTEM

474-9674 CONTROL GP-ELECTRONIC

S/N: TH41-UP; TH91-UP; JKT1-UP

PART OF 516-1390, 516-1391, 516-1392 WIRING GP-ENGINE
AN ATTACHMENT

SMCS-1901, 1902, 3168, 7490

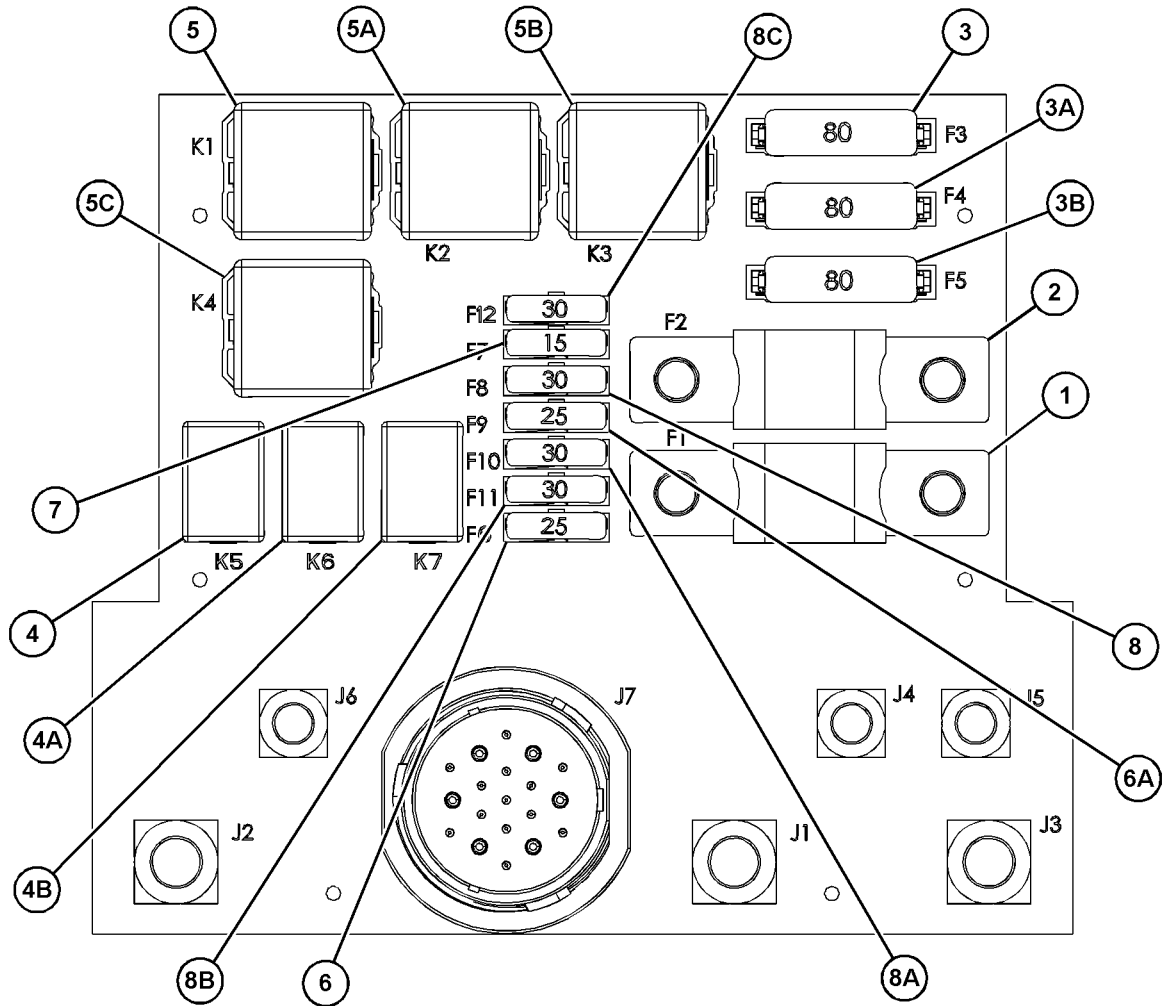
i06181537

NOTE	REF NO	GRAPHIC REF	PART NUMBER	QTY	PART NAME						SEE PAGE
					1	2	3	4	5	6 (PRODUCT LEVEL)	
	1	1	478-5135	1	FUSE (150-AMPERE) (GLOW PLUGS)						
	2	1	478-5136	1	FUSE (200-AMPERE) (ALTERNATOR)						
	3	1	478-5142	1	FUSE (80-AMPERE) (FRONT FRAME)						
	3A	1	478-5142	1	FUSE (80-AMPERE) (REAR FRAME)						
	3B	1	478-5142	1	FUSE (80-AMPERE) (CAB)						
	4	1	478-5144	1	RELAY AS (30-AMPERE)						
	4A	1	478-5144	1	RELAY AS (30-AMPERE)						
	4B	1	478-5144	1	RELAY AS (30-AMPERE)						
	5	1	478-5143	1	RELAY AS (70-AMPERE)						
	5A	1	478-5143	1	RELAY AS (70-AMPERE)						
	5B	1	478-5143	1	RELAY AS (70-AMPERE)						
	5C	1	478-5143	1	RELAY AS (70-AMPERE)						
	6	1	113-8493	1	FUSE (25-AMPERE) (IGNITION)						
	6A	1	113-8493	1	FUSE (25-AMPERE) (CAB)						
	7	1	9W-1441	1	FUSE (15-AMPERE) (FRAME)						
	8	1	8T-9636	1	FUSE (30-AMPERE) (ECM)						
	8A	1	8T-9636	1	FUSE (30-AMPERE) (AIR CONDITIONER, HEATER FAN)						
	8B	1	8T-9636	1	FUSE (30-AMPERE) (STARTER)						
	8C	1	8T-9636	1	FUSE (30-AMPERE) (CAB)						

ELECTRICAL AND STARTING SYSTEM

474-9674 CONTROL GP-ELECTRONIC (contd.)

i06181537



GRAPHIC #1

<END>

g03822674

ELECTRICAL AND STARTING SYSTEM

496-8312 CONTROL GP-ELECTRONIC

S/N: TH41-UP; TH91-UP

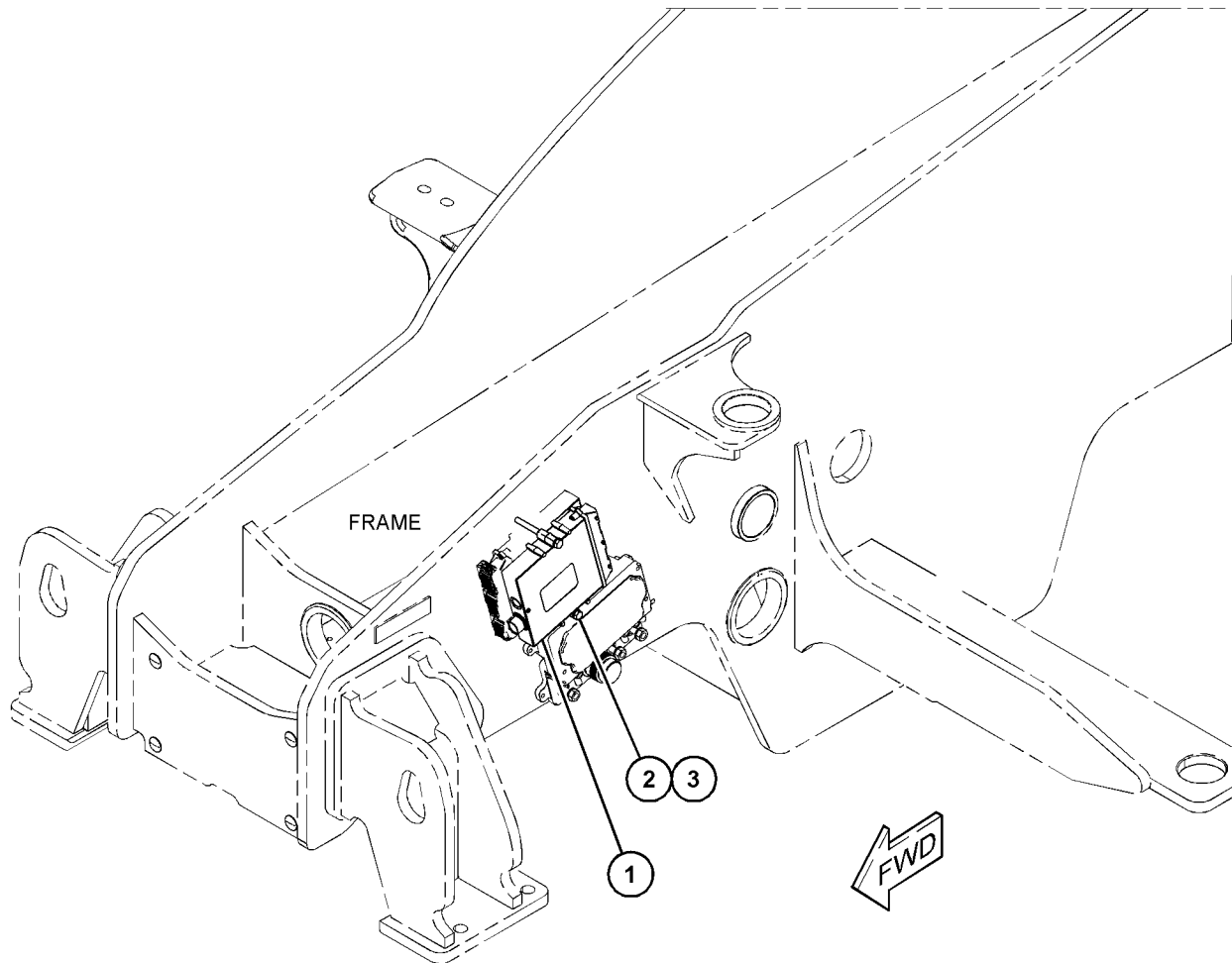
PART OF 496-8311 INSTALLATION AR-LOAD MGT IND, 520-7784 INSTALLATION AR-MACHINE
AN ATTACHMENT

SMCS-1901, 1902, 3168, 7490

i06788462

NOTE	REF NO	GRAPHIC REF	PART NUMBER	QTY	PART NAME						SEE PAGE
					1	2	3	4	5	6 (PRODUCT LEVEL)	
	1	1	477-2457	1	CONTROL GP-ELECTRONIC (LOAD MANAGEMENT INDICATOR SYSTEM)						
M	2	1	8T-4177	2	BOLT (M8X1.25X90-MM)						
	3	1	8T-4224	2	WASHER-HARD (8.8X16X2-MM THK)						

M - METRIC PART



GRAPHIC #1

<END>

g06118728

ELECTRICAL AND STARTING SYSTEM

454-8290 ELECTRICAL GP-DEF-EXHAUST

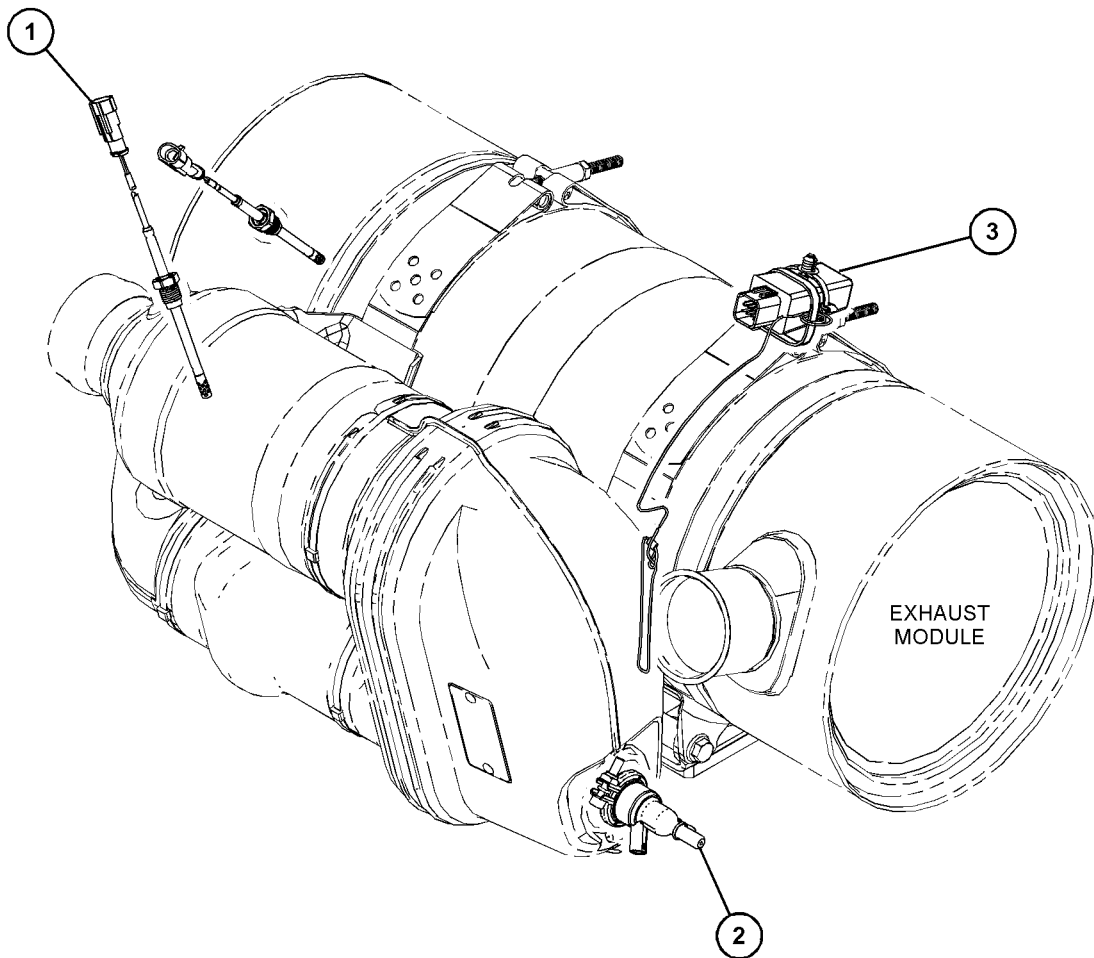
S/N: JKT1-UP

PART OF 471-7018 MODULE AR-CLEAN EMISSIONS
ALSO AN ATTACHMENT

SMCS-108K, 1400, 1408

i07693899

NOTE	REF NO	GRAPHIC REF	PART NUMBER	QTY	PART NAME						SEE PAGE
					1	2	3	4	5	6 (PRODUCT LEVEL)	
1		1	446-1264	1	SENSOR AS-TEMPERATURE (EXHAUST GAS)						
		1	435-4932	2	SENSOR AS-TEMPERATURE (EXHAUST GAS)						
2		1	471-6029	1	INJECTOR & MTG GP-DEF						
		1	446-1273	1	CLAMP AS						
		1	479-2647	1	GASKET						
3		1	454-8293	1	RECEPTACLE GP-ELECTRICAL						
		1	316-9351	1	MOUNTING-CABLE TIE						
		1	326-4516	1	TIE-CABLE						



GRAPHIC #1

<END>

g06397227

ELECTRICAL AND STARTING SYSTEM

479-9470 ELECTRICAL GP-DEF

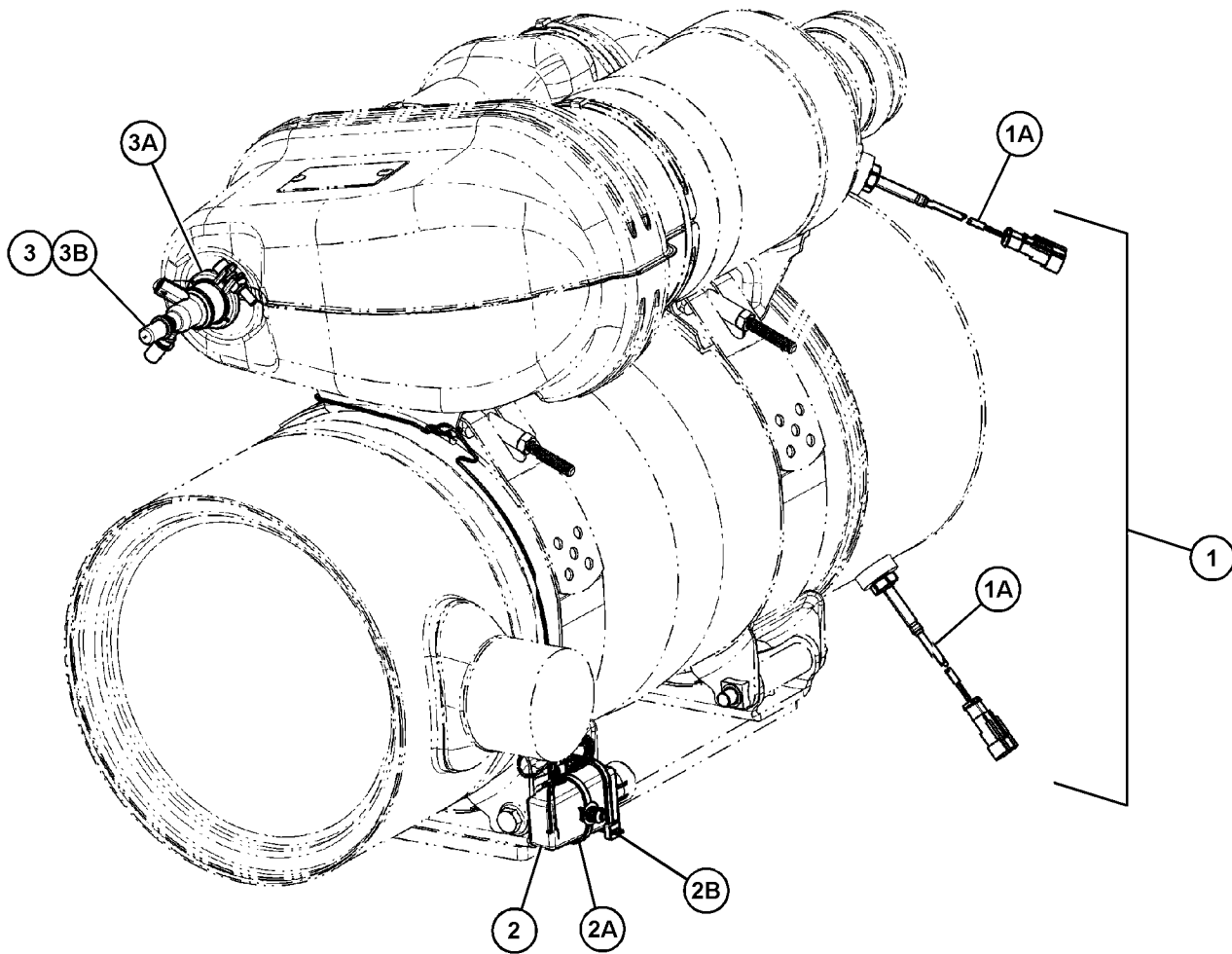
S/N: JKT1-UP

PART OF 479-6503 MODULE AR-CLEAN EMISSIONS
ALSO AN ATTACHMENT

SMCS-108K, 1400, 1408

i06815284

NOTE	REF NO	GRAPHIC REF	PART NUMBER	QTY	PART NAME						SEE PAGE
					1	2	3	4	5	6 (PRODUCT LEVEL)	
	1	1	446-1264	1	SENSOR AS-TEMPERATURE (EXHAUST GAS)						
	1A	1	435-4932	2	SENSOR AS-TEMPERATURE (EXHAUST GAS)						
	2	1	454-8293	1	RECEPTACLE GP-ELECTRICAL						
	2A	1	316-9351	1	MOUNTING-CABLE TIE						
	2B	1	326-4516	1	TIE-CABLE						
	3	1	471-6029	1	INJECTOR & MTG GP-DEF						
	3A	1	446-1273	1	CLAMP AS						
	3B	1	479-2647	1	GASKET						



GRAPHIC #1

<END>

g06141567

ELECTRICAL AND STARTING SYSTEM

477-0021 HARNESS AS-CAB

S/N: TH41-UP; TH91-UP

CAB

PART OF 493-1110 WIRING GP-CAB
AN ATTACHMENT

SMCS-1408

i07330511

NOTE	PART NUMBER	QTY	PART NAME						SEE PAGE
			1	2	3	4	5	6 (PRODUCT LEVEL)	
	9W-0852	1	PIN-CONNECTOR (14-GA TO 16-GA)						
	9X-3401	5	PIN-CONNECTOR (16-GA TO 18-GA)						
	8T-8737	13	PLUG-SEAL						
	8T-8730	2	SOCKET-CONNECTOR (16-GA TO 20-GA)						
	9W-0844	1	SOCKET-CONNECTOR (14-GA TO 16-GA)						

<END>

ELECTRICAL AND STARTING SYSTEM

493-1111 HARNESS AS-CAB

S/N: TH41-UP; TH91-UP

PART OF 493-1110 WIRING GP-CAB
AN ATTACHMENT

SMCS-1408

i07352654

NOTE	PART NUMBER	QTY	PART NAME						SEE PAGE
			1	2	3	4	5	6 (PRODUCT LEVEL)	
	362-8011	1	CONNECTOR (10-PIN)						
	362-8013	24	CONNECTOR (10-PIN)						
	362-8041	1	CONNECTOR (6-PIN)						
	459-3500	1	CONNECTOR (3-PIN)						
	460-2707	2	CONNECTOR (12-PIN)						
	460-4116	1	CONNECTOR (3-PIN)						
	493-5720	1	CONNECTOR (10-PIN)						
	506-3892	1	CONNECTOR (4-PIN)						
	506-3893	1	CONNECTOR (4-PIN)						
	506-3894	1	CONNECTOR						
	334-5876	4	CONNECTOR AS						
	213-8350	1	CONNECTOR AS						
	213-8351	1	CONNECTOR AS						
	5W-4957	3	PLUG-CONNECTOR (4-PIN)						
	196-7729	1	HOUSING						
	155-2260	2	KIT-CONNECTING PLUG (3-PIN)						
			(EACH INCLUDES PLUG AS & WEDGES)						
	9X-3401	12	PIN-CONNECTOR (16-GA TO 18-GA)						
	303-4969	15	PIN-CONNECTOR (16-GA TO 20-GA)						
	334-5870	3	PLUG (4-PIN)						
	334-5872	1	PLUG (6-PIN)						
	334-5874	1	PLUG (8-PIN)						
	313-5673	1	PLUG AS-CONNECTOR (6-PIN)						
	458-7526	3	PLUG AS-CONNECTOR (6-PIN)						
	217-5888	2	PLUG AS-CONNECTOR (3-PIN)						
	234-1857	1	PLUG-CONNECTOR (9-PIN)						
	234-1858	4	PLUG-CONNECTOR (12-PIN)						
	8T-8737	27	PLUG-SEAL						
	362-3821	13	PLUG-SEAL						
	104-7622	1	RECEPTACLE (6-PIN)						
	323-7236	1	RECEPTACLE AS-CONNECTOR (2-PIN)						
	362-6352	2	RECEPTACLE AS-CONNECTOR (1-PIN)						
	362-6353	4	RECEPTACLE AS-CONNECTOR (1-PIN)						
	362-8040	1	RECEPTACLE AS-CONNECTOR (6-PIN)						
	423-0594	4	RECEPTACLE AS-CONNECTOR (15-PIN)						
	325-9568	1	RECEPTACLE-CONNECTOR (9-PIN)						
	128-5016	8	SEAL-CABLE						
	356-2911	2	SOCKET-CONNECTOR (16-GA TO 20-GA)						
	8T-8730	58	SOCKET-CONNECTOR (16-GA TO 20-GA)						
	9W-0844	10	SOCKET-CONNECTOR (14-GA TO 16-GA)						
	122-4401	147	TERMINAL (12-GA TO 16-GA)						
	125-2627	2	TERMINAL (12-GA TO 16-GA)						
	549-8945	6	TERMINAL						
	334-5871	1	TERMINAL (2-PIN)						
	368-9616	13	TERMINAL (2-PIN)						
	390-0057	8	TERMINAL (14-GA TO 18-GA)						
	459-3499	2	TERMINAL (16-GA TO 20-GA)						

ELECTRICAL AND STARTING SYSTEM

493-1111 HARNESS AS-CAB (contd.)

107352654

NOTE	PART NUMBER	QTY	PART NAME						SEE PAGE
			1	2	3	4	5	6 (PRODUCT LEVEL)	
	478-7684	7	TERMINAL (20-GA)						
	493-5721	7	TERMINAL (20-GA TO 24-GA)						
	493-5892	2	TERMINAL						
	506-3898	3	TERMINAL						

<END>

ELECTRICAL AND STARTING SYSTEM

569-3740 HARNESS AS-CAB

S/N: TH41-UP; TH91-UP

PART OF 493-1110 WIRING GP-CAB
AN ATTACHMENT

SMCS-1408

i07713704

NOTE	REF NO	GRAPHIC REF	PART NUMBER	QTY	PART NAME						SEE PAGE
					1	2	3	4	5	6 (PRODUCT LEVEL)	
	1	1	5P-4571	1	TERMINAL-BLADE (14-GA TO 16-GA)						
	2	1	362-6352	2	RECEPTACLE AS-CONNECTOR (1-PIN)						
	3	2	128-5016	2	SEAL-CABLE						
	4	2	334-5876	1	CONNECTOR AS						
		2	128-5016	1	SEAL-CABLE						
		2	136-5488	1	LOCK						
		2	196-2412	2	TERMINAL AS (16-GA)						
					(EACH INCLUDES)						
		2	7R-2750	1	SEAL-CONNECTOR						
	5	2	334-5871	1	TERMINAL (2-PIN)						
	6	1	313-5673	1	PLUG AS-CONNECTOR (6-PIN)						
	7	1	443-6022	6	TERMINAL (FEMALE)						
	8	1	368-9616	2	TERMINAL (2-PIN)						
	9	2	213-8351	1	CONNECTOR AS						
	10	1,2,3	122-4401	55	TERMINAL (12-GA TO 16-GA)						
	11	2	213-8350	1	CONNECTOR AS						
	12	2	362-6353	1	RECEPTACLE AS-CONNECTOR (1-PIN)						
	13	1	493-5720	1	CONNECTOR (10-PIN)						
	14	1	493-5721	7	TERMINAL (20-GA TO 24-GA)						
	15	1	362-4935	1	CONNECTOR (2-PIN)						
	16	1,2	217-5893	9	CONNECTOR-SOCKET (16-GA TO 18-GA)						
	17	1	210-8314	4	SEAL-WIRE						
	18	1	104-7622	1	RECEPTACLE (6-PIN)						
	19	2	5W-4957	2	PLUG-CONNECTOR (4-PIN)						
	20	1,2,3	362-8013	8	CONNECTOR (10-PIN)						
	21	2	9X-3401	8	PIN-CONNECTOR (16-GA TO 18-GA)						
	22	2	8T-8729	11	PIN-CONNECTOR (16-GA TO 20-GA)						
	23	2	359-5180	1	RECEPTACLE AS-CONNECTOR (14-PIN)						
	24	2	506-3894	2	CONNECTOR						
	25	2	506-3898	3	TERMINAL						
	26	1	362-8011	1	CONNECTOR (10-PIN)						
	27	2	506-3892	1	CONNECTOR (4-PIN)						
	28	2	460-4116	1	CONNECTOR (3-PIN)						
	29	1	334-5874	1	PLUG (8-PIN)						
	30	1	478-7684	7	TERMINAL (20-GA)						
	31	1,2	217-5888	2	PLUG AS-CONNECTOR (3-PIN)						
	32	1,2	356-2911	12	SOCKET-CONNECTOR (16-GA TO 20-GA)						
	33	1	423-0594	2	RECEPTACLE AS-CONNECTOR (15-PIN)						
	34	1	234-1857	1	PLUG-CONNECTOR (9-PIN)						
	35	3	390-0057	5	TERMINAL (14-GA TO 18-GA)						
	36	1	196-7729	1	HOUSING						
	37	1	458-7526	3	PLUG AS-CONNECTOR (6-PIN)						
	38	1	459-3500	1	CONNECTOR (3-PIN)						
	39	1	459-3499	2	TERMINAL (16-GA TO 20-GA)						
	40	1,2	334-5872	2	PLUG (6-PIN)						
	41	1,2,3	9W-0844	13	SOCKET-CONNECTOR (14-GA TO 16-GA)						
	42	1,2,3	8T-8730	56	SOCKET-CONNECTOR (16-GA TO 20-GA)						

ELECTRICAL AND STARTING SYSTEM

569-3740 **HARNESS AS-CAB** (contd.)

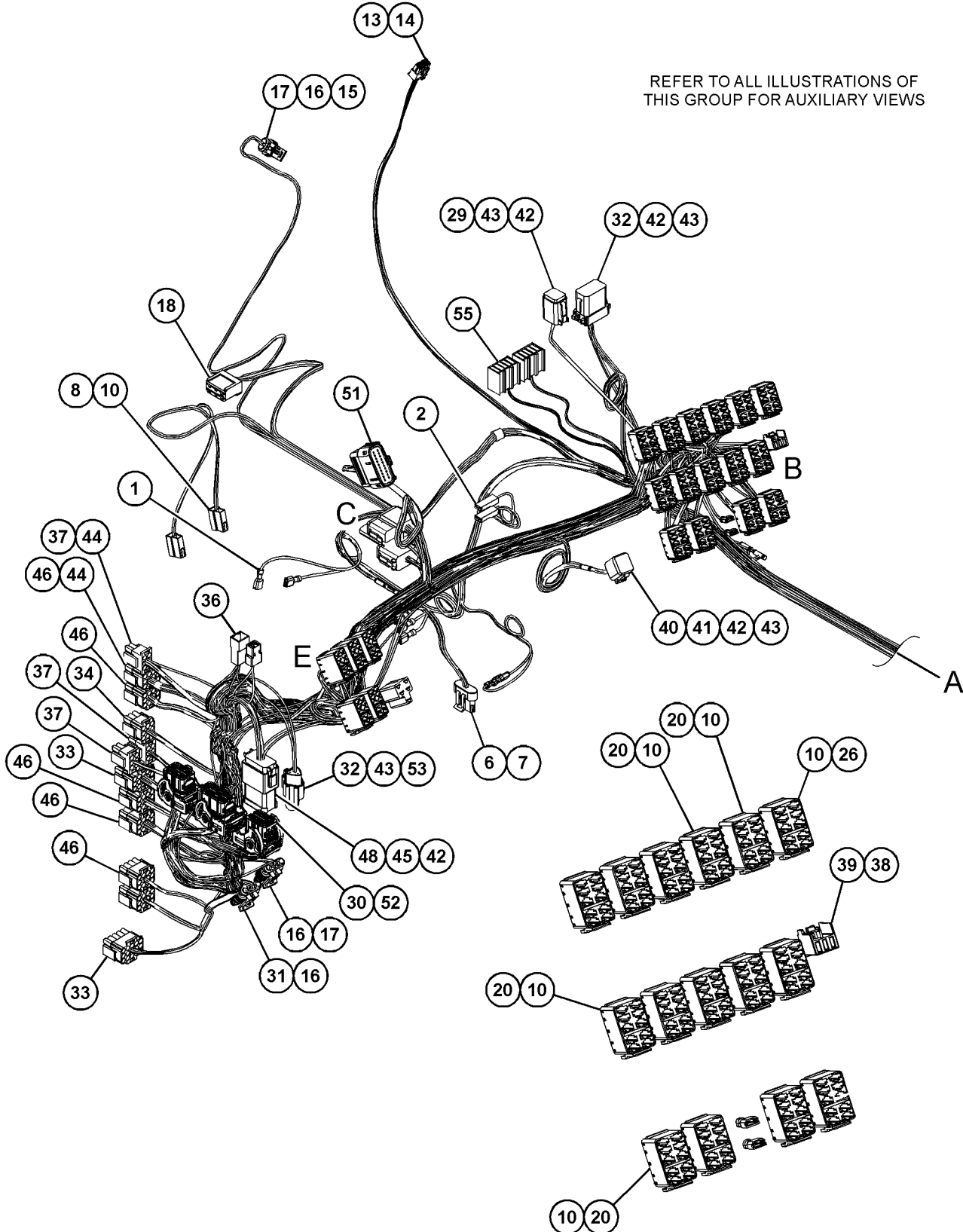
i07713704

NOTE	REF NO	GRAPHIC REF	PART NUMBER	QTY	PART NAME						SEE PAGE
					1	2	3	4	5	6 (PRODUCT LEVEL)	
	43	1,2,3	8T-8737	34	PLUG-SEAL						
	44	1	493-5892	2	TERMINAL						
	45	1	387-0817	1	RECEPTACLE AS-CONNECTOR (12-PIN)						
	46	1	234-1858	6	PLUG-CONNECTOR (12-PIN)						
	47	2,3	334-5870	3	PLUG (4-PIN)						
	48	1,3	460-2707	2	CONNECTOR (12-PIN)						
	49	3	9W-0852	1	PIN-CONNECTOR (14-GA TO 16-GA)						
	50	3	323-7236	1	RECEPTACLE AS-CONNECTOR (2-PIN)						
	51	1	362-3821	13	PLUG-SEAL						
	52	1	478-7686	10	PLUG (1-PIN)						
	53	1,2	507-4959	2	TERMINAL (3-PIN)						
	54	2	512-1104	1	RECEPTACLE AS-CONNECTOR (9-PIN)						
	55	1	579-4071	1	CONNECTOR						

ELECTRICAL AND STARTING SYSTEM

569-3740 HARNESS AS-CAB (contd.)

i07713704



REFER TO ALL ILLUSTRATIONS OF THIS GROUP FOR AUXILIARY VIEWS

VIEW OF AREA B
(PARTS REMOVED FOR CLARITY)

GRAPHIC #1

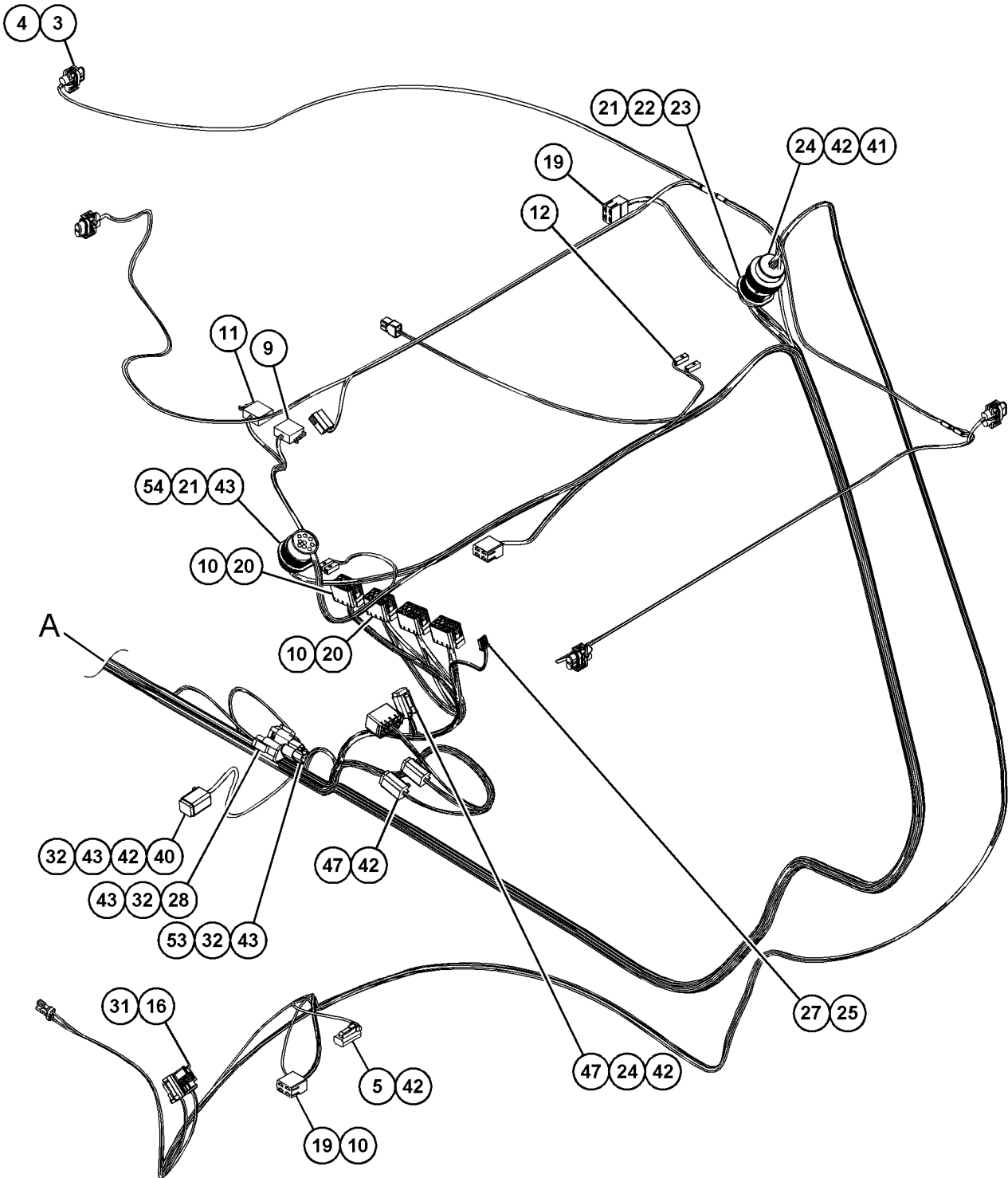
g06447644

ELECTRICAL AND STARTING SYSTEM

569-3740 HARNESS AS-CAB (contd.)

i07713704

REFER TO ALL ILLUSTRATIONS OF THIS GROUP FOR AUXILIARY VIEWS



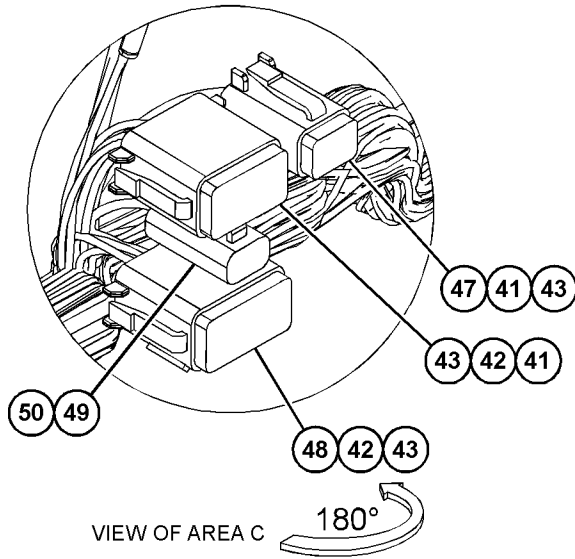
GRAPHIC #2

g06447645

ELECTRICAL AND STARTING SYSTEM

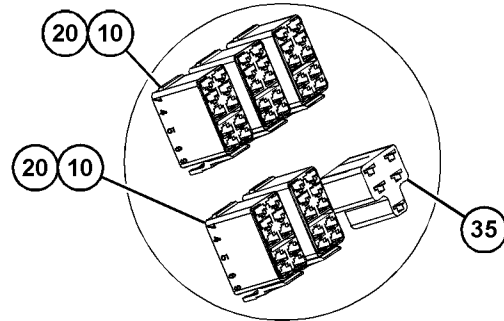
569-3740 HARNESS AS-CAB (contd.)

i07713704



VIEW OF AREA C

180°



VIEW OF AREA E
(PARTS REMOVED FOR CLARITY)

GRAPHIC #3

<END>

g06445619

ELECTRICAL AND STARTING SYSTEM

496-8319 HARNESS AS-CHASSIS

S/N: TH41-UP; TH91-UP
PART OF 496-8318 WIRING GP-BOOM
AN ATTACHMENT

SMCS-1408

i08085277

NOTE	PART NUMBER	QTY	PART NAME						SEE PAGE
			1	2	3	4	5	6 (PRODUCT LEVEL)	
	460-4116	1	CONNECTOR (3-PIN)						
	303-4969	2	PIN-CONNECTOR (16-GA TO 20-GA)						
	478-7686	17	PLUG (1-PIN)						
	478-7685	56	PLUG (1-PIN)						
	334-5870	2	PLUG (4-PIN)						
	8T-8737	6	PLUG-SEAL						
	456-1568	1	RING-TERMINAL						
	8T-8730	7	SOCKET-CONNECTOR (16-GA TO 20-GA)						
	356-2911	2	SOCKET-CONNECTOR (16-GA TO 20-GA)						
	9W-0844	3	SOCKET-CONNECTOR (14-GA TO 16-GA)						
	334-5873	1	TERMINAL (6-PIN)						
	334-5879	1	TERMINAL						
	507-4959	1	TERMINAL (3-PIN)						
<END>									

ELECTRICAL AND STARTING SYSTEM

590-4604 HARNESS AS-CHASSIS-REAR FRAME

S/N: TH41-UP; TH91-UP
PART OF 515-1888 WIRING GP-CHASSIS
ALSO AN ATTACHMENT

SMCS-1408

i08081862

NOTE	PART NUMBER	QTY	PART NAME						SEE PAGE
			1	2	3	4	5	6 (PRODUCT LEVEL)	
	362-4935	2	CONNECTOR (2-PIN)						
	362-6360	1	CONNECTOR (2-PIN)						
	460-2707	1	CONNECTOR (12-PIN)						
	460-4116	1	CONNECTOR (3-PIN)						
	506-3858	1	CONNECTOR (32-PIN)						
	506-9996	1	CONNECTOR (48-PIN)						
	523-5085	1	CONNECTOR						
	217-5893	7	CONNECTOR-SOCKET (16-GA TO 18-GA)						
	155-2270	1	KIT-CONNECTING PLUG (2-PIN)						
			(INCLUDES PLUG AS, WEDGE(S), & INTERFACE SEAL)						
	102-8801	1	KIT-RECEPTACLE (12-PIN)						
			(INCLUDES RECEPTACLE AS & WEDGE)						
	5E-9295	2	PIN-CONNECTOR (6-GA)						
	8T-8729	4	PIN-CONNECTOR (16-GA TO 20-GA)						
	202-5397	2	PLUG						
	334-5870	3	PLUG (4-PIN)						
	334-5872	2	PLUG (6-PIN)						
	334-5875	1	PLUG						
	478-7685	43	PLUG (1-PIN)						
	478-7686	5	PLUG (1-PIN)						
	247-8195	1	PLUG AS (3-PIN)						
	217-5888	1	PLUG AS-CONNECTOR (3-PIN)						
	8T-8737	16	PLUG-SEAL						
	203-8977	1	RECEPTACLE AS-CONNECTOR (6-PIN)						
	362-6352	1	RECEPTACLE AS-CONNECTOR (1-PIN)						
	456-1570	2	RING-TERMINAL						
	128-5016	2	SEAL-CABLE						
	210-8314	3	SEAL-WIRE						
	8T-8730	34	SOCKET-CONNECTOR (16-GA TO 20-GA)						
	9W-0844	6	SOCKET-CONNECTOR (14-GA TO 16-GA)						
	322-4838	3	SOCKET-CONNECTOR (16-GA TO 18-GA)						
	384-3682	12	TERMINAL (14-GA TO 16-GA)						
	484-9746	4	TERMINAL (12-GA TO 16-GA)						
<END>									

ELECTRICAL AND STARTING SYSTEM

590-4777 HARNESS AS-CHASSIS-FRONT FRAME

S/N: TH41-UP; TH91-UP

PART OF 515-1888 WIRING GP-CHASSIS

ALSO AN ATTACHMENT

SMCS-1408

i08081859

NOTE	PART NUMBER	QTY	PART NAME 1 2 3 4 5 6 (PRODUCT LEVEL)	SEE PAGE
	6R-0144	1	CONNECTOR (2-PIN)	
	362-4935	2	CONNECTOR (2-PIN)	
	460-2707	2	CONNECTOR (12-PIN)	
	460-4116	1	CONNECTOR (3-PIN)	
	217-5893	4	CONNECTOR-SOCKET (16-GA TO 18-GA)	
	155-2270	4	KIT-CONNECTING PLUG (2-PIN)	
			(EACH INCLUDES PLUG AS, WEDGE(S), & INTERFACE SEAL)	
	102-8801	1	KIT-RECEPTACLE (12-PIN)	
			(INCLUDES RECEPTACLE AS & WEDGE)	
	8T-8729	7	PIN-CONNECTOR (16-GA TO 20-GA)	
	9X-3401	1	PIN-CONNECTOR (16-GA TO 18-GA)	
	274-8267	4	PLUG (4-GA)	
	334-5872	3	PLUG (6-PIN)	
	478-7685	52	PLUG (1-PIN)	
	478-7686	3	PLUG (1-PIN)	
	247-8195	1	PLUG AS (3-PIN)	
	197-7261	1	PLUG AS-CONNECTOR (19-PIN)	
	230-4011	1	PLUG AS-CONNECTOR (2-PIN)	
	455-0704	1	SEAL-CONNECTOR	
	8T-8737	31	PLUG-SEAL	
	362-6352	1	RECEPTACLE AS-CONNECTOR (1-PIN)	
	456-1568	4	RING-TERMINAL	
	456-1570	5	RING-TERMINAL	
	7T-0094	14	SOCKET-CONNECTOR (12-GA TO 14-GA)	
	8T-8730	44	SOCKET-CONNECTOR (16-GA TO 20-GA)	
	9W-0844	22	SOCKET-CONNECTOR (14-GA TO 16-GA)	
	322-4838	3	SOCKET-CONNECTOR (16-GA TO 18-GA)	
	356-2911	4	SOCKET-CONNECTOR (16-GA TO 20-GA)	
	334-5879	2	TERMINAL	
	507-4959	2	TERMINAL (3-PIN)	

<END>

ELECTRICAL AND STARTING SYSTEM

501-0349 HARNESS AS-CONTROL

S/N: TH41-UP

PART OF 524-8429 WIRING GP-CONTROL
AN ATTACHMENT

SMCS-1408

i06895474

NOTE	PART NUMBER	QTY	PART NAME						SEE PAGE
			1	2	3	4	5	6 (PRODUCT LEVEL)	
	356-2911	6	SOCKET-CONNECTOR (16-GA TO 20-GA)						
	9X-3401	6	PIN-CONNECTOR (16-GA TO 18-GA)						
	334-5874	1	PLUG (8-PIN)						
	157-3584	1	PLUG-CONNECTOR (9-PIN)						
	8T-8737	18	PLUG-SEAL						
	303-4969	6	PIN-CONNECTOR (16-GA TO 20-GA)						
	303-4970	19	SOCKET-CONNECTOR (16-GA TO 20-GA)						
<END>									

501-0350 HARNESS AS-CONTROL

S/N: TH91-UP

PART OF 524-8430 WIRING GP-CONTROL
AN ATTACHMENT

SMCS-1408

i06857068

NOTE	PART NUMBER	QTY	PART NAME						SEE PAGE
			1	2	3	4	5	6 (PRODUCT LEVEL)	
	9X-3401	8	PIN-CONNECTOR (16-GA TO 18-GA)						
	303-4969	6	PIN-CONNECTOR (16-GA TO 20-GA)						
	334-5874	1	PLUG (8-PIN)						
	157-3584	1	PLUG-CONNECTOR (9-PIN)						
	8T-8737	20	PLUG-SEAL						
	356-2911	8	SOCKET-CONNECTOR (16-GA TO 20-GA)						
	8T-8730	19	SOCKET-CONNECTOR (16-GA TO 20-GA)						
<END>									

ELECTRICAL AND STARTING SYSTEM

432-5917 HARNESS AS-ENGINE

S/N: JKT1-UP

PART OF 433-4677 WIRING GP-ENGINE

ALSO AN ATTACHMENT

SMCS-1403, 1408

i06132927

NOTE	PART NUMBER	QTY	PART NAME 1 2 3 4 5 6 (PRODUCT LEVEL)	SEE PAGE
	8C-6354	1	CAP-RECEPTACLE (ET CONNECTOR)	
E	292-2896		CONDUIT (16.9-MM ID) (26-CM)	
	398-3671	1	COVER	
	155-2271	4	KIT-CONNECTING PLUG (4-PIN)	
			(EACH INCLUDES PLUG AS, WEDGE & INTERFACE SEAL)	
	316-9351	26	MOUNTING-CABLE TIE	
	9X-3401	6	PIN-CONNECTOR (16-GA TO 18-GA)	
			-OR-	
	126-1767	6	PIN-CONNECTOR (14-GA TO 16-GA)	
	230-4011	2	PLUG AS-CONNECTOR (2-PIN)	
			(EACH INCLUDES)	
	455-0704	1	SEAL-CONNECTOR	
	238-8245	1	PLUG AS-CONNECTOR (2-PIN)	
	455-0704	1	SEAL-CONNECTOR	
	239-7352	1	PLUG AS-CONNECTOR (6-PIN)	
	455-0707	1	SEAL-CONNECTOR	
	287-3133	1	PLUG AS-CONNECTOR (6-PIN)	
	455-0707	1	SEAL-CONNECTOR	
	281-8801	1	PLUG AS-CONNECTOR (2-PIN)	
	455-0704	1	SEAL-CONNECTOR	
	281-8803	1	PLUG AS-CONNECTOR (3-PIN)	
	455-0705	1	SEAL-CONNECTOR	
	281-8804	3	PLUG AS-CONNECTOR (3-PIN)	
			(EACH INCLUDES)	
	455-0705	1	SEAL-CONNECTOR	
	374-8332	1	PLUG AS-CONNECTOR	
	435-5221	1	KIT-BOLT (CONNECTOR)	
	435-5222	1	SEAL	
	8T-8737	12	PLUG-SEAL	
	270-1784	1	RECEPTACLE AS-CONNECTOR (9-PIN)	
	169-0705	39	PLUG-SEAL	
	8T-8730	8	SOCKET-CONNECTOR (16-GA TO 20-GA)	
	9X-3402	30	SOCKET-CONNECTOR (16-GA TO 18-GA)	
			-OR-	
	126-1768	30	SOCKET-CONNECTOR (14-GA TO 16-GA)	
	344-1686	7	SOCKET-CONNECTOR (18-GA)	
	394-9569	40	SOCKET-CONNECTOR (16-GA TO 18-GA)	
	217-9039	5	STRAP-CABLE	
	365-5772	1	WIRE AS	
	091-7473	2	SPLICE-WIRE	
	365-5773	1	WIRE AS	
	091-7473	2	SPLICE-WIRE	
	365-5774	1	WIRE AS	
	091-7473	3	SPLICE-WIRE	
E - ORDER BY THE CENTIMETER				
<END>				

ELECTRICAL AND STARTING SYSTEM

499-4244 HARNESS AS-ENGINE

S/N: TH91-UP

PART OF 516-1390 WIRING GP-ENGINE
AN ATTACHMENT

SMCS-1403, 1408

i07989710

NOTE	REF NO	GRAPHIC REF	PART NUMBER	QTY	PART NAME						SEE PAGE
					1	2	3	4	5	6 (PRODUCT LEVEL)	
	1	1	478-7676	1	CONNECTOR						
	2	1	202-0315	14	TERMINAL AS (12-GA)						
					(EACH INCLUDES)						
		1	128-4123	1	SEAL-CABLE						
	3	1	7R-2751	18	PLUG-CONNECTOR (1-PIN)						
	4	1	202-0313	18	TERMINAL AS (18-GA)						
					(EACH INCLUDES)						
		1	128-5016	1	SEAL-CABLE						
	5	1	7R-2750	6	SEAL-CONNECTOR						
	6	1	128-5016	9	SEAL-CABLE						
	7	1	299-0348	7	SEAL-CABLE						
	8	1	205-9362	1	PLUG AS-CONNECTOR						
	9	1	116-6159	2	SOCKET-TERMINAL (16-GA TO 20-GA)						
	10	1	265-4123	1	RECEPTACLE AS-CONNECTOR (9-PIN)						
	11	1,2	303-4969	42	PIN-CONNECTOR (16-GA TO 20-GA)						
	12	1,2	8T-8737	42	PLUG-SEAL						
	13	1	9X-3401	2	PIN-CONNECTOR (16-GA TO 18-GA)						
	14	2	7T-0094	1	SOCKET-CONNECTOR (12-GA TO 14-GA)						
	15	2	371-8537	1	KIT-RECEPTACLE (4-PIN)						
					(EACH RECEPTACLE KIT INCLUDES RECEPTACLE AS & WEDGE)						
	16	2	7T-0093	4	PIN-CONNECTOR (12-GA TO 14-GA)						
	17	1	102-8801	3	KIT-RECEPTACLE (12-PIN)						
					(EACH INCLUDES RECEPTACLE AS & WEDGE)						
	18	1	456-1570	2	RING-TERMINAL						
	19	1	299-0320	2	TERMINAL (14-GA TO 16-GA)						
	20	1	334-5871	12	TERMINAL (2-PIN)						
	21	1,2	8T-8730	40	SOCKET-CONNECTOR (16-GA TO 20-GA)						
	22	1,2	334-5873	1	TERMINAL (6-PIN)						
	23	1,2	230-4011	2	PLUG AS-CONNECTOR (2-PIN)						
					(EACH INCLUDES)						
		1,2	455-0704	1	SEAL-CONNECTOR						
	24	2	273-3143	1	PLUG AS-CONNECTOR (3-PIN)						
	25	2	362-3261	3	SEAL-CONNECTOR						
	26	2	155-2260	2	KIT-CONNECTING PLUG (3-PIN)						
					(EACH INCLUDES PLUG AS, WEDGE, & INTERFACE SEAL)						
	27	2	356-2911	6	SOCKET-CONNECTOR (16-GA TO 20-GA)						
	28	2	460-4116	1	CONNECTOR (3-PIN)						
	29	2	334-5874	1	PLUG (8-PIN)						
	30	2	334-5872	1	PLUG (6-PIN)						
	31	1	349-7364	8	SOCKET-CONNECTOR (12-GA TO 16-GA)						
	32	1	346-3533	2	PLUG-CONNECTOR (1-PIN)						
	33	1	459-3504	1	CONNECTOR (60-PIN)						
	34	1	459-3503	6	TERMINAL (13-GA TO 17-GA)						
	35	1	313-5671	6	PLUG-SEAL						
	36	1	456-5403	2	TERMINAL						
	37	1	202-5400	20	PLUG						

ELECTRICAL AND STARTING SYSTEM

499-4244 HARNESS AS-ENGINE (contd.)

i07989710

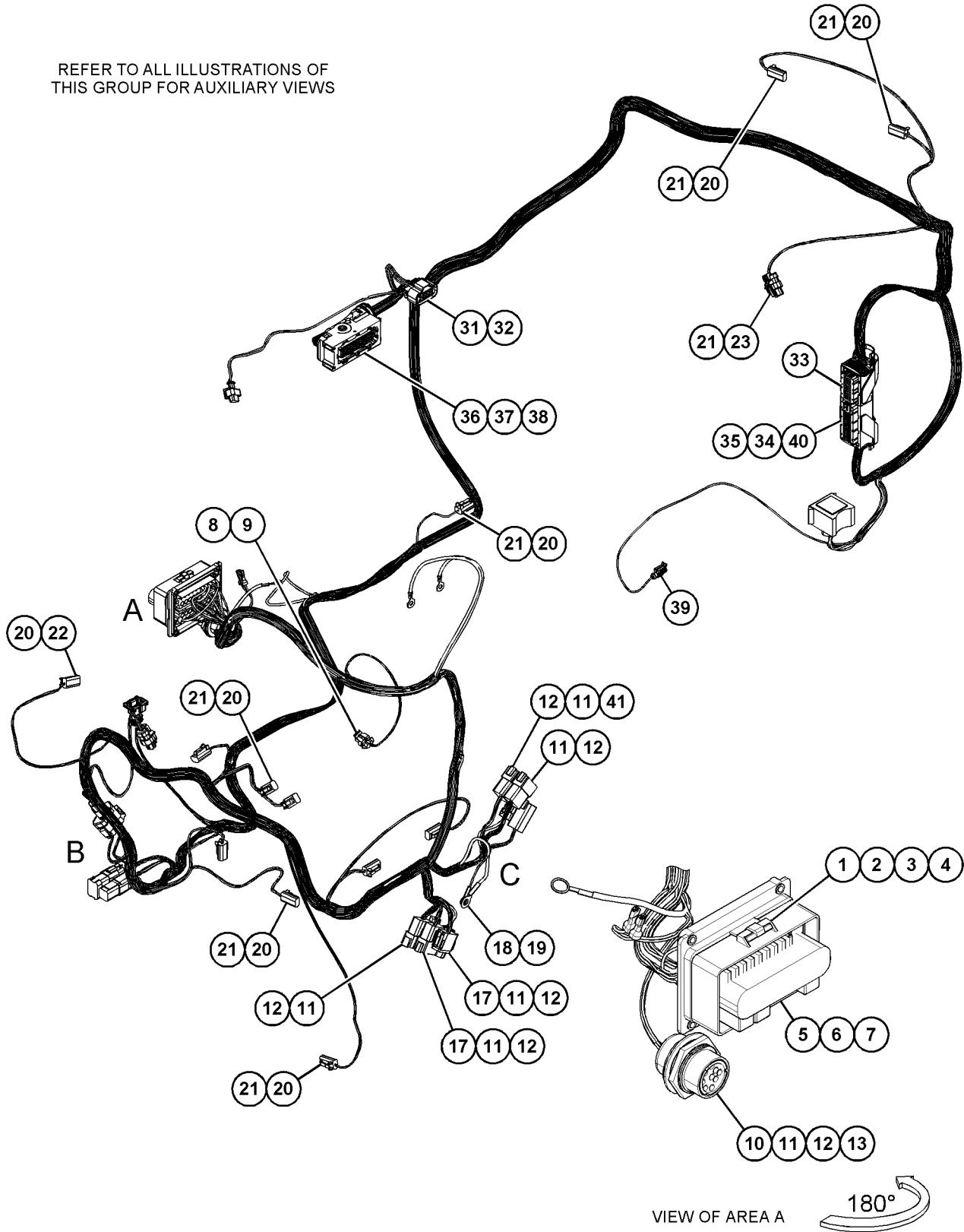
NOTE	REF NO	GRAPHIC REF	PART NUMBER	QTY	PART NAME						SEE PAGE
					1	2	3	4	5	6 (PRODUCT LEVEL)	
	38	1	202-5397	2	PLUG						
	39	1	217-5893	1	CONNECTOR-SOCKET (16-GA TO 18-GA)						
	40	1	459-3502	1	CONNECTOR (94-PIN)						
	41	1	370-4059	1	KIT-RECEPTACLE (12-PIN)						
(INCLUDES RECEPTACLE AS & WEDGE)											

ELECTRICAL AND STARTING SYSTEM

499-4244 HARNESS AS-ENGINE (contd.)

i07989710

REFER TO ALL ILLUSTRATIONS OF THIS GROUP FOR AUXILIARY VIEWS



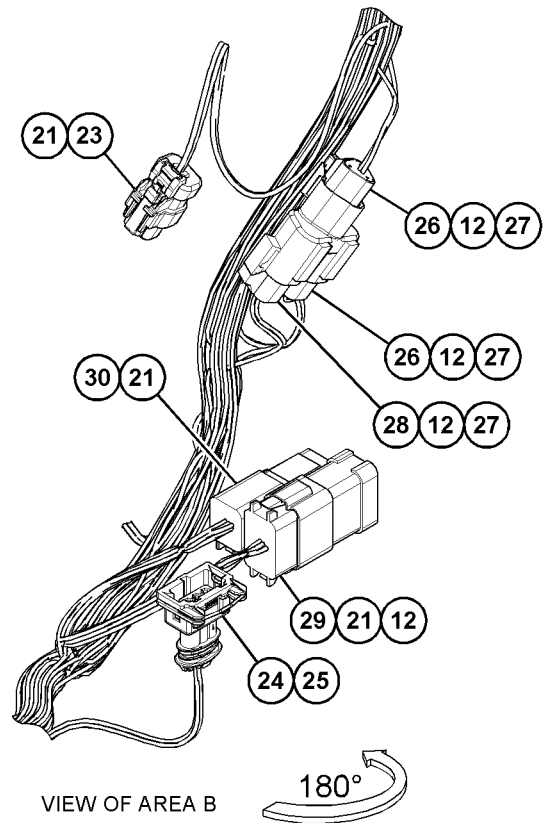
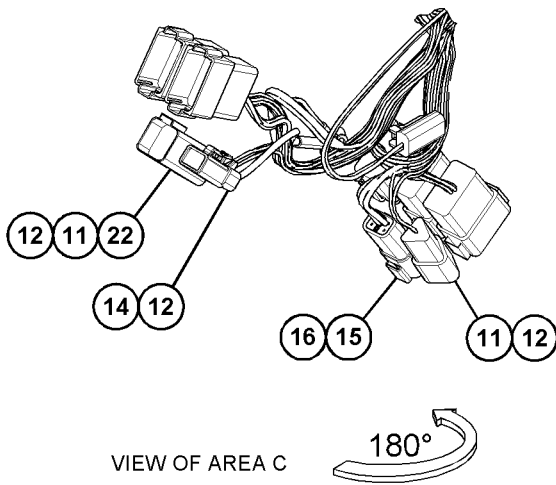
GRAPHIC #1

g06500444

ELECTRICAL AND STARTING SYSTEM

499-4244 HARNESS AS-ENGINE (contd.)

i07989710



GRAPHIC #2

<END>

g06500445

ELECTRICAL AND STARTING SYSTEM

499-4245 HARNESS AS-ENGINE

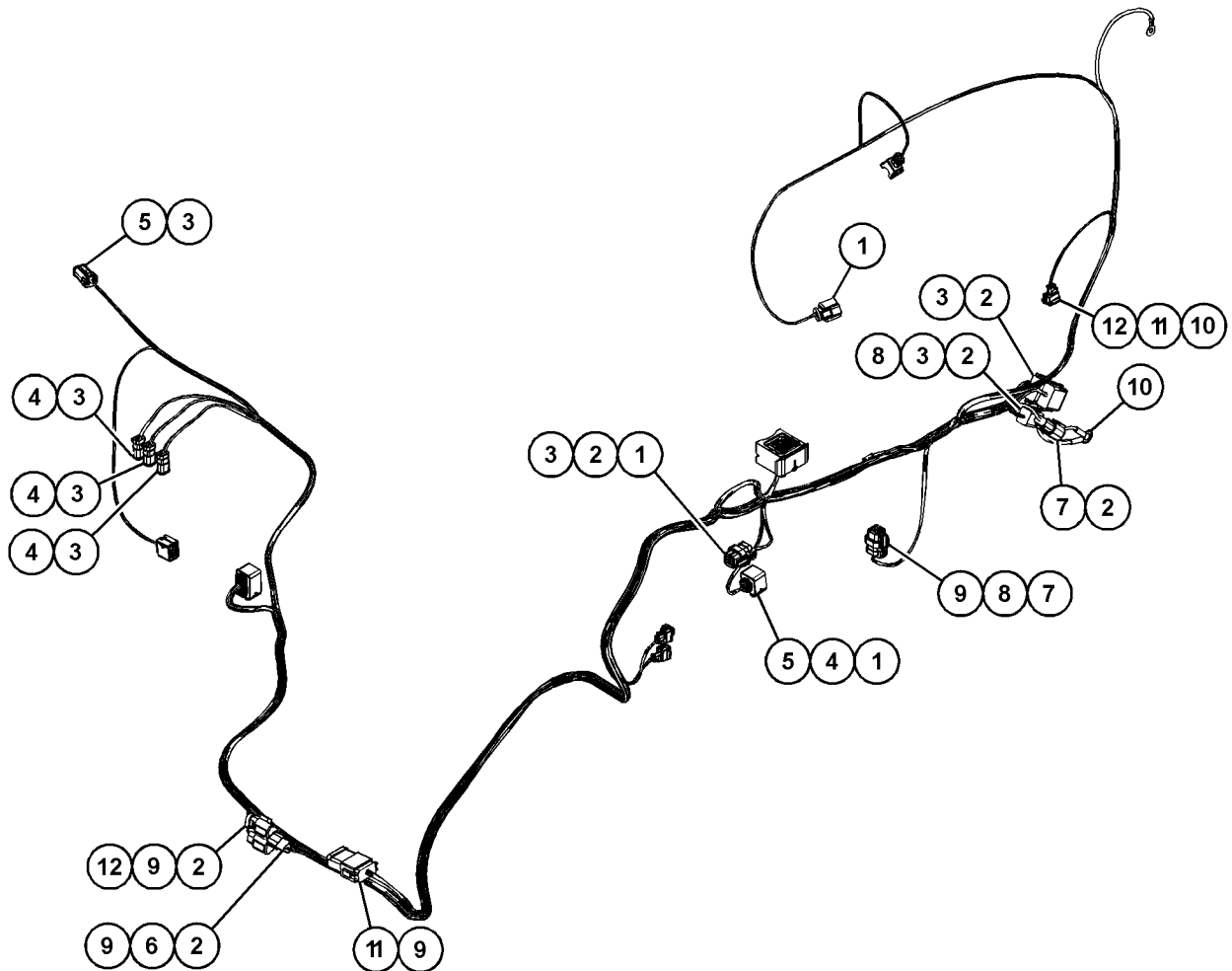
S/N: TH91-UP

PART OF 516-1390 WIRING GP-ENGINE
AN ATTACHMENT

SMCS-1403, 1408

i06756398

NOTE	REF NO	GRAPHIC REF	PART NUMBER	QTY	PART NAME						SEE PAGE
					1	2	3	4	5	6 (PRODUCT LEVEL)	
	1	1	362-3261	8	SEAL-CONNECTOR						
	2	1	8T-8737	14	PLUG-SEAL						
	3	1	303-4970	28	SOCKET-CONNECTOR (16-GA TO 20-GA)						
	4	1	155-2270	3	KIT-CONNECTING PLUG (2-PIN)						
	5	1	155-2271	1	KIT-CONNECTING PLUG (4-PIN)						
	6	1	155-2260	1	KIT-CONNECTING PLUG (3-PIN)						
(EACH PLUG KIT INCLUDES PLUG AS, WEDGE, & INTERFACE SEAL)											
	7	1	303-4972	1	TERMINAL (12-GA)						
	8	1	334-5872	1	PLUG (6-PIN)						
	9	1	356-2911	16	SOCKET-CONNECTOR (16-GA TO 20-GA)						
	10	1	456-1570	2	RING-TERMINAL						
	11	1	460-2707	1	CONNECTOR (12-PIN)						
	12	1	460-4116	1	CONNECTOR (3-PIN)						



GRAPHIC #1

<END>

g06134445

ELECTRICAL AND STARTING SYSTEM

500-2295 HARNESS AS-ENGINE

S/N: TH41-UP; TH91-UP
PART OF 516-1392 WIRING GP-ENGINE
AN ATTACHMENT

SMCS-1403, 1408

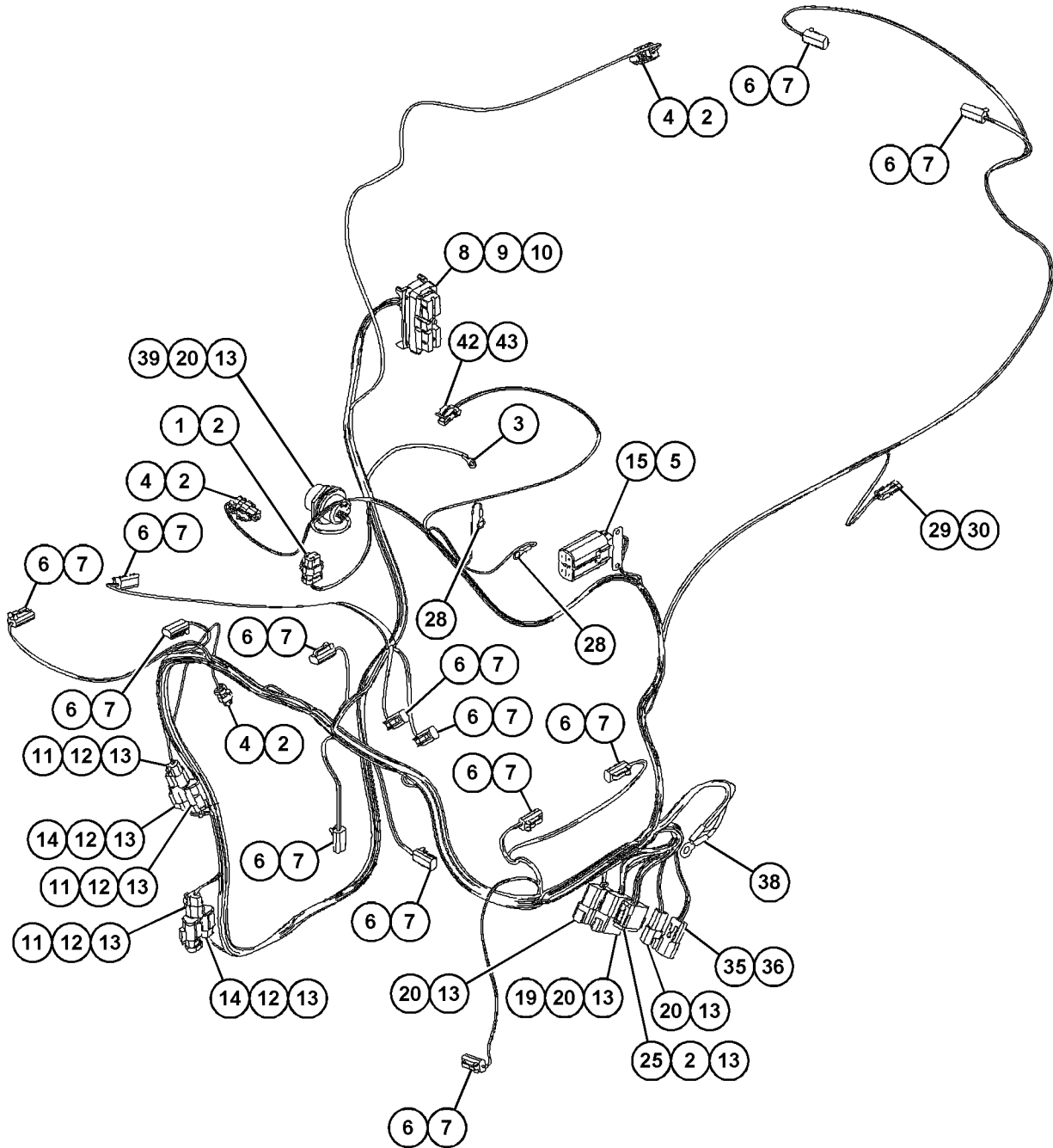
i08070747

NOTE	REF NO	GRAPHIC REF	PART NUMBER	QTY	PART NAME						SEE PAGE
					1	2	3	4	5	6 (PRODUCT LEVEL)	
	1	1	240-7878	1	PLUG AS-CONNECTOR (3-PIN)						
		1	455-0705	1	SEAL-CONNECTOR						
2		1	8T-8730	12	SOCKET-CONNECTOR (16-GA TO 20-GA)						
3		1	334-5867	1	TERMINAL-RING						
		1	455-0704	1	SEAL-CONNECTOR						
4		1	230-4011	1	PLUG AS-CONNECTOR (2-PIN)						
		1	455-0704	1	SEAL-CONNECTOR						
5		1	7R-2751	4	PLUG-CONNECTOR (1-PIN)						
6		1	334-5871	2	TERMINAL (2-PIN)						
7		1	8T-8730	4	SOCKET-CONNECTOR (16-GA TO 20-GA)						
8		1	305-2095	1	PLUG						
9		1	9X-1056	20	TERMINAL-RECEPTACLE (14-GA TO 16-GA)						
10		1	368-3140	44	SOCKET-CONNECTOR						
11		1	507-4959	1	TERMINAL (3-PIN)						
12		1	356-2911	4	SOCKET-CONNECTOR (16-GA TO 20-GA)						
13		1	8T-8737	19	PLUG-SEAL						
14		1	460-4116	1	CONNECTOR (3-PIN)						
15		1	196-2385	1	KIT-CONNECTING PLUG (8-PIN)						
					(INCLUDES PLUG AS, LOCK CONNECTOR & TERMINAL ASSEMBLIES)						
19		1	102-8801	1	KIT-RECEPTACLE (12-PIN)						
					(EACH INCLUDES RECEPTACLE AS & WEDGE)						
20		1	303-4969	24	PIN-CONNECTOR (16-GA TO 20-GA)						
25		1	460-2707	1	CONNECTOR (12-PIN)						
28		1	456-1524	1	RING-TERMINAL						
29		1	122-4382	1	CONNECTOR-RECEPTACLE (10-PIN)						
30		1	122-4377	2	TERMINAL						
35		1	371-8537	1	KIT-RECEPTACLE (4-PIN)						
					(INCLUDES RECEPTACLE AS & WEDGE)						
36		1	7T-0093	4	PIN-CONNECTOR (12-GA TO 14-GA)						
38		1	456-1570	1	RING-TERMINAL						
39		1	265-4123	1	RECEPTACLE AS-CONNECTOR (9-PIN)						
42		1	116-6158	1	PLUG AS-CONNECTOR (2-PIN)						
43		1	116-6159	2	SOCKET-TERMINAL (16-GA TO 20-GA)						

ELECTRICAL AND STARTING SYSTEM

500-2295 HARNESS AS-ENGINE (contd.)

i08070747



GRAPHIC #1

<END>

g06562091

ELECTRICAL AND STARTING SYSTEM

500-3150 HARNESS AS-ENGINE

S/N: TH41-UP; TH91-UP; JKT1-UP
PART OF 516-1391 WIRING GP-ENGINE
AN ATTACHMENT

SMCS-1403, 1408

i06811741

NOTE	PART NUMBER	QTY	PART NAME 1 2 3 4 5 6 (PRODUCT LEVEL)	SEE PAGE
	460-4116	1	CONNECTOR (3-PIN)	
	122-4382	1	CONNECTOR-RECEPTACLE (10-PIN)	
	155-2260	1	KIT-CONNECTING PLUG (3-PIN)	
			(INCLUDES PLUG AS, WEDGE, & INTERFACE SEAL)	
	102-8801	2	KIT-RECEPTACLE (12-PIN)	
	371-8537	1	KIT-RECEPTACLE (4-PIN)	
			(EACH RECEPTACLE KIT INCLUDES RECEPTACLE AS & WEDGE)	
	9X-3401	4	PIN-CONNECTOR (16-GA TO 18-GA)	
	303-4969	39	PIN-CONNECTOR (16-GA TO 20-GA)	
	303-4971	4	PIN-CONNECTOR (12-GA TO 14-GA)	
	334-5874	1	PLUG (8-PIN)	
	205-9362	1	PLUG AS-CONNECTOR	
	230-4011	3	PLUG AS-CONNECTOR (2-PIN)	
			(EACH INCLUDES)	
	455-0704	1	SEAL-CONNECTOR	
	230-5008	1	PLUG AS-CONNECTOR (4-PIN)	
	455-0706	1	SEAL-CONNECTOR	
	374-8331	1	PLUG AS-CONNECTOR (86-PIN)	
	435-5221	1	KIT-BOLT (CONNECTOR)	
	435-5222	1	SEAL	
	7R-2751	37	PLUG-CONNECTOR (1-PIN)	
	8T-8737	19	PLUG-SEAL	
	265-4123	1	RECEPTACLE AS-CONNECTOR (9-PIN)	
	456-1570	2	RING-TERMINAL	
	169-0705	55	PLUG-SEAL	
	128-5016	6	SEAL-CABLE	
	299-0348	3	SEAL-CABLE	
	7R-2750	6	SEAL-CONNECTOR	
	356-2911	12	SOCKET-CONNECTOR (16-GA TO 20-GA)	
	322-4838	25	SOCKET-CONNECTOR (16-GA TO 18-GA)	
	303-4970	47	SOCKET-CONNECTOR (16-GA TO 20-GA)	
	116-6159	2	SOCKET-TERMINAL (16-GA TO 20-GA)	
	334-5871	15	TERMINAL (2-PIN)	
	202-0313	8	TERMINAL AS (18-GA)	
			(EACH INCLUDES)	
	128-5016	1	SEAL-CABLE	
	202-0315	6	TERMINAL AS (12-GA)	
			(EACH INCLUDES)	
	128-4123	1	SEAL-CABLE	
	334-5864	4	TERMINAL-RING	
	334-5867	2	TERMINAL-RING	
			<END>	

ELECTRICAL AND STARTING SYSTEM

500-3152 HARNESS AS-ENGINE

S/N: TH41-UP; TH91-UP; JKT1-UP
PART OF 516-1391 WIRING GP-ENGINE
AN ATTACHMENT

SMCS-1403, 1408

i07925854

NOTE	PART NUMBER	QTY	PART NAME 1 2 3 4 5 6 (PRODUCT LEVEL)	SEE PAGE
	362-4935	1	CONNECTOR (2-PIN)	
	460-2707	1	CONNECTOR (12-PIN)	
	460-4116	1	CONNECTOR (3-PIN)	
	217-5893	2	CONNECTOR-SOCKET (16-GA TO 18-GA)	
	155-2260	1	KIT-CONNECTING PLUG (3-PIN) (INCLUDES PLUG AS, WEDGES, & INTERFACE SEAL)	
	155-2271	1	KIT-CONNECTING PLUG (4-PIN) (INCLUDES PLUG AS, WEDGE, & INTERFACE SEAL)	
	281-8811	1	PLUG AS-CONNECTOR (6-PIN)	
	455-0707	1	SEAL-CONNECTOR	
	8T-8737	19	PLUG-SEAL	
	331-3595	1	RECEPTACLE (31-PIN)	
	456-1570	2	RING-TERMINAL	
	395-9551	2	SEAL	
	299-0348	1	SEAL-CABLE	
	356-2911	55	SOCKET-CONNECTOR (16-GA TO 20-GA)	
	8T-8730	20	SOCKET-CONNECTOR (16-GA TO 20-GA)	
	334-5871	3	TERMINAL (2-PIN)	
<END>				

ELECTRICAL AND STARTING SYSTEM

499-0182 HARNESS AS-FRONT-FRAME

S/N: TH41-UP; TH91-232

PART OF 515-1888 WIRING GP-CHASSIS

SMCS-1408

i06624636

NOTE	PART NUMBER	QTY	PART NAME 1 2 3 4 5 6 (PRODUCT LEVEL)	SEE PAGE
	460-2707	4	CONNECTOR (12-PIN)	
	460-4116	3	CONNECTOR (3-PIN)	
	155-2260	3	KIT-CONNECTING PLUG (3-PIN) (INCLUDES PLUG AS, WEDGE, & INTERFACE SEAL)	
	102-8801	1	KIT-RECEPTACLE (12-PIN) (INCLUDES RECEPTACLE AS & WEDGE)	
	9X-3401	1	PIN-CONNECTOR (16-GA TO 18-GA)	
	303-4969	12	PIN-CONNECTOR (16-GA TO 20-GA)	
	334-5872	3	PLUG (6-PIN)	
	334-5874	1	PLUG (8-PIN)	
	274-8267	4	PLUG (4-GA)	
	247-8195	1	PLUG AS (3-PIN)	
	197-7261	1	PLUG AS-CONNECTOR (19-PIN)	
	230-4011	1	PLUG AS-CONNECTOR (2-PIN)	
	8T-8737	37	PLUG-SEAL	
	456-1570	7	RING-TERMINAL	
	356-2911	6	SOCKET-CONNECTOR (16-GA TO 20-GA)	
	7T-0094	2	SOCKET-CONNECTOR (12-GA TO 14-GA)	
	322-4838	3	SOCKET-CONNECTOR (16-GA TO 18-GA)	
	303-4970	82	SOCKET-CONNECTOR (16-GA TO 20-GA)	
	334-5871	7	TERMINAL (2-PIN)	
	334-5879	6	TERMINAL	
<END>				

ELECTRICAL AND STARTING SYSTEM

551-3894 HARNESS AS-FRONT CHASSIS

S/N: TH41-UP; TH91-UP
PART OF 515-1888 WIRING GP-CHASSIS
ALSO AN ATTACHMENT

SMCS-1408

i07422665

NOTE	PART NUMBER	QTY	PART NAME 1 2 3 4 5 6 (PRODUCT LEVEL)	SEE PAGE
	460-2707	7	CONNECTOR (12-PIN)	
	460-4116	2	CONNECTOR (3-PIN)	
	102-8801	3	KIT-RECEPTACLE (12-PIN)	
			(EACH INCLUDES RECEPTACLE AS & WEDGE)	
	9X-3401	1	PIN-CONNECTOR (16-GA TO 18-GA)	
	303-4969	19	PIN-CONNECTOR (16-GA TO 20-GA)	
	334-5872	3	PLUG (6-PIN)	
	274-8267	4	PLUG (4-GA)	
	247-8195	1	PLUG AS (3-PIN)	
	197-7261	1	PLUG AS-CONNECTOR (19-PIN)	
	230-4011	1	PLUG AS-CONNECTOR (2-PIN)	
	455-0704	1	SEAL-CONNECTOR	
	8T-8737	65	PLUG-SEAL	
	323-7236	3	RECEPTACLE AS-CONNECTOR (2-PIN)	
	323-7238	1	RECEPTACLE (3-PIN)	
	362-6352	2	RECEPTACLE AS-CONNECTOR (1-PIN)	
	456-1570	7	RING-TERMINAL	
	356-2911	6	SOCKET-CONNECTOR (16-GA TO 20-GA)	
	7T-0094	14	SOCKET-CONNECTOR (12-GA TO 14-GA)	
	322-4838	3	SOCKET-CONNECTOR (16-GA TO 18-GA)	
	8T-8730	70	SOCKET-CONNECTOR (16-GA TO 20-GA)	
	9W-0844	27	SOCKET-CONNECTOR (14-GA TO 16-GA)	
	334-5871	8	TERMINAL (2-PIN)	
	334-5873	1	TERMINAL (6-PIN)	
	334-5879	6	TERMINAL	
			<END>	

ELECTRICAL AND STARTING SYSTEM

474-4112 HARNESS AS-HEATER & AIR COND

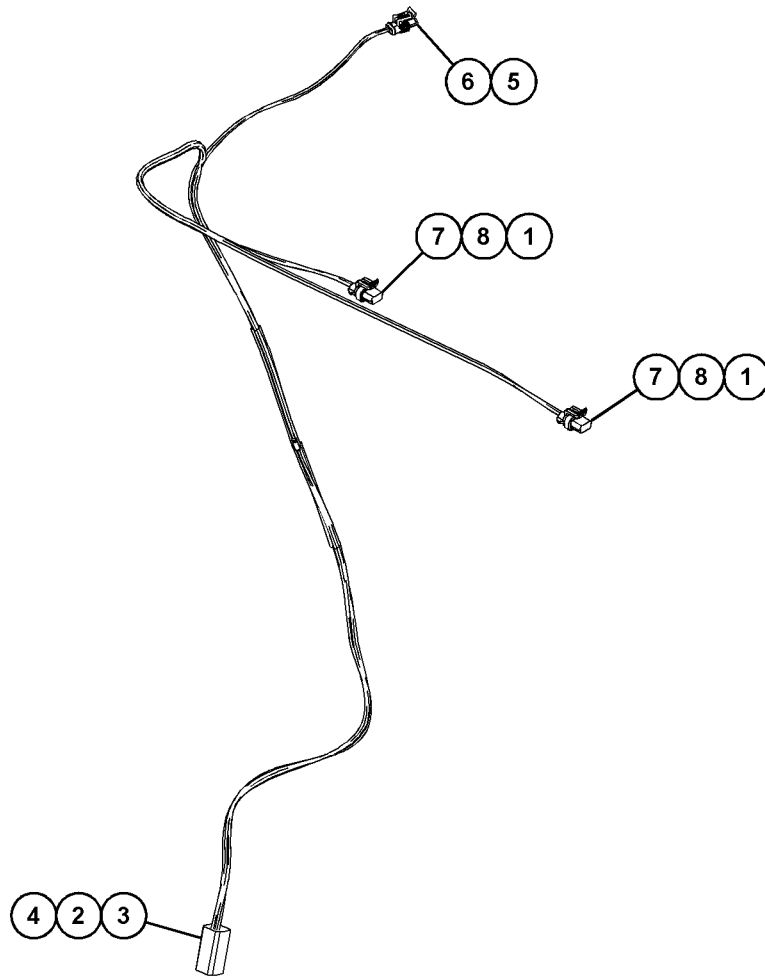
S/N: TH41-UP; TH91-UP

PART OF 501-0753, 514-4876 AIR CONDITIONER & MOUNTING GP
AN ATTACHMENT

SMCS-1408

i07576683

NOTE	REF NO	GRAPHIC REF	PART NUMBER	QTY	PART NAME						SEE PAGE
					1	2	3	4	5	6 (PRODUCT LEVEL)	
	1	1	7R-2750	4	SEAL-CONNECTOR						
	2	1	334-5873	1	TERMINAL (6-PIN)						
	3	1	9W-0852	4	PIN-CONNECTOR (14-GA TO 16-GA)						
	4	1	303-4969	2	PIN-CONNECTOR (16-GA TO 20-GA)						
	5	1	362-4935	1	CONNECTOR (2-PIN)						
	6	1	217-5893	2	CONNECTOR-SOCKET (16-GA TO 18-GA)						
	7	1	267-9572	4	SOCKET-CONNECTION (18-GA)						
	8	1	362-6360	2	CONNECTOR (2-PIN)						



GRAPHIC #1

<END>

g06368108

ELECTRICAL AND STARTING SYSTEM

474-7520 HARNESS AS-LIGHTING-HEADLIGHT

S/N: TH41-UP; TH91-UP

PART OF 560-5071, 560-7675 KIT-LIGHTING
AN ATTACHMENT

SMCS-1408

i06096213

NOTE	PART NUMBER	QTY	PART NAME						SEE PAGE
			1	2	3	4	5	6 (PRODUCT LEVEL)	
	304-2647	1	CONNECTOR						
	305-5467	1	CONNECTOR						
	102-8801	1	KIT-RECEPTACLE (12-PIN)						
			(INCLUDES RECEPTACLE AS & WEDGE)						
	9W-0852	10	PIN-CONNECTOR (14-GA TO 16-GA)						
	334-5872	2	PLUG (6-PIN)						
	8T-8737	3	PLUG-SEAL						
			<END>						

477-1801 HARNESS AS-LIGHTING

S/N: TH91-UP

PART OF 515-0966 LIGHTING GP-FRONT, 501-0759 LIGHTING GP-ROADING
AN ATTACHMENT

SMCS-1408

i06895624

NOTE	PART NUMBER	QTY	PART NAME						SEE PAGE
			1	2	3	4	5	6 (PRODUCT LEVEL)	
	9W-0852	5	PIN-CONNECTOR (14-GA TO 16-GA)						
	334-5872	1	PLUG (6-PIN)						
	8T-8737	2	PLUG-SEAL						
	334-5873	1	TERMINAL (6-PIN)						
	9W-0844	5	SOCKET-CONNECTOR (14-GA TO 16-GA)						
			<END>						

491-2689 HARNESS AS-LIGHTING-TAIL LIGHTS

S/N: TH41-UP; TH91-UP

PART OF 560-5071, 560-7675 KIT-LIGHTING
AN ATTACHMENT

SMCS-1408

i06979220

NOTE	PART NUMBER	QTY	PART NAME						SEE PAGE
			1	2	3	4	5	6 (PRODUCT LEVEL)	
	102-8801	1	KIT-RECEPTACLE (12-PIN)						
			(INCLUDES RECEPTACLE AS & WEDGE)						
	303-4969	10	PIN-CONNECTOR (16-GA TO 20-GA)						
	202-5397	4	PLUG						
	8T-8737	2	PLUG-SEAL						
	384-3682	10	TERMINAL (14-GA TO 16-GA)						
			<END>						

ELECTRICAL AND STARTING SYSTEM

495-3047 HARNESS AS-LIGHTING

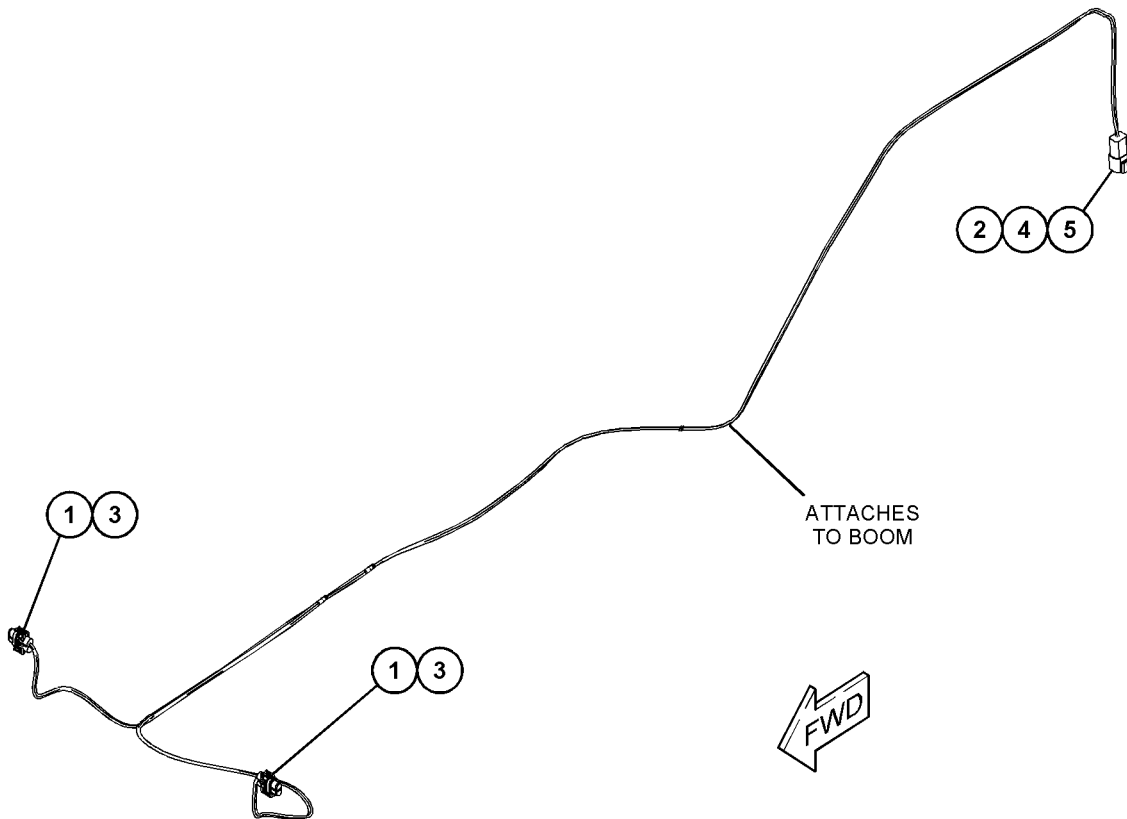
S/N: TH41-UP; TH91-UP

PART OF 495-2278 LIGHTING GP-BOOM, 503-7090 LIGHTING GP-FRONT
AN ATTACHMENT

SMCS-1408

i06635892

NOTE	REF NO	GRAPHIC REF	PART NUMBER	QTY	PART NAME						SEE PAGE
					1	2	3	4	5	6 (PRODUCT LEVEL)	
	1	1	334-5876	2	CONNECTOR AS						
	2	1	323-7237	1	RECEPTACLE AS-CONNECTOR (4-PIN)						
	3	1	357-6165	4	CONNECTOR (3-PIN)						
	4	1	303-4969	2	PIN-CONNECTOR (16-GA TO 20-GA)						
	5	1	8T-8737	2	PLUG-SEAL						



GRAPHIC #1

<END>

g06056923

ELECTRICAL AND STARTING SYSTEM

499-0183 HARNESS AS-REAR-FRAME

S/N: TH41-UP; TH91-UP

PART OF 515-1888 WIRING GP-CHASSIS

SMCS-1408

i06624635

NOTE	PART NUMBER	QTY	PART NAME 1 2 3 4 5 6 (PRODUCT LEVEL)	SEE PAGE
	362-6360	1	CONNECTOR (2-PIN)	
	460-2707	1	CONNECTOR (12-PIN)	
	460-4116	1	CONNECTOR (3-PIN)	
	102-8801	1	KIT-RECEPTACLE (12-PIN)	
			(INCLUDES RECEPTACLE AS & WEDGE)	
	5E-9295	2	PIN-CONNECTOR (6-GA)	
	9W-0852	1	PIN-CONNECTOR (14-GA TO 16-GA)	
	303-4969	10	PIN-CONNECTOR (16-GA TO 20-GA)	
	334-5870	3	PLUG (4-PIN)	
	334-5872	2	PLUG (6-PIN)	
	334-5875	1	PLUG	
	247-8195	1	PLUG AS (3-PIN)	
	217-5888	2	PLUG AS-CONNECTOR (3-PIN)	
	8T-8737	18	PLUG-SEAL	
	203-8977	1	RECEPTACLE AS-CONNECTOR (6-PIN)	
	159-9496	1	LOCKWASHER	
	203-9007	1	NUT (1-1/2-18-THD)	
	203-9000	1	PLUG AS (6-PIN)	
	203-8999	2	SEAL	
	203-9001	2	SLEEVE	
	456-1570	2	RING-TERMINAL	
	210-8314	6	SEAL-WIRE	
	128-5016	2	SEAL-CABLE	
	303-4970	53	SOCKET-CONNECTOR (16-GA TO 20-GA)	
	322-4838	3	SOCKET-CONNECTOR (16-GA TO 18-GA)	
	334-5871	16	TERMINAL (2-PIN)	
	384-3682	12	TERMINAL (14-GA TO 16-GA)	
			<END>	

ELECTRICAL AND STARTING SYSTEM

549-8129 HARNESS AS-REAR

S/N: TH41-UP; TH91-232

PART OF 515-1888 WIRING GP-CHASSIS

SMCS-1408

i08166781

NOTE	PART NUMBER	QTY	PART NAME 1 2 3 4 5 6 (PRODUCT LEVEL)	SEE PAGE
	362-4935	1	CONNECTOR (2-PIN)	
	460-2707	1	CONNECTOR (12-PIN)	
	460-4116	1	CONNECTOR (3-PIN)	
	506-3858	1	CONNECTOR (32-PIN)	
	523-5085	1	CONNECTOR	
	102-8801	1	KIT-RECEPTACLE (12-PIN)	
			(INCLUDES RECEPTACLE AS & WEDGE)	
	5E-9295	2	PIN-CONNECTOR (6-GA)	
	202-5397	2	PLUG	
	334-5870	3	PLUG (4-PIN)	
	334-5872	1	PLUG (6-PIN)	
	334-5874	6	PLUG (8-PIN)	
	247-8195	1	PLUG AS (3-PIN)	
	217-5888	1	PLUG AS-CONNECTOR (3-PIN)	
	8T-8737	57	PLUG-SEAL	
	323-7236	7	RECEPTACLE AS-CONNECTOR (2-PIN)	
	323-7237	3	RECEPTACLE AS-CONNECTOR (4-PIN)	
	203-8977	1	RECEPTACLE AS-CONNECTOR (6-PIN)	
	387-0817	1	RECEPTACLE AS-CONNECTOR (12-PIN)	
	457-8027	1	RECEPTACLE AS-CONNECTOR (3-PIN)	
	456-1570	2	RING-TERMINAL	
	210-8314	8	SEAL-WIRE	
	217-5893	8	CONNECTOR-SOCKET (16-GA TO 18-GA)	
	322-4838	3	SOCKET-CONNECTOR (16-GA TO 18-GA)	
	8T-8730	61	SOCKET-CONNECTOR (16-GA TO 20-GA)	
	334-5871	10	TERMINAL (2-PIN)	
	334-5873	2	TERMINAL (6-PIN)	
	384-3682	12	TERMINAL (14-GA TO 16-GA)	
	484-9746	1	TERMINAL (12-GA TO 16-GA)	

<END>

ELECTRICAL AND STARTING SYSTEM

567-6406 HARNESS AS-REAR

S/N: TH41-UP; TH91-UP
PART OF 515-1888 WIRING GP-CHASSIS
ALSO AN ATTACHMENT

SMCS-1408

i08054907

NOTE	PART NUMBER	QTY	PART NAME						SEE PAGE
			1	2	3	4	5	6 (PRODUCT LEVEL)	
	362-4935	1	CONNECTOR (2-PIN)						
	460-2707	1	CONNECTOR (12-PIN)						
	460-4116	1	CONNECTOR (3-PIN)						
	506-3858	1	CONNECTOR (32-PIN)						
	506-9996	1	CONNECTOR (48-PIN)						
	523-5085	1	CONNECTOR						
	217-5893	5	CONNECTOR-SOCKET (16-GA TO 18-GA)						
	102-8801	1	KIT-RECEPTACLE (12-PIN)						
			(INCLUDES RECEPTACLE AS & WEDGE)						
	5E-9295	2	PIN-CONNECTOR (6-GA)						
	303-4969	4	PIN-CONNECTOR (16-GA TO 20-GA)						
	202-5397	1	PLUG						
	334-5870	2	PLUG (4-PIN)						
	334-5872	2	PLUG (6-PIN)						
	478-7685	44	PLUG (1-PIN)						
	478-7686	5	PLUG (1-PIN)						
	334-5874	1	PLUG (8-PIN)						
	247-8195	1	PLUG AS (3-PIN)						
	217-5888	1	PLUG AS-CONNECTOR (3-PIN)						
	8T-8737	15	PLUG-SEAL						
	362-6352	2	RECEPTACLE AS-CONNECTOR (1-PIN)						
	203-8977	1	RECEPTACLE AS-CONNECTOR (6-PIN)						
	456-1570	1	RING-TERMINAL						
	210-8314	2	SEAL-WIRE						
	8T-8730	29	SOCKET-CONNECTOR (16-GA TO 20-GA)						
	9W-0844	6	SOCKET-CONNECTOR (14-GA TO 16-GA)						
	322-4838	3	SOCKET-CONNECTOR (16-GA TO 18-GA)						
	334-5871	1	TERMINAL (2-PIN)						
	384-3682	6	TERMINAL (14-GA TO 16-GA)						
	484-9746	1	TERMINAL (12-GA TO 16-GA)						
	571-9872	1	TERMINAL (18-GA TO 22-GA)						

<END>

ELECTRICAL AND STARTING SYSTEM

551-3893 HARNESS AS-REAR CHASSIS

S/N: TH41-154; TH9233-340

PART OF 515-1888 WIRING GP-CHASSIS

SMCS-1408

i07816926

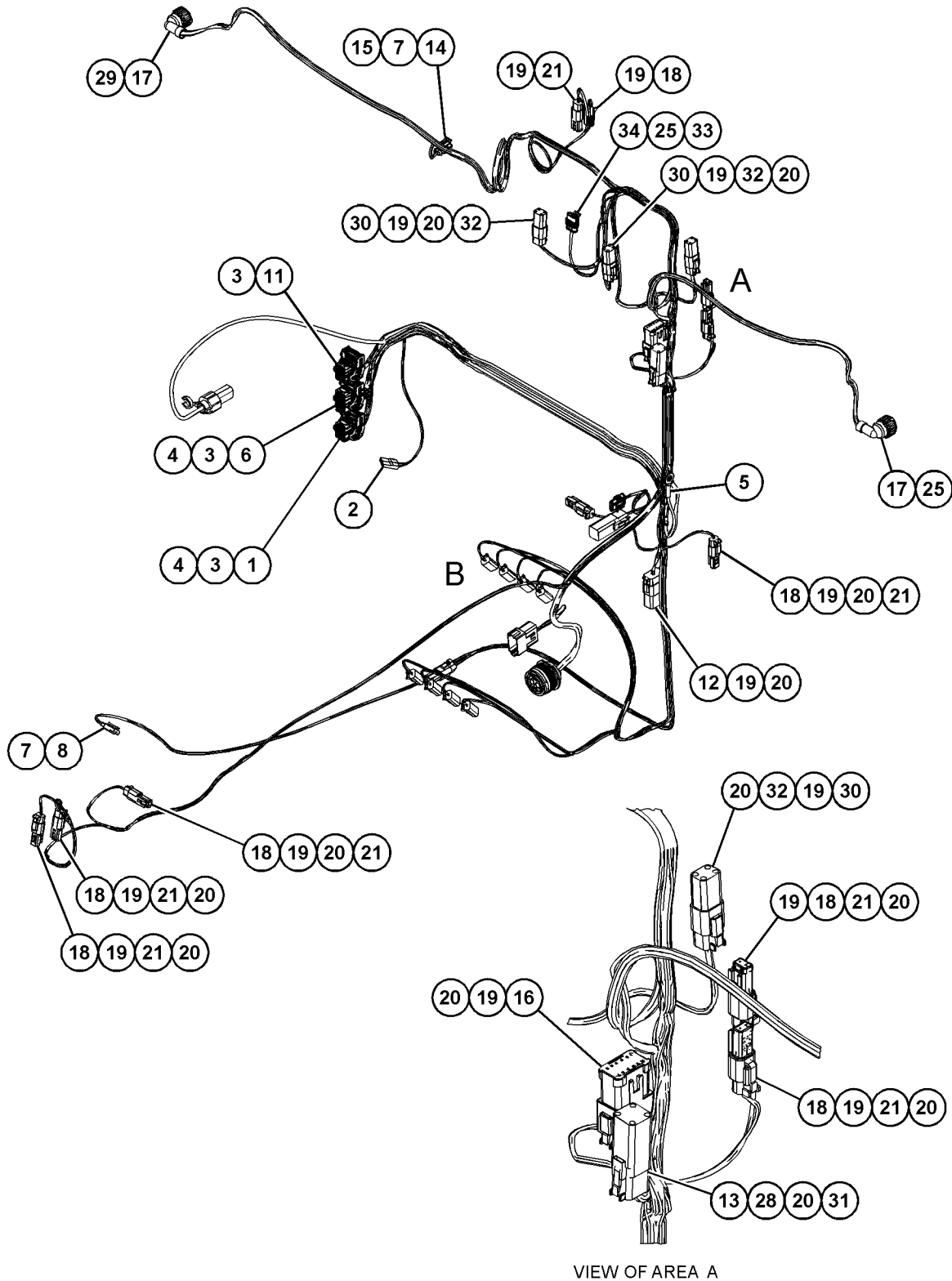
NOTE	REF NO	GRAPHIC REF	PART NUMBER	QTY	PART NAME						SEE PAGE
					1	2	3	4	5	6 (PRODUCT LEVEL)	
	1	1	506-3858	1	CONNECTOR (32-PIN)						
	2	1	362-6352	2	RECEPTACLE AS-CONNECTOR (1-PIN)						
	3	1	478-7685	44	PLUG (1-PIN)						
	4	1	478-7686	5	PLUG (1-PIN)						
	5	1	456-1570	2	RING-TERMINAL						
	6	1	506-9996	1	CONNECTOR (48-PIN)						
	7	1	247-8195	1	PLUG AS (3-PIN)						
	8	1	322-4838	3	SOCKET-CONNECTOR (16-GA TO 18-GA)						
	9	2	460-4116	1	CONNECTOR (3-PIN)						
	10	2	457-8027	1	RECEPTACLE AS-CONNECTOR (3-PIN)						
	11	1	523-5085	1	CONNECTOR						
	12	1	334-5874	1	PLUG (8-PIN)						
	13	1	9W-0844	6	SOCKET-CONNECTOR (14-GA TO 16-GA)						
	14	1	362-6360	1	CONNECTOR (2-PIN)						
	15	1	128-5016	2	SEAL-CABLE						
	16	1	460-2707	1	CONNECTOR (12-PIN)						
	17	1	384-3682	12	TERMINAL (14-GA TO 16-GA)						
	18	1,2	334-5871	17	TERMINAL (2-PIN)						
	19	1,2	8T-8730	65	SOCKET-CONNECTOR (16-GA TO 20-GA)						
	20	1,2	8T-8737	69	PLUG-SEAL						
	21	1,2	323-7236	7	RECEPTACLE AS-CONNECTOR (2-PIN)						
	22	2	102-8801	1	KIT-RECEPTACLE (12-PIN)						
					(INCLUDES RECEPTACLE AS & WEDGE)						
	23	2	303-4969	4	PIN-CONNECTOR (16-GA TO 20-GA)						
	24	2	484-9746	1	TERMINAL (12-GA TO 16-GA)						
	25	1,2	217-5893	6	CONNECTOR-SOCKET (16-GA TO 18-GA)						
	26	2	203-8977	1	RECEPTACLE AS-CONNECTOR (6-PIN)						
	27	2	5E-9295	2	PIN-CONNECTOR (6-GA)						
	28	1,2	334-5872	2	PLUG (6-PIN)						
	29	1	202-5397	2	PLUG						
	30	1	334-5870	3	PLUG (4-PIN)						
	31	1,2	334-5873	2	TERMINAL (6-PIN)						
	32	1	323-7237	3	RECEPTACLE AS-CONNECTOR (4-PIN)						
	33	1,2	217-5888	2	PLUG AS-CONNECTOR (3-PIN)						
	34	1,2	210-8314	6	SEAL-WIRE						

ELECTRICAL AND STARTING SYSTEM

551-3893 HARNESS AS-REAR CHASSIS (contd.)

i07816926

REFER TO ALL ILLUSTRATIONS OF THIS GROUP FOR AUXILIARY VIEWS



VIEW OF AREA A

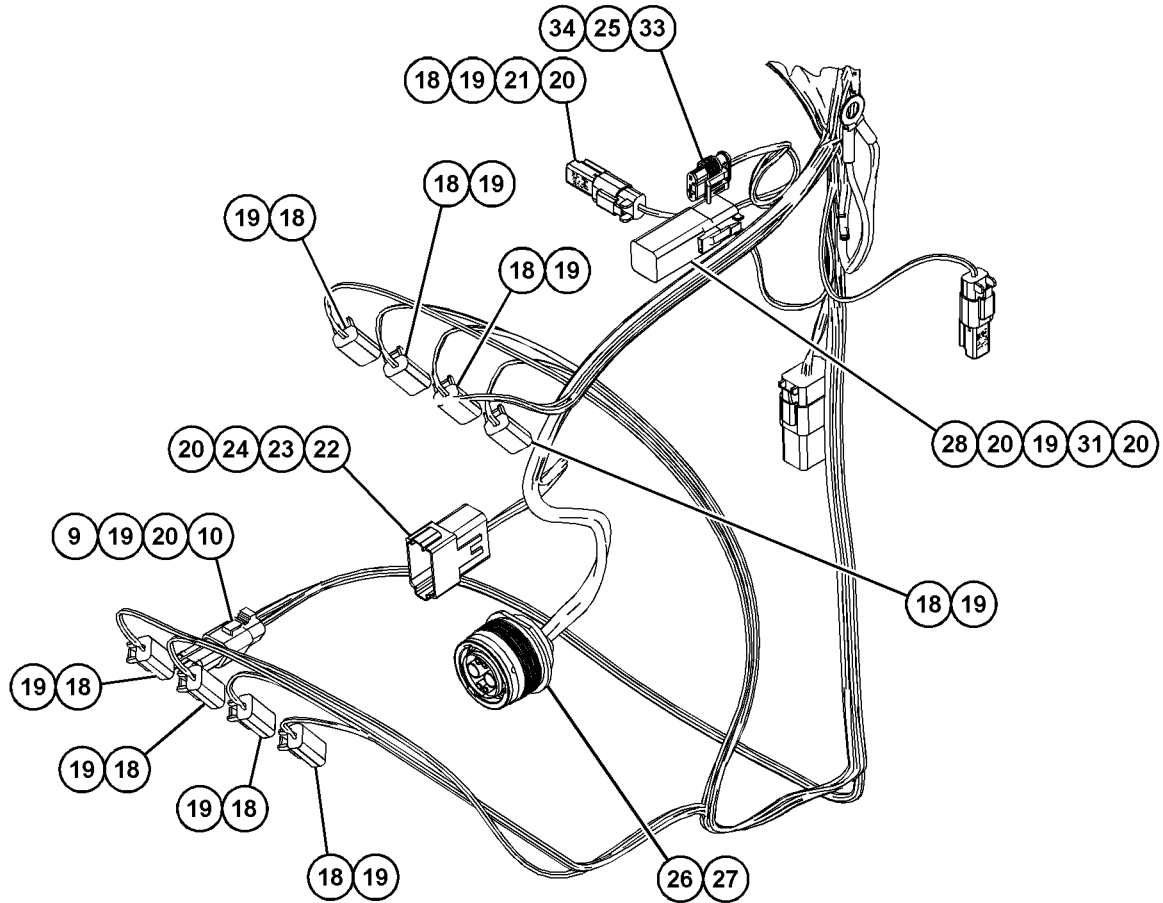
GRAPHIC #1

g06462799

ELECTRICAL AND STARTING SYSTEM

551-3893 HARNESS AS-REAR CHASSIS (contd.)

107816926



VIEW OF AREA B

<END>

GRAPHIC #2

g06462800

ELECTRICAL AND STARTING SYSTEM

361-7856 HARNESS AS-WIRING-LIGHT

S/N: TH41-UP; TH91-UP

PART OF 496-8320 INSTALLATION GP-WARNING BEACON
AN ATTACHMENT

SMCS-1408

i06841123

NOTE	PART NUMBER	QTY	PART NAME						SEE PAGE
			1	2	3	4	5	6 (PRODUCT LEVEL)	
	323-7237	1	RECEPTACLE AS-CONNECTOR (4-PIN)						
<END>									

ELECTRICAL AND STARTING SYSTEM

448-0757 HARNESS AS-WIRING

S/N: W231-UP

PART OF 492-2945 WIRING GP-ENGINE

SMCS-1408

i08000234

NOTE	PART NUMBER	QTY	PART NAME 1 2 3 4 5 6 (PRODUCT LEVEL)	SEE PAGE
	8C-6354	1	CAP-RECEPTACLE (ET CONNECTOR)	
E	292-2896		CONDUIT (16.9-MM ID) (21-CM)	
E	292-2893		CONDUIT (10.1-MM ID) (109-CM)	
E	292-6812		CONDUIT (6.5-MM ID) (3-CM)	
	377-6932	1	COVER	
	155-2271	2	KIT-CONNECTING PLUG (4-PIN) (EACH INCLUDES PLUG AS, WEDGE(S), & INTERFACE SEAL)	
	245-1044	2	LOCK-CONNECTOR	
	316-9351	5	MOUNTING-CABLE TIE	
	180-9339	6	PIN-CONNECTOR (14-GA TO 18-GA)	
	536-7945	1	PLUG AS-CONNECTOR	
	444-7604	3	SOCKET-CONNECTOR	
	230-4011	2	PLUG AS-CONNECTOR (2-PIN) (EACH INCLUDES)	
	455-0704	1	SEAL-CONNECTOR	
	281-8804	2	PLUG AS-CONNECTOR (3-PIN) (EACH INCLUDES)	
	455-0705	1	SEAL-CONNECTOR	
	536-7946	1	PLUG AS-CONNECTOR	
	444-7604	2	SOCKET-CONNECTOR	
	245-1043	1	PLUG GP-CONNECTOR (64-PIN)	
M	267-7207	1	BOLT-SPECIAL (M6X1-THD)	
	245-1048	33	PLUG-CONNECTOR (1-PIN)	
	8T-8737	3	PLUG-SEAL	
	270-1784	1	RECEPTACLE AS-CONNECTOR (9-PIN)	
	185-1860	5	SEAL-WIRE	
	267-9572	31	SOCKET-CONNECTION (18-GA)	
	344-1686	4	SOCKET-CONNECTOR (18-GA)	
	372-6382	5	SOCKET-CONNECTOR (17-GA TO 20-GA)	
	385-5981	18	SOCKET-CONNECTOR	
	126-1766	18	SOCKET-CONNECTOR (14-GA TO 18-GA) -OR-	
	180-9340	18	SOCKET-CONNECTOR (14-GA TO 18-GA)	
	206-1345	4	STRAP-CABLE	
	217-9039	8	STRAP-CABLE	
E	125-7874		TUBE-HEAT SHRINK (5.72-MM DIA) (10-CM)	

E - ORDER BY THE CENTIMETER
M - METRIC PART

<END>

ELECTRICAL AND STARTING SYSTEM

389-3543 HEATER GP-BLOCK

S/N: TH41-UP; TH91-UP

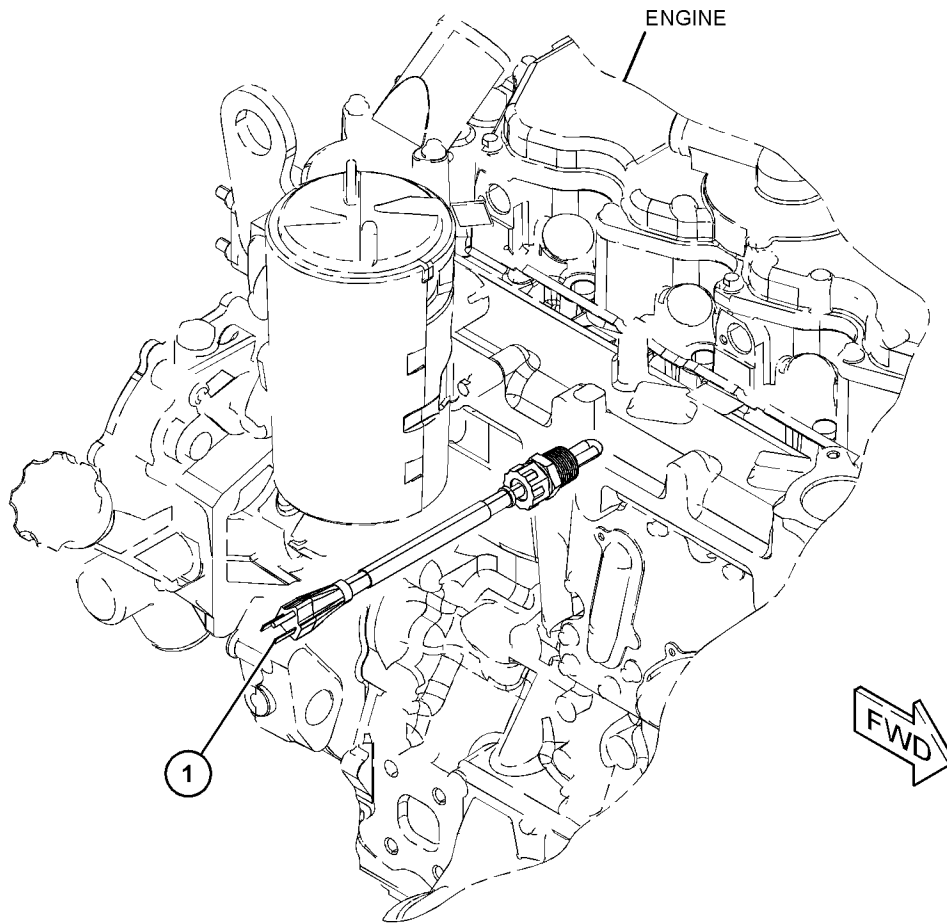
120-VOLT, 600-WATT

PART OF 590-9760, 590-9761 CONFIGURATION AR
AN ATTACHMENT

SMCS-1383

i05838915

NOTE	REF NO	GRAPHIC REF	PART NUMBER	QTY	PART NAME						SEE PAGE
					1	2	3	4	5	6 (PRODUCT LEVEL)	
	1	1	384-2284	1	HEATER-JACKET WATER (120-VOLT)						



GRAPHIC #1

<END>

g03658796

ELECTRICAL AND STARTING SYSTEM

437-1994 HEATER GP-BLOCK

S/N: TH91-UP

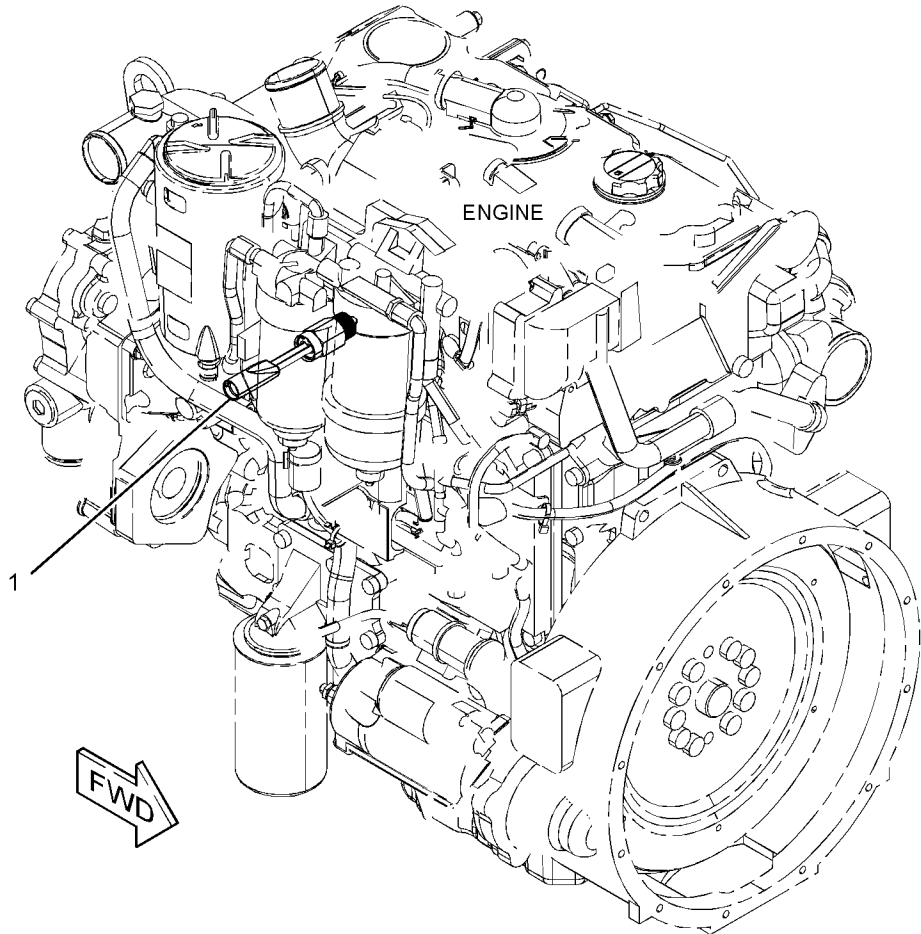
230-VOLT

AN ATTACHMENT

SMCS-1383

i05838913

NOTE	REF NO	GRAPHIC REF	PART NUMBER	QTY	PART NAME						SEE PAGE
					1	2	3	4	5	6 (PRODUCT LEVEL)	
	1	1	437-2042	1	BLOCK						



GRAPHIC #1

<END>

g03641019

ELECTRICAL AND STARTING SYSTEM

437-4176 HEATER GP-BLOCK

S/N: TH91-UP

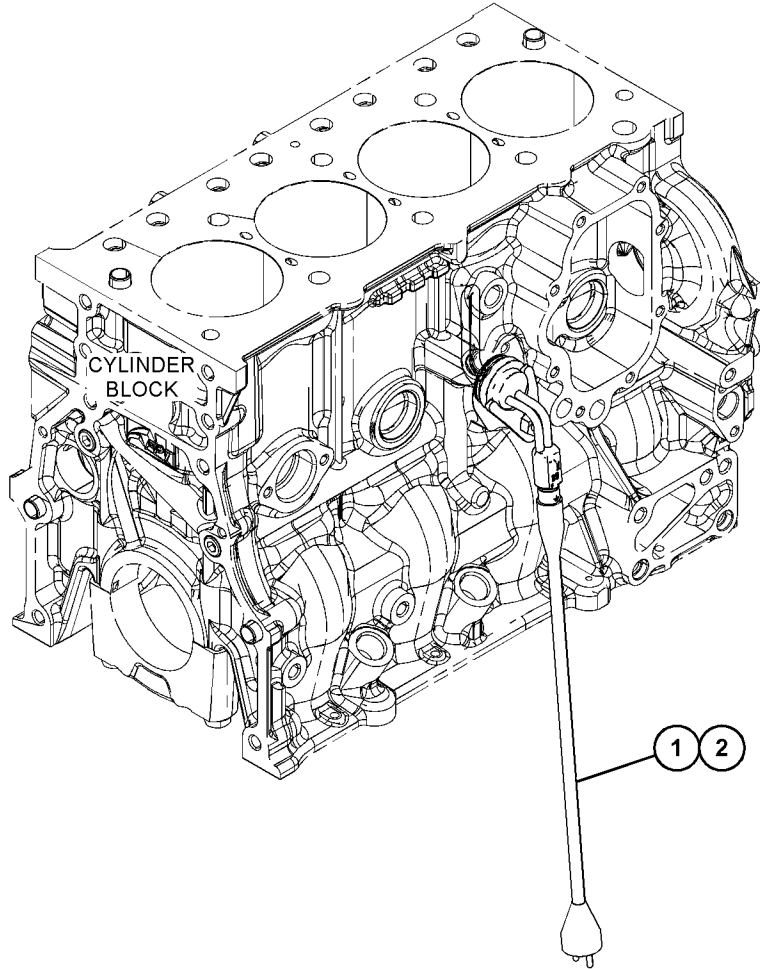
230-VOLT

AN ATTACHMENT

SMCS - 1383

i05838543

NOTE	REF NO	GRAPHIC REF	PART NUMBER	QTY	PART NAME						SEE PAGE
					1	2	3	4	5	6 (PRODUCT LEVEL)	
1	1	1	437-4177	1	HEATER AS-JACKET WATER						
2	1	1	437-4178	1	CABLE AS						



GRAPHIC #1

<END>

g0366009

ELECTRICAL AND STARTING SYSTEM

453-7296 HEATER GP-BLOCK

S/N: TH91-UP
AN ATTACHMENT

SMCS-1383

i05691691

NOTE	PART NUMBER	QTY	PART NAME						SEE PAGE
			1	2	3	4	5	6 (PRODUCT LEVEL)	
	399-1368	1	HARNES AS-HEATER						
	399-1355	1	HEATER AS						
<END>									

ELECTRICAL AND STARTING SYSTEM

219-3270 HEATER GP-JACKET WATER

S/N: TH41-UP

240 VOLT-1000 WATT

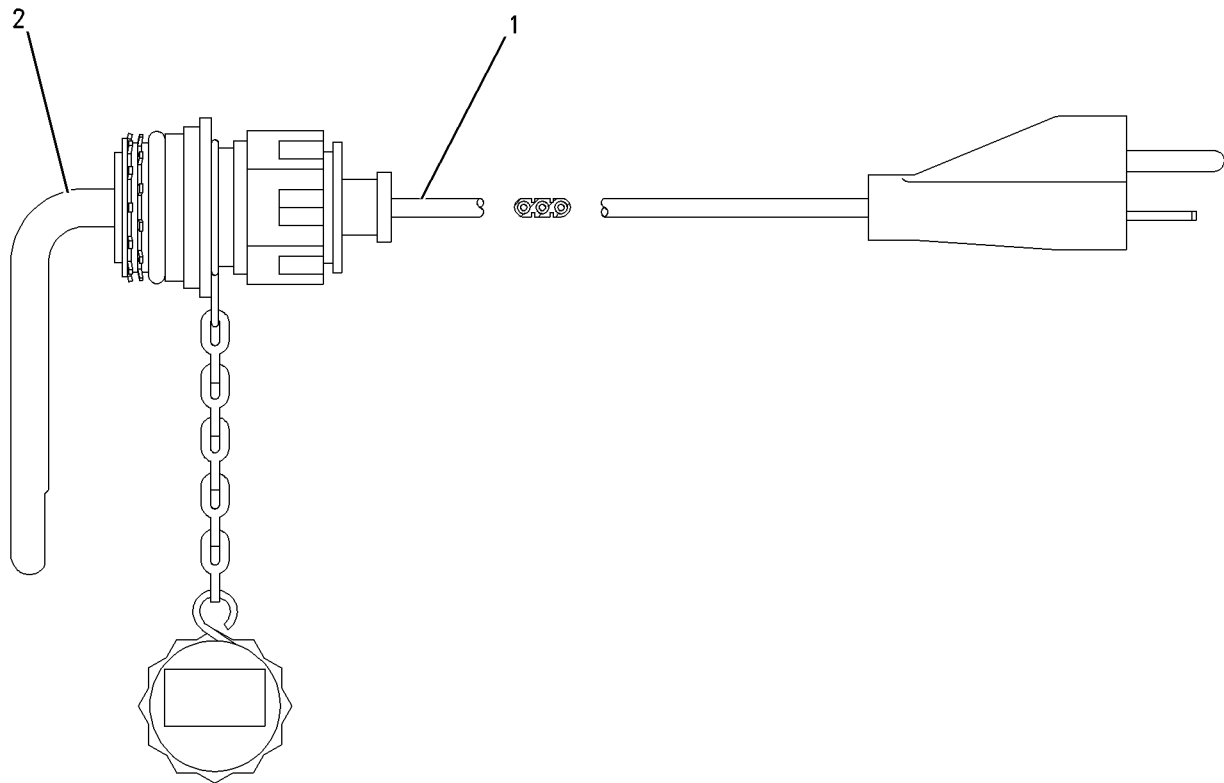
PART OF 505-9433 HEATER GP-JACKET WATER

AN ATTACHMENT

SMCS-1383

i07213654

NOTE	REF NO	GRAPHIC REF	PART NUMBER	QTY	PART NAME						SEE PAGE
					1	2	3	4	5	6	
	1	1	127-8609	1	CORD AS-HEATER ELEMENT (240-VOLT, 15-AMPERE)						
	2	1	219-3271	1	ELEMENT AS-JACKET WATER HEATER (240-VOLT, 1000-WATT)						
		1	133-3413	1	KIT-SEAL (WATER JACKET) (INCLUDES SEAL, SPACER & RINGS)						
		1	133-6517	1	CAP AS-DUST						



GRAPHIC #1

<END>

g00849189

ELECTRICAL AND STARTING SYSTEM

219-3272 HEATER GP-JACKET WATER

S/N: TH41-UP

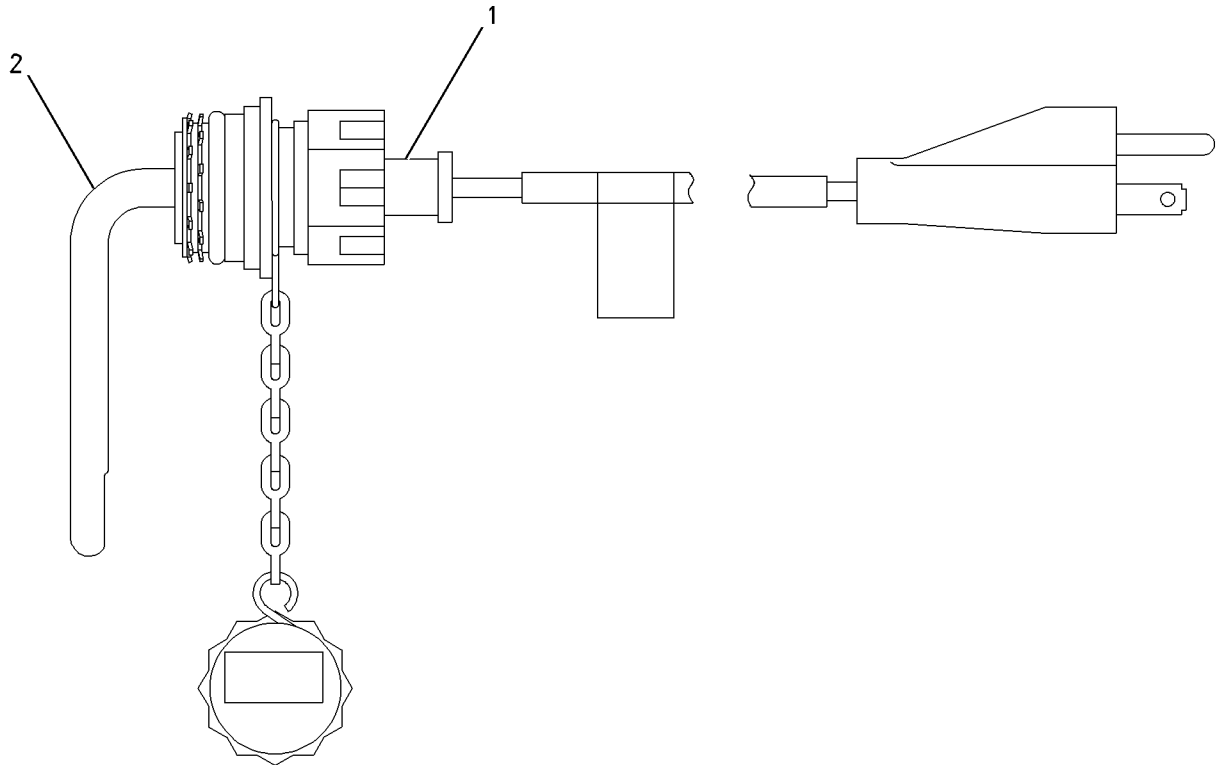
120 VOLT-1000 WATT

PART OF 505-9579 HEATER GP-JACKET WATER
AN ATTACHMENT

SMCS-1383

i02394617

NOTE	REF NO	GRAPHIC REF	PART NUMBER	QTY	PART NAME						SEE PAGE
					1	2	3	4	5	6 (PRODUCT LEVEL)	
	1	1	7X-6312	1	CORD AS-HEATER ELEMENT (120-VOLT, 15-AMPERE)						
	2	1	219-3273	1	ELEMENT AS-JACKET WATER HEATER (120-VOLT, 1000-WATT)						
		1	133-3413	1	KIT-SEAL (WATER JACKET) (INCLUDES SEAL, SPACER & RINGS)						
		1	133-6517	1	CAP AS-DUST						



GRAPHIC #1

<END>

g00890341

ELECTRICAL AND STARTING SYSTEM

505-9433 HEATER GP-JACKET WATER

S/N: TH41-UP

CANNOT BE USED WITH 437-1994-PAGE: 459, 389-3543-PAGE: 458, 453-7296-PAGE: 461,
505-9579-PAGE: 465
AN ATTACHMENT

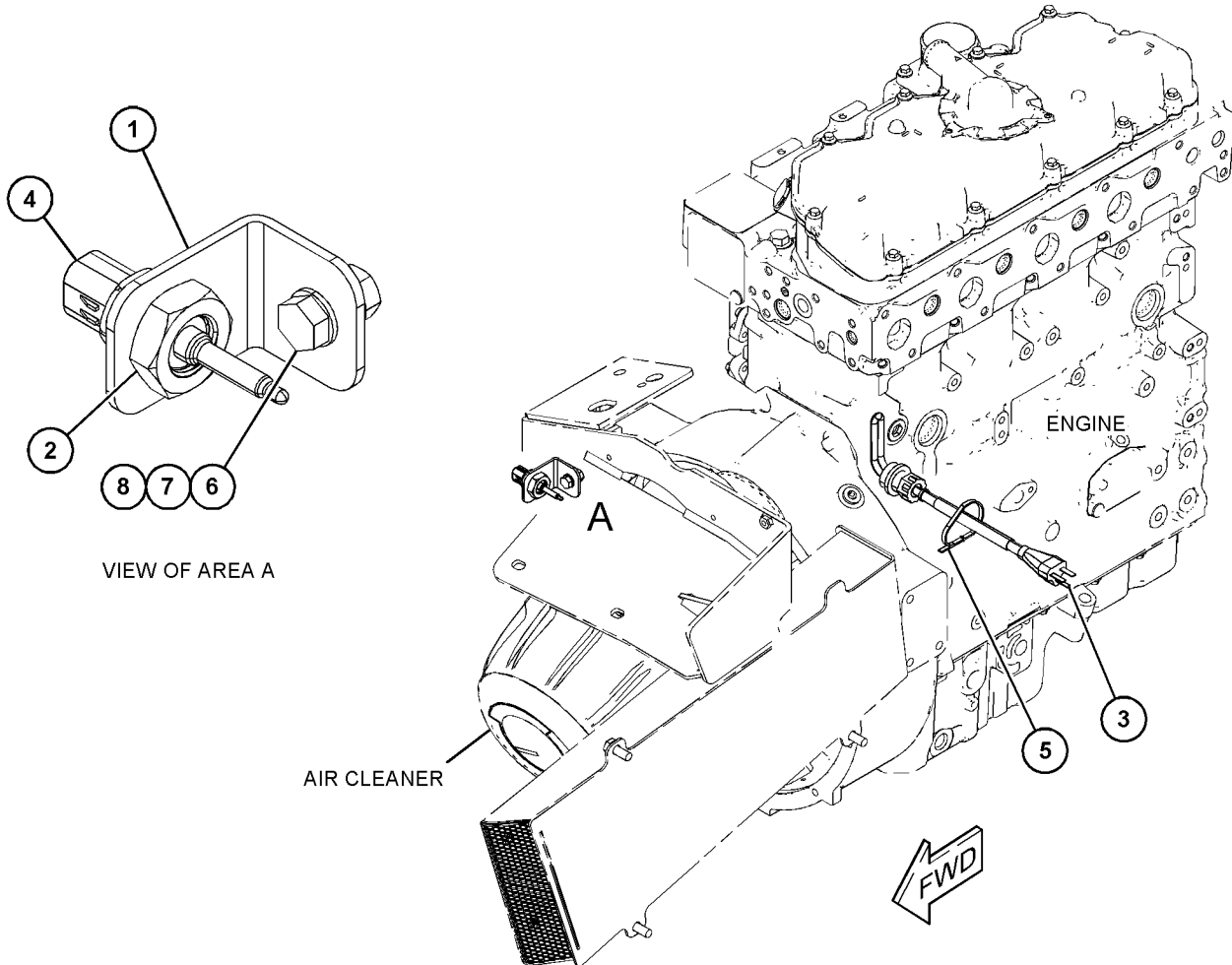
SMCS-1383

i06602091

NOTE	REF NO	GRAPHIC REF	PART NUMBER	QTY	PART NAME						SEE PAGE
					1	2	3	4	5	6	
	1	1	481-8596	1	BRACKET (SENSOR)						
M	2	1	505-9432	1	NUT (M18X1.5-THD)						
Y	3	1	<i>219-3270</i>	1	HEATER GP-JACKET WATER (240-VOLT, 1000-WATT)						462
	4	1	256-6454	1	SENSOR-TEMPERATURE (2-PIN)						
	5	1	9X-6772	1	STRAP-CABLE						
M	6	1	8T-4189	1	BOLT (M8X1.25X20-MM)						
M	7	1	344-5674	1	NUT (M8X1.25-THD)						
	8	1	8T-4224	1	WASHER-HARD (8.8X16X2-MM THK)						

M - METRIC PART

Y - SEPARATE ILLUSTRATION



VIEW OF AREA A

GRAPHIC #1

<END>

g06045461

ELECTRICAL AND STARTING SYSTEM

505-9579 HEATER GP-JACKET WATER

S/N: TH41-UP

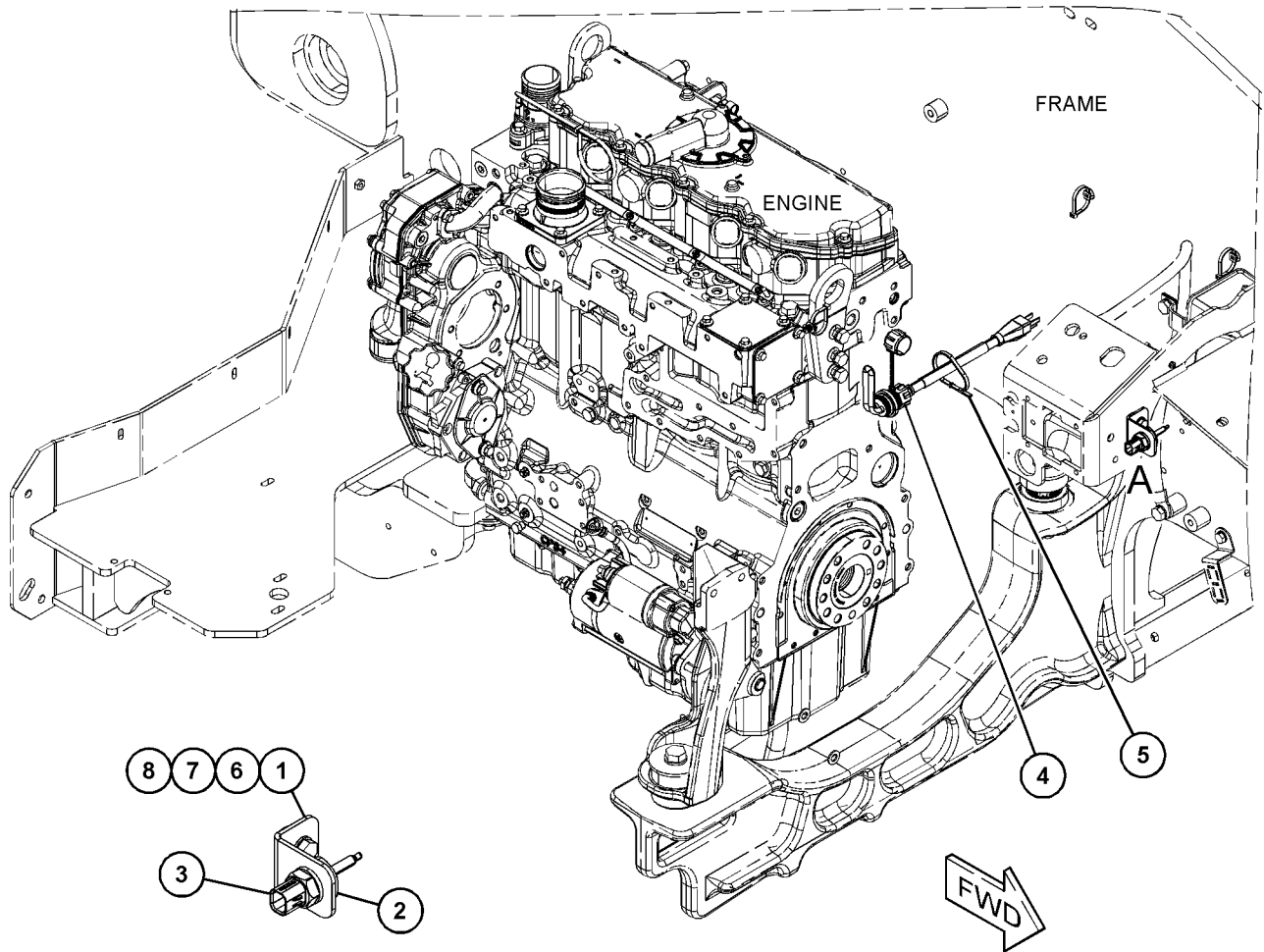
CANNOT BE USED WITH 437-4176-PAGE: 460, 389-3543-PAGE: 458, 453-7296-PAGE: 461,
505-9433-PAGE: 464
AN ATTACHMENT

SMCS-1383

i06602090

NOTE	REF NO	GRAPHIC REF	PART NUMBER	QTY	PART NAME						SEE PAGE
					1	2	3	4	5	6	
	1	1	8T-4224	2	WASHER-HARD (8.8X16X2-MM THK)						
M	2	1	505-9432	1	NUT (M18X1.5-THD)						
	3	1	256-6454	1	SENSOR-TEMPERATURE (2-PIN) (AMBIENT AIR)						
Y	4	1	219-3272	1	HEATER GP-JACKET WATER						463
	5	1	9X-6772	1	STRAP-CABLE						
	6	1	481-8596	1	BRACKET (SENSOR)						
M	7	1	8T-4189	1	BOLT (M8X1.25X20-MM)						
M	8	1	5C-7261	1	NUT (M8X1.25-THD)						

M - METRIC PART
Y - SEPARATE ILLUSTRATION



GRAPHIC #1

VIEW OF AREA A

<END>

g06043526

ELECTRICAL AND STARTING SYSTEM

523-8303 INSTALLATION AR-COMMUNICATION-PL641, A/C, 3.4L

S/N: TH91-UP
AN ATTACHMENT

SMCS-5267, 7606

i07435420

NOTE	PART NUMBER	QTY	PART NAME						SEE PAGE
			1	2	3	4	5	6 (PRODUCT LEVEL)	
Y	551-4344	1	INSTALLATION GP-COMMUNICATION						470
Y	524-8430	1	WIRING GP-CONTROL						589
Y - SEPARATE ILLUSTRATION									
<END>									

523-8304 INSTALLATION AR-COMMUNICATION-PL641, A/C, 4.4L

S/N: TH91-UP
AN ATTACHMENT

SMCS-5267, 7606

i07435422

NOTE	PART NUMBER	QTY	PART NAME						SEE PAGE
			1	2	3	4	5	6 (PRODUCT LEVEL)	
Y	551-4344	1	INSTALLATION GP-COMMUNICATION						470
Y	524-8428	1	WIRING GP-CONTROL						587
Y - SEPARATE ILLUSTRATION									
<END>									

523-8305 INSTALLATION AR-COMMUNICATION-PL641, 3.4L

S/N: TH91-UP
AN ATTACHMENT

SMCS-5267, 7606

i06895467

NOTE	PART NUMBER	QTY	PART NAME						SEE PAGE
			1	2	3	4	5	6 (PRODUCT LEVEL)	
Y	501-0360	1	INSTALLATION GP-COMMUNICATION						469
Y	524-8430	1	WIRING GP-CONTROL						589
Y - SEPARATE ILLUSTRATION									
<END>									

523-8306 INSTALLATION AR-COMMUNICATION-PL641, 4.4L

S/N: TH91-UP
AN ATTACHMENT

SMCS-5267, 7606

i06893201

NOTE	PART NUMBER	QTY	PART NAME						SEE PAGE
			1	2	3	4	5	6 (PRODUCT LEVEL)	
Y	501-0360	1	INSTALLATION GP-COMMUNICATION						469
Y	524-8428	1	WIRING GP-CONTROL						587
Y - SEPARATE ILLUSTRATION									
<END>									

ELECTRICAL AND STARTING SYSTEM

523-8307 INSTALLATION AR-COMMUNICATION-PL641, A/C, LESSER REGULATED COUNTRIES S/N: TH41-UP AN ATTACHMENT

SMCS-5267, 7606

i07435411

NOTE	PART NUMBER	QTY	PART NAME						SEE PAGE
			1	2	3	4	5	6 (PRODUCT LEVEL)	
Y	551-4344	1	INSTALLATION GP-COMMUNICATION						470
Y	524-8429	1	WIRING GP-CONTROL						588

Y - SEPARATE ILLUSTRATION

<END>

523-8308 INSTALLATION AR-COMMUNICATION-PL641, LESSER REGULATED COUNTRIES S/N: TH41-UP AN ATTACHMENT

SMCS-5267, 7606

i06895476

NOTE	PART NUMBER	QTY	PART NAME						SEE PAGE
			1	2	3	4	5	6 (PRODUCT LEVEL)	
Y	501-0360	1	INSTALLATION GP-COMMUNICATION						469
Y	524-8429	1	WIRING GP-CONTROL						588

Y - SEPARATE ILLUSTRATION

<END>

ELECTRICAL AND STARTING SYSTEM

496-8311 INSTALLATION AR-LOAD MGT IND

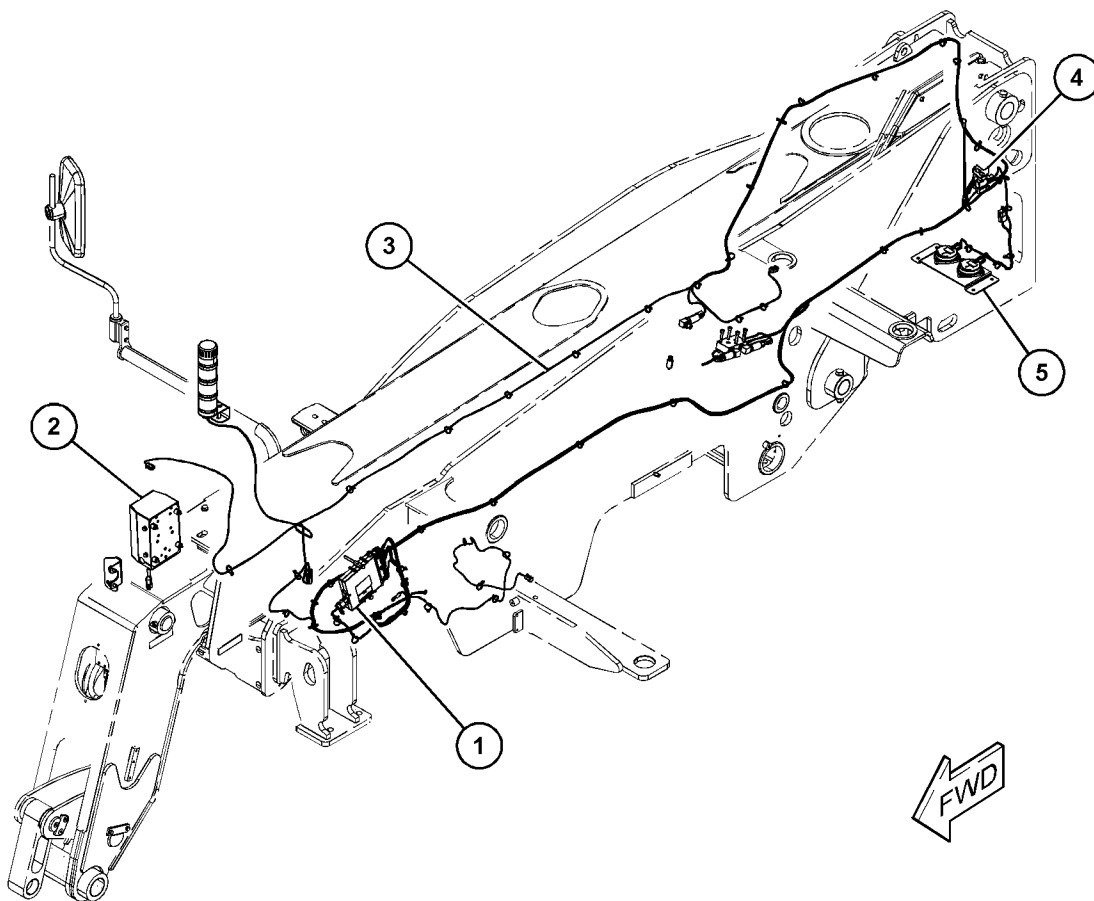
S/N: TH41-UP; TH91-UP
AN ATTACHMENT

SMCS-7856

i07415256

NOTE	REF NO	GRAPHIC REF	PART NUMBER	QTY	PART NAME						SEE PAGE
					1	2	3	4	5	6 (PRODUCT LEVEL)	
Y	1	1	496-8312	1	CONTROL GP-ELECTRONIC (LOAD MANAGEMENT INDICATOR SYSTEM)						420
Y	2	1	496-8313	1	SENSOR & MTG GP-PRESSURE (LOAD MANAGEMENT INDICATOR SYSTEM)						534
Y	3	1	496-8318	1	WIRING GP-BOOM (LOAD MANAGEMENT INDICATOR SYSTEM)						573
Y	4	1	558-1638	1	SENSOR & MTG GP-POSITION (BOOM ANGLE)						533
Y	5	1	558-1562	1	SENSOR GP-POSITION (TILT)						551

Y - SEPARATE ILLUSTRATION



GRAPHIC #1

<END>

g06335958

ELECTRICAL AND STARTING SYSTEM

501-0360 INSTALLATION GP-COMMUNICATION

S/N: TH41-UP; TH91-UP

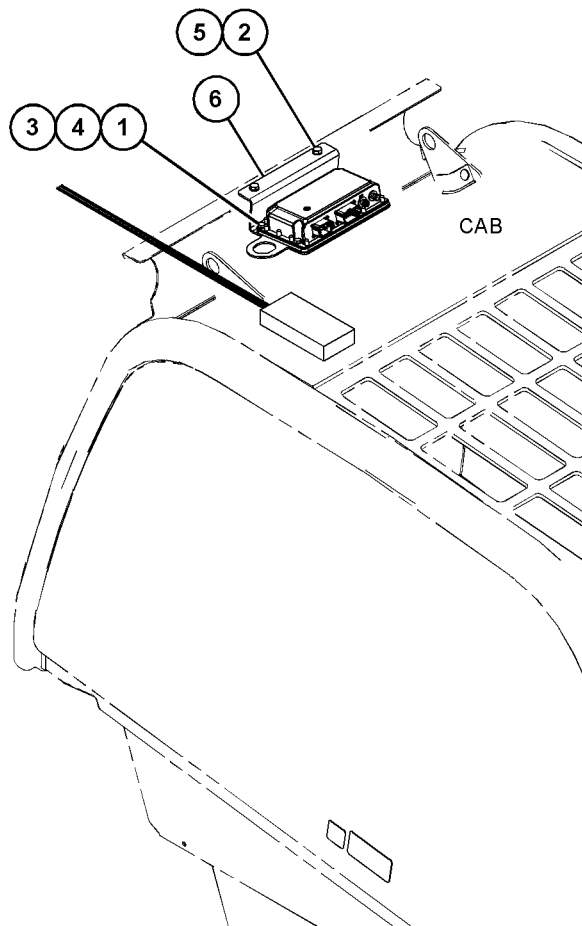
PART OF 523-8305, 523-8306, 523-8308 INSTALLATION AR-COMMUNICATION
AN ATTACHMENT

SMCS-1408, 7602, 7606, 7620

i06575667

NOTE	REF NO	GRAPHIC REF	PART NUMBER	QTY	PART NAME						SEE PAGE
					1	2	3	4	5	6 (PRODUCT LEVEL)	
M	1	1	8T-4138	4	BOLT (M6X1X20-MM)						
M	2	1	8T-4200	2	BOLT (M8X1.25X16-MM)						
M	3	1	344-5673	4	NUT (M6X1-THD)						
	4	1	8T-4205	4	WASHER-HARD (7.2X14.5X2-MM THK)						
	5	1	8T-4224	2	WASHER-HARD (8.8X16X2-MM THK)						
	6	1	501-0361	1	BRACKET AS						

M - METRIC PART



GRAPHIC #1

<END>

g06049223

ELECTRICAL AND STARTING SYSTEM

551-4344 INSTALLATION GP-COMMUNICATION-PRODUCT LINK

S/N: TH41-UP; TH91-UP

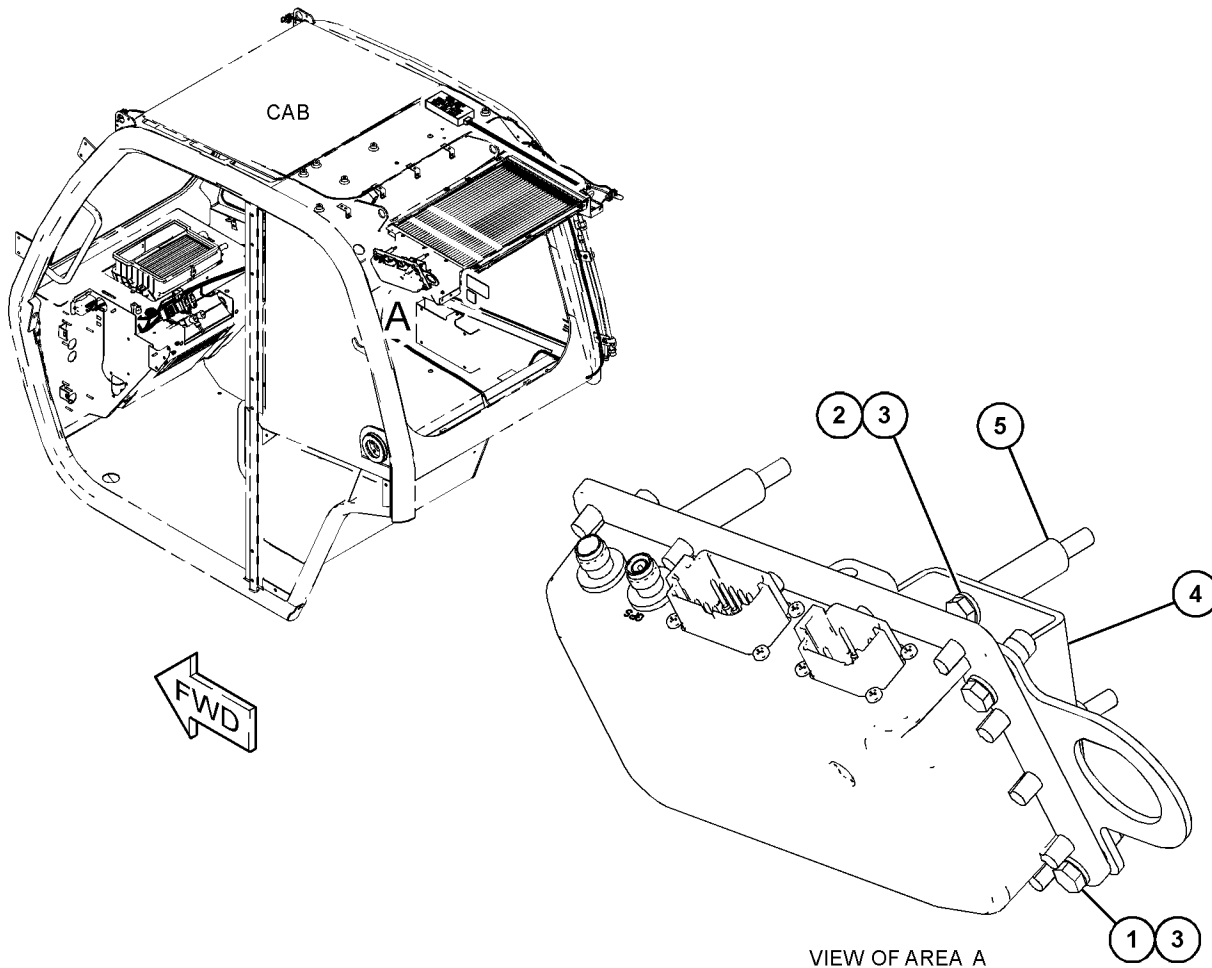
PART OF 523-8303, 523-8304, 523-8307 INSTALLATION AR-COMMUNICATION
AN ATTACHMENT

SMCS-1408, 7602, 7606, 7620

i07435409

NOTE	REF NO	GRAPHIC REF	PART NUMBER	QTY	PART NAME						SEE PAGE
					1	2	3	4	5	6 (PRODUCT LEVEL)	
	1	1	7X-0352	4	BOLT (5/8-11X4-IN)						
M	2	1	7X-2535	3	BOLT (M6X1X60-MM)						
	3	1	8T-4205	7	WASHER-HARD (7.2X14.5X2-MM THK)						
	4	1	518-1351	1	BRACKET AS						
	5	1	551-4312	3	SLEEVE-SPACER						

M - METRIC PART



GRAPHIC #1

<END>

g06371031

ELECTRICAL AND STARTING SYSTEM

496-8320 INSTALLATION GP-WARNING BEACON

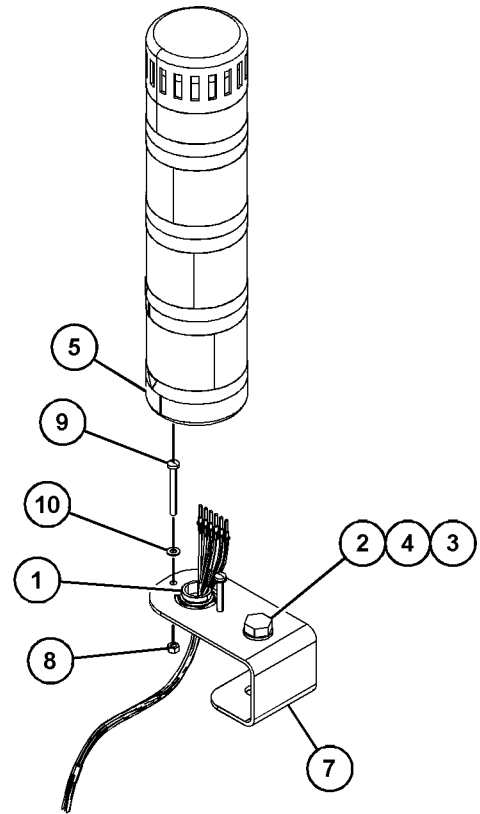
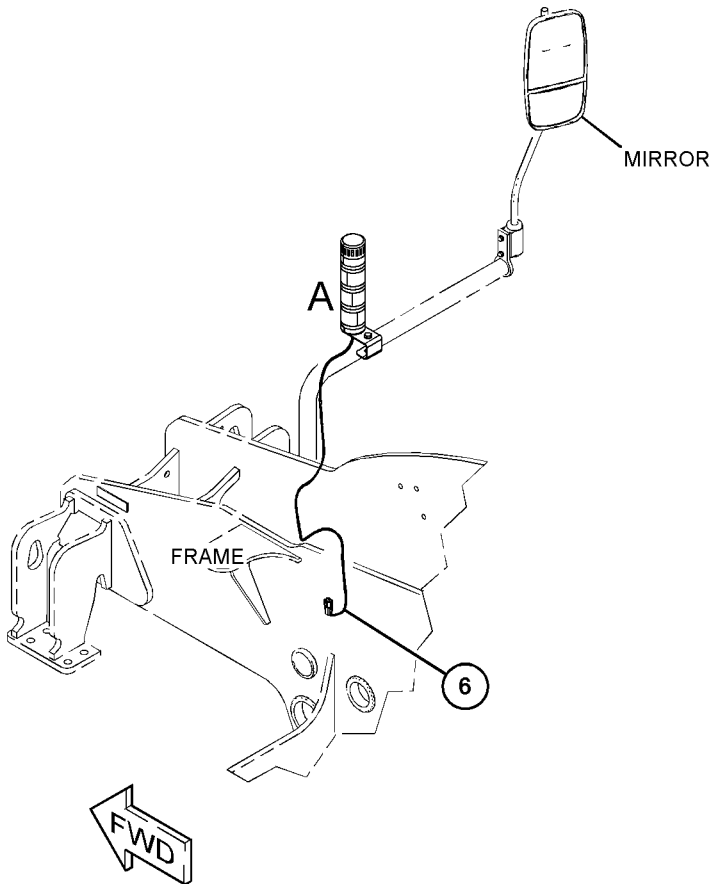
S/N: TH41-UP; TH91-UP
PART OF 496-8318 WIRING GP-BOOM
AN ATTACHMENT

SMCS-1408, 1429, 1431, 7553

i06604876

NOTE	REF NO	GRAPHIC REF	PART NUMBER	QTY	PART NAME						SEE PAGE
					1	2	3	4	5	6 (PRODUCT LEVEL)	
	1	1	453-2214	1	SEAL						
M	2	1	8T-5005	1	BOLT (M10X1.5X70-MM)						
M	3	1	8T-4133	1	NUT (M10X1.5-THD)						
	4	1	8T-4121	2	WASHER-HARD (11X21X2.5-MM THK)						
Y	5	1	432-4133	1	LIGHTING GP-WARNING						515
Y	6	1	361-7856	1	HARNESS AS-WIRING (LIGHT)						456
	7	1	496-8321	1	BRACKET						
M	8	1	178-9983	2	LOCKNUT (M4X0.7-THD)						
	9	1	332-3058	2	SCREW (M4X40-MM)						
	10	1	5W-5038	4	WASHER (4.3X9X0.8-MM THK)						

M - METRIC PART
Y - SEPARATE ILLUSTRATION



VIEW OF AREA A
(EXPLODED)

GRAPHIC #1

<END>

g06045587

ELECTRICAL AND STARTING SYSTEM

560-5071 KIT-LIGHTING-ROADING LIGHTS

S/N: TH41-UP; TH91-UP

AN ATTACHMENT

SMCS-1429, 1431, 1434

i07519675

NOTE	REF NO	GRAPHIC REF	PART NUMBER	QTY	PART NAME	SEE PAGE
					1 2 3 4 5 6 (PRODUCT LEVEL)	
M	1	1	489-4519	2	BOLT (M12X1.75X60-MM)	
M	2	1	264-3627	16	BOLT (M10X1.5X20-MM)	
M	3	1	8T-4136	2	BOLT (M10X1.5X25-MM)	
M	4	1	5C-2890	4	NUT (M6X1-THD)	
M	5	1	344-5673	2	NUT (M6X1-THD)	
M	6	1	309-9185	2	LOCKNUT (M12X1.75-THD)	
	7	1	8T-4205	4	WASHER-HARD (7.2X14.5X2-MM THK)	
	8	1	8T-4121	20	WASHER-HARD (11X21X2.5-MM THK)	
	9	1	266-5360	2	WASHER (13X37X3-MM THK)	
	10	1	329-3662	4	WASHER-RUBBER (27X75X15-MM THK)	
Y	11	1	195-0189	1	LAMP GP-HEAD & SIGNAL (12V) (FRONT, RH)	482
Y	12	1	195-0190	1	LAMP GP-HEAD & SIGNAL (12V) (FRONT, LH)	483
	13	1	3S-2093	5	STRAP-CABLE	
	14	1	316-8038	1	LAMP GP (STOP, TAIL, TURN, BACKUP, LH)	
	15	1	316-8039	1	LAMP GP (STOP, TAIL, TURN, BACKUP, RH)	
					(EACH LAMP GP INCLUDES)	
		1	305-2109	1	LAMP (12-VOLT) (TURN SIGNAL)	
		1	323-5648	1	LAMP (12-VOLT) (TAIL LIGHTS)	
		1	323-5649	1	LAMP (12-VOLT) (INDICATOR LIGHT)	
	16	1	455-3027	1	TIE-CABLE	
Y	17	1	474-7520	1	HARNESS AS-LIGHTING (HEADLIGHT)	448
Y	18	1	491-2689	1	HARNESS AS-LIGHTING (TAIL LIGHTS)	448
	19	1	482-6415	1	BRACKET AS (RH)	
	20	1	482-6417	1	BRACKET AS (LH)	
	21	1	474-7554	2	WASHER-SPECIAL	
	22	1	474-7555	2	WASHER (12.5X26X13-MM THK)	
	23	1	482-6418	1	BRACKET AS (RH)	
	24	1	482-6419	1	BRACKET AS (LH)	
	25	1	485-2593	2	BRACKET AS	
	26	1	485-2591	2	BRACKET AS	
	27	1	495-4597	1	SWITCH AS-ROCKER (HAZARD)	
	28	1	495-4604	1	SWITCH AS-ROCKER (DRIVING LIGHT)	

M - METRIC PART
Y - SEPARATE ILLUSTRATION

ELECTRICAL AND STARTING SYSTEM

560-5071 KIT-LIGHTING (contd.)

i07519675

NO GRAPHIC AVAILABLE AT TIME OF PUBLICATION

GRAPHIC #1

<END>

g01269539

ELECTRICAL AND STARTING SYSTEM

560-7675 KIT-LIGHTING

S/N: TH41-UP; TH91-UP
AN ATTACHMENT

SMCS-1429, 1431, 1434

i07519677

NOTE	REF NO	GRAPHIC REF	PART NUMBER	QTY	PART NAME						SEE PAGE
					1	2	3	4	5	6 (PRODUCT LEVEL)	
M	1	1	489-4519	2	BOLT (M12X1.75X60-MM)						
M	2	1,2	8T-4136	16	BOLT (M10X1.5X25-MM)						
M	3	1	5C-2890	4	NUT (M6X1-THD)						
M	4	1	344-5673	2	NUT (M6X1-THD)						
M	5	1	309-9185	2	LOCKNUT (M12X1.75-THD)						
	6	1	8T-4205	4	WASHER-HARD (7.2X14.5X2-MM THK)						
	7	1,2	8T-4121	18	WASHER-HARD (11X21X2.5-MM THK)						
	8	1	266-5360	2	WASHER (13X37X3-MM THK)						
	9	1	329-3662	4	WASHER-RUBBER (27X75X15-MM THK)						
Y	10	1	195-0189	1	LAMP GP-HEAD & SIGNAL (12V) (FRONT, RH)						482
Y	11	1	195-0190	1	LAMP GP-HEAD & SIGNAL (12V) (FRONT, LH)						483
	12	1	3S-2093	5	STRAP-CABLE						
	13	2	316-8038	1	LAMP GP (STOP, TAIL, TURN, BACKUP, LH)						
	14	2	316-8039	1	LAMP GP (STOP, TAIL, TURN, BACKUP, RH)						
					(EACH LAMP GP INCLUDES)						
		2	305-2109	1	LAMP (12-VOLT) (TURN SIGNAL)						
		2	323-5648	1	LAMP (12-VOLT) (TAIL LIGHTS)						
		2	323-5649	1	LAMP (12-VOLT) (INDICATOR LIGHT)						
	15	1	455-3027	5	TIE-CABLE						
Y	16	1	474-7520	1	HARNESS AS-LIGHTING (HEADLIGHT)						448
Y	17	1	491-2689	1	HARNESS AS-LIGHTING (TAIL LIGHTS)						448
	18	1	482-6423	1	BRACKET AS (RH)						
	19	1	482-6425	1	BRACKET AS (LH)						
	20	1	482-6426	2	BRACKET AS (LIGHT)						
	21	1	474-7554	2	WASHER-SPECIAL						
	22	1	474-7555	2	WASHER (12.5X26X13-MM THK)						
	23	1	485-2593	2	BRACKET AS						
	24	1	485-2591	2	BRACKET AS						
	25	1	495-4597	1	SWITCH AS-ROCKER (HAZARD)						
	26	1	495-4604	1	SWITCH AS-ROCKER (DRIVING LIGHT)						

M - METRIC PART

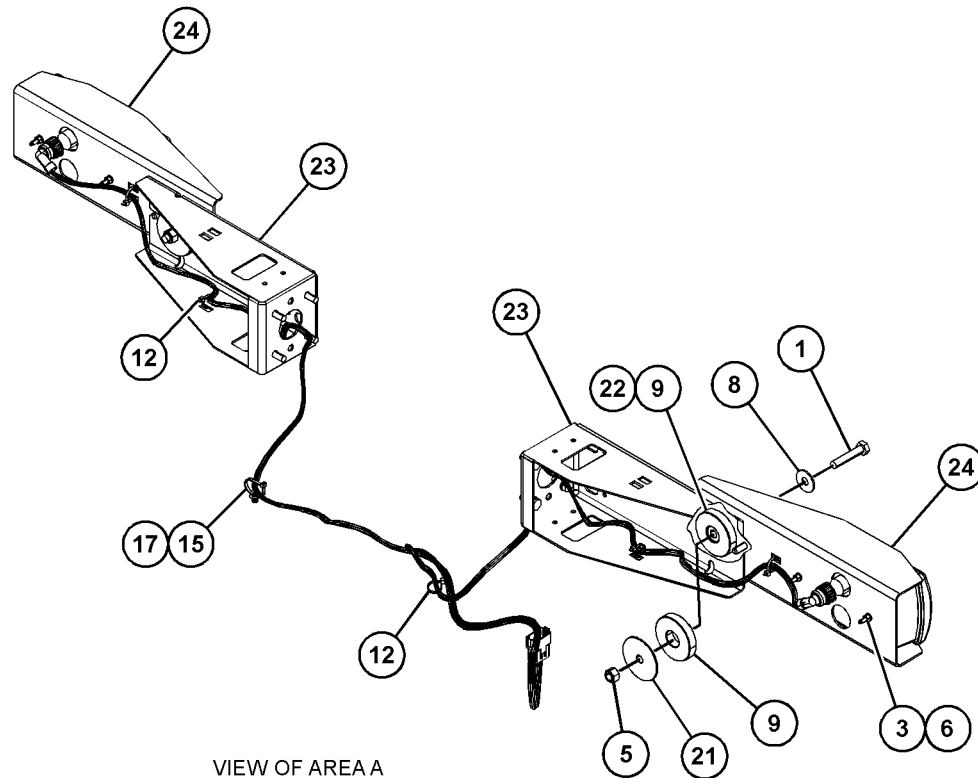
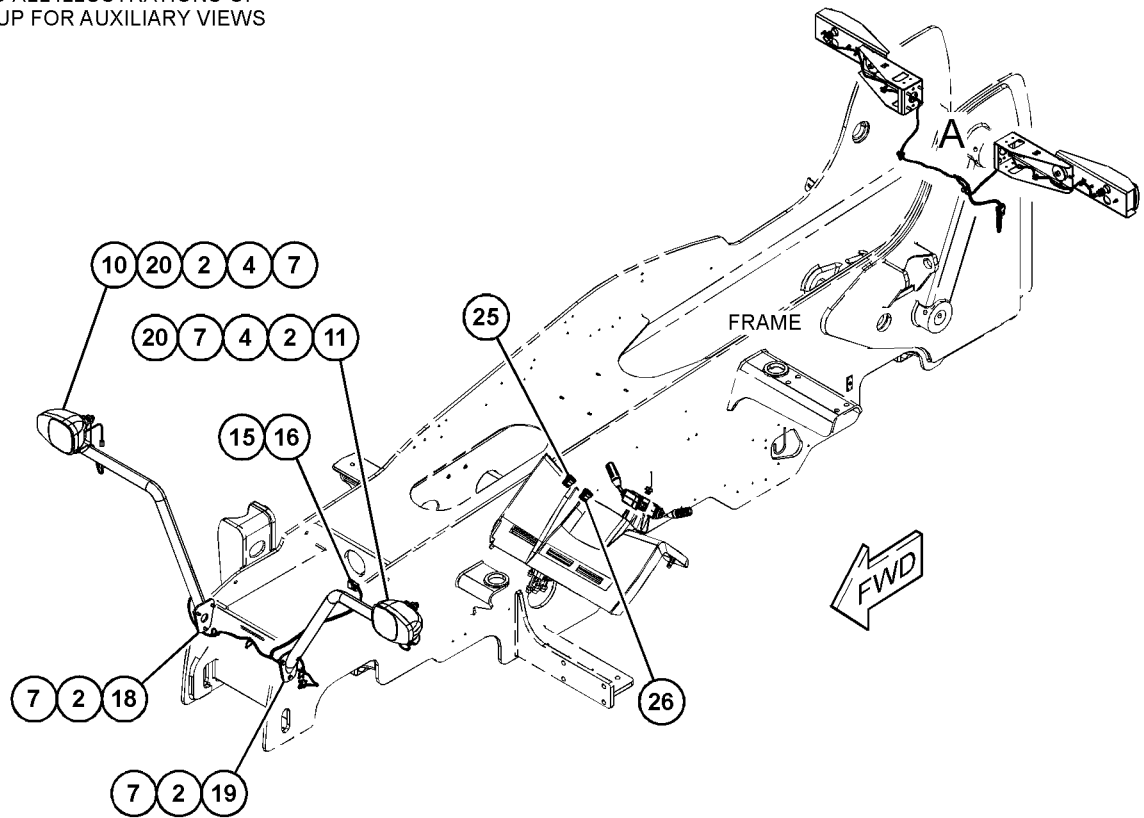
Y - SEPARATE ILLUSTRATION

ELECTRICAL AND STARTING SYSTEM

560-7675 KIT-LIGHTING (contd.)

i07519677

REFER TO ALL ILLUSTRATIONS OF THIS GROUP FOR AUXILIARY VIEWS



VIEW OF AREA A

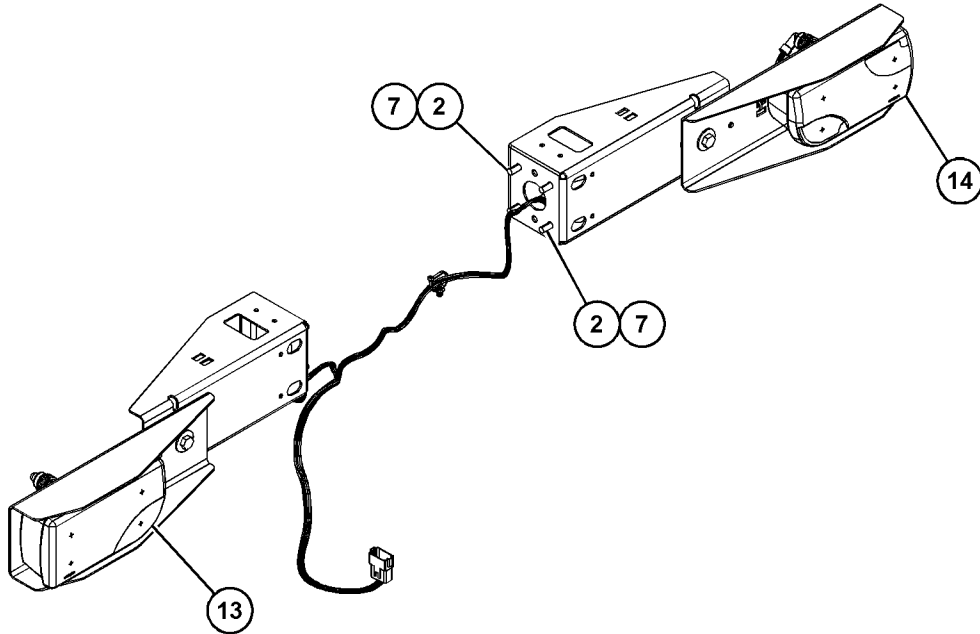
GRAPHIC #1

g06354798

ELECTRICAL AND STARTING SYSTEM

560-7675 KIT-LIGHTING (contd.)

i07519677



VIEW OF AREA A 90°

GRAPHIC #2

<END>

g06354799

ELECTRICAL AND STARTING SYSTEM

573-8516 KIT-SWITCH-KEY

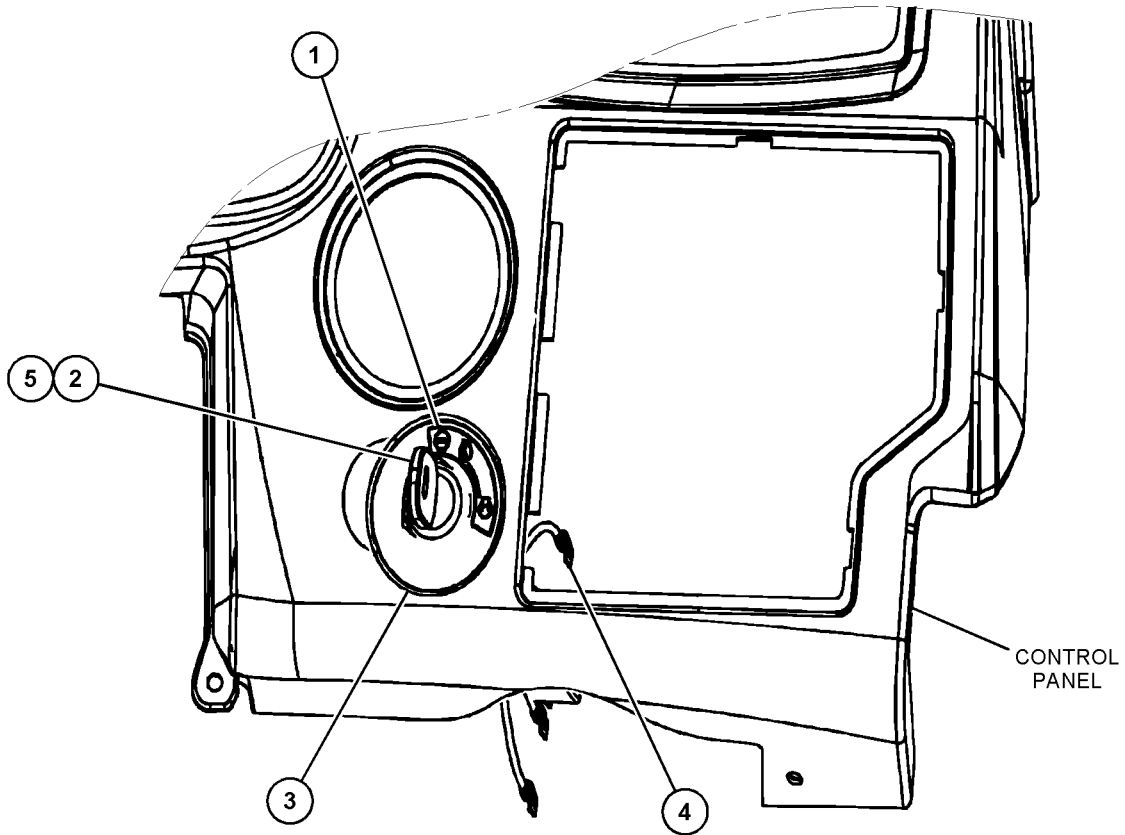
S/N: TH41-UP; TH91-UP

AN ATTACHMENT

SMCS-1435

i07901266

NOTE	REF NO	GRAPHIC REF	PART NUMBER	QTY	PART NAME						SEE PAGE
					1	2	3	4	5	6 (PRODUCT LEVEL)	
	1	1	497-5476	1	FILM-IDENTIFICATION (IGNITION SWITCH)						
	2	1	569-3621	1	SWITCH-KEY						
	3	1	573-8417	1	ADAPTER						
	4	1	573-8505	1	KIT-HARNESS						
			8T-8730	9	SOCKET-CONNECTOR (16-GA TO 20-GA)						
			8T-8737	5	PLUG-SEAL						
			334-5872	3	PLUG (6-PIN)						
			477-0860	1	FILM-IDENTIFICATION (IGNITION SWITCH)						
5	1	1	5P-8500	1	KEY						



GRAPHIC #1

<END>

g06485645

ELECTRICAL AND STARTING SYSTEM

515-0961 LAMP GP-FRONT

S/N: TH41-UP

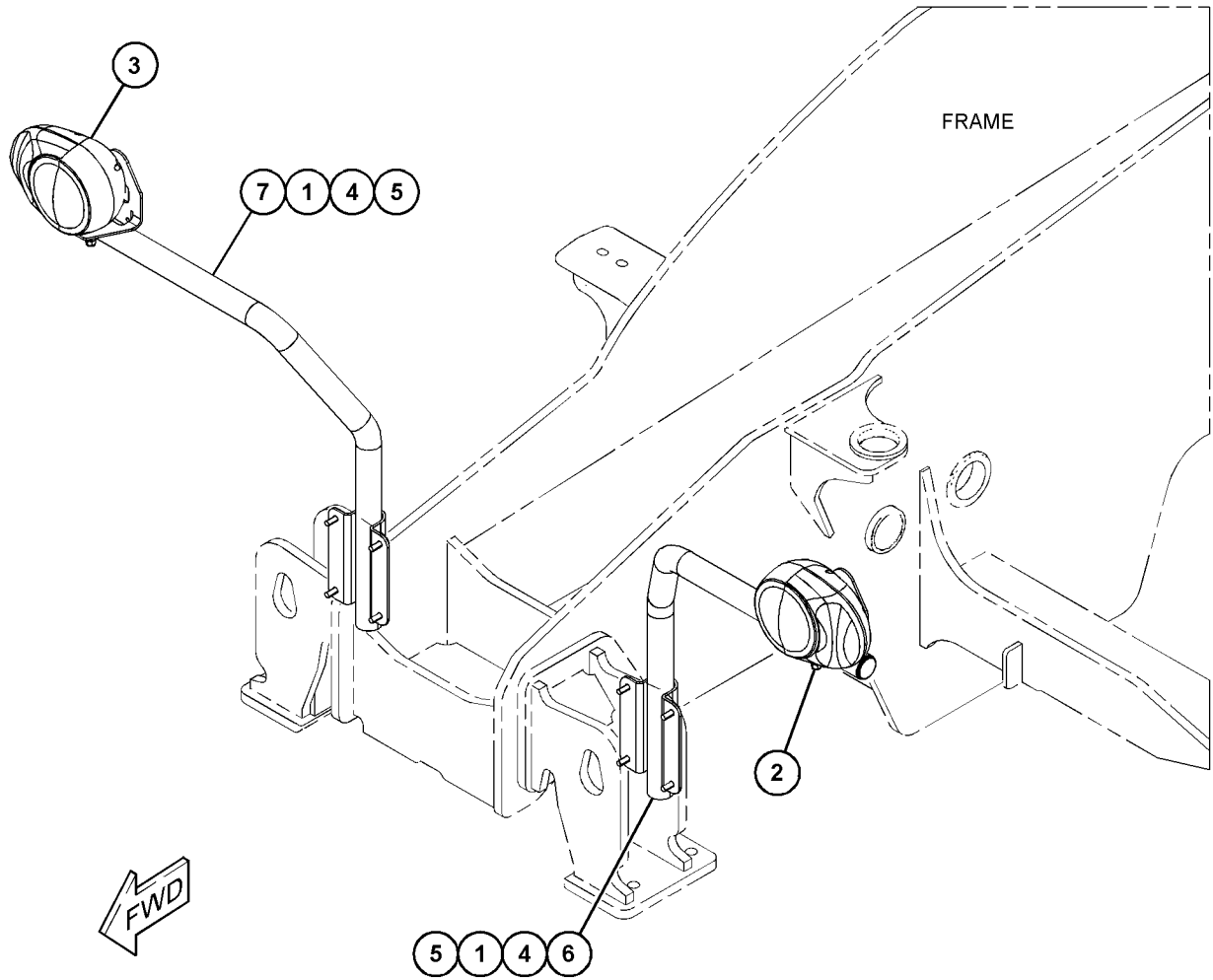
PART OF 515-0968 LIGHTING GP-ROADING
AN ATTACHMENT

SMCS-1429

i07213655

NOTE	REF NO	GRAPHIC REF	PART NUMBER	QTY	PART NAME						SEE PAGE
					1	2	3	4	5	6	
M	1	1	8T-4195	8	BOLT (M10X1.5X30-MM)						
	2	1	303-4955	1	LAMP GP (LH)						
	3	1	303-4956	1	LAMP GP (RH)						
(EACH LAMP GP INCLUDES)											
		1	305-2107	1	LAMP (12-VOLT) (LOW BEAM)						
		1	305-2108	1	LAMP (12-VOLT) (HEADLIGHT)						
		1	305-2109	1	LAMP (12-VOLT) (TURN SIGNAL)						
	4	1	8T-4121	8	WASHER-HARD (11X21X2.5-MM THK)						
	5	1	314-5567	2	PLUG						
	6	1	501-4953	1	BRACKET AS						
	7	1	501-5075	1	BRACKET AS						

M - METRIC PART



GRAPHIC #1

<END>

g06162165

ELECTRICAL AND STARTING SYSTEM

515-0972 LAMP GP-FRONT

S/N: TH41-UP

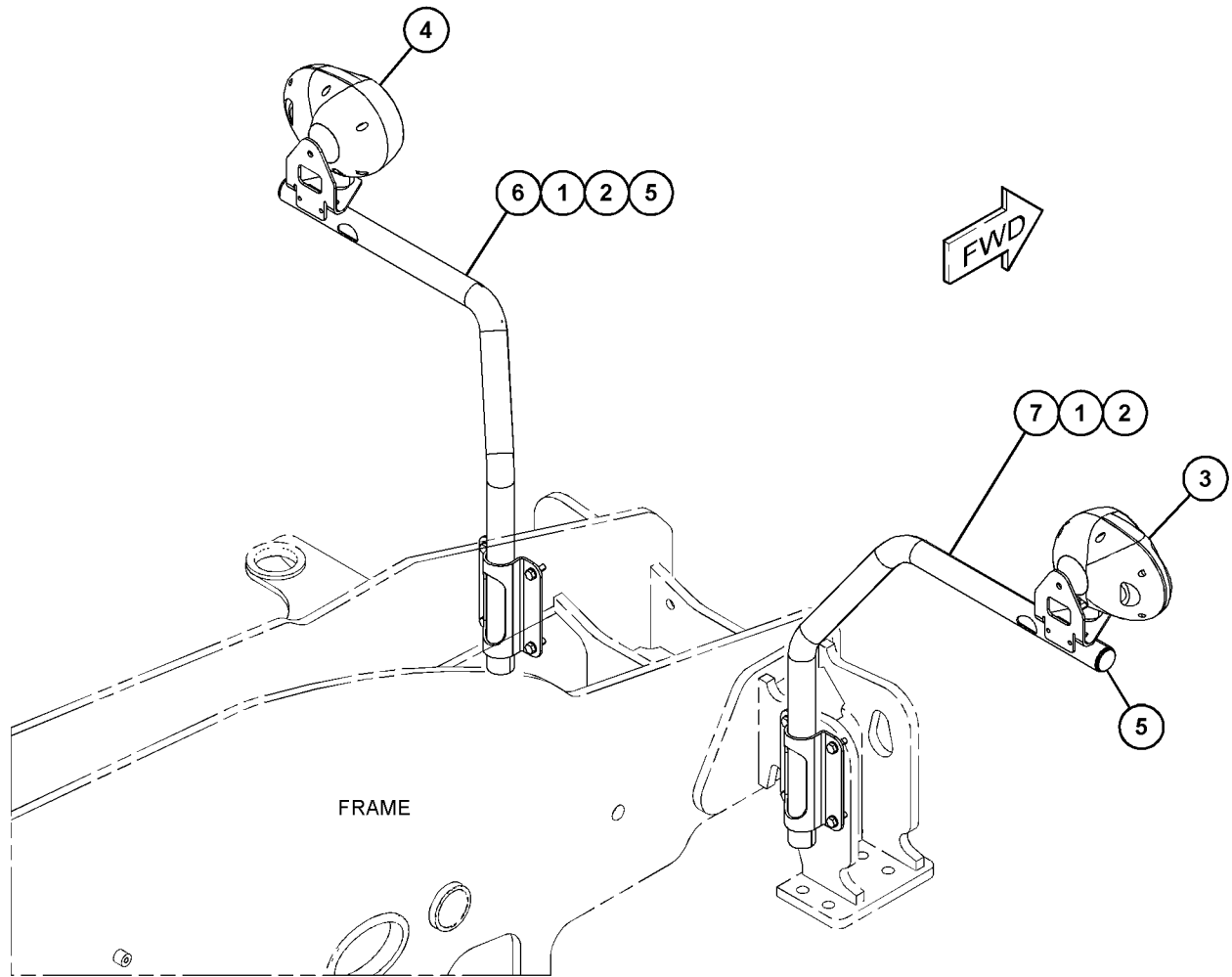
PART OF 515-0971 LIGHTING GP-ROADING
AN ATTACHMENT

SMCS-1429

i06895623

NOTE	REF NO	GRAPHIC REF	PART NUMBER	QTY	PART NAME						SEE PAGE
					1	2	3	4	5	6	
M	1	1	8T-4195	8	BOLT (M10X1.5X30-MM)						
	2	1	8T-4121	8	WASHER-HARD (11X21X2.5-MM THK)						
	3	1	316-7999	1	LIGHTING GP-FRONT (RH)						
		1	305-2107	1	LAMP (12-VOLT) (LOW BEAM)						
		1	305-2108	1	LAMP (12-VOLT) (HEADLIGHT)						
		1	305-2109	1	LAMP (12-VOLT) (TURN SIGNAL)						
	4	1	316-8000	1	LIGHTING GP-FRONT (LH)						
		1	305-2107	1	LAMP (12-VOLT) (LOW BEAM)						
		1	305-2108	1	LAMP (12-VOLT) (HEADLIGHT)						
		1	305-2109	1	LAMP (12-VOLT) (TURN SIGNAL)						
	5	1	314-5567	2	PLUG						
	6	1	501-4953	1	BRACKET AS						
	7	1	501-5075	1	BRACKET AS						

M - METRIC PART



GRAPHIC #1

<END>

g06159816

ELECTRICAL AND STARTING SYSTEM

590-3978 LAMP GP-FRONT

S/N: TH9961-UP

12-VOLT

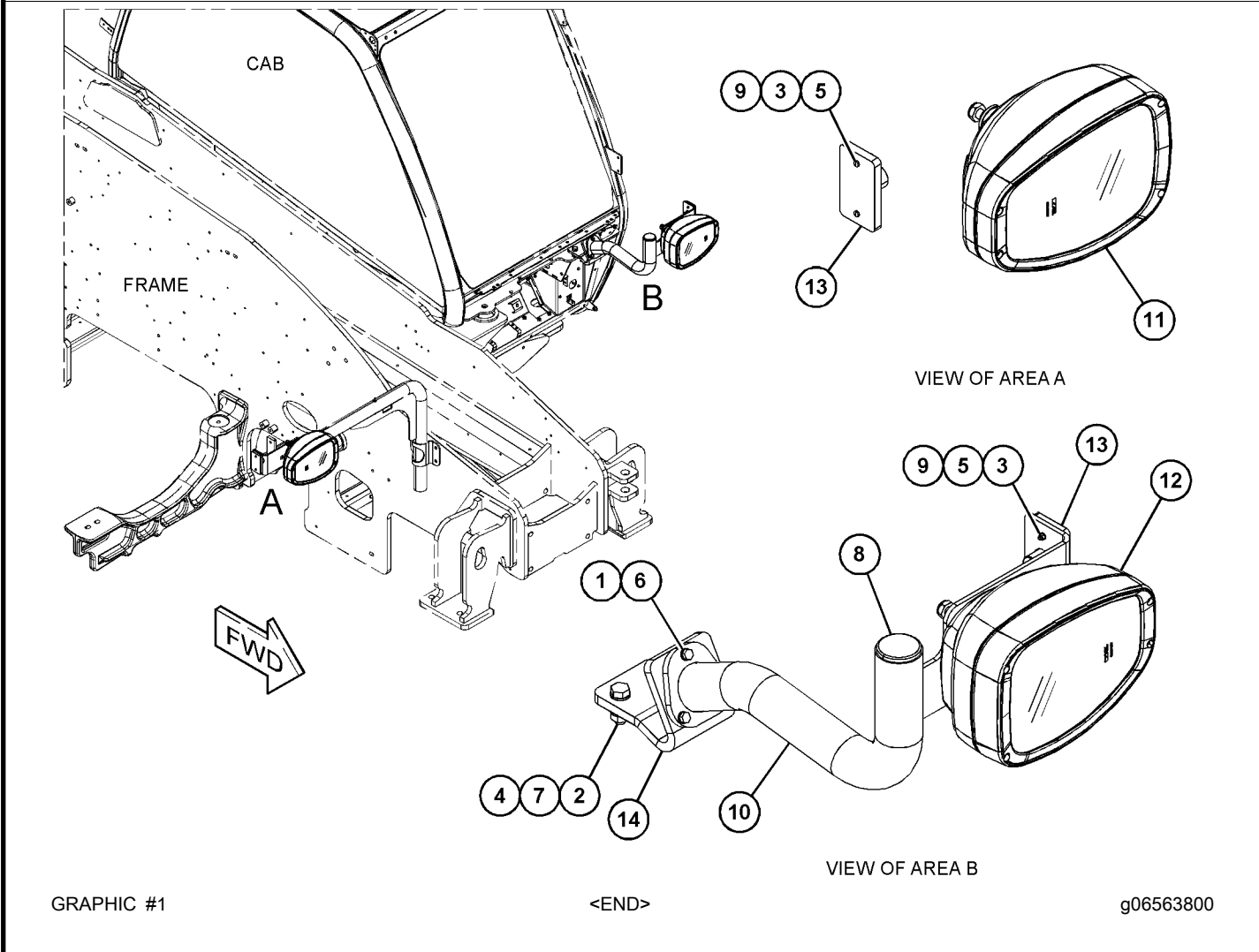
PART OF 515-0963 LIGHTING GP-ROADING
AN ATTACHMENT

SMCS-1429

i08156034

NOTE	REF NO	GRAPHIC REF	PART NUMBER	QTY	PART NAME						SEE PAGE
					1	2	3	4	5	6	
M	1	1	8T-4971	3	BOLT (M6X1X30-MM)						
M	2	1	183-7121	2	BOLT (M10X1.5X35-MM)						
M	3	1	8T-2658	4	LOCKNUT (M3X0.5-THD)						
M	4	1	344-5675	2	NUT (M10X1.5-THD)						
	5	1	590-4033	4	SCREW						
	6	1	8T-4205	3	WASHER-HARD (7.2X14.5X2-MM THK)						
	7	1	8T-4121	4	WASHER-HARD (11X21X2.5-MM THK)						
	8	1	314-5567	1	PLUG						
	9	1	6V-9498	4	WASHER-HARD (3.2X7X0.5-MM THK)						
	10	1	590-3912	1	BRACKET AS						
	11	1	590-3914	1	LAMP (12-VOLT) (FRONT, RH)						
	12	1	590-3915	1	LAMP (12-VOLT) (FRONT, LH)						
	13	1	590-3933	2	LAMP (12-VOLT/24-VOLT, 3-WATT) (SIDE MARKER)						
	14	1	590-3945	1	MOUNT AS						

M - METRIC PART



ELECTRICAL AND STARTING SYSTEM

590-4445 LAMP GP-FRONT

S/N: TH9961-UP

12-VOLT

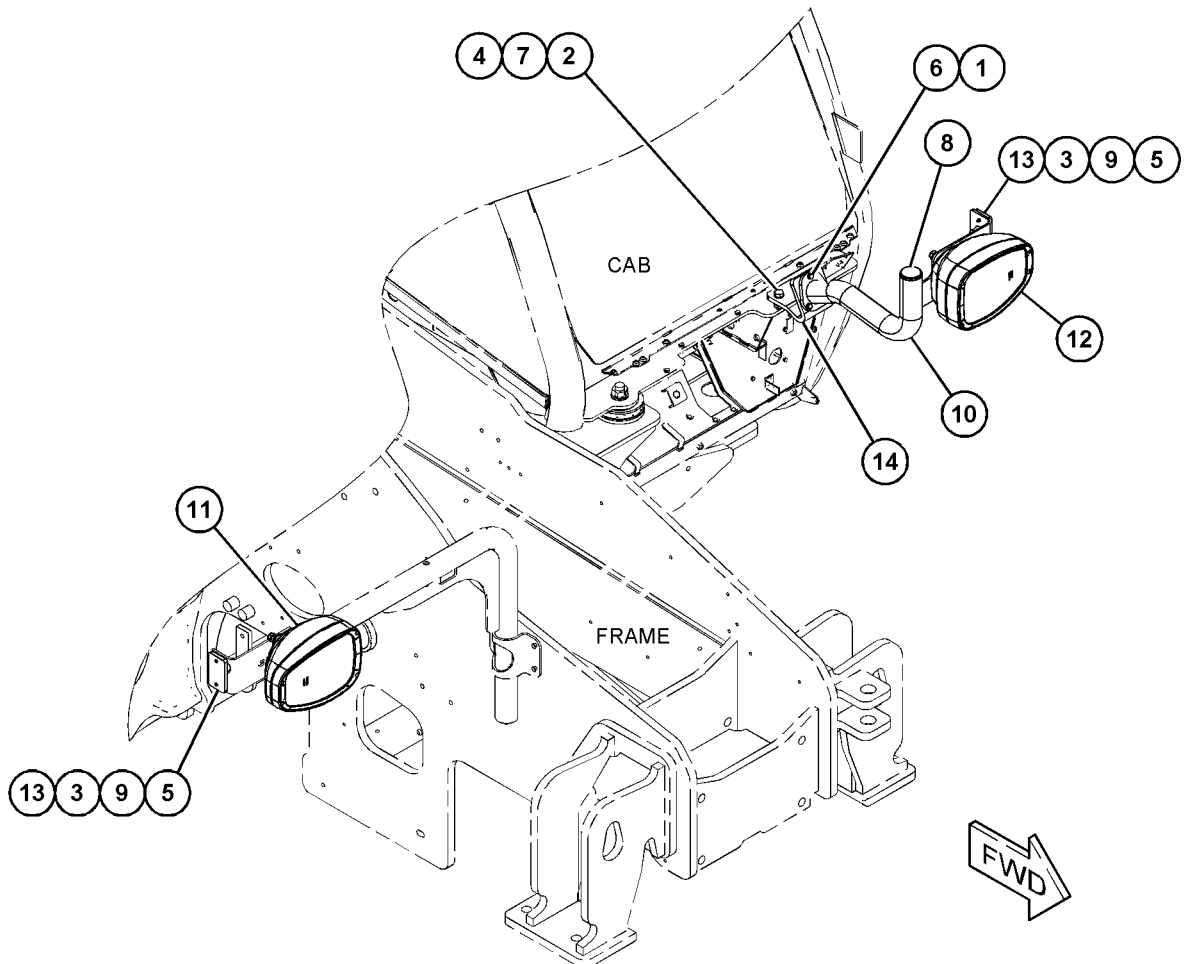
PART OF 515-0967 LIGHTING GP-ROADING
AN ATTACHMENT

SMCS-1429

i08093154

NOTE	REF NO	GRAPHIC REF	PART NUMBER	QTY	PART NAME						SEE PAGE
					1	2	3	4	5	6 (PRODUCT LEVEL)	
M	1	1	8T-4971	3	BOLT (M6X1X30-MM)						
M	2	1	183-7121	2	BOLT (M10X1.5X35-MM)						
M	3	1	8T-2658	4	LOCKNUT (M3X0.5-THD)						
M	4	1	344-5675	2	NUT (M10X1.5-THD)						
	5	1	590-4033	4	SCREW						
	6	1	8T-4205	3	WASHER-HARD (7.2X14.5X2-MM THK)						
	7	1	8T-4121	4	WASHER-HARD (11X21X2.5-MM THK)						
	8	1	314-5567	1	PLUG						
	9	1	6V-9498	4	WASHER-HARD (3.2X7X0.5-MM THK)						
	10	1	590-3915	1	LAMP (12-VOLT) (FRONT, LH)						
	11	1	590-4089	1	LAMP (FRONT, RH)						
	12	1	590-4093	1	LAMP (LH)						
	13	1	590-3933	2	LAMP (12-VOLT/24-VOLT, 3-WATT) (SIDE MARKER)						
	14	1	590-3945	1	MOUNT AS						

M - METRIC PART



GRAPHIC #1

<END>

g06562831

ELECTRICAL AND STARTING SYSTEM

195-0189 LAMP GP-HEAD & SIGNAL-FRONT, RH

S/N: TH41-UP; TH91-UP

12-VOLT

PART OF 560-5071, 560-7675 KIT-LIGHTING, 515-0966 LIGHTING GP-FRONT, 501-0759 LIGHTING GP-ROADING
AN ATTACHMENT

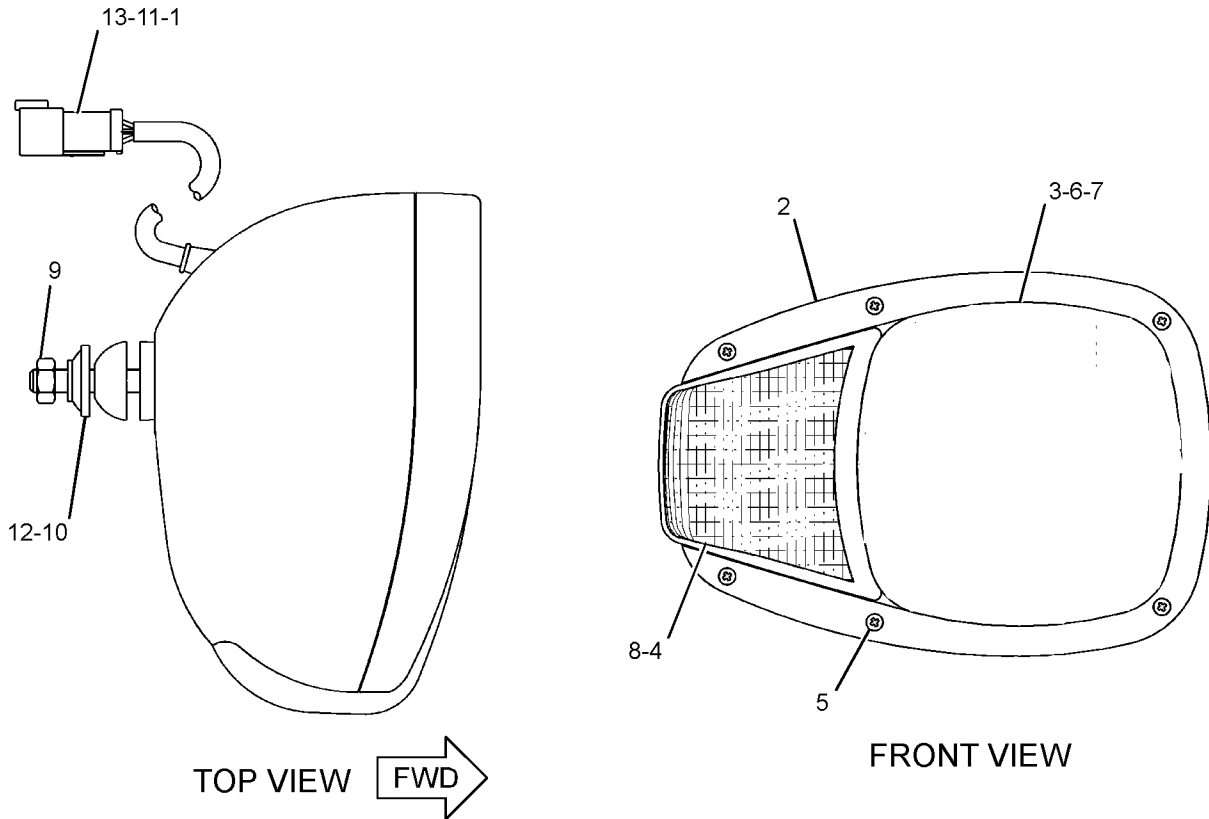
SMCS-1429, 1430

i06584211

NOTE	REF NO	GRAPHIC REF	PART NUMBER	QTY	PART NAME						SEE PAGE
					1	2	3	4	5	6 (PRODUCT LEVEL)	
	1	1	8T-8737	1	PLUG-SEAL						
	2	1	228-6054	1	BEZEL						
	3	1	444-6523	1	LENS AS (HEADLIGHT)						
	4	1	228-6052	1	LENS AS (TURN SIGNAL)						
	5	1	228-6056	6	SCREW (4-32X1.26-IN)						
	6	1	9W-3324	1	LAMP-HEAD (12-VOLT, 60/55-WATT) (CLEAR)						
	7	1	226-4561	1	LAMP (12-VOLT, 5-WATT) (CLEAR)						
	8	1	226-4560	1	LAMP (12-VOLT, 21-WATT) (AMBER)						
M	9	1	8T-0389	1	LOCKNUT (M10X1.5-THD)						
	10	1	473-8155	2	SPACER (SPHERICAL)						
	11	1	8T-8729	5	PIN-CONNECTOR (16-GA TO 20-GA)						
	12	1	473-8156	2	WASHER (SPHERICAL)						
	13	1	102-8805	1	KIT-RECEPTACLE (6-PIN)						

(INCLUDES RECEPTACLE AS & WEDGE)

M - METRIC PART



GRAPHIC #1

<END>

g03840936

ELECTRICAL AND STARTING SYSTEM

195-0190 LAMP GP-HEAD & SIGNAL-FRONT, LH

S/N: TH41-UP; TH91-UP

12-VOLT

PART OF 560-5071, 560-7675 KIT-LIGHTING, 515-0966 LIGHTING GP-FRONT, 501-0759 LIGHTING GP-ROADING
AN ATTACHMENT

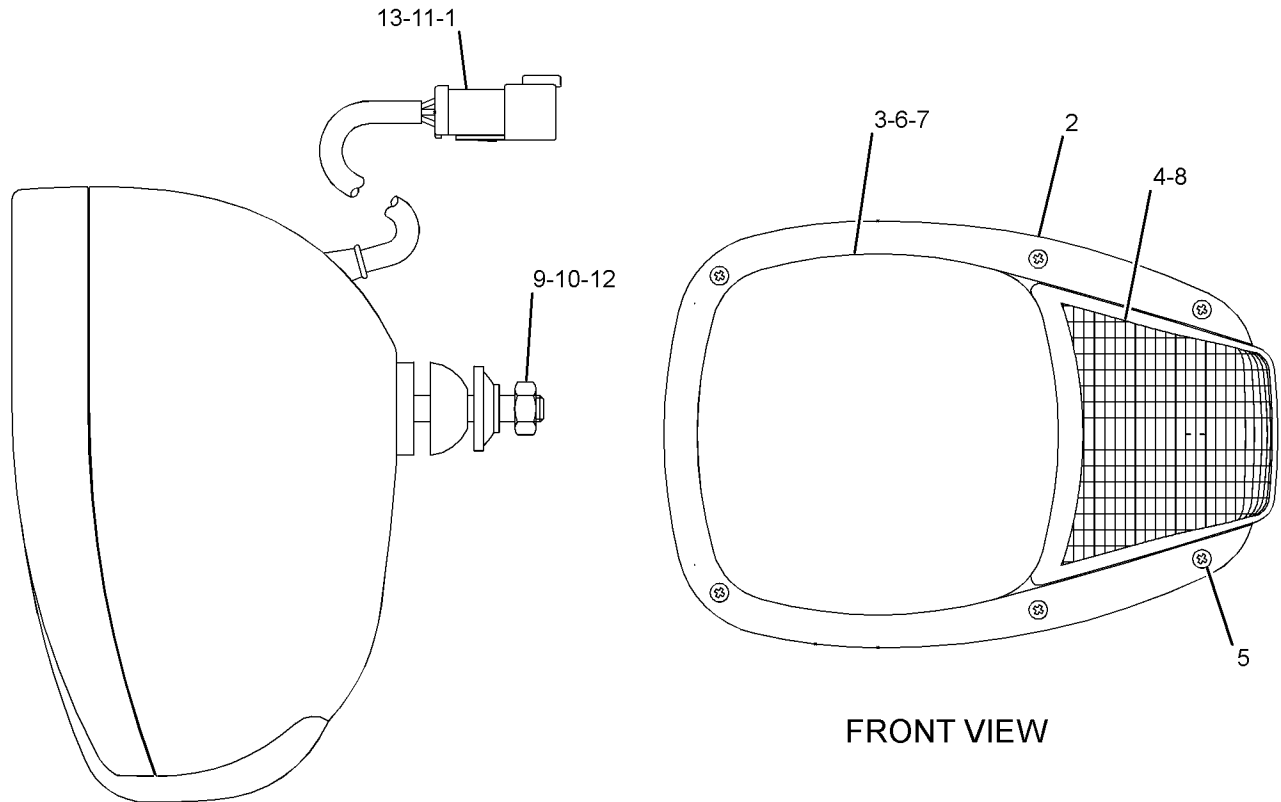
SMCS-1429, 1430

i06584217

NOTE	REF NO	GRAPHIC REF	PART NUMBER	QTY	PART NAME						SEE PAGE
					1	2	3	4	5	6 (PRODUCT LEVEL)	
	1	1	8T-8737	1	PLUG-SEAL						
	2	1	228-6054	1	BEZEL						
	3	1	444-6523	1	LENS AS (HEADLIGHT)						
	4	1	228-6052	1	LENS AS (TURN SIGNAL)						
	5	1	228-6056	6	SCREW (4-32X1.26-IN)						
	6	1	9W-3324	1	LAMP-HEAD (12-VOLT, 60/55-WATT) (CLEAR)						
	7	1	226-4561	1	LAMP (12-VOLT, 5-WATT) (CLEAR)						
	8	1	226-4560	1	LAMP (12-VOLT, 21-WATT) (AMBER)						
M	9	1	8T-0389	1	LOCKNUT (M10X1.5-THD)						
	10	1	473-8155	2	SPACER (SPHERICAL)						
	11	1	8T-8729	5	PIN-CONNECTOR (16-GA TO 20-GA)						
	12	1	473-8156	2	WASHER (SPHERICAL)						
	13	1	102-8805	1	KIT-RECEPTACLE (6-PIN)						

(INCLUDES RECEPTACLE AS & WEDGE)

M - METRIC PART



TOP VIEW



FRONT VIEW

GRAPHIC #1

<END>

g03820987

ELECTRICAL AND STARTING SYSTEM

195-0191 LAMP GP-HEAD & SIGNAL-RH

S/N: TH91-UP

12-VOLT

PART OF 501-4200 LIGHTING GP-ROADING
AN ATTACHMENT

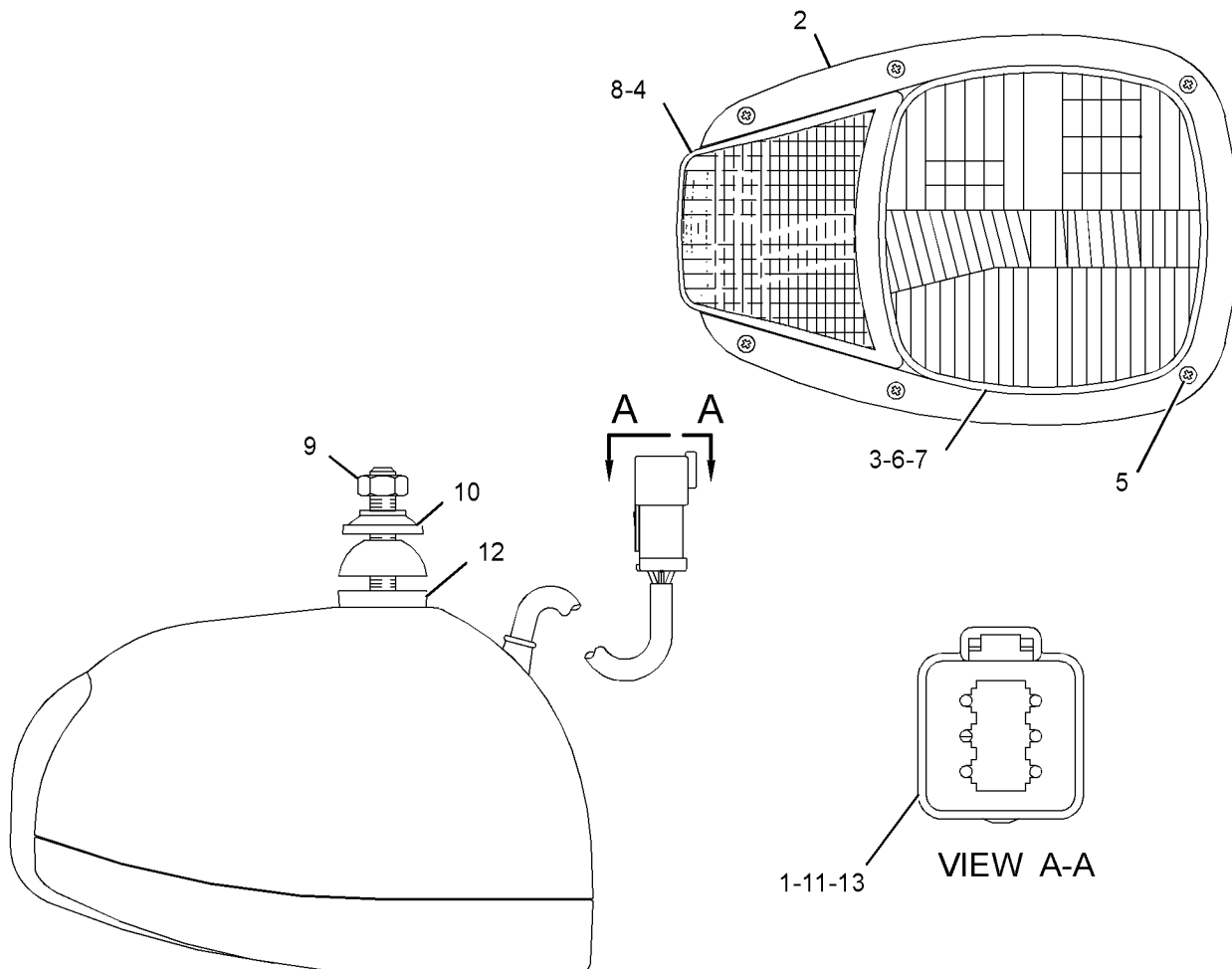
SMCS-1429, 1430

i06580065

NOTE	REF NO	GRAPHIC REF	PART NUMBER	QTY	PART NAME						SEE PAGE
					1	2	3	4	5	6 (PRODUCT LEVEL)	
	1	1	8T-8737	1	PLUG-SEAL						
	2	1	228-6054	1	BEZEL						
	3	1	444-6523	1	LENS AS (HEADLIGHT)						
	4	1	228-6052	1	LENS AS (TURN SIGNAL)						
	5	1	228-6056	6	SCREW (4-32X1.26-IN)						
	6	1	9W-3324	1	LAMP-HEAD (12-VOLT, 60/55-WATT) (CLEAR)						
	7	1	226-4561	1	LAMP (12-VOLT, 5-WATT) (CLEAR)						
	8	1	226-4560	1	LAMP (12-VOLT, 21-WATT) (AMBER)						
M	9	1	8T-0389	1	LOCKNUT (M10X1.5-THD)						
	10	1	473-8155	2	SPACER (SPHERICAL)						
	11	1	8T-8729	5	PIN-CONNECTOR (16-GA TO 20-GA)						
	12	1	473-8156	2	WASHER (SPHERICAL)						
	13	1	102-8805	1	KIT-RECEPTACLE (6-PIN)						

(INCLUDES RECEPTACLE AS & WEDGE)

M - METRIC PART



GRAPHIC #1

<END>

g03840935

ELECTRICAL AND STARTING SYSTEM

195-0192 LAMP GP-HEAD & SIGNAL-LH

S/N: TH91-UP

12-VOLT

PART OF 501-4200 LIGHTING GP-ROADING
AN ATTACHMENT

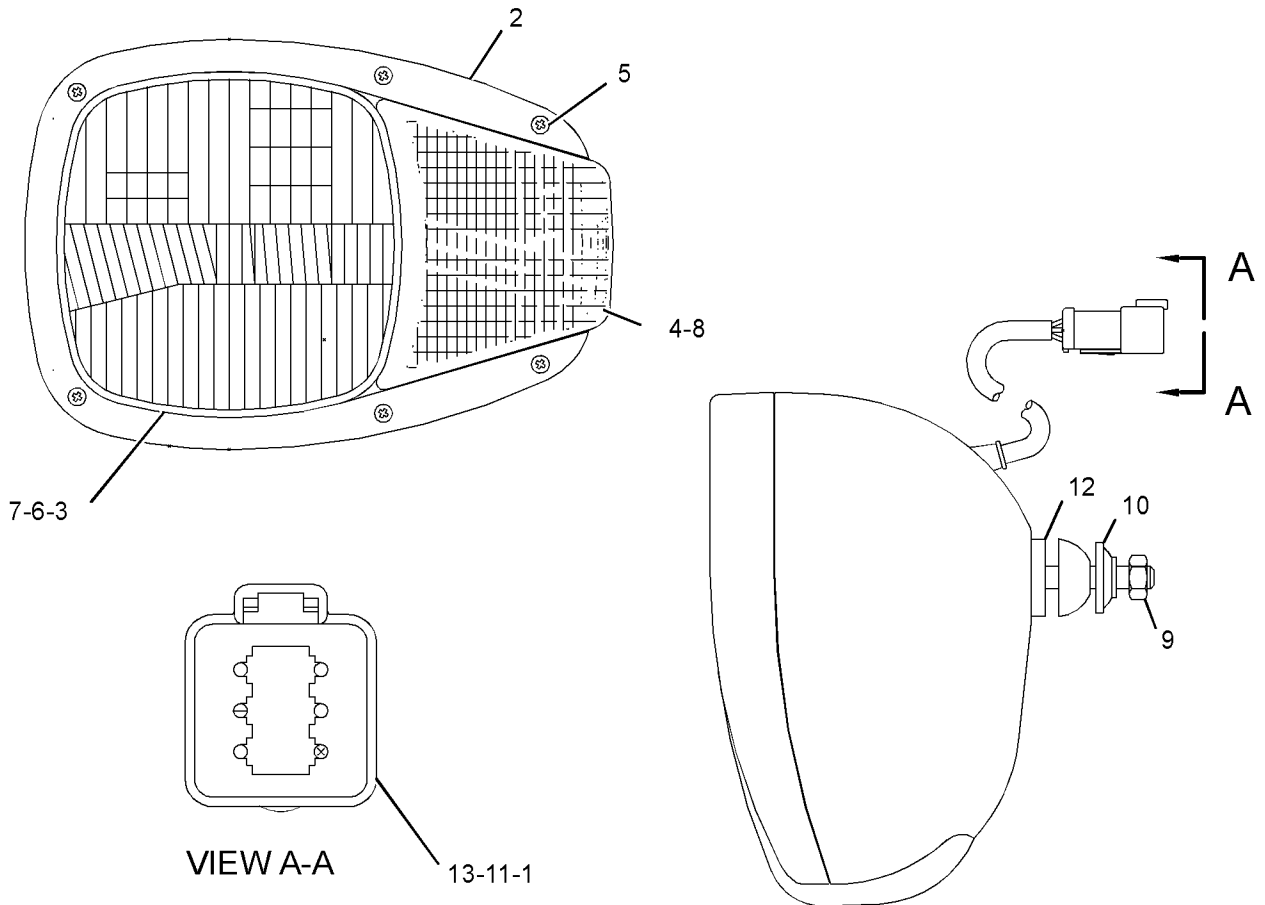
SMCS-1429, 1430

i06580066

NOTE	REF NO	GRAPHIC REF	PART NUMBER	QTY	PART NAME						SEE PAGE
					1	2	3	4	5	6 (PRODUCT LEVEL)	
	1	1	8T-8737	1	PLUG-SEAL						
	2	1	228-6054	1	BEZEL						
	3	1	444-6523	1	LENS AS (HEADLIGHT)						
	4	1	228-6052	1	LENS AS (TURN SIGNAL)						
	5	1	228-6056	6	SCREW (4-32X1.26-IN)						
	6	1	9W-3324	1	LAMP-HEAD (12-VOLT, 60/55-WATT) (CLEAR)						
	7	1	226-4561	1	LAMP (12-VOLT, 5-WATT) (CLEAR)						
	8	1	226-4560	1	LAMP (12-VOLT, 21-WATT) (AMBER)						
M	9	1	8T-0389	1	LOCKNUT (M10X1.5-THD)						
	10	1	473-8155	1	SPACER (SPHERICAL)						
	11	1	8T-8729	5	PIN-CONNECTOR (16-GA TO 20-GA)						
	12	1	473-8156	2	WASHER (SPHERICAL)						
	13	1	102-8805	1	KIT-RECEPTACLE (6-PIN)						

(INCLUDES RECEPTACLE AS & WEDGE)

M - METRIC PART



GRAPHIC #1

<END>

g03840925

ELECTRICAL AND STARTING SYSTEM

515-0964 LAMP GP-REAR

S/N: TH41-UP; TH91-960

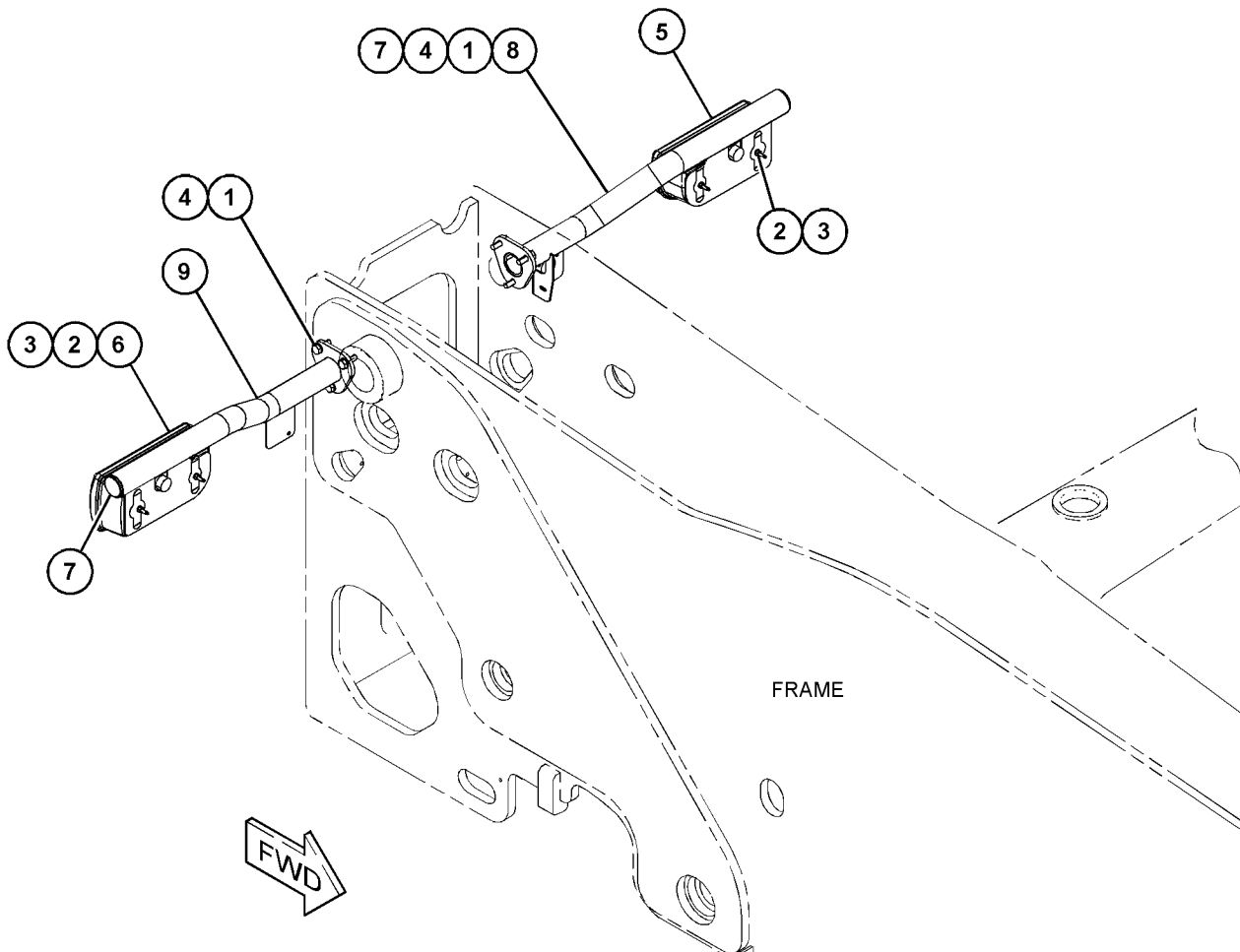
PART OF 515-0963, 515-0967, 515-0968, 515-0971 LIGHTING GP-ROADING
AN ATTACHMENT

SMCS-1429, 1432

i06895455

NOTE	REF NO	GRAPHIC REF	PART NUMBER	QTY	PART NAME						SEE PAGE
					1	2	3	4	5	6 (PRODUCT LEVEL)	
M	1	1	8T-4195	6	BOLT (M10X1.5X30-MM)						
M	2	1	5C-2890	4	NUT (M6X1-THD)						
	3	1	8T-4205	4	WASHER-HARD (7.2X14.5X2-MM THK)						
	4	1	8T-4121	6	WASHER-HARD (11X21X2.5-MM THK)						
	5	1	316-8038	1	LAMP GP (STOP, TAIL, TURN, BACKUP, LH)						
		1	305-2109	1	LAMP (12-VOLT) (TURN SIGNAL)						
		1	323-5648	1	LAMP (12-VOLT) (TAIL LIGHTS)						
		1	323-5649	1	LAMP (12-VOLT) (INDICATOR LIGHT)						
	6	1	316-8039	1	LAMP GP (STOP, TAIL, TURN, BACKUP, RH)						
		1	305-2109	1	LAMP (12-VOLT) (TURN SIGNAL)						
		1	323-5648	1	LAMP (12-VOLT) (TAIL LIGHTS)						
		1	323-5649	1	LAMP (12-VOLT) (INDICATOR LIGHT)						
	7	1	314-5567	2	PLUG						
	8	1	515-0969	1	BRACKET AS						
	9	1	515-0970	1	BRACKET AS						

M - METRIC PART



GRAPHIC #1

<END>

g06159449

ELECTRICAL AND STARTING SYSTEM

590-4503 LAMP GP-REAR

S/N: TH9961-UP

12-VOLT

PART OF 515-0963, 515-0967 LIGHTING GP-ROADING
AN ATTACHMENT

SMCS-1429, 1432

i08093165

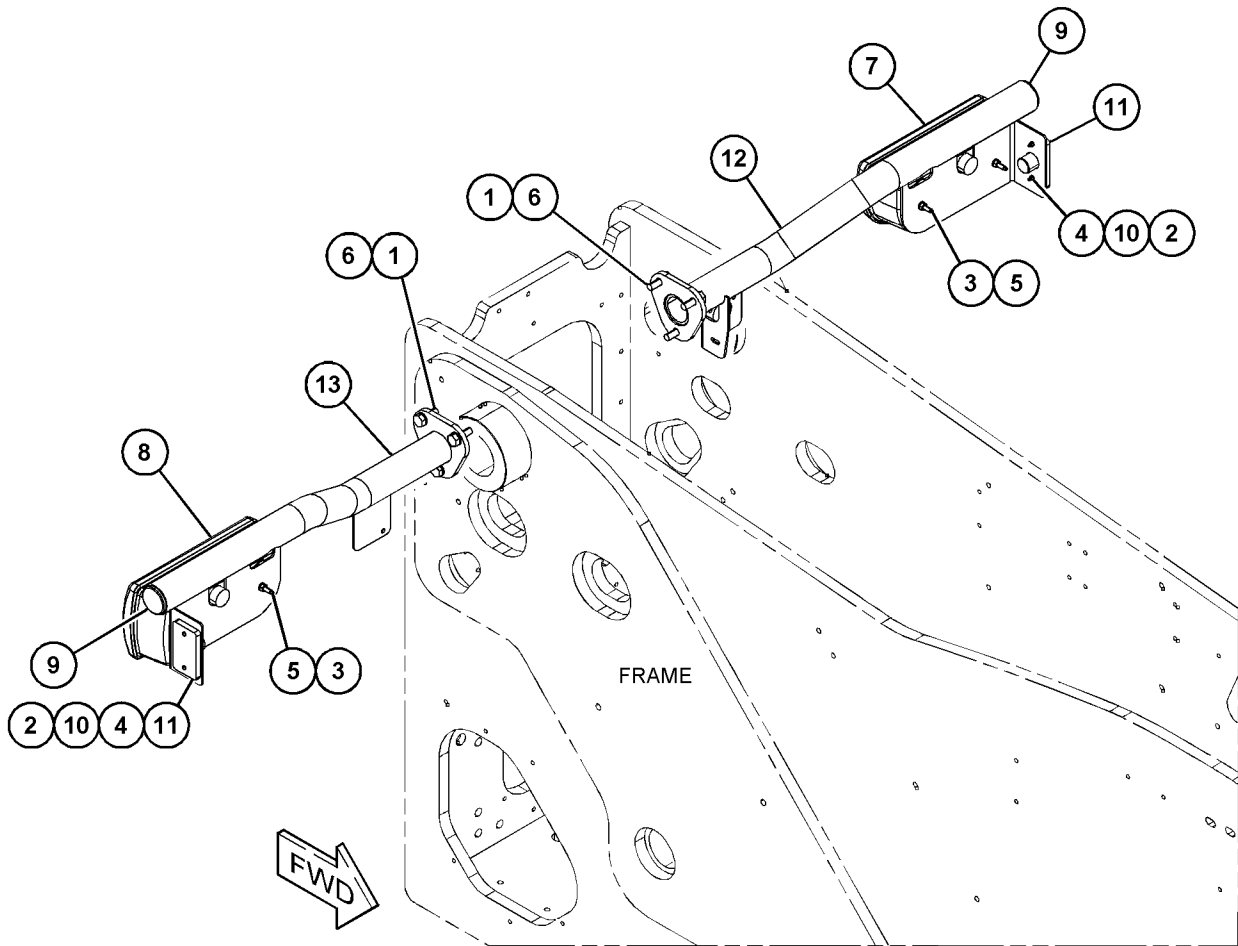
NOTE	REF NO	GRAPHIC REF	PART NUMBER	QTY	PART NAME						SEE PAGE
					1	2	3	4	5	6 (PRODUCT LEVEL)	
M	1	1	8T-4195	6	BOLT (M10X1.5X30-MM)						
M	2	1	8T-2658	4	LOCKNUT (M3X0.5-THD)						
M	3	1	5C-2890	4	NUT (M6X1-THD)						
	4	1	590-4033	4	SCREW						
	5	1	8T-4205	4	WASHER-HARD (7.2X14.5X2-MM THK)						
	6	1	8T-4121	6	WASHER-HARD (11X21X2.5-MM THK)						
	7	1	316-8038	1	LAMP GP (STOP, TAIL, TURN, BACKUP, LH)						
	8	1	316-8039	1	LAMP GP (STOP, TAIL, TURN, BACKUP, RH)						
					(EACH LAMP GP INCLUDES)						
		1	305-2109	1	LAMP (12-VOLT) (TURN SIGNAL)						
		1	323-5648	1	LAMP (12-VOLT) (INDICATOR LIGHT)						
		1	323-5649	1	LAMP (12-VOLT) (TAIL LIGHTS)						
	9	1	314-5567	2	PLUG						
	10	1	6V-9498	4	WASHER-HARD (3.2X7X0.5-MM THK)						
	11	1	590-3933	2	LAMP (12-VOLT/24-VOLT, 3-WATT) (SIDE MARKER)						
	12	1	590-4488	1	BRACKET (REAR, LH)						
	13	1	590-4490	1	BRACKET (REAR, RH)						

M - METRIC PART

ELECTRICAL AND STARTING SYSTEM

590-4503 LAMP GP-REAR (contd.)

i08093165



GRAPHIC #1

<END>

g06564324

ELECTRICAL AND STARTING SYSTEM

480-7044 LAMP GP-ROADING-LICENSE PLATE

S/N: TH41-UP; TH91-UP

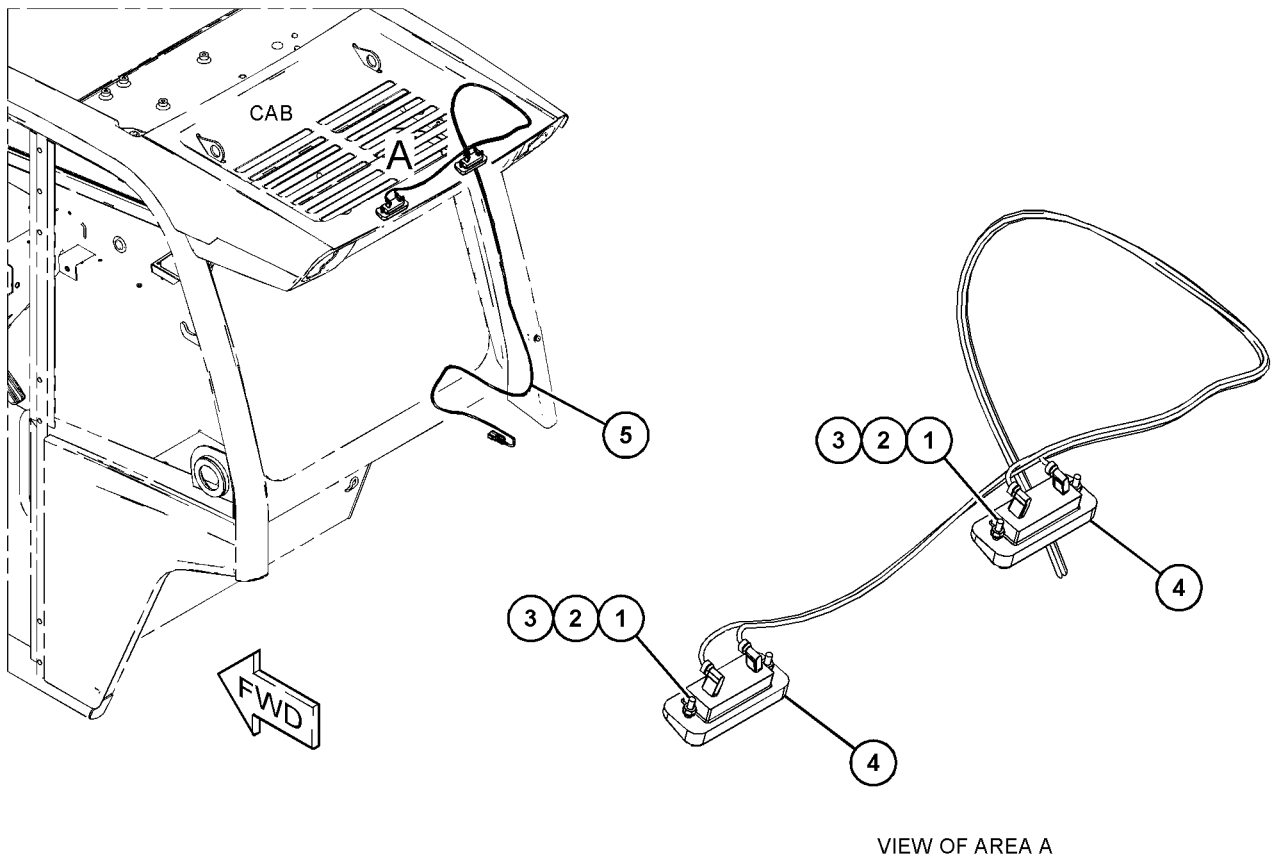
PART OF 515-0963, 515-0967, 515-0968, 515-0971 LIGHTING GP-ROADING
AN ATTACHMENT

SMCS-1429, 1430

i06586895

NOTE	REF NO	GRAPHIC REF	PART NUMBER	QTY	PART NAME						SEE PAGE
					1	2	3	4	5	6 (PRODUCT LEVEL)	
M	1	1	8T-4647	4	SCREW-MACHINE (M4X0.7X20-MM)						
M	2	1	5C-8312	1	NUT (M4X0.7-THD)						
	3	1	473-9270	4	WASHER-SPRING						
	4	1	480-7030	2	LAMP						
	5	1	480-7035	1	HARNESS AS-LIGHTING						
		1	9W-0852	2	PIN-CONNECTOR (14-GA TO 16-GA)						
		1	323-7236	1	RECEPTACLE AS-CONNECTOR (2-PIN)						

M - METRIC PART



GRAPHIC #1

<END>

g06092469

ELECTRICAL AND STARTING SYSTEM

495-3014 LIGHTING AR-ROADING-WITHOUT AIR CONDITIONER

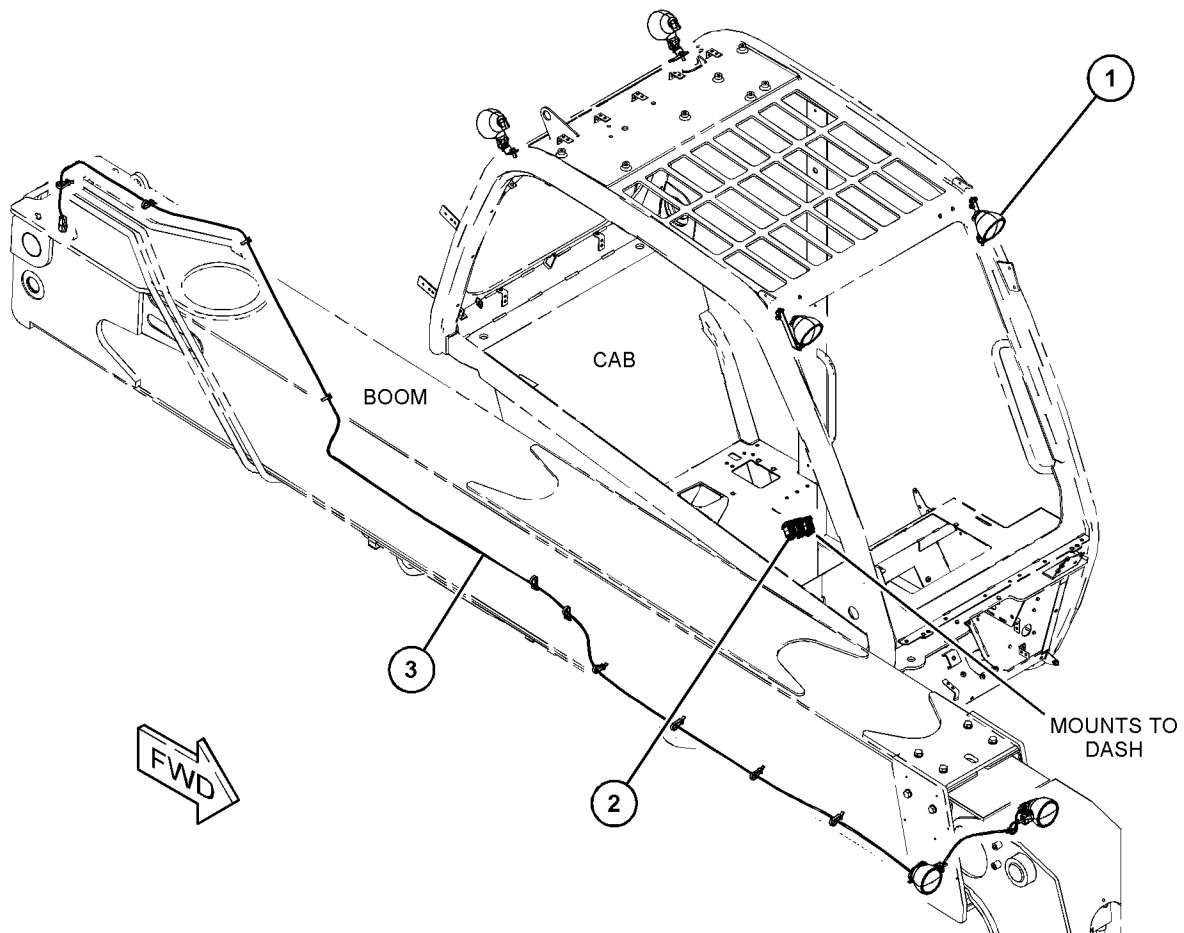
S/N: TH41-UP; TH91-UP
AN ATTACHMENT

SMCS-1408, 1429

i06601103

NOTE	REF NO	GRAPHIC REF	PART NUMBER	QTY	PART NAME						SEE PAGE
					1	2	3	4	5	6 (PRODUCT LEVEL)	
Y	1	1	473-7750	1	LIGHTING GP-FLOOD						495
	2	1	503-7086	1	SWITCH GP-ROCKER						
		1	501-7278	1	SWITCH AS-ROCKER (BOOM WORKLIGHTS)						
		1	503-7087	1	SWITCH AS-ROCKER (FRONT WORKLIGHT)						
		1	503-7088	1	SWITCH AS-ROCKER (REAR WORKLIGHT)						
Y	3	1	495-2278	1	LIGHTING GP-BOOM						494

Y - SEPARATE ILLUSTRATION



GRAPHIC #1

<END>

g06112703

ELECTRICAL AND STARTING SYSTEM

495-3015 LIGHTING AR-ROADING-AIR CONDITIONER

S/N: TH41-UP; TH91-UP

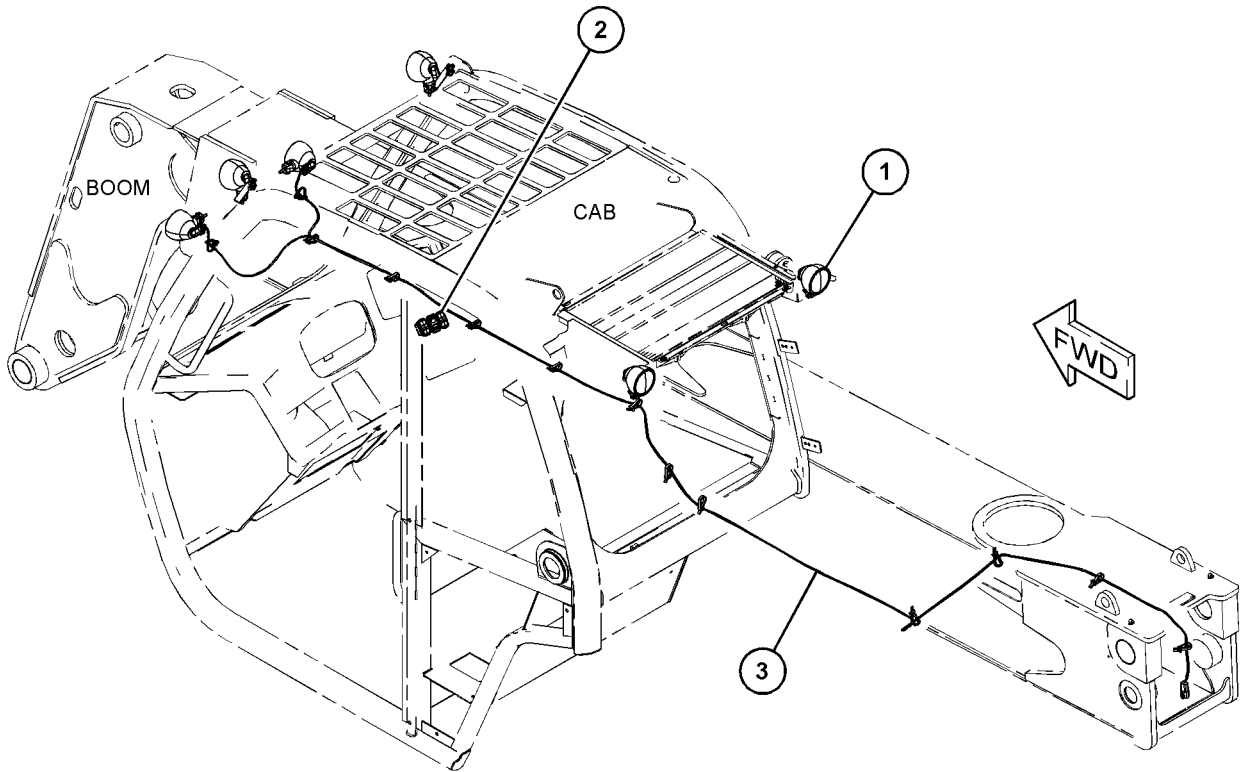
AN ATTACHMENT

SMCS-1408, 1429

i06601102

NOTE	REF NO	GRAPHIC REF	PART NUMBER	QTY	PART NAME						SEE PAGE
					1	2	3	4	5	6 (PRODUCT LEVEL)	
Y	1	1	473-7632	1	LIGHTING GP-ROADING (WITH AIR CONDITIONER)						501
	2	1	495-3013	1	SWITCH GP-ROCKER						
		1	501-7278	1	SWITCH AS-ROCKER (BOOM WORKLIGHTS)						
		1	503-7087	1	SWITCH AS-ROCKER (FRONT WORKLIGHT)						
		1	503-7088	1	SWITCH AS-ROCKER (REAR WORKLIGHT)						
Y	3	1	495-2278	1	LIGHTING GP-BOOM (WORK LIGHT)						494

Y - SEPARATE ILLUSTRATION



GRAPHIC #1

<END>

g06057315

ELECTRICAL AND STARTING SYSTEM

515-1885 LIGHTING AR-ROADING

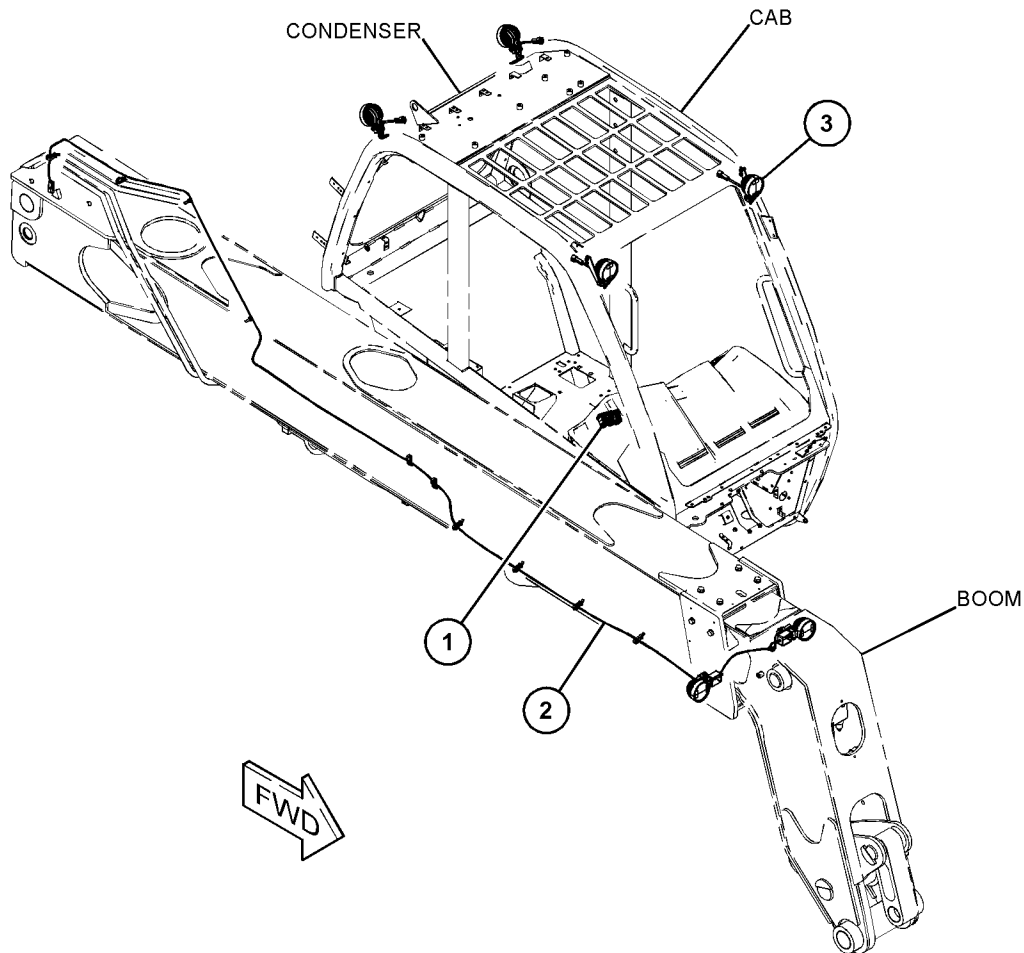
S/N: TH41-UP; TH91-UP
AN ATTACHMENT

SMCS-1408, 1429

i06893248

NOTE	REF NO	GRAPHIC REF	PART NUMBER	QTY	PART NAME						SEE PAGE
					1	2	3	4	5	6 (PRODUCT LEVEL)	
	1	1	503-7086	1	SWITCH GP-ROCKER						
		1	503-7087	1	SWITCH AS-ROCKER (FRONT WORKLIGHT)						
		1	503-7088	1	SWITCH AS-ROCKER (REAR WORKLIGHT)						
		1	506-9153	1	SWITCH-LIGHT						
Y	2	1	503-7090	1	LIGHTING GP-FRONT (BOOM)						496
Y	3	1	503-7093	1	LIGHTING GP-FRONT (WITHOUT AIR CONDITIONER)						497

Y - SEPARATE ILLUSTRATION



GRAPHIC #1

<END>

g06158868

ELECTRICAL AND STARTING SYSTEM

515-1886 LIGHTING AR-ROADING-WITH AIR CONDITIONER

S/N: TH41-UP; TH91-UP

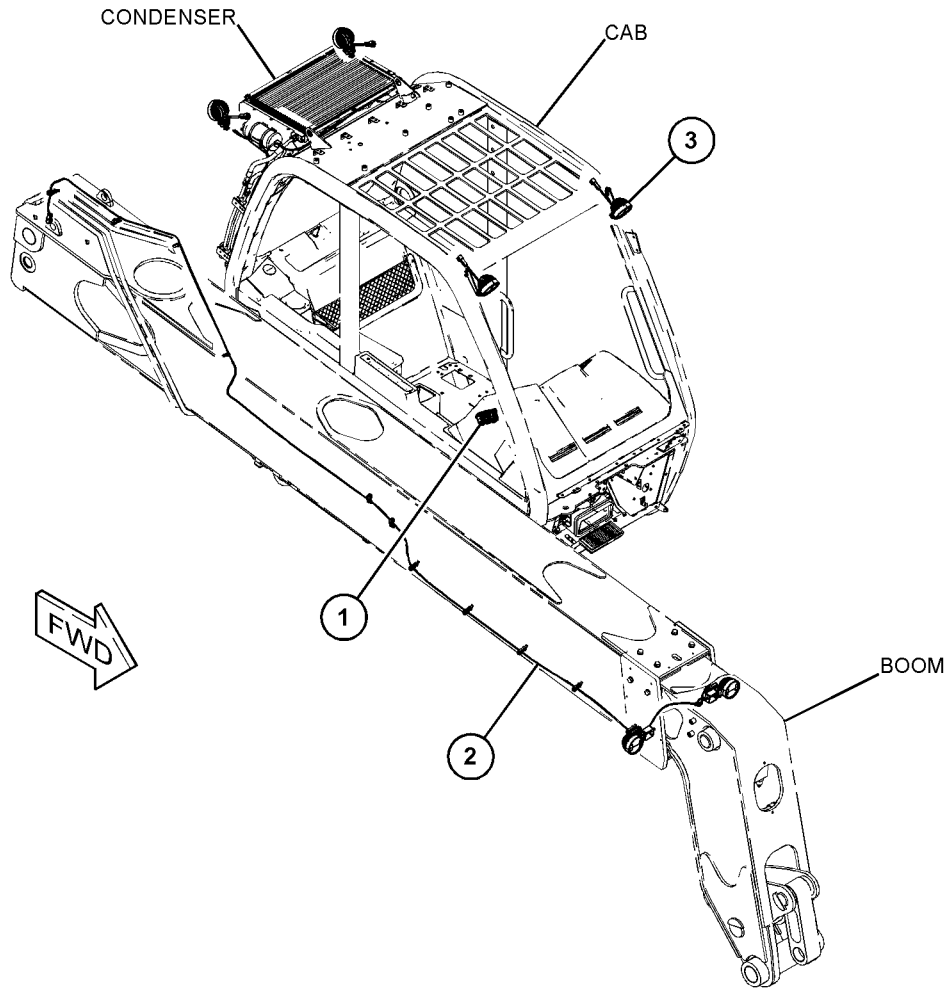
PART OF 590-9758, 590-9759, 590-9760, 590-9761 CONFIGURATION AR
AN ATTACHMENT

SMCS-1408, 1429

i06893253

NOTE	REF NO	GRAPHIC REF	PART NUMBER	QTY	PART NAME						SEE PAGE
					1	2	3	4	5	6 (PRODUCT LEVEL)	
	1	1	503-7086	1	SWITCH GP-ROCKER						
		1	503-7087	1	SWITCH AS-ROCKER (FRONT WORKLIGHT)						
		1	503-7088	1	SWITCH AS-ROCKER (REAR WORKLIGHT)						
		1	506-9153	1	SWITCH-LIGHT						
Y	2	1	503-7090	1	LIGHTING GP-FRONT (BOOM)						496
Y	3	1	503-7260	1	LIGHTING GP-FRONT (AIR CONDITIONER)						498

Y - SEPARATE ILLUSTRATION



GRAPHIC #1

<END>

g06158861

ELECTRICAL AND STARTING SYSTEM

495-2278 LIGHTING GP-BOOM

S/N: TH41-UP; TH91-UP

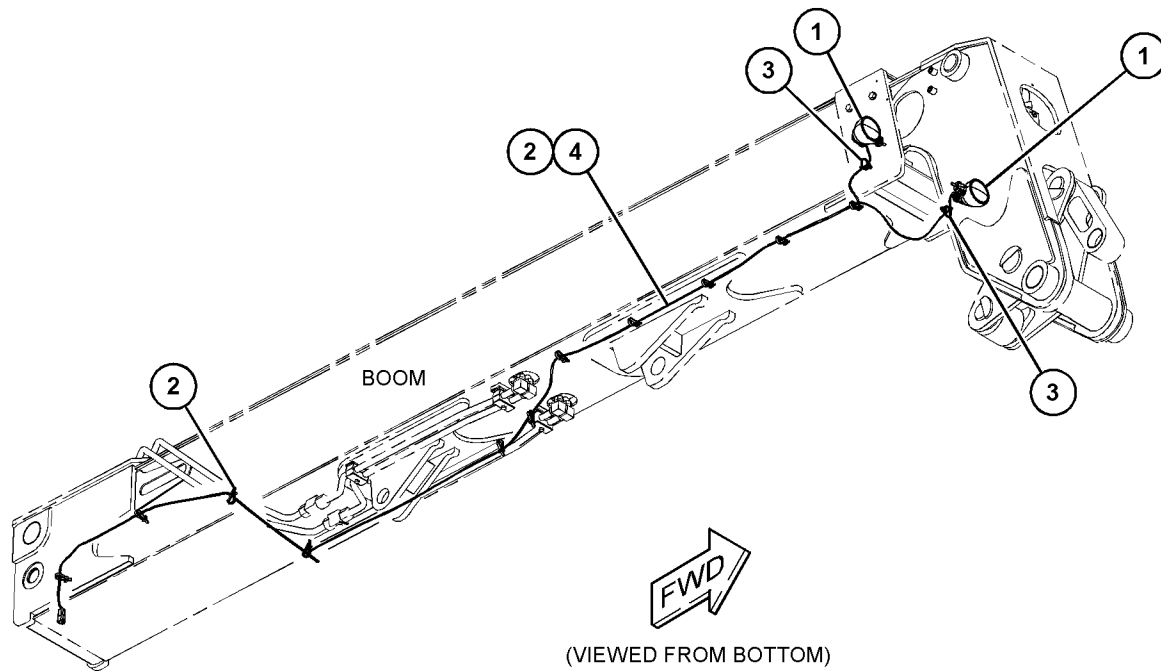
PART OF 495-3014, 495-3015 LIGHTING AR-ROADING
AN ATTACHMENT

SMCS-1434

i07828438

NOTE	REF NO	GRAPHIC REF	PART NUMBER	QTY	PART NAME						SEE PAGE
					1	2	3	4	5	6	
	1	1	312-3332	2	LAMP AS (50-WATT) (WORK LIGHT)						
					(EACH INCLUDES 323-5646)						
		1	323-5646	1	LAMP (50-WATT) (200 HOUR)						
					-OR-						
		1	548-1662	1	BULB-HALOGEN (2000 HOUR)						
	2	1	7K-1181	11	STRAP-CABLE						
	3	1	455-3027	2	TIE-CABLE						
Y	4	1	495-3047	1	HARNESS AS-LIGHTING						449

Y - SEPARATE ILLUSTRATION



GRAPHIC #1

<END>

g06044662

ELECTRICAL AND STARTING SYSTEM

473-7750 LIGHTING GP-FLOOD

S/N: TH41-UP; TH91-UP

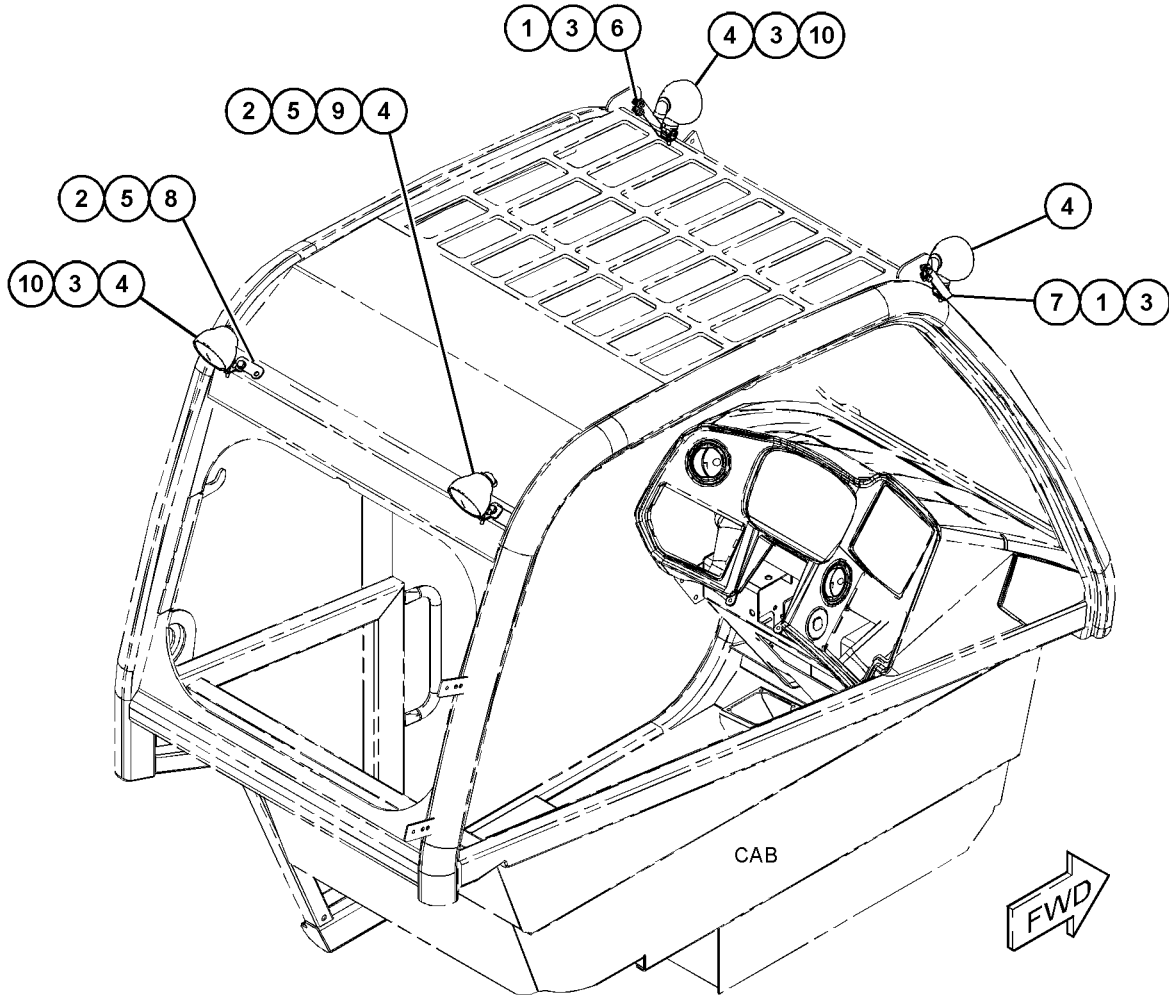
PART OF 495-3014 LIGHTING AR-ROADING
AN ATTACHMENT

SMCS-1434

i07828430

NOTE	REF NO	GRAPHIC REF	PART NUMBER	QTY	PART NAME						SEE PAGE
					1	2	3	4	5	6	
M	1	1	8T-4138	4	BOLT (M6X1X20-MM)						
M	2	1	8T-4189	2	BOLT (M8X1.25X20-MM)						
	3	1	8T-4205	8	WASHER-HARD (7.2X14.5X2-MM THK)						
	4	1	312-3332	4	LAMP AS (50-WATT) (WORK LIGHT)						
					(EACH INCLUDES 323-5646)						
		1	323-5646	1	LAMP (50-WATT) (200 HOUR)						
					-OR-						
		1	548-1662	1	BULB-HALOGEN (2000 HOUR)						
	5	1	8T-4224	2	WASHER-HARD (8.8X16X2-MM THK)						
	6	1	473-7634	1	BRACKET AS						
	7	1	473-7633	1	BRACKET AS						
	8	1	495-8722	1	BRACKET AS						
	9	1	495-8723	1	BRACKET AS						
M	10	1	5C-2890	4	NUT (M6X1-THD)						

M - METRIC PART



GRAPHIC #1

<END>

g06133417

ELECTRICAL AND STARTING SYSTEM

503-7090 LIGHTING GP-FRONT-WORK LIGHT

S/N: TH41-UP; TH91-UP

BOOM

PART OF 515-1885, 515-1886 LIGHTING AR-ROADING
AN ATTACHMENT

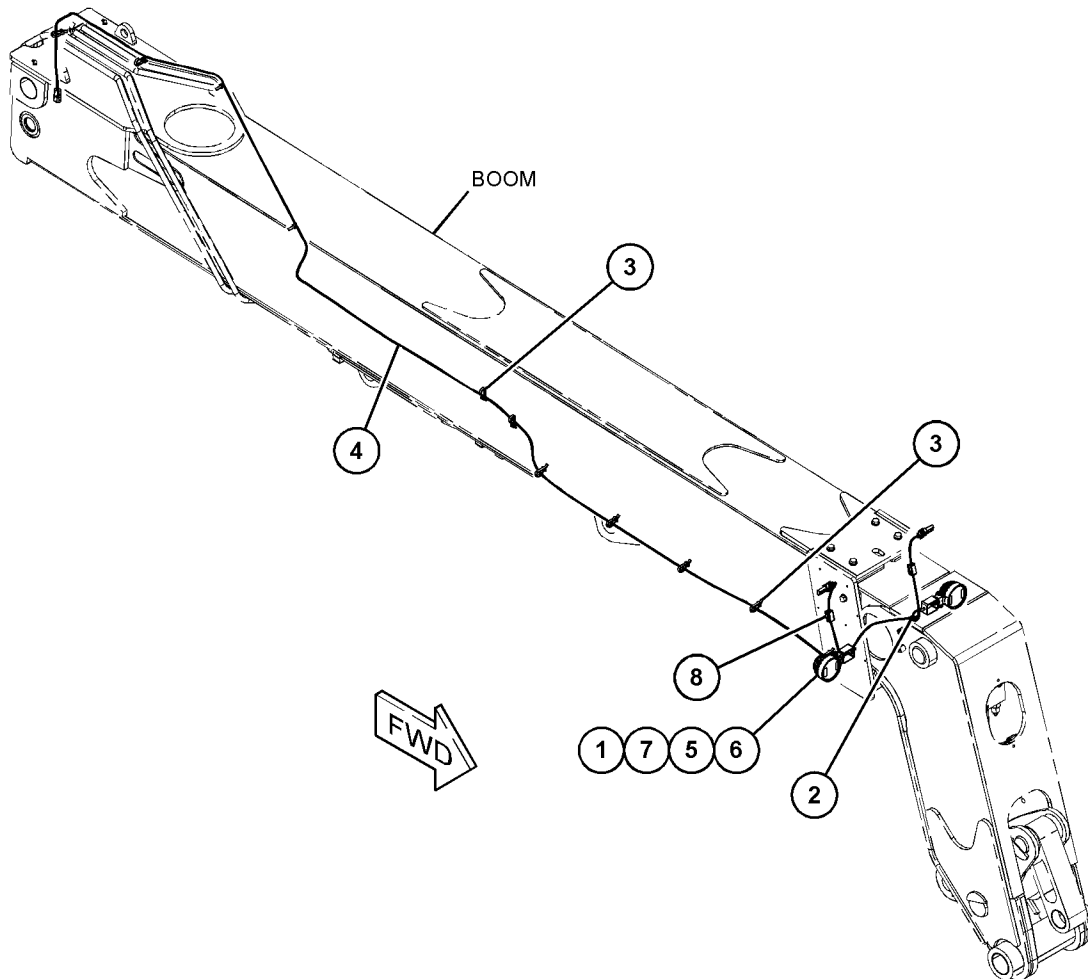
SMCS-1429, 1434

i07451513

NOTE	REF NO	GRAPHIC REF	PART NUMBER	QTY	PART NAME						SEE PAGE
					1	2	3	4	5	6 (PRODUCT LEVEL)	
M	1	1	8T-4138	2	BOLT (M6X1X20-MM)						
	2	1	455-3027	2	TIE-CABLE						
	3	1	7K-1181	11	STRAP-CABLE						
Y	4	1	495-3047	1	HARNESS AS-LIGHTING						449
	5	1	503-7089	2	BRACKET						
	6	1	503-7262	2	LAMP GP-FLOOD (12/24-VOLT, LED)						
	7	1	8T-4121	2	WASHER-HARD (11X21X2.5-MM THK)						
	8	1	566-0158	2	COIL						

M - METRIC PART

Y - SEPARATE ILLUSTRATION



GRAPHIC #1

<END>

g06332968

ELECTRICAL AND STARTING SYSTEM

503-7093 LIGHTING GP-FRONT-WORK LIGHT

S/N: TH41-UP; TH91-UP

WITHOUT AIR CONDITIONER

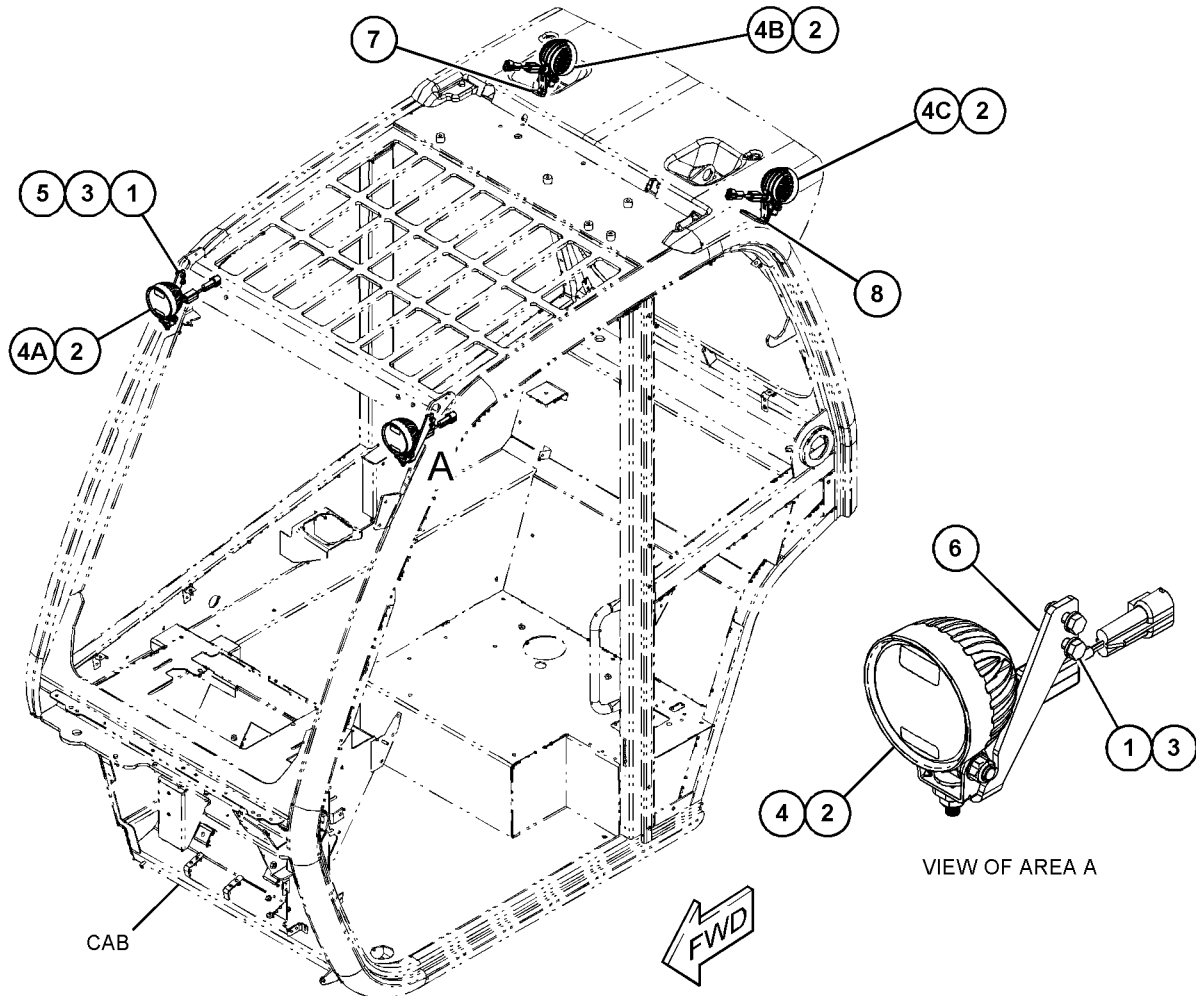
PART OF 515-1885 LIGHTING AR-ROADING
AN ATTACHMENT

SMCS-1429, 1434

i07776126

NOTE	REF NO	GRAPHIC REF	PART NUMBER	QTY	PART NAME						SEE PAGE
					1	2	3	4	5	6 (PRODUCT LEVEL)	
M	1	1	8T-4138	4	BOLT (M6X1X20-MM)						
	2	1	566-0158	4	COIL (FERRITE)						
	3	1	8T-4205	4	WASHER-HARD (7.2X14.5X2-MM THK)						
	4	1	503-7262	1	LAMP GP-FLOOD (12/24-VOLT, LED) (FRONT, LH)						
	4A	1	503-7262	1	LAMP GP-FLOOD (12/24-VOLT, LED) (FRONT, RH)						
	4B	1	503-7262	1	LAMP GP-FLOOD (12/24-VOLT, LED) (REAR, RH)						
	4C	1	503-7262	1	LAMP GP-FLOOD (12/24-VOLT, LED) (REAR, LH)						
	5	1	580-2173	1	PLATE						
	6	1	580-2172	1	PLATE						
	7	1	503-7091	1	PLATE						
	8	1	503-7092	1	PLATE						

M - METRIC PART



GRAPHIC #1

<END>

g06452881

ELECTRICAL AND STARTING SYSTEM

503-7260 LIGHTING GP-FRONT-WORK LIGHT

S/N: TH41-UP; TH91-UP

AIR CONDITIONER

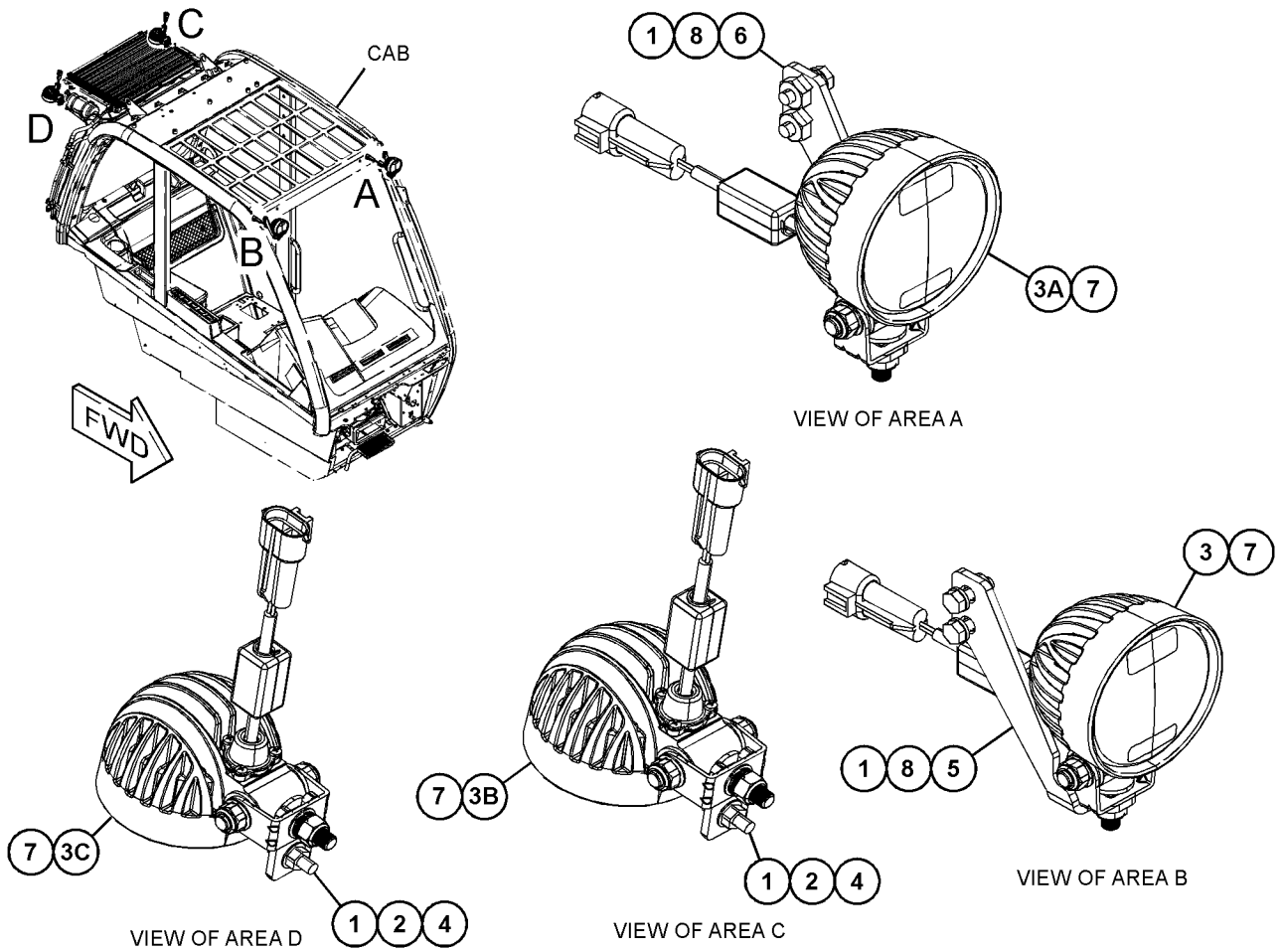
PART OF 515-1886 LIGHTING AR-ROADING
AN ATTACHMENT

SMCS-1429, 1434

i07776116

NOTE	REF NO	GRAPHIC REF	PART NUMBER	QTY	PART NAME						SEE PAGE
					1	2	3	4	5	6 (PRODUCT LEVEL)	
M	1	1	8T-4138	6	BOLT (M6X1X20-MM)						
M	2	1	347-4584	6	NUT (M6X1-THD)						
	3	1	503-7262	1	LAMP GP-FLOOD (12/24-VOLT, LED) (FRONT, RH)						
	3A	1	503-7262	1	LAMP GP-FLOOD (12/24-VOLT, LED) (FRONT, LH)						
	3B	1	503-7262	1	LAMP GP-FLOOD (12/24-VOLT, LED) (REAR, LH)						
	3C	1	503-7262	1	LAMP GP-FLOOD (12/24-VOLT, LED) (REAR, RH)						
	4	1	503-7266	2	BRACKET						
	5	1	580-2173	1	PLATE (RH)						
	6	1	580-2172	1	PLATE (LH)						
	7	1	566-0158	4	COIL (FERRITE)						
	8	1	8T-4205	4	WASHER-HARD (7.2X14.5X2-MM THK)						

M - METRIC PART



GRAPHIC #1

<END>

g06455692

ELECTRICAL AND STARTING SYSTEM

515-0966 LIGHTING GP-FRONT

S/N: TH91-UP

PART OF 515-0967 LIGHTING GP-ROADING
AN ATTACHMENT

SMCS-1429, 1434

i06895456

NOTE	REF NO	GRAPHIC REF	PART NUMBER	QTY	PART NAME						SEE PAGE
					1	2	3	4	5	6 (PRODUCT LEVEL)	
M	1	1	8T-4971	2	BOLT (M6X1X30-MM)						
M	2	1	8T-4956	3	BOLT (M12X1.75X35-MM)						
M	3	1	8T-4184	4	BOLT (M12X1.75X45-MM)						
M	4	1	6V-7357	2	BOLT (M6X1X25-MM)						
M	5	1	179-4324	4	LOCKNUT (M5X0.8-THD)						
	6	1	309-3996	4	WASHER (5.3X12.5X5-MM THK)						
	7	1	8T-4205	4	WASHER-HARD (7.2X14.5X2-MM THK)						
	8	1	8T-4223	7	WASHER-HARD (13.5X25.5X3-MM THK)						
Y	9	1	<i>148-2270</i>	1	PIN GP-HITCH						791
Y	10	1	195-0189	1	LAMP GP-HEAD & SIGNAL (12V)						482
Y	11	1	195-0190	1	LAMP GP-HEAD & SIGNAL (12V)						483
	12	1	333-8792	1	LAMP AS (SIDE, LH)						
		1	323-5648	1	LAMP (12-VOLT) (TAIL LIGHTS)						
		1	323-5649	1	LAMP (12-VOLT) (INDICATOR LIGHT)						
		1	512-1201	1	LENS						
	13	1	333-8793	1	LAMP AS (SIDE, RH)						
		1	323-5648	1	LAMP (12-VOLT) (TAIL LIGHTS)						
		1	323-5649	1	LAMP (12-VOLT) (INDICATOR LIGHT)						
		1	512-1201	1	LENS						
Y	14	1	477-1801	1	HARNESS AS-LIGHTING (HIGH, LOW, MARKER, TURN) (FRONT, LH)						448
Y	14A	1	477-1801	1	HARNESS AS-LIGHTING (HIGH, LOW, MARKER, TURN) (FRONT, RH)						448
	15	1	495-3415	1	BRACKET AS						
	16	1	501-0761	1	BRACKET AS						
	17	1	495-3416	1	BRACKET AS						
	18	1	515-0965	1	BRACKET AS						
	19	1	504-1306	1	BRACKET						

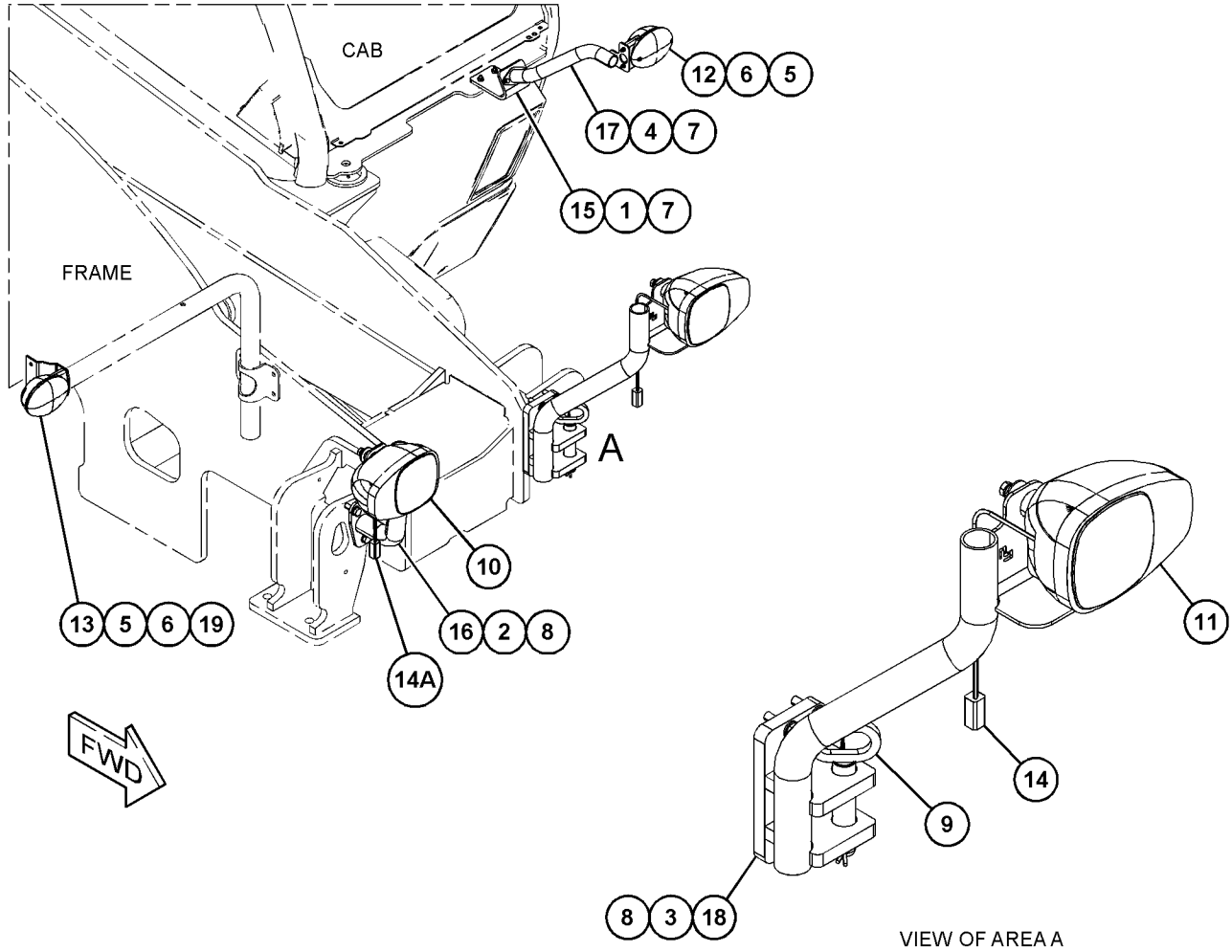
M - METRIC PART

Y - SEPARATE ILLUSTRATION

ELECTRICAL AND STARTING SYSTEM

515-0966 LIGHTING GP-FRONT (contd.)

106895456



GRAPHIC #1

<END>

g06159784

ELECTRICAL AND STARTING SYSTEM

473-7632 LIGHTING GP-ROADING

S/N: TH41-UP; TH91-UP

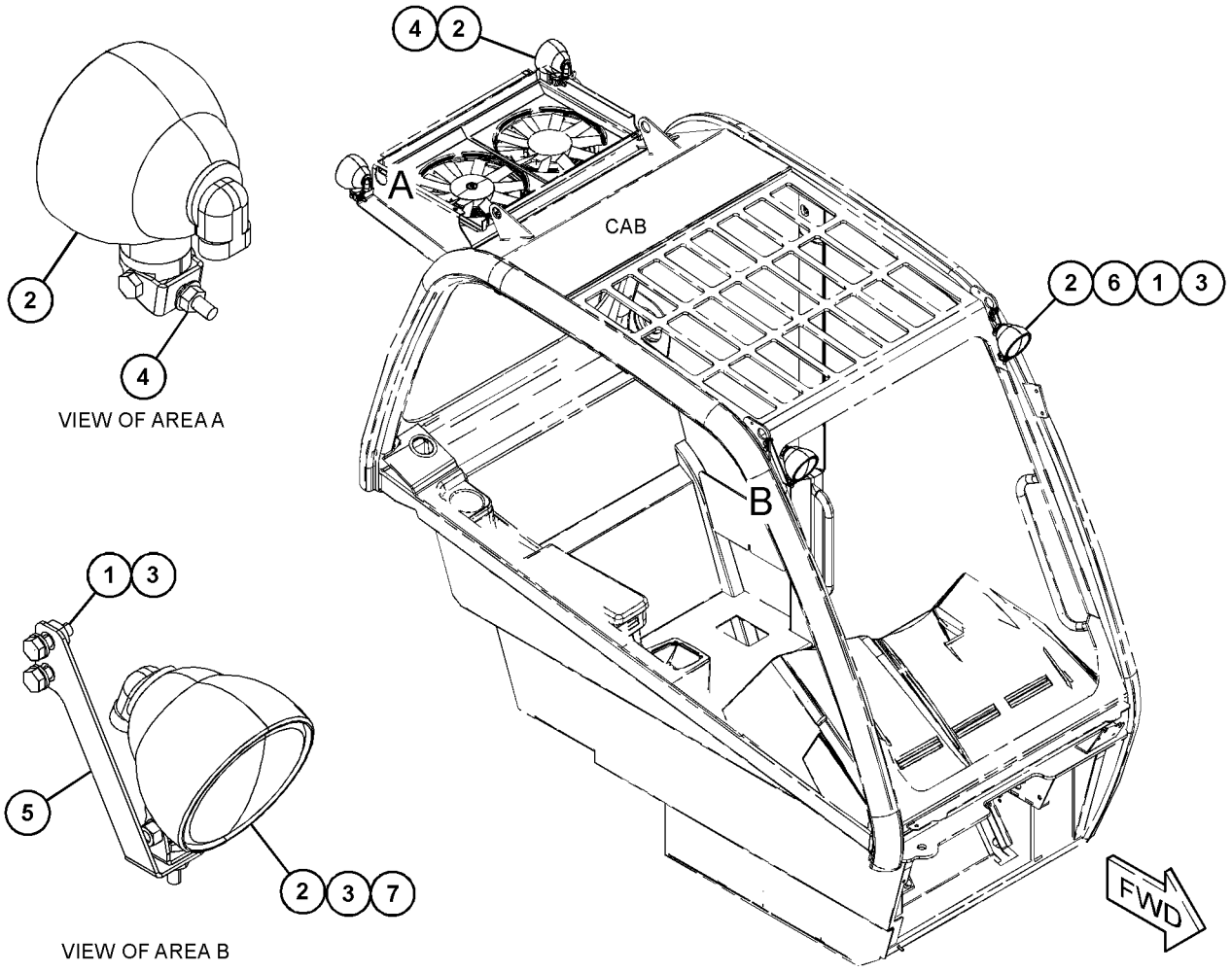
PART OF 495-3015 LIGHTING AR-ROADING
AN ATTACHMENT

SMCS-1429

i07828428

NOTE	REF NO	GRAPHIC REF	PART NUMBER	QTY	PART NAME						SEE PAGE
					1	2	3	4	5	6 (PRODUCT LEVEL)	
M	1	1	8T-4138	4	BOLT (M6X1X20-MM)						
	2	1	312-3332	4	LAMP AS (50-WATT) (WORK LIGHT)						
					(EACH INCLUDES 323-5646)						
		1	323-5646	1	LAMP (50-WATT) (200 HOUR)						
					-OR-						
		1	548-1662	1	BULB-HALOGEN (2000 HOUR)						
	3	1	8T-4205	6	WASHER-HARD (7.2X14.5X2-MM THK)						
M	4	1	347-4584	2	NUT (M6X1-THD)						
	5	1	473-7633	1	BRACKET AS						
	6	1	473-7634	1	BRACKET AS						
M	7	1	5C-2890	2	NUT (M6X1-THD)						

M - METRIC PART



GRAPHIC #1

<END>

g06133458

ELECTRICAL AND STARTING SYSTEM

501-0759 LIGHTING GP-ROADING-FRONT

S/N: TH91-960

PART OF 515-0967 LIGHTING GP-ROADING
AN ATTACHMENT

SMCS-1429

i07693628

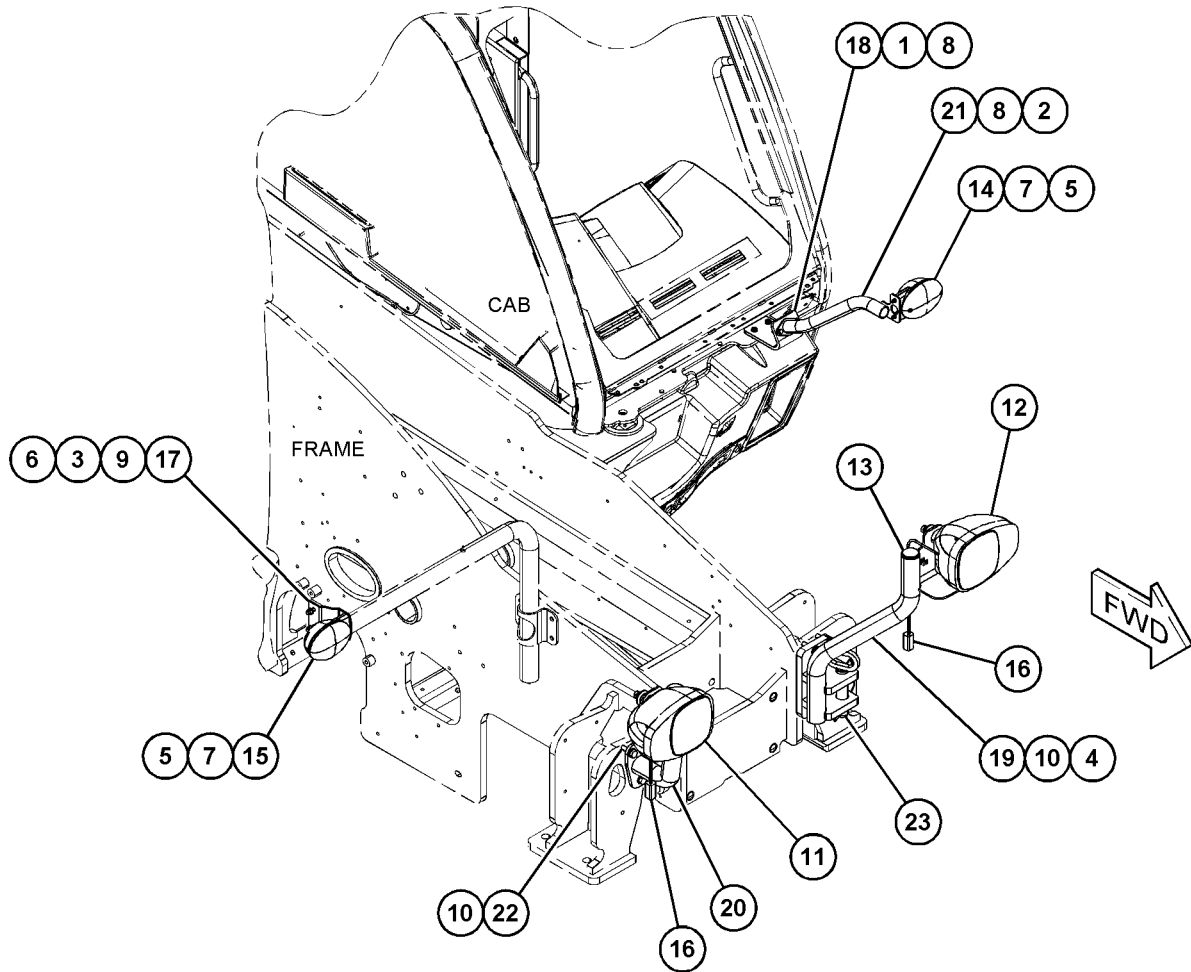
NOTE	REF NO	GRAPHIC REF	PART NUMBER	QTY	PART NAME	SEE PAGE
					1 2 3 4 5 6 (PRODUCT LEVEL)	
M	1	1	6V-7357	2	BOLT (M6X1X25-MM)	
CM	2	1	8T-4971	2	BOLT (M6X1X30-MM)	
M	3	1	8T-7547	2	BOLT (M8X1.25X30-MM)	
CM	4	1	8T-4184	4	BOLT (M12X1.75X45-MM)	
M	5	1	5C-2874	4	NUT (M5X0.8-THD)	
M	6	1	5C-7261	2	NUT (M8X1.25-THD)	
	7	1	8T-0328	4	WASHER-HARD (5.5X10X1-MM THK)	
	8	1	8T-4205	4	WASHER-HARD (7.2X14.5X2-MM THK)	
	9	1	8T-4224	4	WASHER-HARD (8.8X16X2-MM THK)	
C	10	1	8T-4223	7	WASHER-HARD (13.5X25.5X3-MM THK)	
Y	11	1	195-0189	1	LAMP GP-HEAD & SIGNAL (12V) (RH)	482
Y	12	1	195-0190	1	LAMP GP-HEAD & SIGNAL (12V) (LH)	483
	13	1	314-5567	2	PLUG	
	14	1	333-8792	1	LAMP AS (SIDE, LH)	
	15	1	333-8793	1	LAMP AS (SIDE, RH)	
					(EACH LAMP AS INCLUDES)	
		1	323-5648	1	LAMP (12-VOLT)	
		1	323-5649	1	LAMP (12-VOLT)	
		1	512-1201	1	LENS	
Y	16	1	477-1801	2	HARNESS AS-LIGHTING (HIGH, LOW, MARKER, TURN)	448
C	17	1	504-1306	1	BRACKET	
	18	1	495-3415	1	BRACKET AS	
C	19	1	515-0965	1	BRACKET AS (LH)	
	20	1	501-0761	1	BRACKET AS (RH)	
	21	1	495-3416	1	BRACKET AS	
CM	22	1	8T-4956	3	BOLT (M12X1.75X35-MM)	
CY	23	1	148-2270	1	PIN GP-HITCH	791

C - CHANGE FROM PREVIOUS TYPE
M - METRIC PART
Y - SEPARATE ILLUSTRATION

ELECTRICAL AND STARTING SYSTEM

501-0759 LIGHTING GP-ROADING (contd.)

i07693628



GRAPHIC #1

<END>

g06442698

ELECTRICAL AND STARTING SYSTEM

501-4200 LIGHTING GP-ROADING-FRONT

S/N: TH91-UP

PART OF 515-0963 LIGHTING GP-ROADING
AN ATTACHMENT

SMCS-1429

i06602095

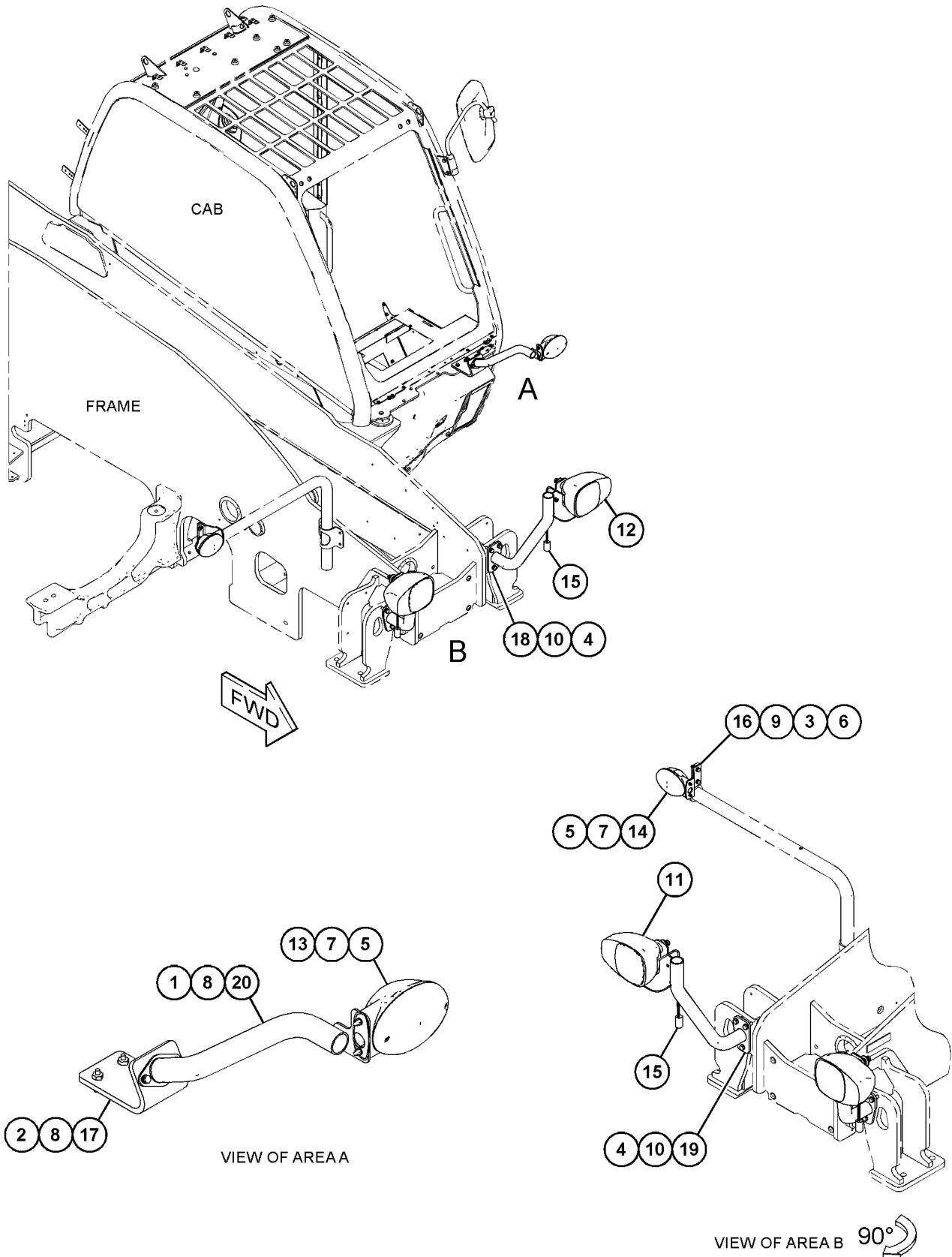
NOTE	REF NO	GRAPHIC REF	PART NUMBER	QTY	PART NAME						SEE PAGE
					1	2	3	4	5	6 (PRODUCT LEVEL)	
M	1	1	6V-7357	2	BOLT (M6X1X25-MM)						
M	2	1	8T-4971	2	BOLT (M6X1X30-MM)						
M	3	1	8T-7547	2	BOLT (M8X1.25X30-MM)						
M	4	1	8T-4195	6	BOLT (M10X1.5X30-MM)						
M	5	1	179-4324	4	LOCKNUT (M5X0.8-THD)						
M	6	1	5C-7261	2	NUT (M8X1.25-THD)						
	7	1	309-3996	4	WASHER (5.3X12.5X5-MM THK)						
	8	1	8T-4205	4	WASHER-HARD (7.2X14.5X2-MM THK)						
	9	1	8T-4224	4	WASHER-HARD (8.8X16X2-MM THK)						
	10	1	8T-4121	6	WASHER-HARD (11X21X2.5-MM THK)						
Y	11	1	195-0191	1	LAMP GP-HEAD & SIGNAL (12V) (HIGH, LOW BEAM)						484
Y	12	1	195-0192	1	LAMP GP-HEAD & SIGNAL (12V) (HIGH, LOW BEAM)						485
	13	1	333-8792	1	LAMP AS (SIDE, LH)						
	14	1	333-8793	1	LAMP AS (SIDE, RH)						
	15	1	477-1801	2	HARNES AS-LIGHTING (HIGH, LOW, MARKER, TURN)						
					(EACH INCLUDES)						
		1	8T-8737	2	PLUG-SEAL						
		1	9W-0852	5	PIN-CONNECTOR (14-GA TO 16-GA)						
		1	334-5872	1	PLUG (6-PIN)						
		1	334-5873	1	TERMINAL (6-PIN)						
	16	1	495-3413	1	BRACKET						
	17	1	495-3415	1	BRACKET AS						
	18	1	501-0760	1	BRACKET AS						
	19	1	501-0761	1	BRACKET AS						
	20	1	495-3416	1	BRACKET AS						

M - METRIC PART
Y - SEPARATE ILLUSTRATION

ELECTRICAL AND STARTING SYSTEM

501-4200 LIGHTING GP-ROADING (contd.)

106602095



GRAPHIC #1

<END>

g06092065

ELECTRICAL AND STARTING SYSTEM

501-4200 LIGHTING GP-ROADING-FRONT

S/N: TH91-960

PART OF 515-0963 LIGHTING GP-ROADING
AN ATTACHMENT

SMCS-1429

i07693627

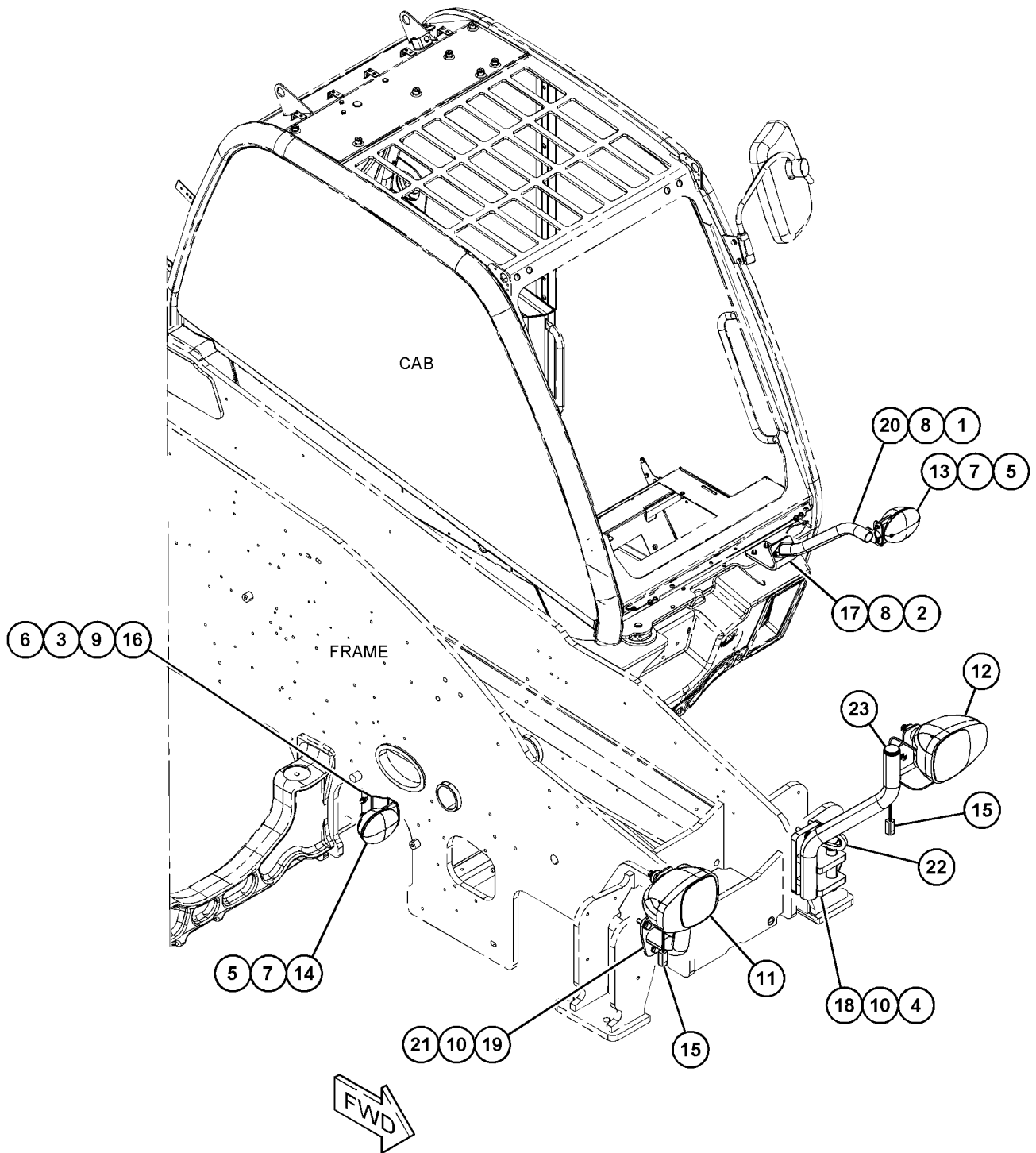
NOTE	REF NO	GRAPHIC REF	PART NUMBER	QTY	PART NAME						SEE PAGE
					1	2	3	4	5	6 (PRODUCT LEVEL)	
M	1	1	6V-7357	2	BOLT (M6X1X25-MM)						
M	2	1	8T-4971	2	BOLT (M6X1X30-MM)						
M	3	1	8T-7547	2	BOLT (M8X1.25X30-MM)						
CM	4	1	8T-4184	4	BOLT (M12X1.75X45-MM)						
M	5	1	5C-2874	4	NUT (M5X0.8-THD)						
M	6	1	5C-7261	2	NUT (M8X1.25-THD)						
	7	1	8T-0328	4	WASHER-HARD (5.5X10X1-MM THK)						
	8	1	8T-4205	4	WASHER-HARD (7.2X14.5X2-MM THK)						
	9	1	8T-4224	4	WASHER-HARD (8.8X16X2-MM THK)						
C	10	1	8T-4223	7	WASHER-HARD (13.5X25.5X3-MM THK)						
Y	11	1	195-0191	1	LAMP GP-HEAD & SIGNAL (12V) (HIGH, LOW BEAM)						484
Y	12	1	195-0192	1	LAMP GP-HEAD & SIGNAL (12V) (HIGH, LOW BEAM)						485
	13	1	333-8792	1	LAMP AS (SIDE, LH)						
	14	1	333-8793	1	LAMP AS (SIDE, RH)						
					(EACH LAMP AS INCLUDES)						
		1	323-5648	1	LAMP (12-VOLT) (TAIL LIGHTS)						
		1	323-5649	1	LAMP (12-VOLT) (INDICATOR LIGHT)						
		1	512-1201	1	LENS						
	15	1	477-1801	2	HARNES AS-LIGHTING (HIGH, LOW, MARKER, TURN)						
					(EACH INCLUDES)						
		1	8T-8737	2	PLUG-SEAL						
		1	9W-0852	5	PIN-CONNECTOR (14-GA TO 16-GA)						
		1	334-5872	1	PLUG (6-PIN)						
		1	334-5873	1	TERMINAL (6-PIN)						
		1	9W-0844	5	SOCKET-CONNECTOR (14-GA TO 16-GA)						
	16	1	504-1306	1	BRACKET						
	17	1	495-3415	1	BRACKET AS						
C	18	1	515-0965	1	BRACKET AS						
	19	1	501-0761	1	BRACKET AS						
	20	1	495-3416	1	BRACKET AS						
CM	21	1	8T-4956	3	BOLT (M12X1.75X35-MM)						
C	22	1	<i>148-2270</i>	1	PIN GP-HITCH						
		1	5P-8837	1	LOCK PIN						
		1	137-9775	1	PIN AS						
		1	154-4378	1	CABLE AS						
	23	1	314-5567	2	PLUG						

C - CHANGE FROM PREVIOUS TYPE
M - METRIC PART
Y - SEPARATE ILLUSTRATION

ELECTRICAL AND STARTING SYSTEM

501-4200 LIGHTING GP-ROADING (contd.)

i07693627



GRAPHIC #1

<END>

g06433702

ELECTRICAL AND STARTING SYSTEM

515-0963 LIGHTING GP-ROADING

S/N: TH91-960

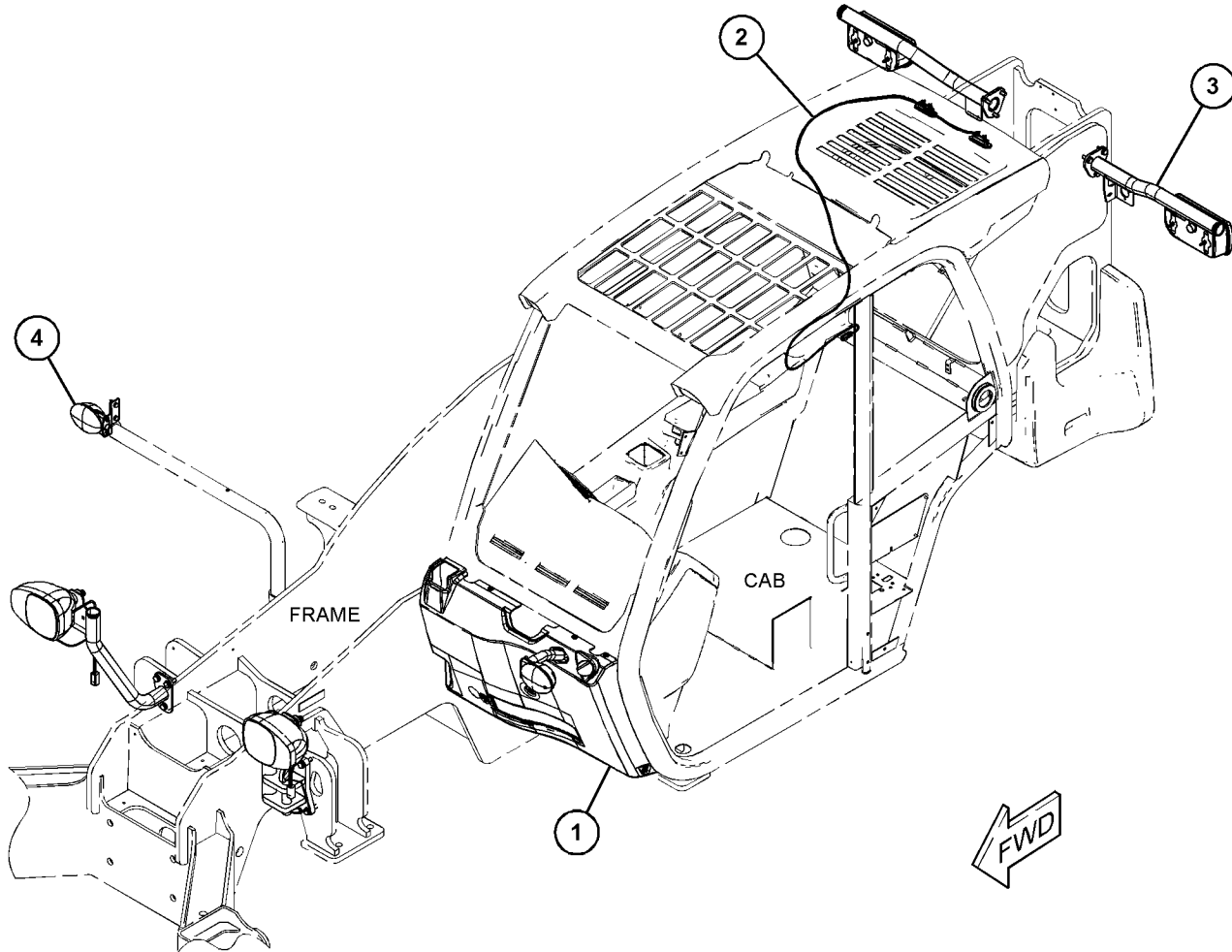
AN ATTACHMENT

SMCS-1429

i07569547

NOTE	REF NO	GRAPHIC REF	PART NUMBER	QTY	PART NAME						SEE PAGE
					1	2	3	4	5	6 (PRODUCT LEVEL)	
Y	1	1	496-8305	1	COVER GP-ACCESS						742
Y	2	1	480-7044	1	LAMP GP-ROADING (LICENSE PLATE)						489
Y	3	1	515-0964	1	LAMP GP-REAR						486
Y	4	1	501-4200	1	LIGHTING GP-ROADING (FRONT)						504

Y - SEPARATE ILLUSTRATION



GRAPHIC #1

<END>

g06387392

ELECTRICAL AND STARTING SYSTEM

515-0963 LIGHTING GP-ROADING

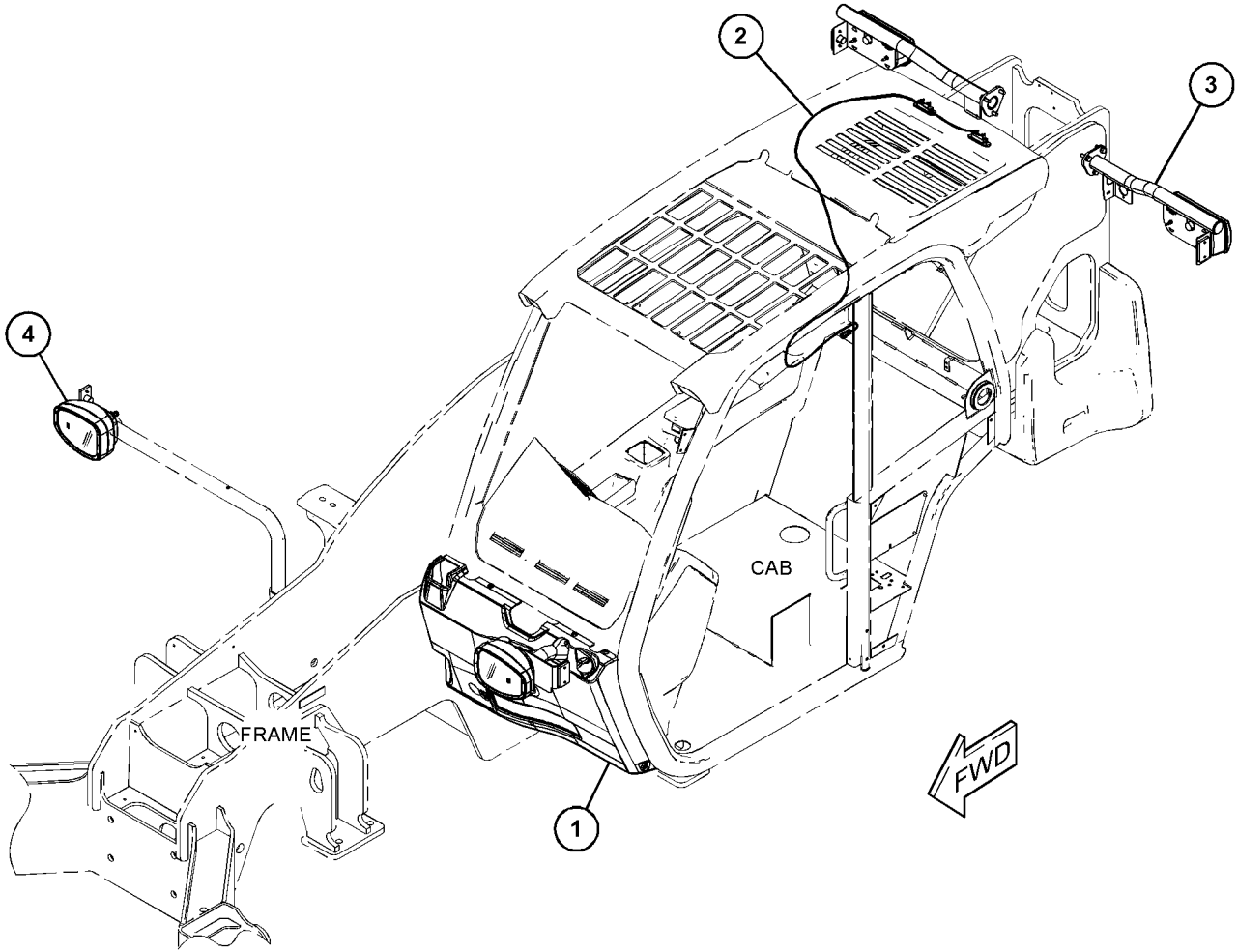
S/N: TH9961-UP
AN ATTACHMENT

SMCS-1429

i08069429

NOTE	REF NO	GRAPHIC REF	PART NUMBER	QTY	PART NAME						SEE PAGE
					1	2	3	4	5	6 (PRODUCT LEVEL)	
Y	1	1	496-8305	1	COVER GP-ACCESS						742
Y	2	1	480-7044	1	LAMP GP-ROADING (LICENSE PLATE)						489
CY	3	1	590-4503	1	LAMP GP-REAR (12-VOLT)						487
CY	4	1	590-3978	1	LAMP GP-FRONT (12-VOLT)						480

C - CHANGE FROM PREVIOUS TYPE
Y - SEPARATE ILLUSTRATION



GRAPHIC #1

<END>

g06563839

ELECTRICAL AND STARTING SYSTEM

515-0967 LIGHTING GP-ROADING

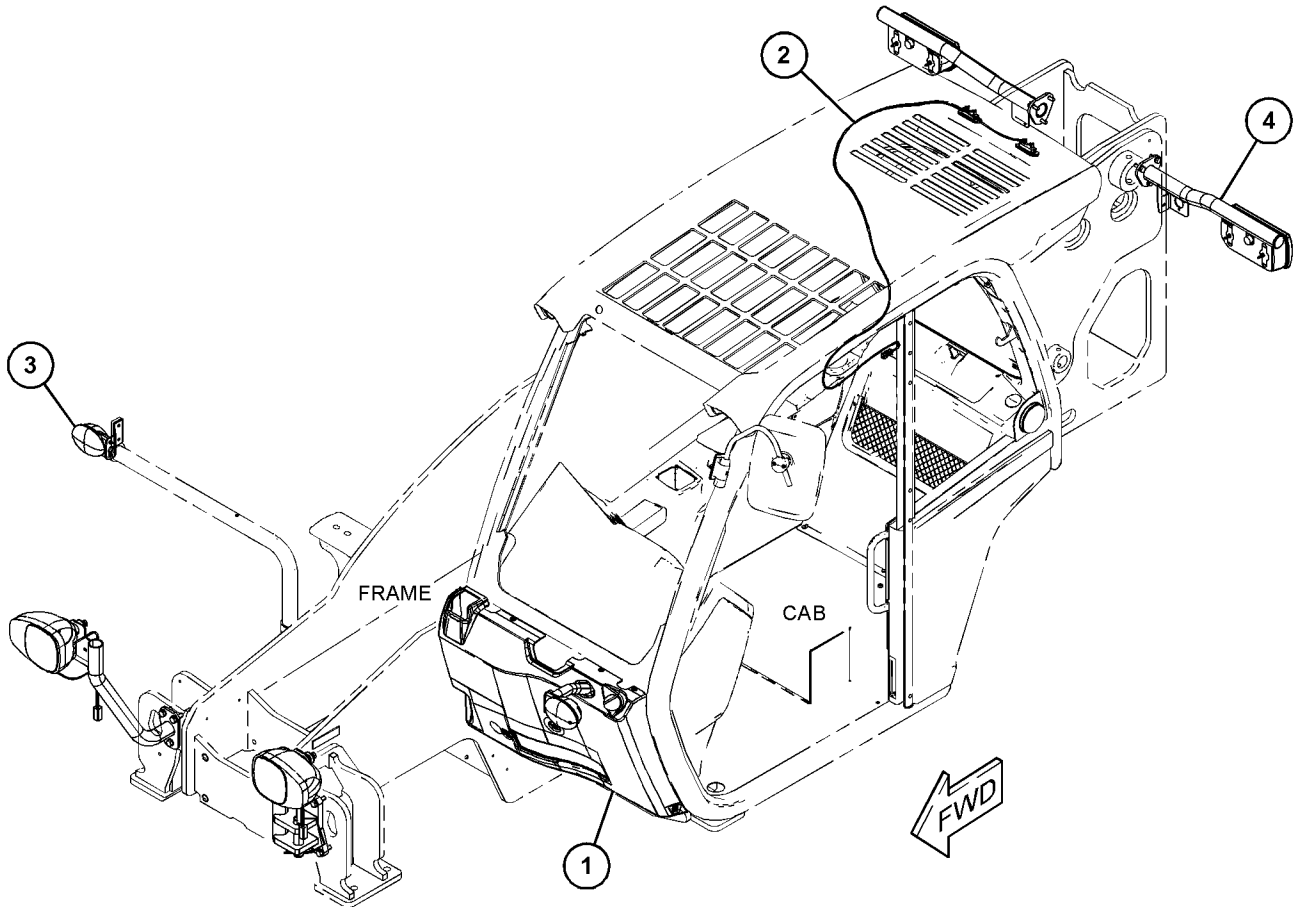
S/N: TH91-UP
AN ATTACHMENT

SMCS-1429

i06893244

NOTE	REF NO	GRAPHIC REF	PART NUMBER	QTY	PART NAME						SEE PAGE
					1	2	3	4	5	6 (PRODUCT LEVEL)	
Y	1	1	496-8305	1	COVER GP-ACCESS (FRONT)						742
Y	2	1	480-7044	1	LAMP GP-ROADING (LICENSE PLATE)						489
Y	3	1	515-0966	1	LIGHTING GP-FRONT						499
Y	4	1	515-0964	1	LAMP GP-REAR						486

Y - SEPARATE ILLUSTRATION



GRAPHIC #1

<END>

g06161082

ELECTRICAL AND STARTING SYSTEM

515-0967 LIGHTING GP-ROADING

S/N: TH91-960

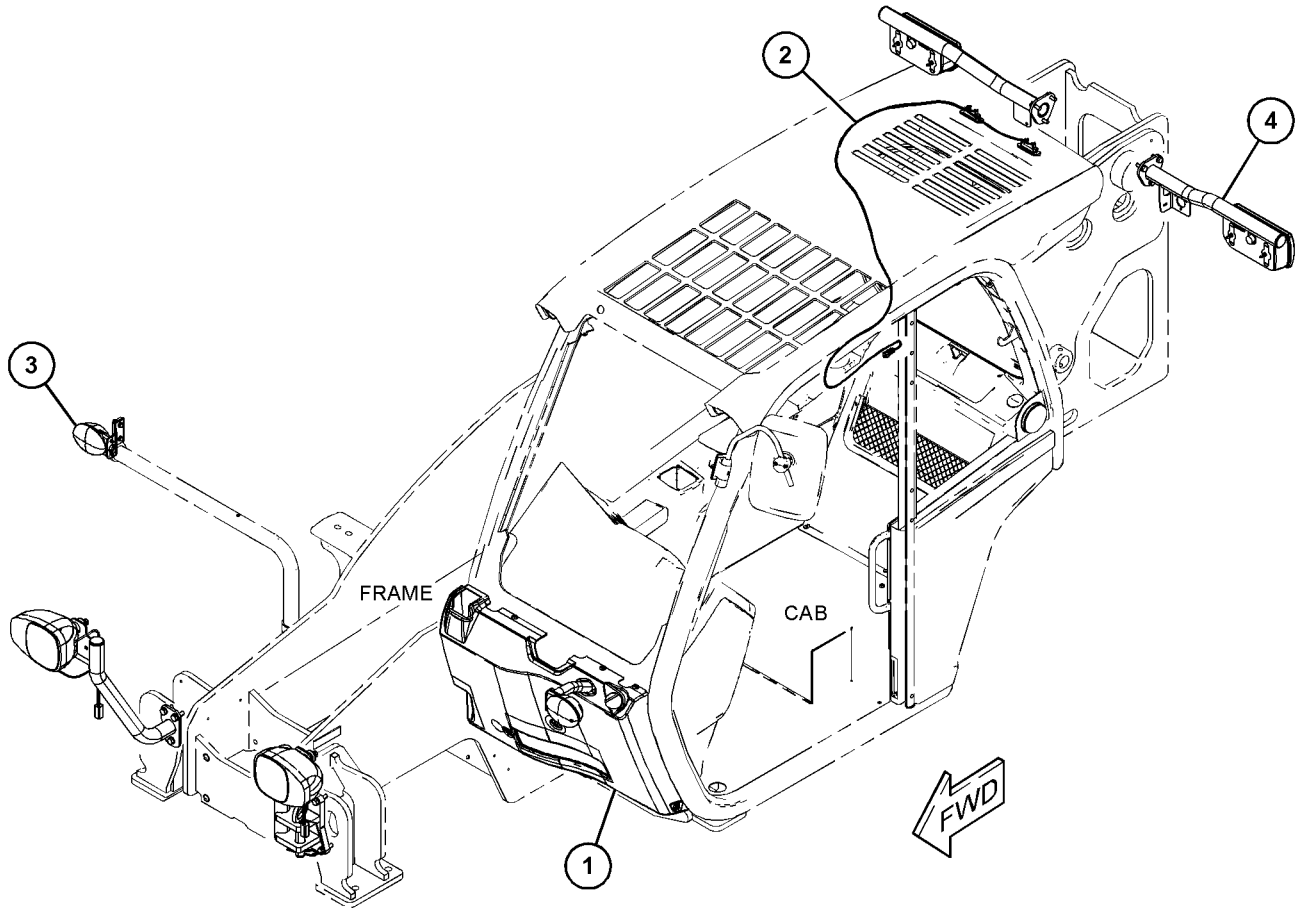
AN ATTACHMENT

SMCS-1429

i07694026

NOTE	REF NO	GRAPHIC REF	PART NUMBER	QTY	PART NAME						SEE PAGE
					1	2	3	4	5	6 (PRODUCT LEVEL)	
Y	1	1	496-8305	1	COVER GP-ACCESS (FRONT)						742
Y	2	1	480-7044	1	LAMP GP-ROADING (LICENSE PLATE)						489
CY	3	1	501-0759	1	LIGHTING GP-ROADING (FRONT)						502
Y	4	1	515-0964	1	LAMP GP-REAR						486

C - CHANGE FROM PREVIOUS TYPE
Y - SEPARATE ILLUSTRATION



GRAPHIC #1

<END>

g06434314

ELECTRICAL AND STARTING SYSTEM

515-0967 LIGHTING GP-ROADING

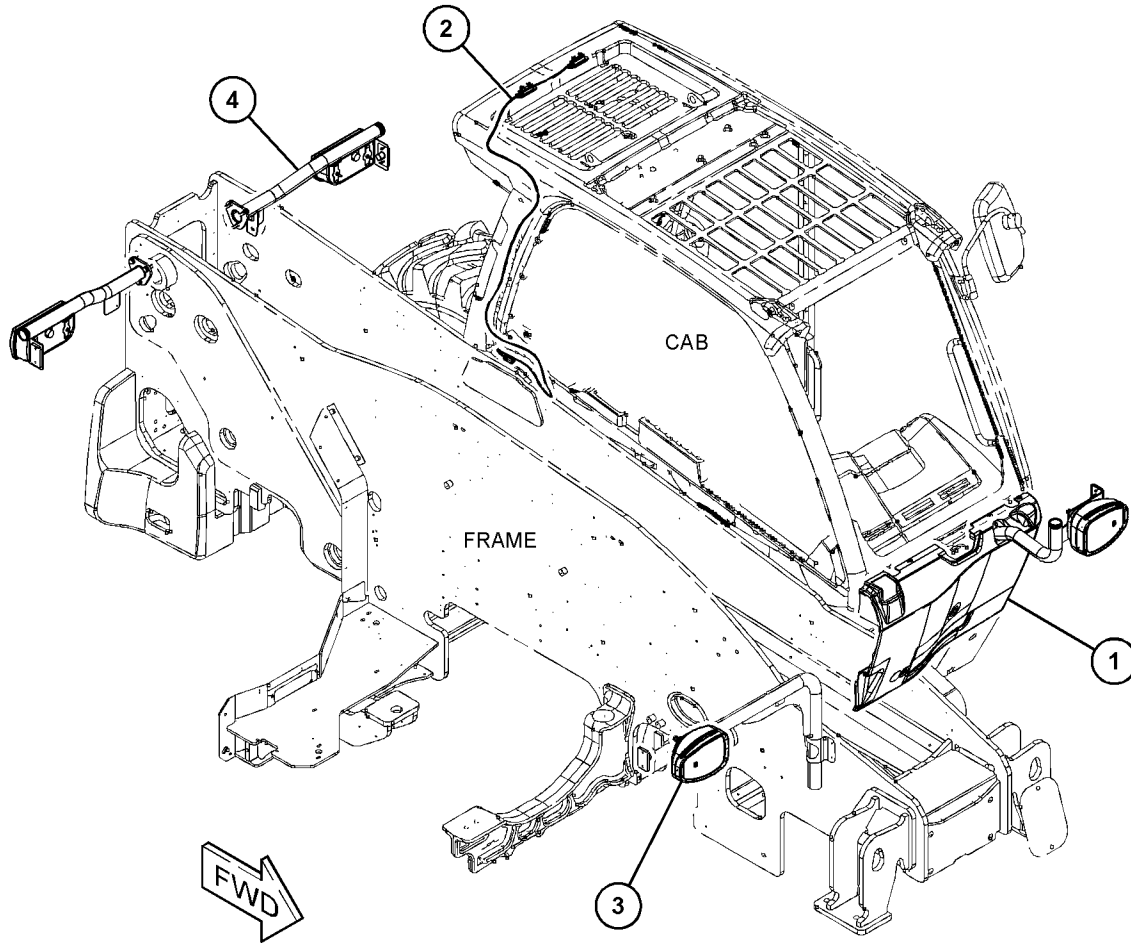
S/N: TH9961-UP
AN ATTACHMENT

SMCS-1429

i08094052

NOTE	REF NO	GRAPHIC REF	PART NUMBER	QTY	PART NAME						SEE PAGE
					1	2	3	4	5	6 (PRODUCT LEVEL)	
Y	1	1	496-8305	1	COVER GP-ACCESS (FRONT)						742
Y	2	1	480-7044	1	LAMP GP-ROADING (LICENSE PLATE)						489
CY	3	1	590-4445	1	LAMP GP-FRONT (12-VOLT)						481
CY	4	1	590-4503	1	LAMP GP-REAR (12-VOLT)						487

C - CHANGE FROM PREVIOUS TYPE
Y - SEPARATE ILLUSTRATION



GRAPHIC #1

<END>

g06564637

ELECTRICAL AND STARTING SYSTEM

515-0968 LIGHTING GP-ROADING

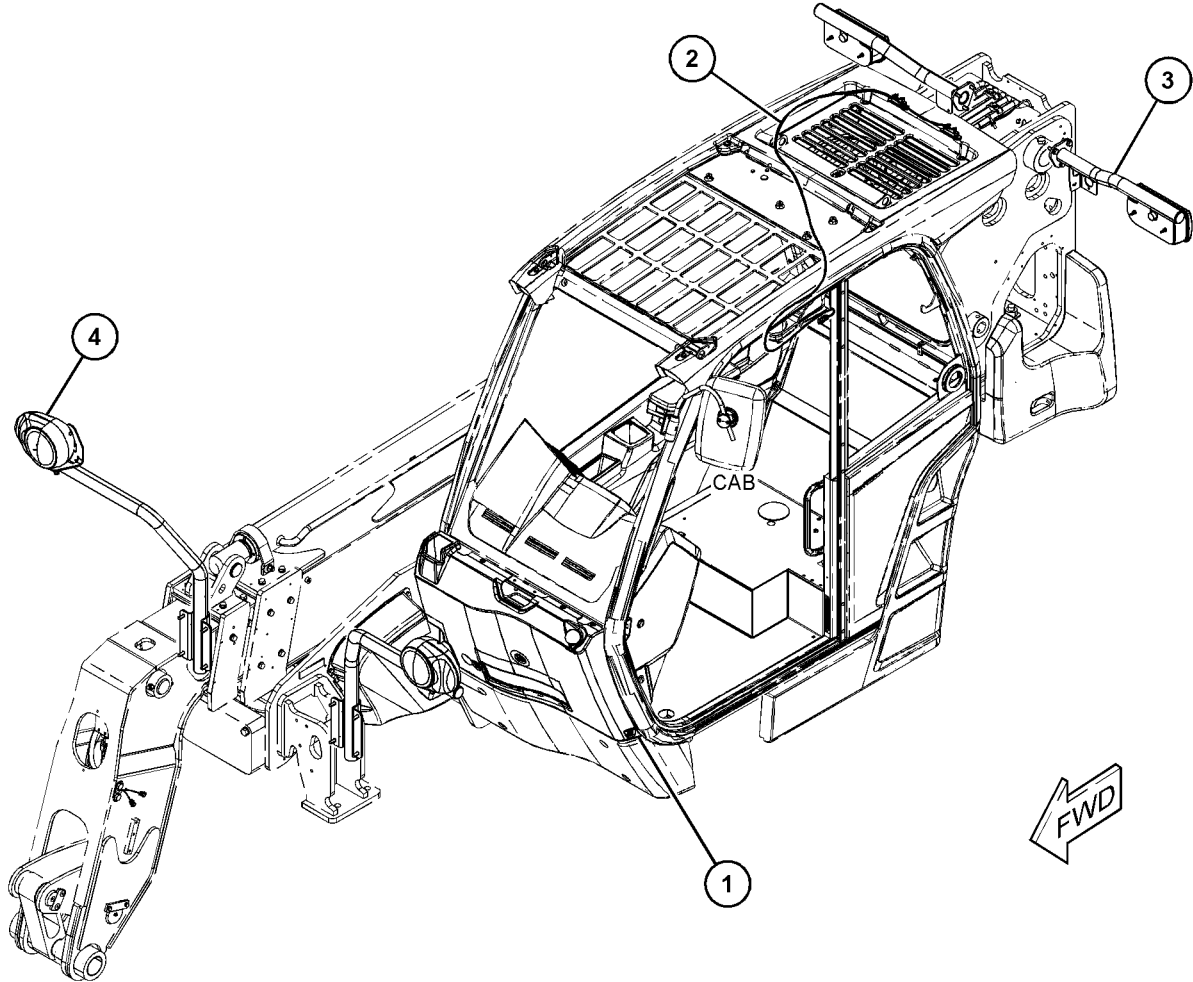
S/N: TH41-UP
AN ATTACHMENT

SMCS-1429

i06893245

NOTE	REF NO	GRAPHIC REF	PART NUMBER	QTY	PART NAME						SEE PAGE
					1	2	3	4	5	6 (PRODUCT LEVEL)	
Y	1	1	496-8305	1	COVER GP-ACCESS (FRONT)						742
Y	2	1	480-7044	1	LAMP GP-ROADING (LICENSE PLATE)						489
Y	3	1	515-0964	1	LAMP GP-REAR						486
Y	4	1	515-0961	1	LAMP GP-FRONT						478

Y - SEPARATE ILLUSTRATION



GRAPHIC #1

<END>

g06163687

ELECTRICAL AND STARTING SYSTEM

515-0971 LIGHTING GP-ROADING

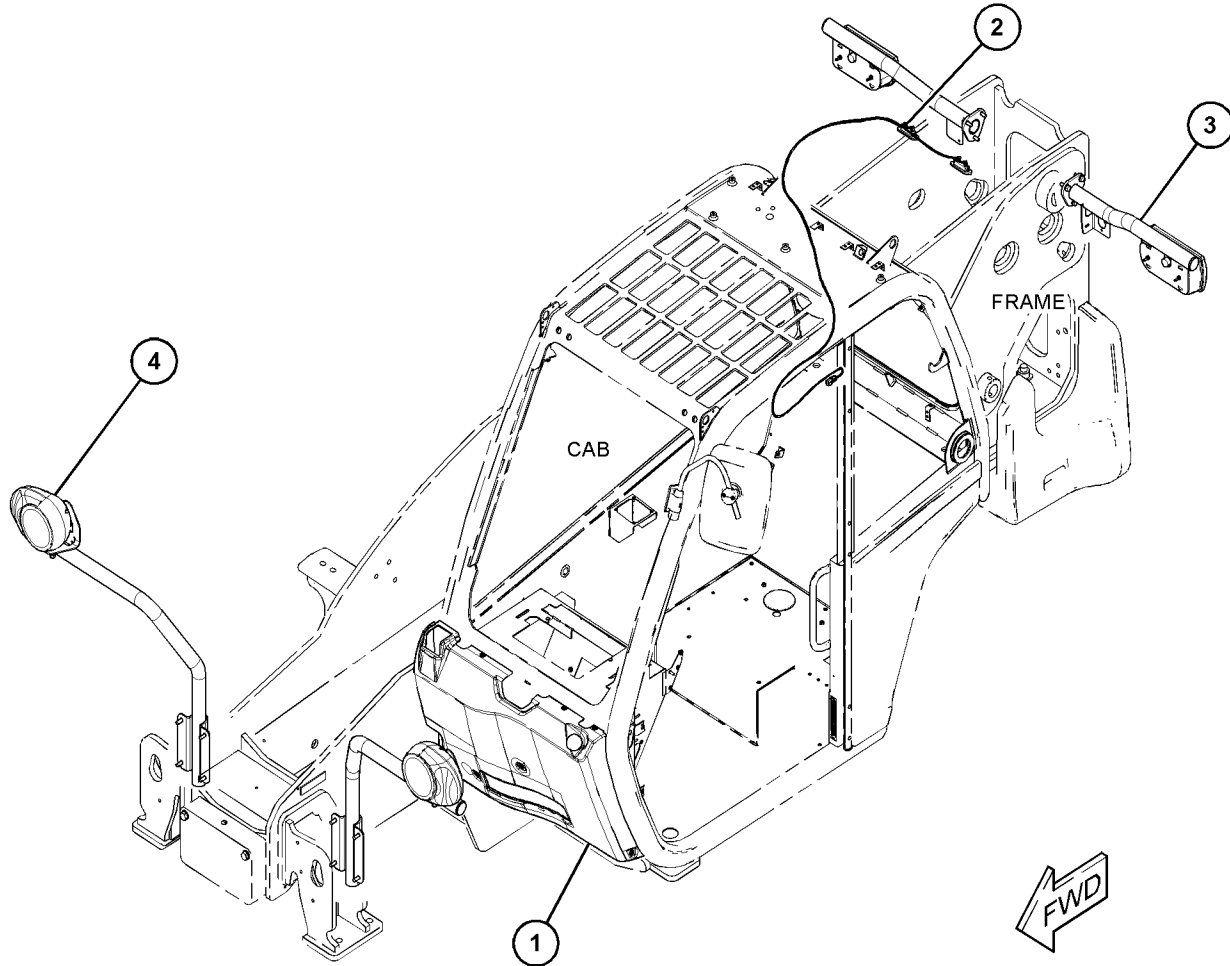
S/N: TH41-UP
AN ATTACHMENT

SMCS-1429

i06893247

NOTE	REF NO	GRAPHIC REF	PART NUMBER	QTY	PART NAME						SEE PAGE
					1	2	3	4	5	6 (PRODUCT LEVEL)	
Y	1	1	472-2275	1	COVER GP-CAB						1153
Y	2	1	480-7044	1	LAMP GP-ROADING (LICENSE PLATE)						489
Y	3	1	515-0964	1	LAMP GP-REAR						486
Y	4	1	515-0972	1	LAMP GP-FRONT						479

Y - SEPARATE ILLUSTRATION



GRAPHIC #1

<END>

g06165713

ELECTRICAL AND STARTING SYSTEM

432-4133 LIGHTING GP-WARNING

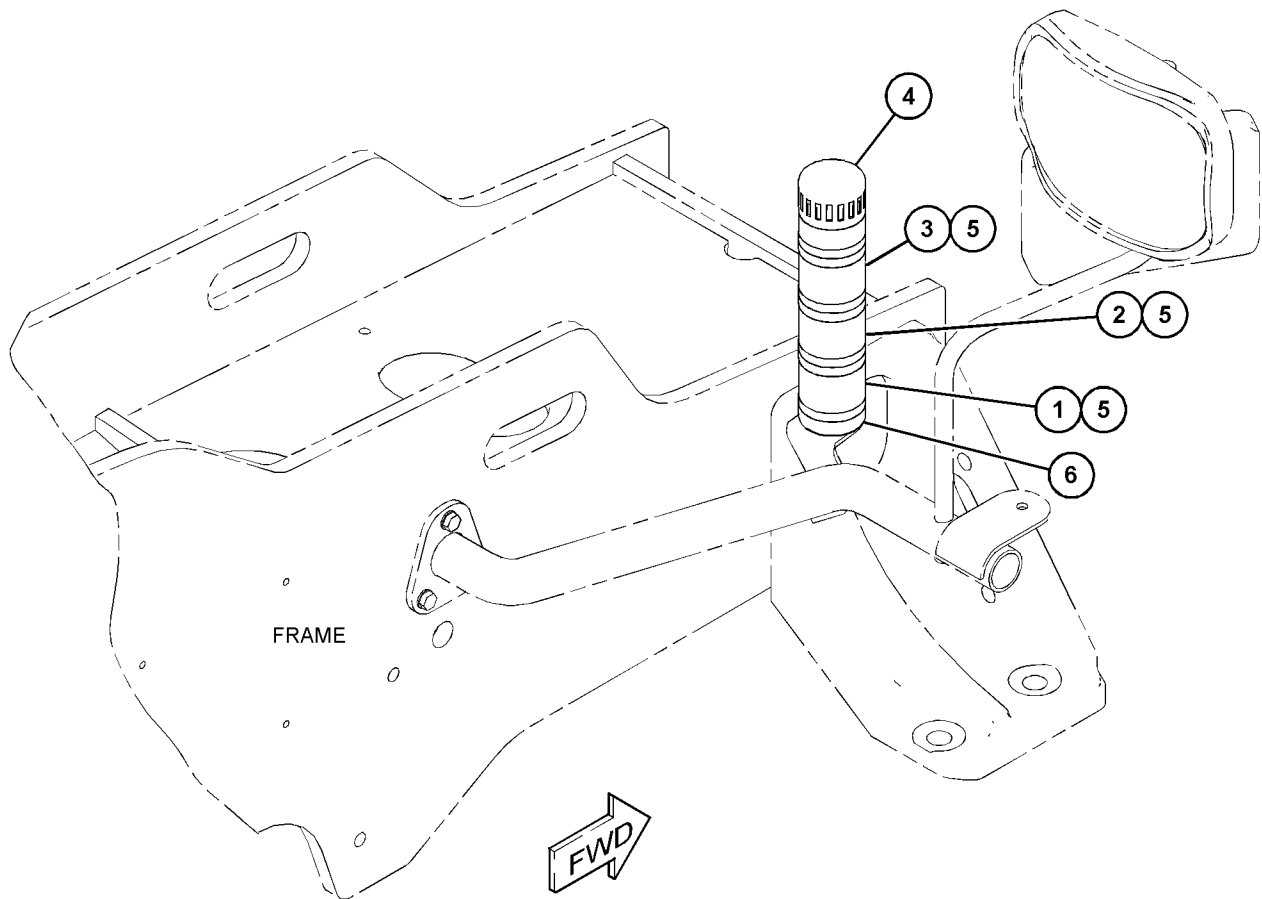
S/N: TH41-UP; TH91-UP

PART OF 496-8320 INSTALLATION GP-WARNING BEACON
AN ATTACHMENT

SMCS-1429, 1431

i05782403

NOTE	REF NO	GRAPHIC REF	PART NUMBER	QTY	PART NAME						SEE PAGE
					1	2	3	4	5	6 (PRODUCT LEVEL)	
1	1	1	432-4134	1	LAMP (12-VOLT, 7-WATT) (GREEN)						
2	1	1	432-4135	1	LAMP (12-VOLT, 7-WATT) (YELLOW)						
3	1	1	432-4136	1	LAMP (12-VOLT, 7-WATT) (RED)						
4	1	1	432-4137	1	ALARM						
5	1	1	432-4138	3	LAMP (12-VOLT, 5-WATT)						
6	1	1	432-4139	1	TERMINAL						



GRAPHIC #1

<END>

g03668628

ELECTRICAL AND STARTING SYSTEM

495-7659 LIGHTING GP-WARNING-BEACON

S/N: TH41-UP; TH91-UP

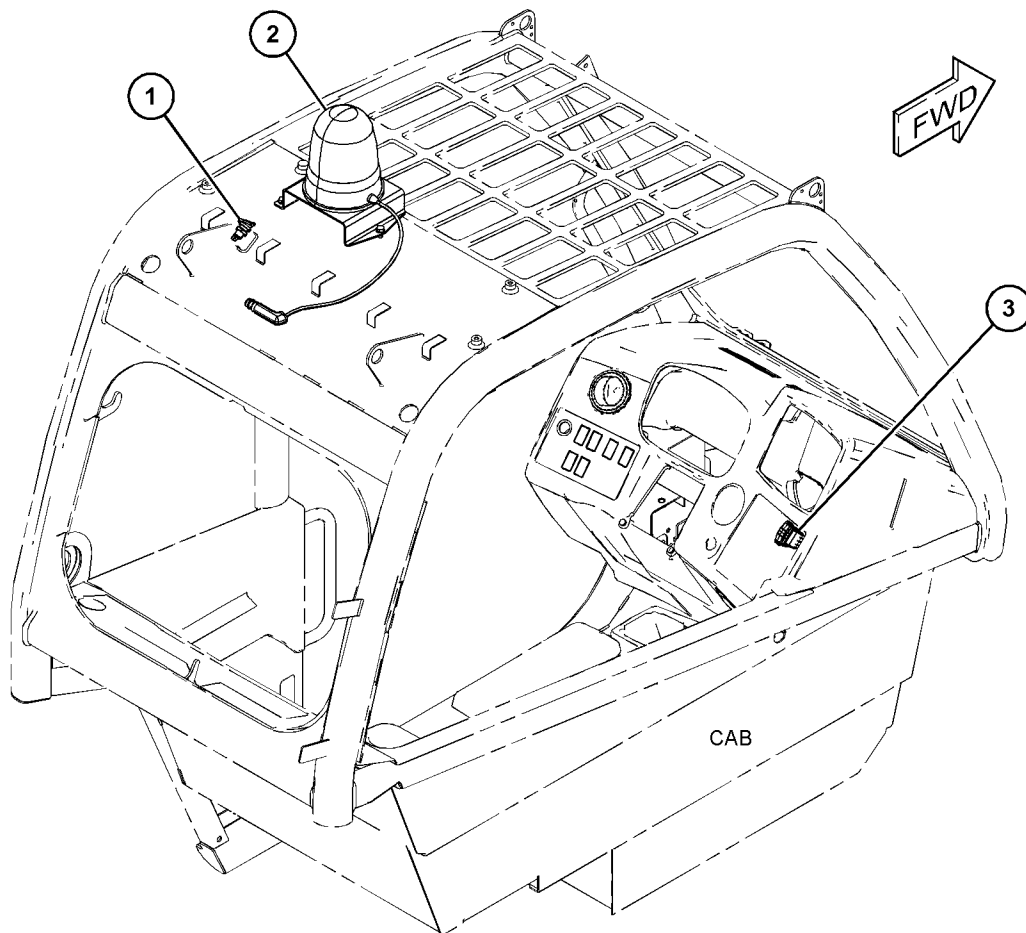
PART OF 590-9758, 590-9759, 590-9760, 590-9761 CONFIGURATION AR
AN ATTACHMENT

SMCS-1429, 1431

i06586877

NOTE	REF NO	GRAPHIC REF	PART NUMBER	QTY	PART NAME						SEE PAGE
					1	2	3	4	5	6 (PRODUCT LEVEL)	
	1	1	317-6379	1	RECEPTACLE AS-POWER						
	2	1	472-7843	1	LAMP GP-WARNING BEACON (12-VOLT, AMBER)						
M		1	8T-4200	3	BOLT (M8X1.25X16-MM)						
		1	8T-4224	3	WASHER-HARD (8.8X16X2-MM THK)						
		1	317-3270	1	LAMP AS (12-VOLT, 55-WATT)						
		1	323-5644	1	LAMP (12-VOLT, 55-WATT) (BEACON)						
		1	472-7844	1	BRACKET						
	3	1	495-7692	1	SWITCH AS-ROCKER						

M - METRIC PART



GRAPHIC #1

<END>

g06037270

ELECTRICAL AND STARTING SYSTEM

464-3477 MODULE & MTG GP-CONTROL

S/N: CN51-UP

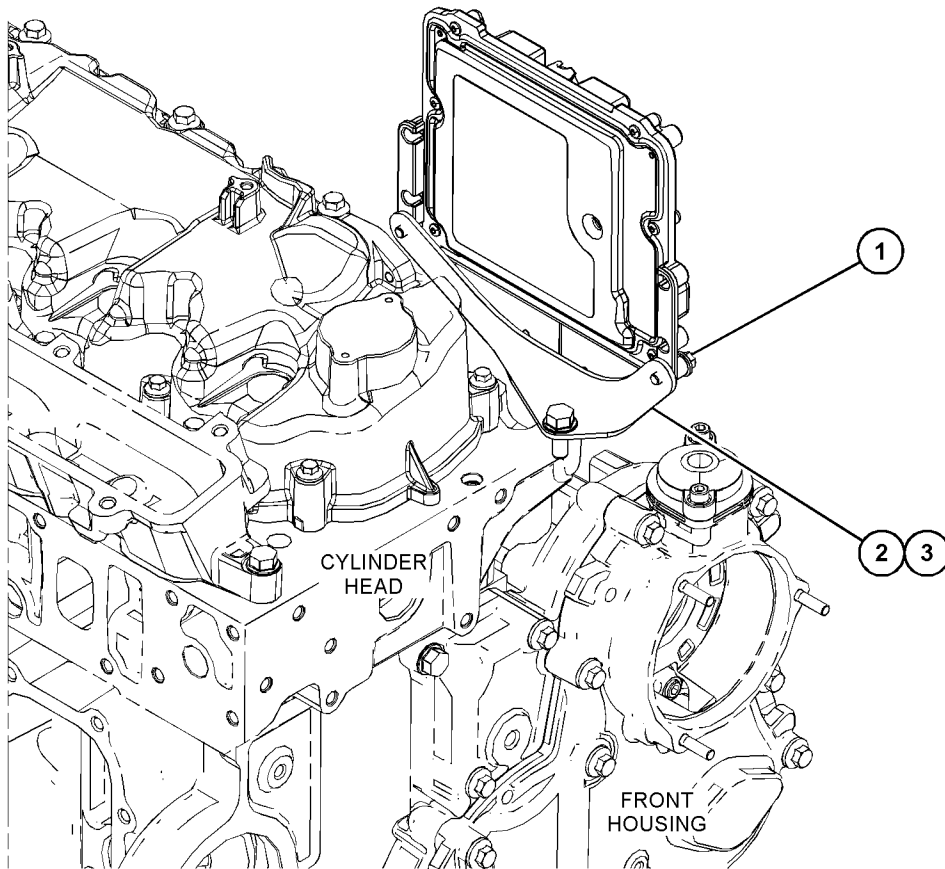
PART OF 441-9720 CONTROL GP-ELECTRONIC
AN ATTACHMENT

SMCS-1900, 1901, 7610

i06252187

NOTE	REF NO	GRAPHIC REF	PART NUMBER	QTY	PART NAME						SEE PAGE
					1	2	3	4	5	6 (PRODUCT LEVEL)	
MR	1	1	100-4838	2	BOLT (M6X1X20-MM)						
	2	1	386-1919	1	BRACKET						
	3	1	389-1874	1	BOLT-SPECIAL						
F			470-8027	1	MODULE AS-CONTROL (TIER 4 FINAL)						
			465-0307	1	CONTROLLER						
			475-6698	1	FILM-IDENTIFICATION (ECU)						

F - NOT SHOWN
M - METRIC PART
R - REMANUFACTURED PART MAY BE AVAILABLE



GRAPHIC #1

<END>

g03820786

ELECTRICAL AND STARTING SYSTEM

415-7949 MOUNTING GP-CONTROL

S/N: W231-UP

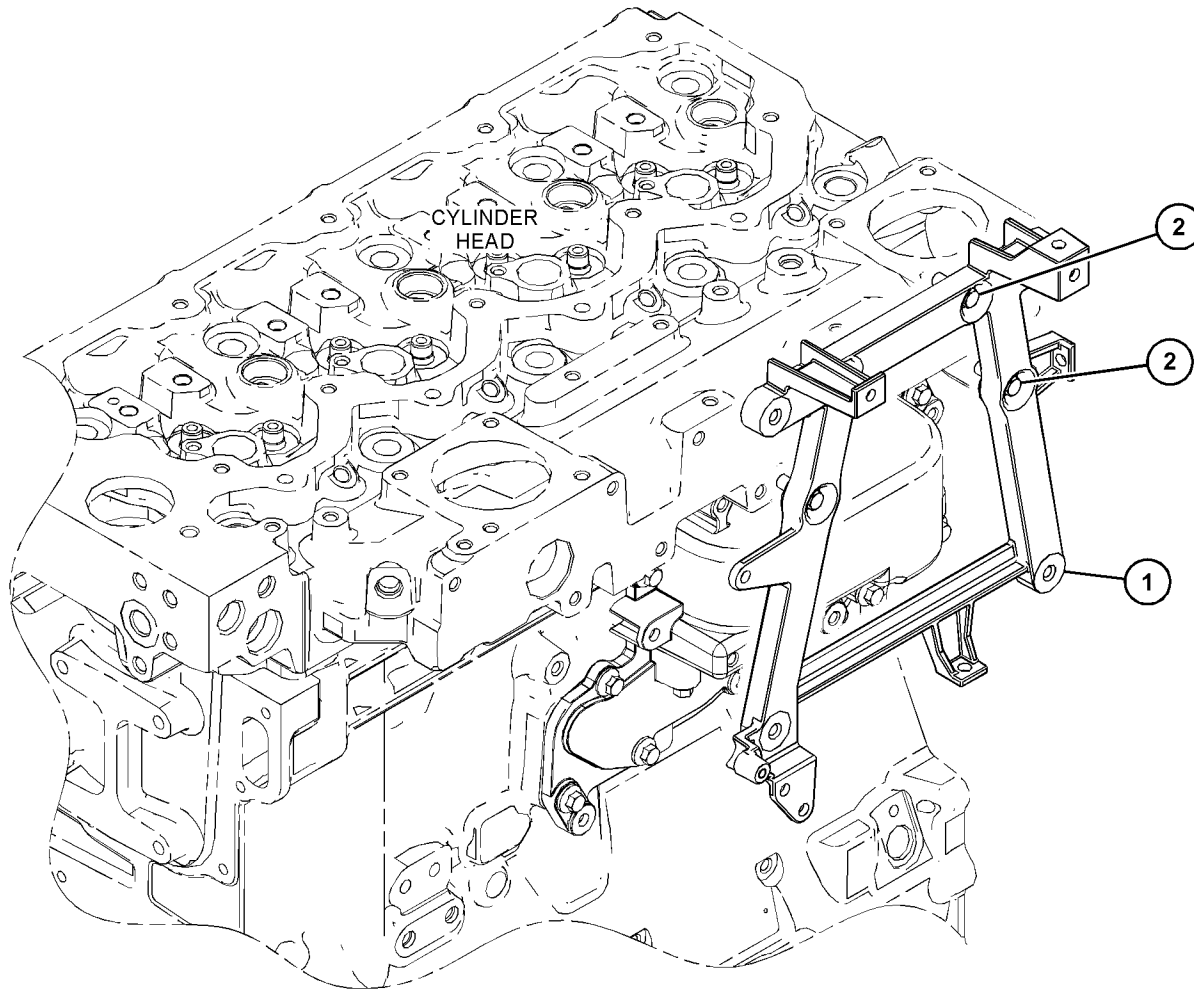
PART OF 463-8848, 463-8910 ENGINE AR-PRIMARY

SMCS-1901

i06138417

NOTE	REF NO	GRAPHIC REF	PART NUMBER	QTY	PART NAME						SEE PAGE
					1	2	3	4	5	6	
	1	1	425-9955	1	BRACKET						
M	2	1	6I-0572	4	BOLT (M8X1.25X20-MM)						

M - METRIC PART



GRAPHIC #1

<END>

g03818841

ELECTRICAL AND STARTING SYSTEM

495-4594 PANEL GP-SWITCH

S/N: TH91-UP
PART OF 517-9179 CAB AR
AN ATTACHMENT

SMCS-1408, 7451

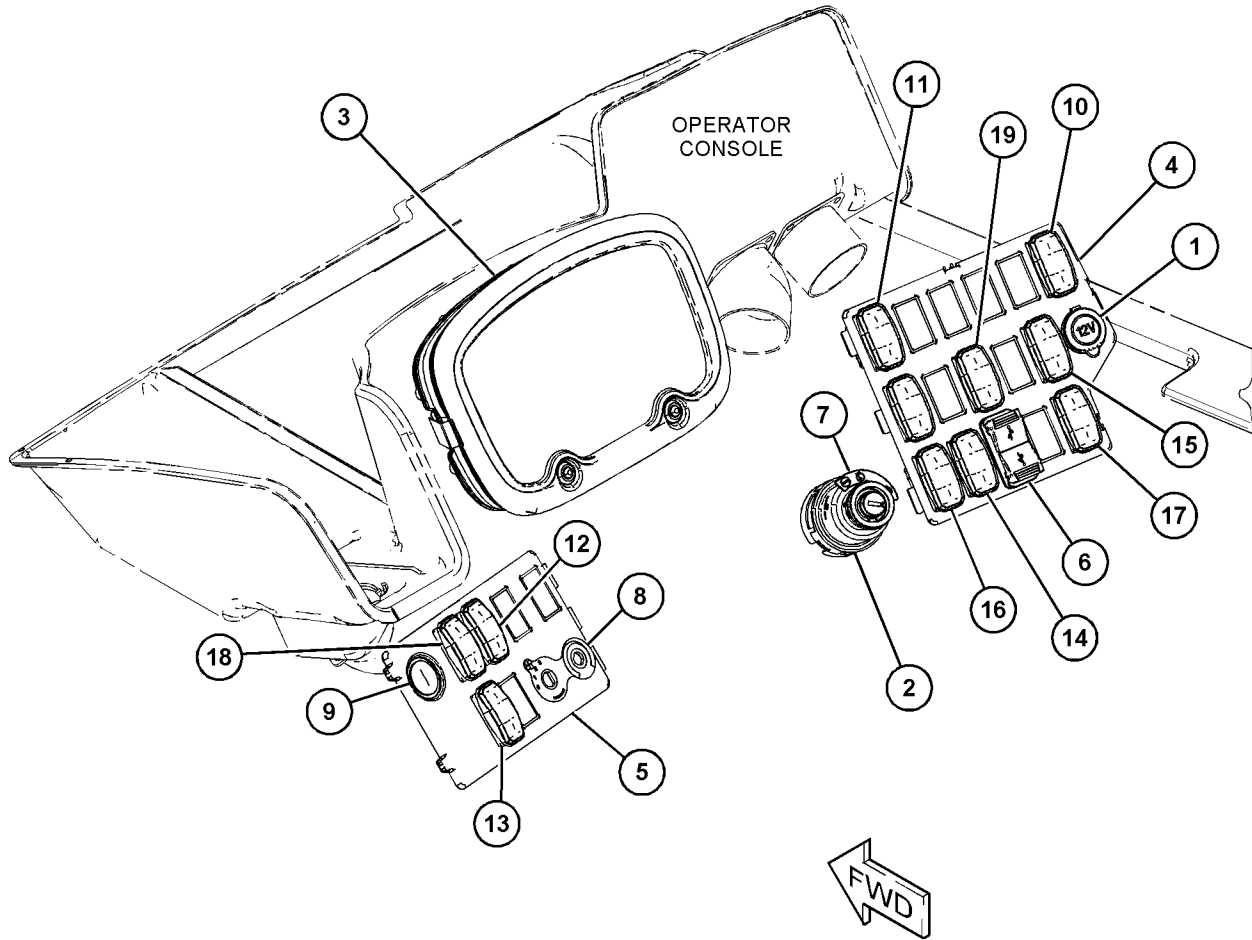
i07384254

NOTE	REF NO	GRAPHIC REF	PART NUMBER	QTY	PART NAME						SEE PAGE
					1	2	3	4	5	6 (PRODUCT LEVEL)	
	1	1	323-5605	1	RECEPTACLE - POWER						
	2	1	325-4927	1	SWITCH-IGNITION						
	3	1	473-4953	1	GAUGE GP-CLUSTER						
	4	1	535-6691	1	PANEL AS-SWITCH (RH)						
		1	473-4956	1	PANEL-SWITCH (RH)						
		1	474-6092	7	CLIP						
5		1	<i>535-6692</i>	1	PANEL AS-SWITCH (LH)						
		1	473-4957	1	PANEL-SWITCH (LH)						
		1	474-6092	4	CLIP						
6		1	495-4595	1	SWITCH AS (USB CHARGER)						
7		1	497-5476	1	FILM-IDENTIFICATION (IGNITION SWITCH)						
8		1	484-1477	1	FILM-IDENTIFICATION (HVAC)						
9		1	495-4596	1	PLUG						
10		1	495-4597	1	SWITCH AS-ROCKER (HAZARD)						
11		1	495-4598	1	SWITCH AS-ROCKER (FOG LIGHT)						
12		1	495-4599	1	SWITCH AS-ROCKER (AUXILIARY CONTROL)						
13		1	495-4600	1	SWITCH AS-ROCKER (OVERRIDE)						
14		1	495-4601	1	SWITCH AS-ROCKER (ROADING)						
15		1	495-4602	1	SWITCH AS-ROCKER (AUXILIARY, DECOMPRESSION)						
16		1	495-4603	1	SWITCH AS-ROCKER (STEERING MODE)						
17		1	495-4604	1	SWITCH AS-ROCKER (DRIVING LIGHT)						
18		1	495-4605	1	SWITCH AS-ROCKER (LOADER)						
19		1	539-8302	1	SWITCH AS-ROCKER (BUCKET)						

ELECTRICAL AND STARTING SYSTEM

495 - 4594 PANEL GP-SWITCH (contd.)

i07384254



GRAPHIC #1

<END>

g06309562

ELECTRICAL AND STARTING SYSTEM

495-4594 PANEL GP-SWITCH

S/N: TH41-UP; TH91-UP
PART OF 517-9179 CAB AR
AN ATTACHMENT

SMCS-1408, 7451

i07668696

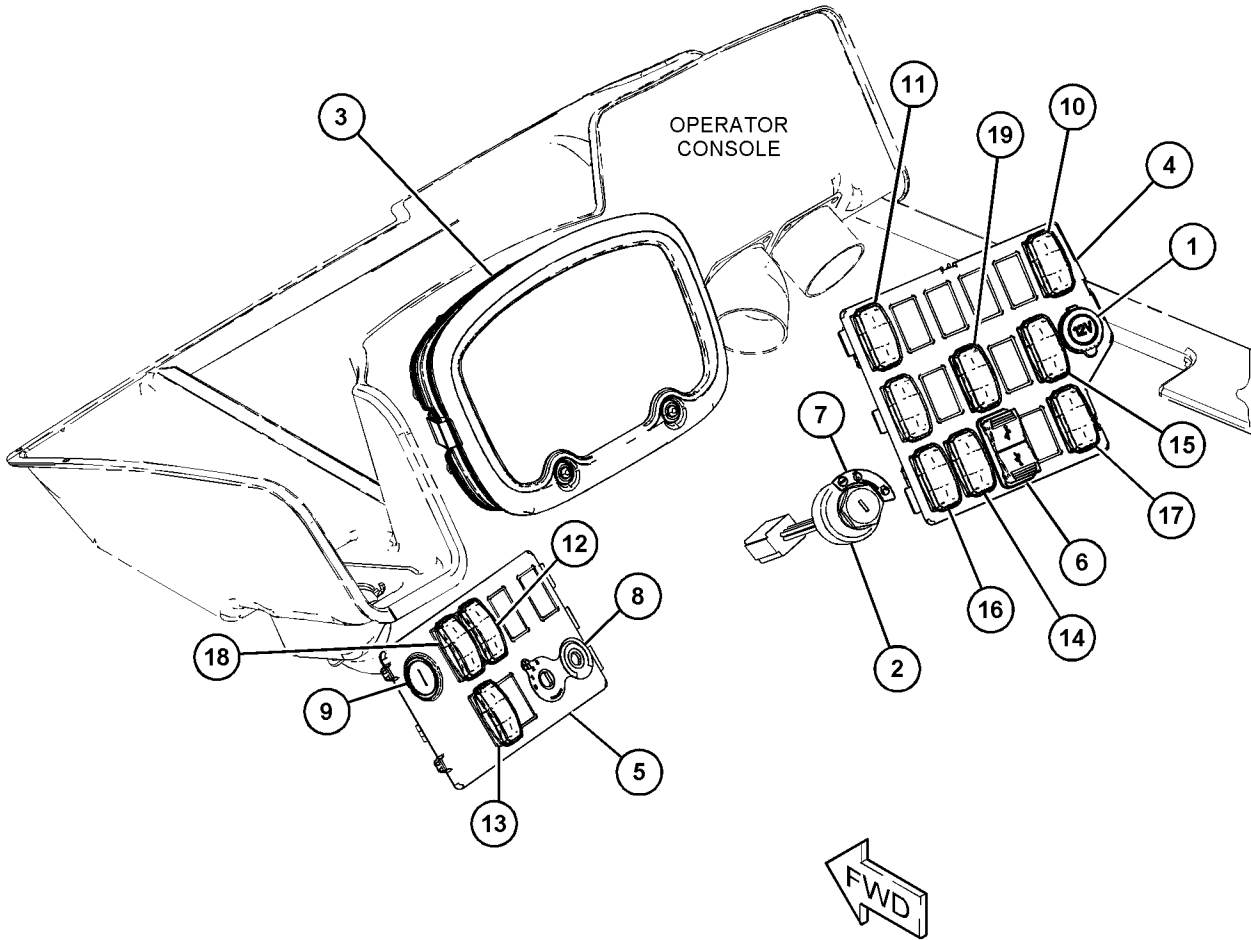
NOTE	REF NO	GRAPHIC REF	PART NUMBER	QTY	PART NAME						SEE PAGE
					1	2	3	4	5	6 (PRODUCT LEVEL)	
	1	1	323-5605	1	RECEPTACLE - POWER						
C	2	1	569-3729	1	SWITCH-KEY						
	3	1	473-4953	1	GAUGE GP-CLUSTER						
		1	576-6617	1	SOFTWARE						
	4	1	535-6691	1	PANEL AS-SWITCH (RH)						
		1	473-4956	1	PANEL-SWITCH (RH)						
		1	474-6092	7	CLIP						
	5	1	<i>535-6692</i>	1	PANEL AS-SWITCH (LH)						
		1	473-4957	1	PANEL-SWITCH (LH)						
		1	474-6092	4	CLIP						
	6	1	495-4595	1	SWITCH AS (USB CHARGER)						
	7	1	497-5476	1	FILM-IDENTIFICATION (IGNITION SWITCH)						
	8	1	484-1477	1	FILM-IDENTIFICATION (HVAC)						
	9	1	495-4596	1	PLUG						
	10	1	495-4597	1	SWITCH AS-ROCKER (HAZARD)						
	11	1	495-4598	1	SWITCH AS-ROCKER (FOG LIGHT)						
	12	1	495-4599	1	SWITCH AS-ROCKER (AUXILIARY CONTROL)						
	13	1	495-4600	1	SWITCH AS-ROCKER (OVERRIDE)						
	14	1	495-4601	1	SWITCH AS-ROCKER (ROADING)						
	15	1	495-4602	1	SWITCH AS-ROCKER (AUXILIARY, DECOMPRESSION)						
	16	1	495-4603	1	SWITCH AS-ROCKER (STEERING MODE)						
	17	1	495-4604	1	SWITCH AS-ROCKER (DRIVING LIGHT)						
	18	1	495-4605	1	SWITCH AS-ROCKER (LOADER)						
	19	1	539-8302	1	SWITCH AS-ROCKER (BUCKET)						

C - CHANGE FROM PREVIOUS TYPE

ELECTRICAL AND STARTING SYSTEM

495 - 4594 PANEL GP-SWITCH (contd.)

i07668696



GRAPHIC #1

<END>

g06398294

ELECTRICAL AND STARTING SYSTEM

492-5086 SENSOR & MOUNTING GP-HITCH

S/N: TH41-UP; TH91-UP

CANNOT BE USED WITH 497-9632-PAGE: 530

AN ATTACHMENT

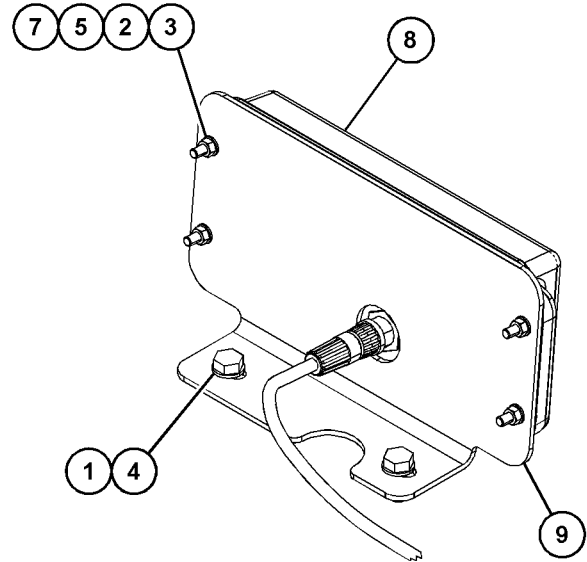
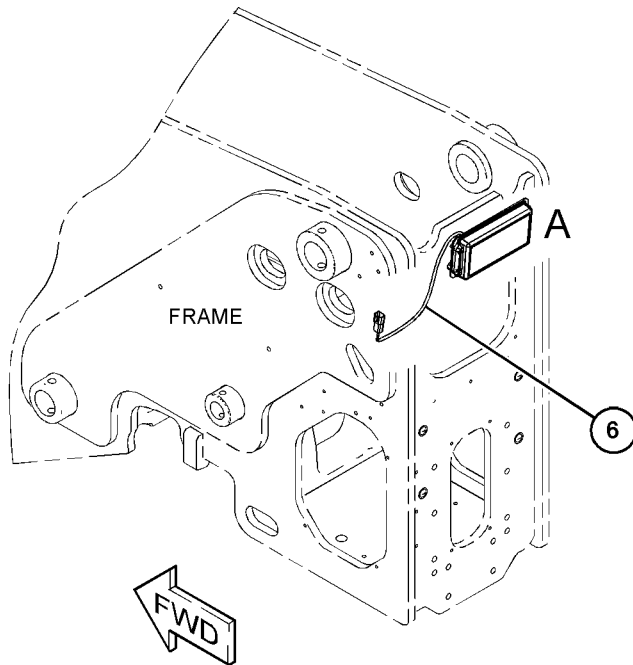
TYPE 1

SMCS-1408, 1439, 1906, 1907, 1912, 1917, 191N, 1923,
1924, 430S, 7400

i06586862

NOTE	REF NO	GRAPHIC REF	PART NUMBER	QTY	PART NAME						SEE PAGE
					1	2	3	4	5	6 (PRODUCT LEVEL)	
M	1	1	8T-4189	2	BOLT (M8X1.25X20-MM)						
M	2	1	303-4777	4	NUT (M5X0.8-THD)						
	3	1	309-3996	4	WASHER (5.3X12.5X5-MM THK)						
	4	1	8T-4224	2	WASHER-HARD (8.8X16X2-MM THK)						
M	5	1	096-5969	4	BOLT-SOCKET HEAD (M5X0.8X25-MM)						
	6	1	488-9824	1	HARNESS AS-SENSOR						
		1	303-4969	4	PIN-CONNECTOR (16-GA TO 20-GA)						
		1	323-7237	1	RECEPTACLE AS-CONNECTOR (4-PIN)						
	7	1	473-9386	4	WASHER (8.4X18X1.5-MM THK)						
	8	1	473-7701	1	SENSOR GP-OBJECT DETECTION						
	9	1	492-4992	1	BRACKET						

M - METRIC PART



VIEW OF AREA A

GRAPHIC #1

<END>

g06049102

ELECTRICAL AND STARTING SYSTEM

492-5086 SENSOR & MOUNTING GP-HITCH

S/N: TH41-UP; TH91-UP

CANNOT BE USED WITH 497-9632-PAGE: 530

AN ATTACHMENT

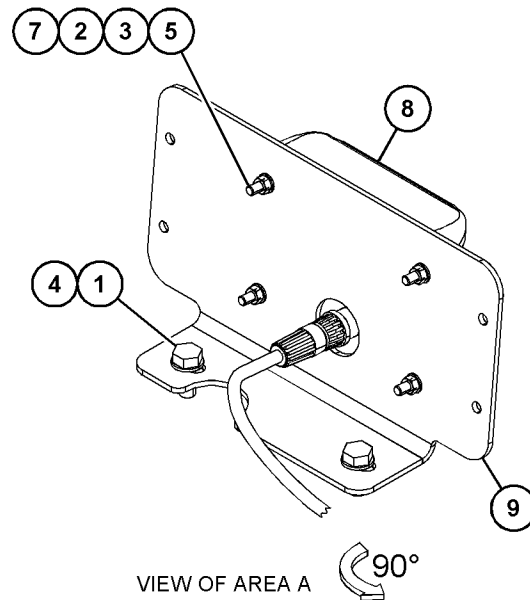
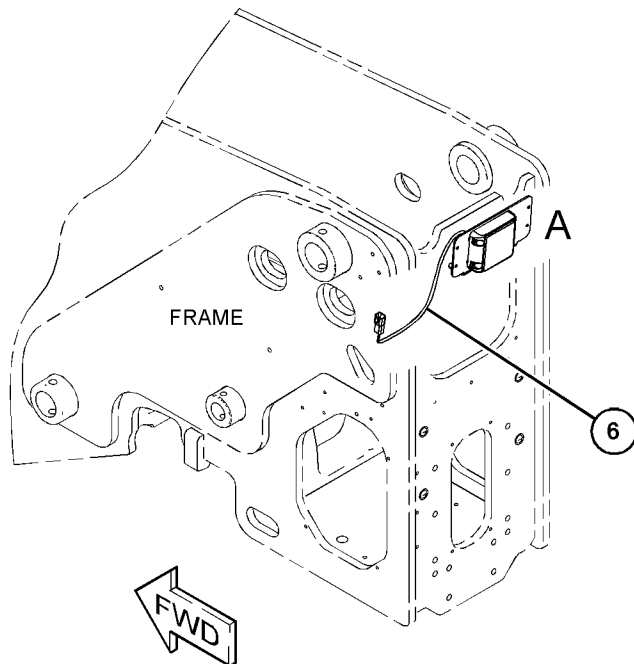
TYPE 2

SMCS-1408, 1439, 1906, 1907, 1912, 1917, 191N, 1923,
1924, 430S, 7400

i08071303

NOTE	REF NO	GRAPHIC REF	PART NUMBER	QTY	PART NAME						SEE PAGE
					1	2	3	4	5	6 (PRODUCT LEVEL)	
M	1	1	8T-4189	2	BOLT (M8X1.25X20-MM)						
M	2	1	5C-2874	4	NUT (M5X0.8-THD)						
	3	1	8T-0328	4	WASHER-HARD (5.5X10X1-MM THK)						
	4	1	8T-4224	2	WASHER-HARD (8.8X16X2-MM THK)						
M	5	1	096-5969	4	BOLT-SOCKET HEAD (M5X0.8X25-MM)						
	6	1	488-9824	1	HARNESS AS-SENSOR (REVERSE)						
		1	303-4969	4	PIN-CONNECTOR (16-GA TO 20-GA)						
		1	323-7237	1	RECEPTACLE AS-CONNECTOR (4-PIN)						
	7	1	473-9386	4	WASHER (8.4X18X1.5-MM THK)						
C	8	1	588-5588	1	SENSOR GP-OBJECT DETECTION						
	9	1	492-4992	1	BRACKET						

C - CHANGE FROM PREVIOUS TYPE
M - METRIC PART



GRAPHIC #1

<END>

g06564753

ELECTRICAL AND STARTING SYSTEM

495-8471 SENSOR & MOUNTING GP-BOOM ANGLE

S/N: TH41-UP; TH91-UP
PART OF 518-0048 BOOM AR

SMCS-1408, 1439, 1906, 1907, 1912, 1917, 191N, 1923,
1924, 430S, 7400

i06603202

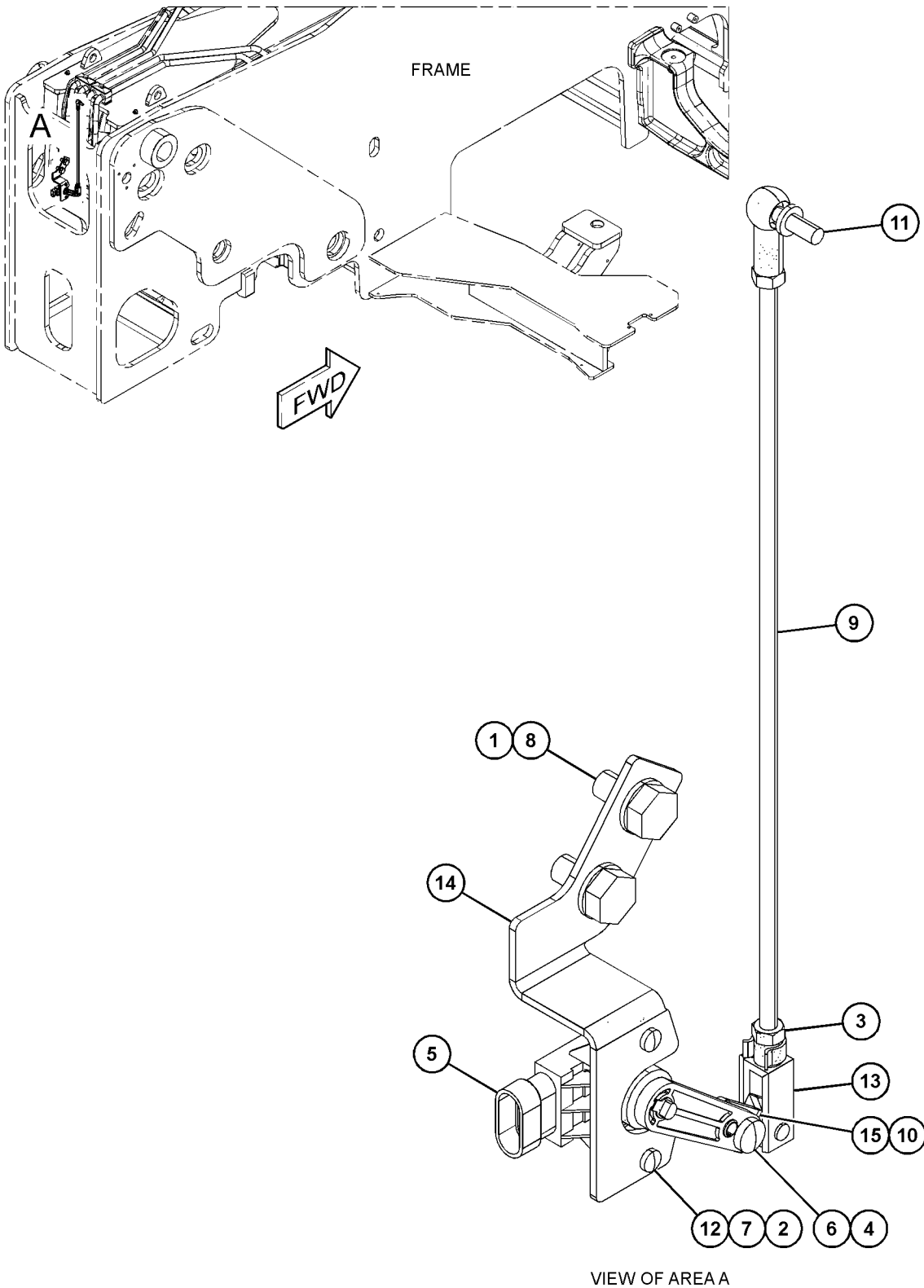
NOTE	REF NO	GRAPHIC REF	PART NUMBER	QTY	PART NAME						SEE PAGE
					1	2	3	4	5	6 (PRODUCT LEVEL)	
M	1	1	8T-4137	2	BOLT (M10X1.5X20-MM)						
M	2	1	178-9983	2	LOCKNUT (M4X0.7-THD)						
M	3	1	5C-2890	2	NUT (M6X1-THD)						
M	4	1	303-4779	1	LOCKNUT (M6X1-THD)						
	5	1	329-3638	1	SENSOR (BOOM ANGLE)						
M	6	1	095-0742	1	SCREW-MACHINE (M6X1X16-MM)						
	7	1	5W-5038	2	WASHER (4.3X9X0.8-MM THK)						
	8	1	8T-4121	2	WASHER-HARD (11X21X2.5-MM THK)						
	9	1	495-8474	1	ROD						
	10	1	331-1571	1	PIN-ROLL						
	11	1	331-1572	1	BALL JOINT						
M	12	1	281-1784	2	SCREW-PAN HEAD (M4X0.7X16-MM)						
	13	1	454-4678	1	CLEVIS						
	14	1	495-8472	1	BRACKET						
	15	1	495-8473	1	LINK						

M - METRIC PART

ELECTRICAL AND STARTING SYSTEM

495-8471 SENSOR & MOUNTING GP (contd.)

i06603202



GRAPHIC #1

<END>

g06049532

ELECTRICAL AND STARTING SYSTEM

496-8307 SENSOR & MOUNTING GP

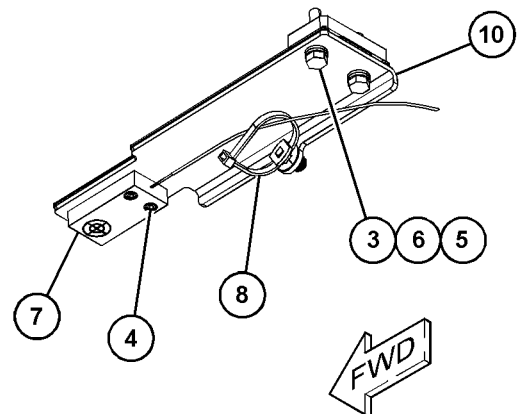
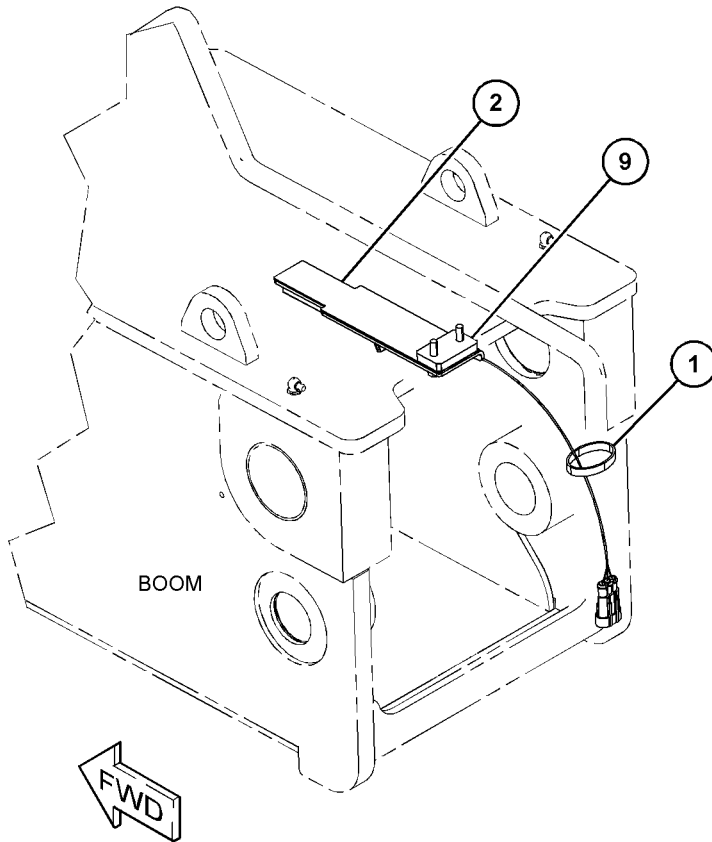
S/N: TH41-UP; TH91-UP
PART OF 518-0048 BOOM AR

SMCS-1408, 1439, 1906, 1907, 1912, 1917, 191N, 1923,
1924, 430S, 7400

i06834550

NOTE	REF NO	GRAPHIC REF	PART NUMBER	QTY	PART NAME						SEE PAGE
					1	2	3	4	5	6 (PRODUCT LEVEL)	
	1	1	7K-1181	1	STRAP-CABLE						
B	2	1	492-2133	1	SHIM						
M	3	1	8T-4971	2	BOLT (M6X1X30-MM)						
	4	1	454-4171	2	SCREW						
	5	1	8T-4205	2	WASHER-HARD (7.2X14.5X2-MM THK)						
	6	1	303-4787	2	WASHER (6.1X11.8X1.6-MM THK)						
	7	1	378-9703	1	SENSOR AS (PROXIMITY)						
	8	1	455-3027	1	TIE-CABLE						
	9	1	496-8308	1	PLATE						
	10	1	522-4418	1	BRACKET						

B - USE AS REQUIRED
M - METRIC PART



(VIEWED FROM BOTTOM)

GRAPHIC #1

<END>

g06043970

ELECTRICAL AND STARTING SYSTEM

496-8309 SENSOR & MOUNTING GP

S/N: TH41-UP; TH91-UP

PART OF 523-1878, 523-1879, 523-1880, 523-1881, 523-1882, 523-1919, 523-1920, 523-1921, 523-1922, 523-1923 CONFIGURATION AR

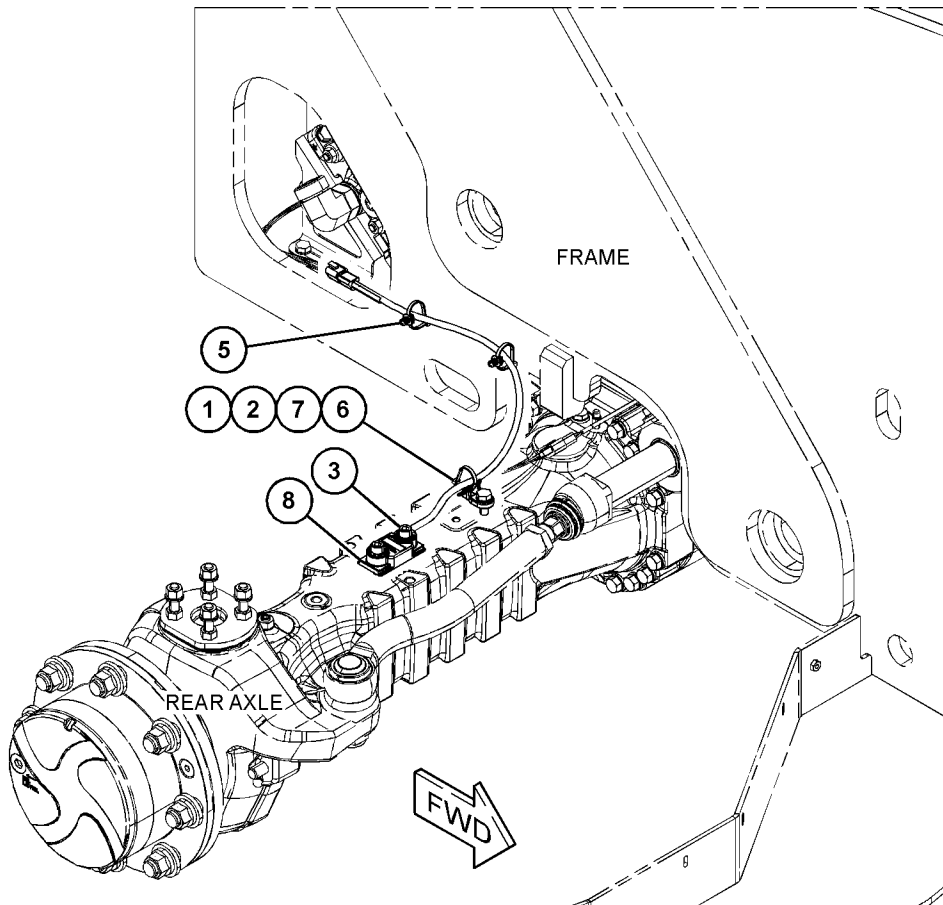
AN ATTACHMENT
TYPE 1

SMCS-1408, 1439, 1906, 1907, 1912, 1917, 191N, 1923,
1924, 430S, 7400

i06645734

NOTE	REF NO	GRAPHIC REF	PART NUMBER	QTY	PART NAME						SEE PAGE
					1	2	3	4	5	6 (PRODUCT LEVEL)	
M	1	1	8T-4136	1	BOLT (M10X1.5X25-MM)						
	2	1	8T-4121	1	WASHER-HARD (11X21X2.5-MM THK)						
M	3	1	105-3478	2	BOLT-SOCKET HEAD (M10X1.5X35-MM)						
	5	1	455-3027	2	TIE-CABLE						
	6	1	473-8975	1	MOUNT						
	7	1	206-1345	1	STRAP-CABLE						
	8	1	452-7079	1	SENSOR (AXLE LOCK)						

M - METRIC PART



GRAPHIC #1

<END>

g06065480

ELECTRICAL AND STARTING SYSTEM

496-8309 SENSOR & MOUNTING GP

S/N: TH41-UP; TH91-UP

PART OF 523-1878, 523-1879, 523-1880, 523-1881, 523-1882, 523-1919, 523-1920, 523-1921, 523-1922, 523-1923 CONFIGURATION AR

AN ATTACHMENT

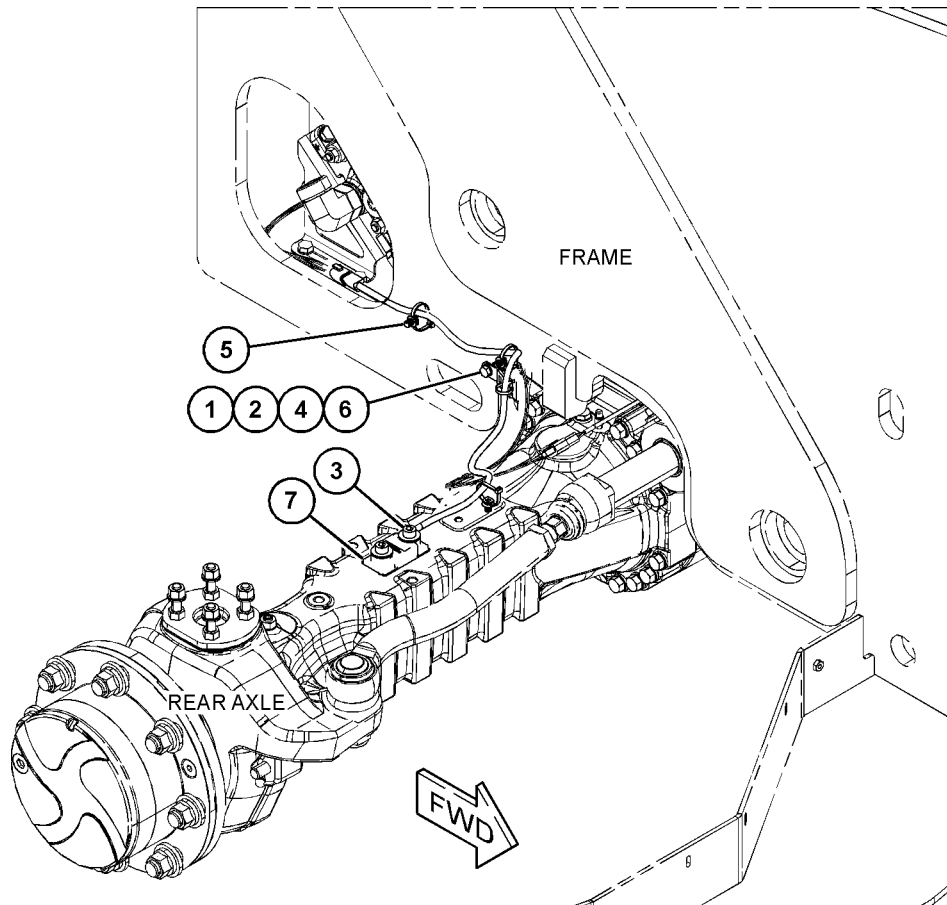
TYPE 2

SMCS-1408, 1439, 1906, 1907, 1912, 1917, 191N, 1923,
1924, 430S, 7400

i07526990

NOTE	REF NO	GRAPHIC REF	PART NUMBER	QTY	PART NAME						SEE PAGE
					1	2	3	4	5	6 (PRODUCT LEVEL)	
C	1	1	3S-2093	1	STRAP-CABLE						
C	2	1	8T-4224	1	WASHER-HARD (8.8X16X2-MM THK)						
M	3	1	105-3478	2	BOLT-SOCKET HEAD (M10X1.5X35-MM)						
CM	4	1	7X-2620	1	BOLT (M8X1.25X10-MM)						
C	5	1	455-3027	3	TIE-CABLE						
C	6	1	4P-7428	1	CLIP (LADDER)						
	7	1	452-7079	1	SENSOR (AXLE LOCK)						

C - CHANGE FROM PREVIOUS TYPE
M - METRIC PART



GRAPHIC #1

<END>

g06368682

ELECTRICAL AND STARTING SYSTEM

497-9632 SENSOR & MOUNTING GP-REVERSE

S/N: TH41-178; TH91-960

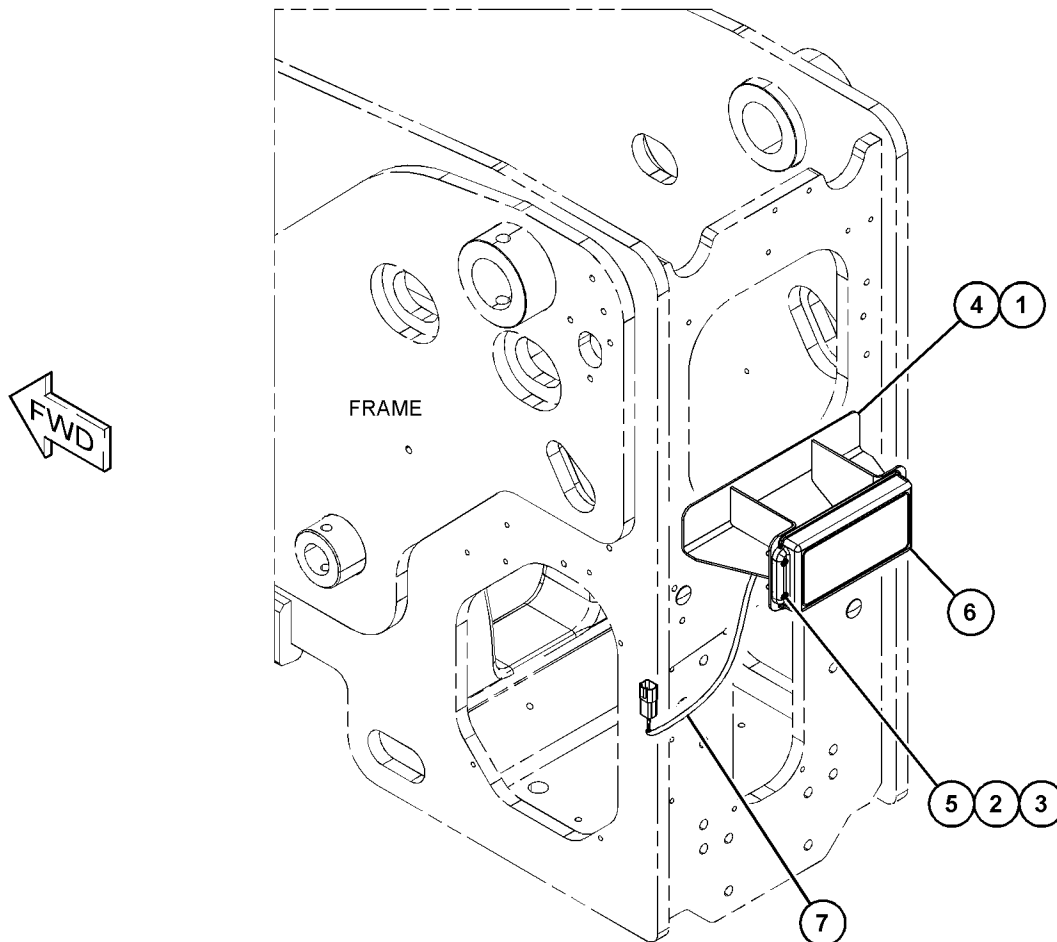
**CANNOT BE USED WITH HYDRAULIC TOW HITCH
AN ATTACHMENT**

**SMCS-1408, 1439, 1906, 1907, 1912, 1917, 191N, 1923,
1924, 430S, 7400**

i07047603

NOTE	REF NO	GRAPHIC REF	PART NUMBER	QTY	PART NAME						SEE PAGE
					1	2	3	4	5	6	
	1	1	473-9386	4	WASHER (8.4X18X1.5-MM THK)						
M	2	1	5C-2874	4	NUT (M5X0.8-THD)						
	3	1	8T-0328	4	WASHER-HARD (5.5X10X1-MM THK)						
	4	1	497-9633	1	BRACKET AS						
M	5	1	096-5969	4	BOLT-SOCKET HEAD (M5X0.8X25-MM)						
	6	1	473-7701	1	SENSOR GP-OBJECT DETECTION (REVERSE)						
	7	1	488-9824	1	HARNESS AS-SENSOR (REVERSE)						
		1	303-4969	4	PIN-CONNECTOR (16-GA TO 20-GA)						
		1	323-7237	1	RECEPTACLE AS-CONNECTOR (4-PIN)						

M - METRIC PART



GRAPHIC #1

<END>

g06209346

ELECTRICAL AND STARTING SYSTEM

497-9632 SENSOR & MOUNTING GP-REVERSE

S/N: TH4179-UP; TH9961-UP

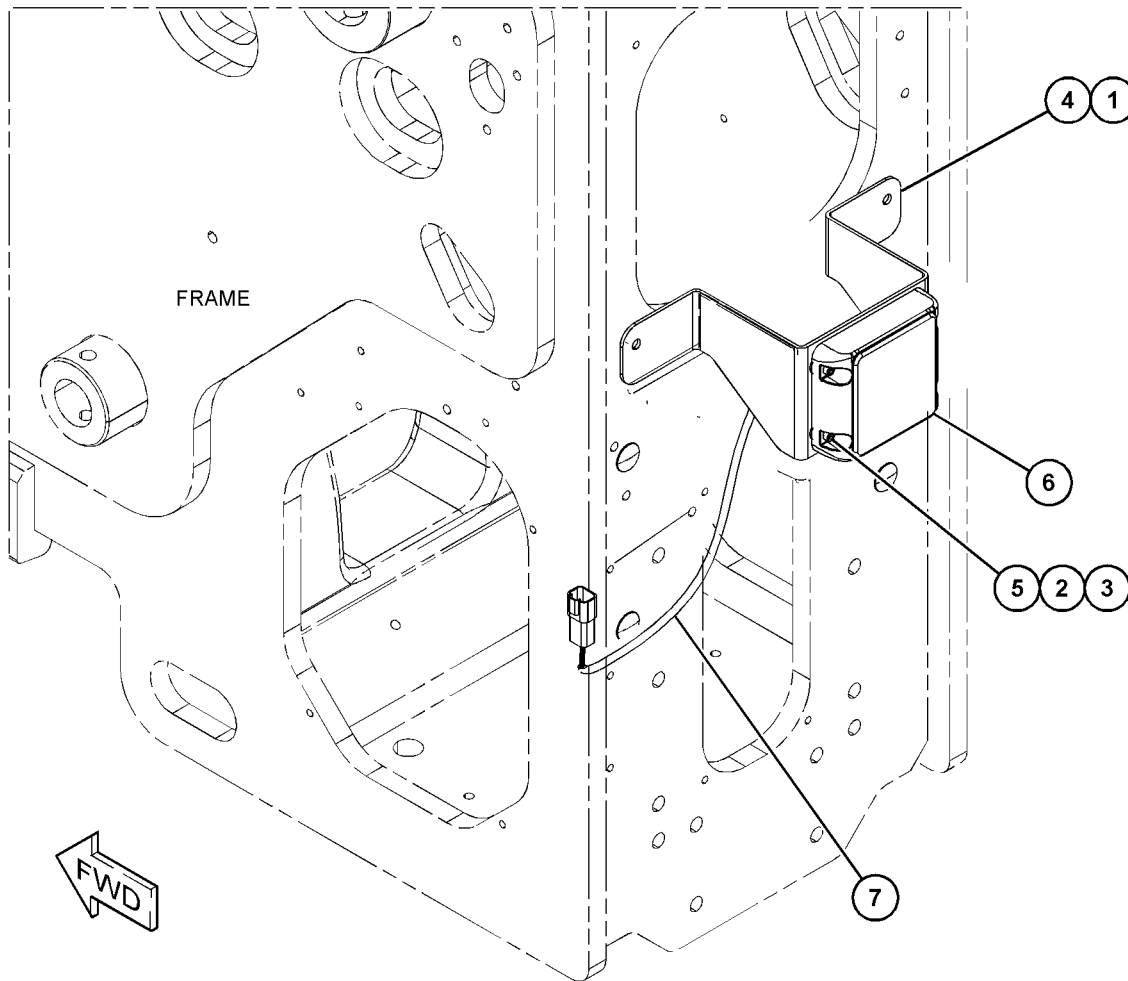
**CANNOT BE USED WITH HYDRAULIC TOW HITCH
AN ATTACHMENT**

**SMCS-1408, 1439, 1906, 1907, 1912, 1917, 191N, 1923,
1924, 430S, 7400**

i08075301

NOTE	REF NO	GRAPHIC REF	PART NUMBER	QTY	PART NAME						SEE PAGE
					1	2	3	4	5	6	
	1	1	473-9386	4	WASHER (8.4X18X1.5-MM THK)						
M	2	1	5C-2874	4	NUT (M5X0.8-THD)						
	3	1	8T-0328	4	WASHER-HARD (5.5X10X1-MM THK)						
C	4	1	588-5995	1	BRACKET						
M	5	1	096-5969	4	BOLT-SOCKET HEAD (M5X0.8X25-MM)						
C	6	1	588-5588	1	SENSOR GP-OBJECT DETECTION (REVERSE)						
	7	1	488-9824	1	HARNESS AS-SENSOR (REVERSE)						
		1	303-4969	4	PIN-CONNECTOR (16-GA TO 20-GA)						
		1	323-7237	1	RECEPTACLE AS-CONNECTOR (4-PIN)						

C - CHANGE FROM PREVIOUS TYPE
M - METRIC PART



GRAPHIC #1

<END>

g06565088

ELECTRICAL AND STARTING SYSTEM

540-1178 SENSOR & MOUNTING GP-RETRACT

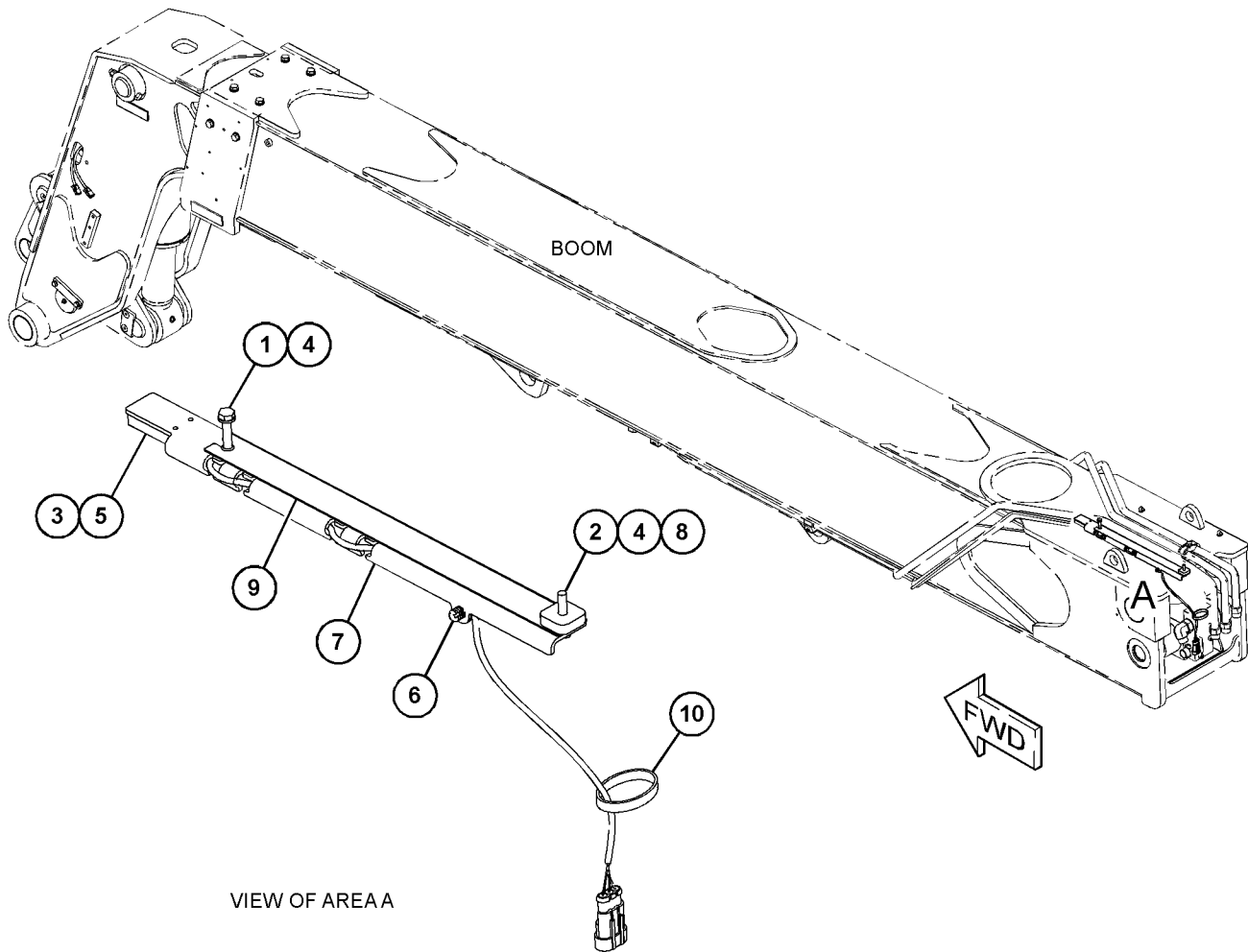
S/N: TH41-UP; TH91-UP
PART OF 518-0048, 588-1287 BOOM AR
ALSO AN ATTACHMENT

SMCS-1408, 1439, 1906, 1907, 1912, 1917, 191N, 1923,
1924, 430S, 7400

i07358785

NOTE	REF NO	GRAPHIC REF	PART NUMBER	QTY	PART NAME						SEE PAGE
					1	2	3	4	5	6 (PRODUCT LEVEL)	
M	1	1	7X-2533	1	BOLT (M6X1X35-MM)						
M	2	1	8T-4971	1	BOLT (M6X1X30-MM)						
M	3	1	439-0578	2	BOLT (M4X0.7X8-MM)						
	4	1	8T-4205	2	WASHER-HARD (7.2X14.5X2-MM THK)						
	5	1	378-9703	1	SENSOR AS (PROXIMITY)						
	6	1	455-3027	1	TIE-CABLE						
	7	1	540-1175	1	BRACKET						
	8	1	540-1176	1	PLATE						
	9	1	540-1177	1	SHIM (1-MM THK)						
	10	1	7K-1181	1	STRAP-CABLE						

M - METRIC PART



GRAPHIC #1

<END>

g06310793

ELECTRICAL AND STARTING SYSTEM

558-1638 SENSOR & MTG GP-POSITION-BOOM ANGLE

S/N: TH41-UP; TH91-UP

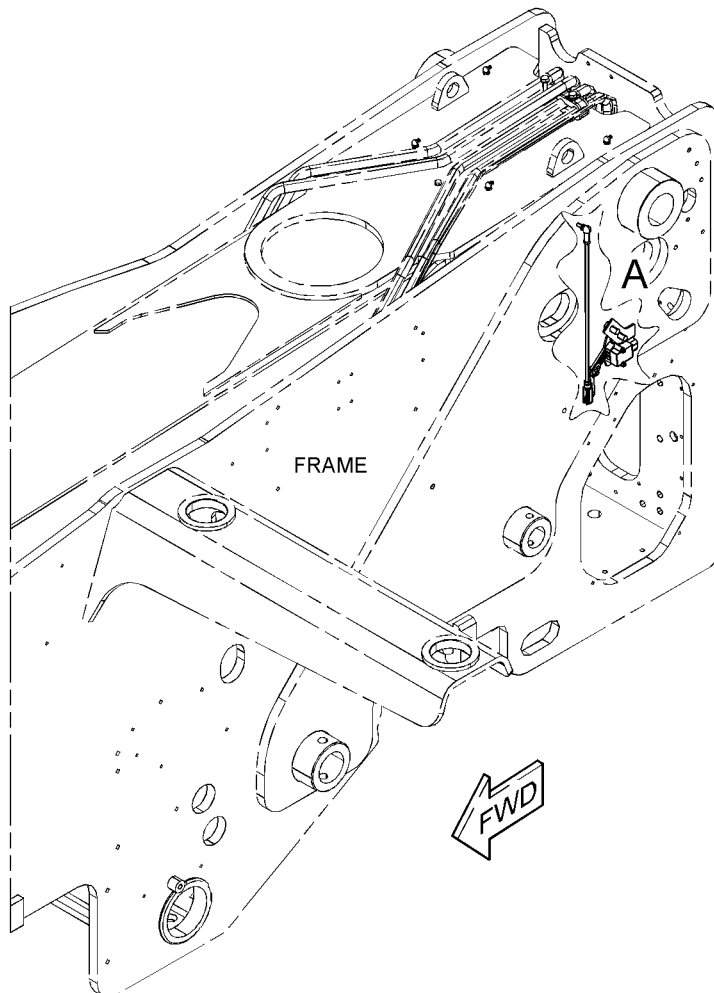
PART OF 496-8311 INSTALLATION AR-LOAD MGT IND
AN ATTACHMENT

SMCS-1408, 7400

i07415251

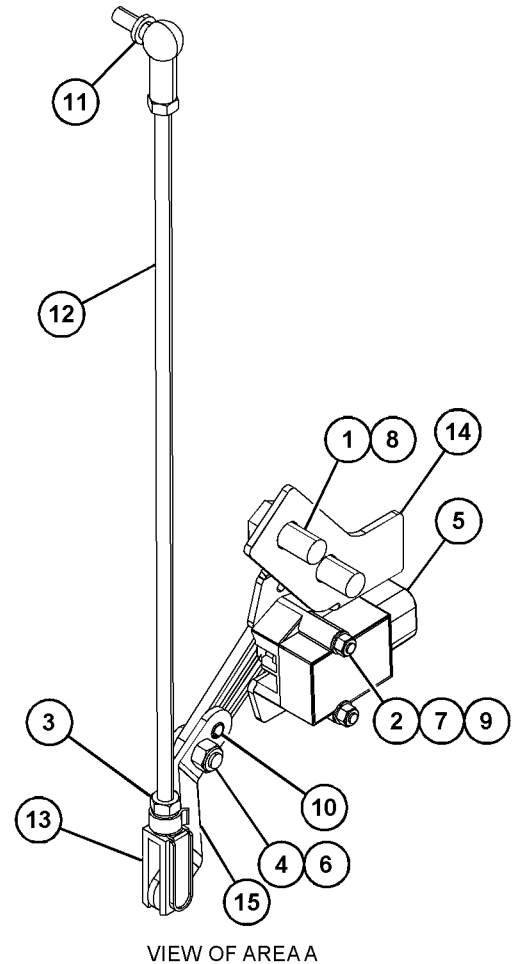
NOTE	REF NO	GRAPHIC REF	PART NUMBER	QTY	PART NAME						SEE PAGE
					1	2	3	4	5	6 (PRODUCT LEVEL)	
M	1	1	264-3627	2	BOLT (M10X1.5X20-MM)						
M	2	1	178-9983	2	LOCKNUT (M4X0.7-THD)						
M	3	1	5C-2890	2	NUT (M6X1-THD)						
M	4	1	208-8469	1	LOCKNUT (M6X1-THD)						
	5	1	329-3612	1	SENSOR (BOOM ANGLE)						
M	6	1	095-0742	1	SCREW-MACHINE (M6X1X16-MM)						
	7	1	136-0156	2	WASHER (4.3X0.8X0.8-MM THK)						
	8	1	8T-4224	2	WASHER-HARD (8.8X16X2-MM THK)						
	9	1	558-1485	2	SCREW						
	10	1	331-1571	1	PIN-ROLL						
	11	1	155-7862	1	BALL JOINT AS						
	12	1	495-8474	1	ROD						
	13	1	454-4678	1	CLEVIS						
	14	1	495-8472	1	BRACKET						
	15	1	495-8473	1	LINK						

M - METRIC PART



GRAPHIC #1

<END>



VIEW OF AREA A

g06338680

ELECTRICAL AND STARTING SYSTEM

496-8313 SENSOR & MTG GP-PRESSURE

S/N: TH41-UP; TH91-UP

PART OF 496-8311 INSTALLATION AR-LOAD MGT IND

AN ATTACHMENT

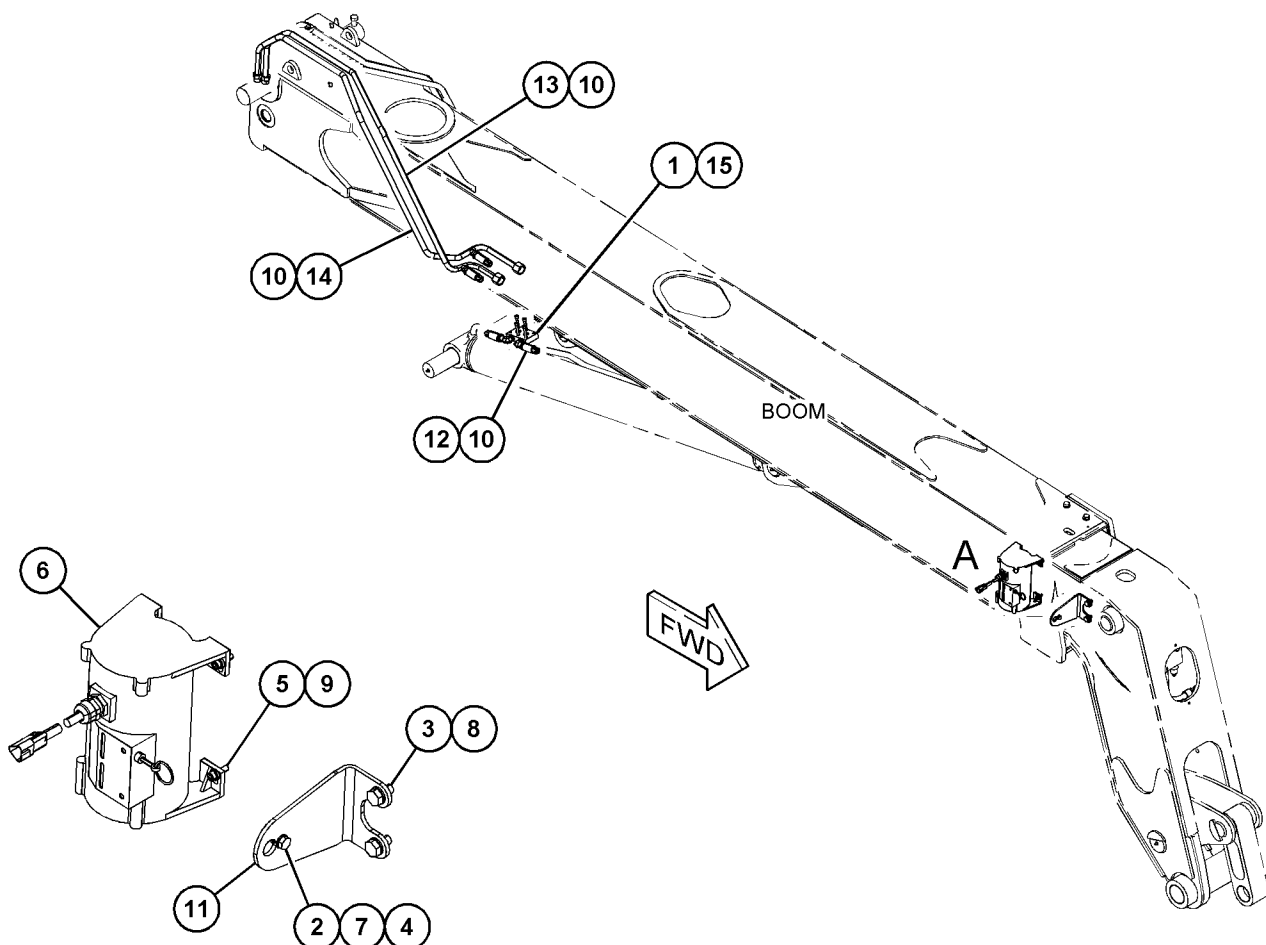
TYPE 1

SMCS-1408, 1439, 1916, 1917, 1923, 1924, 1925, 5095

i06889517

NOTE	REF NO	GRAPHIC REF	PART NUMBER	QTY	PART NAME						SEE PAGE
					1	2	3	4	5	6 (PRODUCT LEVEL)	
	1	1	361-4910	1	MANIFOLD						
M	2	1	8T-4200	1	BOLT (M8X1.25X16-MM)						
M	3	1	8T-4137	2	BOLT (M10X1.5X20-MM)						
M	4	1	5C-7261	1	NUT (M8X1.25-THD)						
M	5	1	105-3487	4	BOLT-SOCKET HEAD (M6X1X20-MM)						
	6	1	503-1689	1	SWITCH AS-INDICATOR (BOOM)						
	7	1	8T-4224	2	WASHER-HARD (8.8X16X2-MM THK)						
	8	1	8T-4121	2	WASHER-HARD (11X21X2.5-MM THK)						
	9	1	477-0655	4	WASHER (7.3X13.6X4-MM THK)						
	10	1	477-0968	4	SENSOR-PRESSURE (ENGINE)						
	11	1	496-8314	1	BRACKET						
	12	1	496-8315	2	ELBOW AS						
	13	1	496-8316	1	TUBE AS						
	14	1	496-8317	1	TUBE AS						
M	15	1	7I-8935	4	BOLT-SOCKET HEAD (M8X1.25X75-MM)						

M - METRIC PART



VIEW OF AREA A

GRAPHIC #1

<END>

g06164530

ELECTRICAL AND STARTING SYSTEM

496-8313 SENSOR & MTG GP-PRESSURE

S/N: TH41-UP; TH91-UP

PART OF 496-8311 INSTALLATION AR-LOAD MGT IND

AN ATTACHMENT

TYPE 2

SMCS-1408, 1439, 1916, 1917, 1923, 1924, 1925, 5095

i07384201

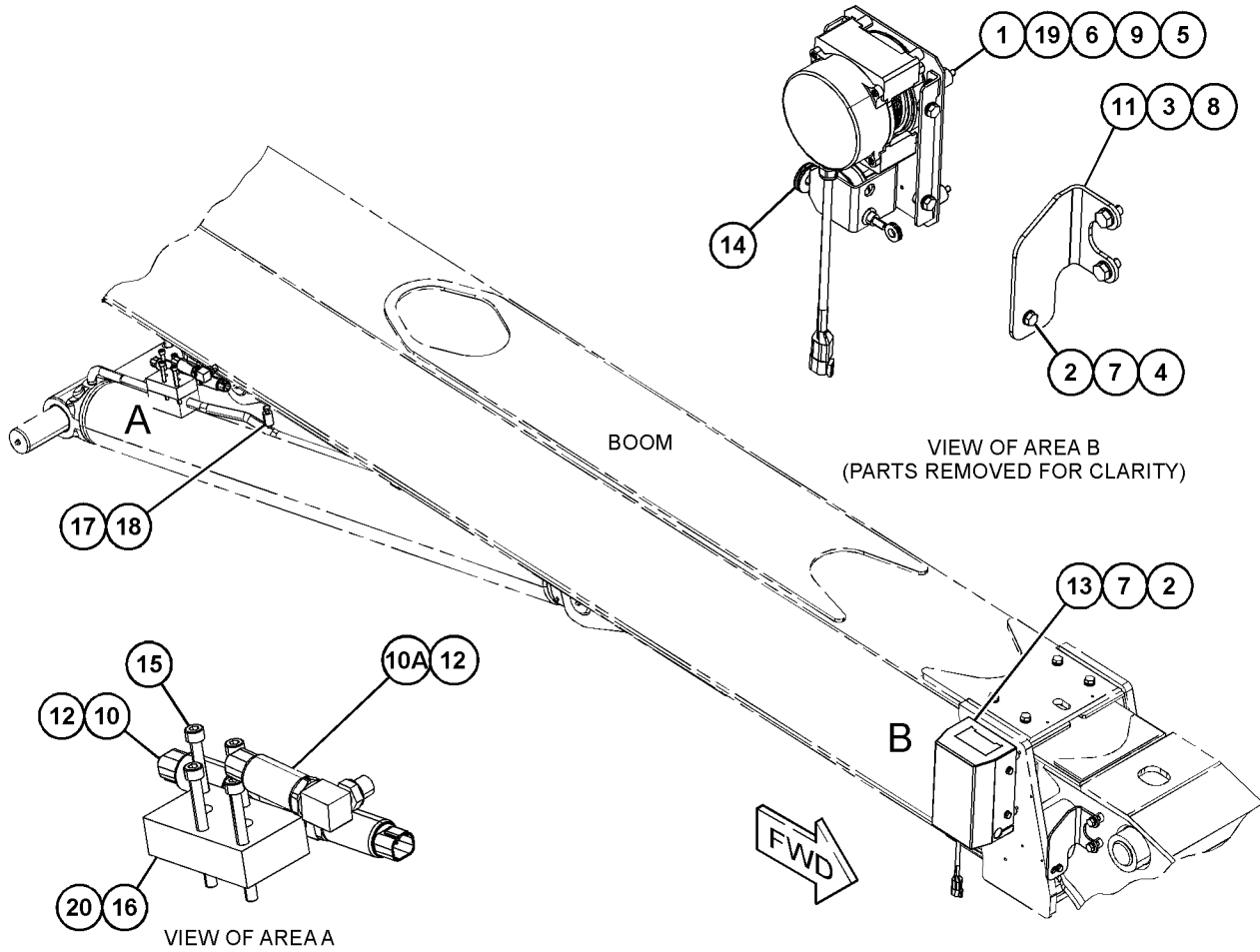
NOTE	REF NO	GRAPHIC REF	PART NUMBER	QTY	PART NAME						SEE PAGE
					1	2	3	4	5	6 (PRODUCT LEVEL)	
C	1	1	547-9090	2	BRACKET AS						
CM	2	1	8T-4200	5	BOLT (M8X1.25X16-MM)						
CM	3	1	264-3627	2	BOLT (M10X1.5X20-MM)						
M	4	1	5C-7261	1	NUT (M8X1.25-THD)						
C	5	1	547-8446	4	SCREW (M6X1X35-MM)						
C	6	1	525-8438	1	SENSOR (BOOM POSITION)						
C	7	1	8T-4224	6	WASHER-HARD (8.8X16X2-MM THK)						
	8	1	8T-4121	2	WASHER-HARD (11X21X2.5-MM THK)						
	9	1	477-0655	4	WASHER (7.3X13.6X4-MM THK)						
C	10	1	477-0968	2	SENSOR-PRESSURE (LIFT)						
C	10A	1	477-0968	1	SENSOR-PRESSURE (COMPRESSION)						
C	11	1	547-8513	1	BRACKET						
C	12	1	503-1688	3	ELBOW AS						
C	13	1	547-9059	1	PLATE-COVER						
C	14	1	9X-7345	1	GROMMET						
CM	15	1	8T-2224	4	BOLT-SOCKET HEAD (M8X1.25X85-MM)						
C	16	1	547-8560	1	PLATE						
CM	17	1	7X-0818	1	BOLT (M8X1.25X45-MM)						
C	18	1	550-2388	1	SPACER (9X20X29-MM THK)						
C	19	1	538-9989	4	SPACER (9X19.05X16-MM THK)						
C	20	1	374-7332	2	SEAL-O-RING						

C - CHANGE FROM PREVIOUS TYPE
M - METRIC PART

ELECTRICAL AND STARTING SYSTEM

496-8313 SENSOR & MTG GP-PRESSURE (contd.)

i07384201



GRAPHIC #1

<END>

g06330744

ELECTRICAL AND STARTING SYSTEM

441-9798 SENSOR GP

S/N: CN51-UP

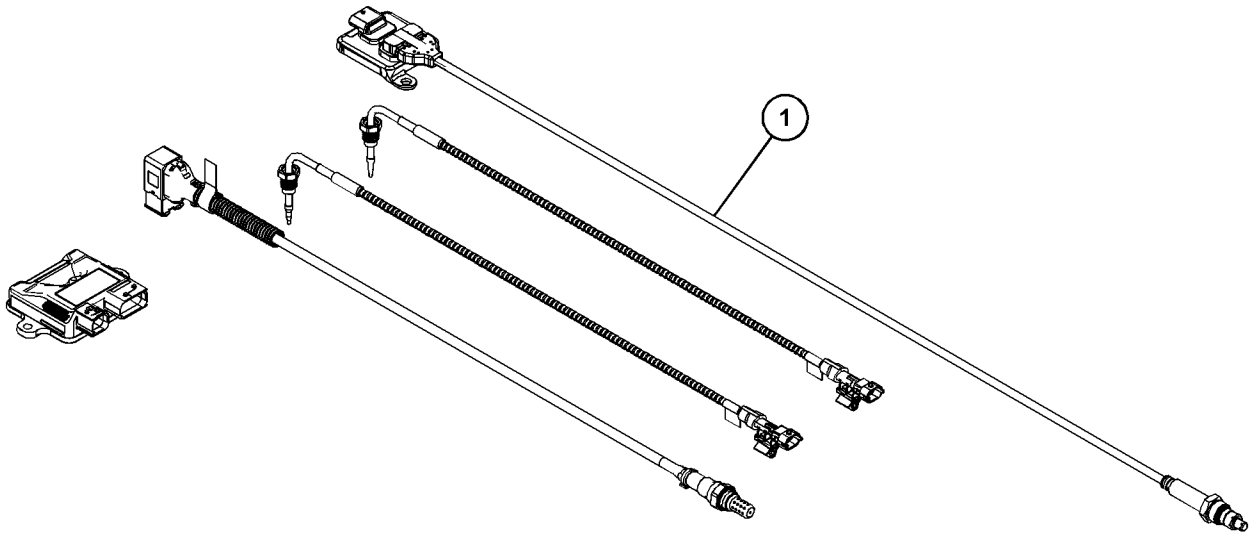
PART OF 465-2880 ENGINE AR-PRIMARY
AN ATTACHMENT

SMCS-1408, 1901

i06252244

NOTE	REF NO	GRAPHIC REF	PART NUMBER	QTY	PART NAME						SEE PAGE
					1	2	3	4	5	6 (PRODUCT LEVEL)	
Y	1	1	465-8761	1	SENSOR GP (CLEAN EMISSIONS MODULE) (EXHAUST TEMPERATURE)						538

Y - SEPARATE ILLUSTRATION



GRAPHIC #1

<END>

g03817431

ELECTRICAL AND STARTING SYSTEM

465-8761 SENSOR GP

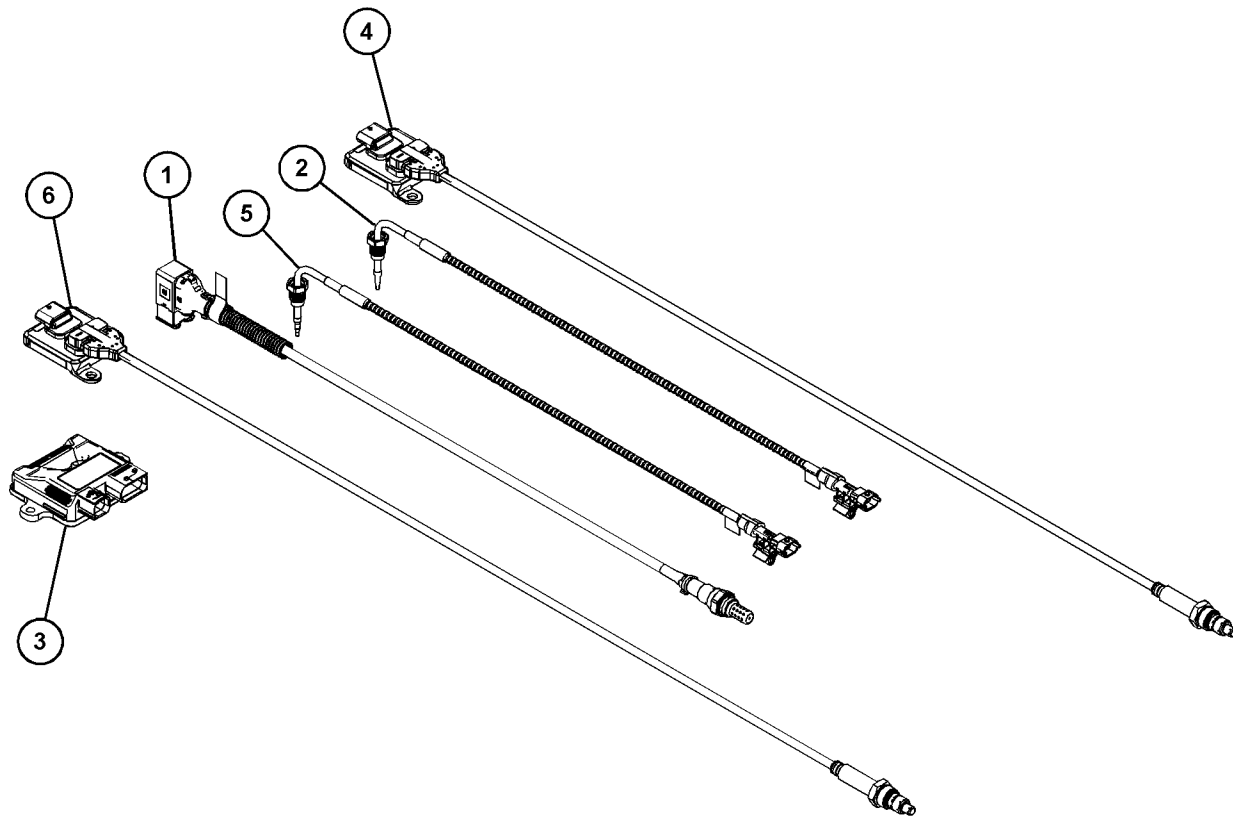
S/N: CN51-UP

PART OF 441-9798 SENSOR GP
AN ATTACHMENT

SMCS-1408, 1901

i07577962

NOTE	REF NO	GRAPHIC REF	PART NUMBER	QTY	PART NAME						SEE PAGE
					1	2	3	4	5	6 (PRODUCT LEVEL)	
	1	1	566-8020	1	SENSOR AS-AMMONIA						
	2	1	450-7214	1	SENSOR AS-TEMPERATURE (SCR INLET)						
	3	1	450-7215	1	CONTROLLER AS						
	4	1	461-5511	1	SENSOR AS-NITROGEN OXIDE (DOWNSTREAM)						
	5	1	461-5573	1	SENSOR AS-TEMPERATURE (DOC INLET)						
	6	1	461-5585	1	SENSOR-NITROGEN OXIDE (UPSTREAM)						



GRAPHIC #1

<END>

g06139512

ELECTRICAL AND STARTING SYSTEM

428-8196 SENSOR GP-COMBUSTION

S/N: JKT1-UP

SENSOR

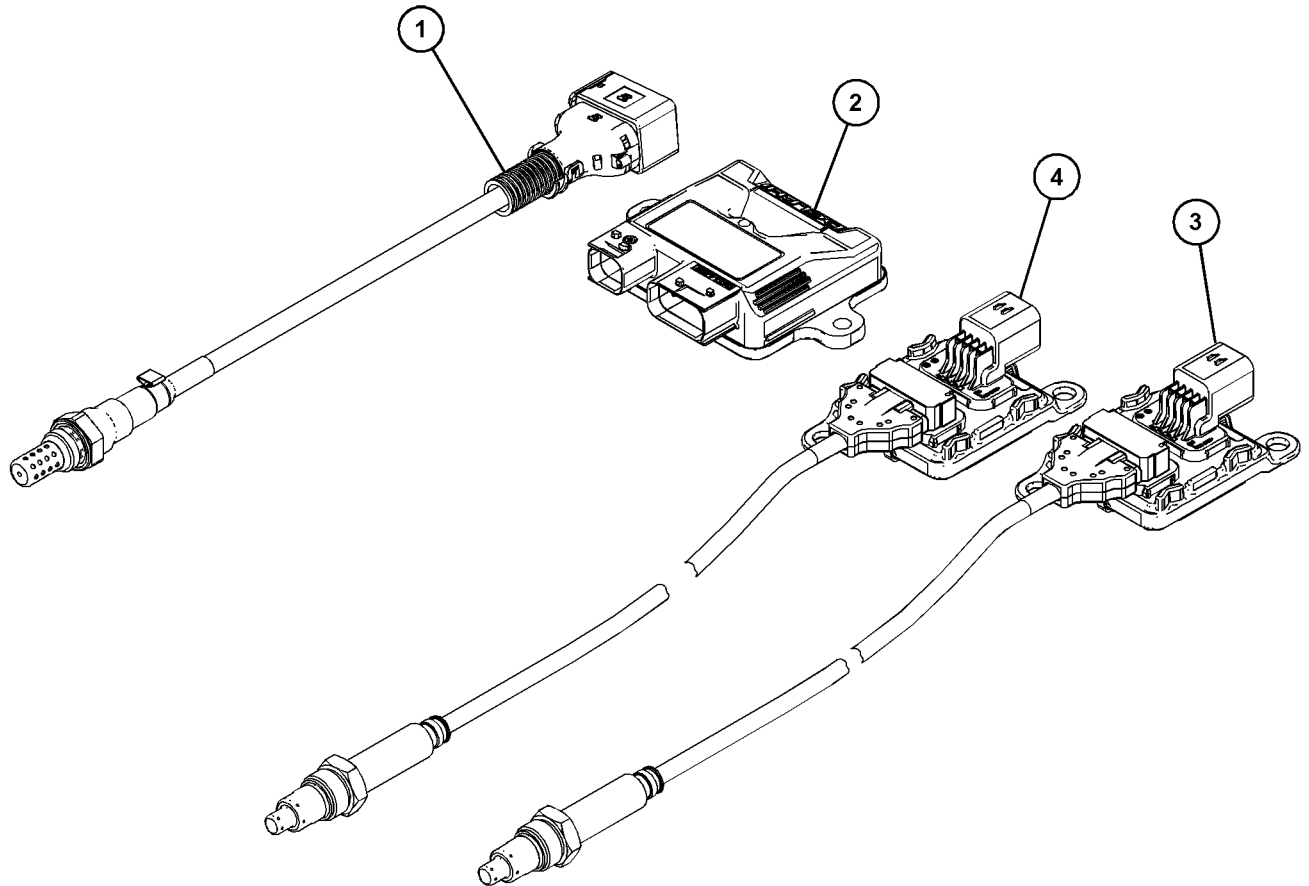
PART OF 464-2307, 464-2308 ENGINE AR-PRIMARY

ALSO AN ATTACHMENT

SMCS-1563

i06243789

NOTE	REF NO	GRAPHIC REF	PART NUMBER	QTY	PART NAME						SEE PAGE
					1	2	3	4	5	6 (PRODUCT LEVEL)	
	1	1	421-7786	1	SENSOR AS-AMMONIA (EXHAUST GAS)						
	2	1	421-7787	1	CONTROLLER AS						
	3	1	441-5129	1	SENSOR AS-NITROGEN OXIDE (12-VOLT)						
	4	1	441-5130	1	SENSOR AS-NITROGEN OXIDE (12-VOLT)						



GRAPHIC #1

<END>

g06011263

ELECTRICAL AND STARTING SYSTEM

425-9760 SENSOR GP-ENGINE

S/N: W231-UP

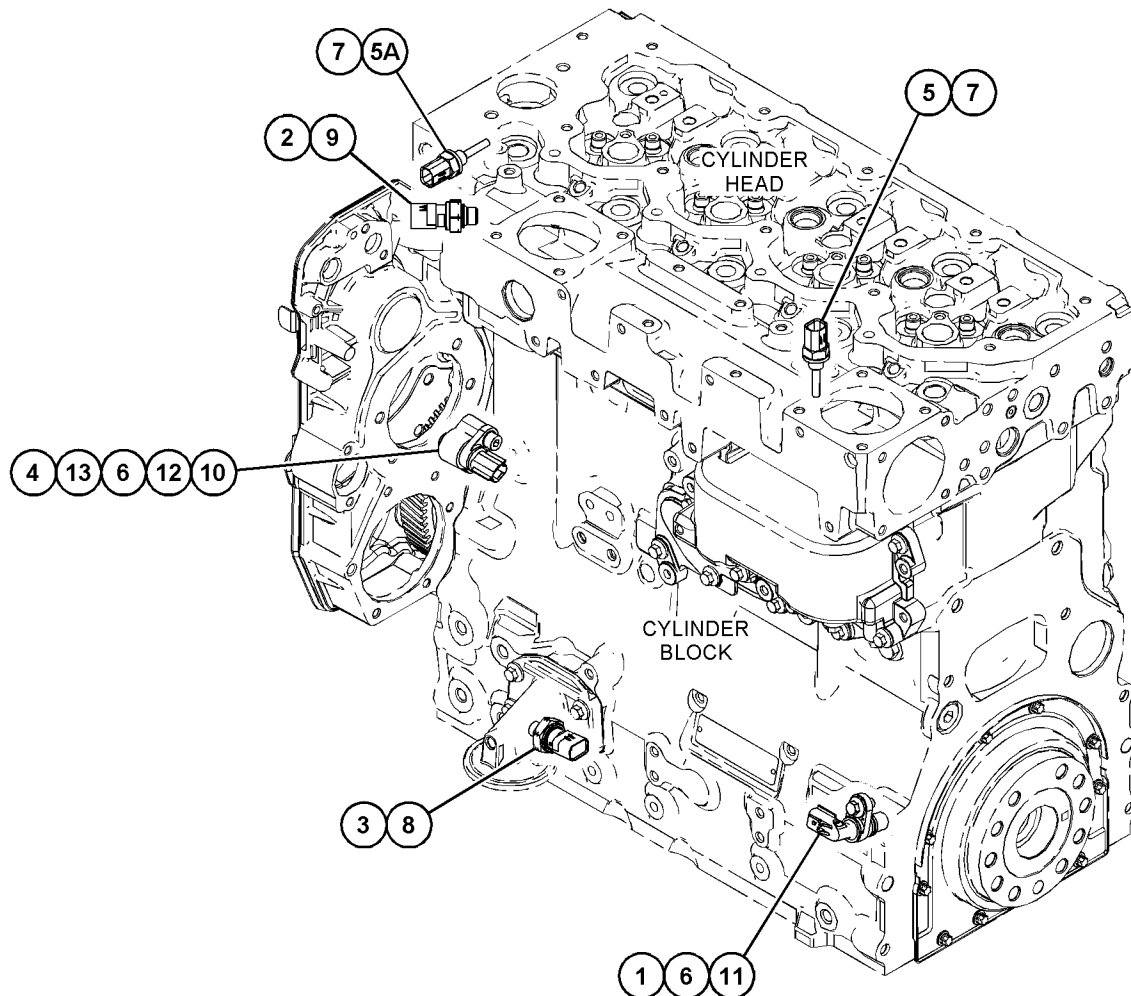
PART OF 463-8848, 463-8910 ENGINE AR-PRIMARY

SMCS-1439

i06120205

NOTE	REF NO	GRAPHIC REF	PART NUMBER	QTY	PART NAME						SEE PAGE
					1	2	3	4	5	6 (PRODUCT LEVEL)	
M	1	1	124-3815	1	BOLT (M8X1.25X16-MM)						
	2	1	199-9252	1	SEAL-O-RING						
	3	1	199-9267	1	SEAL-O-RING						
M	4	1	206-1826	1	BOLT (M6X1X25-MM)						
	5	1	238-0112	1	SENSOR GP-TEMPERATURE (2-PIN) (ENGINE COOLANT)						
	5A	1	238-0112	1	SENSOR GP-TEMPERATURE (2-PIN) (ENGINE COOLANT)						
	6	1	274-1639	2	SEAL						
	7	1	278-5226	2	SEAL-O-RING						
	8	1	320-3060	1	SENSOR GP-PRESSURE (ENGINE OIL)						
	9	1	320-3062	1	SENSOR GP-PRESSURE (INLET MANIFOLD AIR)						
	10	1	384-3887	1	SENSOR GP-SPEED						
	11	1	384-3888	1	SENSOR GP-SPEED						
	12	1	425-9111	1	ADAPTER						
M	13	1	8T-1158	1	BOLT-SOCKET HEAD (M8X1.25X20-MM)						

M - METRIC PART



GRAPHIC #1

<END>

g03814927

ELECTRICAL AND STARTING SYSTEM

433-4681 SENSOR GP-ENGINE

S/N: JKT1-UP

PART OF 464-2307, 464-2308 ENGINE AR-PRIMARY
ALSO AN ATTACHMENT

SMCS-1439

i07562921

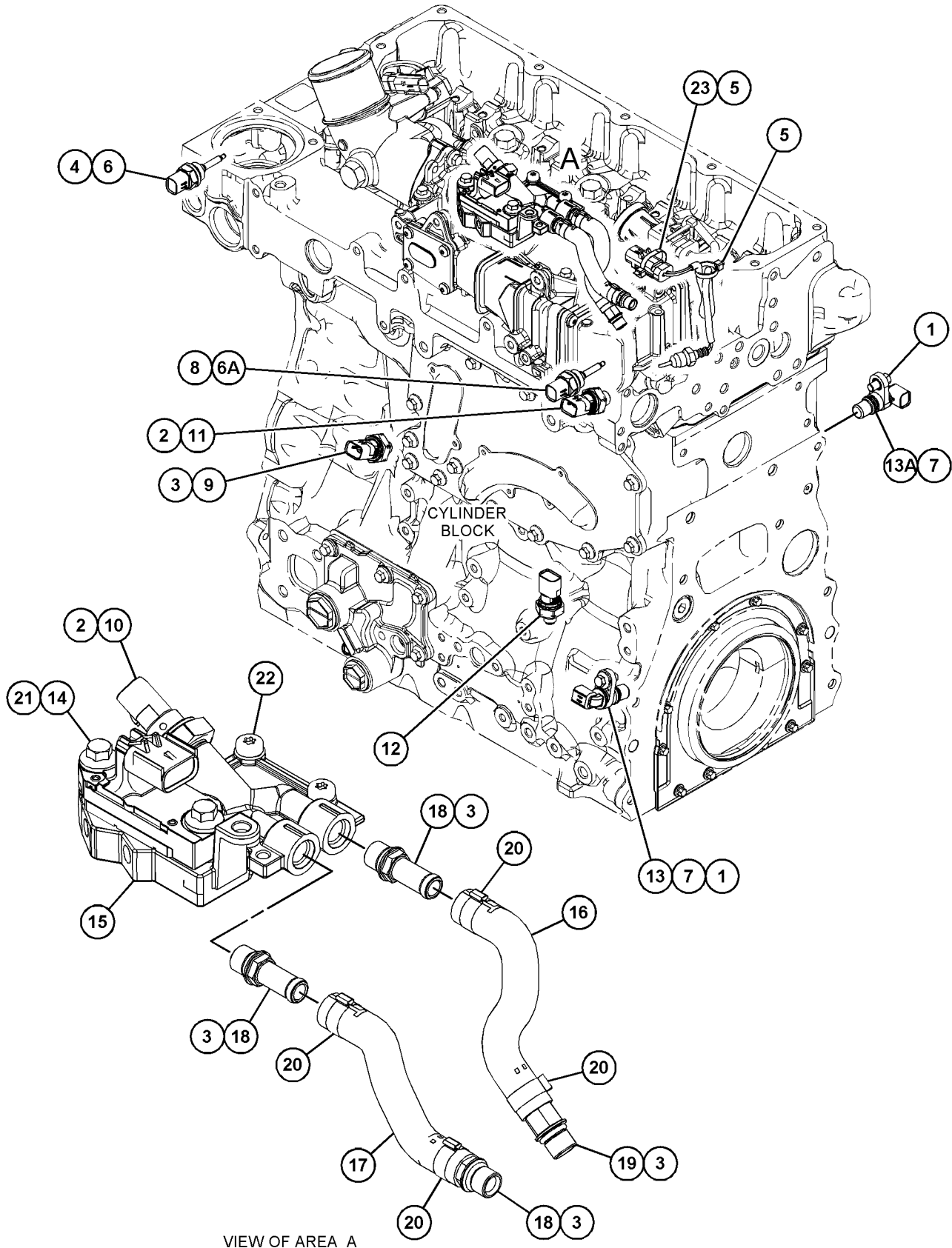
NOTE	REF NO	GRAPHIC REF	PART NUMBER	QTY	PART NAME	SEE PAGE
					1 2 3 4 5 6 (PRODUCT LEVEL)	
M	1	1	124-3815	2	BOLT (M8X1.25X16-MM)	
	2	1	199-9252	2	SEAL-O-RING	
	3	1	199-9267	5	SEAL-O-RING	
	4	1	199-9751	1	SEAL-O-RING	
	5	1	217-9039	2	STRAP-CABLE	
	6	1	256-6454	1	SENSOR-TEMPERATURE (2-PIN) (COOLANT)	
	6A	1	256-6454	1	SENSOR-TEMPERATURE (2-PIN) (INTAKE MANIFOLD AIR)	
	7	1	274-1639	2	SEAL	
	8	1	276-5603	1	SEAL-O-RING	
	9	1	320-3060	1	SENSOR GP-PRESSURE (ENGINE OIL)	
	10	1	320-3061	1	SENSOR GP-PRESSURE (NRS INLET)	
	11	1	320-3062	1	SENSOR GP-PRESSURE (INTAKE MANIFOLD AIR)	
	12	1	320-3063	1	SENSOR GP-PRESSURE (ATMOSPHERIC AIR)	
	13	1	311-3857	1	SENSOR-SPEED (PRIMARY, TIMING)	
	13A	1	311-3857	1	SENSOR-SPEED (SECONDARY, TIMING)	
Y	14	1	385-1174	1	SENSOR GP-PRESSURE (NRS OUTLET)	552
	15	1	432-1403	1	MANIFOLD AS	
J	16	1	<i>466-2880</i>	1	HOSE	
L	17	1	<i>466-2881</i>	1	HOSE	
	18	1	453-6510	3	UNION	
	19	1	453-6997	1	UNION	
	20	1	454-8813	4	CLAMP	
M	21	1	6I-0254	2	BOLT (M8X1.25X30-MM)	
M	22	1	301-7012	4	SCREW-PAN HEAD (M6X1X20-MM)	
	23	1	474-3231	1	SENSOR AS-TEMPERATURE (2-PIN) (NOX REDUCTION SYSTEM)	
		1	281-8802	1	RECEPTACLE AS-CONNECTOR (2-PIN)	
AVAILABLE REPAIR KIT(S):						
J			454-3966	1	KIT-HOSE	
L			454-3970	1	KIT-HOSE	

J - KIT MARKED J SERVICES PART(S) MARKED J
L - KIT MARKED L SERVICES PART(S) MARKED L
M - METRIC PART
Y - SEPARATE ILLUSTRATION

ELECTRICAL AND STARTING SYSTEM

433-4681 SENSOR GP-ENGINE (contd.)

i07562921



GRAPHIC #1

<END>

g03848882

ELECTRICAL AND STARTING SYSTEM

441-9700 SENSOR GP-ENGINE

S/N: CN51-UP

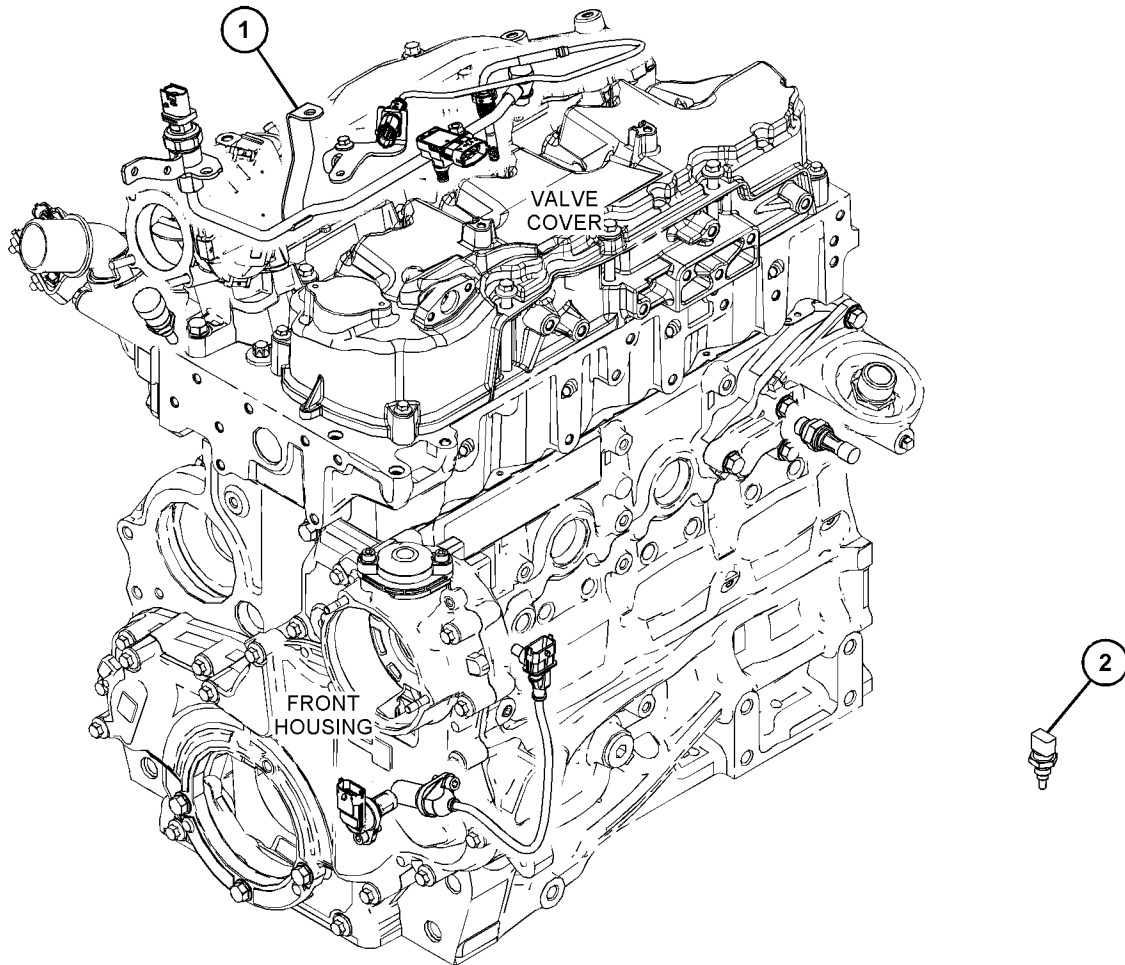
PART OF 465-2880 ENGINE AR-PRIMARY
AN ATTACHMENT

SMCS-1439

i06252245

NOTE	REF NO	GRAPHIC REF	PART NUMBER	QTY	PART NAME						SEE PAGE
					1	2	3	4	5	6 (PRODUCT LEVEL)	
Y	1	1	464-3491	1	SENSOR GP-ENGINE						544
	2	1	399-8728	1	SENSOR (AMBIENT AIR TEMP)						

Y - SEPARATE ILLUSTRATION



GRAPHIC #1

<END>

g03825990

ELECTRICAL AND STARTING SYSTEM

464-3491 SENSOR GP-ENGINE

S/N: CN51-UP

PART OF 441-9700 SENSOR GP-ENGINE
AN ATTACHMENT

SMCS - 1439

i06252249

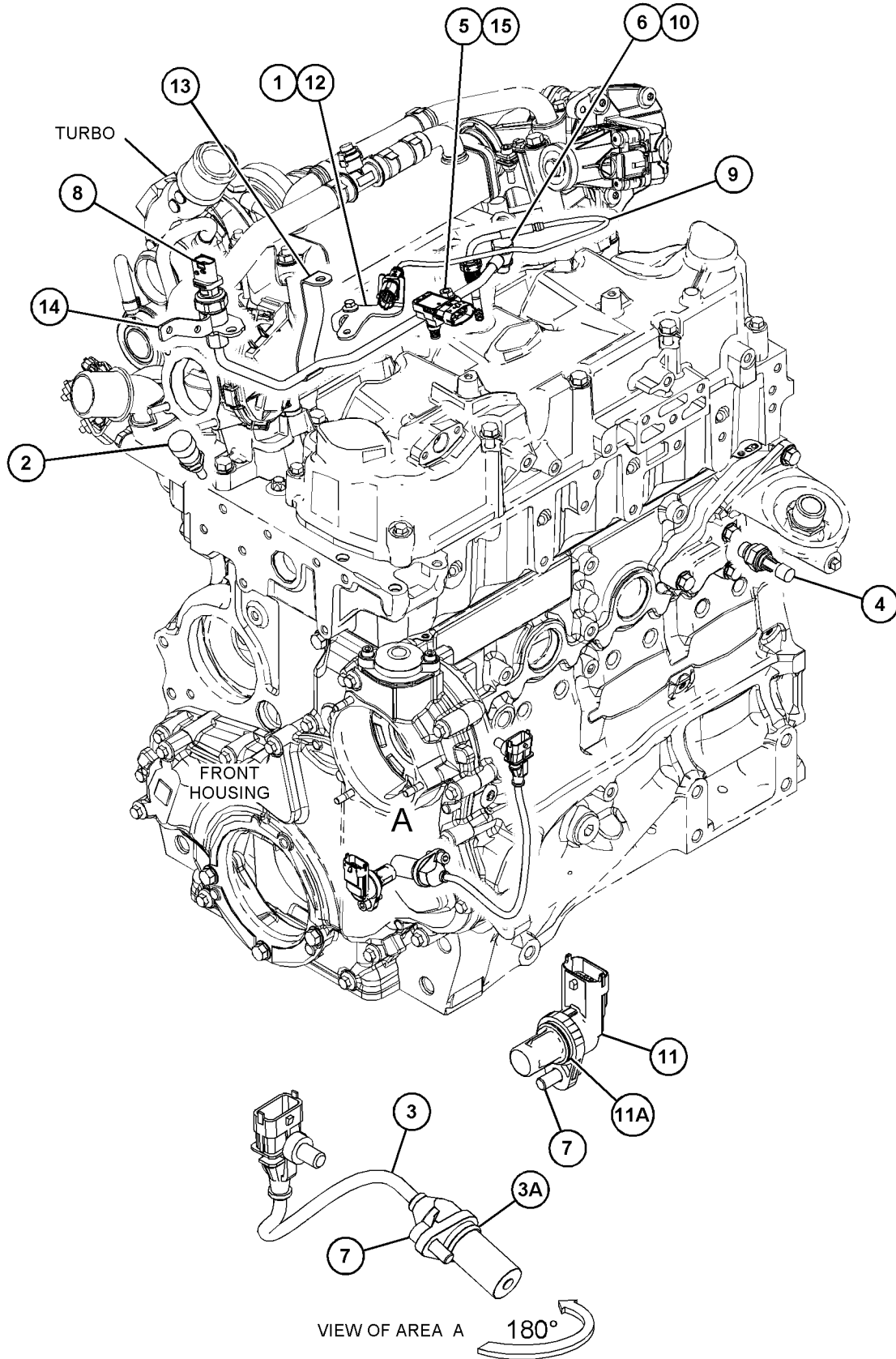
NOTE	REF NO	GRAPHIC REF	PART NUMBER	QTY	PART NAME						SEE PAGE
					1	2	3	4	5	6 (PRODUCT LEVEL)	
M	1	1	6I-0631	1	BOLT (M6X1X12-MM)						
	2	1	373-9526	1	SENSOR-TEMPERATURE (AMBIENT)						
	3	1	386-0153	1	SENSOR-SPEED						
	3A	1	387-7709	1	SEAL						
	4	1	386-0154	1	SWITCH (OIL PRESSURE)						
	5	1	386-0163	1	SENSOR						
	6	1	386-0164	1	SCREW						
	7	1	386-0166	2	SCREW						
	8	1	386-6508	1	SENSOR (PRESSURE)						
	9	1	386-6510	1	SENSOR-TEMPERATURE						
	10	1	393-0900	2	WASHER						
	11	1	435-5717	1	SENSOR (CAMSHAFT)						
	11A	1	392-6032	1	SEAL						
	12	1	465-1034	1	BRACKET						
	13	1	465-1037	1	PIPE AS						
	14	1	465-1038	1	BRACKET AS						
M	15	1	099-6418	1	NUT (M6X1-THD)						

M - METRIC PART

ELECTRICAL AND STARTING SYSTEM

464-3491 SENSOR GP-ENGINE (contd.)

106252249



GRAPHIC #1

<END>

g03825947

ELECTRICAL AND STARTING SYSTEM

423-6434 SENSOR GP-LIQUID LEVEL

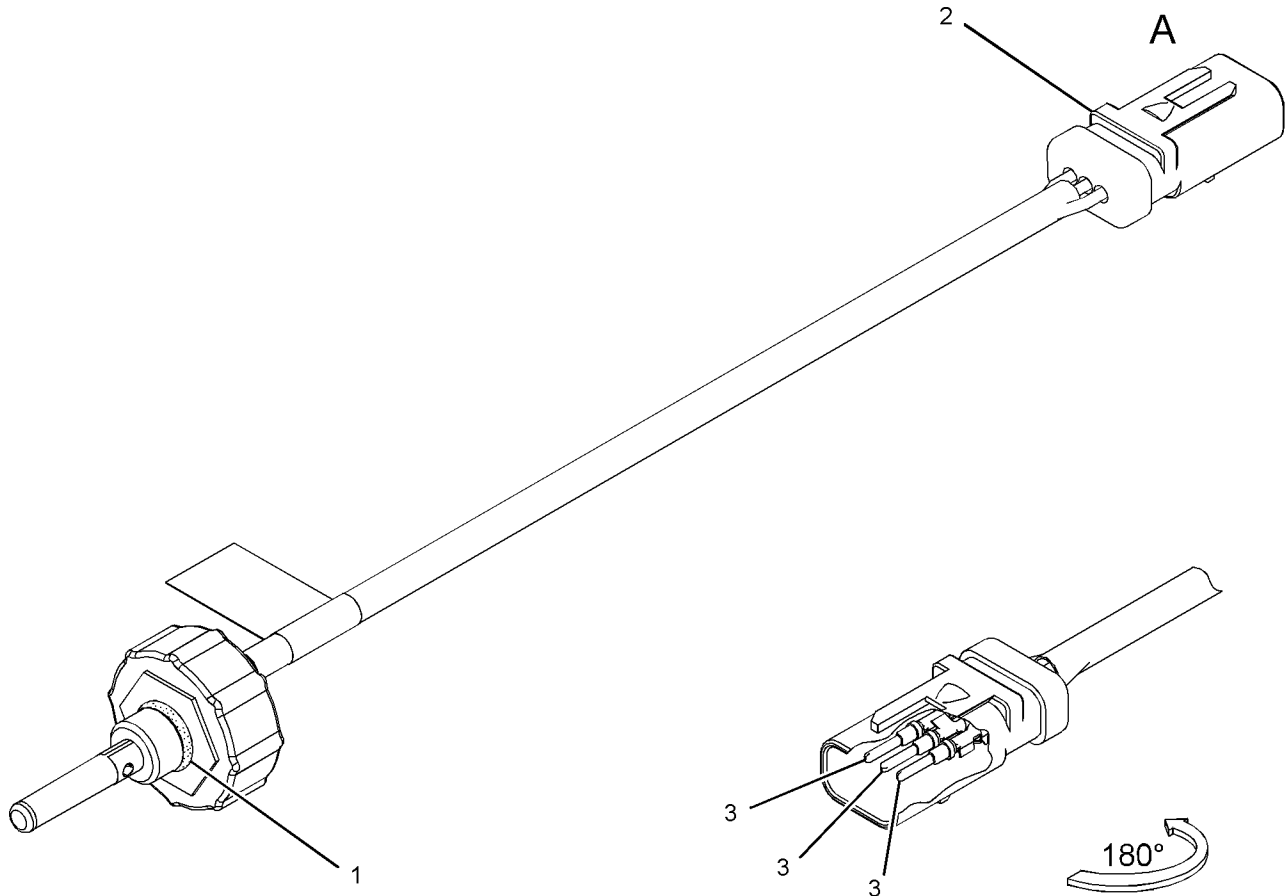
S/N: JKT1-UP

PART OF 483-1002 FILTER GP-WATER SEP & FUEL
ALSO AN ATTACHMENT

SMCS-1439, 7422

i06059531

NOTE	REF NO	GRAPHIC REF	PART NUMBER	QTY	PART NAME						SEE PAGE
					1	2	3	4	5	6 (PRODUCT LEVEL)	
	1	1	214-7568	1	SEAL-O-RING						
	2	1	281-8805	1	RECEPTACLE AS-CONNECTOR (3-PIN)						
	3	1	9X-3401	3	PIN-CONNECTOR (16-GA TO 18-GA)						



VIEW OF AREA A

GRAPHIC #1

<END>

g02423836

ELECTRICAL AND STARTING SYSTEM

588-7408 SENSOR GP-OBJECT DETECTION-ANSI

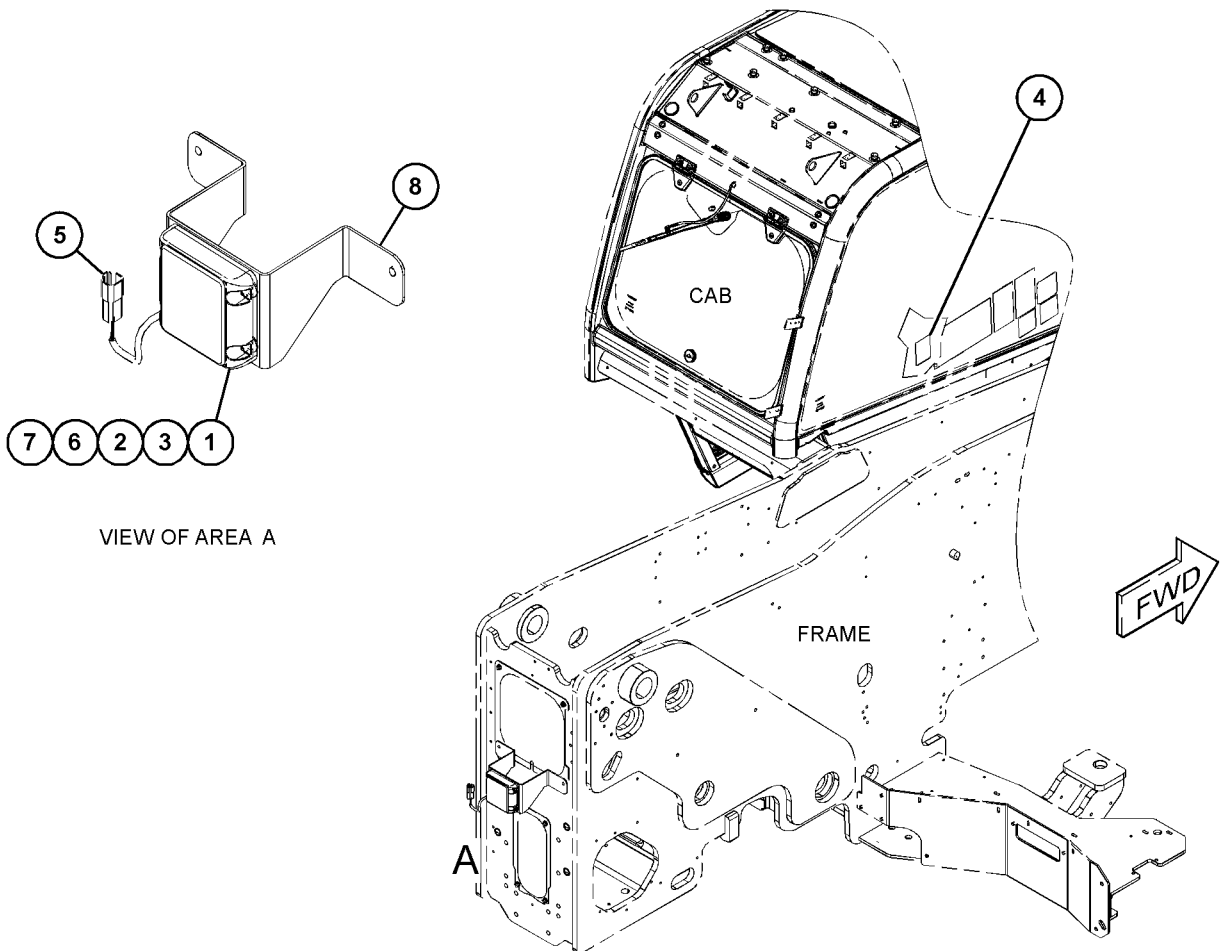
S/N: TH91-UP
FIELD INSTALLATION

SMCS-7347

i08136149

NOTE	REF NO	GRAPHIC REF	PART NUMBER	QTY	PART NAME						SEE PAGE
					1	2	3	4	5	6 (PRODUCT LEVEL)	
M	1	1	5C-2874	4	NUT (M5X0.8-THD)						
	2	1	8T-0328	4	WASHER-HARD (5.5X10X1-MM THK)						
M	3	1	096-5969	4	BOLT-SOCKET HEAD (M5X0.8X25-MM)						
	4	1	484-5235	1	FILM-INFORMATION (REVERSE ALARM)						
	5	1	488-9824	1	HARNESS AS-SENSOR (REVERSE)						
		1	303-4969	4	PIN-CONNECTOR (16-GA TO 20-GA)						
		1	323-7237	1	RECEPTACLE AS-CONNECTOR (4-PIN)						
	6	1	473-9386	4	WASHER (8.4X18X1.5-MM THK)						
	7	1	588-5588	1	SENSOR GP-OBJECT DETECTION (REVERSE)						
	8	1	588-5995	1	BRACKET						

M - METRIC PART



GRAPHIC #1

<END>

g06563343

ELECTRICAL AND STARTING SYSTEM

588-7409 SENSOR GP-OBJECT DETECTION

S/N: TH91-UP

CANADA

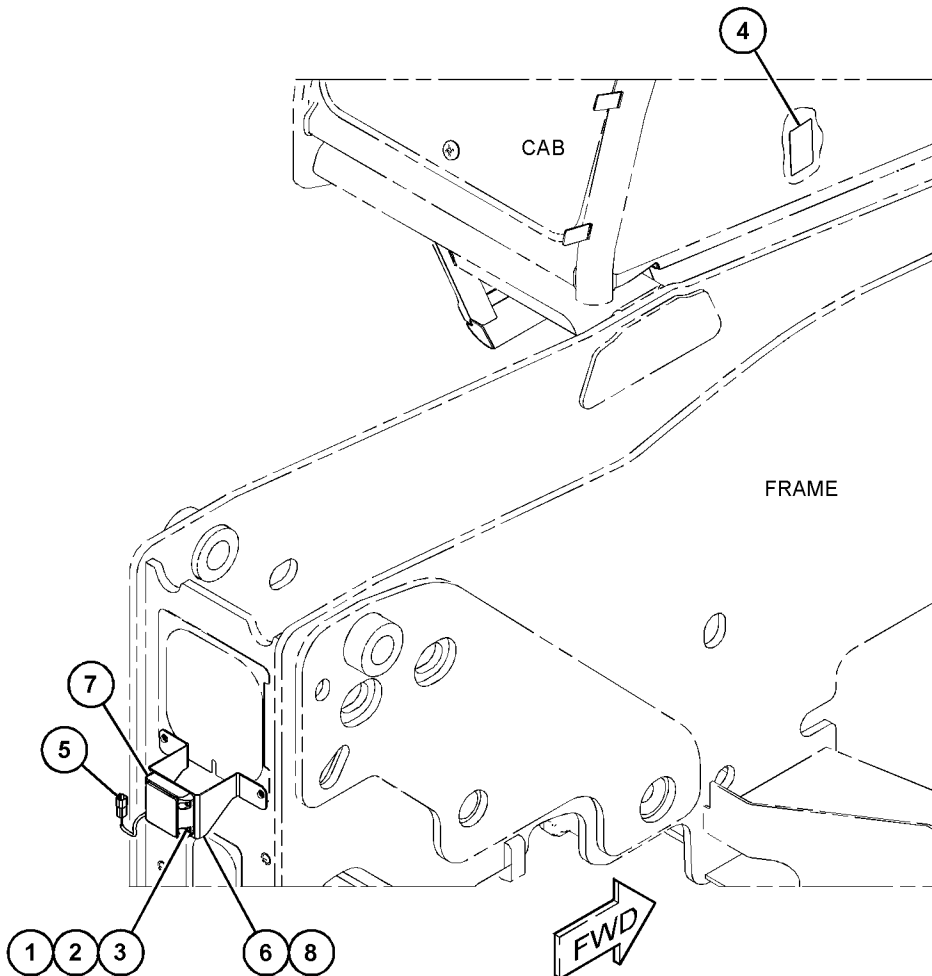
FIELD INSTALLATION

SMCS-7347

i08072964

NOTE	REF NO	GRAPHIC REF	PART NUMBER	QTY	PART NAME						SEE PAGE
					1	2	3	4	5	6 (PRODUCT LEVEL)	
M	1	1	5C-2874	4	NUT (M5X0.8-THD)						
	2	1	8T-0328	4	WASHER-HARD (5.5X10X1-MM THK)						
M	3	1	096-5969	4	BOLT-SOCKET HEAD (M5X0.8X25-MM)						
	4	1	484-5240	1	FILM-INFORMATION (REVERSE SENSOR)						
	5	1	488-9824	1	HARNESS AS-SENSOR (REVERSE)						
		1	303-4969	4	PIN-CONNECTOR (16-GA TO 20-GA)						
		1	323-7237	1	RECEPTACLE AS-CONNECTOR (4-PIN)						
	6	1	473-9386	4	WASHER (8.4X18X1.5-MM THK)						
	7	1	588-5588	1	SENSOR GP-OBJECT DETECTION (REVERSE)						
	8	1	588-5995	1	BRACKET						

M - METRIC PART



GRAPHIC #1

<END>

g06566060

ELECTRICAL AND STARTING SYSTEM

588-7412 SENSOR GP-OBJECT DETECTION-HYDRAULIC

S/N: TH91-UP

HITCH

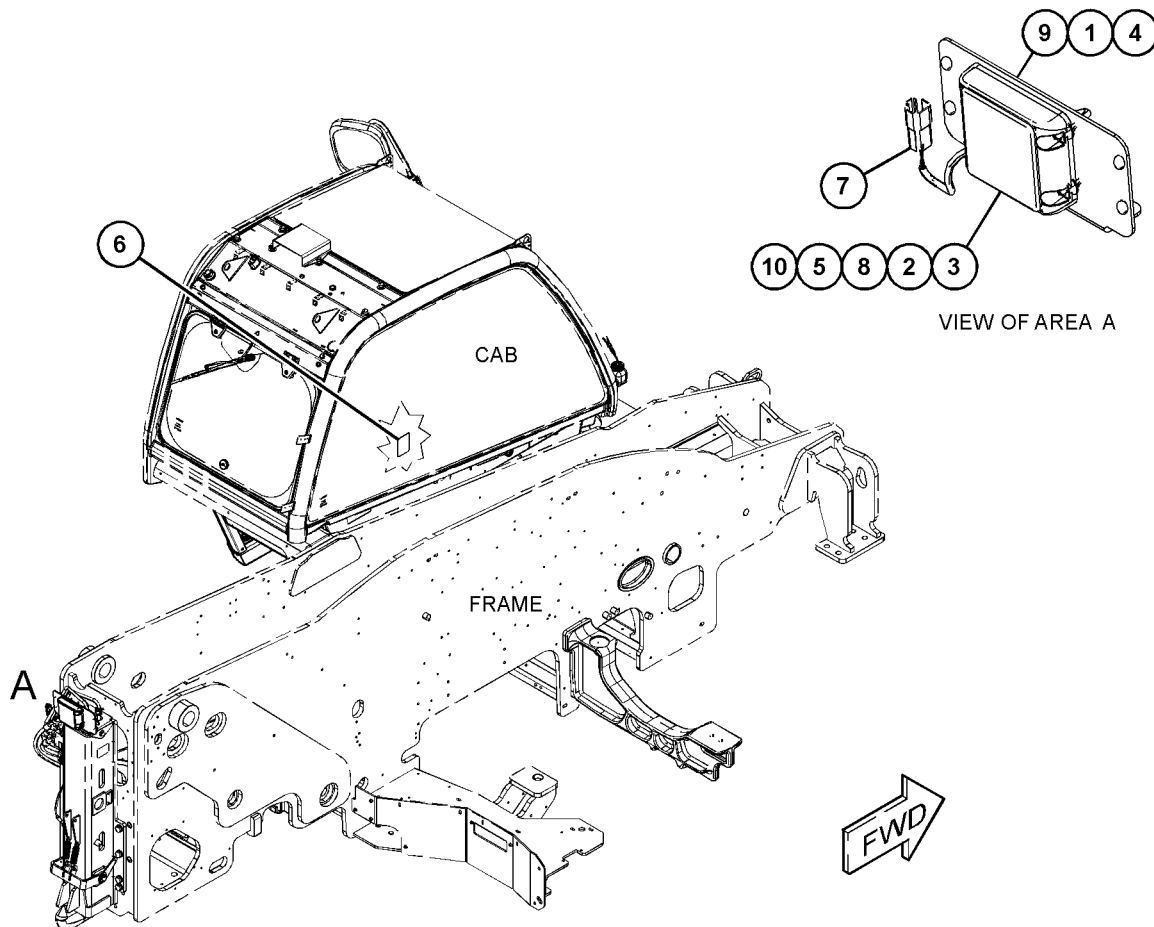
FIELD INSTALLATION

SMCS-7347

i08072990

NOTE	REF NO	GRAPHIC REF	PART NUMBER	QTY	PART NAME						SEE PAGE
					1	2	3	4	5	6 (PRODUCT LEVEL)	
M	1	1	8T-4189	2	BOLT (M8X1.25X20-MM)						
M	2	1	5C-2874	4	NUT (M5X0.8-THD)						
	3	1	8T-0328	4	WASHER-HARD (5.5X10X1-MM THK)						
	4	1	8T-4224	2	WASHER-HARD (8.8X16X2-MM THK)						
M	5	1	096-5969	4	BOLT-SOCKET HEAD (M5X0.8X25-MM)						
	6	1	484-5235	1	FILM-INFORMATION (REVERSE ALARM)						
	7	1	488-9824	1	HARNES AS-SENSOR (REVERSE)						
		1	303-4969	4	PIN-CONNECTOR (16-GA TO 20-GA)						
		1	323-7237	1	RECEPTACLE AS-CONNECTOR (4-PIN)						
	8	1	473-9386	4	WASHER (8.4X18X1.5-MM THK)						
	9	1	492-4992	1	BRACKET						
	10	1	588-5588	1	SENSOR GP-OBJECT DETECTION (REVERSE)						

M - METRIC PART



GRAPHIC #1

<END>

g06563338

ELECTRICAL AND STARTING SYSTEM

588-7413 SENSOR GP-OBJECT DETECTION-HYDRAULIC

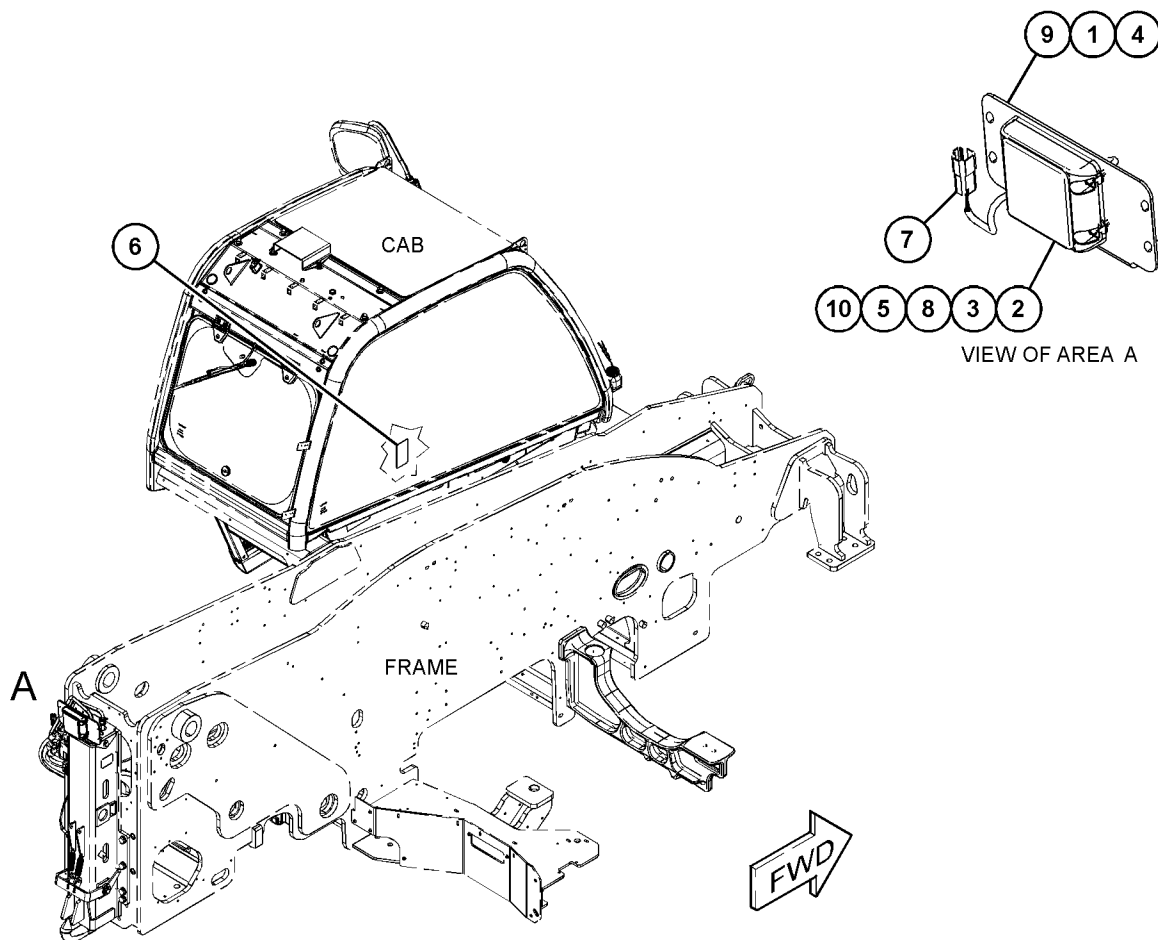
S/N: TH91-UP
HITCH, CANADA
FIELD INSTALLATION

SMCS-7347

i08072967

NOTE	REF NO	GRAPHIC REF	PART NUMBER	QTY	PART NAME						SEE PAGE
					1	2	3	4	5	6 (PRODUCT LEVEL)	
M	1	1	8T-4189	2	BOLT (M8X1.25X20-MM)						
M	2	1	5C-2874	4	NUT (M5X0.8-THD)						
	3	1	8T-0328	4	WASHER-HARD (5.5X10X1-MM THK)						
	4	1	8T-4224	2	WASHER-HARD (8.8X16X2-MM THK)						
M	5	1	096-5969	4	BOLT-SOCKET HEAD (M5X0.8X25-MM)						
	6	1	484-5240	1	FILM-INFORMATION (REVERSE SENSOR) (REVERSE ALARM)						
	7	1	488-9824	1	HARNESS AS-SENSOR (REVERSE)						
		1	303-4969	4	PIN-CONNECTOR (16-GA TO 20-GA)						
		1	323-7237	1	RECEPTACLE AS-CONNECTOR (4-PIN)						
	8	1	473-9386	4	WASHER (8.4X18X1.5-MM THK)						
	9	1	492-4992	1	BRACKET						
	10	1	588-5588	1	SENSOR GP-OBJECT DETECTION (REVERSE)						

M - METRIC PART



GRAPHIC #1

<END>

g06563519

ELECTRICAL AND STARTING SYSTEM

558-1562 SENSOR GP-POSITION-BOOM

S/N: TH41-UP; TH91-UP

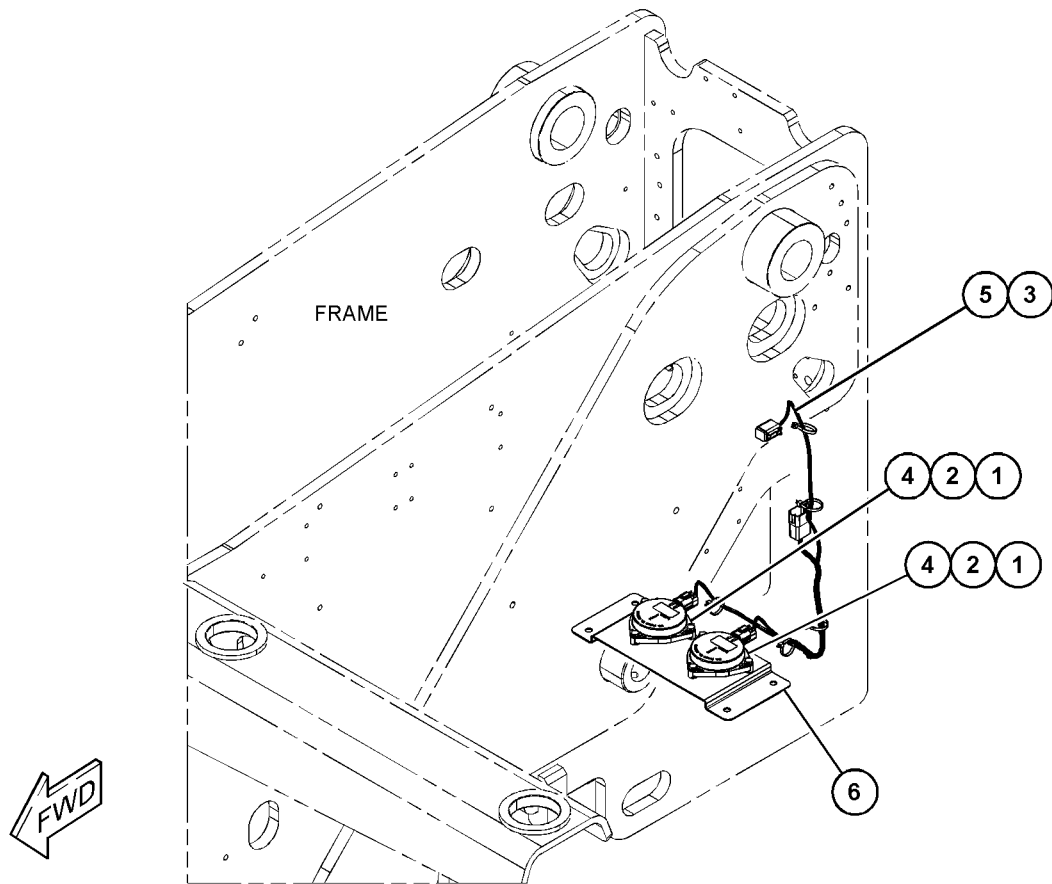
PART OF 496-8311 INSTALLATION AR-LOAD MGT IND
AN ATTACHMENT

SMCS-4323, 5736, 5737

i07415258

NOTE	REF NO	GRAPHIC REF	PART NUMBER	QTY	PART NAME						SEE PAGE
					1	2	3	4	5	6 (PRODUCT LEVEL)	
M	1	1	8C-8451	6	BOLT (M6X1X40-MM)						
	2	1	8T-4205	6	WASHER-HARD (7.2X14.5X2-MM THK)						
	3	1	3S-2093	5	STRAP-CABLE						
	4	1	466-7247	1	SENSOR (TILT)						
	5	1	558-1555	1	HARNESS AS-SENSOR (TILT)						
	6	1	558-1559	1	BRACKET AS						

M - METRIC PART



GRAPHIC #1

<END>

g06342803

ELECTRICAL AND STARTING SYSTEM

385-1174 SENSOR GP-PRESSURE

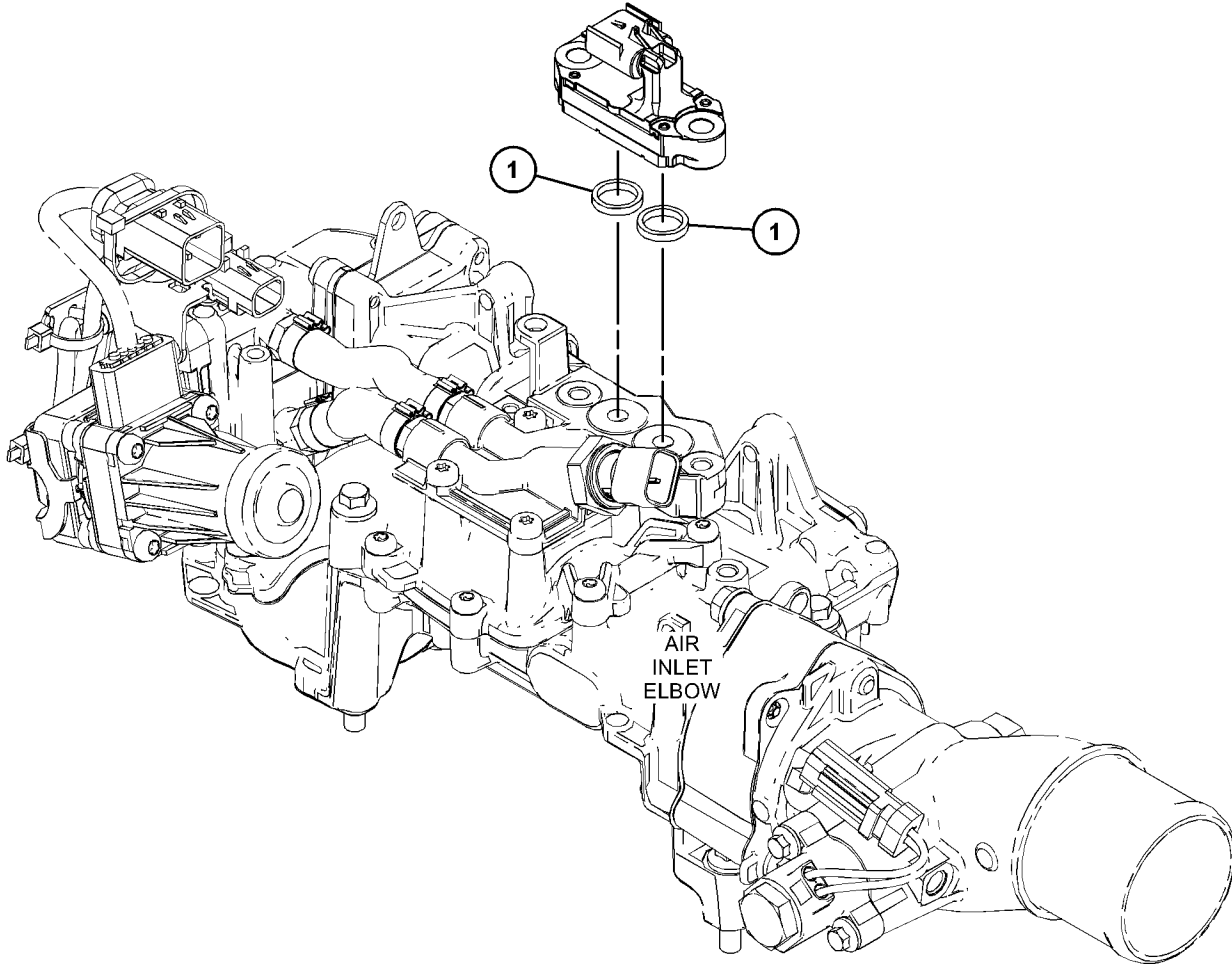
S/N: JKT1-UP

PART OF 433-4681 SENSOR GP-ENGINE
ALSO AN ATTACHMENT

SMCS-1408

i07052884

NOTE	REF NO	GRAPHIC REF	PART NUMBER	QTY	PART NAME						SEE PAGE
					1	2	3	4	5	6 (PRODUCT LEVEL)	
1	1	1	341-0643	2	SEAL-RECTANGULAR						



GRAPHIC #1

<END>

g03804963

ELECTRICAL AND STARTING SYSTEM

377-9847 SENSOR GP-TEMPERATURE

S/N: JKT1-UP

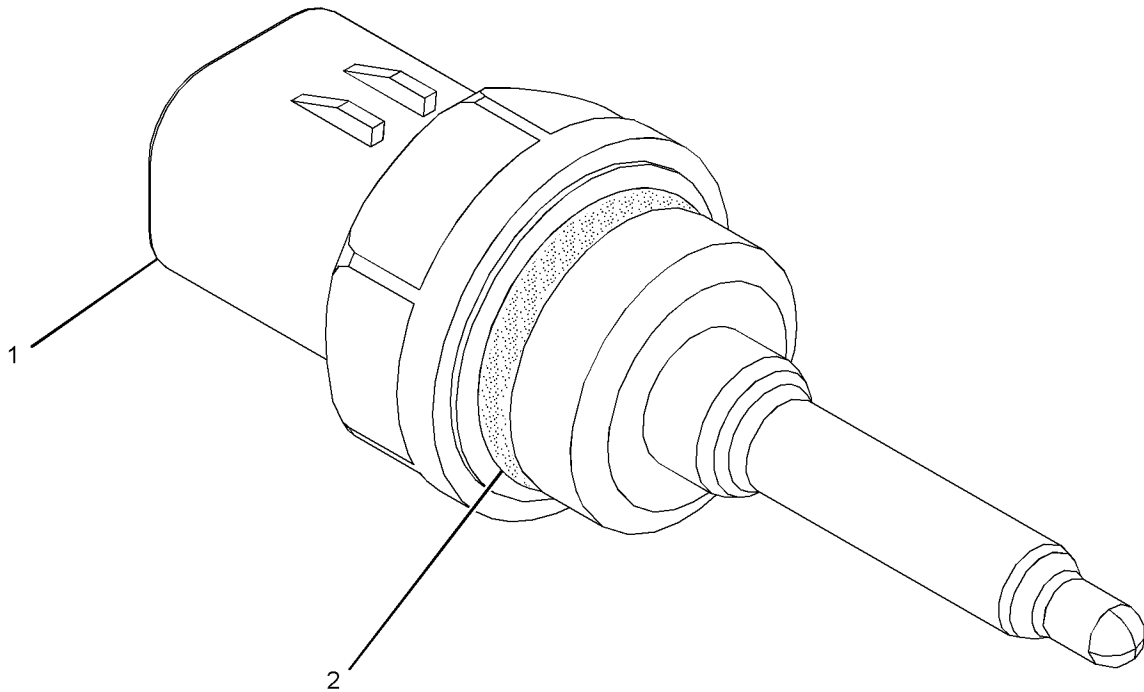
PART OF 466-2883 ENGINE AR

ALSO AN ATTACHMENT

SMCS-1906, 1919, 1921, 1922, 1928, 1929, 301T, 3290,
429T, 509T, 7400

i05033144

NOTE	REF NO	GRAPHIC REF	PART NUMBER	QTY	PART NAME						SEE PAGE
					1	2	3	4	5	6 (PRODUCT LEVEL)	
	1	1	256-6454	1	SENSOR-TEMPERATURE (2-PIN)						
	2	1	228-7103	1	SEAL-O-RING						



GRAPHIC #1

<END>

g02731844

ELECTRICAL AND STARTING SYSTEM

430-5204 SENSOR GP-TEMPERATURE

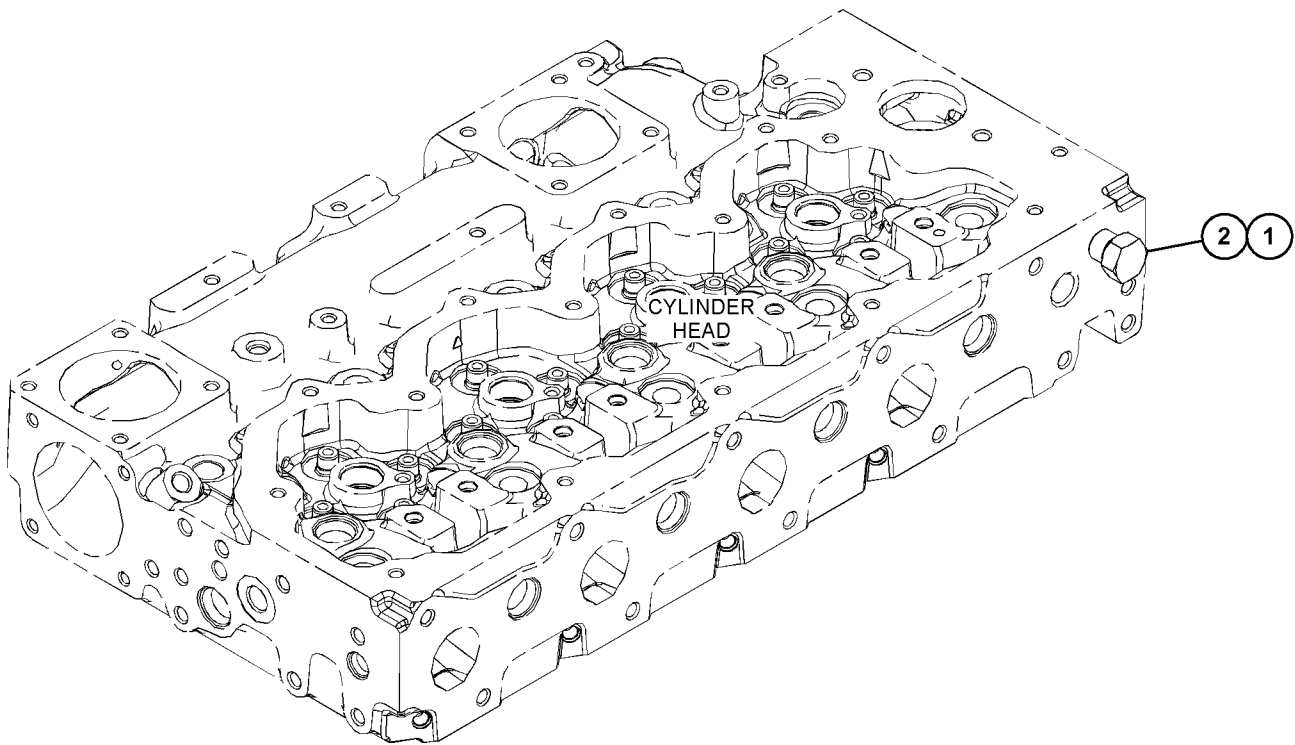
S/N: W231-UP

PART OF 463-8848, 463-8910 ENGINE AR-PRIMARY

SMCS-1906, 1919, 1921, 1922, 1928, 1929, 301T, 3290,
429T, 509T, 7400

i06120206

NOTE	REF NO	GRAPHIC REF	PART NUMBER	QTY	PART NAME						SEE PAGE
					1	2	3	4	5	6	
	1	1	199-9751	1	SEAL-O-RING						
	2	1	232-1322	1	PLUG						



GRAPHIC #1

<END>

g03812299

ELECTRICAL AND STARTING SYSTEM

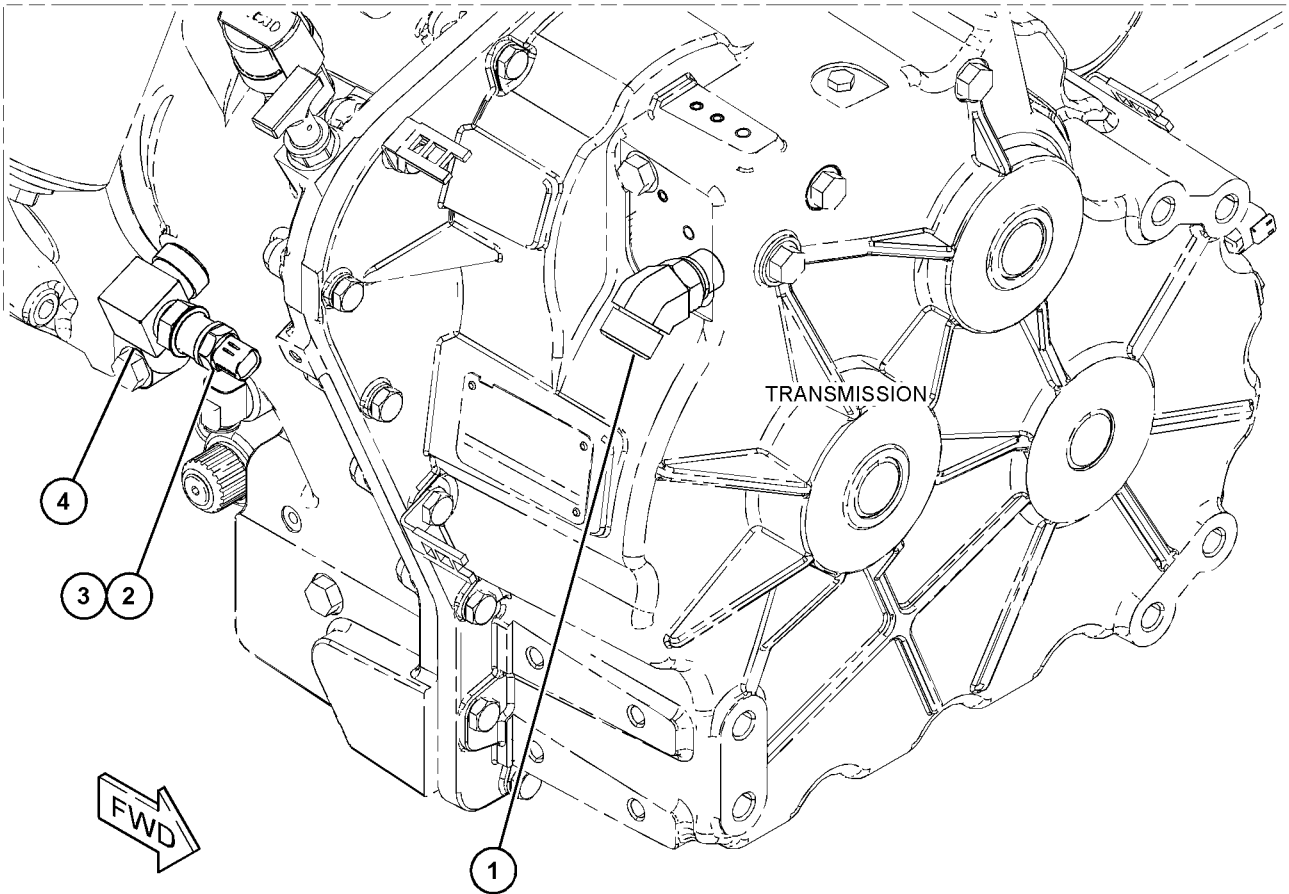
500-3084 SENSOR GP-TEMPERATURE

S/N: TH41-UP; TH91-UP; JKT1-UP
 PART OF 505-5341, 518-5881, 518-5884 TRANSMISSION AR
 AN ATTACHMENT
 TYPE 1

SMCS-1906, 1919, 1921, 1922, 1928, 1929, 301T, 3290,
 429T, 509T, 7400

i06601136

NOTE	REF NO	GRAPHIC REF	PART NUMBER	QTY	PART NAME						SEE PAGE
					1	2	3	4	5	6 (PRODUCT LEVEL)	
	1	1	464-3819	1	ADAPTER-ELBOW						
	2	1	8T-7524	1	SEAL-O-RING						
	3	1	256-6454	1	SENSOR-TEMPERATURE (2-PIN)						
	4	1	500-3085	1	ADAPTER AS-TEE						



GRAPHIC #1

<END>

g06050618

ELECTRICAL AND STARTING SYSTEM

500-3084 SENSOR GP-TEMPERATURE

S/N: TH41-UP; TH91-UP; JKT1-UP

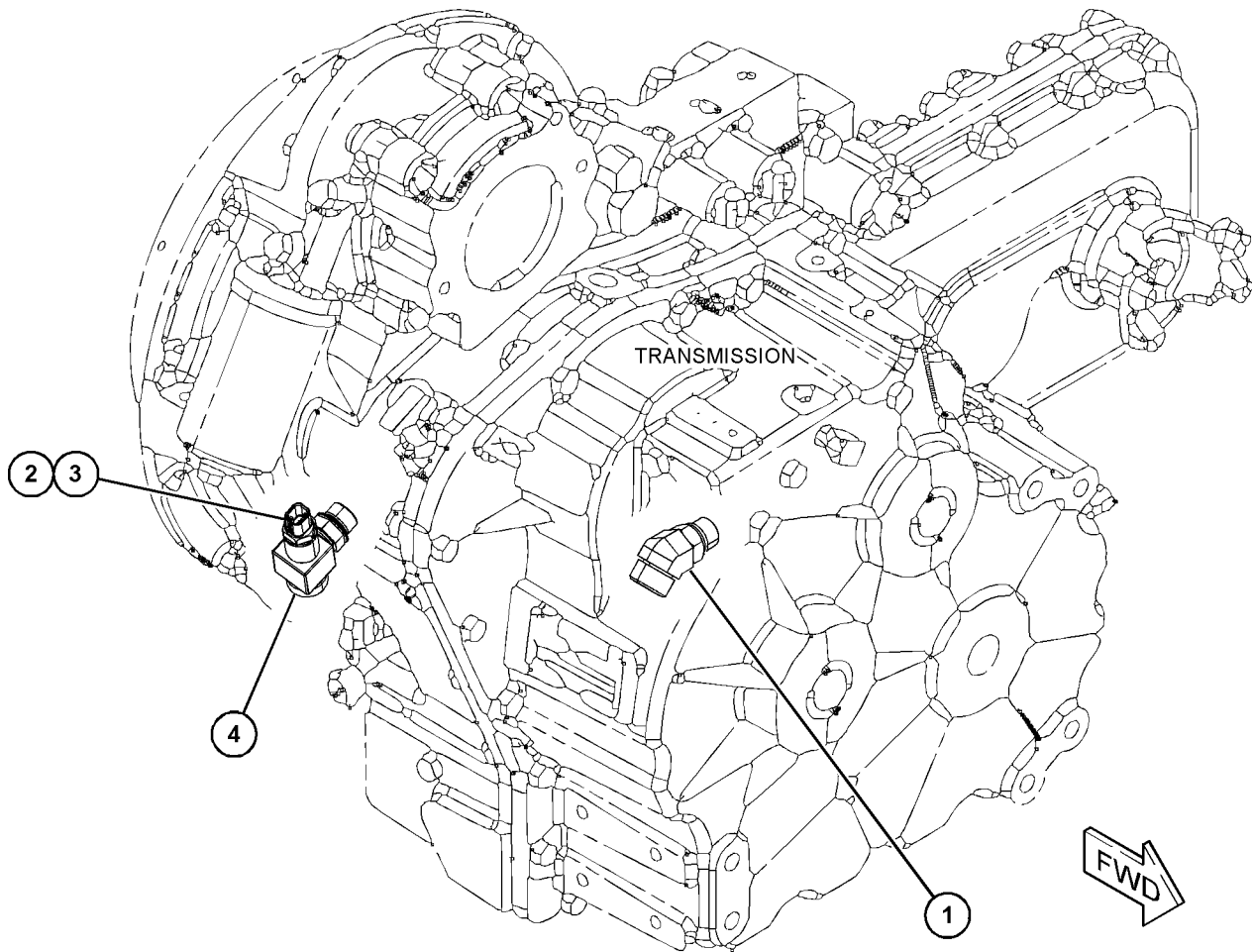
PART OF 505-5341, 518-5881, 518-5884 TRANSMISSION AR
AN ATTACHMENT
TYPE 2

SMCS-1906, 1919, 1921, 1922, 1928, 1929, 301T, 3290,
429T, 509T, 7400

i08146448

NOTE	REF NO	GRAPHIC REF	PART NUMBER	QTY	PART NAME						SEE PAGE
					1	2	3	4	5	6 (PRODUCT LEVEL)	
	1	1	464-3819	1	ADAPTER-ELBOW						
	2	1	8T-7524	1	SEAL-O-RING						
	3	1	256-6454	1	SENSOR-TEMPERATURE (2-PIN) (TRANSMISSION)						
C	4	1	560-1900	1	ADAPTER						

C - CHANGE FROM PREVIOUS TYPE



GRAPHIC #1

<END>

g06565737

ELECTRICAL AND STARTING SYSTEM

417-3453 STARTING AID GP

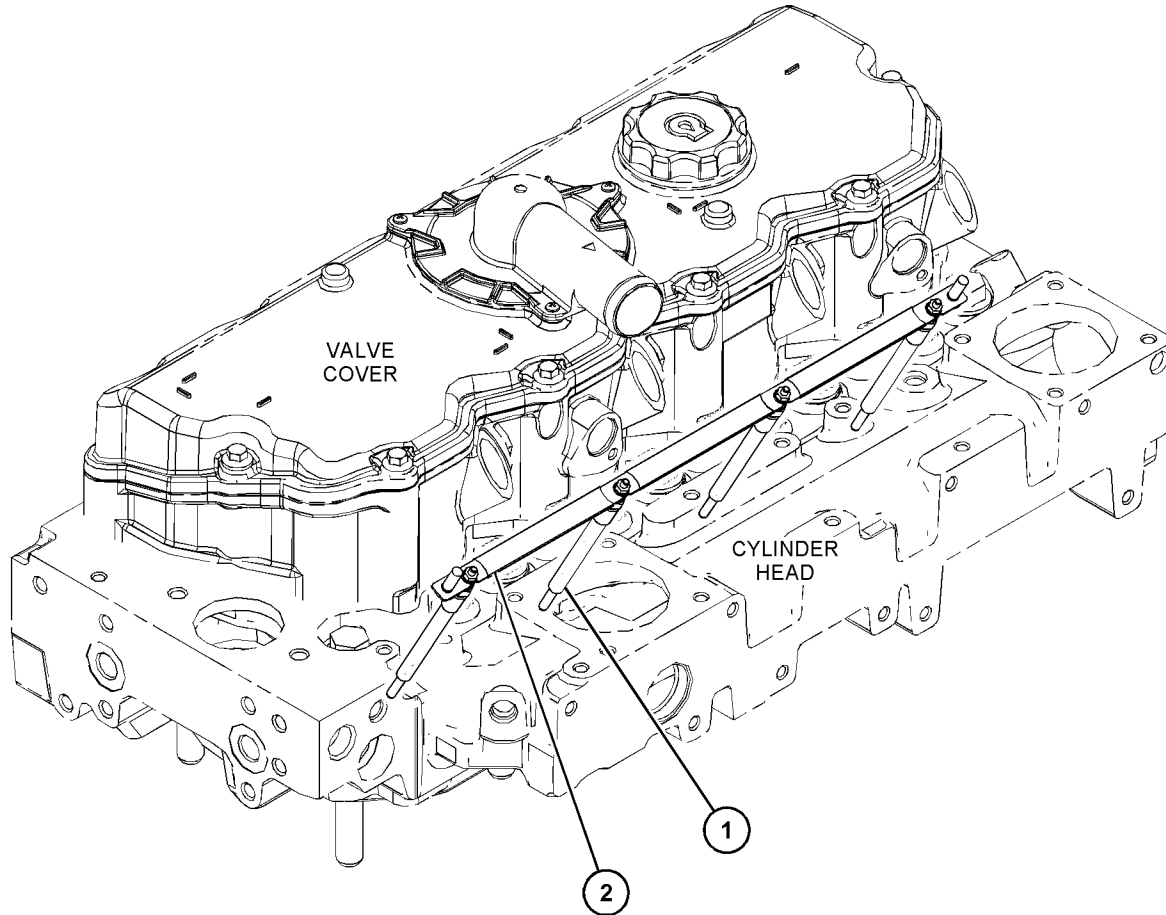
S/N: W231-UP

PART OF 463-8848, 463-8910 ENGINE AR-PRIMARY

SMCS - 1090

i06138511

NOTE	REF NO	GRAPHIC REF	PART NUMBER	QTY	PART NAME						SEE PAGE
					1	2	3	4	5	6 (PRODUCT LEVEL)	
1	1	1	452-3112	4	GLOW PLUG (12-VOLT)						
2	1	1	368-3147	1	BUS BAR AS						



GRAPHIC #1

<END>

g03817299

ELECTRICAL AND STARTING SYSTEM

443-0630 STARTING AID GP

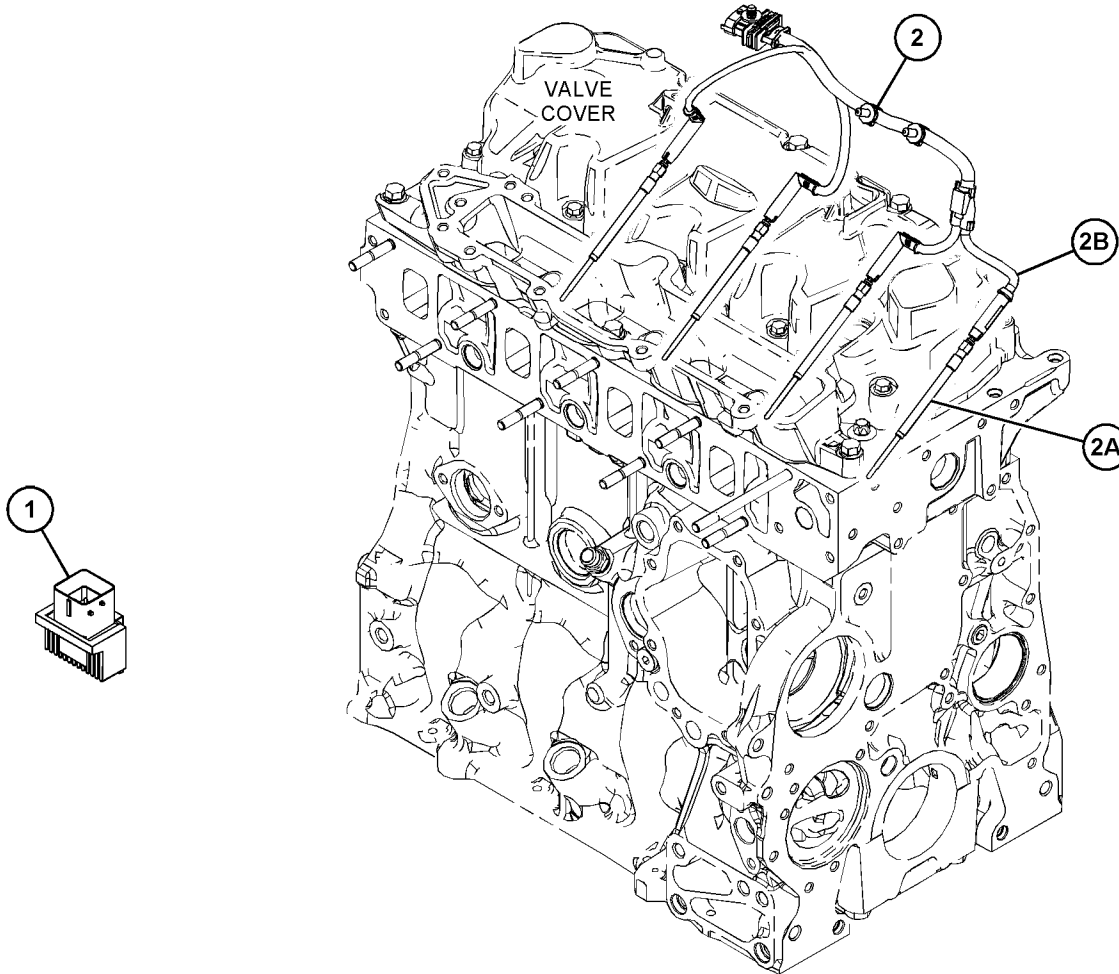
S/N: CN51-UP

PART OF 465-2880 ENGINE AR-PRIMARY
AN ATTACHMENT

SMCS-1090

i06252251

NOTE	REF NO	GRAPHIC REF	PART NUMBER	QTY	PART NAME						SEE PAGE
					1	2	3	4	5	6 (PRODUCT LEVEL)	
	1	1	375-1424	1	PLUG-GLOW						
	2	1	464-8225	1	GLOW PLUG AS						
	2A	1	469-1359	4	GLOW PLUG						
	2B	1	465-4973	1	HARNESS AS-STARTING AID						



GRAPHIC #1

<END>

g03826619

ELECTRICAL AND STARTING SYSTEM

465-3619 STARTING AID GP

S/N: JKT1-UP

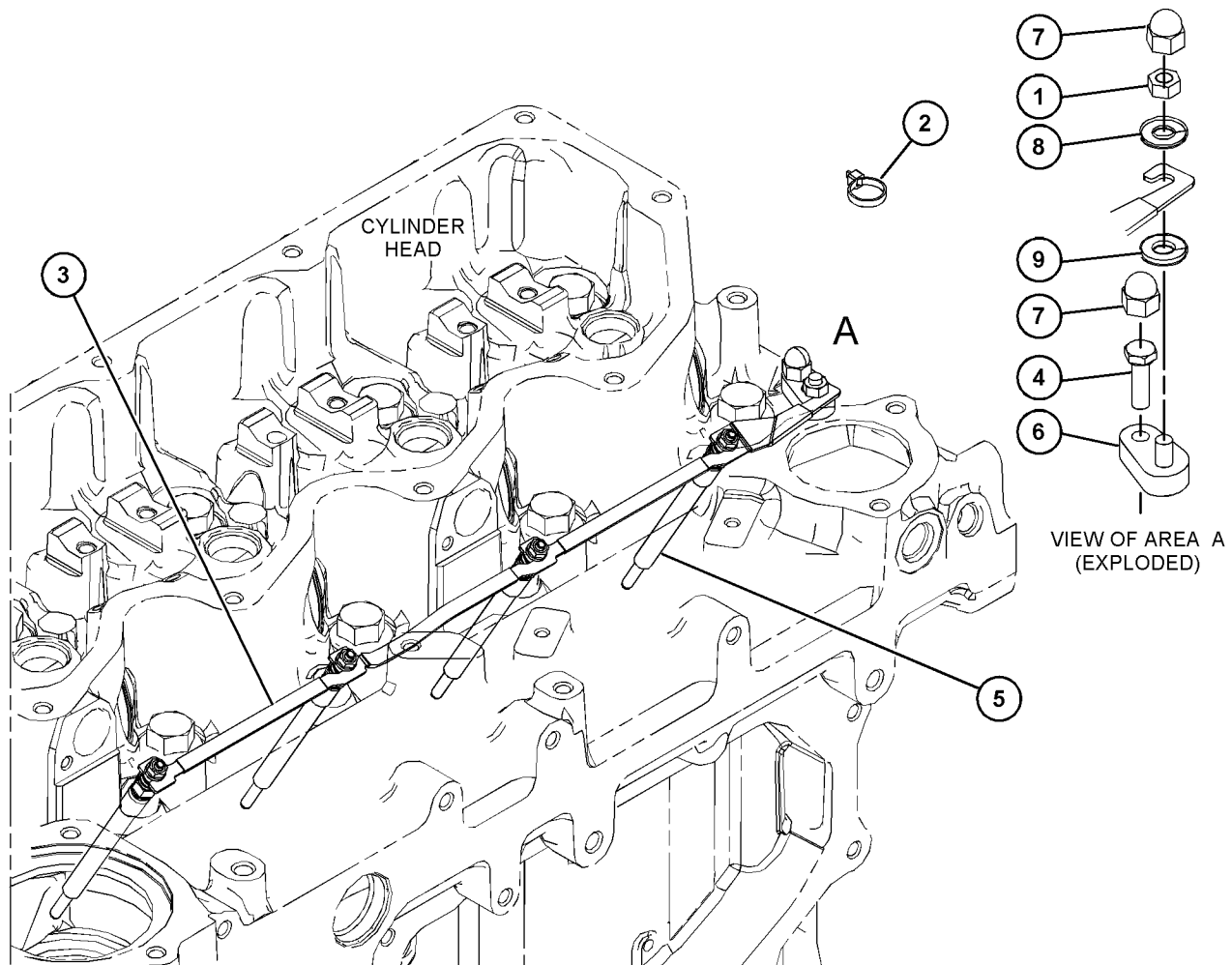
PART OF 464-2307, 464-2308 ENGINE AR-PRIMARY
ALSO AN ATTACHMENT

SMCS-1090

i06692668

NOTE	REF NO	GRAPHIC REF	PART NUMBER	QTY	PART NAME						SEE PAGE
					1	2	3	4	5	6	
M	1	1	5C-2890	1	NUT (M6X1-THD)						
	2	1	217-9039	1	STRAP-CABLE						
	3	1	344-4775	1	CONNECTION AS						
M	4	1	215-3790	1	BOLT (M6X1X20-MM)						
	5	1	452-3112	4	GLOW PLUG (12-VOLT)						
	6	1	275-2428	1	INSULATOR						
	7	1	277-4409	2	CAP						
	8	1	067-6070	1	WASHER						

M - METRIC PART



GRAPHIC #1

<END>

g03878607

ELECTRICAL AND STARTING SYSTEM

329-7919 STARTING MOTOR GP-ELECTRIC

S/N: JKT1-UP

PART OF 464-2307, 464-2308 ENGINE AR-PRIMARY
ALSO AN ATTACHMENT

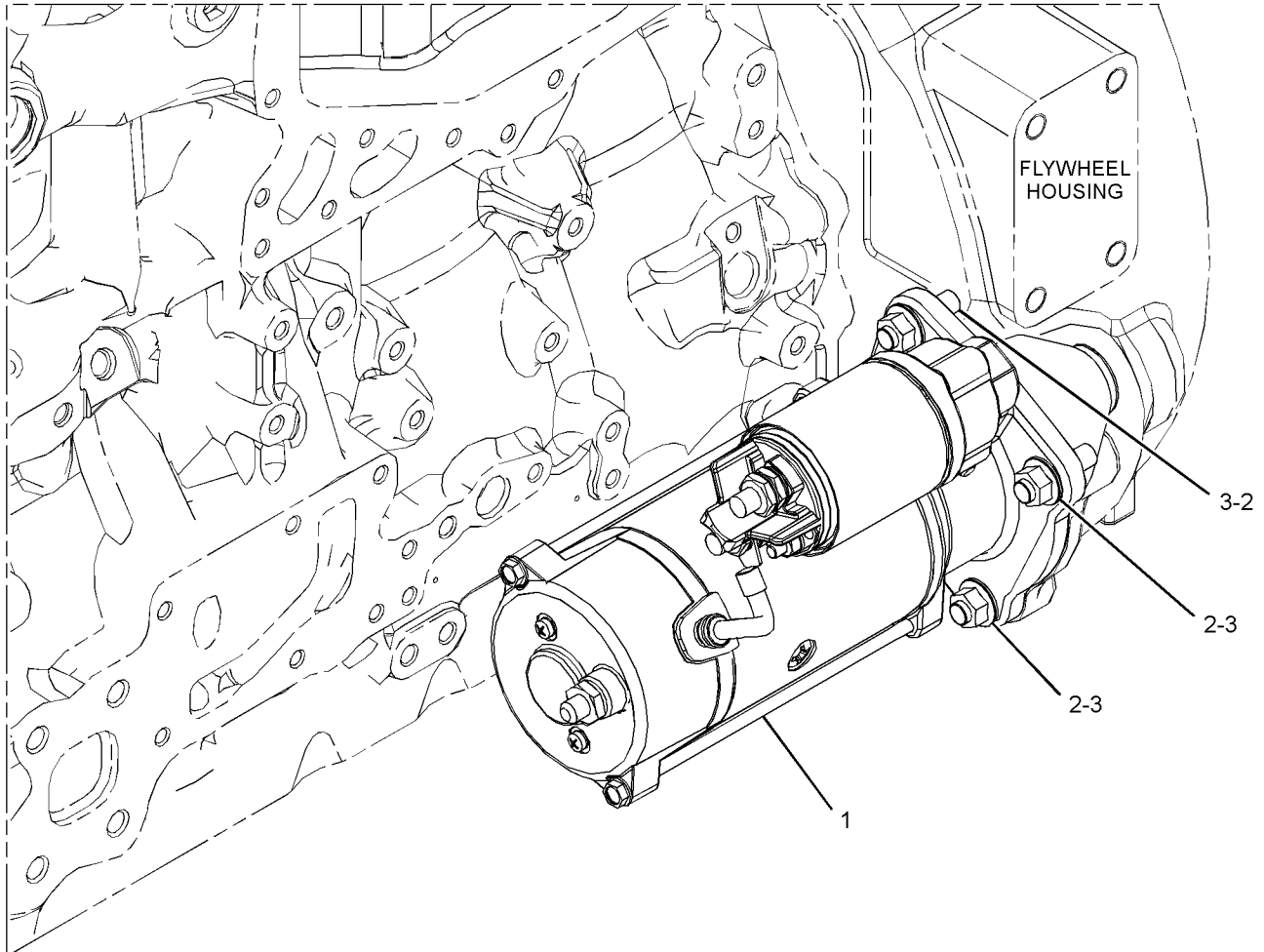
SMCS-1453

i04591185

NOTE	REF NO	GRAPHIC REF	PART NUMBER	QTY	PART NAME						SEE PAGE
					1	2	3	4	5	6 (PRODUCT LEVEL)	
R	1	1	331-7010	1	STARTING MOTOR-ELECTRIC (12-VOLT, 4-KW)						
M	2	1	6I-0594	3	NUT (M10X1.5-THD)						
M	3	1	6I-4012	3	STUD (M10X1.5X40-MM)						

M - METRIC PART

R - REMANUFACTURED PART MAY BE AVAILABLE



GRAPHIC #1

<END>

g02751077

ELECTRICAL AND STARTING SYSTEM

350-0562 STARTING MOTOR GP-ELECTRIC

S/N: CN51-UP

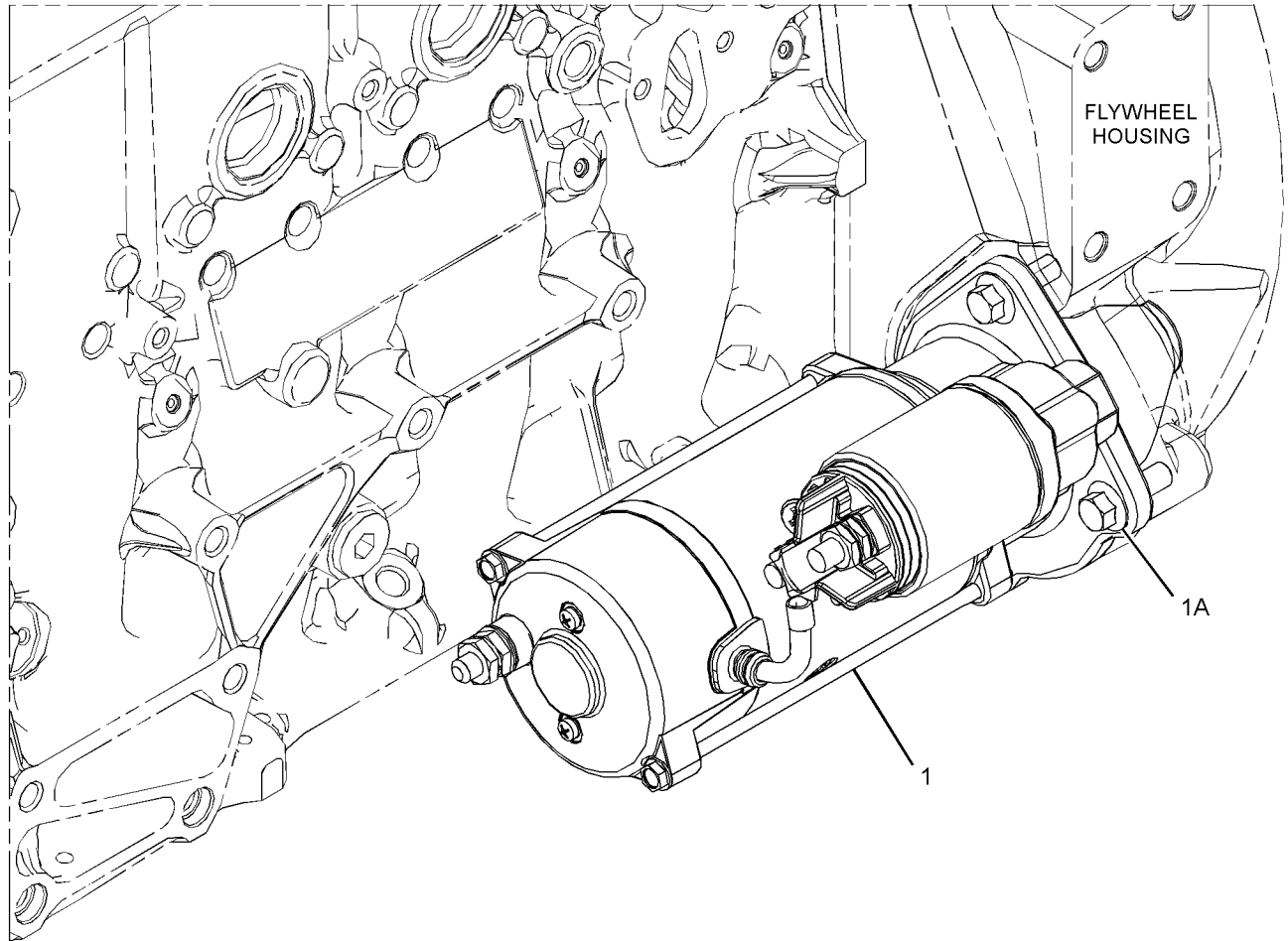
PART OF 465-2880 ENGINE AR-PRIMARY
AN ATTACHMENT

SMCS-1453

i05722390

NOTE	REF NO	GRAPHIC REF	PART NUMBER	QTY	PART NAME						SEE PAGE
					1	2	3	4	5	6 (PRODUCT LEVEL)	
	1	1	367-7883	1	STARTING MOTOR AS						
M	1A	1	121-0883	3	BOLT (M10X1.5X30-MM)						
		1	390-3144	1	STARTING MOTOR AS						

M - METRIC PART



GRAPHIC #1

<END>

g02888129

ELECTRICAL AND STARTING SYSTEM

425-9174 STARTING MOTOR GP-ELECTRIC

S/N: W231-UP

PART OF 463-8848, 463-8910 ENGINE AR-PRIMARY

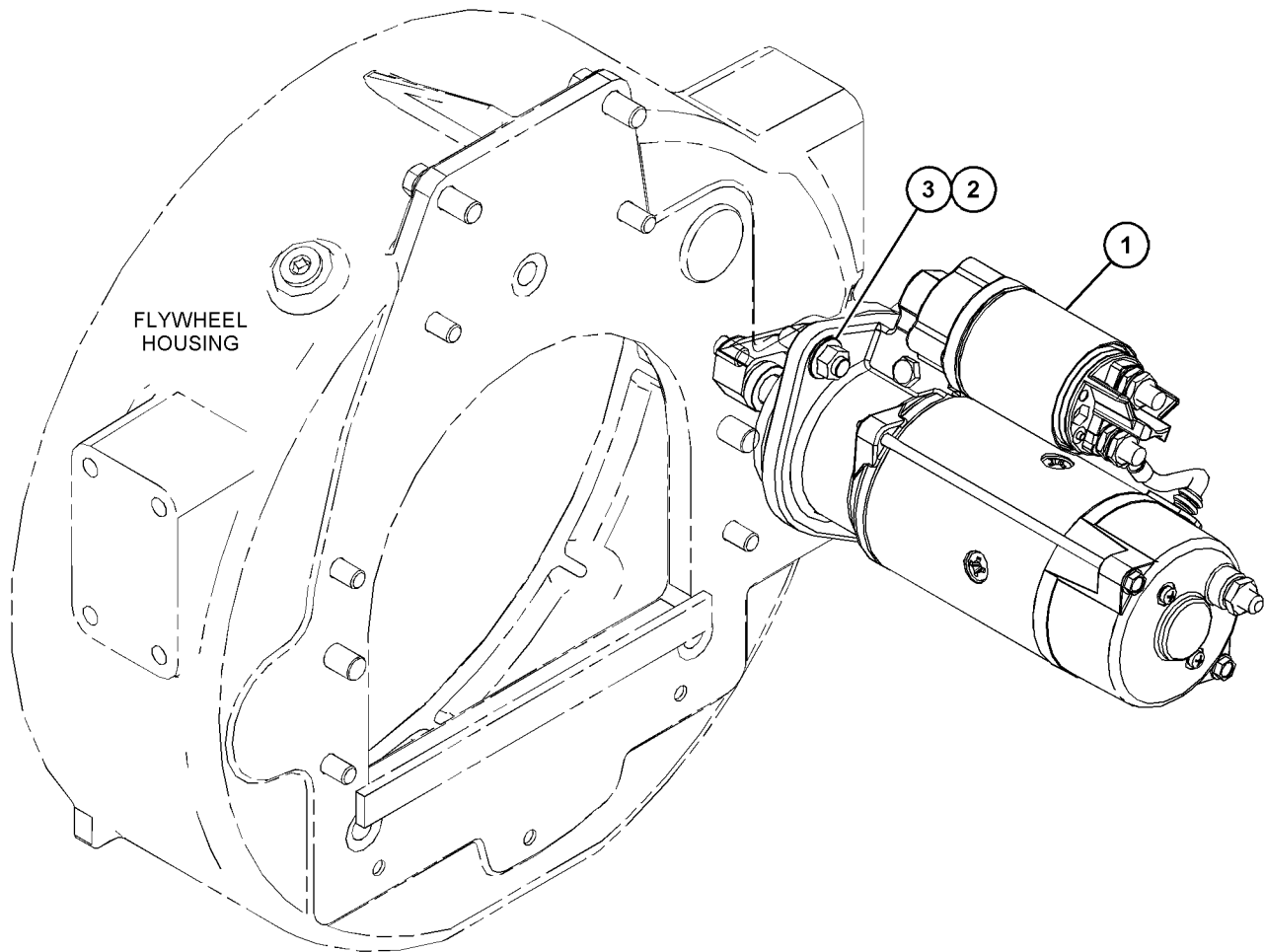
SMCS-1453

i06146782

NOTE	REF NO	GRAPHIC REF	PART NUMBER	QTY	PART NAME						SEE PAGE
					1	2	3	4	5	6 (PRODUCT LEVEL)	
R	1	1	331-7010	1	STARTING MOTOR-ELECTRIC (12-VOLT, 4-KW)						
M	2	1	175-7141	3	NUT-HEX FLANGE (M10X1.5-THD)						
M	3	1	6I-4012	3	STUD (M10X1.5X40-MM)						

M - METRIC PART

R - REMANUFACTURED PART MAY BE AVAILABLE



GRAPHIC #1

<END>

g03822779

ELECTRICAL AND STARTING SYSTEM

505-7629 SWITCH & MTG GP-SIGNAL-BRAKE

S/N: TH41-UP; TH91-UP

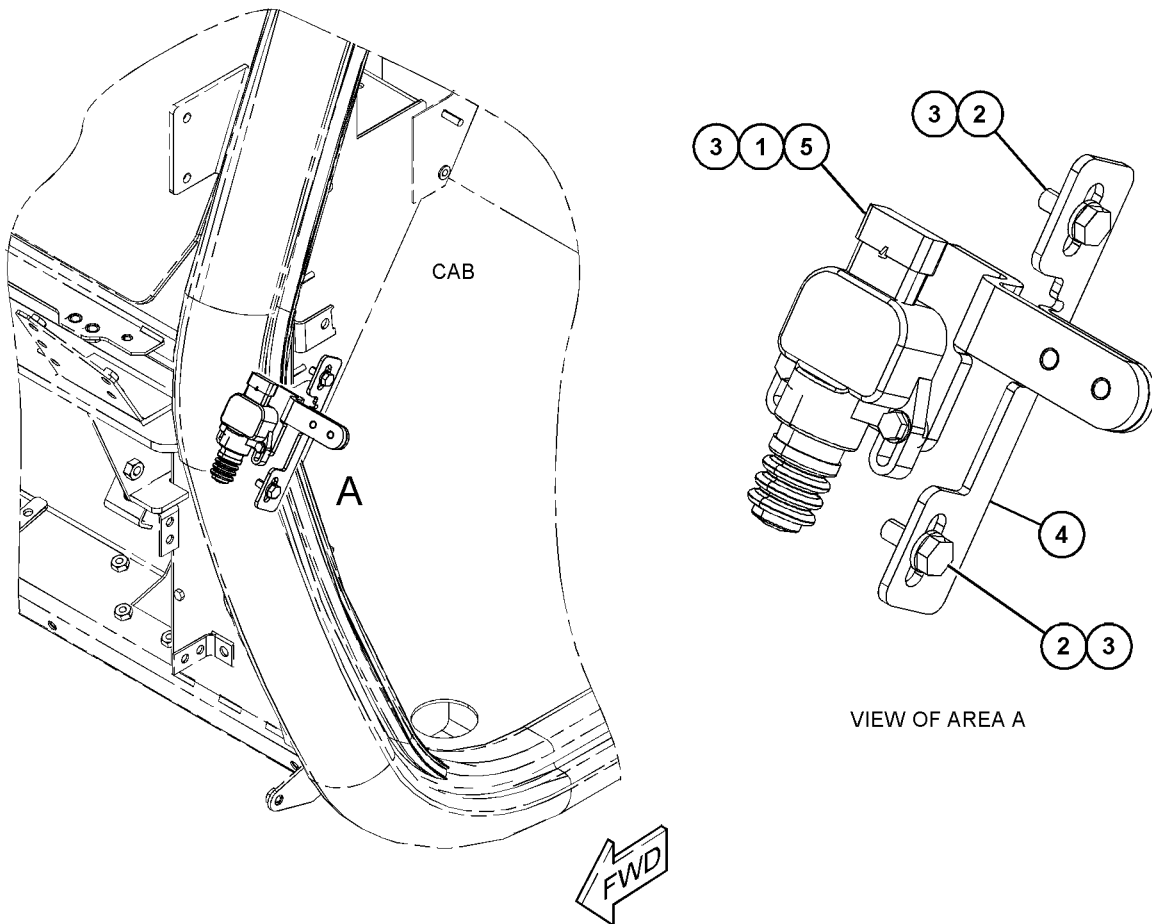
PART OF 505-7484 PEDAL & MOUNTING GP-BRAKE
AN ATTACHMENT

SMCS-1430, 7332

i06811721

NOTE	REF NO	GRAPHIC REF	PART NUMBER	QTY	PART NAME						SEE PAGE
					1	2	3	4	5	6 (PRODUCT LEVEL)	
M	1	1	312-3282	2	SCREW (M6X1.0X10-MM)						
M	2	1	5C-9553	4	BOLT (M6X1X16-MM)						
	3	1	8T-4205	2	WASHER-HARD (7.2X14.5X2-MM THK)						
	4	1	505-7678	2	PLATE-SWITCH						
	5	1	505-8342	2	SWITCH GP-LIGHT						
					(EACH INCLUDES)						
		1	5W-5038	2	WASHER (4.3X9X0.8-MM THK)						
M		1	170-5632	2	BOLT (M4X0.7X16-MM)						
		1	317-8726	1	SWITCH AS						
		1	505-8341	1	PLATE						

M - METRIC PART



GRAPHIC #1

<END>

g06134351

ELECTRICAL AND STARTING SYSTEM

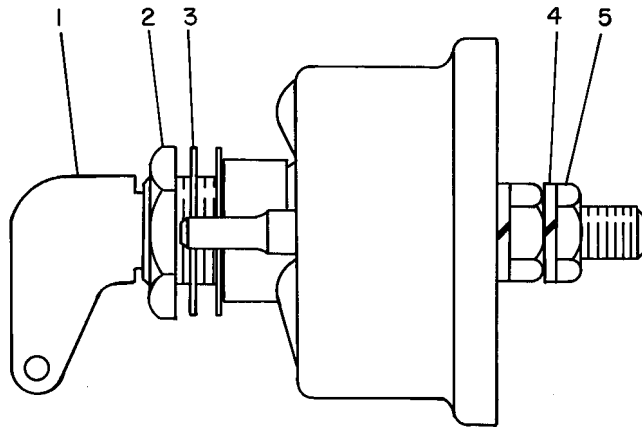
7N-0718 SWITCH GP-DISCONNECT-BATTERY

S/N: TH41-UP; TH91-UP; JKT1-UP
 PART OF 516-1391, 516-1392 WIRING GP-ENGINE
 AN ATTACHMENT

SMCS-1411

i02544993

NOTE	REF NO	GRAPHIC REF	PART NUMBER	QTY	PART NAME						SEE PAGE
					1	2	3	4	5	6 (PRODUCT LEVEL)	
	1	1	8H-5306	1	KEY (BATTERY DISCONNECT)						
	2	1	8H-5303	1	NUT (3/4-16-THD)						
	3	1	2H-3922	2	LOCKWASHER						
	4	1	9F-5644	2	LOCKWASHER						
	5	1	6F-7045	2	NUT-FULL (3/8-24-THD)						



GRAPHIC #1

<END>

g00084912

ELECTRICAL AND STARTING SYSTEM

501-0765 SWITCH GP-REVERSING FAN

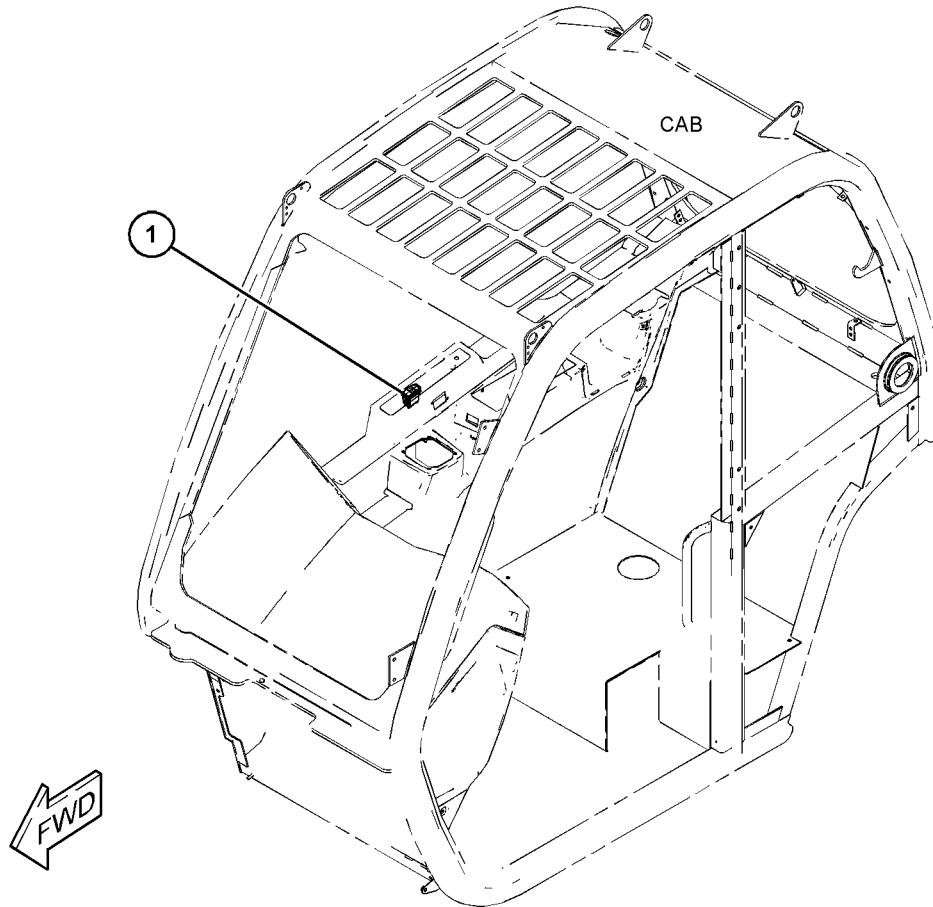
S/N: TH41-UP; TH91-UP; JKT1-UP

PART OF 520-9600, 520-9601, 523-1976, 523-2010, 523-2011, 550-0081, 550-0083 ENGINE
AR-COMplete
AN ATTACHMENT

SMCS-7332

i06601090

NOTE	REF NO	GRAPHIC REF	PART NUMBER	QTY	PART NAME						SEE PAGE
					1	2	3	4	5	6 (PRODUCT LEVEL)	
	1	1	501-0766	1	SWITCH AS						



GRAPHIC #1

<END>

g06041854

ELECTRICAL AND STARTING SYSTEM

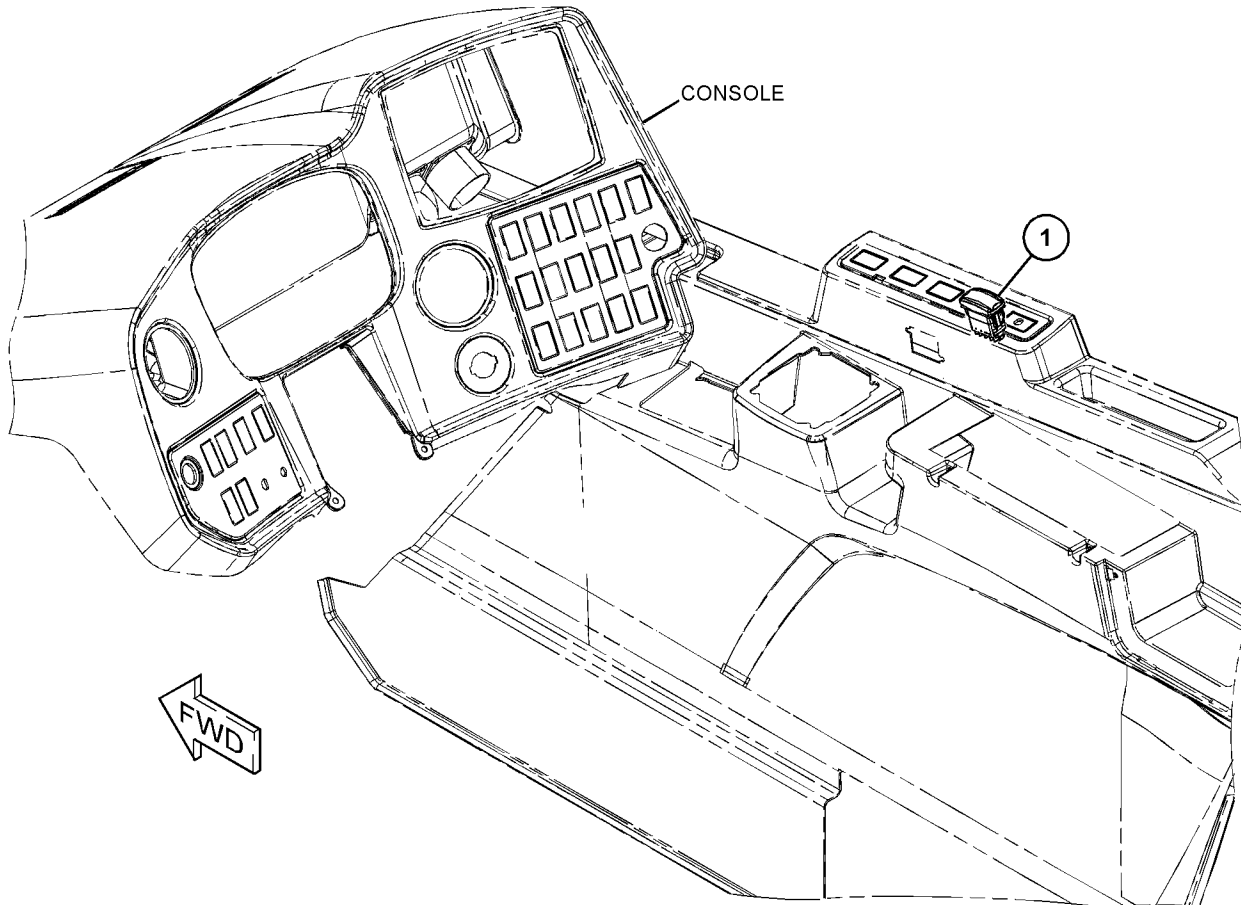
497-6972 SWITCH GP-ROCKER

S/N: TH41-UP; TH91-UP
PART OF 517-9179, 517-9180 CAB AR
AN ATTACHMENT

SMCS-1435

i06591346

NOTE	REF NO	GRAPHIC REF	PART NUMBER	QTY	PART NAME						SEE PAGE
					1	2	3	4	5	6 (PRODUCT LEVEL)	
	1	1	497-6973	1	SWITCH AS-ROCKER (ENGINE SPEED)						



GRAPHIC #1

<END>

g06040634

ELECTRICAL AND STARTING SYSTEM

558-9597 SWITCH GP-TOGGLE

S/N: TH41-UP; TH91-UP

PART OF 553-5769, 553-5770 BRAKE AR-TRAILER

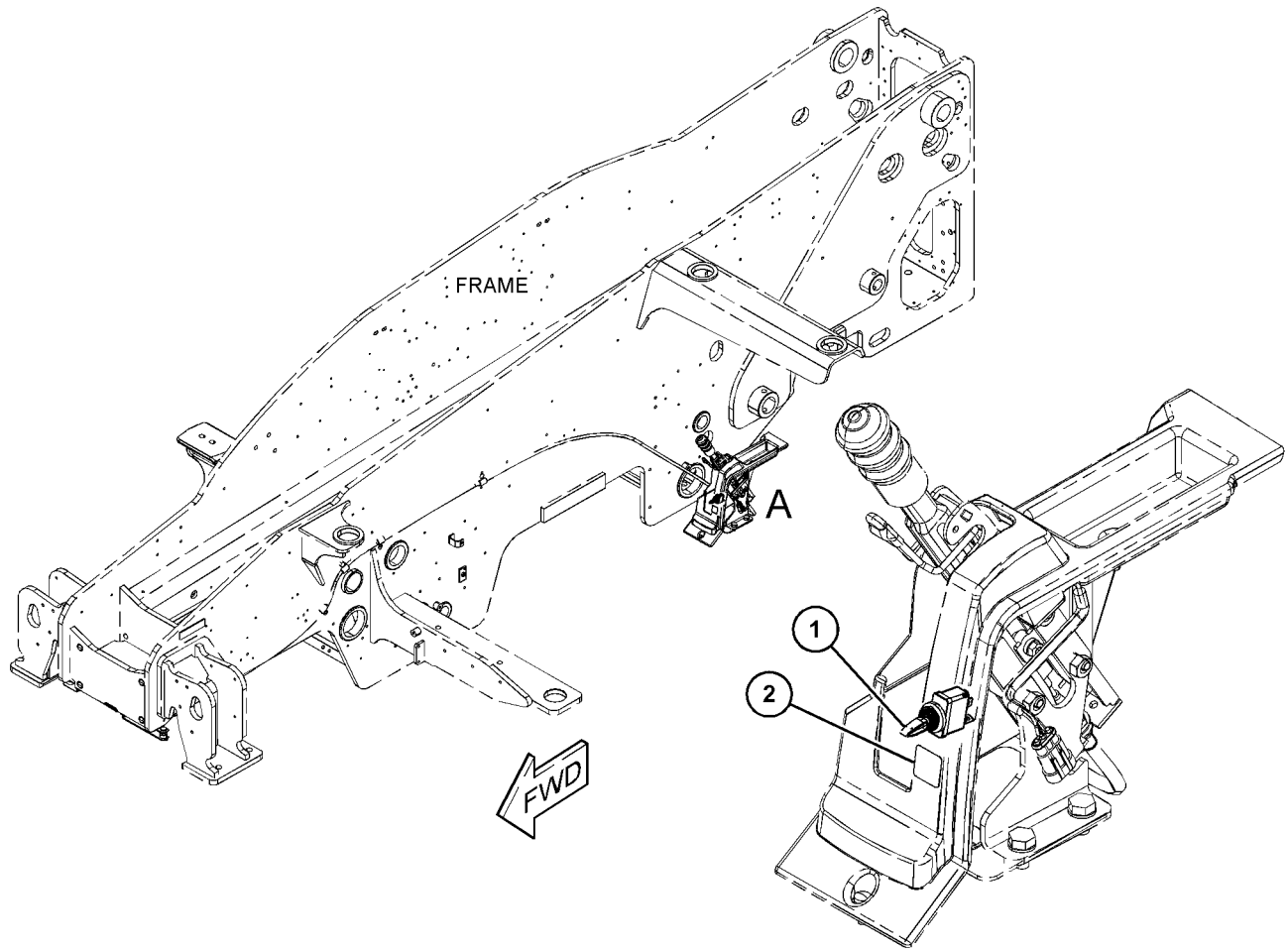
AN ATTACHMENT

TYPE 1

SMCS-7332

i08166784

NOTE	REF NO	GRAPHIC REF	PART NUMBER	QTY	PART NAME						SEE PAGE
					1	2	3	4	5	6 (PRODUCT LEVEL)	
1	1	1	335-8087	1	SWITCH AS (TOGGLE)						
2	1	1	558-9629	1	FILM-IDENTIFICATION (TRAILER BRAKE)						



GRAPHIC #1

<END>

VIEW OF AREA A

g06318433

ELECTRICAL AND STARTING SYSTEM

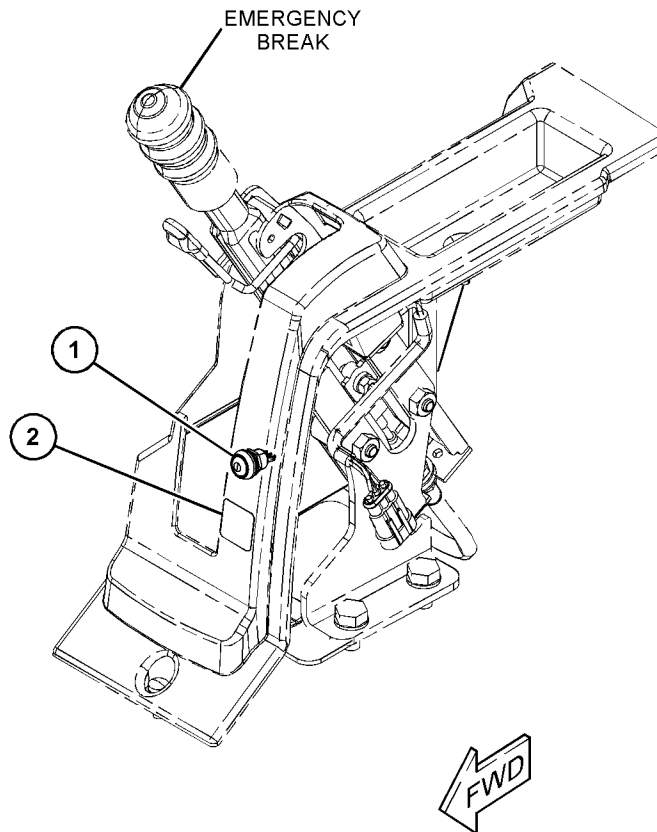
558-9597 SWITCH GP-TOGGLE

S/N: TH41-UP; TH91-UP
 PART OF 553-5769, 553-5770 BRAKE AR-TRAILER
 AN ATTACHMENT
 TYPE 2

SMCS-7332

i07787103

NOTE	REF NO	GRAPHIC REF	PART NUMBER	QTY	PART NAME						SEE PAGE
					1	2	3	4	5	6 (PRODUCT LEVEL)	
	1	1	569-4407	1	SWITCH-BUTTON						
	2	1	558-9629	1	FILM-IDENTIFICATION (TRAILER BRAKE)						



GRAPHIC #1

<END>

g06456486

ELECTRICAL AND STARTING SYSTEM

492-4839 SWITCH GP-TRANSMISSION-WIPER

S/N: TH41-UP; TH91-UP

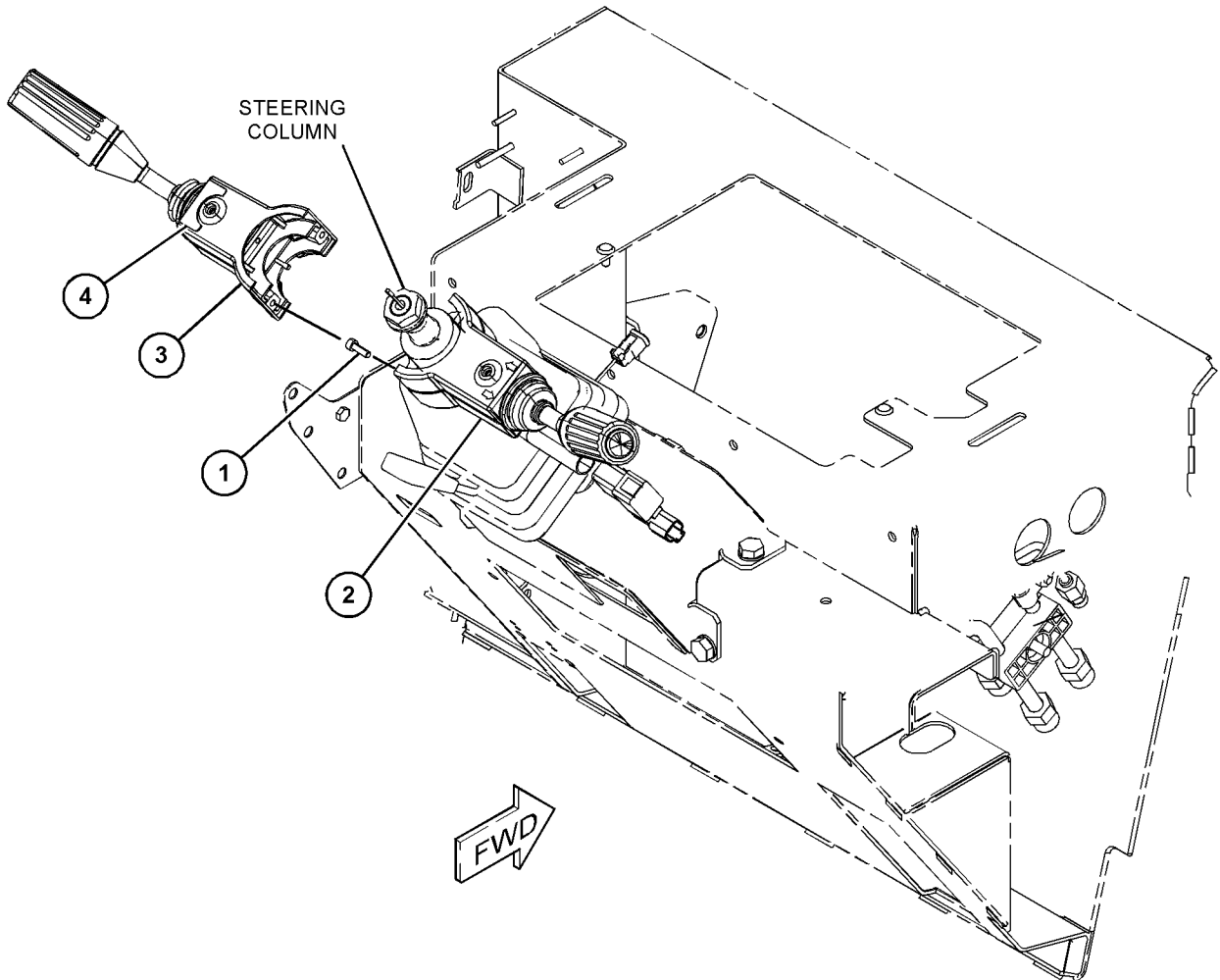
PART OF 590-9758, 590-9759, 590-9760, 590-9761 CONFIGURATION AR
AN ATTACHMENT

SMCS-1611, 3065

i07787736

NOTE	REF NO	GRAPHIC REF	PART NUMBER	QTY	PART NAME						SEE PAGE
					1	2	3	4	5	6 (PRODUCT LEVEL)	
M	1	1	105-3480	2	BOLT-SOCKET HEAD (M5X0.8X16-MM)						
	2	1	551-1428	1	SWITCH (WIPER)						
	3	1	477-3267	1	SWITCH AS-SPEED						
	4	1	569-1915	1	FILM-IDENTIFICATION (FORWARD, NEUTRAL, REVERSE)						

M - METRIC PART



GRAPHIC #1

<END>

g06458406

ELECTRICAL AND STARTING SYSTEM

500-4363 SWITCH GP-TRANSMISSION

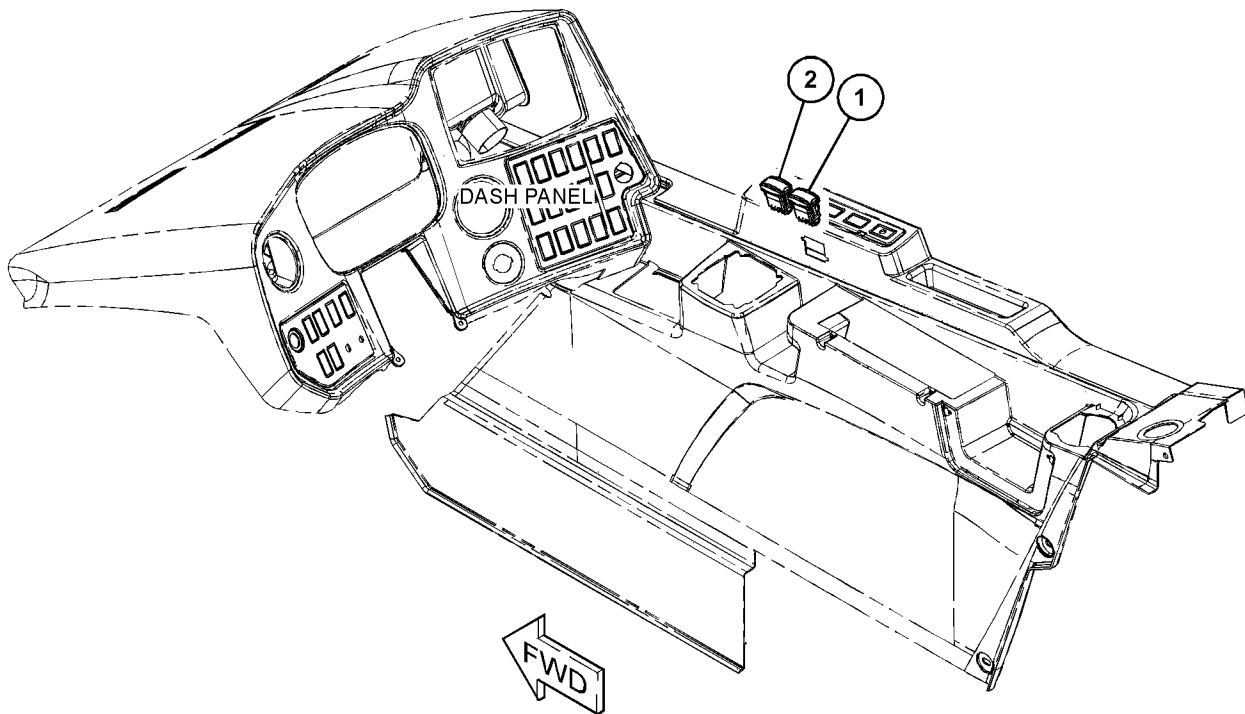
S/N: TH91-UP

PART OF 518-5883 TRANSMISSION AR
AN ATTACHMENT

SMCS-1611, 3065

i06601131

NOTE	REF NO	GRAPHIC REF	PART NUMBER	QTY	PART NAME						SEE PAGE
					1	2	3	4	5	6 (PRODUCT LEVEL)	
	1	1	500-4364	1	SWITCH AS-ROCKER (LOCKUP TORQUE CONVERTER)						
	2	1	500-4366	1	SWITCH AS-ROCKER (AUTOMATIC, MANUAL)						



GRAPHIC #1

<END>

g06041813

ELECTRICAL AND STARTING SYSTEM

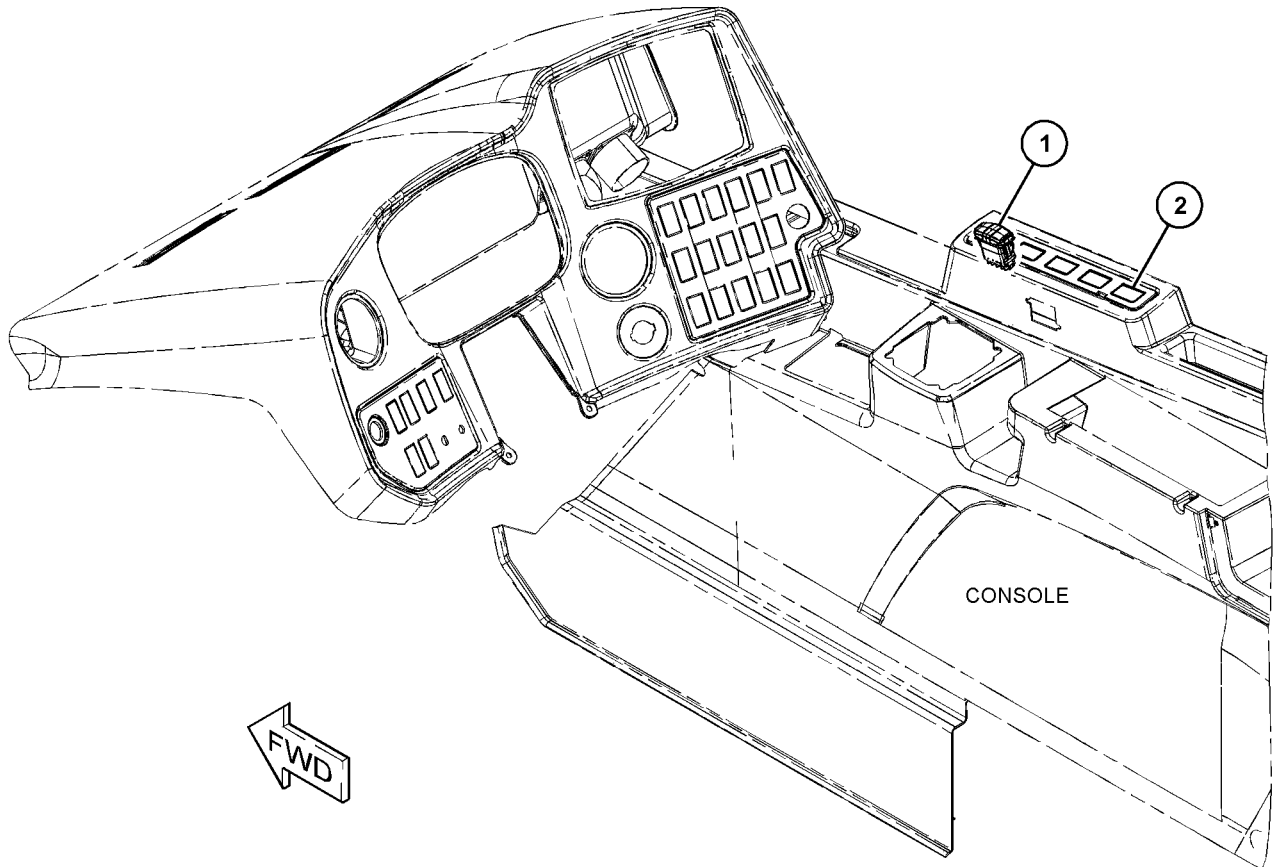
520-7778 SWITCH GP-TRANSMISSION

S/N: TH41-UP; TH91-UP
PART OF 517-9179, 517-9180 CAB AR
AN ATTACHMENT

SMCS-1611, 3065

i07776125

NOTE	REF NO	GRAPHIC REF	PART NUMBER	QTY	PART NAME						SEE PAGE
					1	2	3	4	5	6 (PRODUCT LEVEL)	
	1	1	520-7783	1	SWITCH (CLUTCH CONTROL)						
	2	1	550-2104	1	FILM-IDENTIFICATION (BLANK)						



GRAPHIC #1

<END>

g06454718

ELECTRICAL AND STARTING SYSTEM

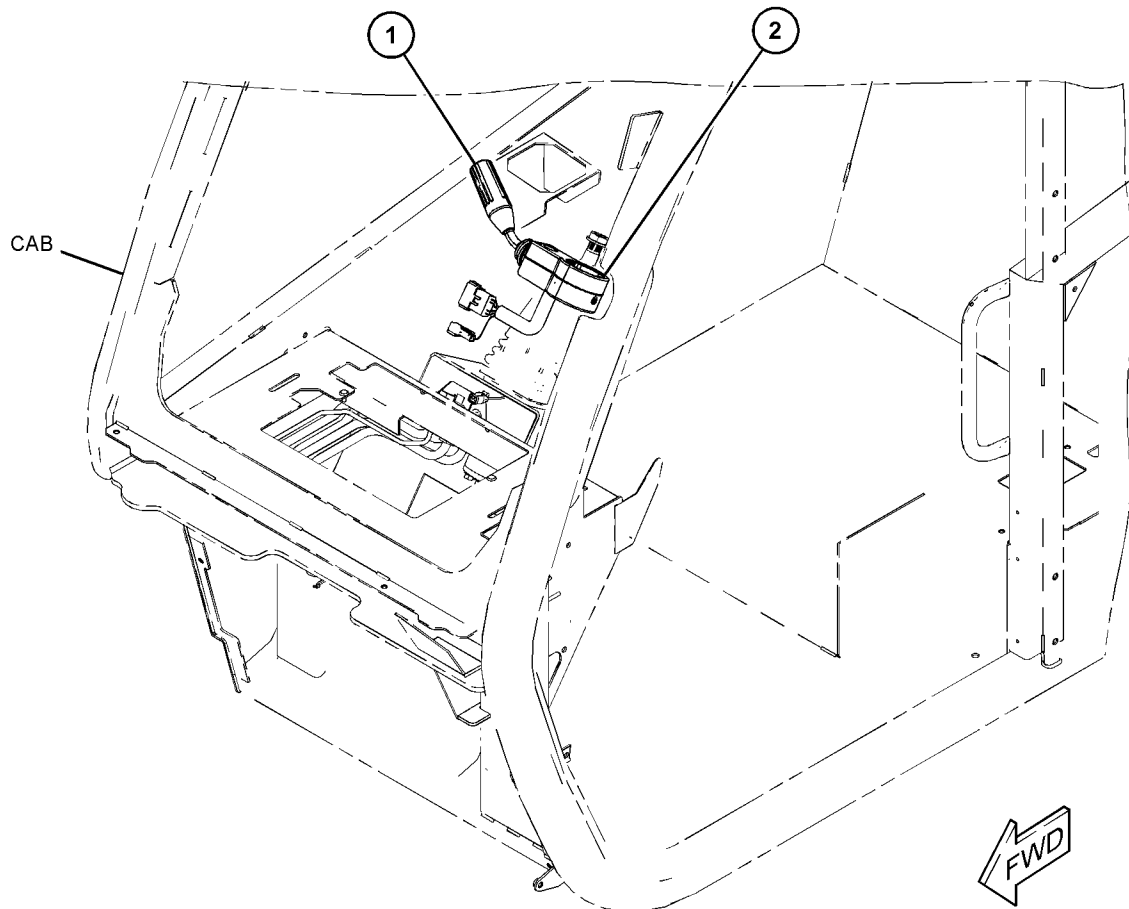
492-3940 SWITCH GP-WIPER

S/N: TH41-UP; TH91-UP
FOR USE WITH ENCLOSED CAB
AN ATTACHMENT

SMCS-7305, 7332

i07423868

NOTE	REF NO	GRAPHIC REF	PART NUMBER	QTY	PART NAME						SEE PAGE
					1	2	3	4	5	6 (PRODUCT LEVEL)	
	1	1	551-1428	1	SWITCH (WIPER)						
	2	1	459-3693	1	CLAMP						



GRAPHIC #1

<END>

g06360560

ELECTRICAL AND STARTING SYSTEM

496-8318 WIRING GP-BOOM

S/N: TH41-UP; TH91-UP

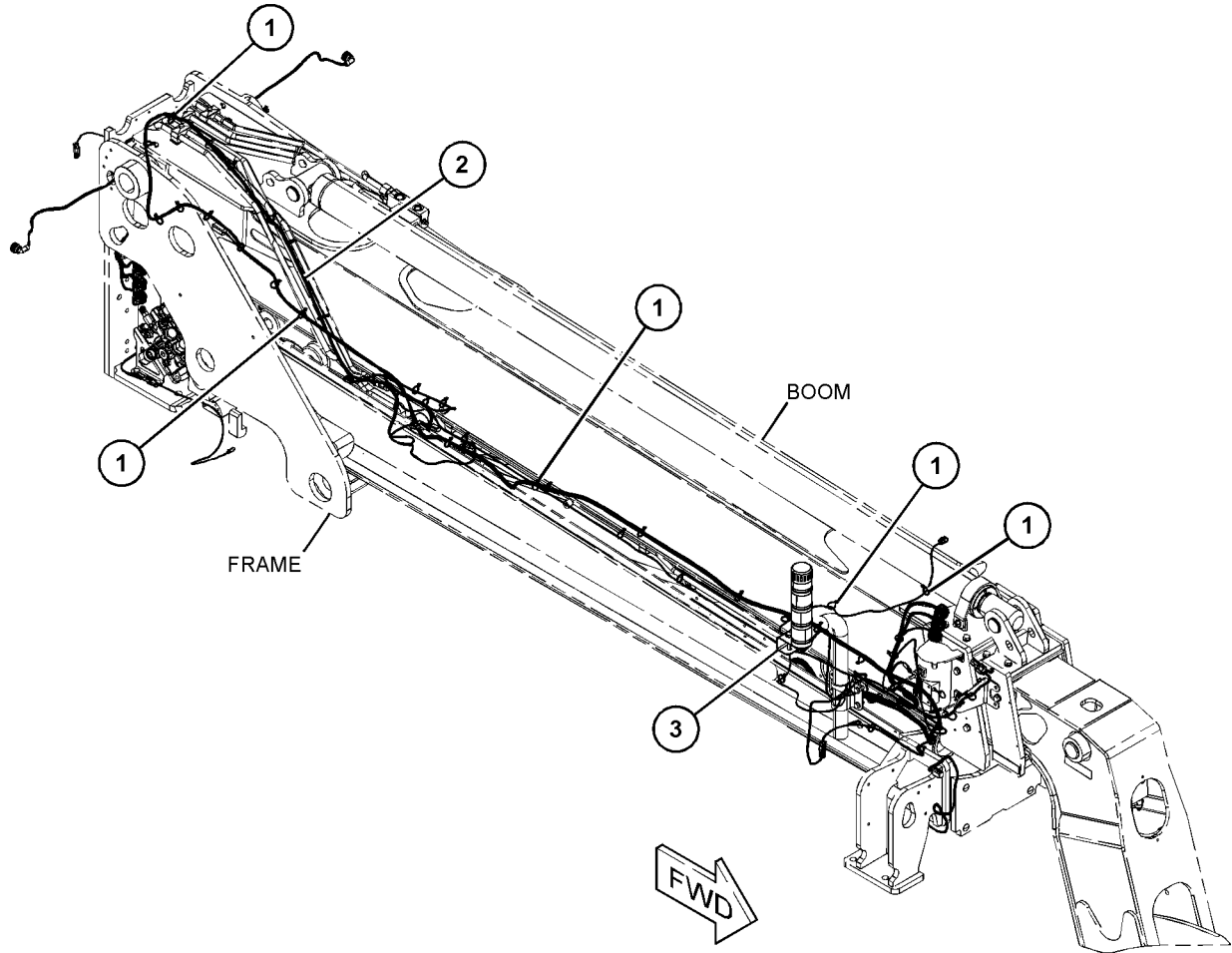
PART OF 496-8311 INSTALLATION AR-LOAD MGT IND, 520-7784 INSTALLATION AR-MACHINE
AN ATTACHMENT

SMCS-1408

i07361207

NOTE	REF NO	GRAPHIC REF	PART NUMBER	QTY	PART NAME						SEE PAGE
					1	2	3	4	5	6 (PRODUCT LEVEL)	
	1	1	3S-2093	44	STRAP-CABLE						
Y	2	1	496-8319	1	HARNES AS-CHASSIS						431
Y	3	1	496-8320	1	INSTALLATION GP-WARNING BEACON						471

Y - SEPARATE ILLUSTRATION



GRAPHIC #1

<END>

g06307159

ELECTRICAL AND STARTING SYSTEM

513-8562 WIRING GP-BOOM

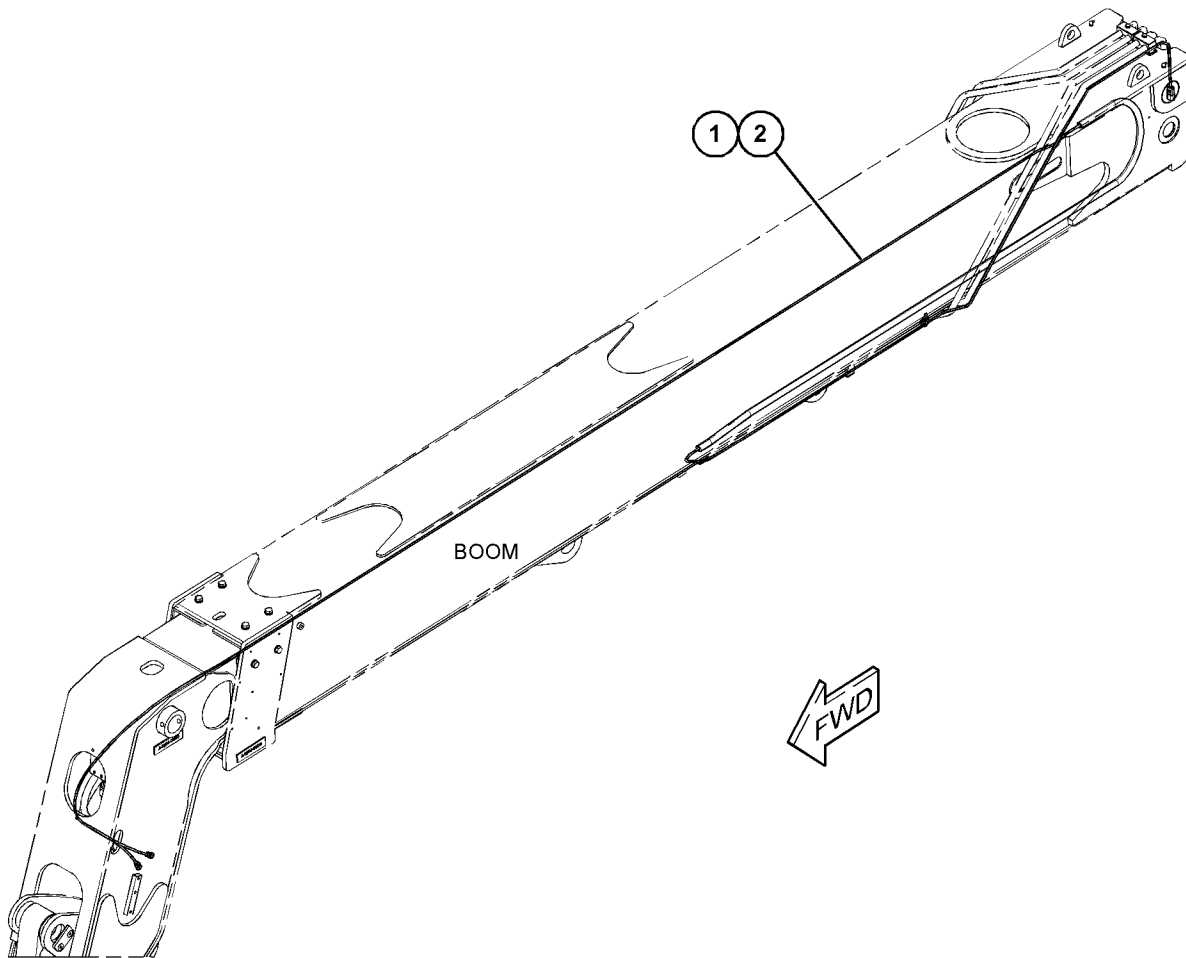
S/N: TH41-UP; TH91-UP
 PART OF 518-0048, 588-1287 BOOM AR
 ALSO AN ATTACHMENT

SMCS-1408

i06895486

NOTE	REF NO	GRAPHIC REF	PART NUMBER	QTY	PART NAME						SEE PAGE	
					1	2	3	4	5	6 (PRODUCT LEVEL)		
B	1	1	7K-1181	1	STRAP-CABLE							
	2	1	513-8563	1	HARNESS AS-FRONT							
			1	323-7237	1	RECEPTACLE AS-CONNECTOR (4-PIN)						
			1	334-5871	5	TERMINAL (2-PIN)						
			1	460-4116	4	CONNECTOR (3-PIN)						

B - USE AS REQUIRED



GRAPHIC #1

<END>

g06163534

ELECTRICAL AND STARTING SYSTEM

492-2937 WIRING GP-CAB-HEATER

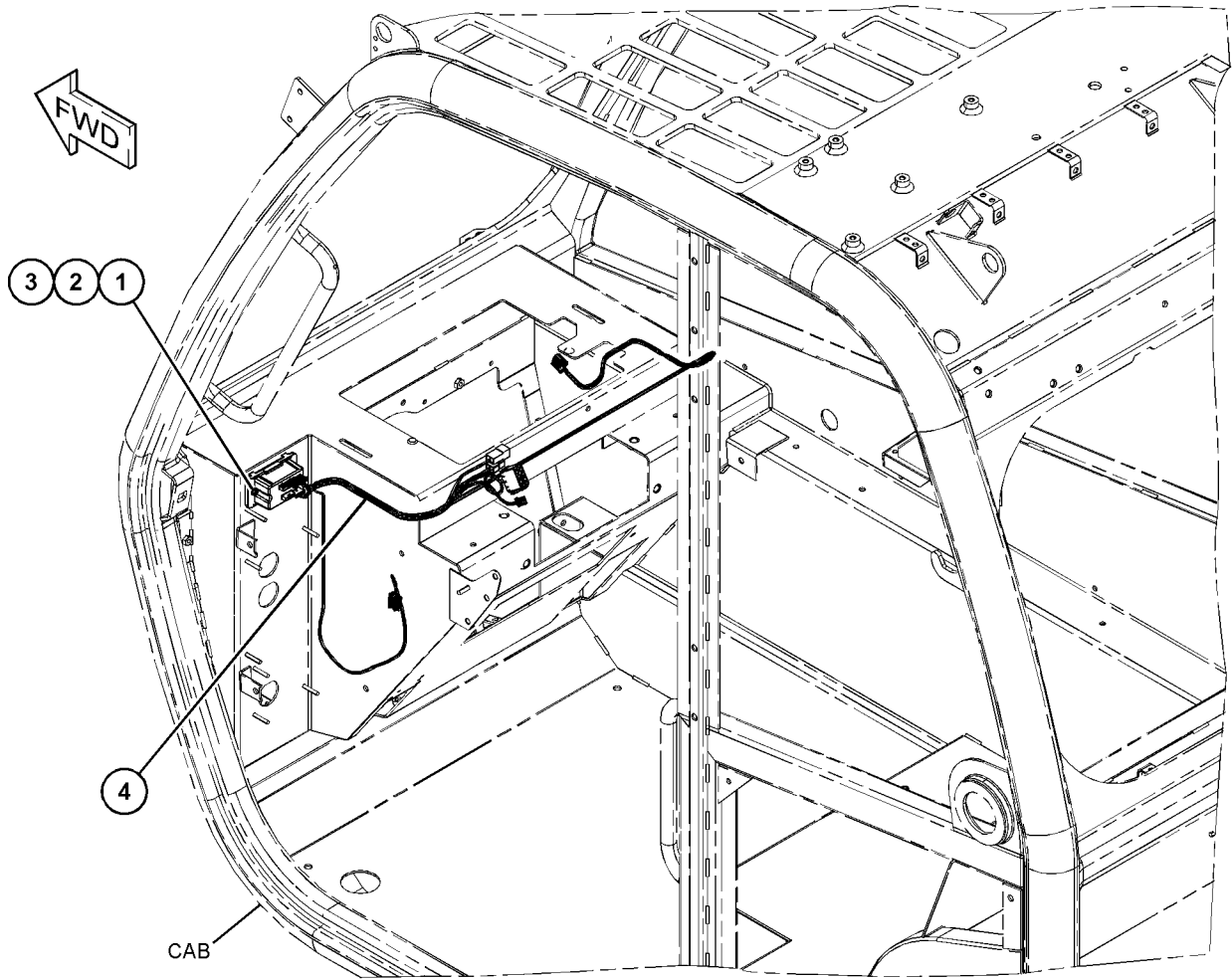
S/N: TH41-UP; TH91-UP
PART OF 517-9179, 517-9180 CAB AR
AN ATTACHMENT

SMCS-1408

i06591351

NOTE	REF NO	GRAPHIC REF	PART NUMBER	QTY	PART NAME						SEE PAGE
					1	2	3	4	5	6 (PRODUCT LEVEL)	
M	1	1	5C-8312	2	NUT (M4X0.7-THD)						
	2	1	5W-5038	2	WASHER (4.3X9X0.8-MM THK)						
	3	1	473-9270	2	WASHER-SPRING						
	4	1	492-2944	1	HARNESS AS-CAB						
		1	473-2087	1	CONTROL GP-ELECTRONIC (HVAC)						
		1	473-8717	1	HARNESS AS-HEATER & AIR COND (MAIN)						

M - METRIC PART



GRAPHIC #1

g06090132

ELECTRICAL AND STARTING SYSTEM

493-1110 WIRING GP-CAB

S/N: TH41-UP; TH91-UP
 PART OF 517-9179, 517-9180 CAB AR
 AN ATTACHMENT
 TYPE 1

SMCS-1408

i07816138

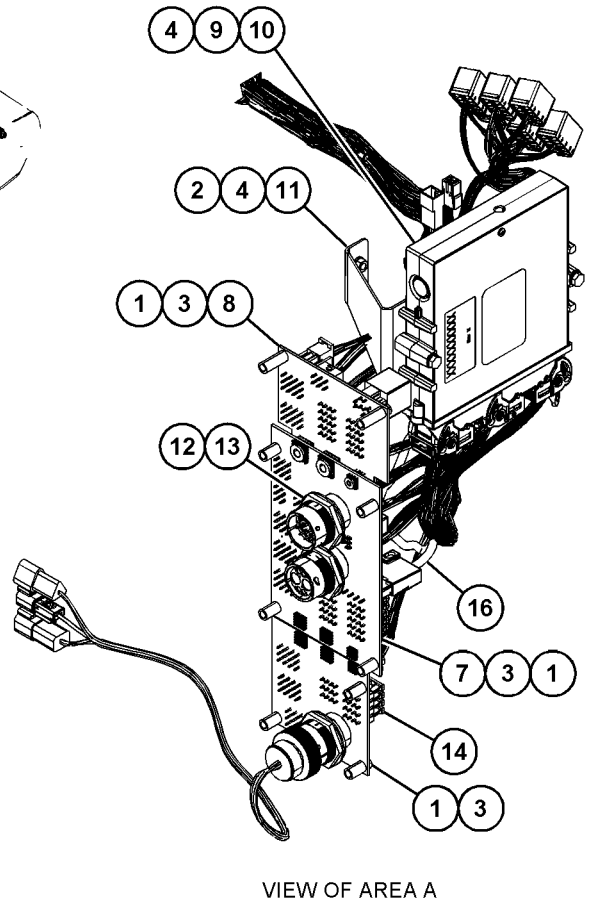
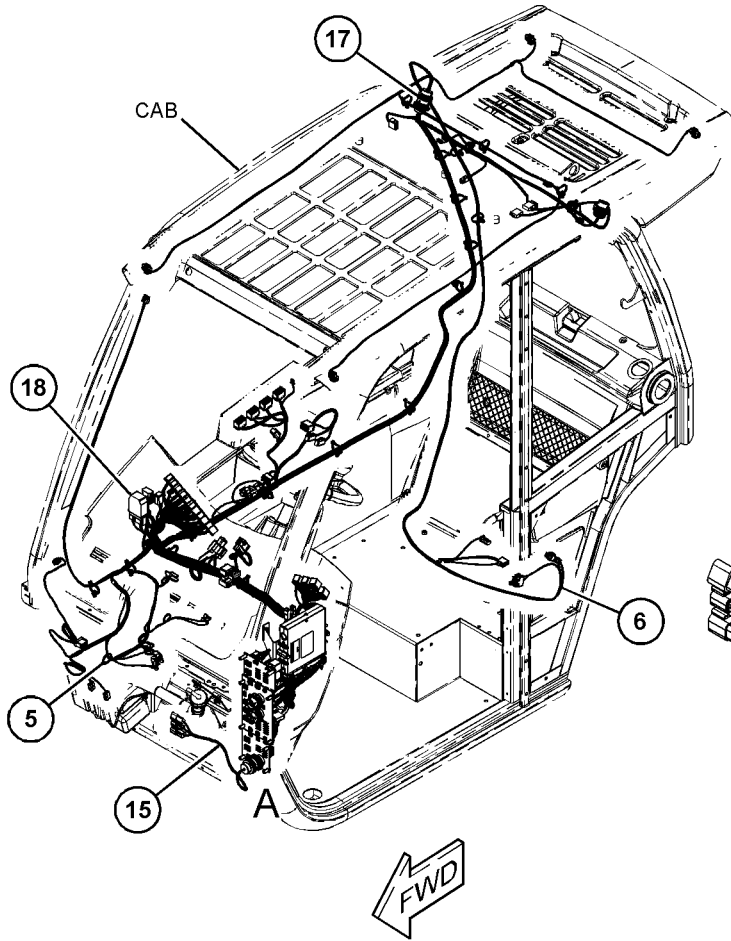
NOTE	REF NO	GRAPHIC REF	PART NUMBER	QTY	PART NAME						SEE PAGE
					1	2	3	4	5	6 (PRODUCT LEVEL)	
M	1	1	5C-2874	7	NUT (M5X0.8-THD)						
M	2	1	5C-2890	2	NUT (M6X1-THD)						
	3	1	474-4148	7	WASHER (5.2X10X1-MM THK)						
	4	1	8T-4205	4	WASHER-HARD (7.2X14.5X2-MM THK)						
	5	1	455-3027	23	TIE-CABLE						
Y	6	1	493-1111	1	HARNESS AS-CAB (MAIN)						424
Y	7	1	474-4149	1	BOARD AS-CIRCUIT (CAB POWER CENTER, MAIN)						412
	8	1	474-4891	1	BOARD AS-CIRCUIT (CAB POWER CENTER, OPTION 1)						
		1	9W-1442	1	FUSE (10-AMPERE)						
		1	113-8490	8	FUSE (10-AMPERE)						
		1	141-2759	1	FUSE (5-AMPERE)						
		1	478-5127	1	RELAY AS (12-VOLT)						
	9	1	473-0008	1	CONTROLLER						
M	10	1	7X-2534	2	BOLT (M6X1X50-MM)						
	11	1	473-0009	1	BRACKET AS						
	12	1	159-9496	5	LOCKWASHER						
	13	1	159-9495	5	NUT (1-1/2-18-THD)						
	14	1	474-6067	1	BOARD AS-CIRCUIT (CAB POWER CENTER, OPTION 2)						
		1	9W-1441	6	FUSE (15-AMPERE)						
		1	113-8490	1	FUSE (10-AMPERE)						
Y	15	1	477-0021	1	HARNESS AS-CAB (AUXILIARY, CAMERA)						423
	16	1	550-6560	1	CABLE AS						
	17	1	515-0575	2	SEAL						
	18	1	551-1434	1	CONNECTOR (WIPER)						

M - METRIC PART
 Y - SEPARATE ILLUSTRATION

ELECTRICAL AND STARTING SYSTEM

493-1110 WIRING GP-CAB (contd.)

i07816138



GRAPHIC #1

<END>

g06443419

ELECTRICAL AND STARTING SYSTEM

493-1110 WIRING GP-CAB

S/N: TH41-UP; TH91-UP
 PART OF 517-9179, 517-9180 CAB AR
 AN ATTACHMENT
 TYPE 2

SMCS-1408

i07713702

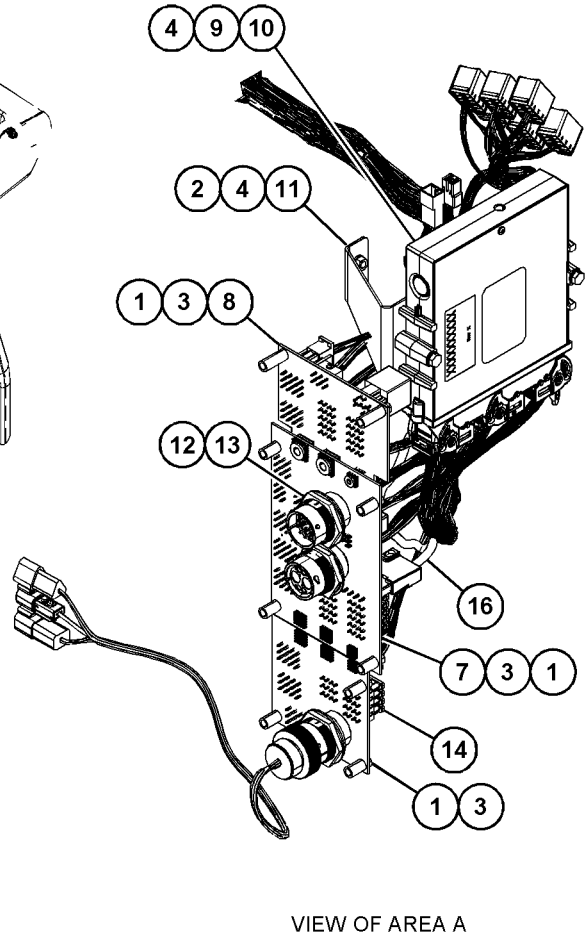
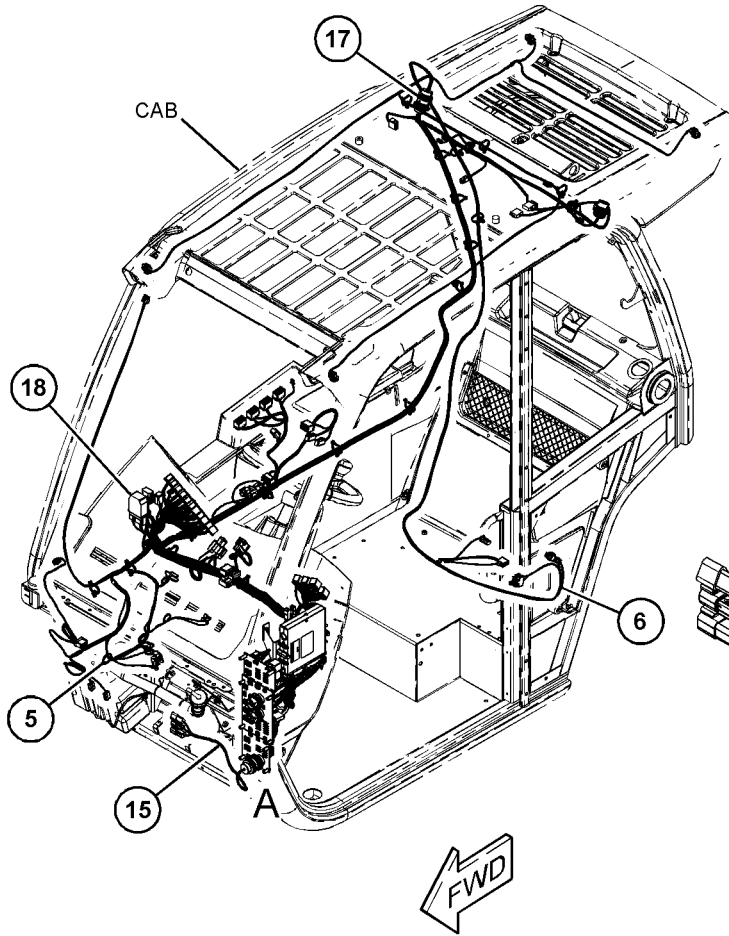
NOTE	REF NO	GRAPHIC REF	PART NUMBER	QTY	PART NAME						SEE PAGE
					1	2	3	4	5	6 (PRODUCT LEVEL)	
M	1	1	5C-2874	7	NUT (M5X0.8-THD)						
M	2	1	5C-2890	2	NUT (M6X1-THD)						
	3	1	474-4148	7	WASHER (5.2X10X1-MM THK)						
	4	1	8T-4205	4	WASHER-HARD (7.2X14.5X2-MM THK)						
	5	1	455-3027	23	TIE-CABLE						
CY	6	1	569-3740	1	HARNESS AS-CAB						426
Y	7	1	474-4149	1	BOARD AS-CIRCUIT (CAB POWER CENTER, MAIN)						412
	8	1	474-4891	1	BOARD AS-CIRCUIT (CAB POWER CENTER, OPTION 1)						
		1	9W-1442	1	FUSE (10-AMPERE)						
		1	113-8490	8	FUSE (10-AMPERE)						
		1	141-2759	1	FUSE (5-AMPERE)						
		1	478-5127	1	RELAY AS (12-VOLT)						
	9	1	473-0008	1	CONTROLLER						
M	10	1	7X-2534	2	BOLT (M6X1X50-MM)						
	11	1	473-0009	1	BRACKET AS						
	12	1	159-9496	5	LOCKWASHER						
	13	1	159-9495	5	NUT (1-1/2-18-THD)						
	14	1	474-6067	1	BOARD AS-CIRCUIT (CAB POWER CENTER, OPTION 2)						
		1	9W-1441	6	FUSE (15-AMPERE)						
		1	113-8490	1	FUSE (10-AMPERE)						
Y	15	1	477-0021	1	HARNESS AS-CAB (AUXILIARY, CAMERA)						423
	16	1	550-6560	1	CABLE AS						
	17	1	339-2958	2	GASKET						
	18	1	551-1434	1	CONNECTOR (WIPER)						

C - CHANGE FROM PREVIOUS TYPE
 M - METRIC PART
 Y - SEPARATE ILLUSTRATION

ELECTRICAL AND STARTING SYSTEM

493-1110 WIRING GP-CAB (contd.)

i07713702



GRAPHIC #1

<END>

g06445767

ELECTRICAL AND STARTING SYSTEM

515-1888 WIRING GP-CHASSIS

S/N: TH41-149; TH91-205
PART OF 518-0076 CHASSIS AR

SMCS-1408

i07749745

NOTE	REF NO	GRAPHIC REF	PART NUMBER	QTY	PART NAME						SEE PAGE
					1	2	3	4	5	6	
M	1	1	8T-4137	1	BOLT (M10X1.5X20-MM)						
M	2	1	8T-4136	3	BOLT (M10X1.5X25-MM)						
M	3	1	5C-2890	1	NUT (M6X1-THD)						
	4	1	5W-1417	1	WASHER (6.4X18X1.6-MM THK)						
	5	1	8T-4121	4	WASHER-HARD (11X21X2.5-MM THK)						
	6	1	132-5789	1	CLIP (LADDER)						
	7	1	206-2423	1	SADDLE-MOUNTING						
	8	1	3S-2093	8	STRAP-CABLE						
	9	1	8I-4641	1	CABLE AS						
	10	1	455-3027	56	TIE-CABLE						
Y	11	1	499-0182	1	HARNESS AS-FRONT						445
Y	12	1	499-0183	1	HARNESS AS-REAR						450

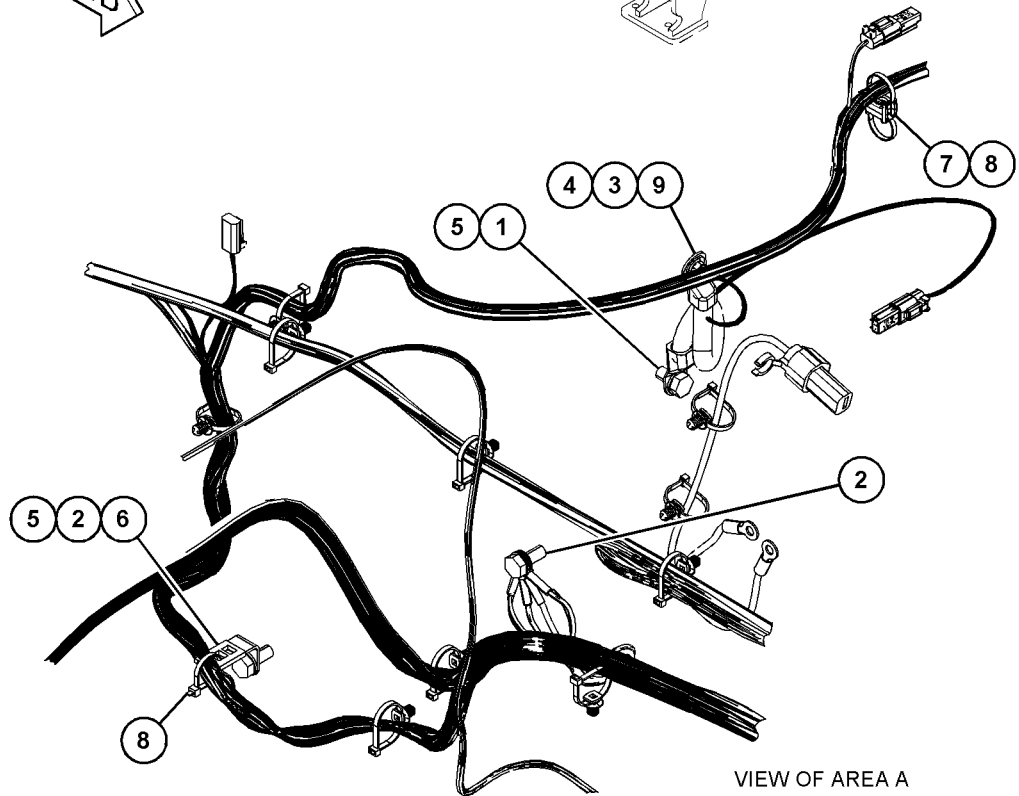
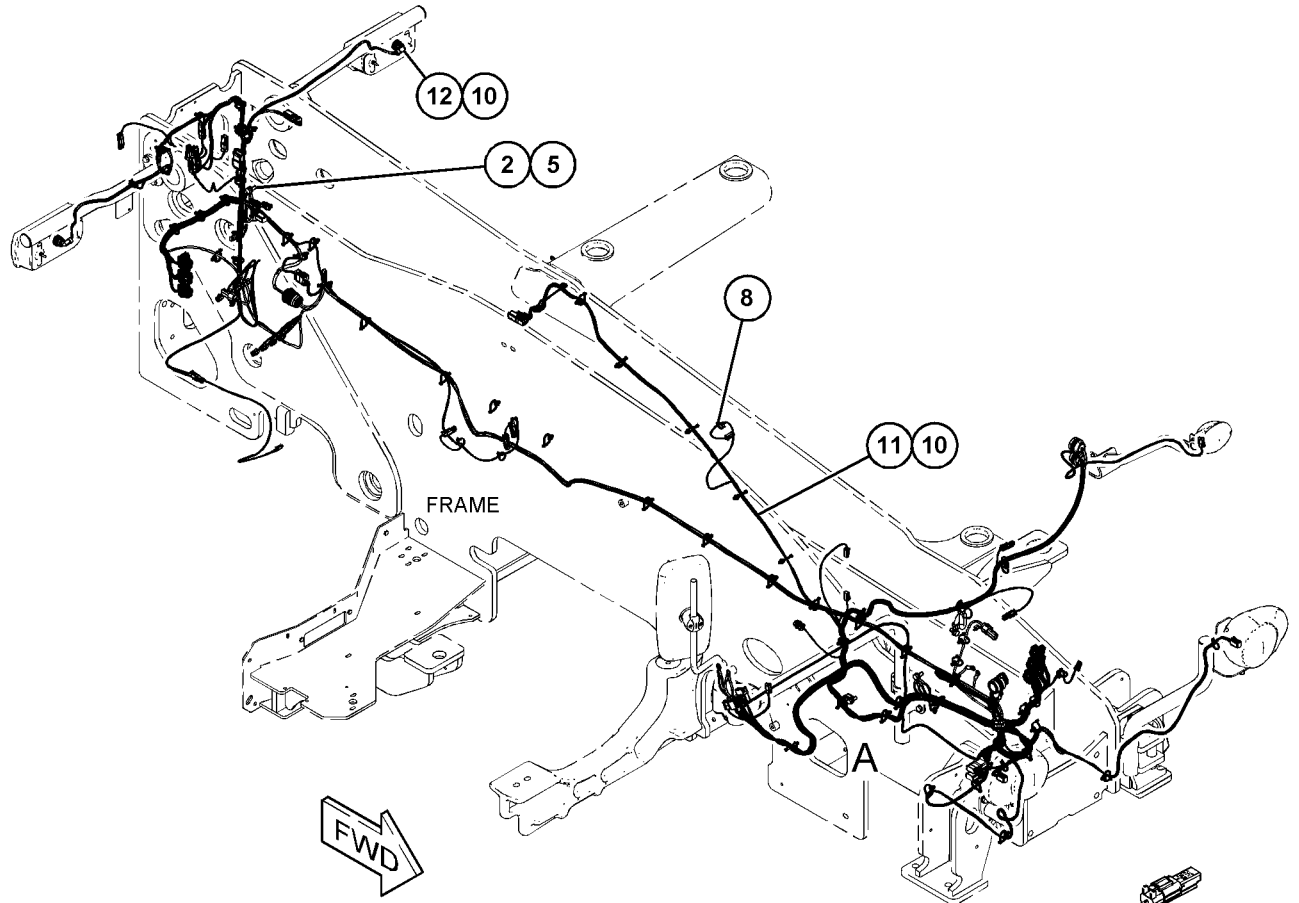
M - METRIC PART

Y - SEPARATE ILLUSTRATION

ELECTRICAL AND STARTING SYSTEM

515-1888 WIRING GP-CHASSIS (contd.)

i07749745



GRAPHIC #1

<END>

g06165842

ELECTRICAL AND STARTING SYSTEM

515-1888 WIRING GP-CHASSIS

S/N: TH4150-UP; TH9206-232

PART OF 518-0076 CHASSIS AR

SMCS-1408

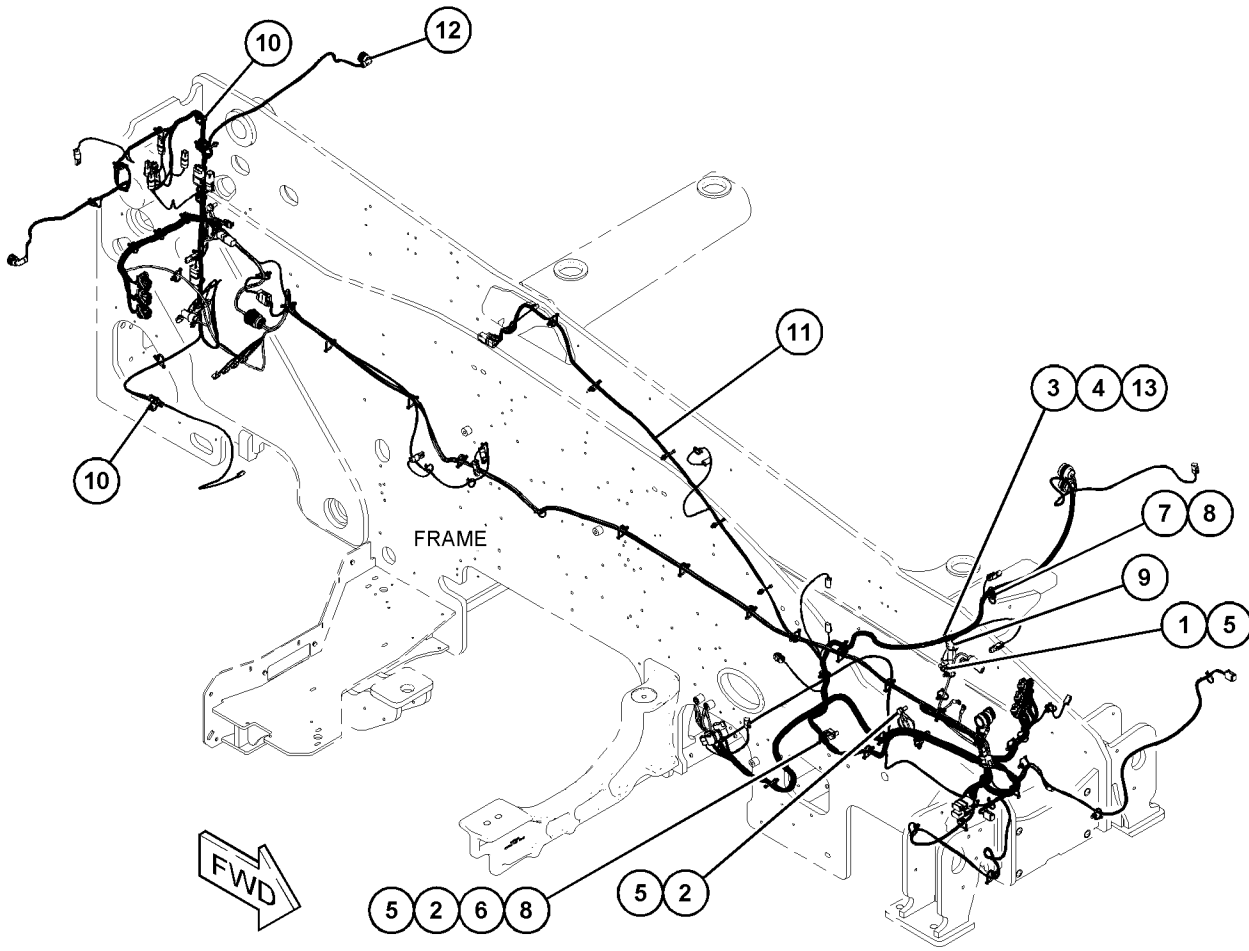
i07749743

NOTE	REF NO	GRAPHIC REF	PART NUMBER	QTY	PART NAME						SEE PAGE
					1	2	3	4	5	6 (PRODUCT LEVEL)	
M	1	1	8T-4137	1	BOLT (M10X1.5X20-MM)						
M	2	1	8T-4136	3	BOLT (M10X1.5X25-MM)						
CM	3	1	5C-9553	1	BOLT (M6X1X16-MM)						
	4	1	5Y-2425	1	WASHER (6.5X17.5X1.5-MM THK)						
	5	1	8T-4121	4	WASHER-HARD (11X21X2.5-MM THK)						
	6	1	132-5789	1	CLIP (LADDER)						
	7	1	206-2423	1	SADDLE-MOUNTING						
C	8	1	3S-2093	9	STRAP-CABLE						
	9	1	8I-4641	1	CABLE AS						
C	10	1	455-3027	55	TIE-CABLE						
Y	11	1	499-0182	1	HARNESS AS-FRONT						445
CY	12	1	549-8129	1	HARNESS AS-REAR						451
	13	1	550-6250	1	WASHER-LOCK						

C - CHANGE FROM PREVIOUS TYPE

M - METRIC PART

Y - SEPARATE ILLUSTRATION



GRAPHIC #1

<END>

g06316411

ELECTRICAL AND STARTING SYSTEM

515-1888 WIRING GP-CHASSIS

S/N: TH4150-154; TH9233-340

PART OF 518-0076 CHASSIS AR

SMCS-1408

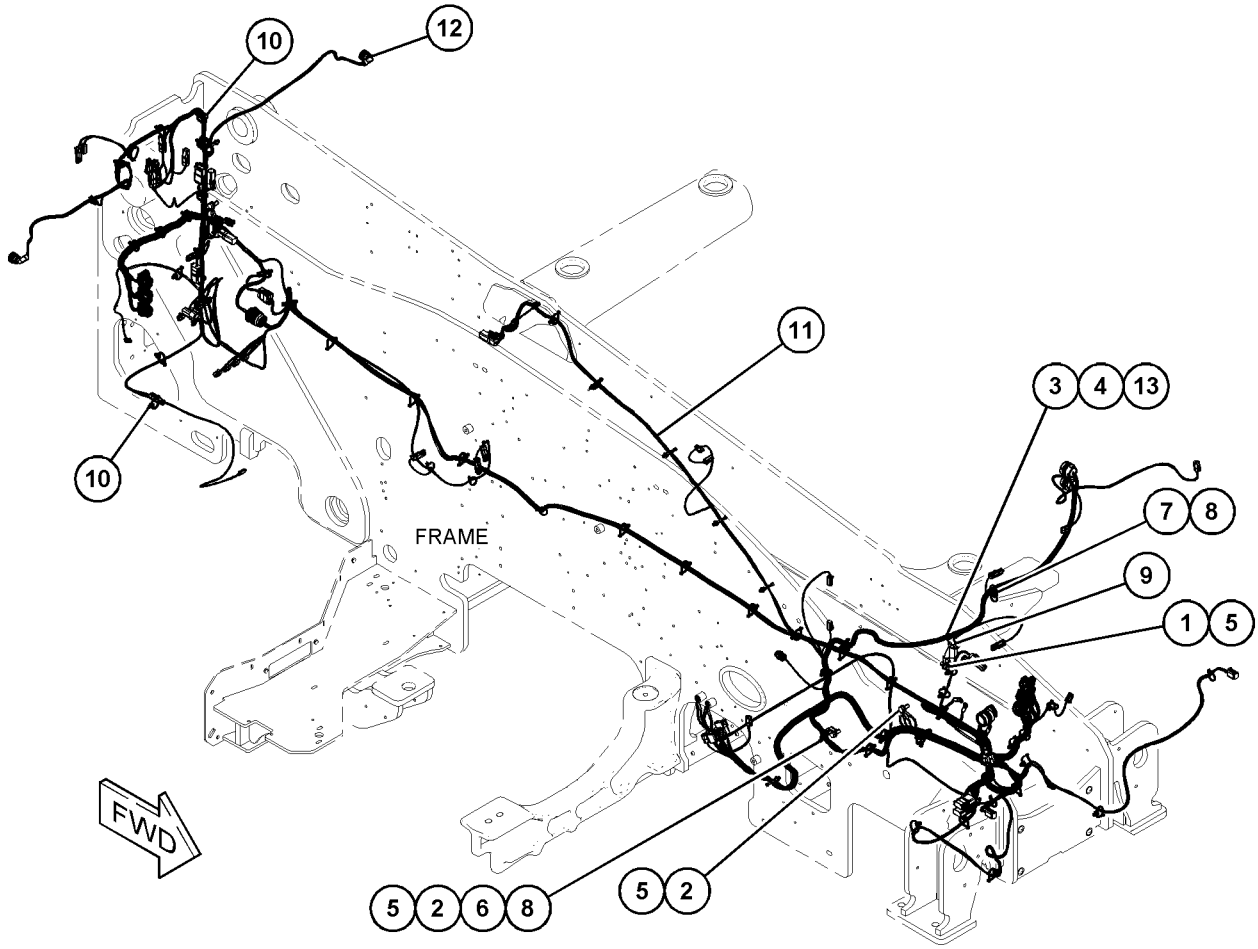
i07422682

NOTE	REF NO	GRAPHIC REF	PART NUMBER	QTY	PART NAME						SEE PAGE
					1	2	3	4	5	6 (PRODUCT LEVEL)	
M	1	1	8T-4137	1	BOLT (M10X1.5X20-MM)						
M	2	1	8T-4136	3	BOLT (M10X1.5X25-MM)						
M	3	1	5C-9553	1	BOLT (M6X1X16-MM)						
	4	1	5Y-2425	1	WASHER (6.5X17.5X1.5-MM THK)						
	5	1	8T-4121	4	WASHER-HARD (11X21X2.5-MM THK)						
	6	1	132-5789	1	CLIP (LADDER)						
	7	1	206-2423	1	SADDLE-MOUNTING						
	8	1	3S-2093	9	STRAP-CABLE						
	9	1	8I-4641	1	CABLE AS						
	10	1	455-3027	55	TIE-CABLE						
CY	11	1	551-3894	1	HARNESS AS-FRONT CHASSIS (FRONT)						446
CY	12	1	551-3893	1	HARNESS AS-REAR CHASSIS (REAR)						453
	13	1	550-6250	1	WASHER-LOCK						

C - CHANGE FROM PREVIOUS TYPE

M - METRIC PART

Y - SEPARATE ILLUSTRATION



GRAPHIC #1

<END>

g06318251

ELECTRICAL AND STARTING SYSTEM

515-1888 WIRING GP-CHASSIS

S/N: TH41-UP; TH91-UP

PART OF 518-0076, 518-0077 CHASSIS AR

ALSO AN ATTACHMENT

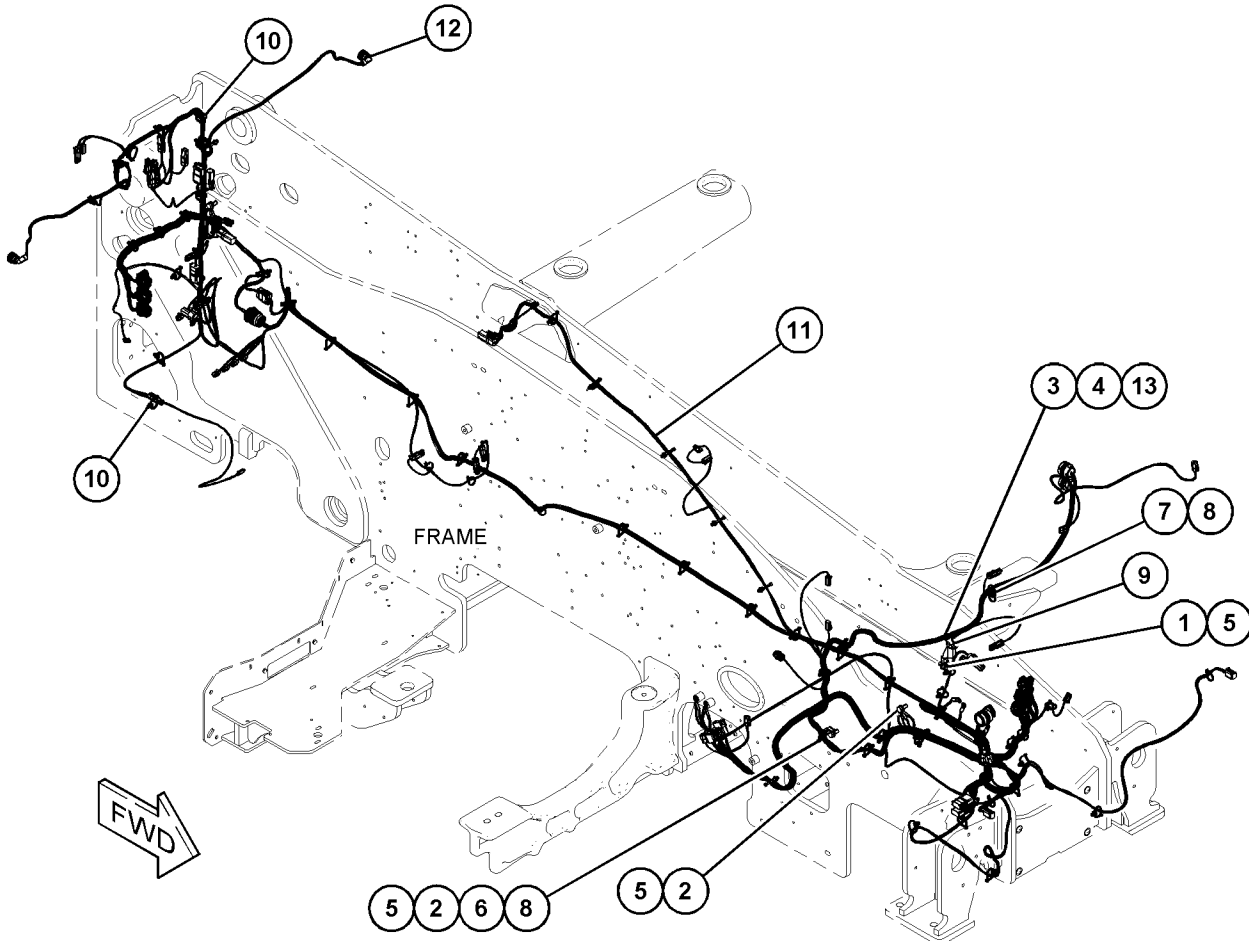
TYPE 1

SMCS-1408

i08054910

NOTE	REF NO	GRAPHIC REF	PART NUMBER	QTY	PART NAME						SEE PAGE
					1	2	3	4	5	6 (PRODUCT LEVEL)	
M	1	1	8T-4137	1	BOLT (M10X1.5X20-MM)						
M	2	1	8T-4136	3	BOLT (M10X1.5X25-MM)						
M	3	1	5C-9553	1	BOLT (M6X1X16-MM)						
	4	1	5W-1417	1	WASHER (6.4X18X1.6-MM THK)						
	5	1	8T-4121	4	WASHER-HARD (11X21X2.5-MM THK)						
	6	1	132-5789	1	CLIP (LADDER)						
	7	1	206-2423	1	SADDLE-MOUNTING						
	8	1	3S-2093	9	STRAP-CABLE						
	9	1	8I-4641	1	CABLE AS						
	10	1	455-3027	55	TIE-CABLE						
Y	11	1	551-3894	1	HARNESS AS-FRONT CHASSIS						446
CY	12	1	567-6406	1	HARNESS AS-REAR						452
	13	1	124-7346	1	LOCKWASHER						

C - CHANGE FROM PREVIOUS TYPE
M - METRIC PART
Y - SEPARATE ILLUSTRATION



GRAPHIC #1

<END>

g06318251

ELECTRICAL AND STARTING SYSTEM

515-1888 WIRING GP-CHASSIS

S/N: TH41-UP; TH91-UP

PART OF 518-0076, 518-0077 CHASSIS AR

ALSO AN ATTACHMENT

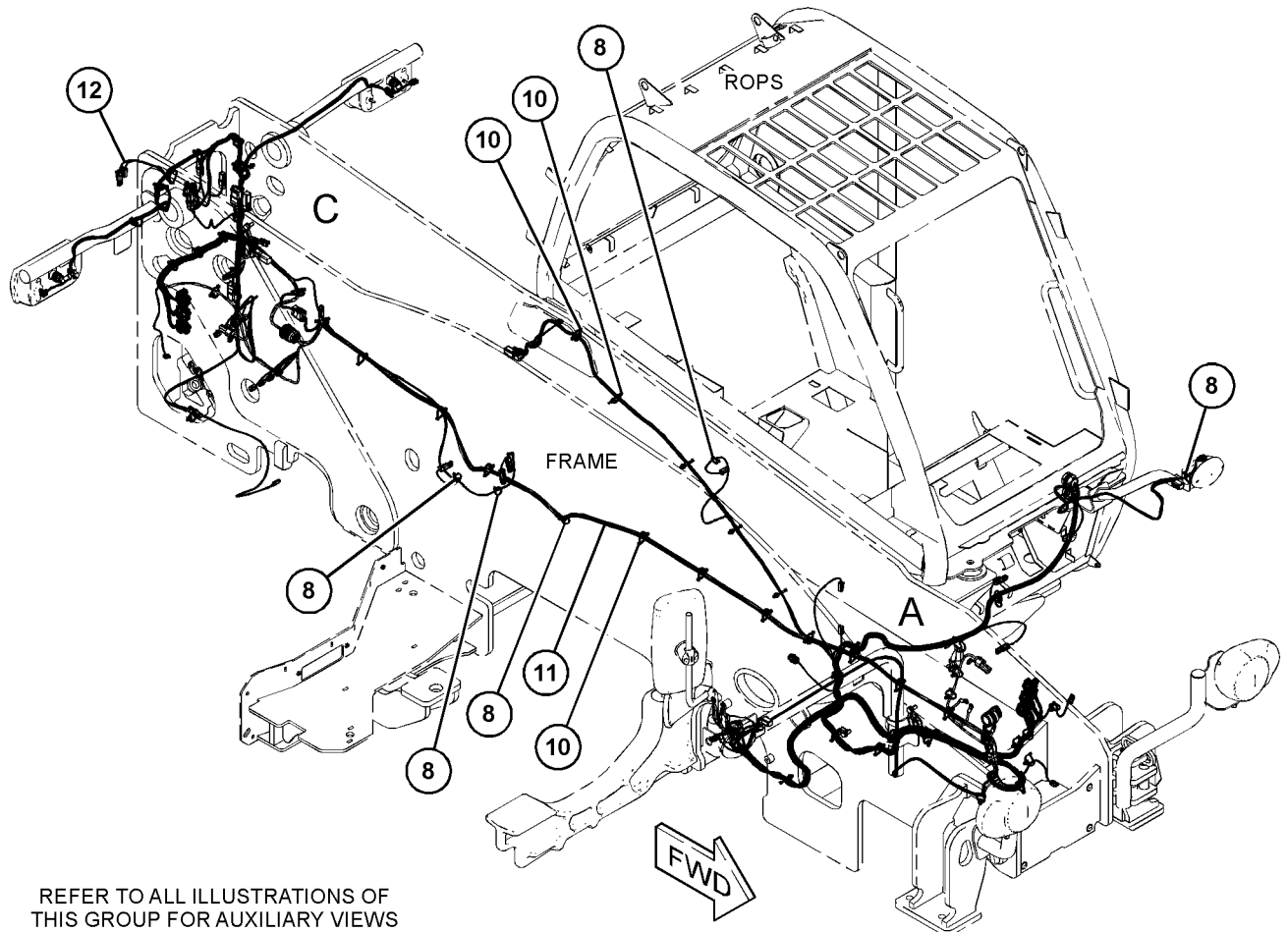
TYPE 2

SMCS-1408

i08083082

NOTE	REF NO	GRAPHIC REF	PART NUMBER	QTY	PART NAME						SEE PAGE
					1	2	3	4	5	6 (PRODUCT LEVEL)	
M	1	2	8T-4137	1	BOLT (M10X1.5X20-MM)						
M	2	2	8T-4136	3	BOLT (M10X1.5X25-MM)						
M	3	2	5C-9553	1	BOLT (M6X1X16-MM)						
	4	2	5W-1417	1	WASHER (6.4X18X1.6-MM THK)						
	5	2	8T-4121	4	WASHER-HARD (11X21X2.5-MM THK)						
	6	2	132-5789	1	CLIP (LADDER)						
	7	2	206-2423	1	SADDLE-MOUNTING						
C	8	1,2	3S-2093	12	STRAP-CABLE						
	9	2	8I-4641	1	CABLE AS						
C	10	1,2	455-3027	51	TIE-CABLE						
CY	11	1	590-4777	1	HARNESS AS-CHASSIS (FRONT FRAME)						433
CY	12	1	590-4604	1	HARNESS AS-CHASSIS (REAR FRAME)						432
	13	2	124-7346	1	LOCKWASHER						

C - CHANGE FROM PREVIOUS TYPE
M - METRIC PART
Y - SEPARATE ILLUSTRATION



REFER TO ALL ILLUSTRATIONS OF THIS GROUP FOR AUXILIARY VIEWS

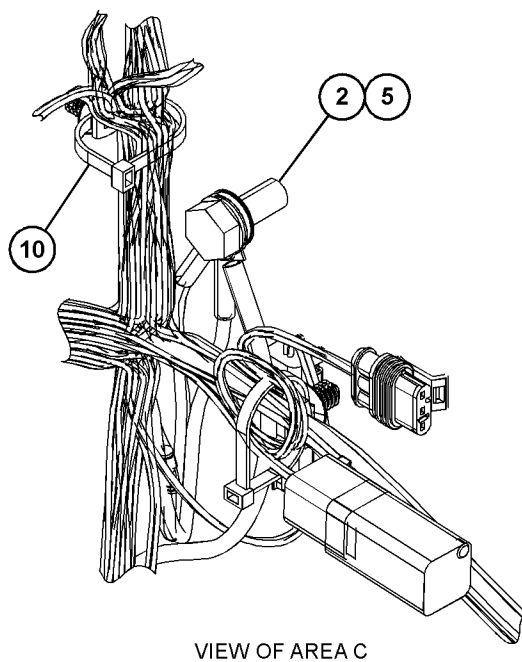
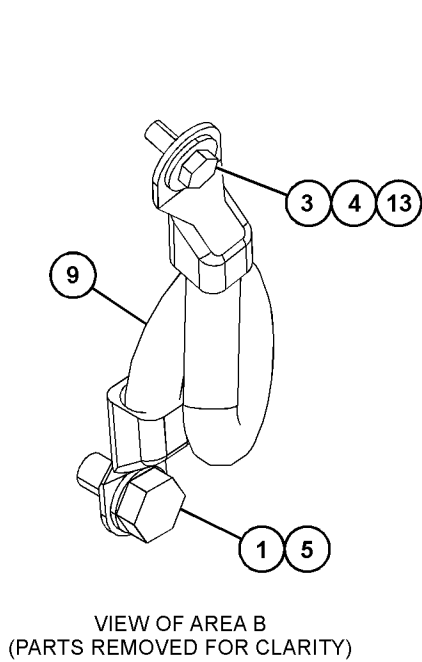
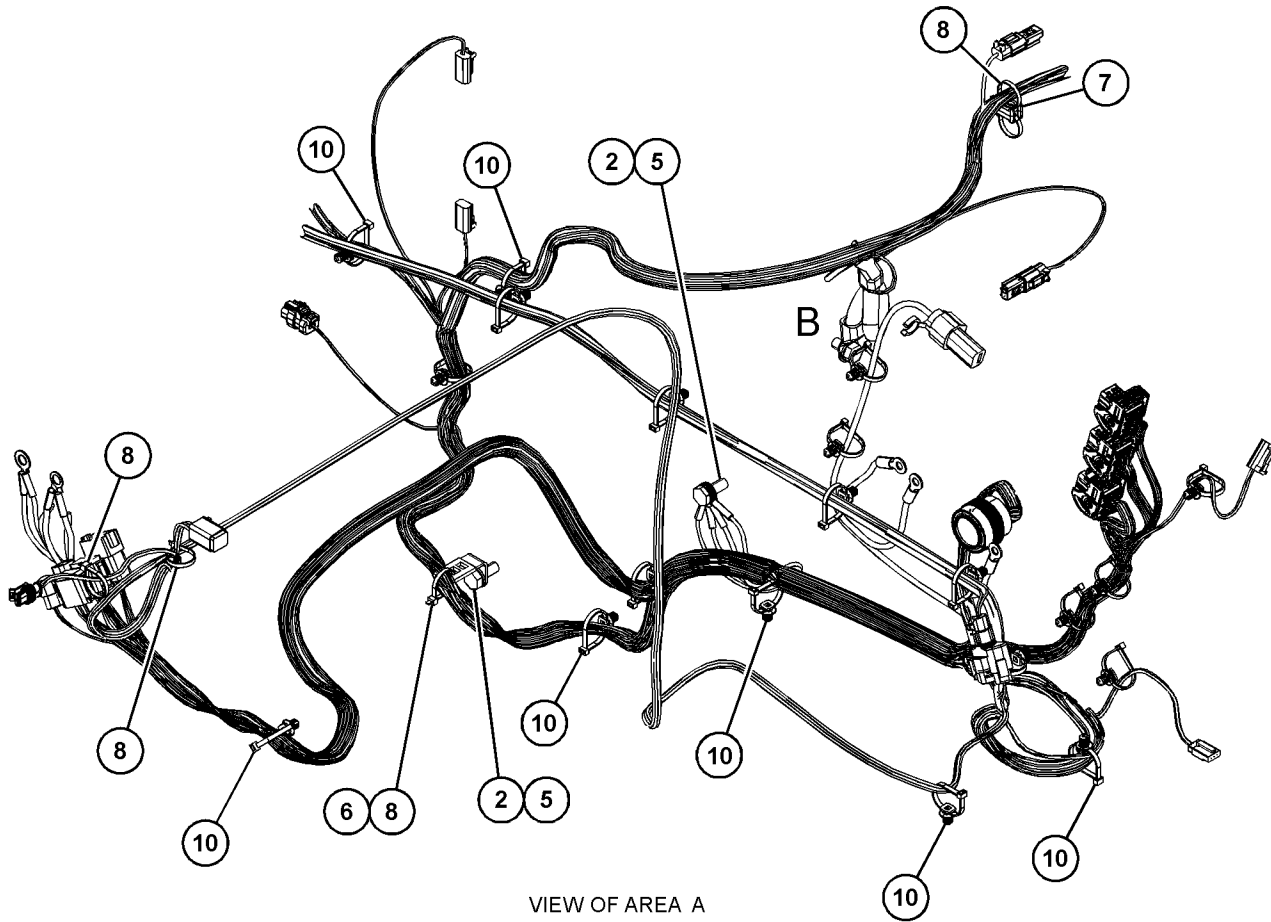
GRAPHIC #1

g06566083

ELECTRICAL AND STARTING SYSTEM

515-1888 WIRING GP-CHASSIS (contd.)

i08083082



GRAPHIC #2

<END>

g06566084

ELECTRICAL AND STARTING SYSTEM

524-8428 WIRING GP-CONTROL

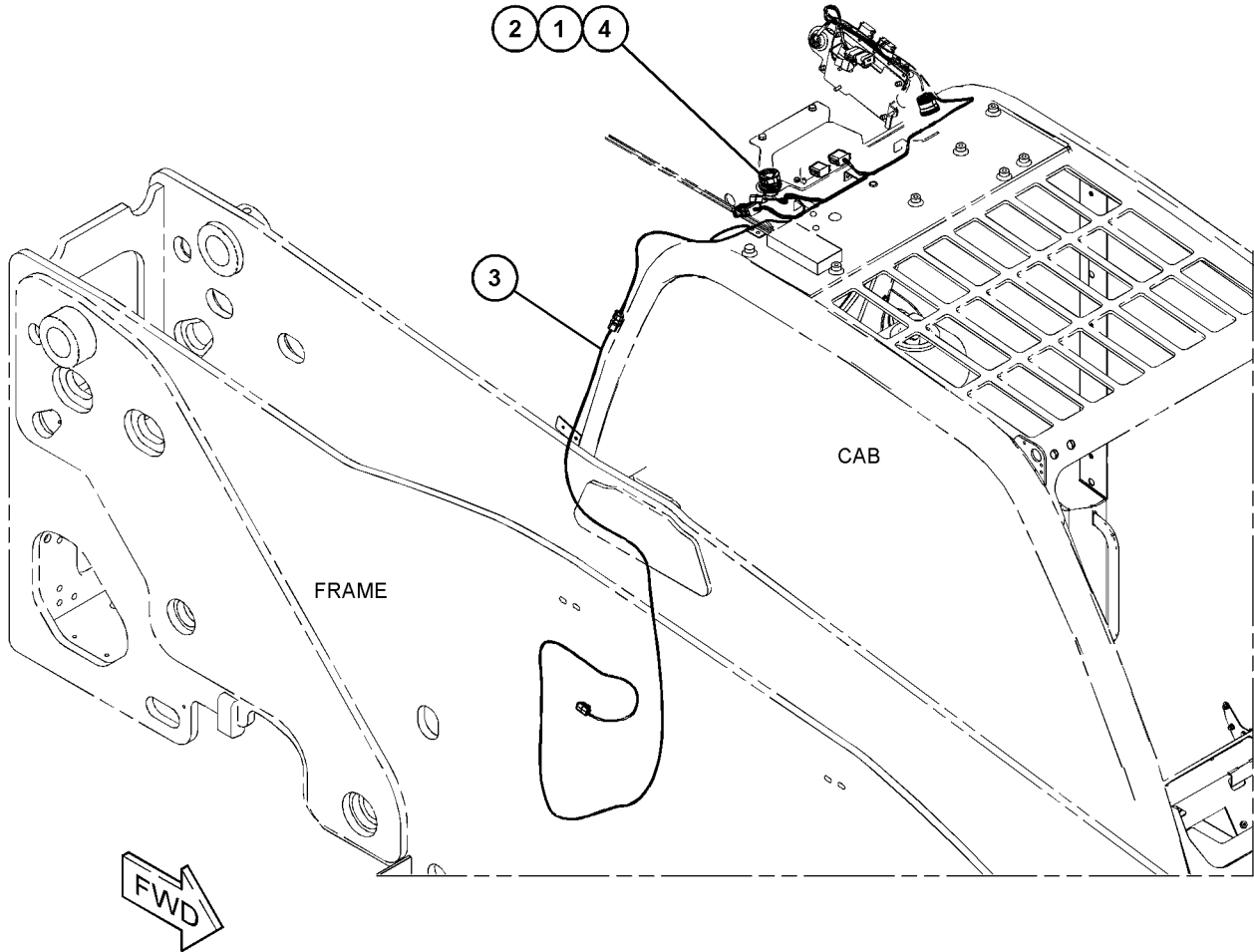
S/N: TH91-UP

PART OF 523-8304, 523-8306 INSTALLATION AR-COMMUNICATION
AN ATTACHMENT

SMCS-1408

i06893204

NOTE	REF NO	GRAPHIC REF	PART NUMBER	QTY	PART NAME						SEE PAGE
					1	2	3	4	5	6 (PRODUCT LEVEL)	
	1	1	159-9496	1	LOCKWASHER						
	2	1	159-9495	1	NUT (1-1/2-18-THD)						
	3	1	501-0348	1	HARNESS AS-CONTROL						
	4	1	501-1119	1	CAP-DUST						



GRAPHIC #1

<END>

g06162653

ELECTRICAL AND STARTING SYSTEM

524-8429 WIRING GP-CONTROL

S/N: TH41-UP

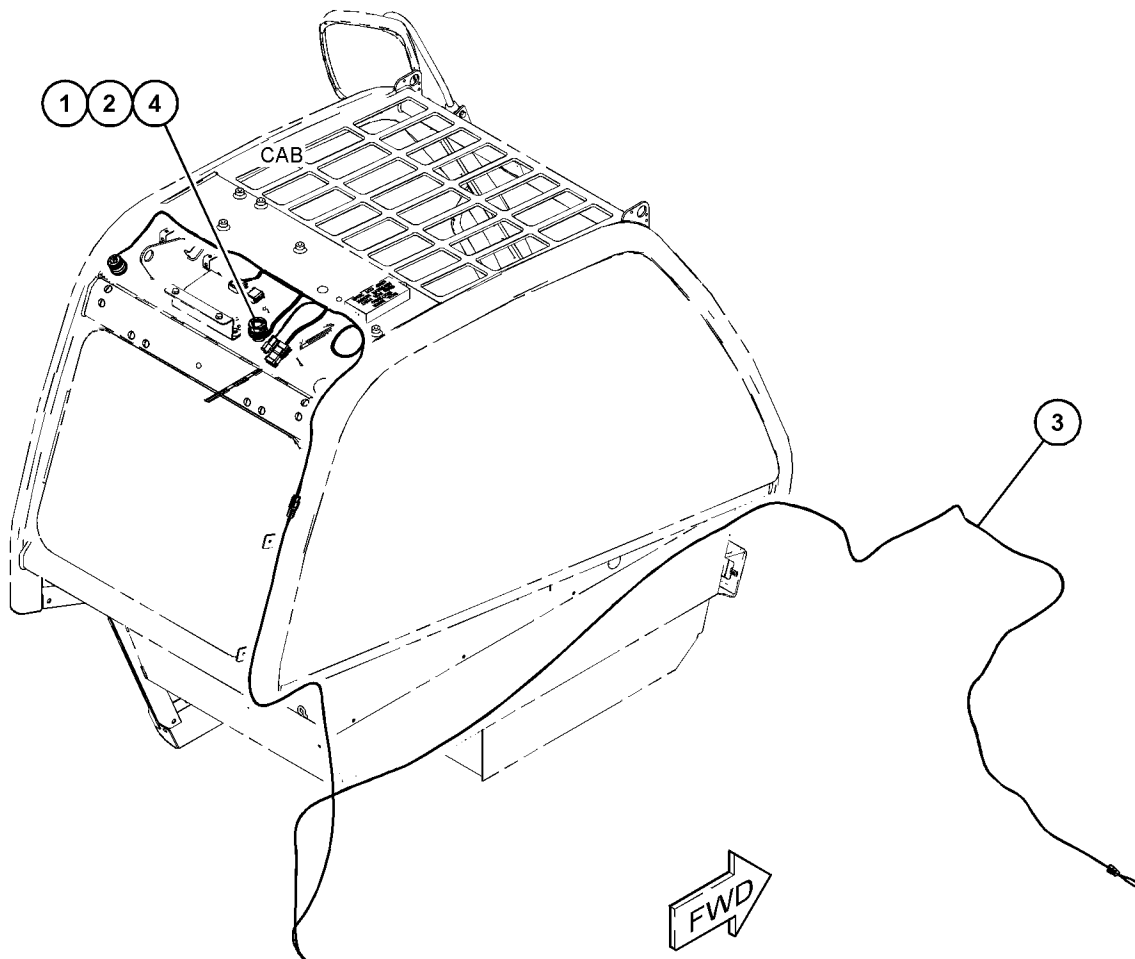
PART OF 523-8307, 523-8308 INSTALLATION AR-COMMUNICATION
AN ATTACHMENT

SMCS-1408

i06895472

NOTE	REF NO	GRAPHIC REF	PART NUMBER	QTY	PART NAME						SEE PAGE
					1	2	3	4	5	6 (PRODUCT LEVEL)	
	1	1	159-9496	1	LOCKWASHER						
	2	1	159-9495	1	NUT (1-1/2-18-THD)						
Y	3	1	501-0349	1	HARNESS AS-CONTROL						434
	4	1	501-1119	1	CAP-DUST						

Y - SEPARATE ILLUSTRATION



GRAPHIC #1

<END>

g06163298

ELECTRICAL AND STARTING SYSTEM

524-8430 WIRING GP-CONTROL

S/N: TH91-UP

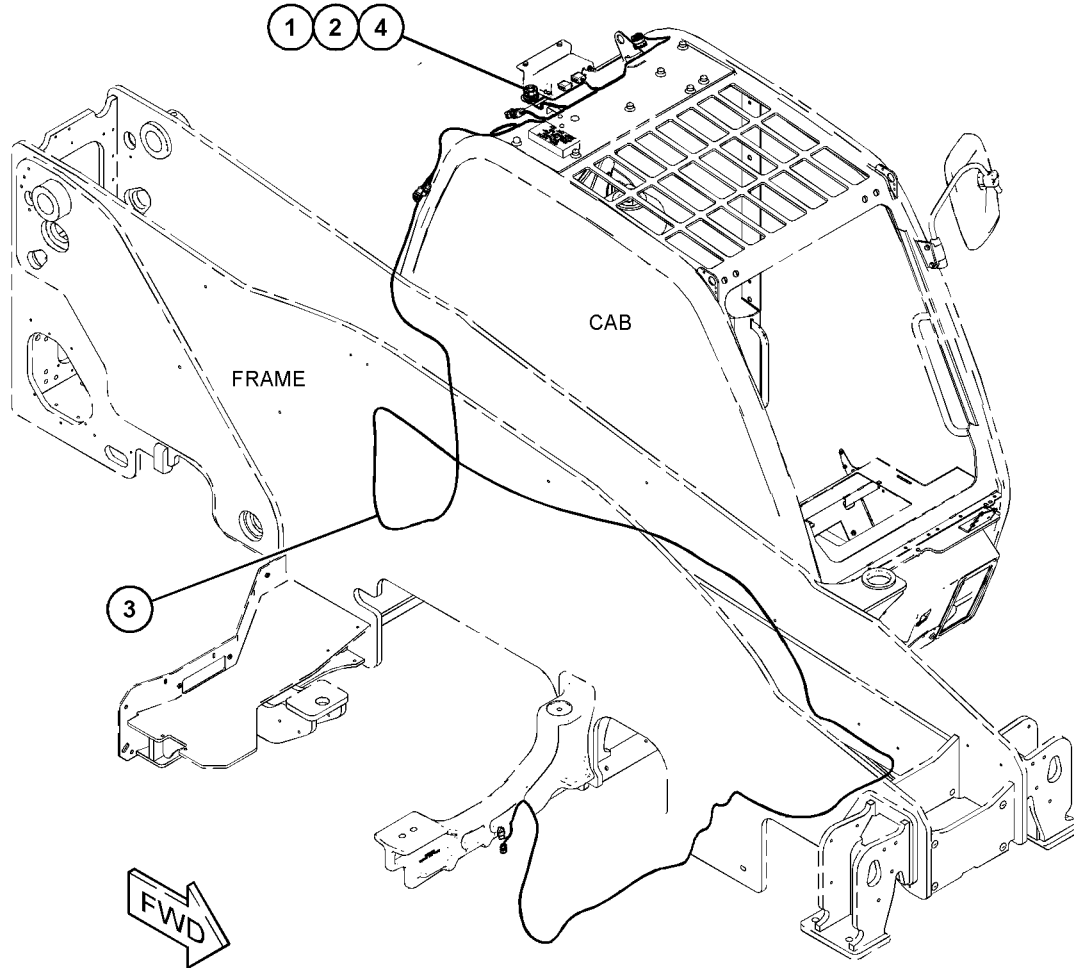
PART OF 523-8303, 523-8305 INSTALLATION AR-COMMUNICATION
AN ATTACHMENT

SMCS-1408

i06895459

NOTE	REF NO	GRAPHIC REF	PART NUMBER	QTY	PART NAME						SEE PAGE
					1	2	3	4	5	6 (PRODUCT LEVEL)	
	1	1	159-9496	1	LOCKWASHER						
	2	1	159-9495	1	NUT (1-1/2-18-THD)						
Y	3	1	501-0350	1	HARNESS AS-CONTROL						434
	4	1	501-1119	1	CAP-DUST						

Y - SEPARATE ILLUSTRATION



GRAPHIC #1

<END>

g06164077

ELECTRICAL AND STARTING SYSTEM

433-4677 WIRING GP-ENGINE

S/N: JKT1-UP

PART OF 464-2307, 464-2308 ENGINE AR-PRIMARY
ALSO AN ATTACHMENT

SMCS-1000, 1408

i06113752

NOTE	REF NO	GRAPHIC REF	PART NUMBER	QTY	PART NAME						SEE PAGE
					1	2	3	4	5	6 (PRODUCT LEVEL)	
M	1	1	6I-0631	2	BOLT (M6X1X12-MM)						
M	2	1	6I-0846	4	BOLT (M6X1X14-MM)						
	3	1	236-5539	1	CLIP						
	4	1	359-6302	1	BRACKET						
	5	1	360-8054	1	BRACKET						
	6	1	361-3488	1	BRACKET AS						
	7	1	362-5031	1	BRACKET						
	8	1	367-6803	2	HARNESS AS-WIRING						
					(EACH INCLUDES)						
		1	323-7347	1	SEAL-O-RING						
		1	332-7865	2	TIE-CABLE						
	9	1	381-9267	1	BRACKET						
	10	1	430-9520	1	BRACKET AS						
Y	11	1	432-5917	1	HARNESS AS-ENGINE						435
M	12	1	6I-0572	1	BOLT (M8X1.25X20-MM)						
M	13	1	232-1693	1	BOLT-FLANGE HEAD (M6X1X35-MM)						
M	14	1	254-3633	2	BOLT-FLANGE HEAD (M6X1X16-MM, SELF LOCKING)						

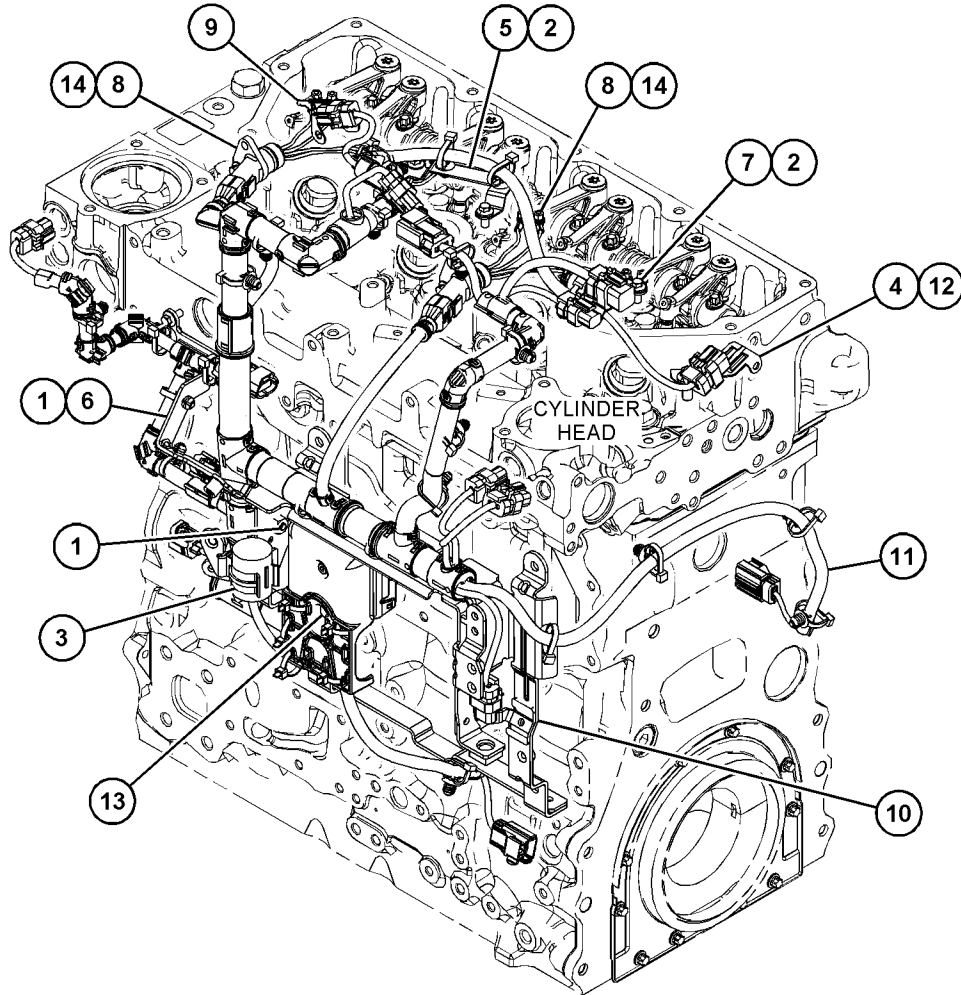
M - METRIC PART

Y - SEPARATE ILLUSTRATION

ELECTRICAL AND STARTING SYSTEM

433-4677 WIRING GP-ENGINE (contd.)

106113752



GRAPHIC #1

<END>

g03698167

ELECTRICAL AND STARTING SYSTEM

443-0632 WIRING GP-ENGINE

S/N: CN51-UP

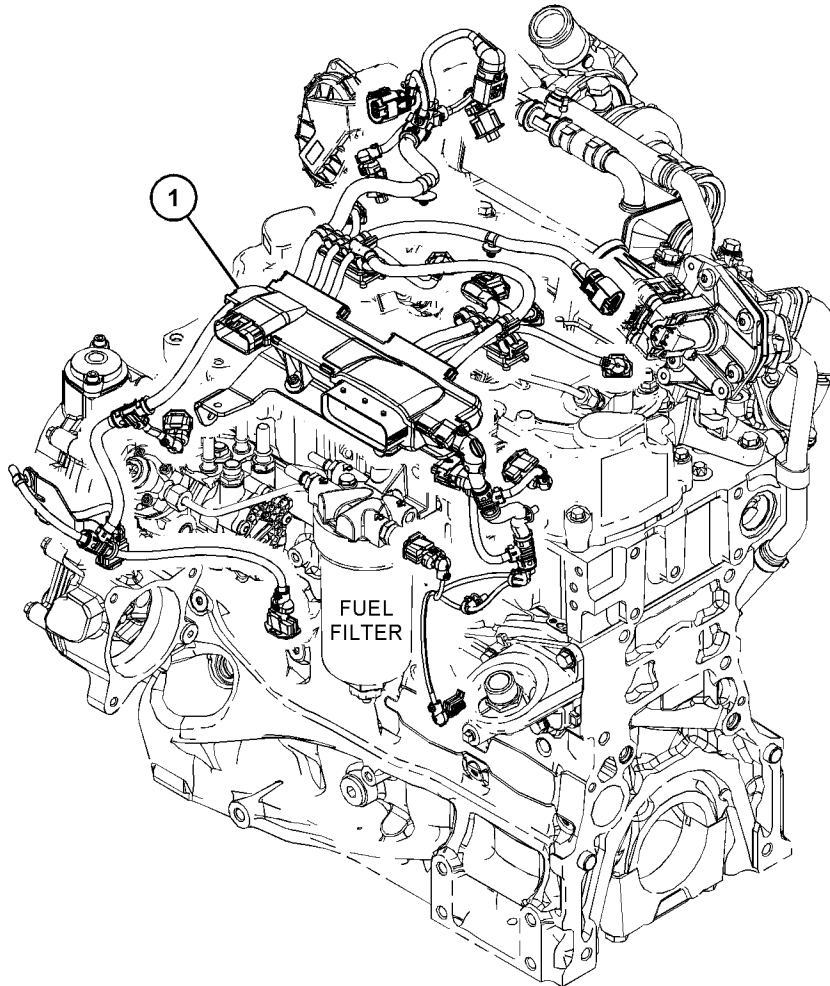
PART OF 465-2880 ENGINE AR-PRIMARY
AN ATTACHMENT

SMCS-1000, 1408

i06945163

NOTE	REF NO	GRAPHIC REF	PART NUMBER	QTY	PART NAME						SEE PAGE
					1	2	3	4	5	6 (PRODUCT LEVEL)	
CY	1	1	511-5488	1	WIRING GP-ENGINE						594

C - CHANGE FROM PREVIOUS TYPE
Y - SEPARATE ILLUSTRATION



GRAPHIC #1

<END>

g06179076

ELECTRICAL AND STARTING SYSTEM

492-2945 WIRING GP-ENGINE

S/N: W231-UP

PART OF 463-8848, 463-8910 ENGINE AR-PRIMARY

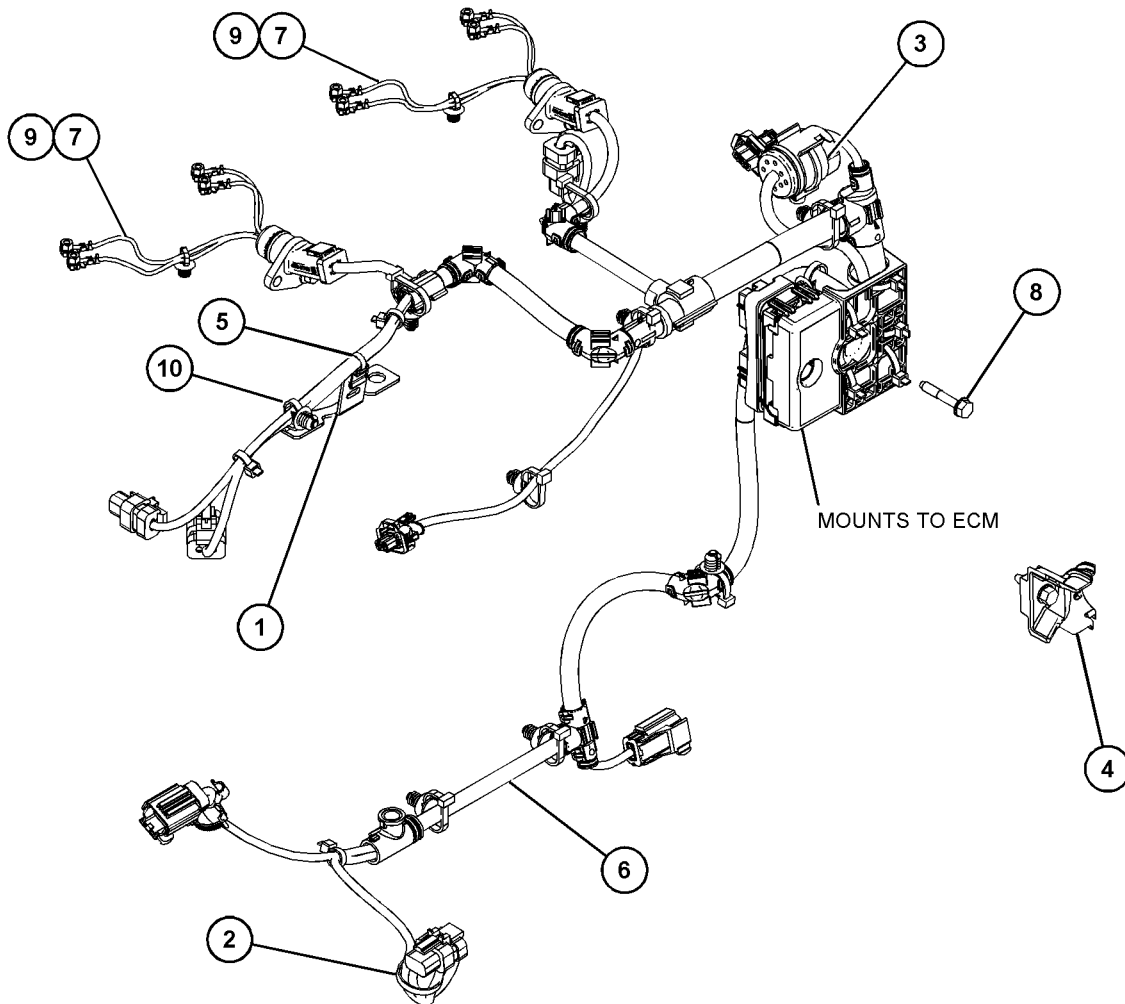
SMCS-1000, 1408

i06621499

NOTE	REF NO	GRAPHIC REF	PART NUMBER	QTY	PART NAME						SEE PAGE
					1	2	3	4	5	6 (PRODUCT LEVEL)	
	1	1	487-6726	1	BRACKET						
	2	1	217-9039	1	STRAP-CABLE						
	3	1	236-5539	1	CLIP						
	4	1	268-6677	1	BRACKET AS						
M		1	260-3939	1	SCREW-HEX HEAD (M6X1X25-MM)						
	5	1	396-5615	1	MOUNT						
Y	6	1	448-0757	1	HARNESS AS-WIRING (POWER)						457
	7	1	458-3745	2	HARNESS AS-PLATFORM						
					(EACH INCLUDES)						
		1	323-7347	4	SEAL-O-RING						
		1	332-7865	1	TIE-CABLE						
M	8	1	232-1693	1	BOLT-FLANGE HEAD (M6X1X35-MM)						
M	9	1	254-3633	2	BOLT-FLANGE HEAD (M6X1X16-MM, SELF LOCKING)						
	10	1	316-9351	1	MOUNTING-CABLE TIE						

M - METRIC PART

Y - SEPARATE ILLUSTRATION



GRAPHIC #1

<END>

g06077692

ELECTRICAL AND STARTING SYSTEM

511-5488 WIRING GP-ENGINE

S/N: CN51-UP

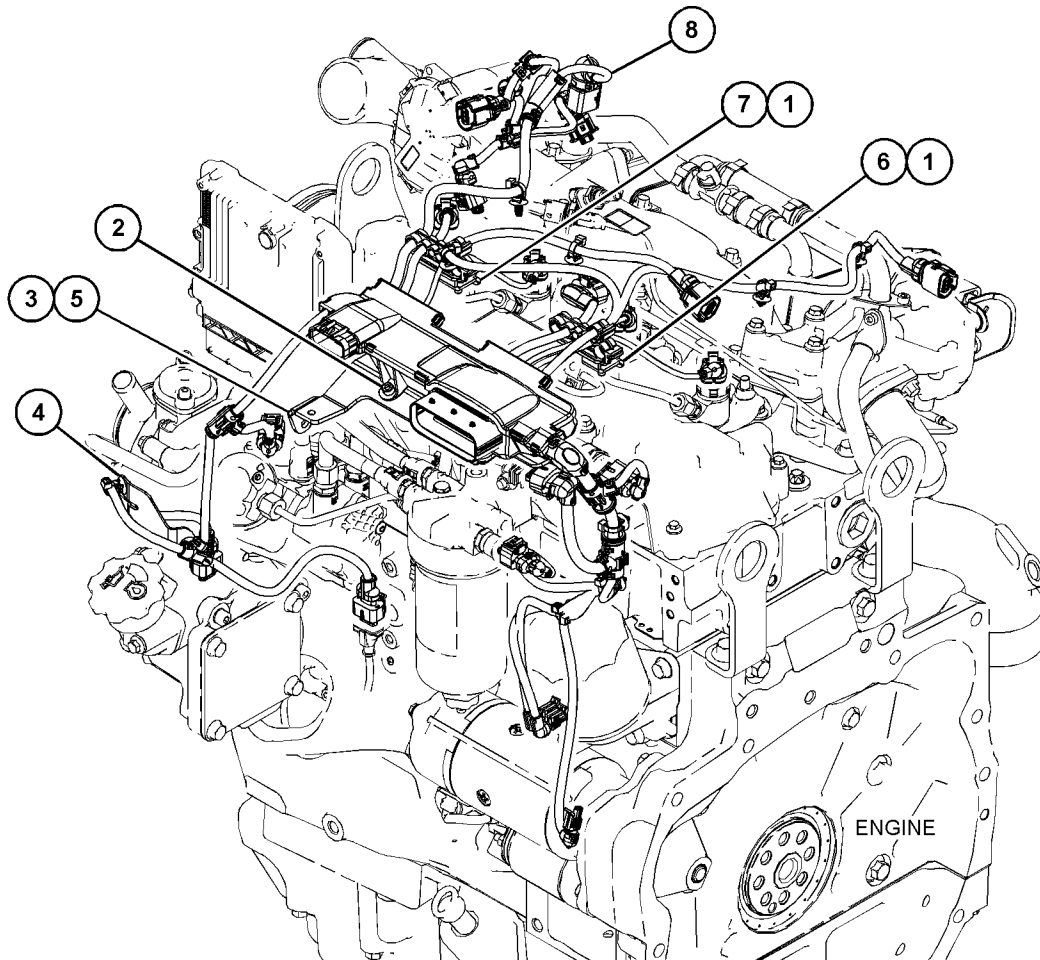
PART OF 443-0632 WIRING GP-ENGINE
AN ATTACHMENT

SMCS-1000, 1408

i07639005

NOTE	REF NO	GRAPHIC REF	PART NUMBER	QTY	PART NAME						SEE PAGE
					1	2	3	4	5	6	
M	1	1	6I-0846	2	BOLT (M6X1X14-MM)						
	2	1	386-3036	1	SCREW (SPECIAL)						
	3	1	389-1874	3	BOLT-SPECIAL						
	4	1	419-8715	1	BRACKET						
	5	1	463-8785	1	BRACKET AS						
	6	1	463-8787	1	BRACKET						
	7	1	463-8791	1	BRACKET						
	8	1	564-2623	1	HARNES AS-ENGINE						

M - METRIC PART



GRAPHIC #1

<END>

g06386325

ELECTRICAL AND STARTING SYSTEM

516-1390 WIRING GP-ENGINE

S/N: TH91-UP

PART OF 518-5879 INSTALLATION AR-ENGINE
AN ATTACHMENT

SMCS-1000, 1408

i07503410

NOTE	REF NO	GRAPHIC REF	PART NUMBER	QTY	PART NAME						SEE PAGE
					1	2	3	4	5	6 (PRODUCT LEVEL)	
M	1	1,2	8T-4971	8	BOLT (M6X1X30-MM)						
M	2	2	7X-2534	2	BOLT (M6X1X50-MM)						
M	3	1	8T-6912	4	BOLT (M8X1.25X50-MM)						
M	4	2	8T-4138	2	BOLT (M6X1X20-MM)						
M	6	2	8T-4200	3	BOLT (M8X1.25X16-MM)						
M	7	1,2	8T-4189	4	BOLT (M8X1.25X20-MM)						
M	8	2	8T-4137	5	BOLT (M10X1.5X20-MM)						
M	9	2	8T-4136	3	BOLT (M10X1.5X25-MM)						
M	10	1	8T-4139	1	BOLT (M12X1.75X30-MM)						
M	11	1	3T-0852	2	LOCKNUT (M8X1.25-THD)						
M	12	2	494-8824	1	BOLT-SOCKET HEAD (M2.5X0.45X8-MM)						
M	13	2	311-5307	3	SCREW-BUTTON HEAD (M6X1X16-MM)						
M	14	2	096-4833	5	BOLT-SOCKET HEAD (M5X0.8X20-MM)						
	15	2	8T-4205	8	WASHER-HARD (7.2X14.5X2-MM THK)						
	16	1,2	8T-4224	11	WASHER-HARD (8.8X16X2-MM THK)						
	17	2	8T-4121	8	WASHER-HARD (11X21X2.5-MM THK)						
	18	1	8T-4223	1	WASHER-HARD (13.5X25.5X3-MM THK)						
	19	2	304-2604	5	WASHER (3.1X6.2X0.8-IN THK)						
	20	2	303-4787	2	WASHER (6.1X11.8X1.6-MM THK)						
	21	2	464-1257	1	CLIP						
	22	2	132-5789	8	CLIP (LADDER)						
	23	2	484-9819	1	SWITCH (DISCONNECT)						
	24	1,2	4P-7428	4	CLIP (LADDER)						
	25	2	100-4336	1	CLIP (LOOP)						
	26	2	481-1051	1	FUSE AS (POWER MODULE)						
		2	339-6361	2	FUSE (40-AMPERE)						
	27	2	275-0553	1	BAR-BUS						
	28	2	398-2026	3	TIE-CABLE						
	29	1,2	455-3027	26	TIE-CABLE						
Y	30	1	474-9674	1	CONTROL GP-ELECTRONIC (POWER DISTRIBUTION)						418
	31	1	473-8975	2	MOUNT						
	32	2	473-9371	1	LAMP (12-VOLT) (LED)						
	33	2	481-1052	3	MOUNT						
	34	1	499-4251	1	CABLE (2-GA, RED)						
	35	1	499-4250	1	CABLE						
	36	1	499-4249	1	CABLE (03-GA, BLACK)						
	37	2	499-4248	1	CABLE (02-GA, BLACK)						
	38	2	481-1053	1	PLATE AS						
	39	1	499-4242	1	CABLE (03-GA, RED)						
Y	40	1	499-4244	1	HARNESS AS-ENGINE						436
Y	41	1	499-4245	1	HARNESS AS-ENGINE (CHASSIS)						440
	42	2	494-9551	1	PLATE						
	43	2	481-1056	1	FUSE AS (POWER MODULE)						
		2	339-6363	1	FUSE (60-AMPERE)						
	44	2	481-7718	1	BRACKET AS						
	45	2	483-6606	1	TERMINAL (BATTERY)						

ELECTRICAL AND STARTING SYSTEM

516-1390 **WIRING GP-ENGINE** (contd.)

i07503410

NOTE	REF NO	GRAPHIC REF	PART NUMBER	QTY	PART NAME						SEE PAGE
					1	2	3	4	5	6 (PRODUCT LEVEL)	
	46	1	499-4240	1	CABLE						
	47	2	375-1424	1	PLUG-GLOW						
	48	2	499-4234	2	BRACKET						
	49	1	499-4229	1	BRACKET						
	50	1	516-1396	1	CONTROL GP-ELECTRONIC (REAR FRAME)						
	51	1	516-1397	1	CONTROL GP-ELECTRONIC (FRONT FRAME)						
	52	1,2	3S-2093	24	STRAP-CABLE						
	53	1	9X-7345	1	GROMMET						
	54	1	499-4247	1	CABLE (2-GA, RED)						
	55	1	499-4241	1	CABLE (03-GA, BLACK)						
	56	1	499-4243	1	CABLE (03-GA, RED)						
	57	2	7K-1181	11	STRAP-CABLE						
	58	2	323-7231	3	TIE-CABLE						
	59	1	5Y-2425	4	WASHER (6.5X17.5X1.5-MM THK)						
	60	2	327-5266	1	COIL (FERRITE)						

M - METRIC PART

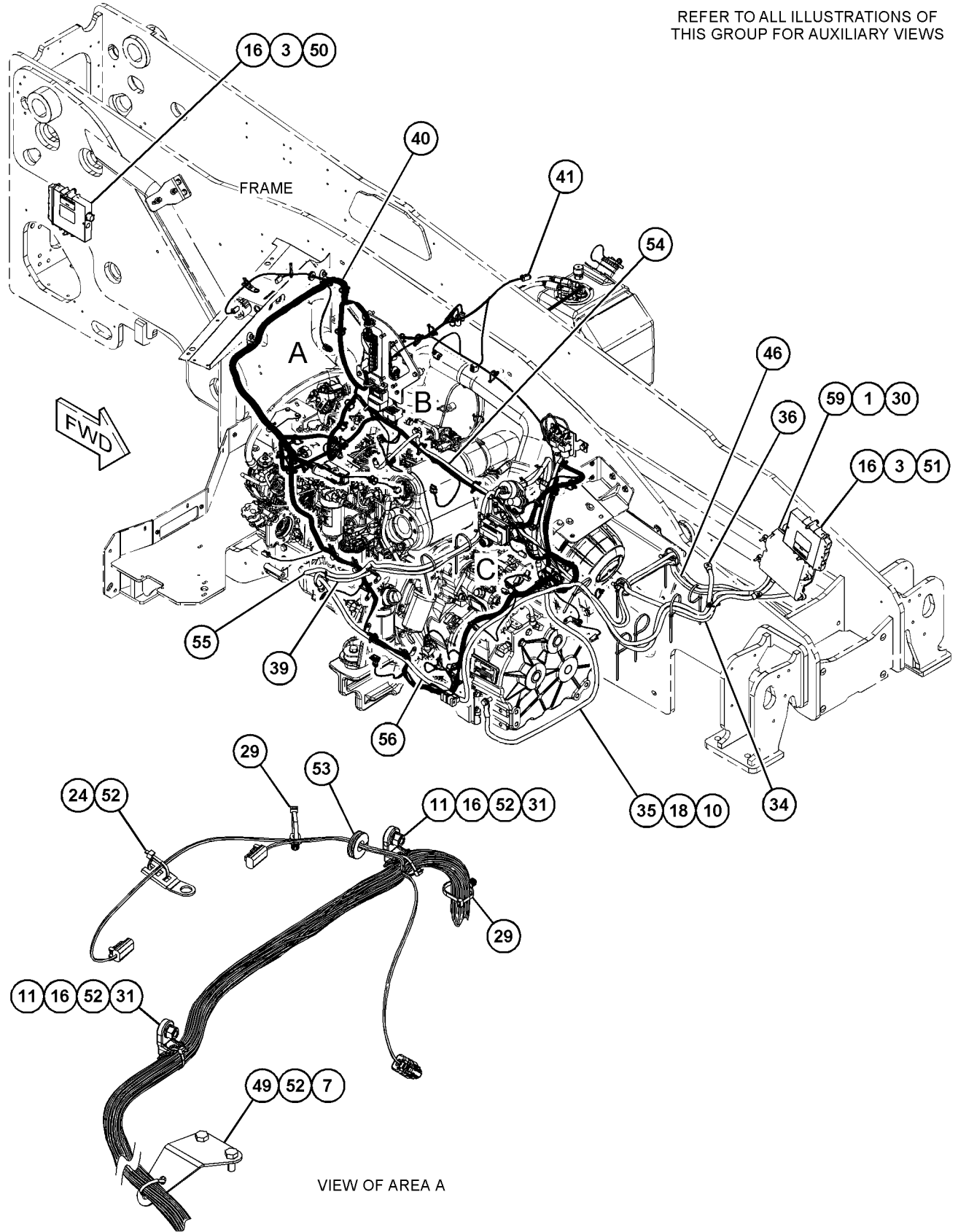
Y - SEPARATE ILLUSTRATION

ELECTRICAL AND STARTING SYSTEM

516-1390 WIRING GP-ENGINE (contd.)

107503410

REFER TO ALL ILLUSTRATIONS OF THIS GROUP FOR AUXILIARY VIEWS



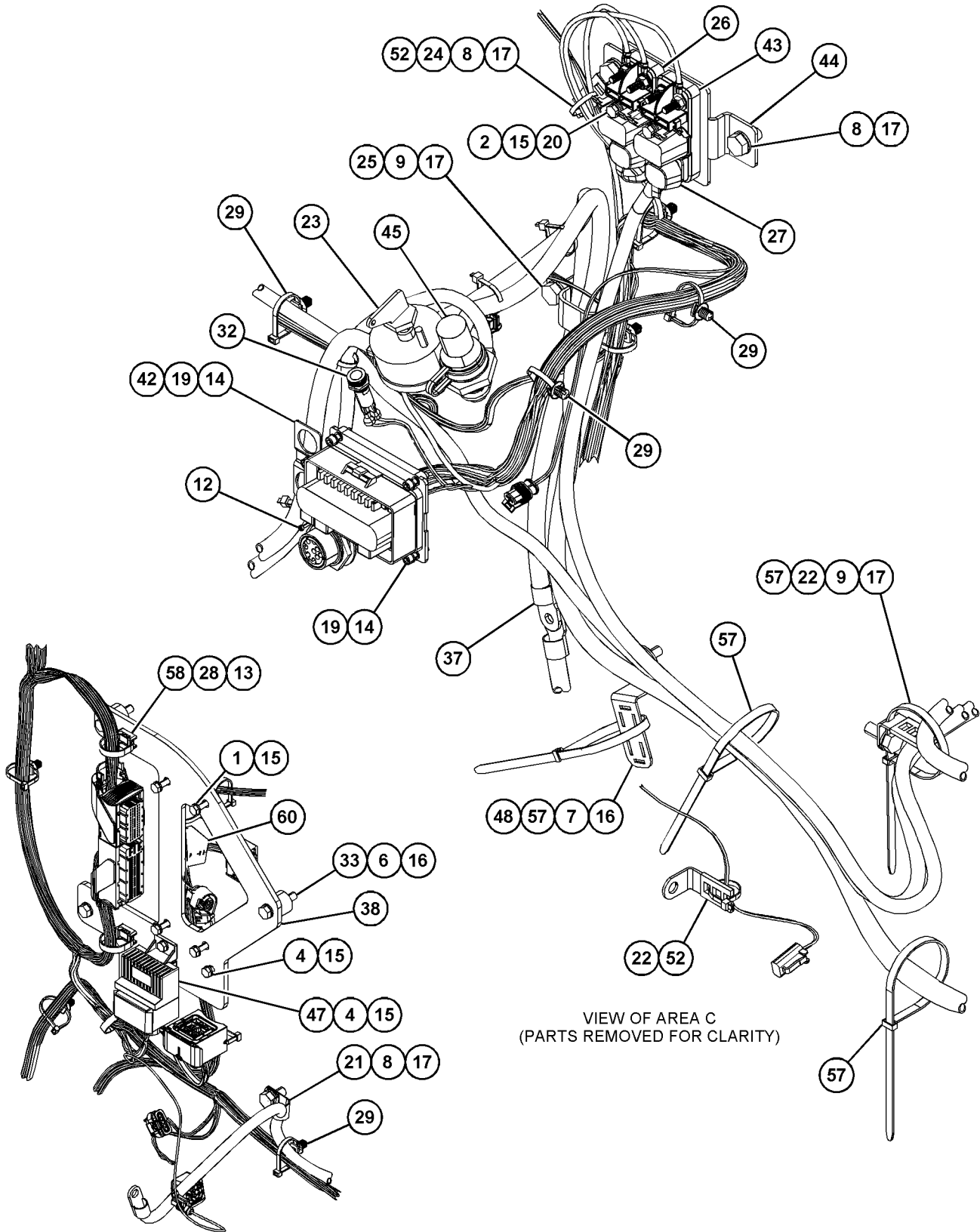
GRAPHIC #1

g06373511

ELECTRICAL AND STARTING SYSTEM

516-1390 WIRING GP-ENGINE (contd.)

i07503410



VIEW OF AREA B
(PARTS REMOVED FOR CLARITY)

VIEW OF AREA C
(PARTS REMOVED FOR CLARITY)

GRAPHIC #2

<END>

g06373522

ELECTRICAL AND STARTING SYSTEM

516-1391 WIRING GP-ENGINE

S/N: TH91-UP; JKT1-UP

PART OF 518-5880, 523-1977 INSTALLATION AR-ENGINE
AN ATTACHMENT

SMCS-1000, 1408

i06893916

NOTE	REF NO	GRAPHIC REF	PART NUMBER	QTY	PART NAME						SEE PAGE
					1	2	3	4	5	6 (PRODUCT LEVEL)	
M	1	2	8T-4138	2	BOLT (M6X1X20-MM)						
M	2	1	8T-4971	4	BOLT (M6X1X30-MM)						
M	3	2	7X-2534	1	BOLT (M6X1X50-MM)						
M	4	1	8T-6912	4	BOLT (M8X1.25X50-MM)						
M	5	2	8T-4189	3	BOLT (M8X1.25X20-MM)						
M	6	2	8T-4137	4	BOLT (M10X1.5X20-MM)						
M	7	2	8T-4136	5	BOLT (M10X1.5X25-MM)						
	8	2	7K-1181	12	STRAP-CABLE						
M	9	1	309-9184	1	LOCKNUT (M8X1.25-THD)						
M	10	2	494-8824	1	BOLT-SOCKET HEAD (M2.5X0.45X8-MM)						
M	11	2	455-2256	5	BOLT-SOCKET HEAD (M5X0.8X20-MM)						
	12	2	8T-4205	1	WASHER-HARD (7.2X14.5X2-MM THK)						
	13	1,2	8T-4224	8	WASHER-HARD (8.8X16X2-MM THK)						
	14	2	8T-4121	9	WASHER-HARD (11X21X2.5-MM THK)						
	15	2	304-2604	5	WASHER (3.1X6.2X0.8-IN THK)						
	16	1,2	303-4787	5	WASHER (6.1X11.8X1.6-MM THK)						
	17	2	477-0655	2	WASHER (7.3X13.6X4-MM THK)						
	18	2	464-1257	1	CLIP						
	19	2	132-5789	6	CLIP (LADDER)						
	20	1,2	3S-2093	20	STRAP-CABLE						
Y	21	2	7N-0718	1	SWITCH GP-DISCONNECT (BATTERY)						564
	22	1	9X-7345	1	GROMMET						
	23	1,2	4P-7428	2	CLIP (LADDER)						
	24	2	100-4336	1	CLIP (LOOP)						
	25	2	459-8801	1	RELAY (12-VOLT, 200-AMPERE)						
	26	2	481-1051	1	FUSE AS (POWER MODULE)						
	27	1,2	455-3027	28	TIE-CABLE						
Y	28	1	474-9674	1	CONTROL GP-ELECTRONIC (POWER DISTRIBUTION)						418
	29	1	473-8975	1	MOUNT						
	30	2	473-9371	1	LAMP (12-VOLT)						
	31	1	499-4251	1	CABLE (2-GA, RED)						
	32	1	500-2294	1	CABLE (2-GA, RED)						
	33	1	499-4249	1	CABLE (03-GA, BLACK)						
	34	2	499-4248	1	CABLE (02-GA, BLACK)						
	35	1	499-4247	1	CABLE (2-GA, RED)						
	36	1	499-4241	1	CABLE (03-GA, BLACK)						
	37	1	499-4242	1	CABLE (03-GA, RED)						
	38	1	499-4243	1	CABLE (03-GA, RED)						
	39	2	500-2296	1	CABLE (2-GA, RED)						
Y	40	1	500-3150	1	HARNESS AS-ENGINE						443
Y	41	1	500-3152	1	HARNESS AS-ENGINE						444
	42	2	500-2297	1	CABLE (02-GA, BLACK)						
	43	2	494-9551	1	PLATE						
	44	2	481-7718	1	BRACKET AS						
	45	2	483-6606	1	TERMINAL						
	46	2	484-1801	2	PLATE						

ELECTRICAL AND STARTING SYSTEM

516-1391 **WIRING GP-ENGINE** (contd.)

i06893916

NOTE	REF NO	GRAPHIC REF	PART NUMBER	QTY	PART NAME						SEE PAGE
					1	2	3	4	5	6 (PRODUCT LEVEL)	
	47	1	499-4240	1	CABLE						
	48	2	499-4234	3	BRACKET						
	49	1	516-1396	1	CONTROL GP-ELECTRONIC (REAR FRAME)						
	50	1	516-1397	1	CONTROL GP-ELECTRONIC (FRONT FRAME)						

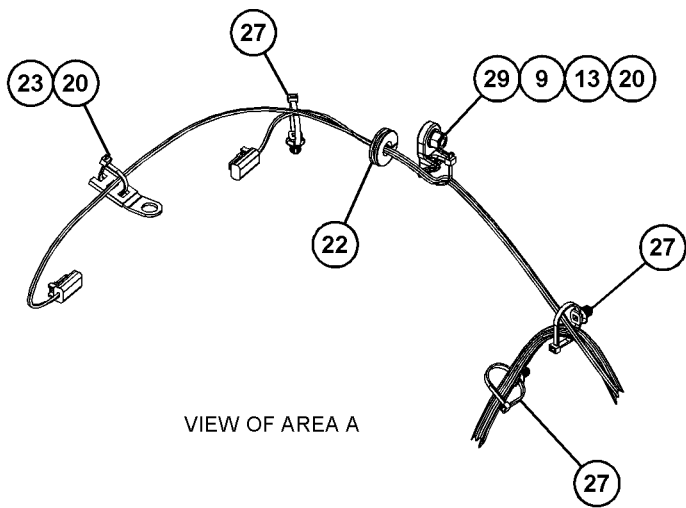
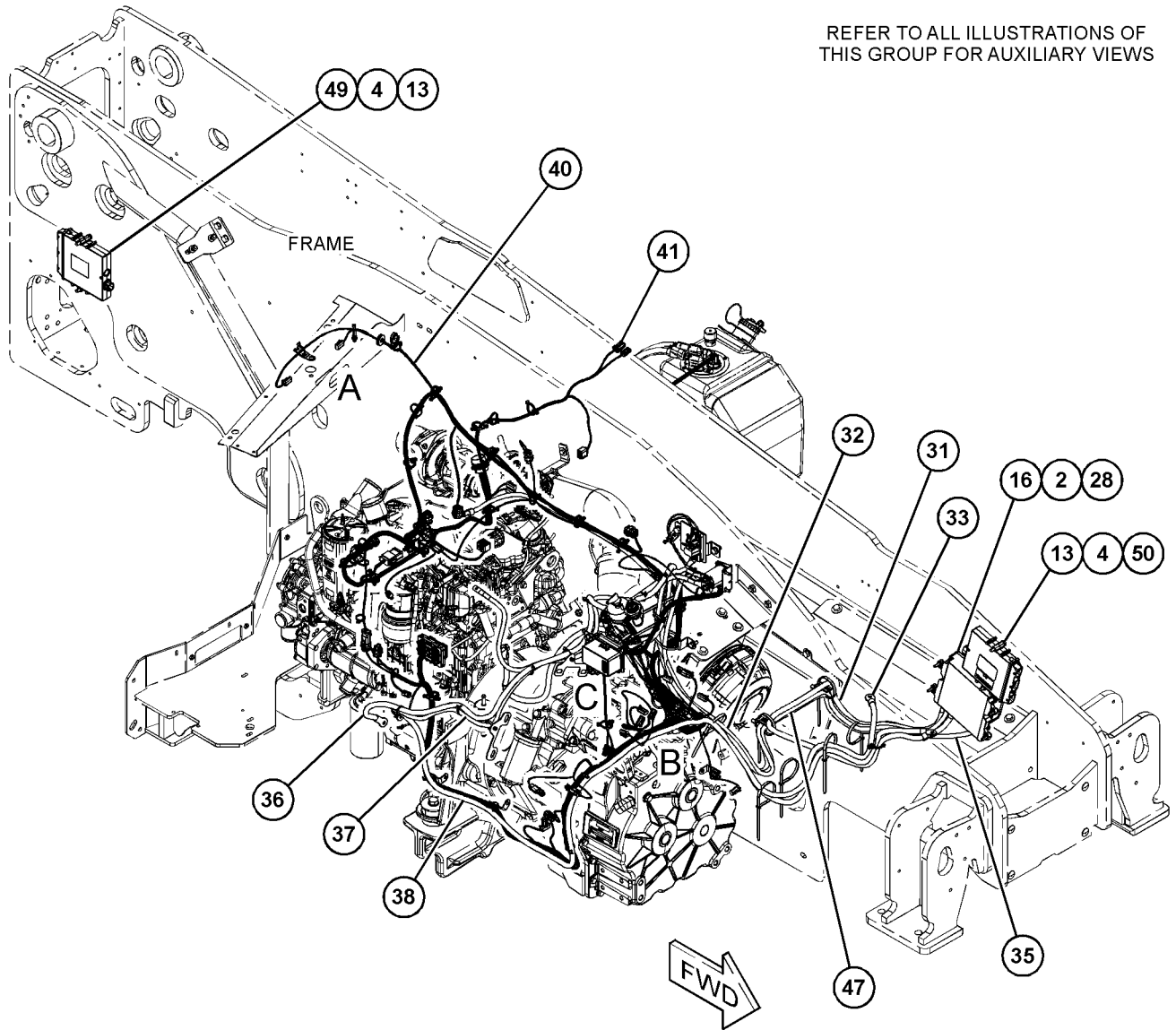
M - METRIC PART
Y - SEPARATE ILLUSTRATION

ELECTRICAL AND STARTING SYSTEM

516-1391 WIRING GP-ENGINE (contd.)

106893916

REFER TO ALL ILLUSTRATIONS OF THIS GROUP FOR AUXILIARY VIEWS



VIEW OF AREA A

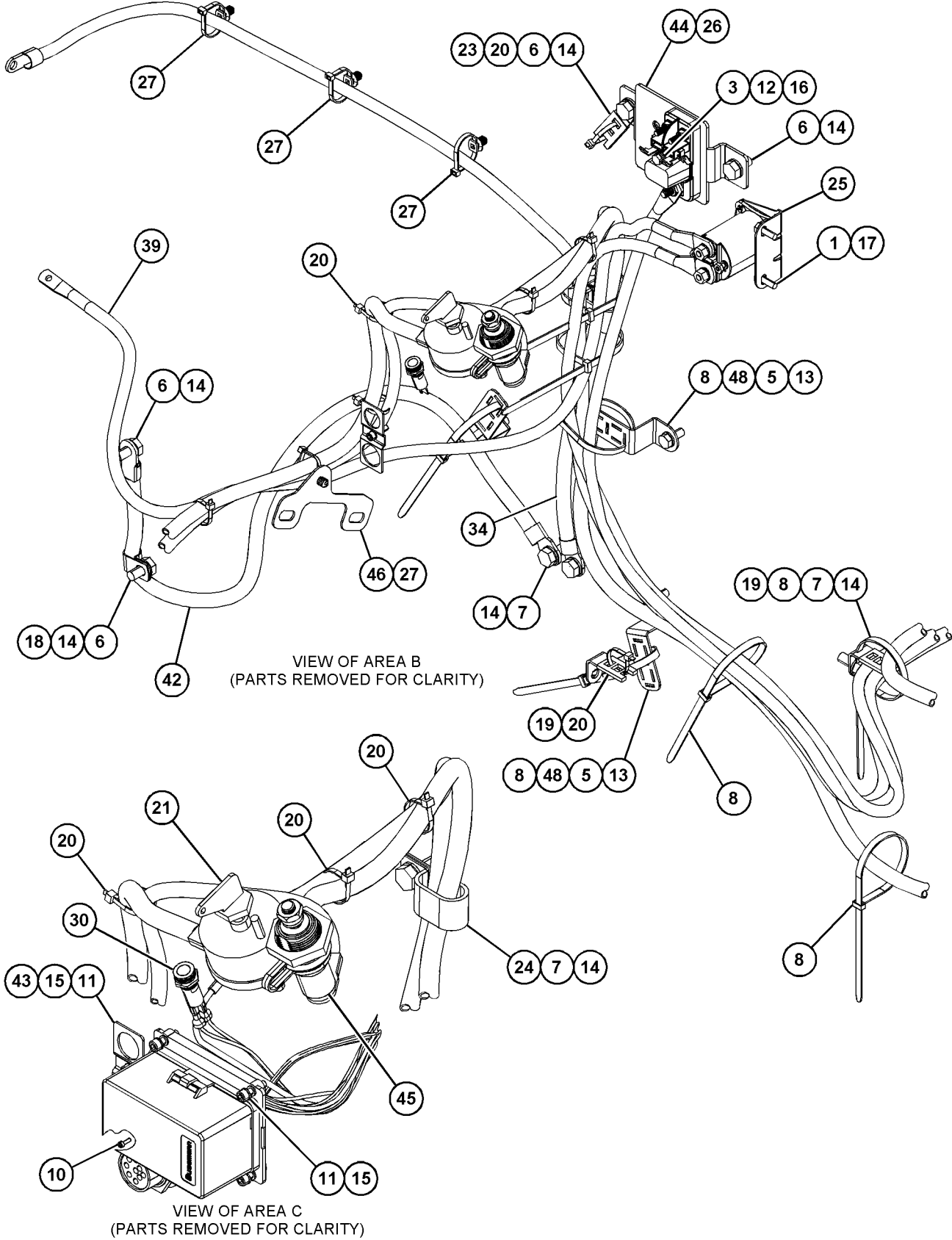
GRAPHIC #1

g06165344

ELECTRICAL AND STARTING SYSTEM

516-1391 WIRING GP-ENGINE (contd.)

i06893916



GRAPHIC #2

<END>

g06165345

ELECTRICAL AND STARTING SYSTEM

516-1391 WIRING GP-ENGINE

S/N: TH41-UP; TH91-UP

PART OF 518-5880, 523-1977 INSTALLATION AR-ENGINE
AN ATTACHMENT

SMCS-1000, 1408

i07694060

NOTE	REF NO	GRAPHIC REF	PART NUMBER	QTY	PART NAME						SEE PAGE
					1	2	3	4	5	6 (PRODUCT LEVEL)	
M	1	3	8T-4138	2	BOLT (M6X1X20-MM)						
M	2	2	8T-4971	4	BOLT (M6X1X30-MM)						
M	3	3	7X-2534	1	BOLT (M6X1X50-MM)						
M	4	1,2	8T-6912	4	BOLT (M8X1.25X50-MM)						
M	5	3	8T-4189	3	BOLT (M8X1.25X20-MM)						
M	6	3	8T-4137	4	BOLT (M10X1.5X20-MM)						
M	7	3	8T-4136	5	BOLT (M10X1.5X25-MM)						
	8	2,3	7K-1181	12	STRAP-CABLE						
M	9	1	3T-0852	1	LOCKNUT (M8X1.25-THD)						
M	10	2	494-8824	1	BOLT-SOCKET HEAD (M2.5X0.45X8-MM)						
M	11	2	096-4833	5	BOLT-SOCKET HEAD (M5X0.8X20-MM)						
	12	3	8T-4205	1	WASHER-HARD (7.2X14.5X2-MM THK)						
	13	1,2,3	8T-4224	8	WASHER-HARD (8.8X16X2-MM THK)						
	14	3	8T-4121	9	WASHER-HARD (11X21X2.5-MM THK)						
	15	2	304-2604	5	WASHER (3.1X6.2X0.8-IN THK)						
C	16	3	303-4787	1	WASHER (6.1X11.8X1.6-MM THK)						
	17	3	477-0655	2	WASHER (7.3X13.6X4-MM THK)						
	18	3	464-1257	1	CLIP						
	19	2,3	132-5789	6	CLIP (LADDER)						
	20	1,2,3	3S-2093	20	STRAP-CABLE						
C	21	3	484-9819	1	SWITCH (DISCONNECT)						
	22	1	9X-7345	1	GROMMET						
	23	1,3	4P-7428	2	CLIP (LADDER)						
	24	3	100-4336	1	CLIP (LOOP)						
	25	3	459-8801	1	RELAY (12-VOLT, 200-AMPERE) (GLOW PLUG)						
	26	3	481-1051	1	FUSE AS (POWER MODULE)						
		3	339-6361	2	FUSE (40-AMPERE)						
	27	1,2	455-3027	28	TIE-CABLE						
Y	28	2	474-9674	1	CONTROL GP-ELECTRONIC (POWER DISTRIBUTION)						418
	29	1	473-8975	1	MOUNT						
	30	2	473-9371	1	LAMP (12-VOLT) (LED)						
	31	2	499-4251	1	CABLE (2-GA, RED)						
	32	3	500-2294	1	CABLE (2-GA, RED)						
	33	3	499-4249	1	CABLE (03-GA, BLACK)						
	34	3	499-4248	1	CABLE (02-GA, BLACK)						
	35	1	499-4247	1	CABLE (2-GA, RED)						
	36	2	499-4241	1	CABLE (03-GA, BLACK)						
	37	2	499-4242	1	CABLE (03-GA, RED)						
	38	2	499-4243	1	CABLE (03-GA, RED)						
	39	2	500-2296	1	CABLE (2-GA, RED)						
Y	40	1	500-3150	1	HARNESS AS-ENGINE						443
Y	41	1	500-3152	1	HARNESS AS-ENGINE						444
	42	3	500-2297	1	CABLE (02-GA, BLACK)						
	43	2	494-9551	1	PLATE						
	44	3	481-7718	1	BRACKET AS						
	45	3	483-6606	1	TERMINAL						

ELECTRICAL AND STARTING SYSTEM

516-1391 **WIRING GP-ENGINE** (contd.)

i07694060

NOTE	REF NO	GRAPHIC REF	PART NUMBER	QTY	PART NAME						SEE PAGE
					1	2	3	4	5	6 (PRODUCT LEVEL)	
	46	2	484-1801	2	PLATE						
	47	3	499-4240	1	CABLE						
	48	3	499-4234	3	BRACKET						
	49	1	516-1396	1	CONTROL GP-ELECTRONIC (REAR FRAME)						
	50	2	516-1397	1	CONTROL GP-ELECTRONIC (FRONT FRAME)						
C	51	2	5W-1417	4	WASHER (6.4X18X1.6-MM THK)						

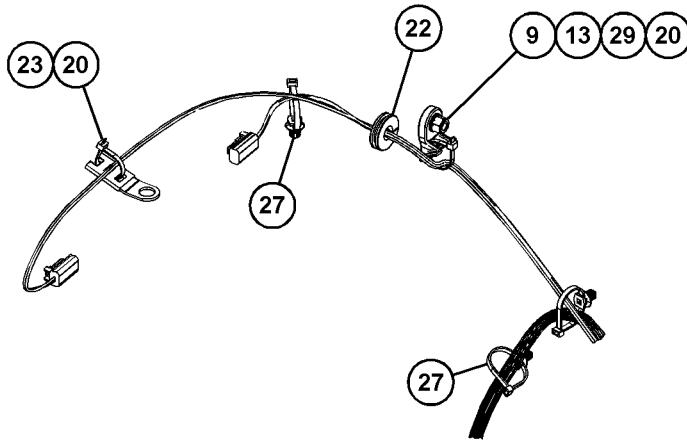
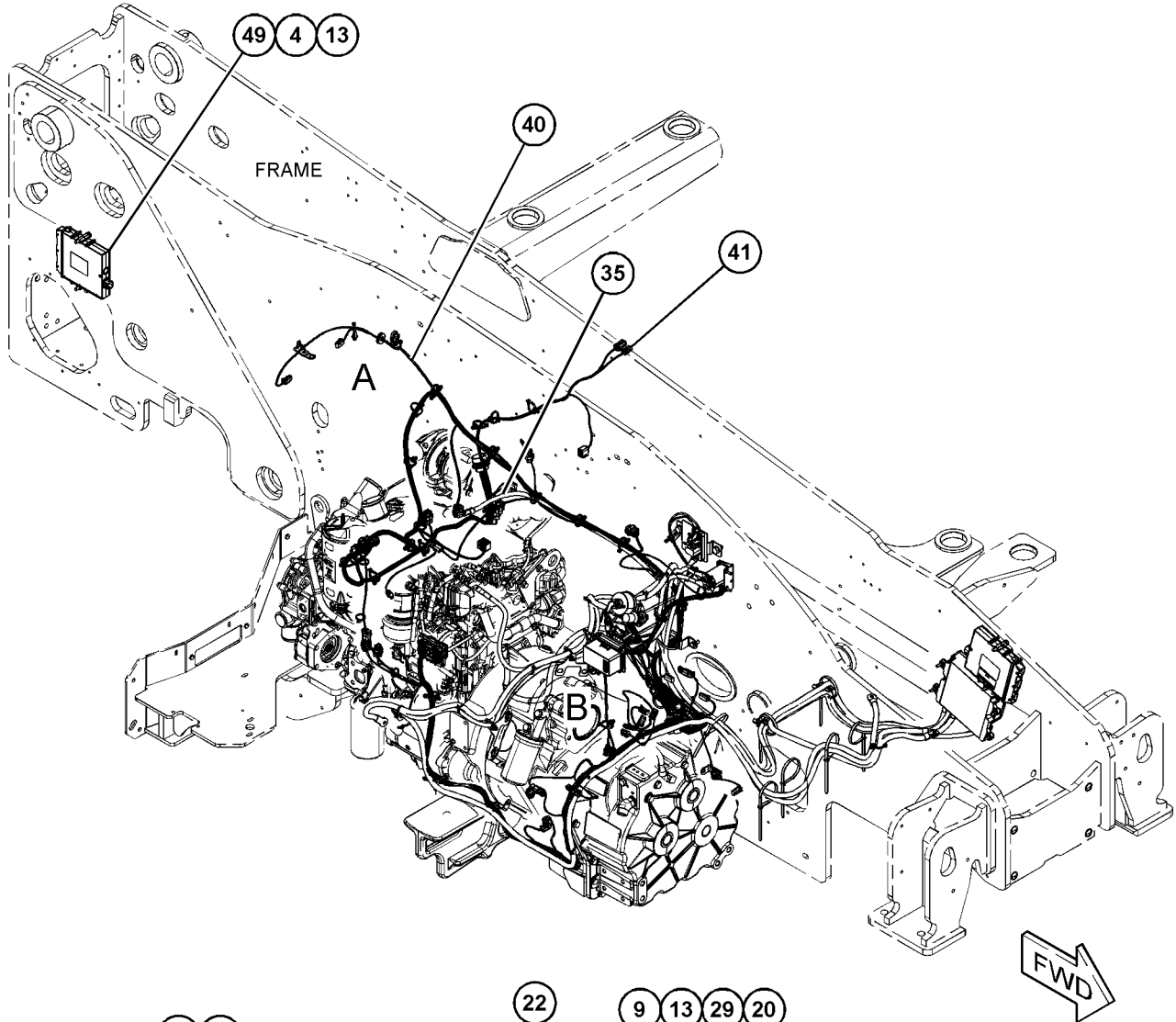
C - CHANGE FROM PREVIOUS TYPE
M - METRIC PART
Y - SEPARATE ILLUSTRATION

ELECTRICAL AND STARTING SYSTEM

516-1391 WIRING GP-ENGINE (contd.)

107694060

REFER TO ALL ILLUSTRATIONS OF THIS GROUP FOR AUXILIARY VIEWS



VIEW OF AREA A

GRAPHIC #1

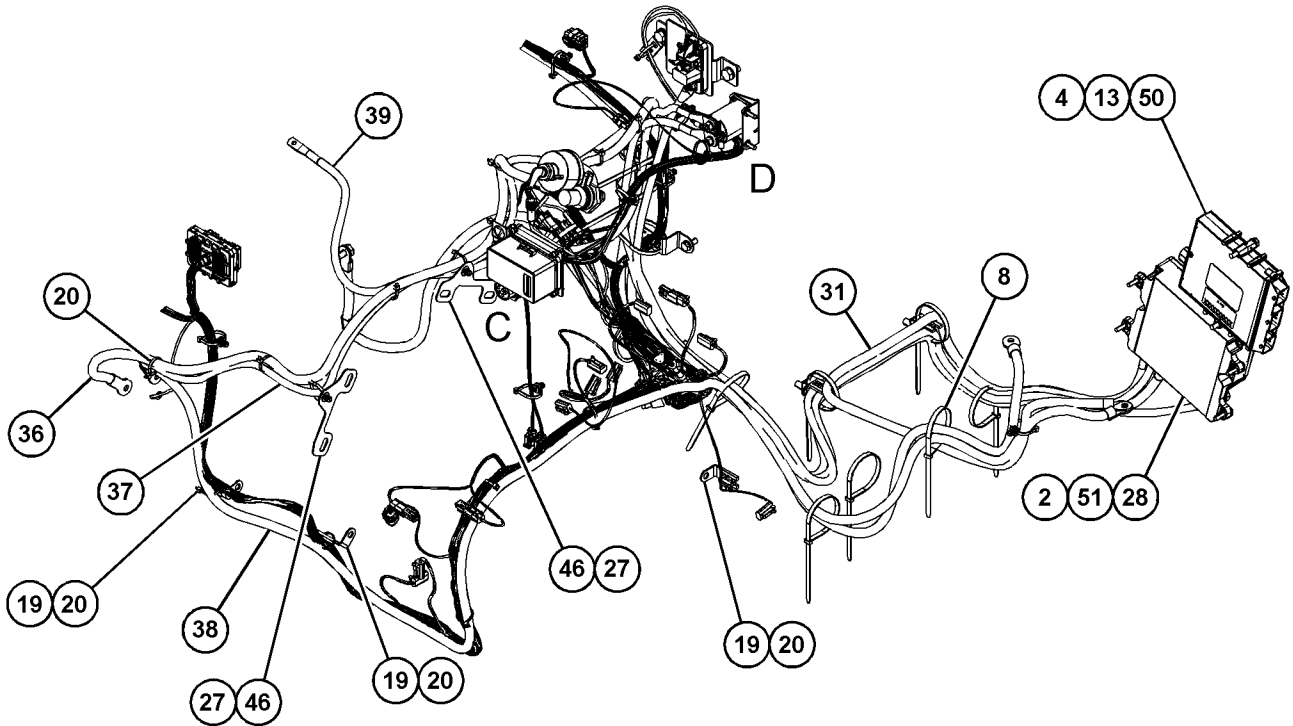
g06476029

ELECTRICAL AND STARTING SYSTEM

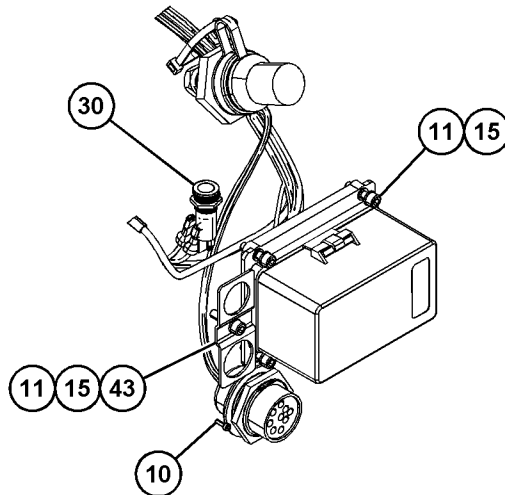
516-1391 WIRING GP-ENGINE (contd.)

i07694060

REFER TO ALL ILLUSTRATIONS OF THIS GROUP FOR AUXILIARY VIEWS



VIEW OF AREA B



VIEW OF AREA C



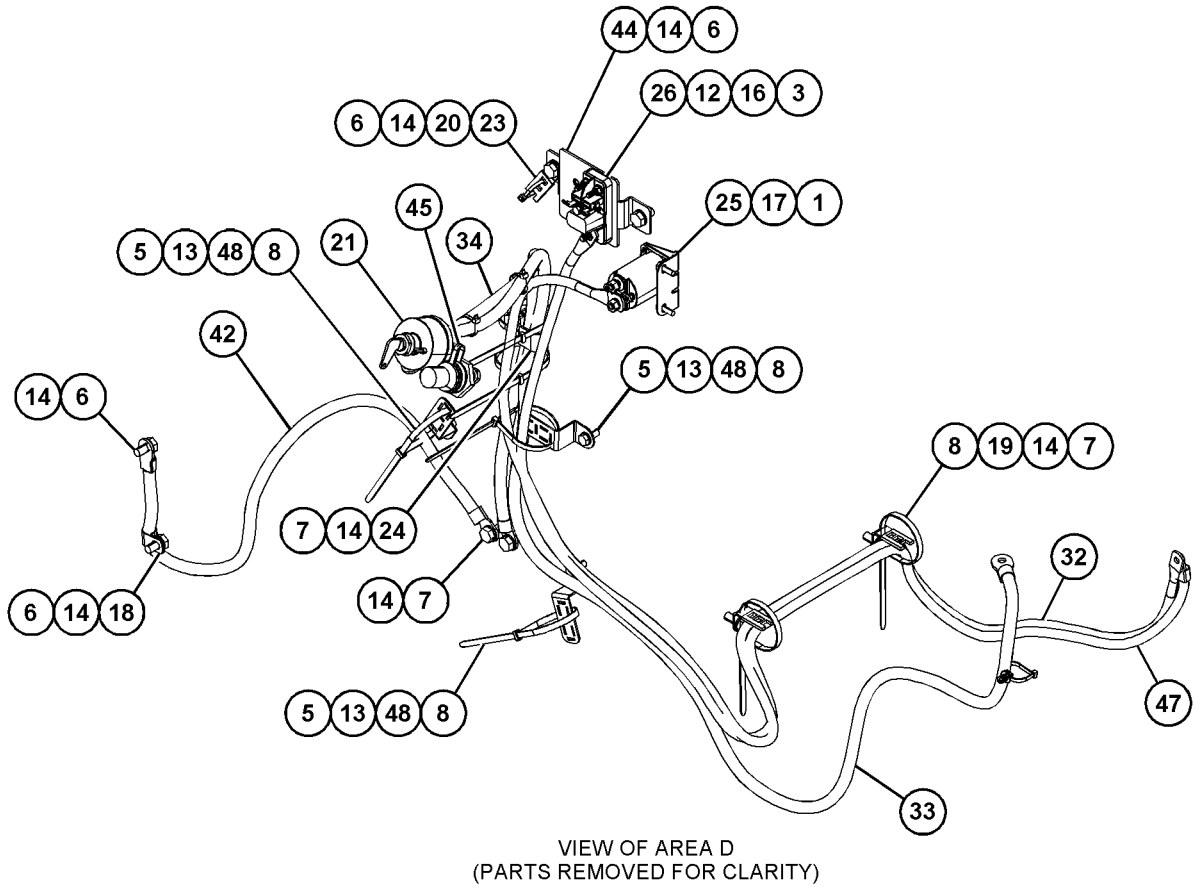
GRAPHIC #2

g06447431

ELECTRICAL AND STARTING SYSTEM

516-1391 WIRING GP-ENGINE (contd.)

107694060



GRAPHIC #3

<END>

g06447432

ELECTRICAL AND STARTING SYSTEM

516-1392 WIRING GP-ENGINE

S/N: TH41-UP; TH91-UP

PART OF 518-5955, 523-2012 INSTALLATION AR-ENGINE

AN ATTACHMENT

TYPE 1

SMCS-1000, 1408

i06895427

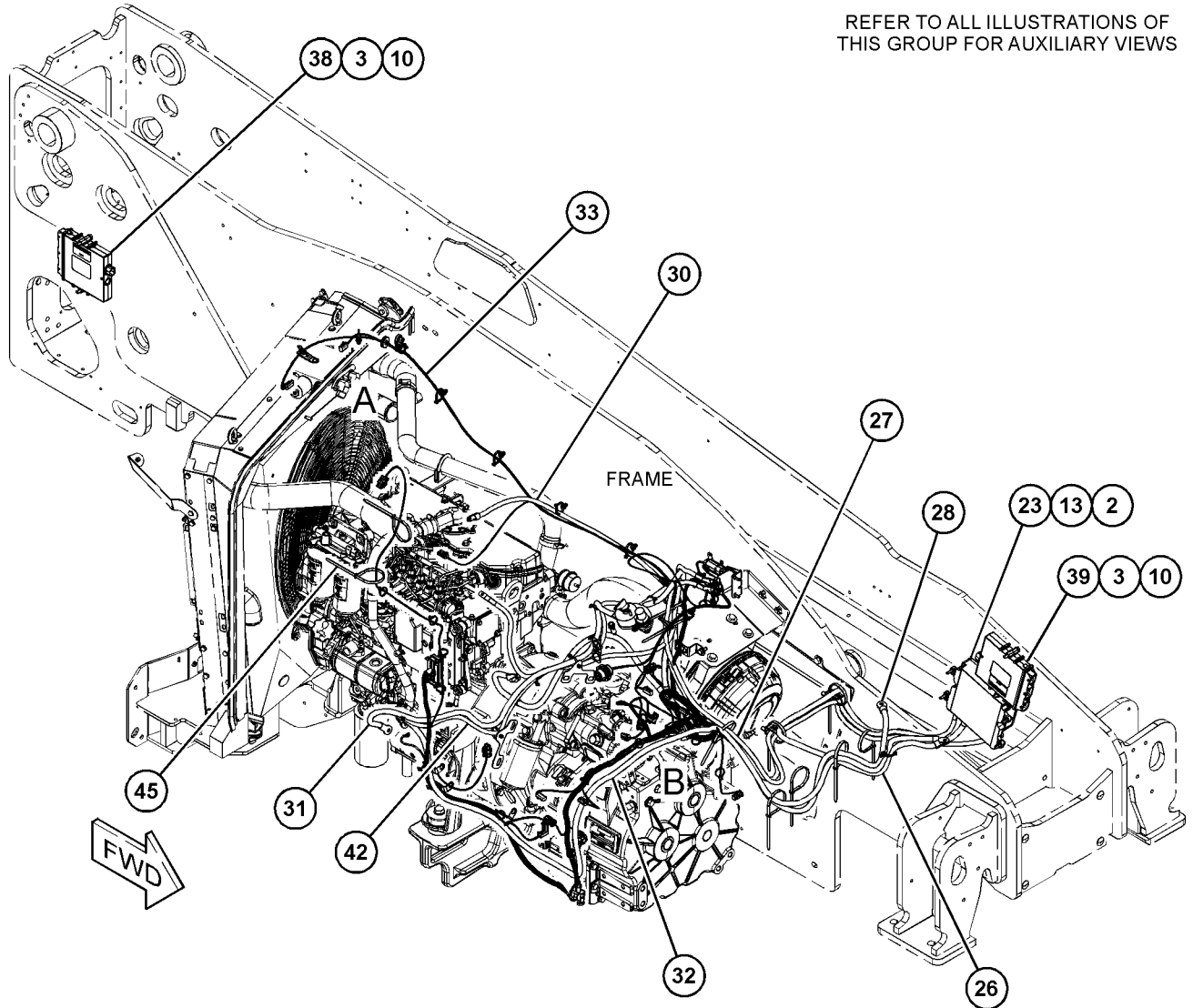
NOTE	REF NO	GRAPHIC REF	PART NUMBER	QTY	PART NAME						SEE PAGE
					1	2	3	4	5	6 (PRODUCT LEVEL)	
M	1	2	8T-4138	2	BOLT (M6X1X20-MM)						
M	2	1	8T-4971	4	BOLT (M6X1X30-MM)						
M	3	1	8T-6912	4	BOLT (M8X1.25X50-MM)						
M	4	2	8T-4189	2	BOLT (M8X1.25X20-MM)						
M	5	2	8T-4137	2	BOLT (M10X1.5X20-MM)						
M	6	2	8T-4136	4	BOLT (M10X1.5X25-MM)						
M	7	1	3T-0852	1	LOCKNUT (M8X1.25-THD)						
M	8	2	494-8824	1	BOLT-SOCKET HEAD (M2.5X0.45X8-MM)						
M	9	2	455-2256	1	BOLT-SOCKET HEAD (M5X0.8X20-MM)						
	10	1,2	8T-4224	7	WASHER-HARD (8.8X16X2-MM THK)						
	11	2	8T-4121	6	WASHER-HARD (11X21X2.5-MM THK)						
	12	2	304-2604	1	WASHER (3.1X6.2X0.8-IN THK)						
	13	1	303-4787	4	WASHER (6.1X11.8X1.6-MM THK)						
	14	2	477-0655	2	WASHER (7.3X13.6X4-MM THK)						
	15	2	464-1257	1	CLIP						
	16	2	132-5789	2	CLIP (LADDER)						
Y	17	2	7N-0718	1	SWITCH GP-DISCONNECT (BATTERY)						564
	18	1	4P-7428	1	CLIP (LADDER)						
	19	2	100-4336	1	CLIP (LOOP)						
	20	2	459-8801	1	RELAY (12-VOLT, 200-AMPERE) (GLOW PLUG)						
	21	2	500-2293	4	CLIP (LADDER)						
	22	1,2	455-3027	12	TIE-CABLE						
Y	23	1	474-9674	1	CONTROL GP-ELECTRONIC (POWER DISTRIBUTION)						418
	24	1	473-8975	1	MOUNT						
	25	2	473-9371	1	LAMP (12-VOLT) (LED)						
	26	1	499-4251	1	CABLE (2-GA, RED)						
	27	1	500-2294	1	CABLE (2-GA, RED)						
	28	1	499-4249	1	CABLE (03-GA, BLACK)						
	29	2	499-4248	1	CABLE (02-GA, BLACK)						
	30	1	499-4247	1	CABLE (2-GA, RED)						
	31	1	499-4241	1	CABLE (03-GA, BLACK)						
	32	1	499-4243	1	CABLE (03-GA, RED)						
Y	33	1	500-2295	1	HARNESS AS-ENGINE						441
	34	2	494-9551	1	PLATE						
	35	2	483-6606	1	TERMINAL						
	36	2	484-1801	2	PLATE						
	37	2	499-4234	2	BRACKET						
	38	1	516-1396	1	CONTROL GP-ELECTRONIC (REAR FRAME)						
	39	1	516-1397	1	CONTROL GP-ELECTRONIC (FRONT FRAME)						
	40	1,2	3S-2093	23	STRAP-CABLE						
	41	1	9X-7345	1	GROMMET						
	42	1	499-4242	1	CABLE (03-GA, RED)						
	43	2	500-2296	1	CABLE (2-GA, RED)						
	44	2	500-2297	1	CABLE (02-GA, BLACK)						
	45	1,2	7K-1181	12	STRAP-CABLE						

ELECTRICAL AND STARTING SYSTEM

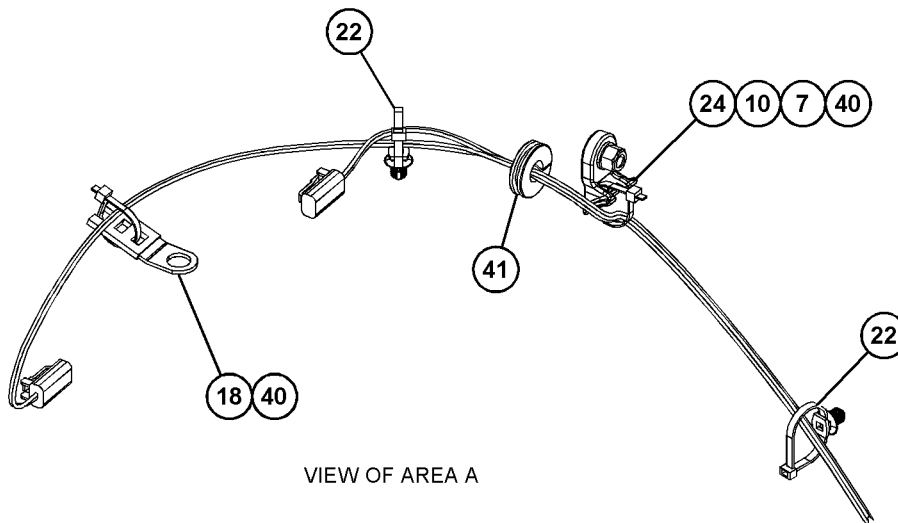
516-1392 WIRING GP-ENGINE (contd.)

106895427

NOTE	REF NO	GRAPHIC REF	PART NUMBER	QTY	PART NAME	1	2	3	4	5	6	(PRODUCT LEVEL)	SEE PAGE
M - METRIC PART													
Y - SEPARATE ILLUSTRATION													



REFER TO ALL ILLUSTRATIONS OF THIS GROUP FOR AUXILIARY VIEWS



VIEW OF AREA A

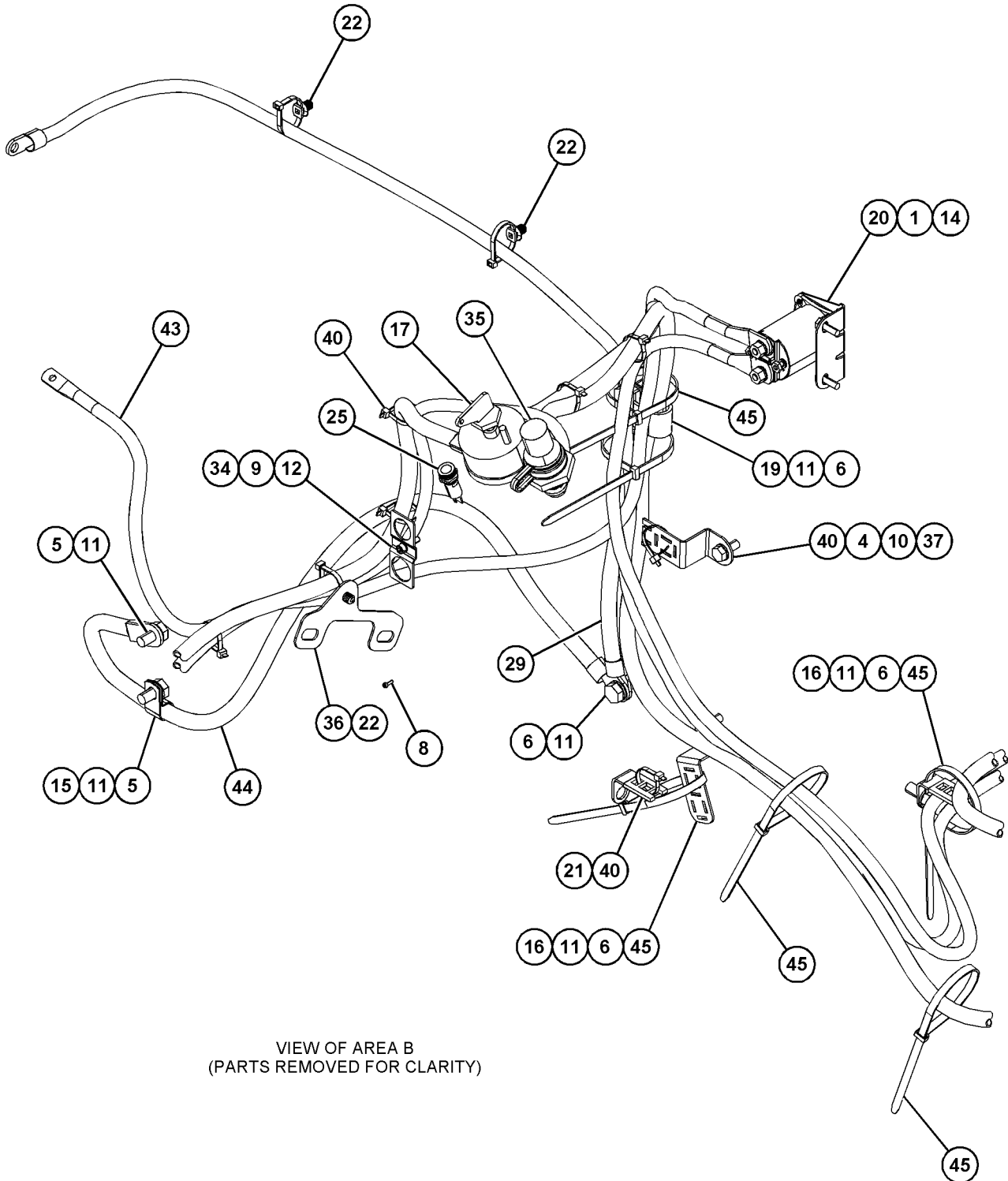
GRAPHIC #1

g06164726

ELECTRICAL AND STARTING SYSTEM

516-1392 WIRING GP-ENGINE (contd.)

i06895427



GRAPHIC #2

<END>

g06164727

ELECTRICAL AND STARTING SYSTEM

516-1392 WIRING GP-ENGINE

S/N: TH41-UP; TH91-UP

PART OF 518-5955, 523-2012 INSTALLATION AR-ENGINE

AN ATTACHMENT

TYPE 2

SMCS-1000, 1408

i07694057

NOTE	REF NO	GRAPHIC REF	PART NUMBER	QTY	PART NAME						SEE PAGE
					1	2	3	4	5	6 (PRODUCT LEVEL)	
M	1	2	8T-4138	2	BOLT (M6X1X20-MM)						
M	2	1	8T-4971	4	BOLT (M6X1X30-MM)						
M	3	1	8T-6912	4	BOLT (M8X1.25X50-MM)						
M	4	2	8T-4189	2	BOLT (M8X1.25X20-MM)						
M	5	2	8T-4137	2	BOLT (M10X1.5X20-MM)						
M	6	2	8T-4136	4	BOLT (M10X1.5X25-MM)						
M	7	1	3T-0852	1	LOCKNUT (M8X1.25-THD)						
M	8	2	494-8824	1	BOLT-SOCKET HEAD (M2.5X0.45X8-MM)						
M	9	2	096-4833	1	BOLT-SOCKET HEAD (M5X0.8X20-MM)						
	10	1,2	8T-4224	7	WASHER-HARD (8.8X16X2-MM THK)						
	11	2	8T-4121	6	WASHER-HARD (11X21X2.5-MM THK)						
	12	2	304-2604	1	WASHER (3.1X6.2X0.8-IN THK)						
C	13	1	5W-1417	4	WASHER (6.4X18X1.6-MM THK)						
	14	2	477-0655	2	WASHER (7.3X13.6X4-MM THK)						
	15	2	464-1257	1	CLIP						
	16	2	132-5789	2	CLIP (LADDER)						
C	17	2	484-9819	1	SWITCH (DISCONNECT)						
	18	1	4P-7428	1	CLIP (LADDER)						
	19	2	100-4336	1	CLIP (LOOP)						
	20	2	459-8801	1	RELAY (12-VOLT, 200-AMPERE) (GLOW PLUG)						
	21	2	500-2293	4	CLIP (LADDER)						
	22	1,2	455-3027	12	TIE-CABLE						
Y	23	1	474-9674	1	CONTROL GP-ELECTRONIC (POWER DISTRIBUTION)						418
	24	1	473-8975	1	MOUNT						
	25	2	473-9371	1	LAMP (12-VOLT) (LED)						
	26	1	499-4251	1	CABLE (2-GA, RED)						
	27	1	500-2294	1	CABLE (2-GA, RED)						
	28	1	499-4249	1	CABLE (03-GA, BLACK)						
	29	2	499-4248	1	CABLE (02-GA, BLACK)						
	30	1	499-4247	1	CABLE (2-GA, RED)						
	31	1	499-4241	1	CABLE (03-GA, BLACK)						
	32	1	499-4243	1	CABLE (03-GA, RED)						
Y	33	1	500-2295	1	HARNESS AS-ENGINE						441
	34	2	494-9551	1	PLATE						
	35	2	483-6606	1	TERMINAL						
	36	2	484-1801	2	PLATE						
	37	2	499-4234	2	BRACKET						
	38	1	516-1396	1	CONTROL GP-ELECTRONIC (REAR FRAME)						
	39	1	516-1397	1	CONTROL GP-ELECTRONIC (FRONT FRAME)						
	40	1,2	3S-2093	23	STRAP-CABLE						
	41	1	9X-7345	1	GROMMET						
	42	1	499-4242	1	CABLE (03-GA, RED)						
	43	2	500-2296	1	CABLE (2-GA, RED)						
	44	2	500-2297	1	CABLE (02-GA, BLACK)						
	45	1,2	7K-1181	12	STRAP-CABLE						

ELECTRICAL AND STARTING SYSTEM

516-1392 WIRING GP-ENGINE (contd.)

i07694057

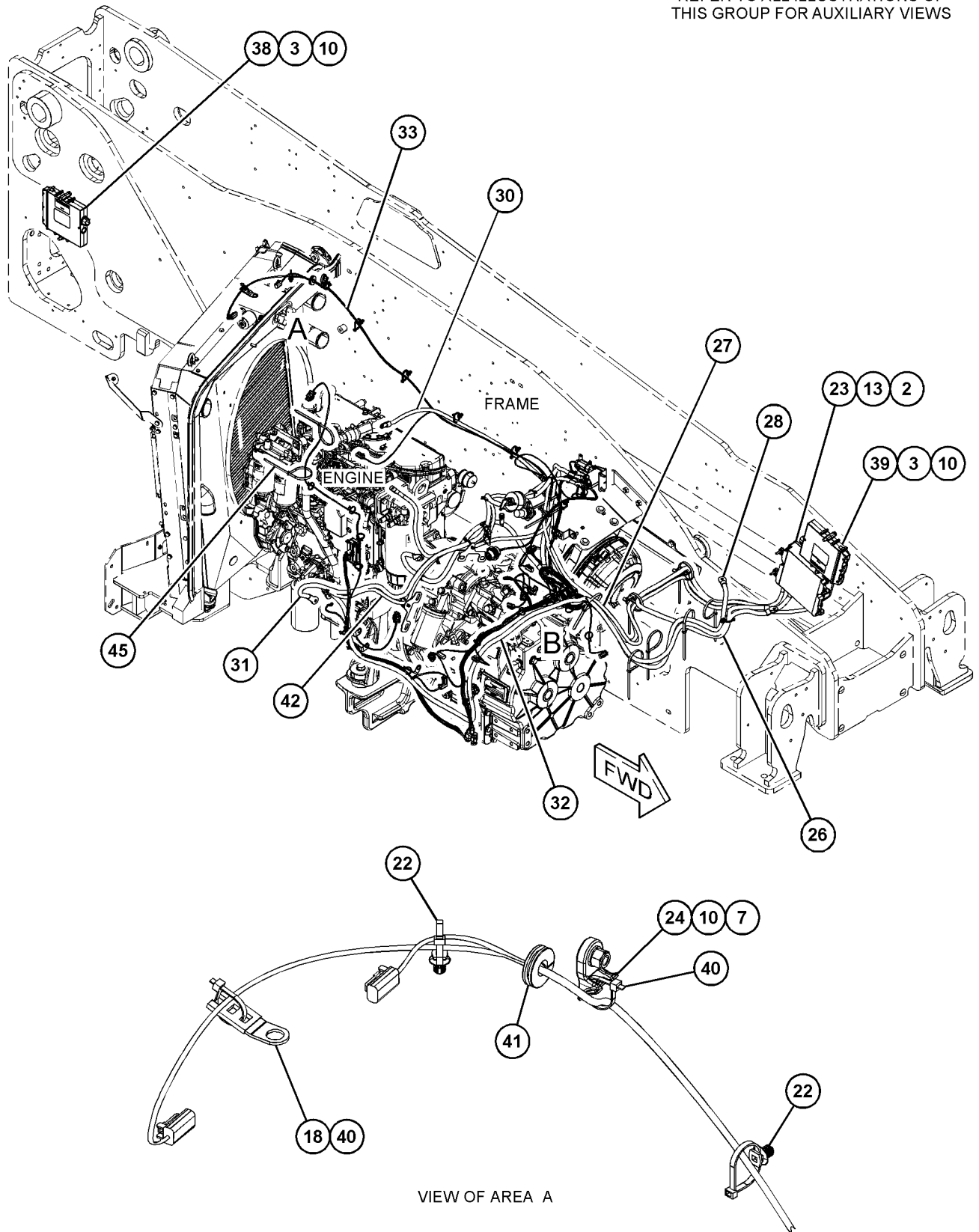
NOTE	REF NO	GRAPHIC REF	PART NUMBER	QTY	PART NAME						SEE PAGE
					1	2	3	4	5	6 (PRODUCT LEVEL)	
C - CHANGE FROM PREVIOUS TYPE											
M - METRIC PART											
Y - SEPARATE ILLUSTRATION											

ELECTRICAL AND STARTING SYSTEM

516-1392 WIRING GP-ENGINE (contd.)

107694057

REFER TO ALL ILLUSTRATIONS OF THIS GROUP FOR AUXILIARY VIEWS



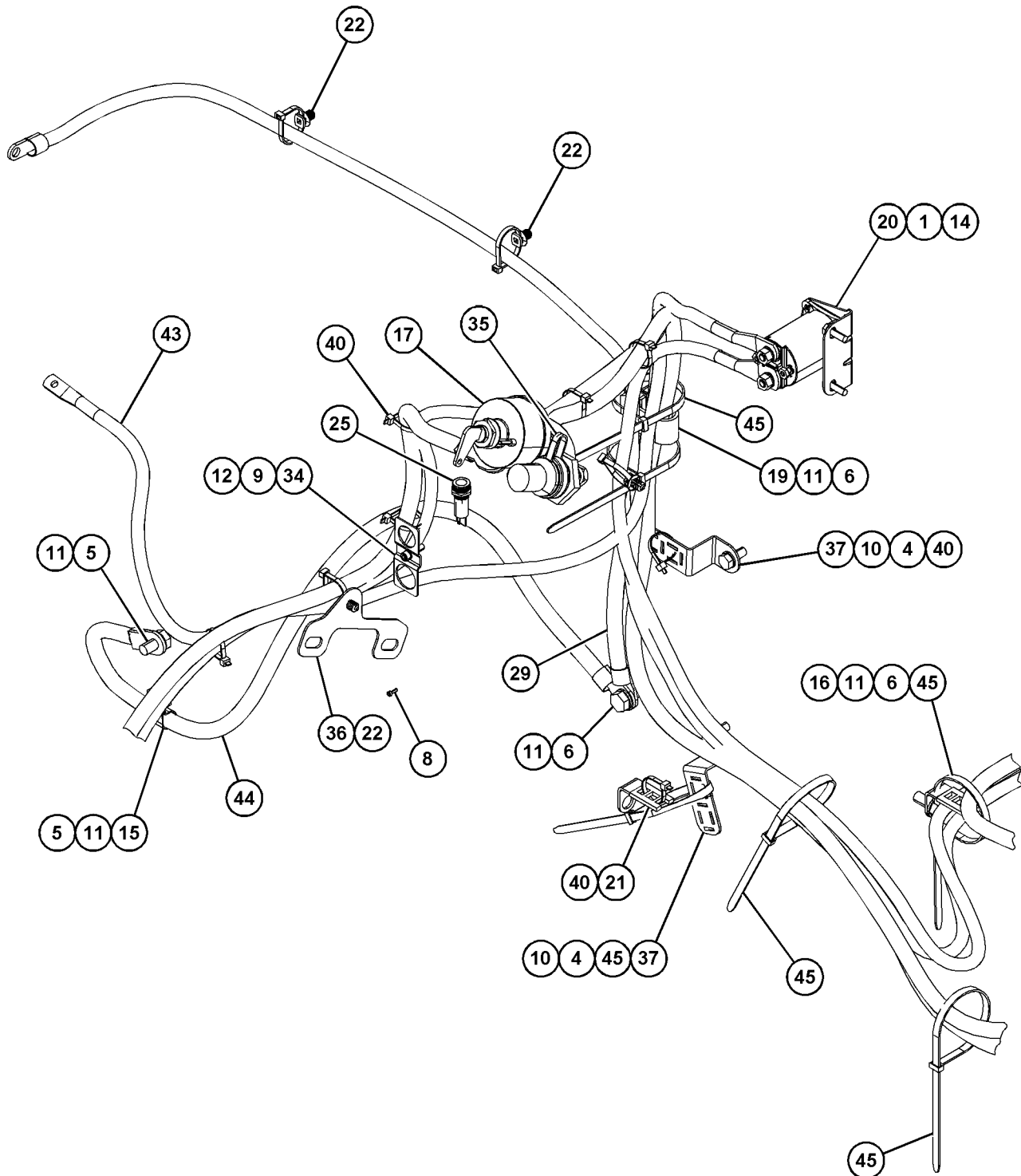
GRAPHIC #1

g06442578

ELECTRICAL AND STARTING SYSTEM

516-1392 WIRING GP-ENGINE (contd.)

i07694057



VIEW OF AREA B
(PARTS REMOVED FOR CLARITY)

GRAPHIC #2

<END>

g06442580

ELECTRICAL AND STARTING SYSTEM

496-8310 WIRING GP-TRAILER

S/N: TH41-UP; TH91-UP

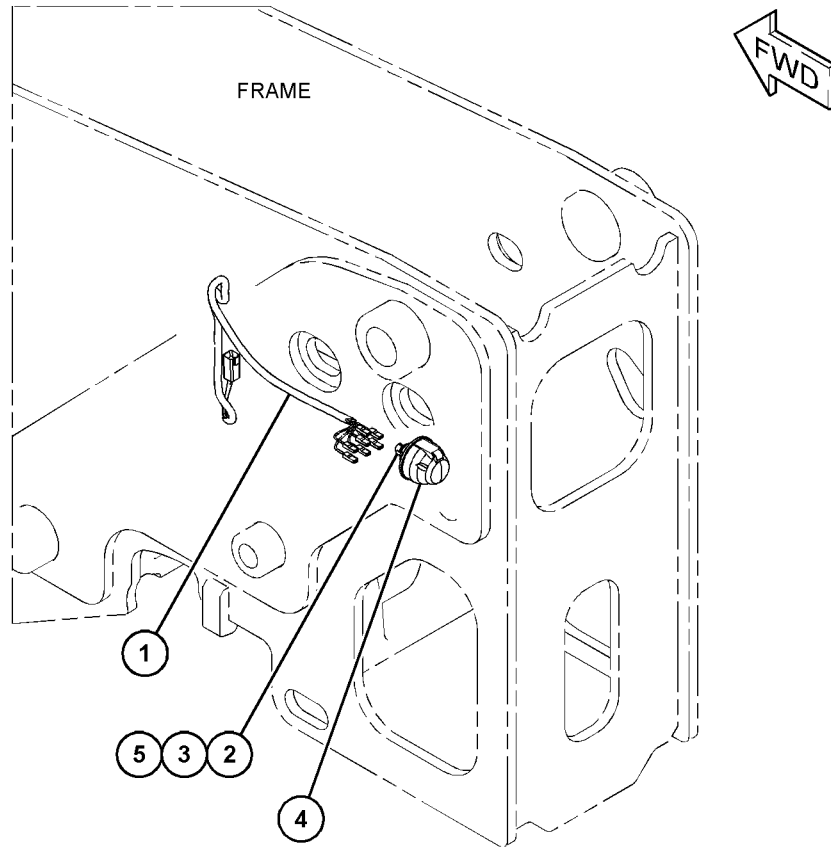
PART OF 506-7652, 553-5770 BRAKE AR-TRAILER, 506-7655 TRAILER AR
AN ATTACHMENT

SMCS-1408

i06613298

NOTE	REF NO	GRAPHIC REF	PART NUMBER	QTY	PART NAME						SEE PAGE
					1	2	3	4	5	6 (PRODUCT LEVEL)	
	1	1	492-4869	1	HARNESS AS-BRAKE						
		1	8T-8737	1	PLUG-SEAL						
		1	9W-0852	5	PIN-CONNECTOR (14-GA TO 16-GA)						
		1	334-5873	1	TERMINAL (6-PIN)						
		1	362-6352	14	RECEPTACLE AS-CONNECTOR (1-PIN)						
M	2	1	303-4777	3	NUT (M5X0.8-THD)						
	3	1	309-3992	3	SCREW						
	4	1	329-3645	1	CONNECTOR (7-PIN)						
	5	1	309-3996	3	WASHER (5.3X12.5X5-MM THK)						

M - METRIC PART



GRAPHIC #1

<END>

g06051446

POWER TRAIN

514-4631 AXLE & MOUNTING GP-REAR

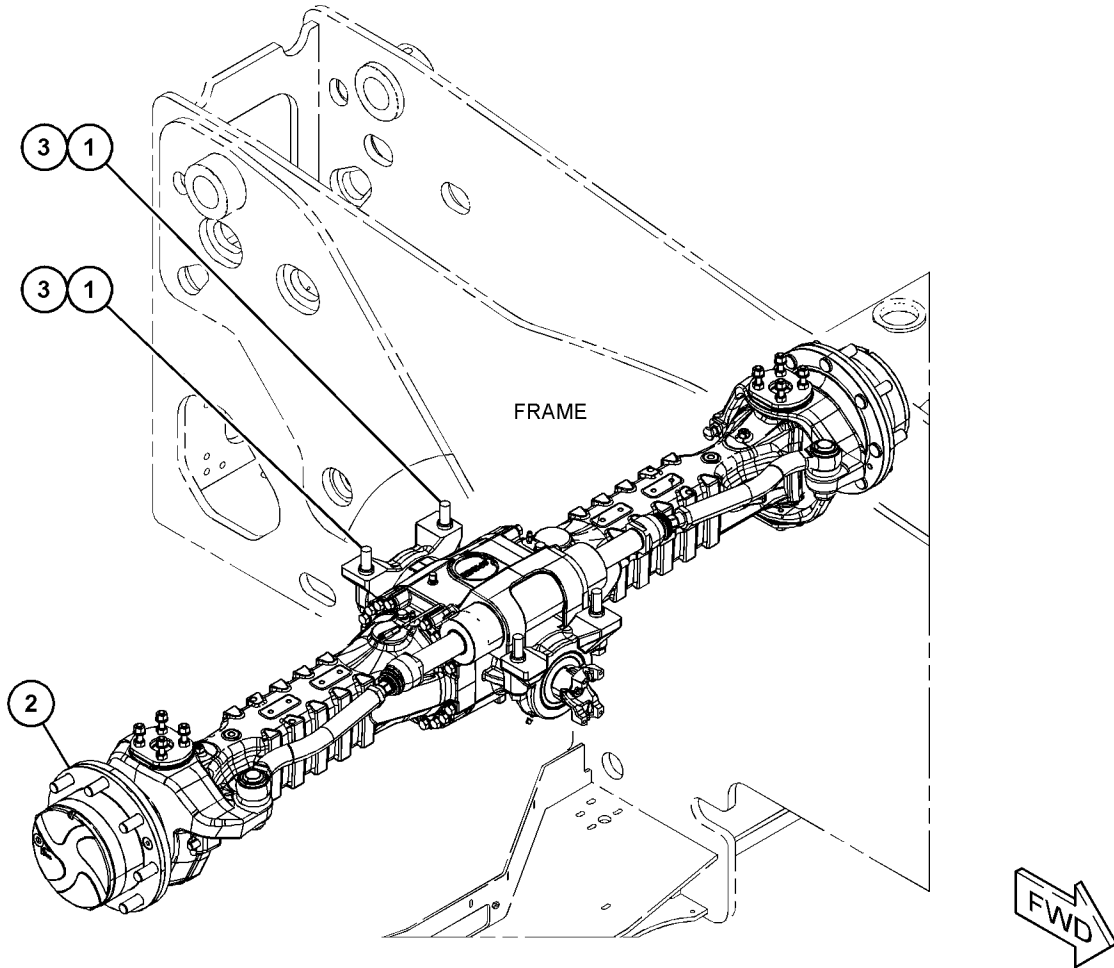
S/N: TH41-UP; TH91-UP
PART OF 517-9299 AXLE AR
AN ATTACHMENT

SMCS-3013

i06893273

NOTE	REF NO	GRAPHIC REF	PART NUMBER	QTY	PART NAME						SEE PAGE
					1	2	3	4	5	6 (PRODUCT LEVEL)	
M	1	1	7X-2532	4	BOLT (M20X2.5X130-MM)						
Y	2	1	485-1677	1	AXLE GP-REAR						626
	3	1	499-8656	4	WASHER (21X37X4-MM THK)						

M - METRIC PART
Y - SEPARATE ILLUSTRATION



GRAPHIC #1

<END>

g06158632

POWER TRAIN

514-4632 AXLE & MOUNTING GP-FRONT

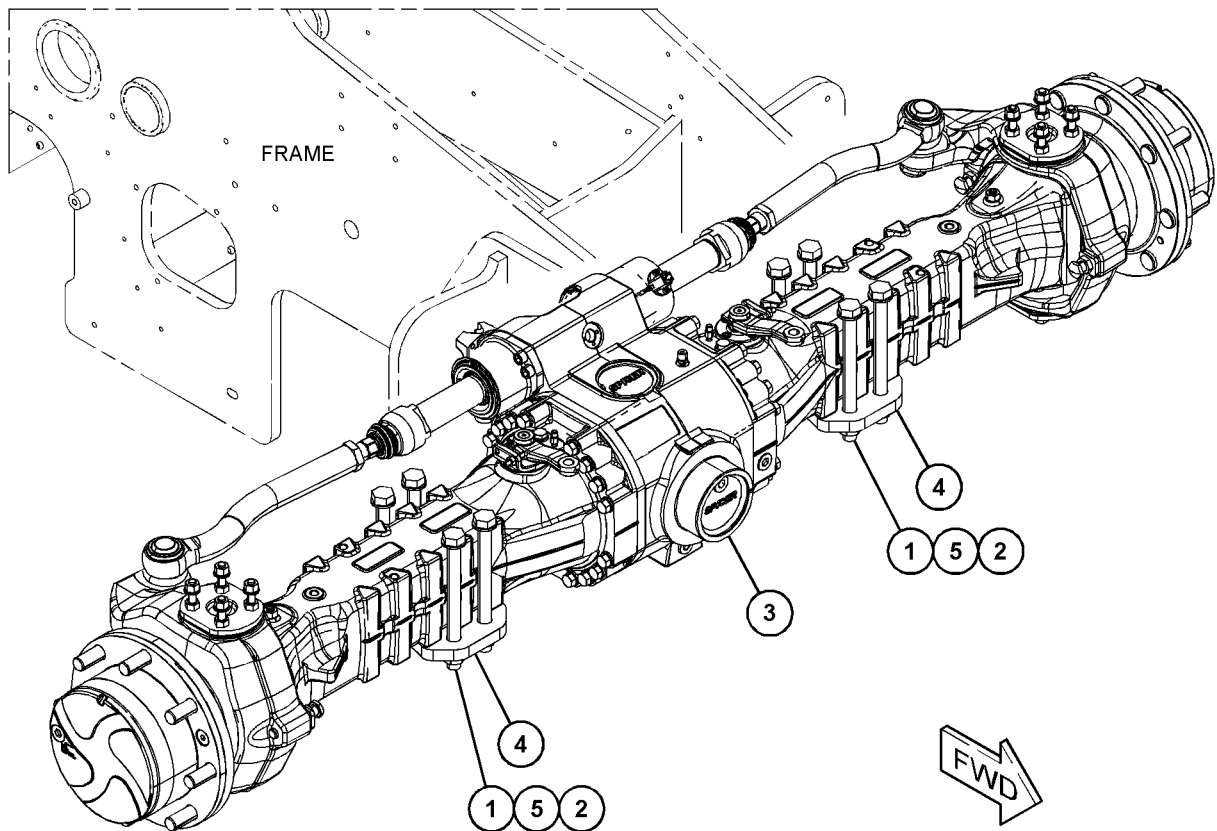
S/N: TH41-UP; TH91-UP
PART OF 517-9299 AXLE AR
AN ATTACHMENT

SMCS-3013

i06893274

NOTE	REF NO	GRAPHIC REF	PART NUMBER	QTY	PART NAME						SEE PAGE
					1	2	3	4	5	6 (PRODUCT LEVEL)	
M	1	1	4I-6766	8	BOLT (M20X2.5X230-MM)						
M	2	1	6V-7742	8	NUT-FULL (M20X2.5-THD)						
Y	3	1	499-7312	1	AXLE GP-FRONT						619
	4	1	499-7342	2	PLATE						
	5	1	499-8656	16	WASHER (21X37X4-MM THK)						

M - METRIC PART
Y - SEPARATE ILLUSTRATION



GRAPHIC #1

<END>

g06158581

POWER TRAIN

517-9299 AXLE AR-PARKING BRAKE

S/N: TH41-UP; TH91-UP

PART OF 590-9758, 590-9759, 590-9760, 590-9761 CONFIGURATION AR
AN ATTACHMENT

SMCS-3013

i06893271

NOTE	PART NUMBER	QTY	PART NAME						SEE PAGE
			1	2	3	4	5	6 (PRODUCT LEVEL)	
Y	514-4631	1	AXLE & MOUNTING GP (REAR)						616
Y	514-4632	1	AXLE & MOUNTING GP (FRONT)						617
Y	514-4634	1	BRAKE GP-PARKING						799
Y	520-7773	1	BRAKE GP-SERVICE						800
Y	503-1702	1	SHIM GP-AXLE INSTALLATION						678

Y - SEPARATE ILLUSTRATION

<END>

POWER TRAIN

499-7312 AXLE GP-FRONT

S/N: TH41-UP; TH91-UP

PART OF 514-4632 AXLE & MOUNTING GP
AN ATTACHMENT

SMCS-3020

i08165436

NOTE	REF NO	GRAPHIC REF	PART NUMBER	QTY	PART NAME						SEE PAGE
					1	2	3	4	5	6 (PRODUCT LEVEL)	
	1	3,4	298-1799	5	SEAL-O-RING						
	2	4	601-6967	1	COVER						
	3	4	498-1005	1	HOUSING						
	4	4	385-3597	1	PLUG						
	5	4	299-7134	1	VENT						
	6	3,4	385-3599	5	PLUG AS						
					(EACH INCLUDES)						
		3,4	180-0875	1	WASHER (22.8X27.1X1.4-MM THK)						
	7	3,4	304-2241	3	PLUG						
	8	4	299-0821	1	CLIP						
M	9	4	498-0999	1	NUT (M20X1.5-THD)						
	10	4	458-5992	1	FLANGE						
	11	4	459-0425	1	SEAL						
	12	4	304-3222	4	BOLT						
	13	4	298-1802	1	SEAL-O-RING						
	14	4	298-1803	1	NUT-RING						
	15	4	298-1808	1	SPACER						
	16	4	298-1804	1	SHIM (0.2-MM THK)						
	17	4	298-1805	1	SHIM (0.2-MM THK)						
	18	4	298-1806	1	SHIM (0.4-MM THK)						
	19	4	298-1807	1	SHIM (0.5-MM THK)						
	20	4	385-3608	1	SHIM (0.3-MM THK)						
	21	4	385-3609	1	SHIM (0.4-MM THK)						
	22	4	385-3606	1	SHIM (0.2-MM THK)						
	23	4	385-3607	1	SHIM (0.3-MM THK)						
	24	4	298-1811	1	SHIM (0.2-MM THK)						
	25	4	298-1812	1	SHIM (0.1-MM THK)						
	26	4	304-2603	2	BEARING						
	27	4	498-2943	1	KIT-BEVEL GEAR						
					(INCLUDES PARTS MARKED "J" IN GRAPHIC)						
	28	4	304-3232	2	BOLT						
	29	4	498-1002	2	BEARING AS						
	31	4	298-1813	2	NUT-RING						
	32	4	390-7746	1	KIT-DIFFERENTIAL						
					(INCLUDES RETAINING RING, BEVEL GEARS, PINS, FRICTION WASHERS & HOUSING)						
	33	3	298-1853	2	NUT						
	34	3	458-5997	2	BOLT						
	35	3	601-6977	2	CASE-AXLE						
M	36	3	385-3620	32	BOLT (M16X1.5X100-MM)						
	37	3	458-6016	2	SHIM (0.15-MM THK)						
	38	3	458-6017	2	SHIM (0.2-MM THK)						
	39	3	458-6018	2	SHIM (0.5-MM THK)						
	40	3	299-0236	2	BEARING GP-AXLE						
					(EACH INCLUDES)						
		3	298-1877	1	SEAL-O-RING						
	40A	3	299-0235	1	BEARING						

POWER TRAIN

499-7312 AXLE GP-FRONT (contd.)

i08165436

NOTE	REF	GRAPHIC	PART NUMBER	QTY	PART NAME						SEE PAGE
	NO	REF			1	2	3	4	5	6 (PRODUCT LEVEL)	
		3	299-0520	1	SEAL						
		3	299-0821	1	CLIP						
41		3	299-0827	2	CLIP						
42		3	589-1886	2	SHAFT						
44		3	322-0641	2	BUSHING						
45		3,4	458-6851	24	BOLT						
46		3	545-9962	2	COVER						
47		2,3	299-7103	6	PLUG						
48		3	298-1857	2	FITTING-GREASE						
49		3	458-6004	2	PIVOT PIN						
50		3	458-6005	2	PIVOT PIN						
51		3	458-6006	4	SEAL						
52		3	458-6007	2	BUSHING						
53		3	458-6009	2	SEAL						
54		3	508-3832	8	GEAR-PLANETARY						
57		3	179-2801	2	SEAL						
58		3	322-0640	4	BEARING						
59		3	179-8593	16	STUD						
60		3	559-6220	2	WHEEL-HUB						
67		3	498-2948	2	KIT-CARRIER						
					(EACH INCLUDES)						
67A		3	299-0205	2	CLIP						
67B		3	503-1968	1	GEAR-PLANETARY						
67C		3	299-0206	4	GEAR-PLANETARY						
67D		3	299-0207	4	BEARING						
68		3	298-8300	4	BOLT						
70		3	513-2421	16	STUD						
71		3	298-1825	16	NUT						
75		3	458-6092	1	KIT-CASE (RH)						
76		3	458-6093	1	KIT-CASE (LH)						
					(EACH KIT CASE INCLUDES)						
76A		3	8I-3860	1	BUSHING-THRUST						
77		3	458-6015	2	PLATE						
78		3	305-5426	4	KIT-BOLT						
					(EACH INCLUDES)						
78A		3	298-1863	1	BOLT						
78B		3	298-7868	1	NUT						
79		3	458-6094	2	KIT-RING GEAR						
					(EACH INCLUDES)						
79A		3	298-8195	1	GEAR-RING						
79B		3	458-6014	1	GEAR						
79C		3	298-8194	1	CLIP						
80		3	458-6091	2	FITTING-GREASE						
81		3	459-3345	8	STUD						
83		3	526-2655	8	NUT						
84		2	459-0424	1	LEVER						
85		2	298-7873	2	BOLT						
87		2	458-6095	6	BOLT						
88		2	458-6096	2	SEAL-O-RING						
89		2	507-0387	2	BUSHING						
90		2	458-6098	2	BOLT						

POWER TRAIN

499-7312 AXLE GP-FRONT (contd.)

i08165436

NOTE	REF NO	GRAPHIC REF	PART NUMBER	QTY	PART NAME						SEE PAGE
					1	2	3	4	5	6 (PRODUCT LEVEL)	
	91	2	458-6099	2	NUT						
	92	2	458-6100	2	SEAL-O-RING						
	93	2	8Q-2143	2	LEVER						
	94	2	458-6132	2	WASHER						
M	95	2	097-5154	2	BOLT (M8X1X18-MM)						
	96	2	459-3348	10	DISC-BRAKE						
M	97	2	350-8573	6	BOLT (M14X34-MM)						
	100	2	350-2524	2	BOLT-SPECIAL						
	101	2	458-6136	1	LEVER						
	102	2	385-3639	6	SPRING						
	105	2	385-3637	8	DISC						
	106	2	<i>513-9576</i>	1	KIT-PISTON (LH)						
		2	8Q-2150	2	PUSHER						
		2	513-9565	3	SPRING						
		2	459-3346	1	SEAL-O-RING						
		2	459-3347	1	SEAL-O-RING						
		2	458-6138	1	PISTON						
	107	2	514-0659	1	KIT-PISTON (RH)						
	108	2	458-6141	2	SEAL-O-RING						
	109	2	298-1878	2	KIT-FASTENER						
	110	2	298-1800	4	BOLT						
	111	2	498-2950	1	SENSOR (STEERING)						
M	112	2	458-6143	2	BOLT (M5X0.8X10-MM)						
	113	2	498-2951	1	CYLINDER						
	114	2	498-2952	1	TIE ROD AS						
	115	2	498-2954	1	TIE ROD AS						
	116	2	459-3350	1	KIT-SEAL						

PARTS SHOWN IN GRAPHIC(S) WITHOUT A REFERENCE NUMBER ARE NOT SERVICED SEPARATELY

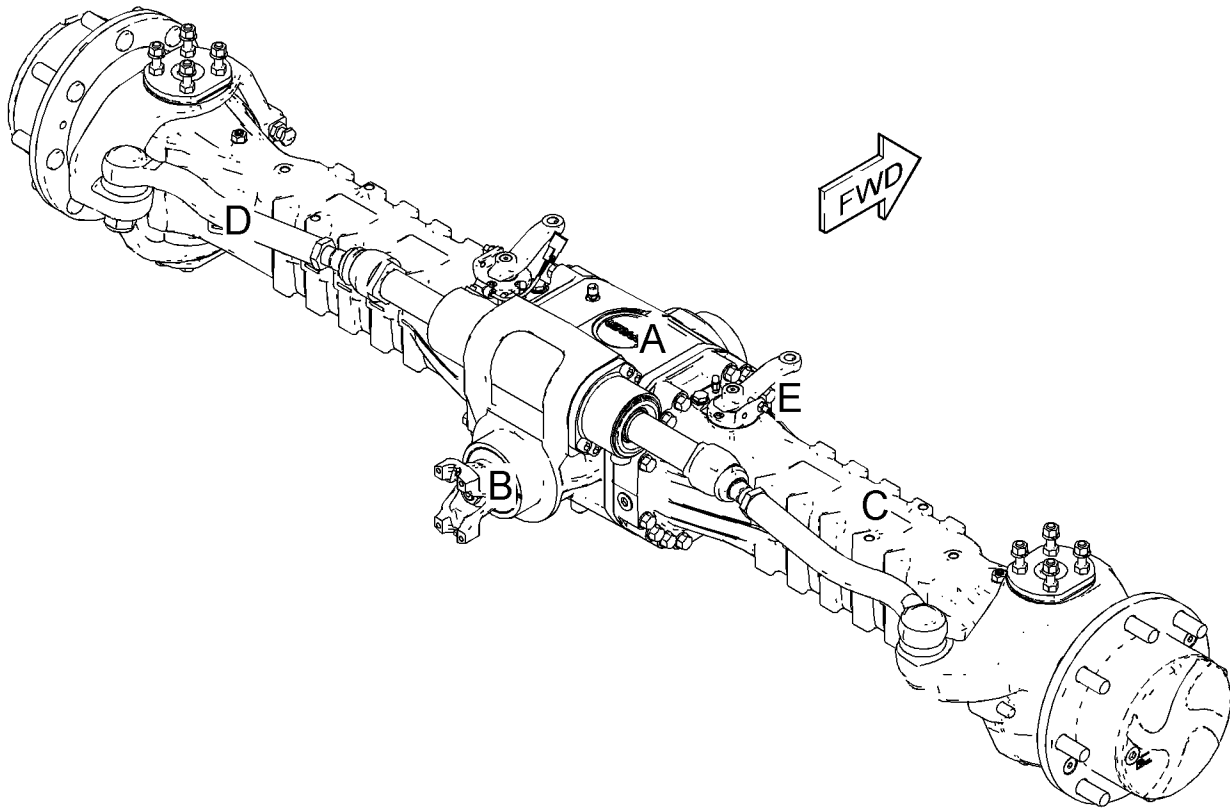
M - METRIC PART

POWER TRAIN

499-7312 AXLE GP-FRONT (contd.)

108165436

REFER TO ALL ILLUSTRATIONS OF THIS GROUP FOR AUXILIARY VIEWS



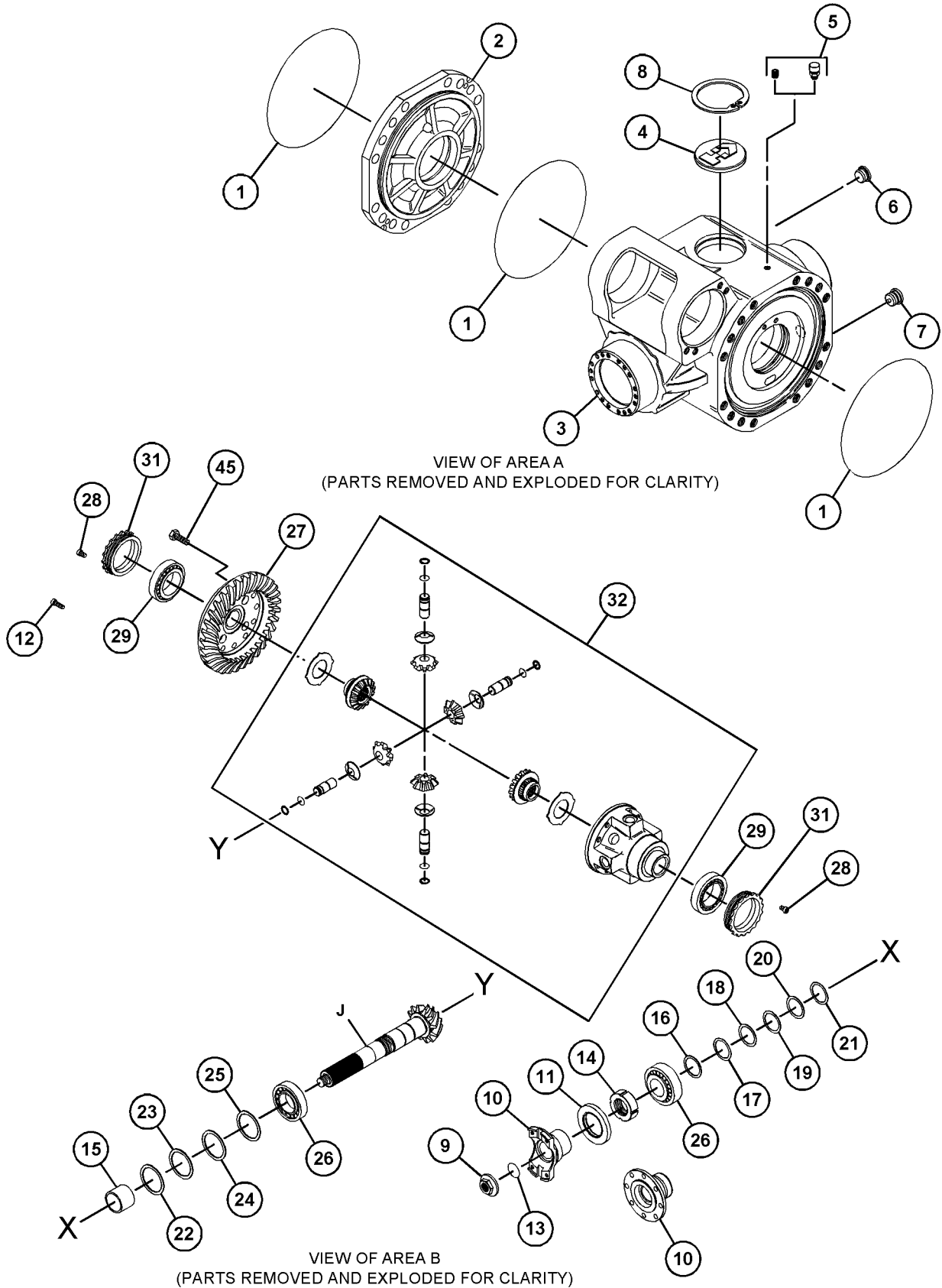
GRAPHIC #1

g06121375

POWER TRAIN

499-7312 AXLE GP-FRONT (contd.)

108165436



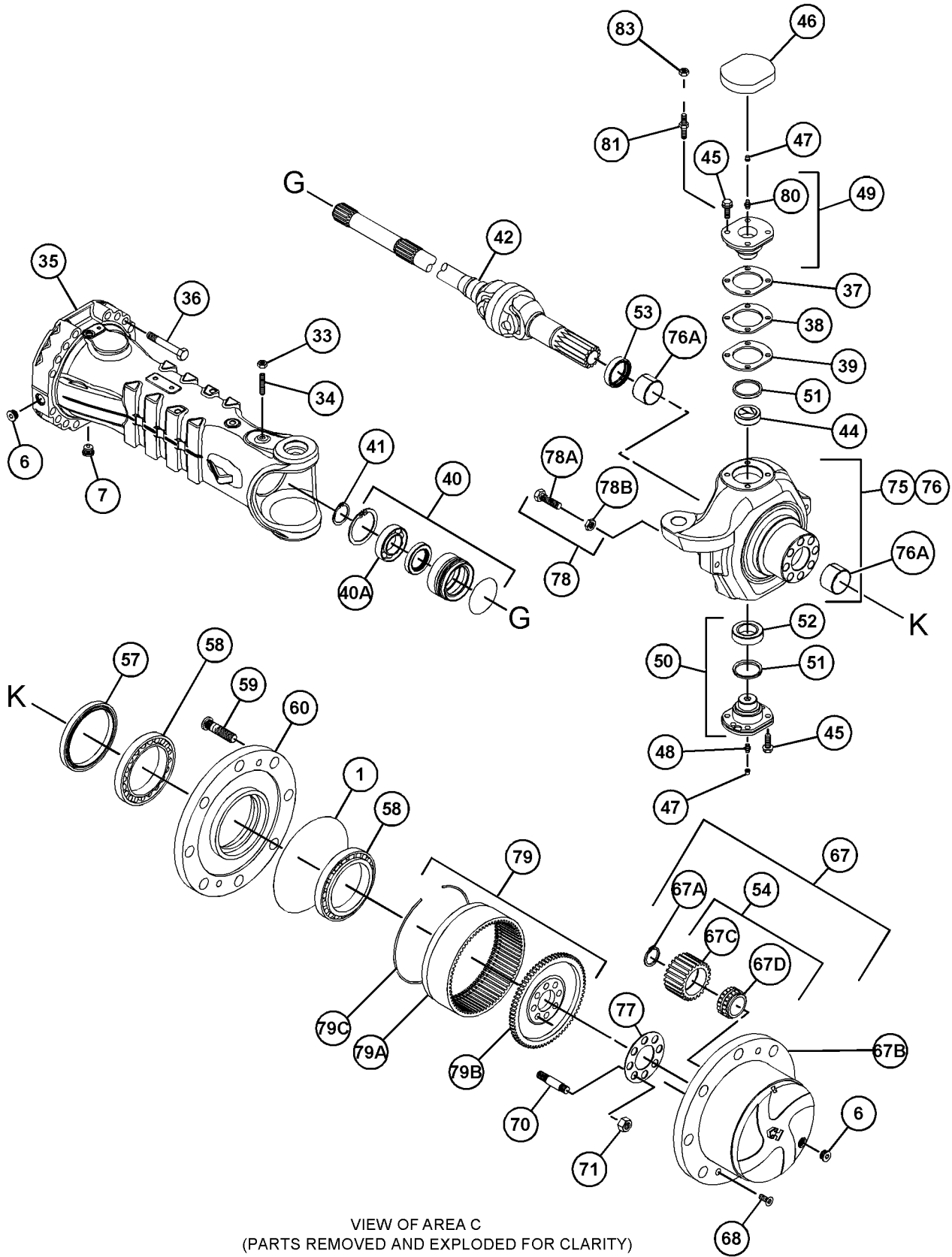
GRAPHIC #2

g06480684

POWER TRAIN

499-7312 AXLE GP-FRONT (contd.)

i08165436



VIEW OF AREA C
(PARTS REMOVED AND EXPLODED FOR CLARITY)

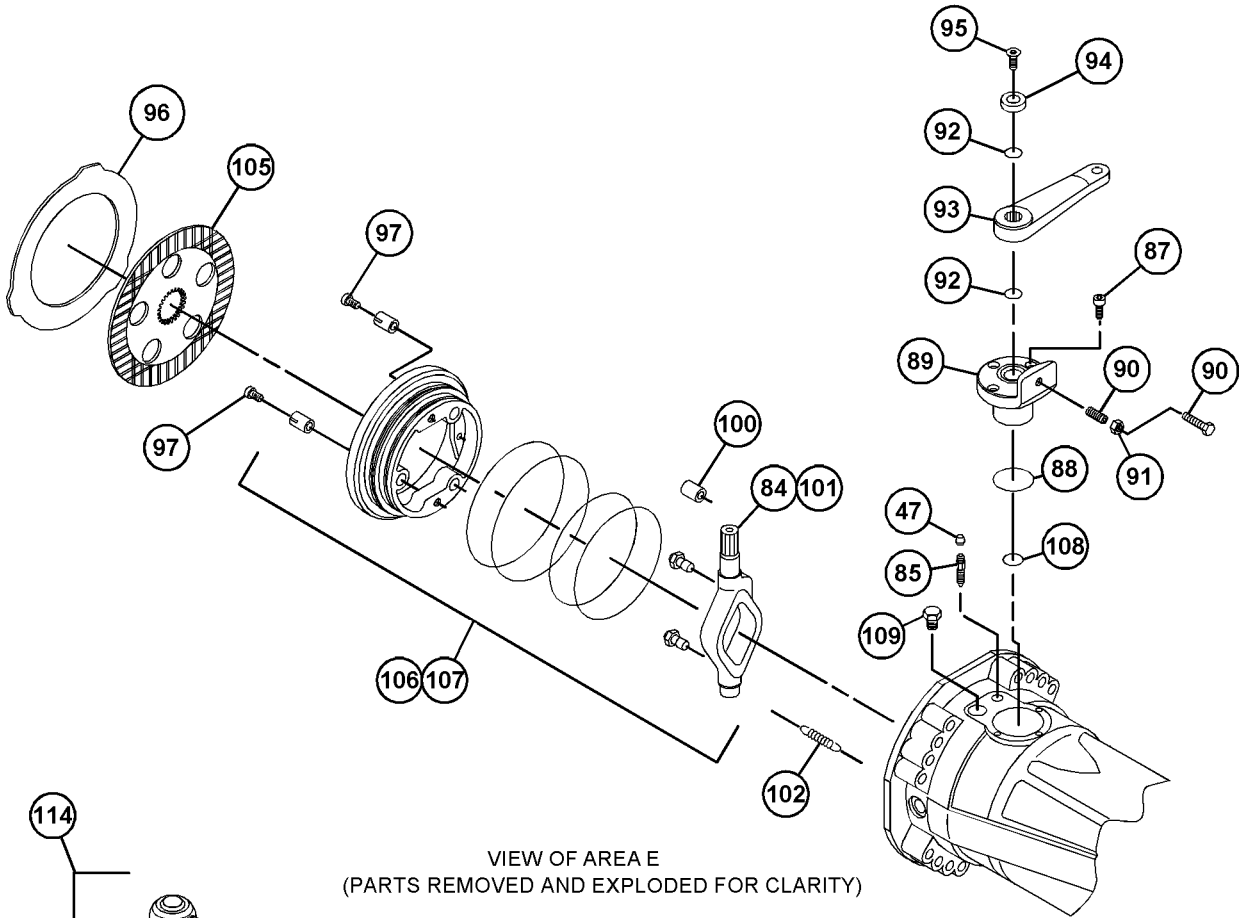
GRAPHIC #3

g06480674

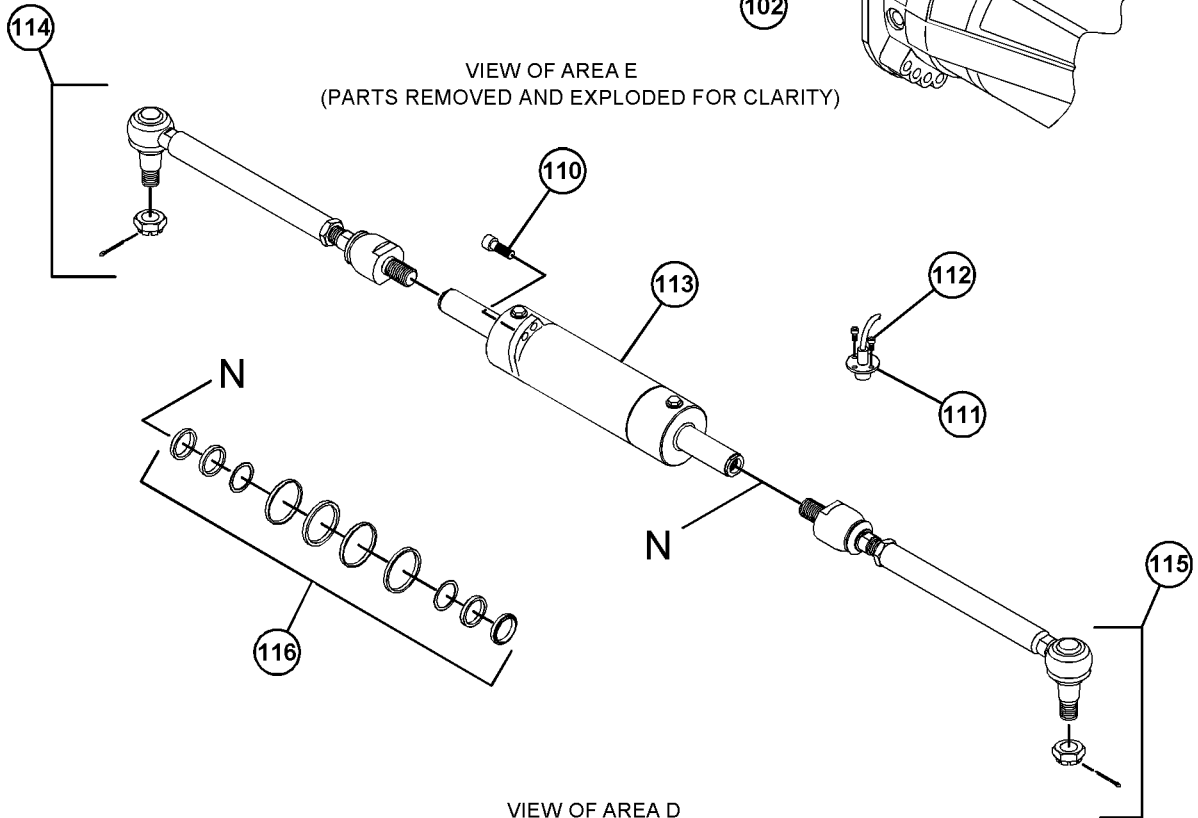
POWER TRAIN

499-7312 AXLE GP-FRONT (contd.)

108165436



VIEW OF AREA E
(PARTS REMOVED AND EXPLODED FOR CLARITY)



VIEW OF AREA D
(PARTS REMOVED AND EXPLODED FOR CLARITY)

GRAPHIC #4

<END>

g06121547

POWER TRAIN

485-1677 AXLE GP-REAR

S/N: TH41-UP; TH91-UP

PART OF 514-4631 AXLE & MOUNTING GP
AN ATTACHMENT

SMCS-3020

i08003451

NOTE	REF NO	GRAPHIC REF	PART NUMBER	QTY	PART NAME						SEE PAGE
					1	2	3	4	5	6 (PRODUCT LEVEL)	
	1	1,3	298-1799	5	SEAL-O-RING						
	2	1	385-3595	1	COVER						
	3	1	498-1005	1	HOUSING						
	4	1	385-3597	1	PLUG						
	5	1	299-7134	1	VENT						
	6	1,3	385-3599	5	PLUG AS						
	7	1,3	304-2241	3	PLUG						
	8	1	299-0821	1	CLIP						
	9	4	298-1802	1	SEAL-O-RING						
	10	4	390-7681	1	GEAR GP-BEVEL						
					(INCLUDES PARTS MARKED "J" IN THE GRAPHIC)						
	11	4	498-1002	2	BEARING AS						
	12	4	298-1813	2	NUT-RING						
	13	4	304-3222	4	BOLT						
	14	4	304-3232	2	BOLT						
	15	3,4	458-6851	36	BOLT						
	16	4	304-2603	2	BEARING						
	17	4	298-1808	1	SPACER						
	18	4	298-1803	1	NUT-RING						
	19	4	459-0425	1	SEAL						
	20	4	458-5992	1	FLANGE						
M	21	4	498-0999	1	NUT (M20X1.5-THD)						
Y	22	4	350-8571	1	DIFFERENTIAL GP						658
	23	3	298-1853	2	NUT						
	24	3	458-5997	2	BOLT						
	25	3	503-1970	2	CASE						
M	26	3	385-3620	24	BOLT (M16X1.5X100-MM)						
	27	3	458-6016	2	SHIM (0.15-MM THK)						
	28	3	458-6017	2	SHIM (0.2-MM THK)						
	29	3	458-6018	2	SHIM (0.5-MM THK)						
	30	3	299-0236	2	BEARING GP-AXLE						
					(EACH INCLUDES)						
		3	298-1877	1	SEAL-O-RING						
	30A	3	299-0235	1	BEARING						
		3	299-0520	1	SEAL						
		3	299-0821	1	CLIP						
	31	3	299-0827	2	CLIP						
	32	3	470-7719	2	UNIVERSAL JOINT						
	33	3	8I-3860	2	BUSHING-THRUST						
	34	3	322-0641	2	BUSHING						
	36	3	545-9962	2	COVER						
	37	2,3	299-7103	4	PLUG						
	38	3	298-1857	4	FITTING-GREASE						
	39	3	458-6004	2	PIVOT PIN						
	40	3	458-6005	2	PIVOT PIN						
	41	3	458-6006	4	SEAL						
	42	3	458-6007	2	BUSHING						

POWER TRAIN

485-1677 AXLE GP-REAR (contd.)

i08003451

NOTE	REF NO	GRAPHIC REF	PART NUMBER	QTY	PART NAME						SEE PAGE
					1	2	3	4	5	6 (PRODUCT LEVEL)	
	43	3	458-6092	1	KIT-CASE (LH)						
	43A	3	8I-3860	1	BUSHING-THRUST						
	44	3	458-6009	2	SEAL						
	45	3	386-0145	8	GEAR AS						
					(EACH INCLUDES)						
	45A	3	299-0207	4	BEARING						
		3	299-0206	4	GEAR-PLANETARY						
	48	3	458-6093	1	KIT-CASE (RH)						
	48A	3	8I-3860	1	BUSHING-THRUST						
	49	3	179-2801	2	SEAL						
	50	3	322-0640	4	BEARING						
	51	3	179-8593	2	STUD						
	52	3	498-2947	2	HUB						
	54	3	<i>498-2948</i>	2	KIT-CARRIER						
					(EACH INCLUDES)						
		3	299-0205	2	CLIP						
		3	299-0206	4	GEAR-PLANETARY						
		3	503-1968	1	GEAR-PLANETARY						
	55	3	298-8300	4	BOLT						
	56	3	513-2421	16	STUD						
	57	3	298-1825	16	NUT						
	58	3	458-6015	2	PLATE						
	59	3	<i>305-5426</i>	4	KIT-BOLT						
					(EACH INCLUDES)						
		3	298-1863	1	BOLT						
		3	298-7868	1	NUT						
	60	3	458-6094	2	KIT-RING GEAR						
					(EACH INCLUDES)						
		3	298-8194	1	CLIP						
		3	298-8195	1	GEAR-RING						
		3	458-6014	1	GEAR						
	61	3	458-6091	2	FITTING-GREASE						
	62	3	459-3345	8	STUD						
	64	3	298-8295	8	NUT						
	65	2	298-8191	6	DISC-BRAKE						
M	66	2	350-8573	6	BOLT (M14X34-MM)						
	67	2	385-3639	6	SPRING						
	68	2	298-1878	2	KIT-FASTENER						
	69	2	459-3348	8	DISC-BRAKE						
	70	2	298-7873	2	BOLT						
	72	2	350-2524	2	BOLT-SPECIAL						
	73	2	<i>513-9564</i>	2	KIT-PISTON						
					(EACH INCLUDES)						
		2	513-9565	3	SPRING						
		2	458-6154	1	PISTON						
		2	459-3346	1	SEAL-O-RING						
		2	459-3347	1	SEAL-O-RING						
	74	5	298-1800	4	BOLT						
	75	5	498-2950	1	SENSOR (STEERING)						
M	76	5	458-6143	2	BOLT (M5X0.8X10-MM)						
	77	5	498-2951	1	CYLINDER						

POWER TRAIN

485-1677 **AXLE GP-REAR** (contd.)

i08003451

NOTE	REF NO	GRAPHIC REF	PART NUMBER	QTY	PART NAME						SEE PAGE
					1	2	3	4	5	6 (PRODUCT LEVEL)	
	78	5	498-2952	1	TIE ROD AS						
	79	5	498-2954	1	TIE ROD AS						
	80	5	459-3350	1	KIT-SEAL						
	81	2	<i>498-0992</i>	2	KIT-SUPPORT						
					(EACH INCLUDES)						
		2	298-1857	1	FITTING-GREASE						
	81A	2	569-4195	1	BUSHING-THRUST						
	81B	2	299-0197	2	BUSHING						
		2	299-7103	1	PLUG						

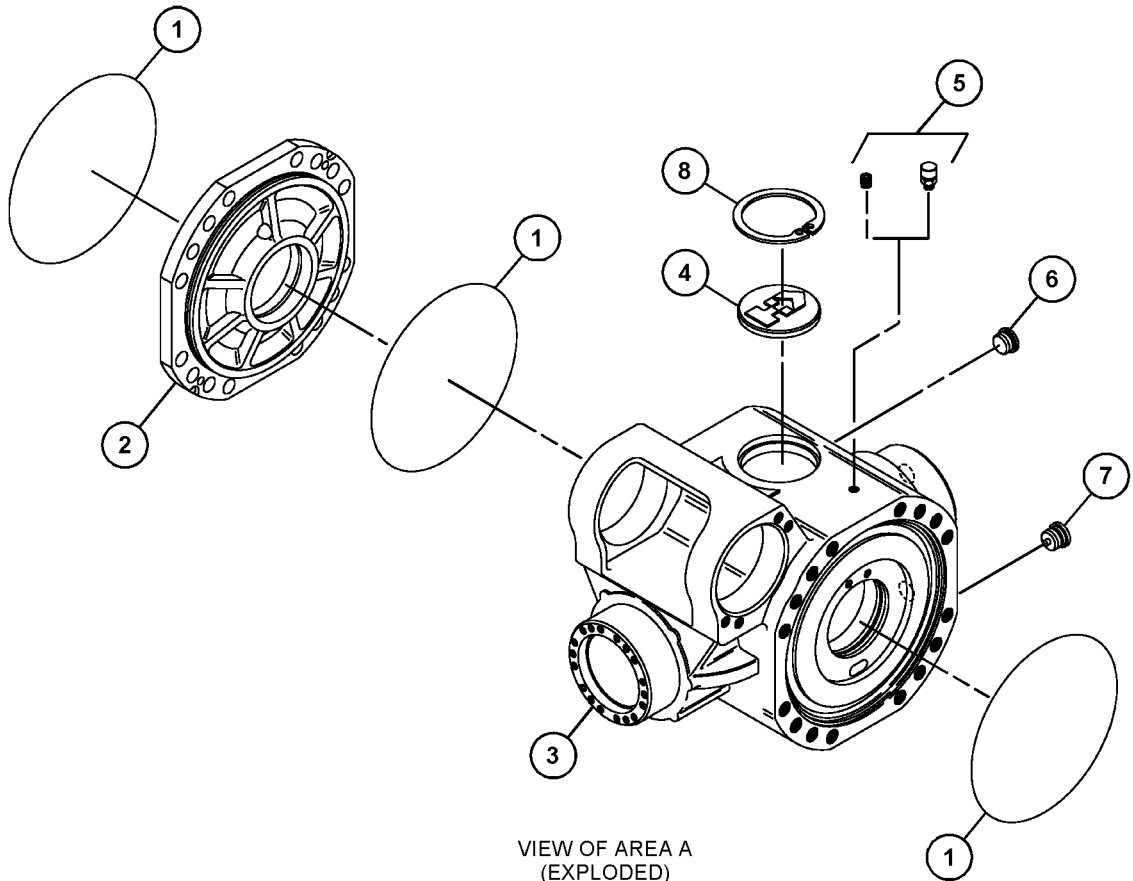
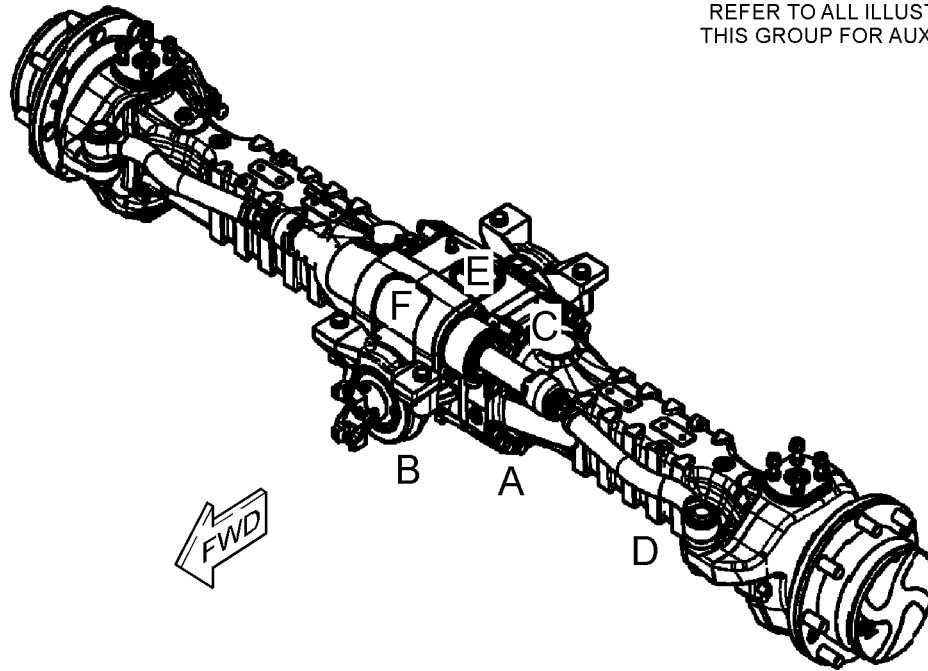
M - METRIC PART
Y - SEPARATE ILLUSTRATION

POWER TRAIN

485-1677 AXLE GP-REAR (contd.)

108003451

REFER TO ALL ILLUSTRATIONS OF THIS GROUP FOR AUXILIARY VIEWS



VIEW OF AREA A (EXPLODED)

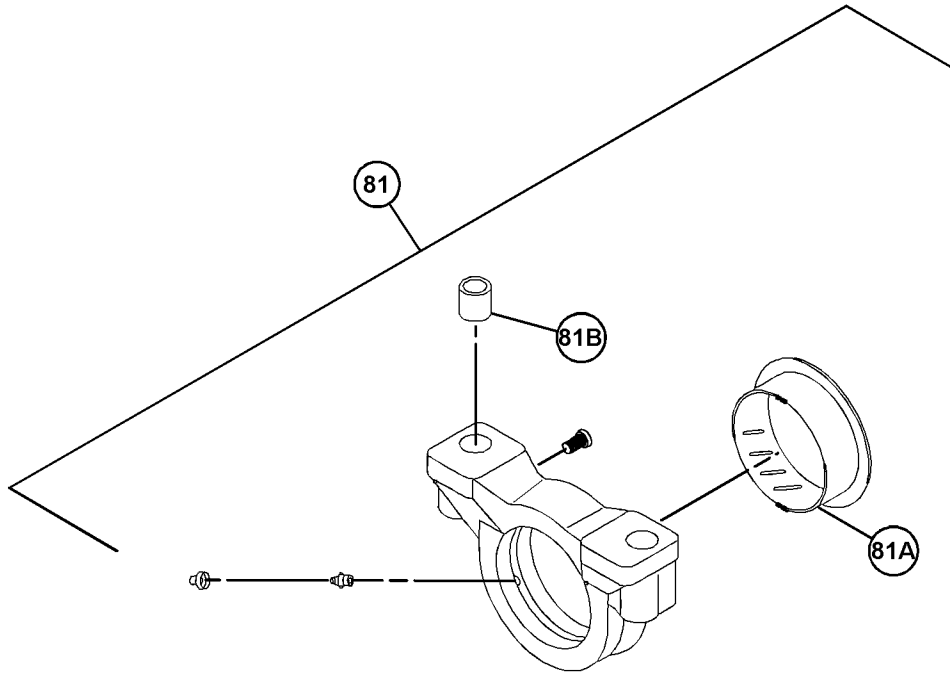
GRAPHIC #1

g06098470

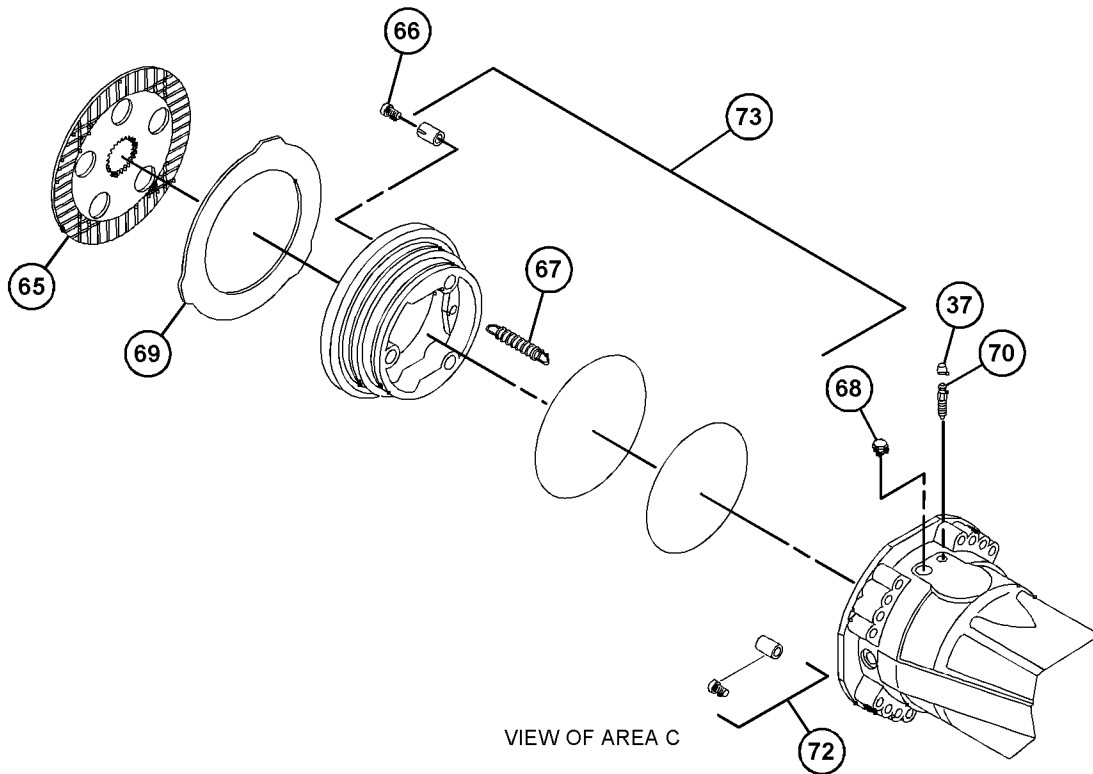
POWER TRAIN

485 - 1677 AXLE GP-REAR (contd.)

i08003451



VIEW OF AREA B



VIEW OF AREA C

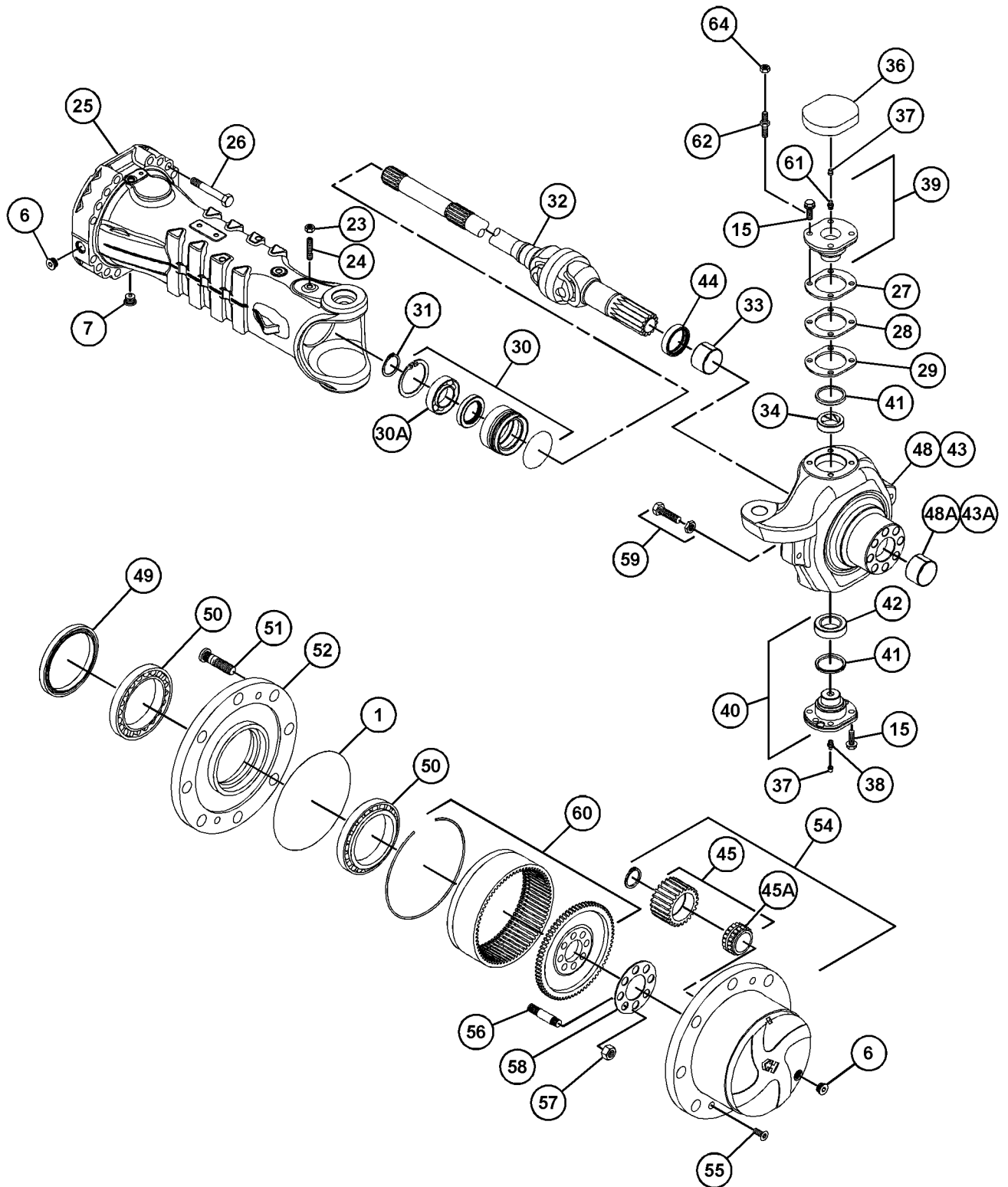
GRAPHIC #2

g06504766

POWER TRAIN

485-1677 AXLE GP-REAR (contd.)

i08003451



VIEW OF AREA D

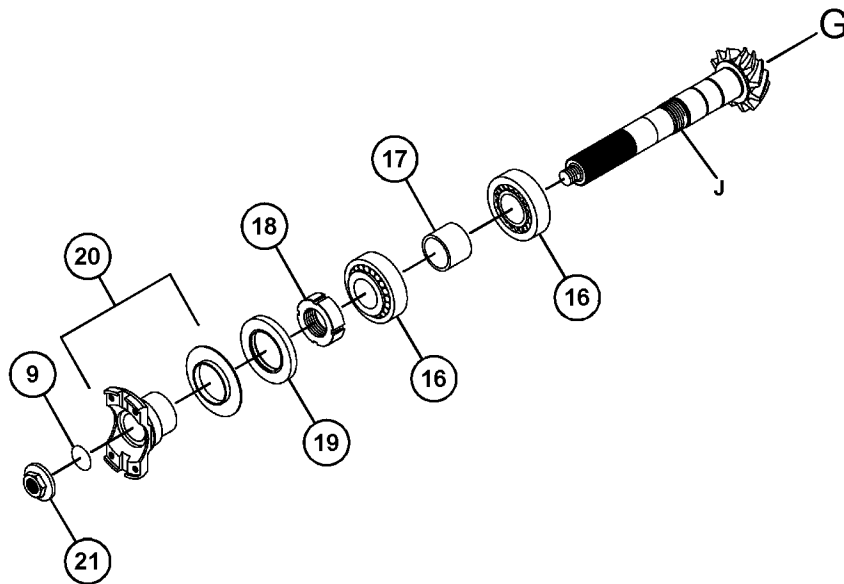
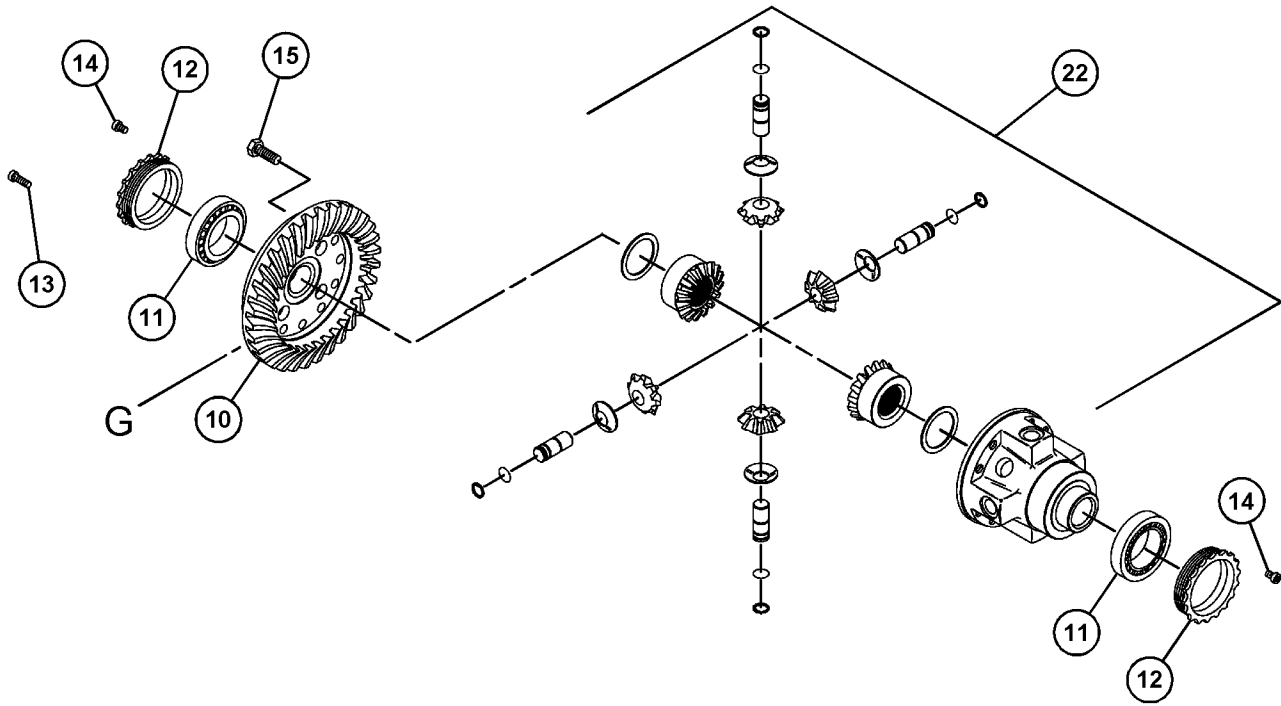
GRAPHIC #3

g06503987

POWER TRAIN

485-1677 AXLE GP-REAR (contd.)

i08003451



VIEW OF AREA E
(CASE REMOVED FOR CLARITY)

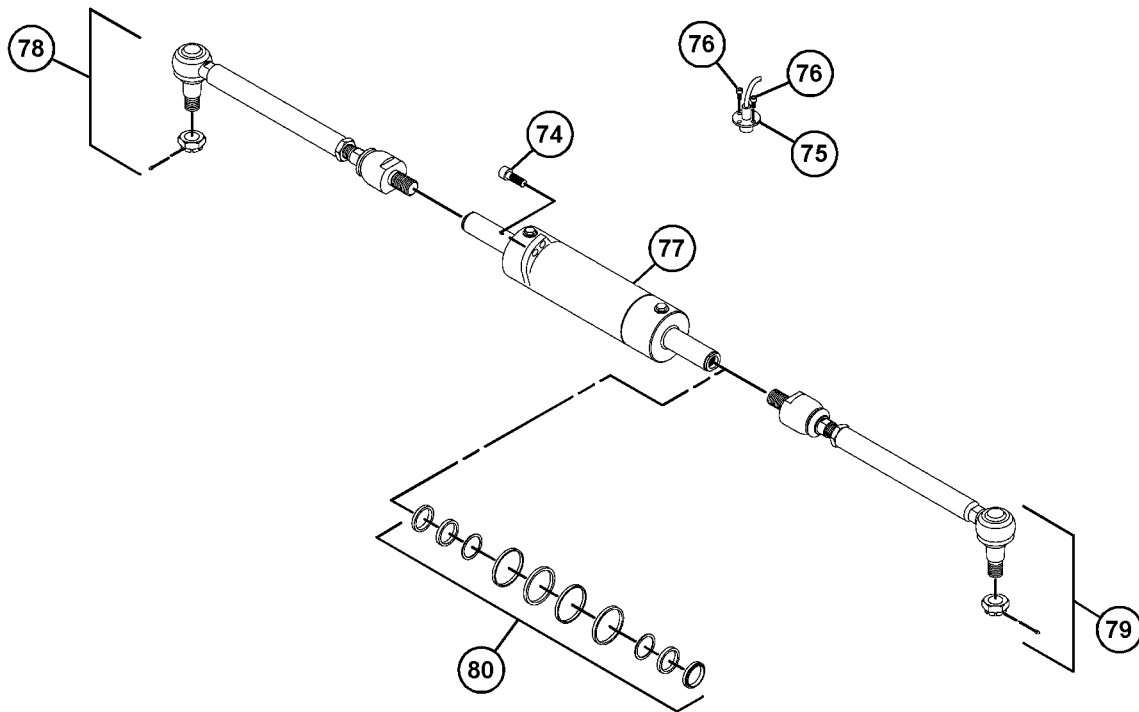
GRAPHIC #4

g06326456

POWER TRAIN

485-1677 AXLE GP-REAR (contd.)

108003451



VIEW OF AREA F
(EXPLODED)

GRAPHIC #5

<END>

g06326458

POWER TRAIN

352-7822 BASE GP-OIL FILTER

S/N: JKT1-UP

LHS, VERTICALLY DOWN

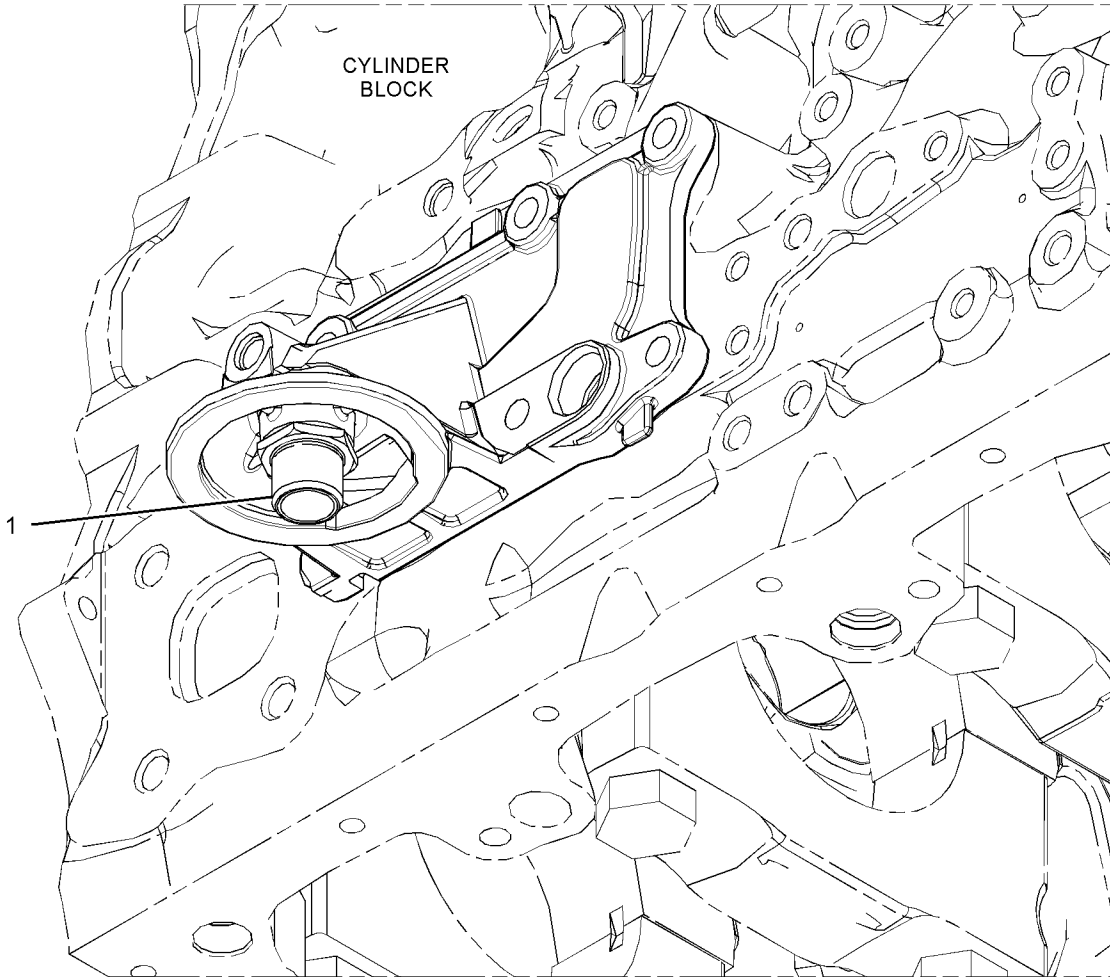
PART OF 356-7156 COOLER GP-ENGINE OIL

ALSO AN ATTACHMENT

SMCS-3004, 3067

i07395419

NOTE	REF NO	GRAPHIC REF	PART NUMBER	QTY	PART NAME						SEE PAGE
					1	2	3	4	5	6 (PRODUCT LEVEL)	
	1	1	118-9145	1	CONNECTOR						



GRAPHIC #1

<END>

g02718822

POWER TRAIN

479-1782 CASE & PARTS GP-PLANETARY

S/N: BK21-UP; SD31-UP; CF51-UP; TH91-UP; H5E1-UP

PART OF 482-1134 GEAR & CASE GP-TRANSFER
AN ATTACHMENT

SMCS-3030, 3064, 3160

i06091222

NOTE	REF NO	GRAPHIC REF	PART NUMBER	QTY	PART NAME						SEE PAGE
					1	2	3	4	5	6 (PRODUCT LEVEL)	
	1	1	8T-1580	1	CUP-BEARING						
	2	1	005-0469	3	CUP-BEARING						
	3	1	005-0471	1	CONE-BEARING						
	4	1	120-9762	4	SEAL-O-RING						
	5	1	123-8910	1	CUP-TAPERED ROLLER						
	6	1	334-3562	3	SEAL-O-RING						
	7	1	334-6641	1	CUP-BEARING						
	8	1	334-6649	1	WASHER (13X29X3-MM THK)						
B	9	1	399-1164	1	SPACER (35.2X42X15.29-MM THK)						
Y	10	1	334-7500	1	CASE GP-TRANSMISSION						638
B	11	1	334-7583	1	SPACER (35.2X42X14.87-MM THK)						
	12	1	302-8432	1	SEAL-LIP TYPE						
	13	1	334-7443	1	BEARING-NEEDLE						
B	14	1	399-1166	1	SPACER (35.2X42X15.32-MM THK)						
	15	1	7T-3195	1	WASHER (12.3X47X6.35-MM THK)						
M	16	1	238-7563	5	BOLT (M8X1.25X20-MM)						
M	17	1	238-7564	3	SCREW-HEX SOCKET (M8X1.25X16-MM)						
	18	1	334-3553	1	WASHER (27X35X2.38-MM THK)						
	19	1	<i>334-6846</i>	1	SHAFT GP-IDLER						
		1	005-0471	1	CONE-BEARING						
		1	334-6658	1	GEAR (28-TEETH)						
	20	1	334-7438	1	REACTOR AS						
		1	238-6532	2	PIN						
	21	1	334-7505	1	GAUGE AS-OIL LEVEL (DIPSTICK)						
	22	1	<i>334-7560</i>	1	TUBE AS-OIL GAUGE						
		1	8L-2786	1	SEAL-O-RING						
		1	334-7503	1	TUBE-DIPSTICK						
	23	1	<i>334-7562</i>	1	STRAINER AS (SUCTION)						
		1	334-3570	2	SEAL-O-RING						
		1	334-7523	1	STRAINER AS (SUCTION)						
M	25	1	6V-8097	1	BOLT (M12X1.75X30-MM)						
B	26	1	334-7625	1	SPACER (35.2X42X15.11-MM THK)						
B			334-7627	1	SPACER (35.2X42X15.14-MM THK)						
B			334-7629	1	SPACER-BEARING (35.2X42X15.17-MM THK)						
B			334-7638	1	SPACER (35.2X42X15.20-MM THK)						
B			334-7603	1	SPACER (35.2X42X14.90-MM THK)						
B			334-7604	1	SPACER (35.2X42X14.93-MM THK)						
B			334-7605	1	SPACER (35.2X42X14.96-MM THK)						
B			334-7608	1	SPACER (35.2X42X14.99-MM THK)						
B			334-7611	1	SPACER (35.2X42X15.02-MM THK)						
B			334-7615	1	SPACER (35.2X42X15.05-MM THK)						
B			334-7624	1	SPACER (35.2X42X15.08-MM THK)						
B			334-7649	1	SPACER (35.2X42X15.23-MM THK)						
B			399-1167	1	SPACER (35.2X42X15.35-MM THK)						
B			399-1168	1	SPACER (35.2X42X15.38-MM THK)						
B			399-1528	1	SPACER (35.2X42X15.26-MM THK)						

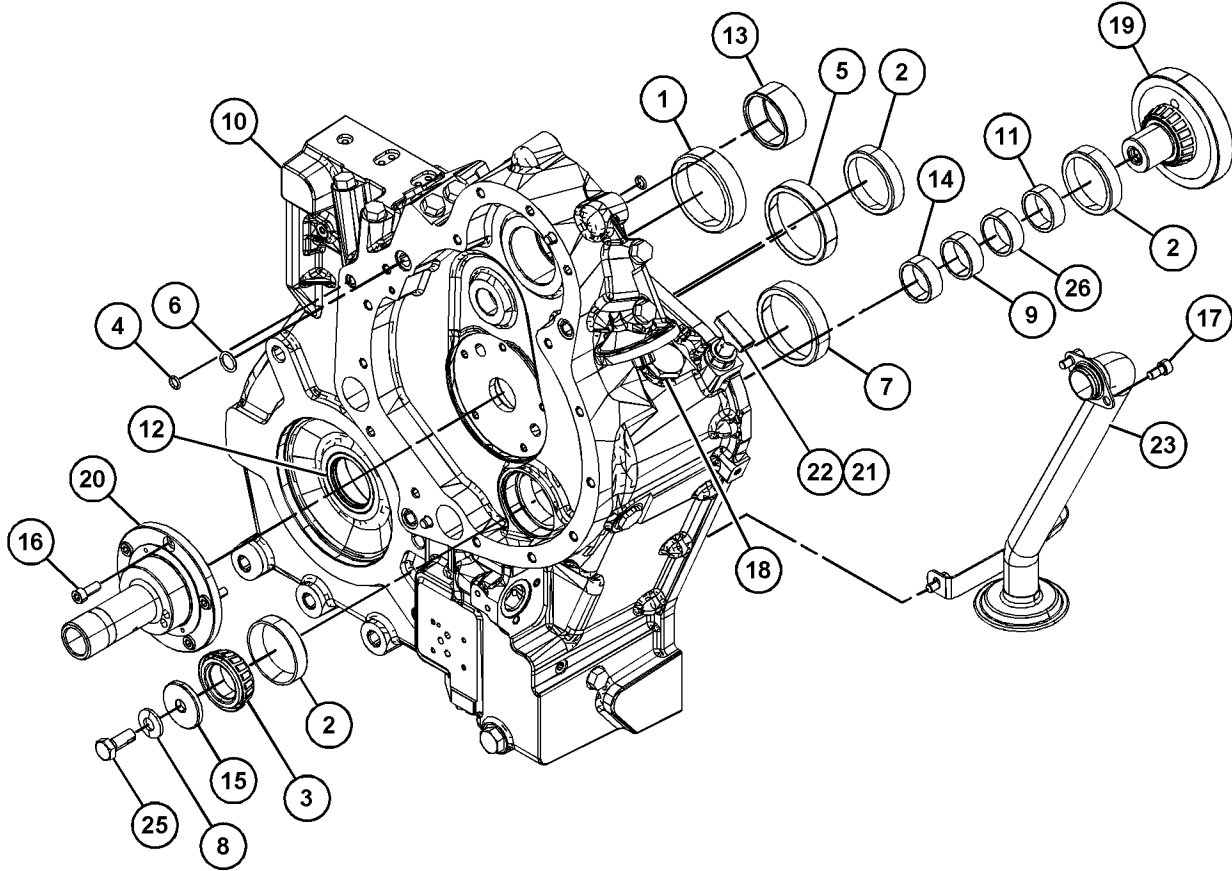
POWER TRAIN

479-1782 CASE & PARTS GP-PLANETARY (contd.)

i06091222

NOTE	REF NO	GRAPHIC REF	PART NUMBER	QTY	PART NAME	SEE PAGE
					1 2 3 4 5 6 (PRODUCT LEVEL)	

B - USE AS REQUIRED
M - METRIC PART
Y - SEPARATE ILLUSTRATION



GRAPHIC #1

<END>

g03823862

POWER TRAIN

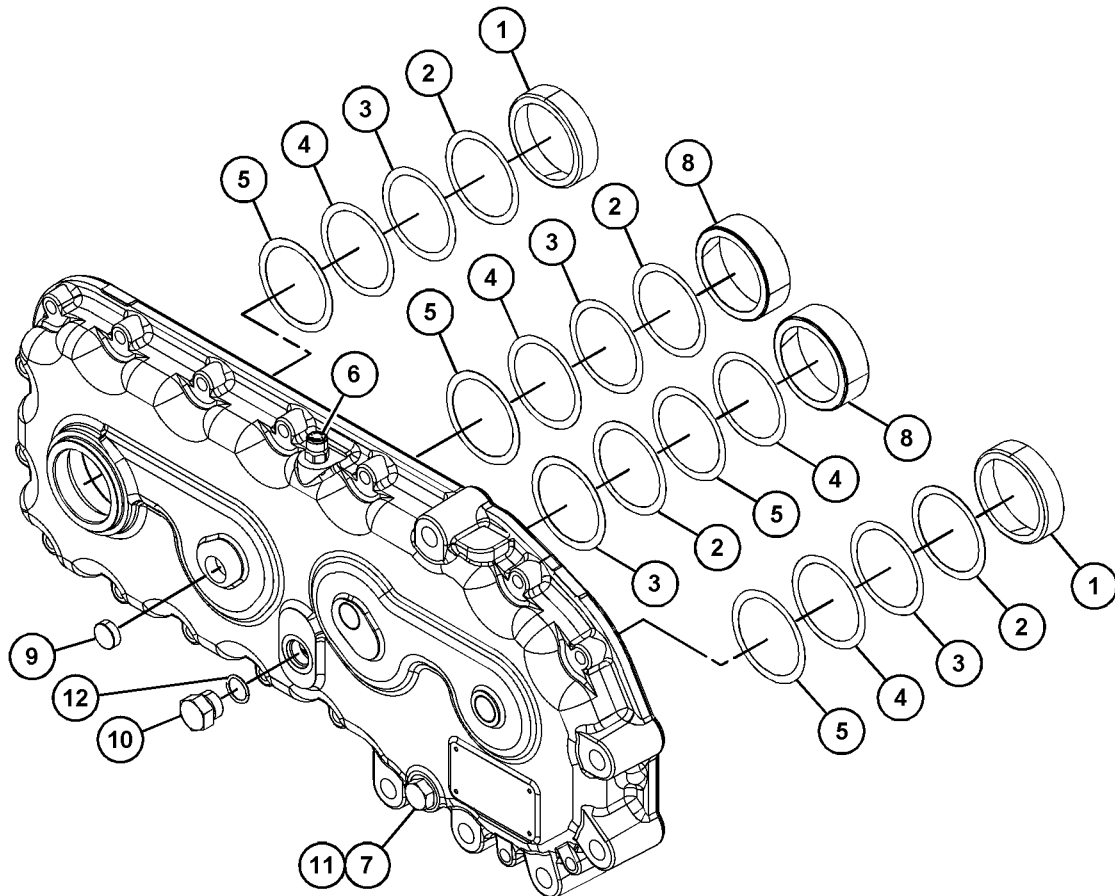
464-5019 CASE GP-TRANSFER

S/N: SD31-UP; CF51-UP; HA51-UP; TH91-UP; H5E1-UP
 PART OF 460-9945, 526-0637 GEAR & CASE GP-TRANSFER
 AN ATTACHMENT

SMCS-3159

i07232822

NOTE	REF NO	GRAPHIC REF	PART NUMBER	QTY	PART NAME						SEE PAGE
					1	2	3	4	5	6 (PRODUCT LEVEL)	
	1	1	8T-1580	2	CUP-BEARING						
	2	1	6T-9163	4	SHIM (0.599-MM THK)						
	3	1	6T-9164	4	SHIM (0.178-MM THK)						
	4	1	6T-9165	4	SHIM (0.076-MM THK)						
	5	1	6T-9166	4	SHIM (0.051-MM THK)						
	6	1	461-7838	1	BREATHER AS (TRANSFER CASE)						
	7	1	9X-2230	1	PLUG-DRAIN (MAGNETIC)						
	8	1	123-8908	2	CUP-TAPERED ROLLER						
	9	1	334-7485	3	CAP-PROTECTION						
	10	1	9S-4190	1	PLUG-O-RING (7/8-14-THD)						
	11	1	3K-0360	1	SEAL-O-RING						
	12	1	6V-4589	1	SEAL-O-RING						



GRAPHIC #1

<END>

g06260577

POWER TRAIN

334-7500 CASE GP-TRANSMISSION

S/N: BK21-UP; SD31-UP; CF51-UP; TH91-UP; H5E1-UP

PART OF 479-1782 CASE & PARTS GP-PLANETARY

AN ATTACHMENT

SMCS-3064

i05996211

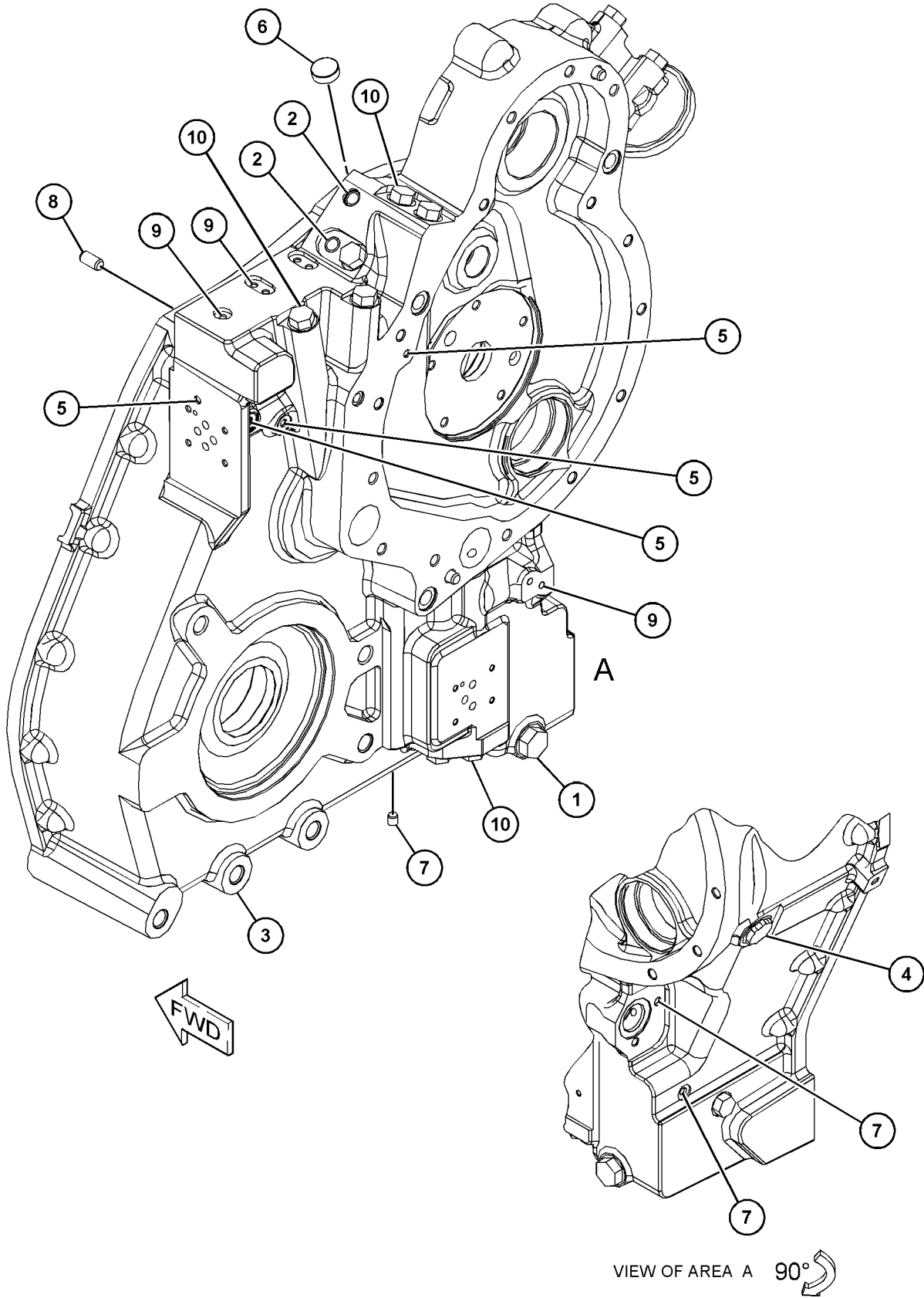
NOTE	REF NO	GRAPHIC REF	PART NUMBER	QTY	PART NAME						SEE PAGE
					1	2	3	4	5	6 (PRODUCT LEVEL)	
	1	1	9X-2230	1	PLUG-DRAIN (MAGNETIC)						
	2	1	122-3652	2	PLUG						
	3	1	<i>334-7693</i>	1	CASE AS-TRANSMISSION (FRONT)						
		1	342-3830	1	ADAPTER						
	4	1	334-3059	1	PLUG						
	5	1	334-4963	4	PLUG						
	6	1	334-7485	1	CAP-PROTECTION						
	7	1	334-4979	3	PLUG						
	8	1	8T-5353	4	DOWEL						
	9	1	123-2920	7	PLUG						
	10	1	<i>334-5131</i>	10	PLUG AS						
					(EACH INCLUDES)						
		1	3J-1907	1	SEAL-O-RING						
		1	9S-4191	1	PLUG (9/16-18-THD)						
F			433-7466	1	CASE AS-FRONT						
			123-2920	7	PLUG						
			334-4963	4	PLUG						
			334-4979	3	PLUG						
			342-3830	1	ADAPTER						

F - NOT SHOWN

POWER TRAIN

334-7500 CASE GP-TRANSMISSION (contd.)

i05996211



GRAPHIC #1

<END>

g0377600

POWER TRAIN

459-8309 CASE GP-TRANSMISSION-REAR

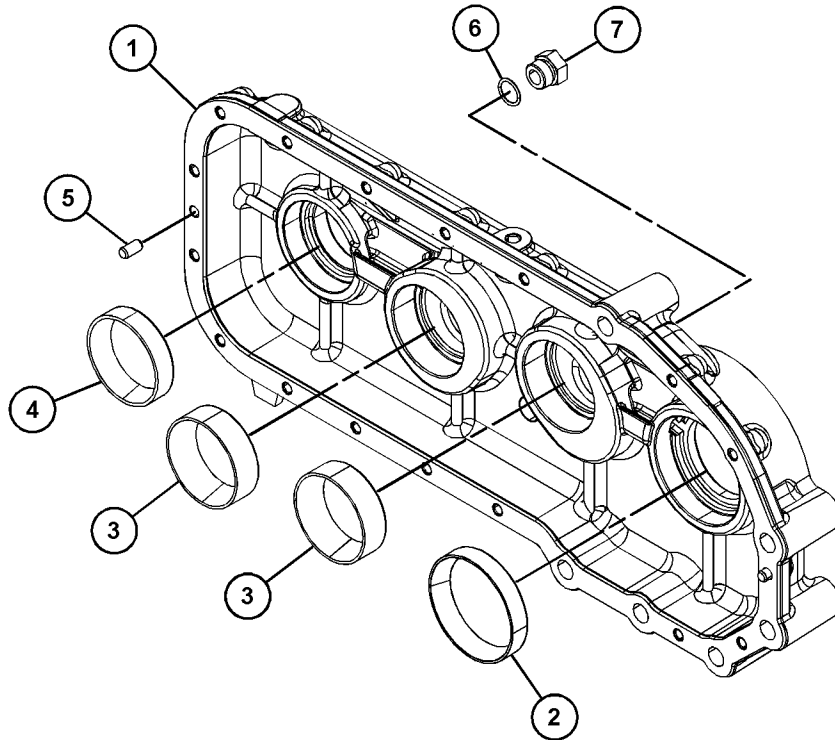
S/N: BK21-UP; TH91-UP

PART OF 459-8308, 526-0636 GEAR GP-TRANSFER
AN ATTACHMENT

SMCS-3064

i07232823

NOTE	REF NO	GRAPHIC REF	PART NUMBER	QTY	PART NAME						SEE PAGE
					1	2	3	4	5	6	
	1	1	459-8310	1	CASE-TRANSFER						
	2	1	334-7441	1	CUP-TAPERED ROLLER						
	3	1	123-8908	2	CUP-TAPERED ROLLER						
	4	1	8T-1580	1	CUP-BEARING						
	5	1	8T-5353	2	DOWEL						
	6	1	6V-4589	1	SEAL-O-RING						
	7	1	9S-4190	1	PLUG-O-RING (7/8-14-THD)						



GRAPHIC #1

<END>

g06260563

POWER TRAIN

464-5020 CASE GP-TRANSMISSION-FRONT

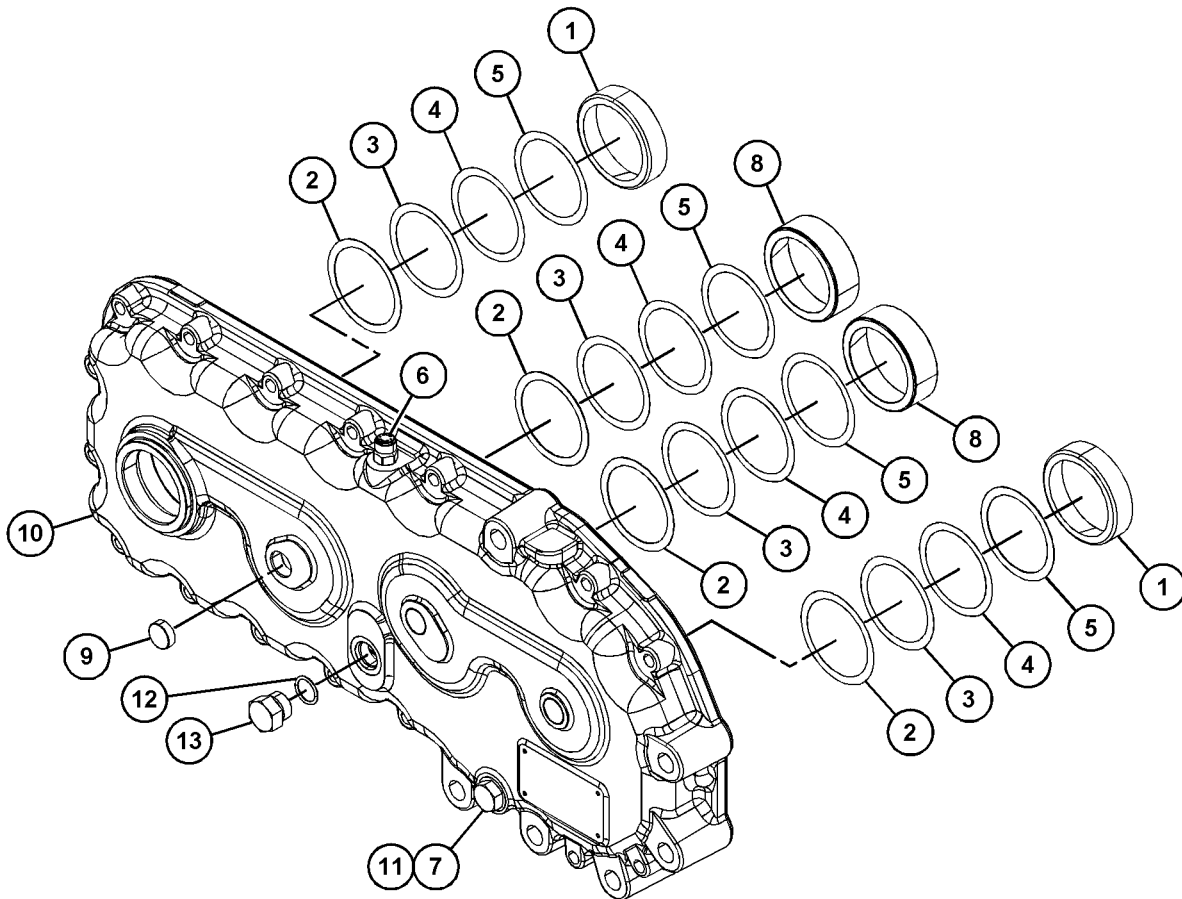
S/N: BK21-UP; TH91-UP

PART OF 459-8308, 526-0636 GEAR GP-TRANSFER
AN ATTACHMENT

SMCS-3064

i07232825

NOTE	REF NO	GRAPHIC REF	PART NUMBER	QTY	PART NAME						SEE PAGE
					1	2	3	4	5	6 (PRODUCT LEVEL)	
	1	1	8T-1580	2	CUP-BEARING						
	2	1	6T-9163	4	SHIM (0.599-MM THK)						
	3	1	6T-9164	4	SHIM (0.178-MM THK)						
	4	1	6T-9165	4	SHIM (0.076-MM THK)						
	5	1	6T-9166	4	SHIM (0.051-MM THK)						
	6	1	461-7838	1	BREATHER AS						
	7	1	9X-2230	1	PLUG-DRAIN (MAGNETIC)						
	8	1	123-8908	2	CUP-TAPERED ROLLER						
	9	1	334-7485	3	CAP-PROTECTION						
	10	1	378-9817	1	CASE-TRANSFER GEAR						
	11	1	3K-0360	1	SEAL-O-RING						
	12	1	6V-4589	1	SEAL-O-RING						
	13	1	9S-4190	1	PLUG-O-RING (7/8-14-THD)						



GRAPHIC #1

<END>

g06260568

POWER TRAIN

468-0122 CASE GP-TRANSMISSION

S/N: HA51-UP; TH91-UP

PART OF 468-0145, 526-0657 TRANSMISSION AR-POWER SHIFT
AN ATTACHMENT

SMCS-3064

i06624637

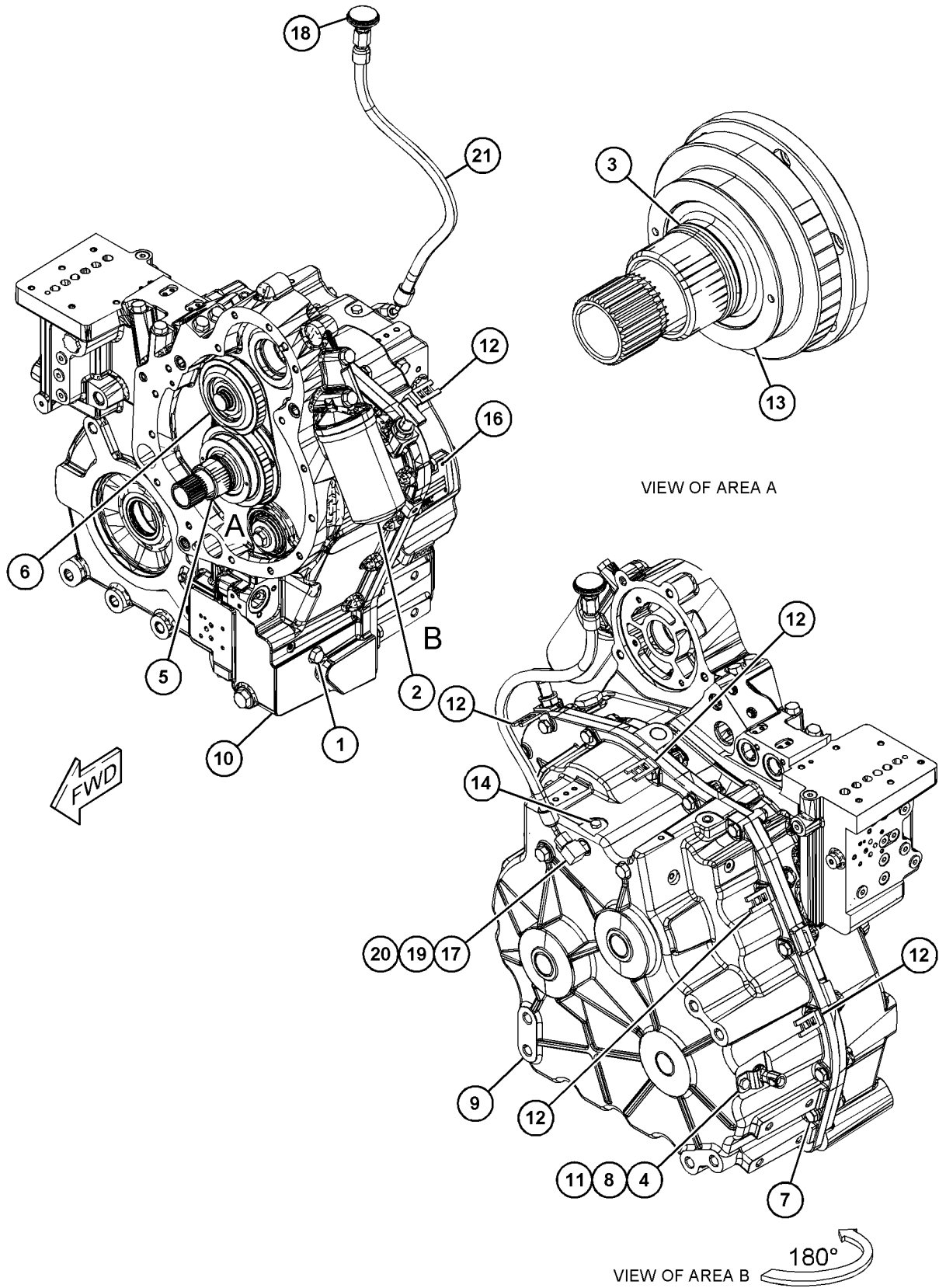
NOTE	REF NO	GRAPHIC REF	PART NUMBER	QTY	PART NAME						SEE PAGE
					1	2	3	4	5	6 (PRODUCT LEVEL)	
	1	1	334-5131	1	PLUG AS						
		1	3J-1907	1	SEAL-O-RING						
		1	9S-4191	1	PLUG (9/16-18-THD)						
	2	1	471-7003	1	FILTER-TRANSMISSION (HYDRAULIC)						
	3	1	178-8169	2	WASHER-THRUST (71X93X2-MM THK)						
	4	1	191-8303	1	SENSOR GP-SPEED (LOW OUTPUT) (TRANSMISSION)						
		1	137-6645	1	PAD-CONNECTOR						
	5	1	334-7402	1	GEAR AS						
Y	6	1	334-7404	1	GEAR GP-IDLER						666
M	7	1	6V-5842	20	BOLT (M10X1.5X40-MM)						
M	8	1	6V-5215	1	BOLT (M8X1.25X16-MM)						
Y	9	1	512-1678	1	CASE GP-TRANSMISSION (REAR)						649
Y	10	1	468-0127	1	CASE GP-TRANSMISSION						644
	11	1	117-1385	1	SEAL-O-RING						
	12	1	132-5789	5	CLIP (LADDER)						
	13	1	195-7657	1	SEAL-O-RING						
	14	1	5M-6213	1	PLUG-PIPE (1/4-18-THD)						
	16	1	336-5469	4	RIVET						
	17	1	3J-7354	1	SEAL-O-RING						
	18	1	9G-5127	1	BREATHER (ATMOSPHERIC) (TRANSMISSION)						
	19	1	4J-5477	1	SEAL-O-RING						
	20	1	6V-8628	1	ELBOW						
I	21	1	459-7275	1	HOSE AS						

I - REFER TO HYDRAULIC INFORMATION SYSTEM
M - METRIC PART
Y - SEPARATE ILLUSTRATION

POWER TRAIN

468-0122 CASE GP-TRANSMISSION (contd.)

i06624637



GRAPHIC #1

<END>

g06126827

POWER TRAIN

468-0127 CASE GP-TRANSMISSION

S/N: HA51-UP; TH91-UP

PART OF 468-0122 CASE GP-TRANSMISSION
AN ATTACHMENT

SMCS-3064

i06724558

NOTE	REF NO	GRAPHIC REF	PART NUMBER	QTY	PART NAME						SEE PAGE
					1	2	3	4	5	6 (PRODUCT LEVEL)	
	1	2	8T-1580	1	CUP-BEARING (TAPERED ROLLER)						
	2	1,2	005-0469	2	CUP-BEARING (TAPERED ROLLER)						
	3	1	005-0471	1	CONE-BEARING (TAPERED ROLLER)						
	4	1,2	120-9762	4	SEAL-O-RING						
	5	2	123-8910	1	CUP-TAPERED ROLLER						
	6	1	334-3562	3	SEAL-O-RING						
	7	2	334-6641	1	CUP-BEARING						
	8	1	334-6649	1	WASHER (13X29X3-MM THK)						
	9	1	123-8906	1	CUP-TAPERED ROLLER						
B	10	2	399-1164	1	SPACER (35.2X42X15.29-MM THK)						
B		2	334-7583	1	SPACER (35.2X42X14.87-MM THK)						
B		2	334-7625	1	SPACER (35.2X42X15.11-MM THK)						
B		2	334-7627	1	SPACER (35.2X42X15.14-MM THK)						
B		2	334-7629	1	SPACER-BEARING (35.2X42X15.17-MM THK)						
B		2	334-7638	1	SPACER (35.2X42X15.20-MM THK)						
B		2	334-7603	1	SPACER (35.2X42X14.90-MM THK)						
B		2	334-7604	1	SPACER (35.2X42X14.93-MM THK)						
B		2	334-7605	1	SPACER (35.2X42X14.96-MM THK)						
B		2	334-7608	1	SPACER (35.2X42X14.99-MM THK)						
B		2	334-7611	1	SPACER (35.2X42X15.02-MM THK)						
B		2	334-7615	1	SPACER (35.2X42X15.05-MM THK)						
B		2	334-7624	1	SPACER (35.2X42X15.08-MM THK)						
B		2	334-7649	1	SPACER (35.2X42X15.23-MM THK)						
B		2	399-1528	1	SPACER (35.2X42X15.26-MM THK)						
B		2	399-1166	1	SPACER (35.2X42X15.32-MM THK)						
B		2	399-1167	1	SPACER (35.2X42X15.35-MM THK)						
	12	2	466-4938	1	SEAL-LIP TYPE						
	13	2	334-7443	1	BEARING-NEEDLE						
	15	1	7T-3195	1	WASHER (12.3X47X6.35-MM THK)						
M	17	2	238-7564	3	SCREW-HEX SOCKET (M8X1.25X16-MM)						
	18	2	334-3553	1	WASHER (27X35X2.38-MM THK)						
	19	2	334-6846	1	SHAFT GP-IDLER						
		2	005-0471	1	CONE-BEARING						
		2	334-6658	1	GEAR (28-TEETH)						
		2	399-1168	1	SPACER (35.2X42X15.38-MM THK)						
	21	2	334-7505	1	GAUGE AS-OIL LEVEL (DIPSTICK)						
	22	2	334-7560	1	TUBE AS-OIL GAUGE						
		2	8L-2786	1	SEAL-O-RING						
		2	334-7503	1	TUBE-DIPSTICK						
	23	2	334-7562	1	STRAINER AS (SUCTION)						
		2	334-3570	2	SEAL-O-RING						
		2	334-7523	1	STRAINER AS (SUCTION)						
	24	2	334-5841	1	PLUG						
M	25	1	6V-8097	1	BOLT (M12X1.75X30-MM)						
M	26	1	8T-8442	7	BOLT-SOCKET HEAD (M6X1X30-MM)						
	27	1	468-0130	1	REACTOR AS						

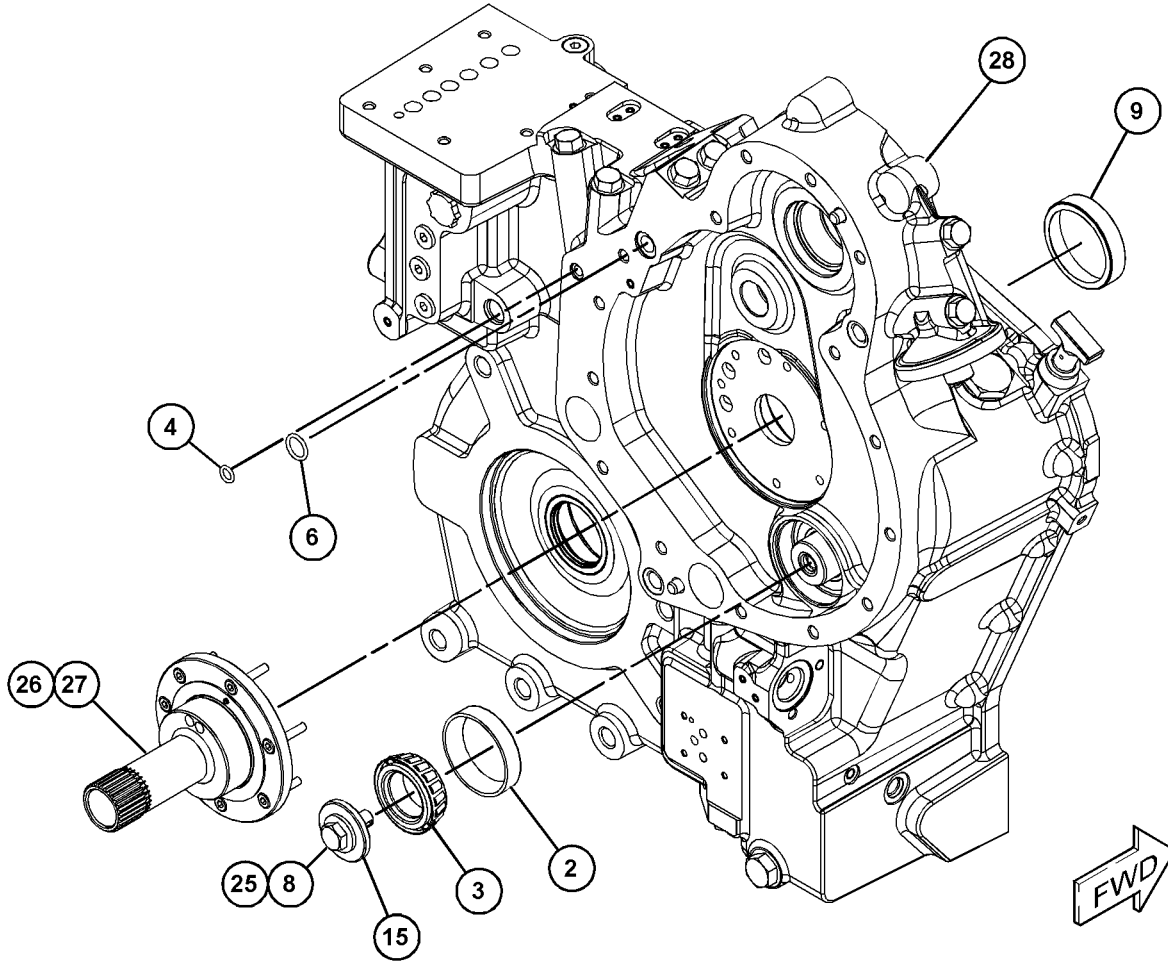
POWER TRAIN

468-0127 CASE GP-TRANSMISSION (contd.)

106724558

NOTE	REF NO	GRAPHIC REF	PART NUMBER	QTY	PART NAME						SEE PAGE
					1	2	3	4	5	6 (PRODUCT LEVEL)	
		1	238-6532	2	PIN						
Y	28	1	468-0128	1	CASE GP-TRANSMISSION						647

B - USE AS REQUIRED
M - METRIC PART
Y - SEPARATE ILLUSTRATION



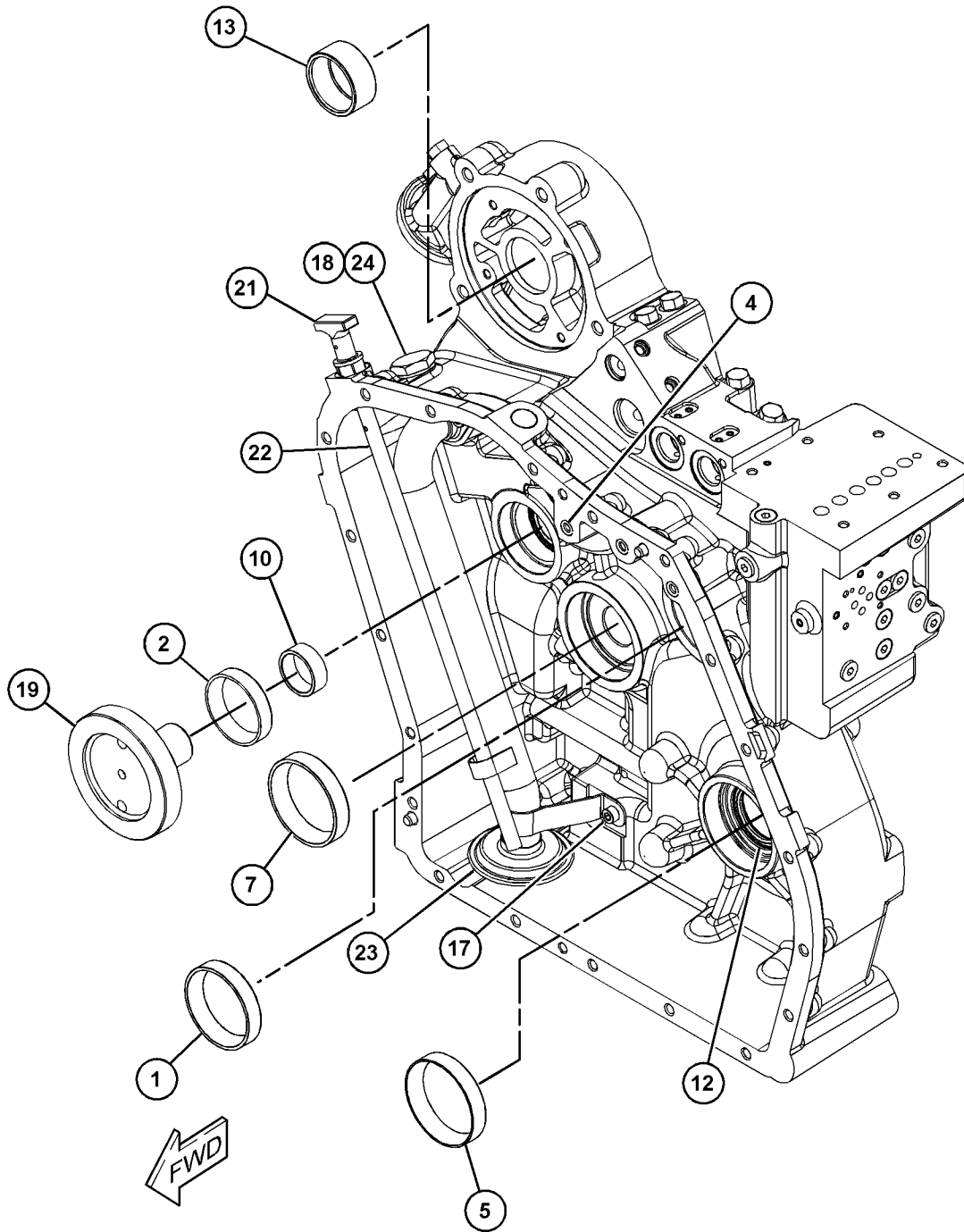
GRAPHIC #1

g06104533

POWER TRAIN

468-0127 CASE GP-TRANSMISSION (contd.)

i06724558



GRAPHIC #2

<END>

g06104534

POWER TRAIN

468-0128 CASE GP-TRANSMISSION

S/N: HA51-UP; TH91-UP

PART OF 468-0127 CASE GP-TRANSMISSION
AN ATTACHMENT

SMCS-3064

i06749001

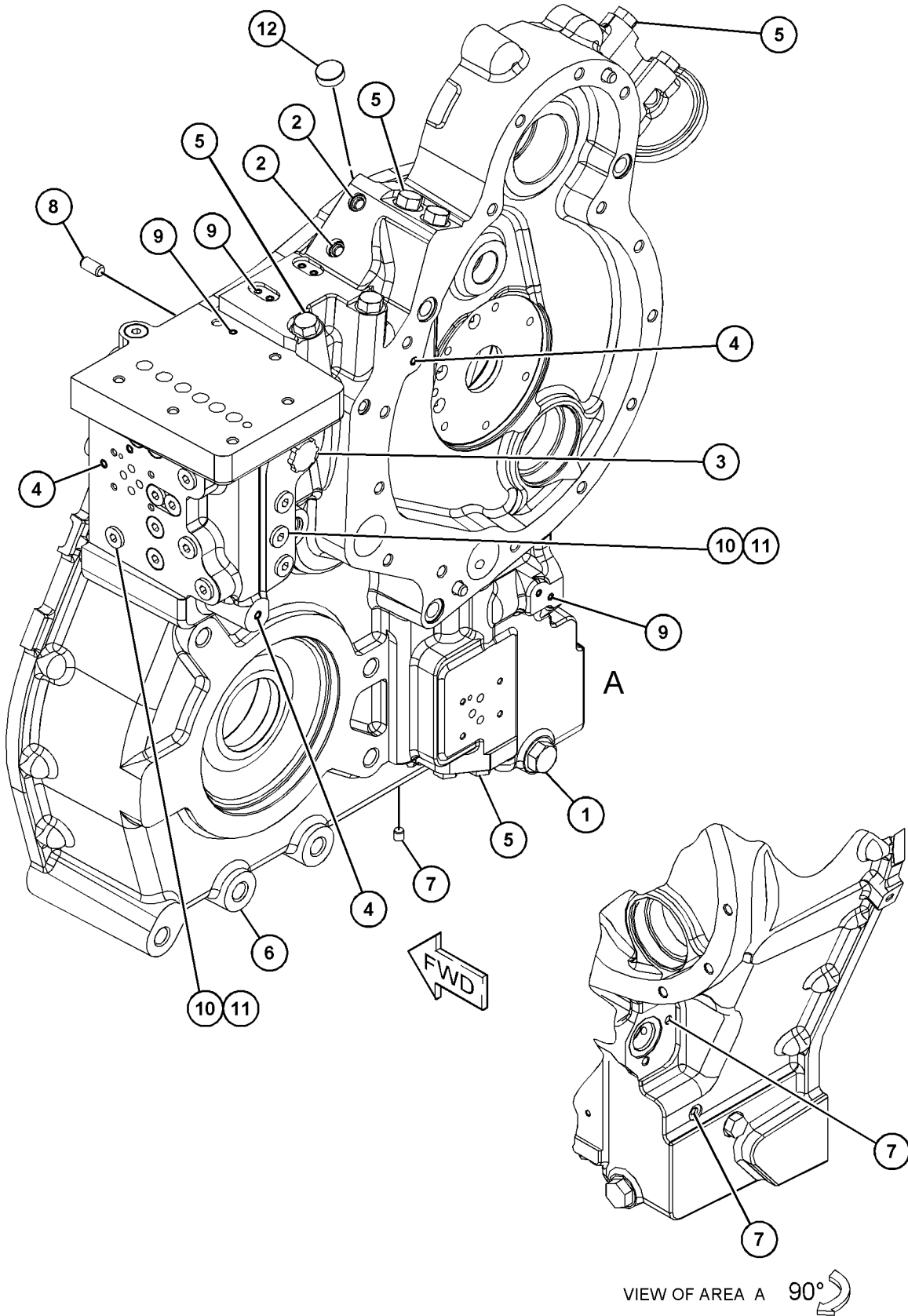
NOTE	REF NO	GRAPHIC REF	PART NUMBER	QTY	PART NAME	SEE PAGE
					1 2 3 4 5 6 (PRODUCT LEVEL)	
	1	1	9X-2230	1	PLUG-DRAIN (MAGNETIC)	
	2	1	122-3652	2	PLUG	
	3	1	334-3059	1	PLUG	
	4	1	334-4963	5	PLUG	
	5	1	<i>334-5131</i>	8	PLUG AS	
					(EACH INCLUDES)	
		1	3J-1907	1	SEAL-O-RING	
		1	9S-4191	1	PLUG (9/16-18-THD)	
	6	1	<i>468-0141</i>	1	CASE AS-FRONT	
		1	342-3830	1	ADAPTER	
	7	1	334-4979	3	PLUG	
	8	1	8T-5353	4	DOWEL	
	9	1	123-2920	7	PLUG	
	10	1	3J-1907	15	SEAL-O-RING	
	11	1	9S-8004	15	PLUG (9/16-18-THD)	
	12	1	334-7485	1	CAP-PROTECTION	
	A	1	468-0149	1	CASE AS-FRONT	
	A	1	123-2920	7	PLUG	
	A	1	334-4963	5	PLUG	
	A	1	334-4979	3	PLUG	
	A	1	342-3830	1	ADAPTER	

A - NOT PART OF THIS GROUP

POWER TRAIN

468-0128 CASE GP-TRANSMISSION (contd.)

i06749001



GRAPHIC #1

<END>

g06106569

POWER TRAIN

512-1678 CASE GP-TRANSMISSION

S/N: BK21-UP; SD31-UP; CF51-UP; HA51-UP; TH91-UP; H5E1-UP
 PART OF 468-0122 CASE GP-TRANSMISSION, 482-1134 GEAR & CASE GP-TRANSFER
 AN ATTACHMENT

SMCS-3064

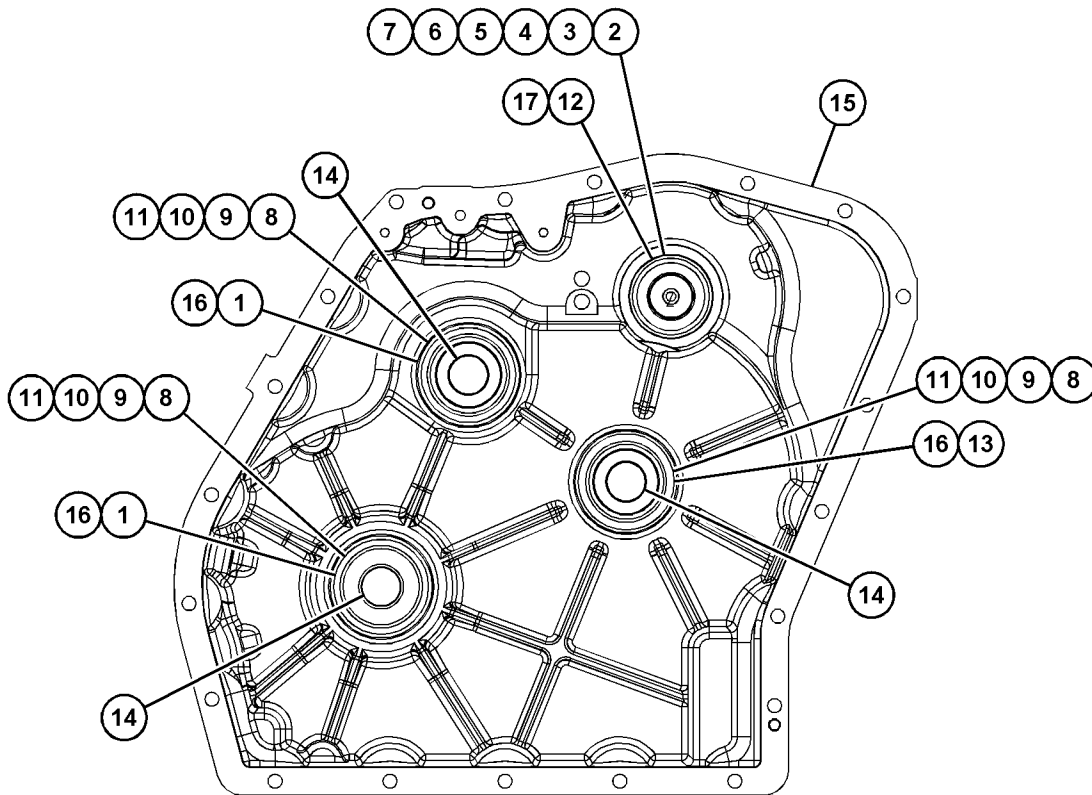
i06724557

NOTE	REF NO	GRAPHIC REF	PART NUMBER	QTY	PART NAME						SEE PAGE
					1	2	3	4	5	6 (PRODUCT LEVEL)	
	1	1	8T-1580	2	CUP-BEARING						
	2	1	6T-9142	1	SHIM (0.508-MM THK)						
	3	1	6T-9143	1	SHIM (0.381-MM THK)						
	4	1	6T-9144	1	SHIM (0.051-MM THK)						
	5	1	6T-9145	1	SHIM (0.178-MM THK)						
	6	1	6T-9146	1	SHIM (0.127-MM THK)						
	7	1	6T-9147	1	SHIM (0.076-MM THK)						
	8	1	6T-9163	3	SHIM (0.599-MM THK)						
	9	1	6T-9164	3	SHIM (0.178-MM THK)						
	10	1	6T-9165	3	SHIM (0.076-MM THK)						
	11	1	6T-9166	3	SHIM (0.051-MM THK)						
	12	1	005-0469	1	CUP-BEARING						
	13	1	123-8908	1	CUP-TAPERED ROLLER						
	14	1	147-0232	3	PLUG						
	15	1	<i>512-1677</i>	1	CASE AS-REAR						
		1	334-3059	1	PLUG						
		1	<i>334-5131</i>	4	PLUG AS						
					(EACH INCLUDES)						
		1	3J-1907	1	SEAL-O-RING						
		1	9S-4191	1	PLUG (9/16-18-THD)						
		1	512-1676	1	CASE AS-TRANSMISSION (REAR)						
		1	334-4963	4	PLUG						
		1	334-4979	4	PLUG						
	16	1	334-7682	3	SPACER (66X78.25X0.6-MM THK)						
	17	1	334-7684	1	SPACER (56.9X63.25X0.6-MM THK)						

POWER TRAIN

512-1678 CASE GP-TRANSMISSION (contd.)

i06724557



REAR VIEW

(INSIDE CASE)

GRAPHIC #1

<END>

g06084097

POWER TRAIN

334-7532 CLUTCH & GEAR GP

S/N: BK21-UP; SD31-UP; CF51-UP; HA51-UP; TH91-UP; H5E1-UP
 PART OF 460-9942, 526-0653 TRANSMISSION AR, 460-9943, 468-0145, 482-2978, 526-0654,
 526-0657 TRANSMISSION AR-POWER SHIFT
 AN ATTACHMENT

SMCS-3061, 3155

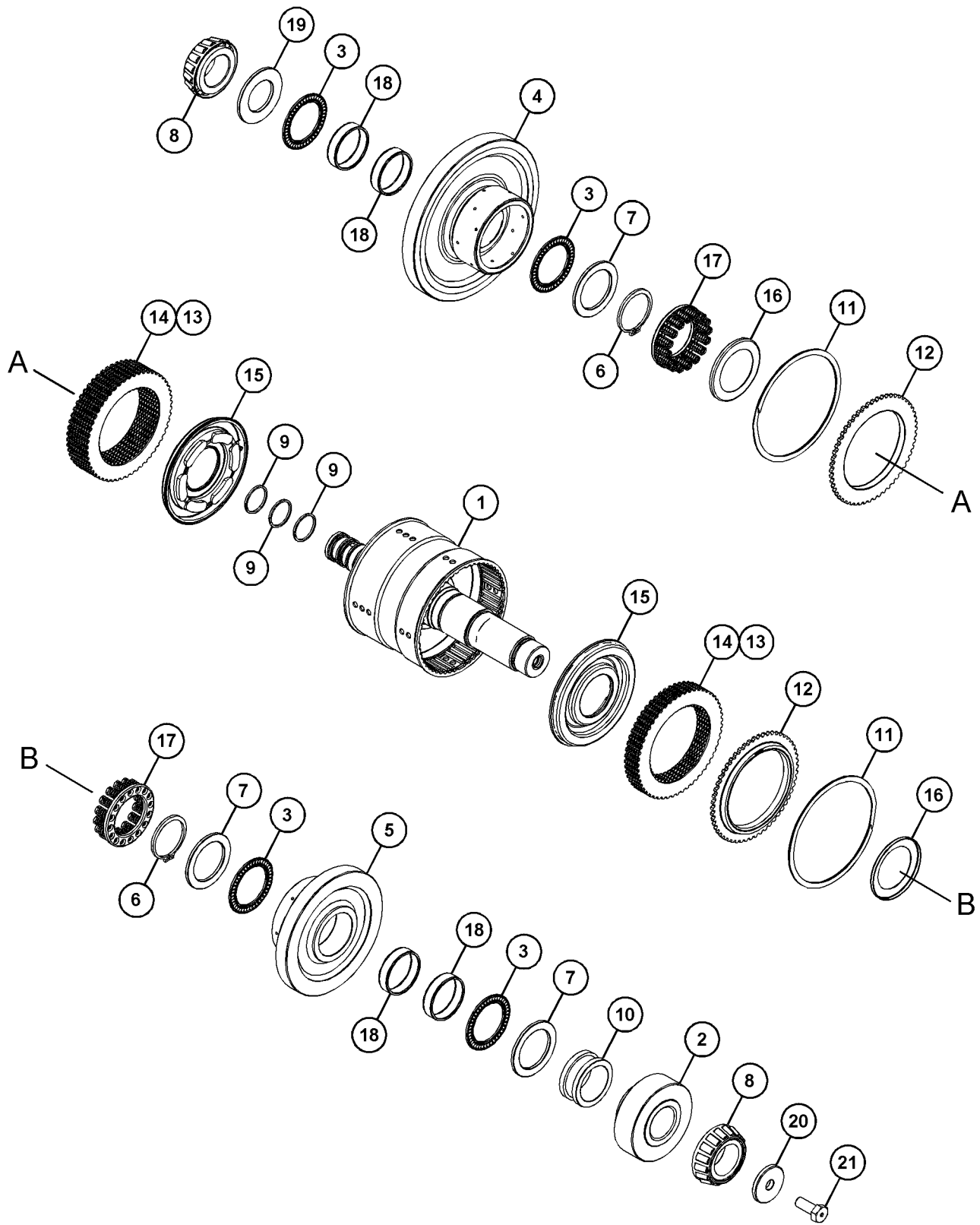
i07623263

NOTE	REF NO	GRAPHIC REF	PART NUMBER	QTY	PART NAME						SEE PAGE
					1	2	3	4	5	6 (PRODUCT LEVEL)	
	1	1	334-7395	1	SHAFT AS						
		1	123-2920	2	PLUG						
		1	334-7452	1	PLUG						
		1	334-7564	1	PLUG-ORIFICE						
2		1	334-7417	1	GEAR (24-TEETH)						
3		1	172-5317	4	BEARING-SPECIAL						
4		1	334-6676	1	GEAR (53-TEETH)						
5		1	334-7416	1	GEAR (45-TEETH)						
6		1	6V-8757	2	RING-RETAINING						
7		1	121-2500	3	WASHER-THRUST (50X70X4-MM THK)						
8		1	8T-1581	2	BEARING-TAPERED ROLLER						
9		1	6Y-1192	3	RING-SEAL						
10		1	334-7449	1	SPACER						
11		1	9U-8875	2	RING-RETAINING						
12		1	334-7659	2	PLATE-END						
13		1	6Y-7929	13	DISC-FRICTION						
14		1	274-4553	15	DISC-CLUTCH						
15		1	558-2827	2	PISTON-CLUTCH						
16		1	294-9812	2	RETAINER-SPRING						
17		1	147-0238	2	SPRING AS						
18		1	334-7444	4	BEARING-NEEDLE						
19		1	121-0694	1	WASHER-THRUST (40X70X4-MM THK)						
20		1	7T-3195	1	WASHER (12.3X47X6.35-MM THK)						
21		1	378-9763	1	BOLT-SPECIAL						

POWER TRAIN

334-7532 CLUTCH & GEAR GP (contd.)

i07623263



GRAPHIC #1

<END>

g03655324

POWER TRAIN

392-3996 CLUTCH & GEAR GP

S/N: BK21-UP; SD31-UP; CF51-UP; HA51-UP; TH91-UP; H5E1-UP
 PART OF 460-9942, 526-0653 TRANSMISSION AR, 460-9943, 468-0145, 482-2978, 526-0654,
 526-0657 TRANSMISSION AR-POWER SHIFT
 AN ATTACHMENT

SMCS-3061, 3155

i07852345

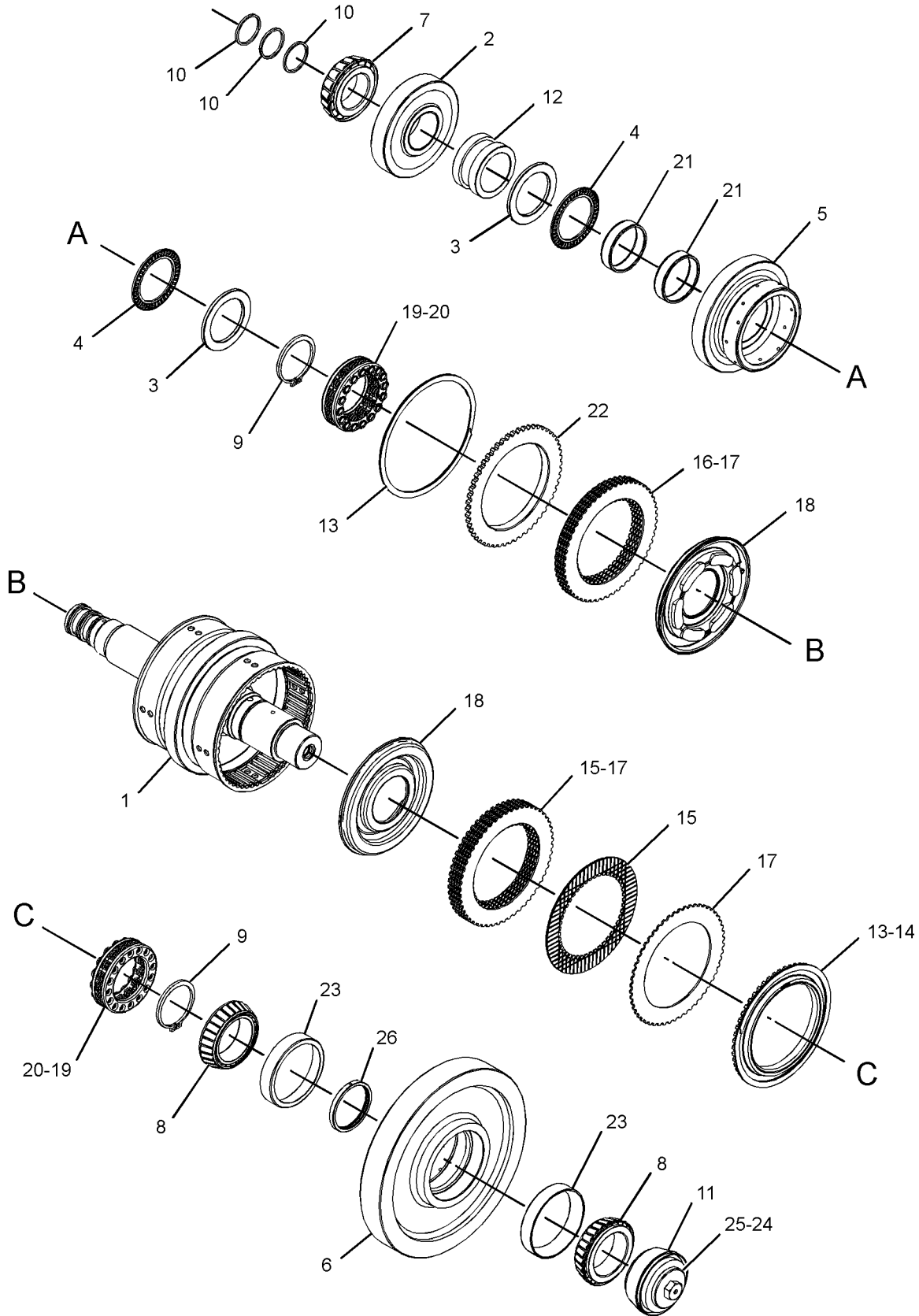
NOTE	REF NO	GRAPHIC REF	PART NUMBER	QTY	PART NAME						SEE PAGE
					1	2	3	4	5	6 (PRODUCT LEVEL)	
	1	1	334-7399	1	SHAFT AS						
		1	334-4979	2	PLUG						
		1	334-7452	1	PLUG						
	2	1	334-6668	1	GEAR (27-TEETH)						
	3	1	121-2500	2	WASHER-THRUST (50X70X4-MM THK)						
	4	1	172-5317	2	BEARING-SPECIAL						
	5	1	334-7407	1	GEAR (36-TEETH)						
	6	1	334-7415	1	GEAR (56-TEETH)						
	7	1	334-6623	1	CONE-BEARING						
	8	1	123-8909	2	CONE-BEARING						
	9	1	6V-8757	2	RING-RETAINING						
	10	1	6Y-1192	3	RING-SEAL						
	11	1	123-8907	1	CONE-BEARING						
	12	1	334-7448	1	SPACER						
	13	1	366-7249	2	RING-RETAINING						
	14	1	334-7659	1	PLATE-END						
	15	1	6Y-7929	5	DISC-FRICTION						
	16	1	313-5544	4	DISC-FRICTION						
	17	1	274-4553	10	DISC-CLUTCH						
	18	1	558-2827	2	PISTON-CLUTCH						
	19	1	294-9812	2	RETAINER-SPRING						
	20	1	147-0238	2	SPRING AS						
	21	1	334-7444	2	BEARING-NEEDLE						
	22	1	378-9766	1	PLATE-RETAINER						
	23	1	123-8910	2	CUP-TAPERED ROLLER						
	24	1	7T-3195	1	WASHER (12.3X47X6.35-MM THK)						
	25	1	378-9763	1	BOLT-SPECIAL						
B	26	1	334-7566	1	SPACER-SPECIAL						
B		1	334-7568	1	SPACER-SPECIAL						
B		1	334-7572	1	SPACER-SPECIAL						
B		1	334-7573	1	SPACER-SPECIAL						
B		1	334-7574	1	SPACER-SPECIAL						
B		1	334-7576	1	SPACER-SPECIAL						
B		1	334-7577	1	SPACER-SPECIAL						
B		1	334-7578	1	SPACER-SPECIAL						
B		1	334-7579	1	SPACER-SPECIAL						
B		1	334-7581	1	SPACER-SPECIAL						
B		1	381-3316	1	SPACER-SPECIAL						
B		1	381-3317	1	SPACER-SPECIAL						
B		1	334-7582	1	SPACER-SPECIAL						
B		1	418-9987	1	SPACER-SPECIAL						
B		1	418-9988	1	SPACER-SPECIAL						

B - USE AS REQUIRED

POWER TRAIN

392-3996 CLUTCH & GEAR GP (contd.)

i07852345



GRAPHIC #1

<END>

g03660437

POWER TRAIN

418-7411 CONTROL GP-TRANSMISSION HYD

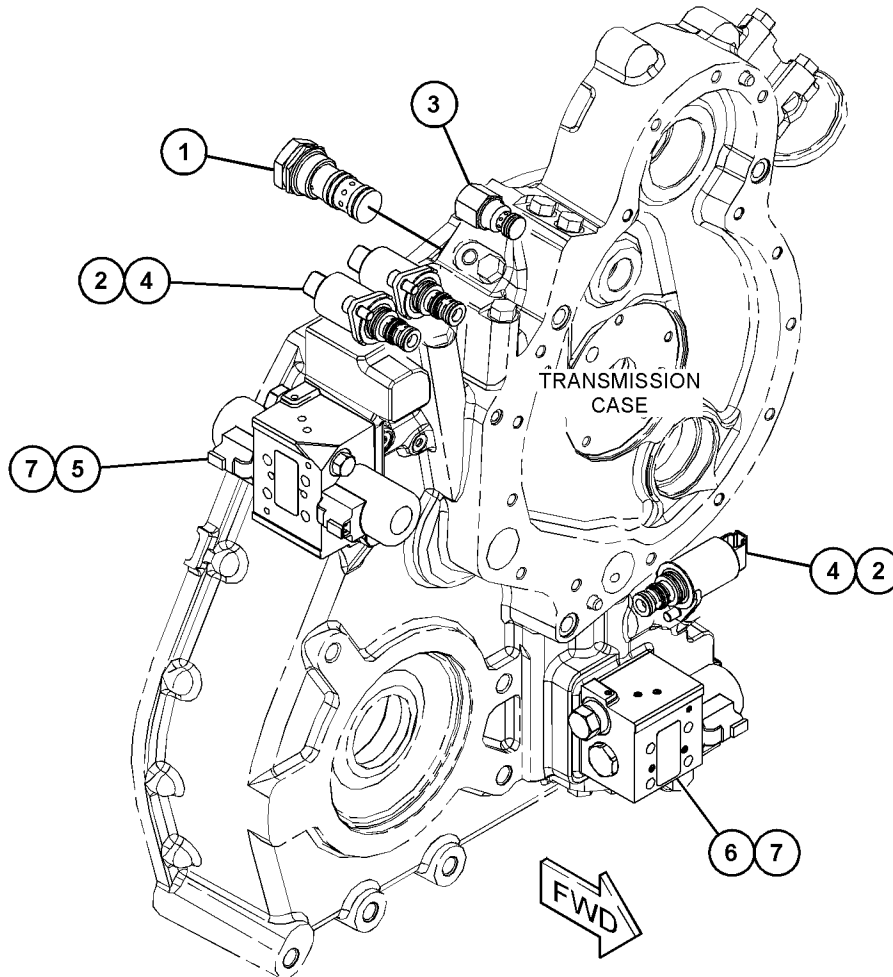
S/N: BK21-UP; SD31-UP; CF51-UP; TH91-UP; H5E1-UP
 PART OF 460-9942, 526-0653 TRANSMISSION AR, 460-9943, 482-2978, 526-0654 TRANSMISSION AR-POWER SHIFT
 AN ATTACHMENT

SMCS-3073, 3167

i07213658

NOTE	REF NO	GRAPHIC REF	PART NUMBER	QTY	PART NAME						SEE PAGE
					1	2	3	4	5	6 (PRODUCT LEVEL)	
Y	1	1	147-0209	1	VALVE GP-RELIEF (PRESSURE REGULATOR)						974
M	2	1	238-7564	3	SCREW-HEX SOCKET (M8X1.25X16-MM)						
	3	1	330-3037	1	VALVE GP-RELIEF (CONVERTER)						
		1	6V-4589	1	SEAL-O-RING						
		1	8L-2746	1	SEAL-O-RING						
	4	1	334-7531	3	VALVE AS-SOLENOID (TRANSMISSION)						
Y	5	1	391-9654	1	VALVE GP-SOLENOID (MODULATING)						733
Y	6	1	399-5410	1	VALVE GP-SOLENOID (MODULATING)						734
M	7	1	449-8810	8	BOLT (M5X0.8X30-MM)						

M - METRIC PART
 Y - SEPARATE ILLUSTRATION



GRAPHIC #1

<END>

g03661505

POWER TRAIN

468-0120 CONTROL GP-TRANSMISSION HYD

S/N: HA51-UP; TH91-UP

PART OF 468-0145, 526-0657 TRANSMISSION AR-POWER SHIFT
AN ATTACHMENT

SMCS-3073, 3167

i06624638

NOTE	REF NO	GRAPHIC REF	PART NUMBER	QTY	PART NAME						SEE PAGE
					1	2	3	4	5	6 (PRODUCT LEVEL)	
	1	1	5E-8771	1	SEAL-O-RING						
Y	2	1	147-0209	1	VALVE GP-RELIEF						974
	3	1	256-6454	1	SENSOR-TEMPERATURE (2-PIN)						
	4	1	334-7531	3	VALVE AS-SOLENOID						
Y	5	1	391-9654	1	VALVE GP-SOLENOID (MODULATING)						733
Y	6	1	399-5410	1	VALVE GP-SOLENOID (MODULATING)						734
M	7	1	9X-6615	8	BOLT (M5X0.8X30-MM)						
	8	1	474-8225	1	VALVE & MTG GP-RELIEF						
		1	274-4559	1	COIL AS (12-VOLT)						
		1	286-0867	1	SOLENOID AS						
		1	6V-8399	1	SEAL-O-RING						
		1	274-4560	1	NUT-SELF LOCKING						
		1	398-5596	1	PLUG AS						
		1	238-5080	1	SEAL-O-RING						
		1	360-3680	1	PLUG (3/4-16-THD)						
		1	460-9958	1	VALVE GP-RELIEF						
		1	6V-9178	1	SEAL-O-RING						
		1	7X-4744	1	SEAL-O-RING						
		1	106-9586	1	SEAL-O-RING						
	9	1	484-9576	1	VALVE GP-RELIEF						
		1	6V-4589	1	SEAL-O-RING						
		1	8L-2746	1	SEAL-O-RING						
	10	1	228-7103	1	SEAL-O-RING						
M	11	1	238-7564	3	SCREW-HEX SOCKET (M8X1.25X16-MM)						
M	12	1	289-9555	6	BOLT-SOCKET HEAD (M8X1.25X30-MM)						
	13	1	8T-4224	6	WASHER-HARD (8.8X16X2-MM THK)						

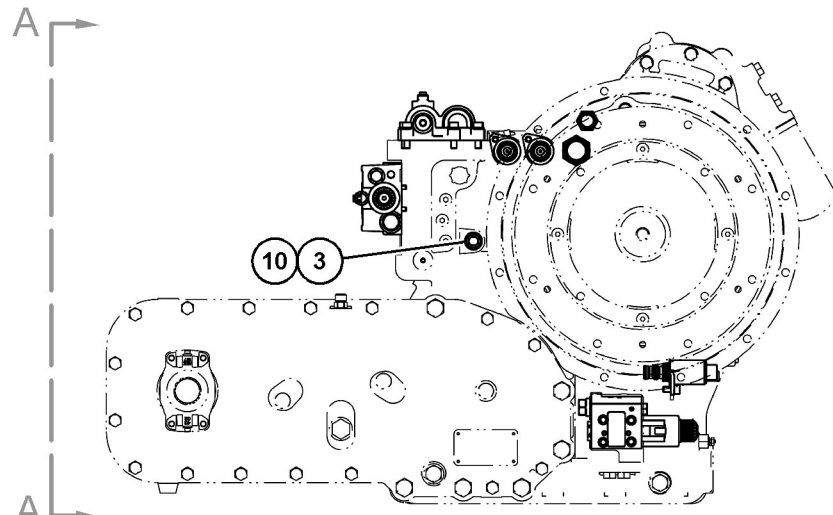
M - METRIC PART

Y - SEPARATE ILLUSTRATION

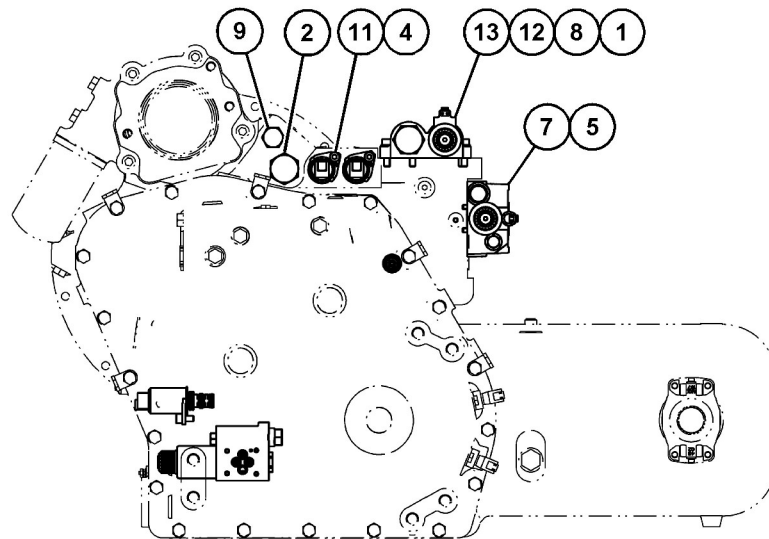
POWER TRAIN

468-0120 CONTROL GP-TRANSMISSION HYD (contd.)

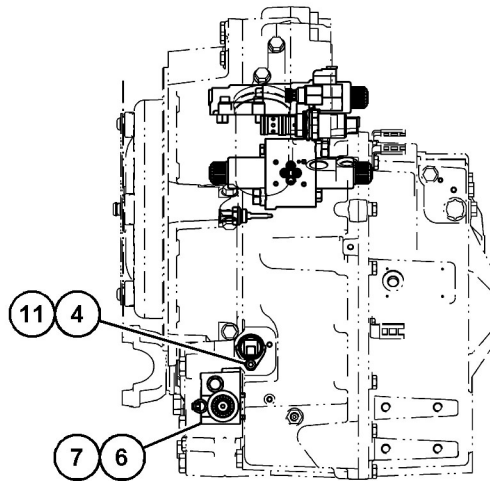
106624638



REAR VIEW



FRONT VIEW



VIEW A-A

<END>

GRAPHIC #1

g06097971

POWER TRAIN

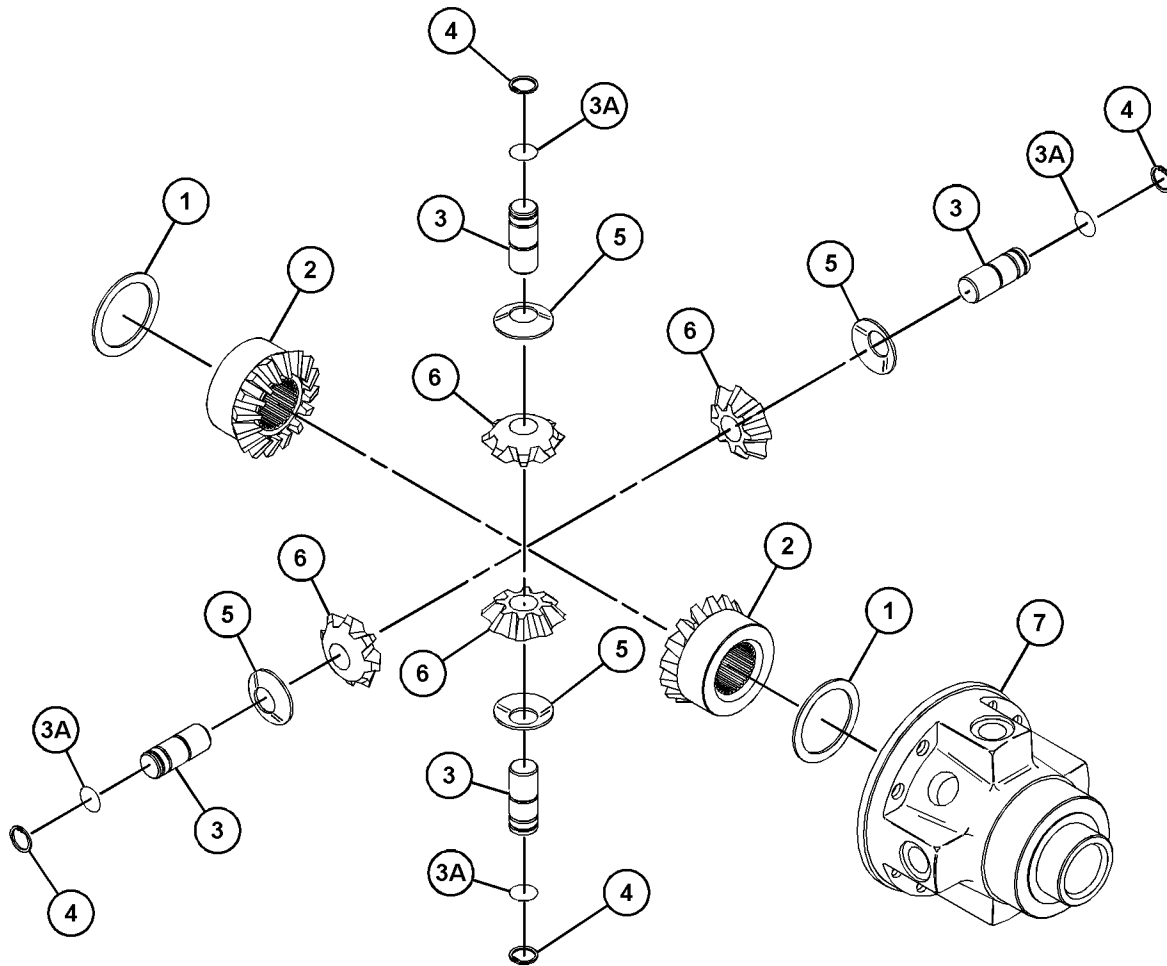
350-8571 DIFFERENTIAL GP

S/N: TH41-UP; TH91-UP
PART OF 485-1677 AXLE GP-REAR
AN ATTACHMENT

SMCS-3258

i06642612

NOTE	REF NO	GRAPHIC REF	PART NUMBER	QTY	PART NAME						SEE PAGE
					1	2	3	4	5	6	
	1	1	304-3223	2	WASHER						
	2	1	458-6148	2	GEAR						
	3	1	299-0789	4	KIT-PIN						
(EACH INCLUDES)											
	3A	1	304-3221	1	CLIP						
	4	1	304-3220	4	CLIP						
	5	1	298-1814	4	WASHER-FRICTION						
	6	1	458-6149	4	PINION-DIFFERENTIAL						
	7	1	304-4582	1	CARRIER AS-DIFFERENTIAL						



GRAPHIC #1

<END>

g06086866

POWER TRAIN

460-9945 GEAR & CASE GP-TRANSFER

S/N: SD31-UP; CF51-UP; HA51-UP; TH91-UP; H5E1-UP

PART OF 460-9942 TRANSMISSION AR, 460-9943, 468-0145 TRANSMISSION AR-POWER SHIFT
AN ATTACHMENT

SMCS-3159

i06883746

NOTE	REF NO	GRAPHIC REF	PART NUMBER	QTY	PART NAME						SEE PAGE
					1	2	3	4	5	6 (PRODUCT LEVEL)	
Y	1	1	461-1160	1	GEAR & CASE GP-TRANSFER						661
	2	1	334-7459	1	SEAL-LIP TYPE						
	3	1	466-4938	2	SEAL-LIP TYPE						
	4	1	460-9946	1	GEAR AS						
	4A	1	8T-1581	1	BEARING-TAPERED ROLLER						
	4B	1	334-7440	1	BEARING-ROLLER						
		1	460-8951	1	GEAR-INPUT (35-TEETH)						
	5	1	460-9947	1	GEAR AS-IDLER						
	5A	1	123-8907	2	CONE-BEARING						
		1	460-8952	1	GEAR-IDLER (37-TEETH)						
	6	1	460-9948	1	GEAR AS-IDLER						
	6A	1	123-8907	2	CONE-BEARING						
		1	460-8953	1	GEAR-IDLER (35-TEETH)						
	7	1	460-9949	1	SHAFT AS-OUTPUT						
	7A	1	8T-1581	2	BEARING-TAPERED ROLLER						
		1	6V-8757	2	RING-RETAINING						
		1	334-7418	1	SHAFT						
		1	460-8954	1	GEAR-OUTPUT (32-TEETH)						
Y	8	1	464-5019	1	CASE GP-TRANSFER						637
	9	1	122-1883	2	SPACER (38X45X5-MM THK)						
	10	1	334-7525	2	YOKE AS						
	11	1	5P-8066	2	SEAL-O-RING						
	12	1	7T-3195	2	WASHER (12.3X47X6.35-MM THK)						
M	13	1	6V-8097	2	BOLT (M12X1.75X30-MM)						
M	14	1	160-8742	14	BOLT (M10X1.5X55-MM)						
M	15	1	6V-5815	2	BOLT (M10X1.5X75-MM)						
M	16	1	6V-8154	6	BOLT (M16X2X150-MM)						

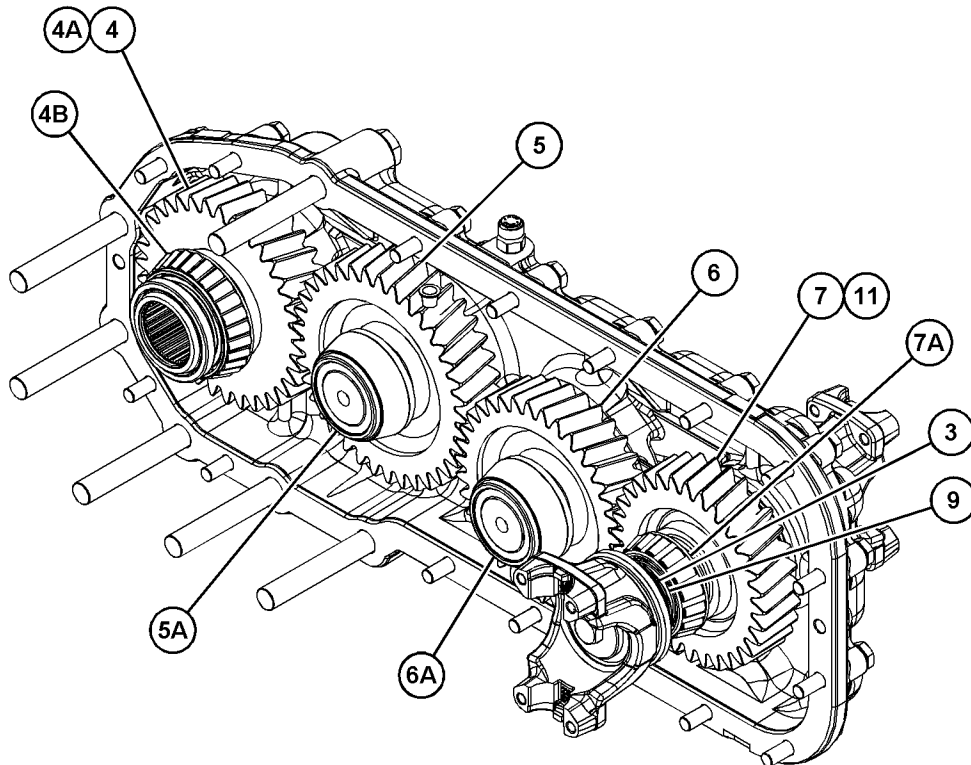
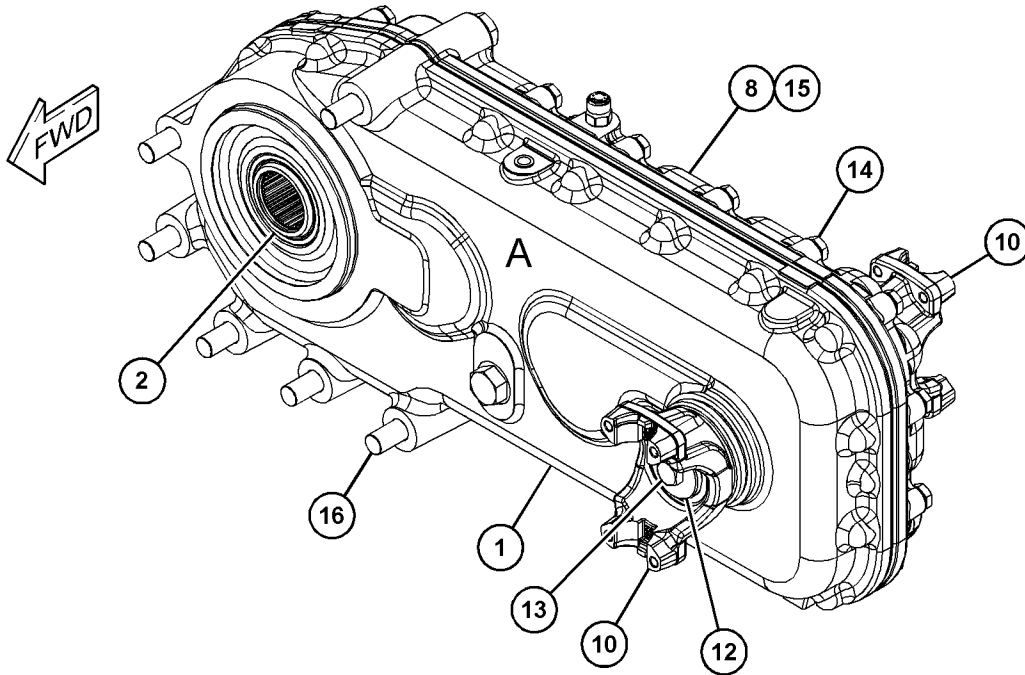
M - METRIC PART

Y - SEPARATE ILLUSTRATION

POWER TRAIN

460-9945 GEAR & CASE GP-TRANSFER (contd.)

i06883746



VIEW OF AREA A
(PARTS REMOVED FOR CLARITY)

GRAPHIC #1

<END>

g06086992

POWER TRAIN

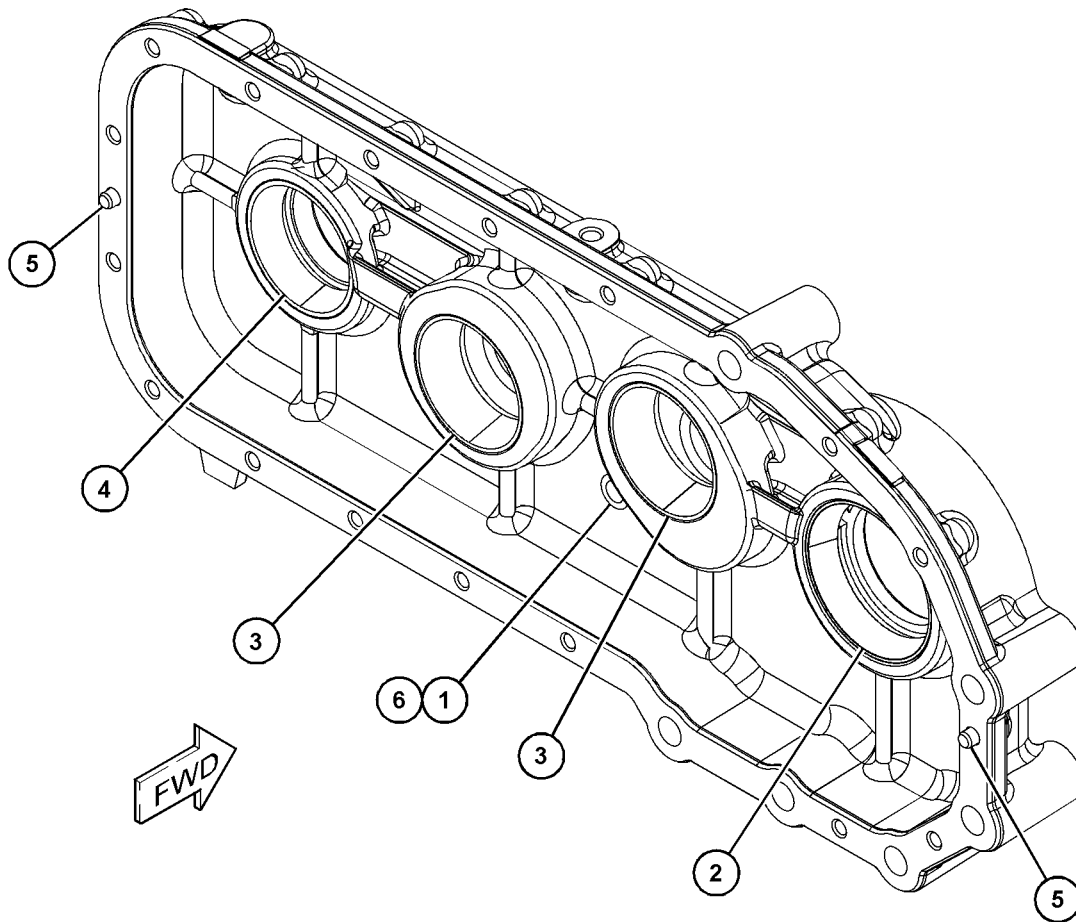
461-1160 GEAR & CASE GP-TRANSFER

S/N: SD31-UP; CF51-UP; HA51-UP; TH91-UP; H5E1-UP
 PART OF 460-9945, 526-0637 GEAR & CASE GP-TRANSFER
 AN ATTACHMENT

SMCS-3159

i06709043

NOTE	REF NO	GRAPHIC REF	PART NUMBER	QTY	PART NAME						SEE PAGE
					1	2	3	4	5	6	
	1	1	9S-4190	1	PLUG-O-RING (7/8-14-THD)						
	2	1	334-7441	1	CUP-TAPERED ROLLER						
	3	1	123-8908	2	CUP-TAPERED ROLLER						
	4	1	8T-1580	1	CUP-BEARING (TAPERED ROLLER)						
	5	1	8T-5353	2	DOWEL						
	6	1	6V-4589	1	SEAL-O-RING						



GRAPHIC #1

<END>

g06082192

POWER TRAIN

482-1134 GEAR & CASE GP-TRANSFER

S/N: BK21-UP; SD31-UP; CF51-UP; TH91-UP; H5E1-UP
 PART OF 460-9942, 526-0653 TRANSMISSION AR, 460-9943, 482-2978, 526-0654 TRANSMISSION AR-POWER SHIFT
 AN ATTACHMENT

SMCS-3159

i07717207

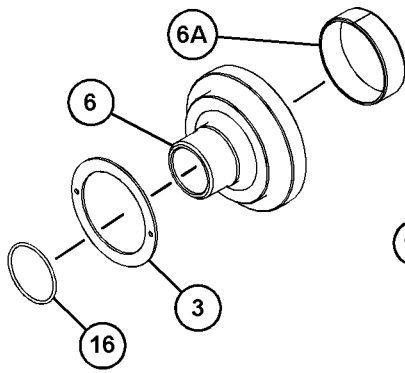
NOTE	REF NO	GRAPHIC REF	PART NUMBER	QTY	PART NAME	SEE PAGE
					1 2 3 4 5 6 (PRODUCT LEVEL)	
	1	1	334-5131	1	PLUG AS	
		1	3J-1907	1	SEAL-O-RING	
		1	9S-4191	1	PLUG (9/16-18-THD)	
	2	1	471-7003	1	FILTER-TRANSMISSION (HYDRAULIC)	
	3	1	178-8169	2	WASHER-THRUST (71X93X2-MM THK)	
	4	1	191-8303	1	SENSOR GP-SPEED (LOW OUTPUT) (TRANSMISSION)	
		1	137-6645	1	PAD-CONNECTOR	
	6	1	334-7402	1	GEAR AS	
	6A	1	178-8168	1	BUSHING	
Y	7	1	334-7404	1	GEAR GP-IDLER	666
Y	8	1	512-1678	1	CASE GP-TRANSMISSION (REAR)	649
M	10	1	6V-5842	20	BOLT (M10X1.5X40-MM)	
M	11	1	6V-5215	1	BOLT (M8X1.25X16-MM)	
	12	1	5M-6213	1	PLUG-PIPE (1/4-18-THD)	
Y	13	1	479-1782	1	CASE & PARTS GP-PLANETARY	635
	14	1	203-3940	1	SEAL-O-RING	
	15	1	132-5789	5	CLIP (LADDER)	
	16	1	195-7657	1	SEAL-O-RING	
	17	1	9G-5127	1	BREATHER (ATMOSPHERIC)	
I	18	1	459-7275	1	HOSE AS	
	19	1	3J-7354	1	SEAL-O-RING	
	20	1	4J-5477	1	SEAL-O-RING	
	21	1	6V-8628	1	ELBOW	

I - REFER TO HYDRAULIC INFORMATION SYSTEM
 M - METRIC PART
 Y - SEPARATE ILLUSTRATION

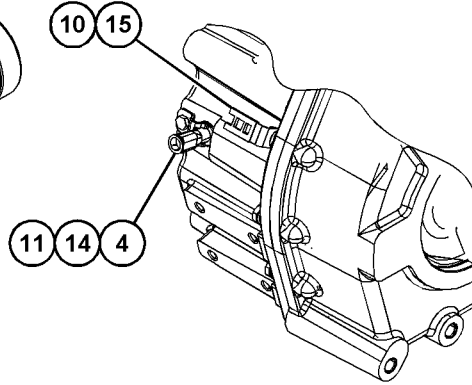
POWER TRAIN

482-1134 GEAR & CASE GP-TRANSFER (contd.)

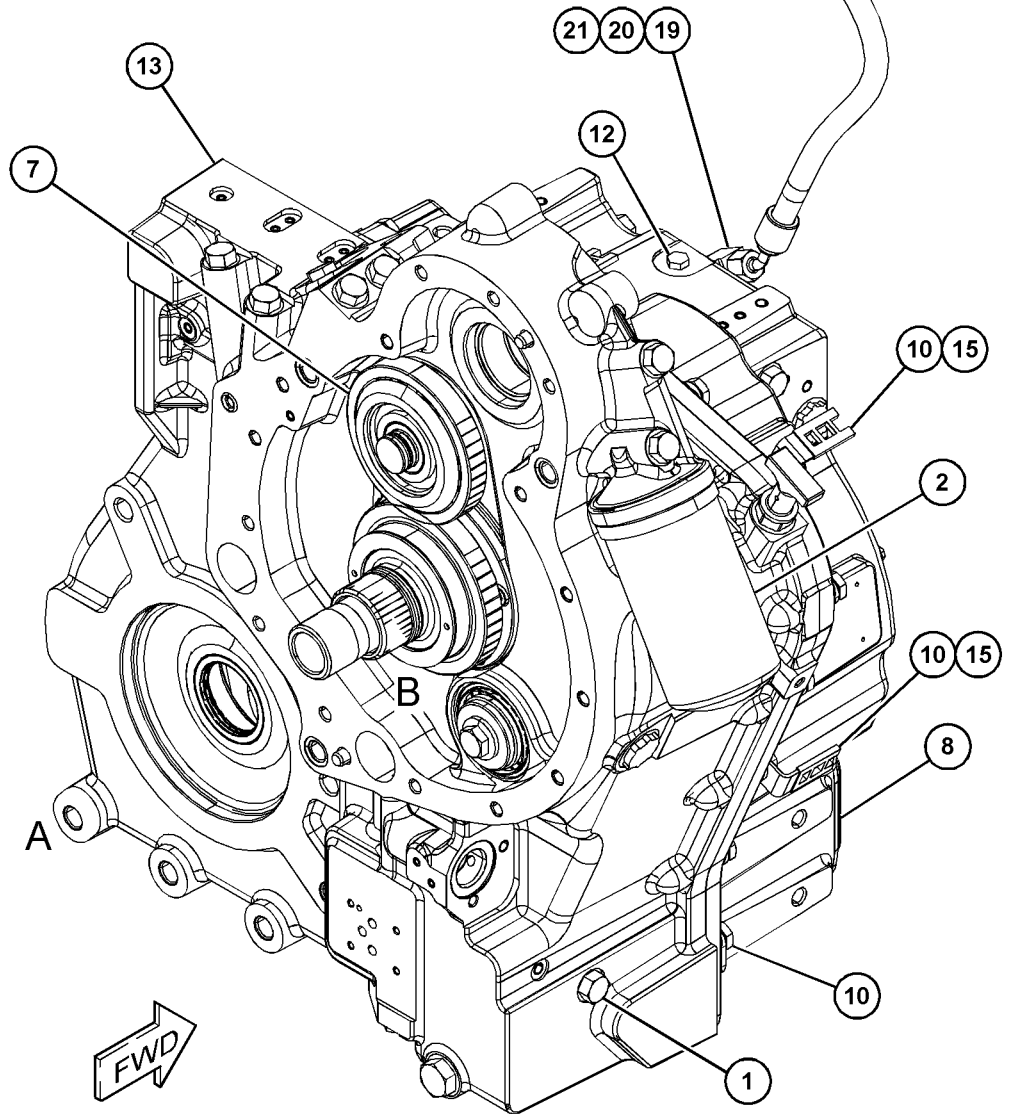
i07717207



VIEW OF AREA B
(PARTS REMOVED FOR CLARITY)



VIEW OF AREA A 90°



GRAPHIC #1

<END>

g06401746

POWER TRAIN

526-0637 GEAR & CASE GP-TRANSFER

S/N: SD31-UP; CF51-UP; HA51-UP; TH91-UP; H5E1-UP

PART OF 460-9942 TRANSMISSION AR, 460-9943, 468-0145 TRANSMISSION AR-POWER SHIFT
AN ATTACHMENT

SMCS-3159

i06938270

NOTE	REF NO	GRAPHIC REF	PART NUMBER	QTY	PART NAME	SEE PAGE
					1 2 3 4 5 6 (PRODUCT LEVEL)	
Y	1	1	461-1160	1	GEAR & CASE GP-TRANSFER (REAR)	661
	2	1	334-7459	1	SEAL-LIP TYPE	
	3	1	466-4938	2	SEAL-LIP TYPE	
	4	1	460-9946	1	GEAR AS	
	4A	1	8T-1581	1	BEARING-TAPERED ROLLER	
	4B	1	334-7440	1	BEARING-ROLLER	
		1	460-8951	1	GEAR-INPUT	
	5	1	460-9947	1	GEAR AS-IDLER	
	5A	1	123-8907	2	CONE-BEARING	
		1	460-8952	1	GEAR-IDLER	
	6	1	460-9948	1	GEAR AS-IDLER	
	6A	1	123-8907	2	CONE-BEARING	
		1	460-8953	1	GEAR-IDLER	
	7	1	460-9949	1	SHAFT AS-OUTPUT	
		1	6V-8757	2	RING-RETAINING	
	7A	1	8T-1581	2	BEARING-TAPERED ROLLER	
		1	334-7418	1	SHAFT	
		1	460-8954	1	GEAR-OUTPUT	
Y	8	1	464-5019	1	CASE GP-TRANSFER (FRONT)	637
	9	1	122-1883	2	SPACER (38X45X5-MM THK)	
	10	1	334-7525	2	YOKE AS	
	11	1	5P-8066	2	SEAL-O-RING	
	12	1	7T-3195	2	WASHER (12.3X47X6.35-MM THK)	
M	13	1	6V-8097	2	BOLT (M12X1.75X30-MM)	
M	14	1	160-8742	14	BOLT (M10X1.5X55-MM)	
M	15	1	6V-5815	2	BOLT (M10X1.5X75-MM)	

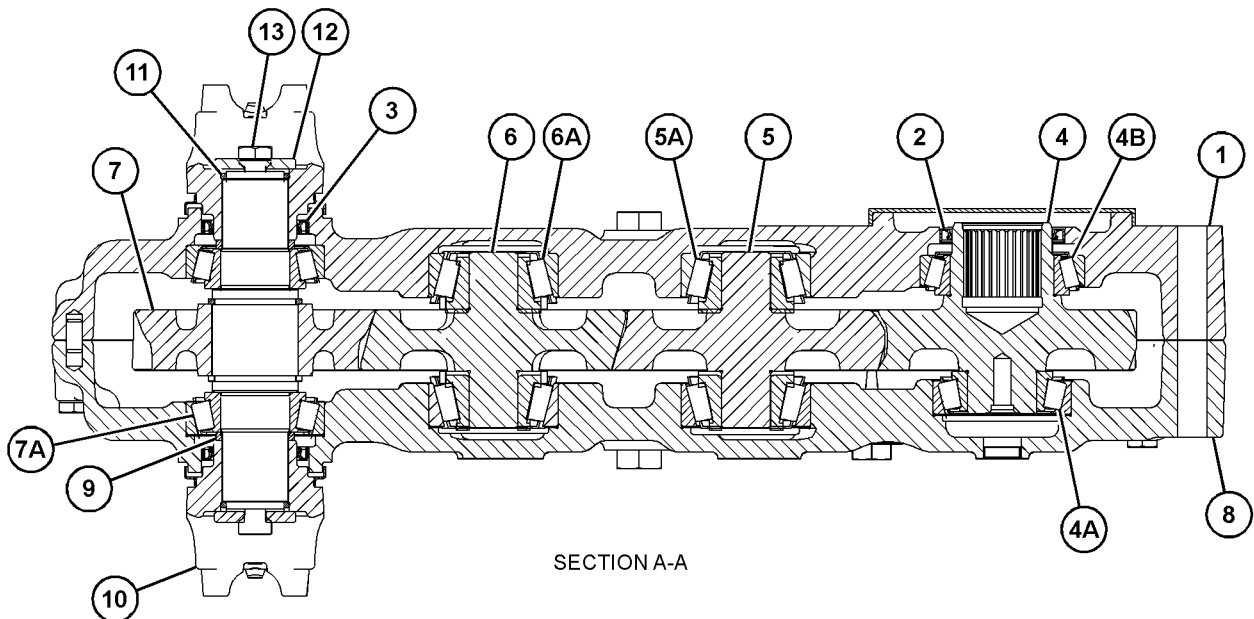
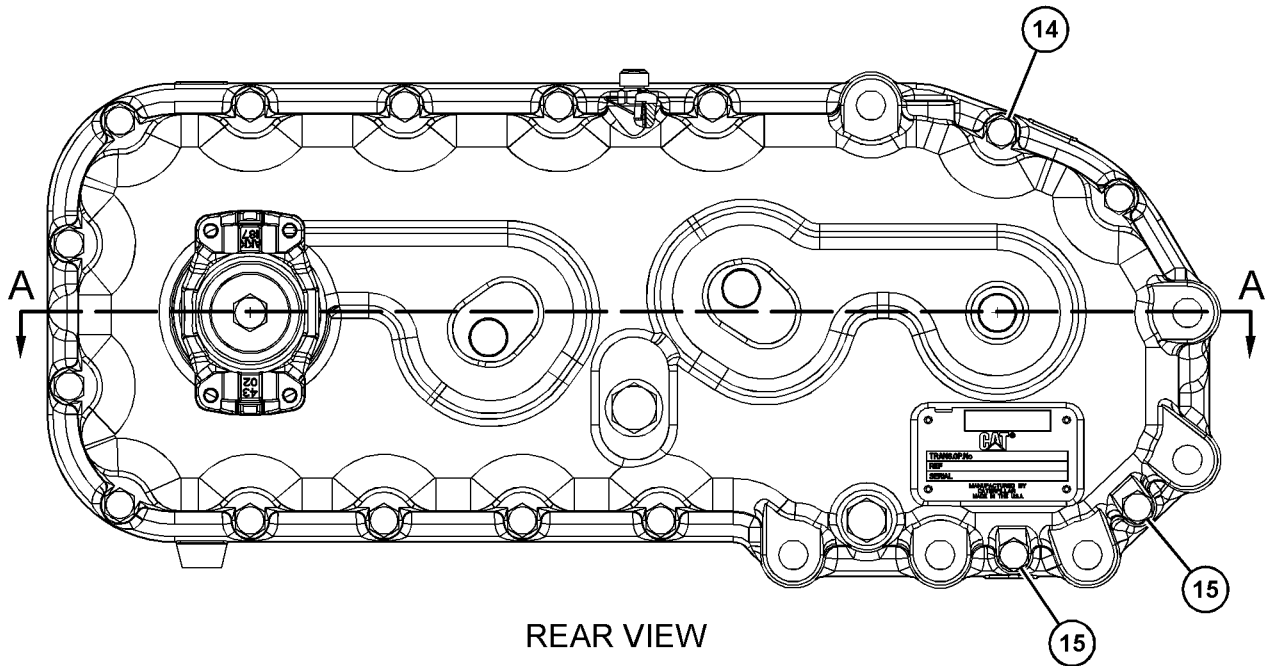
M - METRIC PART

Y - SEPARATE ILLUSTRATION

POWER TRAIN

526-0637 GEAR & CASE GP-TRANSFER (contd.)

i06938270



GRAPHIC #1

<END>

g06177318

POWER TRAIN

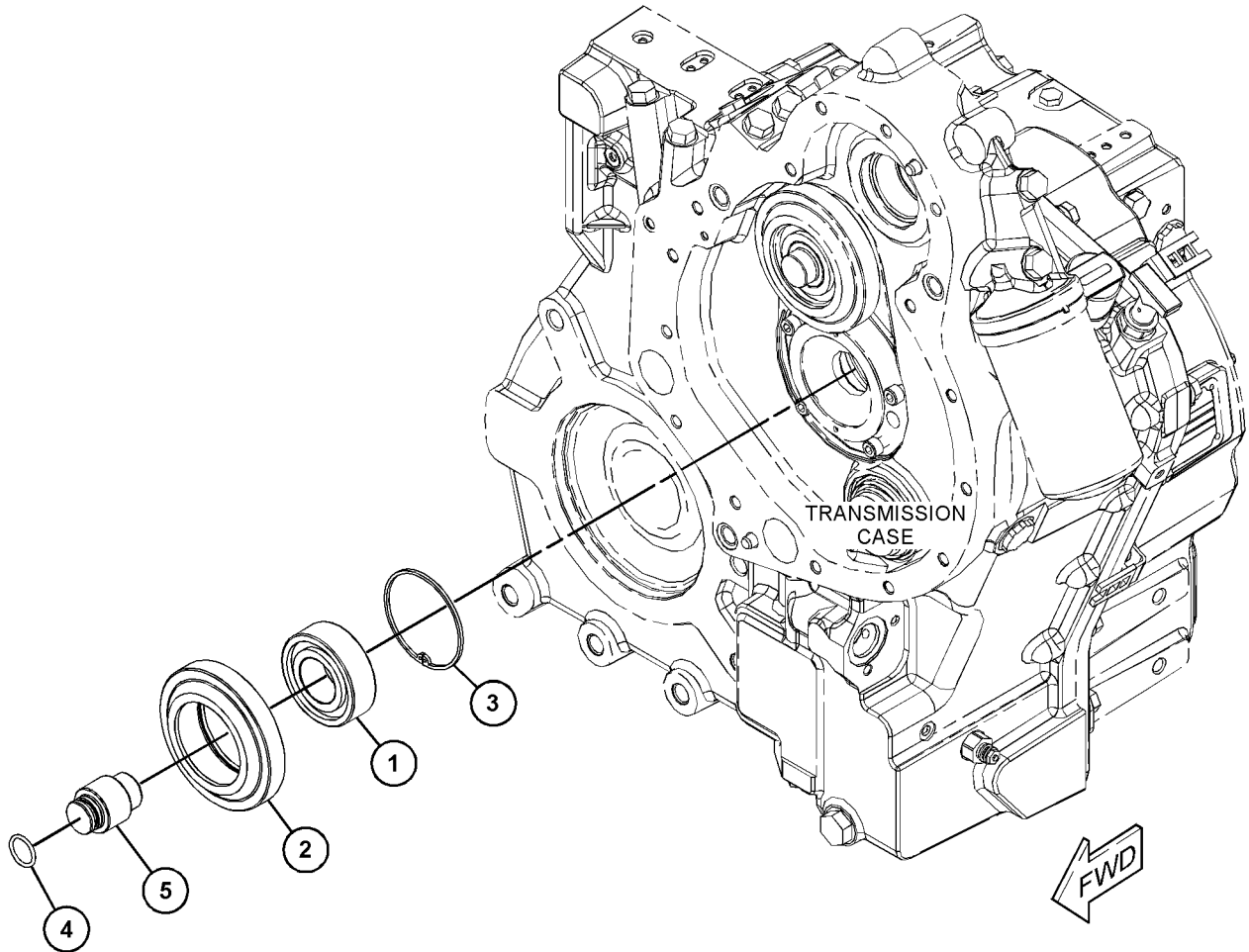
334-7404 GEAR GP-IDLER

S/N: BK21-UP; SD31-UP; CF51-UP; HA51-UP; TH91-UP; H5E1-UP
 PART OF 468-0122 CASE GP-TRANSMISSION, 482-1134 GEAR & CASE GP-TRANSFER
 AN ATTACHMENT

SMCS-1234

i05771331

NOTE	REF NO	GRAPHIC REF	PART NUMBER	QTY	PART NAME						SEE PAGE
					1	2	3	4	5	6 (PRODUCT LEVEL)	
	1	1	209-3768	1	BEARING AS-ROLLER						
	2	1	334-6764	1	GEAR (34-TEETH)						
	3	1	334-4921	1	RING-RETAINING						
	4	1	334-3567	1	SEAL-O-RING						
	5	1	334-6849	1	SHAFT						



GRAPHIC #1

<END>

g03671209

POWER TRAIN

459-8308 GEAR GP-TRANSFER

S/N: BK21-UP; TH91-UP

PART OF 482-2978 TRANSMISSION AR-POWER SHIFT
AN ATTACHMENT

SMCS-3159

i06603098

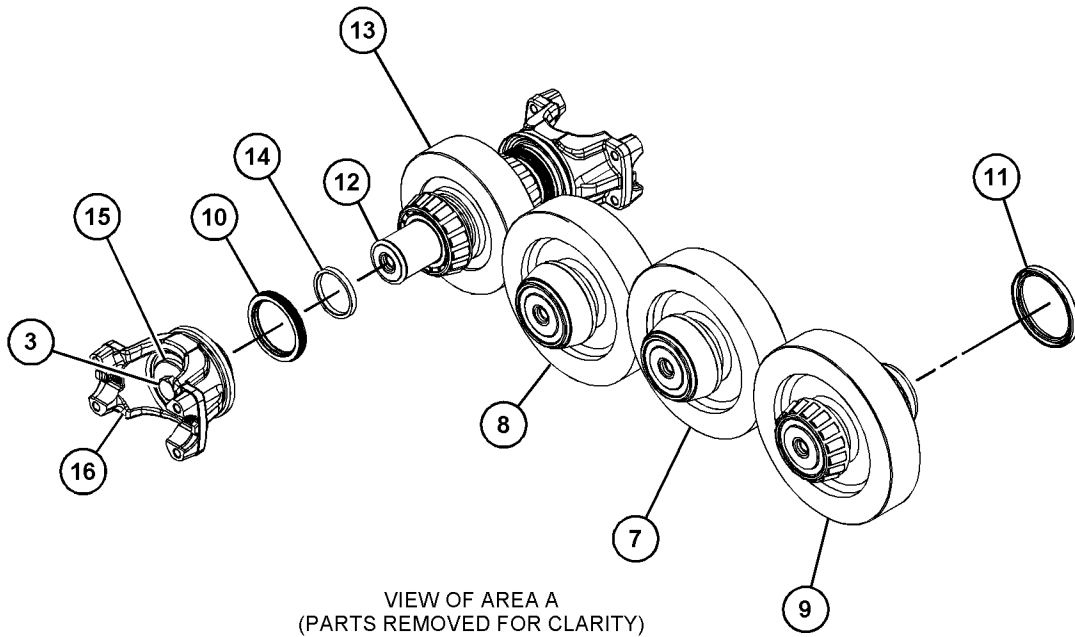
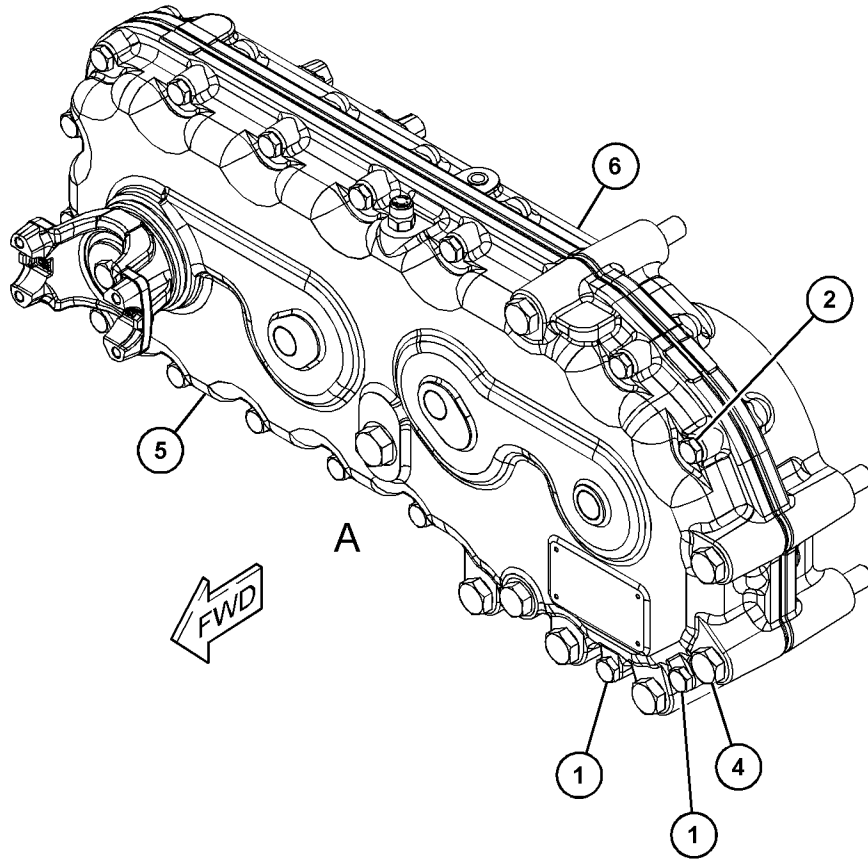
NOTE	REF NO	GRAPHIC REF	PART NUMBER	QTY	PART NAME						SEE PAGE
					1	2	3	4	5	6 (PRODUCT LEVEL)	
M	1	1	6V-5815	2	BOLT (M10X1.5X75-MM)						
M	2	1	160-8742	14	BOLT (M10X1.5X55-MM)						
M	3	1	6V-8097	2	BOLT (M12X1.75X30-MM)						
M	4	1	6V-8154	6	BOLT (M16X2X150-MM)						
Y	5	1	464-5020	1	CASE GP-TRANSMISSION (TRANSFER)						641
Y	6	1	459-8309	1	CASE GP-TRANSMISSION (TRANSFER)						640
	7	1	334-7427	1	GEAR AS-IDLER (LH)						
	8	1	334-7428	1	GEAR AS-IDLER (RH)						
					(EACH GEAR AS-IDLER INCLUDES)						
		1	123-8907		CONE-BEARING						
	9	1	378-9815	1	GEAR AS-TRANSFER (INPUT)						
		1	8T-1581	1	BEARING-TAPERED ROLLER						
		1	334-7440	1	BEARING-ROLLER						
	10	1	466-4938	2	SEAL-LIP TYPE						
	11	1	334-7459	1	SEAL-LIP TYPE						
	12	1	5P-8066	2	SEAL-O-RING						
	13	1	378-9816	1	SHAFT AS-OUTPUT (LH)						
		1	6V-8757	2	RING-RETAINING						
		1	8T-1581	2	BEARING-TAPERED ROLLER						
		1	334-7418	1	SHAFT						
		1	378-9814	1	GEAR-OUTPUT (29-TEETH)						
	14	1	122-1883	2	SPACER (38X45X5-MM THK)						
	15	1	7T-3195	2	WASHER (12.3X47X6.35-MM THK)						
	16	1	334-7525	2	YOKE AS						

M - METRIC PART
Y - SEPARATE ILLUSTRATION

POWER TRAIN

459-8308 GEAR GP-TRANSFER (contd.)

i06603098



GRAPHIC #1

<END>

g06060872

POWER TRAIN

526-0636 GEAR GP-TRANSFER-POWER

S/N: BK21-UP; TH91-UP

PART OF 482-2978 TRANSMISSION AR-POWER SHIFT
AN ATTACHMENT

SMCS-3159

i07503405

NOTE	REF NO	GRAPHIC REF	PART NUMBER	QTY	PART NAME						SEE PAGE
					1	2	3	4	5	6 (PRODUCT LEVEL)	
M	1	1	6V-5815	2	BOLT (M10X1.5X75-MM)						
M	2	1	160-8742	14	BOLT (M10X1.5X55-MM)						
M	3	1	6V-8097	2	BOLT (M12X1.75X30-MM)						
Y	4	1	459-8309	1	CASE GP-TRANSMISSION (TRANSFER) (REAR)						640
Y	5	1	464-5020	1	CASE GP-TRANSMISSION (TRANSFER) (FRONT)						641
	6	1	334-7427	1	GEAR AS-IDLER (LH)						
	6A	1	123-8907	2	CONE-BEARING						
	7	1	334-7428	1	GEAR AS-IDLER (RH)						
	7A	1	123-8907	2	CONE-BEARING						
	8	1	378-9815	1	GEAR AS-TRANSFER (INPUT)						
	8A	1	8T-1581	1	BEARING-TAPERED ROLLER						
	8B	1	334-7440	1	BEARING-ROLLER						
	9	1	334-7525	2	YOKE AS						
	10	1	336-5469	4	RIVET						
	11	1	466-4938	2	SEAL-LIP TYPE						
	12	1	334-7459	1	SEAL-LIP TYPE						
	13	1	5P-8066	2	SEAL-O-RING						
	14	1	378-9816	1	SHAFT AS-OUTPUT (LH)						
	14A	1	8T-1581	2	BEARING-TAPERED ROLLER						
		1	6V-8757	2	RING-RETAINING						
		1	334-7418	1	SHAFT						
		1	378-9814	1	GEAR-OUTPUT (29-TEETH)						
	15	1	122-1883	2	SPACER (38X45X5-MM THK)						
	16	1	7T-3195	2	WASHER (12.3X47X6.35-MM THK)						

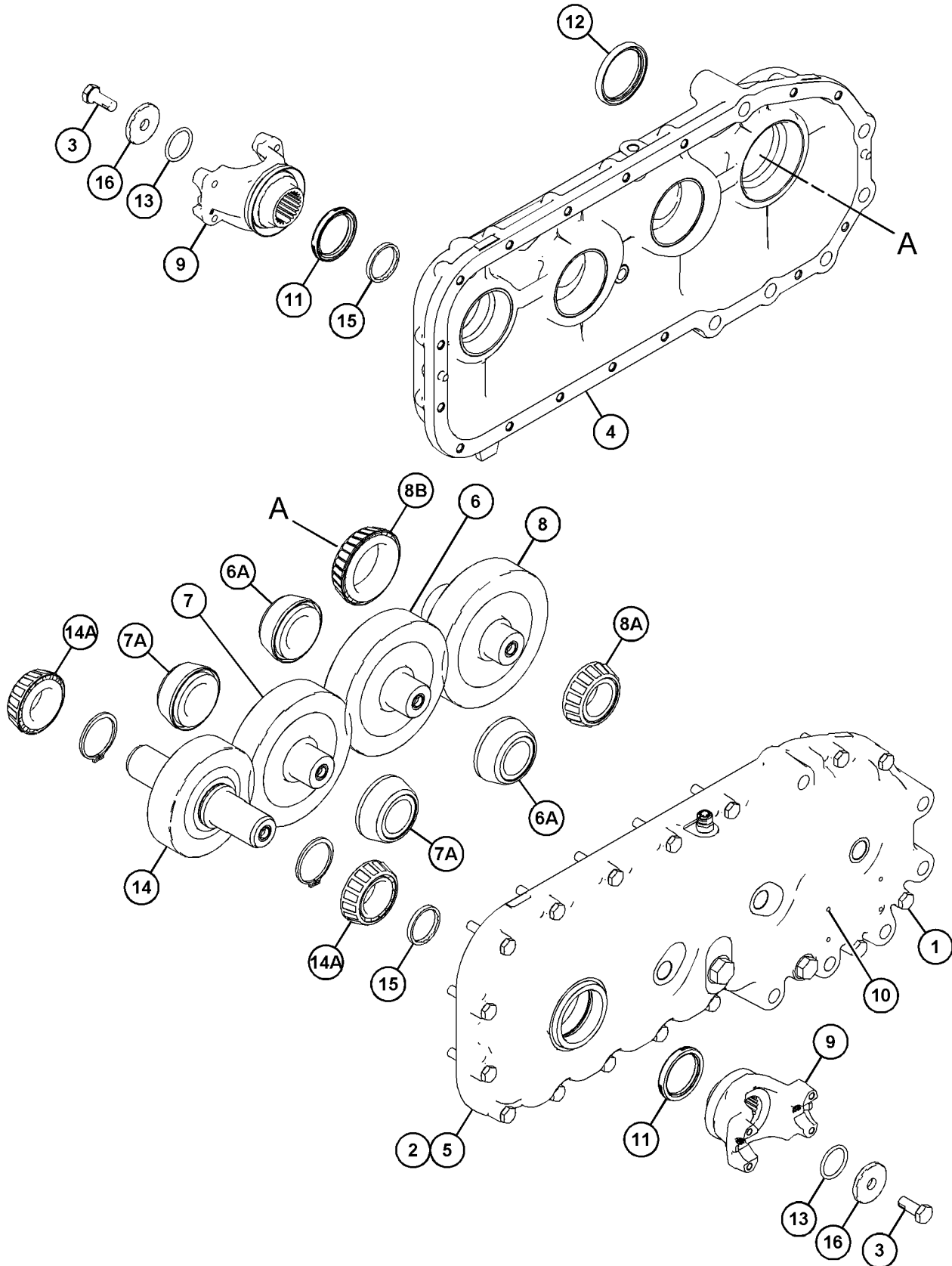
M - METRIC PART

Y - SEPARATE ILLUSTRATION

POWER TRAIN

526-0636 GEAR GP-TRANSFER (contd.)

i07503405



GRAPHIC #1

<END>

g06344249

POWER TRAIN

418-7407 PUMP GP-TRANSMISSION

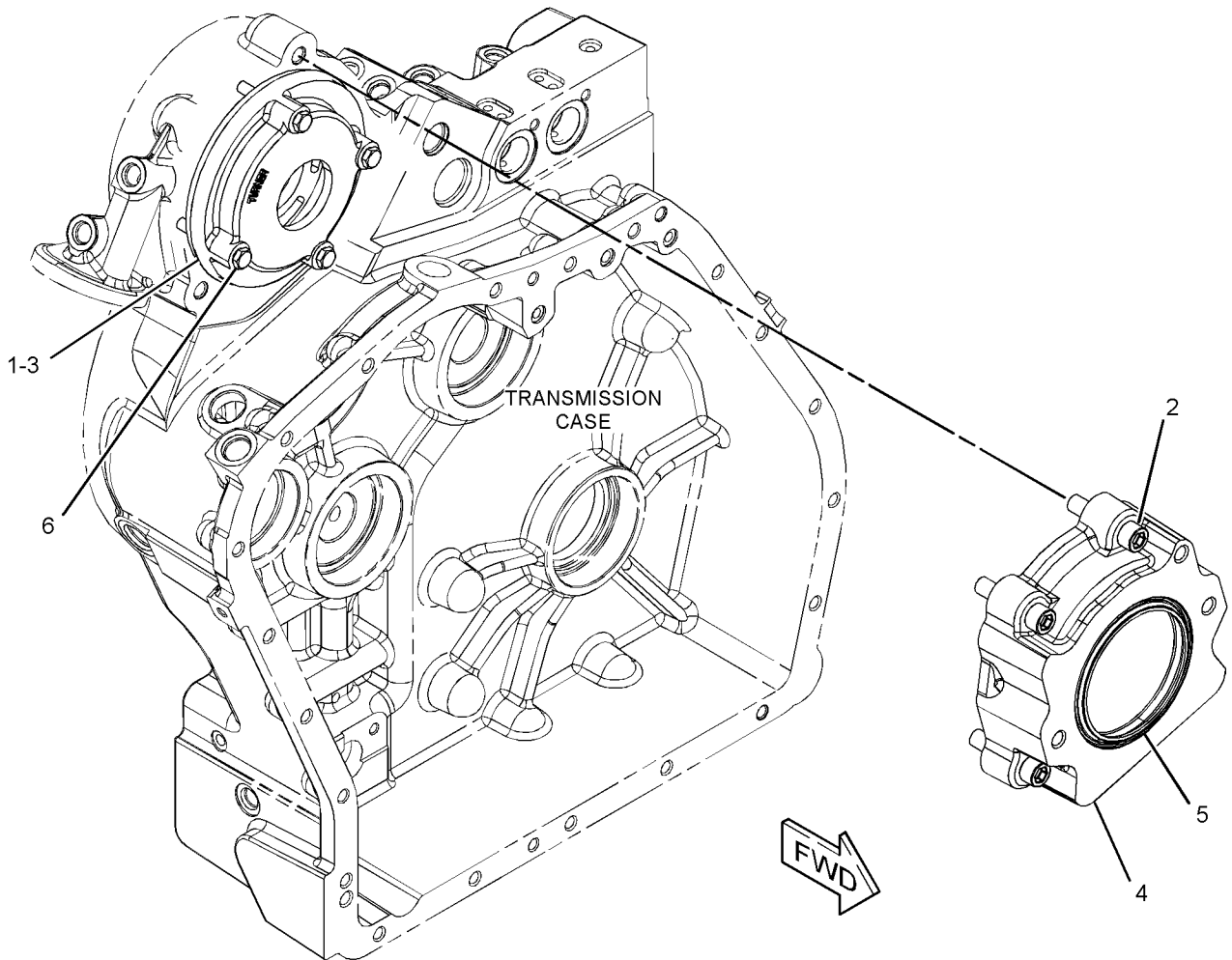
S/N: BK21-UP; SD31-UP; CF51-UP; HA51-UP; TH91-UP; H5E1-UP
 PART OF 460-9942, 526-0653 TRANSMISSION AR, 460-9943, 468-0145, 482-2978, 526-0654,
 526-0657 TRANSMISSION AR-POWER SHIFT
 AN ATTACHMENT

SMCS-3066

i05752280

NOTE	REF NO	GRAPHIC REF	PART NUMBER	QTY	PART NAME						SEE PAGE
					1	2	3	4	5	6 (PRODUCT LEVEL)	
	1	1	334-3575	1	SEAL-O-RING						
	2	1	334-4206	4	BOLT (M12X1.75X50-MM)						
	3	1	334-7450	1	PUMP						
	4	1	334-7439	1	HOUSING-PUMP						
	5	1	334-7558	1	PLUG						
M	6	1	449-8814	4	BOLT (M8X1.25X55-MM)						

M - METRIC PART



GRAPHIC #1

<END>

g03660636

POWER TRAIN

496-6524 SHAFT GP-DRIVE

S/N: TH41-UP; TH91-UP; JKT1-UP

PART OF 505-5341, 518-5881, 518-5883, 518-5884 TRANSMISSION AR
AN ATTACHMENT

SMCS-3253

i06601135

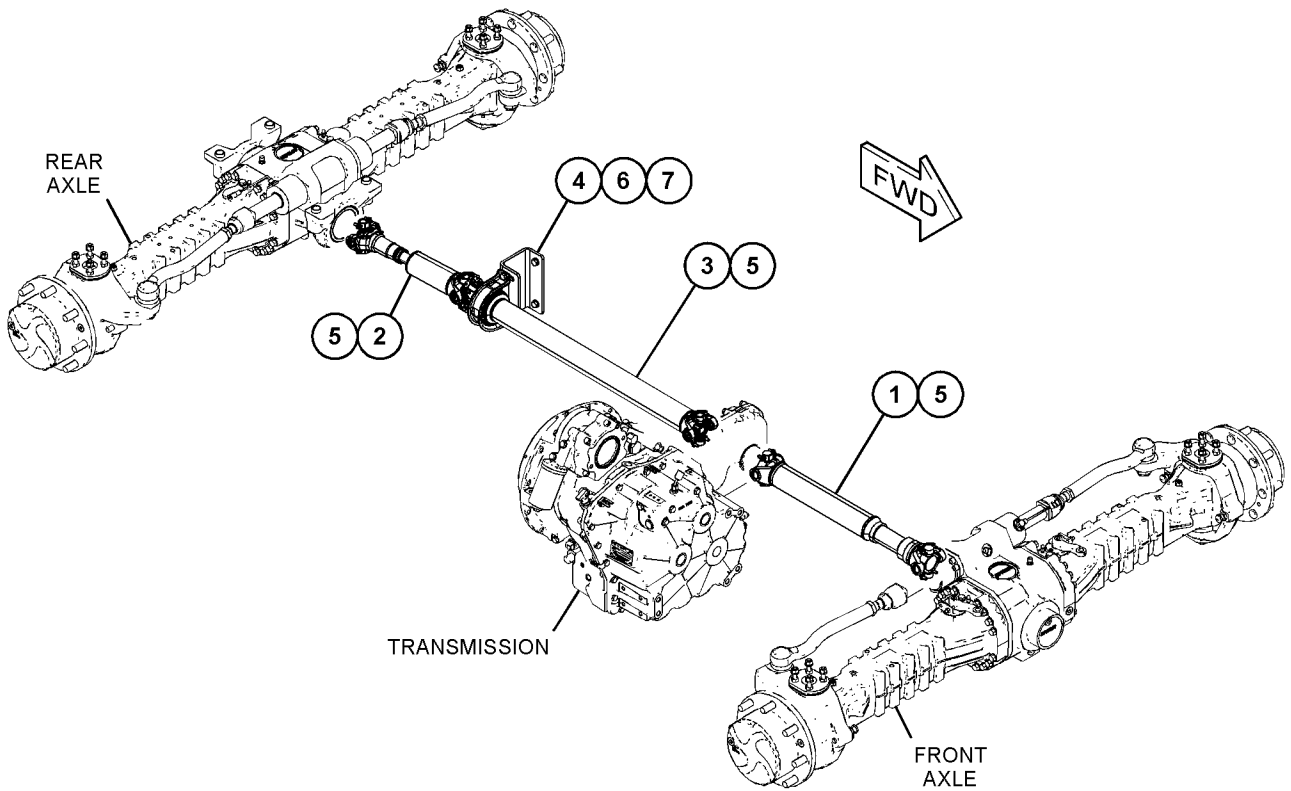
NOTE	REF NO	GRAPHIC REF	PART NUMBER	QTY	PART NAME						SEE PAGE
					1	2	3	4	5	6	
J	1	1	496-6525	1	SHAFT AS-DRIVE						
L	2	1	496-6526	1	SHAFT AS-DRIVE						
N	3	1	496-6527	1	SHAFT AS-DRIVE						
	4	1	496-6528	1	SUPPORT AS						
	5	1	327-6739	10	FASTENER						
M	6	1	8T-4139	4	BOLT (M12X1.75X30-MM)						
	7	1	8T-4223	4	WASHER-HARD (13.5X25.5X3-MM THK)						

AVAILABLE REPAIR KIT(S) :

JLN		392-6301	1	KIT-SPIDER & BEARING
-----	--	-----------------	---	----------------------

(INCLUDES SNAP RINGS, BEARING ASSEMBLIES & UNIVERSAL JOINT)

J - KIT MARKED J SERVICES PART(S) MARKED J
L - KIT MARKED L SERVICES PART(S) MARKED L
M - METRIC PART
N - KIT MARKED N SERVICES PART(S) MARKED N



GRAPHIC #1

<END>

g06053958

POWER TRAIN

334-7556 SHAFT GP-INPUT

S/N: BK21-UP; SD31-UP; CF51-UP; TH91-UP; H5E1-UP
 PART OF 460-9942, 526-0653 TRANSMISSION AR, 460-9943, 482-2978, 526-0654 TRANSMISSION AR-POWER SHIFT
 AN ATTACHMENT

SMCS-3063

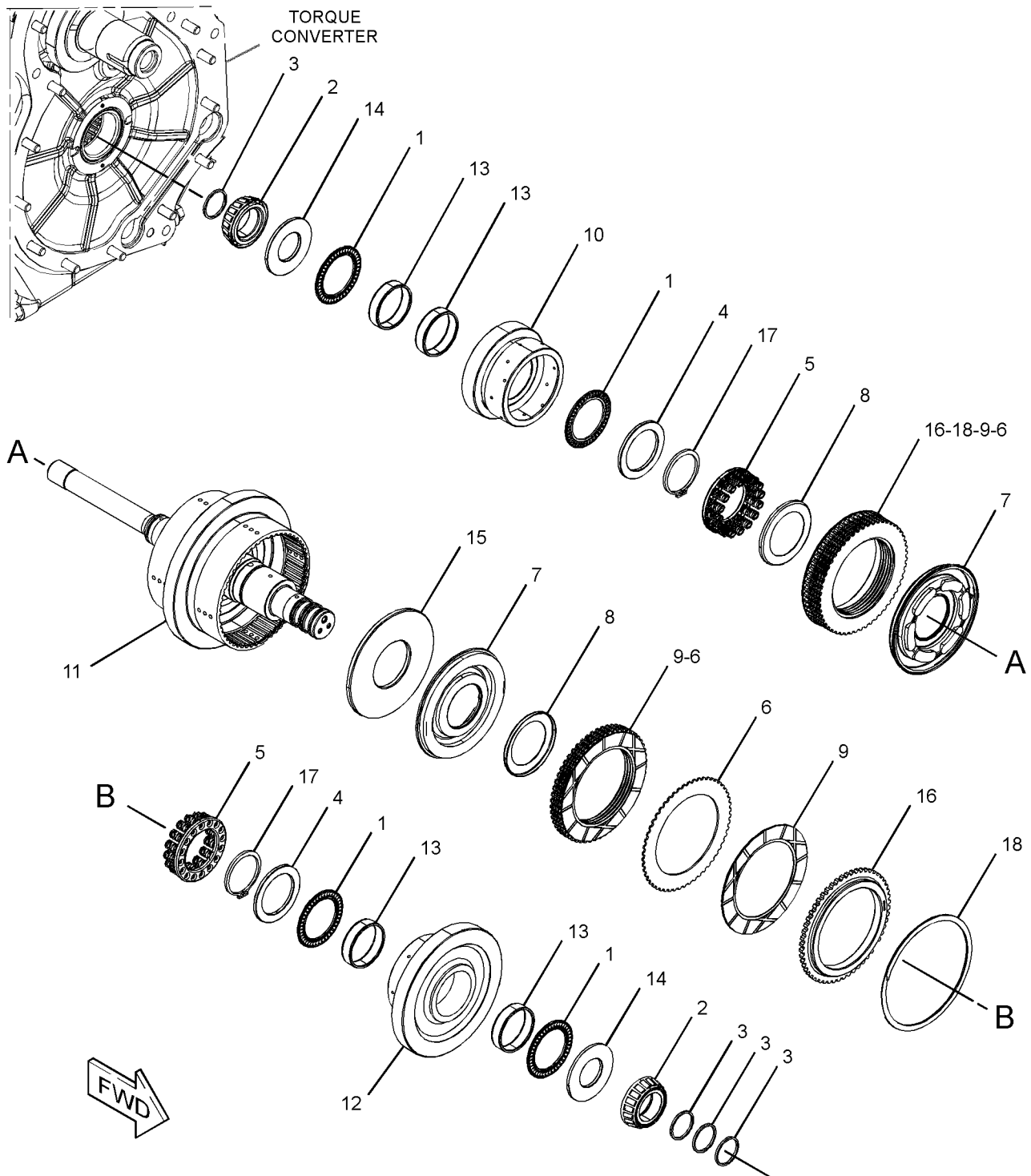
i07623257

NOTE	REF NO	GRAPHIC REF	PART NUMBER	QTY	PART NAME						SEE PAGE
					1	2	3	4	5	6 (PRODUCT LEVEL)	
	1	1	172-5317	4	BEARING-SPECIAL						
	2	1	005-0471	2	CONE-BEARING						
	3	1	6Y-1192	4	RING-SEAL						
	4	1	121-2500	2	WASHER-THRUST (50X70X4-MM THK)						
	5	1	147-0238	2	SPRING AS						
	6	1	274-4553	10	DISC-CLUTCH						
	7	1	558-2827	2	PISTON-CLUTCH						
	8	1	294-9812	2	RETAINER-SPRING						
	9	1	313-5544	10	DISC-FRICTION						
	10	1	334-6652	1	GEAR (27-TEETH)						
	11	1	334-6859	1	SHAFT AS						
		1	123-2920	2	PLUG						
		1	334-7563	1	PLUG-ORIFICE						
	12	1	334-7416	1	GEAR (45-TEETH)						
	13	1	334-7444	4	BEARING-NEEDLE						
	14	1	334-7453	2	WASHER-THRUST (35.26X70X4-MM THK)						
	15	1	334-7486	1	SPACER (57.35X133.15X6.00-MM THK)						
	16	1	378-9766	2	PLATE-RETAINER						
	17	1	6V-8757	2	RING-RETAINING						
	18	1	9U-8875	2	RING-RETAINING						

POWER TRAIN

334-7556 SHAFT GP-INPUT (contd.)

i07623257



GRAPHIC #1

<END>

g03655694

POWER TRAIN

468-0119 SHAFT GP-INPUT

S/N: HA51-UP; TH91-UP

PART OF 468-0145, 526-0657 TRANSMISSION AR-POWER SHIFT
AN ATTACHMENT

SMCS-3063

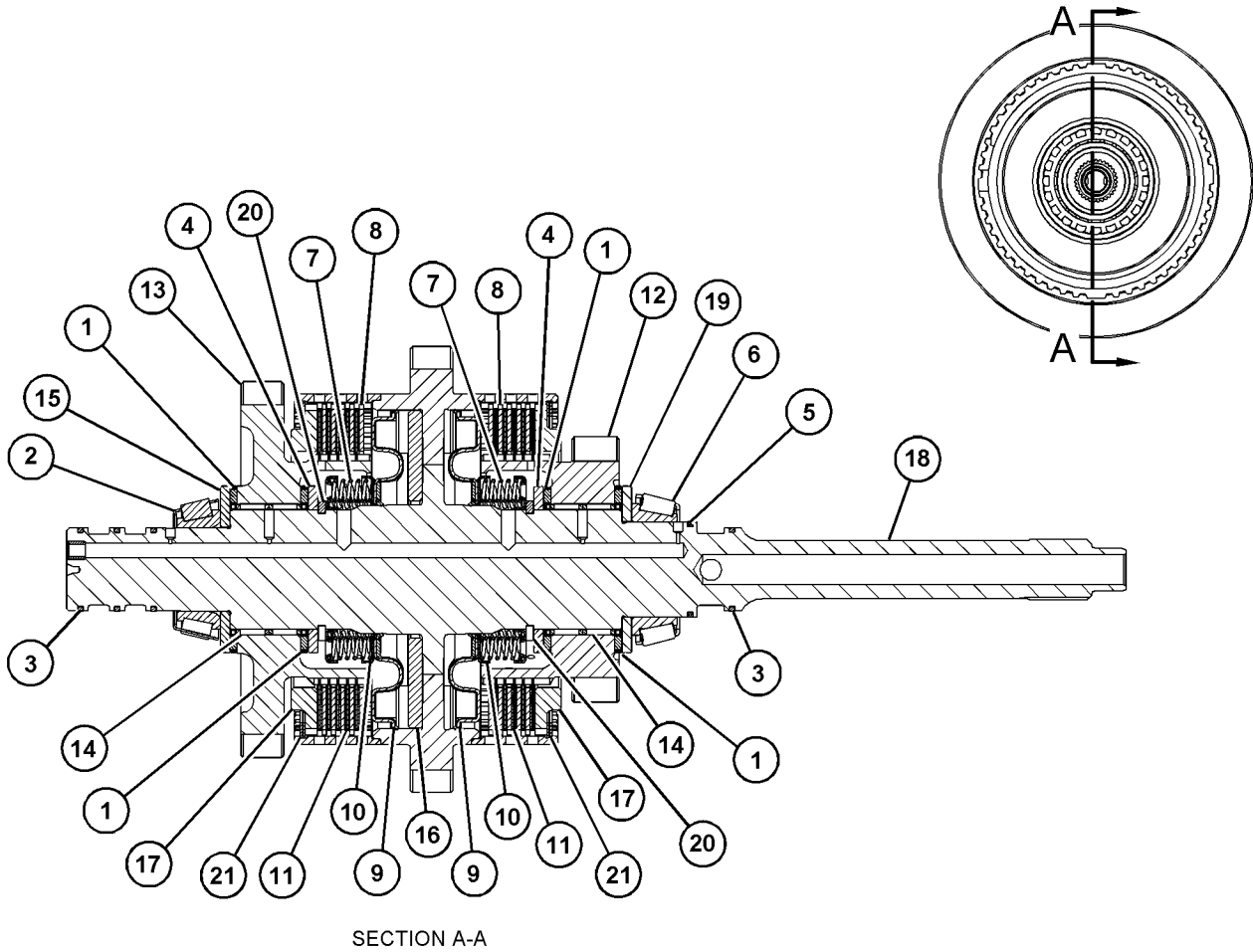
i07852338

NOTE	REF NO	GRAPHIC REF	PART NUMBER	QTY	PART NAME						SEE PAGE
					1	2	3	4	5	6 (PRODUCT LEVEL)	
	1	1	172-5317	4	BEARING-SPECIAL						
	2	1	005-0471	1	CONE-BEARING						
	3	1	6Y-1192	4	RING-SEAL						
	4	1	121-2500	2	WASHER-THRUST (50X70X4-MM THK)						
	5	1	122-1886	1	RING-SEAL						
	6	1	123-8905	1	CONE-BEARING						
	7	1	147-0238	2	SPRING AS						
	8	1	274-4553	10	DISC-CLUTCH						
	9	1	558-2827	2	PISTON-CLUTCH						
	10	1	294-9812	2	RETAINER-SPRING						
	11	1	313-5544	10	DISC-FRICTION						
	12	1	334-6652	1	GEAR (27-TEETH)						
	13	1	334-7416	1	GEAR (45-TEETH)						
	14	1	334-7444	4	BEARING-NEEDLE						
	15	1	334-7453	1	WASHER-THRUST (35.26X70X4-MM THK)						
	16	1	334-7486	1	SPACER (57.35X133.15X6.00-MM THK)						
	17	1	378-9766	2	PLATE-RETAINER						
	18	1	468-0118	1	SHAFT AS						
		1	123-2920	2	PLUG						
		1	334-7563	1	PLUG-ORIFICE						
	19	1	468-0143	1	WASHER-THRUST						
	20	1	6V-8757	2	RING-RETAINING						
	21	1	366-7249	2	RING-RETAINING						

POWER TRAIN

468-0119 SHAFT GP-INPUT (contd.)

i07852338



GRAPHIC #1

<END>

g06087488

POWER TRAIN

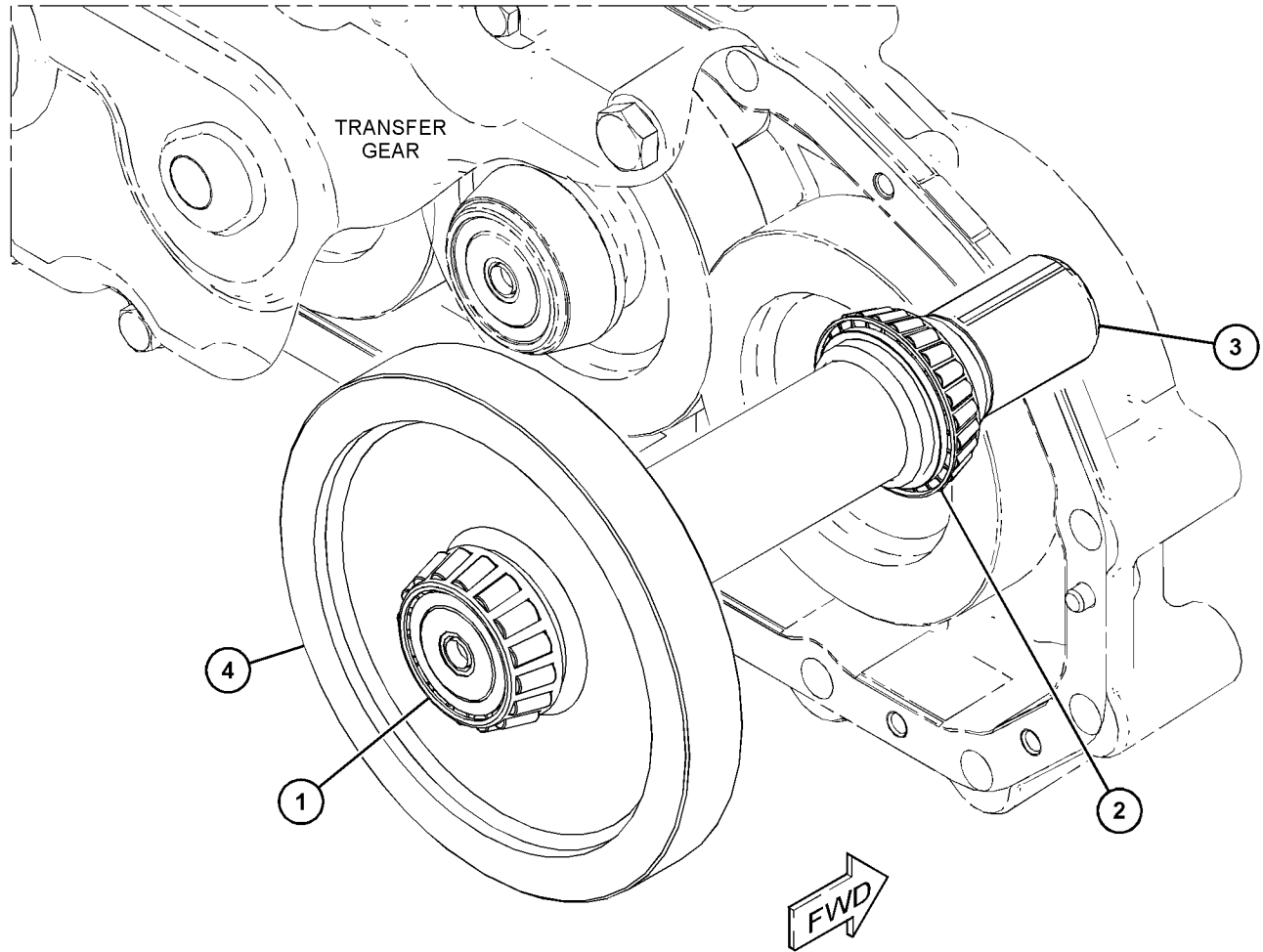
334-7541 SHAFT GP-OUTPUT

S/N: BK21-UP; SD31-UP; CF51-UP; HA51-UP; TH91-UP; H5E1-UP
 PART OF 460-9942, 526-0653 TRANSMISSION AR, 460-9943, 468-0145, 482-2978, 526-0654,
 526-0657 TRANSMISSION AR-POWER SHIFT
 AN ATTACHMENT

SMCS-3063

i05759877

NOTE	REF NO	GRAPHIC REF	PART NUMBER	QTY	PART NAME						SEE PAGE
					1	2	3	4	5	6 (PRODUCT LEVEL)	
	1	1	8T-1581	1	BEARING-TAPERED ROLLER						
	2	1	123-8909	1	CONE-BEARING						
	3	1	334-6678	1	GEAR (56-TEETH)						
	4	1	334-6837	1	SHAFT (OUTPUT)						



GRAPHIC #1

<END>

g03659587

POWER TRAIN

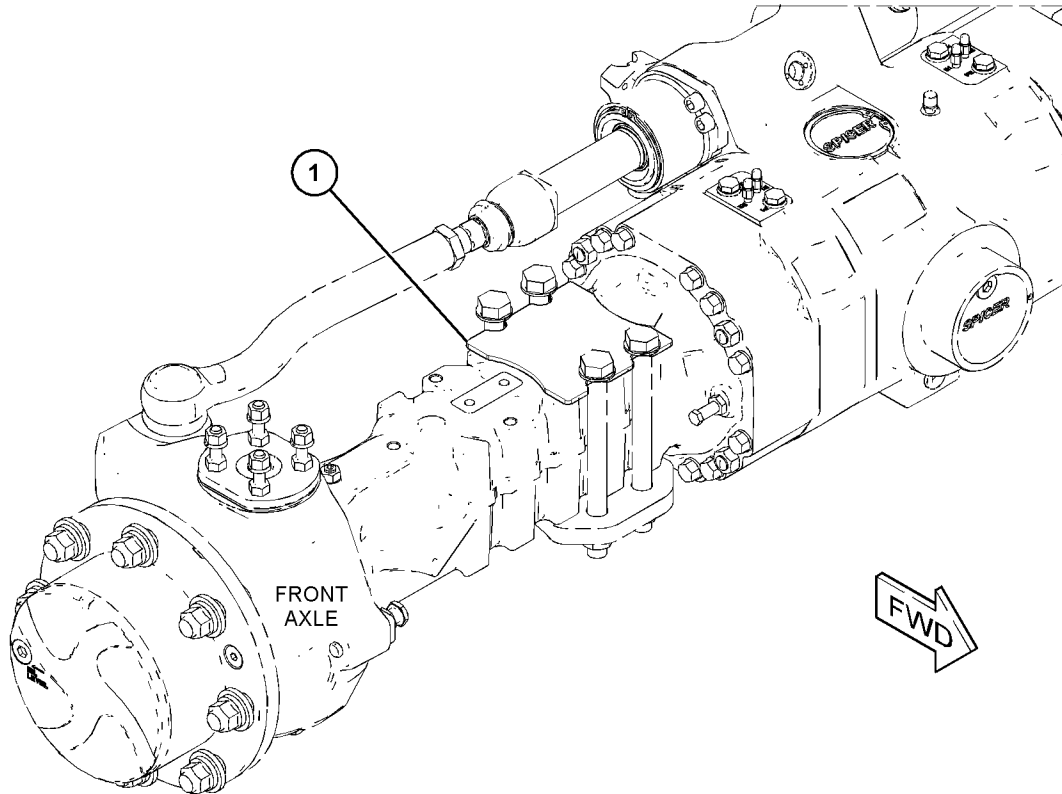
503-1702 SHIM GP-AXLE INSTALLATION

S/N: TH41-UP; TH91-UP
PART OF 517-9299 AXLE AR
AN ATTACHMENT

SMCS-3282

i06893325

NOTE	REF NO	GRAPHIC REF	PART NUMBER	QTY	PART NAME						SEE PAGE
					1	2	3	4	5	6 (PRODUCT LEVEL)	
	1	1	503-1703	1	PLATE						



GRAPHIC #1

<END>

g06163133

POWER TRAIN

512-4763 TIRE & RIM AR

S/N: TH41-UP; TH91-UP

AN ATTACHMENT

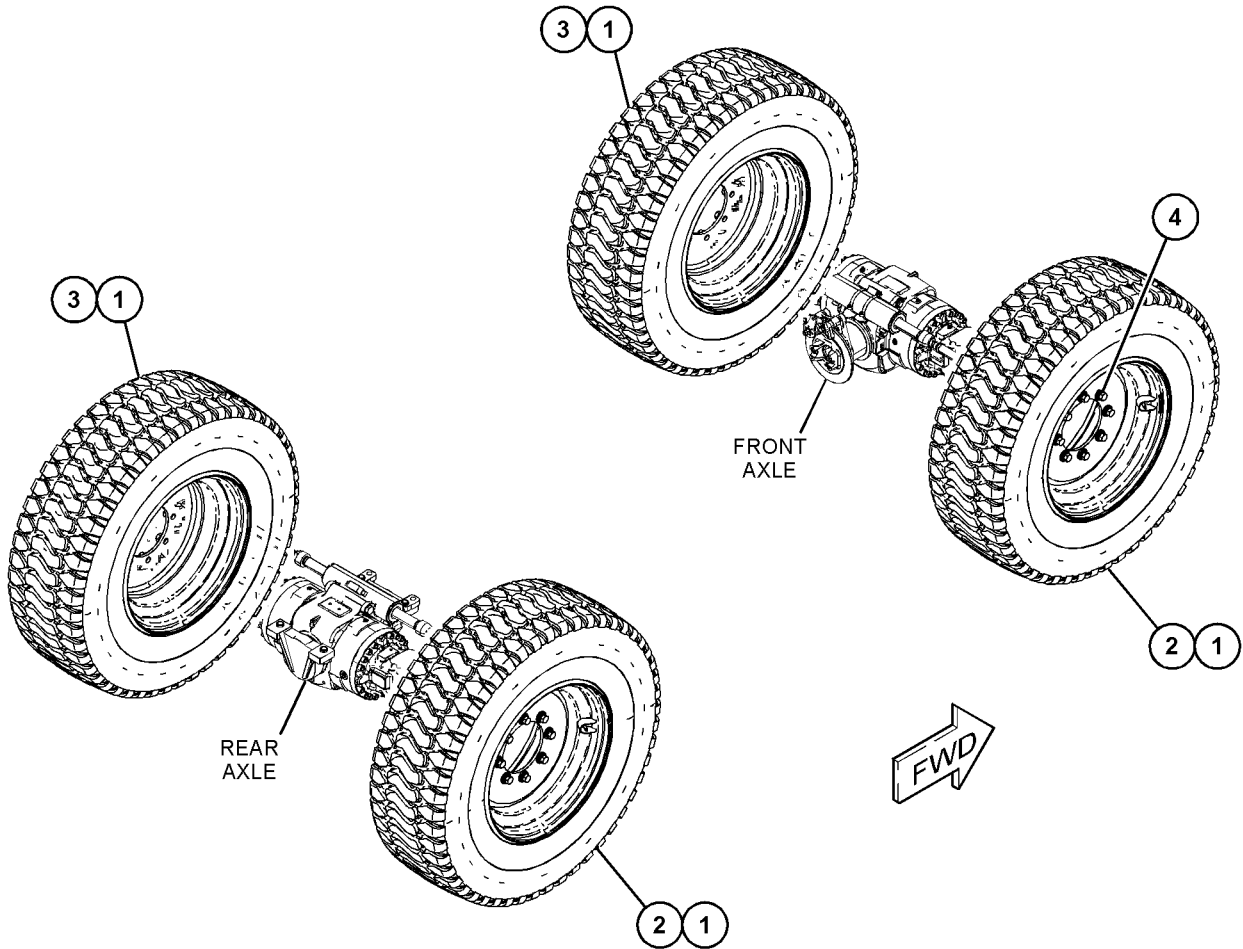
SMCS-4202, 4203, 4209

i06907149

NOTE	REF NO	GRAPHIC REF	PART NUMBER	QTY	PART NAME						SEE PAGE
					1	2	3	4	5	6 (PRODUCT LEVEL)	
	1	1	348-9442	4	FILM-INFORMATION (TIRE PRESSURE)						
Y	2	1	526-0580	2	TIRE & RIM GP (RH)						696
Y	3	1	526-0581	2	TIRE & RIM GP (LH)						697
	4	1	486-8069	1	FASTENER GP						
M		1	5W-1386	32	NUT (M22X1.5-THD)						
		1	351-7528	32	WASHER (22.5X46X6-MM THK)						

M - METRIC PART

Y - SEPARATE ILLUSTRATION



GRAPHIC #1

<END>

g06115851

POWER TRAIN

512-4764 TIRE & RIM AR

S/N: TH41-UP; TH91-UP

(15X24)

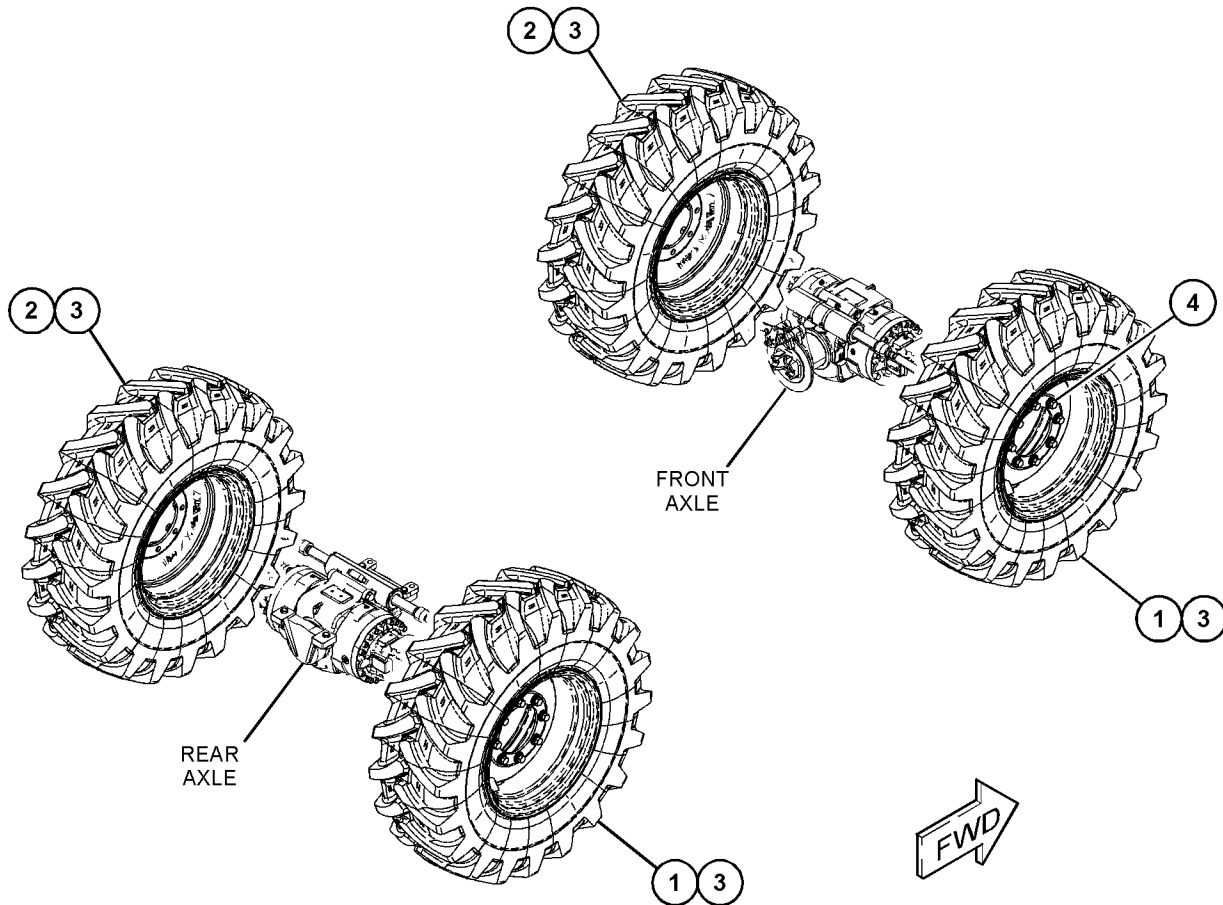
AN ATTACHMENT

SMCS-4202, 4203, 4209

i06928724

NOTE	REF NO	GRAPHIC REF	PART NUMBER	QTY	PART NAME						SEE PAGE
					1	2	3	4	5	6 (PRODUCT LEVEL)	
Y	1	1	526-9593	2	TIRE & RIM GP (RH)						710
Y	2	1	526-9592	2	TIRE & RIM GP (LH)						709
	3	1	348-9442	4	FILM-INFORMATION (TIRE PRESSURE)						
	4	1	486-8069	1	FASTENER GP						
M		1	5W-1386	32	NUT (M22X1.5-THD)						
		1	351-7528	32	WASHER (22.5X46X6-MM THK)						

M - METRIC PART
Y - SEPARATE ILLUSTRATION



GRAPHIC #1

<END>

g06115794

POWER TRAIN

512-4765 TIRE & RIM AR

S/N: TH41-UP; TH91-UP

(15X24)

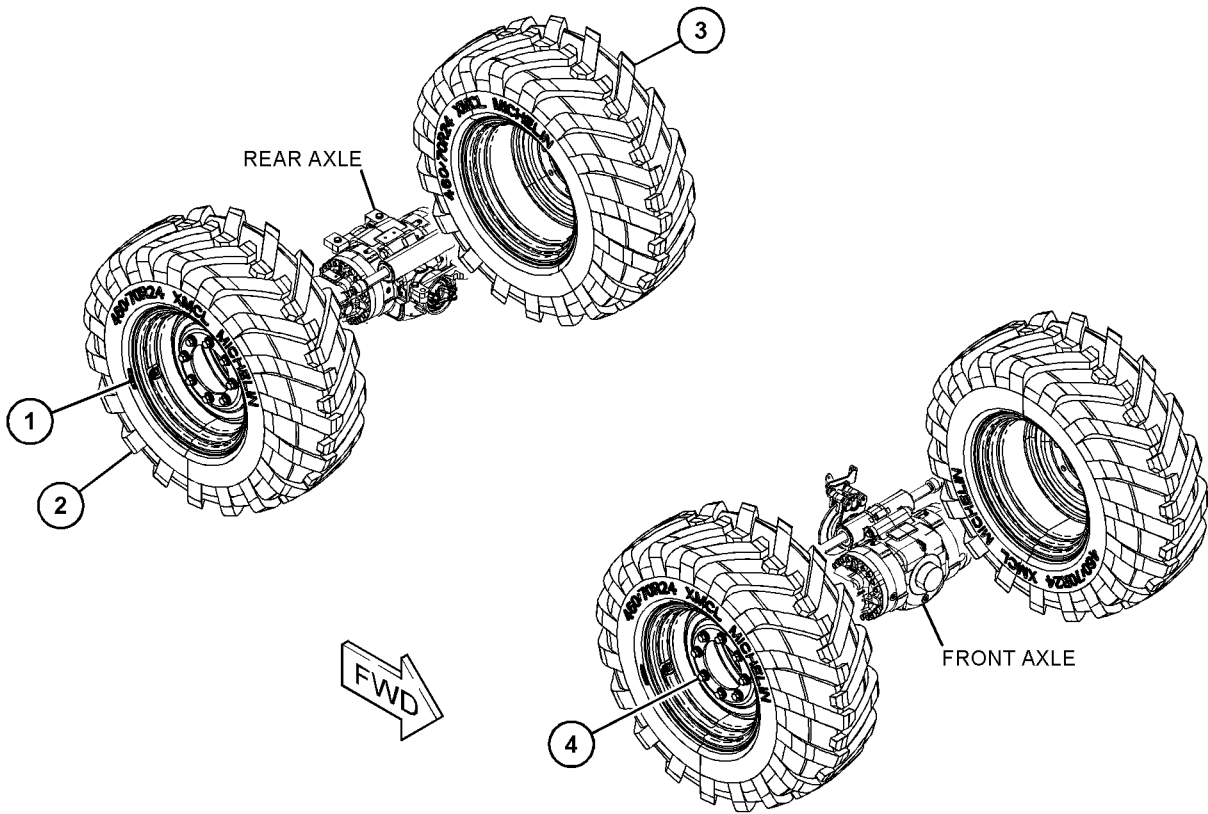
AN ATTACHMENT

SMCS-4202, 4203, 4209

i06928737

NOTE	REF NO	GRAPHIC REF	PART NUMBER	QTY	PART NAME						SEE PAGE
					1	2	3	4	5	6 (PRODUCT LEVEL)	
	1	1	348-9444	4	FILM-INFORMATION (TIRE PRESSURE)						
Y	2	1	526-5728	2	TIRE & RIM GP (RH)						701
Y	3	1	526-6911	2	TIRE & RIM GP (LH)						702
	4	1	486-8069	1	FASTENER GP						
M		1	5W-1386	32	NUT (M22X1.5-THD)						
		1	351-7528	32	WASHER (22.5X46X6-MM THK)						

M - METRIC PART
Y - SEPARATE ILLUSTRATION



GRAPHIC #1

<END>

g06119645

POWER TRAIN

512-4766 TIRE & RIM AR

S/N: TH41-UP; TH91-UP

(15X24)

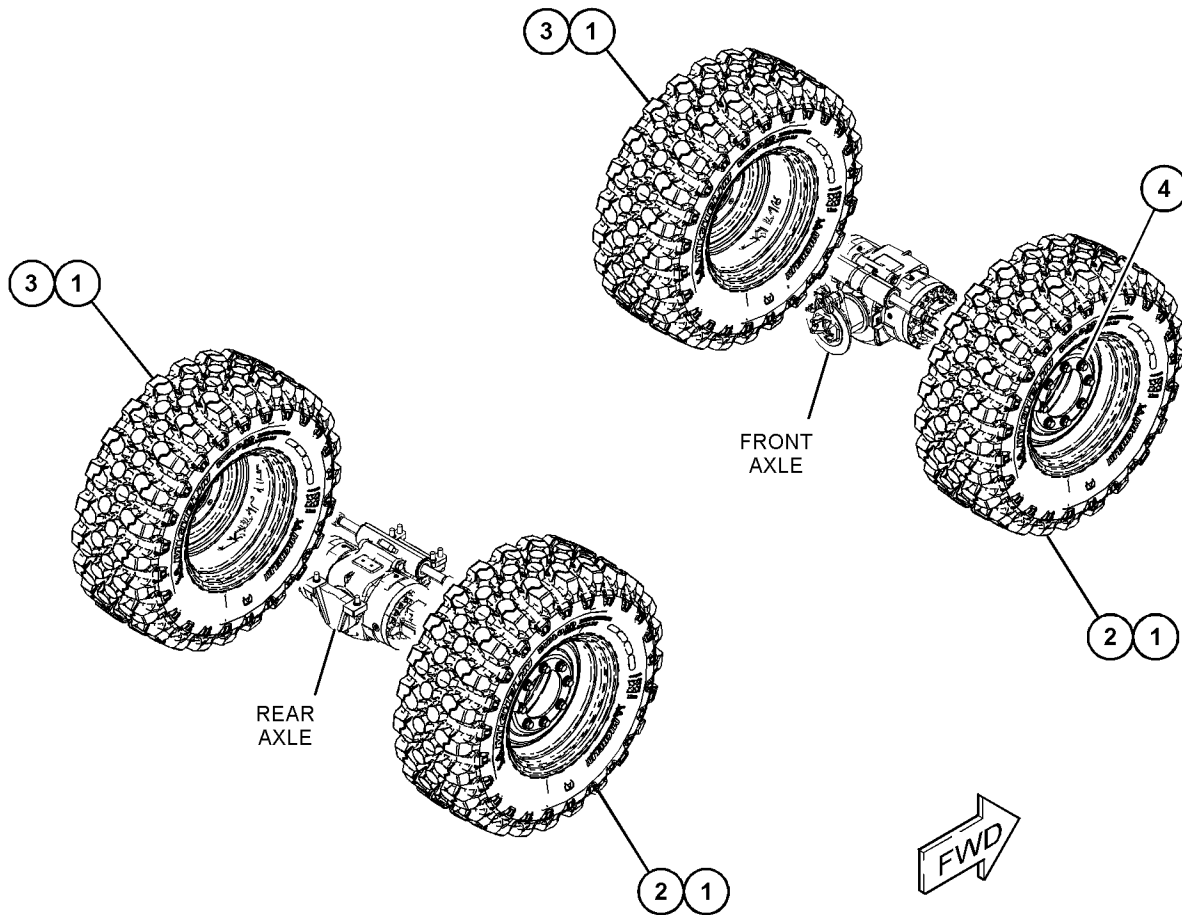
AN ATTACHMENT

SMCS-4202, 4203, 4209

i06927856

NOTE	REF NO	GRAPHIC REF	PART NUMBER	QTY	PART NAME						SEE PAGE
					1	2	3	4	5	6 (PRODUCT LEVEL)	
	1	1	348-9444	4	FILM-INFORMATION (TIRE PRESSURE)						
Y	2	1	526-5726	2	TIRE & RIM GP (RH)						699
Y	3	1	526-5727	2	TIRE & RIM GP (LH)						700
	4	1	486-8069	1	FASTENER GP						
M		1	5W-1386	32	NUT (M22X1.5-THD)						
		1	351-7528	32	WASHER (22.5X46X6-MM THK)						

M - METRIC PART
Y - SEPARATE ILLUSTRATION



GRAPHIC #1

<END>

g06115772

POWER TRAIN

512-4767 TIRE & RIM AR

S/N: TH41-UP; TH91-UP

(15X24)

AN ATTACHMENT

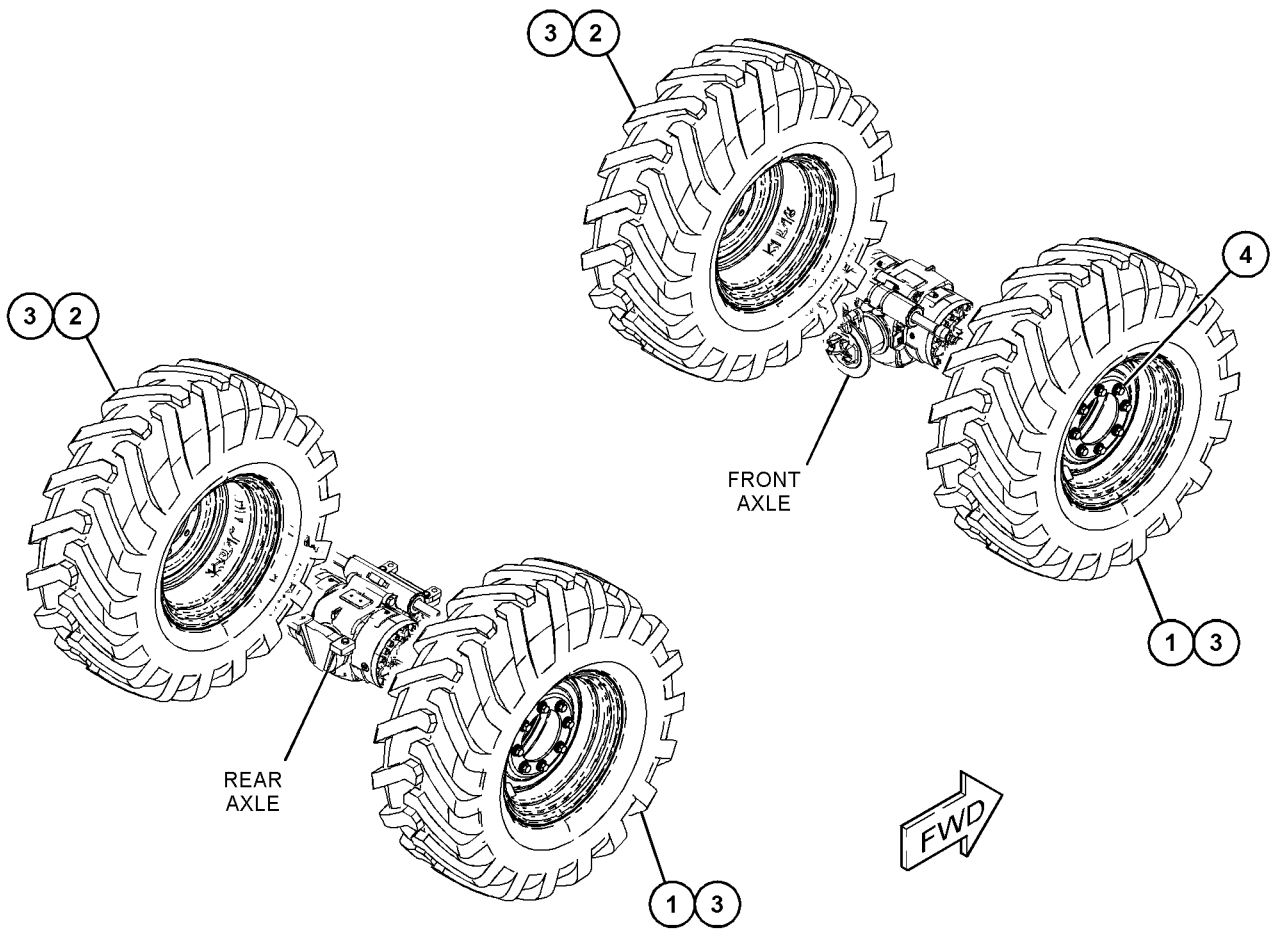
SMCS-4202, 4203, 4209

i06928746

NOTE	REF NO	GRAPHIC REF	PART NUMBER	QTY	PART NAME						SEE PAGE
					1	2	3	4	5	6 (PRODUCT LEVEL)	
Y	1	1	526-6913	2	TIRE & RIM GP (RH)						703
Y	2	1	526-6914	2	TIRE & RIM GP (LH)						704
	3	1	453-6390	4	FILM-INFORMATION (3.0-BAR)						
	4	1	486-8069	1	FASTENER GP						
M		1	5W-1386	32	NUT (M22X1.5-THD)						
		1	351-7528	32	WASHER (22.5X46X6-MM THK)						

M - METRIC PART

Y - SEPARATE ILLUSTRATION



GRAPHIC #1

<END>

g06115778

POWER TRAIN

512-4768 TIRE & RIM AR

S/N: TH41-UP; TH91-UP

(15X24)

AN ATTACHMENT

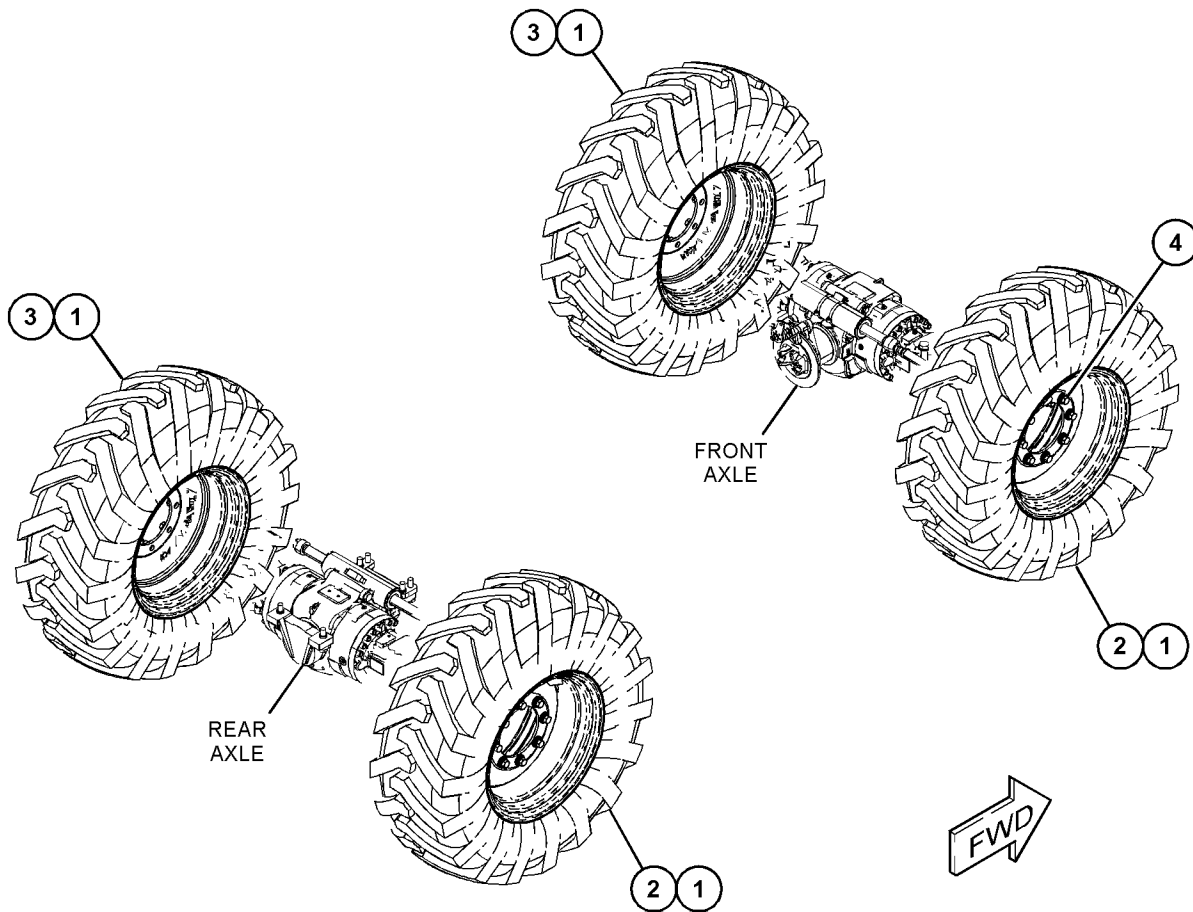
SMCS-4202, 4203, 4209

i06927775

NOTE	REF NO	GRAPHIC REF	PART NUMBER	QTY	PART NAME						SEE PAGE
					1	2	3	4	5	6 (PRODUCT LEVEL)	
	1	1	453-6476	4	FILM-IDENTIFICATION (TIRE PRESSURE)						
Y	2	1	526-7162	2	TIRE & RIM GP (RH)						705
Y	3	1	526-7163	2	TIRE & RIM GP (LH)						706
	4	1	486-8069	1	FASTENER GP						
M		1	5W-1386	32	NUT (M22X1.5-THD)						
		1	351-7528	32	WASHER (22.5X46X6-MM THK)						

M - METRIC PART

Y - SEPARATE ILLUSTRATION



GRAPHIC #1

<END>

g06115789

POWER TRAIN

512-4769 TIRE & RIM AR

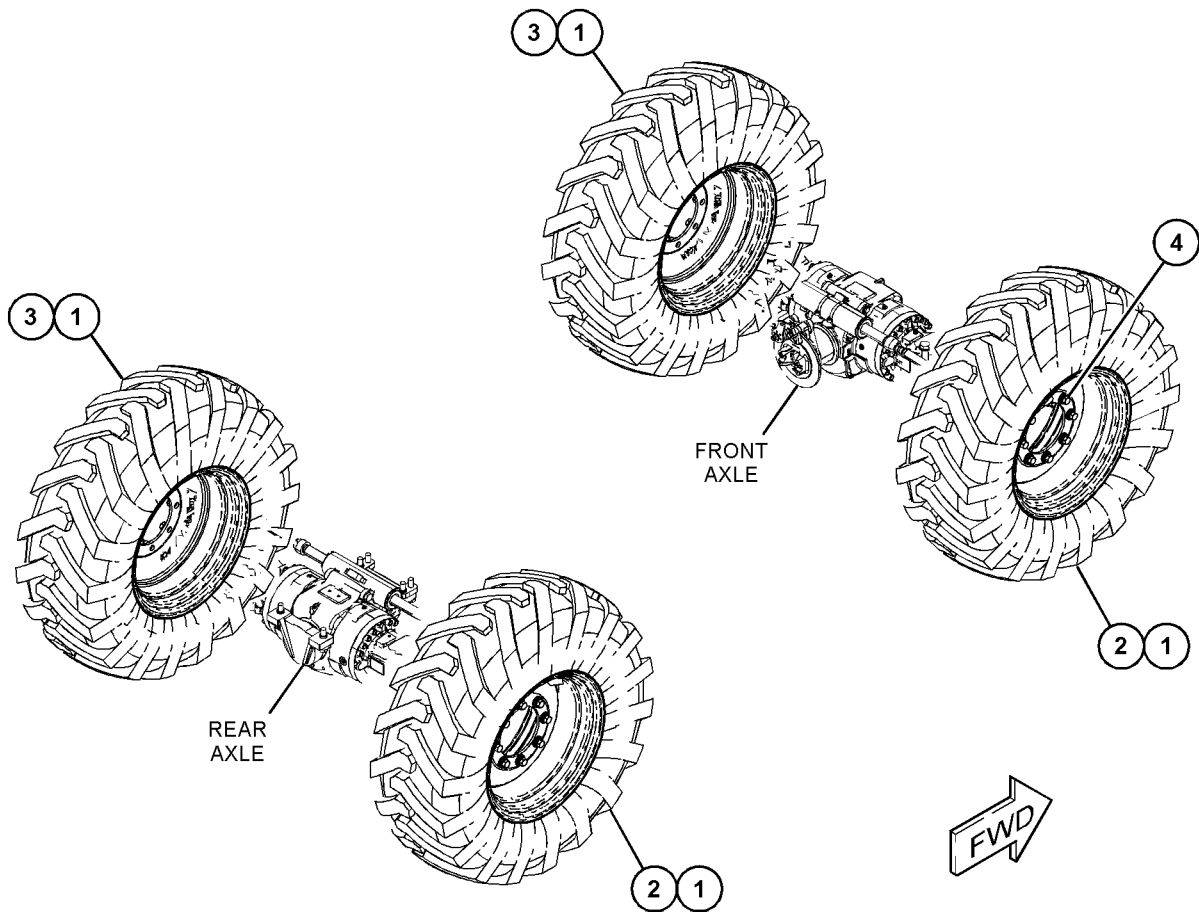
S/N: TH41-UP; TH91-UP
(14X24)
AN ATTACHMENT

SMCS-4202, 4203, 4209

i06927859

NOTE	REF NO	GRAPHIC REF	PART NUMBER	QTY	PART NAME						SEE PAGE
					1	2	3	4	5	6 (PRODUCT LEVEL)	
	1	1	348-9444	4	FILM-INFORMATION (TIRE PRESSURE)						
Y	2	1	526-9591	2	TIRE & RIM GP (RH)						708
Y	3	1	526-9589	2	TIRE & RIM GP (LH)						707
	4	1	486-8069	1	FASTENER GP						
M		1	5W-1386	32	NUT (M22X1.5-THD)						
		1	351-7528	32	WASHER (22.5X46X6-MM THK)						

M - METRIC PART
Y - SEPARATE ILLUSTRATION



GRAPHIC #1

<END>

g06115792

POWER TRAIN

512-4771 TIRE & RIM AR-SOLID

S/N: TH41-UP; TH91-UP

(13X24)

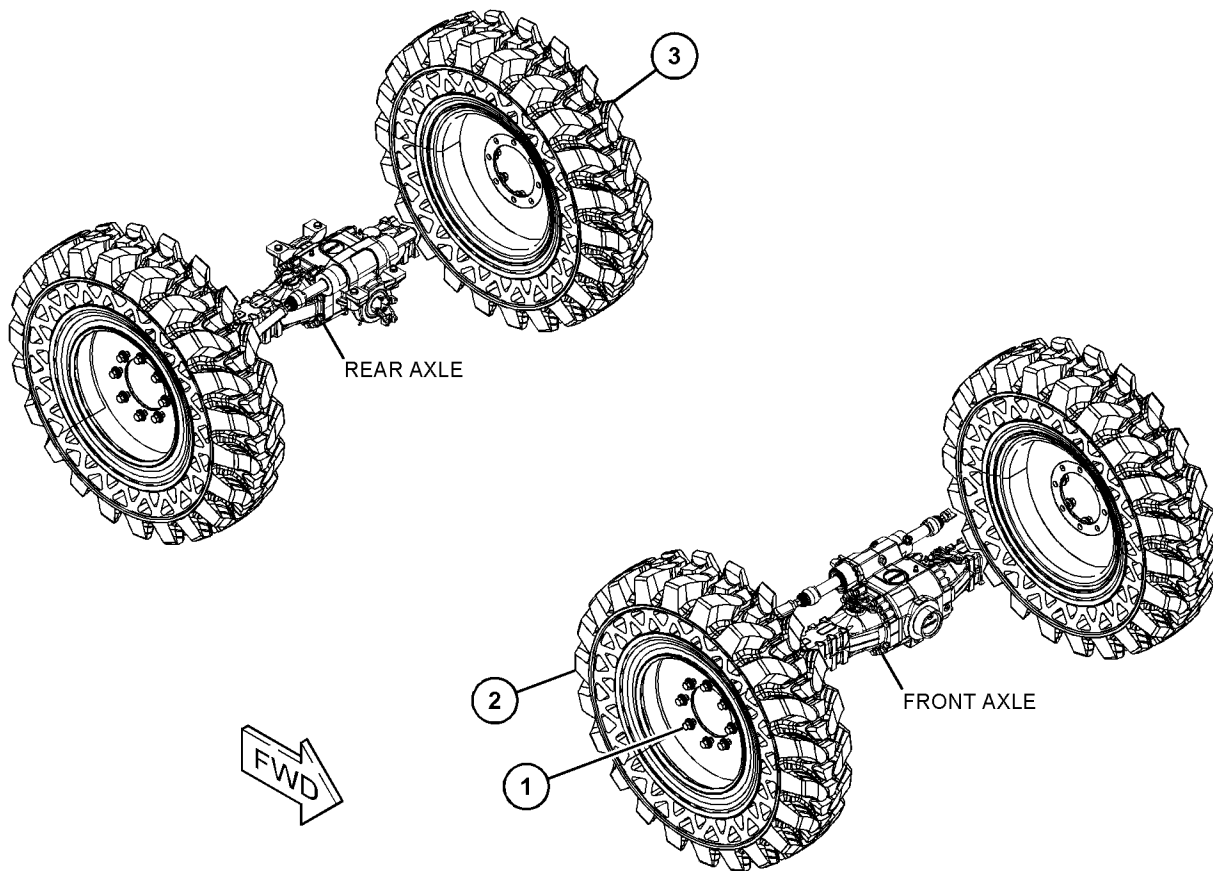
AN ATTACHMENT

SMCS-4202, 4203, 4209

i06740203

NOTE	REF NO	GRAPHIC REF	PART NUMBER	QTY	PART NAME						SEE PAGE
					1	2	3	4	5	6 (PRODUCT LEVEL)	
	1	1	486-8069	1	FASTENER GP						
M		1	5W-1386	32	NUT (M22X1.5-THD)						
		1	351-7528	32	WASHER (22.5X46X6-MM THK)						
	2	1	496-8249	2	TIRE & RIM GP (RH)						
	3	1	496-8250	2	TIRE & RIM GP (LH)						

M - METRIC PART



GRAPHIC #1

<END>

g06117573

POWER TRAIN

311-8223 TIRE & RIM GP-RH

S/N: TH41-UP; TH91-UP

14X24

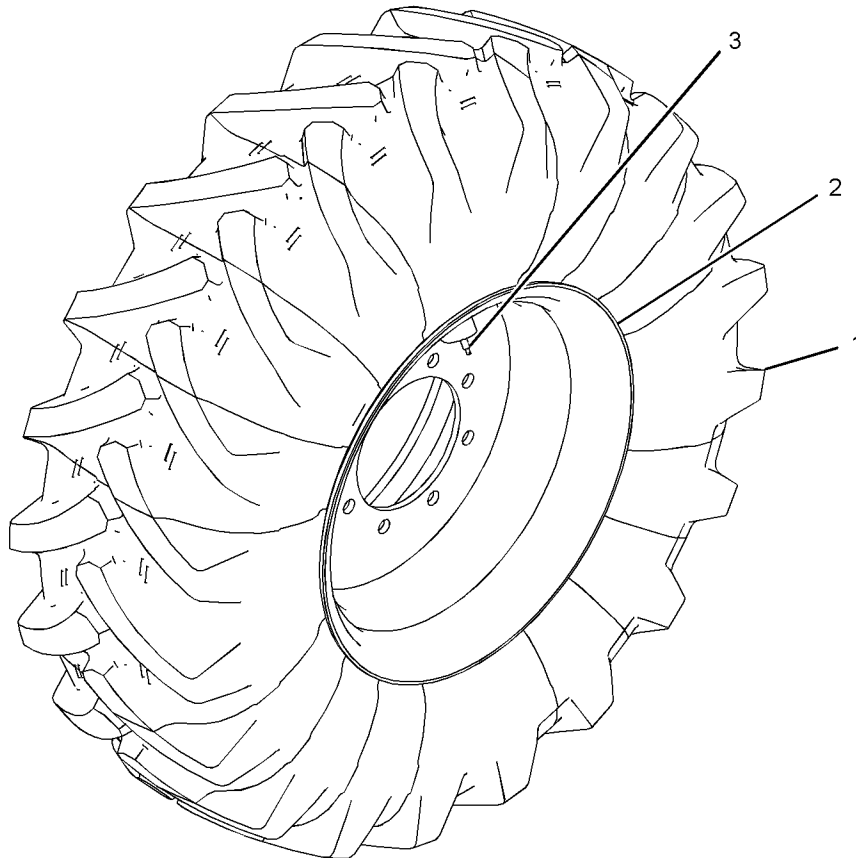
AN ATTACHMENT

SMCS-4202

i07218869

NOTE	REF NO	GRAPHIC REF	PART NUMBER	QTY	PART NAME						SEE PAGE
					1	2	3	4	5	6 (PRODUCT LEVEL)	
	1	1	267-2863	1	TIRE (15.5/80-24)						
	2	1	311-8219	1	RIM AS						
Y	3	1	6D-0337	1	VALVE GP-TIRE						735

Y - SEPARATE ILLUSTRATION



GRAPHIC #1

<END>

g03644511

POWER TRAIN

311-8229 TIRE & RIM GP-RH

S/N: TH41-UP; TH91-UP

15X24

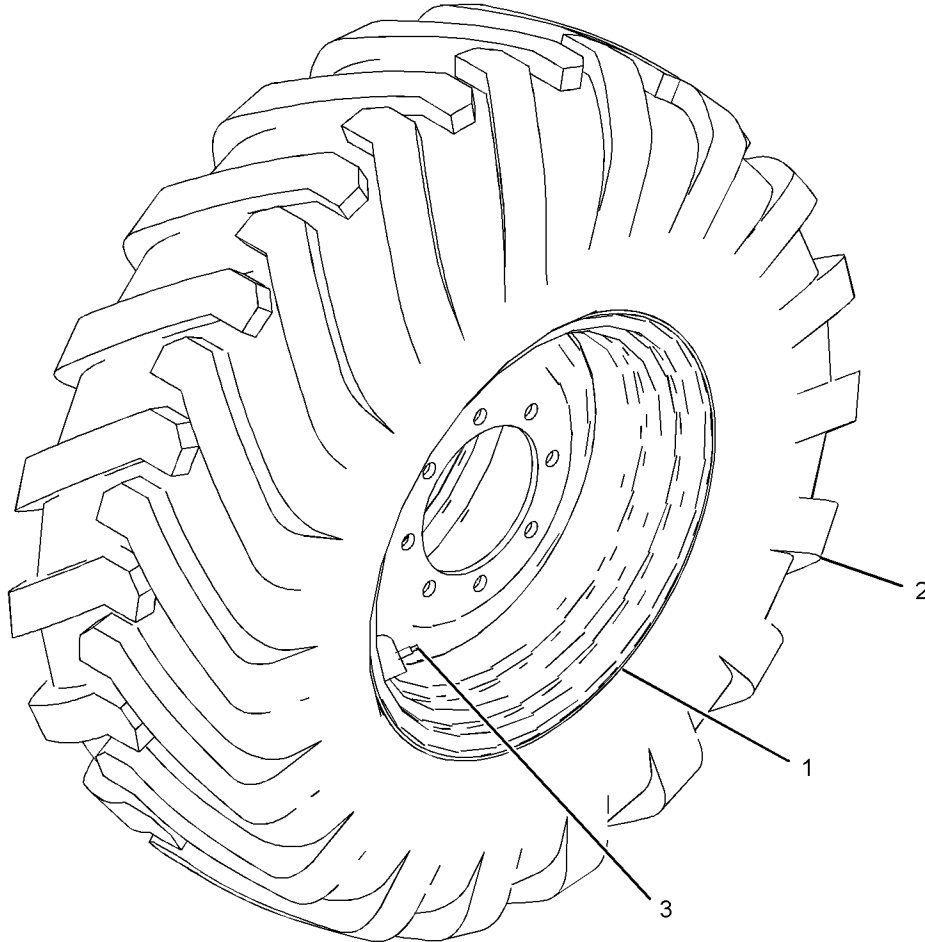
AN ATTACHMENT

SMCS-4202

i07218868

NOTE	REF NO	GRAPHIC REF	PART NUMBER	QTY	PART NAME						SEE PAGE
					1	2	3	4	5	6 (PRODUCT LEVEL)	
	1	1	311-8220	1	RIM AS						
	2	1	316-9551	1	TIRE (460/70-R24)						
Y	3	1	6D-0337	1	VALVE GP-TIRE						735

Y - SEPARATE ILLUSTRATION



GRAPHIC #1

<END>

g03644875

POWER TRAIN

311-8238 TIRE & RIM GP-RH

S/N: TH41-UP; TH91-UP

15X24

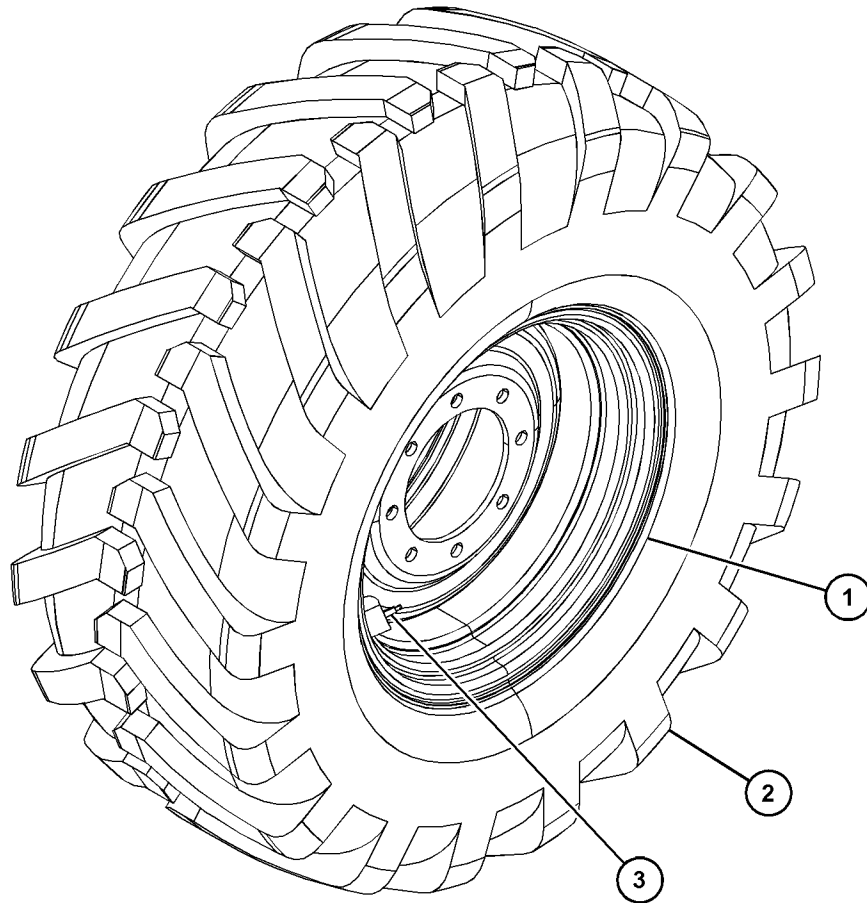
AN ATTACHMENT

SMCS-4202

i07218867

NOTE	REF NO	GRAPHIC REF	PART NUMBER	QTY	PART NAME						SEE PAGE
					1	2	3	4	5	6 (PRODUCT LEVEL)	
	1	1	311-8220	1	RIM AS						
	2	1	316-9552	1	TIRE (500/70-R24)						
Y	3	1	6D-0337	1	VALVE GP-TIRE						735

Y - SEPARATE ILLUSTRATION



GRAPHIC #1

<END>

g03658776

POWER TRAIN

323-7381 TIRE & RIM GP-RH

S/N: TH41-UP; TH91-UP

14X24

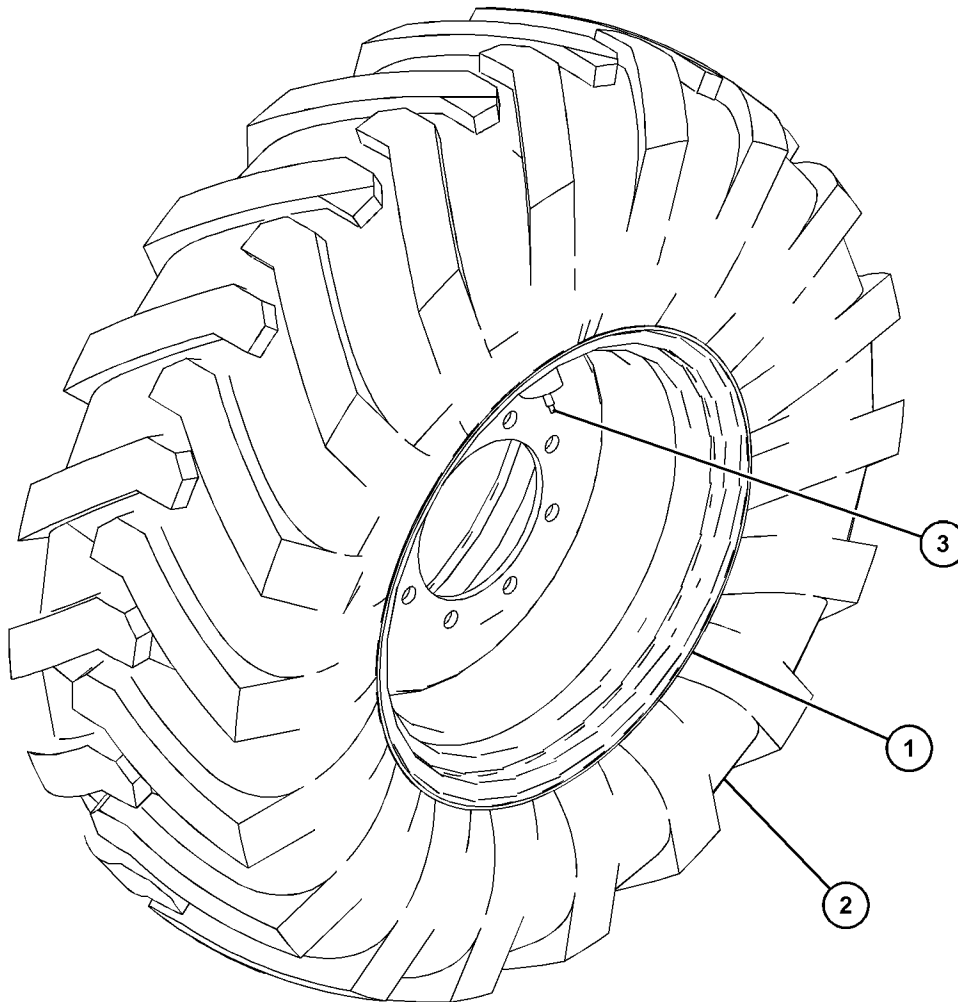
AN ATTACHMENT

SMCS-4202

i05690269

NOTE	REF NO	GRAPHIC REF	PART NUMBER	QTY	PART NAME						SEE PAGE
					1	2	3	4	5	6 (PRODUCT LEVEL)	
	1	1	311-8219	1	RIM AS						
	2	1	453-7110	1	TIRE (400/80-24)						
Y	3	1	6D-0337	1	VALVE GP-TIRE						735

Y - SEPARATE ILLUSTRATION



GRAPHIC #1

<END>

g03656849

POWER TRAIN

323-7401 TIRE & RIM GP-RH

S/N: TH41-UP; TH91-UP

15X24

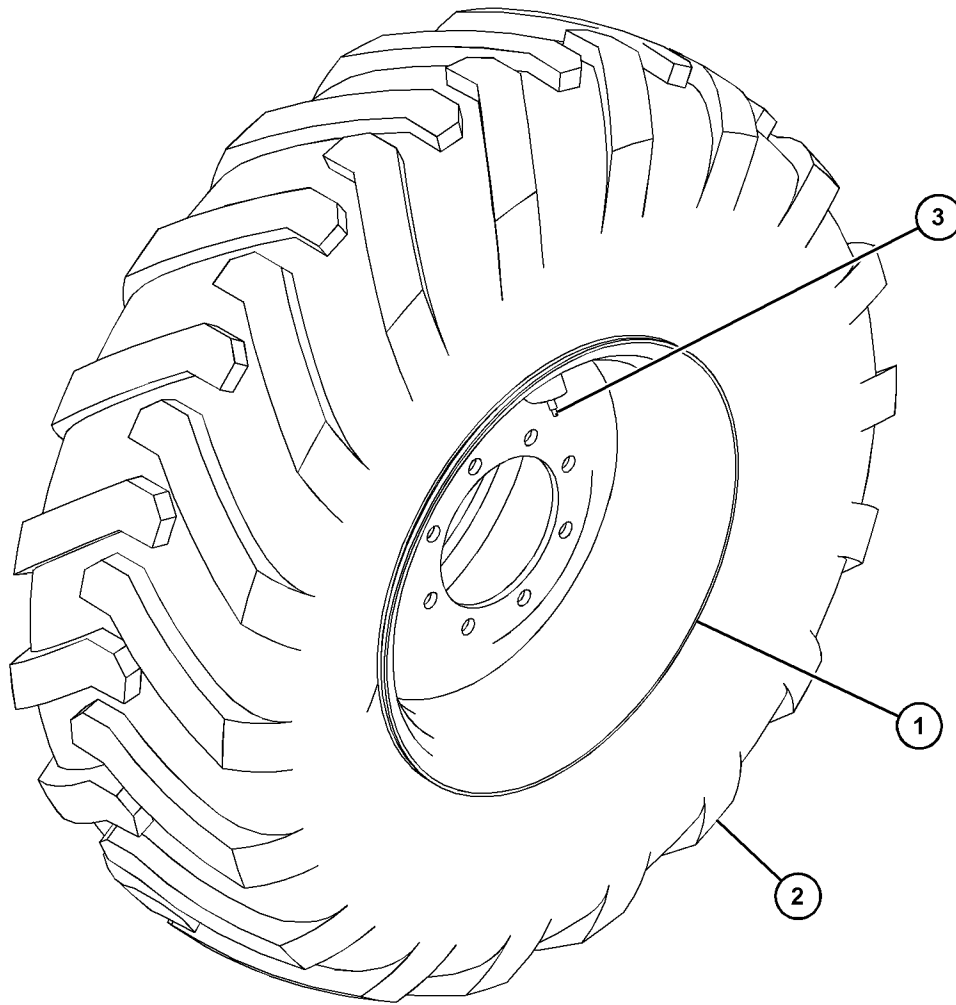
AN ATTACHMENT

SMCS-4202

i07213662

NOTE	REF NO	GRAPHIC REF	PART NUMBER	QTY	PART NAME						SEE PAGE
					1	2	3	4	5	6 (PRODUCT LEVEL)	
	1	1	311-8219	1	RIM AS						
	2	1	453-7117	1	TIRE (440/80-R24)						
Y	3	1	6D-0337	1	VALVE GP-TIRE						735

Y - SEPARATE ILLUSTRATION



GRAPHIC #1

<END>

g03656867

POWER TRAIN

478-8923 TIRE & RIM GP

S/N: TH41-UP; TH91-UP

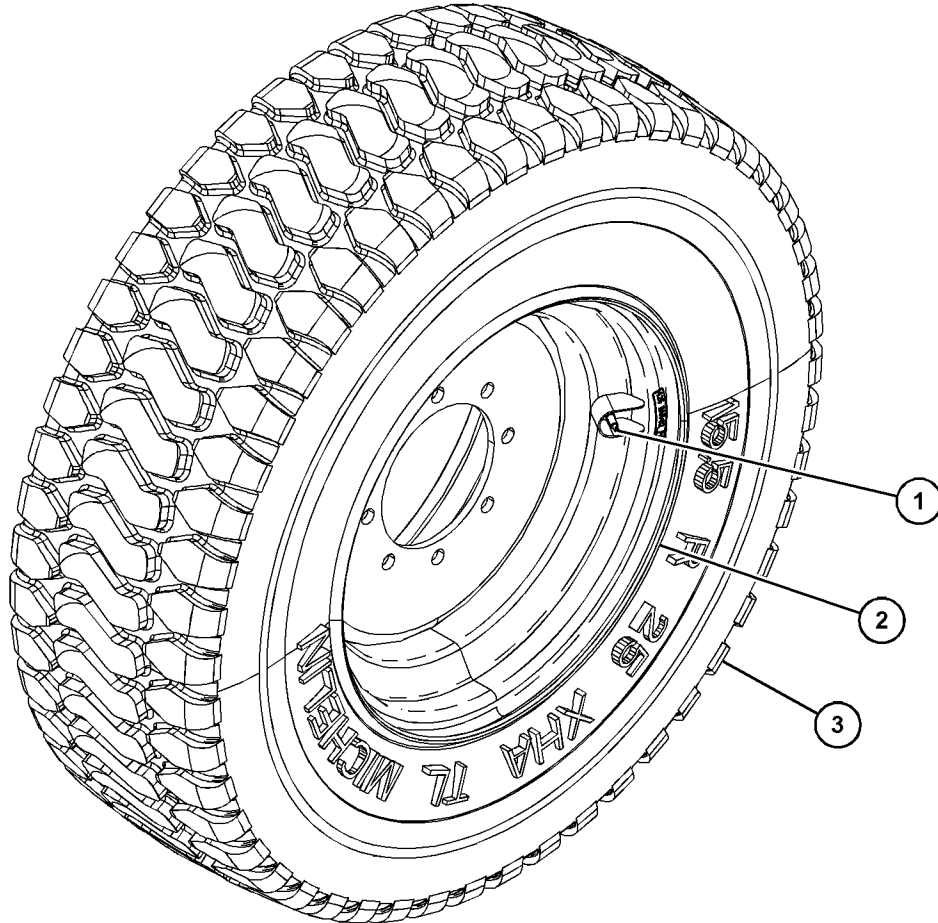
AN ATTACHMENT

SMCS-4202

i06788443

NOTE	REF NO	GRAPHIC REF	PART NUMBER	QTY	PART NAME						SEE PAGE
					1	2	3	4	5	6 (PRODUCT LEVEL)	
Y	1	1	6D-0337	1	VALVE GP-TIRE						735
	2	1	311-8221	1	RIM AS						
	3	1	478-8887	1	TIRE (15.5-R25)						

Y - SEPARATE ILLUSTRATION



GRAPHIC #1

<END>

g06116172

POWER TRAIN

496-8243 TIRE & RIM GP

S/N: TH41-UP; TH91-UP

(15X24)

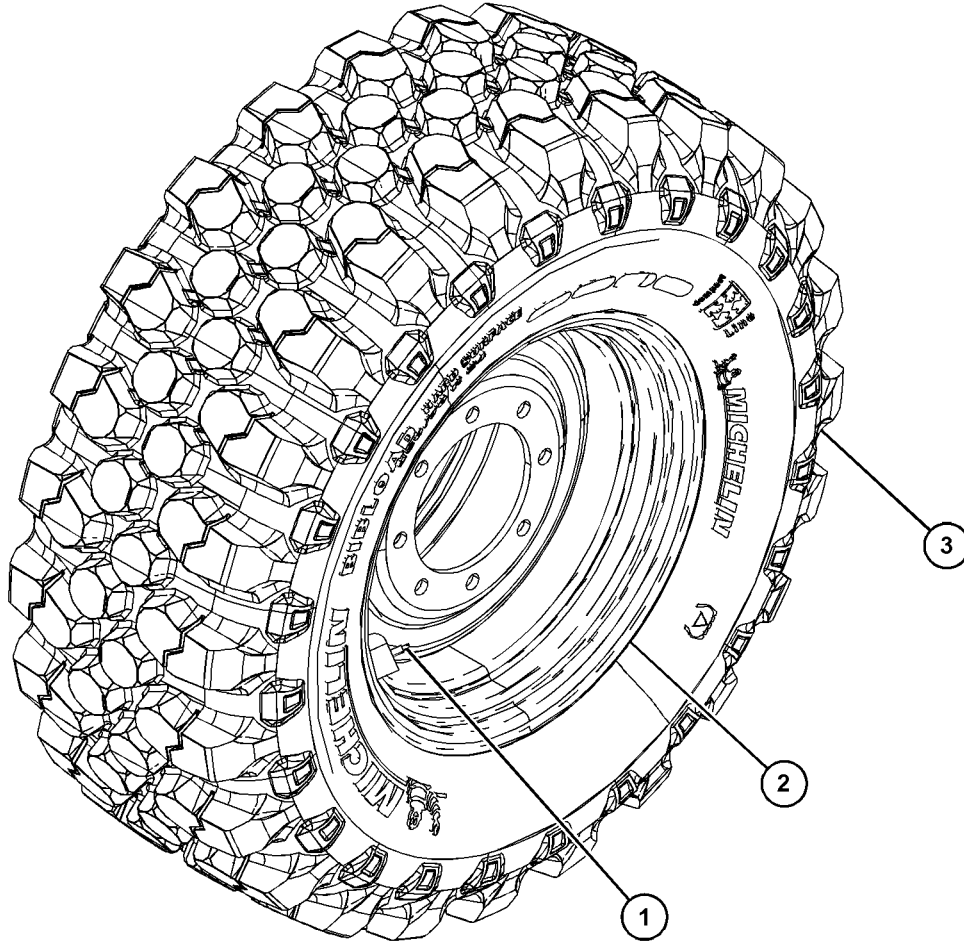
AN ATTACHMENT

SMCS-4202

i06790165

NOTE	REF NO	GRAPHIC REF	PART NUMBER	QTY	PART NAME						SEE PAGE
					1	2	3	4	5	6 (PRODUCT LEVEL)	
Y	1	1	6D-0337	1	VALVE GP-TIRE						735
	2	1	311-8220	1	RIM AS						
	3	1	496-8245	1	TIRE (460/70-R24)						

Y - SEPARATE ILLUSTRATION



GRAPHIC #1

<END>

g06124993

POWER TRAIN

496-8247 TIRE & RIM GP

S/N: TH41-UP; TH91-UP

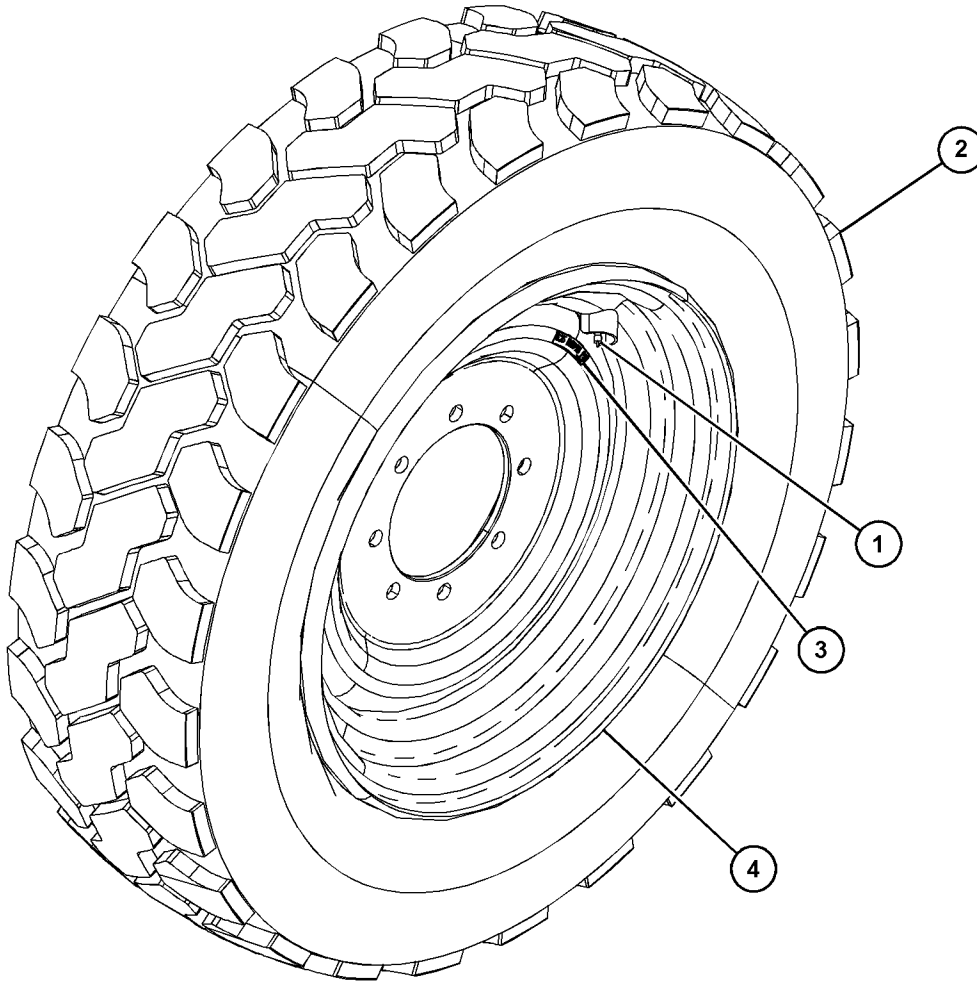
(28X11)

AN ATTACHMENT

SMCS-4202

i06790170

NOTE	REF NO	GRAPHIC REF	PART NUMBER	QTY	PART NAME						SEE PAGE
					1	2	3	4	5	6 (PRODUCT LEVEL)	
1	1	1	298-7311	1	VALVE-TIRE						
2	1	1	459-8921	1	TIRE (370/75-28)						
3	1	1	348-9443	1	FILM-INFORMATION (5.25 BAR)						
4	1	1	496-8248	1	RIM AS						



GRAPHIC #1

<END>

g06128890

POWER TRAIN

496-8249 TIRE & RIM GP-RH

S/N: TH41-UP; TH91-UP

(13X24)

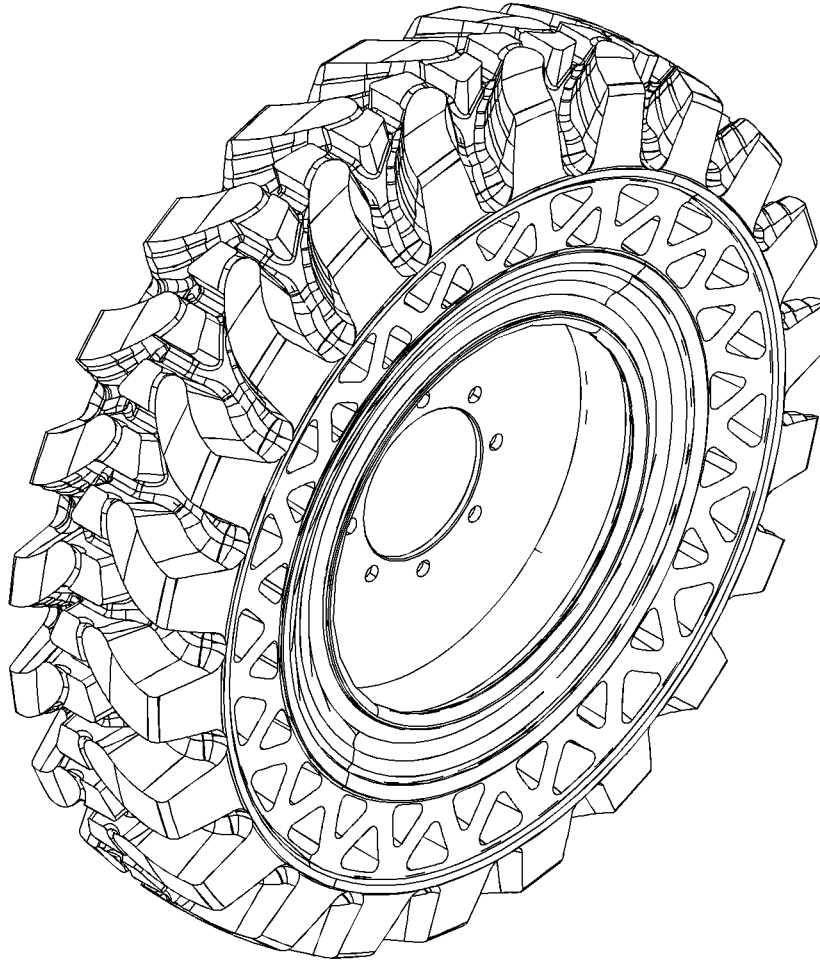
AN ATTACHMENT

SMCS-4202

i06889508

NOTE	REF NO	GRAPHIC REF	PART NUMBER	QTY	PART NAME	SEE PAGE
					1 2 3 4 5 6 (PRODUCT LEVEL)	

(NO BREAKDOWN OF SERVICEABLE PARTS AVAILABLE AT TIME OF PUBLICATION)



GRAPHIC #1

<END>

g06158190

POWER TRAIN

526-0580 TIRE & RIM GP

S/N: TH41-UP; TH91-UP

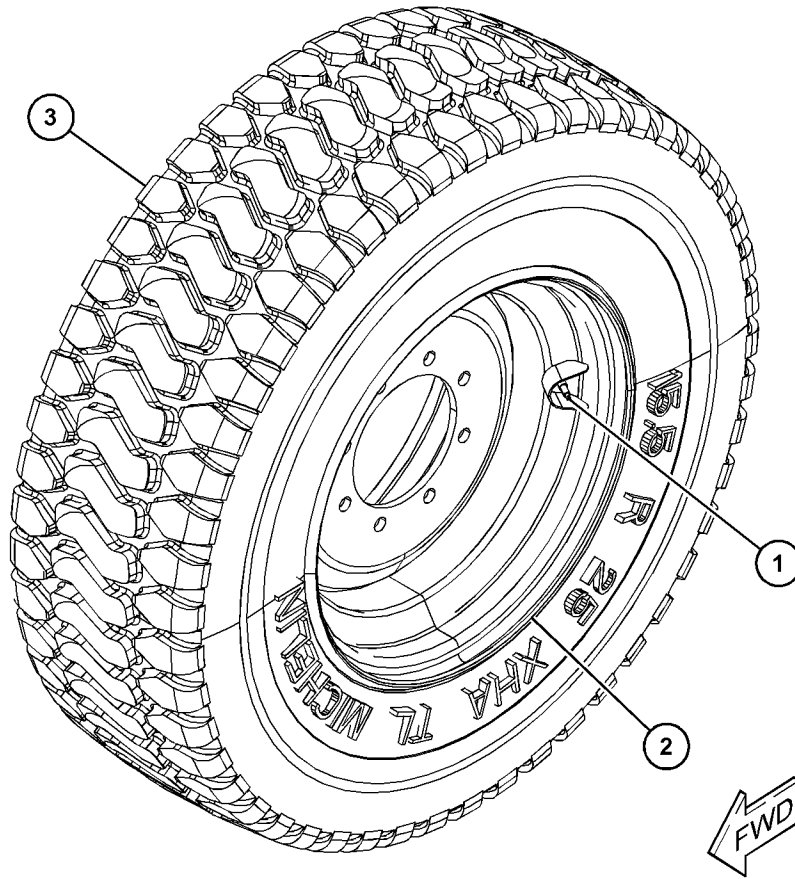
12/1.3 X 25

PART OF 512-4763 TIRE & RIM AR
AN ATTACHMENT

SMCS-4202

i06907154

NOTE	REF NO	GRAPHIC REF	PART NUMBER	QTY	PART NAME						SEE PAGE
					1	2	3	4	5	6 (PRODUCT LEVEL)	
	1	1	6D-0337	1	VALVE GP-TIRE						
	2	1	311-8221	1	RIM AS						
	3	1	478-8887	1	TIRE (15.5-R25)						



GRAPHIC #1

<END>

g06164516

POWER TRAIN

526-0581 TIRE & RIM GP

S/N: TH41-UP; TH91-UP

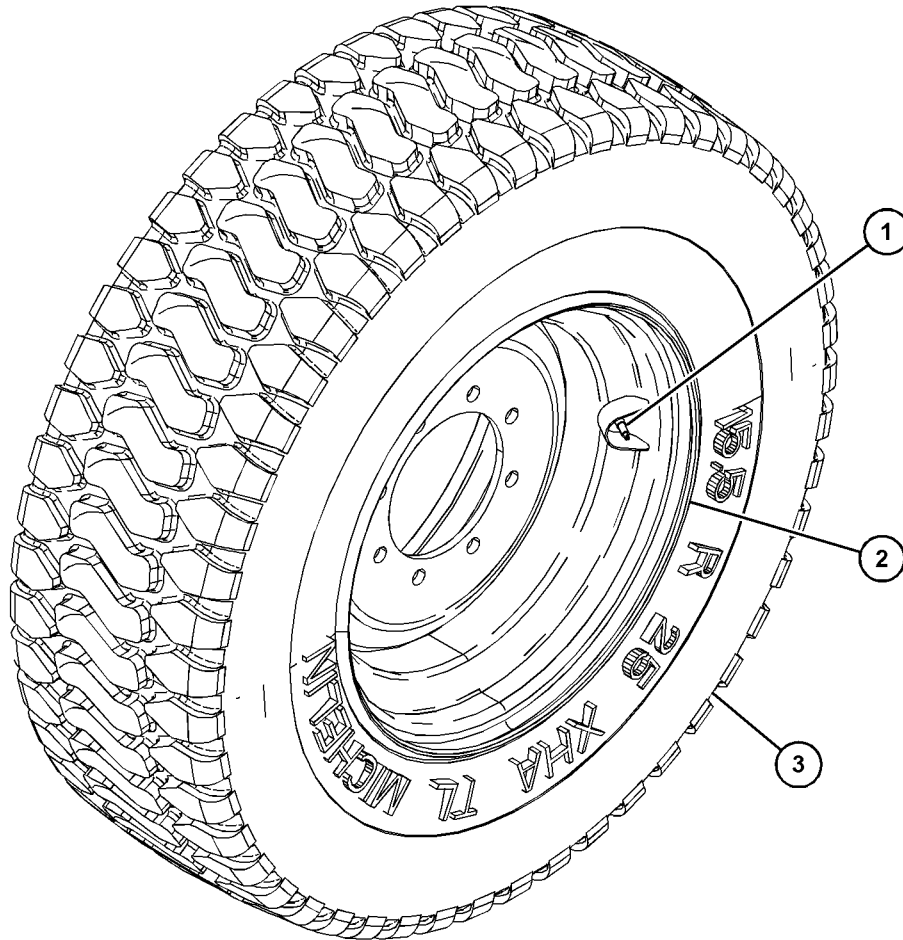
12/1.3 X 25

PART OF 512-4763 TIRE & RIM AR
AN ATTACHMENT

SMCS-4202

i06907151

NOTE	REF NO	GRAPHIC REF	PART NUMBER	QTY	PART NAME						SEE PAGE
					1	2	3	4	5	6 (PRODUCT LEVEL)	
	1	1	6D-0337	1	VALVE GP-TIRE						
	2	1	311-8221	1	RIM AS						
	3	1	478-8887	1	TIRE (15.5-R25)						



GRAPHIC #1

<END>

g06165402

POWER TRAIN

526-4259 TIRE & RIM GP

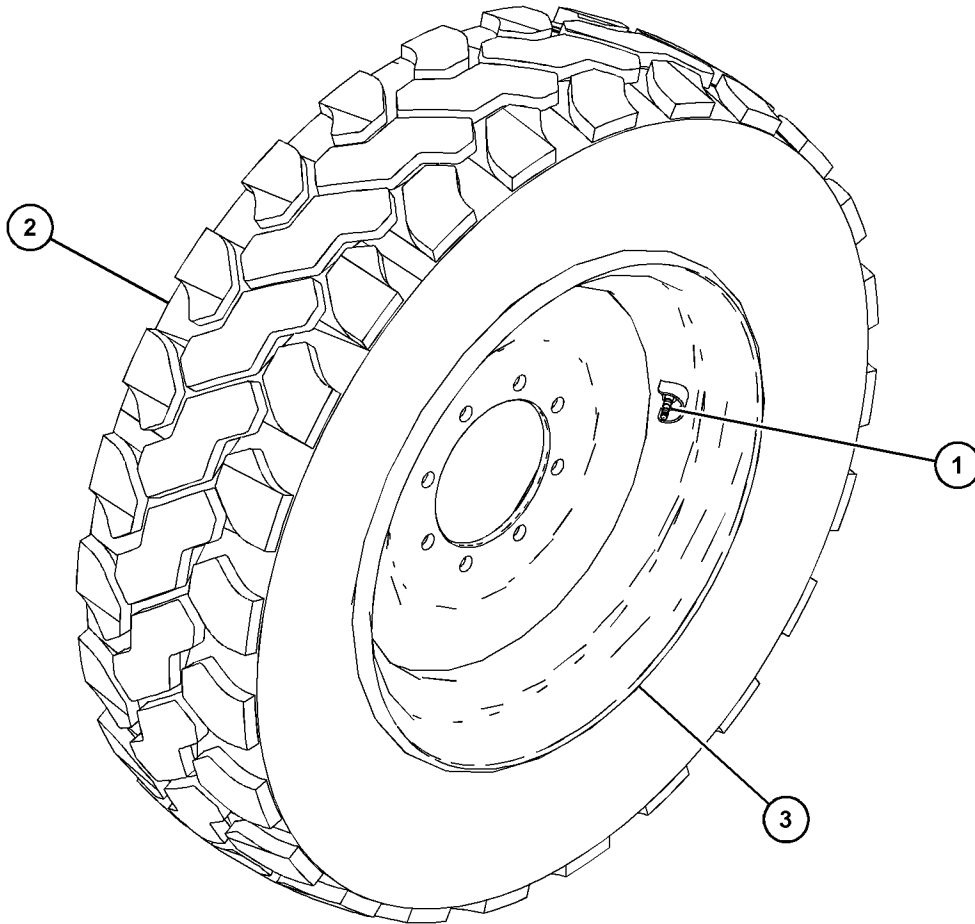
S/N: TH41-UP; TH91-UP
PART OF 526-4258 WHEEL & TIRE AR
AN ATTACHMENT

SMCS-4202

i06910611

NOTE	REF NO	GRAPHIC REF	PART NUMBER	QTY	PART NAME						SEE PAGE
					1	2	3	4	5	6 (PRODUCT LEVEL)	
Y	1	1	6D-0337	1	VALVE GP-TIRE						735
	2	1	459-8921	1	TIRE (370/75-28)						
	3	1	496-8248	1	RIM AS						

Y - SEPARATE ILLUSTRATION



GRAPHIC #1

<END>

g06165296

POWER TRAIN

526-5726 TIRE & RIM GP-RH

S/N: TH41-UP; TH91-UP

15X24

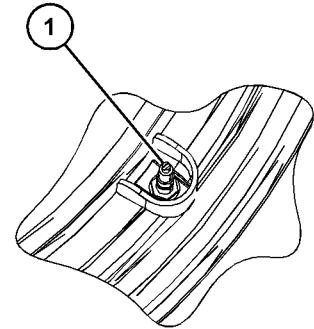
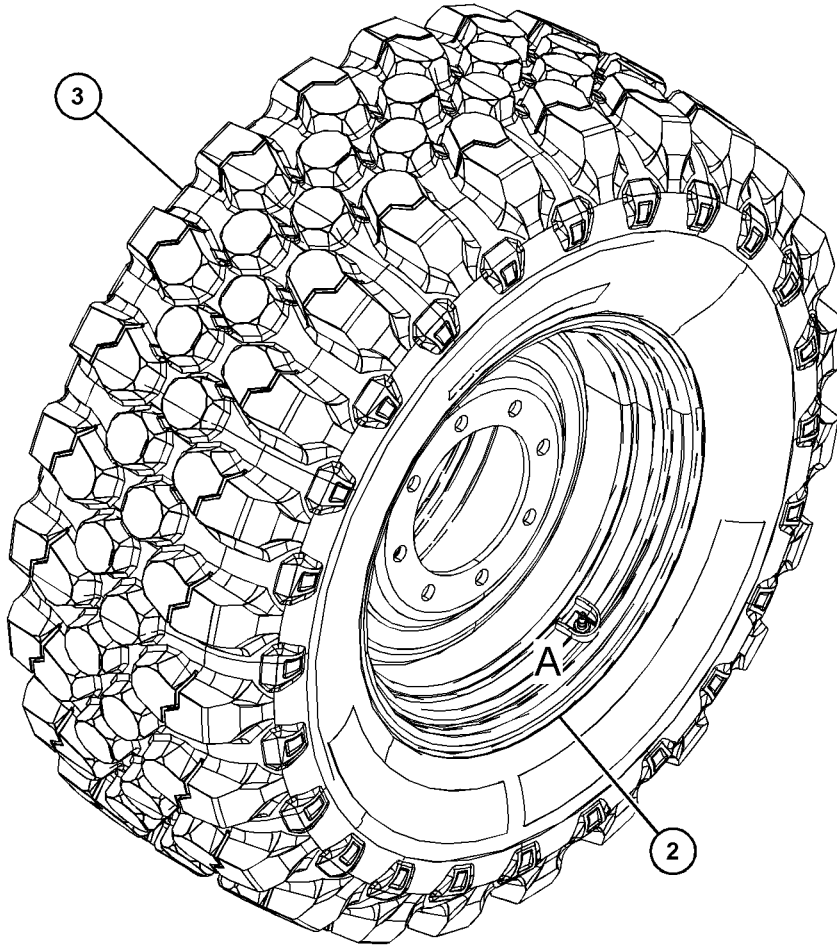
PART OF 512-4766 TIRE & RIM AR
AN ATTACHMENT

SMCS-4202

i06927796

NOTE	REF NO	GRAPHIC REF	PART NUMBER	QTY	PART NAME						SEE PAGE
					1	2	3	4	5	6 (PRODUCT LEVEL)	
Y	1	1	6D-0337	1	VALVE GP-TIRE						735
	2	1	311-8220	1	RIM AS						
	3	1	496-8245	1	TIRE (460/70-R24)						

Y - SEPARATE ILLUSTRATION



VIEW OF AREA A

GRAPHIC #1

<END>

g06171600

POWER TRAIN

526-5727 TIRE & RIM GP-LH

S/N: TH41-UP; TH91-UP

15X24

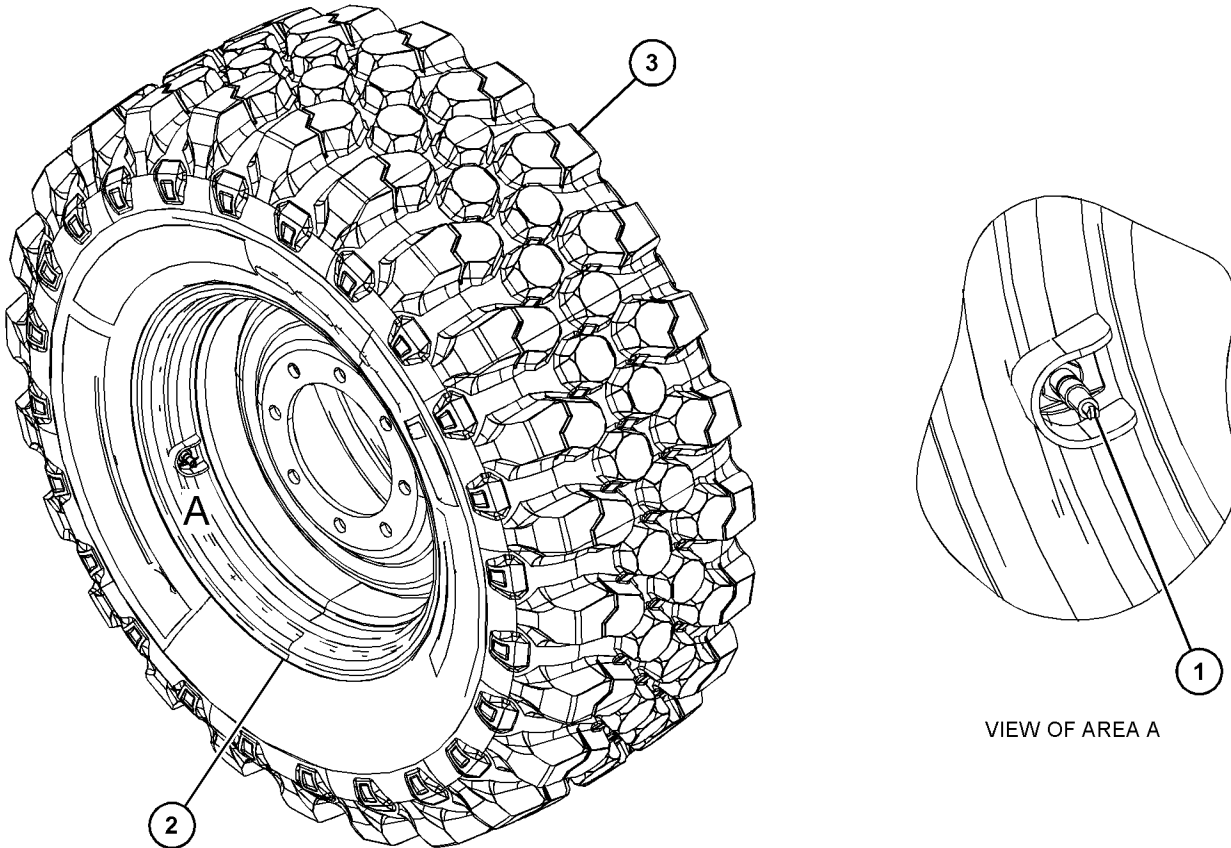
PART OF 512-4766 TIRE & RIM AR
AN ATTACHMENT

SMCS-4202

i06927792

NOTE	REF NO	GRAPHIC REF	PART NUMBER	QTY	PART NAME						SEE PAGE
					1	2	3	4	5	6 (PRODUCT LEVEL)	
Y	1	1	6D-0337	1	VALVE GP-TIRE						735
	2	1	311-8220	1	RIM AS						
	3	1	496-8245	1	TIRE (460/70-R24)						

Y - SEPARATE ILLUSTRATION



GRAPHIC #1

<END>

g06171589

POWER TRAIN

526-5728 TIRE & RIM GP

S/N: TH41-UP; TH91-UP

15X24

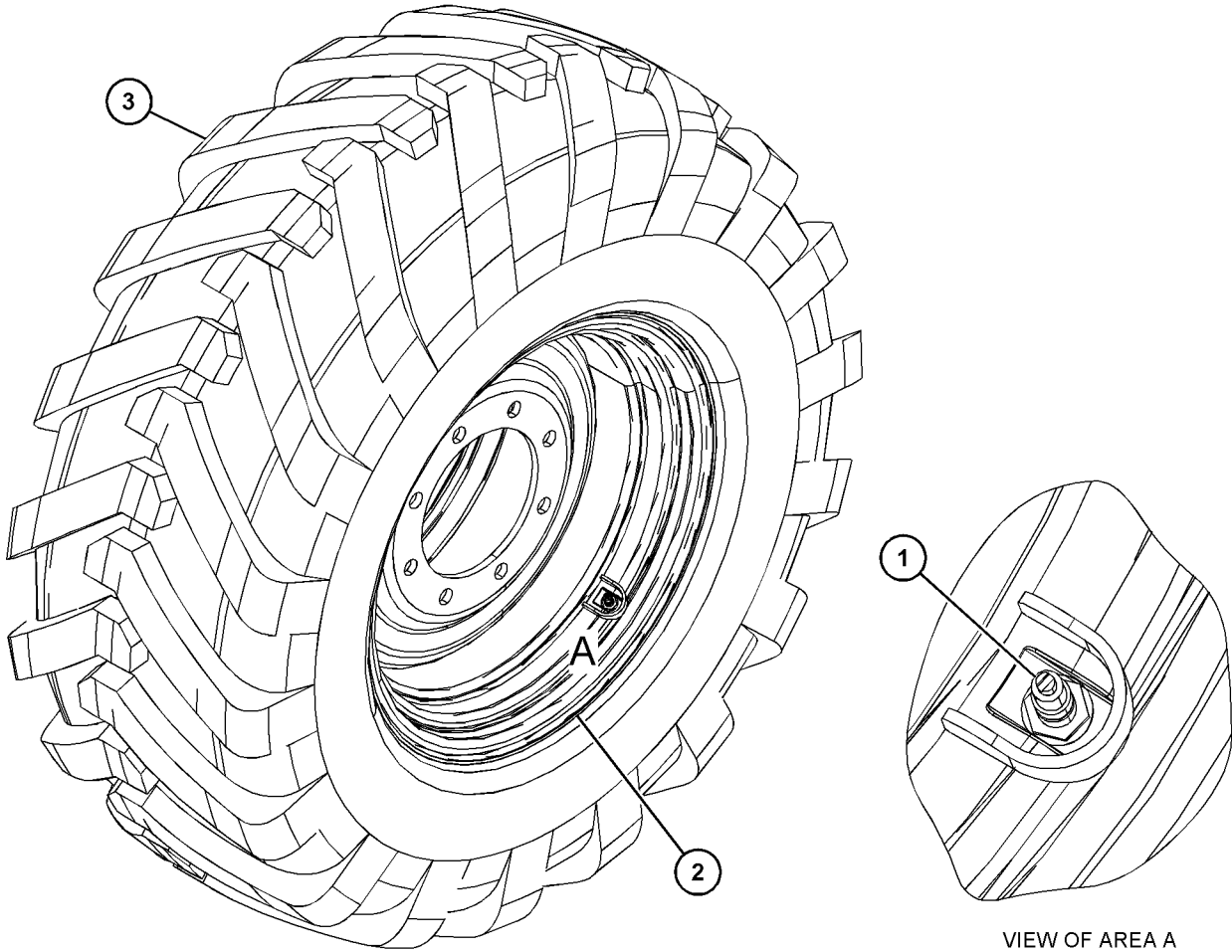
PART OF 512-4765 TIRE & RIM AR
AN ATTACHMENT

SMCS-4202

i06928739

NOTE	REF NO	GRAPHIC REF	PART NUMBER	QTY	PART NAME						SEE PAGE
					1	2	3	4	5	6 (PRODUCT LEVEL)	
Y	1	1	6D-0337	1	VALVE GP-TIRE						735
	2	1	311-8220	1	RIM AS						
	3	1	316-9551	1	TIRE (460/70-R24)						

Y - SEPARATE ILLUSTRATION



GRAPHIC #1

<END>

g06171565

POWER TRAIN

526-6911 TIRE & RIM GP

S/N: TH41-UP; TH91-UP

15X24

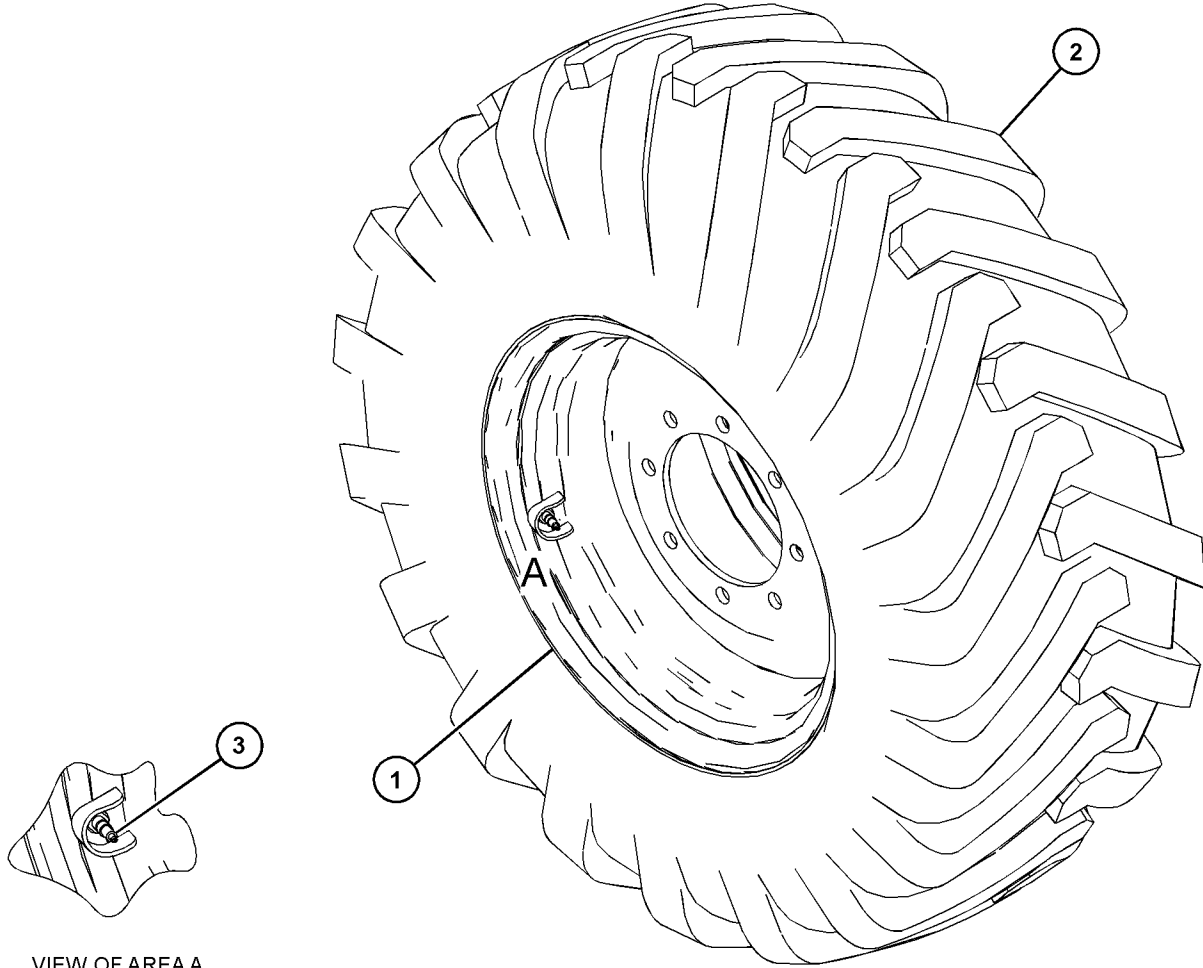
PART OF 512-4765 TIRE & RIM AR
AN ATTACHMENT

SMCS-4202

i06928741

NOTE	REF NO	GRAPHIC REF	PART NUMBER	QTY	PART NAME						SEE PAGE
					1	2	3	4	5	6 (PRODUCT LEVEL)	
	1	1	311-8220	1	RIM AS						
	2	1	316-9551	1	TIRE (460/70-R24)						
Y	3	1	6D-0337	1	VALVE GP-TIRE						735

Y - SEPARATE ILLUSTRATION



VIEW OF AREA A

GRAPHIC #1

<END>

g06171611

POWER TRAIN

526-6913 TIRE & RIM GP-RH

S/N: TH41-UP; TH91-UP

15X24

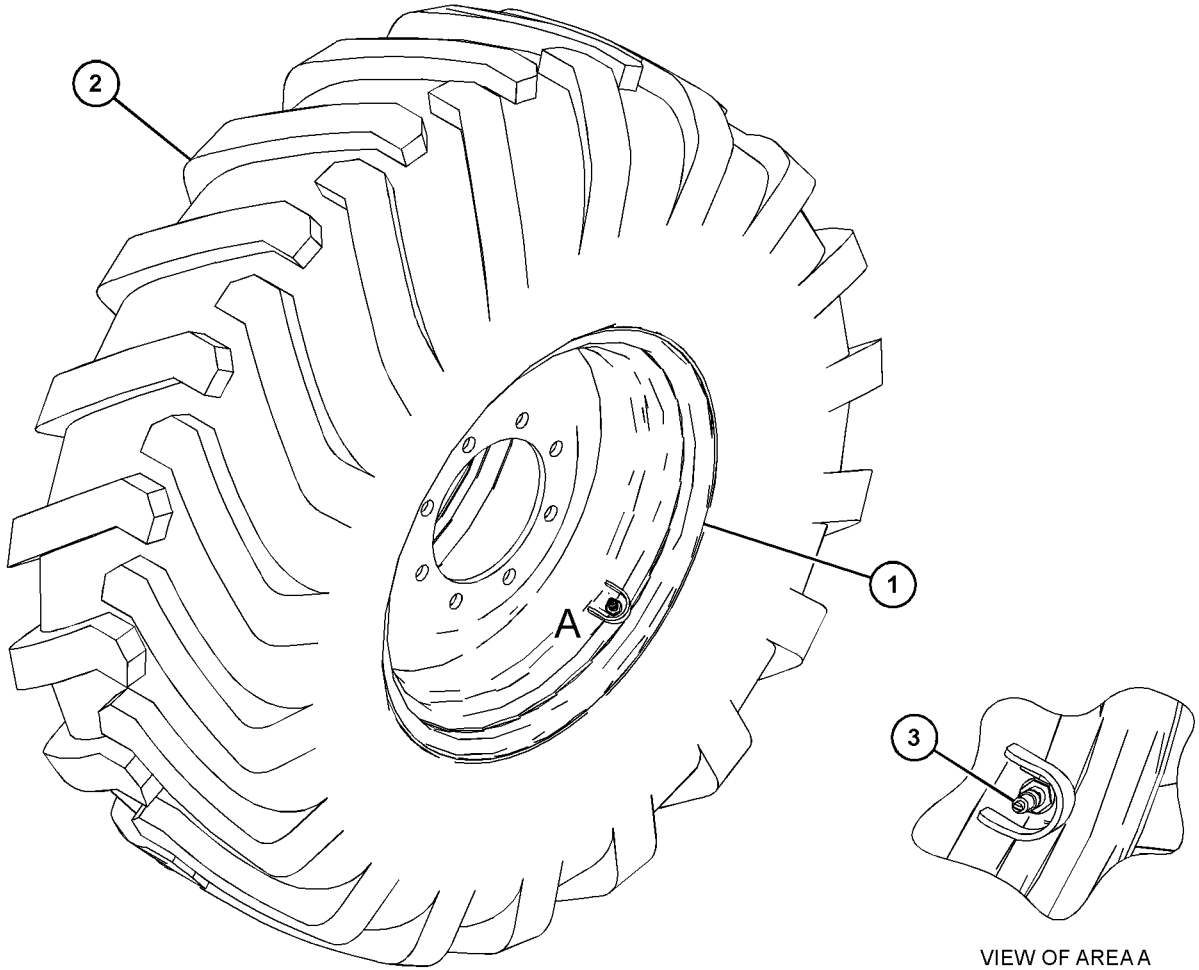
PART OF 512-4767 TIRE & RIM AR
AN ATTACHMENT

SMCS-4202

i07213663

NOTE	REF NO	GRAPHIC REF	PART NUMBER	QTY	PART NAME						SEE PAGE
					1	2	3	4	5	6 (PRODUCT LEVEL)	
	1	1	311-8220	1	RIM AS						
	2	1	376-9552	1	TIRE (500/70-R24)						
Y	3	1	6D-0337	1	VALVE GP-TIRE						735

Y - SEPARATE ILLUSTRATION



GRAPHIC #1

<END>

g06172033

POWER TRAIN

526-6914 TIRE & RIM GP-LH

S/N: TH41-UP; TH91-UP

15X24

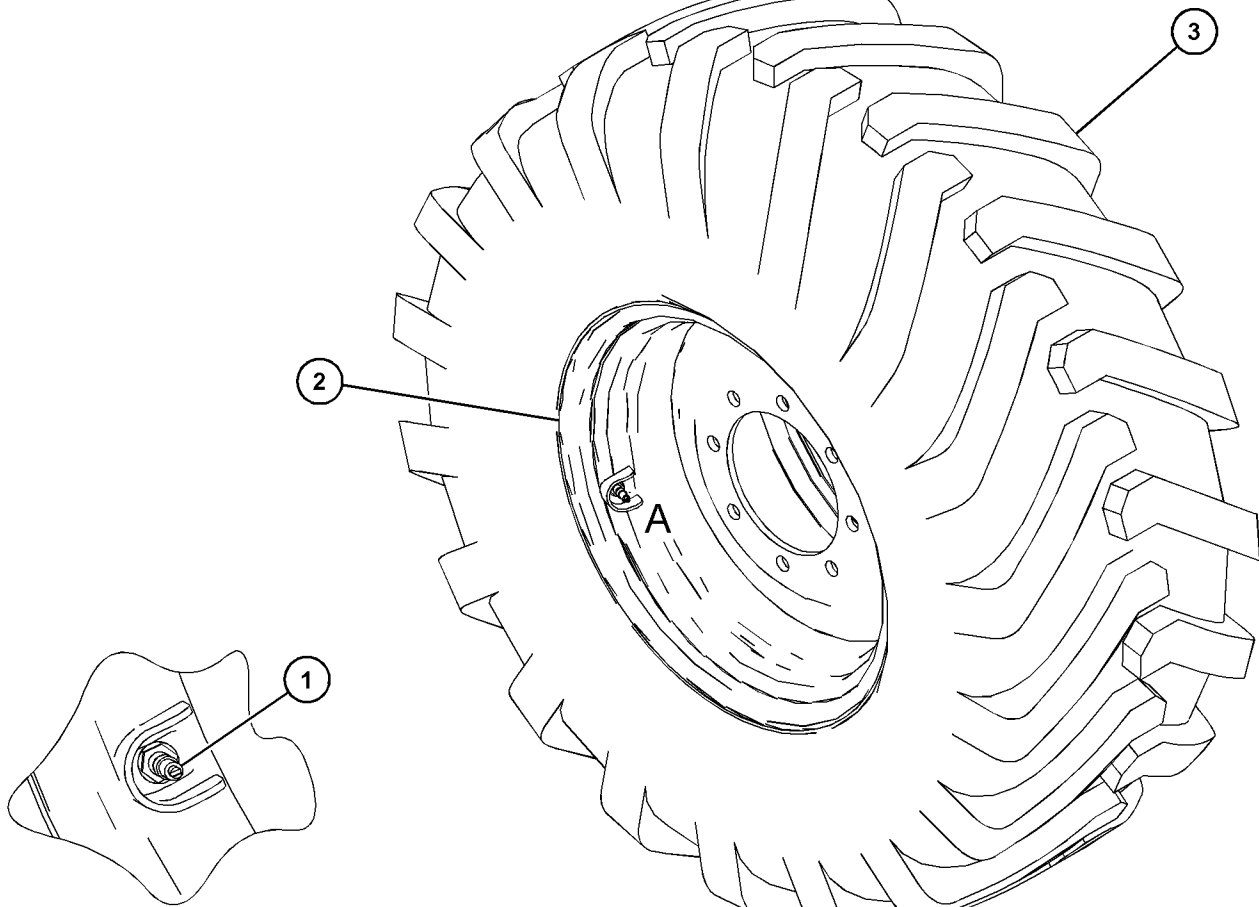
PART OF 512-4767 TIRE & RIM AR
AN ATTACHMENT

SMCS-4202

i07213664

NOTE	REF NO	GRAPHIC REF	PART NUMBER	QTY	PART NAME						SEE PAGE
					1	2	3	4	5	6 (PRODUCT LEVEL)	
Y	1	1	6D-0337	1	VALVE GP-TIRE						735
	2	1	311-8220	1	RIM AS						
	3	1	316-9552	1	TIRE (500/70-R24)						

Y - SEPARATE ILLUSTRATION



VIEW OF AREA A

GRAPHIC #1

<END>

g06172014

POWER TRAIN

526-7162 TIRE & RIM GP-RH

S/N: TH41-UP; TH91-UP

15X24

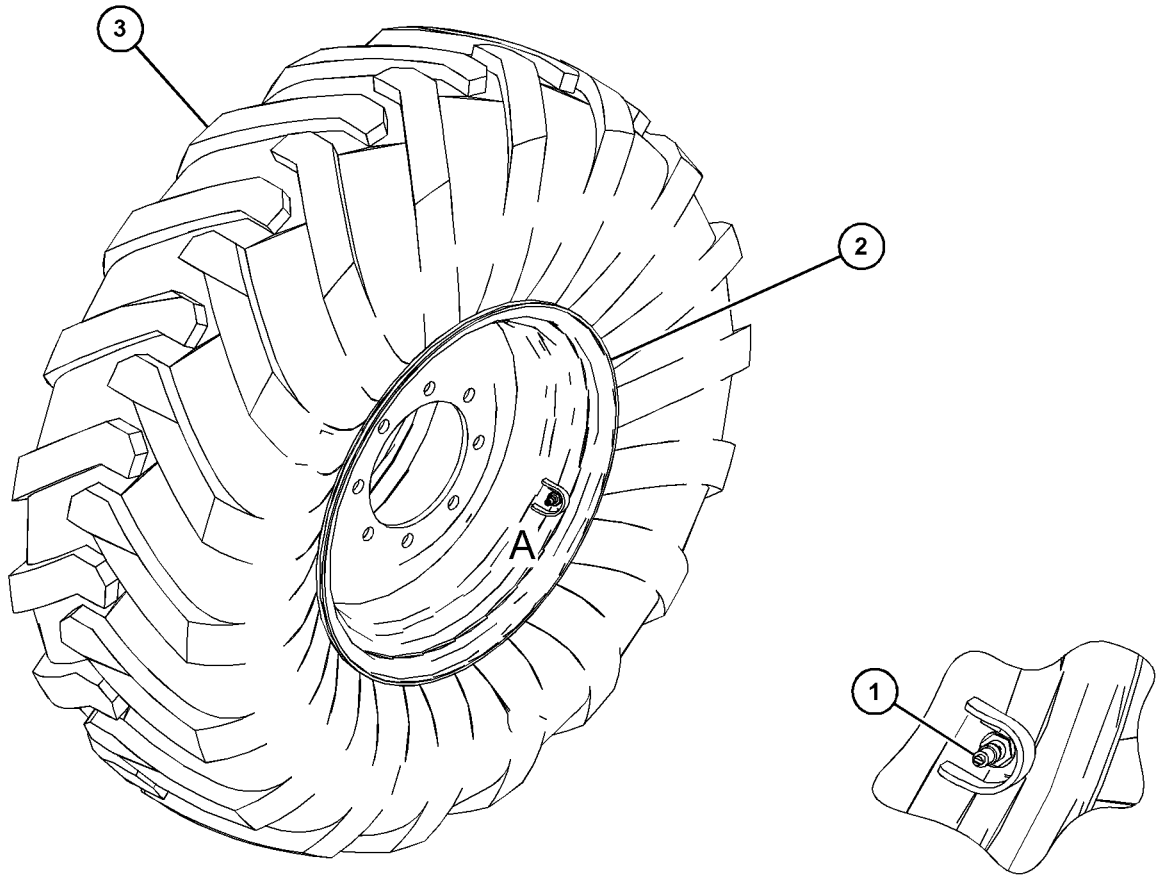
PART OF 512-4768 TIRE & RIM AR
AN ATTACHMENT

SMCS-4202

i06927773

NOTE	REF NO	GRAPHIC REF	PART NUMBER	QTY	PART NAME						SEE PAGE
					1	2	3	4	5	6 (PRODUCT LEVEL)	
Y	1	1	6D-0337	1	VALVE GP-TIRE						735
	2	1	311-8220	1	RIM AS						
	3	1	453-7117	1	TIRE (440/80-R24)						

Y - SEPARATE ILLUSTRATION



GRAPHIC #1

<END>

VIEW OF AREA A

g06171512

POWER TRAIN

526-7163 TIRE & RIM GP-LH

S/N: TH41-UP; TH91-UP

15X24

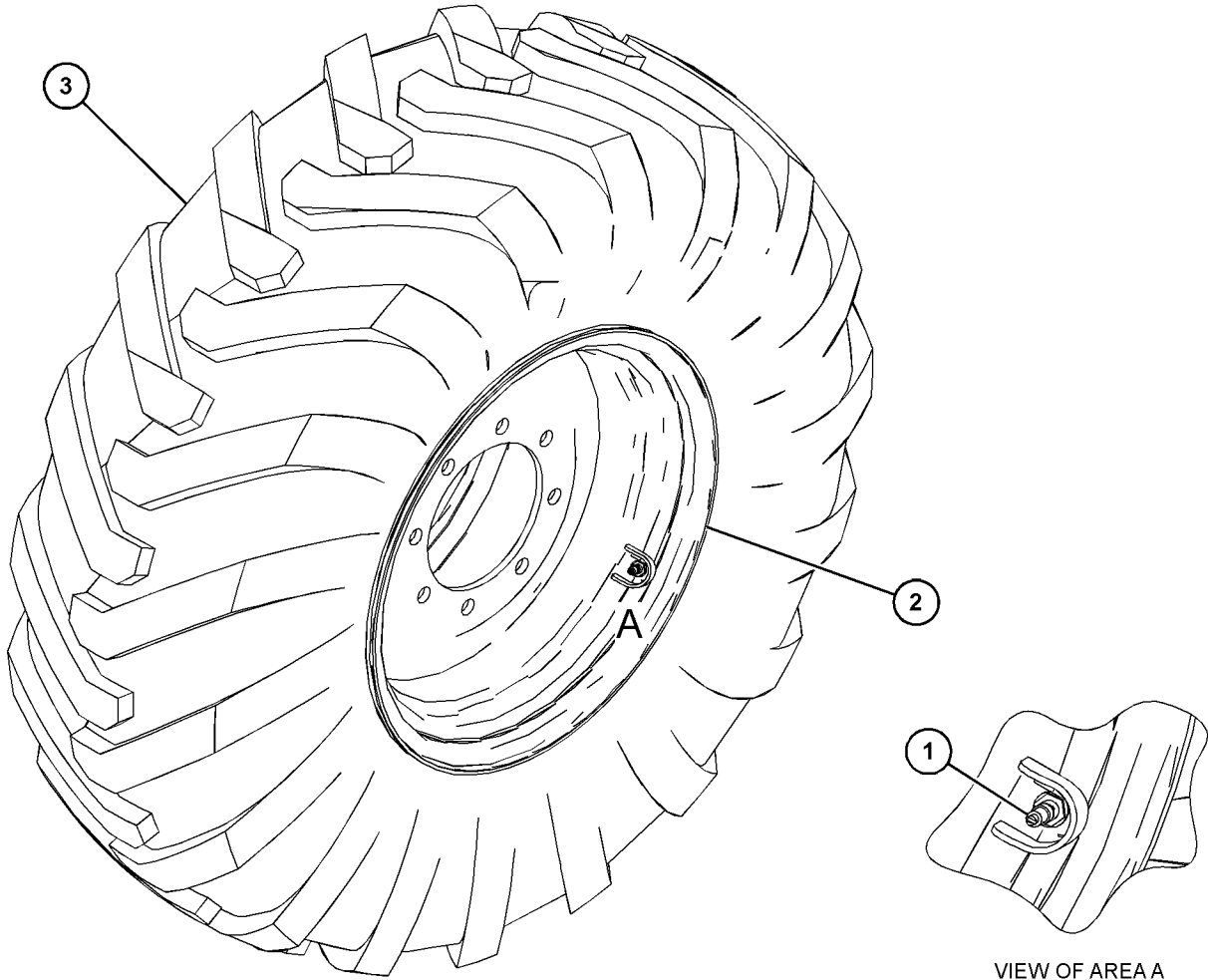
PART OF 512-4768 TIRE & RIM AR
AN ATTACHMENT

SMCS-4202

i06927768

NOTE	REF NO	GRAPHIC REF	PART NUMBER	QTY	PART NAME						SEE PAGE
					1	2	3	4	5	6 (PRODUCT LEVEL)	
Y	1	1	6D-0337	1	VALVE GP-TIRE						735
	2	1	311-8220	1	RIM AS						
	3	1	453-7117	1	TIRE (440/80-R24)						

Y - SEPARATE ILLUSTRATION



GRAPHIC #1

<END>

VIEW OF AREA A

g06171524

POWER TRAIN

526-9589 TIRE & RIM GP-LH

S/N: TH41-UP; TH91-UP

14X24

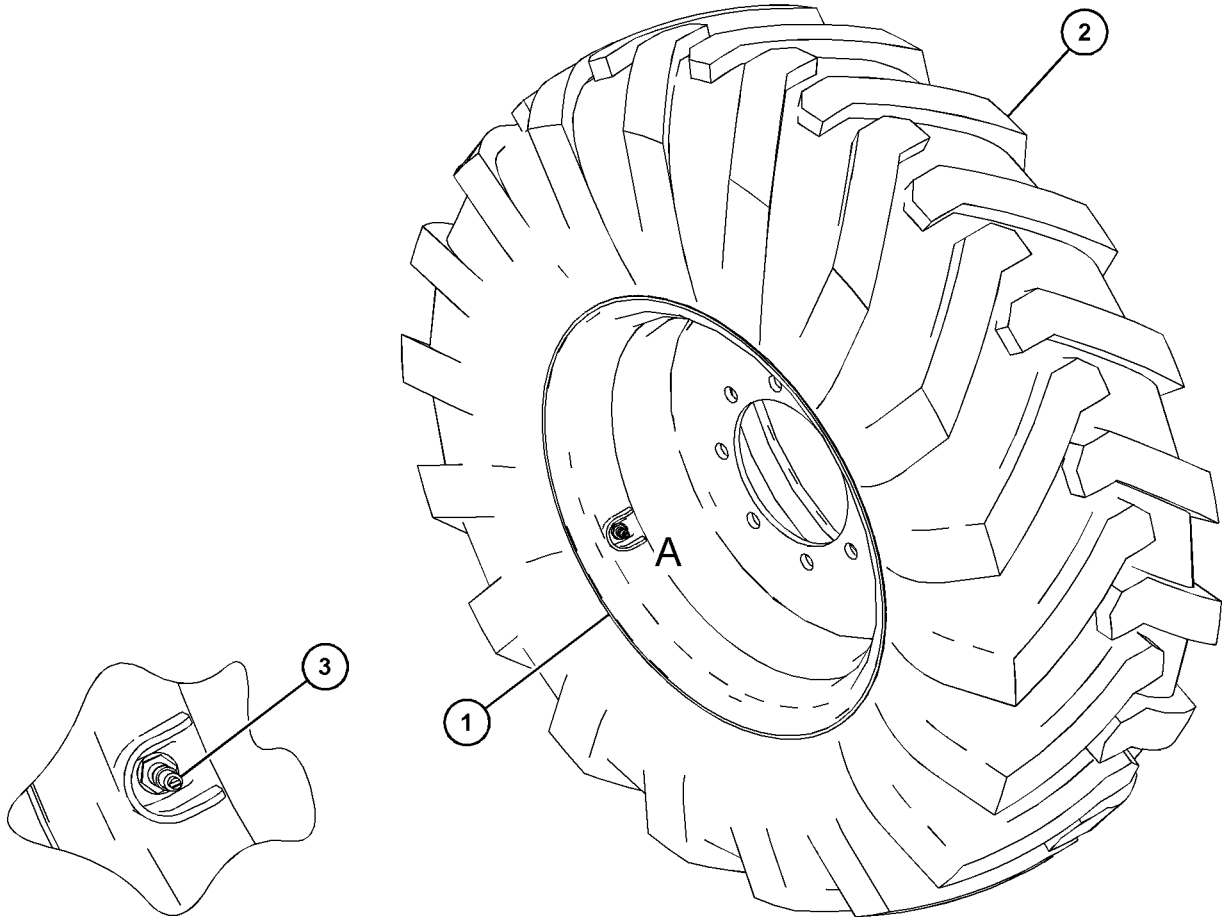
PART OF 512-4769 TIRE & RIM AR
AN ATTACHMENT

SMCS-4202

i06927804

NOTE	REF NO	GRAPHIC REF	PART NUMBER	QTY	PART NAME						SEE PAGE
					1	2	3	4	5	6 (PRODUCT LEVEL)	
	1	1	311-8219	1	RIM AS						
	2	1	453-7110	1	TIRE (400/80-24)						
Y	3	1	6D-0337	1	VALVE GP-TIRE						735

Y - SEPARATE ILLUSTRATION



VIEW OF AREA A

GRAPHIC #1

<END>

g06171540

POWER TRAIN

526-9591 TIRE & RIM GP-RH

S/N: TH41-UP; TH91-UP

14X24

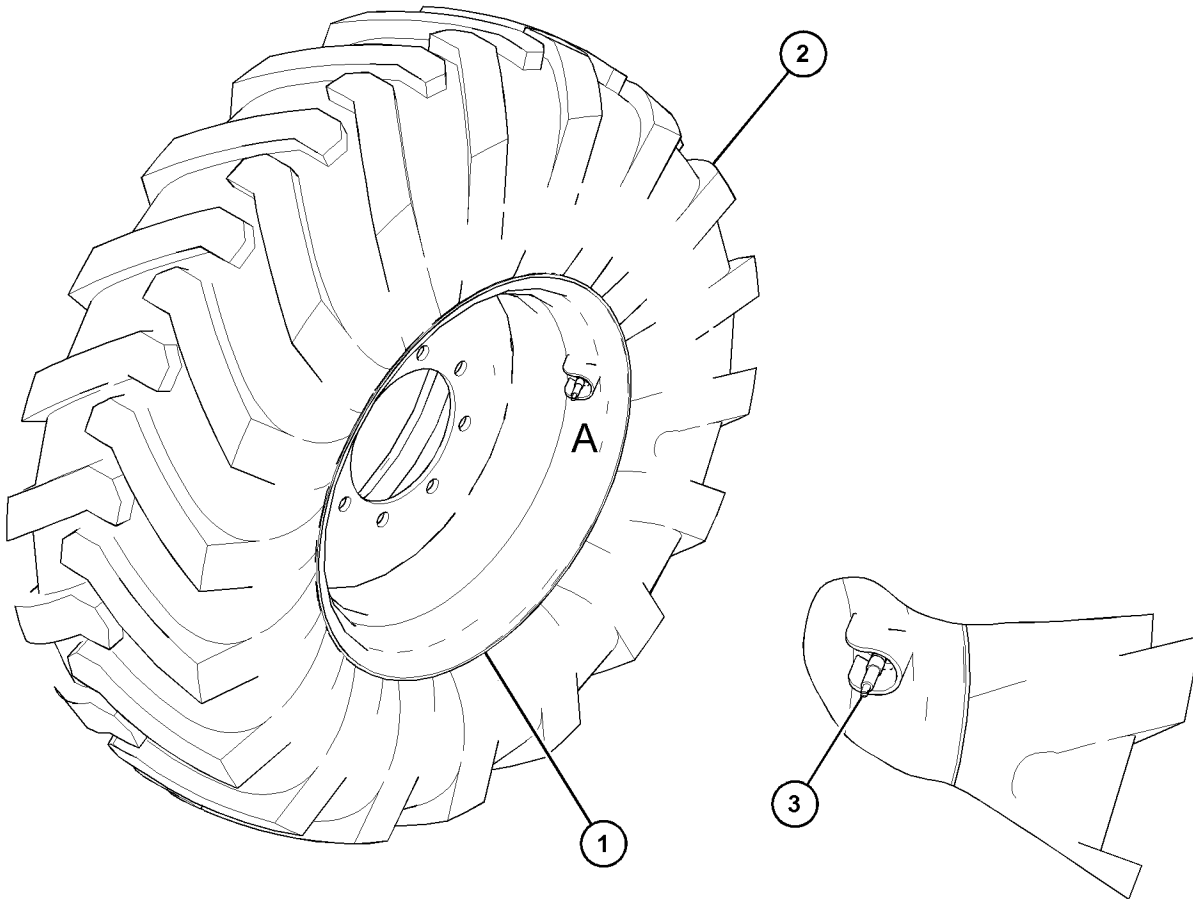
PART OF 512-4769 TIRE & RIM AR
AN ATTACHMENT

SMCS-4202

i07213665

NOTE	REF NO	GRAPHIC REF	PART NUMBER	QTY	PART NAME						SEE PAGE
					1	2	3	4	5	6 (PRODUCT LEVEL)	
	1	1	311-8219	1	RIM AS						
	2	1	453-7110	1	TIRE (400/80-24)						
Y	3	1	6D-0337	1	VALVE GP-TIRE						735

Y - SEPARATE ILLUSTRATION



VIEW OF AREA A

GRAPHIC #1

<END>

g06171880

POWER TRAIN

526-9592 TIRE & RIM GP

S/N: TH41-UP; TH91-UP

14X24

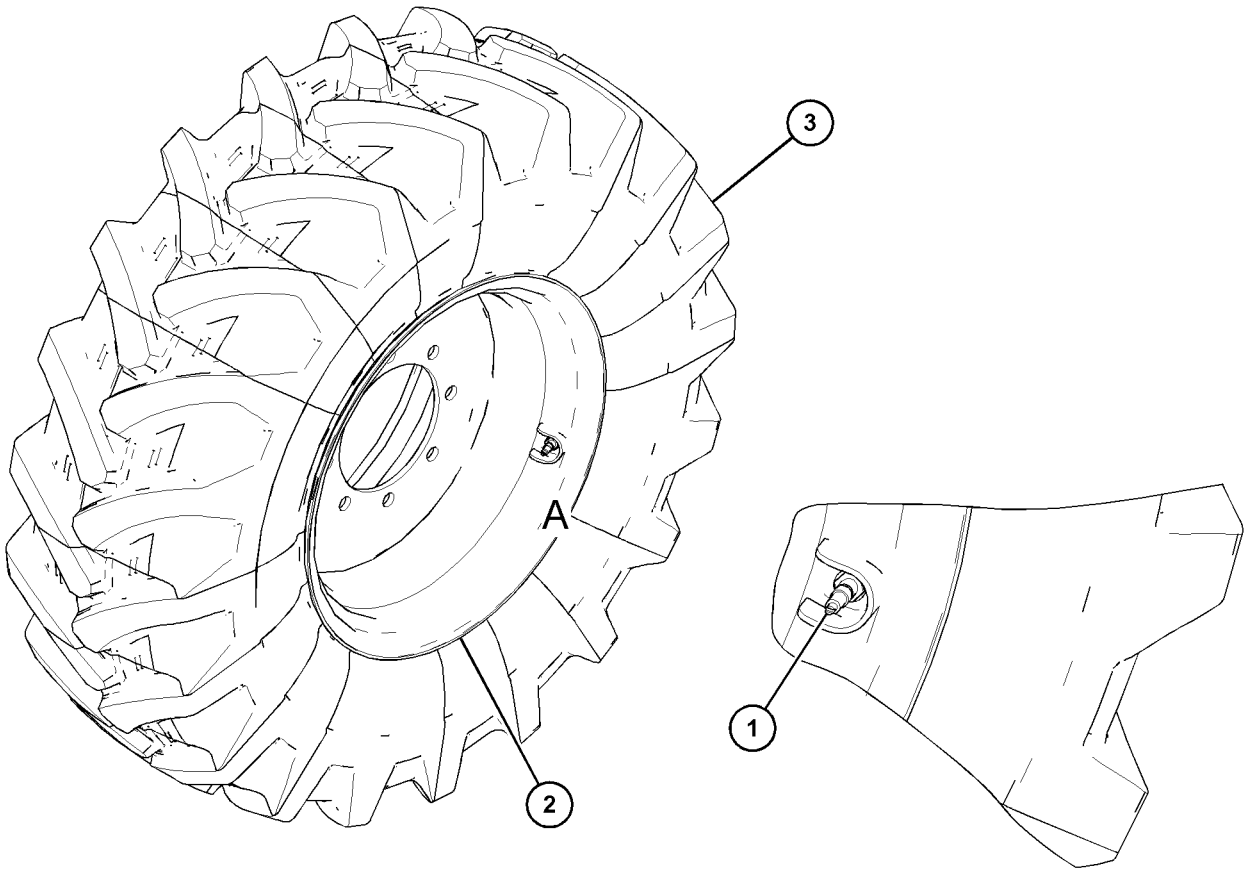
PART OF 512-4764 TIRE & RIM AR
AN ATTACHMENT

SMCS-4202

i06928726

NOTE	REF NO	GRAPHIC REF	PART NUMBER	QTY	PART NAME						SEE PAGE
					1	2	3	4	5	6 (PRODUCT LEVEL)	
Y	1	1	6D-0337	1	VALVE GP-TIRE						735
	2	1	311-8219	1	RIM AS						
	3	1	524-8951	1	TIRE (15.5/80-24)						

Y - SEPARATE ILLUSTRATION



VIEW OF AREA A

GRAPHIC #1

<END>

g06171876

POWER TRAIN

526-9593 TIRE & RIM GP

S/N: TH41-UP; TH91-UP

14X24

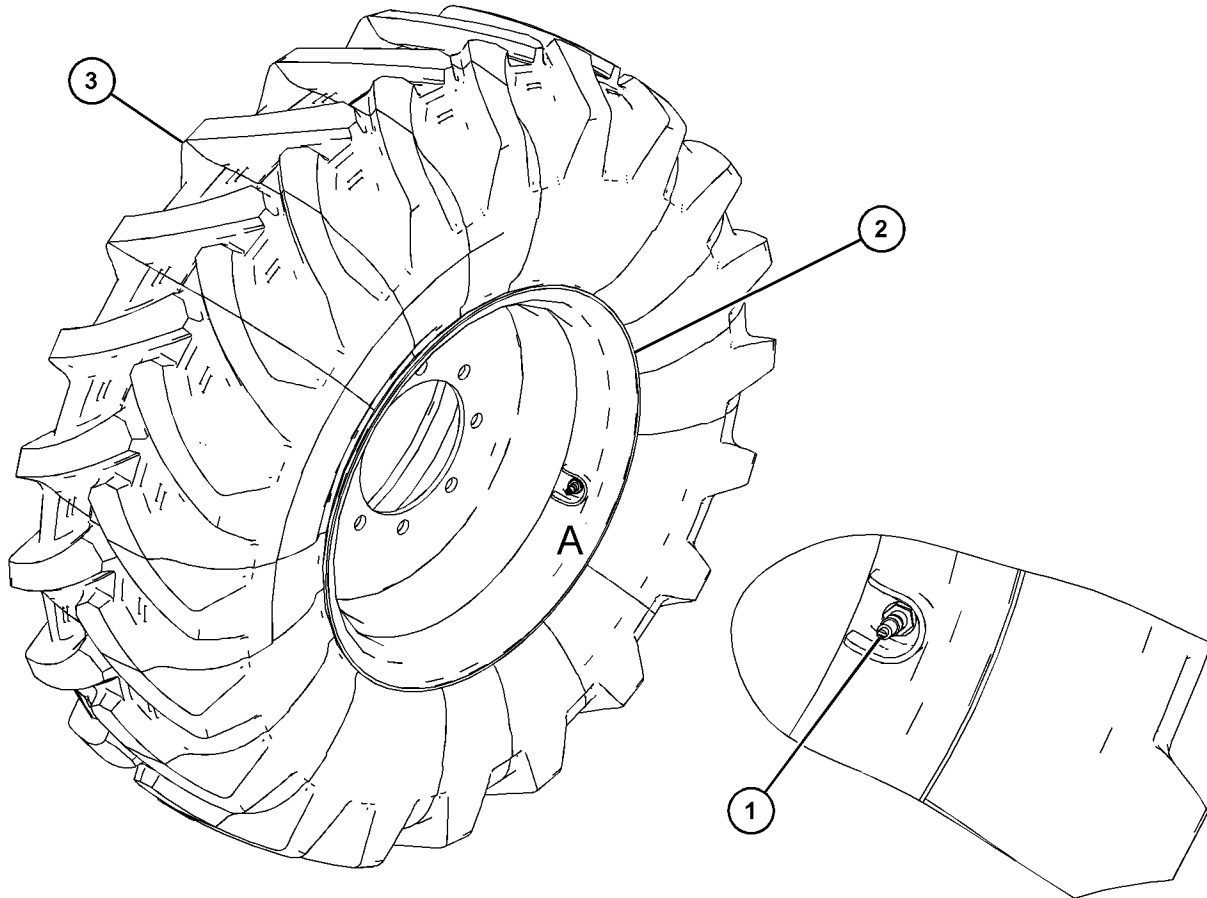
PART OF 512-4764 TIRE & RIM AR
AN ATTACHMENT

SMCS-4202

i06928736

NOTE	REF NO	GRAPHIC REF	PART NUMBER	QTY	PART NAME						SEE PAGE
					1	2	3	4	5	6 (PRODUCT LEVEL)	
Y	1	1	6D-0337	1	VALVE GP-TIRE						735
	2	1	311-8219	1	RIM AS						
	3	1	524-8951	1	TIRE (15.5/80-24)						

Y - SEPARATE ILLUSTRATION



VIEW OF AREA A

GRAPHIC #1

<END>

g06171510

POWER TRAIN

453-9534 TORQUE CONVERTER GP

S/N: BK21-UP; CF51-UP; TH91-UP

PART OF 460-9942, 526-0653 TRANSMISSION AR, 482-2978 TRANSMISSION AR-POWER SHIFT
AN ATTACHMENT

SMCS-3101

i06056819

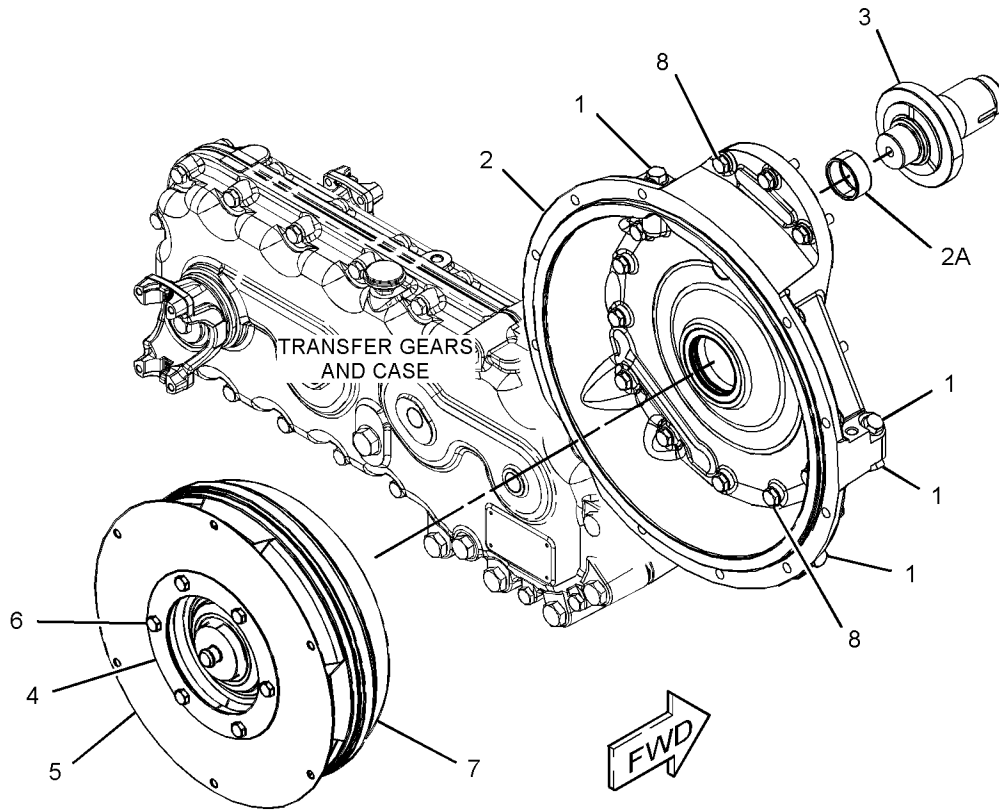
NOTE	REF NO	GRAPHIC REF	PART NUMBER	QTY	PART NAME						SEE PAGE
					1	2	3	4	5	6	
	1	1	334-5131	7	PLUG AS						
					(EACH INCLUDES)						
		1	3J-1907	1	SEAL-O-RING						
		1	9S-4191	1	PLUG (9/16-18-THD)						
	2	1	334-7502	1	TORQUE CONVERTER GP						
	2A	1	334-7442	1	BEARING-NEEDLE						
		1	178-8164	1	SEAL-OIL						
		1	238-6532	2	PIN						
		1	334-7492	1	CONVERTER AS						
	3	1	334-7524	1	SHAFT AS						
		1	8C-3982	2	RING-RETAINING						
		1	8E-8313	2	DISC-THRUST						
		1	430-5748	1	GEAR (34-TEETH)						
	4	1	334-7526	1	PLATE-CONVERTER REINFORCEMENT						
	5	1	334-7527	1	PLATE-CONVERTER DRIVE						
	6	1	334-7559	6	SETSCREW						
	7	1	469-3523	1	TORQUE CONVERTER						
	M	8	6V-5842	15	BOLT (M10X1.5X40-MM)						

M - METRIC PART

POWER TRAIN

453-9534 TORQUE CONVERTER GP (contd.)

i06056819



GRAPHIC #1

<END>

g03653823

POWER TRAIN

453-9535 TORQUE CONVERTER GP

S/N: SD31-UP; H5E1-UP

PART OF 460-9943, 526-0654 TRANSMISSION AR-POWER SHIFT
AN ATTACHMENT

SMCS-3101

i06056818

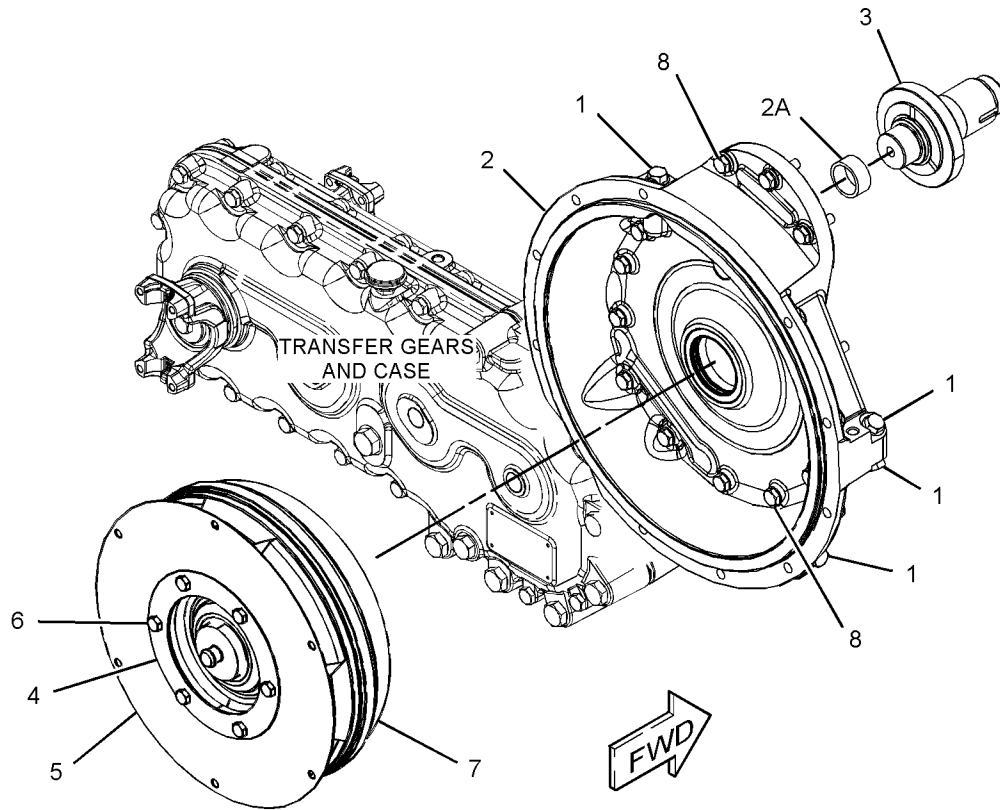
NOTE	REF NO	GRAPHIC REF	PART NUMBER	QTY	PART NAME						SEE PAGE
					1	2	3	4	5	6	
	1	1	334-5131	7	PLUG AS						
					(EACH INCLUDES)						
		1	3J-1907	1	SEAL-O-RING						
		1	9S-4191	1	PLUG (9/16-18-THD)						
2		1	334-7502	1	TORQUE CONVERTER GP						
		1	178-8164	1	SEAL-OIL						
		1	238-6532	2	PIN						
2A		1	334-7442	1	BEARING-NEEDLE						
		1	334-7492	1	CONVERTER AS						
3		1	334-7524	1	SHAFT AS						
		1	8C-3982	2	RING-RETAINING						
		1	8E-8313	2	DISC-THRUST						
		1	430-5748	1	GEAR (34-TEETH)						
4		1	334-7526	1	PLATE-CONVERTER REINFORCEMENT						
5		1	334-7527	1	PLATE-CONVERTER DRIVE						
6		1	334-7559	6	SETSCREW						
7		1	469-3524	1	TORQUE CONVERTER						
M	8	1	6V-5842	15	BOLT (M10X1.5X40-MM)						

M - METRIC PART

POWER TRAIN

453-9535 TORQUE CONVERTER GP (contd.)

i06056818



GRAPHIC #1

<END>

g03675153

POWER TRAIN

468-0123 TORQUE CONVERTER GP

S/N: HA51-UP; TH91-UP

PART OF 468-0145, 526-0657 TRANSMISSION AR-POWER SHIFT
AN ATTACHMENT

SMCS-3101

i07417649

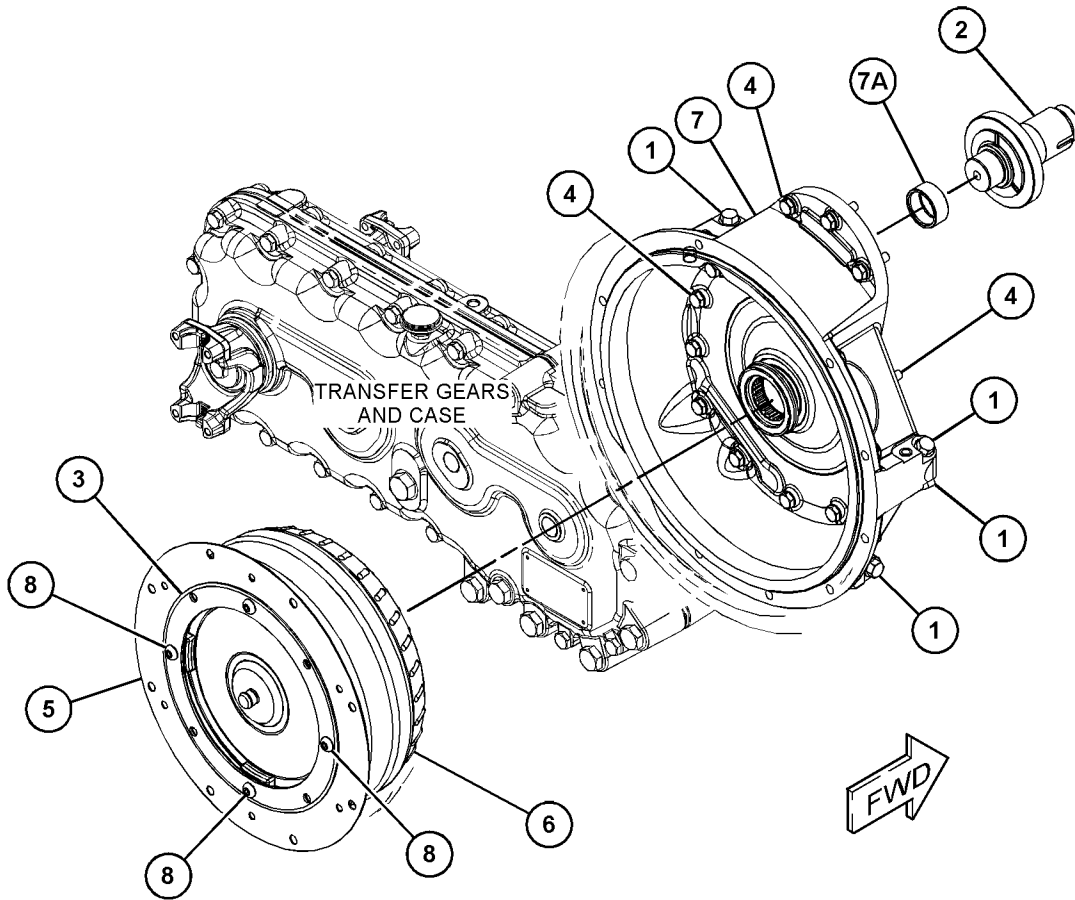
NOTE	REF NO	GRAPHIC REF	PART NUMBER	QTY	PART NAME						SEE PAGE
					1	2	3	4	5	6	
	1	1	334-5131	7	PLUG AS						
					(EACH INCLUDES)						
		1	3J-1907	1	SEAL-O-RING						
		1	9S-4191	1	PLUG (9/16-18-THD)						
	2	1	334-7524	1	SHAFT AS						
		1	8C-3982	2	RING-RETAINING						
		1	8E-8313	2	DISC-THRUST						
		1	430-5748	1	GEAR (34-TEETH)						
	3	1	388-0731	1	PLATE-CONVERTER						
M	4	1	6V-5842	15	BOLT (M10X1.5X40-MM)						
	5	1	460-9956	1	PLATE-DRIVE						
	6	1	468-0114	1	TORQUE CONVERTER AS						
	7	1	468-0132	1	TORQUE CONVERTER GP						
	7A	1	6V-5264	1	BEARING						
		1	178-8164	1	SEAL-OIL						
		1	238-6532	2	PIN						
		1	468-0133	1	TORQUE CONVERTER AS						
M	8	1	551-1908	4	SCREW-BUTTON HEAD (M10X1.5X16-MM)						

M - METRIC PART

POWER TRAIN

468-0123 TORQUE CONVERTER GP (contd.)

i07417649



GRAPHIC #1

<END>

g06142196

POWER TRAIN

460-9942 TRANSMISSION AR-POWERSHIFT

S/N: CF51-UP

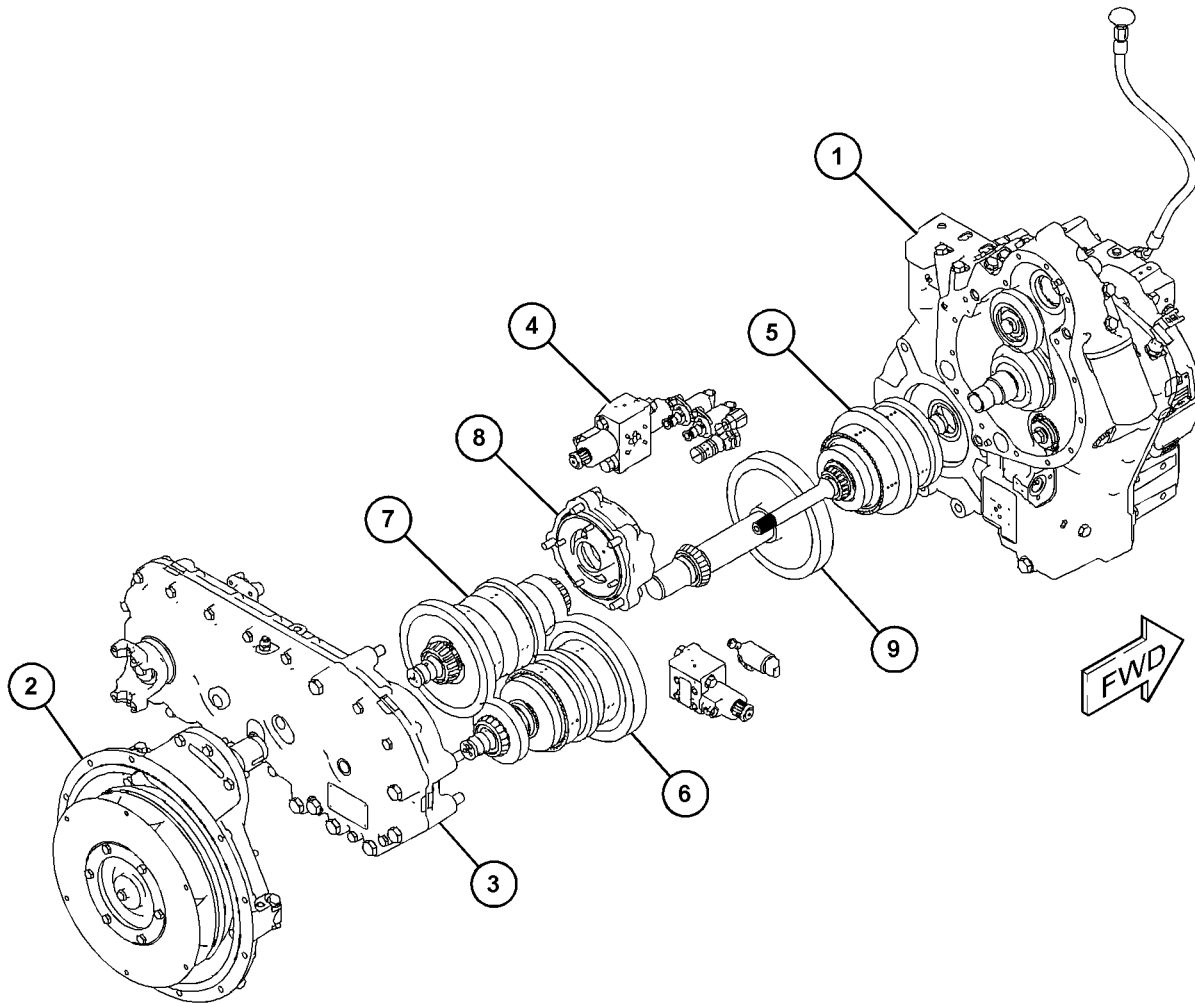
PART OF 500-4361 TRANSMISSION AR
AN ATTACHMENT

SMCS-3030

i07503426

NOTE	REF NO	GRAPHIC REF	PART NUMBER	QTY	PART NAME						SEE PAGE
					1	2	3	4	5	6 (PRODUCT LEVEL)	
Y	1	1	482-1134	1	GEAR & CASE GP-TRANSFER						662
Y	2	1	453-9534	1	TORQUE CONVERTER GP						711
Y	3	1	460-9945	1	GEAR & CASE GP-TRANSFER						659
Y	4	1	418-7411	1	CONTROL GP-TRANSMISSION HYD						655
Y	5	1	334-7556	1	SHAFT GP-INPUT (TRANSMISSION)						673
Y	6	1	392-3996	1	CLUTCH & GEAR GP (FORWARD HIGH, 3RD)						653
Y	7	1	334-7532	1	CLUTCH & GEAR GP (1ST, 2ND)						651
Y	8	1	418-7407	1	PUMP GP-TRANSMISSION						671
Y	9	1	334-7541	1	SHAFT GP-OUTPUT (TRANSMISSION)						677
FY			526-0637	1	GEAR & CASE GP-TRANSFER						664
FY			526-0653	1	TRANSMISSION AR (POWER SHIFT)						723

F - NOT SHOWN
Y - SEPARATE ILLUSTRATION



g06384563

POWER TRAIN

500-4353 TRANSMISSION AR

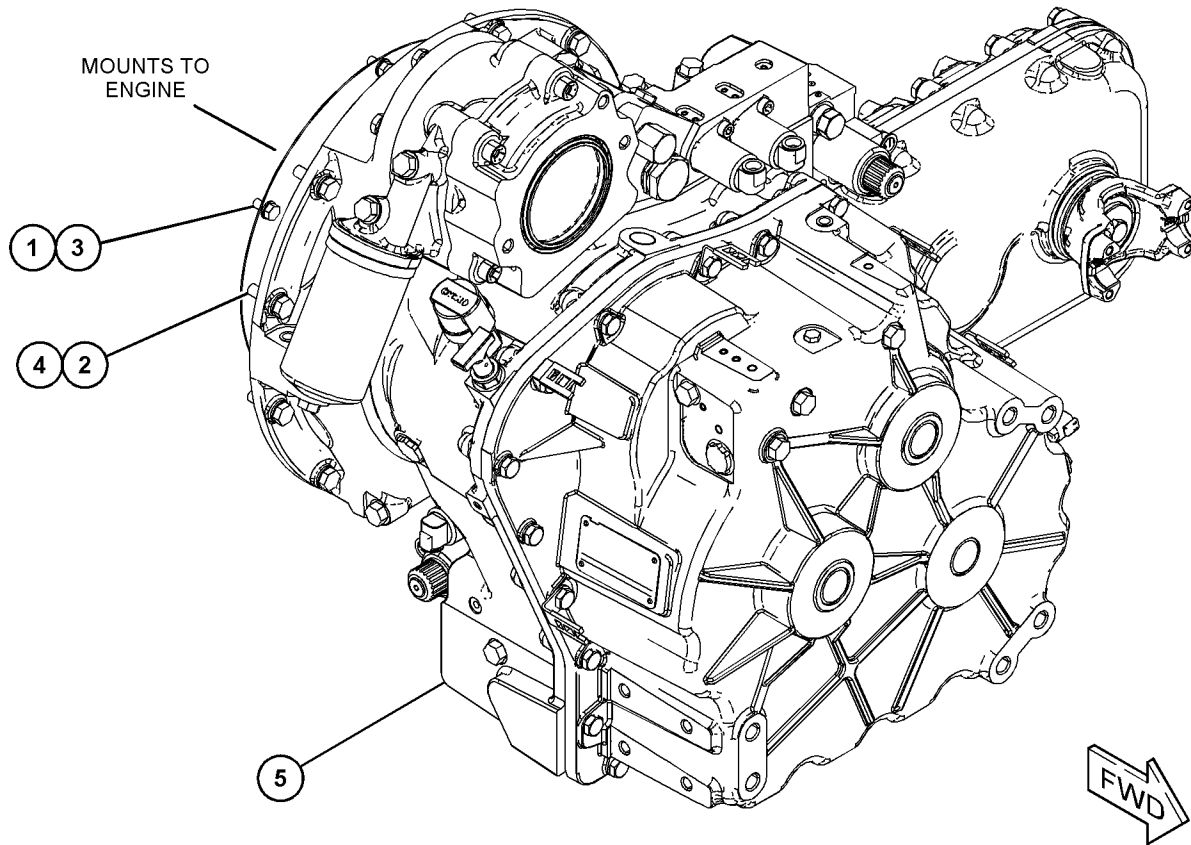
S/N: TH41-UP; TH91-UP
PART OF 518-5884 TRANSMISSION AR
AN ATTACHMENT

SMCS-3030

i06603086

NOTE	REF NO	GRAPHIC REF	PART NUMBER	QTY	PART NAME						SEE PAGE
					1	2	3	4	5	6 (PRODUCT LEVEL)	
	1	1	297-7015	6	BOLT (5/16-18X2-IN)						
M	2	1	8T-4196	10	BOLT (M10X1.5X35-MM)						
	3	1	8T-4224	6	WASHER-HARD (8.8X16X2-MM THK)						
	4	1	8T-4121	10	WASHER-HARD (11X21X2.5-MM THK)						
Y	5	1	482-2978	1	TRANSMISSION AR-POWER SHIFT						727

M - METRIC PART
Y - SEPARATE ILLUSTRATION



GRAPHIC #1

<END>

g06049081

POWER TRAIN

500-4361 TRANSMISSION AR

S/N: TH91-UP

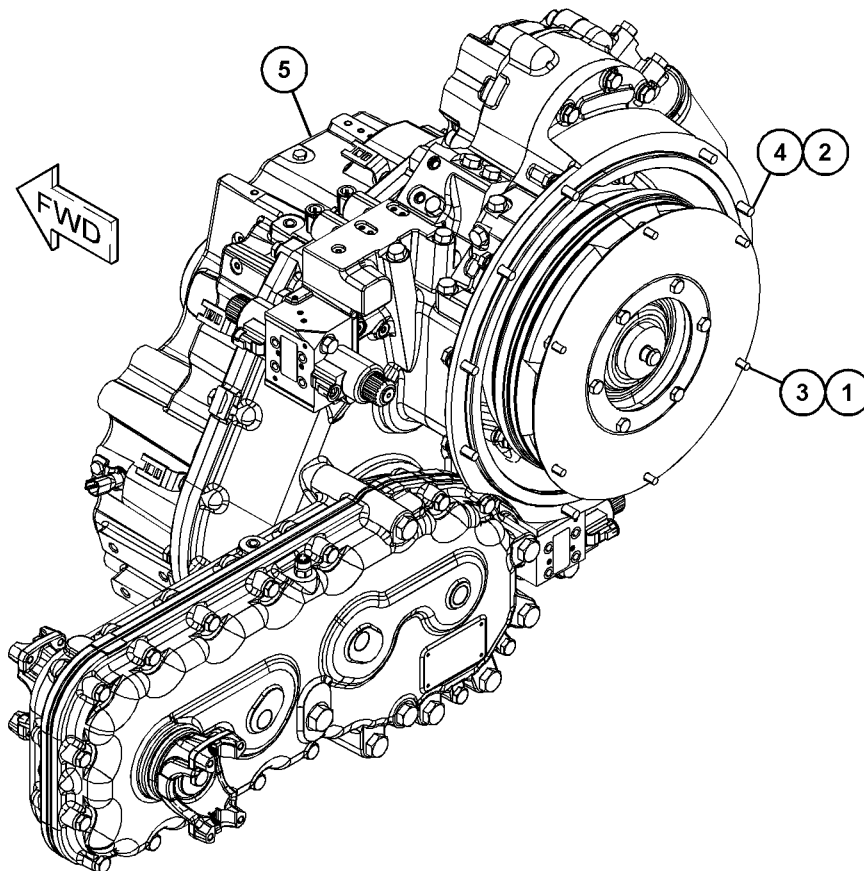
PART OF 518-5881 TRANSMISSION AR
AN ATTACHMENT

SMCS-3030

i06608784

NOTE	REF NO	GRAPHIC REF	PART NUMBER	QTY	PART NAME						SEE PAGE
					1	2	3	4	5	6 (PRODUCT LEVEL)	
	1	1	297-7015	6	BOLT (5/16-18X2-IN)						
M	2	1	8T-4196	10	BOLT (M10X1.5X35-MM)						
	3	1	8T-4224	6	WASHER-HARD (8.8X16X2-MM THK)						
	4	1	8T-4121	10	WASHER-HARD (11X21X2.5-MM THK)						
Y	5	1	460-9942	1	TRANSMISSION AR						717

M - METRIC PART
Y - SEPARATE ILLUSTRATION



GRAPHIC #1

<END>

g06093624

POWER TRAIN

500-4362 TRANSMISSION AR

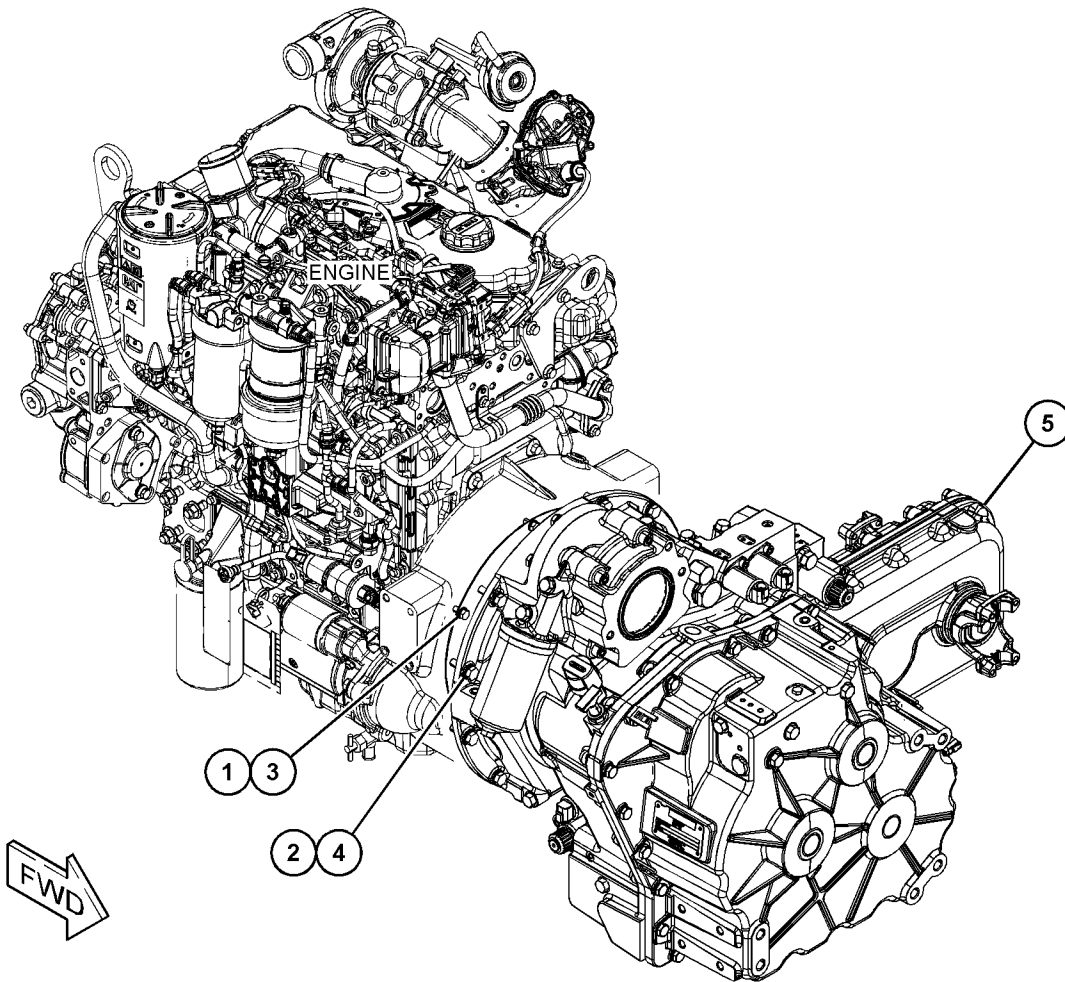
S/N: TH41-UP; TH91-UP; JKT1-UP
PART OF 505-5341 TRANSMISSION AR
AN ATTACHMENT

SMCS-3030

i06601137

NOTE	REF NO	GRAPHIC REF	PART NUMBER	QTY	PART NAME						SEE PAGE
					1	2	3	4	5	6 (PRODUCT LEVEL)	
	1	1	297-7015	6	BOLT (5/16-18X2-IN)						
M	2	1	8T-4196	10	BOLT (M10X1.5X35-MM)						
	3	1	8T-4224	6	WASHER-HARD (8.8X16X2-MM THK)						
	4	1	8T-4121	10	WASHER-HARD (11X21X2.5-MM THK)						
Y	5	1	460-9943	1	TRANSMISSION AR-POWER SHIFT						724

M - METRIC PART
Y - SEPARATE ILLUSTRATION



GRAPHIC #1

<END>

g06040748

POWER TRAIN

505-5341 TRANSMISSION AR

S/N: TH41-UP; TH91-UP; JKT1-UP
 PART OF 520-9601, 523-1976, 523-2011 ENGINE AR-COMPLETE
 AN ATTACHMENT

SMCS-3030

i06601139

NOTE	PART NUMBER	QTY	PART NAME						SEE PAGE
			1	2	3	4	5	6 (PRODUCT LEVEL)	
Y	500-3084	1	SENSOR GP-TEMPERATURE (TRANSMISSION)						555
Y	496-6524	1	SHAFT GP-DRIVE						672
Y	500-4362	1	TRANSMISSION AR						720

Y - SEPARATE ILLUSTRATION

<END>

518-5881 TRANSMISSION AR

S/N: TH91-UP
 PART OF 520-9600 ENGINE AR-COMPLETE
 AN ATTACHMENT

SMCS-3030

i06893863

NOTE	PART NUMBER	QTY	PART NAME						SEE PAGE
			1	2	3	4	5	6 (PRODUCT LEVEL)	
Y	500-3084	1	SENSOR GP-TEMPERATURE (TRANSMISSION)						555
Y	496-6524	1	SHAFT GP-DRIVE						672
Y	500-4361	1	TRANSMISSION AR						719

Y - SEPARATE ILLUSTRATION

<END>

518-5883 TRANSMISSION AR

S/N: TH91-UP
 PART OF 550-0081, 550-0083 ENGINE AR-COMPLETE
 AN ATTACHMENT

SMCS-3030

i08073644

NOTE	PART NUMBER	QTY	PART NAME						SEE PAGE
			1	2	3	4	5	6 (PRODUCT LEVEL)	
Y	500-4367	1	FITTING GP-HYDRAULIC (TRANSMISSION)						855
Y	496-6524	1	SHAFT GP-DRIVE						672
Y	500-4363	1	SWITCH GP-TRANSMISSION						570
Y	500-4368	1	TRANSMISSION AR-POWER SHIFT						728
			-OR-						
Y	588-6949	1	TRANSMISSION AR-POWER SHIFT						732

Y - SEPARATE ILLUSTRATION

<END>

POWER TRAIN

518-5884 TRANSMISSION AR

S/N: TH41-UP; TH91-UP
PART OF 523-2010 ENGINE AR-COMPLETE
AN ATTACHMENT

SMCS-3030

i06895404

NOTE	PART NUMBER	QTY	PART NAME						SEE PAGE
			1	2	3	4	5	6 (PRODUCT LEVEL)	
Y	500-3084	1	SENSOR GP-TEMPERATURE (TRANSMISSION)						555
Y	496-6524	1	SHAFT GP-DRIVE						672
Y	500-4353	1	TRANSMISSION AR						718

Y - SEPARATE ILLUSTRATION

<END>

POWER TRAIN

526-0653 TRANSMISSION AR-POWER SHIFT

S/N: BK21-UP; CF51-UP; TH91-UP

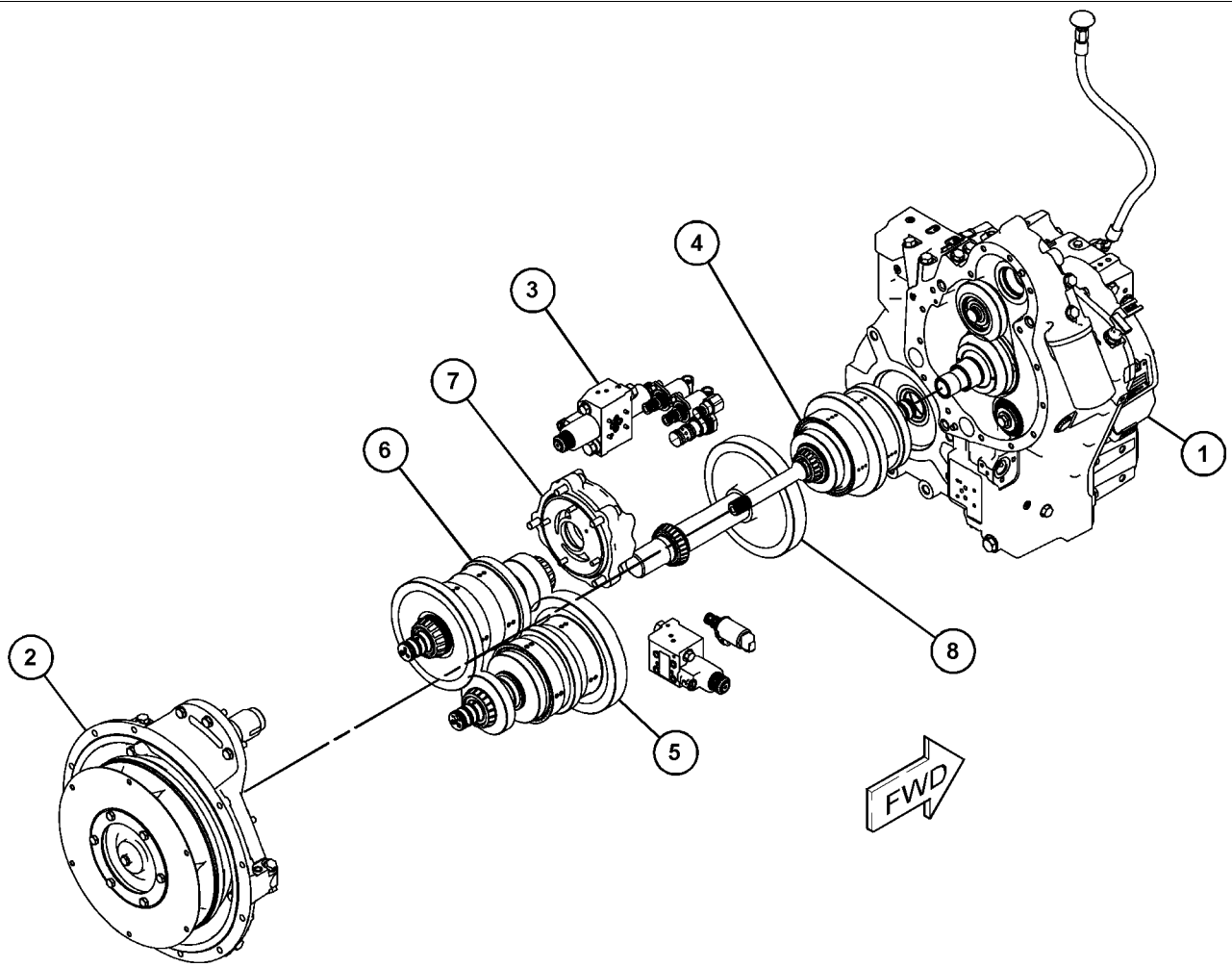
PART OF 460-9942 TRANSMISSION AR, 482-2978 TRANSMISSION AR-POWER SHIFT
AN ATTACHMENT

SMCS-3030

i07503390

NOTE	REF NO	GRAPHIC REF	PART NUMBER	QTY	PART NAME						SEE PAGE
					1	2	3	4	5	6 (PRODUCT LEVEL)	
Y	1	1	482-1134	1	GEAR & CASE GP-TRANSFER						662
Y	2	1	453-9534	1	TORQUE CONVERTER GP						711
Y	3	1	418-7411	1	CONTROL GP-TRANSMISSION HYD						655
Y	4	1	334-7556	1	SHAFT GP-INPUT						673
Y	5	1	392-3996	1	CLUTCH & GEAR GP (FORWARD HIGH, 3RD)						653
Y	6	1	334-7532	1	CLUTCH & GEAR GP (1ST, 2ND)						651
Y	7	1	418-7407	1	PUMP GP-TRANSMISSION						671
Y	8	1	334-7541	1	SHAFT GP-OUTPUT						677

Y - SEPARATE ILLUSTRATION



GRAPHIC #1

<END>

g06342205

POWER TRAIN

460-9943 TRANSMISSION AR-POWER SHIFT

S/N: SD31-UP; H5E1-UP
 PART OF 500-4362 TRANSMISSION AR
 AN ATTACHMENT

SMCS-3030

i06938268

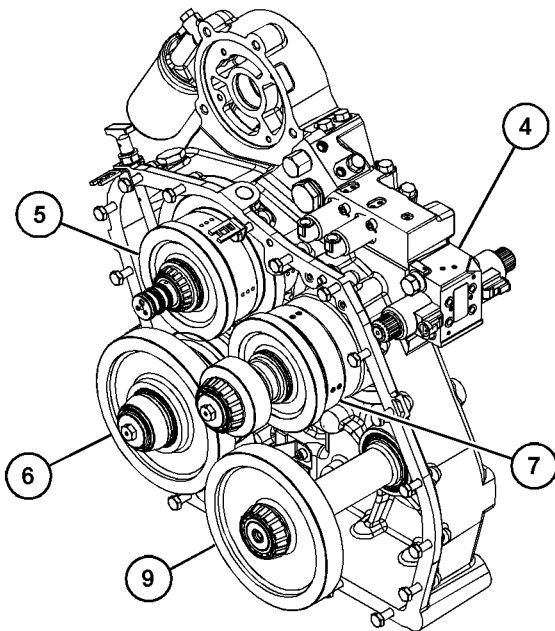
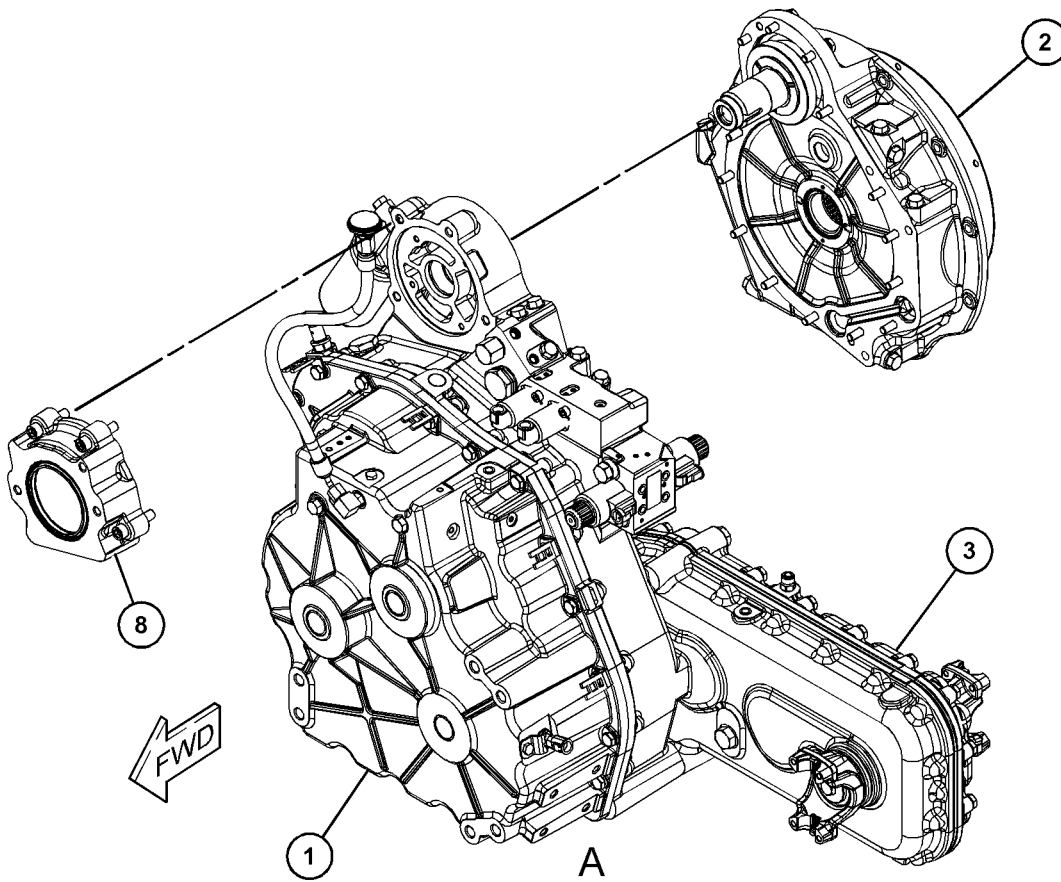
NOTE	REF NO	GRAPHIC REF	PART NUMBER	QTY	PART NAME						SEE PAGE
					1	2	3	4	5	6 (PRODUCT LEVEL)	
Y	1	1	482-1134	1	GEAR & CASE GP-TRANSFER						662
Y	2	1	453-9535	1	TORQUE CONVERTER GP						713
Y	3	1	460-9945	1	GEAR & CASE GP-TRANSFER						659
Y	4	1	418-7411	1	CONTROL GP-TRANSMISSION HYD						655
Y	5	1	334-7556	1	SHAFT GP-INPUT						673
Y	6	1	392-3996	1	CLUTCH & GEAR GP (FORWARD HIGH, 3RD)						653
Y	7	1	334-7532	1	CLUTCH & GEAR GP (1ST, 2ND)						651
Y	8	1	418-7407	1	PUMP GP-TRANSMISSION						671
Y	9	1	334-7541	1	SHAFT GP-OUTPUT						677
FY		1	526-0637	1	GEAR & CASE GP-TRANSFER						664
FY		1	526-0654	1	TRANSMISSION AR-POWER SHIFT						729

F - NOT SHOWN
 Y - SEPARATE ILLUSTRATION

POWER TRAIN

460-9943 TRANSMISSION AR-POWER SHIFT (contd.)

106938268



VIEW OF AREA A
(PARTS REMOVED FOR CLARITY)

GRAPHIC #1

<END>

g06179757

POWER TRAIN

468-0145 TRANSMISSION AR-POWER SHIFT

S/N: HA51-UP; TH91-UP

PART OF 500-4368, 588-6949 TRANSMISSION AR-POWER SHIFT
AN ATTACHMENT AND FIELD INSTALLATION

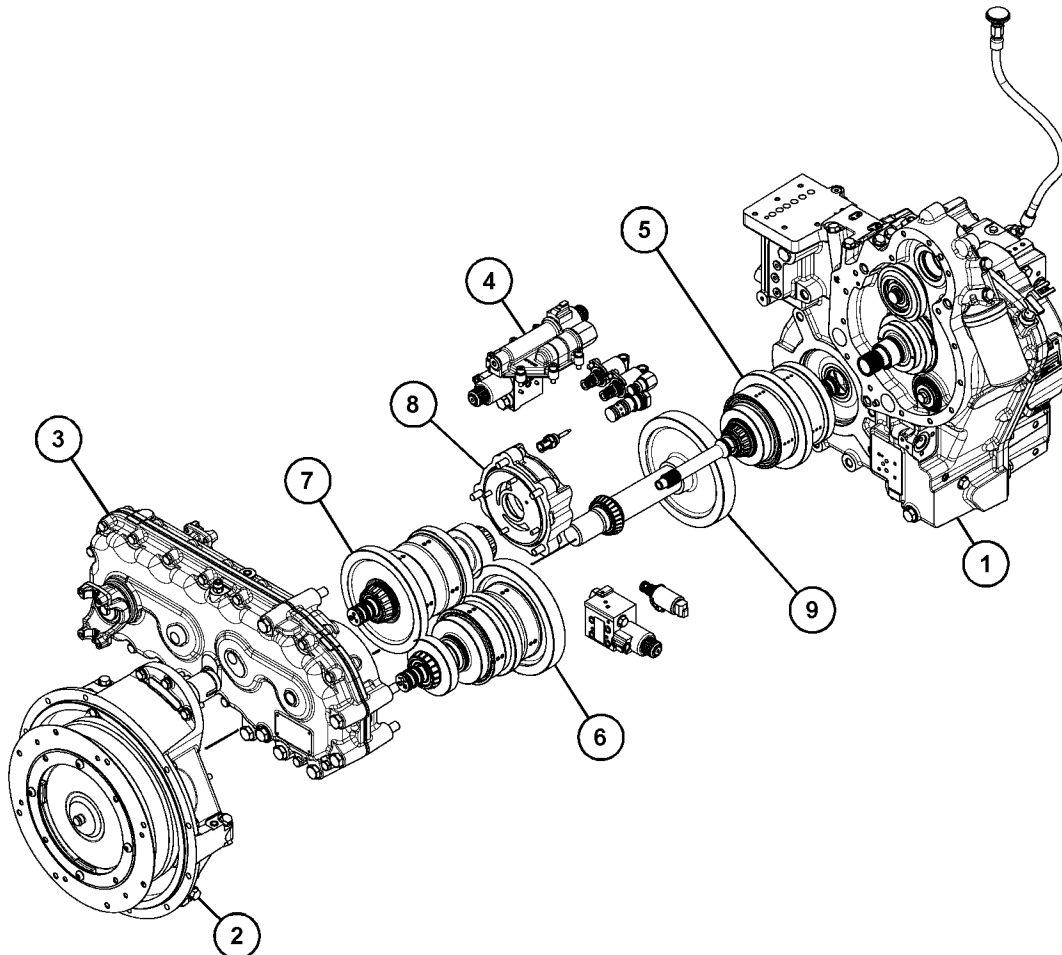
SMCS-3030

i07819437

NOTE	REF NO	GRAPHIC REF	PART NUMBER	QTY	PART NAME						SEE PAGE
					1	2	3	4	5	6	
Y	1	1	468-0122	1	CASE GP-TRANSMISSION						642
Y	2	1	468-0123	1	TORQUE CONVERTER GP						715
Y	3	1	460-9945	1	GEAR & CASE GP-TRANSFER						659
Y	4	1	468-0120	1	CONTROL GP-TRANSMISSION HYD						656
Y	5	1	468-0119	1	SHAFT GP-INPUT						675
Y	6	1	392-3996	1	CLUTCH & GEAR GP (FORWARD HIGH, 3RD)						653
Y	7	1	334-7532	1	CLUTCH & GEAR GP (1ST, 2ND)						651
Y	8	1	418-7407	1	PUMP GP-TRANSMISSION						671
Y	9	1	334-7541	1	SHAFT GP-OUTPUT						677
FY			526-0637	1	GEAR & CASE GP-TRANSFER						664
FY			526-0657	1	TRANSMISSION AR-POWER SHIFT						731

PARTS SHOWN IN GRAPHIC(S) WITHOUT A REFERENCE NUMBER ARE NOT SERVICED SEPARATELY

F - NOT SHOWN
Y - SEPARATE ILLUSTRATION



GRAPHIC #1

<END>

g06467106

POWER TRAIN

482-2978 TRANSMISSION AR-POWER SHIFT

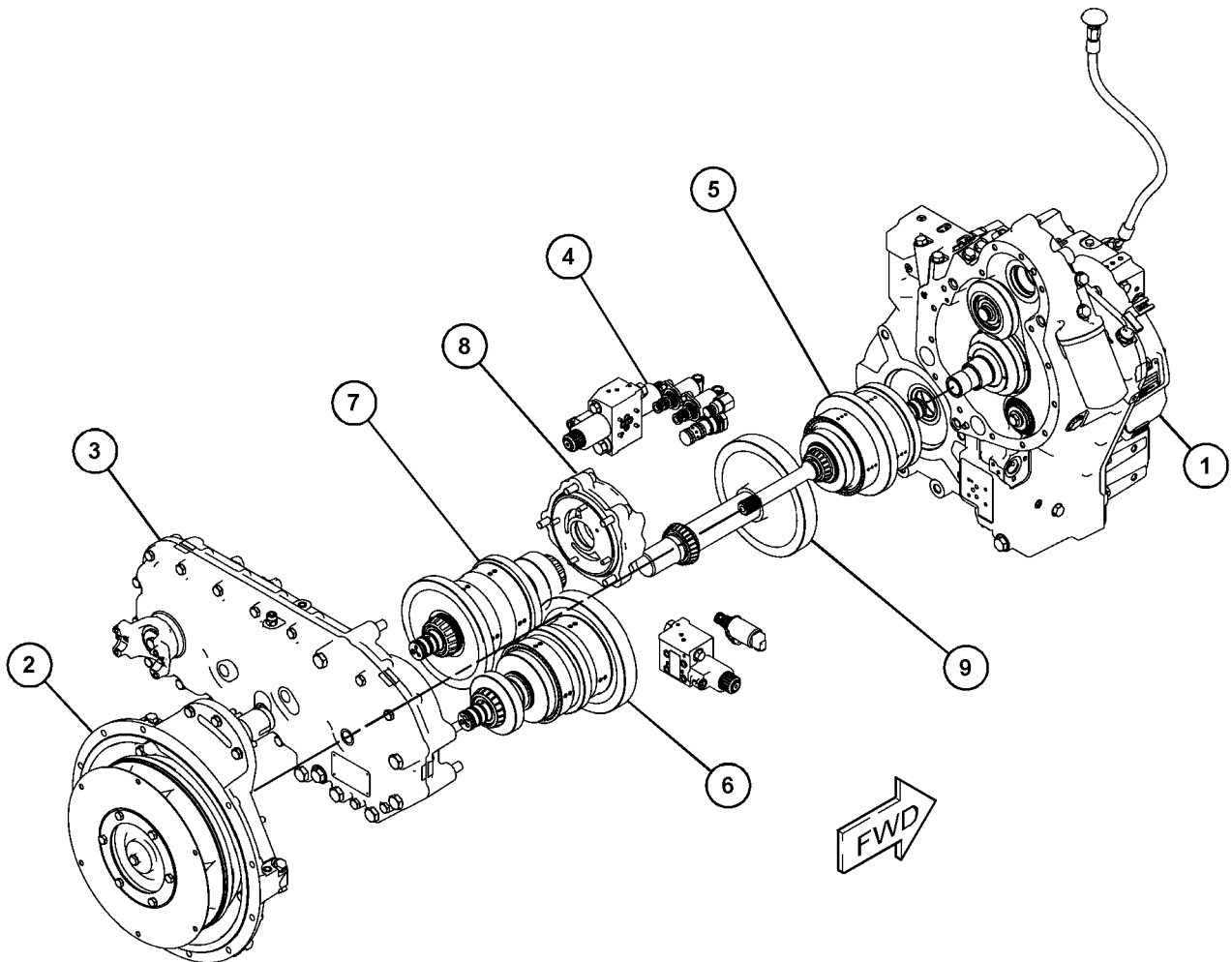
S/N: BK21-UP; TH91-UP
PART OF 500-4353 TRANSMISSION AR
AN ATTACHMENT

SMCS-3030

i07503385

NOTE	REF NO	GRAPHIC REF	PART NUMBER	QTY	PART NAME						SEE PAGE
					1	2	3	4	5	6 (PRODUCT LEVEL)	
Y	1	1	482-1134	1	GEAR & CASE GP-TRANSFER						662
Y	2	1	453-9534	1	TORQUE CONVERTER GP						711
Y	3	1	459-8308	1	GEAR GP-TRANSFER						667
Y	4	1	418-7411	1	CONTROL GP-TRANSMISSION HYD						655
Y	5	1	334-7556	1	SHAFT GP-INPUT						673
Y	6	1	392-3996	1	CLUTCH & GEAR GP (FORWARD HIGH, 3RD)						653
Y	7	1	334-7532	1	CLUTCH & GEAR GP (1ST, 2ND)						651
Y	8	1	418-7407	1	PUMP GP-TRANSMISSION						671
Y	9	1	334-7541	1	SHAFT GP-OUTPUT						677
FY			526-0636	1	GEAR GP-TRANSFER						669
FY			526-0653	1	TRANSMISSION AR (POWER SHIFT)						723

F - NOT SHOWN
Y - SEPARATE ILLUSTRATION



GRAPHIC #1

<END>

g06341849

POWER TRAIN

500-4368 TRANSMISSION AR-POWER SHIFT

S/N: TH91-UP

PART OF 518-5883 TRANSMISSION AR
AN ATTACHMENT

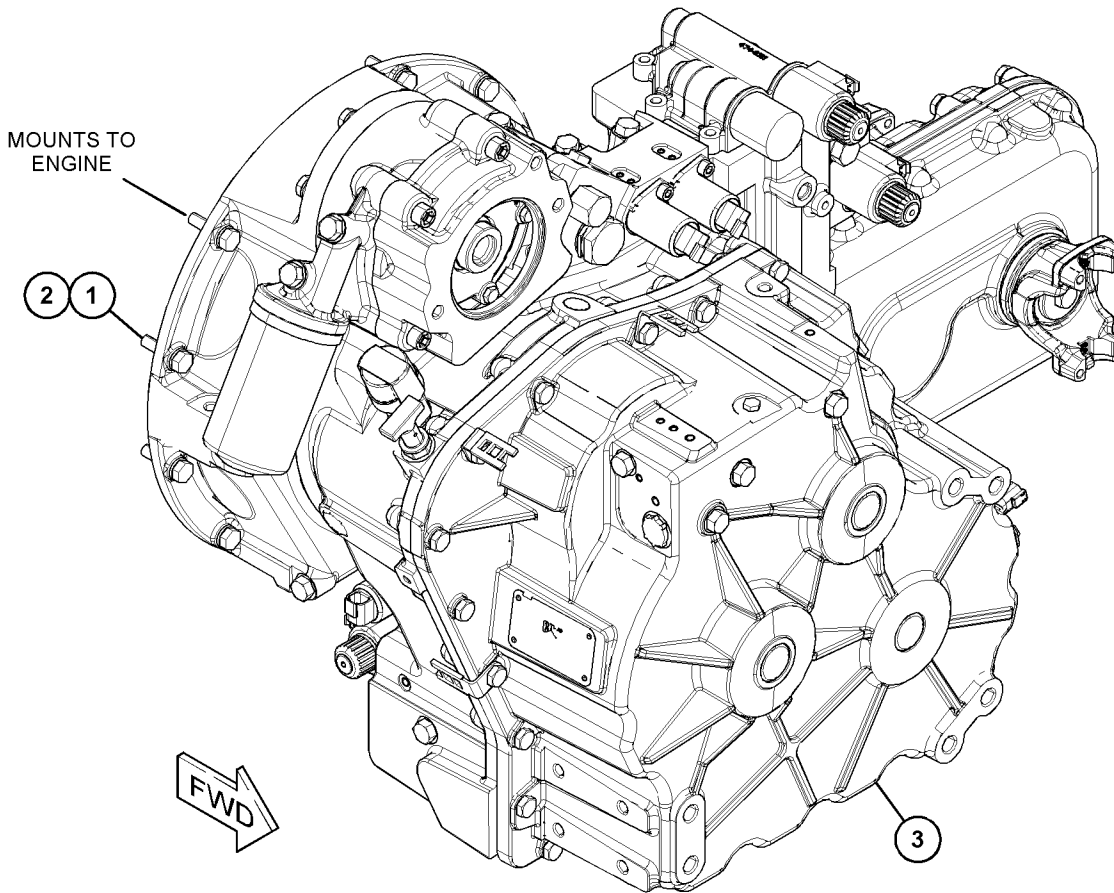
SMCS-3030

i06601132

NOTE	REF NO	GRAPHIC REF	PART NUMBER	QTY	PART NAME						SEE PAGE
					1	2	3	4	5	6 (PRODUCT LEVEL)	
M	1	1	8T-4186	10	BOLT (M10X1.5X40-MM)						
	2	1	8T-4121	10	WASHER-HARD (11X21X2.5-MM THK)						
Y	3	1	468-0145	1	TRANSMISSION AR-POWER SHIFT						726

M - METRIC PART

Y - SEPARATE ILLUSTRATION



GRAPHIC #1

<END>

g06049216

POWER TRAIN

526-0654 TRANSMISSION AR-POWER SHIFT

S/N: SD31-UP; H5E1-UP

PART OF 460-9943 TRANSMISSION AR-POWER SHIFT
AN ATTACHMENT

SMCS-3030

i06938272

NOTE	REF NO	GRAPHIC REF	PART NUMBER	QTY	PART NAME	SEE PAGE
					1 2 3 4 5 6 (PRODUCT LEVEL)	
Y	1	1	482-1134	1	GEAR & CASE GP-TRANSFER	662
Y	2	1	453-9535	1	TORQUE CONVERTER GP	713
Y	3	1	418-7411	1	CONTROL GP-TRANSMISSION HYD	655
Y	4	1	334-7556	1	SHAFT GP-INPUT	673
Y	5	1	392-3996	1	CLUTCH & GEAR GP (FORWARD HIGH, 3RD)	653
Y	6	1	334-7532	1	CLUTCH & GEAR GP (1ST, 2ND)	651
Y	7	1	418-7407	1	PUMP GP-TRANSMISSION	671
Y	8	1	334-7541	1	SHAFT GP-OUTPUT	677

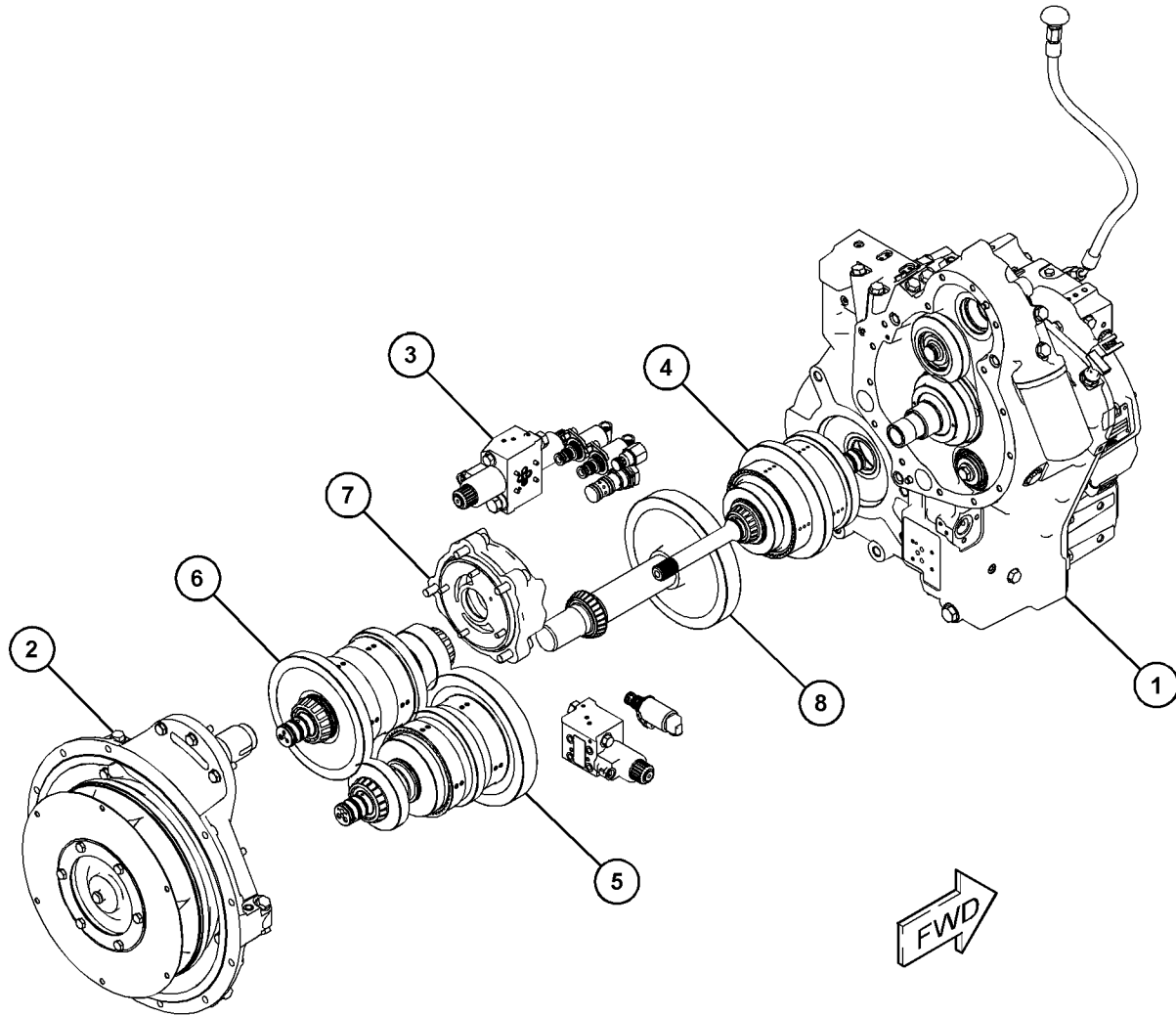
PARTS SHOWN IN GRAPHIC(S) WITHOUT A REFERENCE NUMBER ARE NOT SERVICED SEPARATELY

Y - SEPARATE ILLUSTRATION

POWER TRAIN

526-0654 TRANSMISSION AR-POWER SHIFT (contd.)

i06938272



GRAPHIC #1

<END>

g06177271

POWER TRAIN

526-0657 TRANSMISSION AR-POWER SHIFT-POWERSHIFT

S/N: HA51-UP; TH91-UP

PART OF 468-0145 TRANSMISSION AR-POWER SHIFT
AN ATTACHMENT

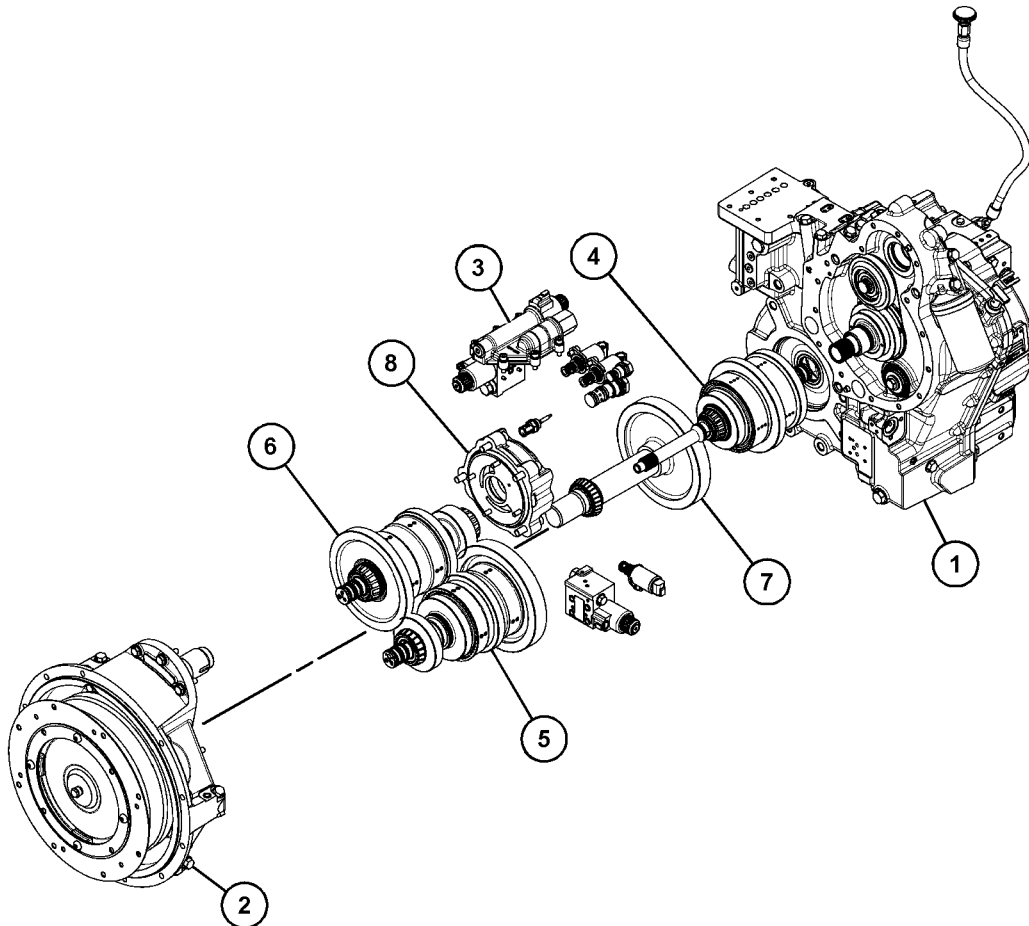
SMCS-3030

i07819438

NOTE	REF NO	GRAPHIC REF	PART NUMBER	QTY	PART NAME						SEE PAGE
					1	2	3	4	5	6 (PRODUCT LEVEL)	
Y	1	1	468-0122	1	CASE GP-TRANSMISSION						642
Y	2	1	468-0123	1	TORQUE CONVERTER GP						715
Y	3	1	468-0120	1	CONTROL GP-TRANSMISSION HYD						656
Y	4	1	468-0119	1	SHAFT GP-INPUT						675
Y	5	1	392-3996	1	CLUTCH & GEAR GP (FORWARD HIGH, 3RD)						653
Y	6	1	334-7532	1	CLUTCH & GEAR GP (1ST, 2ND)						651
Y	7	1	334-7541	1	SHAFT GP-OUTPUT						677
Y	8	1	418-7407	1	PUMP GP-TRANSMISSION						671

PARTS SHOWN IN GRAPHIC(S) WITHOUT A REFERENCE NUMBER ARE NOT SERVICED SEPARATELY

Y - SEPARATE ILLUSTRATION



GRAPHIC #1

<END>

g06467136

POWER TRAIN

588-6949 TRANSMISSION AR-POWER SHIFT

S/N: TH91-UP

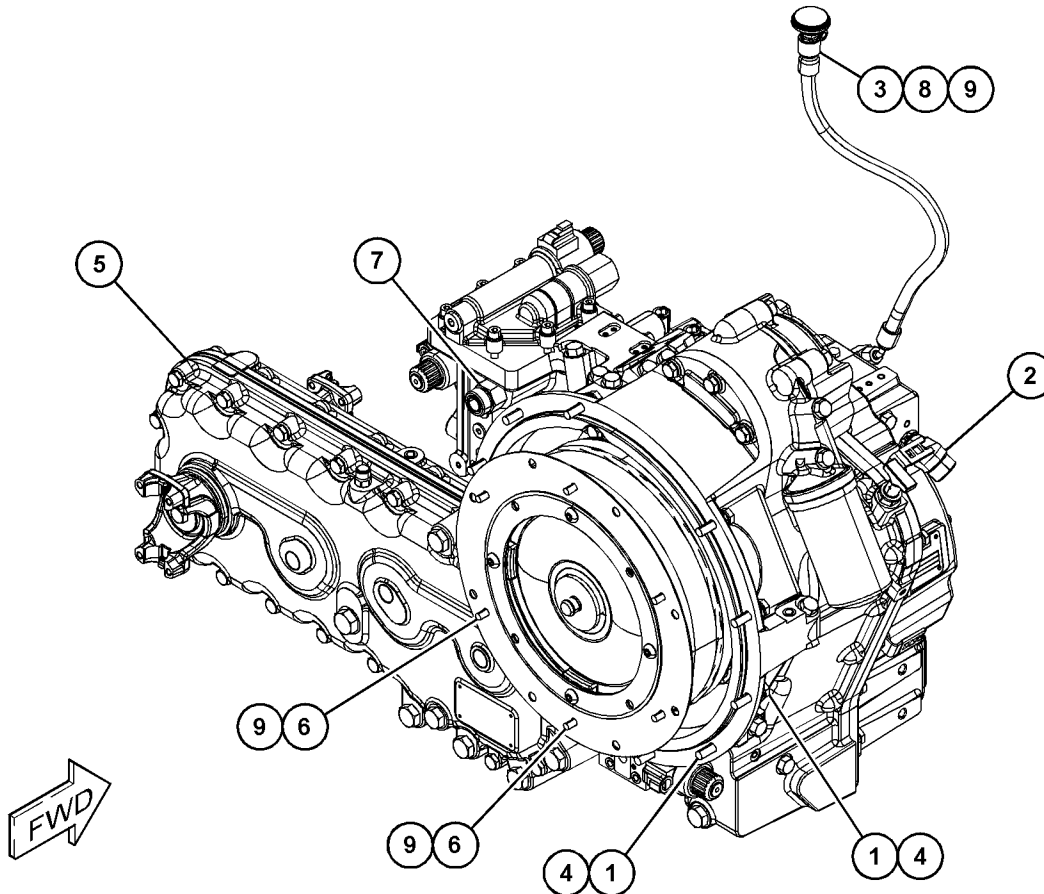
PART OF 518-5883 TRANSMISSION AR
AN ATTACHMENT

SMCS-3030

i08118170

NOTE	REF NO	GRAPHIC REF	PART NUMBER	QTY	PART NAME						SEE PAGE
					1	2	3	4	5	6	
M	1	1	8T-4186	10	BOLT (M10X1.5X40-MM)						
	2	1	303-4761	1	ADAPTER-ELBOW						
	3	1	495-0013	1	CLAMP						
	4	1	8T-4121	10	WASHER-HARD (11X21X2.5-MM THK)						
Y	5	1	468-0145	1	TRANSMISSION AR-POWER SHIFT						726
	6	1	5K-0906	6	BOLT (5/16-18X0.625-IN)						
	7	1	298-0467	1	FITTING-ADAPTER						
M	8	1	3T-0852	1	LOCKNUT (M8X1.25-THD)						
	9	1	8T-4224	7	WASHER-HARD (8.8X16X2-MM THK)						

M - METRIC PART
Y - SEPARATE ILLUSTRATION



GRAPHIC #1

<END>

g06575954

POWER TRAIN

391-9654 VALVE GP-SOLENOID-MODULATING

S/N: BK21-UP; SD31-UP; CF51-UP; HA51-UP; TH91-UP; H5E1-UP
12-VDC

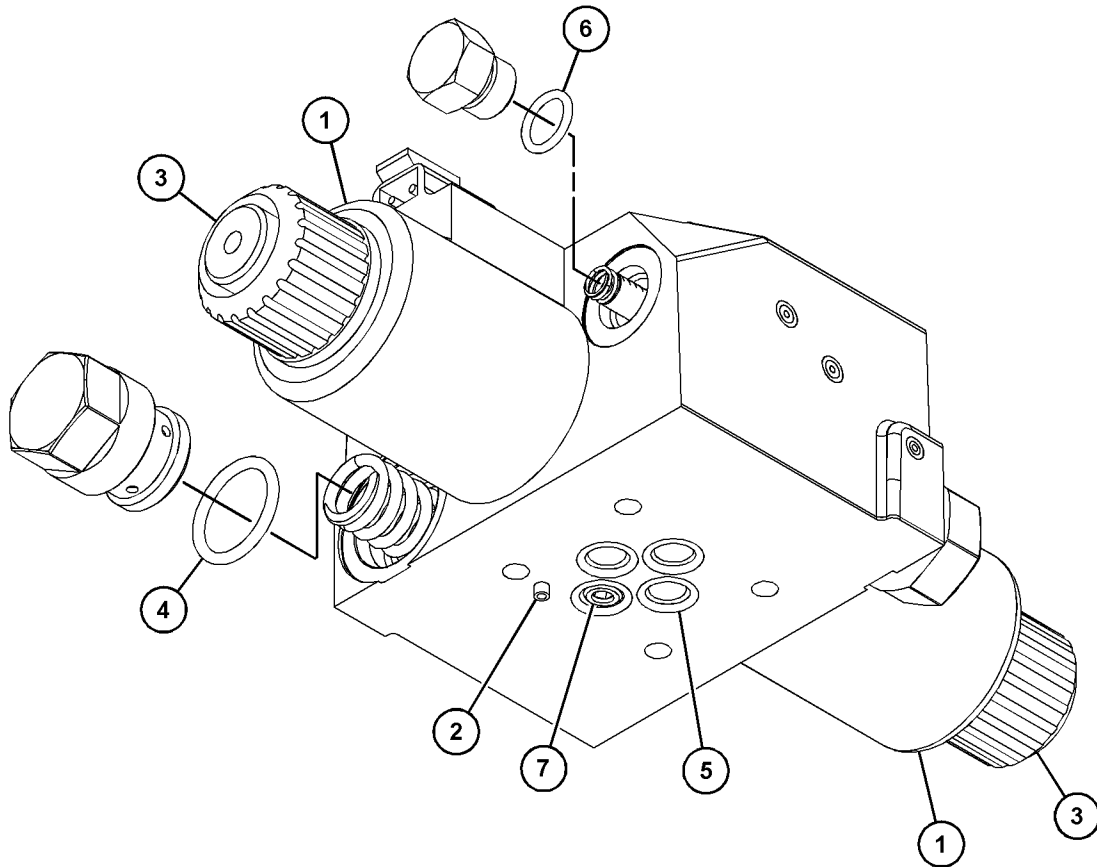
PART OF 418-7411, 468-0120 CONTROL GP-TRANSMISSION HYD
AN ATTACHMENT

SMCS-3174, 5051, 5479

i05751229

NOTE	REF NO	GRAPHIC REF	PART NUMBER	QTY	PART NAME						SEE PAGE
					1	2	3	4	5	6 (PRODUCT LEVEL)	
	1	1	274-4559	2	COIL AS (12-VOLT)						
	2	1	8L-6565	1	PIN-SPRING						
	3	1	286-0867	2	SOLENOID AS						
					(EACH INCLUDES)						
		1	6V-8399	1	SEAL-O-RING						
		1	274-4560	1	NUT-SELF LOCKING						
	4	1	336-7526	2	SEAL-O-RING						
	5	1	388-8350	4	SEAL-O-RING						
	6	1	336-7529	2	SEAL-O-RING						
	7	1	391-8781	1	PLUG-ORIFICE						

PARTS SHOWN IN GRAPHIC(S) WITHOUT A REFERENCE NUMBER ARE NOT SERVICED SEPARATELY



GRAPHIC #1

<END>

g03667724

POWER TRAIN

399-5410 VALVE GP-SOLENOID-MODULATING

S/N: BK21-UP; SD31-UP; CF51-UP; HA51-UP; TH91-UP; H5E1-UP

12-VDC

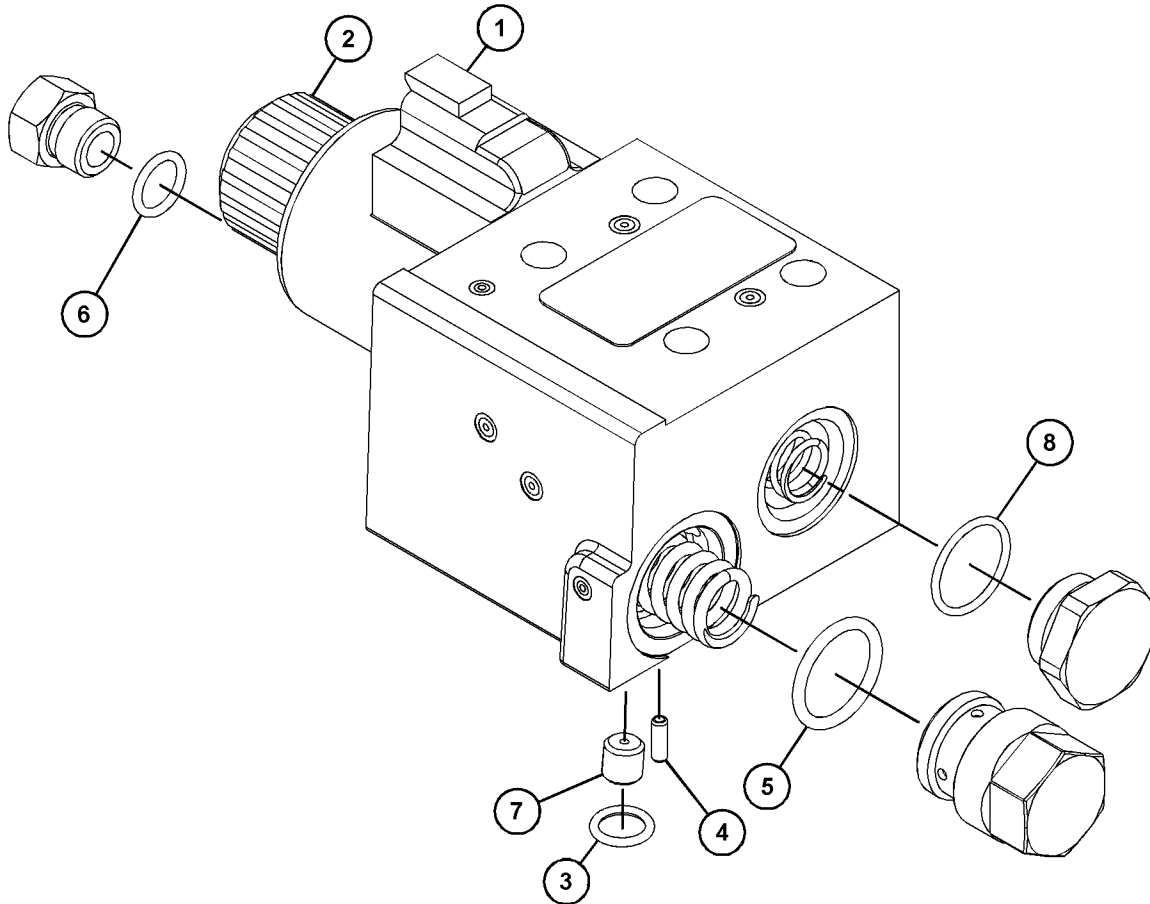
PART OF 418-7411, 468-0120 CONTROL GP-TRANSMISSION HYD
AN ATTACHMENT

SMCS-3174, 5051, 5479

i08016165

NOTE	REF NO	GRAPHIC REF	PART NUMBER	QTY	PART NAME						SEE PAGE
					1	2	3	4	5	6	
	1	1	274-4559	1	COIL AS (12-VOLT)						
	2	1	286-0867	1	SOLENOID AS (ON/OFF)						
		1	6V-8399	1	SEAL-O-RING						
		1	274-4560	1	NUT-SELF LOCKING						
3		1	464-0509	4	SEAL-O-RING						
4		1	8L-6565	1	PIN-SPRING						
5		1	336-7526	1	SEAL-O-RING						
6		1	336-7529	1	SEAL-O-RING						
7		1	274-4557	1	PLUG-ORIFICE						
8		1	336-7524	1	SEAL-O-RING						

PARTS SHOWN IN GRAPHIC(S) WITHOUT A REFERENCE NUMBER ARE NOT SERVICED SEPARATELY



GRAPHIC #1

<END>

g06464930

POWER TRAIN

6D-0337 VALVE GP-TIRE

S/N: TH41-UP; TH91-UP

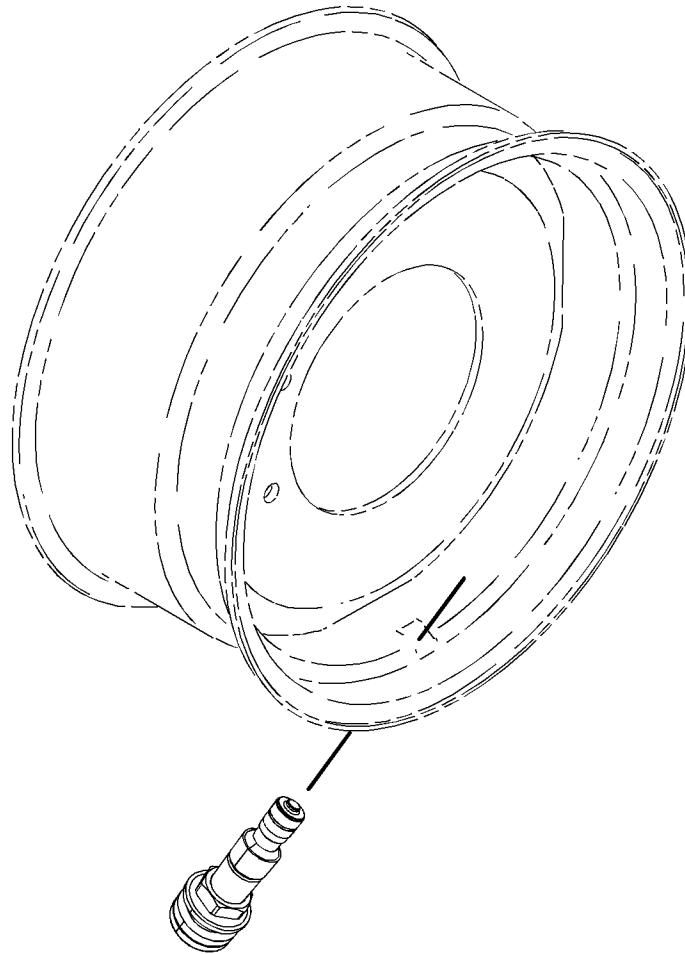
PART OF 311-8223, 311-8229, 311-8238, 323-7381, 323-7401, 478-8923, 496-8243, 526-4259, 526-5726, 526-5727, 526-5728, 526-6911, 526-6913, 526-6914, 526-7162, 526-7163, 526-9589, 526-9591, 526-9592, 526-9593 TIRE & RIM GP
AN ATTACHMENT

SMCS-4203, 4209

i07889231

NOTE	REF NO	GRAPHIC REF	PART NUMBER	QTY	PART NAME						SEE PAGE
					1	2	3	4	5	6 (PRODUCT LEVEL)	

(NO SERVICED PARTS)



GRAPHIC #1

<END>

g02718908

POWER TRAIN

526-4258 WHEEL & TIRE AR

S/N: TH41-UP; TH91-UP

AN ATTACHMENT

SMCS-4200, 4201, 4202, 4203, 4208, 4209

i06907160

NOTE	PART NUMBER	QTY	PART NAME						SEE PAGE
			1	2	3	4	5	6 (PRODUCT LEVEL)	
Y	526-4259	4	TIRE & RIM GP						698
	486-8069	1	FASTENER GP						
M	5W-1386	32	NUT (M22X1.5-THD)						
	351-7528	32	WASHER (22.5X46X6-MM THK)						
	348-9443	4	FILM-INFORMATION (5.25 BAR)						

M - METRIC PART

Y - SEPARATE ILLUSTRATION

<END>

FRAME AND BODY

541-9094 BOX & MOUNTING GP-TOOL-TOOL BOX

S/N: TH41-UP; TH91-UP

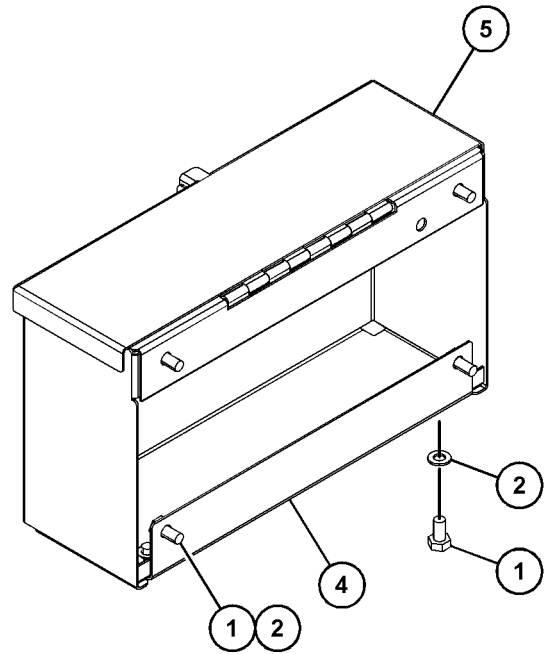
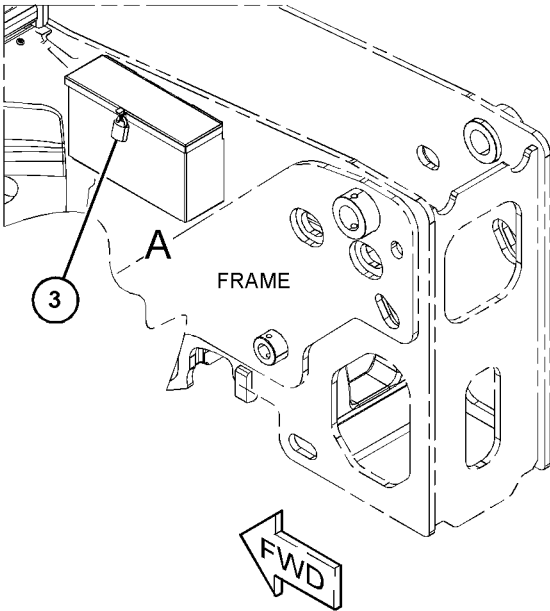
AN ATTACHMENT

SMCS-7259

i07163198

NOTE	REF NO	GRAPHIC REF	PART NUMBER	QTY	PART NAME						SEE PAGE
					1	2	3	4	5	6	
M	1	1	264-3627	6	BOLT (M10X1.5X20-MM)						
	2	1	8T-4121	6	WASHER-HARD (11X21X2.5-MM THK)						
	3	1	246-2641	1	PADLOCK GP						
		1	5P-8500	1	KEY						
	4	1	477-0027	1	BRACKET						
	5	1	485-5329	1	TOOL						

M - METRIC PART



VIEW OF AREA A 90°

GRAPHIC #1

<END>

g06241514

FRAME AND BODY

492-5088 BRACKET GP-MOUNTING-BOOM

S/N: TH41-UP; TH91-UP

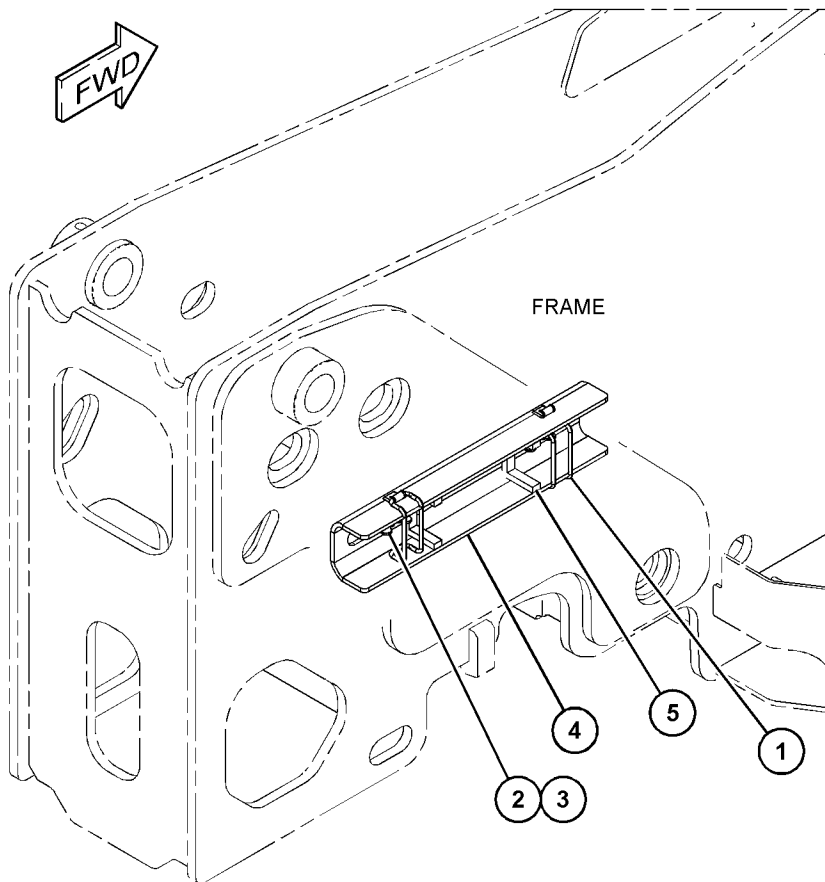
NOT FOR NACD REGION

PART OF 523-1878, 523-1879, 523-1880, 523-1881, 523-1882, 523-1919, 523-1920, 523-1921, 523-1922 CONFIGURATION AR
AN ATTACHMENT

SMCS-1429

i06586863

NOTE	REF NO	GRAPHIC REF	PART NUMBER	QTY	PART NAME						SEE PAGE
					1	2	3	4	5	6 (PRODUCT LEVEL)	
	1	1	329-3624	2	SEAL-O-RING						
	2	1	492-5067	2	NUT-WING						
	3	1	266-5360	2	WASHER (13X37X3-MM THK)						
	4	1	492-5068	1	BRACKET AS						
	5	1	492-5089	2	SEAL						



GRAPHIC #1

<END>

g06039858

FRAME AND BODY

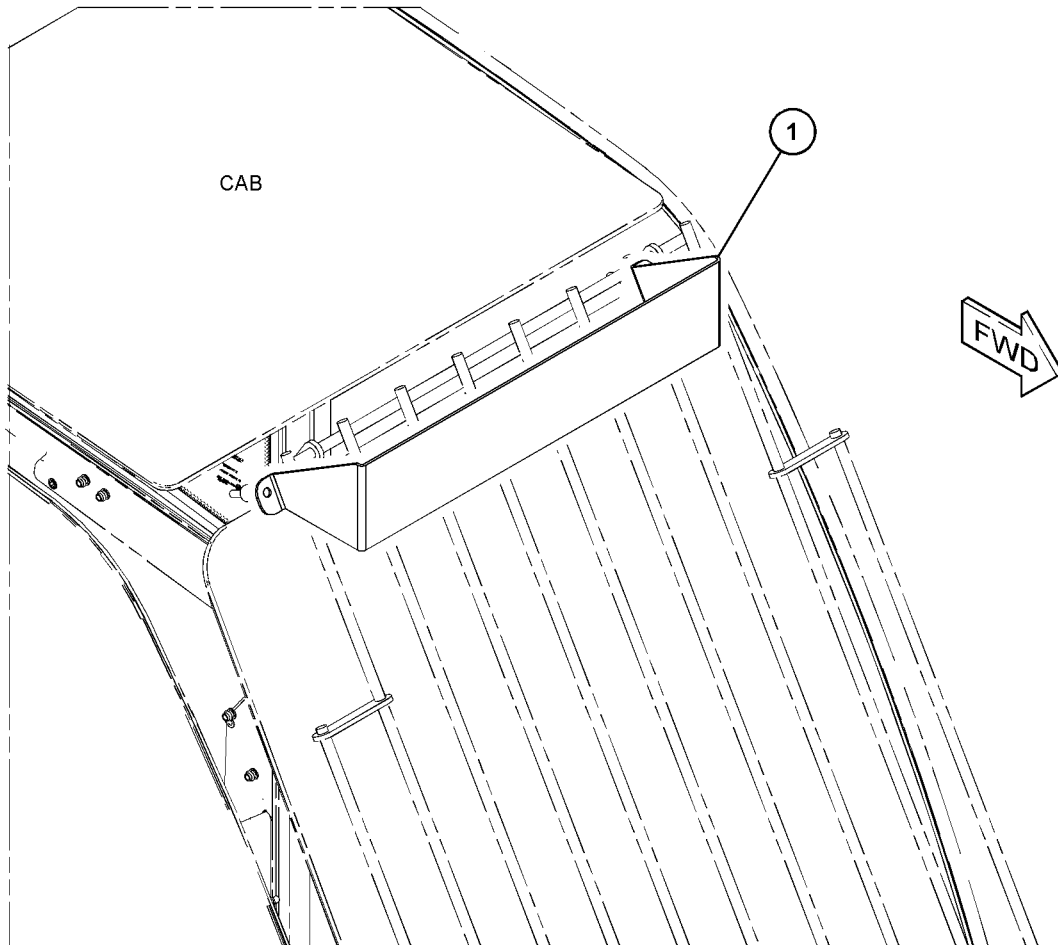
518-2673 BRACKET GP-MOUNTING

S/N: TH41-UP; TH91-UP
FOR USE WITH CAB SCREEN, ROOF GUARD
AN ATTACHMENT

SMCS-1429

i06809292

NOTE	REF NO	GRAPHIC REF	PART NUMBER	QTY	PART NAME						SEE PAGE
					1	2	3	4	5	6 (PRODUCT LEVEL)	
	1	1	518-2671	1	BRACKET						



GRAPHIC #1

<END>

g06125747

FRAME AND BODY

520-7737 COUNTERWEIGHT GP

S/N: TH41-UP; TH91-UP

350-KG (771.6-LB)

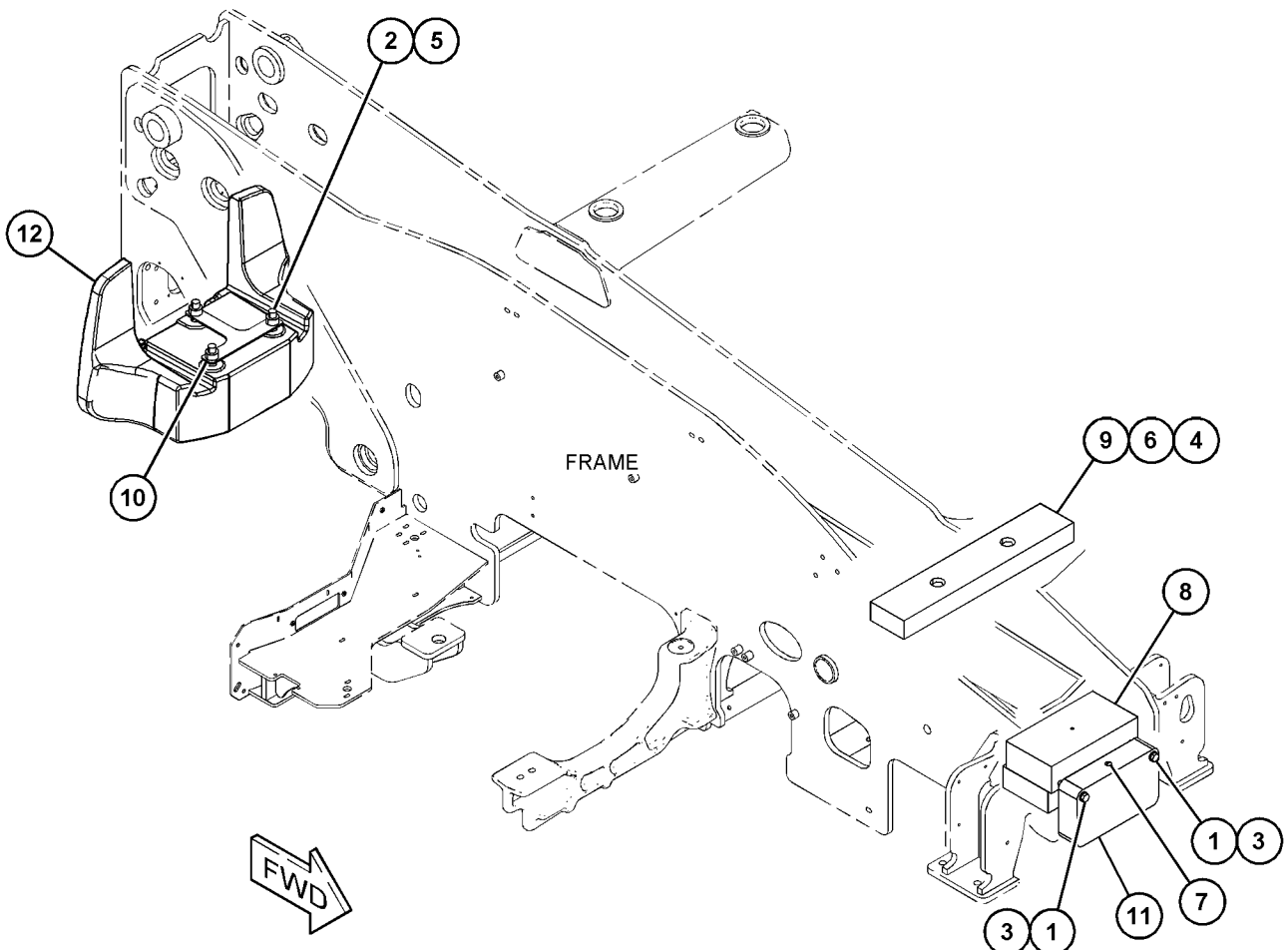
PART OF 518-0076, 518-0077 CHASSIS AR

SMCS-7056

i06907128

NOTE	REF NO	GRAPHIC REF	PART NUMBER	QTY	PART NAME						SEE PAGE
					1	2	3	4	5	6 (PRODUCT LEVEL)	
M	1	1	7X-2557	2	BOLT (M16X2X140-MM)						
M	2	1	483-1385	3	BOLT (M24X3X200-MM)						
	3	1	9X-8257	2	WASHER (17.5X30X3.5-MM THK)						
	4	1	7Y-1858	2	WASHER (21X37X3-MM THK)						
	5	1	8T-4167	3	WASHER-HARD (26X44X4-MM THK)						
M	6	1	495-8561	2	BOLT (M20X2.5X75-MM)						
	7	1	468-5340	1	SCREW						
	8	1	495-8833	1	PLATE AS						
	9	1	495-8835	1	PLATE						
	10	1	520-7738	1	PLATE AS						
	11	1	495-8834	1	PLATE						
	12	1	520-7739	1	COUNTERWEIGHT						

M - METRIC PART



GRAPHIC #1

<END>

g06165156

FRAME AND BODY

474-9856 COVER GP-FRONT

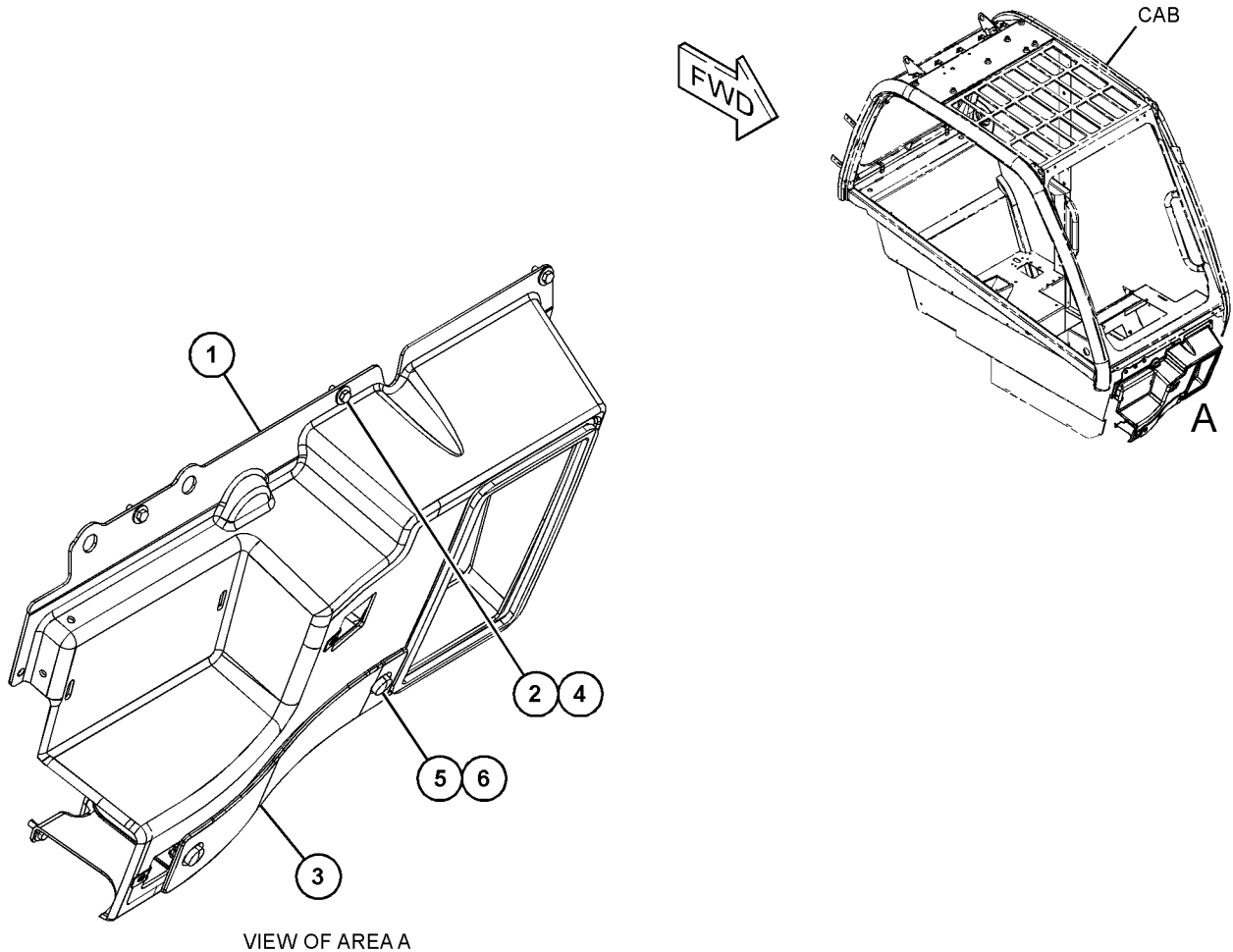
S/N: TH41-UP; TH91-UP
PART OF 495-6202 TRIM GP-CAB
AN ATTACHMENT

SMCS-7150, 7158, 726A, 795C

i07330505

NOTE	REF NO	GRAPHIC REF	PART NUMBER	QTY	PART NAME						SEE PAGE
					1	2	3	4	5	6 (PRODUCT LEVEL)	
	1	1	474-9864	1	COVER GP						
		1	474-9866	1	SEAL						
CM	2	1	5C-9553	7	BOLT (M6X1X16-MM)						
	3	1	474-9861	1	PANEL AS						
		1	474-9865	2	SEAL						
	4	1	5Y-2425	7	WASHER (6.5X17.5X1.5-MM THK)						
M	5	1	388-4063	2	SCREW (M6X1X20-MM)						
M	6	1	341-7590	4	NUT (M6X1-THD)						

C - CHANGE FROM PREVIOUS TYPE
M - METRIC PART



VIEW OF AREA A

GRAPHIC #1

<END>

g06302794

FRAME AND BODY

496-8305 COVER GP-ACCESS

S/N: TH41-UP; TH91-UP

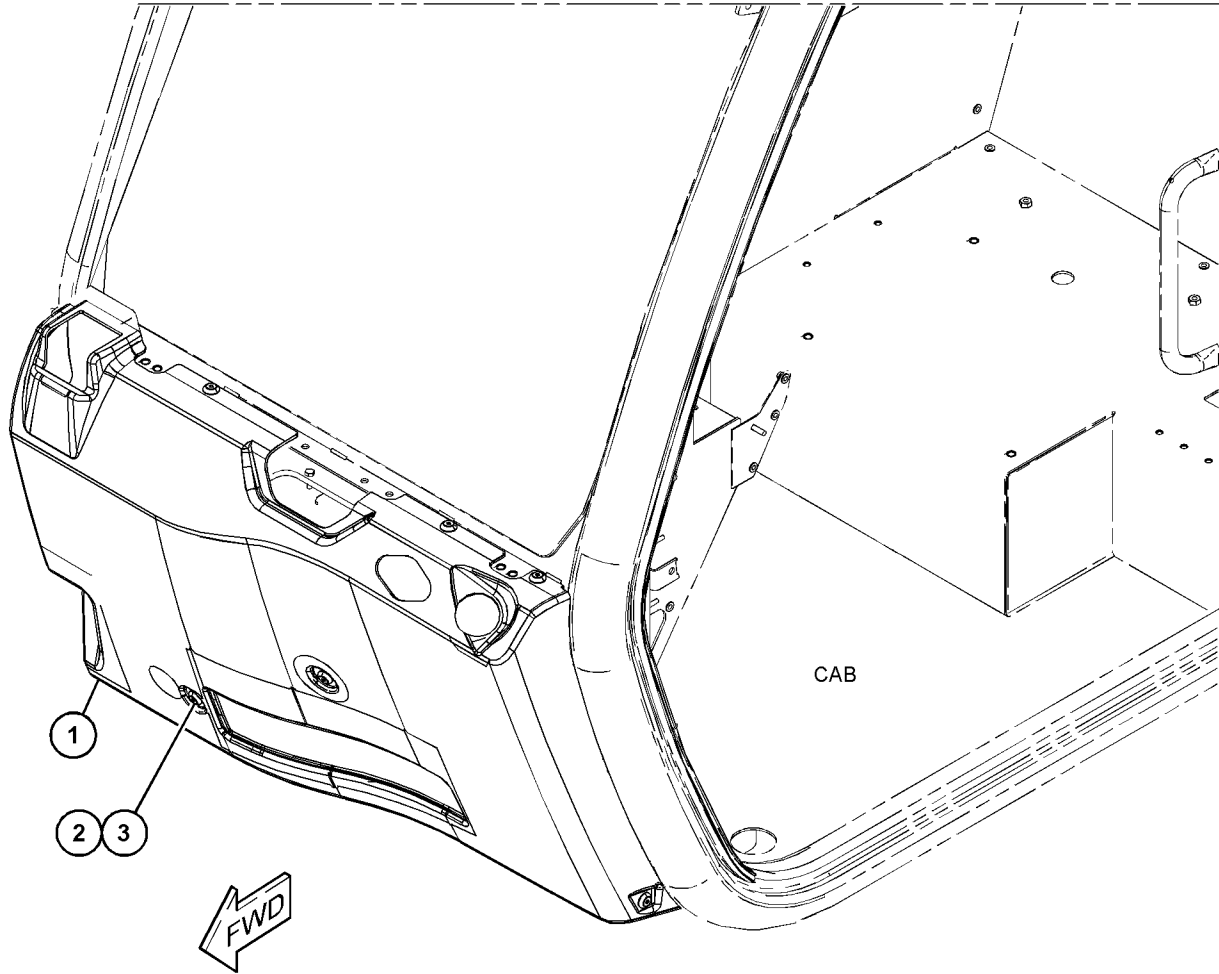
PART OF 515-0963, 515-0967, 515-0968 LIGHTING GP-ROADING
AN ATTACHMENT

SMCS-726A

i08067997

NOTE	REF NO	GRAPHIC REF	PART NUMBER	QTY	PART NAME						SEE PAGE
					1	2	3	4	5	6 (PRODUCT LEVEL)	
	1	1	590-5675	1	COVER						
	2	1	315-3901	6	WASHER (6.2X20X5-MM THK)						
M	3	1	280-2651	6	SCREW-FLAT HEAD (M6X1X25-MM)						

M - METRIC PART



GRAPHIC #1

<END>

g06324775

FRAME AND BODY

552-3921 COVER GP-ACCESS

S/N: TH41-150; TH91-239

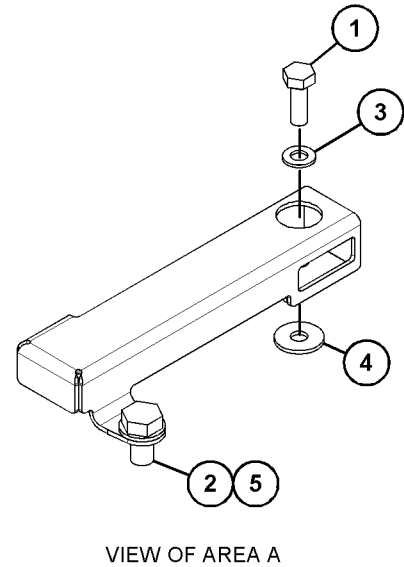
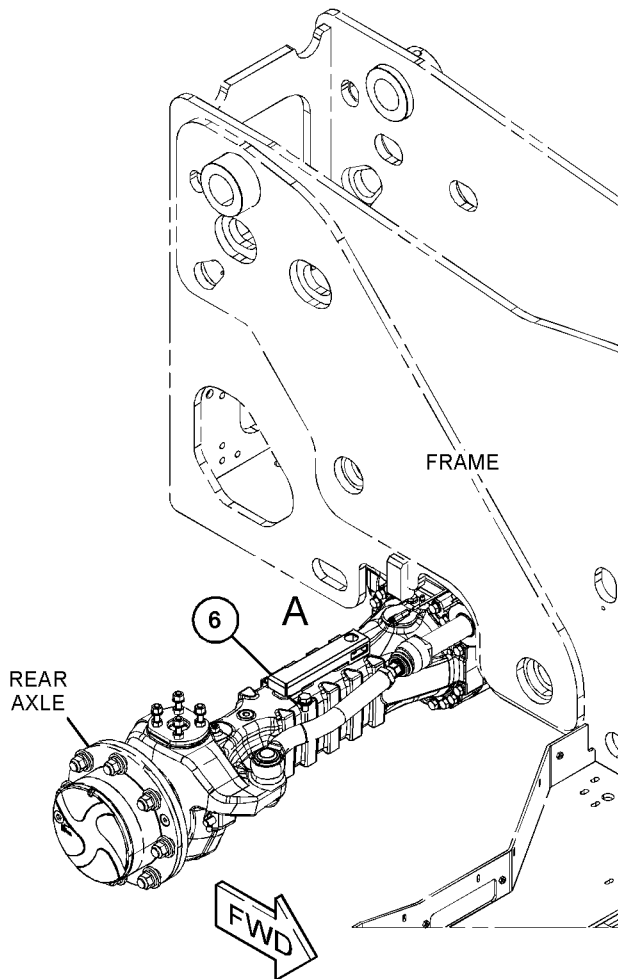
PART OF 523-1878, 523-1879, 523-1880, 523-1881, 523-1882, 523-1919, 523-1920, 523-1921, 523-1922, 523-1923 CONFIGURATION AN ATTACHMENT

SMCS-726A

i07345065

NOTE	REF NO	GRAPHIC REF	PART NUMBER	QTY	PART NAME						SEE PAGE
					1	2	3	4	5	6 (PRODUCT LEVEL)	
M	1	1	264-3627	1	BOLT (M10X1.5X20-MM)						
M	2	1	130-9864	1	BOLT (M14X2X25-MM)						
	3	1	8T-4121	1	WASHER-HARD (11X21X2.5-MM THK)						
	4	1	116-8517	1	WASHER (10.5X30X2.5-MM THK)						
	5	1	7X-0510	1	WASHER-HARD (15.5X29X3-MM THK)						
	6	1	552-3911	1	PLATE						

M - METRIC PART



GRAPHIC #1

<END>

g06307086

FRAME AND BODY

552-3921 COVER GP-ACCESS

S/N: TH41-UP; TH91-UP

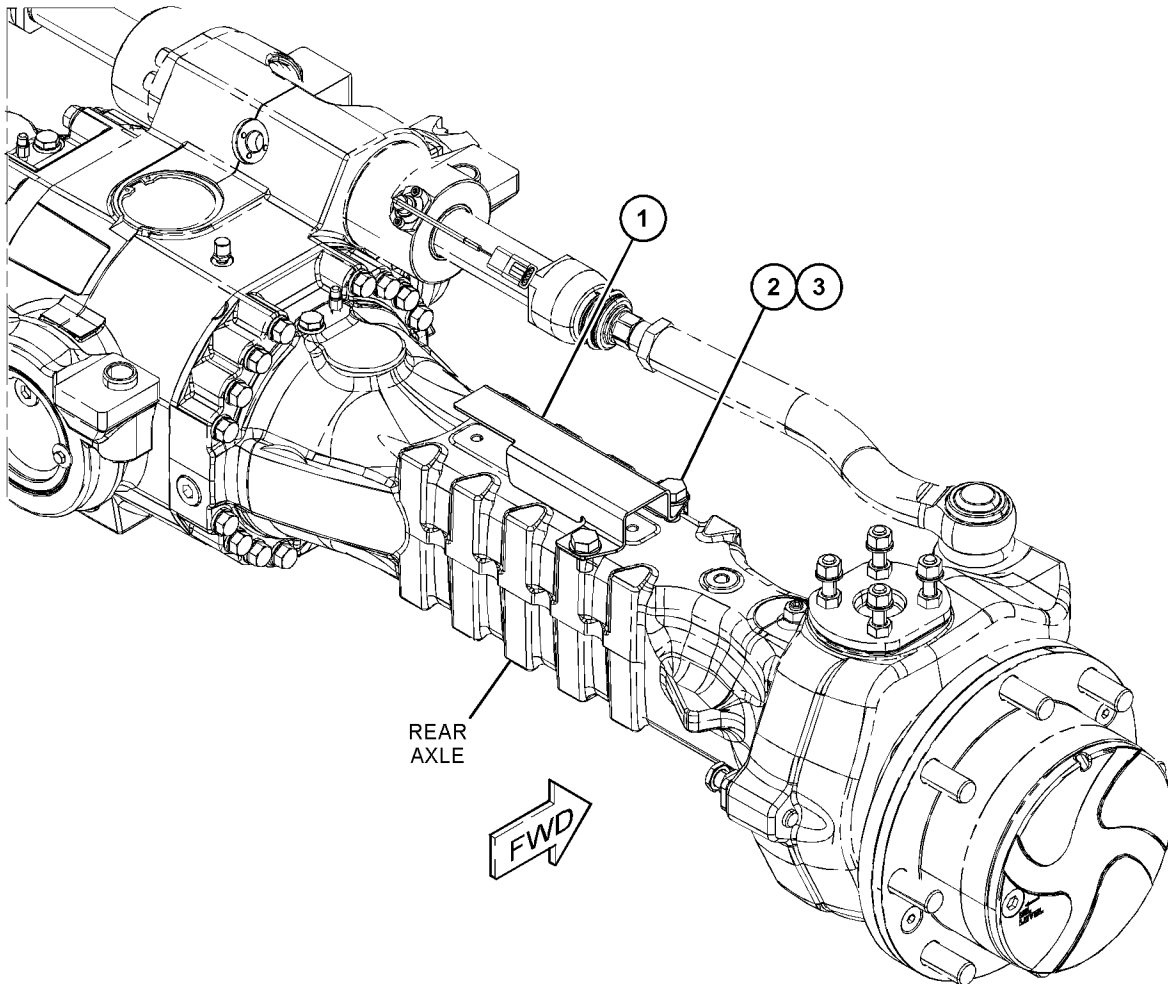
PART OF 523-1878, 523-1879, 523-1880, 523-1881, 523-1882, 523-1919, 523-1920, 523-1921, 523-1922, 523-1923 CONFIGURATION AR
AN ATTACHMENT

SMCS-726A

i07693658

NOTE	REF NO	GRAPHIC REF	PART NUMBER	QTY	PART NAME						SEE PAGE
					1	2	3	4	5	6 (PRODUCT LEVEL)	
C	1	1	565-3997	1	PLATE						
CM	2	1	130-9864	2	BOLT (M14X2X25-MM)						
C	3	1	7X-0510	2	WASHER-HARD (15.5X29X3-MM THK)						

C - CHANGE FROM PREVIOUS TYPE
M - METRIC PART



GRAPHIC #1

<END>

g06432200

FRAME AND BODY

516-1439 COVER & MTG GP-ENCLOSURE-CHASSIS

S/N: TH4167-UP

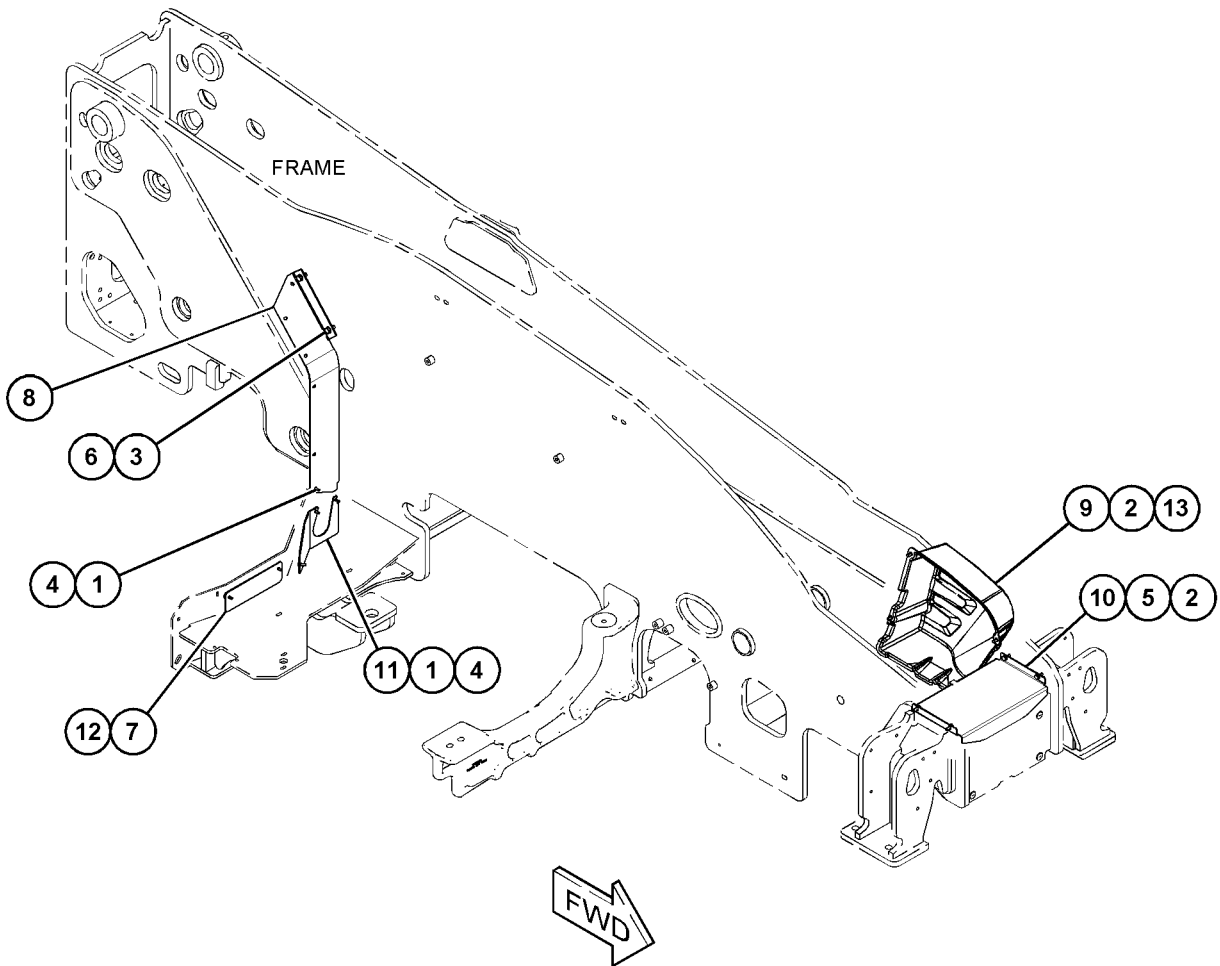
PART OF 518-0077 CHASSIS AR

SMCS-7276

i07409893

NOTE	REF NO	GRAPHIC REF	PART NUMBER	QTY	PART NAME						SEE PAGE
					1	2	3	4	5	6 (PRODUCT LEVEL)	
M	1	1	8T-4138	4	BOLT (M6X1X20-MM)						
M	2	1	8T-4189	8	BOLT (M8X1.25X20-MM)						
M	3	1	8T-4136	2	BOLT (M10X1.5X25-MM)						
	4	1	8T-4205	4	WASHER-HARD (7.2X14.5X2-MM THK)						
	5	1	8T-4224	4	WASHER-HARD (8.8X16X2-MM THK)						
	6	1	8T-4121	2	WASHER-HARD (11X21X2.5-MM THK)						
	7	1	539-2408	1	PLATE (RADIATOR)						
	8	1	500-3074	1	PLATE (REAR EXHAUST)						
	9	1	499-7306	1	COVER (ECU)						
	10	1	499-7308	1	PLATE (FRAME)						
	11	1	500-3082	1	PLATE (COVER)						
M	12	1	388-4063	2	SCREW (M6X1X20-MM) (SPECIAL)						
	13	1	260-6685	4	WASHER (9X25X1.6-MM THK)						

M - METRIC PART



GRAPHIC #1

<END>

g06324032

FRAME AND BODY

499-7305 ENCLOSURE GP-ENGINE-CHASSIS

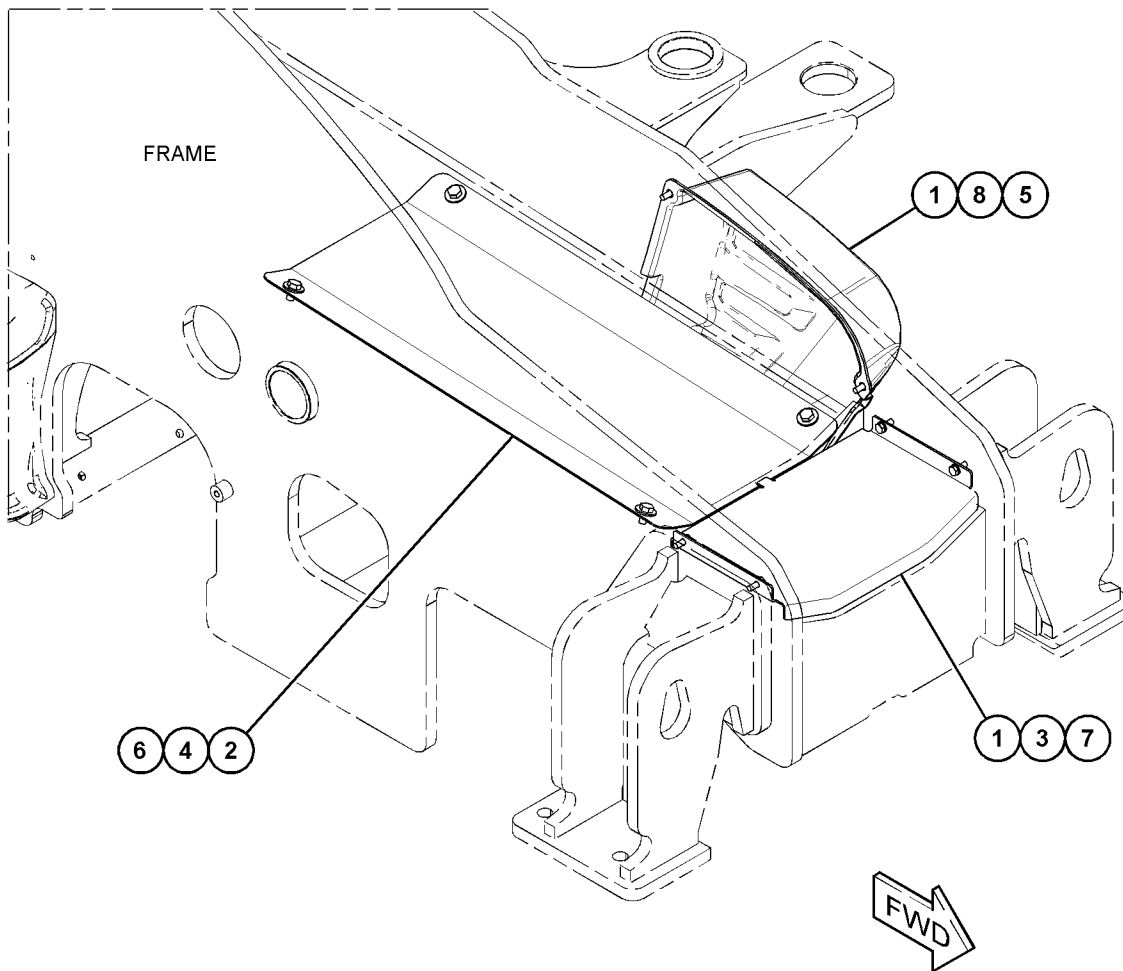
S/N: TH41-UP; TH91-UP
PART OF 518-0076 CHASSIS AR

SMCS-7263

i07409891

NOTE	REF NO	GRAPHIC REF	PART NUMBER	QTY	PART NAME						SEE PAGE
					1	2	3	4	5	6 (PRODUCT LEVEL)	
M	1	1	8T-4189	8	BOLT (M8X1.25X20-MM)						
M	2	1	8T-4137	4	BOLT (M10X1.5X20-MM)						
	3	1	8T-4224	4	WASHER-HARD (8.8X16X2-MM THK)						
	4	1	116-8517	4	WASHER (10.5X30X2.5-MM THK)						
	5	1	499-7306	1	COVER						
	6	1	499-7307	1	PLATE						
	7	1	499-7308	1	PLATE (FRAME)						
	8	1	260-6685	4	WASHER (9X25X1.6-MM THK)						

M - METRIC PART



GRAPHIC #1

<END>

g06322802

FRAME AND BODY

500-3072 ENCLOSURE GP-ENGINE

S/N: TH91-UP

PART OF 520-9600, 523-2010 ENGINE AR-COMplete
AN ATTACHMENT

SMCS-7263

i07181240

NOTE	REF NO	GRAPHIC REF	PART NUMBER	QTY	PART NAME						SEE PAGE
					1	2	3	4	5	6 (PRODUCT LEVEL)	
M	1	1	8T-4138	13	BOLT (M6X1X20-MM)						
M	2	1	8T-4195	2	BOLT (M10X1.5X30-MM)						
M	3	1	8T-4137	9	BOLT (M10X1.5X20-MM)						
M	4	1	8T-4136	9	BOLT (M10X1.5X25-MM)						
M	5	1	8T-4139	2	BOLT (M12X1.75X30-MM)						
M	6	1	165-7019	2	BOLT (M12X1.75X45-MM)						
	7	1	8T-4205	4	WASHER-HARD (7.2X14.5X2-MM THK)						
	8	1	8T-4121	20	WASHER-HARD (11X21X2.5-MM THK)						
	9	1	8T-4223	4	WASHER-HARD (13.5X25.5X3-MM THK)						
M	10	1	500-3073	4	BOLT-FLANGE (M10X1.5X20-MM)						
M	11	1	341-7590	9	NUT (M6X1-THD)						
	12	1	459-7674	1	PLATE						
	13	1	500-3074	1	PLATE (REAR EXHAUST)						
	14	1	500-3075	1	COVER						
	15	1	495-6347	2	BRACE						
	16	1	500-3076	2	SPACER (11X16X6-MM THK)						
	17	1	500-3077	1	SEAL						
Y	18	1	500-3069	1	HOOD GP-ENGINE						784
	19	1	500-3078	1	PLATE AS						
	20	1	500-3079	1	PLATE						
	21	1	500-3080	1	PLATE						
	22	1	500-3081	1	PLATE AS						
	23	1	500-3082	1	PLATE (COVER)						
	24	1	500-3083	1	PLATE AS						
	25	1	539-2408	1	PLATE						
M	26	1	388-4063	2	SCREW (M6X1X20-MM)						
	27	1	5Y-2425	9	WASHER (6.5X17.5X1.5-MM THK)						

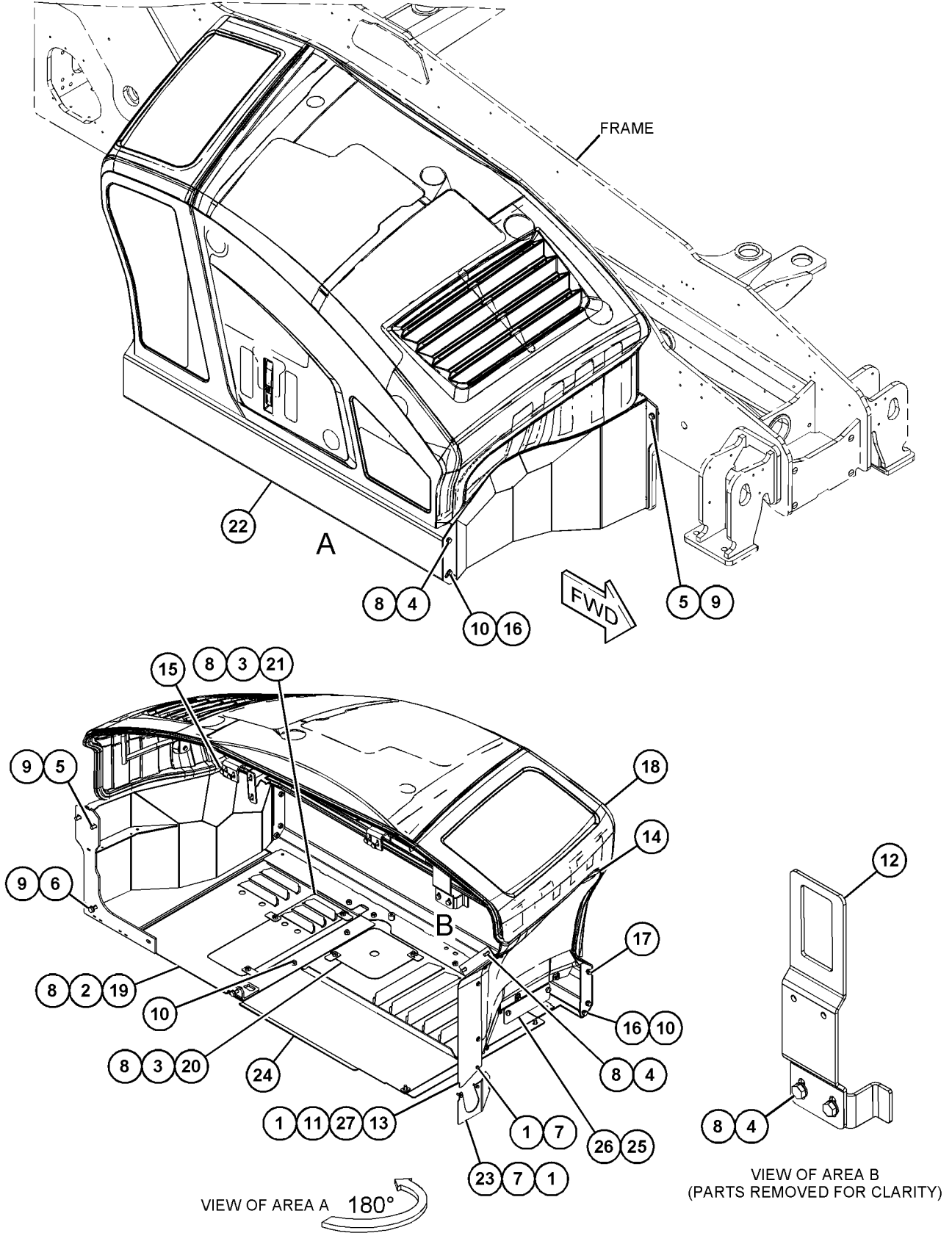
M - METRIC PART

Y - SEPARATE ILLUSTRATION

FRAME AND BODY

500-3072 ENCLOSURE GP-ENGINE (contd.)

i07181240



GRAPHIC #1

<END>

g06245015

FRAME AND BODY

500-3072 ENCLOSURE GP-ENGINE

S/N: TH41-UP; TH91-UP

PART OF 520-9600, 523-2010 ENGINE AR-COMplete
AN ATTACHMENT

SMCS-7263

i07776200

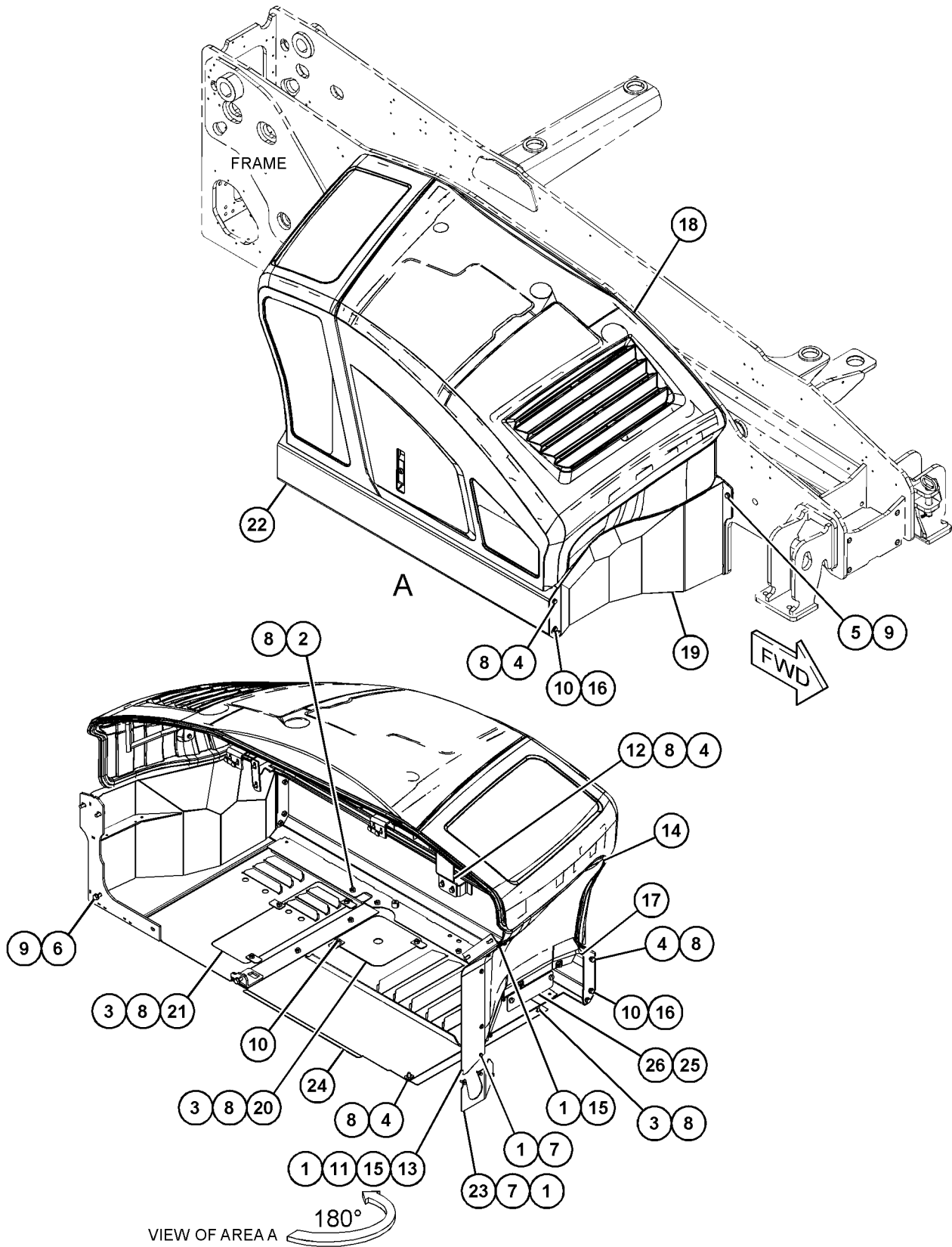
NOTE	REF NO	GRAPHIC REF	PART NUMBER	QTY	PART NAME						SEE PAGE
					1	2	3	4	5	6 (PRODUCT LEVEL)	
M	1	1	8T-4138	13	BOLT (M6X1X20-MM)						
M	2	1	8T-4195	2	BOLT (M10X1.5X30-MM)						
M	3	1	8T-4137	9	BOLT (M10X1.5X20-MM)						
M	4	1	8T-4136	9	BOLT (M10X1.5X25-MM)						
M	5	1	8T-4139	2	BOLT (M12X1.75X30-MM)						
M	6	1	165-7019	2	BOLT (M12X1.75X45-MM)						
	7	1	8T-4205	4	WASHER-HARD (7.2X14.5X2-MM THK)						
	8	1	8T-4121	20	WASHER-HARD (11X21X2.5-MM THK)						
	9	1	8T-4223	4	WASHER-HARD (13.5X25.5X3-MM THK)						
M	10	1	500-3073	4	BOLT-FLANGE (M10X1.5X20-MM)						
M	11	1	341-7590	9	NUT (M6X1-THD)						
	12	1	459-7674	1	PLATE						
	13	1	500-3074	1	PLATE (REAR EXHAUST)						
	14	1	500-3075	1	COVER						
	15	1	5W-1417	9	WASHER (6.4X18X1.6-MM THK)						
	16	1	500-3076	2	SPACER (11X16X6-MM THK)						
	17	1	500-3077	1	SEAL						
CY	18	1	<i>513-2322</i>	1	HOOD GP-ENGINE (HINGED)						785
	19	1	500-3078	1	PLATE AS						
	20	1	500-3079	1	PLATE						
	21	1	500-3080	1	PLATE						
	22	1	500-3081	1	PLATE AS						
	23	1	500-3082	1	PLATE (COVER)						
	24	1	500-3083	1	PLATE AS						
M	25	1	388-4063	2	SCREW (M6X1X20-MM)						
	26	1	539-2408	1	PLATE						

C - CHANGE FROM PREVIOUS TYPE
M - METRIC PART
Y - SEPARATE ILLUSTRATION

FRAME AND BODY

500-3072 ENCLOSURE GP-ENGINE (contd.)

i07776200



GRAPHIC #1

<END>

g06459204

FRAME AND BODY

500-4356 ENCLOSURE GP-ENGINE

S/N: TH91-UP

PART OF 520-9601, 523-2011, 550-0081 ENGINE AR-COMplete
AN ATTACHMENT

SMCS-7263

i07081250

NOTE	REF NO	GRAPHIC REF	PART NUMBER	QTY	PART NAME						SEE PAGE
					1	2	3	4	5	6 (PRODUCT LEVEL)	
M	1	1	8T-4138	13	BOLT (M6X1X20-MM)						
M	2	1	8T-4195	2	BOLT (M10X1.5X30-MM)						
M	3	1	8T-4137	10	BOLT (M10X1.5X20-MM)						
M	4	1	8T-4136	8	BOLT (M10X1.5X25-MM)						
M	5	1	8T-4139	2	BOLT (M12X1.75X30-MM)						
M	6	1	165-7019	2	BOLT (M12X1.75X45-MM)						
M	7	1	5C-7423	4	SCREW (M6X1X16-MM)						
	8	1	8T-4205	4	WASHER-HARD (7.2X14.5X2-MM THK)						
	9	1	8T-4121	20	WASHER-HARD (11X21X2.5-MM THK)						
	10	1	8T-4223	4	WASHER-HARD (13.5X25.5X3-MM THK)						
M	11	1	500-3073	4	BOLT-FLANGE (M10X1.5X20-MM)						
M	12	1	341-7590	9	NUT (M6X1-THD)						
	13	1	459-7674	1	PLATE						
	14	1	500-3074	1	PLATE (REAR EXHAUST)						
	15	1	500-3075	1	COVER						
	16	1	500-4357	1	PLATE						
	17	1	495-6347	2	BRACE						
	18	1	500-3076	2	SPACER (11X16X6-MM THK)						
	19	1	500-3077	1	SEAL						
Y	20	1	<i>500-3069</i>	1	HOOD GP-ENGINE						784
	21	1	500-4359	1	PLATE						
	22	1	500-3078	1	PLATE AS						
	23	1	500-3079	1	PLATE						
	24	1	500-3080	1	PLATE						
	25	1	500-4360	1	PLATE AS						
	26	1	500-3082	1	PLATE (COVER)						
	27	1	500-3083	1	PLATE AS						
	28	1	5W-1417	9	WASHER (6.4X18X1.6-MM THK)						

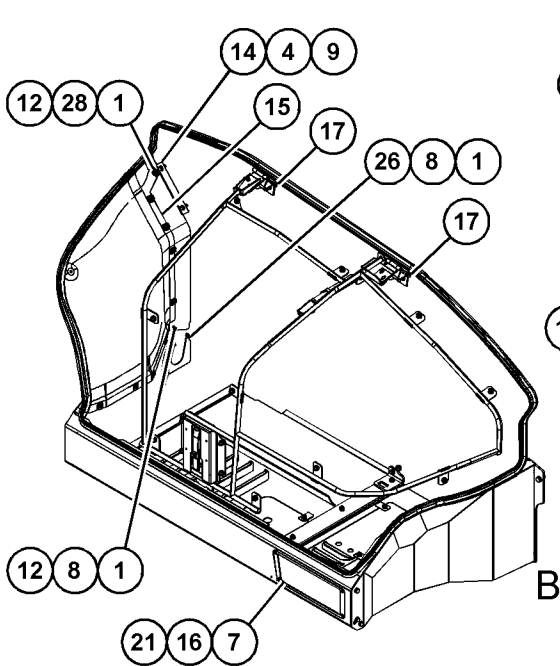
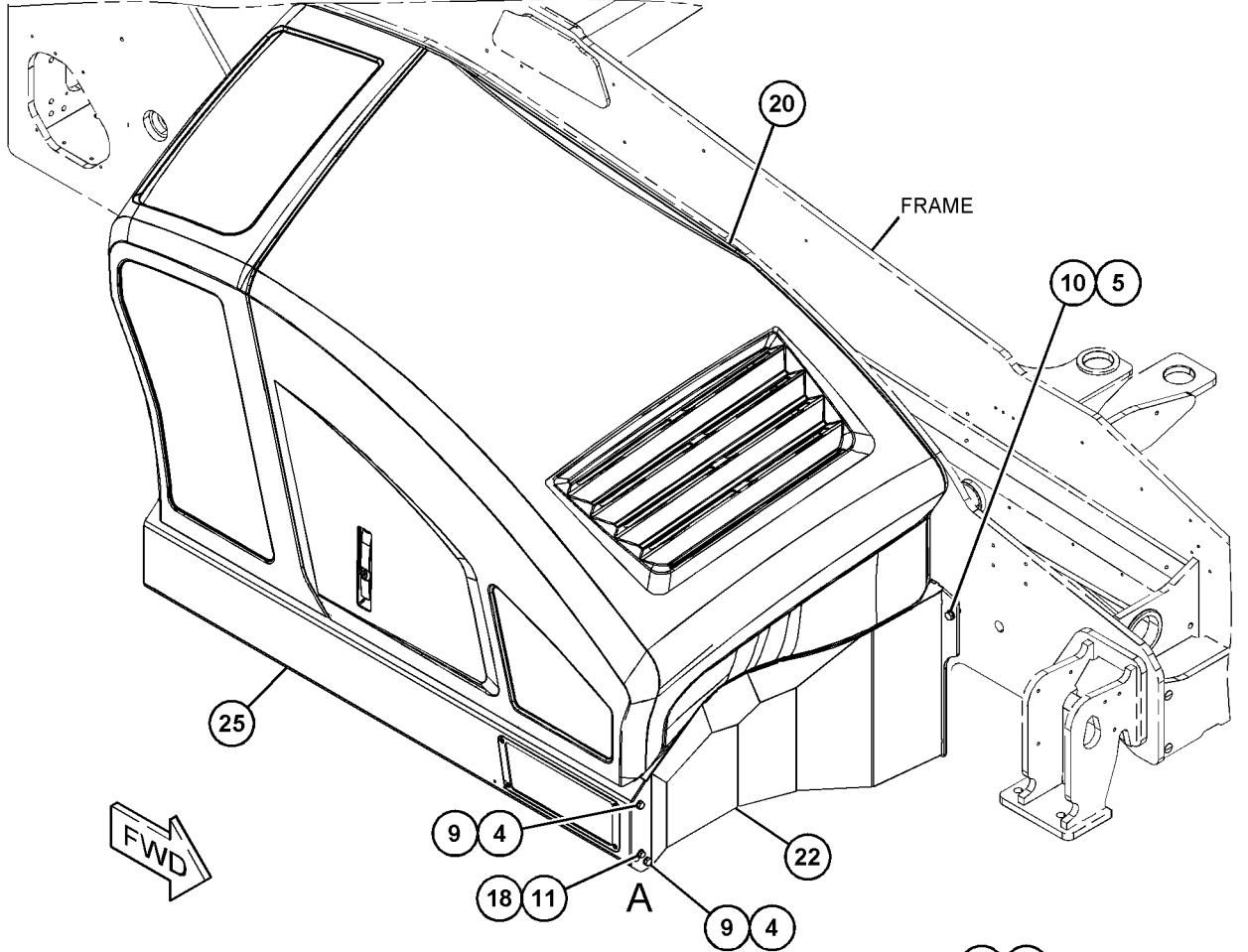
M - METRIC PART

Y - SEPARATE ILLUSTRATION

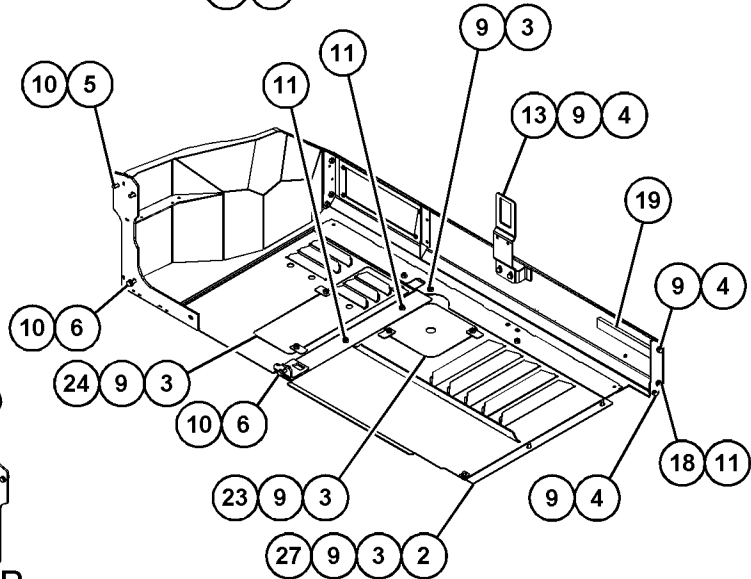
FRAME AND BODY

500-4356 ENCLOSURE GP-ENGINE (contd.)

i07081250



VIEW OF AREA A
(PARTS REMOVED FOR CLARITY)



VIEW OF AREA B
(PARTS REMOVED FOR CLARITY)

180°

GRAPHIC #1

<END>

g06226541

FRAME AND BODY

500-4356 ENCLOSURE GP-ENGINE

S/N: TH41-UP; TH91-UP

PART OF 520-9601, 523-2011, 550-0081 ENGINE AR-COMplete
AN ATTACHMENT

SMCS-7263

i07659680

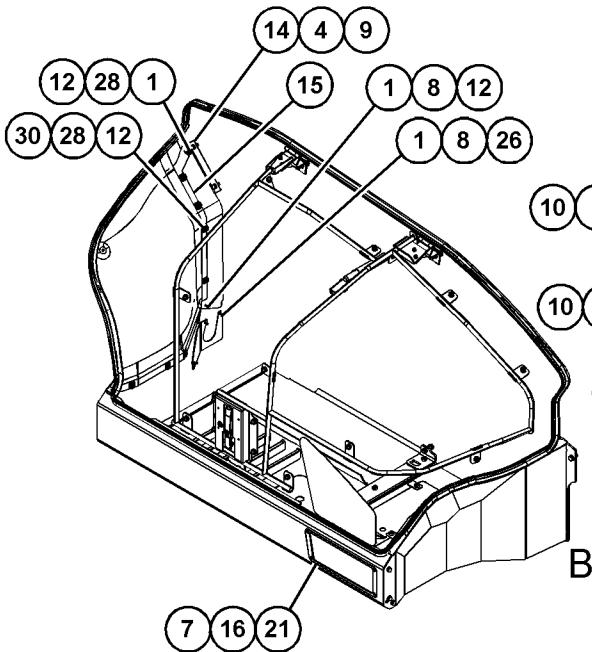
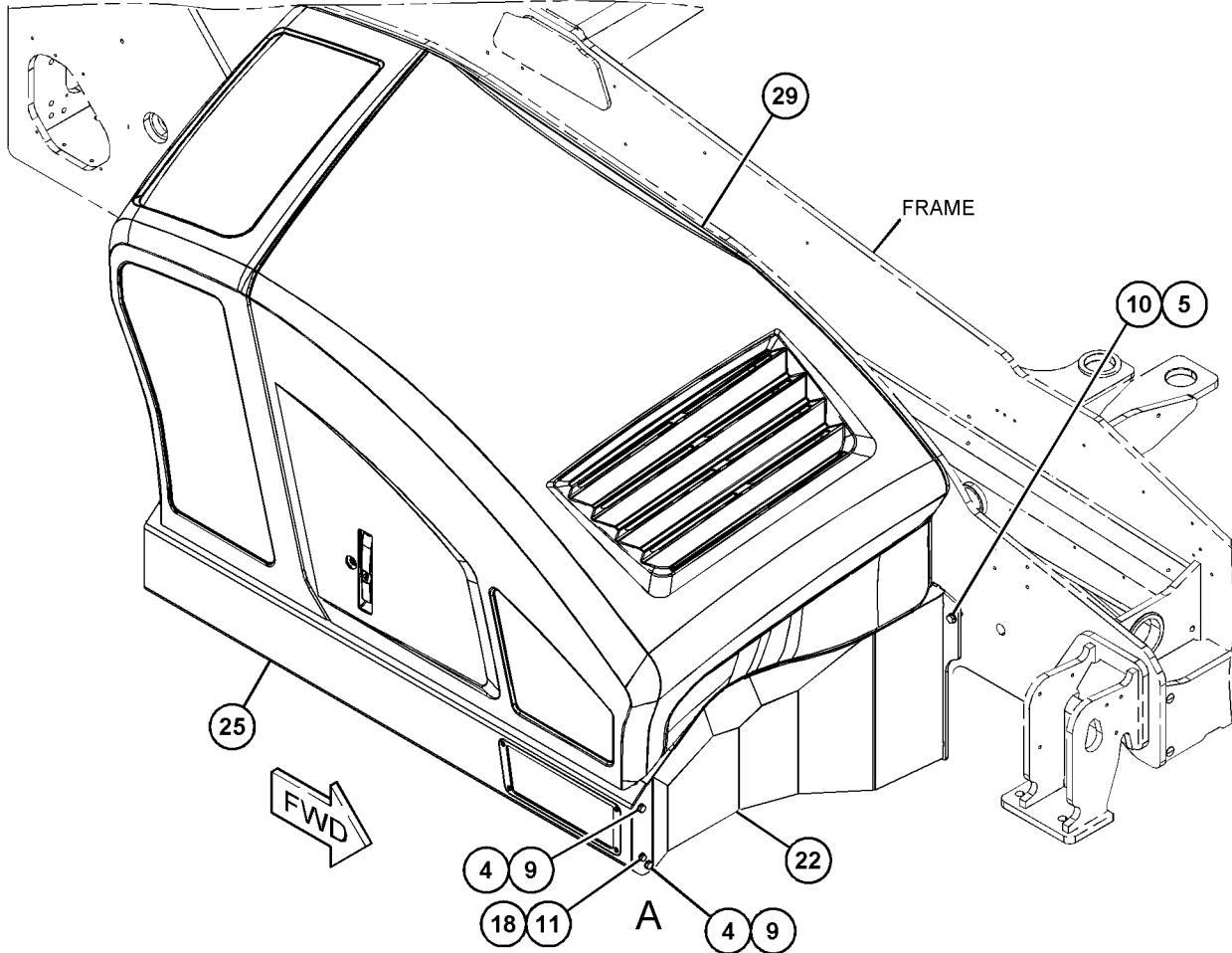
NOTE	REF NO	GRAPHIC REF	PART NUMBER	QTY	PART NAME						SEE PAGE
					1	2	3	4	5	6 (PRODUCT LEVEL)	
M	1	1	8T-4138	12	BOLT (M6X1X20-MM)						
M	2	1	8T-4195	2	BOLT (M10X1.5X30-MM)						
M	3	1	8T-4137	10	BOLT (M10X1.5X20-MM)						
M	4	1	8T-4136	8	BOLT (M10X1.5X25-MM)						
M	5	1	8T-4139	2	BOLT (M12X1.75X30-MM)						
M	6	1	165-7019	2	BOLT (M12X1.75X45-MM)						
M	7	1	127-1960	4	SCREW-FLAT HEAD (M6X1X16-MM)						
	8	1	8T-4205	4	WASHER-HARD (7.2X14.5X2-MM THK)						
	9	1	8T-4121	20	WASHER-HARD (11X21X2.5-MM THK)						
	10	1	8T-4223	4	WASHER-HARD (13.5X25.5X3-MM THK)						
M	11	1	500-3073	4	BOLT-FLANGE (M10X1.5X20-MM)						
M	12	1	341-7590	9	NUT (M6X1-THD)						
	13	1	459-7674	1	PLATE						
	14	1	500-3074	1	PLATE (REAR EXHAUST)						
	15	1	500-3075	1	COVER						
	16	1	500-4357	1	PLATE						
	18	1	500-3076	2	SPACER (11X16X6-MM THK)						
	19	1	500-3077	1	SEAL						
	21	1	500-4359	1	PLATE						
	22	1	500-3078	1	PLATE AS						
	23	1	500-3079	1	PLATE						
	24	1	500-3080	1	PLATE						
	25	1	500-4360	1	PLATE AS						
	26	1	500-3082	1	PLATE (COVER)						
	27	1	500-3083	1	PLATE AS						
	28	1	5W-1417	9	WASHER (6.4X18X1.6-MM THK)						
CY	29	1	<i>513-2322</i>	1	HOOD GP-ENGINE						785
CM	30	1	5C-9553	1	BOLT (M6X1X16-MM)						

C - CHANGE FROM PREVIOUS TYPE
M - METRIC PART
Y - SEPARATE ILLUSTRATION

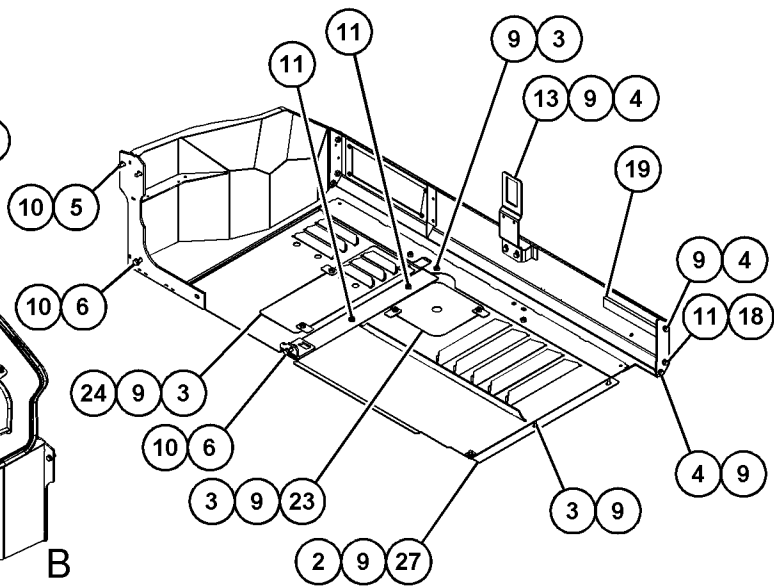
FRAME AND BODY

500-4356 ENCLOSURE GP-ENGINE (contd.)

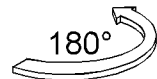
i07659680



VIEW OF AREA A
(PARTS REMOVED FOR CLARITY)



VIEW OF AREA B
(PARTS REMOVED FOR CLARITY)



GRAPHIC #1

<END>

g06428433

FRAME AND BODY

513-2321 ENCLOSURE GP-ENGINE

S/N: TH41-UP; TH91-UP; JKT1-UP
PART OF 513-2323 ENCLOSURE GP-ENGINE
AN ATTACHMENT

SMCS-7263

i06895080

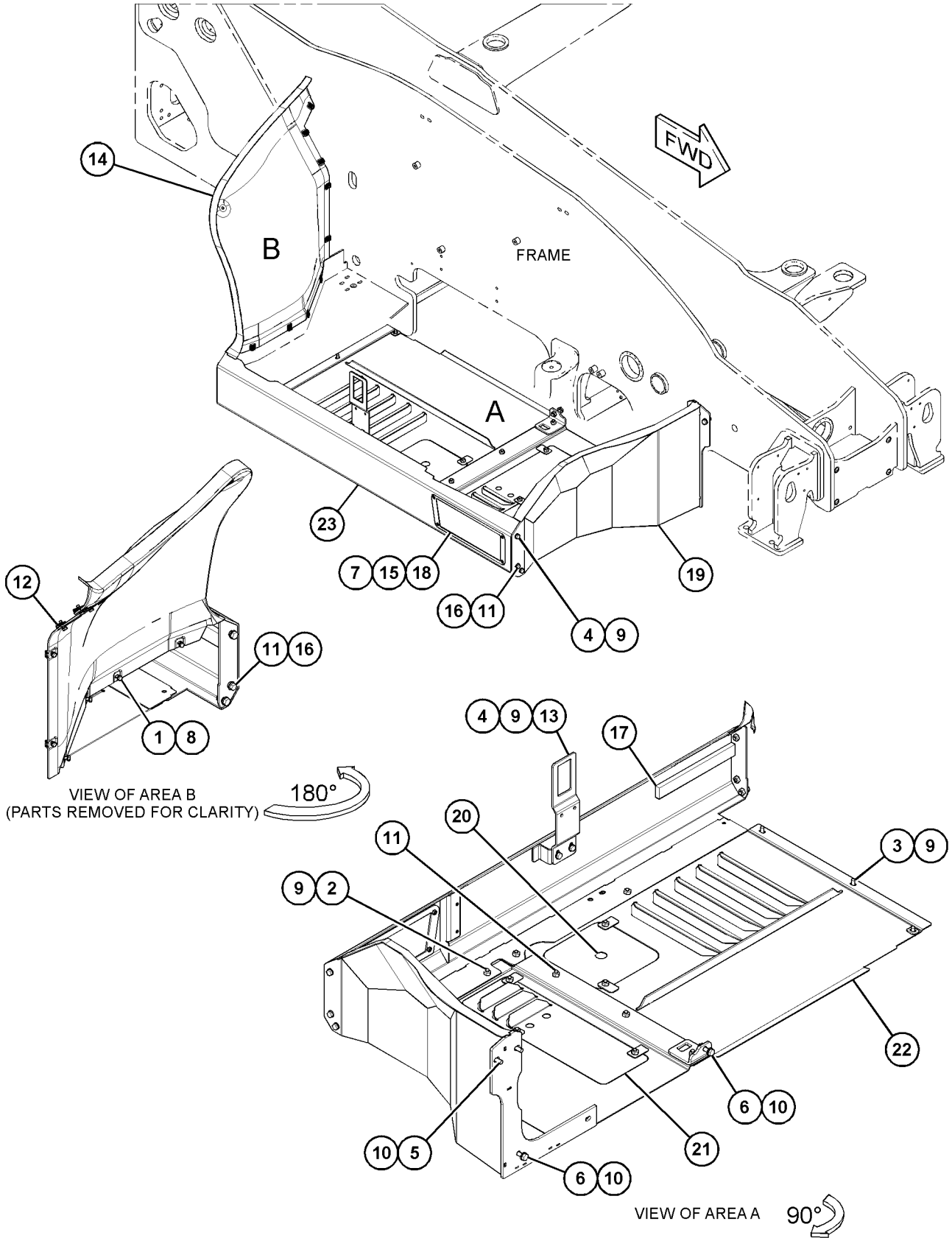
NOTE	REF NO	GRAPHIC REF	PART NUMBER	QTY	PART NAME						SEE PAGE
					1	2	3	4	5	6 (PRODUCT LEVEL)	
M	1	1	8T-4138	9	BOLT (M6X1X20-MM)						
M	2	1	8T-4195	2	BOLT (M10X1.5X30-MM)						
M	3	1	8T-4137	10	BOLT (M10X1.5X20-MM)						
M	4	1	8T-4136	6	BOLT (M10X1.5X25-MM)						
M	5	1	8T-4139	2	BOLT (M12X1.75X30-MM)						
M	6	1	165-7019	2	BOLT (M12X1.75X45-MM)						
M	7	1	5C-7423	4	SCREW (M6X1X16-MM)						
	8	1	8T-4205	9	WASHER-HARD (7.2X14.5X2-MM THK)						
	9	1	8T-4121	18	WASHER-HARD (11X21X2.5-MM THK)						
	10	1	8T-4223	4	WASHER-HARD (13.5X25.5X3-MM THK)						
M	11	1	500-3073	4	BOLT-FLANGE (M10X1.5X20-MM)						
M	12	1	341-7590	9	NUT (M6X1-THD)						
	13	1	459-7674	1	PLATE						
	14	1	500-3075	1	COVER						
	15	1	500-4357	1	PLATE						
	16	1	500-3076	2	SPACER (11X16X6-MM THK)						
	17	1	500-3077	1	SEAL						
	18	1	500-4359	1	PLATE						
	19	1	500-3078	1	PLATE AS						
	20	1	500-3079	1	PLATE						
	21	1	500-3080	1	PLATE						
	22	1	500-3083	1	PLATE AS						
	23	1	500-4360	1	PLATE AS						

M - METRIC PART

FRAME AND BODY

513-2321 ENCLOSURE GP-ENGINE (contd.)

i06895080



GRAPHIC #1

<END>

g06163613

FRAME AND BODY

513-2323 ENCLOSURE GP-ENGINE

S/N: TH41-UP; TH91-UP; JKT1-UP

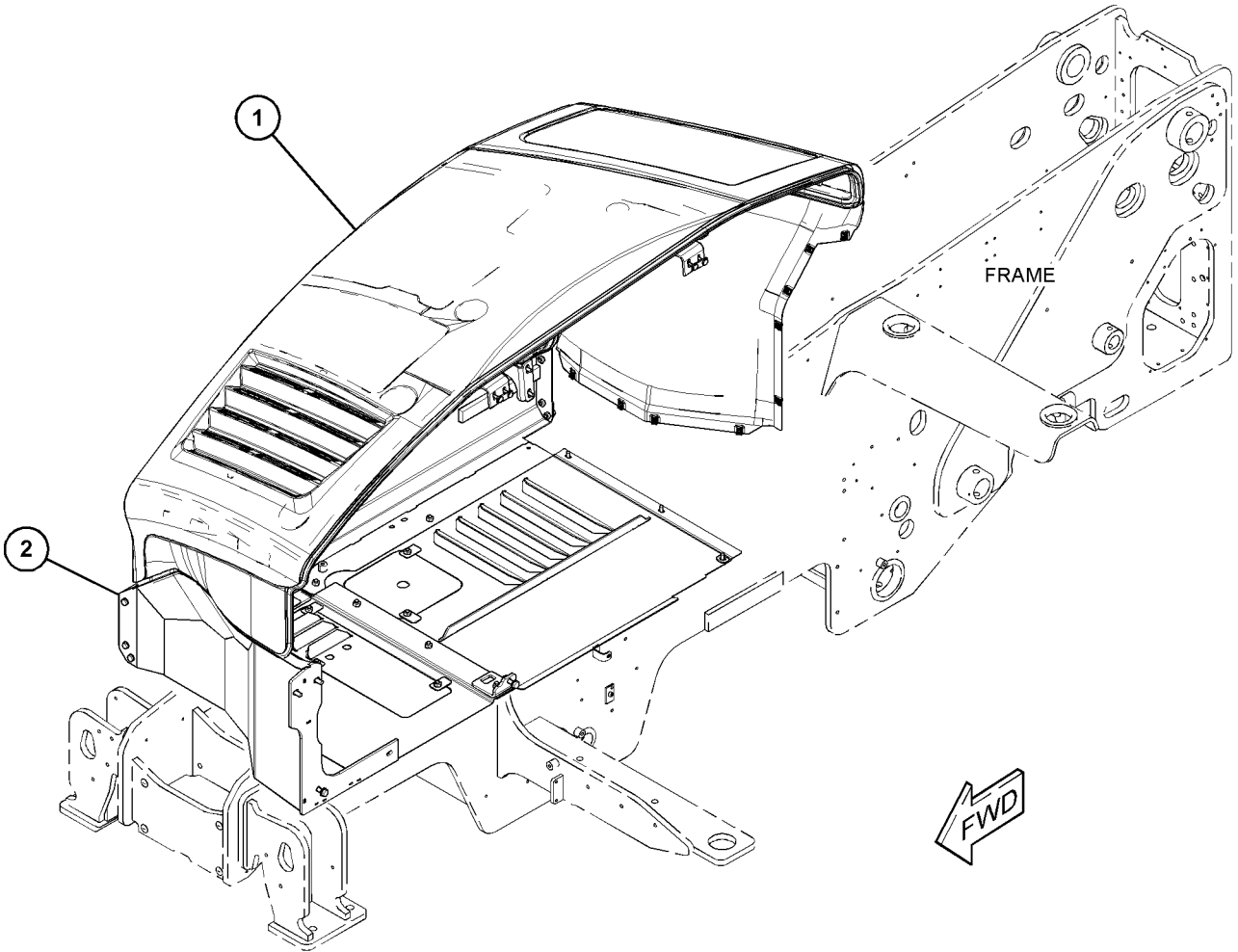
PART OF 523-1976, 550-0083 ENGINE AR-COMplete
AN ATTACHMENT

SMCS-7263

i06894970

NOTE	REF NO	GRAPHIC REF	PART NUMBER	QTY	PART NAME						SEE PAGE
					1	2	3	4	5	6 (PRODUCT LEVEL)	
Y	1	1	513-2322	1	HOOD GP-ENGINE						785
Y	2	1	513-2321	1	ENCLOSURE GP-ENGINE						755

Y - SEPARATE ILLUSTRATION



GRAPHIC #1

<END>

g06165675

FRAME AND BODY

514-4640 FENDER & MOUNTING GP

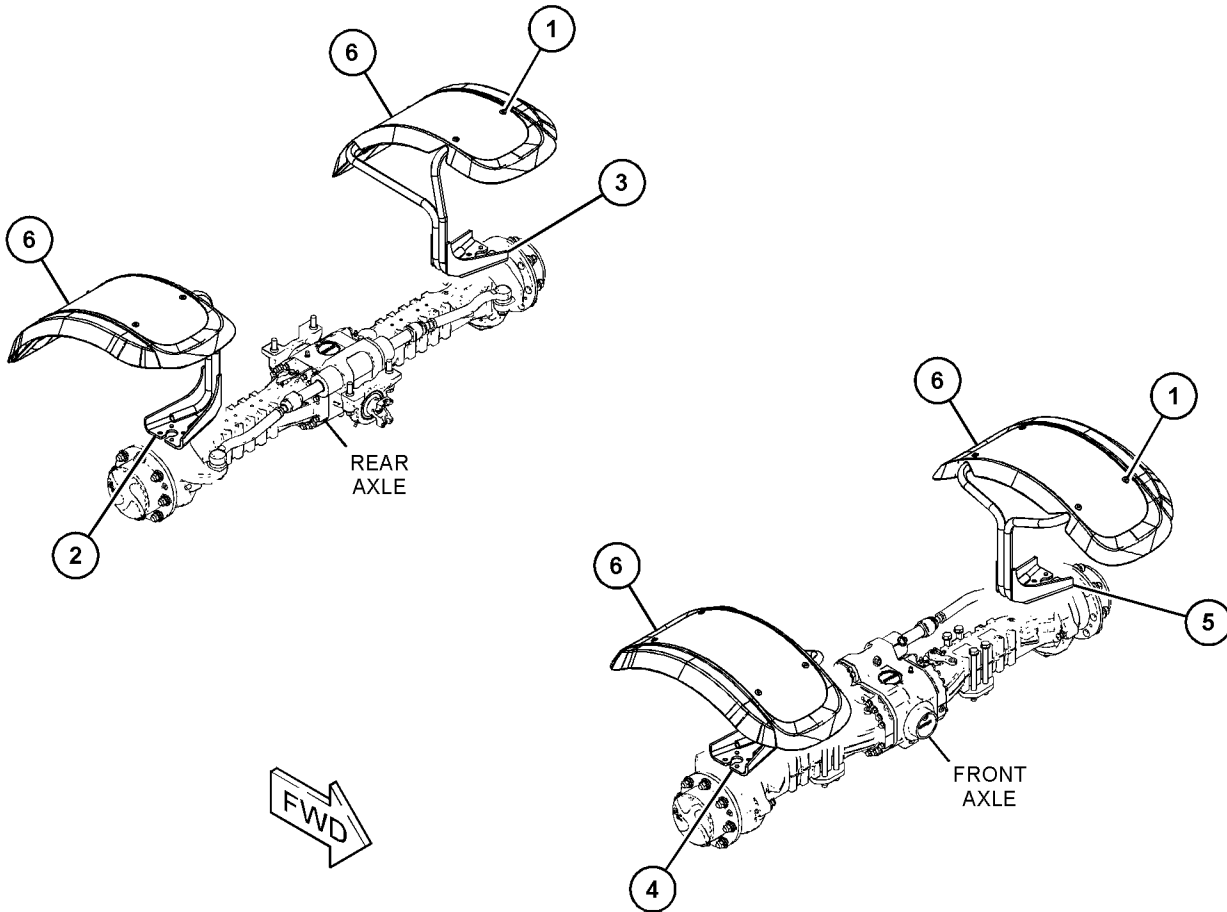
S/N: TH41-UP; TH91-UP

PART OF 590-9758, 590-9759, 590-9760, 590-9761 CONFIGURATION AR
AN ATTACHMENT

SMCS-7252

i06893241

NOTE	REF NO	GRAPHIC REF	PART NUMBER	QTY	PART NAME						SEE PAGE
					1	2	3	4	5	6	
	1	1	474-7179	16	SCREW-SPECIAL						
	2	1	500-9600	1	BRACKET AS (REAR, RH)						
	3	1	500-9601	1	BRACKET AS (REAR, LH)						
	4	1	500-9602	1	BRACKET AS (FRONT, RH)						
	5	1	500-9603	1	BRACKET AS (FRONT, LH)						
	6	1	514-4642	4	FENDER GP						
					(EACH INCLUDES)						
		1	5W-1405	5	WASHER (4.3X12X1-MM THK)						
		1	500-9605	1	EXTENSION-FENDER						
		1	500-9606	1	FENDER						
		1	506-1894	5	SCREW (M4X20-MM)						



GRAPHIC #1

<END>

g06158856

FRAME AND BODY

514-4638 FENDER GP

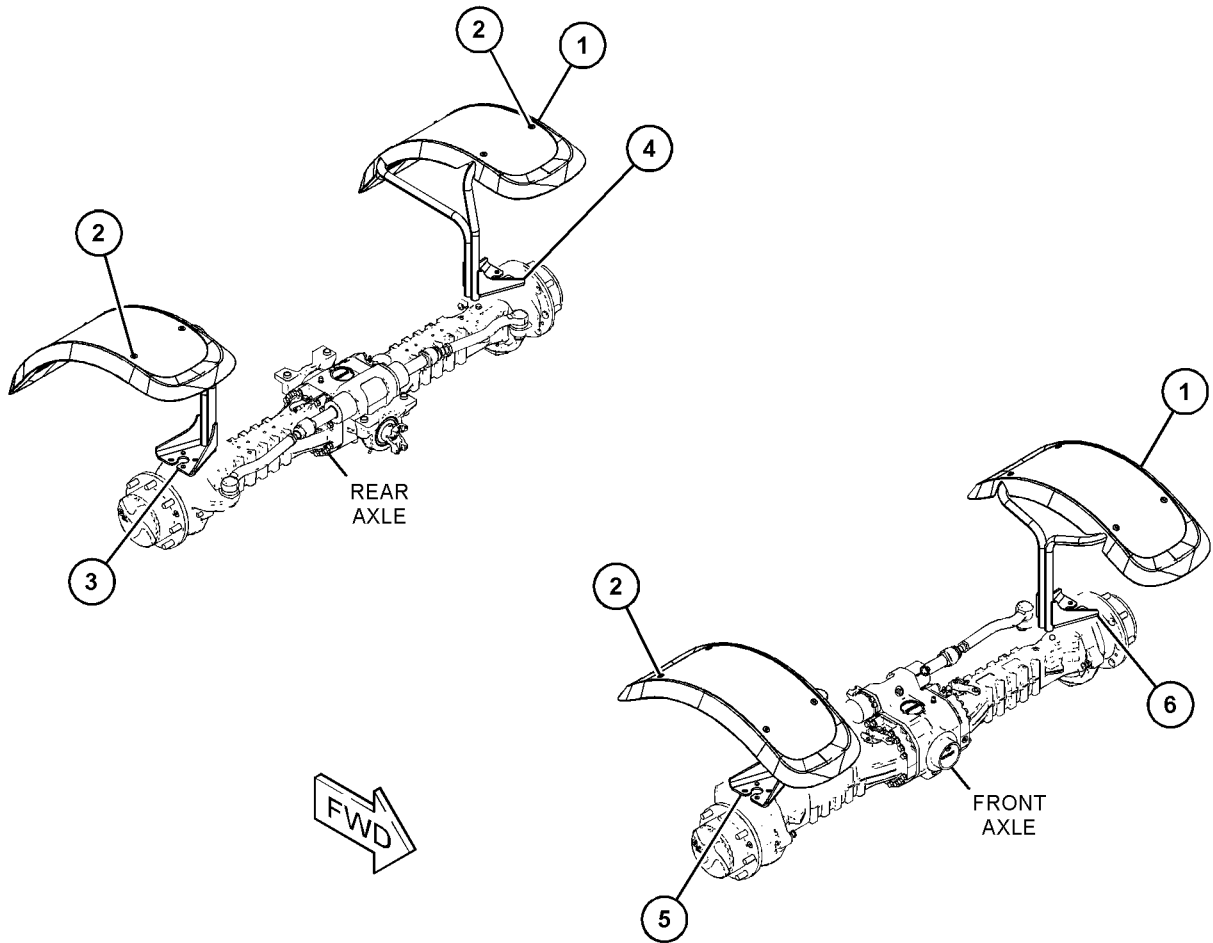
S/N: TH41-UP; TH91-UP

AN ATTACHMENT

SMCS-7252

i06893240

NOTE	REF NO	GRAPHIC REF	PART NUMBER	QTY	PART NAME						SEE PAGE
					1	2	3	4	5	6 (PRODUCT LEVEL)	
	1	1	474-7178	4	FENDER						
	2	1	474-7179	16	SCREW-SPECIAL						
	3	1	500-9502	1	BRACKET AS (REAR, RH)						
	4	1	500-9503	1	BRACKET AS (REAR, LH)						
	5	1	500-9504	1	BRACKET AS (FENDER)						
	6	1	514-4639	1	BRACKET AS						



GRAPHIC #1

<END>

g06158850

FRAME AND BODY

587-2231 FENDER GP

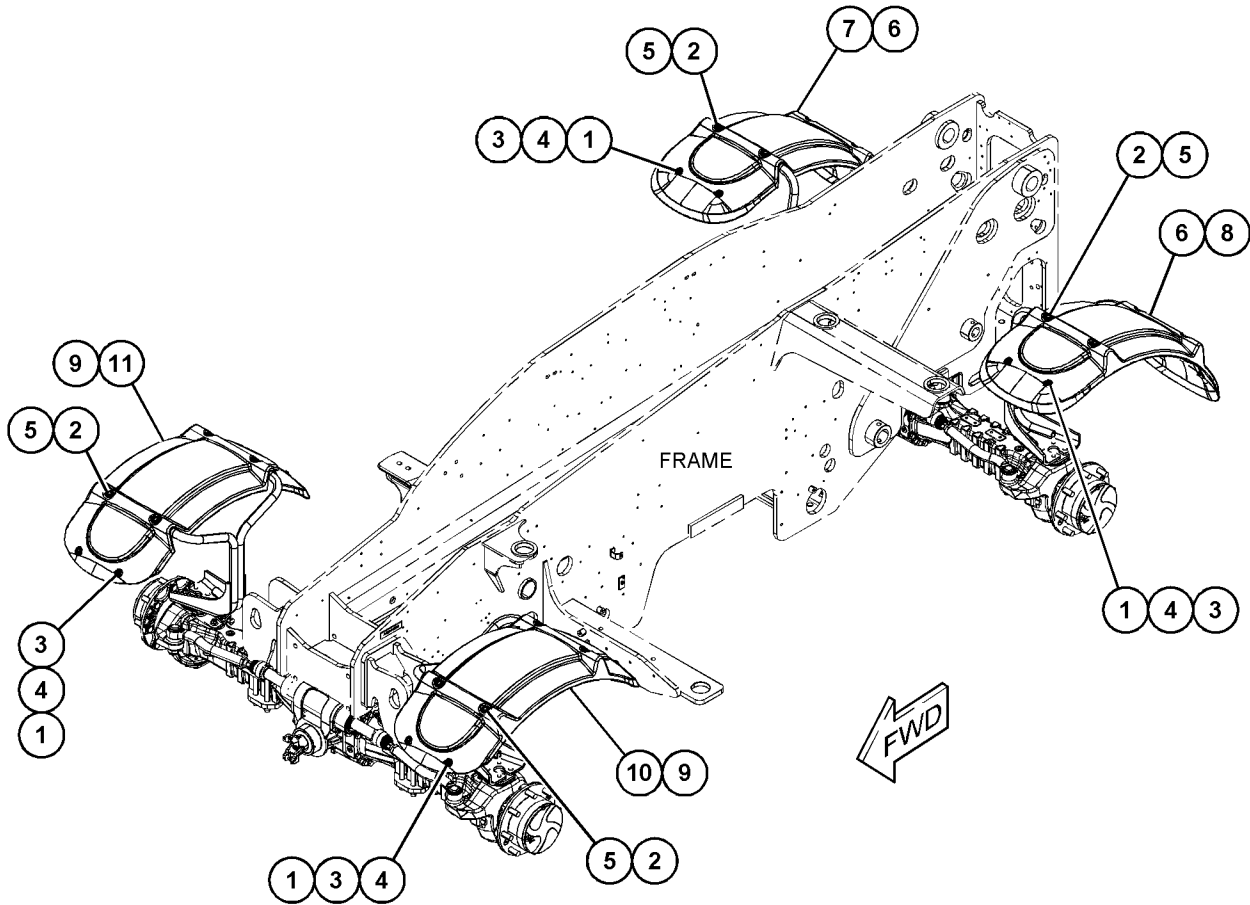
S/N: TH4173-UP; TH9890-UP
AN ATTACHMENT

SMCS-7252

i08097054

NOTE	REF NO	GRAPHIC REF	PART NUMBER	QTY	PART NAME						SEE PAGE
					1	2	3	4	5	6 (PRODUCT LEVEL)	
M	1	1	6V-7357	16	BOLT (M6X1X25-MM)						
M	2	1	8T-4908	16	BOLT (M8X1.25X25-MM)						
M	3	1	208-8469	16	LOCKNUT (M6X1-THD)						
	4	1	5Y-2425	32	WASHER (6.5X17.5X1.5-MM THK)						
	5	1	260-6685	32	WASHER (9X25X1.6-MM THK)						
	6	1	326-3984	2	FENDER						
	7	1	587-2225	1	BRACKET (REAR, RH)						
	8	1	587-2226	1	BRACKET (REAR, LH)						
	9	1	587-2227	2	BRACKET (FRONT)						
	10	1	587-2228	1	FENDER (FRONT, LH)						
	11	1	587-2229	1	FENDER (FRONT, RH)						

M - METRIC PART



GRAPHIC #1

<END>

g06563640

FRAME AND BODY

513-9440 FRAME GP-LOADER

S/N: TH41-UP; TH91-UP

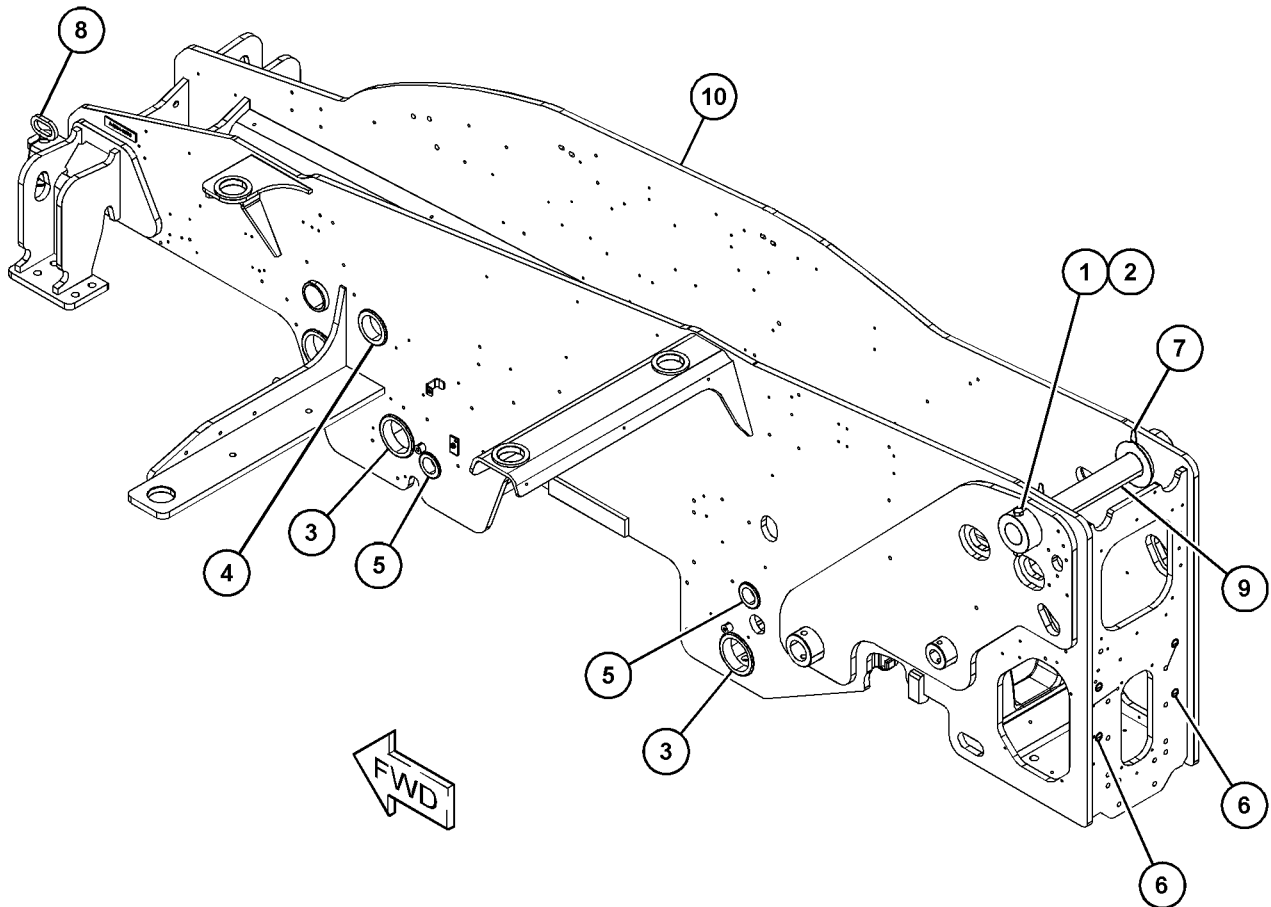
PART OF 518-0076, 518-0077 CHASSIS AR

SMCS-7054

i07818108

NOTE	REF NO	GRAPHIC REF	PART NUMBER	QTY	PART NAME						SEE PAGE
					1	2	3	4	5	6 (PRODUCT LEVEL)	
M	1	1	459-8891	1	BOLT (M16X2X140-MM)						
M	2	1	381-2771	1	NUT-SELF LOCKING (M16X2-THD)						
	3	1	149-6549	3	GROMMET						
	4	1	106-3887	1	GROMMET						
	5	1	133-4409	2	GROMMET						
	6	1	329-3606	8	PLUG						
B	7	1	459-6913	4	SHIM (1-MM THK)						
B		1	459-6912	2	SHIM (1-MM THK)						
Y	8	1	<i>148-2270</i>	1	PIN GP-HITCH						791
	9	1	499-3144	1	PIN						
	10	1	550-2140	1	GROMMET-RUBBER						

B - USE AS REQUIRED
M - METRIC PART
Y - SEPARATE ILLUSTRATION



GRAPHIC #1

<END>

g06466941

FRAME AND BODY

506-7530 HITCH AR

S/N: TH41-UP; TH91-UP
AN ATTACHMENT

SMCS-7100

i06608821

NOTE	PART NUMBER	QTY	PART NAME 1 2 3 4 5 6 (PRODUCT LEVEL)	SEE PAGE
Y	501-7473	1	PLATE & MTG GP (FRAME, REAR)	792
Y - SEPARATE ILLUSTRATION				
<END>				

506-7531 HITCH AR-RETRIEVAL

S/N: TH41-UP; TH91-UP
AN ATTACHMENT

SMCS-7100

i08071287

NOTE	PART NUMBER	QTY	PART NAME 1 2 3 4 5 6 (PRODUCT LEVEL)	SEE PAGE
Y	493-1118	1	HITCH GP	768
Y	501-7473	1	PLATE & MTG GP (FRAME, REAR)	792
Y	539-4494	1	PLATE & MTG GP (HITCH)	795
Y	518-2993	1	PLUG GP-CAB	1234
Y - SEPARATE ILLUSTRATION				
<END>				

506-7532 HITCH AR

S/N: TH41-UP; TH91-UP
NOT AVAILABLE IN THE ITALIAN MARKET
AN ATTACHMENT

SMCS-7100

i08072382

NOTE	PART NUMBER	QTY	PART NAME 1 2 3 4 5 6 (PRODUCT LEVEL)	SEE PAGE
Y	493-1119	1	HITCH GP-TOWING	773
Y	501-7473	1	PLATE & MTG GP (FRAME, REAR)	792
Y	539-4494	1	PLATE & MTG GP (HITCH)	795
Y	518-2993	1	PLUG GP-CAB	1234
Y - SEPARATE ILLUSTRATION				
<END>				

506-7533 HITCH AR

S/N: TH41-UP; TH91-UP
NOT AVAILABLE IN THE ITALIAN MARKET
AN ATTACHMENT

SMCS-7100

i08071332

NOTE	PART NUMBER	QTY	PART NAME 1 2 3 4 5 6 (PRODUCT LEVEL)	SEE PAGE
Y	493-1121	1	HITCH GP-TOWING	774
Y	501-7473	1	PLATE & MTG GP (FRAME, REAR)	792
Y	539-4494	1	PLATE & MTG GP (HITCH)	795
Y	518-2993	1	PLUG GP-CAB	1234
Y - SEPARATE ILLUSTRATION				
<END>				

FRAME AND BODY

506-7534 HITCH AR

S/N: TH91-UP
AN ATTACHMENT

SMCS-7100

i08071237

NOTE	PART NUMBER	QTY	PART NAME						SEE PAGE
			1	2	3	4	5	6 (PRODUCT LEVEL)	
Y	493-1123	1	HITCH GP-TOWING						775
Y	501-7473	1	PLATE & MTG GP (FRAME, REAR)						792
Y	518-2993	1	PLUG GP-CAB						1234

Y - SEPARATE ILLUSTRATION

<END>

506-7535 HITCH AR

S/N: TH91-UP
AN ATTACHMENT

SMCS-7100

i08071317

NOTE	PART NUMBER	QTY	PART NAME						SEE PAGE
			1	2	3	4	5	6 (PRODUCT LEVEL)	
Y	493-1292	1	HITCH GP-TOWING						778
Y	501-7473	1	PLATE & MTG GP (FRAME, REAR)						792
Y	518-2993	1	PLUG GP-CAB						1234

Y - SEPARATE ILLUSTRATION

<END>

506-7536 HITCH AR

S/N: TH41-UP; TH91-UP
NOT AVAILABLE IN THE ITALIAN MARKET
AN ATTACHMENT

SMCS-7100

i08071266

NOTE	PART NUMBER	QTY	PART NAME						SEE PAGE
			1	2	3	4	5	6 (PRODUCT LEVEL)	
Y	493-1124	1	HITCH GP-TOWING						776
Y	501-7473	1	PLATE & MTG GP (FRAME, REAR)						792
Y	539-4494	1	PLATE & MTG GP (HITCH)						795
Y	518-2993	1	PLUG GP-CAB						1234

Y - SEPARATE ILLUSTRATION

<END>

506-7537 HITCH AR

S/N: TH41-UP; TH91-UP
NOT AVAILABLE IN THE ITALIAN MARKET
AN ATTACHMENT

SMCS-7100

i08072420

NOTE	PART NUMBER	QTY	PART NAME						SEE PAGE
			1	2	3	4	5	6 (PRODUCT LEVEL)	
Y	493-1126	1	HITCH GP-TOWING						777
Y	501-7473	1	PLATE & MTG GP (FRAME, REAR)						792
Y	539-4494	1	PLATE & MTG GP (HITCH)						795
Y	518-2993	1	PLUG GP-CAB						1234

Y - SEPARATE ILLUSTRATION

<END>

FRAME AND BODY

506-7538 HITCH AR-HYDRAULIC

S/N: TH41-UP; TH91-UP

AN ATTACHMENT

SMCS-7100

i07090267

NOTE	PART NUMBER	QTY	PART NAME						SEE PAGE
			1	2	3	4	5	6 (PRODUCT LEVEL)	
Y	501-7467	1	HITCH GP-TOWING (REAR)						779
Y	501-7474	1	PLATE & MTG GP (HITCH)						793
Y	539-4494	1	PLATE & MTG GP (HITCH)						795

Y - SEPARATE ILLUSTRATION

<END>

FRAME AND BODY

322-5944 HITCH GP

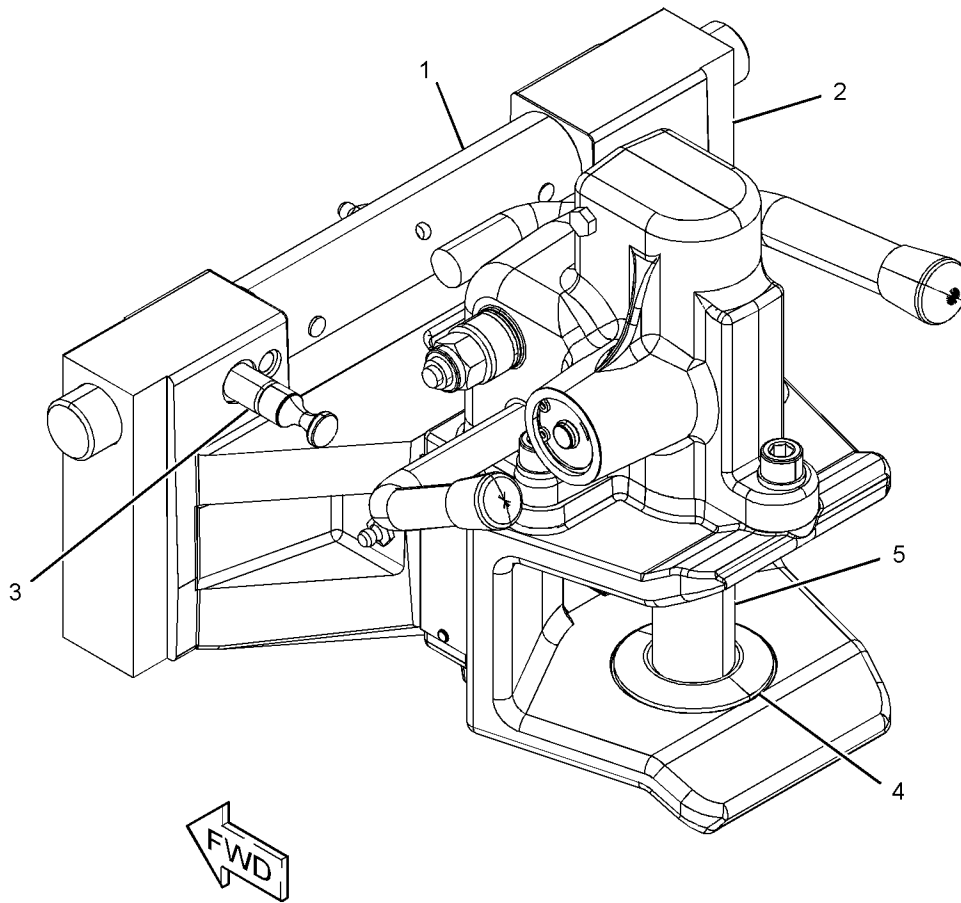
S/N: TH41-UP; TH91-UP

PART OF 493-1119, 493-1124 HITCH GP-TOWING
AN ATTACHMENT

SMCS-7100

i06145582

NOTE	REF NO	GRAPHIC REF	PART NUMBER	QTY	PART NAME						SEE PAGE
					1	2	3	4	5	6 (PRODUCT LEVEL)	
	1	1	348-8510	1	KIT-LEVER						
(INCLUDES PINS, INTERNAL SPRING, FITTING & HANDLE)											
	2	1	348-8512	1	HITCH AS						
	3	1	348-8513	1	PIN-PIVOT						
	4	1	348-8514	1	BUSHING						
	5	1	348-8515	1	PIN						



GRAPHIC #1

<END>

g03660982

FRAME AND BODY

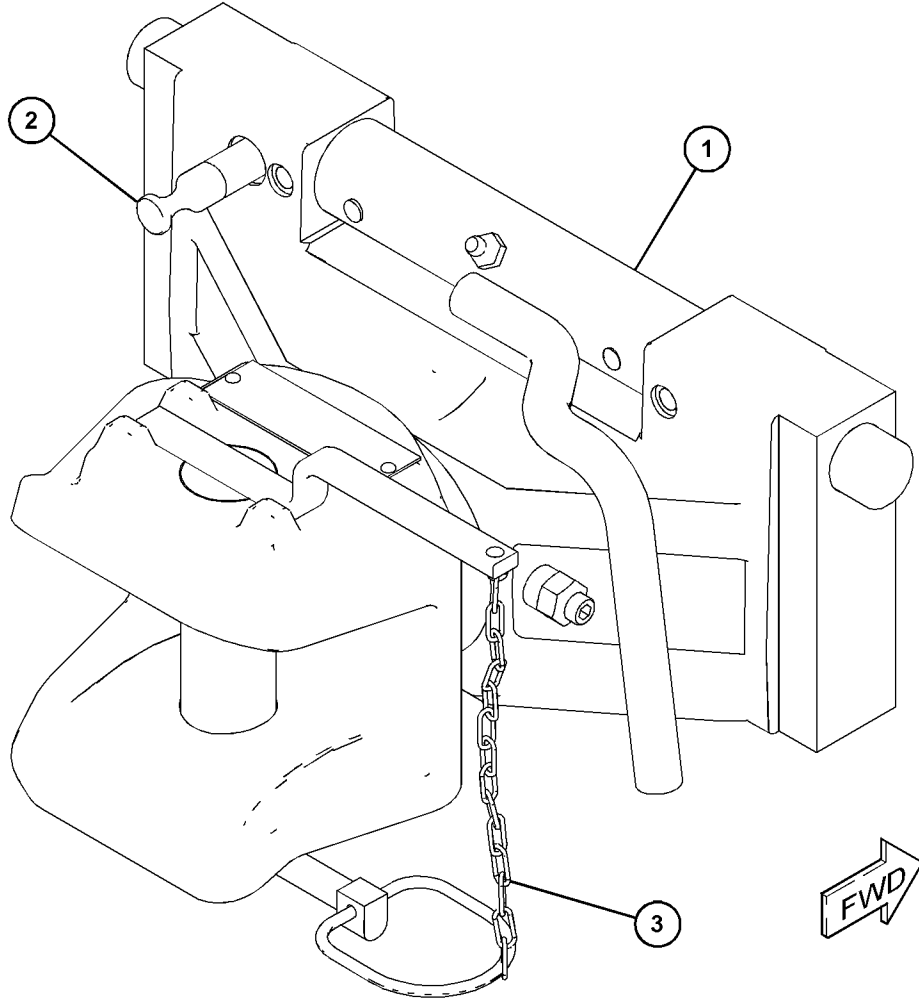
322-5945 HITCH GP

S/N: TH41-UP; TH91-UP
 PART OF 493-1121 HITCH GP-TOWING
 AN ATTACHMENT

SMCS-7100

i05755799

NOTE	REF NO	GRAPHIC REF	PART NUMBER	QTY	PART NAME						SEE PAGE
					1	2	3	4	5	6 (PRODUCT LEVEL)	
	1	1	348-8510	1	KIT-LEVER						
(INCLUDES PINS, INTERNAL SPRING, FITTING & HANDLE)											
	2	1	348-8513	1	PIN-PIVOT						
	3	1	348-8516	1	PIN						



GRAPHIC #1

<END>

g03657874

FRAME AND BODY

322-5947 HITCH GP

S/N: TH91-UP

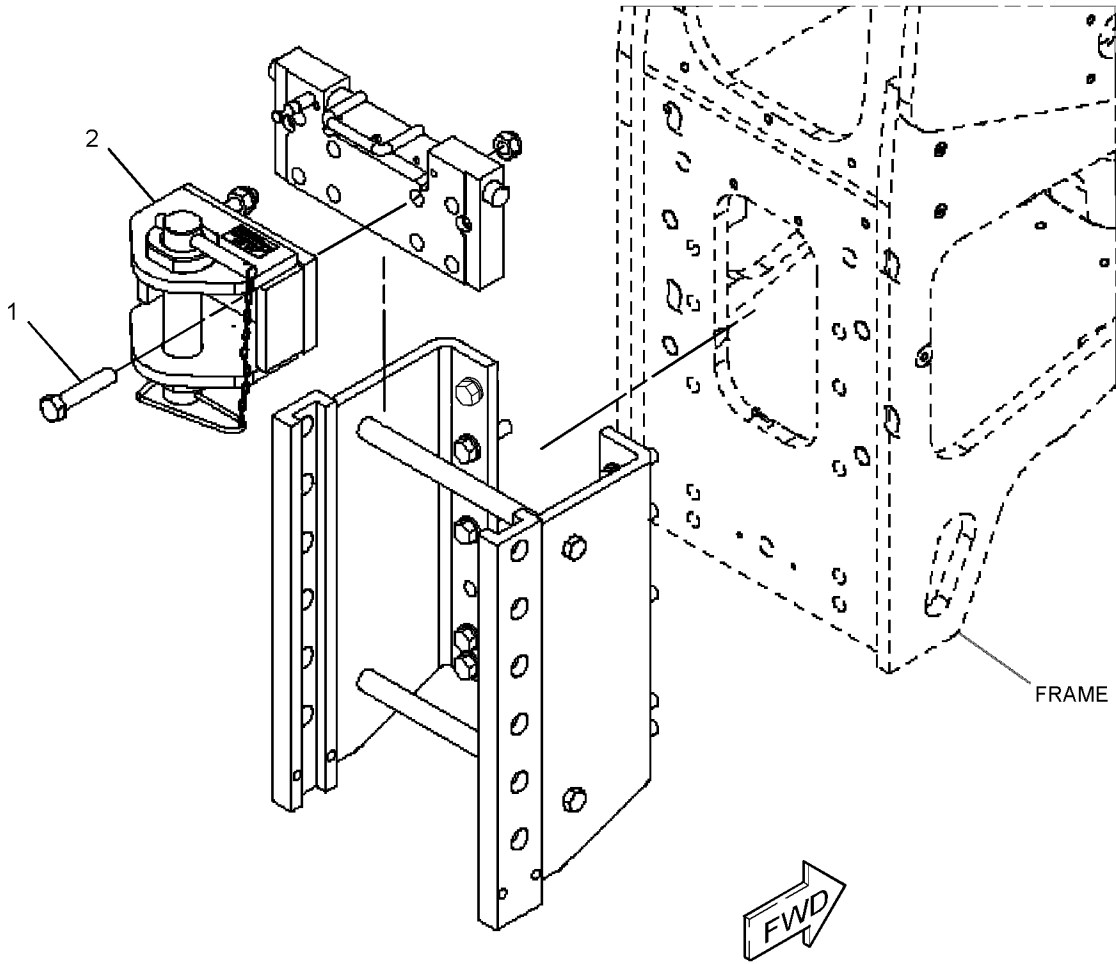
PART OF 493-1292 HITCH GP-TOWING
AN ATTACHMENT

SMCS-7100

i05755286

NOTE	REF NO	GRAPHIC REF	PART NUMBER	QTY	PART NAME						SEE PAGE
					1	2	3	4	5	6 (PRODUCT LEVEL)	
	1	1	348-8517	4	BOLT						
	2	1	348-8518	4	KIT-MOUNTING						

(INCLUDES LOCKNUTS, SCREWS & WASHERS)



GRAPHIC #1

<END>

g03680957

FRAME AND BODY

493-1118 HITCH GP-RETRIEVAL

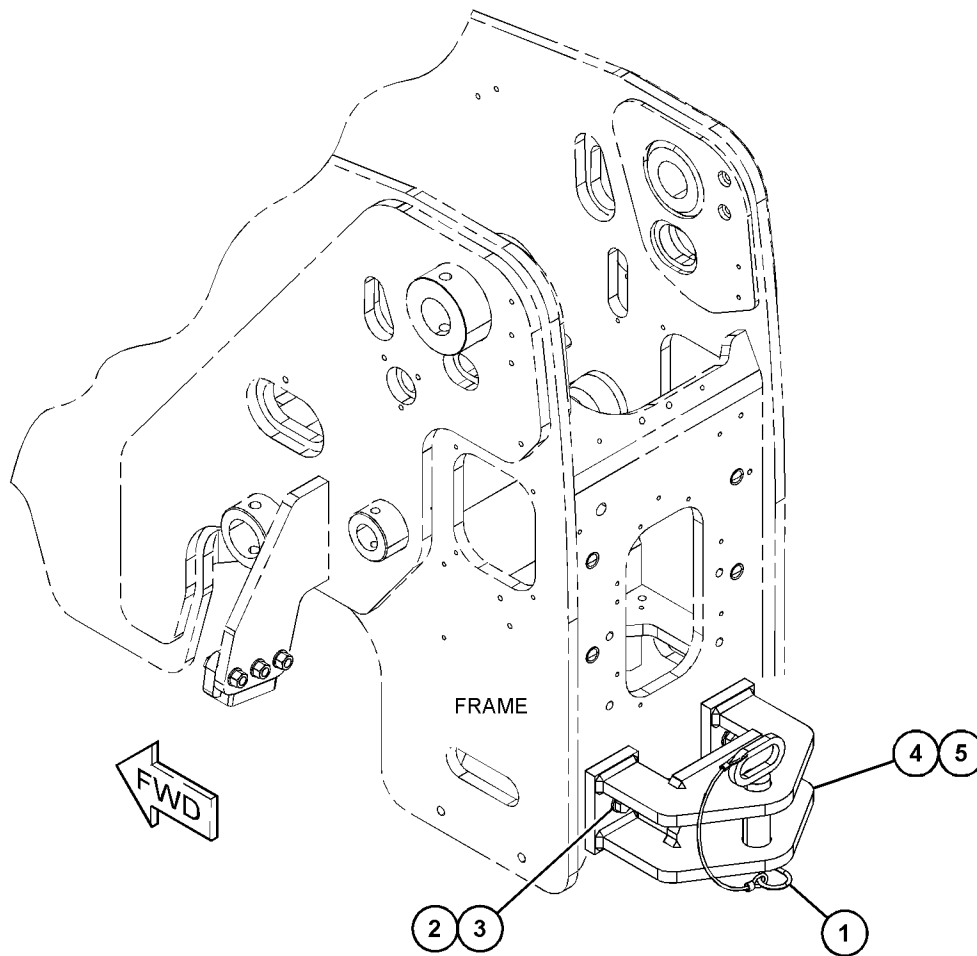
S/N: TH41-UP; TH91-UP
PART OF 506-7531 HITCH AR
AN ATTACHMENT

SMCS-7100

i07818040

NOTE	REF NO	GRAPHIC REF	PART NUMBER	QTY	PART NAME						SEE PAGE
					1	2	3	4	5	6 (PRODUCT LEVEL)	
	1	1	569-5707	1	PIN GP-HITCH						
		1	211-9462	1	PIN AS						
		1	569-5684	1	PIN-COTTER						
		1	569-5691	1	LANYARD						
M	2	1	8T-4193	2	BOLT (M16X2X50-MM)						
	3	1	099-7241	2	WASHER-HARD (19X34X3-MM THK)						
	4	1	569-5946	1	HITCH						
	5	1	571-0261	1	FILM-IDENTIFICATION (RETRIEVAL)						

M - METRIC PART



GRAPHIC #1

<END>

g06466076

FRAME AND BODY

501-7455 HITCH GP-RELEASE CABLE

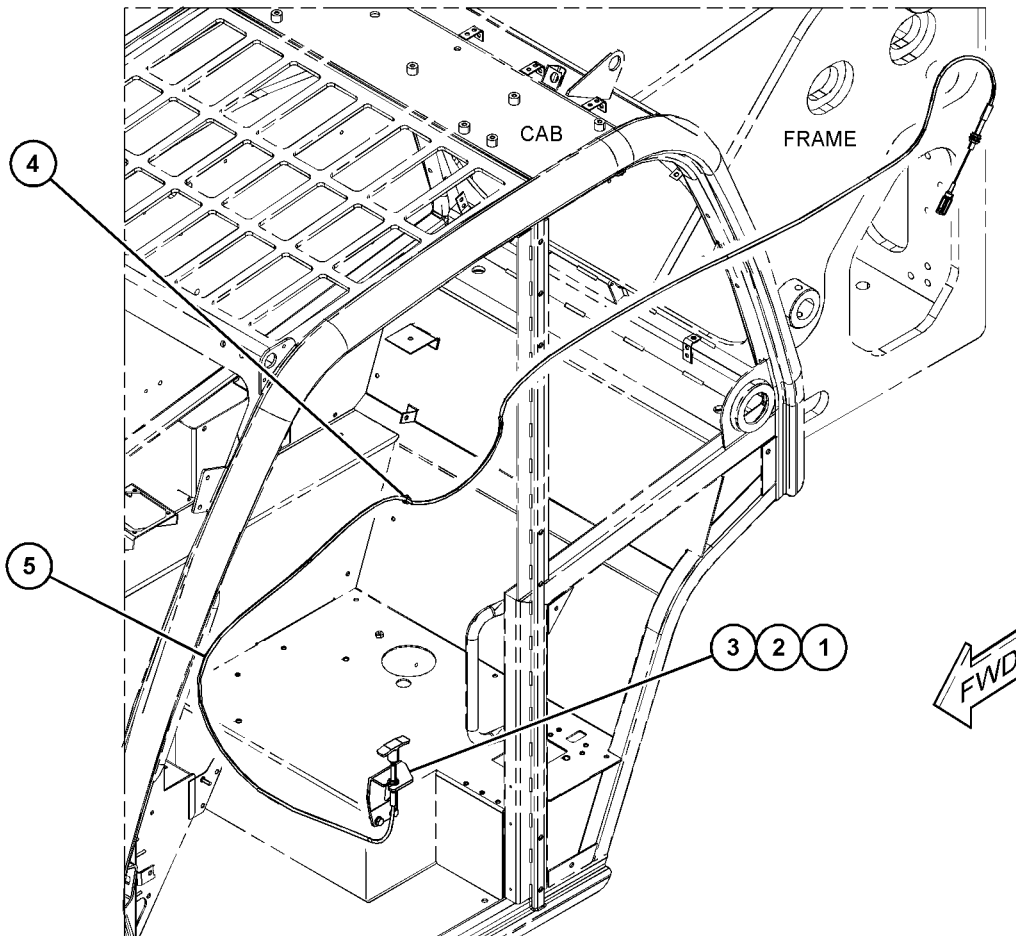
S/N: TH41-271; TH91-UP
PART OF 501-7467 HITCH GP-TOWING
AN ATTACHMENT

SMCS-7100

i06610960

NOTE	REF NO	GRAPHIC REF	PART NUMBER	QTY	PART NAME						SEE PAGE
					1	2	3	4	5	6 (PRODUCT LEVEL)	
M	1	1	8T-4189	2	BOLT (M8X1.25X20-MM)						
	2	1	8T-4224	2	WASHER-HARD (8.8X16X2-MM THK)						
	3	1	501-7457	1	BRACKET AS						
	4	1	455-3027	1	TIE-CABLE						
	5	1	501-7458	1	CABLE						

M - METRIC PART



GRAPHIC #1

<END>

g06092555

FRAME AND BODY

501-7455 HITCH GP-RELEASE CABLE

S/N: TH4272-UP; TH91-UP

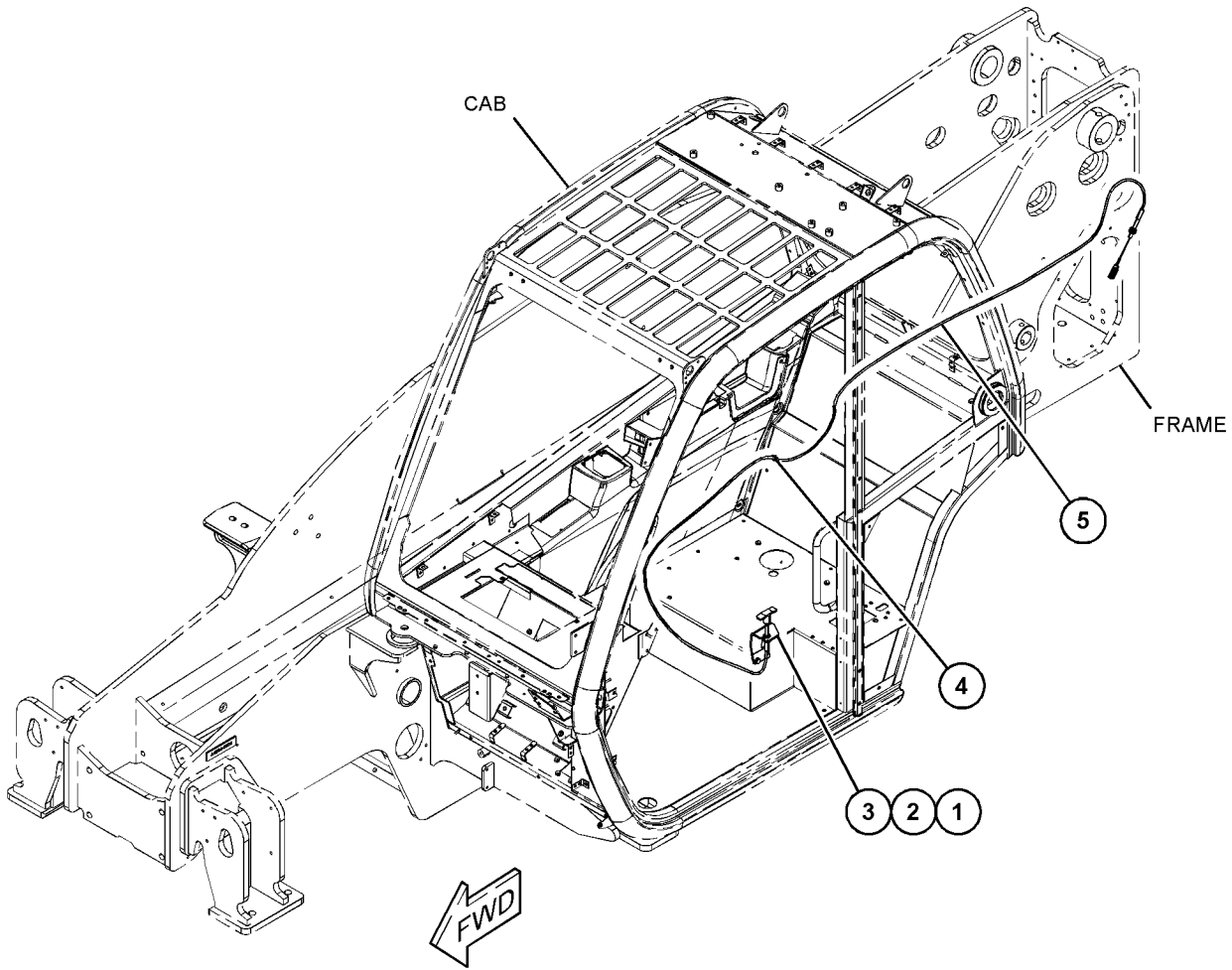
PART OF 501-7467 HITCH GP-TOWING
AN ATTACHMENT

SMCS-7100

i07660520

NOTE	REF NO	GRAPHIC REF	PART NUMBER	QTY	PART NAME						SEE PAGE
					1	2	3	4	5	6 (PRODUCT LEVEL)	
CM	1	1	8T-4138	2	BOLT (M6X1X20-MM)						
C	2	1	8T-4205	2	WASHER-HARD (7.2X14.5X2-MM THK)						
C	3	1	564-5659	1	BRACKET AS						
	4	1	455-3027	1	TIE-CABLE						
	5	1	501-7458	1	CABLE						

C - CHANGE FROM PREVIOUS TYPE
M - METRIC PART



GRAPHIC #1

<END>

g06416320

FRAME AND BODY

501-7460 HITCH GP-HYDRAULIC

S/N: TH41-UP; TH91-UP

PART OF 501-8492 HITCH GP-TOWING
AN ATTACHMENT

SMCS-7100

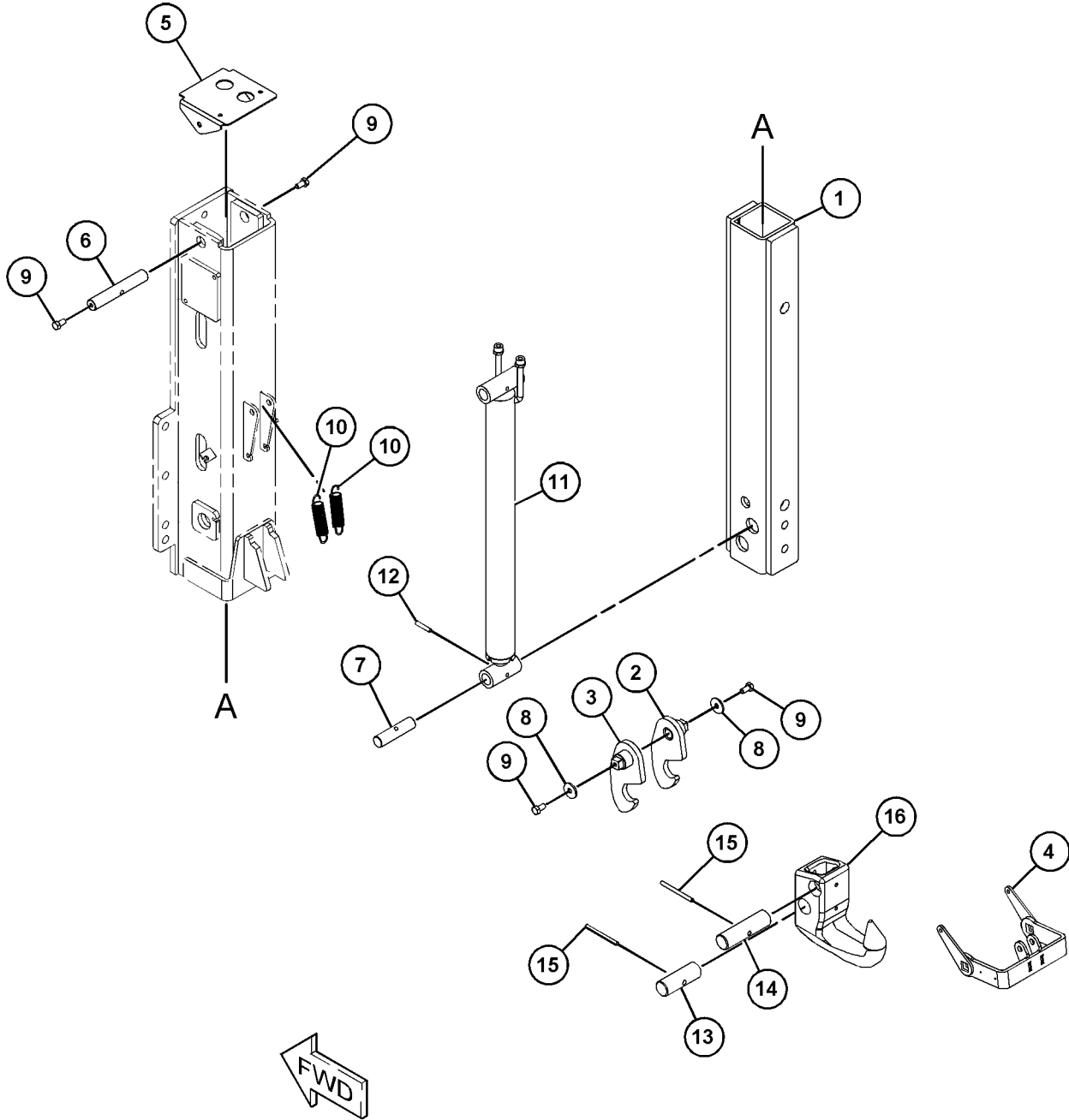
i06810930

NOTE	REF NO	GRAPHIC REF	PART NUMBER	QTY	PART NAME						SEE PAGE
					1	2	3	4	5	6 (PRODUCT LEVEL)	
	1	1	509-7186	1	BODY						
	2	1	509-7187	1	LOCK						
	3	1	509-7188	1	LOCK						
	4	1	509-7189	1	BRACKET						
	5	1	509-7190	1	PLATE-COVER						
	6	1	509-7191	1	PIN						
	7	1	509-7192	1	PIN						
	8	1	509-7193	2	WASHER						
	9	1	509-7194	4	BOLT-HEAD						
	10	1	509-7195	2	SPRING						
	11	1	509-7196	1	CYLINDER						
	12	1	509-7197	1	PIN						
	13	1	509-7198	1	PIN						
	14	1	509-7199	1	PIN						
	15	1	509-7200	1	PIN						
	16	1	509-7201	1	HOOK						

FRAME AND BODY

501-7460 HITCH GP (contd.)

i06810930



GRAPHIC #1

<END>

g06127191

FRAME AND BODY

493-1119 HITCH GP-TOWING

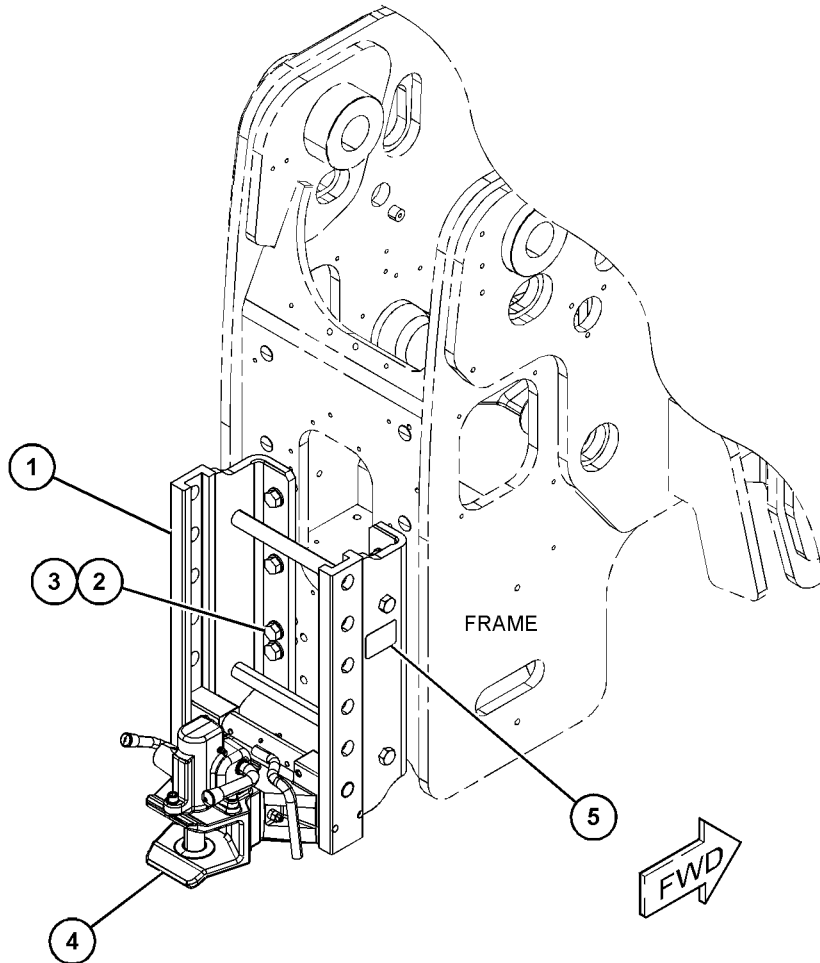
S/N: TH41-UP; TH91-UP
PART OF 506-7532 HITCH AR
AN ATTACHMENT

SMCS-7100, 7103

i07787739

NOTE	REF NO	GRAPHIC REF	PART NUMBER	QTY	PART NAME						SEE PAGE
					1	2	3	4	5	6 (PRODUCT LEVEL)	
	1	1	493-1120	1	BRACKET AS						
M	2	1	7X-2553	8	BOLT (M16X2X40-MM)						
	3	1	9X-8257	8	WASHER (17.5X30X3.5-MM THK)						
Y	4	1	322-5944	1	HITCH GP (AUTO HITCH)						765
	5	1	571-0261	1	FILM-IDENTIFICATION (RETRIEVAL)						

M - METRIC PART
Y - SEPARATE ILLUSTRATION



GRAPHIC #1

<END>

g06458428

FRAME AND BODY

493-1121 HITCH GP-TOWING

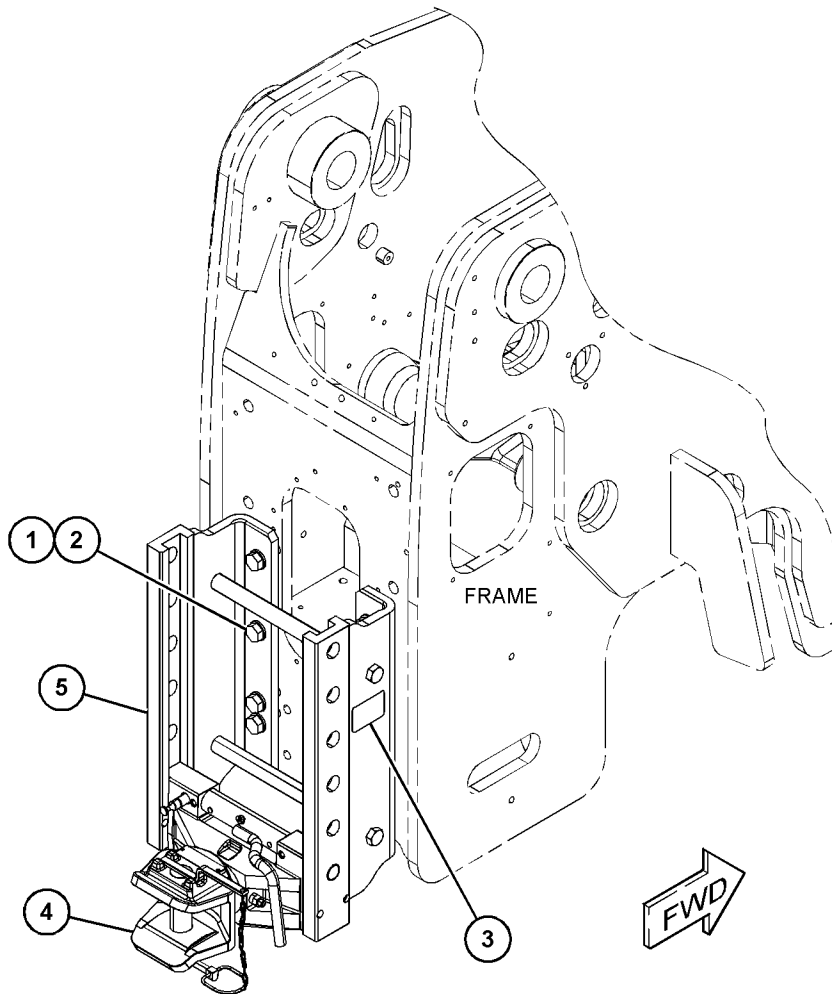
S/N: TH41-UP; TH91-UP
PART OF 506-7533 HITCH AR
AN ATTACHMENT

SMCS-7100, 7103

i07787738

NOTE	REF NO	GRAPHIC REF	PART NUMBER	QTY	PART NAME						SEE PAGE
					1	2	3	4	5	6 (PRODUCT LEVEL)	
M	1	1	7X-2553	8	BOLT (M16X2X40-MM)						
	2	1	9X-8257	8	WASHER (17.5X30X3.5-MM THK)						
	3	1	571-0261	1	FILM-IDENTIFICATION (RETRIEVAL)						
Y	4	1	322-5945	1	HITCH GP (TOWING)						766
	5	1	493-1120	1	BRACKET AS						

M - METRIC PART
Y - SEPARATE ILLUSTRATION



GRAPHIC #1

<END>

g06458458

FRAME AND BODY

493-1123 HITCH GP-TOWING

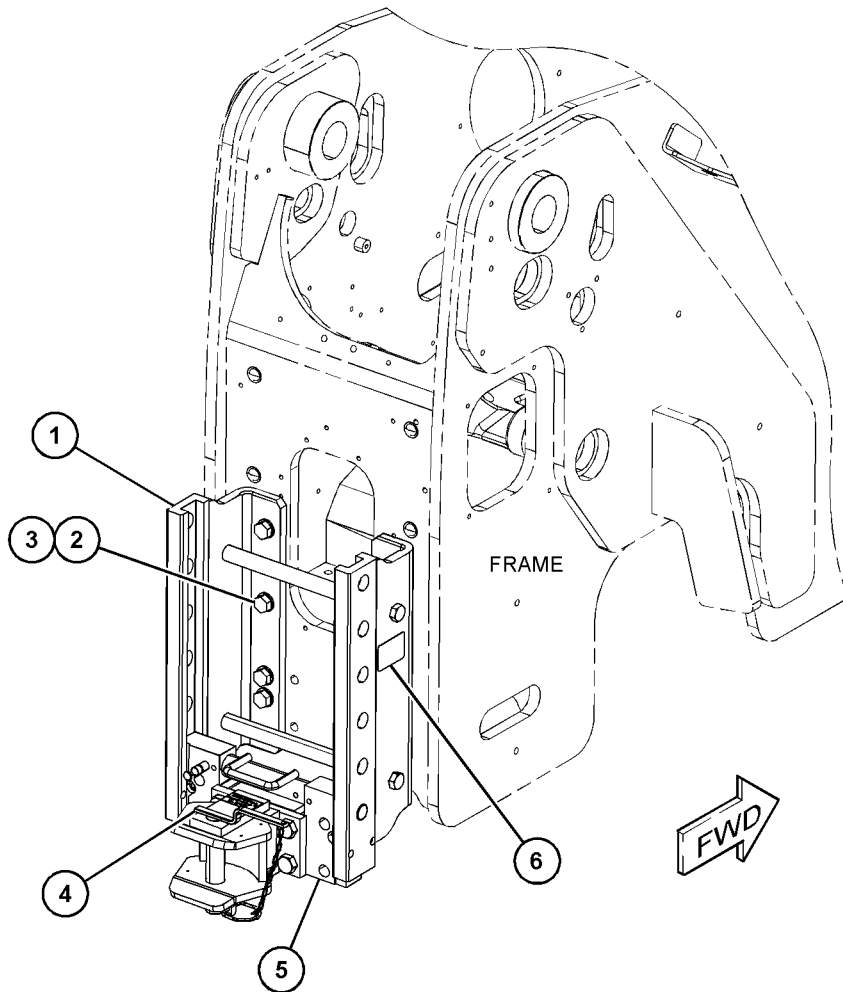
S/N: TH91-UP
PART OF 506-7534 HITCH AR
AN ATTACHMENT

SMCS-7100, 7103

i07787741

NOTE	REF NO	GRAPHIC REF	PART NUMBER	QTY	PART NAME						SEE PAGE
					1	2	3	4	5	6 (PRODUCT LEVEL)	
	1	1	493-1120	1	BRACKET AS						
M	2	1	7X-2553	8	BOLT (M16X2X40-MM)						
	3	1	9X-8257	8	WASHER (17.5X30X3.5-MM THK)						
	4	1	322-5946	1	HITCH						
	5	1	322-5951	1	ADAPTER						
	6	1	571-0261	1	FILM-IDENTIFICATION (RETRIEVAL)						

M - METRIC PART



GRAPHIC #1

<END>

g06458437

FRAME AND BODY

493-1124 HITCH GP-TOWING

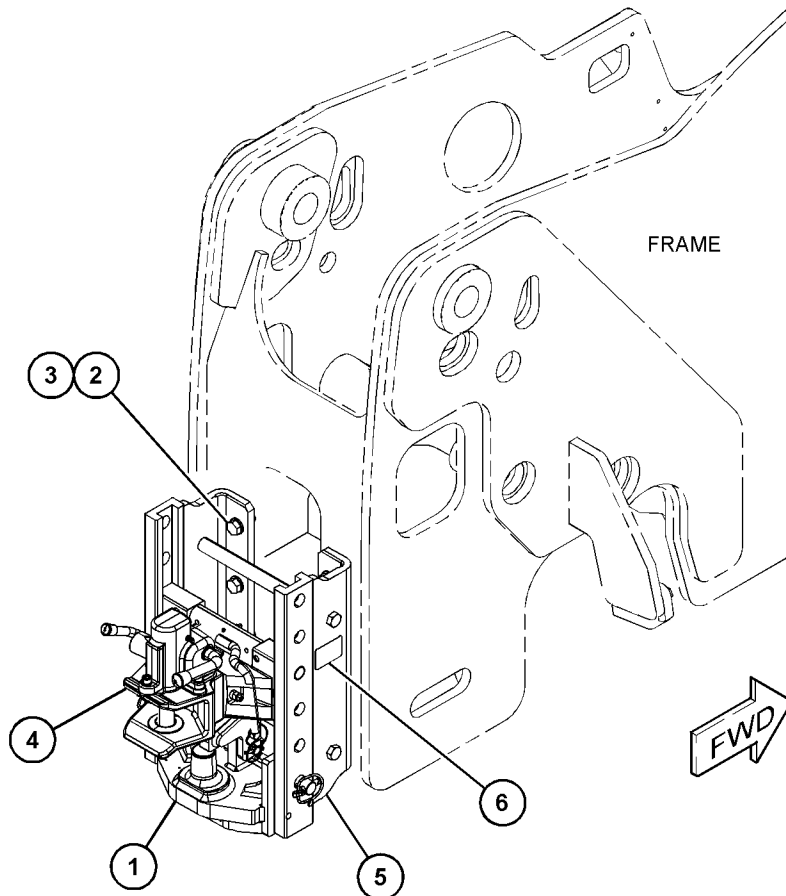
S/N: TH41-UP; TH91-UP
PART OF 506-7536 HITCH AR
AN ATTACHMENT

SMCS-7100, 7103

i07787742

NOTE	REF NO	GRAPHIC REF	PART NUMBER	QTY	PART NAME						SEE PAGE
					1	2	3	4	5	6 (PRODUCT LEVEL)	
	1	1	493-1125	1	HITCH GP						
		1	509-7950	1	KIT-PIN						
					(INCLUDES PINS)						
		1	509-7952	1	KIT-KEEPER						
					(INCLUDES STEEL KEEPER, PINS, SCREW & NUT)						
M	2	1	7X-2553	8	BOLT (M16X2X40-MM)						
	3	1	9X-8257	8	WASHER (17.5X30X3.5-MM THK)						
Y	4	1	322-5944	1	HITCH GP (AUTO HITCH)						765
	5	1	493-1120	1	BRACKET AS						
	6	1	571-0261	1	FILM-IDENTIFICATION (RETRIEVAL)						

M - METRIC PART
Y - SEPARATE ILLUSTRATION



GRAPHIC #1

<END>

g06458345

FRAME AND BODY

493-1126 HITCH GP-TOWING

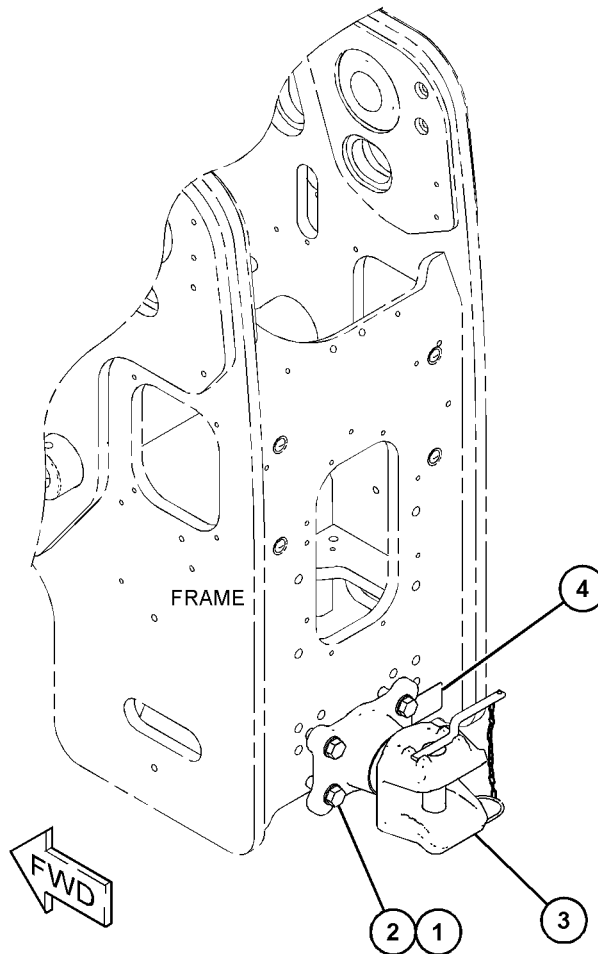
S/N: TH41-UP; TH91-UP
PART OF 506-7537 HITCH AR
AN ATTACHMENT

SMCS-7100, 7103

i07901188

NOTE	REF NO	GRAPHIC REF	PART NUMBER	QTY	PART NAME						SEE PAGE
					1	2	3	4	5	6 (PRODUCT LEVEL)	
	1	1	9X-8257	4	WASHER (17.5X30X3.5-MM THK)						
M	2	1	303-8559	4	SCREW (M16X2X45-MM)						
JLN	3	1	345-7560	1	HITCH AS						
	4	1	571-0261	1	FILM-IDENTIFICATION (RETRIEVAL)						
AVAILABLE REPAIR KIT(S) :											
J			509-8013	1	KIT-HITCH PIN (INCLUDES PIN, SAFETY CHAIN & SAFETY PIN)						
L			509-8014	1	KIT-HITCH (INCLUDES SCREW, NUT & INSERTS)						
N			509-8015	1	KIT-HITCH (INCLUDES SCREWS, NUTS & WASHERS)						

J - KIT MARKED J SERVICES PART(S) MARKED J
L - KIT MARKED L SERVICES PART(S) MARKED L
M - METRIC PART
N - KIT MARKED N SERVICES PART(S) MARKED N



GRAPHIC #1

<END>

g06460383

FRAME AND BODY

493-1292 HITCH GP-TOWING

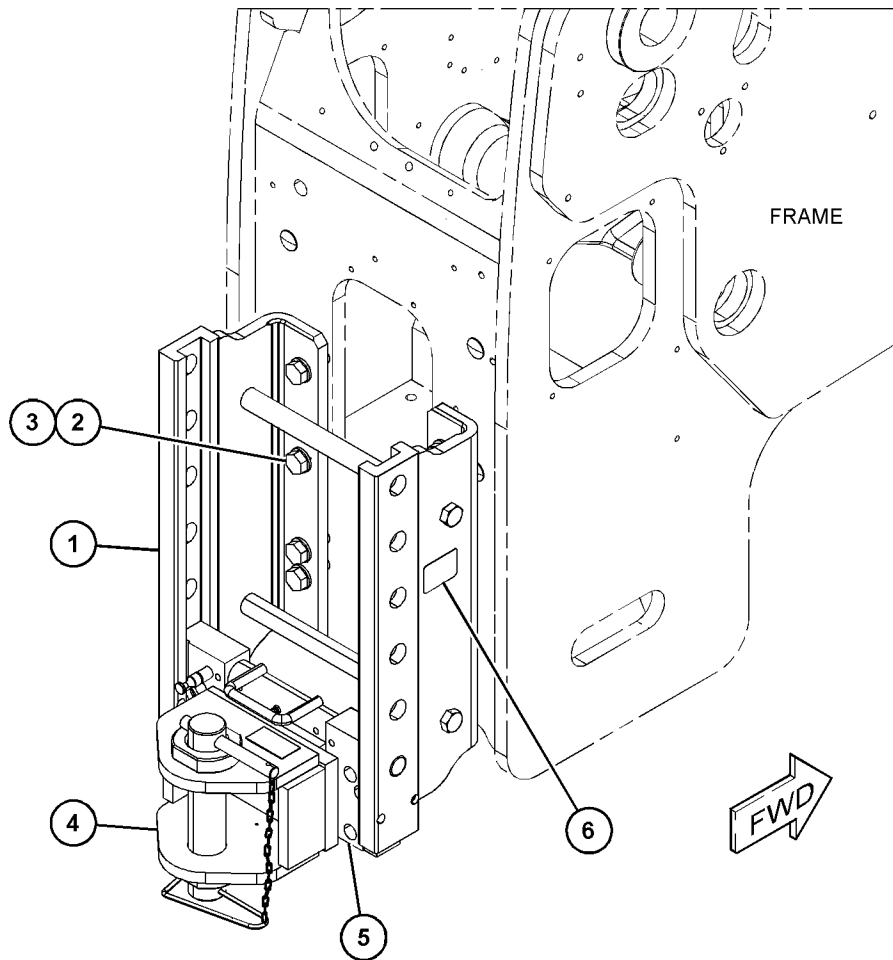
S/N: TH91-UP
PART OF 506-7535 HITCH AR
AN ATTACHMENT

SMCS-7100, 7103

i07787743

NOTE	REF NO	GRAPHIC REF	PART NUMBER	QTY	PART NAME						SEE PAGE
					1	2	3	4	5	6 (PRODUCT LEVEL)	
	1	1	493-1120	1	BRACKET AS						
M	2	1	7X-2553	8	BOLT (M16X2X40-MM)						
	3	1	9X-8257	8	WASHER (17.5X30X3.5-MM THK)						
Y	4	1	322-5947	1	HITCH GP						767
	5	1	322-5951	1	ADAPTER						
	6	1	571-0261	1	FILM-IDENTIFICATION (RETRIEVAL)						

M - METRIC PART
Y - SEPARATE ILLUSTRATION



GRAPHIC #1

<END>

g06458688

FRAME AND BODY

501-7467 HITCH GP-TOWING-HYDRAULIC

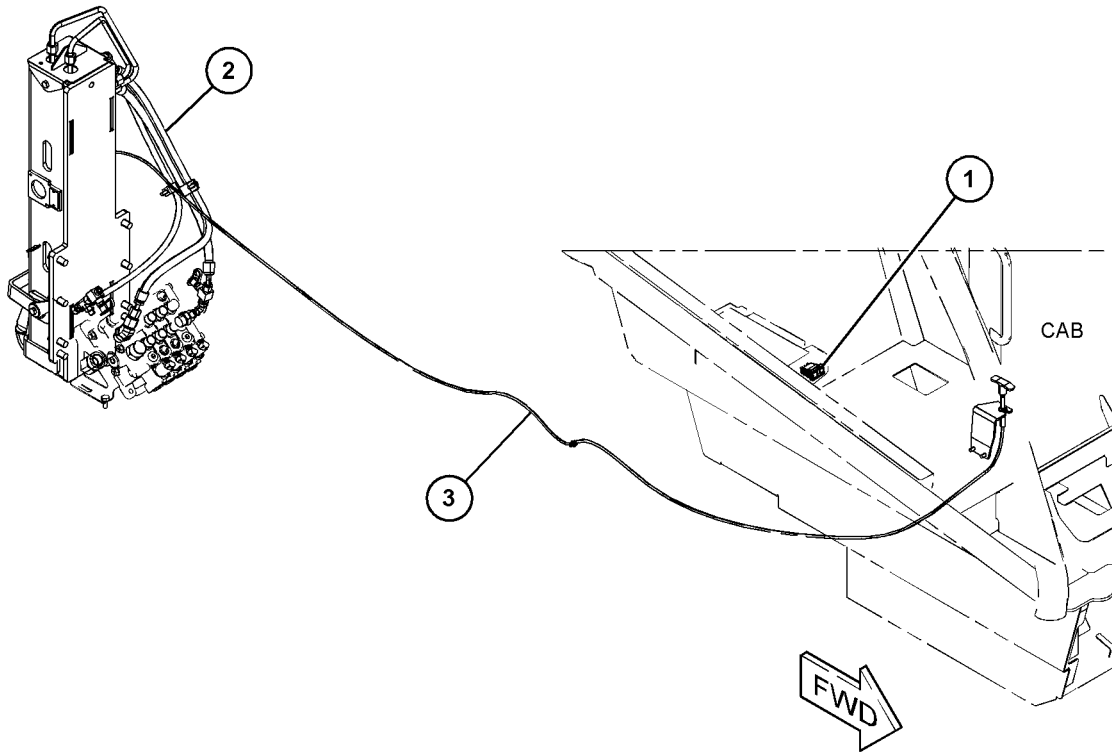
S/N: TH41-UP; TH91-UP
PART OF 506-7538 HITCH AR
AN ATTACHMENT

SMCS-7100, 7103

i06606817

NOTE	REF NO	GRAPHIC REF	PART NUMBER	QTY	PART NAME						SEE PAGE
					1	2	3	4	5	6 (PRODUCT LEVEL)	
	1	1	501-9264	1	SWITCH AS-ROCKER (HITCH MOVEMENT)						
Y	2	1	501-8492	1	HITCH GP-TOWING						780
Y	3	1	501-7455	1	HITCH GP (RELEASE CABLE)						769

Y - SEPARATE ILLUSTRATION



GRAPHIC #1

<END>

g06046076

FRAME AND BODY

501-8492 HITCH GP-TOWING

S/N: TH41-UP; TH91-151
PART OF 501-7467 HITCH GP-TOWING
AN ATTACHMENT

SMCS-7100, 7103

i07000747

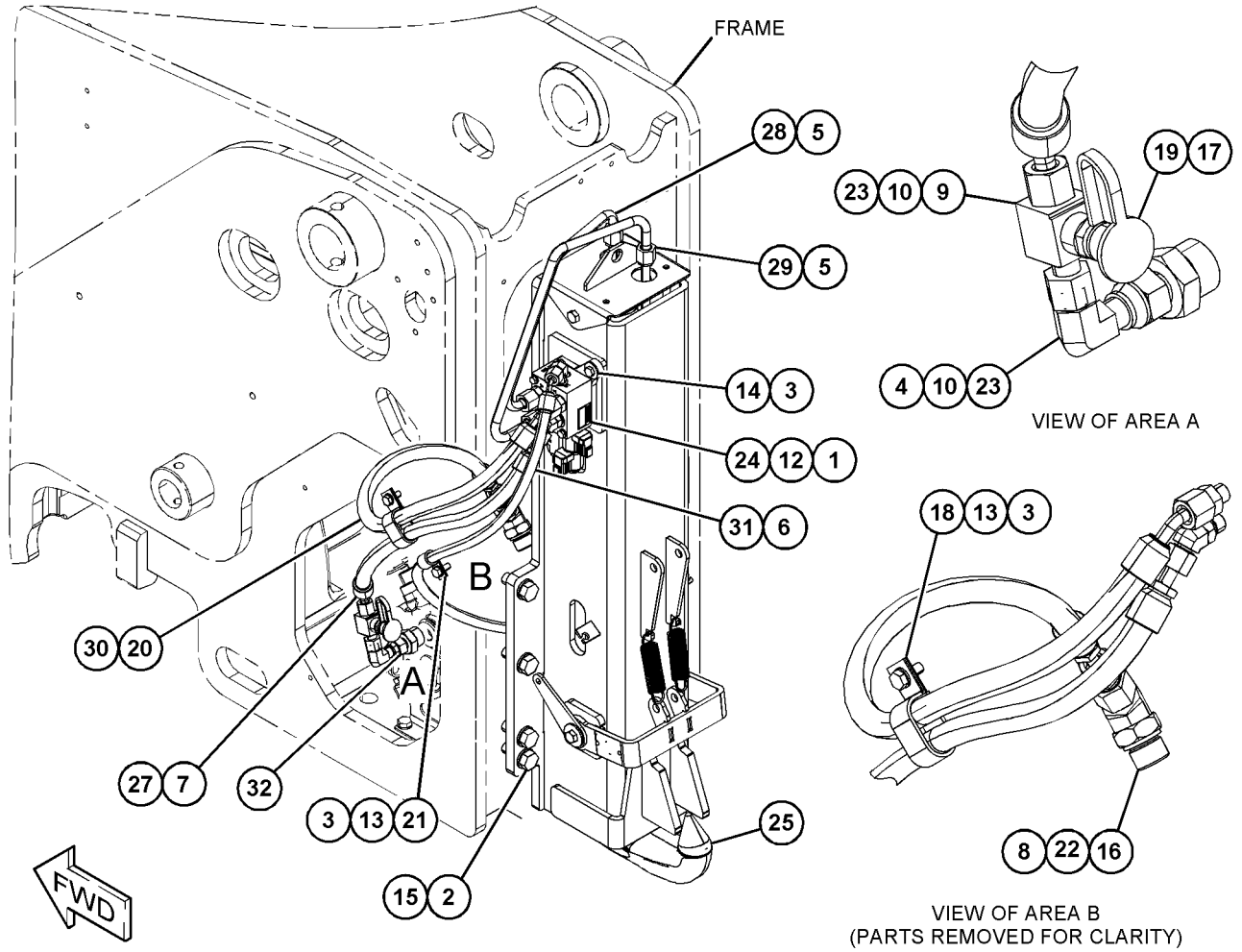
NOTE	REF NO	GRAPHIC REF	PART NUMBER	QTY	PART NAME						SEE PAGE
					1	2	3	4	5	6 (PRODUCT LEVEL)	
M	1	1	7X-2535	2	BOLT (M6X1X60-MM)						
M	2	1	7X-2553	8	BOLT (M16X2X40-MM)						
M	3	1	8T-4189	4	BOLT (M8X1.25X20-MM)						
	4	1	309-6362	1	REDUCER						
	5	1	473-8956	3	ADAPTER						
	6	1	463-5618	1	ELBOW						
	7	1	303-4760	1	FITTING						
	8	1	309-6350	1	CONNECTOR						
	9	1	298-0493	1	FITTING-ADAPTER						
	10	1	298-0507	2	ADAPTER-SWIVEL						
	12	1	8T-4205	2	WASHER-HARD (7.2X14.5X2-MM THK)						
	13	1	8T-4224	2	WASHER-HARD (8.8X16X2-MM THK)						
	14	1	309-3997	2	WASHER (8.4X25X2-MM THK)						
	15	1	9X-8257	8	WASHER (17.5X30X3.5-MM THK)						
	16	1	418-6370	1	NUT (1-14-THD)						
	17	1	<i>164-5567</i>	2	COUPLER AS-QUICK DISCONNECT (MALE)						
					(EACH INCLUDES)						
		1	6V-3965	1	FITTING (QUICK DISCONNECT)						
		1	214-7568	1	SEAL-O-RING						
	18	1	6D-1641	1	CLIP (LOOP)						
	19	1	6V-0852	2	CAP-DUST						
	20	1	6V-8398	1	SEAL-O-RING						
	21	1	9M-8406	1	CLIP (LOOP)						
	22	1	6V-8939	1	REDUCER-O-RING						
	23	1	8T-8902	2	ADAPTER-TEE						
Y	24	1	501-7459	1	VALVE GP-CONTROL						960
Y	25	1	501-7460	1	HITCH GP						771
I	27	1	501-7462	1	HOSE AS						
	28	1	501-7463	1	TUBE AS						
	29	1	501-7464	1	TUBE AS						
I	30	1	501-7465	1	HOSE AS						
I	31	1	501-7466	1	HOSE AS						
	32	1	330-8325	1	ADAPTER						

I - REFER TO HYDRAULIC INFORMATION SYSTEM
M - METRIC PART
Y - SEPARATE ILLUSTRATION

FRAME AND BODY

501-8492 HITCH GP-TOWING (contd.)

i07000747



GRAPHIC #1

<END>

g06207488

FRAME AND BODY

501-8492 HITCH GP-TOWING

S/N: TH41-UP; TH9152-UP
PART OF 501-7467 HITCH GP-TOWING
AN ATTACHMENT

SMCS-7100, 7103

i07787745

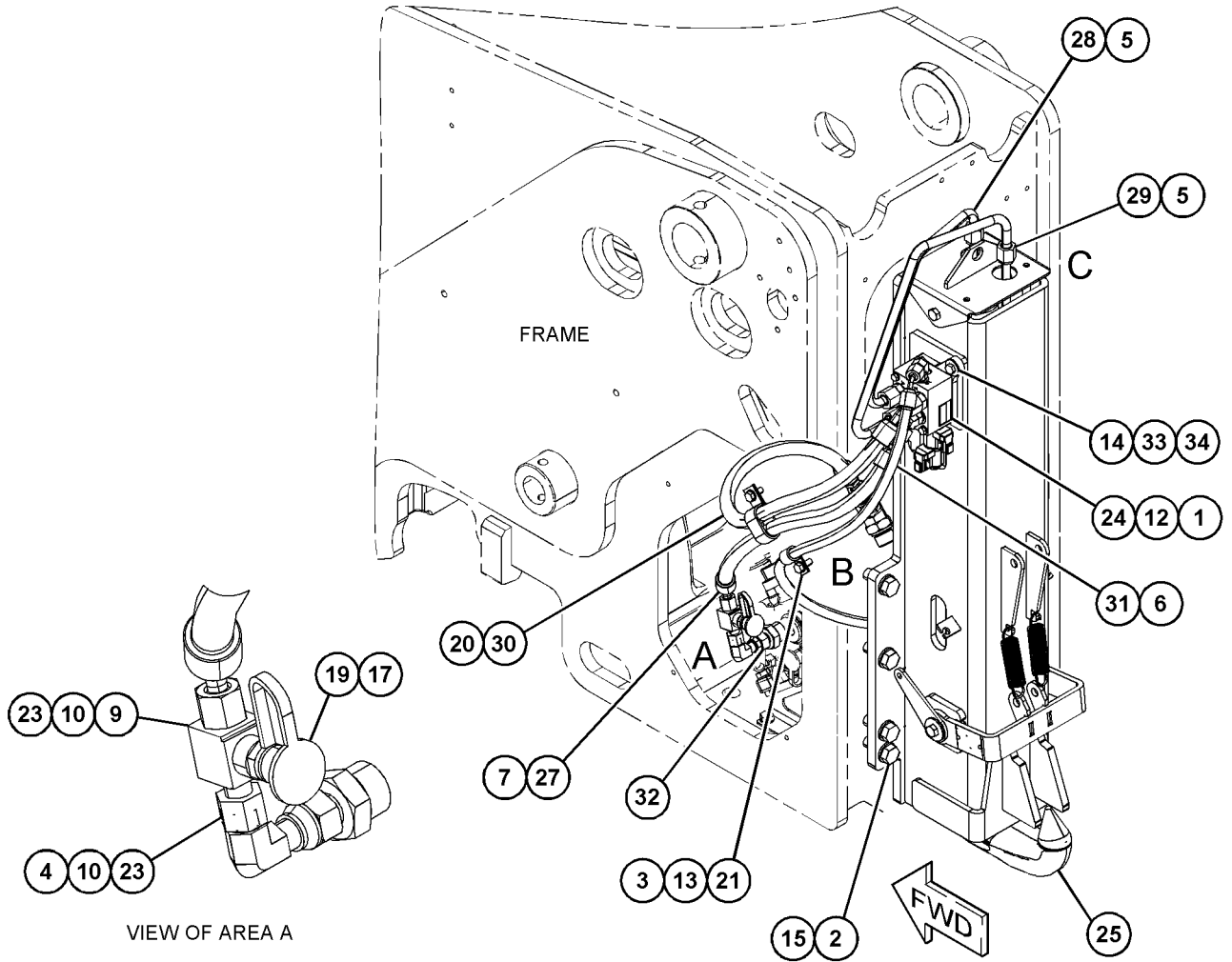
NOTE	REF NO	GRAPHIC REF	PART NUMBER	QTY	PART NAME						SEE PAGE
					1	2	3	4	5	6 (PRODUCT LEVEL)	
M	1	1	7X-2535	2	BOLT (M6X1X60-MM)						
M	2	1	7X-2553	8	BOLT (M16X2X40-MM)						
CM	3	1	8T-4189	2	BOLT (M8X1.25X20-MM)						
	4	1	309-6362	1	REDUCER						
	5	1	473-8956	3	ADAPTER						
	6	1	463-5618	1	ELBOW						
	7	1	303-4760	1	FITTING						
	8	1	309-6350	1	CONNECTOR						
	9	1	298-0493	1	FITTING-ADAPTER						
	10	1	298-0507	2	ADAPTER-SWIVEL						
	12	1	8T-4205	2	WASHER-HARD (7.2X14.5X2-MM THK)						
	13	1	8T-4224	2	WASHER-HARD (8.8X16X2-MM THK)						
C	14	1	8T-4121	2	WASHER-HARD (11X21X2.5-MM THK)						
	15	1	9X-8257	8	WASHER (17.5X30X3.5-MM THK)						
	16	1	418-6370	1	NUT (1-14-THD)						
	17	1	<i>164-5567</i>	2	COUPLER AS-QUICK DISCONNECT (MALE)						
					(EACH INCLUDES)						
		1	6V-3965	1	FITTING (QUICK DISCONNECT)						
		1	214-7568	1	SEAL-O-RING						
	18	1	6D-1641	1	CLIP (LOOP)						
	19	1	6V-0852	2	CAP-DUST						
	20	1	6V-8398	1	SEAL-O-RING						
	21	1	9M-8406	1	CLIP (LOOP)						
	22	1	6V-8939	1	REDUCER-O-RING						
	23	1	8T-8902	2	ADAPTER-TEE						
C	24	1	562-0726	1	VALVE GP-HITCH (HYDRAULIC)						
Y	25	1	501-7460	1	HITCH GP (HYDRAULIC)						771
I	27	1	501-7462	1	HOSE AS						
	28	1	501-7463	1	TUBE AS						
	29	1	501-7464	1	TUBE AS						
I	30	1	501-7465	1	HOSE AS						
I	31	1	501-7466	1	HOSE AS						
	32	1	330-8325	1	ADAPTER						
CM	33	1	264-3627	2	BOLT (M10X1.5X20-MM)						
	34	1	501-7461	1	PLATE						
	35	1	571-0261	1	FILM-IDENTIFICATION (RETRIEVAL)						

C - CHANGE FROM PREVIOUS TYPE
I - REFER TO HYDRAULIC INFORMATION SYSTEM
M - METRIC PART
Y - SEPARATE ILLUSTRATION

FRAME AND BODY

501-8492 HITCH GP-TOWING (contd.)

i07787745



GRAPHIC #1

<END>

g06458360

FRAME AND BODY

500-3069 HOOD GP-ENGINE

S/N: TH91-UP

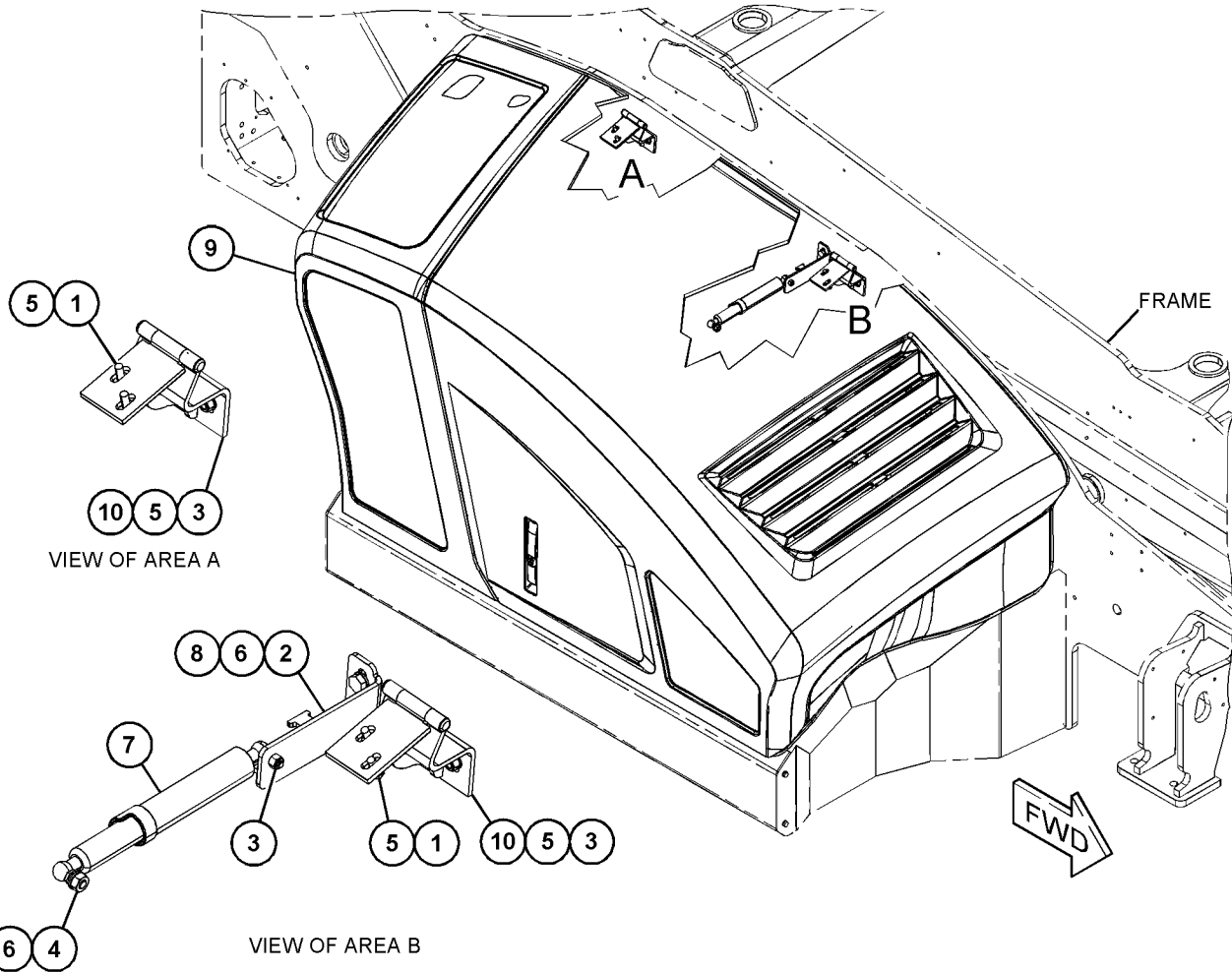
PART OF 500-3072, 500-4356 ENCLOSURE GP-ENGINE
AN ATTACHMENT

SMCS-7251

i06601119

NOTE	REF NO	GRAPHIC REF	PART NUMBER	QTY	PART NAME						SEE PAGE
					1	2	3	4	5	6 (PRODUCT LEVEL)	
M	1	1	8T-4189	4	BOLT (M8X1.25X20-MM)						
M	2	1	8T-4137	2	BOLT (M10X1.5X20-MM)						
M	3	1	309-9184	5	LOCKNUT (M8X1.25-THD)						
M	4	1	8T-4133	1	NUT (M10X1.5-THD)						
	5	1	8T-4224	8	WASHER-HARD (8.8X16X2-MM THK)						
	6	1	8T-4121	3	WASHER-HARD (11X21X2.5-MM THK)						
	7	1	459-8867	1	SPRING-GAS						
	8	1	500-3070	1	BRACKET AS						
	9	1	500-3071	1	HOOD AS						
	10	1	495-7648	2	HINGE AS						

M - METRIC PART



VIEW OF AREA A

VIEW OF AREA B

GRAPHIC #1

<END>

g06048896

FRAME AND BODY

513-2322 HOOD GP-ENGINE-HINGED

S/N: TH91-UP; JKT1-UP

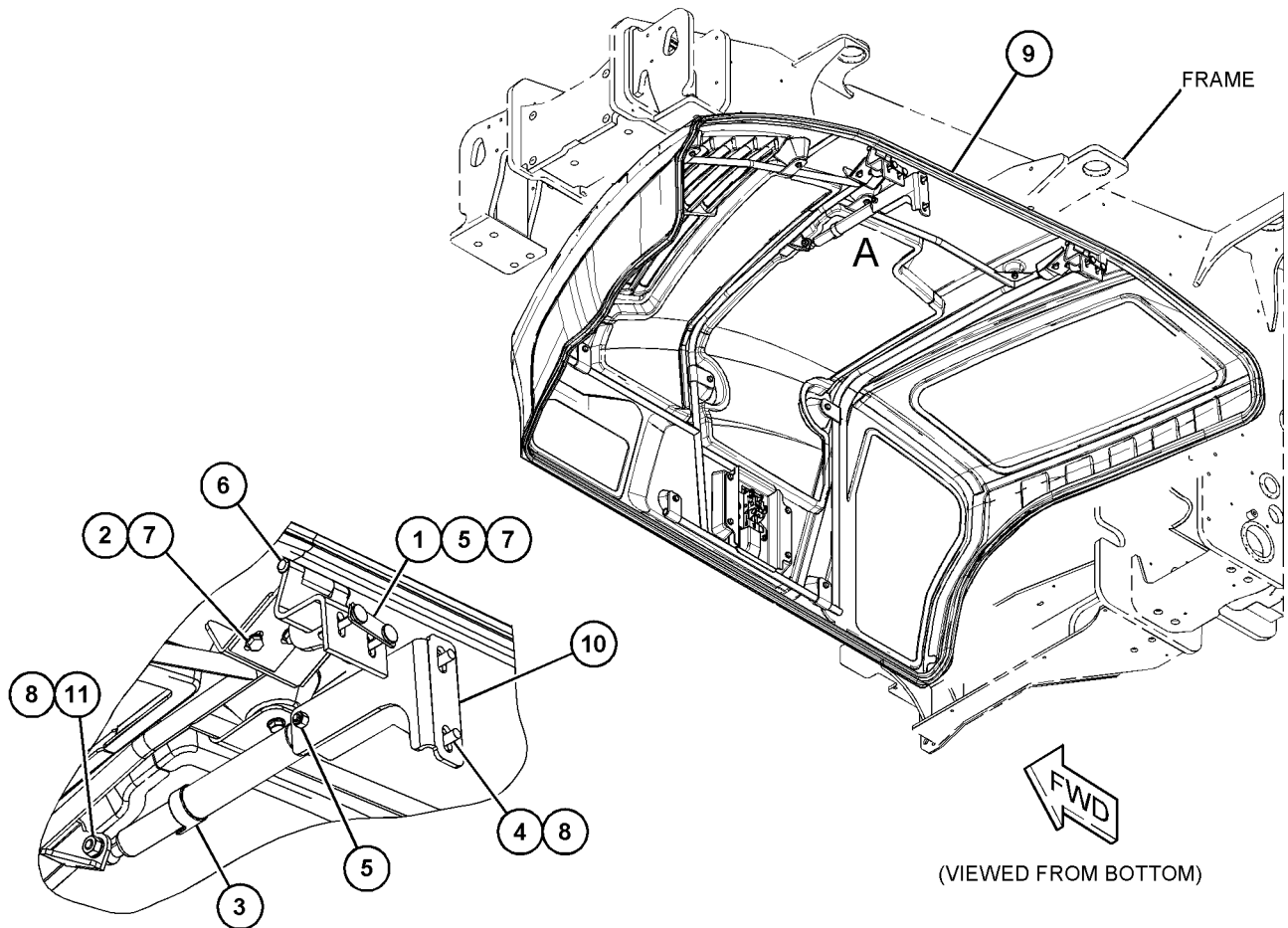
PART OF 513-2323 ENCLOSURE GP-ENGINE
AN ATTACHMENT

SMCS-7251

i06895188

NOTE	REF NO	GRAPHIC REF	PART NUMBER	QTY	PART NAME						SEE PAGE
					1	2	3	4	5	6 (PRODUCT LEVEL)	
	1	1	495-6347	2	BRACE						
M	2	1	8T-4189	4	BOLT (M8X1.25X20-MM)						
	3	1	459-8867	1	SPRING-GAS						
M	4	1	8T-4137	2	BOLT (M10X1.5X20-MM)						
M	5	1	309-9184	5	LOCKNUT (M8X1.25-THD)						
	6	1	495-7648	2	HINGE AS						
	7	1	8T-4224	8	WASHER-HARD (8.8X16X2-MM THK)						
	8	1	8T-4121	3	WASHER-HARD (11X21X2.5-MM THK)						
	9	1	500-3071	1	HOOD AS						
	10	1	500-3070	1	BRACKET AS						
M	11	1	344-5675	1	NUT (M10X1.5-THD)						

M - METRIC PART



VIEW OF AREA A

GRAPHIC #1

<END>

g06163166

FRAME AND BODY

513-2322 HOOD GP-ENGINE-HINGED

S/N: TH41-UP; TH91-UP; JKT1-UP

PART OF 500-3072, 500-4356, 513-2323 ENCLOSURE GP-ENGINE

AN ATTACHMENT

TYPE 1

SMCS-7251

i07581523

NOTE	REF NO	GRAPHIC REF	PART NUMBER	QTY	PART NAME						SEE PAGE
					1	2	3	4	5	6	
	1	1	495-6347	2	BRACE						
M	2	1	8T-4189	4	BOLT (M8X1.25X20-MM)						
	3	1	569-2462	1	SPRING-GAS						
M	4	1	8T-4137	2	BOLT (M10X1.5X20-MM)						
M	5	1	3T-0852	5	LOCKNUT (M8X1.25-THD)						
	6	1	495-7648	2	HINGE AS						
	7	1	8T-4224	8	WASHER-HARD (8.8X16X2-MM THK)						
	8	1	8T-4121	3	WASHER-HARD (11X21X2.5-MM THK)						
C	9	1	550-5175	1	HOOD AS						
		1	557-5538	1	FRAME						
		1	566-2916	1	LATCH						
		1	566-2907	1	SEAL						
		1	557-5541	1	KIT-PANEL						
					(INCLUDES PANELS)						
	10	1	500-3070	1	BRACKET AS						
M	11	1	344-5675	1	NUT (M10X1.5-THD)						

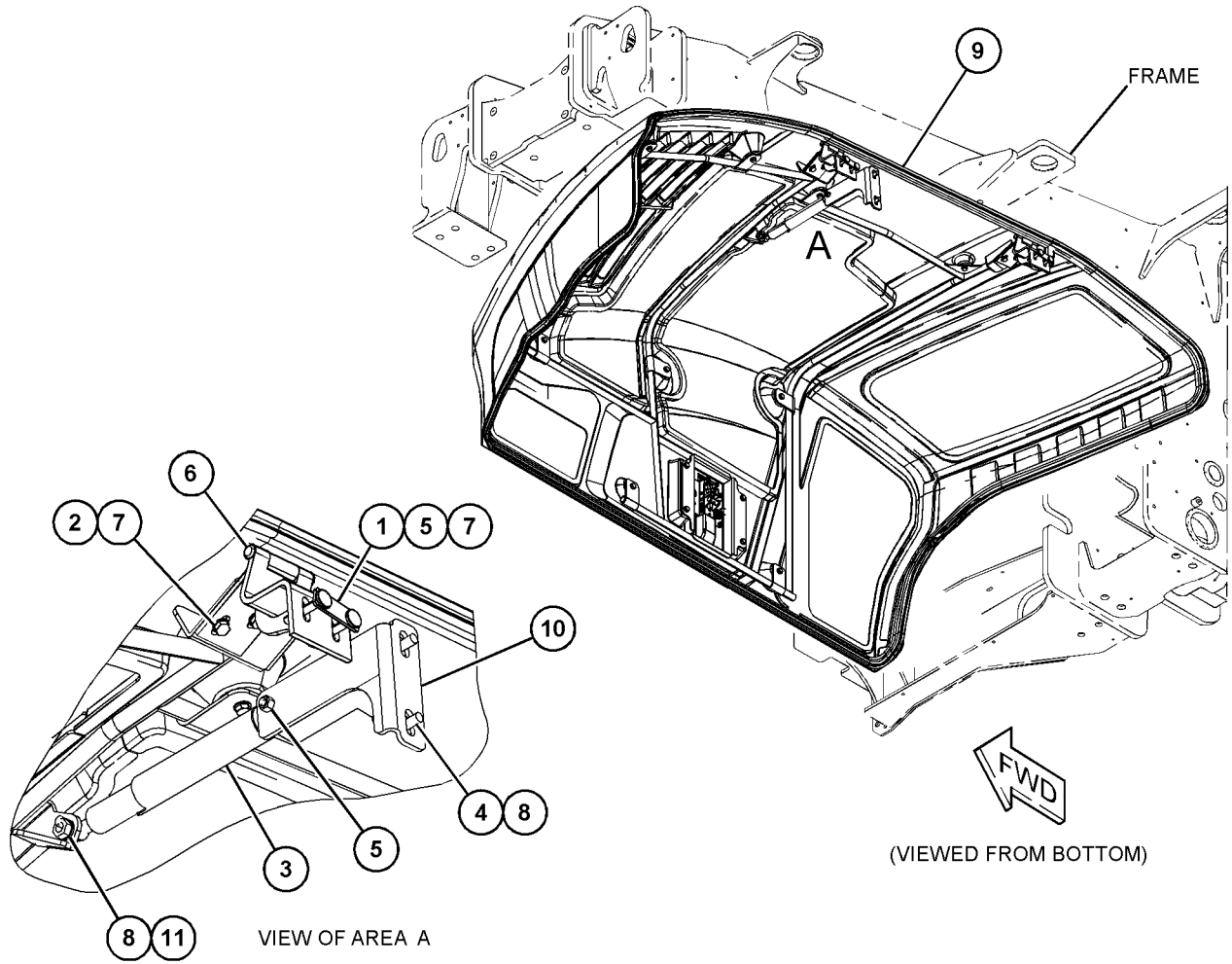
C - CHANGE FROM PREVIOUS TYPE

M - METRIC PART

FRAME AND BODY

513-2322 HOOD GP-ENGINE (contd.)

i07581523



GRAPHIC #1

<END>

g06387530

FRAME AND BODY

513-2322 HOOD GP-ENGINE-HINGED

S/N: TH41-UP; TH91-UP; JKT1-UP

PART OF 500-3072, 500-4356, 513-2323 ENCLOSURE GP-ENGINE

AN ATTACHMENT

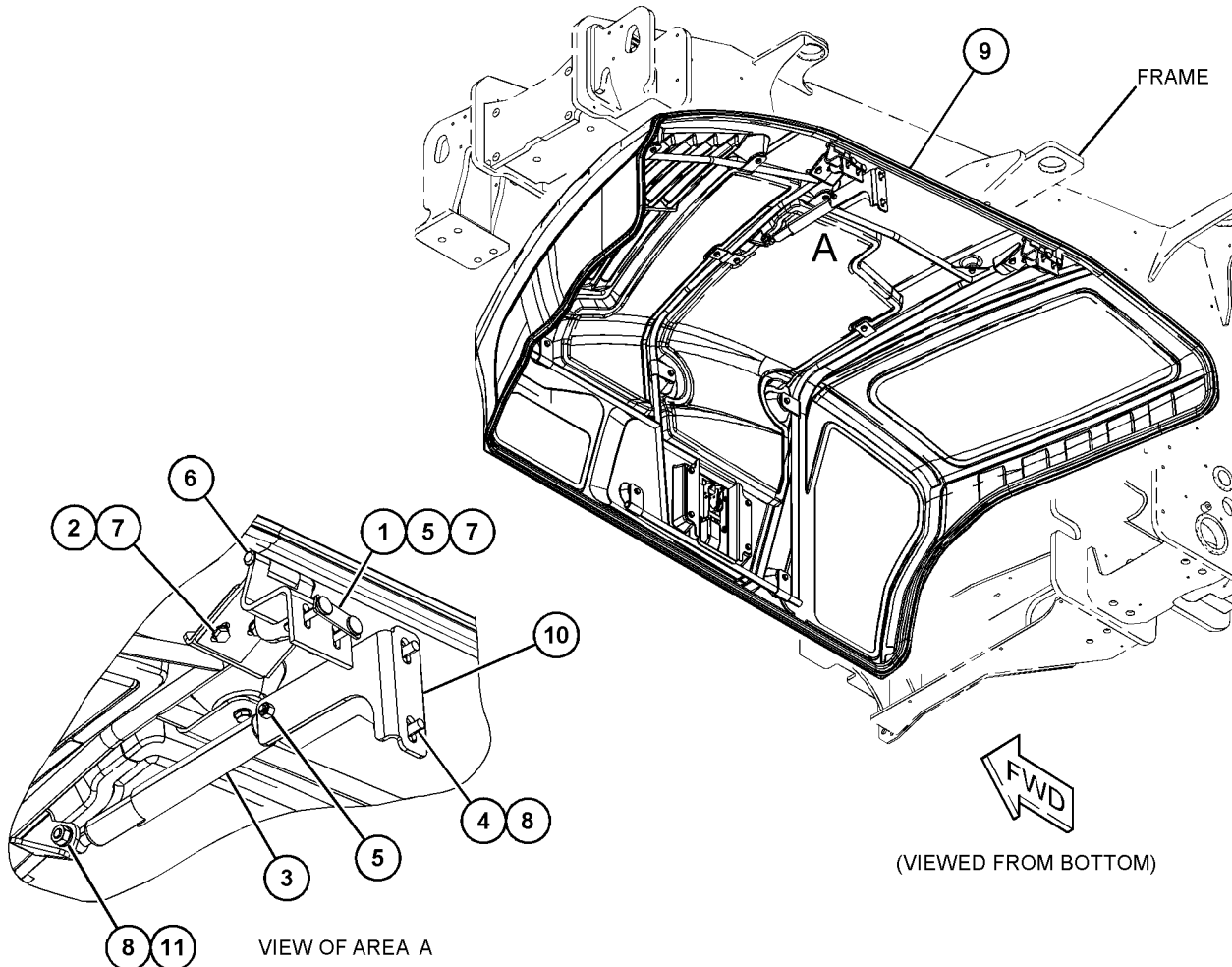
TYPE 2

SMCS-7251

i08071293

NOTE	REF NO	GRAPHIC REF	PART NUMBER	QTY	PART NAME						SEE PAGE
					1	2	3	4	5	6	
	1	1	495-6347	2	BRACE						
M	2	1	8T-4189	4	BOLT (M8X1.25X20-MM)						
	3	1	569-2462	1	SPRING-GAS						
M	4	1	8T-4137	2	BOLT (M10X1.5X20-MM)						
M	5	1	3T-0852	5	LOCKNUT (M8X1.25-THD)						
	6	1	495-7648	2	HINGE AS						
	7	1	8T-4224	8	WASHER-HARD (8.8X16X2-MM THK)						
	8	1	8T-4121	3	WASHER-HARD (11X21X2.5-MM THK)						
C	9	1	590-1092	1	HOOD AS						
		1	566-2907	1	SEAL						
		1	594-6396	1	LATCH						
	10	1	500-3070	1	BRACKET AS						
M	11	1	344-5675	1	NUT (M10X1.5-THD)						

C - CHANGE FROM PREVIOUS TYPE
M - METRIC PART



GRAPHIC #1

<END>

g06561331

FRAME AND BODY

508-7894 MOUNTING GP-ALARM-ROADING LIGHTING

S/N: TH91-UP

FOR USE WITH 515-0968-PAGE: 513, 515-0971-PAGE: 514
AN ATTACHMENT

SMCS-7406

i07468669

NOTE	PART NUMBER	QTY	PART NAME 1 2 3 4 5 6 (PRODUCT LEVEL)	SEE PAGE
Y	549-7630	1	MOUNTING GP-LAMP & BCKP ALARM (REVERSE)	790

Y - SEPARATE ILLUSTRATION

<END>

FRAME AND BODY

549-7630 MOUNTING GP-LAMP & BCKP ALARM-REVERSE

S/N: TH91-UP

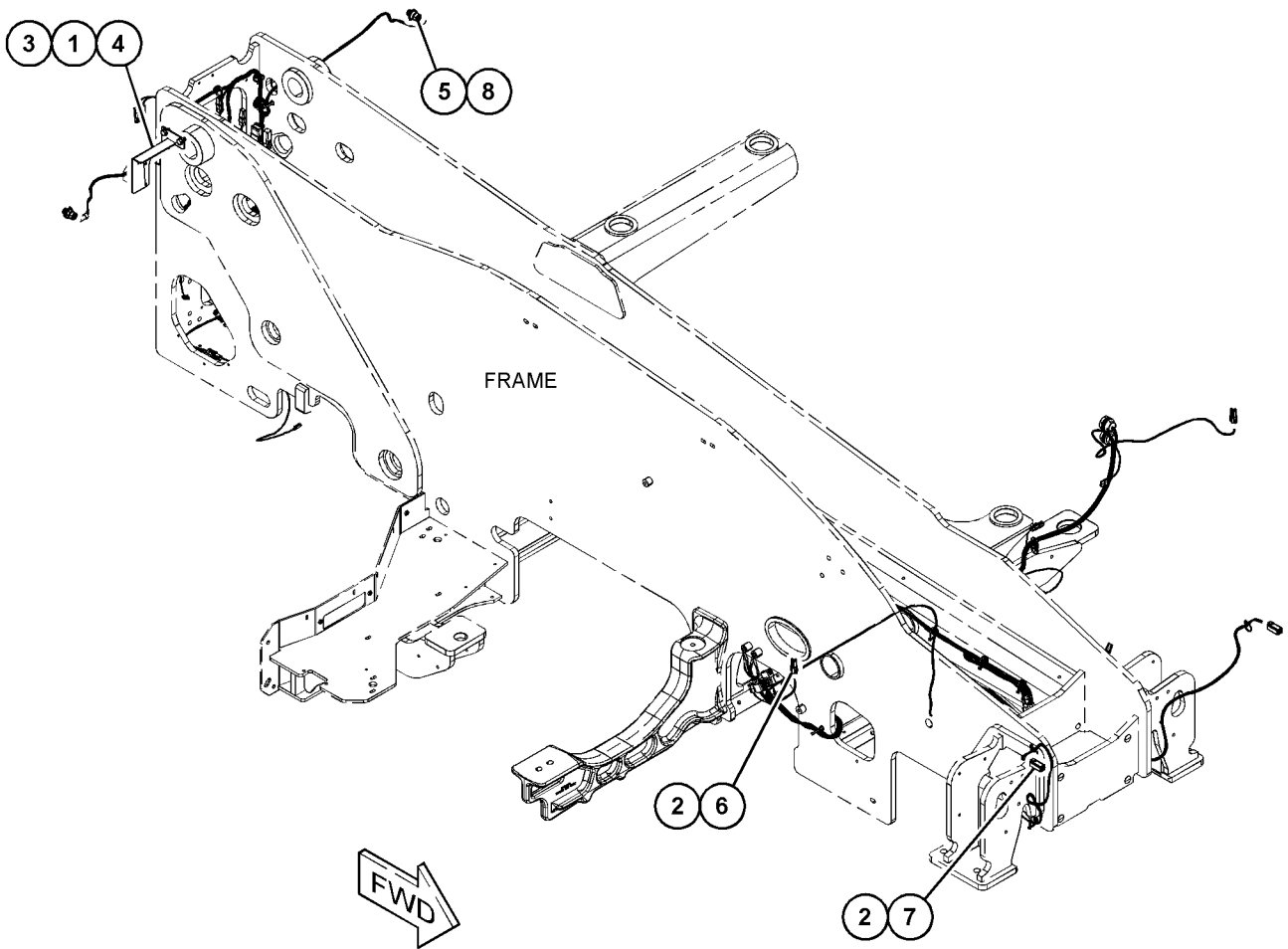
PART OF 508-7894 MOUNTING GP-ALARM
AN ATTACHMENT

SMCS-7406

i08088156

NOTE	REF NO	GRAPHIC REF	PART NUMBER	QTY	PART NAME						SEE PAGE
					1	2	3	4	5	6	
M	1	1	8T-4137	2	BOLT (M10X1.5X20-MM)						
	2	1	8T-8737	18	PLUG-SEAL						
	3	1	8T-4121	2	WASHER-HARD (11X21X2.5-MM THK)						
	4	1	549-7502	1	MOUNT						
	5	1	549-7503	2	CONNECTOR						
	6	1	457-8027	2	RECEPTACLE AS-CONNECTOR (3-PIN)						
	7	1	334-5873	2	TERMINAL (6-PIN)						
	8	1	202-5397	14	PLUG (STABILIZER)						

M - METRIC PART



GRAPHIC #1

<END>

g06360896

FRAME AND BODY

148-2270 PIN GP-HITCH

S/N: TH41-UP; TH91-UP

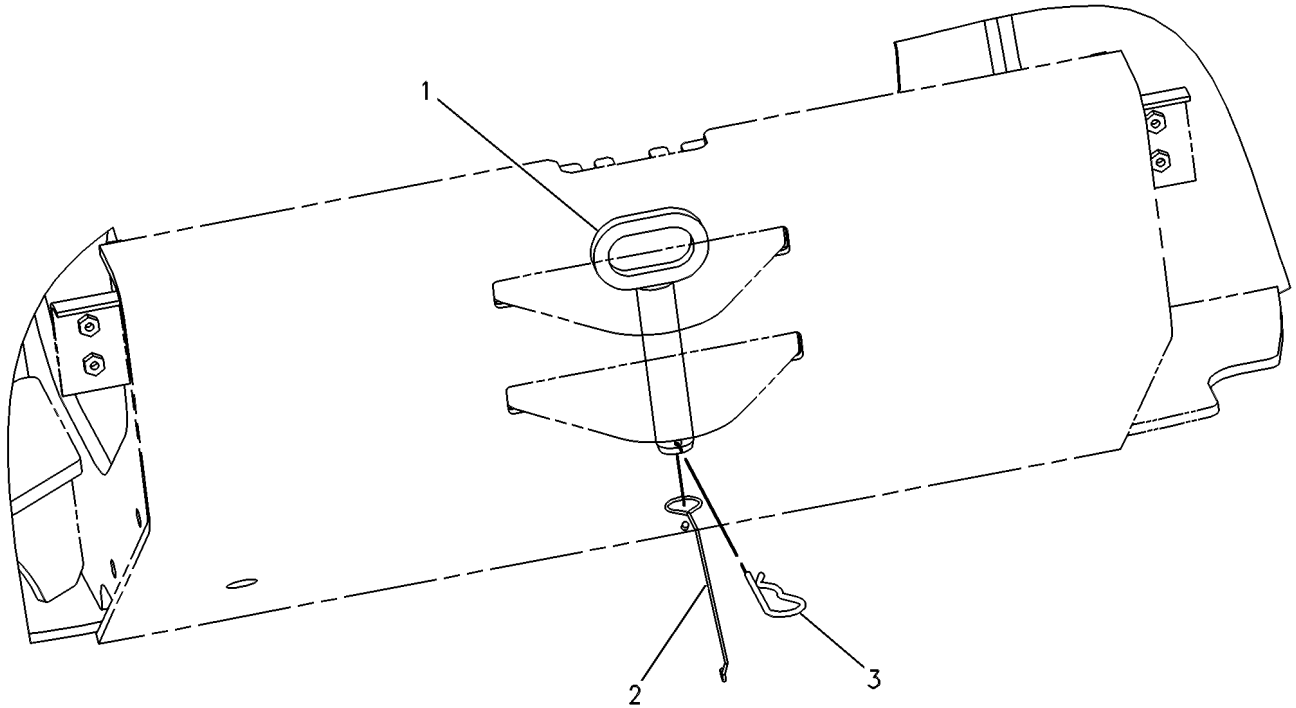
PART OF 513-9440 FRAME GP-LOADER, 515-0966 LIGHTING GP-FRONT, 501-0759 LIGHTING GP-ROADING

ALSO AN ATTACHMENT

SMCS-7100, 7116

i01252597

NOTE	REF NO	GRAPHIC REF	PART NUMBER	QTY	PART NAME						SEE PAGE
					1	2	3	4	5	6 (PRODUCT LEVEL)	
	1	1	137-9775	1	PIN AS						
	2	1	154-4378	1	CABLE AS						
	3	1	5P-8837	1	LOCK PIN						



GRAPHIC #1

<END>

g00390212

FRAME AND BODY

501-7473 PLATE & MTG GP-REAR

S/N: TH41-UP; TH91-UP

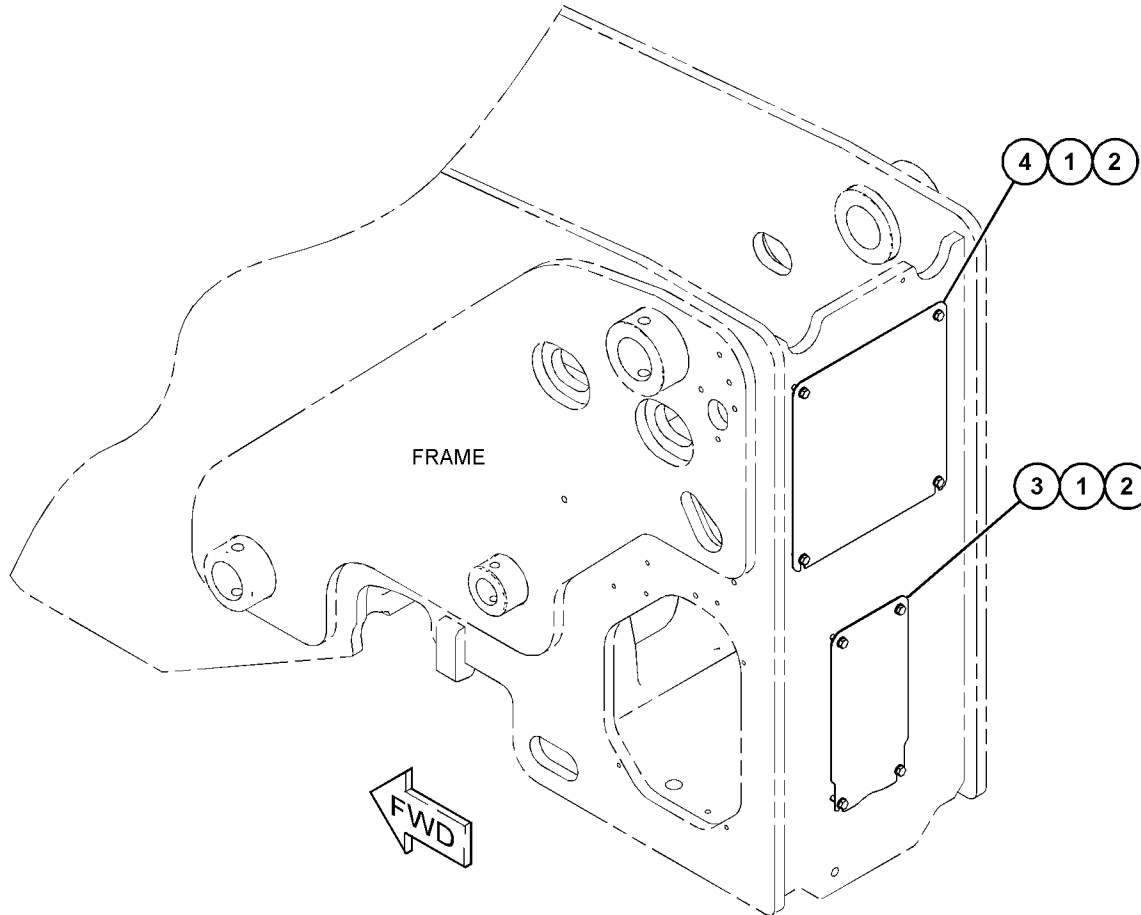
PART OF 506-7530, 506-7531, 506-7532, 506-7533, 506-7534, 506-7535, 506-7536, 506-7537 HITCH AR AN ATTACHMENT

SMCS-7050, 795C

i06608820

NOTE	REF NO	GRAPHIC REF	PART NUMBER	QTY	PART NAME						SEE PAGE
					1	2	3	4	5	6 (PRODUCT LEVEL)	
M	1	1	8T-4189	8	BOLT (M8X1.25X20-MM)						
	2	1	8T-4224	8	WASHER-HARD (8.8X16X2-MM THK)						
	3	1	499-7299	1	PLATE-COVER						
	4	1	499-7300	1	PLATE-COVER						

M - METRIC PART



GRAPHIC #1

<END>

g06045350

FRAME AND BODY

501-7474 PLATE & MTG GP-HITCH

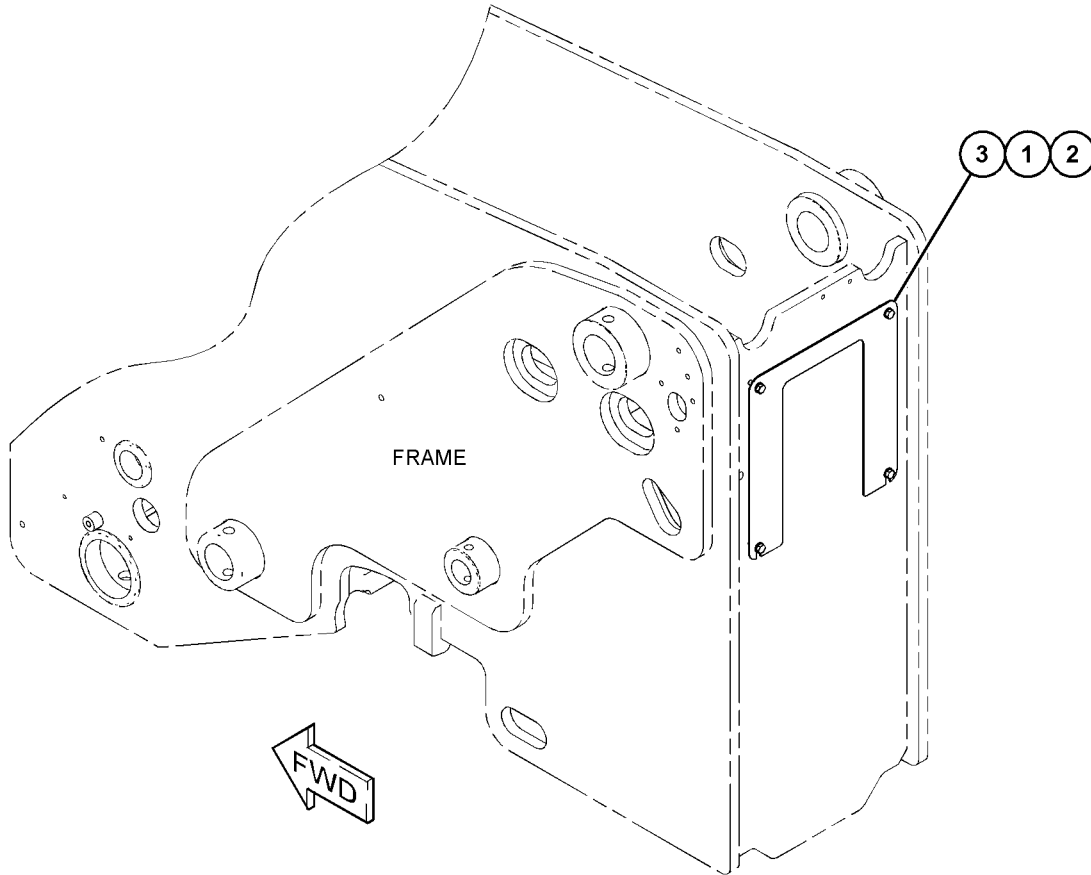
S/N: TH41-UP; TH91-UP
PART OF 506-7538 HITCH AR
AN ATTACHMENT

SMCS-7050, 795C

i06606818

NOTE	REF NO	GRAPHIC REF	PART NUMBER	QTY	PART NAME						SEE PAGE
					1	2	3	4	5	6 (PRODUCT LEVEL)	
M	1	1	8T-4189	4	BOLT (M8X1.25X20-MM)						
	2	1	8T-4224	4	WASHER-HARD (8.8X16X2-MM THK)						
	3	1	501-7475	1	PLATE						

M - METRIC PART



GRAPHIC #1

<END>

g06045346

FRAME AND BODY

501-7476 PLATE & MTG GP-FRAME

S/N: TH41-UP; TH91-UP

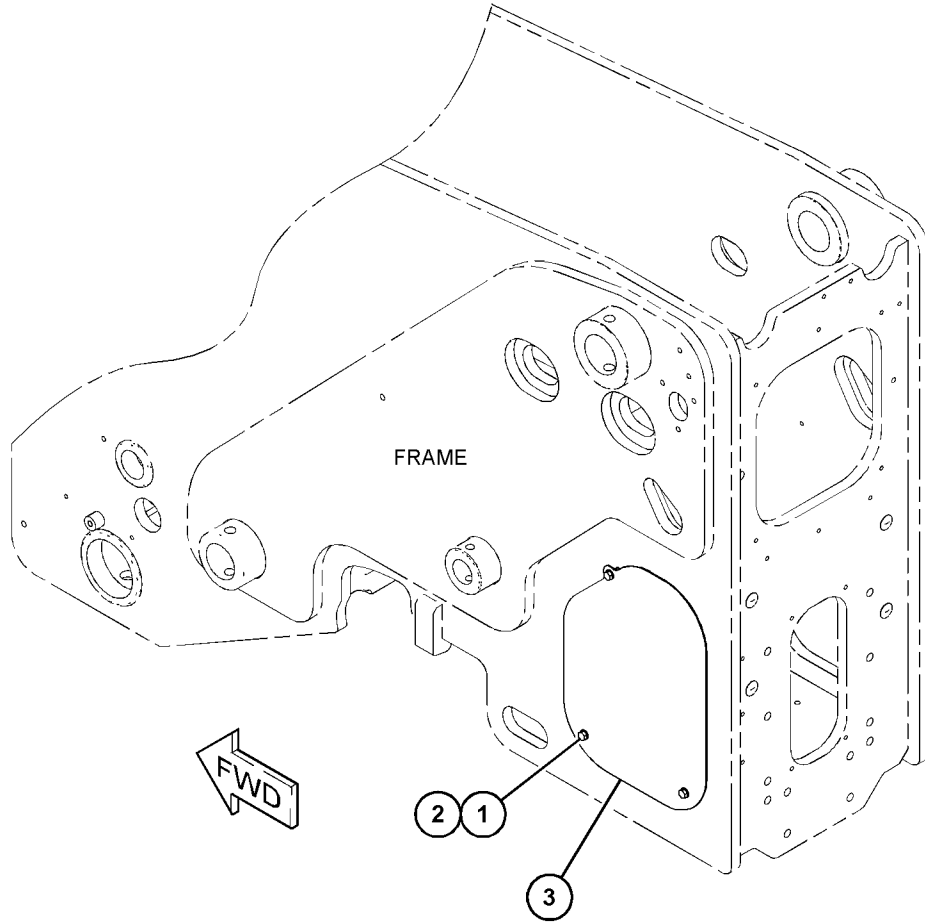
PART OF 506-3317 CONTROL AR-AUXILIARY
AN ATTACHMENT

SMCS-7050, 795C

i06608809

NOTE	REF NO	GRAPHIC REF	PART NUMBER	QTY	PART NAME						SEE PAGE
					1	2	3	4	5	6 (PRODUCT LEVEL)	
M	1	1	8T-4189	3	BOLT (M8X1.25X20-MM)						
	2	1	8T-4224	3	WASHER-HARD (8.8X16X2-MM THK)						
	3	1	499-7298	1	PLATE						

M - METRIC PART



GRAPHIC #1

<END>

g06045344

FRAME AND BODY

539-4494 PLATE & MTG GP-HITCH

S/N: TH41-UP; TH91-UP

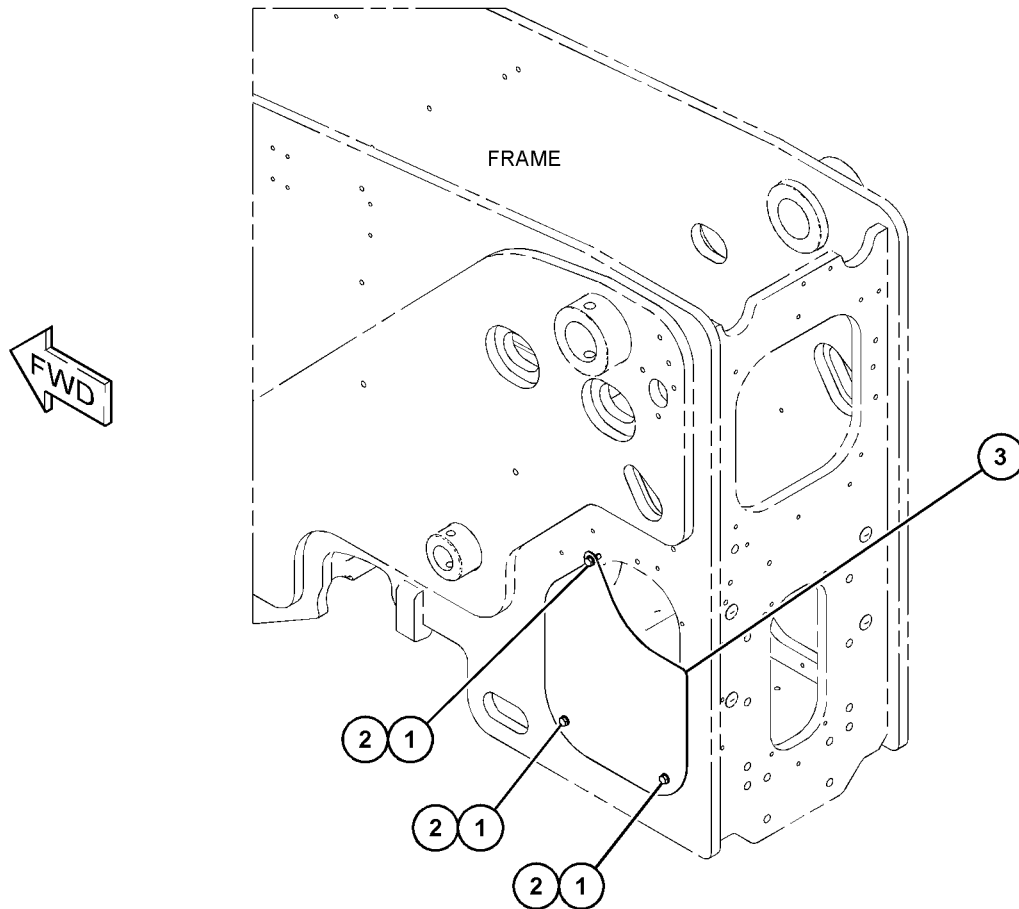
PART OF 506-7531, 506-7532, 506-7533, 506-7536, 506-7537, 506-7538 HITCH AR
AN ATTACHMENT

SMCS-7050, 795C

i07048667

NOTE	REF NO	GRAPHIC REF	PART NUMBER	QTY	PART NAME						SEE PAGE
					1	2	3	4	5	6 (PRODUCT LEVEL)	
M	1	1	8T-4189	3	BOLT (M8X1.25X20-MM)						
	2	1	8T-4224	3	WASHER-HARD (8.8X16X2-MM THK)						
	3	1	539-4427	1	PLATE-COVER						

M - METRIC PART



GRAPHIC #1

<END>

g06211479

FRAME AND BODY

505-0884 STEP GP

S/N: TH41-UP; TH91-UP

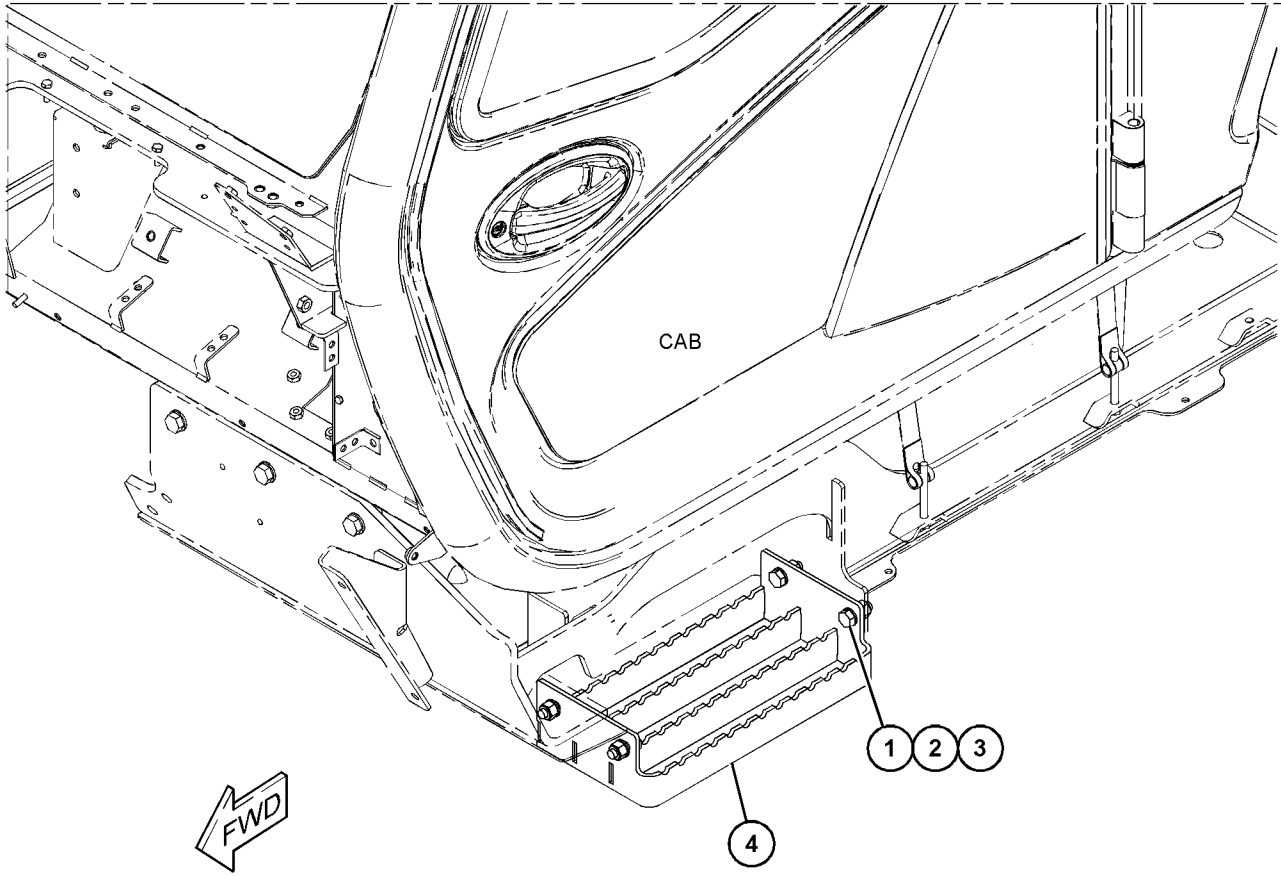
PART OF 518-0076, 518-0077 CHASSIS AR

SMCS-7254

i06603137

NOTE	REF NO	GRAPHIC REF	PART NUMBER	QTY	PART NAME						SEE PAGE
					1	2	3	4	5	6 (PRODUCT LEVEL)	
M	1	1	8T-4195	4	BOLT (M10X1.5X30-MM)						
M	2	1	8T-0389	4	LOCKNUT (M10X1.5-THD)						
	3	1	8T-4121	8	WASHER-HARD (11X21X2.5-MM THK)						
	4	1	505-0885	1	STEP AS						

M - METRIC PART



GRAPHIC #1

<END>

g06045043

BRAKING SYSTEM

506-7649 BRAKE AR-TRAILER

S/N: TH41-UP; TH91-UP
NOT AVAILABLE IN THE ITALIAN MARKET
AN ATTACHMENT

SMCS-4250

i07376266

NOTE	PART NUMBER	QTY	PART NAME						SEE PAGE
			1	2	3	4	5	6 (PRODUCT LEVEL)	
Y	497-9630	1	COVER GP-ACCESS (TRAILER)						1150
Y	501-7468	1	LINES GP-TRAILER						927
Y	501-7470	1	VALVE & MTG GP-BRAKE (TRAILER BRAKE)						813
Y	501-7471	1	VALVE & MTG GP-BRAKE (DYNAMIC BRAKE)						814

Y - SEPARATE ILLUSTRATION

<END>

506-7651 BRAKE AR-TRAILER

S/N: TH91-UP
FOR USE IN THE ITALIAN MARKET
AN ATTACHMENT

SMCS-4250

i07376267

NOTE	PART NUMBER	QTY	PART NAME						SEE PAGE
			1	2	3	4	5	6 (PRODUCT LEVEL)	
Y	497-9630	1	COVER GP-ACCESS (TRAILER)						1150
Y	501-2452	1	LINES GP-TRAILER (STEERING COLUMN)						923
Y	501-2456	1	VALVE & MTG GP-BRAKE (MAIN CONTROL VALVE)						809
Y	501-7471	1	VALVE & MTG GP-BRAKE (DYNAMIC BRAKE)						814

S/N: TH91-203

Y - SEPARATE ILLUSTRATION

<END>

506-7652 BRAKE AR-TRAILER

S/N: TH41-UP; TH91-UP
NOT AVAILABLE IN THE ITALIAN MARKET
AN ATTACHMENT

SMCS-4250

i06613294

NOTE	PART NUMBER	QTY	PART NAME						SEE PAGE
			1	2	3	4	5	6 (PRODUCT LEVEL)	
Y	497-9630	1	COVER GP-ACCESS (TRAILER)						1150
Y	501-7468	1	LINES GP-TRAILER (STEERING COLUMN)						927
Y	501-7470	1	VALVE & MTG GP-BRAKE (TRAILER BRAKE)						813
Y	501-7471	1	VALVE & MTG GP-BRAKE (DYNAMIC BRAKE)						814
Y	496-8310	1	WIRING GP-TRAILER						615

Y - SEPARATE ILLUSTRATION

<END>

BRAKING SYSTEM

553-5769 BRAKE AR-TRAILER

S/N: TH41-UP; TH91-UP

AN ATTACHMENT

SMCS-4250

i07425812

NOTE	PART NUMBER	QTY	PART NAME						SEE PAGE
			1	2	3	4	5	6 (PRODUCT LEVEL)	
Y	497-9630	1	COVER GP-ACCESS (TRAILER)						1150
Y	559-1222	1	LINES GP-TRAILER						933
Y	558-9597	1	SWITCH GP-TOGGLE						567
Y	501-7471	1	VALVE & MTG GP-BRAKE (DYNAMIC BRAKE)						814
Y	556-2958	1	VALVE & MTG GP-BRAKE (TRAILER BRAKE)						815

Y - SEPARATE ILLUSTRATION

<END>

553-5770 BRAKE AR-TRAILER-ELECTRIC

S/N: TH41-UP; TH91-UP

PART OF 590-9758, 590-9759 CONFIGURATION AR

AN ATTACHMENT

SMCS-4250

i07390048

NOTE	PART NUMBER	QTY	PART NAME						SEE PAGE
			1	2	3	4	5	6 (PRODUCT LEVEL)	
Y	497-9630	1	COVER GP-ACCESS (TRAILER)						1150
Y	559-1222	1	LINES GP-TRAILER						933
Y	558-9597	1	SWITCH GP-TOGGLE						567
Y	556-2958	1	VALVE & MTG GP-BRAKE (TRAILER BRAKE)						815
Y	501-7471	1	VALVE & MTG GP-BRAKE (DYNAMIC BRAKE)						814
Y	496-8310	1	WIRING GP-TRAILER						615

Y - SEPARATE ILLUSTRATION

<END>

BRAKING SYSTEM

514-4634 BRAKE GP-PARKING

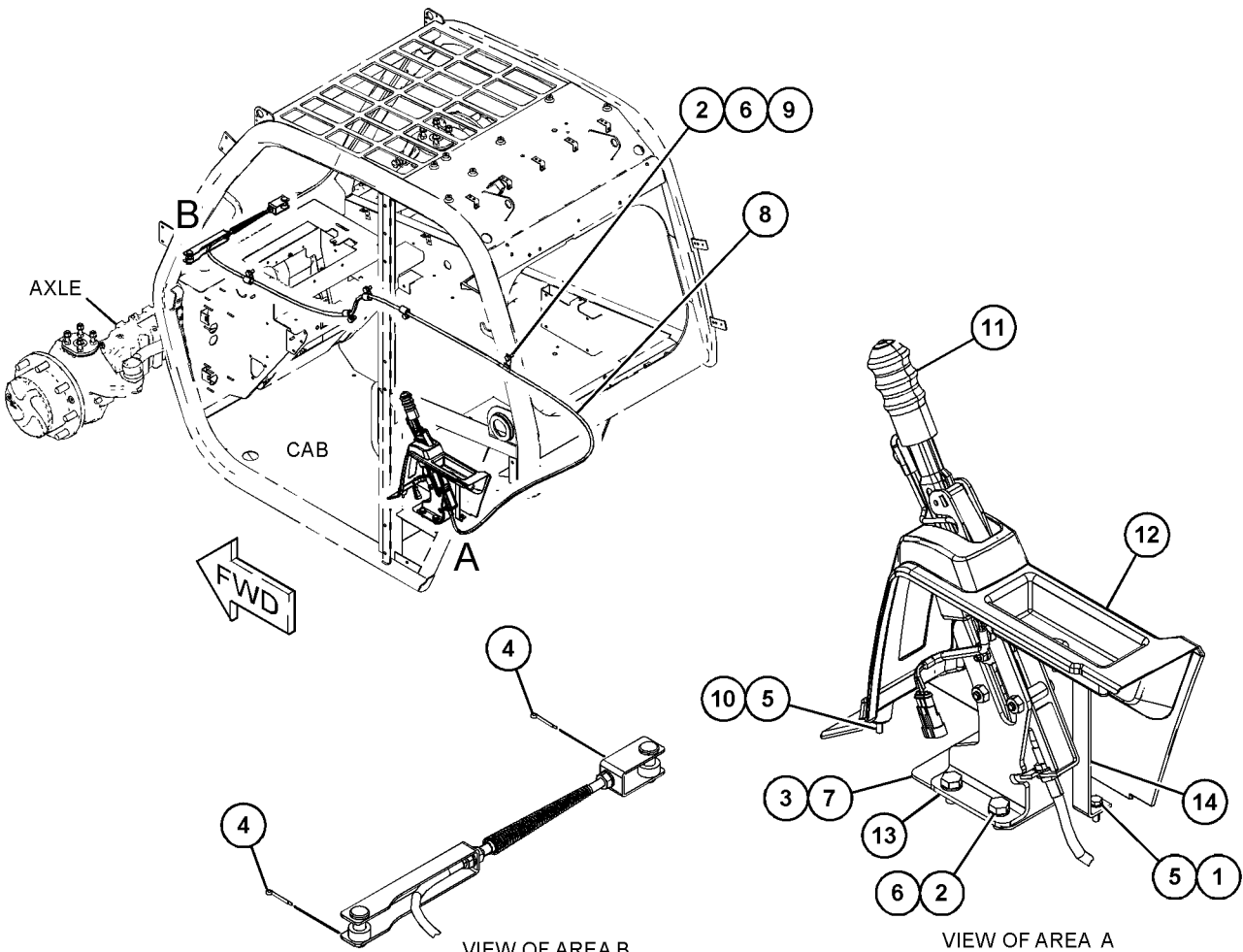
S/N: TH41-UP; TH91-UP
PART OF 517-9299 AXLE AR
AN ATTACHMENT

SMCS-4267

i07660508

NOTE	REF NO	GRAPHIC REF	PART NUMBER	QTY	PART NAME						SEE PAGE
					1	2	3	4	5	6 (PRODUCT LEVEL)	
M	1	1	8T-4138	1	BOLT (M6X1X20-MM)						
M	2	1	8T-4137	7	BOLT (M10X1.5X20-MM)						
	3	1	2V-8260	1	GROMMET						
	4	1	323-7223	2	PIN-COTTER						
	5	1	8T-4205	3	WASHER-HARD (7.2X14.5X2-MM THK)						
	6	1	8T-4121	7	WASHER-HARD (11X21X2.5-MM THK)						
	7	1	560-4257	1	PLATE						
	8	1	519-0945	1	CABLE AS						
	9	1	175-7739	5	CLAMP						
M	10	1	8T-8998	2	SCREW-MACHINE (M6X1X20-MM)						
	11	1	514-4636	1	LEVER AS						
	12	1	499-7169	1	COVER-BRAKE						
	13	1	514-4635	1	BRACKET AS						
	14	1	497-8541	1	BRACKET AS						

M - METRIC PART



GRAPHIC #1

VIEW OF AREA B
<END>

VIEW OF AREA A

g06392526

BRAKING SYSTEM

520-7773 BRAKE GP-SERVICE

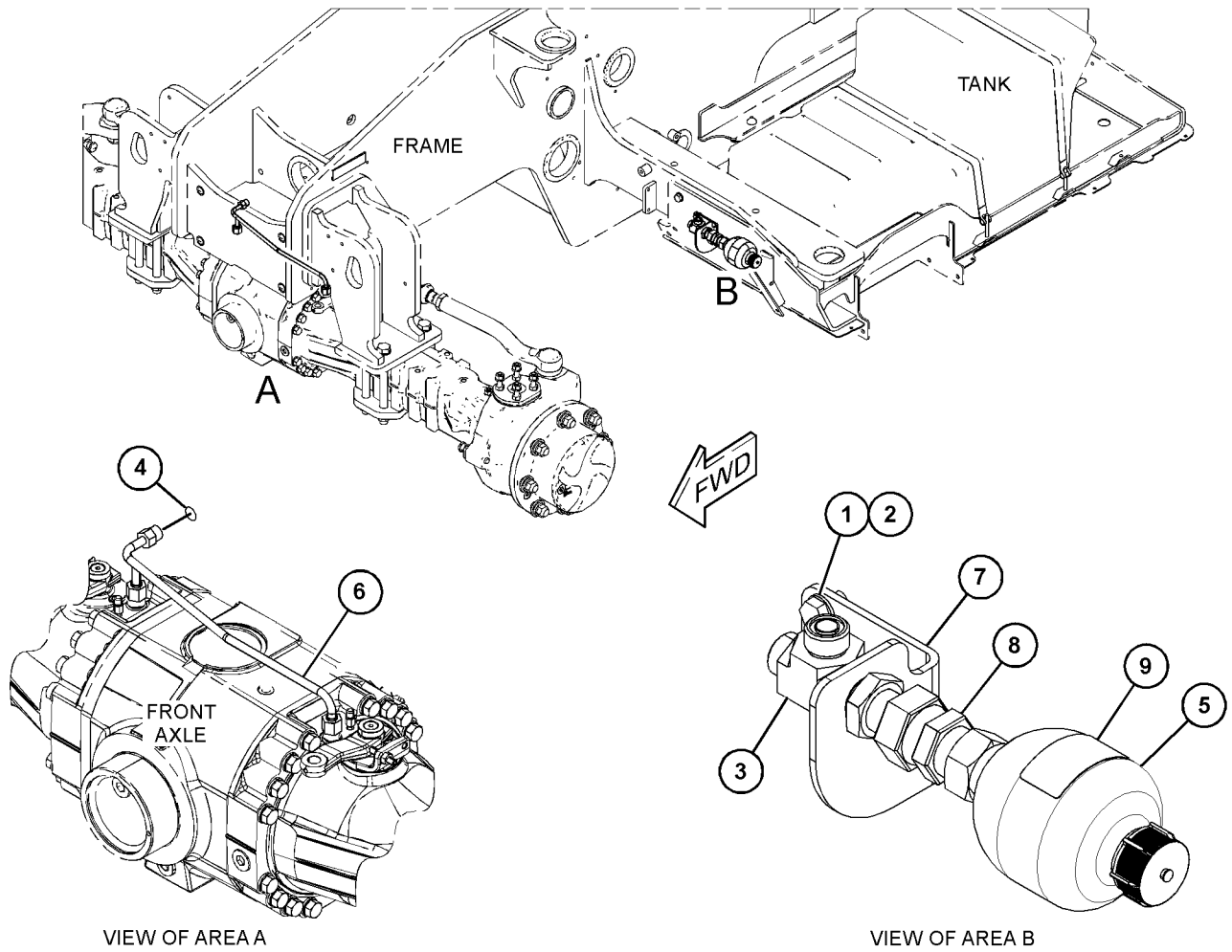
S/N: TH41-UP; TH91-UP
PART OF 517-9299 AXLE AR
AN ATTACHMENT

SMCS-4251

i07712884

NOTE	REF NO	GRAPHIC REF	PART NUMBER	QTY	PART NAME						SEE PAGE
					1	2	3	4	5	6 (PRODUCT LEVEL)	
M	1	1	7X-2536	2	BOLT (M8X1.25X14-MM)						
	2	1	8T-4224	2	WASHER-HARD (8.8X16X2-MM THK)						
	3	1	502-0663	1	ADAPTER AS						
	4	1	6V-8397	1	SEAL-O-RING						
	5	1	462-5368	1	ACCUMULATOR						
	6	1	499-0191	1	TUBE AS						
	7	1	502-0661	1	BRACKET						
	8	1	502-0662	1	ADAPTER						
	9	1	577-8021	1	FILM-IDENTIFICATION (READ SERVICE MANUAL, STORED ENERGY)						

M - METRIC PART



g06442805

BRAKING SYSTEM

499-0189 LINES GP-BRAKE

S/N: TH41-UP; TH91-UP

PART OF 518-0046, 567-5059 HYDRAULIC AR

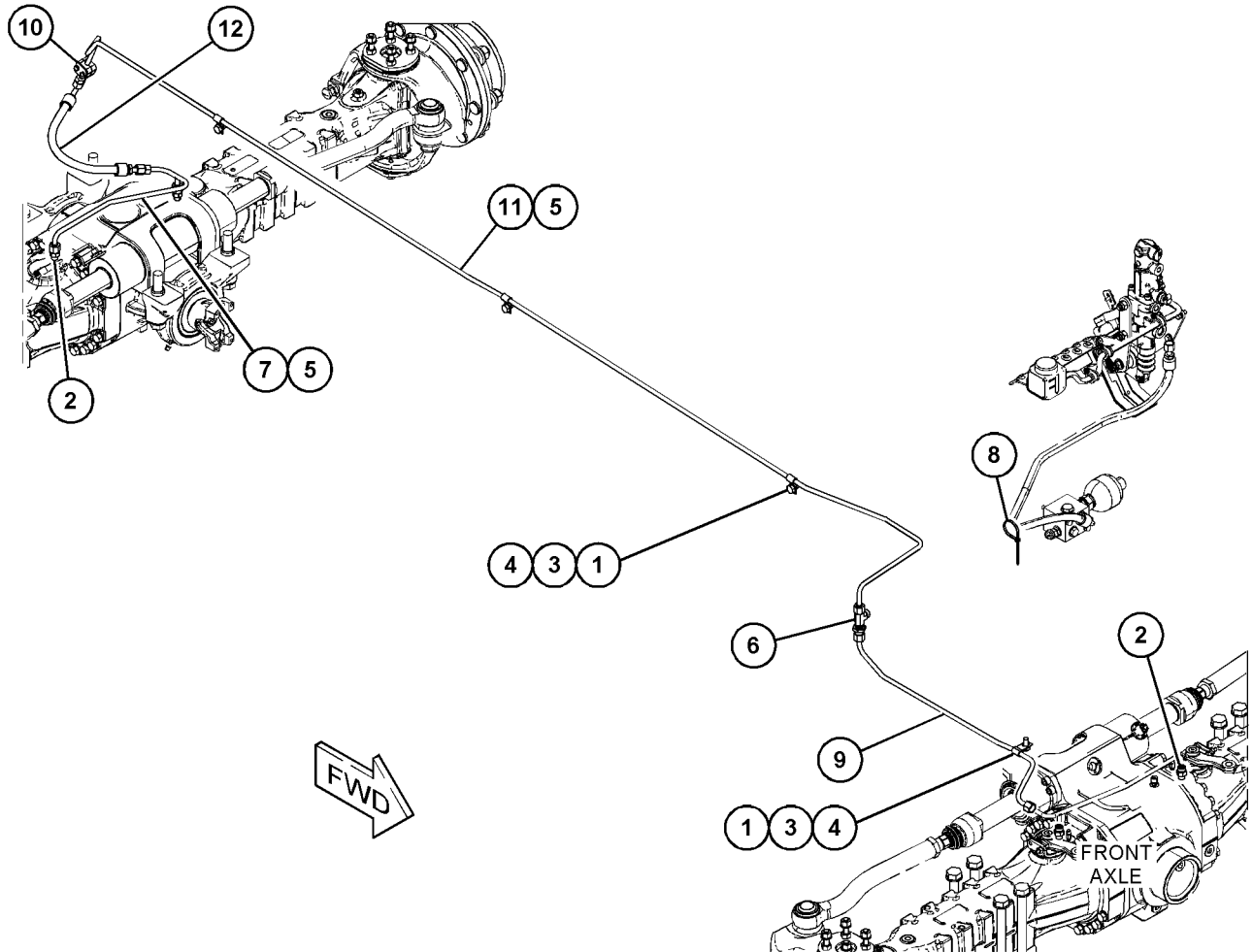
SMCS-4257

i07409833

NOTE	REF NO	GRAPHIC REF	PART NUMBER	QTY	PART NAME						SEE PAGE
					1	2	3	4	5	6 (PRODUCT LEVEL)	
M	1	1	8T-4137	4	BOLT (M10X1.5X20-MM)						
	2	1	298-1610	4	FITTING						
	3	1	8T-4121	4	WASHER-HARD (11X21X2.5-MM THK)						
	4	1	6V-3265	4	CLIP						
	5	1	6V-8397	2	SEAL-O-RING						
	6	1	519-3636	1	TEE AS						
		1	6V-9168	1	NUT (11/16-16-THD)						
		1	6D-7128	3	SEAL-O-RING						
		1	7X-0820	1	TEE						
	7	1	499-0190	1	TUBE AS						
	8	1	342-3862	1	STRIP						
	9	1	499-0192	1	TUBE AS						
	10	1	499-2332	1	CLAMP AS						
	11	1	555-7505	1	TUBE AS						
I	12	1	498-9357	1	HOSE AS						

I - REFER TO HYDRAULIC INFORMATION SYSTEM

M - METRIC PART



GRAPHIC #1

<END>

g06338962

BRAKING SYSTEM

502-0664 LINES GP-BRAKE

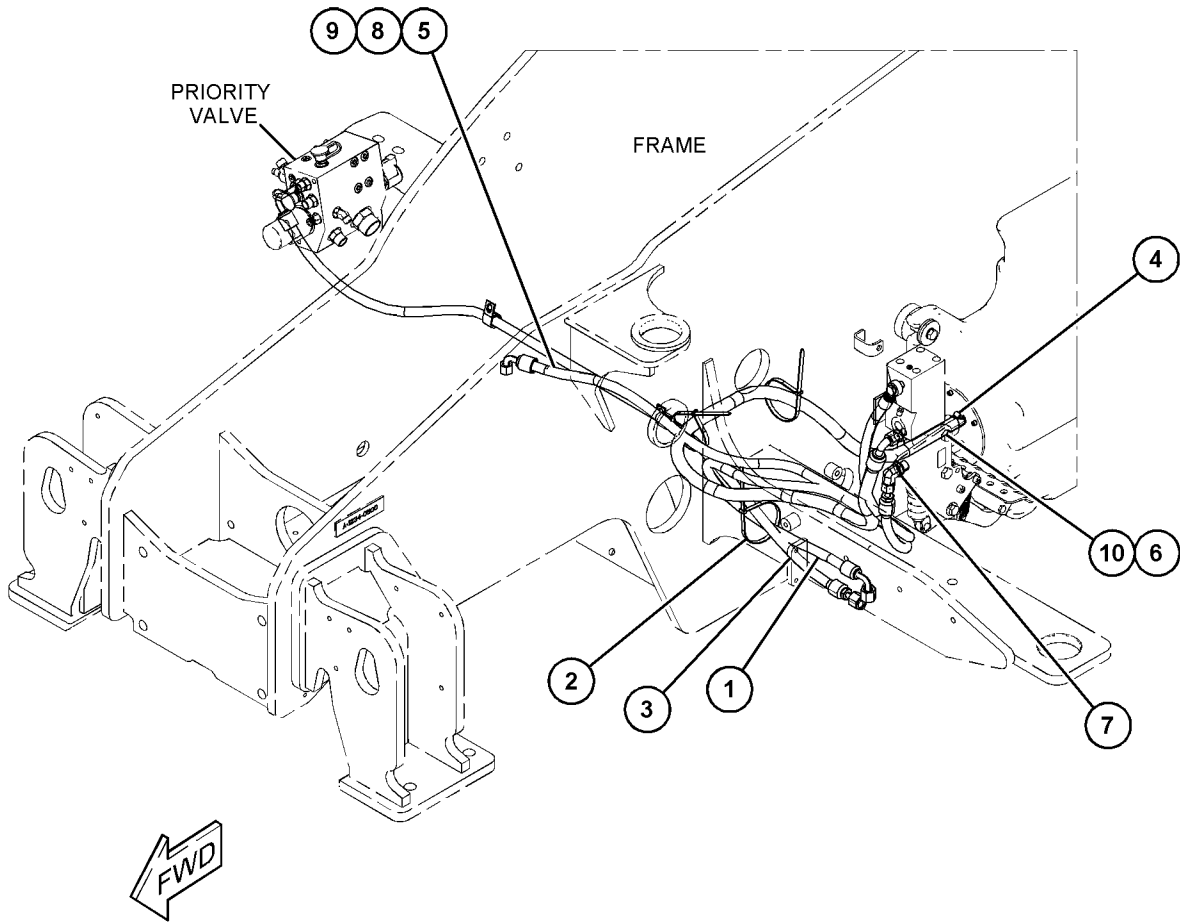
S/N: TH41-150; TH91-203
PART OF 518-0046 HYDRAULIC AR

SMCS-4257

i06826610

NOTE	REF NO	GRAPHIC REF	PART NUMBER	QTY	PART NAME						SEE PAGE	
					1	2	3	4	5	6 (PRODUCT LEVEL)		
I	1	1	502-0314	1	HOSE AS							
	2	1	7K-1181	3	STRAP-CABLE							
I	3	1	502-0313	1	HOSE AS							
	4	1	309-2982	1	CLAMP							
	5	1	502-0376	1	HOSE AS							
	6	1	473-8503	1	ADAPTER							
	7	1	477-4116	1	ELBOW							
	8	1	296-5747	2	WASHER-COPPER (12X16X1.5-MM THK)							
	M	9	1	477-4117	1	BOLT (M12X1.5X24-MM)						
	I	10	1	502-0312	1	HOSE AS						

I - REFER TO HYDRAULIC INFORMATION SYSTEM
M - METRIC PART



GRAPHIC #1

<END>

g06131409

BRAKING SYSTEM

502-0664 LINES GP-BRAKE

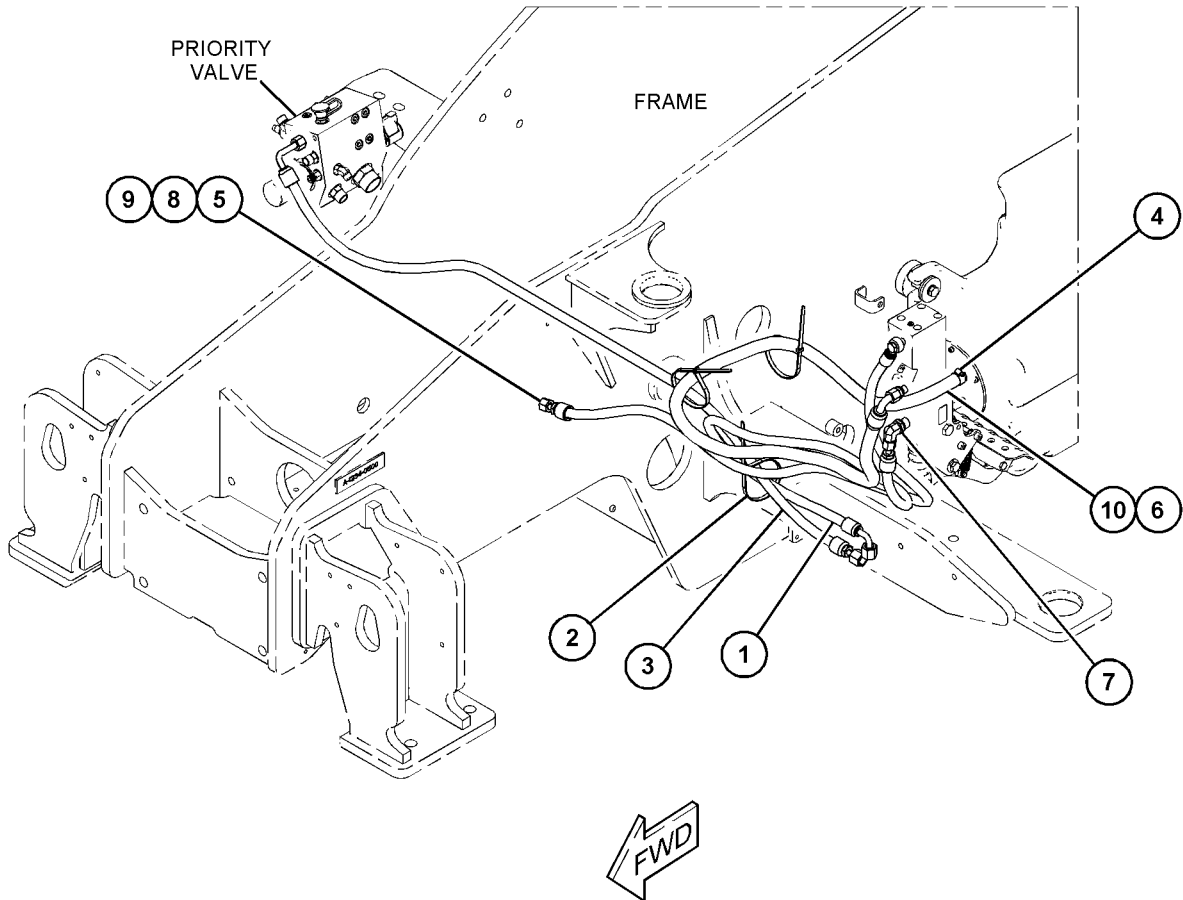
S/N: TH4151-UP; TH9204-257
PART OF 518-0046 HYDRAULIC AR

SMCS-4257

i07414997

NOTE	REF NO	GRAPHIC REF	PART NUMBER	QTY	PART NAME						SEE PAGE
					1	2	3	4	5	6 (PRODUCT LEVEL)	
I	1	1	502-0314	1	HOSE AS						
	2	1	7K-1181	3	STRAP-CABLE						
I	3	1	502-0313	1	HOSE AS						
	4	1	309-2982	1	CLAMP						
C	5	1	555-7506	1	HOSE AS						
	6	1	473-8503	1	ADAPTER						
	7	1	477-4116	1	ELBOW						
	8	1	296-5747	2	WASHER-COPPER (12X16X1.5-MM THK)						
M	9	1	477-4117	1	BOLT (M12X1.5X24-MM)						
I	10	1	502-0312	1	HOSE AS						

C - CHANGE FROM PREVIOUS TYPE
I - REFER TO HYDRAULIC INFORMATION SYSTEM
M - METRIC PART



GRAPHIC #1

<END>

g06316807

BRAKING SYSTEM

502-0664 LINES GP-BRAKE

S/N: TH4151-UP; TH9258-UP

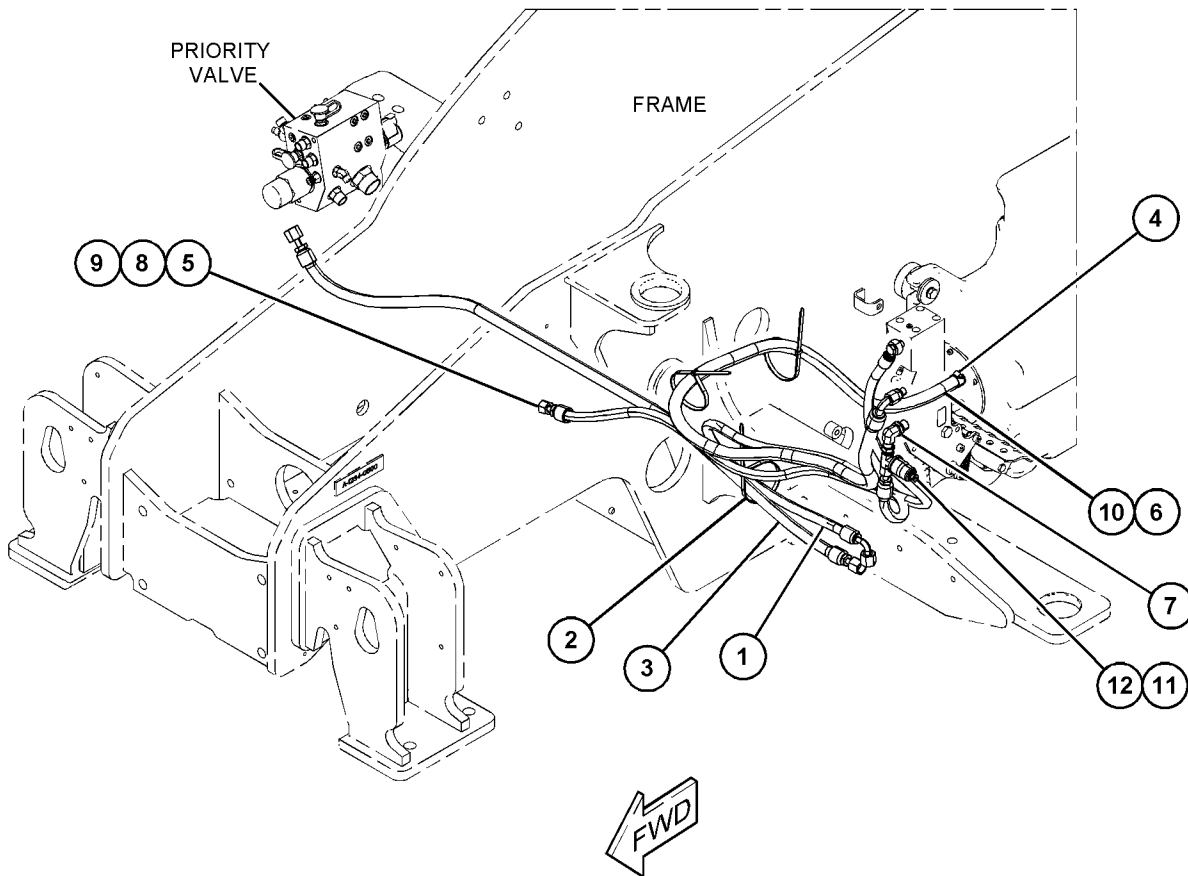
PART OF 518-0046, 567-5059 HYDRAULIC AR

SMCS-4257

i07422664

NOTE	REF NO	GRAPHIC REF	PART NUMBER	QTY	PART NAME						SEE PAGE
					1	2	3	4	5	6 (PRODUCT LEVEL)	
I	1	1	502-0314	1	HOSE AS						
	2	1	7K-1181	3	STRAP-CABLE						
CI	3	1	556-8957	1	HOSE AS						
	4	1	309-2982	1	CLAMP						
	5	1	555-7506	1	HOSE AS						
	6	1	473-8503	1	ADAPTER						
	7	1	477-4116	1	ELBOW						
	8	1	296-5747	2	WASHER-COPPER (12X16X1.5-MM THK)						
M	9	1	477-4117	1	BOLT (M12X1.5X24-MM)						
I	10	1	502-0312	1	HOSE AS						
C	11	1	556-8958	1	TEE AS						
C	12	1	528-8686	1	SENSOR GP-PRESSURE (TRAILER BRAKE)						

C - CHANGE FROM PREVIOUS TYPE
 I - REFER TO HYDRAULIC INFORMATION SYSTEM
 M - METRIC PART



GRAPHIC #1

<END>

g06317545

BRAKING SYSTEM

505-7484 PEDAL & MOUNTING GP-BRAKE

S/N: TH41-150; TH91-238

PART OF 517-9179, 517-9180 CAB AR
AN ATTACHMENT

SMCS-4269

i06826607

NOTE	REF NO	GRAPHIC REF	PART NUMBER	QTY	PART NAME						SEE PAGE
					1	2	3	4	5	6 (PRODUCT LEVEL)	
	1	1	474-6097	1	BRACKET						
	2	1	493-8976	1	HOSE						
M	3	1	312-3282	4	SCREW (M6X1.0X10-MM)						
M	4	1	8T-4189	3	BOLT (M8X1.25X20-MM)						
	6	1	491-0615	1	PEDAL AS-BRAKE						
M		1	8T-7547	2	BOLT (M8X1.25X30-MM)						
M		1	3T-0852	2	LOCKNUT (M8X1.25-THD)						
	7	1	5W-1417	4	WASHER (6.4X18X1.6-MM THK)						
	8	1	8T-4224	3	WASHER-HARD (8.8X16X2-MM THK)						
Y	9	1	505-7629	1	SWITCH & MTG GP-SIGNAL (BRAKE)						563
	10	1	474-6095	1	SEAL						
	11	1	474-6096	1	PLATE (BRAKE PEDAL)						
	12	1	505-7485	1	BRAKE GP-SERVICE						
		1	458-8885	1	COVER						
		1	458-8886	1	SPRING						
		1	483-3923	1	CYLINDER						
M	13	1	5C-9553	1	BOLT (M6X1X16-MM)						
	14	1	8T-4205	4	WASHER-HARD (7.2X14.5X2-MM THK)						
M	15	1	5C-2890	3	NUT (M6X1-THD)						
	16	1	477-0667	1	RETAINER						
	17	1	333-0736	2	CLAMP						
	18	1	521-5502	1	RESERVOIR						
	19	1	474-6053	3	CLIP						
	20	1	474-6058	1	ADAPTER						

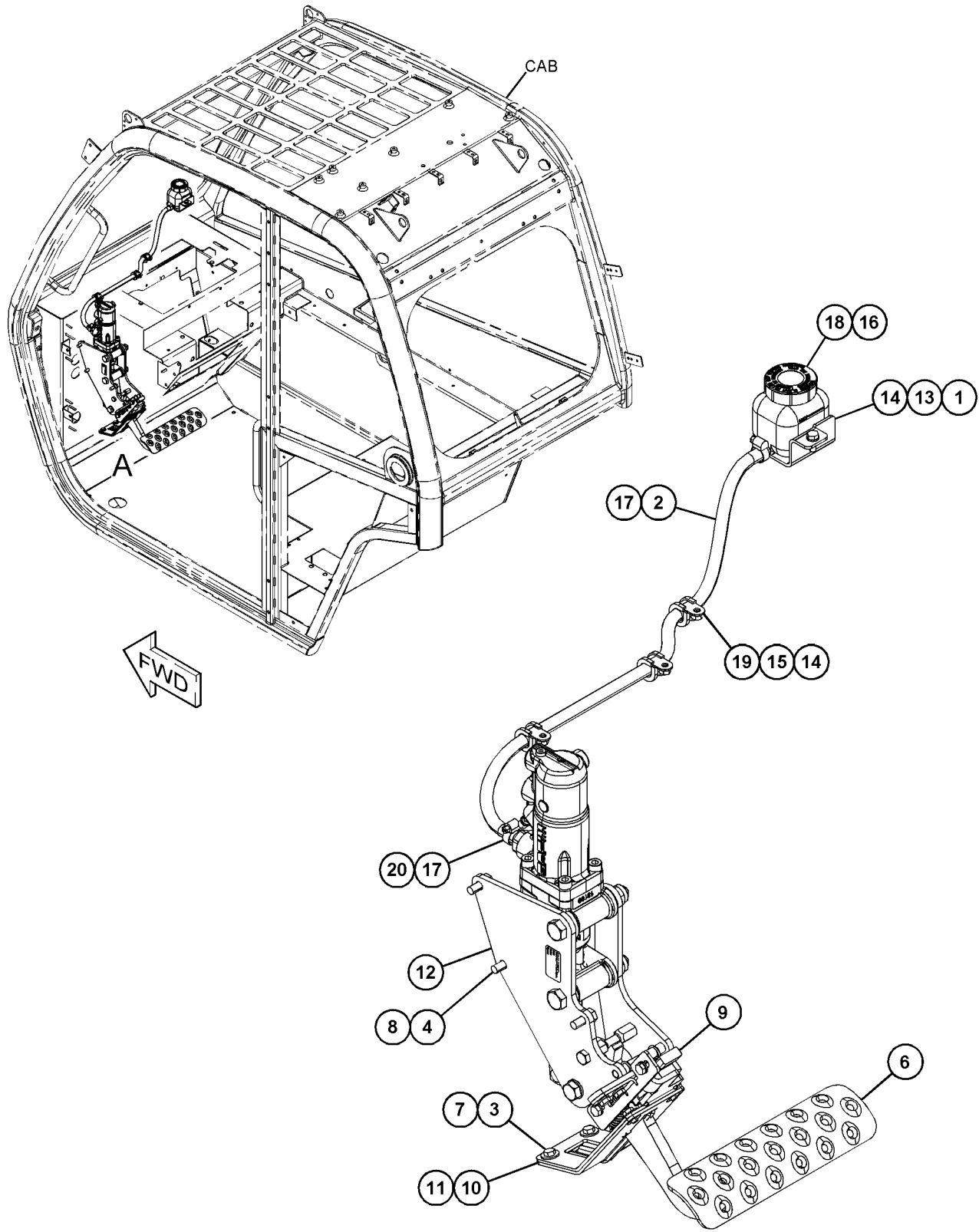
M - METRIC PART

Y - SEPARATE ILLUSTRATION

BRAKING SYSTEM

505-7484 PEDAL & MOUNTING GP-BRAKE (contd.)

i06826607



VIEW OF AREA A

GRAPHIC #1

<END>

g06136516

BRAKING SYSTEM

505-7484 PEDAL & MOUNTING GP-BRAKE

S/N: TH41-UP; TH9239-UP
PART OF 517-9179, 517-9180 CAB AR
AN ATTACHMENT

SMCS-4269

i07718897

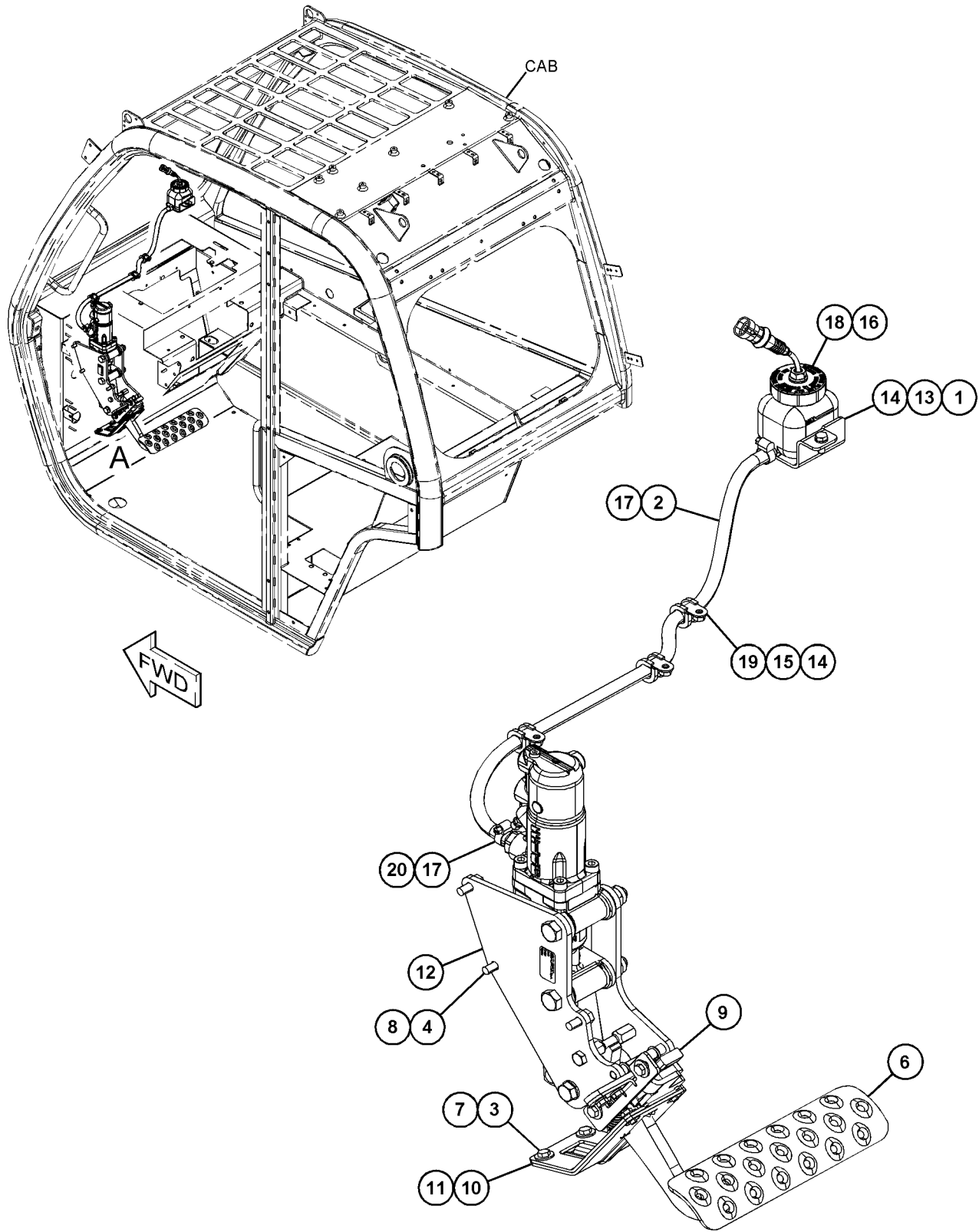
NOTE	REF NO	GRAPHIC REF	PART NUMBER	QTY	PART NAME						SEE PAGE
					1	2	3	4	5	6 (PRODUCT LEVEL)	
	1	1	474-6097	1	BRACKET						
	2	1	493-8976	1	HOSE						
M	3	1	7X-2619	4	BOLT (M6X1X10-MM)						
M	4	1	8T-4189	3	BOLT (M8X1.25X20-MM)						
	6	1	491-0615	1	PEDAL AS-BRAKE						
M		1	8T-7547	2	BOLT (M8X1.25X30-MM)						
M		1	3T-0852	2	LOCKNUT (M8X1.25-THD)						
	7	1	5W-1417	4	WASHER (6.4X18X1.6-MM THK)						
	8	1	8T-4224	3	WASHER-HARD (8.8X16X2-MM THK)						
Y	9	1	505-7629	1	SWITCH & MTG GP-SIGNAL (BRAKE)						563
	10	1	474-6095	1	SEAL						
	11	1	474-6096	1	PLATE (BRAKE PEDAL)						
	12	1	505-7485	1	BRAKE GP-SERVICE						
		1	458-8885	1	COVER						
		1	458-8886	1	SPRING						
		1	483-3923	1	CYLINDER						
M	13	1	5C-9553	1	BOLT (M6X1X16-MM)						
	14	1	8T-4205	4	WASHER-HARD (7.2X14.5X2-MM THK)						
M	15	1	5C-2890	3	NUT (M6X1-THD)						
	16	1	477-0667	1	RETAINER						
	17	1	333-0736	2	CLAMP						
C	18	1	560-5892	1	BRAKE AS						
	19	1	474-6053	3	CLIP						
	20	1	474-6058	1	ADAPTER						

C - CHANGE FROM PREVIOUS TYPE
M - METRIC PART
Y - SEPARATE ILLUSTRATION

BRAKING SYSTEM

505-7484 PEDAL & MOUNTING GP-BRAKE (contd.)

i07718897



VIEW OF AREA A

GRAPHIC #1

<END>

g06410230

BRAKING SYSTEM

501-2456 VALVE & MTG GP-BRAKE

S/N: TH91-203

PART OF 506-7651 BRAKE AR-TRAILER, 506-7655 TRAILER AR
AN ATTACHMENT

SMCS-4262, 4265, 4282

i07000705

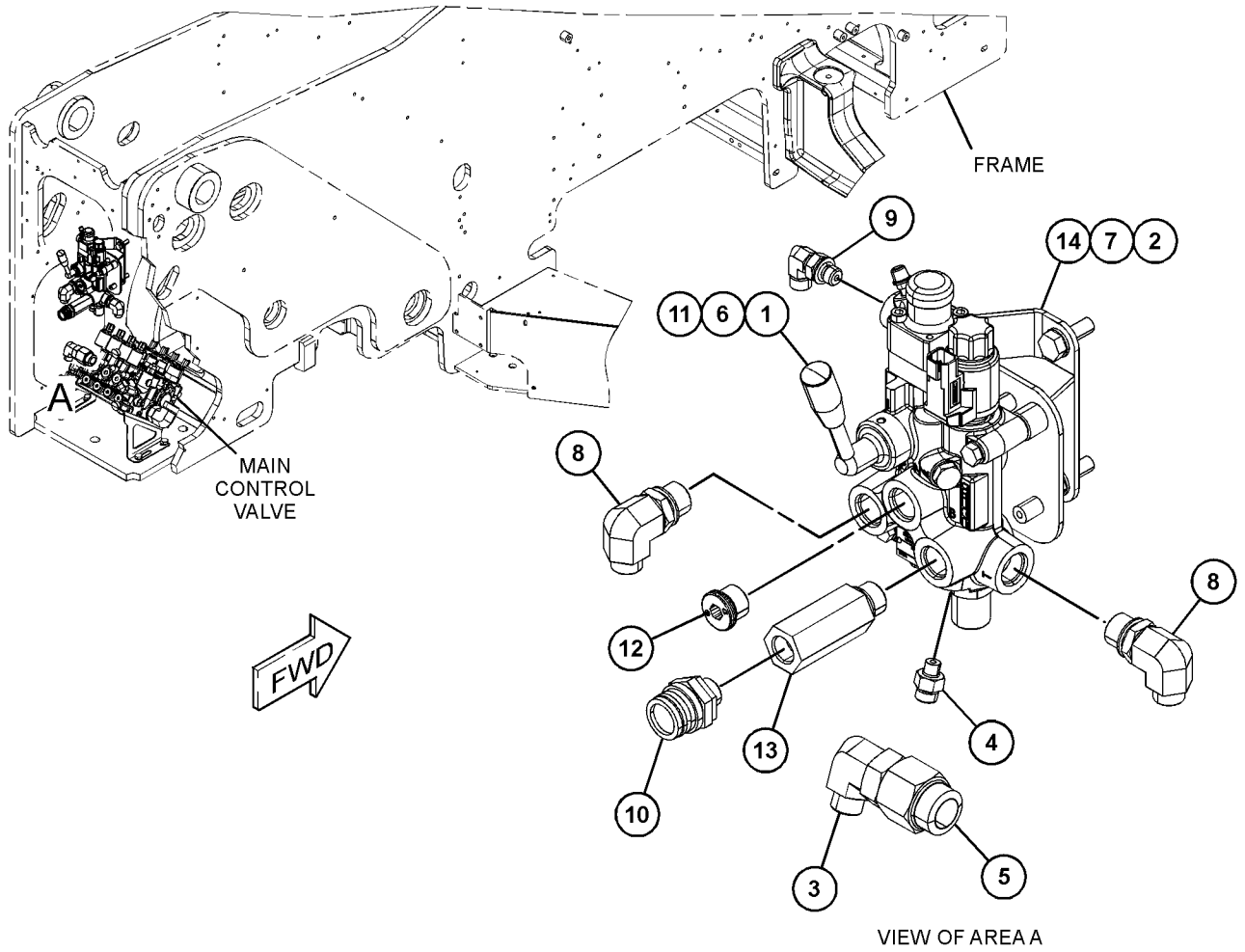
NOTE	REF NO	GRAPHIC REF	PART NUMBER	QTY	PART NAME						SEE PAGE
					1	2	3	4	5	6 (PRODUCT LEVEL)	
M	1	1	8T-7329	2	BOLT (M8X1.25X55-MM)						
M	2	1	8T-4195	2	BOLT (M10X1.5X30-MM)						
	3	1	303-4756	1	FITTING						
	4	1	309-6344	1	CONNECTOR						
	5	1	501-2457	1	ADAPTER-STR						
	6	1	8T-4224	4	WASHER-HARD (8.8X16X2-MM THK)						
	7	1	8T-4121	2	WASHER-HARD (11X21X2.5-MM THK)						
	8	1	<i>377-9560</i>	2	ELBOW AS						
					(EACH INCLUDES)						
		1	6V-7970	1	SEAL-O-RING						
		1	6V-8398	1	SEAL-O-RING						
		1	379-4372	1	ADAPTER-ELBOW						
	9	1	309-2986	1	FITTING						
	10	1	219-4562	1	FITTING						
	11	1	528-8260	1	VALVE GP-BRAKE						
	12	1	<i>330-9726</i>	1	PLUG AS						
		1	227-0136	1	PLUG						
		1	228-7105	1	SEAL-O-RING						
	13	1	425-2264	1	ADAPTER						
	14	1	501-2458	1	BRACKET AS						

M - METRIC PART

BRAKING SYSTEM

501-2456 VALVE & MTG GP-BRAKE (contd.)

i07000705



GRAPHIC #1

<END>

g06205397

BRAKING SYSTEM

501-2456 VALVE & MTG GP-BRAKE

S/N: TH9204-UP

PART OF 506-7651 BRAKE AR-TRAILER, 506-7655 TRAILER AR
AN ATTACHMENT

SMCS-4262, 4265, 4282

i07415206

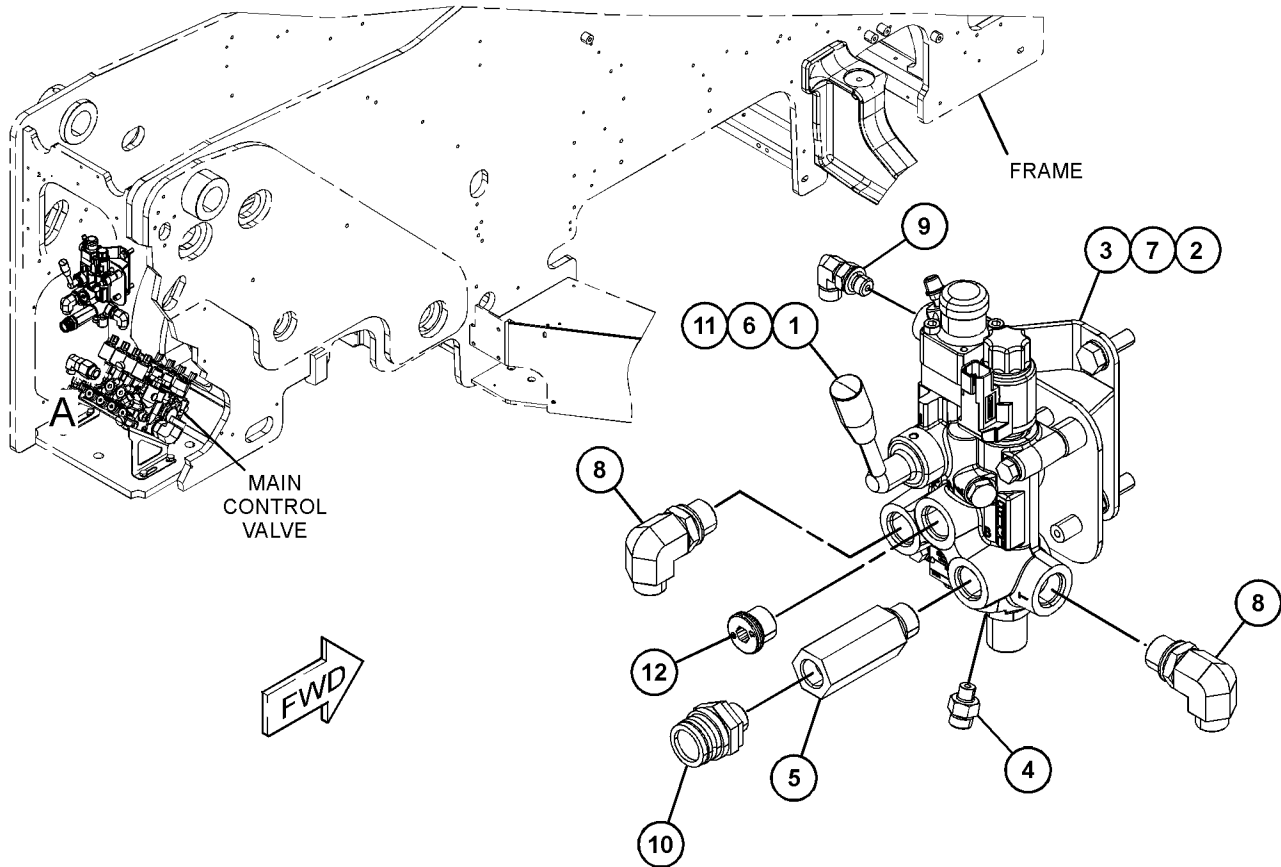
NOTE	REF NO	GRAPHIC REF	PART NUMBER	QTY	PART NAME						SEE PAGE
					1	2	3	4	5	6 (PRODUCT LEVEL)	
M	1	1	8T-7329	2	BOLT (M8X1.25X55-MM)						
M	2	1	8T-4195	2	BOLT (M10X1.5X30-MM)						
	3	1	501-2458	1	BRACKET AS						
	4	1	309-6344	1	CONNECTOR						
	5	1	425-2264	1	ADAPTER						
	6	1	8T-4224	4	WASHER-HARD (8.8X16X2-MM THK)						
	7	1	8T-4121	2	WASHER-HARD (11X21X2.5-MM THK)						
	8	1	<i>377-9560</i>	2	ELBOW AS						
					(EACH INCLUDES)						
		1	6V-7970	1	SEAL-O-RING						
		1	6V-8398	1	SEAL-O-RING						
		1	379-4372	1	ADAPTER-ELBOW						
	9	1	309-2986	1	FITTING						
	10	1	219-4562	1	FITTING						
	11	1	528-8260	1	VALVE GP-BRAKE						
	12	1	<i>330-9726</i>	1	PLUG AS						
		1	227-0136	1	PLUG						
		1	228-7105	1	SEAL-O-RING						

M - METRIC PART

BRAKING SYSTEM

501-2456 VALVE & MTG GP-BRAKE (contd.)

i07415206



GRAPHIC #1

<END>

g06323096

BRAKING SYSTEM

501-7470 VALVE & MTG GP-BRAKE

S/N: TH41-UP; TH91-UP

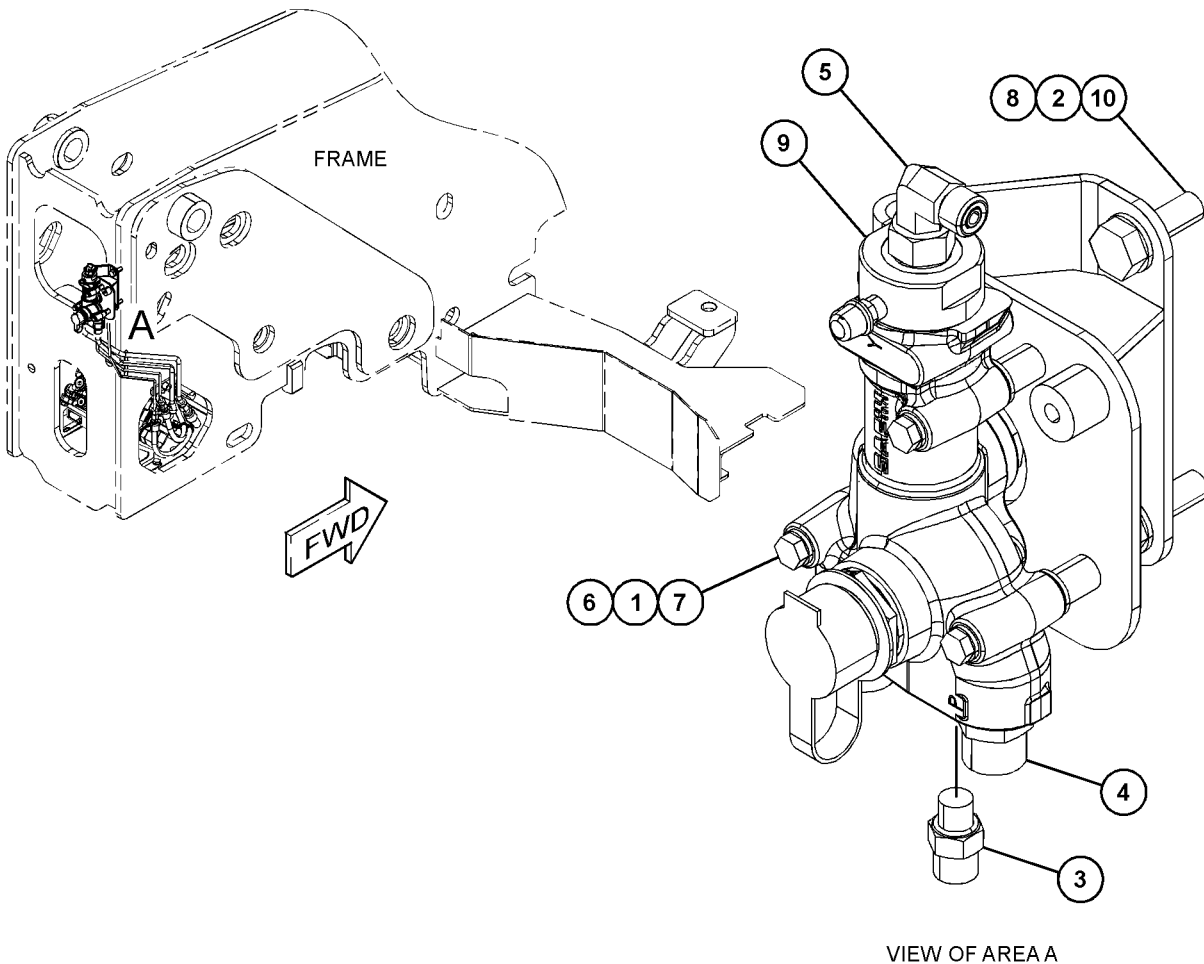
PART OF 506-7649, 506-7652 BRAKE AR-TRAILER
AN ATTACHMENT

SMCS-4262, 4265, 4282

i06809425

NOTE	REF NO	GRAPHIC REF	PART NUMBER	QTY	PART NAME						SEE PAGE
					1	2	3	4	5	6 (PRODUCT LEVEL)	
M	1	1	7X-2534	3	BOLT (M6X1X50-MM)						
M	2	1	8T-4195	2	BOLT (M10X1.5X30-MM)						
	3	1	508-2599	1	VALVE GP-CHECK						
	4	1	298-0463	2	FITTING-ADAPTER						
	5	1	298-0472	1	FITTING-ADAPTER						
	6	1	8T-4205	3	WASHER-HARD (7.2X14.5X2-MM THK)						
	7	1	8T-4224	3	WASHER-HARD (8.8X16X2-MM THK)						
	8	1	8T-4121	2	WASHER-HARD (11X21X2.5-MM THK)						
	9	1	508-2600	1	VALVE GP-BRAKE CONTROL (TRAILER BRAKE)						
	10	1	501-2458	1	BRACKET AS						

M - METRIC PART



GRAPHIC #1

<END>

g06048934

BRAKING SYSTEM

501-7471 VALVE & MTG GP-BRAKE

S/N: TH41-UP; TH91-UP

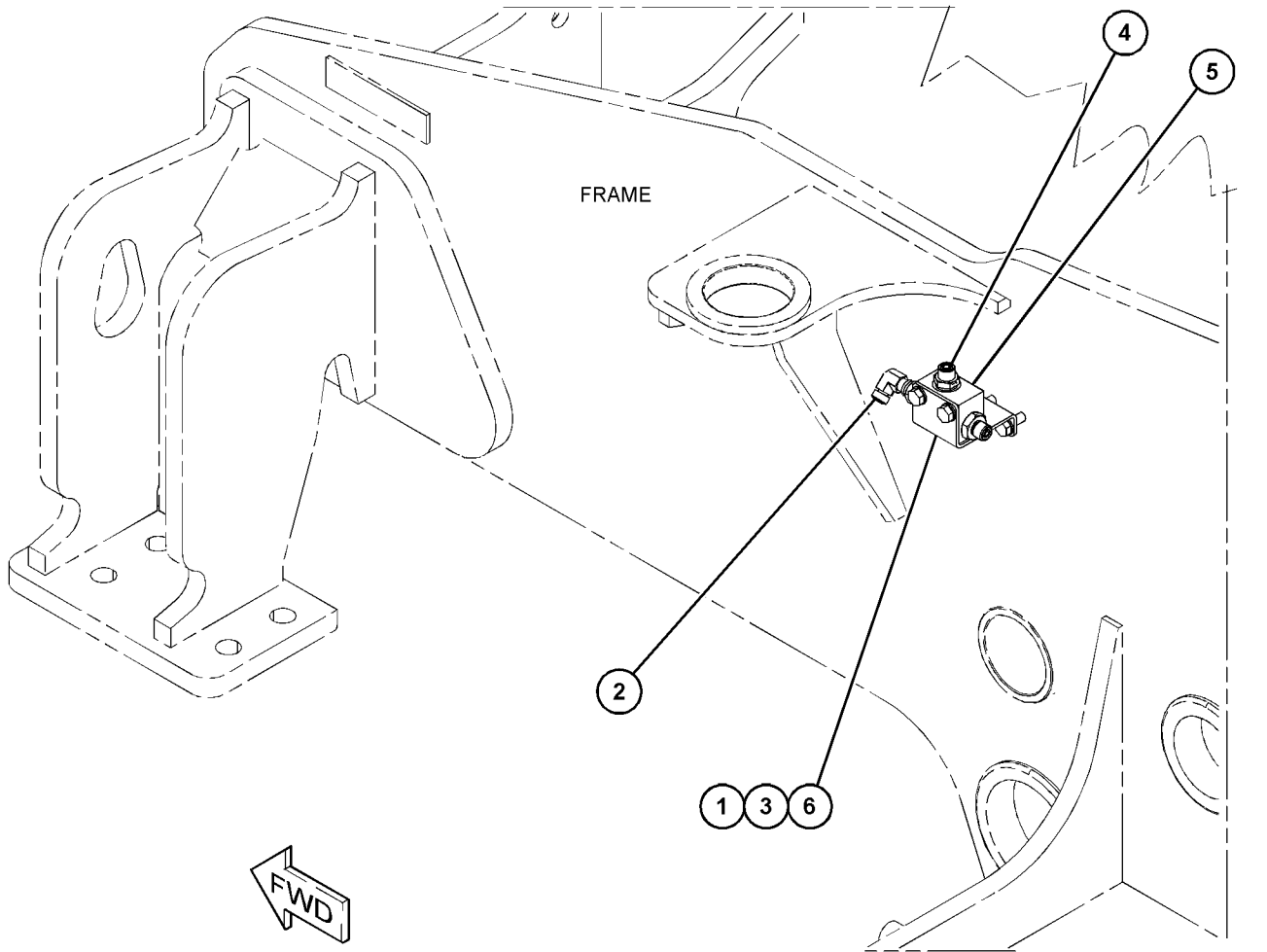
PART OF 506-7649, 506-7651, 506-7652, 553-5769, 553-5770 BRAKE AR-TRAILER, 506-7655 TRAILER AR AN ATTACHMENT

SMCS-4262, 4265, 4282

i06613300

NOTE	REF NO	GRAPHIC REF	PART NUMBER	QTY	PART NAME						SEE PAGE
					1	2	3	4	5	6 (PRODUCT LEVEL)	
M	1	1	8T-4189	4	BOLT (M8X1.25X20-MM)						
	2	1	328-9691	1	ELBOW						
	3	1	8T-4224	4	WASHER-HARD (8.8X16X2-MM THK)						
	4	1	<i>170-5121</i>	1	ADAPTER AS						
		1	4J-5477	1	SEAL-O-RING						
		1	162-6816	1	SEAL						
		1	377-9597	1	ADAPTER						
	5	1	437-7007	1	VALVE-HYDRAULIC						
	6	1	501-7472	1	PLATE						

M - METRIC PART



GRAPHIC #1

<END>

g06051710

BRAKING SYSTEM

556-2958 VALVE & MTG GP-BRAKE-TRAILER BRAKE

S/N: TH41-UP; TH91-UP

PART OF 553-5769, 553-5770 BRAKE AR-TRAILER
AN ATTACHMENT

SMCS-4262, 4265, 4282

i07390052

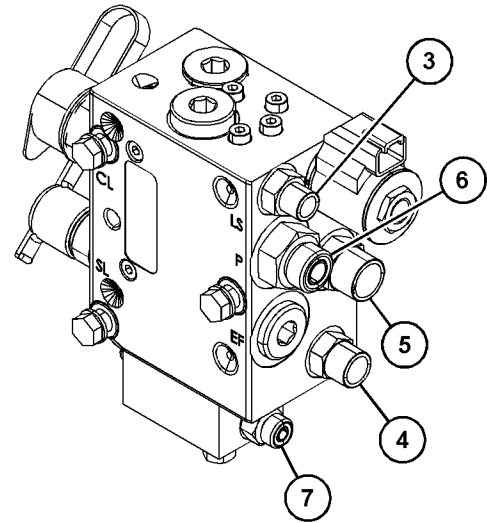
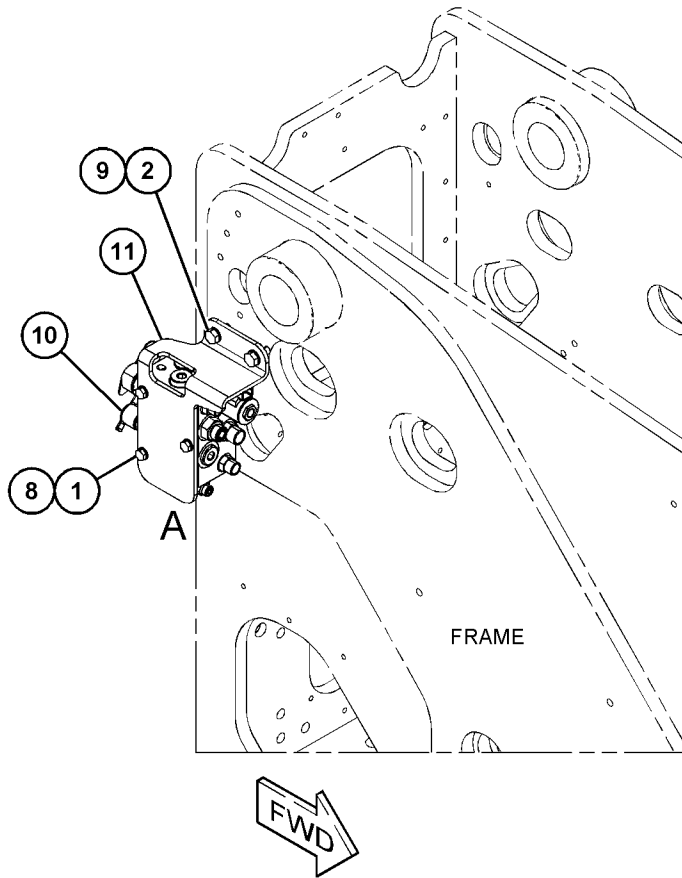
NOTE	REF NO	GRAPHIC REF	PART NUMBER	QTY	PART NAME						SEE PAGE
					1	2	3	4	5	6 (PRODUCT LEVEL)	
M	1	1	8T-4189	3	BOLT (M8X1.25X20-MM)						
M	2	1	8T-4136	2	BOLT (M10X1.5X25-MM)						
	3	1	298-7356	1	FITTING-ADAPTER						
	4	1	148-8336	1	CONNECTOR AS						
		1	3J-1907	1	SEAL-O-RING						
		1	6V-8397	1	SEAL-O-RING						
		1	6V-8636	1	CONNECTOR						
	5	1	298-0463	1	FITTING-ADAPTER						
	6	1	148-8345	1	CONNECTOR AS						
		1	2M-9780	1	SEAL-O-RING						
		1	6V-8398	1	SEAL-O-RING						
		1	6V-8638	1	CONNECTOR						
	7	1	8T-7487	1	CONNECTOR						
	8	1	8T-4224	3	WASHER-HARD (8.8X16X2-MM THK)						
	9	1	8T-4121	2	WASHER-HARD (11X21X2.5-MM THK)						
Y	10	1	556-3025	1	VALVE GP-BRAKE CONTROL (TRAILER)						817
	11	1	556-3127	1	BRACKET (TRAILER BRAKE)						

M - METRIC PART
Y - SEPARATE ILLUSTRATION

BRAKING SYSTEM

556-2958 VALVE & MTG GP-BRAKE (contd.)

i07390052



VIEW OF AREA A
(PARTS REMOVED FOR CLARITY)

GRAPHIC #1

<END>

g06324921

BRAKING SYSTEM

556-3025 VALVE GP-BRAKE CONTROL-TRAILER

S/N: TH41-UP; TH91-UP

EUROPE

PART OF 556-2958 VALVE & MTG GP-BRAKE
AN ATTACHMENT

SMCS-4265, 4282

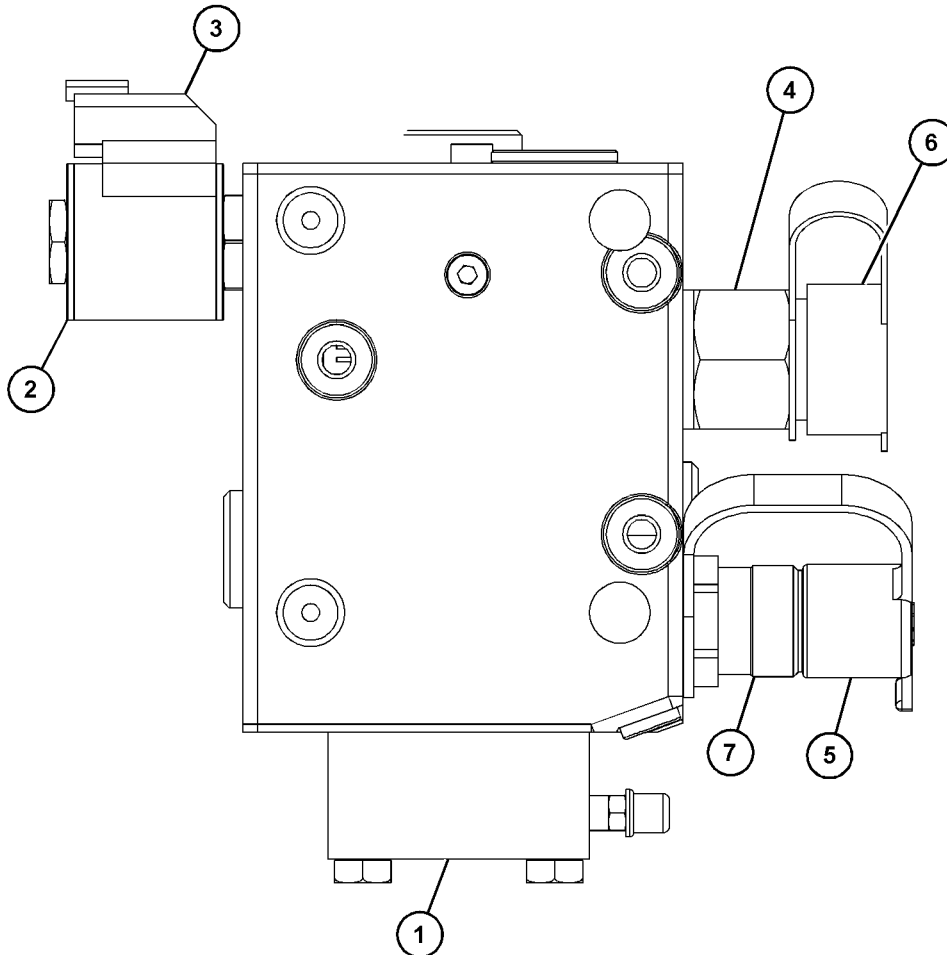
i07390054

NOTE	REF NO	GRAPHIC REF	PART NUMBER	QTY	PART NAME						SEE PAGE
					1	2	3	4	5	6	
	1	1	558-8929	1	PILOT						
	2	1	558-8930	1	VALVE-SOLENOID						
	3	1	558-8931	1	COIL						
	4	1	558-8932	1	COUPLING						
	5	1	558-8933	1	COUPLING						
	6	1	558-8934	1	CAP						
	7	1	558-8935	1	CAP						

AVAILABLE REPAIR KIT(S) :

558-8936 1 KIT-SEAL

(INCLUDES SCREW, BLOCK, & SEALS)



GRAPHIC #1

<END>

g06330746

STEERING SYSTEM

499-0187 LINES GP-STEERING

S/N: TH41-UP; TH91-UP

PART OF 518-0046, 567-5059 HYDRAULIC AR

ALSO AN ATTACHMENT

SMCS-4304

i07694090

NOTE	REF NO	GRAPHIC REF	PART NUMBER	QTY	PART NAME						SEE PAGE
					1	2	3	4	5	6	
M	1	1	8T-3647	1	BOLT (M8X1.25X80-MM)						
M	2	1	5C-9553	1	BOLT (M6X1X16-MM)						
	3	1	298-0471	1	FITTING-ADAPTER						
	4	1	298-0474	2	FITTING-ADAPTER						
	5	1	298-0490	2	FITTING-ELBOW						
	6	1	5Y-2425	1	WASHER (6.5X17.5X1.5-MM THK)						
	7	1	8T-4224	1	WASHER-HARD (8.8X16X2-MM THK)						
	8	1	204-7274	4	CLAMP						
	10	1	473-7236	1	TUBE AS						
	11	1	473-7237	1	TUBE AS						
	12	1	473-7238	1	TUBE AS						
	13	1	473-1595	1	BRACKET AS						
	14	1	473-1597	1	BRACKET						
I	16	1	558-4488	1	HOSE AS						
I	17	1	499-0079	1	HOSE AS						
I	18	1	499-0080	1	HOSE AS						
M	19	1	8T-4191	2	BOLT (M10X1.5X16-MM)						
	20	1	8T-4121	2	WASHER-HARD (11X21X2.5-MM THK)						
	21	1	132-5789	2	CLIP (LADDER)						
	22	1	<i>441-9195</i>	2	ADAPTER AS						
					(EACH INCLUDES)						
		1	228-7090	1	SEAL-O-RING						
		1	451-0357	1	ADAPTER						
		1	451-2764	1	SEAL						
	23	1	<i>150-3067</i>	1	UNION AS						
		1	4J-5477	2	SEAL-O-RING						
		1	6V-8729	1	UNION						
	24	1	472-7847	1	TUBE AS						
	25	1	558-4504	1	HOSE AS						
	26	1	563-3674	1	VALVE						
	27	1	472-7846	1	TUBE AS						
	28	1	7K-1181	2	STRAP-CABLE						
	29	1	309-2982	1	CLAMP						

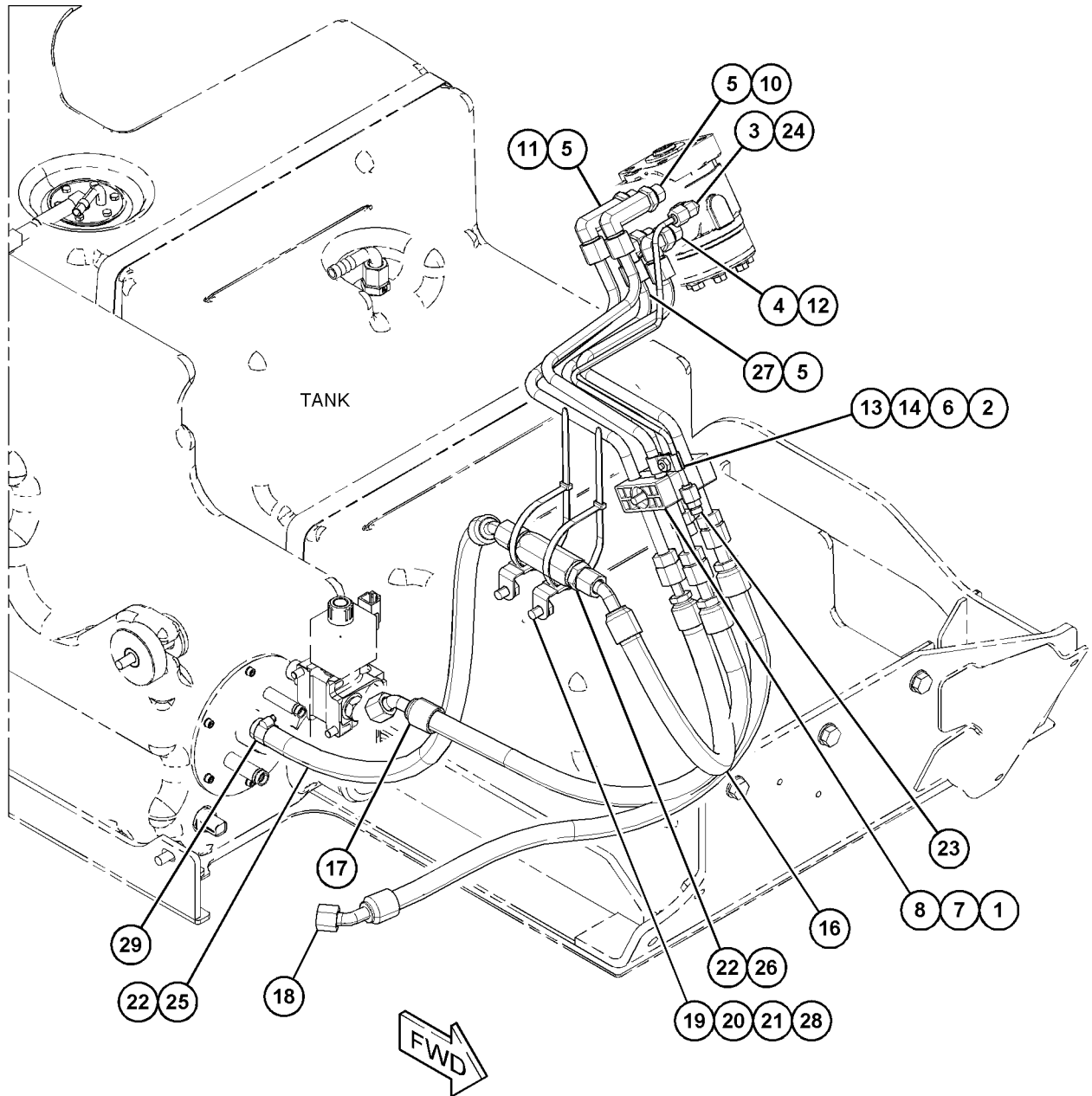
I - REFER TO HYDRAULIC INFORMATION SYSTEM

M - METRIC PART

STEERING SYSTEM

499-0187 LINES GP-STEERING (contd.)

i07694090



GRAPHIC #1

<END>

g06438351

STEERING SYSTEM

501-2459 LINES GP-STEERING

S/N: TH41-UP; TH91-151
PART OF 518-0046 HYDRAULIC AR

SMCS-4304

i06603149

NOTE	REF NO	GRAPHIC REF	PART NUMBER	QTY	PART NAME						SEE PAGE
					1	2	3	4	5	6 (PRODUCT LEVEL)	
M	1	1	7X-2537	2	BOLT (M8X1.25X35-MM)						
	2	1	298-0463	6	FITTING-ADAPTER						
	3	1	298-0474	2	FITTING-ADAPTER						
	4	1	473-2656	2	ADAPTER						
M	5	1	3T-0849	4	BOLT-SOCKET HEAD (M6X1X25-MM)						
	6	1	8T-4224	2	WASHER-HARD (8.8X16X2-MM THK)						
	7	1	299-6644	2	PLATE						
	8	1	6V-8398	2	SEAL-O-RING						
	9	1	337-6264	2	CLAMP AS						
	10	1	<i>150-3067</i>	1	UNION AS						
		1	4J-5477	2	SEAL-O-RING						
		1	6V-8729	1	UNION						
	11	1	472-7846	1	TUBE AS						
	12	1	472-7847	1	TUBE AS						
	13	1	501-2460	1	TUBE AS						
I	14	1	501-0772	2	HOSE AS						
	15	1	501-2461	1	TUBE AS						
	16	1	501-2462	1	TUBE AS						
I	17	1	501-0773	1	HOSE AS						
	18	1	298-7438	2	CLAMP						

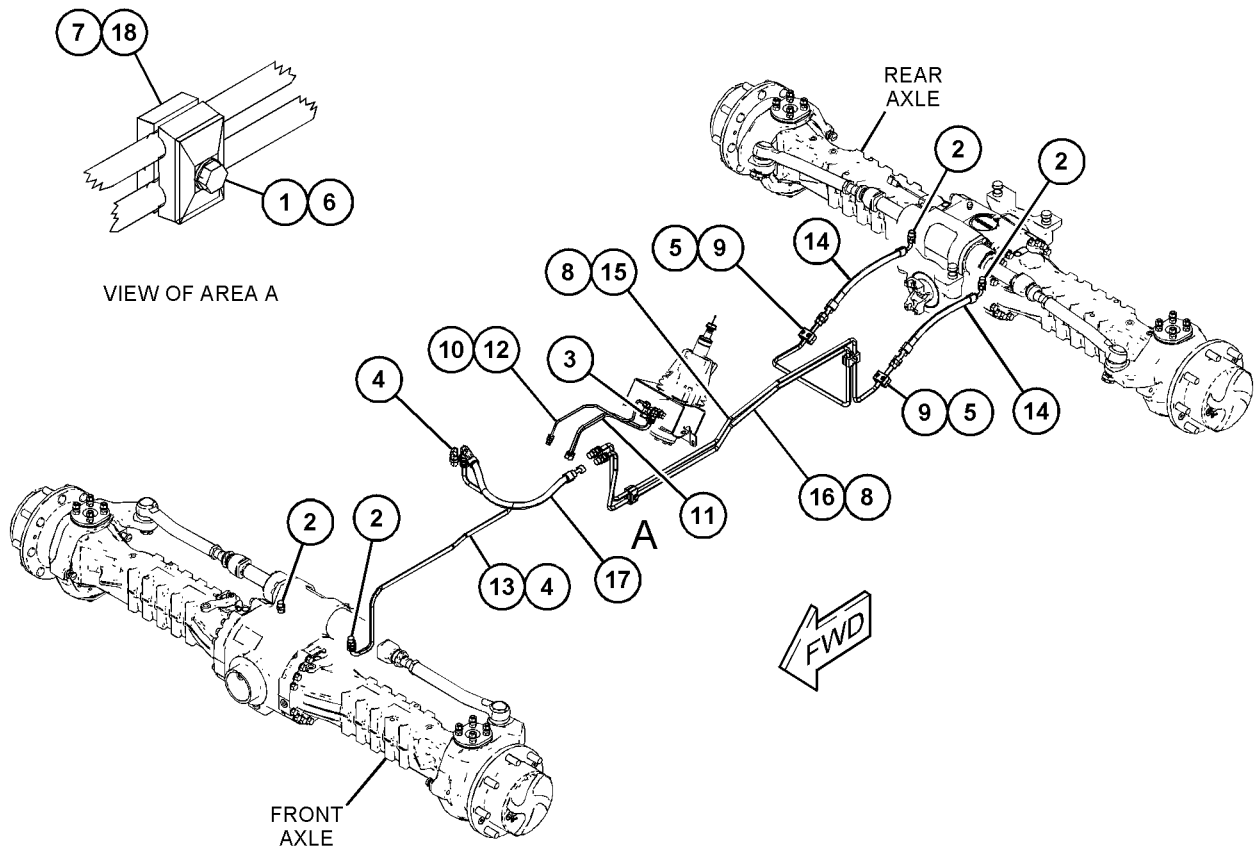
I - REFER TO HYDRAULIC INFORMATION SYSTEM

M - METRIC PART

STEERING SYSTEM

501-2459 LINES GP-STEERING (contd.)

i06603149



GRAPHIC #1

<END>

g06046068

STEERING SYSTEM

501-2459 LINES GP-STEERING

S/N: TH41-UP; TH9152-UP

PART OF 518-0046, 567-5059 HYDRAULIC AR

SMCS-4304

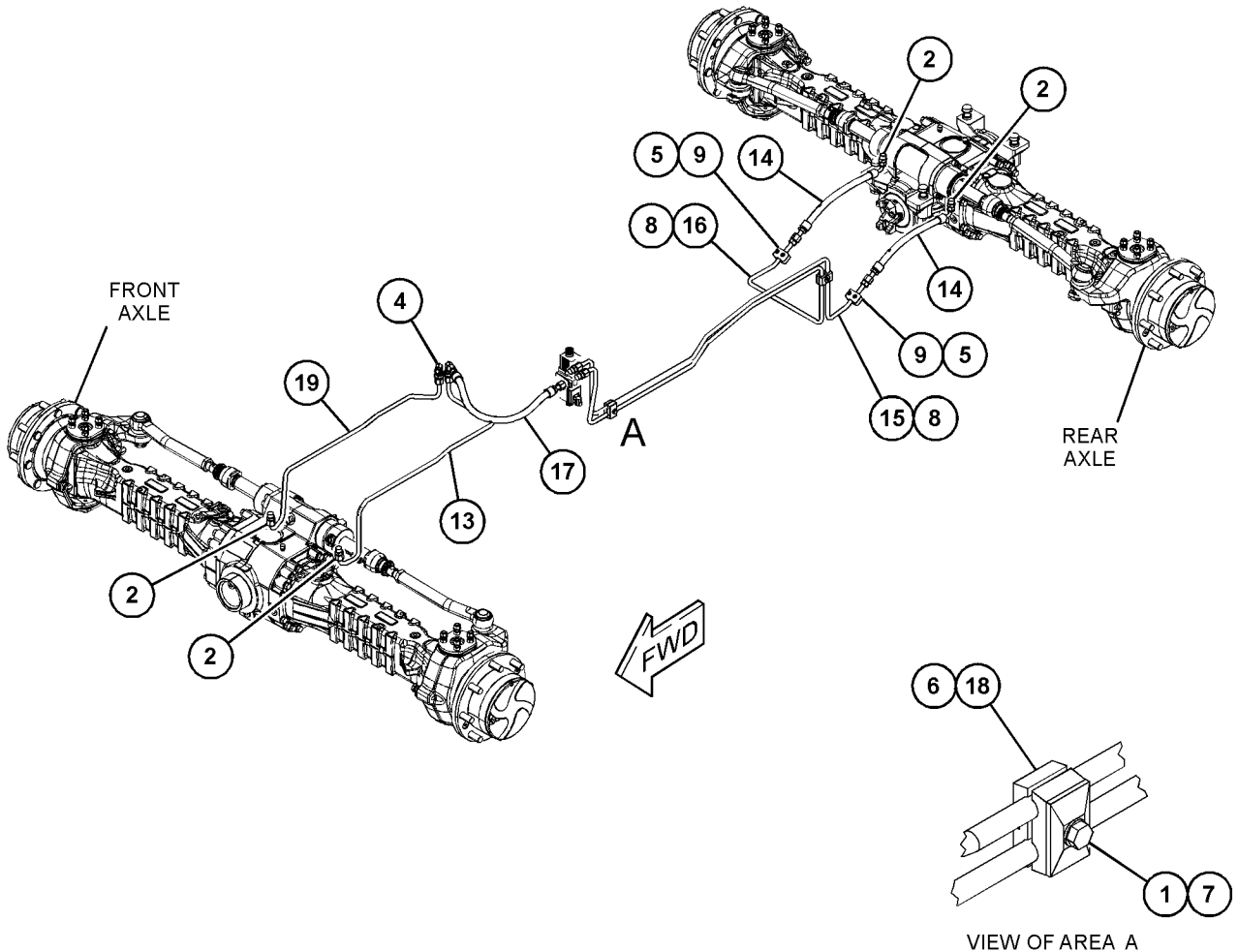
i07443615

NOTE	REF NO	GRAPHIC REF	PART NUMBER	QTY	PART NAME						SEE PAGE
					1	2	3	4	5	6 (PRODUCT LEVEL)	
M	1	1	7X-2537	2	BOLT (M8X1.25X35-MM)						
	2	1	298-0463	6	FITTING-ADAPTER						
	4	1	473-2656	2	ADAPTER						
M	5	1	3T-0849	4	BOLT-SOCKET HEAD (M6X1X25-MM)						
	6	1	8T-4224	2	WASHER-HARD (8.8X16X2-MM THK)						
	7	1	299-6644	2	PLATE						
	8	1	6V-8398	2	SEAL-O-RING						
	9	1	337-6264	2	CLAMP AS						
	13	1	501-2460	1	TUBE AS						
I	14	1	501-0772	2	HOSE AS						
	15	1	501-2461	1	TUBE AS						
	16	1	501-2462	1	TUBE AS						
I	17	1	501-0773	1	HOSE AS						
	18	1	298-7438	2	CLAMP (TWIN)						
C	19	1	564-6671	1	TUBE AS						

C - CHANGE FROM PREVIOUS TYPE

I - REFER TO HYDRAULIC INFORMATION SYSTEM

M - METRIC PART



GRAPHIC #1

<END>

g06361995

STEERING SYSTEM

486-4419 STEERING COLUMN GP

S/N: TH41-UP; TH91-UP

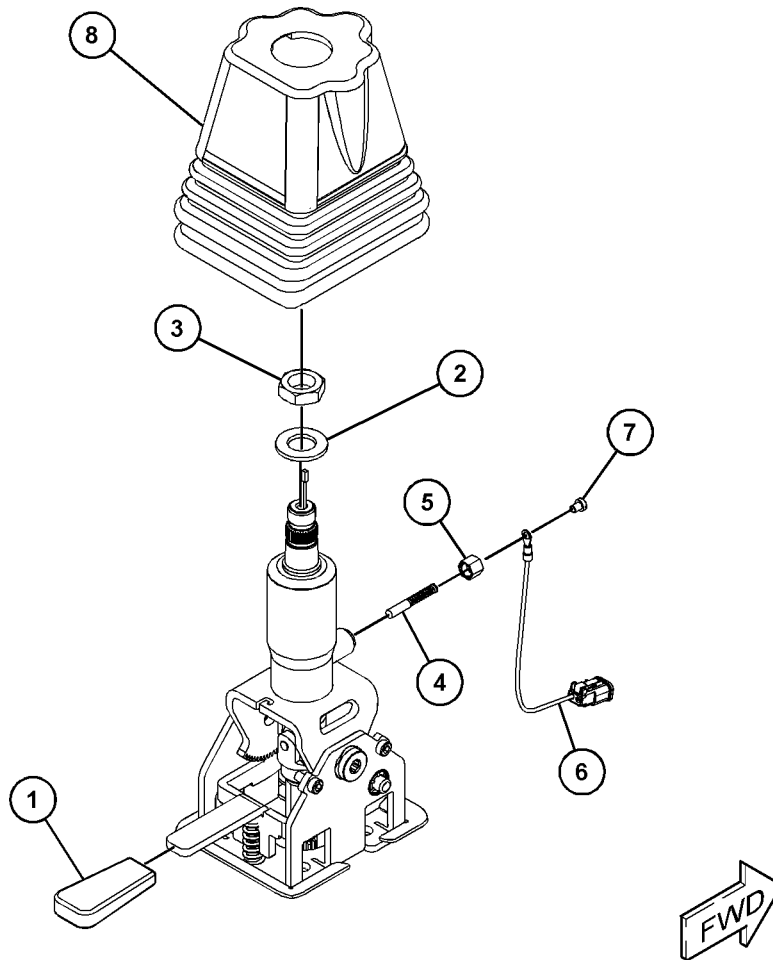
PART OF 486-4417 STEERING GP-HYDRAULIC
AN ATTACHMENT

SMCS-4338

i06591342

NOTE	REF NO	GRAPHIC REF	PART NUMBER	QTY	PART NAME						SEE PAGE
					1	2	3	4	5	6	
	1	1	480-6174	1	KNOB						
M	2	1	480-5398	1	WASHER						
M	3	1	480-5397	1	NUT (M18X2.5-THD)						
	4	1	480-5399	1	CONTACT						
	5	1	480-5400	1	CAP						
	6	1	480-5401	1	CABLE						
	7	1	480-7425	1	SCREW						
	8	1	480-9044	1	BOOT						

M - METRIC PART



GRAPHIC #1

<END>

g06086744

STEERING SYSTEM

486-4417 STEERING GP-HYDRAULIC

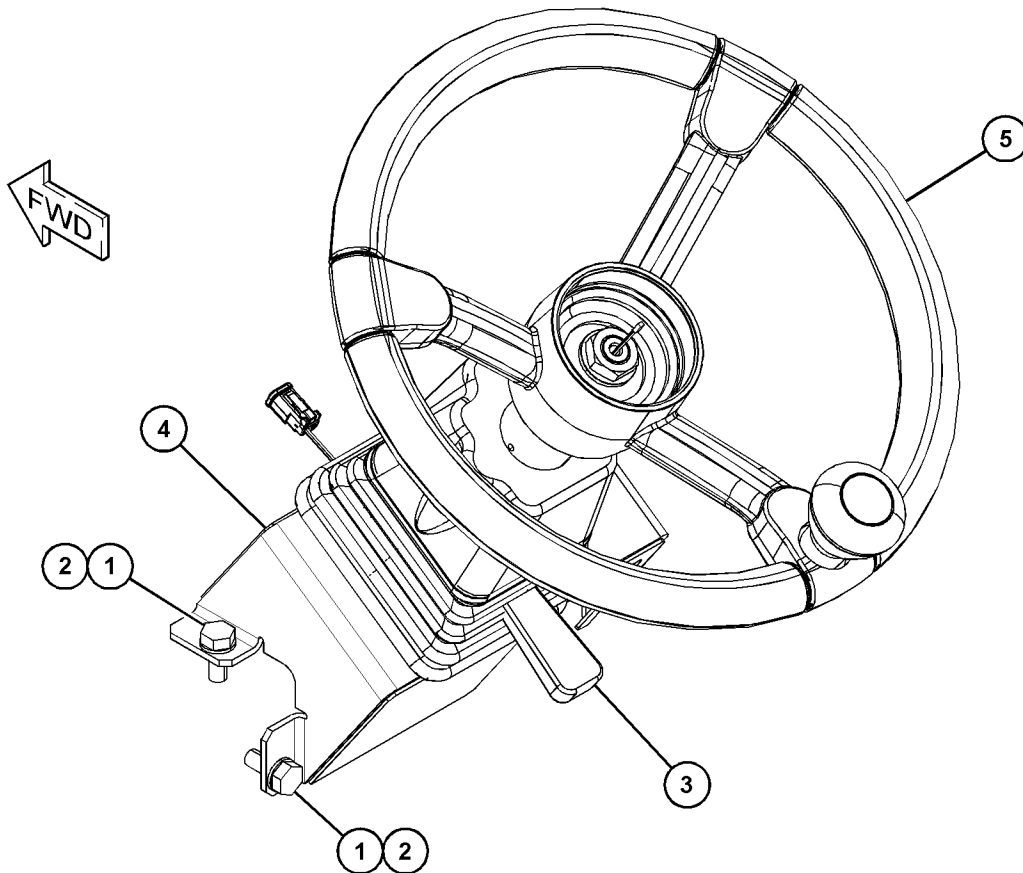
S/N: TH41-UP; TH91-UP
PART OF 517-9179, 517-9180 CAB AR
AN ATTACHMENT

SMCS-4300, 4312

i06591343

NOTE	REF NO	GRAPHIC REF	PART NUMBER	QTY	PART NAME						SEE PAGE
					1	2	3	4	5	6 (PRODUCT LEVEL)	
M	1	1	8T-4136	8	BOLT (M10X1.5X25-MM)						
	2	1	8T-4121	8	WASHER-HARD (11X21X2.5-MM THK)						
Y	3	1	486-4419	1	STEERING COLUMN GP						823
	4	1	473-1593	1	PLATE AS (STEERING COLUMN)						
	5	1	481-3658	1	WHEEL AS						
		1	481-3653	1	STEERING WHEEL						
		1	481-3654	1	SPINNER AS						
M		1	344-5674	1	NUT (M8X1.25-THD)						

M - METRIC PART
Y - SEPARATE ILLUSTRATION



GRAPHIC #1

<END>

g06055240

STEERING SYSTEM

501-2463 VALVE & MTG GP-STEERING

S/N: TH41-UP; TH91-UP

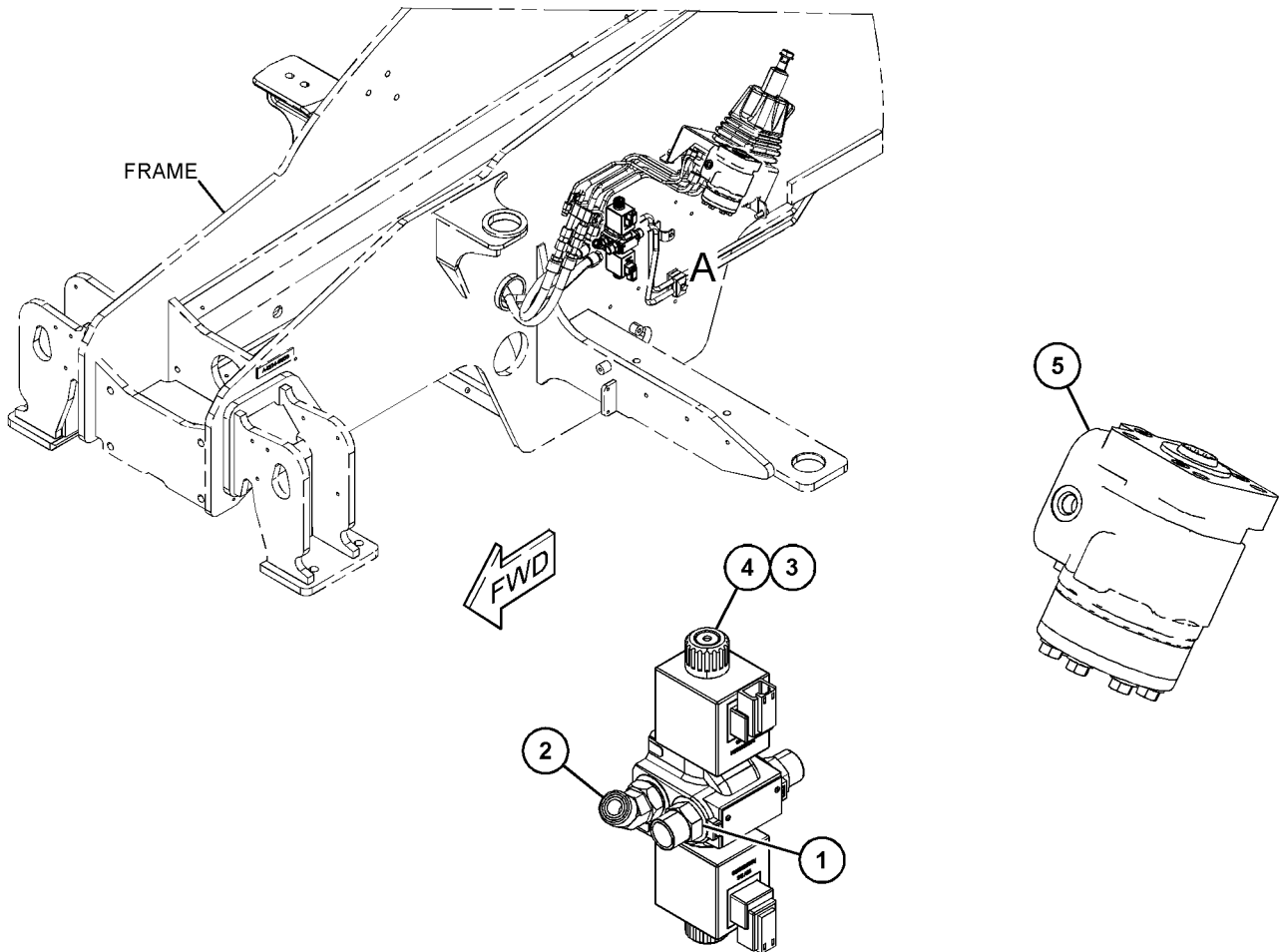
PART OF 518-0048 BOOM AR, 518-0046 HYDRAULIC AR

SMCS-4307, 4312, 4343

i07570708

NOTE	REF NO	GRAPHIC REF	PART NUMBER	QTY	PART NAME						SEE PAGE
					1	2	3	4	5	6 (PRODUCT LEVEL)	
	1	1	298-0463	3	FITTING-ADAPTER						
	2	1	298-0487	1	FITTING-ADAPTER						
M	3	1	6V-5192	2	BOLT-SOCKET HEAD (M8X1.25X30-MM)						
	4	1	448-4869	1	VALVE GP-STEERING						
		1	558-8890	2	KIT-SEAL						
					(EACH INCLUDES SEALS & NUT)						
		1	484-1870	2	COIL						
C	5	1	564-8171	1	VALVE GP-STEERING (LOAD SENSING)						

C - CHANGE FROM PREVIOUS TYPE
M - METRIC PART



VIEW OF AREA A

GRAPHIC #1

<END>

g06373044

STEERING SYSTEM

513-0917 VALVE GP-STEERING

S/N: TH41-UP; TH91-UP

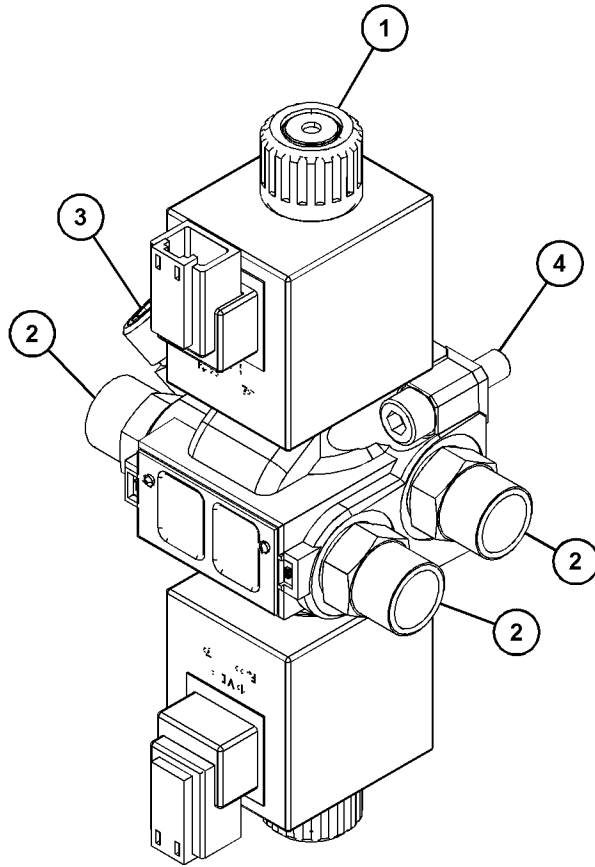
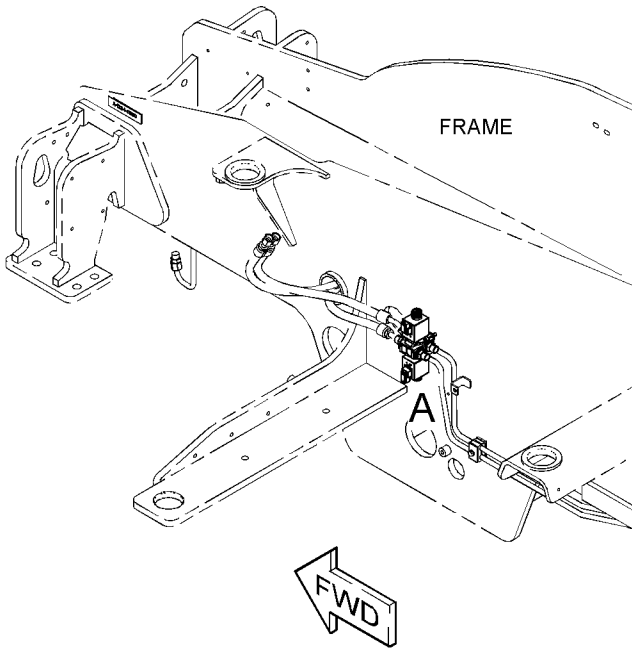
PART OF 518-0046, 567-5059 HYDRAULIC AR

SMCS-4307

i06904720

NOTE	REF NO	GRAPHIC REF	PART NUMBER	QTY	PART NAME						SEE PAGE
					1	2	3	4	5	6 (PRODUCT LEVEL)	
	1	1	448-4869	1	VALVE GP-STEERING						
		1	484-1870	2	COIL						
		1	319-7671	2	KIT-SEAL (STEERING VALVE)						
	2	1	298-0463	3	FITTING-ADAPTER						
	3	1	298-0487	1	FITTING-ADAPTER						
M	4	1	6V-5192	2	BOLT-SOCKET HEAD (M8X1.25X30-MM)						

M - METRIC PART



VIEW OF AREA A

GRAPHIC #1

<END>

g06165159

HYDRAULIC SYSTEM

506-3317 CONTROL AR-AUXILIARY

S/N: TH41-UP; TH91-UP

PART OF 590-9758, 590-9760, 590-9761 CONFIGURATION AR
AN ATTACHMENT

SMCS-5051

i06608808

NOTE	PART NUMBER	QTY	PART NAME						SEE PAGE
			1	2	3	4	5	6 (PRODUCT LEVEL)	
Y	501-7476	1	PLATE & MTG GP (FRAME)						794

Y - SEPARATE ILLUSTRATION

<END>

506-3319 CONTROL AR-AUXILIARY

S/N: TH41-UP; TH91-UP

AN ATTACHMENT

SMCS-5051

i06608814

NOTE	PART NUMBER	QTY	PART NAME						SEE PAGE
			1	2	3	4	5	6 (PRODUCT LEVEL)	
Y	501-7477	1	COVER GP-ACCESS (AUXILIARY)						1152
Y	497-9605	1	LINES GP-AUXILIARY HYDRAULIC						861

Y - SEPARATE ILLUSTRATION

<END>

HYDRAULIC SYSTEM

499-4950 COOLER GP-HYDRAULIC OIL

S/N: TH41-UP; TH91-UP; JKT1-UP

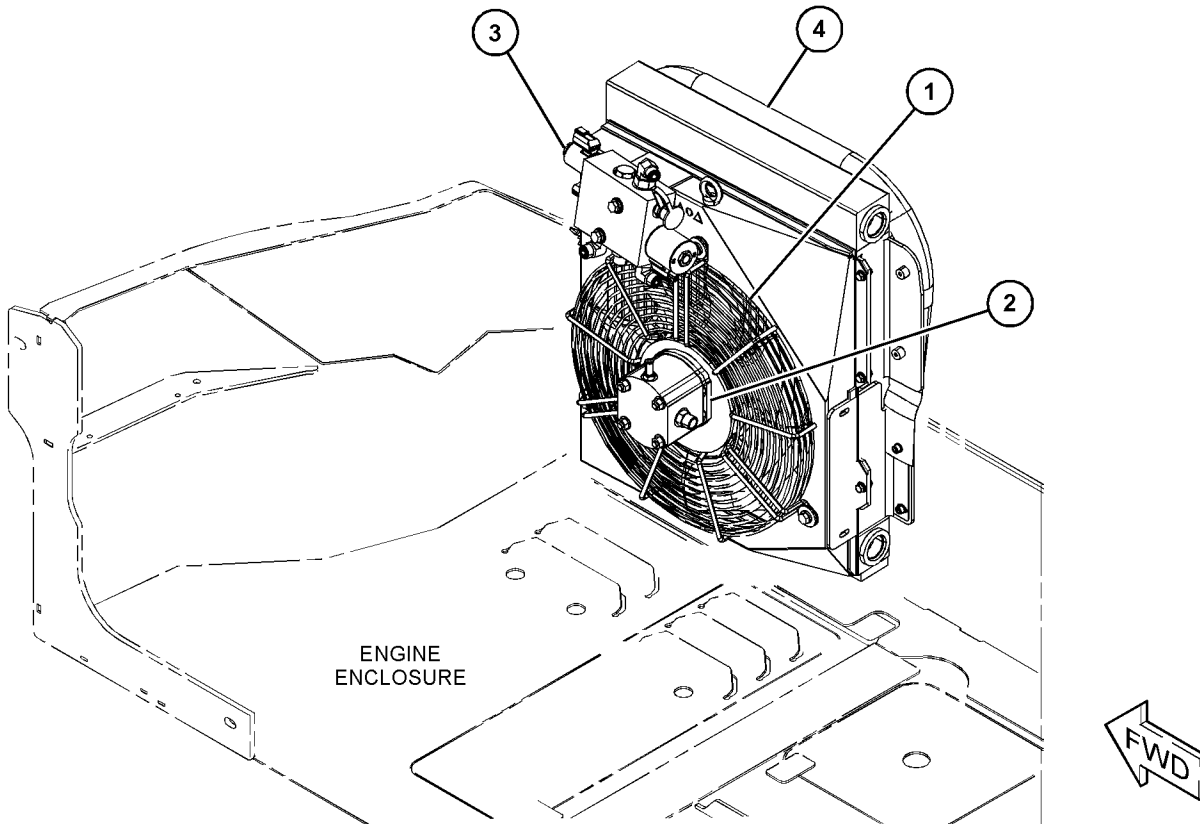
PART OF 520-9601, 523-1976, 523-2011, 550-0081, 550-0083 ENGINE AR-COMplete
AN ATTACHMENT

SMCS-1374

i06603234

NOTE	REF NO	GRAPHIC REF	PART NUMBER	QTY	PART NAME						SEE PAGE
					1	2	3	4	5	6 (PRODUCT LEVEL)	
Y	1	1	499-5286	1	FAN GP						222
Y	2	1	499-4942	1	MOTOR & MTG GP-HYDRAULIC FAN						936
Y	3	1	499-4944	1	VALVE GP-CONTROL						958
Y	4	1	499-4946	1	RADIATOR & MOUNTING GP						244

Y - SEPARATE ILLUSTRATION



GRAPHIC #1

<END>

g06043972

HYDRAULIC SYSTEM

224-5083 CYLINDER & MTG GP-CARRIAGE-FORK

S/N: TH41-UP; TH91-UP

76.2-MM(3-IN) BORE X 300-MM(11.8-IN) STROKE

PART OF 222-6210 CARRIAGE GP-FORK

AN ATTACHMENT

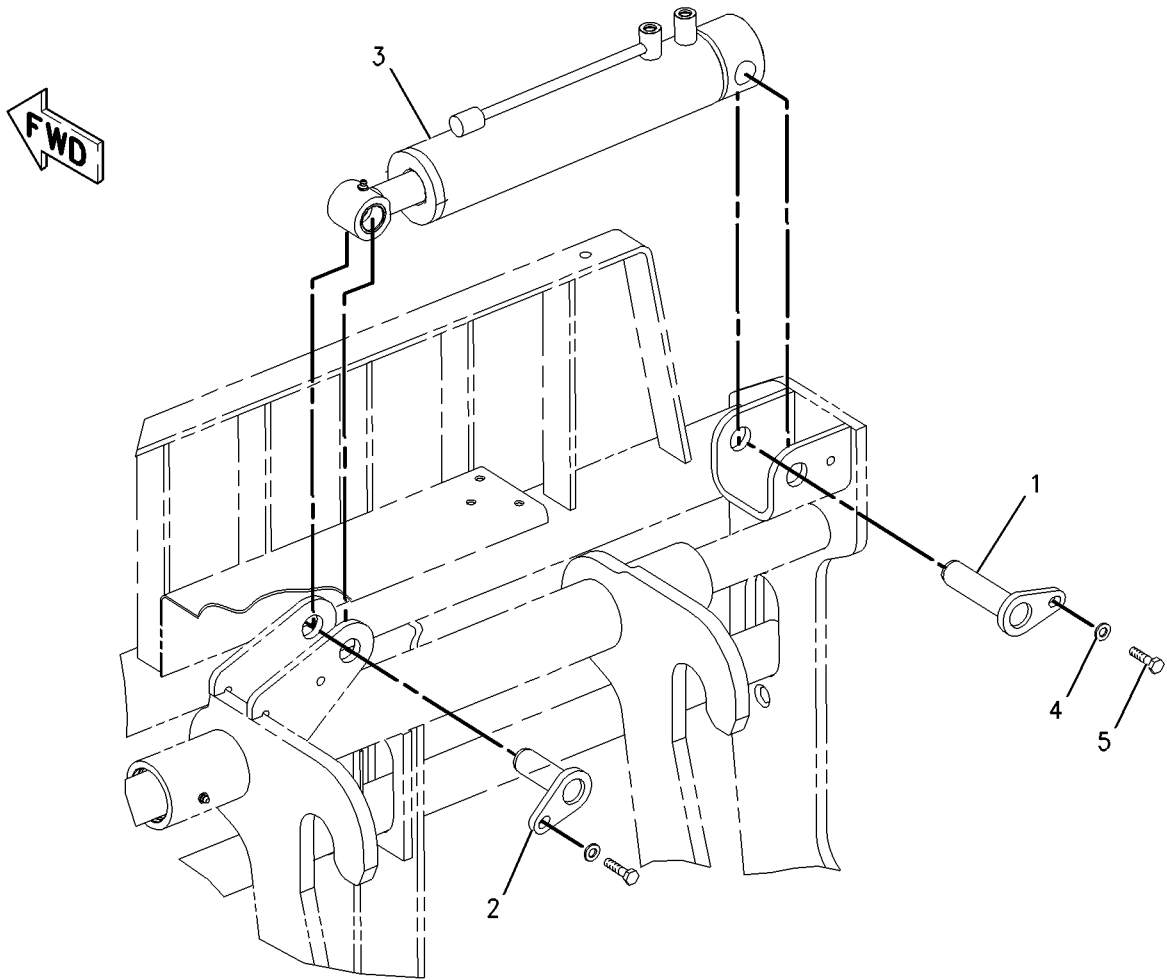
SMCS-5804

i05838920

NOTE	REF NO	GRAPHIC REF	PART NUMBER	QTY	PART NAME						SEE PAGE
					1	2	3	4	5	6 (PRODUCT LEVEL)	
	1	1	224-5084	1	PIN AS						
	2	1	224-5087	1	PIN AS						
Y	3	1	224-5091	1	CYLINDER GP-CARRIAGE (SIDESHIFT)						835
	4	1	8T-4121	2	WASHER-HARD (11X21X2.5-MM THK)						
M	5	1	8T-4186	2	BOLT (M10X1.5X40-MM)						

M - METRIC PART

Y - SEPARATE ILLUSTRATION



GRAPHIC #1

<END>

g00929393

HYDRAULIC SYSTEM

235-2662 CYLINDER & MTG GP-CARRIAGE-ROTATING

S/N: TH41-UP; TH91-UP

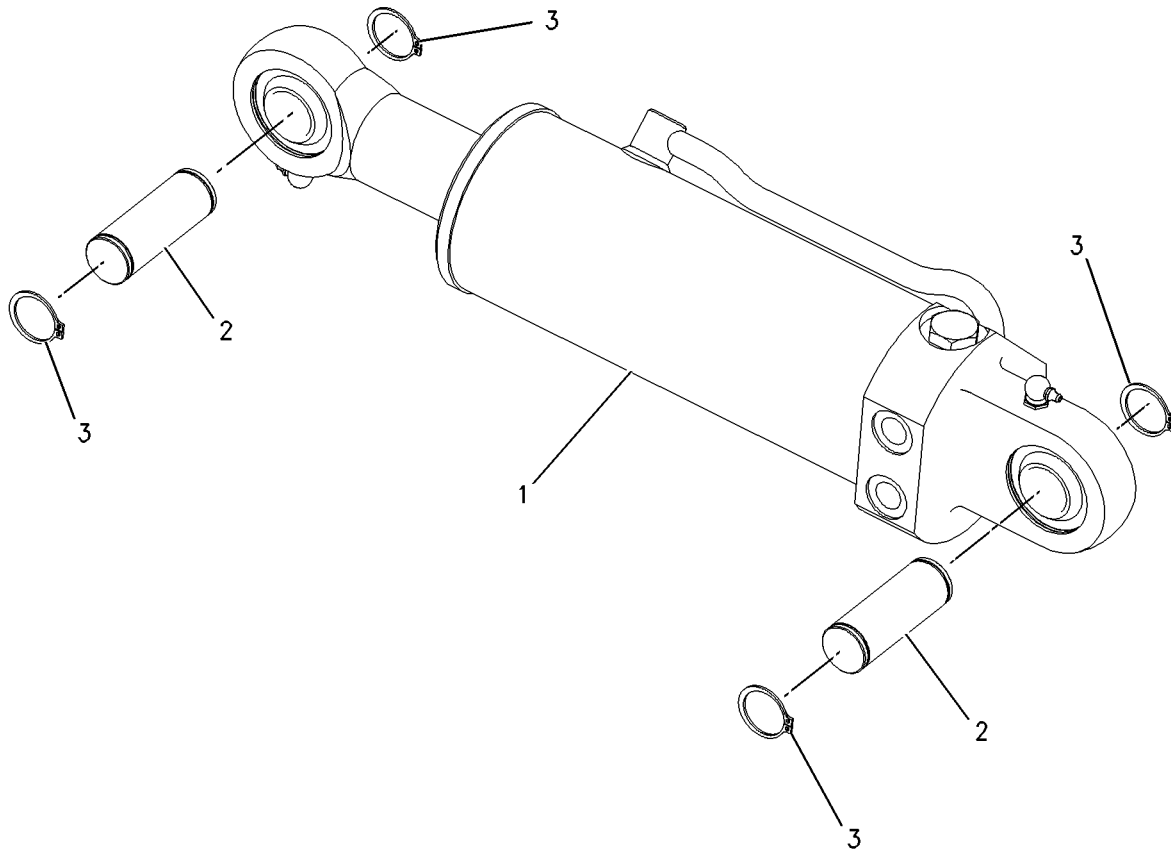
80-MM(3.1-IN) BORE X 123-MM(4.8-IN) STROKE

PART OF 227-5748, 231-3229 CARRIAGE GP-ROTATING
AN ATTACHMENT

SMCS-5804

i05840624

NOTE	REF NO	GRAPHIC REF	PART NUMBER	QTY	PART NAME						SEE PAGE
					1	2	3	4	5	6 (PRODUCT LEVEL)	
J	1	1	160-0064	1	CYLINDER GP-CARRIAGE (ROTATE)						
	2	1	160-4658	2	PIN						
	3	1	6V-8754	4	RING-RETAINING						
					AVAILABLE REPAIR KIT(S):						
J			8Q-6229	1	KIT-SEAL						
					(INCLUDES SEAL, LOCK RING, RING-GUIDE, O-RING SEALS, BACKUP RING, PISTON SEAL, SCREW & WIPER)						
J - KIT MARKED J SERVICES PART(S) MARKED J											



GRAPHIC #1

<END>

g01001931

HYDRAULIC SYSTEM

513-9442 CYLINDER & MTG GP-COMPENSATING

S/N: TH41-UP; TH91-UP

PART OF 518-0046, 567-5059 HYDRAULIC AR

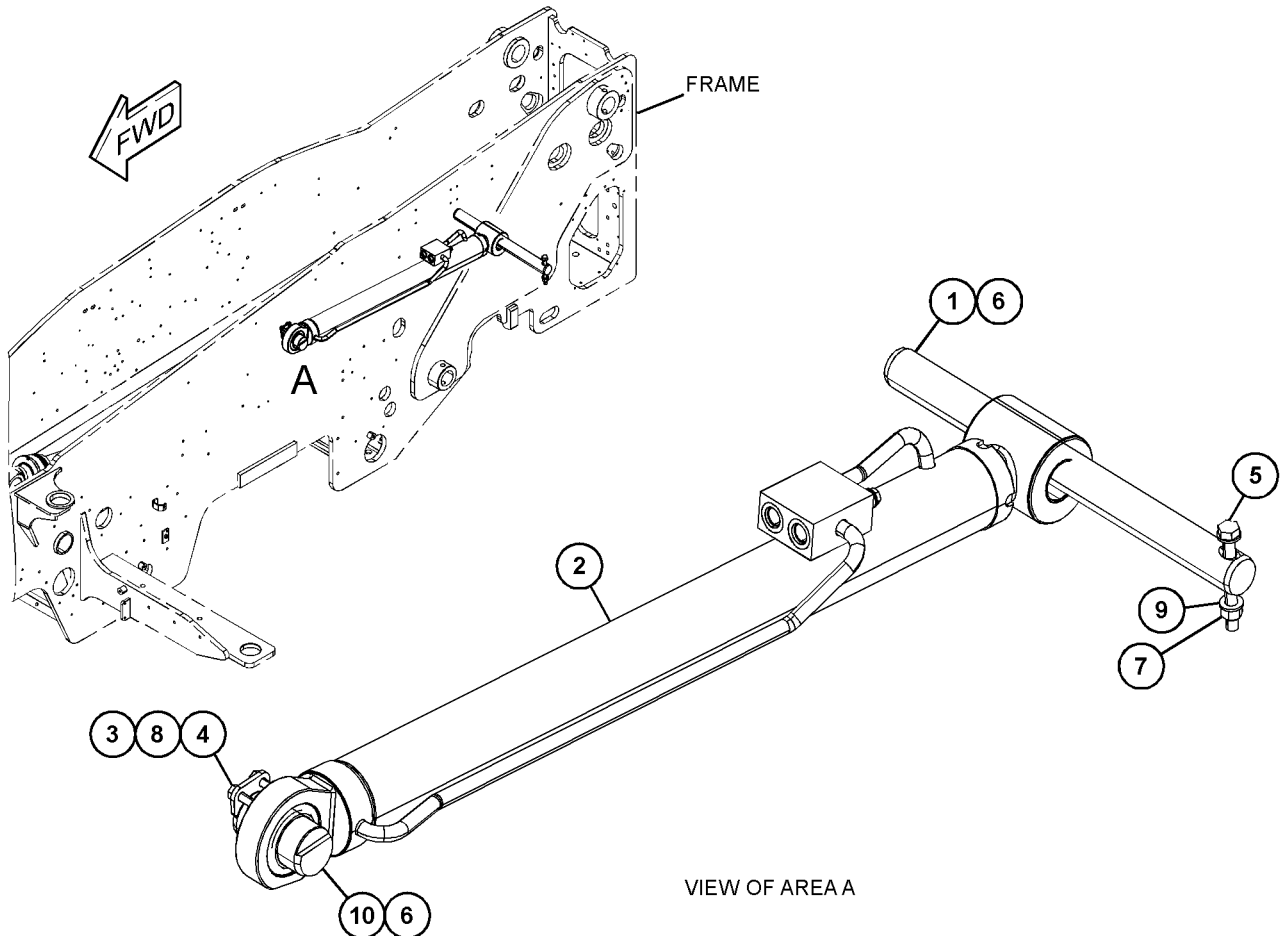
SMCS-5086, 5816, 6460

i07443523

NOTE	REF NO	GRAPHIC REF	PART NUMBER	QTY	PART NAME						SEE PAGE
					1	2	3	4	5	6 (PRODUCT LEVEL)	
	1	1	499-0265	1	PIN						
Y	2	1	555-8202	1	CYLINDER GP-COMPENSATING						837
	3	1	494-2037	1	PLATE						
M	4	1	8T-4908	2	BOLT (M8X1.25X25-MM)						
M	5	1	474-2467	1	BOLT (M12X1.75X110-MM)						
	6	1	437-0940	2	FITTING						
M	7	1	309-9185	1	LOCKNUT (M12X1.75-THD)						
	8	1	8T-4224	2	WASHER-HARD (8.8X16X2-MM THK)						
	9	1	8T-4223	2	WASHER-HARD (13.5X25.5X3-MM THK)						
	10	1	494-2035	1	PIN						

M - METRIC PART

Y - SEPARATE ILLUSTRATION



GRAPHIC #1

<END>

g06331620

HYDRAULIC SYSTEM

513-9446 CYLINDER & MTG GP-LIFT

S/N: TH41-UP; TH91-UP

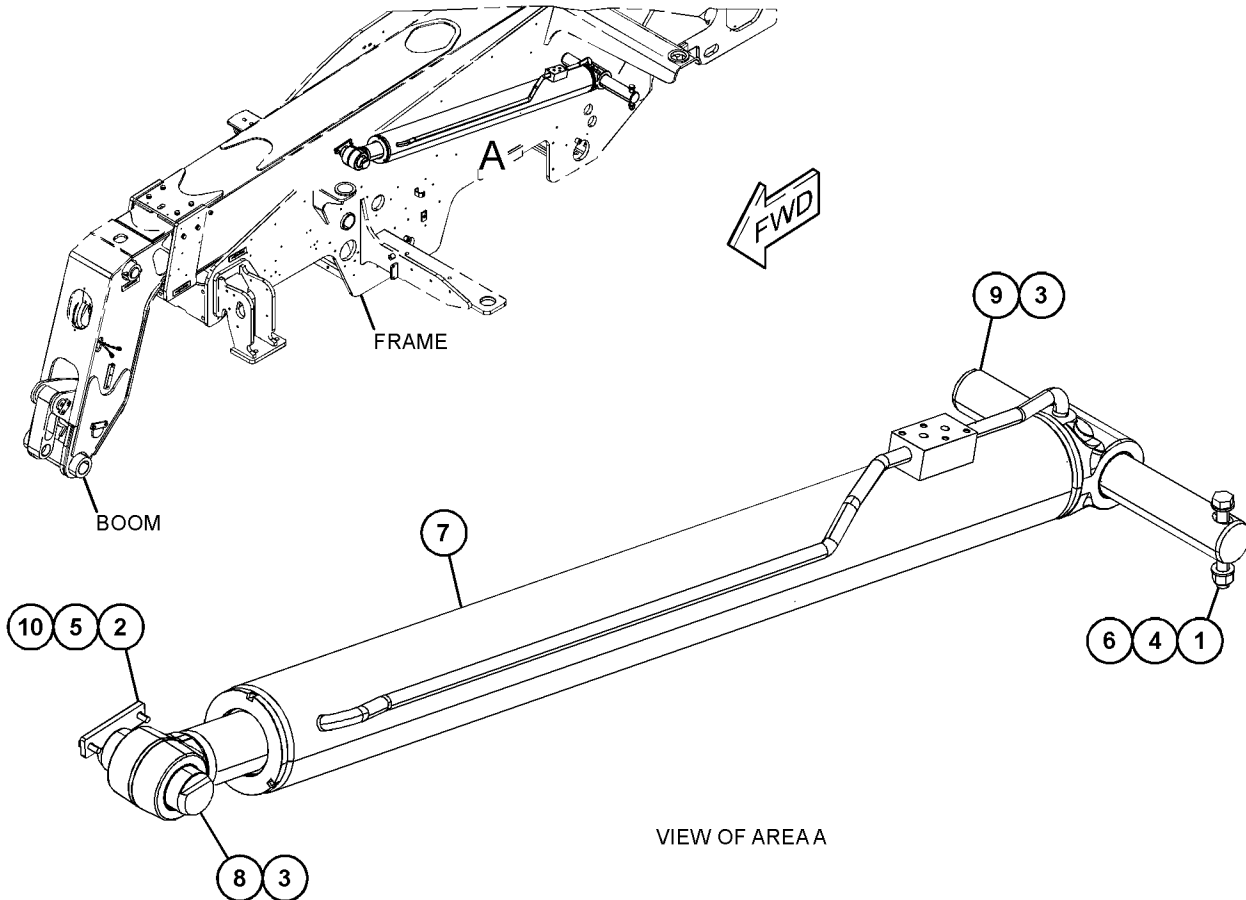
PART OF 518-0046, 567-5059 HYDRAULIC AR

SMCS-5102

i06904711

NOTE	REF NO	GRAPHIC REF	PART NUMBER	QTY	PART NAME						SEE PAGE
					1	2	3	4	5	6	
M	1	1	477-7924	1	BOLT (M16X2X130-MM)						
M	2	1	8T-4908	2	BOLT (M8X1.25X25-MM)						
	3	1	437-0940	2	FITTING						
M	4	1	459-8912	1	NUT (M16X2-THD)						
	5	1	8T-4224	2	WASHER-HARD (8.8X16X2-MM THK)						
	6	1	9X-8257	2	WASHER (17.5X30X3.5-MM THK)						
Y	7	1	499-0267	1	CYLINDER GP-LIFT						845
	8	1	494-1910	1	PIN						
	9	1	499-0268	1	PIN						
	10	1	494-1912	1	PLATE						

M - METRIC PART
Y - SEPARATE ILLUSTRATION



GRAPHIC #1

<END>

g06165301

HYDRAULIC SYSTEM

515-5868 CYLINDER & MTG GP-TELESCOPING-EXTENSION

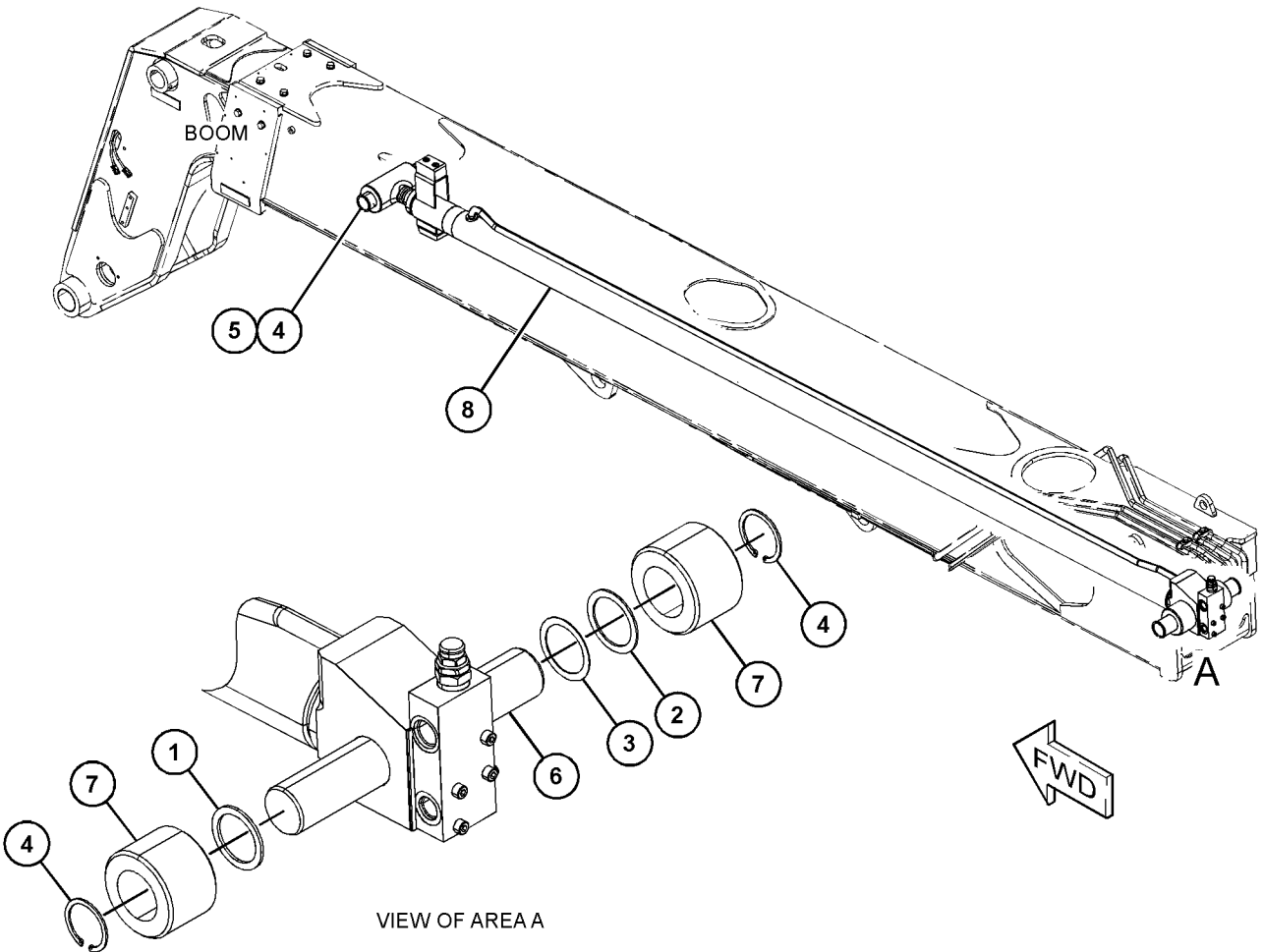
S/N: TH41-UP; TH91-UP
PART OF 518-0048 BOOM AR

SMCS-5486

i07403877

NOTE	REF NO	GRAPHIC REF	PART NUMBER	QTY	PART NAME						SEE PAGE
					1	2	3	4	5	6	
B	1	1	459-6914	1	SHIM (3-MM THK)						
B	2	1	459-6915	1	SHIM (2-MM THK)						
B	3	1	459-6916	1	SHIM (1-MM THK)						
	4	1	323-7222	4	RING						
	5	1	515-5771	1	PIN						
	6	1	515-5772	1	PIN						
	7	1	515-5773	2	SPACER (52X90X62.5-MM THK)						
Y	8	1	515-5793	1	CYLINDER GP-TELESCOPING						849

B - USE AS REQUIRED
Y - SEPARATE ILLUSTRATION



GRAPHIC #1

<END>

g06160382

HYDRAULIC SYSTEM

515-5765 CYLINDER & MTG GP-TILT

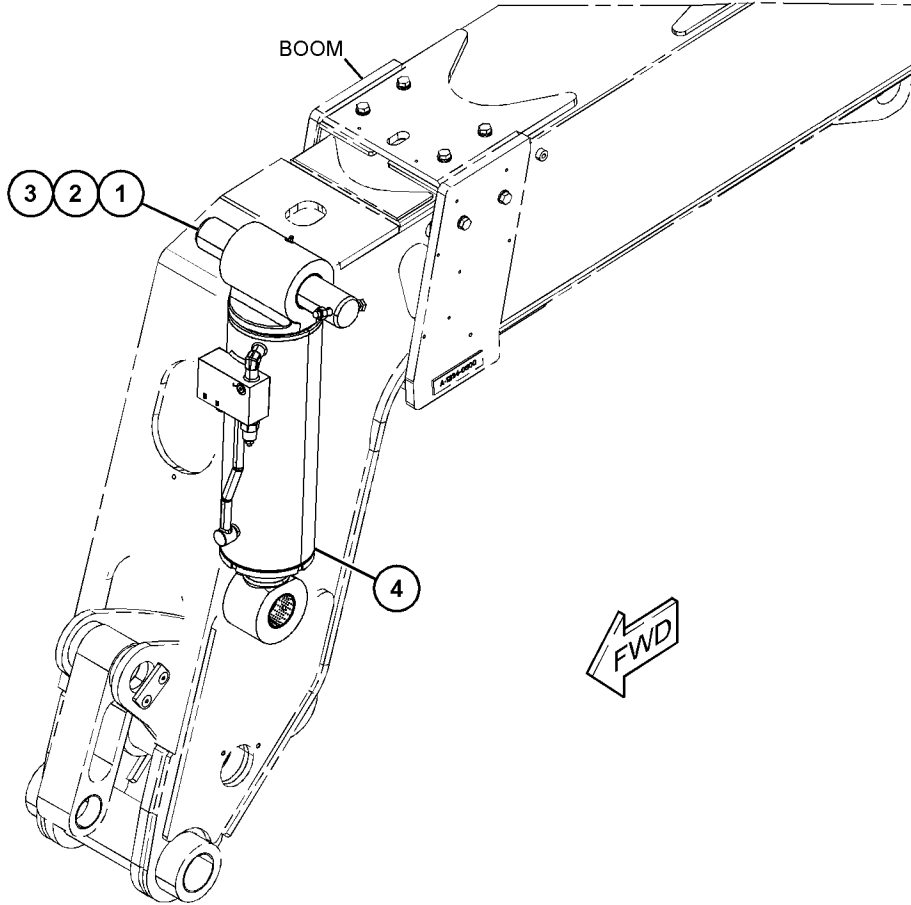
S/N: TH41-UP; TH91-UP
PART OF 518-0048 BOOM AR

SMCS-5104, 5823

i06895493

NOTE	REF NO	GRAPHIC REF	PART NUMBER	QTY	PART NAME						SEE PAGE
					1	2	3	4	5	6 (PRODUCT LEVEL)	
M	1	1	482-4975	1	BOLT (M12X1.75X110-MM)						
M	2	1	309-9185	1	LOCKNUT (M12X1.75-THD)						
	3	1	515-5764	1	PIN						
Y	4	1	515-5766	1	CYLINDER GP-TILT						853

M - METRIC PART
Y - SEPARATE ILLUSTRATION



GRAPHIC #1

<END>

g06160819

HYDRAULIC SYSTEM

224-5091 CYLINDER GP-CARRIAGE-SIDESHIFT

S/N: TH41-UP; TH91-UP

76.2-MM (3-IN) BORE X 300-MM (11.81-IN) STROKE

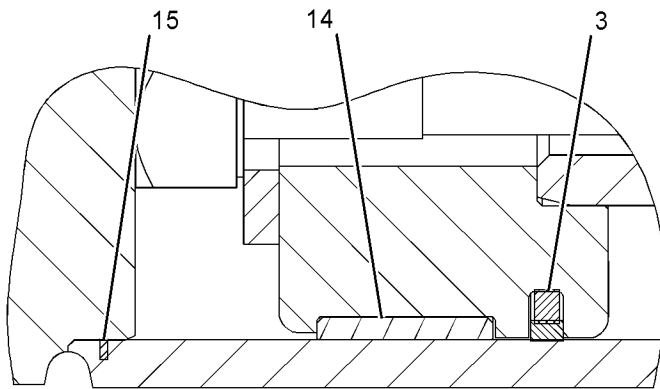
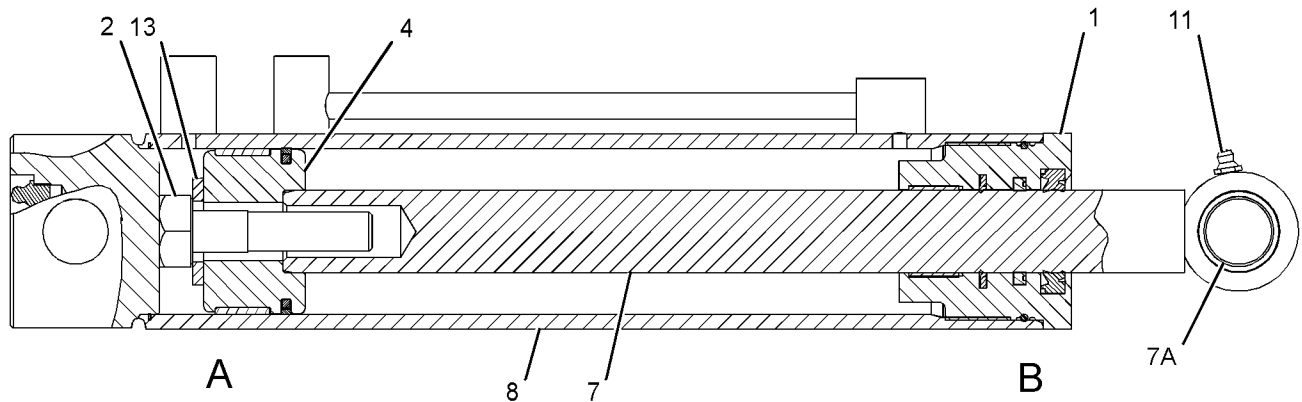
PART OF 224-5083 CYLINDER & MTG GP-CARRIAGE

AN ATTACHMENT

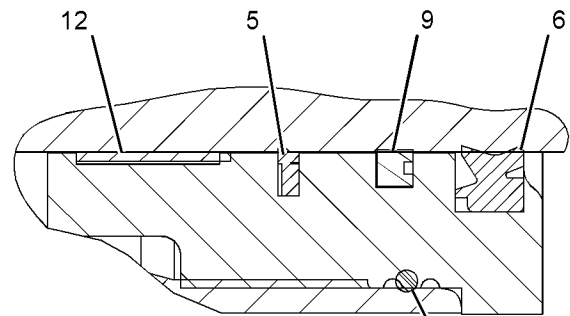
SMCS-5804

i05838584

NOTE	REF NO	GRAPHIC REF	PART NUMBER	QTY	PART NAME						SEE PAGE
					1	2	3	4	5	6 (PRODUCT LEVEL)	
	1	1	6E-0122	1	HEAD						
	2	1	6F-7037	1	BOLT (1-14X3.25-IN)						
	3	1	6J-1972	1	SEAL AS						
	4	1	9T-2212	1	PISTON						
	5	1	167-2186	1	SEAL AS-BUFFER						
	6	1	226-8202	1	SEAL-WIPER						
	7	1	224-5311	1	ROD AS						
	7A	1	9T-4007	2	BEARING						
	8	1	224-5312	1	CYLINDER AS						
	9	1	167-2294	1	SEAL-U-CUP						
	10	1	1H-7339	1	SEAL-O-RING						
	11	1	3B-8489	2	FITTING-GREASE (1/8-27 PTF)						
	12	1	4T-6780	1	RING-WEAR						
	13	1	5P-8250	1	WASHER (28X49X5-MM THK)						
	14	1	6J-5733	1	RING-WEAR						
	15	1	8J-2574	1	RING-BACKUP						



VIEW OF AREA A



VIEW OF AREA B

GRAPHIC #1

<END>

g03693239

HYDRAULIC SYSTEM

362-2120 CYLINDER GP-CARRIAGE

S/N: TH91-UP

PART OF 474-0141 CARRIAGE GP-FORK
AN ATTACHMENT

SMCS-5804

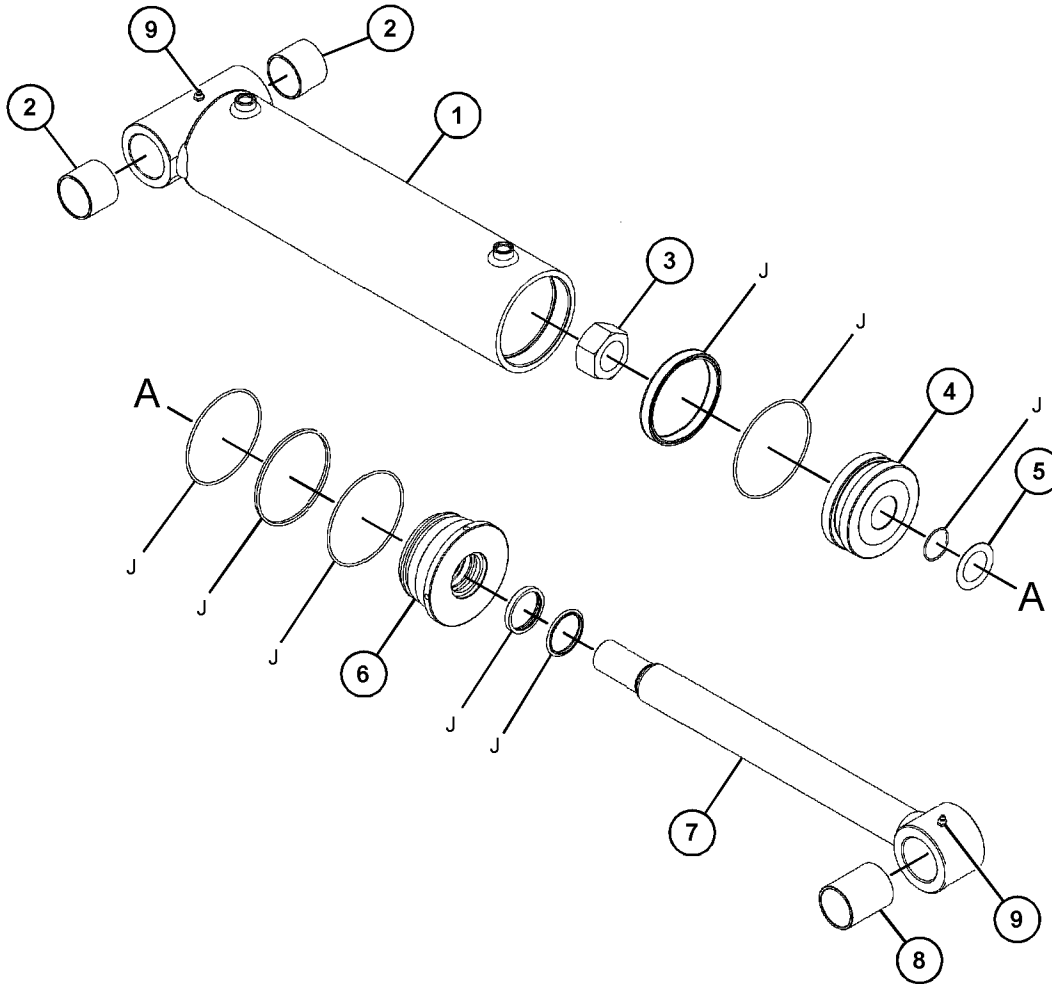
i06264053

NOTE	REF NO	GRAPHIC REF	PART NUMBER	QTY	PART NAME						SEE PAGE
					1	2	3	4	5	6 (PRODUCT LEVEL)	
	1	1	362-2121	1	TUBE						
	2	1	327-6312	2	BUSHING						
	3	1	327-6307	1	NUT						
	4	1	327-5313	1	KIT-SEAL (TRAVEL MOTOR)						
	5	1	327-6308	1	SPACER (3.2X3.8X0.25-MM THK)						
	6	1	327-6310	1	GLAND						
	7	1	327-6309	1	ROD AS						
	8	1	327-6311	1	BUSHING						
	9	1	327-6331	2	FITTING-GREASE						

AVAILABLE REPAIR KIT(S):

327-6314 1 KIT-SEAL

(INCLUDES PARTS MARKED J IN THE GRAPHIC)



GRAPHIC #1

<END>

g03886579

HYDRAULIC SYSTEM

555-8202 CYLINDER GP-COMPENSATING

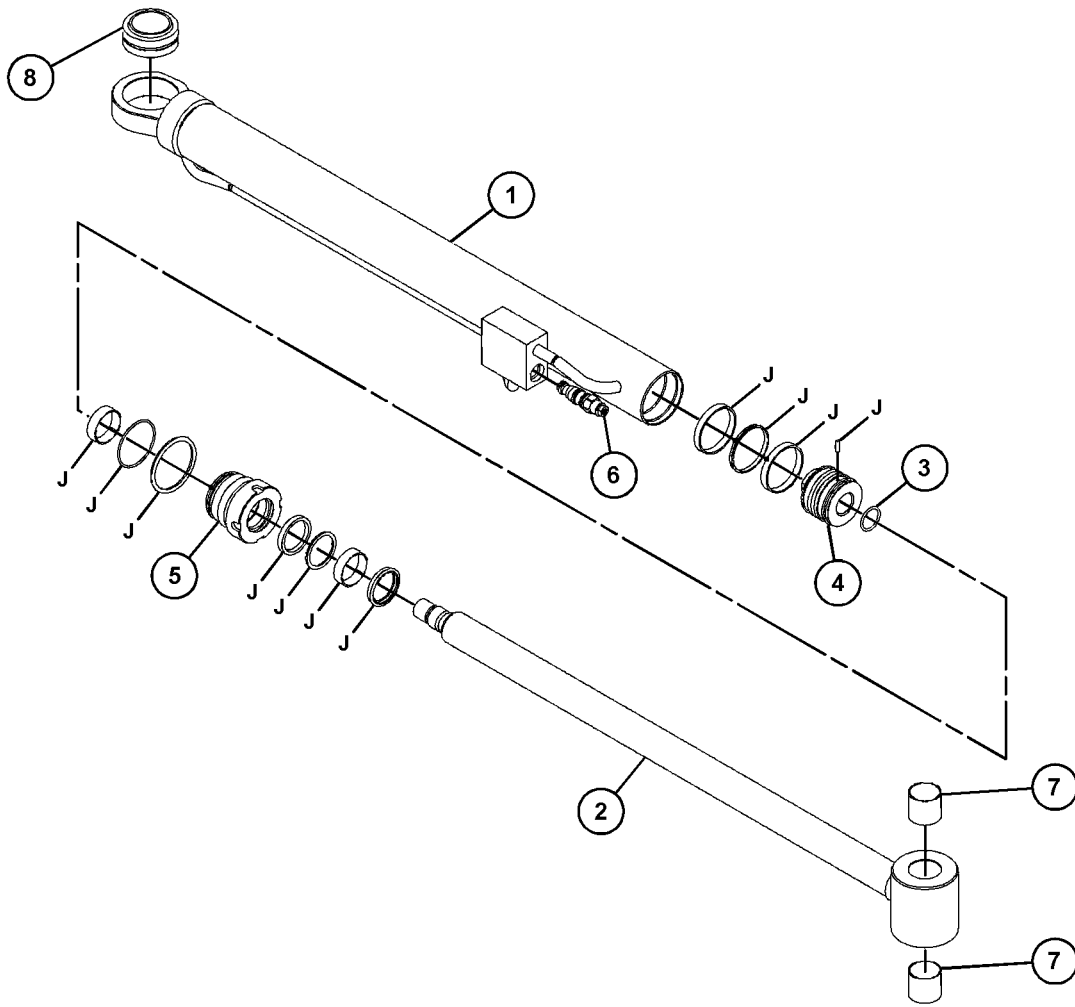
S/N: TH41-UP; TH91-UP

70-MM (2.8-IN) BORE X 765-MM (30.11-IN) STROKE
PART OF 513-9442 CYLINDER & MTG GP-COMPENSATING

SMCS-5816

i07427371

NOTE	REF NO	GRAPHIC REF	PART NUMBER	QTY	PART NAME						SEE PAGE
					1	2	3	4	5	6	
	1	1	522-0711	1	BARREL						
	2	1	510-7837	1	ROD						
	3	1	522-0782	1	KIT-SEAL						
(INCLUDES PARTS MARKED "J" IN THE GRAPHIC)											
	4	1	522-0723	1	PISTON						
	5	1	522-0724	1	RETAINER						
	6	1	510-7708	1	VALVE-COMPENSATOR						
	7	1	510-7710	2	BEARING						
	8	1	510-7714	1	BEARING						



GRAPHIC #1

<END>

g06354305

HYDRAULIC SYSTEM

367-6694 CYLINDER GP-COUPLER-LOCKING

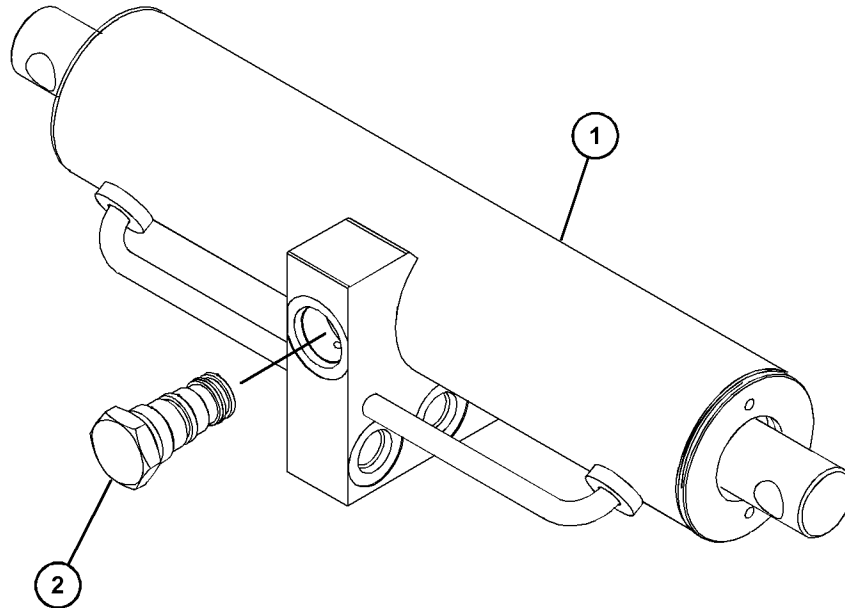
S/N: TH41-UP; TH91-UP
 50-MM (2-IN) BORE X 81.5-MM (3.2-IN) STROKE
 PART OF 500-4374 COUPLER GP-QUICK
 AN ATTACHMENT

SMCS-5133

i06252680

NOTE	REF NO	GRAPHIC REF	PART NUMBER	QTY	PART NAME	SEE PAGE
					1 2 3 4 5 6 (PRODUCT LEVEL)	
Y	1	1	460-2115	1	CYLINDER GP-COUPLER	839
	2	1	460-2117	1	VALVE-CHECK	

Y - SEPARATE ILLUSTRATION



GRAPHIC #1

<END>

g06107901

HYDRAULIC SYSTEM

460-2115 CYLINDER GP-COUPLER

S/N: TH41-UP; TH91-UP

50-MM (2-IN) BORE X 81.5-MM (3.2-IN) STROKE

PART OF 367-6694 CYLINDER GP-COUPLER

AN ATTACHMENT

SMCS-5133

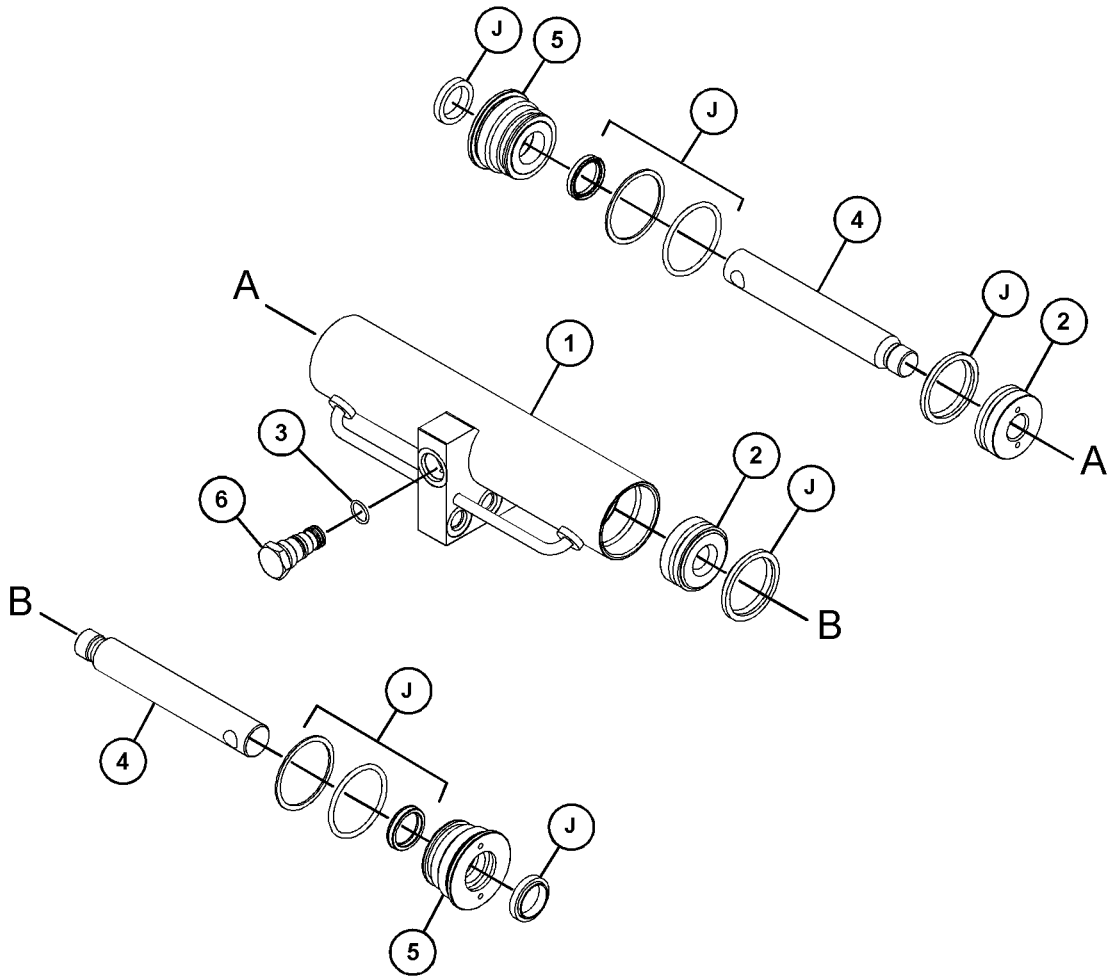
i06708960

NOTE	REF NO	GRAPHIC REF	PART NUMBER	QTY	PART NAME						SEE PAGE
					1	2	3	4	5	6 (PRODUCT LEVEL)	
	1	1	422-0893	1	BODY						
	2	1	422-0894	2	PISTON						
	3	1	299-0285	1	KIT-SEAL						
	4	1	422-0895	2	ROD						
	5	1	422-0896	2	SEAL						
	6	1	299-0308	1	VALVE-CHECK						

AVAILABLE REPAIR KIT(S) :

422-0897 1 KIT-SEAL

(INCLUDES PISTON SEAL, O-RING, BACK UP-RING, ROD SEAL, WIPER SEAL & PARTS MARKED 'J' IN THE GRAPHIC)



GRAPHIC #1

<END>

g06084860

HYDRAULIC SYSTEM

475-9070 CYLINDER GP-FORK

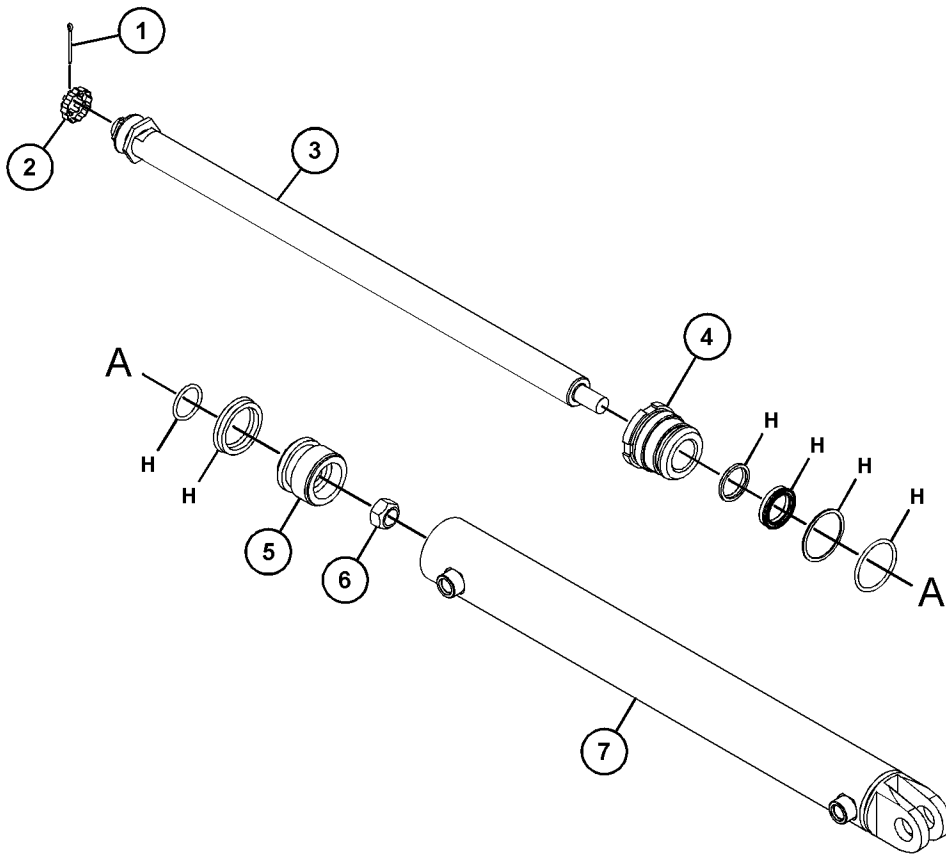
S/N: TH91-UP

PART OF 397-6838 CARRIAGE GP-FORK
AN ATTACHMENT

SMCS-5807

i06111558

NOTE	REF NO	GRAPHIC REF	PART NUMBER	QTY	PART NAME						SEE PAGE
					1	2	3	4	5	6	
	1	1	417-9882	1	PIN-COTTER						
	2	1	417-9883	1	RETAINER						
	3	1	417-9884	1	ROD						
	4	1	417-9885	1	SEAL						
	5	1	417-9886	1	PISTON						
	6	1	417-9887	1	NUT						
	7	1	417-9888	1	BARREL						
					AVAILABLE REPAIR KIT(S):						
					417-9889	1	KIT-SEAL				
					(INCLUDES PARTS MARKED "H" IN THE GRAPHIC)						



GRAPHIC #1

<END>

g03824347

HYDRAULIC SYSTEM

528-3030 CYLINDER GP-FORK

S/N: TH41-UP; TH91-UP

76.39-MM (3-IN) BORE X 299-MM (11.7-IN) STROKE

PART OF 486-0526 FORK GP-GRAPPLE

AN ATTACHMENT

SMCS-5807

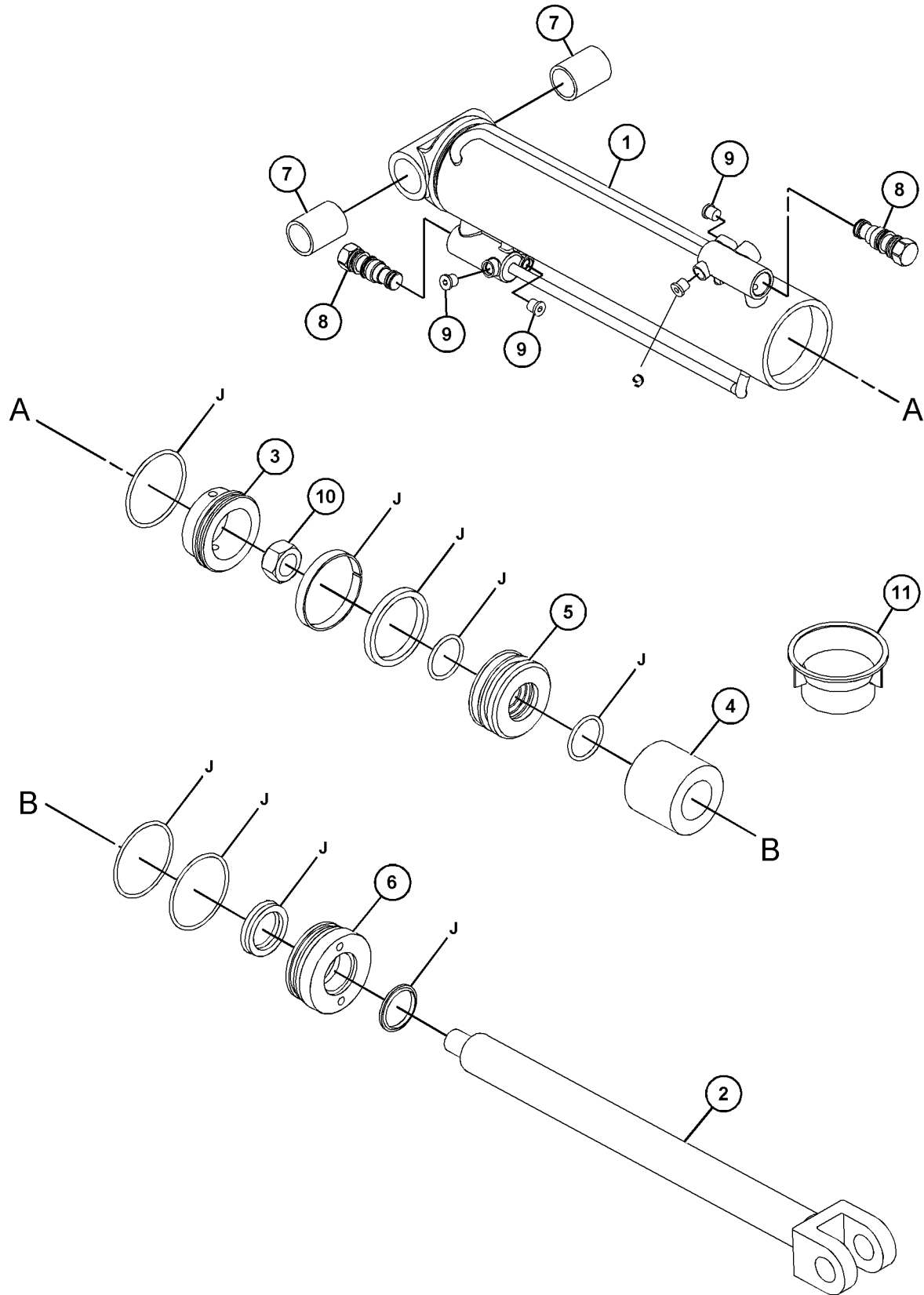
i07210854

NOTE	REF NO	GRAPHIC REF	PART NUMBER	QTY	PART NAME						SEE PAGE
					1	2	3	4	5	6	
	1	1	484-7179	1	BARREL AS						
	2	1	528-3057	1	ROD						
	3	1	484-7181	1	SPACER						
	4	1	528-3058	1	SPACER						
	5	1	484-7183	1	PISTON						
	6	1	484-7184	1	RETAINER						
	7	1	484-7185	2	BUSHING						
	8	1	484-7186	2	VALVE AS-CHECK						
	9	1	417-9872	4	PLUG						
	10	1	484-7187	1	NUT						
	11	1	484-7952	1	SEAL						
					AVAILABLE REPAIR KIT(S) :						
			462-7347	1	KIT-SEAL						
					(INCLUDES BACKUP RINGS & SEALS)						
			484-7189	1	KIT-SEAL						
					(INCLUDES PARTS MARKED J IN THE GRAPHICS)						

HYDRAULIC SYSTEM

528-3030 CYLINDER GP-FORK (contd.)

i07210854



GRAPHIC #1

<END>

g06256671

HYDRAULIC SYSTEM

484-7195 CYLINDER GP-HYDRAULIC

S/N: TH91-UP

PART OF 474-0142 BUCKET GP-GRAPPLE
AN ATTACHMENT

SMCS-5362, 5816

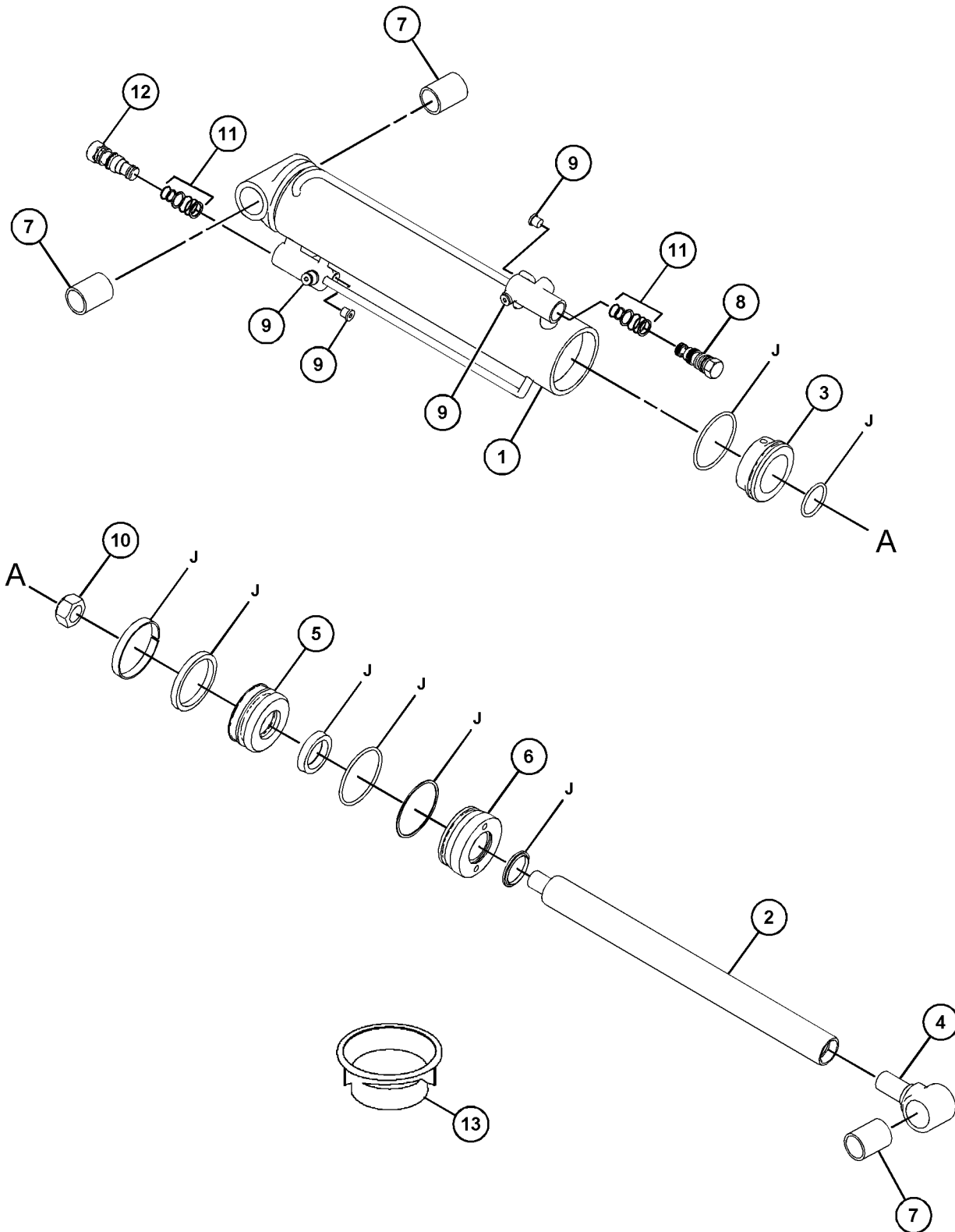
i06239915

NOTE	REF NO	GRAPHIC REF	PART NUMBER	QTY	PART NAME						SEE PAGE
					1	2	3	4	5	6 (PRODUCT LEVEL)	
	1	1	484-7179	1	BARREL AS						
	2	1	484-7180	1	ROD AS						
	3	1	484-7181	1	SPACER						
	4	1	484-7182	1	ROD END						
	5	1	484-7183	1	PISTON						
	6	1	484-7184	1	RETAINER						
	7	1	484-7185	1	BUSHING						
	8	1	484-7186	3	VALVE AS-CHECK (OUTLET)						
	9	1	417-9872	1	PLUG						
	10	1	484-7187	1	NUT						
	11	1	462-7347	1	KIT-SEAL						
	12	1	484-7188	2	VALVE (INLET)						
	13	1	484-7952	1	SEAL						
					AVAILABLE REPAIR KIT(S):						
J			484-7189	1	KIT-SEAL						
J - KIT MARKED J SERVICES PART MARKED J IN THE GRAPHICS											

HYDRAULIC SYSTEM

484-7195 CYLINDER GP-HYDRAULIC (contd.)

i06239915



GRAPHIC #1

<END>

g03884632

HYDRAULIC SYSTEM

499-0267 CYLINDER GP-LIFT

S/N: TH41-UP; TH91-UP

PART OF 513-9446 CYLINDER & MTG GP-LIFT

SMCS-5102

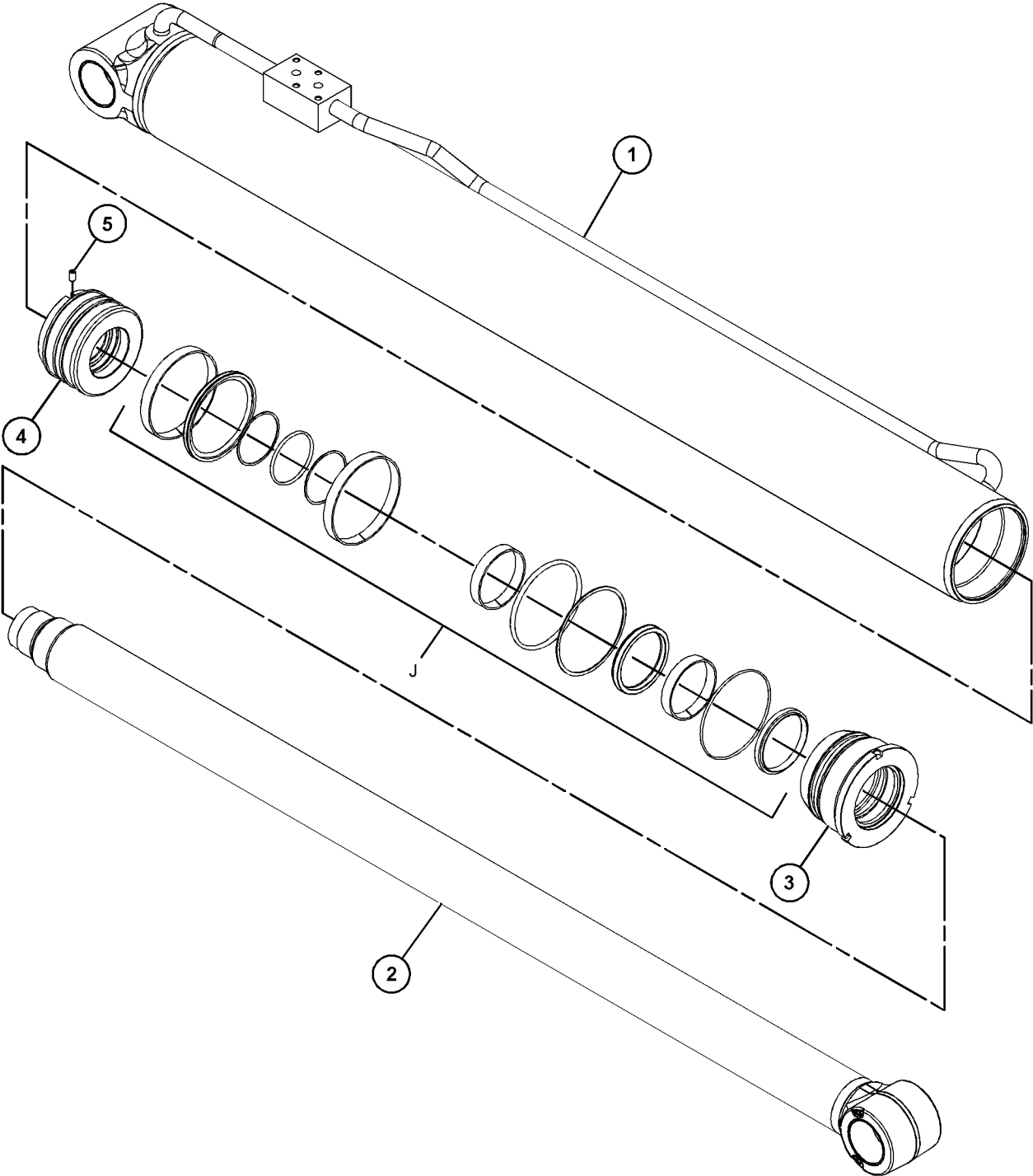
i06603132

NOTE	REF NO	GRAPHIC REF	PART NUMBER	QTY	PART NAME						SEE PAGE	
					1	2	3	4	5	6		(PRODUCT LEVEL)
	1	1	498-8992	1	BARREL AS							
	2	1	498-8993	1	ROD AS							
	3	1	498-8994	1	ROD-GUIDE							
	4	1	498-8990	1	PISTON							
M	5	1	316-8073	1	SCREW (M8X16-MM)							
					AVAILABLE REPLACEMENT PART(S):							
					498-8999	1	KIT-SEAL					
					(INCLUDES SEALS & ALSO INCLUDES PARTS MARKED 'J' IN THE GRAPHIC)							
M - METRIC PART												

HYDRAULIC SYSTEM

499-0267 CYLINDER GP-LIFT (contd.)

i06603132



GRAPHIC #1

<END>

g06055782

HYDRAULIC SYSTEM

185-1839 CYLINDER GP-MULTIPURPOSE BUKT

S/N: TH41-UP; TH91-UP

76.2-MM (2.99-IN) BORE X 262-MM (10.31-IN) STROKE

PART OF 163-4284 BUCKET AR-MULTIPURPOSE

AN ATTACHMENT

SMCS-5498

i05870146

NOTE	REF NO	GRAPHIC REF	PART NUMBER	QTY	PART NAME						SEE PAGE
					1	2	3	4	5	6 (PRODUCT LEVEL)	
	1	1	6E-0122	1	HEAD						
	2	1	9T-2212	1	PISTON						
R	3	1	9T-4008	1	ROD AS						
	3A	1	9T-4007	2	BEARING						
R	4	1	9T-4009	1	CYLINDER AS						
J	5	1	167-2186	1	SEAL AS-BUFFER						
J	6	1	167-2294	1	SEAL -U-CUP						
J	7	1	1H-7339	1	SEAL -O-RING						
J	8	1	226-8202	1	SEAL -WIPER						
J	9	1	4T-6780	1	RING-WEAR						
	10	1	5P-8250	1	WASHER (28X49X5-MM THK)						
	11	1	6F-7037	1	BOLT (1-14X3.25-IN)						
J	12	1	6J-1972	1	SEAL AS						
J	13	1	6J-5733	1	RING-WEAR						
J	14	1	8J-2574	1	RING-BACKUP						

AVAILABLE REPAIR KIT(S):

J	235-0354	1	KIT-SEAL (HYDRAULIC CYLINDER)
---	-----------------	---	-------------------------------

(ALSO INCLUDES BACKUP RING)

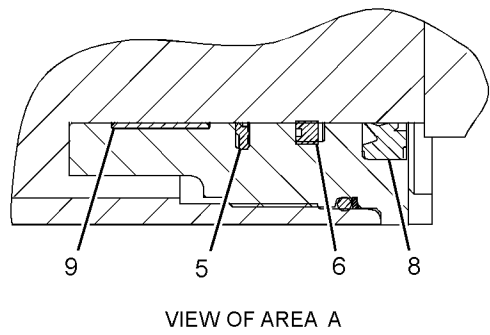
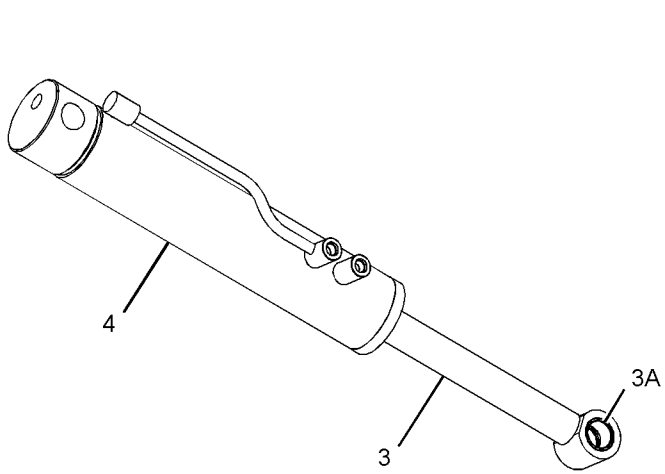
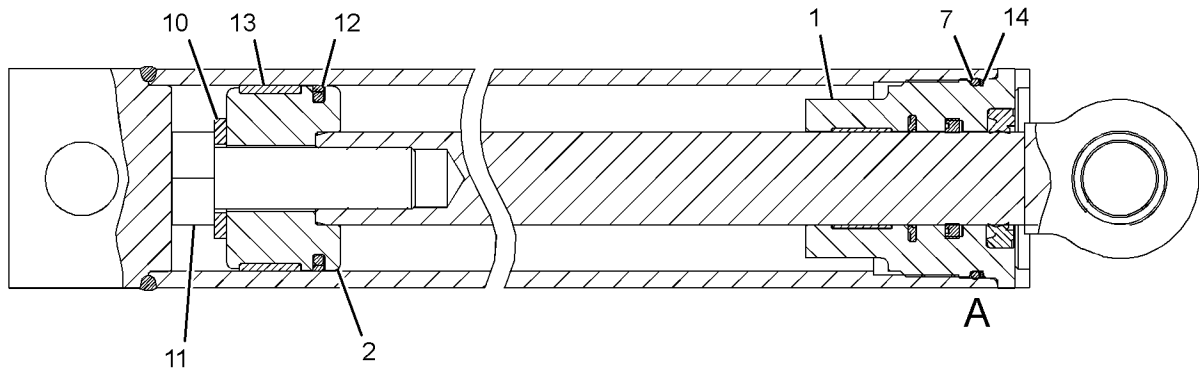
J - KIT MARKED J SERVICES PART(S) MARKED J

R - REMANUFACTURED PART MAY BE AVAILABLE

HYDRAULIC SYSTEM

185-1839 CYLINDER GP-MULTIPURPOSE BUKT (contd.)

i05870146



GRAPHIC #1

<END>

g01166193

HYDRAULIC SYSTEM

515-5793 CYLINDER GP-TELESCOPING

S/N: TH41-UP; TH91-UP

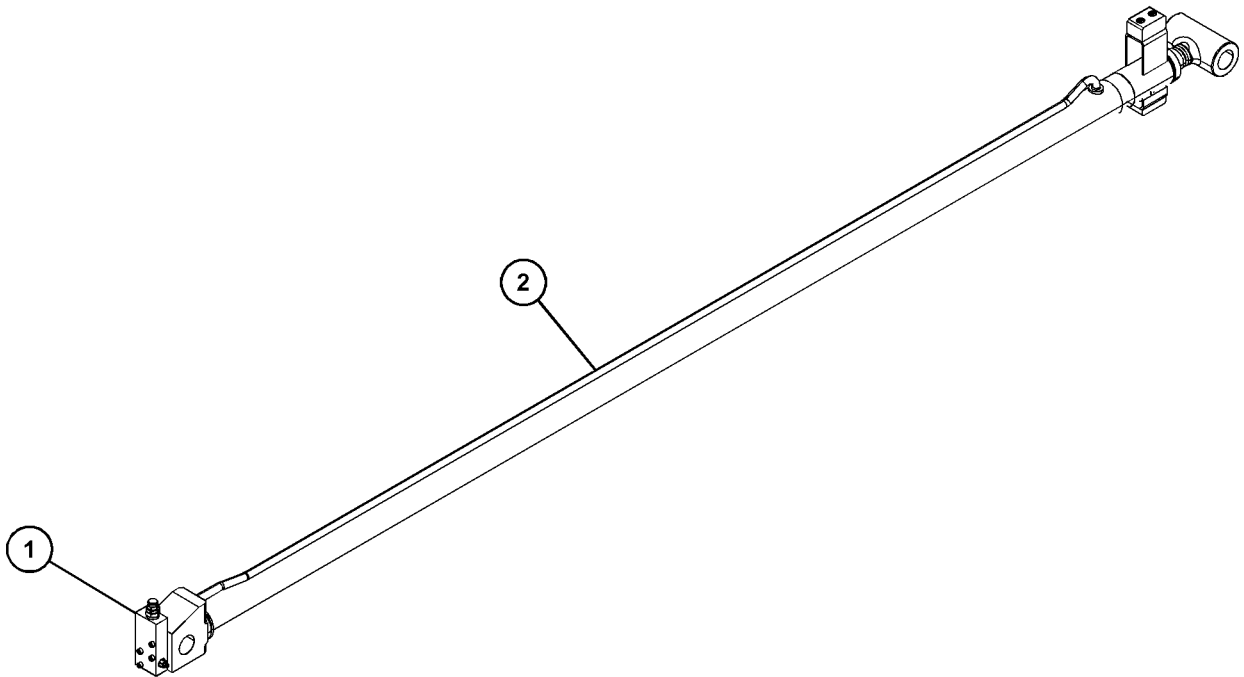
PART OF 588-1287 BOOM AR, 515-5868 CYLINDER & MTG GP-TELESCOPING
ALSO AN ATTACHMENT

SMCS-5486

i07403878

NOTE	REF NO	GRAPHIC REF	PART NUMBER	QTY	PART NAME						SEE PAGE
					1	2	3	4	5	6 (PRODUCT LEVEL)	
	1	1	492-4896	1	VALVE GP-COUNTERBALANCE						
Y	2	1	515-5794	1	CYLINDER GP-TELESCOPING						850

Y - SEPARATE ILLUSTRATION



GRAPHIC #1

<END>

g06325243

HYDRAULIC SYSTEM

515-5794 CYLINDER GP-TELESCOPING

S/N: TH41-UP; TH91-UP

75-MM (3-IN) BORE X 2860-MM (112.6-IN) STROKE

PART OF 515-5793 CYLINDER GP-TELESCOPING

ALSO AN ATTACHMENT

SMCS-5486

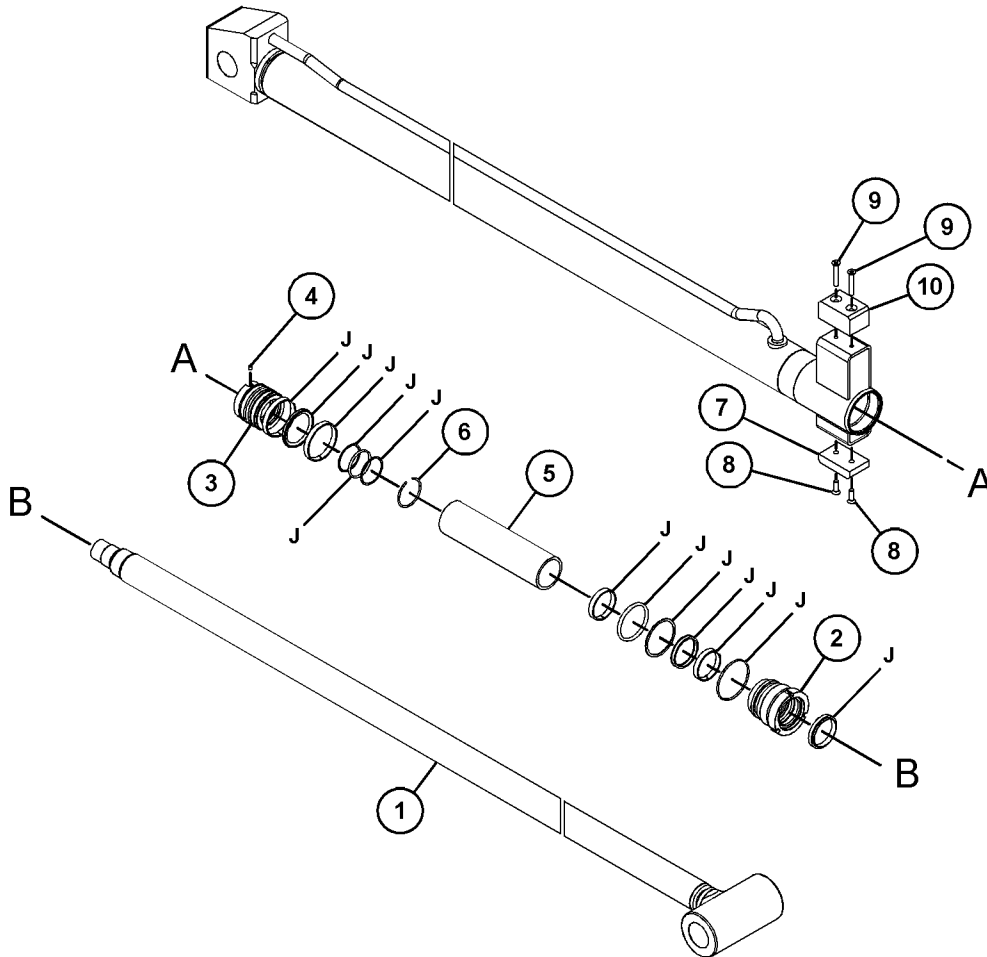
i07403879

NOTE	REF NO	GRAPHIC REF	PART NUMBER	QTY	PART NAME						SEE PAGE
					1	2	3	4	5	6	
	1	1	554-5231	1	ROD						
	2	1	554-5236	1	ROD-GUIDE						
	3	1	480-6172	1	PISTON						
	4	1	424-8734	1	LOCKSCREW						
	5	1	554-4661	1	SPACER						
	6	1	554-4762	1	RING-RETAINING						
	7	1	554-4852	1	PAD-WEAR						
	8	1	424-8738	2	SCREW (M8X25-MM)						
	9	1	554-5011	2	SCREW						
	10	1	554-5023	1	PAD-WEAR						

AVAILABLE REPAIR KIT(S) :

554-5239 1 KIT-SEAL

(INCLUDES PARTS MARKED 'J' IN THE GRAPHICS)



GRAPHIC #1

<END>

g06325349

HYDRAULIC SYSTEM

466-8312 CYLINDER GP-TILT-CARRIAGE

S/N: TH91-UP

90-MM (3.5-IN) BORE X 114-MM (4.5-IN) STROKE
 PART OF 375-6292, 375-6293 CARRIAGE GP-ROTATING
 AN ATTACHMENT

SMCS-5104

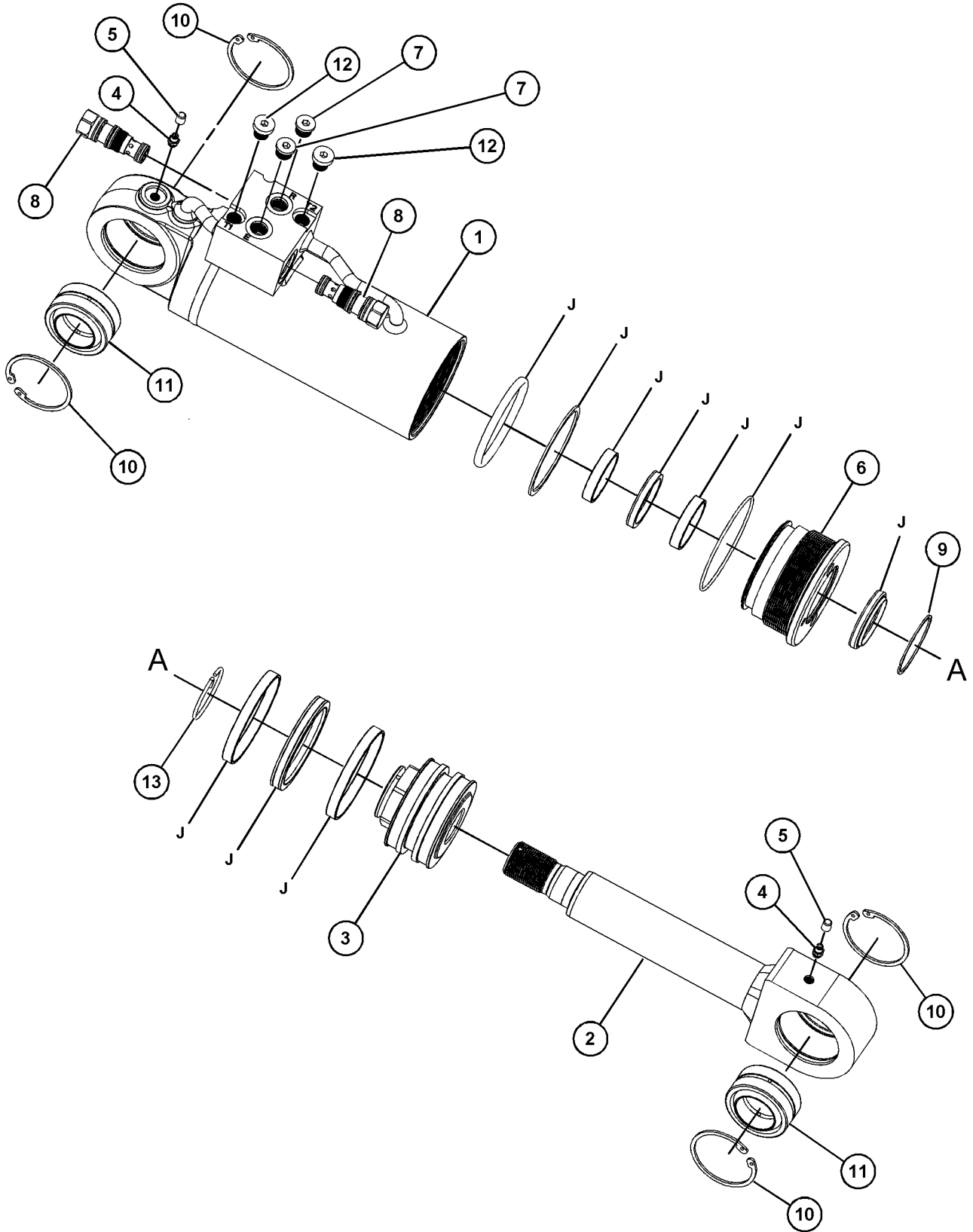
i06567609

NOTE	REF NO	GRAPHIC REF	PART NUMBER	QTY	PART NAME						SEE PAGE
					1	2	3	4	5	6 (PRODUCT LEVEL)	
	1	1	477-1410	1	BARREL AS						
	2	1	477-1413	1	ROD AS						
	3	1	477-1415	1	PISTON-HEAD						
	4	1	461-3100	2	FITTING-GREASE						
	5	1	476-0031	2	PLUG						
	6	1	477-1417	1	GLAND						
	7	1	476-0104	2	PLUG						
	8	1	477-1419	2	VALVE-CHECK						
	9	1	456-0493	1	RING-SNAP						
	10	1	477-1420	4	RETAINER						
	11	1	474-1421	2	BEARING						
	12	1	458-0536	2	PLUG						
	13	1	477-1422	1	RING-LOCK						
					AVAILABLE REPAIR KIT(S) :						
			477-1495	1	KIT-SEAL						
					(INCLUDES BEARING RINGS, RUBBER SEAL, RUBBER RINGS, & ALSO PARTS MARKED J IN THE GRAPHICS)						

HYDRAULIC SYSTEM

466-8312 CYLINDER GP-TILT (contd.)

i06567609



GRAPHIC #1

<END>

g06128146

HYDRAULIC SYSTEM

515-5766 CYLINDER GP-TILT

S/N: TH41-UP; TH91-UP

140-MM (5.5-IN) BORE X 313-MM (12.3-IN) STROKE

PART OF 588-1287 BOOM AR, 515-5765 CYLINDER & MTG GP-TILT

ALSO AN ATTACHMENT

SMCS-5104

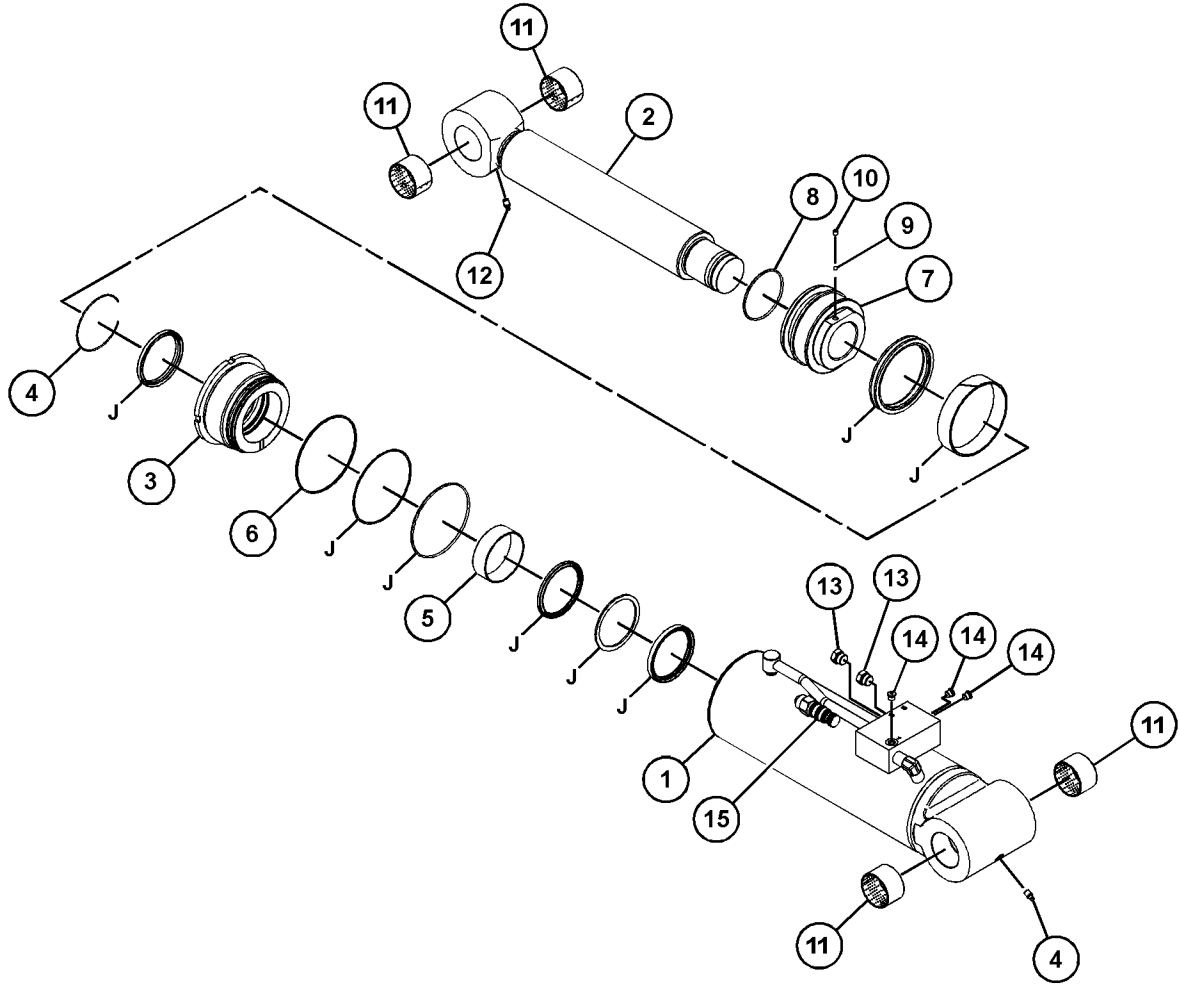
i06895494

NOTE	REF NO	GRAPHIC REF	PART NUMBER	QTY	PART NAME						SEE PAGE
					1	2	3	4	5	6	
	1	1	522-1430	1	TUBE						
	2	1	522-1431	1	ROD						
	3	1	521-9023	1	GLAND						
	4	1	510-6869	1	RING-RETAINING						
	5	1	510-6870	1	BEARING						
	6	1	522-1432	1	SEAL-O-RING						
	7	1	522-1433	1	PISTON						
	8	1	522-1434	1	SEAL-O-RING						
	9	1	510-6619	1	BALL						
	10	1	510-8126	1	SCREW-SET						
	11	1	484-6062	4	BEARING						
	12	1	478-6580	2	FITTING-GREASE						
	13	1	484-6065	2	PLUG AS						
	14	1	250-1477	3	PLUG						
	15	1	479-5684	1	VALVE GP-COUNTERBALANCE (RELIEF)						
					(INCLUDES PARTS MARKED "J" IN GRAPHIC)						
					AVAILABLE REPAIR KIT(S):						
			522-1446	1	KIT-SEAL						
					(INCLUDES PARTS MARKED J IN GRAPHIC(S))						

HYDRAULIC SYSTEM

515-5766 CYLINDER GP-TILT (contd.)

i06895494



GRAPHIC #1

<END>

g06163905

HYDRAULIC SYSTEM

500-4367 FITTING GP-HYDRAULIC

S/N: TH91-UP

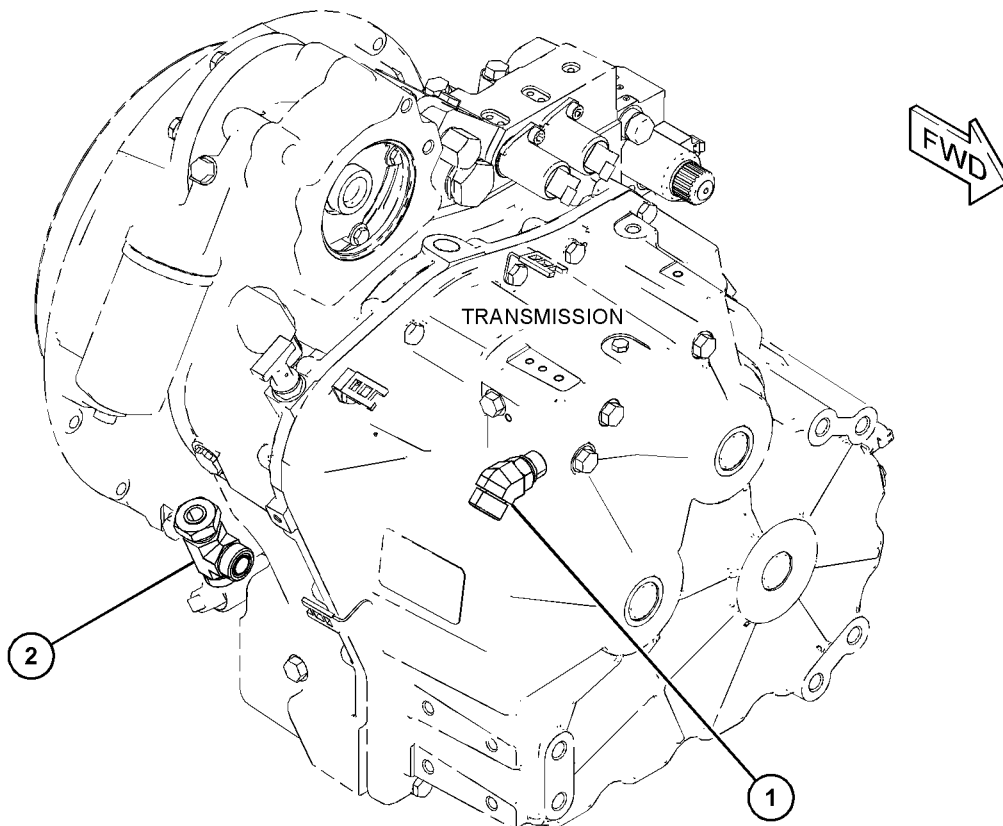
PART OF 518-5883 TRANSMISSION AR

AN ATTACHMENT

SMCS-5057

i06601133

NOTE	REF NO	GRAPHIC REF	PART NUMBER	QTY	PART NAME						SEE PAGE
					1	2	3	4	5	6 (PRODUCT LEVEL)	
1	1	1	464-3819	1	ADAPTER-ELBOW						
2	1	1	317-5982	1	ADAPTER						



GRAPHIC #1

<END>

g06044169

HYDRAULIC SYSTEM

518-0046 HYDRAULIC AR

S/N: TH41-UP; TH91-UP

PART OF 518-0078, 518-0079 COMMON AR

SMCS-5050, 5051

i07819344

NOTE	PART NUMBER	QTY	PART NAME						SEE PAGE
			1	2	3	4	5	6 (PRODUCT LEVEL)	
Y	540-1559	1	CAP GP-PROTECTION						1261
Y	513-9442	1	CYLINDER & MTG GP-COMPENSATING						831
Y	513-9446	1	CYLINDER & MTG GP-LIFT						832
Y	513-4354	1	LINES GP-BOOM						869
Y	499-0189	1	LINES GP-BRAKE (AXLE, FRONT, REAR)						801
Y	502-0664	1	LINES GP-BRAKE						802
Y	502-0369	1	LINES GP-PUMP						909
Y	499-0187	1	LINES GP-STEERING (FRONT AXLE)						818
Y	501-2459	1	LINES GP-STEERING (TILT COLUMN)						820
Y	495-8986	1	PUMP & MTG GP-HYDRAULIC						940
Y	513-9452	1	TANK & MTG GP-HYDRAULIC						945
Y	495-9795	1	VALVE & MTG GP-MAIN CONTROL						948
Y	495-9793	1	VALVE & MTG GP-PRIORITY						954
Y	501-2463	1	VALVE & MTG GP-STEERING						825
Y	513-0917	1	VALVE GP-STEERING						826

Y - SEPARATE ILLUSTRATION

<END>

567-5059 HYDRAULIC AR

S/N: TH4167-UP; TH9416-UP

PART OF 567-5082, 567-5088 COMMON AR

SMCS-5050, 5051

i07594948

NOTE	PART NUMBER	QTY	PART NAME						SEE PAGE
			1	2	3	4	5	6 (PRODUCT LEVEL)	
Y	540-1559	1	CAP GP-PROTECTION (FUEL)						1261
Y	513-9442	1	CYLINDER & MTG GP-COMPENSATING						831
Y	513-9446	1	CYLINDER & MTG GP-LIFT						832
Y	567-4993	1	INSTALLATION AR-MACHINE (HYDRAULIC)						13
Y	513-4354	1	LINES GP-BOOM (INSTALLATION)						869
Y	499-0189	1	LINES GP-BRAKE (AXLE, FRONT, REAR)						801
Y	502-0664	1	LINES GP-BRAKE (PEDAL)						802
Y	502-0369	1	LINES GP-PUMP						909
Y	499-0187	1	LINES GP-STEERING (FRONT AXLE)						818
Y	501-2459	1	LINES GP-STEERING (TILT COLUMN)						820
Y	495-8986	1	PUMP & MTG GP-HYDRAULIC						940
Y	513-9452	1	TANK & MTG GP-HYDRAULIC						945
Y	495-9795	1	VALVE & MTG GP-MAIN CONTROL						948
Y	495-9793	1	VALVE & MTG GP-PRIORITY						954
Y	513-0917	1	VALVE GP-STEERING						826

Y - SEPARATE ILLUSTRATION

<END>

HYDRAULIC SYSTEM

506-3318 HYDRAULIC AR-AUXILIARY

S/N: TH41-UP; TH91-UP

CANNOT BE USED WITH 506-3317-PAGE: 827

PART OF 590-9759 CONFIGURATION AR

AN ATTACHMENT

SMCS-5050, 5051, 5057

i06608812

NOTE	PART NUMBER	QTY	PART NAME						SEE PAGE
			1	2	3	4	5	6 (PRODUCT LEVEL)	
Y	501-7477	1	COVER GP-ACCESS (AUXILIARY)						1152
Y	501-2996	1	LINES GP-AUXILIARY HYDRAULIC						865

Y - SEPARATE ILLUSTRATION

<END>

HYDRAULIC SYSTEM

520-7768 INSTALLATION GP-RIDE CONTROL

S/N: TH41-UP; TH91-UP

PART OF 520-7784 INSTALLATION AR-MACHINE

AN ATTACHMENT

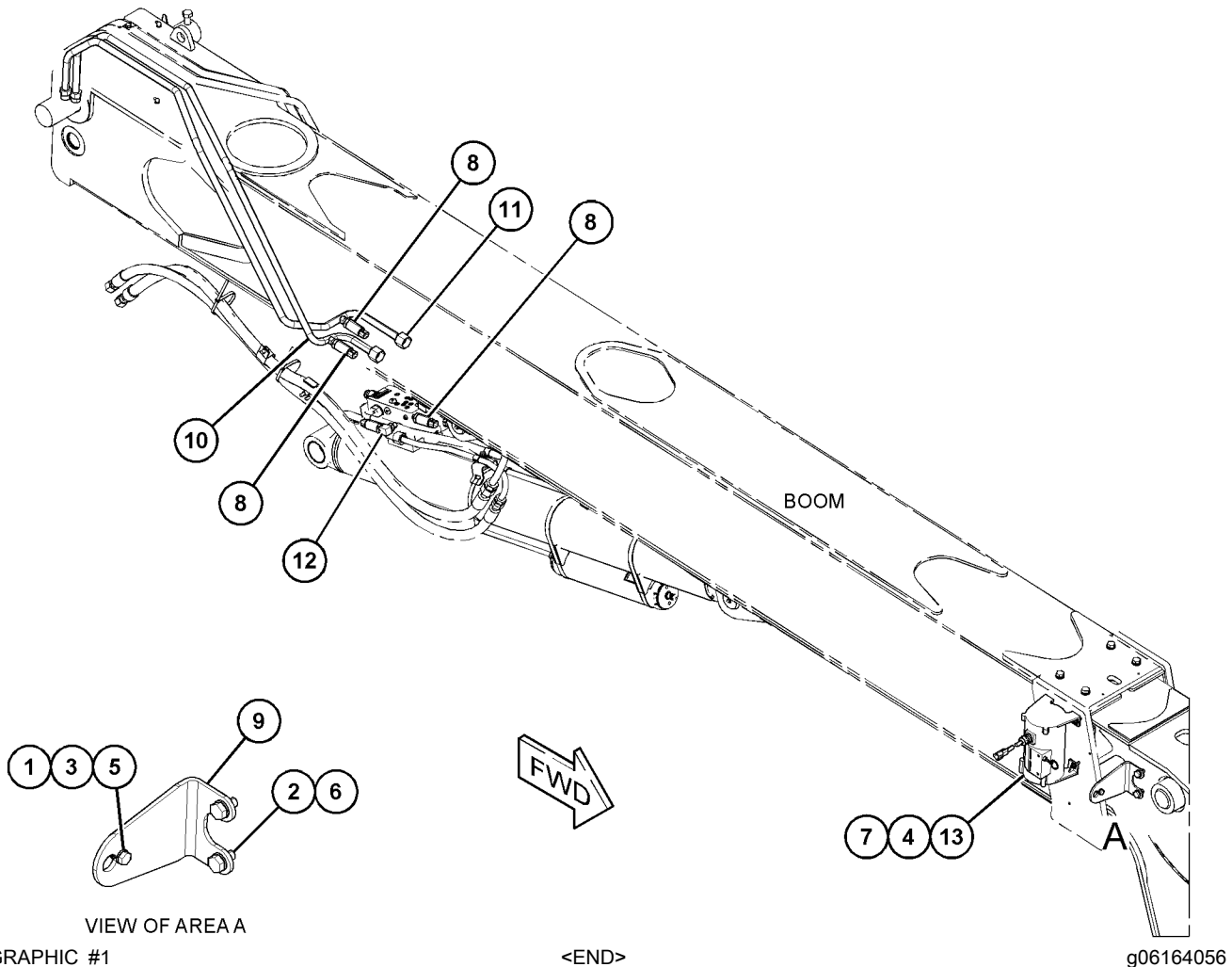
TYPE 1

SMCS-1408, 5004, 5057, 5077

i06893361

NOTE	REF NO	GRAPHIC REF	PART NUMBER	QTY	PART NAME						SEE PAGE
					1	2	3	4	5	6 (PRODUCT LEVEL)	
M	1	1	8T-4200	1	BOLT (M8X1.25X16-MM)						
M	2	1	8T-4137	2	BOLT (M10X1.5X20-MM)						
M	3	1	344-5674	1	NUT (M8X1.25-THD)						
M	4	1	105-3487	4	BOLT-SOCKET HEAD (M6X1X20-MM)						
	5	1	8T-4224	2	WASHER-HARD (8.8X16X2-MM THK)						
	6	1	8T-4121	2	WASHER-HARD (11X21X2.5-MM THK)						
	7	1	477-0655	4	WASHER (7.3X13.6X4-MM THK)						
	8	1	477-0968	4	SENSOR-PRESSURE (ENGINE)						
	9	1	496-8314	1	BRACKET						
	10	1	496-8316	1	TUBE AS						
	11	1	496-8317	1	TUBE AS						
	12	1	503-1688	1	ELBOW AS						
	13	1	503-1689	1	SWITCH AS-INDICATOR (BOOM)						

M - METRIC PART



<END>

HYDRAULIC SYSTEM

520-7768 INSTALLATION GP-RIDE CONTROL

S/N: TH41-UP; TH91-UP

PART OF 520-7784 INSTALLATION AR-MACHINE

AN ATTACHMENT

TYPE 2

SMCS-1408, 5004, 5057, 5077

i07384204

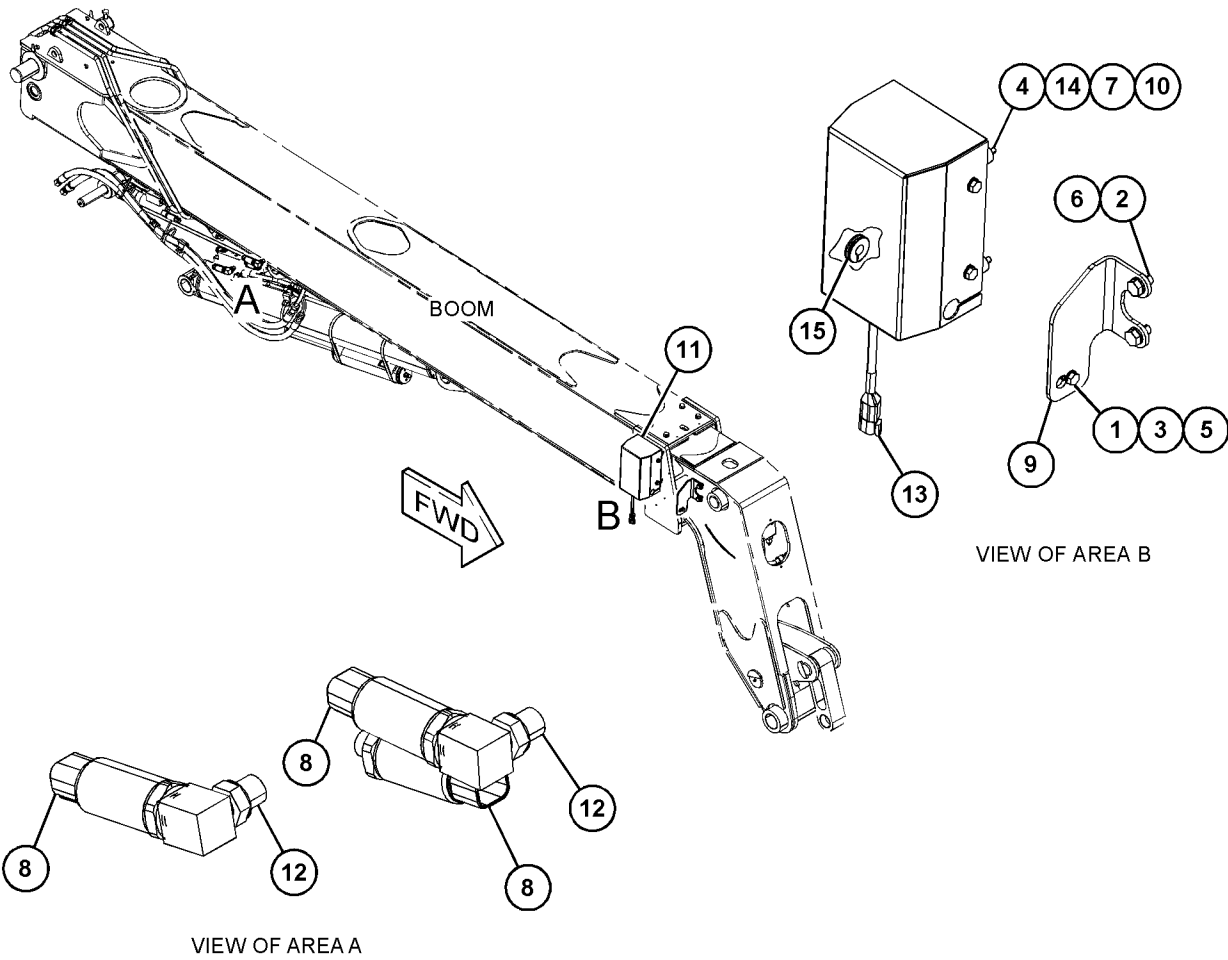
NOTE	REF NO	GRAPHIC REF	PART NUMBER	QTY	PART NAME						SEE PAGE
					1	2	3	4	5	6 (PRODUCT LEVEL)	
CM	1	1	8T-4200	5	BOLT (M8X1.25X16-MM)						
CM	2	1	264-3627	2	BOLT (M10X1.5X20-MM)						
CM	3	1	5C-7261	1	NUT (M8X1.25-THD)						
C	4	1	547-8446	4	SCREW (M6X1X35-MM)						
C	5	1	8T-4224	6	WASHER-HARD (8.8X16X2-MM THK)						
	6	1	8T-4121	2	WASHER-HARD (11X21X2.5-MM THK)						
	7	1	477-0655	4	WASHER (7.3X13.6X4-MM THK)						
C	8	1	477-0968	3	SENSOR-PRESSURE (ENGINE)						
C	9	1	547-8513	1	BRACKET						
C	10	1	547-9090	2	BRACKET AS						
C	11	1	547-9059	1	PLATE-COVER						
C	12	1	503-1688	2	ELBOW AS						
C	13	1	525-8438	1	SENSOR						
C	14	1	538-9989	4	SPACER (9X19.05X16-MM THK)						
C	15	1	9X-7345	1	GROMMET						

C - CHANGE FROM PREVIOUS TYPE
M - METRIC PART

HYDRAULIC SYSTEM

520-7768 INSTALLATION GP-RIDE CONTROL (contd.)

i07384204



GRAPHIC #1

<END>

g06327310

HYDRAULIC SYSTEM

497-9605 LINES GP-AUXILIARY HYDRAULIC-REAR

S/N: TH41-149; TH91-203

PART OF 506-3319 CONTROL AR-AUXILIARY
AN ATTACHMENT

SMCS-5057

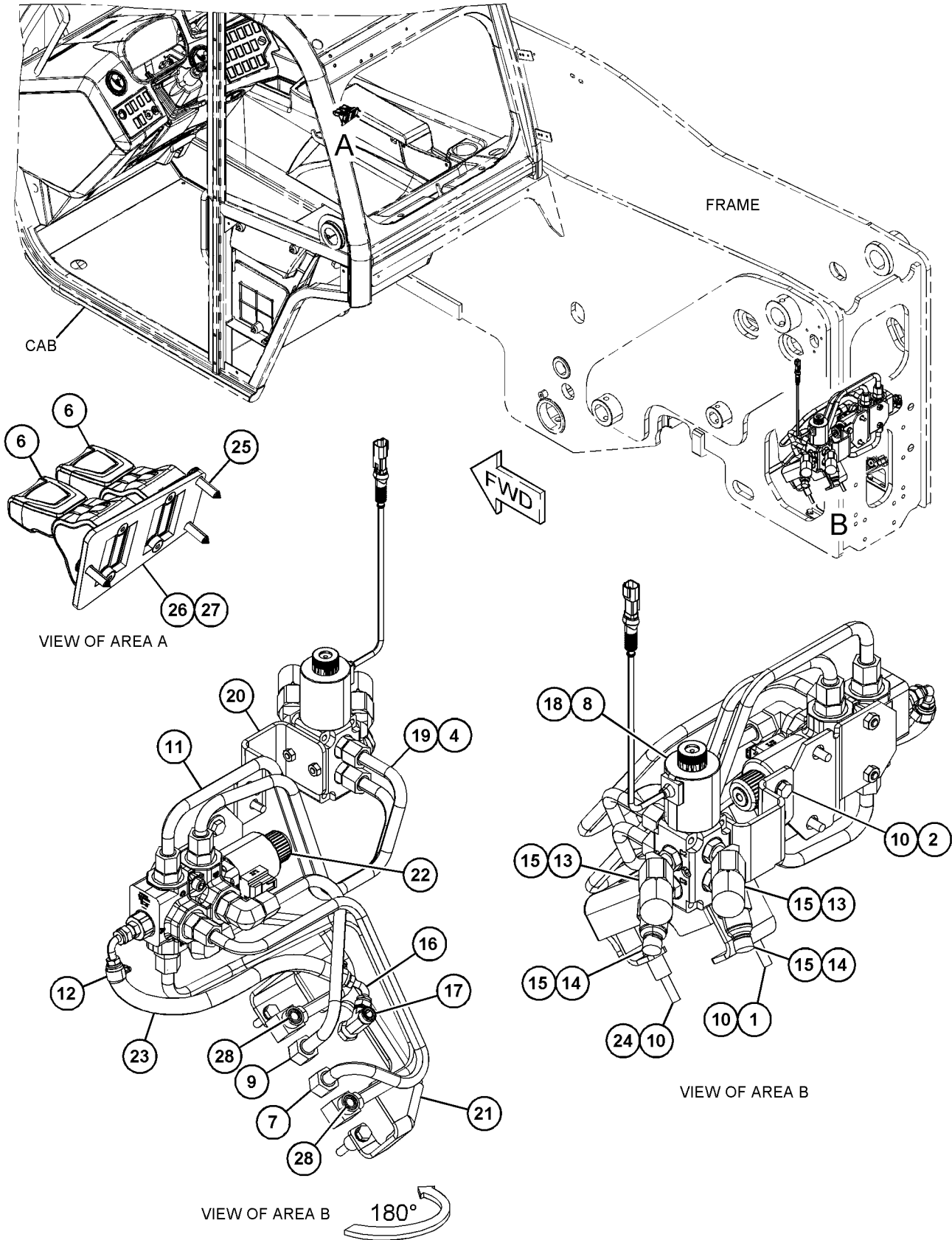
i06907186

NOTE	REF NO	GRAPHIC REF	PART NUMBER	QTY	PART NAME						SEE PAGE
					1	2	3	4	5	6 (PRODUCT LEVEL)	
M	1	1	8T-4186	1	BOLT (M10X1.5X40-MM)						
M	2	1	8T-4136	2	BOLT (M10X1.5X25-MM)						
	4	1	298-0466	2	FITTING-ADAPTER						
	6	1	473-4952	2	CONTROL GP-JOYSTICK (STABILIZER)						
	7	1	497-9959	1	TUBE AS						
M	8	1	6V-8213	2	BOLT-SOCKET HEAD (M8X1.25X70-MM)						
	9	1	497-9958	1	TUBE AS						
	10	1	8T-4121	4	WASHER-HARD (11X21X2.5-MM THK)						
	11	1	519-1733	1	PIPE AS						
	12	1	331-3890	2	CLAMP						
	13	1	153-2994	2	COUPLING (FEMALE)						
	14	1	153-2995	2	COUPLING (MALE)						
	15	1	219-6331	4	ELBOW AS						
					(EACH INCLUDES)						
		1	2M-9780	2	SEAL-O-RING						
		1	210-0066	1	ELBOW						
	16	1	314-5545	1	FITTING-ELBOW						
	17	1	497-9606	1	ADAPTER AS-TEE						
JP	18	1	343-7928	1	VALVE GP-DIVERter (QUICK COUPLER)						
		1	319-7658	1	COIL						
	19	1	519-1732	1	PIPE AS						
	20	1	519-1735	1	BRACKET AS						
	21	1	497-9955	1	TUBE AS						
Y	22	1	497-9603	1	VALVE GP-DIVERter						964
G	23	1	423-1983		HOSE (15-IN)						
M	24	1	260-6673	1	BOLT (M10X1.5X65-MM)						
M	25	1	211-1389	3	SCREW (M4X19-MM)						
	26	1	524-1805	1	PLATE						
M	27	1	524-4689	4	SCREW-FLAT HEAD (M3X0.5X6.14-MM)						
	28	1	7J-9108	2	SEAL-O-RING						
					AVAILABLE REPAIR KIT(S):						
P			450-0307	1	KIT-RETAINER (DIVERter VALVE)						
					(INCLUDES O-RINGS & NUT)						
J			518-6720	1	KIT-SEAL (DIVERter VALVE)						
					(INCLUDE O-RINGS)						
<p>G - ORDER BY THE INCH J - KIT MARKED J SERVICES PART(S) MARKED J M - METRIC PART P - KIT MARKED P SERVICES PART(S) MARKED P Y - SEPARATE ILLUSTRATION</p>											

HYDRAULIC SYSTEM

497-9605 LINES GP-AUXILIARY HYDRAULIC (contd.)

i06907186



GRAPHIC #1

<END>

g06165370

HYDRAULIC SYSTEM

497-9605 LINES GP-AUXILIARY HYDRAULIC-REAR

S/N: TH4150-UP; TH9204-UP
PART OF 506-3319 CONTROL AR-AUXILIARY
AN ATTACHMENT

SMCS-5057

i07742475

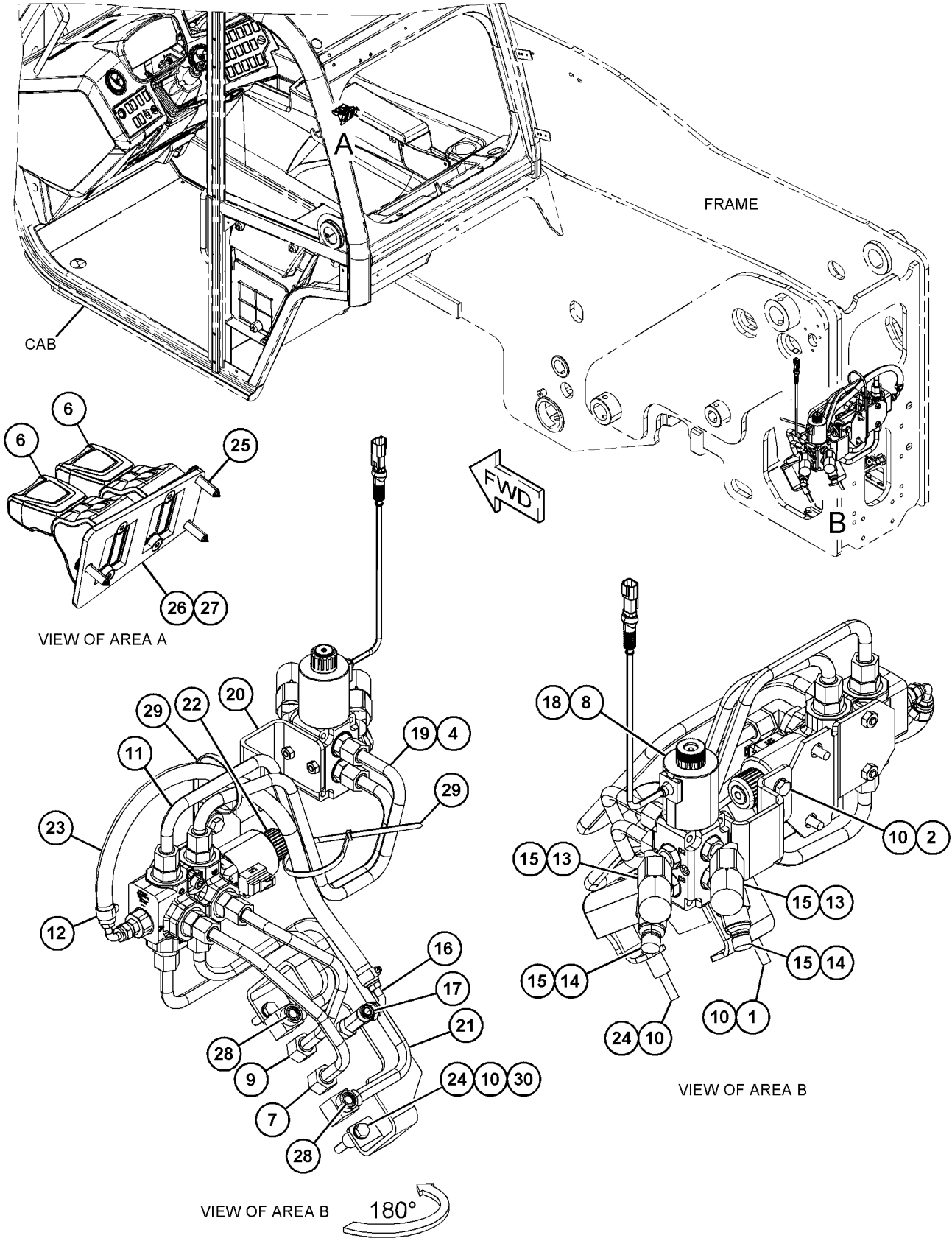
NOTE	REF NO	GRAPHIC REF	PART NUMBER	QTY	PART NAME						SEE PAGE
					1	2	3	4	5	6 (PRODUCT LEVEL)	
M	1	1	8T-4186	1	BOLT (M10X1.5X40-MM)						
M	2	1	8T-4136	2	BOLT (M10X1.5X25-MM)						
	4	1	298-0466	2	FITTING-ADAPTER						
	6	1	573-5063	2	CONTROL GP-JOYSTICK (STABILIZER)						
C	7	1	555-3680	1	TUBE AS						
M	8	1	6V-8213	2	BOLT-SOCKET HEAD (M8X1.25X70-MM)						
C	9	1	555-3679	1	TUBE AS						
	10	1	8T-4121	4	WASHER-HARD (11X21X2.5-MM THK)						
	11	1	519-1733	1	PIPE AS						
	12	1	331-3890	2	CLAMP						
	13	1	153-2994	2	COUPLING (FEMALE)						
	14	1	153-2995	2	COUPLING (MALE)						
	15	1	219-6331	4	ELBOW AS						
					(EACH INCLUDES)						
		1	2M-9780	2	SEAL-O-RING						
		1	210-0066	1	ELBOW						
	16	1	314-5545	1	FITTING-ELBOW						
	17	1	497-9606	1	ADAPTER AS-TEE						
JP	18	1	343-7928	1	VALVE GP-DIVERTER (QUICK COUPLER)						
		1	212-3350	1	SOLENOID AS						
		1	8T-8729	2	PIN-CONNECTOR (16-GA TO 20-GA)						
		1	102-8802	1	KIT-RECEPTACLE (2-PIN)						
					(INCLUDES RECEPTACLE AS & WEDGE)						
C	19	1	550-3668	1	PIPE AS						
	20	1	519-1735	1	BRACKET AS						
C	21	1	555-3678	1	TUBE AS						
Y	22	1	497-9603	1	VALVE GP-DIVERTER (HIGH FLOW)						964
CG	23	1	423-1983		HOSE (27.5-IN)						
M	24	1	260-6673	1	BOLT (M10X1.5X65-MM)						
	25	1	347-5373	3	SCREW-PAN HEAD						
	26	1	524-1805	1	PLATE						
M	27	1	524-4689	4	SCREW-FLAT HEAD (M3X0.5X6.14-MM)						
	28	1	7J-9108	2	SEAL-O-RING						
C	29	1	7K-1181	2	STRAP-CABLE						
C	30	1	495-1404	1	SPACER (10.5X20X25-MM THK)						
					AVAILABLE REPAIR KIT(S) :						
P			450-0307	1	KIT-RETAINER (DIVERTER VALVE)						
					(INCLUDES O-RINGS & NUT)						
J			518-6720	1	KIT-SEAL (DIVERTER VALVE)						
					(INCLUDE O-RINGS)						

C - CHANGE FROM PREVIOUS TYPE
G - ORDER BY THE INCH
J - KIT MARKED J SERVICES PART(S) MARKED J
M - METRIC PART
P - KIT MARKED P SERVICES PART(S) MARKED P
Y - SEPARATE ILLUSTRATION

HYDRAULIC SYSTEM

497-9605 LINES GP-AUXILIARY HYDRAULIC (contd.)

i07742475



GRAPHIC #1

<END>

g06310696

HYDRAULIC SYSTEM

501-2996 LINES GP-AUXILIARY HYDRAULIC-REAR

S/N: TH41-149; TH91-203

PART OF 506-3318 HYDRAULIC AR-AUXILIARY
AN ATTACHMENT

SMCS-5057

i06907187

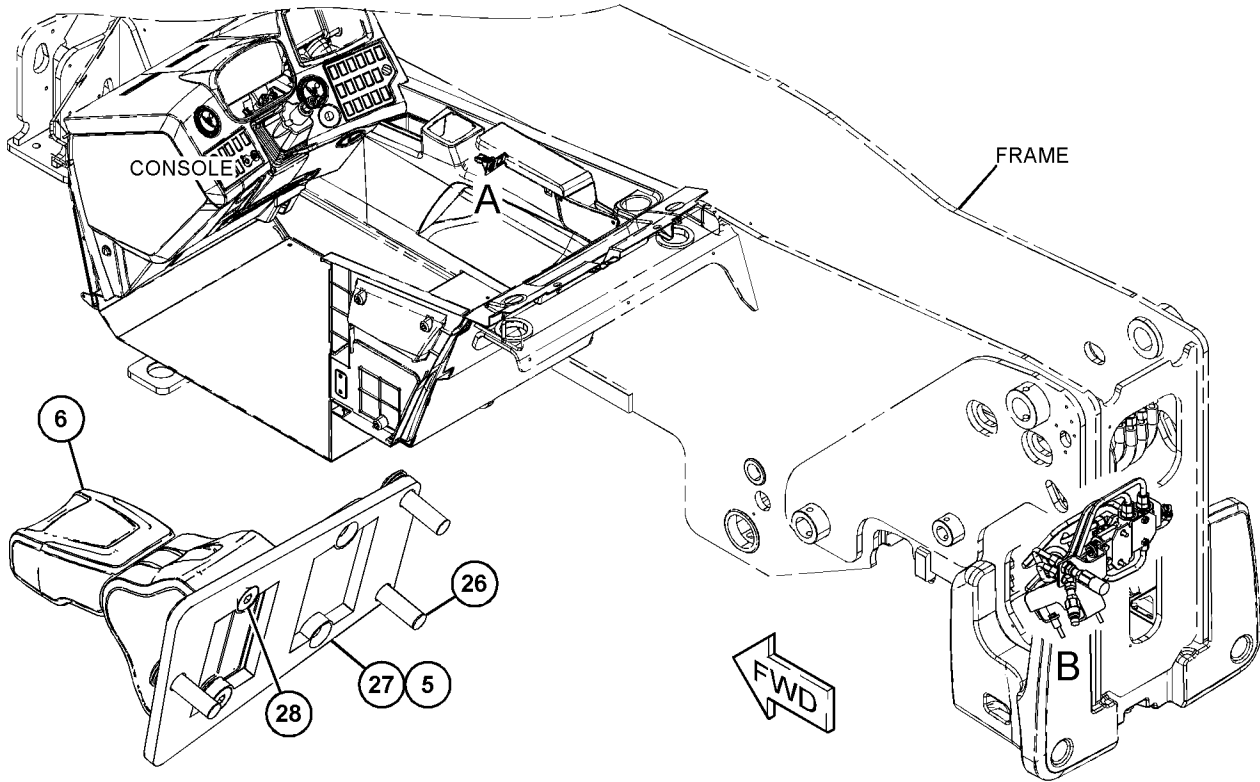
NOTE	REF NO	GRAPHIC REF	PART NUMBER	QTY	PART NAME						SEE PAGE
					1	2	3	4	5	6 (PRODUCT LEVEL)	
M	1	1	8T-4186	1	BOLT (M10X1.5X40-MM)						
M	2	1	8T-4136	2	BOLT (M10X1.5X25-MM)						
	5	1	519-1737	1	COVER						
	6	1	473-4952	1	CONTROL GP-JOYSTICK (STABILIZER)						
	7	1	298-0503	1	ADAPTER-STRAIGHT						
	8	1	298-0414	2	FITTING-STRAIGHT						
	9	1	8T-4121	4	WASHER-HARD (11X21X2.5-MM THK)						
G	10	1	423-1983		HOSE (15-IN)						
	11	1	331-3890	2	CLAMP						
	12	1	497-9959	1	TUBE AS						
	13	1	153-2994	1	COUPLING (FEMALE)						
	14	1	153-2995	1	COUPLING (MALE)						
	15	1	314-5545	1	FITTING-ELBOW						
	16	1	497-9606	1	ADAPTER AS-TEE						
	17	1	519-1736	1	ELBOW						
	18	1	497-9958	1	TUBE AS						
	19	1	519-1734	1	BRACKET AS						
	20	1	519-1733	1	PIPE AS						
	21	1	519-1732	1	PIPE AS						
	22	1	497-9955	1	TUBE AS						
Y	23	1	497-9603	1	VALVE GP-DIVERTER						964
M	24	1	260-6673	1	BOLT (M10X1.5X65-MM)						
	25	1	7J-9108	2	SEAL-O-RING						
M	26	1	211-1389	3	SCREW (M4X19-MM)						
	27	1	524-1805	1	PLATE						
M	28	1	524-4689	2	SCREW-FLAT HEAD (M3X0.5X6.14-MM)						

G - ORDER BY THE INCH
M - METRIC PART
Y - SEPARATE ILLUSTRATION

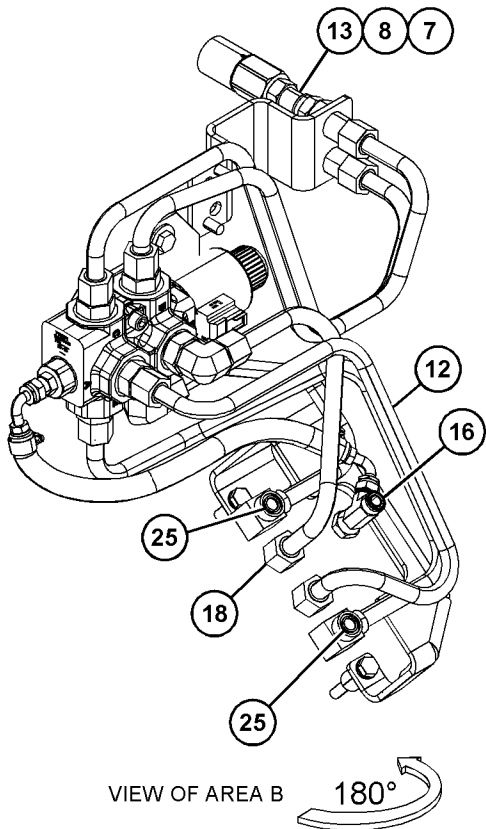
HYDRAULIC SYSTEM

501-2996 LINES GP-AUXILIARY HYDRAULIC (contd.)

i06907187

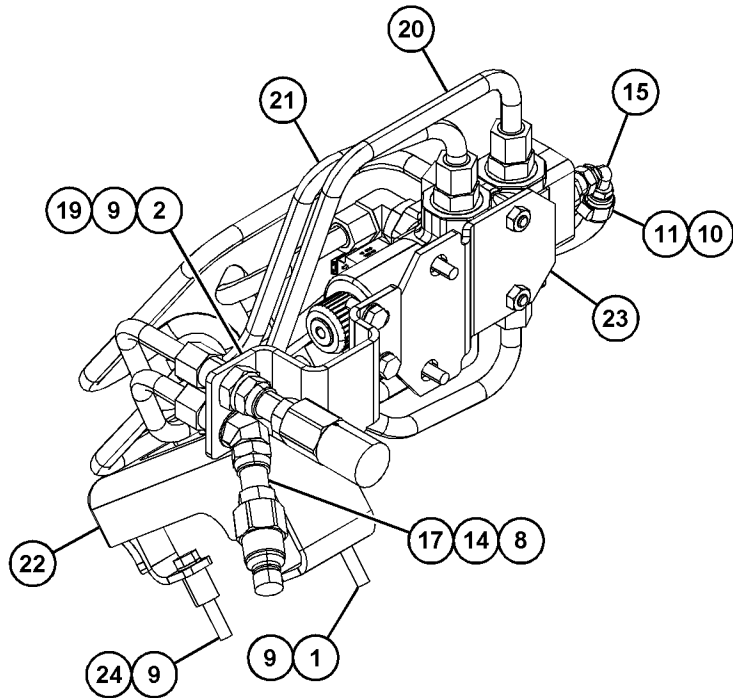


VIEW OF AREA A



VIEW OF AREA B

180°



VIEW OF AREA B

GRAPHIC #1

<END>

g06164765

HYDRAULIC SYSTEM

501-2996 LINES GP-AUXILIARY HYDRAULIC-REAR

S/N: TH4150-UP; TH9204-UP
PART OF 506-3318 HYDRAULIC AR-AUXILIARY
AN ATTACHMENT

SMCS-5057

i07742469

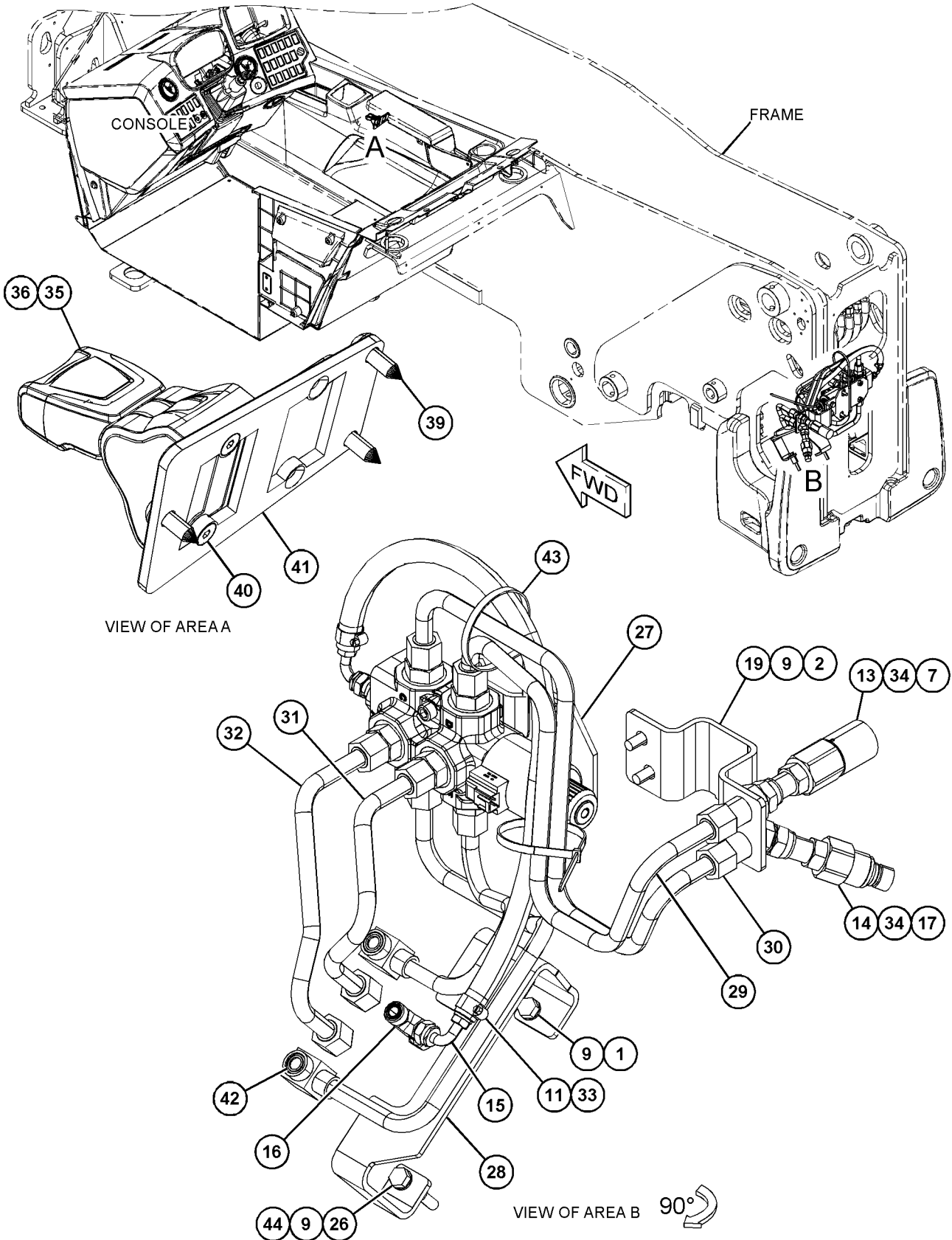
NOTE	REF NO	GRAPHIC REF	PART NUMBER	QTY	PART NAME						SEE PAGE
					1	2	3	4	5	6 (PRODUCT LEVEL)	
M	1	1	8T-4186	1	BOLT (M10X1.5X40-MM)						
M	2	1	8T-4136	2	BOLT (M10X1.5X25-MM)						
	7	1	298-0503	1	ADAPTER-STRAIGHT						
	9	1	8T-4121	4	WASHER-HARD (11X21X2.5-MM THK)						
	11	1	334-1073	2	CLAMP						
	13	1	153-2994	1	COUPLING (FEMALE)						
	14	1	153-2995	1	COUPLING (MALE)						
	15	1	314-5545	1	FITTING-ELBOW						
	16	1	497-9606	1	ADAPTER AS-TEE						
	17	1	519-1736	1	ELBOW						
	19	1	519-1734	1	BRACKET AS						
M	26	1	260-6673	1	BOLT (M10X1.5X65-MM)						
Y	27	1	497-9603	1	VALVE GP-DIVERTER (HIGH FLOW)						964
	28	1	555-3678	1	TUBE AS						
C	29	1	550-3668	1	PIPE AS						
	30	1	519-1733	1	PIPE AS						
	31	1	555-3679	1	TUBE AS						
	32	1	555-3680	1	TUBE AS						
G	33	1	423-1983		HOSE (27.6-IN)						
	34	1	298-0414	2	FITTING-STRAIGHT						
	35	1	573-5063	1	CONTROL GP-JOYSTICK						
	36	1	519-1737	1	COVER						
	39	1	347-5373	3	SCREW-PAN HEAD						
M	40	1	524-4689	3	SCREW-FLAT HEAD (M3X0.5X6.14-MM)						
	41	1	524-1805	1	PLATE						
	42	1	7J-9108	2	SEAL-O-RING						
	43	1	7K-1181	2	STRAP-CABLE						
	44	1	495-1404	1	SPACER (10.5X20X25-MM THK)						

C - CHANGE FROM PREVIOUS TYPE
G - ORDER BY THE INCH
M - METRIC PART
Y - SEPARATE ILLUSTRATION

HYDRAULIC SYSTEM

501-2996 LINES GP-AUXILIARY HYDRAULIC (contd.)

i07742469



GRAPHIC #1

<END>

g06342834

HYDRAULIC SYSTEM

513-4354 LINES GP-BOOM

S/N: TH41-UP; TH91-UP

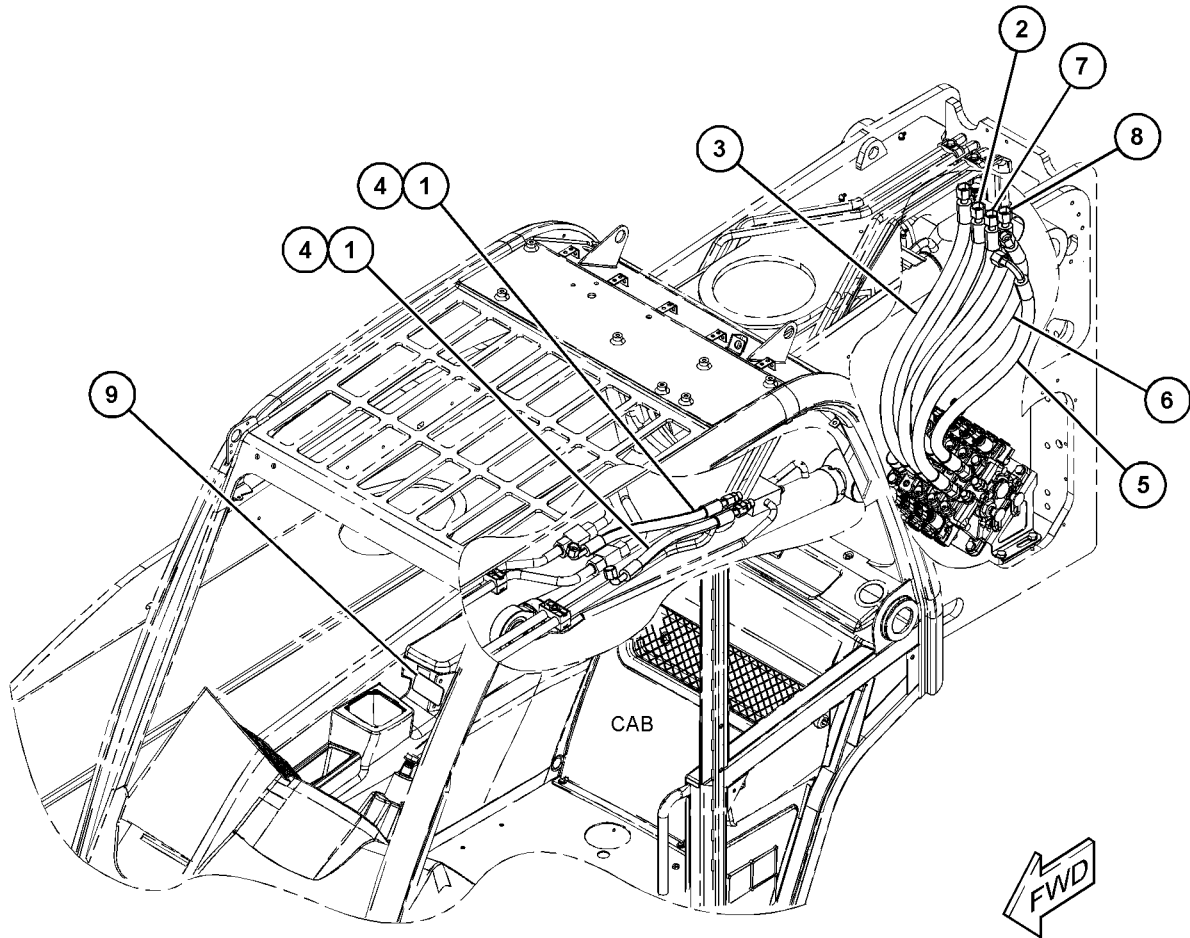
PART OF 518-0046, 567-5059 HYDRAULIC AR

SMCS-5057, 5456

i06904712

NOTE	REF NO	GRAPHIC REF	PART NUMBER	QTY	PART NAME						SEE PAGE
					1	2	3	4	5	6 (PRODUCT LEVEL)	
	1	1	298-0463	2	FITTING-ADAPTER						
I	2	1	513-0881	1	HOSE AS						
I	3	1	513-3878	1	HOSE AS						
I	4	1	495-8489	2	HOSE AS						
I	5	1	513-3879	1	HOSE AS						
I	6	1	513-3880	1	HOSE AS						
I	7	1	513-3881	1	HOSE AS						
I	8	1	513-3882	1	HOSE AS						
	9	1	483-5158	1	COVER						

I - REFER TO HYDRAULIC INFORMATION SYSTEM



GRAPHIC #1

<END>

g06164415

HYDRAULIC SYSTEM

515-4348 LINES GP-BOOM

S/N: TH41-UP; TH91-UP
PART OF 515-4347, 588-1287 BOOM AR
ALSO AN ATTACHMENT

SMCS-5057, 5456

i07380852

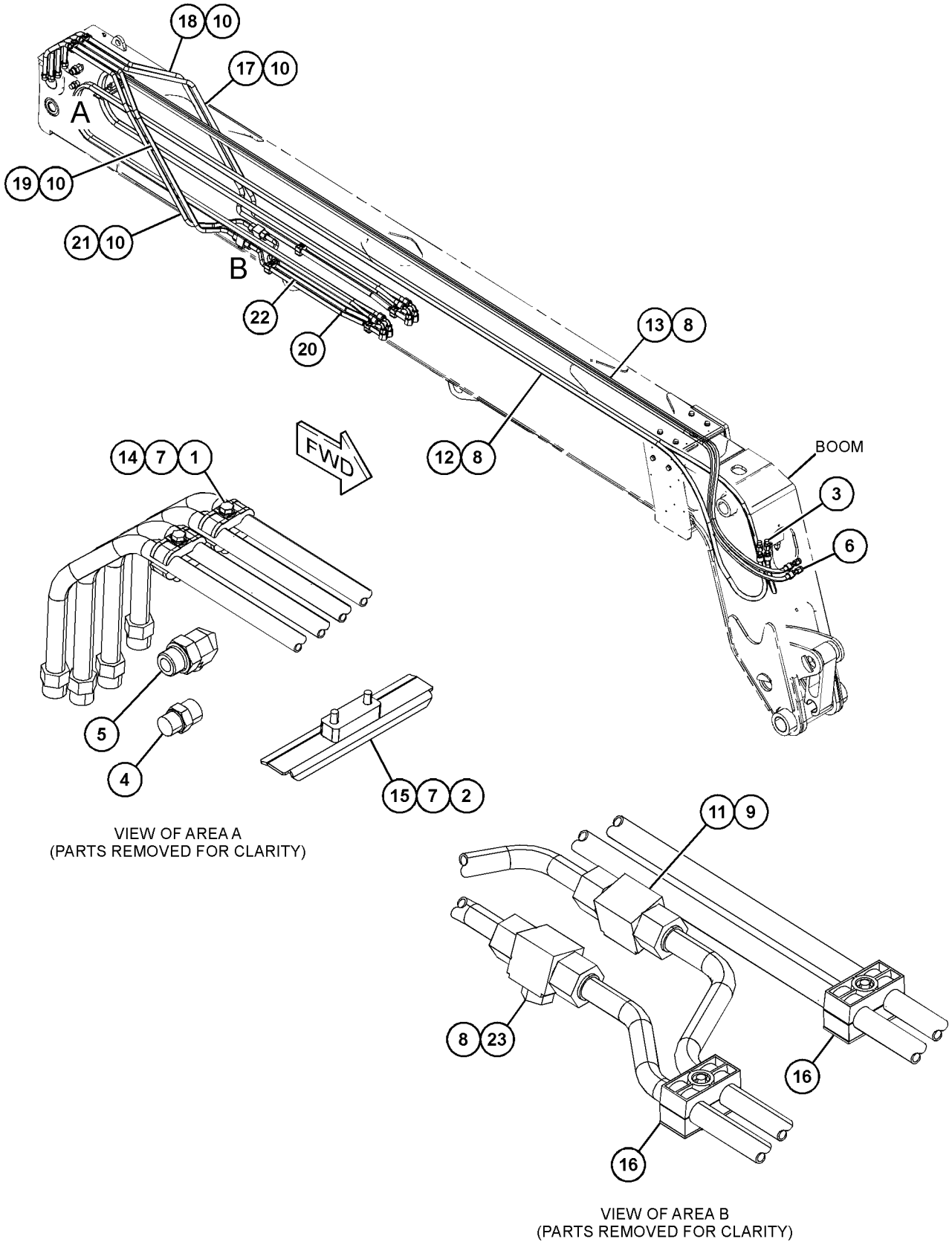
NOTE	REF NO	GRAPHIC REF	PART NUMBER	QTY	PART NAME						SEE PAGE
					1	2	3	4	5	6 (PRODUCT LEVEL)	
M	1	1	8T-7329	2	BOLT (M8X1.25X55-MM)						
M	2	1	7X-2537	2	BOLT (M8X1.25X35-MM)						
	3	1	298-0463	2	FITTING-ADAPTER						
	4	1	298-0466	1	FITTING-ADAPTER						
	5	1	323-5622	1	ELBOW						
	6	1	150-3072	2	PLUG AS						
					(EACH INCLUDES)						
		1	6V-8398	1	SEAL-O-RING						
		1	6V-9509	1	PLUG (13/16-16-THD)						
	7	1	8T-4224	4	WASHER-HARD (8.8X16X2-MM THK)						
	8	1	6V-8398	6	SEAL-O-RING						
	9	1	6V-9746	4	SEAL-O-RING						
	10	1	7J-9108	4	SEAL-O-RING						
	11	1	495-8381	2	ADAPTER-TEE						
	12	1	513-8868	1	HOSE AS						
	13	1	513-8869	1	HOSE AS						
	14	1	513-3297	2	CLAMP						
	15	1	513-3285	1	CLAMP AS						
	16	1	202-8285	4	CLAMP						
	17	1	515-2730	1	TUBE AS						
	18	1	515-2731	1	TUBE AS						
	19	1	515-2732	1	TUBE AS						
	20	1	515-2733	1	TUBE AS						
	21	1	515-2742	1	TUBE AS						
	22	1	515-2743	1	TUBE AS						
	23	1	303-4763	2	FITTING						

M - METRIC PART

HYDRAULIC SYSTEM

515-4348 LINES GP-BOOM (contd.)

107380852



GRAPHIC #1

<END>

g06307710

HYDRAULIC SYSTEM

188-6161 LINES GP-CONNECTING-MULTIPURPOSE BUCKET

S/N: TH41-UP; TH91-UP

PART OF 163-4265 BUCKET AR-MULTIPURPOSE, 486-0141 BUCKET GP-MULTIPURPOSE
AN ATTACHMENT

SMCS-5057

i07162676

NOTE	REF NO	GRAPHIC REF	PART NUMBER	QTY	PART NAME						SEE PAGE
					1	2	3	4	5	6 (PRODUCT LEVEL)	
	1	1	8I-3959	1	VALVE-CHECK						
	2	1	421-6171	1	COUPLER AS-QUICK DISCONNECT (MALE)						
I	3	1	189-3650	2	HOSE AS						
	4	1	<i>148-8336</i>	2	CONNECTOR AS						
					(EACH INCLUDES)						
		1	6V-8636	1	CONNECTOR						
		1	3J-1907	1	SEAL-O-RING						
		1	6V-8397	1	SEAL-O-RING						
	5	1	<i>148-8345</i>	2	CONNECTOR AS						
					(EACH INCLUDES)						
		1	6V-8638	1	CONNECTOR						
		1	2M-9780	1	SEAL-O-RING						
		1	6V-8398	1	SEAL-O-RING						
	6	1	152-5717	1	CAP-DUST						
	7	1	152-5718	1	CAP-DUST						
	8	1	153-2994	1	COUPLING (FEMALE)						
M	9	1	8C-8451	3	BOLT (M6X1X40-MM)						
	10	1	8T-4205	3	WASHER-HARD (7.2X14.5X2-MM THK)						

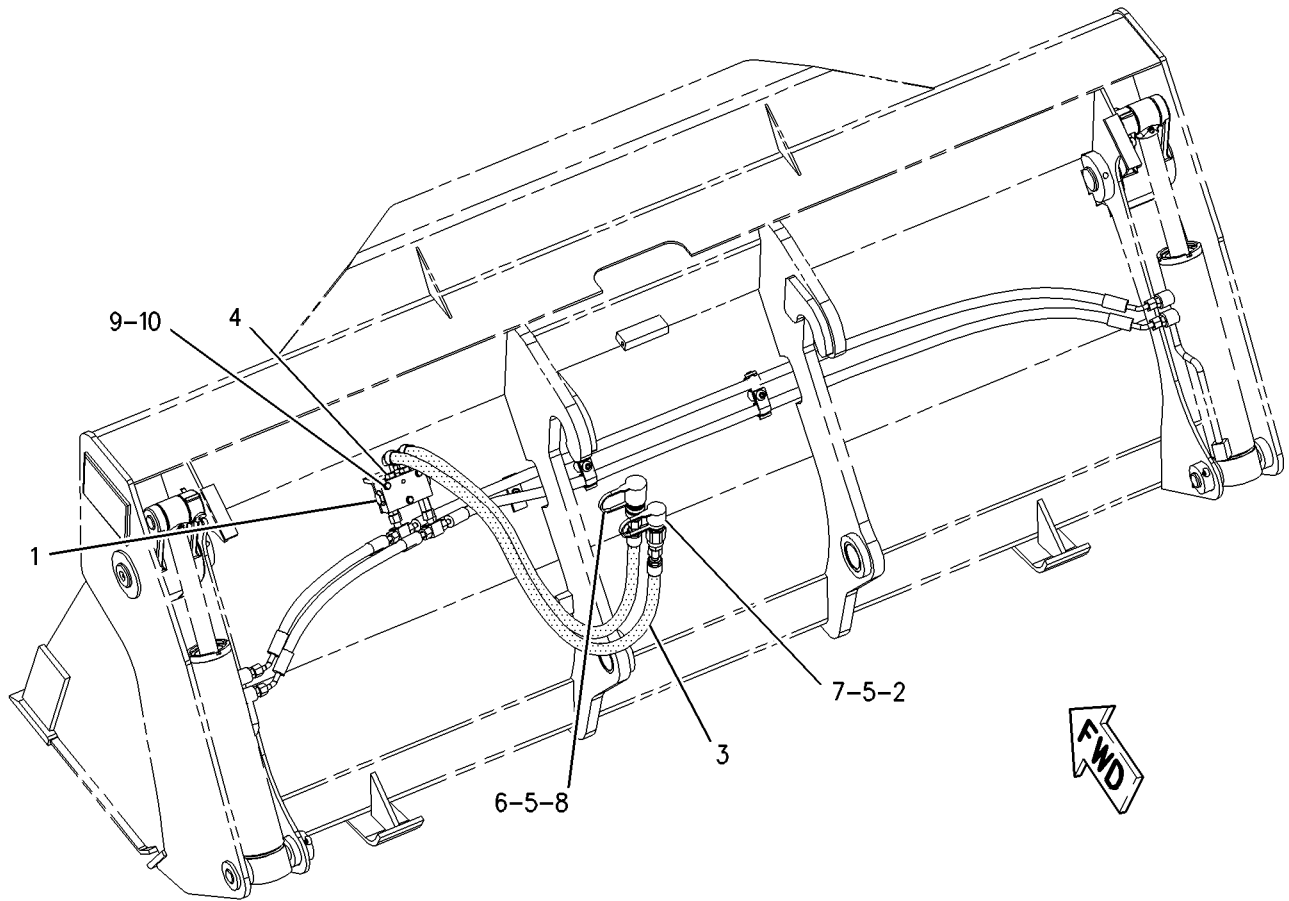
I - REFER TO HYDRAULIC INFORMATION SYSTEM

M - METRIC PART

HYDRAULIC SYSTEM

188-6161 LINES GP-CONNECTING (contd.)

107162676



GRAPHIC #1

<END>

g00939131

HYDRAULIC SYSTEM

224-5092 LINES GP-CONNECTING-FORK

S/N: TH41-UP; TH91-UP

PART OF 222-6210 CARRIAGE GP-FORK
AN ATTACHMENT

SMCS-5057

i01885394

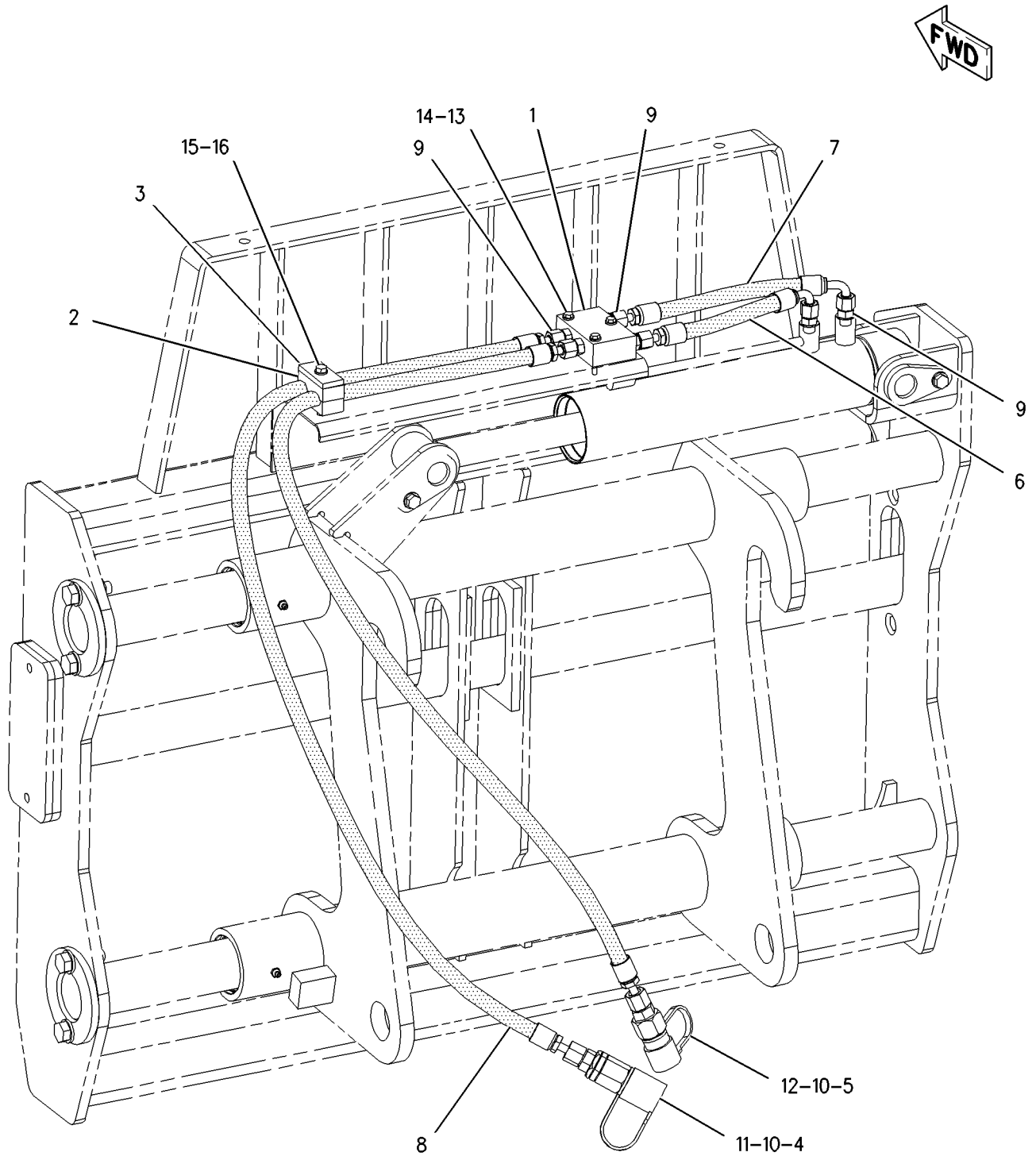
NOTE	REF NO	GRAPHIC REF	PART NUMBER	QTY	PART NAME						SEE PAGE
					1	2	3	4	5	6 (PRODUCT LEVEL)	
	1	1	8I-3959	1	VALVE-CHECK						
	2	1	9V-6588	2	CLAMP						
	3	1	102-8705	1	PLATE (TOP)						
	4	1	153-2994	1	COUPLING (FEMALE)						
	5	1	153-2995	1	COUPLING (MALE)						
I	6	1	224-5093	1	HOSE AS						
I	7	1	224-5094	1	HOSE AS						
I	8	1	228-9502	2	HOSE AS						
	9	1	<i>148-8336</i>	6	CONNECTOR AS						
					(EACH INCLUDES)						
		1	3J-1907	1	SEAL-O-RING						
		1	6V-8397	1	SEAL-O-RING						
		1	6V-8636	1	CONNECTOR						
	10	1	<i>148-8345</i>	2	CONNECTOR AS						
					(EACH INCLUDES)						
		1	2M-9780	1	SEAL-O-RING						
		1	6V-8398	1	SEAL-O-RING						
		1	6V-8638	1	CONNECTOR						
	11	1	152-5717	1	CAP-DUST						
	12	1	152-5718	1	CAP-DUST						
M	13	1	7X-2534	3	BOLT (M6X1X50-MM)						
	14	1	8T-4205	3	WASHER-HARD (7.2X14.5X2-MM THK)						
	15	1	8T-4224	1	WASHER-HARD (8.8X16X2-MM THK)						
M	16	1	8T-6869	1	BOLT (M8X1.25X60-MM)						

I - REFER TO HYDRAULIC INFORMATION SYSTEM
M - METRIC PART

HYDRAULIC SYSTEM

224-5092 LINES GP-CONNECTING (contd.)

i01885394



GRAPHIC #1

<END>

g00927770

HYDRAULIC SYSTEM

492-3922 LINES GP-COUPLER

S/N: TH41-UP; TH91-UP

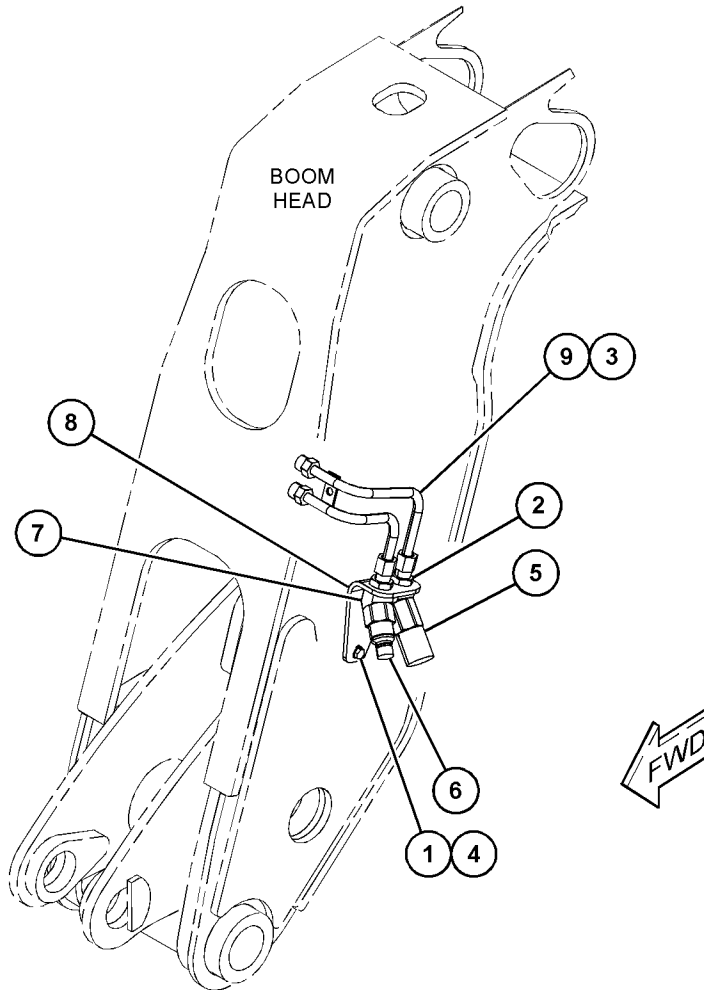
AN ATTACHMENT

SMCS-5057, 5133

i06586858

NOTE	REF NO	GRAPHIC REF	PART NUMBER	QTY	PART NAME						SEE PAGE
					1	2	3	4	5	6 (PRODUCT LEVEL)	
M	1	1	8T-4189	2	BOLT (M8X1.25X20-MM)						
	2	1	330-4258	2	LOCKNUT (13/16-16-THD)						
	3	1	6V-8398	2	SEAL-O-RING						
	4	1	5M-2894	2	WASHER-HARD (10.2X18.5X2.5-MM THK)						
	5	1	153-2994	1	COUPLING (FEMALE)						
	6	1	153-2995	1	COUPLING (MALE)						
	7	1	330-4773	2	ADAPTER AS						
					(EACH INCLUDES)						
		1	6V-8398	1	SEAL-O-RING						
		1	2M-9780	1	SEAL-O-RING						
		1	232-7724	1	ELBOW						
	8	1	492-3923	1	PLATE						
	9	1	492-3924	1	TUBE AS						

M - METRIC PART



GRAPHIC #1

<END>

g06039888

HYDRAULIC SYSTEM

492-3925 LINES GP-COUPLER-COUPLER

S/N: TH41-UP; TH91-UP

AN ATTACHMENT

SMCS-5057, 5133

i06586857

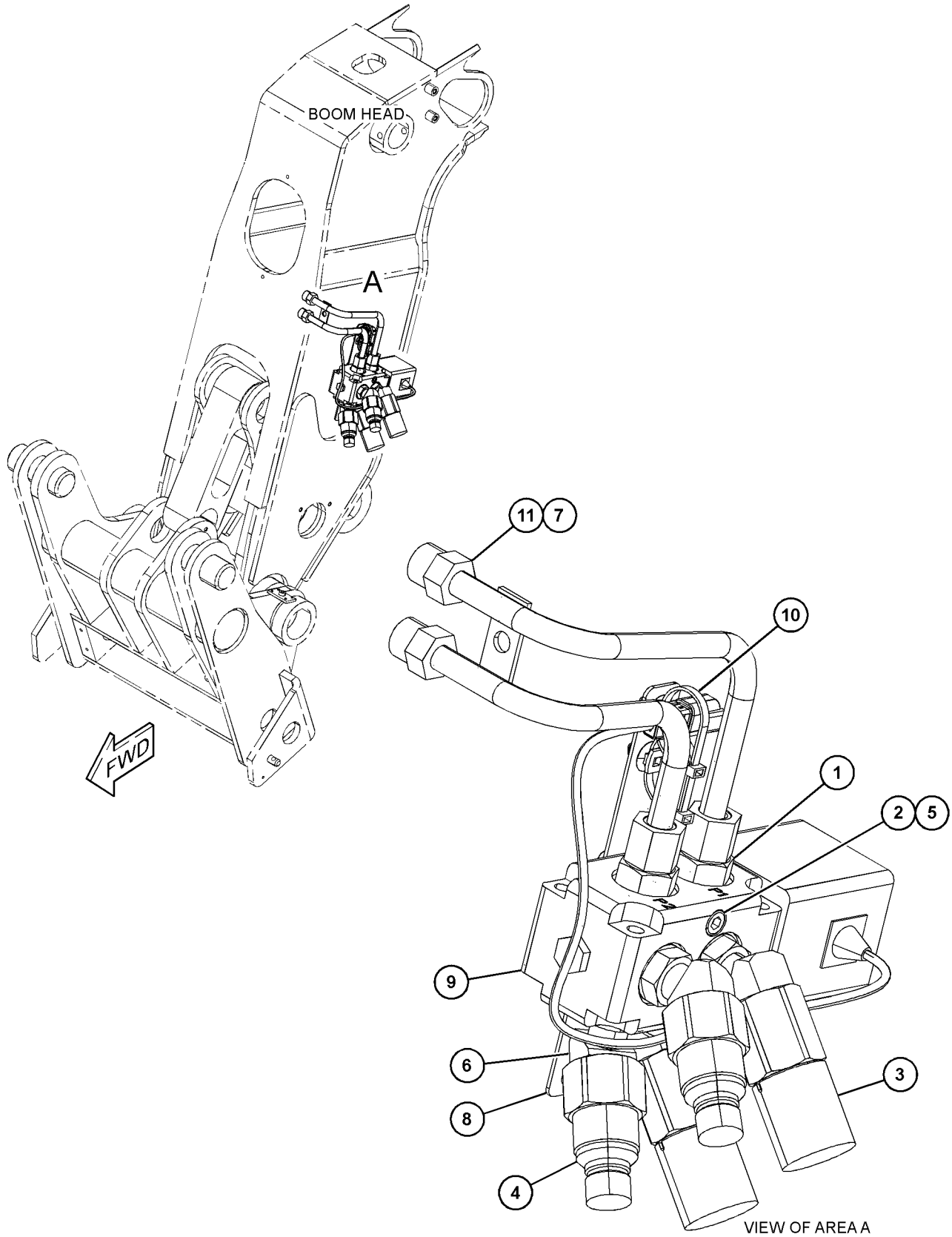
NOTE	REF NO	GRAPHIC REF	PART NUMBER	QTY	PART NAME						SEE PAGE
					1	2	3	4	5	6 (PRODUCT LEVEL)	
	1	1	298-0464	2	FITTING-ADAPTER						
M	2	1	6V-8213	2	BOLT-SOCKET HEAD (M8X1.25X70-MM)						
	3	1	153-2994	2	COUPLING (FEMALE)						
	4	1	153-2995	2	COUPLING (MALE)						
	5	1	211-9032	2	WASHER-HARD (8.8X13X2-MM THK)						
	6	1	219-6331	4	ELBOW AS						
					(EACH INCLUDES)						
		1	2M-9780	2	SEAL-O-RING						
		1	210-0066	1	ELBOW						
	7	1	6V-8398	2	SEAL-O-RING						
	8	1	347-1645	1	PLATE						
	9	1	343-7928	1	VALVE GP-DIVERTER						
	10	1	455-3027	2	TIE-CABLE						
	11	1	492-3924	1	TUBE AS						

M - METRIC PART

HYDRAULIC SYSTEM

492-3925 LINES GP-COUPLER (contd.)

i06586857



GRAPHIC #1

<END>

g06037500

HYDRAULIC SYSTEM

495-7651 LINES GP-COUPLER

S/N: TH41-UP; TH91-UP

AN ATTACHMENT

SMCS-5057, 5133

i06591317

NOTE	REF NO	GRAPHIC REF	PART NUMBER	QTY	PART NAME						SEE PAGE
					1	2	3	4	5	6 (PRODUCT LEVEL)	
	1	1	298-7356	2	FITTING-ADAPTER						
	2	1	495-7653	2	TEE AS						
	3	1	298-0464	2	FITTING-ADAPTER						
M	4	1	6V-8213	2	BOLT-SOCKET HEAD (M8X1.25X70-MM)						
	5	1	153-2994	1	COUPLING (FEMALE)						
	6	1	153-2995	1	COUPLING (MALE)						
	7	1	<i>219-6331</i>	2	ELBOW AS						
					(EACH INCLUDES)						
		1	2M-9780	2	SEAL-O-RING						
		1	210-0066	1	ELBOW						
	8	1	<i>495-8706</i>	1	CLAMP AS						
		1	206-6410	2	CLAMP-HALF						
	10	1	347-1645	1	PLATE						
	11	1	343-7928	1	VALVE GP-DIVERTER						
	12	1	492-3924	1	TUBE AS						
I	13	1	495-7600	2	HOSE AS						
	14	1	455-3027	2	TIE-CABLE						
	15	1	211-9032	2	WASHER-HARD (8.8X13X2-MM THK)						
	16	1	299-6644	1	PLATE						
	17	1	305-2110	1	SCREW (3/8-24X1.75-IN)						
	18	1	6V-8398	2	SEAL-O-RING						
	19	1	7K-1181	3	STRAP-CABLE						

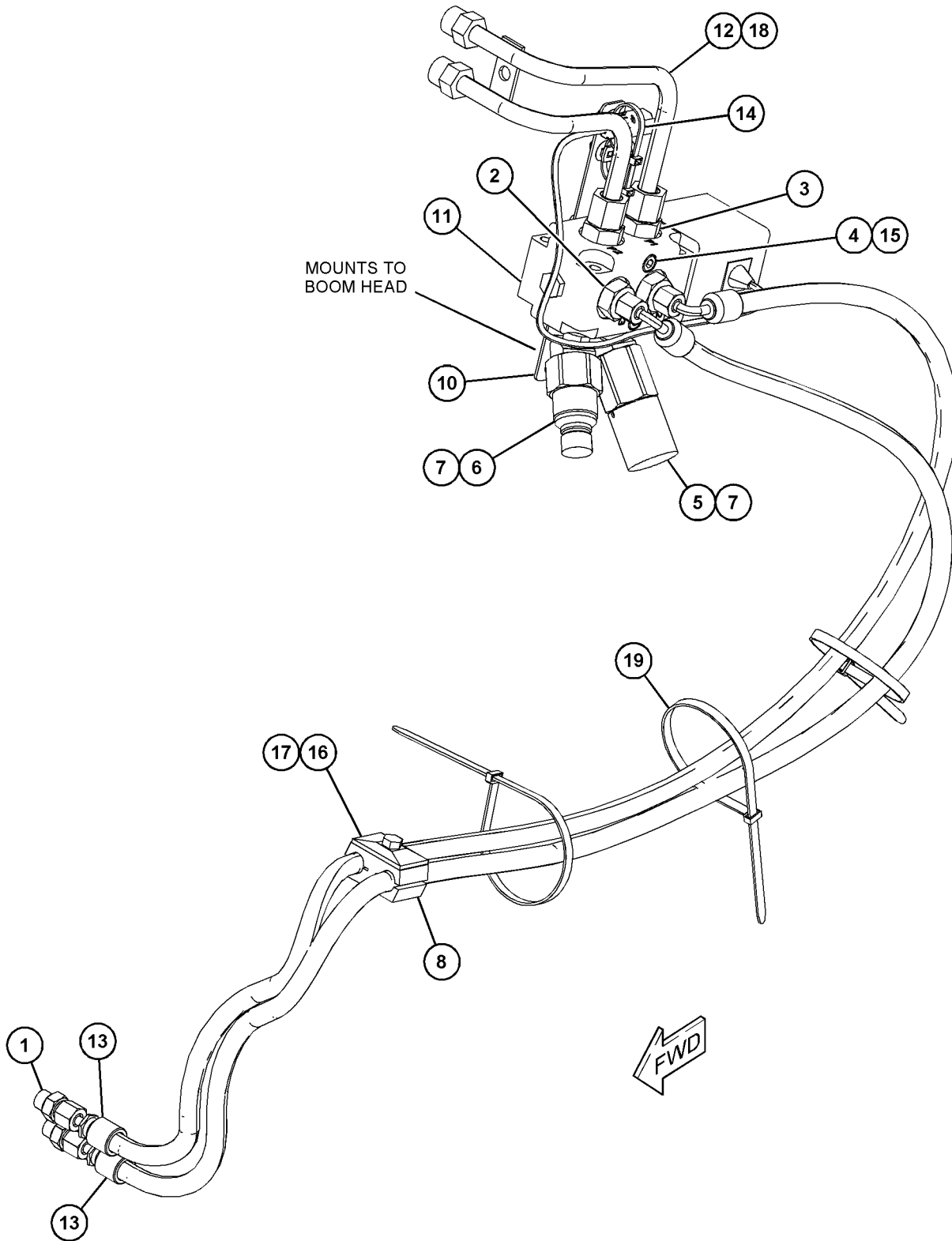
I - REFER TO HYDRAULIC INFORMATION SYSTEM

M - METRIC PART

HYDRAULIC SYSTEM

495-7651 LINES GP-COUPLER (contd.)

i06591317



GRAPHIC #1

<END>

g06049601

HYDRAULIC SYSTEM

495-7651 LINES GP-COUPLER

S/N: TH41-UP; TH91-UP

PART OF 590-9758, 590-9759, 590-9760, 590-9761 CONFIGURATION AR
AN ATTACHMENT

SMCS-5057, 5133

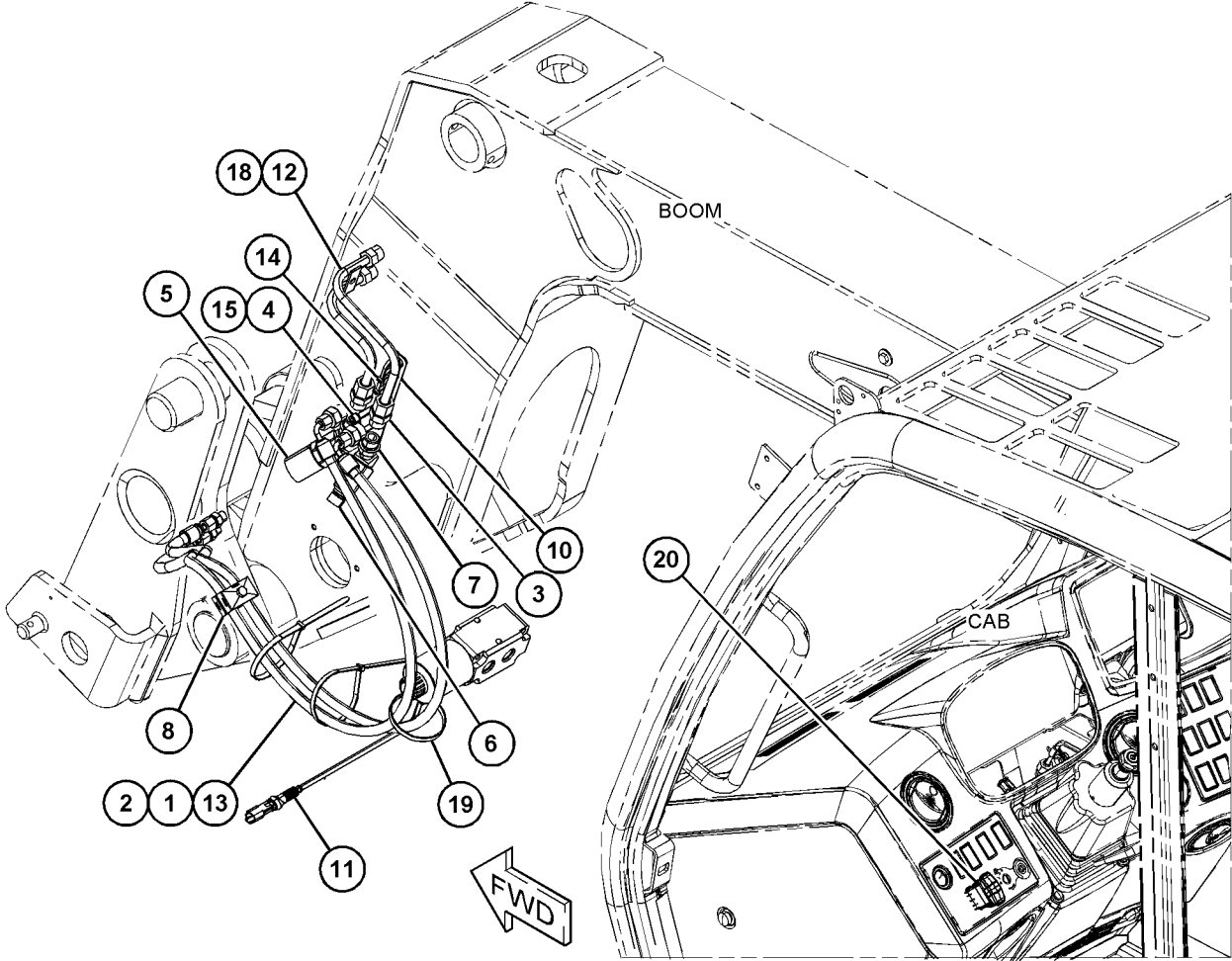
i07383694

NOTE	REF NO	GRAPHIC REF	PART NUMBER	QTY	PART NAME						SEE PAGE
					1	2	3	4	5	6 (PRODUCT LEVEL)	
	1	1	298-7356	2	FITTING-ADAPTER						
	2	1	495-7653	2	TEE AS						
	3	1	298-0464	2	FITTING-ADAPTER						
M	4	1	6V-8213	2	BOLT-SOCKET HEAD (M8X1.25X70-MM)						
	5	1	153-2994	1	COUPLING (FEMALE)						
	6	1	153-2995	1	COUPLING (MALE)						
	7	1	<i>219-6331</i>	2	ELBOW AS						
					(EACH INCLUDES)						
		1	2M-9780	2	SEAL-O-RING						
		1	210-0066	1	ELBOW						
C	8	1	540-7118	1	CLAMP-HOSE						
	10	1	347-1645	1	PLATE						
J	11	1	343-7928	1	VALVE GP-DIVERter						
		1	319-7658	1	COIL						
	12	1	492-3924	1	TUBE AS						
CI	13	1	540-7119	2	HOSE AS						
	14	1	455-3027	2	TIE-CABLE						
	15	1	211-9032	2	WASHER-HARD (8.8X13X2-MM THK)						
	18	1	6V-8398	2	SEAL-O-RING						
	19	1	7K-1181	3	STRAP-CABLE						
	20	1	507-0334	1	SWITCH (QUICK COUPLER)						
					AVAILABLE REPAIR KIT(S):						
J			450-0307	1	KIT-RETAINER (DIVERter VALVE)						
					(INCLUDES NUT & O-RINGS)						
J			518-6720	1	KIT-SEAL (DIVERter VALVE)						
					(INCLUDES O-RINGS)						
C - CHANGE FROM PREVIOUS TYPE I - REFER TO HYDRAULIC INFORMATION SYSTEM J - KIT MARKED J SERVICES PART(S) MARKED J M - METRIC PART											

HYDRAULIC SYSTEM

495-7651 LINES GP-COUPLER (contd.)

i07383694



GRAPHIC #1

<END>

g06324946

HYDRAULIC SYSTEM

495-7652 LINES GP-COUPLER

S/N: TH41-UP; TH91-UP

AN ATTACHMENT

TYPE 1

SMCS-5057, 5133

i06591318

NOTE	REF NO	GRAPHIC REF	PART NUMBER	QTY	PART NAME						SEE PAGE
					1	2	3	4	5	6 (PRODUCT LEVEL)	
	1	1	298-7356	2	FITTING-ADAPTER						
	2	1	495-7653	2	TEE AS						
	3	1	298-0464	2	FITTING-ADAPTER						
M	4	1	309-9184	4	LOCKNUT (M8X1.25-THD)						
M	5	1	6V-8213	2	BOLT-SOCKET HEAD (M8X1.25X70-MM)						
	6	1	153-2994	2	COUPLING (FEMALE)						
	7	1	153-2995	2	COUPLING (MALE)						
	8	1	455-3027	2	TIE-CABLE						
	9	1	211-9032	2	WASHER-HARD (8.8X13X2-MM THK)						
	10	1	219-6331	4	ELBOW AS						
					(EACH INCLUDES)						
		1	2M-9780	2	SEAL-O-RING						
		1	210-0066	1	ELBOW						
	11	1	206-6410	1	CLAMP-HALF						
	12	1	298-7387	4	LOCKWASHER						
Y	13	1	226-6494	1	VALVE GP-DIVERTER (QUICK COUPLER)						962
	14	1	347-1645	1	PLATE						
	15	1	343-7928	1	VALVE GP-DIVERTER (QUICK COUPLER)						
M	16	1	3E-8006	4	BOLT (M8X1.25X130-MM)						
	17	1	492-3924	1	TUBE AS						
I	18	1	495-7600	2	HOSE AS						
	19	1	7K-1181	3	STRAP-CABLE						
	20	1	299-6644	1	PLATE						
	21	1	305-2110	1	SCREW (3/8-24X1.75-IN)						

I - REFER TO HYDRAULIC INFORMATION SYSTEM

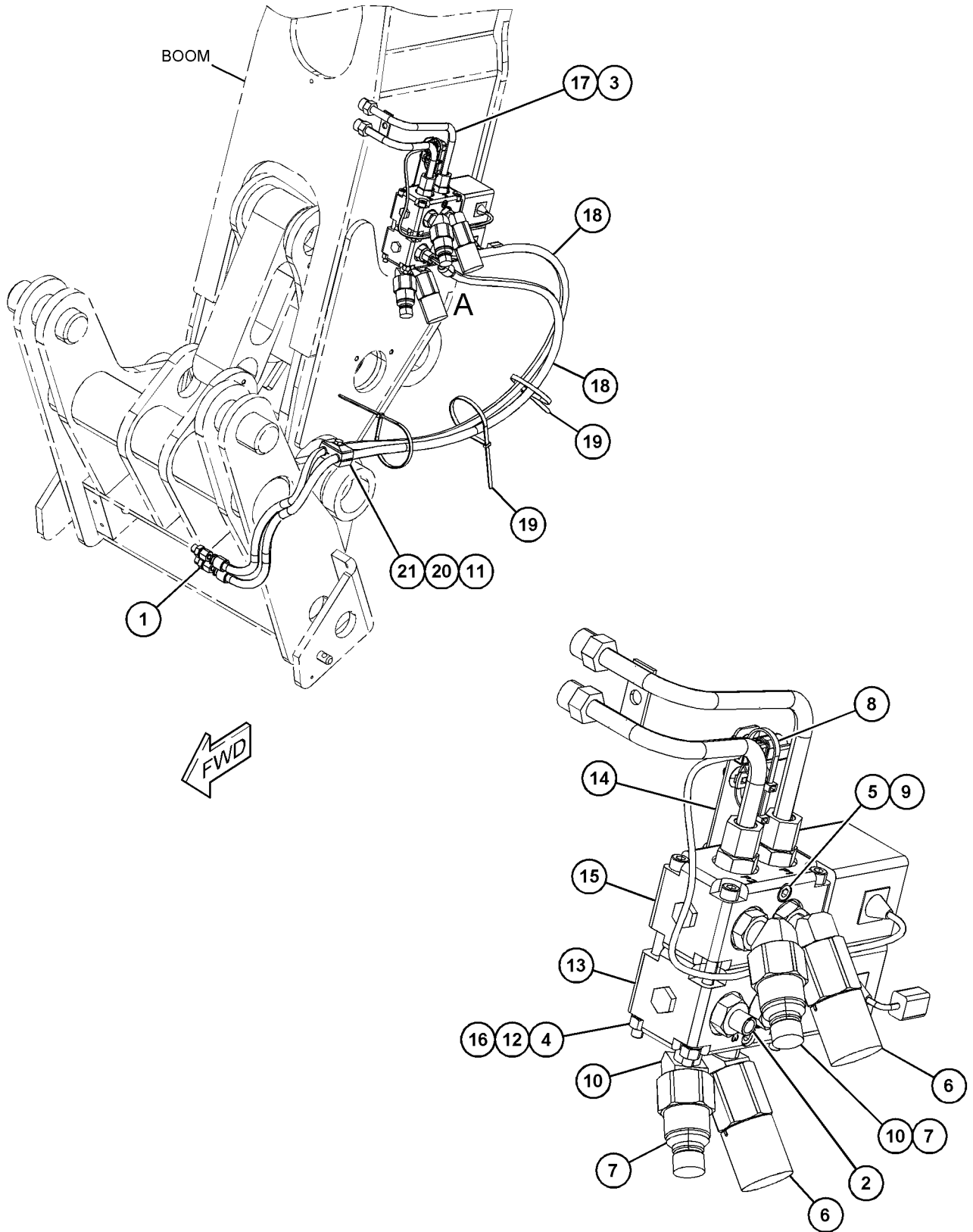
M - METRIC PART

Y - SEPARATE ILLUSTRATION

HYDRAULIC SYSTEM

495-7652 LINES GP-COUPLER (contd.)

i06591318



VIEW OF AREA A

GRAPHIC #1

<END>

g06093883

HYDRAULIC SYSTEM

495-7652 LINES GP-COUPLER

S/N: TH41-UP; TH91-UP

AN ATTACHMENT

TYPE 2

SMCS-5057, 5133

i07383696

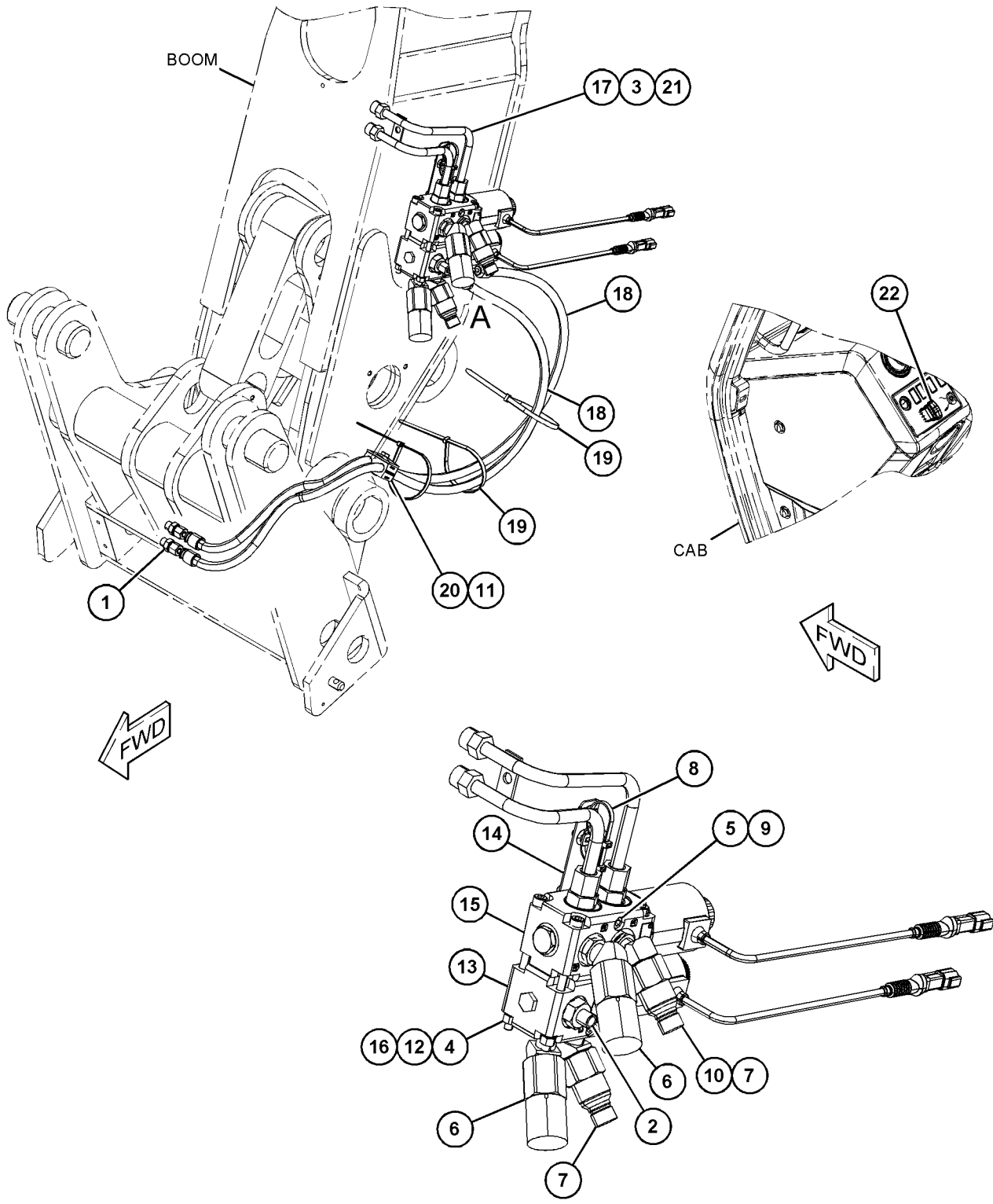
NOTE	REF NO	GRAPHIC REF	PART NUMBER	QTY	PART NAME						SEE PAGE
					1	2	3	4	5	6 (PRODUCT LEVEL)	
	1	1	298-7356	2	FITTING-ADAPTER						
	2	1	495-7653	2	TEE AS						
	3	1	298-0464	2	FITTING-ADAPTER						
M	4	1	3T-0852	4	LOCKNUT (M8X1.25-THD)						
M	5	1	6V-8213	2	BOLT-SOCKET HEAD (M8X1.25X70-MM)						
	6	1	153-2994	2	COUPLING (FEMALE)						
	7	1	153-2995	2	COUPLING (MALE)						
	8	1	455-3027	2	TIE-CABLE						
	9	1	211-9032	2	WASHER-HARD (8.8X13X2-MM THK)						
	10	1	219-6331	4	ELBOW AS						
					(EACH INCLUDES)						
		1	2M-9780	2	SEAL-O-RING						
		1	210-0066	1	ELBOW						
	11	1	206-6410	1	CLAMP-HALF						
	12	1	3B-4505	4	LOCKWASHER						
Y	13	1	226-6494	1	VALVE GP-DIVERTER (QUICK COUPLER)						962
	14	1	347-1645	1	PLATE						
	15	1	343-7928	1	VALVE GP-DIVERTER (QUICK COUPLER)						
M	16	1	3E-8006	4	BOLT (M8X1.25X130-MM)						
	17	1	492-3924	1	TUBE AS						
CI	18	1	540-7119	2	HOSE AS						
	19	1	7K-1181	3	STRAP-CABLE						
C	20	1	540-7118	1	CLAMP-HOSE						
	21	1	6V-8398	2	SEAL-O-RING						
	22	1	507-0334	1	SWITCH (QUICK COUPLER)						

C - CHANGE FROM PREVIOUS TYPE
 I - REFER TO HYDRAULIC INFORMATION SYSTEM
 M - METRIC PART
 Y - SEPARATE ILLUSTRATION

HYDRAULIC SYSTEM

495-7652 LINES GP-COUPLER (contd.)

i07383696



GRAPHIC #1

<END>

g06332208

HYDRAULIC SYSTEM

235-2663 LINES GP-HYDRAULIC-ROTATING CARRIAGE

S/N: TH41-UP; TH91-UP

PART OF 227-5748, 231-3229 CARRIAGE GP-ROTATING
AN ATTACHMENT

SMCS-5057

i01906819

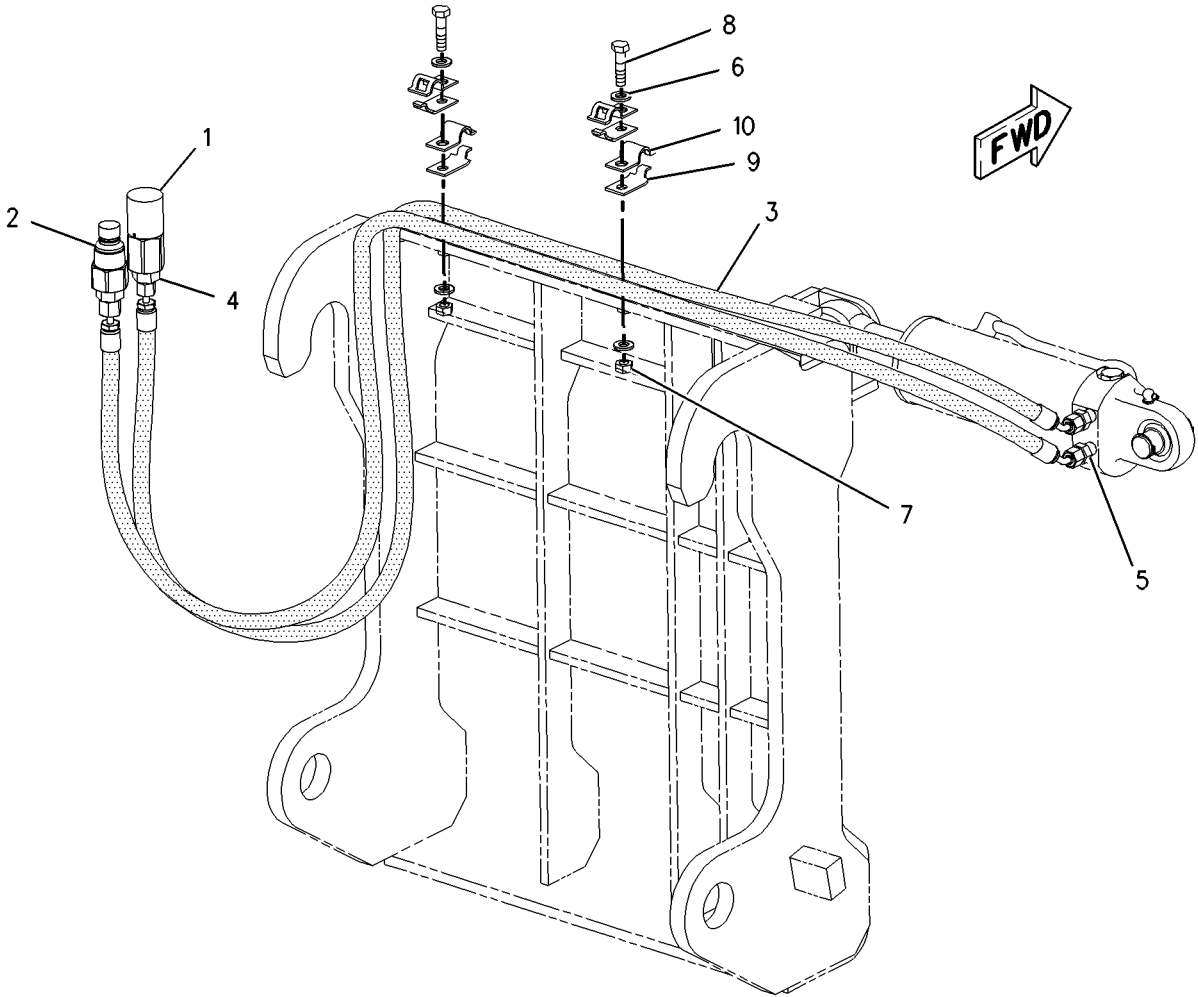
NOTE	REF NO	GRAPHIC REF	PART NUMBER	QTY	PART NAME						SEE PAGE
					1	2	3	4	5	6 (PRODUCT LEVEL)	
	1	1	153-2994	1	COUPLING (FEMALE)						
	2	1	153-2995	1	COUPLING (MALE)						
I	3	1	234-1457	2	HOSE AS						
	4	1	<i>148-8319</i>	2	CONNECTOR AS						
					(EACH INCLUDES)						
		1	2M-9780	1	SEAL-O-RING						
		1	6V-8397	1	SEAL-O-RING						
		1	6V-8715	1	CONNECTOR						
	5	1	<i>156-3691</i>	2	ADAPTER AS						
					(EACH INCLUDES)						
		1	3J-1907	1	SEAL-O-RING						
		1	4J-5477	1	SEAL-O-RING						
		1	081-6352	1	ADAPTER						
	6	1	8T-4121	4	WASHER-HARD (11X21X2.5-MM THK)						
M	7	1	8T-4133	2	NUT (M10X1.5-THD)						
M	8	1	8T-4186	2	BOLT (M10X1.5X40-MM)						
	9	1	9R-1004	4	CLIP (TAB)						
	10	1	9R-1005	4	CLIP (SLOT)						

I - REFER TO HYDRAULIC INFORMATION SYSTEM
M - METRIC PART

HYDRAULIC SYSTEM

235-2663 LINES GP-HYDRAULIC (contd.)

i01906819



GRAPHIC #1

<END>

g00993585

HYDRAULIC SYSTEM

497-9597 LINES GP-HYDRAULIC FAN

S/N: TH41-UP; TH91-UP

PART OF 520-9600, 523-2010 ENGINE AR-COMPLETE

AN ATTACHMENT

TYPE 1

SMCS-5057

i06603078

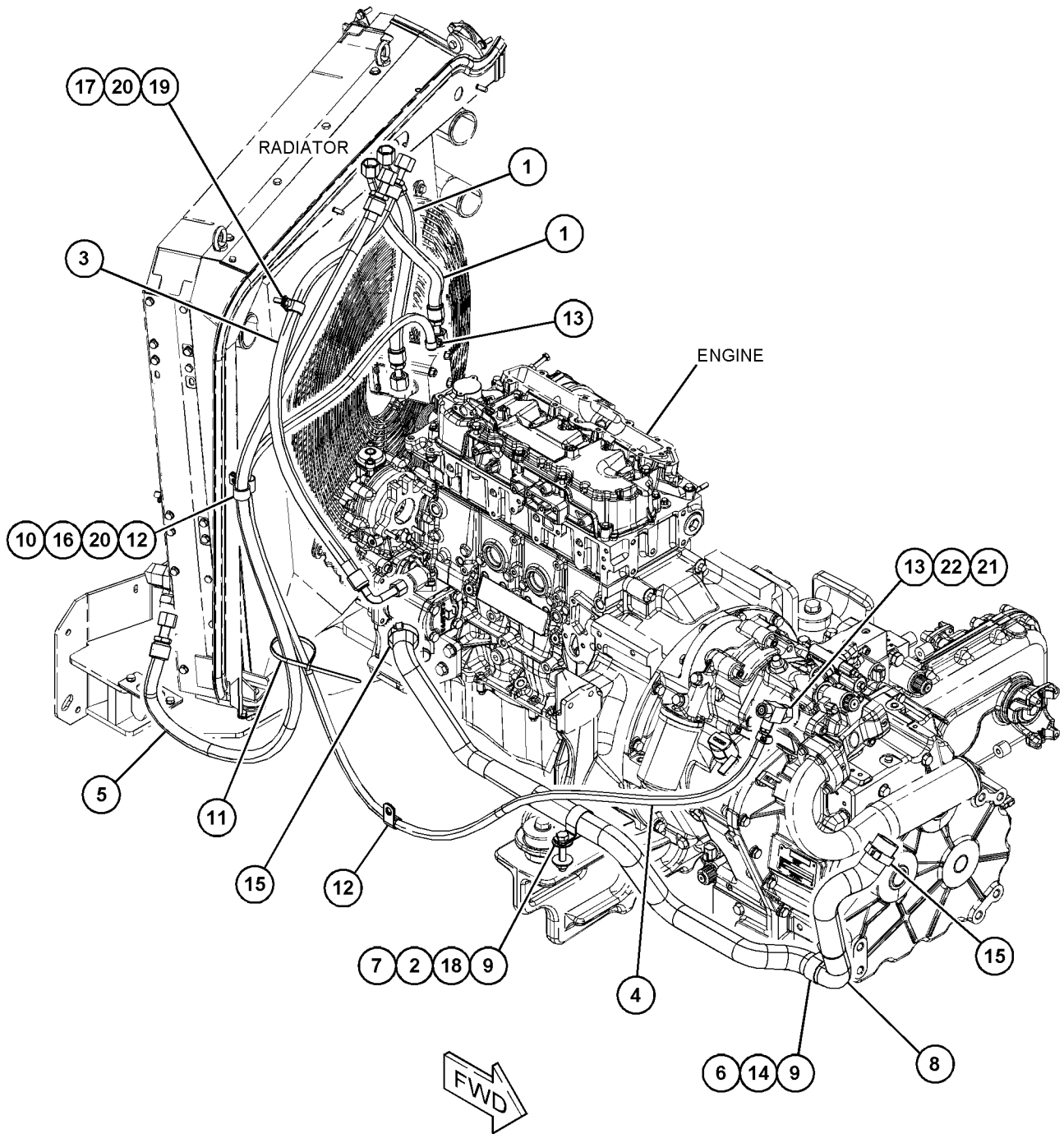
NOTE	REF NO	GRAPHIC REF	PART NUMBER	QTY	PART NAME						SEE PAGE
					1	2	3	4	5	6 (PRODUCT LEVEL)	
I	1	1	497-9821	2	HOSE AS						
	2	1	266-5360	2	WASHER (13X37X3-MM THK)						
I	3	1	497-9822	1	HOSE AS						
G	4	1	423-1982		HOSE (91.7-IN)						
I	5	1	497-9823	1	HOSE AS						
	6	1	8T-4223	1	WASHER-HARD (13.5X25.5X3-MM THK)						
M	7	1	309-9185	1	LOCKNUT (M12X1.75-THD)						
	8	1	497-9598	1	HOSE						
	9	1	298-7242	2	CLIP						
M	10	1	309-9184	1	LOCKNUT (M8X1.25-THD)						
	11	1	7K-1181	1	STRAP-CABLE						
	12	1	317-5987	2	CLIP						
	13	1	330-8103	2	CLAMP-HOSE						
M	14	1	8T-4192	1	BOLT (M12X1.75X25-MM)						
	15	1	5P-2230	2	CLAMP-HOSE						
	16	1	9X-8250	1	CLIP (LOOP)						
	17	1	327-5534	1	CLIP						
M	18	1	8T-4648	1	BOLT (M12X1.75X70-MM)						
M	19	1	8T-4908	1	BOLT (M8X1.25X25-MM)						
	20	1	8T-4224	1	WASHER-HARD (8.8X16X2-MM THK)						
	21	1	7X-0872	1	TEE-SWIVEL						
	22	1	474-8989	1	ADAPTER						

G - ORDER BY THE INCH
 I - REFER TO HYDRAULIC INFORMATION SYSTEM
 M - METRIC PART

HYDRAULIC SYSTEM

497-9597 LINES GP-HYDRAULIC FAN (contd.)

i06603078



GRAPHIC #1

<END>

g06102607

HYDRAULIC SYSTEM

497-9597 LINES GP-HYDRAULIC FAN

S/N: TH41-UP; TH91-UP

PART OF 520-9600, 523-2010 ENGINE AR-COMplete

AN ATTACHMENT

TYPE 2

SMCS-5057

i08068001

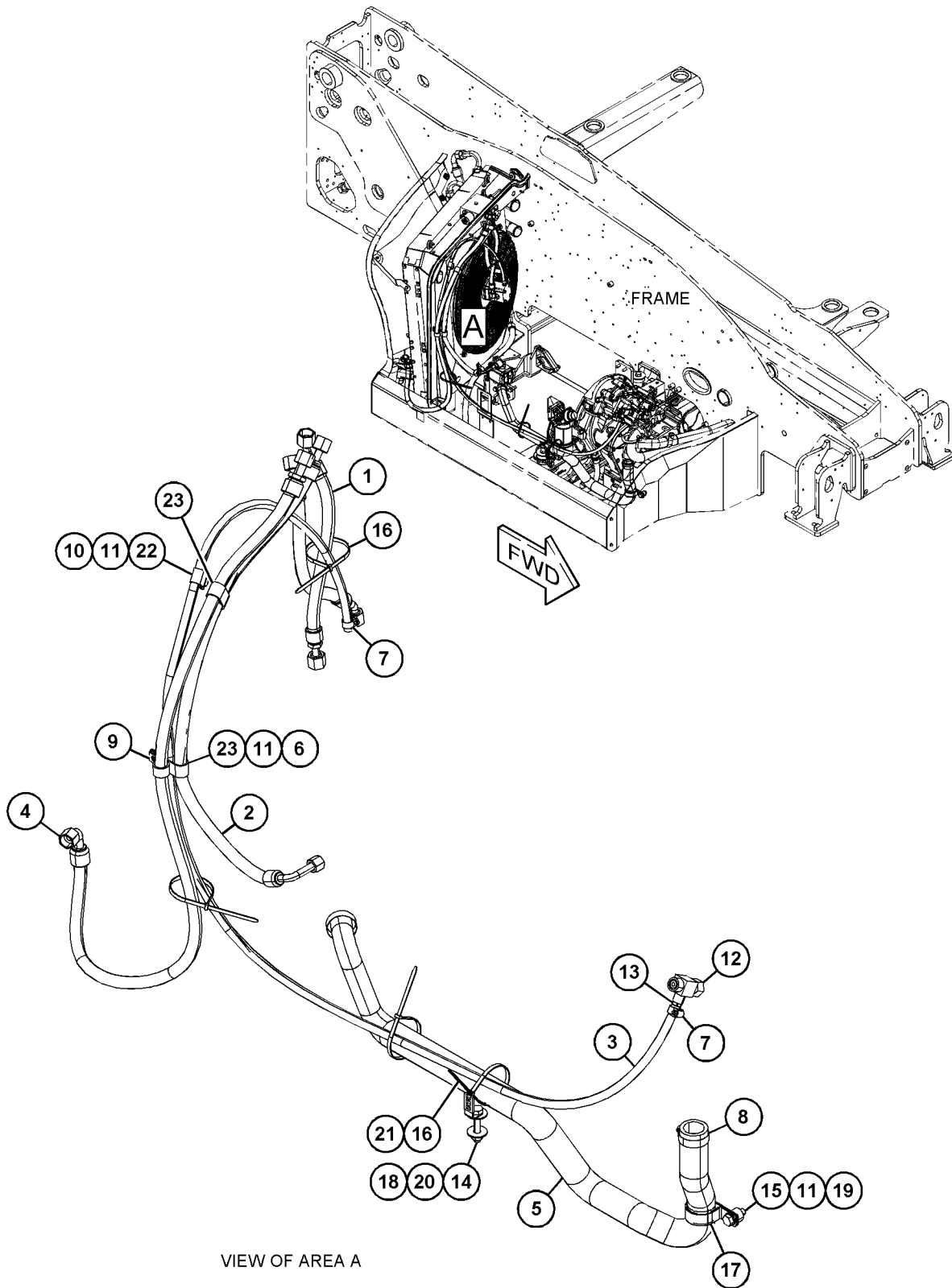
NOTE	REF NO	GRAPHIC REF	PART NUMBER	QTY	PART NAME						SEE PAGE
					1	2	3	4	5	6 (PRODUCT LEVEL)	
I	1	1	497-9821	2	HOSE AS						
I	2	1	558-8164	1	HOSE AS						
G	3	1	423-1982		HOSE (98.4-IN)						
I	4	1	558-8338	1	HOSE AS						
	5	1	556-8967	1	HOSE-SUCTION						
M	6	1	3T-0852	1	LOCKNUT (M8X1.25-THD)						
	7	1	330-8103	2	CLAMP-HOSE						
	8	1	5P-2230	2	CLAMP-HOSE						
	9	1	9X-8250	1	CLIP (LOOP)						
M	10	1	8T-4908	1	BOLT (M8X1.25X25-MM)						
	11	1	8T-4223	3	WASHER-HARD (13.5X25.5X3-MM THK)						
	12	1	7X-0872	1	TEE-SWIVEL						
	13	1	474-8989	1	ADAPTER						
CM	14	1	508-9820	1	BOLT-HEAD (M12X1.75X65-MM)						
M	15	1	8T-4956	1	BOLT (M12X1.75X35-MM)						
C	16	1	7K-1181	4	STRAP-CABLE						
	17	1	465-2826	1	CLAMP						
M	18	1	309-9185	1	LOCKNUT (M12X1.75-THD)						
	19	1	556-5630	1	SPACER (13X25X15-MM THK)						
	20	1	266-5360	3	WASHER (13X37X3-MM THK)						
	21	1	500-2293	1	CLIP (LADDER)						
	22	1	5K-8451	1	CLIP (LOOP)						
	23	1	6D-1641	2	CLIP (LOOP)						

C - CHANGE FROM PREVIOUS TYPE
 G - ORDER BY THE INCH
 I - REFER TO HYDRAULIC INFORMATION SYSTEM
 M - METRIC PART

HYDRAULIC SYSTEM

497-9597 LINES GP-HYDRAULIC FAN (contd.)

i08068001



GRAPHIC #1

<END>

g06564089

HYDRAULIC SYSTEM

497-9599 LINES GP-HYDRAULIC FAN

S/N: TH91-UP; JKT1-UP

PART OF 520-9601, 523-1976, 523-2011, 550-0081, 550-0083 ENGINE AR-COMplete
AN ATTACHMENT

SMCS-5057

i07409872

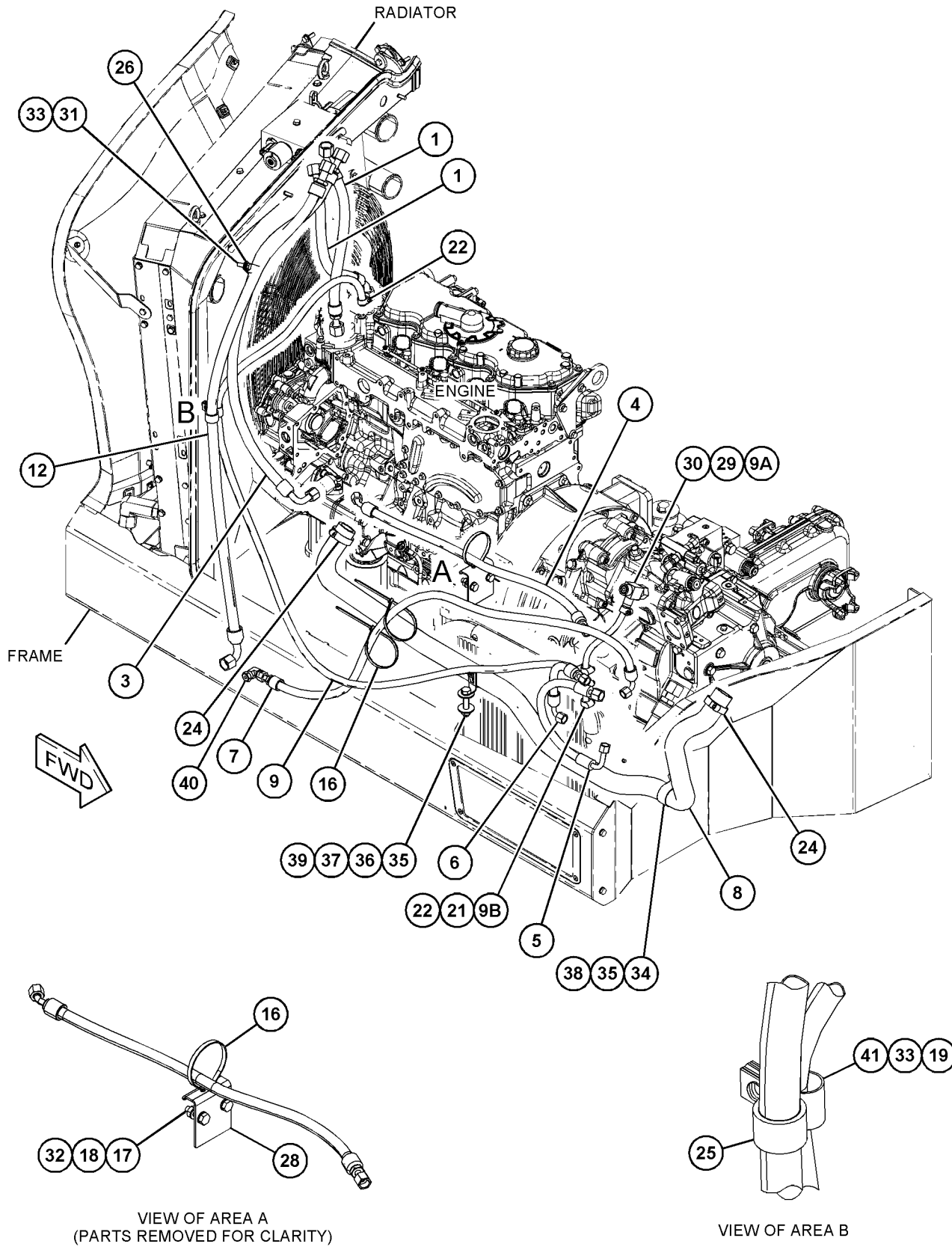
NOTE	REF NO	GRAPHIC REF	PART NUMBER	QTY	PART NAME						SEE PAGE
					1	2	3	4	5	6 (PRODUCT LEVEL)	
I	1	1	497-9821	2	HOSE AS						
I	3	1	497-9822	1	HOSE AS						
I	4	1	497-9824	1	HOSE AS						
I	5	1	548-5692	1	HOSE AS						
I	6	1	497-9826	1	HOSE AS						
I	7	1	497-9827	1	HOSE AS						
	8	1	497-9600	1	HOSE						
G	9	1	423-1982		HOSE (92-IN)						
G	9A	1	423-1982		HOSE (3-IN)						
G	9B	1	423-1982		HOSE (11-IN)						
I	12	1	497-9828	1	HOSE AS						
	16	1	7K-1181	3	STRAP-CABLE						
M	17	1	8T-4133	2	NUT (M10X1.5-THD)						
	18	1	8T-4121	4	WASHER-HARD (11X21X2.5-MM THK)						
	19	1	317-5987	1	CLIP						
	21	1	187-5086	1	TEE						
	22	1	330-8103	6	CLAMP-HOSE						
	24	1	5P-2230	2	CLAMP-HOSE						
	25	1	9X-8250	1	CLIP (LOOP)						
	26	1	327-5534	1	CLIP						
	28	1	497-9601	1	BRACKET						
	29	1	7X-0872	1	TEE-SWIVEL						
	30	1	474-8989	1	ADAPTER						
M	31	1	8T-4908	1	BOLT (M8X1.25X25-MM)						
M	32	1	8T-4196	2	BOLT (M10X1.5X35-MM)						
	33	1	8T-4224	2	WASHER-HARD (8.8X16X2-MM THK)						
M	34	1	8T-4139	1	BOLT (M12X1.75X30-MM)						
	35	1	298-7242	2	CLIP						
M	36	1	8T-4648	1	BOLT (M12X1.75X70-MM)						
	37	1	266-5360	2	WASHER (13X37X3-MM THK)						
	38	1	8T-4223	1	WASHER-HARD (13.5X25.5X3-MM THK)						
M	39	1	309-9185	1	LOCKNUT (M12X1.75-THD)						
	40	1	298-0507	1	ADAPTER-SWIVEL						
M	41	1	3T-0852	1	LOCKNUT (M8X1.25-THD)						

G - ORDER BY THE INCH
I - REFER TO HYDRAULIC INFORMATION SYSTEM
M - METRIC PART

HYDRAULIC SYSTEM

497-9599 LINES GP-HYDRAULIC FAN (contd.)

i07409872



VIEW OF AREA A
(PARTS REMOVED FOR CLARITY)

VIEW OF AREA B

GRAPHIC #1

<END>

g06317373

HYDRAULIC SYSTEM

515-9554 LINES GP-HYDRAULIC OIL COOLER

S/N: TH41-UP; TH91-UP

PART OF 520-9600, 523-2010 ENGINE AR-COMplete

AN ATTACHMENT

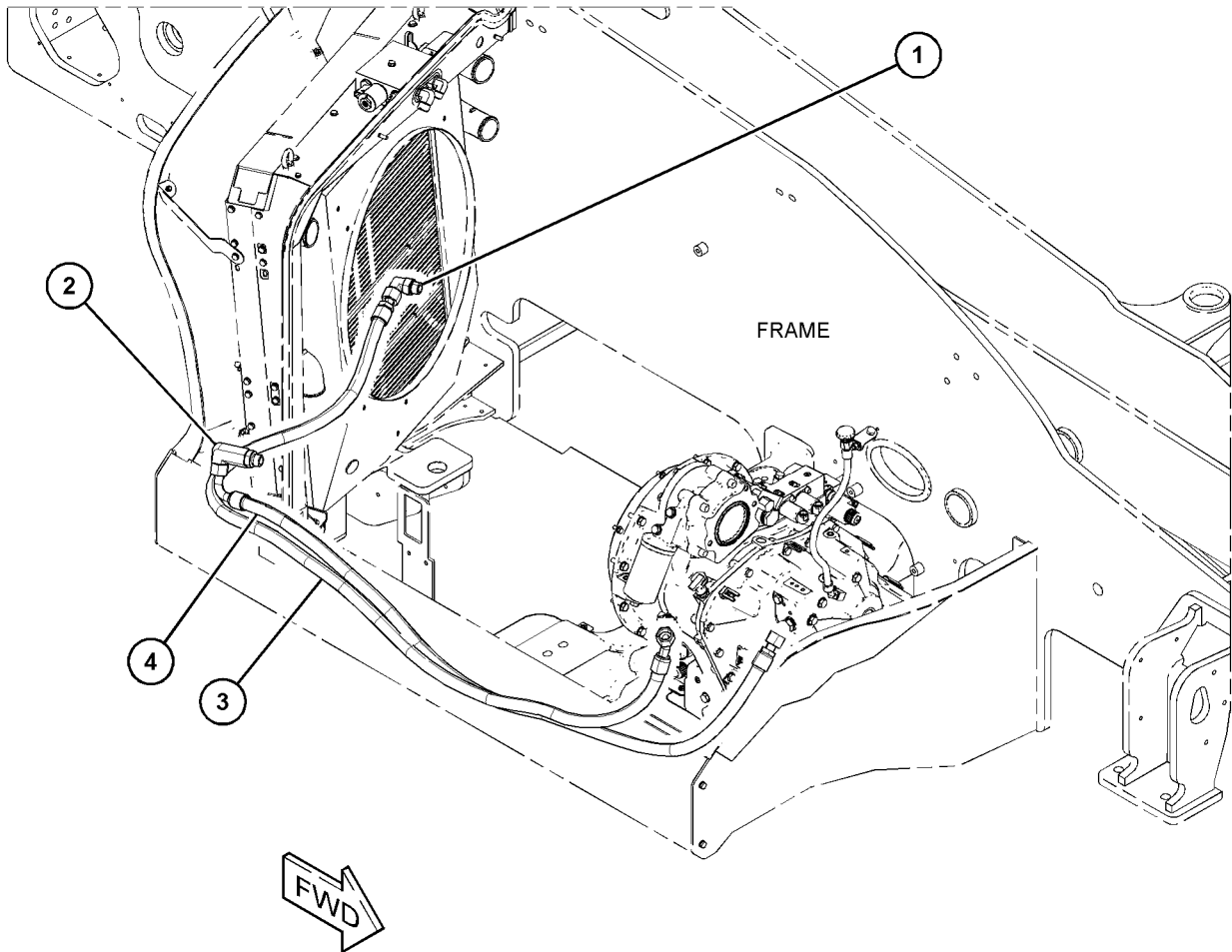
TYPE 1

SMCS-1374, 5057

i06893854

NOTE	REF NO	GRAPHIC REF	PART NUMBER	QTY	PART NAME						SEE PAGE
					1	2	3	4	5	6 (PRODUCT LEVEL)	
	1	1	298-0476	1	FITTING-ADAPTER						
	2	1	298-0491	1	FITTING						
I	3	1	499-4258	1	HOSE AS						
I	4	1	499-4260	1	HOSE AS						

I - REFER TO HYDRAULIC INFORMATION SYSTEM



GRAPHIC #1

<END>

g06163501

HYDRAULIC SYSTEM

515-9554 LINES GP-HYDRAULIC OIL COOLER

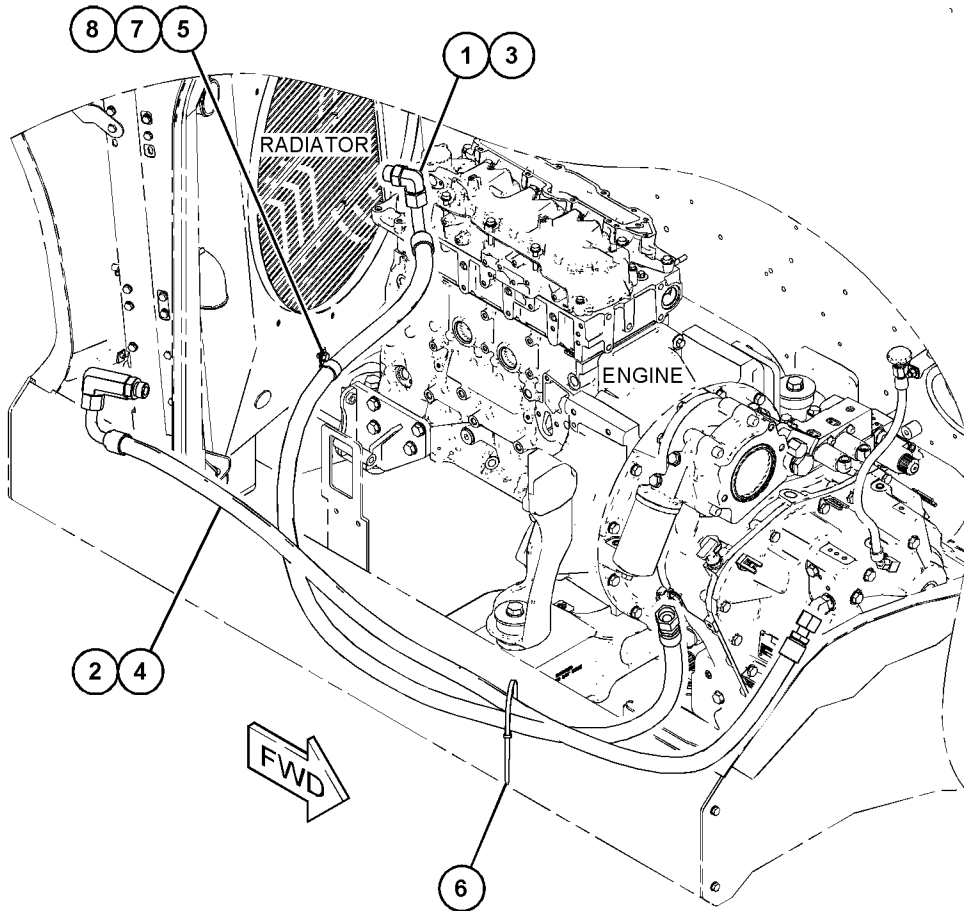
S/N: TH41-UP; TH91-UP
 PART OF 520-9600, 523-2010 ENGINE AR-COMplete
 AN ATTACHMENT
 TYPE 2

SMCS-1374, 5057

i07694053

NOTE	REF NO	GRAPHIC REF	PART NUMBER	QTY	PART NAME						SEE PAGE
					1	2	3	4	5	6 (PRODUCT LEVEL)	
	1	1	298-0476	1	FITTING-ADAPTER						
	2	1	298-0491	1	FITTING						
CI	3	1	559-9043	1	HOSE AS						
I	4	1	499-4260	1	HOSE AS						
CM	5	1	8T-4199	1	BOLT (M8X1.25X12-MM)						
C	6	1	7K-1181	1	STRAP-CABLE						
C	7	1	8T-4224	1	WASHER-HARD (8.8X16X2-MM THK)						
C	8	1	7C-4354	1	CLIP						

C - CHANGE FROM PREVIOUS TYPE
 I - REFER TO HYDRAULIC INFORMATION SYSTEM
 M - METRIC PART



GRAPHIC #1

<END>

g06437064

HYDRAULIC SYSTEM

497-9608 LINES GP-LIFT CYLINDER

S/N: TH41-150; TH91-230

AN ATTACHMENT

SMCS-5057, 5102, 5303

i06897802

NOTE	REF NO	GRAPHIC REF	PART NUMBER	QTY	PART NAME						SEE PAGE
					1	2	3	4	5	6 (PRODUCT LEVEL)	
M	1	1	3E-8025	4	BOLT-SOCKET HEAD (M8X1.25X50-MM)						
	2	1	300-6096	1	FITTING						
	3	1	298-0476	1	FITTING-ADAPTER						
	4	1	8T-4224	5	WASHER-HARD (8.8X16X2-MM THK)						
	5	1	492-4896	1	VALVE GP-COUNTERBALANCE (TELESCOPING)						
I	6	1	497-9829	1	HOSE AS						
I	7	1	497-9830	1	HOSE AS						
M	8	1	8T-4189	1	BOLT (M8X1.25X20-MM)						
M	9	1	328-9688	1	SCREW (M10X1.5X14-MM)						
	10	1	7K-1181	2	STRAP-CABLE						
M	11	1	136-4184	2	BOLT-SOCKET HEAD (M8X1.25X40-MM)						
	12	1	8T-4121	1	WASHER-HARD (11X21X2.5-MM THK)						
	13	1	492-4851	1	CLAMP						
	14	1	4D-7388	1	CLIP (LOOP)						
	15	1	492-4927	2	CLIP						
	16	1	492-4858	1	BRACKET AS						
	17	1	497-9609	1	TUBE AS						
	18	1	497-9610	1	TUBE AS						
	19	1	497-9611	1	BRACKET AS						
	20	1	6V-9746	1	SEAL-O-RING						
	21	1	7J-9108	1	SEAL-O-RING						
	22	1	340-4934	1	CLIP						

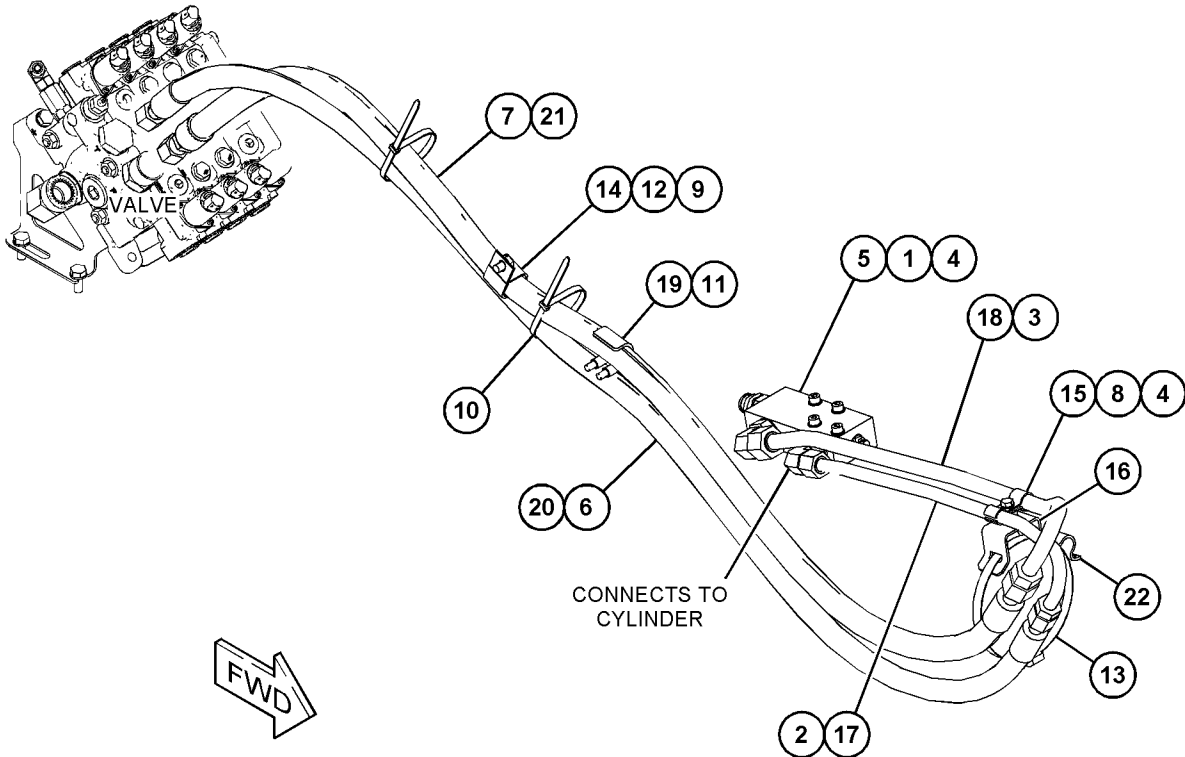
I - REFER TO HYDRAULIC INFORMATION SYSTEM

M - METRIC PART

HYDRAULIC SYSTEM

497-9608 LINES GP-LIFT CYLINDER (contd.)

i06897802



GRAPHIC #1

<END>

g06166108

HYDRAULIC SYSTEM

497-9608 LINES GP-LIFT CYLINDER

S/N: TH4151-UP; TH9231-UP

AN ATTACHMENT

SMCS-5057, 5102, 5303

i07819357

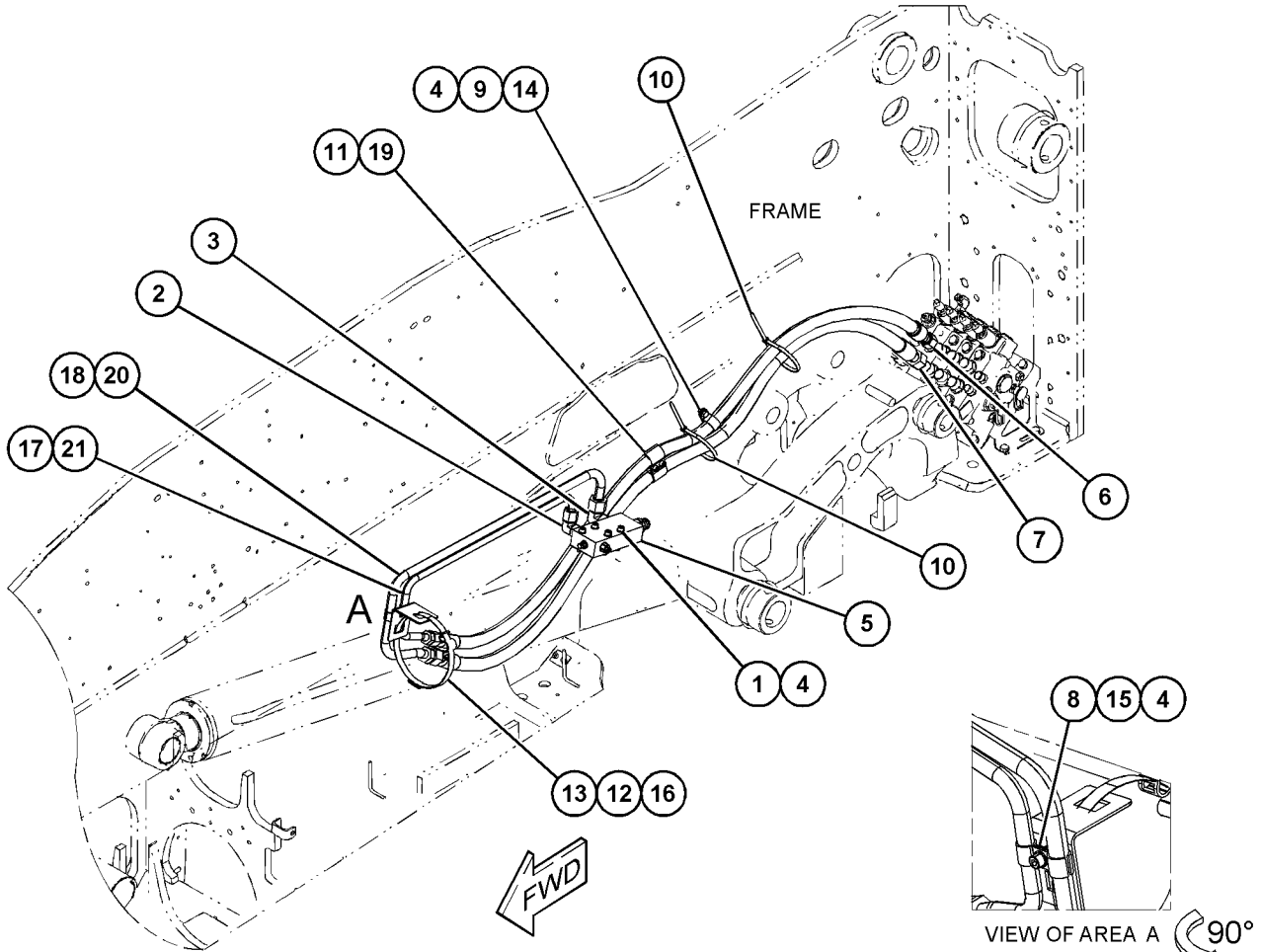
NOTE	REF NO	GRAPHIC REF	PART NUMBER	QTY	PART NAME						SEE PAGE
					1	2	3	4	5	6 (PRODUCT LEVEL)	
M	1	1	3E-8025	4	BOLT-SOCKET HEAD (M8X1.25X50-MM)						
	2	1	300-6096	1	FITTING						
	3	1	298-0476	1	FITTING-ADAPTER						
C	4	1	8T-4224	7	WASHER-HARD (8.8X16X2-MM THK)						
	5	1	492-4896	1	VALVE GP-COUNTERBALANCE (LIFT CYLINDER)						
CI	6	1	558-3624	1	HOSE AS						
I	7	1	497-9830	1	HOSE AS						
CM	8	1	8T-1158	1	BOLT-SOCKET HEAD (M8X1.25X20-MM)						
CM	9	1	7X-2536	1	BOLT (M8X1.25X14-MM)						
	10	1	7K-1181	2	STRAP-CABLE						
M	11	1	136-4184	2	BOLT-SOCKET HEAD (M8X1.25X40-MM)						
	12	1	340-4934	1	CLIP						
	13	1	570-6615	1	CLAMP-HOSE						
C	14	1	329-3614	1	CLIP (LOOP)						
	15	1	492-4927	2	CLIP						
C	16	1	558-3623	1	BRACKET AS						
C	17	1	558-3621	1	TUBE AS						
C	18	1	558-3622	1	TUBE AS						
C	19	1	558-3626	1	BRACKET AS						
	20	1	6V-9746	1	SEAL-O-RING						
	21	1	7J-9108	1	SEAL-O-RING						

C - CHANGE FROM PREVIOUS TYPE
 I - REFER TO HYDRAULIC INFORMATION SYSTEM
 M - METRIC PART

HYDRAULIC SYSTEM

497-9608 LINES GP-LIFT CYLINDER (contd.)

i07819357



GRAPHIC #1

<END>

g06467562

HYDRAULIC SYSTEM

497-9612 LINES GP-LIFT CYLINDER-RIDE CONTROL

S/N: TH41-UP; TH91-UP

AN ATTACHMENT

SMCS-5057, 5102, 5303

i07330532

NOTE	REF NO	GRAPHIC REF	PART NUMBER	QTY	PART NAME						SEE PAGE
					1	2	3	4	5	6 (PRODUCT LEVEL)	
	1	1	523-5678	1	VALVE-CHECK						
	2	1	323-5622	1	ELBOW						
	4	1	298-0476	1	FITTING-ADAPTER						
M	5	1	8T-2394	4	BOLT-SOCKET HEAD (M8X1.25X90-MM)						
	6	1	340-4933	2	CLIP						
	7	1	340-4934	3	CLIP						
	8	1	506-5127	2	BUMPER						
	9	1	340-2293	1	PISTON						
	10	1	550-7847	1	VALVE GP-RIDE CONTROL (BOOM FLOAT)						
I	11	1	497-9829	1	HOSE AS						
I	12	1	497-9830	1	HOSE AS						
	14	1	7K-1181	2	STRAP-CABLE						
M	15	1	136-4184	2	BOLT-SOCKET HEAD (M8X1.25X40-MM)						
	16	1	8T-4224	1	WASHER-HARD (8.8X16X2-MM THK)						
	17	1	8T-4121	1	WASHER-HARD (11X21X2.5-MM THK)						
	18	1	492-4927	2	CLIP						
M	20	1	8T-1158	4	BOLT-SOCKET HEAD (M8X1.25X20-MM)						
	21	1	492-4851	1	CLAMP						
	22	1	7J-9108	2	SEAL-O-RING						
	23	1	4D-7388	1	CLIP						
	24	1	492-4858	1	BRACKET AS						
	25	1	497-9611	1	BRACKET AS						
	26	1	506-5128	1	TUBE AS						
	27	1	497-9615	1	TUBE AS						
	28	1	497-9616	1	TUBE AS						
M	29	1	8T-4189	1	BOLT (M8X1.25X20-MM)						
M	30	1	328-9688	1	SCREW (M10X1.5X14-MM)						
	31	1	6V-9746	1	SEAL-O-RING						
	32	1	506-5129	1	SWITCH AS-DISCONNECT (RIDE CONTROL) (BOOM)						

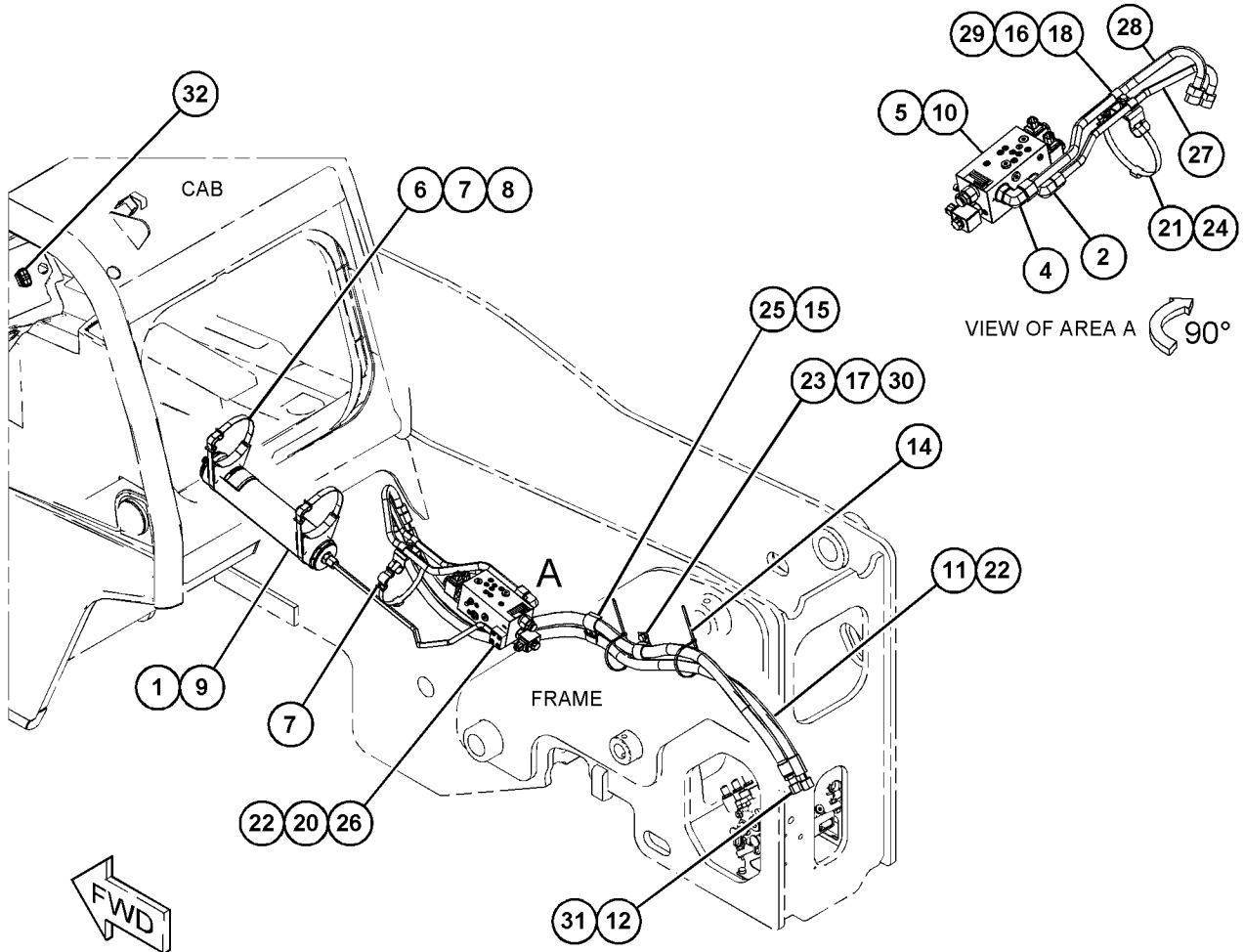
I - REFER TO HYDRAULIC INFORMATION SYSTEM

M - METRIC PART

HYDRAULIC SYSTEM

497-9612 LINES GP-LIFT CYLINDER (contd.)

i07330532



GRAPHIC #1

<END>

g06165754

HYDRAULIC SYSTEM

550-7931 LINES GP-LIFT CYLINDER

S/N: TH41-150; TH91-230
FOR USE WITH 497-9608-PAGE: 897
AN ATTACHMENT

SMCS-5057, 5102, 5303

i07227942

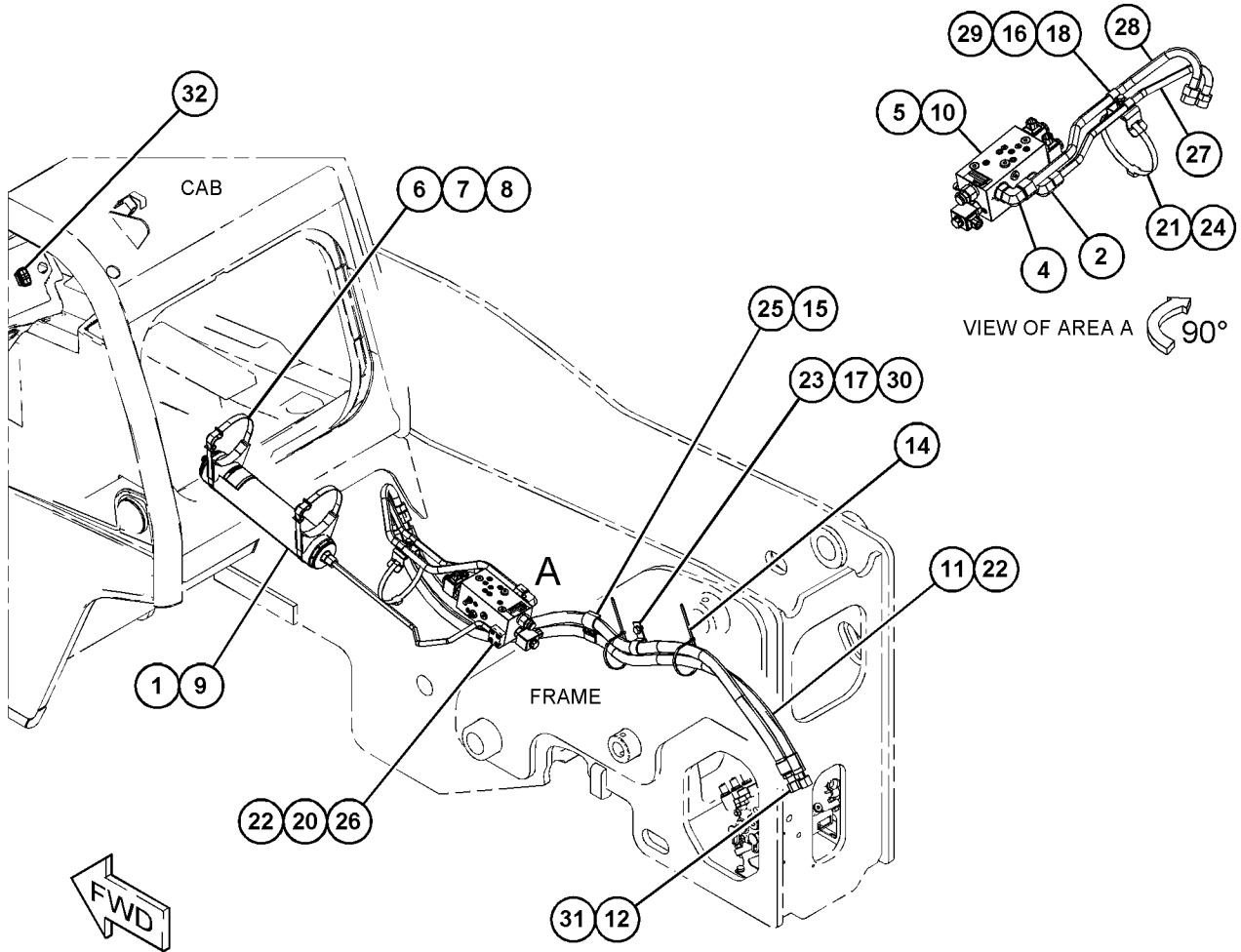
NOTE	REF NO	GRAPHIC REF	PART NUMBER	QTY	PART NAME						SEE PAGE
					1	2	3	4	5	6 (PRODUCT LEVEL)	
	1	1	148-8345	1	CONNECTOR AS						
		1	2M-9780	1	SEAL-O-RING						
		1	6V-8398	1	SEAL-O-RING						
		1	6V-8638	1	CONNECTOR						
	2	1	323-5622	1	ELBOW						
	4	1	298-0476	1	FITTING-ADAPTER						
M	5	1	8T-2394	4	BOLT-SOCKET HEAD (M8X1.25X90-MM)						
	6	1	5P-0600	2	CLAMP-HOSE						
	7	1	340-4934	3	CLIP						
	8	1	506-5127	2	BUMPER						
	9	1	550-7848	1	CYLINDER (ACCUMULATOR)						
	10	1	550-7847	1	VALVE GP-RIDE CONTROL						
I	11	1	497-9829	1	HOSE AS						
I	12	1	497-9830	1	HOSE AS						
	14	1	7K-1181	2	STRAP-CABLE						
M	15	1	136-4184	2	BOLT-SOCKET HEAD (M8X1.25X40-MM)						
	16	1	8T-4224	1	WASHER-HARD (8.8X16X2-MM THK)						
	17	1	8T-4121	1	WASHER-HARD (11X21X2.5-MM THK)						
	18	1	492-4927	2	CLIP						
M	20	1	8T-1158	4	BOLT-SOCKET HEAD (M8X1.25X20-MM)						
	21	1	5P-0599	1	CLAMP-BAND						
	22	1	7J-9108	2	SEAL-O-RING						
	23	1	4D-7388	1	CLIP						
	24	1	492-4858	1	BRACKET AS						
	25	1	497-9611	1	BRACKET AS						
	26	1	506-5128	1	TUBE AS						
	27	1	497-9615	1	TUBE AS						
	28	1	497-9616	1	TUBE AS						
M	29	1	8T-4189	1	BOLT (M8X1.25X20-MM)						
M	30	1	6I-0646	1	BOLT (M10X1.5X14-MM)						
	31	1	6V-9746	1	SEAL-O-RING						
	32	1	506-5129	1	SWITCH AS-DISCONNECT (RIDE CONTROL) (BOOM)						

I - REFER TO HYDRAULIC INFORMATION SYSTEM
M - METRIC PART

HYDRAULIC SYSTEM

550-7931 LINES GP-LIFT CYLINDER (contd.)

i07227942



GRAPHIC #1

<END>

g06273913

HYDRAULIC SYSTEM

550-7931 LINES GP-LIFT CYLINDER

S/N: TH41-UP; TH91-UP

FOR USE WITH 497-9608-PAGE: 897

PART OF 590-9758, 590-9759, 590-9760, 590-9761 CONFIGURATION AR
AN ATTACHMENT

SMCS-5057, 5102, 5303

i07815102

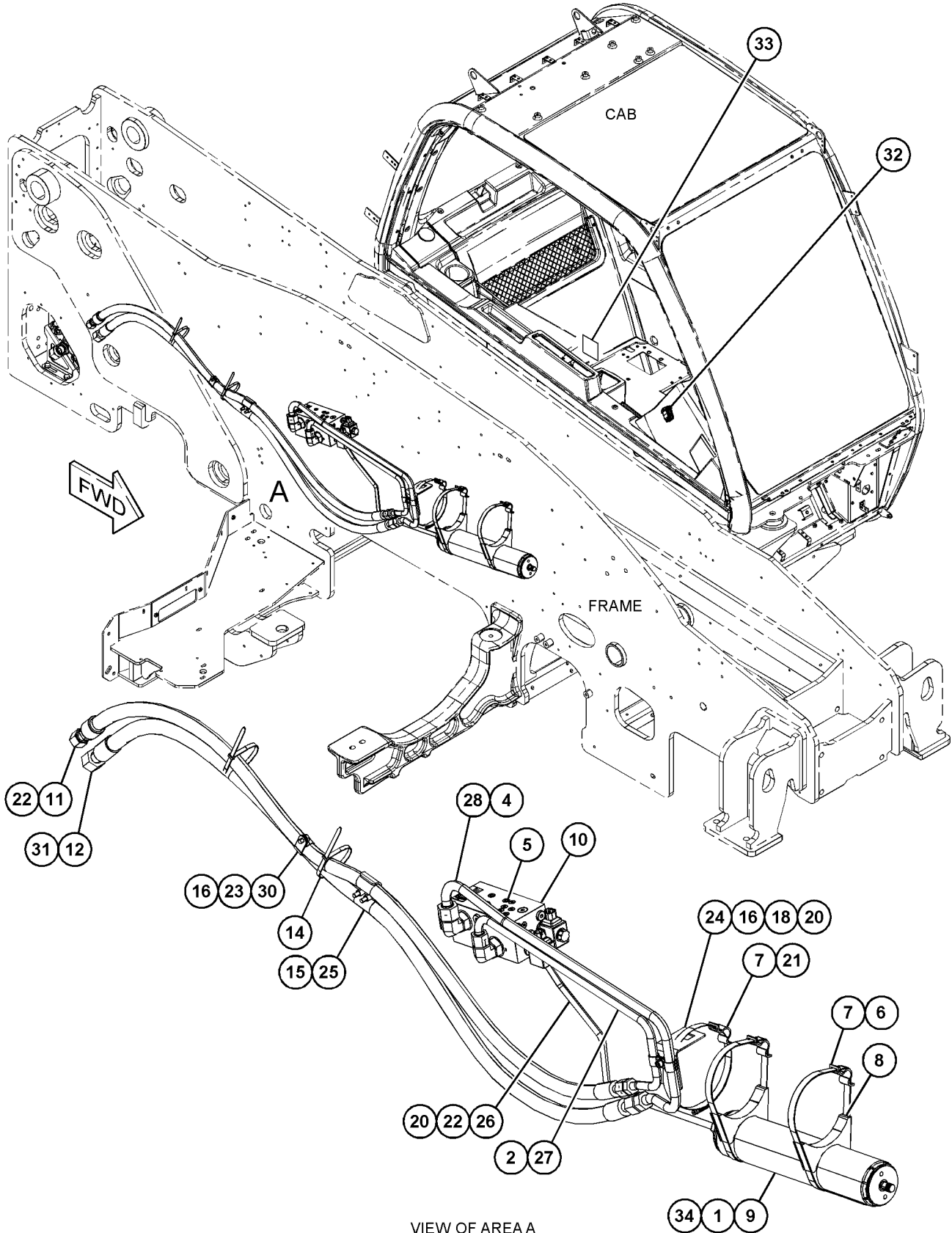
NOTE	REF NO	GRAPHIC REF	PART NUMBER	QTY	PART NAME						SEE PAGE
					1	2	3	4	5	6 (PRODUCT LEVEL)	
	1	1	148-8345	1	CONNECTOR AS						
		1	2M-9780	1	SEAL-O-RING						
		1	6V-8398	1	SEAL-O-RING						
		1	6V-8638	1	CONNECTOR						
	2	1	323-5622	1	ELBOW						
	4	1	298-0476	1	FITTING-ADAPTER						
M	5	1	8T-2394	4	BOLT-SOCKET HEAD (M8X1.25X90-MM)						
	6	1	5P-0600	2	CLAMP-HOSE						
	7	1	340-4934	3	CLIP						
	8	1	506-5127	2	BUMPER						
	9	1	550-7848	1	CYLINDER (ACCUMULATOR)						
	10	1	550-7847	1	VALVE GP-RIDE CONTROL (BOOM FLOAT)						
CI	11	1	558-3624	1	HOSE AS						
I	12	1	497-9830	1	HOSE AS						
	14	1	7K-1181	2	STRAP-CABLE						
M	15	1	136-4184	2	BOLT-SOCKET HEAD (M8X1.25X40-MM)						
C	16	1	8T-4224	3	WASHER-HARD (8.8X16X2-MM THK)						
	18	1	492-4927	2	CLIP						
CM	20	1	8T-1158	5	BOLT-SOCKET HEAD (M8X1.25X20-MM)						
	21	1	570-6615	1	CLAMP-HOSE						
	22	1	7J-9108	2	SEAL-O-RING						
C	23	1	329-3614	1	CLIP						
C	24	1	558-3623	1	BRACKET AS						
C	25	1	558-3626	1	BRACKET AS						
	26	1	506-5128	1	TUBE AS						
C	27	1	558-3621	1	TUBE AS						
C	28	1	558-3625	1	TUBE AS						
CM	30	1	7X-2536	1	BOLT (M8X1.25X14-MM)						
	31	1	6V-9746	1	SEAL-O-RING						
	32	1	506-5129	1	SWITCH AS-DISCONNECT (RIDE CONTROL) (BOOM)						
	33	1	569-8516	1	FILM-IDENTIFICATION						
	34	1	577-8021	1	FILM-IDENTIFICATION (READ SERVICE MANUAL, STORED ENERGY)						

C - CHANGE FROM PREVIOUS TYPE
I - REFER TO HYDRAULIC INFORMATION SYSTEM
M - METRIC PART

HYDRAULIC SYSTEM

550-7931 LINES GP-LIFT CYLINDER (contd.)

i07815102



GRAPHIC #1

VIEW OF AREA A
<END>

g06466467

HYDRAULIC SYSTEM

227-6676 LINES GP-MULTIPURPOSE BUCKET

S/N: TH41-UP; TH91-UP

PART OF 163-4284 BUCKET AR-MULTIPURPOSE
AN ATTACHMENT

SMCS-5057

i01956544

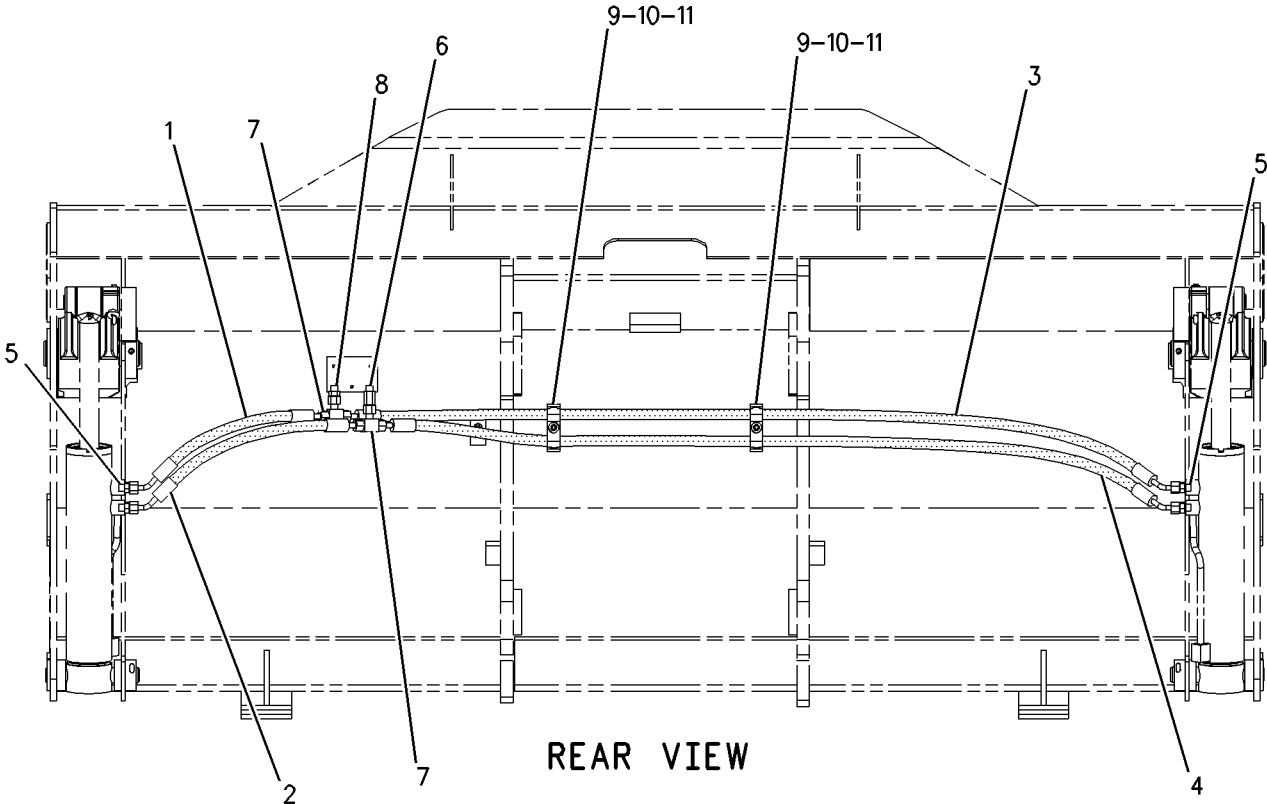
NOTE	REF NO	GRAPHIC REF	PART NUMBER	QTY	PART NAME						SEE PAGE
					1	2	3	4	5	6 (PRODUCT LEVEL)	
I	1	1	227-2000	1	HOSE AS						
I	2	1	227-2001	1	HOSE AS						
I	3	1	227-2002	1	HOSE AS						
I	4	1	227-2004	1	HOSE AS						
	5	1	<i>148-8336</i>	4	CONNECTOR AS						
					(EACH INCLUDES)						
		1	3J-1907	1	SEAL-O-RING						
		1	6V-8397	1	SEAL-O-RING						
		1	6V-8636	1	CONNECTOR						
	6	1	<i>148-8338</i>	1	CONNECTOR AS						
		1	3J-1907	1	SEAL-O-RING						
		1	6V-8397	1	SEAL-O-RING						
		1	8T-0075	1	CONNECTOR						
	7	1	<i>148-8434</i>	2	TEE AS						
					(EACH INCLUDES)						
		1	6V-8397	2	SEAL-O-RING						
		1	6V-9843	1	TEE						
	8	1	<i>155-7327</i>	1	CONNECTOR AS						
		1	3J-1907	1	SEAL-O-RING						
		1	5H-8853	1	SEAL-O-RING						
		1	6V-8636	1	CONNECTOR						
	9	1	8T-1891	4	CLIP (SLOT)						
	10	1	8T-1892	4	CLIP (TAB)						
M	11	1	9X-2040	2	SCREW-TRUSS HEAD (M10X1.5X25-MM)						

I - REFER TO HYDRAULIC INFORMATION SYSTEM
M - METRIC PART

HYDRAULIC SYSTEM

227-6676 LINES GP-MULTIPURPOSE BUCKET (contd.)

i01956544



GRAPHIC #1

<END>

g00939353

HYDRAULIC SYSTEM

502-0369 LINES GP-PUMP

S/N: TH41-UP; TH91-UP

PART OF 518-0046 HYDRAULIC AR

TYPE 1

SMCS-5057

i06603147

NOTE	REF NO	GRAPHIC REF	PART NUMBER	QTY	PART NAME						SEE PAGE
					1	2	3	4	5	6 (PRODUCT LEVEL)	
M	1	1	8T-4195	2	BOLT (M10X1.5X30-MM)						
	2	1	357-6217	1	KIT-FLANGE						
	3	1	116-8517	2	WASHER (10.5X30X2.5-MM THK)						
	4	1	331-3890	1	CLAMP						
	5	1	502-0379	4	CLAMP AS						
	6	1	502-0400	1	HOSE						
	7	1	502-0401	1	TUBE AS						
I	8	1	502-0301	1	HOSE AS						
I	9	1	502-0304	1	HOSE AS						
I	10	1	502-0305	1	HOSE AS						
	11	1	502-0403	1	HOSE						
I	12	1	502-0306	1	HOSE AS						
I	13	1	502-0307	1	HOSE AS						
I	14	1	502-0308	1	HOSE AS						
I	15	1	502-0309	1	HOSE AS						
I	16	1	502-0311	1	HOSE AS						
	17	1	502-0375	1	TUBE AS						

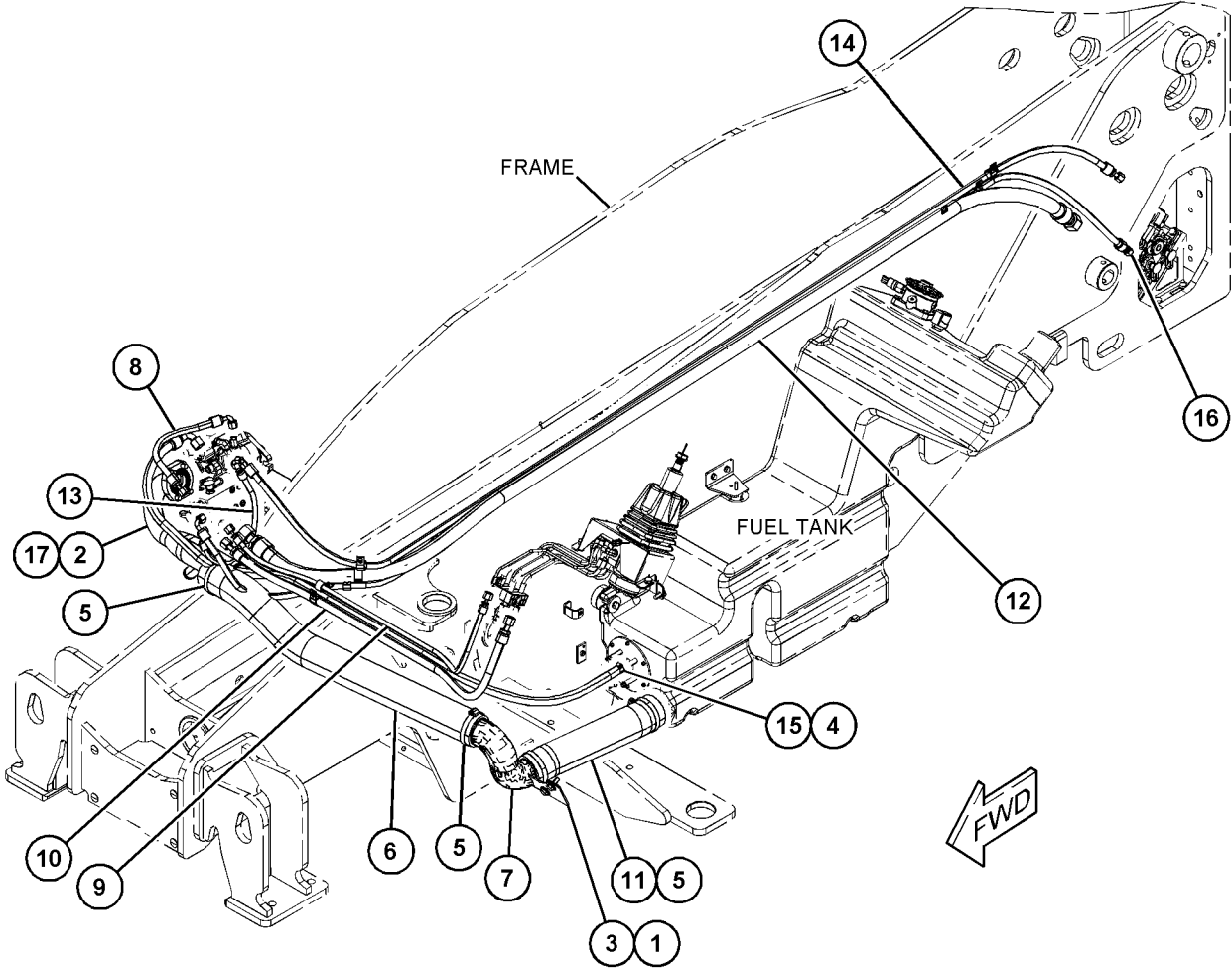
I - REFER TO HYDRAULIC INFORMATION SYSTEM

M - METRIC PART

HYDRAULIC SYSTEM

502-0369 LINES GP-PUMP (contd.)

i06603147



GRAPHIC #1

<END>

g06059225

HYDRAULIC SYSTEM

502-0369 LINES GP-PUMP

S/N: TH41-UP; TH91-UP

PART OF 518-0046, 567-5059 HYDRAULIC AR
TYPE 2

SMCS-5057

i07581520

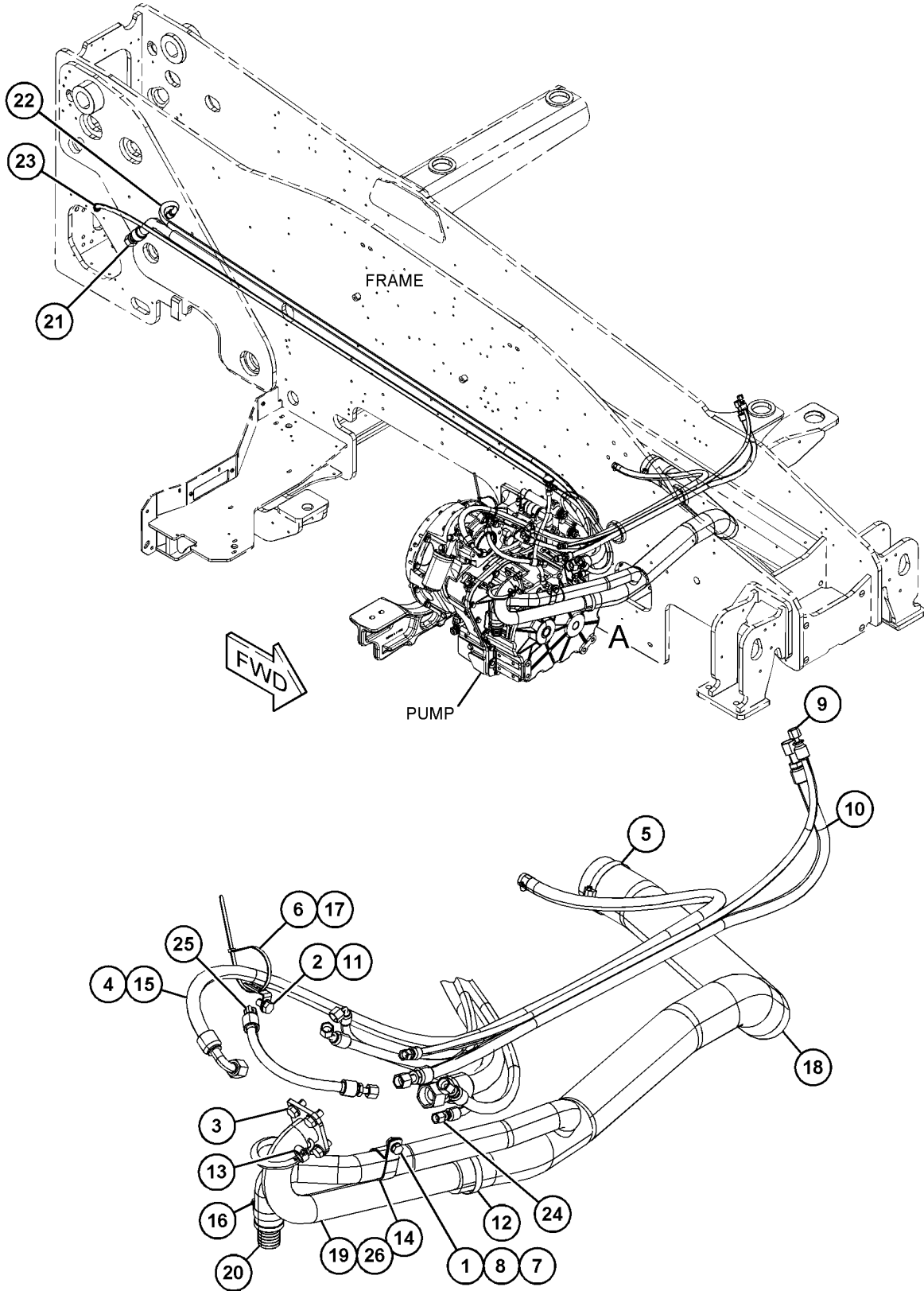
NOTE	REF NO	GRAPHIC REF	PART NUMBER	QTY	PART NAME						SEE PAGE
					1	2	3	4	5	6 (PRODUCT LEVEL)	
CM	1	1	264-3627	1	BOLT (M10X1.5X20-MM)						
CM	2	1	8T-4179	1	BOLT (M12X1.75X20-MM)						
CM	3	1	550-5738	4	BOLT (M12X1.75X12-MM)						
C	4	1	334-1073	1	CLAMP						
C	5	1	2J-1737	1	CLAMP-HOSE						
C	6	1	7K-1181	1	STRAP-CABLE						
CM	7	1	344-5675	1	NUT (M10X1.5-THD)						
C	8	1	8T-4121	2	WASHER-HARD (11X21X2.5-MM THK)						
I	9	1	502-0304	1	HOSE AS						
I	10	1	502-0305	1	HOSE AS						
C	11	1	8T-4223	1	WASHER-HARD (13.5X25.5X3-MM THK)						
C	12	1	317-5986	1	CLAMP						
C	13	1	330-8103	1	CLAMP-HOSE						
C	14	1	465-2826	1	CLAMP						
I	15	1	502-0309	1	HOSE AS						
C	16	1	5P-2230	1	CLAMP-HOSE						
C	17	1	500-2293	1	CLIP (LADDER)						
C	18	1	556-8959	1	HOSE-SUCTION						
C	19	1	556-8960	1	PIPE AS						
C	20	1	556-8961	1	FITTING-PIPE						
CI	21	1	556-8962	1	HOSE AS						
CI	22	1	556-8963	1	HOSE AS						
CI	23	1	556-8964	1	HOSE AS						
CI	24	1	556-8965	1	HOSE AS						
CI	25	1	556-8966	1	HOSE AS						
	26	1	473-7576	1	SEAL-O-RING						

C - CHANGE FROM PREVIOUS TYPE
I - REFER TO HYDRAULIC INFORMATION SYSTEM
M - METRIC PART

HYDRAULIC SYSTEM

502-0369 LINES GP-PUMP (contd.)

i07581520



VIEW OF AREA A

GRAPHIC #1

<END>

g06374624

HYDRAULIC SYSTEM

500-1123 LINES GP-RETURN

S/N: TH41-UP; TH91-151

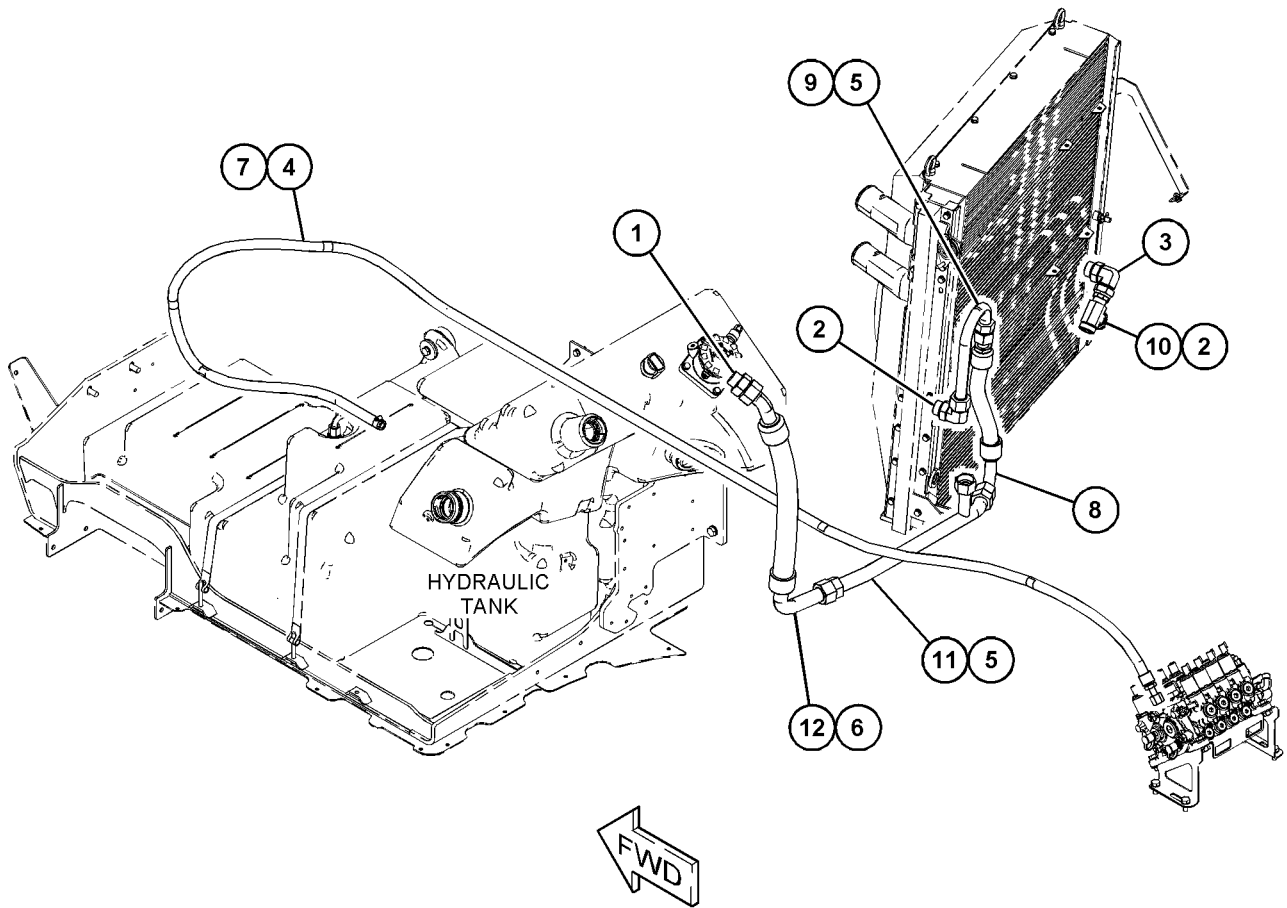
PART OF 518-5879, 523-2012 INSTALLATION AR-ENGINE
AN ATTACHMENT

SMCS-5057

i06603096

NOTE	REF NO	GRAPHIC REF	PART NUMBER	QTY	PART NAME						SEE PAGE
					1	2	3	4	5	6 (PRODUCT LEVEL)	
	1	1	500-2096	1	ADAPTER-O-RING						
	2	1	303-4759	2	FITTING						
	3	1	303-4762	1	FITTING						
	4	1	309-2982	1	CLAMP						
	5	1	5K-9090	2	SEAL-O-RING						
	6	1	6V-8400	1	SEAL-O-RING						
	7	1	499-7321	1	HOSE AS						
I	8	1	499-7362	1	HOSE AS						
	9	1	500-1124	1	TUBE AS						
	10	1	499-0273	1	ADAPTER-REDUCER						
	11	1	499-9419	1	TUBE AS						
I	12	1	499-7358	1	HOSE AS						

I - REFER TO HYDRAULIC INFORMATION SYSTEM



GRAPHIC #1

<END>

g06052697

HYDRAULIC SYSTEM

500-1123 LINES GP-RETURN

S/N: TH41-UP; TH9152-UP

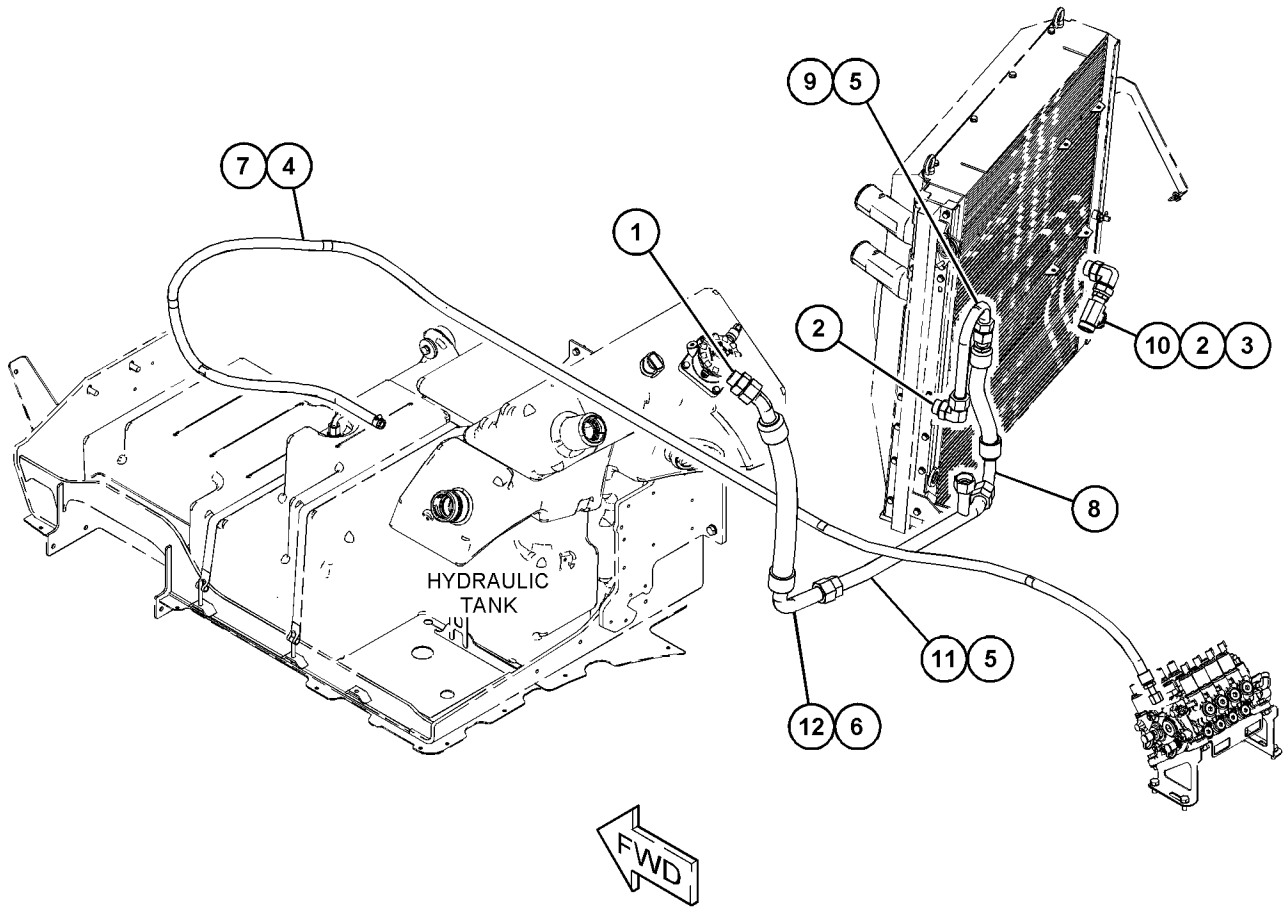
PART OF 518-5879, 523-2012 INSTALLATION AR-ENGINE
AN ATTACHMENT

SMCS-5057

i07561731

NOTE	REF NO	GRAPHIC REF	PART NUMBER	QTY	PART NAME						SEE PAGE
					1	2	3	4	5	6	
	1	1	500-2096	1	ADAPTER-O-RING						
	2	1	303-4759	2	FITTING						
	3	1	303-4762	1	FITTING						
	4	1	309-2982	1	CLAMP						
	5	1	5K-9090	2	SEAL-O-RING						
	6	1	6V-8400	1	SEAL-O-RING						
C	7	1	558-4001	1	HOSE AS						
I	8	1	499-7362	1	HOSE AS						
	9	1	500-1124	1	TUBE AS						
	10	1	499-0273	1	ADAPTER-REDUCER						
	11	1	499-9419	1	TUBE AS						
I	12	1	499-7358	1	HOSE AS						

C - CHANGE FROM PREVIOUS TYPE
I - REFER TO HYDRAULIC INFORMATION SYSTEM



GRAPHIC #1

<END>

g06370348

HYDRAULIC SYSTEM

500-1125 LINES GP-RETURN-INSTALLATION

S/N: TH41-UP; TH91-UP

PART OF 518-5879, 523-2012 INSTALLATION AR-ENGINE

AN ATTACHMENT

TYPE 1

SMCS-5057

i06603089

NOTE	REF NO	GRAPHIC REF	PART NUMBER	QTY	PART NAME						SEE PAGE
					1	2	3	4	5	6 (PRODUCT LEVEL)	
	1	1	5K-9090	2	SEAL-O-RING						
	2	1	6V-8400	1	SEAL-O-RING						
M	3	1	8T-7547	2	BOLT (M8X1.25X30-MM)						
M	4	1	8T-4136	2	BOLT (M10X1.5X25-MM)						
	5	1	303-4759	2	FITTING						
M	6	1	5C-7261	2	NUT (M8X1.25-THD)						
	7	1	8T-4224	4	WASHER-HARD (8.8X16X2-MM THK)						
	8	1	116-8517	2	WASHER (10.5X30X2.5-MM THK)						
	9	1	495-1408	1	VALVE AS-CHECK						
	10	1	500-1126	1	PLATE						
	11	1	500-1127	1	GASKET						
	12	1	499-7363	1	HOSE AS						
I	13	1	499-7364	1	HOSE AS						
	14	1	499-8477	1	TUBE AS						
	15	1	499-0273	1	ADAPTER-REDUCER						
	16	1	303-4762	1	FITTING						

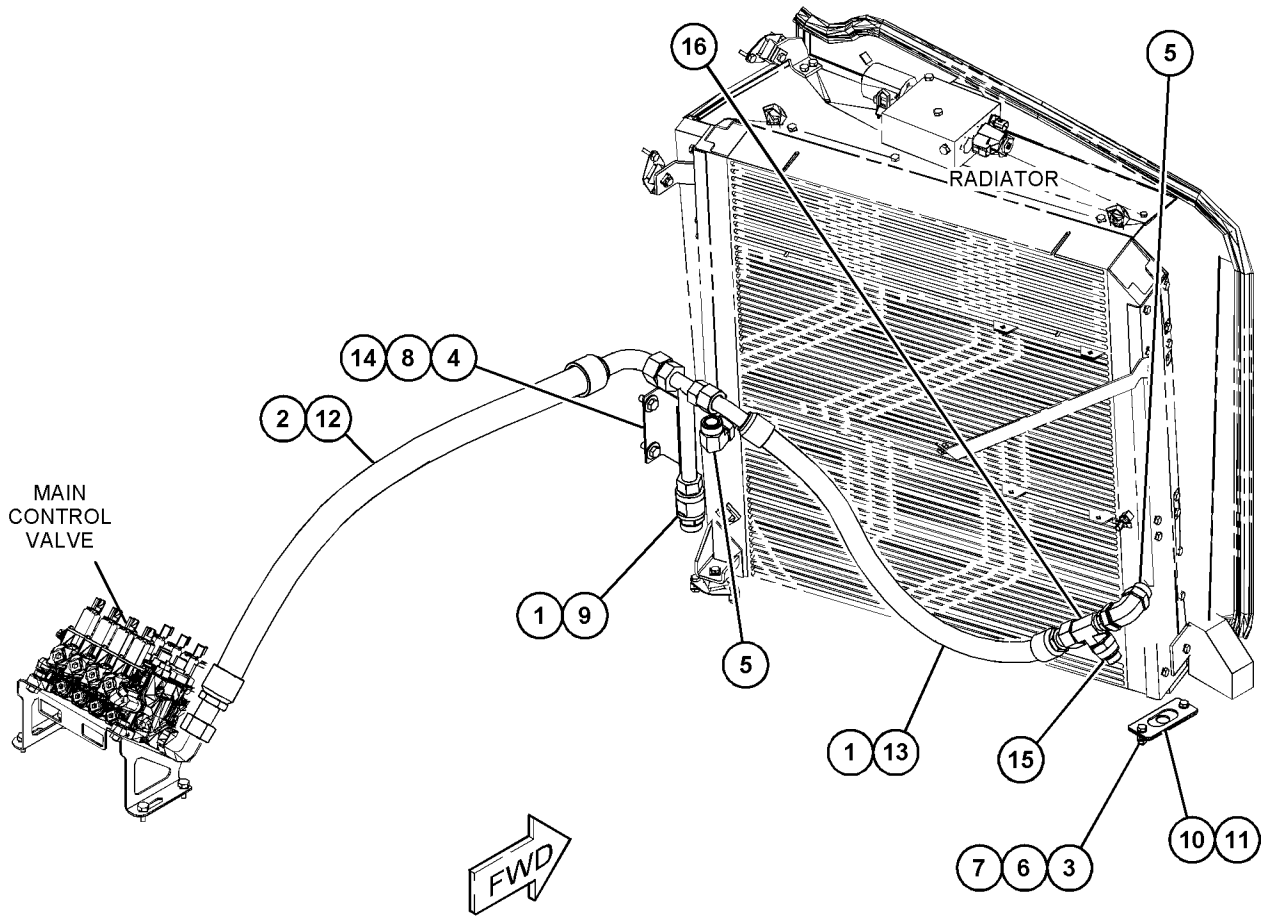
I - REFER TO HYDRAULIC INFORMATION SYSTEM

M - METRIC PART

HYDRAULIC SYSTEM

500-1125 LINES GP-RETURN (contd.)

i06603089



GRAPHIC #1

<END>

g06045211

HYDRAULIC SYSTEM

500-1125 LINES GP-RETURN-INSTALLATION

S/N: TH41-UP; TH91-UP

PART OF 518-5879, 523-2012 INSTALLATION AR-ENGINE

AN ATTACHMENT

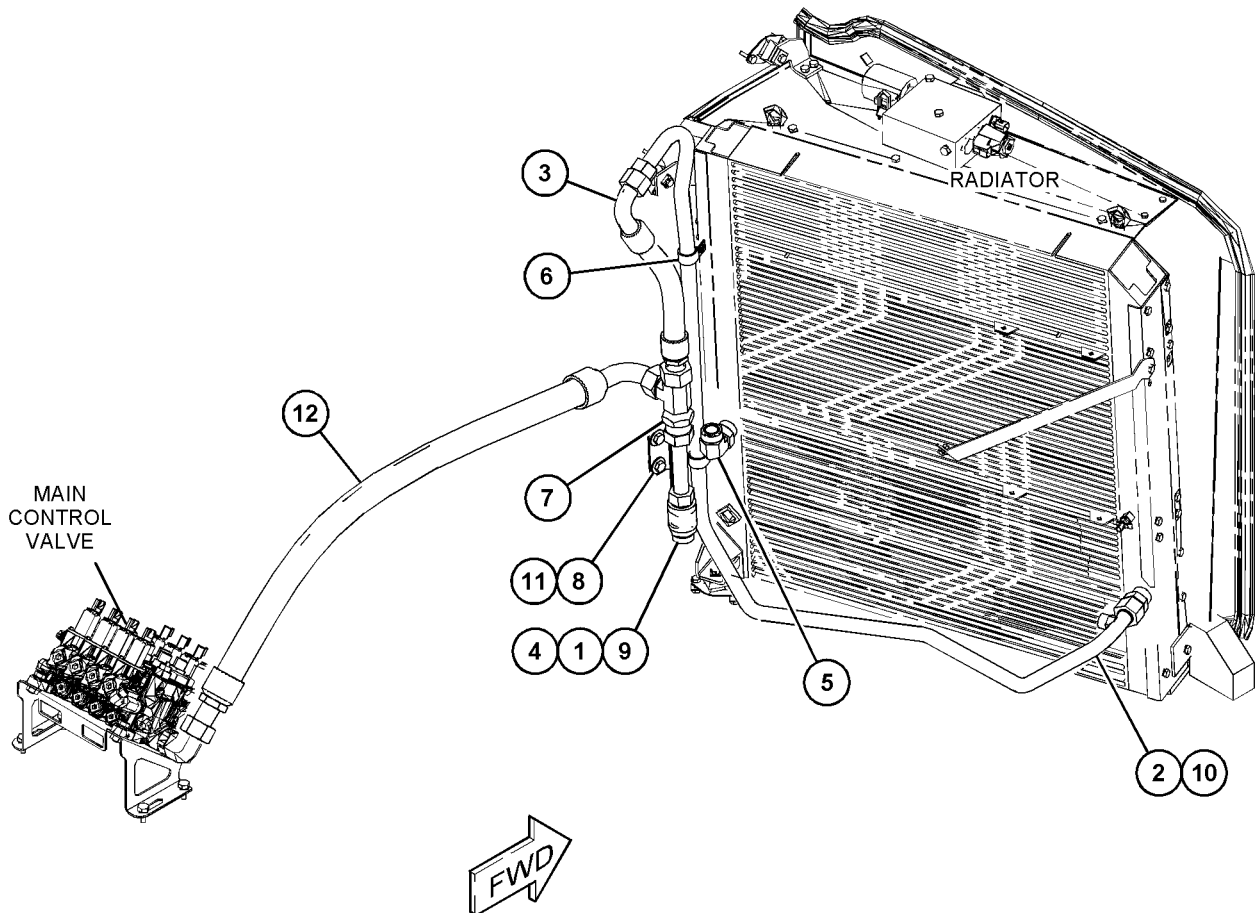
TYPE 2

SMCS-5057

i07660892

NOTE	REF NO	GRAPHIC REF	PART NUMBER	QTY	PART NAME						SEE PAGE
					1	2	3	4	5	6 (PRODUCT LEVEL)	
C	1	1	5K-9090	1	SEAL-O-RING						
C	2	1	560-0028	1	TUBE AS						
CI	3	1	559-9868	1	HOSE AS						
C	4	1	559-9823	1	TUBE AS						
C	5	1	303-4759	1	FITTING						
C	6	1	7C-4354	2	CLIP						
C	7	1	421-6173	1	TEE AS						
		1	7X-2429	1	TEE-SWIVEL						
		1	228-7094	2	SEAL-O-RING						
	8	1	116-8517	2	WASHER (10.5X30X2.5-MM THK)						
	9	1	495-1408	1	VALVE AS-CHECK						
C	10	1	298-0470	1	FITTING-ADAPTER						
CM	11	1	264-3627	2	BOLT (M10X1.5X20-MM)						
	12	1	499-7363	1	HOSE AS						

C - CHANGE FROM PREVIOUS TYPE
 I - REFER TO HYDRAULIC INFORMATION SYSTEM
 M - METRIC PART



GRAPHIC #1

<END>

g06391639

HYDRAULIC SYSTEM

500-3153 LINES GP-RETURN

S/N: TH41-UP; TH91-UP; JKT1-UP

PART OF 518-5880, 518-5955, 523-1977 INSTALLATION AR-ENGINE
AN ATTACHMENT

SMCS-5057

i08062976

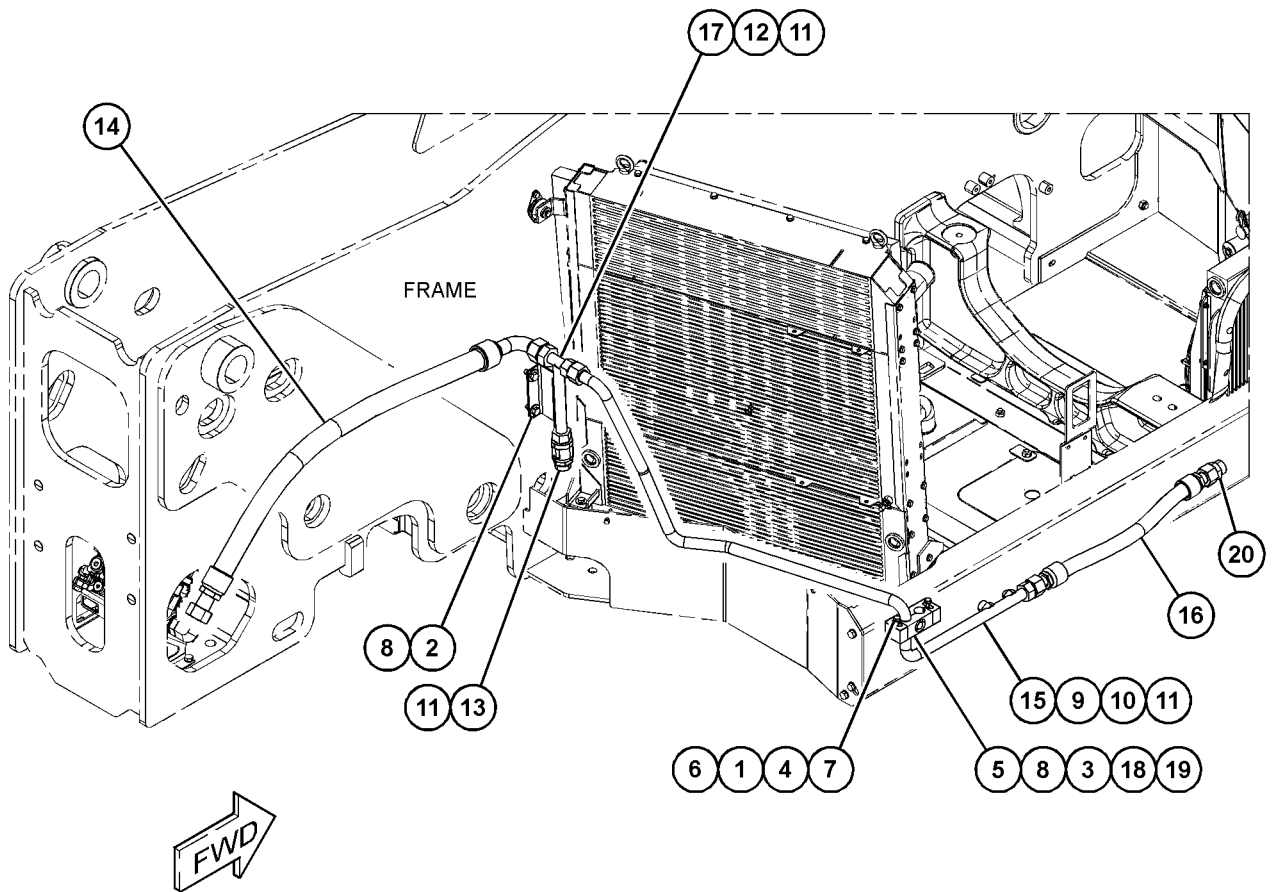
NOTE	REF NO	GRAPHIC REF	PART NUMBER	QTY	PART NAME						SEE PAGE
					1	2	3	4	5	6 (PRODUCT LEVEL)	
M	1	1	8T-6869	2	BOLT (M8X1.25X60-MM)						
M	2	1	8T-4136	2	BOLT (M10X1.5X25-MM)						
M	3	1	8T-4185	1	BOLT (M10X1.5X50-MM)						
M	4	1	5C-7261	2	NUT (M8X1.25-THD)						
M	5	1	8T-4133	1	NUT (M10X1.5-THD)						
	6	1	8T-4224	2	WASHER-HARD (8.8X16X2-MM THK)						
	7	1	309-3997	2	WASHER (8.4X25X2-MM THK)						
	8	1	116-8517	3	WASHER (10.5X30X2.5-MM THK)						
	9	1	6V-8397	1	SEAL-O-RING						
	10	1	7J-9108	1	SEAL-O-RING						
	11	1	5K-9090	3	SEAL-O-RING						
	12	1	6V-8400	1	SEAL-O-RING						
	13	1	495-1408	1	VALVE AS-CHECK						
	14	1	499-7363	1	HOSE AS						
	15	1	500-3154	1	TUBE AS						
I	16	1	500-1095	1	HOSE AS						
	17	1	499-8477	1	TUBE AS						
	18	1	500-3155	1	CLAMP-HALF						
	19	1	500-3156	1	CLAMP-HALF						
	20	1	298-0470	1	FITTING-ADAPTER						

I - REFER TO HYDRAULIC INFORMATION SYSTEM
M - METRIC PART

HYDRAULIC SYSTEM

500-3153 LINES GP-RETURN (contd.)

i08062976



GRAPHIC #1

<END>

g06562459

HYDRAULIC SYSTEM

500-3157 LINES GP-RETURN-HYDRAULIC TANK

S/N: TH91-151; JKT1-UP

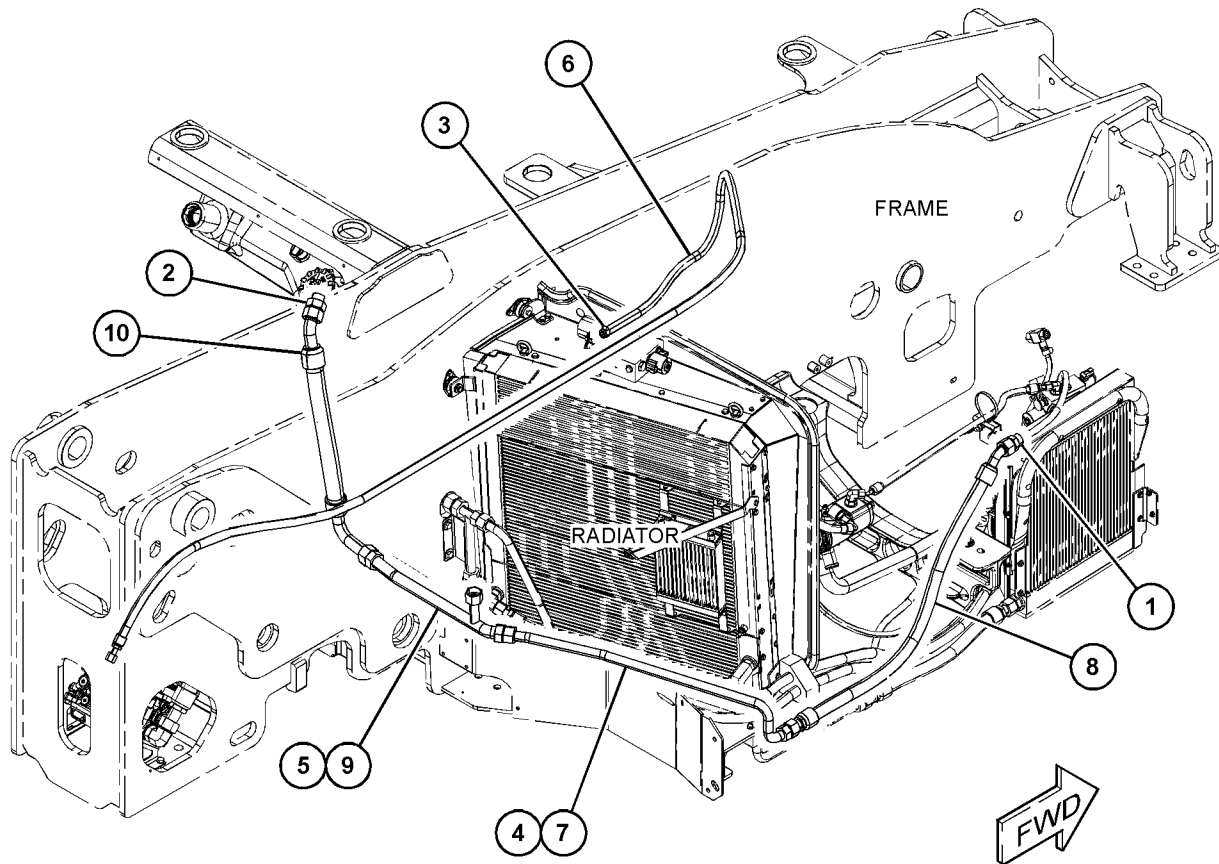
PART OF 518-5880, 518-5955, 523-1977 INSTALLATION AR-ENGINE
AN ATTACHMENT

SMCS-5057

i06601127

NOTE	REF NO	GRAPHIC REF	PART NUMBER	QTY	PART NAME						SEE PAGE
					1	2	3	4	5	6	
	1	1	298-0470	1	FITTING-ADAPTER						
	2	1	500-2096	1	ADAPTER-O-RING						
	3	1	309-2982	1	CLAMP						
	4	1	5K-9090	2	SEAL-O-RING						
	5	1	6V-8400	1	SEAL-O-RING						
	6	1	499-7321	1	HOSE AS						
	7	1	500-3158	1	TUBE AS						
I	8	1	500-1096	1	HOSE AS						
	9	1	499-9419	1	TUBE AS						
I	10	1	499-7358	1	HOSE AS						

I - REFER TO HYDRAULIC INFORMATION SYSTEM



GRAPHIC #1

<END>

g06040797

HYDRAULIC SYSTEM

500-3157 LINES GP-RETURN-HYDRAULIC TANK

S/N: TH9152-203

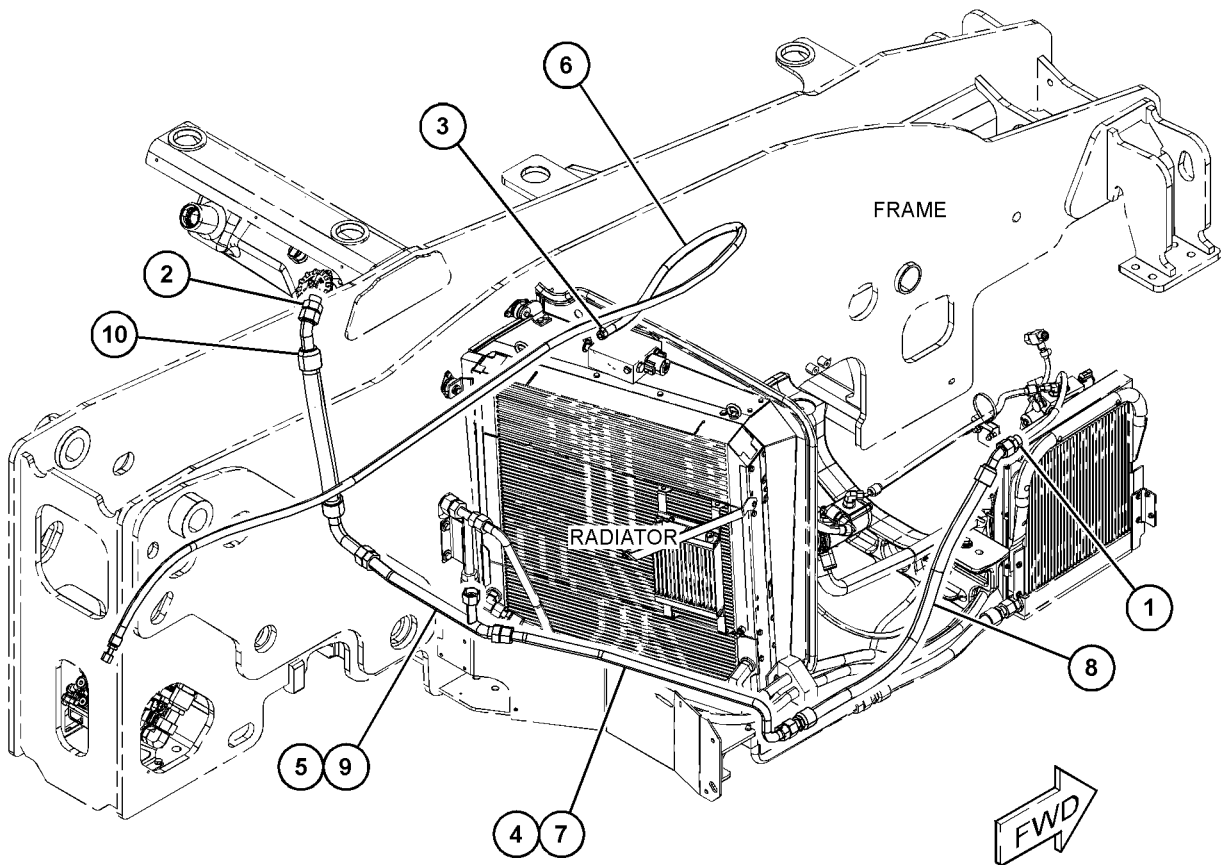
PART OF 518-5880, 518-5955, 523-1977 INSTALLATION AR-ENGINE
AN ATTACHMENT

SMCS-5057

i07422943

NOTE	REF NO	GRAPHIC REF	PART NUMBER	QTY	PART NAME						SEE PAGE
					1	2	3	4	5	6 (PRODUCT LEVEL)	
	1	1	298-0470	1	FITTING-ADAPTER						
	2	1	500-2096	1	ADAPTER-O-RING						
	3	1	309-2982	1	CLAMP						
	4	1	5K-9090	2	SEAL-O-RING						
	5	1	6V-8400	1	SEAL-O-RING						
C	6	1	558-4001	1	HOSE AS						
	7	1	500-3158	1	TUBE AS						
I	8	1	500-1096	1	HOSE AS						
	9	1	499-9419	1	TUBE AS						
I	10	1	499-7358	1	HOSE AS						

C - CHANGE FROM PREVIOUS TYPE
I - REFER TO HYDRAULIC INFORMATION SYSTEM



GRAPHIC #1

<END>

g06320639

HYDRAULIC SYSTEM

500-3157 LINES GP-RETURN-HYDRAULIC TANK

S/N: TH41-UP; TH9204-UP

PART OF 518-5880, 518-5955, 523-1977 INSTALLATION AR-ENGINE
AN ATTACHMENT

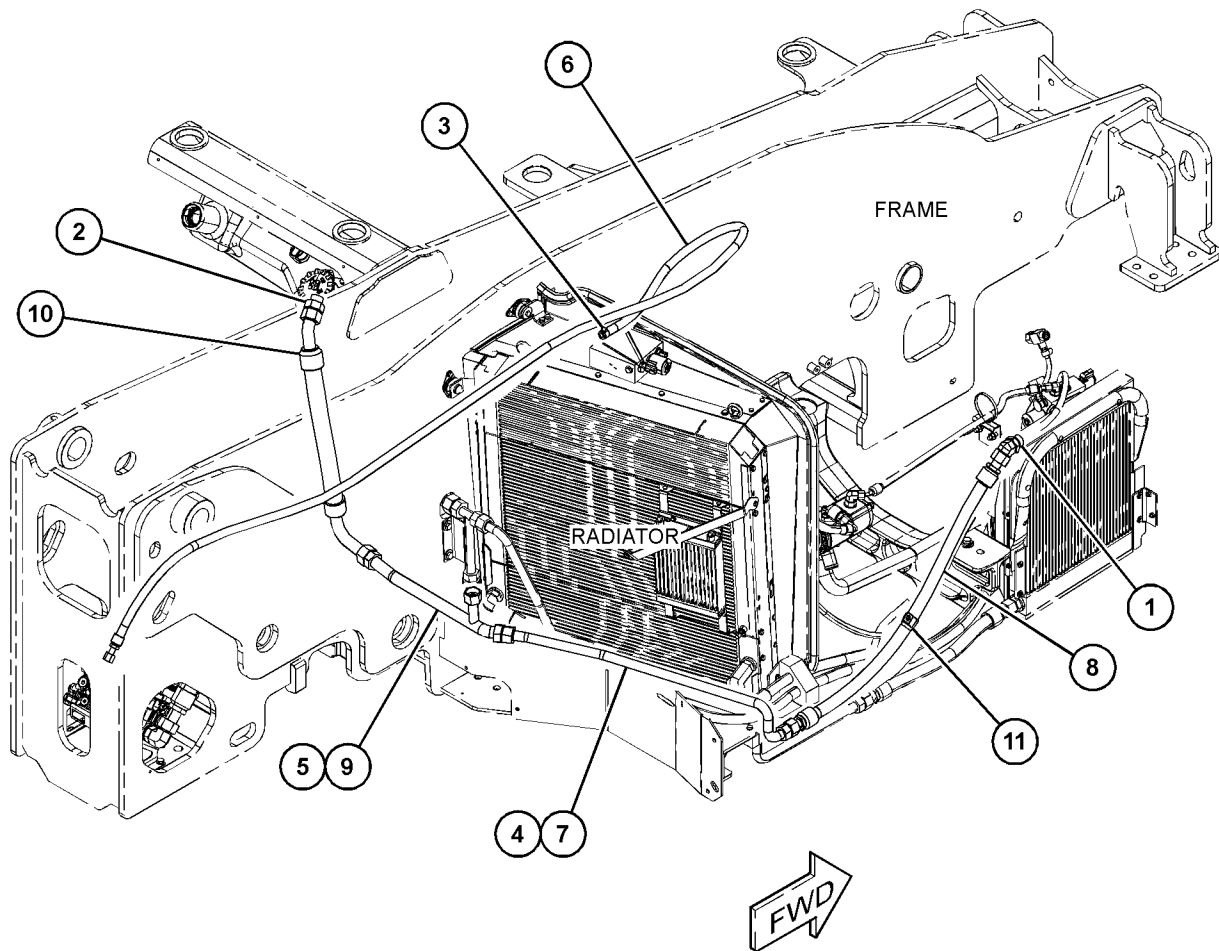
SMCS-5057

i07475116

NOTE	REF NO	GRAPHIC REF	PART NUMBER	QTY	PART NAME						SEE PAGE	
					1	2	3	4	5	6 (PRODUCT LEVEL)		
C	1	1	148-8355	1	ELBOW AS							
		1	5K-9090	1	SEAL-O-RING							
		1	6V-9005	1	ELBOW							
		1	7M-8485	1	SEAL-O-RING							
		2	1	500-2096	1	ADAPTER-O-RING						
		3	1	309-2982	1	CLAMP						
		4	1	5K-9090	2	SEAL-O-RING						
5	1	6V-8400	1	SEAL-O-RING								
6	1	558-4001	1	HOSE AS								
7	1	500-3158	1	TUBE AS								
CI	8	1	564-1475	1	HOSE AS							
		9	1	499-9419	1	TUBE AS						
I	10	1	499-7358	1	HOSE AS							
C	11	1	329-2455	1	CLIP							

C - CHANGE FROM PREVIOUS TYPE

I - REFER TO HYDRAULIC INFORMATION SYSTEM



GRAPHIC #1

<END>

g06333853

HYDRAULIC SYSTEM

501-2452 LINES GP-TRAILER

S/N: TH91-203

PART OF 506-7651 BRAKE AR-TRAILER, 506-7655 TRAILER AR
AN ATTACHMENT

SMCS-5057

i08166787

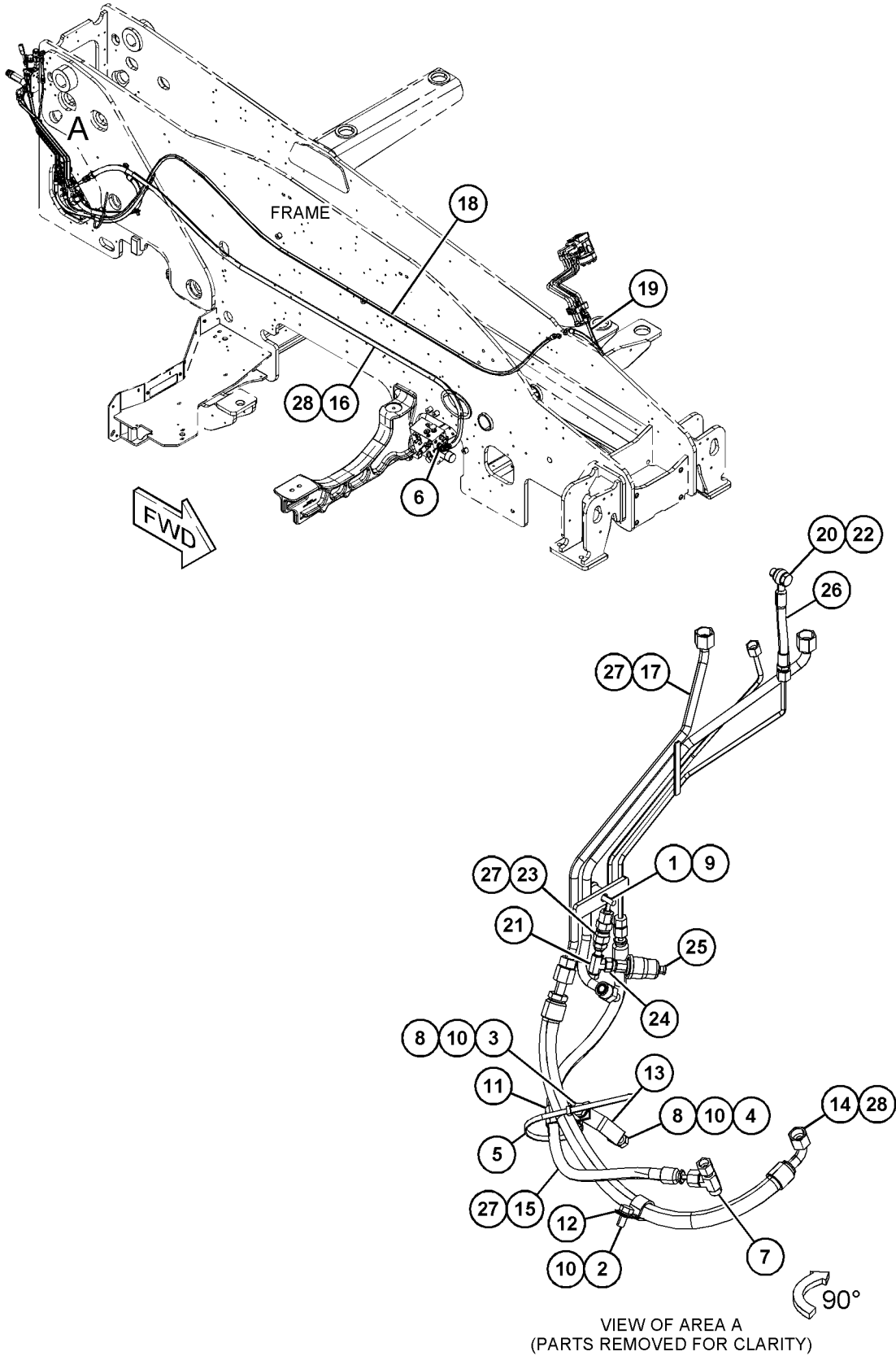
NOTE	REF NO	GRAPHIC REF	PART NUMBER	QTY	PART NAME						SEE PAGE
					1	2	3	4	5	6 (PRODUCT LEVEL)	
M	1	1	7X-0818	1	BOLT (M8X1.25X45-MM)						
M	2	1	501-2453	1	BOLT (M10X1.5X22-MM)						
M	3	1	8T-4136	1	BOLT (M10X1.5X25-MM)						
M	4	1	8T-4195	3	BOLT (M10X1.5X30-MM)						
	5	1	7K-1181	1	STRAP-CABLE						
	6	1	309-6355	1	TEE						
	7	1	298-0496	1	FITTING-ADAPTER						
M	8	1	8T-4133	2	NUT (M10X1.5-THD)						
	9	1	309-3997	1	WASHER (8.4X25X2-MM THK)						
	10	1	8T-4121	4	WASHER-HARD (11X21X2.5-MM THK)						
	11	1	5K-8451	1	CLIP (LOOP)						
	12	1	9X-8250	1	CLIP (LOOP)						
	13	1	501-2454	1	PLATE-CLAMP						
I	14	1	501-0767	1	HOSE AS						
I	15	1	501-0768	1	HOSE AS						
I	16	1	501-0769	1	HOSE AS						
	17	1	529-0069	1	TUBE AS						
I	18	1	501-0770	1	HOSE AS						
I	19	1	501-0771	1	HOSE AS						
M	20	1	437-5084	1	BOLT-HOLLOW (M12X1.25X22-MM)						
	21	1	309-2964	1	FITTING						
	22	1	243-4361	2	WASHER-COPPER (12.5X18X1.5-MM THK)						
	23	1	463-8908	1	CHECK-VALVE						
	24	1	528-8596	1	ADAPTER						
	25	1	528-8686	1	SENSOR GP-PRESSURE (TRAILER BRAKE)						
	26	1	437-5080	1	HOSE AS						
	27	1	4J-5477	3	SEAL-O-RING						
	28	1	6V-8398	2	SEAL-O-RING						

I - REFER TO HYDRAULIC INFORMATION SYSTEM
M - METRIC PART

HYDRAULIC SYSTEM

501-2452 LINES GP-TRAILER (contd.)

i08166787



GRAPHIC #1

<END>

g06316406

HYDRAULIC SYSTEM

501-2452 LINES GP-TRAILER

S/N: TH9204-UP

PART OF 506-7651 BRAKE AR-TRAILER, 506-7655 TRAILER AR
AN ATTACHMENT

SMCS-5057

i08166790

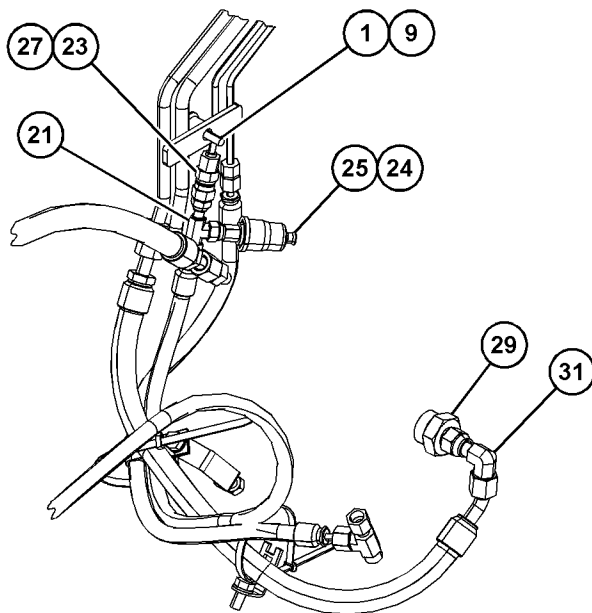
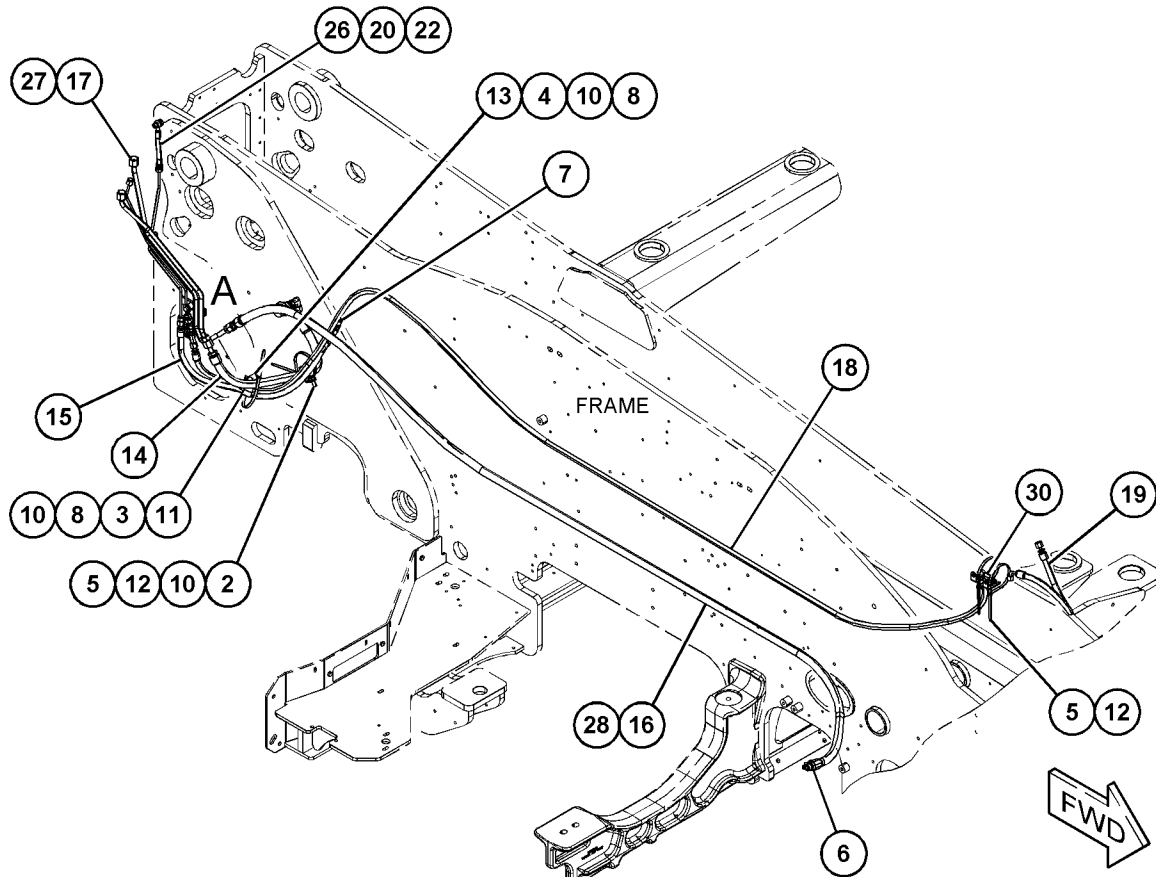
NOTE	REF NO	GRAPHIC REF	PART NUMBER	QTY	PART NAME						SEE PAGE
					1	2	3	4	5	6 (PRODUCT LEVEL)	
M	1	1	7X-0818	1	BOLT (M8X1.25X45-MM)						
M	2	1	501-2453	1	BOLT (M10X1.5X22-MM)						
M	3	1	8T-4136	1	BOLT (M10X1.5X25-MM)						
M	4	1	8T-4195	1	BOLT (M10X1.5X30-MM)						
C	5	1	7K-1181	4	STRAP-CABLE						
	6	1	309-6355	1	TEE						
	7	1	298-0496	1	FITTING-ADAPTER						
M	8	1	8T-4133	2	NUT (M10X1.5-THD)						
	9	1	309-3997	1	WASHER (8.4X25X2-MM THK)						
	10	1	8T-4121	4	WASHER-HARD (11X21X2.5-MM THK)						
	11	1	5K-8451	1	CLIP (LOOP)						
C	12	1	132-5789	3	CLIP (LADDER)						
	13	1	501-2454	1	PLATE-CLAMP						
CI	14	1	555-3853	1	HOSE AS						
I	15	1	501-0768	1	HOSE AS						
CI	16	1	559-1979	1	HOSE AS						
	17	1	529-0069	1	TUBE AS						
CI	18	1	555-3681	1	HOSE AS						
I	19	1	501-0771	1	HOSE AS						
M	20	1	437-5084	1	BOLT-HOLLOW (M12X1.25X22-MM)						
	21	1	309-2964	1	FITTING						
	22	1	243-4361	2	WASHER-COPPER (12.5X18X1.5-MM THK)						
	23	1	463-8908	1	CHECK-VALVE						
	24	1	528-8596	1	ADAPTER						
	25	1	528-8686	1	SENSOR GP-PRESSURE (TRAILER BRAKE)						
	26	1	437-5080	1	HOSE AS						
	27	1	4J-5477	3	SEAL-O-RING						
	28	1	6V-8398	2	SEAL-O-RING						
C	29	1	9X-8408	1	CONNECTOR						
C	30	1	323-5625	1	TEE						
C	31	1	298-0508	1	FITTING						

C - CHANGE FROM PREVIOUS TYPE
I - REFER TO HYDRAULIC INFORMATION SYSTEM
M - METRIC PART

HYDRAULIC SYSTEM

501-2452 LINES GP-TRAILER (contd.)

i08166790



VIEW OF AREA A 90°

GRAPHIC #1

<END>

g06318332

HYDRAULIC SYSTEM

501-7468 LINES GP-TRAILER

S/N: TH41-149; TH91-230

PART OF 506-7649, 506-7652 BRAKE AR-TRAILER
AN ATTACHMENT

SMCS-5057

i06613303

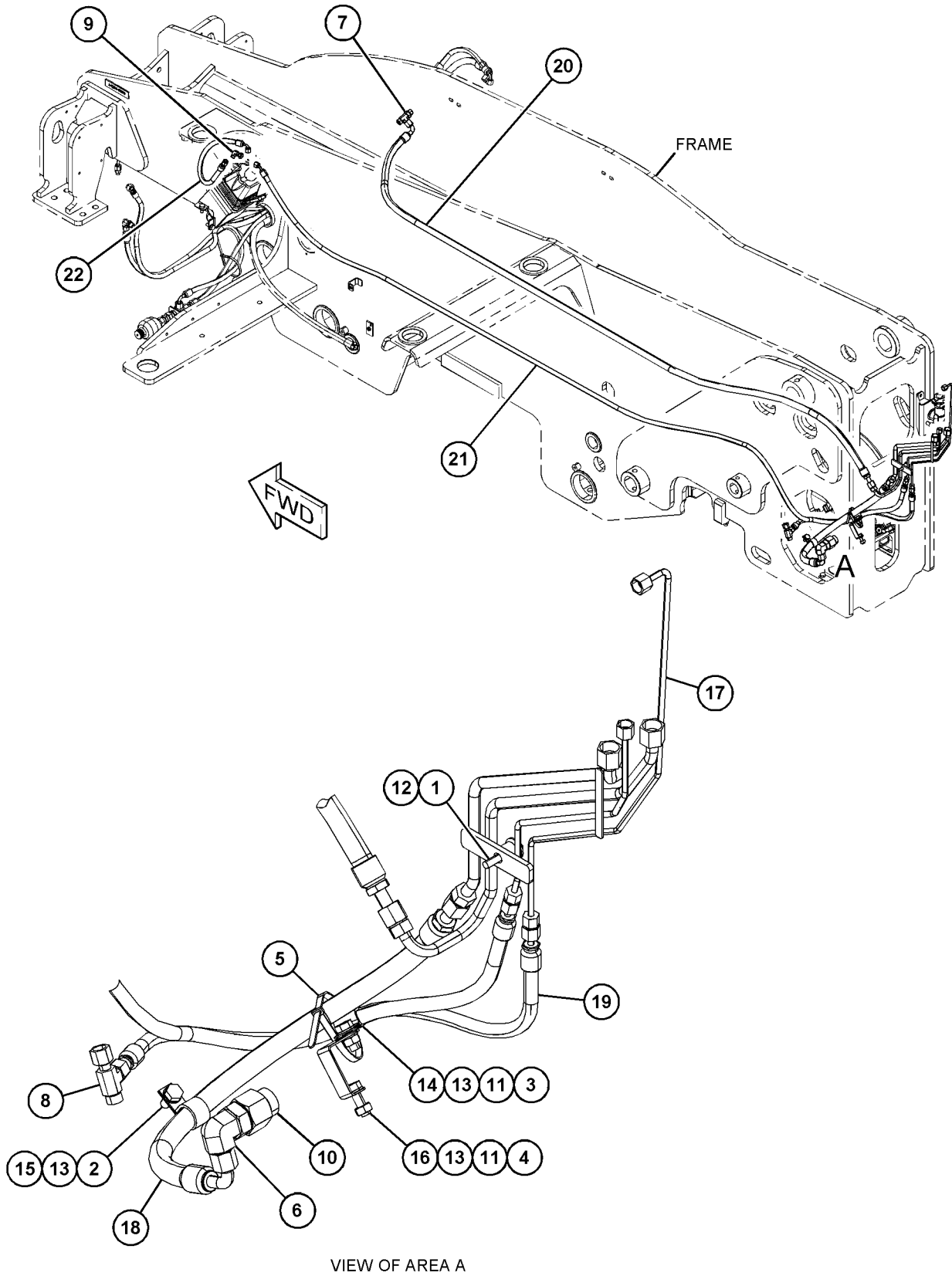
NOTE	REF NO	GRAPHIC REF	PART NUMBER	QTY	PART NAME						SEE PAGE
					1	2	3	4	5	6 (PRODUCT LEVEL)	
M	1	1	7X-0818	1	BOLT (M8X1.25X45-MM)						
M	2	1	501-2453	1	BOLT (M10X1.5X22-MM)						
M	3	1	8T-4136	1	BOLT (M10X1.5X25-MM)						
M	4	1	8T-4195	1	BOLT (M10X1.5X30-MM)						
	5	1	7K-1181	1	STRAP-CABLE						
	6	1	303-4756	1	FITTING						
	7	1	309-6355	1	TEE						
	8	1	298-0496	1	FITTING-ADAPTER						
	9	1	328-9691	1	ELBOW						
	10	1	501-2457	1	ADAPTER-STR						
M	11	1	8T-4133	2	NUT (M10X1.5-THD)						
	12	1	309-3997	1	WASHER (8.4X25X2-MM THK)						
	13	1	8T-4121	4	WASHER-HARD (11X21X2.5-MM THK)						
	14	1	5K-8451	1	CLIP (LOOP)						
	15	1	9X-8250	1	CLIP (LOOP)						
	16	1	501-2454	1	PLATE-CLAMP						
	17	1	501-7469	1	TUBE AS						
I	18	1	501-0767	1	HOSE AS						
I	19	1	501-0768	1	HOSE AS						
I	20	1	501-0769	1	HOSE AS						
I	21	1	501-0770	1	HOSE AS						
I	22	1	501-0771	1	HOSE AS						

I - REFER TO HYDRAULIC INFORMATION SYSTEM
M - METRIC PART

HYDRAULIC SYSTEM

501-7468 LINES GP-TRAILER (contd.)

106613303



GRAPHIC #1

<END>

g06093922

HYDRAULIC SYSTEM

501-7468 LINES GP-TRAILER

S/N: TH4150-UP; TH9231-UP

PART OF 506-7649, 506-7652 BRAKE AR-TRAILER
AN ATTACHMENT

SMCS-5057

i07420543

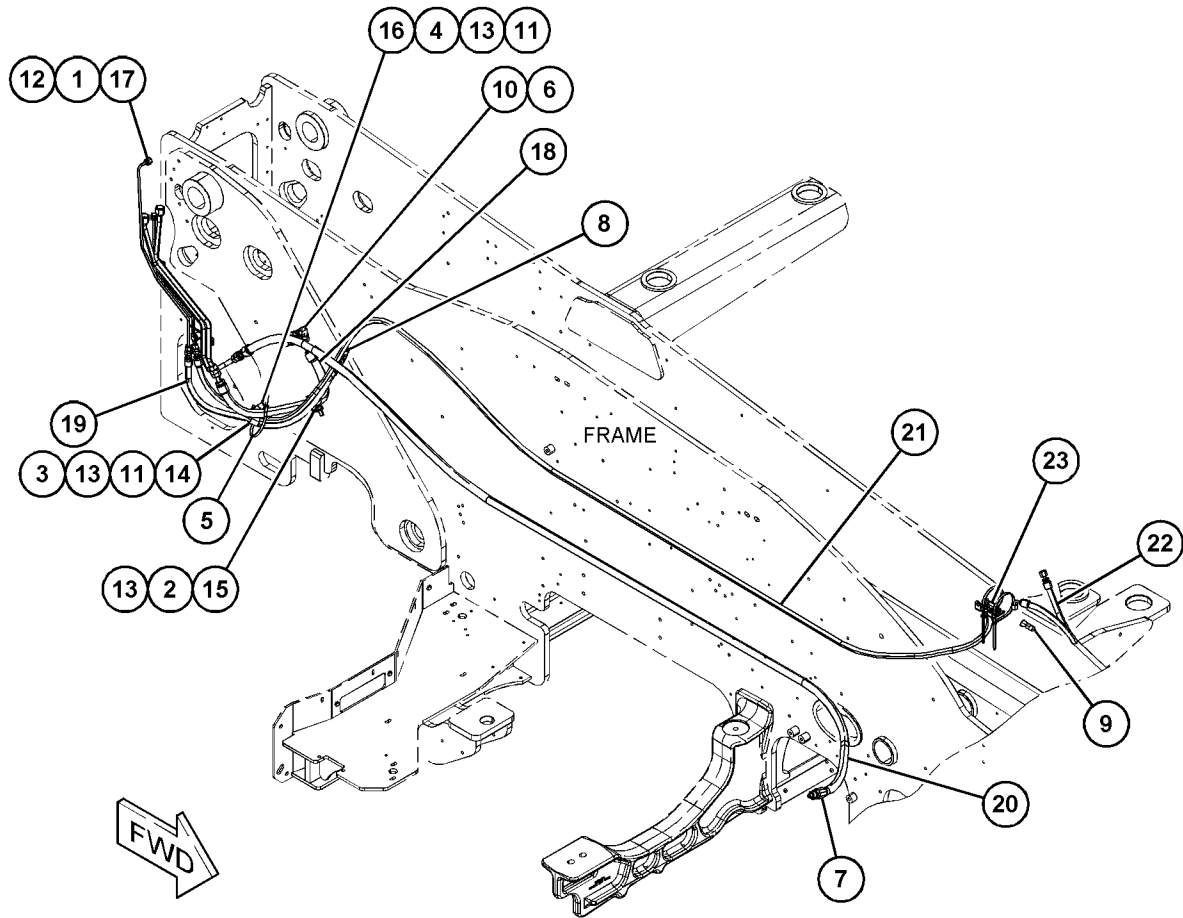
NOTE	REF NO	GRAPHIC REF	PART NUMBER	QTY	PART NAME						SEE PAGE
					1	2	3	4	5	6 (PRODUCT LEVEL)	
M	1	1	7X-0818	1	BOLT (M8X1.25X45-MM)						
M	2	1	501-2453	1	BOLT (M10X1.5X22-MM)						
M	3	1	8T-4136	1	BOLT (M10X1.5X25-MM)						
M	4	1	8T-4195	1	BOLT (M10X1.5X30-MM)						
C	5	1	7K-1181	2	STRAP-CABLE						
C	6	1	558-9595	2	SEAL-O-RING						
	7	1	309-6355	1	TEE						
C	8	1	298-0496	2	FITTING-ADAPTER						
C	9	1	298-0465	1	FITTING-ADAPTER						
C	10	1	4J-5477	3	SEAL-O-RING						
M	11	1	8T-4133	2	NUT (M10X1.5-THD)						
C	12	1	260-6685	1	WASHER (9X25X1.6-MM THK)						
	13	1	8T-4121	4	WASHER-HARD (11X21X2.5-MM THK)						
	14	1	5K-8451	1	CLIP (LOOP)						
C	15	1	132-5789	1	CLIP (LADDER)						
	16	1	501-2454	1	PLATE-CLAMP						
C	17	1	556-8954	1	TUBE AS						
CI	18	1	556-8955	1	HOSE AS						
I	19	1	501-0768	1	HOSE AS						
CI	20	1	559-1979	1	HOSE AS						
I	21	1	555-3681	1	HOSE AS						
I	22	1	501-0771	1	HOSE AS						
CI	23	1	556-8956	1	HOSE AS						

C - CHANGE FROM PREVIOUS TYPE
I - REFER TO HYDRAULIC INFORMATION SYSTEM
M - METRIC PART

HYDRAULIC SYSTEM

501-7468 LINES GP-TRAILER (contd.)

i07420543



GRAPHIC #1

<END>

g06317199

HYDRAULIC SYSTEM

501-7468 LINES GP-TRAILER

S/N: TH4150-UP; TH9204-UP

PART OF 506-7649, 506-7652 BRAKE AR-TRAILER
AN ATTACHMENT

SMCS-5057

i08166792

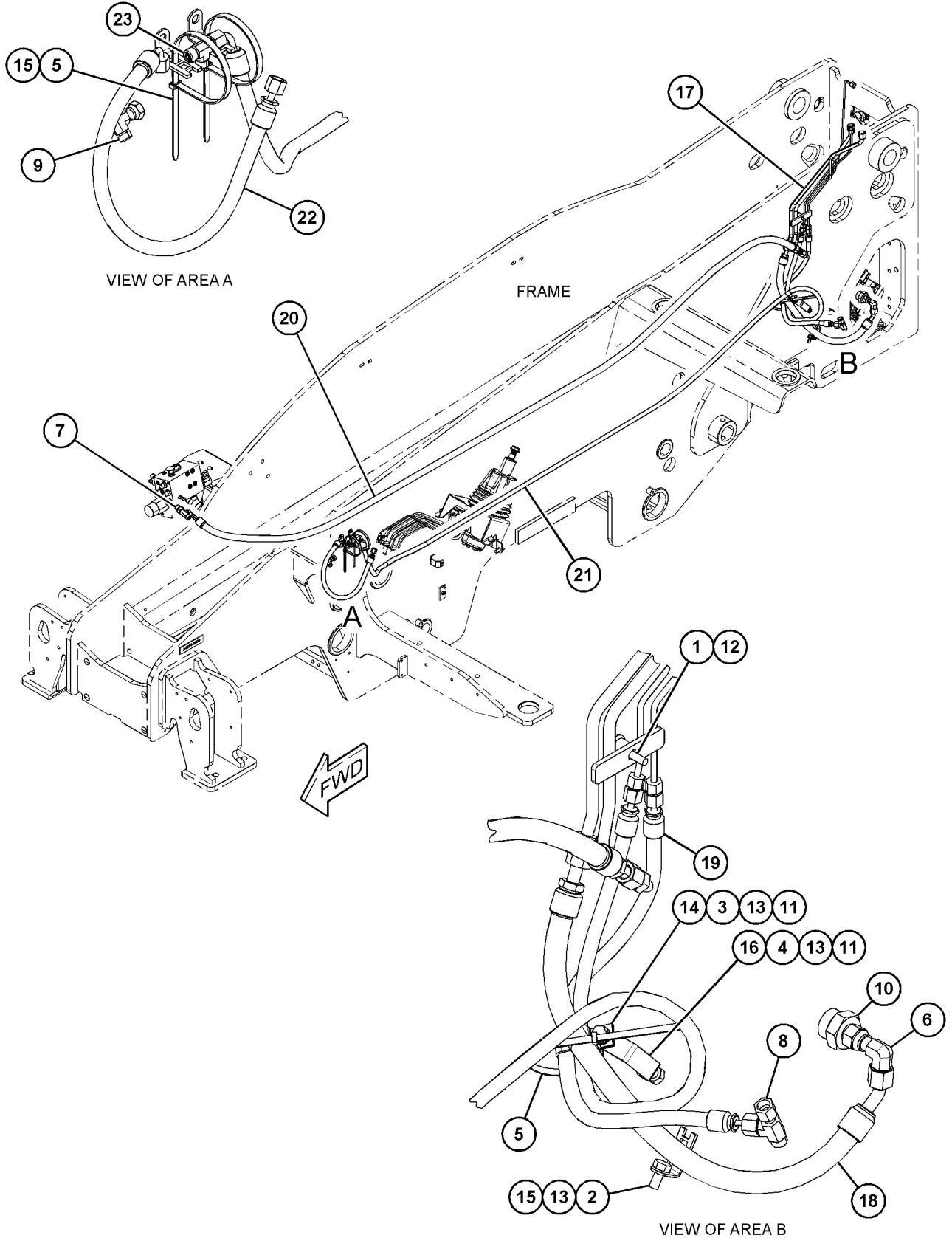
NOTE	REF NO	GRAPHIC REF	PART NUMBER	QTY	PART NAME						SEE PAGE
					1	2	3	4	5	6 (PRODUCT LEVEL)	
M	1	1	7X-0818	1	BOLT (M8X1.25X45-MM)						
M	2	1	501-2453	1	BOLT (M10X1.5X22-MM)						
M	3	1	8T-4136	1	BOLT (M10X1.5X25-MM)						
M	4	1	8T-4195	1	BOLT (M10X1.5X30-MM)						
C	5	1	7K-1181	4	STRAP-CABLE						
C	6	1	298-0508	1	FITTING						
	7	1	309-6355	1	TEE						
	8	1	298-0496	1	FITTING-ADAPTER						
	9	1	328-9691	1	ELBOW						
C	10	1	9X-8408	1	CONNECTOR						
M	11	1	8T-4133	2	NUT (M10X1.5-THD)						
	12	1	309-3997	1	WASHER (8.4X25X2-MM THK)						
	13	1	8T-4121	4	WASHER-HARD (11X21X2.5-MM THK)						
	14	1	5K-8451	1	CLIP (LOOP)						
C	15	1	132-5789	3	CLIP (LADDER)						
	16	1	501-2454	1	PLATE-CLAMP						
	17	1	501-7469	1	TUBE AS						
CI	18	1	555-3853	1	HOSE AS						
I	19	1	501-0768	1	HOSE AS						
I	20	1	501-0769	1	HOSE AS						
CI	21	1	555-3681	1	HOSE AS						
I	22	1	501-0771	1	HOSE AS						
C	23	1	323-5625	1	TEE						

C - CHANGE FROM PREVIOUS TYPE
I - REFER TO HYDRAULIC INFORMATION SYSTEM
M - METRIC PART

HYDRAULIC SYSTEM

501-7468 LINES GP-TRAILER (contd.)

i08166792



GRAPHIC #1

<END>

g06316032

HYDRAULIC SYSTEM

559-1222 LINES GP-TRAILER

S/N: TH41-UP; TH91-UP

PART OF 553-5769, 553-5770 BRAKE AR-TRAILER
AN ATTACHMENT

SMCS-5057

i07390056

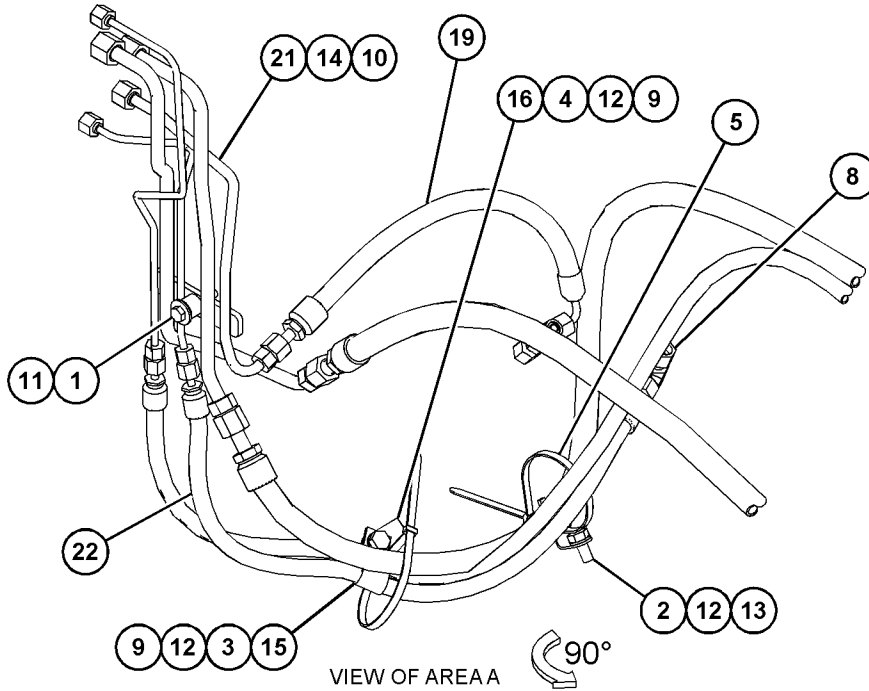
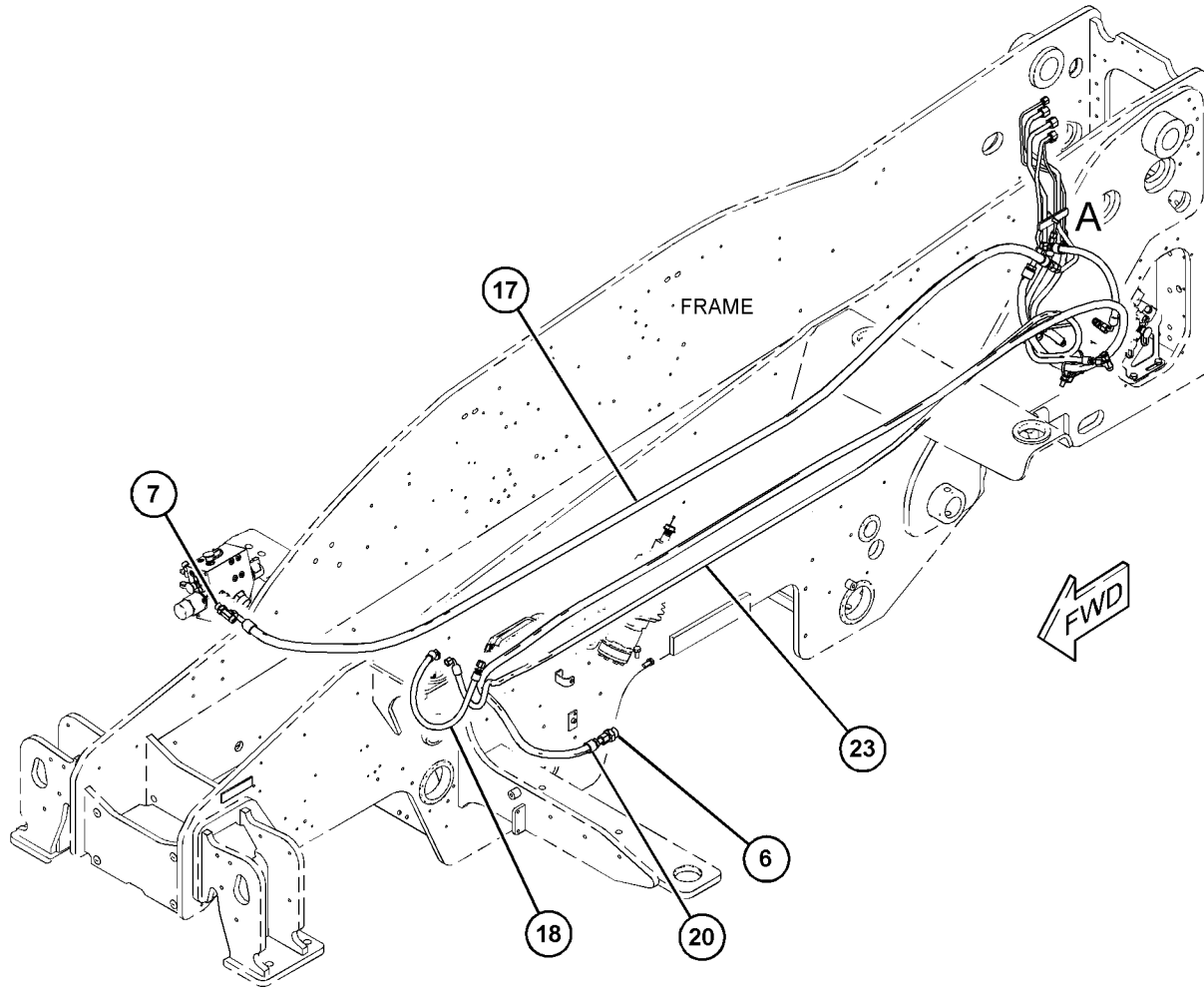
NOTE	REF NO	GRAPHIC REF	PART NUMBER	QTY	PART NAME						SEE PAGE
					1	2	3	4	5	6 (PRODUCT LEVEL)	
M	1	1	7X-0818	1	BOLT (M8X1.25X45-MM)						
M	2	1	501-2453	1	BOLT (M10X1.5X22-MM)						
M	3	1	8T-4136	1	BOLT (M10X1.5X25-MM)						
M	4	1	8T-4195	1	BOLT (M10X1.5X30-MM)						
	5	1	7K-1181	2	STRAP-CABLE						
	6	1	298-0465	1	FITTING-ADAPTER						
	7	1	309-6355	1	TEE						
	8	1	298-0496	2	FITTING-ADAPTER						
M	9	1	344-5673	2	NUT (M6X1-THD)						
	10	1	558-9595	2	SEAL-O-RING						
	11	1	260-6685	1	WASHER (9X25X1.6-MM THK)						
	12	1	8T-4121	4	WASHER-HARD (11X21X2.5-MM THK)						
	13	1	132-5789	1	CLIP (LADDER)						
	14	1	4J-5477	3	SEAL-O-RING						
	15	1	5K-8451	1	CLIP (LOOP)						
	16	1	501-2454	1	PLATE-CLAMP						
I	17	1	559-1979	1	HOSE AS						
I	18	1	501-0771	1	HOSE AS						
I	19	1	556-8955	1	HOSE AS						
I	20	1	556-8956	1	HOSE AS						
	21	1	556-8954	1	TUBE AS						
I	22	1	501-0768	1	HOSE AS						
I	23	1	555-3681	1	HOSE AS						

I - REFER TO HYDRAULIC INFORMATION SYSTEM
M - METRIC PART

HYDRAULIC SYSTEM

559-1222 LINES GP-TRAILER (contd.)

i07390056



GRAPHIC #1

<END>

g06316069

HYDRAULIC SYSTEM

464-3548 MANIFOLD GP-CONTROL

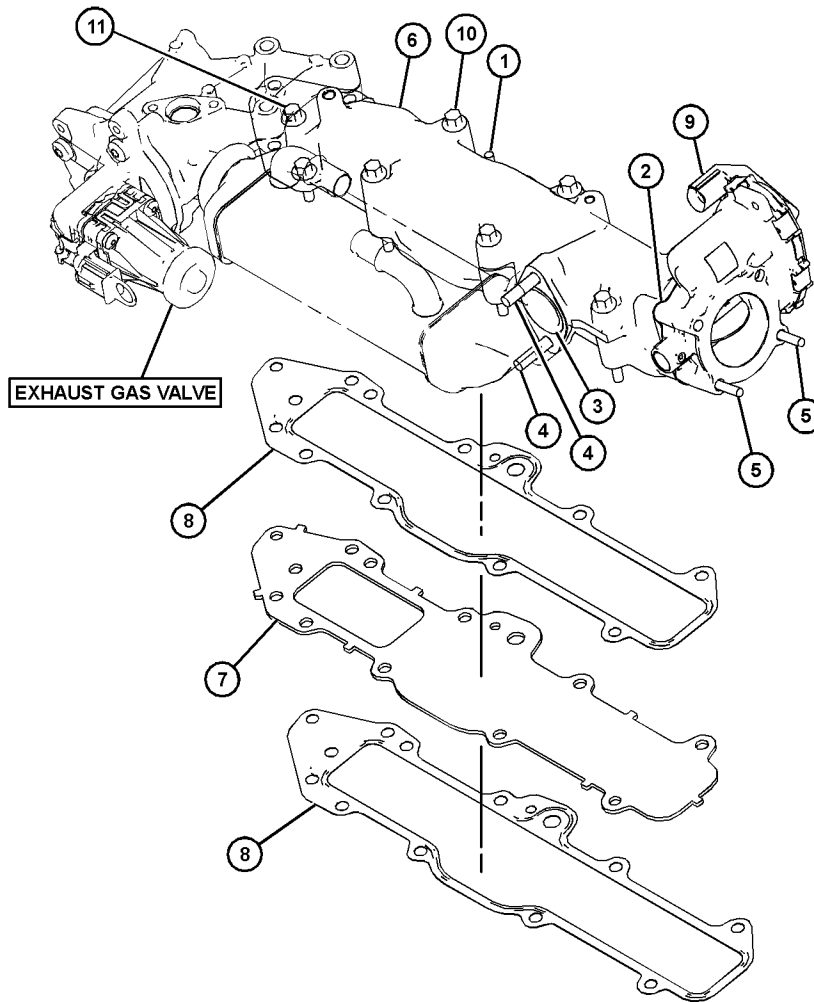
S/N: CN51-UP

PART OF 441-9792 TURBOCHARGER GP
AN ATTACHMENT

SMCS-3206, 5051, 5264, 5479

i06937935

NOTE	REF NO	GRAPHIC REF	PART NUMBER	QTY	PART NAME						SEE PAGE
					1	2	3	4	5	6 (PRODUCT LEVEL)	
	1	1	331-6839	1	STUD (M6X1X29-MM)						
	2	1	386-2783	1	GASKET						
	3	1	386-2911	1	PIPE						
	4	1	390-0316	2	STUD						
	5	1	393-7228	2	STUD						
	6	1	464-9128	1	MANIFOLD AS						
	7	1	464-9136	1	SPACER						
	8	1	464-9137	2	GASKET						
	9	1	504-8890	1	VALVE-THROTTLE						
	10	1	464-9140	6	BOLT						
	11	1	465-1167	3	BOLT						



GRAPHIC #1

<END>

g03836460

HYDRAULIC SYSTEM

499-4942 MOTOR & MTG GP-HYDRAULIC FAN

S/N: TH91-UP; JKT1-UP

PART OF 499-4950 COOLER GP-HYDRAULIC OIL
AN ATTACHMENT

SMCS-1386, 5061

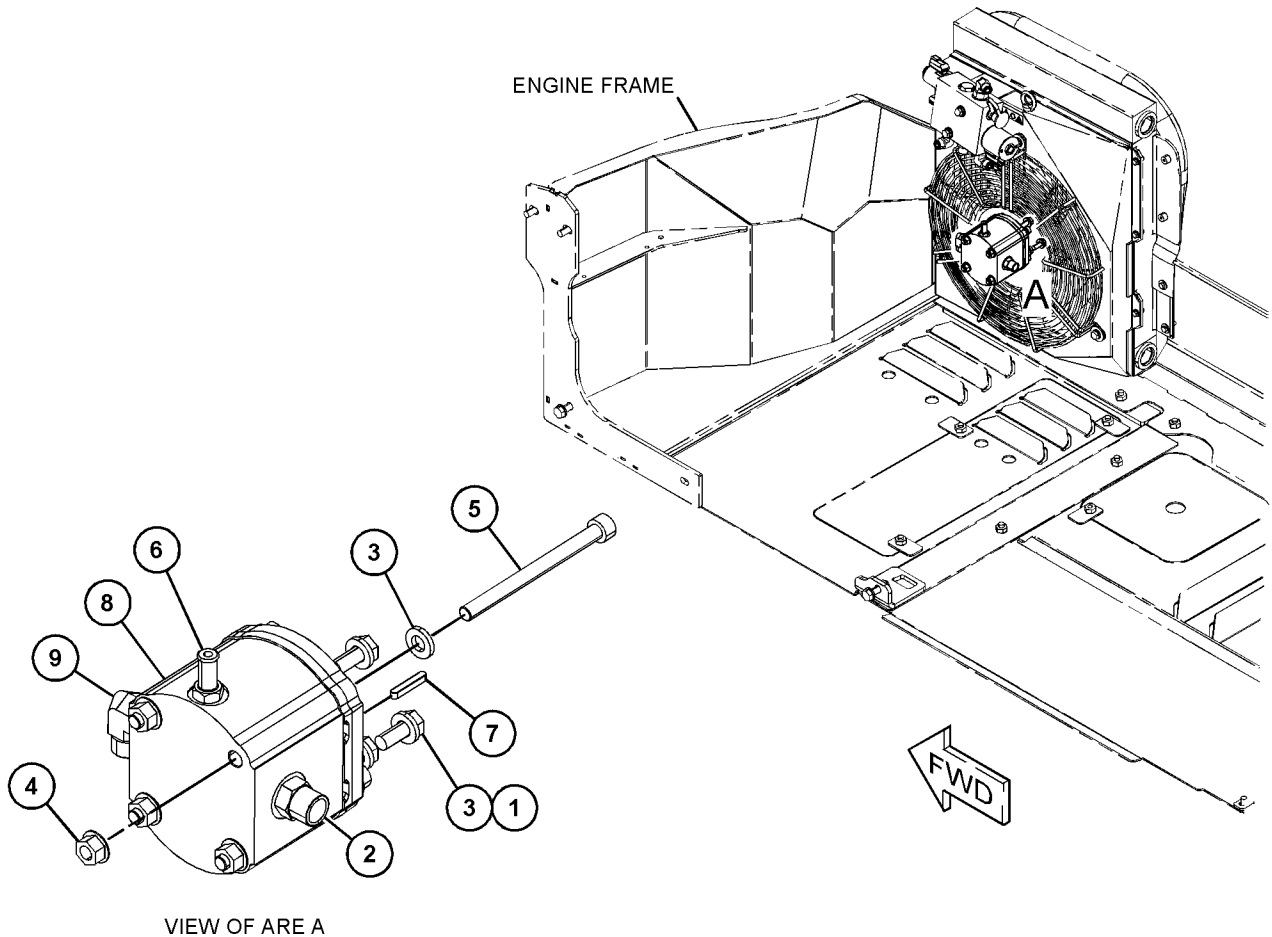
i07416495

NOTE	REF NO	GRAPHIC REF	PART NUMBER	QTY	PART NAME						SEE PAGE
					1	2	3	4	5	6 (PRODUCT LEVEL)	
M	1	1	8T-4189	4	BOLT (M8X1.25X20-MM)						
	2	1	298-7358	1	FITTING-ADAPTER						
	3	1	5M-2894	8	WASHER-HARD (10.2X18.5X2.5-MM THK)						
	4	1	495-7633	4	NUT-HEX FLANGE (SPECIAL)						
M	5	1	8T-4776	4	BOLT-SOCKET HEAD (M8X1.25X100-MM)						
	6	1	316-1999	1	ADAPTER						
	7	1	450-4786	1	KEY (FAN HUB)						
J	8	1	499-4943	1	MOTOR GP-FAN						
	9	1	298-0473	1	FITTING-ADAPTER						

AVAILABLE REPAIR KIT(S) :

J			477-0901	1	KIT-SEAL (INCLUDES BEARINGS, O-RING, SEALS & BACK UP RING)						
---	--	--	-----------------	---	---	--	--	--	--	--	--

J - KIT MARKED J SERVICES PART(S) MARKED J
M - METRIC PART



GRAPHIC #1

<END>

g06336655

HYDRAULIC SYSTEM

499-4942 MOTOR & MTG GP-HYDRAULIC FAN

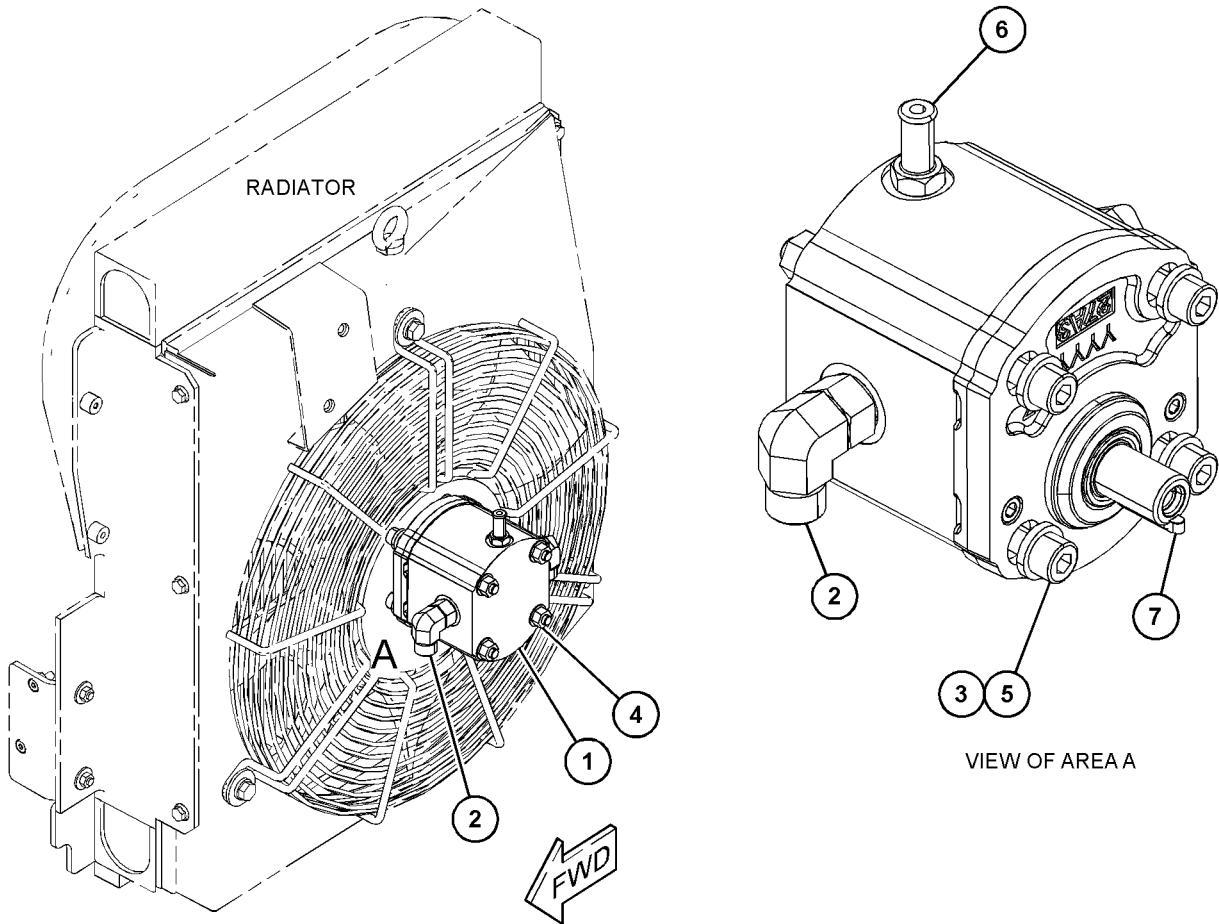
S/N: TH41-UP; TH91-UP; JKT1-UP
PART OF 499-4950 COOLER GP-HYDRAULIC OIL
AN ATTACHMENT

SMCS-1386, 5061

i07783215

NOTE	REF NO	GRAPHIC REF	PART NUMBER	QTY	PART NAME						SEE PAGE
					1	2	3	4	5	6 (PRODUCT LEVEL)	
C	1	1	324-8398	1	MOTOR (FAN DRIVE)						
C	2	1	298-0473	2	FITTING-ADAPTER						
C	3	1	5M-2894	4	WASHER-HARD (10.2X18.5X2.5-MM THK)						
	4	1	495-7633	4	NUT-HEX FLANGE (SPECIAL)						
M	5	1	8T-4776	4	BOLT-SOCKET HEAD (M8X1.25X100-MM)						
	6	1	316-1999	1	ADAPTER						
	7	1	450-4786	1	KEY (FAN HUB)						

C - CHANGE FROM PREVIOUS TYPE
M - METRIC PART



GRAPHIC #1

<END>

g06456569

HYDRAULIC SYSTEM

9R-4668 MOUNTING GP-CYLINDER-MULTIPURPOSE BUCKET

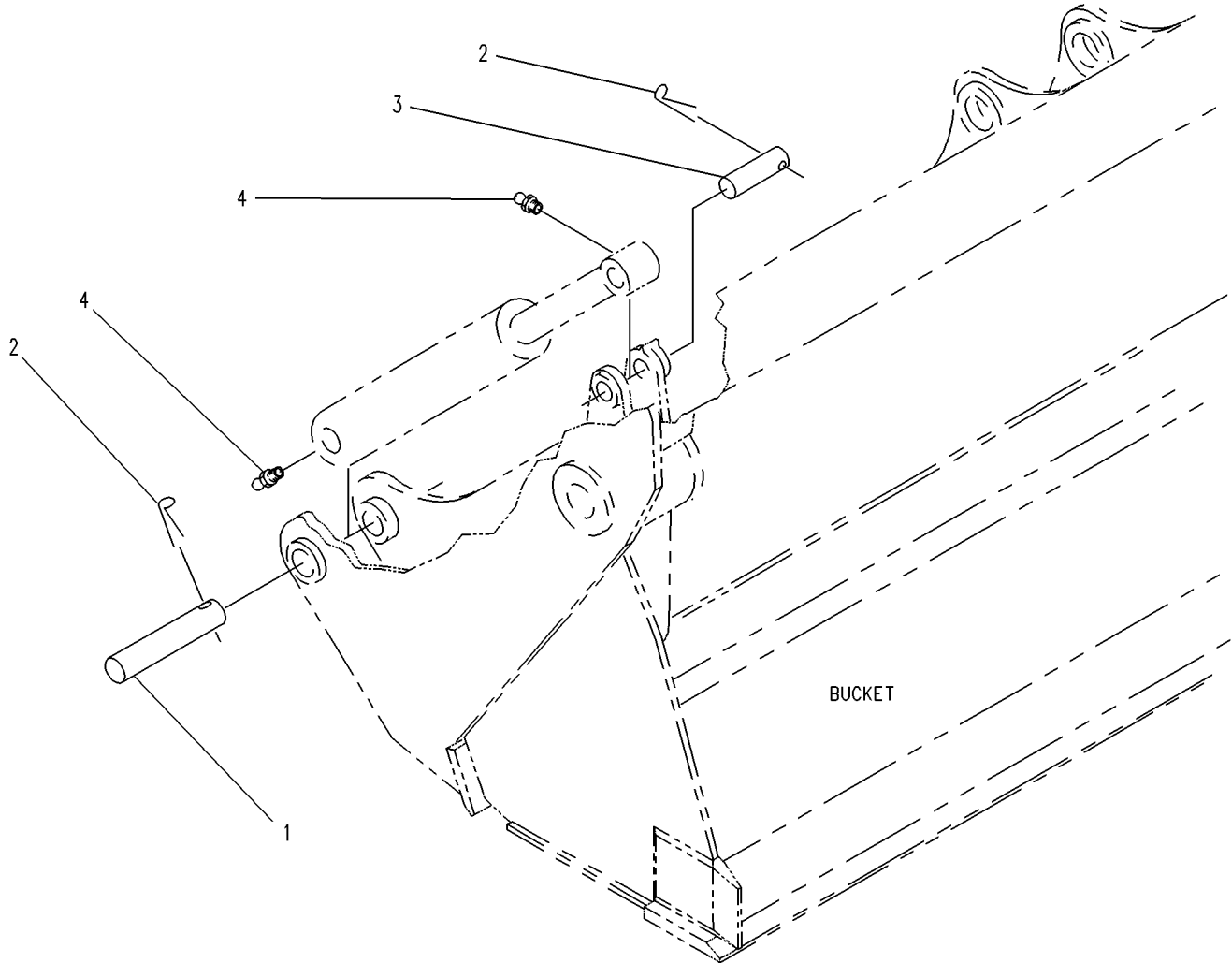
S/N: TH41-UP; TH91-UP

PART OF 163-4284 BUCKET AR-MULTIPURPOSE
AN ATTACHMENT

SMCS-5498, 7562

i00528574

NOTE	REF NO	GRAPHIC REF	PART NUMBER	QTY	PART NAME						SEE PAGE
					1	2	3	4	5	6 (PRODUCT LEVEL)	
1	1	1	9R-4677	2	PIN						
2	1	1	3B-5317	4	PIN-COTTER						
3	1	1	9R-4678	2	PIN						
4	1	1	3B-8489	4	FITTING-GREASE (1/8-27 PTF)						



GRAPHIC #1

<END>

g00219196

HYDRAULIC SYSTEM

495-8985 PUMP & MOUNTING GP

S/N: TH41-UP; TH91-UP

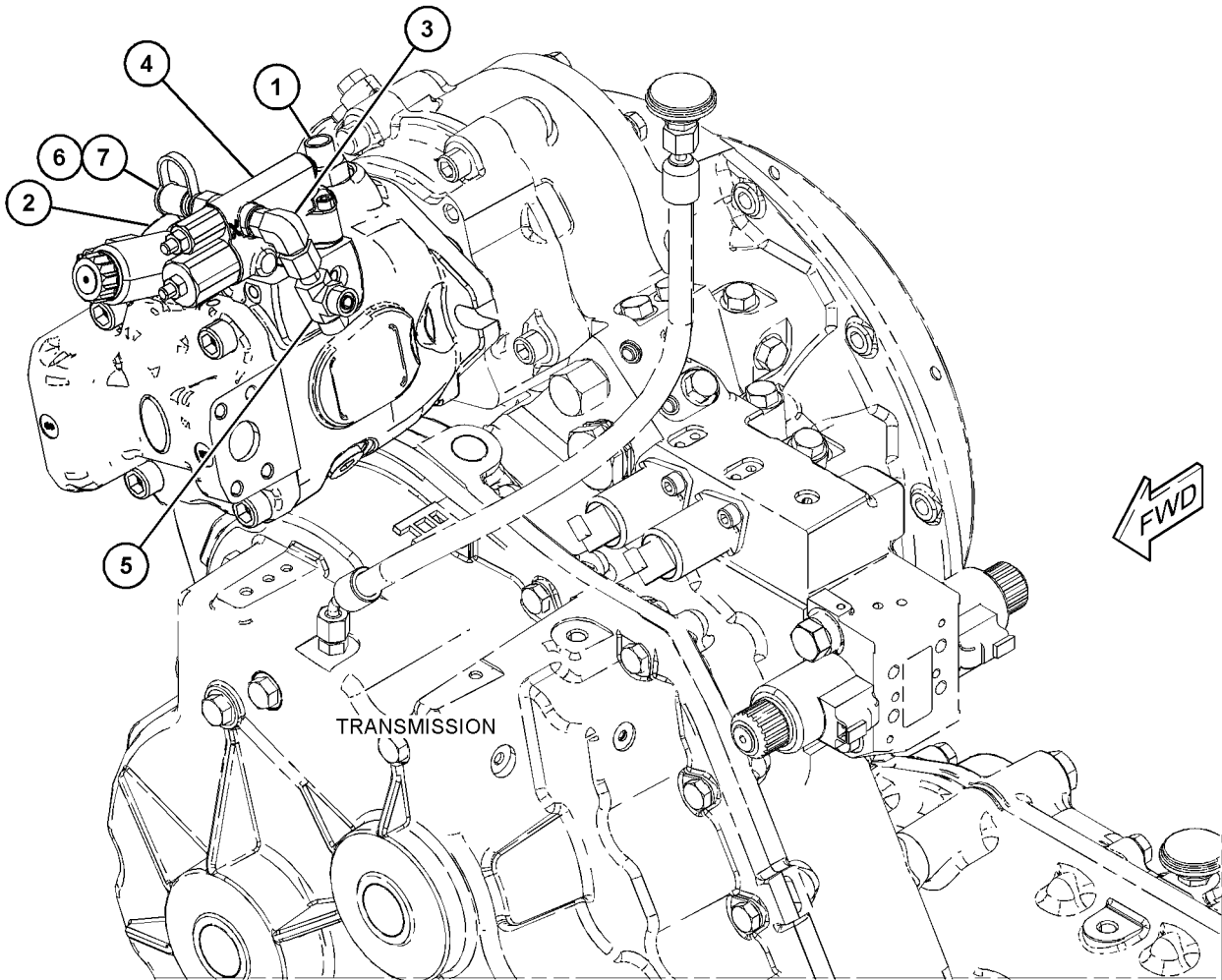
PART OF 495-8986 PUMP & MTG GP-HYDRAULIC

SMCS-5057, 5070, 5073, 5084

i07214783

NOTE	REF NO	GRAPHIC REF	PART NUMBER	QTY	PART NAME						SEE PAGE
					1	2	3	4	5	6 (PRODUCT LEVEL)	
	1	1	330-8325	1	ADAPTER						
	2	1	298-0466	1	FITTING-ADAPTER						
	3	1	463-5618	1	ELBOW						
Y	4	1	495-8984	1	PUMP GP-PISTON (HYDRAULIC)						944
	5	1	298-0496	1	FITTING-ADAPTER						
	6	1	417-2855	1	PLUG-DUST						
	7	1	312-3348	1	FITTING						

Y - SEPARATE ILLUSTRATION



GRAPHIC #1

<END>

g06049051

HYDRAULIC SYSTEM

495-8986 PUMP & MTG GP-HYDRAULIC

S/N: TH41-UP; TH91-UP

PART OF 518-0046, 567-5059 HYDRAULIC AR

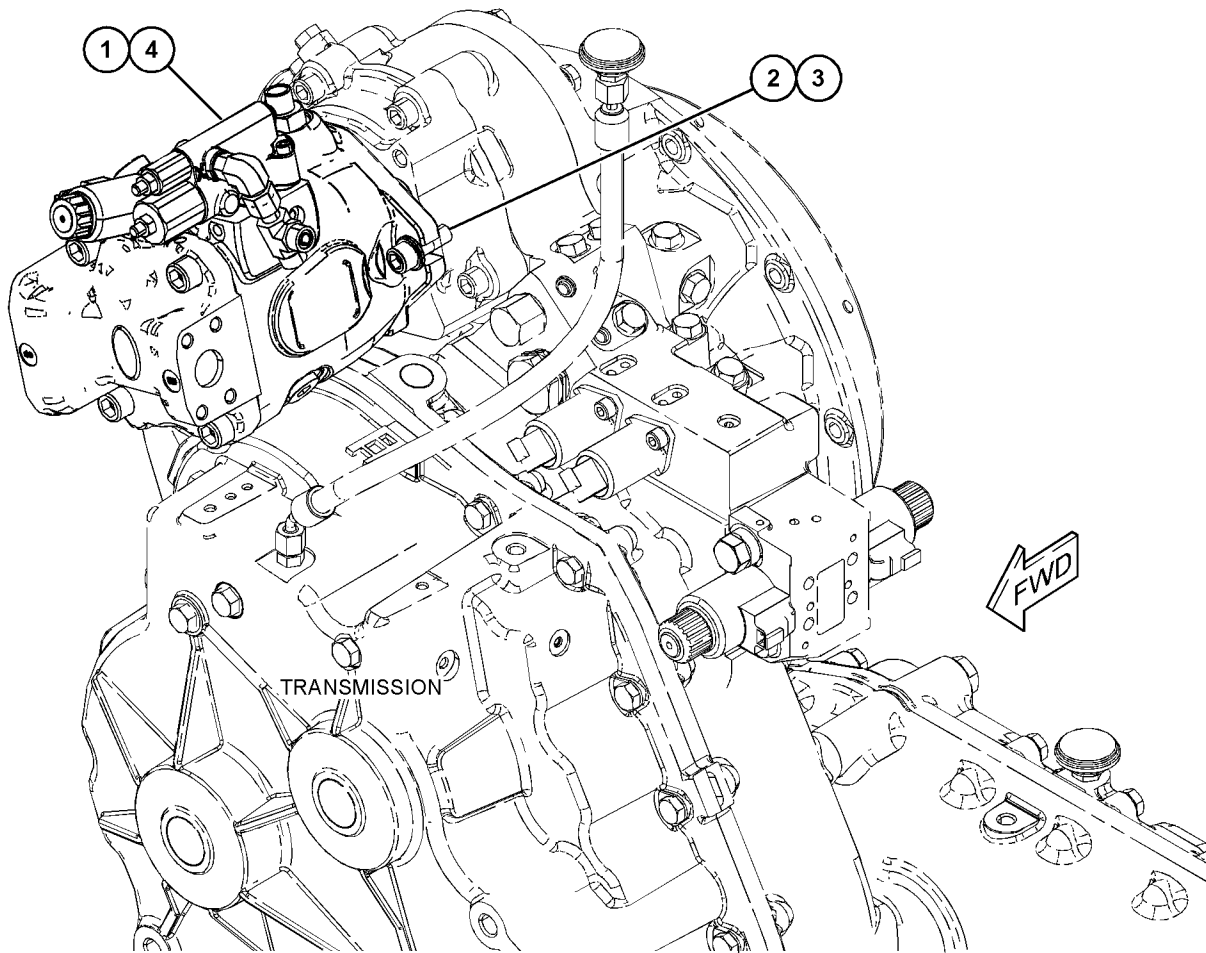
SMCS-5070

i06603139

NOTE	REF NO	GRAPHIC REF	PART NUMBER	QTY	PART NAME						SEE PAGE
					1	2	3	4	5	6 (PRODUCT LEVEL)	
Y	1	1	495-8985	1	PUMP & MOUNTING GP						939
M	2	1	6V-8200	2	BOLT-SOCKET HEAD (M12X1.75X35-MM)						
	3	1	348-1612	2	WASHER (13X24X3-MM THK)						
	4	1	2H-3934	1	SEAL-O-RING						

M - METRIC PART

Y - SEPARATE ILLUSTRATION



GRAPHIC #1

<END>

g06049030

HYDRAULIC SYSTEM

496-3417 PUMP & MTG GP-HYDRAULIC FAN-FAN PUMP

S/N: TH41-UP; TH91-UP; JKT1-UP

PART OF 520-9601, 523-1976, 523-2011, 550-0081, 550-0083 ENGINE AR-COMplete
AN ATTACHMENT

SMCS-1387

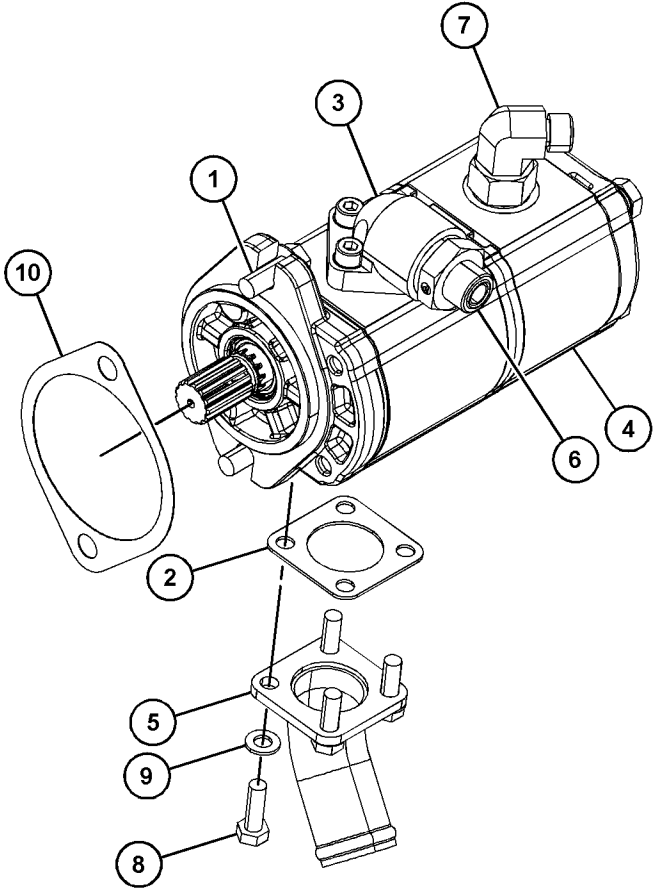
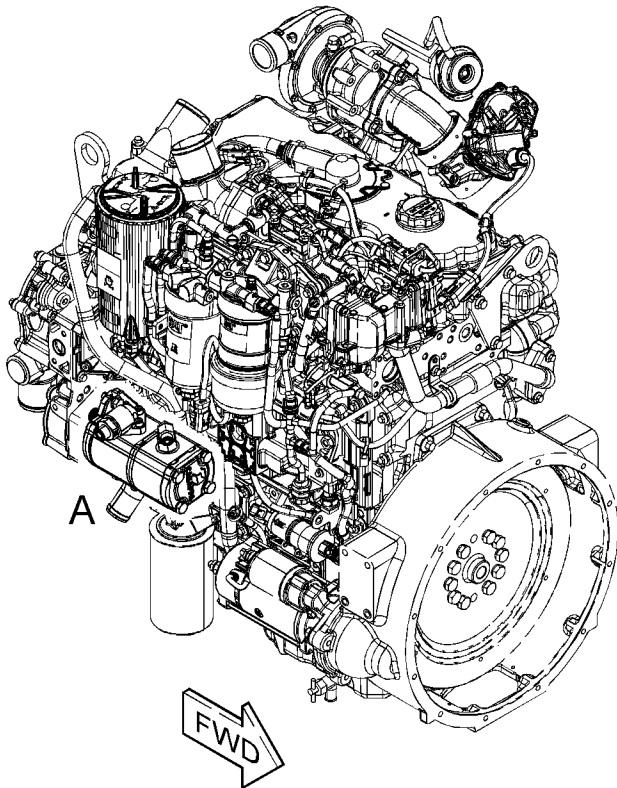
i06601114

NOTE	REF NO	GRAPHIC REF	PART NUMBER	QTY	PART NAME						SEE PAGE
					1	2	3	4	5	6 (PRODUCT LEVEL)	
M	1	1	449-6115	2	BOLT (M10X1.5X25-MM)						
	2	1	496-3413	1	GASKET						
	3	1	493-1296	1	ELBOW AS						
J	4	1	497-3854	1	PUMP GP-GEAR						
	5	1	496-3414	1	PIPE AS						
	6	1	<i>441-9195</i>	1	ADAPTER AS						
		1	228-7090	1	SEAL-O-RING						
		1	451-0357	1	ADAPTER						
		1	451-2764	1	SEAL						
	7	1	299-0471	1	FITTING-ADAPTER						
M	8	1	8T-4908	4	BOLT (M8X1.25X25-MM)						
	9	1	8T-4224	4	WASHER-HARD (8.8X16X2-MM THK)						
	10	1	496-3416	1	GASKET						
					AVAILABLE REPLACEMENT PART(S):						
J			503-1114	1	KIT-SEAL						
					(INCLUDES SEALS, SHAFT SEALS & ANTIEXTRUSION)						
J - KIT MARKED J SERVICES PART(S) MARKED J M - METRIC PART											

HYDRAULIC SYSTEM

496-3417 PUMP & MTG GP-HYDRAULIC FAN (contd.)

i06601114



VIEW OF AREA A



GRAPHIC #1

<END>

g06041192

HYDRAULIC SYSTEM

496-3425 PUMP & MTG GP-HYDRAULIC FAN

S/N: TH41-UP; TH91-UP

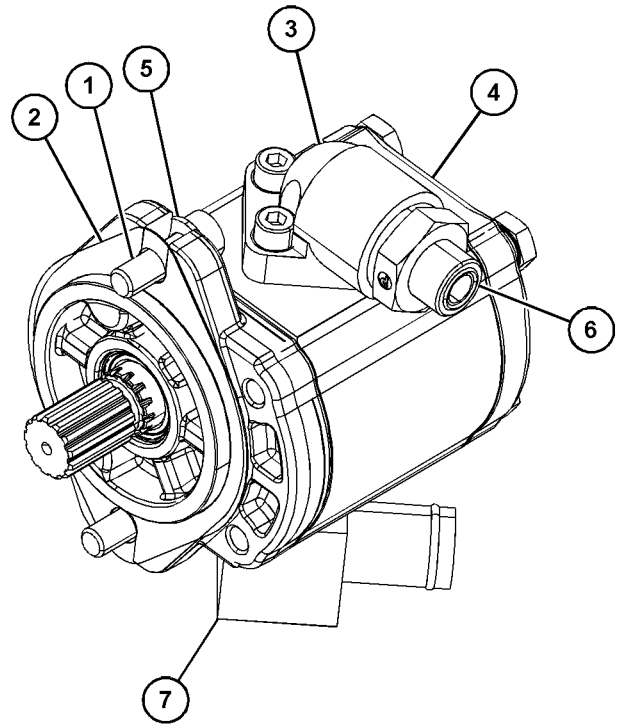
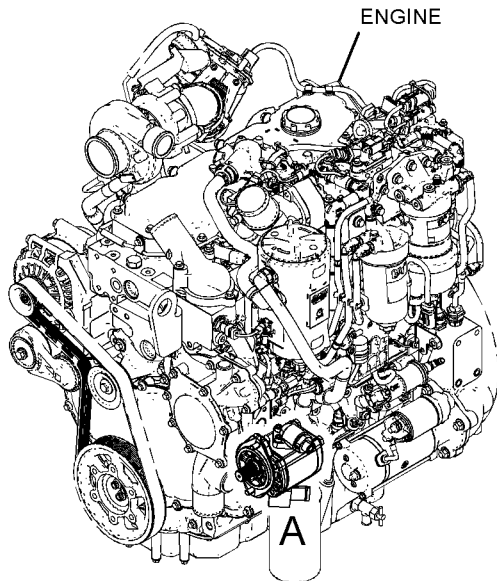
PART OF 520-9600, 523-2010 ENGINE AR-COMplete
AN ATTACHMENT

SMCS-1387

i06603077

NOTE	REF NO	GRAPHIC REF	PART NUMBER	QTY	PART NAME						SEE PAGE
					1	2	3	4	5	6 (PRODUCT LEVEL)	
M	1	1	9X-6032	2	BOLT-SOCKET HEAD (M10X1.5X30-MM)						
	2	1	496-3416	1	GASKET						
	3	1	493-1296	1	ELBOW AS						
J	4	1	496-3424	1	PUMP GP-GEAR						
	5	1	8T-4121	2	WASHER-HARD (11X21X2.5-MM THK)						
	6	1	441-9195	1	ADAPTER AS						
		1	228-7090	1	SEAL-O-RING						
		1	451-0357	1	ADAPTER						
		1	451-2764	1	SEAL						
	7	1	444-0274	1	FITTING-ADAPTER						
AVAILABLE REPAIR KIT(S):											
J			503-1113	1	KIT-SEAL						
(INCLUDES SEALS, STANDARD SEAL, SHAFT SEAL, BACKUP WASHER, ANTI-EXTRUSIONS)											

J - KIT MARKED J SERVICES PART(S) MARKED J
M - METRIC PART



VIEW OF AREA A

GRAPHIC #1

<END>

g06099712

HYDRAULIC SYSTEM

495-8984 PUMP GP-PISTON

S/N: TH41-UP; TH91-UP

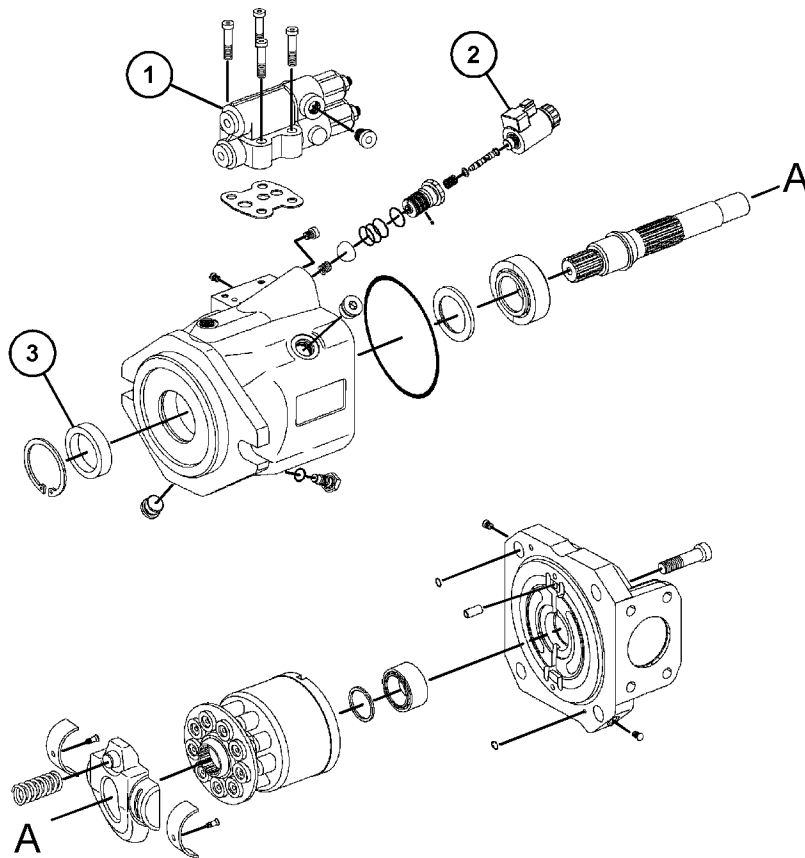
PART OF 495-8985 PUMP & MOUNTING GP

SMCS-5070

i07396703

NOTE	REF NO	GRAPHIC REF	PART NUMBER	QTY	PART NAME	SEE PAGE
					1 2 3 4 5 6 (PRODUCT LEVEL)	
Y	1	1	373-8468	1	VALVE GP-PUMP CONTROL (PRESSURE, FLOW COMPENSATOR)	973
	2	1	450-0850	1	VALVE-CONTROL	
	3	1	139-2840	1	SEAL-SHAFT	
					AVAILABLE REPAIR KIT(S):	
			484-4199	1	KIT-SEAL	
(INCLUDES O-RINGS & SEAL RING)						

Y - SEPARATE ILLUSTRATION



GRAPHIC #1

<END>

g06255618

HYDRAULIC SYSTEM

513-9452 TANK & MTG GP-HYDRAULIC

S/N: TH41-UP; TH91-UP

PART OF 518-0046, 567-5059 HYDRAULIC AR

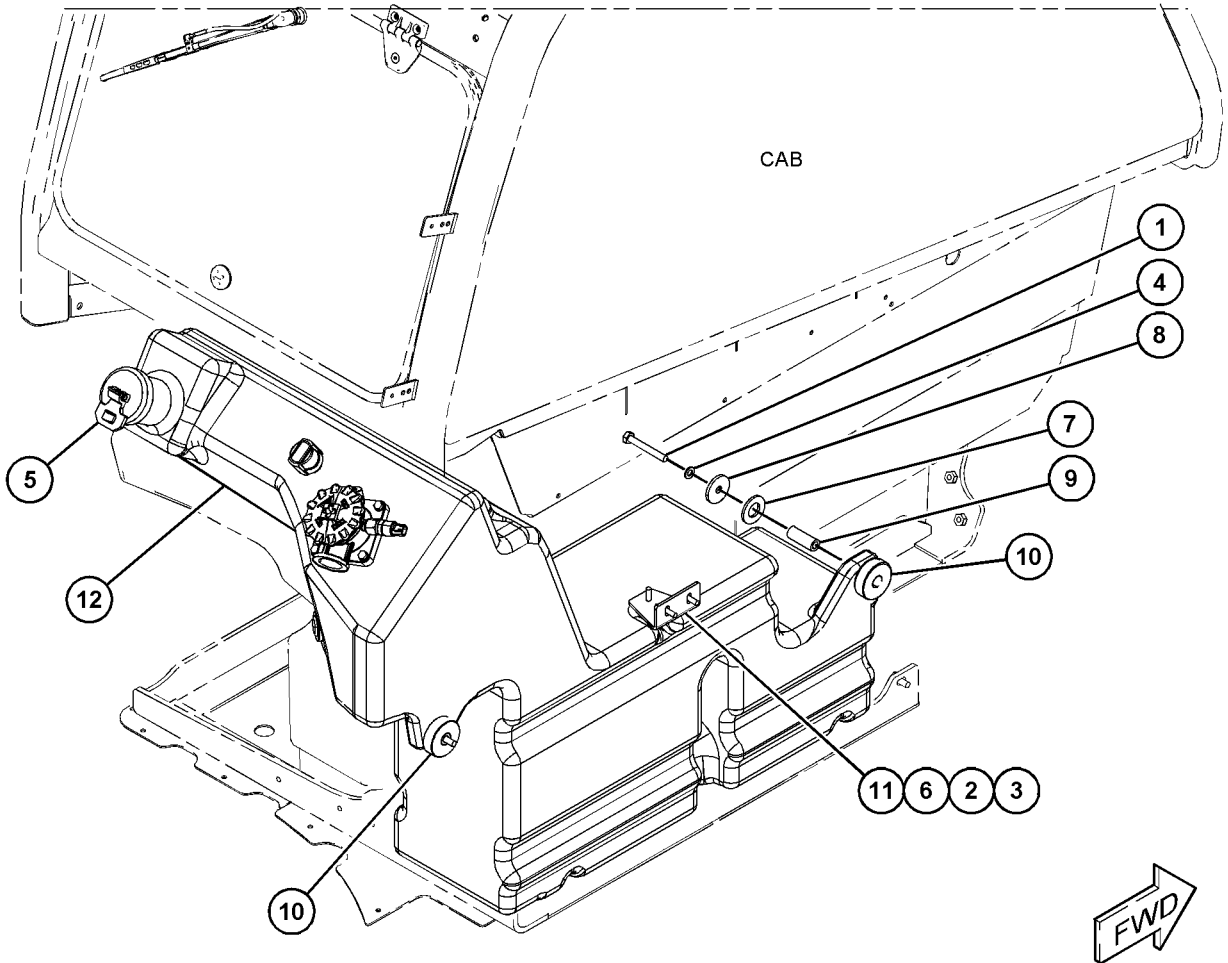
SMCS-5056

i06904686

NOTE	REF NO	GRAPHIC REF	PART NUMBER	QTY	PART NAME						SEE PAGE
					1	2	3	4	5	6	
M	1	1	8T-4172	2	BOLT (M10X1.5X80-MM)						
M	2	1	8T-4908	2	BOLT (M8X1.25X25-MM)						
	3	1	8T-4224	2	WASHER-HARD (8.8X16X2-MM THK)						
	4	1	8T-4121	2	WASHER-HARD (11X21X2.5-MM THK)						
	5	1	142-8937	1	CAP AS-FILLER (LOCKABLE)						
	6	1	4E-1384	1	BUMPER-CONICAL						
	7	1	473-7652	2	WASHER (25X48X4-MM THK)						
	8	1	473-7653	2	WASHER (12X48X5-MM THK)						
	9	1	501-7256	2	SPACER (12X20X53-MM THK)						
	10	1	501-7257	2	WASHER (22X65X20-MM THK)						
	11	1	495-2268	1	BRACKET						
Y	12	1	501-7258	1	TANK GP-HYDRAULIC						946

M - METRIC PART

Y - SEPARATE ILLUSTRATION



GRAPHIC #1

<END>

g06165606

HYDRAULIC SYSTEM

501-7258 TANK GP-HYDRAULIC

S/N: TH41-UP; TH91-UP

20-LITER (5.2-US GAL)

PART OF 513-9452 TANK & MTG GP-HYDRAULIC

SMCS-5056

i06826605

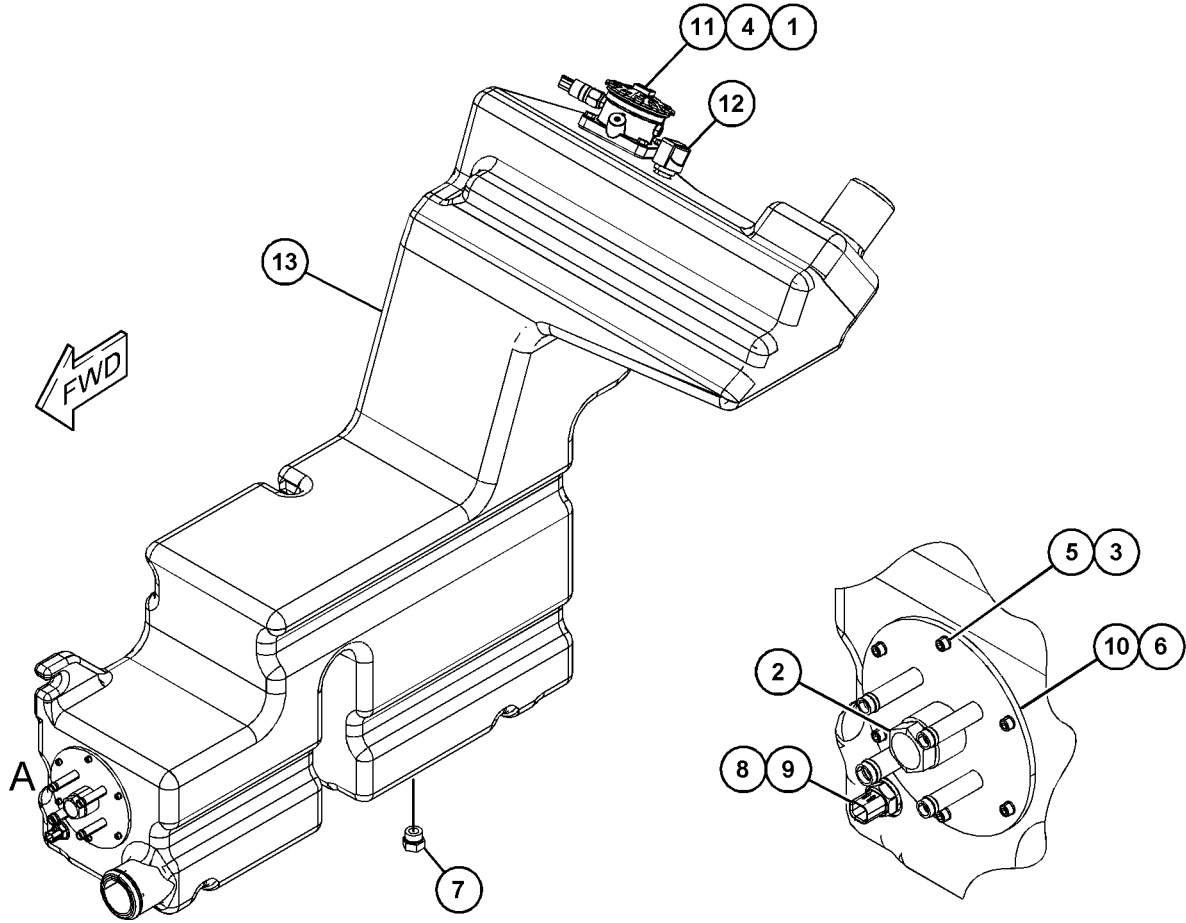
NOTE	REF NO	GRAPHIC REF	PART NUMBER	QTY	PART NAME						SEE PAGE
					1	2	3	4	5	6 (PRODUCT LEVEL)	
M	1	1	8T-7547	4	BOLT (M8X1.25X30-MM)						
	2	1	148-8408	1	PLUG AS						
		1	3D-2824	1	SEAL-O-RING						
		1	9S-4183	1	PLUG (1-1/16-12-THD)						
M	3	1	10S-3480	6	BOLT-SOCKET HEAD (M5X0.8X16-MM)						
	4	1	8T-4224	4	WASHER-HARD (8.8X16X2-MM THK)						
	5	1	304-2604	6	WASHER (3.1X6.2X0.8-IN THK)						
	6	1	132-3056	1	SEAL-O-RING						
	7	1	328-9686	1	PLUG						
	8	1	8T-7524	1	SEAL-O-RING						
	9	1	256-6454	1	SENSOR-TEMPERATURE (2-PIN) (HYDRAULIC OIL)						
	10	1	501-7259	1	MANIFOLD AS						
J	11	1	477-4113	1	FILTER GP-OIL						
		1	481-6648	1	SWITCH-OIL PRESSURE (OIL PRESSURE)						
		1	482-0957	1	PIPE						
		1	481-6649	1	FILTER (HYDRAULIC OIL)						
		1	481-6650	1	COVER AS-FILTER						
	12	1	473-9271	1	FILTER (BREATHING)						
	13	1	477-5535	1	TANK AS-HYDRAULIC						
					AVAILABLE REPAIR KIT(S):						
J			512-6176	1	KIT-SEAL						
					(INCLUDES O-RING, GASKET & SEAL)						

J - KIT MARKED J SERVICES PART(S) MARKED J
M - METRIC PART

HYDRAULIC SYSTEM

501-7258 TANK GP-HYDRAULIC (contd.)

106826605



GRAPHIC #1

<END>

VIEW OF AREA A

g06095814

HYDRAULIC SYSTEM

495-9795 VALVE & MTG GP-MAIN CONTROL

S/N: TH41-UP; TH91-UP
PART OF 518-0046 HYDRAULIC AR

SMCS-5051

i06897801

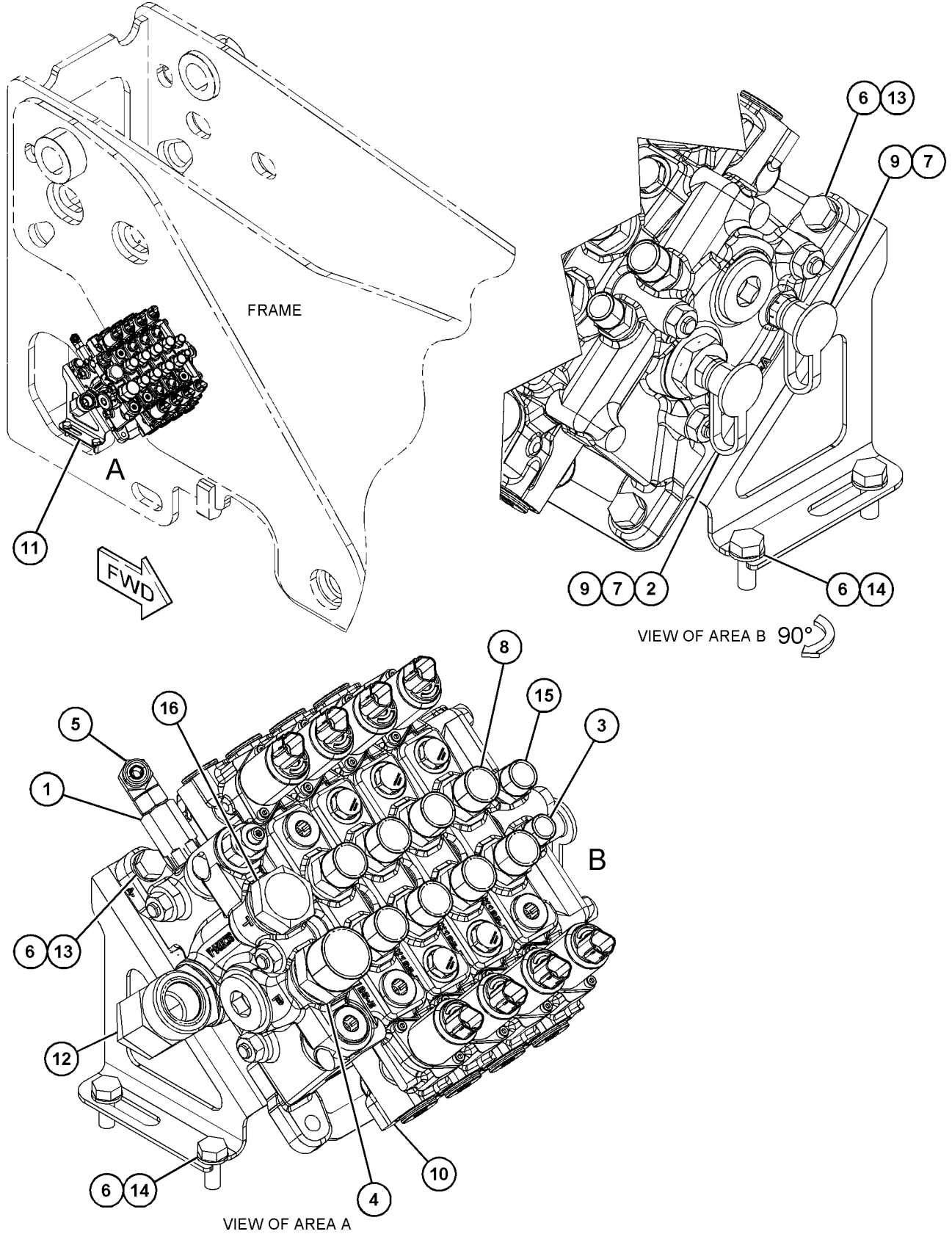
NOTE	REF NO	GRAPHIC REF	PART NUMBER	QTY	PART NAME						SEE PAGE
					1	2	3	4	5	6 (PRODUCT LEVEL)	
	1	1	523-4877	1	VALVE AS-CHECK (THROTTLE)						
	2	1	506-3313	1	ADAPTER-PIPE						
	3	1	298-7358	1	FITTING-ADAPTER						
	4	1	464-6221	1	ADAPTER						
	5	1	298-0473	1	FITTING-ADAPTER						
	6	1	8T-4121	7	WASHER-HARD (11X21X2.5-MM THK)						
	7	1	6V-0852	2	CAP-DUST						
	8	1	298-0466	8	FITTING-ADAPTER						
	9	1	<i>164-5567</i>	2	COUPLER AS-QUICK DISCONNECT (MALE)						
					(EACH INCLUDES)						
		1	6V-3965	1	FITTING (QUICK DISCONNECT)						
		1	214-7568	1	SEAL-O-RING						
Y	10	1	495-8855	1	VALVE GP-MAIN CONTROL						967
	11	1	495-8856	1	BRACKET AS						
	12	1	<i>148-8373</i>	1	ELBOW AS						
		1	6V-8400	1	SEAL-O-RING						
		1	7M-8485	1	SEAL-O-RING						
		1	8C-3364	1	ELBOW						
M	13	1	8T-4195	3	BOLT (M10X1.5X30-MM)						
M	14	1	8T-4136	4	BOLT (M10X1.5X25-MM)						
	15	1	473-8956	1	ADAPTER						
	16	1	<i>442-3478</i>	1	PLUG AS						
		1	9S-4181	1	PLUG (1-5/16-12-THD)						
		1	238-5084	1	SEAL-O-RING						

M - METRIC PART
Y - SEPARATE ILLUSTRATION

HYDRAULIC SYSTEM

495-9795 VALVE & MTG GP-MAIN CONTROL (contd.)

i06897801



GRAPHIC #1

<END>

g06134168

HYDRAULIC SYSTEM

495-9795 VALVE & MTG GP-MAIN CONTROL

S/N: TH41-167; TH91-448
PART OF 518-0046 HYDRAULIC AR

SMCS-5051

i07366419

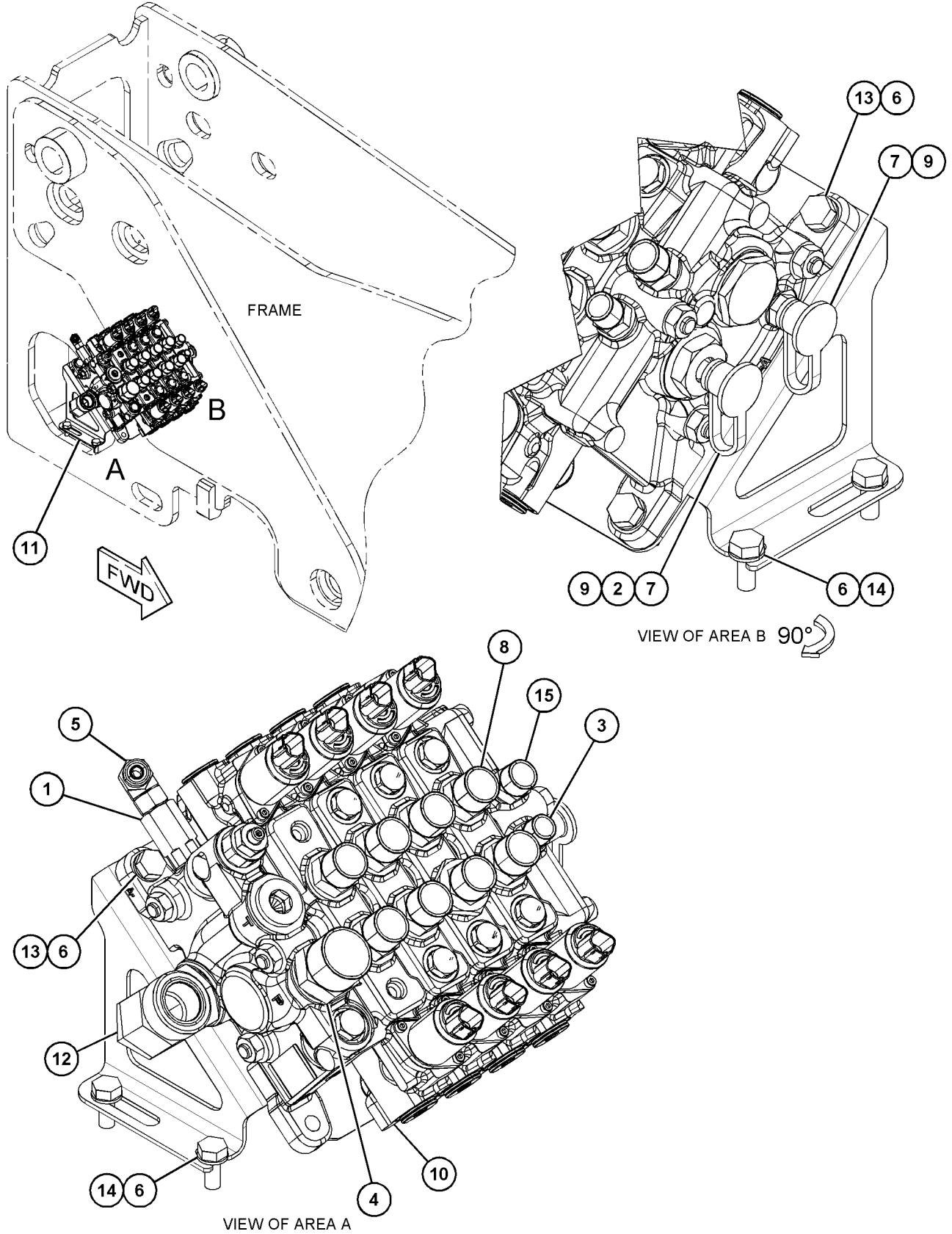
NOTE	REF NO	GRAPHIC REF	PART NUMBER	QTY	PART NAME						SEE PAGE
					1	2	3	4	5	6 (PRODUCT LEVEL)	
	1	1	523-4877	1	VALVE AS-CHECK (THROTTLE)						
	2	1	506-3313	1	ADAPTER-PIPE						
	3	1	298-7358	1	FITTING-ADAPTER						
	4	1	464-6221	1	ADAPTER						
	5	1	298-0473	1	FITTING-ADAPTER						
	6	1	8T-4121	7	WASHER-HARD (11X21X2.5-MM THK)						
	7	1	6V-0852	2	CAP-DUST						
	8	1	298-0466	8	FITTING-ADAPTER						
	9	1	<i>164-5567</i>	2	COUPLER AS-QUICK DISCONNECT (MALE)						
					(EACH INCLUDES)						
		1	6V-3965	1	FITTING (QUICK DISCONNECT)						
		1	214-7568	1	SEAL-O-RING						
Y	10	1	495-8855	1	VALVE GP-MAIN CONTROL						967
	11	1	495-8856	1	BRACKET AS						
	12	1	<i>148-8373</i>	1	ELBOW AS						
		1	6V-8400	1	SEAL-O-RING						
		1	7M-8485	1	SEAL-O-RING						
		1	8C-3364	1	ELBOW						
M	13	1	8T-4195	3	BOLT (M10X1.5X30-MM)						
M	14	1	8T-4136	4	BOLT (M10X1.5X25-MM)						
	15	1	473-8956	1	ADAPTER						

M - METRIC PART
Y - SEPARATE ILLUSTRATION

HYDRAULIC SYSTEM

495-9795 VALVE & MTG GP-MAIN CONTROL (contd.)

107366419



GRAPHIC #1

<END>

g06308086

HYDRAULIC SYSTEM

495-9795 VALVE & MTG GP-MAIN CONTROL

S/N: TH4167-UP; TH9416-UP

PART OF 518-0046, 567-5059 HYDRAULIC AR

SMCS-5051

i07816897

NOTE	REF NO	GRAPHIC REF	PART NUMBER	QTY	PART NAME						SEE PAGE
					1	2	3	4	5	6 (PRODUCT LEVEL)	
	1	1	523-4877	1	VALVE AS-CHECK (THROTTLE)						
	2	1	506-3313	1	ADAPTER-PIPE						
	3	1	298-7358	1	FITTING-ADAPTER						
	4	1	464-6221	1	ADAPTER						
	5	1	298-0473	1	FITTING-ADAPTER						
	6	1	8T-4121	7	WASHER-HARD (11X21X2.5-MM THK)						
	7	1	6V-0852	2	CAP-DUST						
	8	1	298-0466	8	FITTING-ADAPTER						
	9	1	<i>164-5567</i>	2	COUPLER AS-QUICK DISCONNECT (MALE)						
					(EACH INCLUDES)						
		1	6V-3965	1	FITTING (QUICK DISCONNECT)						
		1	214-7568	1	SEAL-O-RING						
C	10	1	583-1706	1	VALVE (MAIN CONTROL)						
	11	1	495-8856	1	BRACKET AS						
	12	1	<i>148-8373</i>	1	ELBOW AS						
		1	6V-8400	1	SEAL-O-RING						
		1	7M-8485	1	SEAL-O-RING						
		1	8C-3364	1	ELBOW						
M	13	1	8T-4195	3	BOLT (M10X1.5X30-MM)						
M	14	1	8T-4136	4	BOLT (M10X1.5X25-MM)						
	15	1	473-8956	1	ADAPTER						

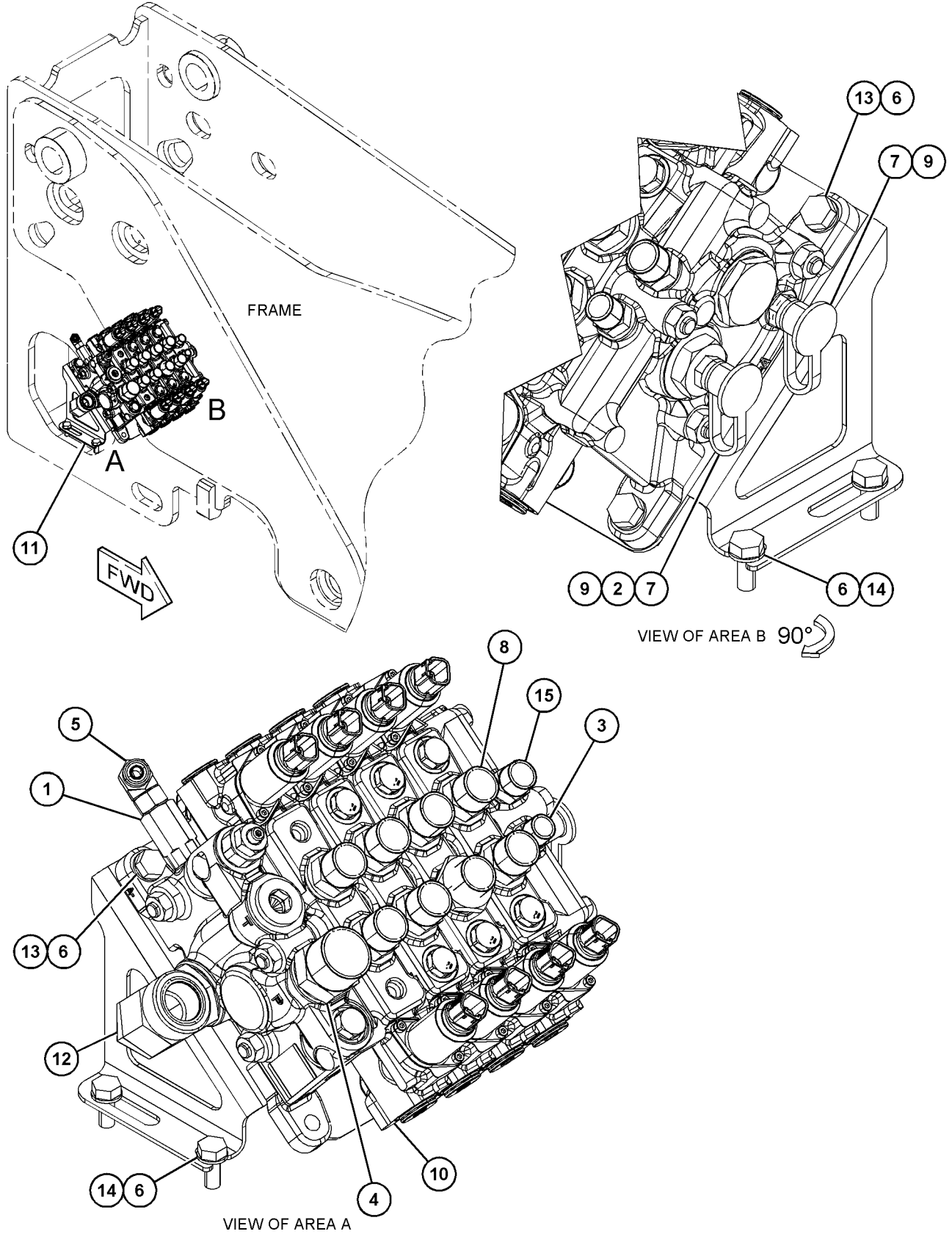
C - CHANGE FROM PREVIOUS TYPE

M - METRIC PART

HYDRAULIC SYSTEM

495-9795 VALVE & MTG GP-MAIN CONTROL (contd.)

i07816897



GRAPHIC #1

<END>

g06462858

HYDRAULIC SYSTEM

495-9793 VALVE & MTG GP-PRIORITY

S/N: TH41-UP; TH91-UP
PART OF 518-0046 HYDRAULIC AR
TYPE 1

SMCS-4320, 5137

i06811697

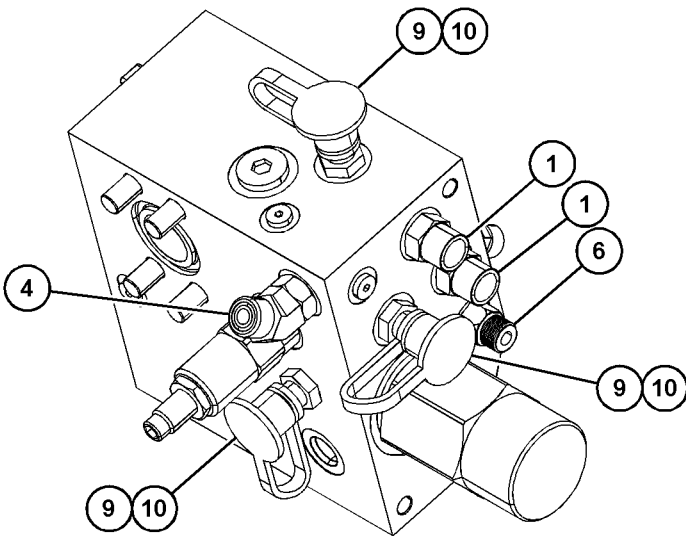
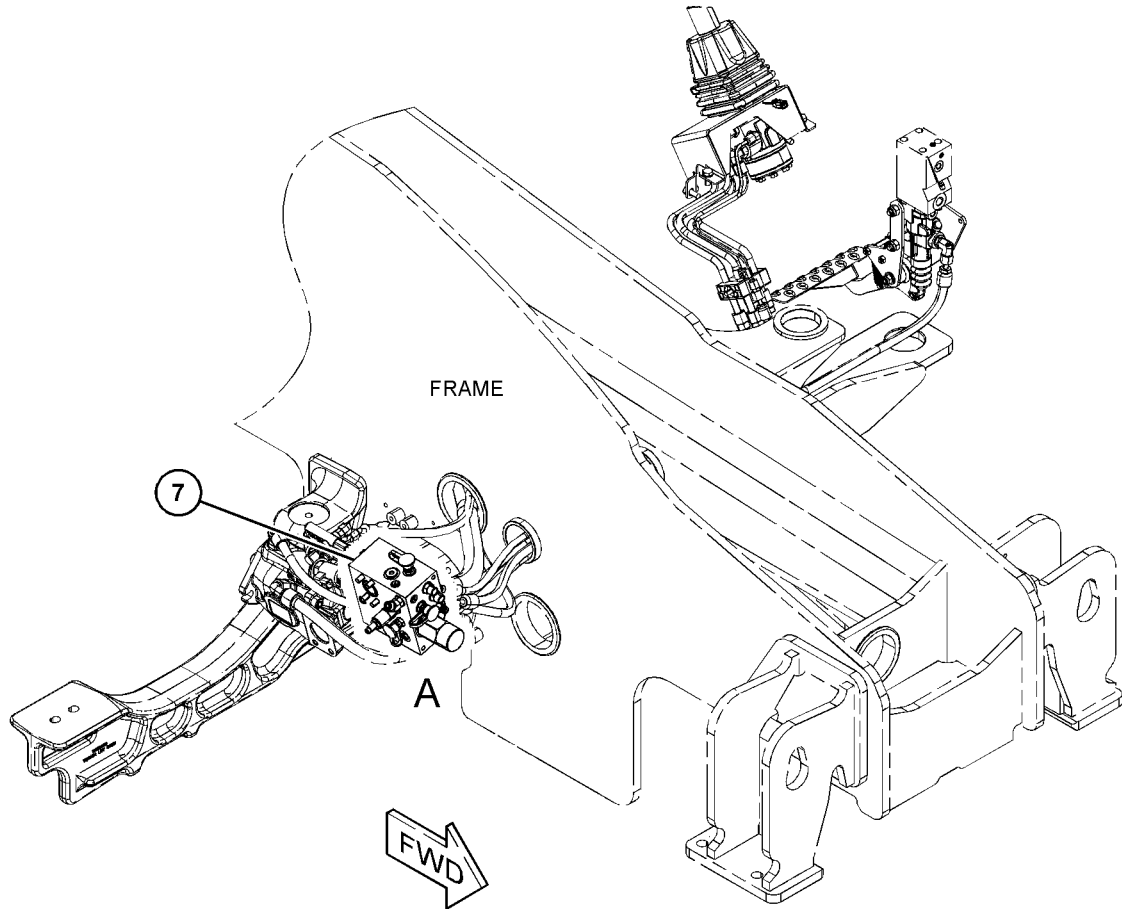
NOTE	REF NO	GRAPHIC REF	PART NUMBER	QTY	PART NAME						SEE PAGE
					1	2	3	4	5	6 (PRODUCT LEVEL)	
	1	1	298-7358	2	FITTING-ADAPTER						
	2	1	298-0463	1	FITTING-ADAPTER						
	3	1	298-0470	1	FITTING-ADAPTER						
	4	1	303-4760	1	FITTING						
M	5	1	105-3479	4	BOLT-SOCKET HEAD (M10X1.5X90-MM)						
	6	1	495-8853	1	VALVE-CHECK						
Y	7	1	495-8854	1	VALVE GP-PRIORITY (FLOW DIVIDER)						970
	8	1	317-6373	1	ADAPTER						
	9	1	<i>164-5567</i>	3	COUPLER AS-QUICK DISCONNECT (MALE)						
					(EACH INCLUDES)						
		1	6V-3965	1	FITTING (QUICK DISCONNECT)						
		1	214-7568	1	SEAL-O-RING						
	10	1	6V-0852	3	CAP-DUST						

M - METRIC PART
Y - SEPARATE ILLUSTRATION

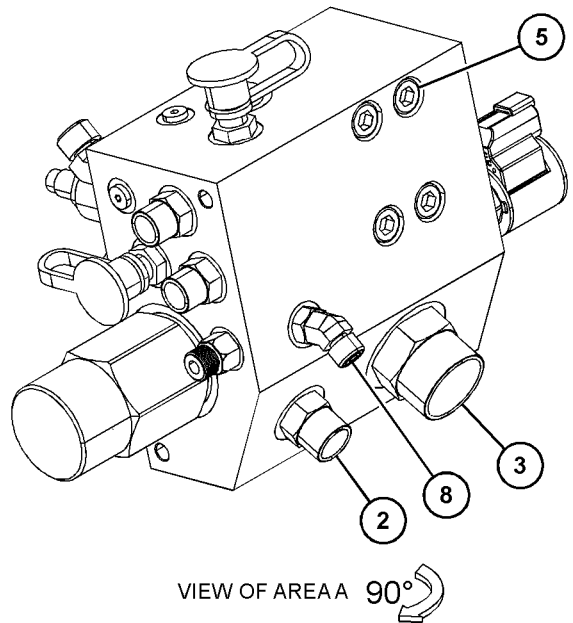
HYDRAULIC SYSTEM

495-9793 VALVE & MTG GP-PRIORITY (contd.)

106811697



VIEW OF AREA A



VIEW OF AREA A 90°

GRAPHIC #1

<END>

g06048789

HYDRAULIC SYSTEM

495-9793 VALVE & MTG GP-PRIORITY

S/N: TH41-UP; TH91-UP

PART OF 518-0046, 567-5059 HYDRAULIC AR

TYPE 2

SMCS-4320, 5137

i07415004

NOTE	REF NO	GRAPHIC REF	PART NUMBER	QTY	PART NAME						SEE PAGE
					1	2	3	4	5	6 (PRODUCT LEVEL)	
	1	1	298-7358	2	FITTING-ADAPTER						
	2	1	298-0463	1	FITTING-ADAPTER						
	3	1	298-0470	1	FITTING-ADAPTER						
	4	1	303-4760	1	FITTING						
M	5	1	105-3479	4	BOLT-SOCKET HEAD (M10X1.5X90-MM)						
	6	1	495-8853	1	VALVE-CHECK						
CY	7	1	557-7255	1	VALVE GP-PRIORITY (FLOW DIVIDER)						972
	8	1	317-6373	1	ADAPTER						
	9	1	<i>164-5567</i>	3	COUPLER AS-QUICK DISCONNECT (MALE)						
					(EACH INCLUDES)						
		1	6V-3965	1	FITTING (QUICK DISCONNECT)						
		1	214-7568	1	SEAL-O-RING						
	10	1	6V-0852	3	CAP-DUST						

C - CHANGE FROM PREVIOUS TYPE

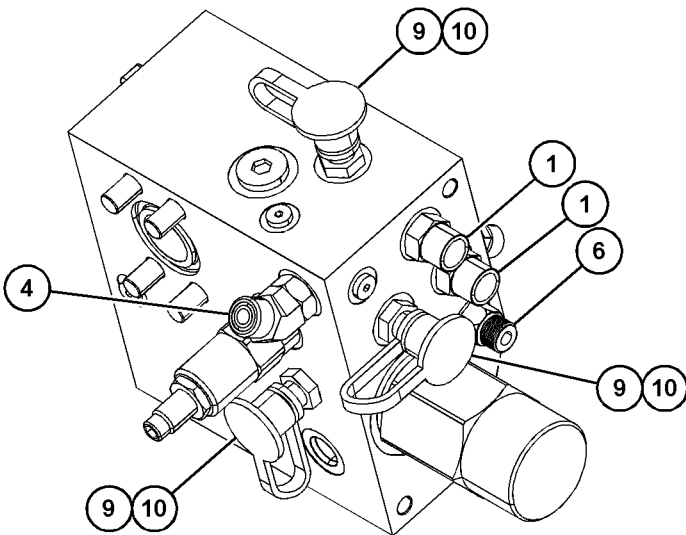
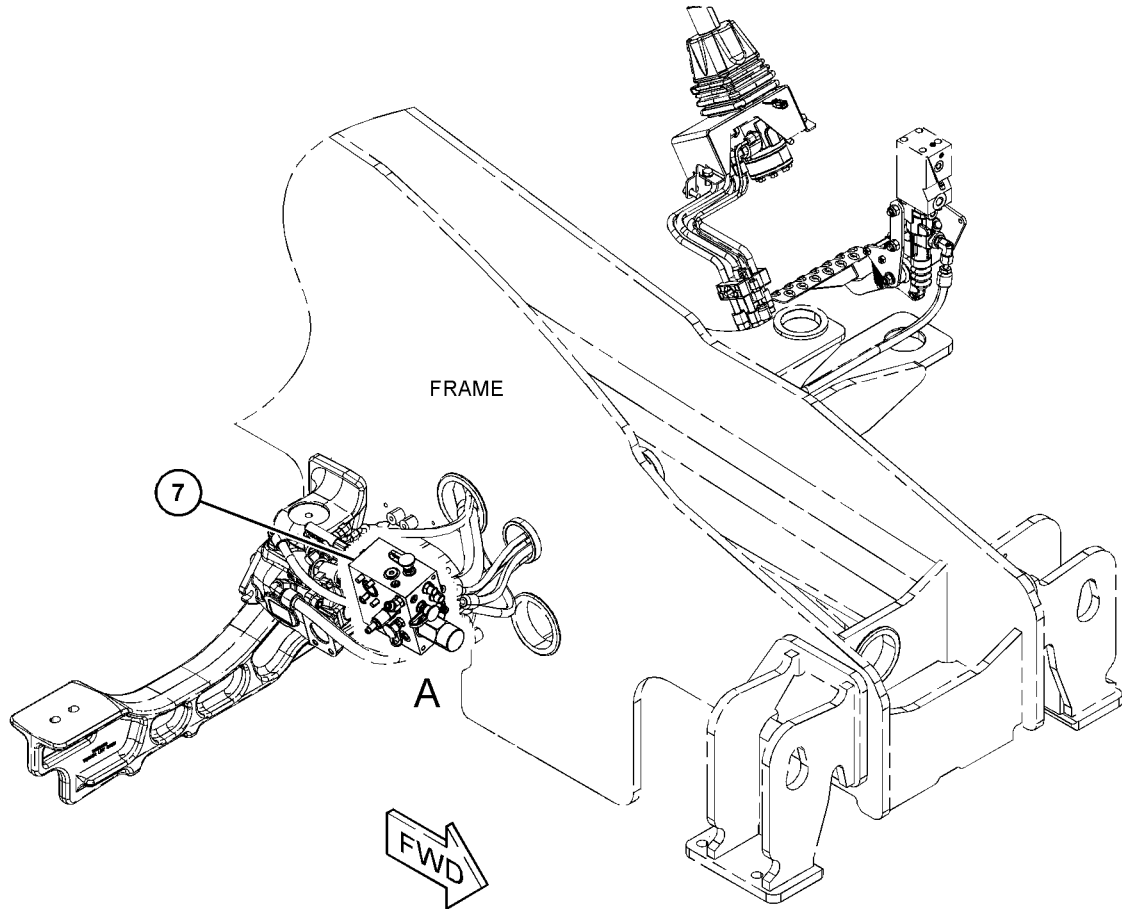
M - METRIC PART

Y - SEPARATE ILLUSTRATION

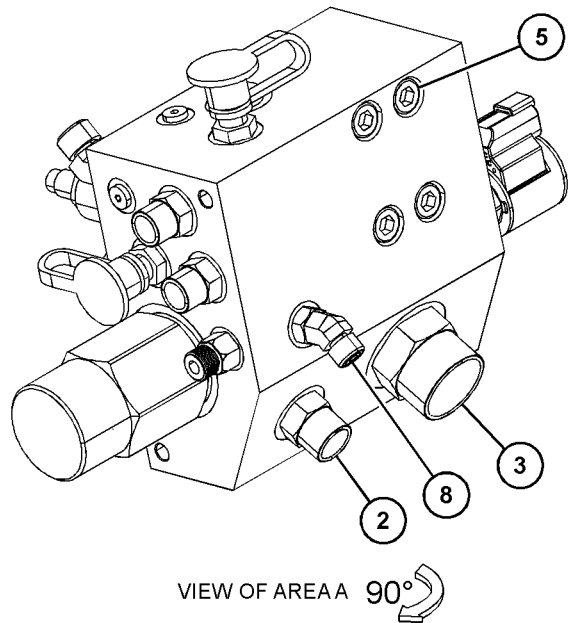
HYDRAULIC SYSTEM

495-9793 VALVE & MTG GP-PRIORITY (contd.)

i07415004



VIEW OF AREA A



VIEW OF AREA A 90°

GRAPHIC #1

<END>

g06048789

HYDRAULIC SYSTEM

499-4944 VALVE GP-CONTROL

S/N: TH41-150; TH91-257; JKT1-UP

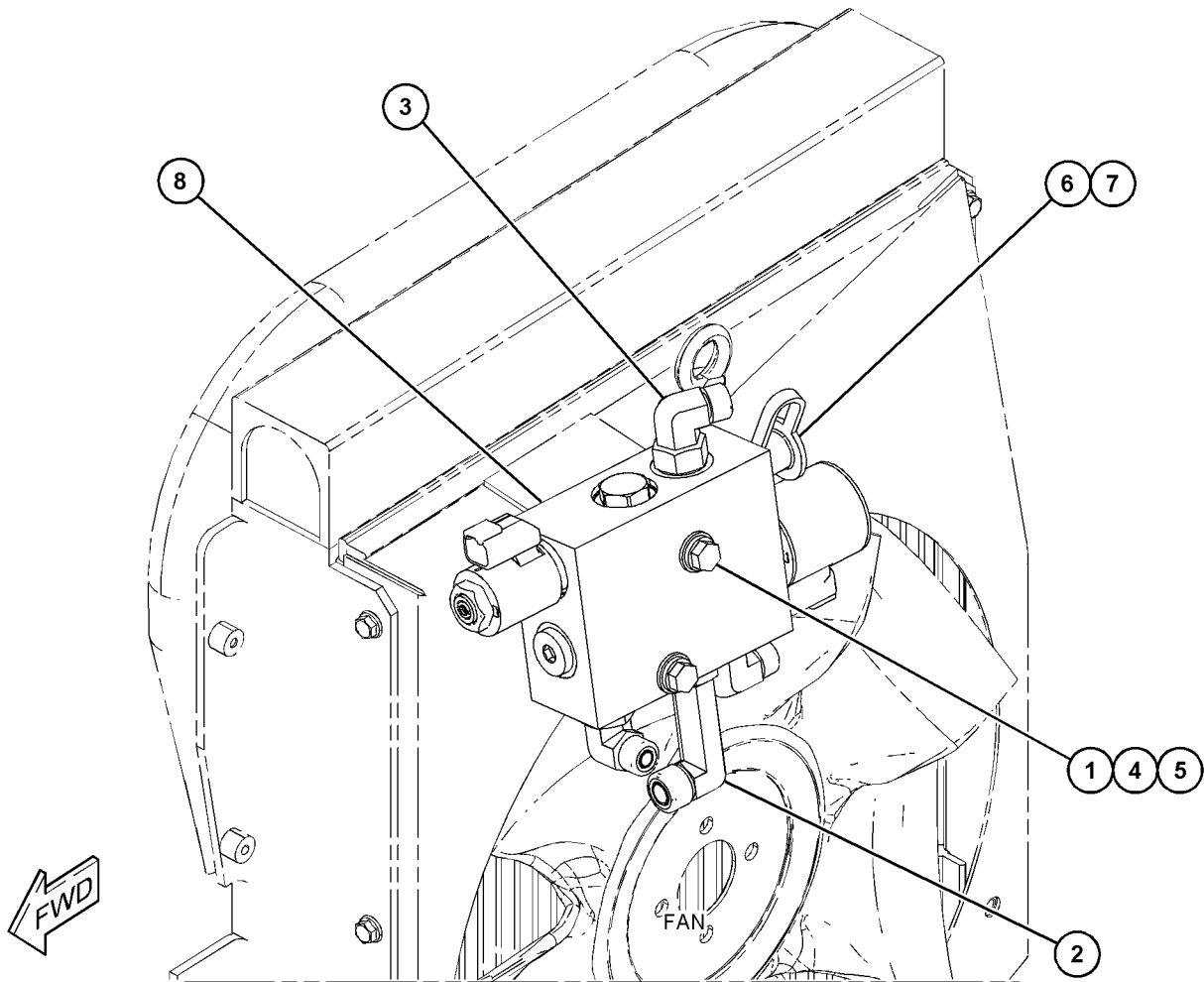
PART OF 499-4950 COOLER GP-HYDRAULIC OIL
AN ATTACHMENT

SMCS-5051

i07443527

NOTE	REF NO	GRAPHIC REF	PART NUMBER	QTY	PART NAME						SEE PAGE
					1	2	3	4	5	6	
M	1	1	285-9066	2	BOLT (M8X1.25X65-MM)						
	2	1	298-0490	1	FITTING-ELBOW						
	3	1	303-4754	3	FITTING-ADAPTER						
	4	1	8T-4121	2	WASHER-HARD (11X21X2.5-MM THK)						
	5	1	5M-2894	2	WASHER-HARD (10.2X18.5X2.5-MM THK)						
	6	1	164-5567	1	COUPLER AS-QUICK DISCONNECT (MALE)						
		1	6V-3965	1	FITTING (QUICK DISCONNECT)						
		1	214-7568	1	SEAL-O-RING						
	7	1	6V-0852	1	CAP-DUST						
Y	8	1	499-4945	1	VALVE GP-FAN REVERSING (FAN)						966

M - METRIC PART
Y - SEPARATE ILLUSTRATION



GRAPHIC #1

<END>

g06358861

HYDRAULIC SYSTEM

499-4944 VALVE GP-CONTROL

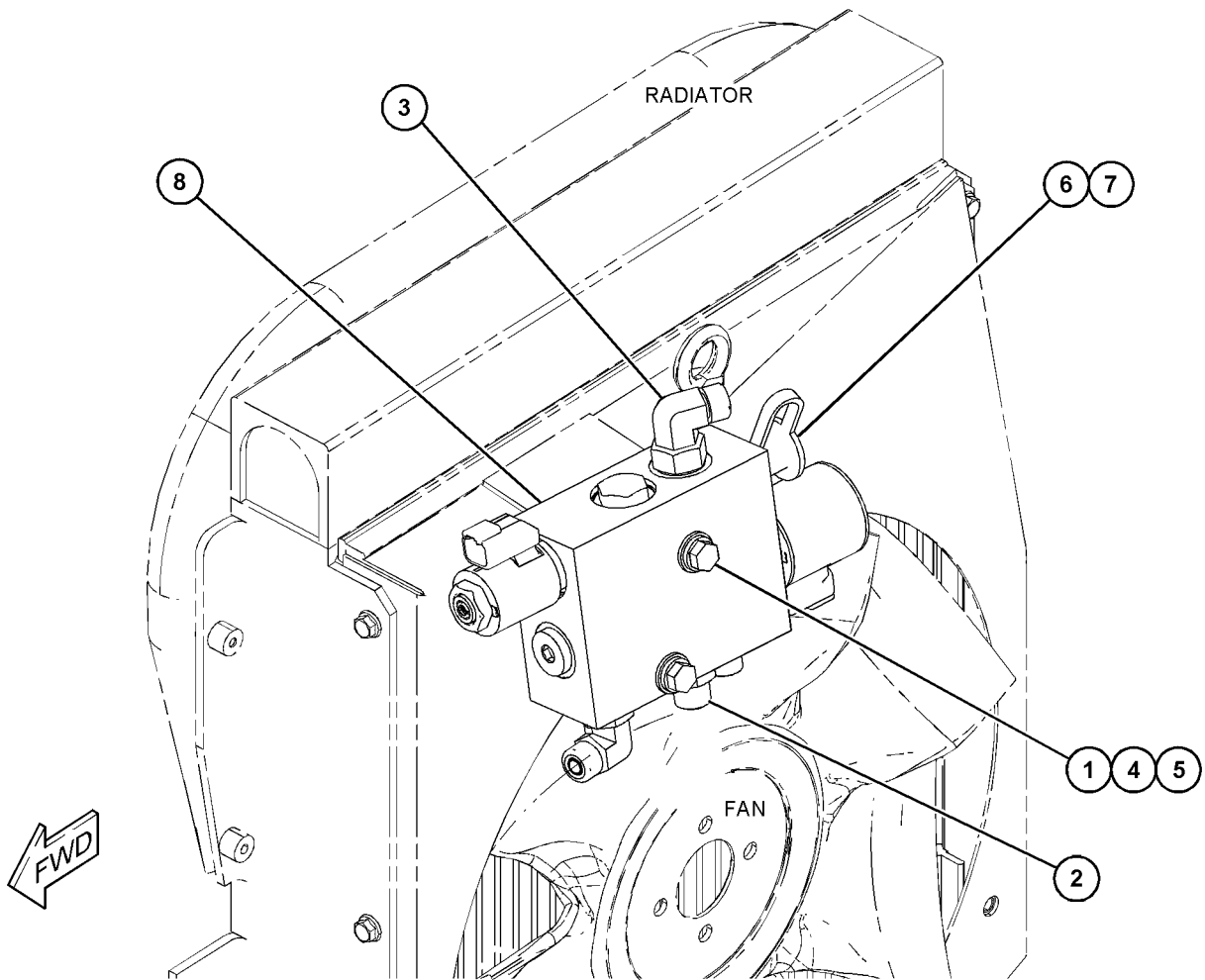
S/N: TH41-UP; TH9258-UP; JKT1-UP
PART OF 499-4950 COOLER GP-HYDRAULIC OIL
AN ATTACHMENT

SMCS-5051

i07668333

NOTE	REF NO	GRAPHIC REF	PART NUMBER	QTY	PART NAME						SEE PAGE
					1	2	3	4	5	6 (PRODUCT LEVEL)	
M	1	1	285-9066	2	BOLT (M8X1.25X65-MM)						
C	2	1	298-0462	2	FITTING-ADAPTER						
C	3	1	303-4754	2	FITTING-ADAPTER						
	4	1	8T-4121	2	WASHER-HARD (11X21X2.5-MM THK)						
	5	1	5M-2894	2	WASHER-HARD (10.2X18.5X2.5-MM THK)						
	6	1	164-5567	1	COUPLER AS-QUICK DISCONNECT (MALE)						
		1	6V-3965	1	FITTING (QUICK DISCONNECT)						
		1	214-7568	1	SEAL-O-RING						
	7	1	6V-0852	1	CAP-DUST						
Y	8	1	499-4945	1	VALVE GP-FAN REVERSING (FAN)						966

C - CHANGE FROM PREVIOUS TYPE
M - METRIC PART
Y - SEPARATE ILLUSTRATION



GRAPHIC #1

<END>

g06393108

HYDRAULIC SYSTEM

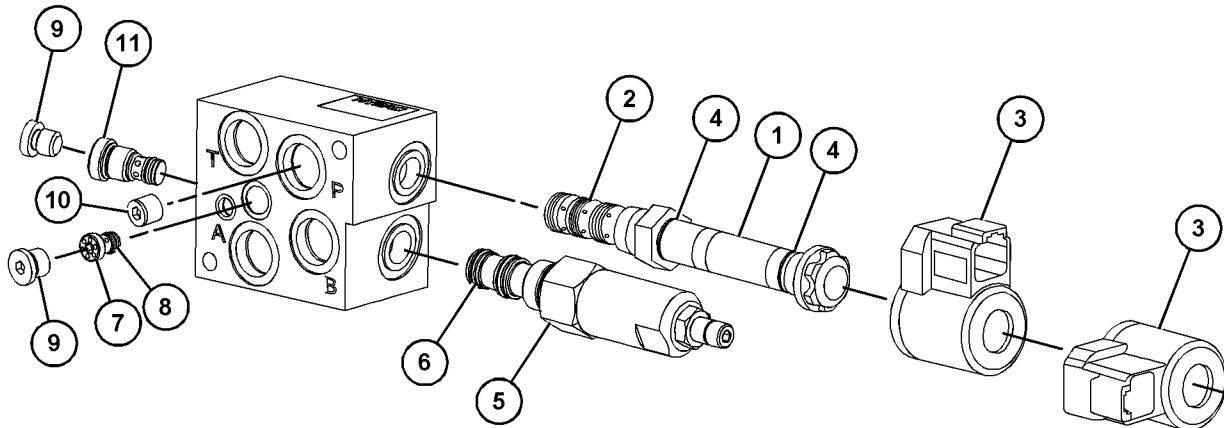
501-7459 VALVE GP-CONTROL

S/N: TH41-UP; TH91-151
PART OF 501-8492 HITCH GP-TOWING
AN ATTACHMENT

SMCS-5051

i06621650

NOTE	REF NO	GRAPHIC REF	PART NUMBER	QTY	PART NAME						SEE PAGE
					1	2	3	4	5	6	
	1	1	497-9903	1	VALVE GP-SOLENOID						
	2	1	497-9662	1	KIT-SEAL (INCLUDES O-RINGS & SUPPORT RINGS)						
	3	1	497-9663	2	COIL						
	4	1	497-9965	1	COIL AS						
	5	1	497-9966	1	VALVE AS-RELIEF						
	6	1	497-9666	1	KIT-SEAL (INCLUDES O-RINGS & SUPPORT RINGS)						
	7	1	497-9967	1	VALVE GP-CHECK						
	8	1	497-9906	1	SEAL						
	9	1	497-9833	2	PLUG						
	10	1	497-9908	1	ORIFICE						
J	11	1	485-2934	1	VALVE AS-SHUTTLE						
					AVAILABLE REPAIR KIT(S):						
J			485-2943	1	KIT-SEAL (INCLUDES O-RING SEALS)						
J - KIT MARKED J SERVICES PART(S) MARKED J											



GRAPHIC #1

<END>

g06051250

HYDRAULIC SYSTEM

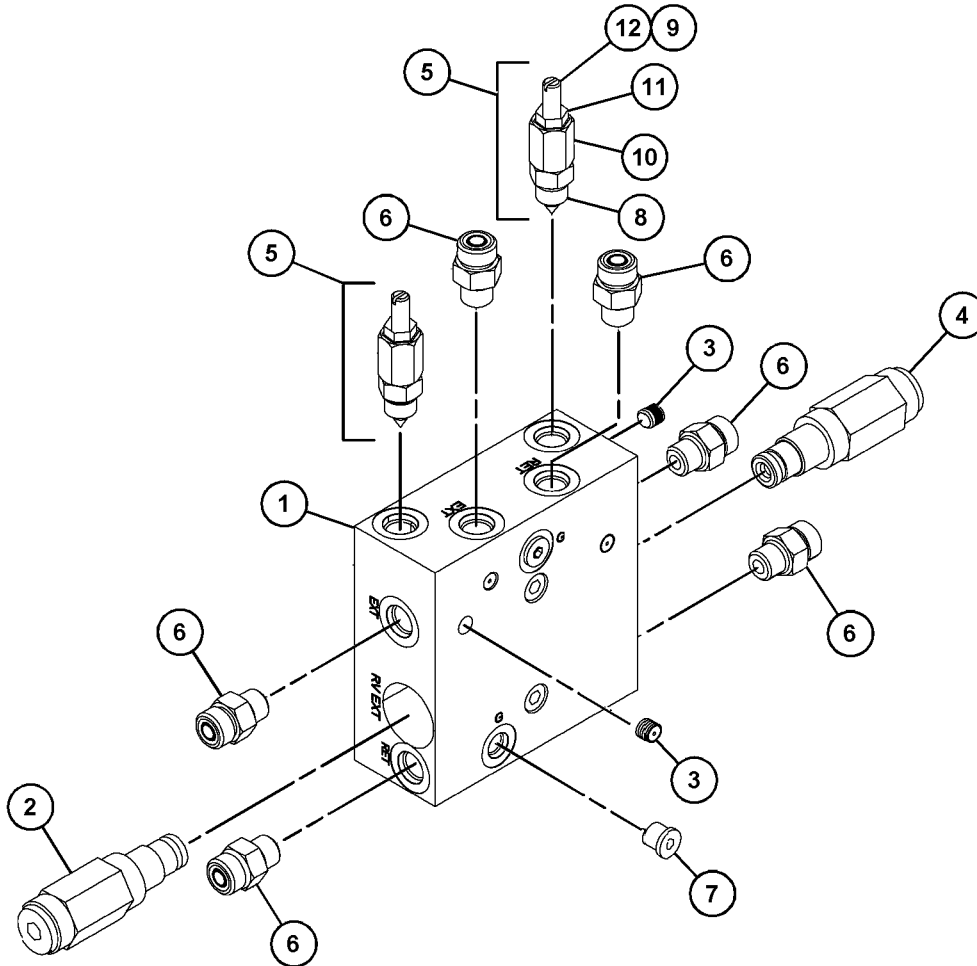
528-3031 VALVE GP-CONTROL

S/N: TH41-UP; TH91-UP
PART OF 486-0526 FORK GP-GRAPPLE
AN ATTACHMENT

SMCS-5051

i07210856

NOTE	REF NO	GRAPHIC REF	PART NUMBER	QTY	PART NAME						SEE PAGE
					1	2	3	4	5	6 (PRODUCT LEVEL)	
	1	1	528-3059	1	MANIFOLD						
	2	1	528-3060	1	CARTRIDGE						
	3	1	528-3061	4	PLUG						
	4	1	484-7160	1	CARTRIDGE						
	5	1	528-3062	2	RESTRICTOR						
	6	1	417-9873	6	ADAPTER						
	7	1	417-9872	2	PLUG						
	8	1	528-3063	1	FITTING						
	9	1	528-3064	2	SEAL-O-RING						
	10	1	528-3065	1	CAP						
	11	1	528-3066	1	NUT						
	12	1	528-3067	1	PLUNGER						



GRAPHIC #1

<END>

g06254091

HYDRAULIC SYSTEM

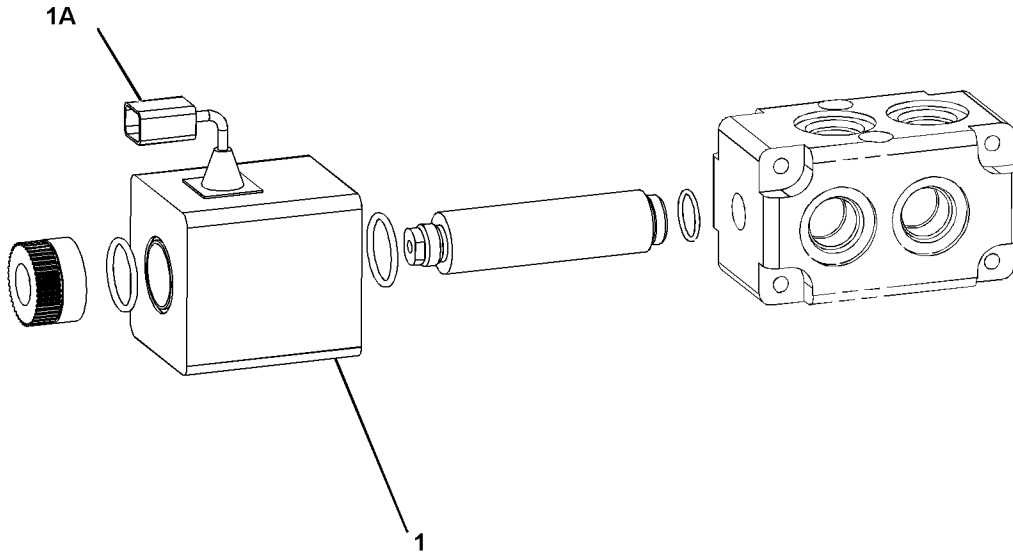
226-6494 VALVE GP-DIVERTER

S/N: TH41-UP; TH91-UP
 PART OF 495-7652 LINES GP-COUPLER
 AN ATTACHMENT

SMCS-5066

i06568202

NOTE	REF NO	GRAPHIC REF	PART NUMBER	QTY	PART NAME						SEE PAGE
					1	2	3	4	5	6 (PRODUCT LEVEL)	
	1	1	212-3350	1	SOLENOID AS						
	1A	1	102-8802	1	KIT-RECEPTACLE (2-PIN)						
					(INCLUDES RECEPTACLE AS & WEDGE)						
		1	8T-8729	2	PIN-CONNECTOR (16-GA TO 20-GA)						



GRAPHIC #1

<END>

g06095190

HYDRAULIC SYSTEM

495-7583 VALVE GP-DIVERTER

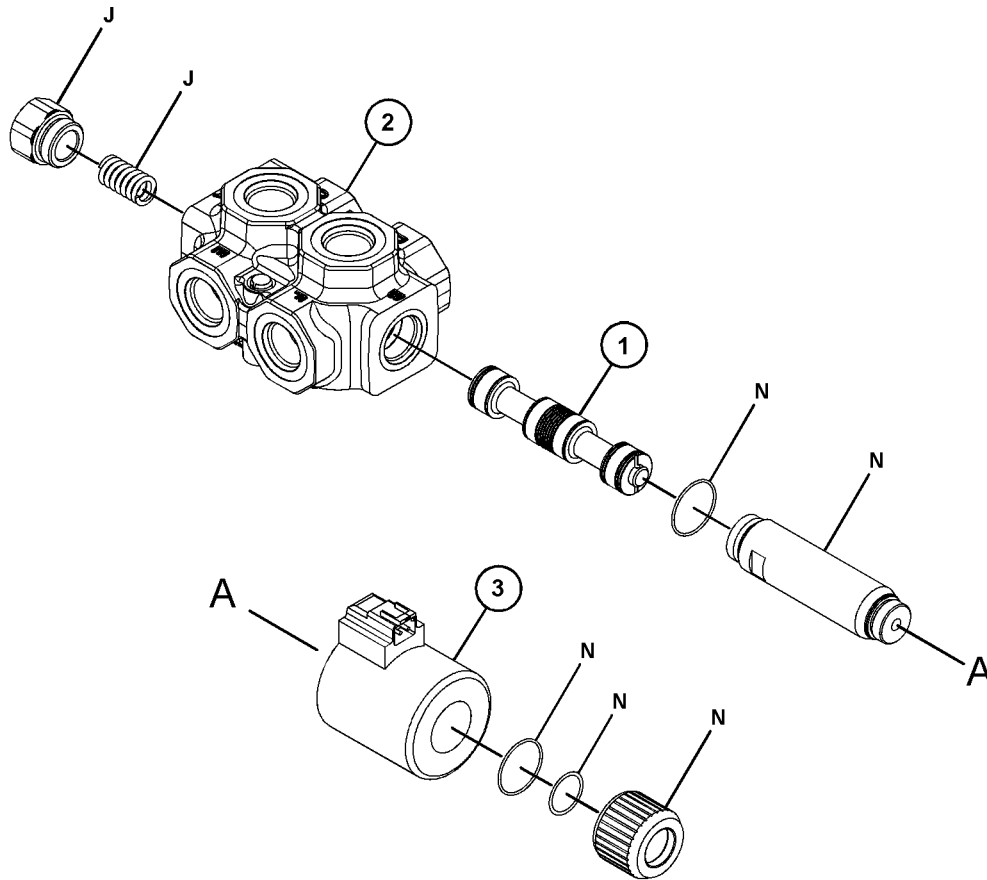
S/N: TH41-UP; TH91-UP

PART OF 497-9603 VALVE GP-DIVERTER
AN ATTACHMENT

SMCS-5066

i06693944

NOTE	REF NO	GRAPHIC REF	PART NUMBER	QTY	PART NAME						SEE PAGE
					1	2	3	4	5	6 (PRODUCT LEVEL)	
	1	1	511-5835	1	SPOOL						
	2	1	511-5836	1	BODY-DIVERTER						
	3	1	511-5837	1	COIL						
					AVAILABLE REPAIR KIT(S):						
			511-5864	1	KIT-DRAIN						
(INCLUDES PLUG, SPRING & INCLUDES PARTS MARKED 'J' IN THE GRAPHIC)											
			511-5865	1	KIT-TUBE						
(INCLUDES O-RINGS , PLUG, TUBE & ALSO INCLUDES PARTS MARKED 'N' IN THE GRAPHIC)											



GRAPHIC #1

<END>

g0612227

HYDRAULIC SYSTEM

497-9603 VALVE GP-DIVERTER-HIGH FLOW

S/N: TH41-149; TH91-203

PART OF 497-9605, 501-2996 LINES GP-AUXILIARY HYDRAULIC
AN ATTACHMENT

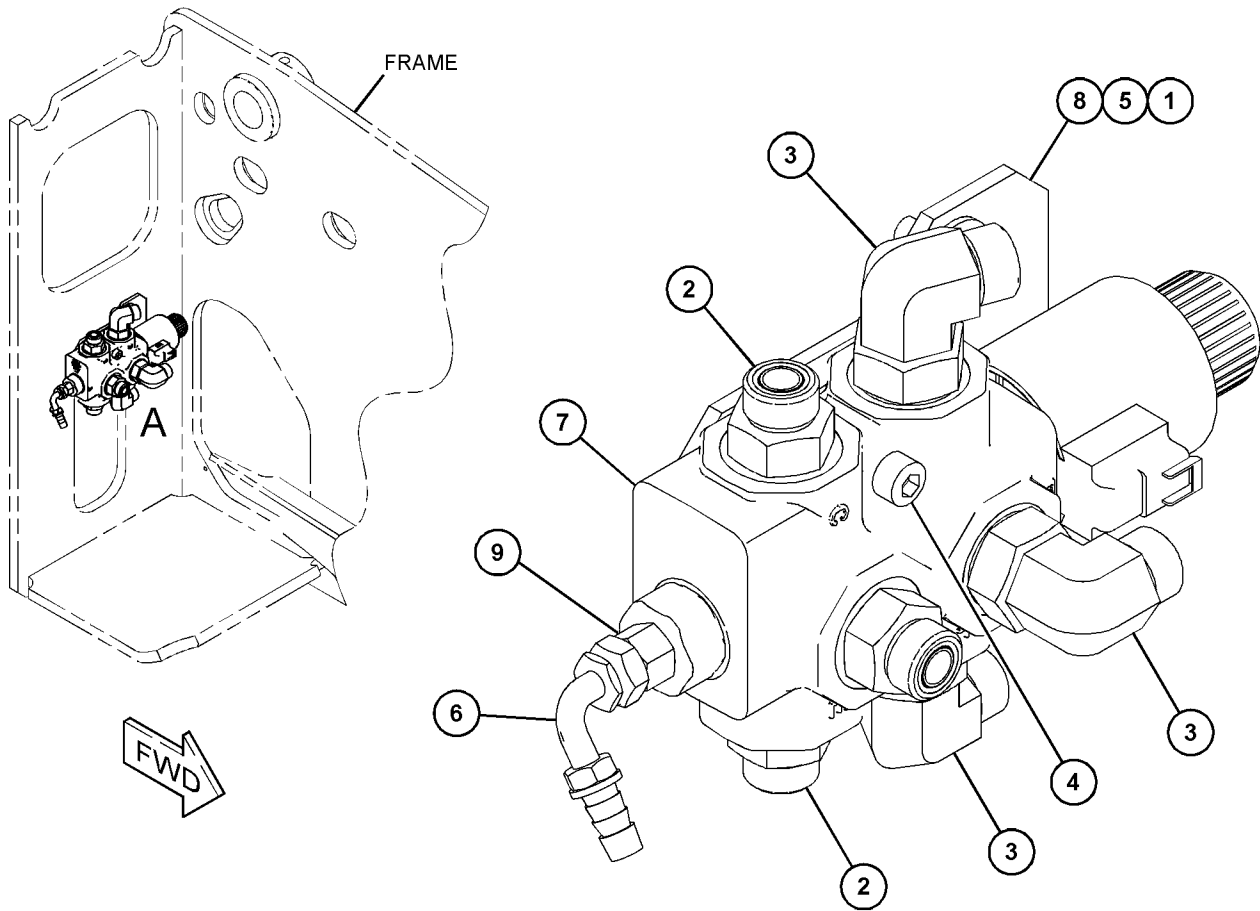
SMCS-5066

i06811713

NOTE	REF NO	GRAPHIC REF	PART NUMBER	QTY	PART NAME						SEE PAGE
					1	2	3	4	5	6 (PRODUCT LEVEL)	
M	1	1	8T-4136	2	BOLT (M10X1.5X25-MM)						
	2	1	309-2963	4	CONNECTOR						
	3	1	323-5622	2	ELBOW						
M	4	1	365-7861	2	BOLT-SOCKET HEAD (M10X1.5X65-MM)						
	5	1	116-8517	2	WASHER (10.5X30X2.5-MM THK)						
	6	1	314-5545	1	FITTING-ELBOW						
Y	7	1	495-7583	1	VALVE GP-DIVERTER (HIGH FLOW)						963
	8	1	519-1731	1	BRACKET AS						
	9	1	298-7357	1	FITTING-ADAPTER						

M - METRIC PART

Y - SEPARATE ILLUSTRATION



GRAPHIC #1

<END>

VIEW OF AREA A

g06125057

HYDRAULIC SYSTEM

497-9603 VALVE GP-DIVERTER-HIGH FLOW

S/N: TH4150-UP; TH9204-UP

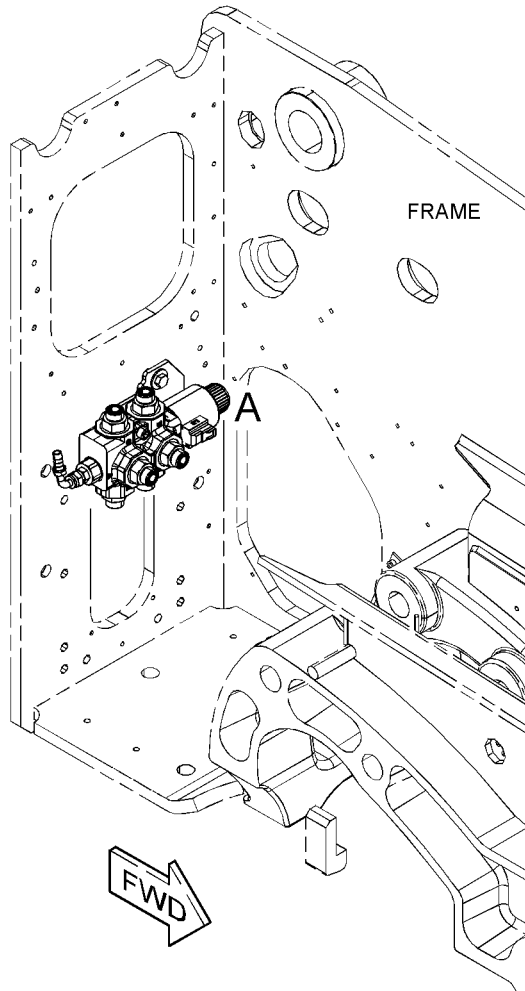
PART OF 497-9605, 501-2996 LINES GP-AUXILIARY HYDRAULIC
AN ATTACHMENT

SMCS-5066

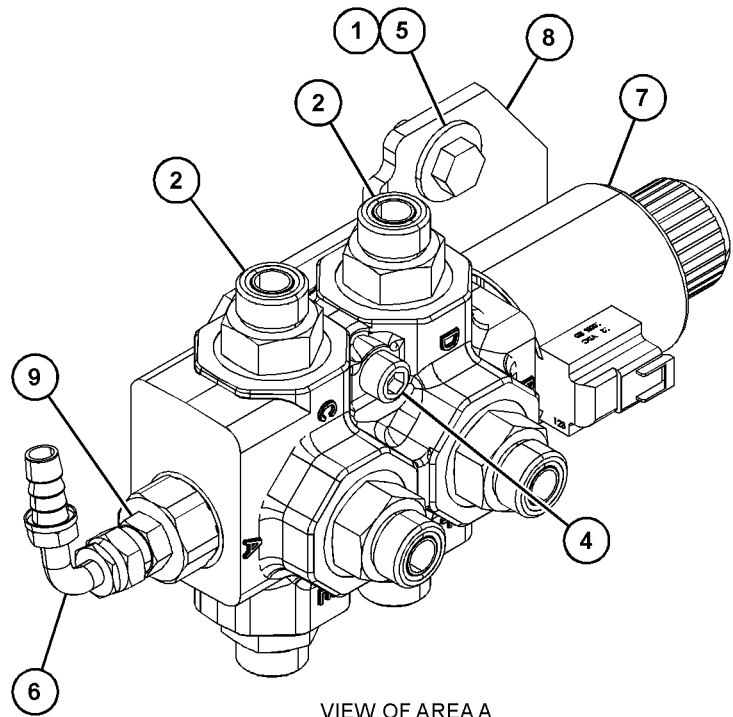
i07415208

NOTE	REF NO	GRAPHIC REF	PART NUMBER	QTY	PART NAME						SEE PAGE
					1	2	3	4	5	6 (PRODUCT LEVEL)	
M	1	1	8T-4136	2	BOLT (M10X1.5X25-MM)						
C	2	1	309-2963	6	CONNECTOR						
M	4	1	365-7861	2	BOLT-SOCKET HEAD (M10X1.5X65-MM)						
	5	1	116-8517	2	WASHER (10.5X30X2.5-MM THK)						
	6	1	314-5545	1	FITTING-ELBOW						
Y	7	1	495-7583	1	VALVE GP-DIVERTER (HIGH FLOW)						963
	8	1	519-1731	1	BRACKET AS						
	9	1	298-7357	1	FITTING-ADAPTER						

C - CHANGE FROM PREVIOUS TYPE
M - METRIC PART
Y - SEPARATE ILLUSTRATION



GRAPHIC #1



VIEW OF AREA A

<END>

g06336814

HYDRAULIC SYSTEM

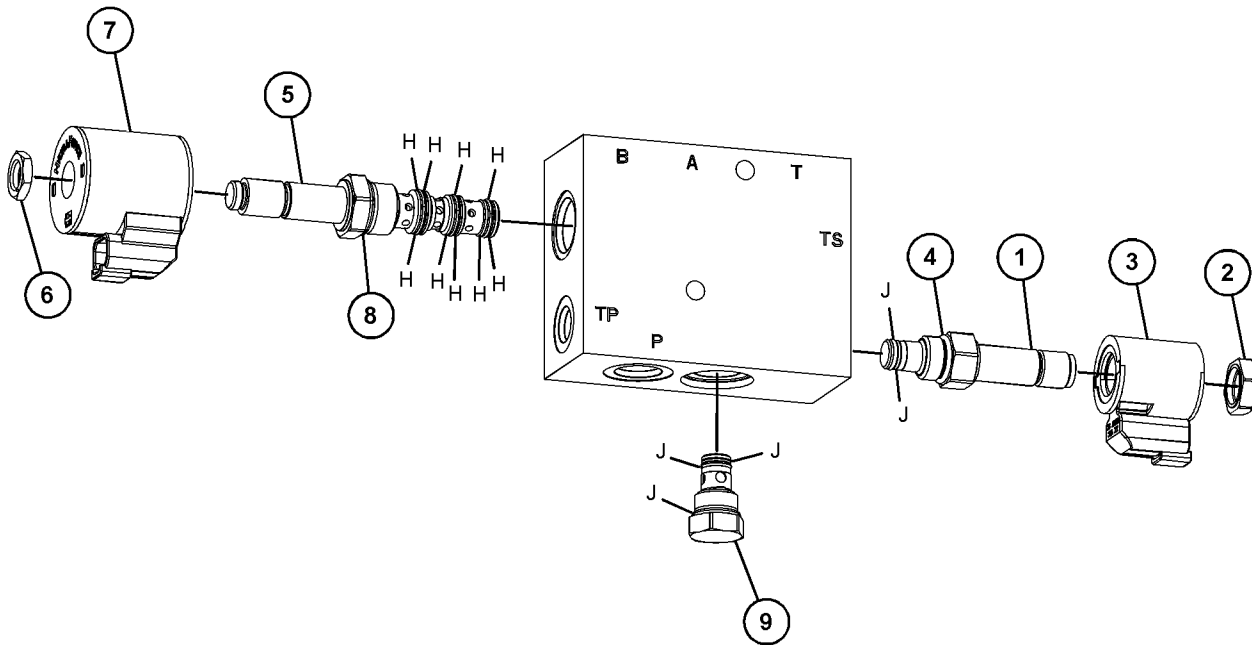
499-4945 VALVE GP-FAN REVERSING-FAN

S/N: TH41-UP; TH91-UP; JKT1-UP
PART OF 499-4944 VALVE GP-CONTROL
AN ATTACHMENT

SMCS-138R, 5051

i08039937

NOTE	REF NO	GRAPHIC REF	PART NUMBER	QTY	PART NAME						SEE PAGE
					1	2	3	4	5	6	
	1	1	511-7802	1	VALVE						
	2	1	511-7803	1	NUT						
	3	1	375-2702	1	COIL AS (12-VOLT)						
	4	1	341-7110	2	KIT-SEAL						
(EACH INCLUDES PARTS MARKED "J" IN THE GRAPHIC)											
	5	1	511-7804	1	VALVE-SOLENOID (FAN)						
	6	1	511-7697	1	NUT						
	7	1	238-4628	1	COIL AS (12-VOLT)						
	8	1	120-9054	1	KIT-SEAL						
(INCLUDES PARTS MARKED "H" IN THE GRAPHIC)											
N	9	1	177-3868	1	VALVE GP-CHECK (HYDRAULIC FAN OIL)						
		1	3K-0360	1	SEAL-O-RING						
AVAILABLE REPAIR KIT(S):											
N			120-9051	1	KIT-SEAL (CHECK VALVE)						
(INCLUDES O-RINGS & RING RETAINER)											
N - KIT MARKED N SERVICES PART(S) MARKED N											



GRAPHIC #1

<END>

g06562460

HYDRAULIC SYSTEM

495-8855 VALVE GP-MAIN CONTROL

S/N: TH41-167; TH91-448

PART OF 495-9795 VALVE & MTG GP-MAIN CONTROL

SMCS-5051

i06907157

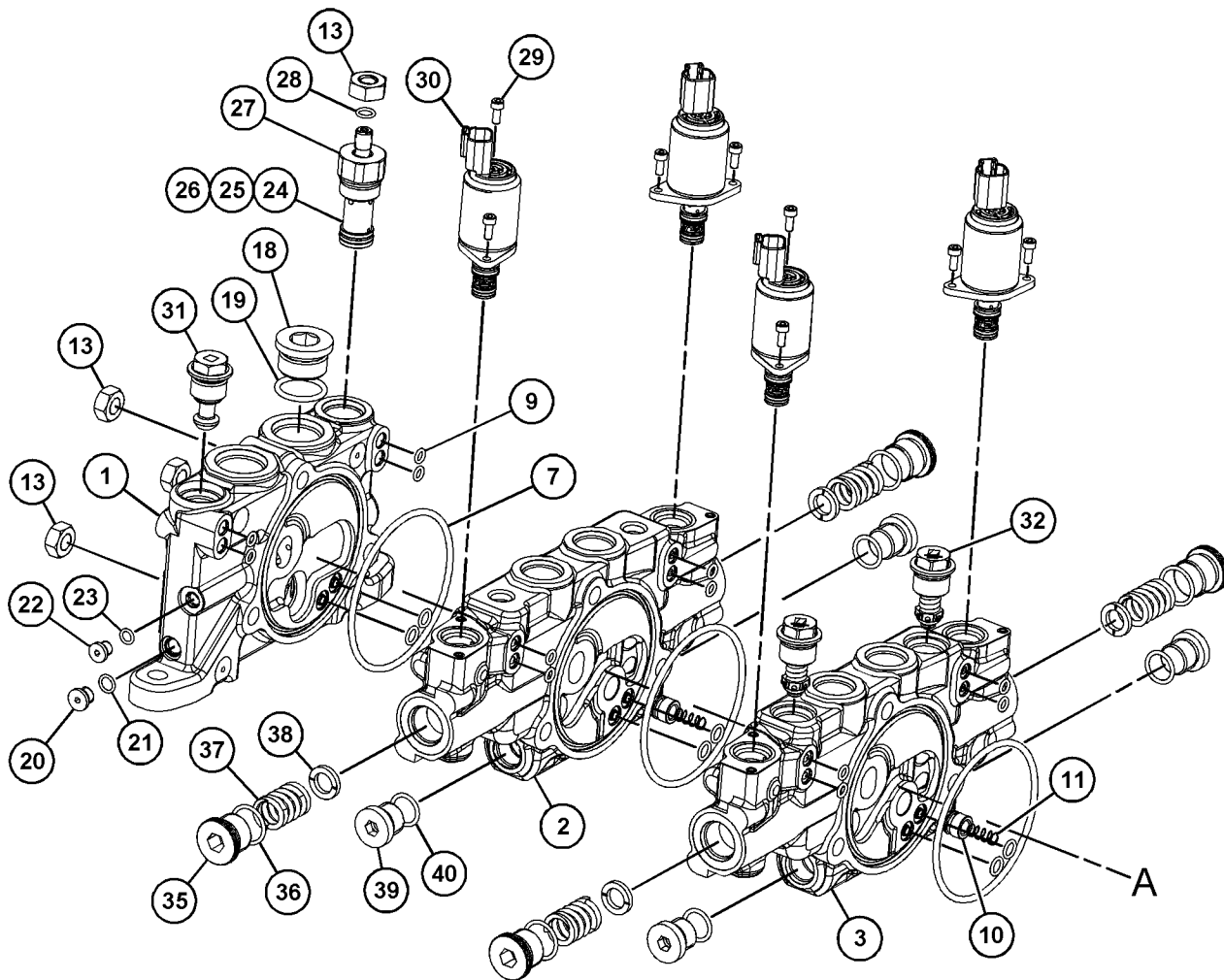
NOTE	REF NO	GRAPHIC REF	PART NUMBER	QTY	PART NAME						SEE PAGE
					1	2	3	4	5	6 (PRODUCT LEVEL)	
	1	1	507-6922	1	VALVE AS-INLET						
	2	1	507-6923	1	VALVE AS-CONTROL (LIFT)						
	3	1	507-6925	1	VALVE AS-CONTROL (TILT)						
	4	2	507-6975	1	VALVE AS-CONTROL (AUXILIARY)						
	5	2	507-6976	1	VALVE AS-CONTROL (TELE)						
	6	2	507-6979	1	VALVE AS-CONTROL (OUTLET)						
	7	1	479-7282	5	SEAL-O-RING						
	8	2	507-6981	10	SEAL-O-RING						
	9	1,2	507-6982	20	SEAL-O-RING						
	10	1,2	479-7786	4	VALVE-POPPET (MAIN CONTROL)						
	11	1,2	479-7285	4	SPRING						
	12	2	479-7010	3	TIE ROD						
	13	1,2	479-7011	6	NUT						
	14	2	507-7130	1	PLUG						
	15	2	507-7131	1	SEAL-O-RING						
	16	2	507-7132	1	PLUG						
	17	2	7M-8485	1	SEAL-O-RING						
	18	1	479-7281	1	PLUG						
	19	1	479-7280	1	SEAL-O-RING						
	20	1	507-7158	1	PLUG						
	21	1	479-7015	1	SEAL-O-RING						
	22	1	479-7014	1	PLUG						
	23	1	479-7013	1	SEAL-O-RING						
	24	1	479-7278	1	SEAL-O-RING						
	25	1	479-7277	1	RING-BACKUP						
	26	1	479-7276	1	SEAL-O-RING						
	27	1	507-7179	1	DRAIN AS						
	28	1	479-7292	1	SEAL-O-RING						
	29	1,2	507-7255	16	BOLT-SOCKET HEAD						
	30	1,2	507-7282	8	VALVE AS-CONTROL (EXTEND, RETRACT)						
	31	1,2	479-7279	2	PLUG AS						
	32	1	336-3689	2	VALVE-RELIEF						
	33	2	507-7348	2	VALVE AS-RELIEF						
	34	2	507-7349	1	VALVE AS-RELIEF (MAIN CONTROL)						
	35	1,2	507-8147	8	PLUG AS						
	36	1,2	507-7398	8	SEAL-O-RING						
	37	1,2	479-7289	8	SPRING						
	38	1,2	507-7399	8	SPRING-SEAT						
	39	1,2	507-7400	8	PLUG AS						
	40	1,2	507-7401	8	SEAL-O-RING						

HYDRAULIC SYSTEM

495-8855 VALVE GP-MAIN CONTROL (contd.)

i06907157

REFER TO ALL ILLUSTRATIONS OF THIS GROUP FOR AUXILIARY VIEWS



GRAPHIC #1

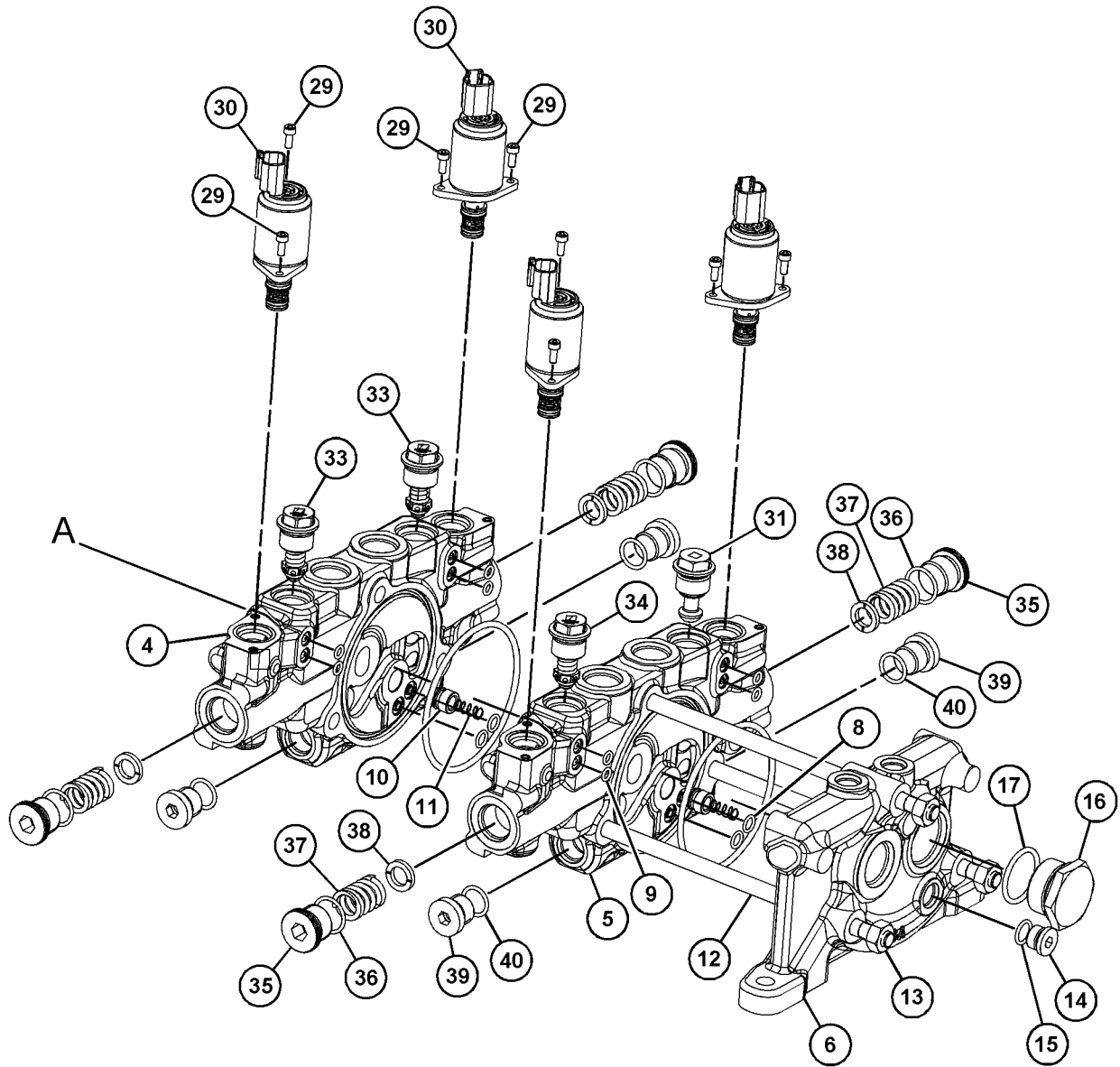
g06164954

HYDRAULIC SYSTEM

495-8855 VALVE GP-MAIN CONTROL (contd.)

i06907157

REFER TO ALL ILLUSTRATIONS OF THIS GROUP FOR AUXILIARY VIEWS



GRAPHIC #2

<END>

g06164955

HYDRAULIC SYSTEM

495-8854 VALVE GP-PRIORITY-FLOW DIVIDER

S/N: TH41-UP; TH91-UP

PART OF 495-9793 VALVE & MTG GP-PRIORITY

SMCS-4320, 506P, 5137

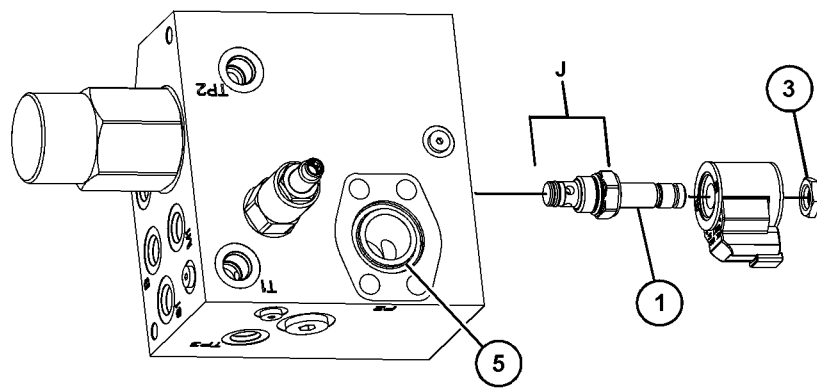
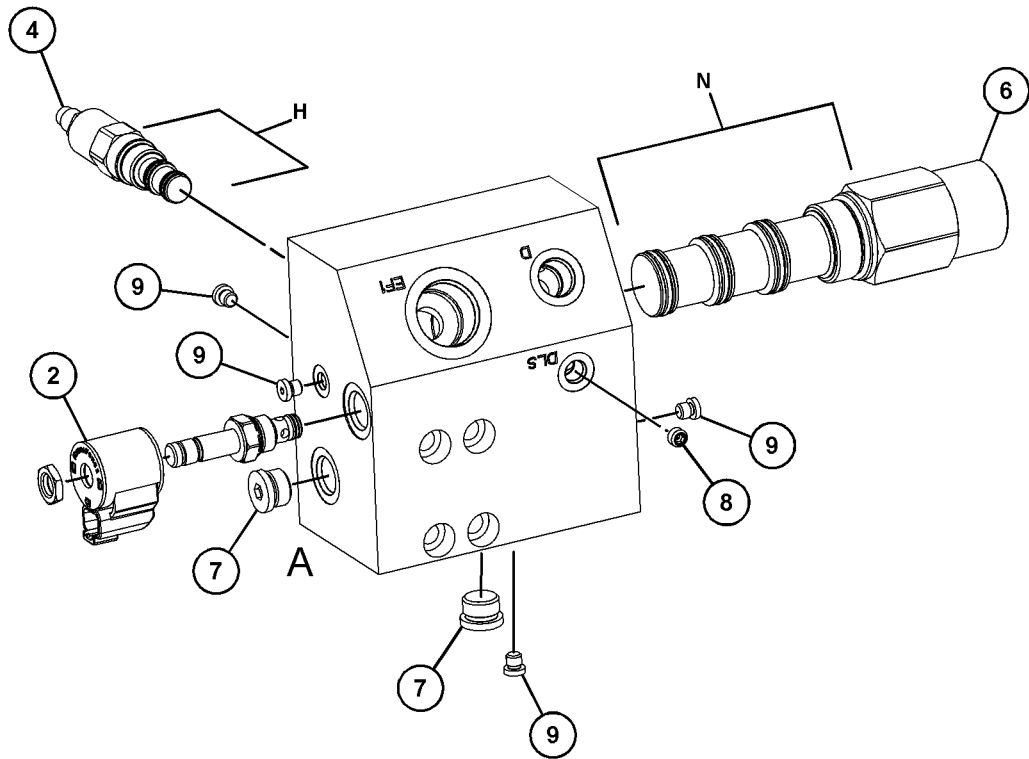
i06811696

NOTE	REF NO	GRAPHIC REF	PART NUMBER	QTY	PART NAME						SEE PAGE
					1	2	3	4	5	6	
	1	1	134-8626	1	VALVE-SOLENOID (RIDE CONTROL)						
	2	1	349-8256	1	COIL						
	3	1	511-7697	1	NUT						
	4	1	511-7698	1	REDUCER						
	5	1	511-7701	1	SEAL-O-RING						
	6	1	511-7699	1	COMPENSATOR						
	7	1	511-7700	2	PLUG						
	8	1	478-6612	1	PLUG						
	9	1	478-6615	4	PLUG						
					AVAILABLE REPAIR KIT(S) :						
			341-7110	1	KIT-SEAL						
					(INCLUDES PARTS MARKED "J" IN THE GRAPHIC)						
			264-5726	1	KIT-SEAL						
					(INCLUDES PARTS MARKED "H" IN THE GRAPHIC)						
			478-6898	1	KIT-SEAL						
					(INCLUDES PARTS MARKED "N" IN THE GRAPHIC)						

HYDRAULIC SYSTEM

495-8854 VALVE GP-PRIORITY (contd.)

106811696



VIEW OF AREA A 180°

GRAPHIC #1

<END>

g06126423

HYDRAULIC SYSTEM

557-7255 VALVE GP-PRIORITY-FLOW DIVIDER

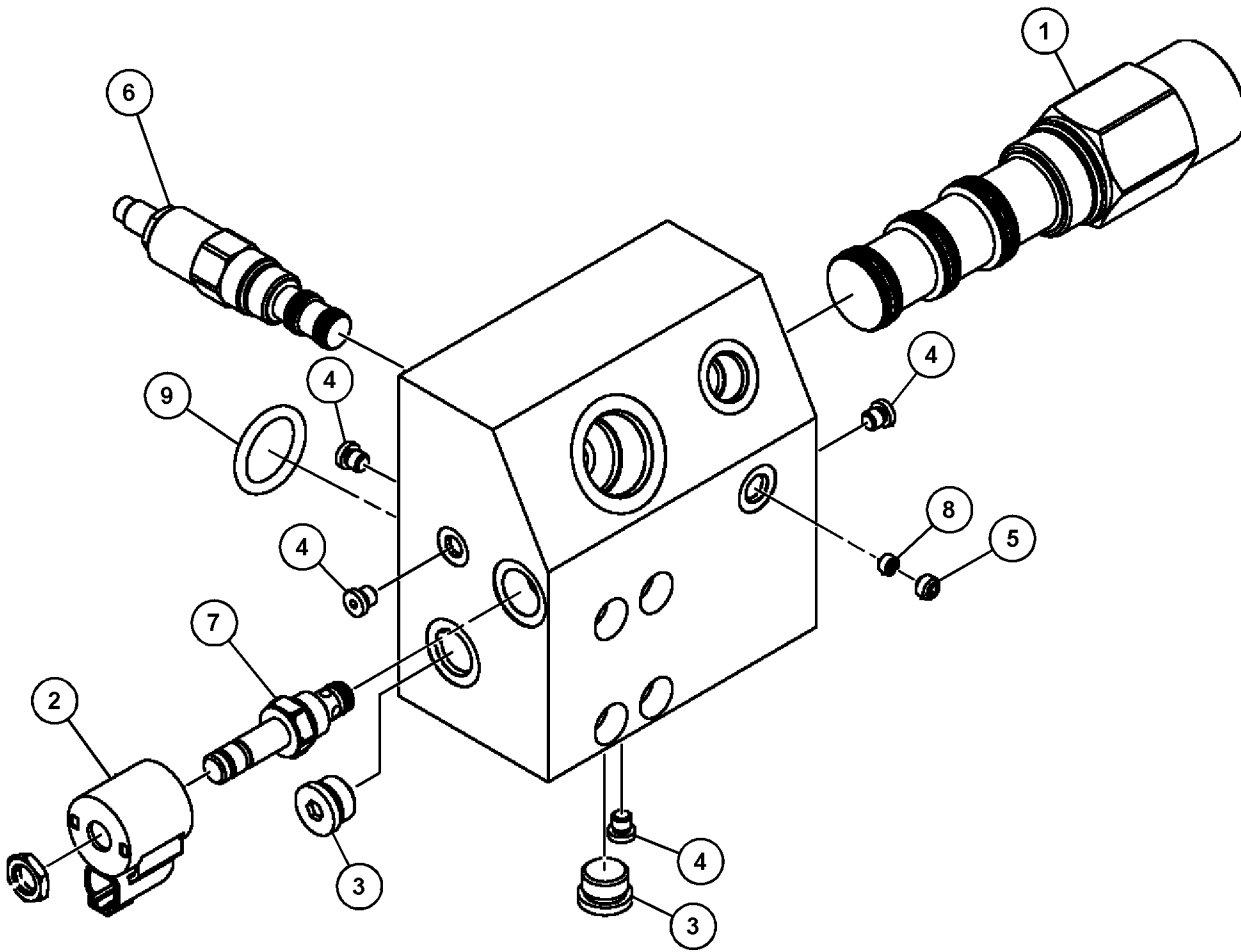
S/N: TH41-UP; TH91-UP

PART OF 495-9793 VALVE & MTG GP-PRIORITY

SMCS-4320, 506P, 5137

i07415007

NOTE	REF NO	GRAPHIC REF	PART NUMBER	QTY	PART NAME						SEE PAGE
					1	2	3	4	5	6 (PRODUCT LEVEL)	
	1	1	558-3850	1	VALVE-CONTROL						
	2	1	349-8256	1	COIL						
	3	1	511-7700	2	PLUG						
	4	1	478-6615	4	PLUG						
	5	1	478-6612	1	PLUG						
	6	1	558-3851	1	VALVE-RELIEF						
	7	1	558-3852	1	VALVE-CONTROL						
	8	1	558-3854	1	FILTER-OIL						
	9	1	511-7701	1	SEAL-O-RING						



GRAPHIC #1

<END>

g06336687

HYDRAULIC SYSTEM

373-8468 VALVE GP-PUMP CONTROL

S/N: TH41-UP; TH91-UP

PART OF 495-8984 PUMP GP-PISTON

SMCS-5455

i07217079

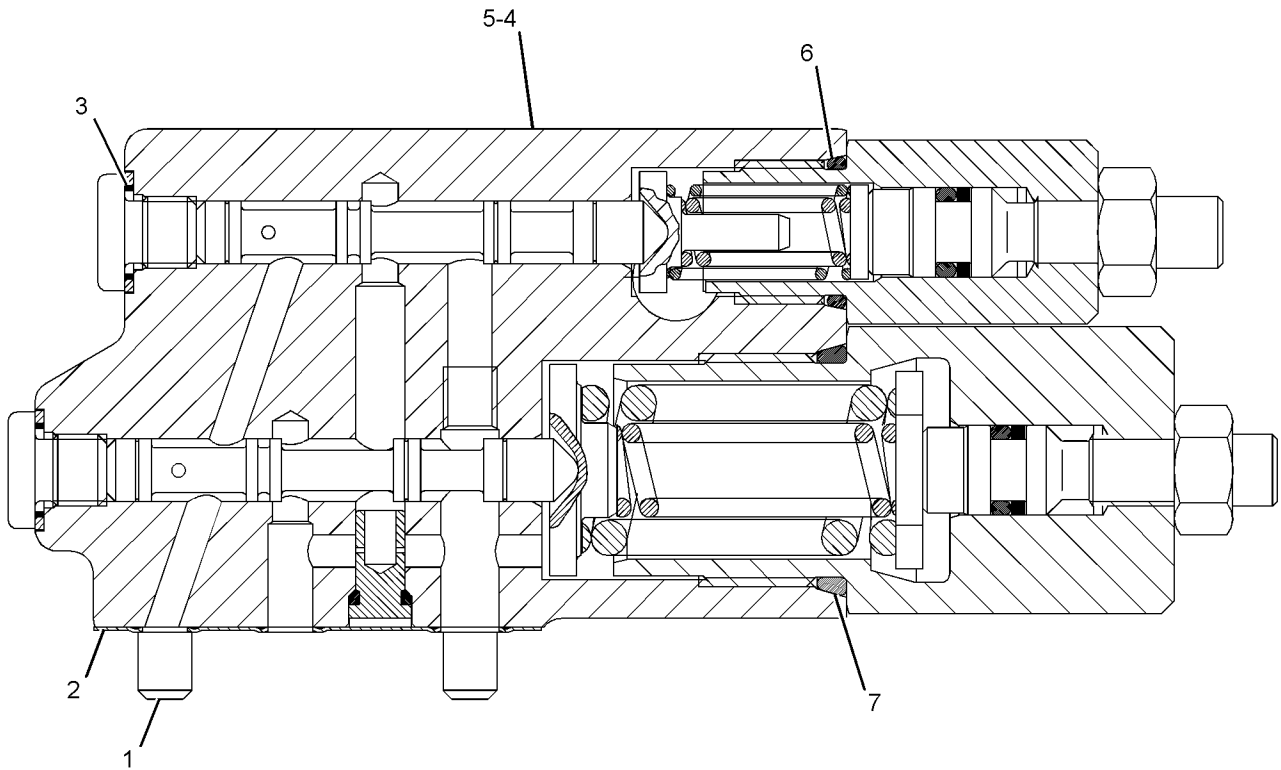
NOTE	REF NO	GRAPHIC REF	PART NUMBER	QTY	PART NAME						SEE PAGE
					1	2	3	4	5	6	
M	1	1	8T-8442	4	BOLT-SOCKET HEAD (M6X1X30-MM)						
	2	1	280-7870	1	GASKET						
	3	1	6E-6528	2	SEAL						
	4	1	9S-8002	1	PLUG (7/16-20-THD)						
	5	1	3J-7354	1	SEAL-O-RING						
	6	1	033-6043	1	SEAL-O-RING						
	7	1	6V-6339	1	SEAL-O-RING						

AVAILABLE REPAIR KIT(S):

293-8350 1 KIT-SEAL (FLOW COMPENSATOR)

(INCLUDES O-RINGS & BACKUP RINGS)

M - METRIC PART



GRAPHIC #1

<END>

g02794401

HYDRAULIC SYSTEM

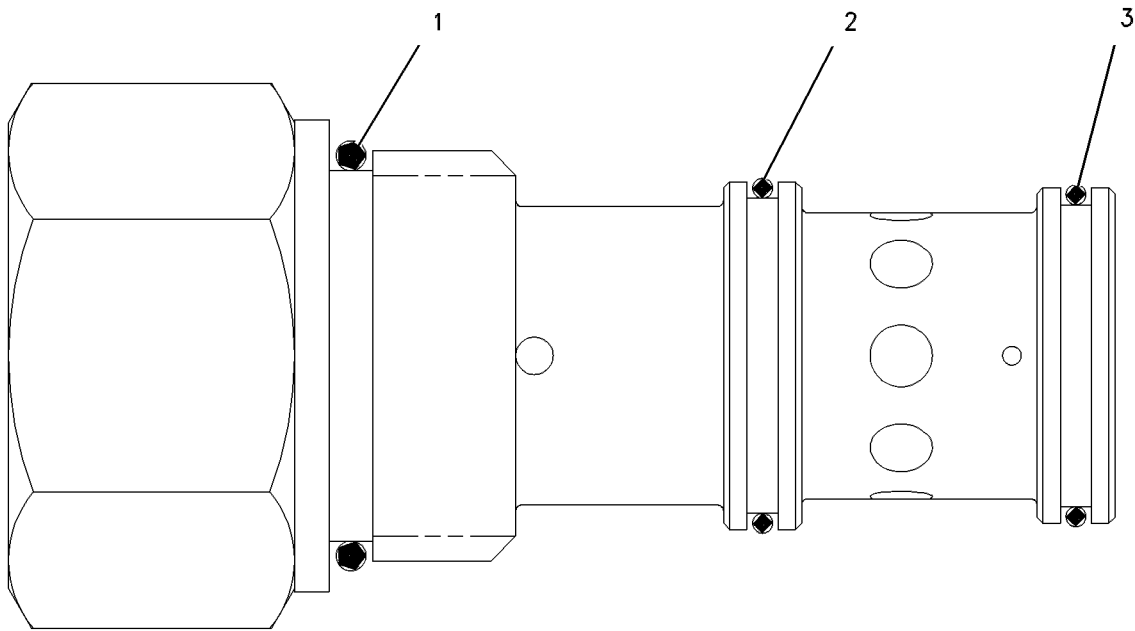
147-0209 VALVE GP-RELIEF

S/N: BK21-UP; SD31-UP; CF51-UP; HA51-UP; TH91-UP; H5E1-UP
 PART OF 418-7411, 468-0120 CONTROL GP-TRANSMISSION HYD
 AN ATTACHMENT

SMCS-5069, 5117

i05121850

NOTE	REF NO	GRAPHIC REF	PART NUMBER	QTY	PART NAME						SEE PAGE
					1	2	3	4	5	6 (PRODUCT LEVEL)	
1	1	1	7X-4744	1	SEAL-O-RING						
2	1	1	6V-9178	1	SEAL-O-RING						
3	1	1	106-9586	1	SEAL-O-RING						



GRAPHIC #1

<END>

g00304718

HYDRAULIC SYSTEM

504-1315 VALVE GP-SOLENOID & RELIEF-FAN

S/N: TH91-151; JKT1-UP

PART OF 515-9726 RADIATOR & MOUNTING GP
AN ATTACHMENT

SMCS-5479, 5571

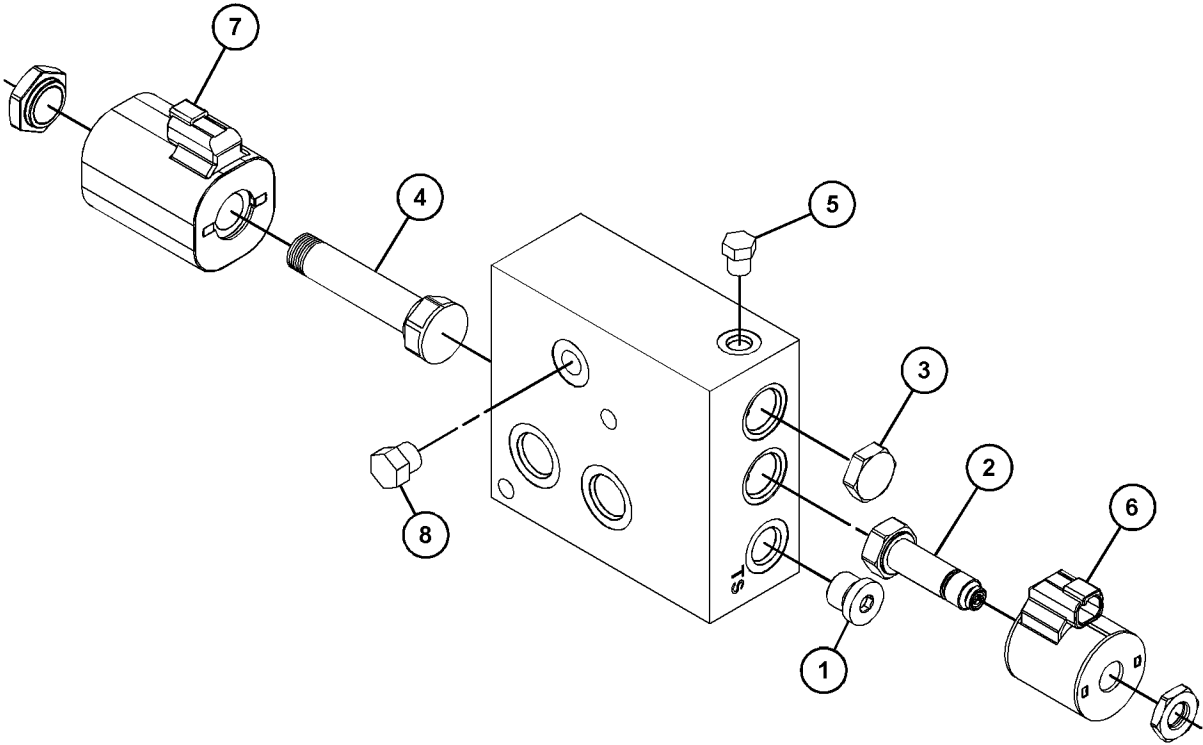
i07376258

NOTE	REF NO	GRAPHIC REF	PART NUMBER	QTY	PART NAME						SEE PAGE
					1	2	3	4	5	6 (PRODUCT LEVEL)	
	1	1	526-7378	1	PLUG						
	2	1	526-7387	1	VALVE-RELIEF						
	3	1	511-8398	1	VALVE-CHECK						
	4	1	511-8394	1	VALVE-SOLENOID						
	5	1	250-1477	1	PLUG						
	6	1	238-4628	1	COIL AS (12-VOLT)						
	7	1	511-8395	1	COIL						
	8	1	497-3881	1	FITTING-ADAPTER						
					PARTS SHOWN IN GRAPHIC(S) WITHOUT A REFERENCE NUMBER ARE NOT SERVICED SEPARATELY						
					AVAILABLE REPAIR KIT(S):						
			511-8399	1	KIT-SEAL (CONTROL VALVE)						
					(INCLUDES O-RING & BACKUP RING)						
			166-0321	1	KIT-SEAL (CONTROL VALVE)						
					(INCLUDES O-RING SEALS & BACKUP RINGS)						
			141-0888	1	KIT-SEAL (RIDE CONTROL)						
					(INCLUDES O-RING SEALS & BACKUP RING)						

HYDRAULIC SYSTEM

504-1315 VALVE GP-SOLENOID & RELIEF (contd.)

i07376258



GRAPHIC #1

<END>

g06165292

IMPLEMENTS

515-4347 BOOM AR

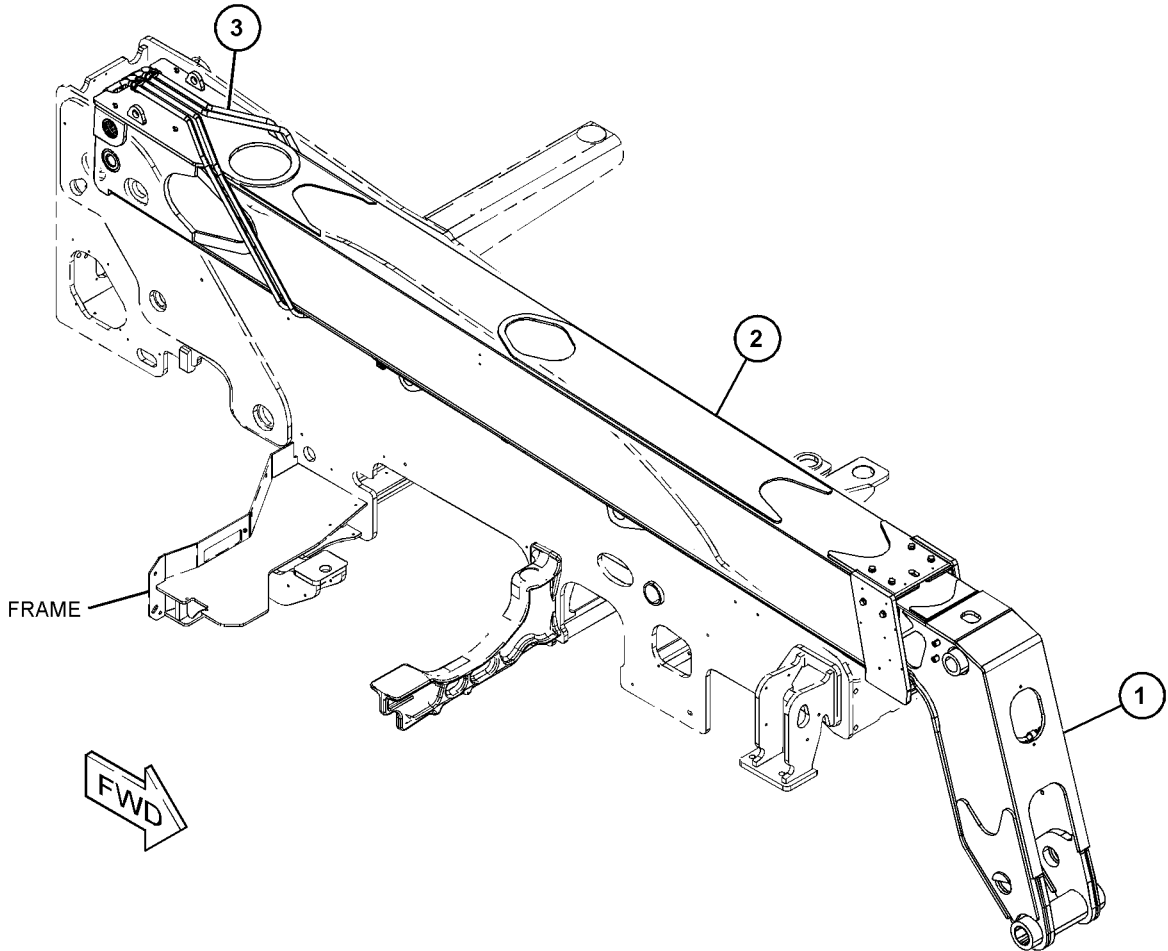
S/N: TH41-UP; TH91-UP
PART OF 518-0048 BOOM AR
TYPE 1

SMCS-6501

i06895488

NOTE	REF NO	GRAPHIC REF	PART NUMBER	QTY	PART NAME						SEE PAGE
					1	2	3	4	5	6 (PRODUCT LEVEL)	
Y	1	1	513-8865	1	BOOM GP (INNER)						987
Y	2	1	513-8564	1	BOOM GP (OUTER)						986
Y	3	1	515-4348	1	LINES GP-BOOM						870

Y - SEPARATE ILLUSTRATION



GRAPHIC #1

<END>

g06162428

IMPLEMENTS

515-4347 BOOM AR

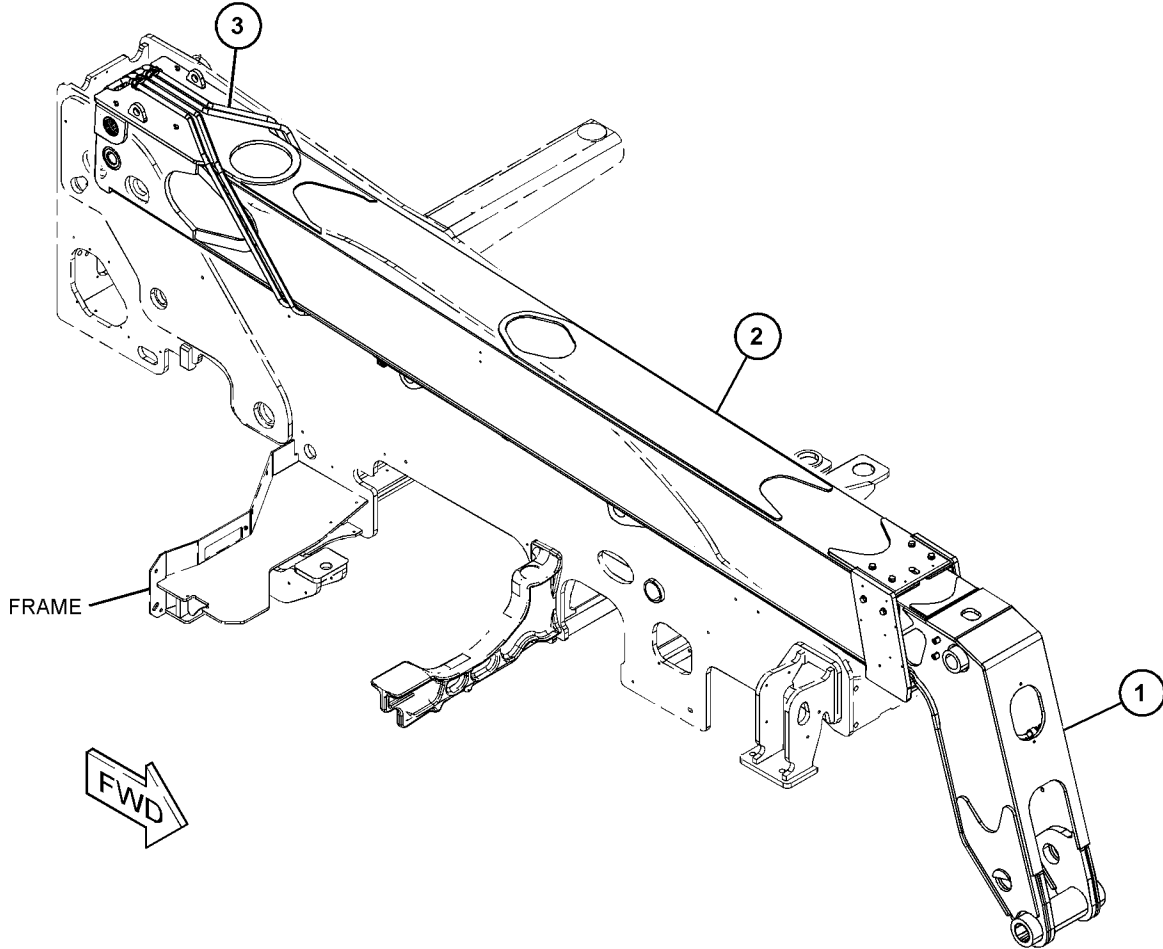
S/N: TH41-UP; TH91-UP
PART OF 518-0048 BOOM AR
TYPE 2

SMCS-6501

i07475069

NOTE	REF NO	GRAPHIC REF	PART NUMBER	QTY	PART NAME						SEE PAGE
					1	2	3	4	5	6 (PRODUCT LEVEL)	
CY	1	1	558-1637	1	BOOM GP (INNER)						988
Y	2	1	513-8564	1	BOOM GP (OUTER)						986
Y	3	1	515-4348	1	LINES GP-BOOM						870

C - CHANGE FROM PREVIOUS TYPE
Y - SEPARATE ILLUSTRATION



GRAPHIC #1

<END>

g06162428

IMPLEMENTS

518-0048 BOOM AR

S/N: TH41-UP; TH91-UP

PART OF 518-0078, 518-0079, 567-5082, 567-5088 COMMON AR

SMCS-6501

i07819339

NOTE	PART NUMBER	QTY	PART NAME						SEE PAGE
			1	2	3	4	5	6 (PRODUCT LEVEL)	
Y	515-4347	1	BOOM AR						977
Y	515-5868	1	CYLINDER & MTG GP-TELESCOPING (EXTENSION)						833
Y	515-5765	1	CYLINDER & MTG GP-TILT						834
Y	515-1960	1	LEVER GP-TILT						992
Y	540-1178	1	SENSOR & MOUNTING GP (RETRACT)						532
Y	495-8471	1	SENSOR & MOUNTING GP (BOOM ANGLE)						525
Y	496-8307	1	SENSOR & MOUNTING GP (RETRACT)						527
Y	501-2463	1	VALVE & MTG GP-STEERING						825
Y	513-8562	1	WIRING GP-BOOM						574

Y - SEPARATE ILLUSTRATION

<END>

IMPLEMENTS

588-1287 BOOM AR

S/N: TH91-UP
AN ATTACHMENT

SMCS-6501

i07877144

NOTE	REF NO	GRAPHIC REF	PART NUMBER	QTY	PART NAME	SEE PAGE
					1 2 3 4 5 6 (PRODUCT LEVEL)	
Y	1	1	540-1178	1	SENSOR & MOUNTING GP (RETRACT)	532
Y	2	1	513-8564	1	BOOM GP (OUTER)	986
Y	5	1	558-1637	1	BOOM GP (INNER)	988
Y	6	1	515-5793	1	CYLINDER GP-TELESCOPING	849
Y	7	2	515-5766	1	CYLINDER GP-TILT	853
Y	8	1	515-4348	1	LINES GP-BOOM	870
Y	9	1	513-8562	1	WIRING GP-BOOM	574
	10	1	6V-5589	4	RING-RETAINING	
M	11	2	482-4975	1	BOLT (M12X1.75X110-MM)	
M	12	1	8T-4189	2	BOLT (M8X1.25X20-MM)	
	13	2	323-5623	2	FITTING	
M	14	2	309-9185	1	LOCKNUT (M12X1.75-THD)	
	15	1	3B-4505	2	LOCKWASHER	
	16	2	331-0095	1	LINK AS	
	16A	2	329-3613	4	BEARING	
	17	1	494-9793	1	PIN	
	18	2	494-9794	1	PIN	
	19	2	494-9795	1	PIN	
	20	1	515-5764	1	PIN	
	21	1	515-5771	1	PIN	
	22	1	515-5772	1	PIN	
	23	2	588-1288	1	LEVER GP	
	23A	2	318-7355	2	BEARING	
M		2	127-2909	4	SCREW-FLAT HEAD (M10X1.5X20-MM)	
		2	494-9797	2	PLATE	
		2	510-1175	1	LEVER AS	
	24	1	515-5773	2	SPACER (52X90X62.5-MM THK)	
	25	1	494-1912	1	PLATE	
B	26	1	459-6914	1	SHIM (3-MM THK)	
B		1	459-6915	1	SHIM (2-MM THK)	
B		1	459-6916	1	SHIM (1-MM THK)	

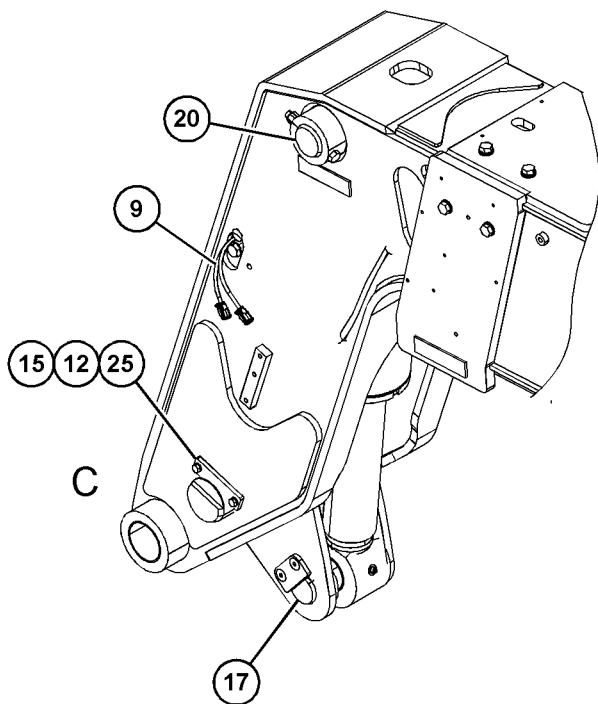
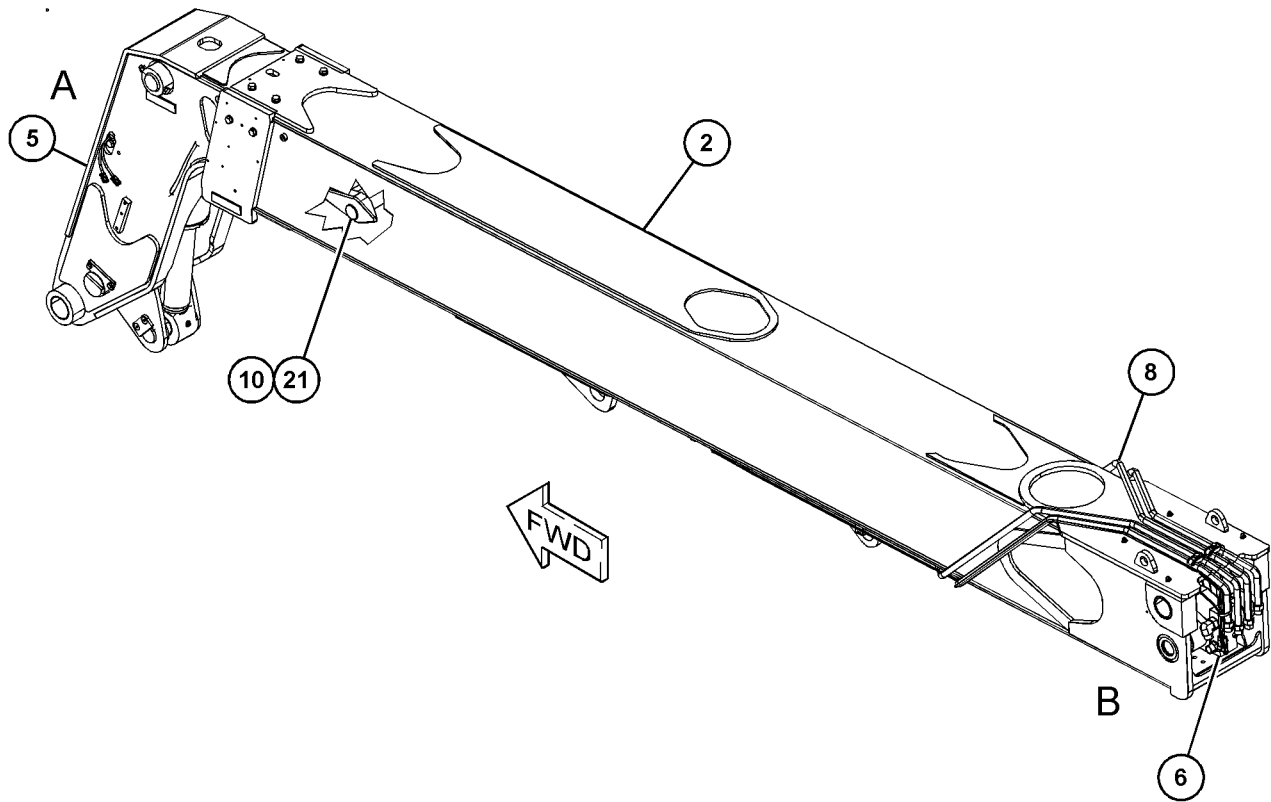
B - USE AS REQUIRED
M - METRIC PART
Y - SEPARATE ILLUSTRATION

IMPLEMENTS

588-1287 BOOM AR (contd.)

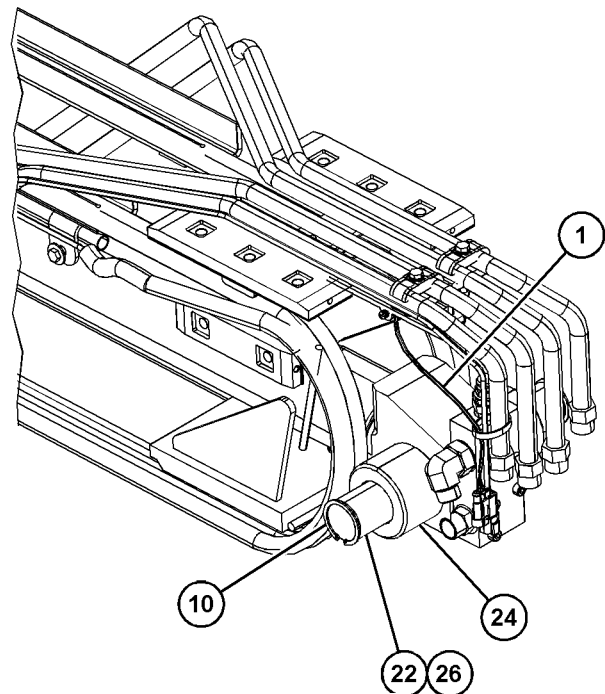
i07877144

REFER TO ALL ILLUSTRATIONS OF THIS GROUP FOR AUXILIARY VIEWS



VIEW OF AREA A

GRAPHIC #1



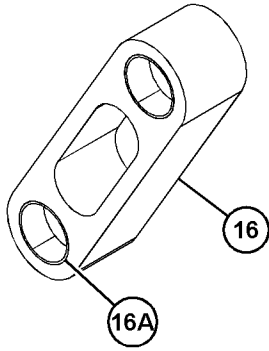
VIEW OF AREA B
(PARTS REMOVED FOR CLARITY)

g06493496

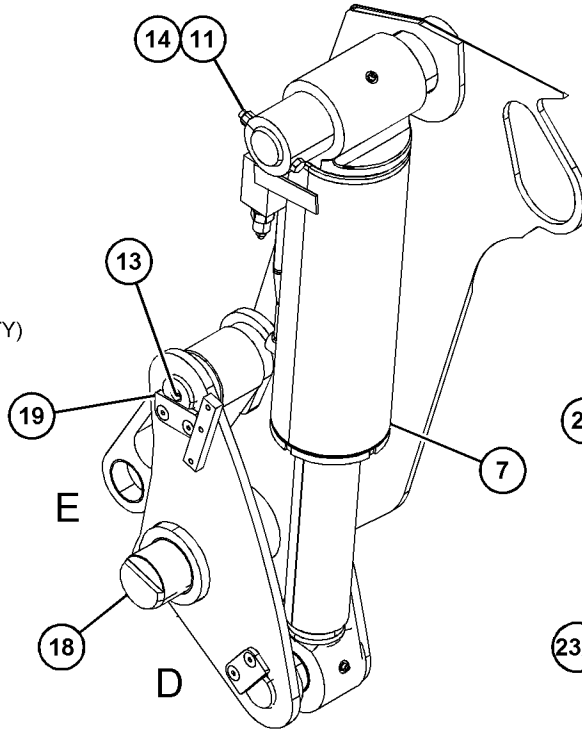
IMPLEMENTS

588 - 1287 BOOM AR (contd.)

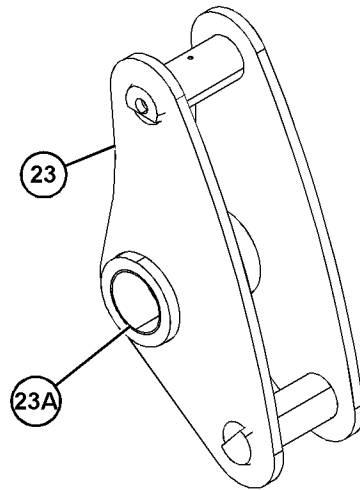
i07877144



VIEW OF AREA E
(PARTS REMOVED FOR CLARITY)



VIEW OF AREA C
(PARTS REMOVED FOR CLARITY)



VIEW OF AREA D
(PARTS REMOVED FOR CLARITY)

GRAPHIC #2

<END>

g06493497

IMPLEMENTS

474-0144 BOOM GP

S/N: TH41-UP; TH91-UP

(12-FOOT)

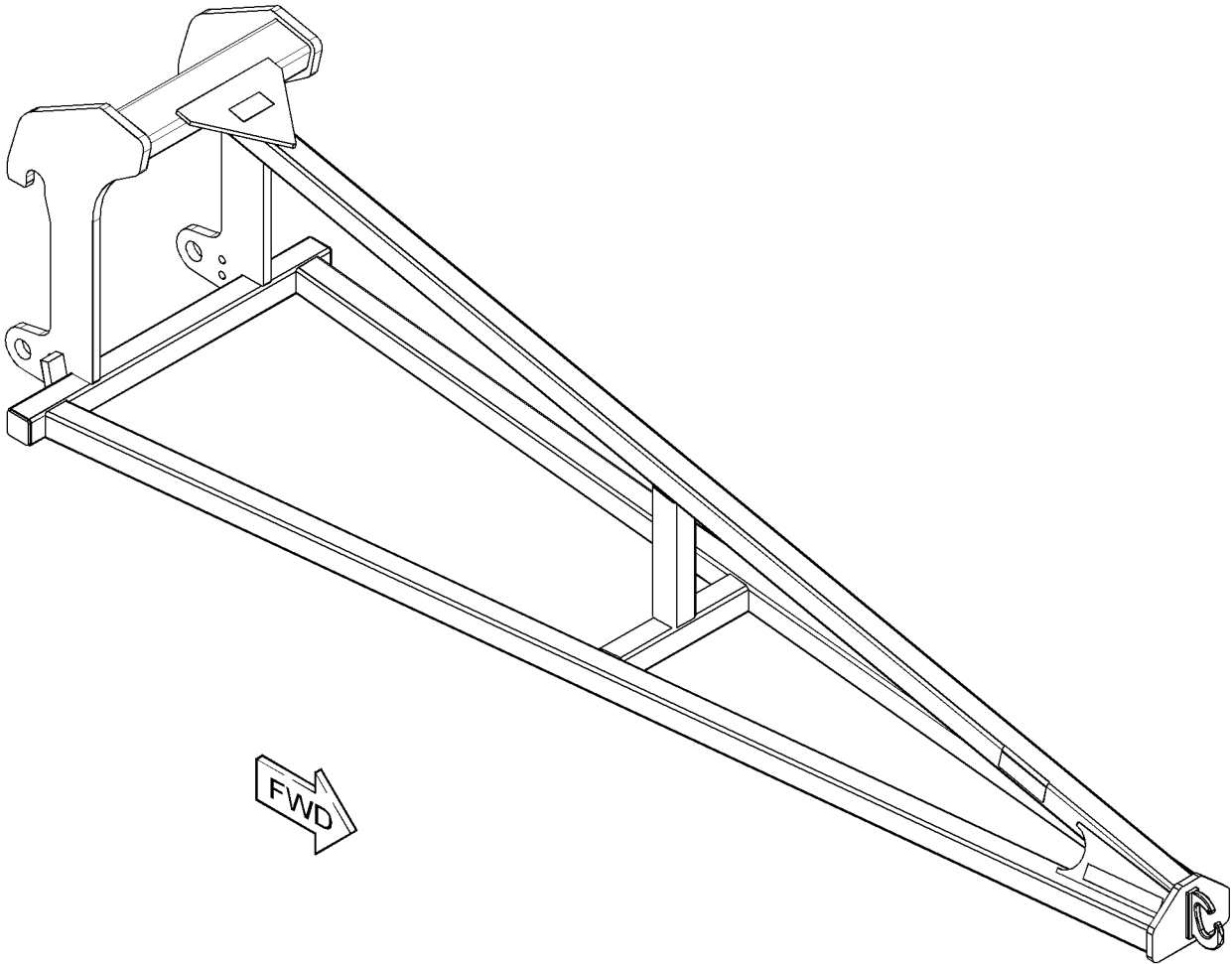
AN ATTACHMENT

SMCS-6501

i06883776

NOTE	REF NO	GRAPHIC REF	PART NUMBER	QTY	PART NAME	SEE PAGE
					1 2 3 4 5 6 (PRODUCT LEVEL)	

(NO SERVICED PARTS)



GRAPHIC #1

<END>

g03873186

IMPLEMENTS

474-0147 BOOM GP-WITH WINCH
S/N: TH41-UP; TH91-UP
(12-FT), AVAILABLE IN NACD REGION ONLY
AN ATTACHMENT

SMCS-6501

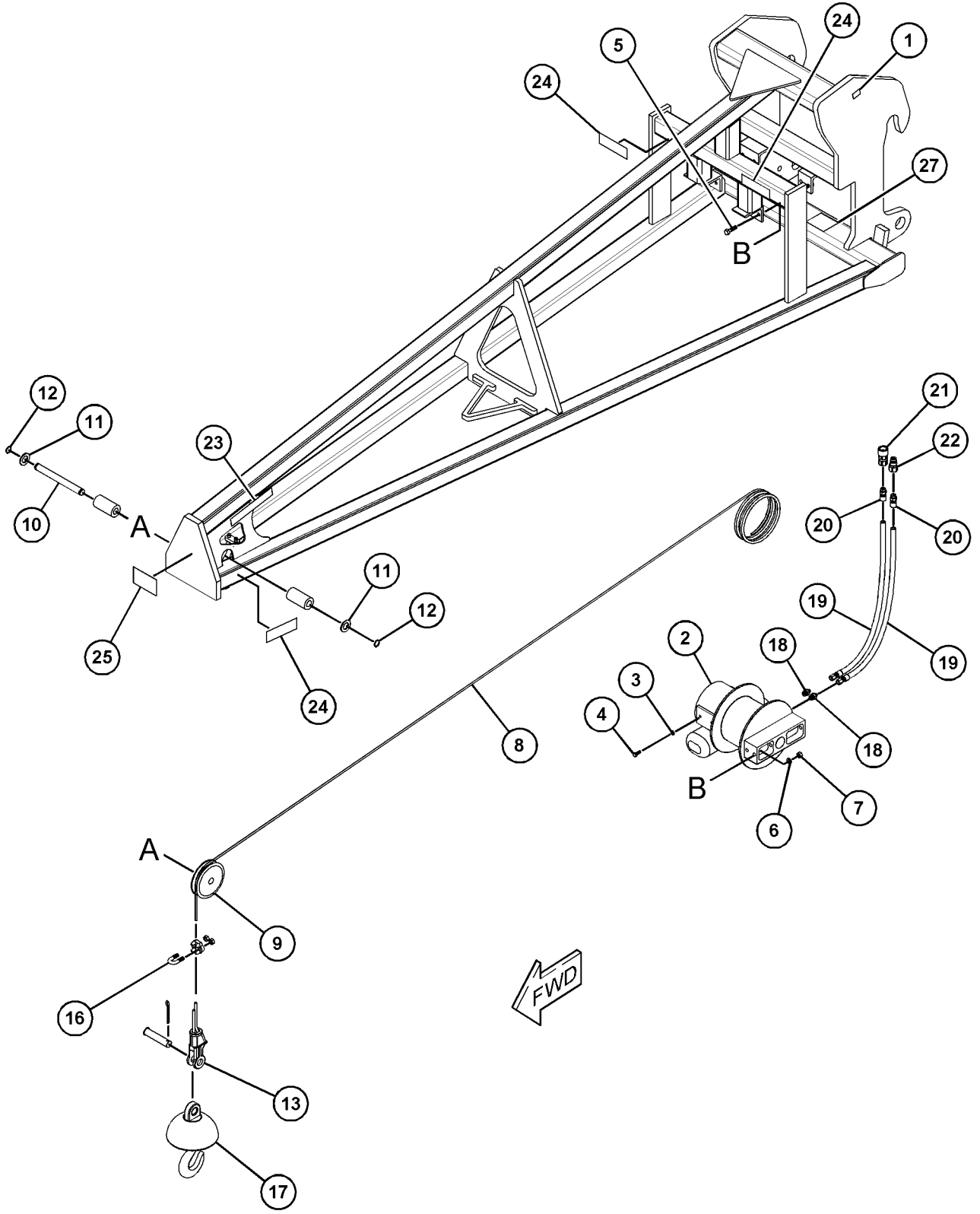
i06948947

NOTE	REF NO	GRAPHIC REF	PART NUMBER	QTY	PART NAME	SEE PAGE
					1 2 3 4 5 6 (PRODUCT LEVEL)	
	1	1	362-2106	1	FILM-INFORMATION (MADE IN USA)	
	2	1	490-6358	1	WINCH	
	3	1	327-6330	4	LOCKWASHER	
	4	1	327-6285	4	SCREW	
	5	1	490-6359	2	BOLT	
	6	1	327-6329	2	LOCKWASHER	
	7	1	490-6360	2	NUT	
	8	1	490-6361	1	CABLE	
	9	1	490-6362	1	PULLEY	
	10	1	490-6363	1	PIN	
	11	1	490-6364	2	WASHER	
	12	1	490-6365	2	RING	
	13	1	490-6366	1	SOCKET	
	16	1	490-6367	1	CLAMP	
	17	1	490-6368	1	BALL-SWIVEL	
	18	1	339-8047	2	CONNECTOR	
	19	1	490-6369	2	HOSE	
	20	1	362-2111	2	CONNECTOR	
	21	1	300-6078	1	COUPLING (FEMALE)	
	22	1	300-6079	1	COUPLING (MALE)	
	23	1	490-6371	2	FILM-INFORMATION (LOAD CAPACITY)	
	24	1	490-6372	4	FILM-WARNING (ROTATING)	
	25	1	490-6373	1	FILM-WARNING (NO TOWING)	
	27	1	327-6325	1	FILM-WARNING (HIGH PRESSURE)	

IMPLEMENTS

474-0147 BOOM GP (contd.)

i06948947



GRAPHIC #1

<END>

g03885319

IMPLEMENTS

513-8564 BOOM GP-OUTER

S/N: TH41-UP; TH91-UP

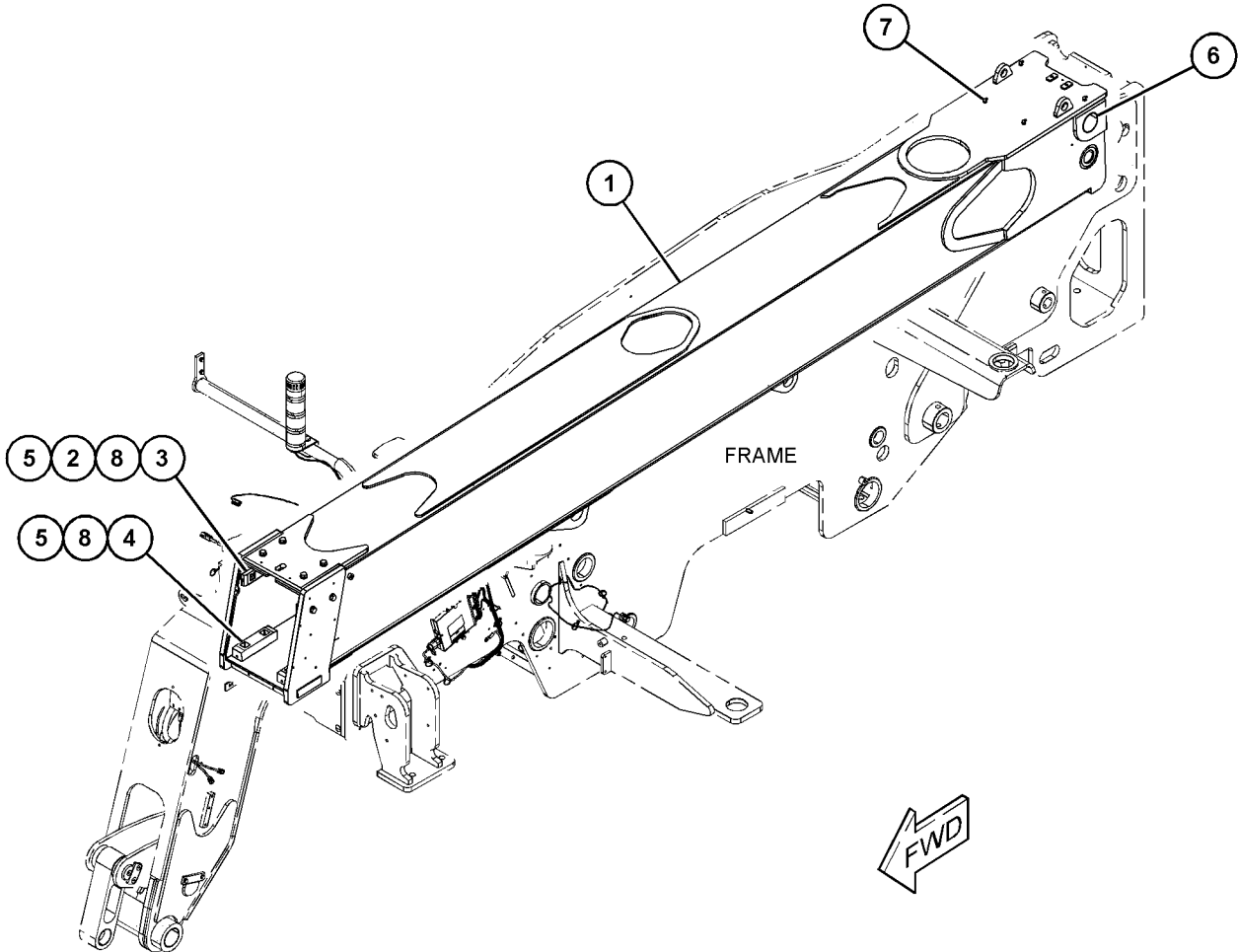
PART OF 515-4347, 588-1287 BOOM AR
ALSO AN ATTACHMENT

SMCS-6501

i07395044

NOTE	REF NO	GRAPHIC REF	PART NUMBER	QTY	PART NAME						SEE PAGE
					1	2	3	4	5	6	
	1	1	513-8565	1	BOOM AS						
B	2	1	459-1953	1	SHIM (1-MM THK)						
B		1	459-1976	1	SHIM (0.5-MM THK)						
	3	1	459-1954	4	PAD AS						
	4	1	499-2172	2	PAD AS						
	5	1	7X-0622	1	WASHER (13X24X2.5-MM THK)						
	6	1	318-7351	2	BEARING						
	7	1	5W-3656	4	FITTING-GREASE						
M	8	1	459-3673	12	BOLT (M12X1.75X40-MM)						

B - USE AS REQUIRED
M - METRIC PART



GRAPHIC #1

<END>

g06160812

IMPLEMENTS

513-8865 BOOM GP-INNER

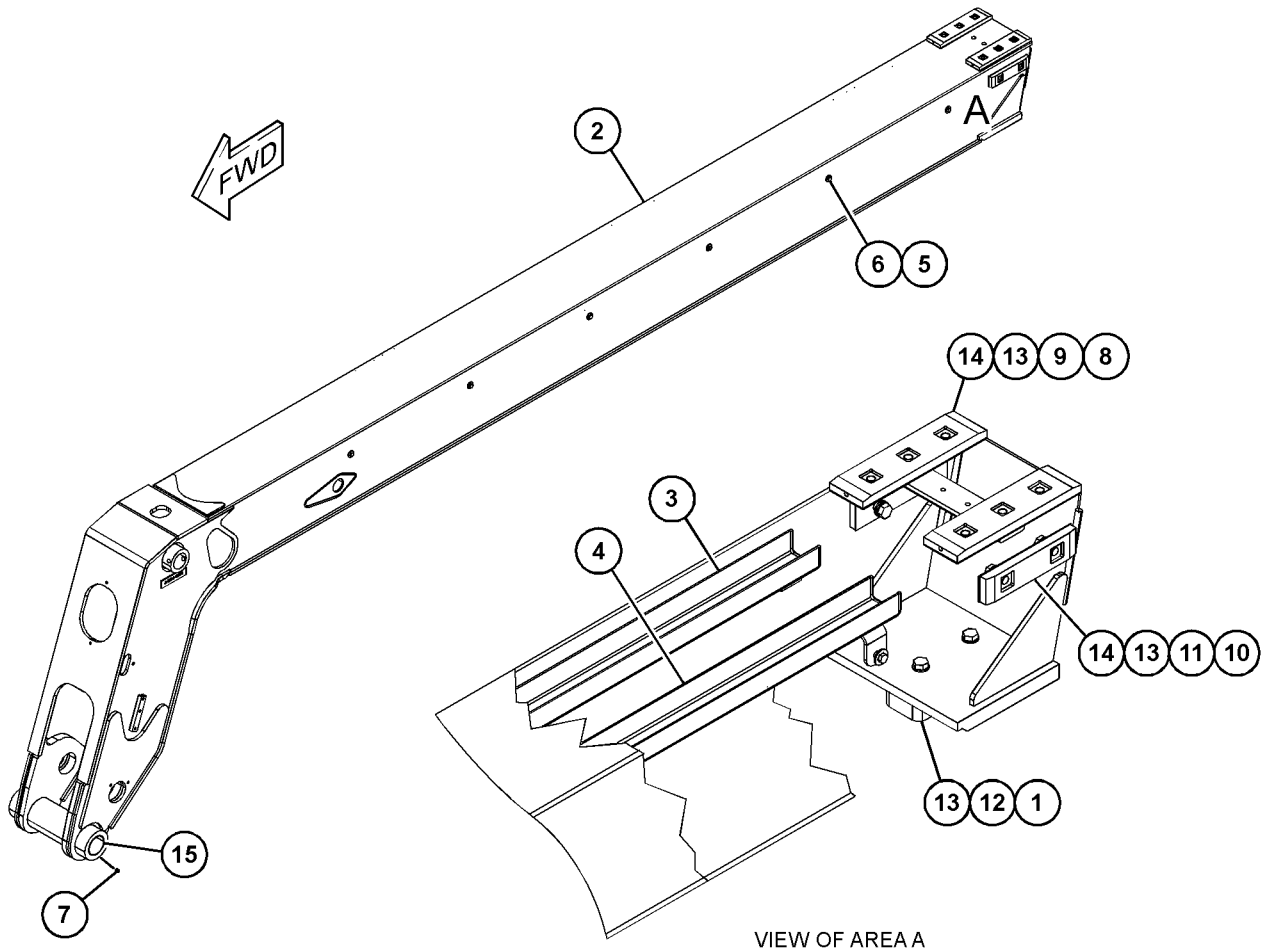
S/N: TH41-UP; TH91-UP
PART OF 515-4347 BOOM AR

SMCS-6501

i06895491

NOTE	REF NO	GRAPHIC REF	PART NUMBER	QTY	PART NAME						SEE PAGE
					1	2	3	4	5	6	
M	1	1	459-3673	2	BOLT (M12X1.75X40-MM)						
	2	1	513-8866	1	BOOM AS						
	3	1	495-7762	1	SUPPORT AS						
	4	1	495-8379	1	SUPPORT AS						
	5	1	309-3997	12	WASHER (8.4X25X2-MM THK)						
M	6	1	8T-4908	12	BOLT (M8X1.25X25-MM)						
	7	1	437-0940	1	FITTING						
	8	1	513-3276	2	PAD AS-WEAR						
B	9	1	513-3277	1	SHIM (1.5-MM THK)						
B	10	1	459-1953	1	SHIM (1-MM THK)						
	11	1	459-1954	2	PAD AS						
	12	1	513-3278	1	PAD AS-WEAR						
B	13	1	7X-0622	1	WASHER (13X24X2.5-MM THK)						
M	14	1	8T-4192	10	BOLT (M12X1.75X25-MM)						
	15	1	318-7351	2	BEARING						

B - USE AS REQUIRED
M - METRIC PART



GRAPHIC #1

<END>

g06162970

IMPLEMENTS

558-1637 BOOM GP-INNER

S/N: TH41-UP; TH91-UP

PART OF 515-4347, 588-1287 BOOM AR

ALSO AN ATTACHMENT

SMCS-6501

i07475070

NOTE	REF NO	GRAPHIC REF	PART NUMBER	QTY	PART NAME						SEE PAGE
					1	2	3	4	5	6 (PRODUCT LEVEL)	
M	1	1	459-3673	2	BOLT (M12X1.75X40-MM)						
M	2	1	8T-4908	12	BOLT (M8X1.25X25-MM)						
M	3	1	8T-4192	10	BOLT (M12X1.75X25-MM)						
	4	1	437-0940	1	FITTING						
	5	1	260-6685	12	WASHER (9X25X1.6-MM THK)						
	6	1	318-7351	2	BEARING						
	7	1	459-1954	2	PAD AS						
	8	1	495-7762	1	SUPPORT AS						
	9	1	495-8379	1	SUPPORT AS						
	10	1	513-3278	1	PAD AS-WEAR						
	11	1	513-3276	2	PAD AS-WEAR						
	12	1	566-1851	1	BOOM AS						
B	13	1	7X-0622	1	WASHER (13X24X2.5-MM THK)						
B	14	1	459-1953	1	SHIM (1-MM THK)						
B		1	459-1976	1	SHIM (0.5-MM THK)						
B	15	1	513-3277	1	SHIM (1.5-MM THK)						
B		1	553-6981	1	SHIM (0.5-MM THK)						

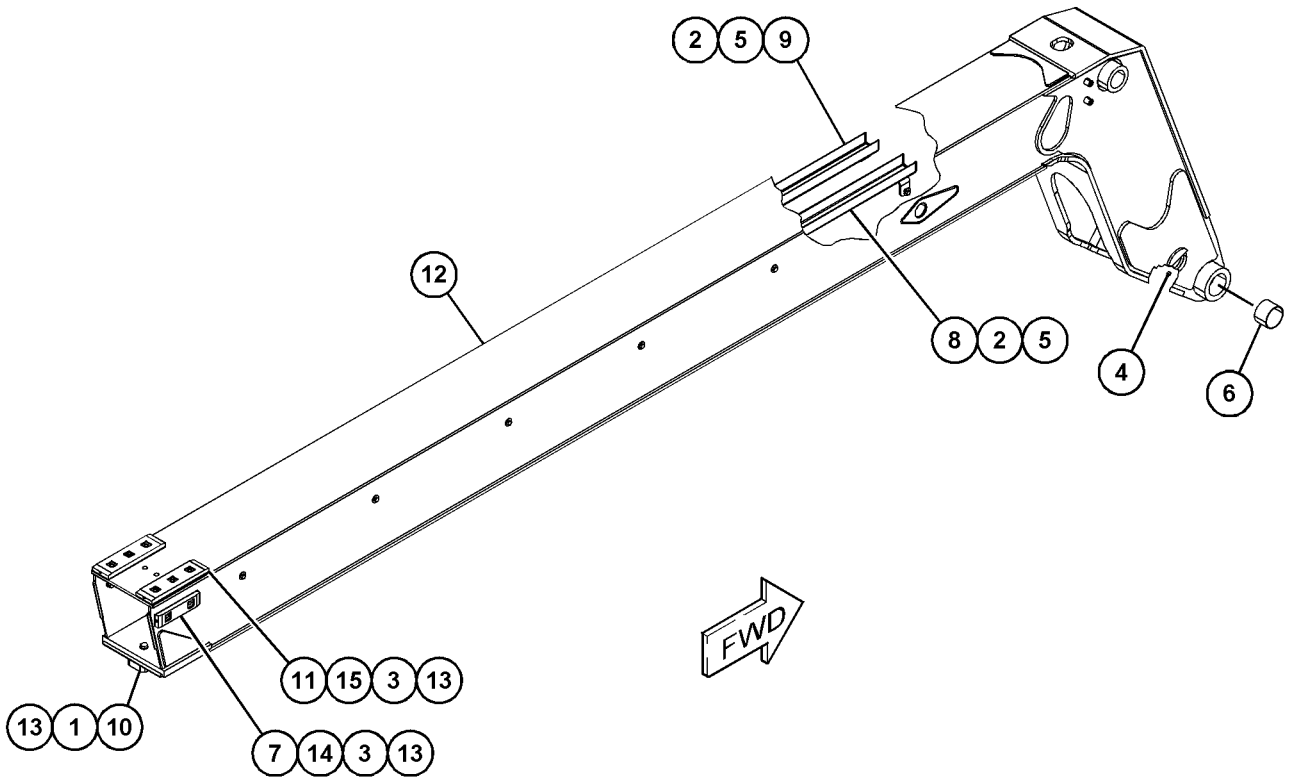
B - USE AS REQUIRED

M - METRIC PART

IMPLEMENTS

558-1637 BOOM GP (contd.)

i07475070



GRAPHIC #1

<END>

g06361233

IMPLEMENTS

513-0902 BRUSH GP-BOOM

S/N: TH41-UP; TH91-UP

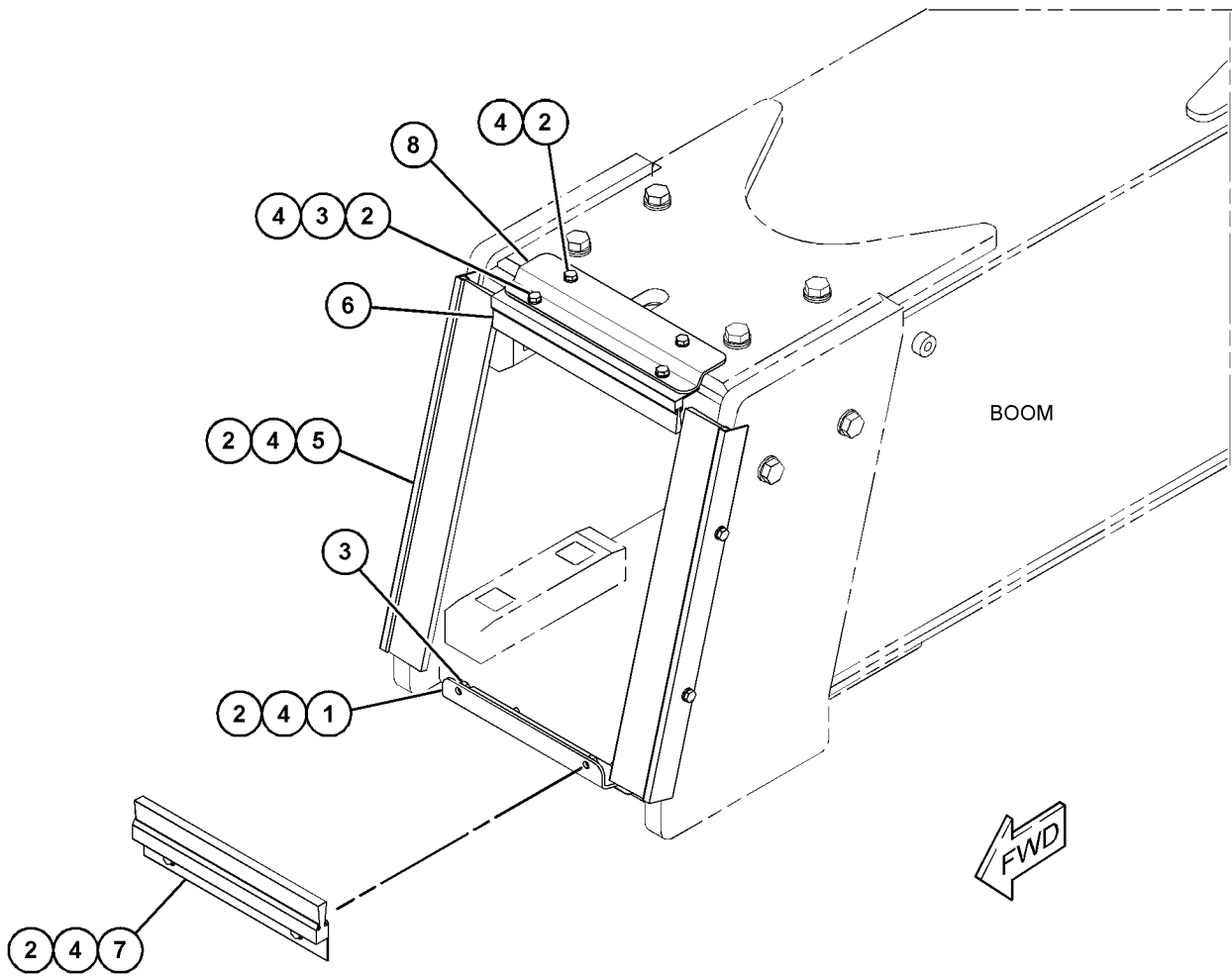
PART OF 518-0076, 518-0077 CHASSIS AR

SMCS-7158

i06907121

NOTE	REF NO	GRAPHIC REF	PART NUMBER	QTY	PART NAME						SEE PAGE
					1	2	3	4	5	6 (PRODUCT LEVEL)	
	1	1	513-0906	1	BRACKET						
M	2	1	5C-9553	12	BOLT (M6X1X16-MM)						
M	3	1	5C-2890	4	NUT (M6X1-THD)						
	4	1	8T-4205	16	WASHER-HARD (7.2X14.5X2-MM THK)						
	5	1	497-9578	2	BRUSH						
	6	1	513-0903	1	BRUSH						
	7	1	513-0904	1	BRUSH						
	8	1	513-0905	1	BRACKET						

M - METRIC PART



GRAPHIC #1

<END>

g06164945

IMPLEMENTS

492-5091 INDICATOR GP-BOOM ANGLE

S/N: TH41-UP

FOR USE IN AUSTRALIA AND NEW ZEALAND ONLY

PART OF 523-1923 CONFIGURATION AR

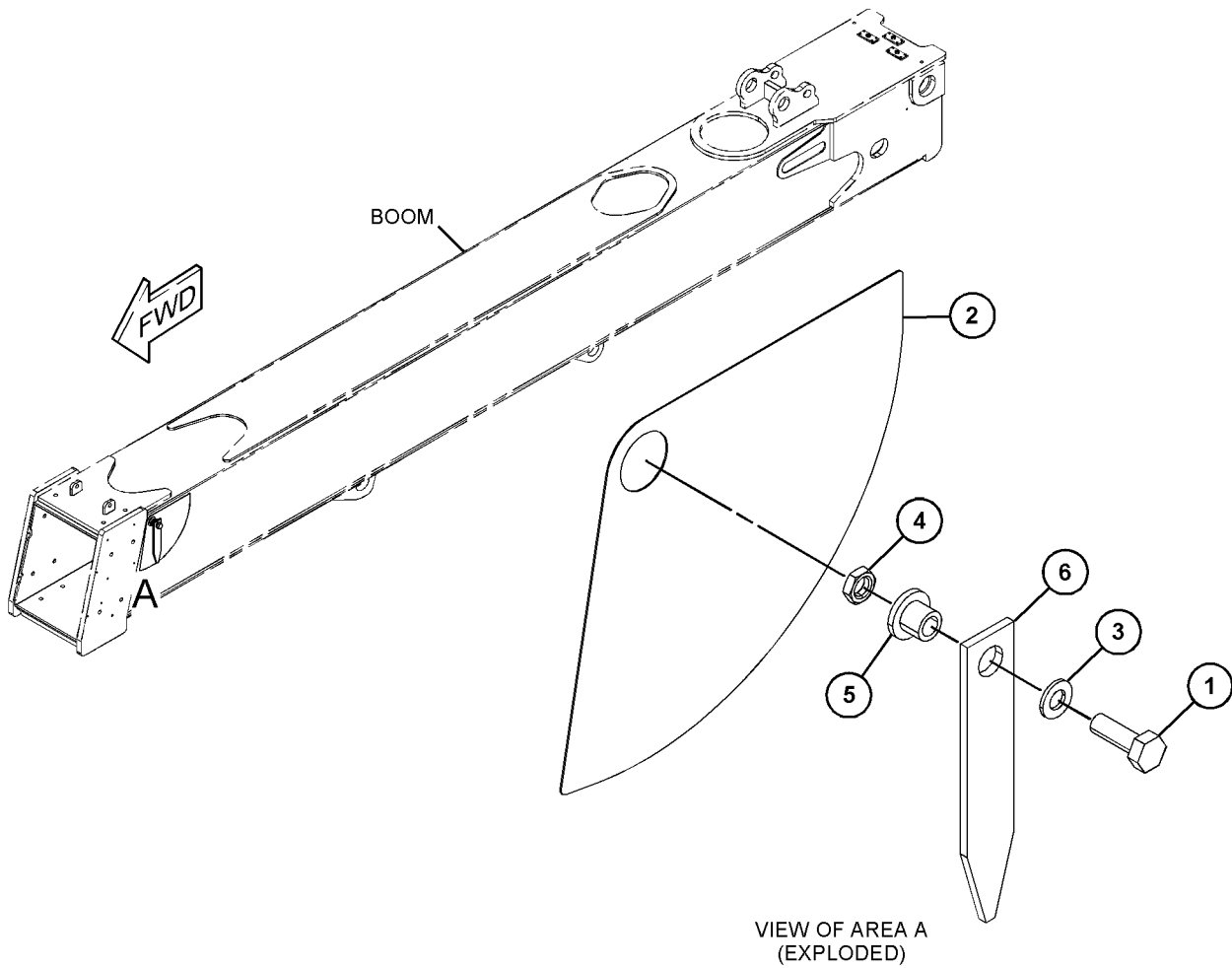
AN ATTACHMENT

SMCS-7858

i06591321

NOTE	REF NO	GRAPHIC REF	PART NUMBER	QTY	PART NAME						SEE PAGE
					1	2	3	4	5	6	
M	1	1	8T-4195	1	BOLT (M10X1.5X30-MM)						
	2	1	298-0576	1	FILM-IDENTIFICATION (BOOM ANGLE)						
	3	1	8T-4121	1	WASHER-HARD (11X21X2.5-MM THK)						
	4	1	492-5069	1	NUT-HEX						
	5	1	471-6032	1	BUSHING						
	6	1	320-7883	1	POINTER						

M - METRIC PART



GRAPHIC #1

<END>

g06040913

IMPLEMENTS

515-1960 LEVER GP-TILT

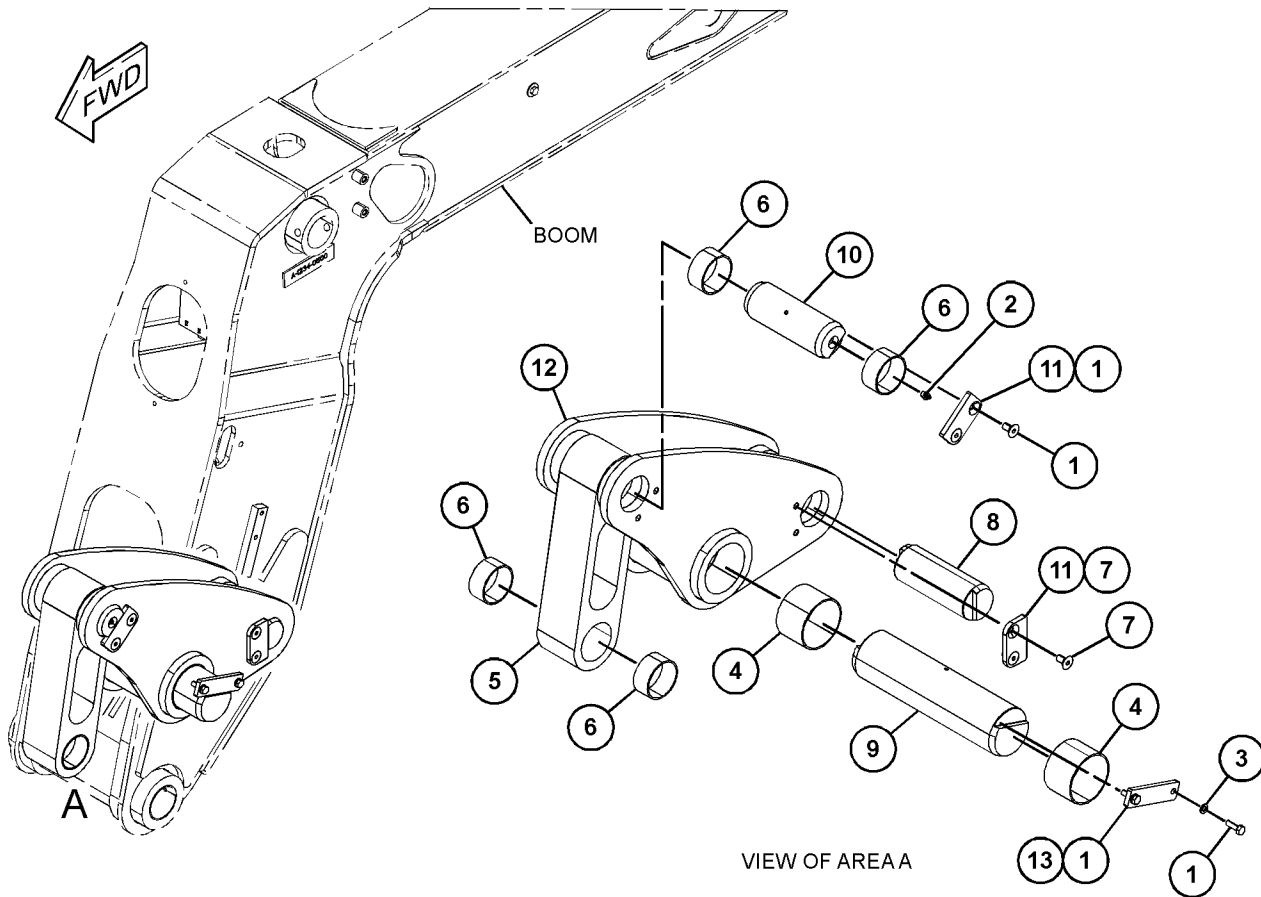
S/N: TH41-UP; TH91-UP
PART OF 518-0048 BOOM AR

SMCS-6116

i06895487

NOTE	REF NO	GRAPHIC REF	PART NUMBER	QTY	PART NAME						SEE PAGE
					1	2	3	4	5	6 (PRODUCT LEVEL)	
M	1	1	8T-4908	2	BOLT (M8X1.25X25-MM)						
	2	1	437-0940	2	FITTING						
	3	1	298-7387	2	LOCKWASHER						
	4	1	318-7355	2	BEARING						
	5	1	315-3638	1	LINK						
	6	1	329-3613	4	BEARING						
M	7	1	127-2909	4	SCREW-FLAT HEAD (M10X1.5X20-MM)						
	8	1	494-9793	1	PIN						
	9	1	494-9794	1	PIN						
	10	1	494-9795	1	PIN						
	11	1	494-9797	2	PLATE						
	12	1	510-1175	1	LEVER AS						
	13	1	494-1912	1	PLATE						

M - METRIC PART



GRAPHIC #1

<END>

g06160830

WORK TOOLS

229-9714 ARM GP-MATERIAL HANDLING

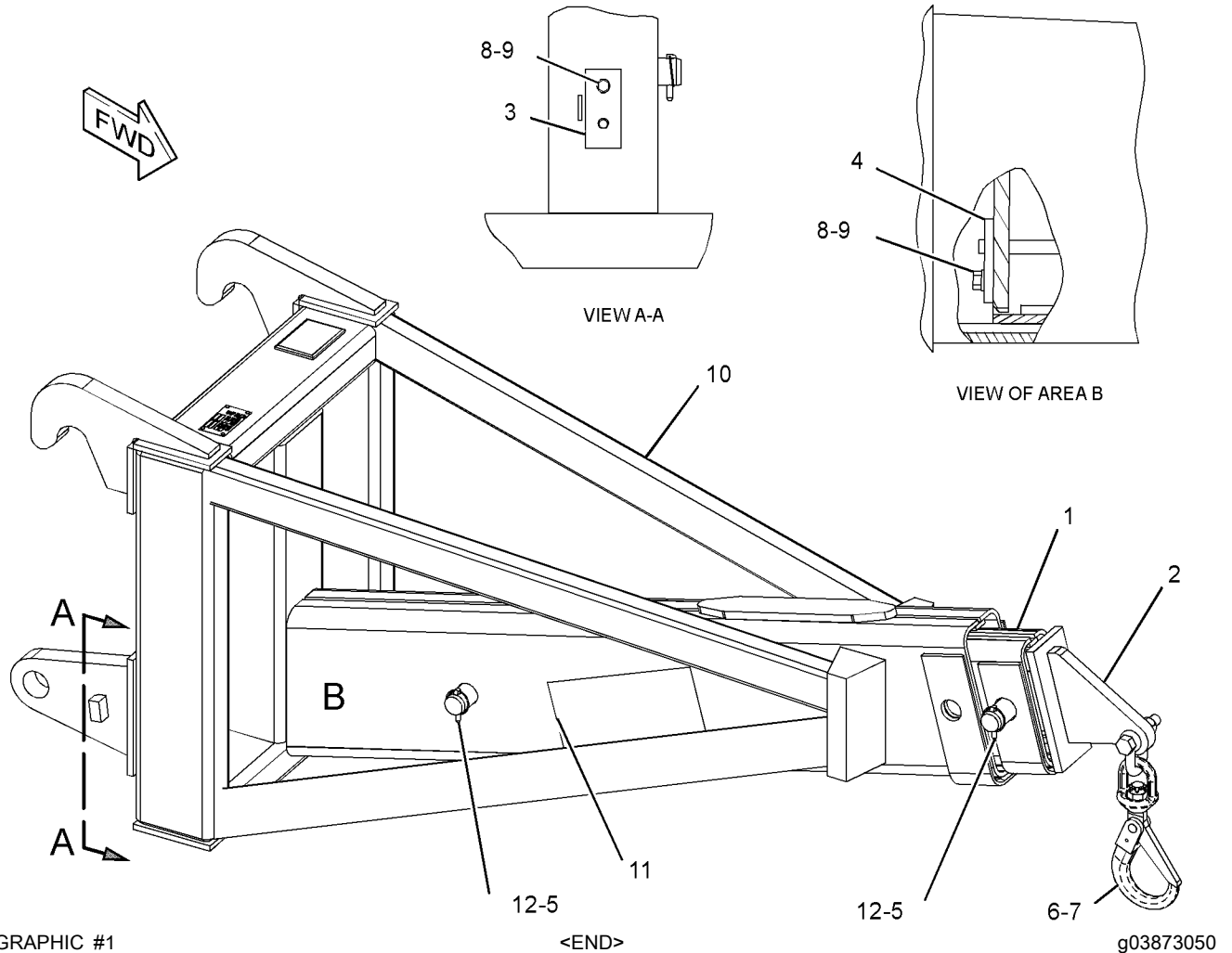
S/N: TH41-UP; TH91-UP

AN ATTACHMENT

SMCS-6542

i06249037

NOTE	REF NO	GRAPHIC REF	PART NUMBER	QTY	PART NAME						SEE PAGE
					1	2	3	4	5	6 (PRODUCT LEVEL)	
	1	1	6W-5652	1	EXTENSION AS (MIDDLE)						
	2	1	6W-5656	1	EXTENSION AS (OUTER)						
	3	1	6W-5678	1	RETAINER AS						
	4	1	6W-5679	1	RETAINER AS						
(EACH RETAINER AS INCLUDES)											
		1	6W-5677	1	ROD						
	5	1	8D-3791	2	PIN						
	6	1	9V-2714	1	HOOK						
	7	1	9V-2715	1	SHACKLE AS						
	8	1	5M-3062	2	BOLT (3/8-16X0.75-IN)						
	9	1	8T-4896	2	WASHER-HARD (10.2X18.5X2.5-MM THK)						
	10	1	229-9715	1	BASE AS						
	11	1	233-2944	2	FILM-INSTRUCTION (LOAD CAPACITY, READ OMM)						
	12	1	5G-2373	2	PIN						



WORK TOOLS

513-5013 BIT GP-AUGER

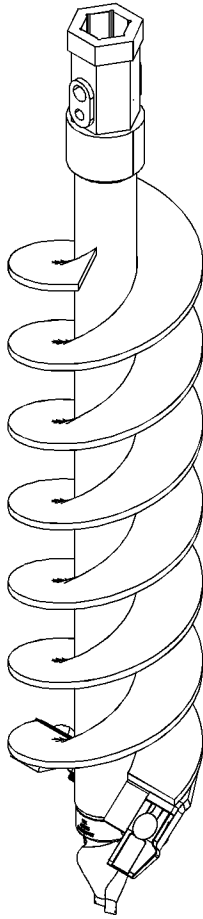
S/N: TH41-UP; TH91-UP
FOR USE WITH 491-9892-PAGE: 1124
AN ATTACHMENT

SMCS-6828, 6830

i06842751

NOTE	REF NO	GRAPHIC REF	PART NUMBER	QTY	PART NAME	SEE PAGE
------	--------	-------------	-------------	-----	-----------	----------

(NO BREAKDOWN OF SERVICEABLE PARTS AVAILABLE AT TIME OF PUBLICATION)



GRAPHIC #1

<END>

g06138285

WORK TOOLS

513-5014 BIT GP-AUGER

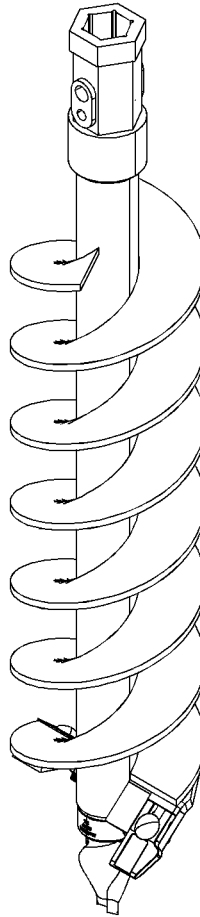
S/N: TH41-UP; TH91-UP
FOR USE WITH 491-9892-PAGE: 1124
AN ATTACHMENT

SMCS-6828, 6830

i06842752

NOTE	REF NO	GRAPHIC REF	PART NUMBER	QTY	PART NAME	SEE PAGE
------	--------	-------------	-------------	-----	-----------	----------

(NO BREAKDOWN OF SERVICEABLE PARTS AVAILABLE AT TIME OF PUBLICATION)



GRAPHIC #1

<END>

g06138292

WORK TOOLS

513-5015 BIT GP-AUGER

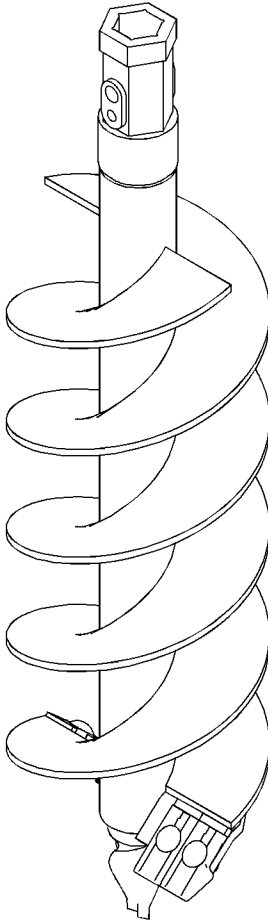
S/N: TH41-UP; TH91-UP
FOR USE WITH 491-9892-PAGE: 1124
AN ATTACHMENT

SMCS-6828, 6830

i06842753

NOTE	REF NO	GRAPHIC REF	PART NUMBER	QTY	PART NAME	SEE PAGE
------	--------	-------------	-------------	-----	-----------	----------

(NO BREAKDOWN OF SERVICEABLE PARTS AVAILABLE AT TIME OF PUBLICATION)



GRAPHIC #1

<END>

g06140841

WORK TOOLS

513-5016 BIT GP-AUGER

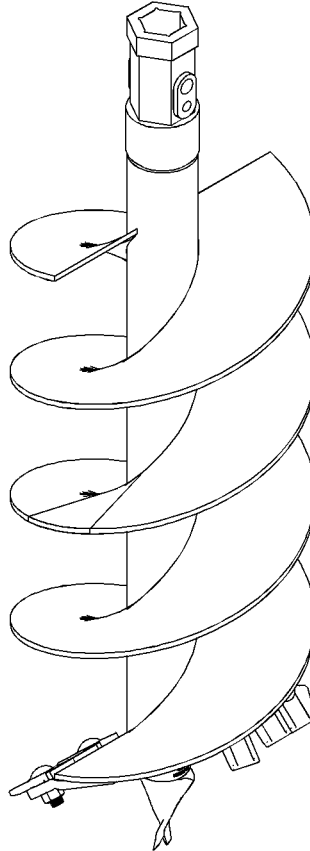
S/N: TH41-UP; TH91-UP
FOR USE WITH 491-9892-PAGE: 1124
AN ATTACHMENT

SMCS-6828, 6830

i06842754

NOTE	REF NO	GRAPHIC REF	PART NUMBER	QTY	PART NAME	SEE PAGE
------	--------	-------------	-------------	-----	-----------	----------

(NO BREAKDOWN OF SERVICEABLE PARTS AVAILABLE AT TIME OF PUBLICATION)



GRAPHIC #1

<END>

g06140441

WORK TOOLS

513-5017 BIT GP-AUGER

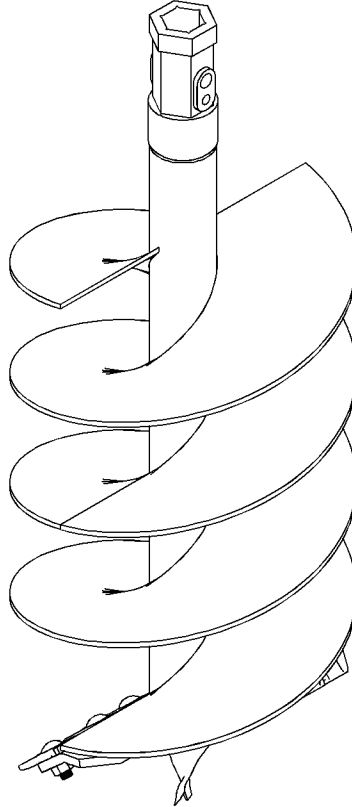
S/N: TH41-UP; TH91-UP
FOR USE WITH 491-9892-PAGE: 1124
AN ATTACHMENT

SMCS-6828, 6830

i06842755

NOTE	REF NO	GRAPHIC REF	PART NUMBER	QTY	PART NAME	SEE PAGE
------	--------	-------------	-------------	-----	-----------	----------

(NO BREAKDOWN OF SERVICEABLE PARTS AVAILABLE AT TIME OF PUBLICATION)



GRAPHIC #1

<END>

g06140442

WORK TOOLS

513-5018 BIT GP-AUGER

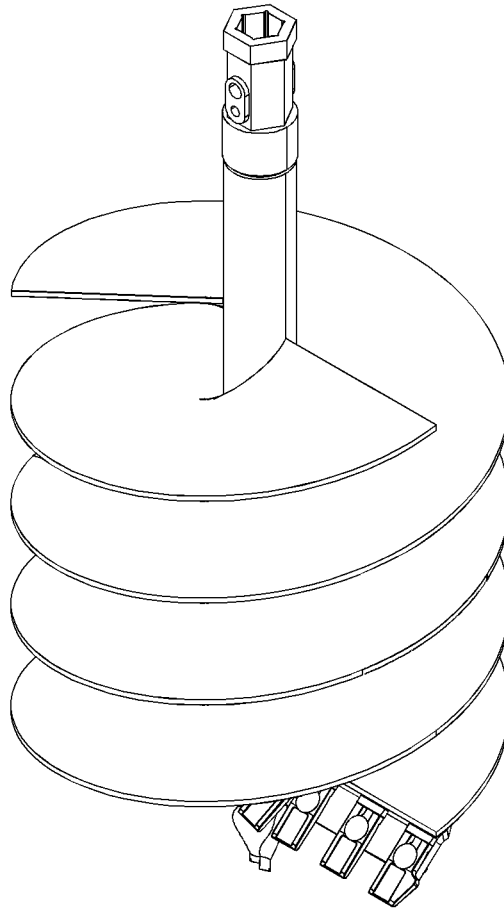
S/N: TH41-UP; TH91-UP
FOR USE WITH 491-9892-PAGE: 1124
AN ATTACHMENT

SMCS-6828, 6830

i06842756

NOTE	REF NO	GRAPHIC REF	PART NUMBER	QTY	PART NAME	SEE PAGE
------	--------	-------------	-------------	-----	-----------	----------

(NO BREAKDOWN OF SERVICEABLE PARTS AVAILABLE AT TIME OF PUBLICATION)



GRAPHIC #1

<END>

g06138289

WORK TOOLS

513-5019 BIT GP-AUGER

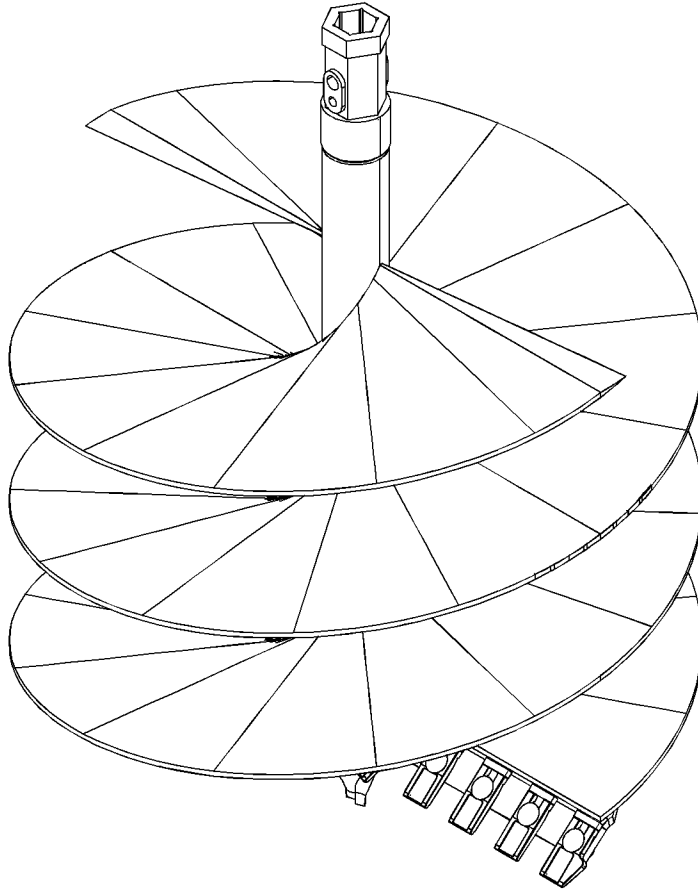
S/N: TH41-UP; TH91-UP
FOR USE WITH 491-9892-PAGE: 1124
AN ATTACHMENT

SMCS-6828, 6830

i06842757

NOTE	REF NO	GRAPHIC REF	PART NUMBER	QTY	PART NAME	SEE PAGE
------	--------	-------------	-------------	-----	-----------	----------

(NO BREAKDOWN OF SERVICEABLE PARTS AVAILABLE AT TIME OF PUBLICATION)



GRAPHIC #1

<END>

g06138350

WORK TOOLS

169-3945 BOOM GP-TRUSS

S/N: TH41-UP; TH91-UP

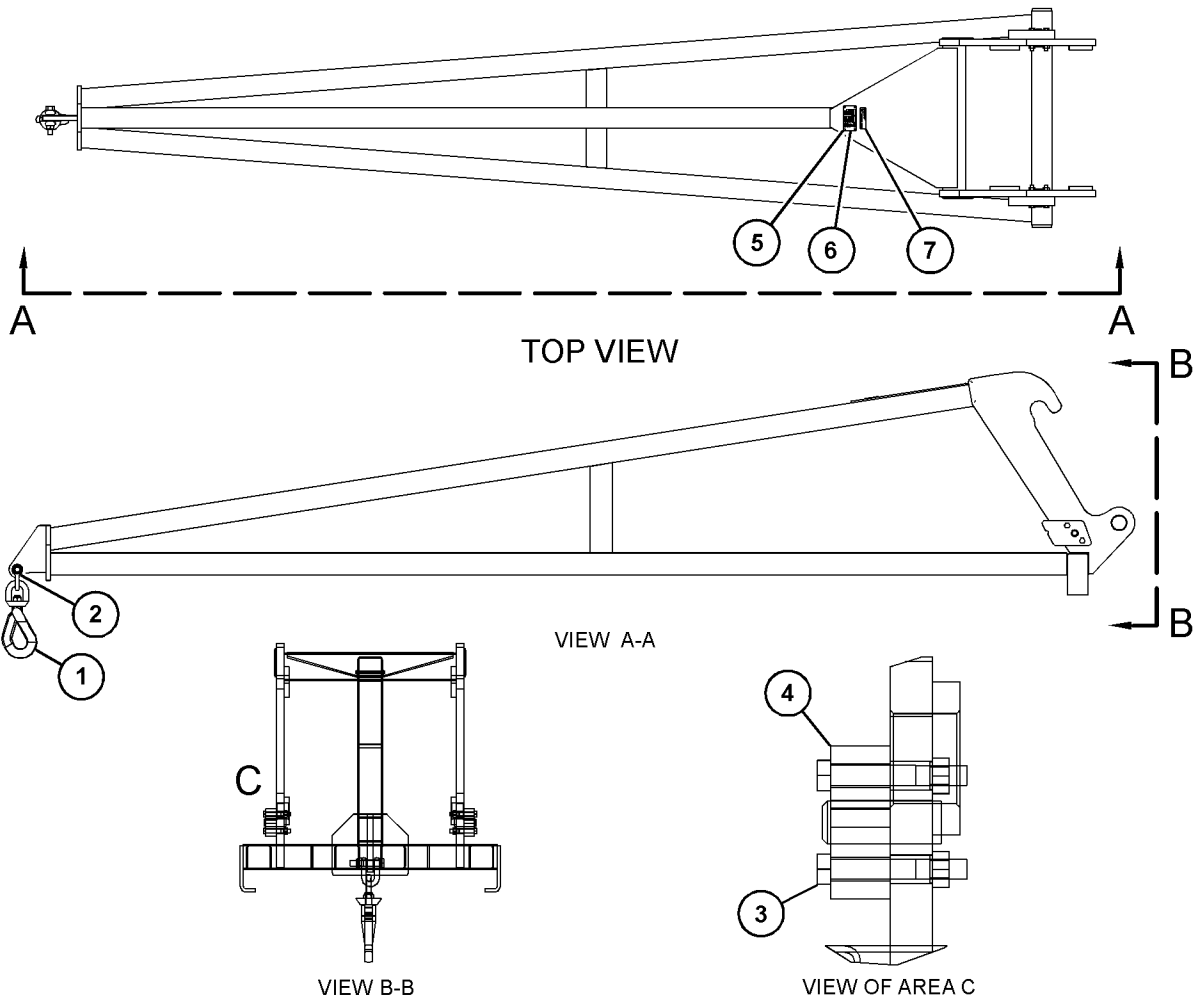
PART OF 456-0473 BOOM GP-TRUSS
AN ATTACHMENT

SMCS-6501

i05743136

NOTE	REF NO	GRAPHIC REF	PART NUMBER	QTY	PART NAME						SEE PAGE
					1	2	3	4	5	6	
	1	1	9V-2714	1	HOOK						
	2	1	9V-2715	1	SHACKLE AS						
M	3	1	8T-6868	4	BOLT (M12X1.75X80-MM)						
	4	1	169-3943	2	BLOCK						
	5	1	168-8389	4	TACK (METAL)						
	6	1	180-3516	1	PLATE-IDENTIFICATION (MATERIAL HANDLING)						
	7	1	354-7356	1	PLATE-CERTIFICATION						

M - METRIC PART



GRAPHIC #1

<END>

g03652692

WORK TOOLS

456-0473 BOOM GP-TRUSS

S/N: TH41-UP; TH91-UP

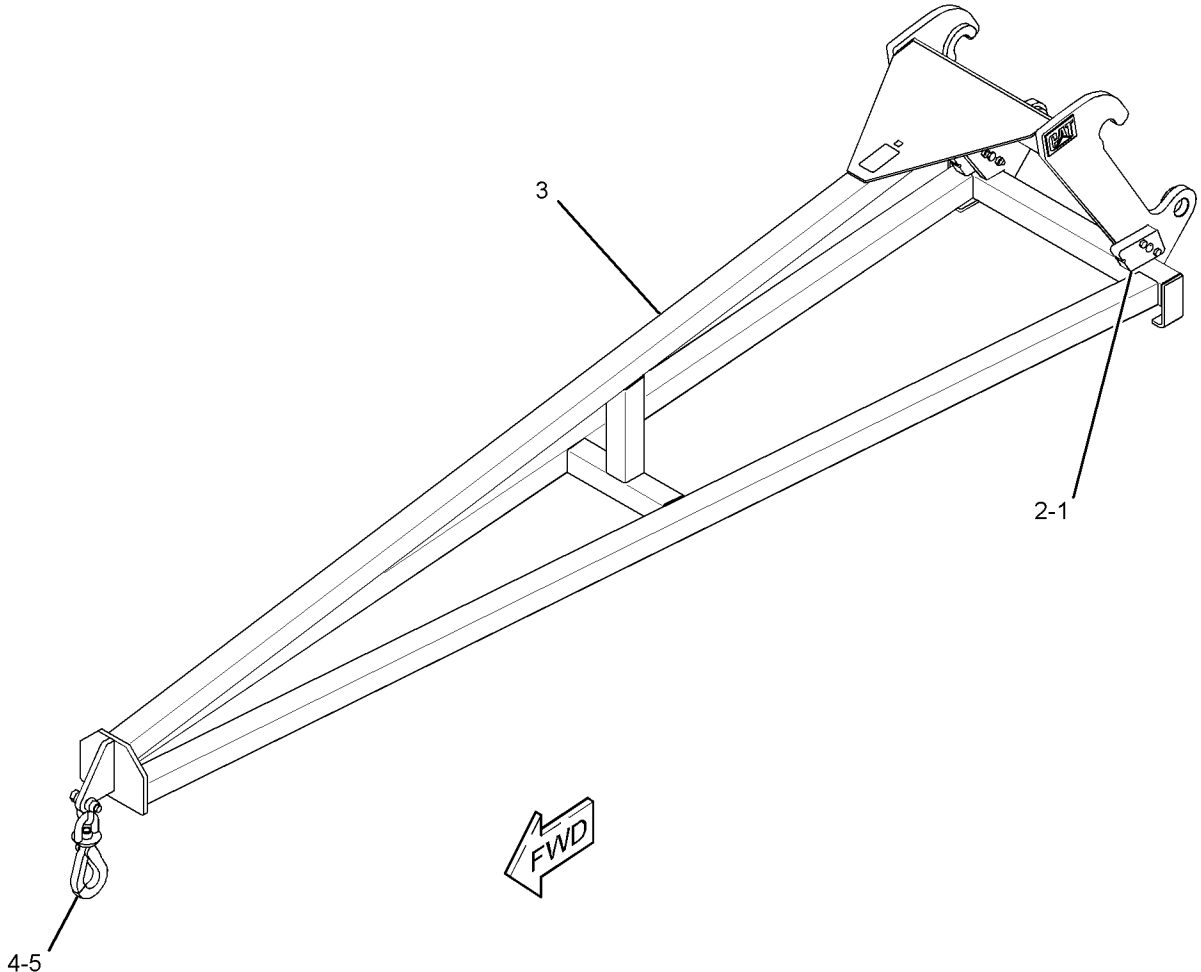
AN ATTACHMENT

SMCS-6501

i05685349

NOTE	REF NO	GRAPHIC REF	PART NUMBER	QTY	PART NAME						SEE PAGE
					1	2	3	4	5	6 (PRODUCT LEVEL)	
M	1	1	8T-6868	4	BOLT (M12X1.75X80-MM)						
	2	1	169-3943	2	BLOCK						
Y	3	1	169-3945	1	BOOM GP-TRUSS						1001
	4	1	9V-2714	1	HOOK						
	5	1	9V-2715	1	SHACKLE AS						

M - METRIC PART
Y - SEPARATE ILLUSTRATION



GRAPHIC #1

<END>

g03641822

WORK TOOLS

479-0239 BOOM GP-TRUSS

S/N: TH41-UP; TH91-UP

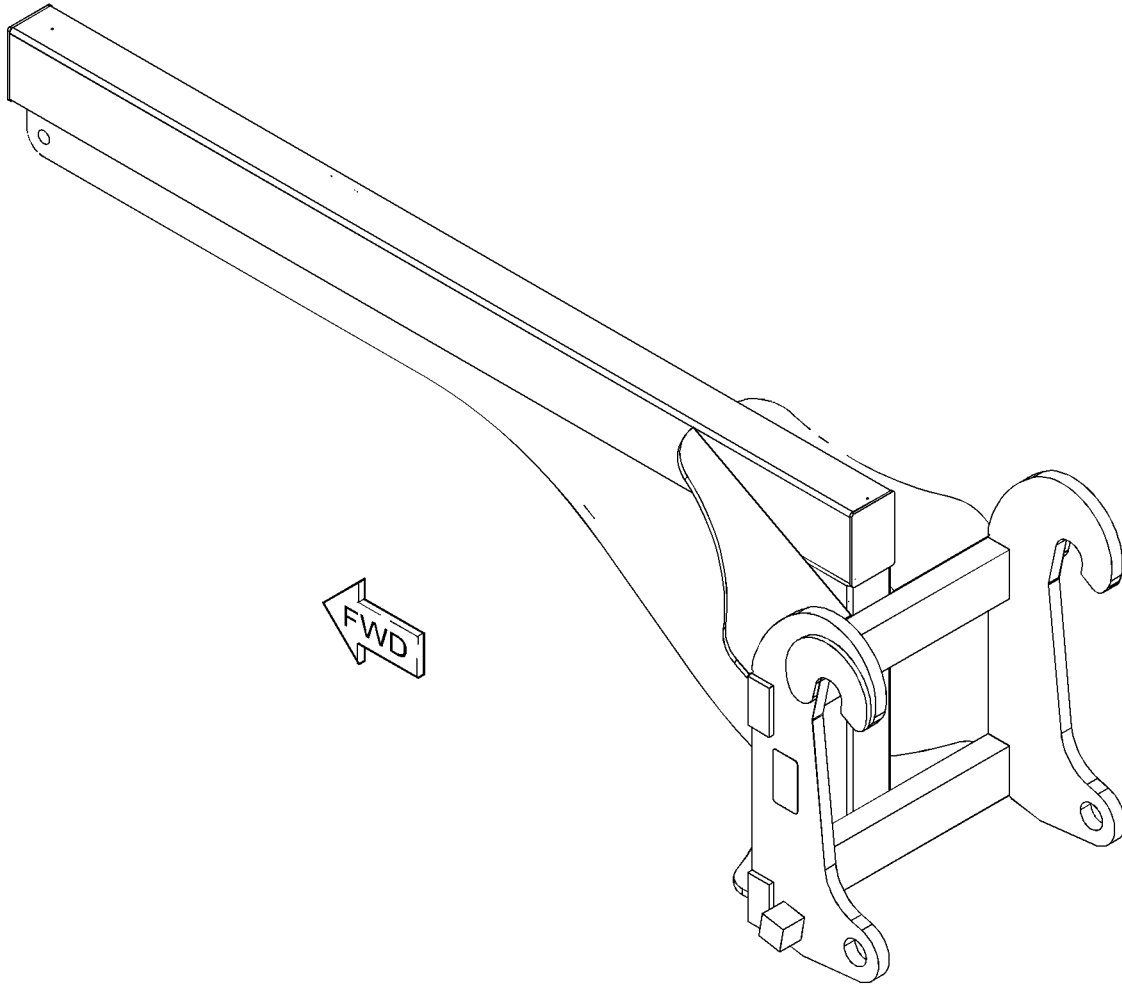
AN ATTACHMENT

SMCS-6501

i06836833

NOTE	REF NO	GRAPHIC REF	PART NUMBER	QTY	PART NAME	SEE PAGE
------	--------	-------------	-------------	-----	-----------	----------

(NO BREAKDOWN OF SERVICEABLE PARTS AVAILABLE AT TIME OF PUBLICATION)



GRAPHIC #1

<END>

g06137515

WORK TOOLS

491-9893 BOOM GP-TRUSS

S/N: TH41-UP; TH91-UP
FOR USE IN NACD REGION ONLY
AN ATTACHMENT

SMCS-6501

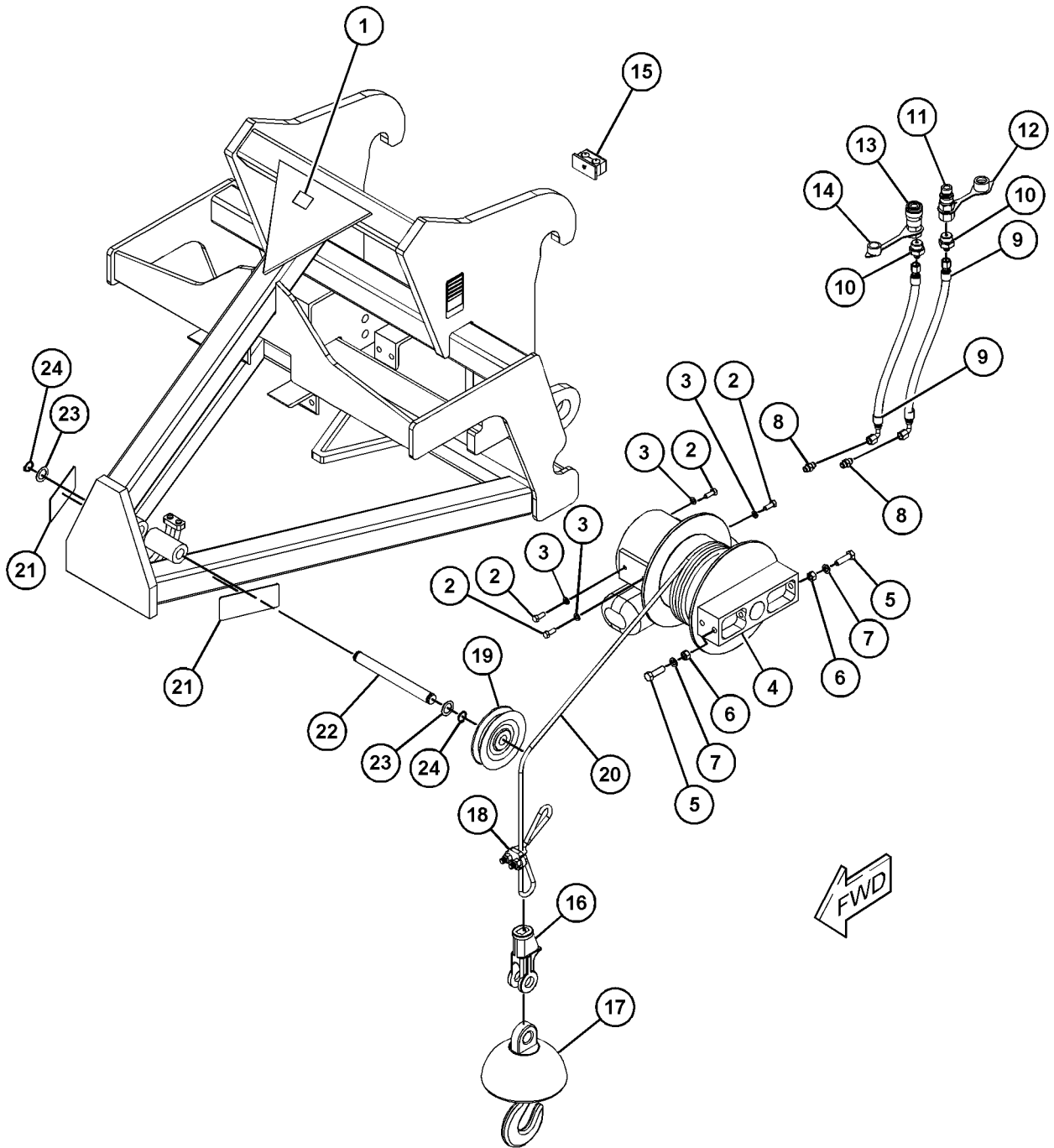
i07819358

NOTE	REF NO	GRAPHIC REF	PART NUMBER	QTY	PART NAME	SEE PAGE
					1 2 3 4 5 6 (PRODUCT LEVEL)	
	1	1	362-2106	1	FILM-INFORMATION (MADE IN USA)	
	2	1	327-6285	4	SCREW	
	3	1	327-6330	4	LOCKWASHER	
	4	1	490-6358	1	WINCH	
	5	1	490-6359	2	BOLT	
	6	1	490-6360	2	NUT	
	7	1	327-6329	2	LOCKWASHER	
	8	1	339-8047	2	CONNECTOR	
	9	1	490-6369	2	HOSE	
	10	1	362-2111	2	CONNECTOR	
	11	1	300-6079	1	COUPLING (MALE)	
	12	1	340-5954	1	CAP-DUST	
	13	1	300-6078	1	COUPLING (FEMALE)	
	14	1	340-5953	1	CAP-DUST	
	15	1	327-6305	1	CLAMP	
	16	1	490-6368	1	BALL-SWIVEL	
	17	1	490-6366	1	SOCKET	
	18	1	490-6367	1	CLAMP	
	19	1	490-6362	1	PULLEY	
	20	1	490-6361	1	CABLE	
	21	1	525-3186	2	FILM-IDENTIFICATION (SWINGING LOAD)	
	22	1	490-6363	1	PIN	
	23	1	490-6364	2	WASHER	
	24	1	525-3187	2	RING-RETAINER	

WORK TOOLS

491-9893 BOOM GP-TRUSS (contd.)

i07819358



GRAPHIC #1

<END>

g06482638

WORK TOOLS

486-0528 BROOM GP

S/N: TH41-UP; TH91-UP

AN ATTACHMENT

SMCS-6335

i07776234

NOTE	REF NO	GRAPHIC REF	PART NUMBER	QTY	PART NAME						SEE PAGE
					1	2	3	4	5	6 (PRODUCT LEVEL)	
	1	1	528-4804	1	PLATE						
	2	4	528-4805	2	ADAPTER						
	3	4	528-4806	1	CYLINDER						
	4	4	153-2994	1	COUPLING (FEMALE)						
	5	4	153-2995	1	COUPLING (MALE)						
	7	4	528-4807	2	STRAP						
	9	4	528-4808	2	STOP						
	10	4	528-4809	1	PIVOT						
	11	4	528-4810	1	PIVOT						
	12	4	528-4811	1	GUARD-SIDE						
	13	2	528-4812	1	GUARD						
	14	3	528-4813	1	CORE-BRUSH						
	16	3	551-3868	1	HOSE AS						
	17	3	551-3869	1	HOSE AS						
	18	3	551-3870	1	HOSE AS						
	19	3	551-3871	1	HOSE AS						
	20	3	551-3872	2	HOSE AS						
					AVAILABLE REPAIR KIT(S) :						
			528-3015	1	KIT-BRUSH (INCLUDES PARTS MARKED J IN THE GRAPHICS)						
			528-3023	2	KIT-BEARING (EACH INCLUDES PARTS MARKED H IN THE GRAPHICS)						
			528-3024	1	KIT-HOPPER ARM (INCLUDES PARTS MARKED P IN THE GRAPHICS)						
			528-3027	1	KIT-BROOM JACK (INCLUDES PARTS MARKED N IN THE GRAPHICS)						
			528-3191	1	KIT-MOTOR (INCLUDES PARTS MARKED L IN THE GRAPHICS)						
			528-3702	1	KIT-BEARING (INCLUDES PARTS MARKED HP IN THE GRAPHICS)						
			528-3710	1	KIT-BROOM RAM MOUNT (INCLUDES PARTS MARKED S IN THE GRAPHICS)						
			528-3722	1	KIT-PLATE (INCLUDES PARTS MARKED T IN THE GRAPHICS)						
			528-3741	2	KIT-BRUSH (EACH INCLUDES PARTS MARKED U IN THE GRAPHICS)						
			528-3751	2	KIT-BROOM FRONT RUBBER (EACH INCLUDES PARTS MARKED V IN THE GRAPHICS)						
			528-3806	4	KIT-BEARING (EACH INCLUDES PARTS MARKED X IN THE GRAPHICS)						
			528-3807	1	KIT-COVER (INCLUDES PARTS MARKED W IN THE GRAPHICS)						
			528-3812	2	KIT-STOP (EACH INCLUDES PARTS MARKED HJ IN THE GRAPHICS)						
			528-3859	1	KIT-COVER (INCLUDES PARTS MARKED HN IN THE GRAPHICS)						

WORK TOOLS

486-0528 **BROOM GP** (contd.)

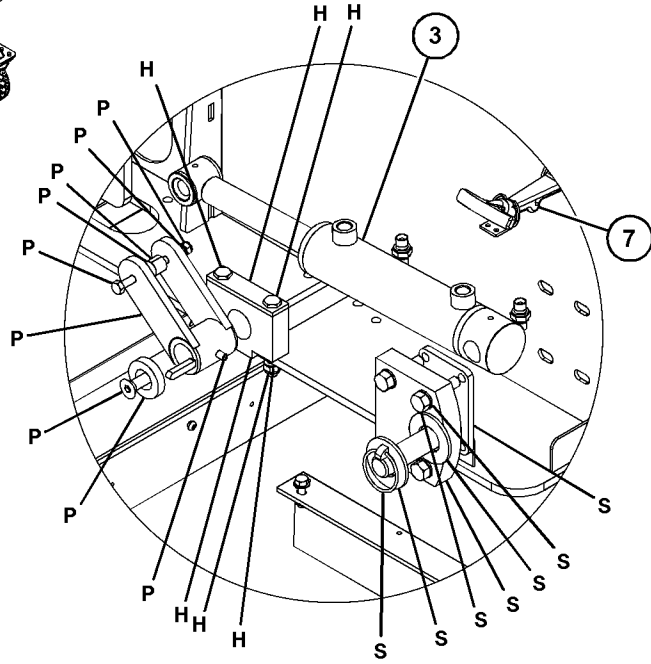
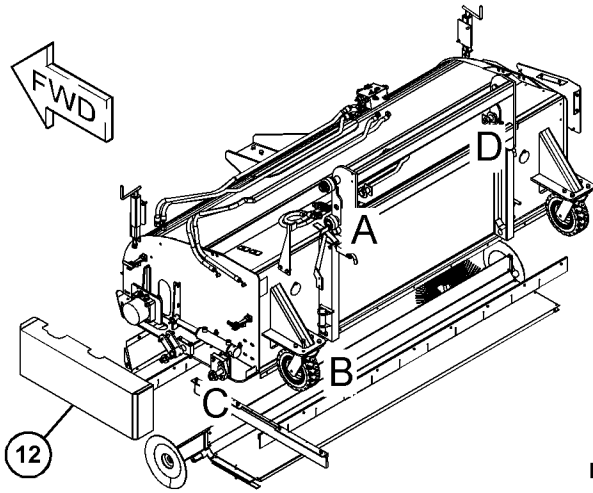
i07776234

NOTE	REF NO	GRAPHIC REF	PART NUMBER	QTY	PART NAME 1 2 3 4 5 6 (PRODUCT LEVEL)	SEE PAGE
			528-4293	1	KIT-HOPPER (INCLUDES PARTS MARKED HL IN THE GRAPHICS)	
			528-4296	2	KIT-BROOM PIVOT PIN (EACH INCLUDES PARTS MARKED HS IN THE GRAPHICS)	
			528-4544	3	KIT-WHEEL (EACH INCLUDES PARTS MARKED HT IN THE GRAPHICS)	
			528-3194	1	KIT-BROOM JACK (INCLUDES PARTS MARKED JL IN THE GRAPHICS)	
			528-3858	1	KIT-BROOM FLOAT GUIDE (INCLUDES PARTS MARKED JU IN THE GRAPHICS)	
			528-3866	1	KIT-VALVE (INCLUDES PARTS MARKED JH IN THE GRAPHICS)	

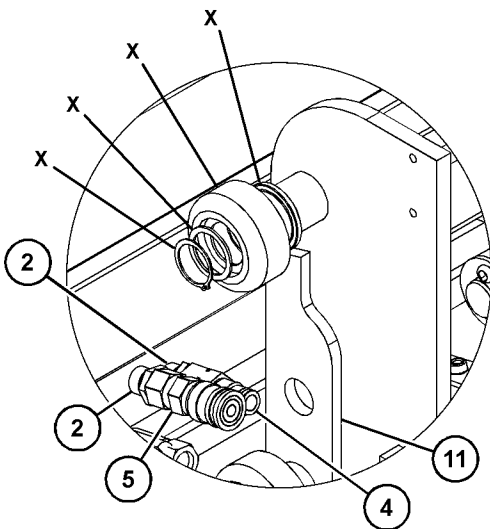
WORK TOOLS

486-0528 BROOM GP (contd.)

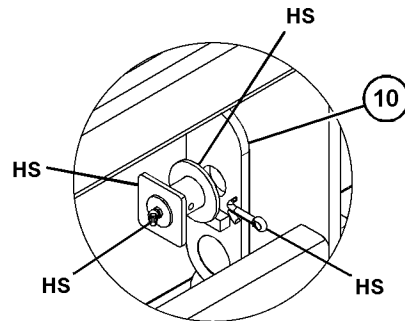
i07776234



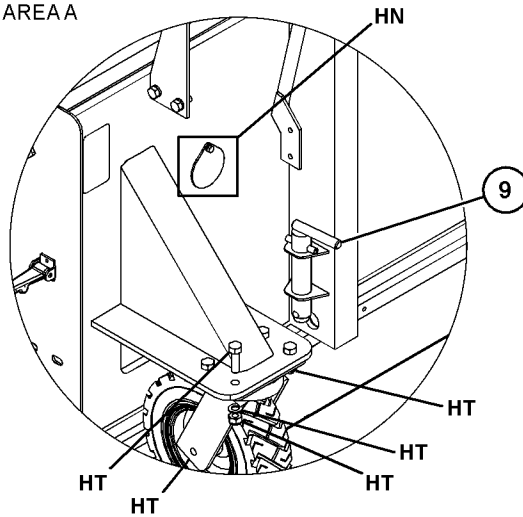
VIEW OF AREA C



VIEW OF AREA A



VIEW OF AREA D



VIEW OF AREA B

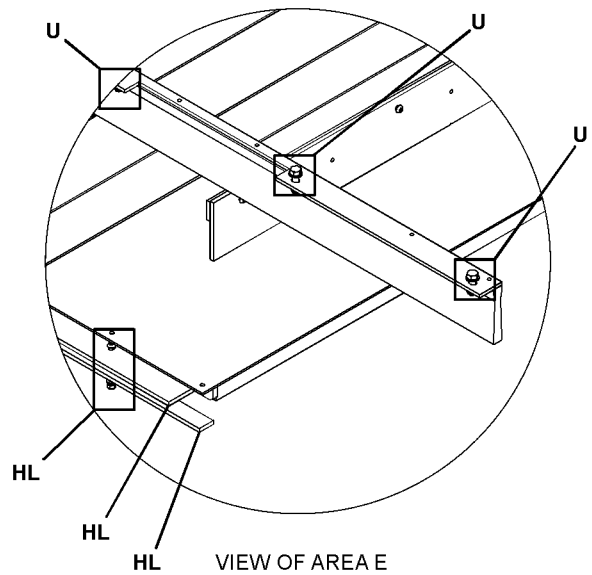
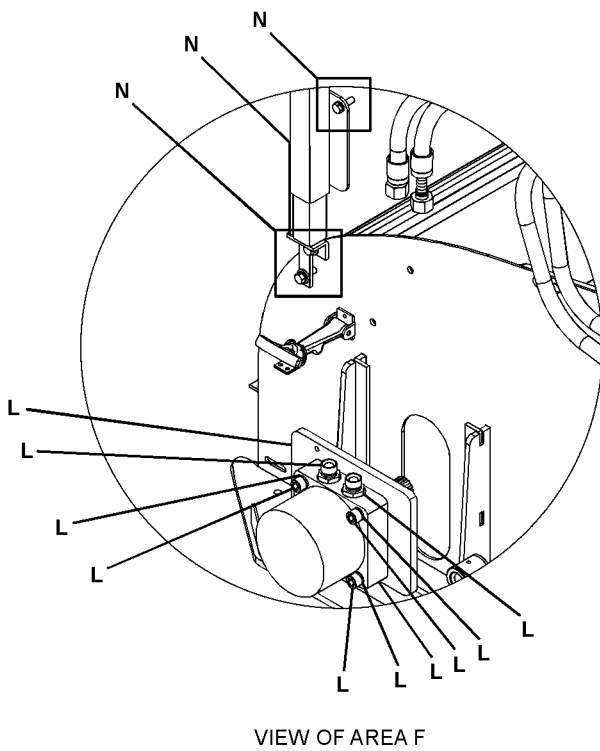
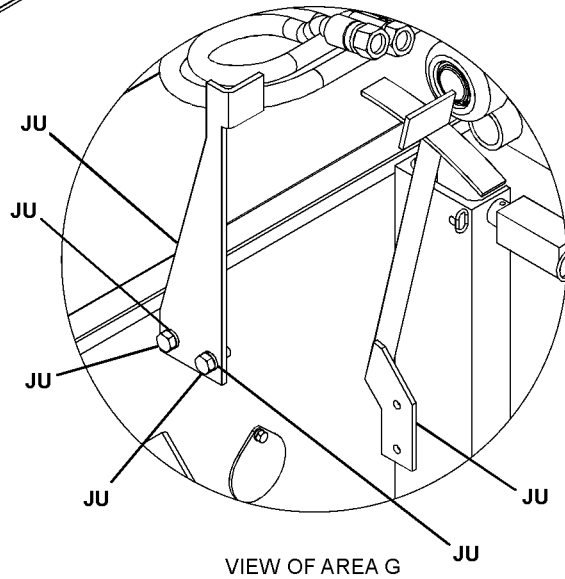
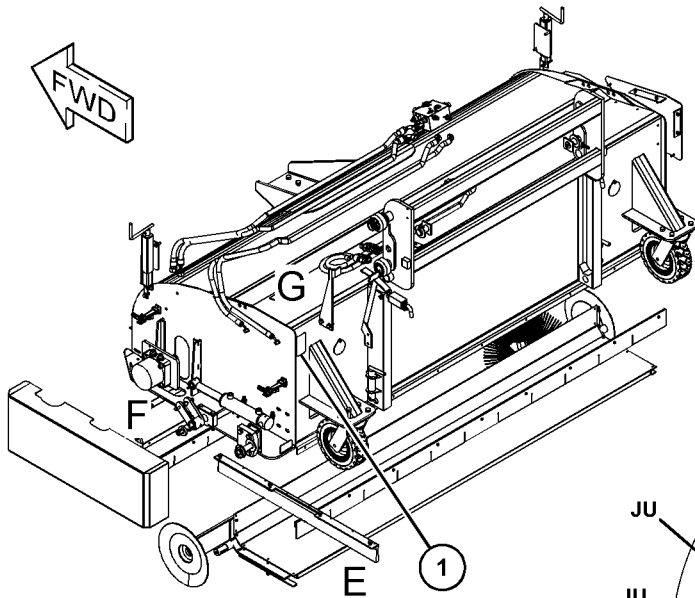
GRAPHIC #1

g06453996

WORK TOOLS

486-0528 BROOM GP (contd.)

i07776234



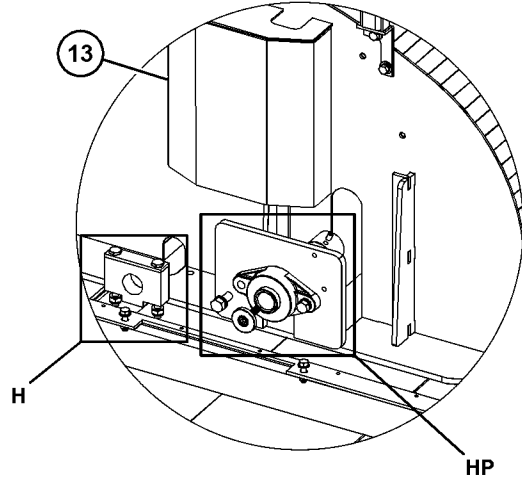
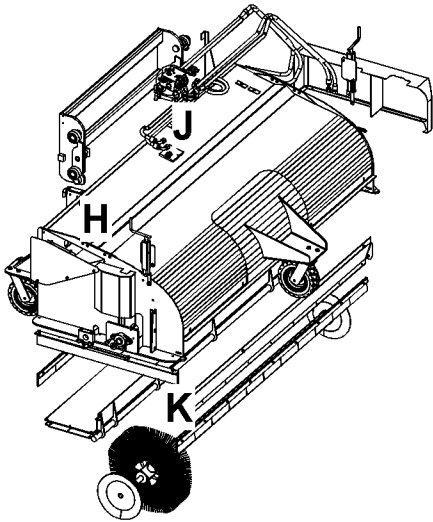
GRAPHIC #2

g06453997

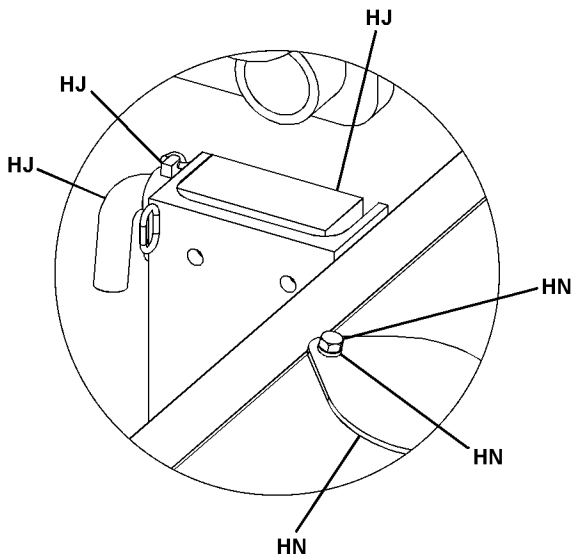
WORK TOOLS

486-0528 BROOM GP (contd.)

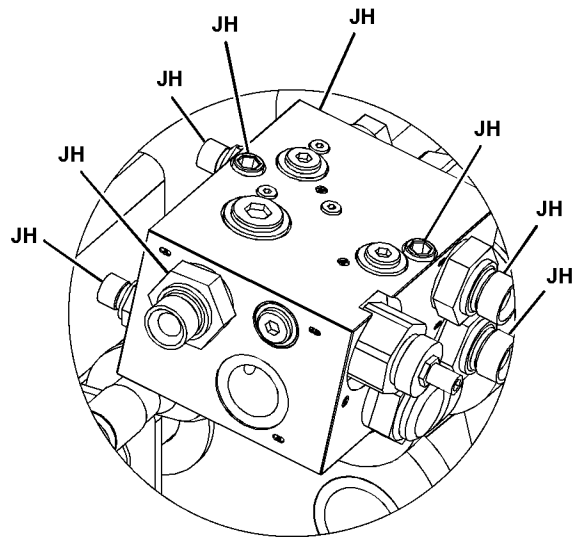
i07776234



VIEW OF AREA J



VIEW OF AREA H



VIEW OF AREA K

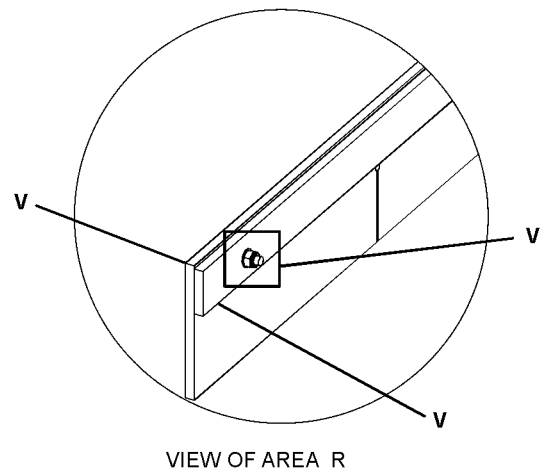
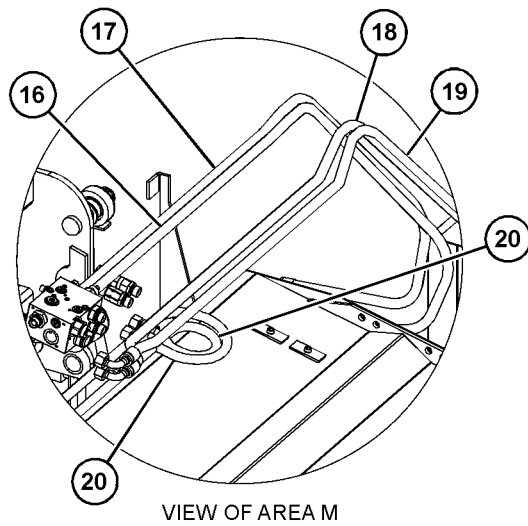
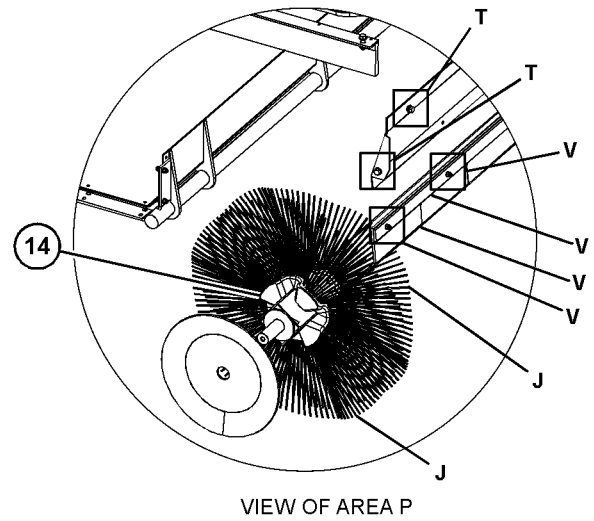
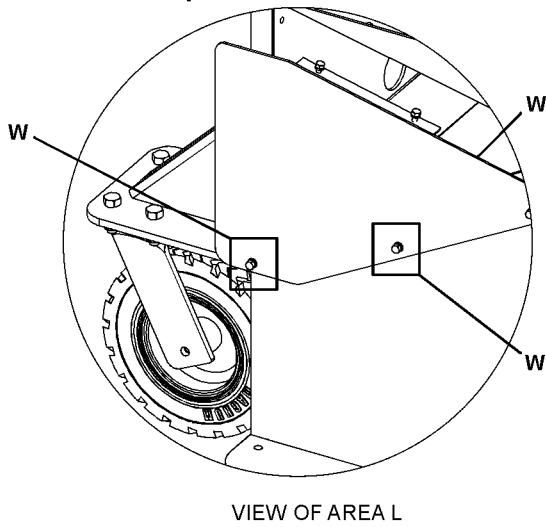
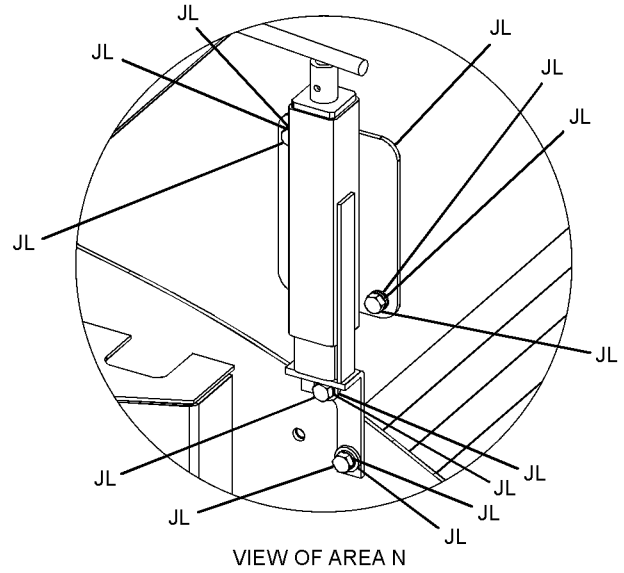
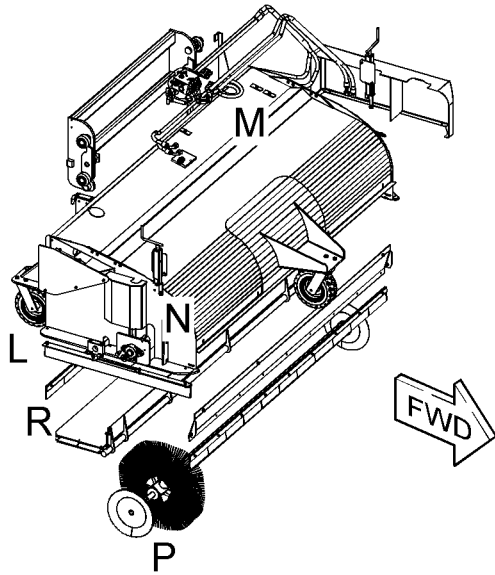
GRAPHIC #3

g06453998

WORK TOOLS

486-0528 BROOM GP (contd.)

107776234



GRAPHIC #4

<END>

g06453999

WORK TOOLS

163-4261 BUCKET AR-GENERAL PURPOSE

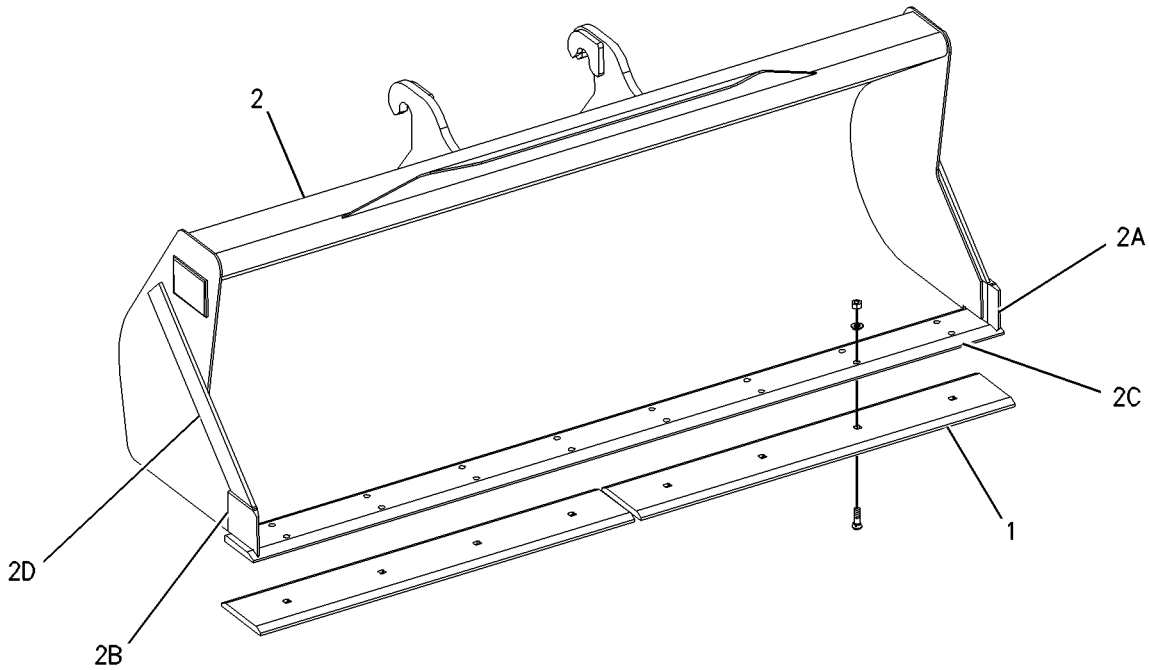
S/N: TH41-UP; TH91-UP
 1-CU M (1.3-CU YD) CAPACITY
 AN ATTACHMENT

SMCS-6101

i01667413

NOTE	REF NO	GRAPHIC REF	PART NUMBER	QTY	PART NAME						SEE PAGE
					1	2	3	4	5	6 (PRODUCT LEVEL)	
Y	1	1	9R-5320	1	EDGE GP-CUTTING						1090
	2	1	187-7395	1	BUCKET AS						
	2A	1	9R-5205	1	EDGE (LH)						
	2B	1	9R-5206	1	EDGE (RH)						
	2C	1	9R-5313	1	EDGE						
	2D	1	9R-5832	2	EDGE						

Y - SEPARATE ILLUSTRATION



GRAPHIC #1

<END>

g00861181

WORK TOOLS

163-4265 BUCKET AR-MULTIPURPOSE

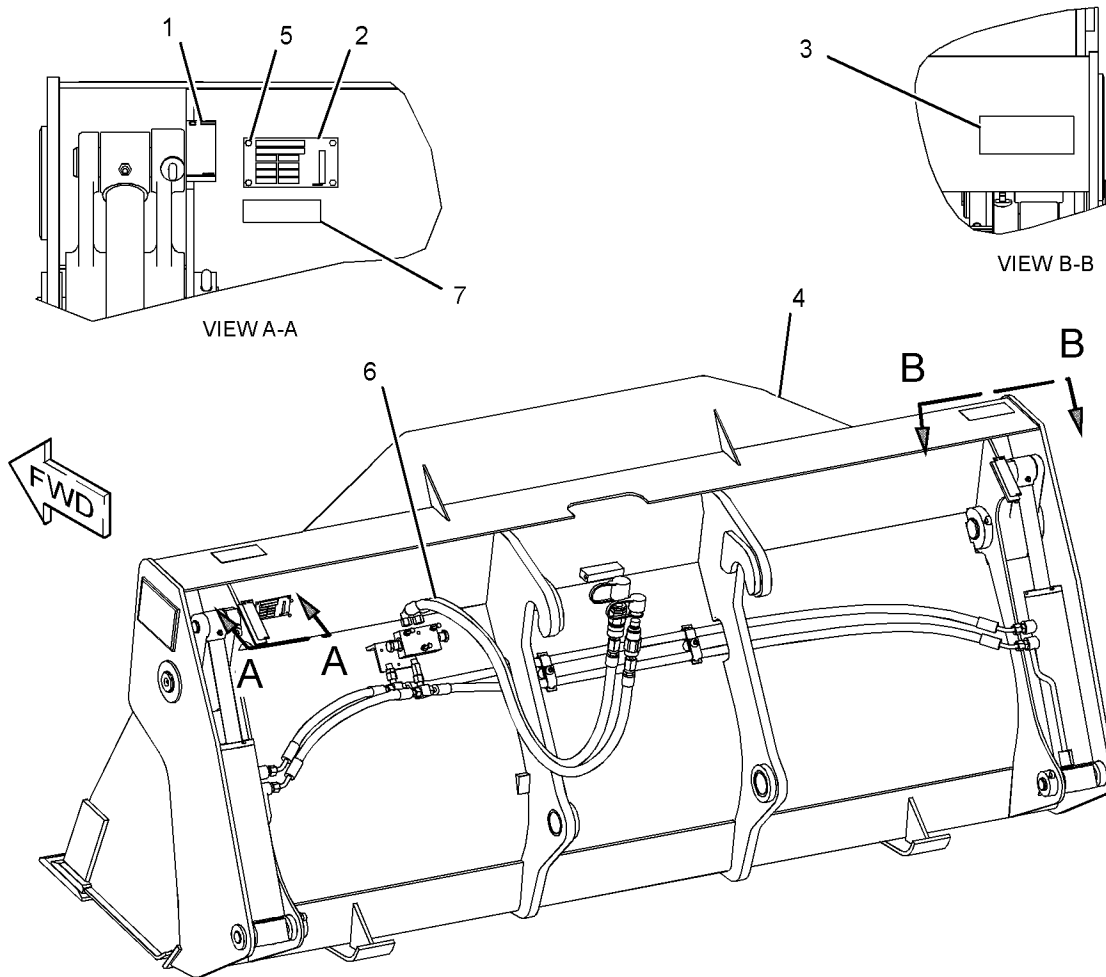
S/N: TH41-UP; TH91-UP
1.03-CU M (1.35-CU YD) CAPACITY
AN ATTACHMENT

SMCS-6104

i05685569

NOTE	REF NO	GRAPHIC REF	PART NUMBER	QTY	PART NAME						SEE PAGE
					1	2	3	4	5	6 (PRODUCT LEVEL)	
	1	1	106-9387	2	FILM-IDENTIFICATION (BUCKET LEVEL)						
	2	1	154-2704	1	PLATE-INSTRUCTION (BUCKET SPECIFICATIONS)						
	3	1	159-8038	2	FILM-WARNING (CRUSH HAZARD, STAY BACK)						
Y	4	1	<i>163-4284</i>	1	BUCKET AR-MULTIPURPOSE						1014
	5	1	168-8389	4	TACK (METAL)						
Y	6	1	<i>188-6161</i>	1	LINES GP-CONNECTING (MULTIPURPOSE BUCKET)						872
	7	1	354-7356	1	PLATE-CERTIFICATION						

Y - SEPARATE ILLUSTRATION



GRAPHIC #1

<END>

g03612056

WORK TOOLS

163-4284 BUCKET AR-MULTIPURPOSE

S/N: TH41-UP; TH91-UP

1.03-CU M (1.35-CU YD) CAPACITY

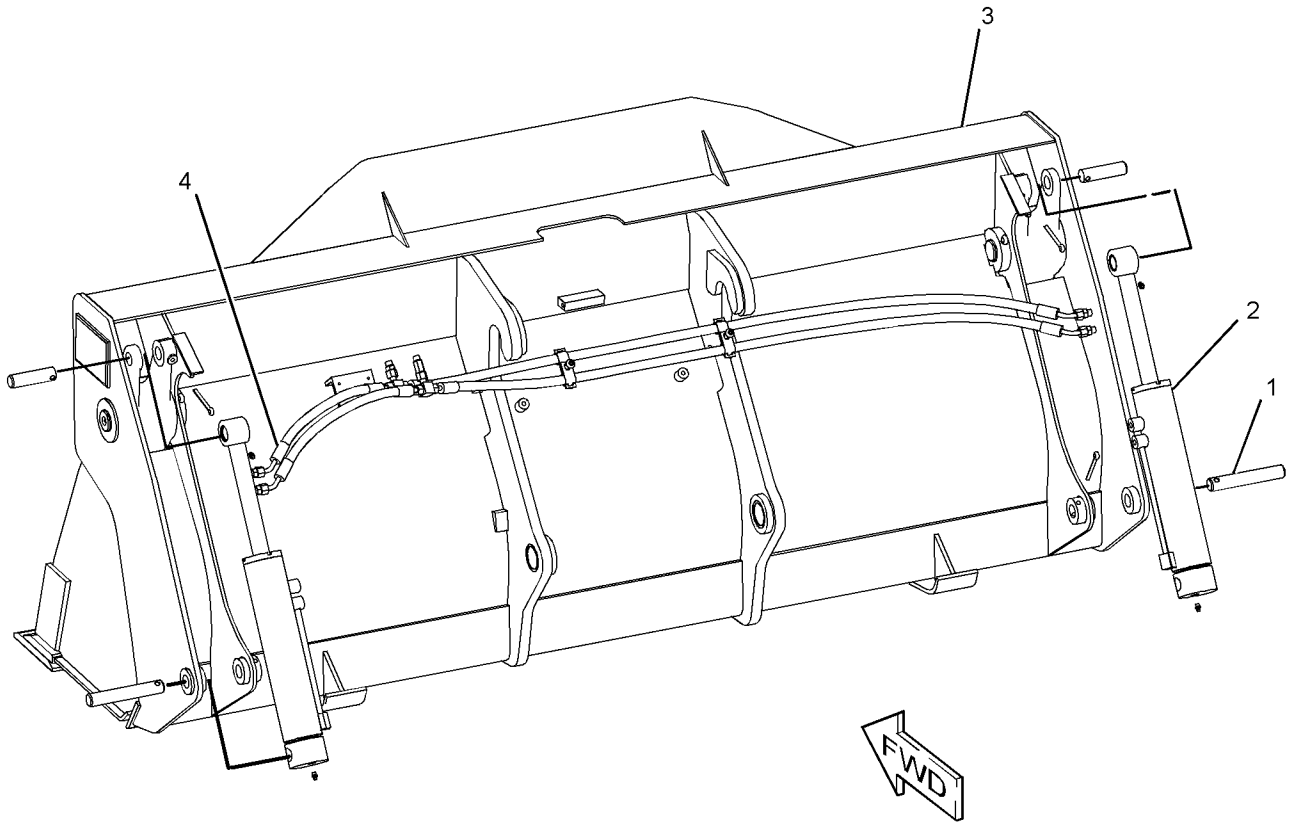
PART OF 163-4265 BUCKET AR-MULTIPURPOSE, 486-0141 BUCKET GP-MULTIPURPOSE
AN ATTACHMENT

SMCS-6104

i05869995

NOTE	REF NO	GRAPHIC REF	PART NUMBER	QTY	PART NAME						SEE PAGE
					1	2	3	4	5	6 (PRODUCT LEVEL)	
Y	1	1	9R-4668	1	MOUNTING GP-CYLINDER (MULTIPURPOSE BUCKET)						938
Y	2	1	185-1839	2	CYLINDER GP-MULTIPURPOSE BUKT						847
Y	3	1	163-4286	1	BUCKET GP-MULTIPURPOSE						1032
Y	4	1	227-6676	1	LINES GP-MULTIPURPOSE BUCKET						907

Y - SEPARATE ILLUSTRATION



GRAPHIC #1

<END>

g03705451

WORK TOOLS

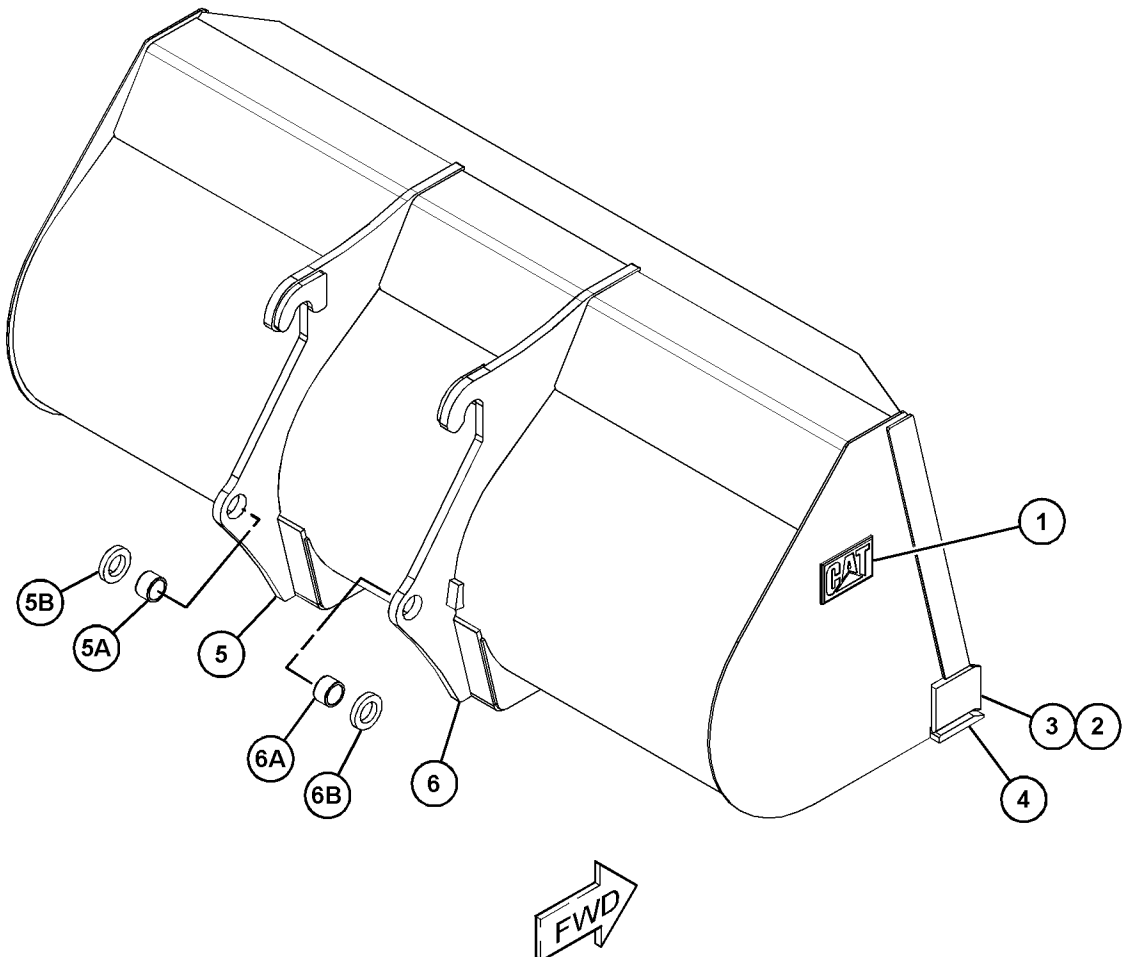
176-1031 BUCKET AS

S/N: TH41-UP; TH91-UP
 1.5-CU M (1.96-CU YD) CAPACITY
 PART OF 456-0507 BUCKET GP-MATERIAL HANDLING
 AN ATTACHMENT

SMCS-6001, 6101, 6803, 6805, 6822

i05685693

NOTE	REF NO	GRAPHIC REF	PART NUMBER	QTY	PART NAME						SEE PAGE
					1	2	3	4	5	6 (PRODUCT LEVEL)	
1	1	1	2C-9259	2	PLATE-IDENTIFICATION (CAT)						
2	1	1	9R-5205	1	EDGE (LH)						
3	1	1	9R-5206	1	EDGE (RH)						
4	1	1	9R-5313	1	EDGE						
5	1	1	177-3350	1	PLATE AS (LH)						
5A	1	1	6K-4076	1	BUSHING						
5B	1	1	9R-4649	1	BOSS						
6	1	1	177-3351	1	PLATE AS (RH)						
6A	1	1	6K-4076	1	BUSHING						
6B	1	1	9R-4649	1	BOSS						



GRAPHIC #1

<END>

g03662236

WORK TOOLS

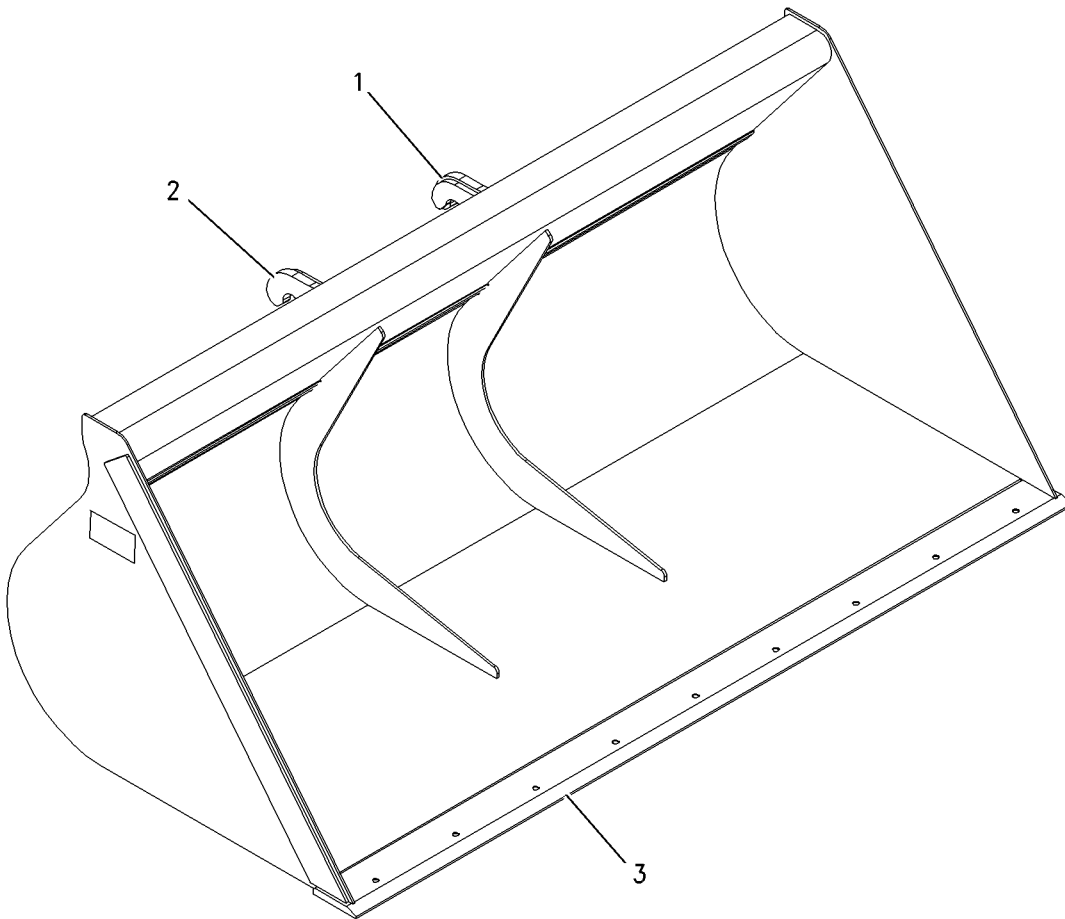
223-8912 BUCKET AS-LIGHT MATERIAL

S/N: TH41-UP; TH91-UP
 3-CU M (3.9-CU YD) CAPACITY
 PART OF 220-4761 BUCKET GP-LIGHT MATERIAL
 AN ATTACHMENT

SMCS-6103

i01827994

NOTE	REF NO	GRAPHIC REF	PART NUMBER	QTY	PART NAME						SEE PAGE
					1	2	3	4	5	6 (PRODUCT LEVEL)	
	1	1	178-0123	1	PLATE AS (LH)						
		1	6K-4076	1	BUSHING						
	2	1	178-0124	1	PLATE AS (RH)						
		1	6K-4076	1	BUSHING						
	3	1	223-8913	1	EDGE-CUTTING						



GRAPHIC #1

<END>

g00932387

WORK TOOLS

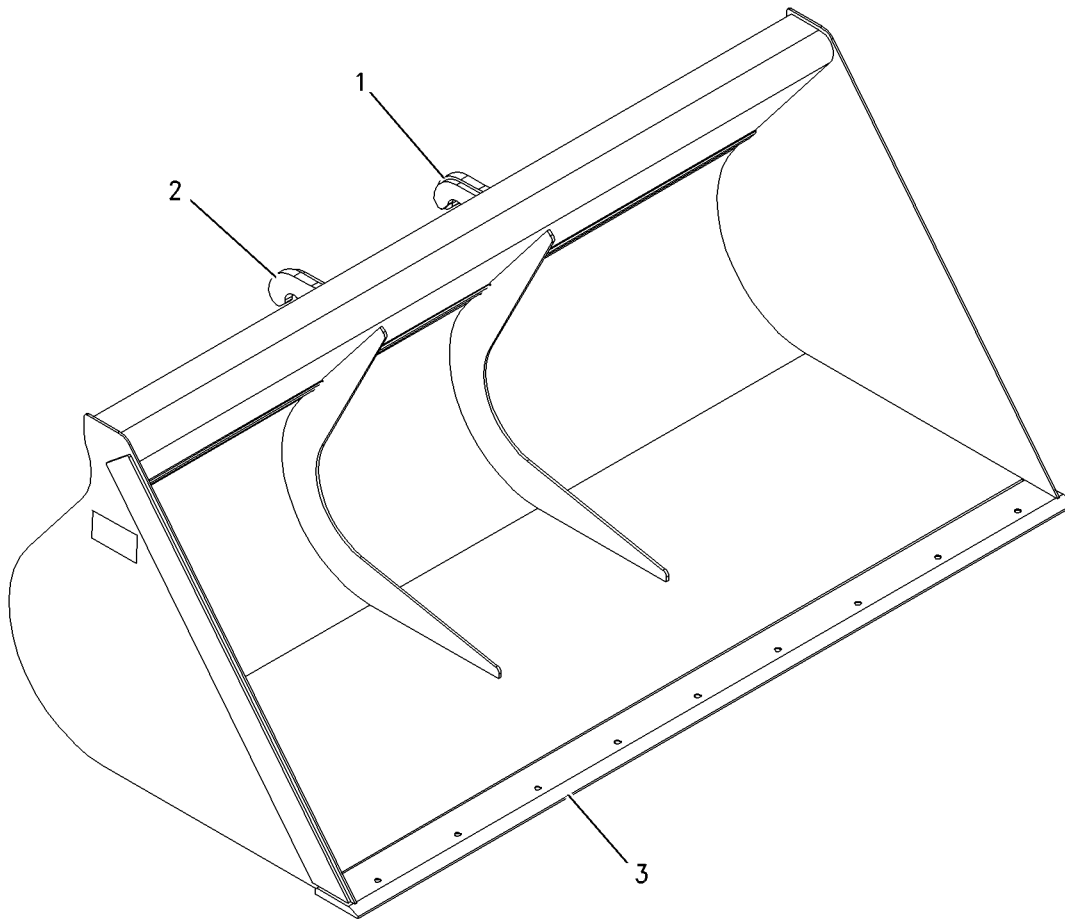
223-8922 BUCKET AS-LIGHT MATERIAL

S/N: TH41-UP; TH91-UP
 2.5 CU M (3.3 CU YD) CAPACITY
 PART OF 220-4760 BUCKET GP-LIGHT MATERIAL
 AN ATTACHMENT

SMCS-6103

i01827996

NOTE	REF NO	GRAPHIC REF	PART NUMBER	QTY	PART NAME						SEE PAGE
					1	2	3	4	5	6 (PRODUCT LEVEL)	
	1	1	178-0121	1	PLATE AS (LH)						
		1	6K-4076	1	BUSHING						
	2	1	178-0122	1	PLATE AS (RH)						
		1	6K-4076	1	BUSHING						
	3	1	224-6212	1	EDGE-CUTTING						



GRAPHIC #1

<END>

g00932387

WORK TOOLS

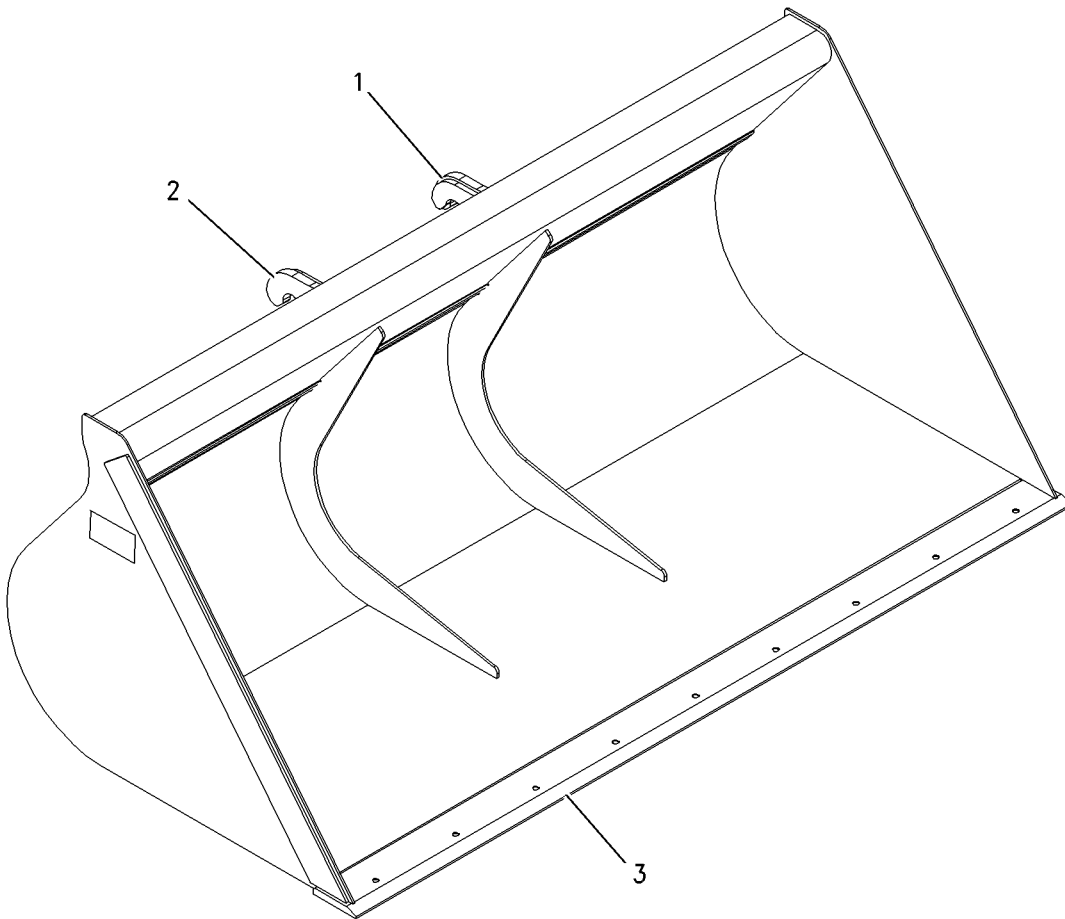
224-6211 BUCKET AS-LIGHT MATERIAL

S/N: TH41-UP; TH91-UP
 2.0 CU M (2.6 CU YD) CAPACITY
 PART OF 220-4759 BUCKET GP-LIGHT MATERIAL
 AN ATTACHMENT

SMCS-6103

i01827981

NOTE	REF NO	GRAPHIC REF	PART NUMBER	QTY	PART NAME						SEE PAGE
					1	2	3	4	5	6 (PRODUCT LEVEL)	
	1	1	178-0119	1	PLATE AS (LH)						
		1	6K-4076	1	BUSHING						
	2	1	178-0120	1	PLATE AS (RH)						
		1	6K-4076	1	BUSHING						
	3	1	224-6212	1	EDGE-CUTTING						



GRAPHIC #1

<END>

g00932387

WORK TOOLS

456-0498 BUCKET GP-GENERAL PURPOSE

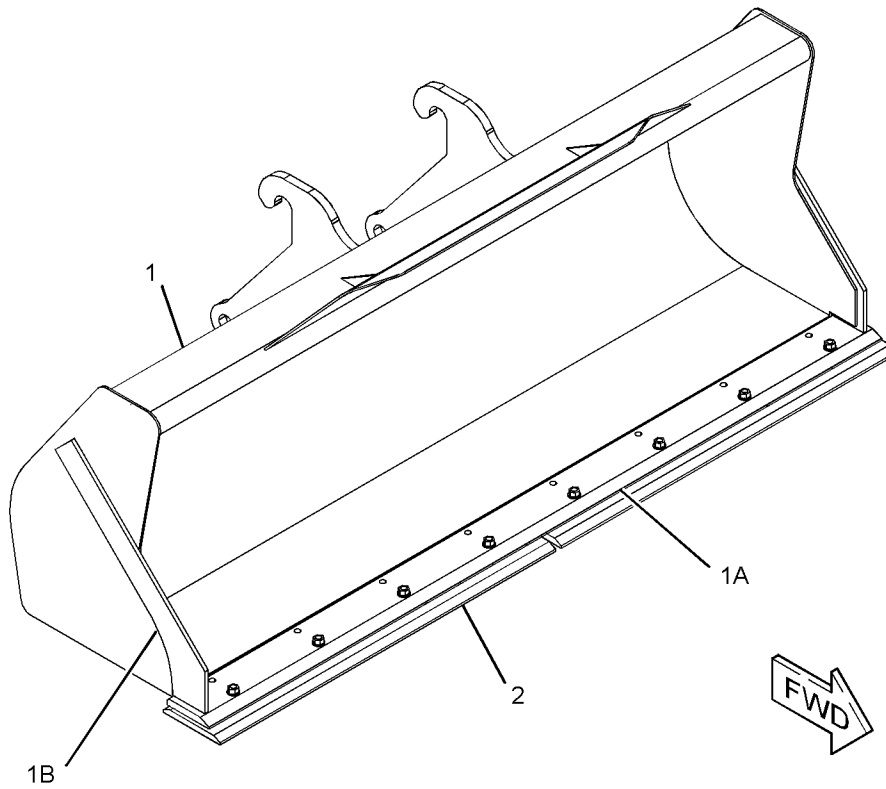
S/N: TH41-UP; TH91-UP
AN ATTACHMENT

SMCS-6101

i05685730

NOTE	REF NO	GRAPHIC REF	PART NUMBER	QTY	PART NAME						SEE PAGE
					1	2	3	4	5	6 (PRODUCT LEVEL)	
	1	1	187-7395	1	BUCKET AS						
	1A	1	9R-5313	1	EDGE						
	1B	1	230-7001	2	EDGE						
Y	2	1	456-0492	1	EDGE GP-CUTTING						1089

Y - SEPARATE ILLUSTRATION



GRAPHIC #1

<END>

g03621217

WORK TOOLS

474-2537 BUCKET GP-GENERAL PURPOSE-DIRT

S/N: TH41-UP; TH91-UP

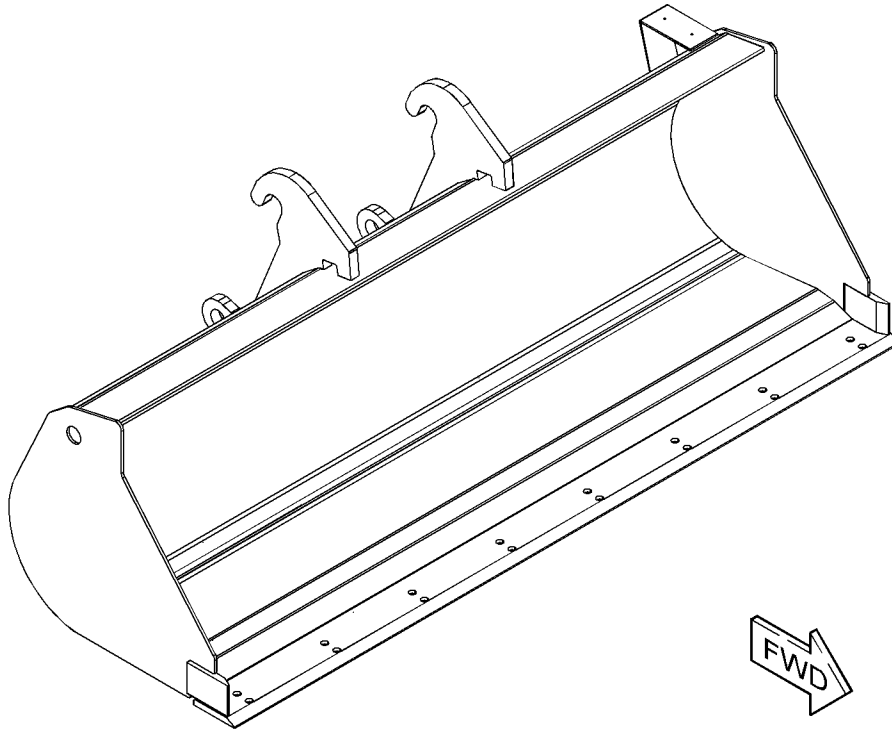
2450-MM (96.4-IN) WIDE X1-CU M (1.3-CU YD) CAPACITY
AN ATTACHMENT

SMCS-6101

i06836816

NOTE	REF NO	GRAPHIC REF	PART NUMBER	QTY	PART NAME	SEE PAGE
------	--------	-------------	-------------	-----	-----------	----------

(NO BREAKDOWN OF SERVICEABLE PARTS AVAILABLE AT TIME OF PUBLICATION)



GRAPHIC #1

<END>

g06137430

WORK TOOLS

474-0142 BUCKET GP-GRAPPLE

S/N: TH91-UP
1.3-CU M(1.7-CU YD)
AN ATTACHMENT

SMCS-6704

i06239851

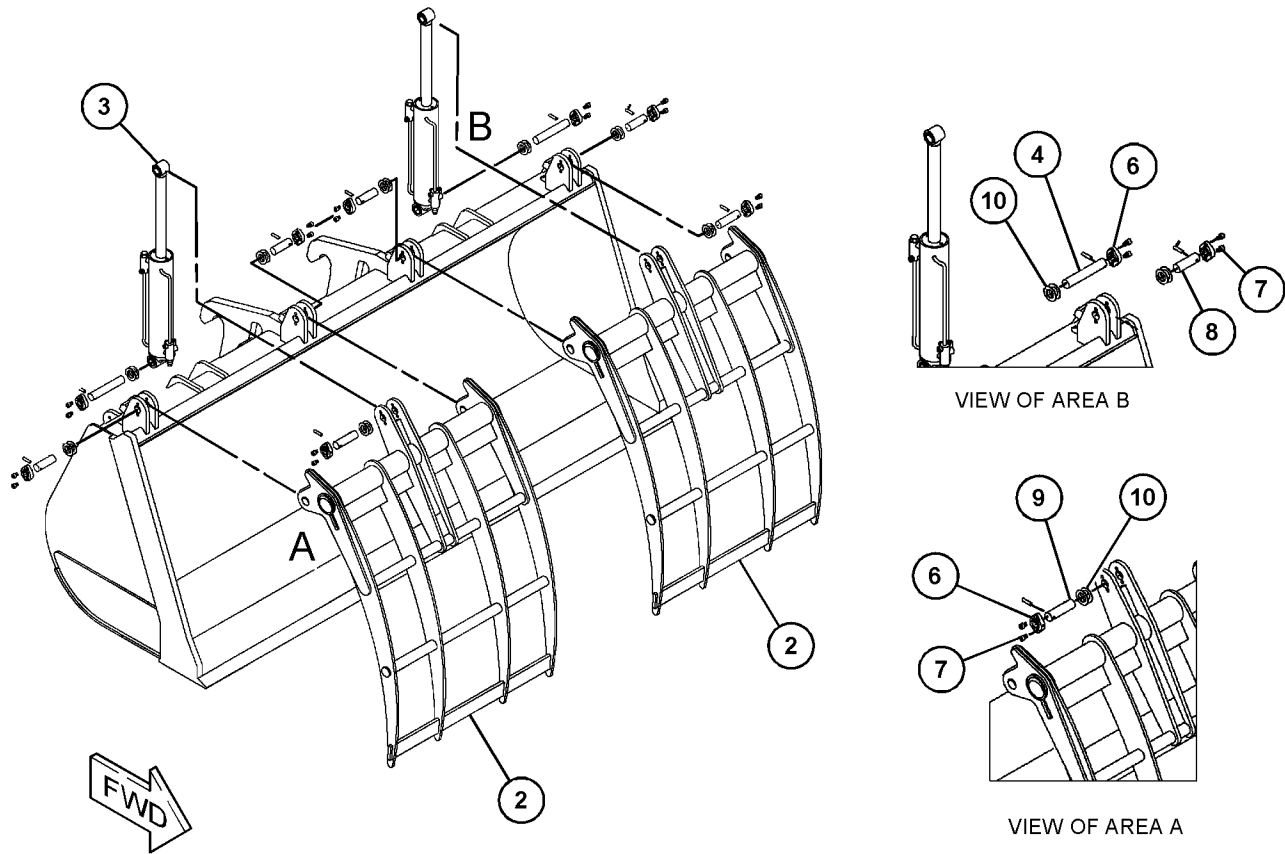
NOTE	REF NO	GRAPHIC REF	PART NUMBER	QTY	PART NAME	SEE PAGE
					1 2 3 4 5 6 (PRODUCT LEVEL)	
	1	1	484-7178	2	ELBOW	
	2	1	484-7147	2	PLATE AS	
Y	3	1	484-7195	2	CYLINDER GP-HYDRAULIC	843
	4	1	484-7150	2	PIN	
	5	1	484-7153	8	PIN	
	6	1	484-7154	8	RETAINER	
	7	1	484-7155	16	BOLT	
	8	1	484-7156	2	PIN	
	9	1	484-7157	4	PIN	
	10	1	484-7158	32	SHIM	
	11	1	417-9866	4	ADAPTER	
	12	1	484-7159	1	MANIFOLD	
	13	1	484-7160	2	CARTRIDGE	
	14	1	484-7161	2	BOLT	
	15	1	484-7162	2	WASHER	
	16	1	417-9873	4	ADAPTER	
	17	1	484-7163	2	ADAPTER	
	18	1	484-7164	8	CLAMP	
	19	1	484-7165	4	WASHER	
	20	1	484-7170	2	BOLT	
	21	1	484-7171	2	BOLT	
	22	1	484-7172	1	HOSE AS	
	23	1	484-7173	1	HOSE AS	
	24	1	484-7174	1	HOSE AS	
	25	1	484-7175	1	HOSE AS	
	26	1	484-7176	1	HOSE AS	
	27	1	484-7177	1	HOSE AS	
	28	1	300-6078	1	COUPLING (FEMALE)	
	29	1	300-6079	1	COUPLING (MALE)	
	30	1	340-5953	1	CAP-DUST	
	31	1	340-5954	1	CAP-DUST	

Y - SEPARATE ILLUSTRATION

WORK TOOLS

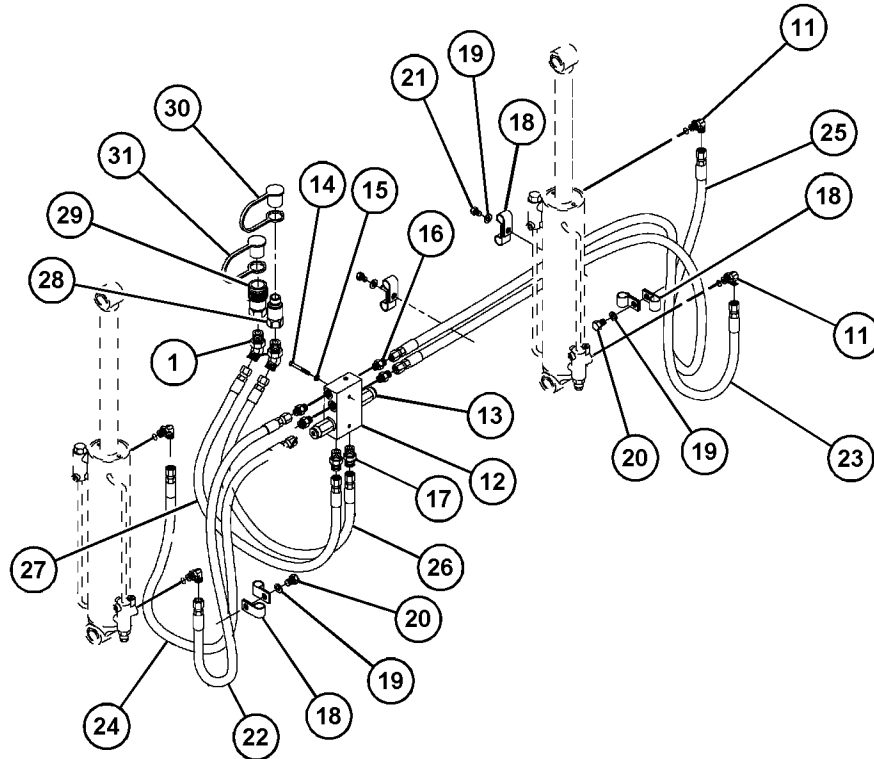
474-0142 BUCKET GP-GRAPPLE (contd.)

i06239851



VIEW OF AREA B

VIEW OF AREA A



GRAPHIC #1

<END>

g03887123

WORK TOOLS

509-4664 BUCKET GP-GRAPPLE

S/N: TH41-UP; TH91-UP

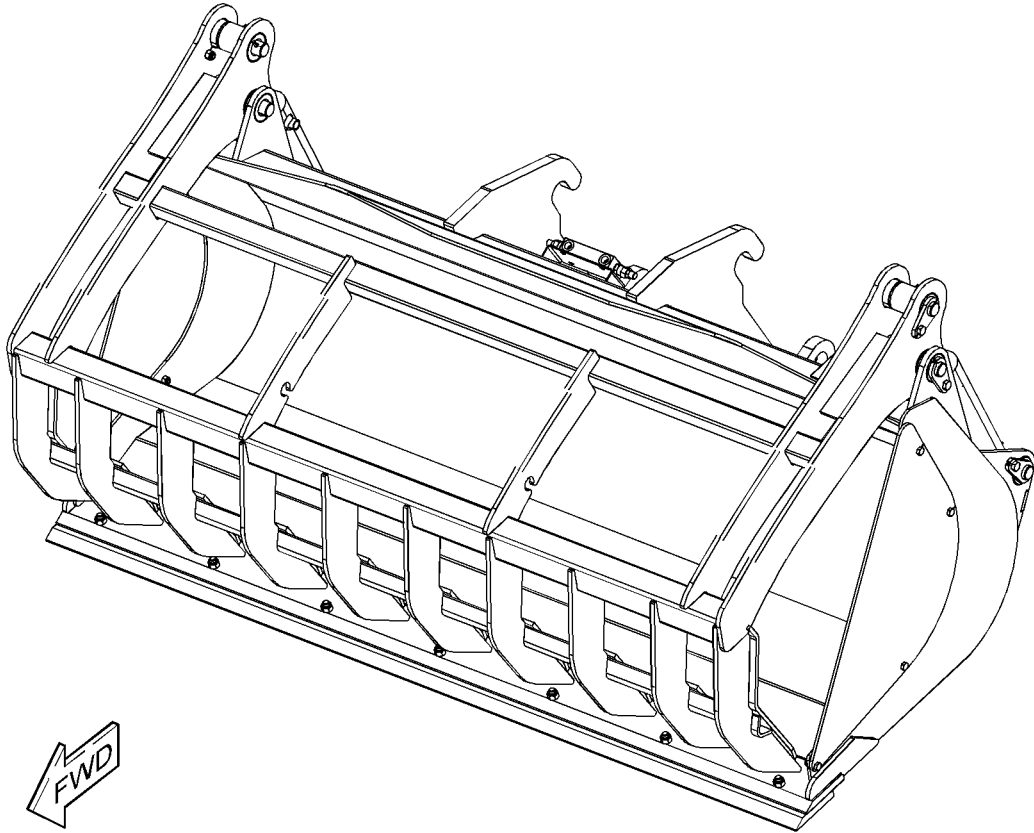
1870-MM (73.6-IN) WIDE X 1.5-CU M (1.9-CU YD) CAPACITY
AN ATTACHMENT

SMCS-6704

i06836939

NOTE	REF NO	GRAPHIC REF	PART NUMBER	QTY	PART NAME	SEE PAGE
------	--------	-------------	-------------	-----	-----------	----------

1 2 3 4 5 6 (PRODUCT LEVEL)
(NO BREAKDOWN OF SERVICEABLE PARTS AVAILABLE AT TIME OF PUBLICATION)



GRAPHIC #1

<END>

g06136889

WORK TOOLS

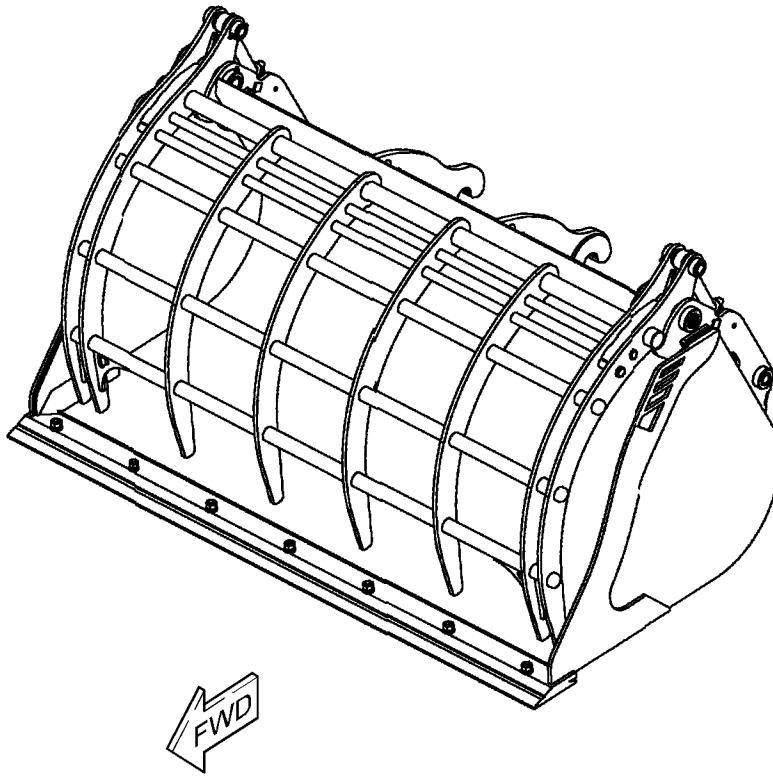
521-8302 BUCKET GP-GRAPPLE

S/N: TH41-UP; TH91-UP
1.5-CU M (1.96-CU YD) CAPACITY
AN ATTACHMENT

SMCS-6704

i07227938

NOTE	REF NO	GRAPHIC REF	PART NUMBER	QTY	PART NAME	SEE PAGE
					1 2 3 4 5 6 (PRODUCT LEVEL)	
(NO SERVICED PARTS)						



GRAPHIC #1

<END>

g06258017

WORK TOOLS

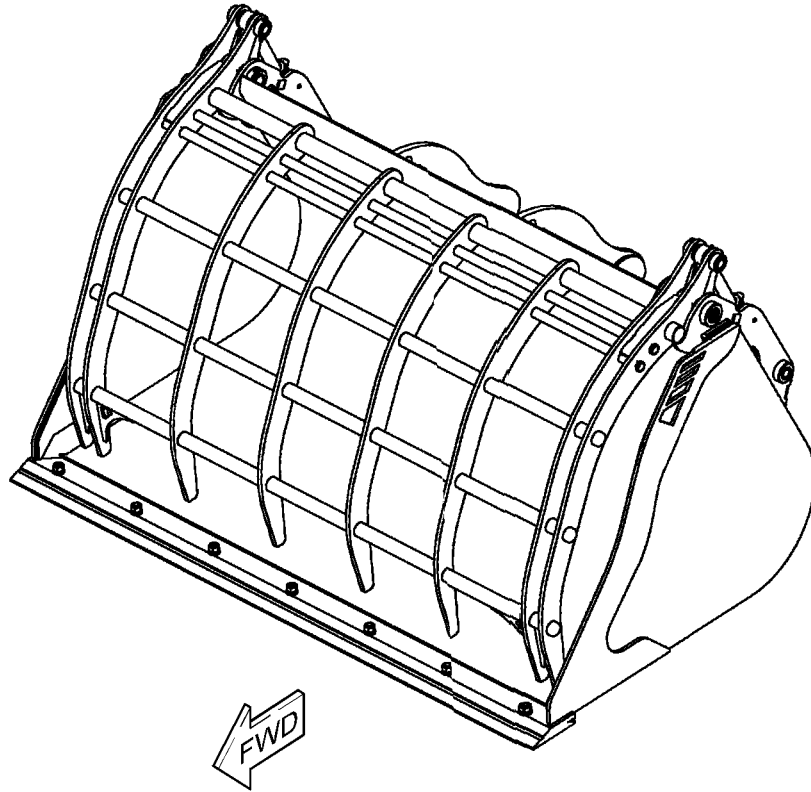
521-8303 BUCKET GP-GRAPPLE

S/N: TH41-UP; TH91-UP
2-CU M (2.61-CU YD) CAPACITY
AN ATTACHMENT

SMCS-6704

i07227940

NOTE	REF NO	GRAPHIC REF	PART NUMBER	QTY	PART NAME						SEE PAGE
					1	2	3	4	5	6 (PRODUCT LEVEL)	
(NO SERVICED PARTS)											



GRAPHIC #1

<END>

g06258018

WORK TOOLS

220-4759 BUCKET GP-LIGHT MATERIAL

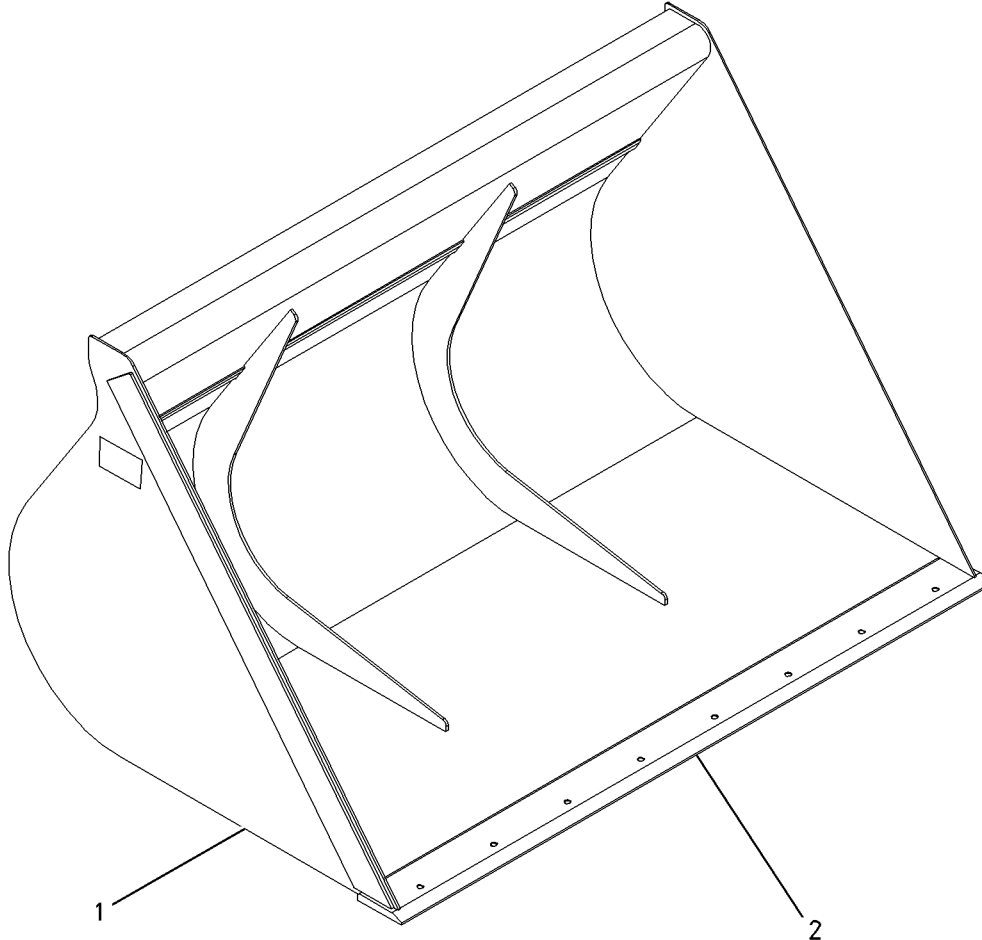
S/N: TH41-UP; TH91-UP
2.0 CU M (2.6 CU YD) CAPACITY
AN ATTACHMENT

SMCS-6103

i01821505

NOTE	REF NO	GRAPHIC REF	PART NUMBER	QTY	PART NAME						SEE PAGE
					1	2	3	4	5	6 (PRODUCT LEVEL)	
Y	1	1	224-6211	1	BUCKET AS-LIGHT MATERIAL						1018
Y	2	1	224-6526	1	EDGE GP-CUTTING						1088

Y - SEPARATE ILLUSTRATION



GRAPHIC #1

<END>

g00930019

WORK TOOLS

220-4760 BUCKET GP-LIGHT MATERIAL

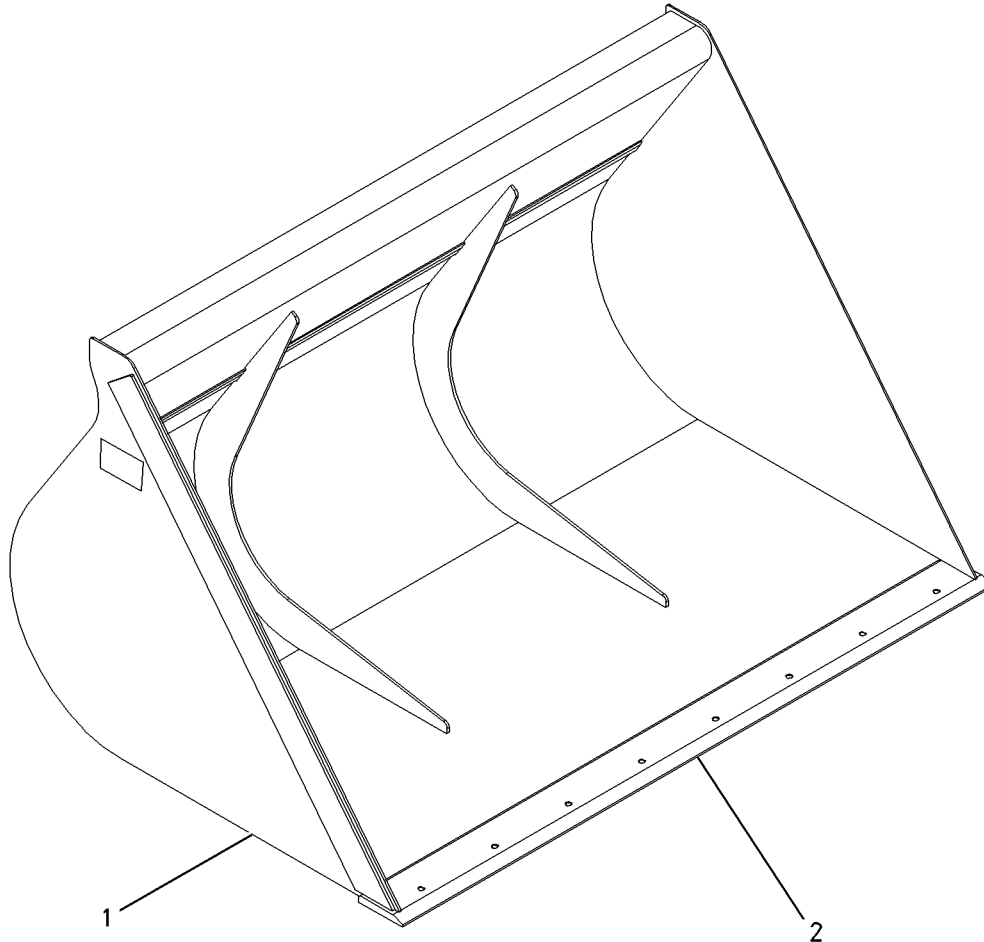
S/N: TH41-UP; TH91-UP
2.5 CU M (3.3 CU YD) CAPACITY
AN ATTACHMENT

SMCS-6103

i01821500

NOTE	REF NO	GRAPHIC REF	PART NUMBER	QTY	PART NAME						SEE PAGE
					1	2	3	4	5	6 (PRODUCT LEVEL)	
Y	1	1	223-8922	1	BUCKET AS-LIGHT MATERIAL						1017
Y	2	1	224-6526	1	EDGE GP-CUTTING						1088

Y - SEPARATE ILLUSTRATION



GRAPHIC #1

<END>

g00930017

WORK TOOLS

220-4761 BUCKET GP-LIGHT MATERIAL

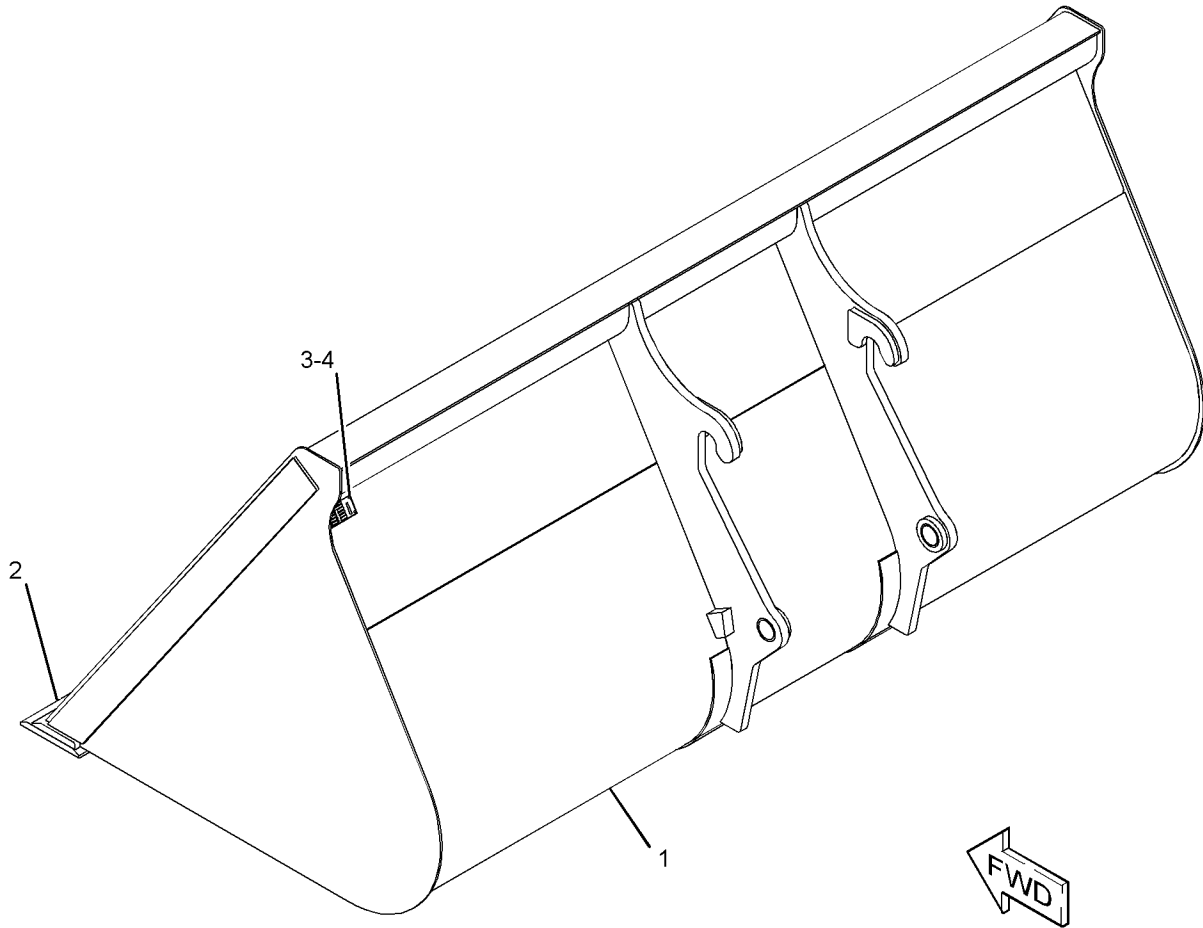
S/N: TH41-UP; TH91-UP
 3.0 CU M (3.9 CU YD) CAPACITY. GRAIN
 AN ATTACHMENT

SMCS-6103

i05685629

NOTE	REF NO	GRAPHIC REF	PART NUMBER	QTY	PART NAME						SEE PAGE
					1	2	3	4	5	6 (PRODUCT LEVEL)	
Y	1	1	223-8912	1	BUCKET AS-LIGHT MATERIAL						1016
Y	2	1	223-8914	1	EDGE GP-CUTTING						1087
	3	1	154-2704	1	PLATE-INSTRUCTION (BUCKET SPECIFICATIONS)						
	4	1	168-8389	4	TACK (METAL)						

Y - SEPARATE ILLUSTRATION



GRAPHIC #1

<END>

g03648318

WORK TOOLS

186-5838 BUCKET GP-MATERIAL HANDLING

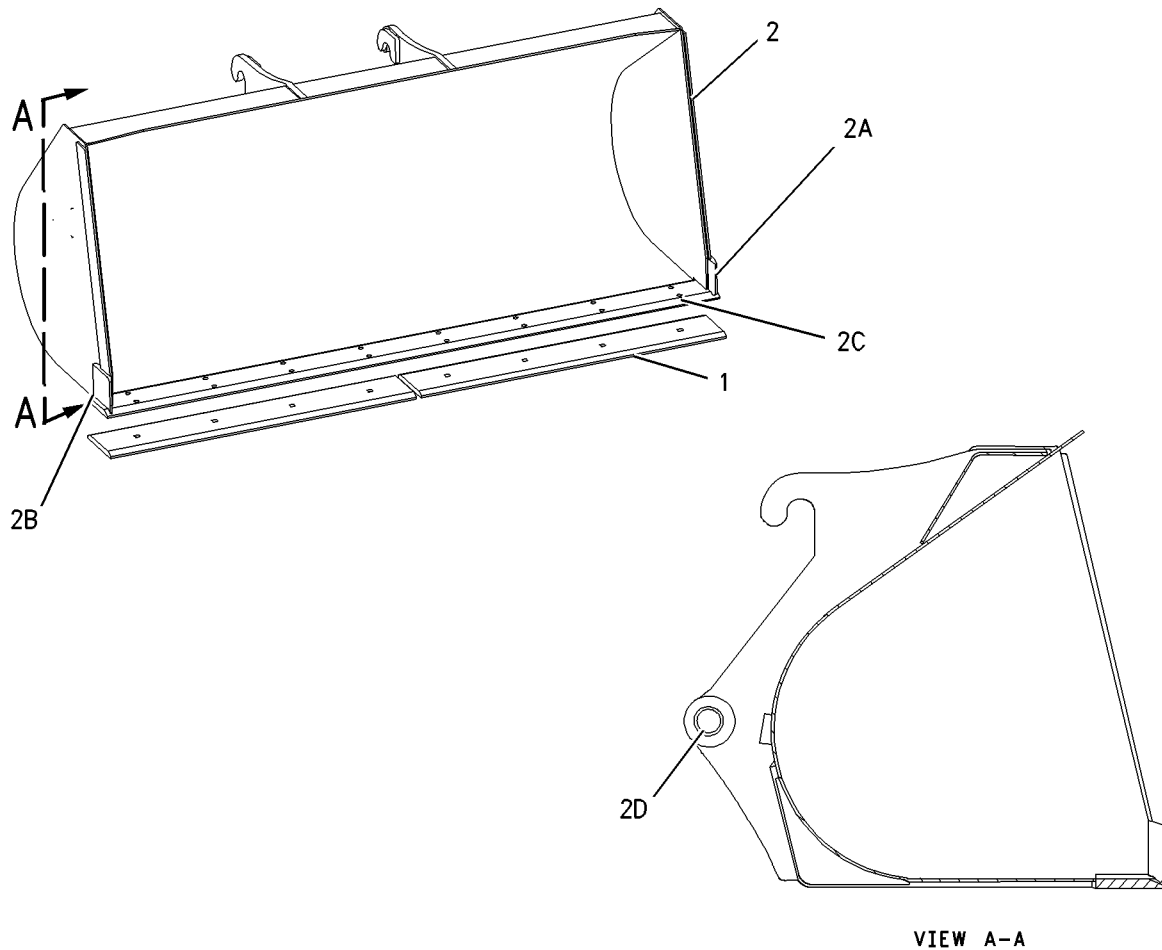
S/N: TH41-UP; TH91-UP
 1.5 CU M (1.96 CU YD) CAPACITY
 AN ATTACHMENT

SMCS-6123

i01667565

NOTE	REF NO	GRAPHIC REF	PART NUMBER	QTY	PART NAME						SEE PAGE
					1	2	3	4	5	6 (PRODUCT LEVEL)	
Y	1	1	9R-5320	2	EDGE GP-CUTTING						1090
	2	1	176-1031	1	BUCKET AS						
	2A	1	9R-5205	1	EDGE (LH)						
	2B	1	9R-5206	1	EDGE (RH)						
	2C	1	9R-5313	1	EDGE						
	2D	1	6K-4076	2	BUSHING						

Y - SEPARATE ILLUSTRATION



GRAPHIC #1

<END>

g00821806

WORK TOOLS

456-0507 BUCKET GP-MATERIAL HANDLING

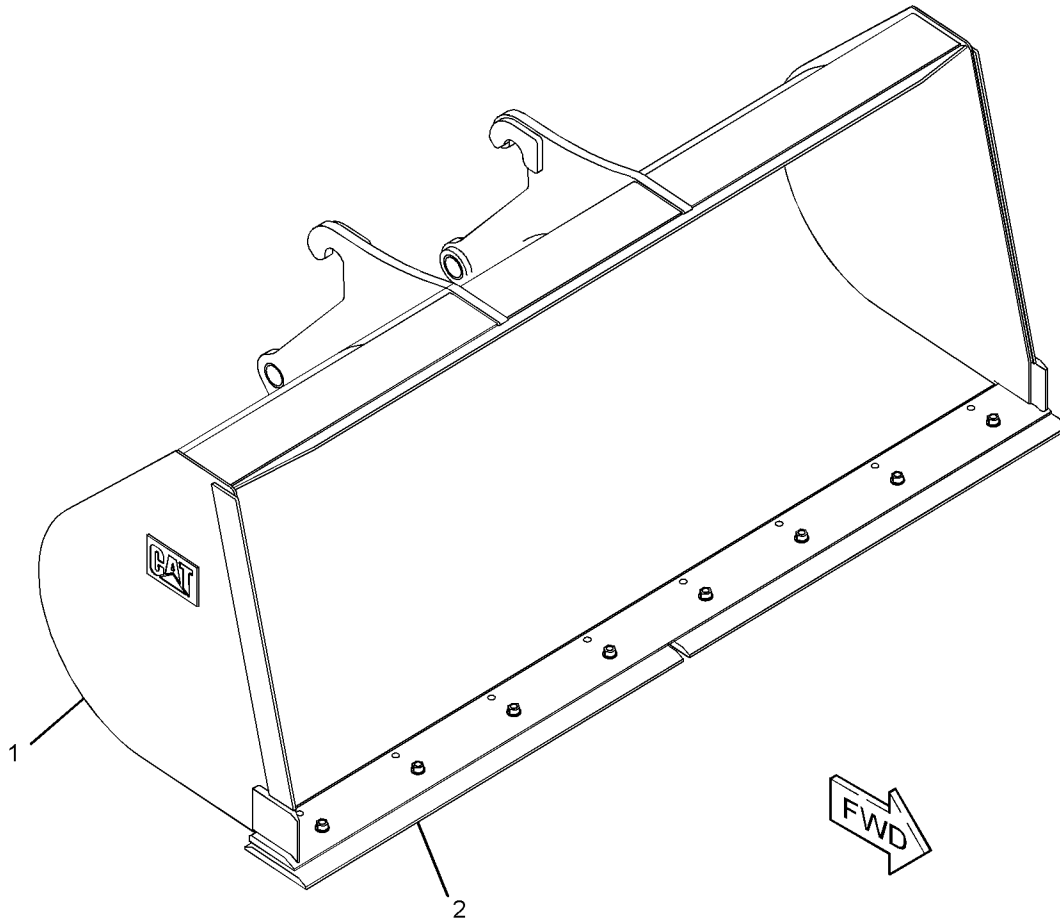
S/N: TH41-UP; TH91-UP
AN ATTACHMENT

SMCS-6123

i05685670

NOTE	REF NO	GRAPHIC REF	PART NUMBER	QTY	PART NAME						SEE PAGE
					1	2	3	4	5	6 (PRODUCT LEVEL)	
Y	1	1	176-1031	1	BUCKET AS						1015
Y	2	1	456-0492	1	EDGE GP-CUTTING						1089

Y - SEPARATE ILLUSTRATION



GRAPHIC #1

<END>

g03643825

WORK TOOLS

474-2534 BUCKET GP-MIXING

S/N: TH41-UP; TH91-UP

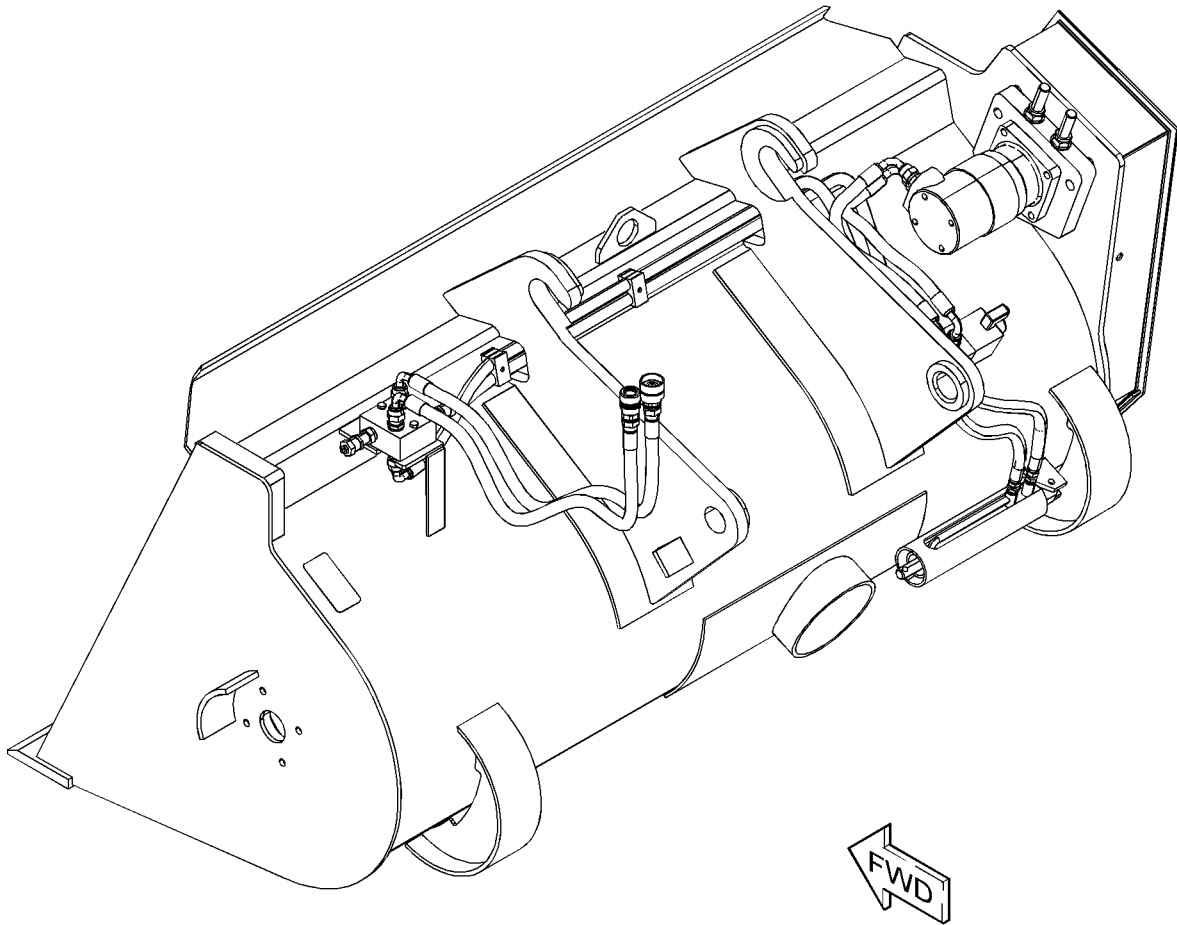
1785-MM (70.2-IN) WIDE X 0.5-CU M (0.6-CU YD) CAPACITY, NOT FOR USE IN NACD REGION
AN ATTACHMENT

SMCS-6001

i06836817

NOTE	REF NO	GRAPHIC REF	PART NUMBER	QTY	PART NAME	SEE PAGE
------	--------	-------------	-------------	-----	-----------	----------

(NO BREAKDOWN OF SERVICEABLE PARTS AVAILABLE AT TIME OF PUBLICATION)



GRAPHIC #1

<END>

g06137613

WORK TOOLS

163-4286 BUCKET GP-MULTIPURPOSE

S/N: TH41-UP; TH91-UP

1.03 CU M (1.35 CU YD) CAPACITY

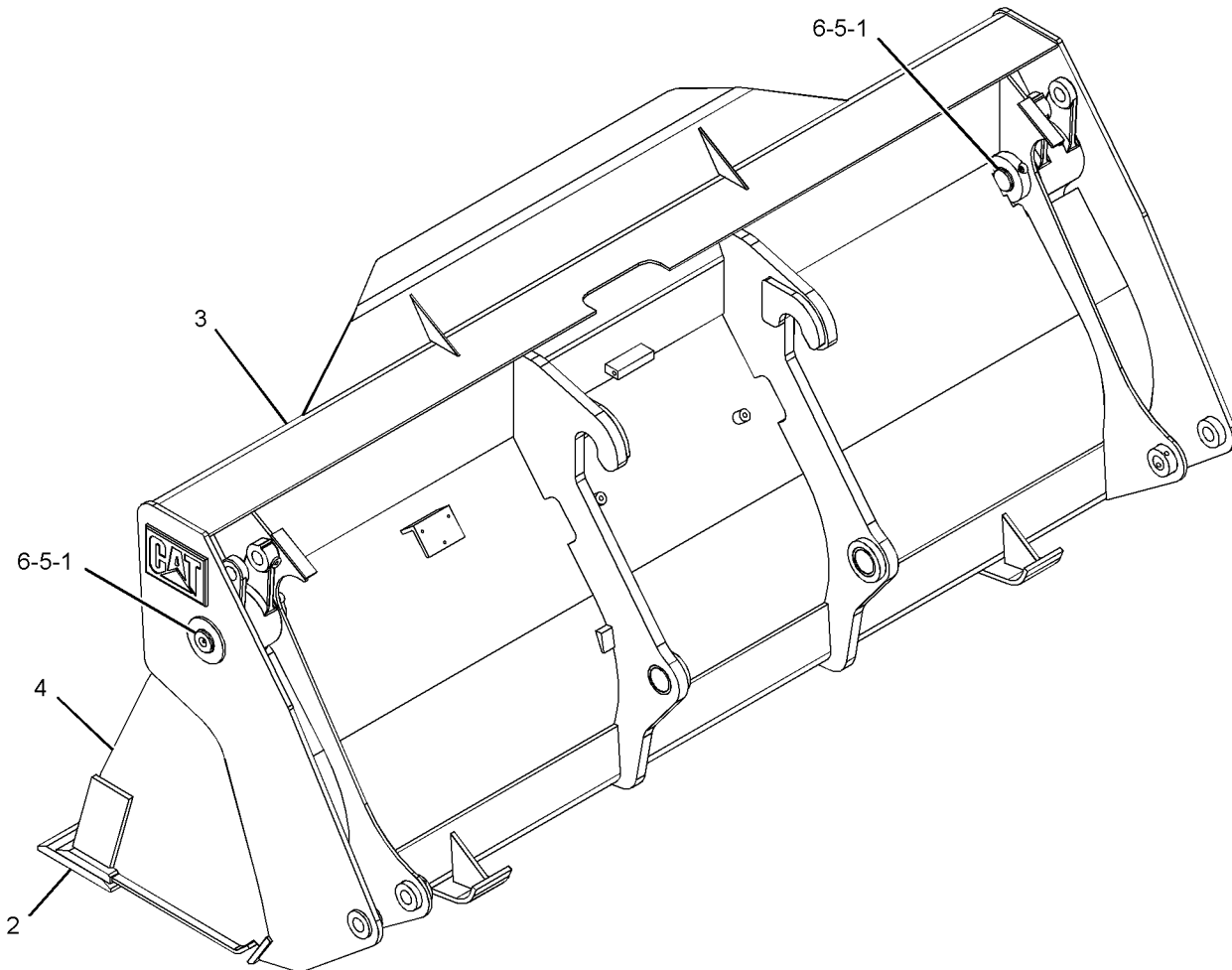
PART OF 163-4284 BUCKET AR-MULTIPURPOSE
AN ATTACHMENT

SMCS-6104

i02658710

NOTE	REF NO	GRAPHIC REF	PART NUMBER	QTY	PART NAME						SEE PAGE
					1	2	3	4	5	6 (PRODUCT LEVEL)	
	1	1	9R-4676	2	PIN						
Y	2	1	<i>9R-5320</i>	1	EDGE GP-CUTTING						1090
Y	3	1	163-4289	1	BULLDOZER AS (MULTIPURPOSE BUCKET)						1035
Y	4	1	252-9051	1	CLAM AS						1062
	5	1	3B-8489	2	FITTING-GREASE (1/8-27 PTF)						
	6	1	4J-1888	2	PIN-COTTER						

Y - SEPARATE ILLUSTRATION



GRAPHIC #1

<END>

g01336773

WORK TOOLS

486-0141 BUCKET GP-MULTIPURPOSE

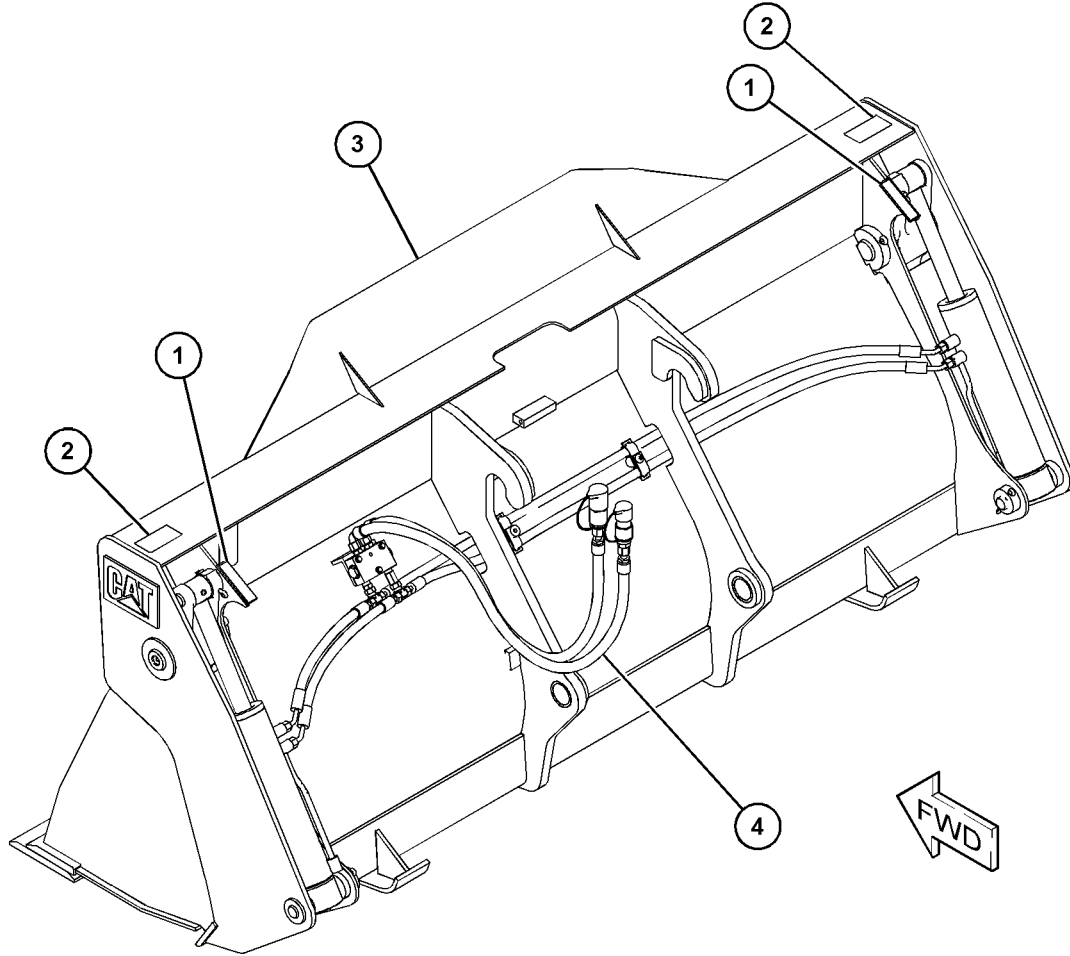
S/N: TH41-UP; TH91-UP
AN ATTACHMENT

SMCS-6104

i06997692

NOTE	REF NO	GRAPHIC REF	PART NUMBER	QTY	PART NAME						SEE PAGE
					1	2	3	4	5	6 (PRODUCT LEVEL)	
	1	1	106-9387	2	FILM-IDENTIFICATION (BUCKET LEVEL)						
	2	1	159-8038	2	FILM-WARNING (CRUSH HAZARD, STAY BACK)						
Y	3	1	163-4284	1	BUCKET AR-MULTIPURPOSE						1014
Y	4	1	188-6161	1	LINES GP-CONNECTING (MULTIPURPOSE BUCKET)						872

Y - SEPARATE ILLUSTRATION



GRAPHIC #1

<END>

g06193369

WORK TOOLS

118-1974 BULLDOZER AS

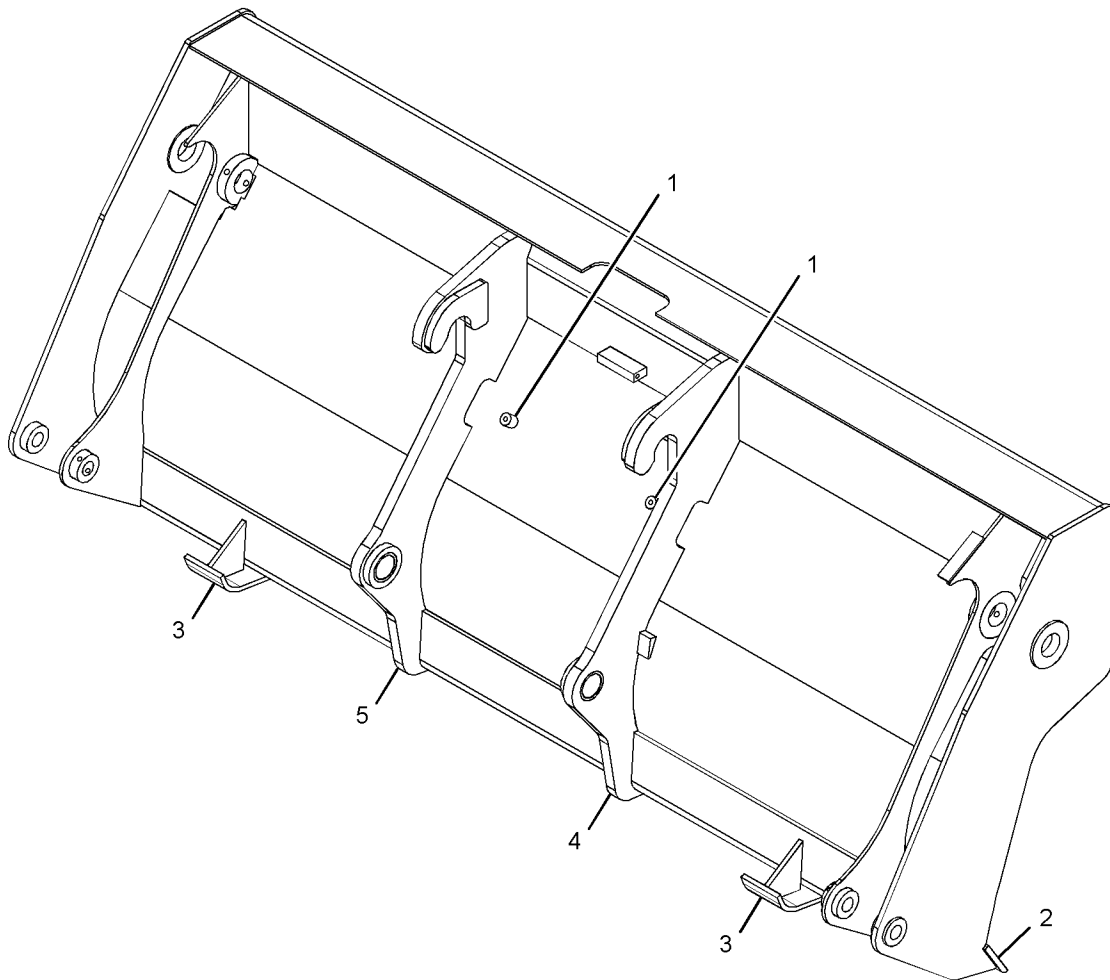
S/N: TH41-UP; TH91-UP
 1.03-CU M (1.35-CU YD)
 PART OF 163-4289 BULLDOZER AS
 AN ATTACHMENT

SMCS-6050, 6514

i05006829

NOTE	REF NO	GRAPHIC REF	PART NUMBER	QTY	PART NAME						SEE PAGE
					1	2	3	4	5	6 (PRODUCT LEVEL)	
M	1	1	9R-5271	2	BOSS (M10X1.5X25-MM)						
	2	1	9R-5786	1	EDGE						
	3	1	112-1775	2	PLATE AS						
	4	1	<i>118-1979</i>	1	PLATE AS (RH)						
		1	6K-4076	1	BUSHING						
		1	9R-4649	1	BOSS						
	5	1	<i>118-1980</i>	1	PLATE AS (LH)						
		1	6K-4076	1	BUSHING						
		1	9R-4649	1	BOSS						

M - METRIC PART



GRAPHIC #1

<END>

g01336816

WORK TOOLS

163-4289 BULLDOZER AS

S/N: TH41-UP; TH91-UP

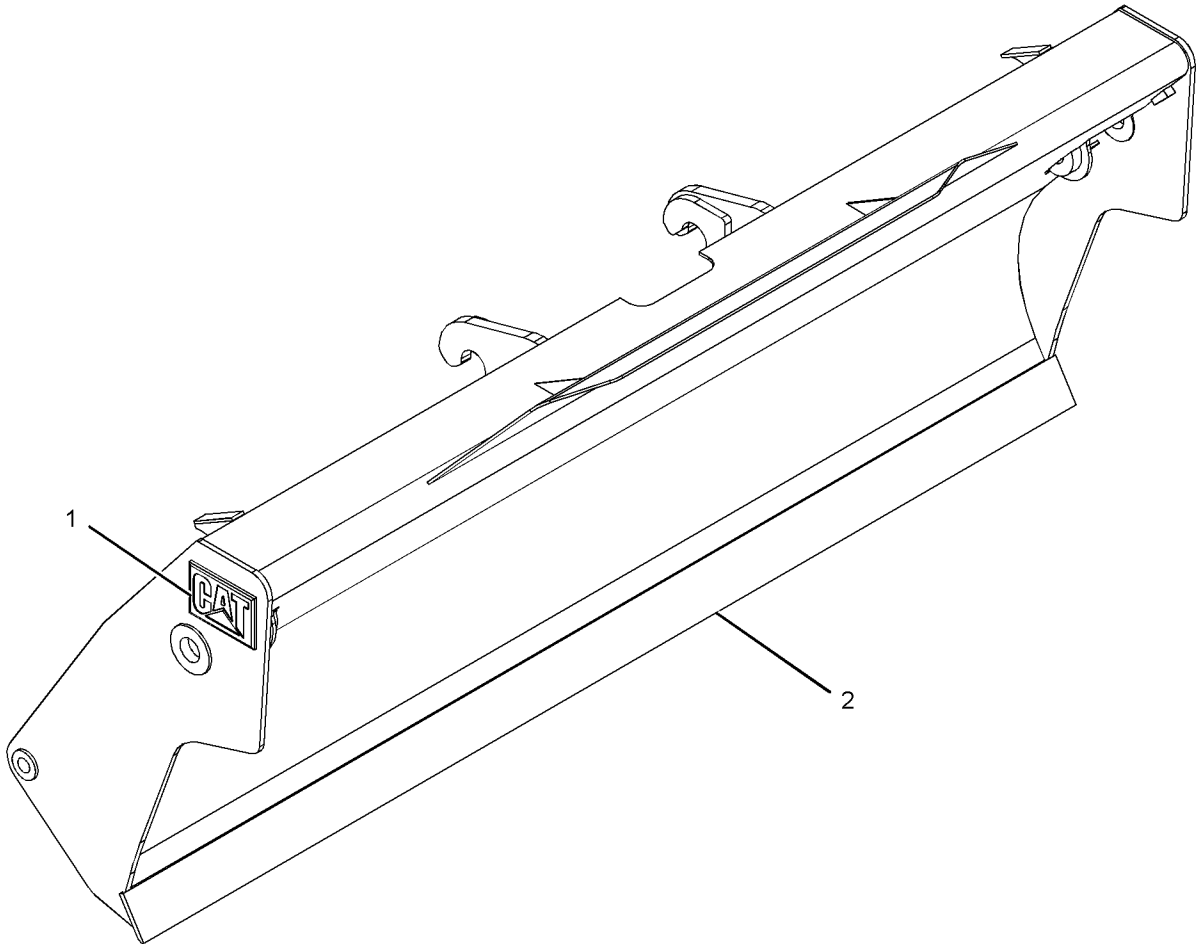
PART OF 163-4286 BUCKET GP-MULTIPURPOSE
AN ATTACHMENT

SMCS-6050, 6514

i02659826

NOTE	REF NO	GRAPHIC REF	PART NUMBER	QTY	PART NAME						SEE PAGE
					1	2	3	4	5	6 (PRODUCT LEVEL)	
	1	1	2C-9259	2	PLATE-IDENTIFICATION (CAT)						
Y	2	1	118-1974	1	BULLDOZER AS (MULTIPURPOSE BUCKET)						1034

Y - SEPARATE ILLUSTRATION



GRAPHIC #1

<END>

g01336813

WORK TOOLS

326-1997 CARRIAGE AS-FORK

S/N: TH41-UP; TH91-UP

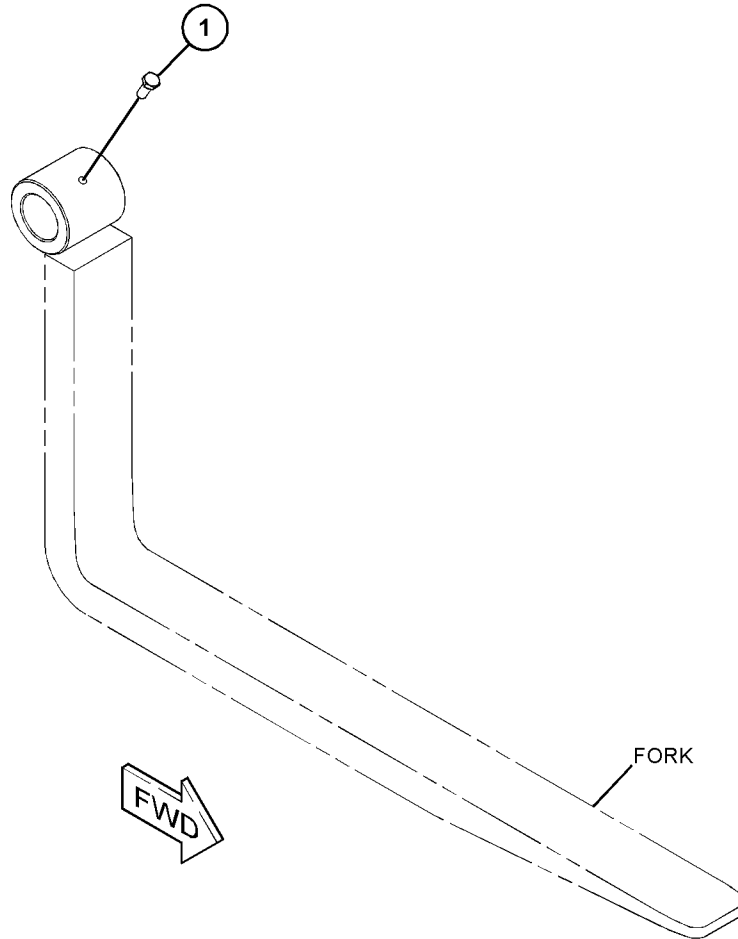
AN ATTACHMENT

SMCS-6402

i06702553

NOTE	REF NO	GRAPHIC REF	PART NUMBER	QTY	PART NAME						SEE PAGE
					1	2	3	4	5	6 (PRODUCT LEVEL)	
M	1	1	6V-3668	1	BOLT (M12X1.75X30-MM)						

M - METRIC PART



GRAPHIC #1

<END>

g06085037

WORK TOOLS

301-9757 CARRIAGE GP-TILT

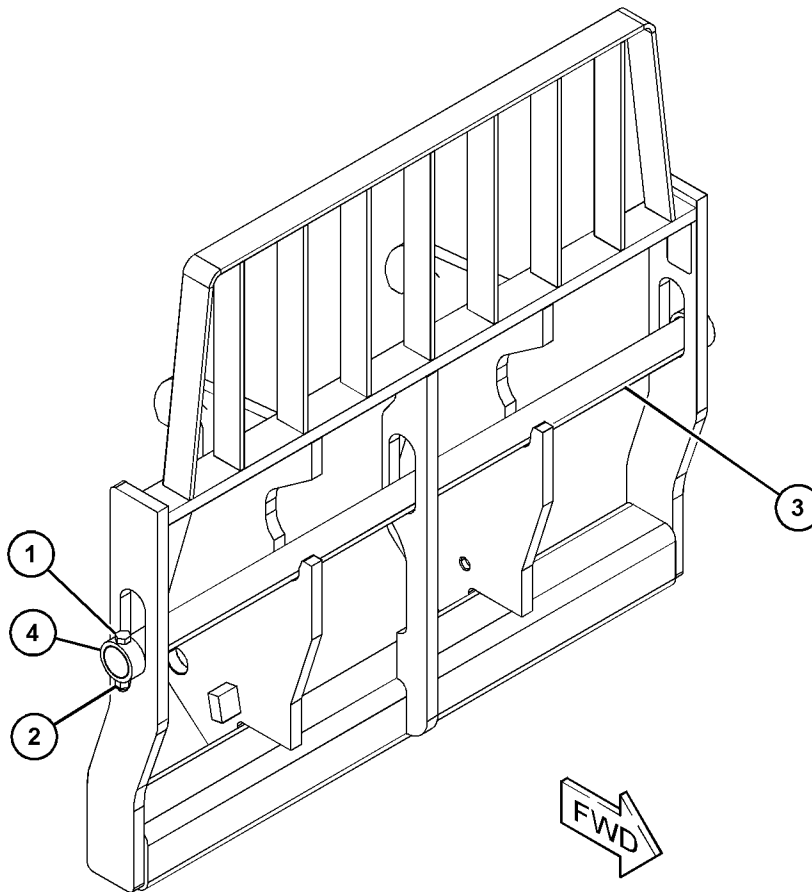
S/N: TH91-UP

1270-MM (50-INCH), FOR USE IN NACD REGION ONLY
AN ATTACHMENT

SMCS-6402, 6409

i05757129

NOTE	REF NO	GRAPHIC REF	PART NUMBER	QTY	PART NAME						SEE PAGE
					1	2	3	4	5	6 (PRODUCT LEVEL)	
1	1	1	303-4741	2	SCREW (5/8-11X4-IN)						
2	1	1	303-4782	2	NUT (0.63-11-THD)						
3	1	1	303-4957	1	PIN						
4	1	1	303-4988	2	COLLAR						



GRAPHIC #1

<END>

g03665648

WORK TOOLS

301-9758 CARRIAGE GP-TILT

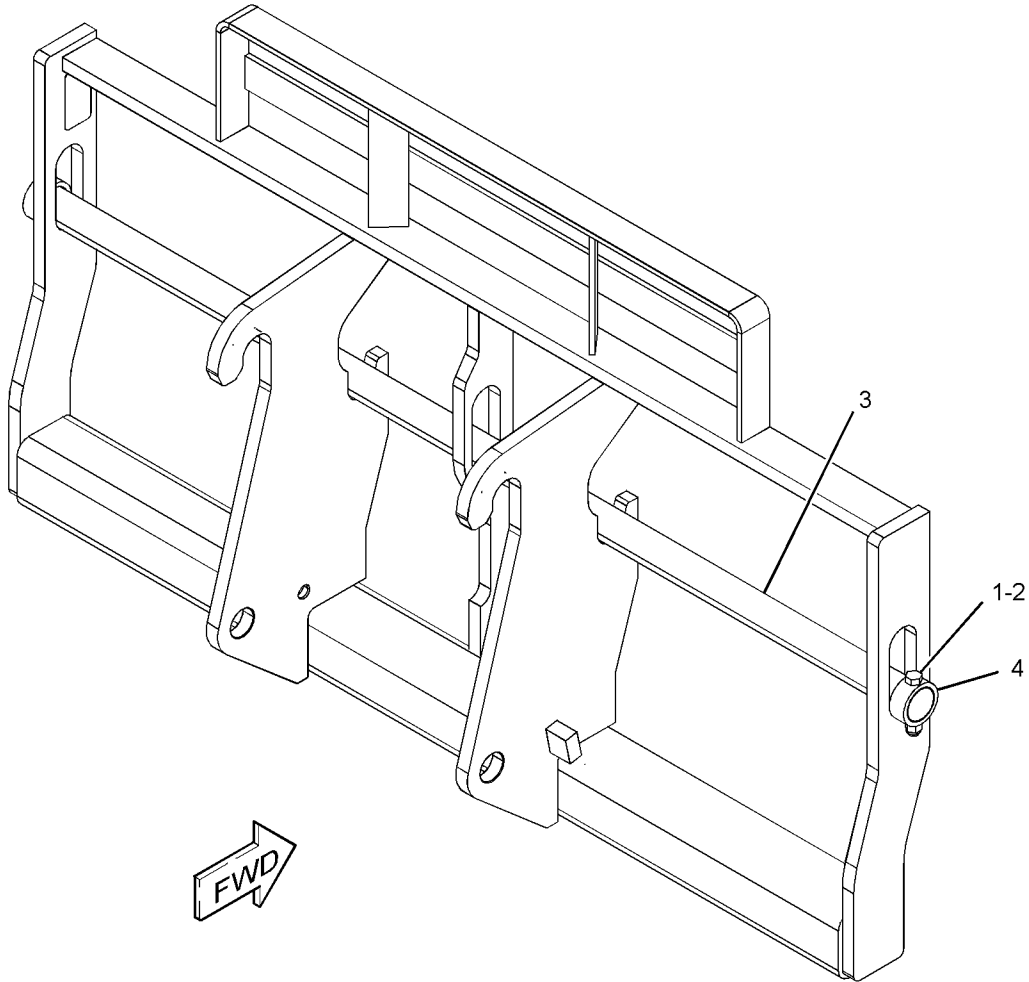
S/N: TH91-UP

1829-MM (72-INCH), FOR USE IN NACD ONLY
AN ATTACHMENT

SMCS-6402, 6409

i05757130

NOTE	REF NO	GRAPHIC REF	PART NUMBER	QTY	PART NAME						SEE PAGE
					1	2	3	4	5	6 (PRODUCT LEVEL)	
	1	1	303-4741	2	SCREW (5/8-11X4-IN)						
	2	1	303-4782	2	NUT (0.63-11-THD)						
	3	1	303-4958	1	PIN						
	4	1	303-4988	2	COLLAR						



GRAPHIC #1

<END>

g03658975

WORK TOOLS

474-0135 CARRIAGE GP

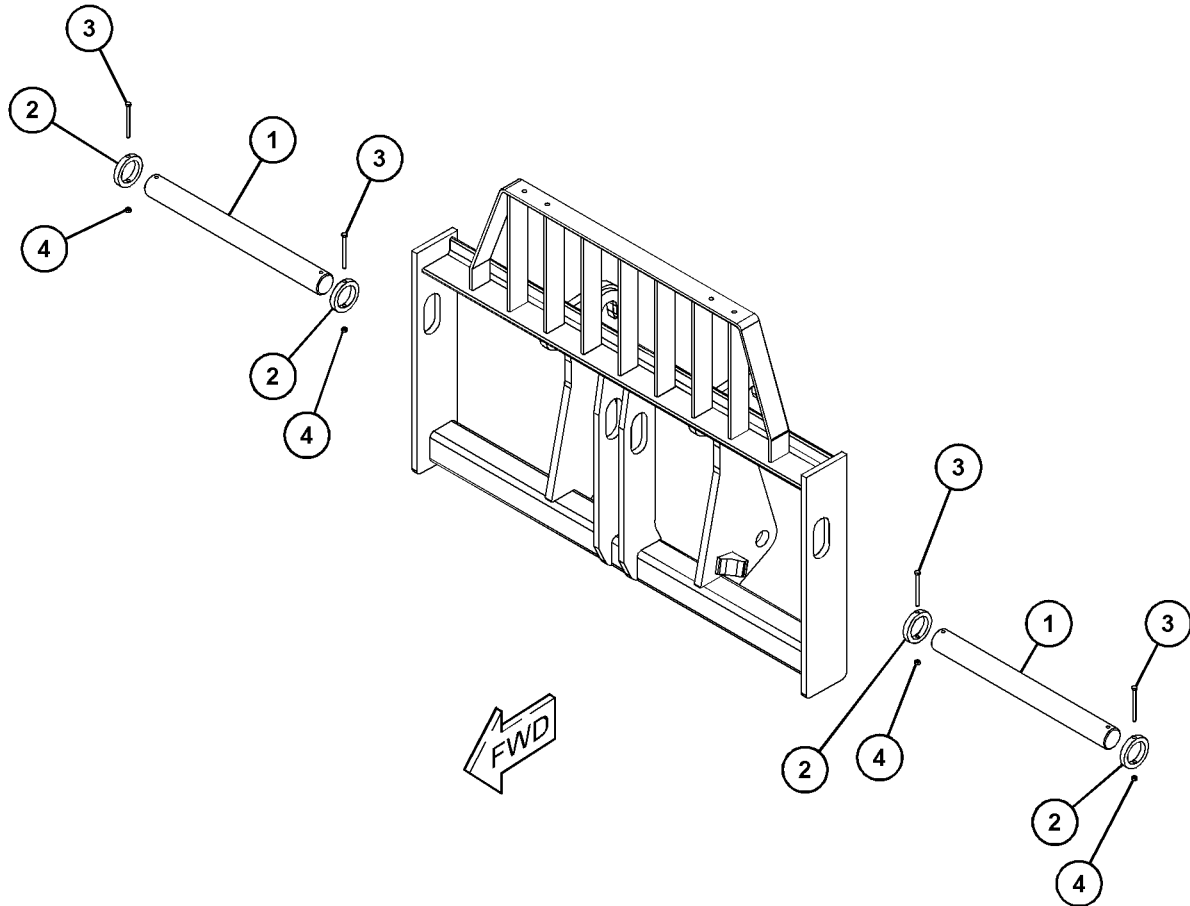
S/N: TH41-UP; TH91-UP

NOT FOR USE IN NACD
AN ATTACHMENT

SMCS-6402, 6409

i07032189

NOTE	REF NO	GRAPHIC REF	PART NUMBER	QTY	PART NAME						SEE PAGE
					1	2	3	4	5	6 (PRODUCT LEVEL)	
	1	1	527-7879	2	PIN						
	2	1	527-7880	4	BLOCK-PIN						
	3	1	527-7881	4	BOLT						
	4	1	527-7882	4	LOCKNUT						



GRAPHIC #1

<END>

g06204882

WORK TOOLS

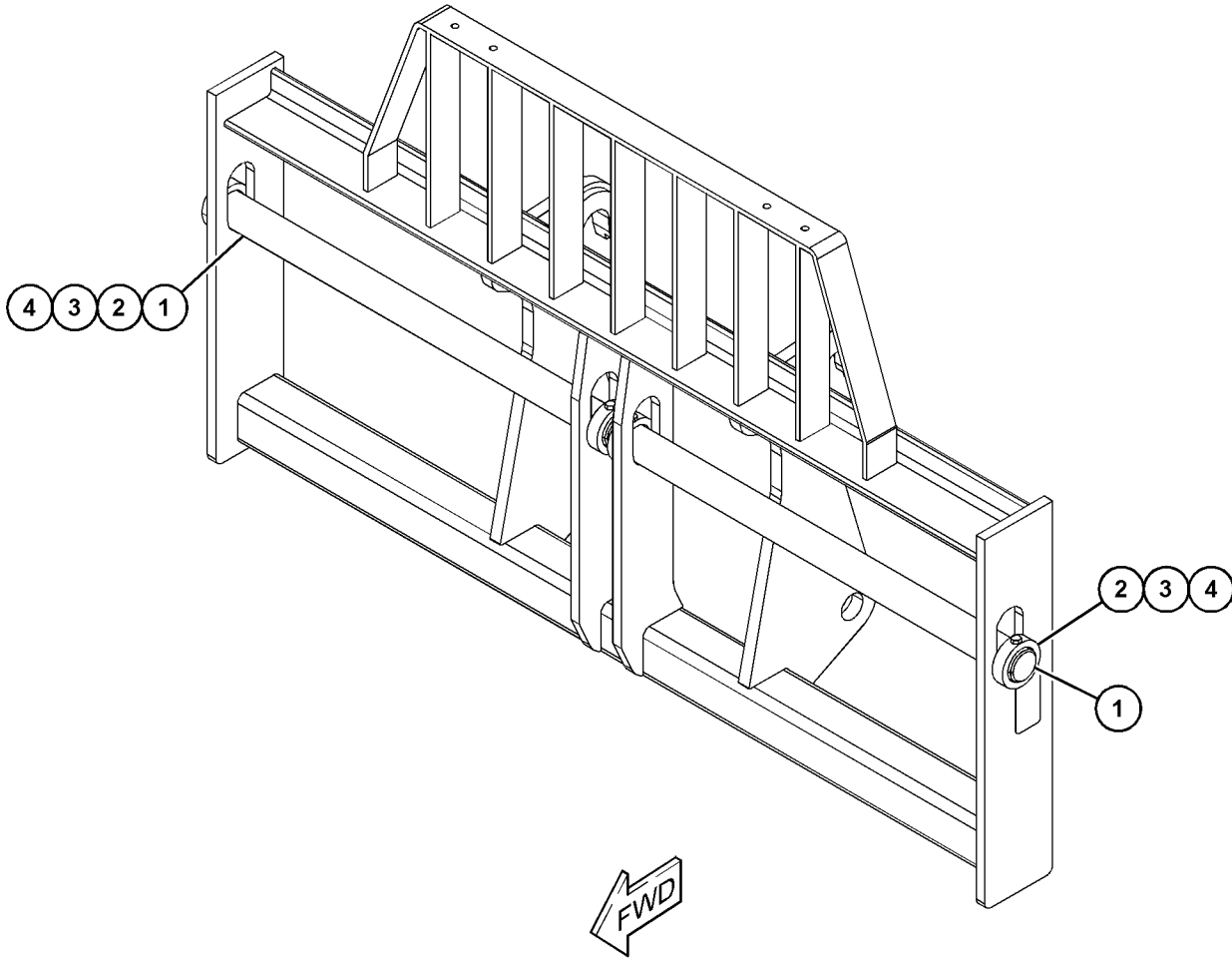
474-0136 CARRIAGE GP

S/N: TH41-UP; TH91-UP
CAN NOT BE USED IN NACD
AN ATTACHMENT

SMCS-6402, 6409

i07032179

NOTE	REF NO	GRAPHIC REF	PART NUMBER	QTY	PART NAME						SEE PAGE
					1	2	3	4	5	6 (PRODUCT LEVEL)	
	1	1	527-7883	2	PIN						
	2	1	527-7880	4	BLOCK-PIN						
	3	1	527-7881	4	BOLT						
	4	1	527-7882	4	LOCKNUT						



GRAPHIC #1

<END>

g06206597

WORK TOOLS

517-6817 CARRIAGE GP

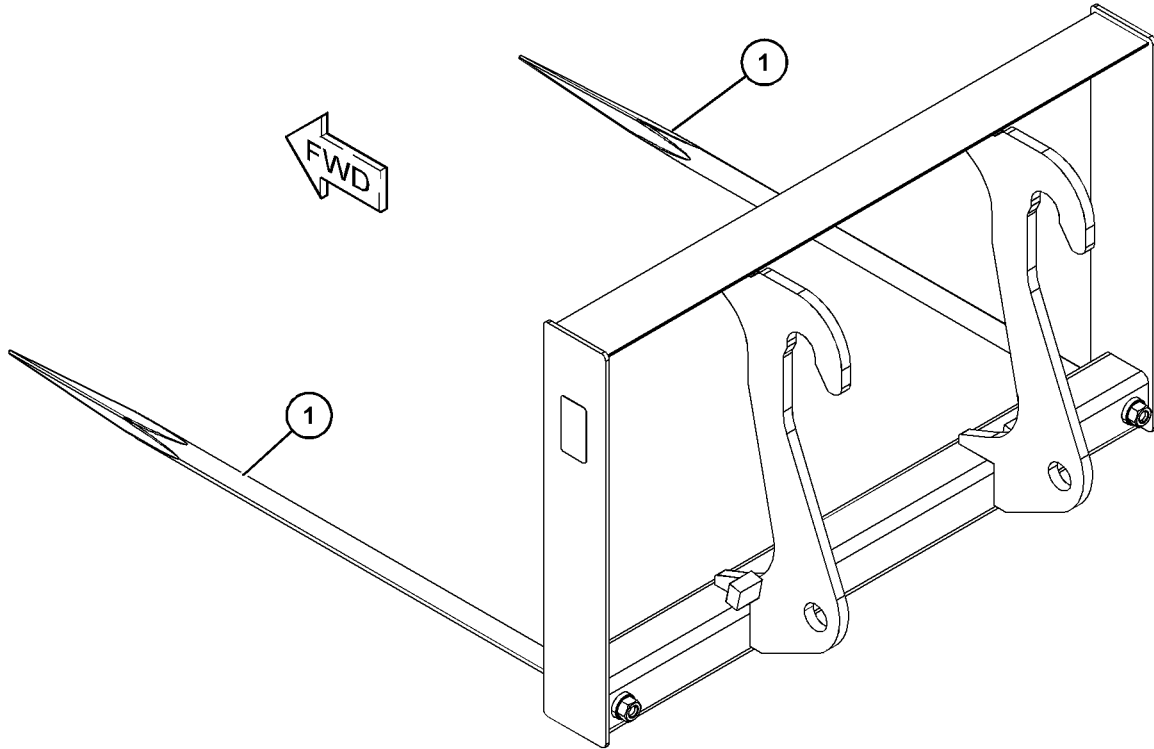
S/N: TH41-UP; TH91-UP

AN ATTACHMENT

SMCS-6402, 6409

i06907164

NOTE	REF NO	GRAPHIC REF	PART NUMBER	QTY	PART NAME						SEE PAGE
					1	2	3	4	5	6 (PRODUCT LEVEL)	
	1	1	525-9189	2	KIT-BAIL TINE						
(EACH INCLUDES TINE & NUT)											



GRAPHIC #1

<END>

g06163097

WORK TOOLS

222-6210 CARRIAGE GP-FORK-SIDESHIFT

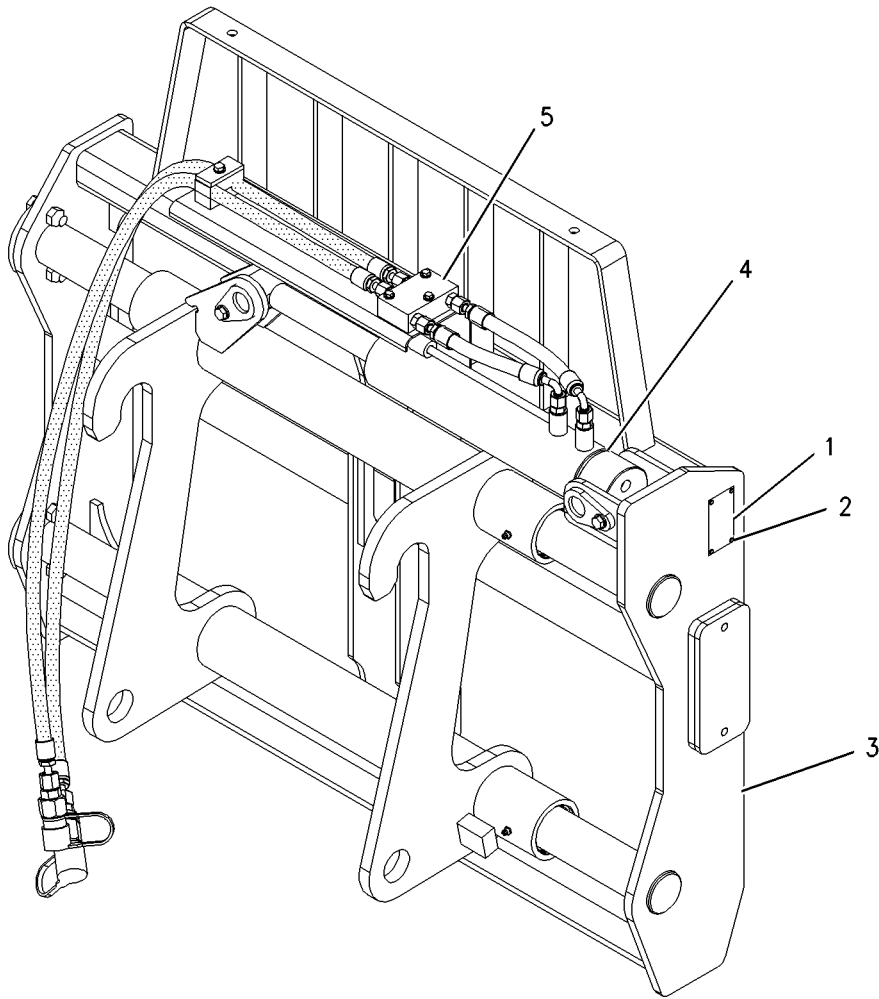
S/N: TH41-UP; TH91-UP
 NOR FOR USE WITH NACD REGION
 AN ATTACHMENT

SMCS-6402

i02545721

NOTE	REF NO	GRAPHIC REF	PART NUMBER	QTY	PART NAME						SEE PAGE
					1	2	3	4	5	6 (PRODUCT LEVEL)	
	1	1	157-4835	1	PLATE-INSTRUCTION (LOAD CAPACITY)						
	2	1	168-8389	4	TACK (METAL)						
Y	3	1	224-5065	1	CARRIAGE GP-SIDESHIFT						1061
Y	4	1	224-5083	1	CYLINDER & MTG GP-CARRIAGE (FORK)						829
Y	5	1	224-5092	1	LINES GP-CONNECTING (FORK)						874

Y - SEPARATE ILLUSTRATION



GRAPHIC #1

<END>

g00926619

WORK TOOLS

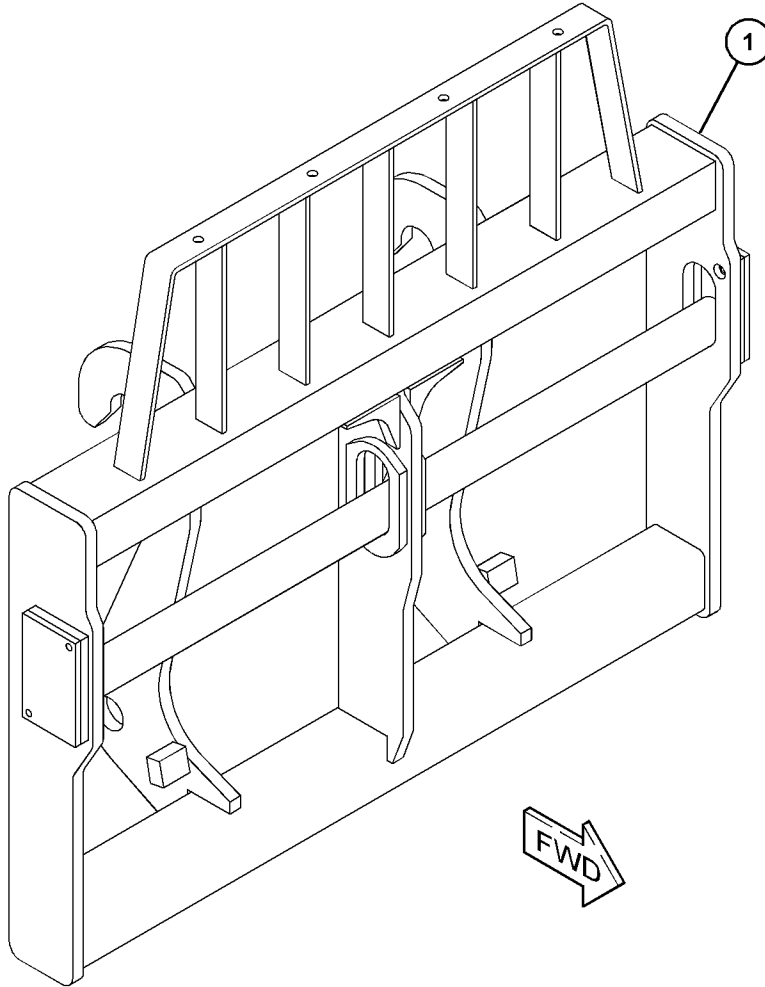
326-2013 CARRIAGE GP-FORK

S/N: TH41-UP; TH91-UP
 NOT FOR USE IN NACD
 AN ATTACHMENT

SMCS-6402

i06258159

NOTE	REF NO	GRAPHIC REF	PART NUMBER	QTY	PART NAME	SEE PAGE
	1	1	326-1999	1	1 2 3 4 5 6 (PRODUCT LEVEL) CARRIAGE AS-FORK	



GRAPHIC #1

<END>

g03877215

WORK TOOLS

397-6838 CARRIAGE GP-FORK

S/N: TH91-UP

NACD REGION ONLY

AN ATTACHMENT AND FIELD INSTALLATION

SMCS-6402

i08072442

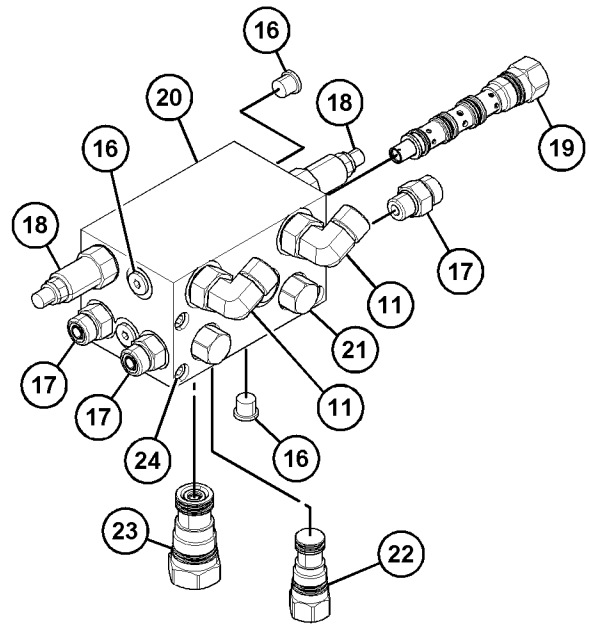
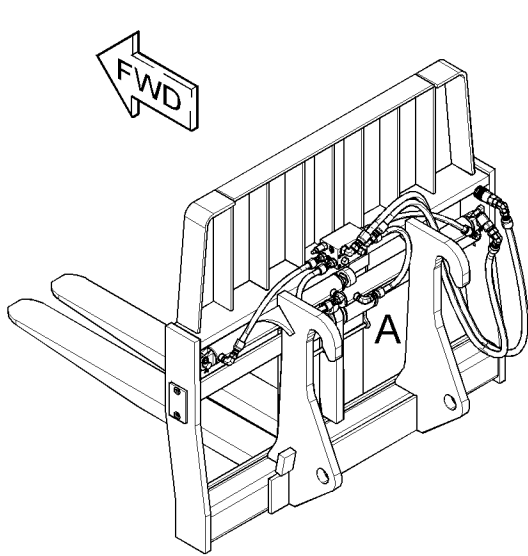
NOTE	REF NO	GRAPHIC REF	PART NUMBER	QTY	PART NAME						SEE PAGE
					1	2	3	4	5	6 (PRODUCT LEVEL)	
	1	1	417-9861	4	BOLT						
	2	1	417-9862	2	PLATE-RETAINER						
	3	1	417-9863	2	PIN						
	4	1	417-9864	2	PIN-COTTER						
Y	5	1	475-9070	1	CYLINDER GP-FORK						840
	6	1	417-9865	1	SHAFT						
	7	1	417-9866	4	ADAPTER						
	8	1	417-9867	2	HOSE AS						
	9	1	417-9868	2	HOSE AS						
	10	1	417-9869	2	HOSE AS						
	11	1	417-9870	2	ADAPTER						
	13	1	417-9871	2	ADAPTER						
	14	1	300-6078	1	COUPLING (FEMALE)						
	15	1	300-6079	1	COUPLING (MALE)						
	16	1	417-9872	6	PLUG						
	17	1	417-9873	4	ADAPTER						
	18	1	593-6181	2	CARTRIDGE						
	19	1	417-9875	1	CARTRIDGE						
	20	1	417-9876	1	VALVE						
	21	1	593-6182	2	CARTRIDGE						
	22	1	417-9878	1	CARTRIDGE						
	23	1	417-9879	1	CARTRIDGE						
	24	1	417-9880	3	BOLT						
	25	1	479-9423	1	CARRIER						
	26	1	479-9424	1	CARRIER						
	27	1	479-9425	1	HOSE AS						
	28	1	479-9426	1	HOSE AS						

Y - SEPARATE ILLUSTRATION

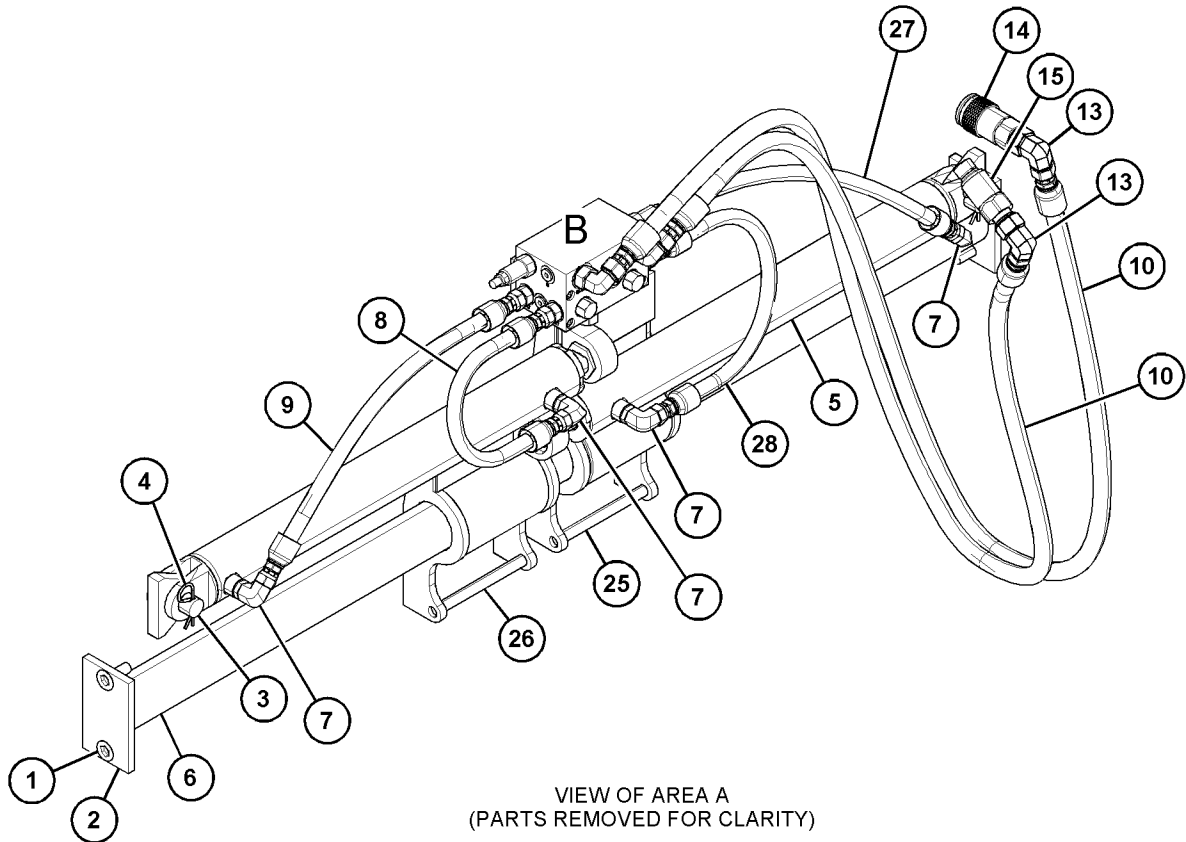
WORK TOOLS

397-6838 CARRIAGE GP-FORK (contd.)

i08072442



VIEW OF AREA B
(PARTS REMOVED FOR CLARITY)



VIEW OF AREA A
(PARTS REMOVED FOR CLARITY)

GRAPHIC #1

<END>

g03826093

WORK TOOLS

474-0141 CARRIAGE GP-FORK

S/N: TH91-UP
(48-IN), NACD REGION ONLY
AN ATTACHMENT

SMCS-6402

i06808195

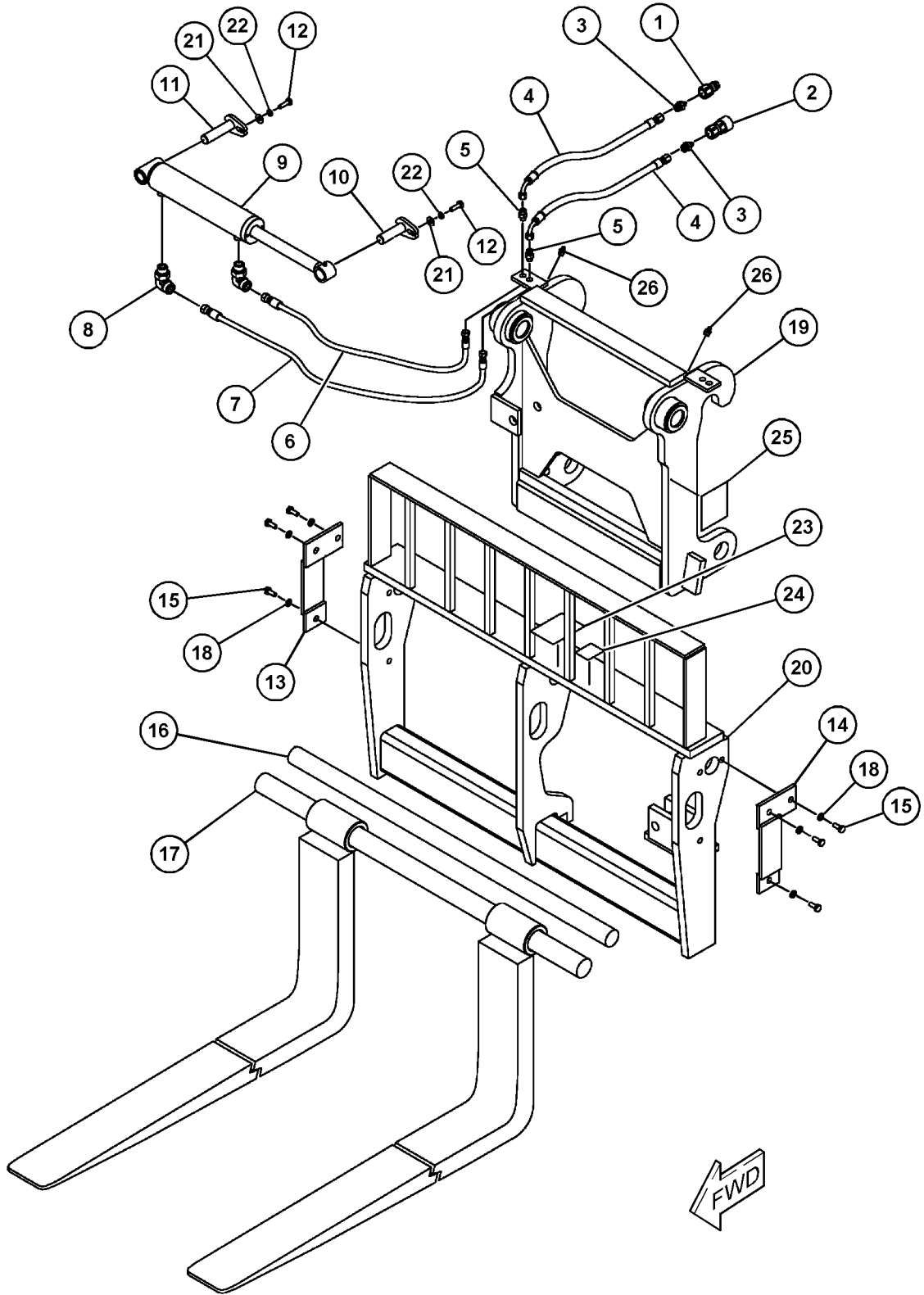
NOTE	REF NO	GRAPHIC REF	PART NUMBER	QTY	PART NAME	SEE PAGE
					1 2 3 4 5 6 (PRODUCT LEVEL)	
	1	1	300-6079	1	COUPLING (MALE)	
	2	1	300-6078	1	COUPLING (FEMALE)	
	3	1	362-2111	2	CONNECTOR	
	4	1	362-2119	2	HOSE AS	
	5	1	362-2104	2	CONNECTOR	
	6	1	362-2118	1	HOSE AS	
	7	1	362-2117	1	HOSE AS	
	8	1	327-6333	2	ELBOW	
Y	9	1	362-2120	1	CYLINDER GP-CARRIAGE	836
	10	1	362-2121	1	TUBE	
	11	1	362-2122	1	PIN	
M	12	1	362-2108	2	BOLT (5/16-24X1-IN)	
	13	1	362-2116	1	PIN	
	14	1	362-2114	1	RETAINER-PLATE	
M	15	1	362-2100	6	BOLT (1/2-13X1.5-IN)	
	16	1	362-2115	1	PIN	
	17	1	327-6277	1	PIN-FORK	
	18	1	327-6329	6	LOCKWASHER	
	19	1	362-2112	1	FRAME-REAR	
C	20	1	362-2113	1	FRAME-FRONT	
	21	1	362-2103	2	WASHER (8X15X2-MM THK)	
	22	1	362-2102	2	LOCKWASHER	
	23	1	327-6325	1	FILM-WARNING (HIGH PRESSURE)	
	24	1	362-2106	1	FILM-INFORMATION (MADE IN USA)	
	25	1	327-6328	2	FILM-WARNING (PINCH POINT)	
	26	1	362-2107	2	FITTING-GREASE	

C - CHANGE FROM PREVIOUS TYPE
M - METRIC PART
Y - SEPARATE ILLUSTRATION

WORK TOOLS

474-0141 CARRIAGE GP-FORK (contd.)

i06808195



GRAPHIC #1

<END>

g03887169

WORK TOOLS

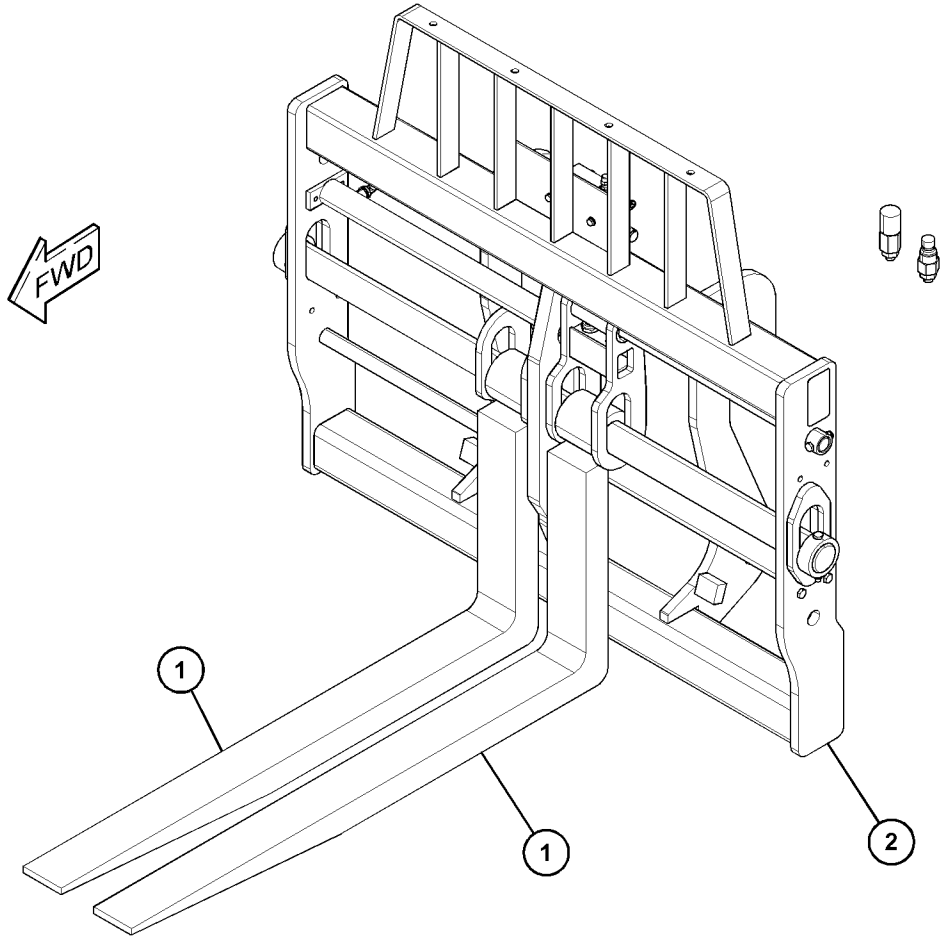
479-0237 CARRIAGE GP-FORK

S/N: TH41-UP; TH91-UP
CAN NOT BE USED IN NACD
AN ATTACHMENT

SMCS-6402

i06642643

NOTE	REF NO	GRAPHIC REF	PART NUMBER	QTY	PART NAME						SEE PAGE
					1	2	3	4	5	6 (PRODUCT LEVEL)	
1	1	1	326-1998	2	FORK GP						
2	1	1	484-6067	1	CARRIAGE GP-FORK (4 TINE, ADJUSTABLE)						



GRAPHIC #1

<END>

g06086792

WORK TOOLS

486-0527 CARRIAGE GP-FORK

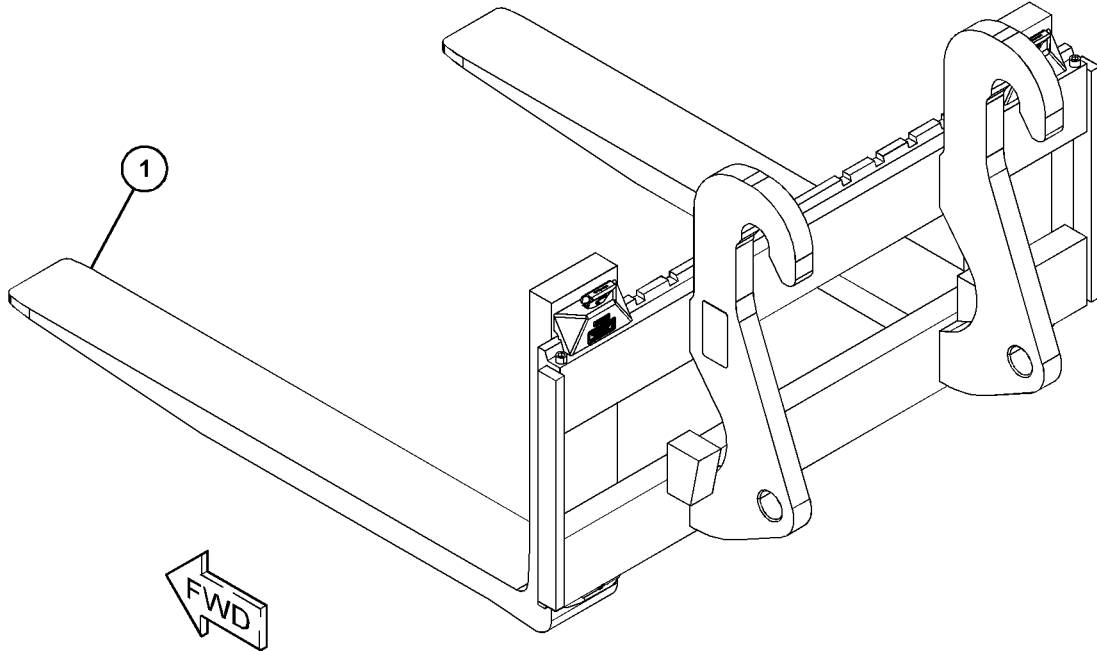
S/N: TH41-UP; TH91-UP

AN ATTACHMENT

SMCS-6402

i07443616

NOTE	REF NO	GRAPHIC REF	PART NUMBER	QTY	PART NAME						SEE PAGE
					1	2	3	4	5	6 (PRODUCT LEVEL)	
	1	1	505-8350	2	FORK						



GRAPHIC #1

<END>

g06333502

WORK TOOLS

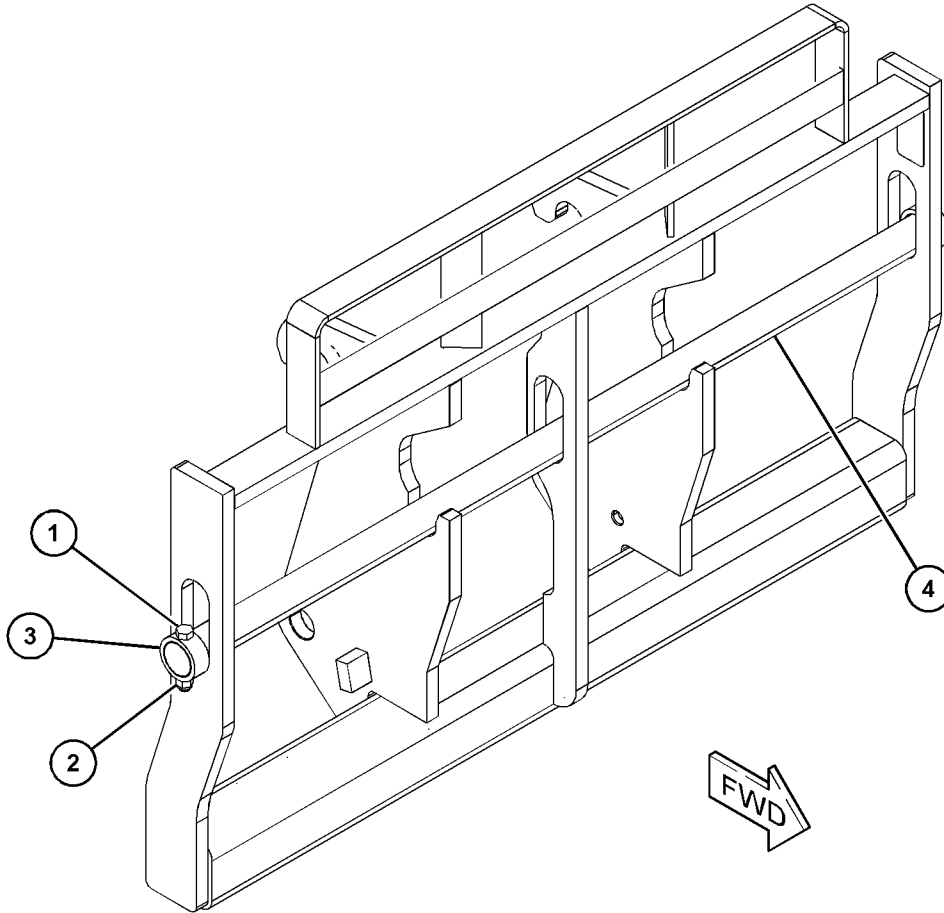
500-4475 CARRIAGE GP-FORK

S/N: TH91-UP
FOR USE IN NACD ONLY
AN ATTACHMENT

SMCS-6402

i06736228

NOTE	REF NO	GRAPHIC REF	PART NUMBER	QTY	PART NAME						SEE PAGE
					1	2	3	4	5	6 (PRODUCT LEVEL)	
1	1	1	303-4741	2	SCREW (5/8-11X4-IN)						
2	1	1	303-4782	2	NUT (0.63-11-THD)						
3	1	1	303-4988	2	COLLAR						
4	1	1	476-5228	1	PIN						



GRAPHIC #1

<END>

g06102223

WORK TOOLS

227-5748 CARRIAGE GP-ROTATING-WIDE, 4/5 TINE

S/N: TH41-UP; TH91-UP

AN ATTACHMENT

TYPE 1

SMCS-6408, 6409

i02545733

NOTE	REF NO	GRAPHIC REF	PART NUMBER	QTY	PART NAME	SEE PAGE
					1 2 3 4 5 6 (PRODUCT LEVEL)	
	1	1	8T-1114	1	BEARING	
	2	1	157-4835	1	PLATE-INSTRUCTION (LOAD CAPACITY)	
	3	1	160-4129	1	SHAFT	
	4	1	160-4659	2	SPACER (50.25X57X43.5-MM THK)	
	5	1	163-3101	2	PLATE	
	6	1	163-6283	2	SHAFT	
	7	1	168-8389	4	TACK (METAL)	
	8	1	227-5749	1	CARRIER GP-FORK	
		1	227-5751	1	PLATE AS	
		1	227-5754	1	PLATE AS	
		1	231-9308	1	BRACKET AS	
	9	1	227-5756	1	CARRIAGE AS	
Y	10	1	235-2662	1	CYLINDER & MTG GP-CARRIAGE (ROTATING)	830
Y	11	1	235-2663	1	LINES GP-HYDRAULIC (ROTATING CARRIAGE)	887
	12	1	3B-8488	1	FITTING-GREASE (1/8-27 PTF)	
	13	1	6V-8757	2	RING-RETAINING	
	14	1	8T-0707	2	RING-RETAINING (INTERNAL)	
M	15	1	8T-4192	4	BOLT (M12X1.75X25-MM)	
	16	1	8T-4223	4	WASHER-HARD (13.5X25.5X3-MM THK)	

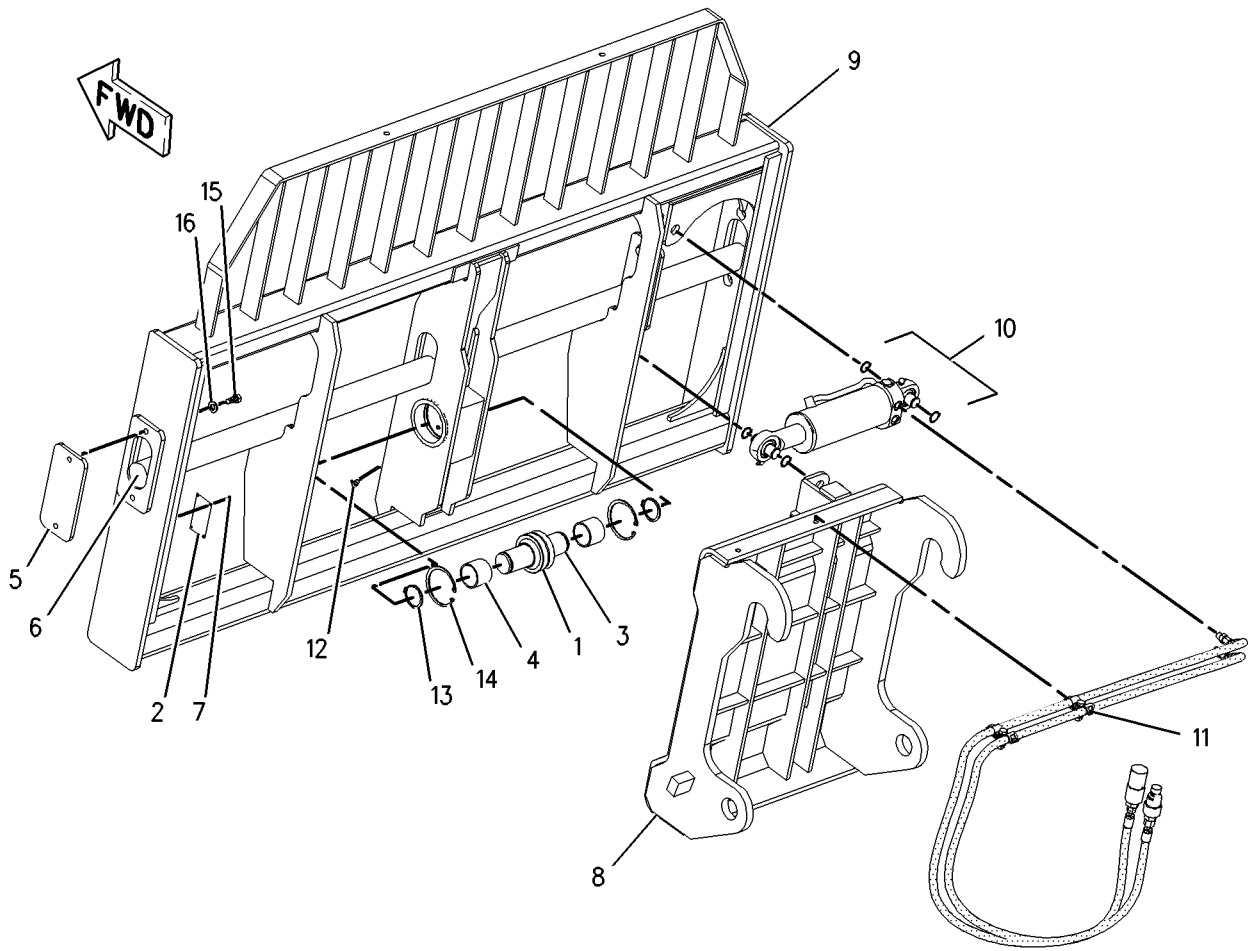
M - METRIC PART

Y - SEPARATE ILLUSTRATION

WORK TOOLS

227-5748 CARRIAGE GP-ROTATING (contd.)

i02545733



GRAPHIC #1

<END>

g00993765

WORK TOOLS

227-5748 CARRIAGE GP-ROTATING-WIDE, 4/5 TINE

S/N: TH41-UP; TH91-UP

AN ATTACHMENT

TYPE 2

SMCS-6408, 6409

i07258815

NOTE	REF NO	GRAPHIC REF	PART NUMBER	QTY	PART NAME						SEE PAGE
					1	2	3	4	5	6 (PRODUCT LEVEL)	
	1	1	8T-1114	1	BEARING						
	2	1	8T-4223	4	WASHER-HARD (13.5X25.5X3-MM THK)						
	3	1	160-4129	1	SHAFT						
	4	1	160-4659	2	SPACER (50.25X57X43.5-MM THK)						
	5	1	163-3101	2	PLATE						
	6	1	163-6283	2	SHAFT						
M	7	1	8T-4192	4	BOLT (M12X1.75X25-MM)						
	8	1	227-5749	1	CARRIER GP-FORK						
		1	227-5751	1	PLATE AS						
		1	227-5754	1	PLATE AS						
		1	231-9308	1	BRACKET AS						
	9	1	227-5756	1	CARRIAGE AS						
Y	10	1	235-2662	1	CYLINDER & MTG GP-CARRIAGE (ROTATING)						830
Y	11	1	235-2663	1	LINES GP-HYDRAULIC (ROTATING CARRIAGE)						887
	12	1	3B-8488	1	FITTING-GREASE (1/8-27 PTF)						
	13	1	6V-8757	2	RING-RETAINING						
	14	1	8T-0707	2	RING-RETAINING (INTERNAL)						

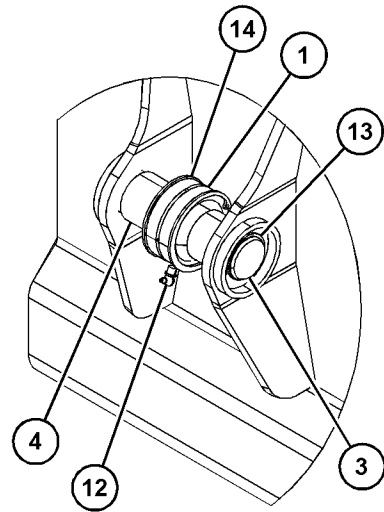
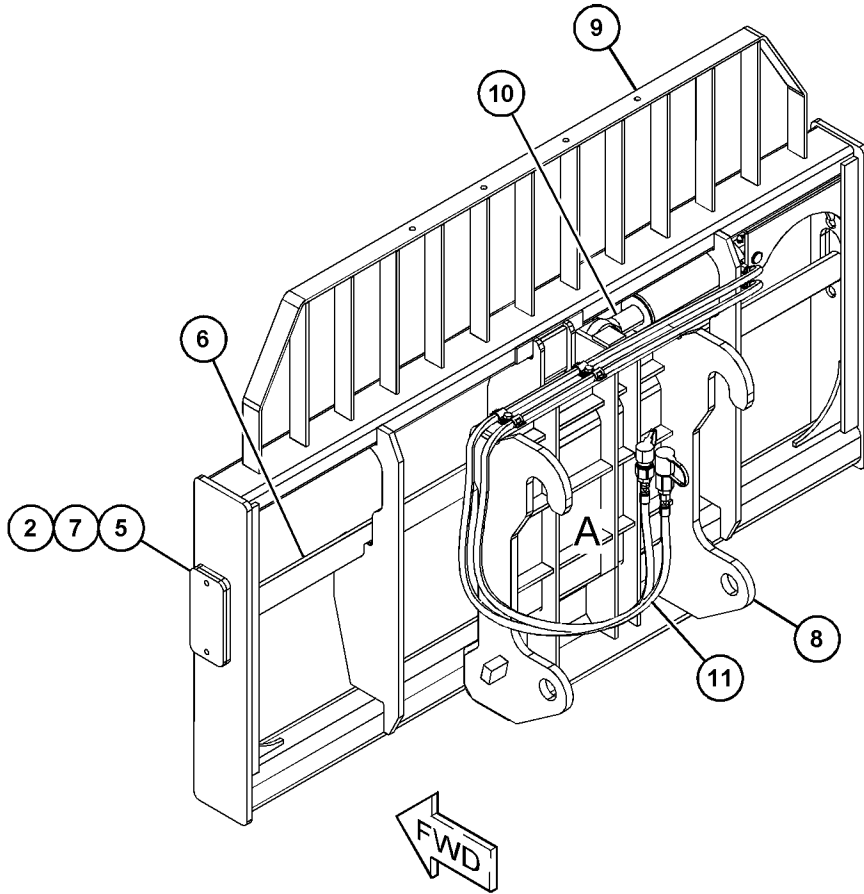
M - METRIC PART

Y - SEPARATE ILLUSTRATION

WORK TOOLS

227-5748 CARRIAGE GP-ROTATING (contd.)

i07258815



VIEW OF AREA A
(PARTS REMOVED FOR CLARITY)



g06293972

GRAPHIC #1

<END>

WORK TOOLS

231-3229 CARRIAGE GP-ROTATING-STANDARD

S/N: TH41-UP; TH91-UP
 NOT FOR NACD REGION
 AN ATTACHMENT

SMCS-6408, 6409

i02449798

NOTE	REF NO	GRAPHIC REF	PART NUMBER	QTY	PART NAME						SEE PAGE
					1	2	3	4	5	6 (PRODUCT LEVEL)	
	1	1	8T-1114	1	BEARING						
	2	1	157-4835	1	PLATE-INSTRUCTION (LOAD CAPACITY)						
	3	1	160-4129	1	SHAFT						
	4	1	160-4657	1	SHAFT						
	5	1	160-4659	2	SPACER (50.25X57X43.5-MM THK)						
	6	1	163-3101	2	PLATE						
	7	1	168-8389	4	TACK (METAL)						
	8	1	227-5749	1	CARRIER GP-FORK						
	9	1	231-3230	1	CARRIAGE AS						
Y	10	1	235-2662	1	CYLINDER & MTG GP-CARRIAGE (ROTATING)						830
Y	11	1	235-2663	1	LINES GP-HYDRAULIC (ROTATING CARRIAGE)						887
	12	1	3B-8488	1	FITTING-GREASE (1/8-27 PTF)						
	13	1	6V-8757	2	RING-RETAINING						
	14	1	8T-0707	2	RING-RETAINING (INTERNAL)						
M	15	1	8T-4192	4	BOLT (M12X1.75X25-MM)						
	16	1	8T-4223	4	WASHER-HARD (13.5X25.5X3-MM THK)						

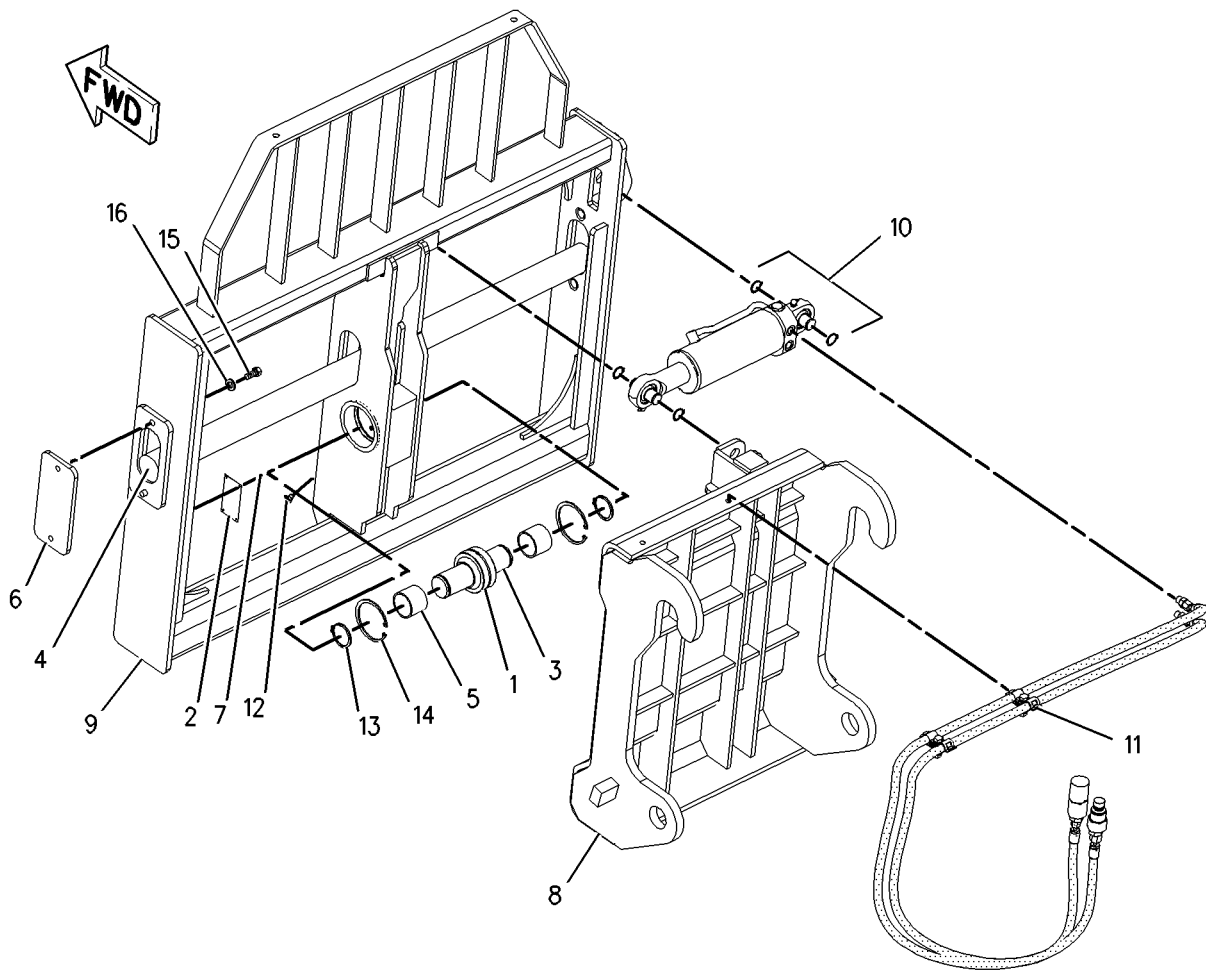
M - METRIC PART

Y - SEPARATE ILLUSTRATION

WORK TOOLS

231-3229 CARRIAGE GP-ROTATING (contd.)

i02449798



GRAPHIC #1

<END>

g00993735

WORK TOOLS

375-6292 CARRIAGE GP-ROTATING

S/N: TH91-UP
FOR USE IN NACD REGION
AN ATTACHMENT

SMCS-6408, 6409

i07257616

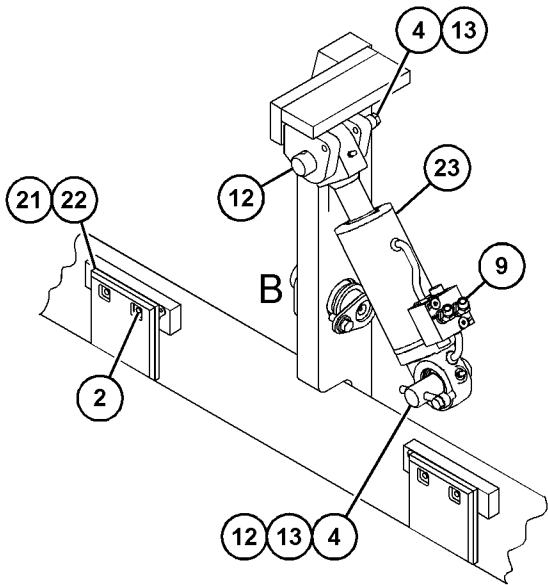
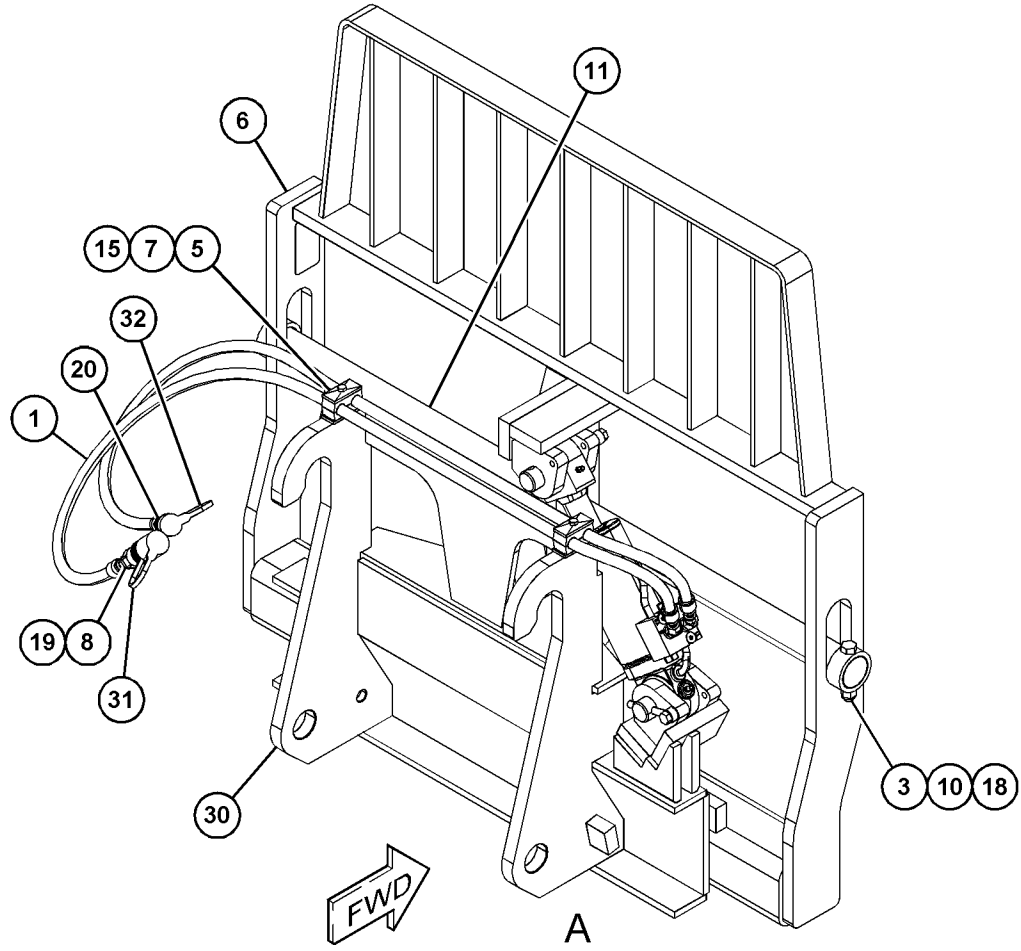
NOTE	REF NO	GRAPHIC REF	PART NUMBER	QTY	PART NAME						SEE PAGE
					1	2	3	4	5	6 (PRODUCT LEVEL)	
I	1	1	375-6294	2	HOSE AS						
	2	1	297-7033	4	BOLT (3/8-16X1.5-IN)						
	3	1	303-4741	2	SCREW (5/8-11X4-IN)						
	4	1	297-7077	3	SCREW (0.5-13X1.25-IN)						
M	5	1	7X-0818	2	BOLT (M8X1.25X45-MM)						
	6	1	309-4320	1	CARRIAGE AS						
	7	1	102-8705	2	PLATE (TOP)						
	8	1	330-8325	2	ADAPTER						
	9	1	303-4760	2	FITTING						
	10	1	303-4782	2	NUT (0.63-11-THD)						
	11	1	303-4957	1	PIN						
	12	1	309-4322	2	PIN						
	13	1	309-4323	2	ROD						
	14	1	298-7392	1	WASHER-HARD (0.5X1.1X0.19-MM THK)						
	15	1	456-3152	2	CLAMP						
	16	1	375-0099	6	SCREW (3/8-16X1.25-IN)						
	17	1	298-1612	1	FITTING						
	18	1	303-4988	2	COLLAR						
	19	1	300-6078	1	COUPLING (FEMALE)						
	20	1	300-6079	1	COUPLING (MALE)						
	21	1	309-4311	2	PAD AS						
	22	1	309-4312	4	SHIM (0.06-MM THK)						
Y	23	1	466-8312	1	CYLINDER GP-TILT (CARRIAGE)						851
	24	1	309-4318	1	BEARING						
	25	1	339-4396	1	PIN-PIVOT						
	26	1	339-4397	2	SPACER (2.1X2.5X0.250-MM THK)						
	28	1	374-7352	1	SHIM (0.25-MM THK)						
	29	1	374-7353	1	PLATE						
	30	1	375-2016	1	COUPLER AS						
	31	1	340-5953	1	CAP-DUST						
	32	1	340-5954	1	CAP-DUST						

I - REFER TO HYDRAULIC INFORMATION SYSTEM
M - METRIC PART
Y - SEPARATE ILLUSTRATION

WORK TOOLS

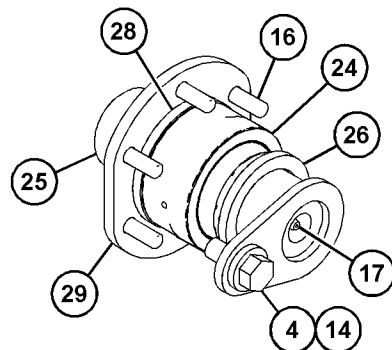
375-6292 CARRIAGE GP-ROTATING (contd.)

i07257616



VIEW OF AREA A
(PARTS REMOVED FOR CLARITY)

GRAPHIC #1



VIEW OF AREA B
(PARTS REMOVED FOR CLARITY)

<END>

g06222205

WORK TOOLS

375-6293 CARRIAGE GP-ROTATING

S/N: TH91-UP
FOR USE IN NACD ONLY
AN ATTACHMENT

SMCS-6408, 6409

i07090245

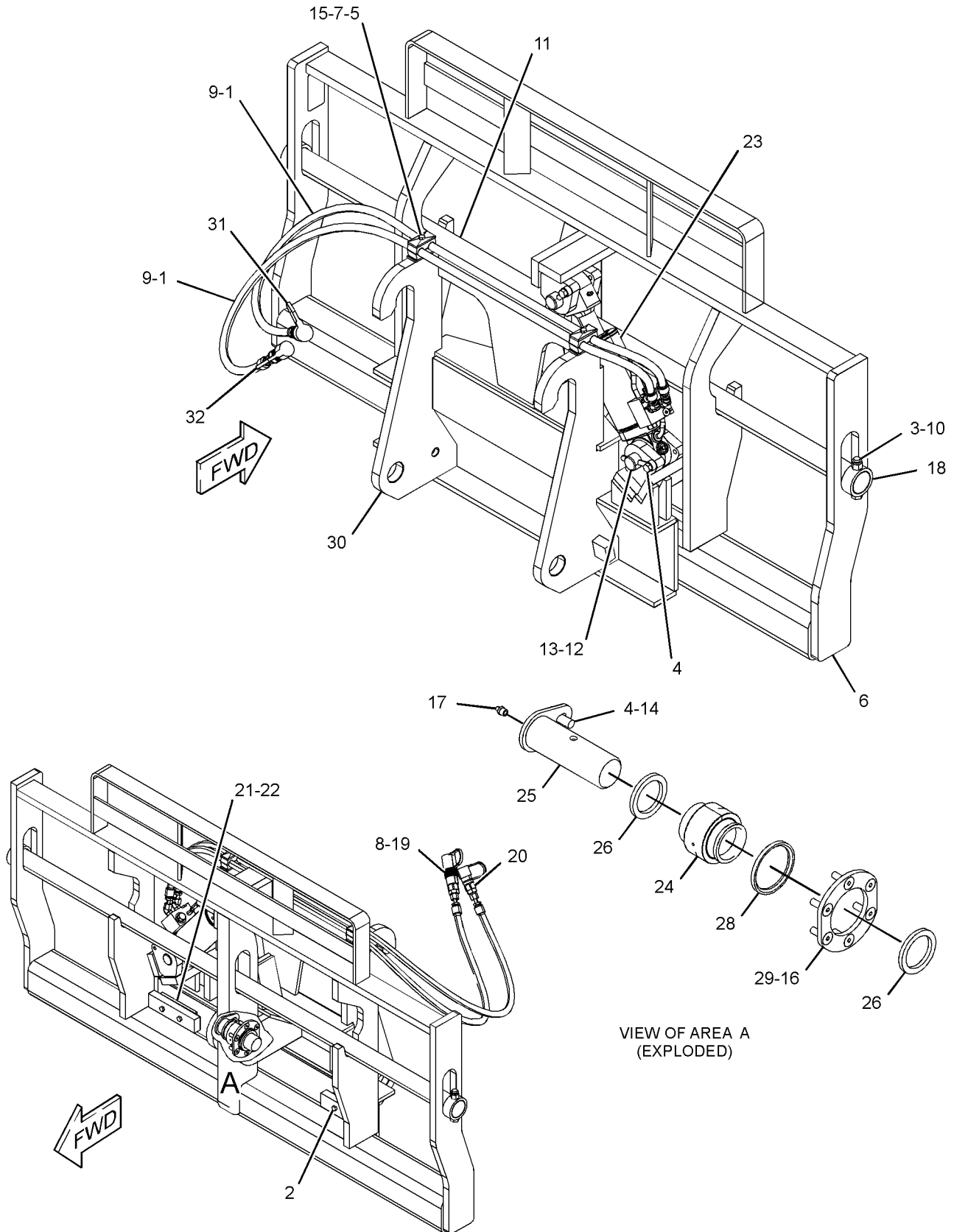
NOTE	REF NO	GRAPHIC REF	PART NUMBER	QTY	PART NAME						SEE PAGE
					1	2	3	4	5	6 (PRODUCT LEVEL)	
I	1	1	375-6294	2	HOSE AS						
	2	1	297-7033	4	BOLT (3/8-16X1.5-IN)						
	3	1	303-4741	2	SCREW (5/8-11X4-IN)						
	4	1	297-7077	3	SCREW (0.5-13X1.25-IN)						
M	5	1	7X-0818	2	BOLT (M8X1.25X45-MM)						
	6	1	309-4321	1	CARRIAGE AS (72-INCH, SIDE TILT)						
	7	1	102-8705	2	PLATE (TOP)						
	8	1	330-8325	2	ADAPTER						
	9	1	303-4760	2	FITTING						
	10	1	303-4782	2	NUT (0.63-11-THD)						
	11	1	303-4958	1	PIN						
	12	1	309-4322	2	PIN						
	13	1	309-4323	2	ROD						
	14	1	3B-4506	1	LOCKWASHER						
	15	1	456-3152	2	CLAMP						
	16	1	375-0099	6	SCREW (3/8-16X1.25-IN)						
	17	1	298-1612	1	FITTING						
	18	1	303-4988	2	COLLAR						
	19	1	300-6078	1	COUPLING (FEMALE)						
	20	1	300-6079	1	COUPLING (MALE)						
	21	1	309-4311	2	PAD AS						
	22	1	309-4312	2	SHIM (0.06-MM THK)						
Y	23	1	466-8312	1	CYLINDER GP-TILT						851
	24	1	309-4318	1	BEARING						
	25	1	339-4396	1	PIN-PIVOT						
	26	1	339-4397	2	SPACER (2.1X2.5X0.250-MM THK)						
	28	1	374-7352	1	SHIM (0.25-MM THK)						
	29	1	374-7353	1	PLATE						
	30	1	375-2016	1	COUPLER AS						
	31	1	340-5953	1	CAP-DUST						
	32	1	340-5954	1	CAP-DUST						

I - REFER TO HYDRAULIC INFORMATION SYSTEM
M - METRIC PART
Y - SEPARATE ILLUSTRATION

WORK TOOLS

375-6293 CARRIAGE GP-ROTATING (contd.)

i07090245



GRAPHIC #1

<END>

g06222591

WORK TOOLS

224-5065 CARRIAGE GP-SIDESHIFT

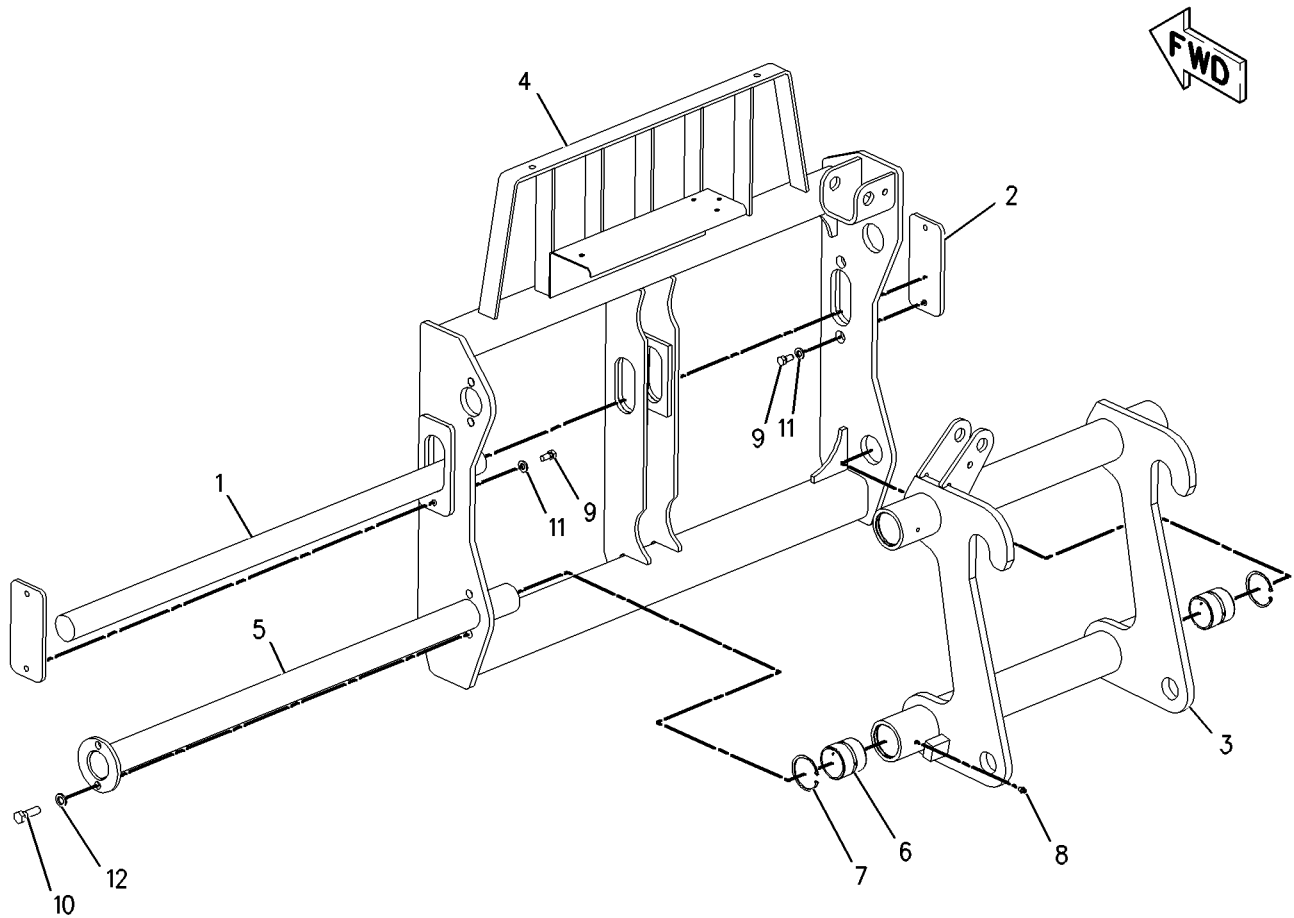
S/N: TH41-UP; TH91-UP
PART OF 222-6210 CARRIAGE GP-FORK
AN ATTACHMENT

SMCS-6425

i01851487

NOTE	REF NO	GRAPHIC REF	PART NUMBER	QTY	PART NAME						SEE PAGE
					1	2	3	4	5	6	
	1	1	160-4657	1	SHAFT						
	2	1	163-3101	2	PLATE						
	3	1	224-5066	1	CARRIER AS						
	4	1	224-5072	1	CARRIAGE AS						
	5	1	224-5079	2	GUIDE AS						
	6	1	224-5082	4	BUSHING						
	7	1	2R-1236	4	RING-RETAINING (LOCK, INTERNAL)						
	8	1	3B-8489	4	FITTING-GREASE (1/8-27 PTF)						
M	9	1	8T-4192	4	BOLT (M12X1.75X25-MM)						
M	10	1	8T-4193	4	BOLT (M16X2X50-MM)						
	11	1	8T-4223	4	WASHER-HARD (13.5X25.5X3-MM THK)						
	12	1	9X-8257	4	WASHER (17.5X30X3.5-MM THK)						

M - METRIC PART



GRAPHIC #1

<END>

g00929371

WORK TOOLS

252-9051 CLAM AS

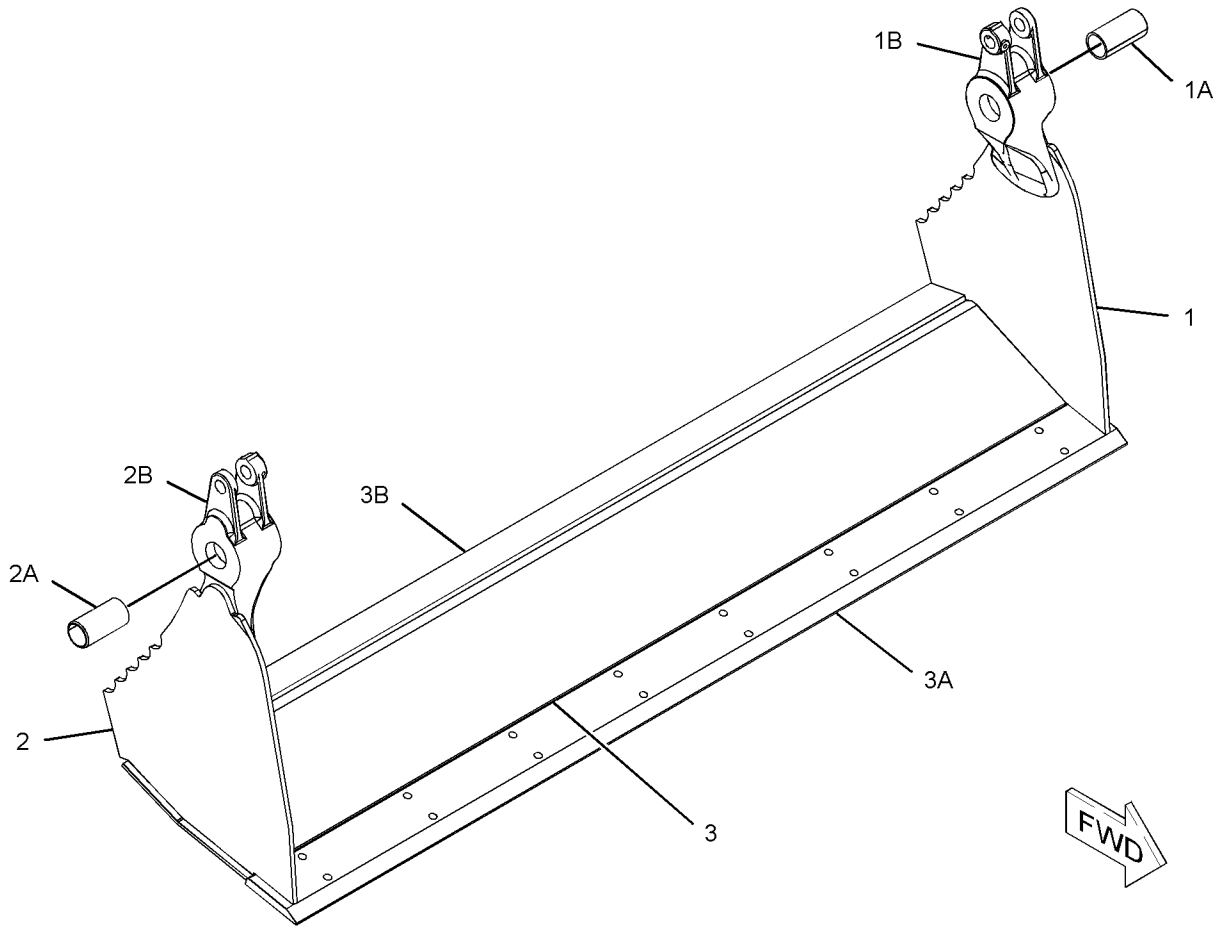
S/N: TH41-UP; TH91-UP

**PART OF 163-4286 BUCKET GP-MULTIPURPOSE
AN ATTACHMENT**

SMCS-6104

i05408581

NOTE	REF NO	GRAPHIC REF	PART NUMBER	QTY	PART NAME						SEE PAGE
					1	2	3	4	5	6 (PRODUCT LEVEL)	
	1	1	443-3644	1	PLATE AS (LH)						
	1A	1	9R-4675	1	BUSHING-TERMINAL						
	1B	1	9R-5294	1	HINGE						
	2	1	443-3645	1	PLATE AS (RH)						
	2A	1	9R-4675	1	BUSHING-TERMINAL						
	2B	1	9R-5294	1	HINGE						
	3	1	441-7483	1	PLATE AS						
	3A	1	9R-5313	1	EDGE						
	3B	1	252-9088	1	EDGE						



GRAPHIC #1

<END>

g03416066

WORK TOOLS

529-6466 COUPLER & MTG AR-HYDRAULIC

S/N: TH41-UP; TH91-UP

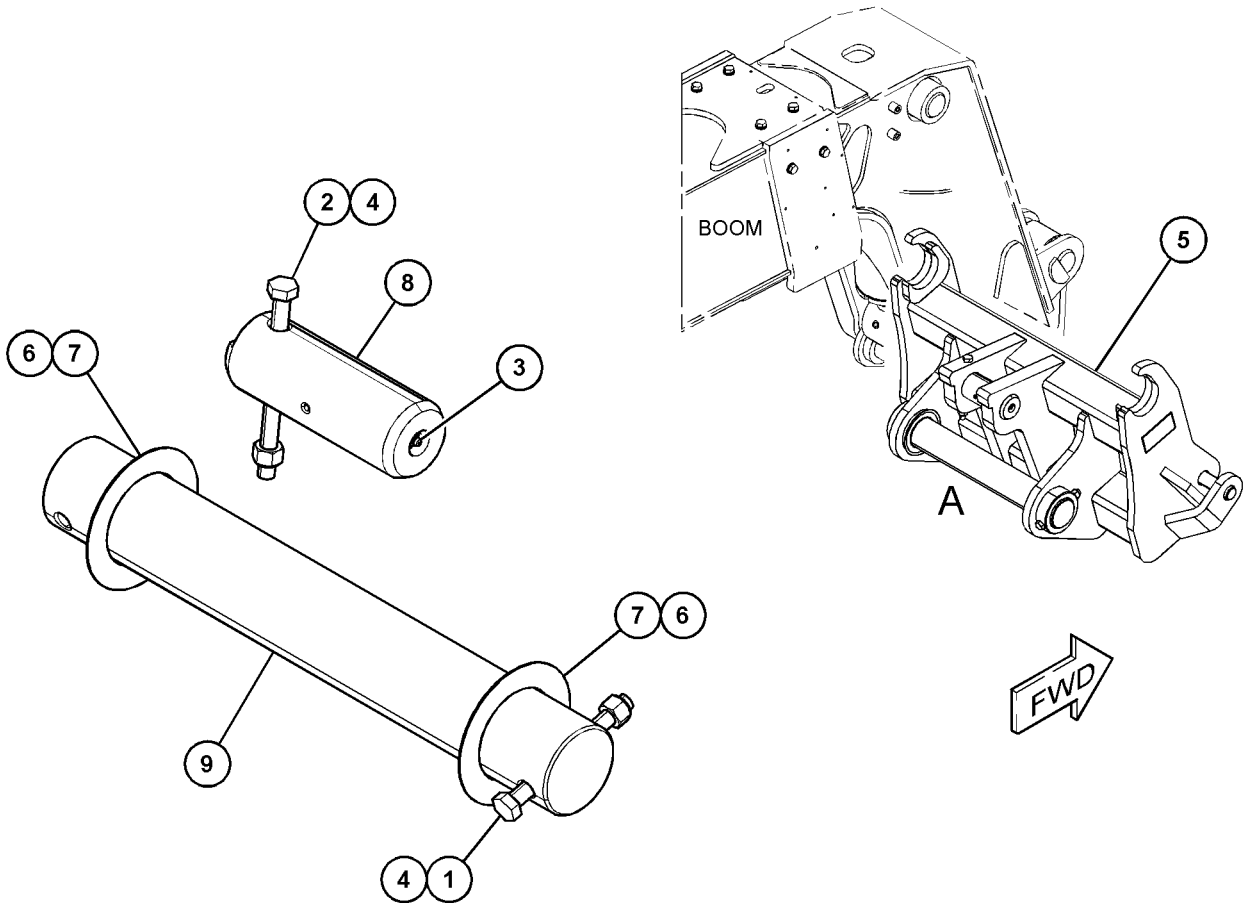
AN ATTACHMENT

SMCS-6129

i07046060

NOTE	REF NO	GRAPHIC REF	PART NUMBER	QTY	PART NAME						SEE PAGE
					1	2	3	4	5	6 (PRODUCT LEVEL)	
M	1	1	8T-5041	1	BOLT (M12X1.75X120-MM)						
M	2	1	8T-5092	1	BOLT (M12X1.75X150-MM)						
	3	1	437-0940	1	FITTING						
M	4	1	309-9185	2	LOCKNUT (M12X1.75-THD)						
Y	5	1	517-4329	1	COUPLER GP-QUICK (MANITOU)						1084
B	6	1	316-5553	1	WASHER (72X110X0.5-MM THK)						
B	7	1	316-5554	1	WASHER (72X110X1-MM THK)						
	8	1	495-3020	1	PIN						
	9	1	500-4373	1	PIN						

B - USE AS REQUIRED
M - METRIC PART
Y - SEPARATE ILLUSTRATION



VIEW OF AREA A
(PARTS REMOVED FOR CLARITY)

GRAPHIC #1

<END>

g06208096

WORK TOOLS

540-6609 COUPLER & MTG AR-HYDRAULIC

S/N: TH41-UP; TH91-UP

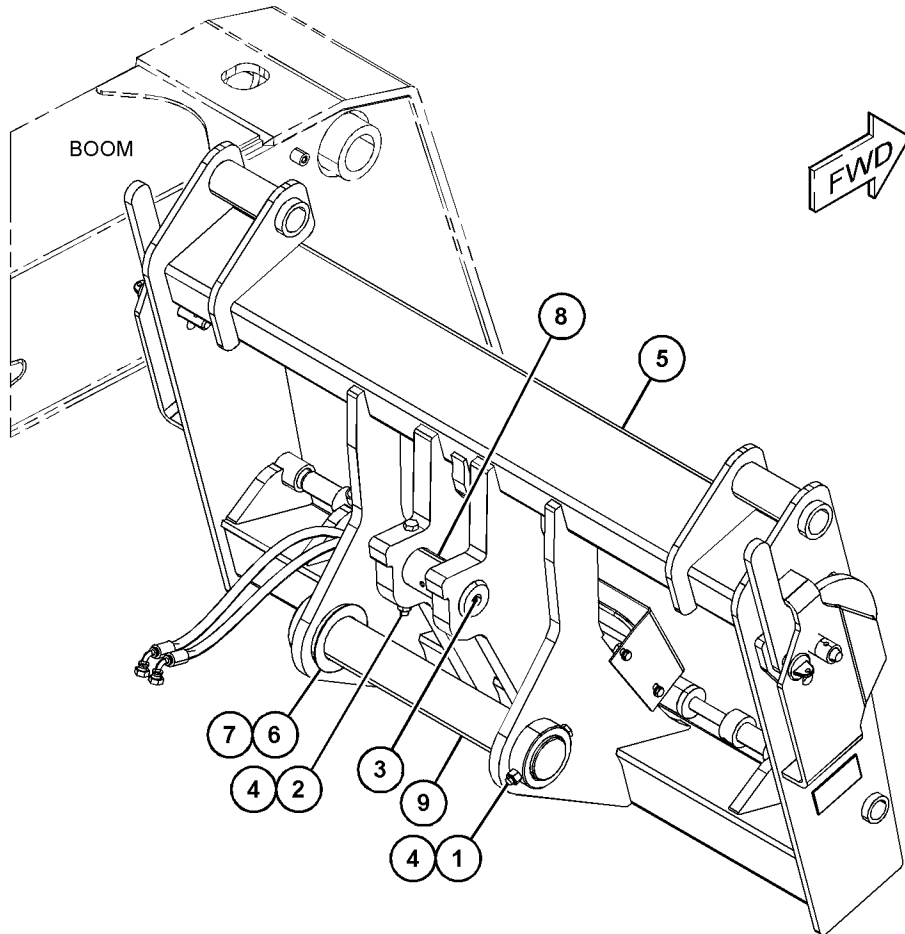
AN ATTACHMENT

SMCS-6129

i07380867

NOTE	REF NO	GRAPHIC REF	PART NUMBER	QTY	PART NAME						SEE PAGE
					1	2	3	4	5	6 (PRODUCT LEVEL)	
M	1	1	8T-5041	1	BOLT (M12X1.75X120-MM)						
M	2	1	8T-5092	1	BOLT (M12X1.75X150-MM)						
	3	1	437-0940	1	FITTING						
M	4	1	309-9185	2	LOCKNUT (M12X1.75-THD)						
Y	5	1	517-4334	1	COUPLER AR-HYDRAULIC						1069
B	6	1	316-5553	1	WASHER (72X110X0.5-MM THK)						
B	7	1	316-5554	1	WASHER (72X110X1-MM THK)						
	8	1	495-3020	1	PIN						
	9	1	500-4373	1	PIN						

B - USE AS REQUIRED
M - METRIC PART
Y - SEPARATE ILLUSTRATION



GRAPHIC #1

<END>

g06227885

WORK TOOLS

540-6685 COUPLER & MTG AR-HYDRAULIC

S/N: TH41-UP; TH91-UP

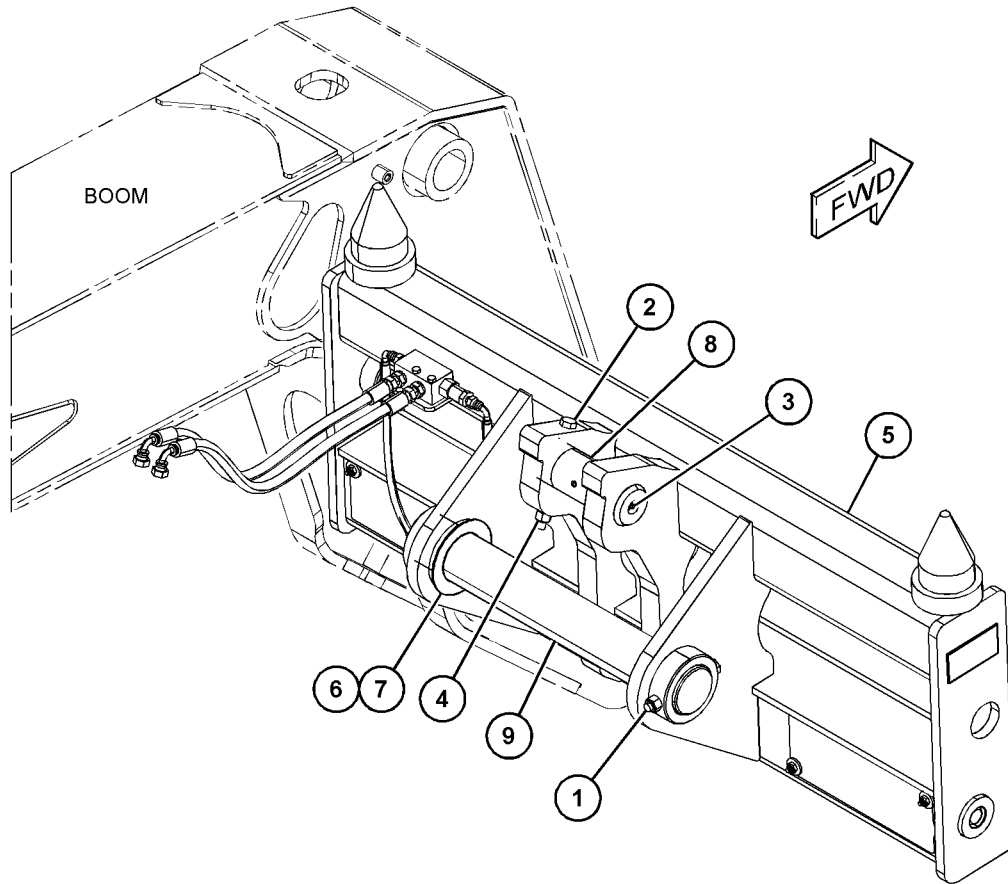
AN ATTACHMENT

SMCS-6129

i07108614

NOTE	REF NO	GRAPHIC REF	PART NUMBER	QTY	PART NAME						SEE PAGE
					1	2	3	4	5	6	
M	1	1	8T-5041	1	BOLT (M12X1.75X120-MM)						
M	2	1	8T-5092	1	BOLT (M12X1.75X150-MM)						
	3	1	437-0940	1	FITTING						
M	4	1	309-9185	2	LOCKNUT (M12X1.75-THD)						
	5	1	517-4335	1	COUPLER AS-HYDRAULIC						
B	6	1	316-5553	1	WASHER (72X110X0.5-MM THK)						
B	7	1	316-5554	1	WASHER (72X110X1-MM THK)						
	8	1	495-3020	1	PIN						
	9	1	500-4373	1	PIN						

B - USE AS REQUIRED
M - METRIC PART



GRAPHIC #1

<END>

g06227876

WORK TOOLS

540-6562 COUPLER & MTG AR-MANUAL

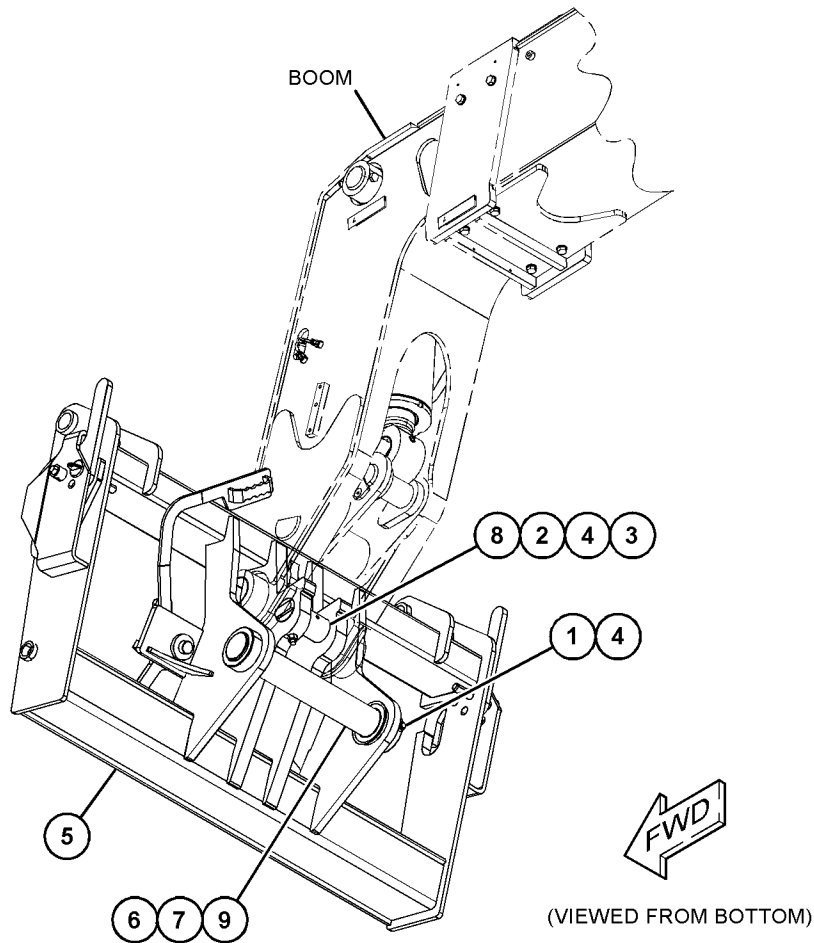
S/N: TH41-UP; TH91-UP
AN ATTACHMENT

SMCS-6129

i07380859

NOTE	REF NO	GRAPHIC REF	PART NUMBER	QTY	PART NAME						SEE PAGE
					1	2	3	4	5	6 (PRODUCT LEVEL)	
M	1	1	8T-5041	1	BOLT (M12X1.75X120-MM)						
M	2	1	8T-5092	1	BOLT (M12X1.75X150-MM)						
	3	1	437-0940	1	FITTING						
M	4	1	309-9185	2	LOCKNUT (M12X1.75-THD)						
Y	5	1	517-4330	1	COUPLER GP-QUICK						1085
	6	1	316-5553	1	WASHER (72X110X0.5-MM THK)						
	7	1	316-5554	1	WASHER (72X110X1-MM THK)						
	8	1	495-3020	1	PIN						
	9	1	500-4373	1	PIN						

M - METRIC PART
Y - SEPARATE ILLUSTRATION



GRAPHIC #1

<END>

g06254141

WORK TOOLS

501-0751 COUPLER & MTG GP-QUICK

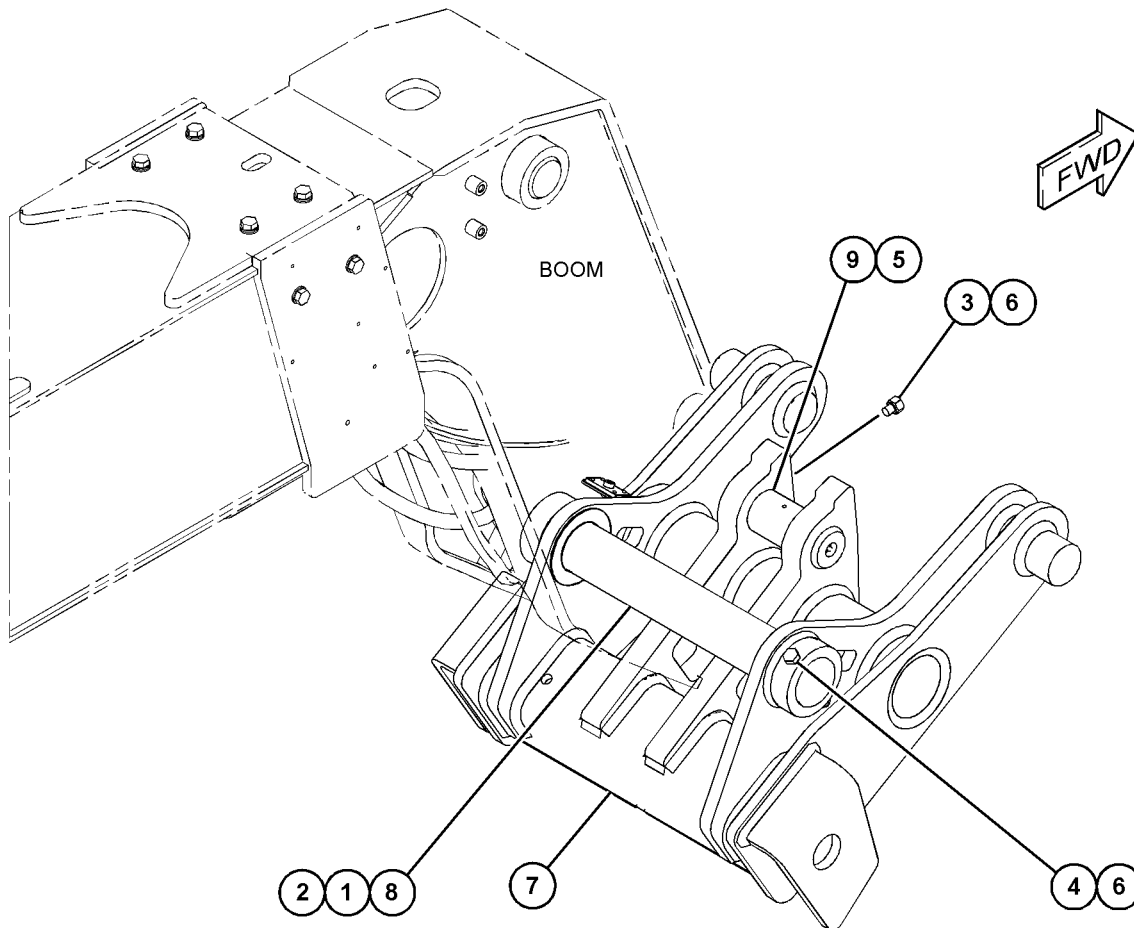
S/N: TH41-UP; TH91-UP
PART OF 506-3031 COUPLER AR-QUICK
AN ATTACHMENT

SMCS-6129

i06826188

NOTE	REF NO	GRAPHIC REF	PART NUMBER	QTY	PART NAME						SEE PAGE
					1	2	3	4	5	6 (PRODUCT LEVEL)	
B	1	1	316-5553	1	WASHER (72X110X0.5-MM THK)						
B	2	1	316-5554	1	WASHER (72X110X1-MM THK)						
M	3	1	8T-5092	1	BOLT (M12X1.75X150-MM)						
M	4	1	500-4371	1	BOLT (M12X1.75X120-MM)						
	5	1	323-5623	1	FITTING						
M	6	1	309-9185	2	LOCKNUT (M12X1.75-THD)						
Y	7	1	500-4374	1	COUPLER GP-QUICK						1083
	8	1	500-4373	1	PIN						
	9	1	495-3020	1	PIN						

B - USE AS REQUIRED
M - METRIC PART
Y - SEPARATE ILLUSTRATION



GRAPHIC #1

<END>

g06121984

WORK TOOLS

529-6465 COUPLER & MTG GP-QUICK

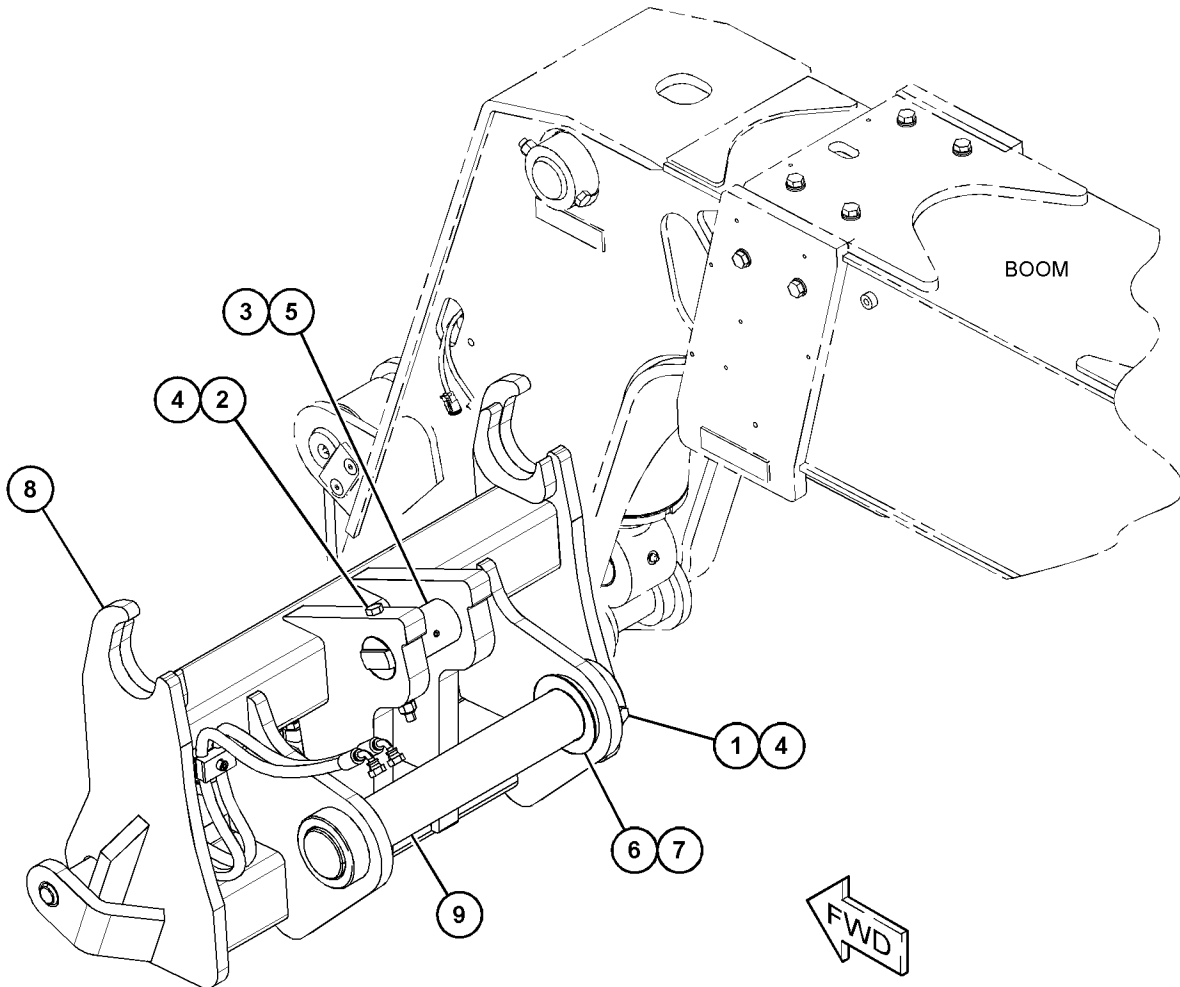
S/N: TH41-UP; TH91-UP
AN ATTACHMENT

SMCS-6129

i07046057

NOTE	REF NO	GRAPHIC REF	PART NUMBER	QTY	PART NAME						SEE PAGE
					1	2	3	4	5	6	
M	1	1	8T-5041	1	BOLT (M12X1.75X120-MM)						
M	2	1	8T-5092	1	BOLT (M12X1.75X150-MM)						
	3	1	437-0940	1	FITTING						
M	4	1	309-9185	2	LOCKNUT (M12X1.75-THD)						
	5	1	495-3020	1	PIN						
B	6	1	316-5553	1	WASHER (72X110X0.5-MM THK)						
B	7	1	316-5554	1	WASHER (72X110X1-MM THK)						
Y	8	1	517-4332	1	COUPLER AR-QUICK (HYDRAULIC)						1073
	9	1	500-4373	1	PIN						

B - USE AS REQUIRED
M - METRIC PART
Y - SEPARATE ILLUSTRATION



GRAPHIC #1

<END>

g06208080

WORK TOOLS

517-4334 COUPLER AR-HYDRAULIC

S/N: TH41-UP; TH91-UP

PART OF 540-6609 COUPLER & MTG AR-HYDRAULIC
AN ATTACHMENT

SMCS-6129

i07380866

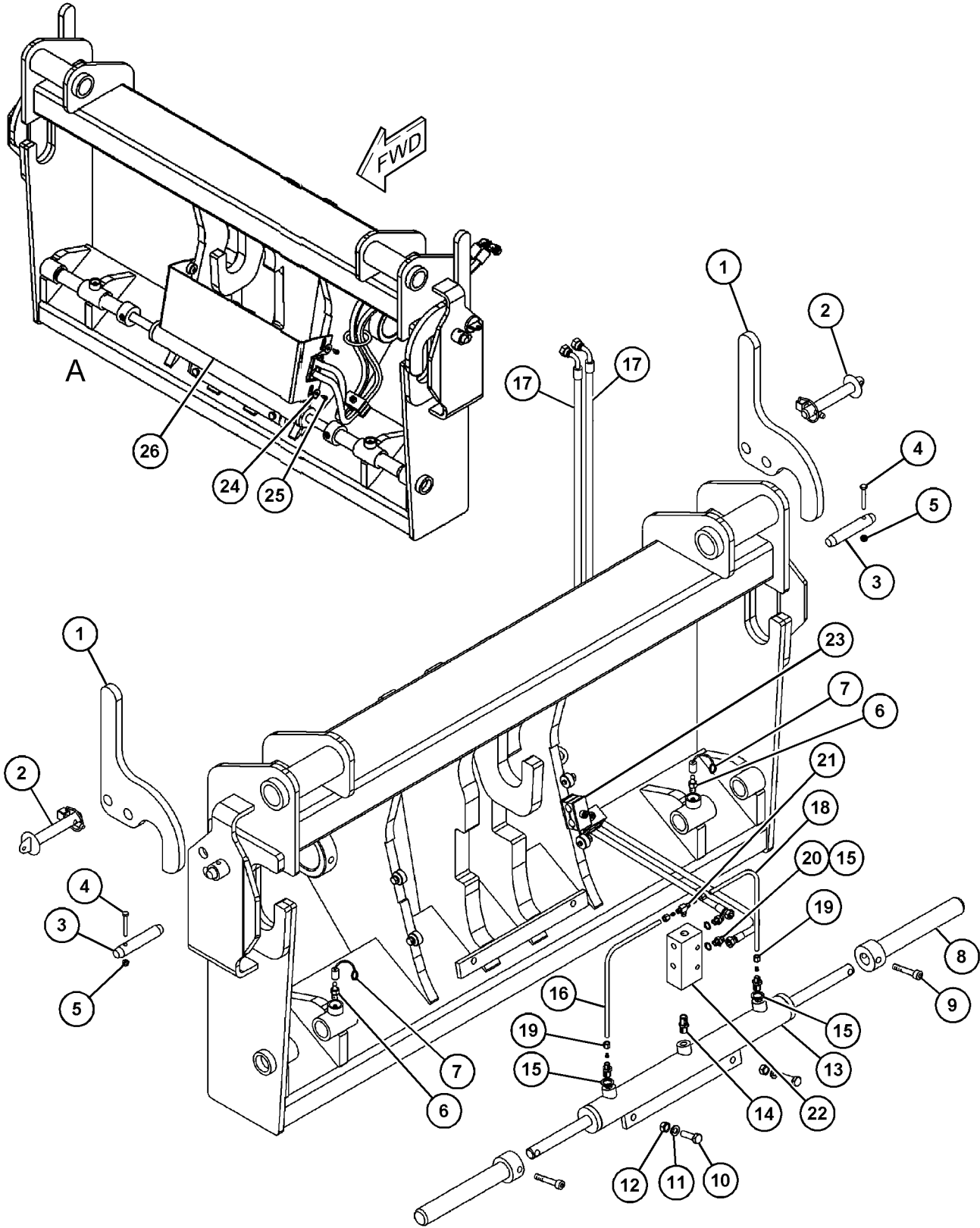
NOTE	REF NO	GRAPHIC REF	PART NUMBER	QTY	PART NAME						SEE PAGE
					1	2	3	4	5	6 (PRODUCT LEVEL)	
	1	1	333-9765	2	HANDLE						
	2	1	333-9767	2	LOCKPIN						
	3	1	333-9768	2	PIN						
M	4	1	333-9769	2	BOLT (M6X1X45-MM)						
M	5	1	333-9770	2	NUT (M6-THD)						
	6	1	362-3760	2	FITTING-GREASE						
	7	1	362-3755	2	COVER						
	8	1	333-9772	2	PIN						
M	9	1	333-9773	2	BOLT (M10X1.5X35-MM)						
M	10	1	333-9775	2	BOLT (M10X1.5X35-MM)						
	11	1	333-9776	2	WASHER (10.6X17.5X2.4-MM THK)						
M	12	1	333-9777	2	NUT (M10X1.5-THD)						
	13	1	333-9771	1	CYLINDER AS						
		1	362-2149	1	KIT-SEAL						
					(INCLUDES O-RINGS, RING, ROD SEAL, WIPER ROD & WEARING)						
	14	1	333-9857	1	LINK						
	15	1	333-9860	6	SEAL						
	16	1	527-7886	1	PIPE						
	17	1	505-5404	2	KIT-SEAL						
					(EACH KIT INCLUDES RINGS, BACK UP RING, SEAL, PRESS, ROD SEAL, PISTON BEARING RING, PISTON SEAL)						
	18	1	527-7887	1	PIPE						
	19	1	527-7885	2	LINK						
	20	1	547-5142	2	LINK						
	21	1	527-7888	1	LINK						
	22	1	334-0453	1	BLOCK-VALVE						
	23	1	333-9864	2	CLAMP						
	24	1	547-5143	4	WASHER (8.5X24X1.8-MM THK)						
M	25	1	547-5144	4	BOLT-HEAD (M8X1.25X20-MM)						
	26	1	547-5145	1	COVER-QCPLR CYL VALVE						

M - METRIC PART

WORK TOOLS

517-4334 COUPLER AR-HYDRAULIC (contd.)

i07380866



VIEW OF AREA A
(PARTS REMOVED FOR CLARITY)



GRAPHIC #1

<END>

g06331672

WORK TOOLS

540-8046 COUPLER AR-HYDRAULIC

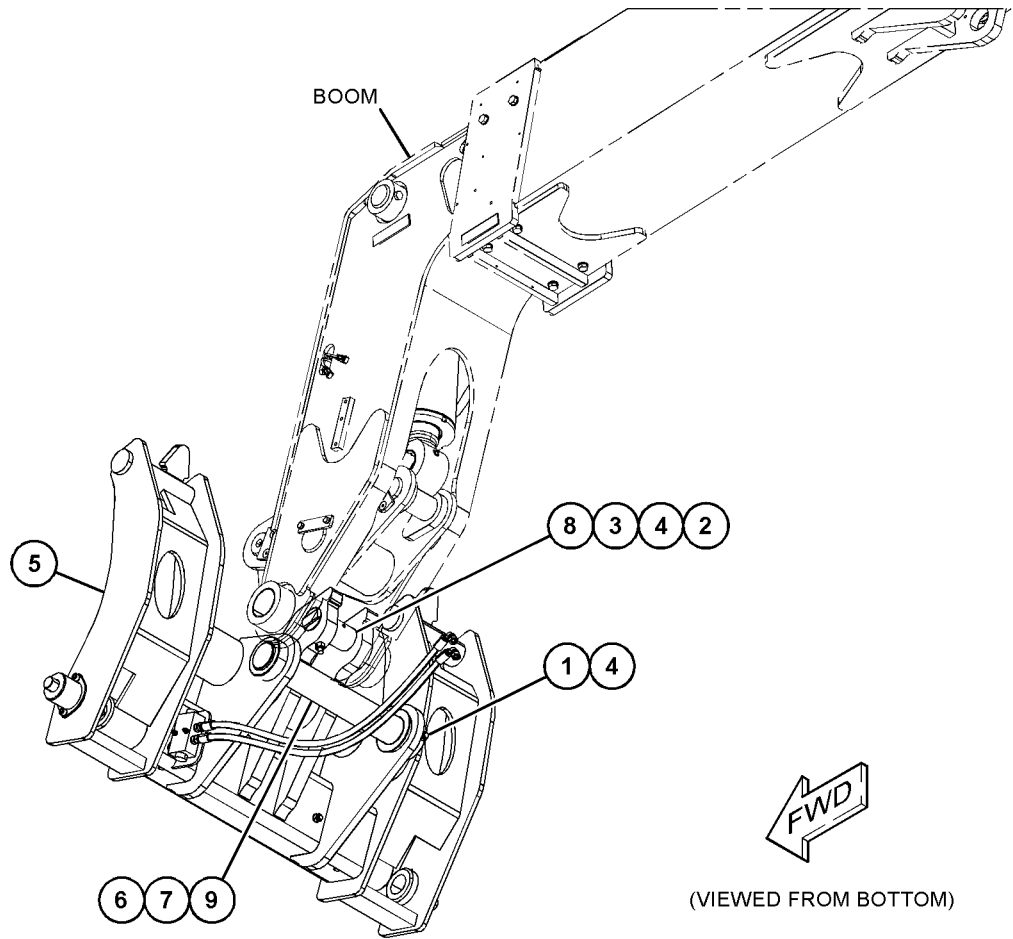
S/N: TH41-UP; TH91-UP
AN ATTACHMENT

SMCS-6129

i07163210

NOTE	REF NO	GRAPHIC REF	PART NUMBER	QTY	PART NAME						SEE PAGE
					1	2	3	4	5	6 (PRODUCT LEVEL)	
M	1	1	8T-5041	1	BOLT (M12X1.75X120-MM)						
M	2	1	8T-5092	1	BOLT (M12X1.75X150-MM)						
	3	1	437-0940	1	FITTING						
M	4	1	309-9185	2	LOCKNUT (M12X1.75-THD)						
Y	5	1	517-4336	1	COUPLER AR-QUICK (VOLVO)						1077
B	6	1	316-5553	1	WASHER (72X110X0.5-MM THK)						
B	7	1	316-5554	1	WASHER (72X110X1-MM THK)						
	8	1	495-3020	1	PIN						
	9	1	500-4373	1	PIN						

B - USE AS REQUIRED
M - METRIC PART
Y - SEPARATE ILLUSTRATION



GRAPHIC #1

<END>

g06254150

WORK TOOLS

506-3031 COUPLER AR-QUICK

S/N: TH41-UP; TH91-UP

FOR USE WITH 506-3030

PART OF 590-9758, 590-9759, 590-9760, 590-9761 CONFIGURATION AR
AN ATTACHMENT

SMCS-6129

i07163263

NOTE	PART NUMBER	QTY	PART NAME						SEE PAGE
			1	2	3	4	5	6 (PRODUCT LEVEL)	
Y	501-0751	1	COUPLER & MTG GP-QUICK						1067

Y - SEPARATE ILLUSTRATION

<END>

WORK TOOLS

517-4332 COUPLER AR-QUICK

S/N: TH41-UP; TH91-UP

PART OF 529-6465 COUPLER & MTG GP-QUICK
AN ATTACHMENT

SMCS-6129

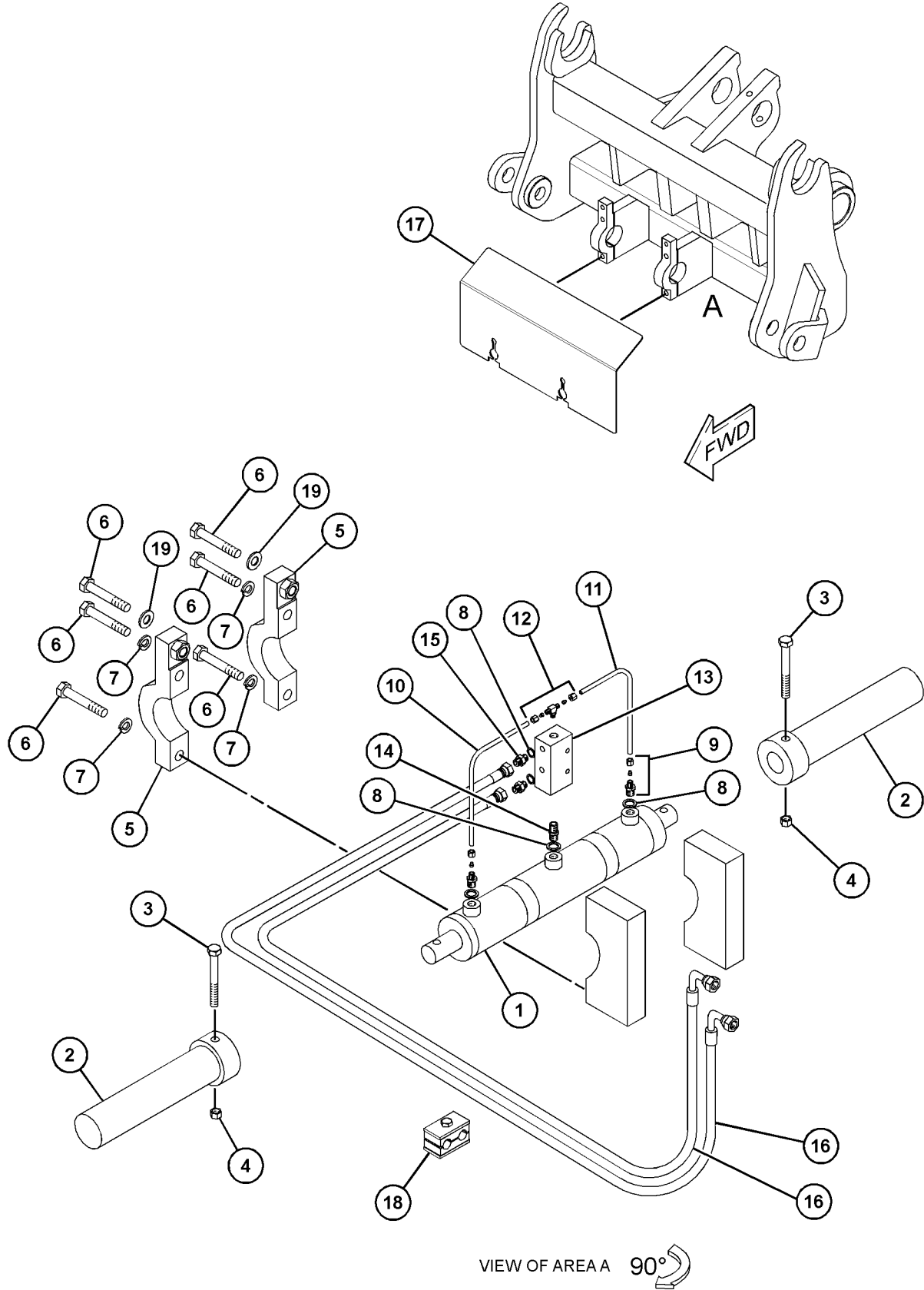
i07105710

NOTE	REF NO	GRAPHIC REF	PART NUMBER	QTY	PART NAME						SEE PAGE
					1	2	3	4	5	6 (PRODUCT LEVEL)	
J	1	1	333-9849	1	CYLINDER AS-COUPLER						
	2	1	333-9850	2	PIN						
	3	1	333-9852	2	BOLT						
	4	1	333-9774	2	NUT						
	5	1	527-7884	2	CLAMP						
	6	1	333-9855	6	BOLT						
	7	1	333-9856	4	WASHER						
	8	1	333-9860	5	SEAL						
	9	1	527-7885	2	LINK						
	10	1	527-7886	1	PIPE						
	11	1	527-7887	1	PIPE						
	12	1	527-7888	1	LINK						
	13	1	334-0453	1	BLOCK-VALVE						
	14	1	333-9857	1	LINK						
	15	1	334-0451	2	LINK						
	16	1	333-9866	2	PIPE						
	17	1	527-7889	1	CARRIER						
	18	1	333-9864	1	CLAMP						
	19	1	527-7890	2	WASHER						
					AVAILABLE REPAIR KIT(S) :						
J			362-2148	1	KIT-SEAL						
					(INCLUDES O-RINGS, RINGS, ROD SEAL, ROD WIPERS & SEALS)						
J - KIT MARKED J SERVICES PART(S) MARKED J											

WORK TOOLS

517-4332 COUPLER AR-QUICK (contd.)

i07105710



GRAPHIC #1

<END>

g06207224

WORK TOOLS

517-4333 COUPLER AR-QUICK-MERLO

S/N: TH41-UP; TH91-UP
 PART OF 529-8470 COUPLER AR-QUICK
 AN ATTACHMENT

SMCS-6129

i07046040

NOTE	REF NO	GRAPHIC REF	PART NUMBER	QTY	PART NAME	SEE PAGE
					1 2 3 4 5 6 (PRODUCT LEVEL)	
	1	1	527-7891	1	CYLINDER	
	2	1	527-7892	1	PIN	
	3	1	527-7893	2	BOLT	
	4	1	527-7894	1	PIN	
	5	1	334-0453	1	BLOCK-VALVE	
	6	1	527-7895	2	BOLT	
	7	1	527-7896	2	WASHER (11X11X1.5-MM THK)	
M	8	1	333-9770	2	NUT (M6-THD)	
	9	1	527-7897	1	PIPE	
	10	1	527-7898	1	PIPE	
	11	1	527-7899	2	GASKET	
	12	1	527-7900	2	LINK	
	13	1	333-9860	2	SEAL	
	14	1	334-0451	2	LINK	
	15	1	527-7901	2	PIPE-FLEXIBLE	
	16	1	527-7902	2	LINK	

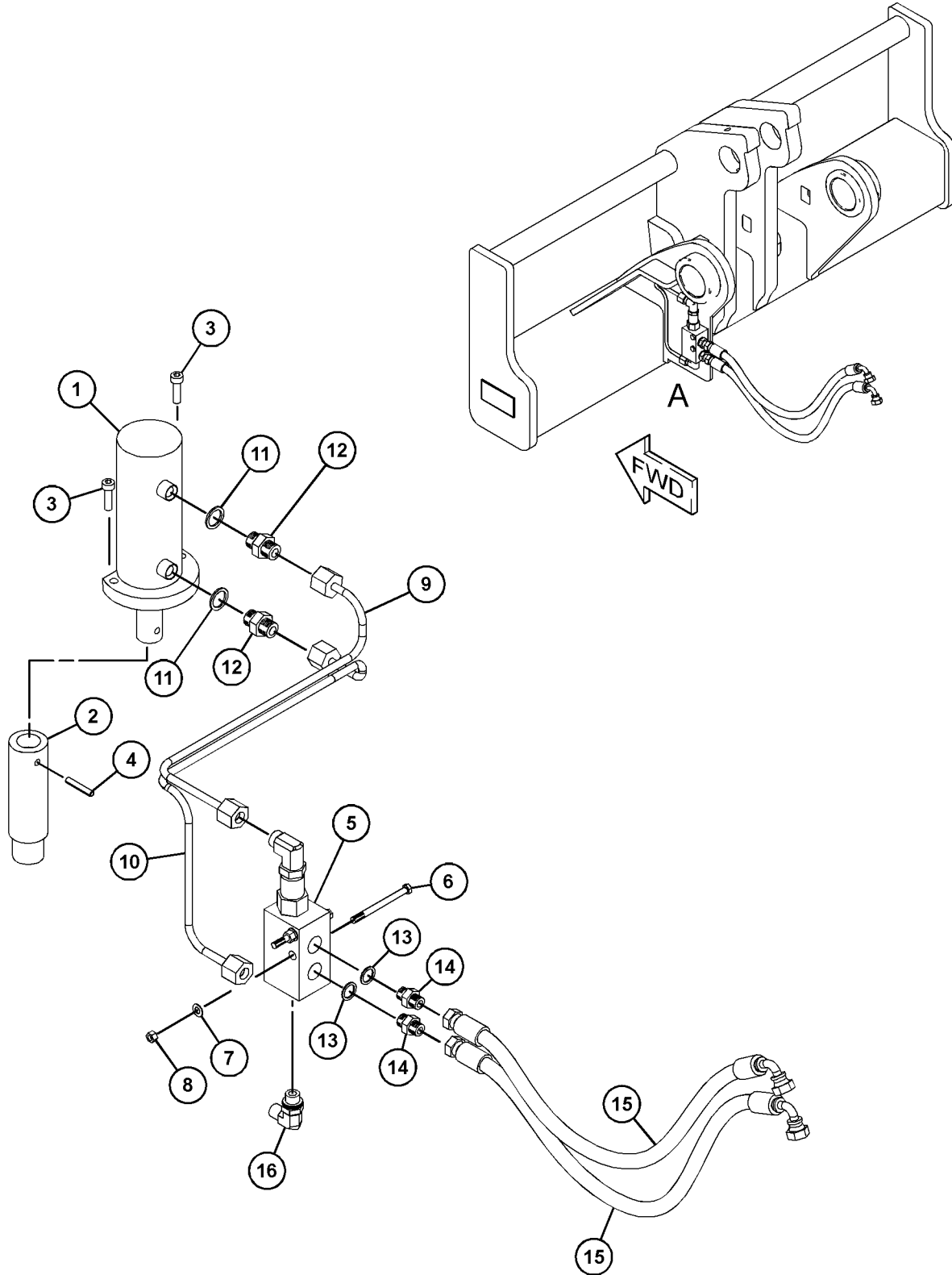
PARTS SHOWN IN GRAPHIC(S) WITHOUT A REFERENCE NUMBER ARE NOT SERVICED SEPARATELY

M - METRIC PART

WORK TOOLS

517-4333 COUPLER AR-QUICK (contd.)

i07046040



VIEW OF AREA A
(PARTS REMOVED FOR CLARITY)

GRAPHIC #1

<END>

g06208074

WORK TOOLS

517-4336 COUPLER AR-QUICK-VOLVO

S/N: TH41-UP; TH91-UP

PART OF 540-8046 COUPLER AR-HYDRAULIC
AN ATTACHMENT

SMCS-6129

i07046042

NOTE	REF NO	GRAPHIC REF	PART NUMBER	QTY	PART NAME						SEE PAGE
					1	2	3	4	5	6 (PRODUCT LEVEL)	
	1	1	527-7903	1	CYLINDER						
	2	1	527-7904	2	PIN						
	3	1	333-9774	2	NUT						
	4	1	527-7905	2	BOLT						
	5	1	334-0456	2	BOLT						
	6	1	527-7906	4	BOLT						
	7	1	527-7907	2	LINK						
	8	1	527-7908	2	BOLT						
M	9	1	333-9770	2	NUT (M6-THD)						
	10	1	527-7909	2	PIPE-FLEXIBLE						
	11	1	527-7910	4	LINK						
	12	1	362-3768	1	VALVE						
	13	1	527-7901	2	PIPE-FLEXIBLE						
	14	1	333-9776	4	WASHER (10.6X17.5X2.4-MM THK)						
	15	1	527-7896	2	WASHER (11X11X1.5-MM THK)						
	16	1	527-7913	2	WASHER						
	17	1	362-3765	4	SEAL-O-RING						
	18	1	527-7914	1	CARRIER						
	19	1	527-7915	1	BRACKET						
	20	1	527-7882	2	LOCKNUT						
	21	1	527-7917	2	WASHER						
	22	1	527-7918	2	BOLT						
	23	1	527-7919	2	COVER-INDICATOR						
	24	1	527-7920	2	SPRING						
	25	1	527-7921	2	PIN						
	26	1	527-7890	4	WASHER						
	27	1	527-7923	4	BOLT						
	28	1	333-9860	4	SEAL						
	29	1	362-3760	2	FITTING-GREASE						

M - METRIC PART

WORK TOOLS

517-6763 COUPLER AR-QUICK

S/N: TH41-UP; TH91-UP
FOR USE WITH 506-3031-PAGE: 1072
AN ATTACHMENT

SMCS-6129

i07163213

NOTE	PART NUMBER	QTY	PART NAME						SEE PAGE
			1	2	3	4	5	6 (PRODUCT LEVEL)	
Y	500-4370	1	COUPLER GP-QUICK						1082
Y - SEPARATE ILLUSTRATION									

<END>

WORK TOOLS

529-8470 COUPLER AR-QUICK

S/N: TH41-UP; TH91-UP

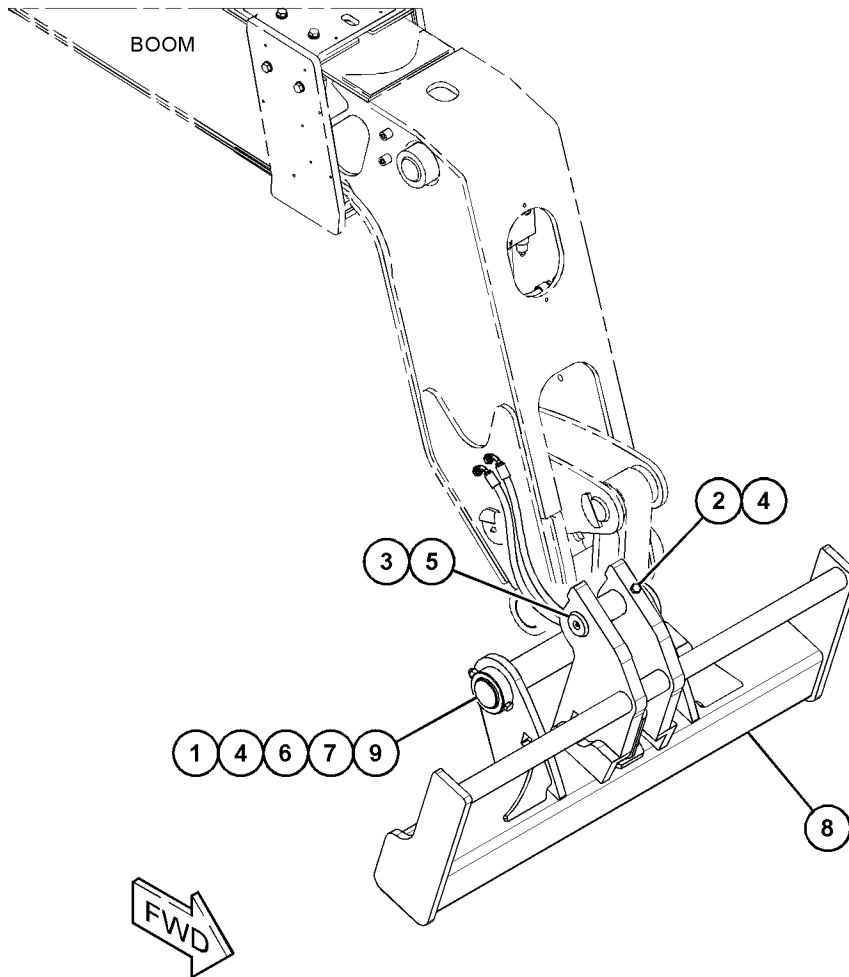
AN ATTACHMENT

SMCS-6129

i07046059

NOTE	REF NO	GRAPHIC REF	PART NUMBER	QTY	PART NAME						SEE PAGE
					1	2	3	4	5	6 (PRODUCT LEVEL)	
M	1	1	8T-5041	1	BOLT (M12X1.75X120-MM)						
M	2	1	8T-5092	1	BOLT (M12X1.75X150-MM)						
	3	1	437-0940	1	FITTING						
BM	4	1	309-9185	2	LOCKNUT (M12X1.75-THD)						
	5	1	495-3020	1	PIN						
B	6	1	316-5553	1	WASHER (72X110X0.5-MM THK)						
B	7	1	316-5554	1	WASHER (72X110X1-MM THK)						
Y	8	1	<i>517-4333</i>	1	COUPLER AR-QUICK (MERLO)						1075
	9	1	500-4373	1	PIN						

B - USE AS REQUIRED
M - METRIC PART
Y - SEPARATE ILLUSTRATION



GRAPHIC #1

<END>

g06208092

WORK TOOLS

500-4369 COUPLER GP-QUICK

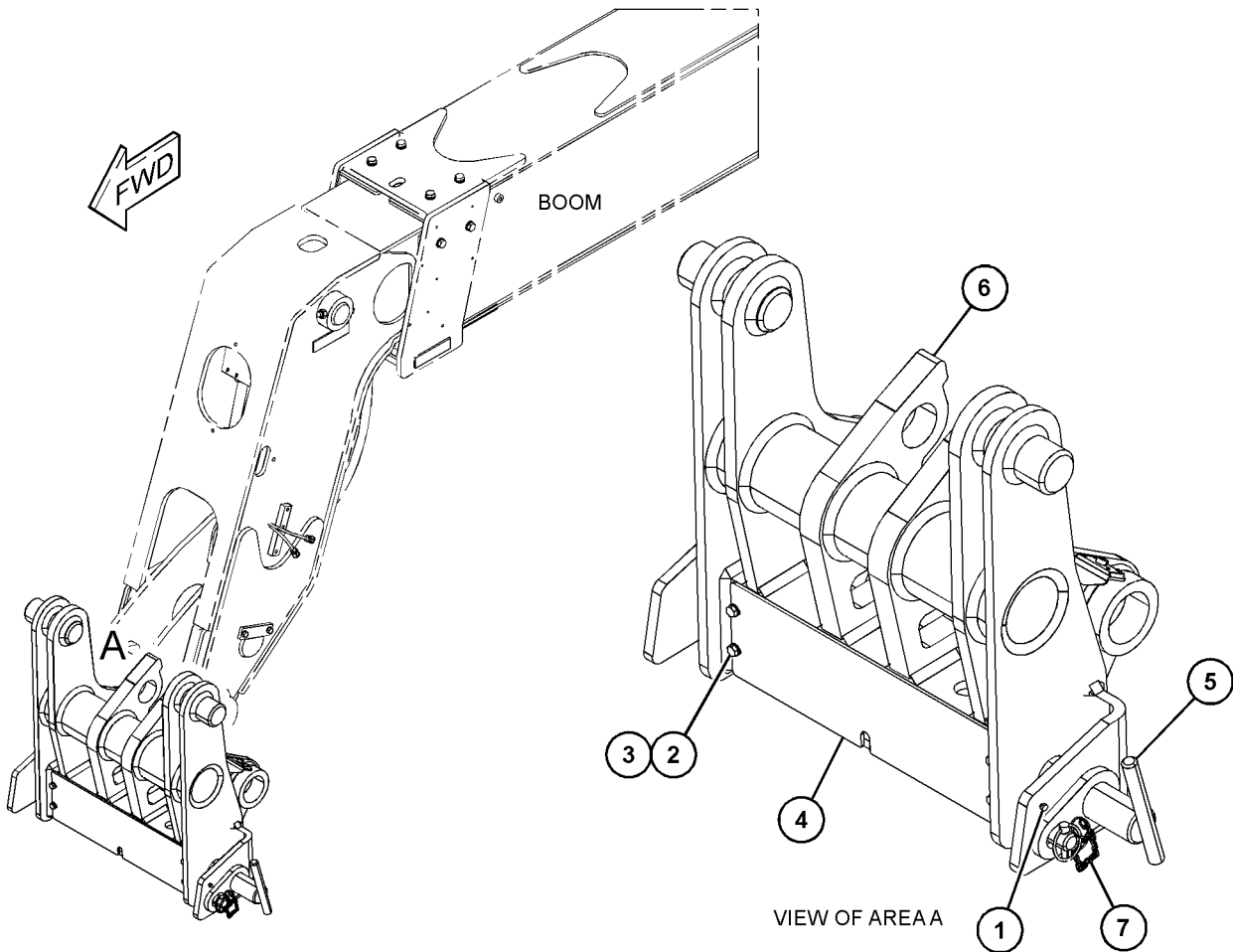
S/N: TH41-UP; TH91-UP
PART OF 500-4370 COUPLER GP-QUICK
AN ATTACHMENT

SMCS-6129

i06822902

NOTE	REF NO	GRAPHIC REF	PART NUMBER	QTY	PART NAME						SEE PAGE
					1	2	3	4	5	6 (PRODUCT LEVEL)	
M	1	1	8T-0325	1	BOLT (M5X0.8X14-MM)						
M	2	1	8T-4200	4	BOLT (M8X1.25X16-MM)						
	3	1	8T-4224	4	WASHER-HARD (8.8X16X2-MM THK)						
	4	1	495-3016	1	PLATE						
	5	1	473-6297	1	PIN AS						
	6	1	500-4375	1	COUPLER AS						
	7	1	459-6115	1	CHAIN AS						

M - METRIC PART



GRAPHIC #1

<END>

g06130483

WORK TOOLS

500-4370 COUPLER GP-QUICK

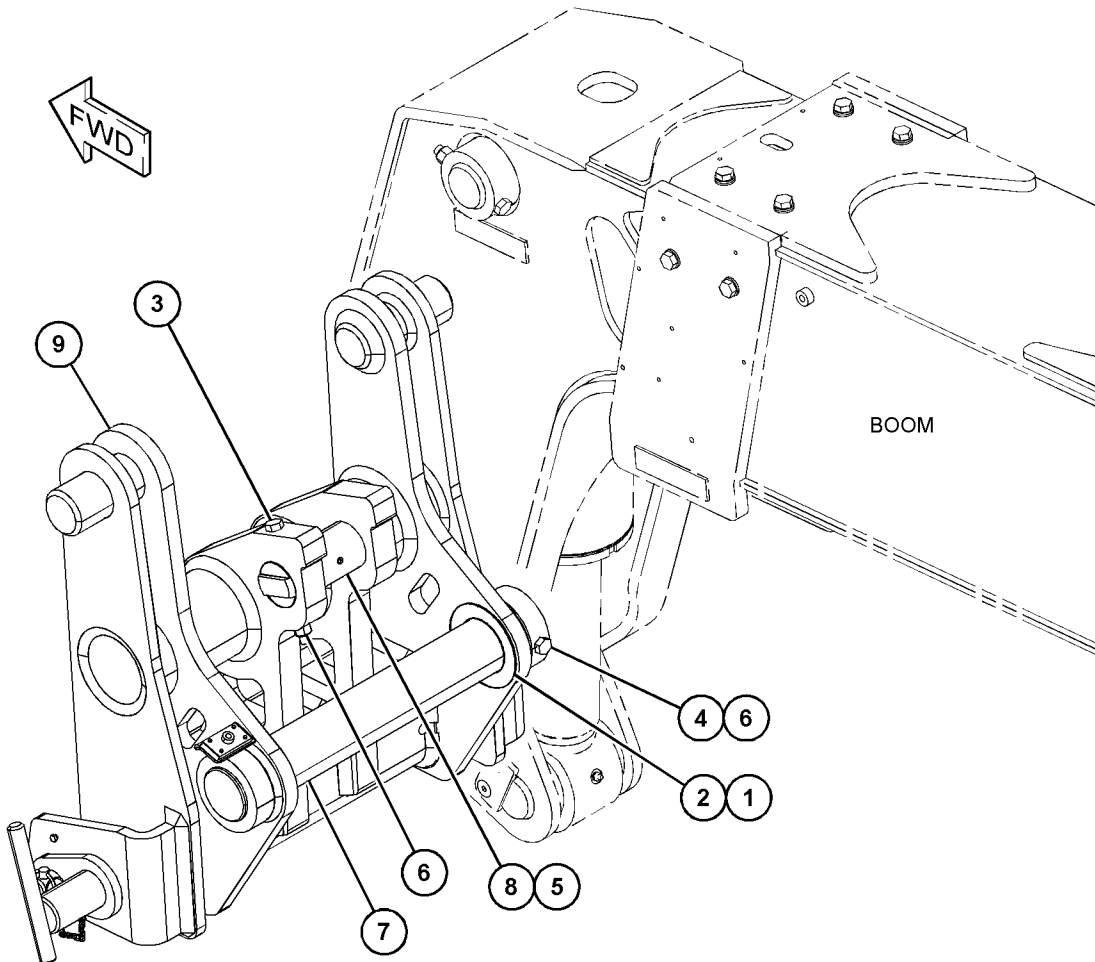
S/N: TH41-UP; TH91-UP
PART OF 517-6763 COUPLER AR-QUICK
AN ATTACHMENT

SMCS-6129

i06818935

NOTE	REF NO	GRAPHIC REF	PART NUMBER	QTY	PART NAME						SEE PAGE
					1	2	3	4	5	6 (PRODUCT LEVEL)	
B	1	1	316-5553	1	WASHER (72X110X0.5-MM THK)						
B	2	1	316-5554	1	WASHER (72X110X1-MM THK)						
M	3	1	8T-5092	1	BOLT (M12X1.75X150-MM)						
M	4	1	500-4371	1	BOLT (M12X1.75X120-MM)						
	5	1	323-5612	1	CLIP						
M	6	1	309-9185	2	LOCKNUT (M12X1.75-THD)						
	7	1	500-4373	1	PIN						
	8	1	495-3020	1	PIN						
Y	9	1	500-4369	1	COUPLER GP-QUICK						1081

B - USE AS REQUIRED
M - METRIC PART
Y - SEPARATE ILLUSTRATION



GRAPHIC #1

<END>

g06130492

WORK TOOLS

500-4374 COUPLER GP-QUICK

S/N: TH41-UP; TH91-UP

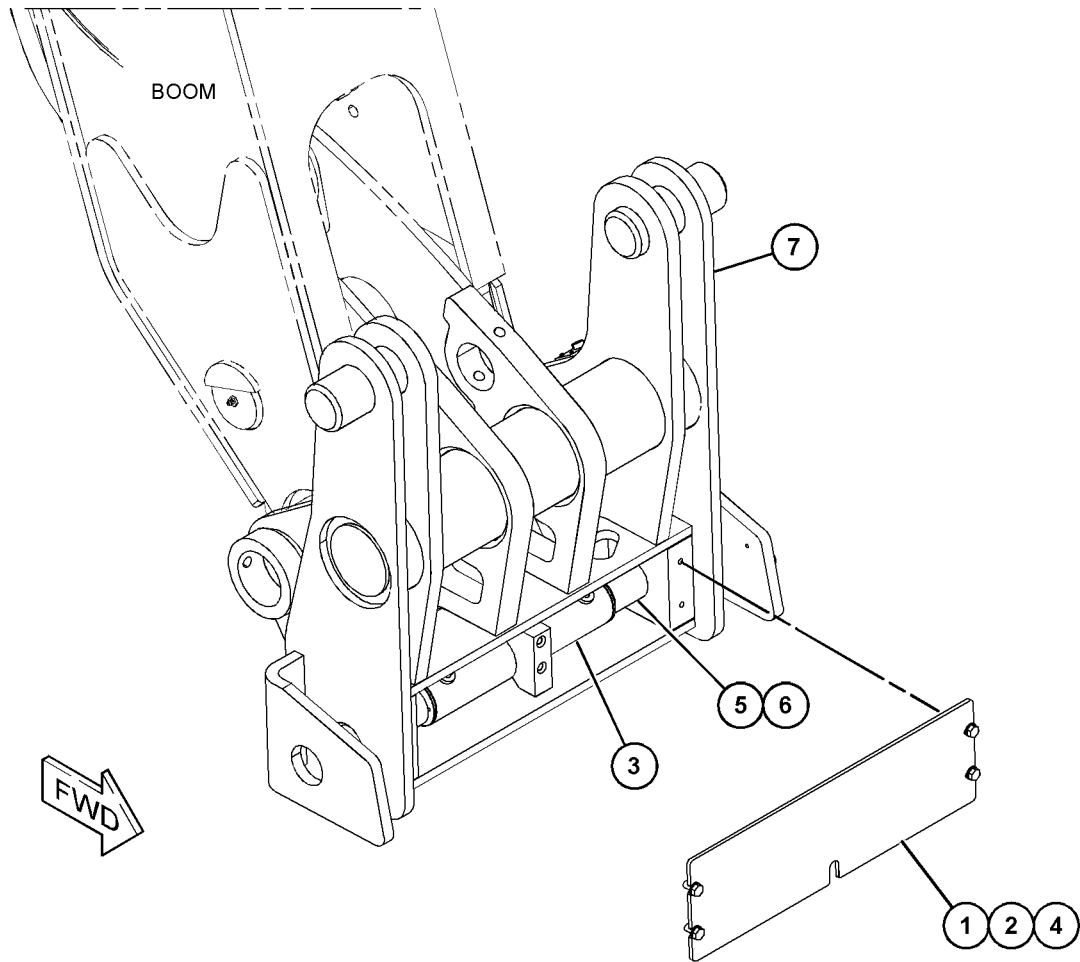
PART OF 501-0751 COUPLER & MTG GP-QUICK
AN ATTACHMENT

SMCS-6129

i06624657

NOTE	REF NO	GRAPHIC REF	PART NUMBER	QTY	PART NAME						SEE PAGE
					1	2	3	4	5	6	
M	1	1	8T-4200	4	BOLT (M8X1.25X16-MM)						
	2	1	8T-4224	4	WASHER-HARD (8.8X16X2-MM THK)						
Y	3	1	367-6694	1	CYLINDER GP-COUPLER (LOCKING)						838
	4	1	495-3016	1	PLATE						
	5	1	495-3017	2	ROD						
	6	1	477-5548	2	PIN-GROOVED						
	7	1	500-4375	1	COUPLER AS						

M - METRIC PART
Y - SEPARATE ILLUSTRATION



GRAPHIC #1

<END>

g06058961

WORK TOOLS

517-4329 COUPLER GP-QUICK-MANITOU

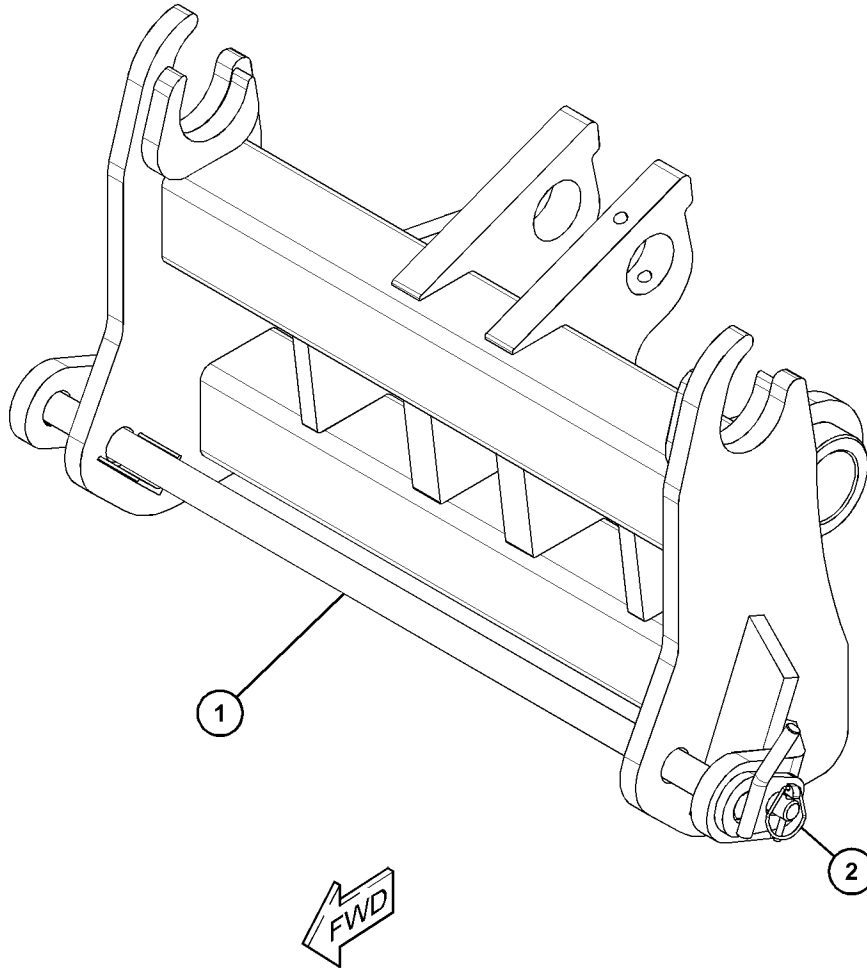
S/N: TH41-UP; TH91-UP

PART OF 529-6466 COUPLER & MTG AR-HYDRAULIC
AN ATTACHMENT

SMCS-6129

i07046024

NOTE	REF NO	GRAPHIC REF	PART NUMBER	QTY	PART NAME						SEE PAGE
					1	2	3	4	5	6 (PRODUCT LEVEL)	
1	1	1	335-2233	1	PIN						
2	1	1	335-2234	1	PIN						



GRAPHIC #1

<END>

g06208078

WORK TOOLS

517-4330 COUPLER GP-QUICK

S/N: TH41-UP; TH91-UP

PART OF 540-6562 COUPLER & MTG AR-MANUAL
AN ATTACHMENT

SMCS-6129

i07380860

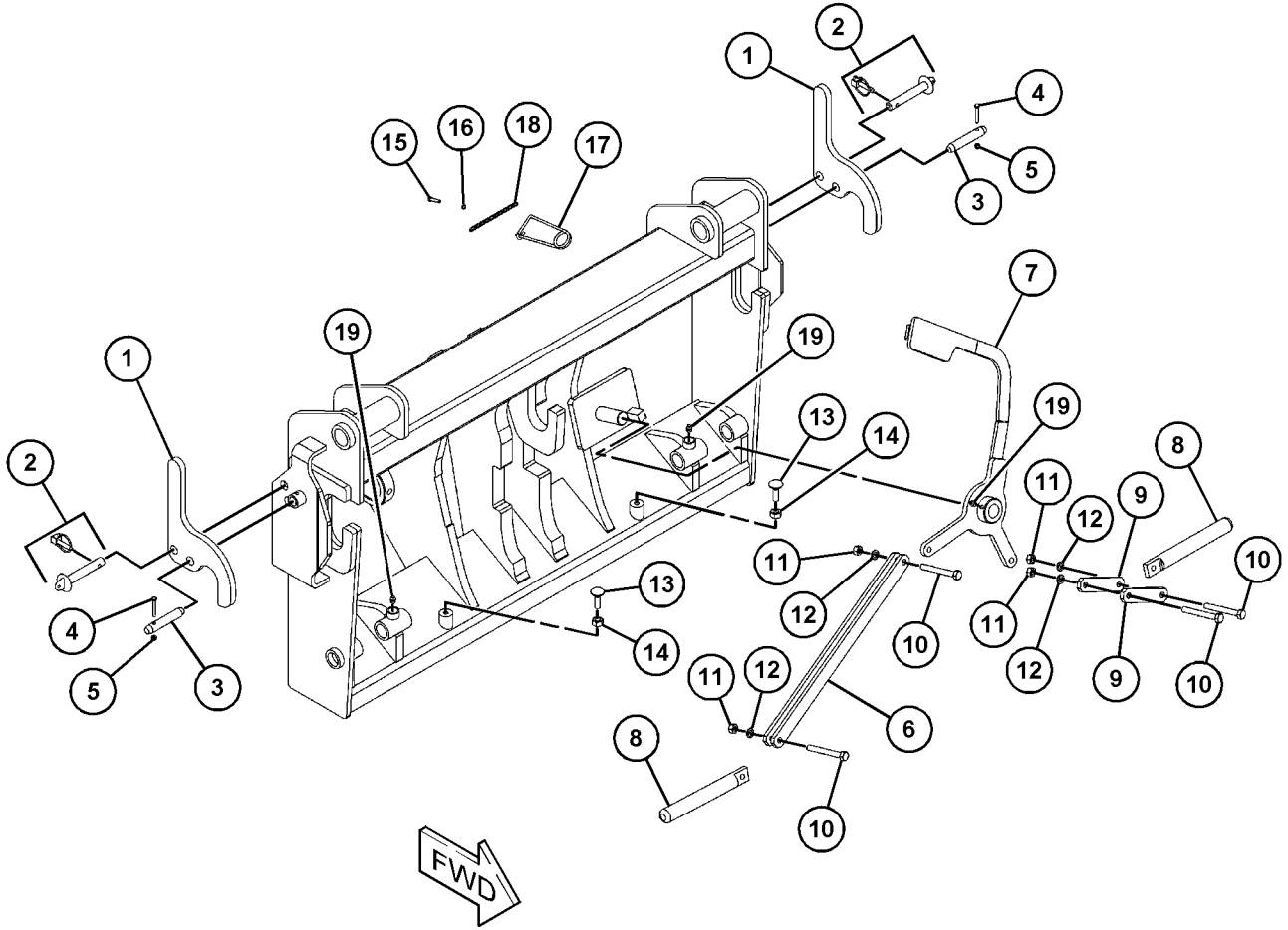
NOTE	REF NO	GRAPHIC REF	PART NUMBER	QTY	PART NAME	SEE PAGE
					1 2 3 4 5 6 (PRODUCT LEVEL)	
	1	1	552-2982	2	HANDLE - LOCK	
	2	1	333-9767	2	LOCKPIN	
	3	1	333-9768	2	PIN	
M	4	1	333-9769	2	BOLT	
M	5	1	333-9770	2	NUT (M6-THD)	
	6	1	552-2983	1	ROD	
	7	1	552-2984	1	ROD	
	8	1	552-2985	2	PIN	
	9	1	552-2986	2	ROD-PISTON	
	10	1	553-4045	4	BOLT-HEAD	
	11	1	527-7882	4	LOCKNUT	
	12	1	553-4046	4	WASHER	
	13	1	553-4047	2	BOLT-HEAD	
	14	1	553-4048	2	NUT	
	15	1	553-4049	1	BOLT-HEAD	
	16	1	553-4050	1	WASHER	
	17	1	553-4051	1	PIN-COTTER	
	18	1	553-4052	1	CHAIN	
	19	1	362-3760	3	FITTING-GREASE	

M - METRIC PART

WORK TOOLS

517-4330 COUPLER GP-QUICK (contd.)

i07380860



GRAPHIC #1

<END>

g06309189

WORK TOOLS

223-8914 EDGE GP-CUTTING

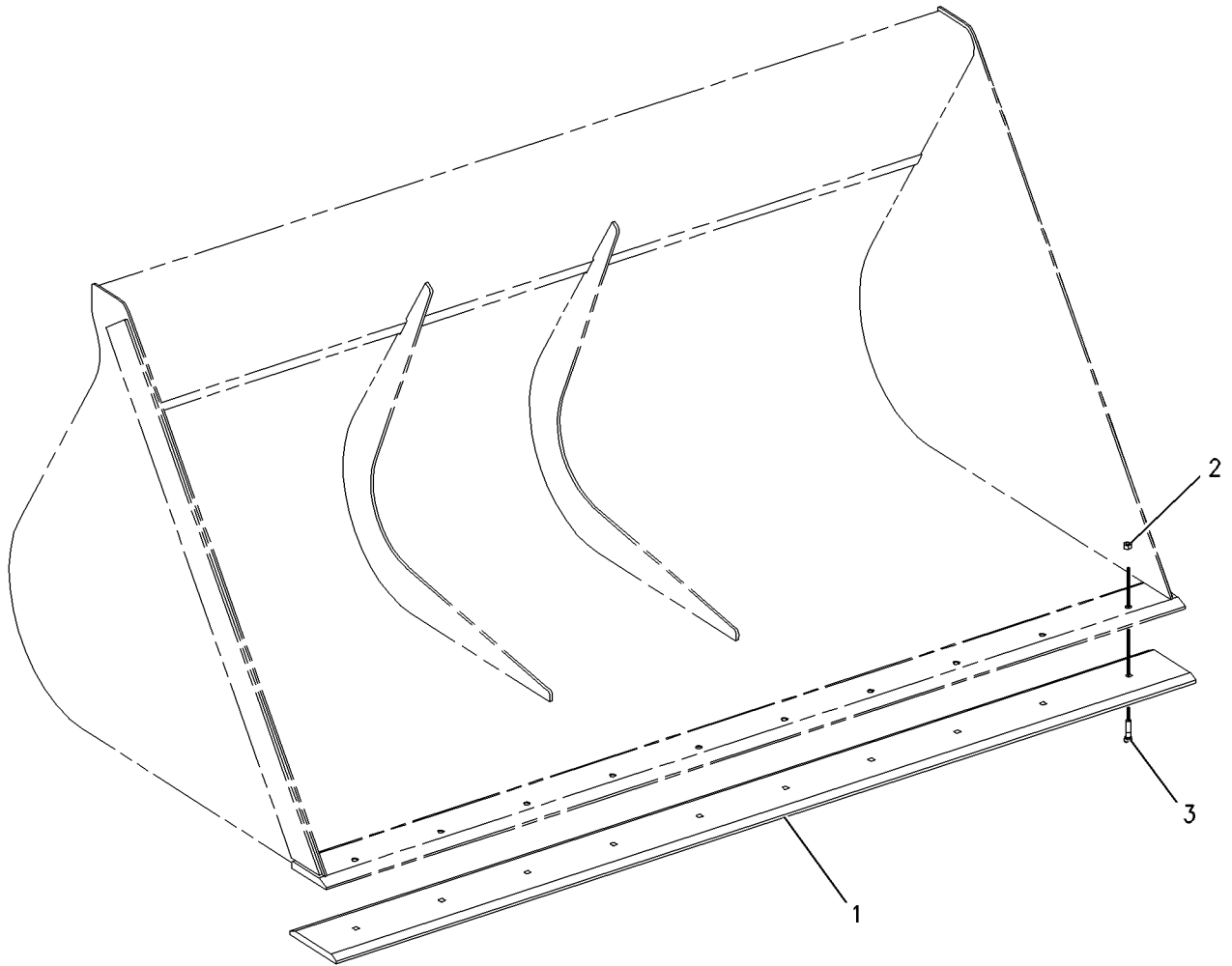
S/N: TH41-UP; TH91-UP

PART OF 220-4761 BUCKET GP-LIGHT MATERIAL
AN ATTACHMENT

SMCS-6801

i01901228

NOTE	REF NO	GRAPHIC REF	PART NUMBER	QTY	PART NAME						SEE PAGE
					1	2	3	4	5	6 (PRODUCT LEVEL)	
	1	1	206-9480	1	EDGE-CUTTING						
	2	1	4K-0367	10	NUT-FULL (5/8-11-THD)						
	3	1	4F-3654	10	BOLT-PLOW (5/8-11X2-IN)						



GRAPHIC #1

<END>

g00989296

WORK TOOLS

224-6526 EDGE GP-CUTTING

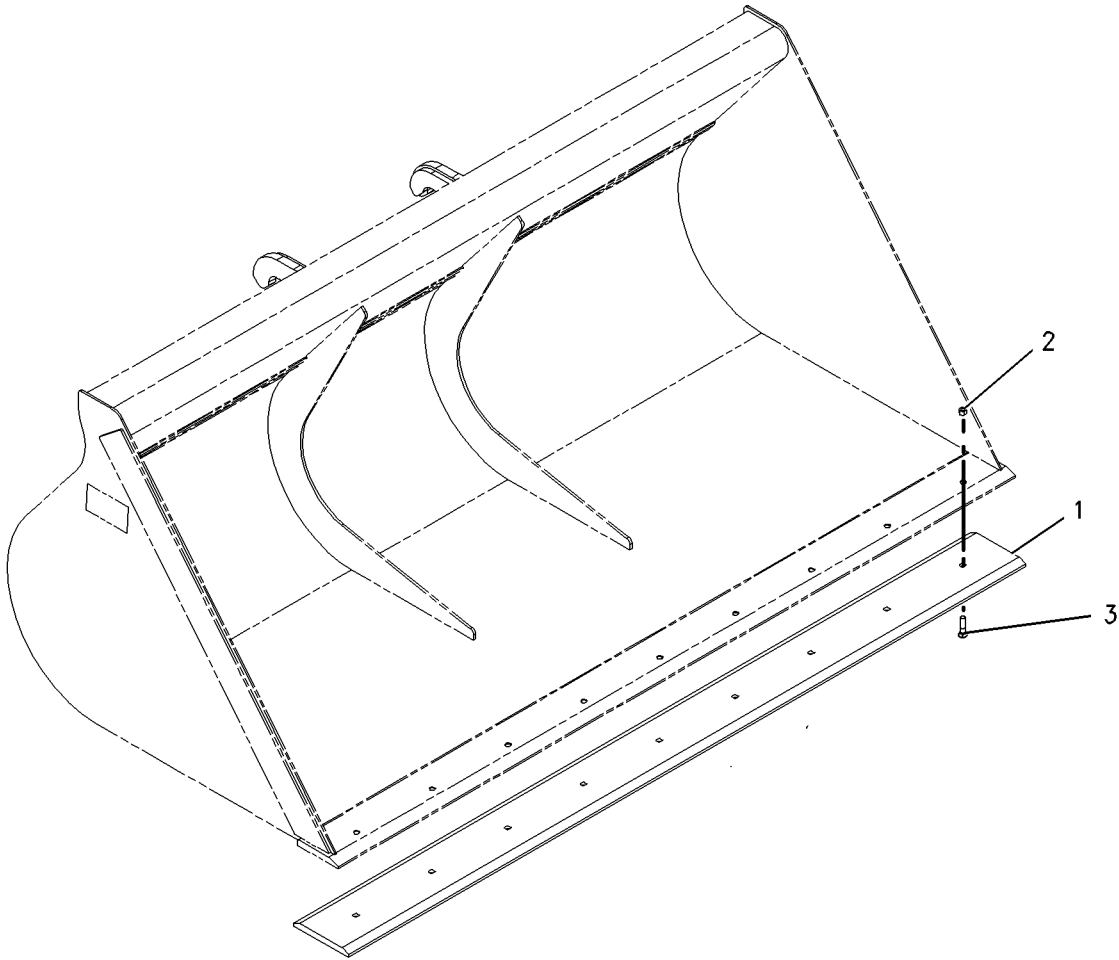
S/N: TH41-UP; TH91-UP

PART OF 220-4759, 220-4760 BUCKET GP-LIGHT MATERIAL
AN ATTACHMENT

SMCS-6801

i01901204

NOTE	REF NO	GRAPHIC REF	PART NUMBER	QTY	PART NAME						SEE PAGE
					1	2	3	4	5	6 (PRODUCT LEVEL)	
1	1	1	224-6213	1	EDGE-CUTTING						
2	1	1	4K-0367	9	NUT-FULL (5/8-11-THD)						
3	1	1	4F-3654	9	BOLT-PLOW (5/8-11X2-IN)						



GRAPHIC #1

<END>

g00989300

WORK TOOLS

456-0492 EDGE GP-CUTTING

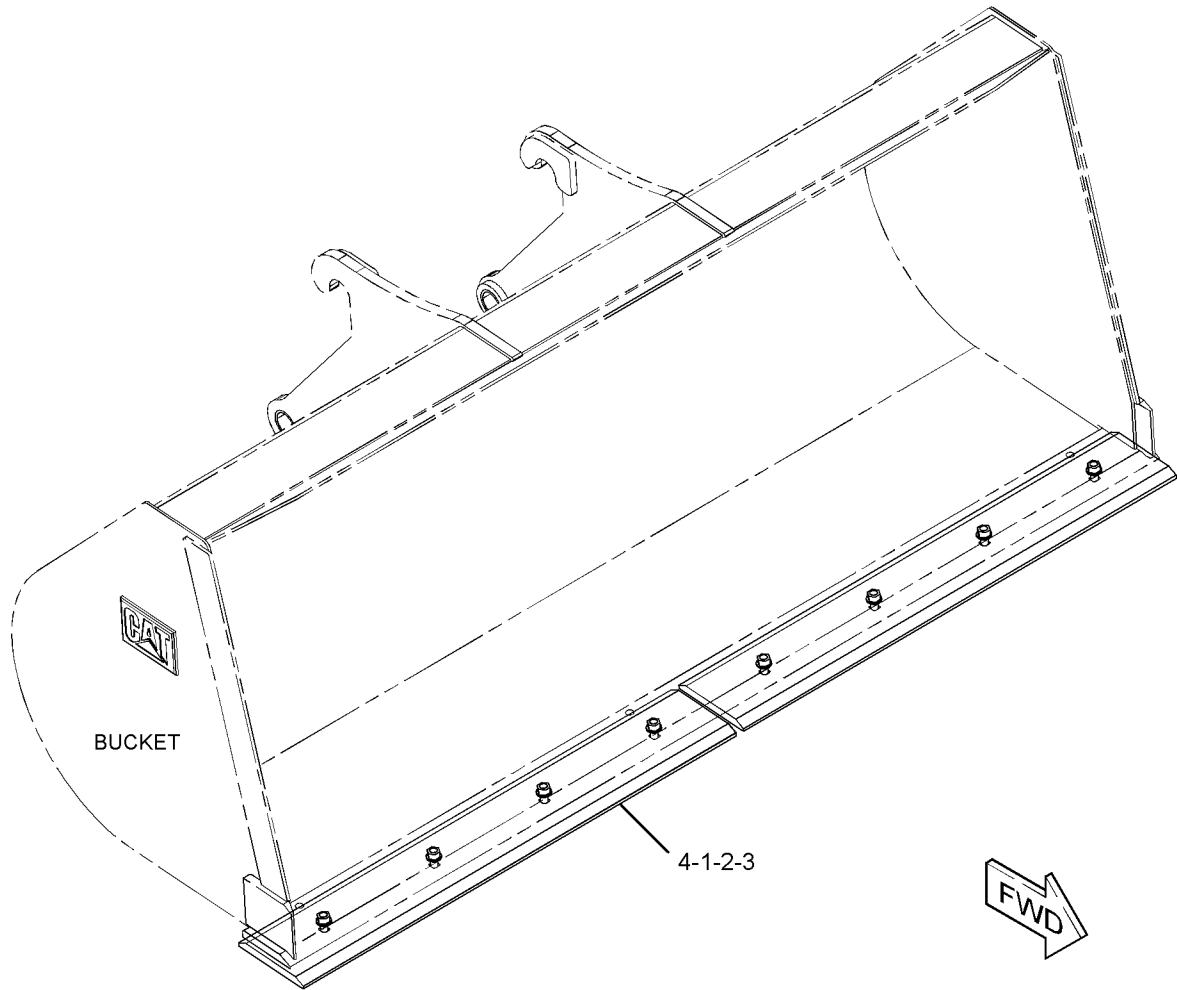
S/N: TH41-UP; TH91-UP

PART OF 456-0498 BUCKET GP-GENERAL PURPOSE, 456-0507 BUCKET GP-MATERIAL HANDLING
AN ATTACHMENT

SMCS-6801

i05685709

NOTE	REF NO	GRAPHIC REF	PART NUMBER	QTY	PART NAME						SEE PAGE
					1	2	3	4	5	6 (PRODUCT LEVEL)	
	1	1	3F-5108	8	BOLT-PLOW (5/8-11X2.25-IN)						
	2	1	4K-0367	8	NUT-FULL (5/8-11-THD)						
	3	1	8T-4122	8	WASHER-HARD (17X32X3.5-MM THK)						
	4	1	456-0494	2	PLATE						



GRAPHIC #1

<END>

g03644408

WORK TOOLS

9R-5320 EDGE GP-CUTTING

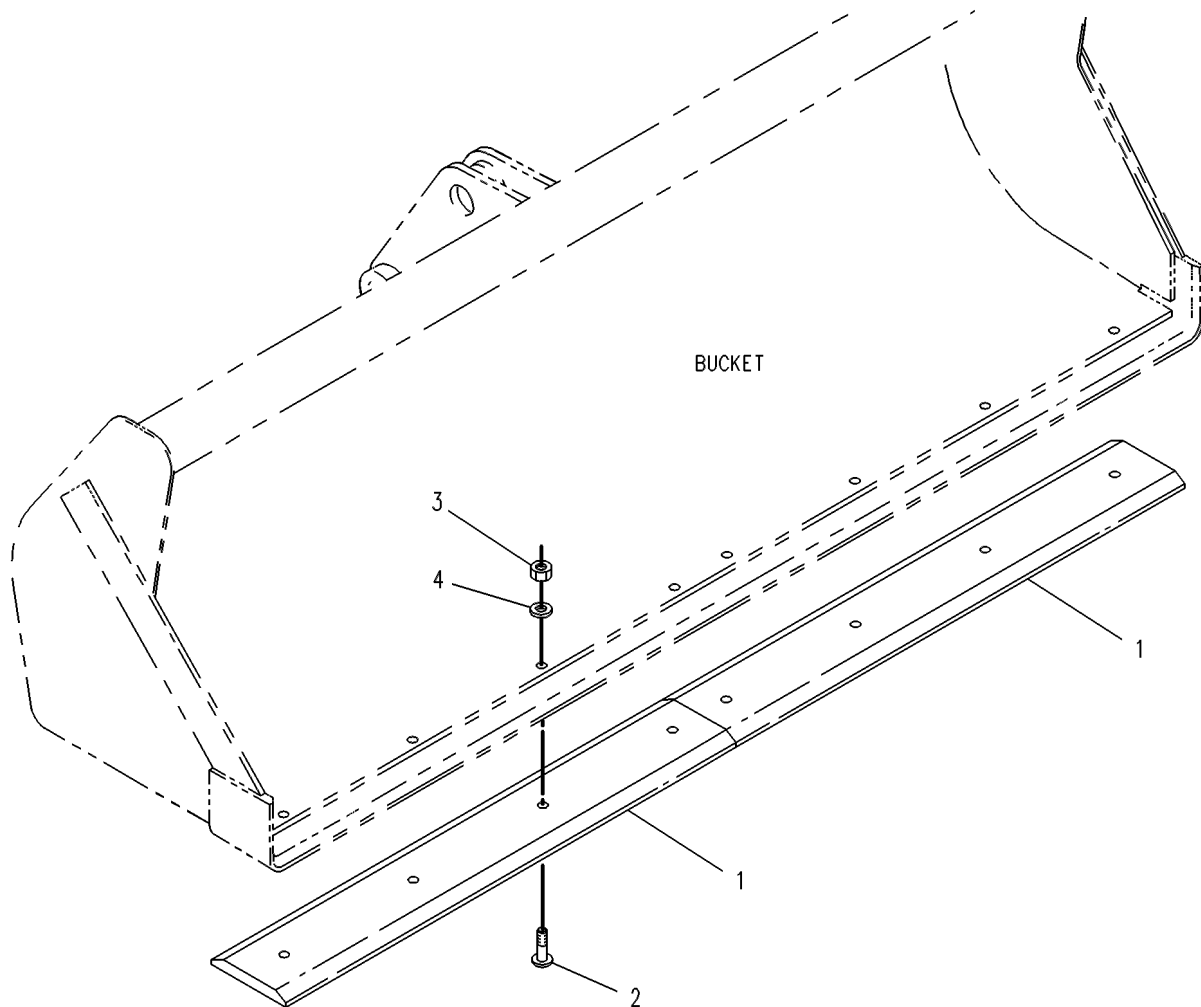
S/N: TH41-UP; TH91-UP

PART OF 163-4261 BUCKET AR-GENERAL PURPOSE, 186-5838 BUCKET GP-MATERIAL HANDLING,
163-4286 BUCKET GP-MULTIPURPOSE
AN ATTACHMENT

SMCS-6801

i05742930

NOTE	REF NO	GRAPHIC REF	PART NUMBER	QTY	PART NAME						SEE PAGE
					1	2	3	4	5	6 (PRODUCT LEVEL)	
	1	1	118-7110	2	EDGE-CUTTING						
	2	1	3F-5108	8	BOLT-PLOW (5/8-11X2.25-IN)						
	3	1	4K-0367	8	NUT-FULL (5/8-11-THD)						
	4	1	8T-4122	8	WASHER-HARD (17X32X3.5-MM THK)						



GRAPHIC #1

<END>

g00131376

WORK TOOLS

346-2975 FORK AR

S/N: TH41-UP; TH91-UP

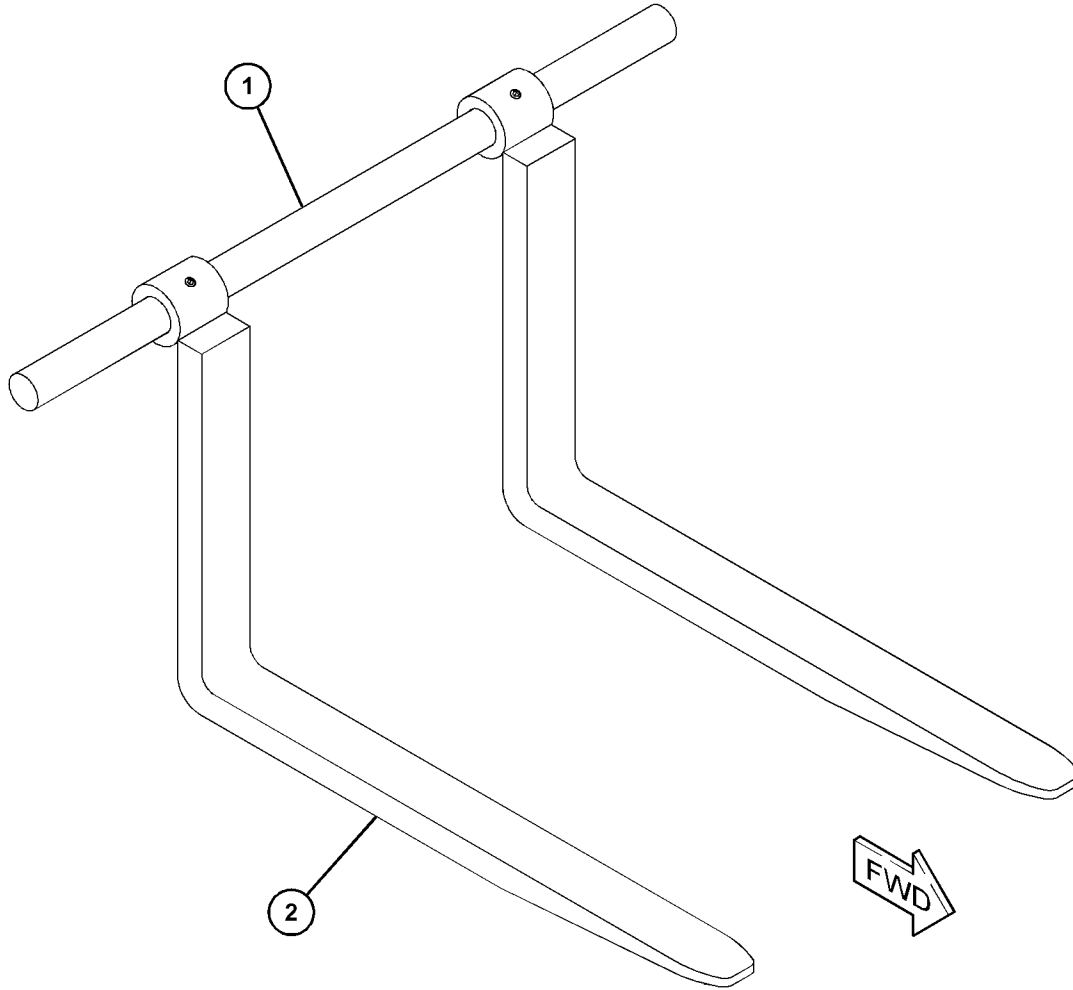
AN ATTACHMENT

SMCS-6405

i05823433

NOTE	REF NO	GRAPHIC REF	PART NUMBER	QTY	PART NAME						SEE PAGE
					1	2	3	4	5	6 (PRODUCT LEVEL)	
	1	1	346-2973	1	BAR						
Y	2	1	346-2974	2	FORK GP						1100

Y - SEPARATE ILLUSTRATION



GRAPHIC #1

<END>

g03688500

WORK TOOLS

301-9756 FORK AS

S/N: TH91-UP

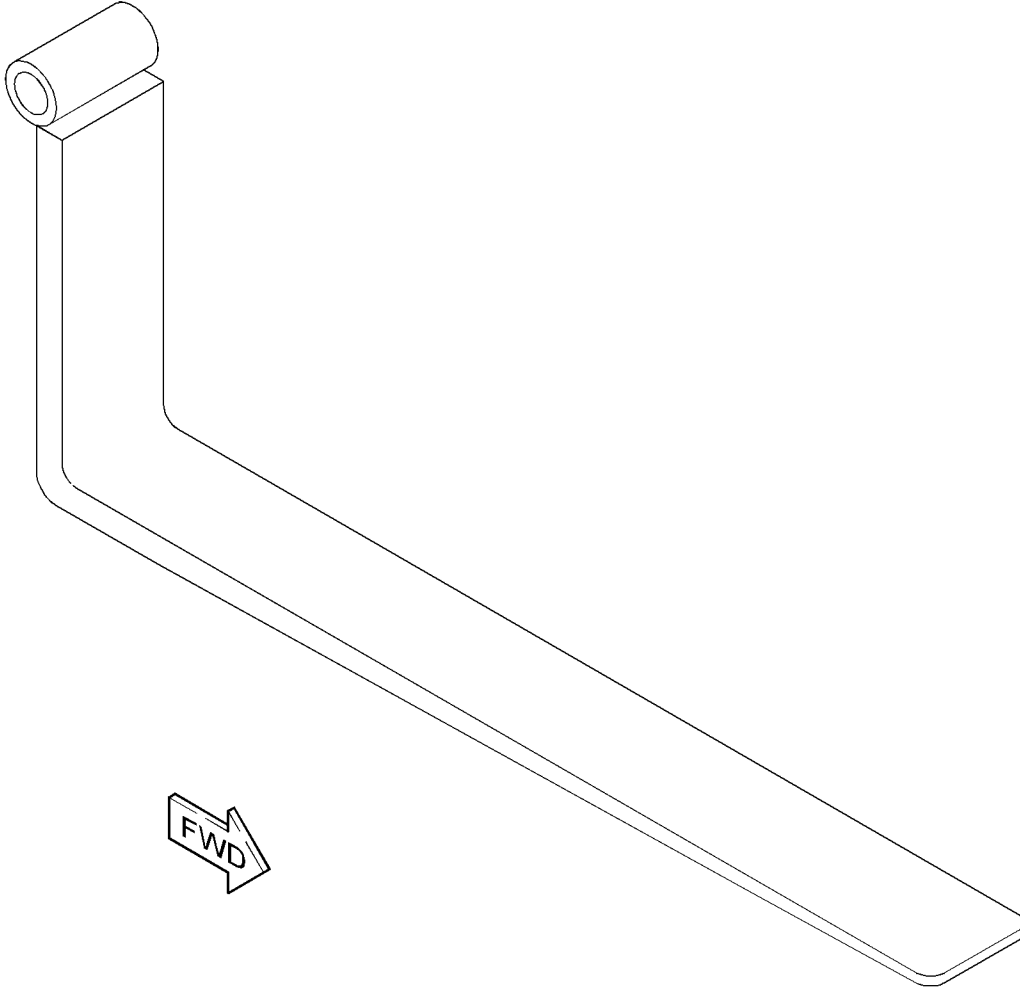
180-MM (7-IN) X 45-MM (1.8-IN) X 1540-MM (61-IN), FOR USE IN NACD REGION
AN ATTACHMENT

SMCS-6405

i06883805

NOTE	REF NO	GRAPHIC REF	PART NUMBER	QTY	PART NAME	SEE PAGE
					1 2 3 4 5 6 (PRODUCT LEVEL)	

(NO SERVICED PARTS)



GRAPHIC #1

<END>

g03756997

WORK TOOLS

311-2854 FORK AS

S/N: TH91-UP

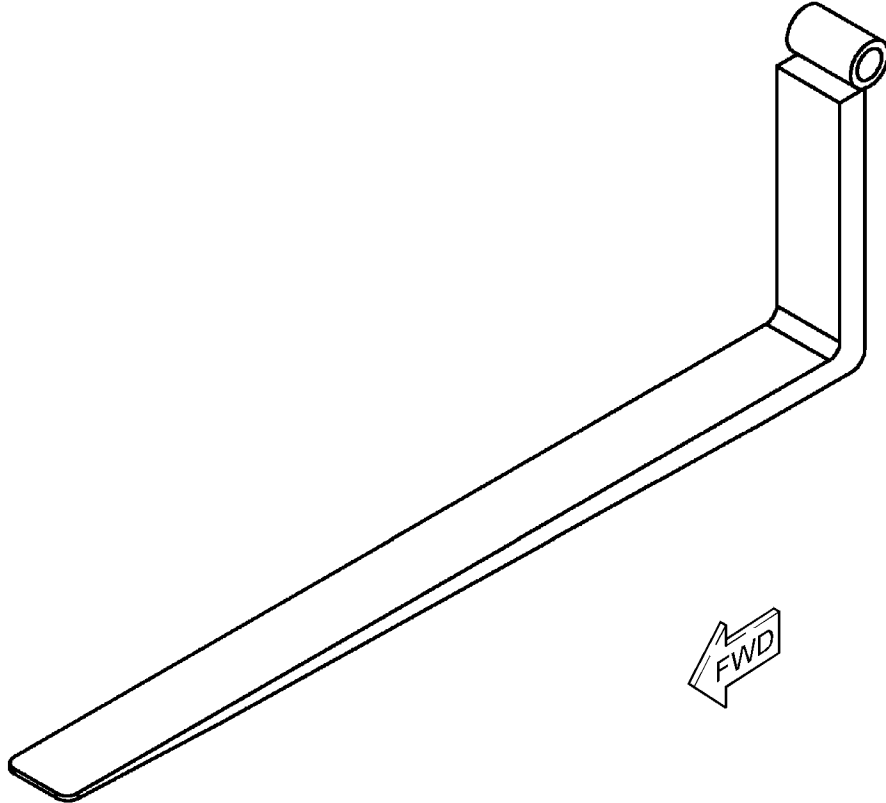
150-MM (5.9-IN) X 50-MM (2-IN) X 1830-MM (72-IN), FOR USE IN NACD ONLY
AN ATTACHMENT

SMCS-6405

i06885235

NOTE	REF NO	GRAPHIC REF	PART NUMBER	QTY	PART NAME	SEE PAGE
					1 2 3 4 5 6 (PRODUCT LEVEL)	

(NO SERVICED PARTS)



GRAPHIC #1

<END>

g03745694

WORK TOOLS

323-5737 FORK AS

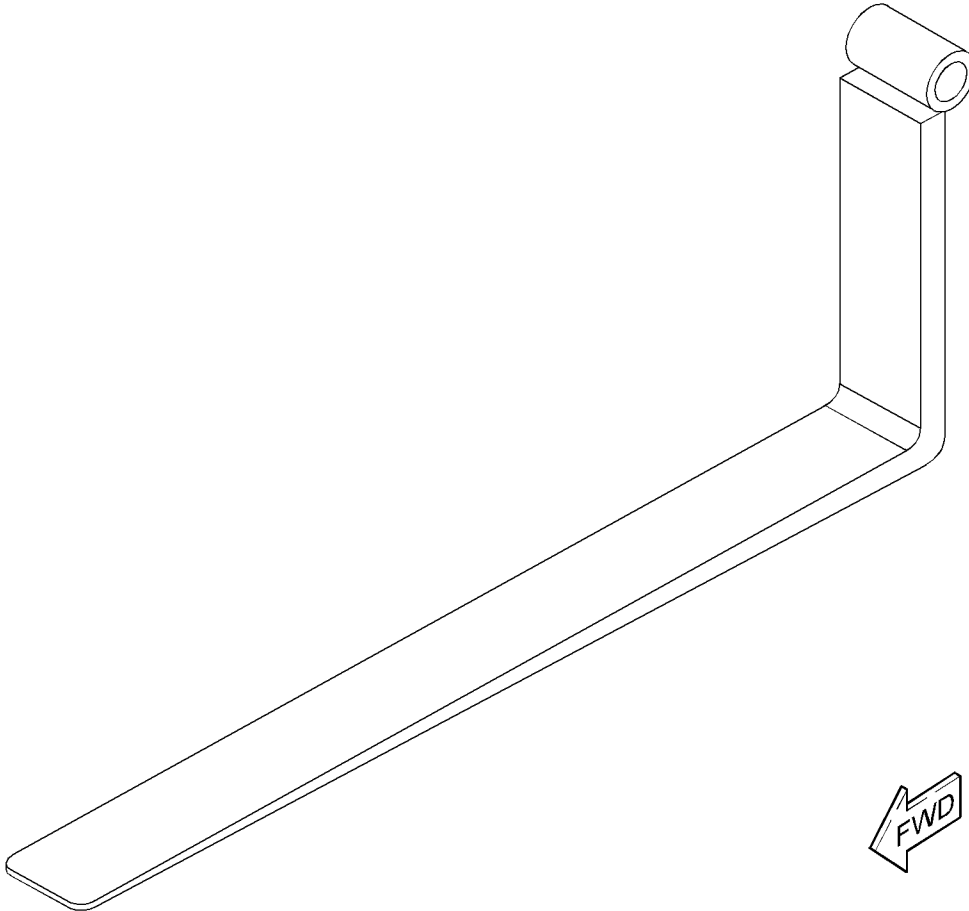
S/N: TH91-UP
1540-MM (60.6-IN)
AN ATTACHMENT

SMCS-6405

i06836824

NOTE	REF NO	GRAPHIC REF	PART NUMBER	QTY	PART NAME	SEE PAGE
					1 2 3 4 5 6 (PRODUCT LEVEL)	

(NO BREAKDOWN OF SERVICEABLE PARTS AVAILABLE AT TIME OF PUBLICATION)



GRAPHIC #1

<END>

g06139547

WORK TOOLS

301-9752 FORK AS-BLOCK

S/N: TH91-UP

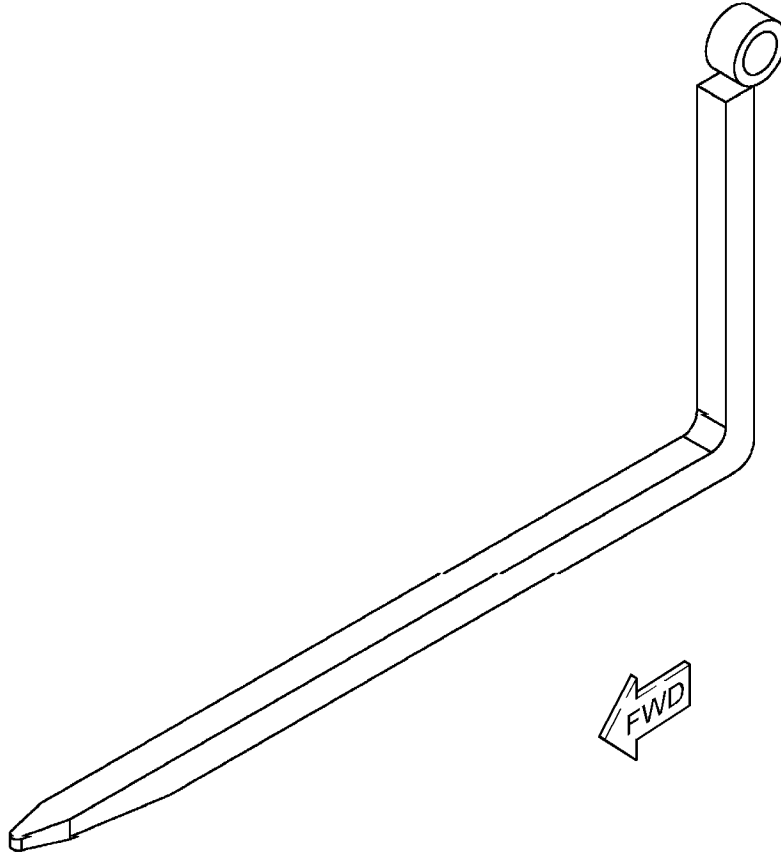
50-MM (2-IN) X 50-MM (2-IN) X 1220-MM (48-IN), FOR USE IN NACD REGION
AN ATTACHMENT

SMCS-6405

i06885239

NOTE	REF NO	GRAPHIC REF	PART NUMBER	QTY	PART NAME	SEE PAGE
					1 2 3 4 5 6 (PRODUCT LEVEL)	

(NO SERVICED PARTS)



GRAPHIC #1

<END>

g03745652

WORK TOOLS

301-9753 FORK AS-PALLET

S/N: TH91-UP

125-MM (4.9-IN) X 60-MM (2.4-IN) X 1220-MM (48-IN), FOR USE IN NACD REGION ONLY
AN ATTACHMENT

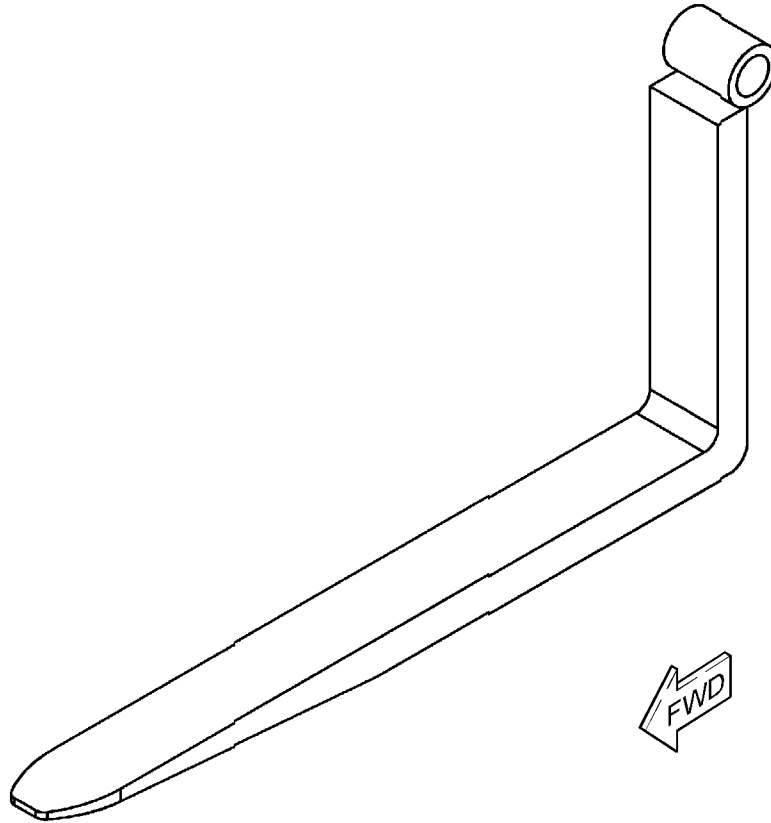
SMCS-6136, 6405

i06885241

NOTE	REF NO	GRAPHIC REF	PART NUMBER	QTY	PART NAME	SEE PAGE
------	--------	-------------	-------------	-----	-----------	----------

1 2 3 4 5 6 (PRODUCT LEVEL)

(NO SERVICED PARTS)



GRAPHIC #1

<END>

g03745664

WORK TOOLS

301-9754 FORK AS-PALLET

S/N: TH91-UP

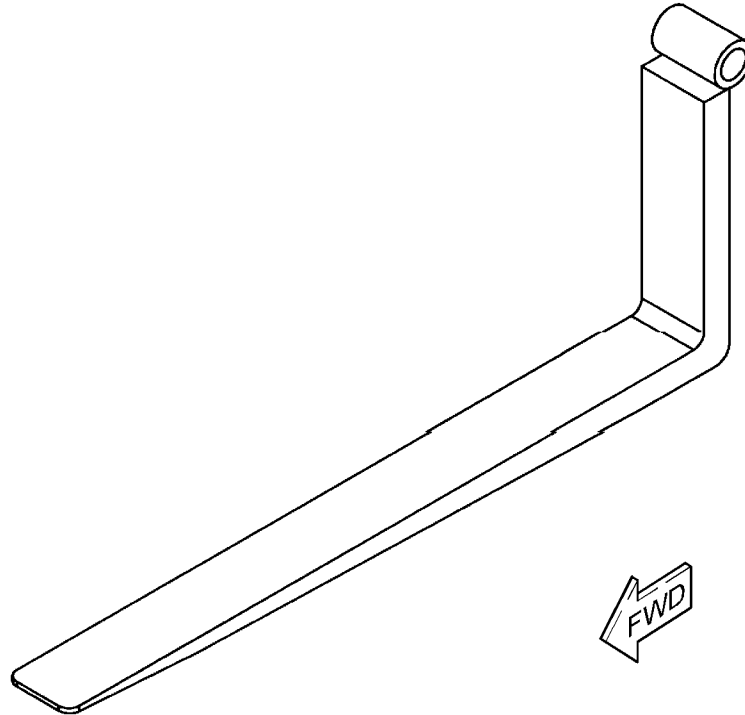
150-MM (5.9-IN) X 60-MM (2.4-IN) X 1524-MM (60-IN), FOR USE IN NACD REGION ONLY
AN ATTACHMENT

SMCS-6136, 6405

i06885246

NOTE	REF NO	GRAPHIC REF	PART NUMBER	QTY	PART NAME	SEE PAGE
------	--------	-------------	-------------	-----	-----------	----------

1 2 3 4 5 6 (PRODUCT LEVEL)
(NO SERVICED PARTS)



GRAPHIC #1

<END>

g03745642

WORK TOOLS

301-9755 FORK AS-PALLET

S/N: TH91-UP

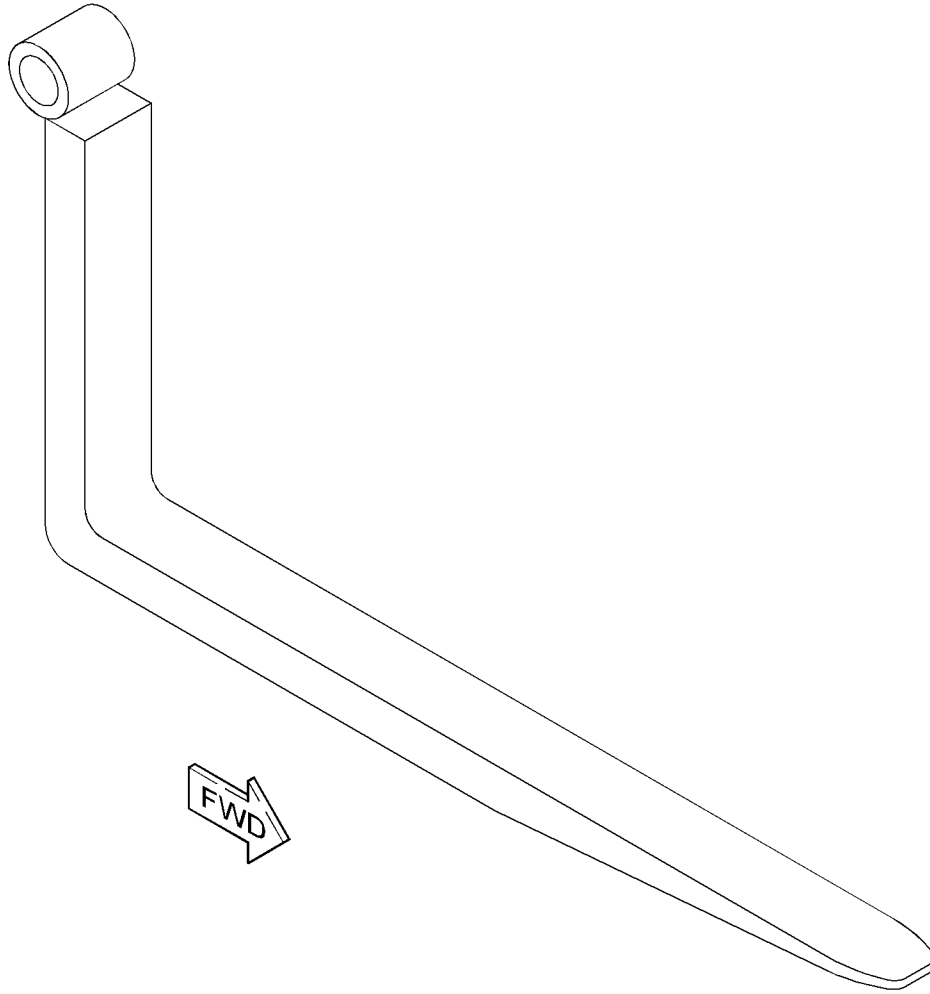
100-MM (3.9-IN) X 60-MM (2.4-IN) X 1220-MM (48-IN), FOR USE IN NACD REGION
AN ATTACHMENT

SMCS-6136, 6405

i05992169

NOTE	REF NO	GRAPHIC REF	PART NUMBER	QTY	PART NAME	SEE PAGE
------	--------	-------------	-------------	-----	-----------	----------

(NO BREAKDOWN OF SERVICEABLE PARTS AVAILABLE
AT TIME OF PUBLICATION)



GRAPHIC #1

<END>

g03757036

WORK TOOLS

326-1998 FORK GP

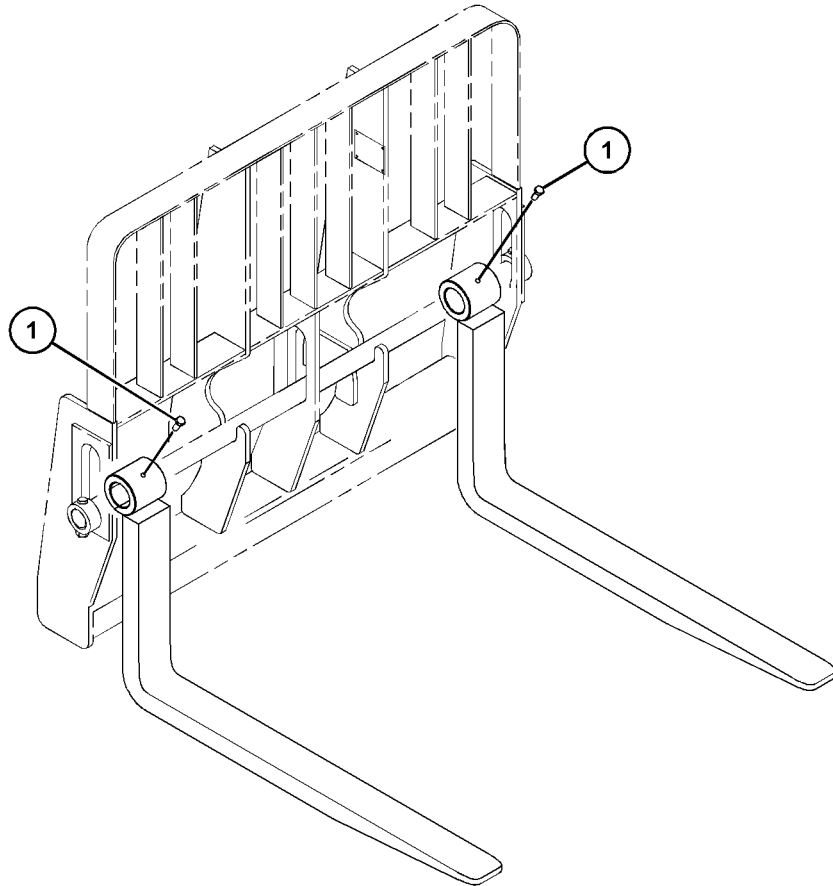
S/N: TH41-UP; TH91-UP

AN ATTACHMENT

SMCS-6405

i06907168

NOTE	REF NO	GRAPHIC REF	PART NUMBER	QTY	PART NAME						SEE PAGE
					1	2	3	4	5	6 (PRODUCT LEVEL)	
	1	1	524-3872	2	SCREW						



GRAPHIC #1

<END>

g06164625

WORK TOOLS

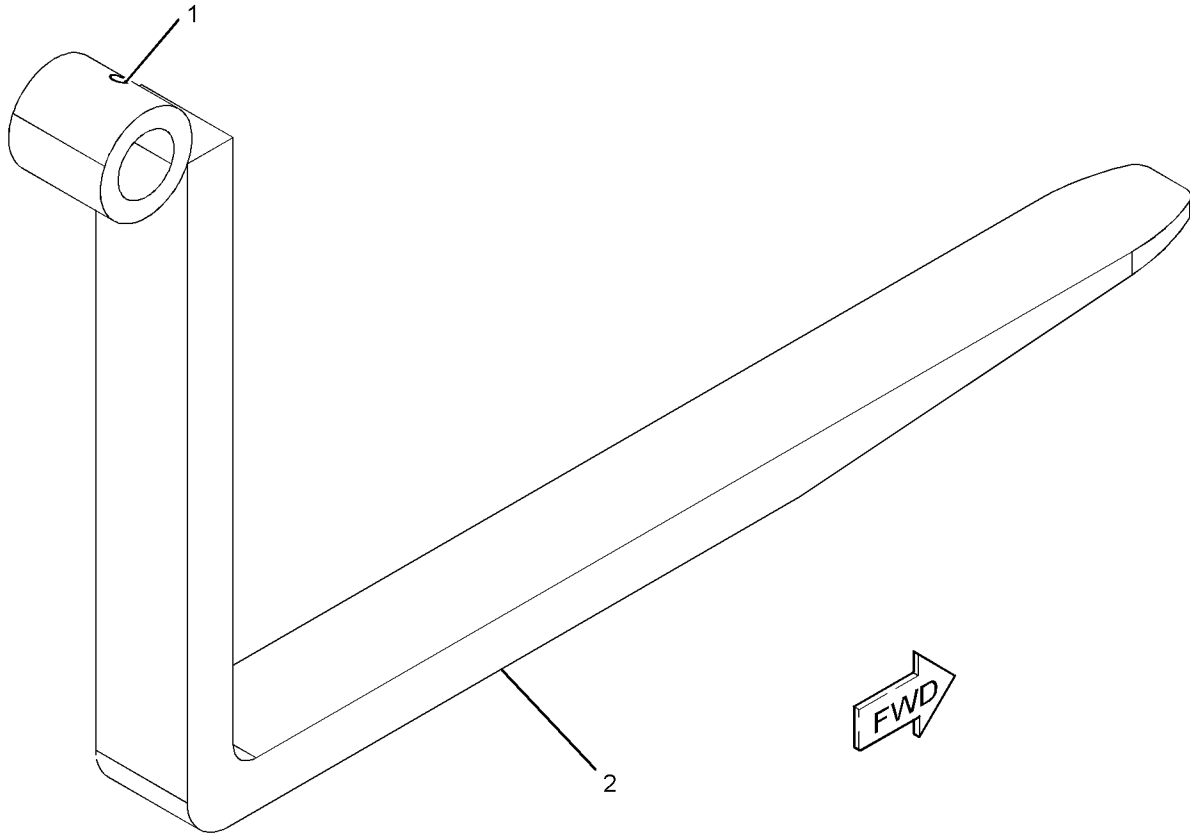
346-2974 FORK GP

S/N: TH41-UP; TH91-UP
PART OF 346-2975 FORK AR
AN ATTACHMENT

SMCS-6405

i06635994

NOTE	REF NO	GRAPHIC REF	PART NUMBER	QTY	PART NAME						SEE PAGE
					1	2	3	4	5	6 (PRODUCT LEVEL)	
	1	1	477-1675	1	SCREW						
	2	1	346-2972	1	FORK AS						



GRAPHIC #1

<END>

g03692654

WORK TOOLS

364-5356 FORK GP

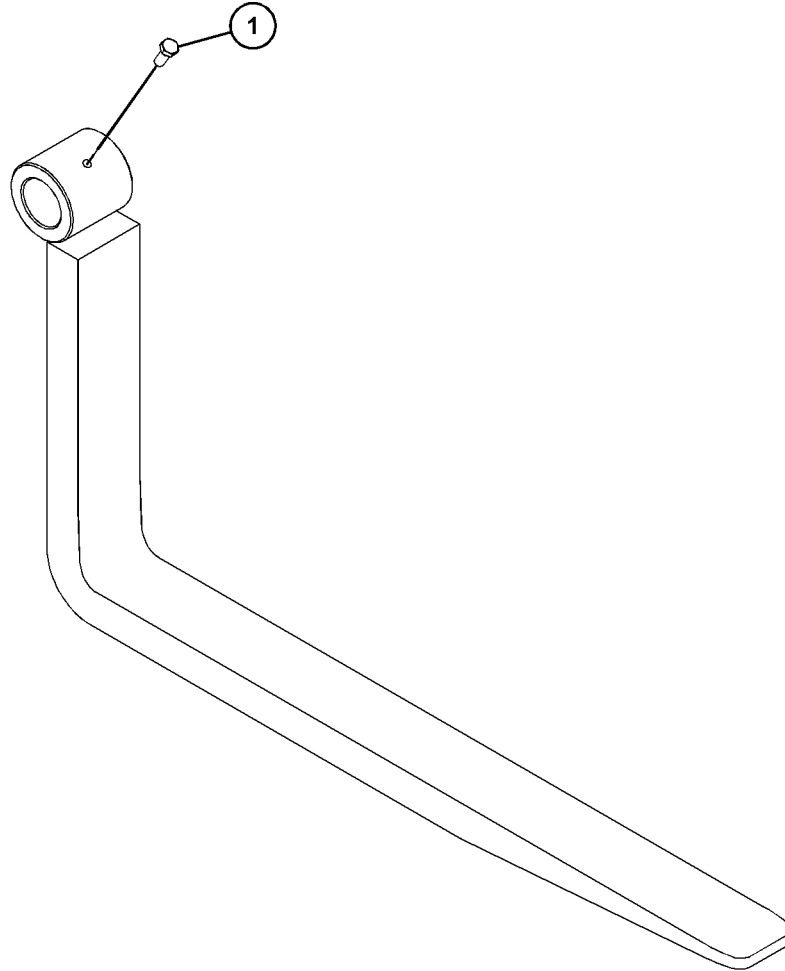
S/N: TH41-UP; TH91-UP
4000-KG, CAN NOT BE USED IN NACD
AN ATTACHMENT

SMCS-6405

i07250276

NOTE	REF NO	GRAPHIC REF	PART NUMBER	QTY	PART NAME						SEE PAGE
					1	2	3	4	5	6 (PRODUCT LEVEL)	
M	1	1	510-5662	2	BOLT (M16X2X30-MM)						

M - METRIC PART



GRAPHIC #1

<END>

g06126600

WORK TOOLS

456-0454 FORK GP

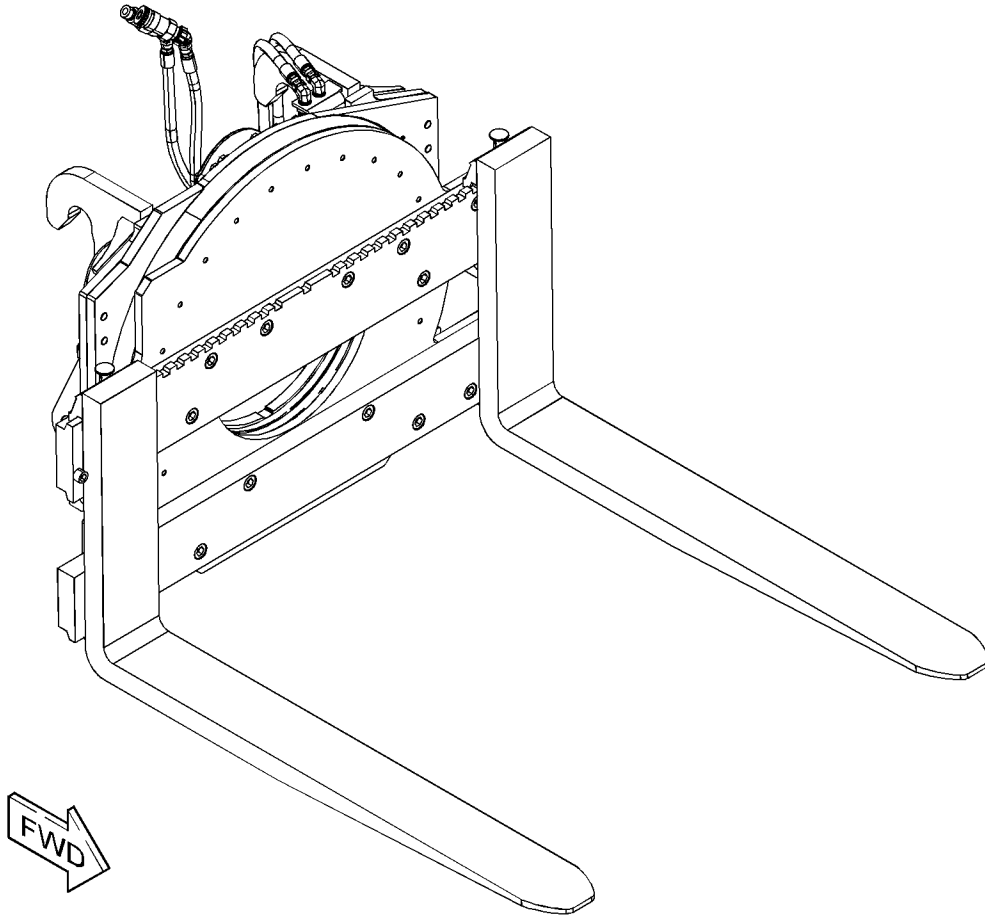
S/N: TH41-UP; TH91-UP

AN ATTACHMENT

SMCS-6405

i07210847

NOTE	REF NO	GRAPHIC REF	PART NUMBER	QTY	PART NAME	SEE PAGE
					1 2 3 4 5 6 (PRODUCT LEVEL)	
(NO SERVICED PARTS)						



GRAPHIC #1

<END>

g06252829

WORK TOOLS

463-1675 FORK GP

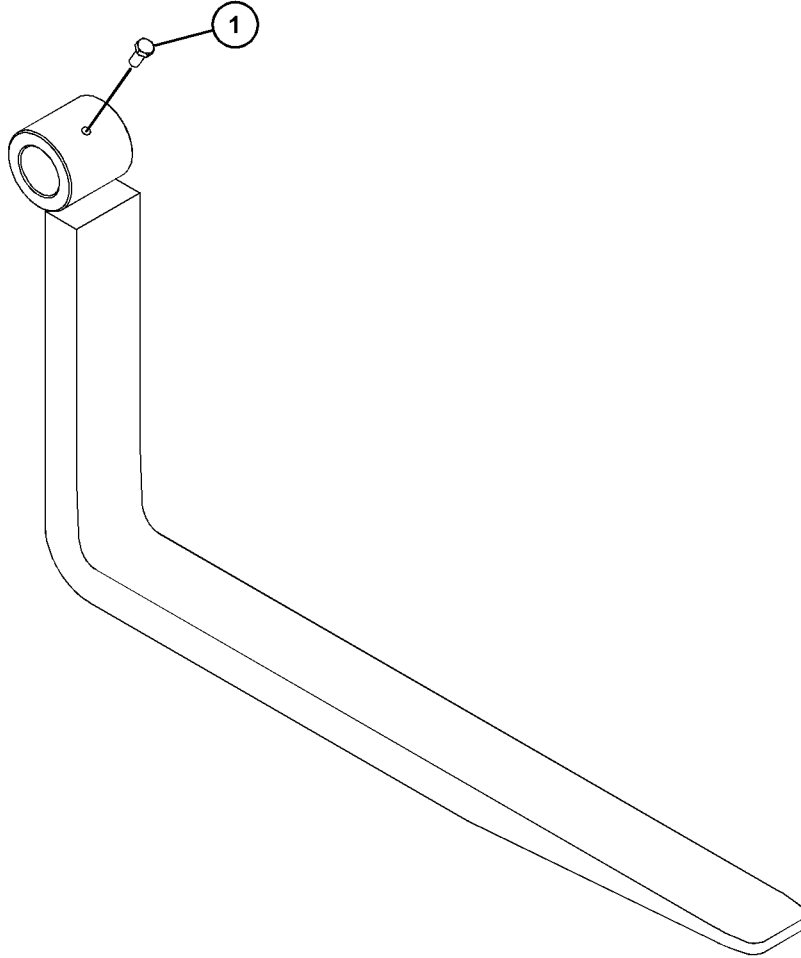
S/N: TH41-UP; TH91-UP
NOT FOR USE IN NACD REGION
AN ATTACHMENT

SMCS-6405

i06736229

NOTE	REF NO	GRAPHIC REF	PART NUMBER	QTY	PART NAME						SEE PAGE
					1	2	3	4	5	6 (PRODUCT LEVEL)	
M	1	1	6V-3668	1	BOLT (M12X1.75X30-MM)						

M - METRIC PART



GRAPHIC #1

<END>

g06114235

WORK TOOLS

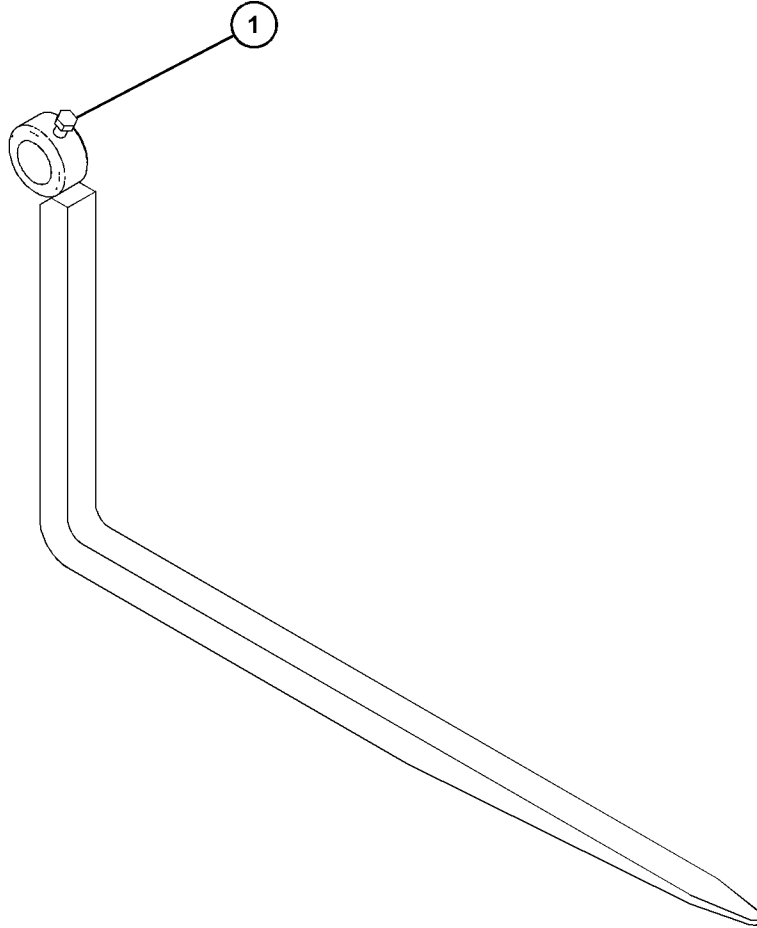
485-7240 FORK GP

S/N: TH41-UP; TH91-UP
NOT FOR USE IN NACD REGION
AN ATTACHMENT

SMCS-6405

i06735315

NOTE	REF NO	GRAPHIC REF	PART NUMBER	QTY	PART NAME						SEE PAGE
					1	2	3	4	5	6 (PRODUCT LEVEL)	
	1	1	2L-1701	1	BOLT (5/8-18X1.5-IN)						



GRAPHIC #1

<END>

g06114391

WORK TOOLS

497-6985 FORK GP

S/N: TH41-UP; TH91-UP

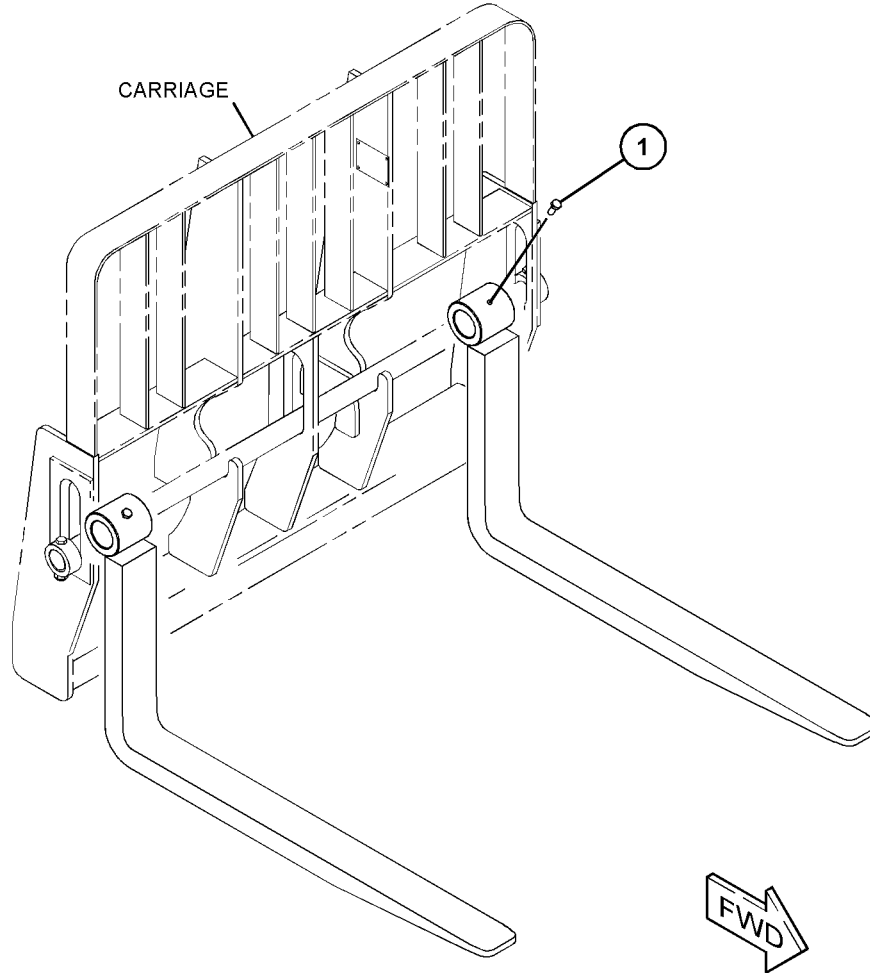
40-MM (1.6-IN) X 150-MM (6-IN) X 1540-MM (60.6-IN)
AN ATTACHMENT

SMCS-6405

i06889523

NOTE	REF NO	GRAPHIC REF	PART NUMBER	QTY	PART NAME						SEE PAGE
					1	2	3	4	5	6 (PRODUCT LEVEL)	
M	1	1	510-5662	1	BOLT (M16X2X30-MM)						

M - METRIC PART



GRAPHIC #1

<END>

g06158562

WORK TOOLS

509-4662 FORK GP-GRAB

S/N: TH41-UP; TH91-UP

2450-MM (96.5-IN)

AN ATTACHMENT

SMCS-6405

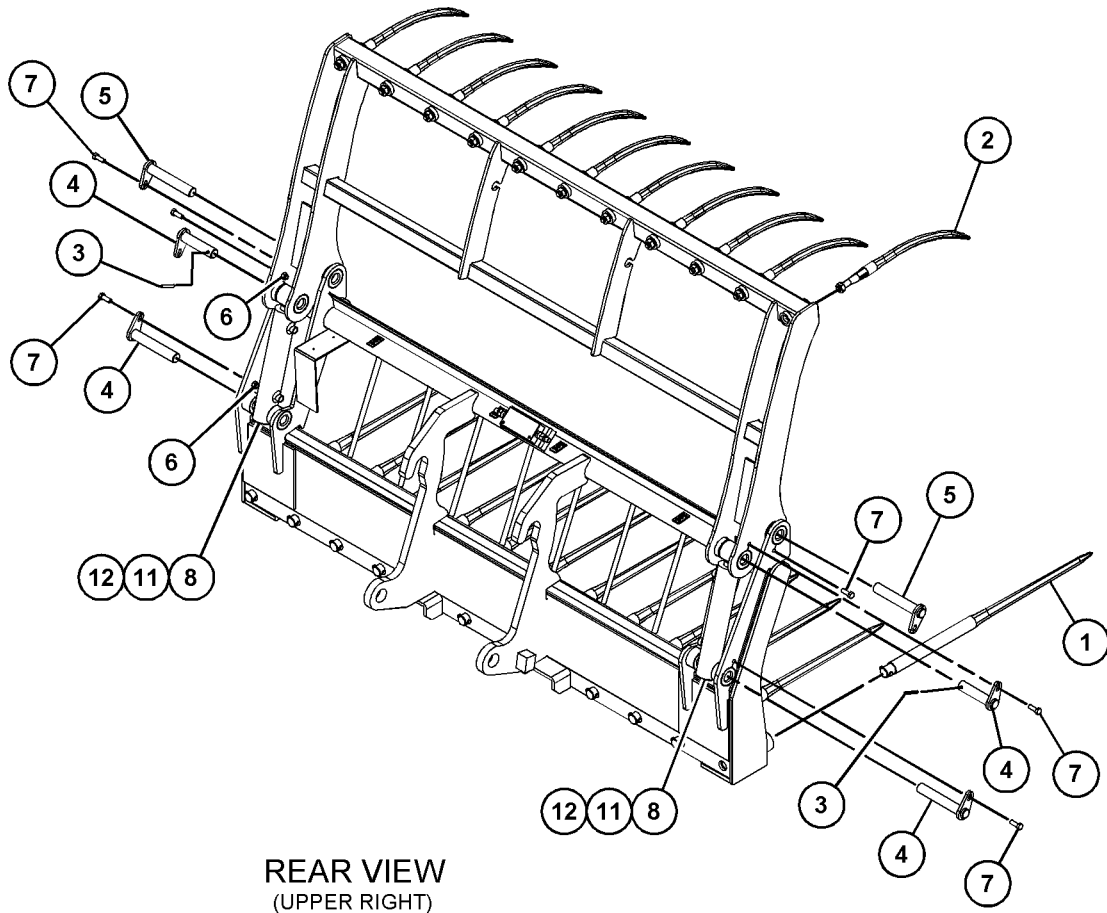
i07716933

NOTE	REF NO	GRAPHIC REF	PART NUMBER	QTY	PART NAME						SEE PAGE
					1	2	3	4	5	6 (PRODUCT LEVEL)	
	1	1	512-8037	12	PLATE AS						
	2	1	545-6982	11	PLATE AS						
	3	1	512-6795	2	PIN AS						
	4	1	512-6796	4	PIN AS						
	5	1	512-6802	2	PIN-ROLL						
	6	1	512-6800	6	NUT						
	7	1	512-6801	6	SCREW						
	8	1	512-6797	2	CYLINDER AS						
	9	1	545-7587	2	HOSE						
	10	1	545-7591	2	HOSE						
	11	1	512-6798	10	RETAINER-RING						
	12	1	512-6799	6	FITTING						
	13	1	512-6793	1	VALVE						

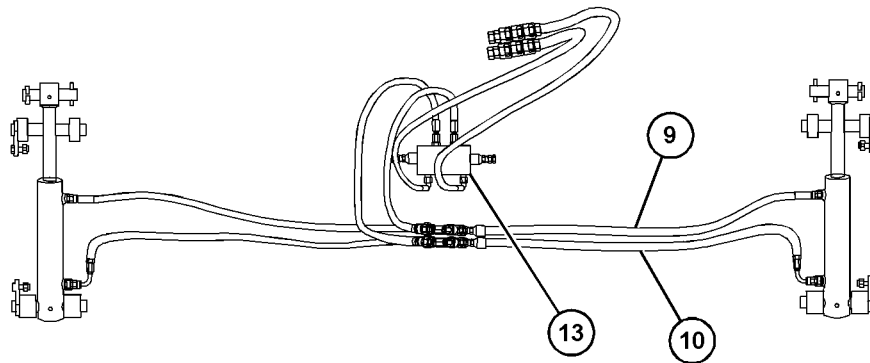
WORK TOOLS

509-4662 FORK GP (contd.)

i07716933



REAR VIEW
(UPPER RIGHT)



REAR VIEW
(PARTS REMOVED FOR CLARITY)

GRAPHIC #1

<END>

g06416626

WORK TOOLS

486-0526 FORK GP-GRAPPLE

S/N: TH41-UP; TH91-UP

AN ATTACHMENT

SMCS-6705

i07210852

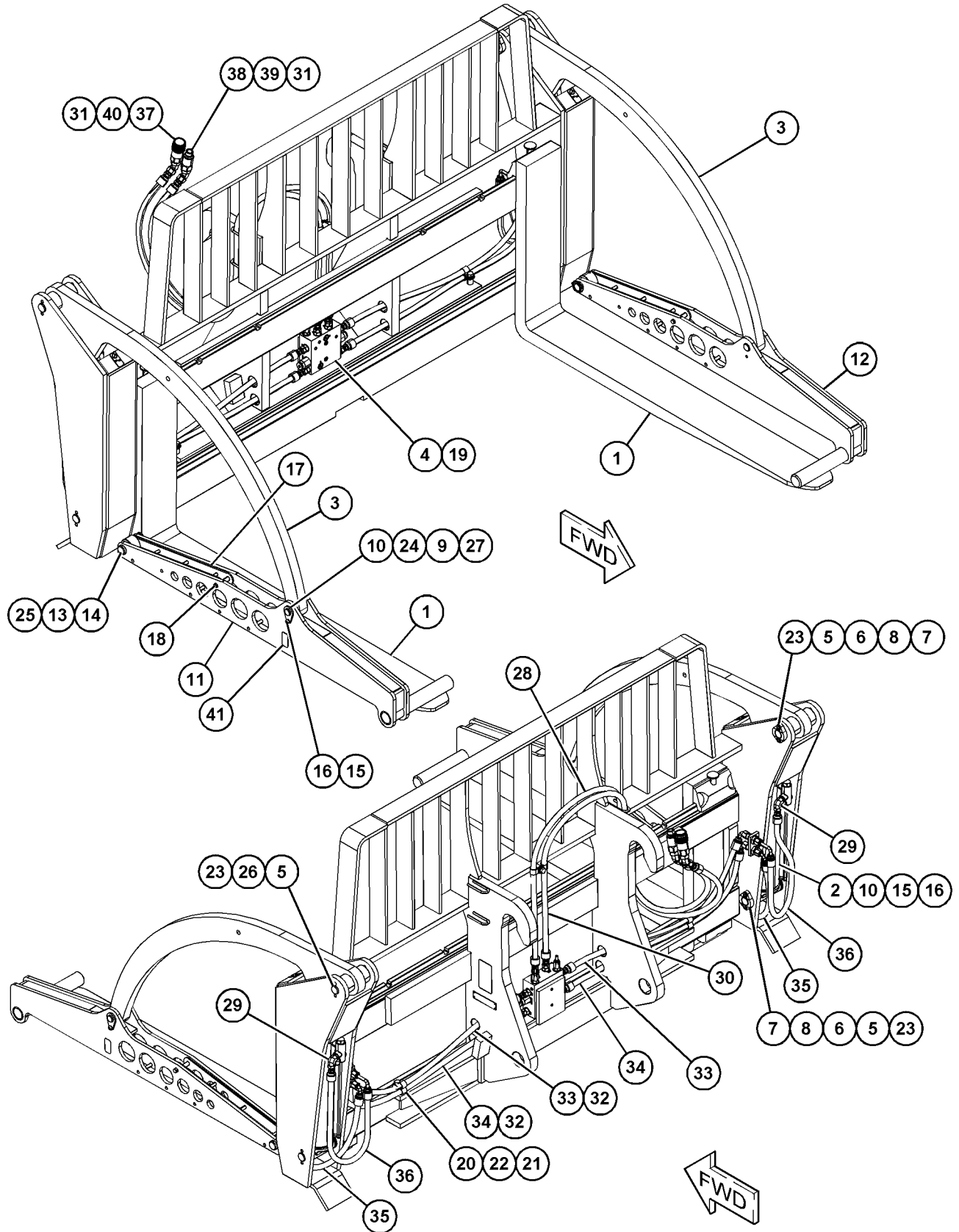
NOTE	REF NO	GRAPHIC REF	PART NUMBER	QTY	PART NAME						SEE PAGE
					1	2	3	4	5	6 (PRODUCT LEVEL)	
	1	1	528-3032	2	FORK						
Y	2	1	528-3030	2	CYLINDER GP-FORK						841
	3	1	528-3033	2	ARM						
Y	4	1	528-3031	1	VALVE GP-CONTROL						961
	5	1	484-7150	4	PIN						
	6	1	484-7153	4	PIN						
	7	1	484-7154	4	RETAINER						
	8	1	484-7155	8	BOLT						
	9	1	528-3034	4	WASHER - THRUST						
	10	1	528-3035	4	PIN						
	11	1	528-3036	1	PAD (RH)						
	12	1	528-3037	1	PAD (LH)						
	13	1	528-3038	2	ROLLER						
	14	1	528-3039	2	PIN						
	15	1	528-3040	4	WASHER - LOCK						
	16	1	528-3041	4	SCREW						
	17	1	528-3042	2	RETAINER						
	18	1	528-3043	2	PIN						
	19	1	528-3044	2	SCREW						
	20	1	484-7164	4	CLAMP						
	21	1	484-7165	2	WASHER						
	22	1	484-7170	2	BOLT						
	23	1	484-7158	24	SHIM						
	24	1	528-3045	8	SHIM (3-MM THK)						
	25	1	528-3046	2	PIN						
	26	1	484-7185	4	BUSHING						
	27	1	528-3047	4	BUSHING						
	28	1	528-3048	1	HOSE						
	29	1	417-9866	4	ADAPTER						
	30	1	528-3049	1	HOSE						
	31	1	528-3050	2	ADAPTER						
	32	1	528-3051	4	FITTING						
	33	1	528-3052	2	HOSE						
	34	1	528-3053	2	HOSE						
	35	1	528-3054	2	HOSE						
	36	1	528-3055	2	HOSE						
	37	1	340-5953	1	CAP-DUST						
	38	1	340-5954	1	CAP-DUST						
	39	1	300-6079	1	COUPLING (MALE)						
	40	1	300-6078	1	COUPLING (FEMALE)						
	41	1	528-3056	4	FILM-IDENTIFICATION (PINCH POINT)						

Y - SEPARATE ILLUSTRATION

WORK TOOLS

486-0526 FORK GP-GRAPPLE (contd.)

i07210852



GRAPHIC #1

<END>

g06257380

WORK TOOLS

252-1456 FORK GP-PALLET

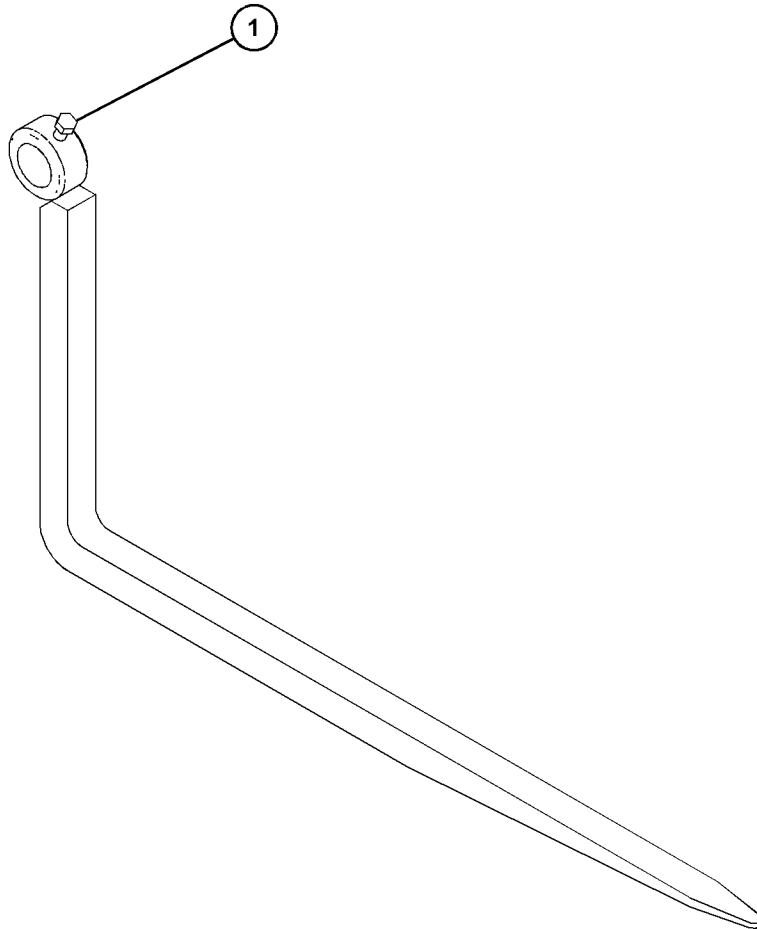
S/N: TH41-UP; TH91-UP

100-MM (3.9-IN) X 50-MM (2-IN) X 1525-MM (60-IN), NOT FOR USE IN NACD REGION AND AUSTRALIA.
AN ATTACHMENT

SMCS-6136

i06885249

NOTE	REF NO	GRAPHIC REF	PART NUMBER	QTY	PART NAME						SEE PAGE
					1	2	3	4	5	6 (PRODUCT LEVEL)	
	1	1	2L-1701	1	BOLT (5/8-18X1.5-IN)						



GRAPHIC #1

<END>

g06114391

WORK TOOLS

397-6114 FORK GP-PALLET

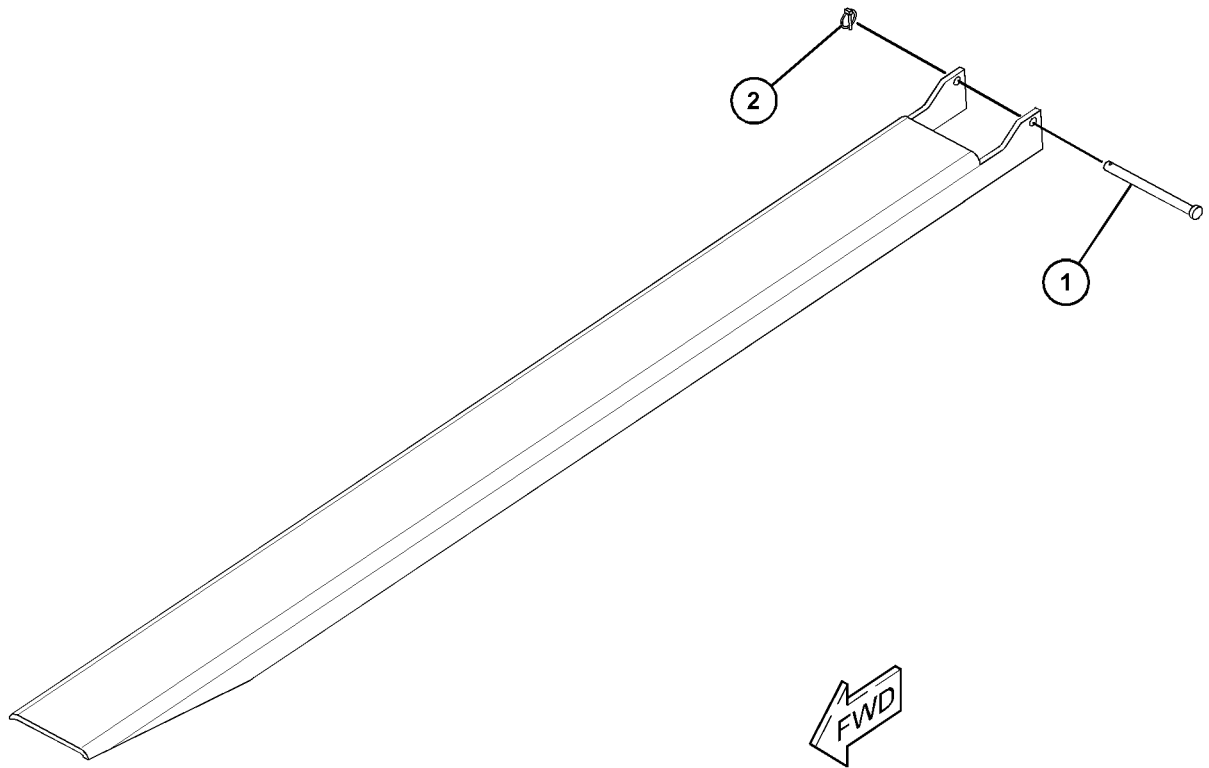
S/N: TH91-UP
AN ATTACHMENT

SMCS-6136

i06836822

NOTE	REF NO	GRAPHIC REF	PART NUMBER	QTY	PART NAME						SEE PAGE
					1	2	3	4	5	6 (PRODUCT LEVEL)	
	1	1	491-2597	1	PIN						
	2	1	491-2599	1	CLIP						

PARTS SHOWN IN GRAPHIC(S) WITHOUT A REFERENCE NUMBER ARE NOT SERVICED SEPARATELY



GRAPHIC #1

<END>

g06139581

WORK TOOLS

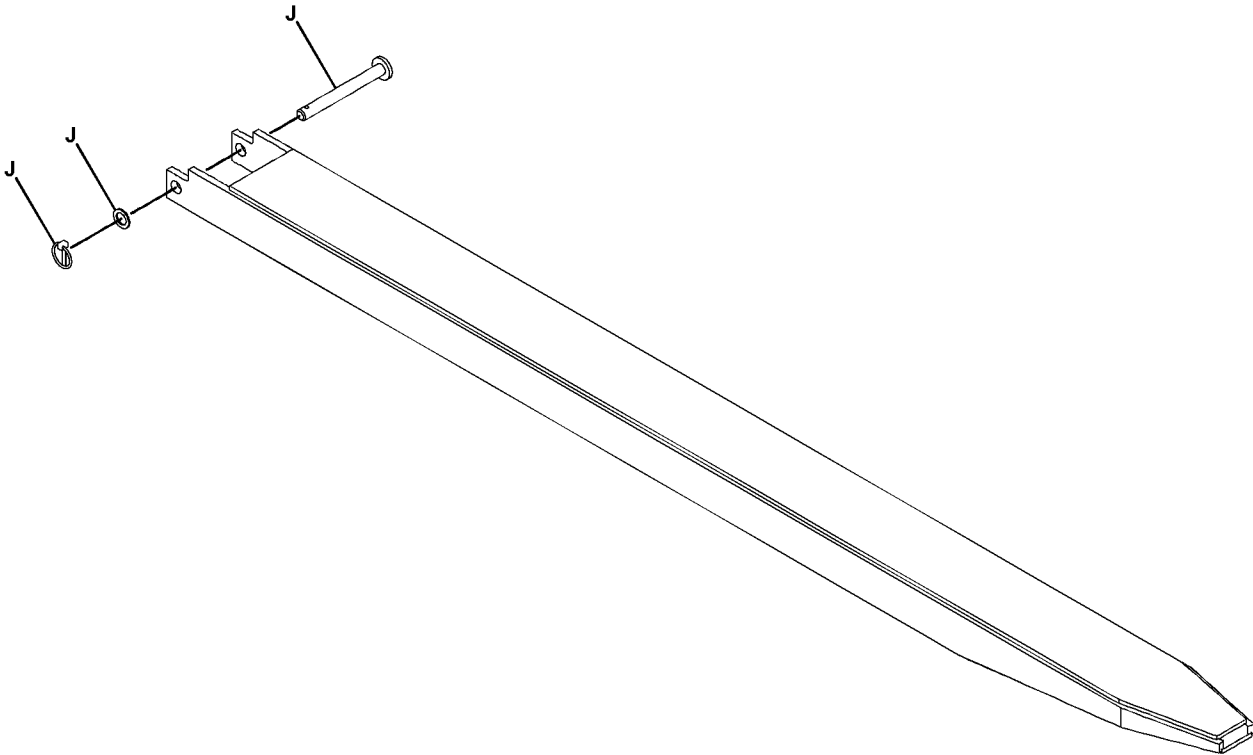
485-7238 FORK GP-PALLET

S/N: TH41-UP; TH91-UP
NOT FOR USE IN NACD REGION
AN ATTACHMENT

SMCS-6136

i06836835

NOTE	REF NO	GRAPHIC REF	PART NUMBER	QTY	PART NAME						SEE PAGE
					1	2	3	4	5	6 (PRODUCT LEVEL)	
					AVAILABLE REPAIR KIT(S) :						
			509-8143	1	KIT-PIN						
					(INCLUDES PARTS MARKED "J" IN THE GRAPHIC)						



GRAPHIC #1

<END>

g06147711

WORK TOOLS

509-4663 GRAPPLE GP-MANURE

S/N: TH41-UP; TH91-UP

AN ATTACHMENT

SMCS-6307

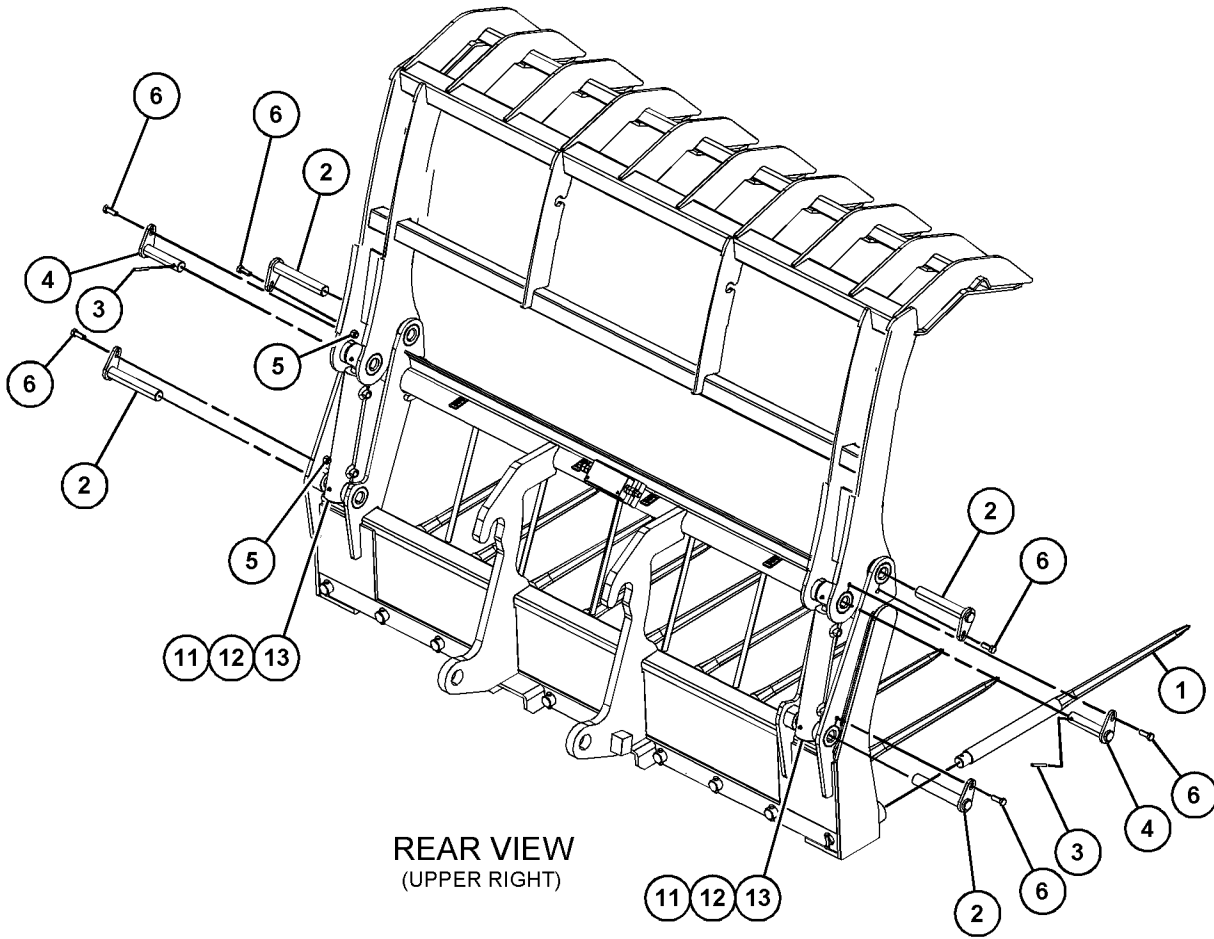
i07716940

NOTE	REF NO	GRAPHIC REF	PART NUMBER	QTY	PART NAME						SEE PAGE
					1	2	3	4	5	6 (PRODUCT LEVEL)	
	1	1	512-8037	10	PLATE AS						
	2	1	512-6796	4	PIN AS						
	3	1	512-6802	2	PIN-ROLL						
	4	1	512-6795	2	PIN AS						
	5	1	512-6800	6	NUT						
	6	1	512-6801	6	SCREW						
	7	1	545-9415	1	HOSE						
	8	1	545-9416	1	HOSE						
	9	1	545-9418	1	HOSE						
	10	1	545-9419	1	HOSE						
	11	1	512-6798	10	RETAINER-RING						
	12	1	512-6799	6	FITTING						
	13	1	512-6797	2	CYLINDER AS						
	14	1	512-6793	1	VALVE						

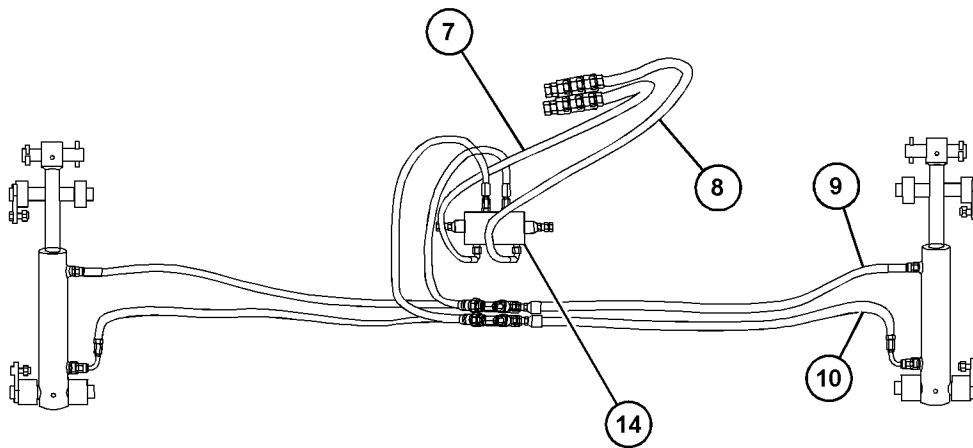
WORK TOOLS

509-4663 GRAPPLE GP (contd.)

i07716940



REAR VIEW
(UPPER RIGHT)



REAR VIEW
(PARTS REMOVED FOR CLARITY)

GRAPHIC #1

<END>

g06416631

WORK TOOLS

204-5261 GUARD GP-BUCKET-FRONT

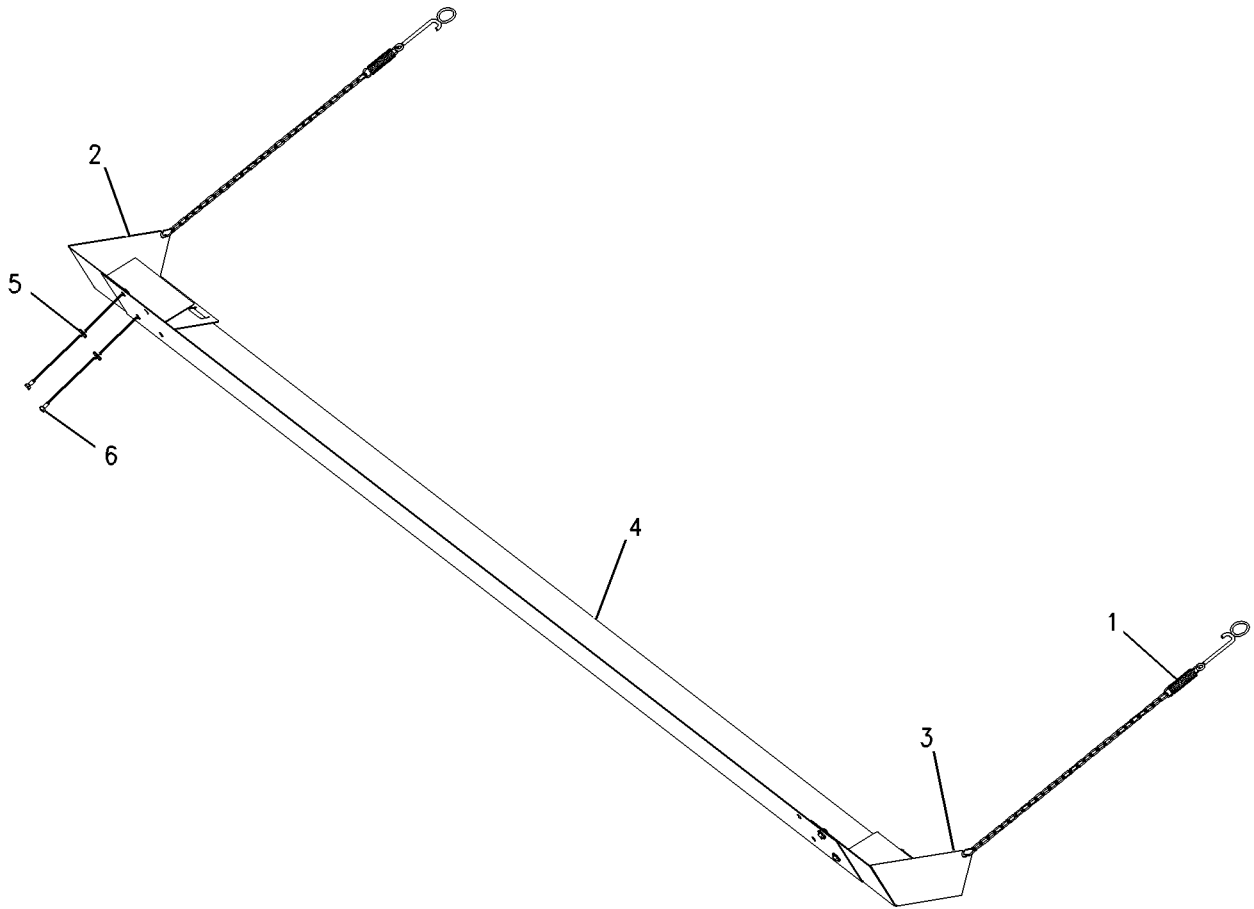
S/N: TH41-UP; TH91-UP
AN ATTACHMENT

SMCS-6001, 6800, 6805

i01618702

NOTE	REF NO	GRAPHIC REF	PART NUMBER	QTY	PART NAME						SEE PAGE
					1	2	3	4	5	6 (PRODUCT LEVEL)	
	1	1	101-4411	2	RETAINER AS						
					(EACH INCLUDES)						
		1	101-4412	1	CHAIN						
		1	101-4413	1	SPRING						
		1	101-4414	1	HOOK AS						
	2	1	204-5258	1	PLATE AS						
	3	1	204-5259	1	PLATE AS						
	4	1	204-5260	1	PLATE						
	5	1	5P-4115	4	WASHER-HARD (7.2X19X2-MM THK)						
M	6	1	8T-4171	4	BOLT (M6X1X12-MM)						

M - METRIC PART



GRAPHIC #1

<END>

g00837989

WORK TOOLS

483-9533 HANDLER AR-BALE

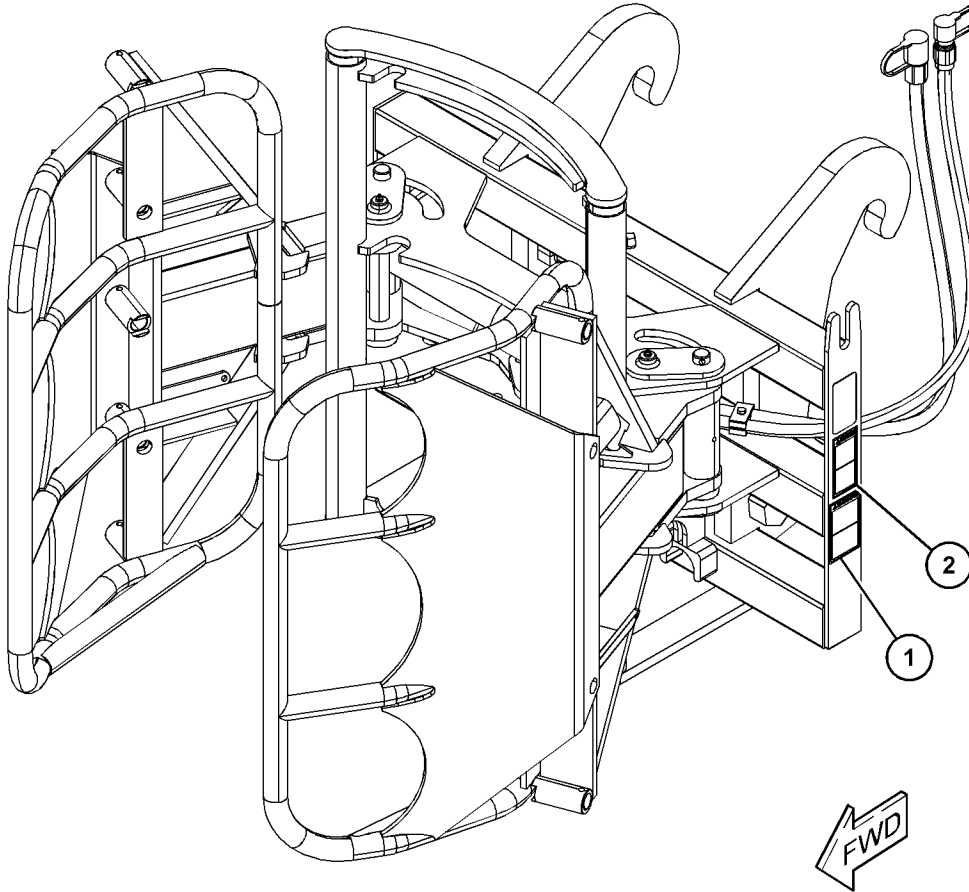
S/N: TH41-UP; TH91-UP

AN ATTACHMENT

SMCS-6703

i06735316

NOTE	REF NO	GRAPHIC REF	PART NUMBER	QTY	PART NAME						SEE PAGE
					1	2	3	4	5	6 (PRODUCT LEVEL)	
1	1	1	159-8035	1	FILM-WARNING (CRUSH HAZARD, STAY BACK)						
2	1	1	164-9989	1	FILM-WARNING (CRUSH HAZARD)						



GRAPHIC #1

<END>

g06104944

WORK TOOLS

309-9182 HOOK GP-LIFTING

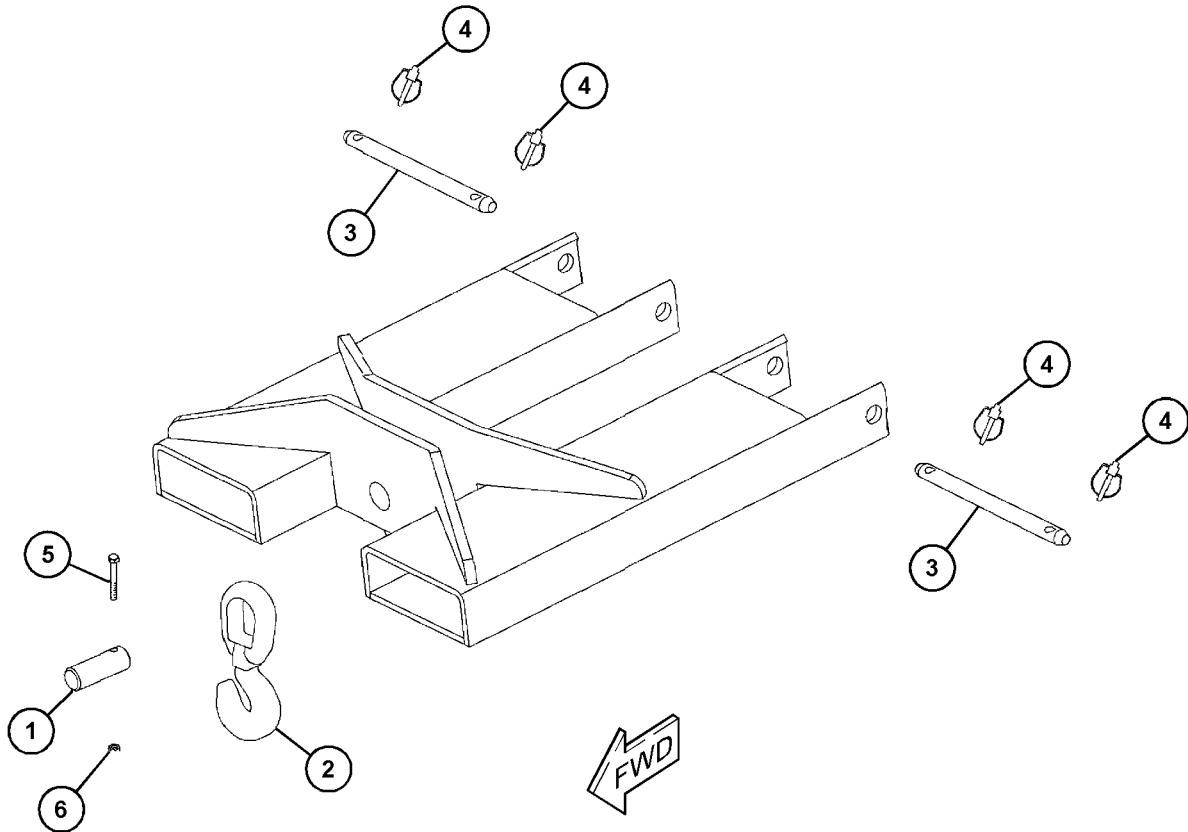
S/N: TH41-UP; TH91-UP
 NOT AVAILABLE IN NACD REGION
 AN ATTACHMENT

SMCS-6459

i06735317

NOTE	REF NO	GRAPHIC REF	PART NUMBER	QTY	PART NAME						SEE PAGE
					1	2	3	4	5	6 (PRODUCT LEVEL)	
	1	1	513-7375	1	PIN						
	2	1	513-7376	1	HOOK						
	3	1	513-7370	2	PIN						
	4	1	513-7371	4	RETAINER-RING						
	5	1	513-7379	1	BOLT						
	6	1	513-7380	1	NUT						

PARTS SHOWN IN GRAPHIC(S) WITHOUT A REFERENCE NUMBER ARE NOT SERVICED SEPARATELY



GRAPHIC #1

<END>

g06099429

WORK TOOLS

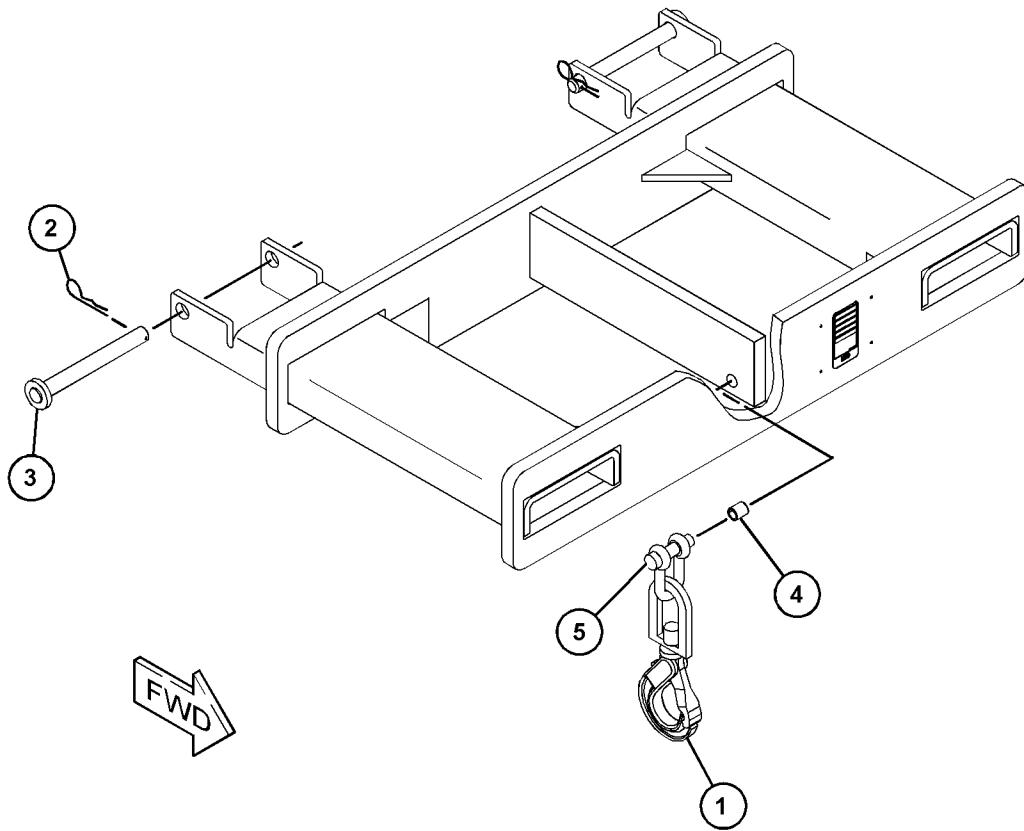
321-0556 HOOK GP-LIFTING

S/N: TH91-UP
FOR USE IN NACD REGION
AN ATTACHMENT

SMCS-6459

i06115735

NOTE	REF NO	GRAPHIC REF	PART NUMBER	QTY	PART NAME						SEE PAGE
					1	2	3	4	5	6 (PRODUCT LEVEL)	
	1	1	327-6335	1	HOOK						
	2	1	327-6317	2	PIN-COTTER						
	3	1	327-6271	2	PIN						
	4	1	327-6272	1	BUSHING						
	5	1	327-6318	1	SHACKLE						



GRAPHIC #1

<END>

g03821330

WORK TOOLS

456-0465 HOOK GP-LIFTING

S/N: TH41-UP; TH91-UP

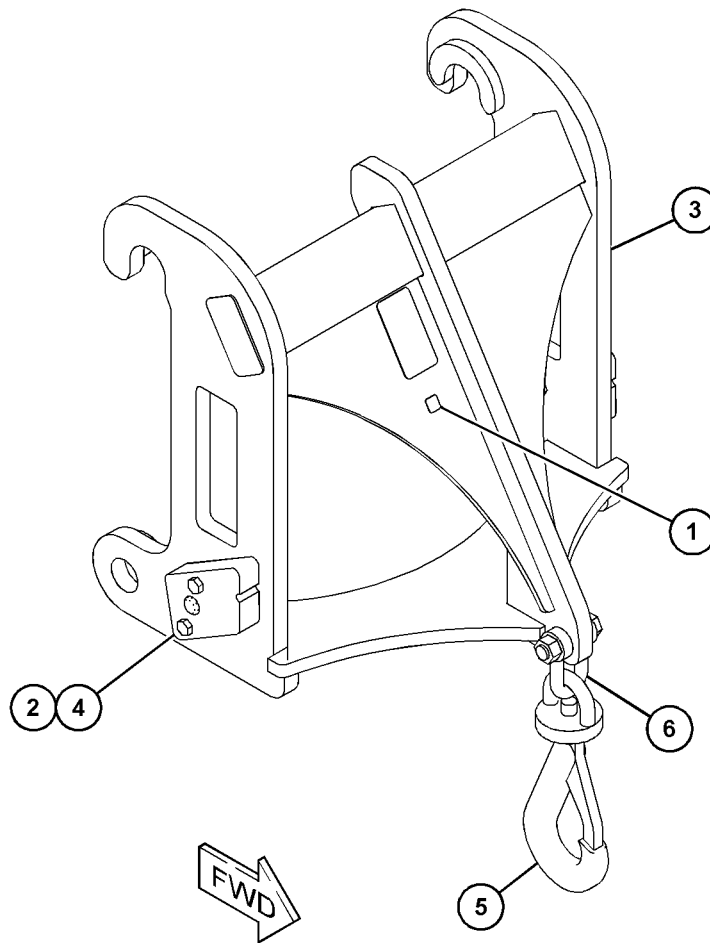
AN ATTACHMENT

SMCS-6459

i08067991

NOTE	REF NO	GRAPHIC REF	PART NUMBER	QTY	PART NAME						SEE PAGE
					1	2	3	4	5	6 (PRODUCT LEVEL)	
	1	1	456-0484	1	NAMEPLATE						
	2	1	169-3943	2	BLOCK						
	3	1	<i>169-6451</i>	1	HOOK AS (LIFTING)						
M		1	8T-3597	4	NUT-WELD (M12X1.75-THD)						
		1	161-4130	1	PLATE-IDENTIFICATION (CAT)						
M	4	1	8T-6868	4	BOLT (M12X1.75X80-MM)						
	5	1	581-2346	1	HOOK						
	6	1	581-2347	1	CLAMP						

M - METRIC PART



GRAPHIC #1

<END>

g06359767

WORK TOOLS

486-0529 HOPPER GP

S/N: TH41-UP; TH91-UP
 FOR USE IN NACD REGION ONLY
 AN ATTACHMENT

SMCS-6639

i06836838

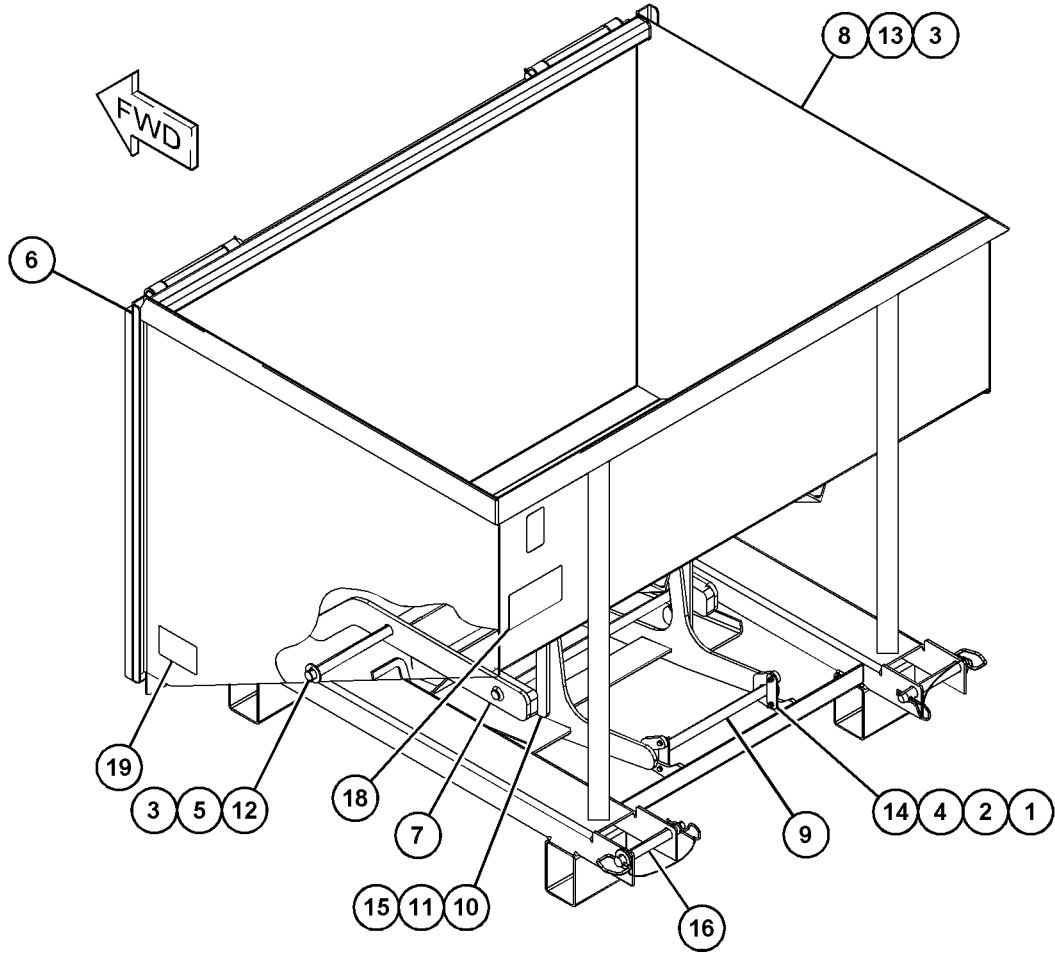
NOTE	REF NO	GRAPHIC REF	PART NUMBER	QTY	PART NAME						SEE PAGE
					1	2	3	4	5	6 (PRODUCT LEVEL)	
M	1	1	8T-4971	4	BOLT (M6X1X30-MM)						
M	2	1	344-5673	4	NUT (M6X1-THD)						
	3	1	309-8533	6	PIN-COTTER						
	4	1	8T-4205	8	WASHER-HARD (7.2X14.5X2-MM THK)						
	5	1	8T-4167	4	WASHER-HARD (26X44X4-MM THK)						
	6	1	504-5709	1	DOOR AS						
	7	1	504-5710	1	HOOK AS						
	8	1	504-5711	1	HOPPER AS						
	9	1	504-5712	1	TRAY AS						
	10	1	504-5713	2	ARM						
	11	1	504-5714	1	ROD						
	12	1	504-5715	1	BAR						
	13	1	504-5716	2	PIN AS						
	14	1	504-5717	2	PLATE						
	15	1	504-5718	2	SPACER (28X34X25-MM THK)						
	16	1	340-8979	2	PIN-HITCH						
	18	1	503-7488	1	FILM-IDENTIFICATION (TRASH HOPPER TILT)						
	19	1	303-4943	2	FILM-WARNING (PINCH POINT)						

M - METRIC PART

WORK TOOLS

486-0529 HOPPER GP (contd.)

106836838



GRAPHIC #1

<END>

g06150712

WORK TOOLS

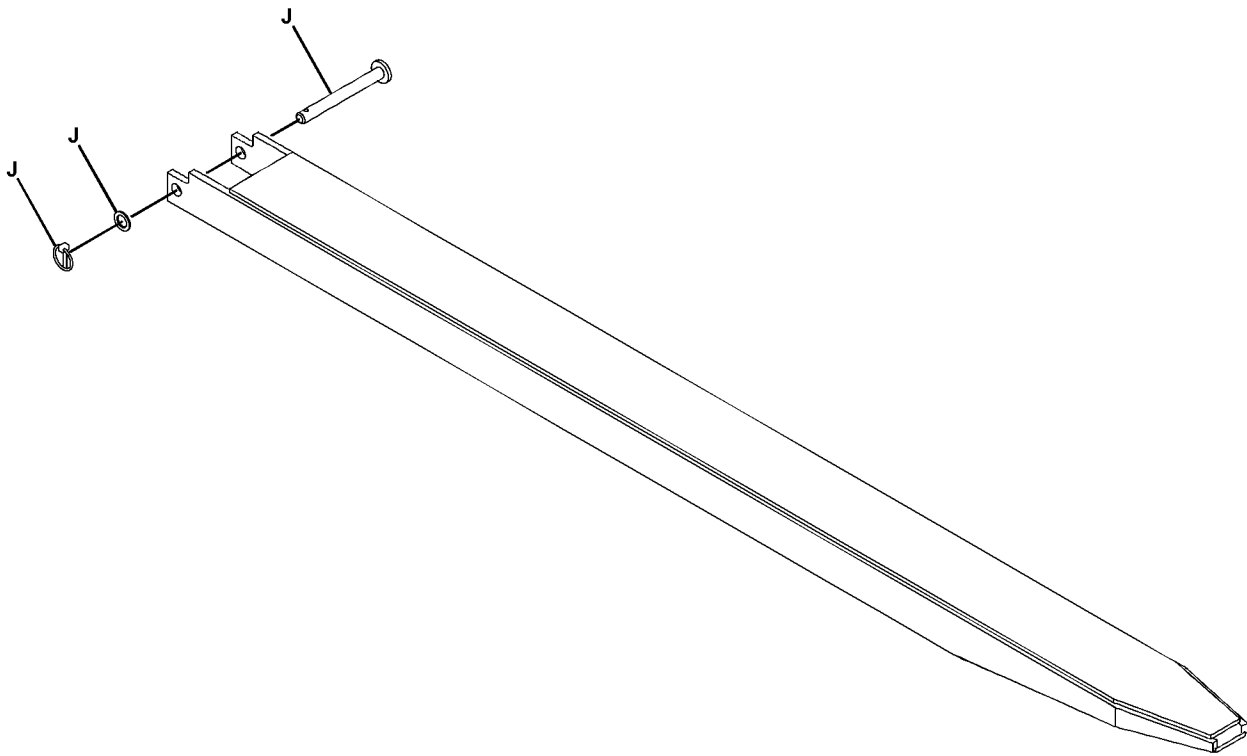
491-1372 KIT-FORK EXTENSION

S/N: TH41-UP
AN ATTACHMENT

SMCS-6406

i06889495

NOTE	REF NO	GRAPHIC REF	PART NUMBER	QTY	PART NAME	SEE PAGE
					1 2 3 4 5 6 (PRODUCT LEVEL)	
PARTS SHOWN IN GRAPHIC(S) WITHOUT A REFERENCE NUMBER ARE NOT SERVICED SEPARATELY						
AVAILABLE REPAIR KIT(S):						
			509-8143	1	KIT-PIN	
(INCLUDES PARTS MARKED 'J' IN THE GRAPHIC)						



GRAPHIC #1

<END>

g06165122

WORK TOOLS

485 - 7239 KIT-TOOTH-DIRT

S/N: TH41-UP; TH91-UP

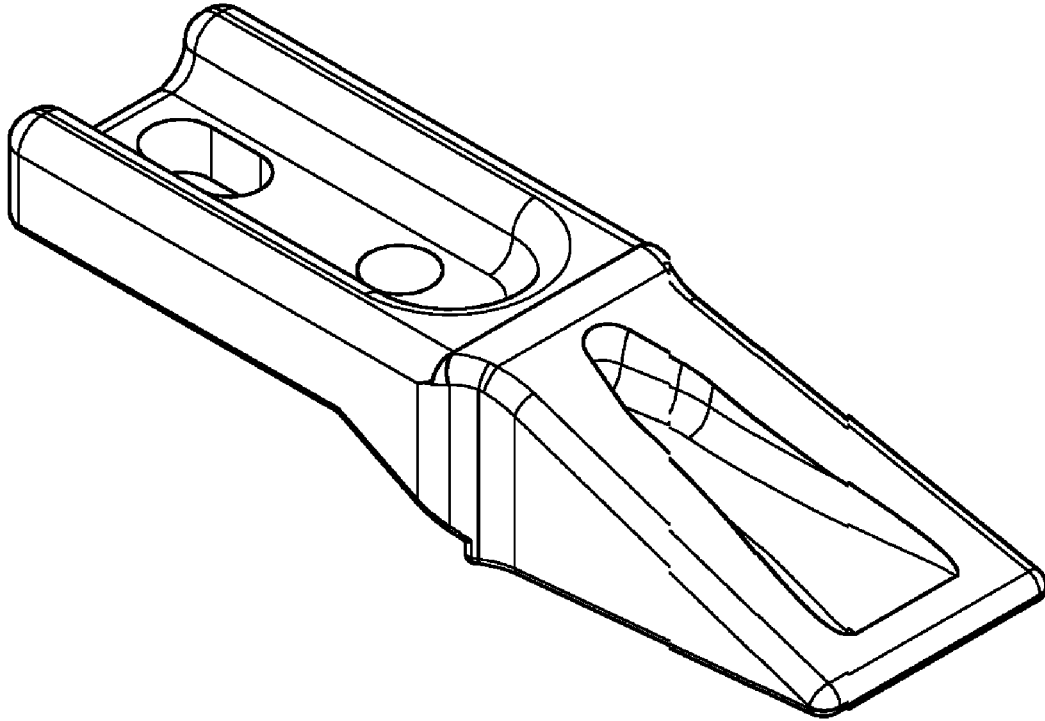
AN ATTACHMENT

SMCS-6803

i07210850

NOTE	REF NO	GRAPHIC REF	PART NUMBER	QTY	PART NAME	SEE PAGE
------	--------	-------------	-------------	-----	-----------	----------

(NO SERVICED PARTS)



GRAPHIC #1

<END>

g06254050

WORK TOOLS

491-9892 MOTOR & MTG GP-AUGER

S/N: TH41-UP; TH91-UP
AN ATTACHMENT

SMCS-5061, 5082, 6282

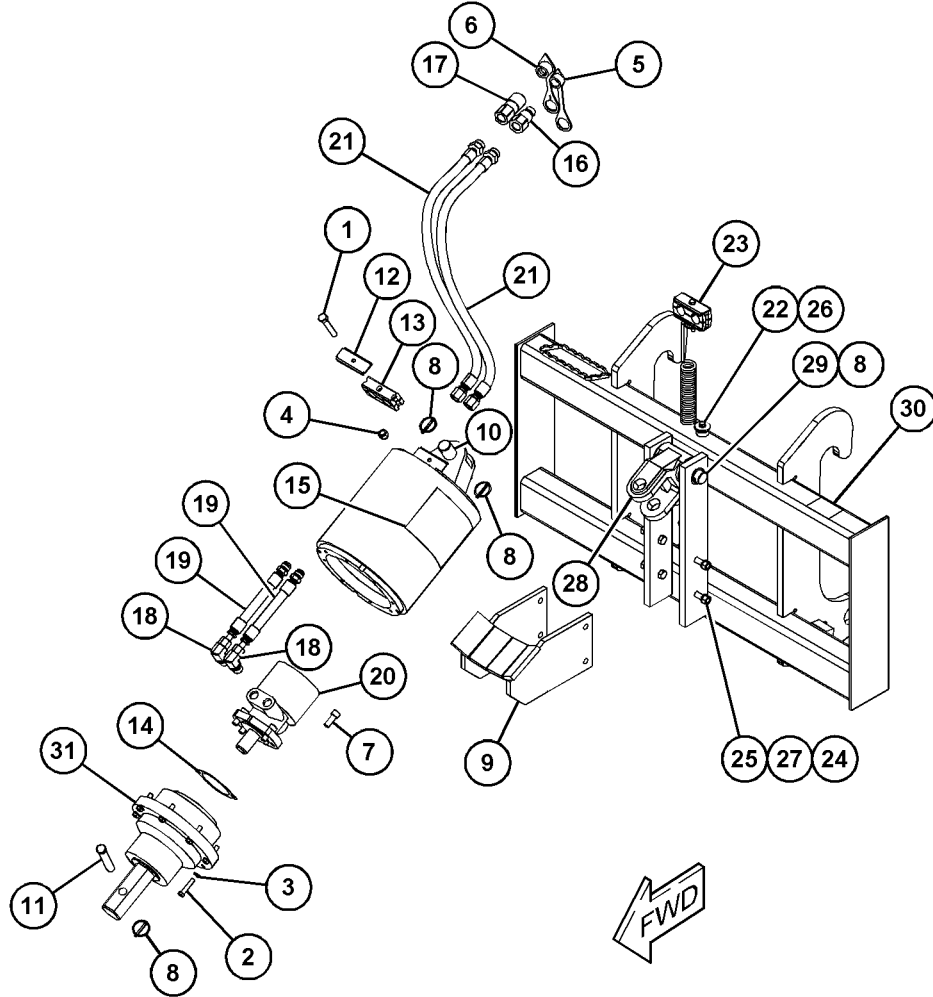
i06907145

NOTE	REF NO	GRAPHIC REF	PART NUMBER	QTY	PART NAME						SEE PAGE
					1	2	3	4	5	6 (PRODUCT LEVEL)	
1	1	1	476-3713	1	BOLT						
2	1	1	525-3164	8	BOLT						
3	1	1	327-6330	8	LOCKWASHER						
4	1	1	525-3165	1	LOCKNUT						
5	1	1	340-5954	1	CAP-DUST						
6	1	1	340-5953	1	CAP-DUST						
7	1	1	525-3166	4	BOLT						
8	1	1	525-3167	5	PIN						
9	1	1	525-3168	1	BRACKET						
10	1	1	525-3169	1	PIN						
11	1	1	525-3170	1	PIN						
12	1	1	525-3171	1	PLATE						
13	1	1	525-3172	1	BLOCK						
14	1	1	525-3173	1	GASKET						
15	1	1	525-3174	2	FILM-DANGER						
16	1	1	153-2995	1	COUPLING (MALE)						
17	1	1	153-2994	1	COUPLING (FEMALE)						
18	1	1	525-3175	2	FITTING						
19	1	1	525-3176	2	HOSE						
20	1	1	525-3177	1	MOTOR						
21	1	1	525-3178	2	HOSE						
22	1	1	525-3179	1	BOLT						
23	1	1	525-3180	1	CLAMP						
24	1	1	525-3181	4	BOLT						
25	1	1	490-6360	4	NUT						
26	1	1	362-2102	1	LOCKWASHER						
27	1	1	327-6329	4	LOCKWASHER						
28	1	1	525-3182	1	SWIVEL						
29	1	1	525-3183	1	PIN						
30	1	1	525-3184	1	FILM-WARNING						
31	1	1	525-3185	1	GEARBOX						

WORK TOOLS

491-9892 MOTOR & MTG GP-AUGER (contd.)

i06907145



GRAPHIC #1

<END>

g06164705

WORK TOOLS

343-9736 PLATFORM AR-ACCESS

S/N: TH91-UP

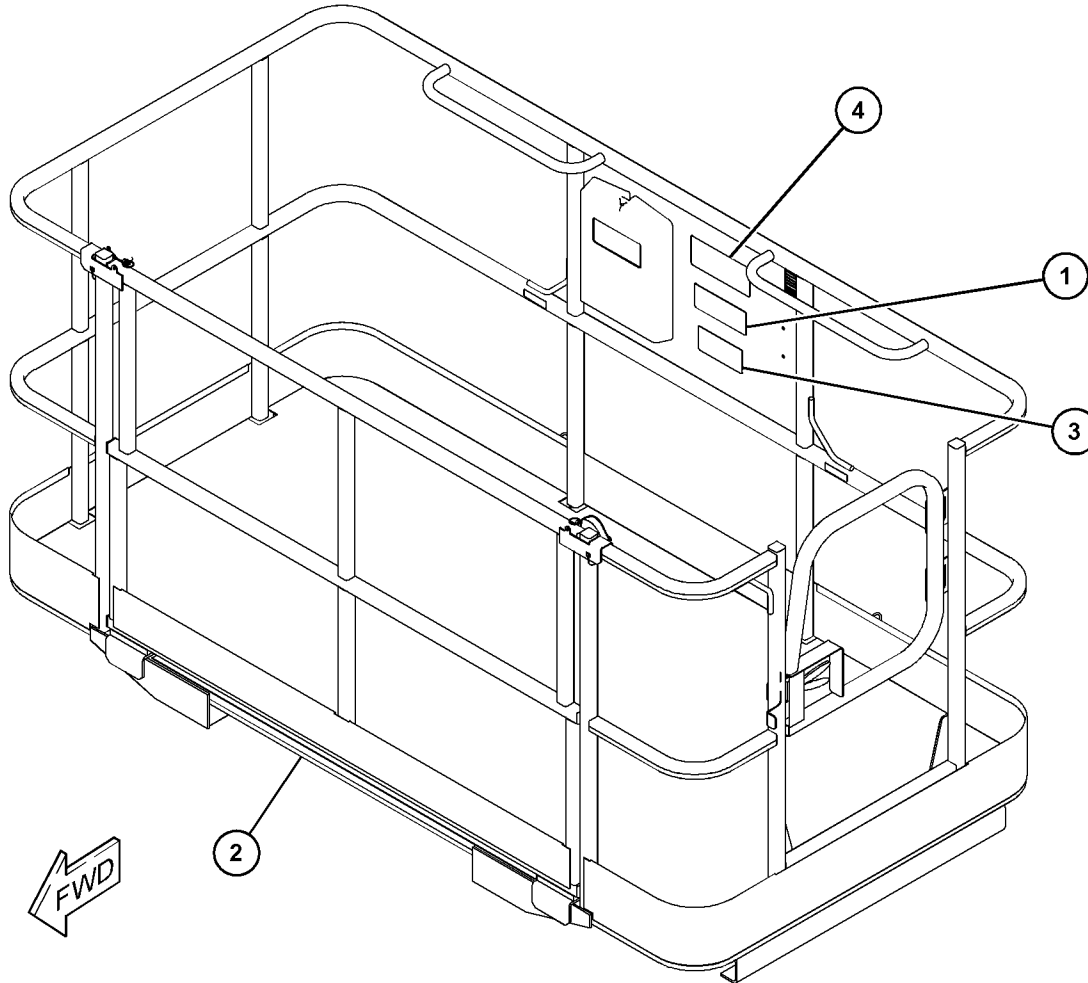
ENGLISH, FOR USE IN NACD REGION
AN ATTACHMENT

SMCS-6461

i06117495

NOTE	REF NO	GRAPHIC REF	PART NUMBER	QTY	PART NAME						SEE PAGE
					1	2	3	4	5	6 (PRODUCT LEVEL)	
	1	1	338-9998	1	FILM-WARNING (PLATFORM)						
Y	2	1	340-8976	1	PLATFORM GP-ACCESS						1129
	3	1	338-9999	1	FILM-WARNING (PLATFORM)						
	4	1	339-0000	1	FILM-WARNING (TIPPING HAZARD, READ OMM)						

Y - SEPARATE ILLUSTRATION



GRAPHIC #1

<END>

g03823007

WORK TOOLS

343-9737 PLATFORM AR-ACCESS

S/N: TH91-UP

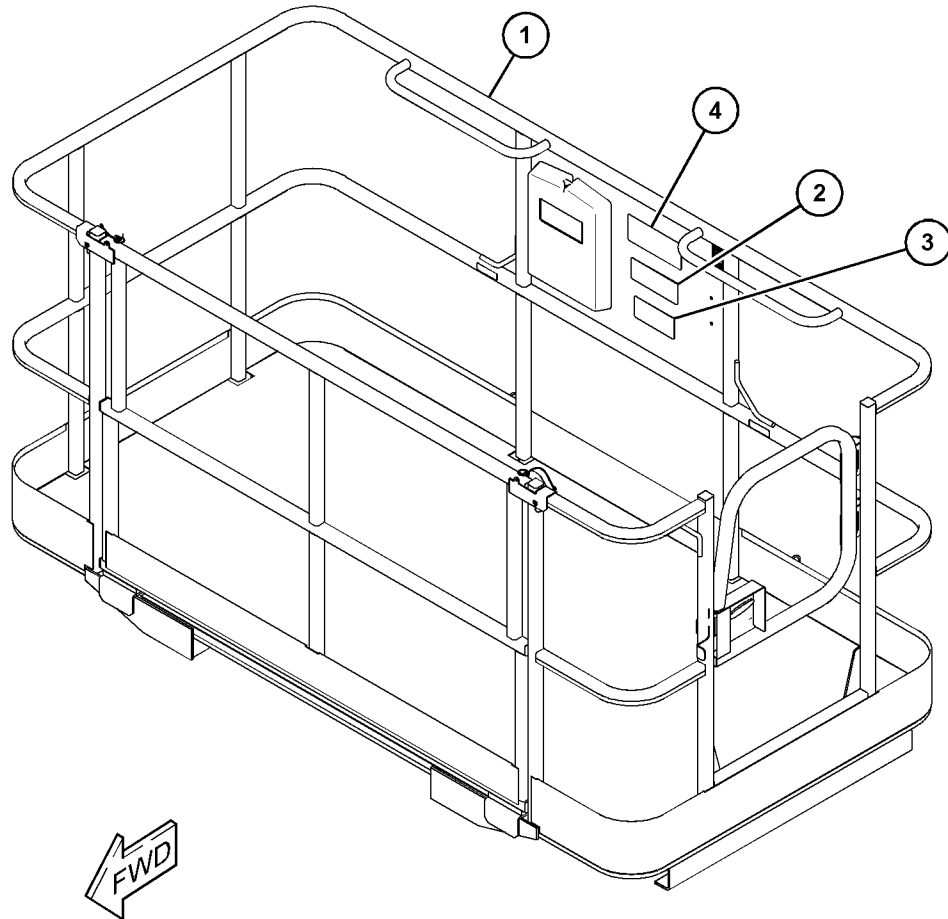
PORTUGUESE, SPANISH, FOR USE IN NACD REGION
AN ATTACHMENT

SMCS-6461

i06117634

NOTE	REF NO	GRAPHIC REF	PART NUMBER	QTY	PART NAME						SEE PAGE
					1	2	3	4	5	6 (PRODUCT LEVEL)	
Y	1	1	340-8976	1	PLATFORM GP-ACCESS						1129
	2	1	328-7293	1	FILM-WARNING (OPERATOR PLATFORM)						
	3	1	328-7290	1	FILM-WARNING (TIPPING HAZARD, WEIGHT)						
	4	1	328-7291	1	FILM-WARNING (LOAD CAPACITY, READ OMM)						

Y - SEPARATE ILLUSTRATION



GRAPHIC #1

<END>

g03820409

WORK TOOLS

343-9738 PLATFORM AR-ACCESS

S/N: TH91-UP

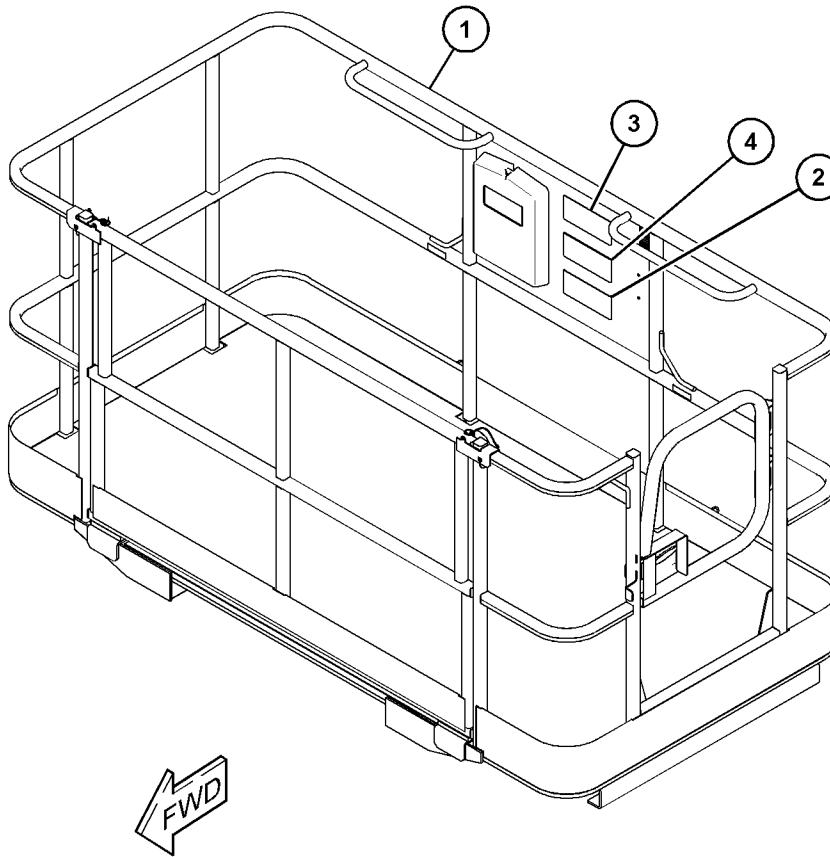
FRENCH, FOR USE IN NACD REGION
AN ATTACHMENT

SMCS-6461

i06116188

NOTE	REF NO	GRAPHIC REF	PART NUMBER	QTY	PART NAME						SEE PAGE
					1	2	3	4	5	6 (PRODUCT LEVEL)	
Y	1	1	340-8976	1	PLATFORM GP-ACCESS						1129
	2	1	328-7288	1	FILM-WARNING (PLATFORM)						
	3	1	328-7289	1	FILM-WARNING (TIPPING HAZARD, READ OMM)						
	4	1	328-7292	1	FILM-WARNING (PLATFORM)						

Y - SEPARATE ILLUSTRATION



GRAPHIC #1

<END>

g03822398

WORK TOOLS

340-8976 PLATFORM GP-ACCESS

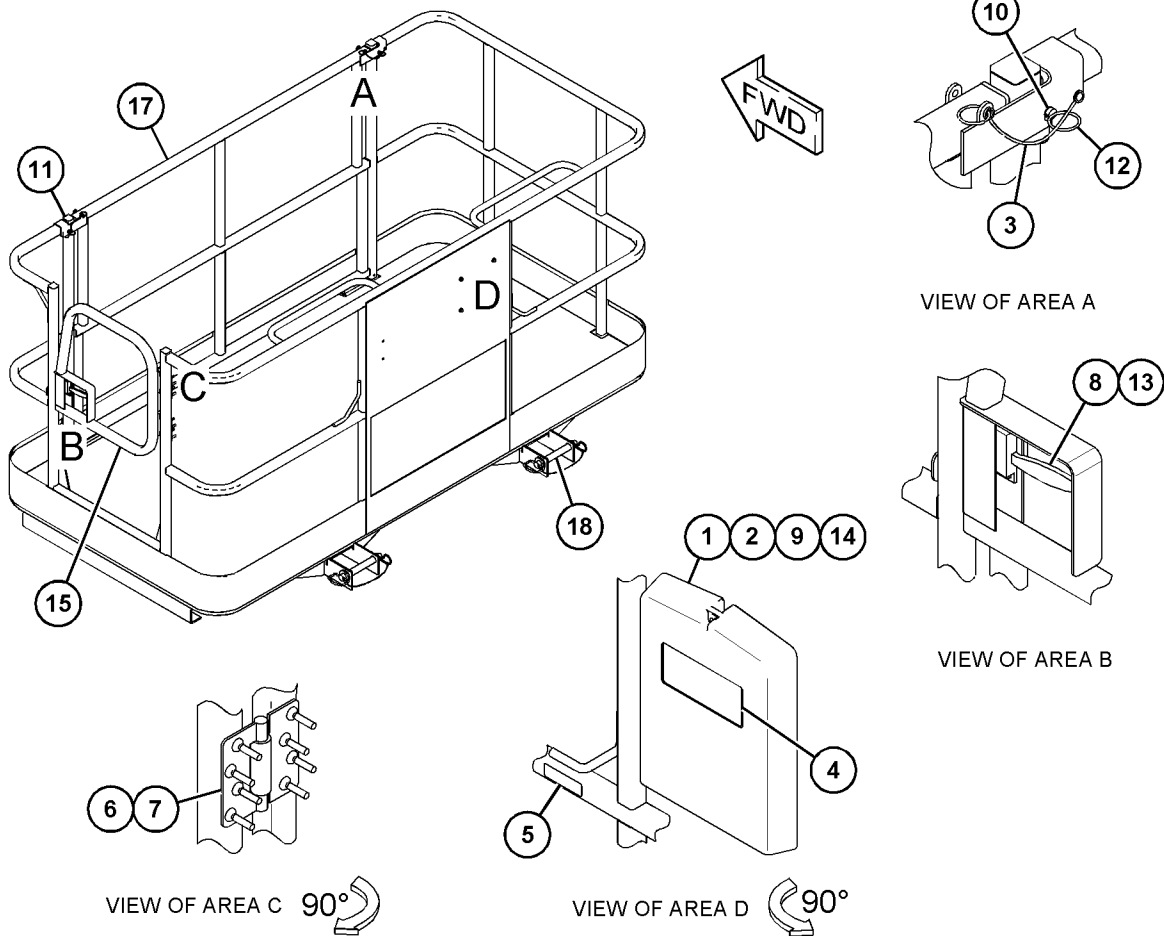
S/N: TH91-UP

PART OF 343-9736, 343-9737, 343-9738 PLATFORM AR-ACCESS
AN ATTACHMENT

SMCS-6461

i07356282

NOTE	REF NO	GRAPHIC REF	PART NUMBER	QTY	PART NAME						SEE PAGE
					1	2	3	4	5	6 (PRODUCT LEVEL)	
	1	1	8T-9364	4	BOLT (1/4-20X0.625-IN)						
	2	1	304-2566	1	BOX-STORAGE						
	3	1	340-8977	2	LANYARD						
	4	1	338-9997	1	FILM-IDENTIFICATION (MANUAL)						
	5	1	335-8059	3	FILM-IDENTIFICATION (LANYARD ATTACH)						
	6	1	478-9921	16	RIVET						
	7	1	335-8066	2	HINGE AS						
	8	1	336-2804	1	LATCH						
	9	1	6V-8185	4	NUT (1/4-20-THD)						
	10	1	395-8328	2	PIN						
	11	1	335-8077	10	PLUG						
	12	1	466-8177	4	RING-BACKUP						
	13	1	123-4065	4	RIVET-POP						
	14	1	8H-5505	8	WASHER-PLATED						
	15	1	455-9388	1	GATE						
	17	1	340-8975	1	GATE						
	18	1	340-8979	2	PIN-HITCH						



GRAPHIC #1

<END>

g03785566

OPERATOR STATION

501-0753 AIR CONDITIONER & MOUNTING GP

S/N: TH41-UP; TH91-UP

PART OF 508-7849, 521-2180 AIR CONDITIONER AR
AN ATTACHMENT

SMCS-7320, 7322

i07433008

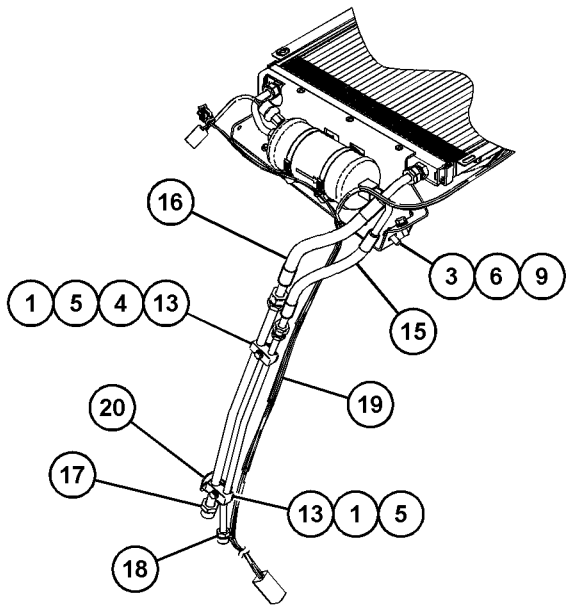
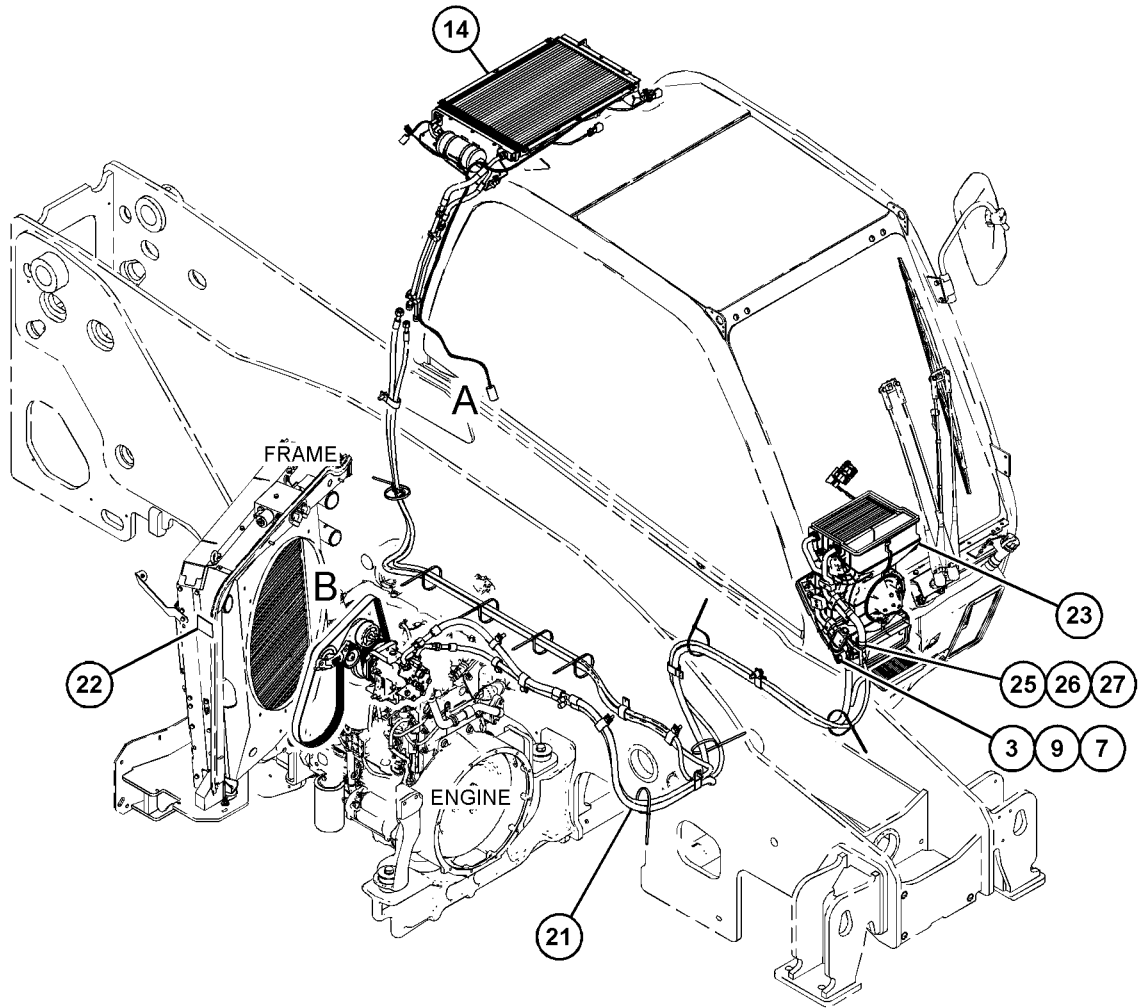
NOTE	REF NO	GRAPHIC REF	PART NUMBER	QTY	PART NAME						SEE PAGE
					1	2	3	4	5	6 (PRODUCT LEVEL)	
M	1	1	8T-4971	2	BOLT (M6X1X30-MM)						
M	2	1	482-1340	3	SCREW (M10X1.50X55-MM)						
M	3	1	8T-4189	6	BOLT (M8X1.25X20-MM)						
M	4	1	5C-2890	1	NUT (M6X1-THD)						
	5	1	8T-4205	3	WASHER-HARD (7.2X14.5X2-MM THK)						
	6	1	8T-4224	8	WASHER-HARD (8.8X16X2-MM THK)						
	7	1	309-3997	2	WASHER (8.4X25X2-MM THK)						
	9	1	3B-4505	6	LOCKWASHER						
	10	1	399-7779	1	COMPRESSOR AS						
Y	11	1	450-0003	1	BELT TENSIONER GP (WITH AIR CONDITIONER)						37
M	12	1	399-7790	4	BOLT (M8X1.25X95-MM)						
	13	1	459-8862	2	TUBE						
Y	14	1	474-3810	1	CONDENSER GP-REFRIGERANT (CAB)						1145
	15	1	474-4083	1	HOSE AS						
	16	1	474-4084	1	HOSE AS						
	17	1	474-4085	1	TUBE AS						
	18	1	474-4086	1	TUBE AS						
Y	19	1	474-4112	1	HARNES AS-HEATER & AIR COND (CONDENSER FAN, PRESSURE SWITCH)						447
	20	1	474-4115	1	BRACKET AS						
Y	21	1	496-8258	1	LINES GP-AIR CONDITIONER						1195
	22	1	552-3501	1	FILM-IDENTIFICATION (AIR CONDITIONER REFRIGERANT)						
Y	23	1	525-3137	1	AIR CONDITIONER & MOUNTING GP						1135
	25	1	309-2982	2	CLAMP						
	26	1	553-2001	1	VALVE-WATER						
E	27	1	5P-0767		HOSE (14-CM)						

E - ORDER BY THE CENTIMETER
M - METRIC PART
Y - SEPARATE ILLUSTRATION

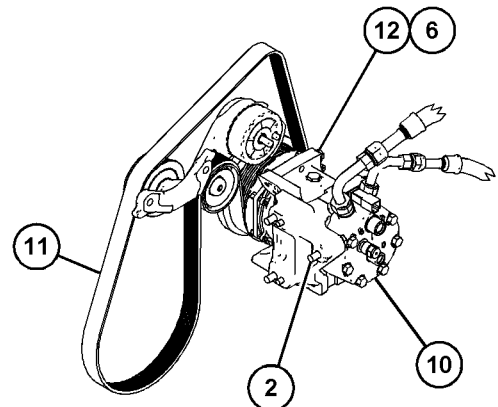
OPERATOR STATION

501-0753 AIR CONDITIONER & MOUNTING GP (contd.)

i07433008



VIEW OF AREA A



VIEW OF AREA B

GRAPHIC #1

<END>

g06372081

OPERATOR STATION

514-4876 AIR CONDITIONER & MOUNTING GP

S/N: TH91-UP

PART OF 520-8643 AIR CONDITIONER AR

AN ATTACHMENT

SMCS-7320, 7322

i07433007

NOTE	REF NO	GRAPHIC REF	PART NUMBER	QTY	PART NAME						SEE PAGE
					1	2	3	4	5	6 (PRODUCT LEVEL)	
M	1	1	8T-4138	3	BOLT (M6X1X20-MM)						
M	2	2	8T-4971	2	BOLT (M6X1X30-MM)						
M	3	1	8T-4195	3	BOLT (M10X1.5X30-MM)						
M	4	1	8T-4185	1	BOLT (M10X1.5X50-MM)						
M	5	1	8T-5436	1	BOLT (M10X1.5X130-MM)						
M	6	1	8T-4189	6	BOLT (M8X1.25X20-MM)						
M	7	2	5C-2890	1	NUT (M6X1-THD)						
M	8	1	303-4779	3	LOCKNUT (M6X1-THD)						
M	9	1	344-5675	2	NUT (M10X1.5-THD)						
M	10	1	8T-0389	2	LOCKNUT (M10X1.5-THD)						
	11	1,2	8T-4205	9	WASHER-HARD (7.2X14.5X2-MM THK)						
	12	1	8T-4224	4	WASHER-HARD (8.8X16X2-MM THK)						
	13	1	309-3997	2	WASHER (8.4X25X2-MM THK)						
	14	1	8T-4121	5	WASHER-HARD (11X21X2.5-MM THK)						
	15	1	3B-4505	6	LOCKWASHER						
	16	1	309-2978	1	WASHER (11X22X10-MM)						
	17	2	459-8862	2	TUBE						
Y	18	1	474-3810	1	CONDENSER GP-REFRIGERANT (CAB)						1145
	19	1	477-3325	1	BELT						
	20	1	474-4083	1	HOSE AS						
	21	1	474-4084	1	HOSE AS						
	22	1	474-4085	1	TUBE AS						
	23	1	474-4086	1	TUBE AS						
Y	24	1	474-4112	1	HARNES AS-HEATER & AIR COND (CONDENSER FAN, PRESSURE SWITCH)						447
	25	1	477-3328	1	COVER						
	26	2	474-4115	1	BRACKET AS						
Y	27	1	496-8251	1	LINES GP-AIR CONDITIONER (INSTALLATION)						1193
	28	1	483-8200	1	PLATE						
	29	1	483-8201	1	ROD END						
	30	1	552-3501	1	FILM-IDENTIFICATION (AIR CONDITIONER REFRIGERANT)						
	31	1	495-0017	1	SUPPORT						
Y	32	1	525-3137	1	AIR CONDITIONER & MOUNTING GP						1135
	33	1	365-9915	1	COMPRESSOR GP-REFRIGERANT						
	35	1	309-2982	2	CLAMP						
	36	1	553-2001	1	VALVE-WATER						
E	37	1	5P-0767		HOSE (14-CM)						

E - ORDER BY THE CENTIMETER

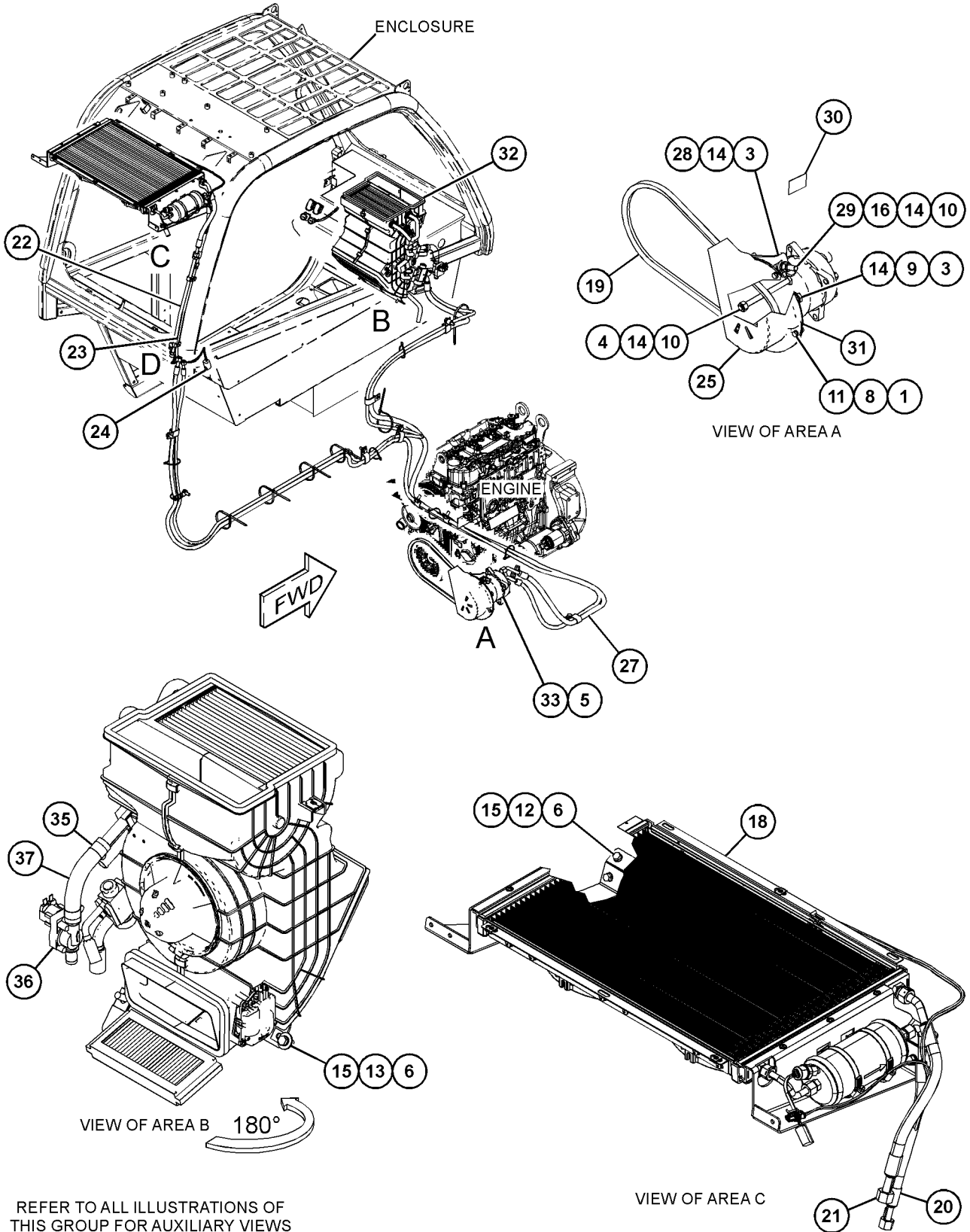
M - METRIC PART

Y - SEPARATE ILLUSTRATION

OPERATOR STATION

514-4876 AIR CONDITIONER & MOUNTING GP (contd.)

i07433007



REFER TO ALL ILLUSTRATIONS OF THIS GROUP FOR AUXILIARY VIEWS

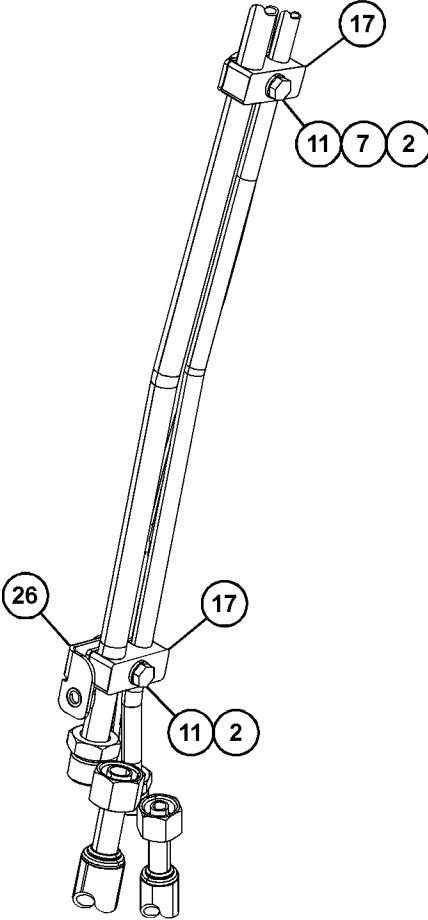
GRAPHIC #1

g06355848

OPERATOR STATION

514-4876 AIR CONDITIONER & MOUNTING GP (contd.)

i07433007



VIEW OF AREA D
<END>

GRAPHIC #2

g06355849

OPERATOR STATION

525-3137 AIR CONDITIONER & MOUNTING GP

S/N: TH41-UP; TH91-UP

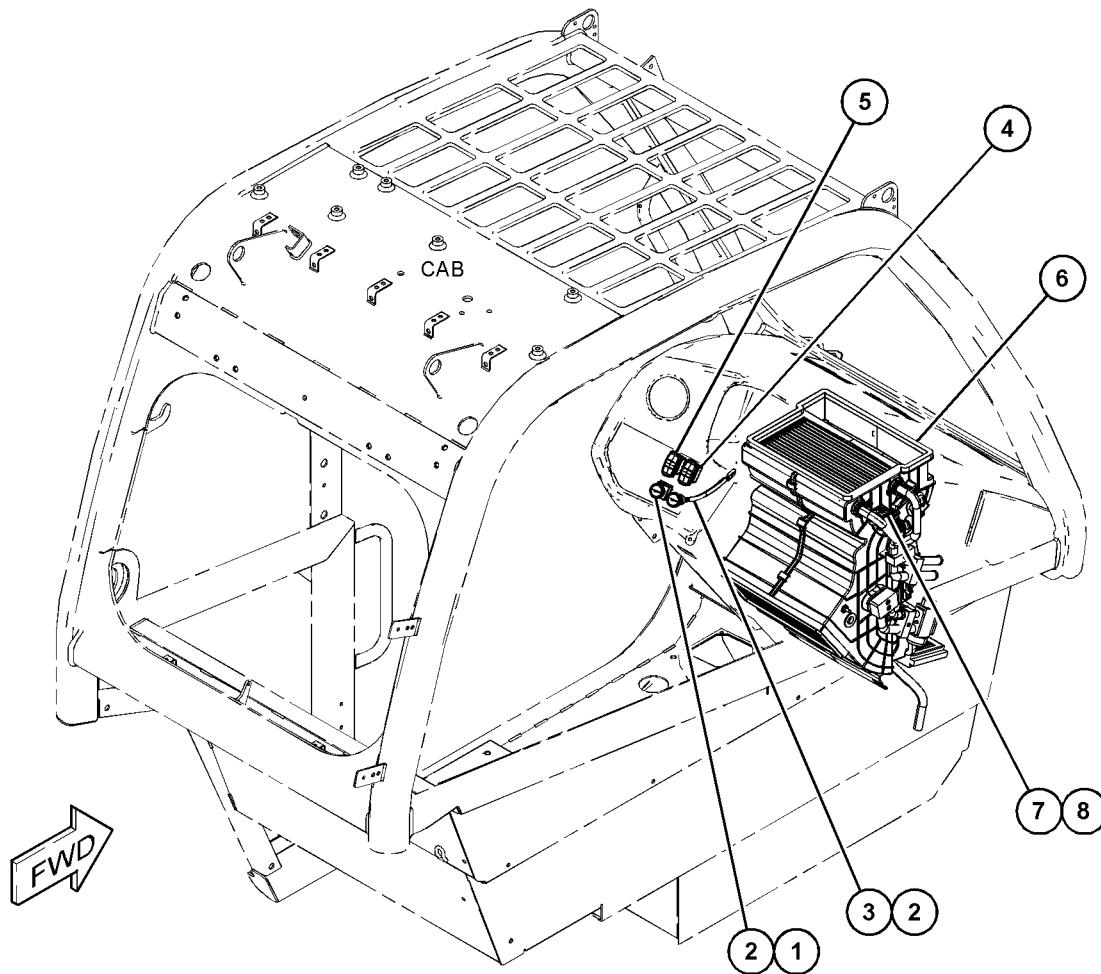
PART OF 501-0753, 514-4876 AIR CONDITIONER & MOUNTING GP
AN ATTACHMENT

SMCS-7320, 7322

i07059314

NOTE	REF NO	GRAPHIC REF	PART NUMBER	QTY	PART NAME						SEE PAGE
					1	2	3	4	5	6 (PRODUCT LEVEL)	
	1	1	473-2085	1	SWITCH AS-AIR CONDITIONER (ROTARY)						
	2	1	473-2086	2	KNOB (CONTROL)						
	3	1	536-9853	1	SWITCH AS-AIR CONDITIONER (HVAC)						
	4	1	496-8264	1	SWITCH AS-ROCKER (HVAC) (RECIRCULATION)						
	5	1	501-0755	1	SWITCH AS-ROCKER (ON/OFF)						
Y	6	1	525-3040	1	AIR CONDITIONER GP						1137
	7	1	536-9761	2	SHIM (0.5-MM THK)						
	8	1	484-8325	2	GROMMET						

Y - SEPARATE ILLUSTRATION



GRAPHIC #1

<END>

g06213121

OPERATOR STATION

508-7849 AIR CONDITIONER AR

S/N: TH41-UP; TH91-UP

PART OF 590-9758, 590-9759, 590-9760, 590-9761 CONFIGURATION AR
AN ATTACHMENT

SMCS-7320

i06645681

NOTE	PART NUMBER	QTY	PART NAME						SEE PAGE
			1	2	3	4	5	6 (PRODUCT LEVEL)	
Y	501-0753	1	AIR CONDITIONER & MOUNTING GP						1130
Y	492-3933	1	COVER GP-CAB (ROOF)						1154
Y	496-8262	1	LINES GP-HEATER & AIR COND						1199

Y - SEPARATE ILLUSTRATION

<END>

520-8643 AIR CONDITIONER AR

S/N: TH91-UP

AN ATTACHMENT

SMCS-7320

i06893352

NOTE	PART NUMBER	QTY	PART NAME						SEE PAGE
			1	2	3	4	5	6 (PRODUCT LEVEL)	
Y	514-4876	1	AIR CONDITIONER & MOUNTING GP						1132
Y	492-3933	1	COVER GP-CAB (ROOF)						1154
Y	497-3809	1	LINES GP-HEATER & AIR COND						1203

Y - SEPARATE ILLUSTRATION

<END>

521-2180 AIR CONDITIONER AR

S/N: TH41-UP

AN ATTACHMENT

SMCS-7320

i06818933

NOTE	PART NUMBER	QTY	PART NAME						SEE PAGE
			1	2	3	4	5	6 (PRODUCT LEVEL)	
Y	501-0753	1	AIR CONDITIONER & MOUNTING GP						1130
Y	492-3933	1	COVER GP-CAB (ROOF)						1154
Y	497-9625	1	LINES GP-HEATER & AIR COND						1210

Y - SEPARATE ILLUSTRATION

<END>

OPERATOR STATION

525-3040 AIR CONDITIONER GP

S/N: TH41-UP; TH91-UP

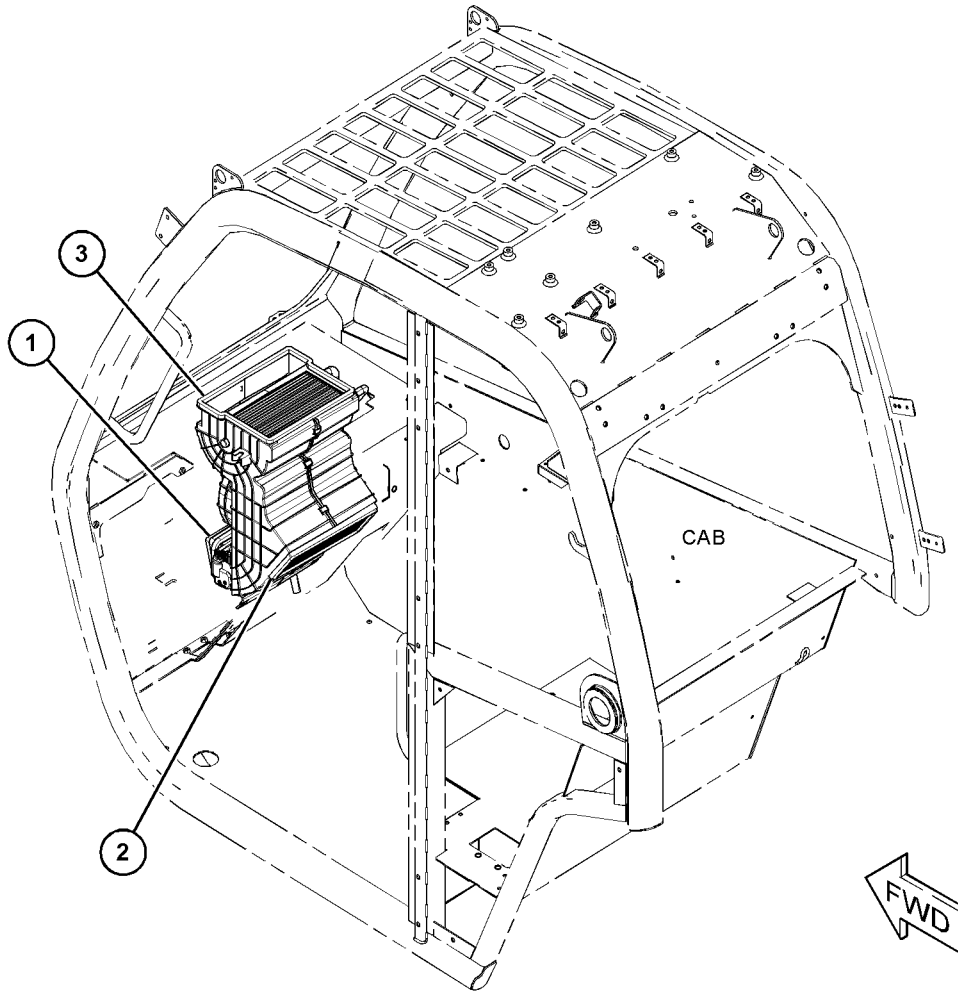
PART OF 525-3137 AIR CONDITIONER & MOUNTING GP
AN ATTACHMENT

SMCS-7320

i07505680

NOTE	REF NO	GRAPHIC REF	PART NUMBER	QTY	PART NAME						SEE PAGE
					1	2	3	4	5	6 (PRODUCT LEVEL)	
	1	1	528-8853	1	FILTER-AIR (HVAC) (FRESH AIR)						
	2	1	473-2651	1	FILTER (HVAC) (RECIRCULATION)						
CY	3	1	553-3186	1	HEATER AR-CAB (AIR CONDITIONER)						1179

C - CHANGE FROM PREVIOUS TYPE
Y - SEPARATE ILLUSTRATION



GRAPHIC #1

<END>

g06165664

OPERATOR STATION

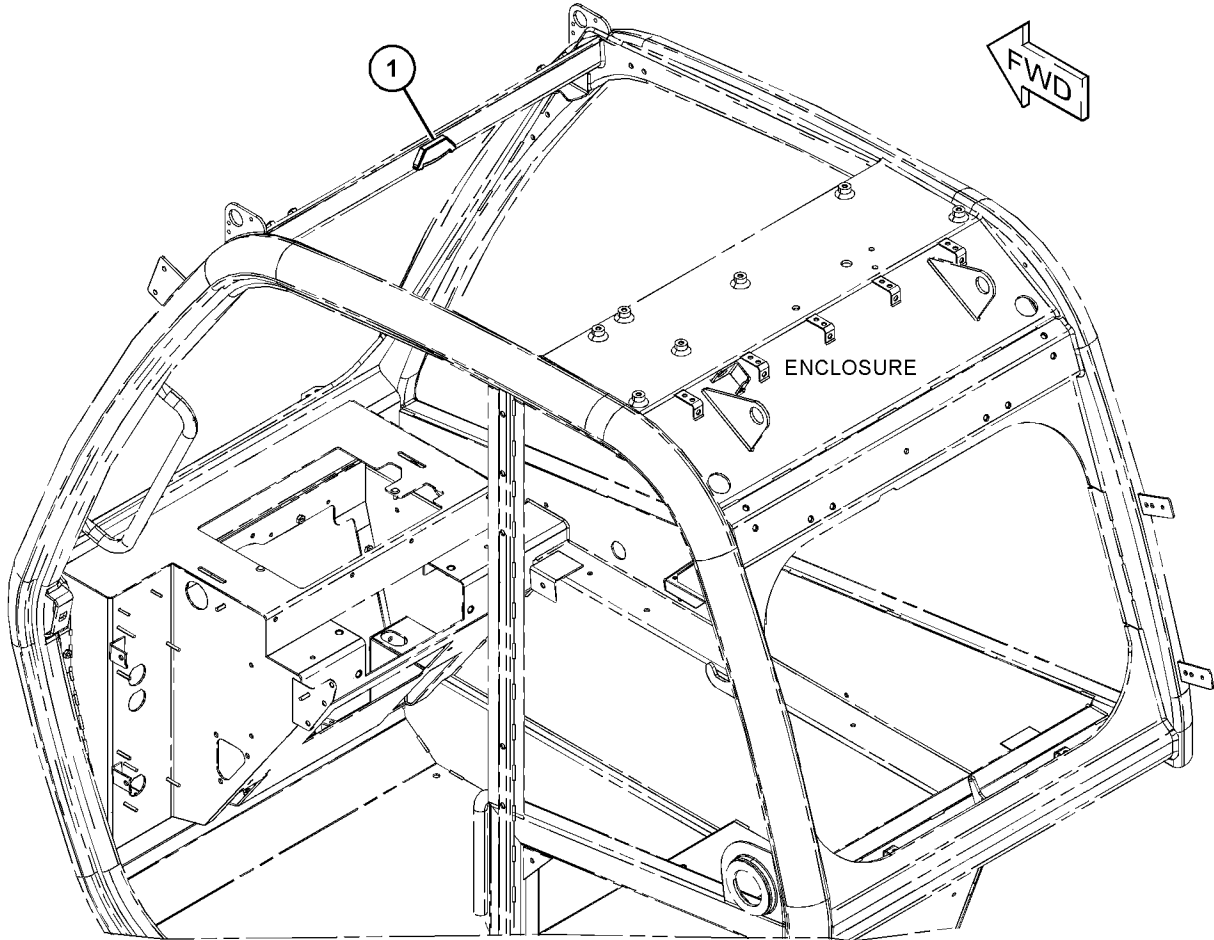
473-4949 ANGLE-INDICATOR

S/N: TH41-UP; TH91-UP
PART OF 517-9179, 517-9180 CAB AR
AN ATTACHMENT

SMCS-7858

i06893262

NOTE	REF NO	GRAPHIC REF	PART NUMBER	QTY	PART NAME						SEE PAGE
					1	2	3	4	5	6 (PRODUCT LEVEL)	
	1	1	299-0354	1	GAUGE (TILT ANGLE)						



GRAPHIC #1

<END>

g06163600

OPERATOR STATION

495-6206 ARMREST GP-ADJUSTABLE

S/N: TH41-UP; TH91-UP
PART OF 495-6202 TRIM GP-CAB
AN ATTACHMENT

SMCS-7307

i06649604

NOTE	REF NO	GRAPHIC REF	PART NUMBER	QTY	PART NAME						SEE PAGE
					1	2	3	4	5	6 (PRODUCT LEVEL)	
M	1	1	8T-4138	4	BOLT (M6X1X20-MM)						
M	2	1	5C-8312	2	NUT (M4X0.7-THD)						
	3	1	5W-5038	2	WASHER (4.3X9X0.8-MM THK)						
	4	1	8T-4205	4	WASHER-HARD (7.2X14.5X2-MM THK)						
	5	1	473-9270	2	WASHER-SPRING						
	6	1	495-6207	2	SCREW-SOCKET HEAD						
	7	1	473-6930	2	MOUNT						
	8	1	495-4796	1	ARMREST GP						
		1	494-0158	6	SCREW-SELF-TAPPING						
	9	1	495-4799	1	BRACKET GP-MOUNTING (FIXED)						
		1	495-4800	1	BRACKET						
		1	495-4801	4	BLOCK						
M		1	495-6228	8	SCREW-DRIVE (M6X1X25-MM)						
Y	10	1	495-4802	1	BRACKET GP-MOUNTING						38
	11	1	495-6230	1	SPRING AS-GAS						
		1	495-4791	1	SPRING AS-GAS						
		1	495-4792	1	CABLE						
	12	1	495-6208	2	SCREW (M6X1X30-MM)						
M	13	1	303-4779	2	LOCKNUT (M6X1-THD)						
M	14	1	495-6228	4	SCREW-DRIVE (M6X1X25-MM)						
M	15	1	5C-9553	2	BOLT (M6X1X16-MM)						
M	16	1	5C-2890	2	NUT (M6X1-THD)						
	17	1	512-0429	1	BRACKET						

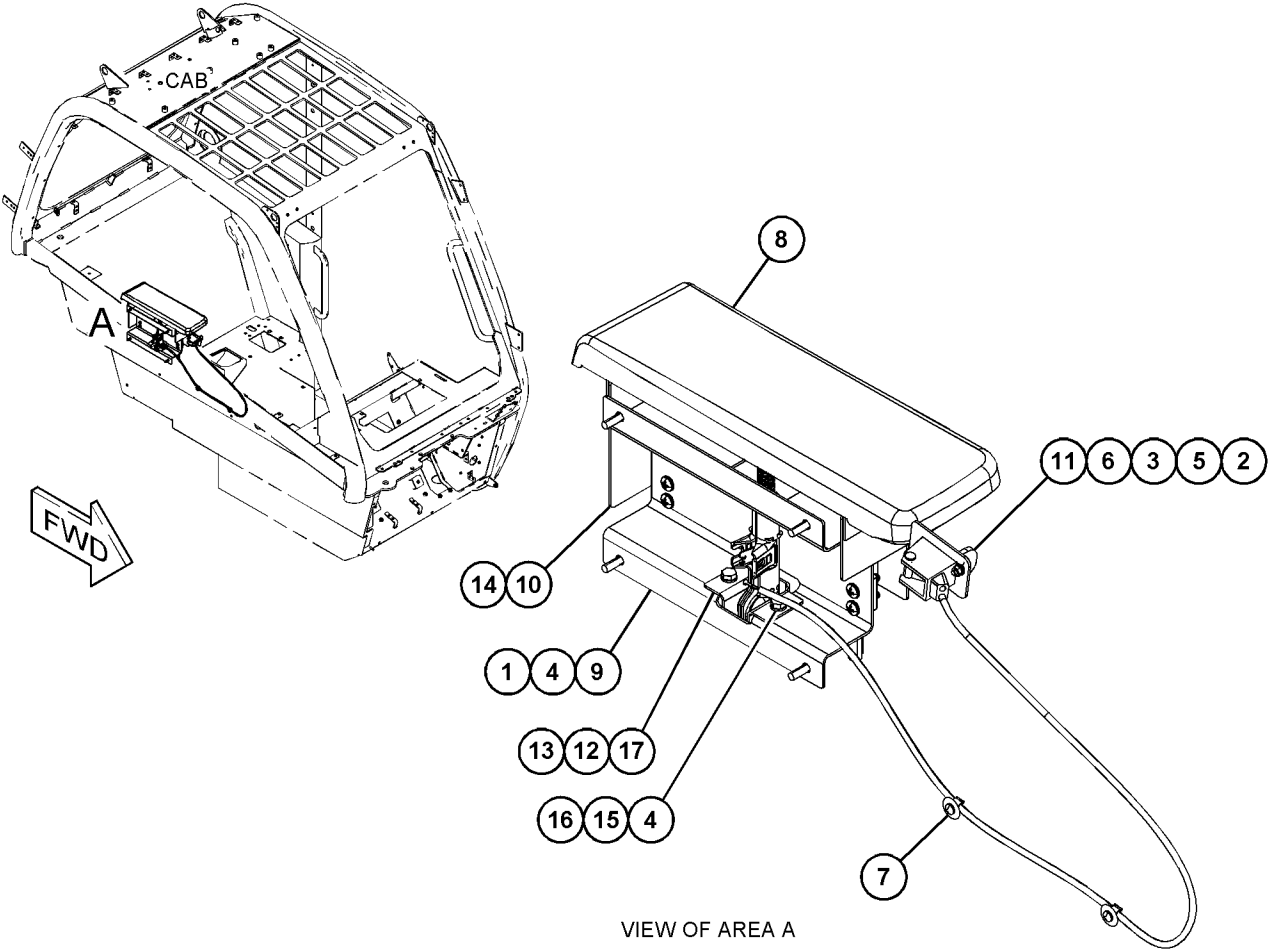
M - METRIC PART

Y - SEPARATE ILLUSTRATION

OPERATOR STATION

495-6206 ARMREST GP (contd.)

i06649604



GRAPHIC #1

<END>

g06105760

OPERATOR STATION

518-2674 BRACKET & MTG GP-CAB

S/N: TH41-UP; TH91-UP

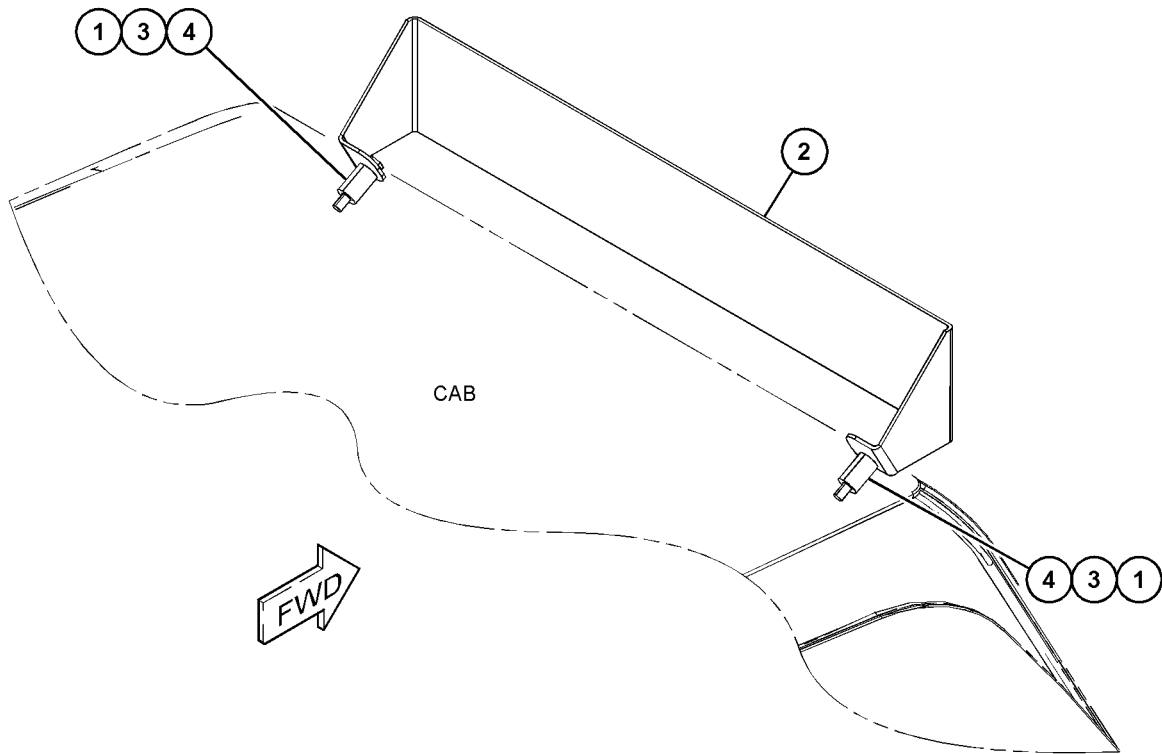
CANNOT BE USED WITH CAB SCREEN GUARD, ROOF GUARD
AN ATTACHMENT

SMCS-0635

i07409875

NOTE	REF NO	GRAPHIC REF	PART NUMBER	QTY	PART NAME						SEE PAGE
					1	2	3	4	5	6 (PRODUCT LEVEL)	
M	1	1	7X-0818	2	BOLT (M8X1.25X45-MM)						
	2	1	518-2672	1	BRACKET & MTG GP-CAB						
	3	1	8T-4224	2	WASHER-HARD (8.8X16X2-MM THK)						
	4	1	471-9527	2	SPACER (9X18X28-MM THK)						

M - METRIC PART



GRAPHIC #1

<END>

g06336640

OPERATOR STATION

517-9179 CAB AR

S/N: TH41-UP; TH91-UP

PART OF 590-9758, 590-9759, 590-9760, 590-9761 CONFIGURATION AR
AN ATTACHMENT

SMCS-7301, 7325

i07415186

NOTE	PART NUMBER	QTY	PART NAME						SEE PAGE
			1	2	3	4	5	6 (PRODUCT LEVEL)	
Y	473-4949	1	ANGLE-INDICATOR						1138
Y	495-6210	1	CAB GP						1144
Y	487-3912	1	CONTROL GP-JOYSTICK						1147
Y	495-6135	1	DOOR GP-CAB						1157
Y	476-0697	1	FLOOR MAT GP (CAB)						1167
Y	471-6121	1	MIRROR GP (EXTERNAL)						1212
Y	474-9043	1	MIRROR GP (INTERNAL)						1213
Y	495-4594	1	PANEL GP-SWITCH (IGNITION)						519
Y	505-7484	1	PEDAL & MOUNTING GP-BRAKE						805
Y	476-8924	1	PEDAL GP-GOVERNOR (ACCELERATOR)						1227
Y	486-4417	1	STEERING GP-HYDRAULIC						824
Y	497-6972	1	SWITCH GP-ROCKER (ENG SPEED CTL)						566
Y	520-7778	1	SWITCH GP-TRANSMISSION (DISCONNECT)						571
Y	495-7646	1	TANK GP-WINDOW WASHER						1247
Y	495-6209	1	TRIM GP-CAB						1251
Y	497-9587	1	VISOR GP-CAB (SUN SCREEN)						1253
Y	495-3426	1	WINDOW GP-CAB (REAR)						1254
Y	503-1675	1	WIPER GP-UPPER (ROOF)						1257
Y	471-6094	1	WIPER GP-WINDOW (FRONT)						1258
Y	471-6158	1	WIPER GP-WINDOW (REAR)						1259
Y	492-2937	1	WIRING GP-CAB (HEATER)						575
Y	493-1110	1	WIRING GP-CAB (MAIN)						576

Y - SEPARATE ILLUSTRATION

<END>



OPERATOR STATION

517-9180 CAB AR-ENCLOSED

S/N: TH41-UP
AN ATTACHMENT

SMCS-7301, 7325

i08116072

NOTE	PART NUMBER	QTY	PART NAME	SEE PAGE
			1 2 3 4 5 6 (PRODUCT LEVEL)	
Y	473-4949	1	ANGLE-INDICATOR	1138
Y	495-6210	1	CAB GP	1144
Y	487-3912	1	CONTROL GP-JOYSTICK	1147
Y	495-6135	1	DOOR GP-CAB	1157
Y	476-0697	1	FLOOR MAT GP (CAB)	1167
Y	471-6121	1	MIRROR GP (EXTERNAL)	1212
Y	474-9043	1	MIRROR GP (INTERNAL)	1213
Y	519-2695	1	PANEL GP-INSTRUMENT	1223
			-OR-	
Y	533-7334	1	PANEL GP-INSTRUMENT	1225
Y	505-7484	1	PEDAL & MOUNTING GP-BRAKE	805
Y	476-8924	1	PEDAL GP-GOVERNOR (ACCELERATOR)	1227
Y	486-4417	1	STEERING GP-HYDRAULIC	824
Y	497-6972	1	SWITCH GP-ROCKER (ENG SPEED CTL)	566
Y	520-7778	1	SWITCH GP-TRANSMISSION (DISCONNECT)	571
Y	495-7646	1	TANK GP-WINDOW WASHER	1247
Y	495-6209	1	TRIM GP-CAB	1251
Y	497-9587	1	VISOR GP-CAB (SUN SCREEN)	1253
Y	495-3426	1	WINDOW GP-CAB (REAR)	1254
Y	503-1675	1	WIPER GP-UPPER (ROOF)	1257
Y	471-6094	1	WIPER GP-WINDOW (FRONT)	1258
Y	471-6158	1	WIPER GP-WINDOW (REAR)	1259
Y	492-2937	1	WIRING GP-CAB (HEATER)	575
Y	493-1110	1	WIRING GP-CAB (MAIN)	576

Y - SEPARATE ILLUSTRATION

<END>

OPERATOR STATION

495-6210 CAB GP

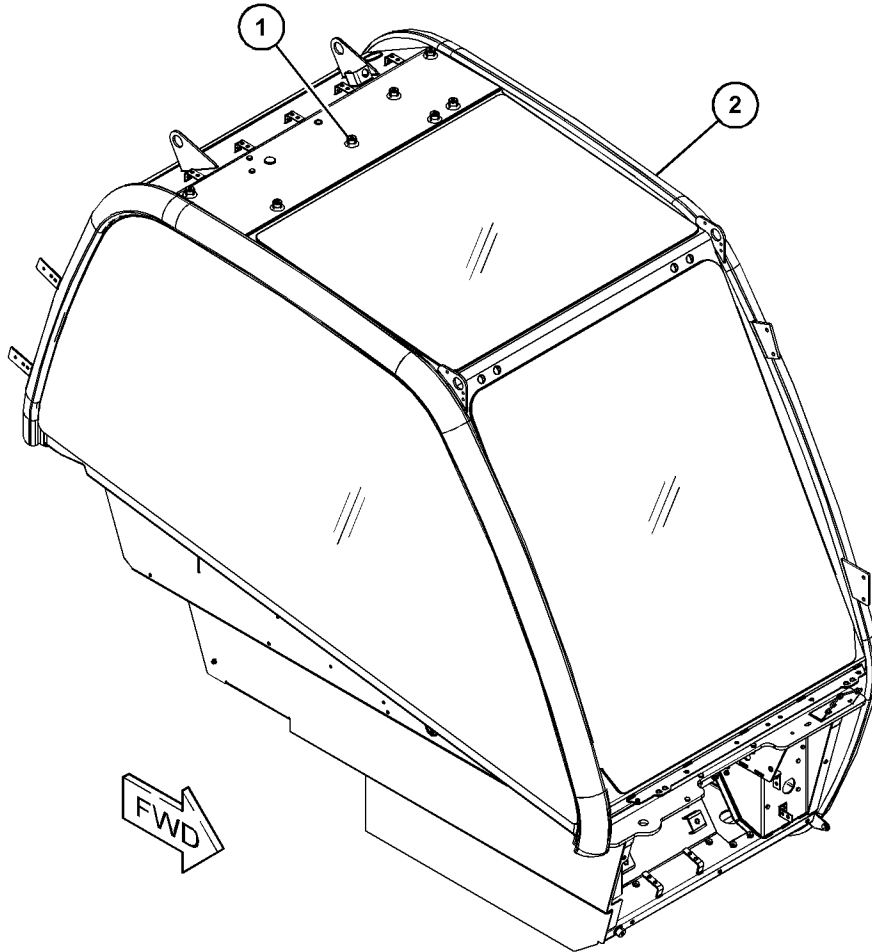
S/N: TH41-UP; TH91-UP
PART OF 517-9179, 517-9180 CAB AR
AN ATTACHMENT

SMCS-7301, 7325

i07415181

NOTE	REF NO	GRAPHIC REF	PART NUMBER	QTY	PART NAME						SEE PAGE
					1	2	3	4	5	6	
Y	1	1	473-9471	1	PLUG GP-CAB (BLANKING)						1232
Y	2	1	513-8871	1	GLASS & DOOR SEAL GP-CAB						1168

Y - SEPARATE ILLUSTRATION



GRAPHIC #1

<END>

g06324916

OPERATOR STATION

474-3810 CONDENSER GP-REFRIGERANT-CAB

S/N: TH41-UP; TH91-UP

PART OF 501-0753, 514-4876 AIR CONDITIONER & MOUNTING GP
AN ATTACHMENT

SMCS-1805

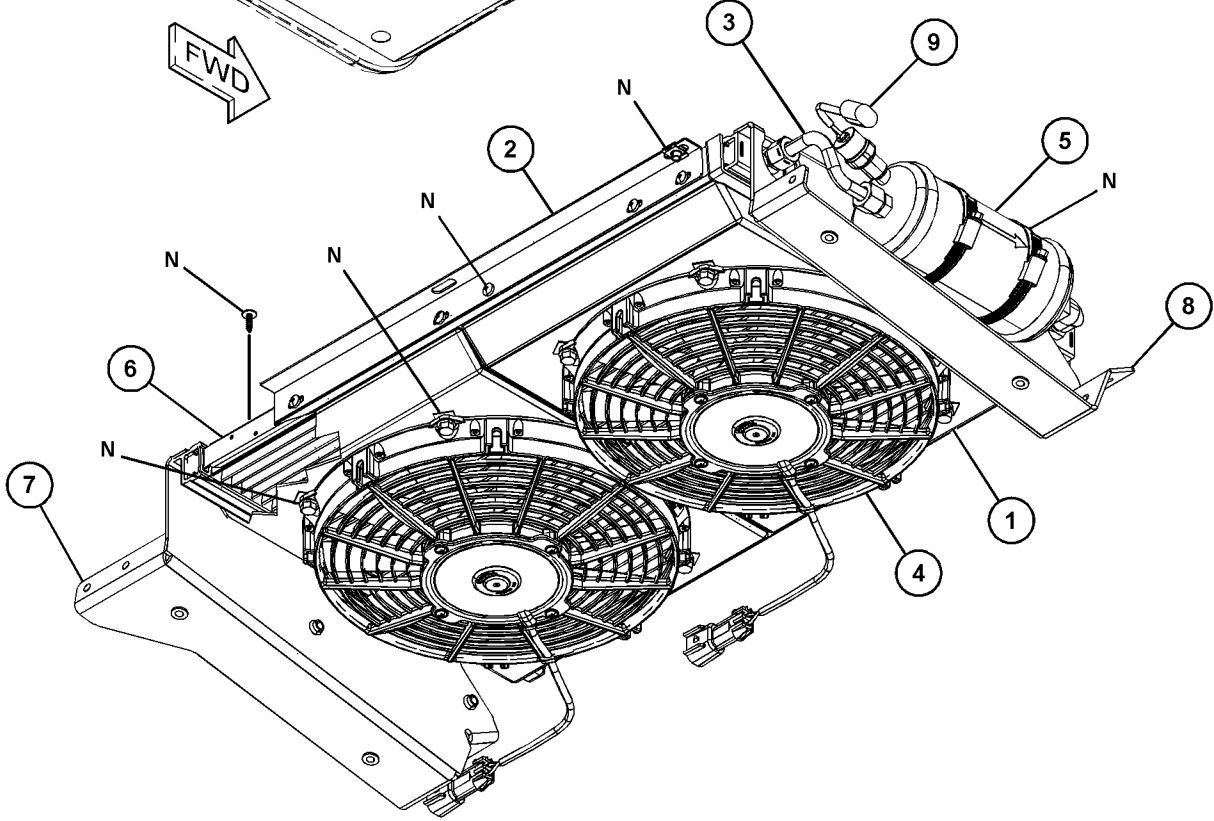
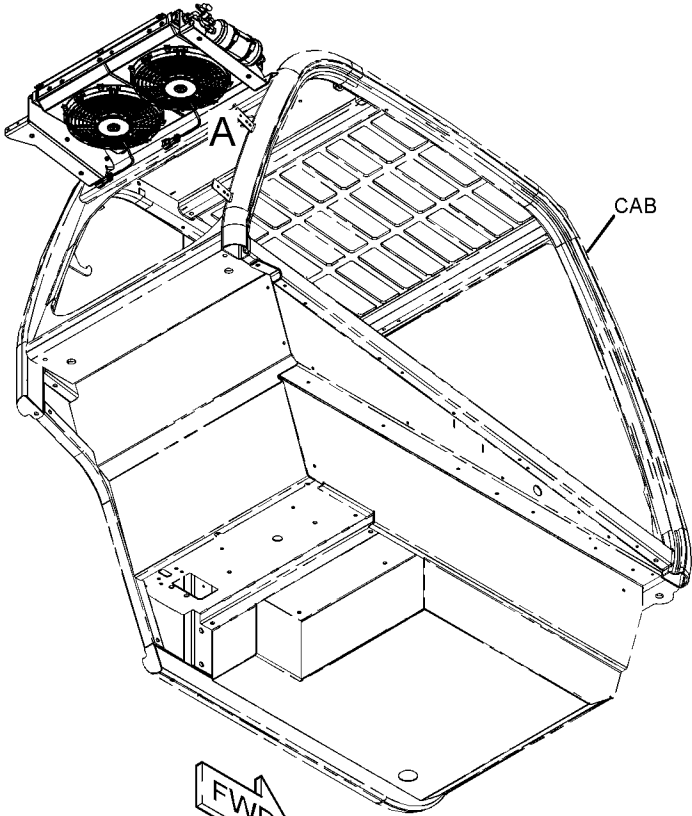
i07059327

NOTE	REF NO	GRAPHIC REF	PART NUMBER	QTY	PART NAME						SEE PAGE
					1	2	3	4	5	6	
	1	1	497-7205	1	BRACKET						
	2	1	497-7206	2	SUPPORT						
	3	1	497-6388	1	TUBE						
	4	1	497-7207	2	FAN-CONDENSER						
	5	1	497-6389	1	HEATER (CONDENSER)						
	6	1	497-7208	1	CONDENSER						
	7	1	474-4156	1	BRACKET AS (CONDENSER)						
	8	1	474-4157	1	BRACKET AS						
	9	1	497-6391	1	CONNECTOR						
					AVAILABLE REPAIR KIT(S):						
			479-5954	1	KIT-FASTENER						
					(INCLUDES PARTS MARKED 'N' IN THE GRAPHIC)						
			479-5955	1	KIT-O-RING						
					(INCLUDES O-RINGS)						

OPERATOR STATION

474-3810 CONDENSER GP-REFRIGERANT (contd.)

i07059327



VIEW OF AREA A

GRAPHIC #1

<END>

g06212919

OPERATOR STATION

487-3912 CONTROL GP-JOYSTICK-FORWARD, NEUTRAL, REVERSE

S/N: TH41-UP; TH91-UP

WITH AUXILIARY

PART OF 517-9179, 517-9180 CAB AR, 518-0077 CHASSIS AR

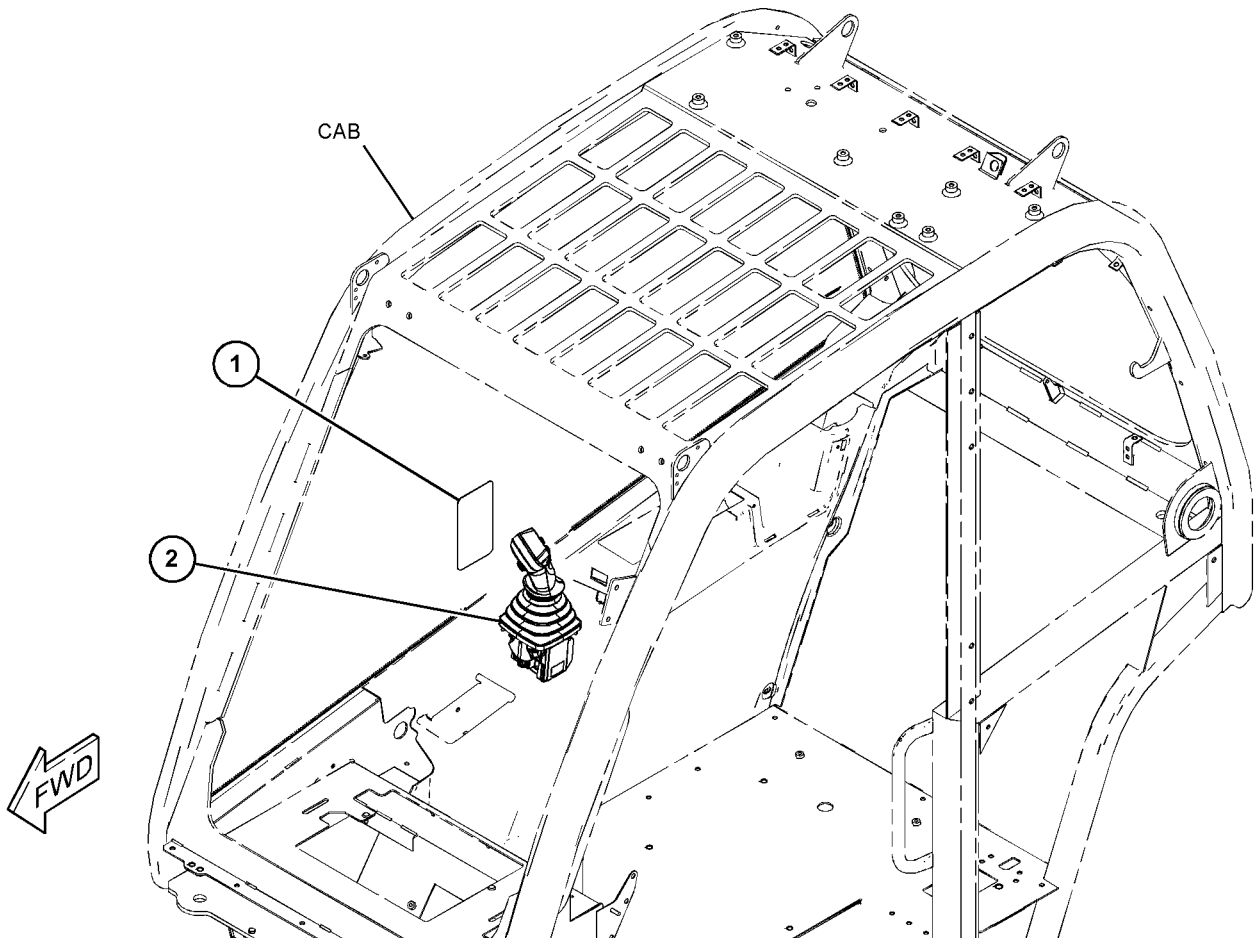
ALSO AN ATTACHMENT

SMCS-5063, 5705

i07784048

NOTE	REF NO	GRAPHIC REF	PART NUMBER	QTY	PART NAME						SEE PAGE
					1	2	3	4	5	6 (PRODUCT LEVEL)	
	1	1	571-0232	1	FILM-IDENTIFICATION (JOYSTICK)						
	2	1	477-2614	1	CONTROL GP-JOYSTICK						
		1	4D-2303	1	WASHER (0.27X0.81X0.062-IN THK)						
M		1	8T-4753	4	SCREW (M5X0.8X20-MM)						
		1	541-7470	1	CONTROL AS-JOYSTICK						

M - METRIC PART



GRAPHIC #1

<END>

g06042296

OPERATOR STATION

492-3937 COVER GP-ACCESS-CAB ROOF

S/N: TH41-UP; TH91-UP

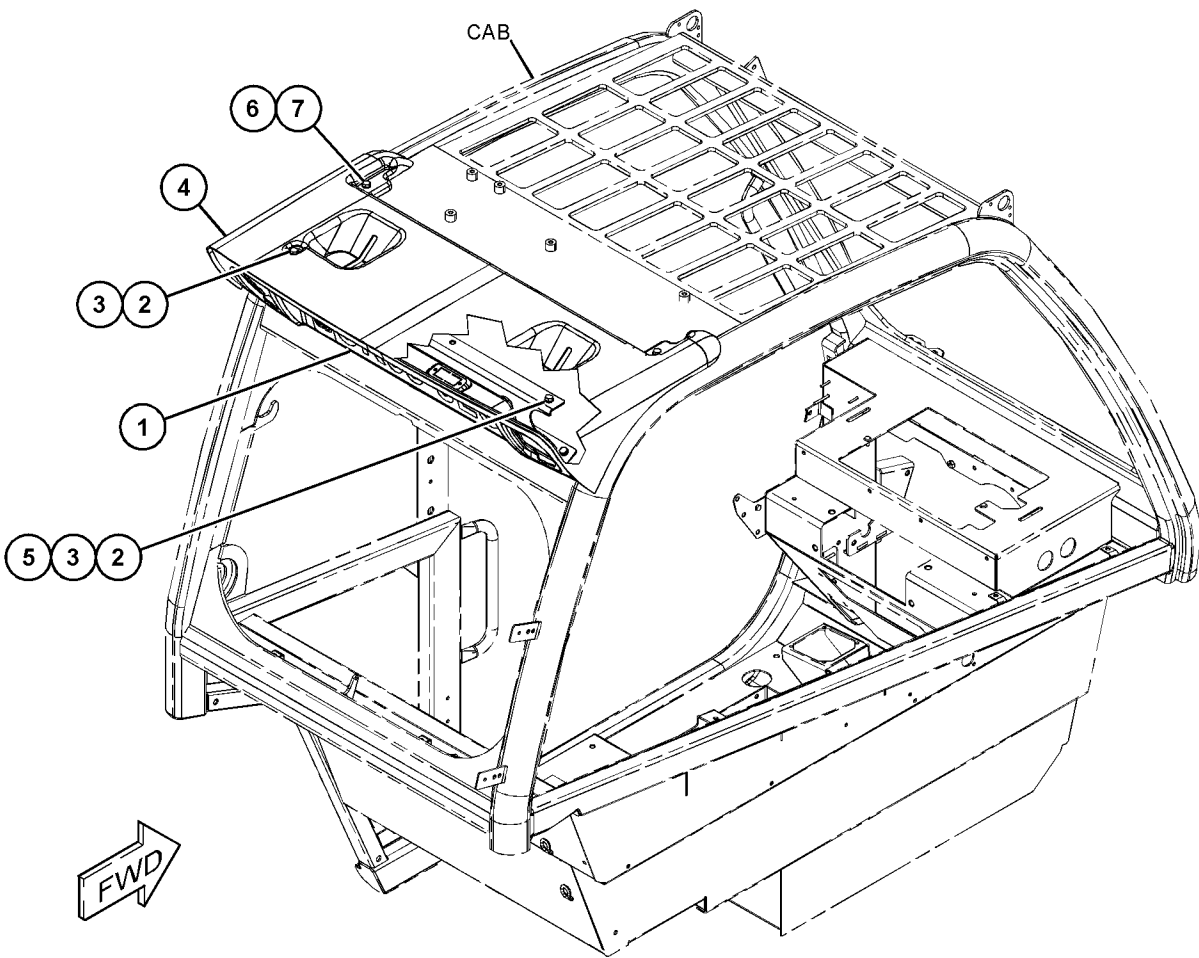
PART OF 508-7851, 508-7852, 521-2181 HEATER AR-CAB
AN ATTACHMENT

SMCS-726A

i07081254

NOTE	REF NO	GRAPHIC REF	PART NUMBER	QTY	PART NAME						SEE PAGE
					1	2	3	4	5	6 (PRODUCT LEVEL)	
	1	1	492-3939	1	COVER						
M	2	1	8T-4189	8	BOLT (M8X1.25X20-MM)						
	3	1	8T-4224	8	WASHER-HARD (8.8X16X2-MM THK)						
	4	1	492-3938	1	COVER						
	5	1	474-6081	1	BRACKET AS						
	6	1	309-3997	2	WASHER (8.4X25X2-MM THK)						
M	7	1	8T-4200	2	BOLT (M8X1.25X16-MM)						

M - METRIC PART



GRAPHIC #1

<END>

g06218973

OPERATOR STATION

497-9628 COVER GP-ACCESS-FRAME

S/N: TH41-UP; TH91-UP

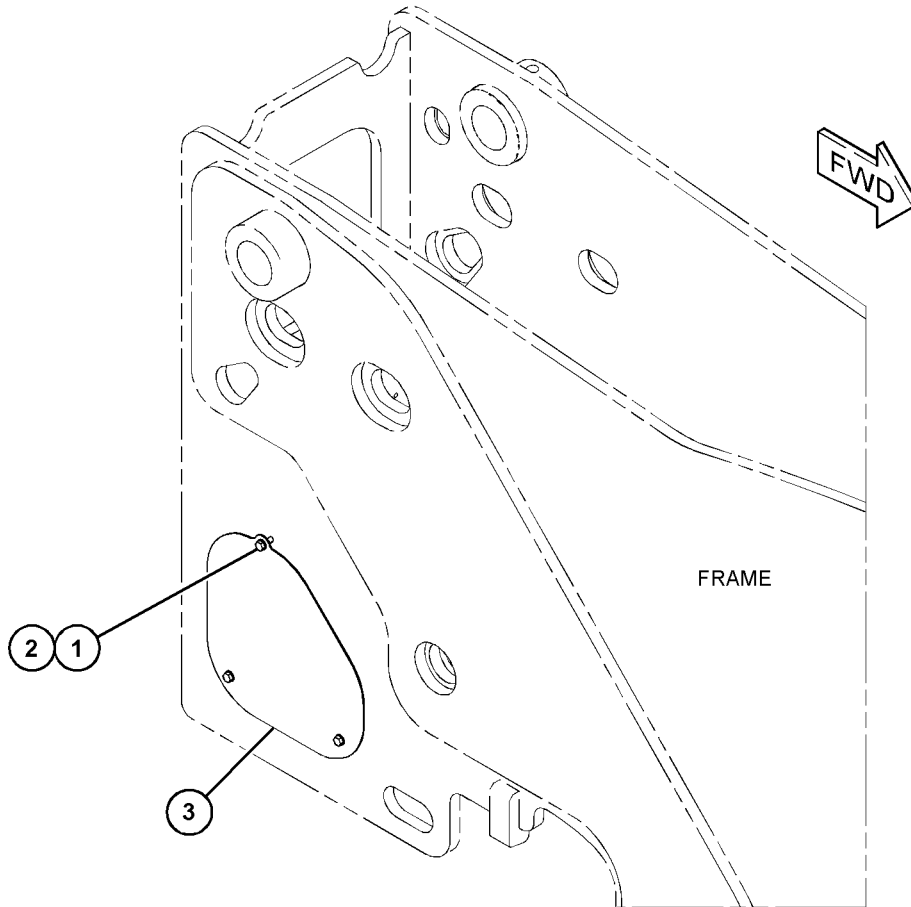
PART OF 506-7647, 521-6813 TRAILER AR
AN ATTACHMENT

SMCS-726A

i06613305

NOTE	REF NO	GRAPHIC REF	PART NUMBER	QTY	PART NAME						SEE PAGE
					1	2	3	4	5	6 (PRODUCT LEVEL)	
M	1	1	8T-4189	3	BOLT (M8X1.25X20-MM)						
	2	1	8T-4224	3	WASHER-HARD (8.8X16X2-MM THK)						
	3	1	497-9629	1	PLATE						

M - METRIC PART



GRAPHIC #1

<END>

g06046722

OPERATOR STATION

497-9630 COVER GP-ACCESS-TRAILER BRAKE

S/N: TH41-UP; TH91-UP

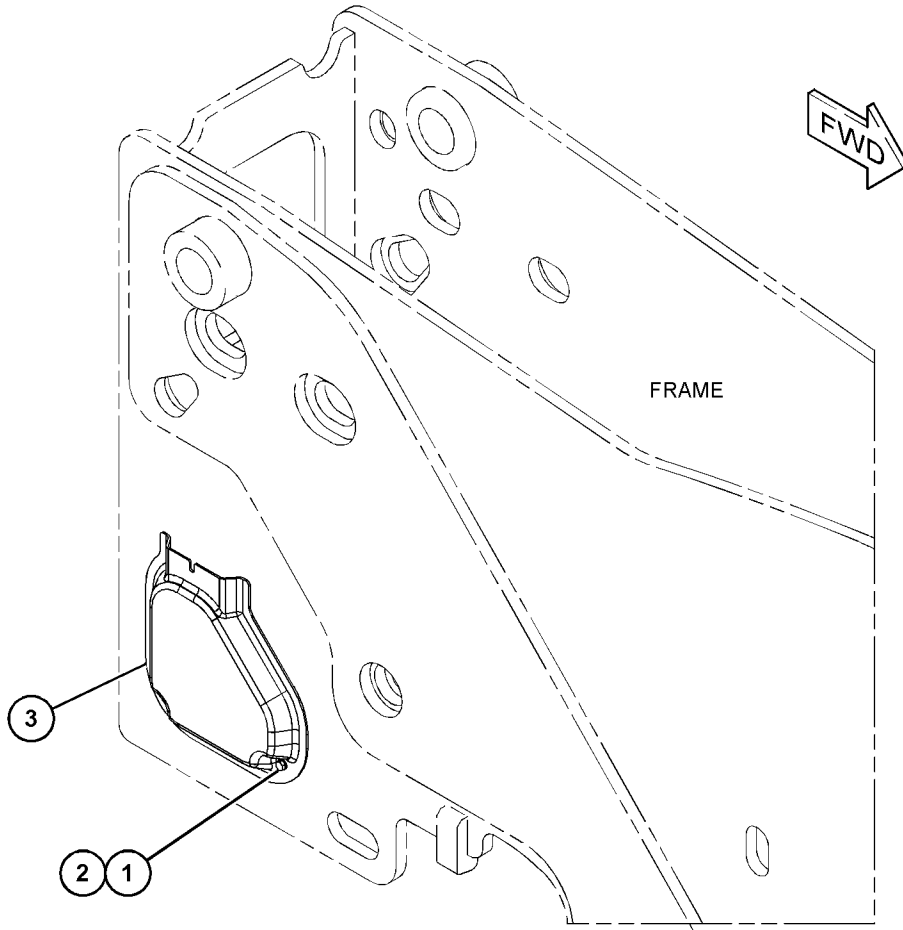
PART OF 506-7649, 506-7651, 506-7652, 553-5769, 553-5770 BRAKE AR-TRAILER, 506-7655 TRAILER AR AN ATTACHMENT

SMCS-726A

i06613301

NOTE	REF NO	GRAPHIC REF	PART NUMBER	QTY	PART NAME						SEE PAGE
					1	2	3	4	5	6 (PRODUCT LEVEL)	
M	1	1	8T-4189	2	BOLT (M8X1.25X20-MM)						
	2	1	8T-4224	2	WASHER-HARD (8.8X16X2-MM THK)						
	3	1	497-9631	1	COVER						

M - METRIC PART



GRAPHIC #1

<END>

g06046720

OPERATOR STATION

501-5070 COVER GP-ACCESS-BOOM

S/N: TH41-UP; TH91-UP

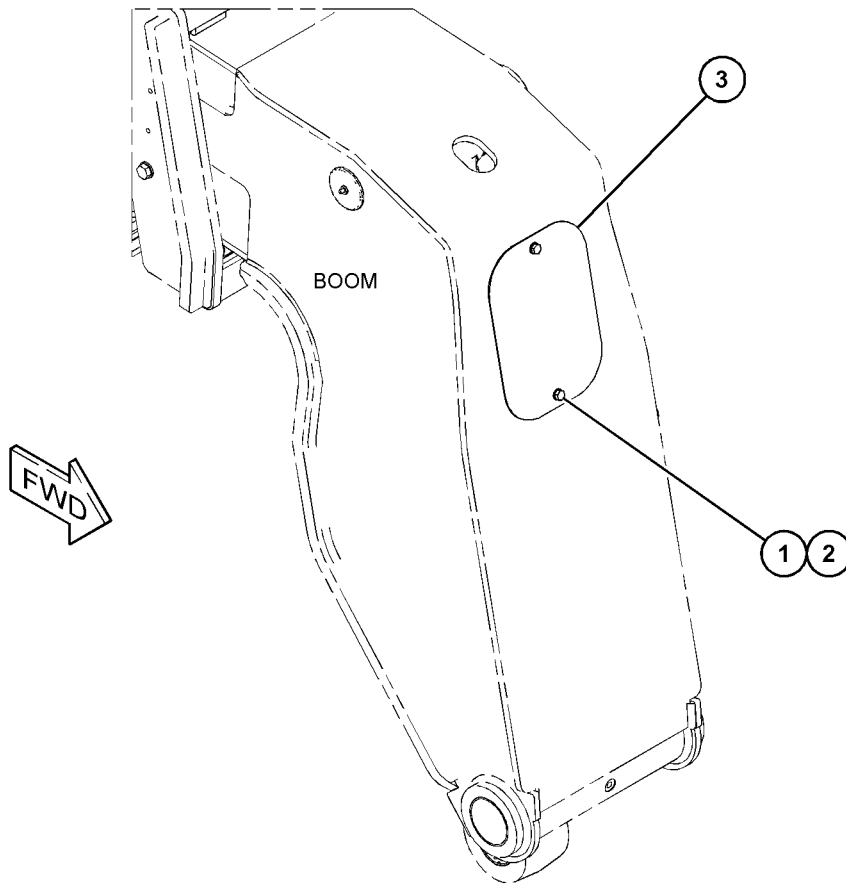
PART OF 518-0076, 518-0077 CHASSIS AR

SMCS-726A

i06702579

NOTE	REF NO	GRAPHIC REF	PART NUMBER	QTY	PART NAME						SEE PAGE
					1	2	3	4	5	6 (PRODUCT LEVEL)	
M	1	1	8T-4189	2	BOLT (M8X1.25X20-MM)						
	2	1	8T-4224	2	WASHER-HARD (8.8X16X2-MM THK)						
	3	1	494-1901	1	PLATE-COVER						

M - METRIC PART



GRAPHIC #1

<END>

g06091872

OPERATOR STATION

501-7477 COVER GP-ACCESS-REAR AUXILIARY HYDRAULICS

S/N: TH41-UP; TH91-UP

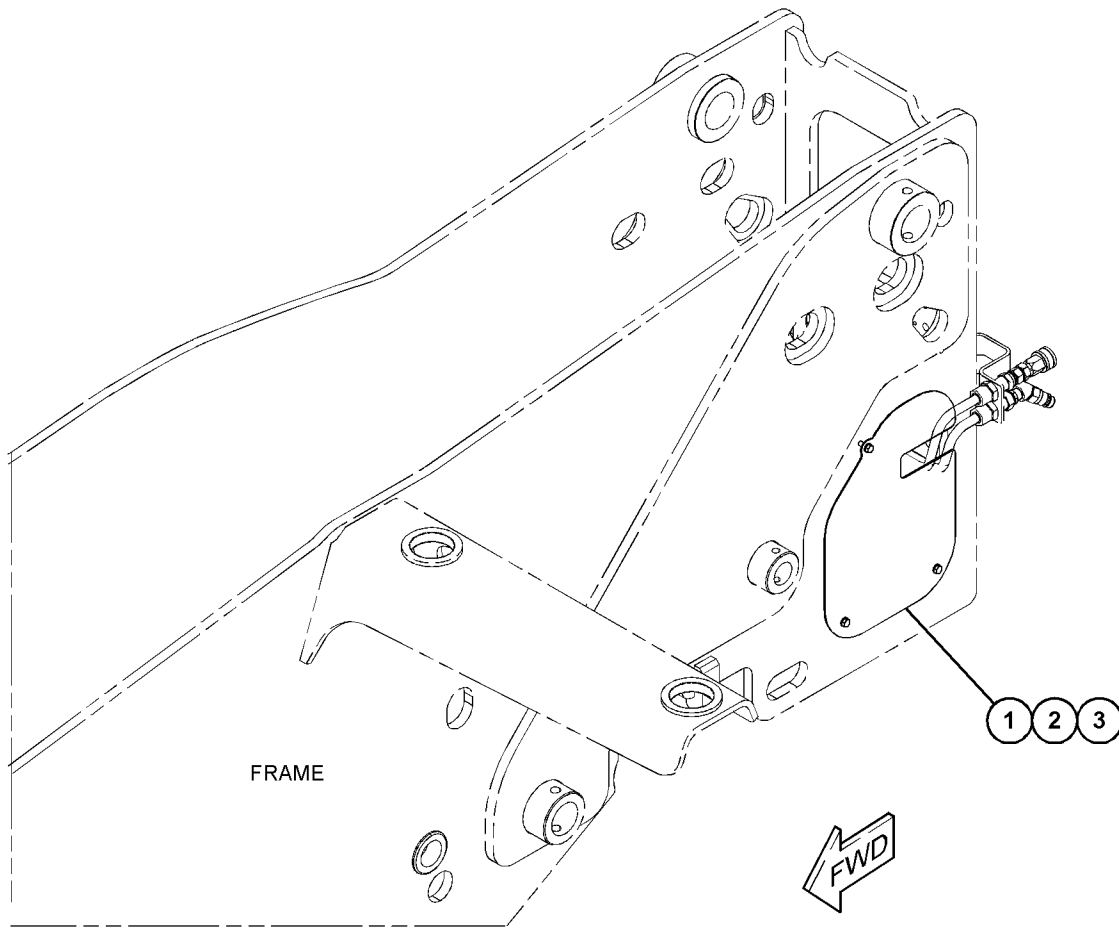
PART OF 506-3319 CONTROL AR-AUXILIARY, 506-3318 HYDRAULIC AR-AUXILIARY
AN ATTACHMENT

SMCS-726A

i06608810

NOTE	REF NO	GRAPHIC REF	PART NUMBER	QTY	PART NAME						SEE PAGE
					1	2	3	4	5	6 (PRODUCT LEVEL)	
M	1	1	8T-4189	3	BOLT (M8X1.25X20-MM)						
	2	1	8T-4224	3	WASHER-HARD (8.8X16X2-MM THK)						
	3	1	501-7478	1	PLATE						

M - METRIC PART



GRAPHIC #1

<END>

g06048402

OPERATOR STATION

472-2275 COVER GP-CAB

S/N: TH41-UP

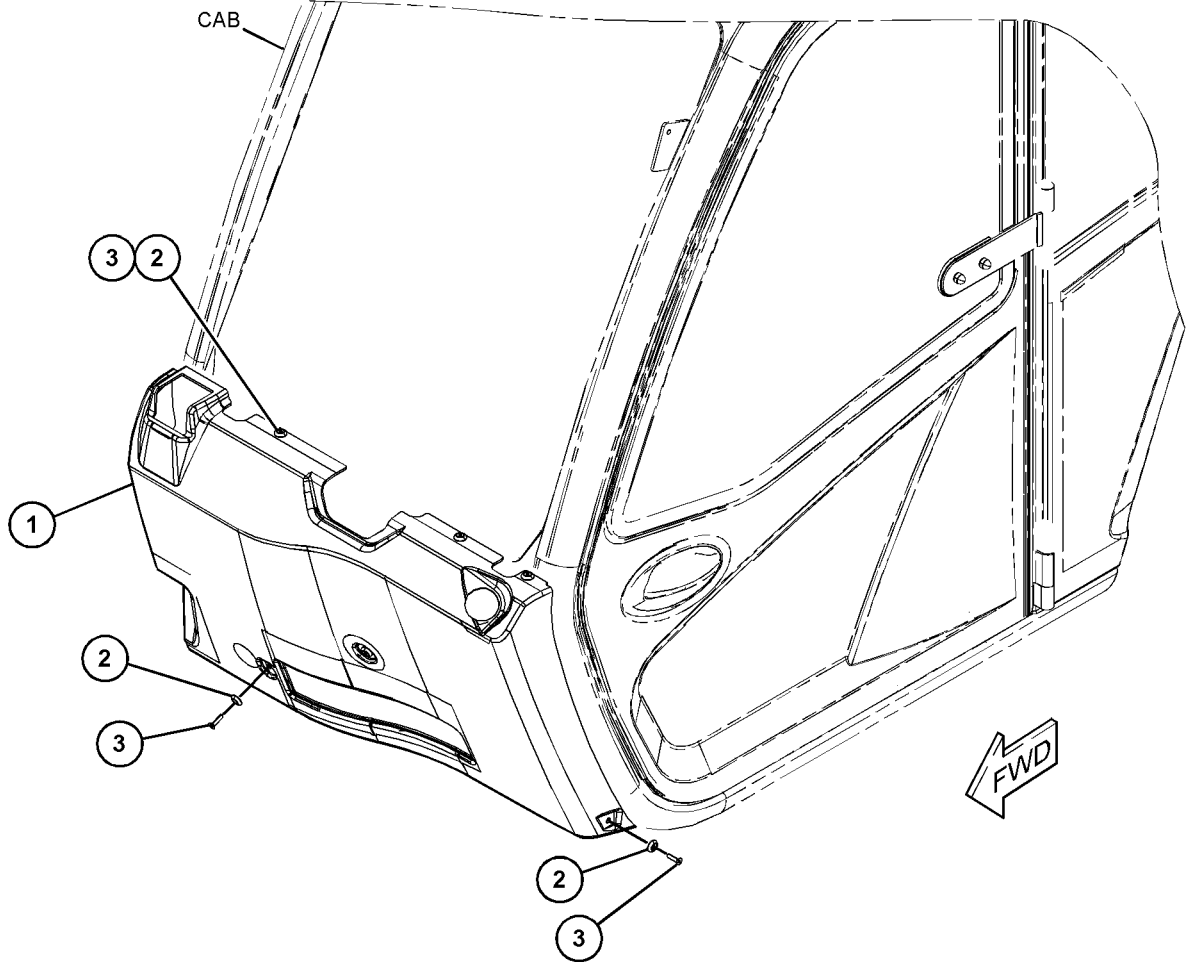
PART OF 515-0971 LIGHTING GP-ROADING
AN ATTACHMENT

SMCS-7301

i07391156

NOTE	REF NO	GRAPHIC REF	PART NUMBER	QTY	PART NAME						SEE PAGE
					1	2	3	4	5	6 (PRODUCT LEVEL)	
	1	1	472-1078	1	COVER						
	2	1	315-3901	6	WASHER (6.2X20X5-MM THK)						
M	3	1	280-2651	6	SCREW-FLAT HEAD (M6X1X25-MM)						

M - METRIC PART



GRAPHIC #1

<END>

g06322543

OPERATOR STATION

492-3933 COVER GP-CAB-ROOF

S/N: TH41-UP; TH91-UP

PART OF 508-7849, 520-8643, 521-2180 AIR CONDITIONER AR
AN ATTACHMENT

SMCS-7301

i07331068

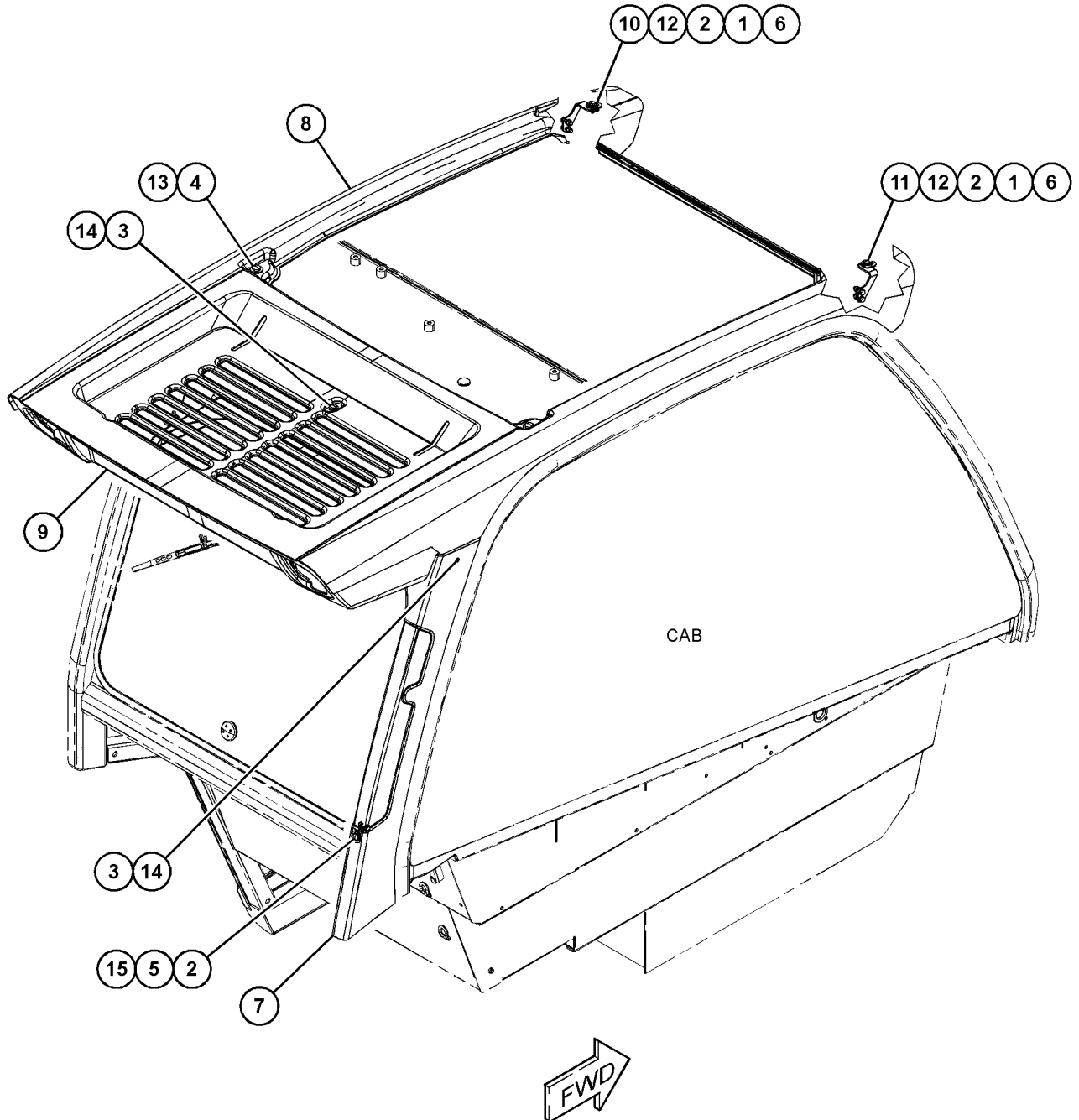
NOTE	REF NO	GRAPHIC REF	PART NUMBER	QTY	PART NAME						SEE PAGE
					1	2	3	4	5	6 (PRODUCT LEVEL)	
M	1	1	5C-2890	4	NUT (M6X1-THD)						
	2	1	8T-4205	9	WASHER-HARD (7.2X14.5X2-MM THK)						
	3	1	5Y-2425	10	WASHER (6.5X17.5X1.5-MM THK)						
	4	1	309-3997	2	WASHER (8.4X25X2-MM THK)						
	5	1	303-4787	1	WASHER (6.1X11.8X1.6-MM THK)						
M	6	1	341-7590	3	NUT (M6X1-THD)						
	7	1	471-6125	1	COVER						
	8	1	492-3941	1	COVER GP-CAB						
	9	1	492-3934	1	COVER-ROOF						
	10	1	492-3935	1	BRACKET						
	11	1	492-3936	1	BRACKET						
M	12	1	6V-7357	4	BOLT (M6X1X25-MM)						
M	13	1	8T-4200	2	BOLT (M8X1.25X16-MM)						
M	14	1	8T-8998	10	SCREW-MACHINE (M6X1X20-MM)						
M	15	1	471-6671	1	SCREW (M6X1X16-MM)						

M - METRIC PART

OPERATOR STATION

492-3933 COVER GP-CAB (contd.)

i07331068



GRAPHIC #1

<END>

g06248371

OPERATOR STATION

546-5767 DISPLAY AR-MONITOR

S/N: TH41-UP; TH91-UP

AN ATTACHMENT

SMCS-7490

i07195211

NOTE	PART NUMBER	QTY	PART NAME						SEE PAGE
			1	2	3	4	5	6 (PRODUCT LEVEL)	
Y	474-6061	1	MONITOR & MOUNTING GP						1220
	546-5411	1	SOFTWARE GP-MONITOR						
	546-5410	1	SOFTWARE GP-MACHINE						

Y - SEPARATE ILLUSTRATION

<END>

OPERATOR STATION

495-6135 DOOR GP-CAB

S/N: TH41-UP; TH91-UP

PART OF 517-9179, 517-9180 CAB AR
AN ATTACHMENT

SMCS-7308

i07907096

NOTE	REF NO	GRAPHIC REF	PART NUMBER	QTY	PART NAME						SEE PAGE
					1	2	3	4	5	6 (PRODUCT LEVEL)	
M	1	1	495-6138	1	NUT (M12X1-THD)						
	2	1	473-8907	2	BUSHING						
M	3	1	7X-2619	4	BOLT (M6X1X10-MM)						
M	4	1	8T-4970	4	BOLT (M6X1X14-MM)						
M	5	1	5C-7261	2	NUT (M8X1.25-THD)						
	6	2	473-8905	1	COVER-DOOR						
	7	1	8T-4205	4	WASHER-HARD (7.2X14.5X2-MM THK)						
	8	1,2	8T-4224	13	WASHER-HARD (8.8X16X2-MM THK)						
	9	1	329-3663	1	PIN-THREADED						
M	10	2	7Y-7394	5	SCREW-BUTTON HEAD (M8X1.25X25-MM)						
M	11	1	142-2304	2	SCREW-BUTTON HEAD (M8X1.25X35-MM)						
	12	2	343-7429	10	SLEEVE						
Y	14	2	513-3136	1	WINDOW GP-CAB						1255
	15	1	495-2033	1	LATCH AS						
		1	576-5360	1	LINK						
M		1	178-9983	1	LOCKNUT (M4X0.7-THD)						
		1	495-2042	1	LATCH						
	16	1	473-9375	1	HANDLE AS						
		1	497-8800	1	CABLE AS						
	17	2	495-6136	1	HANDLE GP-DOOR						
Y	18	2	495-6139	1	DOOR GP-CAB						1160
M	19	1	184-0982	2	SCREW-PAN HEAD (M6X1X16-MM)						
	20	1	473-8881	1	BRACKET AS						
	21	2	495-6146	1	STRAP GP						
		2	560-3608	2	BRACKET						
		2	515-9909	1	STRAP						
M		2	560-3611	4	SCREW (M5X0.8X25-MM)						
		2	495-6148	1	PLATE						
	22	2	473-8911	7	HINGE						
	23	1	4D-2303	2	WASHER (0.27X0.81X0.062-IN THK)						
M	24	2	198-3899	2	SCREW-BUTTON HEAD (M8X1.25X20-MM)						
	25	1	559-2789	1	WASHER (12.5X30X1.5-MM THK)						
	26	2	513-7913	1	PIN-HINGE						
	27	2	327-1749	2	RING						

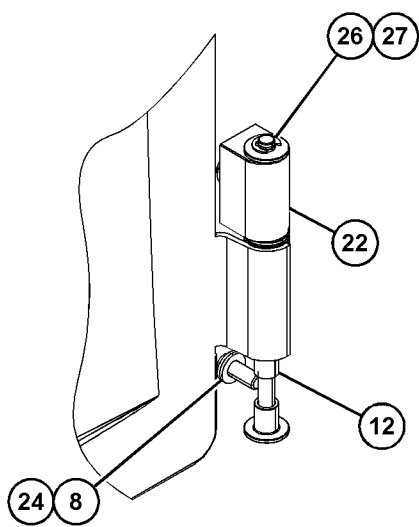
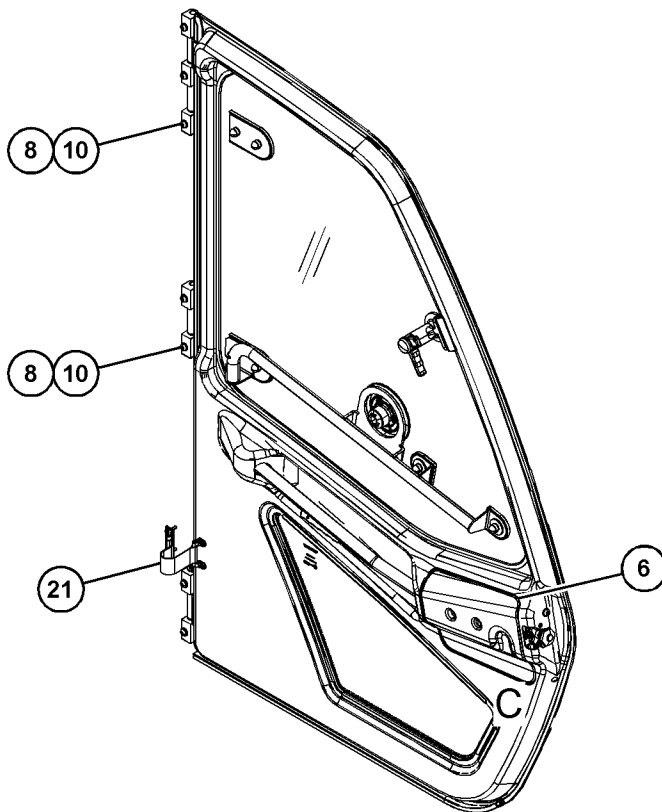
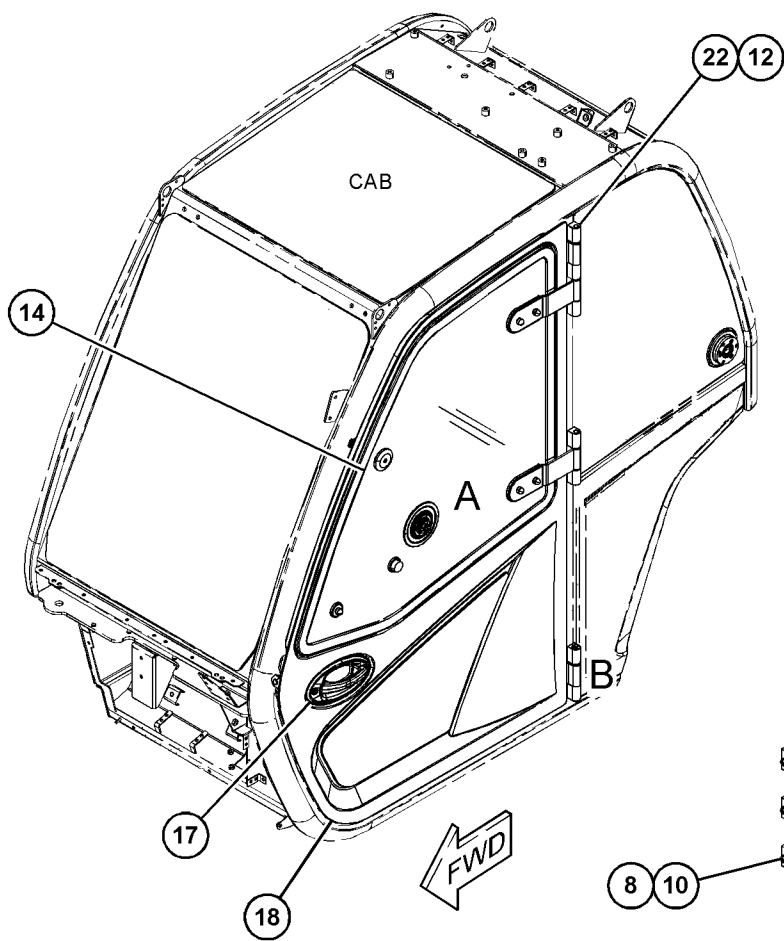
M - METRIC PART
Y - SEPARATE ILLUSTRATION

OPERATOR STATION

495-6135 DOOR GP-CAB (contd.)

i07907096

REFER TO ALL ILLUSTRATIONS OF THIS GROUP FOR AUXILIARY VIEWS



VIEW OF AREA B
(PARTS REMOVED FOR CLARITY)

VIEW OF AREA A



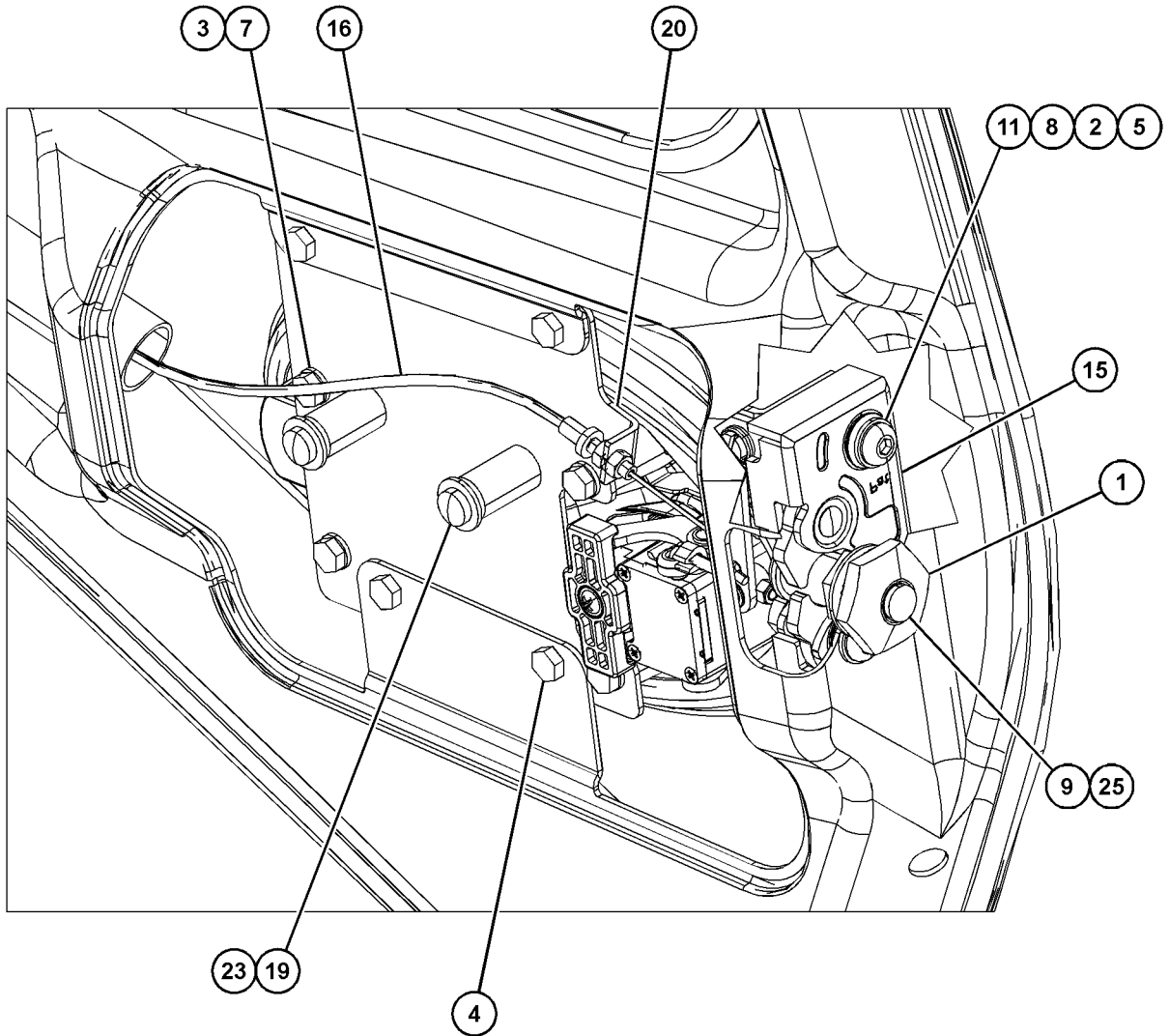
GRAPHIC #1

g06358691

OPERATOR STATION

495-6135 DOOR GP-CAB (contd.)

i07907096



VIEW OF AREA C
(PARTS REMOVED FOR CLARITY)

GRAPHIC #2

<END>

g06358692

OPERATOR STATION

495-6139 DOOR GP-CAB

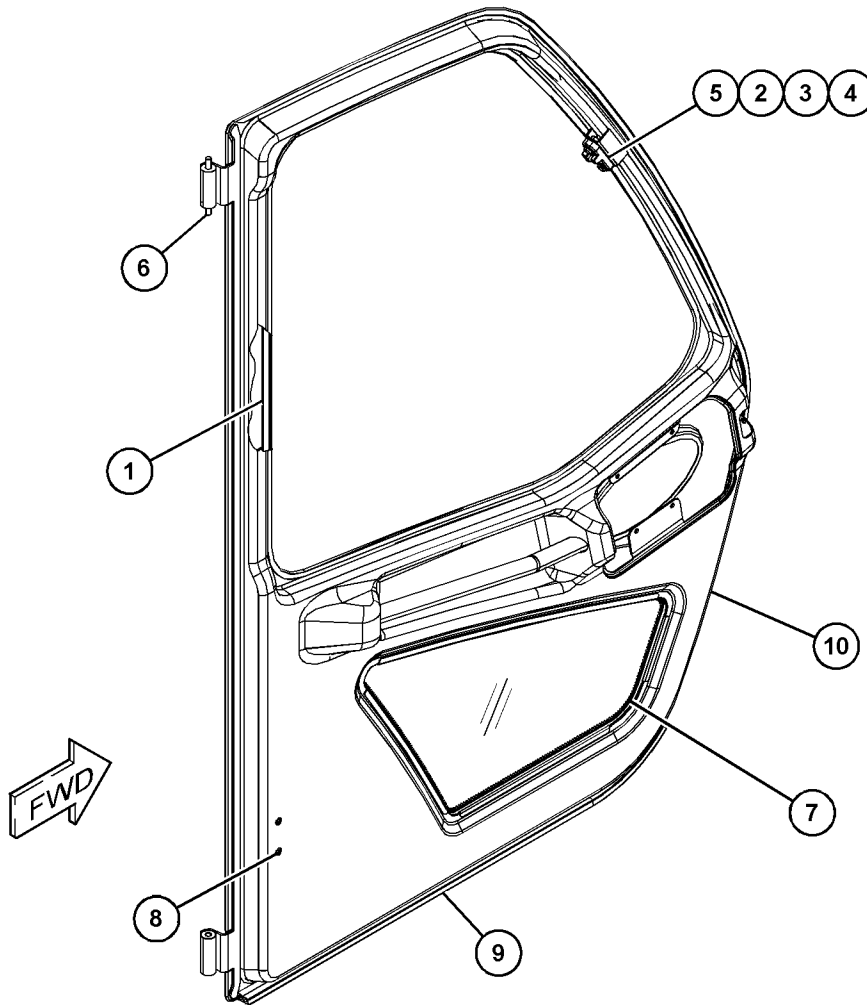
S/N: TH41-UP; TH91-UP
PART OF 495-6135 DOOR GP-CAB
AN ATTACHMENT

SMCS-7308

i07452097

NOTE	REF NO	GRAPHIC REF	PART NUMBER	QTY	PART NAME						SEE PAGE
					1	2	3	4	5	6	
	1	1	559-2723	1	SEAL-CAB (WINDOW)						
B	2	1	495-6142	1	SHIM (WINDOW LATCH) (1-MM THK)						
M	3	1	495-6228	2	SCREW-DRIVE (M6X1X25-MM)						
	4	1	4D-2303	2	WASHER (0.27X0.81X0.062-IN THK)						
	5	1	459-2776	1	LATCH						
	6	1	473-8729	1	PIN (HINGE)						
	7	1	495-6140	1	GLASS (WINDOW) (LOWER)						
	8	1	473-8879	2	FASTENER						
	9	1	559-2764	1	SEAL-CAB (DOOR)						
	10	1	495-6141	1	DOOR AS						

B - USE AS REQUIRED
M - METRIC PART



GRAPHIC #1

<END>

g06376468

OPERATOR STATION

516-1393 ENCLOSURE GP-CAB

S/N: TH41-UP; TH91-UP
PART OF 518-0076 CHASSIS AR

SMCS-7276

i07415068

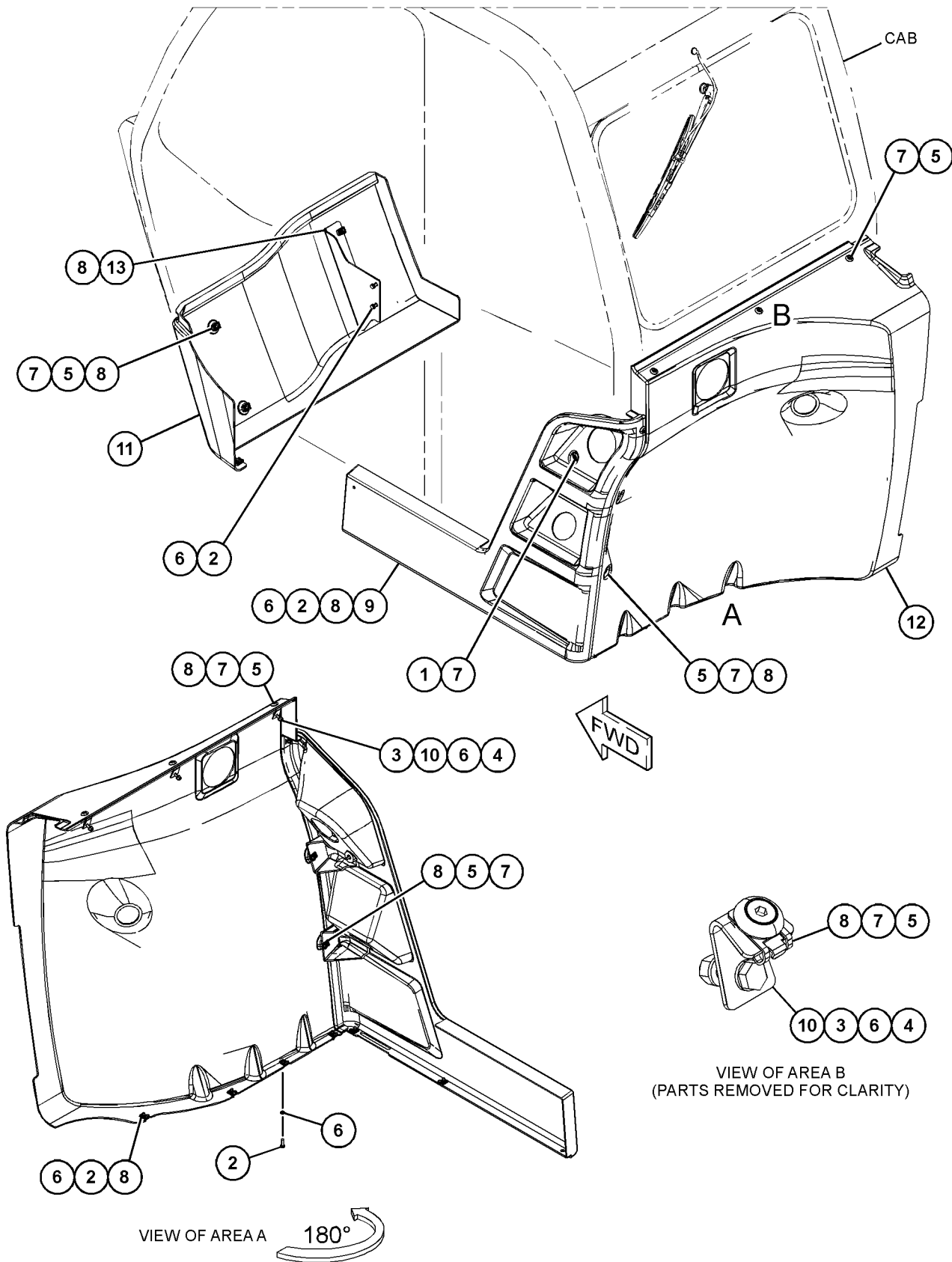
NOTE	REF NO	GRAPHIC REF	PART NUMBER	QTY	PART NAME						SEE PAGE
					1	2	3	4	5	6 (PRODUCT LEVEL)	
M	1	1	9X-6155	1	BOLT-SOCKET HEAD (M6X1X16.7-MM)						
M	2	1	8T-4138	10	BOLT (M6X1X20-MM)						
M	3	1	6V-7357	3	BOLT (M6X1X25-MM)						
M	4	1	303-4779	3	LOCKNUT (M6X1-THD)						
M	5	1	280-2651	10	SCREW-FLAT HEAD (M6X1X25-MM)						
	6	1	8T-4205	16	WASHER-HARD (7.2X14.5X2-MM THK)						
	7	1	315-3901	11	WASHER (6.2X20X5-MM THK)						
M	8	1	341-7590	18	NUT (M6X1-THD)						
	9	1	477-1614	1	COVER (TANK) (SIDE)						
	10	1	477-1617	3	PLATE						
	11	1	477-1616	1	COVER (LOWER FRONT)						
	12	1	501-2810	1	COVER (TANK) (REAR)						
	13	1	501-2811	1	BRACKET AS						

M - METRIC PART

OPERATOR STATION

516-1393 ENCLOSURE GP-CAB (contd.)

i07415068



GRAPHIC #1

<END>

g06335812

OPERATOR STATION

516-1437 ENCLOSURE GP-CAB-CAB

S/N: TH4167-UP

PART OF 518-0077 CHASSIS AR

SMCS-7276

i07409895

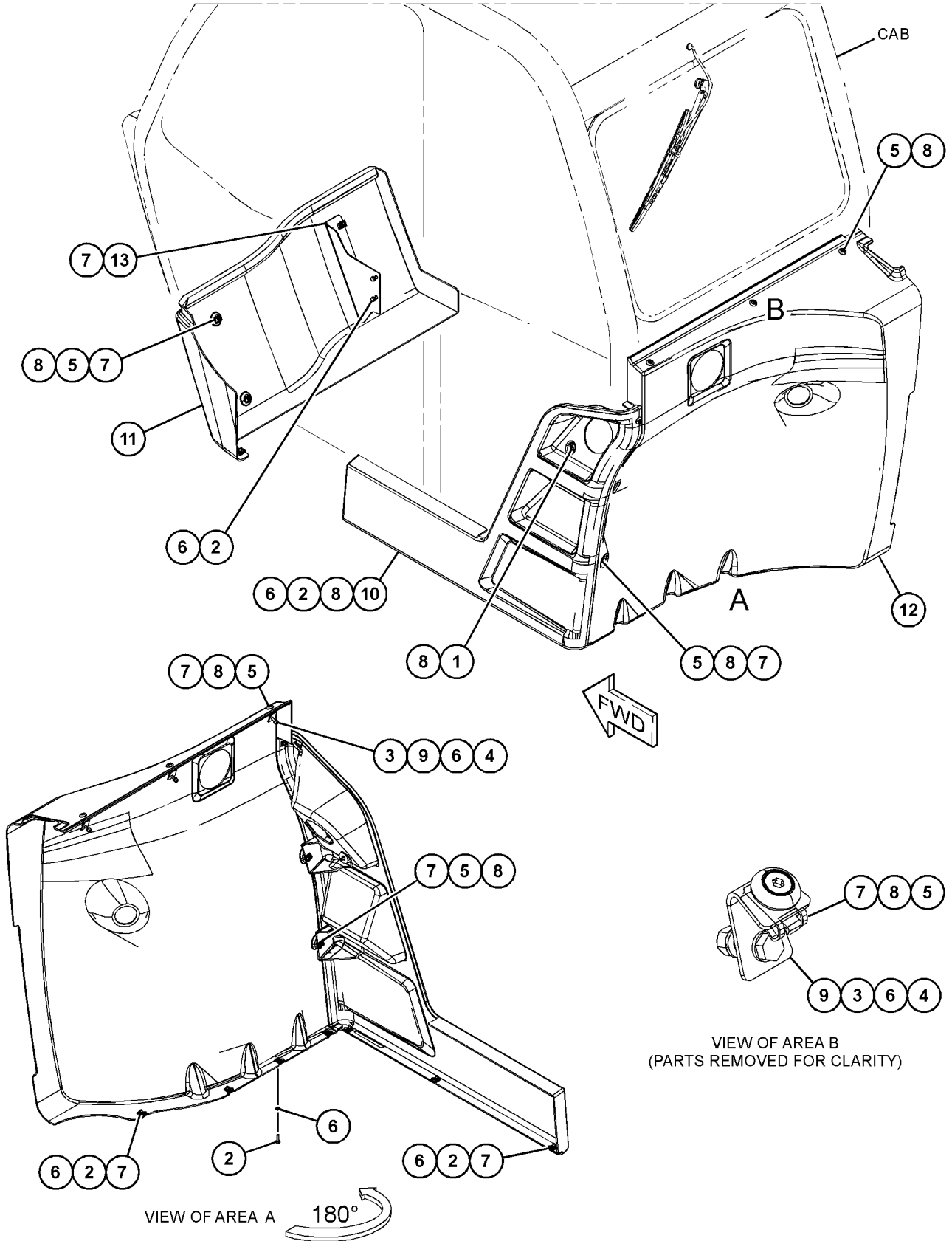
NOTE	REF NO	GRAPHIC REF	PART NUMBER	QTY	PART NAME						SEE PAGE
					1	2	3	4	5	6 (PRODUCT LEVEL)	
M	1	1	9X-6155	1	BOLT-SOCKET HEAD (M6X1X16.7-MM)						
M	2	1	8T-4138	10	BOLT (M6X1X20-MM)						
M	3	1	6V-7357	3	BOLT (M6X1X25-MM)						
M	4	1	303-4779	3	LOCKNUT (M6X1-THD)						
M	5	1	280-2651	10	SCREW-FLAT HEAD (M6X1X25-MM)						
	6	1	8T-4205	16	WASHER-HARD (7.2X14.5X2-MM THK)						
M	7	1	341-7590	18	NUT (M6X1-THD)						
	8	1	315-3901	11	WASHER (6.2X20X5-MM THK)						
	9	1	477-1617	3	PLATE						
	10	1	477-1629	1	COVER						
	11	1	477-1616	1	COVER (LOWER FRONT)						
	12	1	501-2810	1	COVER (TANK)						
	13	1	501-2811	1	BRACKET AS						

M - METRIC PART

OPERATOR STATION

516-1437 ENCLOSURE GP-CAB (contd.)

i07409895



GRAPHIC #1

<END>

g06338119

OPERATOR STATION

516-1438 ENCLOSURE GP-CAB-CHASSIS

S/N: TH41-UP; TH91-UP
PART OF 518-0076 CHASSIS AR

SMCS-7276

i06907150

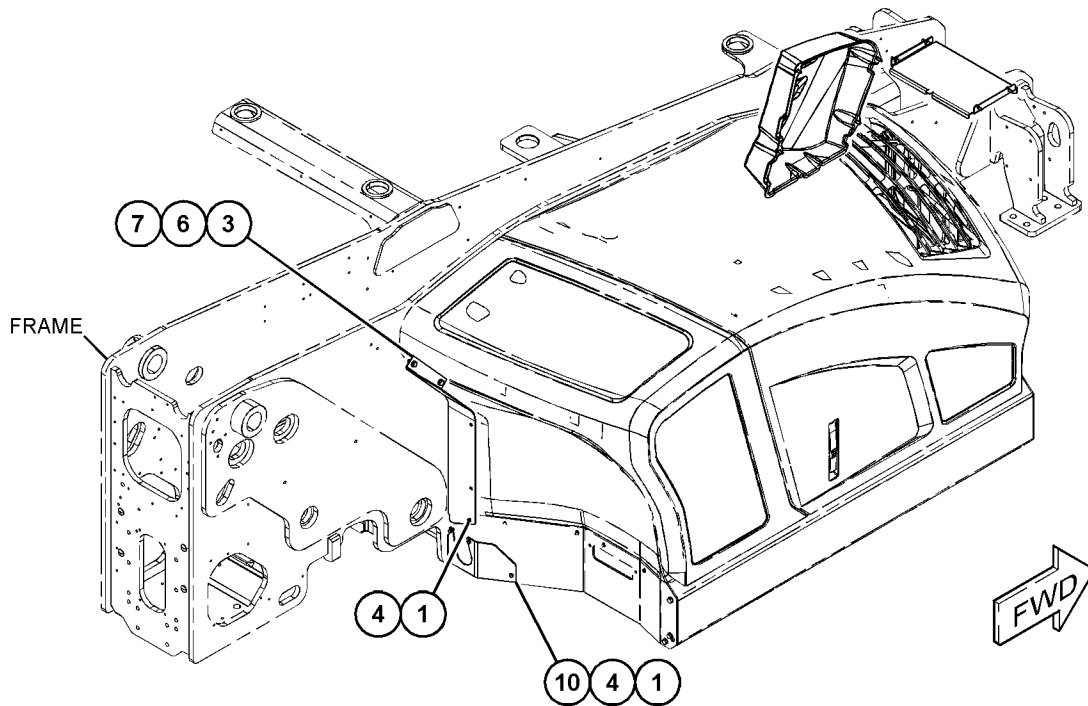
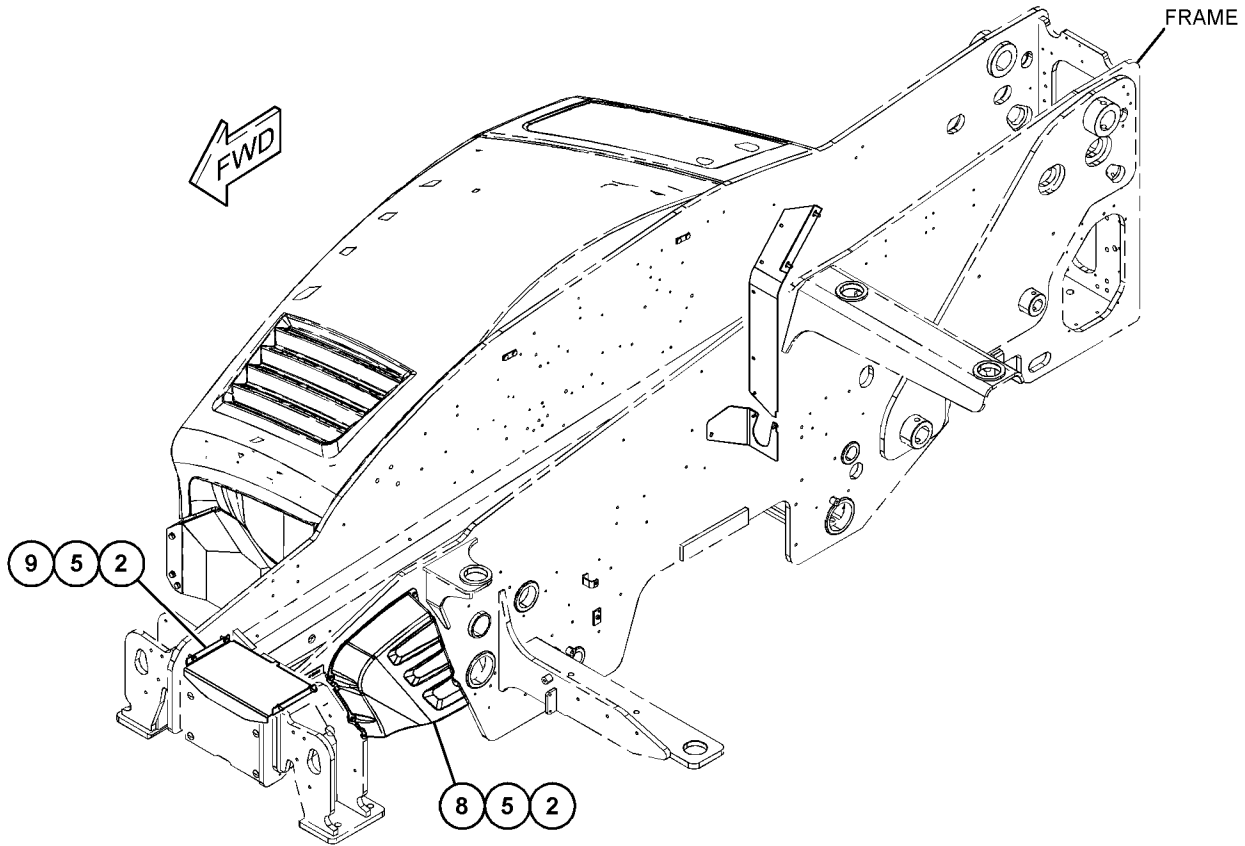
NOTE	REF NO	GRAPHIC REF	PART NUMBER	QTY	PART NAME						SEE PAGE
					1	2	3	4	5	6 (PRODUCT LEVEL)	
M	1	1	5C-9553	4	BOLT (M6X1X16-MM)						
M	2	1	8T-4189	8	BOLT (M8X1.25X20-MM)						
M	3	1	8T-4136	2	BOLT (M10X1.5X25-MM)						
	4	1	8T-4205	4	WASHER-HARD (7.2X14.5X2-MM THK)						
	5	1	8T-4224	8	WASHER-HARD (8.8X16X2-MM THK)						
	6	1	8T-4121	2	WASHER-HARD (11X21X2.5-MM THK)						
	7	1	500-3074	1	PLATE (REAR EXHAUST)						
	8	1	499-7306	1	COVER						
	9	1	499-7308	1	PLATE (FRAME)						
	10	1	500-3082	1	PLATE (COVER)						

M - METRIC PART

OPERATOR STATION

516-1438 ENCLOSURE GP-CAB (contd.)

106907150



GRAPHIC #1

<END>

g06165375

OPERATOR STATION

476-0697 FLOOR MAT GP

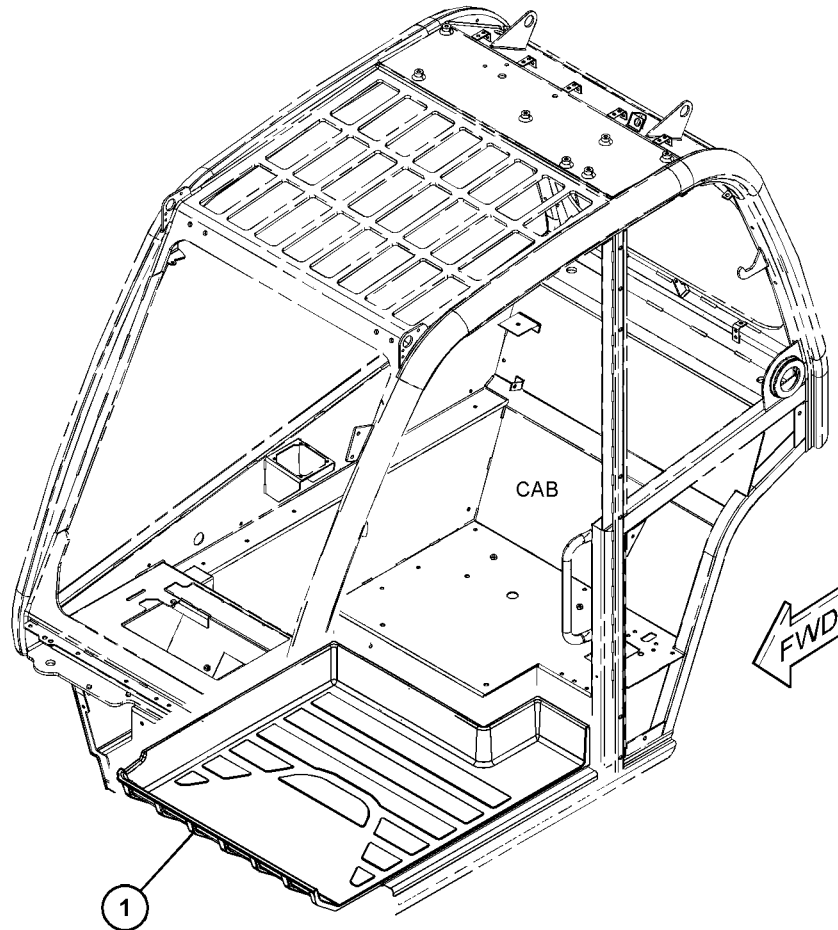
S/N: TH41-UP; TH91-UP

PART OF 517-9179, 517-9180 CAB AR
AN ATTACHMENT

SMCS-726M

i06603243

NOTE	REF NO	GRAPHIC REF	PART NUMBER	QTY	PART NAME						SEE PAGE
					1	2	3	4	5	6 (PRODUCT LEVEL)	
	1	1	476-0698	1	FLOOR MAT						



GRAPHIC #1

<END>

g06046095

OPERATOR STATION

513-8871 GLASS & DOOR SEAL GP-CAB

S/N: TH41-UP; TH91-UP
 PART OF 495-6210 CAB GP
 AN ATTACHMENT

SMCS-7301, 7308, 7310

i07415182

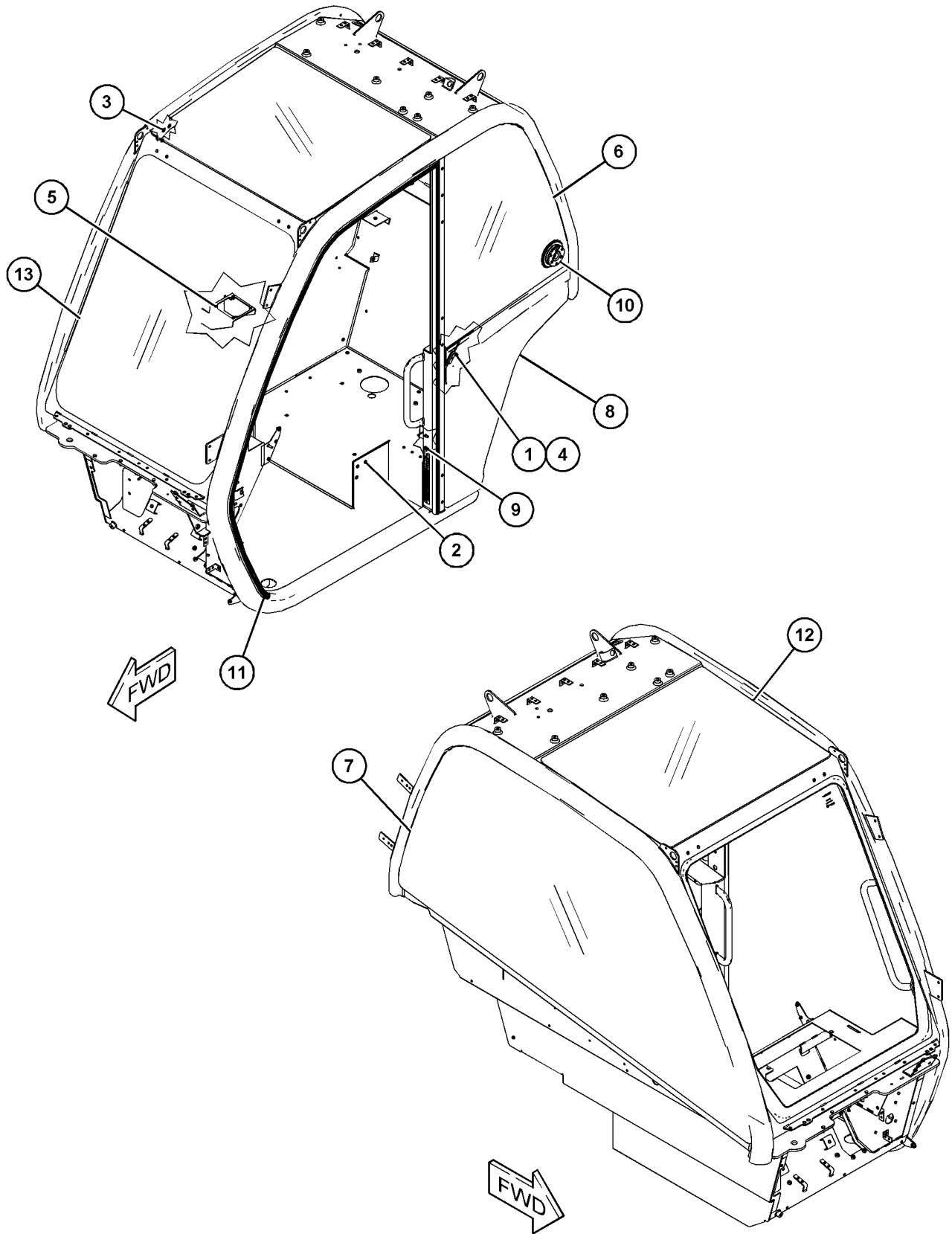
NOTE	REF NO	GRAPHIC REF	PART NUMBER	QTY	PART NAME						SEE PAGE
					1	2	3	4	5	6 (PRODUCT LEVEL)	
	1	1	9X-2121	3	SCREW-PAN HEAD (8-18X0.5-IN)						
	2	1	323-5620	27	RIVET						
M	3	1	342-0434	16	NUT (M6X1-THD)						
	4	1	8T-4205	3	WASHER-HARD (7.2X14.5X2-MM THK)						
M	5	1	489-4963	7	NUT (M5X0.8-THD)						
	6	1	473-8917	1	GLASS (LH)						
	7	1	473-8920	1	GLASS (RH)						
	8	1	560-5930	1	PANEL-CAB						
	9	1	473-8879	2	FASTENER						
	10	1	473-8933	1	STRIKER						
	11	1	559-2712	1	SEAL-CAB						
	12	1	495-6211	1	GLASS (ROOF)						
	13	1	495-6212	1	GLASS (FRONT)						

M - METRIC PART

OPERATOR STATION

513-8871 GLASS & DOOR SEAL GP-CAB (contd.)

i07415182



GRAPHIC #1

<END>

g06361931

OPERATOR STATION

471-9523 GUARD GP-FRONT WINDOW

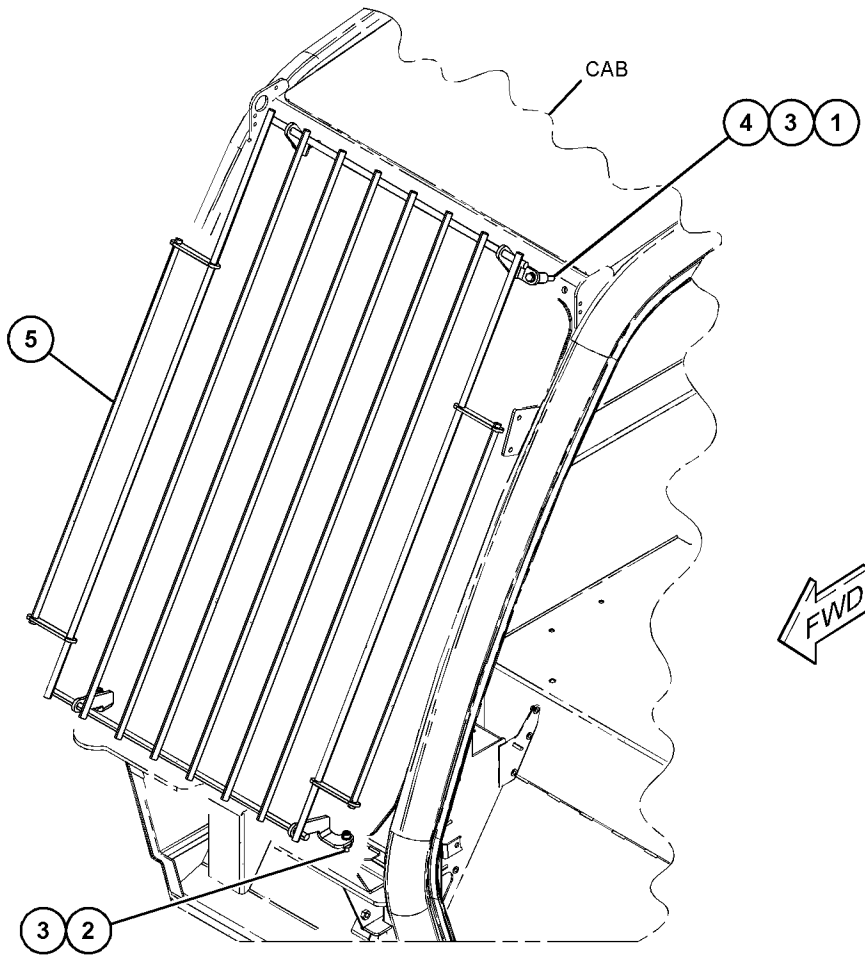
S/N: TH41-UP; TH91-UP
AN ATTACHMENT

SMCS-7182, 7315

i06102993

NOTE	REF NO	GRAPHIC REF	PART NUMBER	QTY	PART NAME						SEE PAGE
					1	2	3	4	5	6 (PRODUCT LEVEL)	
	1	1	471-9527	2	SPACER (9X18X28-MM THK)						
M	2	1	6V-5192	2	BOLT-SOCKET HEAD (M8X1.25X30-MM)						
	3	1	8T-4224	4	WASHER-HARD (8.8X16X2-MM THK)						
M	4	1	8T-6869	2	BOLT (M8X1.25X60-MM)						
	5	1	471-6162	1	GUARD AS-SCREEN						

M - METRIC PART



GRAPHIC #1

<END>

g03822403

OPERATOR STATION

472-0940 GUARD GP-ROOF

S/N: TH41-UP; TH91-UP

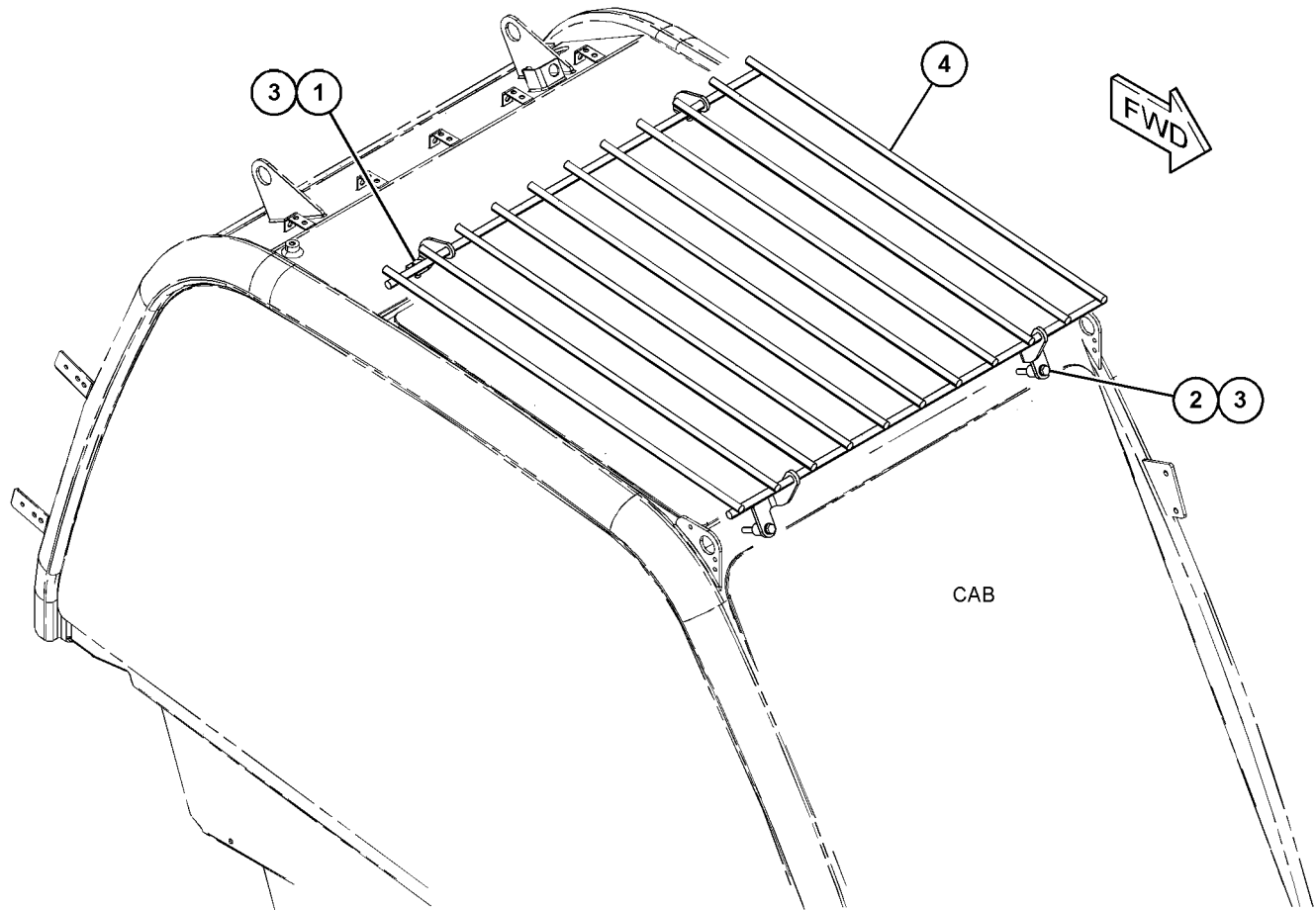
AN ATTACHMENT

SMCS-7150

i06102979

NOTE	REF NO	GRAPHIC REF	PART NUMBER	QTY	PART NAME						SEE PAGE
					1	2	3	4	5	6 (PRODUCT LEVEL)	
M	1	1	8T-4189	2	BOLT (M8X1.25X20-MM)						
M	2	1	8T-6869	2	BOLT (M8X1.25X60-MM)						
	3	1	8T-4224	4	WASHER-HARD (8.8X16X2-MM THK)						
	4	1	471-6160	1	GUARD AS-SCREEN						

M - METRIC PART



GRAPHIC #1

<END>

g03820939

OPERATOR STATION

495-3735 HEADLINER GP-CAB

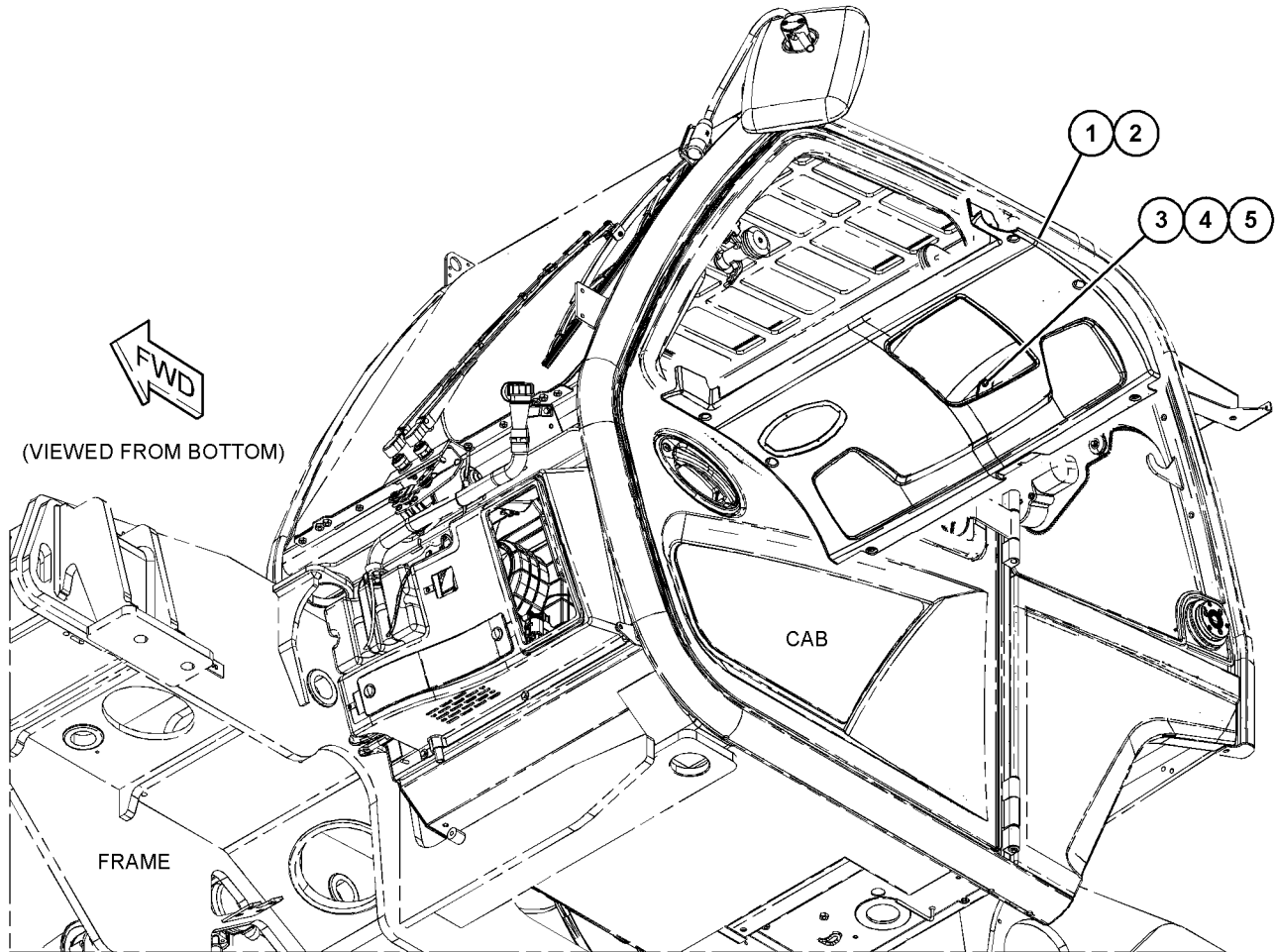
S/N: TH41-UP; TH91-UP

PART OF 513-4181 INSTALLATION GP-RADIO
AN ATTACHMENT

SMCS-7325

i06708102

NOTE	REF NO	GRAPHIC REF	PART NUMBER	QTY	PART NAME						SEE PAGE
					1	2	3	4	5	6 (PRODUCT LEVEL)	
	1	1	495-3737	1	HEADLINER						
	2	1	477-0903	1	PANEL-CAB ROOF						
	3	1	8T-4205	2	WASHER-HARD (7.2X14.5X2-MM THK)						
	4	1	474-9867	2	NUT						
	5	1	474-6671	2	PLATE						



GRAPHIC #1

<END>

g06085060

OPERATOR STATION

513-4180 HEADLINER GP-CAB

S/N: TH41-UP; TH91-UP

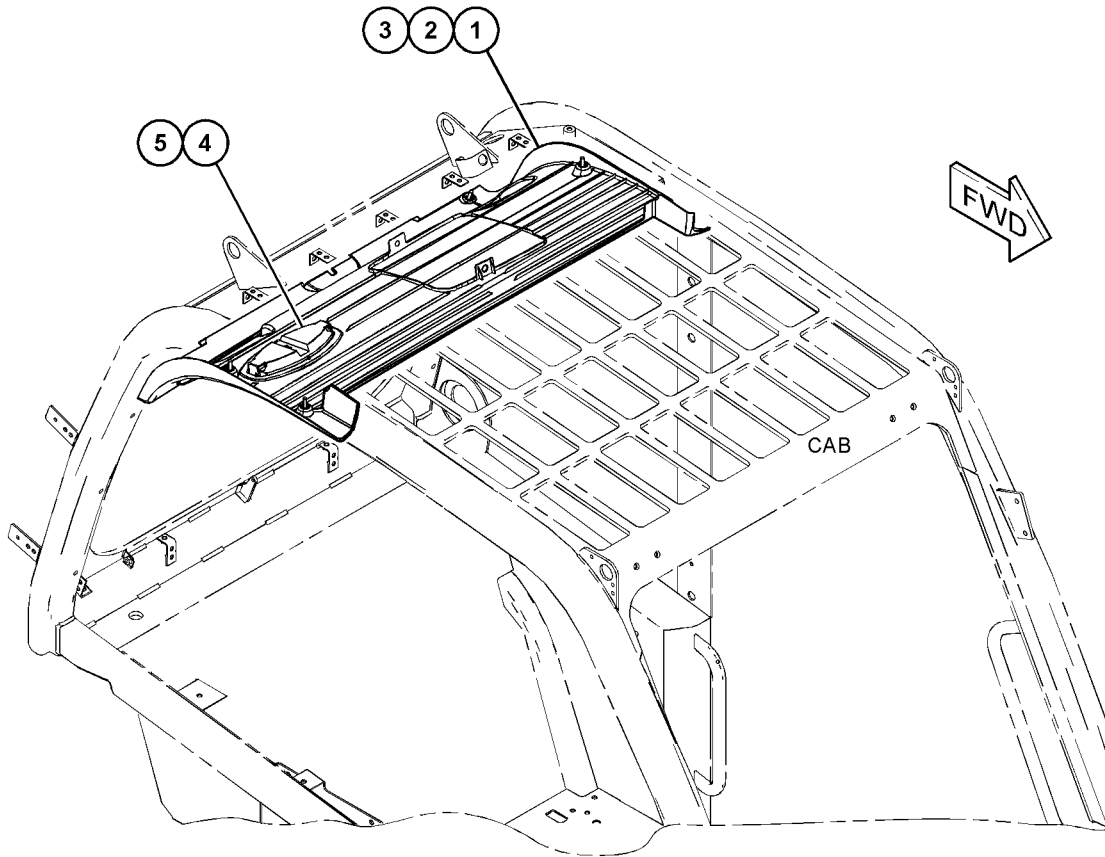
AN ATTACHMENT

SMCS-7325

i06893233

NOTE	REF NO	GRAPHIC REF	PART NUMBER	QTY	PART NAME						SEE PAGE
					1	2	3	4	5	6 (PRODUCT LEVEL)	
	1	1	495-3741	1	HEADLINER						
	2	1	8T-4205	6	WASHER-HARD (7.2X14.5X2-MM THK)						
M	3	1	8T-8998	6	SCREW-MACHINE (M6X1X20-MM)						
	4	1	474-9787	1	LAMP (12-VOLT) (DOME)						
	5	1	347-5373	4	SCREW-PAN HEAD						

M - METRIC PART



GRAPHIC #1

<END>

g06163181

OPERATOR STATION

576-5371 HEADLINER GP-CAB

S/N: TH41-UP; TH91-UP

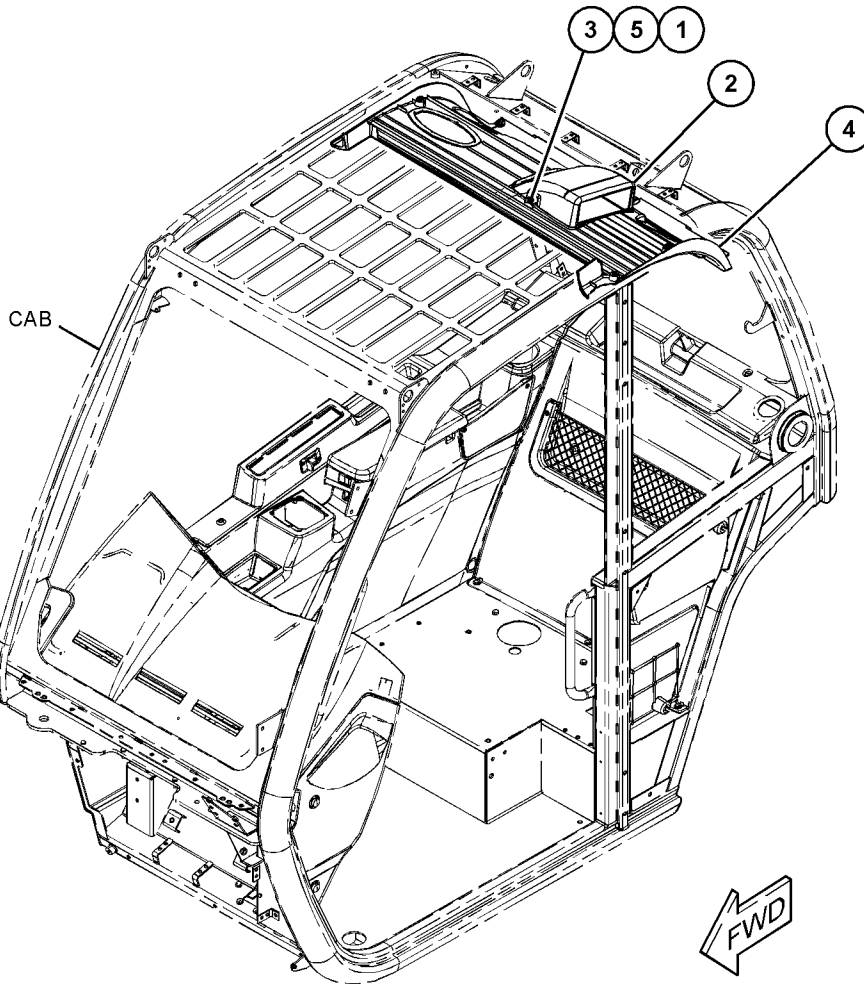
PART OF 513-4181 INSTALLATION GP-RADIO
AN ATTACHMENT

SMCS-7325

i07716545

NOTE	REF NO	GRAPHIC REF	PART NUMBER	QTY	PART NAME						SEE PAGE
					1	2	3	4	5	6 (PRODUCT LEVEL)	
	1	1	8T-4205	2	WASHER-HARD (7.2X14.5X2-MM THK)						
	2	1	477-0903	1	PANEL-CAB ROOF						
M	3	1	172-8591	2	NUT-CLIP (M6X1-THD)						
	4	1	576-5361	1	COVER						
M	5	1	471-6671	2	SCREW (M6X1X16-MM)						

M - METRIC PART



GRAPHIC #1

<END>

g06443270

OPERATOR STATION

496-8263 HEATER & MTG GP-CAB

S/N: TH41-UP; TH91-UP

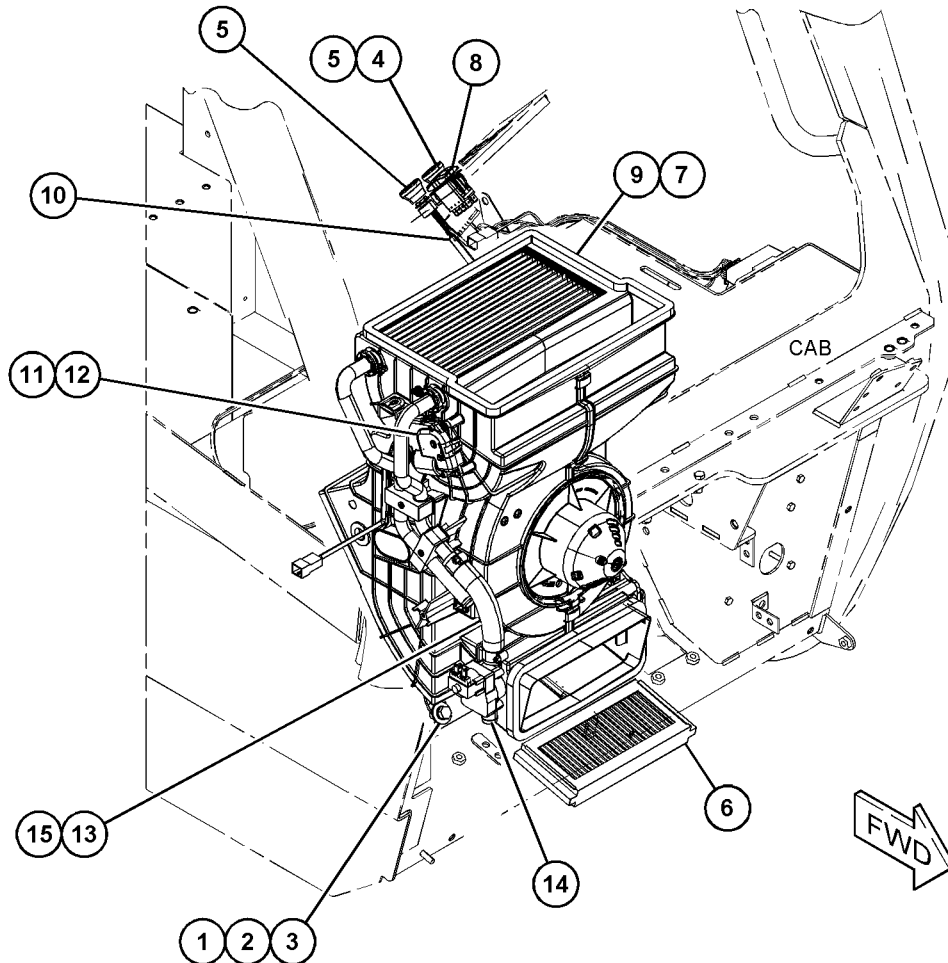
PART OF 508-7851, 508-7852, 521-2181 HEATER AR-CAB
AN ATTACHMENT

SMCS-7304

i07433010

NOTE	REF NO	GRAPHIC REF	PART NUMBER	QTY	PART NAME						SEE PAGE
					1	2	3	4	5	6	
M	1	1	8T-4189	2	BOLT (M8X1.25X20-MM)						
	2	1	309-3997	2	WASHER (8.4X25X2-MM THK)						
	3	1	3B-4505	2	LOCKWASHER						
	4	1	473-2085	1	SWITCH AS-AIR CONDITIONER (ROTARY)						
	5	1	473-2086	2	KNOB (CONTROL) (HVAC)						
	6	1	528-8853	1	FILTER-AIR (HVAC) (FRESH AIR)						
	7	1	473-2651	1	FILTER (HVAC) (RECIRCULATION)						
	8	1	496-8264	1	SWITCH AS-ROCKER (HVAC) (RECIRCULATION)						
Y	9	1	<i>553-3101</i>	1	HEATER GP-CAB						1184
	10	1	536-9853	1	SWITCH AS-AIR CONDITIONER (HVAC)						
	11	1	536-9761	2	SHIM (0.5-MM THK)						
	12	1	484-8325	2	GROMMET						
E	13	1	5P-0767		HOSE (14-CM)						
	14	1	553-2001	1	VALVE-WATER						
	15	1	309-2982	2	CLAMP						

E - ORDER BY THE CENTIMETER
M - METRIC PART
Y - SEPARATE ILLUSTRATION



GRAPHIC #1

<END>

g06332546

OPERATOR STATION

508-7851 HEATER AR-CAB

S/N: TH91-UP
AN ATTACHMENT

SMCS-1380, 1408, 7304

i06645683

NOTE	PART NUMBER	QTY	PART NAME						SEE PAGE
			1	2	3	4	5	6 (PRODUCT LEVEL)	
Y	492-3937	1	COVER GP-ACCESS (CAB ROOF)						1148
Y	496-8263	1	HEATER & MTG GP-CAB						1175
Y	497-3809	1	LINES GP-HEATER & AIR COND						1203

Y - SEPARATE ILLUSTRATION

<END>

508-7852 HEATER AR-CAB

S/N: TH91-UP
AN ATTACHMENT

SMCS-1380, 1408, 7304

i06645684

NOTE	PART NUMBER	QTY	PART NAME						SEE PAGE
			1	2	3	4	5	6 (PRODUCT LEVEL)	
Y	492-3937	1	COVER GP-ACCESS (CAB ROOF)						1148
Y	496-8263	1	HEATER & MTG GP-CAB						1175
Y	496-8262	1	LINES GP-HEATER & AIR COND						1199

Y - SEPARATE ILLUSTRATION

<END>

521-2181 HEATER AR-CAB

S/N: TH41-UP
AN ATTACHMENT

SMCS-1380, 1408, 7304

i06818934

NOTE	PART NUMBER	QTY	PART NAME						SEE PAGE
			1	2	3	4	5	6 (PRODUCT LEVEL)	
Y	492-3937	1	COVER GP-ACCESS (CAB ROOF)						1148
Y	496-8263	1	HEATER & MTG GP-CAB						1175
Y	497-9625	1	LINES GP-HEATER & AIR COND						1210

Y - SEPARATE ILLUSTRATION

<END>

OPERATOR STATION

553-3128 HEATER AR-CAB-AIR CONDITIONER

S/N: TH41-UP; TH91-UP

PART OF 553-3186 HEATER AR-CAB
AN ATTACHMENT

SMCS-1380, 1408, 7304

i07433023

NOTE	REF NO	GRAPHIC REF	PART NUMBER	QTY	PART NAME						SEE PAGE
					1	2	3	4	5	6 (PRODUCT LEVEL)	
	1	1	484-8317	1	HOUSING (RIGHT)						
	2	1	484-8318	1	HOUSING (LEFT)						
	3	1	484-8313	1	HEATER AS-CAB (FRESH AIR)						
	4	1	484-8314	1	HEATER AS-CAB (MIXING CHAMBER)						
Y	5	1	484-8315	1	HEATER GP-CAB (EVAPORATOR)						1180
	6	1	484-9138	1	FOAM (AIR OUTLET)						
	7	1	484-9139	1	FOAM (AIR INLET)						
	8	1	484-9140	1	PIPE-WATER (HEATER)						
	9	1	484-8319	1	PIPE-WATER (HEATER)						
	10	1	484-8321	1	PIPE AS						
	11	1	484-8323	1	ACTUATOR (FRESH AIR)						
	12	1	484-8324	1	ACTUATOR (MIXING)						
	13	1	484-8326	1	VALVE (HVAC)						
	14	1	484-8327	1	FAN (12V) (HVAC)						
	15	1	484-8328	4	SCREW						
	16	1	484-8330	9	CLAMP						
	17	1	484-8331	2	CLAMP						
M	18	1	484-8332	2	SCREW (M4X0.7X7.5-MM)						
	19	1	484-8333	3	CLAMP						
	20	1	484-8334	1	RESISTOR						
M	21	1	8T-6699	4	BOLT-SOCKET HEAD (M5X0.8X35-MM)						
M	22	1	6V-5683	1	BOLT (M6X1X16-MM)						
	23	1	484-8337	2	SCREW						
	24	1	484-8338	3	SCREW						
	25	1	484-8339	1	SENSOR (HVAC) (THERMOSTAT)						
	26	1	484-8316	1	HEATER AS-CAB (RADIATOR)						
	27	1	484-8340	1	GROMMET						
	28	1	484-8341	1	CLAMP						
	29	1	484-8342	1	CLAMP						
	30	1	484-8343	1	SEAL-O-RING						
	31	1	484-8344	1	SEAL-O-RING						
	32	1	484-8345	2	SEAL-O-RING						
	33	1	484-8346	1	WASHER						
	34	1	484-8348	1	WASHER						
	35	1	553-1992	1	PLATE-BAFFLE						
	36	1	553-2064	2	SCREW						
	37	1	553-2074	1	HARNESS (HVAC) (SENSOR)						
	38	1	553-2108	1	GROMMET						
	39	1	553-2142	2	SCREW						
	40	1	553-2305	1	SENSOR-LEVEL (WATER)						

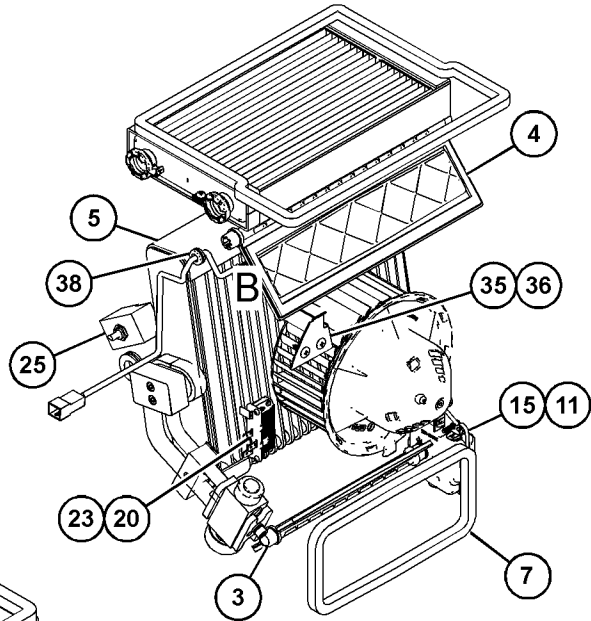
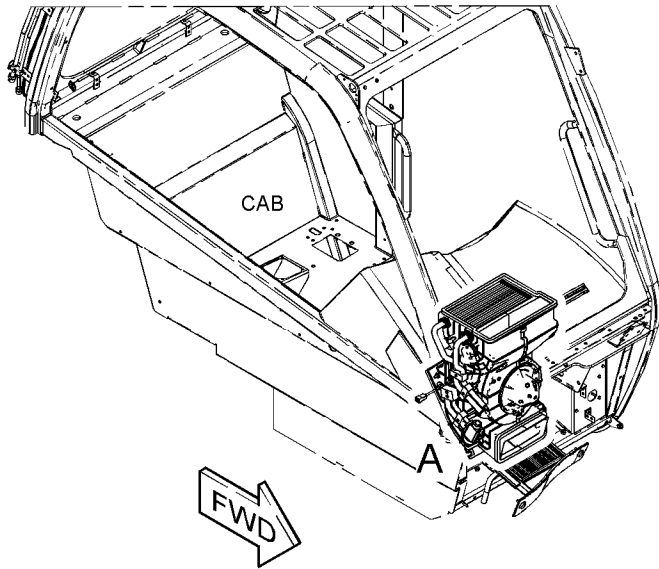
M - METRIC PART

Y - SEPARATE ILLUSTRATION

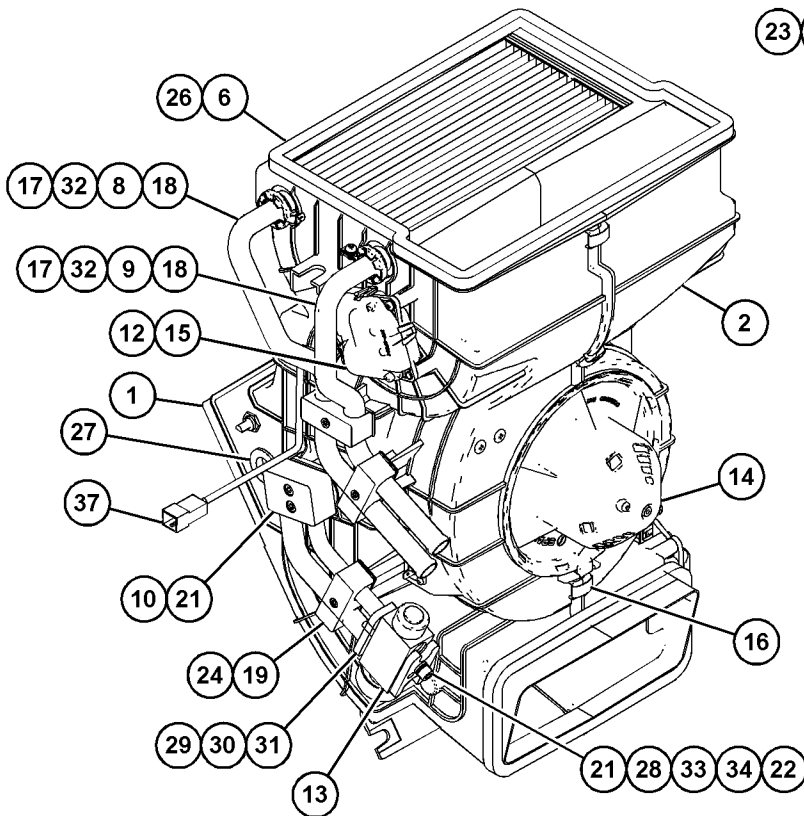
OPERATOR STATION

553-3128 HEATER AR-CAB (contd.)

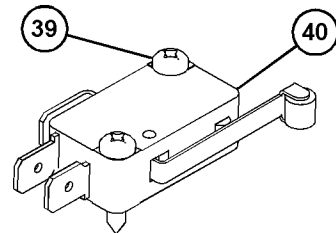
i07433023



VIEW OF AREA A
(PARTS REMOVED FOR CLARITY)



VIEW OF AREA A



VIEW OF AREA B
(PARTS REMOVED FOR CLARITY)

GRAPHIC #1

<END>

g06361453

OPERATOR STATION

553-3186 HEATER AR-CAB

S/N: TH41-UP; TH91-UP

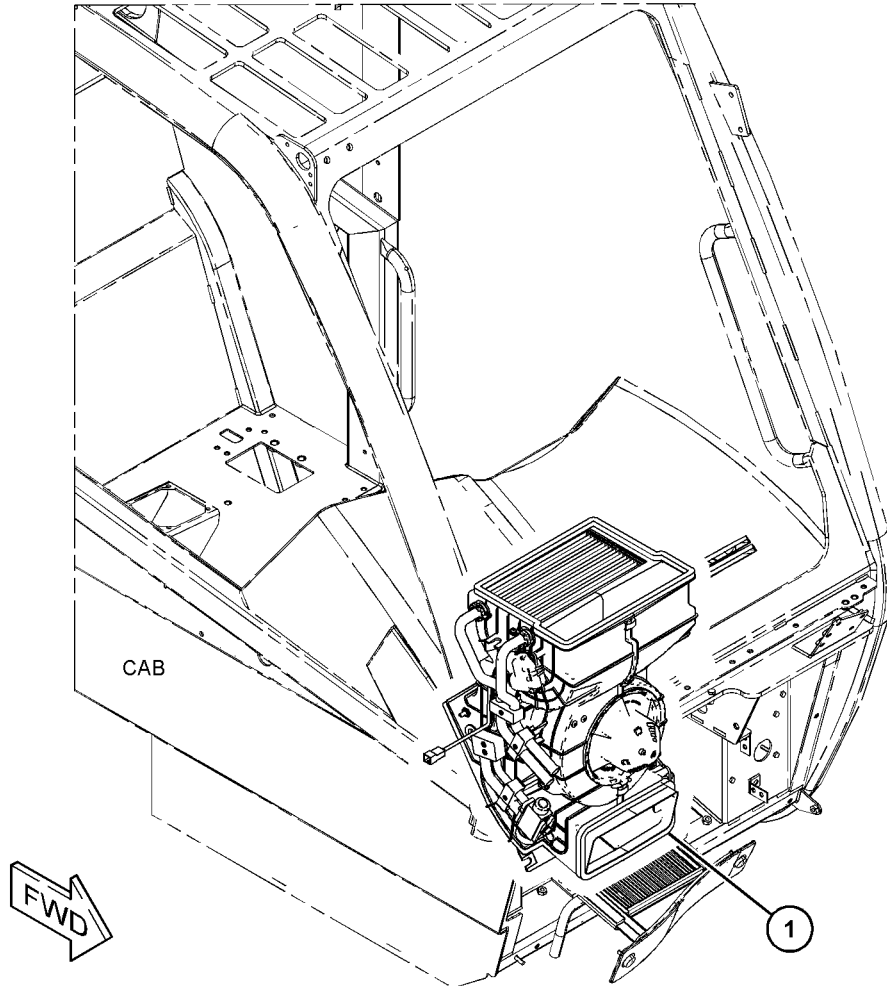
PART OF 525-3040 AIR CONDITIONER GP
AN ATTACHMENT

SMCS-1380, 1408, 7304

i07509025

NOTE	REF NO	GRAPHIC REF	PART NUMBER	QTY	PART NAME						SEE PAGE
					1	2	3	4	5	6 (PRODUCT LEVEL)	
Y	1	1	553-3128	1	HEATER AR-CAB (AIR CONDITIONER)						1177

Y - SEPARATE ILLUSTRATION



GRAPHIC #1

<END>

g06374502

OPERATOR STATION

484-8315 HEATER GP-CAB-EVAPORATOR

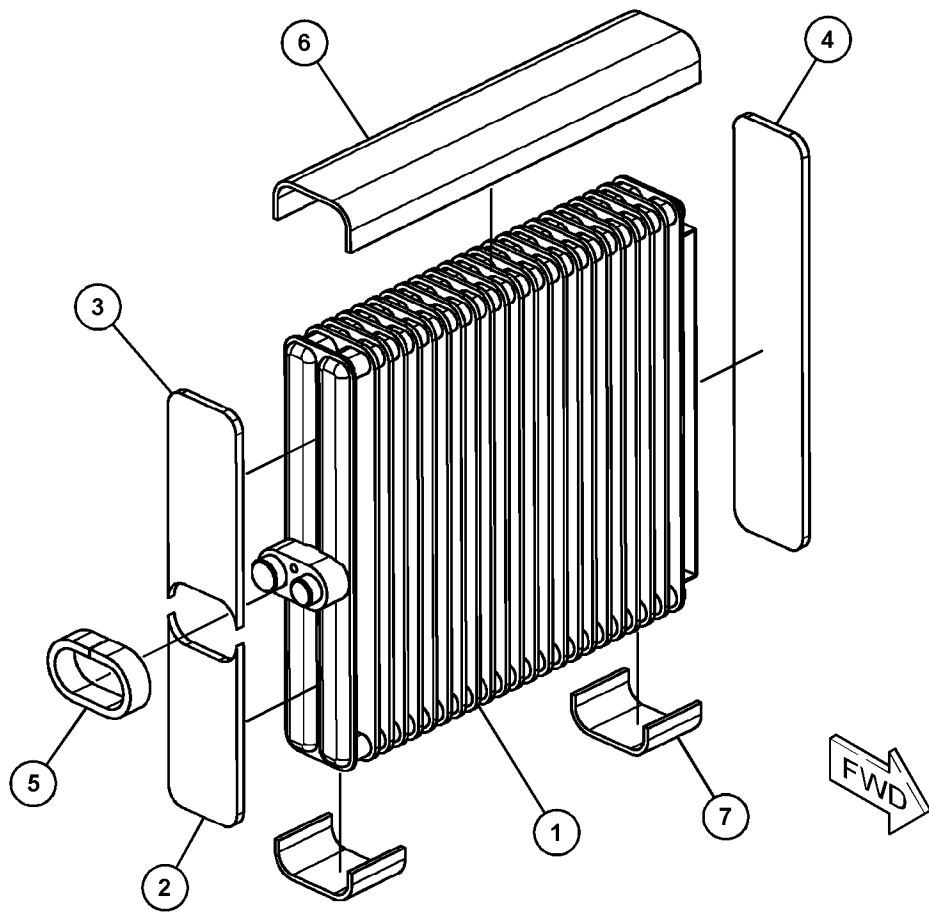
S/N: TH41-UP; TH91-UP

PART OF 553-3128 HEATER AR-CAB
AN ATTACHMENT

SMCS-7304

i06249055

NOTE	REF NO	GRAPHIC REF	PART NUMBER	QTY	PART NAME						SEE PAGE
					1	2	3	4	5	6	
	1	1	484-8351	1	HEATER						
	2	1	484-8352	1	FOAM						
	3	1	484-8353	1	FOAM						
	4	1	484-8354	1	FOAM						
	5	1	484-8355	1	SEAL						
	6	1	484-8356	1	INSULATOR						
	7	1	484-8357	2	INSULATOR						



GRAPHIC #1

<END>

g03886638

OPERATOR STATION

553-3063 HEATER GP-CAB

S/N: TH41-UP; TH91-UP

PART OF 553-3101 HEATER GP-CAB
AN ATTACHMENT

SMCS-7304

i07423874

NOTE	REF NO	GRAPHIC REF	PART NUMBER	QTY	PART NAME						SEE PAGE
					1	2	3	4	5	6 (PRODUCT LEVEL)	
	1	2	484-8317	1	HOUSING (RIGHT)						
	2	2	484-8318	1	HOUSING (LEFT)						
	3	2	484-8313	1	HEATER AS-CAB (FRESH AIR)						
	4	2	484-8314	1	HEATER AS-CAB (MIXING CHAMBER)						
	5	2	484-9138	1	FOAM (AIR OUTLET)						
	6	2	484-9139	1	FOAM (AIR INLET)						
	7	1	484-9140	1	PIPE-WATER (HEATER)						
	8	1	484-8319	1	PIPE-WATER (HEATER)						
	9	2	484-8323	1	ACTUATOR (FRESH AIR)						
	10	1	484-8324	1	ACTUATOR (MIXING)						
	11	2	484-8327	1	FAN (12V) (HVAC)						
	12	1,2	484-8328	4	SCREW						
	13	1	484-8330	9	CLAMP (CASE)						
	14	1	484-8331	2	CLAMP (PIPE)						
M	15	1	484-8332	2	SCREW (M4X0.7X7.5-MM)						
	16	1	484-8333	2	CLAMP						
	17	1	484-8334	1	RESISTOR						
	18	1	484-8337	2	SCREW						
	19	1	484-8338	2	SCREW						
	20	1	484-8316	1	HEATER AS-CAB (RADIATOR)						
	21	1	484-8340	1	GROMMET						
	22	1	484-8345	2	SEAL-O-RING						
	23	2	553-1992	1	PLATE-BAFFLE						
	24	2	553-2064	2	SCREW						
	25	1	553-2074	1	HARNESS (HVAC) (SENSOR)						
	26	1	553-2108	1	GROMMET						
	27	1	553-2142	2	SCREW						
	28	1	553-2305	1	SENSOR-LEVEL (WATER)						

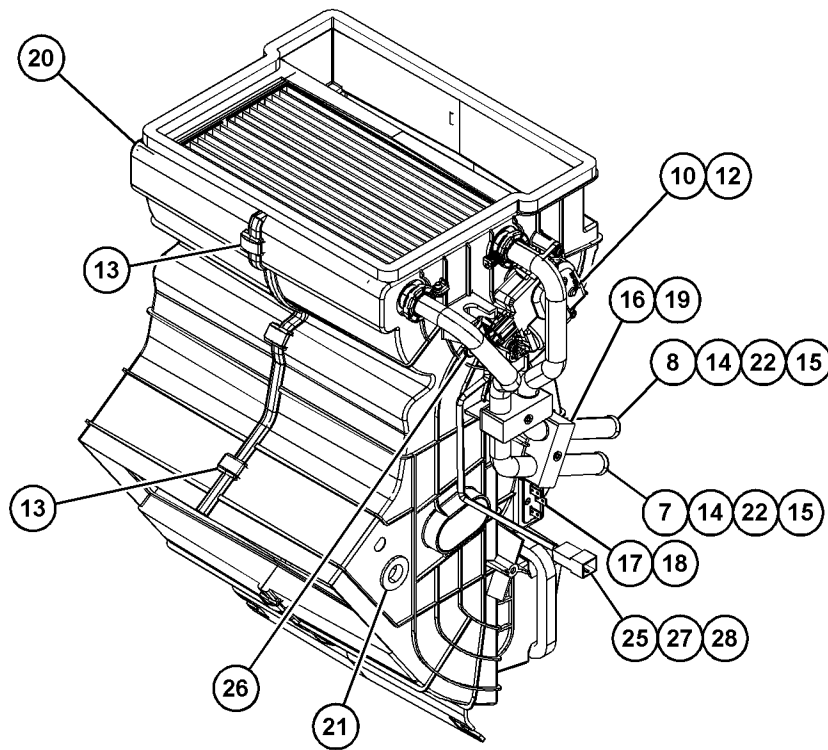
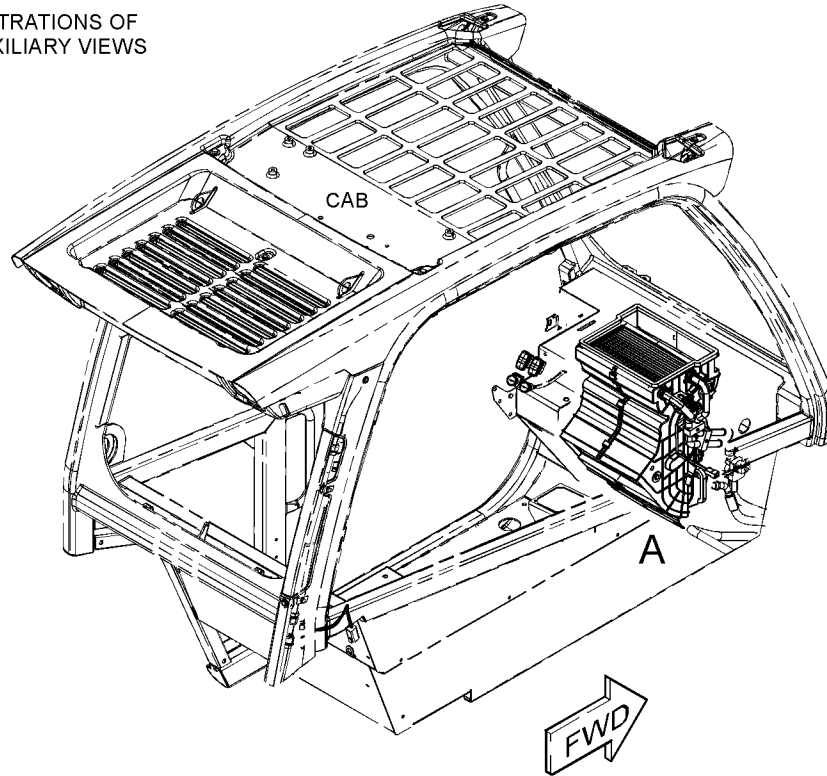
M - METRIC PART

OPERATOR STATION

553-3063 HEATER GP-CAB (contd.)

i07423874

REFER TO ALL ILLUSTRATIONS OF THIS GROUP FOR AUXILIARY VIEWS



VIEW OF AREA A

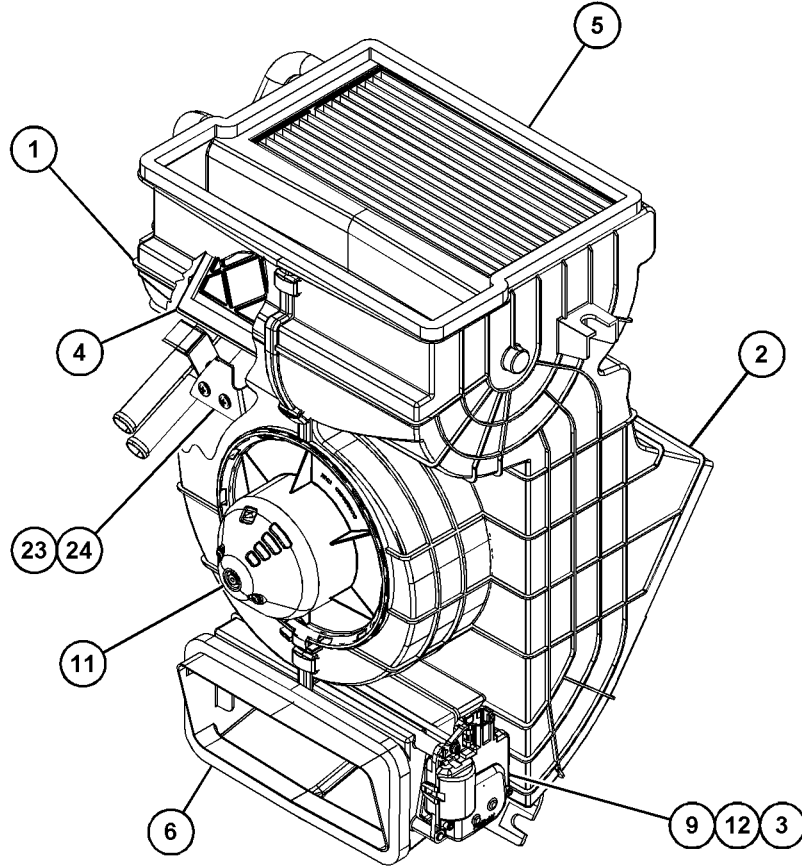
GRAPHIC #1

g06359922

OPERATOR STATION

553-3063 HEATER GP-CAB (contd.)

i07423874



VIEW OF AREA A
(PARTS REMOVED FOR CLARITY)



GRAPHIC #2

<END>

g06359923

OPERATOR STATION

553-3101 HEATER GP-CAB

S/N: TH41-UP; TH91-UP

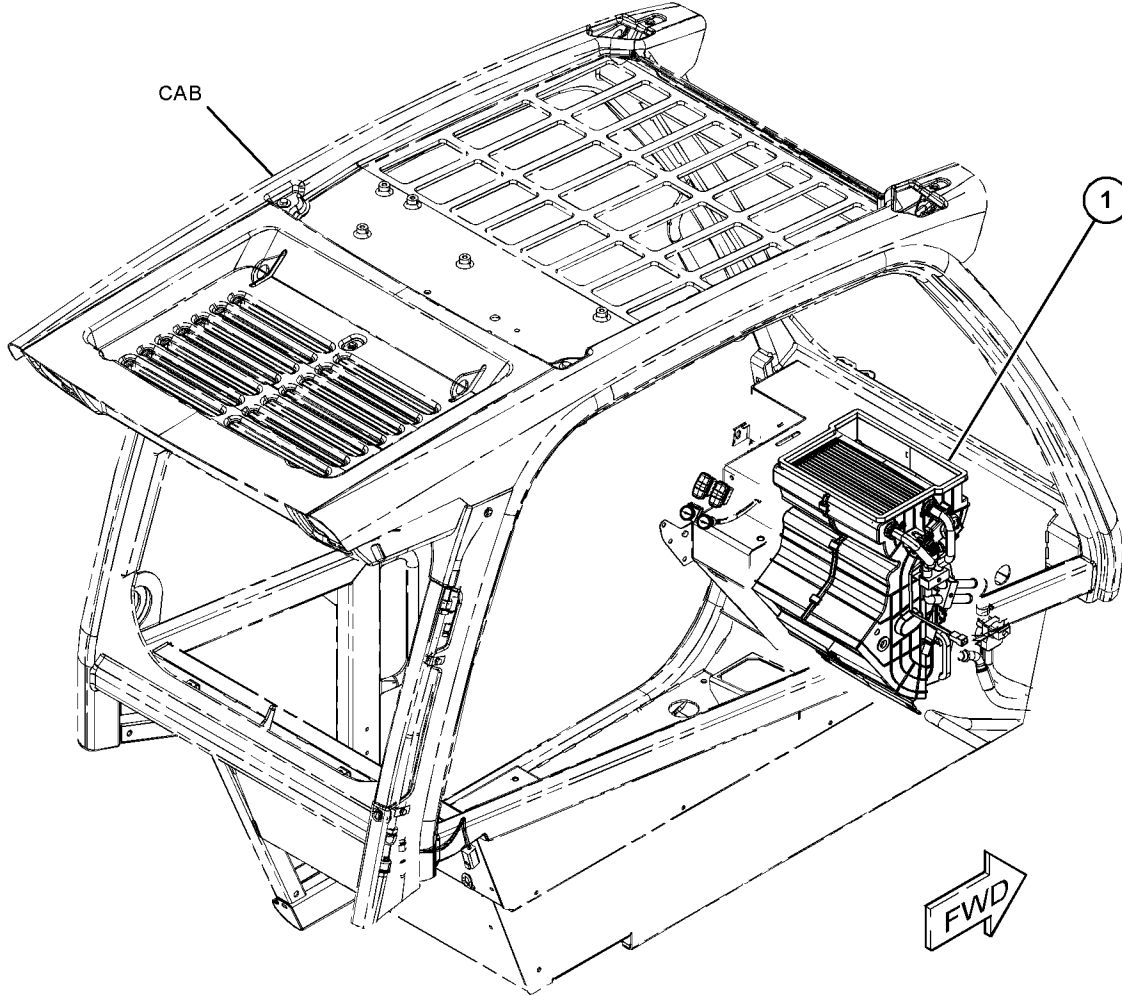
PART OF 496-8263 HEATER & MTG GP-CAB
AN ATTACHMENT

SMCS-7304

i07433009

NOTE	REF NO	GRAPHIC REF	PART NUMBER	QTY	PART NAME						SEE PAGE
					1	2	3	4	5	6 (PRODUCT LEVEL)	
Y	1	1	553-3063	1	HEATER GP-CAB						1181

Y - SEPARATE ILLUSTRATION



GRAPHIC #1

<END>

g06360293

OPERATOR STATION

499-0186 HORN GP-ELECTRIC

S/N: TH41-UP; TH91-UP

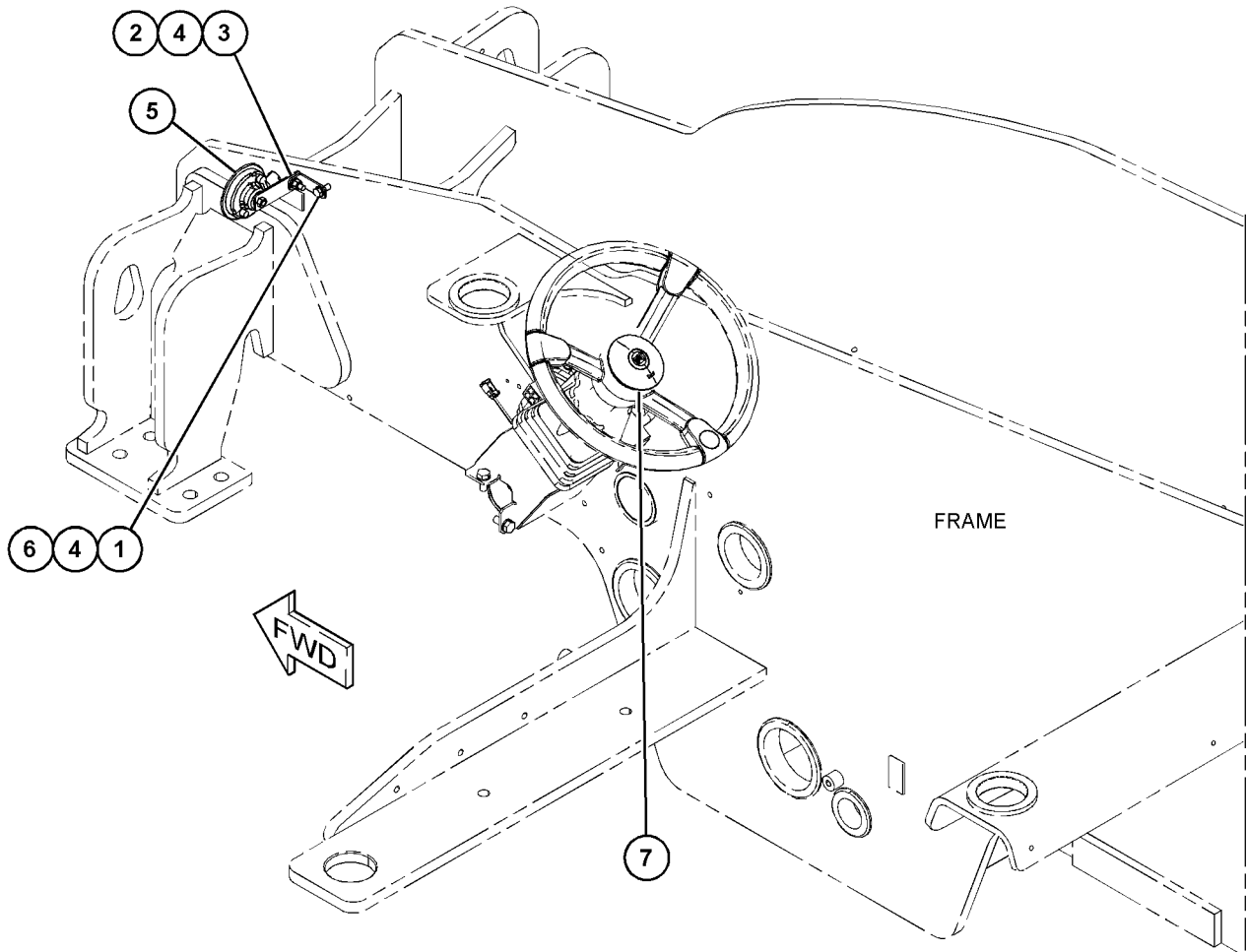
PART OF 518-0076, 518-0077 CHASSIS AR

SMCS-7402

i06603113

NOTE	REF NO	GRAPHIC REF	PART NUMBER	QTY	PART NAME						SEE PAGE
					1	2	3	4	5	6 (PRODUCT LEVEL)	
M	1	1	8T-4189	1	BOLT (M8X1.25X20-MM)						
M	2	1	8T-4908	1	BOLT (M8X1.25X25-MM)						
M	3	1	309-9184	1	LOCKNUT (M8X1.25-THD)						
	4	1	8T-4224	3	WASHER-HARD (8.8X16X2-MM THK)						
	5	1	164-9425	1	HORN AS (12-VOLT, LOW TONE)						
	6	1	341-3075	1	BRACKET-HORN						
	7	1	474-1502	1	SWITCH (HORN) (BUTTON)						

M - METRIC PART



GRAPHIC #1

<END>

g06051224

OPERATOR STATION

513-4181 INSTALLATION GP-RADIO

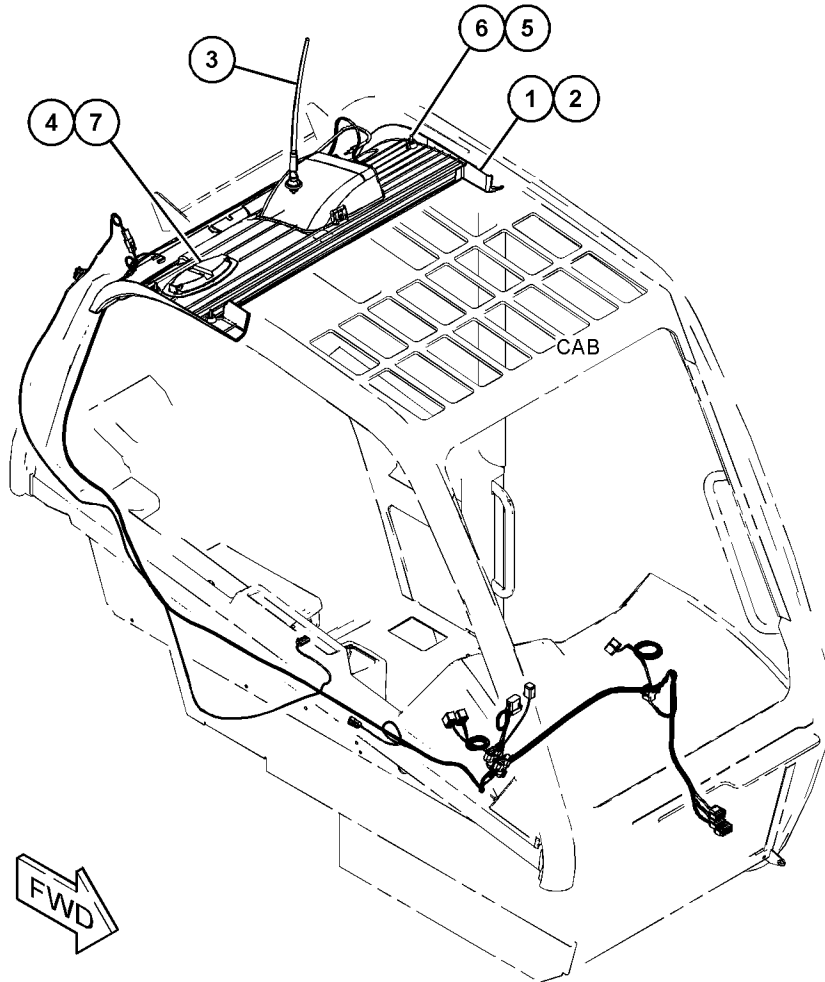
S/N: TH41-UP; TH91-UP
AN ATTACHMENT

SMCS-7338

i06893235

NOTE	REF NO	GRAPHIC REF	PART NUMBER	QTY	PART NAME						SEE PAGE
					1	2	3	4	5	6 (PRODUCT LEVEL)	
Y	1	1	495-3735	1	HEADLINER GP-CAB						1172
	2	1	495-3736	1	PLATE						
	3	1	337-6457	1	ANTENNA (RADIO)						
	4	1	347-5373	4	SCREW-PAN HEAD						
	5	1	8T-4205	6	WASHER-HARD (7.2X14.5X2-MM THK)						
M	6	1	8T-8998	6	SCREW-MACHINE (M6X1X20-MM)						
	7	1	474-9787	1	LAMP (12-VOLT) (DOME)						

M - METRIC PART
Y - SEPARATE ILLUSTRATION



GRAPHIC #1

<END>

g06163216

OPERATOR STATION

513-4181 INSTALLATION GP-RADIO

S/N: TH41-UP; TH91-UP

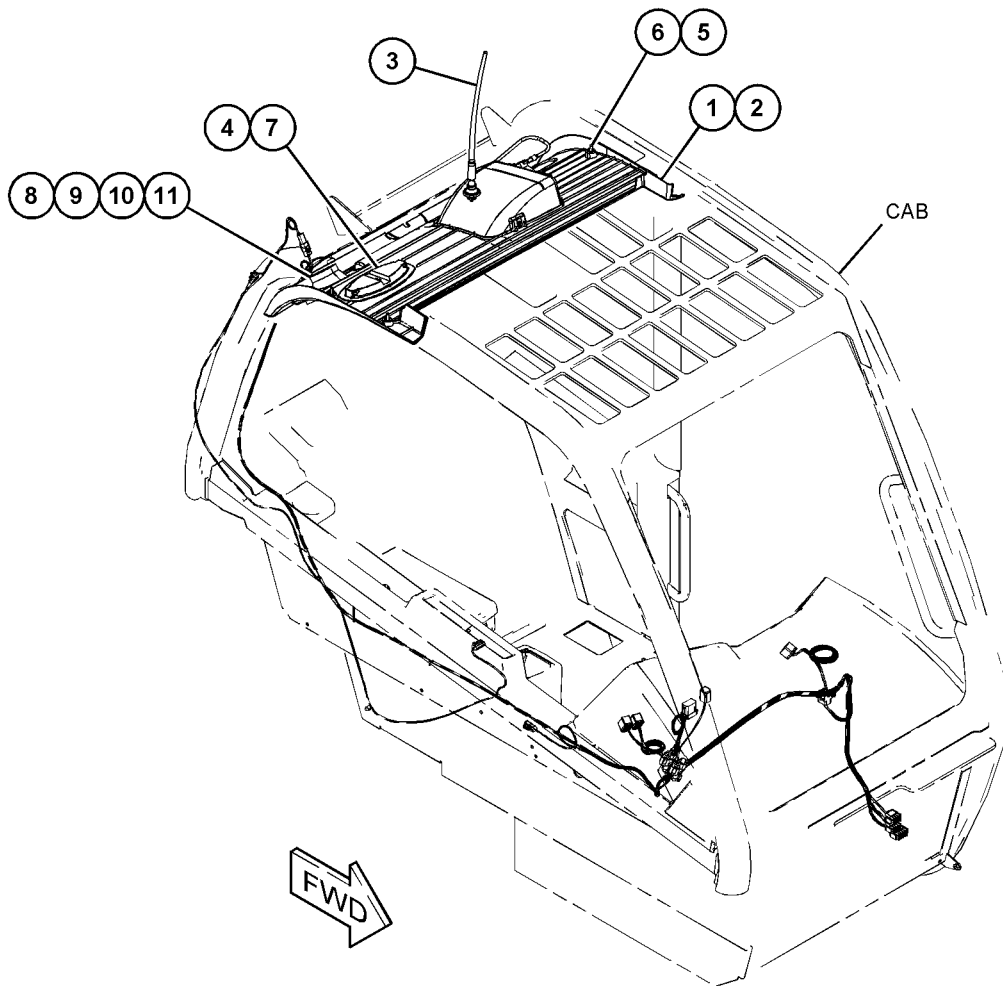
PART OF 590-9758, 590-9759, 590-9760, 590-9761 CONFIGURATION AR
AN ATTACHMENT

SMCS-7338

i08111337

NOTE	REF NO	GRAPHIC REF	PART NUMBER	QTY	PART NAME						SEE PAGE
					1	2	3	4	5	6 (PRODUCT LEVEL)	
CY	1	1	576-5371	1	HEADLINER GP-CAB						1174
	2	1	495-3736	1	PLATE						
	3	1	337-6457	1	ANTENNA (RADIO)						
	4	1	347-5373	4	SCREW-PAN HEAD						
	5	1	8T-4205	6	WASHER-HARD (7.2X14.5X2-MM THK)						
M	6	1	8T-8998	6	SCREW-MACHINE (M6X1X20-MM)						
	7	1	474-9787	1	LAMP (12-VOLT) (DOME)						
C	8	1	437-1906	1	SPEAKER-RADIO						
C	9	1	344-4902	2	COVER-SPEAKER						
	10	1	596-2164	8	NUT						
	11	1	347-4597	8	SCREW-PAN HEAD						

C - CHANGE FROM PREVIOUS TYPE
M - METRIC PART
Y - SEPARATE ILLUSTRATION



GRAPHIC #1

<END>

g06562041

OPERATOR STATION

535-5874 KIT-D00R

S/N: TH41-UP; TH91-UP

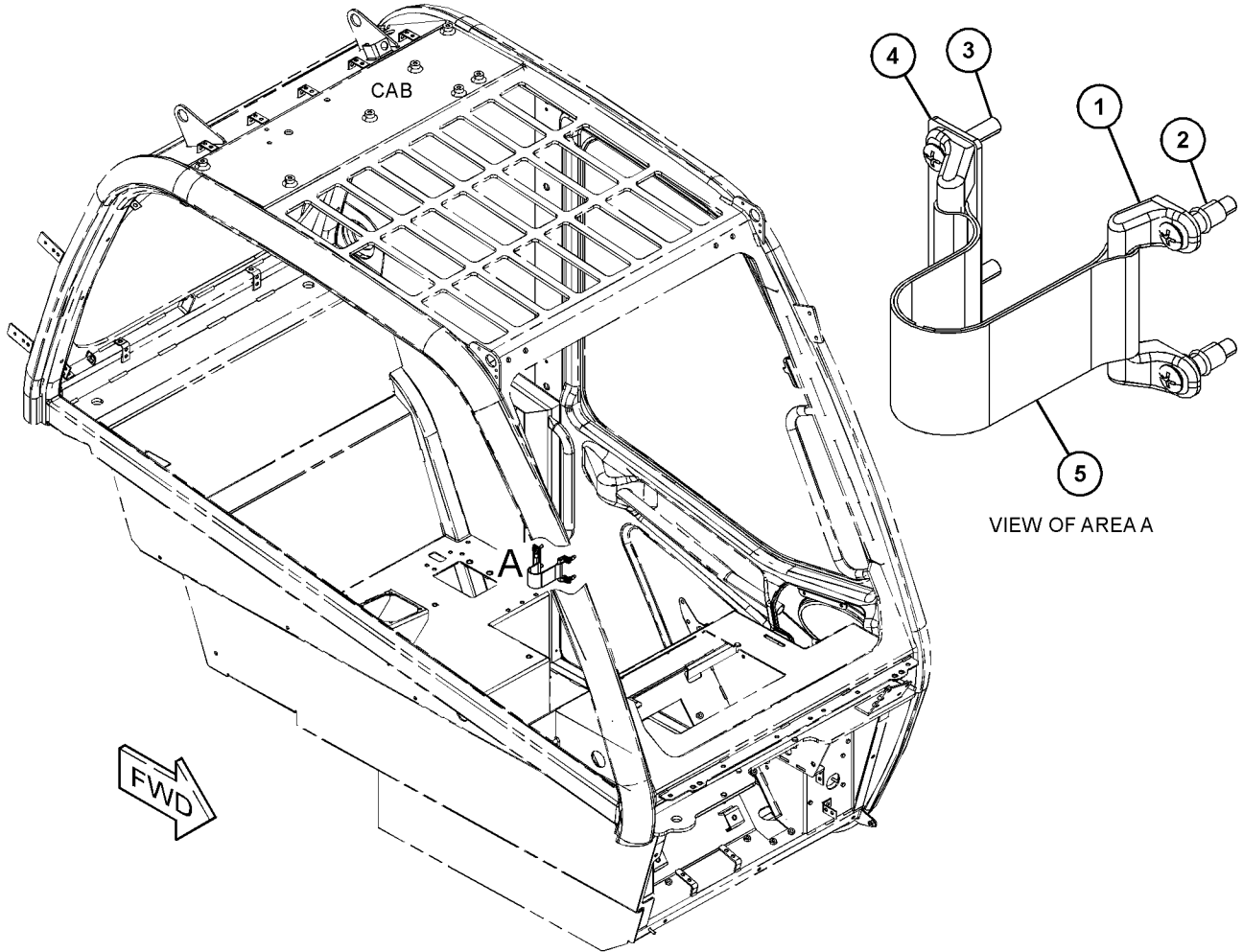
AN ATTACHMENT

SMCS-7308

i07552567

NOTE	REF NO	GRAPHIC REF	PART NUMBER	QTY	PART NAME						SEE PAGE
					1	2	3	4	5	6 (PRODUCT LEVEL)	
	1	1	560-3608	2	BRACKET						
	2	1	473-8879	2	FASTENER						
M	3	1	560-3611	4	SCREW (M5X0.8X25-MM)						
	4	1	495-6148	1	PLATE						
	5	1	515-9909	1	STRAP						

M - METRIC PART



GRAPHIC #1

<END>

g06358035

OPERATOR STATION

535-5875 KIT-D00R

S/N: TH41-UP; TH91-UP

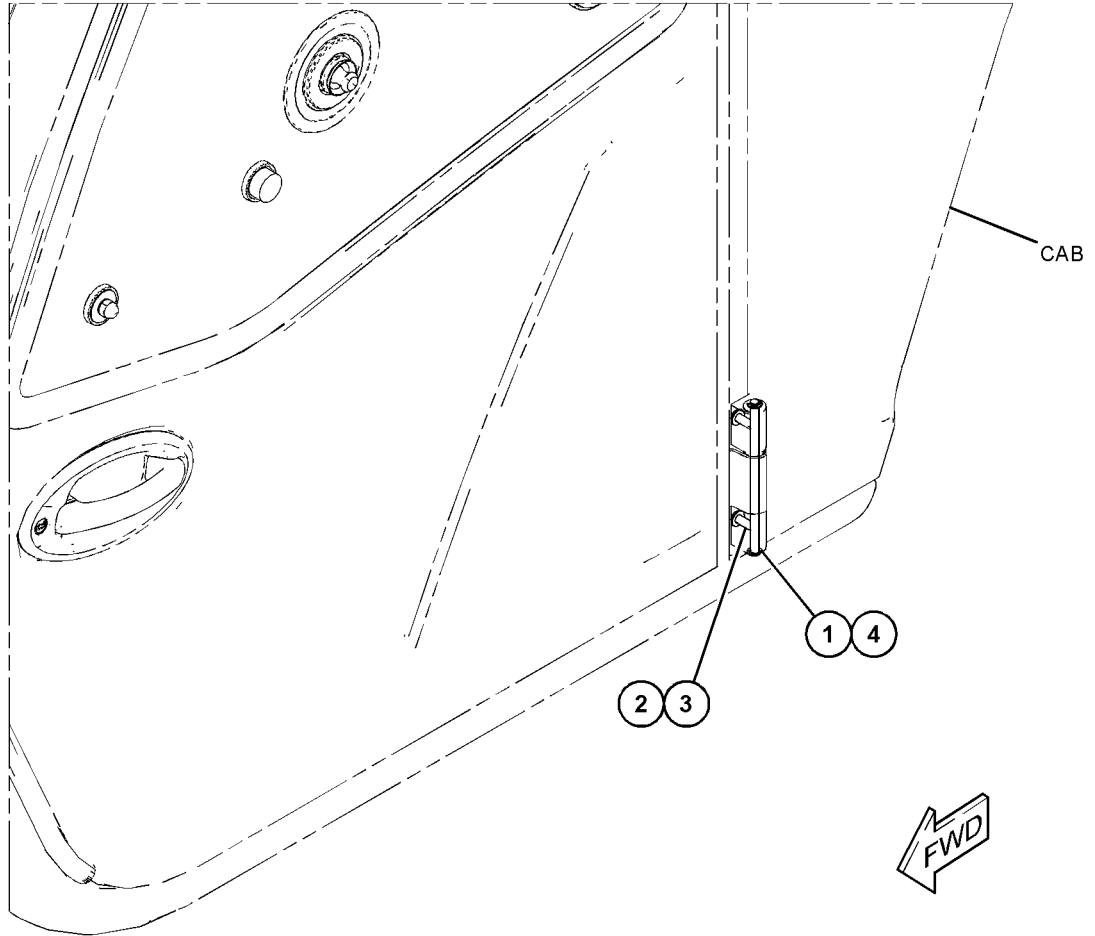
AN ATTACHMENT

SMCS-7308

i07046052

NOTE	REF NO	GRAPHIC REF	PART NUMBER	QTY	PART NAME						SEE PAGE
					1	2	3	4	5	6 (PRODUCT LEVEL)	
	1	1	327-1749	2	RING						
	2	1	8T-4224	2	WASHER-HARD (8.8X16X2-MM THK)						
M	3	1	198-3899	2	SCREW-BUTTON HEAD (M8X1.25X20-MM)						
	4	1	513-7913	1	PIN-HINGE						

M - METRIC PART



GRAPHIC #1

<END>

g06208253

OPERATOR STATION

213-4578 KIT-SEAT SUSPENSION

S/N: TH41-UP; TH91-UP
 PART OF 476-8931 SEAT GP
 AN ATTACHMENT

SMCS-7312

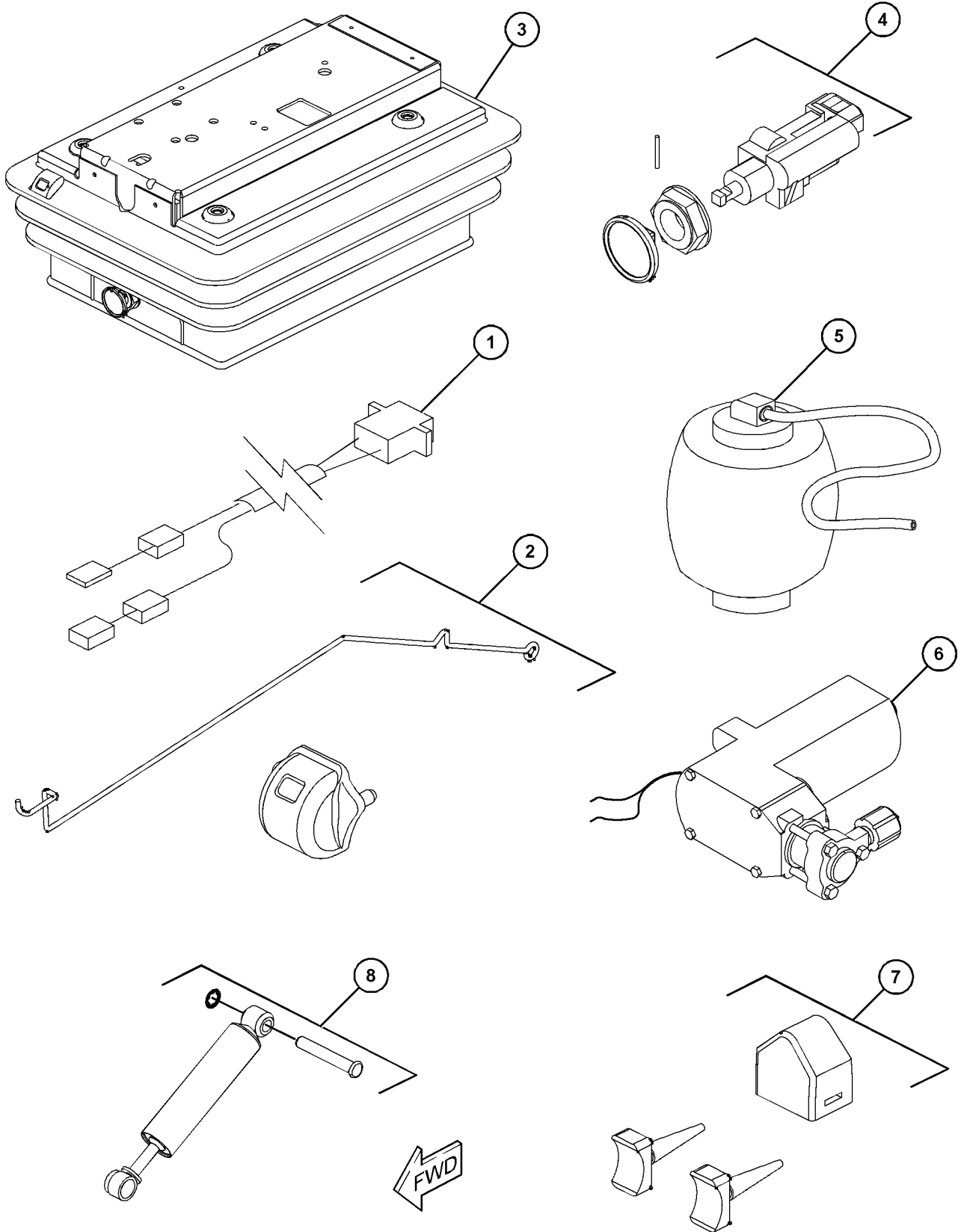
i07085852

NOTE	REF NO	GRAPHIC REF	PART NUMBER	QTY	PART NAME						SEE PAGE
					1	2	3	4	5	6	
1	1	1	322-8073	1	KIT-FLY LEAD						
2	1	1	322-8071	1	KIT-INDICATOR						
					(INCLUDES RIDE INDICATOR, INDICATOR WIRE & WASHERS)						
3	1	1	213-4575	1	KIT-BOOT (SUSPENSION SEAT)						
					(INCLUDES COVER CLIPS & SUSPENSION COVER)						
4	1	1	210-8332	1	KIT-AIR VALVE (SUSPENSION SEAT)						
					(INCLUDES STRAP, NUT, VALVE, AIR VALVE NUT, AIR VALVE KNOB & RETAINING PIN)						
5	1	1	322-8067	1	KIT-AIR SPRING						
					(INCLUDES AIR SPRING, CLIP & BOLT)						
6	1	1	210-8334	1	AIR COMPRESSOR GP (SUSPENSION SEAT)						
7	1	1	322-8069	1	KIT-STOP						
					(INCLUDES UPSTOPS & BUMPSTOP)						
8	1	1	210-8277	1	KIT-SHOCK ABSORBER (SUSPENSION SEAT)						
					(INCLUDES HEAD PINS, DAMPER & WASHERS)						

OPERATOR STATION

213-4578 KIT-SEAT SUSPENSION (contd.)

i07085852



GRAPHIC #1

<END>

g06138132

OPERATOR STATION

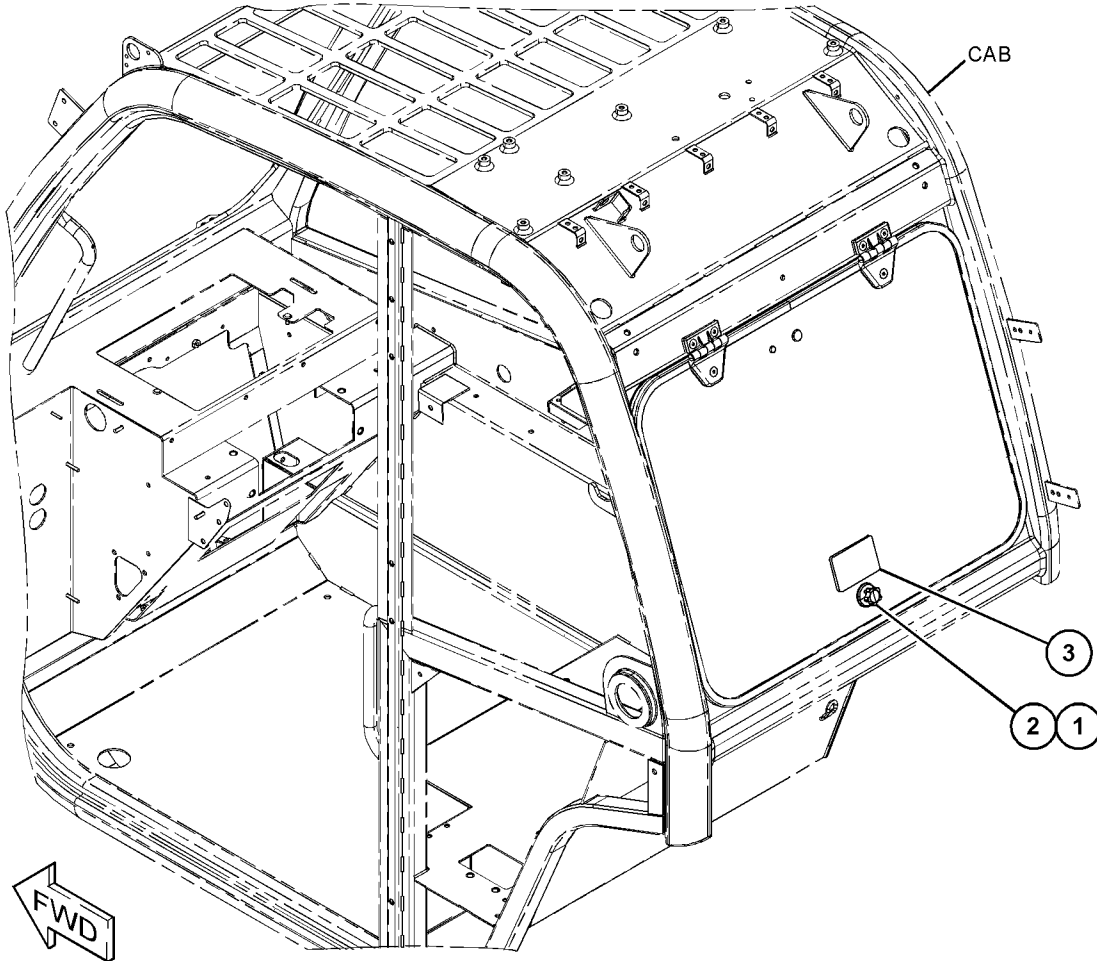
496-6529 KNOB GP-REAR WINDOW-REAR VIEW

S/N: TH41-UP; TH91-UP
 CANNOT BE USED WITH OPEN CAB
 AN ATTACHMENT

SMCS-7310

i06645699

NOTE	REF NO	GRAPHIC REF	PART NUMBER	QTY	PART NAME						SEE PAGE
					1	2	3	4	5	6 (PRODUCT LEVEL)	
	1	1	473-7168	1	CAP						
	2	1	473-7169	1	KNOB						
	3	1	496-6530	2	FILM-IDENTIFICATION (EMERGENCY EXIT)						



GRAPHIC #1

<END>

g06072527

OPERATOR STATION

496-8251 LINES GP-AIR CONDITIONER

S/N: TH91-UP

PART OF 514-4876 AIR CONDITIONER & MOUNTING GP
AN ATTACHMENT

SMCS-1808, 7320

i07581531

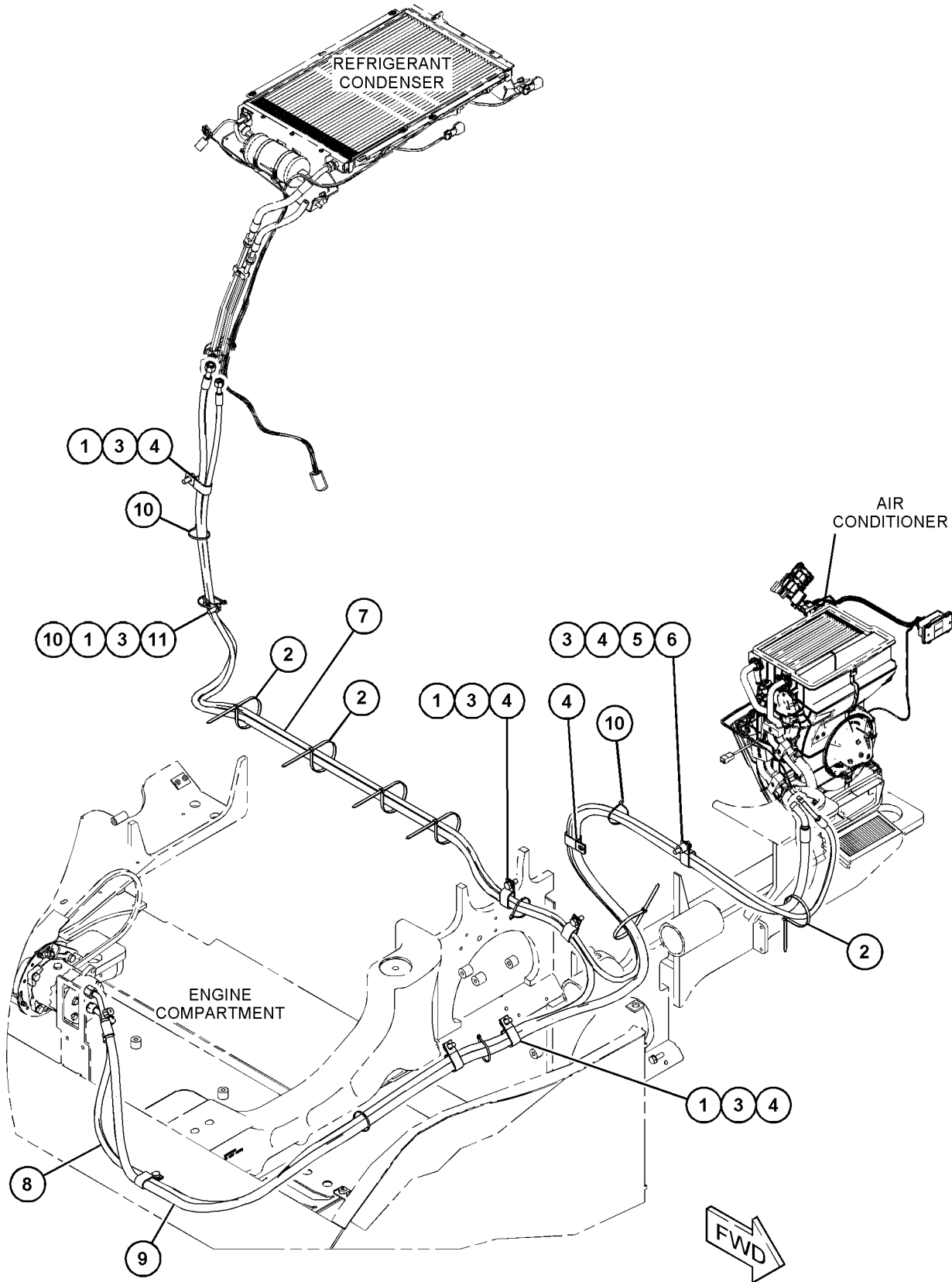
NOTE	REF NO	GRAPHIC REF	PART NUMBER	QTY	PART NAME						SEE PAGE
					1	2	3	4	5	6 (PRODUCT LEVEL)	
M	1	1	8T-4136	7	BOLT (M10X1.5X25-MM)						
	2	1	7K-1181	6	STRAP-CABLE						
	3	1	8T-4121	8	WASHER-HARD (11X21X2.5-MM THK)						
	4	1	100-4336	8	CLIP (LOOP)						
M	5	1	8T-4186	1	BOLT (M10X1.5X40-MM)						
	6	1	314-5546	1	SPACER (10.5X20X18-MM THK)						
	7	1	496-8252	1	HOSE AS						
	8	1	496-8253	1	HOSE AS						
	9	1	496-8254	1	HOSE AS						
	10	1	3S-2093	6	STRAP-CABLE						
	11	1	4P-7581	1	CLIP (LADDER)						

M - METRIC PART

OPERATOR STATION

496-8251 LINES GP-AIR CONDITIONER (contd.)

i07581531



GRAPHIC #1

<END>

g06393560

OPERATOR STATION

496-8258 LINES GP-AIR CONDITIONER

S/N: TH41-UP; TH91-UP

PART OF 501-0753 AIR CONDITIONER & MOUNTING GP

AN ATTACHMENT

TYPE 1

SMCS-1808, 7320

i06981503

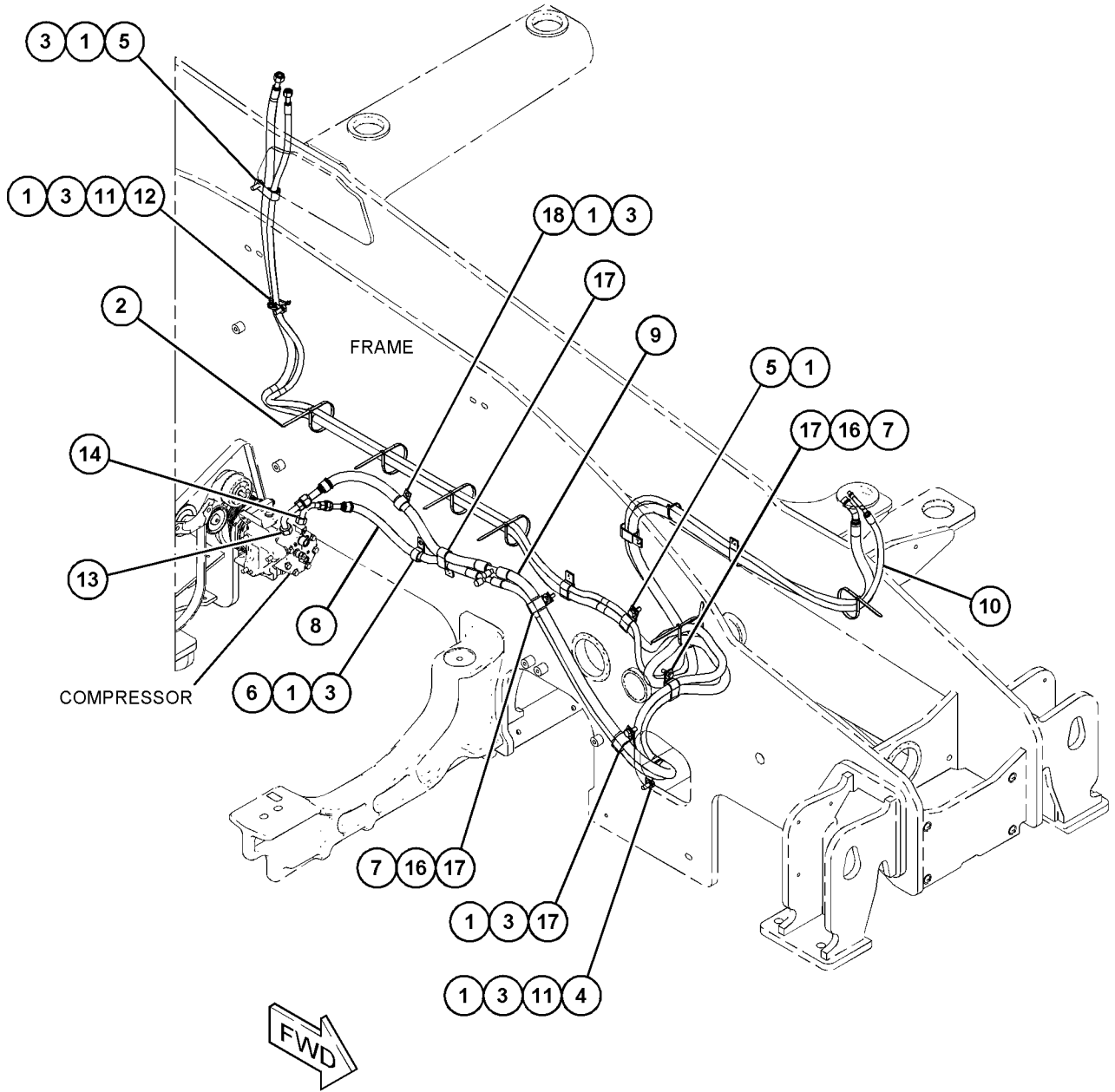
NOTE	REF NO	GRAPHIC REF	PART NUMBER	QTY	PART NAME						SEE PAGE
					1	2	3	4	5	6 (PRODUCT LEVEL)	
M	1	1	8T-4136	6	BOLT (M10X1.5X25-MM)						
	2	1	7K-1181	7	STRAP-CABLE						
	3	1	8T-4121	6	WASHER-HARD (11X21X2.5-MM THK)						
	4	1	132-5789	1	CLIP (LADDER)						
	5	1	100-4336	3	CLIP (LOOP)						
	6	1	9X-8250	1	CLIP (LOOP)						
M	7	1	8T-4908	2	BOLT (M8X1.25X25-MM)						
	8	1	496-8259	1	HOSE AS						
	9	1	496-8260	1	HOSE AS						
	10	1	496-8261	1	HOSE AS						
	11	1	3S-2093	3	STRAP-CABLE						
	12	1	4P-7581	1	CLIP (LADDER)						
	13	1	453-0805	1	TUBE AS						
	14	1	453-0806	1	TUBE AS						
	16	1	309-3997	2	WASHER (8.4X25X2-MM THK)						
	17	1	6D-1641	6	CLIP (LOOP)						
	18	1	7C-4354	1	CLIP						

M - METRIC PART

OPERATOR STATION

496-8258 LINES GP-AIR CONDITIONER (contd.)

i06981503



GRAPHIC #1

<END>

g06197767

OPERATOR STATION

496-8258 LINES GP-AIR CONDITIONER

S/N: TH41-UP; TH91-UP

PART OF 501-0753 AIR CONDITIONER & MOUNTING GP

AN ATTACHMENT

TYPE 2

SMCS-1808, 7320

i07383690

NOTE	REF NO	GRAPHIC REF	PART NUMBER	QTY	PART NAME						SEE PAGE
					1	2	3	4	5	6 (PRODUCT LEVEL)	
M	1	1	8T-4136	6	BOLT (M10X1.5X25-MM)						
C	2	1	7K-1181	9	STRAP-CABLE						
C	3	1	8T-4121	7	WASHER-HARD (11X21X2.5-MM THK)						
CM	4	1	8T-4186	1	BOLT (M10X1.5X40-MM)						
C	5	1	100-4336	8	CLIP (LOOP)						
	6	1	9X-8250	1	CLIP (LOOP)						
M	7	1	8T-4908	2	BOLT (M8X1.25X25-MM)						
	8	1	496-8259	1	HOSE AS						
	9	1	496-8260	1	HOSE AS						
	10	1	496-8261	1	HOSE AS						
C	11	1	314-5546	1	SPACER (10.5X20X18-MM THK)						
	12	1	4P-7581	1	CLIP (LADDER)						
	13	1	453-0805	1	TUBE AS						
	14	1	453-0806	1	TUBE AS						
	16	1	309-3997	2	WASHER (8.4X25X2-MM THK)						
	17	1	7C-4354	1	CLIP						

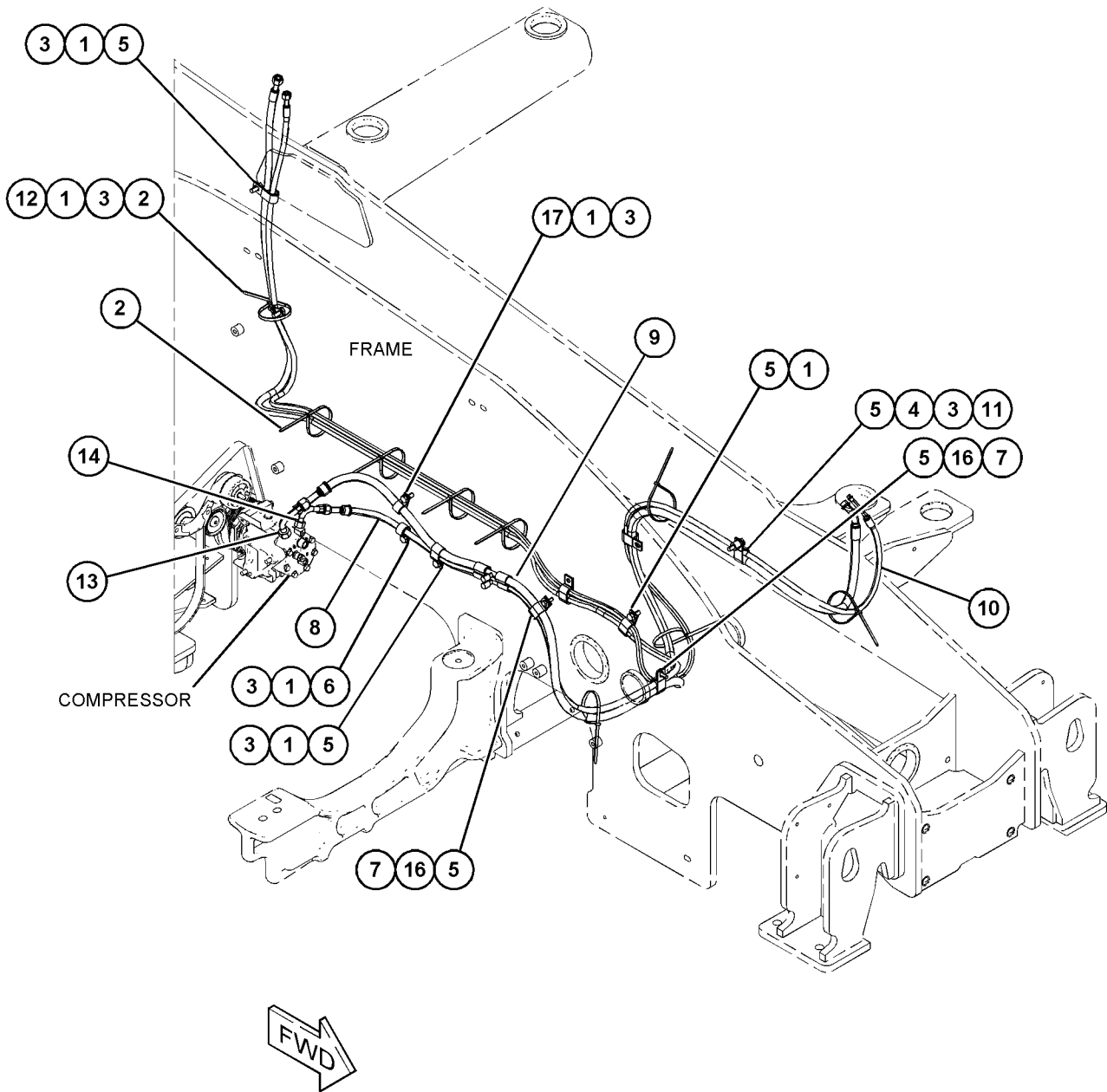
C - CHANGE FROM PREVIOUS TYPE

M - METRIC PART

OPERATOR STATION

496-8258 LINES GP-AIR CONDITIONER (contd.)

i07383690



GRAPHIC #1

<END>

g06325242

OPERATOR STATION

496-8262 LINES GP-HEATER & AIR COND

S/N: TH91-UP

PART OF 508-7849 AIR CONDITIONER AR, 508-7852 HEATER AR-CAB
AN ATTACHMENT

SMCS-1380, 1808, 1812, 7304

i06645736

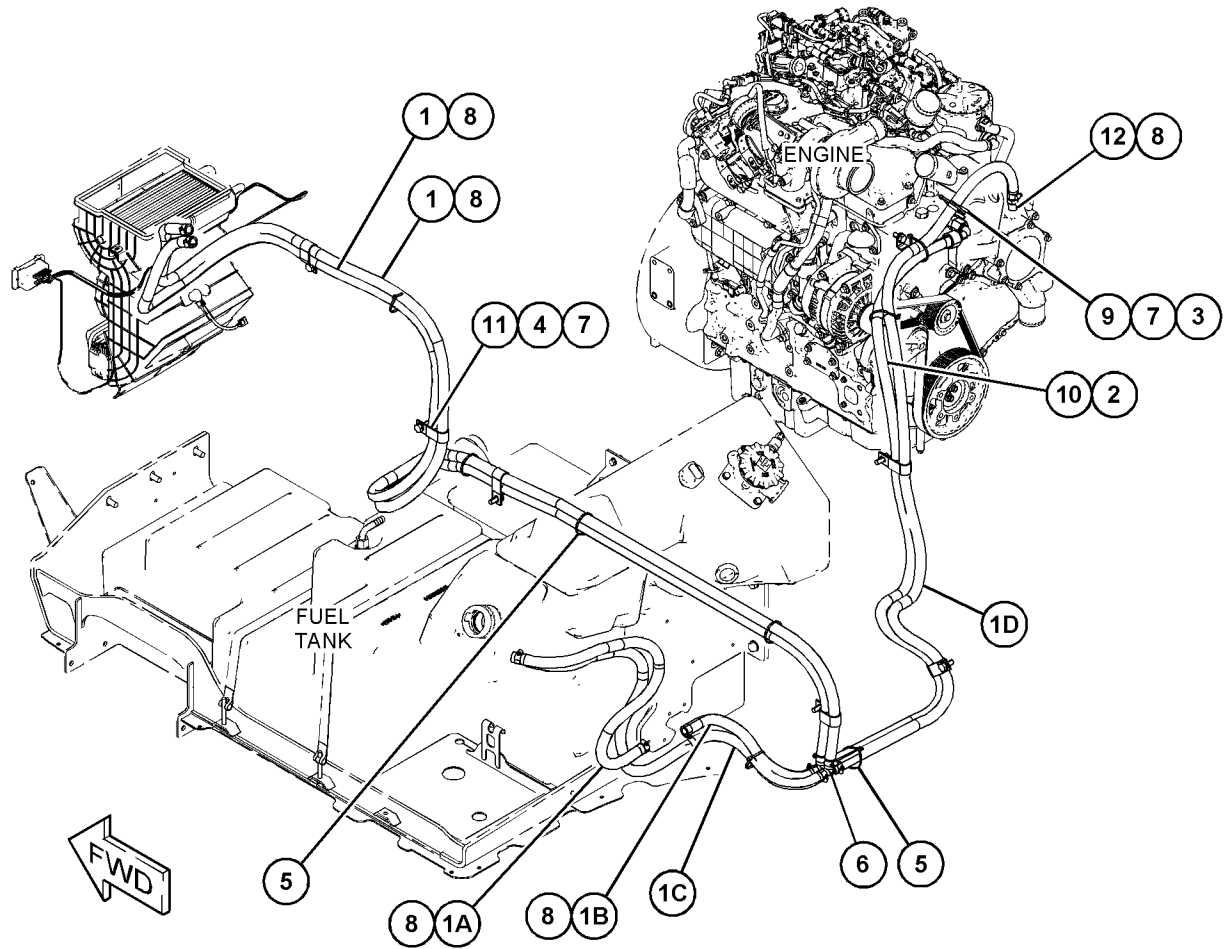
NOTE	REF NO	GRAPHIC REF	PART NUMBER	QTY	PART NAME						SEE PAGE
					1	2	3	4	5	6 (PRODUCT LEVEL)	
E	1	1	5P-0767		HOSE (207-CM)						
E	1A	1	5P-0767		HOSE (84-CM)						
E	1B	1	5P-0767		HOSE (39-CM)						
E	1C	1	5P-0767		HOSE (121-CM)						
E	1D	1	5P-0767		HOSE (357-CM EACH)						
	2	1	357-4399	1	CONNECTOR AS						
		1	6V-7970	1	SEAL-O-RING						
		1	7J-9108	1	SEAL-O-RING						
		1	227-0064	1	CONNECTOR						
M	3	1	8T-4137	2	BOLT (M10X1.5X20-MM)						
M	4	1	8T-4136	6	BOLT (M10X1.5X25-MM)						
	5	1	3S-2093	9	STRAP-CABLE						
	6	1	492-3930	2	TEE						
	7	1	8T-4121	8	WASHER-HARD (11X21X2.5-MM THK)						
	8	1	309-2982	13	CLAMP						
	9	1	132-5789	2	CLIP (LADDER)						
	10	1	496-8134	1	HOSE AS						
	11	1	6D-1641	6	CLIP (LOOP)						
	12	1	464-1335	1	ADAPTER						

E - ORDER BY THE CENTIMETER
M - METRIC PART

OPERATOR STATION

496-8262 LINES GP-HEATER & AIR COND (contd.)

i06645736



GRAPHIC #1

<END>

g06092481

OPERATOR STATION

496-8262 LINES GP-HEATER & AIR COND

S/N: TH41-UP; TH91-UP

PART OF 508-7849 AIR CONDITIONER AR, 508-7852 HEATER AR-CAB
AN ATTACHMENT

SMCS-1380, 1808, 1812, 7304

i07755211

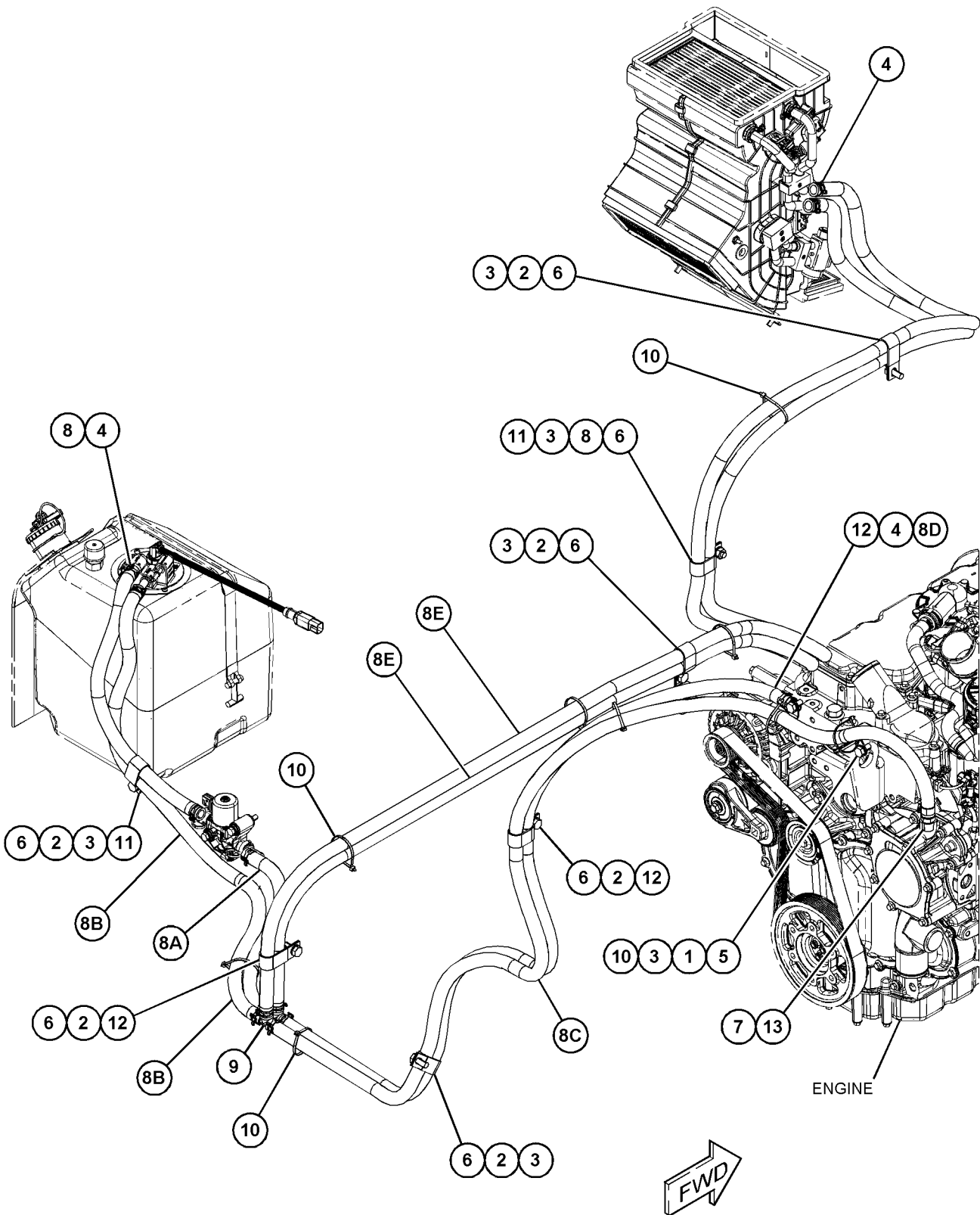
NOTE	REF NO	GRAPHIC REF	PART NUMBER	QTY	PART NAME						SEE PAGE
					1	2	3	4	5	6 (PRODUCT LEVEL)	
M	1	1	8T-4137	2	BOLT (M10X1.5X20-MM)						
CM	2	1	8T-4136	7	BOLT (M10X1.5X25-MM)						
C	3	1	8T-4121	11	WASHER-HARD (11X21X2.5-MM THK)						
C	4	1	502-3818	13	CLAMP						
	5	1	132-5789	2	CLIP (LADDER)						
C	6	1	6D-1641	8	CLIP (LOOP)						
	7	1	464-1335	1	ADAPTER						
CE	8	1	5P-0767		HOSE (62-CM)						
CE	8A	1	5P-0767		HOSE (39-CM)						
CE	8B	1	5P-0767		HOSE (112-CM)						
CE	8C	1	5P-0767		HOSE (207-CM)						
CE	8D	1	5P-0767		HOSE (175-CM)						
CE	8E	1	5P-0767		HOSE (357-CM EACH)						
	9	1	492-3930	2	TEE						
	10	1	3S-2093	9	STRAP-CABLE						
CM	11	1	344-5675	2	NUT (M10X1.5-THD)						
C	12	1	474-4980	1	ADAPTER						
	13	1	309-2982	1	CLAMP						

C - CHANGE FROM PREVIOUS TYPE
E - ORDER BY THE CENTIMETER
M - METRIC PART

OPERATOR STATION

496-8262 LINES GP-HEATER & AIR COND (contd.)

i07755211



GRAPHIC #1

<END>

g06448141

OPERATOR STATION

497-3809 LINES GP-HEATER & AIR COND-INSTALLATION

S/N: TH91-UP

PART OF 520-8643 AIR CONDITIONER AR, 508-7851 HEATER AR-CAB

AN ATTACHMENT

TYPE 1

SMCS-1380, 1808, 1812, 7304

i06980475

NOTE	REF NO	GRAPHIC REF	PART NUMBER	QTY	PART NAME						SEE PAGE
					1	2	3	4	5	6 (PRODUCT LEVEL)	
	1	2	7X-0872	1	TEE - SWIVEL						
M	2	1	8T-4200	2	BOLT (M8X1.25X16-MM)						
M	3	1,2	8T-4137	9	BOLT (M10X1.5X20-MM)						
	4	1,2	8T-4224	5	WASHER-HARD (8.8X16X2-MM THK)						
	5	1,2	8T-4121	10	WASHER-HARD (11X21X2.5-MM THK)						
	6	1,2	309-2982	10	CLAMP						
	7	2	333-0736	4	CLAMP						
	8	1,2	132-5789	2	CLIP (LADDER)						
	9	1	4P-7581	1	CLIP (LADDER)						
	10	1,2	6D-1641	8	CLIP (LOOP)						
M	11	1	344-5675	1	NUT (M10X1.5-THD)						
	12	1	464-1335	1	ADAPTER						
	13	2	5W-1417	1	WASHER (6.4X18X1.6-MM THK)						
	14	2	474-4980	1	ADAPTER						
	15	1	478-5155	1	ADAPTER						
M	16	2	5C-9553	1	BOLT (M6X1X16-MM)						
E	17	1	5P-0767		HOSE (488-CM)						
E	17A	1	5P-0767		HOSE (338-CM)						
E	17B	1	5P-0767		HOSE (355-CM)						
E	17C	2	5P-0767		HOSE (51-CM)						
E	17D	1	5P-0767		HOSE (98-CM)						
	18	1	269-3086	2	CLAMP-BAND						
	19	2	5K-8451	1	CLIP (LOOP)						
	20	1	7K-1181	1	STRAP-CABLE						
E	21	1	326-1178		HOSE (194-CM)						
I	22	1	496-8135	1	HOSE AS						
I	23	1	496-8133	1	HOSE AS						
	24	2	478-5154	1	ADAPTER						
	25	2	496-8257	1	ADAPTER						
	26	1,2	3S-2093	10	STRAP-CABLE						
	27	2	496-8255	1	BRACKET AS						
	28	2	7C-4354	1	CLIP						
M	29	2	8T-4189	3	BOLT (M8X1.25X20-MM)						
	30	2	298-7356	1	FITTING-ADAPTER						
	31	2	496-8256	1	HOSE						
	32	2	227-0056	1	ELBOW						

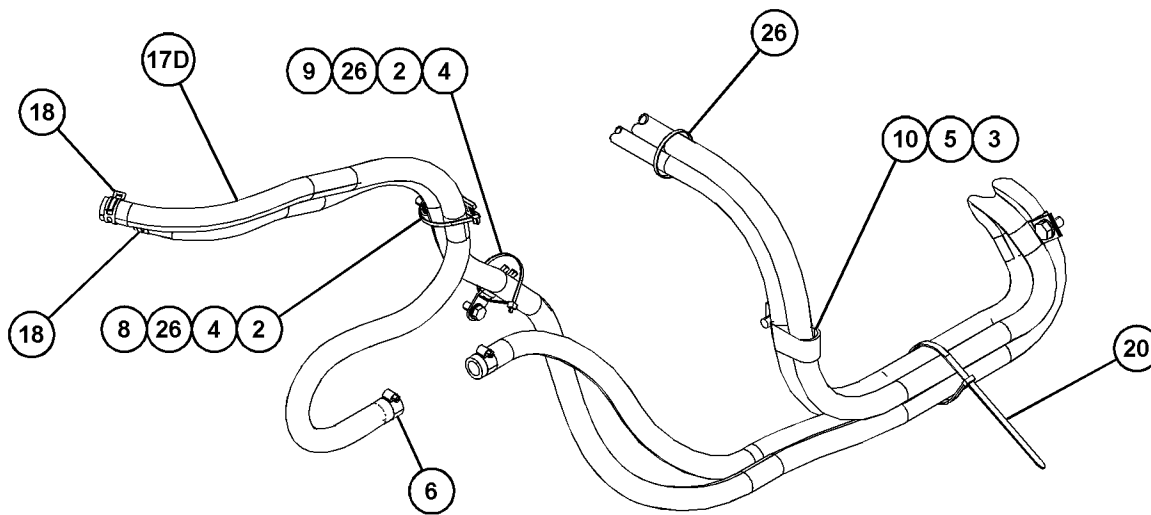
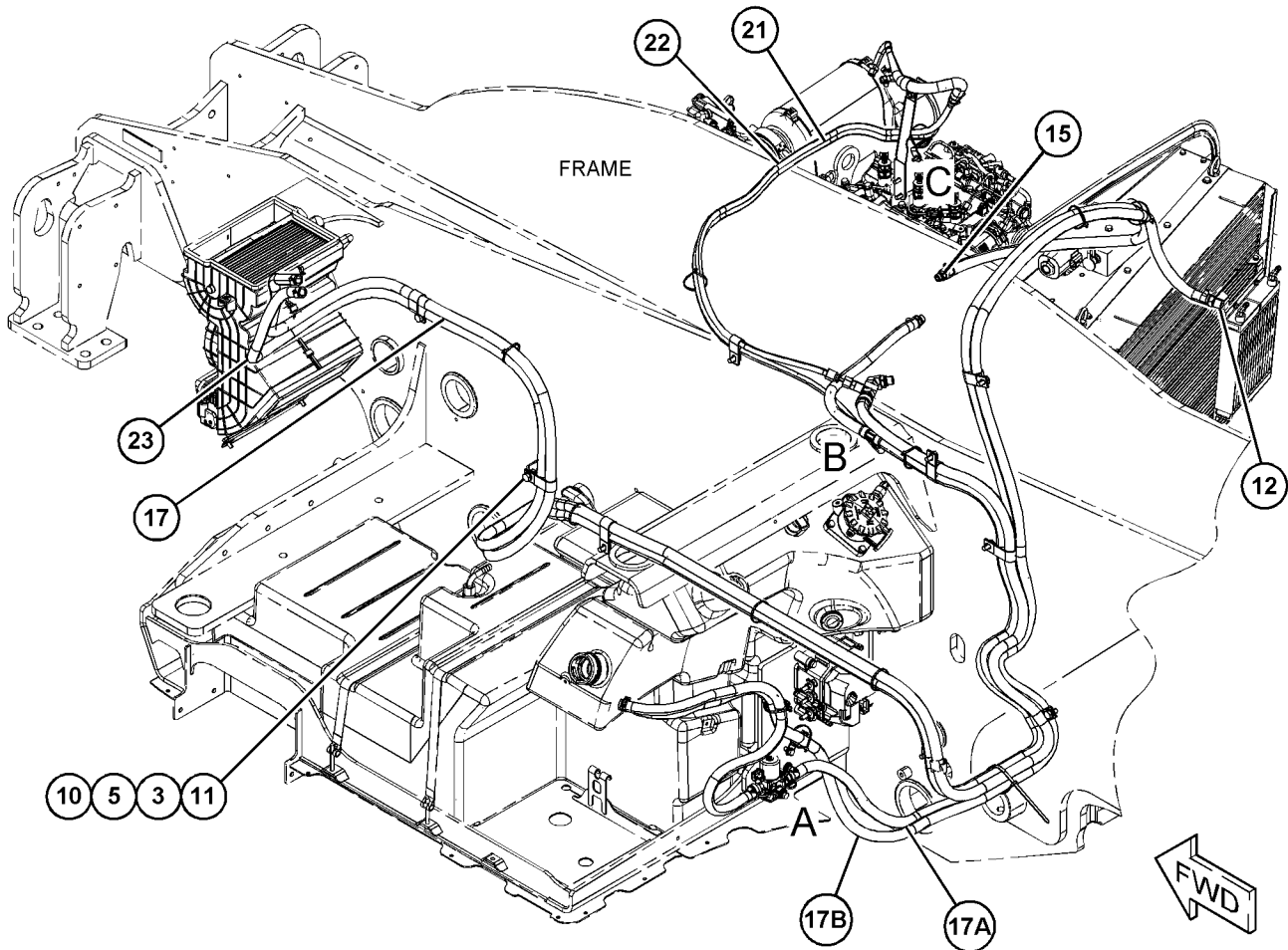
E - ORDER BY THE CENTIMETER
 I - REFER TO HYDRAULIC INFORMATION SYSTEM
 M - METRIC PART

OPERATOR STATION

497-3809 LINES GP-HEATER & AIR COND (contd.)

i06980475

REFER TO ALL ILLUSTRATIONS OF THIS GROUP FOR AUXILIARY VIEWS



VIEW OF AREA A

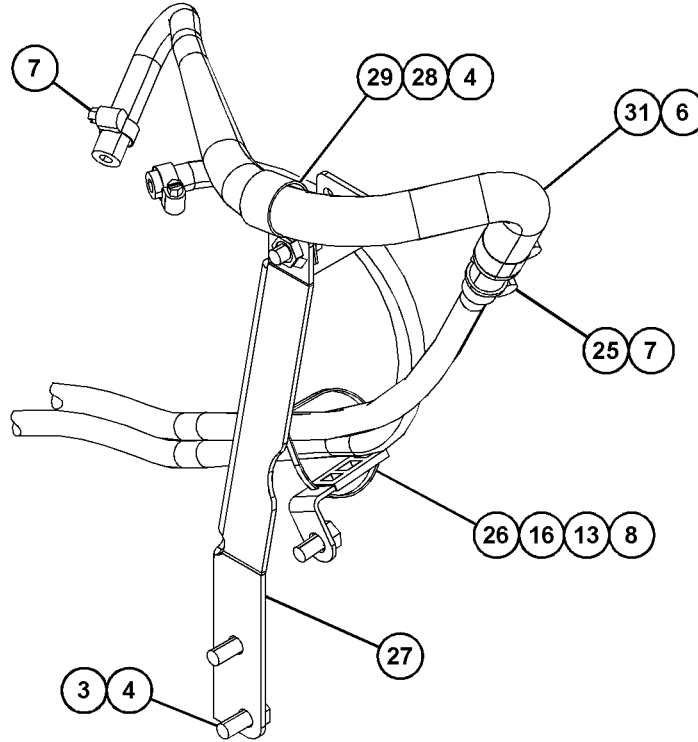
GRAPHIC #1

g06203288

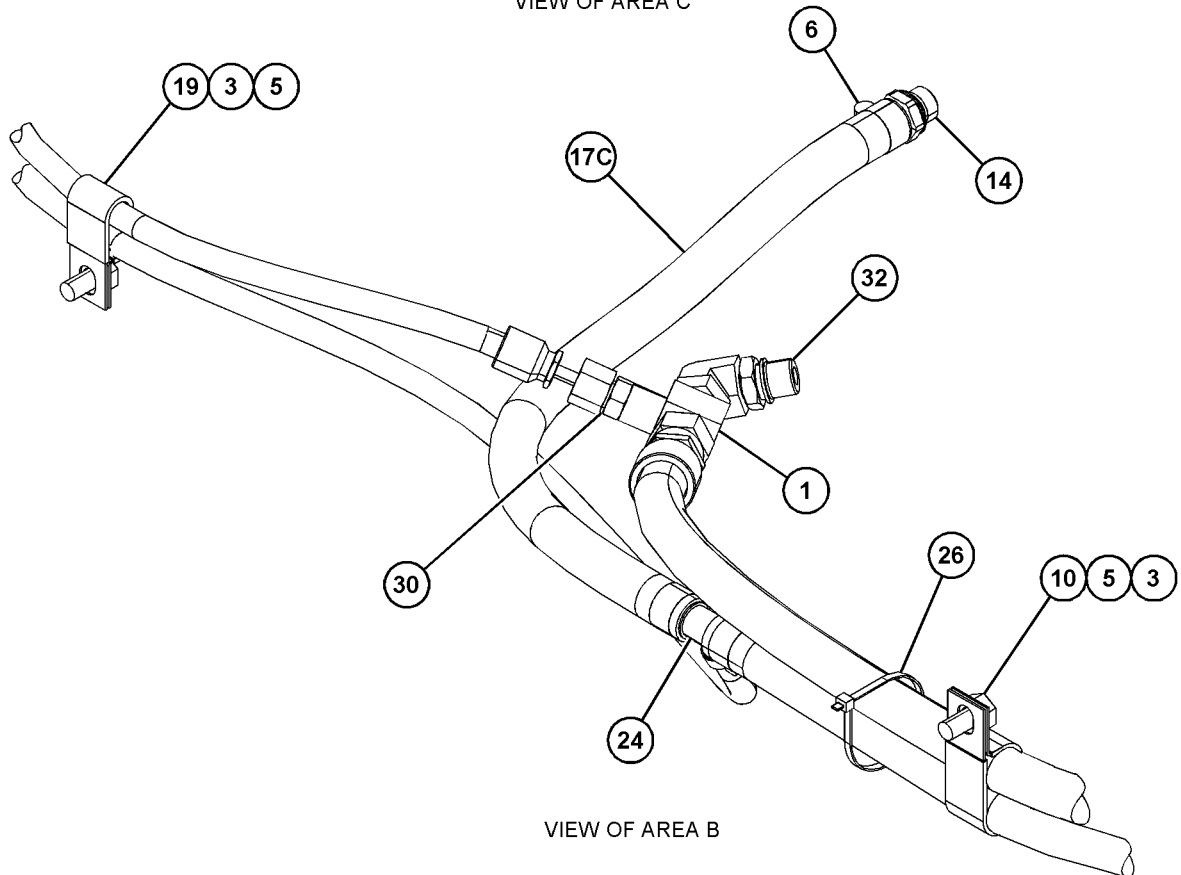
OPERATOR STATION

497-3809 LINES GP-HEATER & AIR COND (contd.)

106980475



VIEW OF AREA C



VIEW OF AREA B

GRAPHIC #2

<END>

g06203290

OPERATOR STATION

497-3809 LINES GP-HEATER & AIR COND-INSTALLATION

S/N: TH91-UP

PART OF 520-8643 AIR CONDITIONER AR, 508-7851 HEATER AR-CAB

AN ATTACHMENT

TYPE 2

SMCS-1380, 1808, 1812, 7304

i07755210

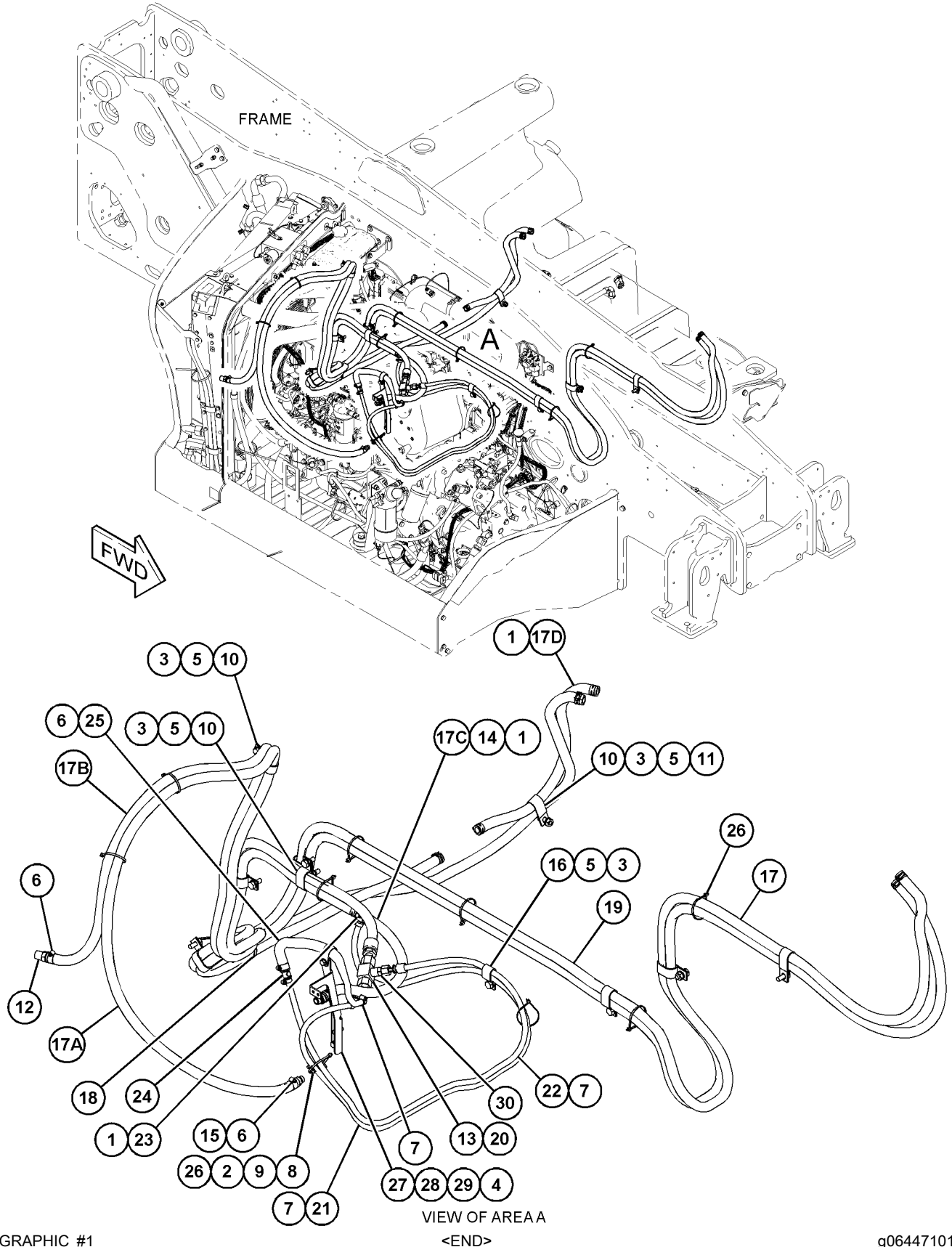
NOTE	REF NO	GRAPHIC REF	PART NUMBER	QTY	PART NAME						SEE PAGE
					1	2	3	4	5	6 (PRODUCT LEVEL)	
C	1	1	502-3818	9	CLAMP						
M	2	1	5C-9553	1	BOLT (M6X1X16-MM)						
CM	3	1	8T-4136	10	BOLT (M10X1.5X25-MM)						
C	4	1	8T-4224	3	WASHER-HARD (8.8X16X2-MM THK)						
C	5	1	8T-4121	12	WASHER-HARD (11X21X2.5-MM THK)						
C	6	1	309-2982	3	CLAMP						
	7	1	333-0736	4	CLAMP						
C	8	1	132-5789	1	CLIP (LADDER)						
	9	1	5W-1417	1	WASHER (6.4X18X1.6-MM THK)						
C	10	1	6D-1641	10	CLIP (LOOP)						
M	11	1	344-5675	1	NUT (M10X1.5-THD)						
	12	1	464-1335	1	ADAPTER						
	13	1	7X-0872	1	TEE-SWIVEL						
	14	1	474-4980	1	ADAPTER						
	15	1	478-5155	1	ADAPTER						
	16	1	5K-8451	1	CLIP (LOOP)						
E	17	1	5P-0767		HOSE (488-CM)						
E	17A	1	5P-0767		HOSE (338-CM)						
E	17B	1	5P-0767		HOSE (355-CM)						
E	17C	1	5P-0767		HOSE (51-CM)						
E	17D	1	5P-0767		HOSE (98-CM)						
	18	1	7K-1181	1	STRAP-CABLE						
I	19	1	496-8133	1	HOSE AS						
	20	1	227-0056	1	ELBOW						
E	21	1	326-1178		HOSE (194-CM)						
I	22	1	496-8135	1	HOSE AS						
	23	1	478-5154	1	ADAPTER						
	24	1	496-8257	1	ADAPTER						
	25	1	496-8256	1	HOSE						
C	26	1	3S-2093	9	STRAP-CABLE						
	27	1	496-8255	1	BRACKET AS						
	28	1	7C-4354	1	CLIP						
M	29	1	8T-4189	3	BOLT (M8X1.25X20-MM)						
	30	1	298-7356	1	FITTING-ADAPTER						

C - CHANGE FROM PREVIOUS TYPE
 E - ORDER BY THE CENTIMETER
 I - REFER TO HYDRAULIC INFORMATION SYSTEM
 M - METRIC PART

OPERATOR STATION

497-3809 LINES GP-HEATER & AIR COND (contd.)

i07755210



OPERATOR STATION

497-3809 LINES GP-HEATER & AIR COND-INSTALLATION

S/N: TH91-UP

PART OF 520-8643 AIR CONDITIONER AR, 508-7851 HEATER AR-CAB

AN ATTACHMENT

TYPE 3

SMCS-1380, 1808, 1812, 7304

i08072994

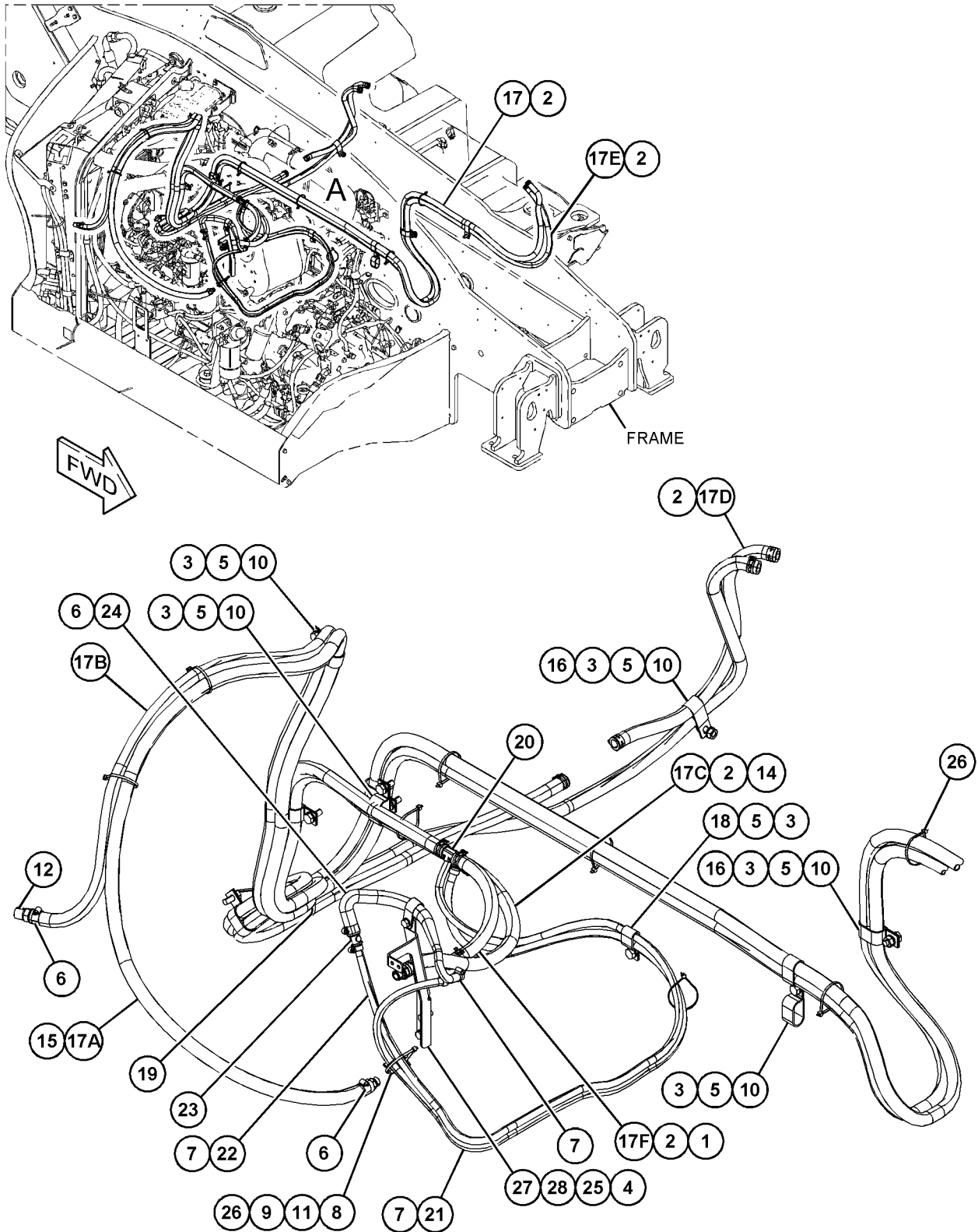
NOTE	REF NO	GRAPHIC REF	PART NUMBER	QTY	PART NAME						SEE PAGE
					1	2	3	4	5	6 (PRODUCT LEVEL)	
C	1	1	478-5151	1	ELBOW						
C	2	1	502-3818	12	CLAMP						
M	3	1	8T-4136	10	BOLT (M10X1.5X25-MM)						
	4	1	8T-4224	3	WASHER-HARD (8.8X16X2-MM THK)						
	5	1	8T-4121	12	WASHER-HARD (11X21X2.5-MM THK)						
	6	1	309-2982	3	CLAMP						
	7	1	333-0736	4	CLAMP						
	8	1	132-5789	1	CLIP (LADDER)						
M	9	1	5C-9553	1	BOLT (M6X1X16-MM)						
	10	1	6D-1641	10	CLIP (LOOP)						
	11	1	5W-1417	1	WASHER (6.4X18X1.6-MM THK)						
	12	1	464-1335	1	ADAPTER						
	14	1	474-4980	1	ADAPTER						
	15	1	478-5155	1	ADAPTER						
CM	16	1	344-5675	2	NUT (M10X1.5-THD)						
CE	17	1	5P-0767		HOSE (488-CM)						
CE	17A	1	5P-0767		HOSE (338-CM)						
CE	17B	1	5P-0767		HOSE (355-CM)						
CE	17C	1	5P-0767		HOSE (51-CM)						
CE	17D	1	5P-0767		HOSE (98-CM)						
CE	17E	1	5P-0767		HOSE (492-CM)						
CE	17F	1	5P-0767		HOSE (29-CM)						
	18	1	5K-8451	1	CLIP (LOOP)						
	19	1	7K-1181	1	STRAP-CABLE						
C	20	1	478-5154	2	ADAPTER						
E	21	1	326-1178		HOSE (194-CM)						
C	22	1	585-3048	1	HOSE						
	23	1	496-8257	1	ADAPTER						
	24	1	496-8256	1	HOSE						
M	25	1	8T-4189	3	BOLT (M8X1.25X20-MM)						
	26	1	3S-2093	9	STRAP-CABLE						
	27	1	496-8255	1	BRACKET AS						
	28	1	7C-4354	1	CLIP						

C - CHANGE FROM PREVIOUS TYPE
 E - ORDER BY THE CENTIMETER
 M - METRIC PART

OPERATOR STATION

497-3809 LINES GP-HEATER & AIR COND (contd.)

108072994



VIEW OF AREA A

GRAPHIC #1

<END>

g06569551

OPERATOR STATION

497-9625 LINES GP-HEATER & AIR COND

S/N: TH41-UP

PART OF 521-2180 AIR CONDITIONER AR, 521-2181 HEATER AR-CAB
AN ATTACHMENT

SMCS-1380, 1808, 1812, 7304

i07755208

NOTE	REF NO	GRAPHIC REF	PART NUMBER	QTY	PART NAME						SEE PAGE
					1	2	3	4	5	6 (PRODUCT LEVEL)	
	1	1	497-9626	1	ADAPTER						
	2	1	464-1335	1	ADAPTER						
M	3	1	8T-4137	1	BOLT (M10X1.5X20-MM)						
M	4	1	8T-4136	6	BOLT (M10X1.5X25-MM)						
	5	1	309-6455	1	ADAPTER						
	6	1	8T-4121	7	WASHER-HARD (11X21X2.5-MM THK)						
	7	1	309-2982	3	CLAMP						
	8	1	3S-2093	4	STRAP-CABLE						
	9	1	497-9910	1	HOSE AS						
E	10	1	5P-0767		HOSE (579-CM)						
	11	1	132-5789	1	CLIP (LADDER)						
	12	1	6D-1641	7	CLIP (LOOP)						

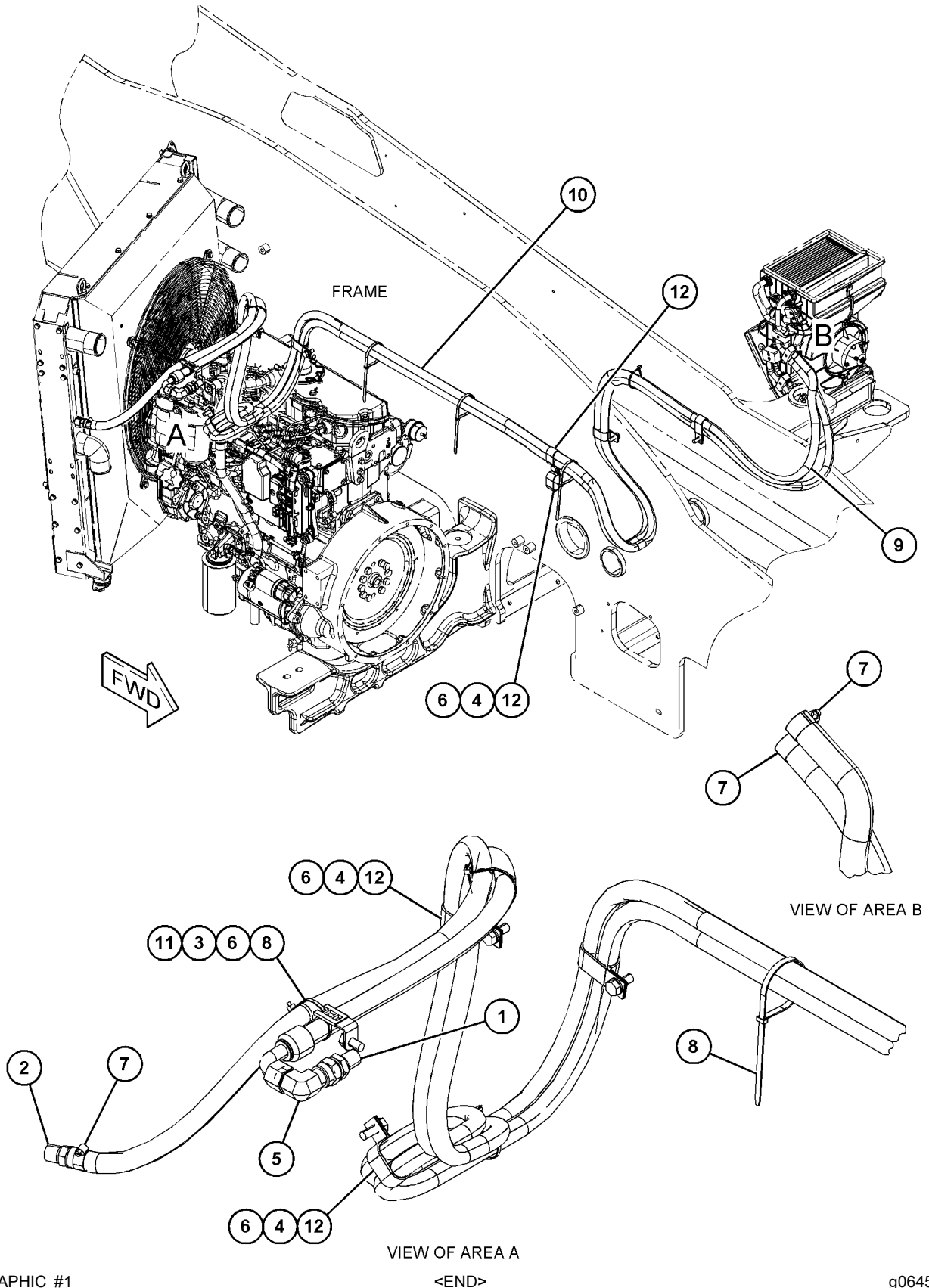
E - ORDER BY THE CENTIMETER

M - METRIC PART

OPERATOR STATION

497-9625 LINES GP-HEATER & AIR COND (contd.)

107755208



GRAPHIC #1

g06450078

OPERATOR STATION

471-6121 MIRROR GP-EXTERNAL

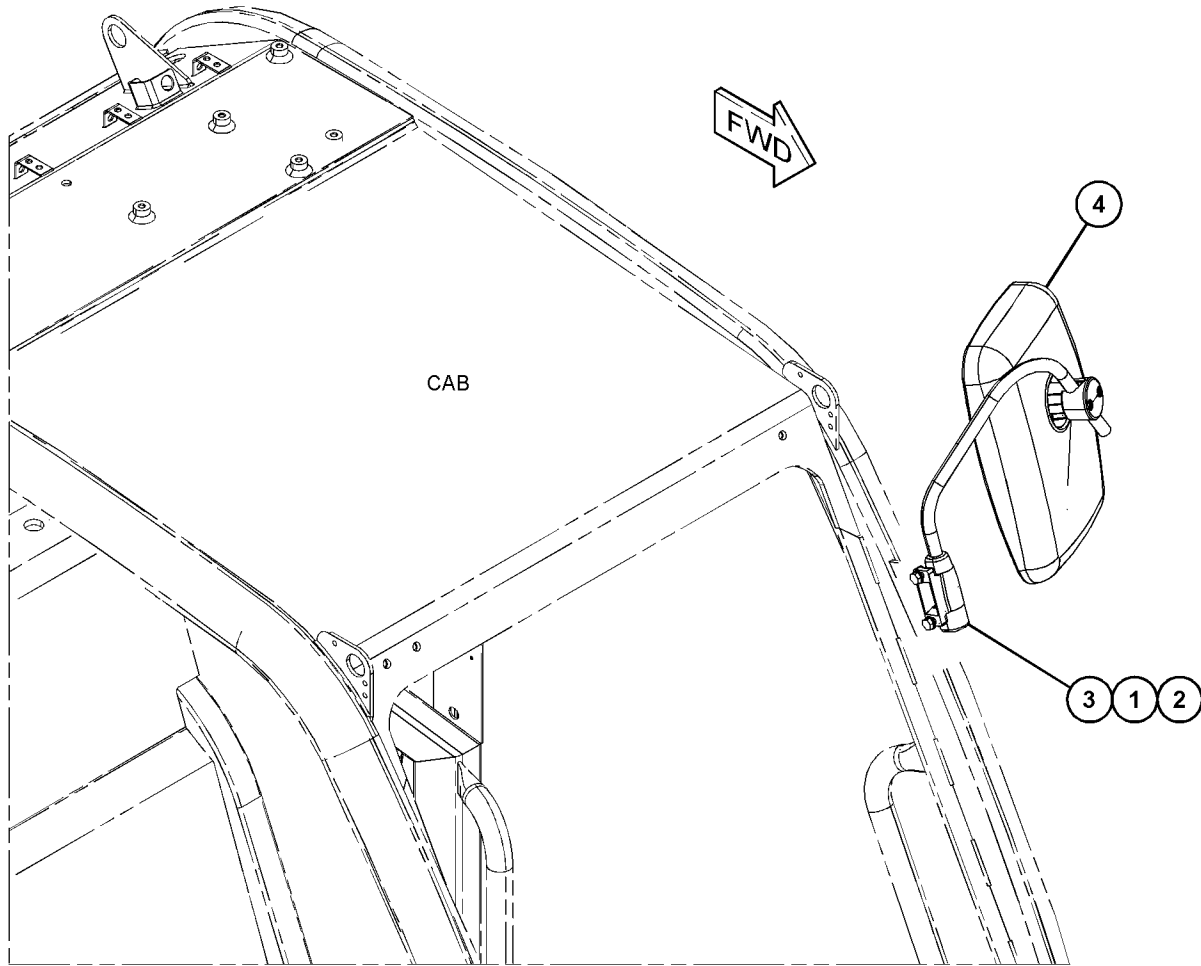
S/N: TH41-UP; TH91-UP
PART OF 517-9179, 517-9180 CAB AR
AN ATTACHMENT

SMCS-7319

i08071333

NOTE	REF NO	GRAPHIC REF	PART NUMBER	QTY	PART NAME						SEE PAGE
					1	2	3	4	5	6 (PRODUCT LEVEL)	
M	1	1	8T-4200	2	BOLT (M8X1.25X16-MM)						
	2	1	8T-4224	2	WASHER-HARD (8.8X16X2-MM THK)						
	3	1	471-6105	1	BRACKET-MIRROR						
	4	1	185-3874	1	MIRROR AS						

M - METRIC PART



GRAPHIC #1

<END>

g03821996

OPERATOR STATION

474-9043 MIRROR GP-INTERNAL

S/N: TH41-UP; TH91-UP

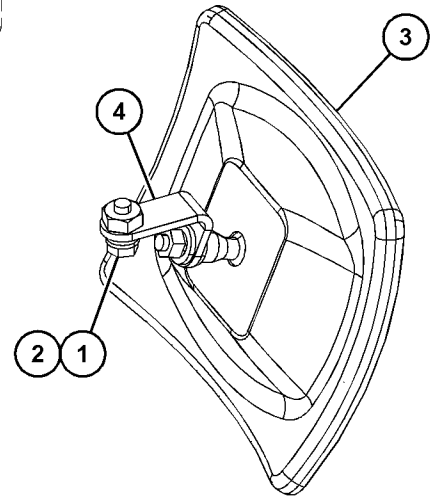
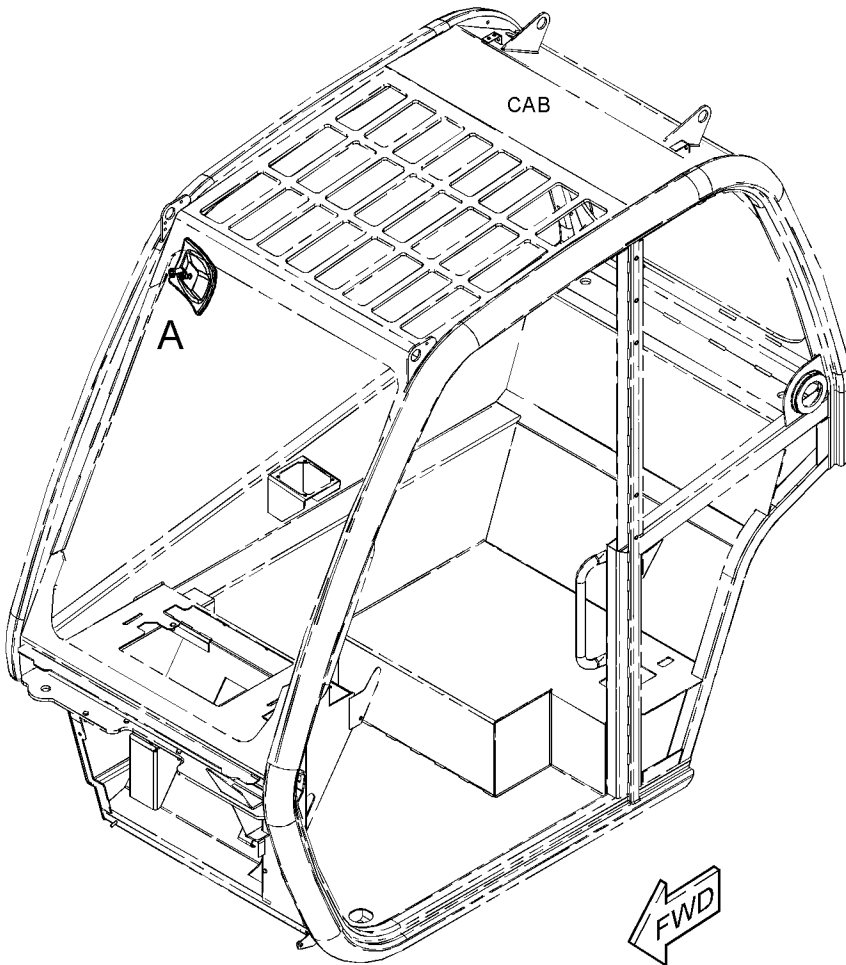
PART OF 517-9179, 517-9180 CAB AR
AN ATTACHMENT

SMCS-7319

i06080184

NOTE	REF NO	GRAPHIC REF	PART NUMBER	QTY	PART NAME						SEE PAGE
					1	2	3	4	5	6 (PRODUCT LEVEL)	
M	1	1	5C-9553	1	BOLT (M6X1X16-MM)						
	2	1	8T-4205	1	WASHER-HARD (7.2X14.5X2-MM THK)						
Y	3	1	315-3786	1	MIRROR GP-REAR VIEW						1215
	4	1	474-9044	1	BRACKET AS						

M - METRIC PART
Y - SEPARATE ILLUSTRATION



VIEW OF AREA A

GRAPHIC #1

<END>

g03820043

OPERATOR STATION

257-8403 MIRROR GP-REAR VIEW-INTERIOR

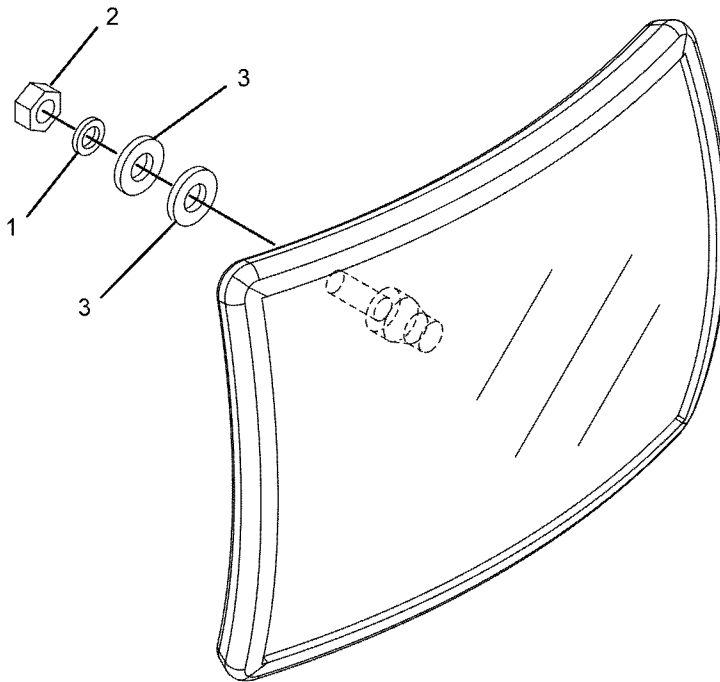
S/N: TH41-UP; TH91-UP
PART OF 315-3786 MIRROR GP-REAR VIEW
AN ATTACHMENT

SMCS-7319

i02179710

NOTE	REF NO	GRAPHIC REF	PART NUMBER	QTY	PART NAME						SEE PAGE
					1	2	3	4	5	6 (PRODUCT LEVEL)	
	1	1	3B-4503	1	LOCKWASHER						
M	2	1	5C-2890	1	NUT (M6X1-THD)						
	3	1	8T-4205	2	WASHER-HARD (7.2X14.5X2-MM THK)						

M - METRIC PART



GRAPHIC #1

<END>

g01105769

OPERATOR STATION

315-3786 MIRROR GP-REAR VIEW

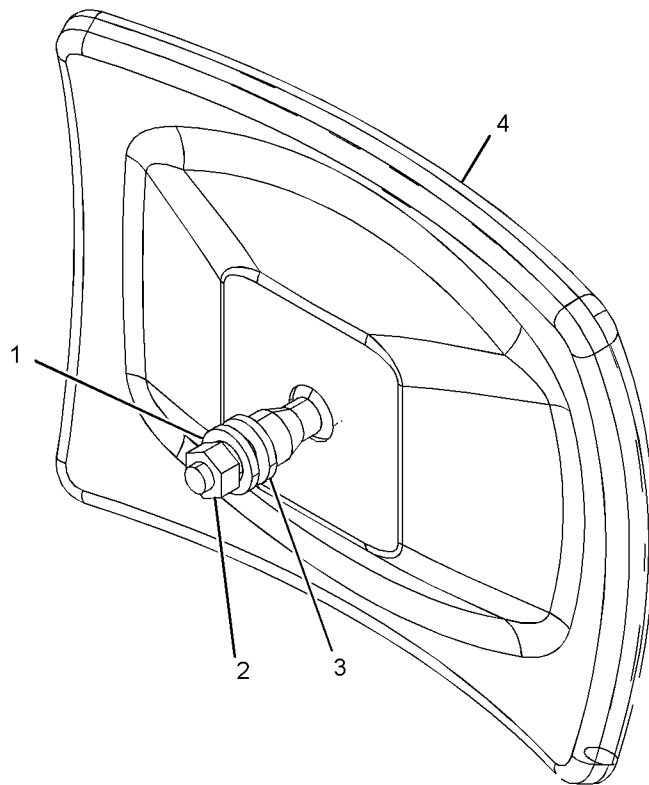
S/N: TH41-UP; TH91-UP
PART OF 474-9043 MIRROR GP
AN ATTACHMENT

SMCS-7319

i05691753

NOTE	REF NO	GRAPHIC REF	PART NUMBER	QTY	PART NAME						SEE PAGE
					1	2	3	4	5	6 (PRODUCT LEVEL)	
	1	1	3B-4503	1	LOCKWASHER						
M	2	1	344-5673	1	NUT (M6X1-THD)						
	3	1	8T-4205	2	WASHER-HARD (7.2X14.5X2-MM THK)						
Y	4	1	257-8403	1	MIRROR GP-REAR VIEW (INTERIOR)						1214

M - METRIC PART
Y - SEPARATE ILLUSTRATION



GRAPHIC #1

<END>

g03662232

OPERATOR STATION

496-8301 MIRROR GP-REAR VIEW

S/N: TH41-UP; TH91-UP

PART OF 518-0076, 518-0077 CHASSIS AR

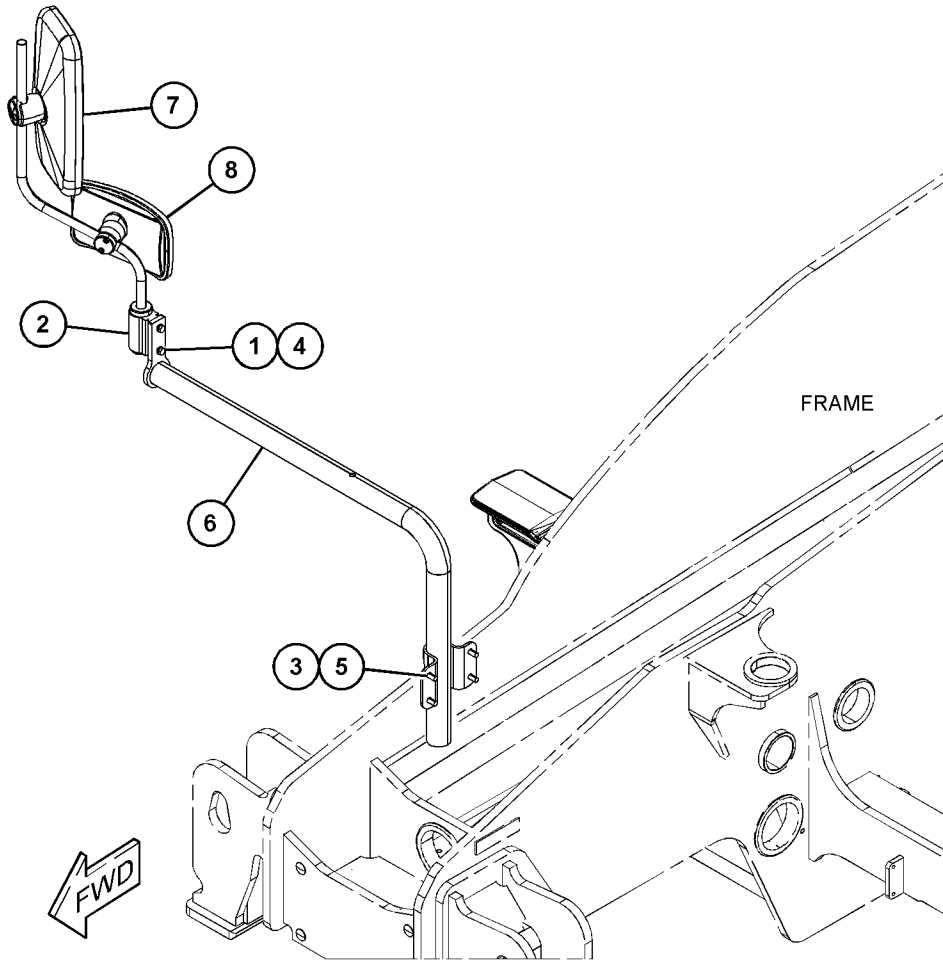
TYPE 1

SMCS-7319

i08166794

NOTE	REF NO	GRAPHIC REF	PART NUMBER	QTY	PART NAME						SEE PAGE
					1	2	3	4	5	6 (PRODUCT LEVEL)	
M	1	1	8T-4908	2	BOLT (M8X1.25X25-MM)						
	2	1	496-8303	1	ARM AS						
M	3	1	8T-4136	4	BOLT (M10X1.5X25-MM)						
	4	1	8T-4224	2	WASHER-HARD (8.8X16X2-MM THK)						
	5	1	8T-4121	4	WASHER-HARD (11X21X2.5-MM THK)						
	6	1	496-8302	1	ARM AS						
	7	1	476-0760	1	MIRROR						
	8	1	424-0720	1	MIRROR (CONVEX)						

M - METRIC PART



GRAPHIC #1

<END>

g06274448

OPERATOR STATION

496-8301 MIRROR GP-REAR VIEW

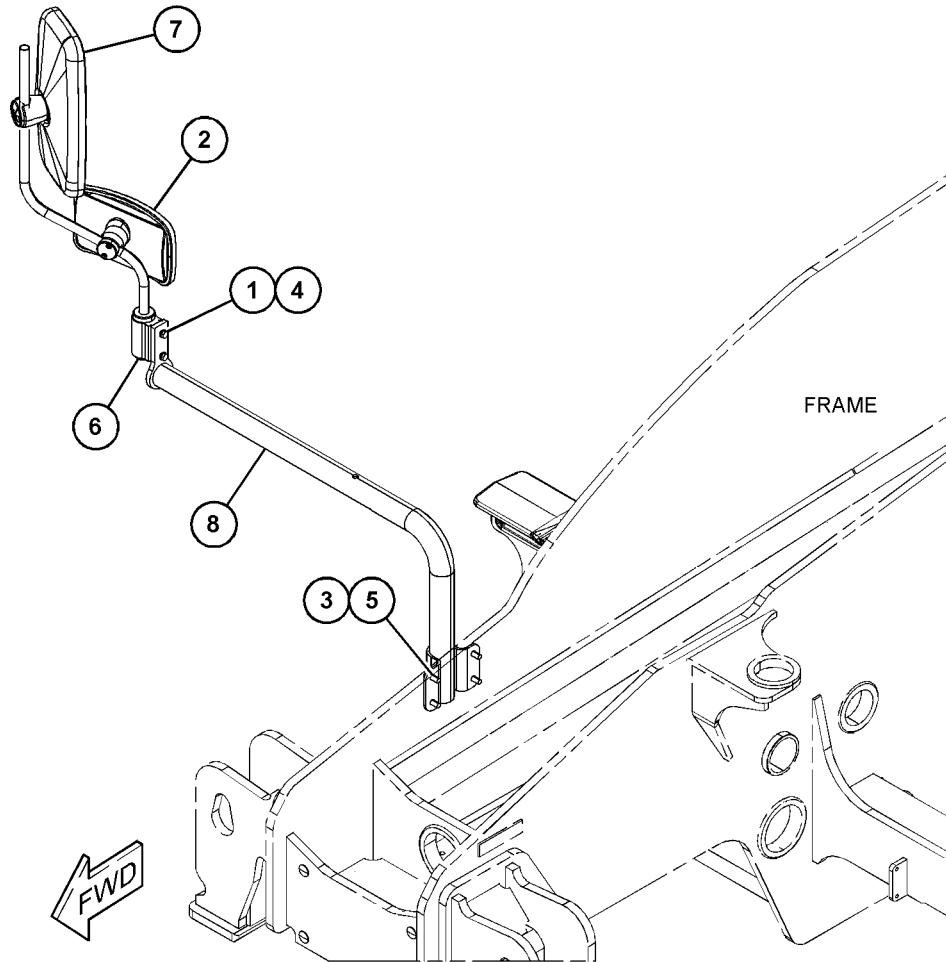
S/N: TH41-UP; TH91-UP
PART OF 518-0076, 518-0077 CHASSIS AR
TYPE 2

SMCS-7319

i08074826

NOTE	REF NO	GRAPHIC REF	PART NUMBER	QTY	PART NAME						SEE PAGE
					1	2	3	4	5	6 (PRODUCT LEVEL)	
M	1	1	8T-4908	2	BOLT (M8X1.25X25-MM)						
	2	1	424-0720	1	MIRROR (CONVEX)						
M	3	1	8T-4136	4	BOLT (M10X1.5X25-MM)						
	4	1	8T-4224	2	WASHER-HARD (8.8X16X2-MM THK)						
	5	1	8T-4121	4	WASHER-HARD (11X21X2.5-MM THK)						
	6	1	496-8303	1	ARM AS						
	7	1	476-0760	1	MIRROR						
C	8	1	590-5650	1	BRACKET-MIRROR						

C - CHANGE FROM PREVIOUS TYPE
M - METRIC PART



GRAPHIC #1

<END>

g06562465

OPERATOR STATION

497-9575 MIRROR GP-REAR VIEW

S/N: TH41-UP; TH91-UP

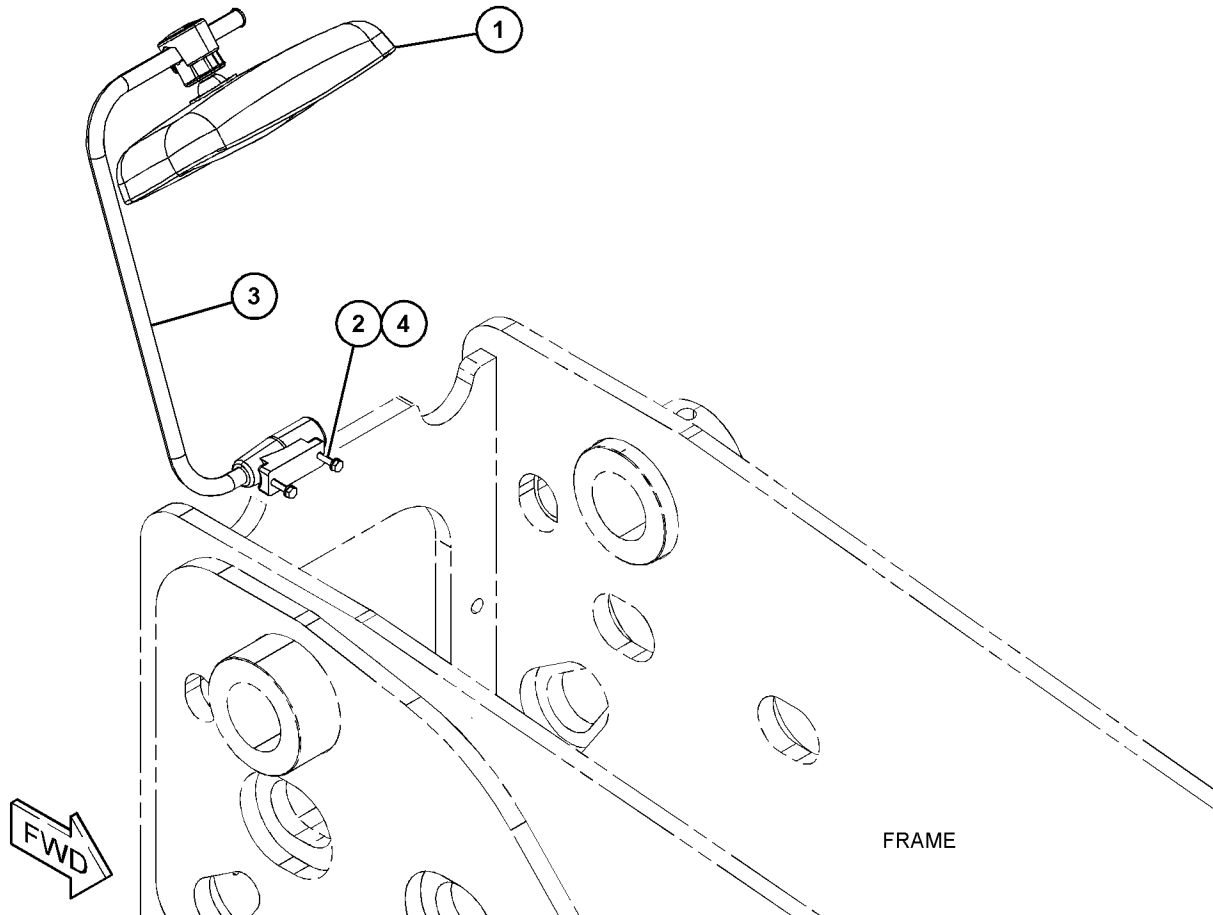
AN ATTACHMENT

SMCS-7319

i06645700

NOTE	REF NO	GRAPHIC REF	PART NUMBER	QTY	PART NAME						SEE PAGE
					1	2	3	4	5	6 (PRODUCT LEVEL)	
	1	1	220-4050	1	MIRROR (EXTERIOR, REAR)						
M	2	1	8T-4971	2	BOLT (M6X1X30-MM)						
	3	1	220-4049	1	ARM AS						
	4	1	8T-4205	2	WASHER-HARD (7.2X14.5X2-MM THK)						

M - METRIC PART



GRAPHIC #1

<END>

g06064754

OPERATOR STATION

497-9576 MIRROR GP-REAR VIEW

S/N: TH41-UP; TH91-UP

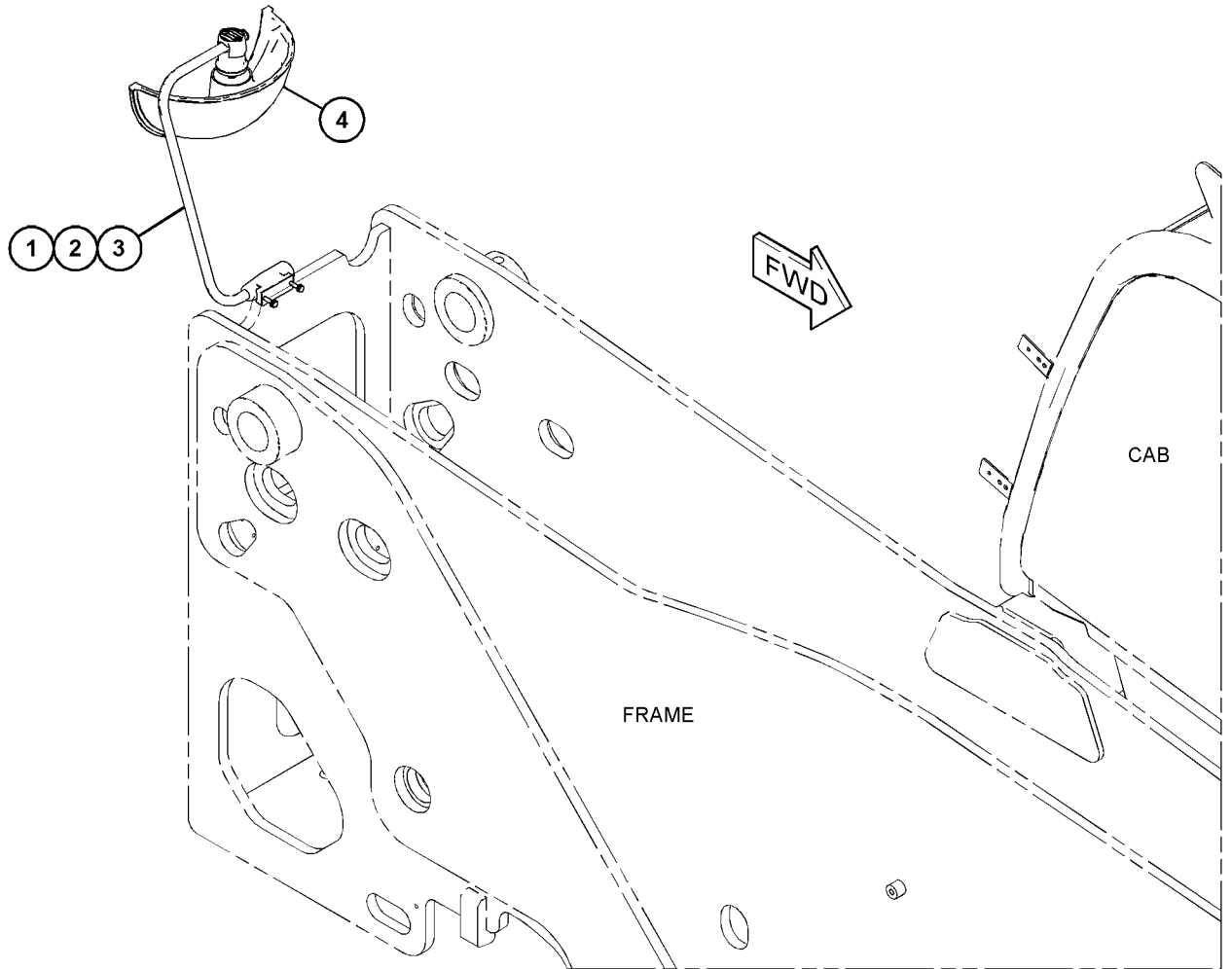
AN ATTACHMENT

SMCS-7319

i06645698

NOTE	REF NO	GRAPHIC REF	PART NUMBER	QTY	PART NAME						SEE PAGE
					1	2	3	4	5	6 (PRODUCT LEVEL)	
M	1	1	8T-4971	2	BOLT (M6X1X30-MM)						
	2	1	8T-4205	2	WASHER-HARD (7.2X14.5X2-MM THK)						
	3	1	220-4049	1	ARM AS						
	4	1	336-7619	1	MIRROR AS						

M - METRIC PART



GRAPHIC #1

<END>

g06096490

OPERATOR STATION

474-6061 MONITOR & MOUNTING GP

S/N: TH41-UP; TH91-UP

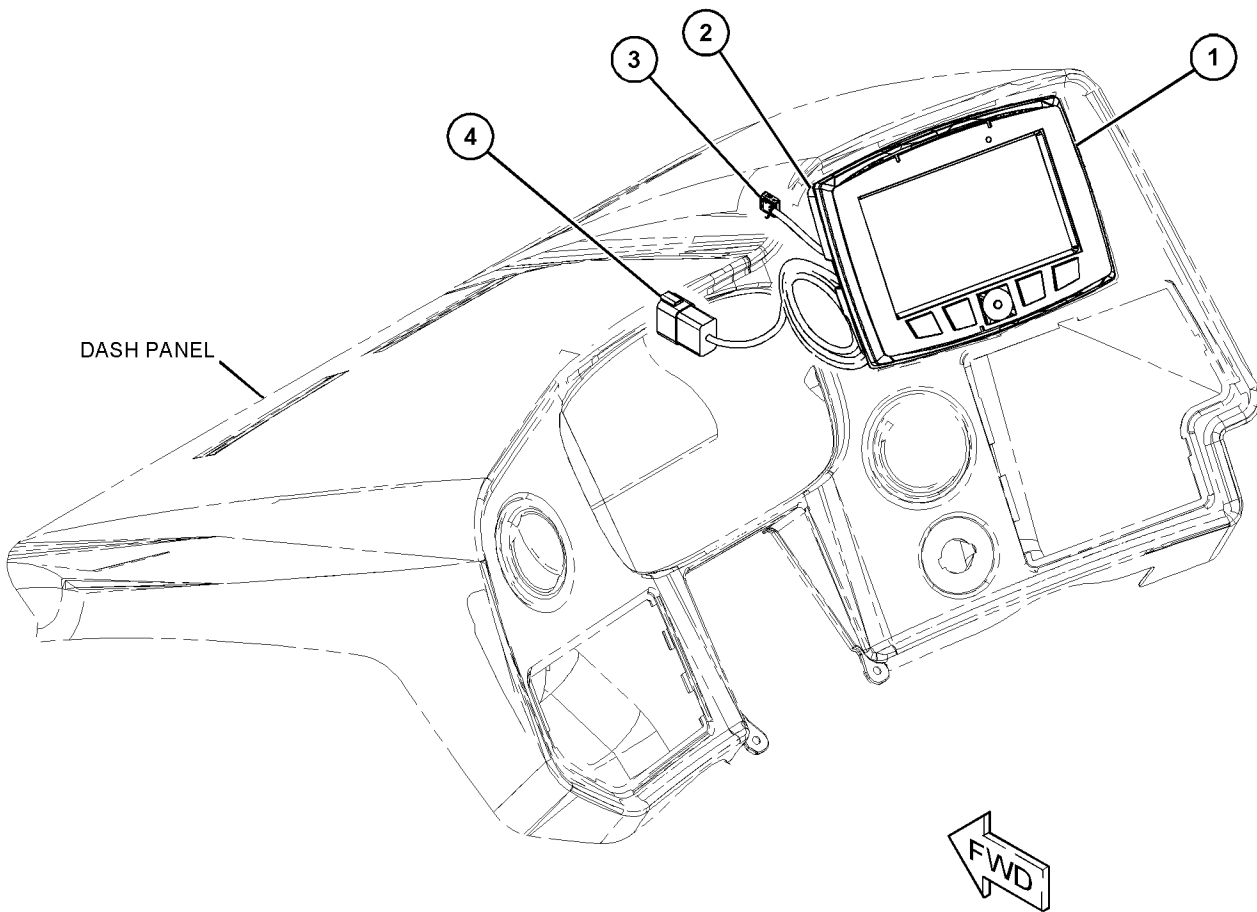
FOR USE WITH 499-5902-PAGE: 413

PART OF 546-5767 DISPLAY AR-MONITOR
AN ATTACHMENT

SMCS-7490

i08067993

NOTE	REF NO	GRAPHIC REF	PART NUMBER	QTY	PART NAME						SEE PAGE
					1	2	3	4	5	6	
	1	1	584-7925	1	DISPLAY GP-MONITOR						
		1	474-6089	4	SCREW-PAN HEAD (10-24X0.5-IN)						
	2	1	474-6090	1	COVER GP-CAB						
		1	474-6091	1	BEZEL						
		1	474-6092	6	CLIP						
	3	1	474-6062	1	CABLE						
	4	1	474-6063	1	CABLE						



GRAPHIC #1

<END>

g03820574

OPERATOR STATION

471-6019 MOUNTING GP-CAB

S/N: TH41-UP; TH91-UP

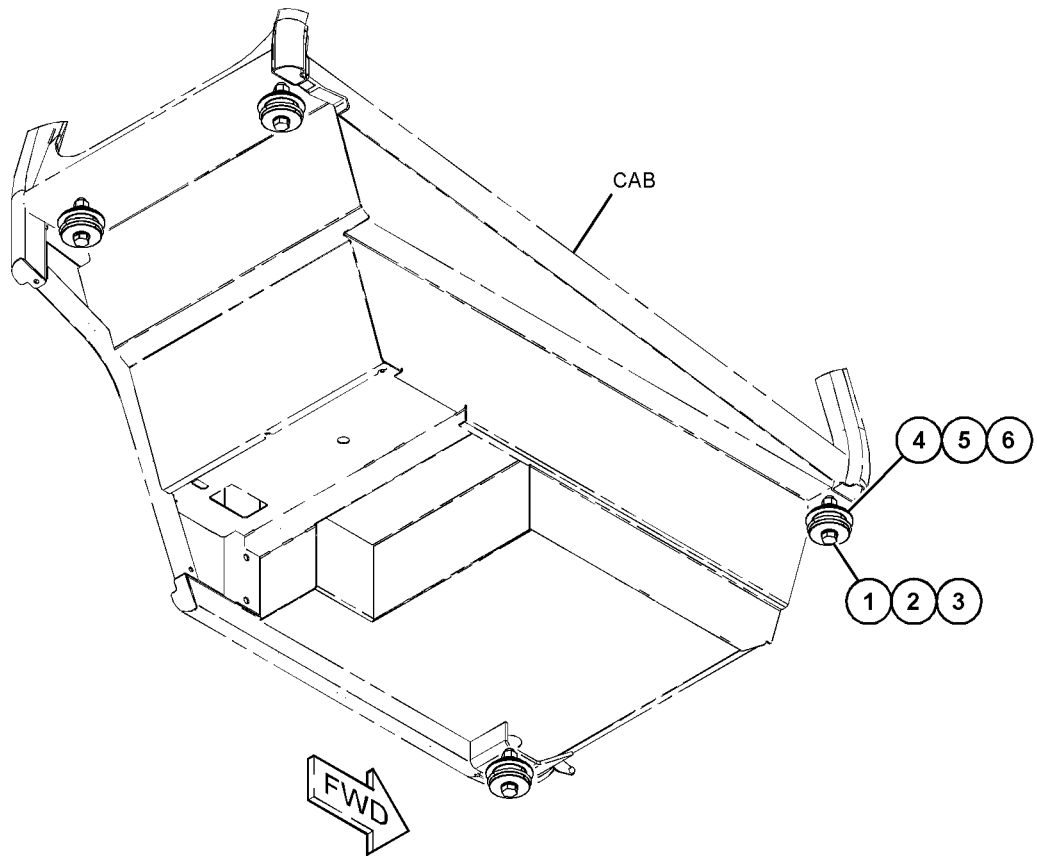
PART OF 518-0076 CHASSIS AR

SMCS-7266, 7301

i06981502

NOTE	REF NO	GRAPHIC REF	PART NUMBER	QTY	PART NAME						SEE PAGE
					1	2	3	4	5	6 (PRODUCT LEVEL)	
M	1	1	471-5583	4	BOLT (M20X2.5X100-MM)						
M	2	1	6V-7742	4	NUT-FULL (M20X2.5-THD)						
	3	1	7Y-1858	8	WASHER (21X37X3-MM THK)						
	4	1	471-6025	4	MOUNT						
	5	1	471-6024	4	WASHER (21X90X10-MM THK)						
	6	1	528-8583	4	SPACER (21X100X5-MM THK)						

M - METRIC PART



(VIEWED FROM BOTTOM)

GRAPHIC #1

<END>

g06197768

OPERATOR STATION

476-5226 PANEL GP-INSTRUMENT

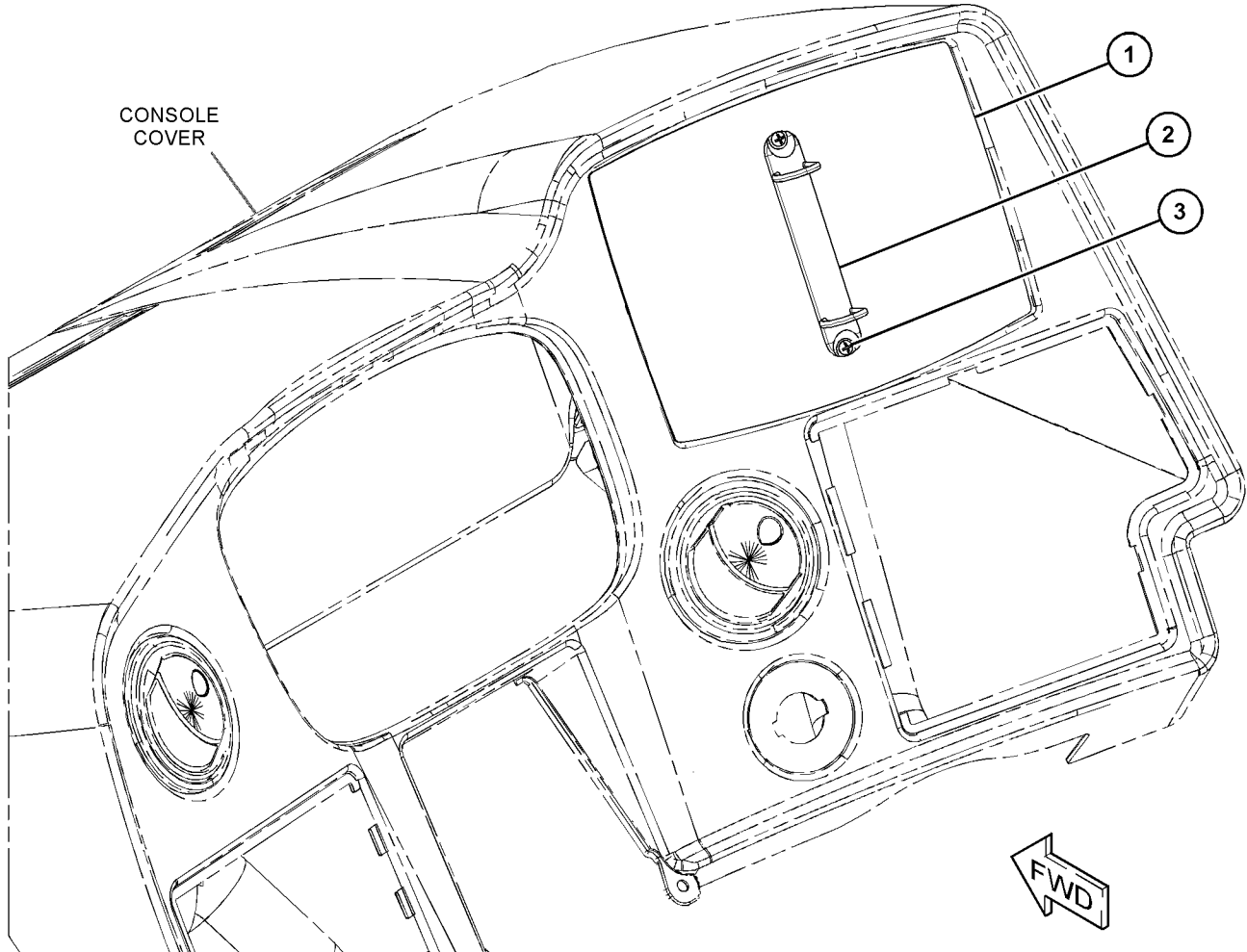
S/N: TH41-UP; TH91-UP

PART OF 590-9758, 590-9759, 590-9760, 590-9761 CONFIGURATION AR
AN ATTACHMENT

SMCS-7451

i06078511

NOTE	REF NO	GRAPHIC REF	PART NUMBER	QTY	PART NAME						SEE PAGE
					1	2	3	4	5	6 (PRODUCT LEVEL)	
	1	1	476-5237	1	PANEL AS-FUSE						
		1	474-6092	6	CLIP						
		1	476-5238	1	BEZEL						
2		1	220-2608	1	HOLDER-FLIP CHART						
3		1	347-5373	2	SCREW-PAN HEAD						



GRAPHIC #1

<END>

g03814447

OPERATOR STATION

519-2695 PANEL GP-INSTRUMENT

S/N: TH41-UP
PART OF 517-9180 CAB AR
AN ATTACHMENT

SMCS-7451

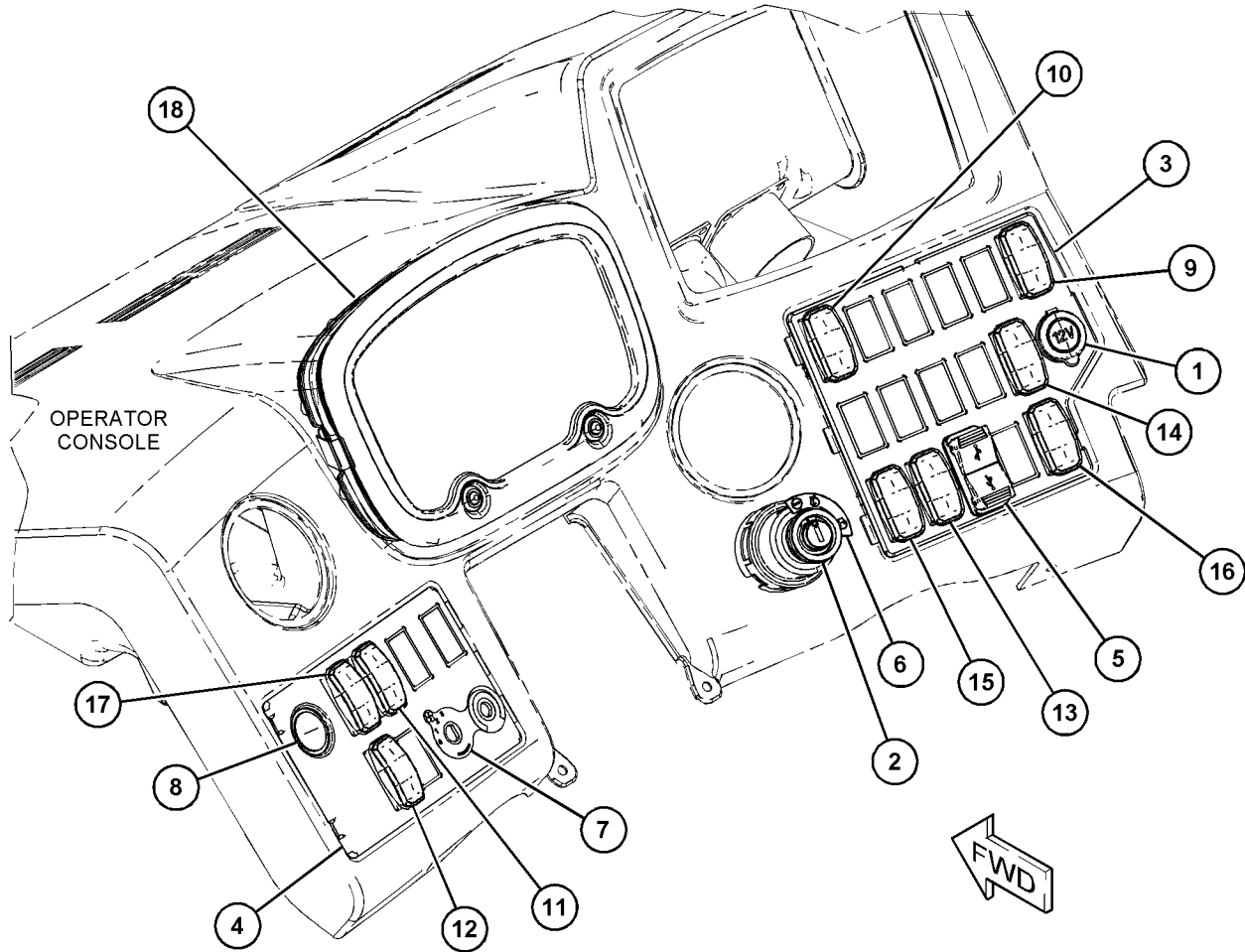
i06811758

NOTE	REF NO	GRAPHIC REF	PART NUMBER	QTY	PART NAME						SEE PAGE
					1	2	3	4	5	6 (PRODUCT LEVEL)	
	1	1	323-5605	1	RECEPTACLE-POWER						
	2	1	325-4927	1	SWITCH-IGNITION						
	3	1	473-4956	1	PANEL-SWITCH (RH)						
	4	1	473-4957	1	PANEL-SWITCH (LH)						
	5	1	495-4595	1	SWITCH AS (USB CHARGER)						
	6	1	497-5476	1	FILM-IDENTIFICATION (IGNITION SWITCH)						
	7	1	484-1477	1	FILM-IDENTIFICATION (HVAC)						
	8	1	495-4596	1	PLUG						
	9	1	495-4597	1	SWITCH AS-ROCKER (HAZARD)						
	10	1	495-4598	1	SWITCH AS-ROCKER (FOG LIGHT)						
	11	1	495-4599	1	SWITCH AS-ROCKER (AUXILIARY CONTROL)						
	12	1	495-4600	1	SWITCH AS-ROCKER (OVERRIDE)						
	13	1	495-4601	1	SWITCH AS-ROCKER (ROADING)						
	14	1	495-4602	1	SWITCH AS-ROCKER (AUXILIARY, DECOMPRESSION)						
	15	1	495-4603	1	SWITCH AS-ROCKER (STEERING MODE)						
	16	1	495-4604	1	SWITCH AS-ROCKER (DRIVING LIGHT)						
	17	1	495-4605	1	SWITCH AS-ROCKER (LOADER)						
	18	1	505-5334	1	PANEL-INSTRUMENT						

OPERATOR STATION

519-2695 PANEL GP-INSTRUMENT (contd.)

i06811758



GRAPHIC #1

<END>

g06125924

OPERATOR STATION

533-7334 PANEL GP-INSTRUMENT

S/N: TH41-UP
PART OF 517-9180 CAB AR
AN ATTACHMENT

SMCS-7451

i07668704

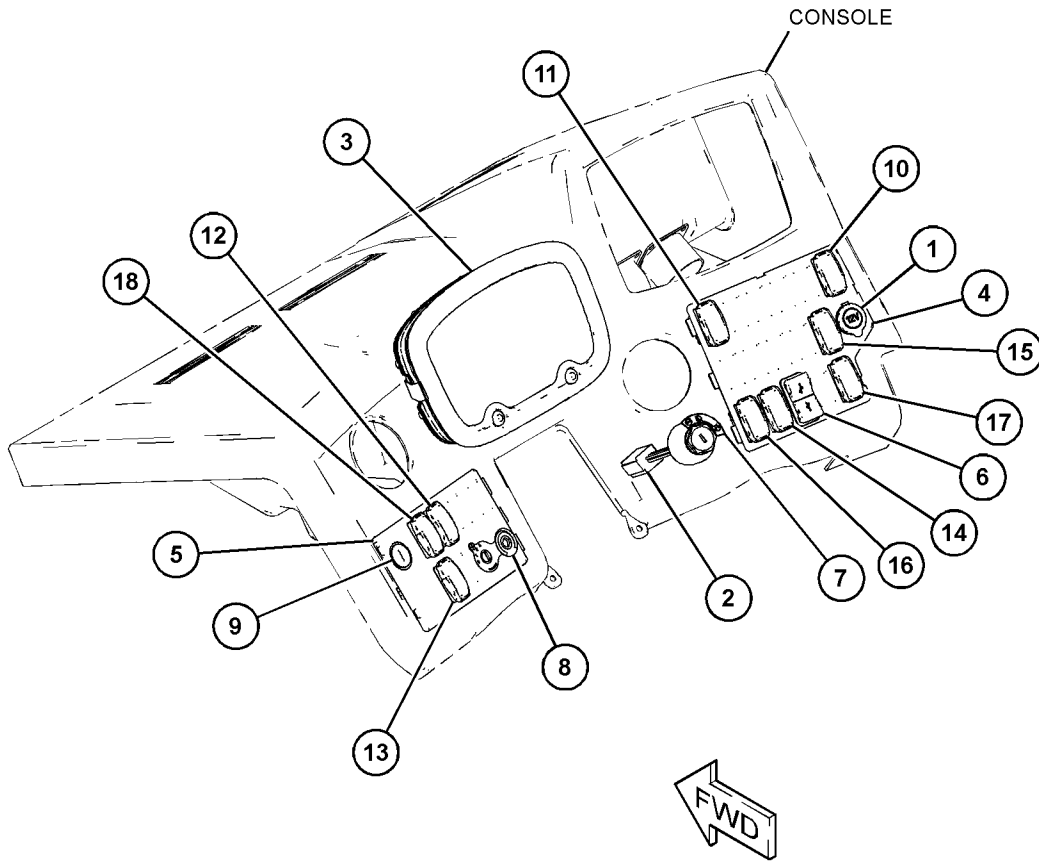
NOTE	REF NO	GRAPHIC REF	PART NUMBER	QTY	PART NAME						SEE PAGE
					1	2	3	4	5	6 (PRODUCT LEVEL)	
	1	1	323-5605	1	RECEPTACLE-POWER						
C	2	1	569-3621	1	SWITCH-KEY						
	3	1	505-5334	1	PANEL-INSTRUMENT						
	4	1	535-6691	1	PANEL AS-SWITCH (RH)						
		1	473-4956	1	PANEL-SWITCH (RH)						
		1	474-6092	7	CLIP						
	5	1	535-6692	1	PANEL AS-SWITCH (LH)						
		1	473-4957	1	PANEL-SWITCH (LH)						
		1	474-6092	4	CLIP						
	6	1	495-4595	1	SWITCH AS (USB CHARGER)						
	7	1	497-5476	1	FILM-IDENTIFICATION (IGNITION SWITCH)						
	8	1	484-1477	1	FILM-IDENTIFICATION (HVAC)						
	9	1	495-4596	1	PLUG						
	10	1	495-4597	1	SWITCH AS-ROCKER (HAZARD)						
	11	1	495-4598	1	SWITCH AS-ROCKER (FOG LIGHT)						
	12	1	495-4599	1	SWITCH AS-ROCKER (AUXILIARY CONTROL)						
	13	1	495-4600	1	SWITCH AS-ROCKER (OVERRIDE)						
	14	1	495-4601	1	SWITCH AS-ROCKER (ROADING)						
	15	1	495-4602	1	SWITCH AS-ROCKER (AUXILIARY, DECOMPRESSION)						
	16	1	495-4603	1	SWITCH AS-ROCKER (STEERING MODE)						
	17	1	495-4604	1	SWITCH AS-ROCKER (DRIVING LIGHT)						
	18	1	495-4605	1	SWITCH AS-ROCKER (LOADER)						

C - CHANGE FROM PREVIOUS TYPE

OPERATOR STATION

533-7334 PANEL GP-INSTRUMENT (contd.)

i07668704



GRAPHIC #1

<END>

g06391070

OPERATOR STATION

476-8924 PEDAL GP-GOVERNOR-ACCELERATOR

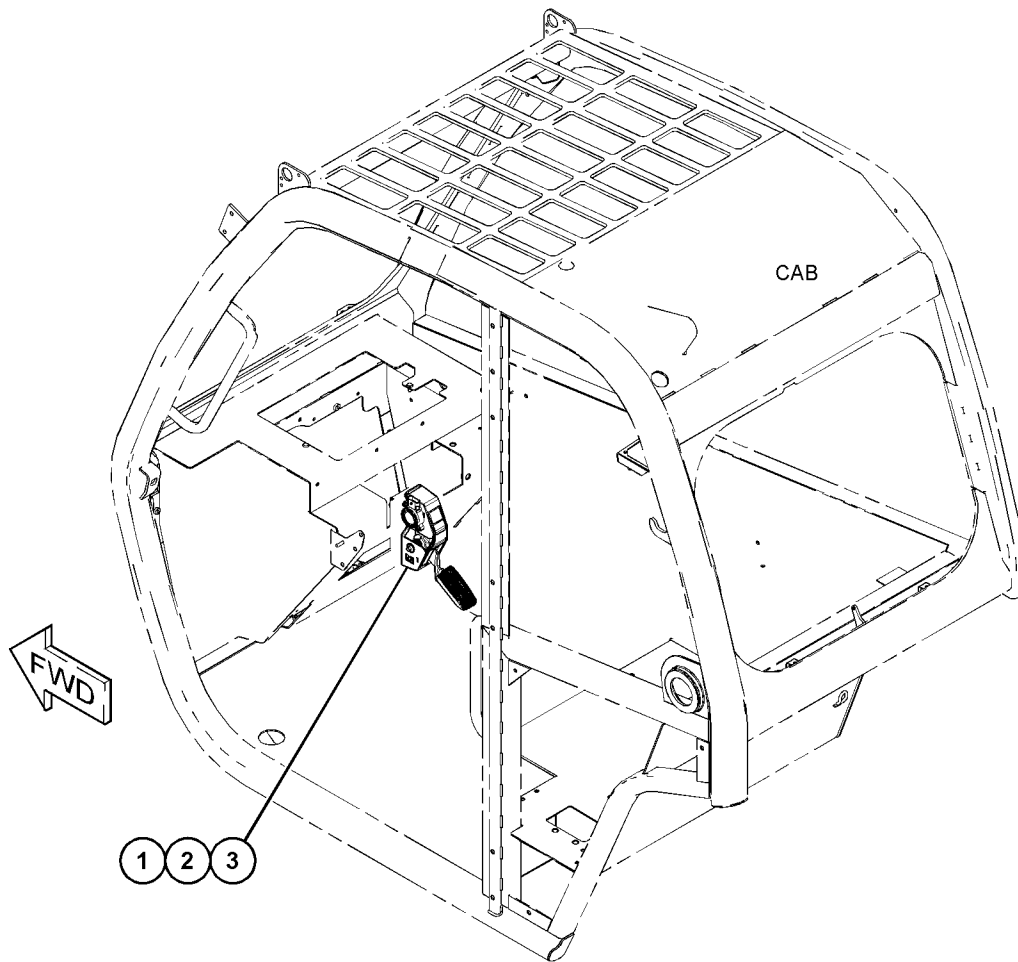
S/N: TH41-UP; TH91-UP
PART OF 517-9179, 517-9180 CAB AR
AN ATTACHMENT

SMCS-1265, 1276

i06230716

NOTE	REF NO	GRAPHIC REF	PART NUMBER	QTY	PART NAME						SEE PAGE
					1	2	3	4	5	6 (PRODUCT LEVEL)	
M	1	1	5C-7261	2	NUT (M8X1.25-THD)						
	2	1	8T-4224	2	WASHER-HARD (8.8X16X2-MM THK)						
	3	1	473-4960	1	PEDAL GP-GOVERNOR						
		1	458-8876	1	PAD						
		1	458-8877	1	COVER						

M - METRIC PART



GRAPHIC #1

<END>

g03871732

OPERATOR STATION

560-2574 PLATFORM GP

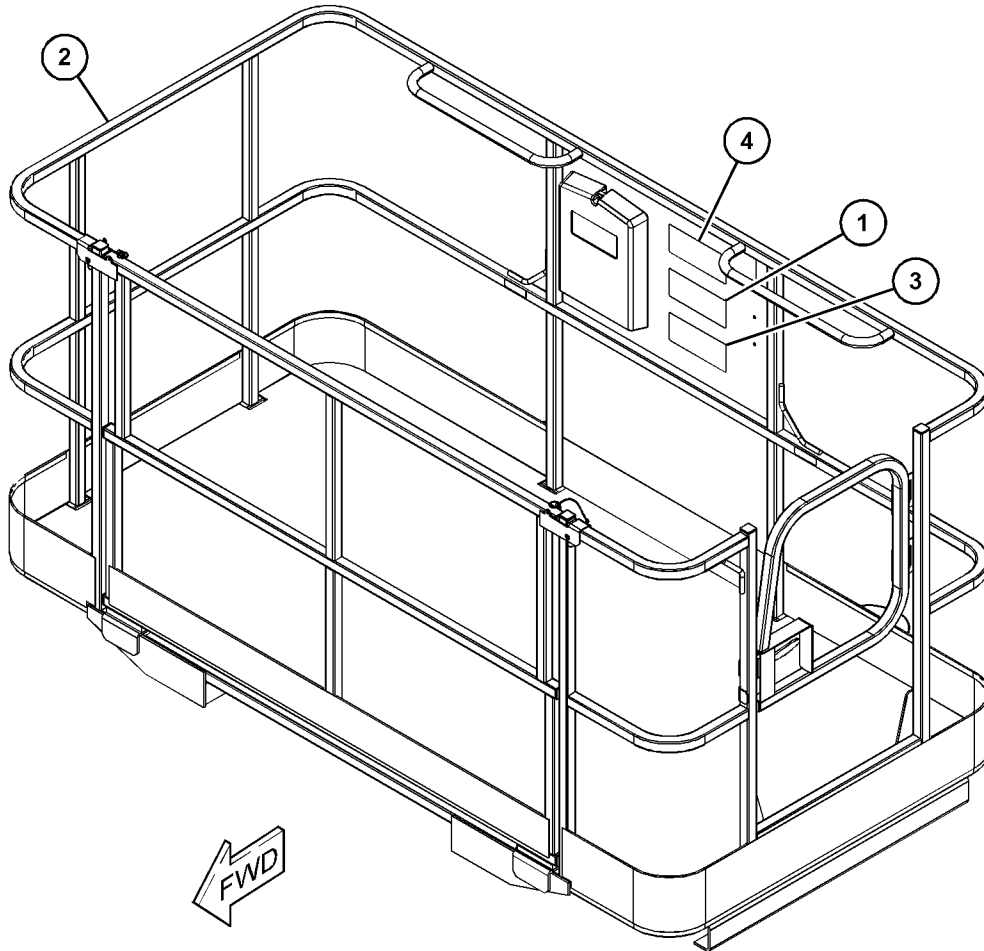
S/N: TH91-UP
AN ATTACHMENT

SMCS-7253

i07966486

NOTE	REF NO	GRAPHIC REF	PART NUMBER	QTY	PART NAME						SEE PAGE
					1	2	3	4	5	6 (PRODUCT LEVEL)	
	1	1	338-9998	1	FILM-WARNING (PLATFORM)						
Y	2	1	590-8549	1	PLATFORM GP						1230
	3	1	338-9999	1	FILM-WARNING (PLATFORM)						
	4	1	339-0000	1	FILM-WARNING (TIPPING HAZARD, READ OMM)						

Y - SEPARATE ILLUSTRATION



GRAPHIC #1

<END>

g06530582

OPERATOR STATION

560-2576 PLATFORM GP

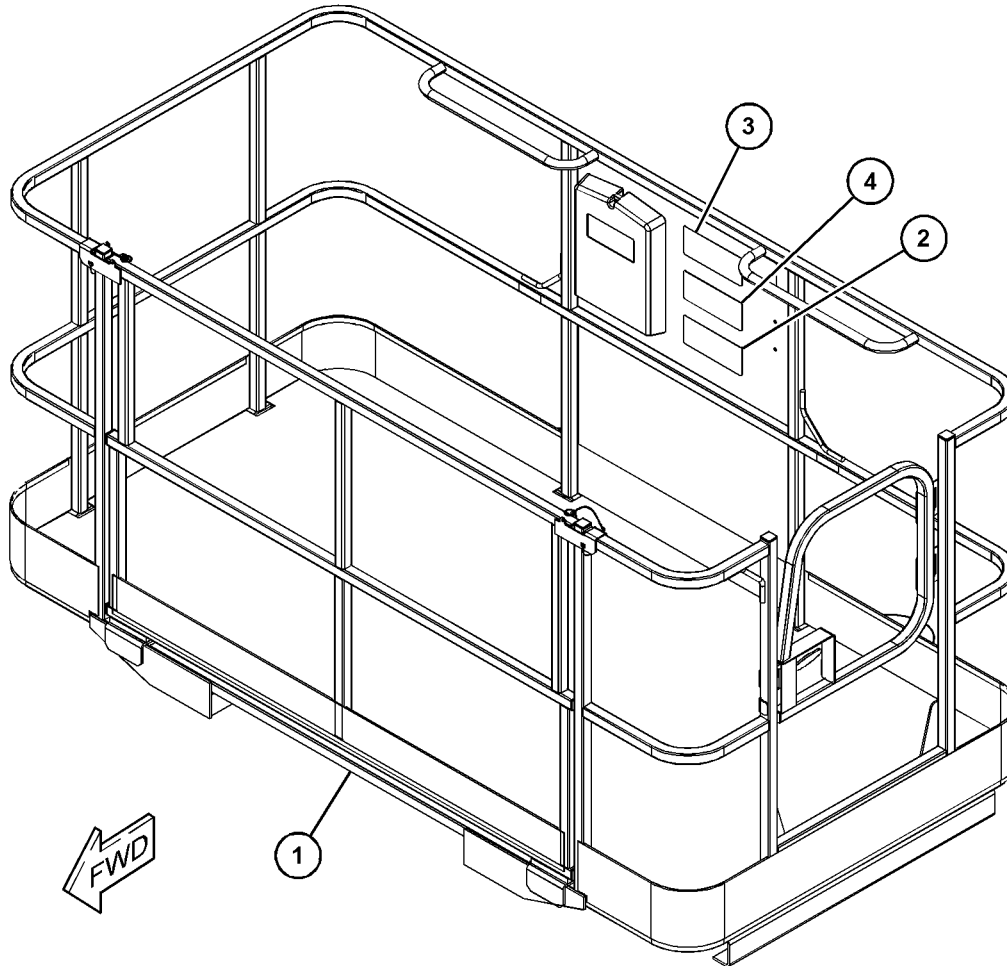
S/N: TH91-UP
AN ATTACHMENT

SMCS-7253

i07966487

NOTE	REF NO	GRAPHIC REF	PART NUMBER	QTY	PART NAME						SEE PAGE
					1	2	3	4	5	6 (PRODUCT LEVEL)	
Y	1	1	590-8549	1	PLATFORM GP						1230
	2	1	328-7288	1	FILM-WARNING (PLATFORM)						
	3	1	328-7289	1	FILM-WARNING (TIPPING HAZARD, READ OMM)						
	4	1	328-7292	1	FILM-WARNING (PLATFORM)						

Y - SEPARATE ILLUSTRATION



GRAPHIC #1

<END>

g06529583

OPERATOR STATION

590-8549 PLATFORM GP-SIDE

S/N: TH91-UP

PART OF 560-2574, 560-2576 PLATFORM GP
AN ATTACHMENT

SMCS-7253

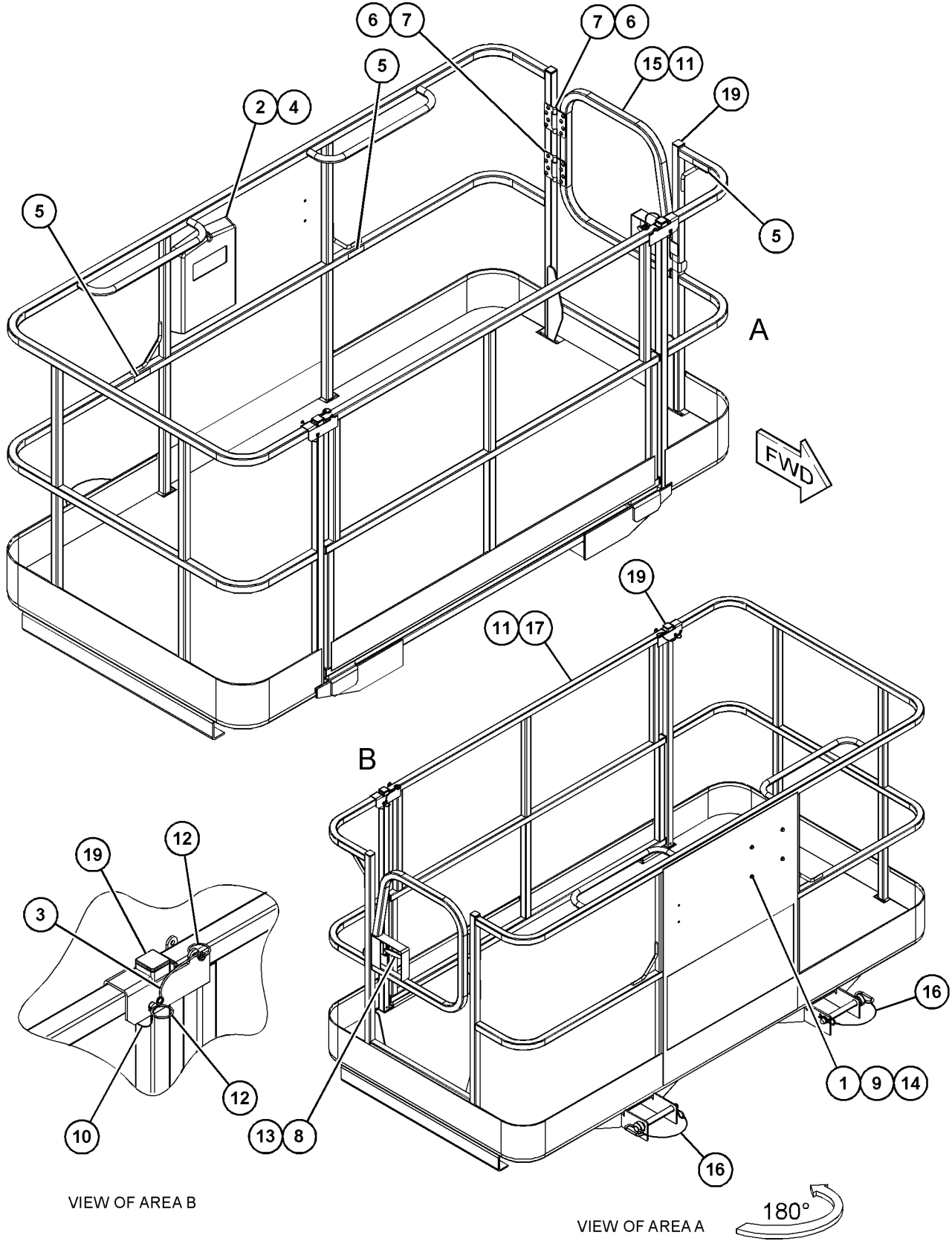
i07966499

NOTE	REF NO	GRAPHIC REF	PART NUMBER	QTY	PART NAME	SEE PAGE
					1 2 3 4 5 6 (PRODUCT LEVEL)	
	1	1	8T-9364	4	BOLT (1/4-20X0.625-IN)	
	2	1	304-2566	1	BOX-STORAGE	
	3	1	340-8977	2	LANYARD	
	4	1	338-9997	1	FILM-IDENTIFICATION (MANUAL)	
	5	1	335-8059	3	FILM-IDENTIFICATION (LANYARD ATTACH)	
	6	1	478-9921	16	RIVET	
	7	1	335-8066	2	HINGE AS	
	8	1	336-2804	1	LATCH	
	9	1	6V-8185	4	NUT (1/4-20-THD)	
	10	1	395-8328	2	PIN	
	11	1	335-8077	7	PLUG	
	12	1	466-8177	4	RING-BACKUP	
	13	1	123-4065	4	RIVET-POP	
	14	1	4B-4276	8	WASHER (7X16X1.6-MM THK)	
	15	1	455-9388	1	GATE	
	16	1	590-8116	2	PIN	
	17	1	340-8975	1	GATE	
	19	1	335-8078	4	PLUG	

OPERATOR STATION

590-8549 PLATFORM GP (contd.)

i07966499



GRAPHIC #1

<END>

g06529131

OPERATOR STATION

473-9471 PLUG GP-CAB

S/N: TH41-UP; TH91-UP
PART OF 495-6210 CAB GP
AN ATTACHMENT

SMCS-7301

i07236457

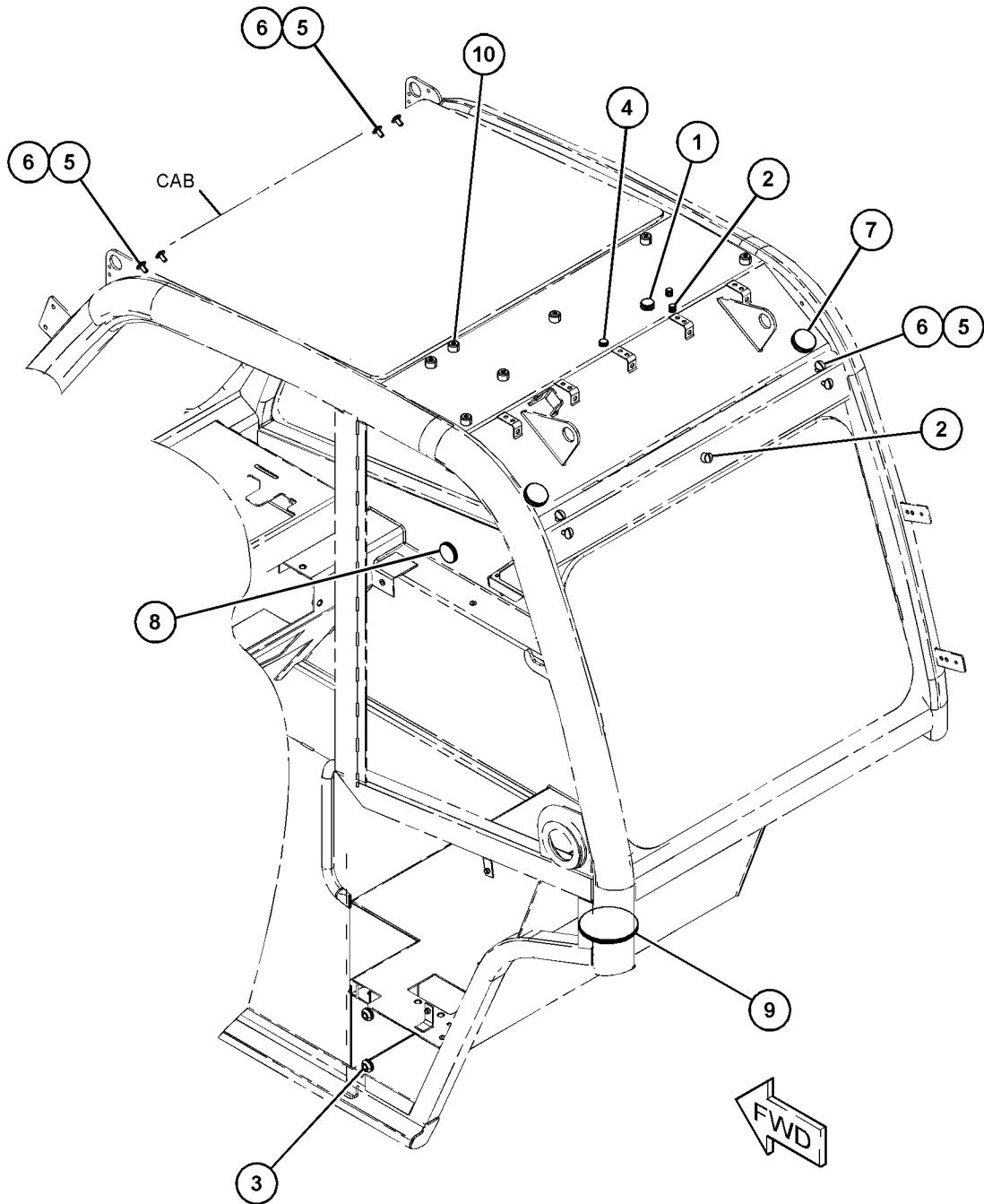
NOTE	REF NO	GRAPHIC REF	PART NUMBER	QTY	PART NAME						SEE PAGE
					1	2	3	4	5	6	
	1	1	468-5335	1	PLUG						
	2	1	468-5334	3	PLUG						
	3	1	459-2772	2	PLUG						
	4	1	468-5337	1	PLUG						
M	5	1	473-9385	8	SCREW (M8X1.25X16-MM)						
	6	1	473-9386	8	WASHER (8.4X18X1.5-MM THK)						
	7	1	473-9387	2	PLUG						
	8	1	473-9388	1	PLUG						
	9	1	518-3803	1	CAP						
	10	1	549-2762	7	CAP						

M - METRIC PART

OPERATOR STATION

473-9471 PLUG GP-CAB (contd.)

107236457



GRAPHIC #1

<END>

g06273985

OPERATOR STATION

518-2993 PLUG GP-CAB

S/N: TH41-UP; TH91-UP

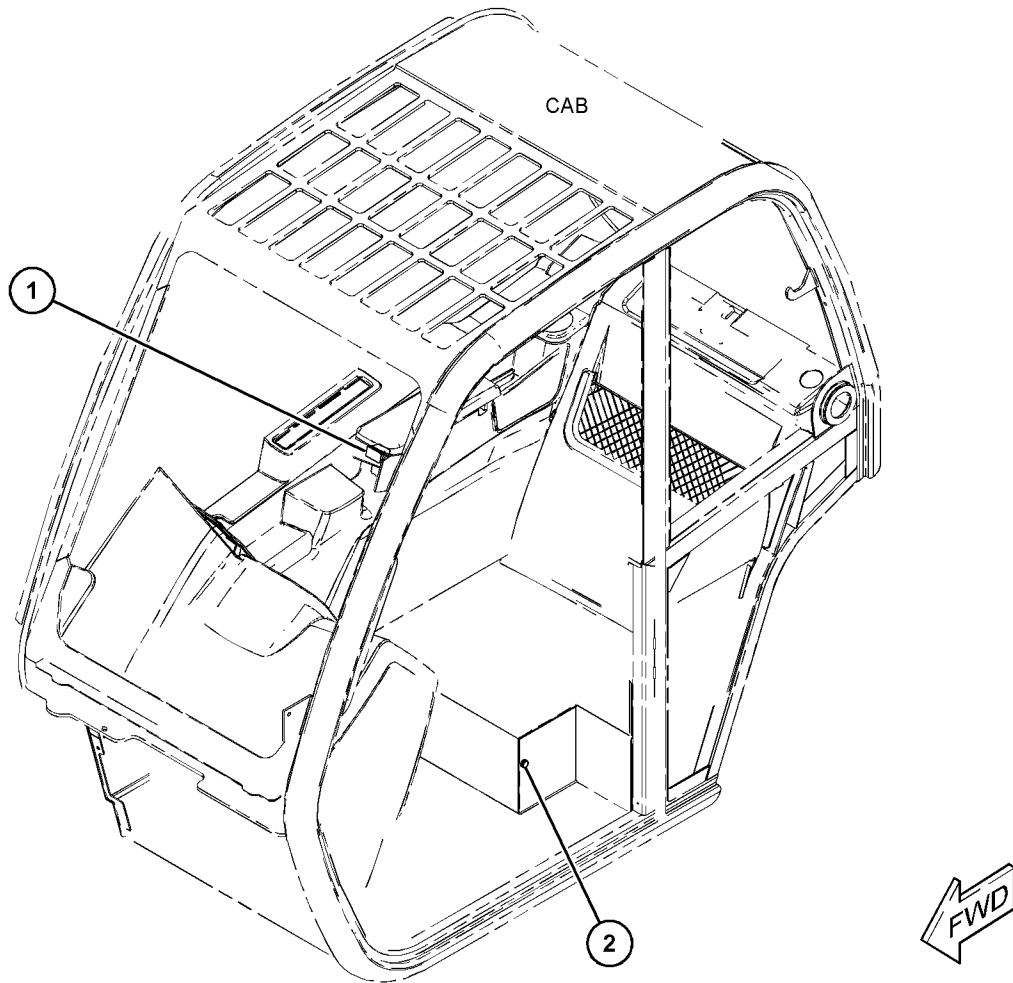
PART OF 518-0076, 518-0077 CHASSIS AR, 506-7531, 506-7532, 506-7533, 506-7534, 506-7535, 506-7536, 506-7537 HITCH AR

ALSO AN ATTACHMENT

SMCS-7301

i06810162

NOTE	REF NO	GRAPHIC REF	PART NUMBER	QTY	PART NAME						SEE PAGE
					1	2	3	4	5	6 (PRODUCT LEVEL)	
1	1	1	323-7233	1	COVER-SWITCH						
2	1	1	468-5336	1	PLUG						



GRAPHIC #1

<END>

g06124415

OPERATOR STATION

476-8930 SEAT & MOUNTING GP-AIR SUSPENSION

S/N: TH41-UP; TH91-UP

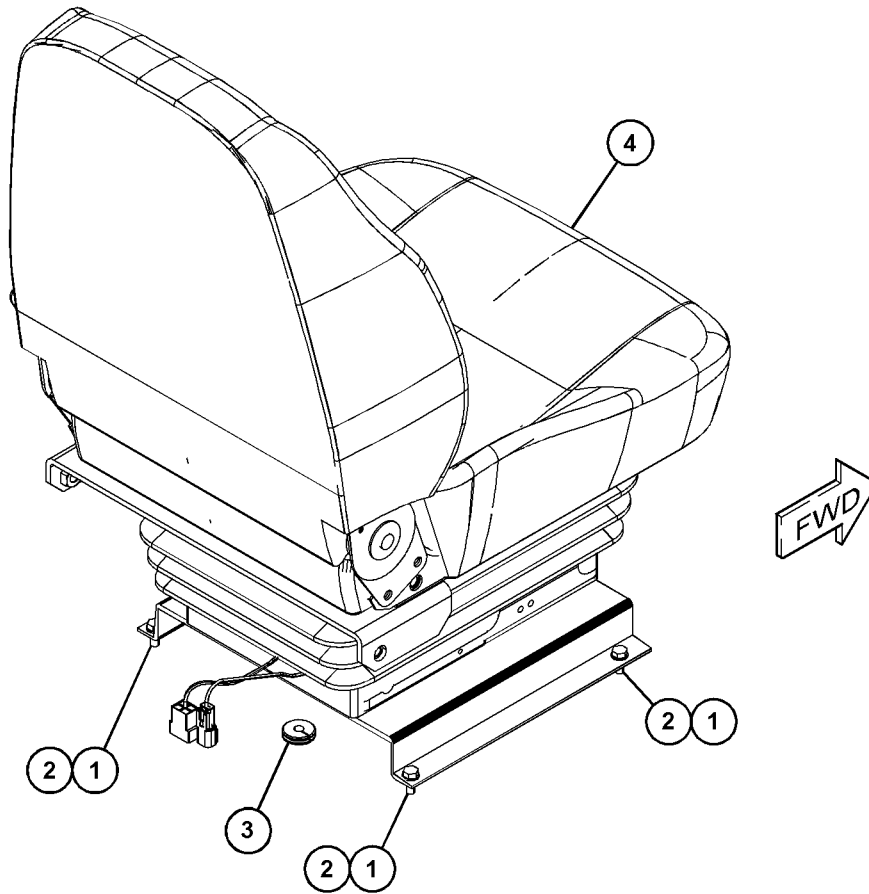
PART OF 590-9758, 590-9760, 590-9761 CONFIGURATION AR
AN ATTACHMENT

SMCS-7312

i06823988

NOTE	REF NO	GRAPHIC REF	PART NUMBER	QTY	PART NAME						SEE PAGE
					1	2	3	4	5	6 (PRODUCT LEVEL)	
M	1	1	8T-4189	4	BOLT (M8X1.25X20-MM)						
	2	1	8T-4224	4	WASHER-HARD (8.8X16X2-MM THK)						
	3	1	521-6487	1	GROMMET						
Y	4	1	476-8931	1	SEAT GP						1243

M - METRIC PART
Y - SEPARATE ILLUSTRATION



GRAPHIC #1

<END>

g06042291

OPERATOR STATION

503-1690 SEAT & MOUNTING GP-AIR SUSPENSION

S/N: TH41-UP; TH91-UP

CLOTH

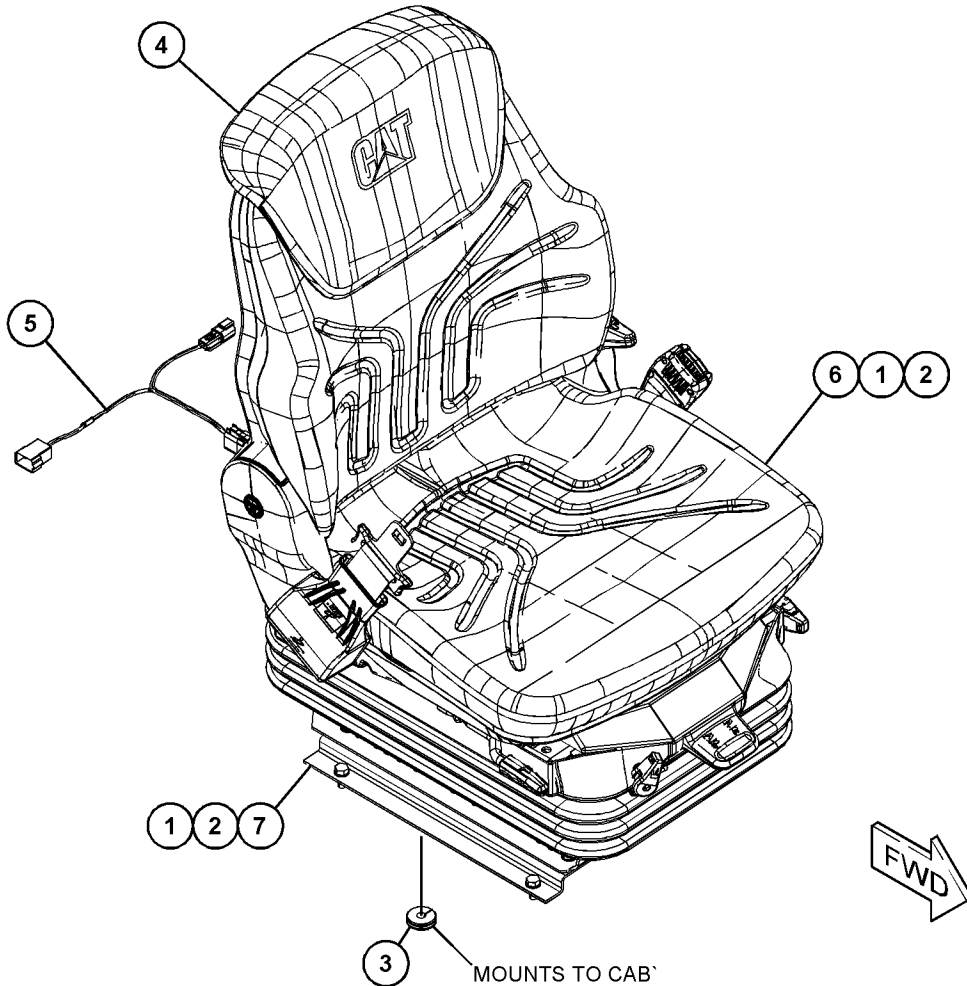
PART OF 590-9759 CONFIGURATION AR
AN ATTACHMENT

SMCS-7312

i07473266

NOTE	REF NO	GRAPHIC REF	PART NUMBER	QTY	PART NAME						SEE PAGE
					1	2	3	4	5	6	
M	1	1	8T-4189	8	BOLT (M8X1.25X20-MM)						
	2	1	8T-4224	8	WASHER-HARD (8.8X16X2-MM THK)						
	3	1	521-6487	1	GROMMET						
	4	1	450-9503	1	SUPPORT						
	5	1	463-2071	1	HARNESS AS-SWITCH						
		1	8T-8730	6	SOCKET-CONNECTOR (16-GA TO 20-GA)						
		1	9X-3401	2	PIN-CONNECTOR (16-GA TO 18-GA)						
		1	323-7236	1	RECEPTACLE AS-CONNECTOR (2-PIN)						
		1	334-5872	1	PLUG (6-PIN)						
	6	1	463-2072	1	SEAT GP-SUSPENSION (CLOTH)						
	7	1	550-1356	1	PLATE AS						

M - METRIC PART



GRAPHIC #1

<END>

g06038395

OPERATOR STATION

229-0582 SEAT BELT GP-2 IN

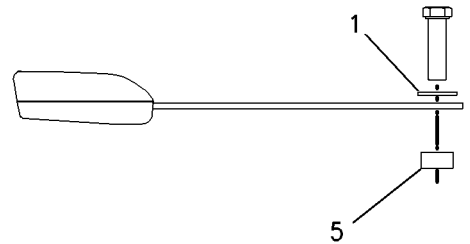
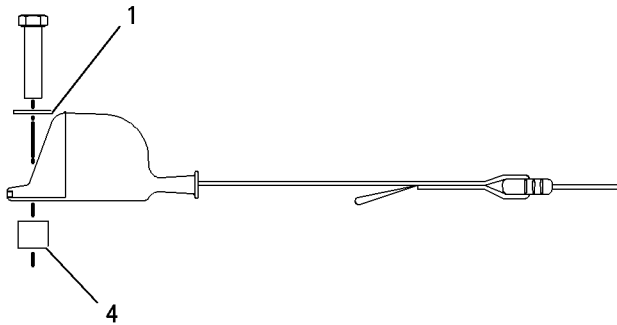
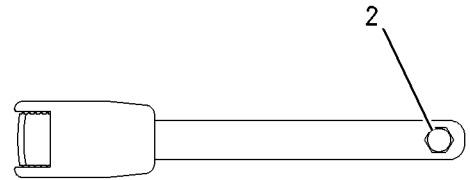
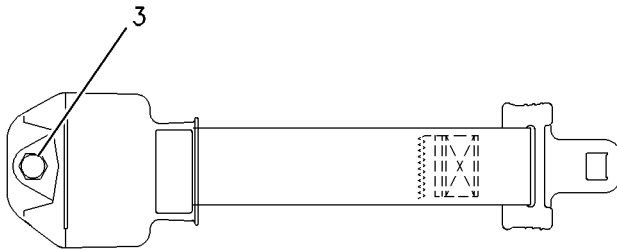
S/N: TH41-UP; TH91-UP

PART OF 590-9758, 590-9759 CONFIGURATION AR
AN ATTACHMENT

SMCS-7327

i01996488

NOTE	REF NO	GRAPHIC REF	PART NUMBER	QTY	PART NAME						SEE PAGE
					1	2	3	4	5	6 (PRODUCT LEVEL)	
	1	1	3K-6113	2	WASHER-HARD (12X18.5X3-MM THK)						
	2	1	5P-8282	1	BOLT-SELF-LOCKING (7/16-14X1.5-IN)						
	3	1	5P-9940	1	BOLT-LOCKING						
	4	1	215-9632	1	SPACER (12X20X20-MM THK)						
	5	1	161-3357	1	SPACER (12X20X10-MM THK)						



GRAPHIC #1

<END>

g00951155

OPERATOR STATION

229-0583 SEAT BELT GP-3 IN

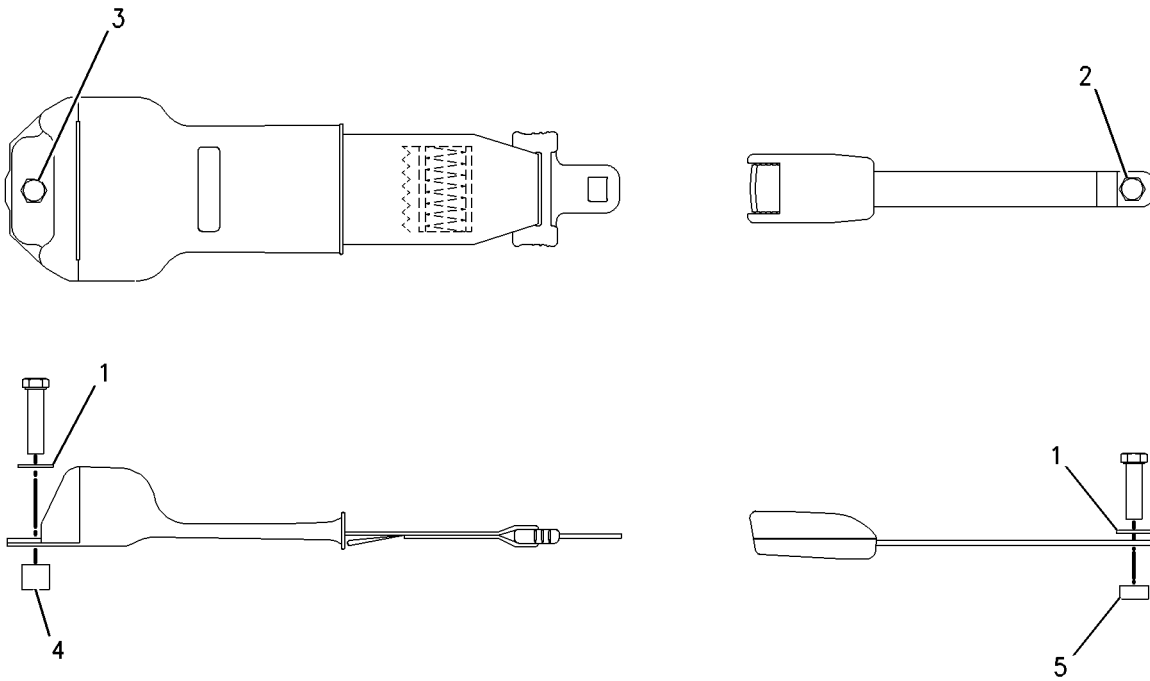
S/N: TH41-UP; TH91-UP

AN ATTACHMENT

SMCS-7327

i01996489

NOTE	REF NO	GRAPHIC REF	PART NUMBER	QTY	PART NAME						SEE PAGE
					1	2	3	4	5	6 (PRODUCT LEVEL)	
	1	1	3K-6113	2	WASHER-HARD (12X18.5X3-MM THK)						
	2	1	5P-8282	1	BOLT-SELF-LOCKING (7/16-14X1.5-IN)						
	3	1	5P-9940	1	BOLT-LOCKING						
	4	1	215-9632	1	SPACER (12X20X20-MM THK)						
	5	1	161-3357	1	SPACER (12X20X10-MM THK)						



GRAPHIC #1

<END>

g00951160

OPERATOR STATION

470-0859 SEAT BELT GP

S/N: TH41-UP; TH91-UP

3-IN

PART OF 590-9760, 590-9761 CONFIGURATION AR
AN ATTACHMENT

SMCS-7327

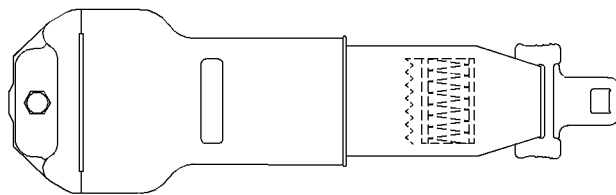
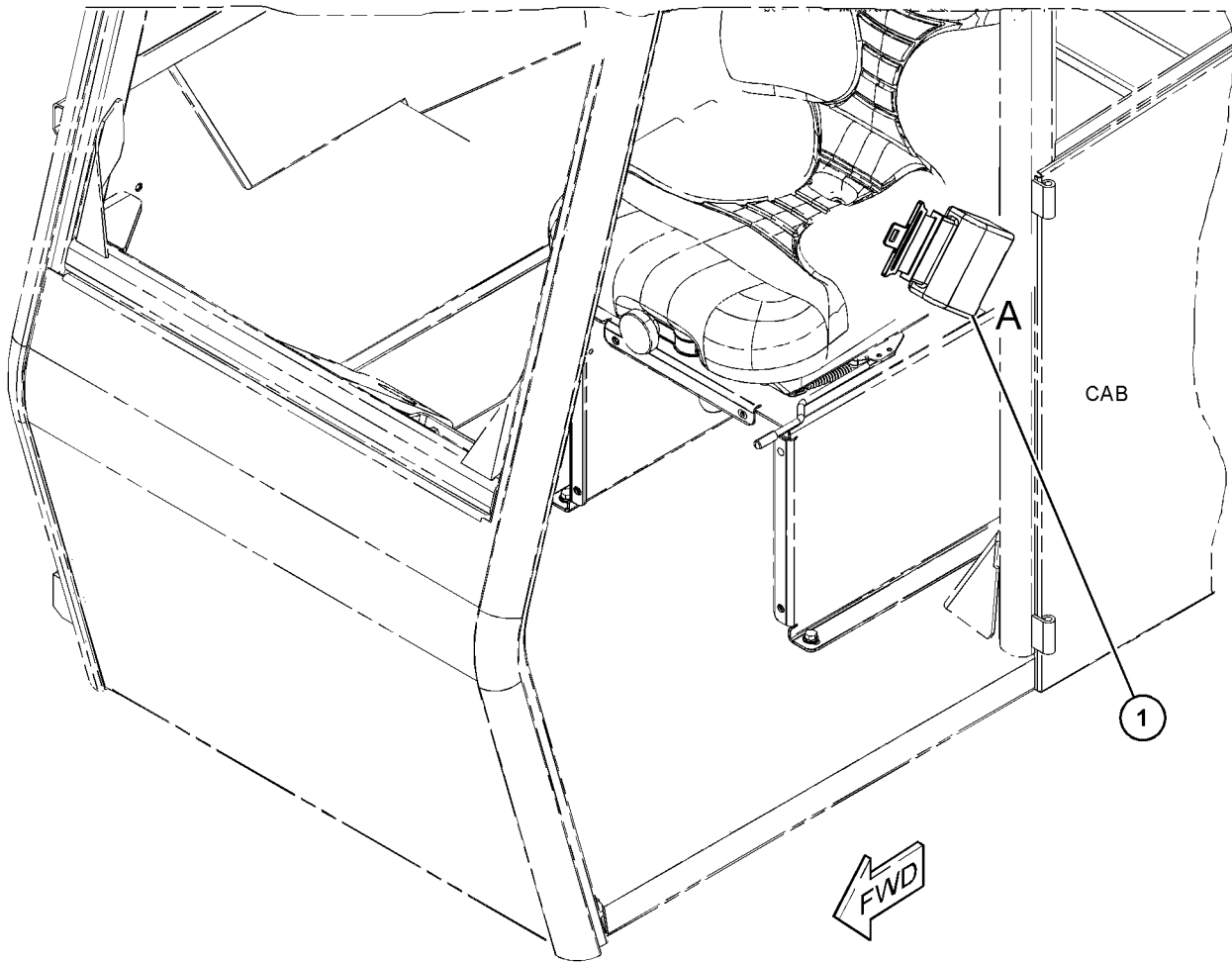
i06848143

NOTE	REF NO	GRAPHIC REF	PART NUMBER	QTY	PART NAME						SEE PAGE
					1	2	3	4	5	6 (PRODUCT LEVEL)	
	1	1	298-8669	1	SEAT BELT						

OPERATOR STATION

470-0859 SEAT BELT GP (contd.)

i06848143



VIEW OF AREA A

GRAPHIC #1

<END>

g06124477

OPERATOR STATION

460-0320 SEAT GP

S/N: TH41-UP; TH91-UP
PART OF 503-1691 SEAT GP
AN ATTACHMENT

SMCS-7312, 7324

i06586855

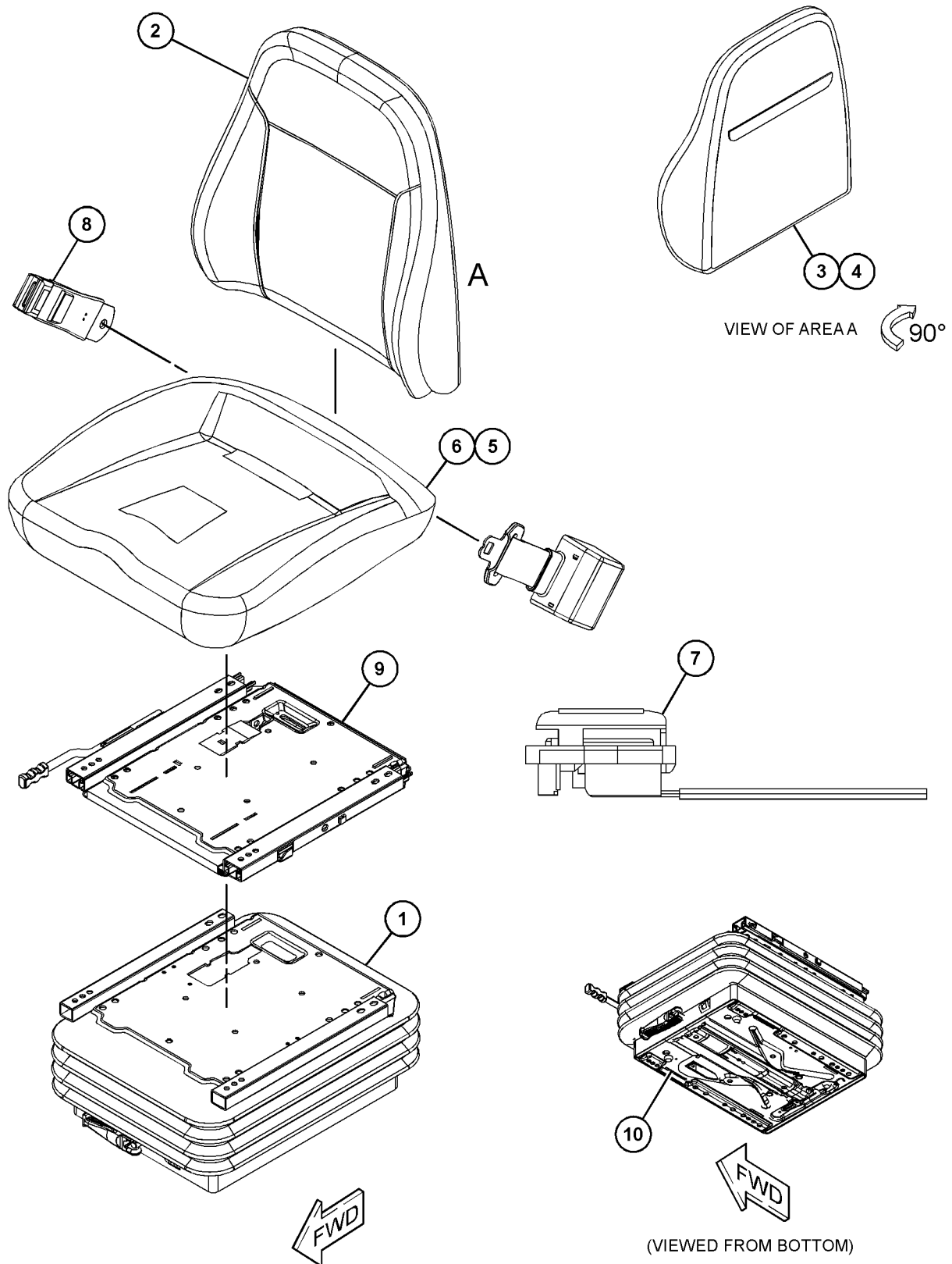
NOTE	REF NO	GRAPHIC REF	PART NUMBER	QTY	PART NAME						SEE PAGE
					1	2	3	4	5	6 (PRODUCT LEVEL)	
	1	1	458-8422	1	COVER						
	2	1	458-8423	1	SEAT						
	3	1	458-8424	1	COVER-REAR						
	4	1	458-8425	1	FOAM						
	5	1	458-8426	1	COVER-SEAT						
	6	1	458-8419	1	FOAM-SEAT						
	7	1	458-8420	1	SWITCH						
	8	1	458-8421	1	SEAT BELT						
	9	1	322-5996	1	FRAME-SLIDE						
	10	1	322-5995	1	FRAME-SEAT						

PARTS SHOWN IN GRAPHIC(S) WITHOUT A REFERENCE NUMBER ARE NOT SERVICED SEPARATELY

OPERATOR STATION

460-0320 SEAT GP (contd.)

106586855



GRAPHIC #1

<END>

g06037820

OPERATOR STATION

476-8931 SEAT GP

S/N: TH41-UP; TH91-UP
 PART OF 476-8930 SEAT & MOUNTING GP
 AN ATTACHMENT

SMCS-7312, 7324

i06823989

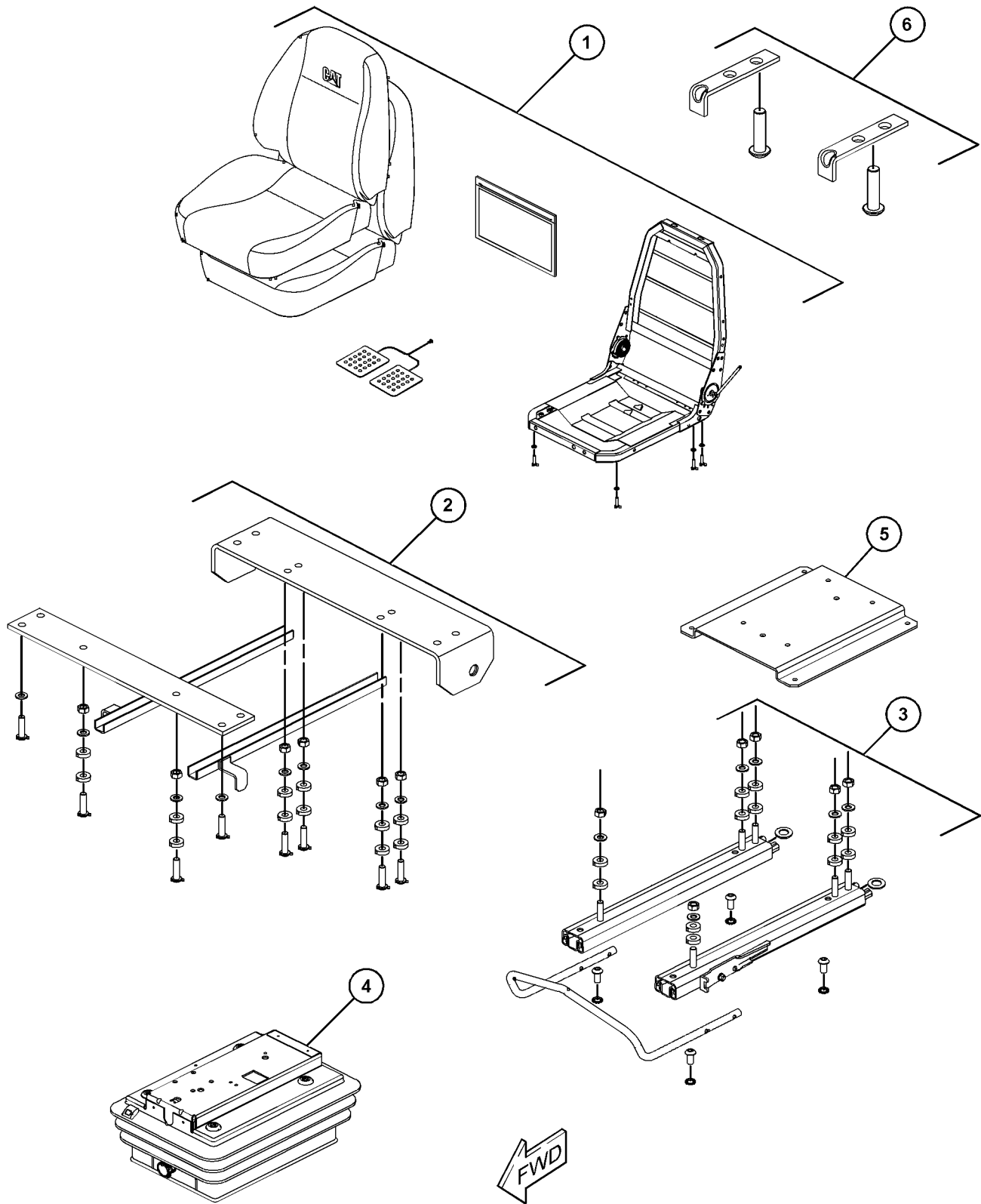
NOTE	REF NO	GRAPHIC REF	PART NUMBER	QTY	PART NAME						SEE PAGE
					1	2	3	4	5	6 (PRODUCT LEVEL)	
Y	1	1	515-8400	1	SEAT GP						1246
	2	1	322-8060	1	KIT-STRAP						
					(INCLUDES CHANNELS, STRAPS, SCREWS, NUTS, WASHERS & SPACERS)						
	3	1	322-8061	1	KIT-SEAT ADJUSTER						
					(INCLUDES SPRING WASHERS, NUTS, SCREWS, WASHERS, SPACERS & SLIDE RAILS)						
Y	4	1	213-4578	1	KIT-SEAT SUSPENSION						1190
	5	1	515-8220	1	KIT-PLATE						
					(INCLUDES SCREWS, WASHERS & ADAPTER PLATE)						
	6	1	322-8065	1	KIT-STOP						
					(INCLUDES SLIDE RAILS & SCREWS)						

Y - SEPARATE ILLUSTRATION

OPERATOR STATION

476-8931 SEAT GP (contd.)

i06823989



GRAPHIC #1

<END>

g06136130

OPERATOR STATION

503-1691 SEAT GP

S/N: TH41-UP; TH91-UP

CLOTH

AN ATTACHMENT

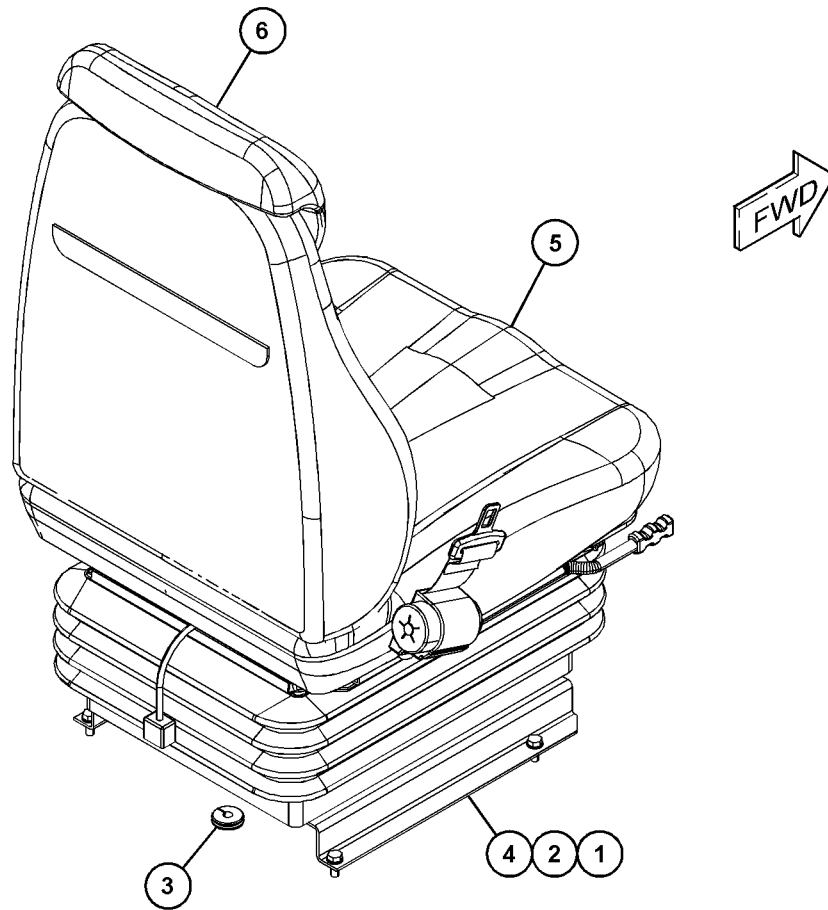
SMCS-7312, 7324

i06825097

NOTE	REF NO	GRAPHIC REF	PART NUMBER	QTY	PART NAME						SEE PAGE
					1	2	3	4	5	6 (PRODUCT LEVEL)	
M	1	1	8T-4189	8	BOLT (M8X1.25X20-MM)						
	2	1	8T-4224	8	WASHER-HARD (8.8X16X2-MM THK)						
	3	1	521-6487	1	GROMMET						
	4	1	503-1693	1	PLATE AS						
Y	5	1	460-0320	1	SEAT GP						1241
	6	1	460-0321	1	HEADREST						

M - METRIC PART

Y - SEPARATE ILLUSTRATION



GRAPHIC #1

<END>

g06038858

OPERATOR STATION

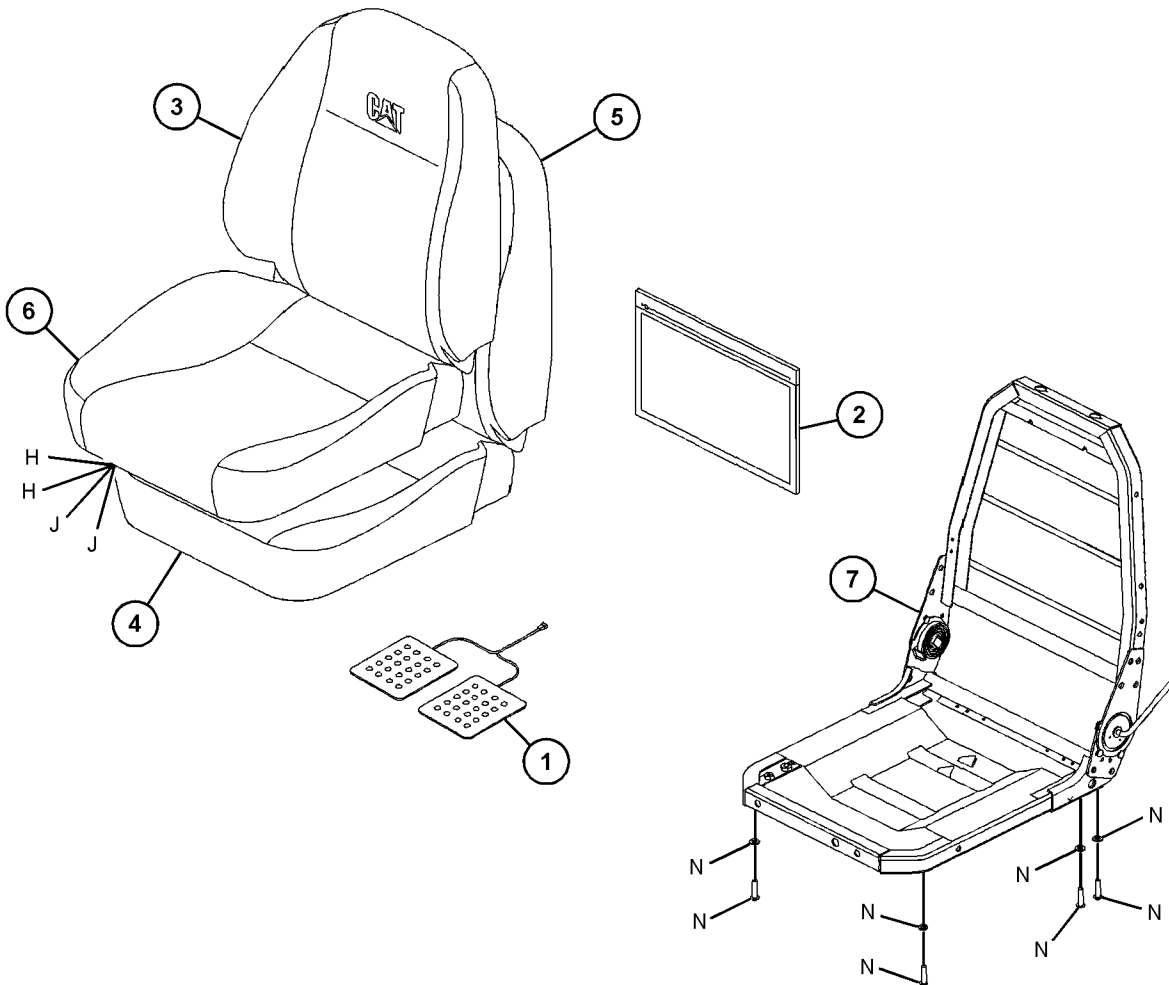
515-8400 SEAT GP

S/N: TH41-UP; TH91-UP
PART OF 476-8931 SEAT GP
AN ATTACHMENT

SMCS-7312, 7324

i08043564

NOTE	REF NO	GRAPHIC REF	PART NUMBER	QTY	PART NAME						SEE PAGE
					1	2	3	4	5	6 (PRODUCT LEVEL)	
	1	1	451-8375	1	KIT-SENSOR (OPERATOR PRESENT)						
					(INCLUDES PADS)						
	2	1	213-4583	1	KIT-LITERATURE HOLDER						
	3	1	515-8262	1	COVER-BACK						
	4	1	110-5059	1	KIT-SEAT (BOTTOM)						
					(INCLUDES PARTS MARKED "J" IN THE GRAPHICS)						
	5	1	110-5056	1	KIT-SEAT (BACK)						
	6	1	515-8263	1	KIT-SEAT COVER						
					(INCLUDES PARTS MARKED "H" IN THE GRAPHICS)						
	7	1	213-4571	1	KIT-SEAT FRAME						
					(INCLUDES PARTS MARKED "N" IN THE GRAPHICS)						



GRAPHIC #1

<END>

g06562268

OPERATOR STATION

495-7646 TANK GP-WINDOW WASHER

S/N: TH41-UP; TH91-UP
PART OF 517-9179, 517-9180 CAB AR
AN ATTACHMENT

SMCS-7306

i07391170

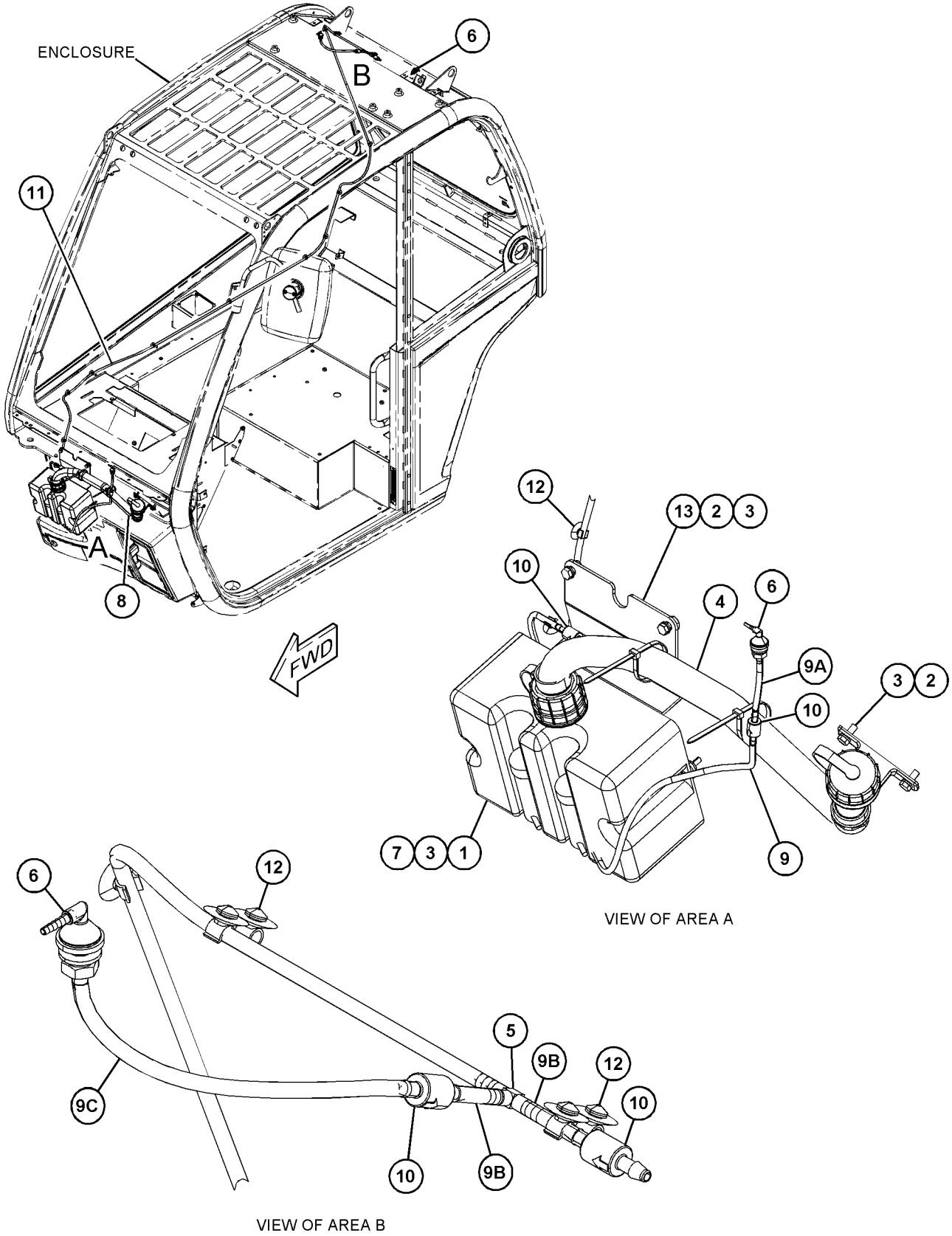
NOTE	REF NO	GRAPHIC REF	PART NUMBER	QTY	PART NAME						SEE PAGE
					1	2	3	4	5	6 (PRODUCT LEVEL)	
M	1	1	135-2370	2	BOLT (M5X0.8X25-MM)						
M	2	1	5C-9553	4	BOLT (M6X1X16-MM)						
	3	1	8T-4205	6	WASHER-HARD (7.2X14.5X2-MM THK)						
	4	1	342-3862	2	STRIP						
	5	1	6K-9632	1	TEE						
	6	1	315-3812	3	CONNECTOR						
	7	1	495-7649	1	TANK AS-WINDOW WASHER						
I	8	1	473-6830	1	HOSE AS						
E	9	1	144-0195		HOSE (47-CM)						
E	9A	1	144-0195		HOSE (10-CM)						
E	9B	1	144-0195		HOSE (4-CM EACH)						
E	9C	1	144-0195		HOSE (23-CM)						
	10	1	489-4104	4	VALVE-CHECK						
	11	1	495-7650	1	HOSE						
	12	1	473-6930	16	MOUNT						
	13	1	474-9857	1	BRACKET AS						

E - ORDER BY THE CENTIMETER
I - REFER TO HYDRAULIC INFORMATION SYSTEM
M - METRIC PART

OPERATOR STATION

495-7646 TANK GP-WINDOW WASHER (contd.)

i07391170



GRAPHIC #1

<END>

g06326933

OPERATOR STATION

495-6202 TRIM GP-CAB

S/N: TH41-UP; TH91-UP

PART OF 495-6209 TRIM GP-CAB

AN ATTACHMENT

SMCS-7329, 7450

i07569550

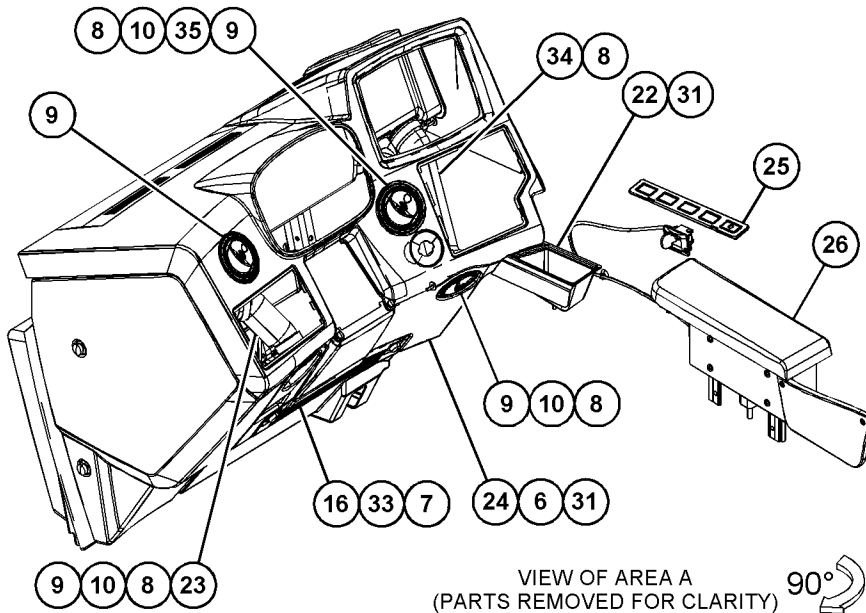
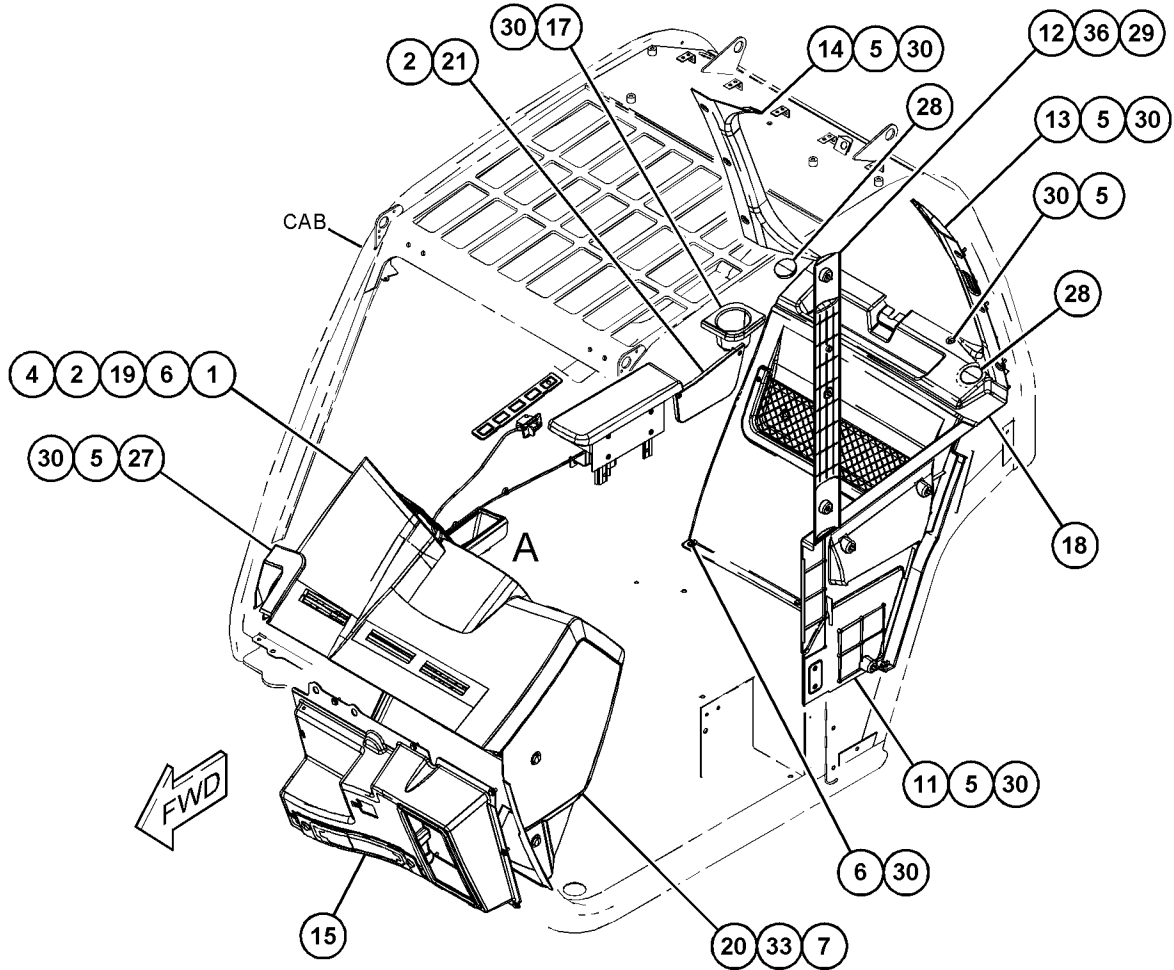
NOTE	REF NO	GRAPHIC REF	PART NUMBER	QTY	PART NAME						SEE PAGE
					1	2	3	4	5	6 (PRODUCT LEVEL)	
M	1	1	303-4779	2	LOCKNUT (M6X1-THD)						
M	2	1	096-4833	3	BOLT-SOCKET HEAD (M5X0.8X20-MM)						
	4	1	8T-0328	3	WASHER-HARD (5.5X10X1-MM THK)						
	5	1	437-7754	18	WASHER (6.4X12X1.6-MM THK)						
	6	1	4D-2303	8	WASHER (0.27X0.81X0.062-IN THK)						
M	7	1	341-7590	4	NUT (M6X1-THD)						
	8	1	124-6260	6	CLAMP-HOSE						
	9	1	459-5371	4	VENT						
	10	1	459-5188	3	CONNECTOR						
	11	1	477-5914	1	COVER						
	12	1	549-4072	1	PANEL						
	13	1	495-6203	1	COVER (LH)						
	14	1	477-5891	1	COVER (RH)						
Y	15	1	474-9856	1	COVER GP (FRONT)						741
	16	1	473-6972	1	COVER						
	17	1	473-6968	1	CUP HOLDER						
	18	1	473-6974	1	COVER AS-ACCESS (REAR PANEL)						
M		1	096-4833	2	BOLT-SOCKET HEAD (M5X0.8X20-MM)						
		1	473-6977	1	COVER-REAR						
		1	473-6986	1	NET AS-STORAGE						
M		1	494-0157	2	NUT (M5X0.8-THD)						
	19	1	569-3828	1	PANEL AS						
	20	1	473-6983	1	CONSOLE (LH)						
	21	1	473-6841	1	BEZEL						
	22	1	473-7034	1	BOX-STORAGE						
	23	1	474-9789	1	HOSE						
	24	1	474-9859	1	COVER GP (DASH, LOWER)						
M		1	494-0157	1	NUT (M5X0.8-THD)						
		1	494-0159	2	INSERT-THREADED						
	25	1	564-5279	1	PANEL GP-SWITCH						
		1	474-6092	7	CLIP						
		1	495-6204	1	PLATE						
Y	26	1	495-6206	1	ARMREST GP (ADJUSTABLE)						1139
	27	1	495-6205	1	COVER (LOWER)						
	28	1	484-1473	2	CAP						
M	29	1	105-3480	3	BOLT-SOCKET HEAD (M5X0.8X16-MM)						
M	30	1	471-6671	24	SCREW (M6X1X16-MM)						
M	31	1	8T-8998	2	SCREW-MACHINE (M6X1X20-MM)						
M	33	1	515-2777	4	SCREW-THUMB (M6X1X15-MM)						
	34	1	474-9797	1	HOSE						
	35	1	474-9790	1	HOSE						
	36	1	5W-1411	3	WASHER (5.3X15X1.2-MM THK)						

M - METRIC PART
Y - SEPARATE ILLUSTRATION

OPERATOR STATION

495-6202 TRIM GP-CAB (contd.)

i07569550



VIEW OF AREA A
(PARTS REMOVED FOR CLARITY)



GRAPHIC #1

<END>

g06389872

OPERATOR STATION

495-6209 TRIM GP-CAB

S/N: TH41-UP; TH91-UP

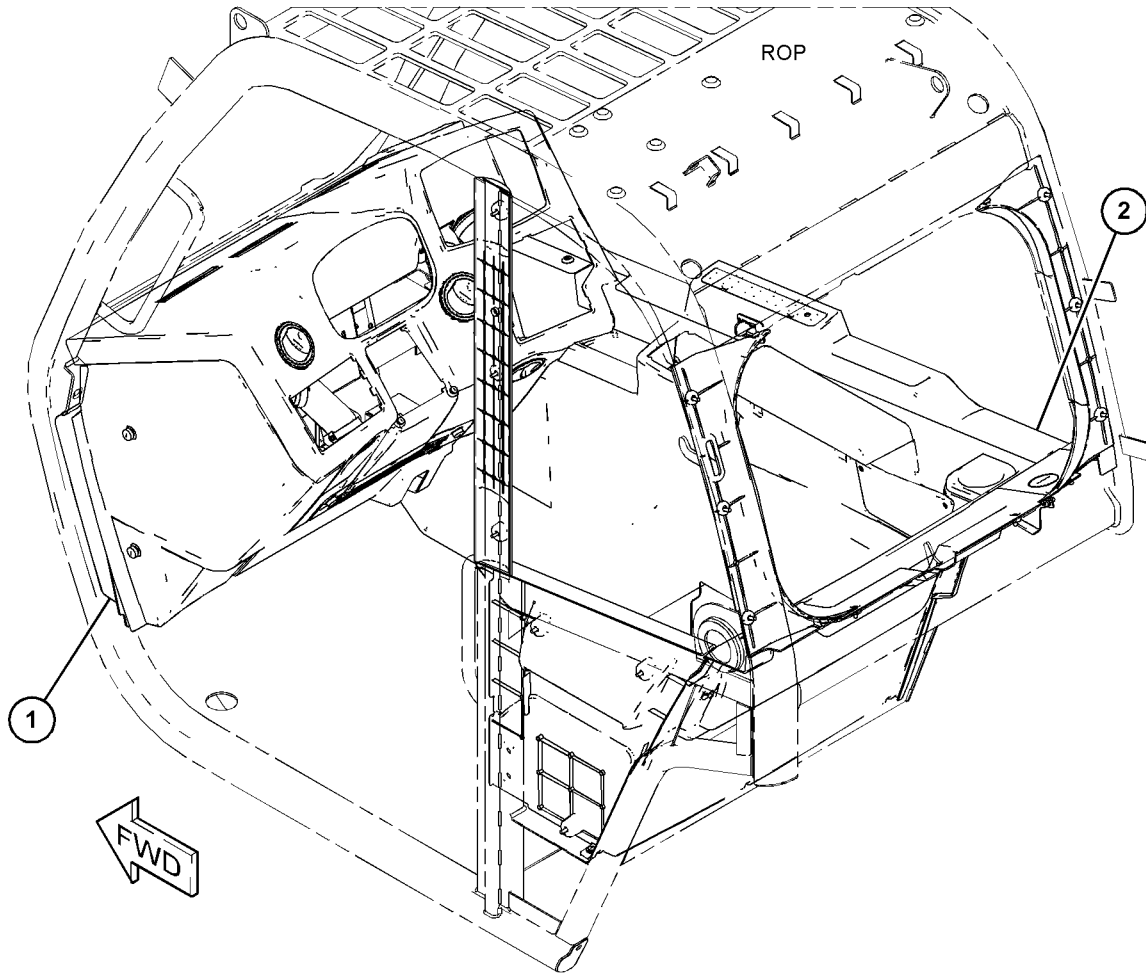
PART OF 517-9179, 517-9180 CAB AR
AN ATTACHMENT

SMCS-7329, 7450

i08072433

NOTE	REF NO	GRAPHIC REF	PART NUMBER	QTY	PART NAME						SEE PAGE
					1	2	3	4	5	6 (PRODUCT LEVEL)	
Y	1	1	495-6202	1	TRIM GP-CAB (FRONT)						1249
Y	2	1	495-6240	1	TRIM GP-CAB (FRONT) (SIDE)						1252

Y - SEPARATE ILLUSTRATION



GRAPHIC #1

<END>

g06563449

OPERATOR STATION

495-6240 TRIM GP-CAB-SIDE

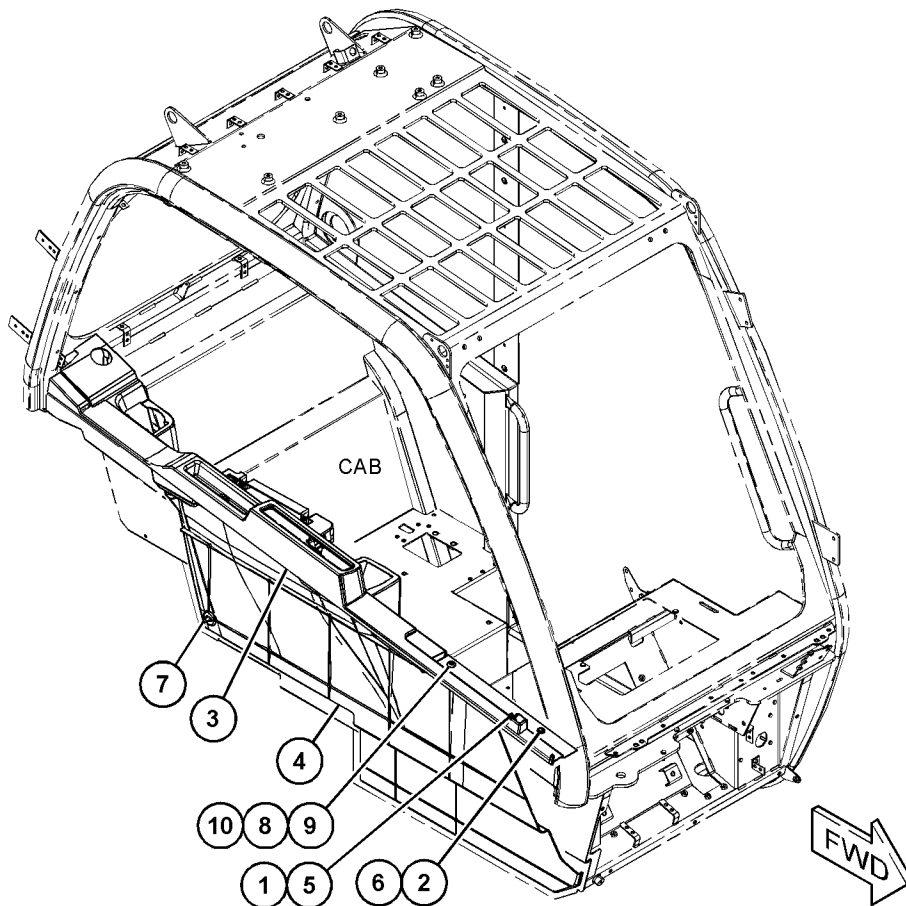
S/N: TH41-UP; TH91-UP
PART OF 495-6209 TRIM GP-CAB
AN ATTACHMENT

SMCS-7329, 7450

i08166795

NOTE	REF NO	GRAPHIC REF	PART NUMBER	QTY	PART NAME						SEE PAGE
					1	2	3	4	5	6 (PRODUCT LEVEL)	
	1	1	437-7754	2	WASHER (6.4X12X1.6-MM THK)						
	2	1	4D-2303	3	WASHER (0.27X0.81X0.062-IN THK)						
	3	1	495-4512	1	COVER GP-ACCESS (EXTENSION)						
		1	474-9867	1	NUT						
	4	1	495-4514	1	COVER GP-ACCESS (AUGER)						
M		1	494-0157	1	NUT (M5X0.8-THD)						
M	5	1	471-6671	3	SCREW (M6X1X16-MM)						
M	6	1	495-6228	2	SCREW-DRIVE (M6X1X25-MM)						
	7	1	514-9530	1	FASTENER						
M	8	1	341-7590	1	NUT (M6X1-THD)						
	9	1	318-0437	1	WASHER-SPECIAL						
M	10	1	9X-6155	1	BOLT-SOCKET HEAD (M6X1X16.7-MM)						

M - METRIC PART



GRAPHIC #1

<END>

g06310632

OPERATOR STATION

497-9587 VISOR GP-CAB

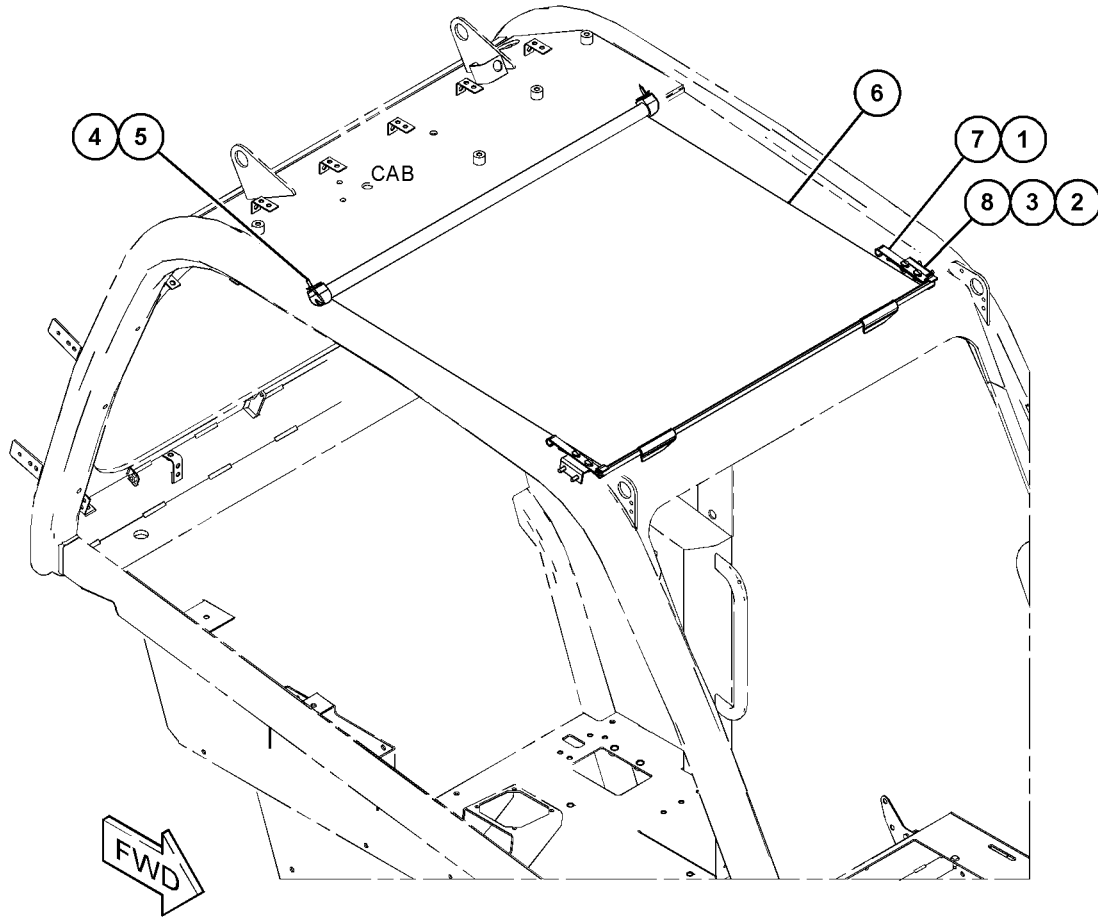
S/N: TH41-UP; TH91-UP
PART OF 517-9179, 517-9180 CAB AR
AN ATTACHMENT

SMCS-7301

i06735169

NOTE	REF NO	GRAPHIC REF	PART NUMBER	QTY	PART NAME						SEE PAGE
					1	2	3	4	5	6 (PRODUCT LEVEL)	
M	1	1	471-6671	4	SCREW (M6X1X16-MM)						
M	2	1	5C-9553	4	BOLT (M6X1X16-MM)						
	3	1	8T-4205	4	WASHER-HARD (7.2X14.5X2-MM THK)						
	4	1	347-4596	2	CLIP						
	5	1	347-4597	2	SCREW-PAN HEAD						
	6	1	497-9588	1	VISOR						
	7	1	513-8862	2	BRACKET						
	8	1	477-0897	2	BRACKET AS						

M - METRIC PART



GRAPHIC #1

<END>

g06113331

OPERATOR STATION

495-3426 WINDOW GP-CAB

S/N: TH41-UP; TH91-UP

REAR

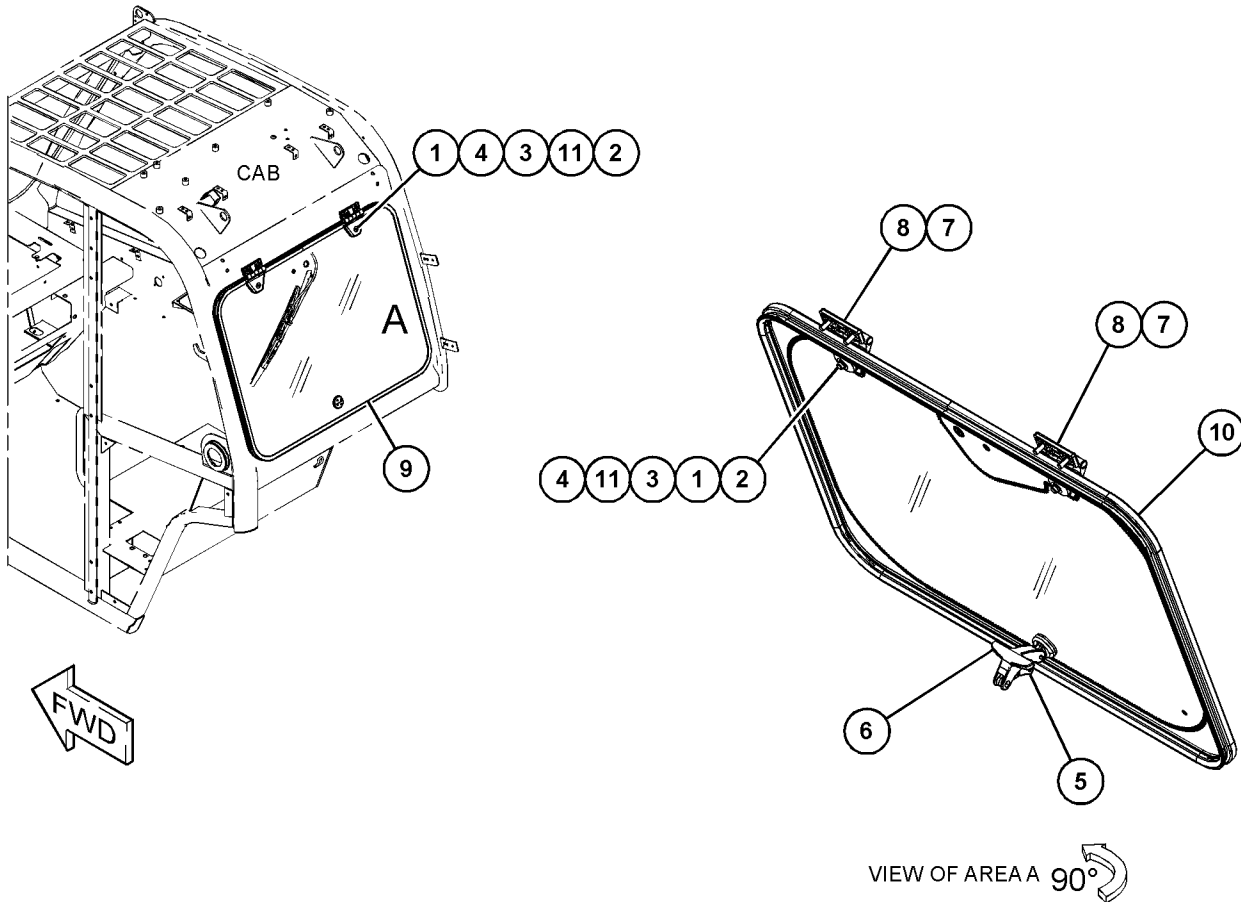
PART OF 517-9179, 517-9180 CAB AR
AN ATTACHMENT

SMCS-7310

i06591350

NOTE	REF NO	GRAPHIC REF	PART NUMBER	QTY	PART NAME						SEE PAGE
					1	2	3	4	5	6 (PRODUCT LEVEL)	
M	1	1	131-3539	2	SCREW-FLAT HEAD (M8X1.25X30-MM)						
M	2	1	459-8911	2	NUT (M8X1.25-THD)						
	3	1	459-1977	2	SPACER						
	4	1	459-1978	2	SPACER						
	5	1	095-0880	1	PIN						
	6	1	213-3263	1	LATCH AS						
		1	226-2754	1	PIN AS						
M	7	1	101-7541	4	SCREW-FLAT HEAD (M8X1.25X25-MM)						
	8	1	459-2708	2	HINGE AS						
	9	1	495-3427	1	GLASS						
	10	1	495-3428	1	SEAL-BULK						
	11	1	473-6966	2	FOAM						

M - METRIC PART



GRAPHIC #1

<END>

g06055409

OPERATOR STATION

513-3136 WINDOW GP-CAB

S/N: TH41-UP; TH91-UP
 PART OF 495-6135 DOOR GP-CAB
 AN ATTACHMENT

SMCS-7310

i07384252

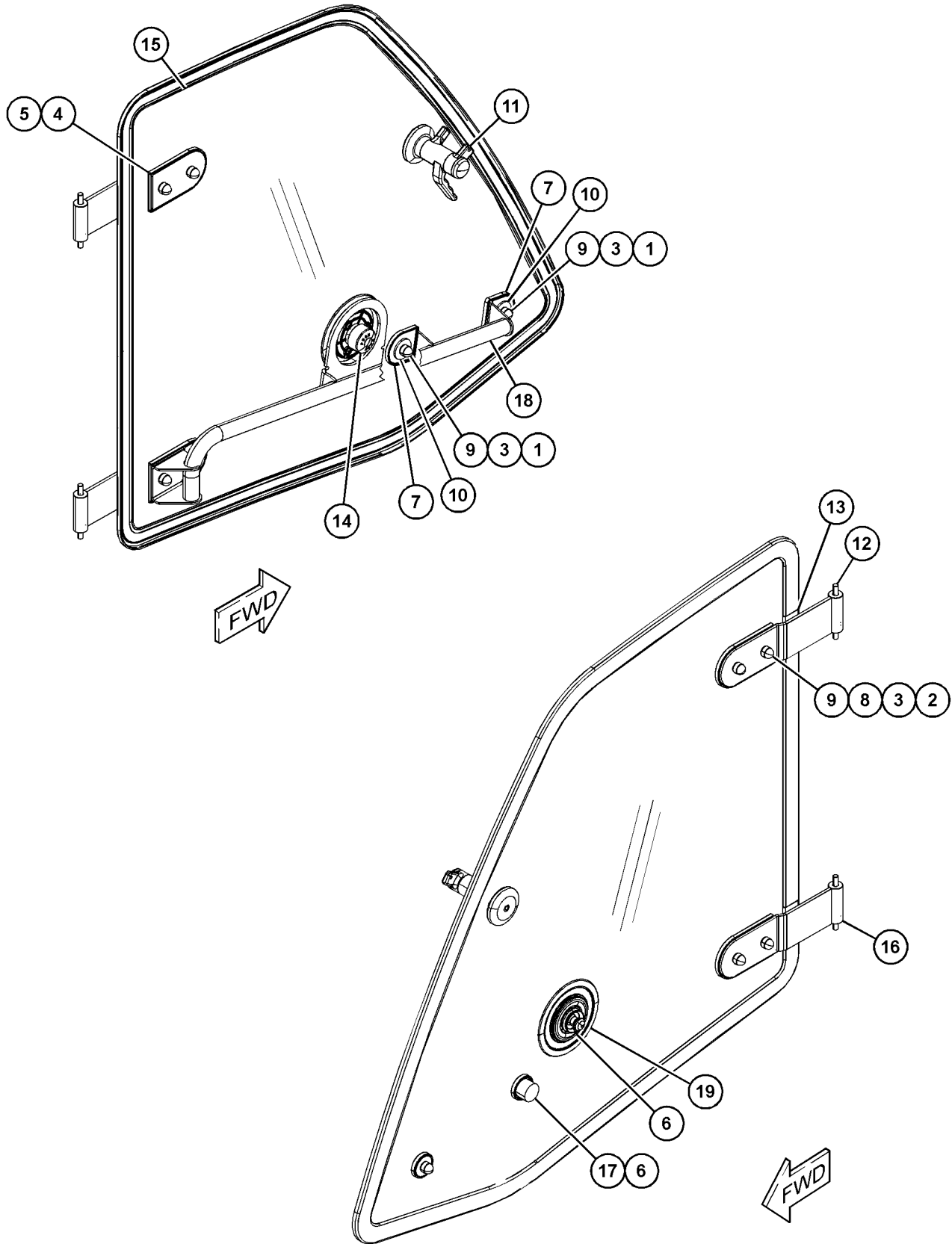
NOTE	REF NO	GRAPHIC REF	PART NUMBER	QTY	PART NAME						SEE PAGE
					1	2	3	4	5	6 (PRODUCT LEVEL)	
M	1	1	8T-4908	1	BOLT (M8X1.25X25-MM)						
M	2	1	7X-2537	5	BOLT (M8X1.25X35-MM)						
	3	1	8T-4224	11	WASHER-HARD (8.8X16X2-MM THK)						
	4	1	315-3760	4	PLATE-MOUNTING						
	5	1	315-3761	1	PLATE-MOUNTING						
	6	1	315-3763	2	MOUNT-RUBBER						
	7	1	315-3767	2	MOUNT-LATCH						
M	8	1	6V-9189	5	LOCKNUT (M8X1.25-THD)						
	9	1	188-8391	11	CAP						
	10	1	459-2758	3	MOUNT						
	11	1	459-2760	1	LATCH-WINDOW						
	12	1	473-8729	2	PIN						
	13	1	473-8730	1	PANEL						
	14	1	473-8731	1	STRIKER						
	15	1	513-3137	1	GLASS						
	16	1	513-3138	2	HINGE AS						
	17	1	549-4060	1	MOUNT						
	18	1	513-3140	1	HANDLE AS						
	19	1	513-3141	1	GASKET						

M - METRIC PART

OPERATOR STATION

513-3136 WINDOW GP-CAB (contd.)

i07384252



GRAPHIC #1

<END>

g06136666

OPERATOR STATION

503-1675 WIPER GP-UPPER

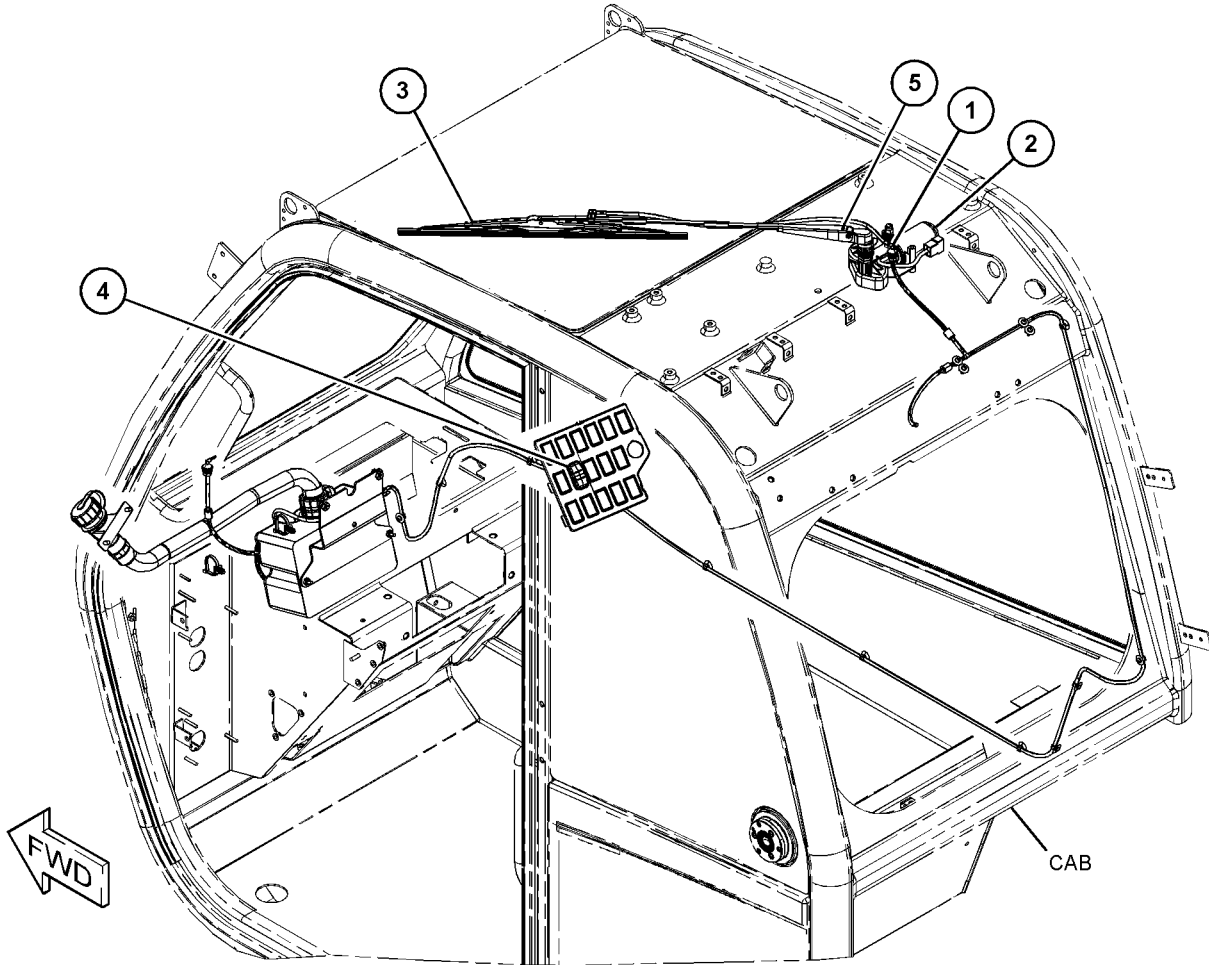
S/N: TH41-UP; TH91-UP

PART OF 517-9179, 517-9180 CAB AR
AN ATTACHMENT

SMCS-7305

i06645701

NOTE	REF NO	GRAPHIC REF	PART NUMBER	QTY	PART NAME						SEE PAGE
					1	2	3	4	5	6 (PRODUCT LEVEL)	
	1	1	315-3812	1	CONNECTOR						
	2	1	459-9780	1	MOTOR-WIPER						
	3	1	459-9783	1	BLADE-WIPER						
	4	1	503-1676	1	SWITCH AS-ROCKER (WIPER)						
	5	1	459-9782	1	BLADE-WIPER (ARM)						



GRAPHIC #1

<END>

g06092596

OPERATOR STATION

471-6094 WIPER GP-WINDOW-FRONT

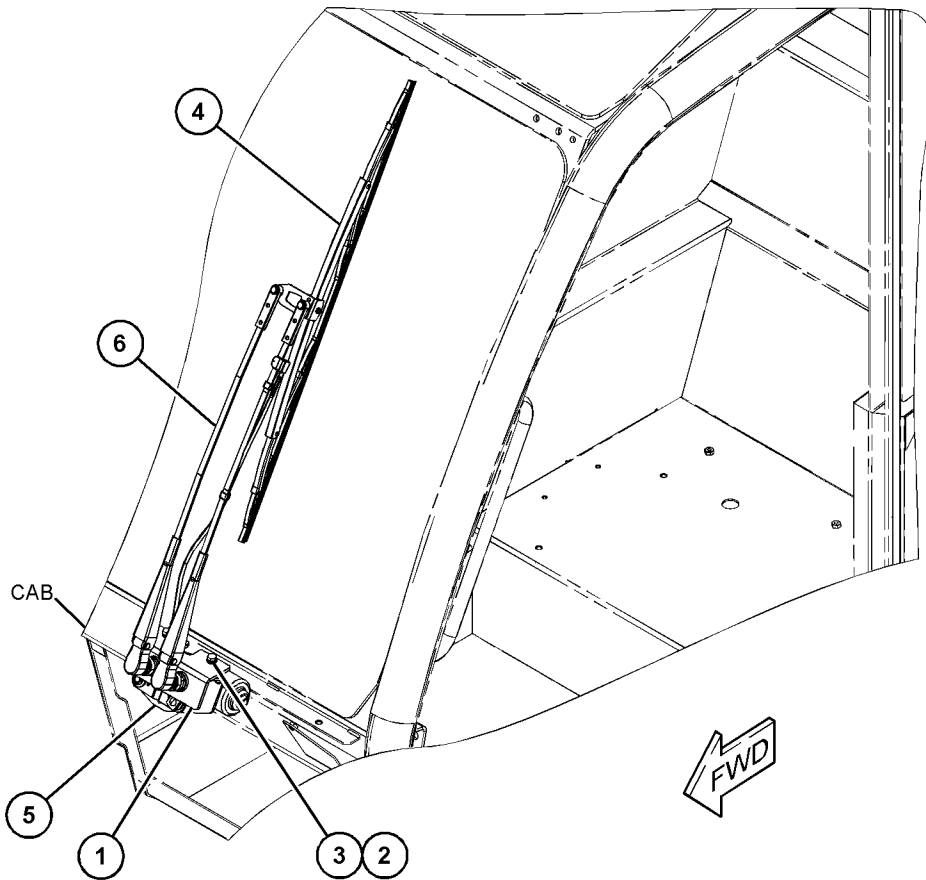
S/N: TH41-UP; TH91-UP
PART OF 517-9179, 517-9180 CAB AR
AN ATTACHMENT

SMCS-7305

i07250334

NOTE	REF NO	GRAPHIC REF	PART NUMBER	QTY	PART NAME						SEE PAGE
					1	2	3	4	5	6 (PRODUCT LEVEL)	
	1	1	471-6093	1	PLATE AS						
M	2	1	8T-4189	2	BOLT (M8X1.25X20-MM)						
	3	1	8T-4224	2	WASHER-HARD (8.8X16X2-MM THK)						
	4	1	459-7645	1	WIPER						
	5	1	315-3805	1	MOTOR AS-WINDOW WIPER						
		1	322-8051	1	KIT-FASTENER						
C	6	1	517-0147	1	ARM-WINDOW WIPER						

C - CHANGE FROM PREVIOUS TYPE
M - METRIC PART



GRAPHIC #1

<END>

g06106922

OPERATOR STATION

471-6158 WIPER GP-WINDOW-REAR

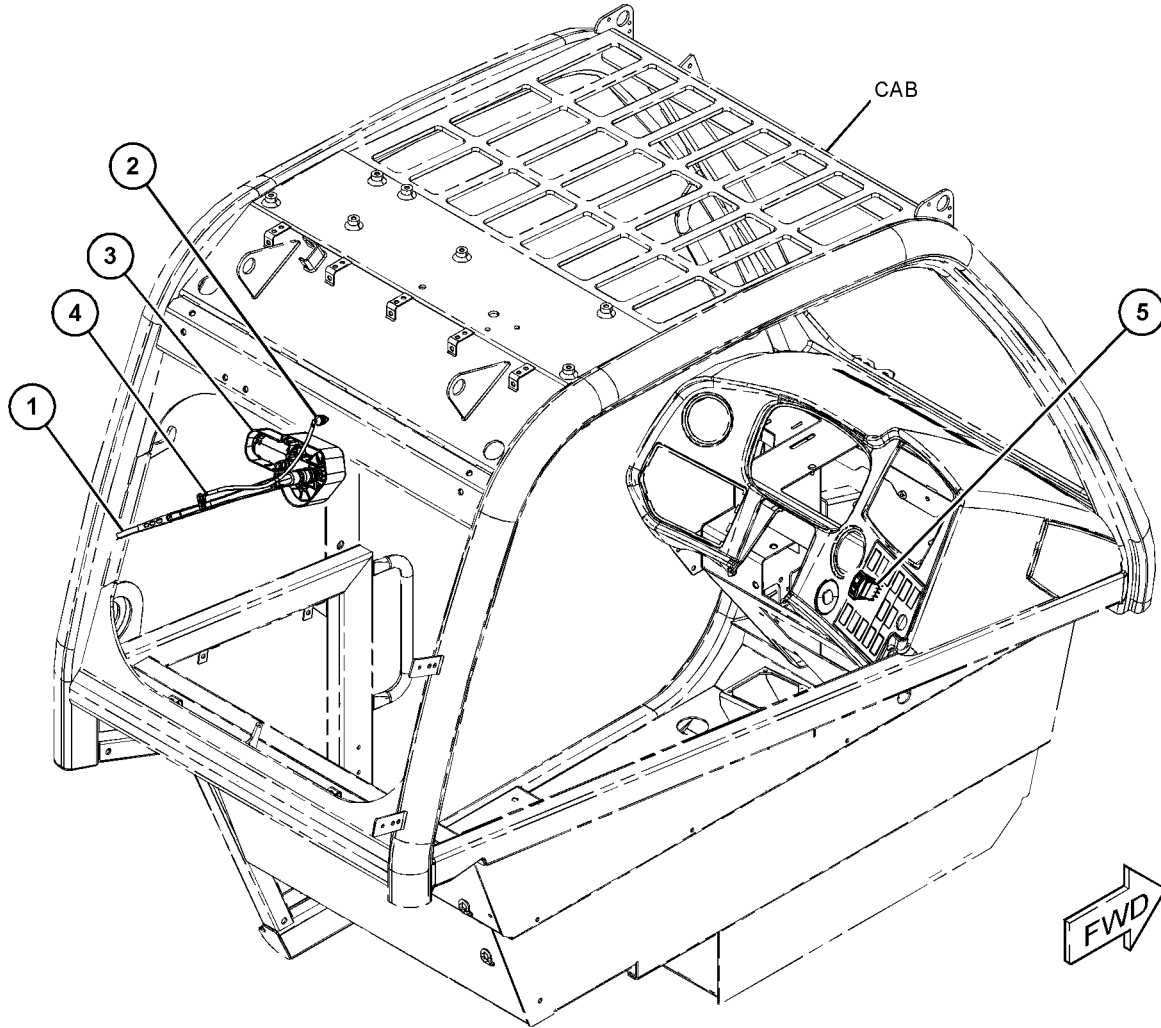
S/N: TH41-UP; TH91-UP

PART OF 517-9179, 517-9180 CAB AR
AN ATTACHMENT

SMCS-7305

i06103004

NOTE	REF NO	GRAPHIC REF	PART NUMBER	QTY	PART NAME						SEE PAGE
					1	2	3	4	5	6 (PRODUCT LEVEL)	
	1	1	459-2710	1	BLADE-WIPER						
	2	1	299-0341	1	CONNECTOR						
	3	1	459-2707	1	MOTOR AS-WINDOW WIPER						
	4	1	459-2709	1	BLADE-WIPER						
	5	1	471-6156	1	SWITCH AS-WIPER (REAR WIPER)						



GRAPHIC #1

<END>

g03817944

SERVICE EQUIPMENT AND SUPPLIES

528-8179 BRACKET GP-TRANSPORT-FORKS

S/N: TH41-UP; TH91-UP

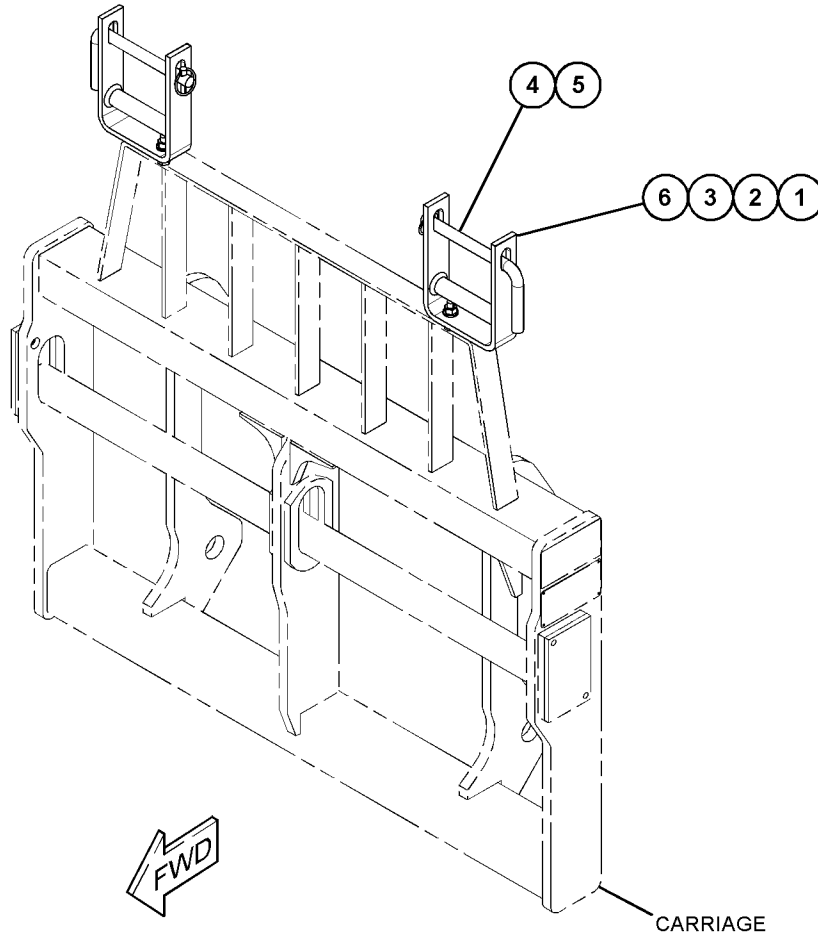
AN ATTACHMENT

SMCS-0659, 7505

i07046046

NOTE	REF NO	GRAPHIC REF	PART NUMBER	QTY	PART NAME						SEE PAGE
					1	2	3	4	5	6 (PRODUCT LEVEL)	
M	1	1	8T-4184	2	BOLT (M12X1.75X45-MM)						
M	2	1	471-2121	2	NUT (M12X1.75-THD)						
	3	1	309-2979	4	WASHER (14X25.7X4.5-MM THK)						
	4	1	326-1976	2	PIN-RETAINER						
	5	1	339-8840	2	PIN-LINCH						
	6	1	453-5783	2	BRACKET AS						

M - METRIC PART



GRAPHIC #1

<END>

g06208114

SERVICE EQUIPMENT AND SUPPLIES

540-1559 CAP GP-PROTECTION-FUEL

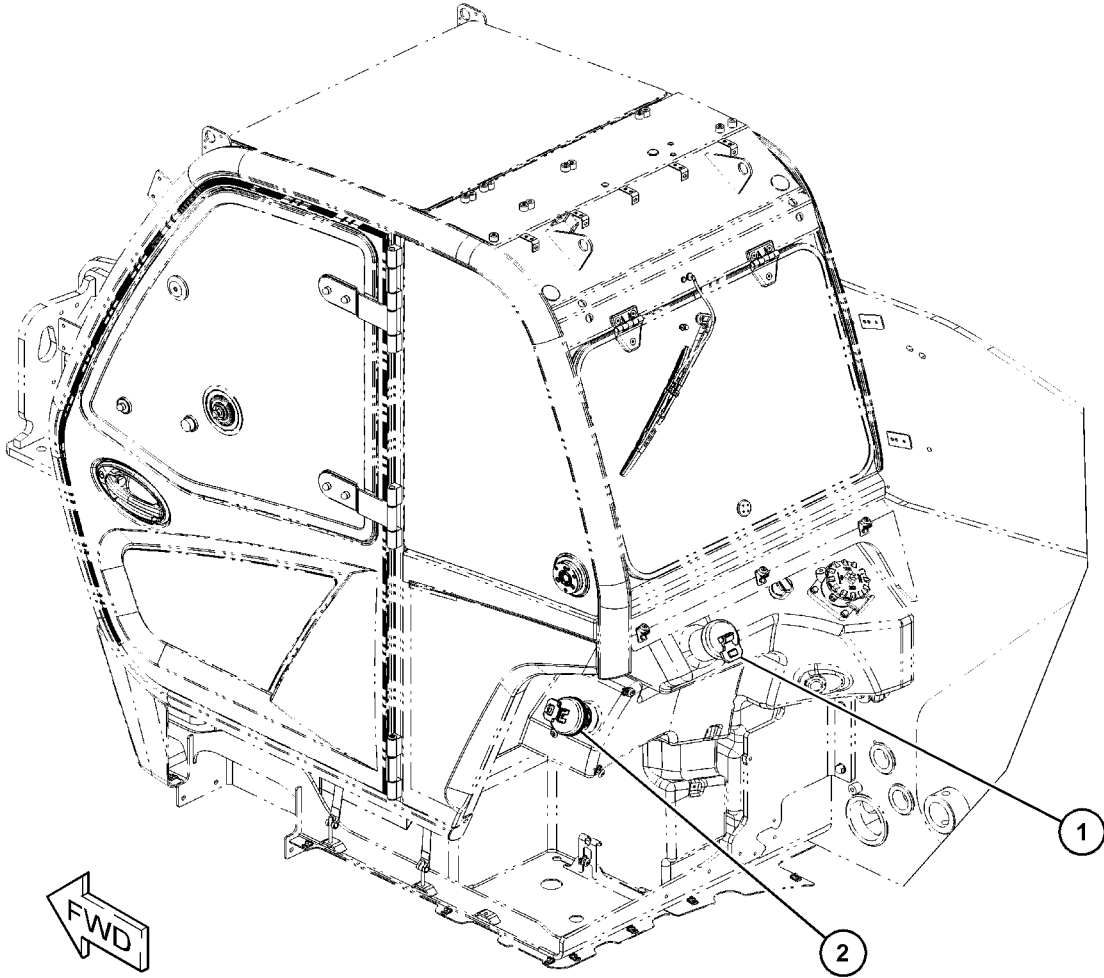
S/N: TH41-UP; TH91-UP

PART OF 518-0046, 567-5059 HYDRAULIC AR

SMCS-0663, 5051

i07380834

NOTE	REF NO	GRAPHIC REF	PART NUMBER	QTY	PART NAME						SEE PAGE
					1	2	3	4	5	6 (PRODUCT LEVEL)	
	1	1	142-8937	1	CAP AS-FILLER (LOCKABLE) (HYDRAULIC TANK)						
	2	1	284-9039	1	CAP-FUEL (VENTED)						



GRAPHIC #1

<END>

g06309058

SERVICE EQUIPMENT AND SUPPLIES

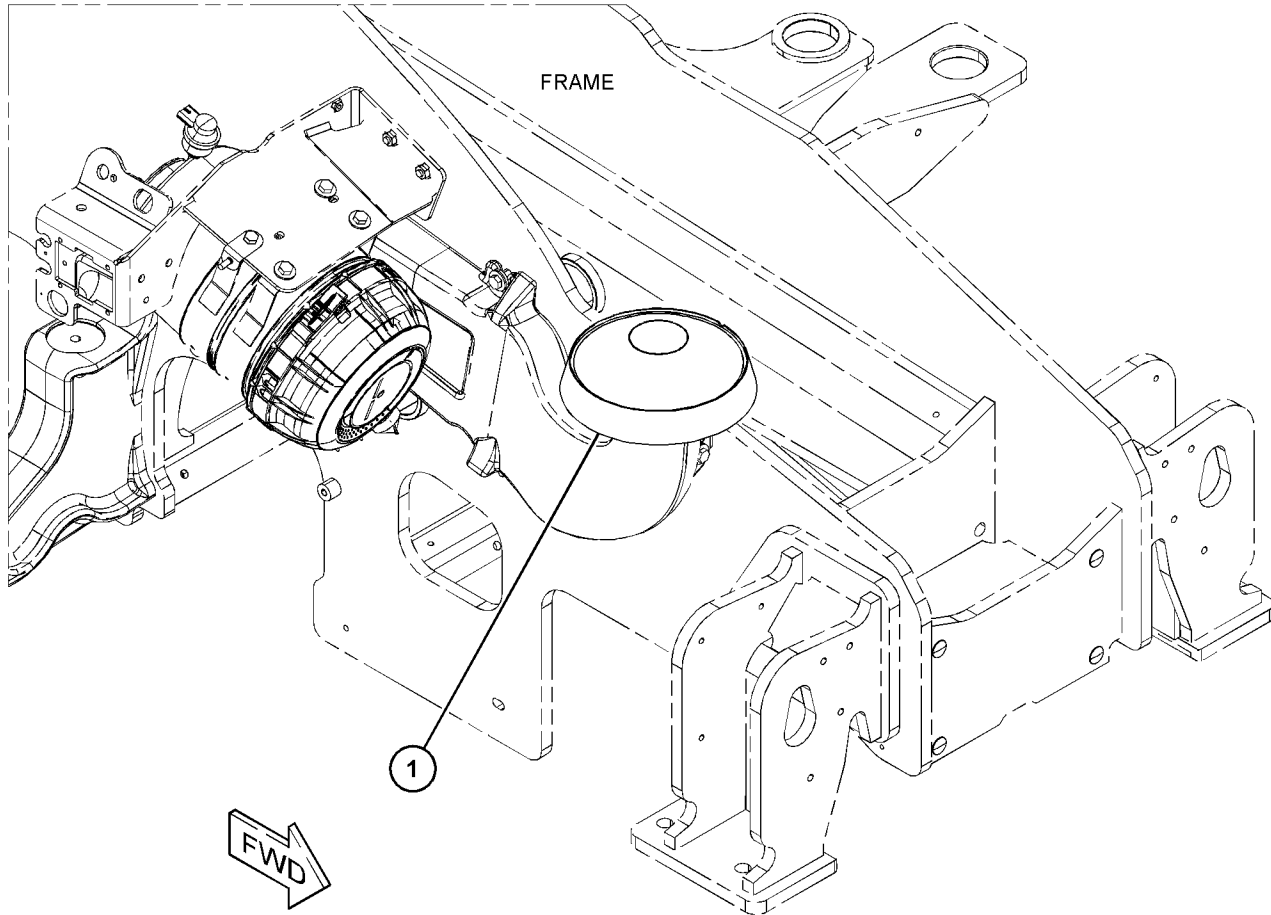
558-7237 CAP GP-PROTECTION-AIR FILTER

S/N: TH41-UP; TH91-UP
 REPLACED BY 558-7153-PAGE: 261
 AN ATTACHMENT

SMCS-0663, 5051

i07861086

NOTE	REF NO	GRAPHIC REF	PART NUMBER	QTY	PART NAME						SEE PAGE
					1	2	3	4	5	6 (PRODUCT LEVEL)	
	1	1	558-7222	1	CAP-RAIN						



GRAPHIC #1

<END>

g06461196

SERVICE EQUIPMENT AND SUPPLIES

538-2388 CHART GP-LIFT/LOAD EXTENSION-METRIC

S/N: TH91-UP

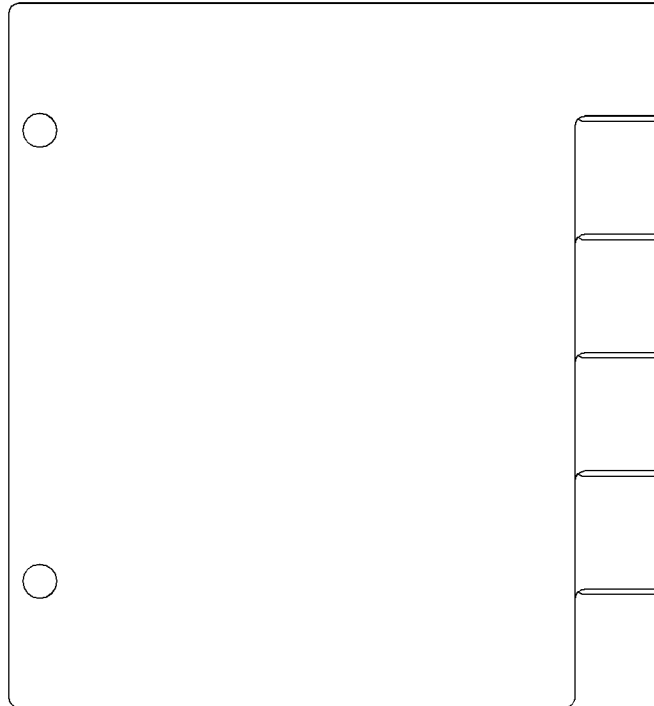
PART OF 523-1878, 523-1879, 523-1880, 523-1881, 523-1882 CONFIGURATION AR
AN ATTACHMENT

SMCS-6001, 6402, 6501, 7557

i07345070

NOTE	REF NO	GRAPHIC REF	PART NUMBER	QTY	PART NAME	SEE PAGE
------	--------	-------------	-------------	-----	-----------	----------

(NO BREAKDOWN OF SERVICEABLE PARTS AVAILABLE
AT TIME OF PUBLICATION)



GRAPHIC #1

<END>

g06300645

SERVICE EQUIPMENT AND SUPPLIES

538-2572 CHART GP-LIFT/LOAD EXTENSION-ANSI

S/N: TH91-UP

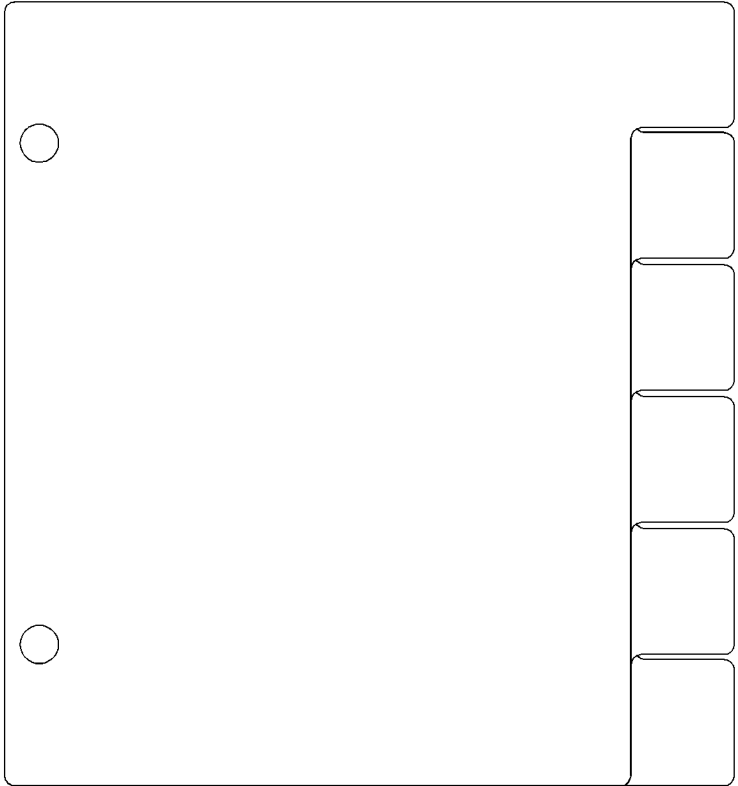
PART OF 523-1883, 523-1884 CONFIGURATION AR
AN ATTACHMENT

SMCS-6001, 6402, 6501, 7557

i07385539

NOTE	REF NO	GRAPHIC REF	PART NUMBER	QTY	PART NAME	SEE PAGE
------	--------	-------------	-------------	-----	-----------	----------

(NO SERVICED PARTS)



GRAPHIC #1

<END>

g06332827

SERVICE EQUIPMENT AND SUPPLIES

550-5677 CHART GP-LIFT/LOAD EXTENSION

S/N: TH41-UP

AUSTRALIA

PART OF 523-1923 CONFIGURATION AR
AN ATTACHMENT

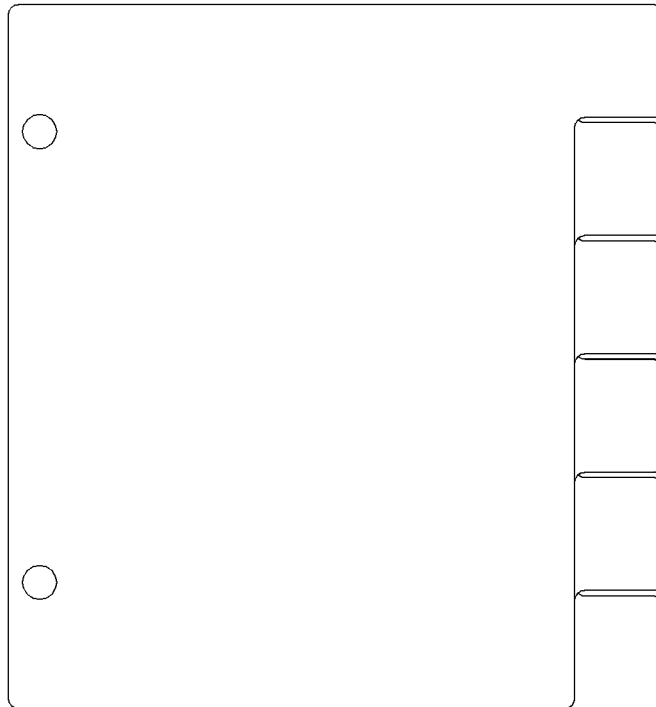
SMCS-6001, 6402, 6501, 7557

i07345062

NOTE	REF NO	GRAPHIC REF	PART NUMBER	QTY	PART NAME	SEE PAGE
------	--------	-------------	-------------	-----	-----------	----------

1 2 3 4 5 6 (PRODUCT LEVEL)

(NO SERVICED PARTS)



GRAPHIC #1

<END>

g06299949

SERVICE EQUIPMENT AND SUPPLIES

551-0600 CHART GP-LIFT/LOAD EXTENSION

S/N: TH41-UP; TH91-UP

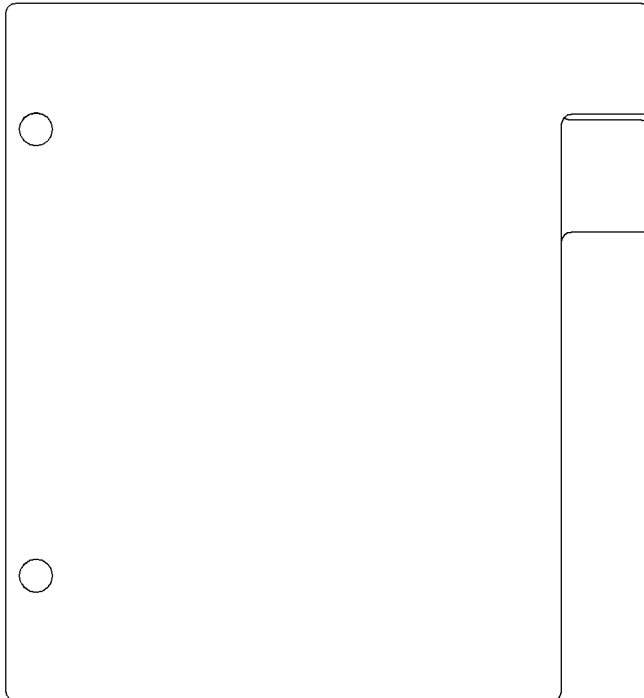
PART OF 523-1878, 523-1879, 523-1880, 523-1881, 523-1882, 523-1923 CONFIGURATION AR
AN ATTACHMENT

SMCS-6001, 6402, 6501, 7557

i07345068

NOTE	REF NO	GRAPHIC REF	PART NUMBER	QTY	PART NAME	SEE PAGE
------	--------	-------------	-------------	-----	-----------	----------

1 2 3 4 5 6 (PRODUCT LEVEL)
(NO SERVICED PARTS)



GRAPHIC #1

<END>

g06296758

SERVICE EQUIPMENT AND SUPPLIES

497-9589 CHOCK GP-WHEEL

S/N: TH41-UP; TH91-UP

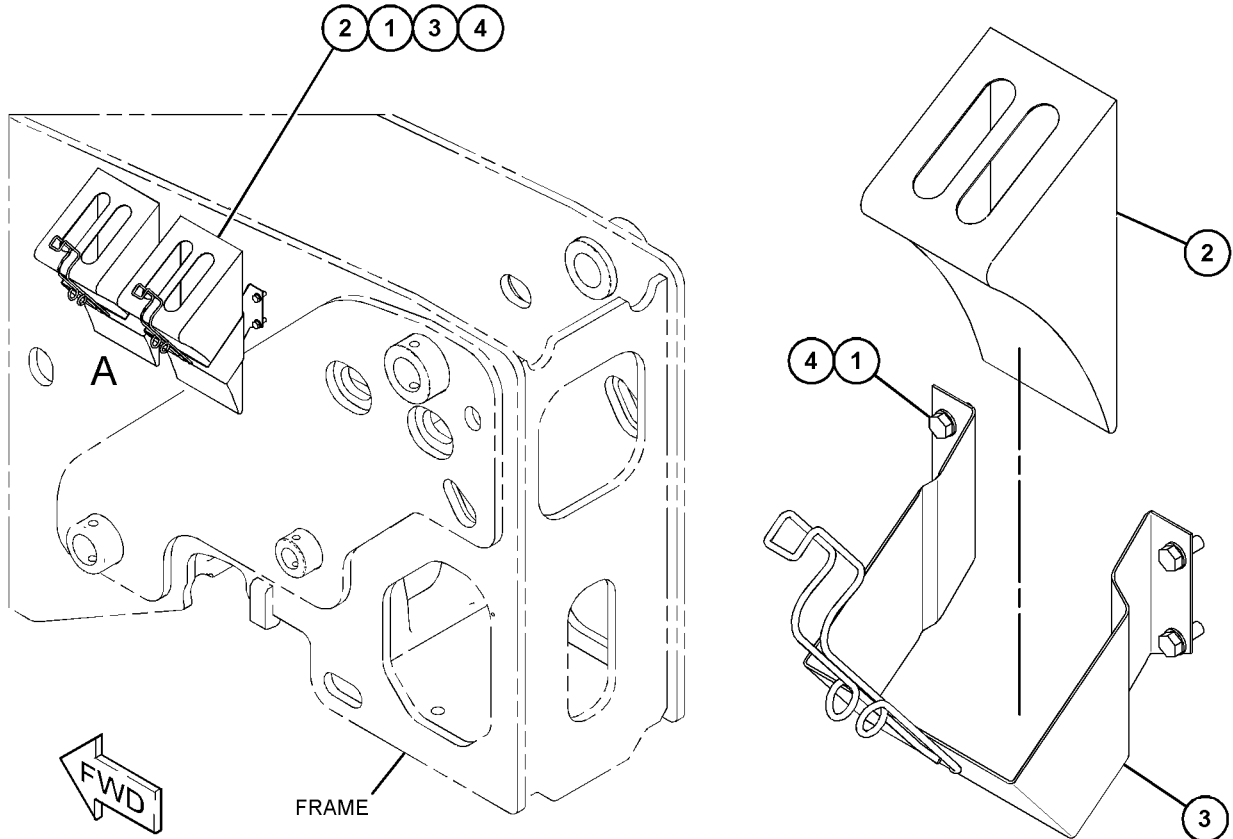
AN ATTACHMENT

SMCS-7000, 7192

i06649602

NOTE	REF NO	GRAPHIC REF	PART NUMBER	QTY	PART NAME						SEE PAGE
					1	2	3	4	5	6 (PRODUCT LEVEL)	
M	1	1	8T-4189	8	BOLT (M8X1.25X20-MM)						
	2	1	148-6596	2	CHOCK-WHEEL						
	3	1	148-6598	2	BRACKET						
	4	1	8T-4224	8	WASHER-HARD (8.8X16X2-MM THK)						

M - METRIC PART



VIEW OF AREA A
(PARTS REMOVED FOR CLARITY)

GRAPHIC #1

<END>

g06123043

SERVICE EQUIPMENT AND SUPPLIES

329-8098 FILM GP

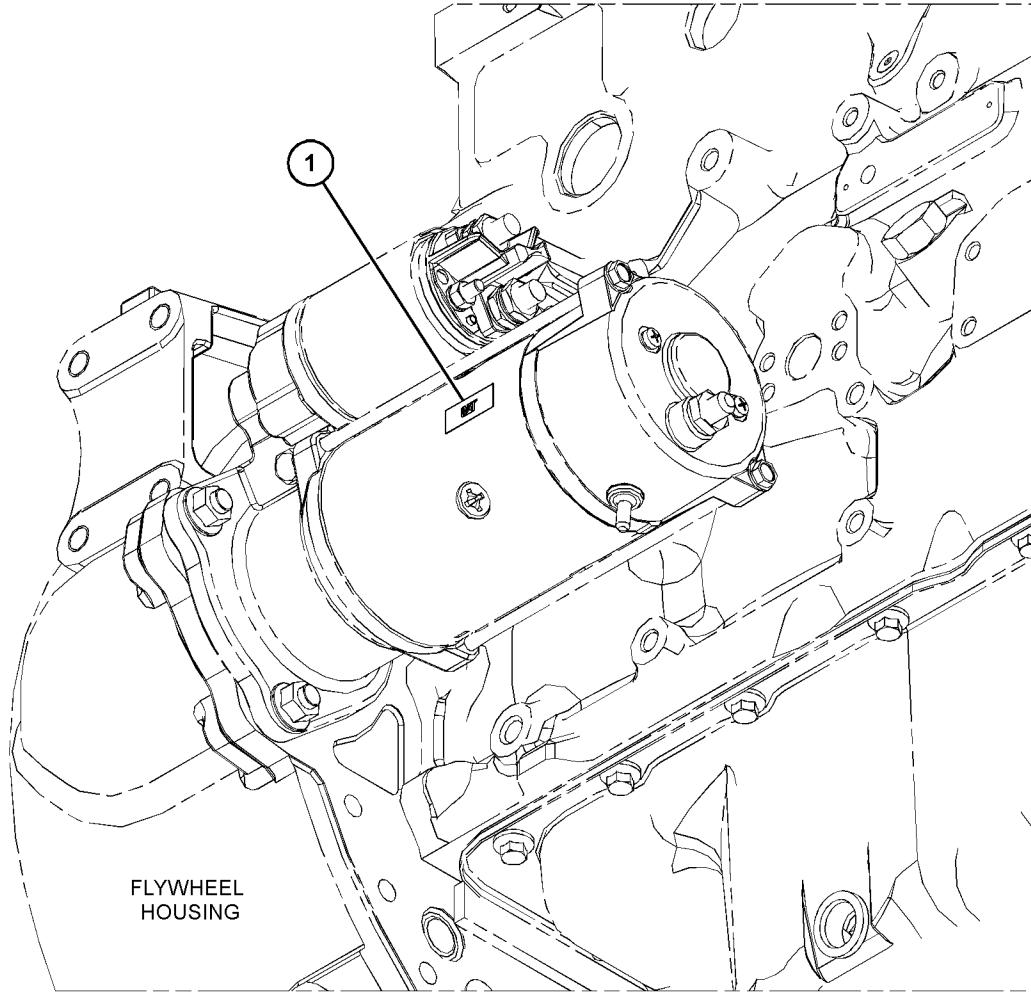
S/N: JKT1-UP

PART OF 464-2307, 464-2308 ENGINE AR-PRIMARY
ALSO AN ATTACHMENT

SMCS-0375, 7405, 7557

i05775637

NOTE	REF NO	GRAPHIC REF	PART NUMBER	QTY	PART NAME						SEE PAGE
					1	2	3	4	5	6 (PRODUCT LEVEL)	
	1	1	451-7225	1	FILM-IDENTIFICATION (CAT)						



GRAPHIC #1

<END>

g03667489

SERVICE EQUIPMENT AND SUPPLIES

329-8409 FILM GP

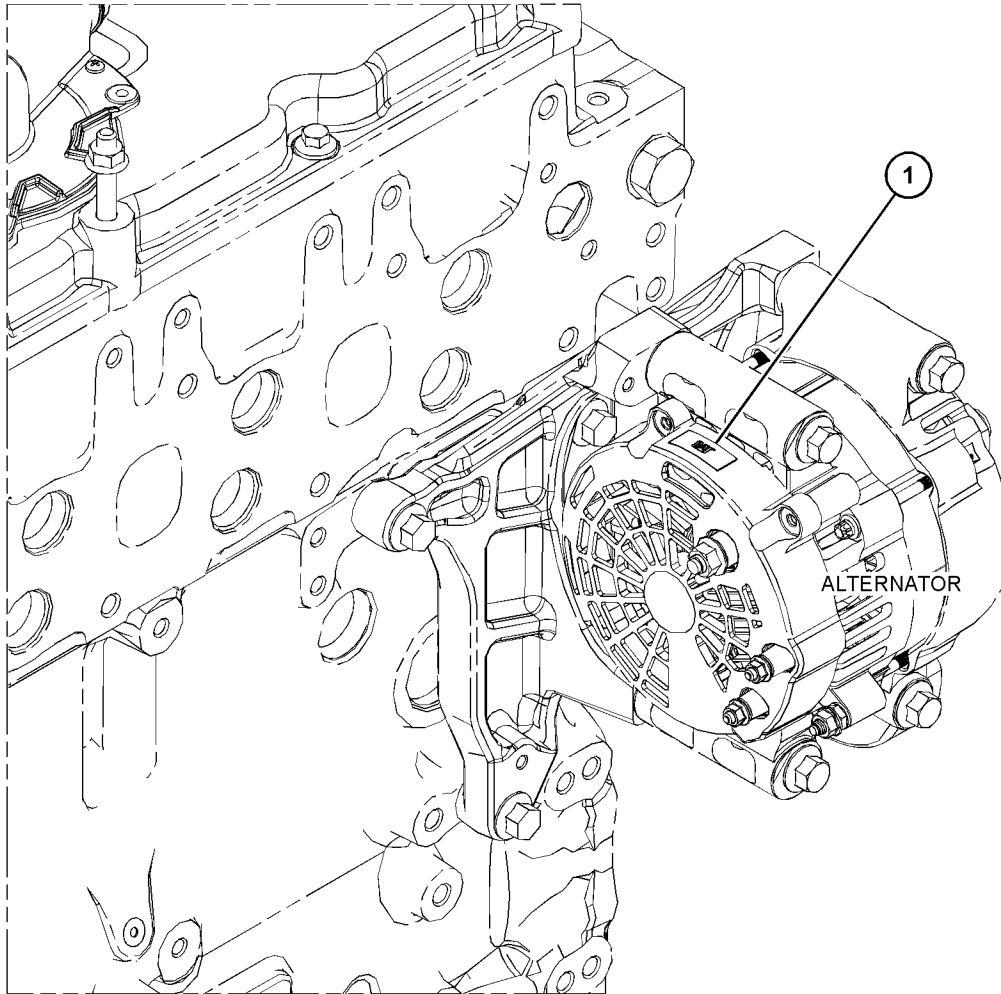
S/N: JKT1-UP

PART OF 464-2307, 464-2308 ENGINE AR-PRIMARY
ALSO AN ATTACHMENT

SMCS-0375, 7405, 7557

i07526865

NOTE	REF NO	GRAPHIC REF	PART NUMBER	QTY	PART NAME						SEE PAGE
					1	2	3	4	5	6 (PRODUCT LEVEL)	
	1	1	451-7225	1	FILM-IDENTIFICATION (CAT)						



GRAPHIC #1

<END>

g03667401

SERVICE EQUIPMENT AND SUPPLIES

416-1042 FILM GP

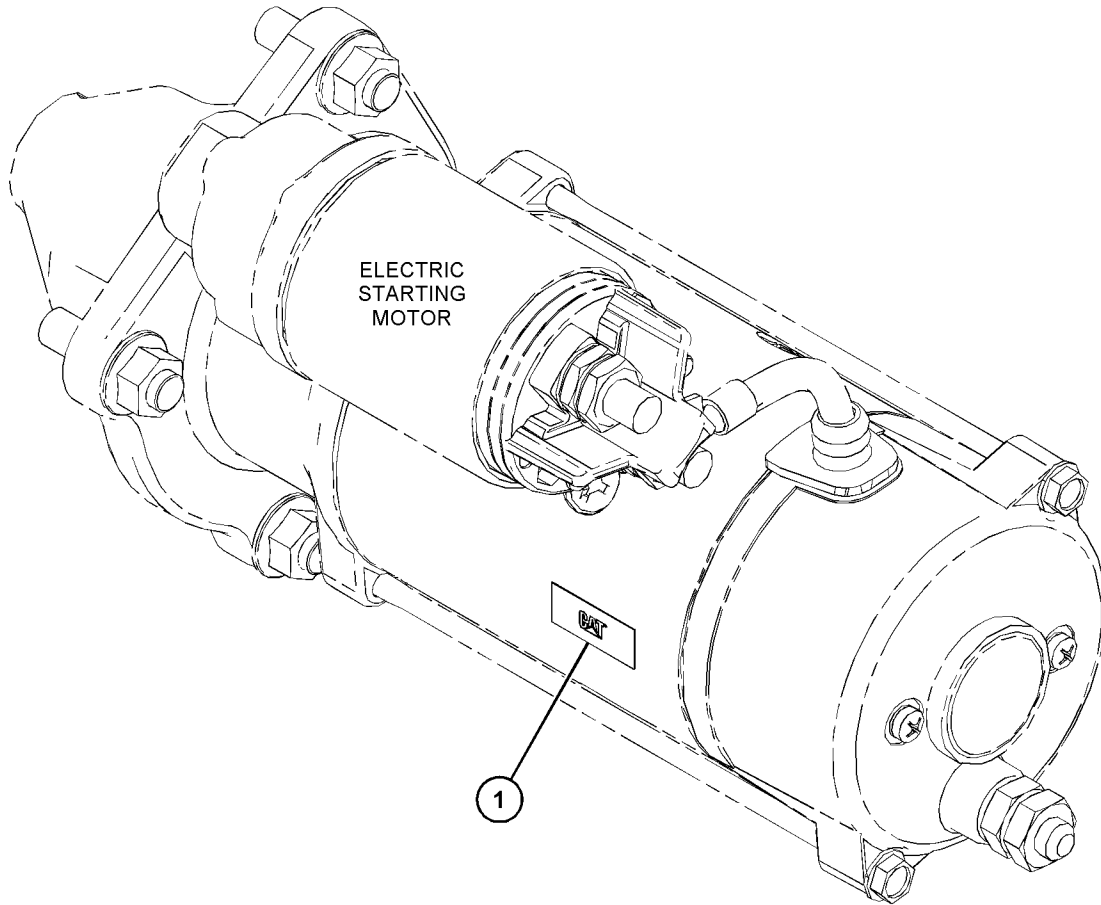
S/N: W231-UP

PART OF 463-8848, 463-8910 ENGINE AR-PRIMARY

SMCS-0375, 7405, 7557

i08009195

NOTE	REF NO	GRAPHIC REF	PART NUMBER	QTY	PART NAME						SEE PAGE
					1	2	3	4	5	6 (PRODUCT LEVEL)	
	1	1	451-7225	1	FILM-IDENTIFICATION (CAT)						



GRAPHIC #1

<END>

g03818117

SERVICE EQUIPMENT AND SUPPLIES

416-8716 FILM GP

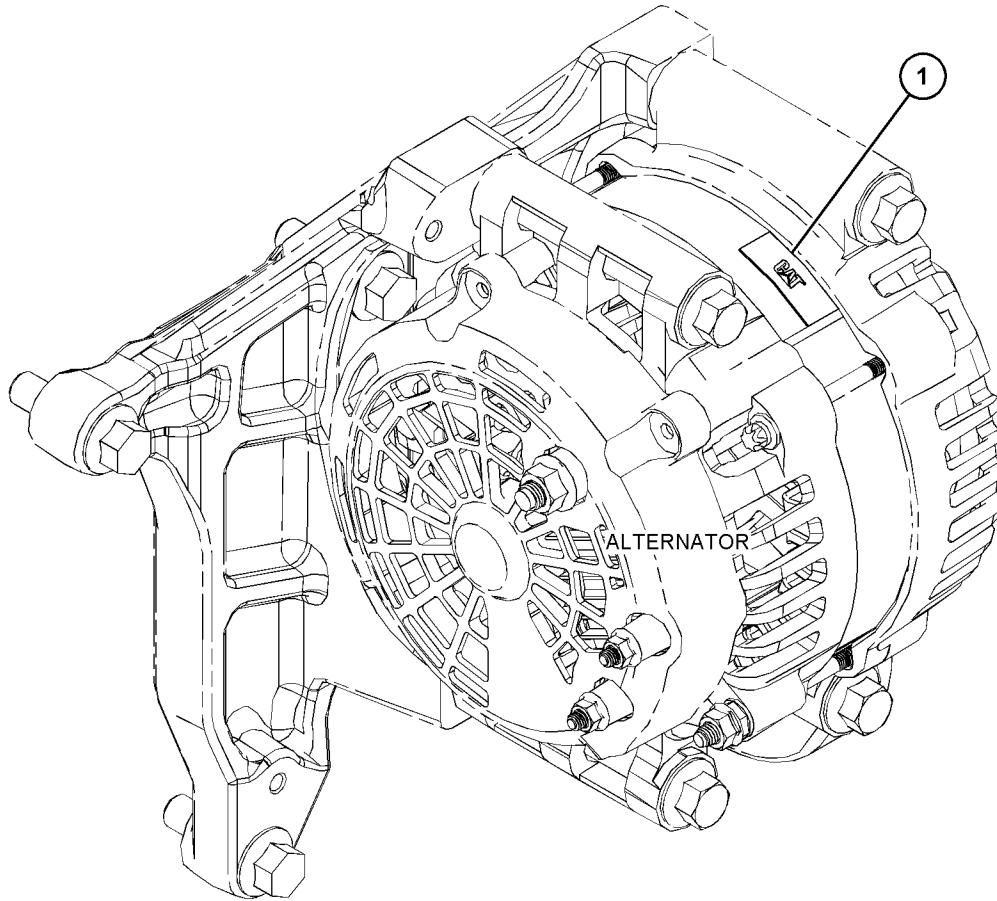
S/N: W231-UP

PART OF 463-8848, 463-8910 ENGINE AR-PRIMARY

SMCS-0375, 7405, 7557

i06134089

NOTE	REF NO	GRAPHIC REF	PART NUMBER	QTY	PART NAME						SEE PAGE
					1	2	3	4	5	6 (PRODUCT LEVEL)	
	1	1	451-7225	1	FILM-IDENTIFICATION (CAT)						



GRAPHIC #1

<END>

g03818177

SERVICE EQUIPMENT AND SUPPLIES

417-4284 FILM GP

S/N: W231-UP

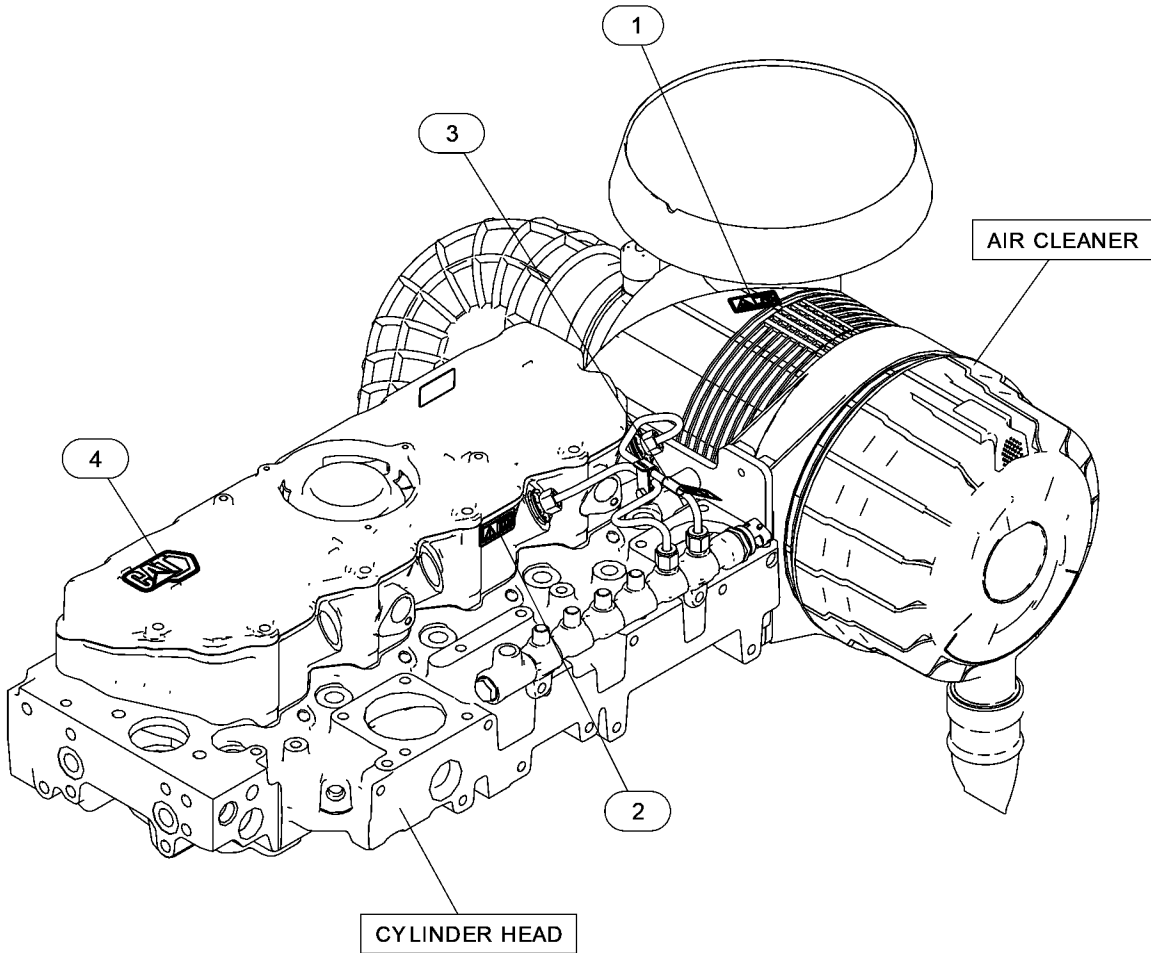
EMISSIONS

PART OF 463-8848, 463-8910 ENGINE AR-PRIMARY

SMCS-0375, 7405, 7557

i08074857

NOTE	REF NO	GRAPHIC REF	PART NUMBER	QTY	PART NAME						SEE PAGE
					1	2	3	4	5	6 (PRODUCT LEVEL)	
	1	1	326-9053	1	FILM-WARNING (DO NOT SPRAY, READ OMM)						
					(EXPLOSION HAZARD. COULD CAUSE SERIOUS INJURY OR DEATH. DO NOT USE ETHER. READ THE OPERATOR'S MANUAL)						
	2	1	346-8219	2	FILM-WARNING (UNIVERSAL WARNING)						
					(COULD CAUSE SERIOUS INJURY OR DEATH. DO NOT OPERATE OR WORK ON THIS EQUIPMENT UNLESS YOU HAVE READ AND UNDERSTAND THE OPERATION AND MAINTENANCE MANUALS)						
	3	1	355-3486	1	STRIP-ADHESIVE						
	4	1	576-1157	1	FILM-IDENTIFICATION (CAT)						



GRAPHIC #1

<END>

g06559862

SERVICE EQUIPMENT AND SUPPLIES

447-1044 FILM GP

S/N: JKT1-UP

EMISSIONS

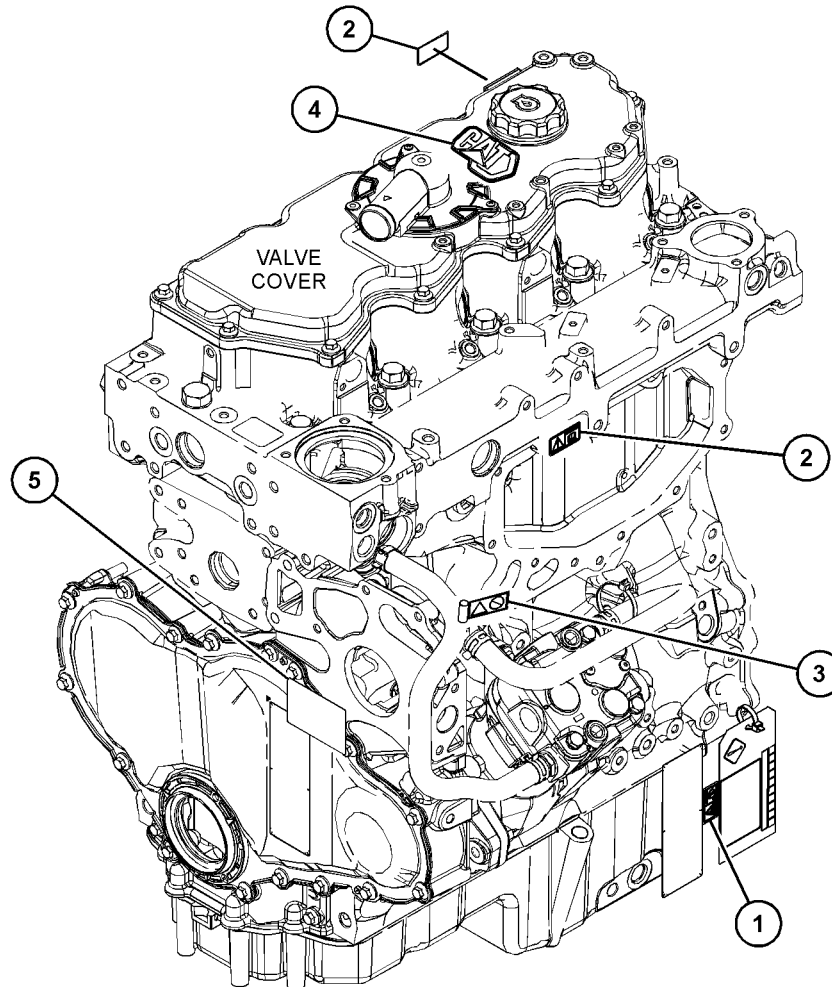
PART OF 464-2307, 464-2308 ENGINE AR-PRIMARY

ALSO AN ATTACHMENT

SMCS-0375, 7405, 7557

i08137549

NOTE	REF NO	GRAPHIC REF	PART NUMBER	QTY	PART NAME						SEE PAGE
					1	2	3	4	5	6 (PRODUCT LEVEL)	
1	1	1	326-9053	1	FILM-WARNING (DO NOT SPRAY, READ OMM)						
(EXPLOSION HAZARD. COULD CAUSE SERIOUS INJURY OR DEATH. DO NOT USE ETHER. READ THE OPERATOR'S MANUAL)											
2	1	1	346-8219	2	FILM-WARNING (UNIVERSAL WARNING)						
(COULD CAUSE SERIOUS INJURY OR DEATH. DO NOT OPERATE OR WORK ON THIS EQUIPMENT UNLESS YOU HAVE READ AND UNDERSTAND THE OPERATION AND MAINTENANCE MANUALS)											
3	1	1	355-3486	1	STRIP-ADHESIVE						
4	1	1	576-1157	1	FILM-IDENTIFICATION (CAT)						
5	1	1	349-9836	1	FILM-IDENTIFICATION (SERIAL NUMBER)						



GRAPHIC #1

<END>

g06561168

SERVICE EQUIPMENT AND SUPPLIES

513-8559 FILM GP

S/N: TH41-UP; TH91-UP

PART OF 518-0076, 518-0077 CHASSIS AR
ALSO AN ATTACHMENT

SMCS-0375, 7405, 7557

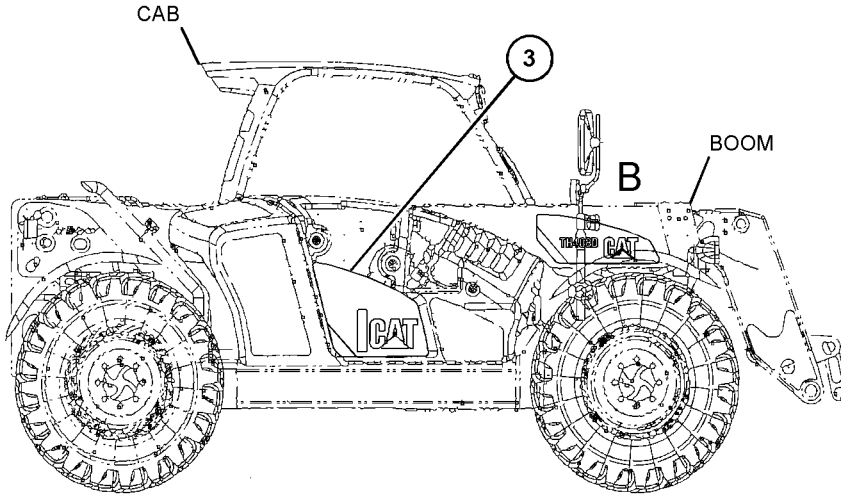
i08075330

NOTE	REF NO	GRAPHIC REF	PART NUMBER	QTY	PART NAME						SEE PAGE
					1	2	3	4	5	6 (PRODUCT LEVEL)	
	1	1	513-8561	1	FILM-IDENTIFICATION (CAT BOOM, LH)						
	2	1	473-0029	1	FILM-IDENTIFICATION (CAT) (OPEN CAB)						
	3	1	590-1091	1	FILM-IDENTIFICATION (CAT HOOD)						
	4	1	513-8560	1	FILM-IDENTIFICATION (CAT BOOM, RH)						

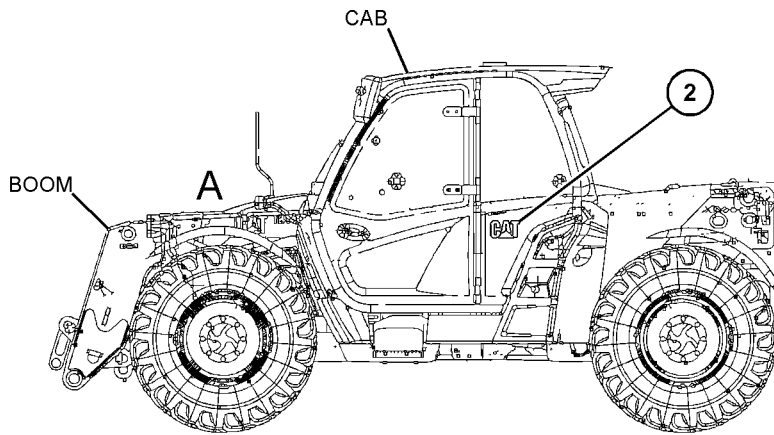
SERVICE EQUIPMENT AND SUPPLIES

513-8559 **FILM GP** (contd.)

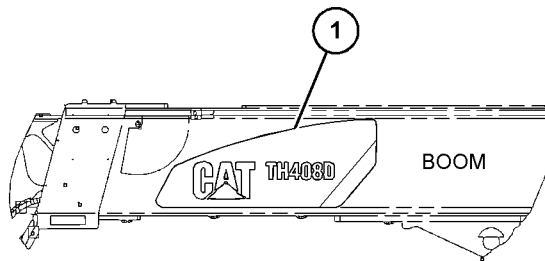
108075330



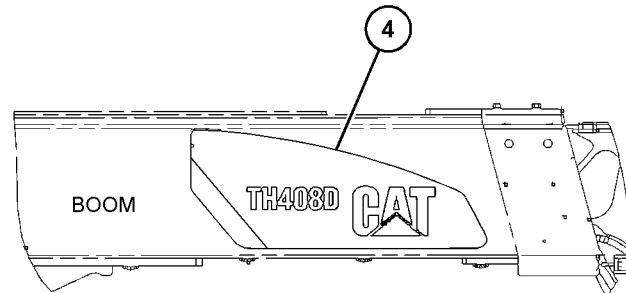
RIGHT SIDE VIEW



LEFT SIDE VIEW



VIEW OF AREA A



VIEW OF AREA B

GRAPHIC #1

<END>

g06563308

SERVICE EQUIPMENT AND SUPPLIES

519-3821 FILM GP-SENSING

S/N: TH91-UP

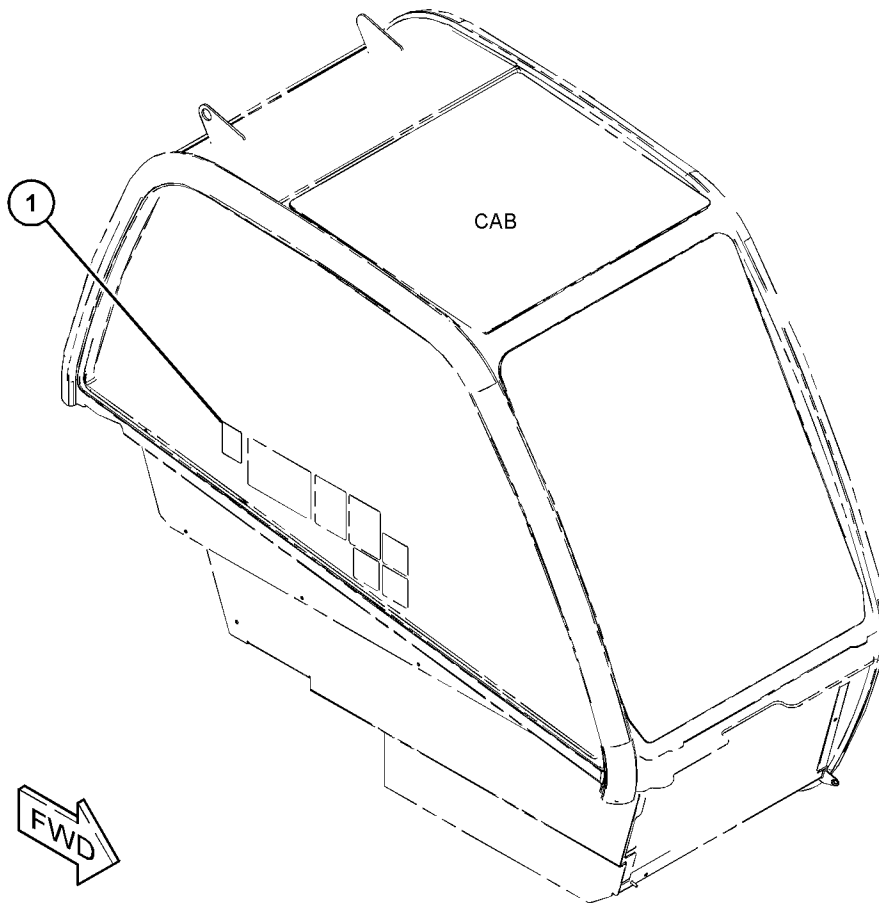
REVERSE

PART OF 523-1883 CONFIGURATION AR
AN ATTACHMENT

SMCS-0375, 7405, 7557

i06810221

NOTE	REF NO	GRAPHIC REF	PART NUMBER	QTY	PART NAME						SEE PAGE
					1	2	3	4	5	6 (PRODUCT LEVEL)	
	1	1	484-5235	1	FILM-INFORMATION (REVERSE ALARM)						



GRAPHIC #1

<END>

g06124411

SERVICE EQUIPMENT AND SUPPLIES

519-3822 FILM GP-SENSING

S/N: TH91-UP

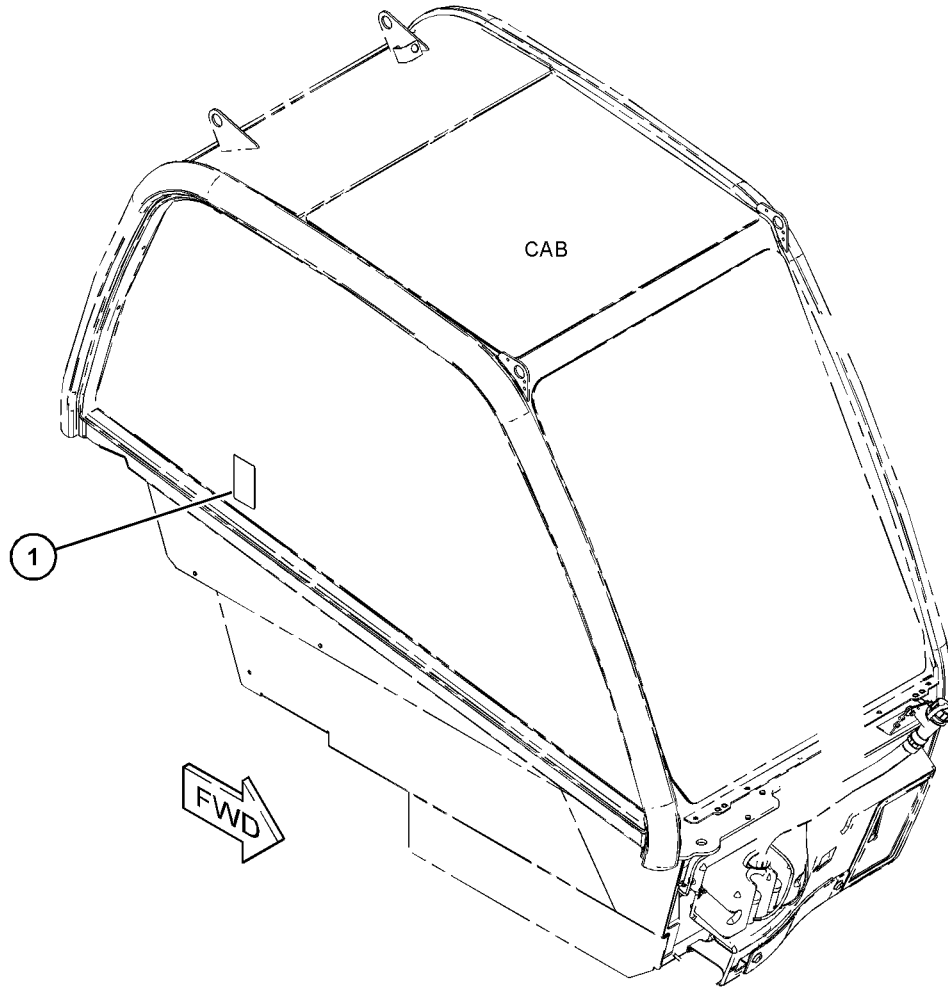
REVERSE

PART OF 523-1884 CONFIGURATION AR
AN ATTACHMENT

SMCS-0375, 7405, 7557

i08166796

NOTE	REF NO	GRAPHIC REF	PART NUMBER	QTY	PART NAME						SEE PAGE
					1	2	3	4	5	6 (PRODUCT LEVEL)	
	1	1	484-5240	1	FILM-INFORMATION (REVERSE SENSOR) (ALARM)						



GRAPHIC #1

<END>

g06126889

SERVICE EQUIPMENT AND SUPPLIES

519-3823 FILM GP

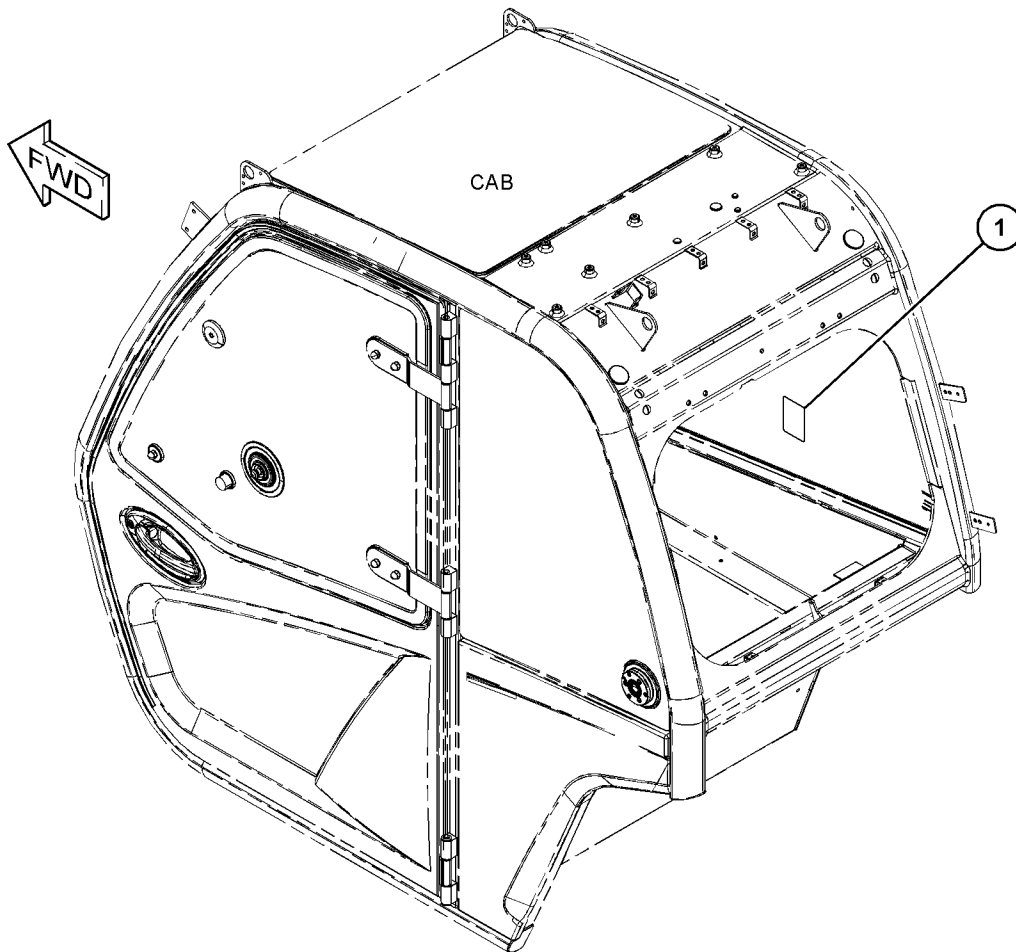
S/N: TH41-UP; TH91-UP

PART OF 523-1878, 523-1879, 523-1880, 523-1881, 523-1882, 523-1919, 523-1920, 523-1921, 523-1922, 523-1923 CONFIGURATION AR
AN ATTACHMENT

SMCS-0375, 7405, 7557

i06809354

NOTE	REF NO	GRAPHIC REF	PART NUMBER	QTY	PART NAME	SEE PAGE
	1	1	484-5239	1	1 2 3 4 5 6 (PRODUCT LEVEL) FILM-INFORMATION (REAR WINDOW)	PAGE



GRAPHIC #1

<END>

g06125760

SERVICE EQUIPMENT AND SUPPLIES

520-6928 FILM GP

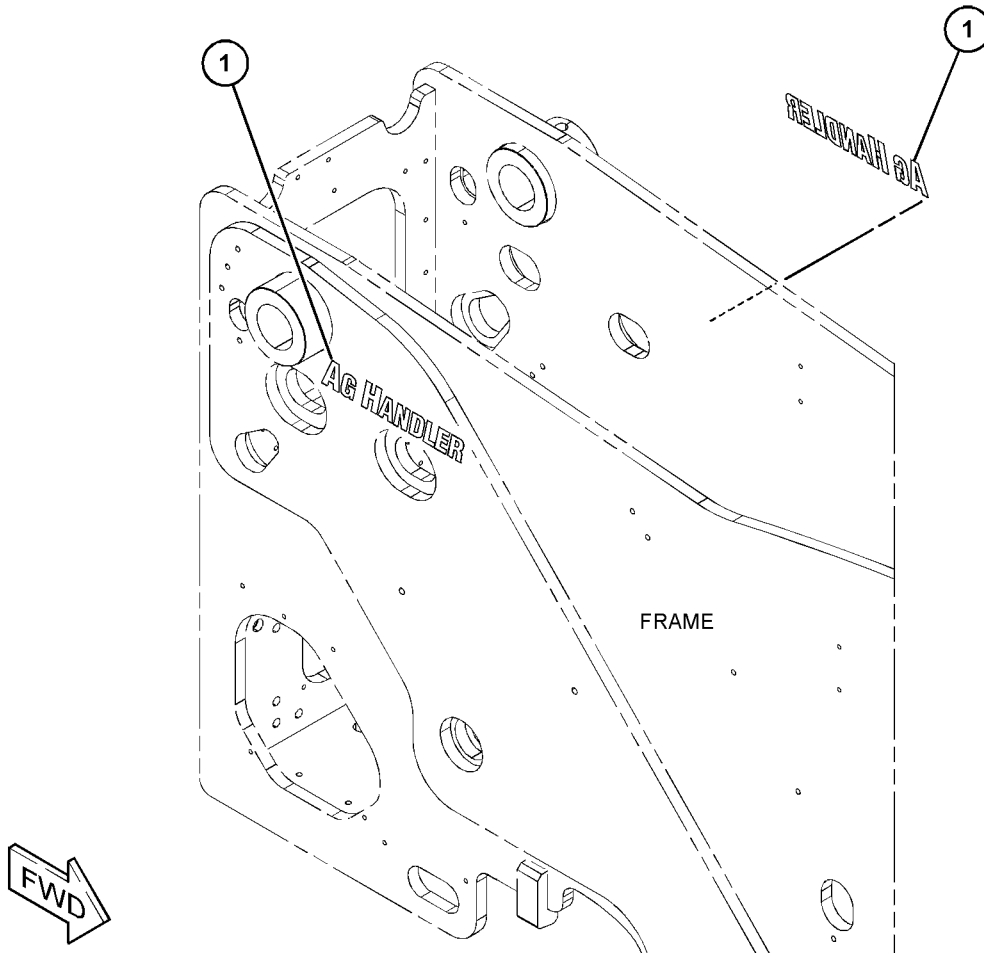
S/N: TH41-UP; TH91-UP

PART OF 518-0076, 518-0077 CHASSIS AR

SMCS-0375, 7405, 7557

i06811738

NOTE	REF NO	GRAPHIC REF	PART NUMBER	QTY	PART NAME						SEE PAGE
					1	2	3	4	5	6 (PRODUCT LEVEL)	
	1	1	520-6930	2	FILM-IDENTIFICATION (AGGREGATE HANDLER)						



GRAPHIC #1

<END>

g06129848

SERVICE EQUIPMENT AND SUPPLIES

557-8876 FILM GP-REAR

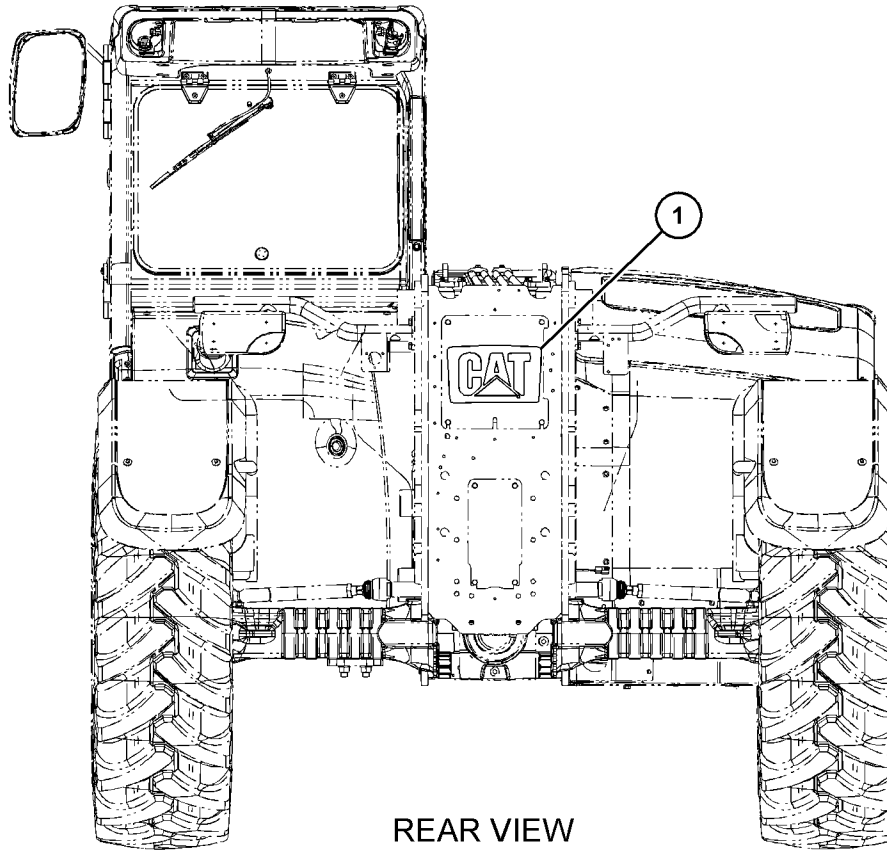
S/N: TH41-UP; TH91-UP

PART OF 518-0076, 518-0077 CHASSIS AR

SMCS-0375, 7405, 7557

i07457815

NOTE	REF NO	GRAPHIC REF	PART NUMBER	QTY	PART NAME						SEE PAGE
					1	2	3	4	5	6 (PRODUCT LEVEL)	
	1	1	322-8032	1	FILM-IDENTIFICATION (CAT, REAR)						



REAR VIEW

GRAPHIC #1

<END>

g06383303

SERVICE EQUIPMENT AND SUPPLIES

590-3204 FILM GP

S/N: TH41-UP; TH91-UP

PART OF 518-0076, 518-0077 CHASSIS AR

SMCS-0375, 7405, 7557

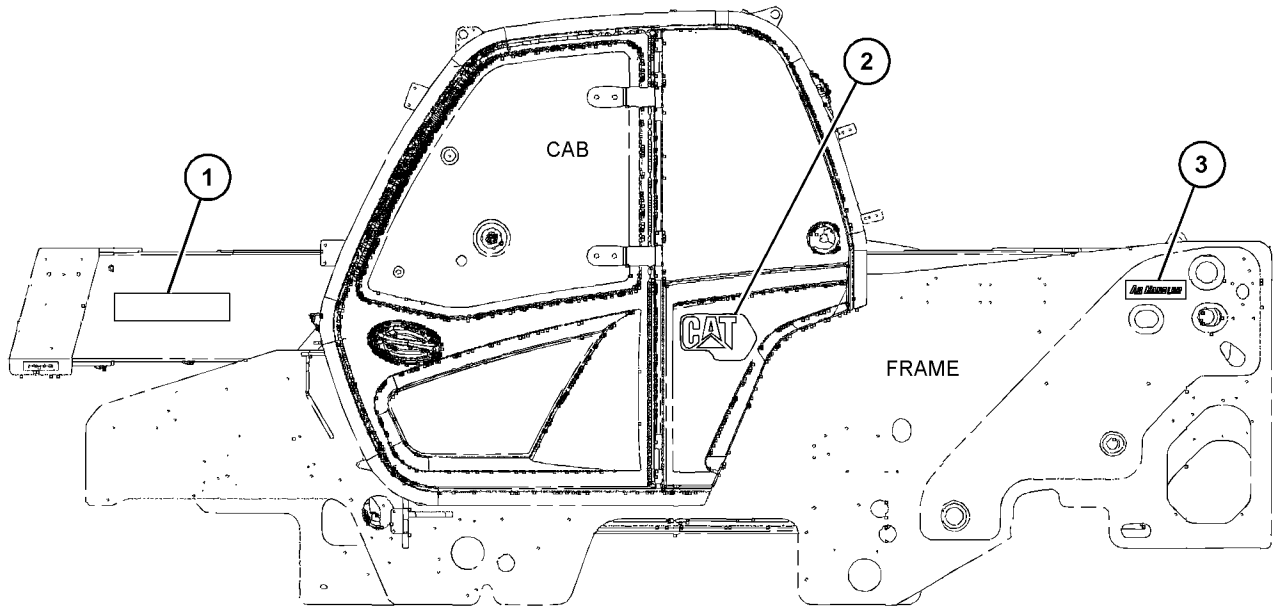
i08058948

NOTE	REF NO	GRAPHIC REF	PART NUMBER	QTY	PART NAME	SEE PAGE
					1 2 3 4 5 6 (PRODUCT LEVEL)	
	1	1	590-3172	2	FILM-IDENTIFICATION (TH408D)	
	2	1	590-3180	2	FILM-IDENTIFICATION (CAT)	
	3	1	590-3179	2	FILM-IDENTIFICATION (AGGREGATE HANDLER)	

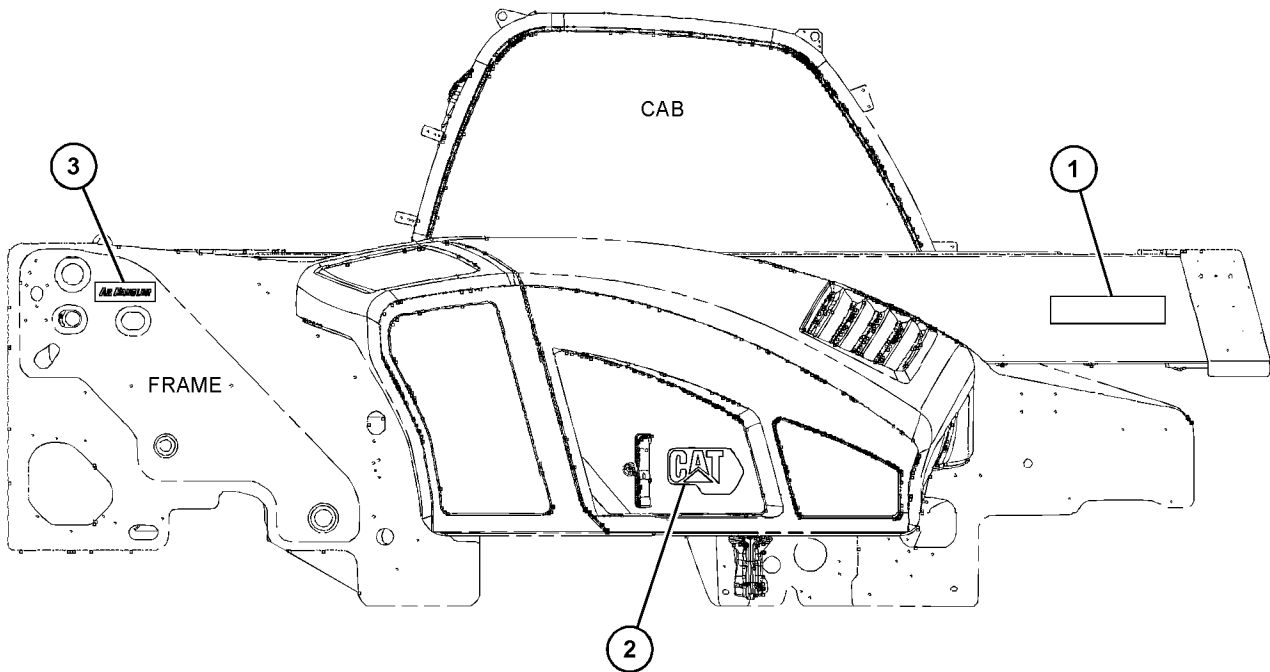
SERVICE EQUIPMENT AND SUPPLIES

590-3204 FILM GP (contd.)

i08058948



LEFT SIDE VIEW



RIGHT SIDE VIEW

GRAPHIC #1

<END>

g06563847

SERVICE EQUIPMENT AND SUPPLIES

457-3521 LOCK GP-VANDALISM

S/N: TH41-UP; TH91-UP

AN ATTACHMENT

SMCS-7315, 7430

i05743053

NOTE	PART NUMBER	QTY	PART NAME 1 2 3 4 5 6 (PRODUCT LEVEL)	SEE PAGE
	246-2641	3	PADLOCK GP	
			(EACH INCLUDES)	
	5P-8500	1	KEY	
			<END>	

503-6003 LOCK GP-VANDALISM

S/N: TH91-UP

AN ATTACHMENT

SMCS-7315, 7430

i06586879

NOTE	PART NUMBER	QTY	PART NAME 1 2 3 4 5 6 (PRODUCT LEVEL)	SEE PAGE
	246-2641	4	PADLOCK GP	
			(EACH INCLUDES)	
	5P-8500	1	KEY	
			<END>	

SERVICE EQUIPMENT AND SUPPLIES

443-1143 PLATE & FILM GP

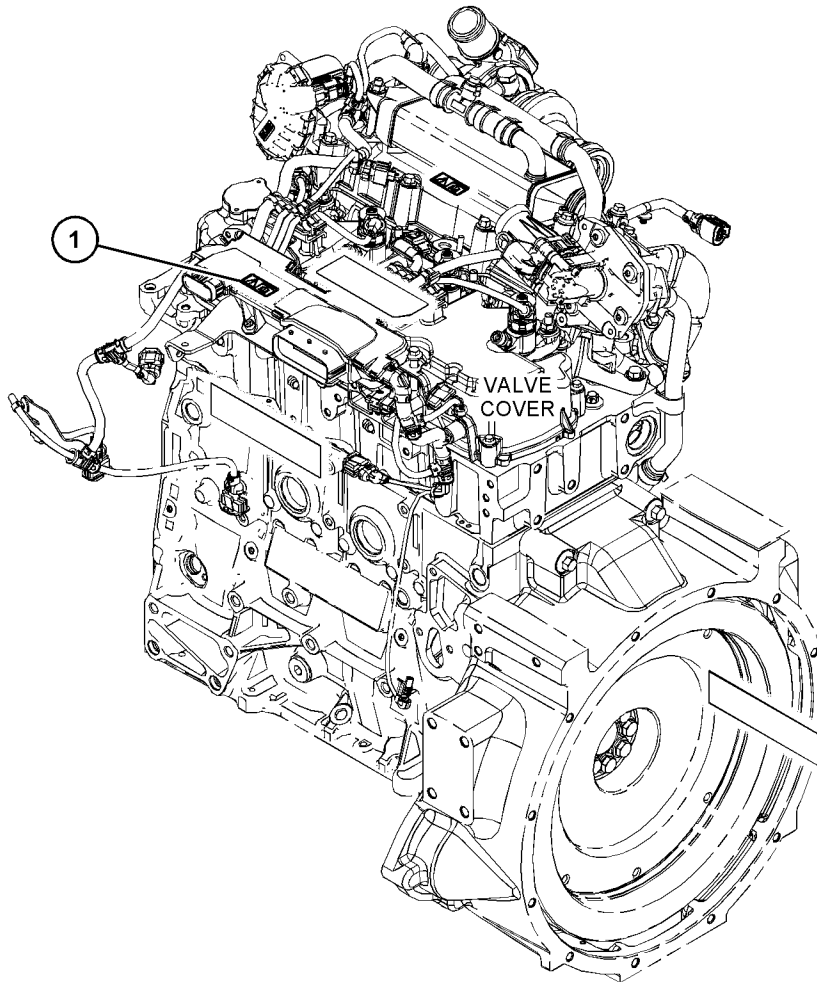
S/N: CN51-UP

PART OF 465-2880 ENGINE AR-PRIMARY
AN ATTACHMENT

SMCS-7405, 7557

i06252216

NOTE	REF NO	GRAPHIC REF	PART NUMBER	QTY	PART NAME						SEE PAGE
					1	2	3	4	5	6 (PRODUCT LEVEL)	
1	1	1	346-8219	2	FILM-WARNING (UNIVERSAL WARNING)						
2	1	1	381-1799	1	PLATE-IDENTIFICATION (CAT C3.4B)						
3	1	1	469-0462	1	FILM-IDENTIFICATION (EMISSION)						



GRAPHIC #1

<END>

g03825159

SERVICE EQUIPMENT AND SUPPLIES

501-7261 PLATE & FILM GP

S/N: TH91-UP

PART OF 523-1878, 523-1879, 523-1880, 523-1881, 523-1882 CONFIGURATION AR
AN ATTACHMENT

SMCS-7405, 7557

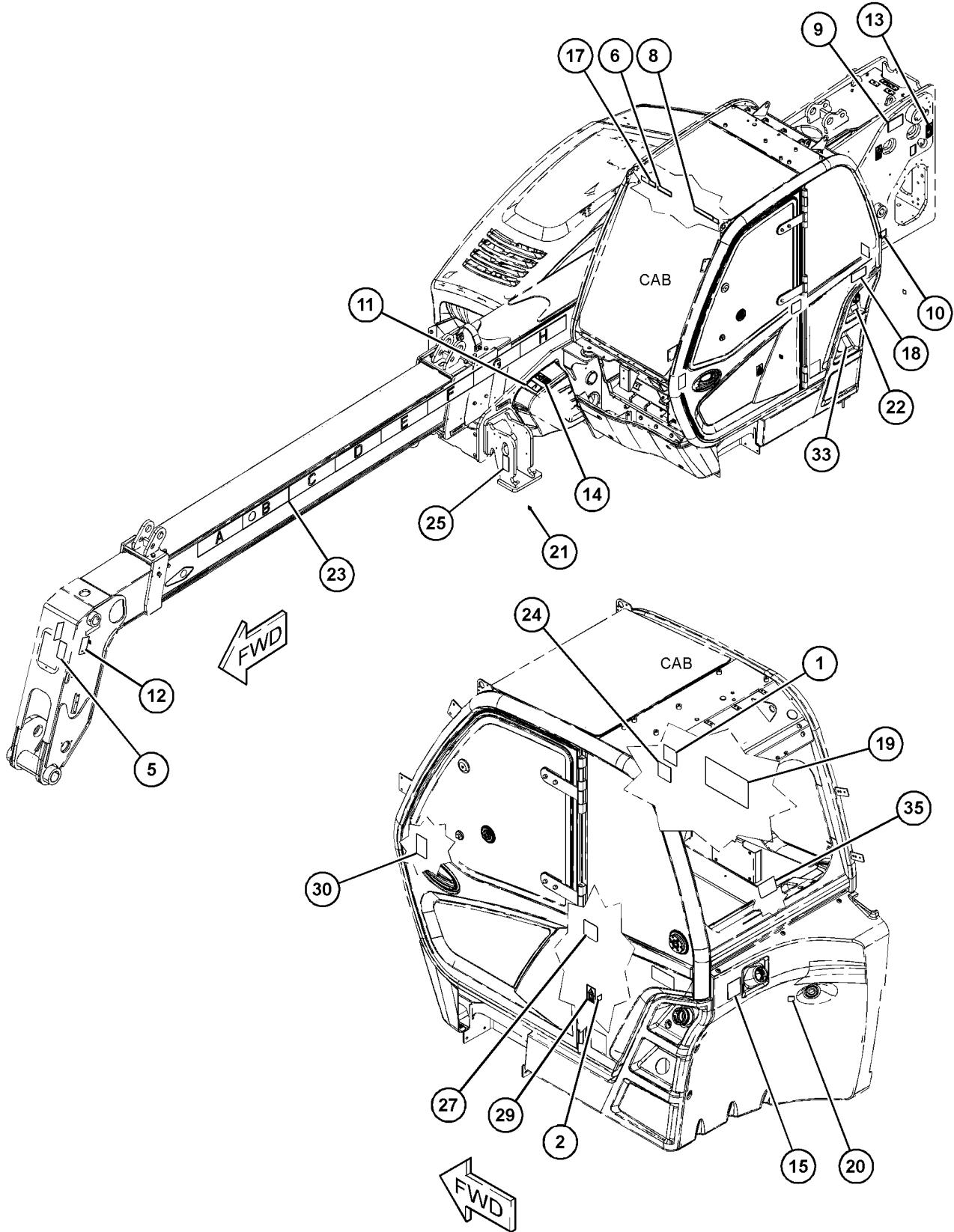
i07817032

NOTE	REF NO	GRAPHIC REF	PART NUMBER	QTY	PART NAME						SEE PAGE
					1	2	3	4	5	6 (PRODUCT LEVEL)	
1	1	1	559-3694	1	FILM-IDENTIFICATION (MANUALS INSIDE)						
2	1	1	559-7751	1	FILM-IDENTIFICATION (CAB CATEGORY STANDARD)						
3	2	2	323-5615	1	FILM-WARNING (ETHER START)						
4	2	2	314-5318	1	FILM-WARNING (BATTERY)						
5	1	1	557-0092	1	FILM-IDENTIFICATION (DO NOT STAND/RIDE FORKS)						
6	1	1	314-5321	1	FILM-WARNING (ELECTROCUTION HAZARD)						
7	2	2	314-5322	1	FILM-WARNING (MOVING PARTS)						
8	1	1	314-5324	1	FILM-WARNING (TIP OVER)						
9	1,2	1,2	314-5326	2	FILM-WARNING (PINCH POINT)						
10	1,2	1,2	303-4963	2	FILM-IDENTIFICATION (TIE-DOWN LOCATION)						
11	1,2	1,2	323-7256	2	FILM-WARNING (CYLINDER LOCK)						
12	1	1	323-7257	2	FILM-WARNING (RAISED BOOM, BUCKET)						
13	1,2	1,2	323-7262	2	FILM-WARNING (STAY CLEAR OF SWING AREA)						
14	1,2	1,2	421-2302	4	FILM-WARNING (SET BRAKE LEVER)						
15	1	1	323-5603	1	FILM-IDENTIFICATION (HYDRAULIC OIL FILLER)						
16	2	2	8T-9530	4	TACK (METAL)						
17	1	1	314-5315	1	FILM-WARNING (CRUSH HAZARD)						
18	1	1	314-5316	1	FILM-WARNING (NO RIDERS)						
19	1	1	330-4301	1	FILM-WARNING (CAB)						
20	1	1	389-3574	1	FILM-IDENTIFICATION (OIL LEVEL)						
21	1,2	1,2	559-7726	4	FILM-IDENTIFICATION (JACKING POINT)						
22	1	1	425-9082	1	FILM-INFORMATION (ULTRA LOW SULFUR FUEL)						
23	1	1	559-3692	1	FILM-IDENTIFICATION (BOOM, EXTEND)						
24	1	1	473-6955	1	FILM-INFORMATION (NO WELD, NO DRILL, READ OMM)						
25	1,2	1,2	326-2002	2	FILM-IDENTIFICATION (LIFTING, TIE-DOWN)						
26	2	2	3E-8320	1	PLATE-INSTRUCTION (BATTERY)						
27	1	1	569-1926	1	FILM-IDENTIFICATION (PARKING BRAKE)						
28	2	2	473-6957	1	FILM-INFORMATION (BATTERY POSITIVE)						
29	1,2	1,2	486-9886	2	FILM-IDENTIFICATION (READ OMM)						
30	1	1	480-9880	1	FILM-IDENTIFICATION (FUSE PANEL)						
32	2	2	488-7889	1	FILM-IDENTIFICATION (BATTERY DISCONNECT, READ OMM)						
33	1	1	486-9888	1	FILM-WARNING (DIESEL)						
34	2	2	453-8398	1	FILM-INSTRUCTION (NO PRESSURE WASHER)						
35	1	1	323-7259	1	FILM-WARNING (EMERGENCY EXIT)						

SERVICE EQUIPMENT AND SUPPLIES

501-7261 PLATE & FILM GP (contd.)

i07817032



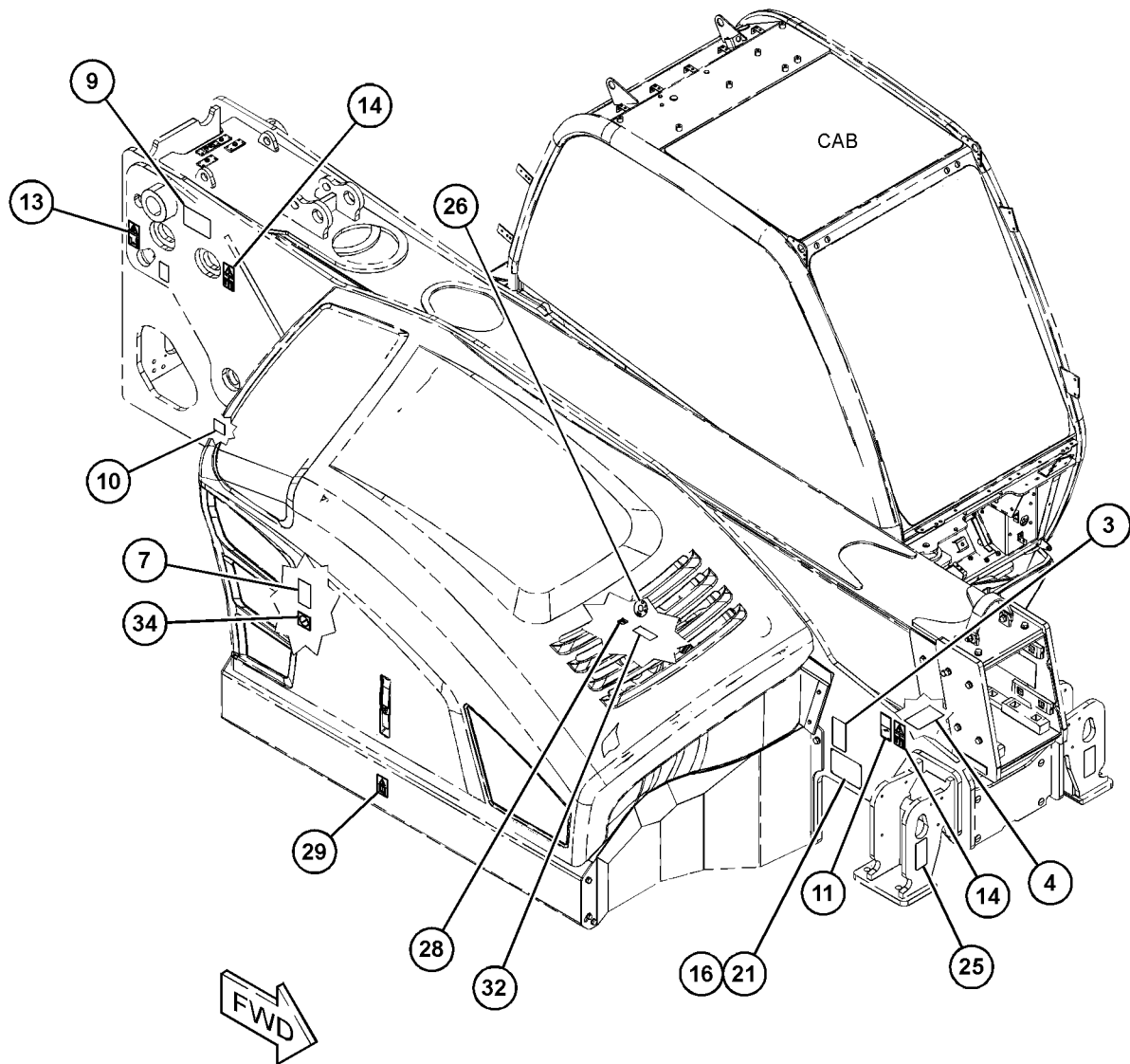
GRAPHIC #1

g06466770

SERVICE EQUIPMENT AND SUPPLIES

501-7261 PLATE & FILM GP (contd.)

107817032



GRAPHIC #2

<END>

g06466771

SERVICE EQUIPMENT AND SUPPLIES

501-7262 PLATE & FILM GP

S/N: TH41-UP

PART OF 523-1919, 523-1920, 523-1921 CONFIGURATION AR
AN ATTACHMENT

SMCS-7405, 7557

i07818161

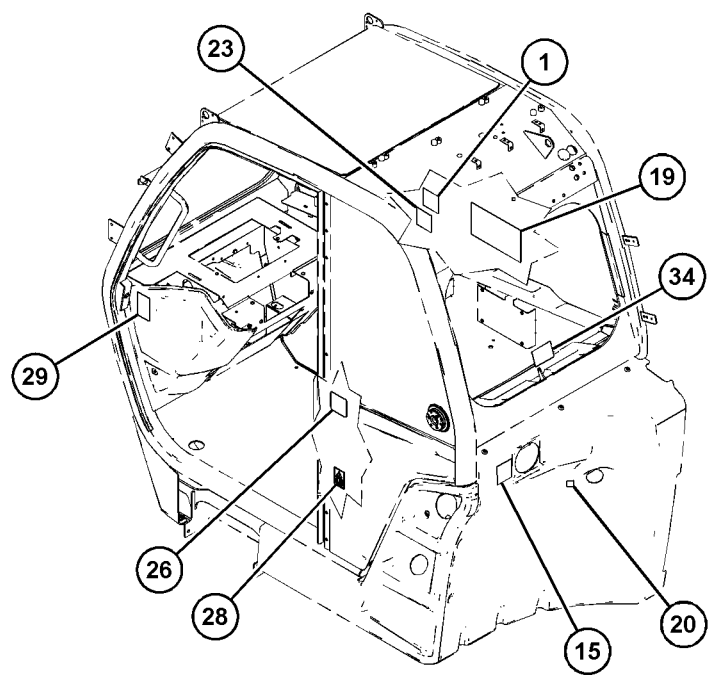
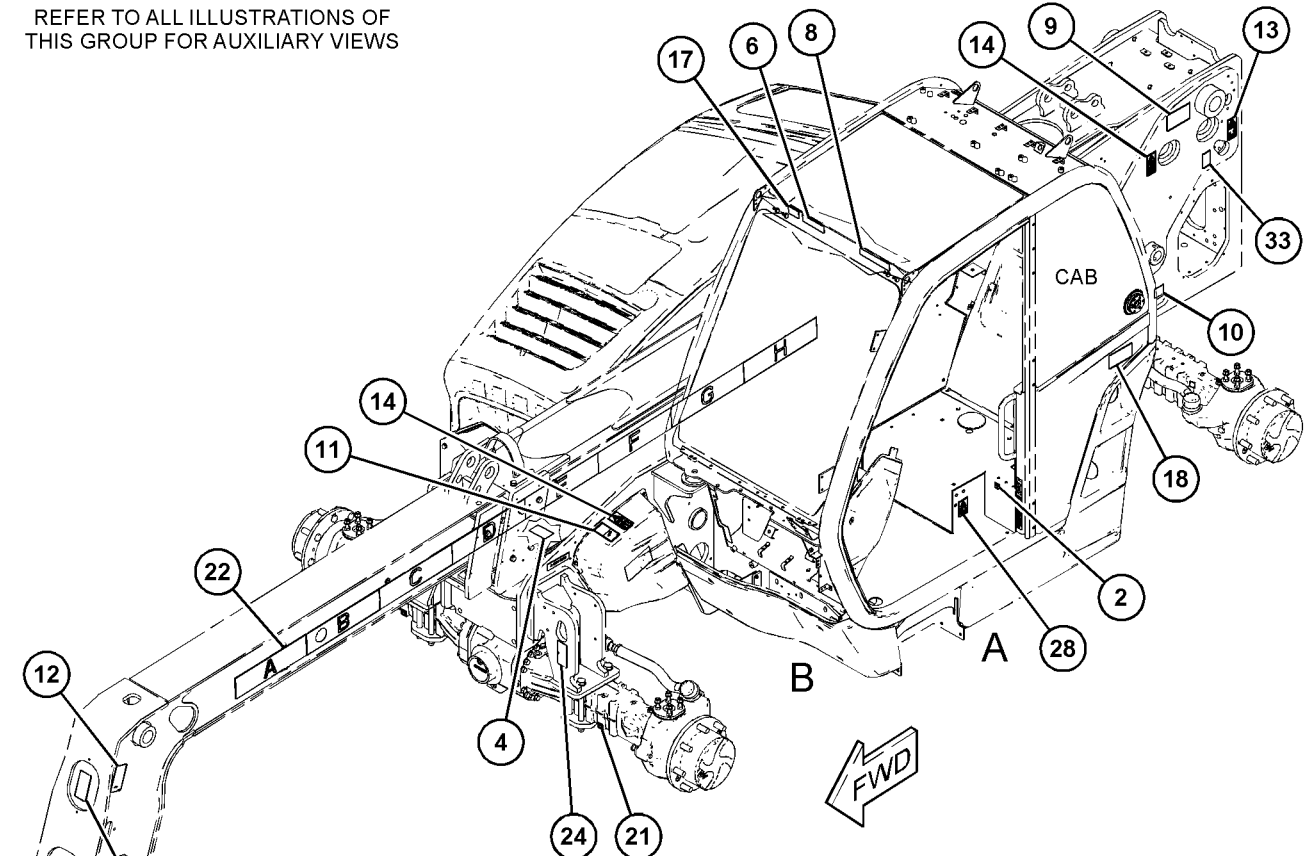
NOTE	REF NO	GRAPHIC REF	PART NUMBER	QTY	PART NAME						SEE PAGE
					1	2	3	4	5	6 (PRODUCT LEVEL)	
1	2		559-3694	1	FILM-IDENTIFICATION (MANUALS INSIDE)						
2	2		559-7751	1	FILM-IDENTIFICATION (CAB CATEGORY STANDARD)						
3	1		323-5615	1	FILM-WARNING (ETHER START)						
4	2		314-5318	1	FILM-WARNING (BATTERY)						
5	2		557-0092	1	FILM-IDENTIFICATION (DO NOT STAND/RIDE FORKS)						
6	2		314-5321	1	FILM-WARNING (ELECTROCUTION HAZARD)						
7	1		314-5322	1	FILM-WARNING (MOVING PARTS)						
8	2		314-5324	1	FILM-WARNING (TIP OVER)						
9	1,2		314-5326	2	FILM-WARNING (PINCH POINT)						
10	1,2		303-4963	2	FILM-IDENTIFICATION (TIE-DOWN LOCATION)						
11	1,2		323-7256	2	FILM-WARNING (CYLINDER LOCK)						
12	2		323-7257	2	FILM-WARNING (RAISED BOOM, BUCKET)						
13	1,2		323-7262	2	FILM-WARNING (STAY CLEAR OF SWING AREA)						
14	1,2		421-2302	4	FILM-WARNING (SET BRAKE LEVER)						
15	2		323-5603	1	FILM-IDENTIFICATION (HYDRAULIC OIL FILLER)						
16	1		8T-9530	4	TACK (METAL)						
17	2		314-5315	1	FILM-WARNING (CRUSH HAZARD)						
18	2		314-5316	1	FILM-WARNING (NO RIDERS)						
19	2		330-4301	1	FILM-WARNING (CAB)						
20	2		389-3574	1	FILM-IDENTIFICATION (OIL LEVEL)						
21	1,2		559-7726	4	FILM-IDENTIFICATION (JACKING POINT)						
22	2		559-3692	1	FILM-IDENTIFICATION (BOOM, EXTEND)						
23	2		473-6955	1	FILM-INFORMATION (NO WELD, NO DRILL, READ OMM)						
24	1,2		326-2002	2	FILM-IDENTIFICATION (LIFTING, TIE-DOWN)						
25	1		3E-8320	1	PLATE-INSTRUCTION (BATTERY)						
26	2		512-9095	1	FILM-IDENTIFICATION (PARKING BRAKE, READ MANUAL)						
27	1		473-6957	1	FILM-INFORMATION (BATTERY POSITIVE)						
28	1,2		486-9886	2	FILM-IDENTIFICATION (READ OMM)						
29	2		480-9880	1	FILM-IDENTIFICATION (FUSE PANEL)						
31	1		488-7889	1	FILM-IDENTIFICATION (BATTERY DISCONNECT, READ OMM)						
32	1		453-8398	1	FILM-INSTRUCTION (NO PRESSURE WASHER)						
33	1,2		323-7254	2	FILM-INSTRUCTION (LIFT POINT)						
34	2		323-7259	1	FILM-WARNING (EMERGENCY EXIT)						

SERVICE EQUIPMENT AND SUPPLIES

501-7262 PLATE & FILM GP (contd.)

i07818161

REFER TO ALL ILLUSTRATIONS OF THIS GROUP FOR AUXILIARY VIEWS



VIEW OF AREA A (PARTS REMOVED FOR CLARITY)

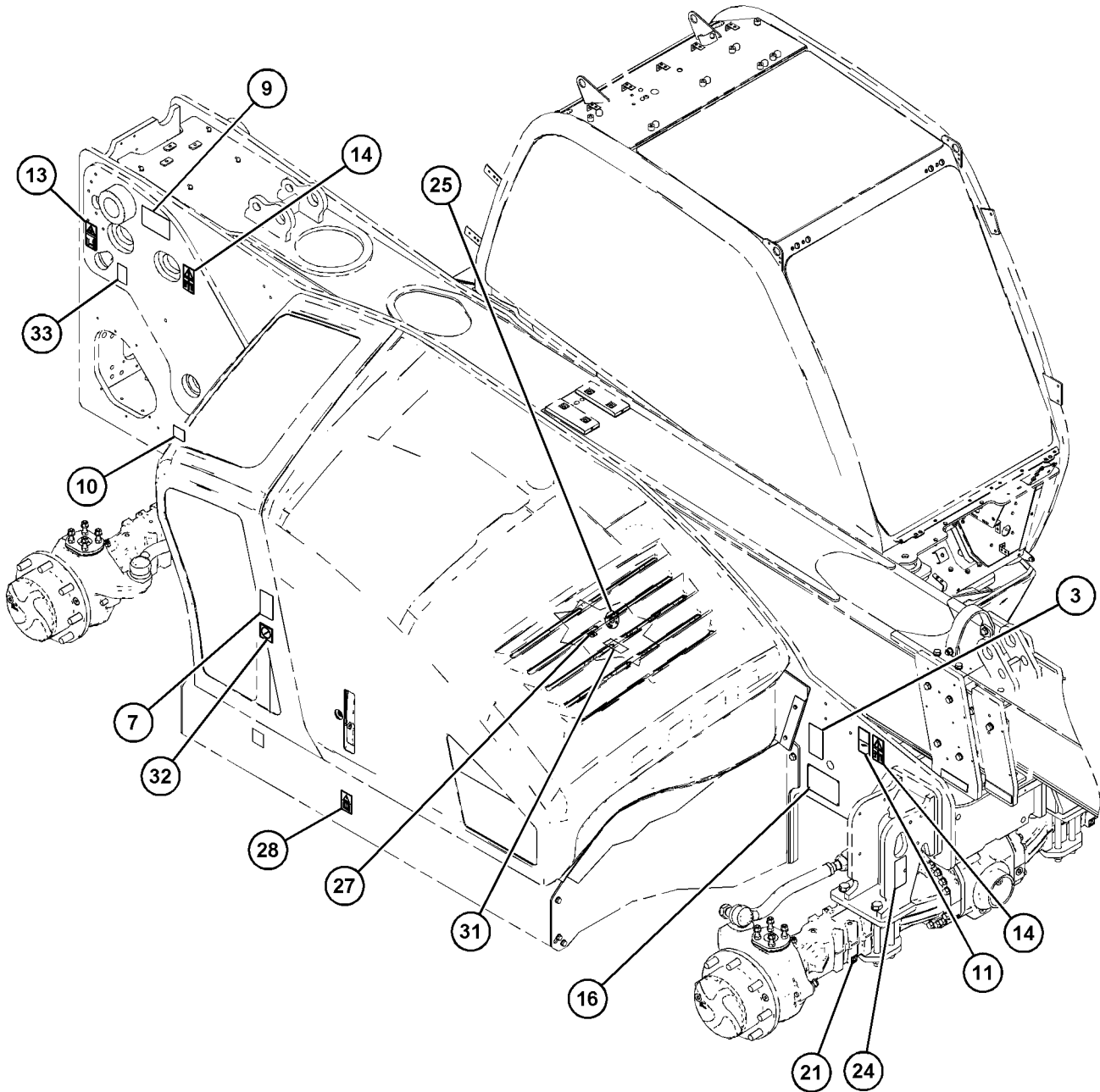
GRAPHIC #1

g06466487

SERVICE EQUIPMENT AND SUPPLIES

501-7262 PLATE & FILM GP (contd.)

i07818161



VIEW OF AREA B 

GRAPHIC #2

<END>

g06466488

SERVICE EQUIPMENT AND SUPPLIES

501-7263 PLATE & FILM GP

S/N: TH41-UP

AUSTRALIA

PART OF 523-1923 CONFIGURATION AR

AN ATTACHMENT

SMCS-7405, 7557

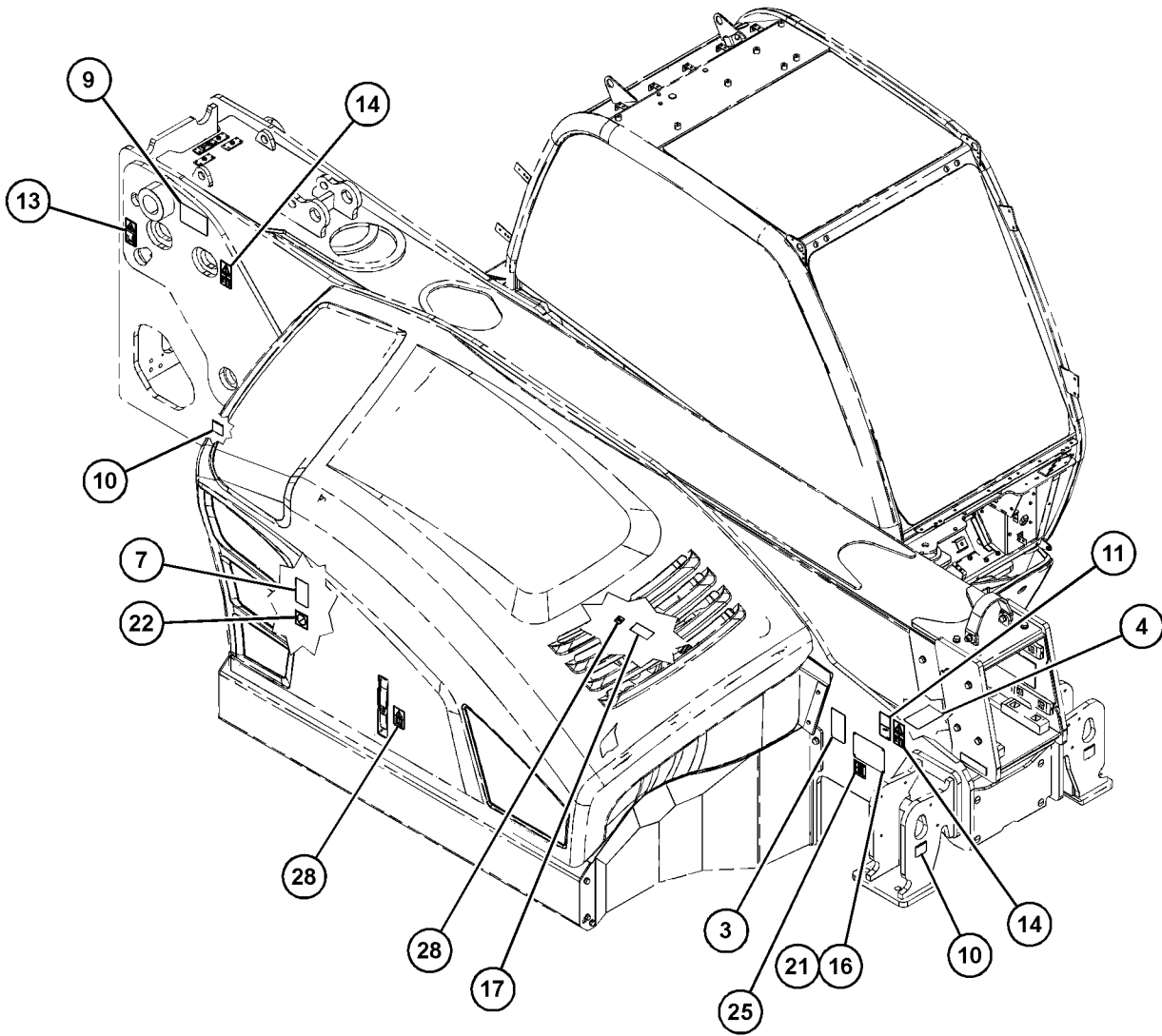
i07817999

NOTE	REF NO	GRAPHIC REF	PART NUMBER	QTY	PART NAME						SEE PAGE
					1	2	3	4	5	6 (PRODUCT LEVEL)	
	1	1	559-3694	1	FILM-IDENTIFICATION (MANUALS INSIDE)						
	3	2	323-5615	1	FILM-WARNING (ETHER START)						
	4	2	314-5318	1	FILM-WARNING (BATTERY)						
	5	1	557-0092	1	FILM-IDENTIFICATION (DO NOT STAND/RIDE FORKS)						
	6	1	314-5321	1	FILM-WARNING (ELECTROCUTION HAZARD)						
	7	2	314-5322	1	FILM-WARNING (MOVING PARTS)						
	8	1	314-5324	1	FILM-WARNING (TIP OVER)						
	9	1,2	314-5326	2	FILM-WARNING (PINCH POINT)						
	10	1,2	303-4963	2	FILM-IDENTIFICATION (TIE-DOWN LOCATION)						
	11	1,2	323-7256	2	FILM-WARNING (CYLINDER LOCK)						
	12	1	323-7257	2	FILM-WARNING (RAISED BOOM, BUCKET)						
	13	1,2	323-7262	2	FILM-WARNING (STAY CLEAR OF SWING AREA)						
	14	1,2	421-2302	4	FILM-WARNING (SET BRAKE LEVER)						
	15	1	323-5603	1	FILM-IDENTIFICATION (HYDRAULIC OIL FILLER)						
	16	2	299-0354	1	GAUGE (TILT ANGLE)						
	17	2	8T-9530	4	TACK (METAL)						
	18	1	314-5315	1	FILM-WARNING (CRUSH HAZARD)						
	19	1	314-5316	1	FILM-WARNING (NO RIDERS)						
	20	1	330-4301	1	FILM-WARNING (CAB)						
	21	1,2	389-3574	1	FILM-IDENTIFICATION (OIL LEVEL)						
	23	1	559-3692	1	FILM-IDENTIFICATION (BOOM, EXTEND)						
	24	1	473-6955	1	FILM-INFORMATION (NO WELD, NO DRILL, READ OMM)						
	27	1	512-9095	1	FILM-IDENTIFICATION (PARKING BRAKE, READ MANUAL)						
	28	2	473-6957	1	FILM-INFORMATION (BATTERY POSITIVE)						
	29	1	486-9886	2	FILM-IDENTIFICATION (READ OMM)						
	30	1	480-9880	1	FILM-IDENTIFICATION (FUSE PANEL)						
	32	1	488-7889	1	FILM-IDENTIFICATION (BATTERY DISCONNECT, READ OMM)						
	33	1	453-8398	1	FILM-INSTRUCTION (NO PRESSURE WASHER)						
	34	1	323-7254	2	FILM-INSTRUCTION (LIFT POINT)						
	35	1	323-7259	1	FILM-WARNING (EMERGENCY EXIT)						
	36	1	3E-8320	1	PLATE-INSTRUCTION (BATTERY)						
	37	1	326-2002	2	FILM-IDENTIFICATION (LIFTING, TIE-DOWN)						
	38	1	352-4118	1	PLATE-CERTIFICATION (ROPS, FOPS, AUSTRALIA)						

SERVICE EQUIPMENT AND SUPPLIES

501-7263 PLATE & FILM GP (contd.)

i07817999



VIEW OF AREA B 

GRAPHIC #1

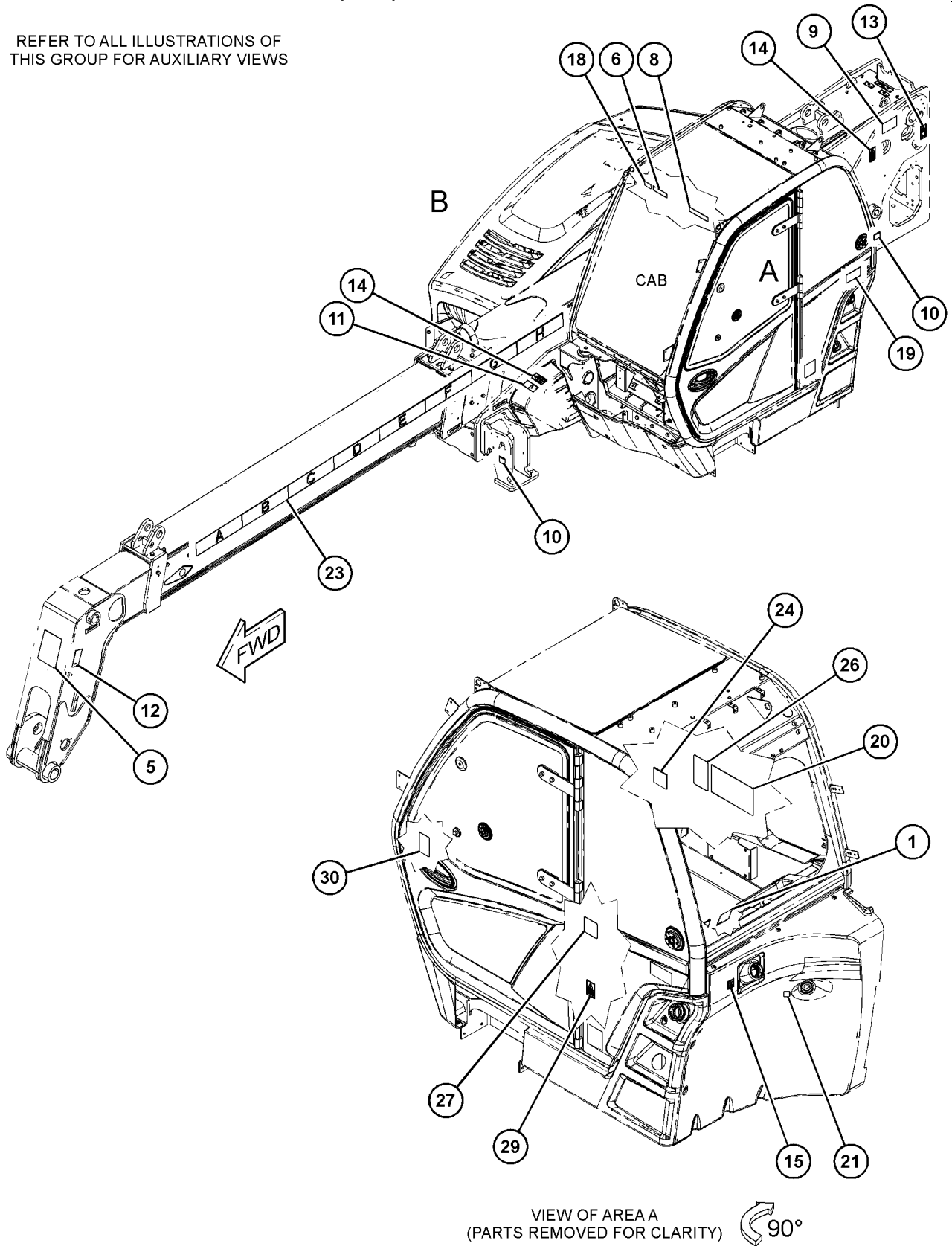
g06368790

SERVICE EQUIPMENT AND SUPPLIES

501-7263 PLATE & FILM GP (contd.)

i07817999

REFER TO ALL ILLUSTRATIONS OF THIS GROUP FOR AUXILIARY VIEWS



GRAPHIC #2

<END>

g06467107

SERVICE EQUIPMENT AND SUPPLIES

501-7264 PLATE & FILM GP

S/N: TH41-UP

RUSSIA

PART OF 523-1922 CONFIGURATION AR
AN ATTACHMENT

SMCS-7405, 7557

i07817021

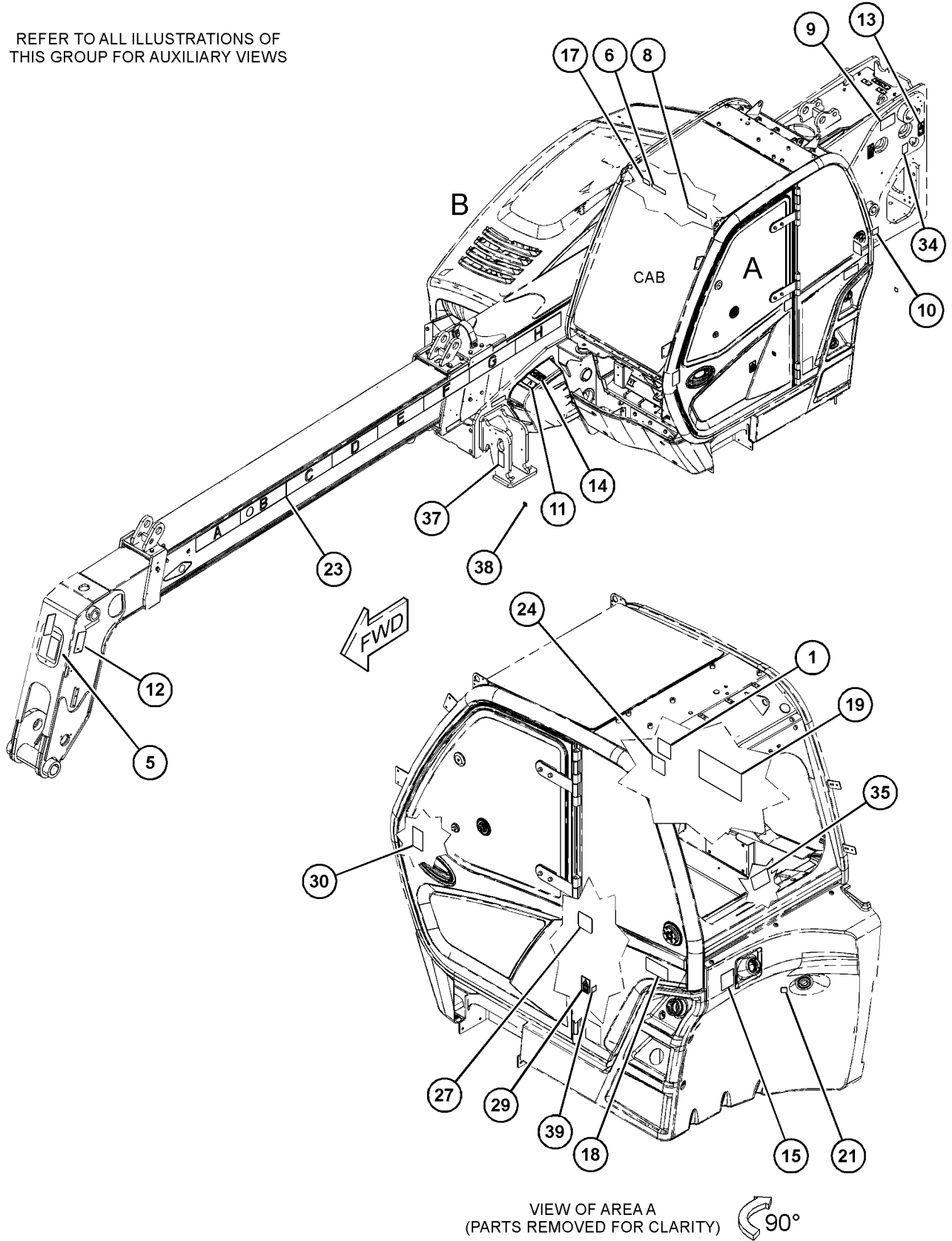
NOTE	REF NO	GRAPHIC REF	PART NUMBER	QTY	PART NAME						SEE PAGE
					1	2	3	4	5	6 (PRODUCT LEVEL)	
	1	1	559-3694	1	FILM-IDENTIFICATION (MANUALS INSIDE)						
	3	2	323-5615	1	FILM-WARNING (ETHER START)						
	4	2	314-5318	1	FILM-WARNING (BATTERY)						
	5	1	557-0092	1	FILM-IDENTIFICATION (DO NOT STAND/RIDE FORKS)						
	6	1	314-5321	1	FILM-WARNING (ELECTROCUTION HAZARD)						
	7	2	314-5322	1	FILM-WARNING (MOVING PARTS)						
	8	1	314-5324	1	FILM-WARNING (TIP OVER)						
	9	1,2	314-5326	2	FILM-WARNING (PINCH POINT)						
	10	1,2	303-4963	2	FILM-IDENTIFICATION (TIE-DOWN LOCATION)						
	11	1,2	323-7256	2	FILM-WARNING (CYLINDER LOCK)						
	12	1,2	323-7257	2	FILM-WARNING (RAISED BOOM, BUCKET)						
	13	1,2	323-7262	2	FILM-WARNING (STAY CLEAR OF SWING AREA)						
	14	1,2	421-2302	4	FILM-WARNING (SET BRAKE LEVER)						
	15	1	323-5603	1	FILM-IDENTIFICATION (HYDRAULIC OIL FILLER)						
	17	1	314-5315	1	FILM-WARNING (CRUSH HAZARD)						
	18	1	314-5316	1	FILM-WARNING (NO RIDERS)						
	19	1	330-4301	1	FILM-WARNING (CAB)						
	20	2	368-7759	1	FILM-INFORMATION (PCT)						
	21	1	389-3574	1	FILM-IDENTIFICATION (OIL LEVEL)						
	23	1	559-3692	1	FILM-IDENTIFICATION (BOOM, EXTEND)						
	24	1	473-6955	1	FILM-INFORMATION (NO WELD, NO DRILL, READ OMM)						
	25	2	460-2867	1	FILM-IDENTIFICATION (EAC)						
	27	1	512-9095	1	FILM-IDENTIFICATION (PARKING BRAKE, READ MANUAL)						
	28	2	473-6957	1	FILM-INFORMATION (BATTERY POSITIVE)						
	29	1,2	486-9886	2	FILM-IDENTIFICATION (READ OMM)						
	30	1	480-9880	1	FILM-IDENTIFICATION (FUSE PANEL)						
	32	2	488-7889	1	FILM-IDENTIFICATION (BATTERY DISCONNECT, READ OMM)						
	33	2	453-8398	1	FILM-INSTRUCTION (NO PRESSURE WASHER)						
	34	1,2	323-7254	2	FILM-INSTRUCTION (LIFT POINT)						
	35	1	323-7259	1	FILM-WARNING (EMERGENCY EXIT)						
	36	2	3E-8320	1	PLATE-INSTRUCTION (BATTERY)						
	37	1,2	326-2002	2	FILM-IDENTIFICATION (LIFTING, TIE-DOWN)						
	38	1	559-7726	4	FILM-IDENTIFICATION (JACKING POINT)						
	39	1	559-7751	1	FILM-IDENTIFICATION (CAB CATEGORY STANDARD)						

SERVICE EQUIPMENT AND SUPPLIES

501-7264 PLATE & FILM GP (contd.)

i07817021

REFER TO ALL ILLUSTRATIONS OF THIS GROUP FOR AUXILIARY VIEWS



VIEW OF AREA A
(PARTS REMOVED FOR CLARITY)

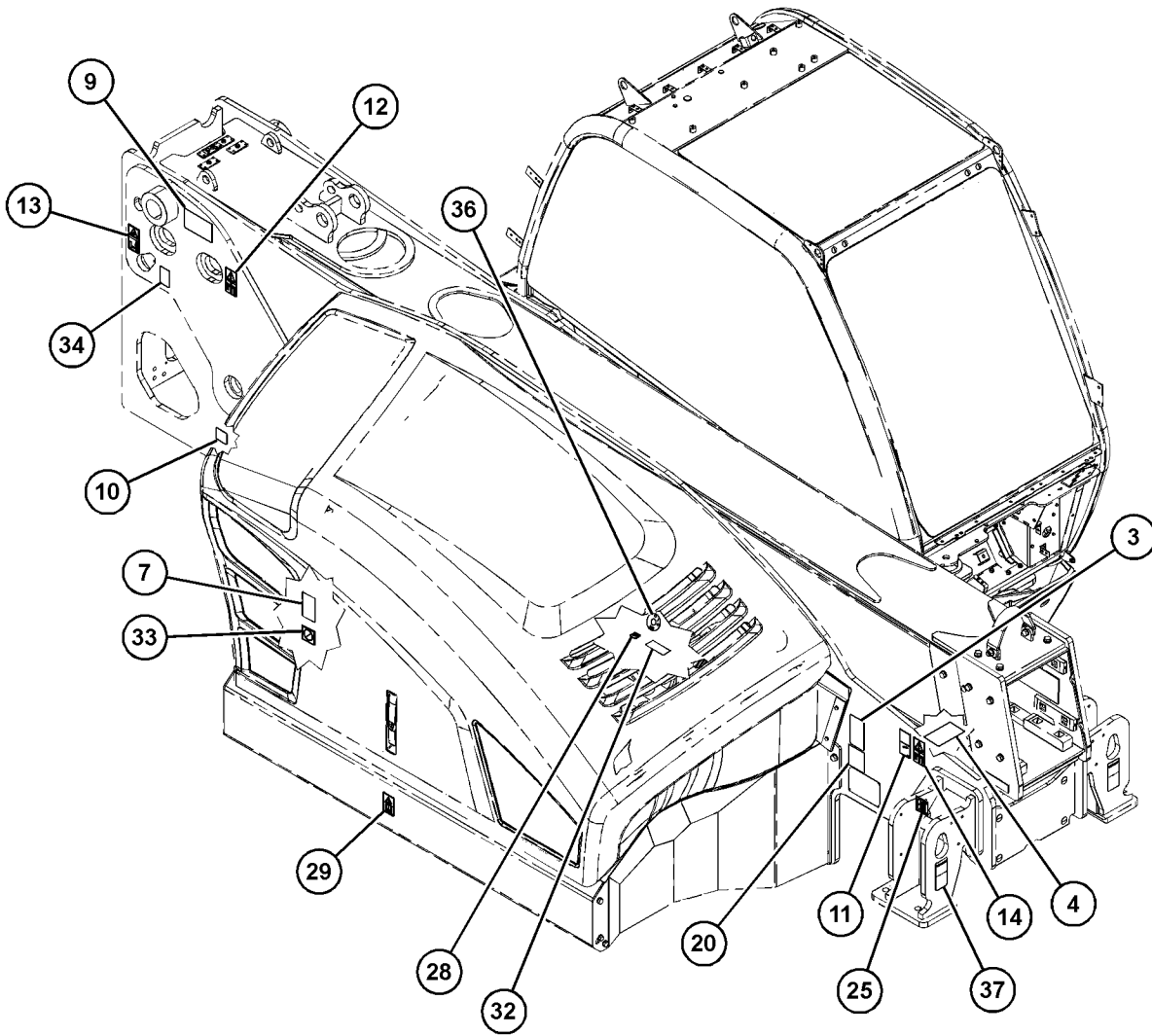
GRAPHIC #1

g06478696

SERVICE EQUIPMENT AND SUPPLIES

501-7264 PLATE & FILM GP (contd.)

i07817021



VIEW OF AREA B 

GRAPHIC #2

<END>

g06478697

SERVICE EQUIPMENT AND SUPPLIES

501-7265 PLATE & FILM GP-ANSI

S/N: TH91-UP

PART OF 523-1883, 523-1884 CONFIGURATION AR
AN ATTACHMENT

SMCS-7405, 7557

i07897294

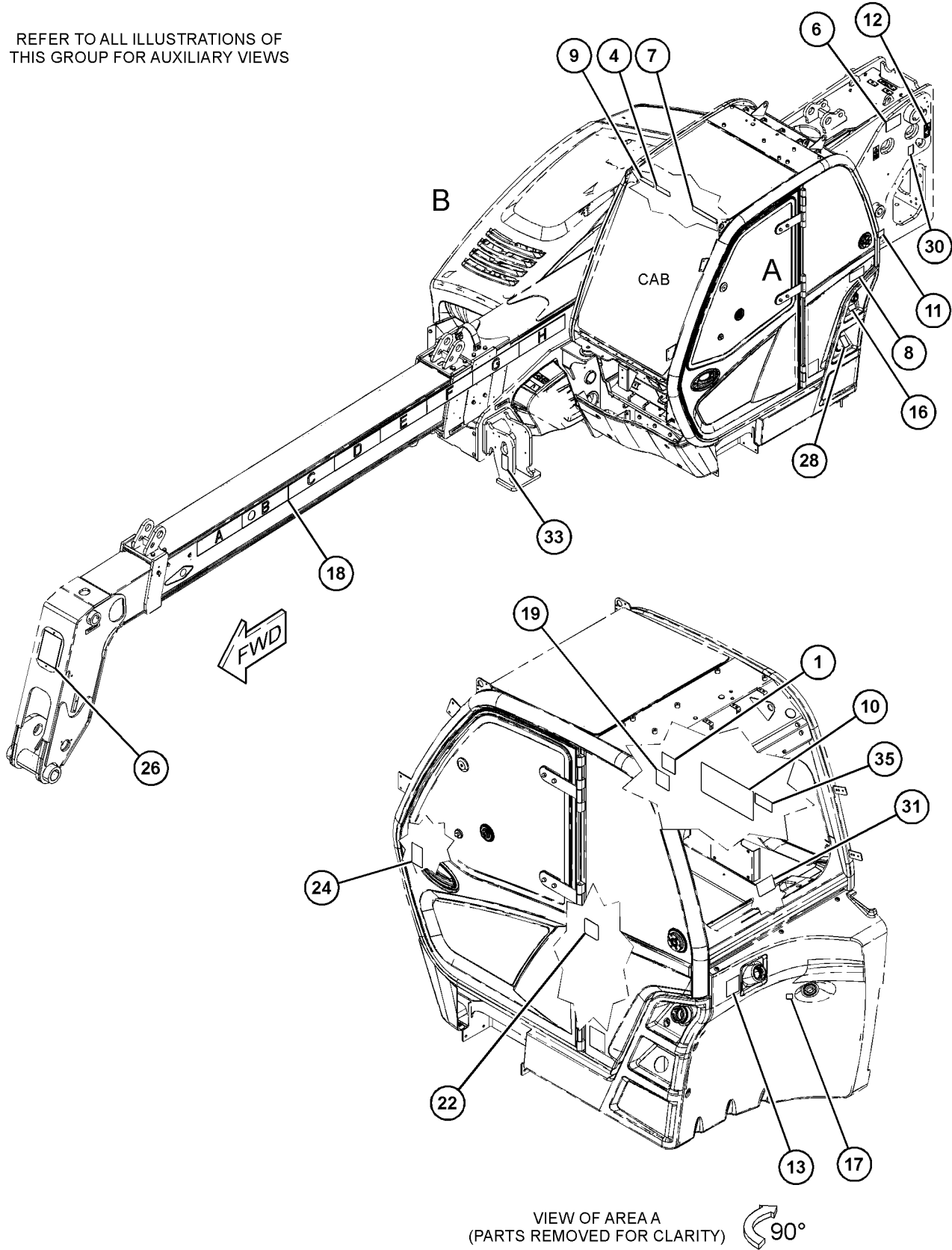
NOTE	REF NO	GRAPHIC REF	PART NUMBER	QTY	PART NAME						SEE PAGE
					1	2	3	4	5	6 (PRODUCT LEVEL)	
	1	1	559-3694	1	FILM-IDENTIFICATION (MANUALS INSIDE)						
	2	2	323-5615	1	FILM-WARNING (ETHER START)						
	3	2	303-4939	1	FILM-WARNING (BATTERY, EXPLOSIVE GAS)						
	4	1	303-4941	1	FILM-WARNING (POWER LINES CLEARANCE)						
	5	2	303-4942	1	FILM-WARNING (ROTATING)						
	6	1,2	303-4943	2	FILM-WARNING (PINCH POINT)						
	7	1	303-4946	1	FILM-WARNING (TIP OVER)						
	8	1	303-4948	1	FILM-WARNING (NO RIDERS)						
	9	1	303-4949	1	FILM-WARNING (CRUSH HAZARD)						
	10	1	330-4304	1	FILM-WARNING (HAZARD, READ OMM)						
	11	1,2	303-4963	2	FILM-IDENTIFICATION (TIE-DOWN LOCATION)						
	12	1,2	323-7262	2	FILM-WARNING (STAY CLEAR OF SWING AREA)						
	13	1	323-5603	1	FILM-IDENTIFICATION (HYDRAULIC OIL FILLER)						
	16	1	421-2305	1	FILM-INFORMATION (ULTRA LOW SULFUR FUEL)						
	17	1	389-3574	1	FILM-IDENTIFICATION (OIL LEVEL)						
	18	1	559-3692	1	FILM-IDENTIFICATION (BOOM, EXTEND)						
	19	1	473-6955	1	FILM-INFORMATION (NO WELD, NO DRILL, READ OMM)						
	22	1	512-9095	1	FILM-IDENTIFICATION (PARKING BRAKE, READ MANUAL)						
	23	2	473-6957	1	FILM-INFORMATION (BATTERY POSITIVE)						
	24	1	480-9880	1	FILM-IDENTIFICATION (FUSE PANEL)						
	26	1	557-0092	1	FILM-IDENTIFICATION (DO NOT STAND/RIDE FORKS)						
	27	2	488-7889	1	FILM-IDENTIFICATION (BATTERY DISCONNECT, READ OMM)						
	28	1	486-9888	1	FILM-WARNING (DIESEL)						
	29	2	453-8398	1	FILM-INSTRUCTION (NO PRESSURE WASHER)						
	30	1,2	323-7254	2	FILM-INSTRUCTION (LIFT POINT)						
	31	1	323-7259	1	FILM-WARNING (EMERGENCY EXIT)						
	32	2	3E-8320	1	PLATE-INSTRUCTION (BATTERY)						
	33	1,2	326-2002	2	FILM-IDENTIFICATION (LIFTING, TIE-DOWN)						
	34	2	560-9670	1	FILM-IDENTIFICATION (CANADIAN STANDARDS ASSOCIATION)						
	35	1	567-6091	1	FILM-WARNING (PROPOSITION 65)						

SERVICE EQUIPMENT AND SUPPLIES

501-7265 PLATE & FILM GP (contd.)

i07897294

REFER TO ALL ILLUSTRATIONS OF THIS GROUP FOR AUXILIARY VIEWS



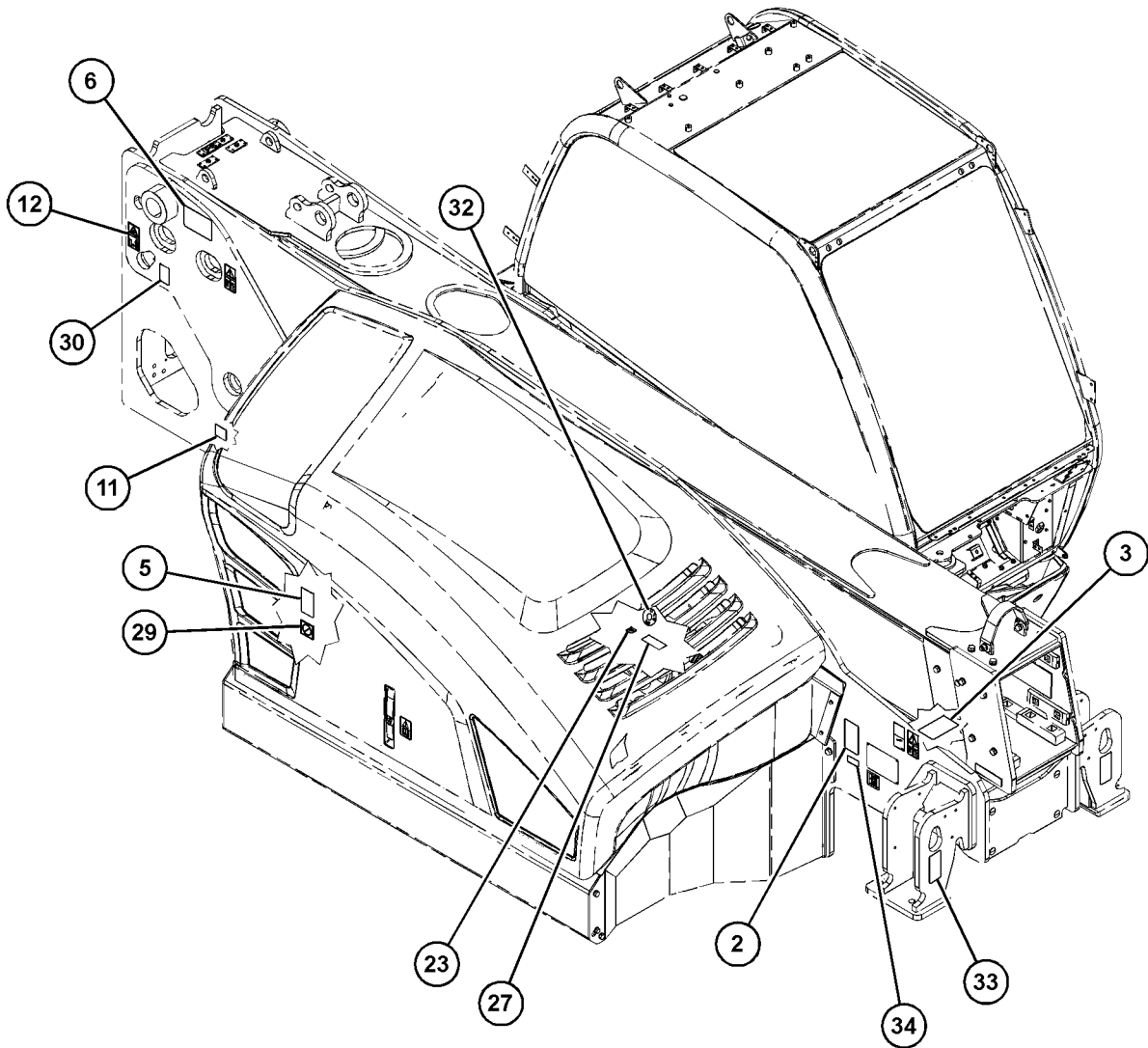
GRAPHIC #1

g06499421

SERVICE EQUIPMENT AND SUPPLIES

501-7265 PLATE & FILM GP (contd.)

107897294



VIEW OF AREA B 

GRAPHIC #2

<END>

g06499422

SERVICE EQUIPMENT AND SUPPLIES

514-9456 PLATE & FILM GP

S/N: TH91-UP

PART OF 523-1883, 523-1884 CONFIGURATION AR
AN ATTACHMENT

SMCS-7405, 7557

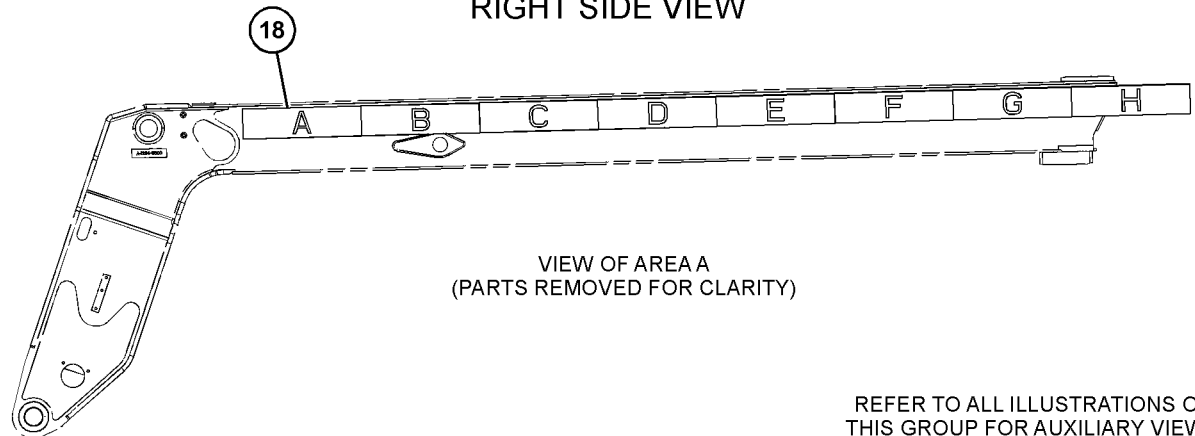
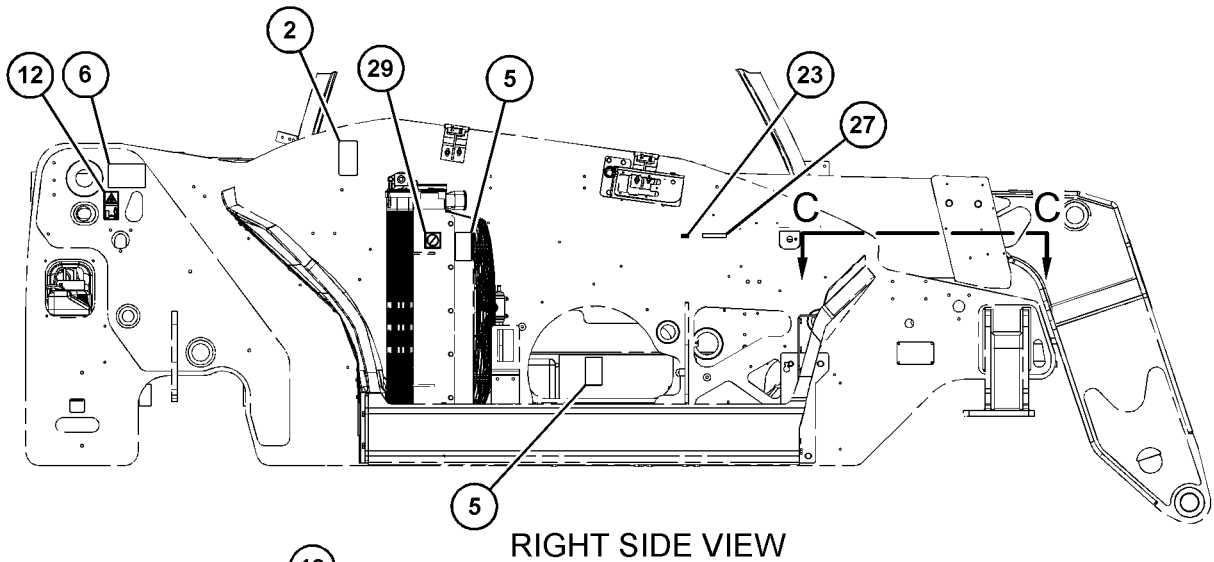
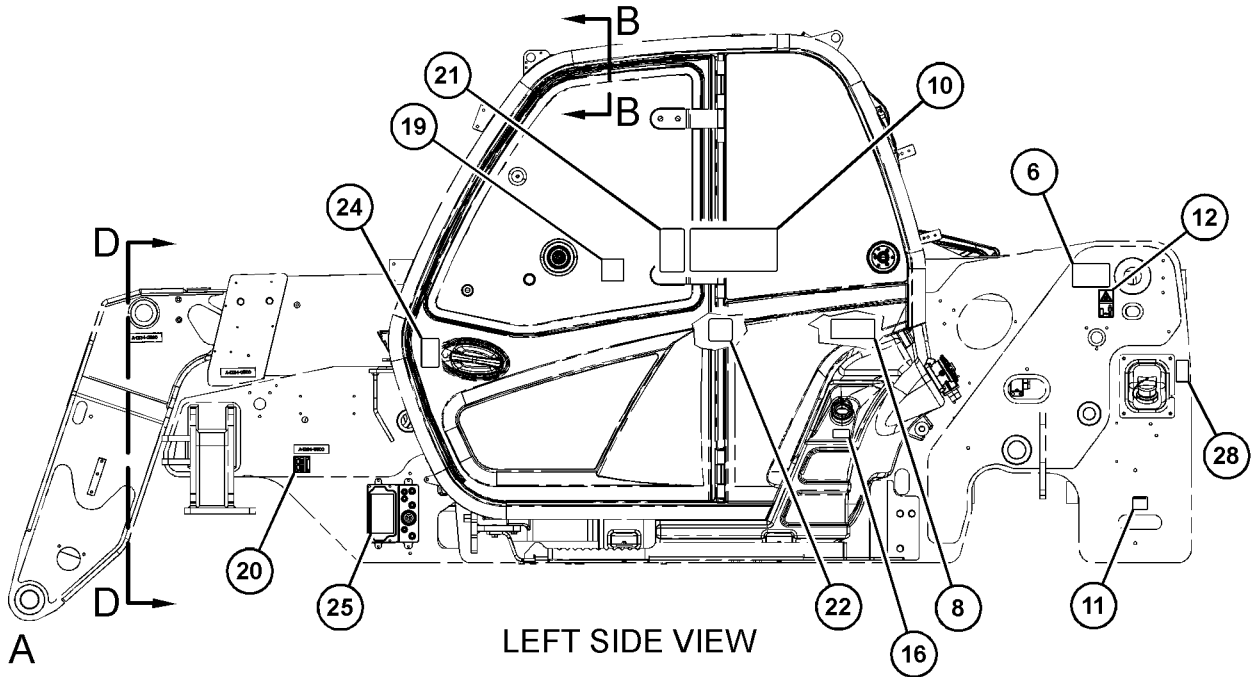
i06893212

NOTE	REF NO	GRAPHIC REF	PART NUMBER	QTY	PART NAME						SEE PAGE
					1	2	3	4	5	6 (PRODUCT LEVEL)	
	1	2	335-8056	1	FILM-INFORMATION (MANUAL)						
	2	1	323-5615	1	FILM-WARNING (ETHER START)						
	3	2	303-4939	1	FILM-WARNING (BATTERY, EXPLOSIVE GAS)						
	4	2	303-4941	1	FILM-WARNING (POWER LINES CLEARANCE)						
	5	1	303-4942	2	FILM-WARNING (ROTATING)						
	6	1	303-4943	2	FILM-WARNING (PINCH POINT)						
	7	2	303-4946	1	FILM-WARNING (TIP OVER)						
	8	1	303-4948	1	FILM-WARNING (NO RIDERS)						
	9	2	303-4949	1	FILM-WARNING (CRUSH HAZARD)						
	10	1	330-4304	1	FILM-WARNING (HAZARD, READ OMM)						
	11	1,2	303-4963	4	FILM-IDENTIFICATION (TIE-DOWN LOCATION)						
	12	1	323-7262	2	FILM-WARNING (STAY CLEAR OF SWING AREA)						
	13	2	495-2446	1	FILM-IDENTIFICATION (HYDRAULIC OIL FILLER)						
	16	1	421-2305	1	FILM-INFORMATION (ULTRA LOW SULFUR FUEL)						
	17	2	389-3574	1	FILM-IDENTIFICATION (OIL LEVEL)						
	18	1	473-6954	1	FILM-INFORMATION (BOOM EXTEND, RETRACT)						
	19	1	473-6955	1	FILM-INFORMATION (NO WELD, NO DRILL, READ OMM)						
	20	1	460-2867	1	FILM-IDENTIFICATION (EAC)						
	21	1	477-2612	1	FILM-INFORMATION (JOYSTICK)						
	22	1	478-5100	1	FILM-IDENTIFICATION (PARKING BRAKE, SERVICE BRAKE)						
	23	1	473-6957	1	FILM-INFORMATION (BATTERY POSITIVE)						
	24	1	480-9880	1	FILM-IDENTIFICATION (FUSE PANEL)						
	25	1	480-9877	1	FILM-IDENTIFICATION (FUSE PANEL)						
	26	2	486-9892	1	FILM-WARNING (CARRY PERSONNEL)						
	27	1	488-7889	1	FILM-IDENTIFICATION (BATTERY DISCONNECT, READ OMM)						
	28	1	486-9888	1	FILM-WARNING (DIESEL)						
	29	1	453-8398	1	FILM-INSTRUCTION (NO PRESSURE WASHER)						

SERVICE EQUIPMENT AND SUPPLIES

514-9456 PLATE & FILM GP (contd.)

106893212



GRAPHIC #1

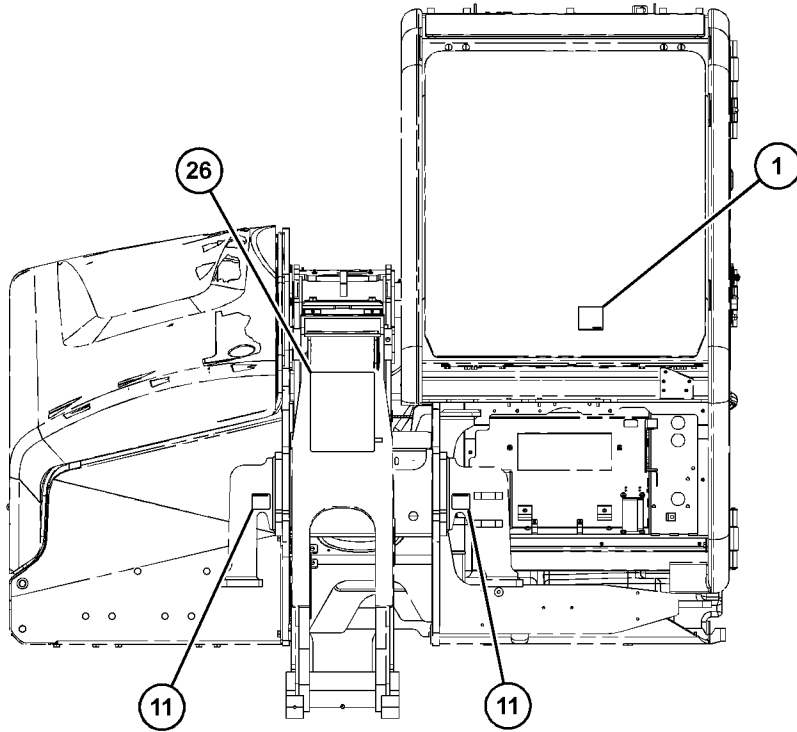
REFER TO ALL ILLUSTRATIONS OF THIS GROUP FOR AUXILIARY VIEWS

g06163827

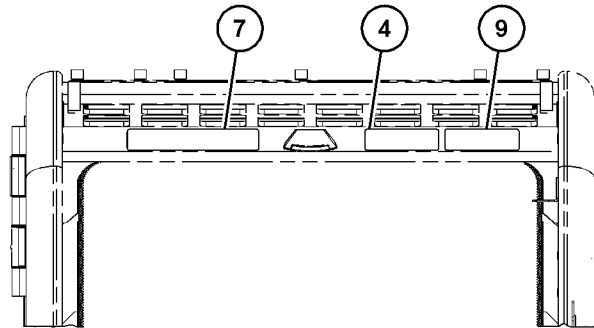
SERVICE EQUIPMENT AND SUPPLIES

514-9456 PLATE & FILM GP (contd.)

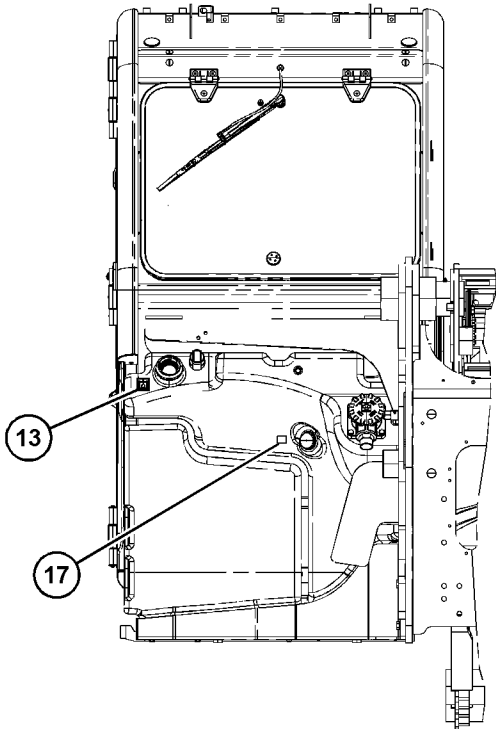
i06893212



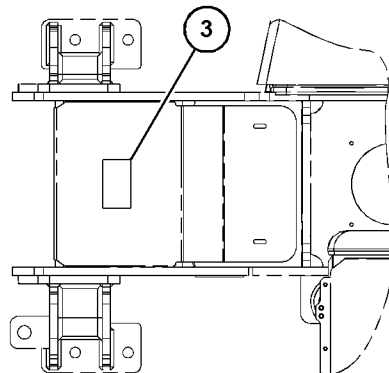
FRONT VIEW



VIEW B-B



REAR VIEW



VIEW C-C

GRAPHIC #2

<END>

g06163828

PART NUMBER INDEX

Part	Page	Part	Page	Part	Page	Part	Page
	585	5P-8066	659	6			382
	741		664				396
	753		667	6D-0337	687	6I-0289	193
	805		669		688		194
	807	5P-8250	835		689	6I-0293	263
	818		847		690	6I-0423	118
	990	5P-8282	1237		691		121
	1139		1238		692	6I-0455	102
	1165	5P-8500	1		693		279
	1203		2		696	6I-0456	415
	1206		477		697		416
	1208		737		698	6I-0563	276
	1213		1283		699		312
	1247	5P-8837	506		700		338
	1253		791		701		339
5E-8771	656	5P-9940	1237		702		340
5E-9295	432		1238		703	6I-0572	144
	450	5W-1386	679		704		147
	451		680		705		188
	452		681		706		214
	453		682		707		217
5G-2373	993		683		708		518
5H-8853	907		684		709		590
5K-0906	732		685		710	6I-0593	112
5K-8451	195		686		735		373
	300		736	6D-1641	195	6I-0594	403
	891	5W-1405	758		780		560
	923	5W-1411	1249		782	6I-0631	118
	925	5W-1417	13		891		121
	927		15		1195		382
	929		246		1199		544
	931		250		1201		590
	933		254		1203	6I-0645	122
	1203		256		1206		125
	1206		580		1208		214
	1208		584		1210		217
5K-9090	913		585	6D-7128	801		389
	914		604	6E-0122	835	6I-0646	127
	915		611		847		405
	917		749	6E-6528	973		406
	918		751	6F-7037	835		903
	920		753		847	6I-0650	125
	921		805	6F-7045	564	6I-0654	132
	922		807	6H-3616	159		134
5M-2894	220		1203		161		382
	222		1206	6H-3957	127		388
	876		1208	6I-0217	45		403
	936	5W-1437	389		122	6I-0789	122
	937	5W-3656	986		125	6I-0839	207
	958	5W-4957	424		144		240
	959		426		147	6I-0846	131
5M-3062	993	5W-5038	413		213		181
5M-6213	642		414		214		190
	662		471		240		343
5P-0599	903		525		304		348
5P-0600	903		563		339		382
	905		575		340		590
5P-0767	1130		1139		360		594
	1132	5Y-2425	244		388	6I-0917	266
	1175		248		183		394
	1199		252	6I-0254	207		395
	1201		582		240	6I-0918	190
	1203		583		266	6I-1090	128
	1206		596		304		213
	1208		741		373		266
	1210		747		541		371
5P-2230	195		760	6I-0260	44		382
	889		818		144	6I-1497	193
	891		1154		147		194
	893				181	6I-4012	560
	911				213		562
5P-4115	1115				238	6I-4068	263
5P-4325	379				263	6I-4072	389
5P-4571	426				265	6I-4200	118

PART NUMBER INDEX

Part	Page	Part	Page	Part	Page	Part	Page
	121		655		822		398
6I-4374	181		656		870	6V-9843	907
	183		661		872	6V-9846	232
	199	6V-5192	825		874	6W-5652	993
6I-4709	46		826		876	6W-5656	993
	211		1170		877	6W-5677	993
	266	6V-5215	642		879	6W-5678	993
6J-1972	835		662		881	6W-5679	993
	847	6V-5264	715		885	6Y-1192	651
6J-5733	835	6V-5589	980		903		653
	847	6V-5683	211		905		673
6K-4076	1015		343		923		675
	1016		348		925	6V-7929	651
	1017		1177	6V-8399	656		653
	1018	6V-5815	659		733		
	1029		664		734		
	1034		667	6V-8400	913		
6K-9632	1247		669		914		
6R-0144	433	6V-5842	642		915		
6T-9142	649		662		918	7C-0351	105
6T-9143	649		711		920		106
6T-9144	649		713		921	7C-4354	231
6T-9145	649		715		922		280
6T-9146	649	6V-6339	973		948		282
6T-9147	649	6V-7238	105		950		896
6T-9163	637		106		952		917
	641	6V-7357	244	6V-8628	642		1195
	649		499		662		1197
6T-9164	637		502	6V-8636	815		1203
	641		504		872		1206
	649		506		874		1208
6T-9165	637		760		907	7C-4616	122
	641		1154	6V-8638	815		125
	649		1161		872	7I-8935	534
6T-9166	637		1163		874	7J-9108	861
	641	6V-7742	617		903		863
	649		1221		905		865
6V-0852	246	6V-7970	809	6V-8676	389		867
	248		811	6V-8715	887		870
	250		1199	6V-8729	818		897
	252	6V-8097	635		820		899
	254		644	6V-8754	830		901
	256		659	6V-8757	651		903
	780		664		653		905
	782		667		659		918
	948		669		664		1199
	950	6V-8154	659		667		195
	952		667		669		224
	954	6V-8185	1129		673		226
	956		1230		675		228
	958	6V-8200	940		1051		231
	959	6V-8213	861		1053		232
6V-3265	801		863		1055		296
6V-3303	140		877	6V-8801	405		298
6V-3668	1036		879	6V-8939	780		300
	1103		881		782		375
6V-3965	246		883	6V-9005	922		377
	248		885	6V-9168	801		379
	250	6V-8397	800	6V-9178	656		494
	252		801		974		496
	254		815	6V-9189	1255		527
	256		872	6V-9498	480		532
	780		874		481		574
	782		887		487		596
	948		907	6V-9509	870		599
	950		918	6V-9746	232		603
	952	6V-8398	13		870		608
	954		15		897		611
	956		780		899		802
	958		782		901		803
	959		809		903		804
6V-4589	637		811		905		818
	640		815	6V-9804	328		863
	641		820		329		

7

PART NUMBER INDEX

Part	Page	Part	Page	Part	Page	Part	Page
	867		256	8C-8451	551		649
	879	7X-0818	535		872		661
	881		923	8D-3791	993	8T-1581	651
	883		925	8E-8313	711		659
	885		927		713		664
	889		929		715		667
	891		931	8H-5303	564		669
	893		933	8H-5306	564		677
	896		1057	8H-5505	1129	8T-1891	907
	897		1059	8I-1362	224	8T-1892	907
	899		1141		226	8T-2224	535
	901	7X-0820	801		228	8T-2394	901
	903	7X-0872	195	8I-3860	620		903
	905		889		626		905
	911		891		627	8T-2658	480
	923		893	8I-3959	872		481
	925		1203		874		487
	927		1206	8I-4641	580	8T-3597	1119
	929	7X-2429	917		582	8T-3647	818
	931	7X-2532	616		583	8T-4121	13
	933	7X-2533	532		584		15
	1193	7X-2534	576		585		195
	1195		578	8J-2574	835		224
	1197		595		847		226
	1203		599	8L-2746	655		228
	1206		603		656		232
	1208		813	8L-2777	198		246
7M-8485	922		874	8L-2786	635		248
	948	7X-2535	470		644		250
	950		780	8L-6565	733		252
	952		782		734		254
	967	7X-2536	800	8Q-2143	621		256
7N-0718	▶564		899	8Q-2150	621		269
	▶599		905	8Q-6229	830		272
	▶608	7X-2537	329	8T-0075	907		274
7R-2750	426		820	8T-0269	82		280
	436		822		85		282
	443		870		86		284
	447		1255		144		285
7R-2751	436	7X-2553	139		147		286
	441		773	8T-0325	1081		287
	443		774	8T-0328	502		288
7T-0093	436		775		506		290
	441		776		524		293
7T-0094	433		778		530		296
	436		780		531		298
	445		782		547		300
	446	7X-2557	740		548		313
7T-3195	635	7X-2619	313		549		315
	644		315		550		317
	651		807		1249		319
	653		1157	8T-0389	377		375
	659	7X-2620	529		482		377
	664	7X-2621	408		483		379
	667		410		484		405
	669	7X-4744	656		485		406
7W-2326	184		974		796		407
	185	7X-6312	463		1132		408
7W-2632	350	7Y-1858	740	8T-0707	1051		410
	392		1221		1053		413
	415	7Y-7394	1157		1055		414
	416			8T-1114	1051		471
7W-4642	118				1053		472
7X-0352	470				1055		474
7X-0510	743	8		8T-1158	540		478
	744				899		479
7X-0622	986	8C-3364	948		901		480
	987		950		903		481
	988		952		905		486
7X-0632	246	8C-3982	711	8T-1580	635		487
	248		713		637		496
	250		715		640		504
	252	8C-6354	435		641		525
	254		457		644		528

PART NUMBER INDEX

Part	Page	Part	Page	Part	Page	Part	Page
	534		1203		931		611
	535		1206		933		745
	580		1208		948		747
	582		1210		950		749
	583		1216		952		751
	584		1217		964		753
	585	8T-4122	1089		965		755
	595		1090		1165		770
	599	8T-4133	375		1193		799
	603		379		1195		1132
	608		471		1197		1139
	611		784		1199		1161
	718		887		1201		1163
	719		893		1206	8T-4139	269
	720		918		1208		313
	728		923		1210		315
	732		925		1216		595
	737		927		1217		672
	743		929	8T-4137	224		747
	745		931		226		749
	747	8T-4136	232		228		751
	749		269		246		753
	751		272		248		755
	753		274		250		893
	755		280		252	8T-4167	740
	782		284		254		1120
	784		286		256	8T-4171	272
	785		288		260		313
	786		293		405		317
	788		300		407		1115
	790		313		413	8T-4172	945
	796		315		525	8T-4173	141
	799		317		534		142
	801		319		580		143
	809		375		582	8T-4177	420
	811		377		583	8T-4179	911
	813		379		584	8T-4182	377
	815		398		585	8T-4183	137
	818		405		595		138
	824		406		599		139
	829		407		603		272
	858		408		608		274
	859		410		611		317
	861		472		746		319
	863		474		747	8T-4184	499
	865		528		749		502
	867		580		751		506
	887		582		753		1260
	893		583		755	8T-4185	375
	897		584		784		918
	901		585		785		1132
	903		595		786	8T-4186	259
	911		599		788		260
	923		603		790		282
	925		608		799		285
	927		611		801		287
	929		745		858		290
	931		747		1199		375
	933		749		1201		728
	943		751		1203		732
	945		753		1210		829
	948		755	8T-4138	13		861
	950		815		15		863
	952		824		244		865
	958		861		469		867
	959		863		495		887
	991		865		496		1193
	1132		867		497		1197
	1165		915		498	8T-4189	13
	1193		918		501		15
	1195		923		595		220
	1197		925		599		222
	1199		927		603		228
	1201		929		608		246

PART NUMBER INDEX

Part	Page	Part	Page	Part	Page	Part	Page
	248		1053		274		138
	250		1055		280		139
	252		1061		284		140
	254	8T-4193	768		286		195
	256		1061		288		269
	258	8T-4195	269		313		272
	259		272		315		274
	280		274		317		313
	282		313		319		315
	296		315		400		317
	298		317		469		319
	313		319		470		398
	315		478		472		499
	464		479		474		502
	465		486		480		506
	495		487		481		595
	523		504		486		672
	524		747		487		747
	549		749		495		749
	550		751		497		751
	595		753		498		753
	599		755		499		755
	603		796		501		831
	608		809		502		889
	611		811		504		891
	745		813		506		893
	746		909		527		911
	769		923		532		1051
	780		925		551		1053
	782		927		563		1055
	784		929		576		1061
	785		931		578	8T-4224	13
	786		933		595		15
	788		948		599		195
	792		950		603		224
	793		952		745		226
	794		991		747		228
	795		1132		749		231
	805	8T-4196	375		751		232
	807		379		753		246
	814		718		755		248
	815		719		770		250
	876		720		780		252
	897		893		782		254
	901	8T-4198	296		799		256
	903		298		805		260
	936	8T-4199	231		807		269
	980		300		813		280
	1130		896		872		282
	1132	8T-4200	224		874		292
	1148		226		990		293
	1149		228		1120		300
	1150		232		1130		313
	1151		258		1132		315
	1152		469		1139		328
	1165		516		1154		329
	1171		534		1157		398
	1175		535		1161		420
	1185		595		1163		464
	1203		858		1165		465
	1206		859		1168		469
	1208		1081		1172		495
	1235		1083		1173		502
	1236		1148		1174		504
	1245		1154		1186		506
	1258		1203		1187		516
	1267		1212		1213		523
8T-4191	296	8T-4205	246		1214		524
	298		248		1215		529
	818		250		1218		533
8T-4192	889		252		1219		534
	987		254		1247		535
	988		256		1253		549
	1051		272	8T-4223	137		550

PART NUMBER INDEX

Part	Page	Part	Page	Part	Page	Part	Page
	595		1217		504		502
	599		1227		506		504
	603		1235		527		506
	608		1236		532		805
	611		1245		595		807
	656		1255		599		915
	718		1258		603		946
	719		1267		608	8T-8442	644
	720	8T-4647	489		611		973
	732	8T-4648	889		1120	8T-8729	232
	745		893		1130		426
	746	8T-4753	1147		1132		432
	769	8T-4776	936		1218		433
	780		937		1219		482
	782	8T-4896	993	8T-5005	471		483
	784	8T-4908	195	8T-5041	1063		484
	785		220		1064		485
	786		222		1065		863
	788		224		1066		962
	792		226		1068	8T-8730	232
	793		228		1071		423
	794		246		1080		424
	795		248	8T-5092	1063		426
	800		250		1064		431
	805		252		1065		432
	807		254		1066		433
	809		256		1067		434
	811		290		1068		435
	813		292		1071		436
	814		760		1080		441
	815		831		1082		444
	818		832	8T-5093	220		446
	820		889		222		451
	822		891	8T-5353	638		452
	831		893		640		453
	832		941		647		477
	858		945		661	8T-8737	1236
	859		987	8T-5436	1132		17
	870		988	8T-6685	296		423
	874		992		298		424
	889		1185	8T-6699	1177		427
	893		1195	8T-6868	1001		431
	896		1197		1002		432
	897		1216		1119		433
	899		1217	8T-6869	328		434
	901		1255		329		435
	903	8T-4910	272		874		436
	905		274		918		440
	915	8T-4956	137		1170		441
	918		138		1171		443
	941		398	8T-6912	595		444
	945		499		599		445
	946		502		603		446
1081			506		608		448
1083			891		611		449
1130	8T-4970		246	8T-6974	296		450
1132			248	8T-7329	809		451
1141			250		811		452
1148			252		870		453
1149			254	8T-7487	815		457
1150			256	8T-7524	254		477
1151			272		292		482
1152			274		293		483
1157			298		294		484
1165			300		555		485
1170			313		556		504
1171			315		946		506
1185			317	8T-7547	246		615
1189			319		248		790
1203			1157		250	8T-8902	780
1206	8T-4971		480		252		782
1208			481		254	8T-8998	799
1212			499		256		1154
1216			502		269		1173

PART NUMBER INDEX

Part	Page	Part	Page	Part	Page	Part	Page
	1186	9U-8875	651		599	067-6070	559
	1187		673		603	067-6135	41
	1249	9V-2714	993		608		51
8T-9364	1129		1001		611		54
	1230		1002		859		56
8T-9530	1285	9V-2715	993	9X-8250	195		58
	1288		1001		889		59
	1291		1002		891		62
8T-9535	169	9V-6588	874		893	067-6179	122
8T-9636	412	9W-0844	423		923		125
	418		424		927	067-6213	144
			426		1195		147
			431		1197	067-6823	158
			432	9X-8257	139		160
			433		140	081-6352	887
			446		141	091-7473	435
			448		142	095-0742	525
			452		143		533
			453		740	095-0880	1254
9F-5644	564		506		773	096-4833	595
9G-5127	642	9W-0852	17		774		603
	662		423		775		611
9M-4814	375		427		776		1249
9M-8406	780		447		777	096-5866	246
	782		448		778		248
9R-1004	887		450		780		250
9R-1005	887		489		782		252
9R-4649	1015		504		832		254
	1034		506		1061		256
9R-4668	938		615	9X-8408	925	096-5969	523
	1014		576		931		524
9R-4675	1062	9W-1441	418				530
9R-4676	1032		578				531
9R-4677	938		412				547
9R-4678	938	9W-1442	412				548
9R-5205	1012		576				549
	1015		578				550
	1029	9W-3324	482	005-0469	635		621
9R-5206	1012		483		644	097-5154	621
	1015		484		649	099-6418	308
	1029		485	005-0471	635		544
9R-5271	1034		441		644	099-7241	768
9R-5294	1062	9X-1056	441		673		
9R-5313	1012	9X-2040	907		675		
	1015	9X-2121	1168	030-8491	375		
	1019	9X-2133	224	032-9090	58		
	1029		226		59		
	1062		228	032-9091	58		
9R-5320	1012	9X-2230	637		59	100-3751	122
	1029		638		973		125
	1032		641	033-6043	973		213
	1090		647	033-7687	115		279
9R-5786	1034		288		117		348
9R-5832	1012	9X-2480	288	034-1432	272	100-3752	389
9S-4181	948	9X-3401	423		322	100-4336	375
9S-4183	946		424		375		377
9S-4190	399		426		377		379
	637		433		379		595
	640		434	035-8063	266		599
	641		435	035-8068	67		603
	661		436		68		608
9S-4191	638		443		76		611
	642		445	044-4101	375		1193
	647		446	067-3045	189		1195
	649		546	067-6002	64		1197
	662		1236		67	100-4458	208
	711	9X-3402	435		68		371
	713	9X-6032	943		76		373
	715	9X-6155	244	067-6006	65		382
9S-8002	973		1161		67		392
9S-8004	647		1163		68	100-4461	205
9T-2212	835		1252		76		206
	847	9X-6615	656	067-6043	65		403
9T-4007	835	9X-6772	464		67	100-4830	109
	847		465		68		125
9T-4008	847	9X-7345	535		76		127
9T-4009	847		596				

9

0

1

PART NUMBER INDEX

Part	Page	Part	Page	Part	Page	Part	Page
	388	106-9387	1013		675	128-5016	424
100-4838	236		1033	122-1883	659		426
	517	106-9586	656		664		432
100-4841	120		974		667		436
	129	107-2348	302		669		443
	130	110-5056	1246	122-1886	675		450
101-3771	144	110-5059	1246	122-3652	638		453
	147	111-0859	114		647	130-9864	743
	236		146	122-4377	441		744
101-3895	45		401	122-4382	441	130-9888	181
	122		404		443		183
	125	111-3422	389	122-4401	424	131-3539	1254
	128	111-3423	389		426	132-3056	946
	146	111-8222	265	123-1373	405	132-5789	296
	187	112-1775	1034		406		298
	216	112-7704	343	123-2899	134		300
	236	113-1504	183		209		375
	382	113-8129	240		279		377
	396	113-8490	412	123-2920	638		379
101-3917	382		576		647		580
101-4411	1115		578		651		582
101-4412	1115	113-8493	418		673		583
101-4413	1115	116-6158	441		675		584
101-4414	1115	116-6159	436	123-4065	1129		585
101-7178	279		441		1230		595
	394		443	123-8905	675		599
	395	116-8517	195	123-8906	644		603
101-7541	1254		220	123-8907	653		608
102-2073	127		222		659		611
102-2075	127		259		664		642
102-2076	127		260		667		662
102-2078	127		269		669		818
102-8705	874		272	123-8908	637		925
	1057		274		640		929
	1059		282		641		931
102-8801	432		285		649		933
	433		287		661		1195
	436		290	123-8909	653		1199
	441		296		677		1201
	443		298	123-8910	635		1203
	445		313		644		1206
	446		315		653		1208
	448		317	124-0506	47		1210
	450		319	124-3536	148	133-1011	122
	451		398		150		125
	452		405		151	133-3413	462
	453		407		153		463
102-8802	863		743		155	133-4409	761
	962		746	124-3815	125	133-6517	462
102-8805	482		909		263		463
	483		915		265	133-7442	375
	484		917		338		379
	485		918		343	134-8626	970
103-2529	375		964		382	135-2370	1247
	377		965		540	136-0156	533
	379	117-1385	642		541	136-4184	897
103-5705	45	118-1974	▶1034	124-6260	1249		899
104-7622	424		▶1035	124-7346	584		901
	426	118-1979	1034		585		903
105-1866	226	118-1980	1034	125-2627	424		905
105-3478	528	118-7110	1090	125-7874	457	136-5488	426
	529	118-9145	634	126-1766	457	137-6645	642
105-3479	954	120-9051	966	126-1767	435		662
	956	120-9054	966	126-1768	435	137-9775	506
105-3480	399	120-9762	635	126-3212	109		791
	569		644		127	139-2840	944
	946	121-0694	651	126-9093	356	141-0888	975
	1249	121-0883	118	127-1960	753	141-2759	412
105-3487	534		121	127-2909	980		576
	858		164		992		578
106-3887	761		561	127-3361	189	142-2304	1157
106-8916	304	121-2500	651	127-8609	462	142-8937	945
	339		653	128-4123	436		1261
	340		673		443	144-0195	1247

PART NUMBER INDEX

Part	Page	Part	Page	Part	Page	Part	Page
145-4911	115		883	163-4265	▶1013		562
	117		885	163-4284	1013	175-7739	799
147-0209	655		887		1014	176-1031	▶1015
	656		1006		1033		▶1029
	974		1124	163-4286	1014		▶1030
147-0232	649	154-2704	1013		1032	177-3350	1015
147-0238	651		1028	163-4289	1032	177-3351	1015
	653	154-4378	506		1035	177-3868	966
	673		791	163-6283	1051	178-0119	1018
	675	155-2260	424		1053	178-0120	1018
147-5553	276		436	164-5567	246	178-0121	1017
	338		440		248	178-0122	1017
148-2270	499		443		250	178-0123	1016
	502		444		252	178-0124	1016
	506		445		254	178-2510	396
	761	155-2270	432		256	178-3336	211
	791		433		780		288
148-6596	1267		440		782		348
148-6598	1267	155-2271	435		948		350
148-8319	887		440		950		389
148-8336	815		444		952		405
	872		457		954		406
	874	155-7327	907		956		407
	907	155-7862	533		958		408
148-8338	907	155-8994	13		959		410
148-8345	815		15	164-7468	373	178-8164	711
	872	155-9644	13		401		713
	874		15		404		715
	903	156-3691	887	164-9425	1185	178-8168	662
	905	156-6964	188	164-9989	1116	178-8169	642
148-8355	922	157-3584	434	165-7019	137		662
148-8373	948	157-4835	1042		138	178-9983	471
	950		1051		139		525
	952		1055		140		533
148-8408	946	159-8035	1116		747		1157
148-8410	399	159-8038	1013		749	179-2801	620
148-8434	907		1033		751		627
149-6549	761	159-9495	576		753	179-4324	499
150-3067	818		578		755		504
	820		587	166-0321	975	179-8593	620
150-3072	870		588	167-2186	835		627
150-4033	232		589		847	180-0875	619
152-5717	872	159-9496	450	167-2294	835	180-3516	1001
	874		576		847	180-9339	457
152-5718	872		578	168-8389	1001	180-9340	457
	874		587		1013	183-7121	195
152-6578	403		588		1028		480
152-9860	94		589		1042		481
	172	160-0064	830		1051	184-0982	1157
	176	160-4129	1051		1055	184-7211	13
153-2994	861		1053	169-0705	435		15
	863		1055		443		224
	865	160-4657	1055	169-3943	1001		226
	867		1061		1002		228
	872	160-4658	830		1119	185-0884	65
	874	160-4659	1051	169-3945	▶1001		67
	876		1053		▶1002		68
	877		1055	169-6451	1119		76
	879	160-8742	659	170-5121	814	185-1839	▶847
	881		664	170-5632	413		▶1014
	883		667		414	185-1860	457
	885		669		563	185-3874	1212
	887	161-3357	1237	170-8555	141	185-6627	265
	1006		1238		142	185-7149	389
	1124	161-4130	1119		143	186-5838	▶1029
153-2995	861	161-9820	37	172-5317	651	187-5086	195
	863		401		653		893
	865		404		673	187-7395	1012
	867	162-6816	814		675		1019
	874	163-3101	1051	172-8591	1174	188-5102	87
	876		1053	174-5414	290		88
	877		1055	175-4390	405	188-6161	▶872
	879		1061		406		▶1013
	881	163-4261	▶1012	175-7141	388		▶1033

PART NUMBER INDEX

Part	Page	Part	Page	Part	Page	Part	Page
188-8391	1255	203-9000	450		248	223-8914	1028
189-3650	872	203-9001	450		250		1087
191-8303	642	203-9007	450		252	223-8922	▶1017
	662	204-5258	1115		254		▶1027
192-9207	356	204-5259	1115		256	224-5065	1042
194-5390	339	204-5260	1115		546		1061
	340	204-5261	▶1115		780	224-5066	1061
195-0189	472	204-7274	818		782	224-5072	1061
	474	204-7464	179		948	224-5079	1061
	482	205-3686	128		950	224-5082	1061
	499	205-9362	436		952	224-5083	▶829
	502		443		954		▶1042
195-0190	472	206-1345	457		956	224-5084	829
	474		528		958	224-5087	829
	483	206-1826	540		959	224-5091	829
	499	206-2423	15	215-2589	331		835
	502		195		332	224-5092	▶874
195-0191	▶484		580		333		▶1042
	▶504		582		335	224-5093	874
	▶506		583	215-3790	559	224-5094	874
195-0192	▶485		584	215-9632	1237	224-5311	835
	▶504		585		1238	224-5312	835
	▶506	206-6410	879	216-8314	56	224-6211	▶1018
195-7657	642		883		58		▶1026
	662		885		59	224-6212	1017
195-9245	45	206-9480	1087		62		1018
	47	208-8469	296	217-0099	415	224-6213	1088
196-2385	441		533	217-5888	424	224-6526	1026
196-2412	426		760		426		1027
196-7729	424	208-9297	202		432		1088
	426	209-3768	666		450	225-5438	150
197-7261	433	209-9219	70		451		151
	445		71		452		153
	446		73		453	225-5501	101
198-3899	1157		74	217-5893	426	225-6041	144
	1189		75		432		147
198-8262	109	210-0066	861		433	225-6524	162
	127		863		437	225-7738	240
198-8263	109		877		444	225-7941	200
	127		879		447		201
199-9252	540		881		451	225-7944	214
	541		883		452		217
199-9267	540		885		453	225-8019	240
	541	210-8277	1190	217-9039	435	225-8524	301
199-9751	71	210-8314	426		457		339
	92		432		541		340
	263		450		559	225-8526	301
	541		451		593		339
	554		452	219-3270	▶462		340
			453		▶464	225-8530	269
		210-8332	1190	219-3271	462	225-8858	68
		210-8334	1190	219-3272	▶463		76
		211-1389	861		▶465	226-2754	1254
			865	219-3273	463	226-4560	482
202-0313	436	211-9032	877	219-4562	809		483
	443		879		811		484
202-0315	436		881	219-6331	861		485
	443		883		863	226-4561	482
202-5397	432		885		877		483
	437	211-9462	768		879		484
	448	212-3350	863		881		485
	451		962		883	226-6494	883
	452	213-3263	1254		885		885
	453	213-4571	1246	220-2608	1222		962
	790	213-4575	1190	220-4049	1218	226-8202	835
202-5400	436	213-4578	▶1190		1219		847
202-8285	870		▶1243	220-4050	1218	226-8766	125
203-3940	662	213-4583	1246	220-4759	▶1026	226-8767	125
203-8977	432	213-8350	424	220-4760	▶1027	227-0056	1203
	450		426	220-4761	▶1028		1206
	451	213-8351	424	222-6210	▶1042	227-0064	1199
	452		426	223-8912	▶1016	227-0136	809
	453	214-3203	127		▶1028		811
203-8999	450	214-7568	246	223-8913	1016	227-2000	907

2

PART NUMBER INDEX

Part	Page	Part	Page	Part	Page	Part	Page
227-2001 907		593	245-1048 457		441
227-2002 907	232-3666 122	246-2641 737		443
227-2004 907		125		1283	266-5360 262
227-5748 ▶1051	232-3751 214	246-4361 373		472
	▶1053		217		382		474
227-5749 1051	232-6189 339	247-1385 258		738
	1053	232-7449 70	247-4928 372		889
	1055		71		373		891
227-5751 1051		73	247-8195 432		893
	1053		74		433	267-7207 457
227-5754 1051		75		445	267-9572 447
	1053	232-7596 65		446		457
227-5756 1051		67		450	268-5608 228
	1053		68		451		282
227-6676 ▶907		76		452	268-5612 224
	▶1014	232-7597 65		453		228
228-6052 482		67	249-0974 217	268-6677 593
	483		68	250-1477 853	269-3086 340
	484		76		975		1203
	485	232-7599 65	251-3227 258	270-1784 435
228-6054 482		67	251-4336 125		457
	483		68	252-1456 ▶1110	273-3143 436
	484		76	252-9051 1032	274-1639 540
	485	232-7724 876		1062		541
228-6056 482	233-2944 993	252-9088 1062	274-3266 228
	483	233-9436 159	254-3633 590	274-4553 651
	484		161		593		653
	485	234-1457 887	256-6454 246		673
228-7089 194	234-1857 424		248		675
	382		426		254	274-4557 734
228-7090 818	234-1858 424		256	274-4559 656
	941		427		290		733
	943	235-0354 847		292		734
228-7094 917	235-1061 127		293	274-4560 656
228-7100 373	235-1063 127		294		733
228-7102 351	235-2662 ▶830		464		734
	363		▶1051		465	274-8267 433
228-7103 290		▶1053		541		445
	553		▶1055		553		446
	656	235-2663 ▶887		555	275-0553 595
228-7105 809		▶1051		556	275-2428 559
	811		▶1053		656	275-9891 193
228-9502 874		▶1055		946		194
229-0582 8	236-5539 590	257-8403 ▶1214	276-5603 70
	9		593		▶1215		71
	1237	238-0112 540	260-3939 593		73
229-0583 ▶1238	238-4628 966	260-6673 861		541
229-9714 ▶993		975		863	276-5604 70
229-9715 993	238-5080 656		865		71
230-4011 232	238-5084 948		867		73
	433	238-6532 635	260-6685 13	276-5605 130
	435		645		15	276-7394 48
	436		711		290		49
	441		713		298		56
	443		715		745		58
	445	238-7563 635		746		59
	446	238-7564 635		760		62
	457		644		929	276-7478 148
230-5008 443		655		933		155
230-7001 1019		656		988	276-8116 89
230-8094 85	238-8245 435	261-2863 687	276-8117 87
	86	238-8288 265	262-1618 393		88
	147	238-8292 304	264-3627 414		89
231-3229 ▶1055	239-7352 435		472	276-8123 177
231-3230 1055	240-7878 441		533		180
231-9308 1051	241-6157 373		535	276-8133 177
	1053	241-6158 363		737		180
232-1322 70	243-3811 46		743	276-8134 95
	71	243-4278 115		782		97
	73		117		859	276-9200 168
	92	243-4361 923		911		169
	263		925		917	276-9201 168
	554	245-1043 457	264-5726 970		169
232-1693 590	245-1044 457	265-4123 436	276-9206 168

PART NUMBER INDEX

Part	Page	Part	Page	Part	Page	Part	Page
276-9207	168		373		231	298-1863	620
	169	295-6661	92		232		627
276-9230	168		95		895	298-1877	619
277-2923	240		97		896		626
277-2925	240		98		897	298-1878	621
277-3012	125		101		899		627
277-3013	125	296-5747	802		901	298-4527	89
277-4223	109		803		903	298-4528	87
	389		804		905		88
277-4409	559	297-7015	718	298-0487	825		89
277-4993	373		719		826	298-4533	▶168
	382		720	298-0490	818		▶177
277-9938	373	297-7033	1057		958	298-4558	213
278-0361	306		1059	298-0491	230	298-4560	213
278-3242	240	297-7077	1057		231	298-4566	340
278-5111	168		1059		232	298-4570	306
278-5112	168	297-7107	195		895	298-7242	889
278-5113	168	298-0414	865		896		893
278-5126	41		867	298-0493	780	298-7311	694
278-5170	366	298-0462	959		782	298-7356	815
	367	298-0463	813	298-0496	923		879
278-5203	415		815		925		881
	416		820		927		883
278-5226	540		822		929		885
279-9651	134		825		931		1203
280-1912	168		826		933		1206
280-1913	168		869		939	298-7357	964
280-1914	168		870	298-0497	13		965
280-2651	742		954		15	298-7358	936
	1153		956	298-0503	865		948
	1161	298-0464	246		867		950
	1163		248	298-0507	195		952
280-7870	973		250		780		954
281-1784	525		252		782		956
281-3133	435		254		893	298-7387	258
281-8744	209		256	298-0508	13		883
281-8751	107		877		925		992
	108		879		931	298-7392	1057
281-8801	435		881	298-0530	269	298-7438	820
281-8802	541		883		272		822
281-8803	435		885		274	298-7868	620
281-8804	435	298-0465	929		317		627
	457		933		319	298-7873	620
281-8805	546	298-0466	861	298-0576	991		627
281-8811	444		863	298-1610	801	298-8191	627
284-9039	1261		870	298-1612	1057	298-8194	620
285-9066	958		939		1059		627
	959		948	298-1758	317	298-8195	620
286-0123	388		950	298-1799	619		627
286-0867	656		952		626	298-8295	627
	733	298-0467	732	298-1800	621	298-8300	620
	734	298-0470	917		627		627
286-2890	372		918	298-1802	619	298-8669	1239
	373		920		626	299-0197	628
286-7845	112		921	298-1803	619	299-0205	620
	114		954		626		627
286-7851	304		956	298-1804	619	299-0206	620
287-8089	363	298-0471	818	298-1805	619		627
287-8597	118	298-0472	813	298-1806	619	299-0207	620
	121	298-0473	936	298-1807	619		627
289-9555	656		937	298-1808	619	299-0235	619
291-4146	120		948		626		626
291-6570	363		950	298-1811	619	299-0236	619
292-2893	457		952	298-1812	619		626
292-2896	435	298-0474	818	298-1813	619	299-0285	839
	457		820		626	299-0308	839
292-6812	457	298-0475	220	298-1814	658	299-0320	436
293-1875	373		246	298-1825	620	299-0341	1259
293-8350	973		248		627	299-0348	436
294-9812	651		250	298-1853	619		443
	653		252		626		444
	673		254	298-1857	620	299-0354	1138
	675		256		626		1291
295-4670	372	298-0476	230		628	299-0471	941

PART NUMBER INDEX

Part	Page	Part	Page	Part	Page	Part	Page
299-0520	620		917		453		803
	626	303-4760	780		523		804
299-0789	658		782		524		818
299-0821	619		954		530		913
	620		956		531		914
	626		1057		547		920
299-0827	620		1059		548		921
	626	303-4761	732		549		922
299-5511	177	303-4762	913		550		1130
	180		914	303-4970	434		1132
299-6644	820		915		440		1175
	822	303-4763	870		443		1199
	879	303-4777	523		445		1201
	883		615		450		1203
299-7103	620	303-4779	38	303-4971	443		1206
	626		525	303-4972	440		1208
	628		1132	303-4988	1037		1210
299-7134	619		1139		1038	309-2986	809
	626		1161		1050		811
			1163		1057	309-3992	615
			1249		1059	309-3996	499
		303-4782	1037	303-5002	288		504
			1038	303-8559	777		523
			1050	303-8599	280		615
			1057		282	309-3997	224
			1059		375		226
		303-4787	296	304-2241	619		228
			300		626		246
			527	304-2566	1129		248
			595		1230		250
			599	304-2603	619		252
			603		626		254
			608	304-2604	595		256
			1154		599		258
		303-4939	1297		603		259
			1300		608		288
		303-4941	1297		611		296
			1300		946		780
		303-4942	1297	304-2647	448		918
			1300	304-3220	658		923
		303-4943	1120	304-3221	658		925
			1297	304-3222	619		927
			1300		626		931
		303-4946	1297	304-3223	658		987
			1300	304-3232	619		1130
		303-4948	1297		626		1132
			1300	304-4582	658		1148
		303-4949	1297	305-2095	441		1154
			1300	305-2107	478		1175
		303-4955	478		479		1195
		303-4956	478	305-2108	478		1197
		303-4957	1037		479	309-4001	226
			1057	305-2109	472	309-4002	280
			1038		474		282
		303-4958	1038		478	309-4311	1057
			1059		479		1059
		303-4963	1285		486	309-4312	1057
			1288		487		1059
			1291	305-2110	879	309-4318	1057
			1294		883		1059
			1297		883		1059
			1300	305-5426	620	309-4320	1057
		303-4969	424		627	309-4321	1059
			431	305-5467	448	309-4322	1057
			434	306-2337	181		1059
			436		183	309-4323	1057
			441	309-2963	964		1059
303-4754	958		443		965	309-6344	809
	959		445	309-2964	923		811
303-4756	809		446		925	309-6350	780
	927		447	309-2978	1132		782
303-4758	232		448	309-2979	1260	309-6351	232
303-4759	913		449	309-2982	107	309-6355	923
	914		450		108		925
	915		452		802		927

3

PART NUMBER INDEX

Part	Page	Part	Page	Part	Page	Part	Page
	929	313-5673	424	316-5554	1063	320-8617	368
	931		426		1064	321-0556	▶1118
	933	314-5315	1285		1065	321-2383	181
309-6362	780		1288		1066		183
	782		1291		1067	321-5594	118
309-6455	1210		1294		1068		121
309-6678	177	314-5316	1285		1071	321-5595	118
	180		1288		1080		121
309-8533	1120		1291		1082	321-6131	35
309-9182	▶1117		1294	316-7999	479		36
309-9184	599	314-5318	1285	316-8000	479		163
	784		1288	316-8038	472	321-8952	401
	785		1291		474		404
	883		1294		486	322-0640	620
	889	314-5321	1285		487		627
	1185		1288	316-8039	472	322-0641	620
309-9185	472		1291		474		626
	474		1294		486	322-4110	169
	831	314-5322	1285		487	322-4120	87
	834		1288	316-8073	845		88
	889		1291	316-9351	188	322-4838	432
	891		1294		189		433
	893	314-5324	1285		266		443
	980		1288		421		445
	1063		1291		422		446
	1064		1294		435		450
	1065	314-5326	1285		457		451
	1066		1288		593		452
	1067		1291	316-9551	688		453
	1068		1294		701	322-5944	▶765
	1071	314-5545	861		702		▶773
	1080		863	316-9552	689		▶776
	1082		865		703	322-5945	▶766
310-8520	101		867		704		▶774
311-0679	410		964	317-1311	1	322-5946	775
311-2854	▶1093		965		2	322-5947	▶767
311-3857	541	314-5546	1193	317-2236	363	322-5948	▶778
311-3901	363		1197	317-3270	516	322-5951	775
311-3903	363	314-5567	478	317-5485	50		778
311-5307	595		479	317-5486	50	322-5995	1241
311-8219	687		480	317-5982	855	322-5996	1241
	690		481	317-5986	911	322-8032	1
	691		486	317-5987	224		2
	707		487		226		1280
	708		502		228	322-8051	1258
	709		506		889	322-8060	1243
	710	314-5631	261		893	322-8061	1243
311-8220	688	315-3384	41	317-6373	954	322-8065	1243
	689	315-3638	992		956	322-8067	1190
	693	315-3760	1255	317-6379	516	322-8069	1190
	699	315-3761	1255	317-7012	224	322-8071	1190
	700	315-3763	1255		226	322-8073	1190
	701	315-3767	1255		228	323-5603	1285
	702	315-3786	1213	317-8726	563		1288
	703		1215	318-0437	1252		1291
	704	315-3805	1258	318-7351	986		1294
	705	315-3812	1247		987		1297
	706		1257		988	323-5605	519
311-8221	692	315-3901	742	318-7355	980		521
	696		1153		992		1223
	697		1161	319-7658	861		1225
311-8223	▶687		1163		881	323-5612	1082
311-8229	▶688	316-1999	220	319-7671	826	323-5615	1285
311-8238	▶689		936	319-8426	40		1288
312-3282	563		937	319-9361	122		1291
	805	316-5553	1063	320-3060	540		1294
312-3332	494		1064		541		1297
	495		1065	320-3061	541		1300
	501		1066	320-3062	540	323-5620	1168
312-3348	939		1067		541	323-5622	870
313-5544	653		1068	320-3063	541		901
	673		1071	320-7149	366		903
	675		1080	320-7883	991		905
313-5671	436		1082	320-8616	368		964

PART NUMBER INDEX

Part	Page	Part	Page	Part	Page	Part	Page
323-5623	980		593	327-6335	1118	329-8473	27
	1067	323-7381	▶690	327-6739	672		29
323-5625	925	323-7401	▶691	328-7288	1128		200
	931	323-9312	148		1229	329-8482	27
323-5644	516		150	328-7289	1128		29
323-5646	494		151		1229		158
	495		153	328-7290	1127	330-1714	109
	501		155	328-7291	1127	330-1725	37
323-5648	472	324-0444	125	328-7292	1128	330-3036	389
	474	324-8398	937		1229	330-3037	655
	486	325-4374	122	328-7293	1127	330-4258	876
	487	325-4927	519	328-7837	389	330-4301	1285
	499		1223	328-9686	946		1288
	502	325-9568	424	328-9688	296		1291
	506	326-0477	134		300		1294
323-5649	472	326-1178	224		897	330-4304	1297
	474		226		901		1300
	486		228	328-9691	814	330-4773	876
	487		328		927	330-5898	200
	499		329		931		201
	502		1203	329-1194	382	330-8103	195
	506		1206	329-2455	232		224
	▶1094		1208		922		228
323-5737	▶1094		1260	329-3606	761		328
323-7222	833	326-1976	1260	329-3612	533		329
323-7223	799	326-1997	▶1036	329-3613	980		375
323-7231	13	326-1998	1048		992		377
	15		1099	329-3614	899		379
	596	326-1999	1043		905		889
323-7233	1234	326-2002	1285	329-3624	262		891
323-7236	424		1288		738		893
	427		1291	329-3638	525		911
	446		1294	329-3645	615	330-8325	780
	451		1297	329-3662	472		782
	453	326-2013	▶1043		474		939
	489	326-3984	760	329-3663	1157		1057
	1236	326-4516	421	329-3796	129		1059
323-7237	449		422	329-5230	82	330-9652	27
	451	326-7289	45		144		29
	453	326-9053	1272	329-7846	151		82
	456		1273		155		129
	523	327-1749	1157	329-7884	27	330-9723	373
	524		1189		29	330-9726	809
	530	327-5266	596		118		811
	531	327-5313	836	329-7900	27	330-9847	214
	547	327-5534	375		29	331-0095	980
	548		889		115	331-1571	525
	549		893	329-7919	28		533
	550	327-6271	1118		30	331-1572	525
	574	327-6272	1118		560	331-3595	444
323-7238	446	327-6277	1046	329-7945	27	331-3797	109
323-7254	1288	327-6285	984		29	331-3890	377
	1291		1004		144		379
	1294	327-6305	1004	329-7997	27		861
	1297	327-6307	836		29		863
323-7256	1285	327-6308	836		165		865
	1288	327-6309	836	329-8098	27		909
	1291	327-6310	836		29	331-4387	269
	1294	327-6311	836		1268		272
323-7257	1285	327-6312	836	329-8386	27		274
	1288	327-6314	836		29		313
	1291	327-6317	1118		184		315
	1294	327-6318	1118	329-8409	27		317
323-7259	1285	327-6325	984		29		319
	1288		1046		1269	331-6835	65
	1291	327-6328	1046	329-8421	27		67
	1294	327-6329	984		29	331-6839	128
	1297		1004		122		935
323-7262	1285		1046	329-8428	27	331-6841	389
	1288		1124		29	331-7010	560
	1291	327-6330	984		109		562
	1294		1004	329-8435	27	331-7316	120
	1297		1124		30	332-0137	48
	1300	327-6331	836		202	332-1989	226
323-7347	590	327-6333	1046				

PART NUMBER INDEX

Part	Page	Part	Page	Part	Page	Part	Page
332-3058	471		1073		506	334-7439	671
332-4634	27		1075		1236	334-7440	659
	29	334-0456	1077	334-5873	17		664
	207	334-1073	375		431		667
332-4667	27		867		436		669
	29		911		446	334-7441	640
	105	334-3059	638		447		661
332-7540	280		647		448	334-7442	711
	282		649		451		713
	284	334-3553	635		453	334-7443	635
	285		644		504		644
	286	334-3562	635		506	334-7444	651
	287		644		615		653
	288	334-3567	666		790		673
	290	334-3570	635	334-5874	424		675
332-7624	345		644		426	334-7448	653
332-7865	590	334-3575	671		434	334-7449	651
	593	334-4206	671		436	334-7450	671
332-9700	416	334-4921	666		443	334-7452	651
333-0736	805	334-4963	638		445		653
	807		647		451	334-7453	673
	1203		649		452		675
	1206	334-4979	638		453	334-7459	659
	1208		647	334-5875	432		664
333-5465	148		649		450		667
333-7914	27		653	334-5876	424		669
	30	334-5131	638		426	334-7485	637
	236		642		449		638
333-8052	47		647	334-5879	431		641
333-8792	499		649		433		647
	502		662		445	334-7486	673
	504		711		446		675
	506		713	334-6623	653	334-7492	711
333-8793	499		715	334-6641	635		713
	502	334-5841	644		644	334-7500	635
	504	334-5864	443	334-6649	635		638
	506	334-5867	441		644	334-7502	711
333-9765	1069		443	334-6652	673		713
333-9767	1069	334-5870	424		675	334-7503	635
	1085		427	334-6658	635		644
333-9768	1069		431		644	334-7505	635
	1085		432	334-6668	653		644
333-9769	1069		450	334-6676	651	334-7523	635
	1085		451	334-6678	677		644
333-9770	1069		452	334-6764	666	334-7524	711
	1075		453	334-6837	677		713
	1077	334-5871	424	334-6846	635		715
	1085		426		644	334-7525	659
333-9771	1069		436	334-6849	666		664
333-9772	1069		441	334-6859	673		667
333-9773	1069		443	334-7232	394		669
333-9774	1073		444		395	334-7526	711
	1077		445	334-7395	651		713
333-9775	1069		446	334-7399	653	334-7527	711
333-9776	1069		450	334-7402	642		713
	1077		451		662	334-7531	655
333-9777	1069		452	334-7404	642		656
333-9849	1073		453		662	334-7532	651
333-9850	1073		574		666		717
333-9852	1073	334-5872	424	334-7407	653		723
333-9855	1073		426	334-7415	653		724
333-9856	1073		432	334-7416	651		726
333-9857	1069		433		673		727
	1073		436		675		729
333-9860	1069		440	334-7417	651		731
	1073		445	334-7418	659	334-7541	677
	1075		446		664		717
	1077		448		667		723
333-9864	1069		450		669		724
	1073		451	334-7427	667		726
333-9866	1073		452		669		727
334-0451	1073		453	334-7428	667		729
	1075		477		669		731
334-0453	1069		504	334-7438	635	334-7556	673

PART NUMBER INDEX

Part	Page	Part	Page	Part	Page	Part	Page
	▶717		167	339-8840	1260		885
	▶723	335-8611	301	339-9637	177	343-9736	▶1126
	▶724		302		180	343-9737	▶1127
	▶727	336-1294	37	340-0571	122	343-9738	▶1128
	▶729		112	340-2293	901	344-1686	435
334-7558	671	336-2804	1129	340-4933	901		457
334-7559	711		1230	340-4934	897	344-4775	559
	713	336-3689	967		899	344-4902	1187
334-7560	635	336-5439	94		901	344-5673	13
	644		172		903		15
334-7562	635		176		905		195
	644	336-5446	94	340-5953	1004		282
334-7563	673		172		1021		285
	675		176		1057		287
334-7564	651	336-5447	94		1059		290
334-7566	653		172		1108		469
334-7568	653		176		1124		472
334-7572	653	336-5469	642	340-5954	1004		474
334-7573	653		669		1021		933
334-7574	653	336-7524	734		1057		1120
334-7576	653	336-7526	733		1059		1215
334-7577	653		734		1108	344-5674	464
334-7578	653	336-7529	733		1124		824
334-7579	653		734	340-8975	1129		858
334-7581	653	336-7619	1219		1230	344-5675	232
334-7582	653	337-3905	389	340-8976	1126		480
334-7583	635	337-6264	820		1127		481
	644		822		1128		785
334-7603	635	337-6457	1186		1129		786
	644		1187	340-8977	1129		788
334-7604	635	337-7304	272		1230		911
	644		274	340-8979	1120		1132
334-7605	635	337-8032	27		1129		1201
	644		29	341-0643	552		1203
334-7608	635		159	341-3075	1185		1206
	644	337-9647	254	341-3566	382		1208
334-7611	635	338-1402	50	341-4028	56	345-0835	345
	644		51		58	345-4153	394
334-7615	635		54		59		395
	644	338-9479	27		62	345-6605	338
334-7624	635		29	341-7110	966	345-7560	777
	644		193		970	346-0006	388
334-7625	635	338-9595	169	341-7590	741	346-0007	388
	644	338-9997	1129		747	346-0408	125
334-7627	635		1230		749	346-2972	1100
	644	338-9998	1126		751	346-2973	1091
334-7629	635		1228		753	346-2974	1091
	644	338-9999	1126		755		1100
334-7638	635		1228		1154	346-2975	▶1091
	644	339-0000	1126		1161	346-2986	408
334-7649	635		1228		1163		410
	644	339-1048	187		1249	346-3533	436
334-7659	651	339-2958	578		1252	346-4197	27
	653	339-2997	27	341-8536	366		29
334-7682	649		29	342-0434	1168		50
334-7684	649		112	342-1306	122		51
334-7693	638	339-4396	1057	342-3782	373	346-4709	177
334-9334	165		1059	342-3830	638	346-4712	172
	167	339-4397	1057		647		174
335-2233	1084		1059	342-3862	801	346-4772	170
335-2234	1084	339-5858	27		1247		171
335-5330	122		29	343-5908	276	346-6185	276
335-7585	105		40	343-5964	87	346-8219	1272
	106	339-6361	595		88		1273
335-8056	1300		603	343-7049	290		1284
335-8059	1129	339-6363	595		313	346-9507	345
	1230	339-8047	984		315	347-1645	877
335-8066	1129		1004	343-7429	1157		879
	1230	339-8780	48	343-7928	861		881
335-8077	1129		49		863		883
	1230		56		877		885
335-8078	1230		58		879	347-2165	389
335-8087	567		59		881	347-3429	382
335-8270	165		62		883	347-4584	498

PART NUMBER INDEX

Part	Page	Part	Page	Part	Page	Part	Page
	501		402		70		322
347-4596	1253	350-1569	31		71	359-6302	590
347-4597	1187		203		73	360-1731	322
	1253	350-1802	31		82	360-3680	656
347-5373	863		307	355-4951	31	360-3986	148
	867	350-1826	31		110		150
	1173		133	355-5048	27		151
	1186	350-1959	31		29		153
	1187		234		44		155
	1222	350-2524	621	355-5592	27	360-3988	50
347-6547	27		627		29	360-4063	263
	29	350-3745	31		276	360-4064	263
	162		69	355-7044	27	360-4065	263
347-8645	372	350-3746	31		29	360-4066	263
347-9981	188		53		95	360-5695	382
348-0495	373	350-5188	31		97	360-5696	188
348-1612	940		145	356-1124	27	360-7817	27
348-2822	132	350-5644	31		29		29
348-8082	198		237		304		187
348-8510	765	350-6265	27	356-2911	424	360-8054	590
	766		29		426	360-8847	166
348-8512	765		163		431	360-8958	352
348-8513	765	350-6268	27		433		354
	766		29		434		358
348-8514	765		35		436		364
348-8515	765	350-8571	626		440	360-8960	352
348-8516	766		658		441	360-9027	384
348-8517	767	350-8573	621		443	360-9028	385
348-8518	767		627		444		395
348-8608	198	351-2099	193		445	360-9030	384
348-9331	345	351-2100	193		446	360-9031	385
348-9442	679		194	356-4035	301	360-9034	384
	680	351-7528	679		338		385
348-9443	694		680	356-4036	301		395
	736		681	356-4590	188	360-9061	384
348-9444	681		682	356-7156	27		394
	682		683		29		395
	685		684		214	360-9062	385
349-1835	304		685	356-7282	27		394
349-4716	169		686		29	361-0841	214
	172		736		188	361-1224	27
	174	351-8228	64	356-7409	27		29
349-4729	169		65		29		353
349-4732	169	351-8229	65		263	361-1225	214
	170		70	356-8242	276	361-1562	27
	169		71	356-8338	188		29
349-4733	169	351-9797	28	356-9640	87		360
	171		30		88	361-2294	58
349-7364	436		172	357-0147	181	361-2883	28
349-7415	31		174		187		30
	119	352-4118	1291	357-0617	304		394
349-8256	970	352-7822	214	357-0646	304		395
	972		634	357-4399	1199	361-3488	590
349-9649	31	353-3477	339	357-6165	449	361-4910	534
	116		340	357-6217	909	361-6344	382
349-9836	1273	353-3478	339	357-7345	263	361-7141	402
350-0562	31		340	357-7346	263		403
	561	353-7715	213	357-7350	263	361-7346	351
350-0644	31	353-7717	213	357-9545	382	361-7347	351
	113		217	358-2583	389		393
350-1044	27	353-8578	236	358-7592	304	361-7402	382
	29	353-9607	87	358-8132	132	361-7519	306
	132		98	359-0719	150		312
350-1054	31	353-9662	88		151	361-7856	456
	212		94		153		471
350-1102	31		95		155	361-7866	145
	166	354-7356	1001	359-1310	47		146
350-1117	31		1013	359-4462	304	361-7867	145
	164	355-0632	393	359-5180	426	361-7883	561
350-1459	27	355-2495	304	359-5885	271	362-0555	110
	29		1272		272		111
	401	355-3486	1273		274	362-2100	1046
350-1474	31		27		313	362-2102	1046
	219	355-3530	27		315		1124
350-1486	31		29				

PART NUMBER INDEX

Part	Page	Part	Page	Part	Page	Part	Page
362-2103	1046		322	371-5658	382	377-5991	31
362-2104	1046	362-9689	354	371-8057	122		182
362-2106	984		358	371-8062	122	377-6012	31
	1004		364	371-8298	114		124
	1046		365	371-8537	436	377-6932	457
362-2107	1046	363-0171	109		441	377-9003	371
362-2108	1046	363-0559	50		443		381
362-2111	984		51	372-0494	111	377-9082	35
	1004		54	372-4967	203		36
	1046	363-3890	40		204	377-9255	37
362-2112	1046	363-5813	189	372-6382	457		112
362-2113	1046	363-8035	322	372-8164	31		114
362-2114	1046	363-9725	146		381	377-9560	809
362-2115	1046	364-5145	50	373-0282	181		811
362-2116	1046		51		182	377-9591	13
362-2117	1046		54	373-7250	18		15
362-2118	1046	364-5356	1101		29	377-9597	814
362-2119	1046	364-5823	54		322	377-9847	18
362-2120	836		82	373-8468	944		30
	1046	365-2985	37		973		553
362-2121	836	365-5772	435	373-9526	354	378-9703	527
	1046	365-5773	435		544		532
362-2122	1046	365-5774	435	374-2640	415	378-9763	651
362-2148	1073	365-7861	964	374-4419	240		653
362-2149	1069		965	374-6307	263	378-9766	653
362-2915	187	365-9915	1132	374-6765	234		673
362-3261	436	366-7249	653		235		675
	440		675	374-7332	535	378-9814	667
362-3755	1069	366-8853	76	374-7352	1057		669
362-3760	1069	366-9821	31		1059	378-9815	667
	1077		361	374-7353	1057		669
	1085	367-2071	271		1059	378-9816	667
362-3765	1077		272	374-8331	443		669
362-3768	1077		274	374-8332	435	378-9817	641
362-3821	424		313	375-0099	1057	379-2999	164
	427		315		1059	379-3061	190
362-4935	426	367-6033	237	375-0351	263	379-3064	190
	432		238	375-1397	350	379-3066	190
	433	367-6363	365		381	379-3111	146
	444	367-6694	838	375-1424	558	379-3141	79
	447		1083		596		81
	451	367-6788	208	375-2016	1057	379-3142	77
	452		237		1059		78
362-5031	590	367-6803	590	375-2647	386		79
362-5412	352	367-9085	354		387		81
	354		355		388		131
	358	368-0512	232	375-2702	966	379-3144	79
	364	368-3140	441	375-6292	1057		81
	365	368-3147	557	375-6293	1059	379-3145	79
362-6352	17	368-7759	1294	375-6294	1057		81
	424	368-9616	424		1059	379-3146	79
	426		426	375-6988	396		93
	432	369-1255	37	375-8190	116	379-3147	79
	433	369-1658	266	375-8223	120		81
	446	369-3707	101	375-8254	386	379-3158	77
	452	369-3793	119		387		78
	453		120	375-9272	118		131
	615	369-3795	116		121	379-3161	131
362-6353	424	369-3867	181	376-1398	192	379-3163	77
	426	369-6035	362		280		78
362-6360	432		363		282		131
	447	369-7799	367	376-4078	48	379-3164	77
	450	370-4059	437		49		78
	453	370-6545	67	376-6403	367		131
362-8011	424		68	376-6405	367	379-3314	120
	426	370-6891	95	376-6409	386	379-4372	809
362-8013	424		97		387		811
	426	370-6892	95	376-6410	386	380-1659	236
362-8040	424		97		387		239
362-8041	424	370-8363	389	376-6411	386	380-2065	150
362-8205	363	370-8376	352		387		153
362-9021	276		364	376-6895	382	380-9615	45
362-9401	272	371-2691	388	377-0399	89	381-0011	382
	274	371-3354	263	377-0400	89	381-1558	382

PART NUMBER INDEX

Part	Page	Part	Page	Part	Page	Part	Page
381-1799	1284	386-0154	544	388-7644	239	390-3118	199
381-2771	761	386-0163	544	388-7649	239	390-3119	348
381-3316	653	386-0164	544	388-7651	239	390-3122	392
381-3317	653	386-0166	544	388-7652	239	390-3130	216
381-3502	▶305	386-1864	373	388-8350	733		308
	▶342	386-1910	348	389-1863	43	390-3144	561
381-3504	93	386-1911	181		111	390-3292	348
381-3510	90		343		116	390-3298	348
	128		348		208	390-5138	135
381-3513	61	386-1919	517		219	390-7681	626
381-3514	61	386-1921	128	389-1874	43	390-7746	619
381-3515	43	386-1922	128		211	390-8959	136
381-3938	190	386-1927	208		216	391-5559	135
381-3940	116	386-2061	179		517		145
381-9267	590	386-2062	179		594	391-8781	733
382-9620	166	386-2068	348	389-1920	102	391-9654	655
383-0799	90	386-2096	392		120		656
383-1333	43	386-2737	372		199		733
383-1335	43	386-2777	128		215	392-0563	212
383-4141	272	386-2778	128	389-1934	305		215
	274	386-2783	308		343	392-0744	218
	322		935	389-1935	305	392-1366	27
383-6037	304	386-2911	935	389-2722	403		29
383-6121	382	386-2971	386	389-2854	403		82
383-6123	382		387	389-2856	235		148
384-2284	458	386-2976	386	389-2857	403	392-1368	27
384-3682	432	386-3036	594	389-2858	111		29
	448	386-3819	386	389-2862	370		366
	450		387	389-2863	238	392-2042	199
	451	386-6247	157	389-2864	111	392-2045	215
	452	386-6368	343	389-2865	208		216
	453	386-6451	215	389-2867	308	392-2047	216
384-3887	540	386-6508	544	389-2868	128	392-2147	218
384-3888	540	386-6510	544		136	392-3996	▶653
384-4080	100	387-0817	427	389-2870	204		▶717
	176		451	389-2872	128		▶723
384-4082	▶98	387-7697	343	389-2875	348		▶724
	▶100	387-7702	305	389-3543	10		▶726
384-4902	18	387-7707	111		11		▶727
	99	387-7709	544		458		▶729
384-4906	99	387-7711	145	389-3574	1285		▶731
	100	387-7713	111		1288	392-6032	544
385-1174	541	387-7717	111		1291	392-6301	672
	552	387-7725	305		1294	392-9458	45
385-1398	373	387-7727	235		1297	392-9472	45
385-1422	211	387-7732	208		1300	393-0301	111
385-1451	164	387-7747	90	390-0057	424	393-0383	403
385-1649	43	387-8113	343		426	393-0900	544
	120	387-9123	145	390-0313	350	393-4006	121
385-3595	626	387-9130	111	390-0316	935	393-5525	361
385-3597	619	387-9134	145	390-0319	90		362
	626	387-9136	111	390-0320	79		377
385-3599	619	387-9152	204	390-0321	216	393-7228	935
	626	387-9154	111	390-0324	199	393-7738	157
385-3606	619	387-9162	135	390-0341	95	394-8799	279
385-3607	619	387-9343	279		97		370
385-3608	619	387-9503	94	390-0347	371		392
385-3609	619		172	390-2384	403	394-9569	435
385-3620	619		176	390-2386	218	395-8328	1129
	626	388-0519	216	390-2387	403		1230
385-3637	621	388-0731	715	390-2388	111	395-9551	444
385-3639	621	388-1200	371	390-2396	348	396-1025	220
	627	388-1201	371	390-2397	343	396-2052	396
385-4313	40	388-1289	350	390-2401	157	396-2102	372
385-5360	399		362	390-2402	157	396-2103	▶372
385-5981	457	388-2068	128	390-2403	157		▶373
385-9059	61		215	390-2404	157	396-2421	373
385-9063	61	388-4063	741	390-2405	128	396-2602	396
385-9077	43		745	390-2468	343	396-2603	396
385-9082	211		747	390-2594	371	396-2604	396
385-9087	211		749	390-3066	61	396-2606	396
385-9093	403	388-6986	136	390-3076	61	396-2607	396
386-0145	627	388-7602	116	390-3077	61	396-2608	396
386-0153	544	388-7604	199	390-3117	199	396-2609	396

PART NUMBER INDEX

Part	Page	Part	Page	Part	Page	Part	Page
396-2610	396		25	417-4190	23	418-9987	653
396-2611	396		388		25	418-9988	653
396-5615	593	415-5527	23		201	419-0423	122
397-1559	▶89		25	417-4284	23	419-0677	27
	▶92		396		25		30
	▶101	415-5534	23		1272		389
397-4750	246		25	417-4286	23	419-3740	265
	248		415		25	419-8538	23
	254	415-7105	23		160		25
	256		25	417-7782	209		106
397-5684	236		45	417-8427	350	419-8715	594
	239	415-7116	23	417-8452	350	419-8726	199
397-6114	▶1111		25	417-9196	348	420-0471	206
397-6836	396		125	417-9861	1044	420-1641	389
397-6838	▶1044	415-7947	23	417-9862	1044	421-2302	1285
398-2009	280		26	417-9863	1044		1288
	282		177	417-9864	1044		1291
398-2026	595	415-7948	23	417-9865	1044		1294
398-3671	435		25	417-9866	1021	421-2305	1297
398-5596	656		85		1044		1300
398-6226	396		86		1108	421-3853	23
398-7219	396		130	417-9867	1044		25
398-8198	27	415-7949	23	417-9868	1044		373
	29		25	417-9869	1044	421-5383	134
	382		518	417-9870	1044	421-6171	872
399-1164	635	415-9834	24	417-9871	1044	421-6173	917
	644	416-1042	24	417-9872	841	421-7760	148
399-1166	635		25		843	421-7763	148
	644		1270		961	421-7786	539
399-1167	635	416-1043	23		1044	421-7787	539
	644		25	417-9873	961	422-0638	190
399-1168	635		114		1021	422-0642	190
	644	416-1051	23		1044	422-0643	190
399-1209	18		25	417-9875	1044	422-0655	136
	311		147	417-9876	1044	422-0893	839
399-1322	108	416-1089	23	417-9878	1044	422-0894	839
399-1355	461		25	417-9879	1044	422-0895	839
399-1368	461		167	417-9880	1044	422-0896	839
399-1410	226	416-1864	23	417-9882	840	422-0897	839
399-1528	635		25	417-9883	840	422-7716	302
	644		240	417-9884	840	422-9961	190
399-5410	655	416-1867	23	417-9885	840	423-0030	43
	656		25	417-9886	840	423-0594	424
	734		209	417-9887	840		426
399-7779	1130	416-8113	405	417-9888	840	423-1270	23
399-7790	1130		406	417-9889	840		25
399-8470	396	416-8716	23	418-3229	366		117
399-8728	543		25		368	423-1982	195
			1271	418-3402	31		889
		416-8722	23		186		891
			25	418-3788	31		893
			127		355	423-1983	861
415-3299	23	416-8723	23	418-6370	780		863
	25		25		782		865
	74		205	418-7407	▶671		867
	75	416-8775	23		▶717	423-3785	348
	85		25		▶723	423-6434	365
	86		312		▶724		546
415-5518	85	416-9543	23		▶726	423-7576	37
	86		25		▶727		114
	150		265		▶729	423-8220	219
	151	416-9552	23		▶731	424-0720	1216
415-5519	23		25	418-7411	▶655		1217
	25		306		▶717	424-8734	850
	153	417-2855	939		▶723	424-8738	850
	155	417-3394	23		▶724	425-0294	400
415-5520	23		25		▶727	425-2264	809
	25		185		▶729		811
	101	417-3453	24	418-7425	23	425-6359	18
415-5522	23		26		25		30
	25		557		36		346
	367	417-3463	23	418-7659	23	425-7103	125
415-5523	23		25		25	425-8162	23
			134		217		25

4

PART NUMBER INDEX

Part	Page	Part	Page	Part	Page	Part	Page
	404		29	439-0578	532		484
425-9082	1285		590	439-1624	128		485
425-9111	540	433-4681	28	439-1841	356	444-6962	280
425-9174	24		30	439-5037	356		282
	26		541	439-5039	356	444-7241	128
425-9258	562	433-5258	23	439-5040	356	444-7262	32
	224		25	440-8443	94	444-7604	457
	226		189		172	444-9684	272
	228	433-6323	23	441-1161	120		274
425-9719	28		25	441-1215	23		319
	30		56		25	445-0847	407
	338		58		357		408
425-9760	23		59	441-5129	539		410
	26		85	441-5130	539	445-0848	407
	540	433-6521	58	441-7483	1062		408
425-9824	302	433-7466	638	441-9154	23		410
	338	434-0513	266		25	445-9016	388
425-9955	518	434-6401	111		194	445-9440	90
426-0441	302	434-7061	382	441-9195	818		102
428-7127	133	435-4932	421		941	445-9442	102
	135		422		943	446-0181	82
428-7171	135	435-5221	435	441-9673	31	446-1264	421
428-7183	135		443		157		422
428-8151	343	435-5222	435	441-9675	31	446-1273	421
428-8153	343		443		102		422
428-8158	308	435-5717	544	441-9676	31	446-1405	42
428-8163	211	435-5729	218		178		43
428-8168	343		343	441-9678	31	446-2236	23
428-8196	28	435-5842	218		42		25
	30	435-5844	218	441-9679	31		161
	539	435-7778	23		369	446-4785	178
428-8210	308		25	441-9680	31		179
428-8227	308		41		391	446-5393	360
428-8230	308	435-9905	136	441-9700	31		393
428-8232	308	436-0523	94		543	446-7562	44
428-8237	308		172	441-9720	31		47
430-5204	23		176		417	447-1044	27
	26	436-0524	177	441-9739	31		29
	554		180		46		1273
430-5748	711	436-0525	94	441-9785	31	447-1847	32
	713		172		210	447-1936	382
	715		176	441-9792	31	447-3888	271
430-9520	590	437-0940	831		342		313
431-7048	23		832	441-9798	31		315
	25		987		537	447-5249	153
	121		988	442-0486	31	447-5250	153
432-0065	23		992		277	447-5251	150
	25		1063	442-1585	31	447-5252	153
	183		1064		278	447-7816	28
432-1403	541		1065	442-1647	19	447-8572	205
432-1689	307		1066		323	447-8576	202
	308		1068	442-2287	31	448-0757	457
432-4133	471		1071		347		593
	515		1080	442-2325	31	448-2620	62
432-4134	515	437-1906	1187		271	448-4227	51
432-4135	515	437-1994	459	442-3478	948		54
432-4136	515	437-2042	459	443-0630	31	448-4869	825
432-4137	515	437-4176	460		558		826
432-4138	515	437-4177	460	443-0632	31	448-5787	188
432-4139	515	437-4178	460		592	449-1083	342
432-5917	435	437-5080	923	443-1143	31		348
	590		925		1284	449-2730	190
432-6628	26	437-5084	923	443-3644	1062		192
	339		925	443-3645	1062	449-3315	367
432-6655	24	437-7007	814	443-6022	426	449-3333	388
	340	437-7653	141	443-9142	328	449-5062	82
432-8596	348		142	443-9253	125		83
433-1316	373		143	443-9543	150	449-5064	18
433-1900	189	437-7754	1249		153		83
433-2688	189		1252	444-0274	943	449-6115	941
433-4674	27	437-9758	113	444-6164	124	449-8810	655
	29		136		128	449-8814	671
	416	438-7763	356	444-6523	482	450-0003	37
433-4677	28		357		483		1130

PART NUMBER INDEX

Part	Page	Part	Page	Part	Page	Part	Page
450-0307	861		707		528		626
	863		708		529	458-5997	619
	881	453-7117	691		532		626
450-0850	944		705		576	458-6004	620
450-4786	220		706		578		626
	936	453-7163	23		580	458-6005	620
	937		25		582		626
450-5251	224		359		583	458-6006	620
	226	453-7296	▶461		584		626
	228	453-8398	1285		585	458-6007	620
450-7214	279		1288		595		626
	538		1291		599	458-6009	620
450-7215	538		1294		603		627
450-8101	▶324		1297		608	458-6014	620
	▶326		1300		611		627
450-9503	1236	453-9534	▶711		769	458-6015	620
451-0188	326		▶717		770		627
451-0189	326		▶723		877	458-6016	619
451-0357	818		▶727		879		626
	941	453-9535	▶713		881	458-6017	619
	943		▶724		883		626
451-2764	818		▶729		885	458-6018	619
	941	454-0683	41	455-3693	56		626
	943	454-3966	541		59	458-6091	620
451-4751	271	454-3970	541	455-6923	45		627
	313	454-4171	527	455-9379	382	458-6092	620
	315	454-4678	525	455-9388	1129		627
451-7225	1268		533		1230	458-6093	620
	1269	454-5109	386	456-0454	▶1102		627
	1270		387	456-0465	▶1119	458-6094	620
	1271	454-5820	61	456-0473	▶1002		627
451-7736	74	454-6981	337	456-0484	1119	458-6095	620
	76	454-6988	337	456-0492	1019	458-6096	620
451-8375	1246	454-8290	309		1030	458-6098	620
451-8483	31		421		1089	458-6099	621
	192	454-8293	421	456-0493	851	458-6100	621
451-9869	224		422	456-0494	1089	458-6132	621
	226	454-8813	541	456-0498	▶1019	458-6136	621
	228	454-9258	313	456-0507	▶1030	458-6138	621
452-0344	353		315	456-1357	235	458-6141	621
	364	454-9259	313	456-1364	373	458-6143	621
452-1488	31		315	456-1524	441		627
	337	454-9427	329	456-1568	431	458-6148	658
452-3112	557	454-9914	373		433	458-6149	658
	559	455-0704	232	456-1570	432	458-6154	627
452-7079	528		433		433	458-6851	620
	529		435		436		626
452-7366	18		436		440	458-7273	416
	84		441		441	458-7526	424
452-7386	84		443		443		426
	85		446		444	458-8403	241
	86		457		445		243
452-7394	18	455-0705	435		446	458-8419	1241
	103		441		450	458-8420	1241
452-7397	103		457		451	458-8421	1241
	104	455-0706	443		452	458-8422	1241
452-8547	▶358	455-0707	435		453	458-8423	1241
	▶359		444	456-3152	1057	458-8424	1241
452-8698	392	455-2256	599		1059	458-8425	1241
452-8769	392		608	456-5403	436	458-8426	1241
452-9198	392	455-3027	272	457-1255	280	458-8876	1227
453-0790	386		274	457-3521	▶1283	458-8877	1227
	387		313	457-7727	325	458-8885	805
453-0805	1195		315	457-8027	451		807
	1197		317		453	458-8886	805
453-0806	1195		319		790		807
	1197		375	457-8672	304	459-0424	620
453-2214	471		377	457-9914	284	459-0425	619
453-5783	1260		379		285		626
453-6390	683		472		286	459-1953	986
453-6476	684		474		287		987
453-6510	541		494	458-0536	851		988
453-6997	541		496	458-3745	593	459-1954	986
453-7110	690		527	458-5992	619		987

PART NUMBER INDEX

Part	Page	Part	Page	Part	Page	Part	Page
	988	459-8867	784		▶717	463-8848	18
459-1976	986		785		▶724		23
	988	459-8891	761		▶726	463-8908	923
459-1977	1254	459-8911	1254	460-9946	659		925
459-1978	1254	459-8912	141		664	463-8910	18
459-2707	1259		142	460-9947	659		25
459-2708	1254		143		664	463-8911	348
459-2709	1259		832	460-9948	659	463-8913	348
459-2710	1259	459-8921	694		664	463-9169	279
459-2758	1255		698	460-9949	659	464-0509	734
459-2760	1255	459-9625	407		664	464-0959	148
459-2772	1232		408	460-9956	715	464-1143	69
459-2776	1160		410	460-9958	656		77
459-3345	620	459-9780	1257	461-1160	659		78
	627	459-9782	1257		661	464-1147	46
459-3346	621	459-9783	1257		664	464-1152	369
	627	460-0320	▶1241	461-3100	851		370
459-3347	621		▶1245	461-5511	538	464-1169	391
	627	460-0321	1245	461-5573	538		392
459-3348	621	460-2115	838	461-5585	538	464-1175	342
	627		839	461-7838	637		343
459-3350	621	460-2117	838		641	464-1257	595
	628	460-2323	61	461-9107	303		599
459-3499	424	460-2707	424	461-9110	303		603
	426		427	461-9113	303		608
459-3500	424		432	461-9115	303		611
	426		433	462-3219	▶303	464-1268	288
459-3502	437		440		▶311	464-1334	224
459-3503	436		441		▶323	464-1335	228
459-3504	436		444		▶330		1199
459-3633	27		445	462-5117	24		1201
	29		446	462-5368	13		1203
	266		450		15		1206
459-3673	986		451		800		1208
	987		452	462-6745	343		1210
	988		453	462-7347	841	464-2104	410
459-3693	572	460-2867	1294		843	464-2105	410
459-5188	1249		1300	463-1675	▶1103	464-2121	277
459-5371	1249	460-4116	424	463-2071	1236		279
459-6115	1081		426	463-2072	1236	464-2307	18
459-6647	271		431	463-5618	780		20
459-6652	313		432		782		22
	315		433		939		27
459-6656	271		436	463-6993	190	464-2308	18
459-6912	761		440	463-6995	190		29
459-6913	761		441	463-7715	93	464-3477	417
459-6914	833		443	463-7717	90		517
	980		444	463-7718	90	464-3491	543
459-6915	833		445	463-7726	90		544
	980		446	463-7727	90	464-3548	342
459-6916	833		450	463-7731	90		935
	980		451	463-7732	90	464-3819	555
459-7275	642		452	463-7733	90		556
	662		453	463-7736	90		855
459-7645	1258		574	463-7737	93	464-5019	▶637
459-7674	747	460-6528	85	463-7738	90		▶659
	749		86		93		▶664
	751	460-7780	▶92	463-7776	102	464-5020	▶641
	753		▶104	463-7831	102		▶667
	755	460-7781	104	463-7837	179		▶669
459-8174	53		180	463-7876	179	464-6221	948
	61	460-8951	659	463-8336	396		950
459-8308	▶667		664	463-8750	179		952
	▶727	460-8952	659	463-8751	179	464-6417	77
459-8309	▶640		664	463-8773	43		78
	▶667	460-8953	659	463-8775	43		131
	▶669		664	463-8776	43	464-6447	79
459-8310	640	460-8954	659	463-8785	594	464-6623	288
459-8801	599		664	463-8787	594	464-8101	46
	603	460-9942	▶717	463-8791	594	464-8160	46
	608		▶719	463-8792	371	464-8169	▶199
	611	460-9943	720		370		▶212
459-8862	1130		724	463-8812	370	464-8216	46
	1132	460-9945	▶659	463-8816	370	464-8225	558

PART NUMBER INDEX

Part	Page	Part	Page	Part	Page	Part	Page
464-8795	279		▶731	471-6019	1	473-2944	311
464-8797	279	468-0122	▶642		1221	473-4949	▶1138
464-8806	279		▶726	471-6024	1221		▶1142
464-8829	279		▶731	471-6025	1221		▶1143
464-8891	279	468-0123	▶715	471-6029	421	473-4952	861
464-8973	279		▶726		422		865
464-9128	935		▶731	471-6032	991	473-4953	519
464-9136	935	468-0127	642	471-6093	1258		521
464-9137	935		644	471-6094	1142	473-4956	519
464-9140	935	468-0128	645		1143		521
464-9702	392		647		1258		1223
464-9707	392	468-0130	644	471-6105	1212		1225
464-9735	392	468-0132	715	471-6121	1142	473-4957	519
464-9741	392	468-0133	715		1143		521
465-0250	131	468-0141	647		1212		1223
	181	468-0143	675	471-6125	1154		1225
465-0307	517	468-0145	▶726	471-6156	1259	473-4960	1227
465-0435	▶18		▶728	471-6158	1142	473-6297	1081
465-1034	544		▶732		1143	473-6830	1247
465-1037	544	468-0149	647		1259	473-6841	1249
465-1038	544	468-5334	1232	471-6160	1171	473-6930	1139
465-1167	935	468-5335	1232	471-6162	1170		1247
465-2826	195	468-5336	1234	471-6671	1154	473-6954	1300
	891	468-5337	1232		1174	473-6955	1285
	911	468-5340	740		1249		1288
465-2880	19	468-7762	148		1252		1291
	31		151		1253		1294
465-3458	343		153	471-7003	642		1297
465-3473	343		155		662		1300
465-3480	343	468-7769	148	471-7018	268	473-6957	1285
465-3481	343		151		309		1288
465-3482	343		153	471-9523	▶1170		1291
465-3619	28		155	471-9527	1141		1294
	30	468-7770	148		1170		1297
	559		151	472-0209	49		1300
465-4973	558		153	472-0940	▶1171	473-6966	1254
465-8761	537		155	472-1078	1153	473-6968	1249
	538	469-0462	1284	472-1148	259	473-6972	1249
465-8913	30	469-1359	558	472-1149	259	473-6974	1249
466-2880	541	469-3523	711	472-2275	514	473-6977	1249
466-2881	541	469-3524	713		1153	473-6983	1249
466-2883	▶18	470-0859	10	472-5352	398	473-6986	1249
466-4849	150		11	472-7843	516	473-7034	1249
	153		1239	472-7844	516	473-7168	1192
466-4921	48	470-0924	271	472-7846	818	473-7169	1192
466-4938	644	470-4925	70		820	473-7236	818
	659		73	472-7847	818	473-7237	818
	664		95		820	473-7238	818
	667		97	473-0008	576	473-7576	911
	669		98		578	473-7632	491
466-7247	551		266	473-0009	576		501
466-7874	266	470-7719	626		578	473-7633	495
	345	470-7971	56	473-0029	1274		501
466-7876	345		62	473-0267	29	473-7634	495
466-8177	1129	470-7995	56		267		501
	1230		62		268	473-7652	945
466-8285	311	470-8021	56	473-1344	260	473-7653	945
	325		62	473-1345	260	473-7701	523
466-8312	▶851	470-8023	56	473-1346	259		530
	▶1057		62	473-1347	260	473-7750	490
	▶1059	470-8027	517	473-1593	824		495
466-8480	▶48	470-8031	56	473-1595	818	473-8155	482
	▶54		62	473-1597	818		483
467-1399	278	470-8101	51	473-2080	141		484
467-1400	278		54	473-2083	143		485
467-4409	▶18	470-8171	51	473-2085	1135	473-8156	482
467-8302	▶18		54		1175		483
468-0114	715	470-9781	277	473-2086	1135		484
468-0118	675		326		1175		485
468-0119	▶675	470-9832	326	473-2087	575	473-8503	802
	▶726	471-2121	1260	473-2651	1137		803
	▶731	471-2882	144		1175		804
468-0120	▶656		147	473-2656	820	473-8713	375
	▶726	471-5583	1221		822	473-8714	375

PART NUMBER INDEX

Part	Page	Part	Page	Part	Page	Part	Page
473-8717	575	474-4084	1130	474-9465	259		10
473-8729	1160		1132	474-9466	259		11
	1255	474-4085	1130	474-9674	▶418		1235
473-8730	1255		1132		▶595	476-8931	1235
473-8731	1255	474-4086	1130		▶599		1243
473-8879	1160		1132		▶603	477-0021	▶423
	1168	474-4112	▶447		▶608		▶576
	1188		▶1130		▶611		▶578
473-8881	1157		▶1132	474-9758	328	477-0027	737
473-8905	1157	474-4115	1130		329	477-0655	534
473-8907	1157		1132	474-9760	328		535
473-8911	1157	474-4148	576		329		599
473-8917	1168		578	474-9787	1173		603
473-8920	1168	474-4149	▶412		1186		608
473-8933	1168		▶576		1187		611
473-8956	780		▶578	474-9789	1249		858
	782	474-4156	1145	474-9790	1249		859
	948	474-4157	1145	474-9797	1249	477-0663	259
	950	474-4891	576	474-9802	413		260
	952		578		414	477-0667	805
473-8975	528	474-4980	1201	474-9810	298		807
	595		1203		300	477-0692	224
	599		1206	474-9848	328		226
	603		1208		329		228
	608	474-5150	20		330	477-0860	477
	611		21	474-9849	330	477-0897	1253
473-9270	489		22		331	477-0901	936
	575		107		332	477-0903	1172
	1139	474-6053	805		333		1174
473-9271	946		807		335	477-0968	534
473-9371	595	474-6058	805	474-9851	329		535
	599		807		330		858
	603	474-6061	1156	474-9856	▶741		859
	608		1220		▶1249	477-1410	851
	611	474-6062	1220	474-9857	1247	477-1413	851
473-9375	1157	474-6063	1220	474-9859	1249	477-1415	851
473-9385	1232	474-6067	576	474-9861	741	477-1417	851
473-9386	523		578	474-9864	741	477-1419	851
	524	474-6081	1148	474-9865	741	477-1420	851
	530	474-6089	1220	474-9866	741	477-1422	851
	531	474-6090	1220	474-9867	1172	477-1495	851
	547	474-6091	1220		1252	477-1614	1161
	548	474-6092	519	475-6698	517	477-1616	1161
	549		521	475-8373	56		1163
	550		1220		59	477-1617	1161
	1232		1222	475-9070	▶840		1163
473-9387	1232		1225		▶1044	477-1629	1163
473-9388	1232		1249	476-0031	851	477-1675	1100
473-9471	1144	474-6095	805	476-0104	851	477-1801	▶448
	1232		807	476-0697	1142		▶499
474-0135	▶1039	474-6096	805		1143		▶502
474-0136	▶1040		807		1167		▶504
474-0141	▶1046	474-6097	805	476-0698	1167		▶506
474-0142	▶1021		807	476-0760	1216	477-1868	399
474-0144	▶983	474-6671	1172		1217	477-1872	399
474-0147	▶984	474-7178	759	476-3713	1124	477-2357	398
474-0599	45	474-7179	758	476-5226	8	477-2358	398
474-1421	851		759		9	477-2457	420
474-1502	1185	474-7520	▶448		10	477-2612	1300
474-2467	831		▶472		11	477-2614	1147
474-2534	▶1031		▶474		1222	477-3267	569
474-2537	▶1020	474-7554	472	476-5228	1050	477-3325	1132
474-3231	541		474	476-5235	269	477-3328	1132
474-3360	260	474-7555	472	476-5236	269	477-4113	946
474-3386	260		474	476-5237	1222	477-4116	802
474-3810	1130	474-8225	656	476-5238	1222		803
	1132	474-8989	195	476-6640	280		804
	1145		889		282	477-4117	802
474-4048	288		891	476-6644	280		803
	290		893		282		804
474-4050	288	474-9043	1142	476-8924	1142	477-5535	946
	290		1143		1143	477-5548	1083
474-4083	1130		1213		1227	477-5624	238
	1132	474-9044	1213	476-8930	8	477-5625	337

PART NUMBER INDEX

Part	Page	Part	Page	Part	Page	Part	Page
477-5891	1249	479-5684	853	481-4436	280		550
477-5914	1249	479-5954	1145		282		1277
477-6069	137	479-5955	1145		284	484-6062	853
	138	479-6503	267		285	484-6065	853
	139		310	481-6648	946	484-6067	1048
	140	479-7010	967	481-6649	946	484-7147	1021
477-6070	137	479-7011	967	481-6650	946	484-7150	1021
	138	479-7013	967	481-7718	595		1108
	139	479-7014	967		599	484-7153	1021
	140	479-7015	967		603		1108
477-7924	141	479-7276	967	481-8596	464	484-7154	1021
	142	479-7277	967		465		1108
	143	479-7278	967	481-9816	137	484-7155	1021
	832	479-7279	967		138		1108
478-2120	139	479-7280	967	482-0957	946	484-7156	1021
478-5100	1300	479-7281	967	482-1134	▶662	484-7157	1021
478-5125	412	479-7282	967		▶717	484-7158	1021
478-5127	576	479-7285	967		▶723		1108
	578	479-7289	967		▶724	484-7159	1021
478-5135	418	479-7292	967		▶727	484-7160	961
478-5136	418	479-7459	365		▶729		1021
478-5142	418	479-7786	967	482-1340	1130	484-7161	1021
478-5143	418	479-8773	232	482-2162	236	484-7162	1021
478-5144	418	479-9423	1044	482-2941	236	484-7163	1021
478-5145	292	479-9424	1044	482-2978	718	484-7164	1021
478-5151	1208	479-9425	1044		727		1108
478-5153	224	479-9426	1044	482-4975	834	484-7165	1021
	226	479-9470	310		980		1108
	228	480-4406	144	482-6415	472	484-7170	1021
478-5154	1203		147	482-6417	472		1108
	1206	480-5397	823	482-6418	472	484-7171	1021
	1208	480-5398	823	482-6419	472	484-7172	1021
478-5155	1203	480-5399	823	482-6423	474	484-7173	1021
	1206	480-5400	823	482-6425	474	484-7174	1021
	1208	480-5401	823	482-6426	474	484-7175	1021
478-5162	137	480-5402	823	482-8491	286	484-7176	1021
	138	480-6172	850		287	484-7177	1021
478-6580	853	480-6174	823		288	484-7178	1021
478-6612	970	480-7030	489		290	484-7179	841
	972	480-7035	489	483-1002	353		843
478-6615	970	480-7044	▶489		365	484-7180	843
	972		▶508	483-1385	740	484-7181	841
478-6898	970		509	483-3923	805		843
478-6916	224		510		807	484-7182	843
	226		511	483-5158	869	484-7183	841
	228		512	483-5164	137		843
478-7676	436		513	483-6606	595	484-7184	841
478-7684	425		514		599		843
	426	480-7425	823		603	484-7185	841
478-7685	431	480-9044	823		608		843
	432	480-9877	1300		611		1108
	433	480-9880	1285	483-8200	1132	484-7186	841
	452		1288	483-8201	1132		843
	453		1291	483-9533	▶1116	484-7187	841
478-7686	427		1294	484-1473	1249		843
	431		1297	484-1477	519	484-7188	843
	432		1300		521	484-7189	841
	433	481-1029	19		1223		843
	452		108	484-1800	141	484-7195	▶843
	453	481-1051	595		142		▶1021
478-8887	692		599		143	484-7952	841
	696		603	484-1801	599		843
	697	481-1052	595		604	484-8313	1177
478-8923	▶692	481-1053	595		608	484-8314	1177
478-9921	1129	481-1056	595		611		1181
	1230	481-3374	324	484-1870	825	484-8315	1177
479-0237	▶1048	481-3375	324		826		1180
479-0239	▶1003	481-3598	190	484-4199	944	484-8316	1177
479-1782	▶635	481-3653	824	484-5235	547		1181
	▶662	481-3654	824		549	484-8317	1177
479-2647	421	481-3658	824		1276		1181
	422	481-4381	211	484-5239	1278	484-8318	1177
479-4133	365	481-4382	210	484-5240	548		1181
479-4137	365		211				

PART NUMBER INDEX

Part	Page	Part	Page	Part	Page	Part	Page
484-8319	1177	485-4895	240	489-4519	472	492-3937	▶1148
	1181	485-5329	737		474		▶1176
484-8321	1177	485-7238	▶1112	489-4963	1168	492-3938	1148
484-8323	1177	485-7239	▶1123	490-1203	399	492-3939	1148
	1181	485-7240	▶1104	490-6358	984	492-3940	▶572
484-8324	1177	485-9160	90		1004	492-3941	1154
	1181	486-0141	▶1033	490-6359	984	492-4839	8
484-8325	1135	486-0526	▶1108		1004		9
	1175	486-0527	▶1049	490-6360	984		10
484-8326	1177	486-0528	▶1006		1004		11
484-8327	1177	486-0529	▶1120		1124		569
	1181	486-3235	19	490-6361	984	492-4851	897
484-8328	1177		137		1004		901
	1181		138	490-6362	984	492-4858	897
484-8330	1177	486-4417	▶824		1004		901
	1181		▶1142	490-6363	984		903
484-8331	1177		▶1143		1004	492-4869	17
	1181	486-4419	▶823	490-6364	984		615
484-8332	1177		▶824		1004	492-4896	849
	1181	486-7983	21	490-6365	984		897
484-8333	1177		139	490-6366	984		899
	1181	486-8069	679		1004	492-4927	897
484-8334	1177		680	490-6367	984		899
	1181		681		1004		901
484-8337	1177		682	490-6368	984		903
	1181		683		1004		905
484-8338	1177		684	490-6369	984	492-4992	523
	1181		685		1004		524
484-8339	1177		686	490-6371	984		549
484-8340	1177		736	490-6372	984		550
	1181	486-9886	1285	490-6373	984	492-5067	262
484-8341	1177		1288	490-8043	398		738
484-8342	1177		1291		399	492-5068	262
484-8343	1177		1294	491-0615	805		738
484-8344	1177	486-9888	1285		807	492-5069	991
484-8345	1177		1297	491-1372	▶1122	492-5086	▶523
	1181		1300	491-2597	1111		▶524
484-8346	1177	486-9892	1300	491-2599	1111	492-5088	3
484-8348	1177	487-2925	304	491-2689	▶448		4
484-8351	1180	487-3239	408		▶472		5
484-8352	1180	487-3912	2		▶474		6
484-8353	1180		1142	491-5234	▶49		7
484-8354	1180		1143		50		738
484-8355	1180		1147		51	492-5089	262
484-8356	1180	487-4969	408	491-7329	77		738
484-8357	1180	487-4971	408		79	492-5091	7
484-9138	1177	487-5857	348		131		991
	1181	487-6726	593	491-9892	▶1124	492-5709	329
484-9139	1177	487-8468	338	491-9893	▶1004		330
	1181		339	492-1082	▶131	493-1110	▶576
484-9140	1177		340	492-2133	527		▶578
	1181	487-8469	339	492-2937	▶575		▶1142
484-9576	656		340		▶1142		▶1143
484-9746	432	487-8470	339		▶1143	493-1111	▶424
	451		340	492-2944	575		▶576
	452	488-1825	339	492-2945	23	493-1118	762
	453	488-1831	340		26		768
484-9787	324	488-7889	1285		593	493-1119	762
484-9788	324		1288	492-3922	▶876		773
484-9789	324		1291	492-3923	876	493-1120	773
484-9790	324		1294	492-3924	876		774
484-9819	595		1297		877		775
	603		1300		879		776
	611	488-9824	523		881		778
485-1677	616		524		883	493-1121	762
	626		530		885		774
485-1681	258		531	492-3925	▶877	493-1123	763
485-2591	472		547	492-3930	1199		775
	474		548		1201	493-1124	763
485-2593	472		549	492-3933	1136		776
	474		550		1154	493-1125	776
485-2934	960	489-0637	308	492-3934	1154	493-1126	763
485-2943	960		343	492-3935	1154		777
485-4894	240	489-4104	1247	492-3936	1154	493-1292	763

PART NUMBER INDEX

Part	Page	Part	Page	Part	Page	Part	Page
	778		1064	495-4604	472	495-7633	220
493-1296	941		1065		474		936
	943		1066		519		937
493-3286	148		1067		521	495-7646	1142
493-5720	424		1068		1223		1143
	426		1071		1225		1247
493-5721	425		1080	495-4605	519	495-7648	784
	426		1082		521		785
493-5892	425	495-3047	▶449		1223		786
	427		▶494		1225		788
493-8976	805		▶496	495-4683	224	495-7649	1247
	807	495-3413	504		226	495-7650	1247
494-0157	1249	495-3415	499		228	495-7651	8
	1252		502	495-4704	405		9
494-0158	1139		504		406		10
494-0159	1249		506	495-4791	1139		11
494-1901	1151	495-3416	499	495-4792	1139		879
494-1910	832		502	495-4796	1139		881
494-1912	832		504	495-4799	1139	495-7652	▶883
	980		506	495-4800	1139		▶885
	992	495-3426	1142	495-4801	1139	495-7653	879
494-2035	831		1143	495-4802	▶38		881
494-2037	831		1254		▶1139		883
494-3694	138	495-3427	1254	495-4803	38		885
	139	495-3428	1254	495-4804	38	495-7659	8
494-8824	595	495-3735	▶1172	495-4805	38		9
	599		▶1186	495-4806	38		10
	603	495-3736	1186	495-6135	1142		11
	608		1187		1143		516
	611	495-3737	1172		1157	495-7692	516
494-9551	595	495-3741	1173	495-6136	1157	495-7754	1
	599	495-4512	1252	495-6138	1157		2
	603	495-4514	1252	495-6139	1157		400
	608	495-4594	▶519		1160	495-7762	987
	611		▶521	495-6140	1160		988
494-9793	980		▶1142	495-6141	1160	495-8379	987
	992	495-4595	519	495-6142	1160		988
494-9794	980		521	495-6146	1157	495-8381	870
	992		1223	495-6148	1157	495-8471	▶525
494-9795	980		1225		1188		▶979
	992	495-4596	519	495-6202	▶1249	495-8472	525
494-9797	980		521		▶1251		533
	992		1223	495-6203	1249	495-8473	525
495-0013	260		1225	495-6204	1249		533
	732	495-4597	472	495-6205	1249	495-8474	525
495-0017	1132		474	495-6206	▶1139		533
495-0200	313		519		▶1249	495-8489	869
	315		521	495-6207	1139	495-8561	740
495-0201	313		1223	495-6208	1139	495-8706	879
	315		1225	495-6209	1142	495-8722	495
495-0202	313	495-4598	519		1143	495-8723	495
	315		521		1251	495-8833	740
495-1404	863		1223	495-6210	1142	495-8834	740
	867		1225		1143	495-8835	740
495-1408	230	495-4599	519		1144	495-8853	954
	231		521	495-6211	1168		956
	915		1223	495-6212	1168	495-8854	954
	917		1225	495-6228	38		970
	918	495-4600	519		1139	495-8855	948
495-1507	325		521		1160		950
495-2033	1157		1223		1252		967
495-2042	1157		1225	495-6230	1139	495-8856	948
495-2268	945	495-4601	519	495-6240	1251		950
495-2278	490		521		1252		952
	491		1223	495-6347	747	495-8984	939
	494		1225		751		944
495-2446	1300	495-4602	519		785	495-8985	▶939
495-3013	491		521		786		▶940
495-3014	▶490		1223		788	495-8986	856
495-3015	▶491		1225	495-7583	▶963		940
495-3016	1081	495-4603	519		964	495-9793	856
	1083		521		965		954
495-3017	1083		1223	495-7600	879		956
495-3020	1063		1225		883	495-9795	856

PART NUMBER INDEX

Part	Page	Part	Page	Part	Page	Part	Page
	948	496-8255	1203		▶573	497-9608	▶897
	950		1206	496-8321	471		▶899
	952		1208	497-3809	1136	497-9609	897
495-9884	▶296	496-8256	1203		1176	497-9610	897
	▶298		1206		1203	497-9611	897
	▶328		1208		1206		901
495-9886	296	496-8257	1203		1208		903
495-9887	296		1206	497-3854	941	497-9612	▶901
495-9888	296		1208	497-3881	975	497-9615	901
	298	496-8258	1130	497-3998	207		903
495-9889	296		1195	497-5476	477	497-9616	901
	298		1197		519		903
495-9891	296	496-8259	1195		521	497-9617	33
	298		1197		1223		34
495-9893	296	496-8260	1195		1225		269
	298		1197	497-6388	1145	497-9620	269
495-9895	296	496-8261	1195	497-6389	1145		272
	298		1197	497-6391	1145		274
495-9896	32	496-8262	1136	497-6972	▶566		313
	33		1176		▶1142		315
	34		1199		▶1143		317
	258		1201	497-6973	566		319
496-3408	300	496-8263	▶1175	497-6985	▶1105	497-9621	269
496-3412	▶300		▶1176	497-7205	1145	497-9622	269
	▶329	496-8264	1135	497-7206	1145		272
496-3413	941		1175	497-7207	1145		274
496-3414	941	496-8301	1	497-7208	1145		313
496-3416	941		2	497-8541	799		315
	943		1216	497-8800	1157		317
496-3417	20		1217	497-9575	▶1218		319
	21	496-8302	1216	497-9576	▶1219	497-9625	1136
	22	496-8303	1216	497-9578	990		1176
	941		1217	497-9587	1142		1210
496-3419	224	496-8305	508		1143	497-9626	1210
	226		509		1253	497-9628	17
	228		510	497-9588	1253		1149
496-3420	224		511	497-9589	▶1267	497-9629	1149
496-3421	224		512	497-9591	328	497-9630	17
496-3423	20		513	497-9592	19		797
	22		742		20		798
	224	496-8307	▶527		21		1150
496-3424	943		▶979		22	497-9631	1150
496-3425	19	496-8308	527		220	497-9632	▶530
	21	496-8309	3	497-9593	220		▶531
	943		4		222	497-9633	530
496-6524	▶672		5	497-9594	220	497-9662	960
	▶721		6	497-9595	220	497-9663	960
	▶722		7	497-9596	220	497-9666	960
496-6525	672		528	497-9597	19	497-9821	195
496-6526	672		529		21		889
496-6527	672	496-8310	17		889		891
496-6528	672		615		891		893
496-6529	▶1192		797	497-9598	889	497-9822	889
496-6530	1192		798	497-9599	20		893
496-8133	1203	496-8311	▶468		21	497-9823	889
	1206	496-8312	12		22	497-9824	195
496-8134	1199		420		893		893
496-8135	1203		468	497-9600	893	497-9826	893
	1206	496-8313	468	497-9601	195	497-9827	893
496-8243	▶693		534		893	497-9828	195
496-8245	693		535	497-9602	329		893
	699	496-8314	534	497-9603	861	497-9829	897
	700		858		863		901
496-8247	▶694	496-8315	534		865		903
496-8248	694	496-8316	534		867	497-9830	897
	698		858		964		899
496-8249	686	496-8317	534		965		901
	695		858	497-9605	827		903
496-8250	686	496-8318	12		861		905
496-8251	1132		468	497-9606	861	497-9833	960
	1193		573		863	497-9903	960
496-8252	1193	496-8319	▶431		863	497-9906	960
496-8253	1193		▶573		865	497-9908	960
496-8254	1193	496-8320	▶471		867	497-9910	1210

PART NUMBER INDEX

Part	Page	Part	Page	Part	Page	Part	Page
497-9955	861	499-0267	832	499-4945	958		254
	865		845		959		256
497-9958	861	499-0268	832		966	499-8477	915
	865	499-0273	913	499-4946	▶244		918
497-9959	861		914		▶828	499-8656	616
	865		915	499-4947	244		617
497-9965	960	499-2172	986	499-4949	244	499-9419	913
497-9966	960	499-2332	801	499-4950	20		914
497-9967	960	499-3144	761		21		920
498-0992	628	499-3351	220		22		921
498-0999	619	499-4229	596		828		922
	626	499-4234	596	499-5286	▶222	499-9420	32
498-1002	619		600		▶828		34
	626		604	499-5287	222		259
498-1005	619		608	499-5288	222	499-9422	32
	626		611	499-5289	294		313
498-2822	346	499-4240	596	499-5290	294		315
	347		600	499-5291	294	499-9423	313
498-2943	619		604	499-5292	294		315
498-2947	627	499-4241	596	499-5293	294	499-9426	313
498-2948	620		599	499-5294	294		315
	627		603	499-5296	140	499-9429	32
498-2950	621		608	499-5297	20		280
	627		611		22		282
498-2951	621	499-4242	595		140	499-9432	280
	627		599	499-5900	413		282
498-2952	621		603	499-5902	▶413	499-9433	280
	628		608	499-5904	413		282
498-2954	621		611		414	499-9434	280
	628	499-4243	596	499-7135	246		284
498-5771	246		599		248		286
	248		603		250		288
	250		608		252	499-9435	280
	252		611		254		284
	254	499-4244	▶436		256		286
	256		▶595	499-7169	799		288
498-8990	845	499-4245	▶440	499-7298	794		
498-8992	845		▶595	499-7299	792		
498-8993	845	499-4247	596	499-7300	792		
498-8994	845		599	499-7305	1		
498-8999	845		603		746		
498-9357	801		608	499-7306	745	500-0760	32
499-0079	818		611		746		143
499-0080	818	499-4248	595		1165	500-0762	292
499-0182	▶445		599	499-7307	405	500-0763	292
	▶580		603		407	500-0764	292
	▶582		608		746	500-0765	292
499-0183	▶450		611	499-7308	745	500-0766	292
	▶580	499-4249	595		746	500-0767	32
499-0185	398		599		1165		34
499-0186	1		603	499-7312	617		246
	2		608		619		248
	1185		611	499-7321	913		250
499-0187	▶818	499-4250	595		920	500-0768	▶241
	▶856	499-4251	595	499-7342	617		▶246
499-0189	▶801		599	499-7358	913		▶248
	▶856		603		914		▶250
499-0190	801		608		920		▶254
499-0191	800		611		921	500-0769	246
499-0192	801	499-4258	230		922		248
499-0257	8		895	499-7362	913		254
	9	499-4260	230		914		256
	10		231	499-7363	915	500-0770	246
	11		895		917		248
	406		896		918		250
499-0260	407	499-4849	326	499-7364	915		252
	408	499-4850	326	499-8472	246		254
	410	499-4942	828		252		256
499-0261	405		936		254	500-0771	246
	406		937		256		248
	407	499-4943	936	499-8473	246		250
	408	499-4944	828		248		252
	410		958		250		254
499-0265	831		959		252		256

PART NUMBER INDEX

Part	Page	Part	Page	Part	Page	Part	Page
500-0772	246		608		751		33
	248		611		753		260
	250		891		755	500-3310	272
	252		911	500-3081	747		274
	254	500-2294	599		749		317
	256		603	500-3082	745		319
500-0773	246		608		747	500-3311	272
	248		611		749		274
	250	500-2295	▶441		751		317
	254		▶608		753		319
500-0775	246		▶611		1165	500-4199	317
	248	500-2296	599	500-3083	747		319
	250		603		749	500-4200	317
	252		608		751		319
	254		611		753	500-4277	33
	256	500-2297	599		755		317
500-0781	246		603	500-3084	▶555		319
	248		608		▶556	500-4353	▶718
	250		611		▶721		▶722
	252	500-3055	388		▶722	500-4356	20
	254	500-3068	33	500-3085	555		21
	256		286	500-3104	32		22
500-0786	241		287		272		751
	243	500-3069	747		274	500-4357	753
	246		751	500-3135	272		751
	248		784		274		753
	250	500-3070	784	500-3136	272		755
	252		785		274	500-4359	751
	254		786	500-3137	272		753
	256		788		274		755
500-0952	246	500-3071	784	500-3138	32	500-4360	751
	248		785		33		753
	250	500-3072	19		329		755
	252		21	500-3139	32	500-4361	▶719
	254		747		33		▶721
	256		749		288	500-4362	▶720
500-1062	32	500-3073	747		290		▶721
	328		749	500-3140	288	500-4363	▶570
500-1095	918		751		290		▶721
500-1096	920		753	500-3141	288	500-4364	570
	921		755		290	500-4366	570
500-1123	32	500-3074	745	500-3142	32	500-4367	721
	34		747		33		855
	913		749		142	500-4368	721
	914		751	500-3143	142		728
500-1124	913		753	500-3146	32	500-4369	▶1081
	914		1165		33		▶1082
500-1125	32	500-3075	747		252	500-4370	1079
	34		749	500-3149	▶243		1082
	915		751		▶252	500-4371	1067
	917		753		▶256		1082
500-1126	915		755	500-3150	▶443	500-4373	1063
500-1127	915	500-3076	747		▶599		1064
500-1288	293		749		▶603		1065
500-1289	293		751	500-3151	252		1066
500-1290	293		753		256		1067
500-1291	293		755	500-3152	▶444		1068
500-1292	293	500-3077	747		▶599		1071
500-1293	293		749		▶603		1080
500-1294	34		751	500-3153	32		1082
	284		753		33	500-4374	1067
	285		755		918		1083
500-1295	284	500-3078	747	500-3154	918	500-4375	1081
	285		749	500-3155	918		1083
500-1296	33		751	500-3156	918	500-4475	▶1050
	34		753		32	500-9502	759
	141		755	500-3157	33		759
500-2096	913	500-3079	747		920	500-9503	759
	914		749		921	500-9504	759
	920		751		922	500-9600	758
	921		753	500-3158	920		758
	922		755		921	500-9602	758
500-2293	13	500-3080	747		922	500-9603	758
	15		749	500-3159	32	500-9605	758
						500-9606	758

PART NUMBER INDEX

Part	Page	Part	Page	Part	Page	Part	Page
501-0348	587		927	501-7463	780	502-1188	286
501-0349	▶434	501-2458	809		782		287
	▶588		811	501-7464	780	502-2907	▶198
501-0350	▶434		813		782		▶304
	▶589	501-2459	▶820	501-7465	780	502-3579	122
501-0360	466		▶822		782	502-3818	1201
	467		▶856	501-7466	780		1206
	469	501-2460	820		782		1208
501-0361	469		822	501-7467	764	503-1113	943
501-0751	▶1067	501-2461	820		779	503-1114	941
	▶1072		822	501-7468	797	503-1675	1142
501-0753	▶1130	501-2462	820		927		1143
	▶1136		822		929		1257
501-0755	1135	501-2463	▶825		931	503-1676	1257
501-0759	▶502		▶856	501-7469	927	503-1688	535
	▶511		▶979		931		858
501-0760	504	501-2810	1161	501-7470	797		859
501-0761	499		1163		813	503-1689	534
	502	501-2811	1161	501-7471	17		858
	504		1163		797	503-1690	9
	506	501-2993	19		798		1236
501-0765	19		226	501-7472	814	503-1691	▶1245
	20	501-2994	226		814	503-1693	1245
	21	501-2995	226	501-7473	762	503-1702	618
	22	501-2996	857		763		678
	565		865		792	503-1703	678
501-0766	565		867	501-7474	764	503-1968	620
501-0767	923	501-2998	21		793		627
	927		228	501-7475	793	503-1970	626
501-0768	923	501-2999	228	501-7476	▶794	503-4909	21
	925	501-3000	228		▶827		375
	927	501-4200	▶504	501-7477	827	503-4913	375
	929		▶506		857	503-4914	375
	931		▶508		1152	503-4915	375
	933	501-4953	478	501-7478	1152	503-4917	377
501-0769	923		479	501-8492	779	503-4919	377
	927	501-5070	1		780	503-4920	19
	931		2		782		377
501-0770	923		1151	501-9264	779	503-6003	▶1283
	927	501-5075	478	502-0301	909	503-6870	20
501-0771	923		479	502-0304	909		22
	925	501-7256	945		911		379
	927	501-7257	945	502-0305	909	503-6871	379
	929	501-7258	945		911	503-6872	379
	931		946	502-0306	909	503-7086	490
	933	501-7259	946	502-0307	909		492
501-0772	820	501-7261	3	502-0308	909		493
	822		4	502-0309	909	503-7087	490
501-0773	820		5		911		491
	822		1285	502-0311	909		492
501-1119	587	501-7262	6	502-0312	802		493
	588		1288		803	503-7088	490
	589	501-7263	7		804		491
501-2452	17		1291	502-0313	802		492
	797	501-7264	7		803		493
	923		1294	502-0314	802	503-7089	496
	925	501-7265	5		803	503-7090	492
501-2453	923		1297	502-0369	804		493
	925	501-7278	490		856		496
	927		491		909	503-7091	497
	929	501-7455	▶769		911	503-7092	497
	931		▶770	502-0375	909		492
	933		▶779	502-0376	802	503-7093	497
501-2454	923	501-7457	769	502-0379	909	503-7260	493
	925	501-7458	769	502-0400	909		498
	927		770	502-0401	909	503-7262	496
	929	501-7459	780	502-0403	909		497
	931		960	502-0661	800		498
	933	501-7460	▶771	502-0662	800	503-7266	498
501-2456	17		▶780	502-0663	800	503-7488	1120
	797		▶782	502-0664	▶802	504-1306	499
	809	501-7461	782		803		502
	811	501-7462	780		804		506
501-2457	809		782		▶856	504-1315	246

PART NUMBER INDEX

Part	Page	Part	Page	Part	Page	Part	Page
	254		903		332		250
	256		905		333		252
	975	506-5129	901		335		256
504-1913	190		903	509-0327	332	510-8420	252
504-3282	31		905	509-0328	332		256
504-5709	1120	506-7530	▶762	509-0329	331	510-8421	246
504-5710	1120	506-7531	▶762		332		248
504-5711	1120	506-7532	▶762		333		250
504-5712	1120	506-7533	▶762		335	510-8422	244
504-5713	1120	506-7534	▶763	509-0331	331	510-8423	244
504-5714	1120	506-7535	▶763		332	510-8424	244
504-5715	1120	506-7536	▶763		333	511-5393	305
504-5716	1120	506-7537	▶763		335	511-5488	592
504-5717	1120	506-7538	▶764	509-0333	331		594
504-5718	1120	506-7647	10		332	511-5835	963
504-8890	935		11		333	511-5836	963
505-0884	1		17		335	511-5837	963
	2	506-7649	▶797	509-0334	332	511-5864	963
	796	506-7651	▶797	509-4662	▶1106	511-5865	963
505-0885	796	506-7652	▶797	509-4663	▶1113	511-7127	146
505-5334	1223	506-7655	▶17	509-4664	▶1023	511-7697	966
	1225	506-9058	371	509-7186	771		970
505-5341	20	506-9059	371	509-7187	771	511-7698	970
	21	506-9153	492	509-7188	771	511-7699	970
	721		493	509-7189	771	511-7700	970
505-5404	1069	506-9996	432	509-7190	771		972
505-7484	▶805		452	509-7191	771	511-7701	970
	▶807		453	509-7192	771		972
	▶1142	507-0334	881	509-7193	771	511-7802	966
	▶1143		885	509-7194	771	511-7803	966
505-7485	805	507-0387	620	509-7195	771	511-7804	966
	807	507-4959	427	509-7196	771	511-8394	975
505-7629	▶563		431	509-7197	771	511-8395	975
	▶805		433	509-7198	771	511-8398	975
	▶807		441	509-7199	771	511-8399	975
505-7678	563	507-5015	340	509-7200	771	512-0429	1139
505-8341	563	507-6922	967	509-7201	771	512-1104	427
505-8342	563	507-6923	967	509-7950	776	512-1201	499
505-8350	1049	507-6925	967	509-7952	776		502
505-9432	464	507-6975	967	509-8013	777		506
	465	507-6976	967	509-8014	777	512-1676	649
505-9433	▶464	507-6979	967	509-8015	777	512-1677	649
505-9579	▶465	507-6981	967	509-8143	1112	512-1678	642
506-1894	758	507-6982	967		1122		649
506-3031	8	507-7130	967	510-1175	980		662
	9	507-7131	967		992	512-4763	▶679
	10	507-7132	967	510-5297	25	512-4764	▶680
	11	507-7158	967		62	512-4765	▶681
	1072	507-7179	967		86	512-4766	▶682
506-3313	948	507-7255	967	510-5662	1101	512-4767	▶683
	950	507-7282	967		1105	512-4768	▶684
	952	507-7348	967	510-6619	853	512-4769	▶685
506-3317	8	507-7349	967	510-6869	853	512-4771	▶686
	10	507-7398	967	510-6870	853	512-6176	946
	11	507-7399	967	510-7708	837	512-6793	1106
	827	507-7400	967	510-7710	837		1113
506-3318	9	507-7401	967	510-7714	837	512-6795	1106
	857	507-8147	967	510-7837	837		1113
506-3319	▶827	508-2599	813	510-8126	853	512-6796	1106
506-3858	432	508-2600	813	510-8400	243		1113
	451	508-3673	25	510-8401	243	512-6797	1106
	452		206	510-8402	243		1113
	453	508-3832	620	510-8403	241	512-6798	1106
506-3892	424	508-7849	8		243		1113
	426		9	510-8404	241	512-6799	1106
506-3893	424		10		243		1113
506-3894	424		11	510-8405	241	512-6800	1106
	426		1136		243		1113
506-3898	425	508-7851	▶1176	510-8406	241	512-6801	1106
	426	508-7852	▶1176	510-8407	241		1113
506-5127	901	508-7894	▶789	510-8408	241	512-6802	1106
	903	508-9820	195	510-8409	241		1113
	905		891	510-8414	246	512-8037	1106
506-5128	901	509-0326	331		248		1113

PART NUMBER INDEX

Part	Page	Part	Page	Part	Page	Part	Page
512-9095	1288		869		11		980
	1291	513-5013	▶994		758	515-5773	833
	1294	513-5014	▶995	514-4642	758		980
	1297	513-5015	▶996	514-4831	330	515-5793	833
513-0881	869	513-5016	▶997	514-4876	▶1132		849
513-0902	1	513-5017	▶998		▶1136		980
	2	513-5018	▶999	514-9456	5	515-5794	849
	990	513-5019	▶1000		1300		850
513-0903	990	513-5772	20	514-9530	1252	515-5868	▶833
513-0904	990		22	515-0077	348		▶979
513-0905	990		294	515-0575	576	515-8220	1243
513-0906	990	513-6578	232	515-0961	▶478	515-8262	1246
513-0917	▶826	513-7370	1117		▶513	515-8263	1246
	▶856	513-7371	1117	515-0963	▶508	515-8400	1243
513-2321	▶755	513-7375	1117		▶509		1246
	▶757	513-7376	1117	515-0964	▶486	515-9553	20
513-2322	749	513-7379	1117		▶508		22
	753	513-7380	1117		▶510		230
	757	513-7913	1157		▶511		231
	785		1189		▶513	515-9554	19
	786	513-8559	1		▶514		21
	788		2	515-0965	499		895
513-2323	20		1274		502		896
	22	513-8560	1274		506	515-9703	32
	757	513-8561	1274	515-0966	▶499		34
513-2327	292	513-8562	▶574		▶510		254
	293		▶979	515-0967	▶510	515-9722	313
	294		▶980		511		315
513-2328	292	513-8563	574		512	515-9723	269
	293	513-8564	977	515-0968	▶513		313
	294		978	515-0969	486		315
513-2329	19		980	515-0970	486	515-9724	313
	292		986	515-0971	▶514		315
513-2421	620	513-8565	986	515-0972	▶479	515-9726	32
	627	513-8862	1253		▶514		33
513-3136	1157	513-8865	977	515-1885	▶492		256
	1255		987	515-1886	8	515-9909	1157
513-3137	1255	513-8866	987		9		1188
513-3138	1255	513-8868	870		10	516-1390	32
513-3140	1255	513-8869	870		11		595
513-3141	1255	513-8871	1144		493	516-1391	32
513-3276	987		1168	515-1888	1		33
	988	513-9440	1		2		599
513-3277	987		2		580		603
	988		761		582	516-1392	33
513-3278	987	513-9442	▶831		583		34
	988		▶856		584		608
513-3285	870	513-9446	▶832		585		611
513-3297	870		▶856	515-1960	979	516-1393	1
513-3878	869	513-9451	1		992		1161
513-3879	869		2	515-2730	870	516-1396	596
513-3880	869		398	515-2731	870		600
513-3881	869	513-9452	856	515-2732	870		604
513-3882	869		945	515-2733	870		608
513-4180	▶1173	513-9564	627	515-2742	870		611
513-4181	8	513-9565	621	515-2743	870	516-1397	596
	9		627	515-2777	1249		600
	10	513-9576	621	515-4347	▶977		604
	11	514-0659	621		978		608
	1186	514-1944	13		979		611
	1187		15	515-4348	▶870	516-1437	2
513-4184	21	514-4631	▶616		▶977		1163
	293		▶618		▶978	516-1438	1
513-4292	▶405	514-4632	▶617		▶980		1165
513-4293	405		▶618	515-5764	834	516-1439	2
	406	514-4634	618		980		745
513-4297	407		799	515-5765	▶834	517-0147	1258
	408	514-4635	799		▶979	517-4329	1063
	410	514-4636	799	515-5766	834		1084
513-4298	407	514-4638	▶759		853	517-4330	1066
	408	514-4639	759		980		1085
	410	514-4640	8	515-5771	833	517-4332	1068
513-4299	▶407		9		980		1073
513-4354	856		10	515-5772	833	517-4333	▶1075

PART NUMBER INDEX

Part	Page	Part	Page	Part	Page	Part	Page
	▶1080	518-5893	56	521-8303	▶1025	525-3164	1124
517-4334	1064		62	521-9023	853	525-3165	1124
	1069	518-5955	21	522-0711	837	525-3166	1124
517-4335	1065		33	522-0723	837	525-3167	1124
517-4336	1071	518-6720	861	522-0724	837	525-3168	1124
	1077		863	522-0782	837	525-3169	1124
517-6763	▶1079		881	522-1430	853	525-3170	1124
517-6817	▶1041	518-7551	300	522-1431	853	525-3171	1124
517-8243	367	518-7574	300	522-1432	853	525-3172	1124
517-9179	8	519-0945	799	522-1433	853	525-3173	1124
	9	519-1668	269	522-1434	853	525-3174	1124
	10	519-1731	964	522-1446	853	525-3175	1124
	11		965	522-4418	527	525-3176	1124
	1142	519-1732	861	522-7283	187	525-3177	1124
517-9180	▶1143		865	523-1878	▶3	525-3178	1124
517-9299	8	519-1733	861	523-1879	▶4	525-3179	1124
	9		863	523-1880	▶4	525-3180	1124
	10		865	523-1881	▶4	525-3181	1124
	11		867	523-1882	▶5	525-3182	1124
	618	519-1734	865	523-1883	▶5	525-3183	1124
518-0046	2		867	523-1884	▶5	525-3184	1124
	856	519-1735	861	523-1919	▶6	525-3185	1124
518-0048	2		863	523-1920	▶6	525-3186	1004
	3	519-1736	865	523-1921	▶6	525-3187	1004
	979		867	523-1922	▶7	525-6205	353
518-0076	▶1	519-1737	865	523-1923	▶7		379
	2		867	523-1976	9	525-8438	535
	3	519-2695	1143		11		859
518-0077	▶2		1223		20	525-9189	1041
	▶3	519-3636	801	523-1977	20	526-0580	679
518-0078	▶2	519-3663	395		22		696
518-0079	▶2	519-3671	395		33	526-0581	679
518-1351	470	519-3821	5	523-2010	▶21		697
518-2671	739		1276	523-2011	▶21	526-0636	▶669
518-2672	1141	519-3822	5	523-2012	21		▶727
518-2673	▶739		1277		34	526-0637	▶664
518-2674	▶1141	519-3823	3	523-2257	▶19		▶717
518-2993	1		4	523-4877	948		▶724
	2		5		950		▶726
	762		6		952	526-0653	717
	763		7	523-5085	432		723
	1234		1278		451		727
518-3803	1232	520-6928	1		452	526-0654	724
518-5431	51		2		453		729
	54		1279	523-5678	901	526-0657	726
518-5432	51	520-6930	1279	523-8303	▶466		731
	54	520-7737	1	523-8304	▶466	526-2655	620
518-5433	51		2	523-8305	▶466	526-4258	▶736
	54		740	523-8306	▶466	526-4259	▶698
518-5436	51	520-7738	740	523-8307	▶467		▶736
	54	520-7739	740	523-8308	▶467	526-4589	393
518-5437	56	520-7768	12	524-1805	861	526-5726	682
	62		858		863		699
518-5440	56		859		865	526-5727	682
	62	520-7773	618		867		700
518-5441	56		800	524-2574	26	526-5728	681
	62	520-7778	▶571	524-3872	1099		701
518-5879	19		▶1142	524-4689	861	526-6911	681
	32		▶1143		863		702
518-5880	20	520-7783	571		865	526-6913	683
	22	520-7784	▶12		867		703
	32	520-8643	▶1136	524-8428	466	526-6914	683
518-5881	19	520-9600	▶19		587		704
	721	520-9601	8	524-8429	467	526-7162	684
518-5883	22		10		588		705
	721		20	524-8430	466	526-7163	684
518-5884	21	521-2180	▶1136		589		706
	722	521-2181	▶1176	524-8951	709	526-7378	975
518-5885	56	521-5502	805		710	526-7387	975
	62	521-6487	1235	525-3040	1135	526-8387	346
518-5891	56		1236		1137		347
	62		1245	525-3137	1130	526-8388	346
518-5892	56	521-6813	▶17		1132		347
	62	521-8302	▶1024		1135	526-8391	346

PART NUMBER INDEX

Part	Page	Part	Page	Part	Page	Part	Page
	347	528-3035	1108	529-6466	▶1063	545-7587	1106
526-9589	685	528-3036	1108	529-8470	▶1080	545-7591	1106
	707	528-3037	1108	530-2770	138	545-9415	1113
526-9591	685	528-3038	1108	532-7513	32	545-9416	1113
	708	528-3039	1108		33	545-9418	1113
526-9592	680	528-3040	1108		34	545-9419	1113
	709	528-3041	1108		327	545-9962	620
526-9593	680	528-3042	1108	532-7514	327		626
	710	528-3043	1108	532-7515	327	546-5410	1156
527-7879	1039	528-3044	1108	533-7334	1143	546-5411	1156
527-7880	1039	528-3045	1108		1225	546-5767	▶1156
	1040	528-3046	1108	535-5874	▶1188	547-5142	1069
527-7881	1039	528-3047	1108	535-5875	▶1189	547-5143	1069
	1040	528-3048	1108	535-6691	519	547-5144	1069
527-7882	1039	528-3049	1108		521	547-5145	1069
	1040	528-3050	1108		1225	547-6892	67
	1077	528-3051	1108	535-6692	519	547-6893	▶67
	1085	528-3052	1108		521		▶73
527-7883	1040	528-3053	1108		1225	547-8446	535
527-7884	1073	528-3054	1108	536-5034	304		859
527-7885	1069	528-3055	1108	536-7945	457	547-8513	535
	1073	528-3056	1108	536-7946	457		859
527-7886	1069	528-3057	841	536-9761	1135	547-8560	535
	1073	528-3058	841		1175	547-9059	535
527-7887	1069	528-3059	961	536-9853	1135		859
	1073	528-3060	961		1175	547-9090	535
527-7888	1069	528-3061	961	538-2388	3		859
	1073	528-3062	961		4	548-1091	398
527-7889	1073	528-3063	961		5	548-1662	494
527-7890	1073	528-3064	961		6		495
	1077	528-3065	961		7		501
527-7891	1075	528-3066	961		1263	548-5692	893
527-7892	1075	528-3067	961	538-2572	5	548-8994	260
527-7893	1075	528-3191	1006		1264	548-8995	259
527-7894	1075	528-3194	1007	538-9989	535	549-2762	1232
527-7895	1075	528-3702	1006		859	549-4060	1255
527-7896	1075	528-3710	1006	539-0520	232	549-4072	1249
	1077	528-3722	1006	539-0541	232	549-7502	790
527-7897	1075	528-3741	1006	539-0542	232	549-7503	790
527-7898	1075	528-3751	1006	539-0543	232	549-7630	789
527-7899	1075	528-3806	1006	539-0544	232		790
527-7900	1075	528-3807	1006	539-2408	745	549-8129	▶451
527-7901	1075	528-3812	1006		747		▶582
	1077	528-3858	1007		749	549-8945	424
527-7902	1075	528-3859	1006	539-3063	414	550-0081	▶22
527-7903	1077	528-3866	1007	539-4427	795	550-0083	▶22
527-7904	1077	528-4293	1007	539-4494	762	550-1356	1236
527-7905	1077	528-4296	1007		763	550-2104	571
527-7906	1077	528-4544	1007		764	550-2140	761
527-7907	1077	528-4804	1006		795	550-2388	535
527-7908	1077	528-4805	1006	539-8302	519	550-3668	863
527-7909	1077	528-4806	1006		521		867
527-7910	1077	528-4807	1006	540-1175	532	550-5175	786
527-7913	1077	528-4808	1006	540-1176	532	550-5677	7
527-7914	1077	528-4809	1006	540-1177	532		1265
527-7915	1077	528-4810	1006	540-1178	▶532	550-5738	911
527-7917	1077	528-4811	1006		▶979	550-6250	582
527-7918	1077	528-4812	1006		▶980		583
527-7919	1077	528-4813	1006	540-1559	856	550-6560	576
527-7920	1077	528-6601	28		1261		578
527-7921	1077	528-8179	▶1260	540-6562	▶1066	550-7847	901
527-7923	1077	528-8260	809	540-6609	▶1064		903
528-2072	▶414		811	540-6685	▶1065		905
528-3015	1006	528-8583	1221	540-7118	881	550-7848	903
528-3023	1006	528-8596	923		885		905
528-3024	1006		925	540-7119	881	550-7931	8
528-3027	1006	528-8686	804		885		9
528-3030	▶841		923	540-8046	▶1071		10
	▶1108		925	541-1451	399		11
528-3031	▶961	528-8853	1137	541-1452	399		903
	▶1108		1175	541-7470	1147		905
528-3032	1108	529-0069	923	541-9094	▶737	551-0600	3
528-3033	1108		925	543-2858	187		4
528-3034	1108	529-6465	▶1068	545-6982	1106		5

PART NUMBER INDEX

Part	Page	Part	Page	Part	Page	Part	Page
	6	554-4762	850	558-1485	533	558-8936	817
	7	554-4852	850	558-1555	551	558-9455	272
	1266	554-5011	850	558-1559	551		313
551-1428	569	554-5023	850	558-1562	468		317
	572	554-5231	850		551	558-9462	272
551-1434	576	554-5236	850	558-1637	978		313
	578	554-5239	850		980		317
551-1908	715	555-3678	863		988	558-9595	929
551-3868	1006		867	558-1638	468		933
551-3869	1006	555-3679	863		533	558-9597	567
551-3870	1006		867	558-2827	651		568
551-3871	1006	555-3680	863		653		798
551-3872	1006		867		673	558-9629	567
551-3893	453	555-3681	925		675		568
	583		929	558-2879	78	559-1222	798
551-3894	446		931		81		933
	583		933	558-2882	81	559-1979	925
	584	555-3853	925	558-2883	81		929
551-4312	470		931	558-2887	81		933
551-4344	466	555-7342	269	558-2889	81	559-2712	1168
	467		274	558-2890	81	559-2723	1160
	470		315	558-3621	899	559-2764	1160
552-2982	1085		319		905	559-2789	1157
552-2983	1085	555-7505	801	558-3622	899	559-3692	1285
552-2984	1085	555-7506	803	558-3623	899		1288
552-2985	1085		804		905		1291
552-2986	1085	555-8202	831	558-3624	899		1294
552-3501	1130		837		905		1297
	1132	556-2958	798	558-3625	905	559-3694	1285
552-3911	743		815	558-3626	899		1288
552-3921	3	556-3025	815		905		1291
	4		817	558-3850	972		1294
	5	556-3127	815	558-3851	972		1297
	6	556-3981	195	558-3852	972	559-5121	405
	7	556-4102	195	558-3854	972		406
	743	556-4226	195	558-4001	914	559-6220	620
	744	556-5472	195		921	559-7726	1285
553-1992	1177	556-5611	195		922		1288
	1181	556-5630	195	558-4488	818		1294
553-2001	1130		891	558-4504	818	559-7751	1285
	1132	556-5838	20	558-7108	379		1288
	1175		21	558-7153	8		1294
553-2064	1177		195		9	559-9043	231
	1181	556-7921	338		10		896
553-2074	1177	556-8954	929		11	559-9823	917
	1181		933		261	559-9868	917
553-2108	1177	556-8955	929	558-7222	1262	560-0028	917
	1181		933	558-7237	1262	560-1900	556
553-2142	1177	556-8956	929	558-8060	282	560-1901	260
	1181		933		285	560-2574	1228
553-2305	1177	556-8957	804		287	560-2576	1229
	1181	556-8958	804		290	560-2832	325
553-3063	1181	556-8959	911	558-8076	282	560-3608	1157
	1184	556-8960	911		285		1188
553-3101	1175	556-8961	911		287	560-3611	1157
	1184	556-8962	911		290		1188
553-3128	1177	556-8963	911	558-8092	282	560-4257	799
	1179	556-8964	911		285	560-4755	248
553-3186	1137	556-8965	911		287		250
	1179	556-8966	911		290		252
553-4045	1085	556-8967	891	558-8099	282	560-5071	472
553-4046	1085	557-0092	1285		285	560-5639	375
553-4047	1085		1288		287	560-5892	807
553-4048	1085		1291		290	560-5930	1168
553-4049	1085		1294	558-8164	891	560-6101	401
553-4050	1085		1297	558-8338	891	560-6102	404
553-4051	1085	557-5538	786	558-8890	825	560-7675	474
553-4052	1085	557-5541	786	558-8929	817	560-9670	1297
553-5769	798	557-7255	956	558-8930	817	562-0726	782
553-5770	8		972	558-8931	817	563-3674	818
	9	557-8876	1	558-8932	817	563-5827	244
	798		2	558-8933	817	564-1475	922
553-6981	988		1280	558-8934	817	564-2623	594
554-4661	850	558-0428	186	558-8935	817	564-5279	1249

PART NUMBER INDEX

Part	Page	Part	Page	Part	Page	Part	Page
564-5659	770	570-6615	899		548		
564-6671	822		905		549		
564-7750	250	571-0232	1147		550		
	252	571-0261	768	588-5995	531		
564-8171	825		773		547		
564-8857	▶68		774		548		
	▶75		775	588-6582	232		
565-3997	744		776	588-6949	721		
565-9868	331		777		732		
	333		778	588-6954	22		
565-9869	331		782		232		
	333	571-8152	187	588-7408	▶547		
	335	571-9872	452	588-7409	▶548		
565-9870	331	573-5063	863	588-7412	▶549		
	333		867	588-7413	▶550		
	335	573-8417	477	589-1886	620		
565-9872	331	573-8505	477	590-1091	1274		
	333	573-8516	▶477	590-1092	788		
	335	574-4848	1	590-3172	1281		
566-0158	496		2	590-3179	1281		
	497	574-9873	151	590-3180	1281		
	498	574-9877	155	590-3204	1		
566-0175	407	574-9882	151		2		
	408	574-9883	155		1281		
	410	574-9895	151	590-3912	480		
566-0176	407		155	590-3914	480		
	408	574-9896	151	590-3915	480		
	410		155		481		
566-1851	988	575-3353	151	590-3933	480		
566-2907	786		155		481		
	788	575-3356	151		487		
566-2916	786	575-3357	155	590-3945	480		
566-5939	305	575-8210	▶262		481		
566-8020	538	576-1157	1272	590-3978	▶480		
567-4958	13		1273		▶509		
	15	576-5360	1157	590-4033	480		
567-4986	13	576-5361	1174		481		
	15	576-5371	▶1174		487		
567-4993	▶13		▶1187	590-4089	481		
	▶15	576-6617	521	590-4093	481		
	▶856	577-8021	13	590-4445	▶481		
567-5059	3		15		▶512		
	856		800	590-4488	487		
567-5082	▶3		905	590-4490	487		
	▶8	578-6842	▶408	590-4503	▶487		
	9	578-6850	▶410		▶509		
	10	579-4071	427		▶512		
	11	579-8258	224	590-4604	▶432		
567-5088	▶3		226		▶585		
567-6046	155		228	590-4777	▶433		
567-6047	151	580-2172	497		▶585		
567-6091	1297		498	590-5650	1217		
567-6406	▶452	580-2173	497	590-5675	742		
	▶584		498	590-8116	1230		
567-8232	407	581-2346	1119	590-8549	1228		
	408	581-2347	1119		1229		
	410	583-0295	216		1230		
569-1915	569	583-1706	952	590-9758	▶8		
569-1926	1285	583-5596	345	590-9759	▶9		
569-2462	786	584-7925	1220	590-9760	▶10		
	788	585-3048	1208	590-9761	▶11		
569-3621	477	587-2225	760	593-0641	303		
	1225	587-2226	760	593-6181	1044		
569-3729	521	587-2227	760	593-6182	1044		
569-3740	▶426	587-2228	760	594-6396	788		
	▶578	587-2229	760	596-2164	1187		
569-3828	1249	587-2231	▶760	597-9038	335		
569-4195	628	587-7995	▶94				
569-4407	568		▶97				
569-5684	768	588-1287	▶980				
569-5691	768	588-1288	980				
569-5707	768	588-5588	524				
569-5946	768		531	601-6967	619		
569-8516	905		547	601-6977	619		



©2020 Caterpillar
All Rights Reserved

CAT, CATERPILLAR, LET'S DO THE WORK, their respective logos, "Caterpillar Yellow", the "Power Edge" and Cat "Modern Hex" trade dress as well as corporate and product identity used herein, are trademarks of Caterpillar and may not be used without permission.

M0078646-51

TH408D Telehandler

CJ41-UP