



Parts Manual

TH3510D Telehandler

CJ41-UP (Engine)
JKT1-UP (Engine)
W231-UP (Engine)
TH21-UP (Machine)
TH31-UP (Machine)
CF51-UP (Transmission)
H5E1-UP (Transmission)
HA51-UP (Transmission)
SD31-UP (Transmission)
BK21-UP (Transmission)
H5E1-UP (Transmission)
H5F1-UP (Transmission)
SD31-UP (Transmission)

Powered By C3.4B or C4.4 Engine

Product and Dealer Information

Note: For product identification plate locations, see the section "Product Identification Information" in the Operation and Maintenance Manual.

Delivery Date: _____

Product Information

Model: _____

Product Identification Number: _____

Engine Serial Number: _____

Transmission Serial Number: _____

Generator Serial Number: _____

Attachment Serial Numbers: _____

Attachment Information: _____

Customer Equipment Number: _____

Dealer Equipment Number: _____

Dealer Information

Name: _____ Branch: _____

Address: _____

Dealer Contact

Phone Number

Hours

Sales: _____

Parts: _____

Service: _____

MEMORANDA

TABLE OF CONTENTS

NAME	PAGE	NAME	PAGE
GENERAL INFORMATION.....	A5	PULLEY GP-CRANKSHAFT	140
REPAIR ALTERNATIVES.....	A8	ROCKER ARM GP	143
SUPPLEMENTAL COOLANT ADDITIVES.....	A9	LUBRICATION SYSTEM	153
MAINTENANCE PARTS.....	A10	FILLER GP-ENGINE OIL.....	153
INDEX.....	A14	FILTER GP-ENGINE OIL.....	156
MACHINE ARRANGEMENT	1	FILTER GP-FUMES DISPOSAL.....	159
BOOM & CHASSIS AR	1	FUMES DISPOSAL GP	160
CHASSIS AR.....	1	GAUGE GP-OIL LEVEL (DIPSTICK)	165
COMMON AR.....	2	LINES GP-TURBOCHARGER OIL.....	167
CONFIGURATION AR.....	3	MOUNTING GP-ENGINE OIL FILTER	168
INSTALLATION AR-MACHINE	5	PLUG GP-OIL FILTER MOUNTING	169
TRAILER AR.....	7	PUMP GP-ENGINE OIL.....	171
ENGINE ARRANGEMENT.....	8	COOLING SYSTEM.....	176
ENGINE AR.....	8	CONNECTION GP-WATER	176
ENGINE AR-COMPLETE	9	COOLER GP-ENGINE OIL	182
ENGINE AR-PRIMARY	13	COVER GP-ENGINE OIL COOLER	188
INSTALLATION AR-ENGINE.....	22	EXTENSION GP-FAN	189
BASIC ENGINE	24	FAN & MOTOR GP.....	190
BELT TENSIONER GP.....	24	FAN GP	192
BRACKET GP-MOUNTING	27	LINES GP-COOLANT	194
CAMSHAFT GP	29	PLUG GP-WATER LINES	200
COVER GP-VALVE MECHANISM.....	33	PUMP GP-WATER.....	202
CRANKSHAFT AS	37	RADIATOR & HYD OIL COOLER GP	207
CRANKSHAFT GP.....	39	RADIATOR & MOUNTING GP.....	210
CYLINDER BLOCK AS.....	52	TANK GP-COOLANT.....	216
CYLINDER BLOCK GP	55	AIR INLET AND EXHAUST SYSTEM	217
CYLINDER BLOCK GP-SHORT.....	64	AIR CLEANER GP.....	217
CYLINDER HEAD AS.....	68	COOLER & MTG GP-EXHAUST (NRS).....	219
CYLINDER HEAD GP.....	75	ELBOW GP-AIR INLET	221
DRAIN GP-ENGINE OIL.....	84	EXHAUST GP	223
DRIVE GP-AUXILIARY	88	EXHAUST GP-FLEXIBLE.....	226
DRIVE GP-FAN.....	91	EXTENSION GP-EXHAUST.....	227
FLYWHEEL GP.....	94	FASTENER GP-CEM.....	229
HOUSING GP-FLYWHEEL.....	97	FILTER GP-DIESEL PARTICULATE.....	230
HOUSING GP-FRONT	101	LINES GP-AIR.....	233
JET GP-PISTON COOLING	108	LINES GP-COOLING.....	239
LIFTING GP-ENGINE	110	LINES GP-DIESEL EXHAUST FLUID	240
MECHANISM GP-FUEL PUMP & VALVE.....	114	LINES GP-TURBOCHARGER AIR.....	243
MOUNTING GP-BELT TENSIONER	115	MANIFOLD GP-DEF	245
MOUNTING GP-ENGINE	116	MANIFOLD GP-EXHAUST	246
MOUNTING GP-ENGINE & XMSN	122	MANIFOLD GP-INLET.....	249
PAN GP-OIL	123	MODULE AR-CLEAN EMISSIONS	251
PISTON & ROD GP	127	MODULE AR-DIESEL EXHAUST FLUID	252
PLUG GP-ENGINE.....	133	MOUNTING GP-EXHAUST	253
PLUG GP-FRONT HOUSING	137	PIPE GP-FLEXIBLE EXHAUST	256
PULLEY GP-ALTERNATOR.....	138	PUMP GP-DIESEL EXHAUST FLUID	257
PULLEY GP-AUXILIARY DRIVE	139	SEAL GP-AIR INLET.....	260
		TANK & MTG GP-DEF.....	261

TABLE OF CONTENTS

NAME	PAGE	NAME	PAGE
TANK GP-DIESEL EXHAUST FLUID	263	LIGHTING GP-FRONT	389
TUBE & MTG GP-DEF BLEND	265	LIGHTING GP-ROADING	394
TURBOCHARGER GP	266	LIGHTING GP-WARNING	400
VALVE & MOUNTING GP (NRS)	273	MODULE & MTG GP-CONTROL	402
VALVE GP-COOLANT CONTROL	274	MOUNTING GP-CONTROL	403
VALVE GP-EXHAUST GAS (NRS)	276	PANEL GP-SWITCH	404
FUEL SYSTEM	278	SENSOR & MOUNTING GP	406
BRACKET GP-MOUNTING	278	SENSOR GP	412
CONNECTION GP-FUEL	279	SENSOR GP-COMBUSTION	414
FILTER GP-FUEL	280	SENSOR GP-ENGINE	415
FILTER GP-PRIMARY FUEL	291	SENSOR GP-LIQUID LEVEL	421
FILTER GP-WATER SEP & FUEL	294	SENSOR GP-LOAD INDICATOR	422
INJECTOR GP-FUEL	299	SENSOR GP-PRESSURE	424
LINES GP-FUEL	305	SENSOR GP-TEMPERATURE	425
LINES GP-FUEL FILTER	313	STARTING AID GP	428
LINES GP-FUEL INJECTION	316	STARTING MOTOR GP-ELECTRIC	431
PUMP GP-FUEL INJECTION	318	SWITCH & MTG GP-SIGNAL	434
PUMP GP-FUEL TRANSFER	324	SWITCH GP-DISCONNECT	435
RAIL GP-FUEL	326	SWITCH GP-ROCKER	436
TANK & MTG GP-FUEL	329	SWITCH GP-TRANSMISSION	437
TANK GP-FUEL	330	SWITCH GP-USB	440
ELECTRICAL AND STARTING		SWITCH GP-WIPER	441
SYSTEM	331	WIRING GP-BOOM	442
ALARM GP	331	WIRING GP-CAB	443
ALTERNATOR GP-CHARGING	332	WIRING GP-CHASSIS	446
BATTERY GP	336	WIRING GP-CONTROL	448
BOARD AS-CIRCUIT	338	WIRING GP-ENGINE	451
CAMERA & MOUNTING GP	339	WIRING GP-TRAILER	468
CONTROL GP-ELECTRONIC	341	POWER TRAIN	469
ELECTRICAL GP-DEF	347	AXLE & MOUNTING GP	469
HARNESS AS-CAB	348	AXLE AR	472
HARNESS AS-CHASSIS	350	AXLE GP-FRONT	473
HARNESS AS-CONTROL	350	AXLE GP-REAR	486
HARNESS AS-ENGINE	352	BASE GP-OIL FILTER	494
HARNESS AS-FRONT	359	CASE & PARTS GP-PLANETARY	495
HARNESS AS-HEATER & AIR		CASE GP-TRANSFER	501
COND	359	CASE GP-TRANSMISSION	502
HARNESS AS-LIGHTING	360	CLUTCH & GEAR GP	515
HARNESS AS-REAR	361	CONTROL GP-TRANSMISSION	
HARNESS AS-WIRING	361	HYD	519
HEATER GP-BLOCK	363	DIFFERENTIAL GP	522
HEATER GP-JACKET WATER	367	GEAR & CASE GP-TRANSFER	523
INDICATOR GP-LOAD	371	GEAR GP-IDLER	528
INSTALLATION AR-		GEAR GP-TRANSFER	529
COMMUNICATION	373	LINES GP-POWER TRAIN COOLER	531
INSTALLATION GP-		PUMP GP-TRANSMISSION	535
COMMUNICATION	375	SHAFT GP-DRIVE	536
INSTALLATION GP-WARNING		SHAFT GP-INPUT	538
BEACON	377	SHAFT GP-OUTPUT	542
LAMP GP-HEAD & SIGNAL	378	TIRE & RIM AR	543
LAMP GP-ROADING	382	TIRE & RIM GP	552
LAMP GP-STOP & TAIL	383	TORQUE CONVERTER GP	568
LIGHTING AR-ROADING	384	TRANSMISSION AR	574
LIGHTING GP-BOOM	387	TRANSMISSION AR-POWER SHIFT	580
LIGHTING GP-FLOOD	388	VALVE GP-SOLENOID	585

TABLE OF CONTENTS

NAME	PAGE	NAME	PAGE
VALVE GP-TIRE	587	LINES GP-AUXILIARY HYDRAULIC	683
WHEEL & TIRE AR	588	LINES GP-BOOM	687
FRAME AND BODY	589	LINES GP-CONNECTING	692
BOX & MOUNTING GP-TOOL	589	LINES GP-COUPLER	694
BRACKET GP-MOUNTING	590	LINES GP-HYDRAULIC	701
COUNTERWEIGHT & MOUNTING		LINES GP-HYDRAULIC FAN	703
GP	593	LINES GP-LIFT CYLINDER	707
COUNTERWEIGHT GP	594	LINES GP-PUMP	711
COVER GP	595	LINES GP-RETURN	713
COVER GP-ACCESS	596	LINES GP-TRAILER	720
ENCLOSURE GP-ENGINE	598	MANIFOLD GP-CONTROL	724
FENDER GP	603	MOTOR & MTG GP-HYDRAULIC	
FRAME GP-LOADER	605	FAN	725
HITCH AR	606	PUMP & MOUNTING GP	726
HITCH GP	610	PUMP & MTG GP-HYDRAULIC	727
HITCH GP-TOWING	617	PUMP & MTG GP-HYDRAULIC	
HOOD GP-ENGINE	626	FAN	728
PLATE & MTG GP	627	PUMP GP-PISTON	731
STEP GP	631	TANK & MTG GP-HYDRAULIC	732
BRAKING SYSTEM	632	TANK GP-HYDRAULIC	733
BRAKE AR-TRAILER	632	VALVE & MTG GP-MAIN	
BRAKE GP-HYDRAULIC	633	CONTROL	735
BRAKE GP-PARKING	635	VALVE & MTG GP-PRIORITY	737
CONTROL GP-PARKING BRAKE	636	VALVE GP-CONTROL	739
LINES GP-BRAKE	638	VALVE GP-DIVERTER	741
PEDAL & MOUNTING GP-BRAKE	643	VALVE GP-FAN REVERSING	744
VALVE & MTG GP-BRAKE	645	VALVE GP-MAIN CONTROL	746
STEERING SYSTEM	649	VALVE GP-PRIORITY	749
LINES GP-STEERING	649	VALVE GP-PUMP CONTROL	751
STEERING COLUMN GP	653	VALVE GP-RELIEF	752
STEERING GP-HYDRAULIC	654	IMPLEMENTS	753
VALVE & MTG GP-STEERING	655	BOOM AR	753
HYDRAULIC SYSTEM	656	BOOM GP	754
CONTROL AR-AUXILIARY	656	BRUSH GP	760
COOLER GP-HYDRAULIC OIL	657	INDICATOR GP-BOOM ANGLE	761
CYLINDER & MTG GP-CARRIAGE	658	LEVER GP-TILT	762
CYLINDER & MTG GP-		LINES GP-GREASE	763
COMPENSATING	660	WORK TOOLS	764
CYLINDER & MTG GP-LIFT	661	ARM GP-MATERIAL HANDLING	764
CYLINDER & MTG GP-		BOOM GP-TRUSS	765
TELESCOPING	662	BROOM GP	769
CYLINDER & MTG GP-TILT	664	BUCKET GP-GENERAL PURPOSE	775
CYLINDER GP-CARRIAGE	665	BUCKET GP-GRAPPLE	776
CYLINDER GP-COUPLER	667	CARRIAGE AS-FORK	777
CYLINDER GP-FORK	669	CARRIAGE GP	778
CYLINDER GP-LIFT	670	CARRIAGE GP-FORK	784
CYLINDER GP-TELESCOPING	672	CARRIAGE GP-ROTATING	793
CYLINDER GP-TILT	677	CARRIAGE GP-SIDESHIFT	801
FITTING GP-HYDRAULIC	680	COUPLER & MTG AR-HYDRAULIC	802
HYDRAULIC AR	681	COUPLER & MTG AR-MANUAL	806
HYDRAULIC AR-AUXILIARY	681	COUPLER & MTG GP-QUICK	807
INSTALLATION GP-RIDE CONTROL	682	COUPLER AR-HYDRAULIC	808
		COUPLER AR-QUICK	809
		COUPLER GP-QUICK	818

TABLE OF CONTENTS

NAME	PAGE	NAME	PAGE
FORK AR	822	TRIM GP-CAB	967
FORK AS	823	VISOR GP-CAB	971
FORK AS-BLOCK	826	WINDOW GP-CAB	972
FORK AS-PALLET	827	WIPER GP-UPPER	975
FORK GP	830	WIPER GP-WINDOW	976
FORK GP-PALLET	839		
HOOK GP-LIFTING	840	SERVICE EQUIPMENT AND	
HOPPER GP	843	SUPPLIES	980
MOTOR & MTG GP-AUGER	845	BRACKET GP-TRANSPORT	980
PLATFORM AR-ACCESS	847	CHART GP-LIFT/LOAD EXTENSION	981
PLATFORM GP-ACCESS	850	CHOCK GP-WHEEL	982
		FILM GP	983
OPERATOR STATION	851	LOCK GP-VANDALISM	1010
AIR CONDITIONER & MOUNTING		PLATE & FILM GP	1011
GP	851	PLATE GP-IDENTIFICATION	1015
AIR CONDITIONER AR	861		
AIR CONDITIONER GP	862	PART NUMBER INDEX	B1
ARMREST GP	863		
CAB AR	865		
CAB GP	869		
CONDENSER GP-REFRIGERANT	871		
CONTROL GP-JOYSTICK	873		
COVER GP-ACCESS	874		
COVER GP-CAB	879		
DISPLAY & MTG GP-LS			
INDICATOR	883		
DISPLAY AR-MONITOR	884		
DOOR GP-CAB	885		
FLOOR MAT GP	889		
GAUGE GP	890		
GUARD GP-FRONT WINDOW	891		
GUARD GP-ROOF	892		
HAMMER & MOUNTING GP	893		
HEADLINER GP-CAB	894		
HEATER & AIR CONDITIONER GP	896		
HEATER & MTG GP-CAB	902		
HEATER AR-CAB	903		
HEATER GP-CAB	904		
HORN GP-ELECTRIC	913		
KIT-DOOR	914		
KIT-SEAT SUSPENSION	916		
KNOB GP-REAR WINDOW	918		
LINES GP-AIR CONDITIONER	919		
LINES GP-HEATER & AIR COND	923		
MIRROR GP	932		
MIRROR GP-REAR VIEW	934		
MONITOR & MOUNTING GP	939		
MOUNTING GP-CAB	940		
PANEL GP-INSTRUMENT	941		
PEDAL GP-GOVERNOR	946		
PLUG GP-CAB	947		
SCREEN GP-SUN	950		
SEAT & MOUNTING GP	951		
SEAT BELT GP	956		
SEAT GP	958		
TANK GP-WINDOW WASHER	965		

GENERAL INFORMATION

1. MACHINE IDENTIFICATION

Cat machines are identified by Product Identification Numbers (PIN). Some components included in a machine may be identified by Serial Numbers (S/N). Typical components that will be serialized include engines, transmissions, bulldozers, and rippers. The machine and engine are further identified by arrangement numbers and in some cases modification numbers. These numbers are shown on the product identification plate(s) and on the master plate in the operator's compartment.

Cat dealers need all of these numbers to determine accurate parts identification.

Effective First Quarter 2001 the Cat Product Identification Number (PIN) changed from 8 to 17 characters. In an effort to provide uniform equipment identification, Caterpillar and other construction equipment manufacturers are moving to comply with the latest version of the product identification numbering standard. Non-road machine PINs are defined by ISO 10261. The new PIN format will apply to all Cat machines and generator sets. The PIN plates and frame marking will display the 17 character PIN. The new format will look like the following:

CAT 0789BG 6SL12345

The diagram shows the PIN format: *CAT 0789BG 6SL12345*. Below the first four characters (C, A, T, 0), there are four circles containing the numbers 1, 2, 3, and 4 respectively. Vertical lines connect each circle to its corresponding character in the PIN.

Where:

1. Caterpillar's World Manufacturing Code (characters 1-3)
2. Machine Descriptor (characters 4-8)
3. Check Character (character 9)
4. Machine Indicator Section (MIS) or Product Sequence Number (characters 10-17). These were previously referred to as the Serial Number.

Machines and generator sets produced before First Quarter 2001 will maintain their 8 character PIN format.

Components such as engines, transmissions, axles, etc. and work tools will continue to use an 8 character Serial Number (S/N).

2. ORDERING PARTS

WARNING

When replacement parts are required for this product Caterpillar recommends using Caterpillar replacement parts or parts with equivalent specifications including, but not limited to, physical dimensions, type, strength and material.

Failure to heed this warning can lead to premature failures, product damage, personal injury or death.

Quality Cat replacement parts are available from Cat dealers throughout the world. Their parts inventories are up to date and include all parts normally required to protect your investment in Cat machines. Dealers may offer repair kits or remanufactured parts to allow selection of the most effective repair alternative for a particular situation. When ordering parts, your order should specify the quantity, part number, part name, and the serial number/product identification number of the machine for which the parts are needed.

3. PARTS MANUAL ORGANIZATION

Product information in this manual is presented as "information elements" that represent all of the components for the specific model. Engine Arrangement and Seat Group are examples of information elements. The information elements are organized alphabetically by part name and secondarily by part number within each major section of the manual.

4. TABLE OF CONTENTS

A table of contents (TOC) is found at the beginning of the manual. The TOC lists each section of the manual with a complete list of all information elements organized as they appear in the manual. Page numbers are provided for quick reference to detailed parts identification illustrations and serviceable consist lists.

5. MAINTENANCE PARTS INDEX

The Maintenance Parts Index, located near the beginning of the manual, references most frequently used maintenance part numbers, providing description, quantity, usage and page number. This information is organized alphabetically by part description.

GENERAL INFORMATION

6. INDEX

The index located near the front of the manual is an alphabetical listing of all information elements included in the manual. Page numbers are provided for quick reference to detailed parts identification illustrations and serviceable consist lists.

7. PART NUMBER INDEX

A numerical index listing all part numbers and the corresponding page number(s) appears at the back of the manual.

8. CAPTIONS

Captions located at the beginning of each information element identify the part number and part name along with additional descriptive information. PIN and S/N information found in each caption should be used to select correct information for a specific machine. Field replacement options, identification of optional attachment components, and where used ("part of") information is also provided.

The first line of a caption is shown in larger type font to indicate the beginning of an information element. Captions for additional pages that may be required to illustrate an information element will be shown in standard type font and will include the term (contd.).

9. NON-SERVICED PARTS

In some instances it is necessary to display non-serviced parts that are a link to a lower level serviceable consist lists. These non-serviced part numbers are shown in italic type indicating that they are not available.

10. PARTS LIST REFERENCE NUMBERS

Numbers shown in the Ref No column correspond to numbers used in the associated graphic(s). An alphabetic suffix may be added to a reference number to identify lower level consist items. Numbers shown in the Graphic Ref column refer to the graphic number identifier displayed in the lower left corner of each illustration. The Graphic Ref number may be used in combination with the item Ref No to determine the correct part number. There may be intentional omission of a Ref No in a consist list as information is updated to reflect the latest serviceable part numbers.

11. INDENTED PART NAMES

When a part name is indented in a parts list, it is part of (included in) the group or assembly under which it is indented.

12. ILLUSTRATION REFERENCE LETTERS

When necessary, illustrations contain reference letters (A, B, C etc.) that are intended to track lines and harnesses from one point to another. They are also used to show where to reconnect illustrations that have been separated.

13. ABBREVIATIONS AND SYMBOLS

O.D. – Outside Diameter
I.D. – Inside Diameter
A – Not Part Of This Group
B – Use As Required
C – Change From Previous Type
D – Order By The Meter
E – Order By The Centimeter
F – Not Shown
G – Order By The Inch
I – Refer To Hydraulic Information System
M – Metric Part
R – Remfg Part May Be Available
Y – Separate Illustration
Z – Not Serviced Separately

14. DESCRIPTION OF TYPE CHANGES

Type - A type is defined as any configuration change that requires an additional Information Element for an Arrangement, Group, or Assembly. If serial number breaks for types are not available, a type # (Type 1, Type 2, etc.) will be displayed in the caption. These "type" changes are identified with a "C" note (change from previous type) in the Parts List. Only the "types" that apply to this Parts Manual will be included. Additional types may exist causing "C" notes to appear on an Information Element when no other types are shown.

15.<END>

This symbol indicates the end of an information element.

NOTE:

Continuing improvement and advancement of product design may cause changes to your machine which may not be included in this publication. Whenever a question arises regarding your Cat product or this publication, please consult your Cat dealer for the latest available information.

GENERAL INFORMATION

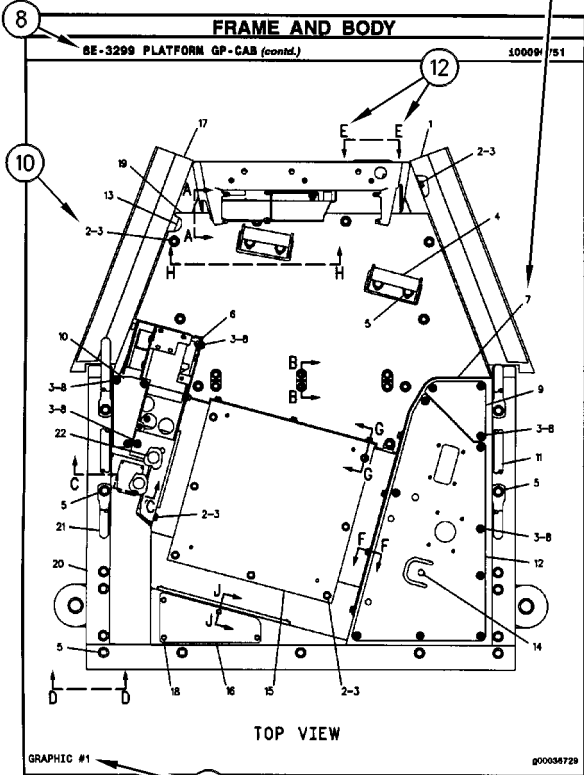
8 FRAME AND BODY							1	
8E-3299 PLATFORM GP-CAB							100090751	
SINCS-7283							100090751	
NOTE	REF ID	GRAPHIC REF	PART NUMBER	QTY	PART NAME	SEE PAGE		
			3T-2853	1	PLATE AS			
			8E-2082	25	BOLT (3/8-18X.750IN)			
			8E-1078	41	WASHER-HARD (2MM THK)			
			8E-1069	2	SUPPORT AS FOOT			
			8E-2229	19	BOLT (1/2-13X1IN)			
			8E-2229	19	WASHER-HARD (4MM THK)			
			8E-8199	1	COVER AS-L1			
			8E-8278	5	MUT-WELD (3/8-16 THD)			
			1P-8189	1	CLIP			
			7E-2411	4	COVER			
			8E-8288	18	SCREW-HEAD (3/8-18X.875IN)			
			8E-8474	1	COVER			
			8E-8972	1	GASKET			
			8E-8249	1	COVER			
			8E-8289	1	GASKET			
			3T-2825	1	HANDHOLD			
			8E-8878	1	COVER AS			
			8E-8878	8	MUT-WELD (3/8-16 THD)			
			8E-8978	1	GASKET			
			7T-0131	1	FLOORPLATE AS			
			1P-0748	4	MUT-WELD (1/2-13 THD)			
			7E-8087	1	PLUG-BUTTON			
			7T-0196	1	PLATE AS			
			8E-2978	5	MUT-WELD (3/8-16 THD)			
			7T-8088	1	COVER			
			7T-8279	1	GASKET			
			3T-2886	1	PLATE AS			
			8E-8284	4	BOLT (1/4-20X.825IN)			
			8E-8284	4	WASHER-HARD (2MM THK)			
			8E-8484	1	FLOOR MAT			
			8E-8848	1	MODULE AS-OPERATOR			
			3T-2824	1	HANDHOLD			
			8E-8871	2	PLUG			
			8E-8284	4	BOLT (1/4-20X.825IN)			
			8E-8284	4	WASHER-HARD (2MM THK)			
			8E-2082	17	BOLT (3/8-18X.750IN)			
			8E-1078	21	WASHER-HARD (2MM THK)			
			7T-0196	1	SEAL			
			7E-8978	2	BOLT (3/4-10X6IN)			
			7E-8682	2	WASHER-HARD (2MM THK)			
			3T-2482	2	PLATE AS			
			3T-8280	1	PLATE AS			
			7E-8828	6	SPACER			
			3T-8281	1	SEAL			
			7E-8917	1	GASKET			
			7E-8918	1	COVER AS			
			2E-8276	2	WASHER			
			8E-8928	2	SCREW-KNOBBLED			
			8E-8429	1	COVER			
			8E-8987	1	COVER			
			8E-2021	3	SCREW-SOCKET HEAD			
			8E-8148	3	MOUNTING			
			8E-8927	2	PLATE			
			7E-8280	2	BOLT (1/2-13X1IN)			
			7E-8972	2	WASHER-HARD			
			8E-8284	4	BOLT (3/8-18X1.0IN)			
			3T-4281	1	COVER			

12 FRAME AND BODY 1 of 4 SELP470-01

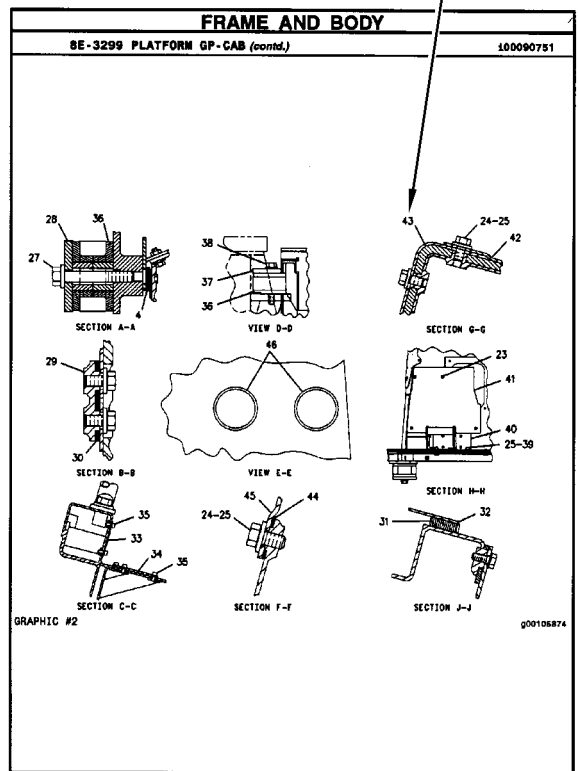
8E-3299 PLATFORM GP-CAB (contd.)							100090751	
NOTE	REF ID	GRAPHIC REF	PART NUMBER	QTY	PART NAME	SEE PAGE		
			8E-2516	1	COVER			
			7T-0124	1	PLATE			
			7T-0139	1	GASKET			
			7E-8724	1	GASKET			
			7E-8723	1	COVER			
			8E-1959	2	PLUG-BUTTON			
M. METRIC PART								

SELP470-01 2 of 4

FRAME AND BODY 13



14 FRAME AND BODY 3 of 4 SELP470-01



SELP470-01 4 of 4

FRAME AND BODY 15

REPAIR ALTERNATIVES

REMANUFACTURED COMPONENTS

As an option when making repairs consider Cat Remanufactured Components. Components that are available through the Cat Remanufactured Program are identified three ways in the parts book:

- with the letter R in the note field of the parts list
- with an R* at the beginning of the first line of the caption
- with an *R at the end of the first line of the caption

Typical components included in the Remanufacturing Program include:

ALTERNATORS
CONNECTING RODS
CRANKSHAFTS - UNDERSIZE
CRANKSHAFTS - UPGRADE TO NEW
CYLINDER HEADS
ELECTRONIC CONTROL MODULES (ECM)
ELECTRONIC SENSORS
FUEL INJECTORS
FUEL NOZZLES
FUEL PUMPS
GOVERNORS
OIL PUMPS
PISTONS
SHORT BLOCKS
STARTERS
TURBOCHARGERS - COMPLETE
TURBOCHARGER CARTRIDGES
WATER PUMPS

Cat Remanufactured engines for many engine arrangements are also available.

SUPPLEMENTAL COOLANT ADDITIVES

CUSTOMER BENEFITS:

Protects against cavitation, foam, erosion, corrosion, and scale buildup in cooling systems.

- Provides measured coolant conditioner.

DESCRIPTION:

Additives deplete from the coolant with normal operation. For this reason, Supplemental Coolant Additives (SCA) must be added to all heavy duty coolants at regular intervals. In addition, when not using a fully formulated, pre-charged antifreeze, like Cat DEAC, an initial charge of SCA must be added to the cooling system. The amount of SCA added to the system is dependent on the capacity of the system.

The SCA for initial fill is provided as a liquid. SCA's for maintenance intervals are available in liquid form and as a spin-on element. (No Spin-on available for 3600 Family of Engines)

NOTE:

The amount of SCA added at initial fill is not the same as the amount added at maintenance intervals.

The coolant additive elements can be used with any ethylene or propylene glycol type antifreeze which meets ASTM D4985 or ASTM D5345 Specifications.

NOTE:

For use with standard heavy duty coolant only, not for use with Extended Life Coolant.

PARTS NEEDED:

Cooling System Capacity		Liquid SCA at Initial Fill	Liquid SCA at Maintenance*	Spin-on SCA Maintenance Element*
Liters	Gallons			
22-30	(6-8)	3P-2044 (1)	6V-3542 (1)	111-2370 (1)
30-38	(8-10)	3P-2044 (1) 6V-3542 (1)	111-2372 (1)	111-2369 (1)
38-49	(10-13)	3P-2044 (1) 8T-1589 (1)	111-2372 (1)	111-2369 (1)
49-64	(13-17)	3P-2044 (2)	8T-1589 (1)	9N-3368 (1)
64-83	(17-22)	3P-2044 (2) 8T-1589 (1)	111-2372 (1) 6V-3542 (1)	111-2371 (1)
83-114	(22-30)	3P-2044 (3) 8T-1589 (1)	3P-2044 (1)	9N-3718 (1)
114-163	(30-43)	3P-2044 (5)	3P-2044 (1) 6V-3542 (1)	111-2371 (2)
163-242	(43-64)	3P-2044 (8)	3P-2044 (2)	9N-3718 (2)

* Normal maintenance period is 250 hrs. See your Operation and Maintenance Manual for complete coolant maintenance instructions.

() Indicates quantity required.

MAINTENANCE PARTS

DESCRIPTION	PART NUMBER	QTY	WHERE USED	PAGE
AIR INLET AND EXHAUST SYSTEM				
FILTER AS (DIESEL EXHAUST FLUID)	461-9113	1	MANIFOLD GP-DEF	245
	481-3374	1	PUMP GP-DIESEL EXHAUST FLUID	257
FILTER AS-DIESEL PARTICULATE	464-8795	1	FILTER GP-DIESEL PARTICULATE	232
GASKET-EXHAUST MANIFOLD	298-4570	1	MANIFOLD GP-EXHAUST	248
BASIC ENGINE				
BELT-SERPENTINE	286-7845	1	DRIVE GP-FAN	91
BELT-SERPENTINE (AIR CONDITIONER)	365-2985	1	BELT TENSIONER GP	26
BELT-SERPENTINE (FAN DRIVE)	286-7845	1	DRIVE GP-FAN	93
BREATHER AS (FRONT HOUSING)	386-2778	1	HOUSING GP-FRONT	107
CAP AS-FILLER (ENGINE OIL)	359-1310	1	COVER GP-VALVE MECHANISM	36
GASKET (VALVE COVER)	392-9472	1	COVER GP-VALVE MECHANISM	34
	464-8216	1	COVER GP-VALVE MECHANISM	35
PLUG-DRAIN (ENGINE OIL)	7C-0351	1	DRAIN GP-ENGINE OIL	84
		1	DRAIN GP-ENGINE OIL	85
COOLING SYSTEM				
CAP AS-COOLANT TANK (RADIATOR)	251-3227	1	TANK GP-COOLANT	216
GASKET-WATER REGULATOR	281-8744	1	CONNECTION GP-WATER	179
KEY (FAN HUB)	450-4786	1	FAN & MOTOR GP	190
REGULATOR AS-WATER TEMPERATURE	497-3998	1	CONNECTION GP-WATER	176
REGULATOR AS-WATER TEMPERATURE (INCLUDES CONNECTOR)	417-7782	1	CONNECTION GP-WATER	179
ELECTRICAL AND STARTING SYSTEM				
BATTERY	459-9625	2	BATTERY GP	337
BATTERY AS (12-VOLT)	175-4390	1	BATTERY GP	336
CAP AS-FILLER (7/8-9-THD)	123-1373	6	BATTERY GP	336
FUSE (10-AMPERE)	113-8490	1	BOARD AS-CIRCUIT	338
		8	WIRING GP-CAB	444
		1	WIRING GP-CAB	444
		7	WIRING GP-ENGINE	455
		7	WIRING GP-ENGINE	459
	9W-1442	3	BOARD AS-CIRCUIT	338
		1	WIRING GP-CAB	444
FUSE (15-AMPERE)	113-8491	3	WIRING GP-ENGINE	455
		3	WIRING GP-ENGINE	459
	9W-1441	6	WIRING GP-CAB	444
FUSE (15-AMPERE) (FRAME)	9W-1441	1	CONTROL GP-ELECTRONIC	344
FUSE (150-AMPERE) (GLOW PLUGS)	478-5135	1	CONTROL GP-ELECTRONIC	344
FUSE (200-AMPERE) (ALTERNATOR)	478-5136	1	CONTROL GP-ELECTRONIC	344
FUSE (25-AMPERE) (CAB)	113-8493	1	CONTROL GP-ELECTRONIC	344
FUSE (25-AMPERE) (IGNITION)	113-8493	1	CONTROL GP-ELECTRONIC	344
FUSE (30-AMPERE)	8T-9636	1	BOARD AS-CIRCUIT	338

MAINTENANCE PARTS

DESCRIPTION	PART NUMBER	QTY	WHERE USED	PAGE
FUSE (30-AMPERE) (AIR CONDITIONER, HEATER FAN)	8T-9636	1	CONTROL GP-ELECTRONIC	344
FUSE (30-AMPERE) (CAB)	8T-9636	1	CONTROL GP-ELECTRONIC	344
FUSE (30-AMPERE) (ECM)	8T-9636	1	CONTROL GP-ELECTRONIC	344
FUSE (30-AMPERE) (STARTER)	8T-9636	1	CONTROL GP-ELECTRONIC	344
FUSE (40-AMPERE)	339-6361	2	WIRING GP-ENGINE	455
		2	WIRING GP-ENGINE	463
FUSE (5-AMPERE)	141-2759	5	BOARD AS-CIRCUIT	338
		1	WIRING GP-CAB	444
		2	WIRING GP-ENGINE	455
		2	WIRING GP-ENGINE	459
FUSE (60-AMPERE)	339-6363	1	WIRING GP-ENGINE	456
FUSE (80-AMPERE) (CAB)	478-5142	1	CONTROL GP-ELECTRONIC	344
FUSE (80-AMPERE) (FRONT FRAME)	478-5142	1	CONTROL GP-ELECTRONIC	344
FUSE (80-AMPERE) (REAR FRAME)	478-5142	1	CONTROL GP-ELECTRONIC	344
FUSE AS	481-1056	1	WIRING GP-ENGINE	456
FUSE AS (POWER MODULE)	481-1051	1	WIRING GP-ENGINE	455
		1	WIRING GP-ENGINE	463
GLOW PLUG	469-1359	4	STARTING AID GP	429
GLOW PLUG (12-VOLT)	452-3112	4	STARTING AID GP	428
		4	STARTING AID GP	430
KEY (BATTERY DISCONNECT)	8H-5306	1	SWITCH GP-DISCONNECT	435
LAMP	480-7030	2	LAMP GP-ROADING	382
LAMP (12-VOLT, 21-WATT) (AMBER)	226-4560	1	LAMP GP-HEAD & SIGNAL	378
		1	LAMP GP-HEAD & SIGNAL	379
		1	LAMP GP-HEAD & SIGNAL	380
		1	LAMP GP-HEAD & SIGNAL	381
LAMP (12-VOLT, 5-WATT) (CLEAR)	226-4561	1	LAMP GP-HEAD & SIGNAL	378
		1	LAMP GP-HEAD & SIGNAL	379
		1	LAMP GP-HEAD & SIGNAL	380
		1	LAMP GP-HEAD & SIGNAL	381
LAMP (12-VOLT, 55-WATT) (BEACON)	323-5644	1	LIGHTING GP-WARNING	401
LAMP (12-VOLT)	473-9371	1	WIRING GP-ENGINE	455
		1	WIRING GP-ENGINE	463
LAMP (12-VOLT) (INDICATOR LIGHT)	323-5649	1	LAMP GP-STOP & TAIL	383
LAMP (12-VOLT) (LED)	473-9371	1	WIRING GP-ENGINE	459
LAMP (12-VOLT) (TAIL LIGHTS)	323-5648	1	LAMP GP-STOP & TAIL	383
LAMP (12-VOLT) (TURN SIGNAL)	305-2109	1	LAMP GP-STOP & TAIL	383
LAMP (50-WATT)	323-5646	1	LIGHTING GP-BOOM	387
		1	LIGHTING GP-FLOOD	388
		1	LIGHTING GP-ROADING	394
LAMP AS (12-VOLT, 55-WATT)	317-3270	1	LIGHTING GP-WARNING	401
LAMP AS (50-WATT) (WORK LIGHT)	312-3332	2	LIGHTING GP-BOOM	387
		4	LIGHTING GP-FLOOD	388
		4	LIGHTING GP-ROADING	394
LAMP AS (SIDE, LH)	333-8792	1	LIGHTING GP-ROADING	395

MAINTENANCE PARTS

DESCRIPTION	PART NUMBER	QTY	WHERE USED	PAGE
		1	LIGHTING GP-ROADING	397
LAMP AS (SIDE, RH)	333-8793	1	LIGHTING GP-ROADING	395
		1	LIGHTING GP-ROADING	397
LAMP-HEAD (12-VOLT, 60/55-WATT) (CLEAR)	9W-3324	1	LAMP GP-HEAD & SIGNAL	378
		1	LAMP GP-HEAD & SIGNAL	379
		1	LAMP GP-HEAD & SIGNAL	380
		1	LAMP GP-HEAD & SIGNAL	381
PLUG-GLOW	375-1424	1	STARTING AID GP	429
FUEL SYSTEM				
CAP-FUEL (VENTED)	284-9039	1	TANK & MTG GP-FUEL	329
ELEMENT-WATER SEPARATOR	311-3901	1	FILTER GP-WATER SEP & FUEL	296
	363-6572	1	FILTER GP-WATER SEP & FUEL	295
	479-4133	1	FILTER GP-WATER SEP & FUEL	298
FILTER AS-WATER SEP & FUEL	439-5037	1	FILTER GP-FUEL	287
FILTER ELEMENT-FUEL	360-8960	1	FILTER GP-FUEL	280
FILTER GP-PRIMARY FUEL	393-5525	1	FILTER GP-PRIMARY FUEL	292
		1	LINES GP-FUEL	309
FILTER-FUEL (IN-LINE)	384-8512	1	LINES GP-FUEL	311
HYDRAULIC SYSTEM				
CAP AS-FILLER (NON-AIR VENTED)	497-9002	1	TANK & MTG GP-HYDRAULIC	732
FILTER (BREATHER)	473-9271	1	TANK GP-HYDRAULIC	733
FILTER (HYDRAULIC OIL)	481-6649	1	TANK GP-HYDRAULIC	733
KEY	450-4786	1	MOTOR & MTG GP-HYDRAULIC FAN	725
LUBRICATION SYSTEM				
CAP AS-OIL FILLER (ENGINE)	130-9888	1	FILLER GP-ENGINE OIL	153
		1	FILLER GP-ENGINE OIL	155
	369-3867	1	FILLER GP-ENGINE OIL	153
FILTER AS-ENGINE OIL	7W-2326	1	FILTER GP-ENGINE OIL	156
		1	FILTER GP-ENGINE OIL	157
FILTER AS-OIL (ENGINE OIL)	441-6852	1	FILTER GP-ENGINE OIL	158
FILTER ELEMENT-BREATHER (CRANKCASE)	481-3598	1	FUMES DISPOSAL GP	162
OPERATOR STATION				
BELT (AIR CONDITIONER)	477-3325	1	AIR CONDITIONER & MOUNTING GP	851
		1	AIR CONDITIONER & MOUNTING GP	854
BLADE-WIPER	459-2709	1	WIPER GP-WINDOW	979
	459-2710	1	WIPER GP-WINDOW	979
FILTER (HVAC) (FRESH AIR)	473-2650	1	HEATER & AIR CONDITIONER GP	896
		1	HEATER & AIR CONDITIONER GP	897
FILTER (HVAC) (RECIRCULATION)	473-2651	1	AIR CONDITIONER GP	862
		1	HEATER & AIR CONDITIONER GP	896
		1	HEATER & AIR CONDITIONER GP	897
		1	HEATER & MTG GP-CAB	902
FILTER-AIR (FRESH AIR)	528-8853	1	AIR CONDITIONER GP	862

MAINTENANCE PARTS

DESCRIPTION	PART NUMBER	QTY	WHERE USED	PAGE
		1	HEATER & MTG GP-CAB	902
LAMP (DOME)	474-9787	1	TRIM GP-CAB	969
MOTOR-WIPER	459-9780	1	WIPER GP-UPPER	975
		1	WIPER GP-WINDOW	978
POWER TRAIN BREATHER	385-3598	1	AXLE GP-FRONT	480
	9G-5127	1	CASE & PARTS GP-PLANETARY	495
BREATHER (TRANSMISSION)	9G-5127	1	CASE GP-TRANSMISSION	506
BREATHER AS	461-7838	1	CASE GP-TRANSMISSION	505
BREATHER AS (TRANSFER CASE)	461-7838	1	CASE GP-TRANSFER	501
FILTER-TRANSMISSION (HYDRAULIC)	471-7003	1	CASE & PARTS GP-PLANETARY	495
		1	CASE GP-TRANSMISSION	506
PLUG-DRAIN (MAGNETIC)	9X-2230	1	CASE GP-TRANSFER	501
		1	CASE GP-TRANSMISSION	502
		1	CASE GP-TRANSMISSION	505
		1	CASE GP-TRANSMISSION	511
STRAINER AS (SUCTION)	334-7523	1	CASE & PARTS GP-PLANETARY	497
		1	CASE GP-TRANSMISSION	508
	334-7562	1	CASE & PARTS GP-PLANETARY	497
		1	CASE GP-TRANSMISSION	508

INDEX

NAME	PAGE	NAME	PAGE
A			
AIR CLEANER GP	217	BRACKET GP.....	314
	218	BRACKET GP-MOUNTING	278
AIR CLEANER GP-AIR	218		591
AIR COMPRESSOR GP (SUSPENSION SEAT)	916		592
AIR CONDITIONER & MOUNTING GP.....	851	BRACKET GP-MOUNTING (FIXED).....	863
	854	BRACKET GP-MOUNTING-ARMREST	27
	857	BRACKET GP-MOUNTING-BOOM	590
	859	BRACKET GP-TRANSPORT-FORKS.....	980
	860	BRAKE AR-TRAILER	632
AIR CONDITIONER AR	861	BRAKE GP-HYDRAULIC	633
AIR CONDITIONER GP	862	BRAKE GP-PARKING	635
ALARM GP	331	BREATHER	480
ALTERNATOR GP-CHARGING	332		495
	333	BREATHER (TRANSMISSION).....	506
	334	BREATHER AS.....	505
	335	BREATHER AS (FRONT HOUSING).....	107
ARM GP-MATERIAL HANDLING.....	764	BREATHER AS (TRANSFER CASE).....	501
ARMREST GP	863	BRIDGE GP-VALVE	149
ARMREST GP-ADJUSTABLE.....	863	BROOM GP.....	769
AXLE & MOUNTING GP.....	471	BRUSH GP-BOOM.....	760
AXLE & MOUNTING GP-FRONT.....	470	BUCKET GP-GENERAL PURPOSE	775
AXLE & MOUNTING GP-REAR	469	BUCKET GP-GRAPPLE.....	776
AXLE AR	472	C	
AXLE GP-FRONT.....	473	CAB AR-HEATER	866
	480		868
AXLE GP-REAR.....	486	CAB AR-HEATER, AIR CONDITIONER	865
B			
BASE GP-OIL FILTER	494		867
BATTERY.....	337	CAB GP	869
BATTERY AS (12-VOLT).....	336	CAMERA & MOUNTING GP	339
BATTERY GP-DUAL.....	337		340
BATTERY GP-SINGLE.....	336	CAMSHAFT GP	29
BELT (AIR CONDITIONER)	851		30
	854		31
BELT TENSIONER GP.....	24		32
	25	CAP AS-COOLANT TANK (RADIATOR).....	216
BELT TENSIONER GP-WITH AIR CONDITIONER	26	CAP AS-FILLER (7/8-9-THD)	336
BELT-SERPENTINE.....	91	CAP AS-FILLER (ENGINE OIL).....	36
BELT-SERPENTINE (AIR CONDITIONER).....	26	CAP AS-FILLER (NON-AIR VENTED).....	732
BELT-SERPENTINE (FAN DRIVE).....	93	CAP AS-OIL FILLER (ENGINE).....	153
BLADE-WIPER	979	CAP AS-OIL FILLER (ENGINE).....	155
BOARD AS-CIRCUIT.....	338	CAP-FUEL (VENTED).....	329
BOOM & CHASSIS AR	1	CARRIAGE AS-FORK.....	777
BOOM AR	753	CARRIAGE GP.....	780
BOOM GP	754		781
	757		783
BOOM GP-TRUSS.....	765	CARRIAGE GP-FORK.....	785
	766		786
	767		788
	768		790
BOOM GP-INNER.....	758		791
BOOM GP-OUTER.....	759		792
BOOM GP-WITH WINCH	755	CARRIAGE GP-FORK-SIDESHIFT	784
BOX & MOUNTING GP-TOOL-TOOL BOX.....	589	CARRIAGE GP-ROTATING.....	797
			799
		CARRIAGE GP-ROTATING-STANDARD.....	795
		CARRIAGE GP-ROTATING-WIDE, 4/5 TINE....	793
		CARRIAGE GP-SIDESHIFT.....	801

INDEX

NAME	PAGE	NAME	PAGE
CARRIAGE GP-ROTATING FORK		COOLER GP-HYDRAULIC OIL	657
CARRIAGE.....	782	COUNTERWEIGHT & MOUNTING GP	593
CARRIAGE GP-TILT.....	778	COUNTERWEIGHT GP	594
	779	COUPLER & MTG AR-HYDRAULIC.....	802
CARRIER GP-FORK.....	793		803
	795		804
CASE & PARTS GP-PLANETARY	495		805
	497	COUPLER & MTG AR-MANUAL.....	806
CASE GP-TRANSFER	501	COUPLER & MTG GP-QUICK.....	807
CASE GP-TRANSMISSION.....	502	COUPLER AR-HYDRAULIC	808
	506	COUPLER AR-QUICK.....	809
	508		810
	511		816
	513		817
CASE GP-TRANSMISSION-FRONT.....	505	COUPLER AR-QUICK-MERLO.....	812
CASE GP-TRANSMISSION-REAR	504	COUPLER AR-QUICK-VOLVO.....	814
CHART GP-LIFT/LOAD EXTENSION	981	COUPLER GP-QUICK.....	818
CHASSIS AR.....	1		819
	2		820
CHOCK GP-WHEEL	982	COUPLER GP-QUICK-MANITOU	821
CLUTCH & GEAR GP	515	COVER GP	595
	517	COVER GP (DASH, LOWER)	967
COMMON AR.....	2	COVER GP-ACCESS	597
CONDENSER GP-REFRIGERANT-CAB	871	COVER GP-ACCESS (AUGER).....	970
CONFIGURATION AR.....	3	COVER GP-ACCESS (EXTENSION)	970
	4	COVER GP-ACCESS-BOOM	877
CONNECTING ROD GP	127	COVER GP-ACCESS-CAB ROOF	874
CONNECTION GP-FUEL	279	COVER GP-ACCESS-FRAME	875
CONNECTION GP-INLET	221	COVER GP-ACCESS-REAR.....	596
CONNECTION GP-WATER.....	176	COVER GP-ACCESS-REAR AUXILIARY	
	177	HYDRAULICS	878
	178	COVER GP-ACCESS-TRAILER BRAKE.....	876
	179	COVER GP-CAB	879
	180		881
	181		882
CONTROL AR-AUXILIARY	656		939
CONTROL GP-ELECTRONIC.....	341	COVER GP-CAB-ROOF.....	879
	342	COVER GP-CONSOLE (DASH).....	967
	343	COVER GP-ENGINE OIL COOLER	188
	344	COVER GP-VALVE MECHANISM.....	33
	346		34
CONTROL GP-ELECTRONIC (FRONT			35
FRAME)	446		36
CONTROL GP-ELECTRONIC (LOAD		COVER GP-FRONT	595
MANAGEMENT INDICATOR SYSTEM).....	5	CRANKSHAFT AS.....	37
	346		38
CONTROL GP-ELECTRONIC (REAR		CRANKSHAFT GP.....	39
FRAME)	446		41
CONTROL GP-JOYSTICK.....	873		42
CONTROL GP-PARKING BRAKE.....	633		44
	636		45
CONTROL GP-TRANSMISSION HYD	519		46
	520		48
COOLER & MTG GP-EXHAUST (NRS)	219		50
COOLER GP-ENGINE OIL	182	CYLINDER & MTG GP-CARRIAGE-FORK.....	658
	183	CYLINDER & MTG GP-CARRIAGE-	
	184	ROTATING.....	659
	185	CYLINDER & MTG GP-COMPENSATING	660
	186	CYLINDER & MTG GP-LIFT.....	661
	187	CYLINDER & MTG GP-TELESCOPING	662
COOLER GP-FUEL.....	214		

INDEX

NAME	PAGE	NAME	PAGE
FILM GP.....	983	FILM-INSTRUCTION (LOAD CAPACITY, READ OMM).....	764
	984	FILM-WARNING	845
	985	FILM-WARNING (CYLINDER LOCK)	989
	986		993
	987		996
	988		1012
	989	FILM-WARNING (DO NOT SPRAY, READ OMM).....	987
	993		988
	996	FILM-WARNING (HIGH PRESSURE).....	755
	999		788
	1003	FILM-WARNING (NO TOWING).....	755
	1004	FILM-WARNING (PINCH POINT).....	788
	1005	FILM-WARNING (ROTATING).....	755
	1008	FILM-WARNING (STAY CLEAR OF SWING AREA).....	989
	1009		993
FILM GP-SENSING.....	1006		996
	1007		999
FILM-DANGER	845		1012
FILM-IDENTIFICATION (12V, CAT).....	274	FILM-WARNING (UNIVERSAL WARNING).....	987
	275		988
FILM-IDENTIFICATION (AIR CONDITIONER REFRIGERANT)	851		1011
	854	FILTER (BREATHING).....	733
	857	FILTER (HVAC) (FRESH AIR).....	896
FILM-IDENTIFICATION (BOOM ANGLE).....	761		897
FILM-IDENTIFICATION (CAT).....	983	FILTER (HVAC) (RECIRCULATION).....	862
	984		896
	985		897
	986		902
FILM-IDENTIFICATION (ECU)	402	FILTER (HYDRAULIC OIL).....	733
FILM-IDENTIFICATION (EMERGENCY EXIT) ...	918	FILTER AS (DIESEL EXHAUST FLUID).....	245
FILM-IDENTIFICATION (FILTER).....	159		257
FILM-IDENTIFICATION (HVAC)	404	FILTER AS-DIESEL PARTICULATE	232
	942	FILTER AS-ENGINE OIL.....	156
	944		157
FILM-IDENTIFICATION (IGNITION SWITCH)	404	FILTER AS-OIL (ENGINE OIL)	158
	942	FILTER AS-WATER SEP & FUEL	287
	944	FILTER ELEMENT-BREATHING	
FILM-IDENTIFICATION (JOYSTICK).....	873	(CRANKCASE)	162
FILM-IDENTIFICATION (LANYARD ATTACH) ...	850	FILTER ELEMENT-FUEL.....	280
FILM-IDENTIFICATION (LOAD STABILITY INDICATOR)	890	FILTER GP-DIESEL PARTICULATE.....	230
FILM-IDENTIFICATION (LSI DISPLAY)	890		231
FILM-IDENTIFICATION (MANUAL)	850		232
FILM-IDENTIFICATION (OIL FILL, READ OMM).....	153	FILTER GP-ENGINE OIL.....	156
	159		157
FILM-IDENTIFICATION (TIRE PRESSURE)	548		158
FILM-INFORMATION (100-DB).....	989	FILTER GP-FUEL.....	280
FILM-INFORMATION (3.0-BAR)	547		281
FILM-INFORMATION (5.25 BAR).....	552		282
	588		283
FILM-INFORMATION (LOAD CAPACITY)	755		284
FILM-INFORMATION (MADE IN USA).....	755		285
	788		287
FILM-INFORMATION (REAR WINDOW)	1008		288
FILM-INFORMATION (TIRE PRESSURE).....	543		289
	544		290
	545	FILTER GP-FUMES DISPOSAL.....	159
	546	FILTER GP-OIL	733
	549		

INDEX

NAME	PAGE	NAME	PAGE
FILTER GP-PRIMARY FUEL	291	FUSE (5-AMPERE)	338
	292		444
	293		455
	309		459
FILTER GP-WATER SEP & FUEL	294	FUSE (60-AMPERE)	456
	295	FUSE (80-AMPERE) (CAB).....	344
	296	FUSE (80-AMPERE) (FRONT FRAME).....	344
	297	FUSE (80-AMPERE) (REAR FRAME)	344
	298	FUSE AS	456
FILTER-AIR (FRESH AIR).....	862	FUSE AS (POWER MODULE).....	455
	902		463
FILTER-FUEL (IN-LINE)	311		
FILTER-TRANSMISSION (HYDRAULIC)	495		
	506		
FITTING GP-HYDRAULIC	680		
FLOOR MAT GP	889		
FLYWHEEL GP	94		
	95		
	96		
FORK AR.....	822		
FORK AS.....	823		
	824		
	825		
FORK AS-BLOCK	826		
FORK AS-PALLET.....	827		
	828		
	829		
FORK GP.....	830		
	831		
	832		
	833		
	834		
	835		
	836		
FORK GP-PALLET.....	839		
FORK GP-GRAB	837		
FRAME GP-LOADER	605		
FUMES DISPOSAL GP	160		
	161		
	162		
	164		
FUSE (10-AMPERE)	338		
	444		
	455		
	459		
FUSE (15-AMPERE)	444		
	455		
	459		
FUSE (15-AMPERE) (FRAME).....	344		
FUSE (150-AMPERE) (GLOW PLUGS).....	344		
FUSE (200-AMPERE) (ALTERNATOR)	344		
FUSE (25-AMPERE) (CAB).....	344		
FUSE (25-AMPERE) (IGNITION).....	344		
FUSE (30-AMPERE)	338		
FUSE (30-AMPERE) (AIR CONDITIONER, HEATER FAN)	344		
FUSE (30-AMPERE) (CAB).....	344		
FUSE (30-AMPERE) (ECM)	344		
FUSE (30-AMPERE) (STARTER)	344		
FUSE (40-AMPERE)	455		
	463		
		G	
		GASKET (VALVE COVER)	34
			35
		GASKET-EXHAUST MANIFOLD.....	248
		GASKET-WATER REGULATOR.....	179
		GAUGE (TILT ANGLE).....	894
			895
			1012
		GAUGE AS-OIL LEVEL (DIPSTICK).....	497
			508
		GAUGE AS-OIL LEVEL (DIPSTICK) (ENGINE)	165
		GAUGE GP-CLUSTER	404
		GAUGE GP-OIL LEVEL (DIPSTICK)	166
		GAUGE GP-OIL LEVEL (DIPSTICK) (ENGINE)	165
			166
		GAUGE GP-OIL LEVEL (DIPSTICK)-ENGINE...	165
		GAUGE GP-INDICATOR	890
		GEAR & CASE GP-TRANSFER	523
			525
			526
		GEAR GP-BEVEL	486
		GEAR GP-IDLER	528
		GEAR GP-TRANSFER	529
		GLOW PLUG.....	429
		GLOW PLUG (12-VOLT)	428
			430
		GUARD GP-FRONT WINDOW.....	891
		GUARD GP-ROOF.....	892
		H	
		HAMMER & MOUNTING GP	893
		HAMMER GP (CAB WINDOW)	893
		HANDLE GP-DOOR	885
		HARNES AS-BRAKE	468
		HARNES AS-CAB	348
			349
			443
		HARNES AS-CHASSIS	350
		HARNES AS-CONTROL	350
			351

INDEX

NAME	PAGE	NAME	PAGE
HARNESS AS-ENGINE	352	HITCH GP-TOWING	617
	353		618
	354		619
	355		620
	357		621
	358		622
	459		624
HARNESS AS-FRONT-FRAME	359	HITCH GP-TOWING-HYDRAULIC.....	623
HARNESS AS-HEATER	366	HITCH GP-HYDRAULIC.....	615
HARNESS AS-HEATER & AIR COND	359	HITCH GP-RELEASE CABLE	614
HARNESS AS-HEATER & AIR COND		HITCH GP-RETRIEVAL	613
(MAIN).....	443	HOOD GP-ENGINE	626
	898	HOOK GP-LIFTING	840
	899		841
	899		842
HARNESS AS-LIGHTING.....	360	HOPPER GP.....	843
	395	HORN GP-ELECTRIC.....	913
	397	HOUSING GP-FLYWHEEL	97
HARNESS AS-REAR-FRAME.....	361		98
HARNESS AS-SENSOR.....	406		99
HARNESS AS-SENSOR (REVERSE).....	411		100
HARNESS AS-STARTING AID.....	429	HOUSING GP-FRONT	101
HARNESS AS-SWITCH	954		103
	955		104
HARNESS AS-WIRING.....	362		106
	451		107
HARNESS AS-WIRING-LIGHT.....	361	HYDRAULIC AR.....	681
HEADLINER GP-CAB	894	HYDRAULIC AR-AUXILIARY.....	681
	895		
HEADLINER GP-CAB-RADIO.....	894	I	
HEATER & AIR CONDITIONER GP	896	INDICATOR (CUTOFF).....	217
	897		218
	898	INDICATOR GP-BOOM ANGLE.....	761
	899	INDICATOR GP-LOAD	371
HEATER & AIR CONDITIONER GP-CAB	900		372
	901	INJECTOR & MTG GP-DEF.....	347
HEATER & MTG GP-CAB.....	902	INJECTOR GP-FUEL	299
HEATER AR-CAB	903		300
HEATER GP-BLOCK.....	363		301
	364		302
	365		303
	366		304
HEATER GP-CAB	904	INSTALLATION AR-COMMUNICATION-PL641,	
	906	3.4L	373
	912	INSTALLATION AR-COMMUNICATION-PL641,	
HEATER GP-CAB-EVAPORATOR	911	4.4L	373
HEATER GP-CAB-HEATER, AIR		INSTALLATION AR-COMMUNICATION-PL641, A/C,	
CONDITIONER	908	3.4L	373
HEATER GP-JACKET WATER.....	367	INSTALLATION AR-COMMUNICATION-PL641, A/C,	
	368	4.4L	373
	369	INSTALLATION AR-COMMUNICATION-PL641, A/C,	
	370	LESSER REGULATED COUNTRIES	374
HITCH AR	606	INSTALLATION AR-COMMUNICATION-PL641,	
	607	LESSER REGULATED COUNTRIES	374
	608	INSTALLATION AR-ENGINE.....	22
	609		23
HITCH AR-HYDRAULIC.....	609	INSTALLATION AR-MACHINE	5
HITCH AR-RETRIEVAL	607		6
HITCH GP	610		
	611		
	612		
	620		

INDEX

NAME	PAGE	NAME	PAGE
INSTALLATION GP-COMMUNICATION	375	LAMP GP-HEAD & SIGNAL-FRONT, LH	379
	376	LAMP GP-HEAD & SIGNAL-FRONT, RH	378
INSTALLATION GP-RIDE CONTROL-RIDE CONTROL	682	LAMP GP-HEAD & SIGNAL-LH	381
INSTALLATION GP-WARNING BEACON	377	LAMP GP-HEAD & SIGNAL-RH	380
J		LAMP GP-ROADING-LICENSE PLATE	382
JET GP-PISTON COOLING	108	LAMP GP-STOP & TAIL-REAR	383
	109	LAMP GP-WARNING BEACON (12-VOLT, AMBER)	401
K		LAMP-HEAD (12-VOLT, 60/55-WATT) (CLEAR)	378
KEY	725		379
KEY (BATTERY DISCONNECT)	435		380
KEY (FAN HUB)	190		381
KIT-DOOR	914	LATCH AS	885
	915	LEVER GP-TILT	762
KIT-SEAT SUSPENSION	916	LIFTING GP-ENGINE	110
KNOB GP-REAR WINDOW-REAR VIEW	918		111
L			112
LAMP	382		113
LAMP (12-VOLT, 21-WATT) (AMBER)	378	LIGHTING AR-ROADING	386
	379	LIGHTING AR-ROADING-AIR CONDITIONER	385
	380	LIGHTING AR-ROADING-WITHOUT AIR CONDITIONER	384
	381	LIGHTING GP-BOOM	387
LAMP (12-VOLT, 5-WATT) (CLEAR)	378	LIGHTING GP-FLOOD	388
	379	LIGHTING GP-FRONT-WORK LIGHT	389
	380		390
	381		391
LAMP (12-VOLT, 55-WATT) (BEACON)	401		392
LAMP (12-VOLT)	455	LIGHTING GP-ROADING	394
	463		399
LAMP (12-VOLT) (INDICATOR LIGHT)	383	LIGHTING GP-ROADING-FRONT	395
LAMP (12-VOLT) (LED)	459		397
LAMP (12-VOLT) (TAIL LIGHTS)	383	LIGHTING GP-WARNING	400
LAMP (12-VOLT) (TURN SIGNAL)	383	LIGHTING GP-WARNING-BEACON	401
LAMP (50-WATT)	387	LINE AS-FUEL	285
	388	LINES GP-AIR	233
	394		235
LAMP (DOME)	969		236
LAMP AS (12-VOLT, 55-WATT)	401		237
LAMP AS (50-WATT) (WORK LIGHT)	387	LINES GP-AIR CONDITIONER	919
	388		921
	394	LINES GP-AUXILIARY HYDRAULIC-REAR	683
LAMP AS (SIDE, LH)	395		685
	397	LINES GP-BOOM	687
LAMP AS (SIDE, RH)	395		688
	397		689
LAMP GP (STOP, TAIL, TURN, BACKUP, LH)	383	LINES GP-BRAKE	638
LAMP GP (STOP, TAIL, TURN, BACKUP, RH)	383		639
LAMP GP-FRONT	391		641
	392	LINES GP-CONNECTING-FORK	692
	393	LINES GP-COOLANT	194
			196
			198
		LINES GP-COOLING-RADIATOR	239
		LINES GP-COUPLER	694
			697
			699
		LINES GP-COUPLER-COUPLER	695

INDEX

NAME	PAGE	NAME	PAGE
LINES GP-DIESEL EXHAUST FLUID	240	MODULE AR-CLEAN EMISSIONS	251
	242	MODULE AR-DIESEL EXHAUST FLUID.....	252
LINES GP-FUEL.....	305	MONITOR & MOUNTING GP.....	939
	306	MOTOR & MTG GP-AUGER	845
	307	MOTOR & MTG GP-HYDRAULIC FAN.....	725
	309	MOTOR AS-WINDOW WIPER.....	976
	311		977
	314	MOTOR-WIPER	975
LINES GP-FUEL FILTER.....	313		978
	314	MOUNTING GP	261
LINES GP-FUEL INJECTION-INJECTORS 1 & 3.....	316	MOUNTING GP-BELT TENSIONER.....	115
LINES GP-FUEL INJECTION-INJECTORS 2 & 4.....	317	MOUNTING GP-CAB.....	940
LINES GP-GREASE-BOOM	763	MOUNTING GP-CONTROL.....	403
LINES GP-HEATER & AIR COND.....	923	MOUNTING GP-DEF TANK	262
	925	MOUNTING GP-ENGINE.....	116
	927		117
	930		118
LINES GP-HYDRAULIC FAN	703		119
	705		120
LINES GP-HYDRAULIC-ROTATING CARRIAGE.....	701	MOUNTING GP-ENGINE & XMSN.....	122
LINES GP-LIFT CYLINDER.....	707	MOUNTING GP-ENGINE OIL FILTER.....	168
LINES GP-LIFT CYLINDER-RIDE CONTROL ...	709	MOUNTING GP-EXHAUST	253
LINES GP-POWER TRAIN COOLER.....	531		254
	533	P	
LINES GP-PUMP.....	711	PADLOCK GP.....	589
LINES GP-RETURN	713		1010
	714	PAN GP-OIL	64
	715		67
	717		123
	719		124
LINES GP-STEERING.....	649		125
	651		126
LINES GP-TRAILER	720	PANEL GP-INSTRUMENT.....	941
	722		942
LINES GP-TURBOCHARGER AIR	243		944
	244	PANEL GP-SWITCH	404
LINES GP-TURBOCHARGER OIL.....	167	PEDAL & MOUNTING GP-BRAKE.....	643
LOCK GP-VANDALISM.....	1010	PEDAL GP-BRAKE	643
M		PEDAL GP-GOVERNOR	946
MANIFOLD GP-CONTROL	724	PEDAL GP-GOVERNOR-ACCELERATOR	946
MANIFOLD GP-DEF	245	PIPE GP-FLEXIBLE EXHAUST	256
MANIFOLD GP-EXHAUST.....	246	PISTON & ROD GP.....	127
	247		129
	248		130
MANIFOLD GP-INLET.....	249		132
	250	PLATE & FILM GP.....	1011
MECHANISM GP-FUEL PUMP & VALVE.....	114		1012
MIRROR GP-REAR VIEW.....	935	PLATE & MTG GP-FRAME	629
	936	PLATE & MTG GP-HITCH.....	628
	937		630
	938	PLATE & MTG GP-REAR.....	627
MIRROR GP-REAR VIEW-INTERIOR	934	PLATE GP-IDENTIFICATION	67
MIRROR GP-EXTERNAL.....	932		1015
MIRROR GP-INTERNAL	933	PLATFORM AR-ACCESS.....	847
MODULE & MTG GP-CONTROL	402		848
			849
		PLATFORM GP-ACCESS	850

INDEX

NAME	PAGE	NAME	PAGE
SENSOR & MOUNTING GP.....	409	SENSOR GP-SPEED (TRANSMISSION).....	495
	410		506
SENSOR & MOUNTING GP (AXLE LOCK).....	371	SENSOR GP-TEMPERATURE.....	8
	372		425
SENSOR & MOUNTING GP (BOOM ANGLE).....	1		426
SENSOR & MOUNTING GP (RETRACT).....	1		427
SENSOR & MOUNTING GP-BOOM ANGLE.....	407	SENSOR GP-TEMPERATURE (ENGINE	
SENSOR & MOUNTING GP-HITCH.....	406	COOLANT).....	415
SENSOR & MOUNTING GP-REVERSE.....	411	SENSOR GP-TEMPERATURE (INLET AIR).....	20
SENSOR AS (PROXIMITY).....	409	SENSOR GP-TEMPERATURE	
SENSOR AS-AMMONIA.....	413	(TRANSMISSION).....	579
SENSOR AS-AMMONIA (EXHAUST GAS).....	414	SENSOR-NITROGEN OXIDE (UPSTREAM).....	413
SENSOR AS-LIQUID LEVEL (FUEL, WATER		SENSOR-PRESSURE (ENGINE).....	422
SEPARATOR).....	296		682
SENSOR AS-NITROGEN OXIDE		SENSOR-SPEED.....	419
(DOWNSTREAM).....	413	SENSOR-TEMPERATURE.....	212
SENSOR AS-NITROGEN OXIDE (ENGINE			214
OUTPUT).....	414		369
SENSOR AS-NITROGEN OXIDE (EXHAUST PIPE			419
OUT).....	414		425
SENSOR AS-TEMPERATURE.....	232		427
SENSOR AS-TEMPERATURE (DOC INLET).....	413		520
SENSOR AS-TEMPERATURE (EXHAUST			739
GAS).....	347	SENSOR-TEMPERATURE (AMBIENT AIR).....	370
SENSOR AS-TEMPERATURE (NOX REDUCTION		SENSOR-TEMPERATURE (AMBIENT).....	419
SYSTEM).....	416	SENSOR-TEMPERATURE (COOLANT).....	239
SENSOR AS-TEMPERATURE (SCR INLET).....	413		416
SENSOR GP.....	412	SENSOR-TEMPERATURE (ENGINE	
	413	COOLANT).....	533
SENSOR GP-COMBUSTION.....	414	SENSOR-TEMPERATURE (FUEL	
SENSOR GP-ENGINE.....	18	TEMPERATURE).....	320
	20	SENSOR-TEMPERATURE (FUEL).....	283
	415	SENSOR-TEMPERATURE (HYDRAULIC OIL)...	733
	416	SENSOR-TEMPERATURE (INTAKE MANIFOLD	
	418	AIR).....	416
	419	SENSOR-TEMPERATURE (POWER TRAIN	
SENSOR GP-LIQUID LEVEL.....	421	OIL).....	531
SENSOR GP-LIQUID LEVEL (WATER IN		SHAFT GP-DRIVE.....	536
FUEL).....	287		537
SENSOR GP-LIQUID LEVEL (WATER IN		SHAFT GP-IDLER.....	497
FUEL).....	294		508
	298	SHAFT GP-INPUT.....	538
SENSOR GP-LOAD INDICATOR.....	422		540
SENSOR GP-OBJECT DETECTION.....	406	SHAFT GP-OUTPUT.....	542
SENSOR GP-OBJECT DETECTION		SOFTWARE GP-ENGINE (DEF CONTROL).....	258
(REVERSE).....	411	SOFTWARE GP-MACHINE.....	884
SENSOR GP-PRESSURE.....	424	SOLENOID.....	222
SENSOR GP-PRESSURE (ENGINE OIL).....	415	SOLENOID AS.....	520
	416		585
SENSOR GP-PRESSURE (INLET MANIFOLD			586
AIR).....	415		741
SENSOR GP-PRESSURE (INTAKE AIR).....	416	SPRING AS-GAS.....	863
SENSOR GP-PRESSURE (INTAKE MANIFOLD		STARTING AID GP.....	428
AIR).....	416		429
SENSOR GP-PRESSURE (NRS INLET).....	416		430
SENSOR GP-PRESSURE (NRS OUTLET).....	416	STARTING MOTOR GP-ELECTRIC.....	431
SENSOR GP-SPEED.....	415		432
SENSOR GP-SPEED (PRIMARY, TIMING).....	416		433
SENSOR GP-SPEED (SECONDARY,		STEERING COLUMN GP.....	653
TIMING).....	416	STEERING GP-HYDRAULIC.....	654
		STEP GP.....	631

INDEX

NAME	PAGE	NAME	PAGE
STRAINER AS (SUCTION).....	497	SWITCH AS-ROCKER (OVERRIDE).....	404
STRAINER AS (SUCTION).....	508		942
STRAP GP.....	885		944
SUPPORT GP-FILTER.....	314	SWITCH AS-ROCKER (REAR WORKLIGHT) ...	384
SWITCH (HORN) (BUTTON).....	913		385
SWITCH (OIL PRESSURE).....	419	SWITCH AS-ROCKER (ROADING).....	404
SWITCH & MTG GP-SIGNAL-BRAKE.....	434		942
SWITCH AS.....	434		944
SWITCH AS (ON/OFF).....	859	SWITCH AS-ROCKER (STEERING MODE).....	404
	860		942
SWITCH AS (USB CHARGER).....	404		944
	440	SWITCH AS-SPEED.....	437
	942	SWITCH AS-WIPER (REAR WIPER).....	979
	944	SWITCH AS-WIPER (REAR).....	978
SWITCH AS-AIR CONDITIONER (ROTARY)....	859	SWITCH GP-DISCONNECT-BATTERY.....	435
	860	SWITCH GP-LIGHT.....	434
	902	SWITCH GP-ROCKER.....	384
SWITCH AS-DISCONNECT (BOOM).....	709		436
SWITCH AS-INDICATOR.....	682	SWITCH GP-STABILIZER.....	683
SWITCH AS-INDICATOR (BOOM).....	422		685
SWITCH AS-MULTIFUNCTION (HD LIGHT, TURN SIG, WDO WIPER).....	437	SWITCH GP-TRANSMISSION.....	438
	441		439
SWITCH AS-ROCKER.....	401	SWITCH GP-TRANSMISSION-WIPER.....	437
SWITCH AS-ROCKER (AUXILIARY CONTROL).....	404	SWITCH GP-USB.....	440
	942	SWITCH GP-WIPER.....	441
	944	SWITCH-IGNITION.....	404
SWITCH AS-ROCKER (AUXILIARY, DECOMPRESSION).....	404		942
	942	SWITCH-OIL PRESSURE (OIL PRESSURE)....	733
	944	SWITCH-PRESSURE.....	633
SWITCH AS-ROCKER (BOOM LIGHTS).....	389		
	390		
SWITCH AS-ROCKER (BOOM WORKLIGHTS).....	384		
	385		
SWITCH AS-ROCKER (DRIVING LIGHT).....	386		
	399		
	404		
	942		
	944		
SWITCH AS-ROCKER (FOG LIGHT).....	404		
	942		
	944		
SWITCH AS-ROCKER (FRONT WORKLIGHT).....	384		
	385		
SWITCH AS-ROCKER (HAZARD).....	386		
	399		
	404		
	942		
	944		
SWITCH AS-ROCKER (HVAC).....	859		
SWITCH AS-ROCKER (HVAC) (RECIRCULATION).....	860		
	902		
SWITCH AS-ROCKER (LOADER).....	404		
	942		
	944		

T

TANK & MTG GP-DEF.....	261
	262
TANK & MTG GP-FUEL.....	329
TANK & MTG GP-HYDRAULIC.....	732
TANK GP-COOLANT.....	216
TANK GP-DIESEL EXHAUST FLUID.....	261
	262
	263
	264
TANK GP-FUEL.....	330
TANK GP-HYDRAULIC.....	733
TANK GP-WINDOW WASHER.....	965
TIRE & RIM AR.....	543
	544
	545
	546
	547
	548
	549
	550
TIRE & RIM AR-SOLID.....	551

INDEX

NAME	PAGE	NAME	PAGE
TIRE & RIM GP.....	552	VALVE GP-COOLANT CONTROL.....	8
	553		20
	554		275
	555	VALVE GP-COOLANT CONTROL-DEF	
	558	TEMPERATURE.....	274
	559	VALVE GP-COUNTERBALANCE (RELIEF).....	679
	566	VALVE GP-COUNTERBALANCE	
	567	(TELESCOPING).....	707
	588	VALVE GP-DIVERter.....	741
TIRE & RIM GP (LH).....	551		742
TIRE & RIM GP (RH).....	551		743
TIRE & RIM GP-LH.....	557	VALVE GP-EXHAUST GAS (NRS).....	276
	561	VALVE GP-FAN REVERSING-FAN.....	744
	563	VALVE GP-MAIN CONTROL.....	746
	564	VALVE GP-PRIORITY (FLOW DIVIDER).....	737
TIRE & RIM GP-RH.....	556	VALVE GP-PRIORITY-FLOW DIVIDER.....	749
	560	VALVE GP-PUMP CONTROL.....	751
	562	VALVE GP-RELIEF.....	520
	565		752
TORQUE CONVERTER GP.....	568	VALVE GP-RELIEF (CONVERTER).....	519
	570	VALVE GP-RELIEF (PRESSURE	
	572	REGULATOR).....	519
TRAILER AR.....	7	VALVE GP-RIDE CONTROL (BOOM FLOAT)...	709
TRANSMISSION AR.....	574	VALVE GP-SOLENOID.....	740
	575	VALVE GP-SOLENOID (MODULATING).....	519
	576		520
	577	VALVE GP-SOLENOID-MODULATING.....	585
	578		586
	579	VALVE GP-STEERING.....	655
TRANSMISSION AR-POWER SHIFT.....	580	VALVE GP-STEERING (LOAD SENSING).....	655
	582	VALVE GP-TIRE.....	587
	583	VISOR GP-CAB.....	971
TRIM GP-CAB.....	967		
	969		
TRIM GP-CAB-SIDE.....	970		
TUBE & MTG GP-DEF BLEND.....	265		
TURBOCHARGER GP.....	266		
	267		
	268		
	270		
	271		
		V	
VALVE & MOUNTING GP (NRS).....	273		
VALVE & MTG GP-BRAKE.....	645		
	647		
	648		
VALVE & MTG GP-MAIN CONTROL.....	735		
VALVE & MTG GP-PRIORITY.....	737		
VALVE & MTG GP-STEERING.....	655		
VALVE AS-RELIEF.....	746		
VALVE AS-RELIEF (MAIN CONTROL).....	746		
VALVE GP-BRAKE CONTROL (TRAILER			
BRAKE).....	647		
VALVE GP-CHECK.....	647		
	740		
VALVE GP-CHECK (HYDRAULIC FAN OIL)....	744		
VALVE GP-CONTROL.....	739		
	740		
		W	
		WHEEL & TIRE AR.....	588
		WINDOW GP-CAB.....	972
			973
		WIPER GP-UPPER.....	975
		WIPER GP-WINDOW-FRONT.....	976
			977
		WIPER GP-WINDOW-REAR.....	979
		WIPER GP-WINDOW-ROOF.....	978
		WIRING GP-BOOM.....	442
		WIRING GP-CAB.....	444
		WIRING GP-CAB-HEATER.....	443
		WIRING GP-CHASSIS.....	446
		WIRING GP-CONTROL.....	448
			449
			450
		WIRING GP-ENGINE.....	451
			453
			454
			455
			459
			463
			467
		WIRING GP-TRAILER.....	468

MEMORANDA

MACHINE ARRANGEMENT

505-5252 BOOM & CHASSIS AR

S/N: TH21-UP; TH31-UP

PART OF 493-1085, 493-1086 COMMON AR

SMCS-7000

i06603103

NOTE	PART NUMBER	QTY	PART NAME						SEE PAGE
			1	2	3	4	5	6 (PRODUCT LEVEL)	
Y	499-2174	1	BOOM AR						753
Y	497-9577	1	BRUSH GP (BOOM)						760
Y	499-2175	1	CYLINDER & MTG GP-TELESCOPING (EXTENSION)						662
Y	499-3137	1	CYLINDER & MTG GP-TELESCOPING (INNER)						663
Y	499-3141	1	CYLINDER & MTG GP-TILT						664
Y	499-0269	1	LEVER GP-TILT						762
Y	495-8390	1	LINES GP-BOOM						687
Y	495-8471	1	SENSOR & MOUNTING GP (BOOM ANGLE)						407
Y	496-8307	1	SENSOR & MOUNTING GP (RETRACT)						409

Y - SEPARATE ILLUSTRATION

<END>

505-5033 CHASSIS AR

S/N: TH21-UP

PART OF 493-1085 COMMON AR

SMCS-7000

i07218857

NOTE	PART NUMBER	QTY	PART NAME						SEE PAGE
			1	2	3	4	5	6 (PRODUCT LEVEL)	
Y	495-7754	1	ALARM GP (REVERSE)						331
Y	495-8844	1	COUNTERWEIGHT & MOUNTING GP						593
Y	496-8305	1	COVER GP-ACCESS (FRONT)						597
Y	501-5070	1	COVER GP-ACCESS (BOOM)						877
Y	501-2809	1	COVER GP-CAB						881
Y	499-0263	1	CYLINDER & MTG GP-COMPENSATING						660
Y	499-0266	1	CYLINDER & MTG GP-LIFT						661
Y	499-7305	1	ENCLOSURE GP-ENGINE						598
Y	503-1712	1	FILM GP						1003
Y	520-6928	1	FILM GP (AGRICULTURE HANDLER)						1009
Y	499-7303	1	FRAME GP-LOADER (WITHOUT STABILIZERS)						605
Y	499-0186	1	HORN GP-ELECTRIC						913
Y	471-6019	1	MOUNTING GP-CAB						940
Y	518-2993	1	PLUG GP-CAB						949
Y	505-0884	1	STEP GP						631
Y	499-0184	1	TANK & MTG GP-FUEL						329
Y	499-0181	1	WIRING GP-CHASSIS						446
	5P-8500	1	KEY						

Y - SEPARATE ILLUSTRATION

<END>

MACHINE ARRANGEMENT

505-5035 CHASSIS AR

S/N: TH31-UP

PART OF 493-1086 COMMON AR

SMCS-7000

i07218859

NOTE	PART NUMBER	QTY	PART NAME						SEE PAGE
			1	2	3	4	5	6 (PRODUCT LEVEL)	
Y	495-7754	1	ALARM GP (REVERSE)						331
Y	495-8844	1	COUNTERWEIGHT & MOUNTING GP						593
Y	496-8305	1	COVER GP-ACCESS (FRONT)						597
Y	501-5070	1	COVER GP-ACCESS (BOOM)						877
Y	501-4201	1	COVER GP-CAB						882
Y	499-0263	1	CYLINDER & MTG GP-COMPENSATING						660
Y	499-0266	1	CYLINDER & MTG GP-LIFT						661
Y	499-7305	1	ENCLOSURE GP-ENGINE						598
Y	503-1712	1	FILM GP						1003
Y	520-6928	1	FILM GP (AGRICULTURE HANDLER)						1009
Y	499-7303	1	FRAME GP-LOADER (WITHOUT STABILIZERS)						605
Y	499-0186	1	HORN GP-ELECTRIC						913
Y	471-6019	1	MOUNTING GP-CAB						940
Y	518-2993	1	PLUG GP-CAB						949
Y	505-0884	1	STEP GP						631
Y	499-0184	1	TANK & MTG GP-FUEL						329
Y	499-0181	1	WIRING GP-CHASSIS						446
	5P-8500	1	KEY						

Y - SEPARATE ILLUSTRATION

<END>

493-1085 COMMON AR

S/N: TH21-UP

SMCS-7000

i06591314

NOTE	PART NUMBER	QTY	PART NAME						SEE PAGE
			1	2	3	4	5	6 (PRODUCT LEVEL)	
Y	505-5252	1	BOOM & CHASSIS AR						1
Y	505-5033	1	CHASSIS AR						1
Y	505-5240	1	HYDRAULIC AR						681

Y - SEPARATE ILLUSTRATION

<END>

493-1086 COMMON AR

S/N: TH31-UP

SMCS-7000

i06602079

NOTE	PART NUMBER	QTY	PART NAME						SEE PAGE
			1	2	3	4	5	6 (PRODUCT LEVEL)	
Y	505-5252	1	BOOM & CHASSIS AR						1
Y	505-5035	1	CHASSIS AR						2
Y	505-5240	1	HYDRAULIC AR						681

Y - SEPARATE ILLUSTRATION

<END>

MACHINE ARRANGEMENT

507-9536 CONFIGURATION AR

S/N: TH21-UP
AN ATTACHMENT

SMCS-0645, 1433, 7405, 7431, 7557

i06811693

NOTE	PART NUMBER	QTY	PART NAME						SEE PAGE
			1	2	3	4	5	6 (PRODUCT LEVEL)	
Y	501-7261	1	FILM GP						989
Y	519-3823	1	FILM GP (SENSING)						1008
Y	503-1701	1	INDICATOR GP-LOAD						371
Y	496-8301	1	MIRROR GP-REAR VIEW						936

Y - SEPARATE ILLUSTRATION

<END>

515-9680 CONFIGURATION AR

S/N: TH31-UP
AN ATTACHMENT

SMCS-0645, 1433, 7405, 7431, 7557

i06902154

NOTE	PART NUMBER	QTY	PART NAME						SEE PAGE
			1	2	3	4	5	6 (PRODUCT LEVEL)	
Y	501-7262	1	FILM GP						993
Y	519-3823	1	FILM GP (SENSING)						1008
Y	503-1701	1	INDICATOR GP-LOAD						371
Y	496-8301	1	MIRROR GP-REAR VIEW						936
	523-8546	1	FILM-IDENTIFICATION						

Y - SEPARATE ILLUSTRATION

<END>

515-9681 CONFIGURATION AR

S/N: TH31-UP
AN ATTACHMENT

SMCS-0645, 1433, 7405, 7431, 7557

i06902583

NOTE	PART NUMBER	QTY	PART NAME						SEE PAGE
			1	2	3	4	5	6 (PRODUCT LEVEL)	
Y	501-7262	1	FILM GP						993
Y	519-3823	1	FILM GP (SENSING)						1008
Y	503-1701	1	INDICATOR GP-LOAD						371
Y	496-8301	1	MIRROR GP-REAR VIEW						936
	523-8546	1	FILM-IDENTIFICATION						

Y - SEPARATE ILLUSTRATION

<END>

MACHINE ARRANGEMENT

515-9682 CONFIGURATION AR

S/N: TH21-UP
AN ATTACHMENT

SMCS-0645, 1433, 7405, 7431, 7557

i06902582

NOTE	PART NUMBER	QTY	PART NAME						SEE PAGE
			1	2	3	4	5	6 (PRODUCT LEVEL)	
Y	501-7262	1	FILM GP						993
Y	519-3823	1	FILM GP (SENSING)						1008
Y	503-1701	1	INDICATOR GP-LOAD						371
Y	496-8301	1	MIRROR GP-REAR VIEW						936
	523-8546	1	FILM-IDENTIFICATION						

Y - SEPARATE ILLUSTRATION

<END>

515-9683 CONFIGURATION AR

S/N: TH31-UP
AN ATTACHMENT

SMCS-0645, 1433, 7405, 7431, 7557

i06902153

NOTE	PART NUMBER	QTY	PART NAME						SEE PAGE
			1	2	3	4	5	6 (PRODUCT LEVEL)	
Y	501-7264	1	FILM GP						996
Y	519-3823	1	FILM GP (SENSING)						1008
Y	503-1701	1	INDICATOR GP-LOAD						371
Y	496-8301	1	MIRROR GP-REAR VIEW						936
	523-8546	1	FILM-IDENTIFICATION						

Y - SEPARATE ILLUSTRATION

<END>

515-9684 CONFIGURATION AR

S/N: TH31-UP
AN ATTACHMENT

SMCS-0645, 1433, 7405, 7431, 7557

i06981498

NOTE	PART NUMBER	QTY	PART NAME						SEE PAGE
			1	2	3	4	5	6 (PRODUCT LEVEL)	
Y	532-3899	1	CHART GP-LIFT/LOAD EXTENSION						981
Y	519-3823	1	FILM GP (SENSING)						1008
Y	492-5091	1	INDICATOR GP-BOOM ANGLE						761
Y	503-1701	1	INDICATOR GP-LOAD						371
Y	496-8301	1	MIRROR GP-REAR VIEW						936
Y	501-7263	1	PLATE & FILM GP						1012

Y - SEPARATE ILLUSTRATION

<END>

MACHINE ARRANGEMENT

503-1684 INSTALLATION AR-MACHINE

S/N: TH21-UP; TH31-UP

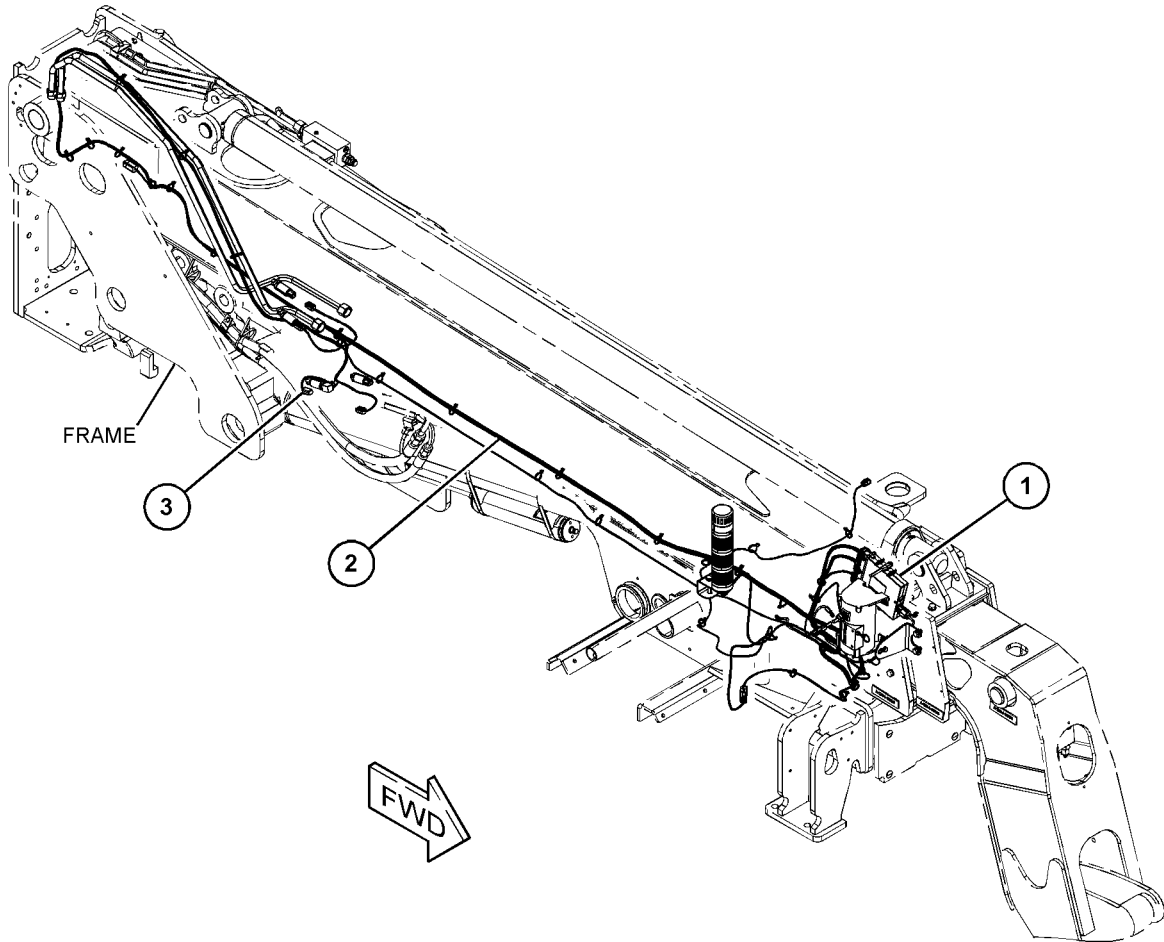
FOR USE WITH 497-9612-PAGE: 709, 474-6061-PAGE: 939
AN ATTACHMENT

SMCS-7000

i06736222

NOTE	REF NO	GRAPHIC REF	PART NUMBER	QTY	PART NAME						SEE PAGE
					1	2	3	4	5	6	
	1	1	496-8312	1	CONTROL GP-ELECTRONIC						
M		1	8T-4177	2	BOLT (M8X1.25X90-MM)						
		1	8T-4224	2	WASHER-HARD (8.8X16X2-MM THK)						
		1	477-2457	1	CONTROL GP-ELECTRONIC (LOAD MANAGEMENT INDICATOR SYSTEM)						
Y	2	1	496-8318	1	WIRING GP-BOOM (LOAD MANAGEMENT INDICATOR SYSTEM)						442
Y	3	1	503-1685	1	INSTALLATION GP-RIDE CONTROL (LOAD MANAGEMENT INDICATOR SYSTEM)						682

M - METRIC PART
Y - SEPARATE ILLUSTRATION



GRAPHIC #1

<END>

g06103125

MACHINE ARRANGEMENT

505-0900 INSTALLATION AR-MACHINE

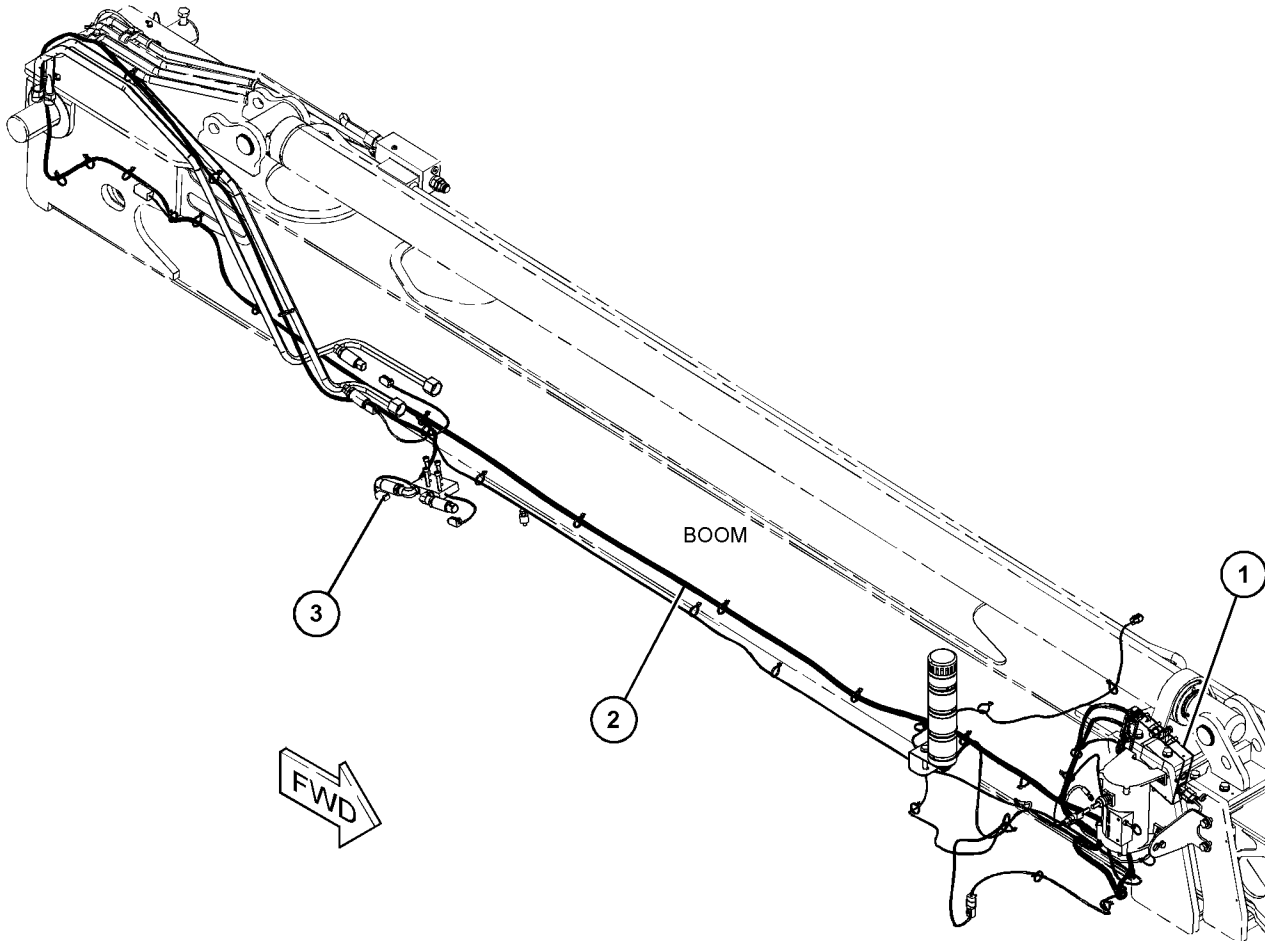
S/N: TH21-UP; TH31-UP
AN ATTACHMENT

SMCS-7000

i06788457

NOTE	REF NO	GRAPHIC REF	PART NUMBER	QTY	PART NAME						SEE PAGE
					1	2	3	4	5	6 (PRODUCT LEVEL)	
Y	1	1	496-8312	1	CONTROL GP-ELECTRONIC						346
Y	2	1	496-8318	1	WIRING GP-BOOM (LOAD MANAGEMENT INDICATOR SYSTEM)						442
Y	3	1	505-0901	1	SENSOR GP-LOAD INDICATOR						422

Y - SEPARATE ILLUSTRATION



GRAPHIC #1

<END>

g06130181

MACHINE ARRANGEMENT

506-7647 TRAILER AR

S/N: TH21-UP; TH31-UP
AN ATTACHMENT

SMCS-6331

i06613306

NOTE	PART NUMBER	QTY	PART NAME 1 2 3 4 5 6 (PRODUCT LEVEL)	SEE PAGE
Y	497-9628	1	COVER GP-ACCESS	875

Y - SEPARATE ILLUSTRATION

<END>

506-7650 TRAILER AR

S/N: TH21-UP; TH31-UP
ITALIAN MARKET ONLY
AN ATTACHMENT

SMCS-6331

i06613299

NOTE	PART NUMBER	QTY	PART NAME 1 2 3 4 5 6 (PRODUCT LEVEL)	SEE PAGE
Y	497-9628	1	COVER GP-ACCESS	875
Y	496-8310	1	WIRING GP-TRAILER	468

Y - SEPARATE ILLUSTRATION

<END>

506-7655 TRAILER AR

S/N: TH21-UP; TH31-UP
AN ATTACHMENT

SMCS-6331

i06613293

NOTE	PART NUMBER	QTY	PART NAME 1 2 3 4 5 6 (PRODUCT LEVEL)	SEE PAGE
Y	497-9630	1	COVER GP-ACCESS (TRAILER)	876
Y	501-2452	1	LINES GP-TRAILER (STEERING COLUMN)	720
Y	501-2456	1	VALVE & MTG GP-BRAKE (MAIN CONTROL VALVE)	645
Y	501-7471	1	VALVE & MTG GP-BRAKE (DYNAMIC BRAKE)	648
Y	496-8310	1	WIRING GP-TRAILER	468

Y - SEPARATE ILLUSTRATION

<END>

ENGINE ARRANGEMENT

465-0435 ENGINE AR

S/N: JKT1-UP

SMCS-1000

i07184538

NOTE	PART NUMBER	QTY	PART NAME						SEE PAGE
			1	2	3	4	5	6 (PRODUCT LEVEL)	
Y	449-5064	1	CYLINDER BLOCK GP-SHORT						65
Y	384-4902	1	CYLINDER HEAD GP (SHORT)						78
Y	464-2307	1	ENGINE AR-PRIMARY						17

Y - SEPARATE ILLUSTRATION

<END>

466-2883 ENGINE AR

S/N: JKT1-UP

SMCS-1000

i07177472

NOTE	PART NUMBER	QTY	PART NAME						SEE PAGE
			1	2	3	4	5	6 (PRODUCT LEVEL)	
Y	449-5064	1	CYLINDER BLOCK GP-SHORT						65
Y	384-4902	1	CYLINDER HEAD GP (SHORT)						78
Y	464-2308	1	ENGINE AR-PRIMARY						19
Y	399-1209	1	MODULE AR-DIESEL EXHAUST FLUID						252
Y	373-7250	1	PIPE GP-FLEXIBLE EXHAUST						256
Y	377-9847	1	SENSOR GP-TEMPERATURE						425
Y	425-6359	1	VALVE GP-COOLANT CONTROL						274

Y - SEPARATE ILLUSTRATION

<END>

467-4409 ENGINE AR

S/N: W231-UP

SMCS-1000

i07184102

NOTE	PART NUMBER	QTY	PART NAME						SEE PAGE
			1	2	3	4	5	6 (PRODUCT LEVEL)	
Y	452-7366	1	CYLINDER BLOCK GP-SHORT						66
Y	452-7394	1	CYLINDER HEAD GP (SHORT)						82
Y	463-8848	1	ENGINE AR-PRIMARY						13

Y - SEPARATE ILLUSTRATION

<END>

467-8302 ENGINE AR

S/N: W231-UP

SMCS-1000

i07177564

NOTE	PART NUMBER	QTY	PART NAME						SEE PAGE
			1	2	3	4	5	6 (PRODUCT LEVEL)	
Y	452-7366	1	CYLINDER BLOCK GP-SHORT						66
Y	452-7394	1	CYLINDER HEAD GP (SHORT)						82
Y	463-8910	1	ENGINE AR-PRIMARY						15

Y - SEPARATE ILLUSTRATION

<END>

ENGINE ARRANGEMENT

505-6135 ENGINE AR

S/N: TH21-UP

PART OF 505-6164, 505-6165, 505-6167, 505-6168 ENGINE AR-COMPLETE
AN ATTACHMENT

SMCS-1000

i06601107

NOTE	PART NUMBER	QTY	PART NAME						SEE PAGE
			1	2	3	4	5	6 (PRODUCT LEVEL)	
Y	500-3159	1	AIR CLEANER GP						218
Y	500-3104	1	EXTENSION GP-EXHAUST						227
Y	500-3139	1	LINES GP-AIR						237
Y	500-3153	1	LINES GP-RETURN (VALVE)						717
Y	500-3157	1	LINES GP-RETURN (TANK)						719
Y	500-3142	1	MOUNTING GP-ENGINE						121
Y	500-3146	1	RADIATOR & MOUNTING GP						214
Y	500-3138	1	TANK & MTG GP-DEF						262
Y	495-9896	1	TANK GP-COOLANT						216
Y	500-3144	1	WIRING GP-ENGINE						463

Y - SEPARATE ILLUSTRATION

<END>

505-5387 ENGINE AR-COMPLETE

S/N: TH31-UP

AN ATTACHMENT

SMCS-1000

i07184099

NOTE	PART NUMBER	QTY	PART NAME						SEE PAGE
			1	2	3	4	5	6 (PRODUCT LEVEL)	
Y	474-5150	1	DRAIN GP-ENGINE OIL						86
Y	500-3072	1	ENCLOSURE GP-ENGINE						599
Y	497-9592	1	FAN & MOTOR GP						190
Y	505-5390	1	INSTALLATION AR-ENGINE						22
Y	501-2998	1	LINES GP-COOLANT						198
Y	497-9597	1	LINES GP-HYDRAULIC FAN						703
Y	503-4909	1	LINES GP-FUEL						307
Y	500-1287	1	LINES GP-POWER TRAIN COOLER						533
Y	486-7983	1	MOUNTING GP-ENGINE						118
Y	496-3425	1	PUMP & MTG GP-HYDRAULIC FAN						730
Y	505-5329	1	TRANSMISSION AR (4-SPEED)						579

Y - SEPARATE ILLUSTRATION

<END>

ENGINE ARRANGEMENT

505-6119 ENGINE AR-COMPLETE

S/N: TH31-UP
AN ATTACHMENT

SMCS-1000

i07184112

NOTE	PART NUMBER	QTY	PART NAME						SEE PAGE
			1	2	3	4	5	6 (PRODUCT LEVEL)	
Y	499-4950	1	COOLER GP-HYDRAULIC OIL						657
Y	474-5150	1	DRAIN GP-ENGINE OIL						86
Y	500-4356	1	ENCLOSURE GP-ENGINE						601
Y	497-9592	1	FAN & MOTOR GP						190
Y	505-6120	1	INSTALLATION AR-ENGINE						22
Y	501-2998	1	LINES GP-COOLANT						198
Y	503-4909	1	LINES GP-FUEL						307
Y	497-9599	1	LINES GP-HYDRAULIC FAN						705
Y	500-1287	1	LINES GP-POWER TRAIN COOLER						533
Y	486-7983	1	MOUNTING GP-ENGINE						118
Y	496-3417	1	PUMP & MTG GP-HYDRAULIC FAN						728
Y	505-5341	1	TRANSMISSION AR						579

Y - SEPARATE ILLUSTRATION

<END>

505-6163 ENGINE AR-COMPLETE

S/N: TH21-UP
AN ATTACHMENT

SMCS-1000

i07184168

NOTE	PART NUMBER	QTY	PART NAME						SEE PAGE
			1	2	3	4	5	6 (PRODUCT LEVEL)	
Y	481-1029	1	DRAIN GP-ENGINE OIL						87
Y	500-3072	1	ENCLOSURE GP-ENGINE						599
Y	497-9592	1	FAN & MOTOR GP						190
Y	505-6134	1	INSTALLATION AR-ENGINE						23
Y	501-2993	1	LINES GP-COOLANT						196
Y	503-4920	1	LINES GP-FUEL						309
Y	497-9597	1	LINES GP-HYDRAULIC FAN						703
Y	500-0761	1	LINES GP-POWER TRAIN COOLER						531
Y	486-3235	1	MOUNTING GP-ENGINE						116
Y	496-3425	1	PUMP & MTG GP-HYDRAULIC FAN						730
Y	505-5340	1	TRANSMISSION AR						579

Y - SEPARATE ILLUSTRATION

<END>

ENGINE ARRANGEMENT

505-6164 ENGINE AR-COMPLETE

S/N: TH21-UP
AN ATTACHMENT

SMCS-1000

i07196498

NOTE	PART NUMBER	QTY	PART NAME 1 2 3 4 5 6 (PRODUCT LEVEL)	SEE PAGE
Y	499-4950	1	COOLER GP-HYDRAULIC OIL	657
Y	474-5150	1	DRAIN GP-ENGINE OIL	86
Y	500-4356	1	ENCLOSURE GP-ENGINE	601
Y	505-6135	1	ENGINE AR	9
Y	497-9592	1	FAN & MOTOR GP	190
Y	496-3423	1	LINES GP-COOLANT (ENGINE)	194
Y	499-5295	1	LINES GP-COOLING	239
Y	497-9599	1	LINES GP-HYDRAULIC FAN	705
Y	503-6870	1	LINES GP-FUEL	311
Y	499-5297	1	MOUNTING GP-ENGINE	119
Y	496-3417	1	PUMP & MTG GP-HYDRAULIC FAN	728
Y	505-5341	1	TRANSMISSION AR	579

Y - SEPARATE ILLUSTRATION

<END>

505-6165 ENGINE AR-COMPLETE

S/N: TH21-UP
AN ATTACHMENT

SMCS-1000

i07196528

NOTE	PART NUMBER	QTY	PART NAME 1 2 3 4 5 6 (PRODUCT LEVEL)	SEE PAGE
Y	499-4950	1	COOLER GP-HYDRAULIC OIL	657
Y	474-5150	1	DRAIN GP-ENGINE OIL	86
Y	500-4356	1	ENCLOSURE GP-ENGINE	601
Y	505-6135	1	ENGINE AR	9
Y	497-9592	1	FAN & MOTOR GP	190
Y	496-3423	1	LINES GP-COOLANT (ENGINE)	194
Y	499-5295	1	LINES GP-COOLING	239
Y	503-6870	1	LINES GP-FUEL	311
Y	497-9599	1	LINES GP-HYDRAULIC FAN	705
Y	499-5297	1	MOUNTING GP-ENGINE	119
Y	496-3417	1	PUMP & MTG GP-HYDRAULIC FAN	728
Y	505-5343	1	TRANSMISSION AR	579

Y - SEPARATE ILLUSTRATION

<END>

ENGINE ARRANGEMENT

505-6167 ENGINE AR-COMplete

S/N: TH21-UP
AN ATTACHMENT

SMCS-1000

i07197086

NOTE	PART NUMBER	QTY	PART NAME						SEE PAGE
			1	2	3	4	5	6 (PRODUCT LEVEL)	
Y	499-4950	1	COOLER GP-HYDRAULIC OIL						657
Y	474-5150	1	DRAIN GP-ENGINE OIL						86
Y	500-4356	1	ENCLOSURE GP-ENGINE						601
Y	505-6135	1	ENGINE AR						9
Y	497-9592	1	FAN & MOTOR GP						190
Y	496-3423	1	LINES GP-COOLANT (ENGINE)						194
Y	499-5295	1	LINES GP-COOLING (RADIATOR)						239
Y	503-6870	1	LINES GP-FUEL						311
Y	497-9599	1	LINES GP-HYDRAULIC FAN						705
Y	499-5297	1	MOUNTING GP-ENGINE						119
Y	496-3417	1	PUMP & MTG GP-HYDRAULIC FAN						728
Y	505-5341	1	TRANSMISSION AR						579

Y - SEPARATE ILLUSTRATION

<END>

505-6168 ENGINE AR-COMplete

S/N: TH21-UP
AN ATTACHMENT

SMCS-1000

i07197085

NOTE	PART NUMBER	QTY	PART NAME						SEE PAGE
			1	2	3	4	5	6 (PRODUCT LEVEL)	
Y	499-4950	1	COOLER GP-HYDRAULIC OIL						657
Y	474-5150	1	DRAIN GP-ENGINE OIL						86
Y	500-4356	1	ENCLOSURE GP-ENGINE						601
Y	505-6135	1	ENGINE AR						9
Y	497-9592	1	FAN & MOTOR GP						190
Y	496-3423	1	LINES GP-COOLANT (ENGINE)						194
Y	499-5295	1	LINES GP-COOLING (RADIATOR)						239
Y	503-6870	1	LINES GP-FUEL						311
Y	497-9599	1	LINES GP-HYDRAULIC FAN						705
Y	499-5297	1	MOUNTING GP-ENGINE						119
Y	496-3417	1	PUMP & MTG GP-HYDRAULIC FAN						728
Y	505-5343	1	TRANSMISSION AR						579

Y - SEPARATE ILLUSTRATION

<END>

ENGINE ARRANGEMENT

463-8848 ENGINE AR-PRIMARY

S/N: W231-UP

97 BRAKE KW (129 BHP) AT 2200 RPM

OPTIONAL FIELD REPLACEMENT ORDER 452-7386-PAGE: 67, 452-7397-PAGE: 83

PART OF 467-4409 ENGINE AR

SMCS-1000

i06649703

NOTE	PART NUMBER	QTY	PART NAME						SEE PAGE
			1	2	3	4	5	6 (PRODUCT LEVEL)	
Y	416-8716	1	FILM GP (ALTERNATOR)						986
Y	425-8162	1	ALTERNATOR GP-CHARGING						335
Y	433-5258	1	FUMES DISPOSAL GP						161
Y	435-7778	1	CAMSHAFT GP						30
Y	416-1867	1	CONNECTION GP-WATER						179
Y	415-5534	1	CONTROL GP-ELECTRONIC						341
Y	418-7659	1	COOLER GP-ENGINE OIL						187
Y	415-7105	1	COVER GP-VALVE MECHANISM						34
Y	433-6323	1	CRANKSHAFT GP						44
Y	415-3299	1	CYLINDER BLOCK GP						59
Y	415-5520	1	CYLINDER HEAD GP						80
Y	419-8538	1	DRAIN GP-ENGINE OIL						85
Y	416-1043	1	DRIVE GP-FAN						93
Y	418-7425	1	BELT TENSIONER GP						25
Y	416-9543	1	ELBOW GP-AIR INLET						221
Y	432-0065	1	FILLER GP-ENGINE OIL						155
Y	417-4284	1	FILM GP						987
Y	417-3394	1	FILTER GP-ENGINE OIL						157
Y	421-3853	1	FILTER GP-FUEL						285
Y	441-1215	1	FILTER GP-FUEL						288
Y	453-7163	1	FILTER GP-FUEL						290
Y	423-1270	1	FLYWHEEL GP						96
Y	441-9154	1	GAUGE GP-OIL LEVEL (DIPSTICK)						166
Y	492-2945	1	WIRING GP-ENGINE						454
Y	431-7048	1	HOUSING GP-FLYWHEEL						100
Y	415-7116	1	HOUSING GP-FRONT						104
Y	416-8722	1	HOUSING GP-FRONT						106
Y	415-5522	1	INJECTOR GP-FUEL						300
Y	415-7948	1	JET GP-PISTON COOLING						109
Y	417-3463	1	LIFTING GP-ENGINE						112
Y	416-9552	1	MANIFOLD GP-EXHAUST						248
Y	415-7949	1	MOUNTING GP-CONTROL						403
Y	416-8775	1	MOUNTING GP-EXHAUST						253
Y	416-1051	1	PAN GP-OIL						126
Y	415-5519	1	PISTON & ROD GP						130
Y	417-4190	1	PLUG GP-OIL FILTER MOUNTING						170
Y	417-4286	1	PLUG GP-ENGINE						135
Y	446-2236	1	PLUG GP-ENGINE						136
Y	416-1089	1	PULLEY GP-CRANKSHAFT						142
Y	416-8723	1	PUMP GP-ENGINE OIL						174
Y	415-5523	1	PUMP GP-FUEL INJECTION						319
Y	416-1864	1	PUMP GP-WATER						206
Y	415-5527	1	RAIL GP-FUEL						327
Y	415-7947	1	ROCKER ARM GP						149
Y	425-9760	1	SENSOR GP-ENGINE						415
Y	430-5204	1	SENSOR GP-TEMPERATURE						426

ENGINE ARRANGEMENT

463-8848 ENGINE AR-PRIMARY (contd.)

i06649703

NOTE	PART NUMBER	QTY	PART NAME						SEE PAGE
			1	2	3	4	5	6 (PRODUCT LEVEL)	
Y	417-3453	1	STARTING AID GP						428
Y	416-1042	1	FILM GP						985
Y	425-9174	1	STARTING MOTOR GP-ELECTRIC						433
Y	432-6655	1	TURBOCHARGER GP						268
	462-5117	1	ELECTRONICS GP-ENGINE						
	415-9834	1	PLATE GP-SERIAL NUMBER						

Y - SEPARATE ILLUSTRATION

<END>

ENGINE ARRANGEMENT

463-8910 ENGINE AR-PRIMARY

S/N: W231-UP

75 BRAKE KW (100 BHP) AT 2200 RPM

OPTIONAL FIELD REPLACEMENT ORDER 452-7397-PAGE: 83, 452-7386-PAGE: 67

PART OF 467-8302 ENGINE AR

SMCS-1000

i07026818

NOTE	PART NUMBER	QTY	PART NAME						SEE PAGE
			1	2	3	4	5	6 (PRODUCT LEVEL)	
Y	425-8162	1	ALTERNATOR GP-CHARGING						335
Y	418-7425	1	BELT TENSIONER GP						25
Y	435-7778	1	CAMSHAFT GP						30
Y	416-1867	1	CONNECTION GP-WATER						179
Y	415-5534	1	CONTROL GP-ELECTRONIC						341
Y	418-7659	1	COOLER GP-ENGINE OIL						187
Y	415-7105	1	COVER GP-VALVE MECHANISM						34
Y	433-6323	1	CRANKSHAFT GP						44
			-OR-						
Y	510-5297	1	CRANKSHAFT GP						46
Y	415-3299	1	CYLINDER BLOCK GP						59
Y	415-5520	1	CYLINDER HEAD GP						80
Y	419-8538	1	DRAIN GP-ENGINE OIL						85
Y	416-1043	1	DRIVE GP-FAN						93
Y	416-9543	1	ELBOW GP-AIR INLET						221
Y	432-0065	1	FILLER GP-ENGINE OIL						155
Y	416-1042	1	FILM GP						985
Y	416-8716	1	FILM GP (ALTERNATOR)						986
Y	417-4284	1	FILM GP						987
Y	417-3394	1	FILTER GP-ENGINE OIL						157
Y	421-3853	1	FILTER GP-FUEL						285
Y	441-1215	1	FILTER GP-FUEL						288
Y	453-7163	1	FILTER GP-FUEL						290
Y	423-1270	1	FLYWHEEL GP						96
Y	433-5258	1	FUMES DISPOSAL GP						161
Y	441-9154	1	GAUGE GP-OIL LEVEL (DIPSTICK) (ENGINE)						166
Y	431-7048	1	HOUSING GP-FLYWHEEL						100
Y	415-7116	1	HOUSING GP-FRONT						104
Y	416-8722	1	HOUSING GP-FRONT						106
Y	415-5522	1	INJECTOR GP-FUEL						300
Y	415-7948	1	JET GP-PISTON COOLING						109
Y	417-3463	1	LIFTING GP-ENGINE						112
Y	416-9552	1	MANIFOLD GP-EXHAUST						248
Y	415-7949	1	MOUNTING GP-CONTROL						403
Y	416-8775	1	MOUNTING GP-EXHAUST						253
Y	416-1051	1	PAN GP-OIL						126
Y	415-5519	1	PISTON & ROD GP						130
Y	417-4286	1	PLUG GP-ENGINE						135
Y	446-2236	1	PLUG GP-ENGINE						136
Y	417-4190	1	PLUG GP-OIL FILTER MOUNTING						170
Y	416-1089	1	PULLEY GP-CRANKSHAFT						142
Y	416-8723	1	PUMP GP-ENGINE OIL						174
			-OR-						
Y	508-3673	1	PUMP GP-ENGINE OIL						175
Y	415-5523	1	PUMP GP-FUEL INJECTION						319
Y	416-1864	1	PUMP GP-WATER						206
Y	415-5527	1	RAIL GP-FUEL						327

ENGINE ARRANGEMENT

463-8910 ENGINE AR-PRIMARY (contd.)

i07026818

NOTE	PART NUMBER	QTY	PART NAME						SEE PAGE
			1	2	3	4	5	6 (PRODUCT LEVEL)	
Y	415-7947	1	ROCKER ARM GP						149
Y	425-9760	1	SENSOR GP-ENGINE						415
Y	430-5204	1	SENSOR GP-TEMPERATURE						426
Y	417-3453	1	STARTING AID GP						428
Y	425-9174	1	STARTING MOTOR GP-ELECTRIC						433
Y	432-6628	1	TURBOCHARGER GP						267
Y	492-2945	1	WIRING GP-ENGINE						454
	524-2574	1	ELECTRONICS GP-ENGINE						

PLEASE USE THE GASKET KIT LINK IN SIS OR
CONTACT YOUR LOCAL DEALER FOR THE LATEST GASKET
KIT INFORMATION

Y - SEPARATE ILLUSTRATION

<END>

ENGINE ARRANGEMENT

464-2307 ENGINE AR-PRIMARY

S/N: JKT1-UP

106 BRAKE KW (142 BHP) AT 2200 RPM

OPTIONAL FIELD REPLACEMENT ORDER 384-4902-PAGE: 78, 449-5062-PAGE: 64, 384-4906-

PAGE: 79, 449-5062-PAGE: 64

PART OF 465-0435 ENGINE AR

ALSO AN ATTACHMENT

SMCS-1000

i07179502

NOTE	PART NUMBER	QTY	PART NAME						SEE PAGE
			1	2	3	4	5	6 (PRODUCT LEVEL)	
Y	350-1459	1	ALTERNATOR GP-CHARGING						332
Y	339-5858	1	CAMSHAFT GP						29
Y	332-4634	1	CONNECTION GP-WATER						176
Y	433-4674	1	CONTROL GP-ELECTRONIC						342
Y	356-7409	1	COOLER & MTG GP-EXHAUST (NRS)						219
Y	356-7156	1	COOLER GP-ENGINE OIL						184
Y	355-5048	1	COVER GP-VALVE MECHANISM						33
Y	346-4197	1	CRANKSHAFT GP						39
Y	355-3530	1	CYLINDER BLOCK GP						56
Y	355-7044	1	CYLINDER HEAD GP						75
Y	332-4667	1	DRAIN GP-ENGINE OIL						84
Y	329-8428	1	DRIVE GP-AUXILIARY						88
Y	339-2997	1	DRIVE GP-FAN						91
Y	459-3633	1	ELBOW GP-AIR INLET						222
Y	355-5592	1	FASTENER GP-CEM						229
Y	329-8098	1	FILM GP						983
Y	329-8409	1	FILM GP						984
Y	447-1044	1	FILM GP						988
Y	329-8386	1	FILTER GP-ENGINE OIL						156
Y	361-1224	1	FILTER GP-FUEL						282
Y	360-7817	1	FILTER GP-FUMES DISPOSAL						159
Y	361-1562	1	FILTER GP-PRIMARY FUEL						291
Y	329-7900	1	FLYWHEEL GP						94
Y	356-7282	1	FUMES DISPOSAL GP						160
Y	338-9479	1	GAUGE GP-OIL LEVEL (DIPSTICK)						165
Y	329-7884	1	HOUSING GP-FLYWHEEL						97
Y	329-8421	1	HOUSING GP-FRONT						101
Y	392-1368	1	INJECTOR GP-FUEL						299
Y	330-9652	1	JET GP-PISTON COOLING						108
Y	350-1044	1	LIFTING GP-ENGINE						110
Y	398-8198	1	LINES GP-FUEL FILTER						314
Y	356-1124	1	MANIFOLD GP-EXHAUST						246
Y	329-7945	1	PAN GP-OIL						123
Y	392-1366	1	PISTON & ROD GP						127
Y	329-8482	1	PLUG GP-ENGINE (HEATER, LINES)						133
Y	337-8032	1	PLUG GP-ENGINE						134
Y	347-6547	1	PLUG GP-FRONT HOUSING						137
Y	329-8473	1	PLUG GP-OIL FILTER MOUNTING						169
Y	350-6265	1	PULLEY GP-ALTERNATOR						138
			-OR-						
Y	350-6268	1	BELT TENSIONER GP						24
Y	329-7997	1	PULLEY GP-CRANKSHAFT						140
Y	329-8435	1	PUMP GP-ENGINE OIL						171
Y	419-0677	1	PUMP GP-FUEL INJECTION						320
Y	333-7914	1	PUMP GP-WATER						202

ENGINE ARRANGEMENT

464-2307 ENGINE AR-PRIMARY (contd.)

i07179502

NOTE	PART NUMBER	QTY	PART NAME						SEE PAGE
			1	2	3	4	5	6 (PRODUCT LEVEL)	
Y	361-2883	1	RAIL GP-FUEL						326
Y	351-9797	1	ROCKER ARM GP						146
Y	428-8196	1	SENSOR GP-COMBUSTION						414
Y	433-4681	1	SENSOR GP-ENGINE						416
Y	465-3619	1	STARTING AID GP						430
Y	329-7919	1	STARTING MOTOR GP-ELECTRIC						431
Y	425-9719	1	TURBOCHARGER GP						266
Y	433-4677	1	WIRING GP-ENGINE						451
	528-6601	1	ELECTRONICS						
	447-7816	1	ELECTRONICS GP-ENGINE						

Y - SEPARATE ILLUSTRATION

<END>

ENGINE ARRANGEMENT

464-2308 ENGINE AR-PRIMARY

S/N: JKT1-UP

93 BRAKE KW (124 BHP) AT 2200 RPM

OPTIONAL FIELD REPLACEMENT ORDER 384-4906-PAGE: 79, 449-5062-PAGE: 64

PART OF 466-2883 ENGINE AR

SMCS-1000

i07162356

NOTE	PART NUMBER	QTY	PART NAME						SEE PAGE
			1	2	3	4	5	6 (PRODUCT LEVEL)	
Y	350-1459	1	ALTERNATOR GP-CHARGING						332
Y	356-7282	1	FUMES DISPOSAL GP						160
Y	339-5858	1	CAMSHAFT GP						29
Y	332-4634	1	CONNECTION GP-WATER						176
Y	433-4674	1	CONTROL GP-ELECTRONIC						342
Y	356-7409	1	COOLER & MTG GP-EXHAUST (NRS)						219
Y	356-7156	1	COOLER GP-ENGINE OIL						184
Y	355-5048	1	COVER GP-VALVE MECHANISM						33
Y	346-4197	1	CRANKSHAFT GP						39
Y	355-3530	1	CYLINDER BLOCK GP						56
Y	355-7044	1	CYLINDER HEAD GP						75
Y	332-4667	1	DRAIN GP-ENGINE OIL						84
Y	329-8428	1	DRIVE GP-AUXILIARY						88
Y	339-2997	1	DRIVE GP-FAN						91
Y	459-3633	1	ELBOW GP-AIR INLET						222
Y	355-5592	1	FASTENER GP-CEM						229
Y	329-8098	1	FILM GP (STARTING MOTOR)						983
Y	329-8409	1	FILM GP (ALTERNATOR)						984
Y	447-1044	1	FILM GP						988
Y	329-8386	1	FILTER GP-ENGINE OIL						156
Y	361-1224	1	FILTER GP-FUEL						282
Y	360-7817	1	FILTER GP-FUMES DISPOSAL						159
Y	361-1562	1	FILTER GP-PRIMARY FUEL						291
Y	329-7900	1	FLYWHEEL GP						94
Y	338-9479	1	GAUGE GP-OIL LEVEL (DIPSTICK) (ENGINE)						165
Y	433-4677	1	WIRING GP-ENGINE						451
Y	329-7884	1	HOUSING GP-FLYWHEEL						97
Y	329-8421	1	HOUSING GP-FRONT						101
Y	392-1368	1	INJECTOR GP-FUEL						299
Y	330-9652	1	JET GP-PISTON COOLING						108
Y	350-1044	1	LIFTING GP-ENGINE						110
Y	398-8198	1	LINES GP-FUEL FILTER						314
Y	356-1124	1	MANIFOLD GP-EXHAUST						246
Y	473-0267	1	EXHAUST GP						223
Y	329-7945	1	PAN GP-OIL						123
Y	373-7250	1	PIPE GP-FLEXIBLE EXHAUST						256
Y	392-1366	1	PISTON & ROD GP						127
Y	329-8482	1	PLUG GP-ENGINE (HEATER, LINES)						133
Y	337-8032	1	PLUG GP-ENGINE						134
Y	347-6547	1	PLUG GP-FRONT HOUSING						137
Y	329-8473	1	PLUG GP-OIL FILTER MOUNTING						169
Y	350-6265	1	PULLEY GP-ALTERNATOR						138
			-OR-						
Y	350-6268	1	BELT TENSIONER GP						24
Y	329-7997	1	PULLEY GP-CRANKSHAFT						140
Y	329-8435	1	PUMP GP-ENGINE OIL						171

ENGINE ARRANGEMENT

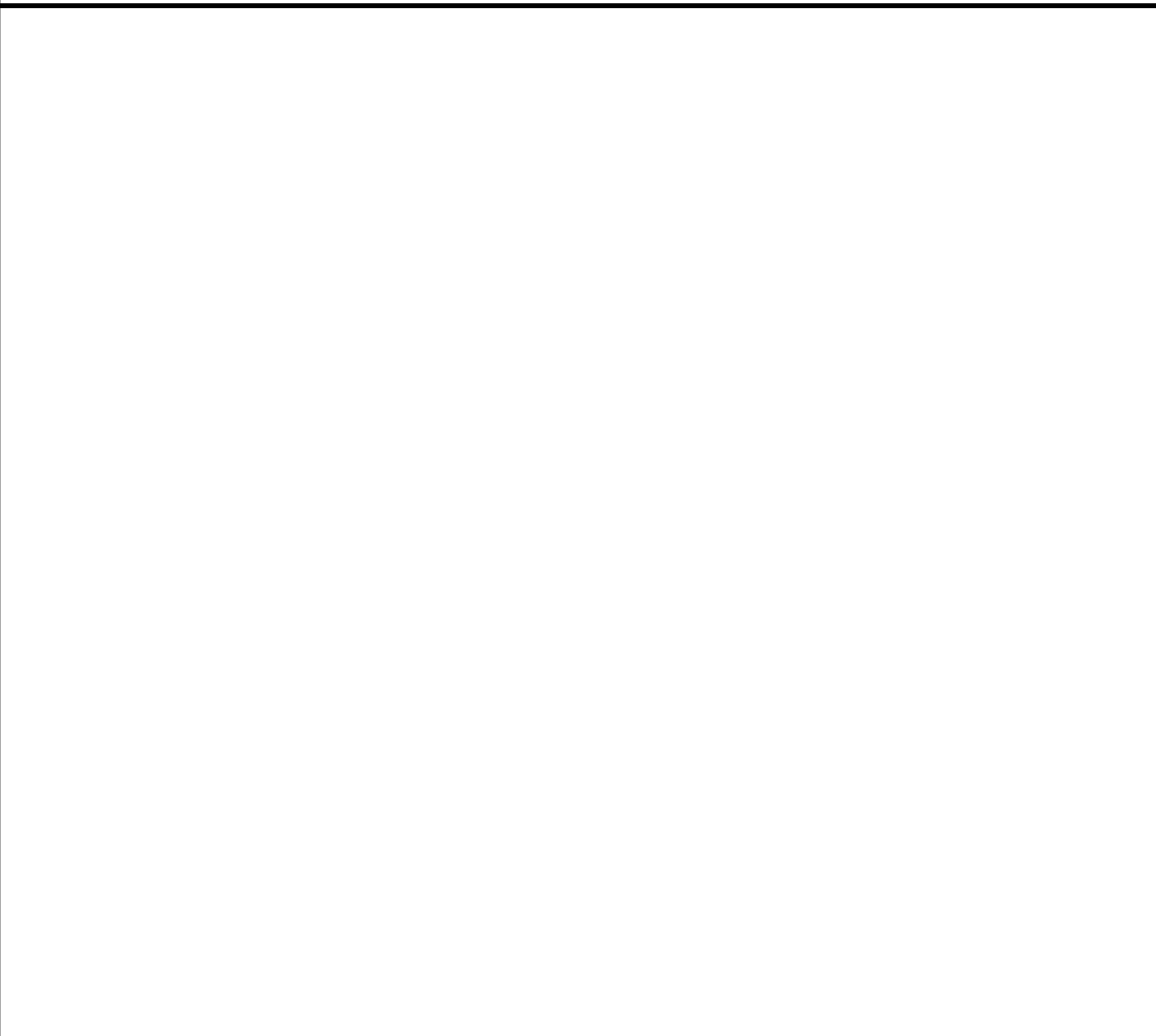
464-2308 ENGINE AR-PRIMARY (contd.)

i07162356

NOTE	PART NUMBER	QTY	PART NAME						SEE PAGE
			1	2	3	4	5	6 (PRODUCT LEVEL)	
Y	419-0677	1	PUMP GP-FUEL INJECTION						320
Y	333-7914	1	PUMP GP-WATER						202
Y	361-2883	1	RAIL GP-FUEL						326
Y	351-9797	1	ROCKER ARM GP						146
Y	428-8196	1	SENSOR GP-COMBUSTION						414
Y	433-4681	1	SENSOR GP-ENGINE						416
Y	377-9847	1	SENSOR GP-TEMPERATURE (INLET AIR)						425
Y	465-3619	1	STARTING AID GP						430
Y	329-7919	1	STARTING MOTOR GP-ELECTRIC						431
Y	425-9719	1	TURBOCHARGER GP						266
Y	425-6359	1	VALVE GP-COOLANT CONTROL						274
	465-8913	1	ELECTRONICS GP-ENGINE						

Y - SEPARATE ILLUSTRATION

<END>



ENGINE ARRANGEMENT

465-2880 ENGINE AR-PRIMARY

S/N: CJ41-UP

83 BRAKE KW (111 BHP) AT 2200 RPM

SMCS - 1000

i06997362

NOTE	PART NUMBER	QTY	PART NAME						SEE PAGE
			1	2	3	4	5	6 (PRODUCT LEVEL)	
Y	350-1486	1	ALTERNATOR GP-CHARGING						333
Y	441-9678	1	CAMSHAFT GP						31
Y	441-9785	1	CONNECTION GP-WATER						180
Y	441-9720	1	CONTROL GP-ELECTRONIC						343
Y	350-1054	1	COOLER GP-ENGINE OIL						182
Y	441-9739	1	COVER GP-VALVE MECHANISM						35
Y	350-3746	1	CRANKSHAFT GP						41
Y	350-3745	1	CYLINDER BLOCK GP						55
Y	441-9675	1	CYLINDER HEAD GP						81
Y	355-4951	1	DRIVE GP-AUXILIARY						89
Y	350-0644	1	DRIVE GP-FAN						92
Y	452-1488	1	TUBE & MTG GP-DEF BLEND						265
Y	442-2325	1	EXHAUST GP-FLEXIBLE						226
Y	350-1474	1	EXTENSION GP-FAN						189
Y	377-5991	1	FILLER GP-ENGINE OIL						154
Y	442-0486	1	FILTER GP-DIESEL PARTICULATE						230
Y	442-1585	1	FILTER GP-DIESEL PARTICULATE						231
Y	418-3402	1	FILTER GP-ENGINE OIL						158
Y	418-3788	1	FILTER GP-FUEL						284
Y	366-9821	1	FILTER GP-PRIMARY FUEL						292
Y	349-9649	1	FLYWHEEL GP						95
Y	451-8483	1	FUMES DISPOSAL GP						164
Y	349-7415	1	HOUSING GP-FLYWHEEL						98
Y	377-6012	1	HOUSING GP-FRONT						103
Y	441-9679	1	INJECTOR GP-FUEL						303
Y	350-1826	1	LIFTING GP-ENGINE						111
Y	372-8164	1	LINES GP-FUEL FILTER						313
Y	350-1802	1	MANIFOLD GP-INLET						249
Y	350-5188	1	PAN GP-OIL						124
Y	441-9673	1	PISTON & ROD GP						132
Y	443-1143	1	PLATE & FILM GP						1011
Y	350-1959	1	PLUG GP-WATER LINES						200
Y	350-1117	1	PULLEY GP-AUXILIARY DRIVE						139
Y	350-1102	1	PULLEY GP-CRANKSHAFT						141
Y	350-1569	1	PUMP GP-ENGINE OIL						172
Y	441-9680	1	PUMP GP-FUEL INJECTION						322
Y	350-5644	1	PUMP GP-WATER						203
Y	441-9676	1	ROCKER ARM GP						150
Y	441-9798	1	SENSOR GP (CLEAN EMISSIONS MODULE)						412
Y	441-9700	1	SENSOR GP-ENGINE						418
Y	443-0630	1	STARTING AID GP						429
Y	350-0562	1	STARTING MOTOR GP-ELECTRIC						432
Y	441-9792	1	TURBOCHARGER GP						270
Y	442-2287	1	VALVE GP-COOLANT CONTROL						275
Y	443-0632	1	WIRING GP-ENGINE						453
	504-3282	1	ELECTRONICS GP-ENGINE						

ENGINE ARRANGEMENT

465-2880 ENGINE AR-PRIMARY (contd.)

i06997362

NOTE	PART NUMBER	QTY	PART NAME						SEE PAGE
			1	2	3	4	5	6 (PRODUCT LEVEL)	
	444-7262	1	ELECTRONICS GP-ENGINE						
	447-1847	1	ELECTRONICS GP-ENGINE						

Y - SEPARATE ILLUSTRATION

<END>

505-5390 INSTALLATION AR-ENGINE

S/N: TH31-UP

PART OF 505-5387 ENGINE AR-COMPLETE
AN ATTACHMENT

SMCS-1000

i07043344

NOTE	PART NUMBER	QTY	PART NAME						SEE PAGE
			1	2	3	4	5	6 (PRODUCT LEVEL)	
Y	499-9420	1	AIR CLEANER GP						217
Y	497-9617	1	EXHAUST GP						224
Y	500-1294	1	LINES GP-AIR						235
Y	500-1123	1	LINES GP-RETURN (HYDRAULIC TANK)						714
Y	500-1125	1	LINES GP-RETURN (MAIN CONTROL VALVE)						715
Y	500-1296	1	MOUNTING GP-ENGINE						120
Y	500-0767	1	RADIATOR & MOUNTING GP						212
Y	532-7513	1	SEAL GP-AIR INLET						260
Y	495-9896	1	TANK GP-COOLANT (SURGE)						216
Y	500-2291	1	WIRING GP-ENGINE						459

Y - SEPARATE ILLUSTRATION

<END>

505-6120 INSTALLATION AR-ENGINE

S/N: TH31-UP

PART OF 505-6119 ENGINE AR-COMPLETE
AN ATTACHMENT

SMCS-1000

i07043345

NOTE	PART NUMBER	QTY	PART NAME						SEE PAGE
			1	2	3	4	5	6 (PRODUCT LEVEL)	
Y	500-3159	1	AIR CLEANER GP						218
Y	497-9617	1	EXHAUST GP						224
Y	500-3068	1	LINES GP-AIR						236
Y	500-3153	1	LINES GP-RETURN (VALVE)						717
Y	500-3157	1	LINES GP-RETURN (TANK)						719
Y	500-1296	1	MOUNTING GP-ENGINE						120
Y	500-3146	1	RADIATOR & MOUNTING GP						214
Y	532-7513	1	SEAL GP-AIR INLET						260
Y	495-9896	1	TANK GP-COOLANT (SURGE)						216
Y	500-2291	1	WIRING GP-ENGINE						459

Y - SEPARATE ILLUSTRATION

<END>

ENGINE ARRANGEMENT

505-6134 INSTALLATION AR-ENGINE

S/N: TH21-UP

PART OF 505-6163 ENGINE AR-COMPLETE
AN ATTACHMENT

SMCS-1000

i07043347

NOTE	PART NUMBER	QTY	PART NAME						SEE PAGE
			1	2	3	4	5	6 (PRODUCT LEVEL)	
Y	499-9420	1	AIR CLEANER GP						217
Y	499-9429	1	LINES GP-AIR						233
Y	500-1125	1	LINES GP-RETURN (MAIN CONTROL VALVE)						715
Y	500-1123	1	LINES GP-RETURN (HYDRAULIC TANK)						714
Y	500-0760	1	MOUNTING GP-ENGINE & XMSN						122
Y	499-9422	1	MOUNTING GP-EXHAUST						254
Y	500-0767	1	RADIATOR & MOUNTING GP						212
Y	532-7513	1	SEAL GP-AIR INLET						260
Y	500-1062	1	TANK & MTG GP-DEF (DIESEL EXHAUST FLUID)						261
Y	495-9896	1	TANK GP-COOLANT (SURGE)						216
Y	499-4255	1	WIRING GP-ENGINE						455

Y - SEPARATE ILLUSTRATION

<END>

BASIC ENGINE

350-6268 BELT TENSIONER GP

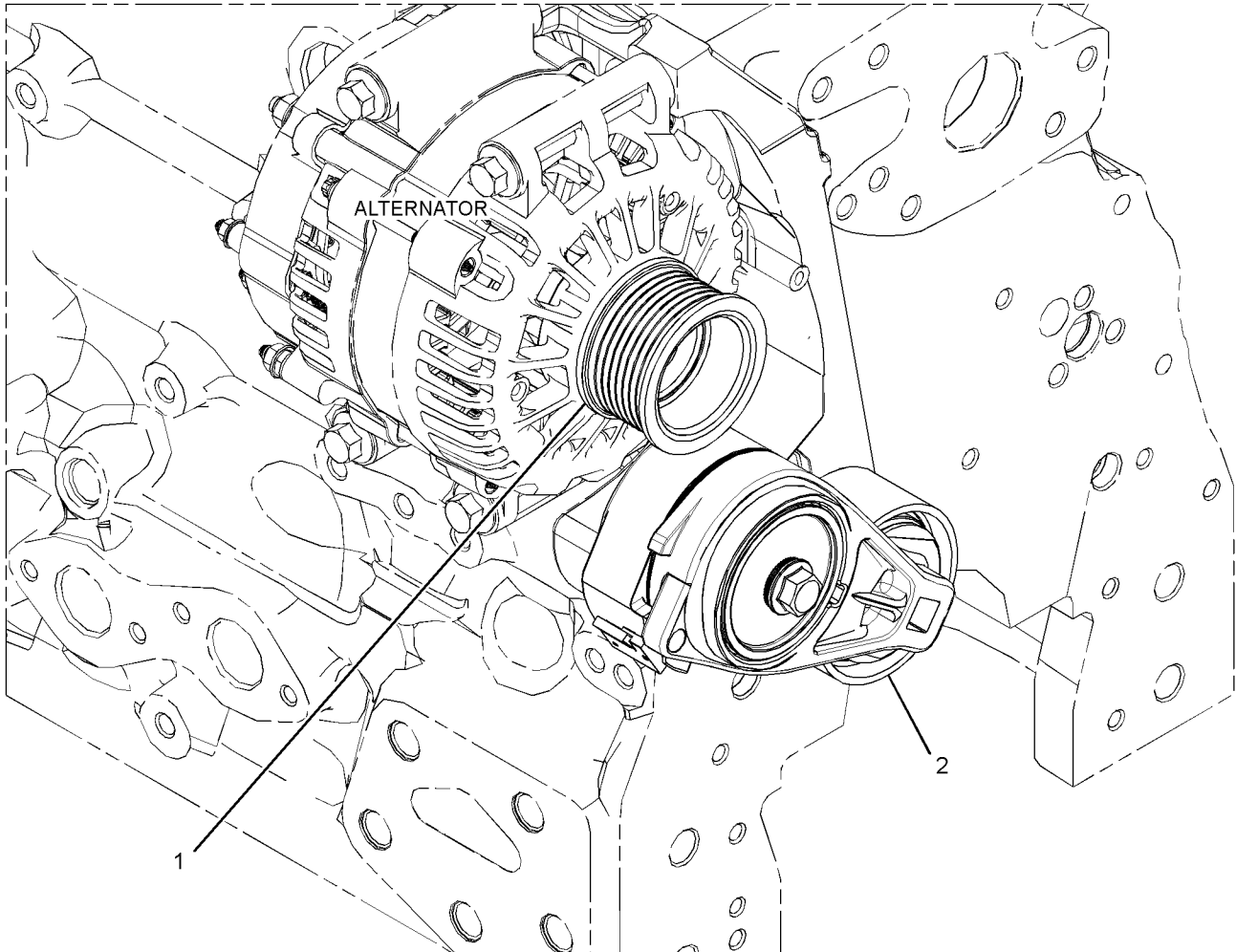
S/N: JKT1-UP

PART OF 464-2307, 464-2308 ENGINE AR-PRIMARY
ALSO AN ATTACHMENT

SMCS-1357, 1358, 1397

i05966813

NOTE	REF NO	GRAPHIC REF	PART NUMBER	QTY	PART NAME						SEE PAGE
					1	2	3	4	5	6 (PRODUCT LEVEL)	
1	1	1	321-6131	1	PULLEY (8-GROOVE)						
2	1	1	377-9082	1	BELT TENSIONER						



GRAPHIC #1

<END>

g02736725

BASIC ENGINE

418-7425 BELT TENSIONER GP

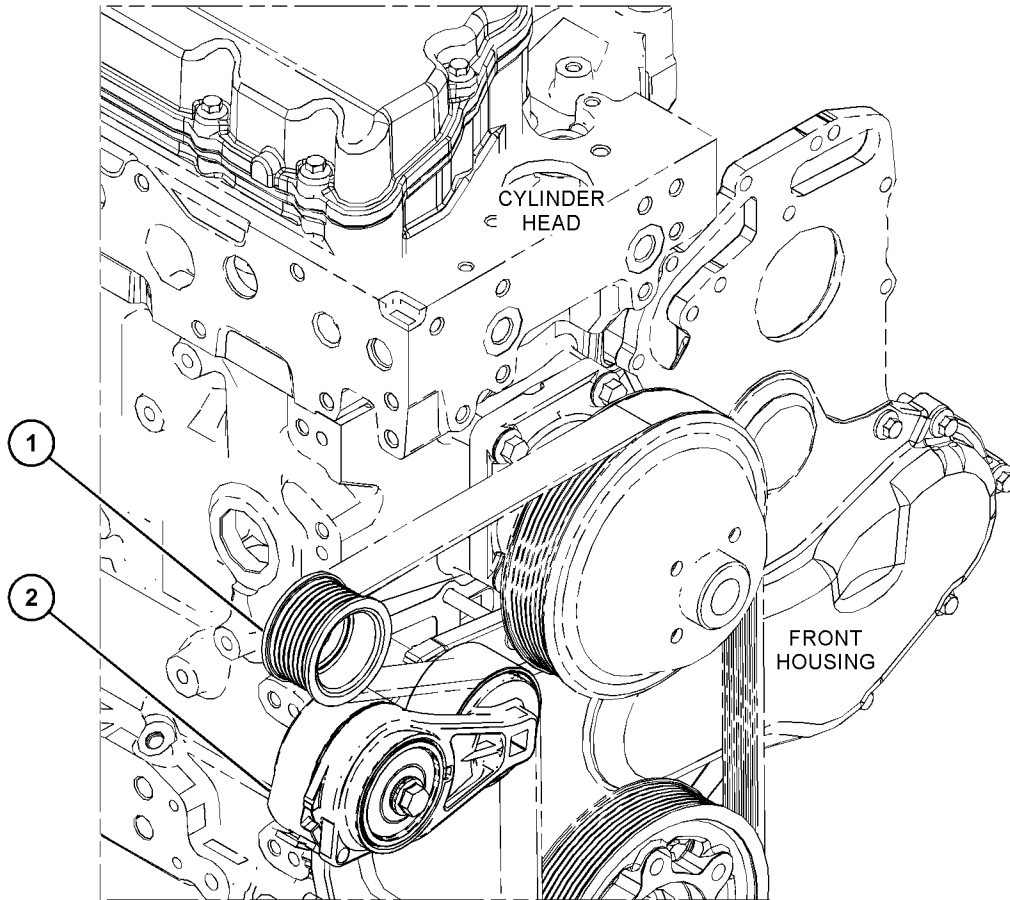
S/N: W231-UP

PART OF 463-8848, 463-8910 ENGINE AR-PRIMARY

SMCS-1357, 1358, 1397

i06134104

NOTE	REF NO	GRAPHIC REF	PART NUMBER	QTY	PART NAME						SEE PAGE
					1	2	3	4	5	6 (PRODUCT LEVEL)	
	1	1	321-6131	1	PULLEY (8-GROOVE)						
	2	1	377-9082	1	BELT TENSIONER						



GRAPHIC #1

<END>

g03817856

BASIC ENGINE

450-0003 BELT TENSIONER GP-WITH AIR CONDITIONER

S/N: TH21-UP; TH31-UP

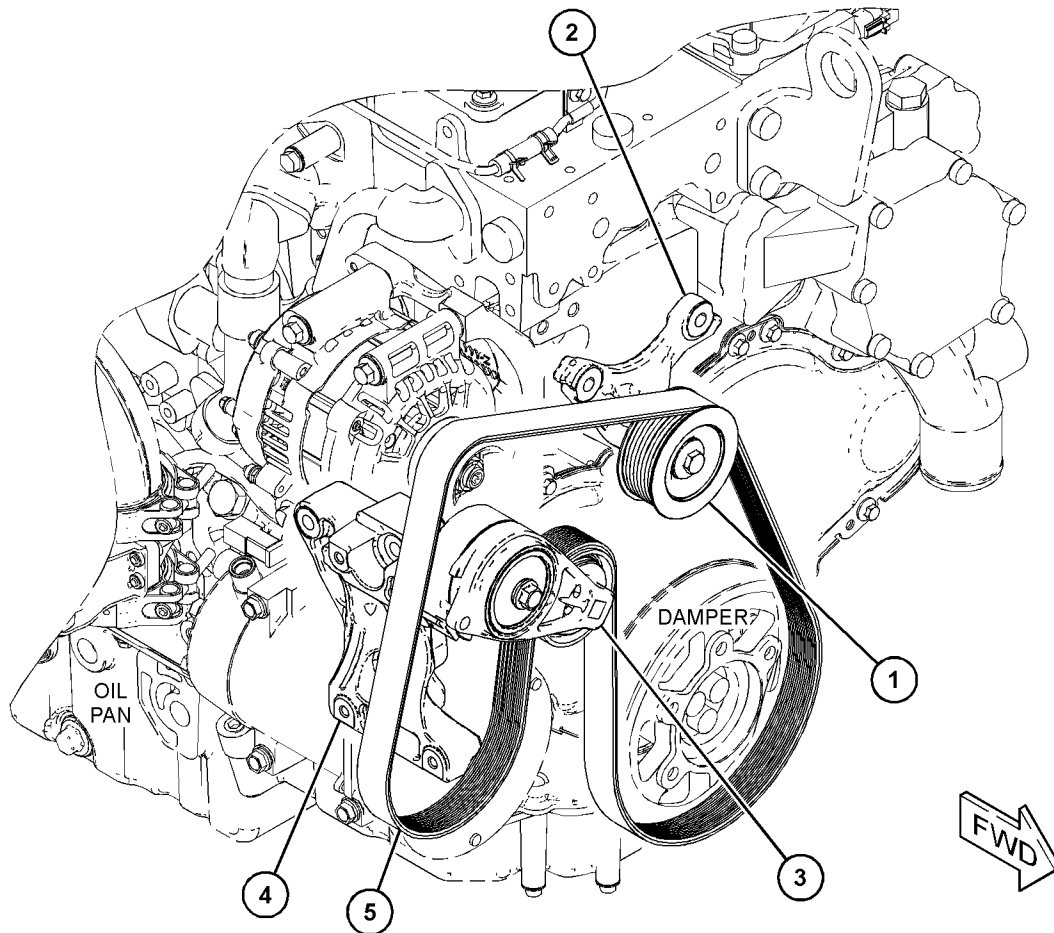
PART OF 501-0753 AIR CONDITIONER & MOUNTING GP
AN ATTACHMENT

SMCS-1357, 1358, 1397

i05921431

NOTE	REF NO	GRAPHIC REF	PART NUMBER	QTY	PART NAME						SEE PAGE
					1	2	3	4	5	6 (PRODUCT LEVEL)	
	1	1	377-9255	1	PULLEY AS (8-GROOVE)						
M		1	423-7576	1	BOLT (M10X1.5X50-MM)						
	2	1	336-1294	1	BRACKET						
	3	1	369-1255	1	TENSIONER						
	4	1	330-1725	1	BRACKET AS						
		1	161-9820	2	PIN						
	5	1	365-2985	1	BELT-SERPENTINE (AIR CONDITIONER)						

M - METRIC PART



GRAPHIC #1

<END>

g03663294

BASIC ENGINE

495-4802 BRACKET GP-MOUNTING-ARMREST

S/N: TH21-UP; TH31-UP
 PART OF 495-6206 ARMREST GP
 AN ATTACHMENT

SMCS-0635, 1153, 1262, 1263, 1317, 1375, 7174

i06708099

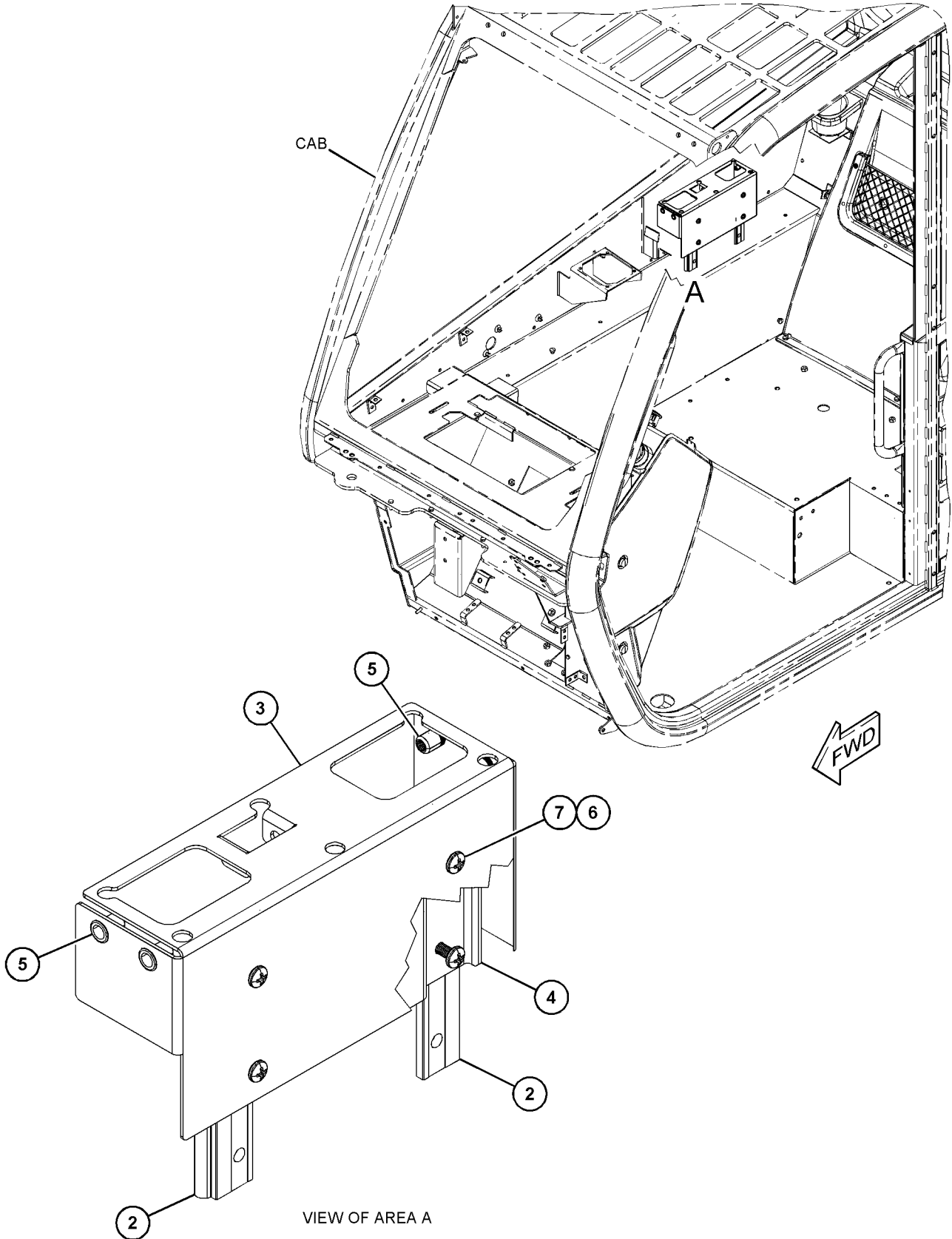
NOTE	REF NO	GRAPHIC REF	PART NUMBER	QTY	PART NAME						SEE PAGE
					1	2	3	4	5	6 (PRODUCT LEVEL)	
	1	1	495-6228	4	SCREW-DRIVE (M6X1X25-MM)						
	2	1	495-4803	2	RAIL						
	3	1	495-4804	1	BRACKET						
	4	1	495-4805	1	PLATE						
M	5	1	495-4806	4	NUT (M6X1-THD)						
	6	1	303-4779	4	LOCKNUT (M6X1-THD)						

M - METRIC PART

BASIC ENGINE

495-4802 BRACKET GP-MOUNTING (contd.)

i06708099



GRAPHIC #1

<END>

g06090430

BASIC ENGINE

339-5858 CAMSHAFT GP

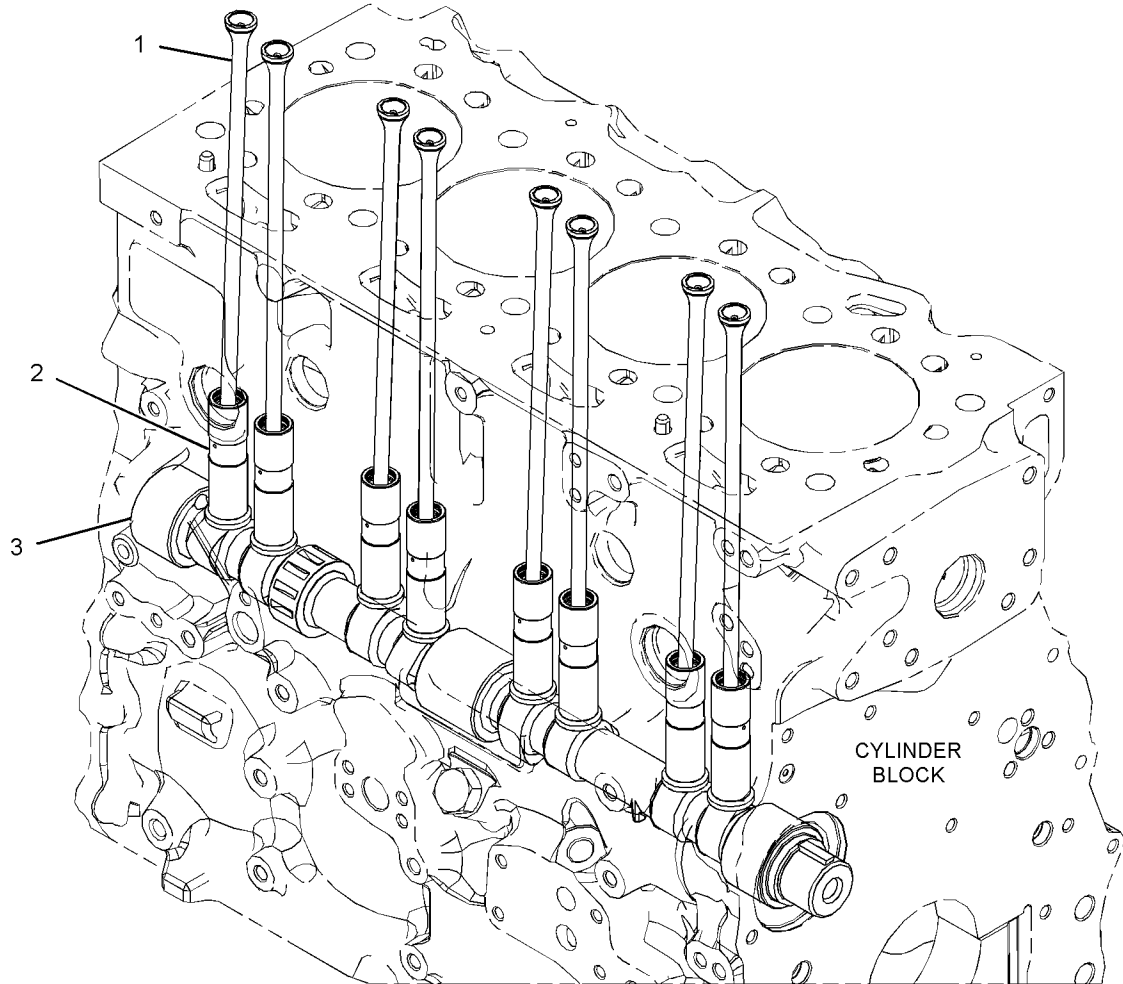
S/N: JKT1-UP

PART OF 464-2307, 464-2308 ENGINE AR-PRIMARY
ALSO AN ATTACHMENT

SMCS-1210

i04630461

NOTE	REF NO	GRAPHIC REF	PART NUMBER	QTY	PART NAME						SEE PAGE
					1	2	3	4	5	6 (PRODUCT LEVEL)	
	1	1	319-8426	8	PUSHROD						
	2	1	385-4313	8	TAPPET						
	3	1	363-3890	1	CAMSHAFT GP						
		1	1B-8736	1	KEY-WOODRUFF						



GRAPHIC #1

<END>

g02773480

BASIC ENGINE

435-7778 CAMSHAFT GP

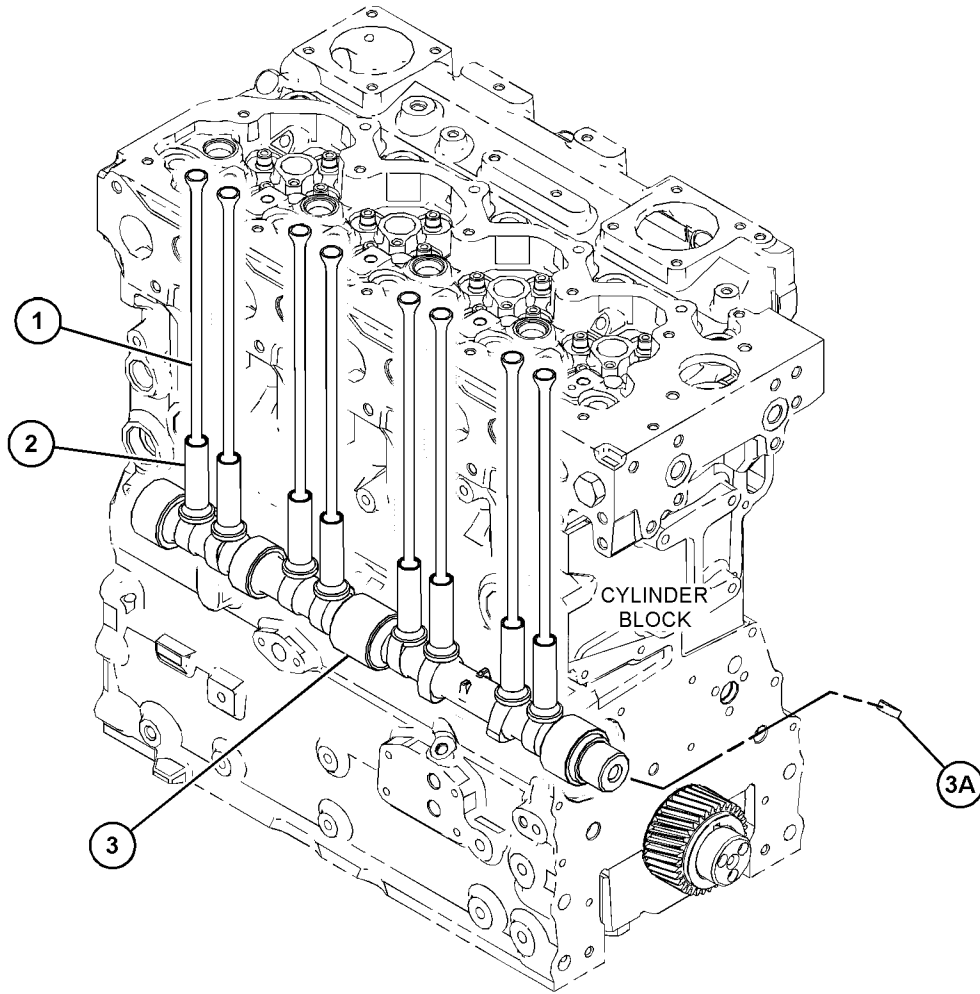
S/N: W231-UP

PART OF 463-8848, 463-8910 ENGINE AR-PRIMARY

SMCS-1210

i06134091

NOTE	REF NO	GRAPHIC REF	PART NUMBER	QTY	PART NAME						SEE PAGE
					1	2	3	4	5	6 (PRODUCT LEVEL)	
1	1	1	278-5126	8	PUSHROD						
2	1	1	315-3384	8	TAPPET						
3	1	1	454-0683	1	CAMSHAFT GP						
3A	1	1	067-6135	1	KEY-WOODRUFF						



GRAPHIC #1

<END>

g03811367

BASIC ENGINE

441-9678 CAMSHAFT GP

S/N: CJ41-UP

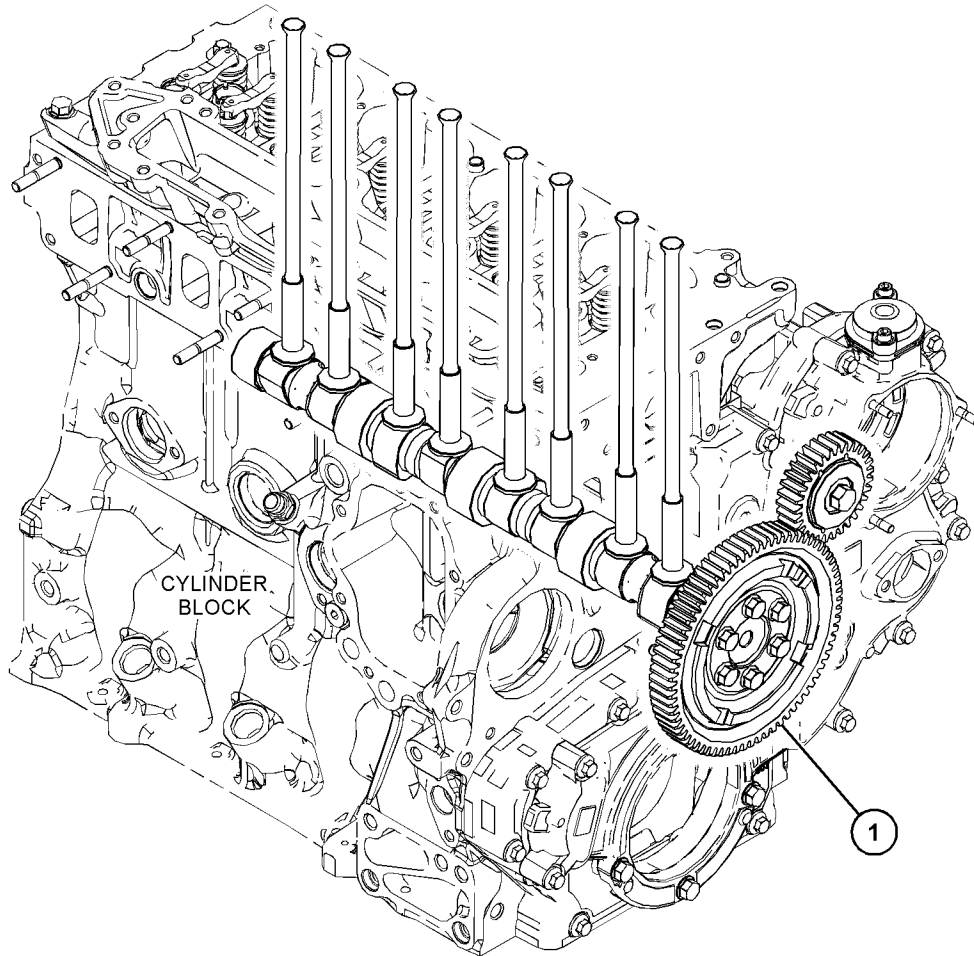
PART OF 465-2880 ENGINE AR-PRIMARY

SMCS-1210

i06252165

NOTE	REF NO	GRAPHIC REF	PART NUMBER	QTY	PART NAME						SEE PAGE
					1	2	3	4	5	6 (PRODUCT LEVEL)	
Y	1	1	446-1405	1	CAMSHAFT GP						32

Y - SEPARATE ILLUSTRATION



GRAPHIC #1

<END>

g03825266

BASIC ENGINE

446-1405 CAMSHAFT GP

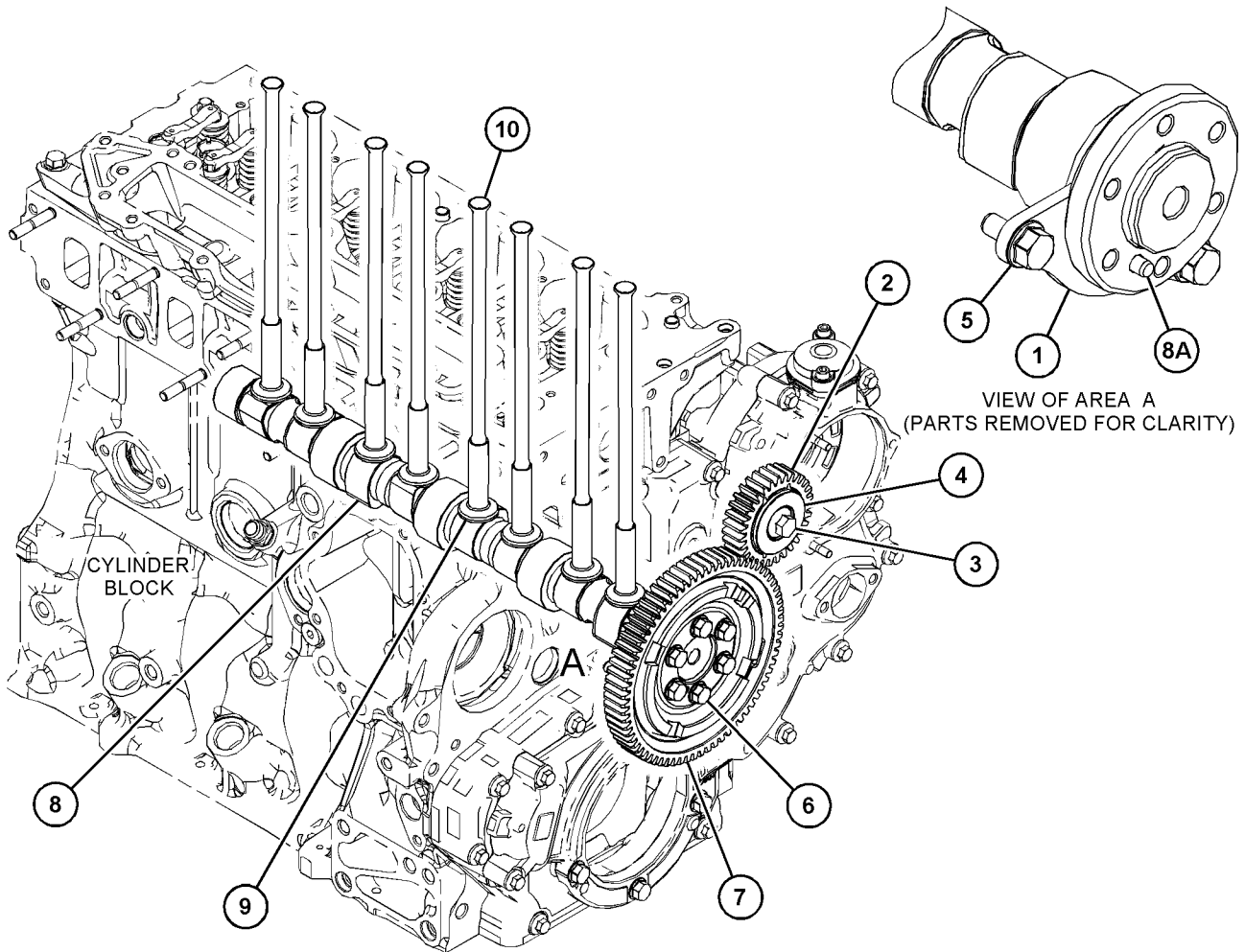
S/N: CJ41-UP

PART OF 441-9678 CAMSHAFT GP

SMCS-1210

i06252175

NOTE	REF NO	GRAPHIC REF	PART NUMBER	QTY	PART NAME						SEE PAGE
					1	2	3	4	5	6 (PRODUCT LEVEL)	
	1	1	383-1333	1	YOKE						
	2	1	383-1335	1	GEAR						
	3	1	385-1649	1	BOLT (M10X1.5X50-MM)						
	4	1	385-9077	1	PIN						
	5	1	389-1863	2	BOLT-SPECIAL						
	6	1	389-1874	6	BOLT-SPECIAL						
	7	1	423-0030	1	GEAR						
	8	1	463-8773	1	CAMSHAFT AS						
	8A	1	381-3515	1	DOWEL						
	9	1	463-8775	8	TAPPET						
	10	1	463-8776	8	PUSHROD						



GRAPHIC #1

<END>

g03827991

BASIC ENGINE

355-5048 COVER GP-VALVE MECHANISM

S/N: JKT1-UP

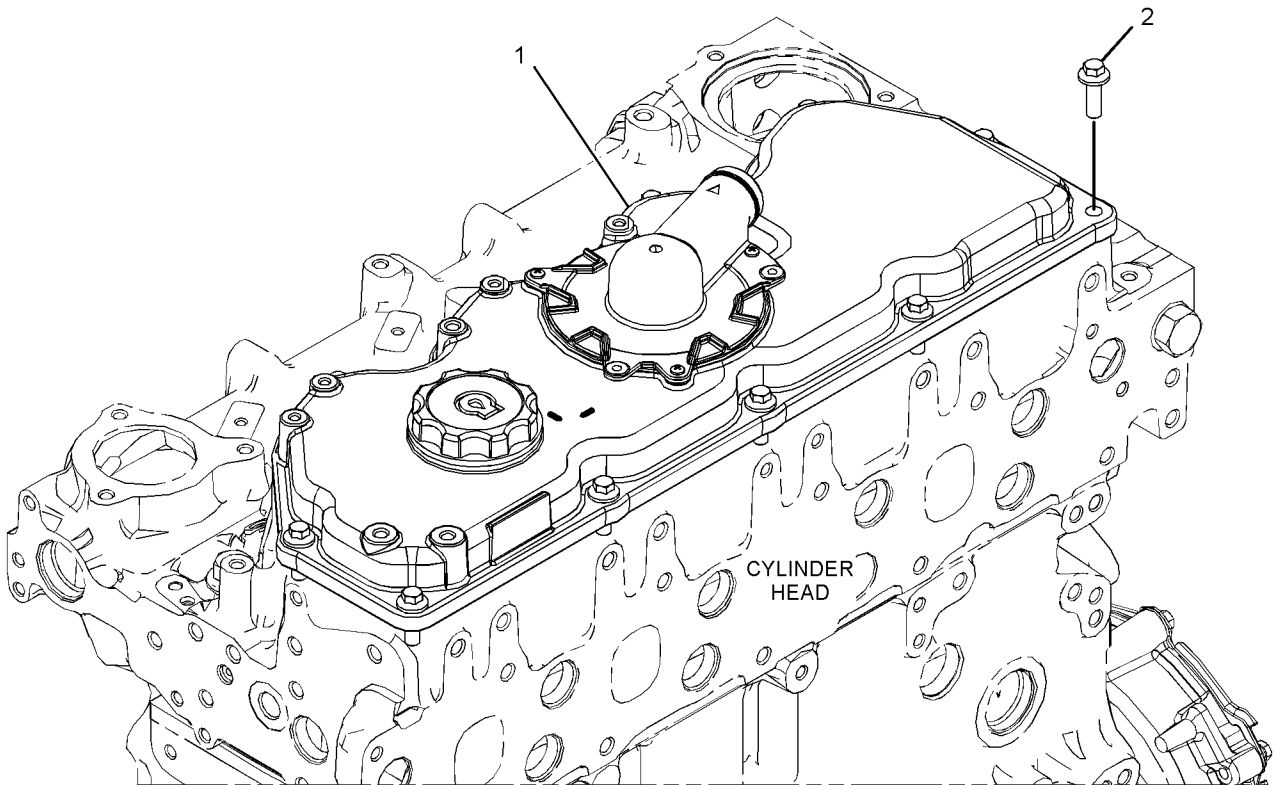
PART OF 464-2307, 464-2308 ENGINE AR-PRIMARY
ALSO AN ATTACHMENT

SMCS-1107, 1120

i05668070

NOTE	REF NO	GRAPHIC REF	PART NUMBER	QTY	PART NAME						SEE PAGE
					1	2	3	4	5	6 (PRODUCT LEVEL)	
Y	1	1	446-7562	1	COVER GP-VALVE MECHANISM						36
M	2	1	6I-0260	11	BOLT (M8X1.25X25-MM)						

M - METRIC PART
Y - SEPARATE ILLUSTRATION



GRAPHIC #1

<END>

g02784297

BASIC ENGINE

415-7105 COVER GP-VALVE MECHANISM

S/N: W231-UP

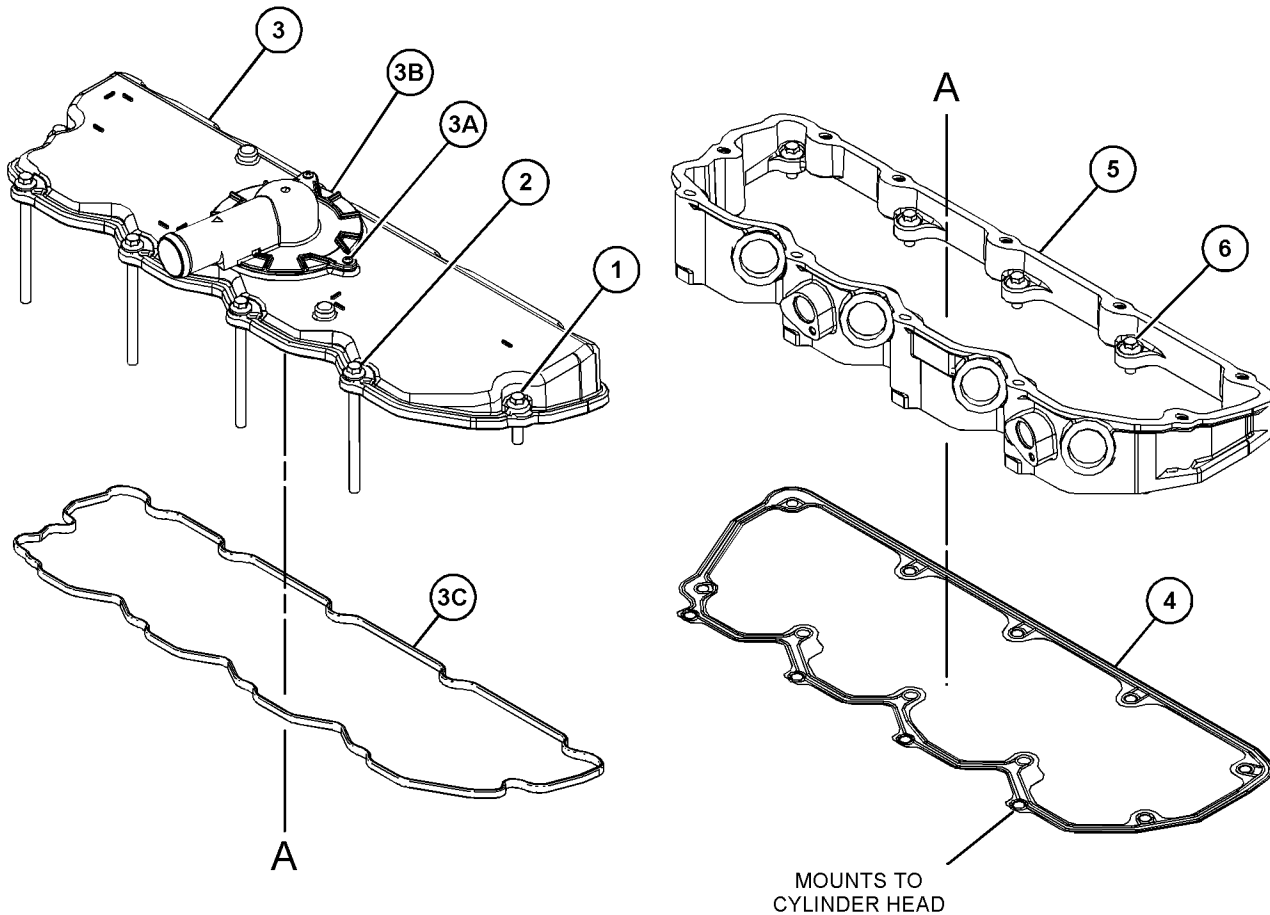
PART OF 463-8848, 463-8910 ENGINE AR-PRIMARY

SMCS-1107, 1120

i07213652

NOTE	REF NO	GRAPHIC REF	PART NUMBER	QTY	PART NAME						SEE PAGE
					1	2	3	4	5	6 (PRODUCT LEVEL)	
M	1	1	101-3895	7	BOLT (M8X1.25X35-MM)						
M	2	1	103-5705	4	BOLT (M8X1.25X110-MM)						
	3	1	392-9458	1	COVER GP-VALVE MECHANISM						
	3A	1	195-9245	3	SCREW (M4X0.7X10-MM)						
	3B	1	380-9615	1	BREATHER						
	3C	1	392-9471	1	SEAL						
	4	1	392-9472	1	GASKET (VALVE COVER)						
	5	1	455-6923	1	COVER-BASE						
M	6	1	6I-0217	10	BOLT (M8X1.25X20-MM)						

M - METRIC PART



GRAPHIC #1

<END>

g03814998

BASIC ENGINE

441-9739 COVER GP-VALVE MECHANISM

S/N: CJ41-UP

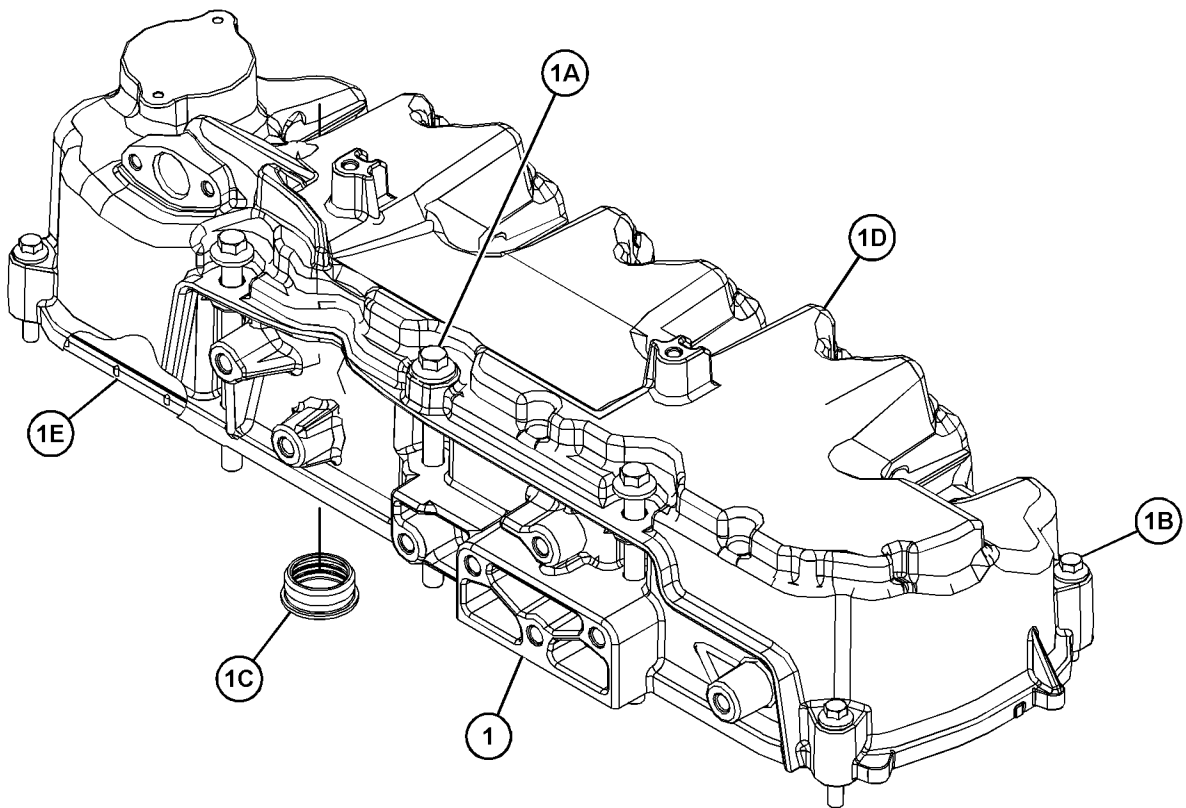
PART OF 465-2880 ENGINE AR-PRIMARY

SMCS-1107, 1120

i06252191

NOTE	REF NO	GRAPHIC REF	PART NUMBER	QTY	PART NAME						SEE PAGE
					1	2	3	4	5	6 (PRODUCT LEVEL)	
	1	1	464-1147	1	COVER AS						
M	1A	1	6I-4709	3	BOLT (M8X1.25X100-MM)						
	1B	1	243-3811	7	BOLT-FLANGE HEAD						
	1C	1	464-8101	4	BUSHING						
	1D	1	464-8160	1	COVER AS						
	1E	1	464-8216	1	GASKET (VALVE COVER)						

M - METRIC PART



GRAPHIC #1

<END>

g03825684

BASIC ENGINE

446-7562 COVER GP-VALVE MECHANISM

S/N: JKT1-UP

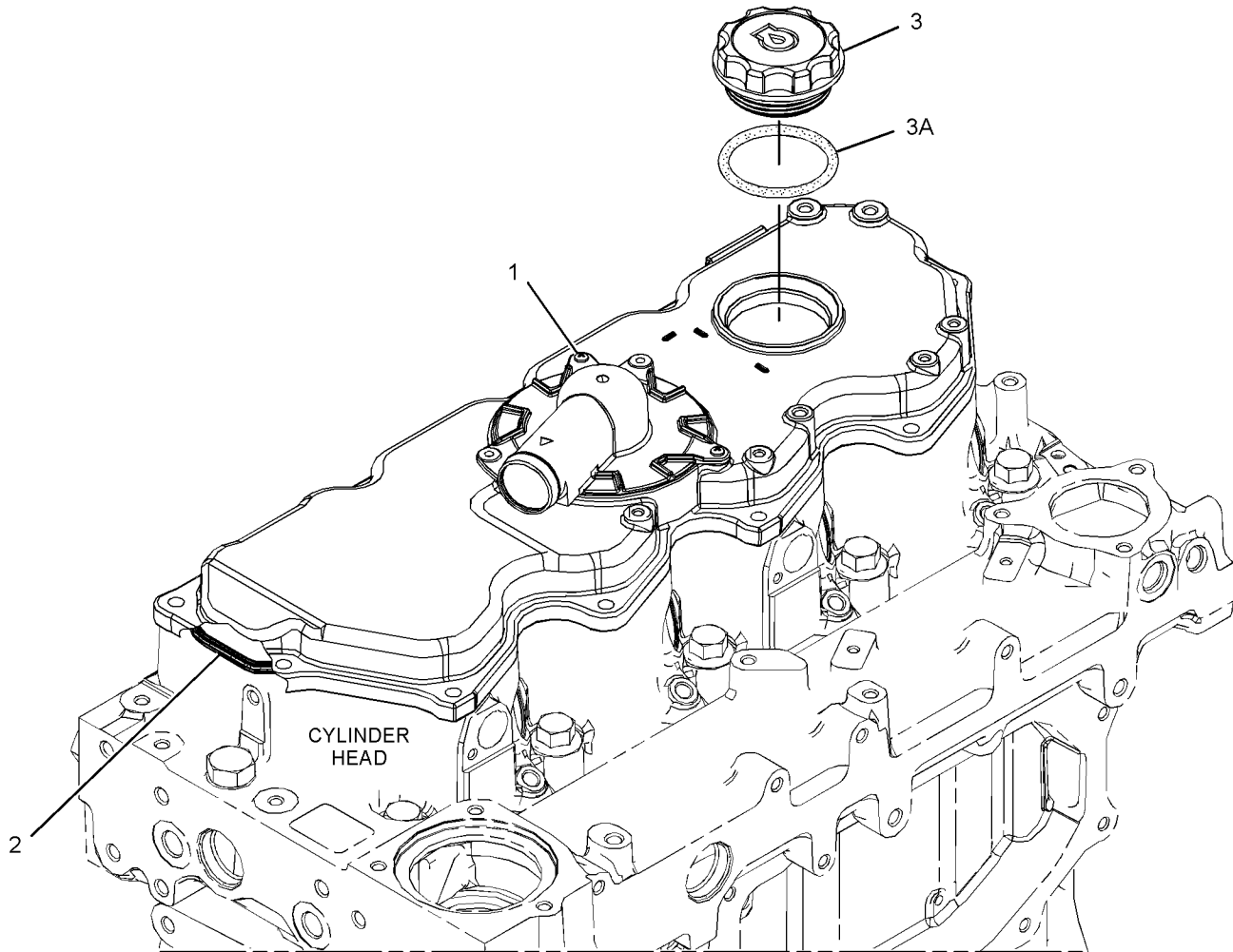
PART OF 355-5048 COVER GP-VALVE MECHANISM

ALSO AN ATTACHMENT

SMCS-1107, 1120

i05668131

NOTE	REF NO	GRAPHIC REF	PART NUMBER	QTY	PART NAME						SEE PAGE
					1	2	3	4	5	6 (PRODUCT LEVEL)	
	1	1	195-9245	3	SCREW (M4X0.7X10-MM)						
	2	1	333-8052	1	SEAL (VALVE COVER)						
	3	1	359-1310	1	CAP AS-FILLER (ENGINE OIL)						
	3A	1	124-0506	1	SEAL						



GRAPHIC #1

<END>

g03618216

BASIC ENGINE

466-8480 CRANKSHAFT AS

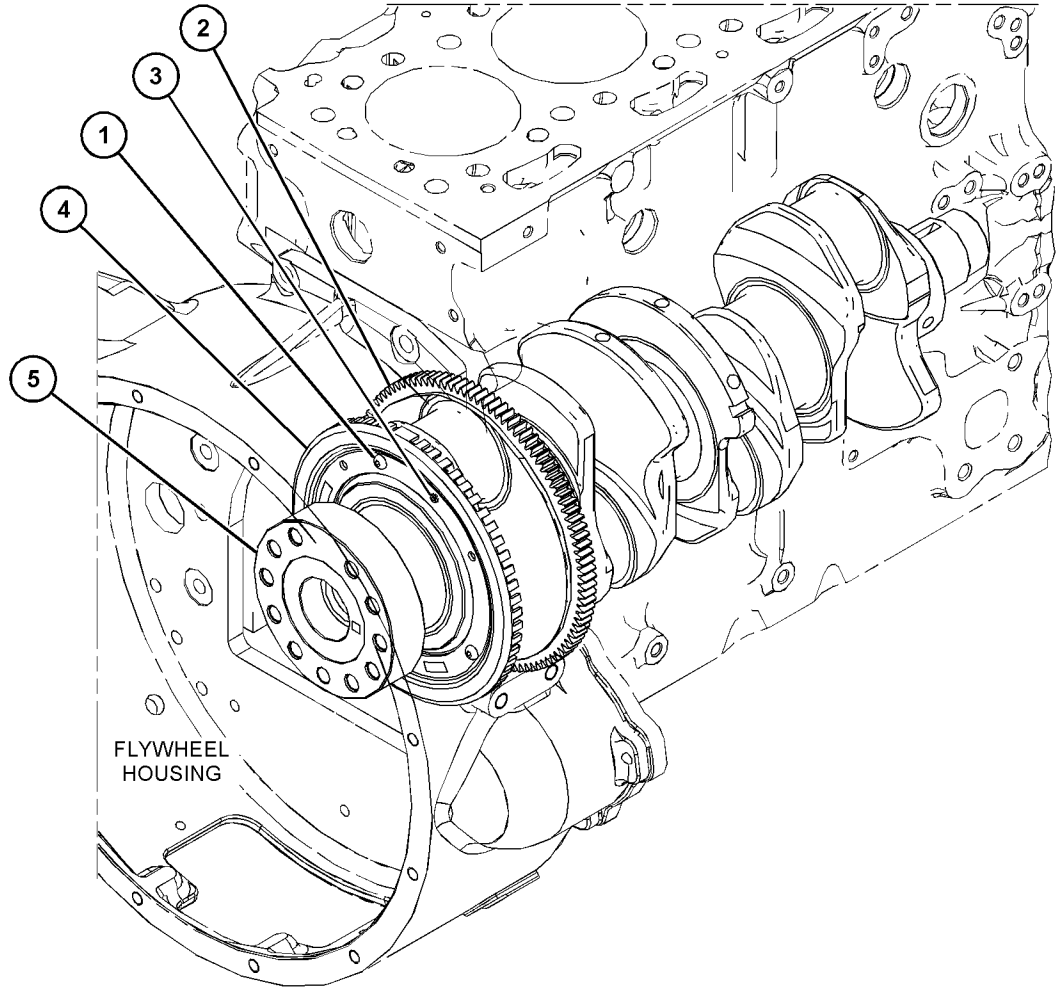
S/N: JKT1-UP

PART OF 364-5843 CRANKSHAFT GP

SMCS-1202, 1204, 1232

i06113639

NOTE	REF NO	GRAPHIC REF	PART NUMBER	QTY	PART NAME						SEE PAGE
					1	2	3	4	5	6 (PRODUCT LEVEL)	
	1	1	276-7394	3	SCREW (M6X1XX12-MM)						
	2	1	332-0137	1	GEAR-CRANKSHAFT (106-TEETH)						
	3	1	339-8780	1	DOWEL						
	4	1	376-4078	1	DISC-TIMING						
	5	1	466-4921	1	CRANKSHAFT						



GRAPHIC #1

<END>

g03817605

BASIC ENGINE

491-5234 CRANKSHAFT AS

S/N: JKT1-UP

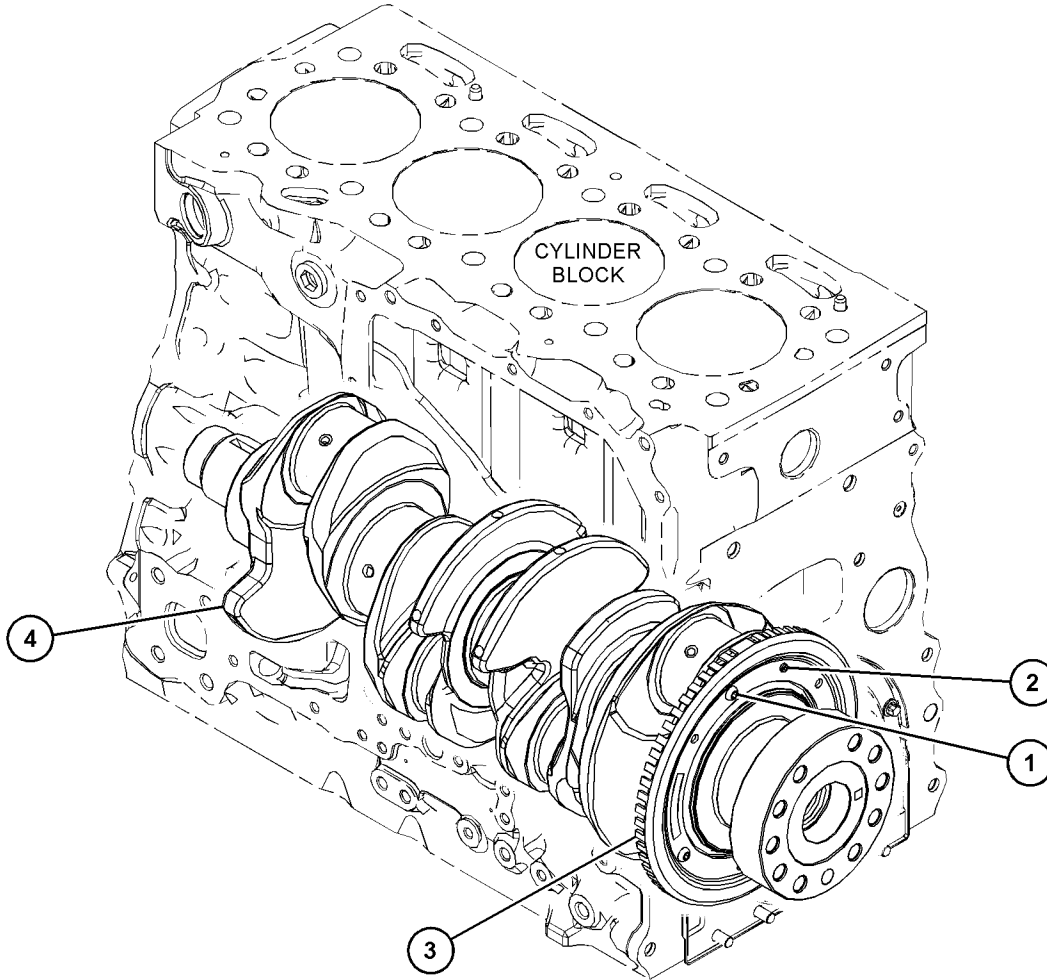
PART OF 346-4197 CRANKSHAFT GP

ALSO AN ATTACHMENT

SMCS-1202, 1204, 1232

i06560330

NOTE	REF NO	GRAPHIC REF	PART NUMBER	QTY	PART NAME						SEE PAGE
					1	2	3	4	5	6 (PRODUCT LEVEL)	
1	1	1	276-7394	3	SCREW (M6X1XX12-MM)						
2	1	1	339-8780	1	DOWEL						
3	1	1	376-4078	1	DISC-TIMING						
4	1	1	472-0209	1	CRANKSHAFT						



GRAPHIC #1

<END>

g03814016

BASIC ENGINE

346-4197 CRANKSHAFT GP

S/N: JKT1-UP

PART OF 464-2307, 464-2308 ENGINE AR-PRIMARY
ALSO AN ATTACHMENT

SMCS-1202

i06995833

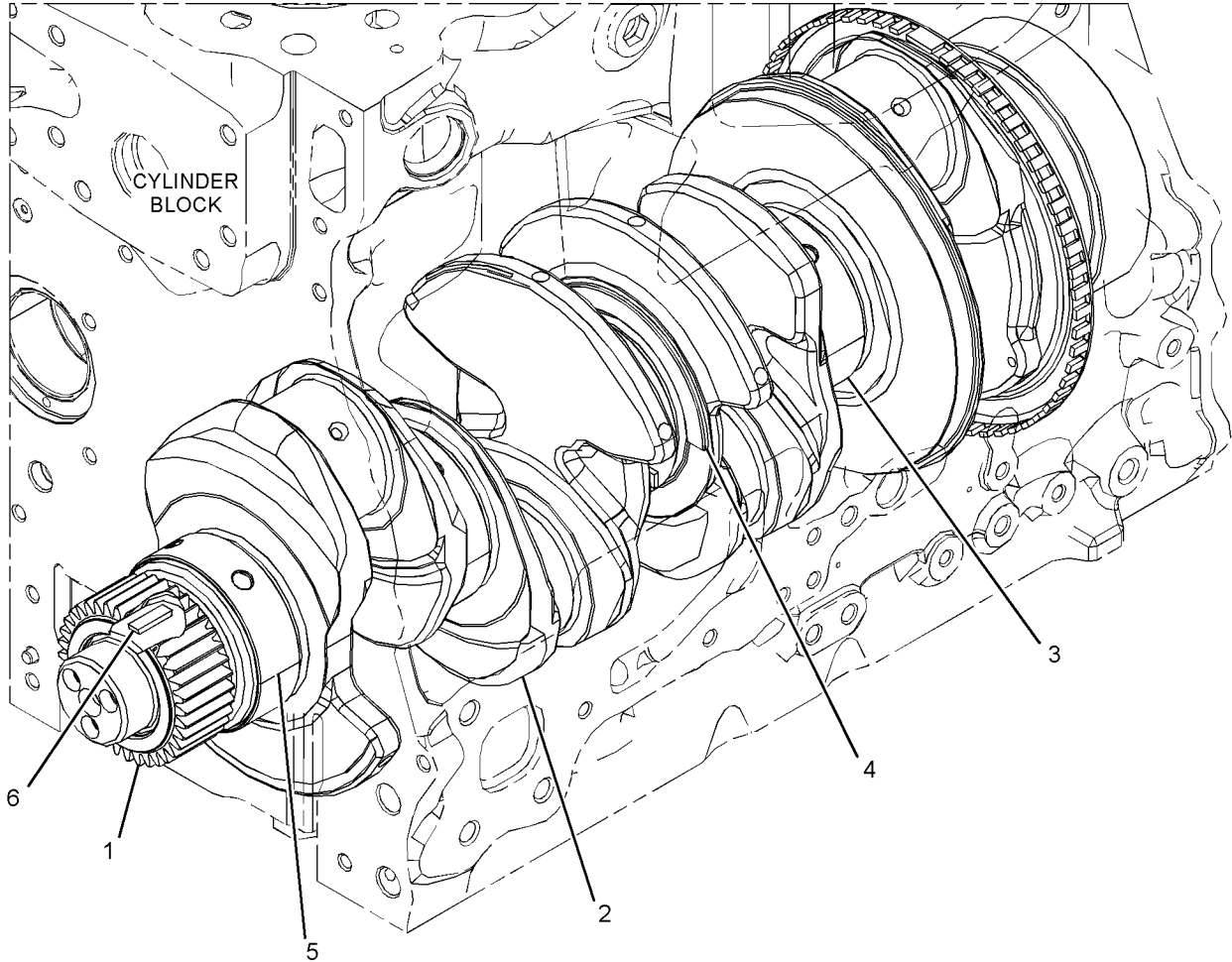
NOTE	REF NO	GRAPHIC REF	PART NUMBER	QTY	PART NAME						SEE PAGE
					1	2	3	4	5	6	
	1	1	338-1402	1	GEAR-CRANKSHAFT (36-TEETH)						
Y	2	1	491-5234	1	CRANKSHAFT AS						38
C	3	1	470-8171	5	BEARING-CRANKSHAFT (STANDARD-LOWER)						
J	4	1	363-0559	2	WASHER-THRUST						
CN	5	1	470-8101	5	BEARING-CRANKSHAFT (STANDARD-UPPER)						
	6	1	067-6135	1	KEY-WOODRUFF						
					AVAILABLE REPAIR KIT(S) :						
N			518-5431	1	KIT-BEARING (CRANKSHAFT)						
					(INCLUDES BEARINGS)						
AB			518-5432		KIT-BEARING (0.254-MM US)						
					(INCLUDES BEARINGS)						
AB			518-5433		KIT-BEARING (0.508-MM US)						
					(INCLUDES BEARINGS)						
AB			518-5436		KIT-BEARING (0.762-MM US)						
					(INCLUDES BEARINGS)						
J			364-5145	1	KIT-WASHER (STANDARD) (CRANKSHAFT)						
					(INCLUDES THRUST WASHERS)						
AB			448-4227		KIT-WASHER (0.20-MM US)						
					(INCLUDES THRUST WASHERS)						

A - NOT PART OF THIS GROUP
 B - USE AS REQUIRED
 C - CHANGE FROM PREVIOUS TYPE
 J - KIT MARKED J SERVICES PART(S) MARKED J
 N - KIT MARKED N SERVICES PART(S) MARKED N
 Y - SEPARATE ILLUSTRATION

BASIC ENGINE

346-4197 CRANKSHAFT GP (contd.)

106995833



GRAPHIC #1

<END>

g03326057

BASIC ENGINE

350-3746 CRANKSHAFT GP

S/N: CJ41-UP

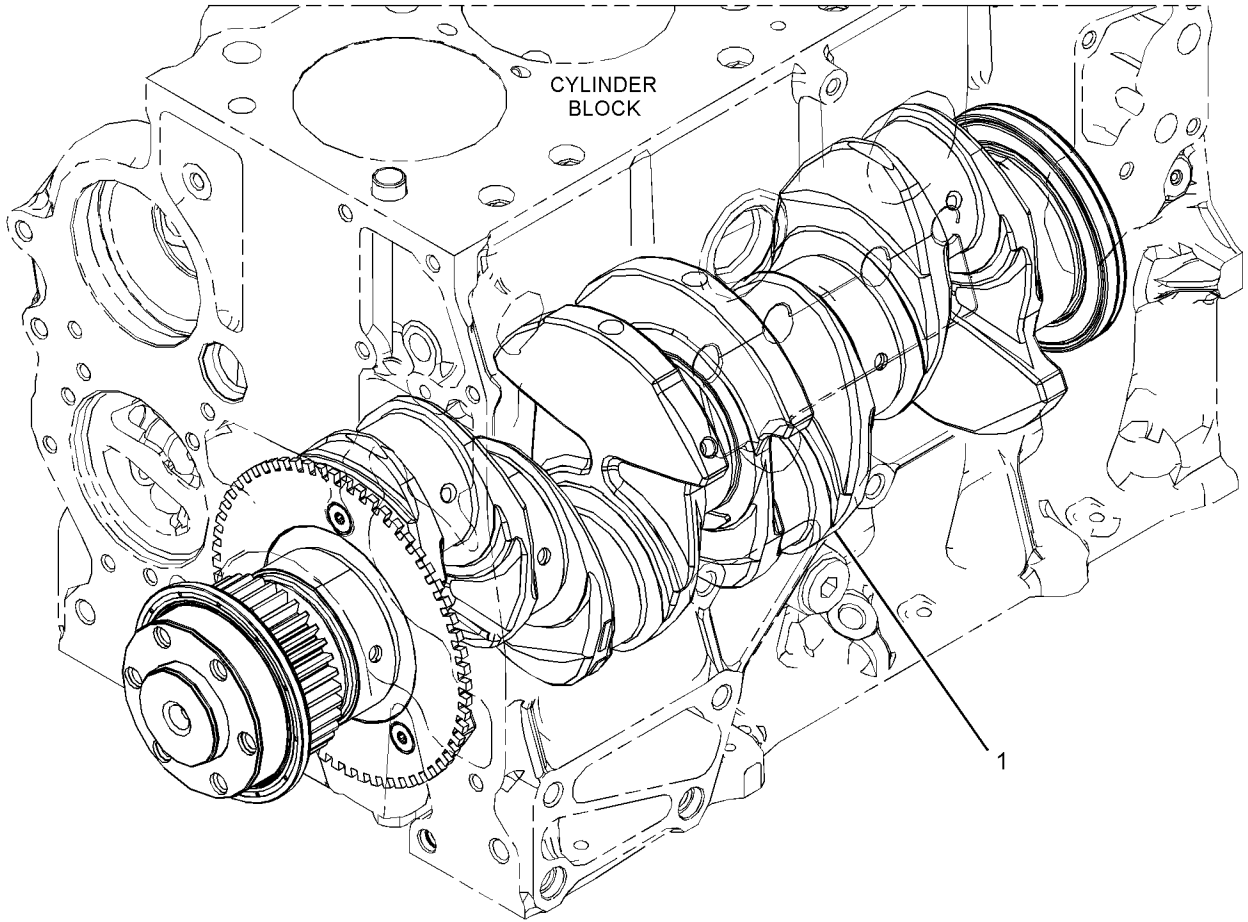
PART OF 465-2880 ENGINE AR-PRIMARY

SMCS-1202

i06190715

NOTE	REF NO	GRAPHIC REF	PART NUMBER	QTY	PART NAME						SEE PAGE
					1	2	3	4	5	6 (PRODUCT LEVEL)	
CY	1	1	459-8174	1	CRANKSHAFT GP						45

C - CHANGE FROM PREVIOUS TYPE
Y - SEPARATE ILLUSTRATION



GRAPHIC #1

<END>

g02884156

BASIC ENGINE

364-5843 CRANKSHAFT GP

S/N: JKT1-UP

AXIAL PTO & BALANCER

PART OF 449-5062 CYLINDER BLOCK GP-SHORT

SMCS-1202

i06078807

NOTE	REF NO	GRAPHIC REF	PART NUMBER	QTY	PART NAME						SEE PAGE
					1	2	3	4	5	6 (PRODUCT LEVEL)	
	1	1	067-6135	1	KEY-WOODRUFF						
LP	2	1	317-5485	5	BEARING						
LP	3	1	317-5486	5	BEARING						
	4	1	338-1402	1	GEAR-CRANKSHAFT (36-TEETH)						
	5	1	342-6508	1	SHIM (0.1-MM THK)						
J	6	1	363-0559	2	WASHER-THRUST						
CY	7	1	466-8480	1	CRANKSHAFT AS						37

AVAILABLE REPAIR KIT(S) :

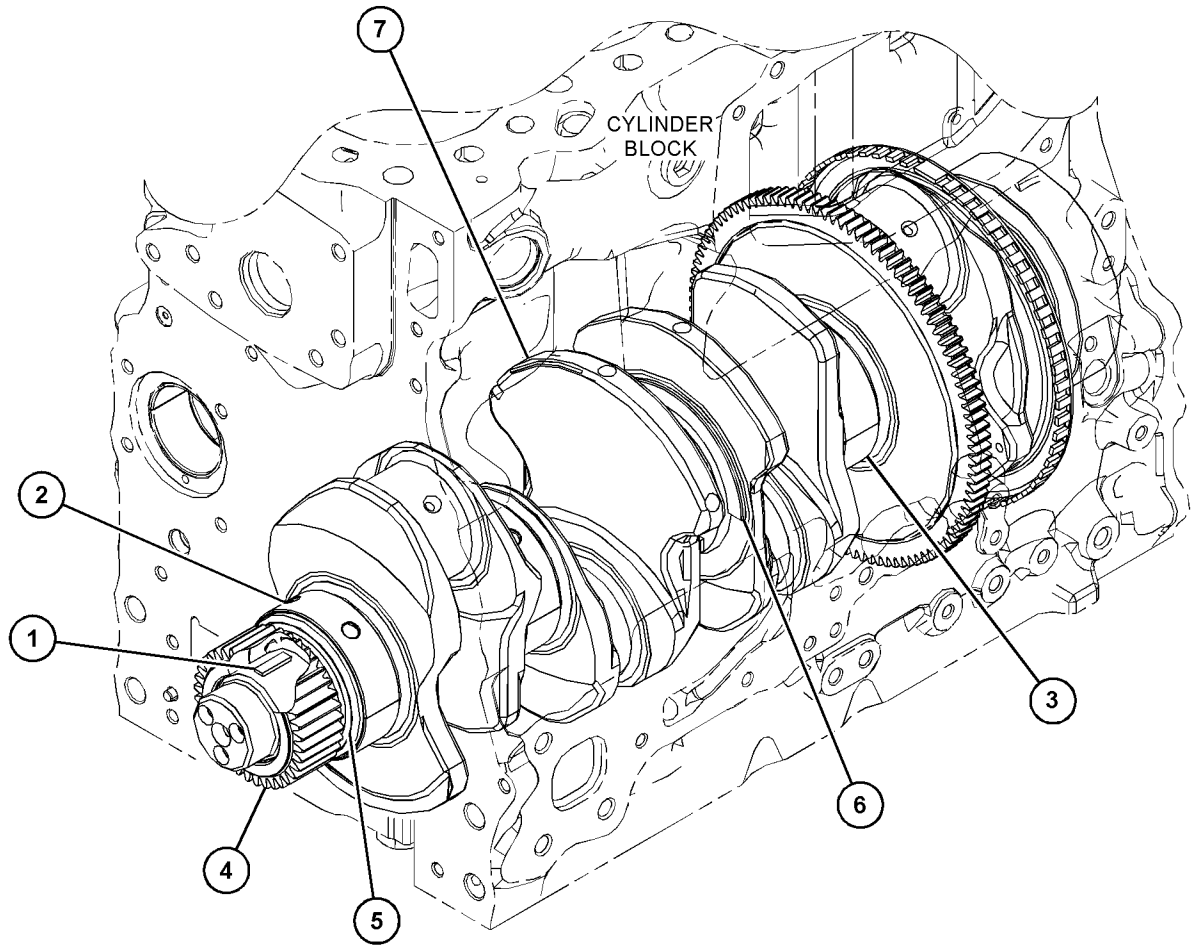
L		360-1978	1	KIT-BEARING (STANDARD) (CRANKSHAFT) (INCLUDES BEARINGS)					
P		360-3988		KIT-BEARING (STANDARD) (CRANKSHAFT MAIN BEARING) (INCLUDES BEARINGS)					
J		364-5145		KIT-WASHER (STANDARD) (CRANKSHAFT) (INCLUDES WASHERS)					

C - CHANGE FROM PREVIOUS TYPE
 J - KIT MARKED J SERVICES PART(S) MARKED J
 L - KIT MARKED L SERVICES PART(S) MARKED L
 P - KIT MARKED P SERVICES PART(S) MARKED P
 Y - SEPARATE ILLUSTRATION

BASIC ENGINE

364-5843 CRANKSHAFT GP (contd.)

106078807



GRAPHIC #1

<END>

g03669820

BASIC ENGINE

433-6323 CRANKSHAFT GP

S/N: W231-UP

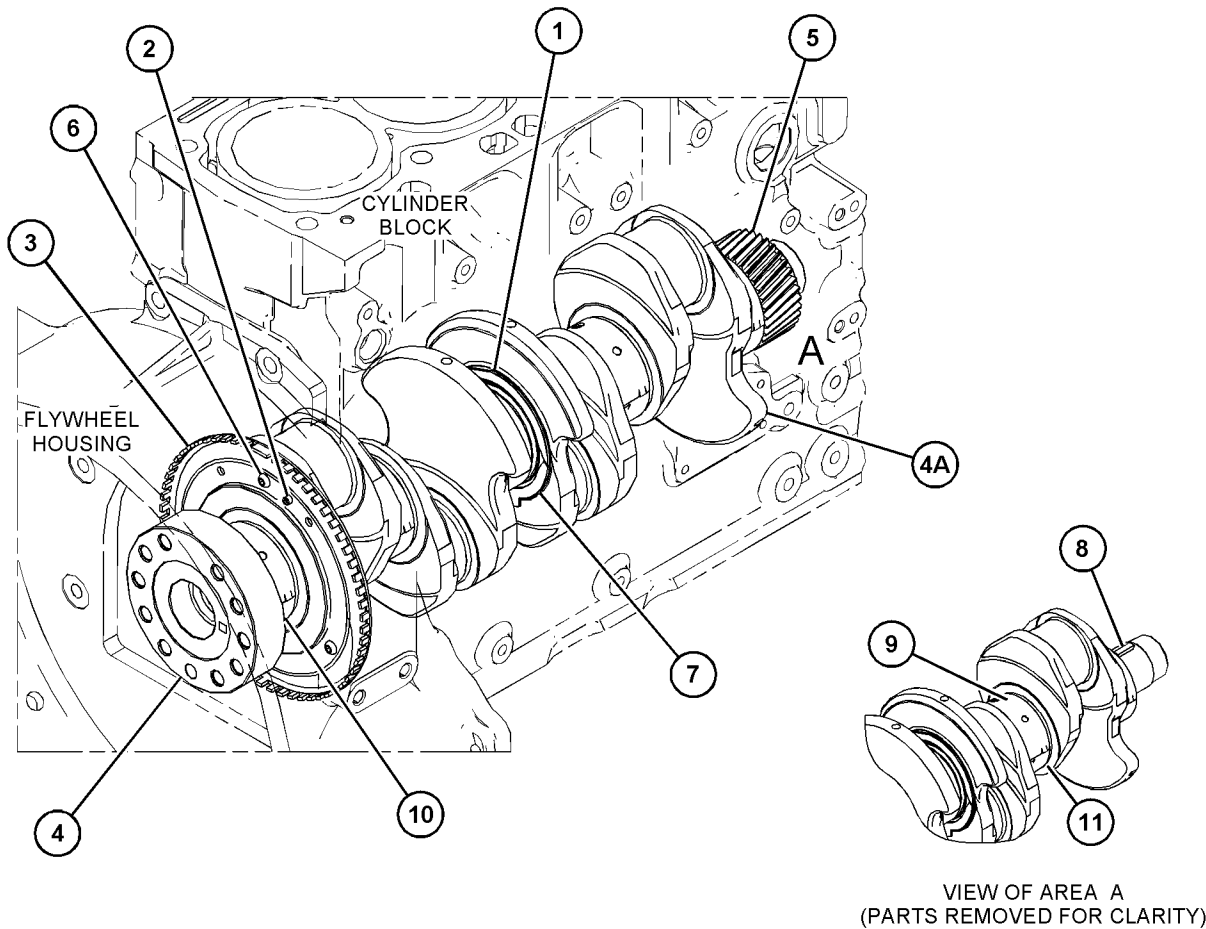
PART OF 452-7386 CYLINDER BLOCK GP-SHORT, 463-8848 ENGINE AR-PRIMARY

SMCS-1202

i06938020

NOTE	REF NO	GRAPHIC REF	PART NUMBER	QTY	PART NAME						SEE PAGE
					1	2	3	4	5	6	
C	1	1	470-7995	2	PLATE-THRUST (STANDARD)						
	2	1	339-8780	1	DOWEL						
	3	1	341-4028	1	RING-TIMING						
	4	1	475-8373	1	CRANKSHAFT GP						
	4A	1	455-3693	1	CRANKSHAFT						
	5	1	216-8314	1	GEAR-CRANKSHAFT (34-TEETH)						
	6	1	276-7394	3	SCREW (M6X1XX12-MM)						
C	7	1	470-8021	2	PLATE-THRUST (STANDARD)						
	8	1	067-6135	1	KEY-WOODRUFF (CRANKSHAFT)						
C	9	1	470-7971	1	BEARING						
C	10	1	470-8023	4	BEARING						
C	11	1	470-8031	5	BEARING						

C - CHANGE FROM PREVIOUS TYPE



GRAPHIC #1

<END>

g06195720

BASIC ENGINE

459-8174 CRANKSHAFT GP

S/N: CJ41-UP

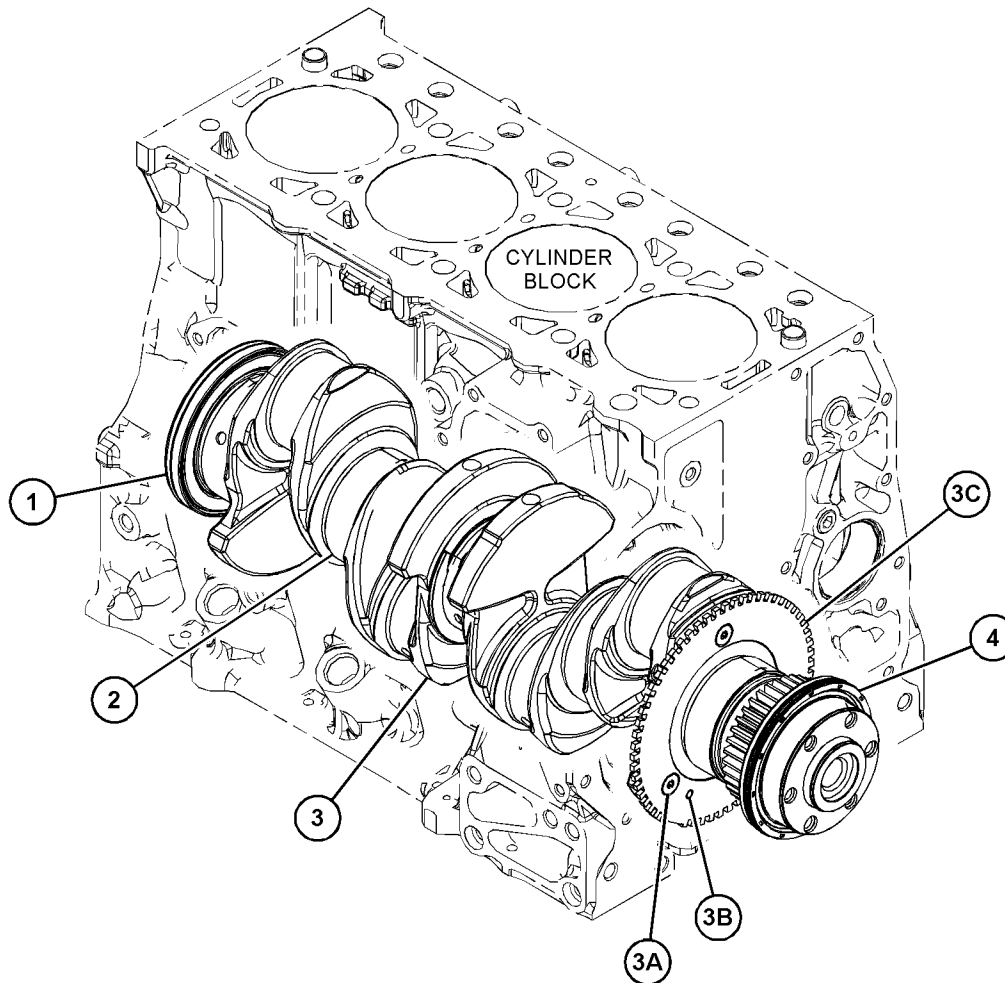
PART OF 350-3746 CRANKSHAFT GP

SMCS-1202

i05950679

NOTE	REF NO	GRAPHIC REF	PART NUMBER	QTY	PART NAME						SEE PAGE
					1	2	3	4	5	6 (PRODUCT LEVEL)	
	1	1	385-9063	1	SEAL (REAR)						
	2	1	390-3066	1	BEARING SET-MAIN (STANDARD)						
AB			390-3076		BEARING SET-MAIN (0.25-MM US)						
AB			390-3077		BEARING SET-MAIN (0.51-MM US)						
	3	1	454-5820	1	CRANKSHAFT GP						
	3A	1	381-3513	3	BOLT						
	3B	1	381-3514	1	DOWEL						
	3C	1	385-9059	1	GEAR-CRANKSHAFT						
	4	1	460-2323	1	SEAL (FRONT)						

A - NOT PART OF THIS GROUP
B - USE AS REQUIRED



GRAPHIC #1

<END>

g03737955

BASIC ENGINE

510-5297 CRANKSHAFT GP

S/N: W231-UP

PART OF 463-8910 ENGINE AR-PRIMARY

TYPE 1

SMCS-1202

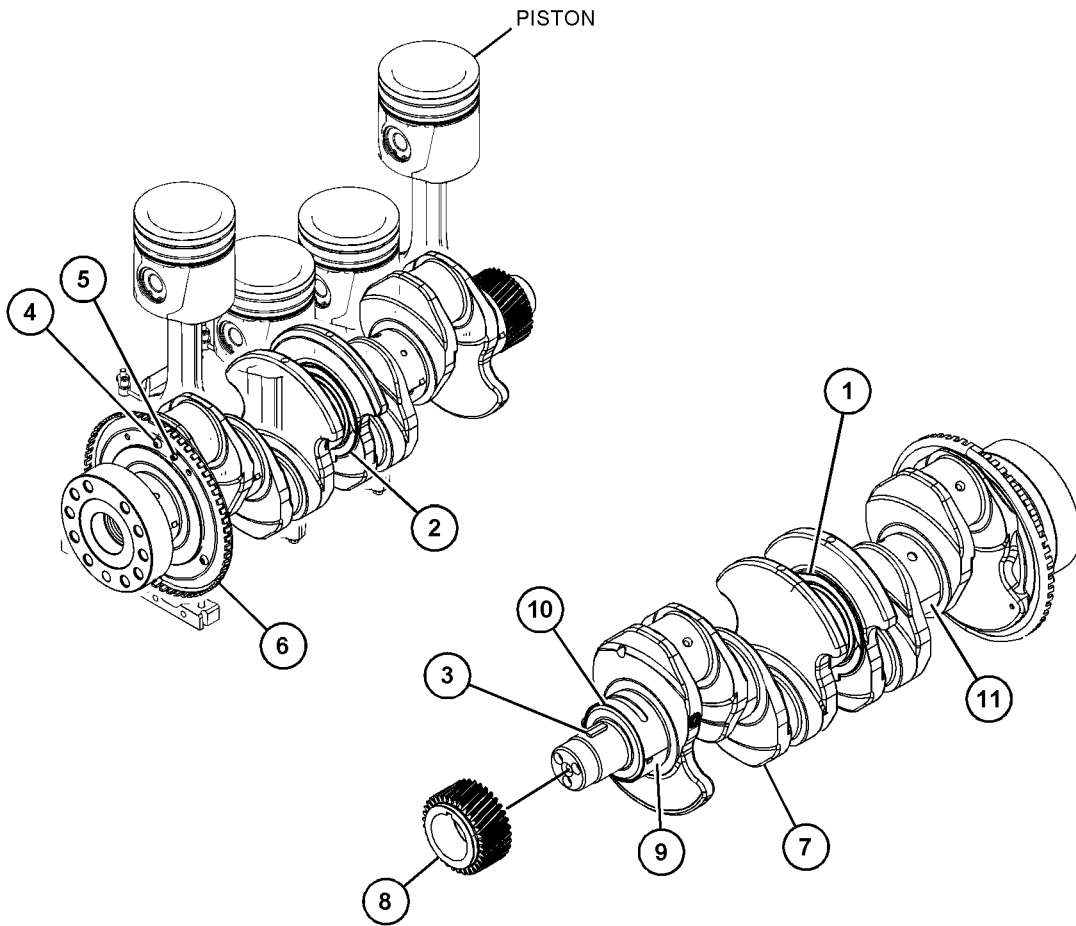
i06909629

NOTE	REF NO	GRAPHIC REF	PART NUMBER	QTY	PART NAME						SEE PAGE
					1	2	3	4	5	6 (PRODUCT LEVEL)	
P	1	1	032-9090	2	WASHER-THRUST (STANDARD-UPPER)						
P	2	1	032-9091	2	WASHER-THRUST (STANDARD-LOWER)						
	3	1	067-6135	1	KEY-WOODRUFF						
	4	1	276-7394	3	SCREW (M6X1XX12-MM)						
	5	1	339-8780	1	DOWEL						
	6	1	341-4028	1	RING-TIMING						
	7	1	448-2620	1	CRANKSHAFT AS						
	8	1	216-8314	1	GEAR-CRANKSHAFT (34-TEETH)						
N	9	1	417-5749	5	BEARING						
N	10	1	317-5487	1	BEARING						
N	11	1	334-9333	4	BEARING						
					AVAILABLE REPAIR KIT(S):						
N			353-7423	1	KIT-BEARING (MAIN)						
					(INCLUDES BEARINGS)						
AB			353-7424		KIT-BEARING (0.25-MM US)						
					(INCLUDES BEARINGS)						
AB			353-7425		KIT-BEARING (0.50-MM US)						
					(INCLUDES BEARINGS)						
AB			353-7426		KIT-BEARING (0.75-MM US)						
					(INCLUDES BEARINGS)						
P			247-2717	1	KIT-THRUST WASHER						
<p>A - NOT PART OF THIS GROUP B - USE AS REQUIRED N - KIT MARKED N SERVICES PART(S) MARKED N P - KIT MARKED P SERVICES PART(S) MARKED P</p>											

BASIC ENGINE

510-5297 CRANKSHAFT GP (contd.)

106909629



GRAPHIC #1

<END>

g06157281

BASIC ENGINE

510-5297 CRANKSHAFT GP

S/N: W231-UP

PART OF 463-8910 ENGINE AR-PRIMARY

TYPE 2

SMCS-1202

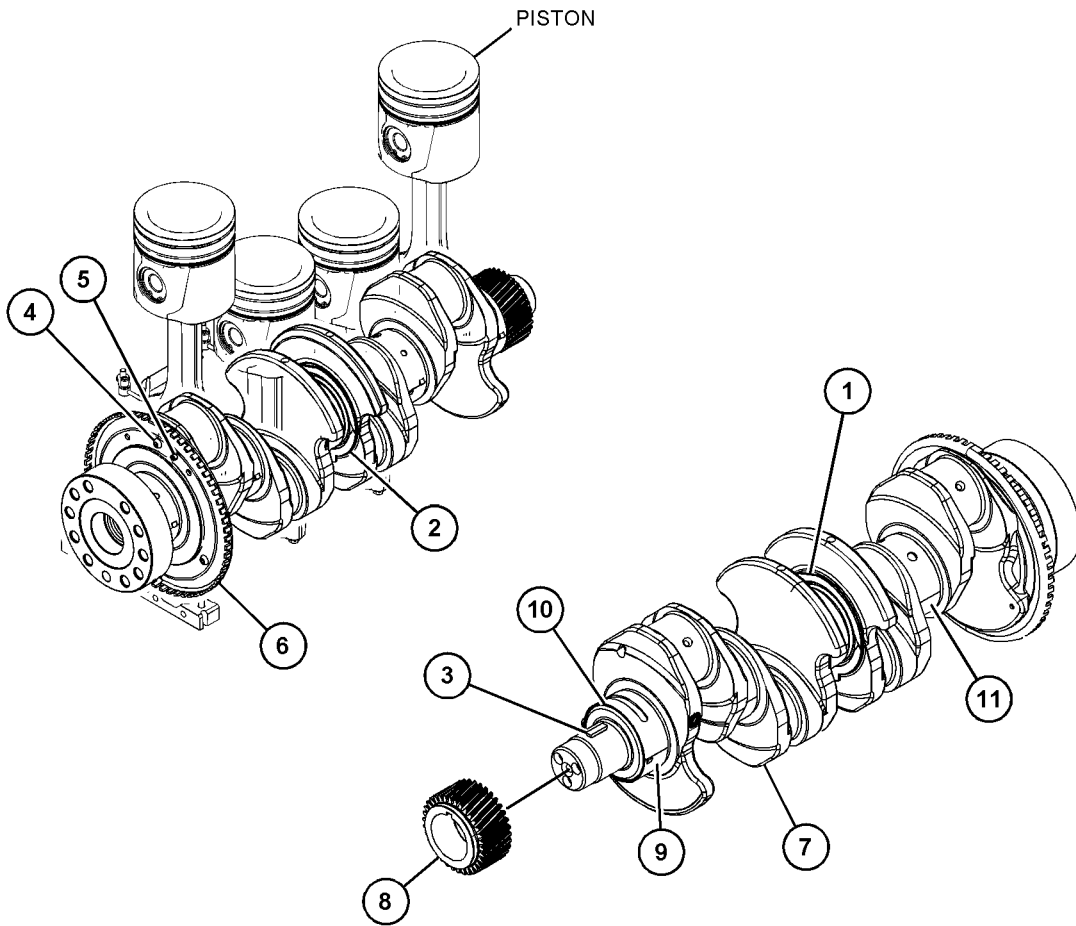
i07039661

NOTE	REF NO	GRAPHIC REF	PART NUMBER	QTY	PART NAME						SEE PAGE
					1	2	3	4	5	6	
	1	1	470-7995	2	PLATE-THRUST (STANDARD) (UPPER)						
	2	1	470-8021	2	PLATE-THRUST (STANDARD) (LOWER)						
	3	1	067-6135	1	KEY-WOODRUFF						
	4	1	276-7394	3	SCREW (M6X1XX12-MM)						
	5	1	339-8780	1	DOWEL						
	6	1	341-4028	1	RING-TIMING						
	7	1	448-2620	1	CRANKSHAFT AS						
	8	1	216-8314	1	GEAR-CRANKSHAFT (34-TEETH)						
CN	9	1	470-8031	5	BEARING						
CN	10	1	470-7971	1	BEARING						
C	11	1	470-8023	4	BEARING						
					AVAILABLE REPAIR KIT(S):						
CN			518-5437	1	KIT-BEARING (CRANKSHAFT)						
					(INCLUDES BEARINGS)						
AB			518-5440		KIT-BEARING (0.254-MM US)						
					(INCLUDES BEARINGS)						
AB			518-5441		KIT-BEARING (0.50-MM US)						
					(INCLUDES BEARINGS)						
AB			518-5885		KIT-BEARING (0.75-MM US)						
					(INCLUDES BEARINGS)						
C			518-5891	1	PLATE-THRUST (STANDARD) (CRANKSHAFT)						
					(INCLUDES THRUST WASHERS)						
AB			518-5892		PLATE-THRUST (0.191-MM US)						
					(INCLUDES THRUST WASHERS)						
AB			518-5893		PLATE-THRUST (STANDARD, 0.191-MM US)						
					(INCLUDES THRUST WASHERS)						
<p>A - NOT PART OF THIS GROUP B - USE AS REQUIRED C - CHANGE FROM PREVIOUS TYPE N - KIT MARKED N SERVICES PART(S) MARKED N</p>											

BASIC ENGINE

510-5297 CRANKSHAFT GP (contd.)

107039661



GRAPHIC #1

<END>

g06157281

BASIC ENGINE

510-5297 CRANKSHAFT GP

S/N: W231-UP

PART OF 463-8910 ENGINE AR-PRIMARY

TYPE 3

SMCS-1202

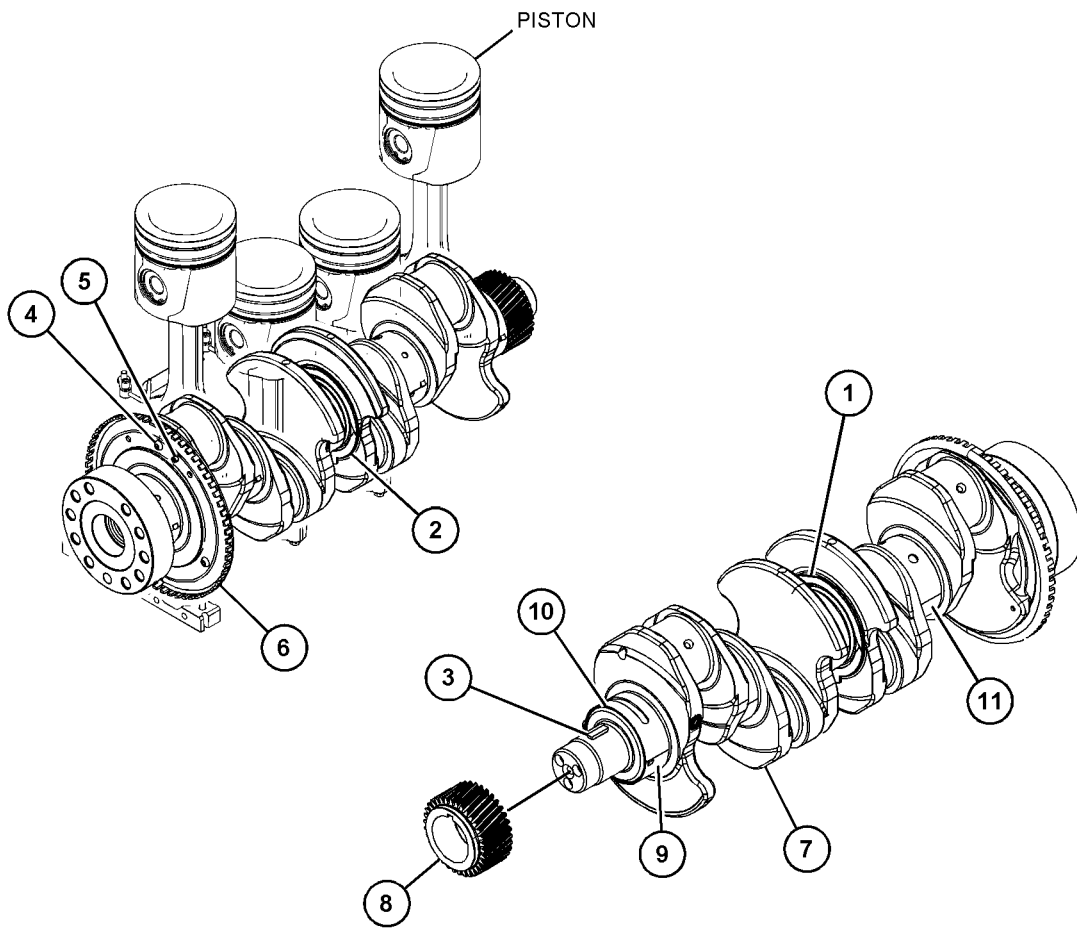
i07143177

NOTE	REF NO	GRAPHIC REF	PART NUMBER	QTY	PART NAME						SEE PAGE
					1	2	3	4	5	6	
CJ	1	1	470-7995	2	PLATE-THRUST (STANDARD) (UPPER)						
CJ	2	1	470-8021	2	PLATE-THRUST (STANDARD) (LOWER)						
	3	1	067-6135	1	KEY-WOODRUFF						
	4	1	276-7394	3	SCREW (M6X1XX12-MM)						
	5	1	339-8780	1	DOWEL						
	6	1	341-4028	1	RING-TIMING						
	7	1	448-2620	1	CRANKSHAFT AS						
	8	1	216-8314	1	GEAR-CRANKSHAFT (34-TEETH)						
N	9	1	470-8031	5	BEARING						
N	10	1	470-7971	1	BEARING						
	11	1	470-8023	4	BEARING						
					AVAILABLE REPAIR KIT(S):						
N			518-5437	1	KIT-BEARING (CRANKSHAFT)						
					(INCLUDES BEARINGS)						
AB			518-5440		KIT-BEARING (0.254-MM US)						
					(INCLUDES BEARINGS)						
AB			518-5441		KIT-BEARING (0.50-MM US)						
					(INCLUDES BEARINGS)						
AB			518-5885		KIT-BEARING (0.75-MM US)						
					(INCLUDES BEARINGS)						
J			518-5891	1	PLATE-THRUST (STANDARD) (CRANKSHAFT)						
					(INCLUDES THRUST WASHERS)						
AB			518-5892		PLATE-THRUST (0.191-MM US)						
					(INCLUDES THRUST WASHERS)						
AB			518-5893		PLATE-THRUST (STANDARD, 0.191-MM US)						
					(INCLUDES THRUST WASHERS)						
<p>A - NOT PART OF THIS GROUP B - USE AS REQUIRED C - CHANGE FROM PREVIOUS TYPE J - KIT MARKED J SERVICES PART(S) MARKED J N - KIT MARKED N SERVICES PART(S) MARKED N</p>											

BASIC ENGINE

510-5297 CRANKSHAFT GP (contd.)

i07143177



GRAPHIC #1

<END>

g06157281

BASIC ENGINE

351-8228 CYLINDER BLOCK AS

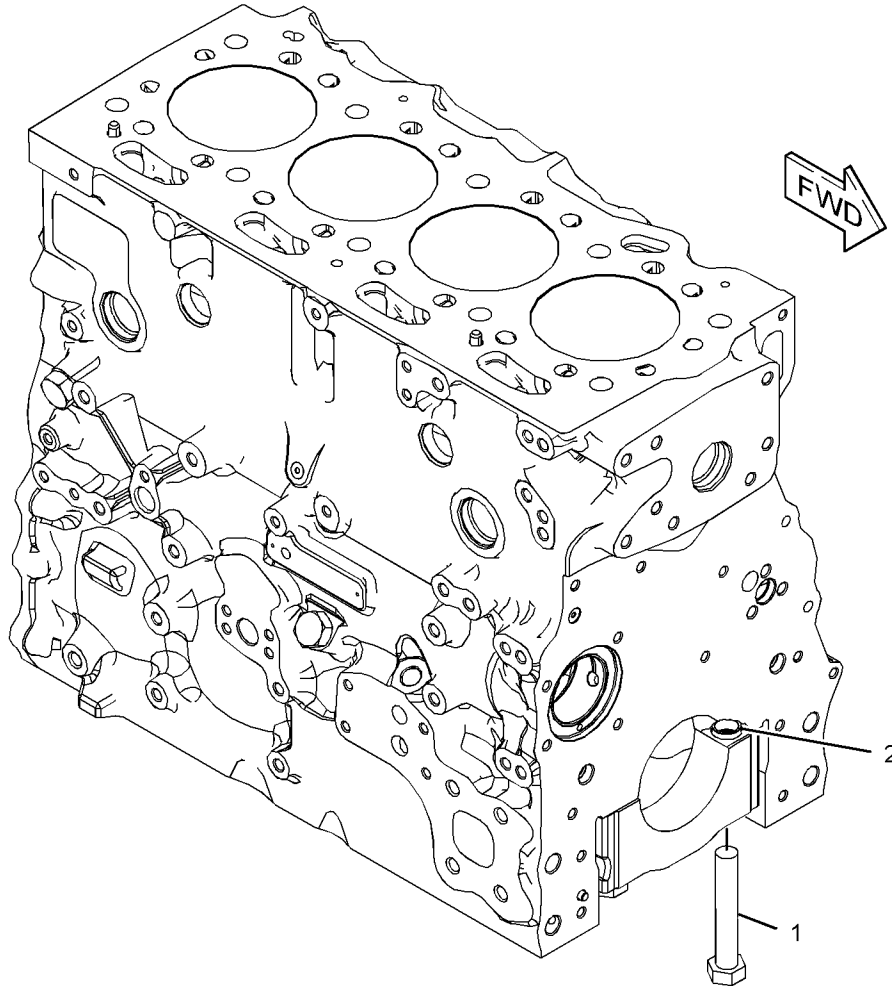
S/N: JKT1-UP

PART OF 351-8229 CYLINDER BLOCK AS
ALSO AN ATTACHMENT

SMCS-1201

i04683491

NOTE	REF NO	GRAPHIC REF	PART NUMBER	QTY	PART NAME						SEE PAGE
					1	2	3	4	5	6 (PRODUCT LEVEL)	
1	1	1	0S-2353	10	BOLT (5/8-18X3.75-IN)						
2	1	1	067-6002	10	DOWEL						



GRAPHIC #1

<END>

g02698636

BASIC ENGINE

351-8229 CYLINDER BLOCK AS

S/N: JKT1-UP

PART OF 355-3530 CYLINDER BLOCK GP
ALSO AN ATTACHMENT

SMCS-1201

i04683489

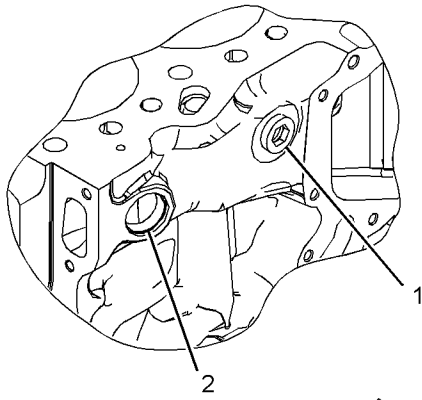
NOTE	REF NO	GRAPHIC REF	PART NUMBER	QTY	PART NAME						SEE PAGE
					1	2	3	4	5	6	
	1	1	067-6006	1	PLUG						
	2	1	067-6043	3	PLUG-SIDE						
	3	1	185-0884	2	DOWEL						
	4	1	232-7597	4	PLUG						
	5	1	232-7599	1	PLUG						
	6	1	331-6835	3	PLUG-SEAL						
	7	1	232-7596	1	PLUG						
Y	8	1	351-8228	1	CYLINDER BLOCK AS						52

Y - SEPARATE ILLUSTRATION

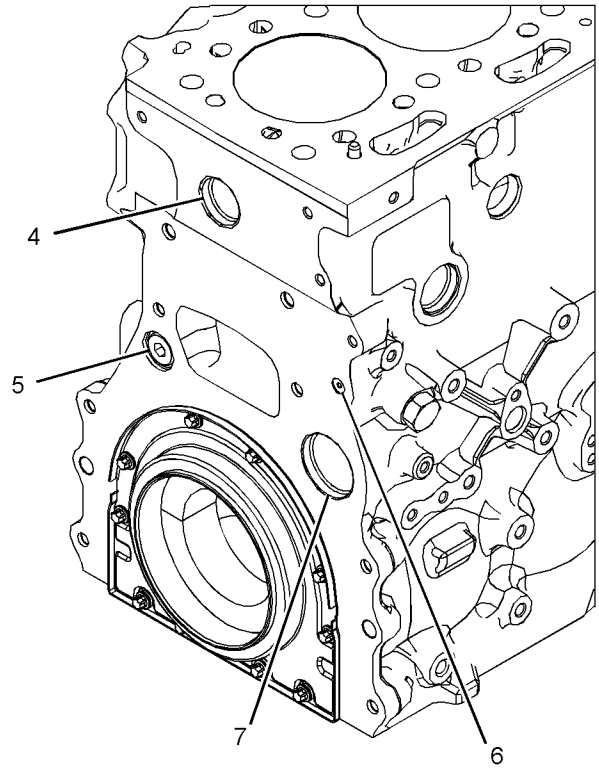
BASIC ENGINE

351-8229 CYLINDER BLOCK AS (contd.)

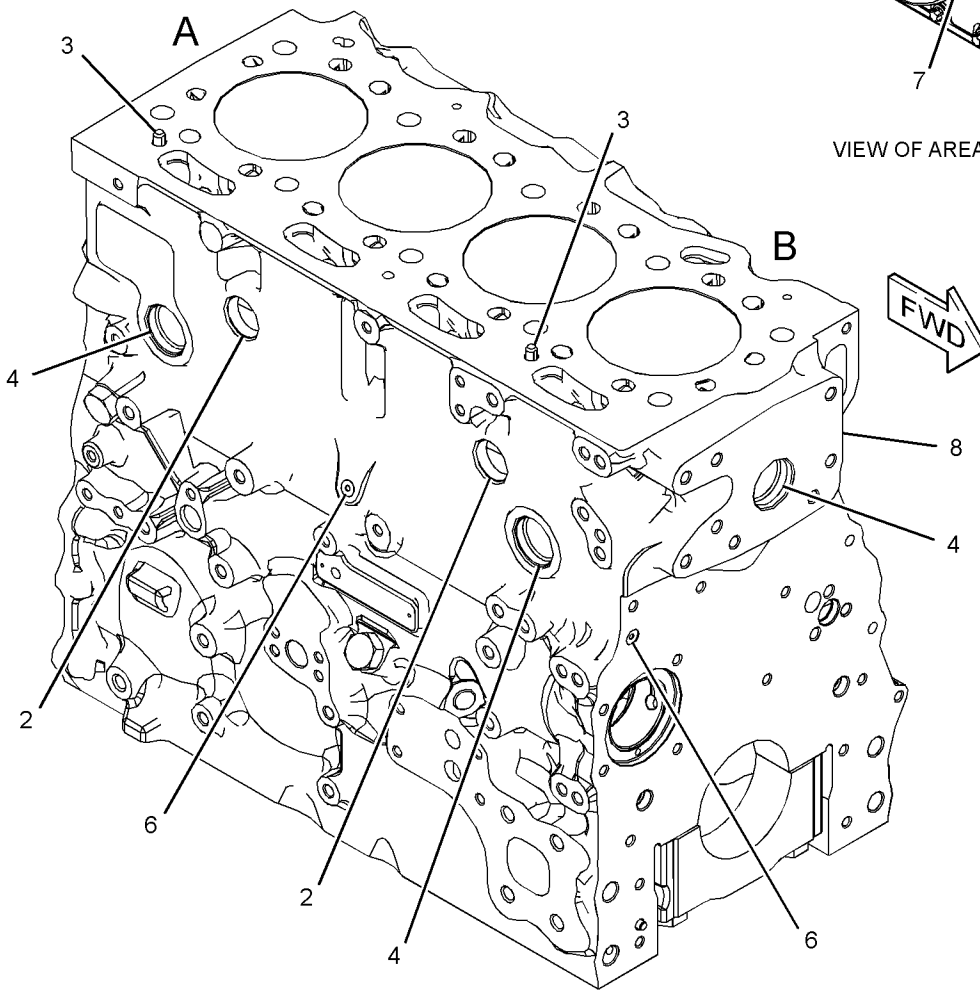
i04683489



VIEW OF AREA B



VIEW OF AREA A



GRAPHIC #1

<END>

g02698596

BASIC ENGINE

350-3745 CYLINDER BLOCK GP

S/N: CJ41-UP

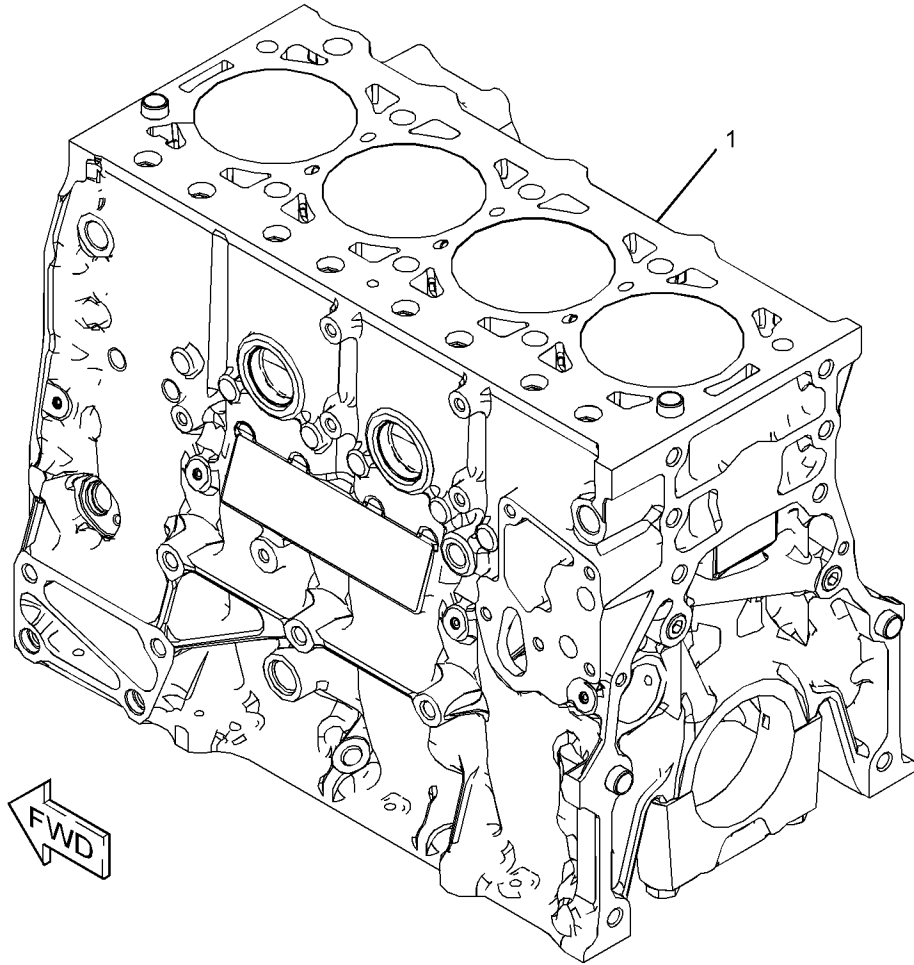
PART OF 465-2880 ENGINE AR-PRIMARY

SMCS-1201

i05951129

NOTE	REF NO	GRAPHIC REF	PART NUMBER	QTY	PART NAME						SEE PAGE
					1	2	3	4	5	6 (PRODUCT LEVEL)	
CY	1	1	464-1143	1	CYLINDER BLOCK GP						61

C - CHANGE FROM PREVIOUS TYPE
Y - SEPARATE ILLUSTRATION



GRAPHIC #1

<END>

g02885556

BASIC ENGINE

355-3530 CYLINDER BLOCK GP

S/N: JKT1-UP

PART OF 449-5062 CYLINDER BLOCK GP-SHORT

SMCS-1201

i04584388

NOTE	REF NO	GRAPHIC REF	PART NUMBER	QTY	PART NAME	SEE PAGE
					1 2 3 4 5 6 (PRODUCT LEVEL)	
	1	1	199-9751	1	SEAL-O-RING	
M	2	1	209-9219	10	BOLT (M8X1.25X16-MM)	
	3	1	232-1322	2	PLUG	
	4	1	276-5604	1	DOWEL	
	5	1	276-5603	1	SEAL-O-RING	
Y	6	1	351-8229	1	CYLINDER BLOCK AS	53
	7	1	232-7449	1	HOUSING AS	

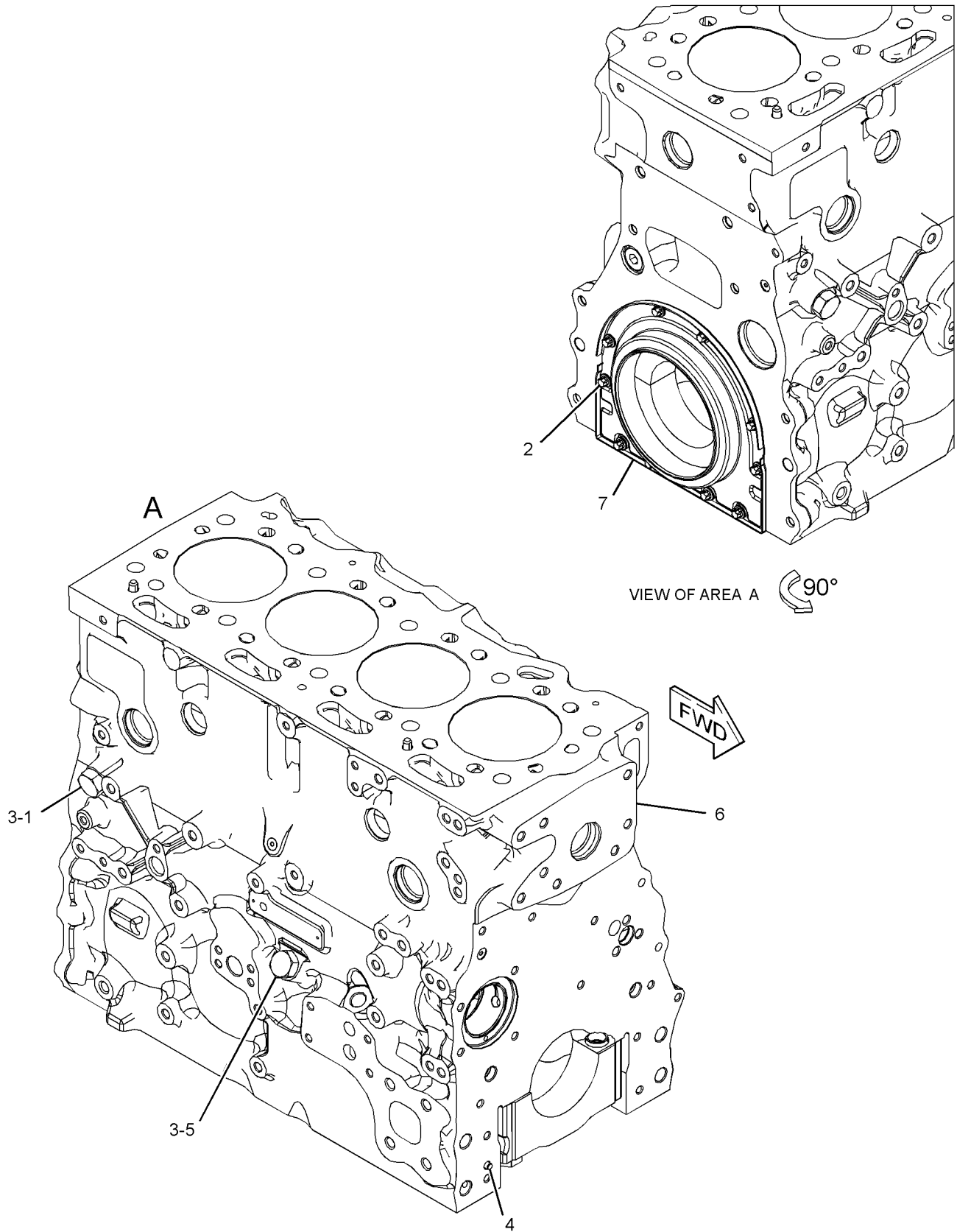
M - METRIC PART

Y - SEPARATE ILLUSTRATION

BASIC ENGINE

355-3530 CYLINDER BLOCK GP (contd.)

i04584388



GRAPHIC #1

<END>

g02681756

BASIC ENGINE

355-3530 CYLINDER BLOCK GP

S/N: JKT1-UP

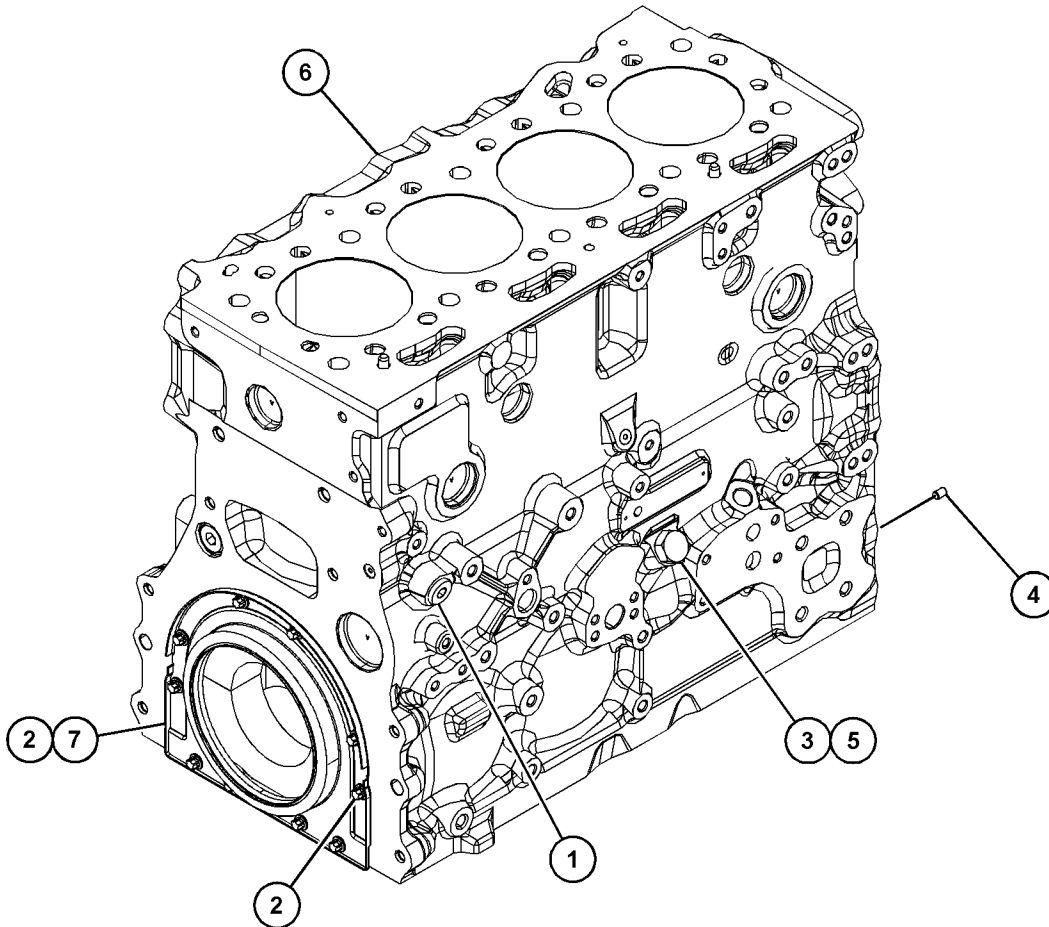
PART OF 464-2307, 464-2308 ENGINE AR-PRIMARY
ALSO AN ATTACHMENT

SMCS-1201

i06915120

NOTE	REF NO	GRAPHIC REF	PART NUMBER	QTY	PART NAME						SEE PAGE
					1	2	3	4	5	6 (PRODUCT LEVEL)	
C	1	1	470-4925	1	PLUG						
M	2	1	209-9219	10	BOLT (M8X1.25X16-MM)						
C	3	1	232-1322	1	PLUG						
	4	1	276-5604	1	DOWEL						
	5	1	276-5603	1	SEAL-O-RING						
Y	6	1	351-8229	1	CYLINDER BLOCK AS						53
	7	1	232-7449	1	HOUSING AS						

C - CHANGE FROM PREVIOUS TYPE
M - METRIC PART
Y - SEPARATE ILLUSTRATION



GRAPHIC #1

<END>

g06170401

BASIC ENGINE

415-3299 CYLINDER BLOCK GP

S/N: W231-UP

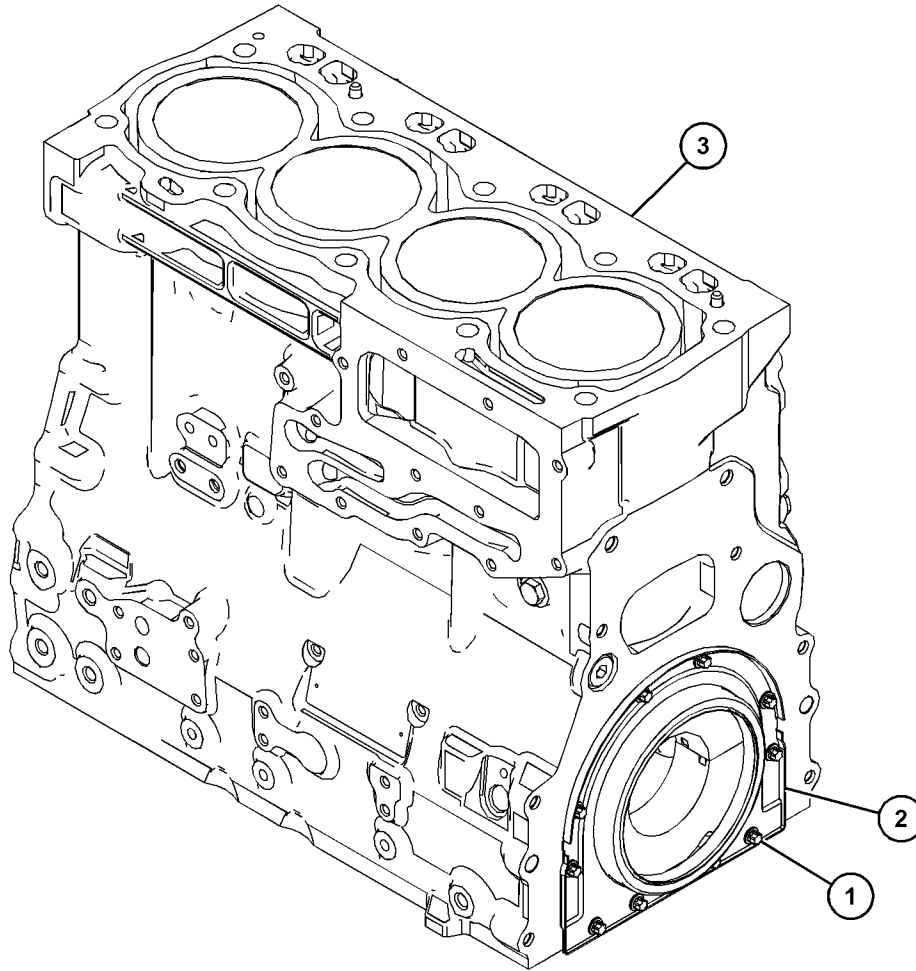
PART OF 452-7386 CYLINDER BLOCK GP-SHORT, 463-8848, 463-8910 ENGINE AR-PRIMARY

SMCS-1201

i06170664

NOTE	REF NO	GRAPHIC REF	PART NUMBER	QTY	PART NAME						SEE PAGE
					1	2	3	4	5	6 (PRODUCT LEVEL)	
M	1	1	209-9219	10	BOLT (M8X1.25X16-MM)						
	2	1	232-7449	1	HOUSING AS						
Y	3	1	451-7736	1	CYLINDER BLOCK GP						60

M - METRIC PART
Y - SEPARATE ILLUSTRATION



GRAPHIC #1

<END>

g03813084

BASIC ENGINE

451-7736 CYLINDER BLOCK GP

S/N: W231-UP

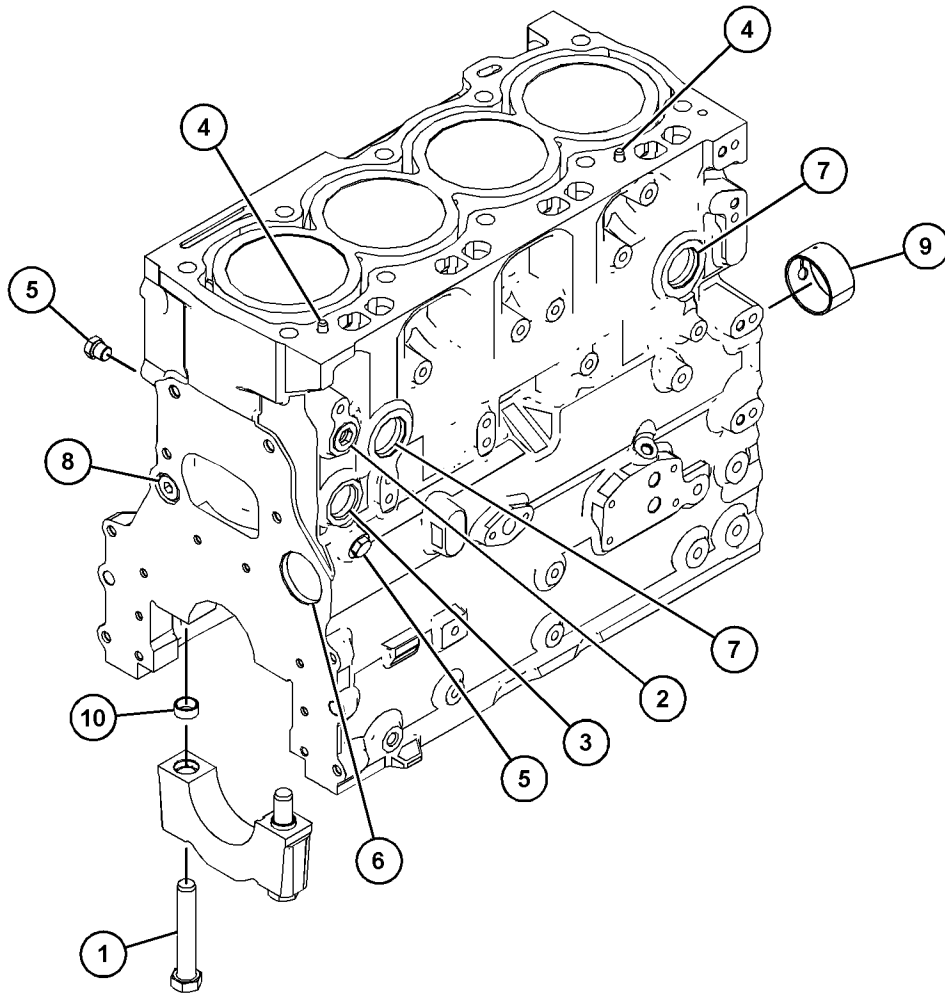
PART OF 415-3299 CYLINDER BLOCK GP

SMCS-1201

i06914865

NOTE	REF NO	GRAPHIC REF	PART NUMBER	QTY	PART NAME						SEE PAGE
					1	2	3	4	5	6	
	1	1	035-8068	10	BOLT (5/8-18X3.75-IN)						
	2	1	067-6006	1	PLUG (CYLINDER BLOCK)						
	3	1	067-6043	1	PLUG-SIDE						
	4	1	185-0884	2	DOWEL						
	5	1	225-8858	2	PLUG						
	6	1	232-7596	1	PLUG						
	7	1	232-7597	2	PLUG						
	8	1	232-7599	1	PLUG						
	9	1	366-8853	1	BEARING						
	10	1	067-6002	10	DOWEL						

PARTS SHOWN IN GRAPHIC(S) WITHOUT A REFERENCE NUMBER ARE NOT SERVICED SEPARATELY



GRAPHIC #1

<END>

g03811216

BASIC ENGINE

464-1143 CYLINDER BLOCK GP

S/N: CJ41-UP

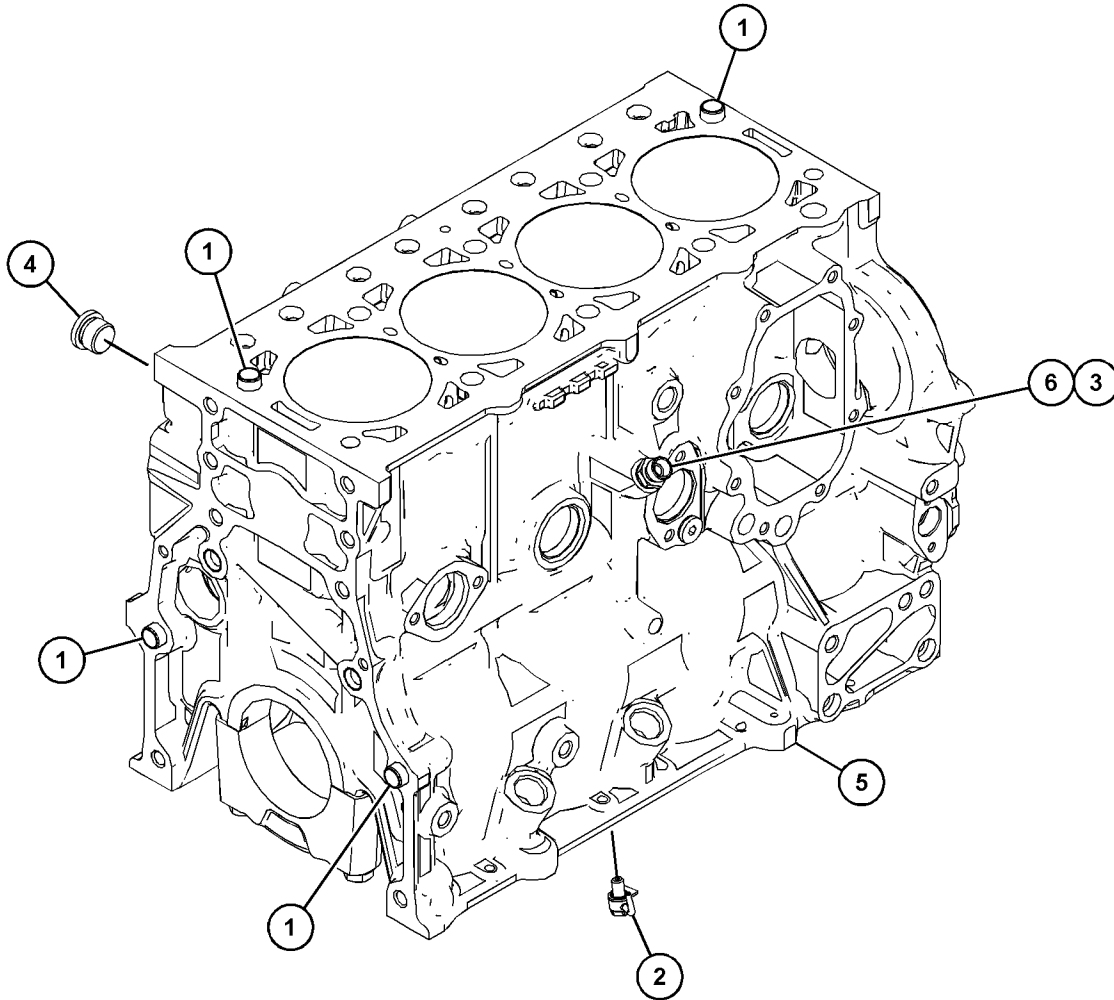
PART OF 350-3745 CYLINDER BLOCK GP

SMCS-1201

i07222165

NOTE	REF NO	GRAPHIC REF	PART NUMBER	QTY	PART NAME						SEE PAGE
					1	2	3	4	5	6 (PRODUCT LEVEL)	
	1	1	379-3142	4	DOWEL						
	2	1	379-3158	4	NOZZLE AS (PISTON COOLING)						
	3	1	379-3163	1	WASHER						
	4	1	379-3164	1	PLUG						
Y	5	1	491-7329	1	CYLINDER BLOCK GP						62
	6	1	464-6417	1	ADAPTER						

Y - SEPARATE ILLUSTRATION



GRAPHIC #1

<END>

g03739227

BASIC ENGINE

491-7329 CYLINDER BLOCK GP

S/N: CJ41-UP

PART OF 464-1143 CYLINDER BLOCK GP

SMCS-1201

i06556179

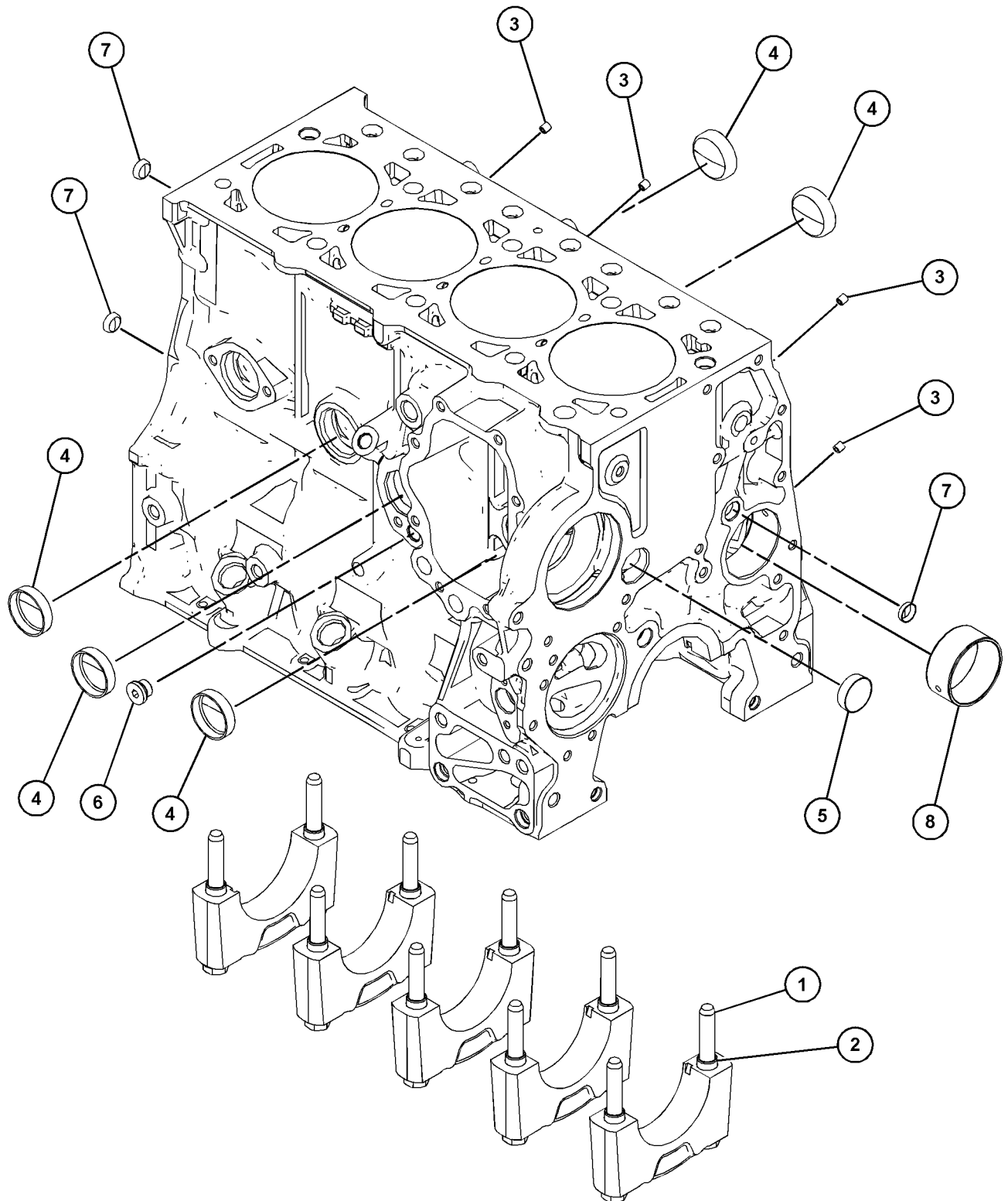
NOTE	REF NO	GRAPHIC REF	PART NUMBER	QTY	PART NAME						SEE PAGE
					1	2	3	4	5	6	
	1	1	379-3141	10	BOLT						
	2	1	379-3142	10	DOWEL						
	3	1	379-3144	4	PLUG						
	4	1	379-3145	5	PLUG						
	5	1	379-3146	1	PLUG						
	6	1	379-3147	1	PLUG						
	7	1	390-0320	3	PLUG						
	8	1	464-6447	1	BEARING						

PARTS SHOWN IN GRAPHIC(S) WITHOUT A REFERENCE NUMBER ARE NOT SERVICED SEPARATELY

BASIC ENGINE

491-7329 CYLINDER BLOCK GP (contd.)

i06556179



GRAPHIC #1

<END>

g06033120

BASIC ENGINE

449-5062 CYLINDER BLOCK GP-SHORT

S/N: JKT1-UP

PART OF 449-5064 CYLINDER BLOCK GP-SHORT

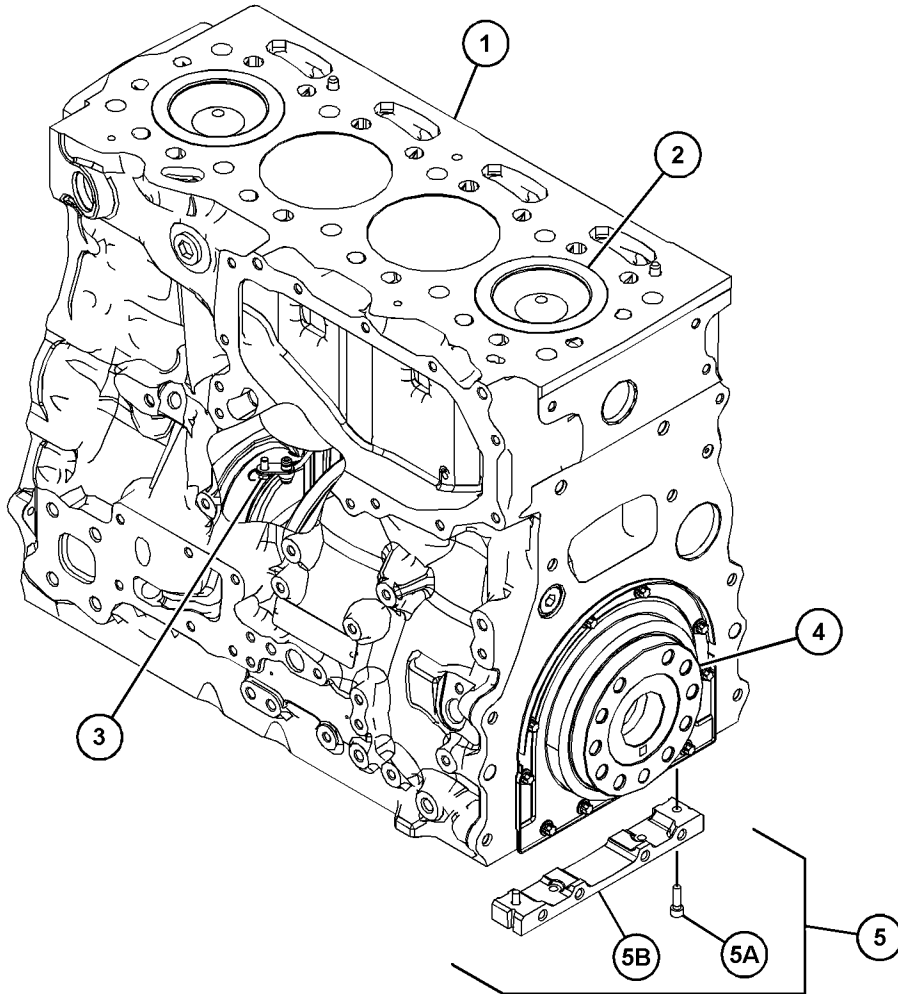
SMCS-1200, 1201

i05943583

NOTE	REF NO	GRAPHIC REF	PART NUMBER	QTY	PART NAME						SEE PAGE
					1	2	3	4	5	6 (PRODUCT LEVEL)	
Y	1	1	355-3530	1	CYLINDER BLOCK GP						56
Y	2	1	392-1366	1	PISTON & ROD GP						127
Y	3	1	330-9652	1	JET GP-PISTON COOLING						108
Y	4	1	364-5843	1	CRANKSHAFT GP						42
	5	1	446-0181	1	PAN GP-OIL						
M	5A	1	8T-0269	2	BOLT-SOCKET HEAD (M6X1X20-MM)						
	5B	1	329-5230	1	BRIDGE-CYLINDER SUPPORT						

M - METRIC PART

Y - SEPARATE ILLUSTRATION



GRAPHIC #1

<END>

g03664090

BASIC ENGINE

449-5064 CYLINDER BLOCK GP-SHORT

S/N: JKT1-UP

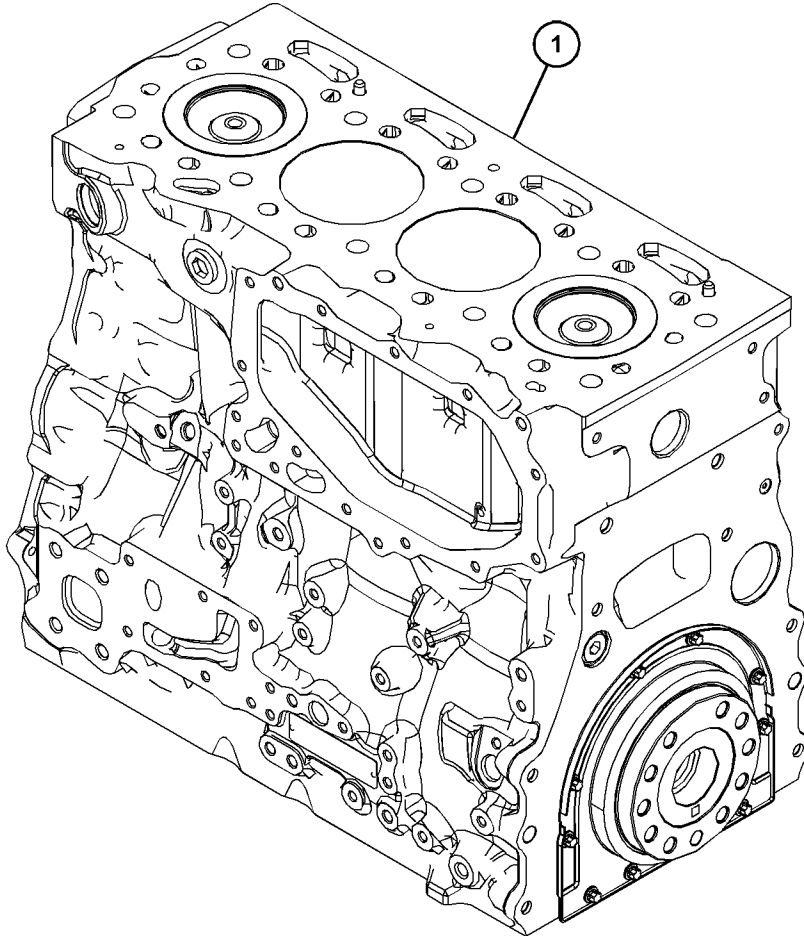
PART OF 465-0435, 466-2883 ENGINE AR

SMCS-1200, 1201

i07195350

NOTE	REF NO	GRAPHIC REF	PART NUMBER	QTY	PART NAME						SEE PAGE
					1	2	3	4	5	6 (PRODUCT LEVEL)	
Y	1	1	449-5062	1	CYLINDER BLOCK GP-SHORT						64

Y - SEPARATE ILLUSTRATION



GRAPHIC #1

<END>

g03737923

BASIC ENGINE

452-7366 CYLINDER BLOCK GP-SHORT

S/N: W231-UP

PART OF 467-4409, 467-8302 ENGINE AR

SMCS-1200, 1201

i07197127

NOTE	PART NUMBER	QTY	PART NAME						SEE PAGE
			1	2	3	4	5	6 (PRODUCT LEVEL)	
Y	452-7386	1	CYLINDER BLOCK GP-SHORT						67

Y - SEPARATE ILLUSTRATION

<END>

BASIC ENGINE

452-7386 CYLINDER BLOCK GP-SHORT

S/N: W231-UP

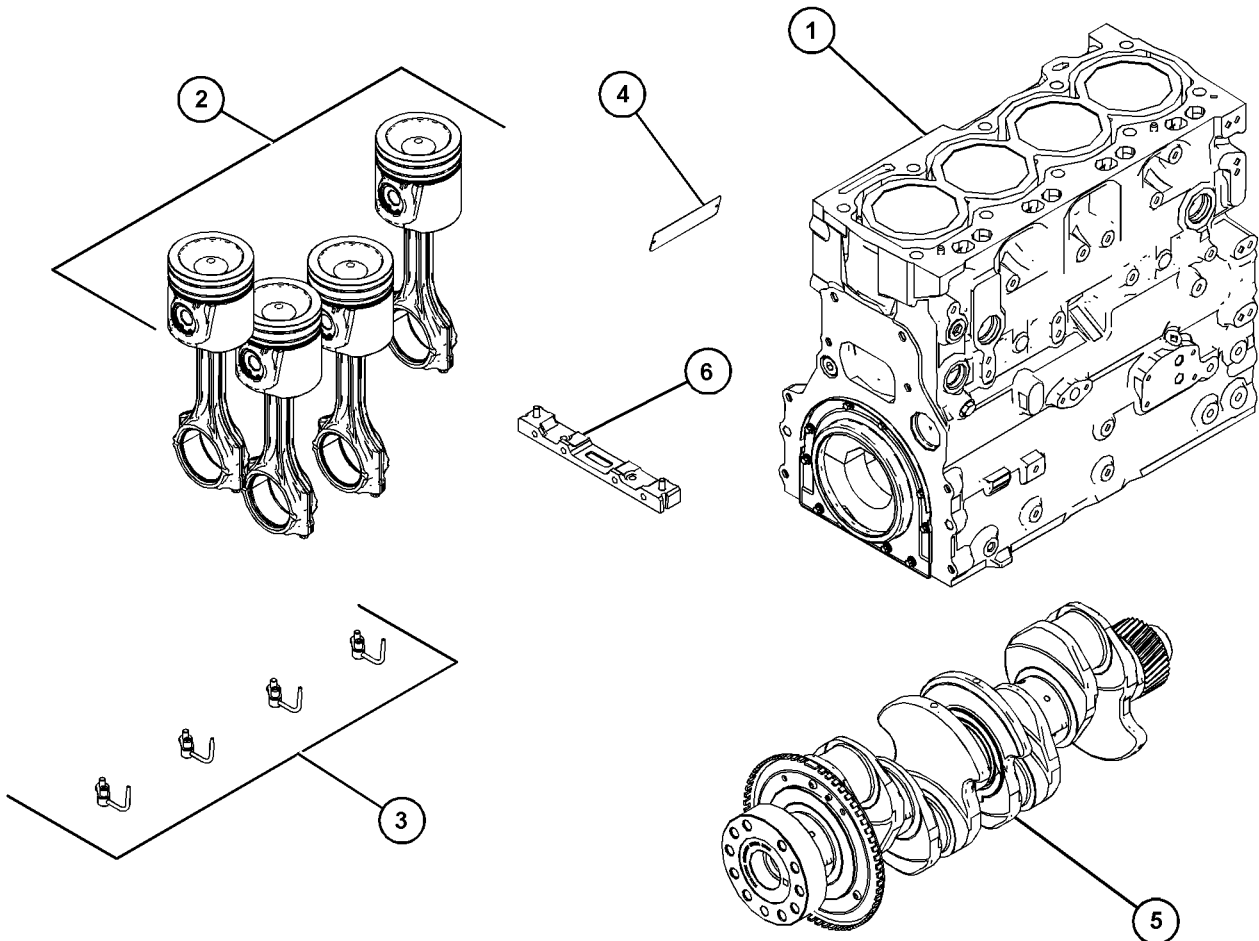
FIELD REPLACEMENT FOR 463-8910-PAGE: 15: FOR 463-8848-PAGE: 13
PART OF 452-7366 CYLINDER BLOCK GP-SHORT

SMCS-1200, 1201

i06675690

NOTE	REF NO	GRAPHIC REF	PART NUMBER	QTY	PART NAME						SEE PAGE
					1	2	3	4	5	6 (PRODUCT LEVEL)	
Y	1	1	415-3299	1	CYLINDER BLOCK GP						59
Y	2	1	415-5518	1	PISTON & ROD GP						129
Y	3	1	415-7948	1	JET GP-PISTON COOLING						109
	4	1	415-9833	1	PLATE GP-IDENTIFICATION						
		1	332-0905	2	RIVET-DRIVE						
		1	350-8959	1	PLATE-SERIAL NUMBER						
Y	5	1	433-6323	1	CRANKSHAFT GP						44
	6	1	460-6528	1	PAN GP-OIL						
M		1	8T-0269	2	BOLT-SOCKET HEAD (M6X1X20-MM)						
		1	230-8094	1	BRIDGE						

M - METRIC PART
Y - SEPARATE ILLUSTRATION



GRAPHIC #1

<END>

g06100496

BASIC ENGINE

353-9607 CYLINDER HEAD AS

S/N: JKT1-UP

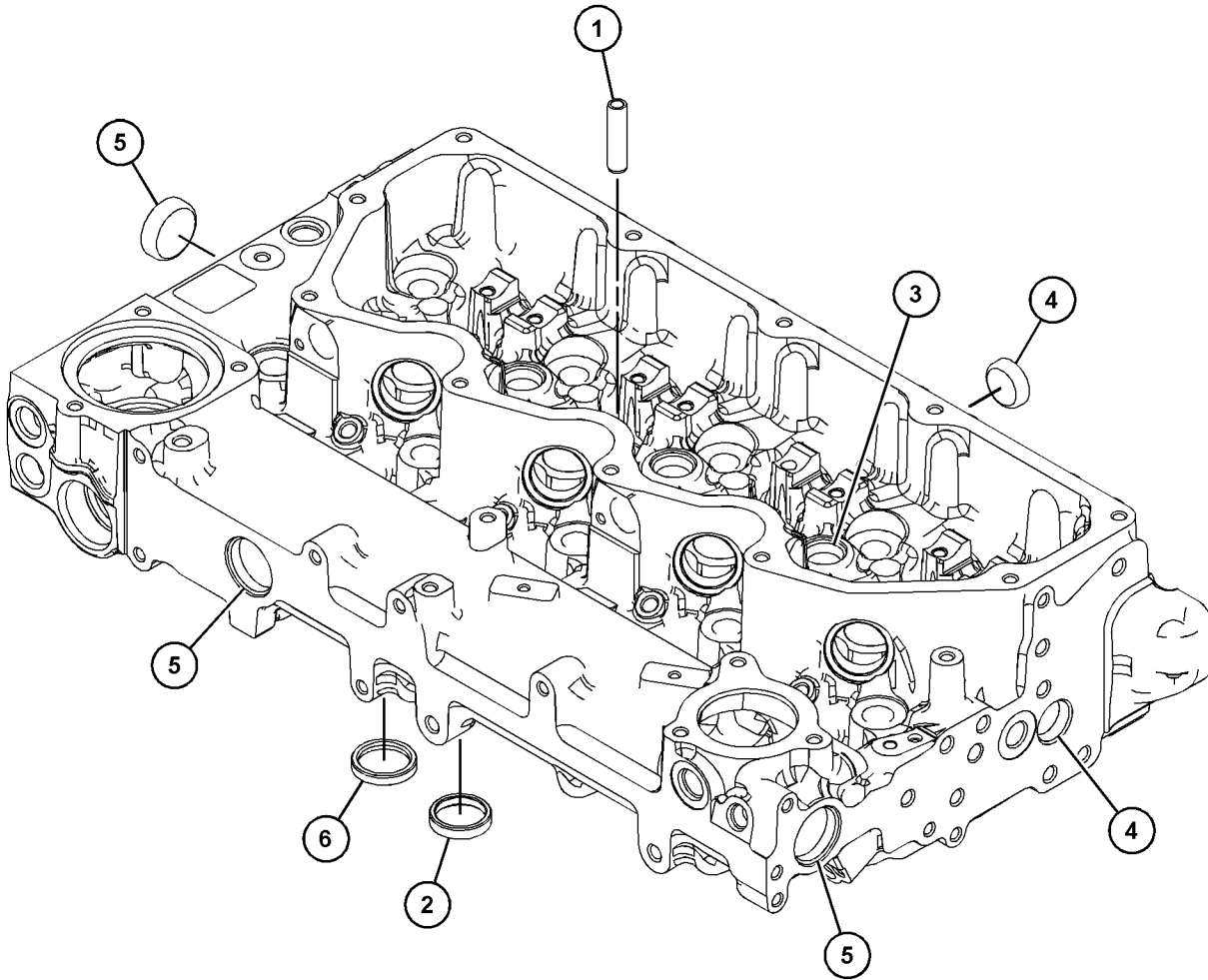
HIGH POWER

PART OF 384-4082 CYLINDER HEAD GP

SMCS-1100, 1101

i06187390

NOTE	REF NO	GRAPHIC REF	PART NUMBER	QTY	PART NAME						SEE PAGE
					1	2	3	4	5	6 (PRODUCT LEVEL)	
	1	1	356-9640	16	GUIDE-VALVE						
	2	1	343-5964	8	INSERT-VALVE SEAT (EXHAUST)						
	3	1	276-8117	4	PLUG-CORE						
	4	1	188-5102	9	PLUG						
	5	1	298-4528	3	PLUG-CORE						
	6	1	322-4120	8	INSERT-VALVE SEAT (INLET)						



GRAPHIC #1

<END>

g03841876

BASIC ENGINE

353-9662 CYLINDER HEAD AS

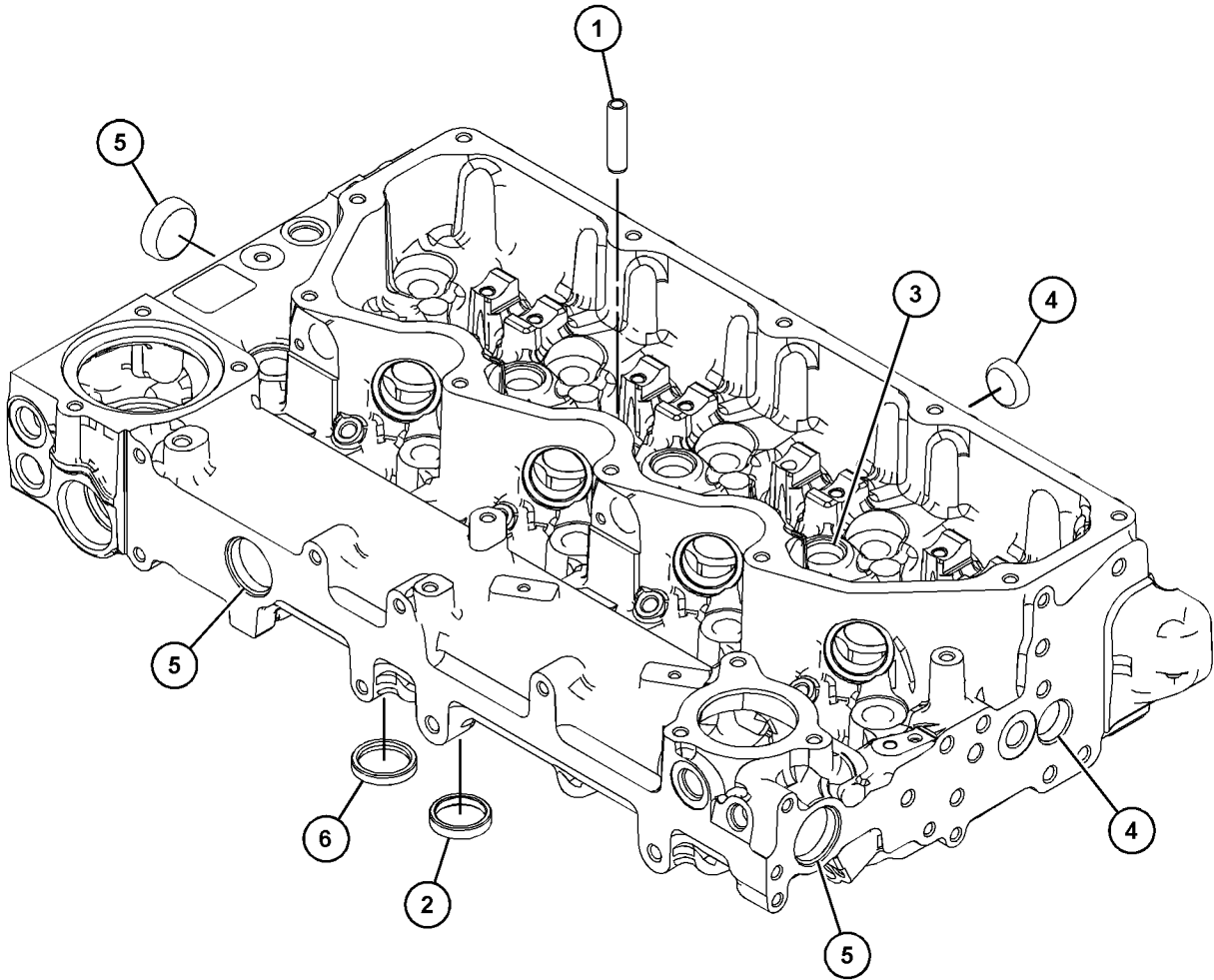
S/N: JKT1-UP

PART OF 355-7044 CYLINDER HEAD GP
ALSO AN ATTACHMENT

SMCS-1100, 1101

i06660878

NOTE	REF NO	GRAPHIC REF	PART NUMBER	QTY	PART NAME						SEE PAGE
					1	2	3	4	5	6 (PRODUCT LEVEL)	
1	1	1	356-9640	16	GUIDE-VALVE						
2	1	1	343-5964	8	INSERT-VALVE SEAT (EXHAUST)						
3	1	1	276-8117	4	PLUG-CORE						
4	1	1	188-5102	9	PLUG						
5	1	1	298-4528	3	PLUG-CORE						
6	1	1	322-4120	8	INSERT-VALVE SEAT (INLET)						



GRAPHIC #1

<END>

g03841876

BASIC ENGINE

397-1559 CYLINDER HEAD AS

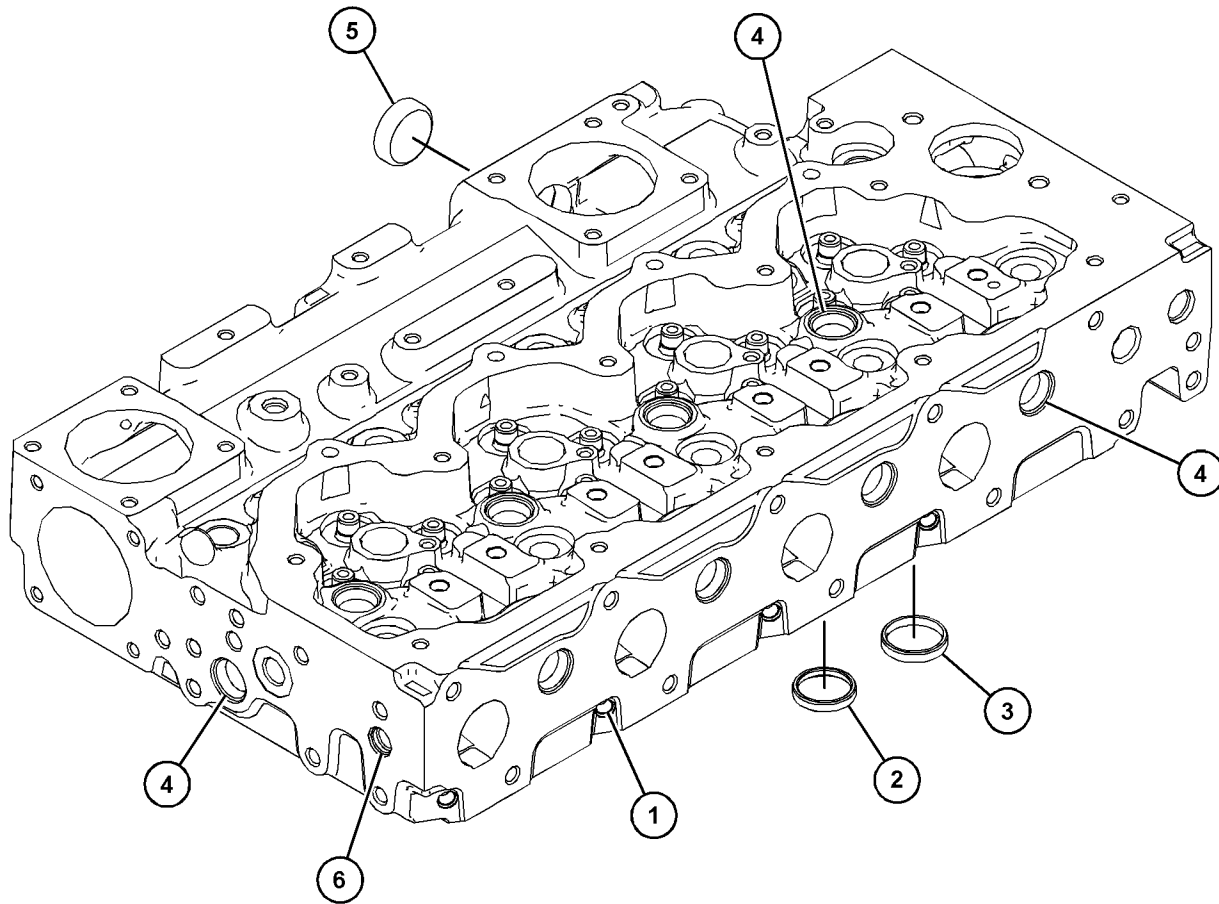
S/N: W231-UP

PART OF 460-7780 CYLINDER HEAD AS, 415-5520 CYLINDER HEAD GP

SMCS-1100, 1101

i06156134

NOTE	REF NO	GRAPHIC REF	PART NUMBER	QTY	PART NAME						SEE PAGE
					1	2	3	4	5	6 (PRODUCT LEVEL)	
	1	1	276-8116	4	PLUG-CORE						
	2	1	377-0400	8	INSERT-VALVE SEAT (EXHAUST)						
	3	1	377-0399	8	INSERT-VALVE SEAT (INTAKE)						
	4	1	276-8117	9	PLUG-CORE						
	5	1	298-4528	1	PLUG-CORE						
	6	1	298-4527	1	PLUG-CORE						



GRAPHIC #1

<END>

g03813035

BASIC ENGINE

445-9440 CYLINDER HEAD AS

S/N: CJ41-UP

PART OF 441-9675 CYLINDER HEAD GP

SMCS-1100, 1101

i06259164

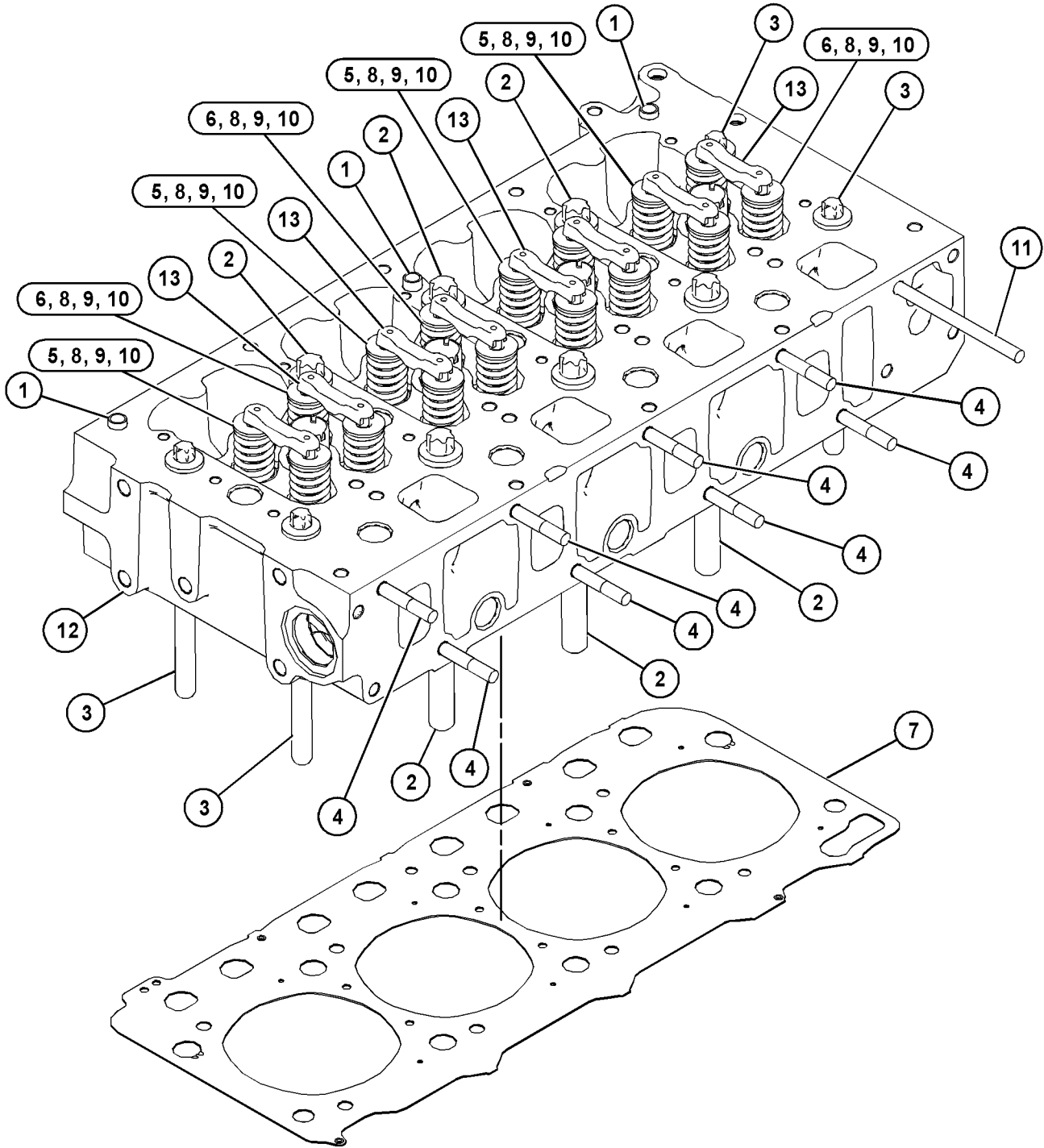
NOTE	REF NO	GRAPHIC REF	PART NUMBER	QTY	PART NAME						SEE PAGE
					1	2	3	4	5	6 (PRODUCT LEVEL)	
	1	1	381-3510	3	DOWEL						
	2	1	383-0799	6	STUD						
	3	1	387-7747	4	STUD						
	4	1	390-0319	8	STUD						
	5	1	463-7717	8	VALVE (EXHAUST)						
	6	1	463-7718	8	VALVE (INLET)						
	7	1	463-7726	1	GASKET (1.05-MM THK)						
					-OR-						
		1	485-9160	1	GASKET (0.95-MM THK)						
	8	1	463-7727	16	SPRING						
	9	1	463-7731	16	CAP						
	10	1	463-7732	16	CAP						
	11	1	463-7733	1	STUD						
Y	12	1	463-7738	1	CYLINDER HEAD AS						74
	13	1	463-7736	8	ARM (ROCKER)						

Y - SEPARATE ILLUSTRATION

BASIC ENGINE

445-9440 CYLINDER HEAD AS (contd.)

i06259164



GRAPHIC #1

<END>

g03826630

BASIC ENGINE

460-7780 CYLINDER HEAD AS

S/N: W231-UP

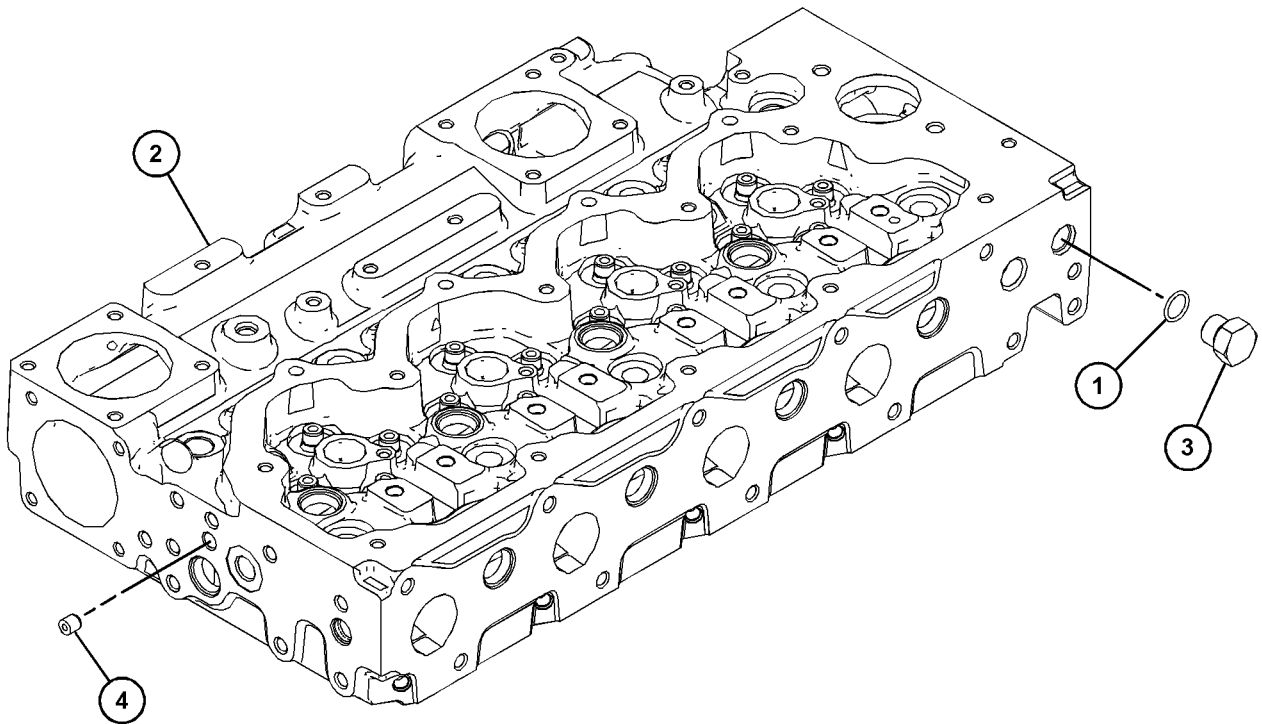
PART OF 452-7397 CYLINDER HEAD GP

SMCS-1100, 1101

i07075228

NOTE	REF NO	GRAPHIC REF	PART NUMBER	QTY	PART NAME						SEE PAGE
					1	2	3	4	5	6 (PRODUCT LEVEL)	
	1	1	199-9751	1	SEAL - O - RING						
Y	2	1	397-1559	1	CYLINDER HEAD AS						70
	3	1	232-1322	1	PLUG (BLANKING)						
	4	1	295-6661	1	PLUG						

Y - SEPARATE ILLUSTRATION



GRAPHIC #1

<END>

g06110937

BASIC ENGINE

463-7738 CYLINDER HEAD AS

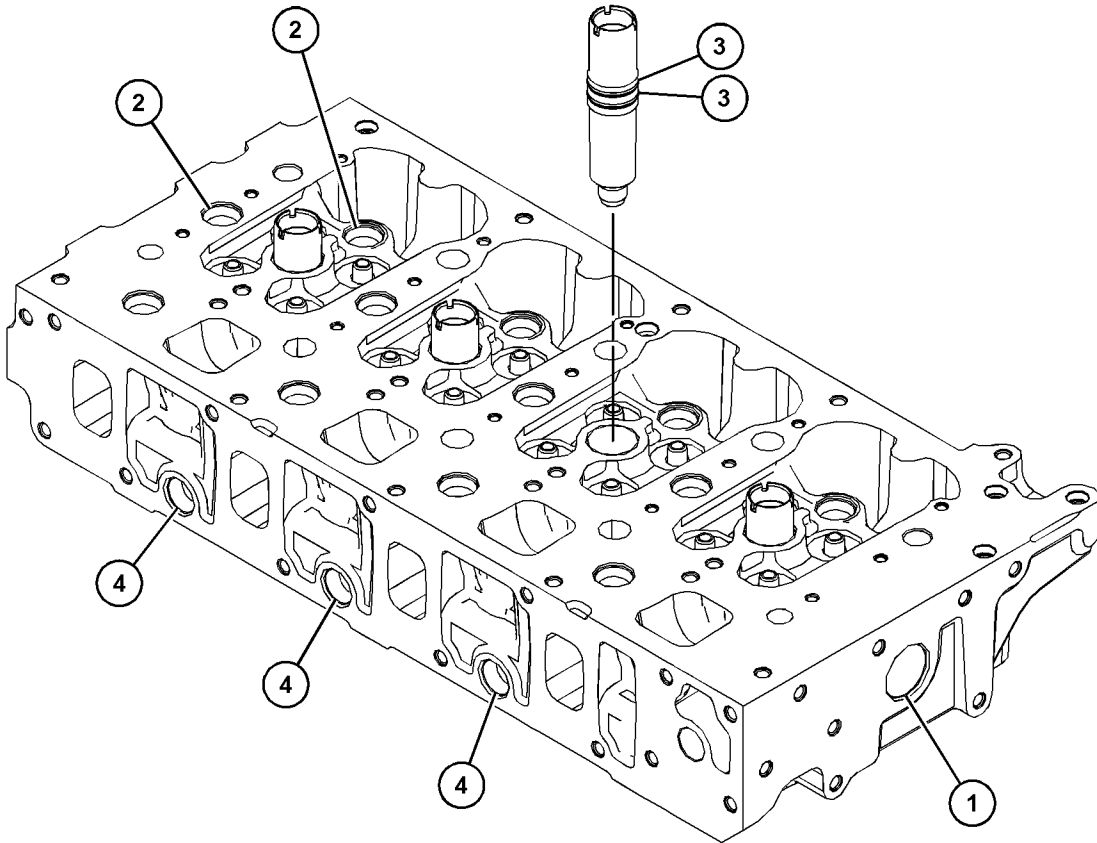
S/N: CJ41-UP

PART OF 445-9440 CYLINDER HEAD AS

SMCS-1100, 1101

i06145756

NOTE	REF NO	GRAPHIC REF	PART NUMBER	QTY	PART NAME						SEE PAGE
					1	2	3	4	5	6 (PRODUCT LEVEL)	
1	1	1	379-3146	1	PLUG						
2	1	1	381-3504	12	PLUG						
3	1	1	463-7715	8	SEAL						
4	1	1	463-7737	3	PLUG						



GRAPHIC #1

<END>

g03827856

BASIC ENGINE

355-7044 CYLINDER HEAD GP

S/N: JKT1-UP

PART OF 464-2307, 464-2308 ENGINE AR-PRIMARY
ALSO AN ATTACHMENT

SMCS-1100

i06937890

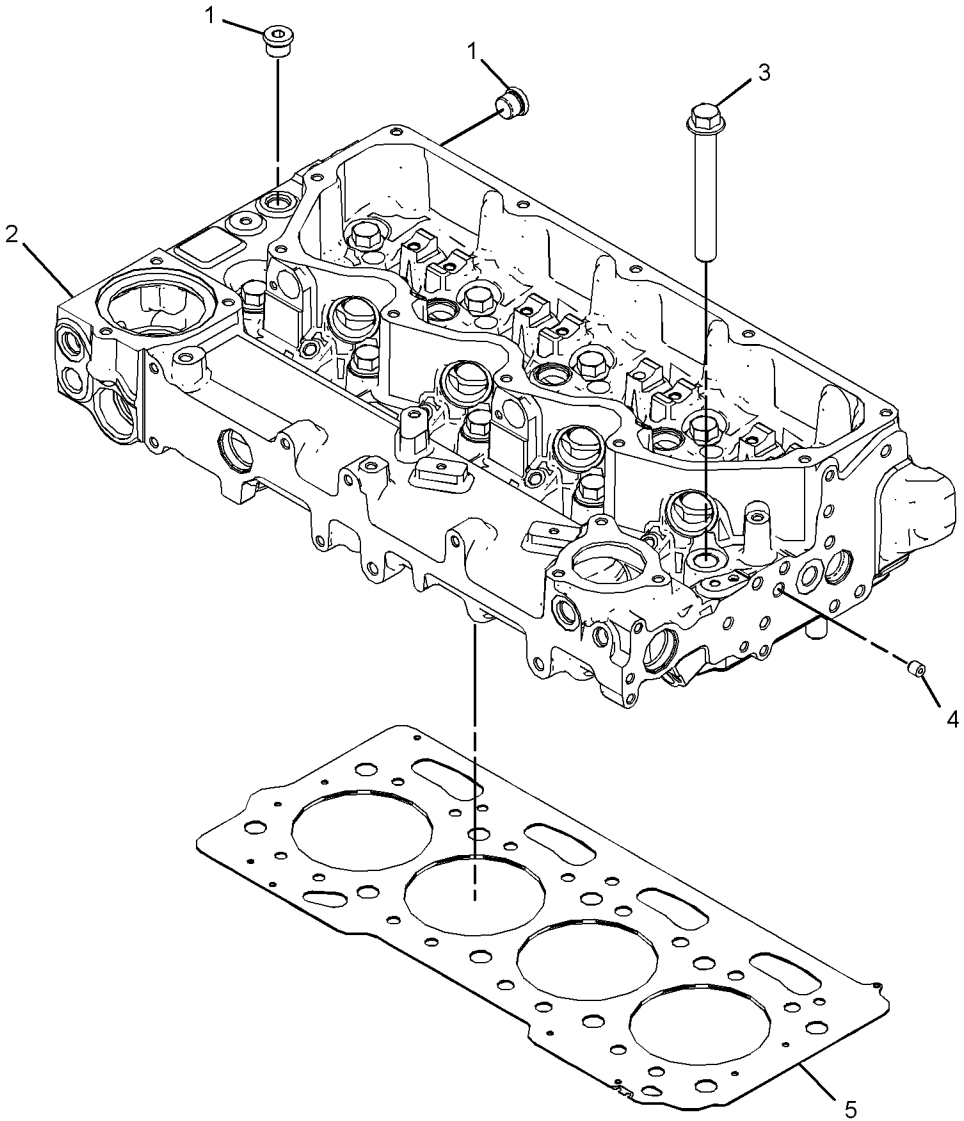
NOTE	REF NO	GRAPHIC REF	PART NUMBER	QTY	PART NAME						SEE PAGE
					1	2	3	4	5	6 (PRODUCT LEVEL)	
C	1	1	470-4925	2	PLUG						
Y	2	1	353-9662	1	CYLINDER HEAD AS						69
	3	1	276-8134	10	BOLT-SPECIAL (CYLINDER HEAD)						
	4	1	295-6661	1	PLUG						
	5	1	390-0341	1	GASKET-CYLINDER HEAD						
B		1	370-6891	1	GASKET-CYLINDER HEAD						
B		1	370-6892	1	GASKET-CYLINDER HEAD						

B - USE AS REQUIRED
C - CHANGE FROM PREVIOUS TYPE
Y - SEPARATE ILLUSTRATION

BASIC ENGINE

355-7044 CYLINDER HEAD GP (contd.)

i06937890



GRAPHIC #1

<END>

g06187872

BASIC ENGINE

384-4082 CYLINDER HEAD GP

S/N: JKT1-UP

SHORT HEAD

PART OF 384-4906 CYLINDER HEAD GP

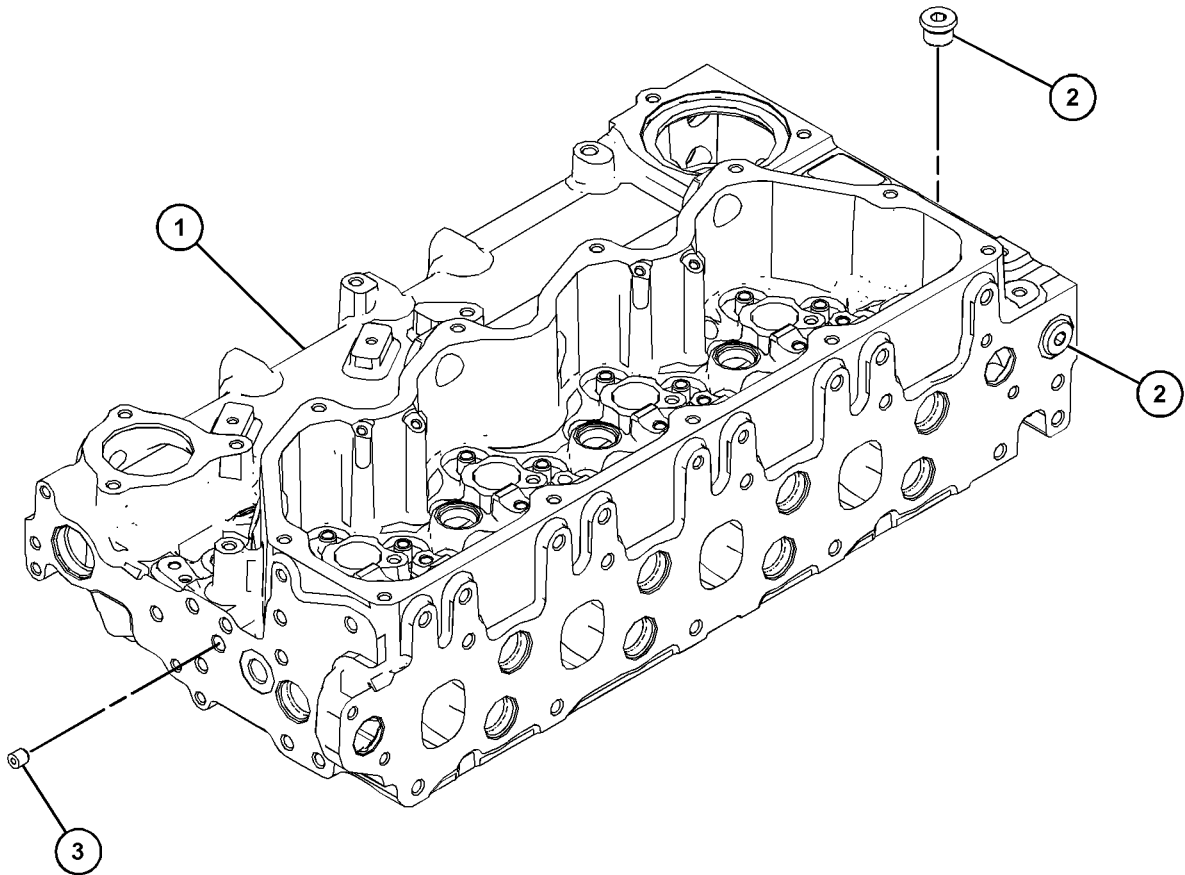
SMCS-1100

i06937905

NOTE	REF NO	GRAPHIC REF	PART NUMBER	QTY	PART NAME						SEE PAGE
					1	2	3	4	5	6 (PRODUCT LEVEL)	
Y	1	1	353-9607	1	CYLINDER HEAD AS						68
C	2	1	470-4925	2	PLUG						
	3	1	295-6661	1	PLUG						

C - CHANGE FROM PREVIOUS TYPE

Y - SEPARATE ILLUSTRATION



GRAPHIC #1

<END>

g06187743

BASIC ENGINE

384-4902 CYLINDER HEAD GP

S/N: JKT1-UP

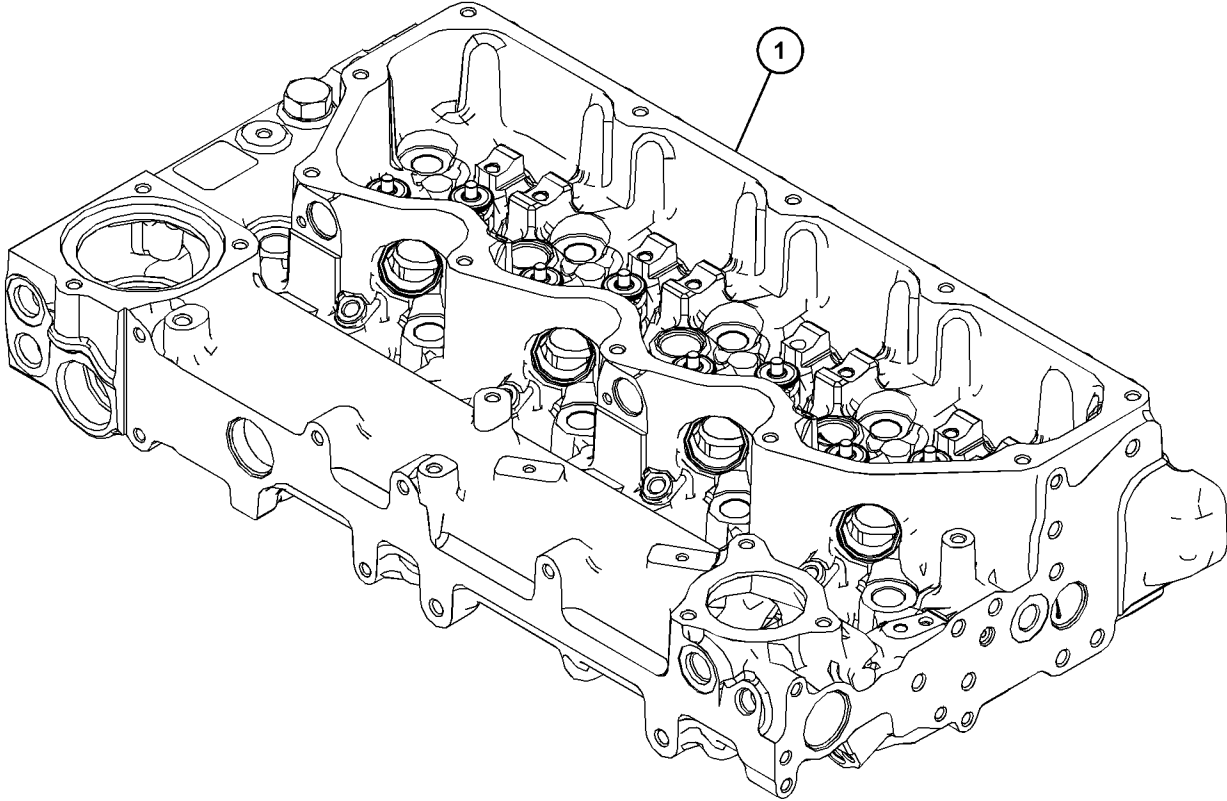
FIELD REPLACEMENT FOR 464-2307-PAGE: 17: FOR 464-2308-PAGE: 19
PART OF 465-0435, 466-2883 ENGINE AR

SMCS-1100

i05943762

NOTE	REF NO	GRAPHIC REF	PART NUMBER	QTY	PART NAME						SEE PAGE
					1	2	3	4	5	6 (PRODUCT LEVEL)	
Y	1	1	384-4906	1	CYLINDER HEAD GP (SHORT)						79

Y - SEPARATE ILLUSTRATION



GRAPHIC #1

<END>

g03664199

BASIC ENGINE

384-4906 CYLINDER HEAD GP

S/N: JKT1-UP

FIELD REPLACEMENT FOR 464-2307-PAGE: 17

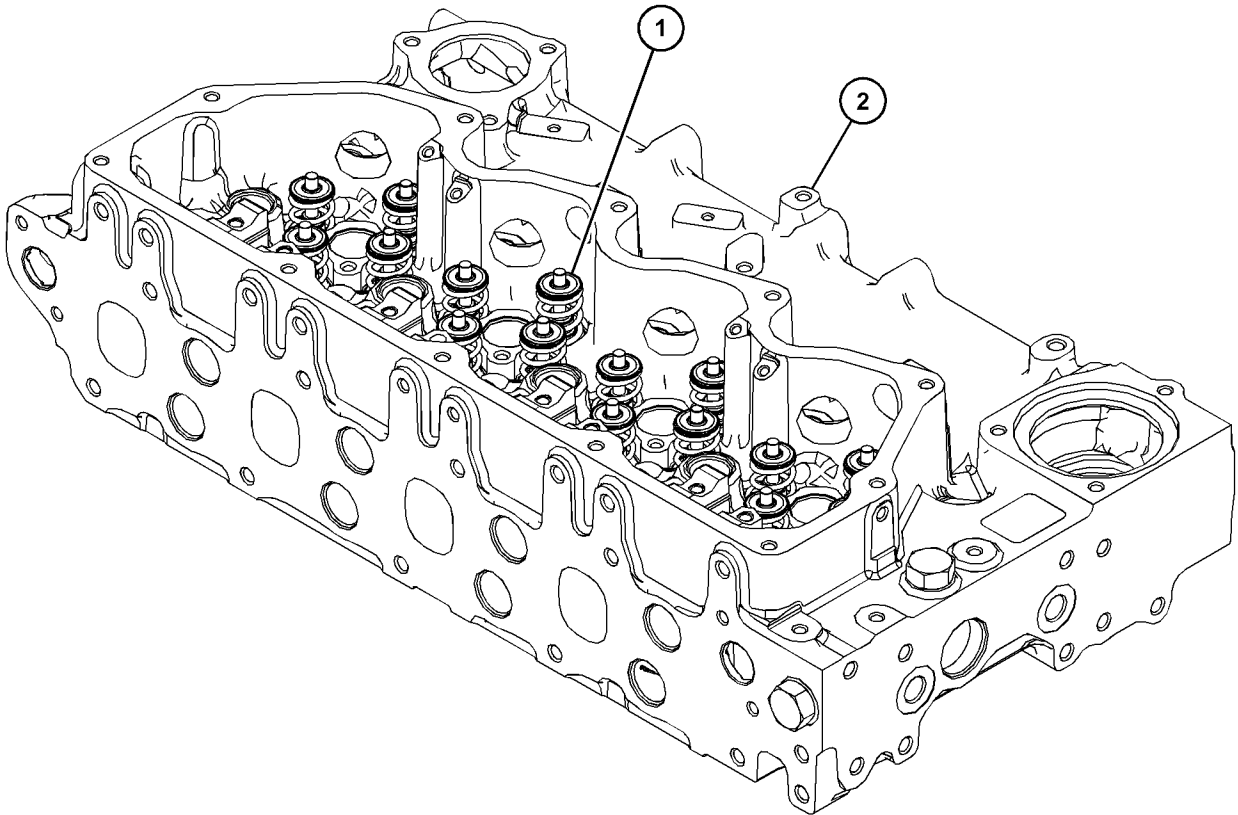
PART OF 384-4902 CYLINDER HEAD GP

SMCS-1100

i05775627

NOTE	REF NO	GRAPHIC REF	PART NUMBER	QTY	PART NAME						SEE PAGE
					1	2	3	4	5	6 (PRODUCT LEVEL)	
Y	1	1	384-4080	1	ROCKER ARM GP						148
Y	2	1	384-4082	1	CYLINDER HEAD GP						77

Y - SEPARATE ILLUSTRATION



GRAPHIC #1

<END>

g03664206

BASIC ENGINE

415-5520 CYLINDER HEAD GP

S/N: W231-UP

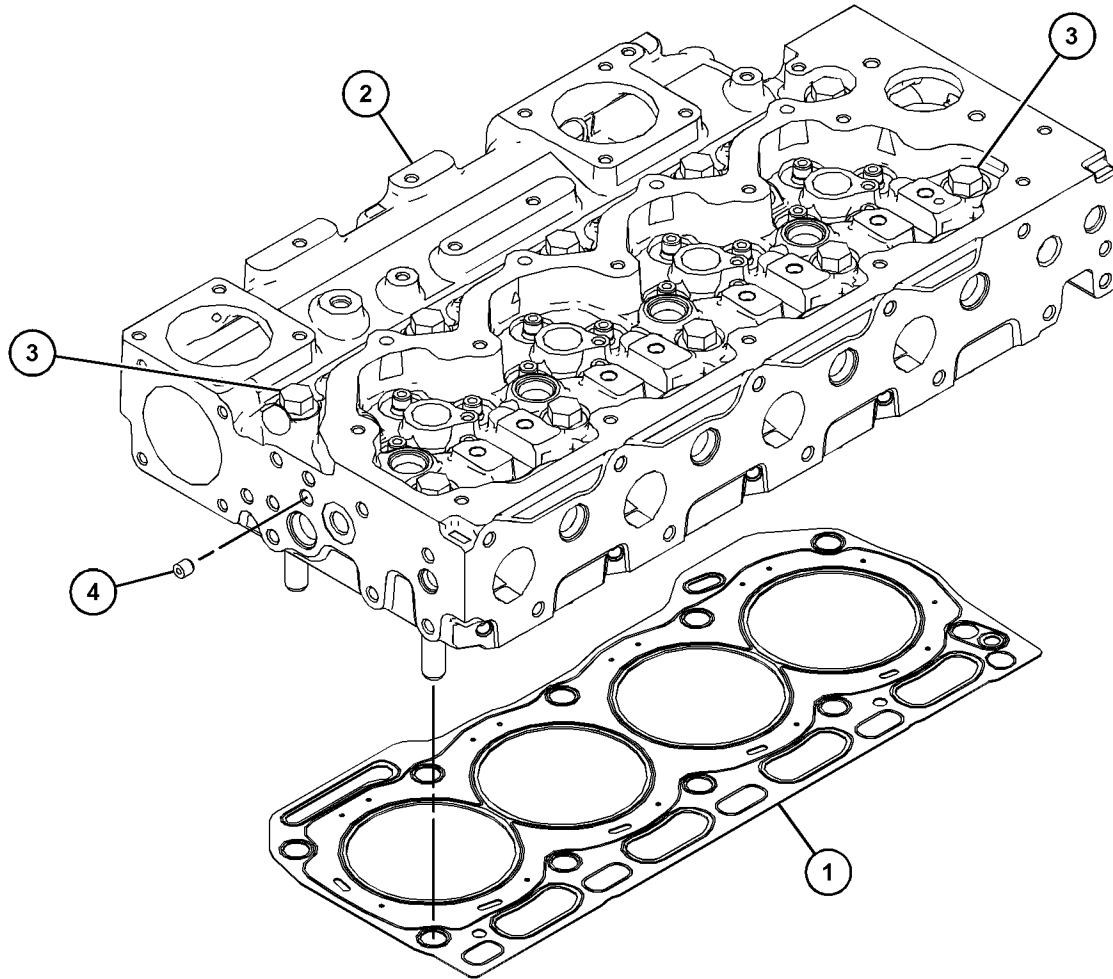
PART OF 463-8848, 463-8910 ENGINE AR-PRIMARY

SMCS-1100

i06149428

NOTE	REF NO	GRAPHIC REF	PART NUMBER	QTY	PART NAME						SEE PAGE
					1	2	3	4	5	6 (PRODUCT LEVEL)	
	1	1	310-8520	1	GASKET-CYLINDER HEAD						
Y	2	1	397-1559	1	CYLINDER HEAD AS						70
	3	1	225-5501	10	BOLT (M15X1.5X137-MM)						
	4	1	295-6661	1	PLUG						
F			369-3707	1	GASKET-CYLINDER HEAD						

F - NOT SHOWN
Y - SEPARATE ILLUSTRATION



GRAPHIC #1

<END>

g03828609

BASIC ENGINE

441-9675 CYLINDER HEAD GP

S/N: CJ41-UP

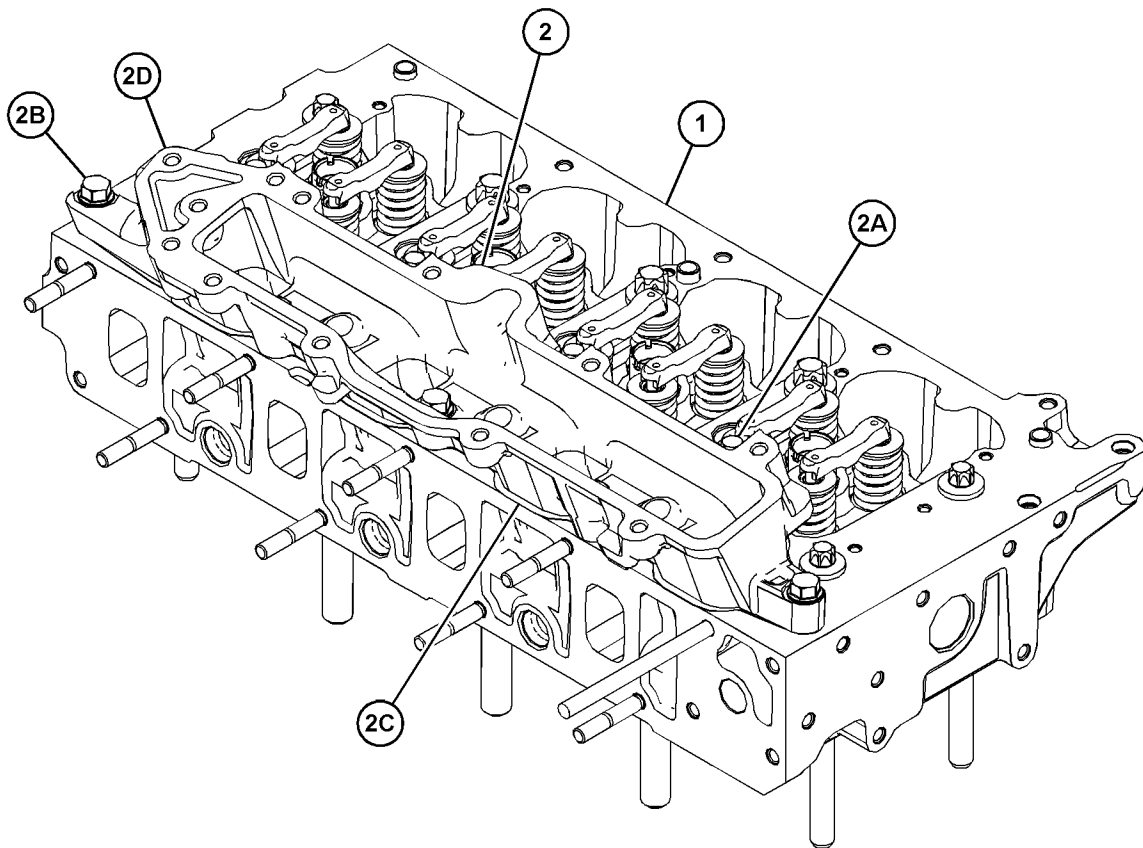
PART OF 465-2880 ENGINE AR-PRIMARY

SMCS-1100

i06252192

NOTE	REF NO	GRAPHIC REF	PART NUMBER	QTY	PART NAME						SEE PAGE
					1	2	3	4	5	6 (PRODUCT LEVEL)	
Y	1	1	445-9440	1	CYLINDER HEAD AS						71
	2	1	445-9442	1	ADAPTER AS						
M	2A	1	6I-0455	4	BOLT (M8X1.25X55-MM)						
	2B	1	389-1920	5	BOLT						
	2C	1	463-7776	1	GASKET						
	2D	1	463-7831	1	ADAPTER						

M - METRIC PART
Y - SEPARATE ILLUSTRATION



GRAPHIC #1

<END>

g03825215

BASIC ENGINE

452-7394 CYLINDER HEAD GP

S/N: W231-UP

PART OF 467-4409, 467-8302 ENGINE AR

SMCS-1100

i07197129

NOTE	PART NUMBER	QTY	PART NAME						SEE PAGE
			1	2	3	4	5	6 (PRODUCT LEVEL)	
Y	452-7397	1	CYLINDER HEAD GP						83

Y - SEPARATE ILLUSTRATION

<END>

BASIC ENGINE

452-7397 CYLINDER HEAD GP

S/N: W231-UP

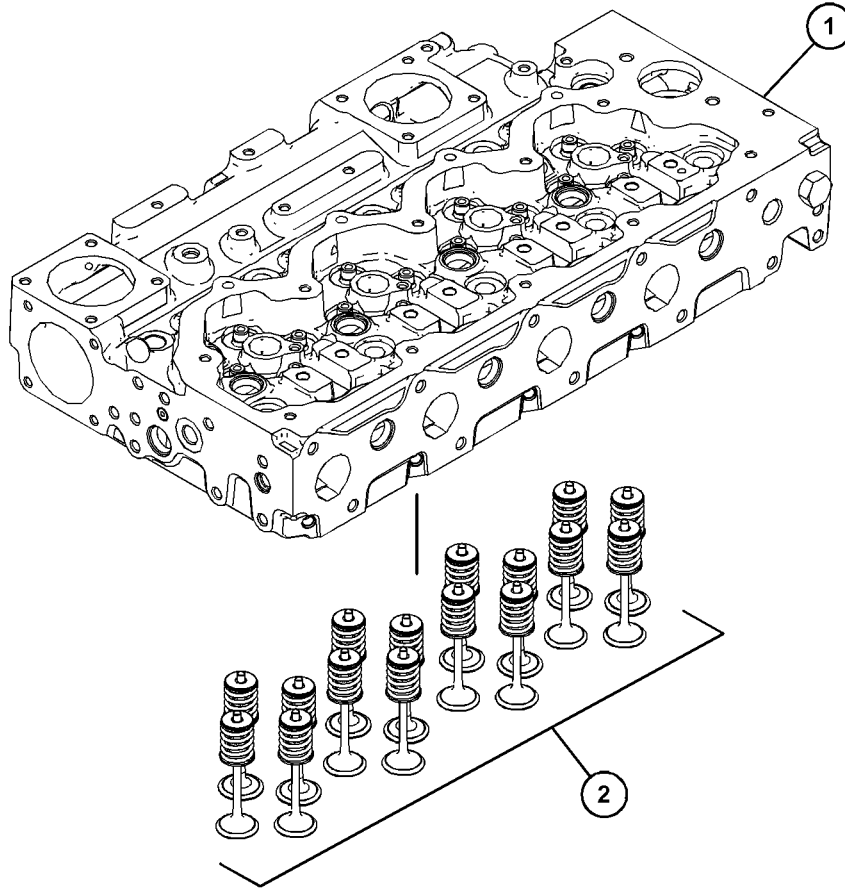
FIELD REPLACEMENT FOR 463-8910—PAGE: 15: FOR 463-8848—PAGE: 13
PART OF 452-7394 CYLINDER HEAD GP

SMCS-1100

i07075177

NOTE	REF NO	GRAPHIC REF	PART NUMBER	QTY	PART NAME						SEE PAGE
					1	2	3	4	5	6 (PRODUCT LEVEL)	
Y	1	1	460-7780	1	CYLINDER HEAD AS						73
Y	2	1	460-7781	1	ROCKER ARM GP						152

Y - SEPARATE ILLUSTRATION



GRAPHIC #1

<END>

g06116995

BASIC ENGINE

332-4667 DRAIN GP-ENGINE OIL

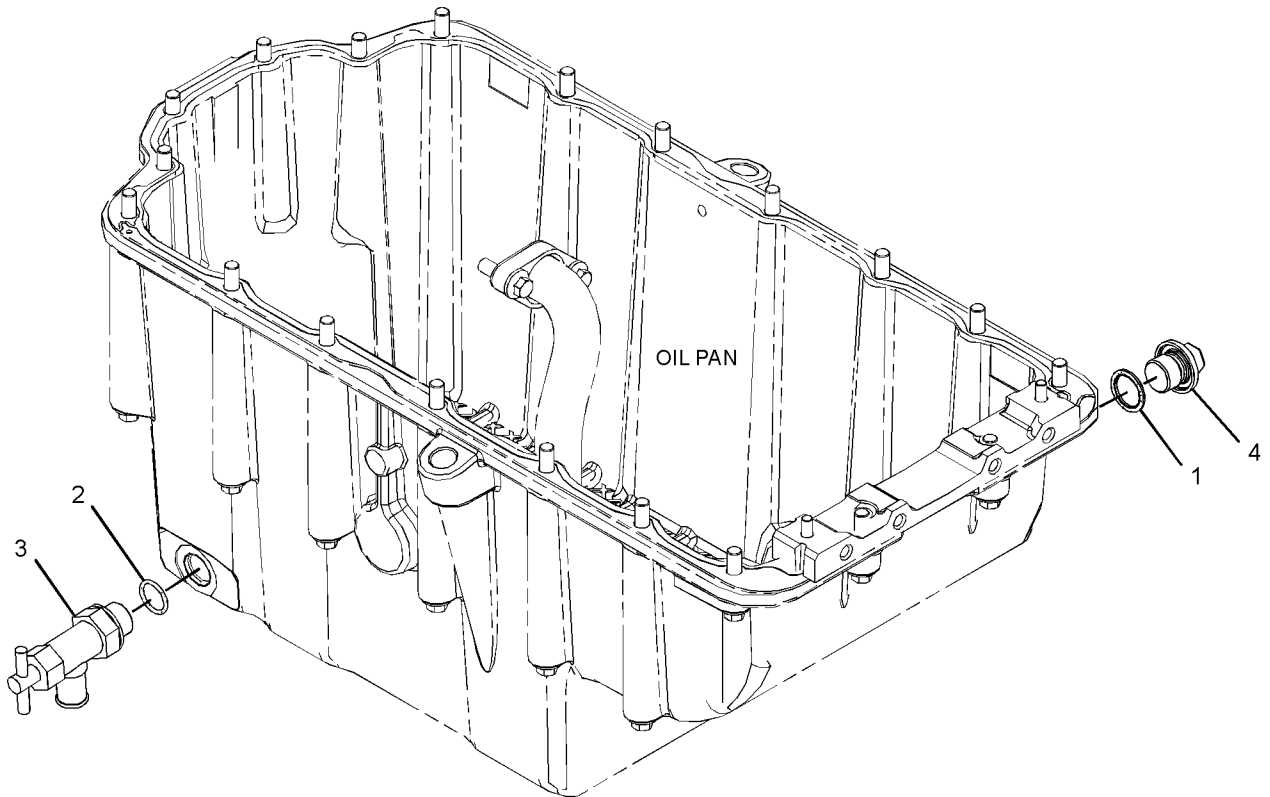
S/N: JKT1-UP

PART OF 464-2307, 464-2308 ENGINE AR-PRIMARY
ALSO AN ATTACHMENT

SMCS-1302

i04596275

NOTE	REF NO	GRAPHIC REF	PART NUMBER	QTY	PART NAME						SEE PAGE
					1	2	3	4	5	6 (PRODUCT LEVEL)	
	1	1	335-7585	1	SEAL						
	2	1	3K-0360	1	SEAL-O-RING						
	3	1	6V-7238	1	VALVE-SHUTOFF						
	4	1	7C-0351	1	PLUG-DRAIN (ENGINE OIL)						



GRAPHIC #1

<END>

g02757979

BASIC ENGINE

419-8538 DRAIN GP-ENGINE OIL

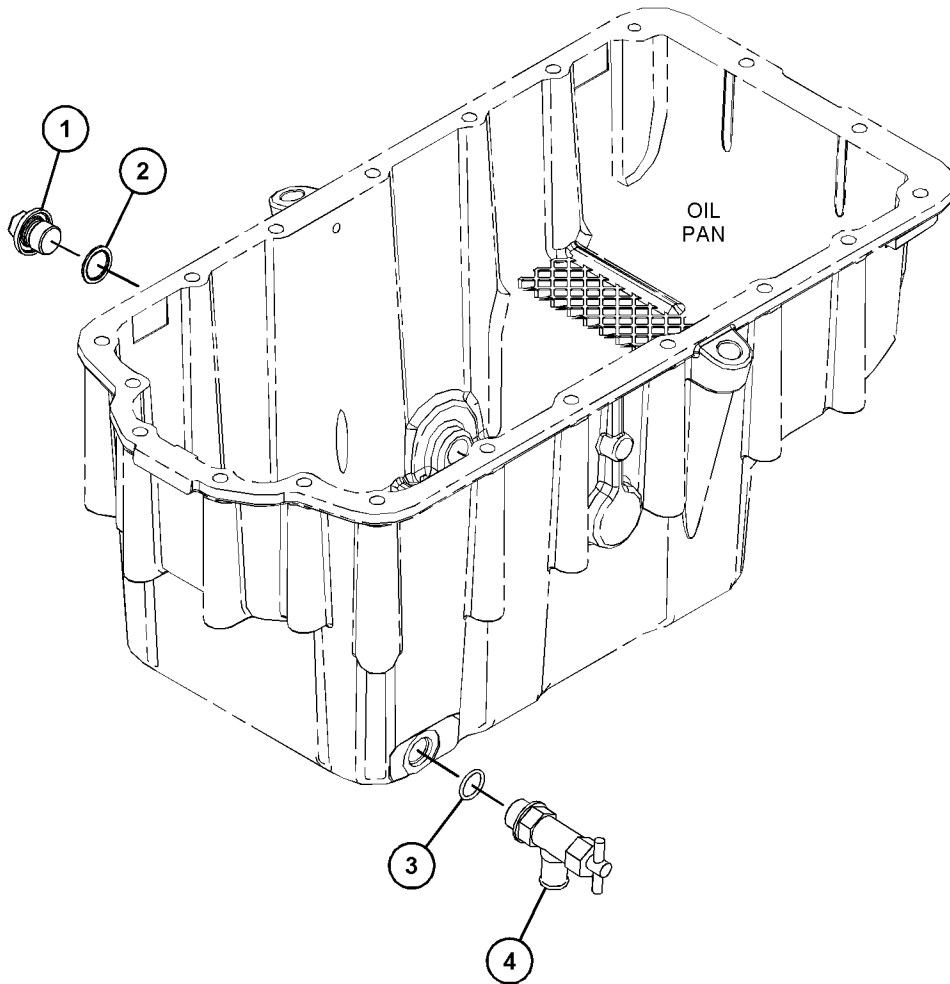
S/N: W231-UP

PART OF 463-8848, 463-8910 ENGINE AR-PRIMARY

SMCS-1302

i06124051

NOTE	REF NO	GRAPHIC REF	PART NUMBER	QTY	PART NAME						SEE PAGE
					1	2	3	4	5	6 (PRODUCT LEVEL)	
	1	1	7C-0351	1	PLUG-DRAIN (ENGINE OIL)						
	2	1	335-7585	1	SEAL						
	3	1	3K-0360	1	SEAL-O-RING						
	4	1	6V-7238	1	VALVE-SHUTOFF						



GRAPHIC #1

<END>

g03821648

BASIC ENGINE

474-5150 DRAIN GP-ENGINE OIL

S/N: TH21-UP; TH31-UP

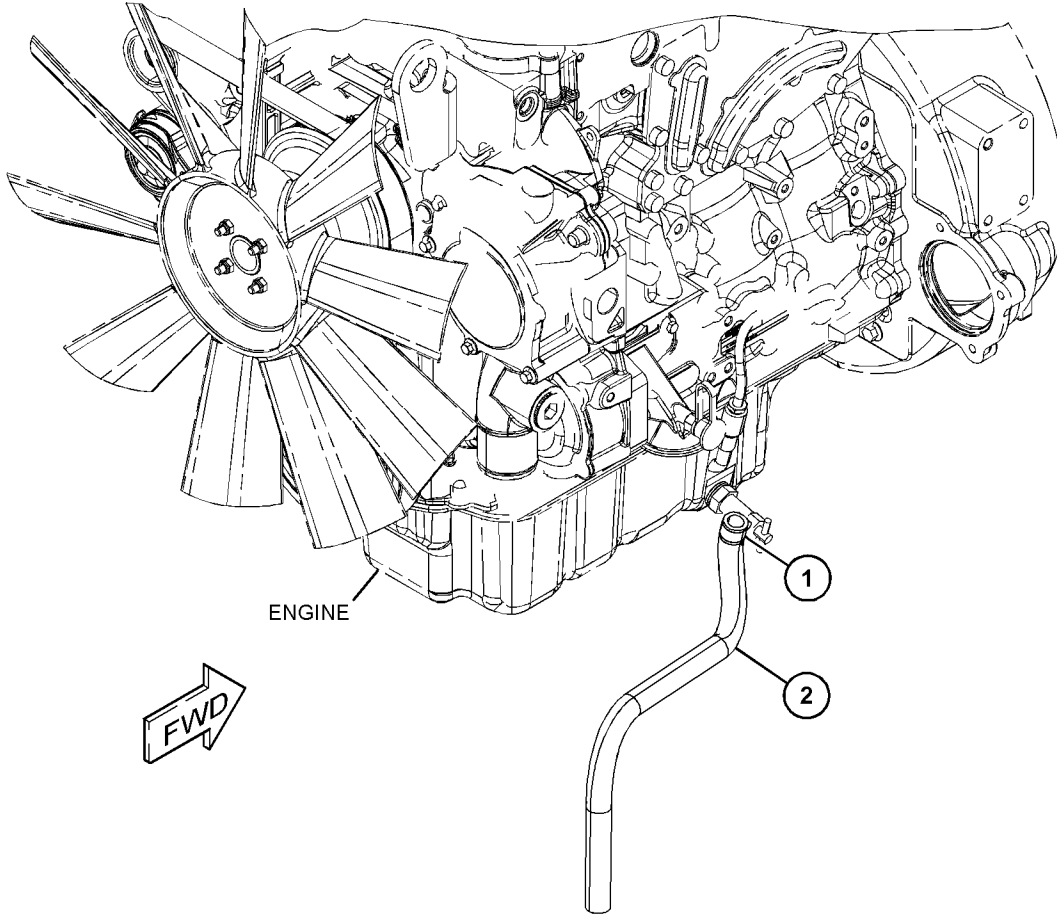
PART OF 505-5387, 505-6119, 505-6164, 505-6165, 505-6167, 505-6168 ENGINE AR-COMplete
AN ATTACHMENT

SMCS-1302

i06789179

NOTE	REF NO	GRAPHIC REF	PART NUMBER	QTY	PART NAME						SEE PAGE
					1	2	3	4	5	6 (PRODUCT LEVEL)	
	1	1	309-2982	1	CLAMP						
E	2	1	281-8751		HOSE (50-CM)						

E - ORDER BY THE CENTIMETER



GRAPHIC #1

<END>

g03832013

BASIC ENGINE

481-1029 DRAIN GP-ENGINE OIL-OIL

S/N: TH21-UP

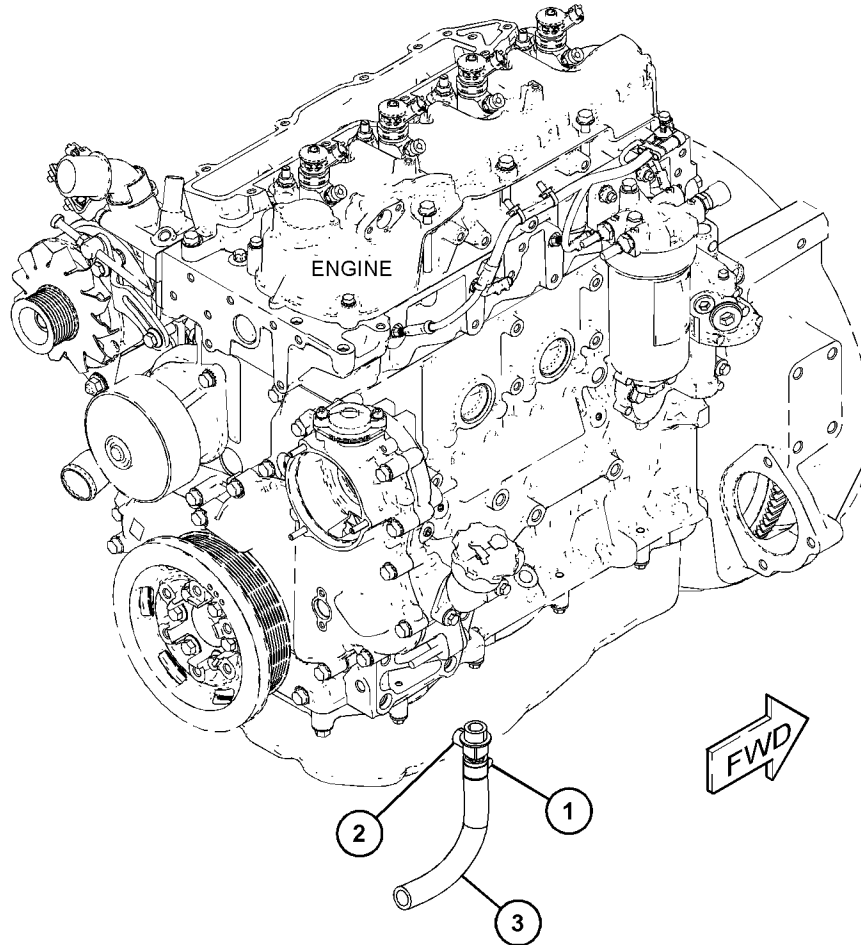
PART OF 505-6163 ENGINE AR-COMplete
AN ATTACHMENT

SMCS-1302

i06825154

NOTE	REF NO	GRAPHIC REF	PART NUMBER	QTY	PART NAME						SEE PAGE
					1	2	3	4	5	6 (PRODUCT LEVEL)	
	1	1	309-2982	1	CLAMP						
	2	1	399-1322	1	VALVE AS-DRAIN (ENGINE OIL)						
E	3	1	281-8751		HOSE (50-CM)						

E - ORDER BY THE CENTIMETER



GRAPHIC #1

<END>

g03885409

BASIC ENGINE

329-8428 DRIVE GP-AUXILIARY

S/N: JKT1-UP

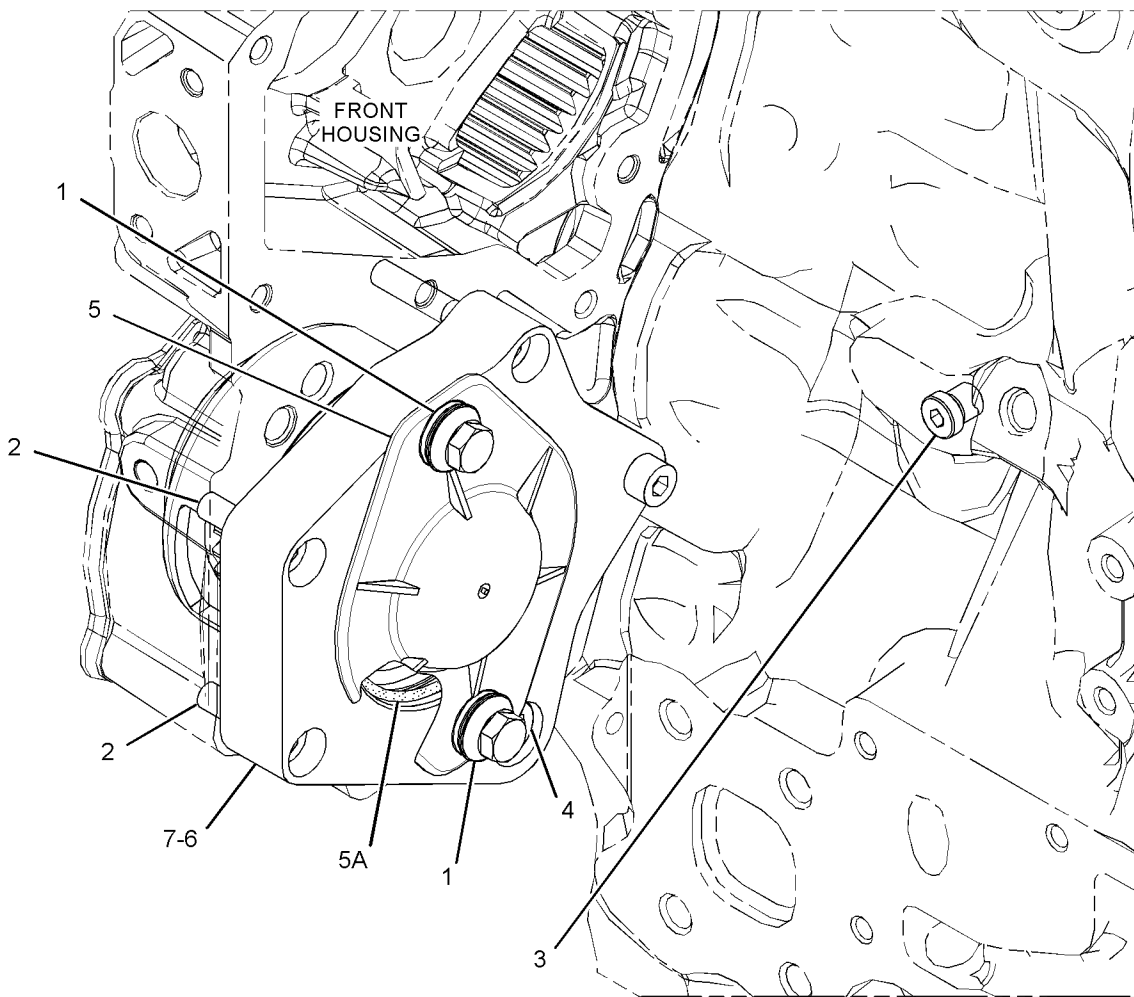
PART OF 464-2307, 464-2308 ENGINE AR-PRIMARY
ALSO AN ATTACHMENT

SMCS-1207, 3108

i05725331

NOTE	REF NO	GRAPHIC REF	PART NUMBER	QTY	PART NAME						SEE PAGE
					1	2	3	4	5	6 (PRODUCT LEVEL)	
M	1	1	100-4830	2	BOLT (M10X1.5X20-MM)						
	2	1	126-3212	2	BOLT (M8X1.25X25-MM)						
	3	1	277-4223	1	PLUG						
	4	1	331-3797	1	BOLT						
	5	1	198-8262	1	COVER AS						
	5A	1	198-8263	1	SEAL-O-RING						
	6	1	330-1714	1	GASKET						
	7	1	363-0171	1	ADAPTER GP						

M - METRIC PART



GRAPHIC #1

<END>

g02718023

BASIC ENGINE

355-4951 DRIVE GP-AUXILIARY

S/N: CJ41-UP

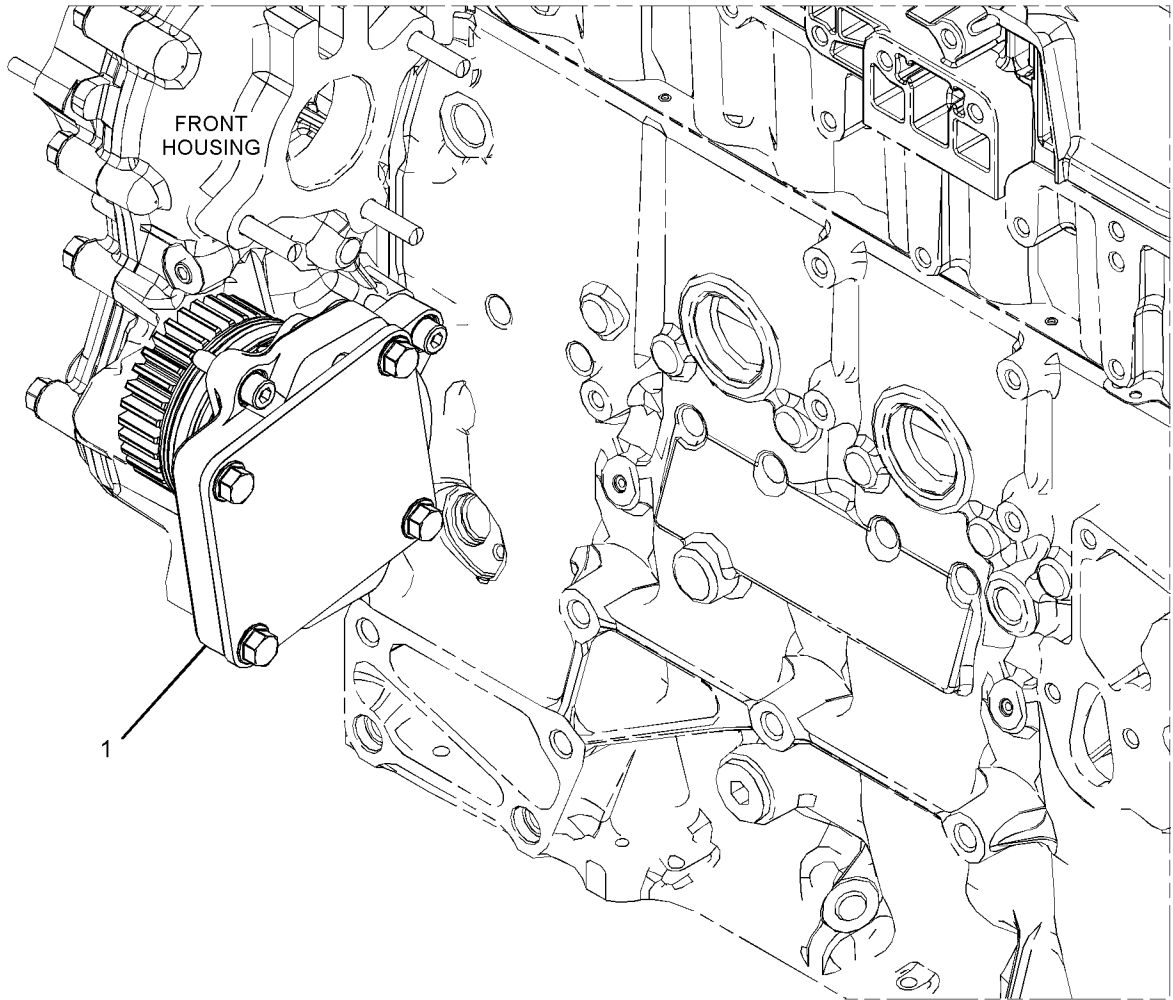
PART OF 465-2880 ENGINE AR-PRIMARY

SMCS-1207, 3108

i06605456

NOTE	REF NO	GRAPHIC REF	PART NUMBER	QTY	PART NAME						SEE PAGE
					1	2	3	4	5	6 (PRODUCT LEVEL)	
Y	1	1	362-0555	1	DRIVE GP-AUXILIARY						90

Y - SEPARATE ILLUSTRATION



GRAPHIC #1

<END>

g02923536

BASIC ENGINE

362-0555 DRIVE GP-AUXILIARY

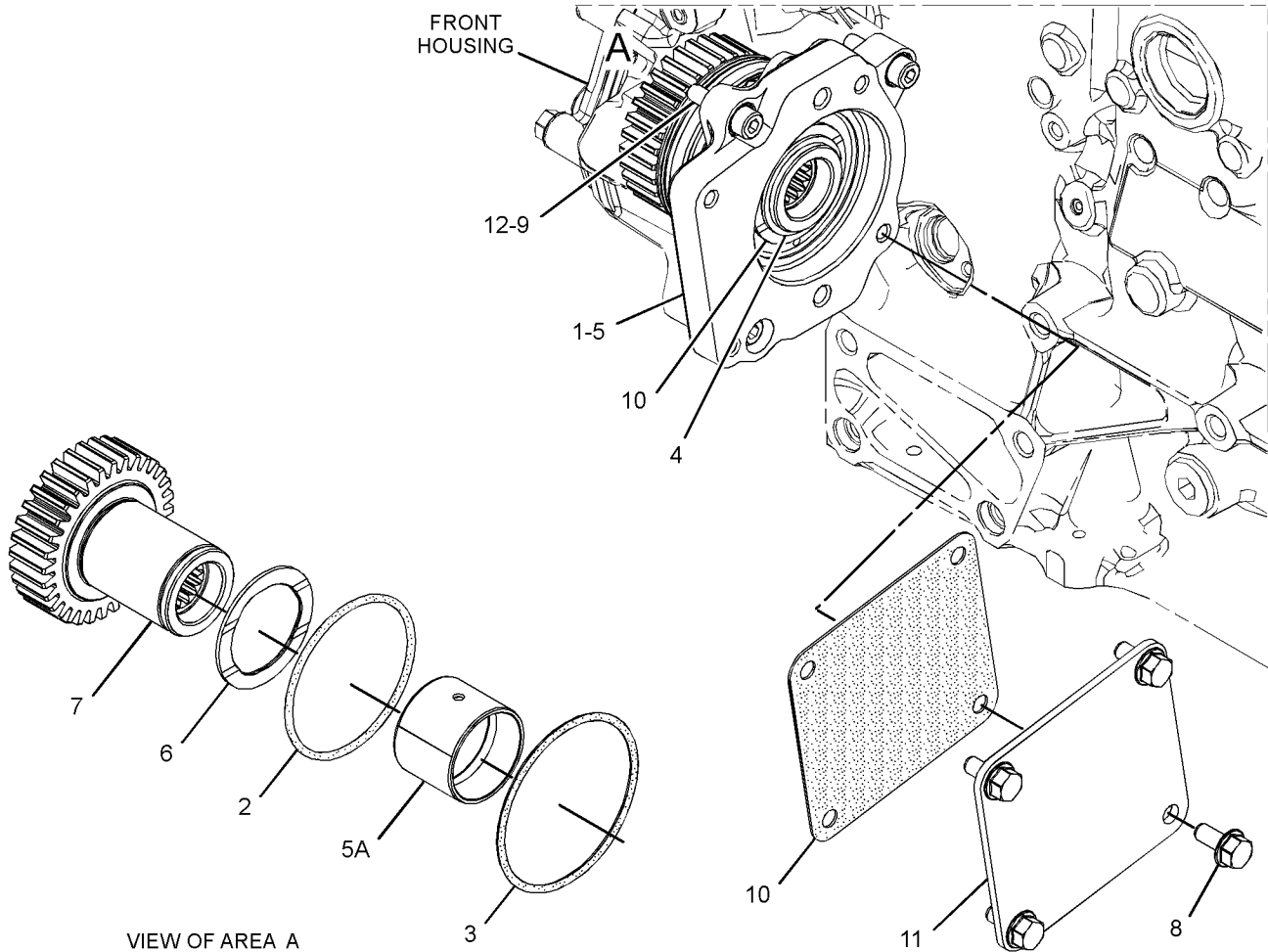
S/N: CJ41-UP

PART OF 355-4951 DRIVE GP-AUXILIARY

SMCS-1207, 3108

i06815606

NOTE	REF NO	GRAPHIC REF	PART NUMBER	QTY	PART NAME						SEE PAGE
					1	2	3	4	5	6 (PRODUCT LEVEL)	
	1	1	372-0494	1	DRIVE						
	2	1	387-7707	1	SEAL						
	3	1	387-7713	1	SEAL						
	4	1	393-0301	1	RING						
	5	1	434-6401	1	HOUSING AS						
	5A	1	390-2388	1	BUSHING						
	6	1	389-2864	2	WASHER						
	7	1	387-9154	1	GEAR						
	8	1	389-1863	4	BOLT-SPECIAL						
	9	1	389-2858	3	WASHER						
	10	1	387-9136	1	GASKET						
	11	1	387-9130	1	COVER						
	12	1	387-7717	3	BOLT						



VIEW OF AREA A
(PARTS REMOVED FOR CLARITY)

GRAPHIC #1

<END>

g03401457

BASIC ENGINE

339-2997 DRIVE GP-FAN

S/N: JKT1-UP

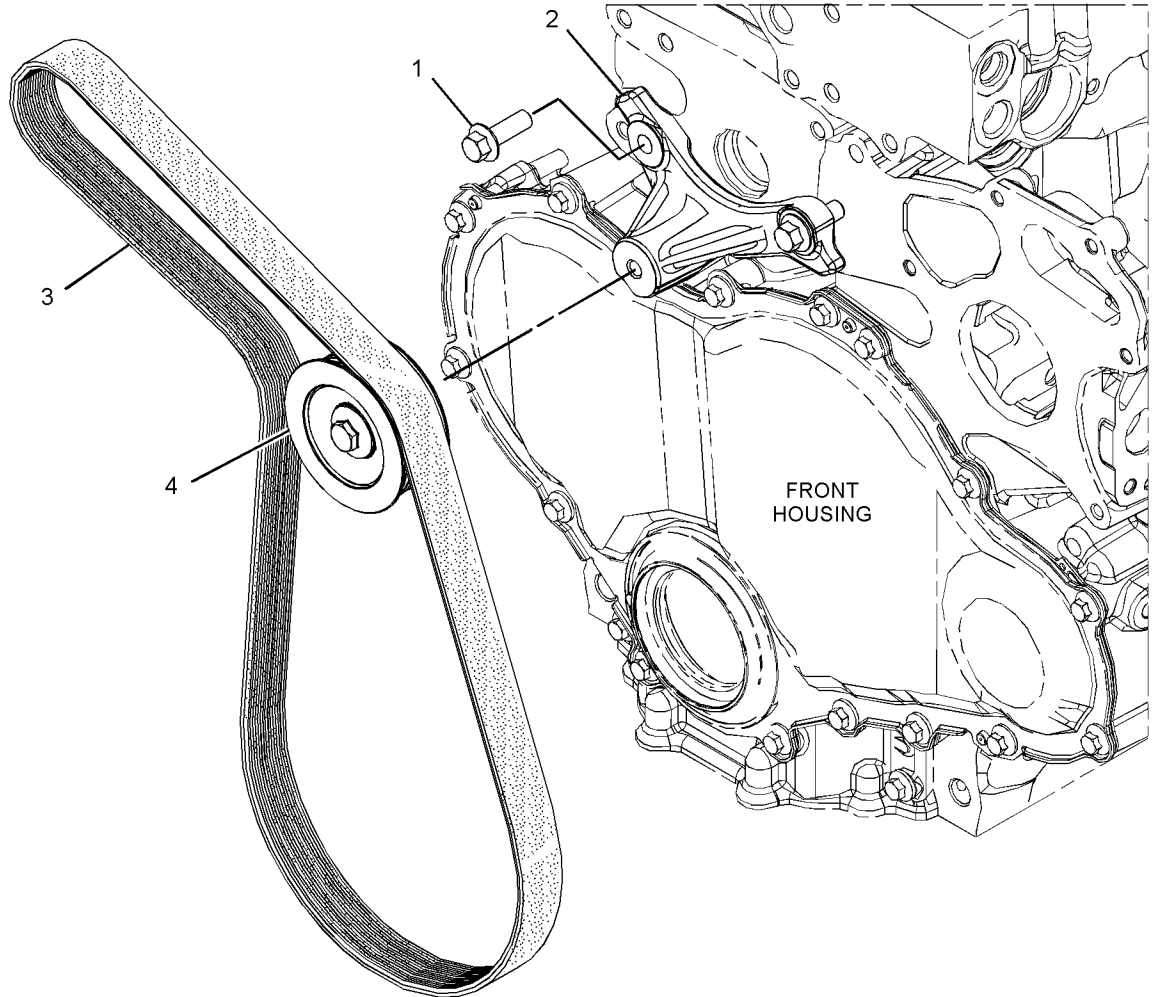
PART OF 464-2307, 464-2308 ENGINE AR-PRIMARY
ALSO AN ATTACHMENT

SMCS-1359

i07162361

NOTE	REF NO	GRAPHIC REF	PART NUMBER	QTY	PART NAME						SEE PAGE
					1	2	3	4	5	6 (PRODUCT LEVEL)	
M	1	1	6I-0593	2	BOLT (M10X1.5X30-MM)						
	2	1	336-1294	1	BRACKET						
	3	1	286-7845	1	BELT-SERPENTINE						
	4	1	377-9255	1	PULLEY AS (8-GROOVE)						

M - METRIC PART



GRAPHIC #1

<END>

g02926476

BASIC ENGINE

350-0644 DRIVE GP-FAN

S/N: CJ41-UP

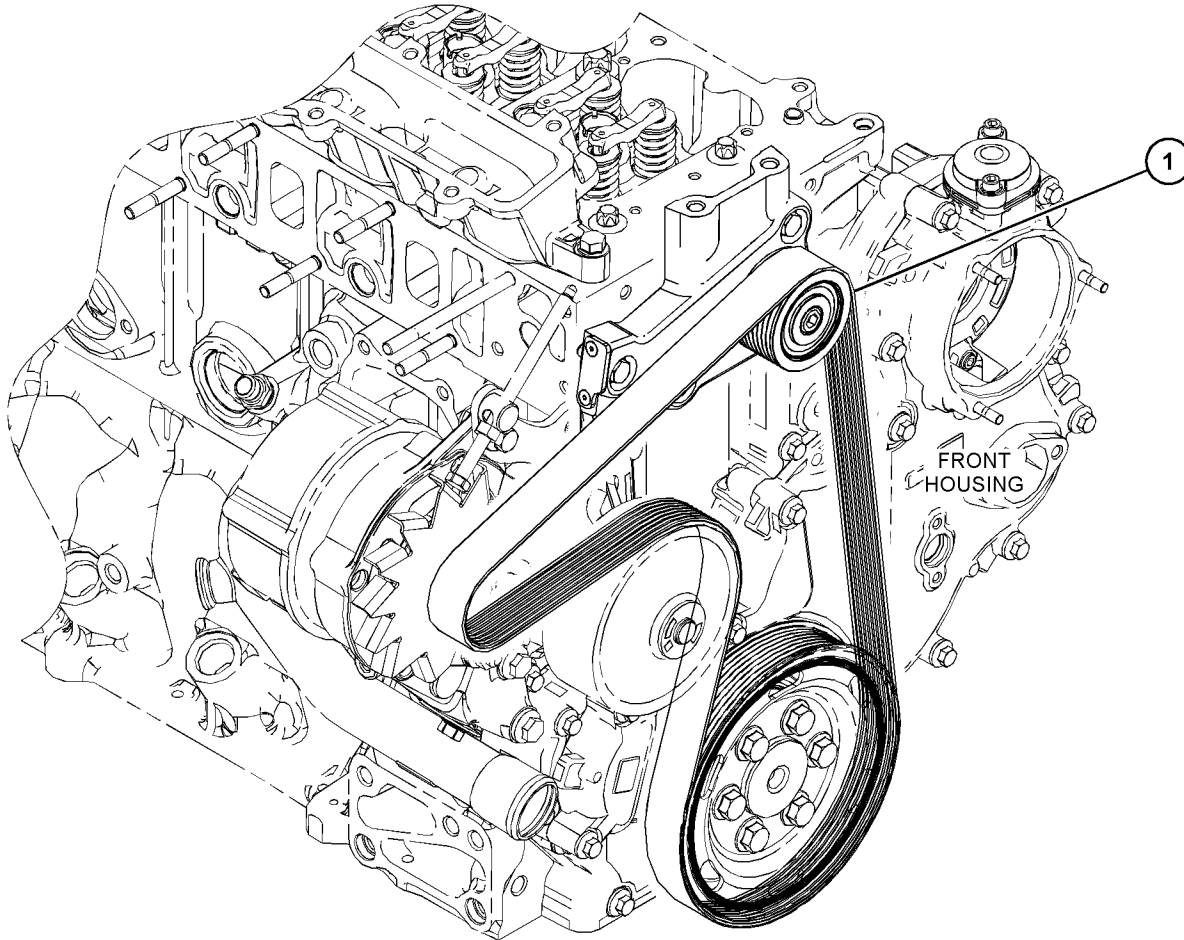
PART OF 465-2880 ENGINE AR-PRIMARY

SMCS-1359

i06605449

NOTE	REF NO	GRAPHIC REF	PART NUMBER	QTY	PART NAME						SEE PAGE
					1	2	3	4	5	6 (PRODUCT LEVEL)	
Y	1	1	437-9758	1	MOUNTING GP-BELT TENSIONER						115

Y - SEPARATE ILLUSTRATION



GRAPHIC #1

<END>

g03827918

BASIC ENGINE

416-1043 DRIVE GP-FAN

S/N: W231-UP

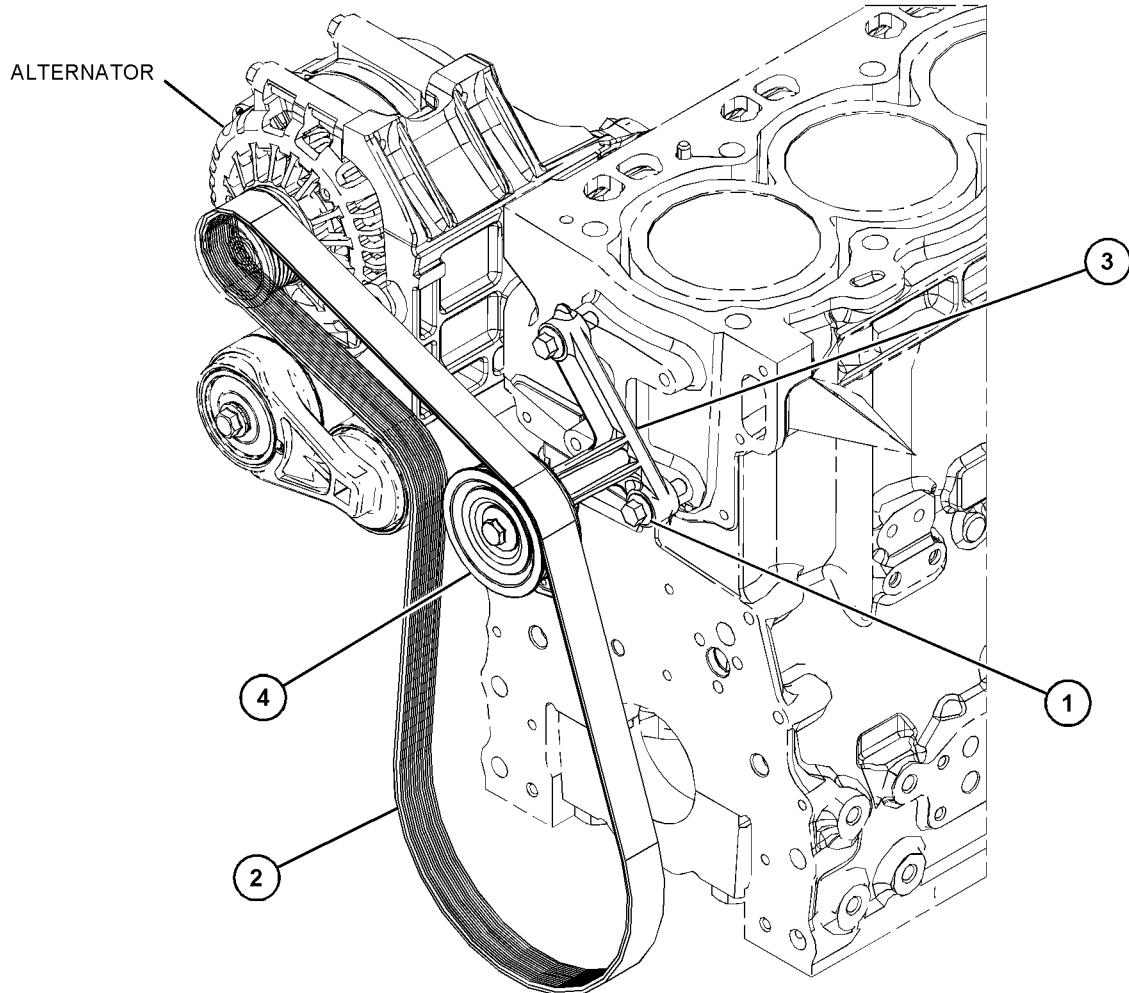
PART OF 463-8848, 463-8910 ENGINE AR-PRIMARY

SMCS-1359

i06621171

NOTE	REF NO	GRAPHIC REF	PART NUMBER	QTY	PART NAME						SEE PAGE
					1	2	3	4	5	6 (PRODUCT LEVEL)	
M	1	1	111-0859	2	BOLT (M10X1.5X35-MM)						
	2	1	286-7845	1	BELT-SERPENTINE (FAN DRIVE)						
	3	1	371-8298	1	BRACKET						
	4	1	377-9255	1	PULLEY AS (8-GROOVE)						
M		1	423-7576	1	BOLT (M10X1.5X50-MM)						

M - METRIC PART



GRAPHIC #1

<END>

g06023287

BASIC ENGINE

329-7900 FLYWHEEL GP

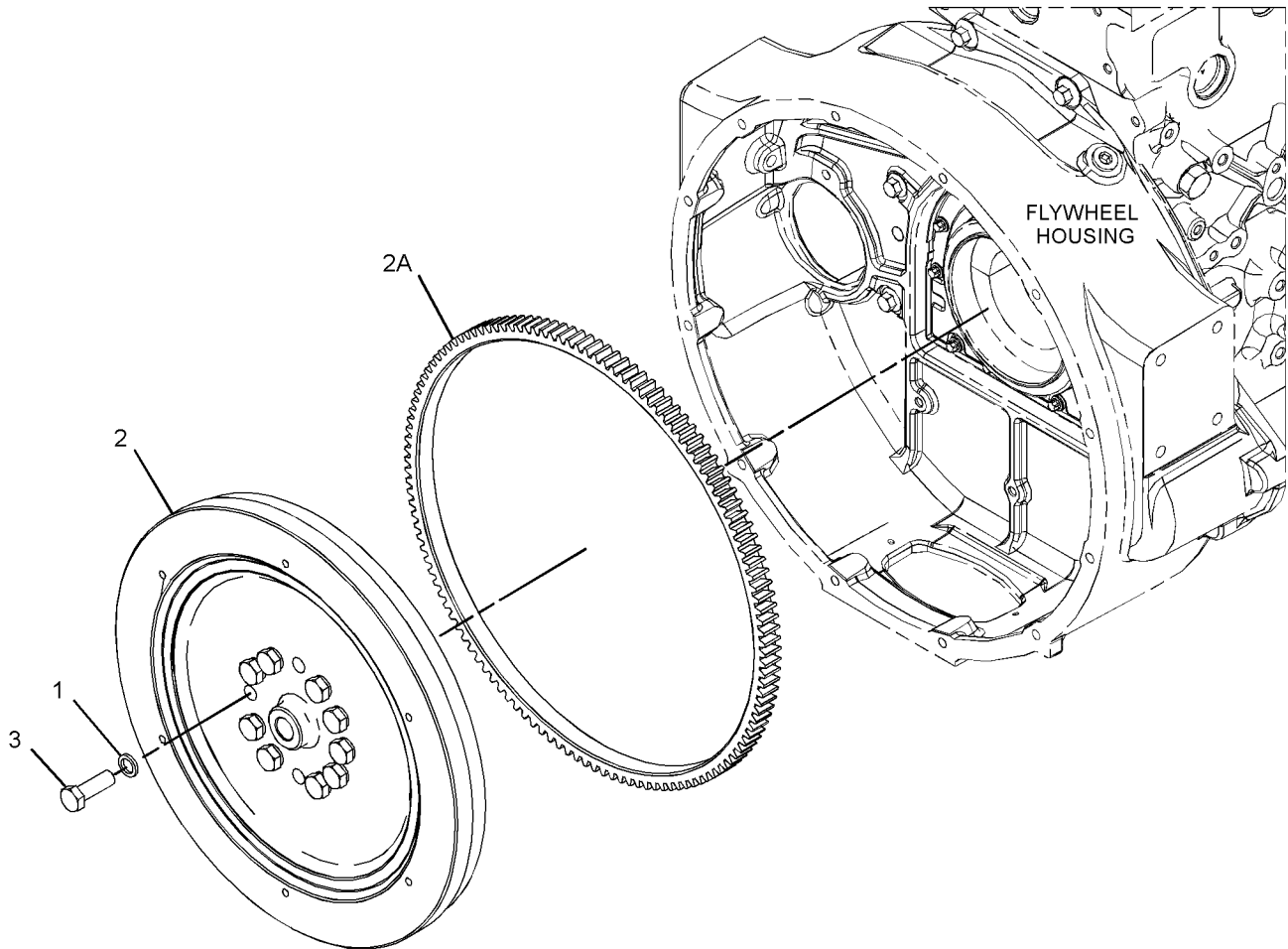
S/N: JKT1-UP

PART OF 464-2307, 464-2308 ENGINE AR-PRIMARY
ALSO AN ATTACHMENT

SMCS-1156

i05725390

NOTE	REF NO	GRAPHIC REF	PART NUMBER	QTY	PART NAME						SEE PAGE
					1	2	3	4	5	6 (PRODUCT LEVEL)	
	1	1	145-4911	10	WASHER						
	2	1	243-4278	1	FLYWHEEL AS						
	2A	1	033-7687	1	RING-STARTING MOTOR (126-TEETH)						
	3	1	0S-1603	10	BOLT (1/2-20X1.5-IN)						



GRAPHIC #1

<END>

g02854537

BASIC ENGINE

349-9649 FLYWHEEL GP

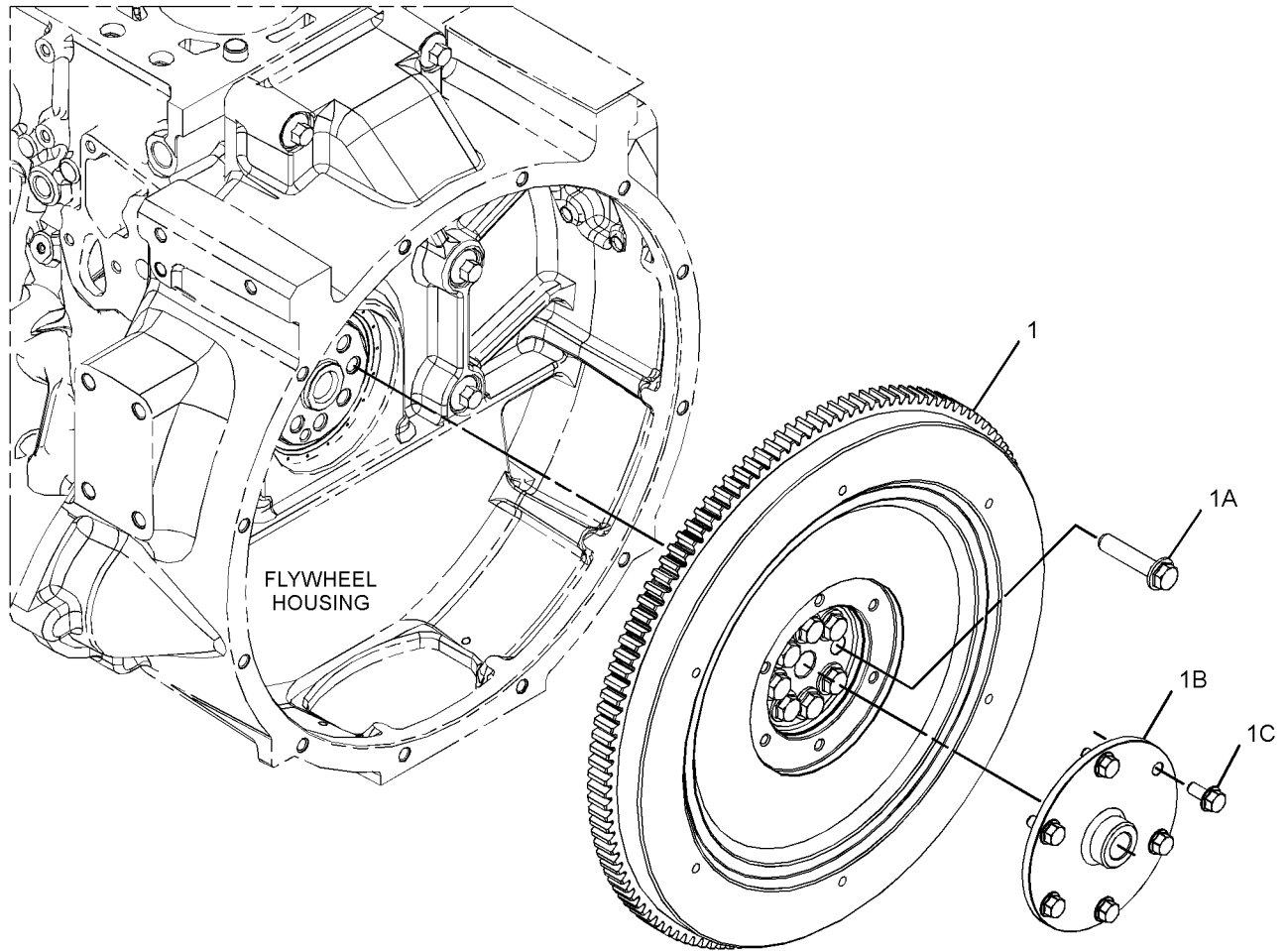
S/N: CJ41-UP

PART OF 465-2880 ENGINE AR-PRIMARY

SMCS-1156

i05722230

NOTE	REF NO	GRAPHIC REF	PART NUMBER	QTY	PART NAME						SEE PAGE
					1	2	3	4	5	6 (PRODUCT LEVEL)	
	1	1	369-3795	1	FLYWHEEL AS						
	1A	1	381-3940	8	BOLT						
	1B	1	388-7602	1	FLANGE						
	1C	1	389-1863	6	BOLT-SPECIAL						
		1	375-8190	1	FLYWHEEL						



GRAPHIC #1

<END>

g03044136

BASIC ENGINE

423-1270 FLYWHEEL GP

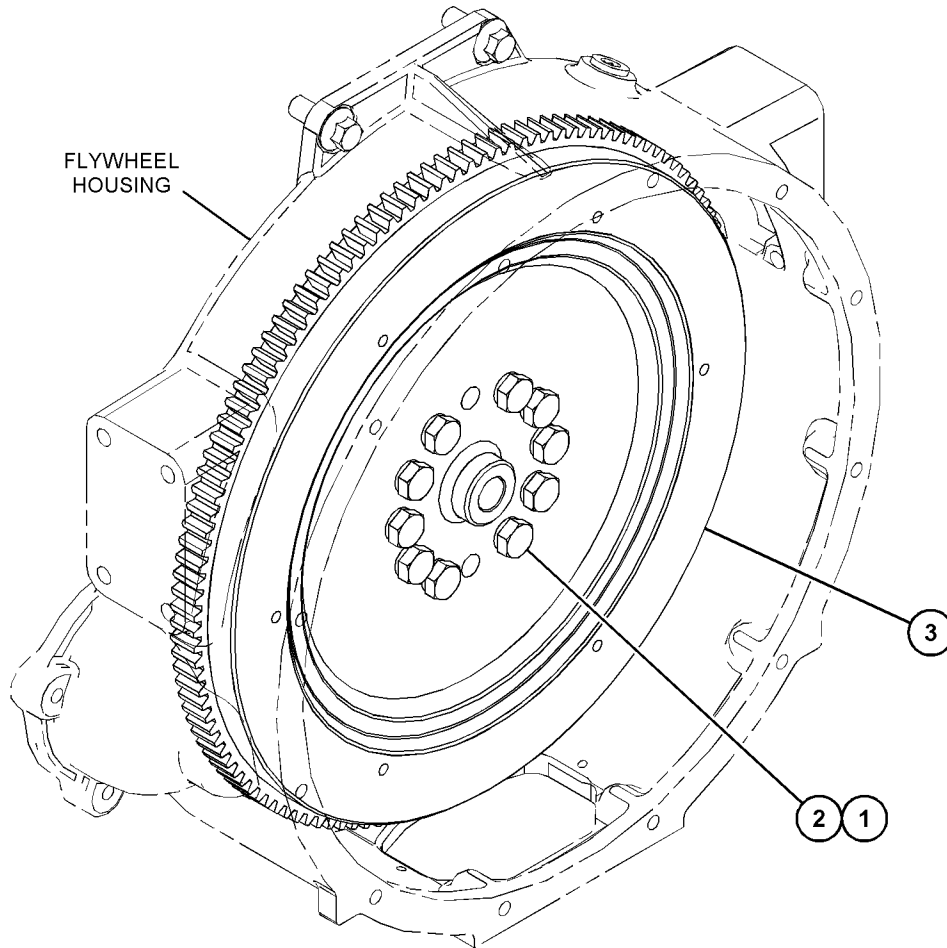
S/N: W231-UP

PART OF 463-8848, 463-8910 ENGINE AR-PRIMARY

SMCS-1156

i06139720

NOTE	REF NO	GRAPHIC REF	PART NUMBER	QTY	PART NAME						SEE PAGE
					1	2	3	4	5	6 (PRODUCT LEVEL)	
	1	1	145-4911	10	WASHER						
	2	1	0S-1603	10	BOLT (1/2-20X1.5-IN)						
	3	1	243-4278	1	FLYWHEEL AS						
		1	033-7687	1	RING-STARTING MOTOR (126-TEETH)						



GRAPHIC #1

<END>

g03824308

BASIC ENGINE

329-7884 HOUSING GP-FLYWHEEL

S/N: JKT1-UP

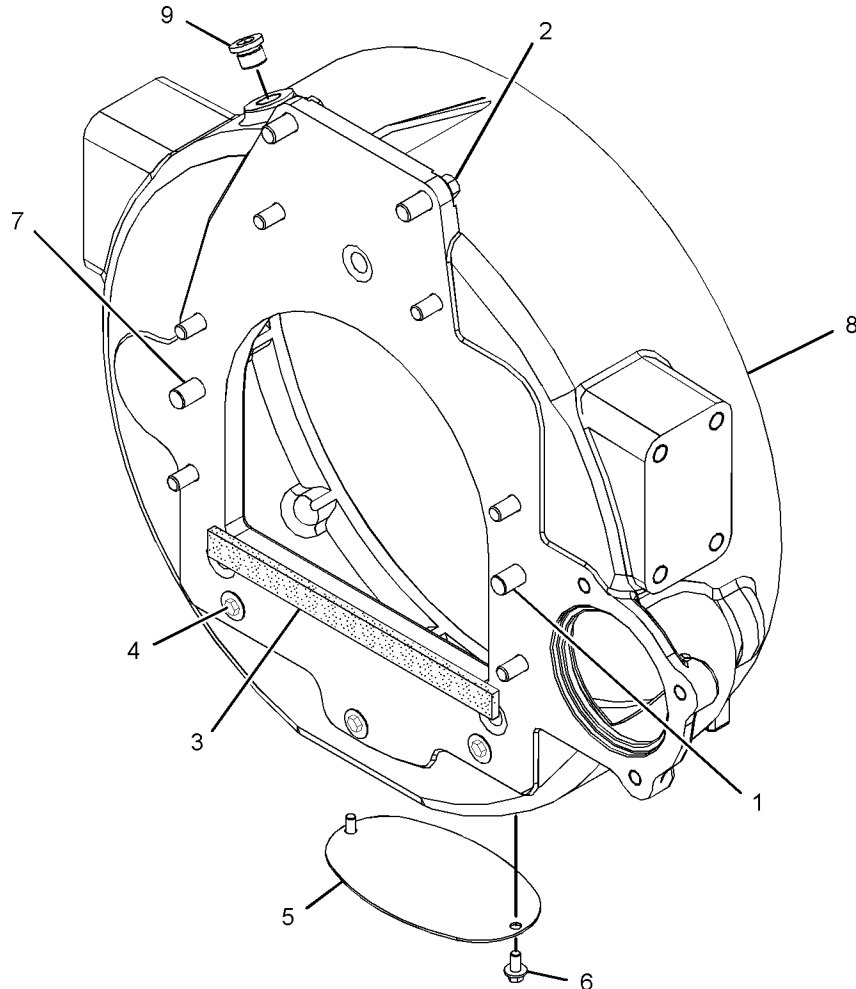
PART OF 464-2307, 464-2308 ENGINE AR-PRIMARY
ALSO AN ATTACHMENT

SMCS-1157

i05725396

NOTE	REF NO	GRAPHIC REF	PART NUMBER	QTY	PART NAME						SEE PAGE
					1	2	3	4	5	6	
M	1	1	121-0883	6	BOLT (M10X1.5X30-MM)						
M	2	1	6I-0423	2	BOLT (M12X1.75X30-MM)						
	3	1	7W-4642	1	SHIELD-DUST						
M	4	1	6I-4200	3	BOLT (M10X1.5X16-MM)						
	5	1	321-5595	1	PLATE						
M	6	1	6I-0631	2	BOLT (M6X1X12-MM)						
	7	1	287-8597	2	DOWEL						
	8	1	321-5594	1	HOUSING-FLYWHEEL						
	9	1	375-9272	1	PLUG						

M - METRIC PART



GRAPHIC #1

<END>

g02894351

BASIC ENGINE

349-7415 HOUSING GP-FLYWHEEL

S/N: CJ41-UP

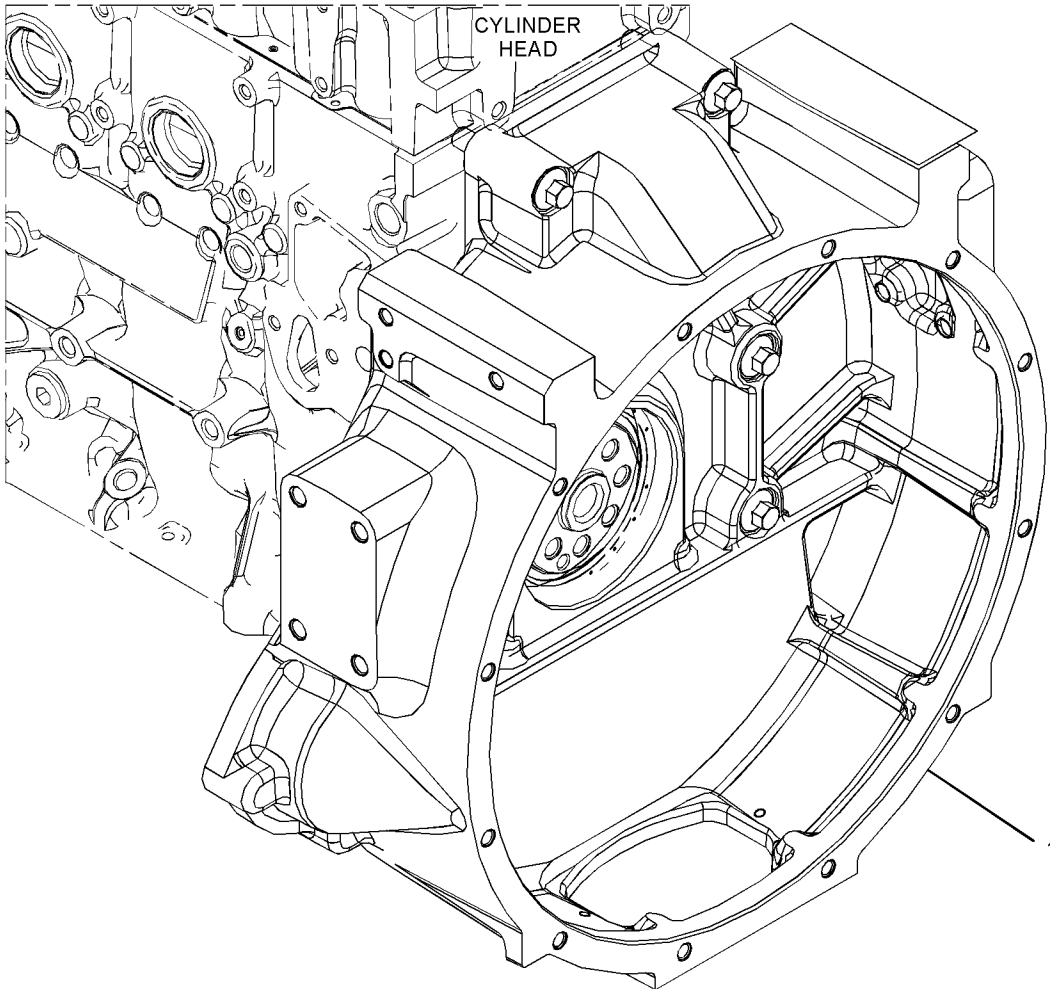
PART OF 465-2880 ENGINE AR-PRIMARY

SMCS-1157

i05722309

NOTE	REF NO	GRAPHIC REF	PART NUMBER	QTY	PART NAME						SEE PAGE
					1	2	3	4	5	6 (PRODUCT LEVEL)	
Y	1	1	369-3793	1	HOUSING GP-FLYWHEEL						99

Y - SEPARATE ILLUSTRATION



GRAPHIC #1

<END>

g02878738

BASIC ENGINE

369-3793 HOUSING GP-FLYWHEEL

S/N: CJ41-UP

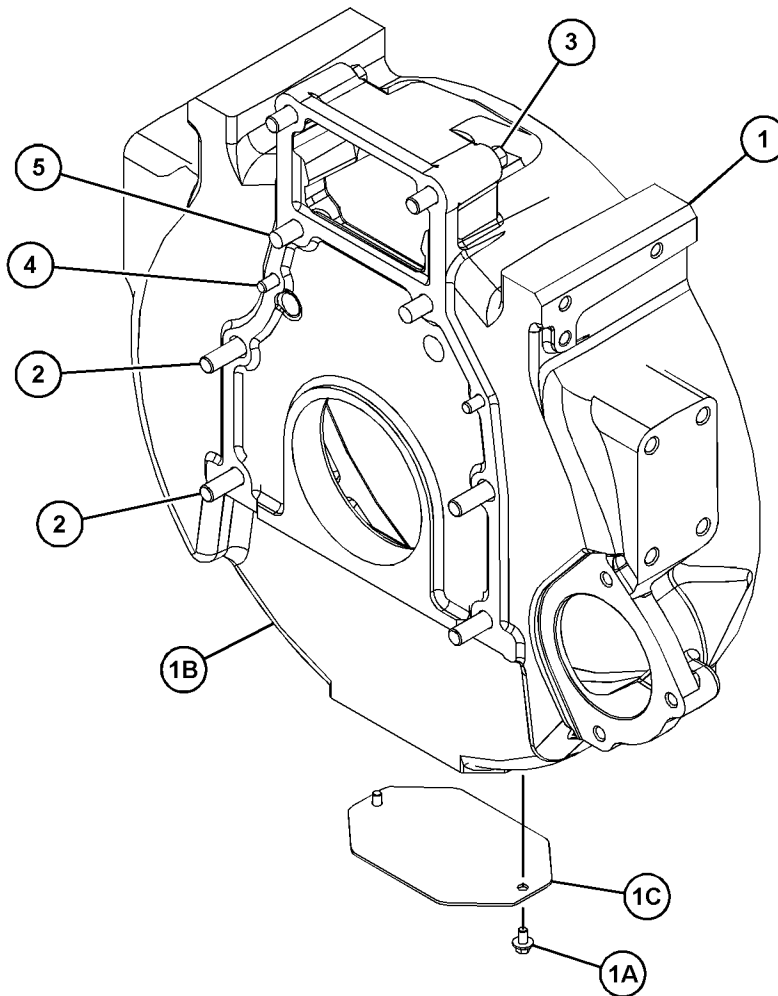
PART OF 349-7415 HOUSING GP-FLYWHEEL

SMCS-1157

i05773216

NOTE	REF NO	GRAPHIC REF	PART NUMBER	QTY	PART NAME						SEE PAGE
					1	2	3	4	5	6 (PRODUCT LEVEL)	
	1	1	441-1161	1	HOUSING AS-FLYWHEEL						
M	1A	1	100-4841	2	BOLT (M6X1X10-MM)						
	1B	1	375-8223	1	HOUSING						
	1C	1	379-3314	1	COVER						
	2	1	291-4146	4	BOLT						
	3	1	331-7316	2	BOLT (M12X1.75X70-MM)						
	4	1	389-1920	2	BOLT						
	5	1	385-1649	2	BOLT (M10X1.5X50-MM)						

M - METRIC PART



GRAPHIC #1

<END>

g03648158

BASIC ENGINE

431-7048 HOUSING GP-FLYWHEEL

S/N: W231-UP

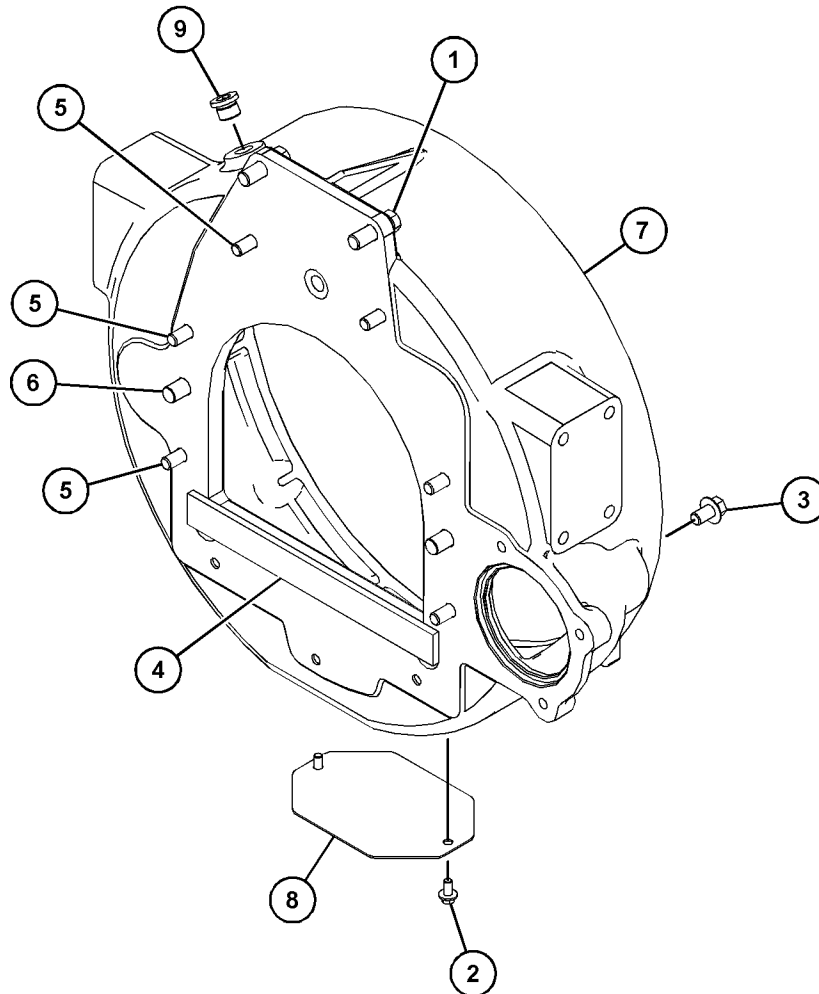
PART OF 463-8848, 463-8910 ENGINE AR-PRIMARY

SMCS-1157

i06151657

NOTE	REF NO	GRAPHIC REF	PART NUMBER	QTY	PART NAME						SEE PAGE
					1	2	3	4	5	6 (PRODUCT LEVEL)	
M	1	1	6I-0423	2	BOLT (M12X1.75X30-MM)						
M	2	1	6I-0631	2	BOLT (M6X1X12-MM)						
M	3	1	6I-4200	3	BOLT (M10X1.5X16-MM)						
	4	1	393-4006	1	GASKET						
M	5	1	121-0883	6	BOLT (M10X1.5X30-MM)						
	6	1	287-8597	2	DOWEL						
	7	1	321-5594	1	HOUSING-FLYWHEEL						
	8	1	321-5595	1	PLATE						
	9	1	375-9272	1	PLUG						

M - METRIC PART



GRAPHIC #1

<END>

g03833688

BASIC ENGINE

329-8421 HOUSING GP-FRONT

S/N: JKT1-UP

PART OF 464-2307, 464-2308 ENGINE AR-PRIMARY
ALSO AN ATTACHMENT

SMCS-1151, 1162

i06995891

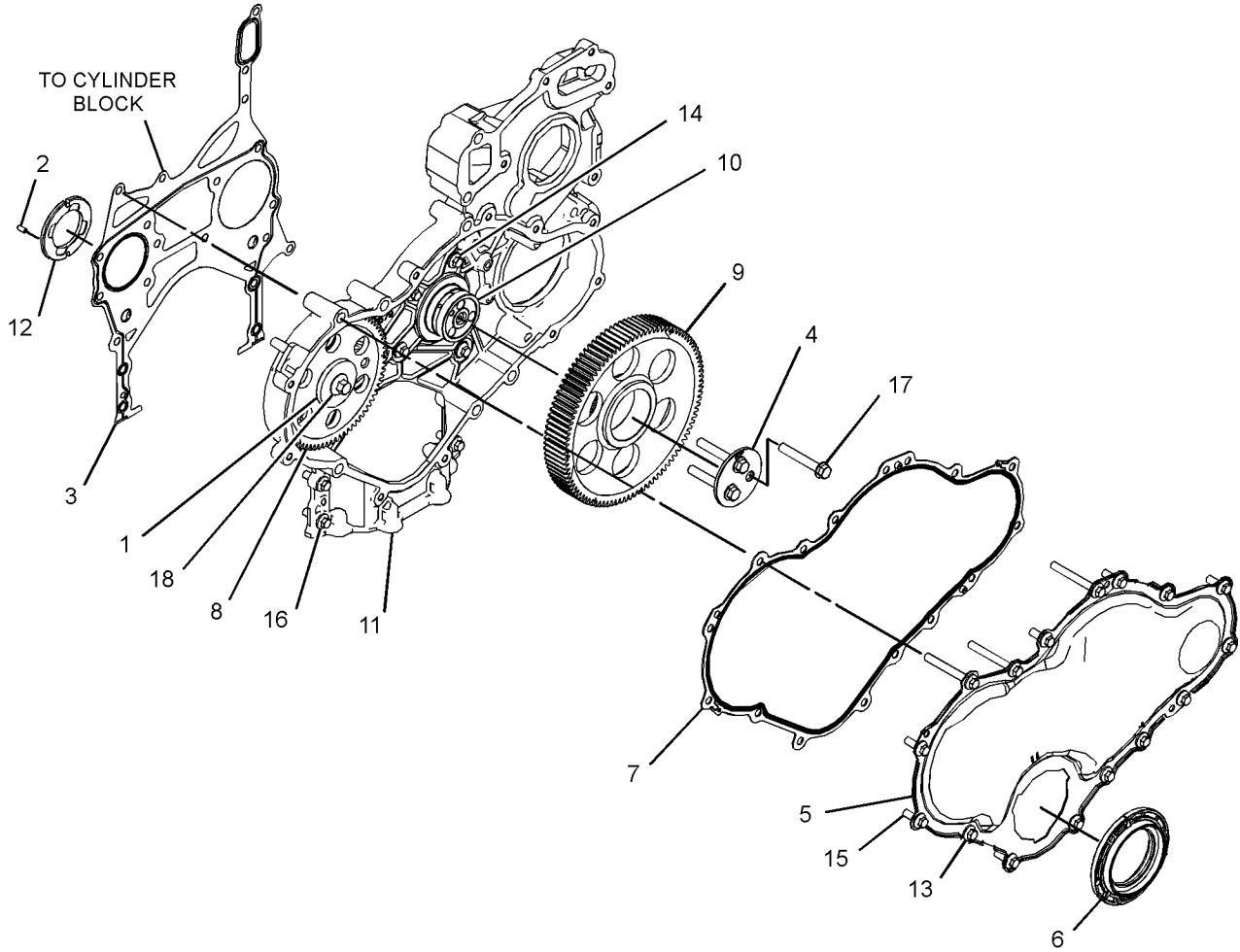
NOTE	REF NO	GRAPHIC REF	PART NUMBER	QTY	PART NAME						SEE PAGE
					1	2	3	4	5	6 (PRODUCT LEVEL)	
	1	1	133-1011	1	WASHER						
	2	1	067-6179	1	DOWEL						
	3	1	319-9361	1	GASKET						
	4	1	325-4374	1	PLATE-THRUST						
	5	1	371-8057	1	COVER-FRONT						
	6	1	371-8062	1	SEAL						
	7	1	335-5330	1	GASKET						
	8	1	340-0571	1	GEAR (72-TEETH)						
	9	1	342-1306	1	IDLER AS (97-TEETH)						
	10	1	419-0423	1	HUB-IDLER GEAR						
	11	1	502-3579	1	CASE-GEAR						
	12	1	232-3666	1	WASHER-THRUST						
M	13	1	100-3751	6	BOLT (M8X1.25X65-MM)						
M	14	1	101-3895	2	BOLT (M8X1.25X35-MM)						
M	15	1	6I-0217	17	BOLT (M8X1.25X20-MM)						
M	16	1	6I-0645	3	BOLT (M8X1.25X25-MM)						
M	17	1	6I-0789	3	BOLT (M10X1.5X60-MM)						
M	18	1	7C-4616	1	BOLT (M12X1.75X45-MM)						

M - METRIC PART

BASIC ENGINE

329-8421 HOUSING GP-FRONT (contd.)

i06995891



GRAPHIC #1

<END>

g06193275

BASIC ENGINE

377-6012 HOUSING GP-FRONT

S/N: CJ41-UP

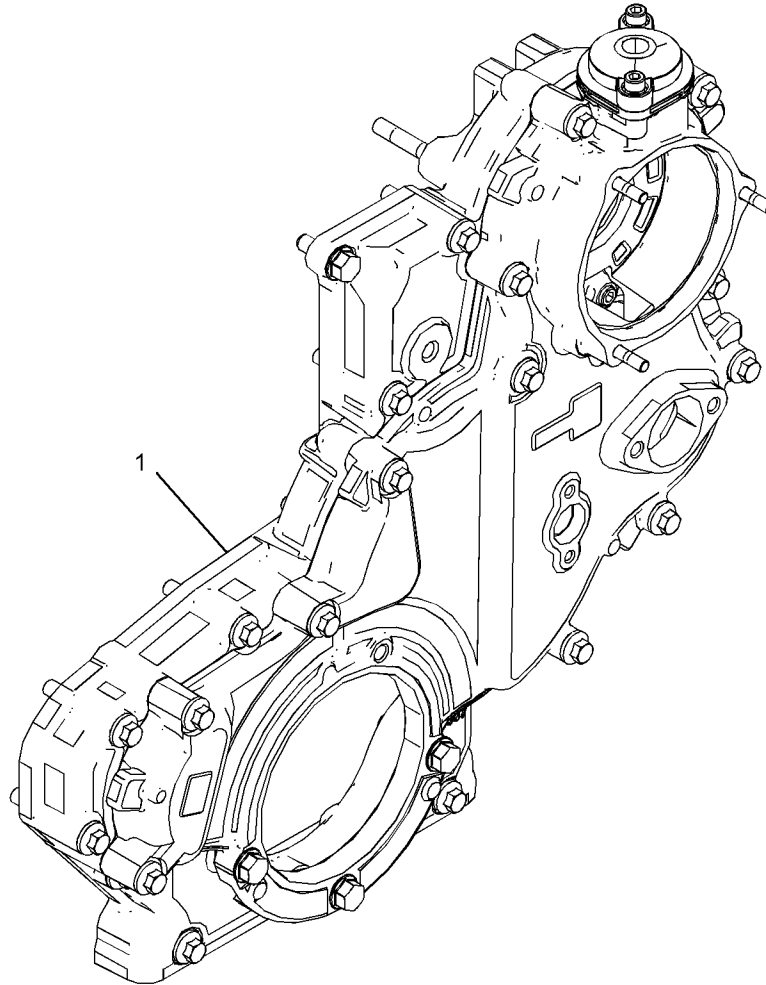
PART OF 465-2880 ENGINE AR-PRIMARY

SMCS-1151, 1162

i05984438

NOTE	REF NO	GRAPHIC REF	PART NUMBER	QTY	PART NAME						SEE PAGE
					1	2	3	4	5	6 (PRODUCT LEVEL)	
Y	1	1	444-6164	1	HOUSING GP-FRONT						107

Y - SEPARATE ILLUSTRATION



GRAPHIC #1

<END>

g03676260

BASIC ENGINE

415-7116 HOUSING GP-FRONT

S/N: W231-UP

PART OF 463-8848, 463-8910 ENGINE AR-PRIMARY

SMCS-1151, 1162

i06852998

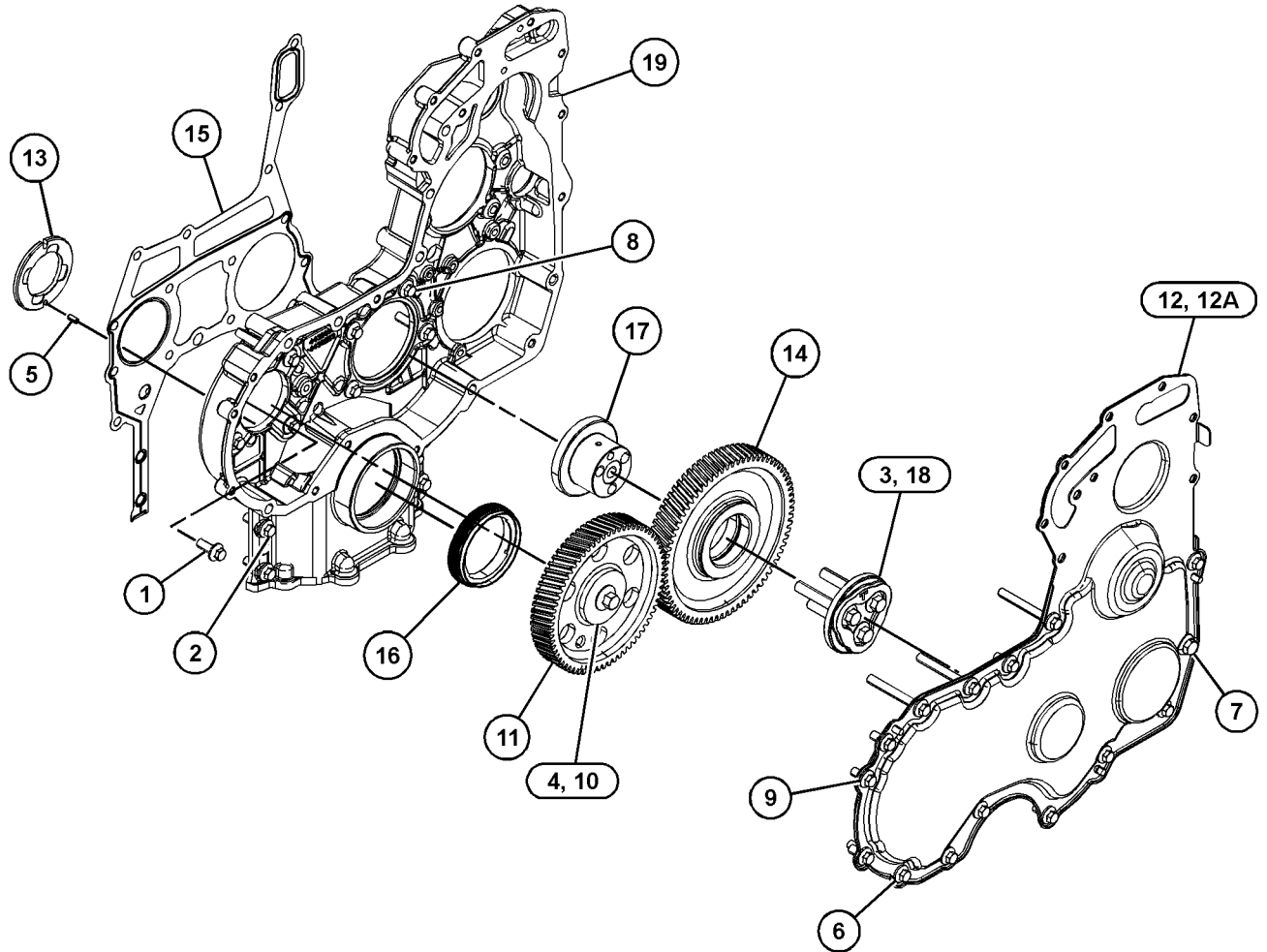
NOTE	REF NO	GRAPHIC REF	PART NUMBER	QTY	PART NAME						SEE PAGE
					1	2	3	4	5	6 (PRODUCT LEVEL)	
M	1	1	6I-0217	6	BOLT (M8X1.25X20-MM)						
M	2	1	6I-0645	4	BOLT (M8X1.25X25-MM)						
M	3	1	6I-0650	3	BOLT (M10X1.5X65-MM)						
M	4	1	7C-4616	1	BOLT (M12X1.75X45-MM)						
	5	1	067-6179	1	DOWEL						
M	6	1	100-3751	5	BOLT (M8X1.25X65-MM)						
M	7	1	100-4830	1	BOLT (M10X1.5X20-MM)						
M	8	1	101-3895	2	BOLT (M8X1.25X35-MM)						
M	9	1	124-3815	9	BOLT (M8X1.25X16-MM)						
	10	1	133-1011	1	WASHER						
	11	1	425-7103	1	GEAR (68-TEETH)						
	12	1	226-8767	1	COVER AS-FRONT						
	12A	1	226-8766	1	GASKET-COVER						
	13	1	232-3666	1	WASHER-THRUST						
	14	1	251-4336	1	GEAR AS-IDLER (73-TEETH)						
	15	1	277-3012	1	GASKET-COVER						
	16	1	277-3013	1	SEAL						
	17	1	324-0444	1	HUB-IDLER GEAR						
	18	1	346-0408	1	PLATE						
	19	1	443-9253	1	CASE-GEAR						

M - METRIC PART

BASIC ENGINE

415-7116 HOUSING GP-FRONT (contd.)

i06852998



GRAPHIC #1

<END>

g03831930

BASIC ENGINE

416-8722 HOUSING GP-FRONT

S/N: W231-UP

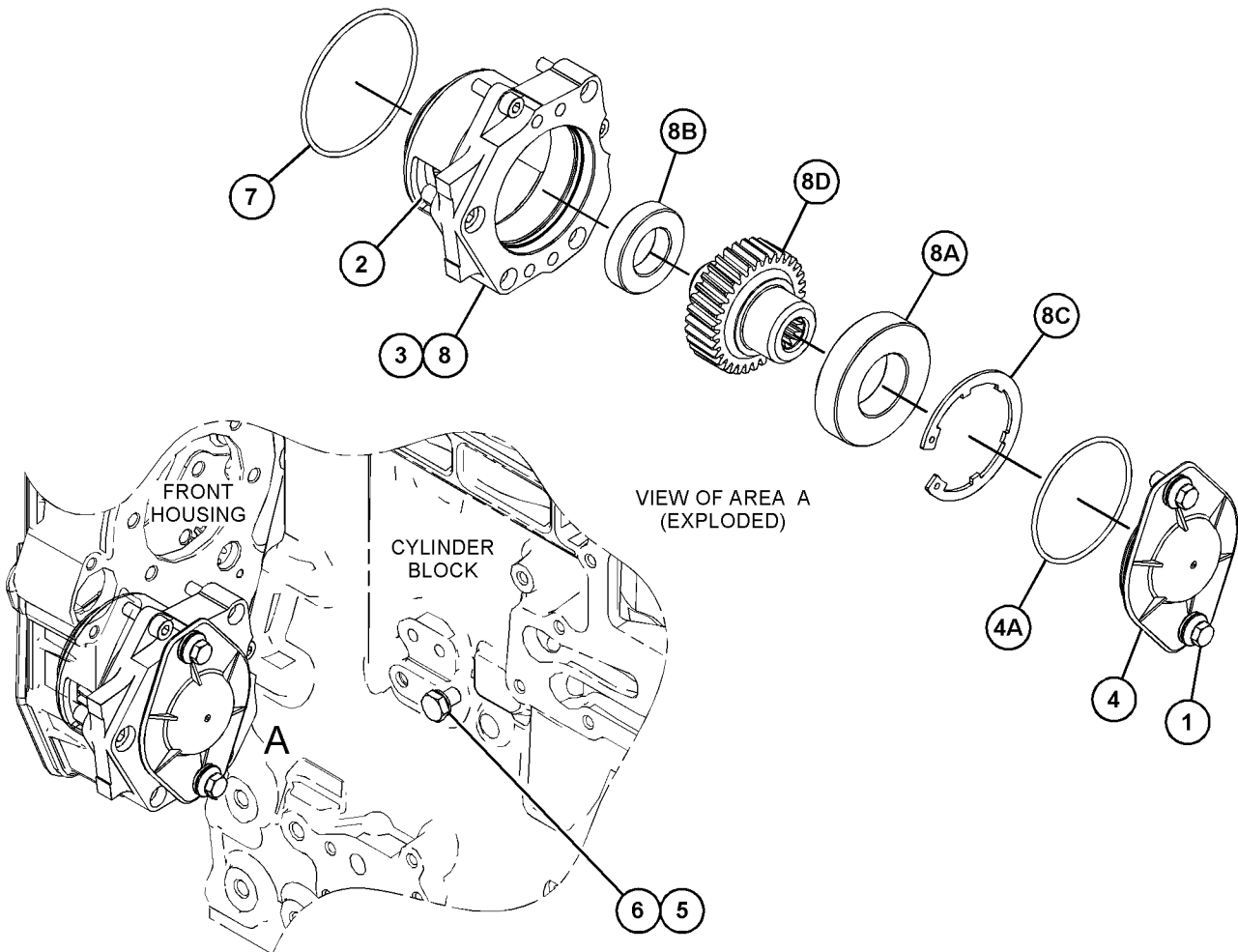
PART OF 463-8848, 463-8910 ENGINE AR-PRIMARY

SMCS-1151, 1162

i06621186

NOTE	REF NO	GRAPHIC REF	PART NUMBER	QTY	PART NAME						SEE PAGE
					1	2	3	4	5	6 (PRODUCT LEVEL)	
M	1	1	100-4830	2	BOLT (M10X1.5X20-MM)						
M	2	1	102-2078	1	BOLT (M10X1.5X25-MM)						
	3	1	126-3212	5	BOLT (M8X1.25X25-MM)						
	4	1	198-8262	1	COVER AS						
	4A	1	198-8263	1	SEAL-O-RING						
	5	1	214-3203	1	WASHER (SEALING)						
M	6	1	6I-0646	1	BOLT (M10X1.5X14-MM)						
	7	1	102-2073	1	SEAL-O-RING						
	8	1	235-1063	1	ADAPTER AS						
	8A	1	6H-3957	1	BALL BEARING						
	8B	1	102-2075	1	BEARING						
	8C	1	102-2076	1	CLIP						
	8D	1	235-1061	1	GEAR (33-TEETH)						

M - METRIC PART



GRAPHIC #1

<END>

g03881057

BASIC ENGINE

444-6164 HOUSING GP-FRONT

S/N: CJ41-UP

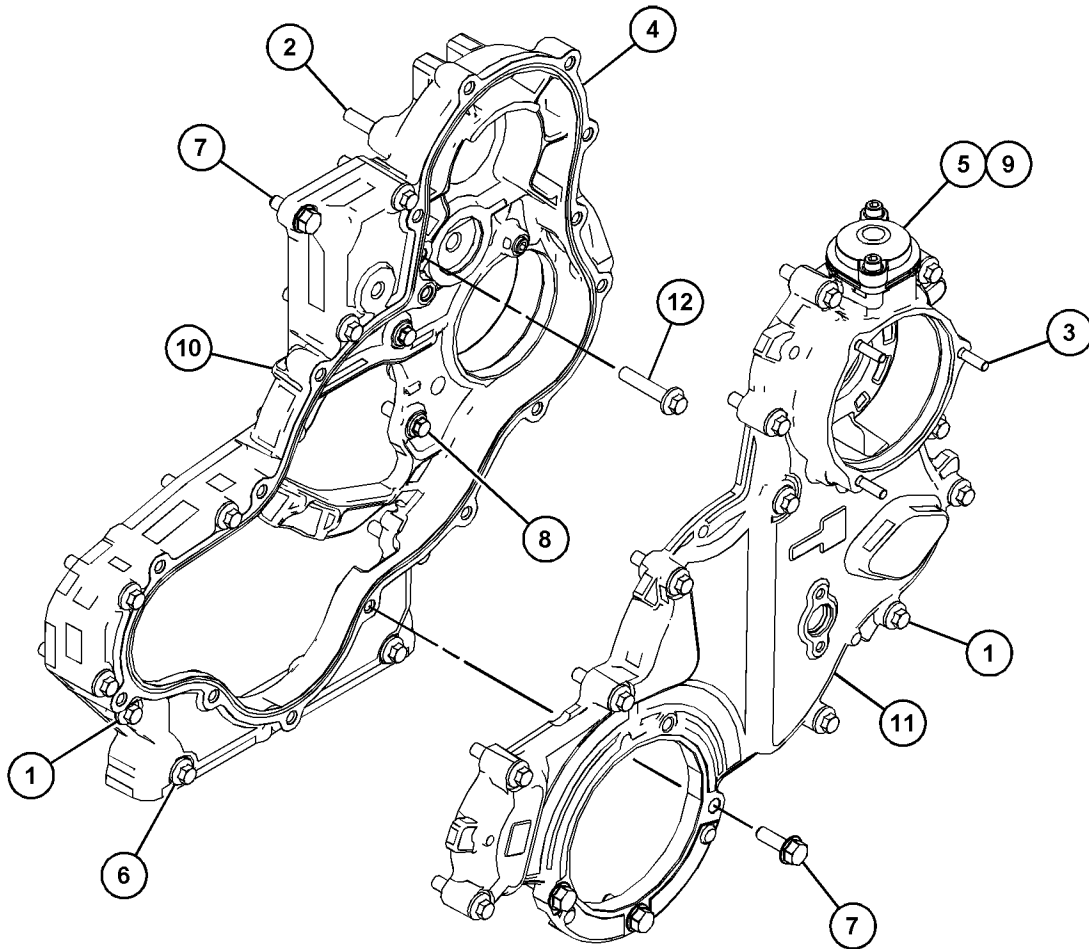
PART OF 377-6012 HOUSING GP-FRONT

SMCS-1151, 1162

i05984437

NOTE	REF NO	GRAPHIC REF	PART NUMBER	QTY	PART NAME						SEE PAGE
					1	2	3	4	5	6 (PRODUCT LEVEL)	
M	1	1	101-3895	15	BOLT (M8X1.25X35-MM)						
	2	1	205-3686	3	STUD (M8X1.25X52-MM)						
	3	1	331-6839	3	STUD (M6X1X29-MM)						
	4	1	386-2777	1	GASKET						
	5	1	386-2778	1	BREATHER AS (FRONT HOUSING)						
	6	1	388-2068	7	BOLT						
	7	1	389-2868	4	BOLT-SPECIAL						
	8	1	389-2872	3	SCREW						
	9	1	390-2405	2	SCREW						
	10	1	439-1624	1	HOUSING AS						
		1	381-3510	2	DOWEL						
		1	386-1921	2	PLUG						
		1	386-1922	1	PLUG						
	11	1	444-7241	1	HOUSING						
M	12	1	6I-1090	1	BOLT (M8X1.25X40-MM)						

M - METRIC PART



GRAPHIC #1

<END>

g03787164

BASIC ENGINE

330-9652 JET GP-PISTON COOLING

S/N: JKT1-UP

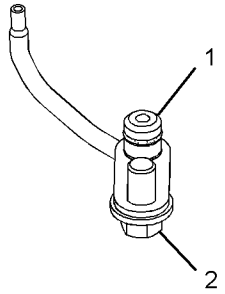
PART OF 449-5062 CYLINDER BLOCK GP-SHORT, 464-2307, 464-2308 ENGINE AR-PRIMARY
ALSO AN ATTACHMENT

SMCS-1331

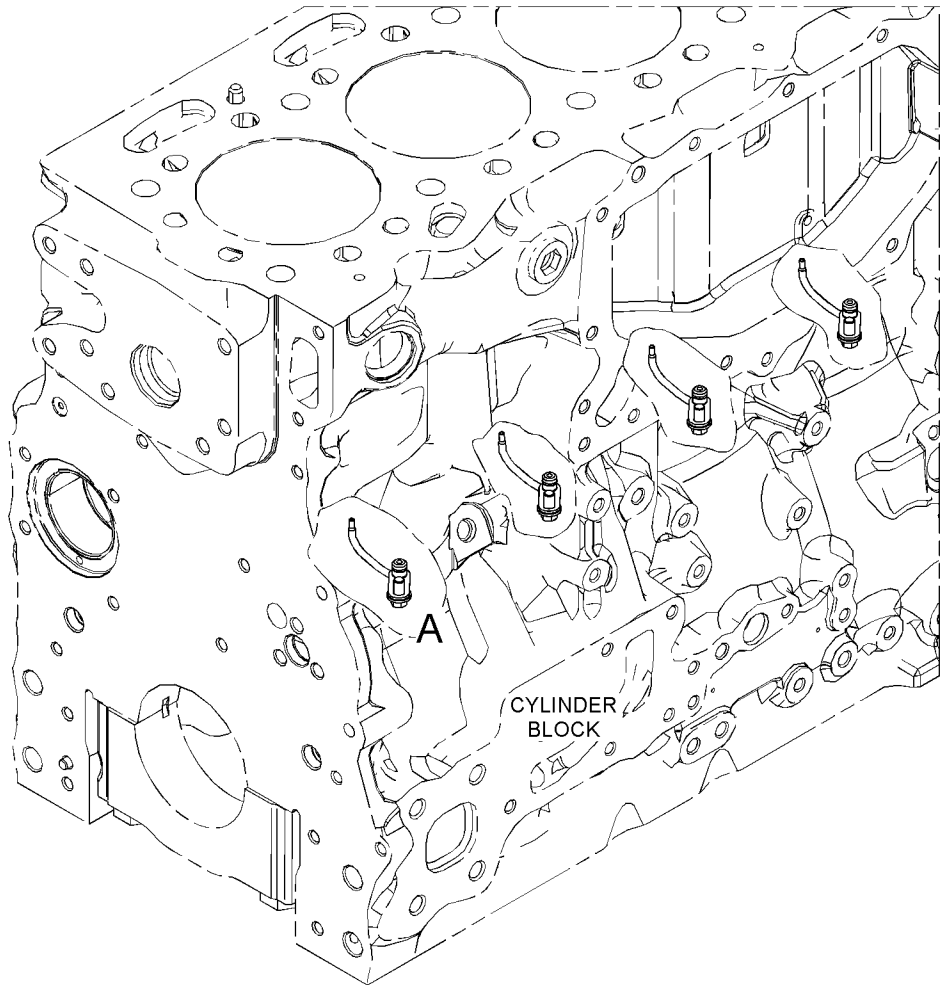
i04630544

NOTE	REF NO	GRAPHIC REF	PART NUMBER	QTY	PART NAME						SEE PAGE
					1	2	3	4	5	6 (PRODUCT LEVEL)	
	1	1	329-3796	4	TUBE AS-OIL JET						
M	2	1	100-4841	4	BOLT (M6X1X10-MM)						

M - METRIC PART



VIEW OF AREA A



GRAPHIC #1

<END>

g02693540

BASIC ENGINE

415-7948 JET GP-PISTON COOLING

S/N: W231-UP

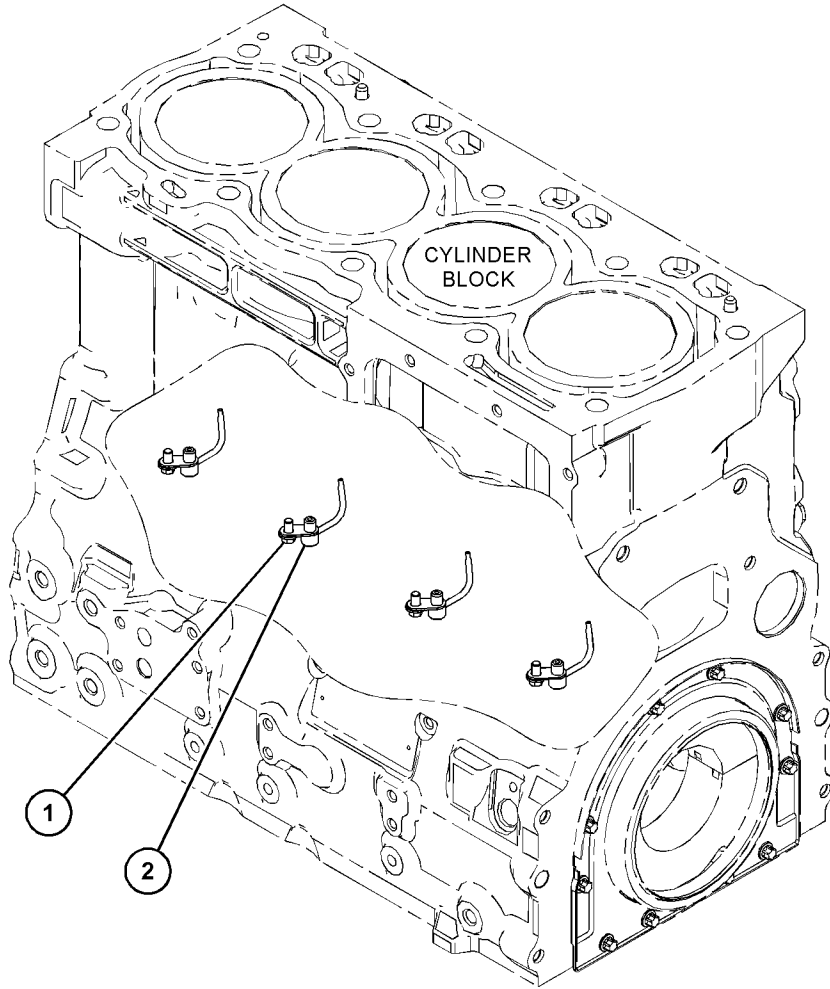
PART OF 452-7386 CYLINDER BLOCK GP-SHORT, 463-8848, 463-8910 ENGINE AR-PRIMARY

SMCS-1331

i06120073

NOTE	REF NO	GRAPHIC REF	PART NUMBER	QTY	PART NAME						SEE PAGE
					1	2	3	4	5	6 (PRODUCT LEVEL)	
M	1	1	100-4841	4	BOLT (M6X1X10-MM)						
	2	1	276-5605	4	JET AS-PISTON COOLING						

M - METRIC PART



GRAPHIC #1

<END>

g03813693

BASIC ENGINE

350-1044 LIFTING GP-ENGINE

S/N: JKT1-UP

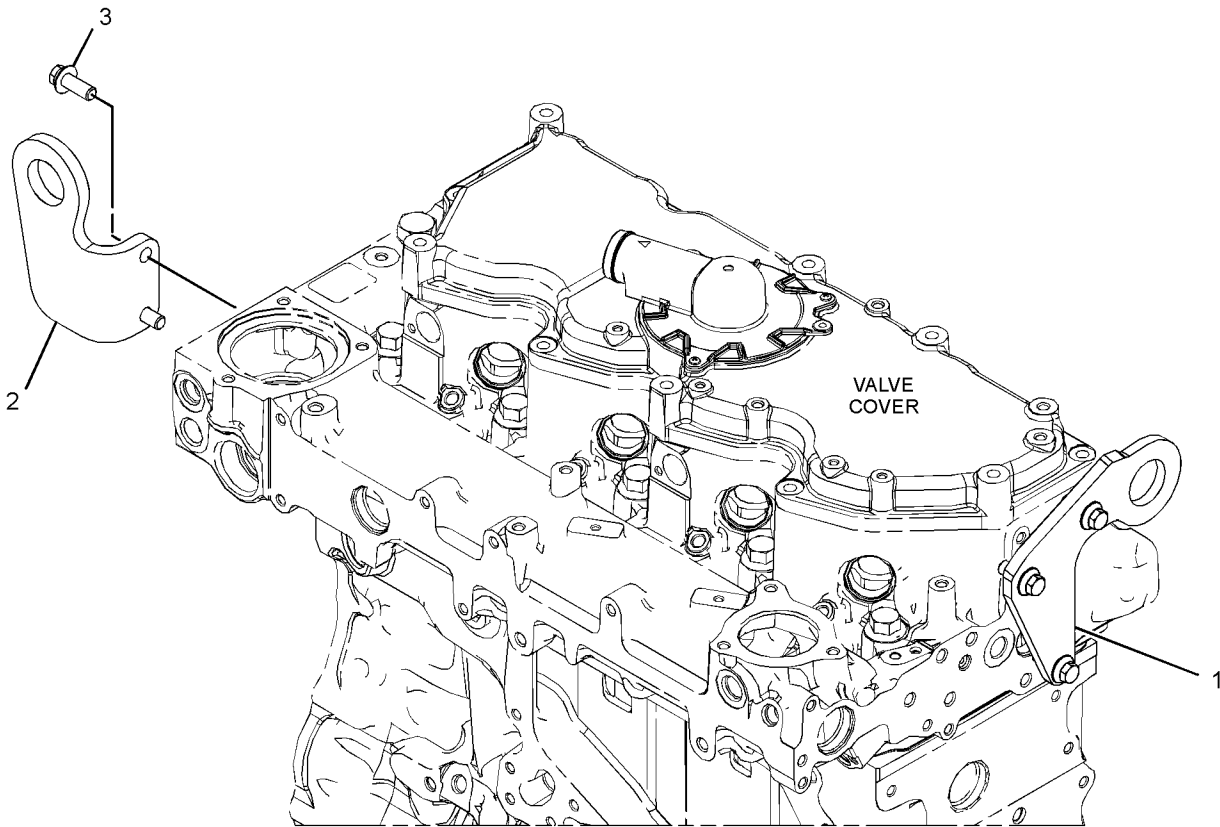
PART OF 464-2307, 464-2308 ENGINE AR-PRIMARY
ALSO AN ATTACHMENT

SMCS-1122

i04630546

NOTE	REF NO	GRAPHIC REF	PART NUMBER	QTY	PART NAME						SEE PAGE
					1	2	3	4	5	6 (PRODUCT LEVEL)	
	1	1	348-2822	1	BRACKET-LIFT						
	2	1	358-8132	1	BRACKET-LIFT						
M	3	1	6I-0654	5	BOLT (M10X1.5X25-MM)						

M - METRIC PART



GRAPHIC #1

<END>

g02677336

BASIC ENGINE

350-1826 LIFTING GP-ENGINE

S/N: CJ41-UP

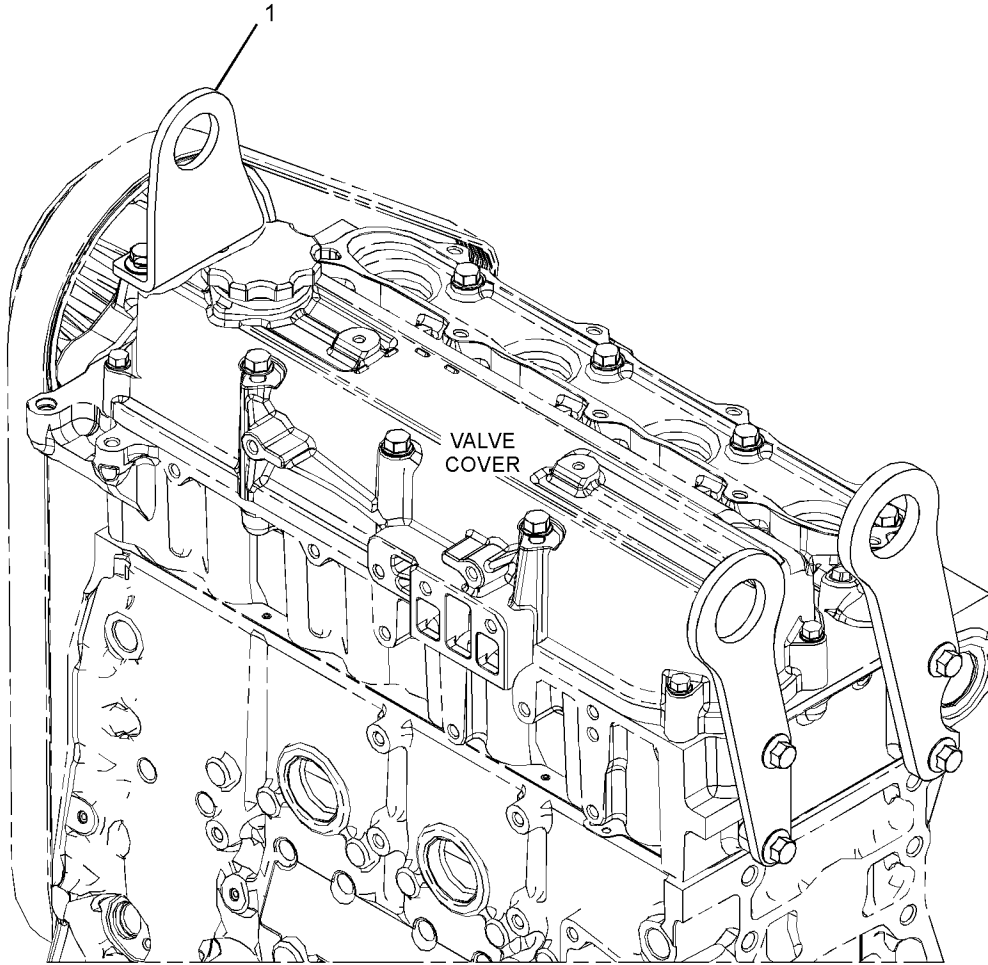
PART OF 465-2880 ENGINE AR-PRIMARY

SMCS-1122

i05936433

NOTE	REF NO	GRAPHIC REF	PART NUMBER	QTY	PART NAME						SEE PAGE
					1	2	3	4	5	6 (PRODUCT LEVEL)	
Y	1	1	428-7127	1	LIFTING GP-ENGINE						113

Y - SEPARATE ILLUSTRATION



GRAPHIC #1

<END>

g02876337

BASIC ENGINE

417-3463 LIFTING GP-ENGINE

S/N: W231-UP

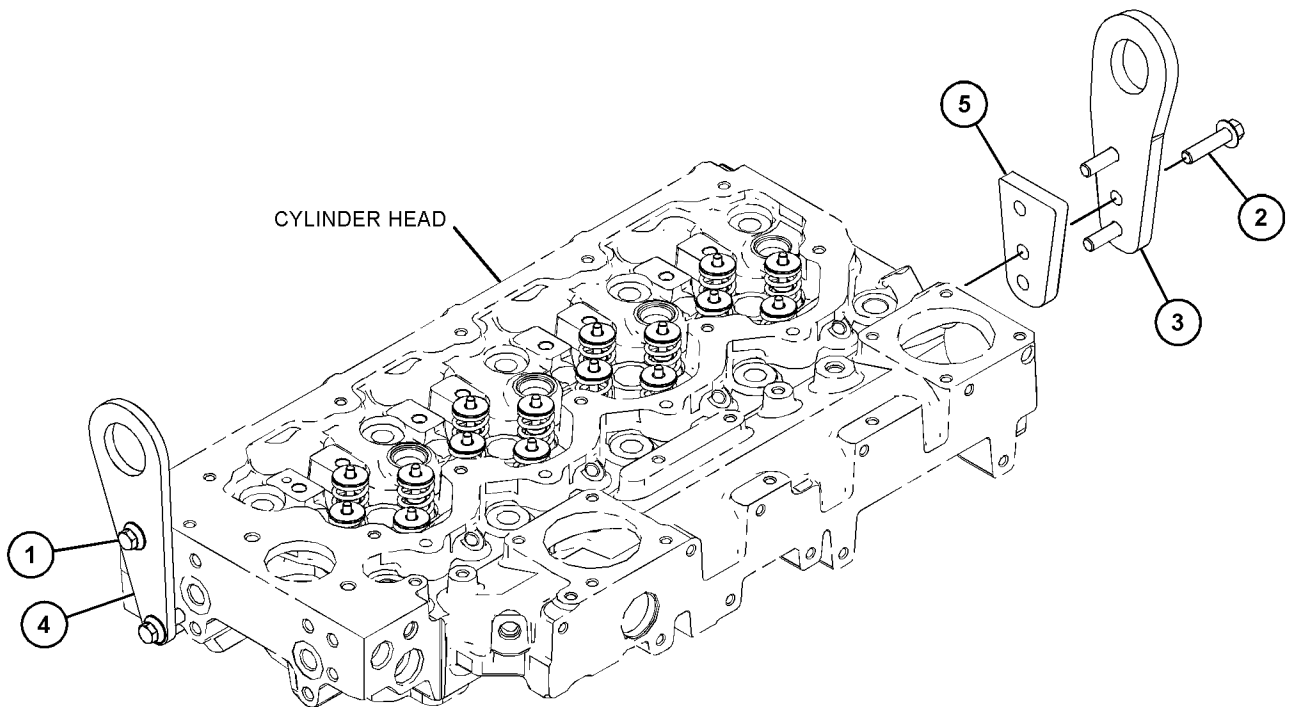
PART OF 463-8848, 463-8910 ENGINE AR-PRIMARY

SMCS-1122

i06146769

NOTE	REF NO	GRAPHIC REF	PART NUMBER	QTY	PART NAME						SEE PAGE
					1	2	3	4	5	6 (PRODUCT LEVEL)	
M	1	1	6I-0654	2	BOLT (M10X1.5X25-MM)						
M	2	1	123-2899	3	BOLT (M10X1.5X40-MM)						
	3	1	421-5383	1	BRACKET-LIFTING						
	4	1	279-9651	1	PLATE-LIFTING						
	5	1	326-0477	1	SPACER						

M - METRIC PART



GRAPHIC #1

<END>

g03826134

BASIC ENGINE

428-7127 LIFTING GP-ENGINE

S/N: CJ41-UP

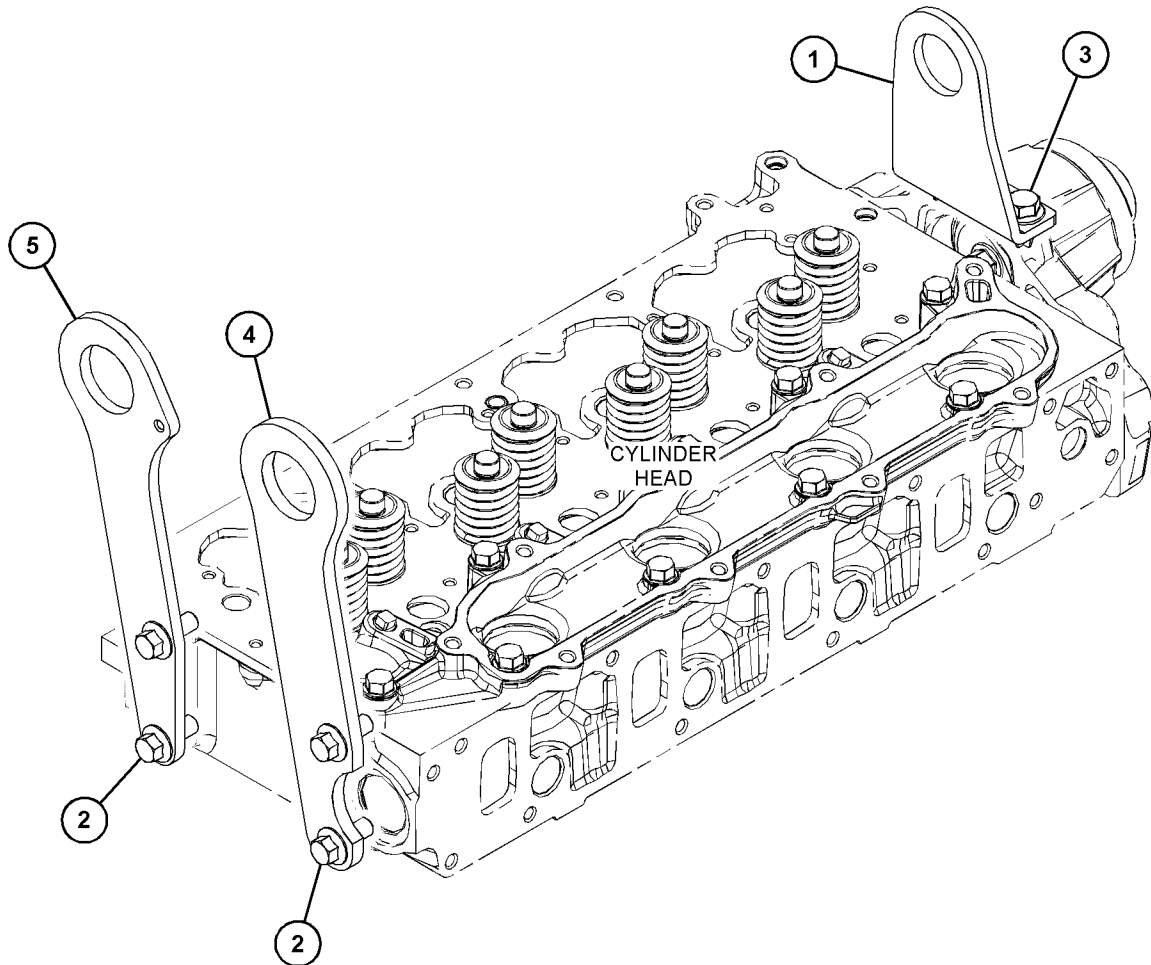
PART OF 350-1826 LIFTING GP-ENGINE

SMCS-1122

i05936447

NOTE	REF NO	GRAPHIC REF	PART NUMBER	QTY	PART NAME						SEE PAGE
					1	2	3	4	5	6	
	1	1	387-9162	1	BRACKET						
M	2	1	390-5138	4	BOLT-FLANGE HEAD (M10X1.5X25-MM)						
	3	1	391-5559	2	BOLT-SPECIAL						
	4	1	428-7171	1	BRACKET						
	5	1	428-7183	1	BRACKET						

M - METRIC PART



GRAPHIC #1

<END>

g03739038

BASIC ENGINE

349-4716 MECHANISM GP-FUEL PUMP & VALVE

S/N: JKT1-UP

PART OF 351-9797 ROCKER ARM GP

ALSO AN ATTACHMENT

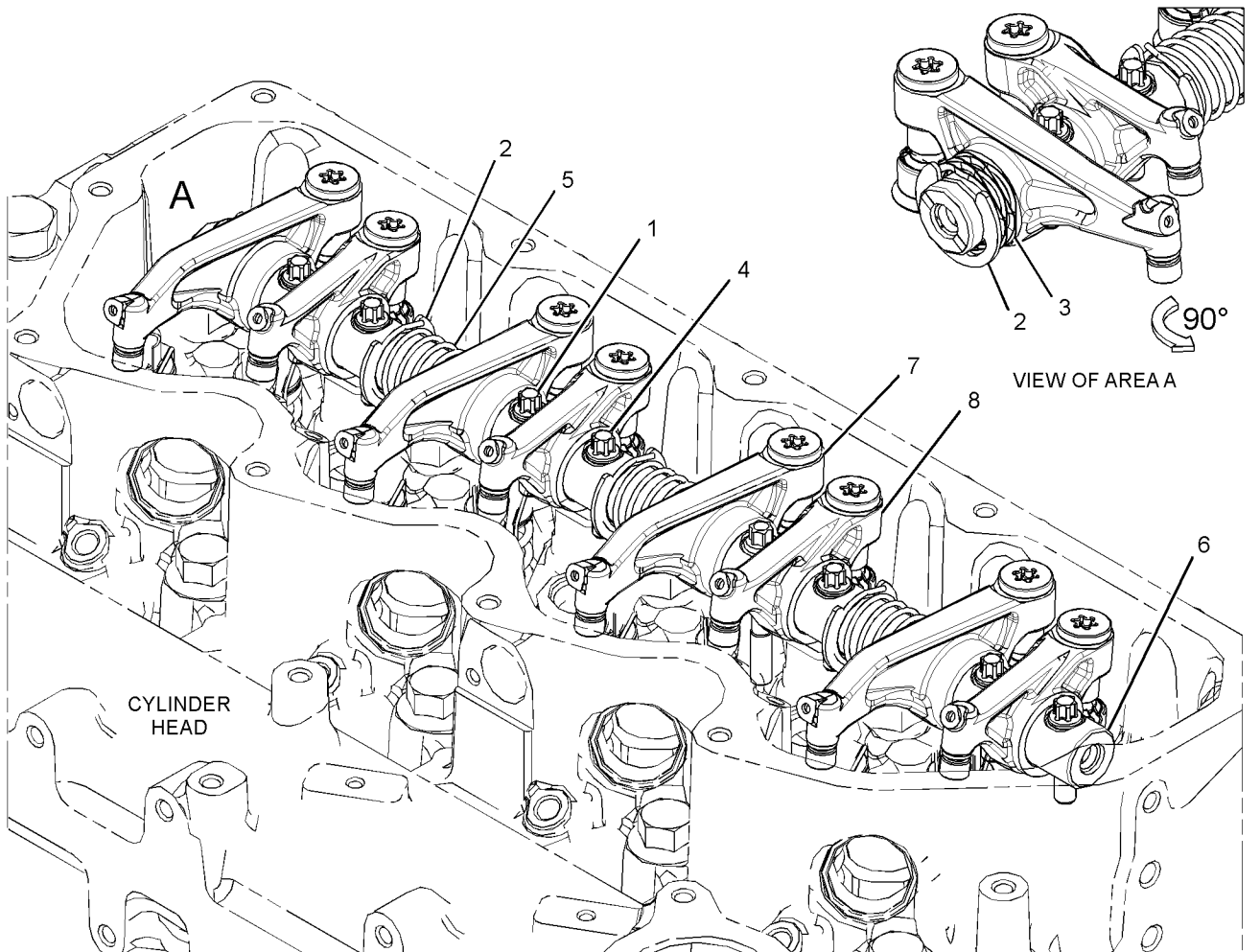
SMCS-1102, 1120, 1121, 1123, 1208, 1209, 1281, 1298

i06567540

NOTE	REF NO	GRAPHIC REF	PART NUMBER	QTY	PART NAME						SEE PAGE
					1	2	3	4	5	6 (PRODUCT LEVEL)	
M	1	1	8T-9535	1	BOLT-SOCKET HEAD (M8X1.25X60-MM)						
	2	1	276-9201	4	CLIP						
	3	1	276-9207	1	SPRING-SHAFT						
	4	1	322-4110	7	BOLT-TORQUE HEAD						
	5	1	338-9595	3	SPRING-SHAFT						
	6	1	349-4729	1	SHAFT AS						
		1	276-9200	2	PLUG-SHAFT END						
Y	7	1	349-4732	4	ROCKER ARM GP (INLET)						144
Y	8	1	349-4733	4	ROCKER ARM GP (EXHAUST)						145

M - METRIC PART

Y - SEPARATE ILLUSTRATION



GRAPHIC #1

<END>

g02711522

BASIC ENGINE

437-9758 MOUNTING GP-BELT TENSIONER

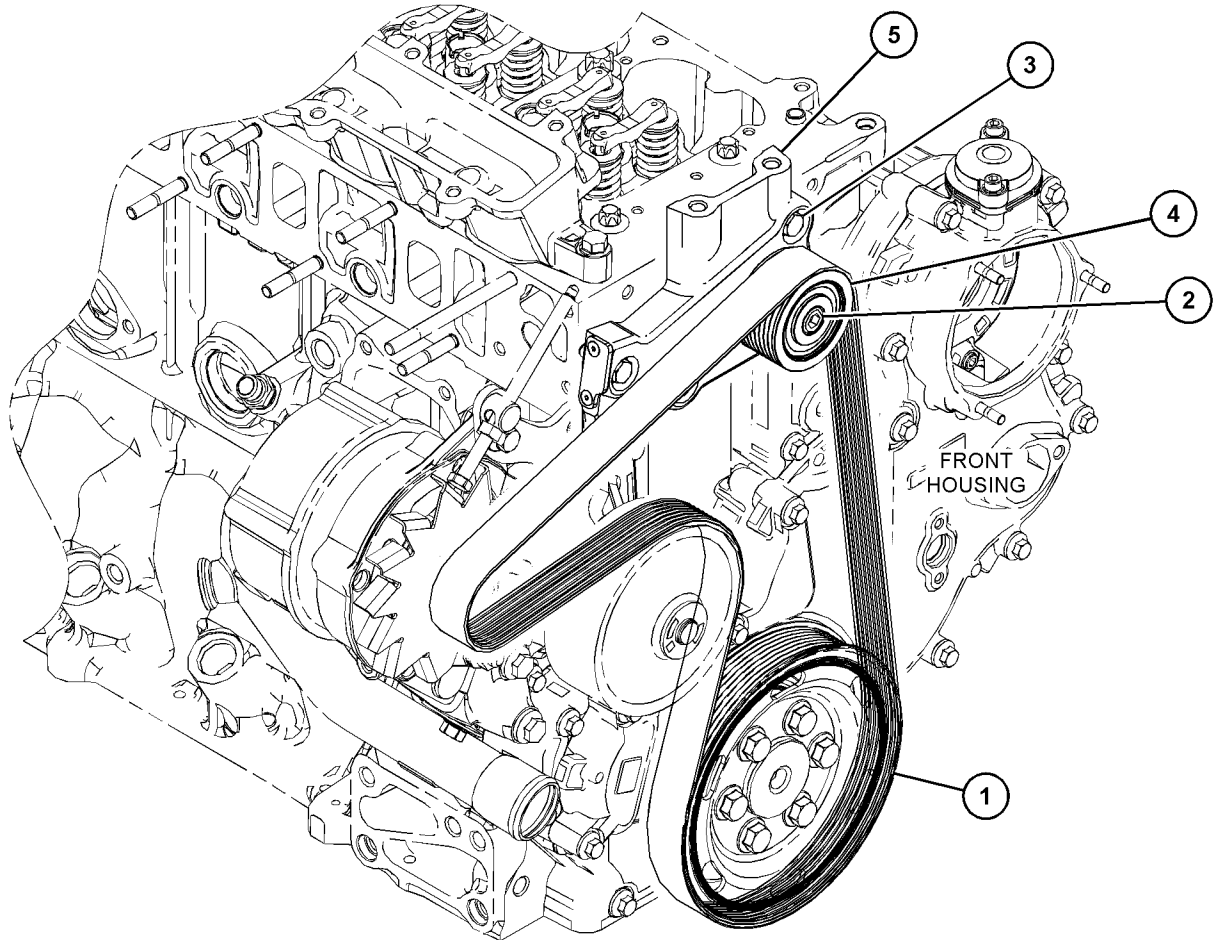
S/N: CJ41-UP

PART OF 350-0644 DRIVE GP-FAN

SMCS-1358

i06815602

NOTE	REF NO	GRAPHIC REF	PART NUMBER	QTY	PART NAME						SEE PAGE
					1	2	3	4	5	6 (PRODUCT LEVEL)	
	1	1	422-0655	1	BELT						
	2	1	388-6986	1	SCREW-SPECIAL						
	3	1	389-2868	4	BOLT-SPECIAL						
	4	1	390-8959	1	PULLEY						
	5	1	435-9905	1	SUPPORT AS						



GRAPHIC #1

<END>

g03827878

BASIC ENGINE

486-3235 MOUNTING GP-ENGINE

S/N: TH21-UP

PART OF 505-6163 ENGINE AR-COMplete

AN ATTACHMENT

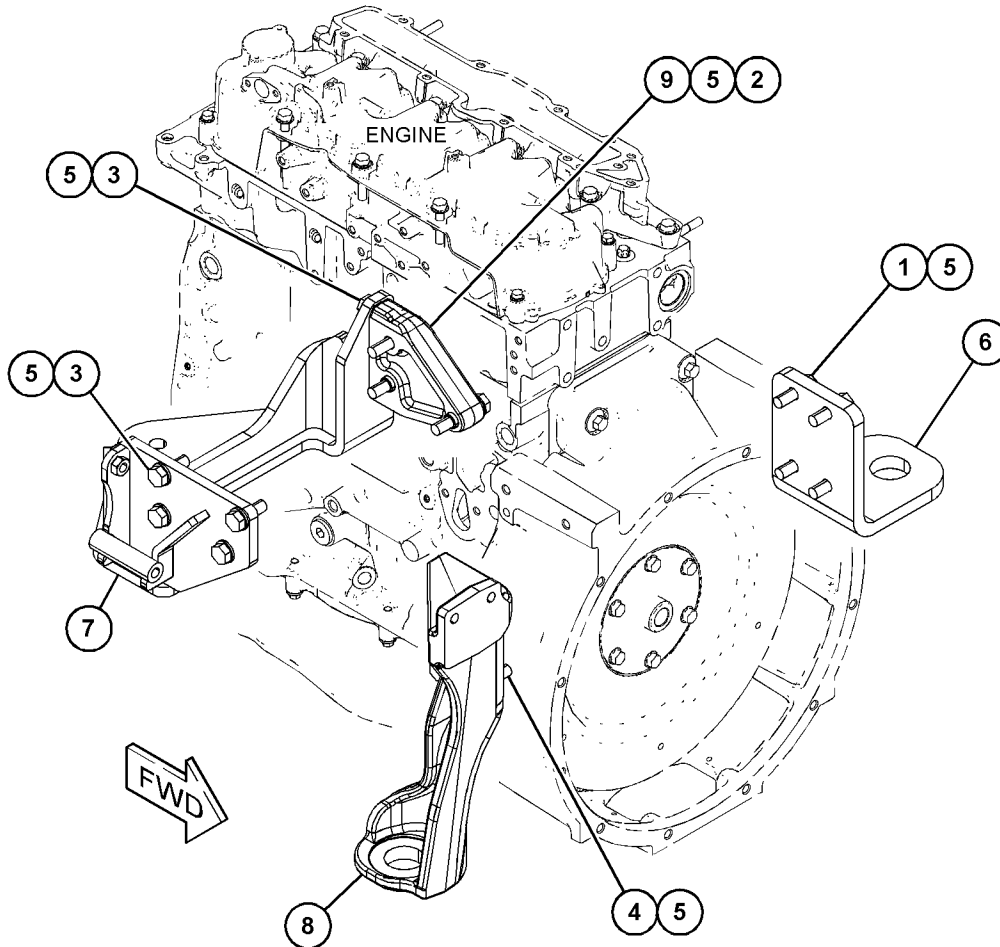
TYPE 1

SMCS-1152, 1153, 1154

i06604922

NOTE	REF NO	GRAPHIC REF	PART NUMBER	QTY	PART NAME						SEE PAGE
					1	2	3	4	5	6 (PRODUCT LEVEL)	
M	1	1	8T-4183	4	BOLT (M12X1.75X40-MM)						
M	2	1	481-9816	3	BOLT (M12X1.75X60-MM)						
M	3	1	8T-4956	6	BOLT (M12X1.75X35-MM)						
M	4	1	165-7019	4	BOLT (M12X1.75X45-MM)						
	5	1	8T-4223	17	WASHER-HARD (13.5X25.5X3-MM THK)						
	6	1	477-6069	1	PLATE						
	7	1	478-5162	1	BRACKET AS						
	8	1	477-6070	1	BRACKET						
	9	1	483-5164	1	BRACKET						

M - METRIC PART



GRAPHIC #1

<END>

g06053544

BASIC ENGINE

486-3235 MOUNTING GP-ENGINE

S/N: TH21-UP

PART OF 505-6163 ENGINE AR-COMplete

AN ATTACHMENT

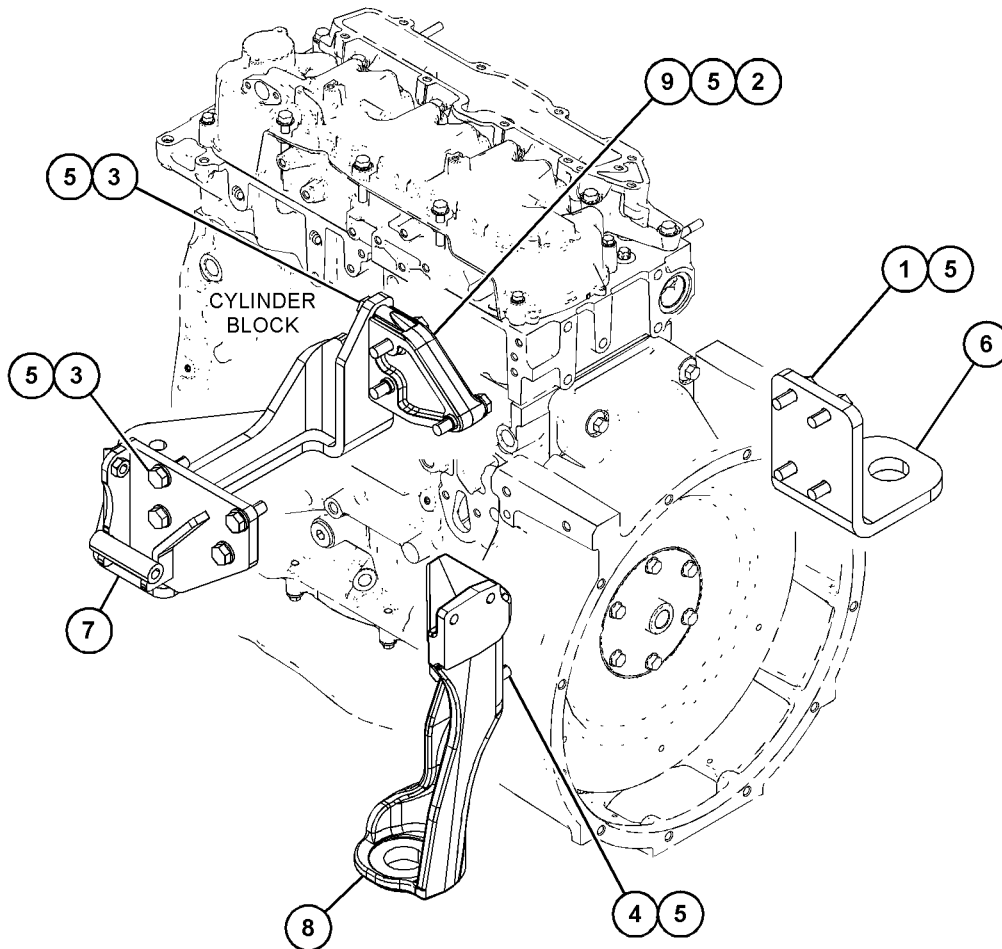
TYPE 2

SMCS-1152, 1153, 1154

i07053263

NOTE	REF NO	GRAPHIC REF	PART NUMBER	QTY	PART NAME						SEE PAGE
					1	2	3	4	5	6 (PRODUCT LEVEL)	
M	1	1	8T-4183	4	BOLT (M12X1.75X40-MM)						
M	2	1	481-9816	3	BOLT (M12X1.75X60-MM)						
M	3	1	8T-4956	6	BOLT (M12X1.75X35-MM)						
M	4	1	165-7019	4	BOLT (M12X1.75X45-MM)						
	5	1	8T-4223	17	WASHER-HARD (13.5X25.5X3-MM THK)						
	6	1	477-6069	1	PLATE						
	7	1	478-5162	1	BRACKET AS						
	8	1	477-6070	1	BRACKET						
C	9	1	530-2770	1	MOUNT AS-ENGINE						

C - CHANGE FROM PREVIOUS TYPE
M - METRIC PART



GRAPHIC #1

<END>

g06239509

BASIC ENGINE

486-7983 MOUNTING GP-ENGINE

S/N: TH31-UP

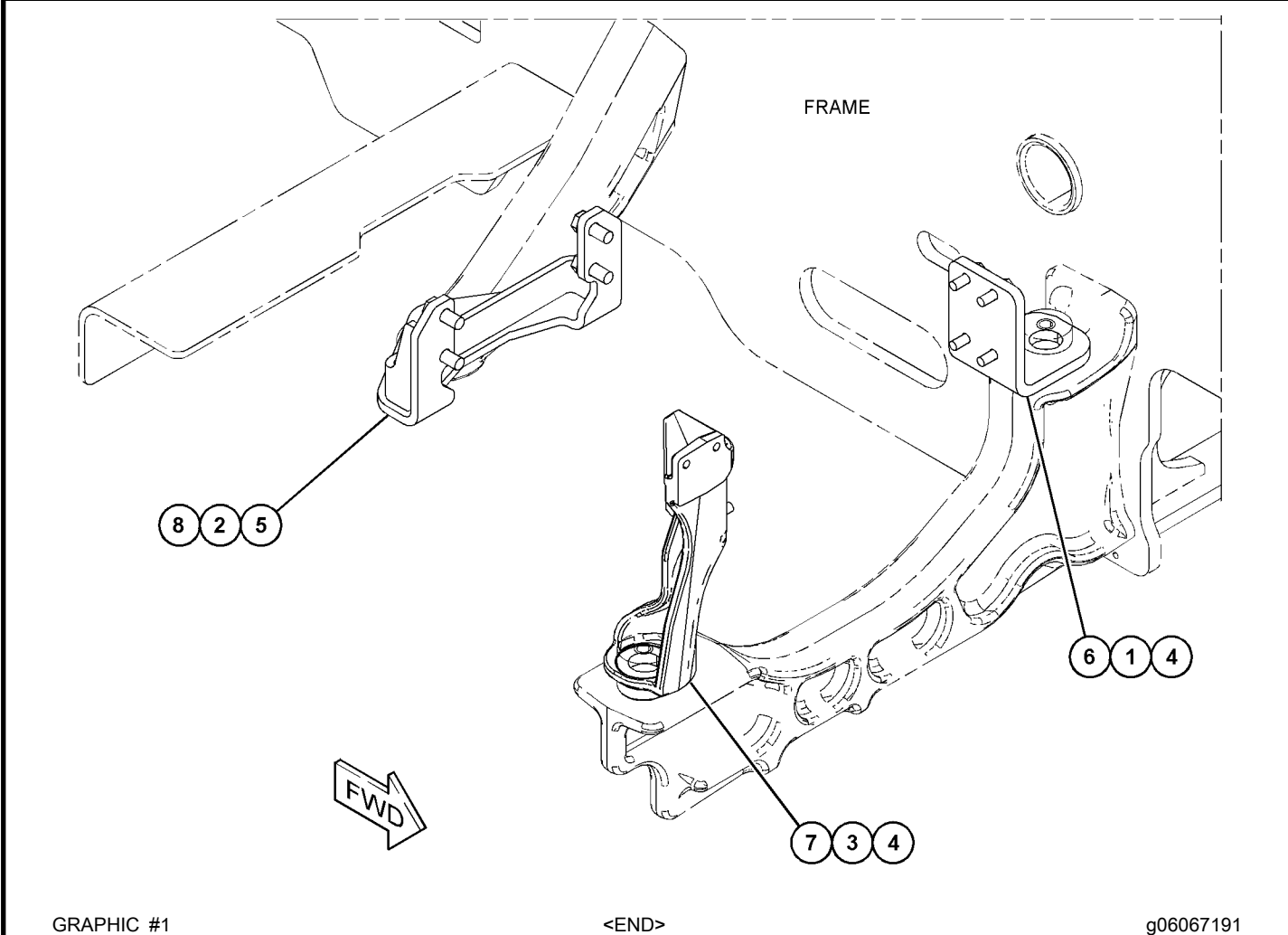
PART OF 505-5387, 505-6119 ENGINE AR-COMplete
AN ATTACHMENT

SMCS-1152, 1153, 1154

i06898676

NOTE	REF NO	GRAPHIC REF	PART NUMBER	QTY	PART NAME						SEE PAGE
					1	2	3	4	5	6 (PRODUCT LEVEL)	
M	1	1	8T-4183	4	BOLT (M12X1.75X40-MM)						
M	2	1	7X-2553	4	BOLT (M16X2X40-MM)						
M	3	1	165-7019	4	BOLT (M12X1.75X45-MM)						
	4	1	8T-4223	8	WASHER-HARD (13.5X25.5X3-MM THK)						
	5	1	312-3345	4	WASHER (17X28X3-MM THK)						
	6	1	477-6069	1	PLATE						
	7	1	477-6070	1	BRACKET						
	8	1	478-2120	1	BRACKET AS						

M - METRIC PART



BASIC ENGINE

499-5297 MOUNTING GP-ENGINE

S/N: TH21-UP

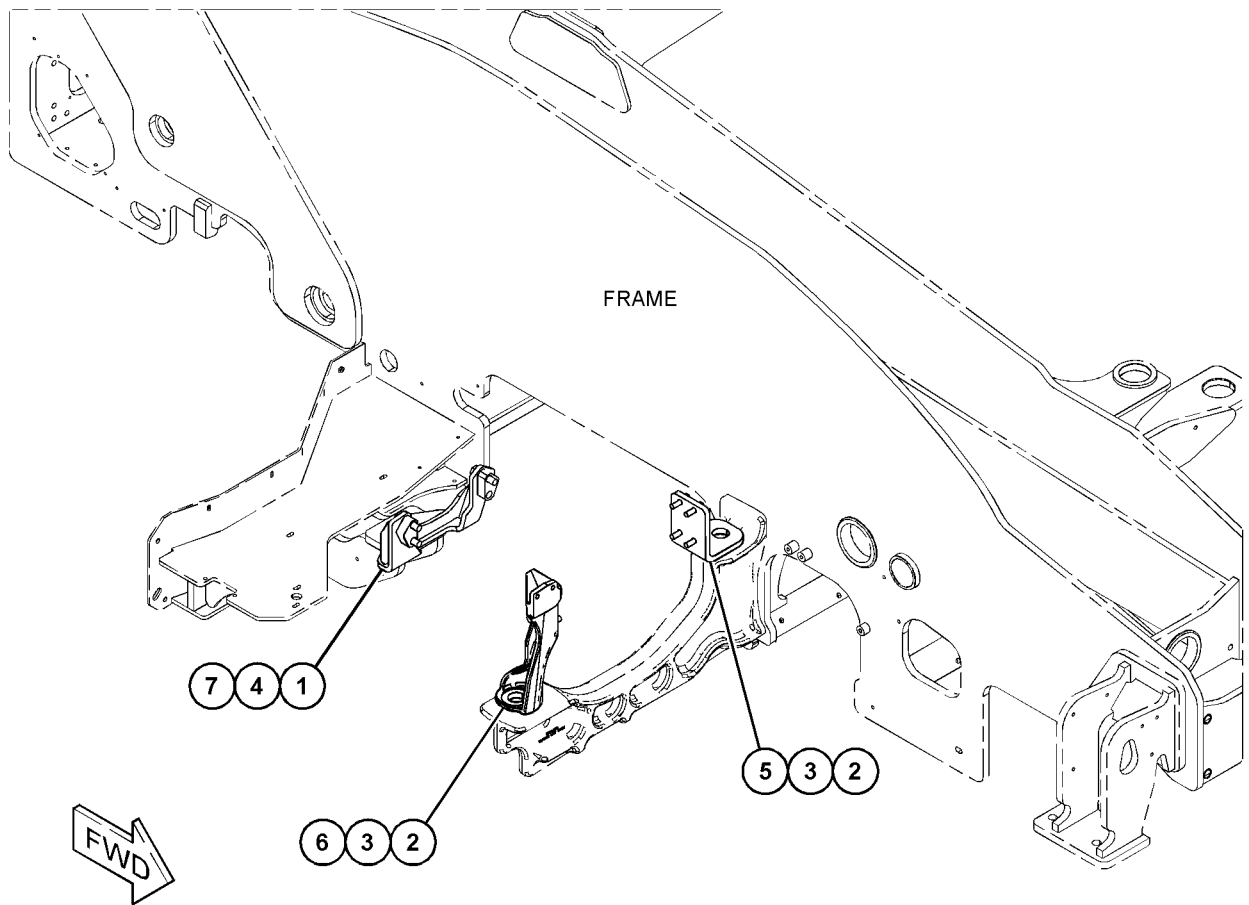
PART OF 505-6164, 505-6165, 505-6167, 505-6168 ENGINE AR-COMplete
AN ATTACHMENT

SMCS-1152, 1153, 1154

i06601112

NOTE	REF NO	GRAPHIC REF	PART NUMBER	QTY	PART NAME						SEE PAGE
					1	2	3	4	5	6 (PRODUCT LEVEL)	
M	1	1	6V-3303	3	BOLT (M16X2X60-MM)						
M	2	1	165-7019	8	BOLT (M12X1.75X45-MM)						
	3	1	8T-4223	8	WASHER-HARD (13.5X25.5X3-MM THK)						
	4	1	9X-8257	3	WASHER (17.5X30X3.5-MM THK)						
	5	1	477-6069	1	PLATE						
	6	1	477-6070	1	BRACKET						
	7	1	499-5296	1	BRACKET AS						

M - METRIC PART



GRAPHIC #1

<END>

g06048193

BASIC ENGINE

500-1296 MOUNTING GP-ENGINE

S/N: TH31-UP

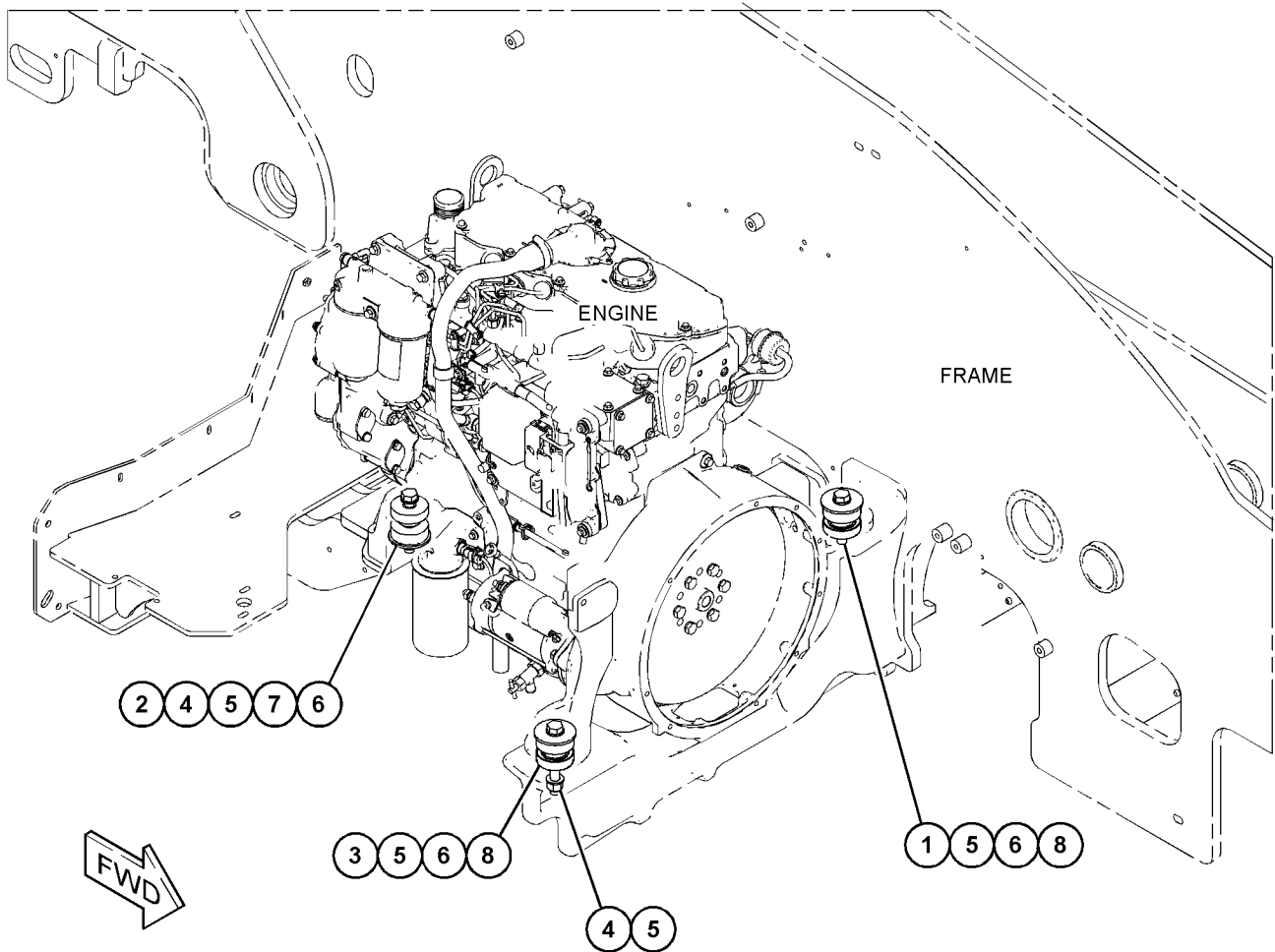
PART OF 505-5390, 505-6120 INSTALLATION AR-ENGINE
AN ATTACHMENT

SMCS-1152, 1153, 1154

i06603088

NOTE	REF NO	GRAPHIC REF	PART NUMBER	QTY	PART NAME						SEE PAGE
					1	2	3	4	5	6 (PRODUCT LEVEL)	
M	1	1	170-8555	1	BOLT (M16X2X90-MM)						
M	2	1	8T-4173	1	BOLT (M16X2X110-MM)						
M	3	1	477-7924	1	BOLT (M16X2X130-MM)						
M	4	1	459-8912	2	NUT (M16X2-THD)						
	5	1	9X-8257	5	WASHER (17.5X30X3.5-MM THK)						
	6	1	437-7653	3	WASHER (16.7X71.4X4.5-MM THK)						
	7	1	473-2080	1	MOUNT						
	8	1	484-1800	2	MOUNT						

M - METRIC PART



GRAPHIC #1

<END>

g06108094

BASIC ENGINE

500-3142 MOUNTING GP-ENGINE

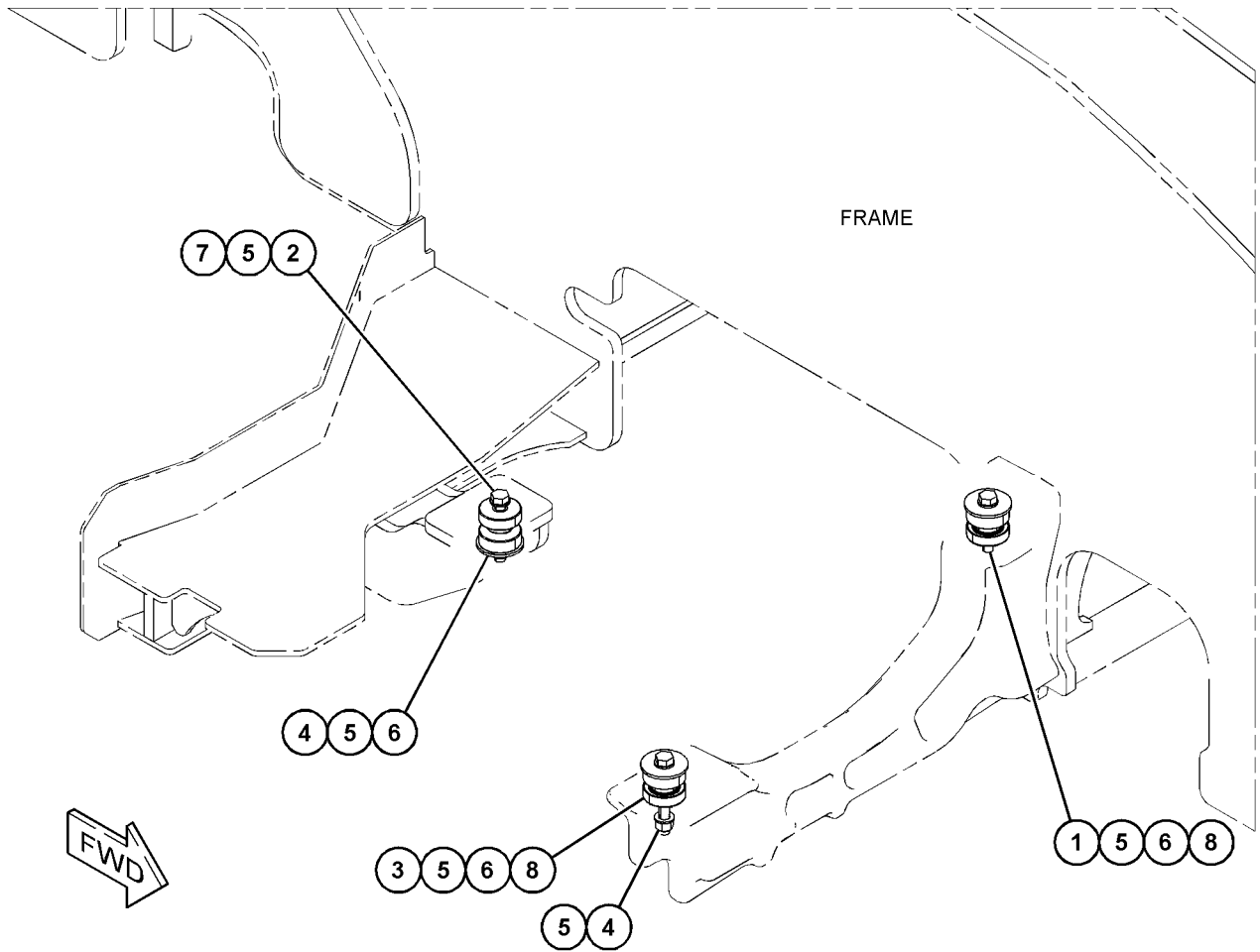
S/N: TH21-UP
PART OF 505-6135 ENGINE AR
AN ATTACHMENT

SMCS-1152, 1153, 1154

i06601121

NOTE	REF NO	GRAPHIC REF	PART NUMBER	QTY	PART NAME						SEE PAGE
					1	2	3	4	5	6 (PRODUCT LEVEL)	
M	1	1	170-8555	1	BOLT (M16X2X90-MM)						
M	2	1	8T-4173	1	BOLT (M16X2X110-MM)						
M	3	1	477-7924	1	BOLT (M16X2X130-MM)						
M	4	1	459-8912	2	NUT (M16X2-THD)						
	5	1	9X-8257	5	WASHER (17.5X30X3.5-MM THK)						
	6	1	437-7653	3	WASHER (16.7X71.4X4.5-MM THK)						
	7	1	500-3143	1	MOUNT AS						
	8	1	484-1800	2	MOUNT						

M - METRIC PART



GRAPHIC #1

<END>

g06042824

BASIC ENGINE

500-0760 MOUNTING GP-ENGINE & XMSN

S/N: TH21-UP

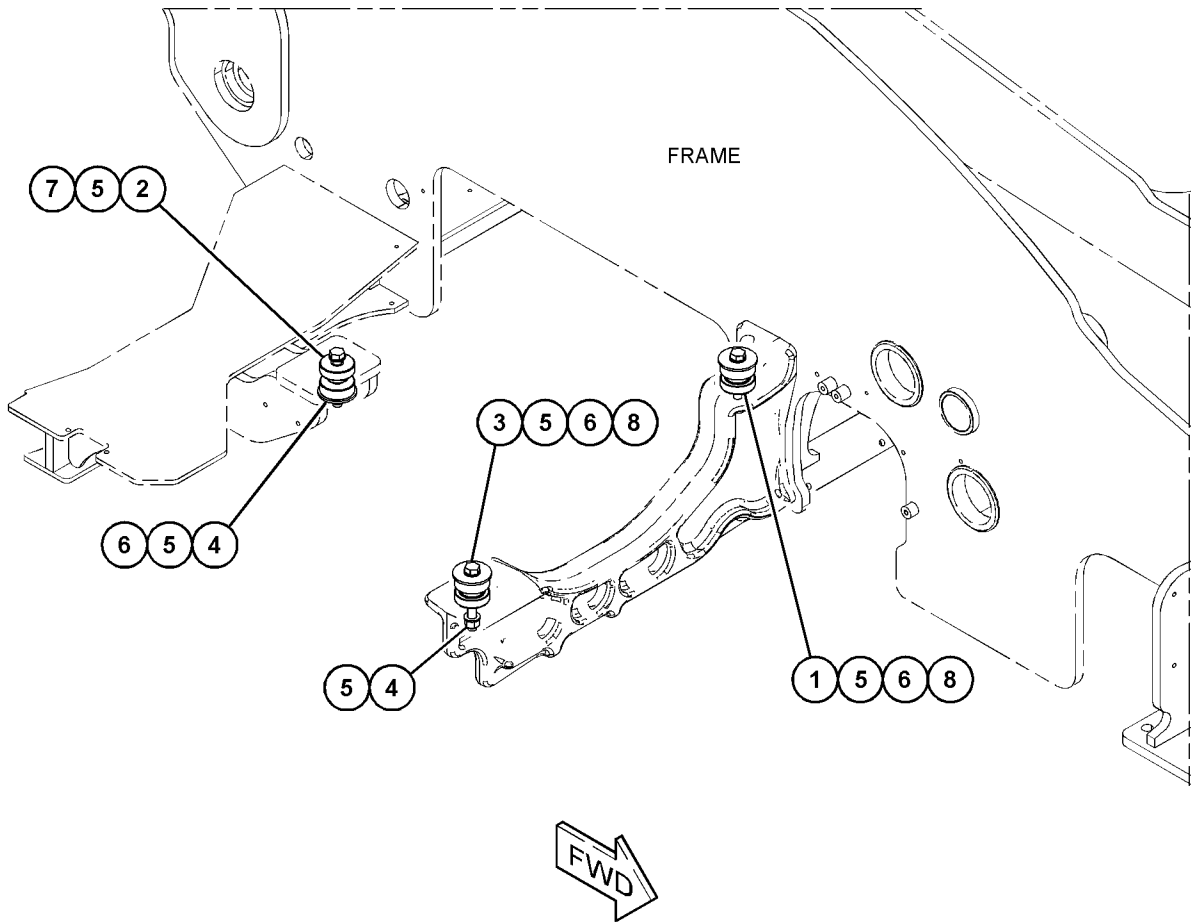
PART OF 505-6134 INSTALLATION AR-ENGINE
AN ATTACHMENT

SMCS-1152, 1154, 3082

i06608795

NOTE	REF NO	GRAPHIC REF	PART NUMBER	QTY	PART NAME						SEE PAGE
					1	2	3	4	5	6 (PRODUCT LEVEL)	
M	1	1	170-8555	1	BOLT (M16X2X90-MM)						
M	2	1	8T-4173	1	BOLT (M16X2X110-MM)						
M	3	1	477-7924	1	BOLT (M16X2X130-MM)						
M	4	1	459-8912	2	NUT (M16X2-THD)						
	5	1	9X-8257	5	WASHER (17.5X30X3.5-MM THK)						
	6	1	437-7653	3	WASHER (16.7X71.4X4.5-MM THK)						
	7	1	473-2083	1	MOUNT						
	8	1	484-1800	2	MOUNT						

M - METRIC PART



GRAPHIC #1

<END>

g06048120

BASIC ENGINE

329-7945 PAN GP-OIL

S/N: JKT1-UP

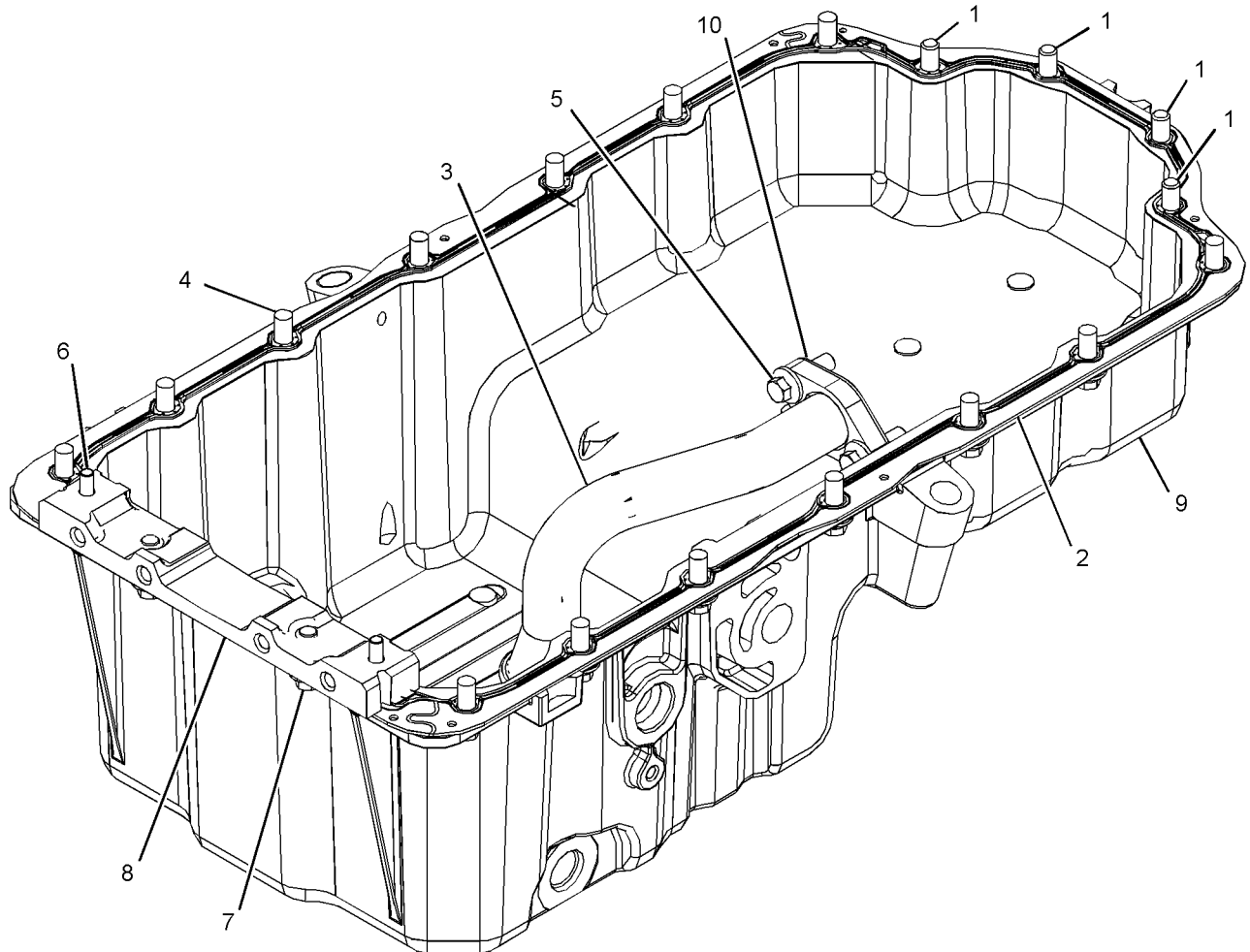
PART OF 464-2307, 464-2308 ENGINE AR-PRIMARY
ALSO AN ATTACHMENT

SMCS-1302

i06709354

NOTE	REF NO	GRAPHIC REF	PART NUMBER	QTY	PART NAME						SEE PAGE
					1	2	3	4	5	6 (PRODUCT LEVEL)	
M	1	1	101-3771	4	BOLT (M8X1.25X85-MM)						
	2	1	471-2882	1	GASKET						
	3	1	225-6041	1	TUBE						
M	4	1	6I-0217	14	BOLT (M8X1.25X20-MM)						
M	5	1	6I-0260	2	BOLT (M8X1.25X25-MM)						
M	6	1	8T-0269	2	BOLT-SOCKET HEAD (M6X1X20-MM)						
M	7	1	6I-0572	2	BOLT (M8X1.25X20-MM)						
	8	1	329-5230	1	BRIDGE-CYLINDER SUPPORT						
	9	1	480-4406	1	PAN						
	10	1	067-6213	1	GASKET						

M - METRIC PART



GRAPHIC #1

<END>

g06035887

BASIC ENGINE

350-5188 PAN GP-OIL

S/N: CJ41-UP

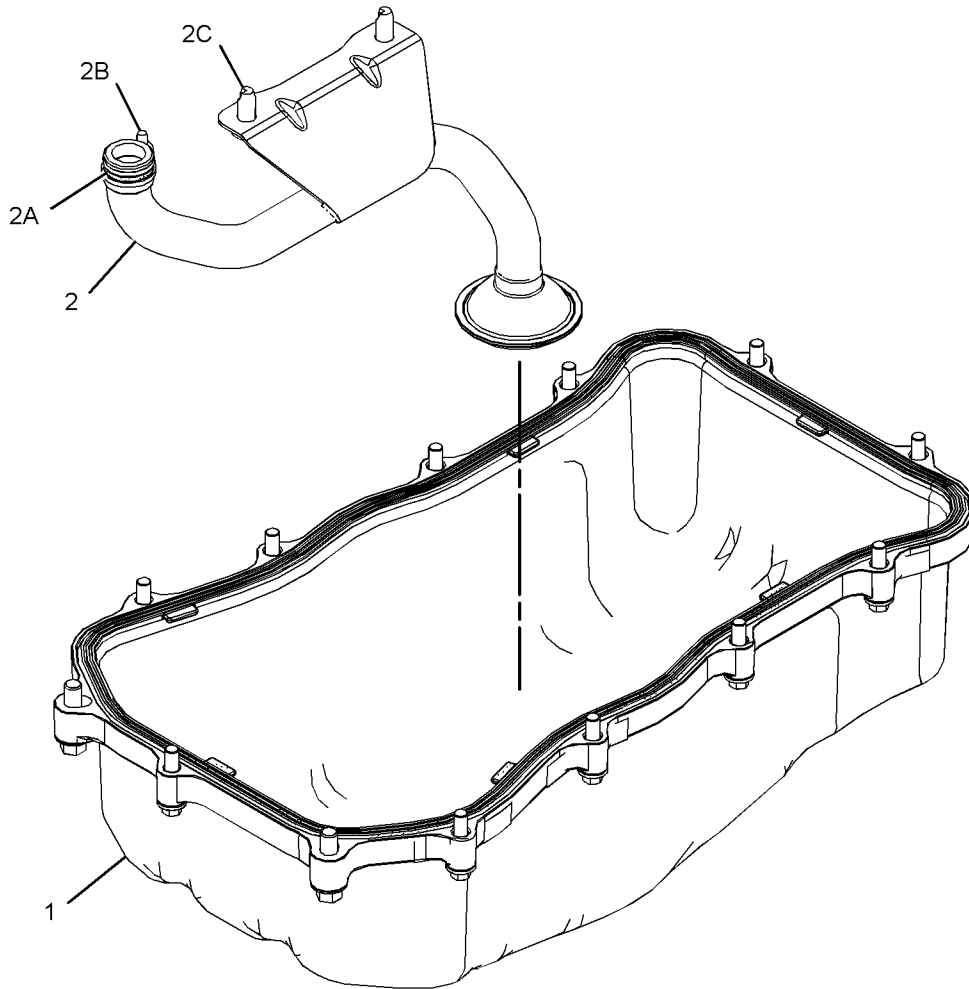
PART OF 465-2880 ENGINE AR-PRIMARY

SMCS-1302

i06881664

NOTE	REF NO	GRAPHIC REF	PART NUMBER	QTY	PART NAME						SEE PAGE
					1	2	3	4	5	6 (PRODUCT LEVEL)	
Y	1	1	361-7866	1	PAN GP-OIL						125
	2	1	361-7867	1	STRAINER AS						
	2A	1	387-7711	1	SEAL						
	2B	1	387-9123	1	SCREW						
	2C	1	391-5559	2	BOLT-SPECIAL						
		1	387-9134	1	STRAINER						

Y - SEPARATE ILLUSTRATION



GRAPHIC #1

<END>

g02880487

BASIC ENGINE

361-7866 PAN GP-OIL

S/N: CJ41-UP

PART OF 350-5188 PAN GP-OIL

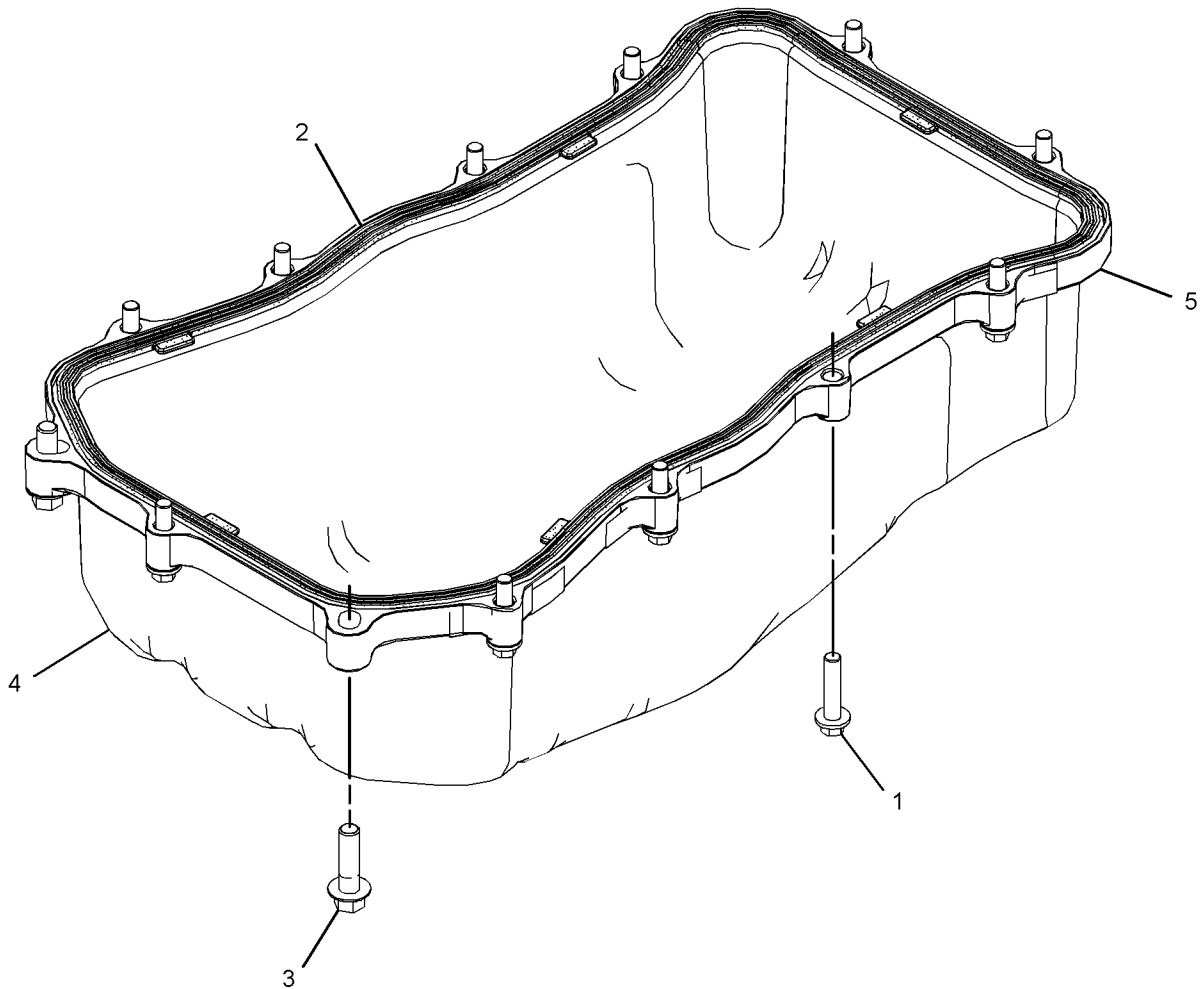
SMCS-1302

i06876514

NOTE	REF NO	GRAPHIC REF	PART NUMBER	QTY	PART NAME						SEE PAGE
					1	2	3	4	5	6 (PRODUCT LEVEL)	
M	1	1	101-3895	11	BOLT (M8X1.25X35-MM)						
	2	1	363-9725	1	GASKET-SUMP						
M	3	1	111-0859	2	BOLT (M10X1.5X35-MM)						
C	4	1	511-7127	1	PAN GP-OIL						
	5	1	379-3111	1	SPACER						

C - CHANGE FROM PREVIOUS TYPE

M - METRIC PART



GRAPHIC #1

<END>

g03412102

BASIC ENGINE

416-1051 PAN GP-OIL

S/N: W231-UP

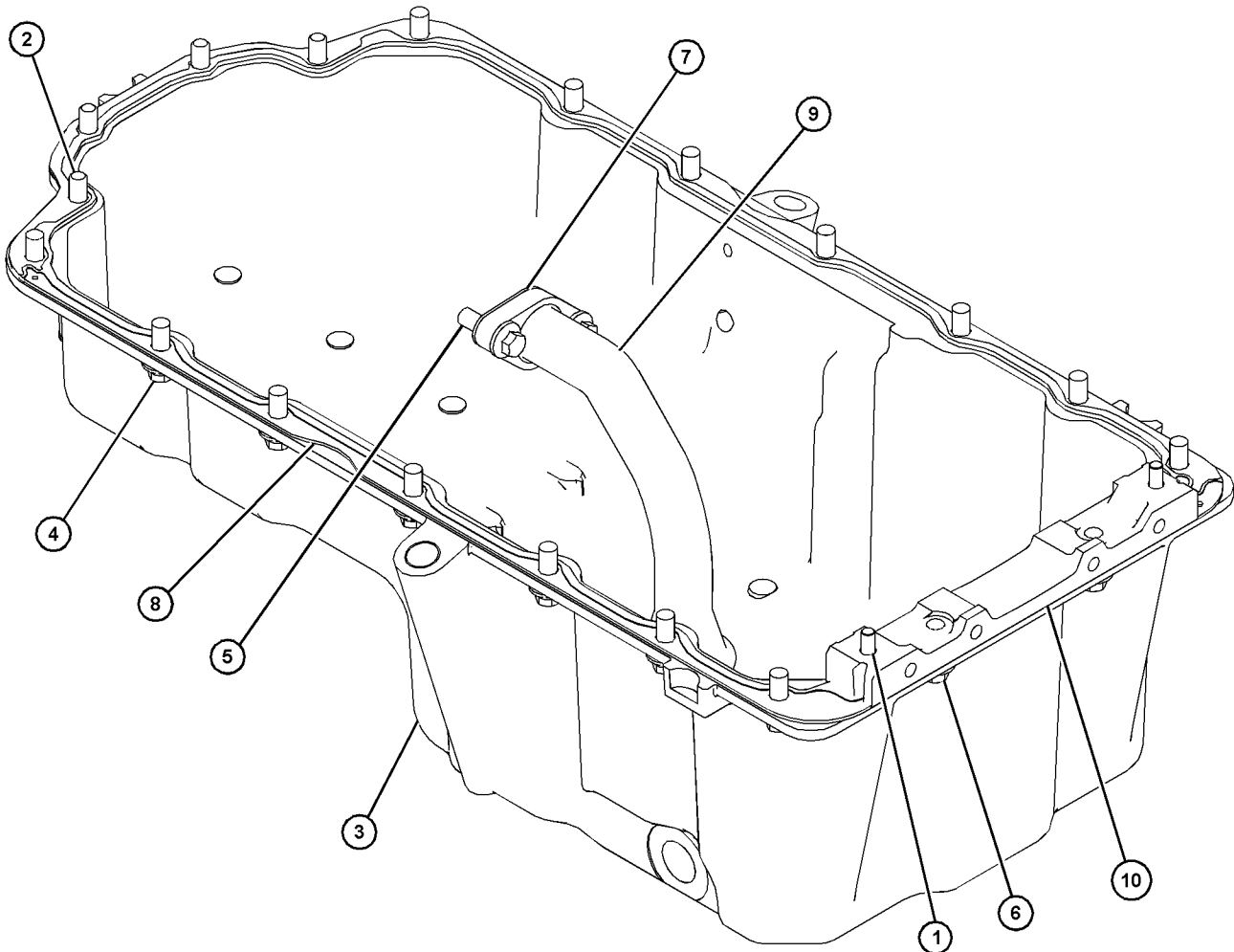
PART OF 463-8848, 463-8910 ENGINE AR-PRIMARY

SMCS-1302

i07176529

NOTE	REF NO	GRAPHIC REF	PART NUMBER	QTY	PART NAME						SEE PAGE
					1	2	3	4	5	6 (PRODUCT LEVEL)	
M	1	1	6I-0363	2	BOLT (M6X1X20-MM)						
M	2	1	101-3771	4	BOLT (M8X1.25X85-MM)						
	3	1	480-4406	1	PAN						
M	4	1	6I-0217	12	BOLT (M8X1.25X20-MM)						
M	5	1	6I-0260	2	BOLT (M8X1.25X25-MM)						
M	6	1	6I-0572	4	BOLT (M8X1.25X20-MM)						
	7	1	067-6213	1	GASKET						
	8	1	471-2882	1	GASKET						
	9	1	225-6041	1	TUBE						
	10	1	230-8094	1	BRIDGE						

M - METRIC PART



GRAPHIC #1

<END>

g03841817

BASIC ENGINE

392-1366 PISTON & ROD GP

S/N: JKT1-UP

PART OF 449-5062 CYLINDER BLOCK GP-SHORT, 464-2307, 464-2308 ENGINE AR-PRIMARY
ALSO AN ATTACHMENT

SMCS-1225

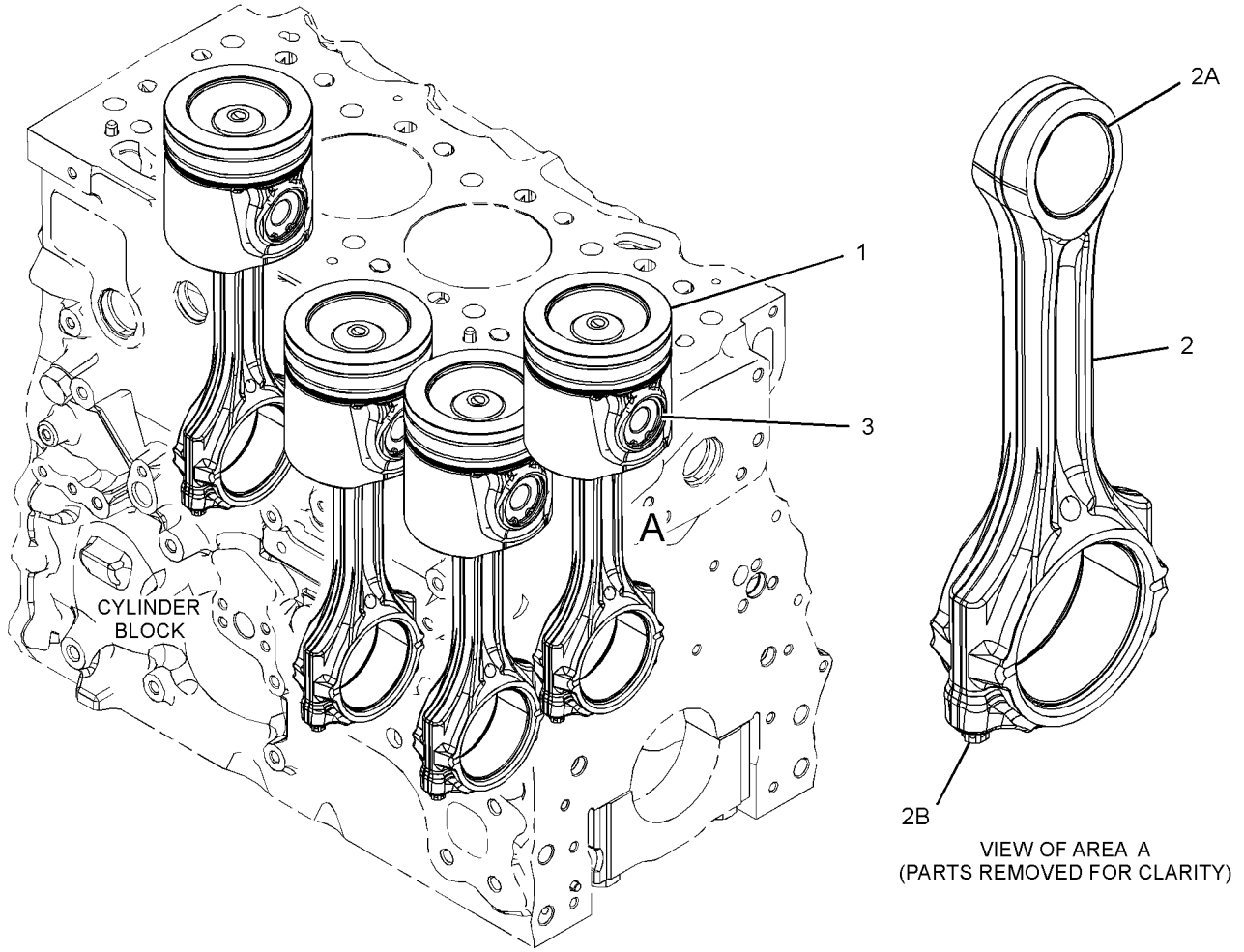
i06671538

NOTE	REF NO	GRAPHIC REF	PART NUMBER	QTY	PART NAME						SEE PAGE
					1	2	3	4	5	6	
CL	1	1	493-3286	4	PISTON GP						
	2	1	333-5465	4	CONNECTING ROD GP						
					(EACH INCLUDES)						
	2A	1	276-7478	1	BUSHING						
	2B	1	323-9312	2	BOLT (M10X1X50-MM)						
	3	1	124-3536	8	RING-RETAINING						
					AVAILABLE REPAIR KIT(S):						
B			360-3986	1	KIT-BEARING (CONNECTING ROD) (STANDARD)						
					(INCLUDES BEARINGS)						
AB			468-7762	1	KIT-BEARING (0.254-MM US)						
					(INCLUDES BEARINGS)						
AB			468-7769	1	KIT-BEARING (0.508-MM US)						
					(INCLUDES BEARINGS)						
AB			468-7770	1	KIT-BEARING (0.762-MM US)						
					(INCLUDES BEARINGS)						
ABL			421-7760	1	KIT-PISTON (0.5-MM OS)						
					(INCLUDES PISTON, PIN, & RINGS)						
ABL			421-7763	1	KIT-PISTON (1-MM OS)						
					(INCLUDES PISTON, PIN, & RINGS)						
BL			464-0959	1	KIT-PISTON (STANDARD)						
					(INCLUDES PISTON, PIN, & RINGS)						
<p>A - NOT PART OF THIS GROUP B - USE AS REQUIRED C - CHANGE FROM PREVIOUS TYPE L - KIT MARKED L SERVICES PART(S) MARKED L</p>											

BASIC ENGINE

392-1366 PISTON & ROD GP (contd.)

i06671538



GRAPHIC #1

<END>

g03620881

BASIC ENGINE

415-5518 PISTON & ROD GP

S/N: W231-UP

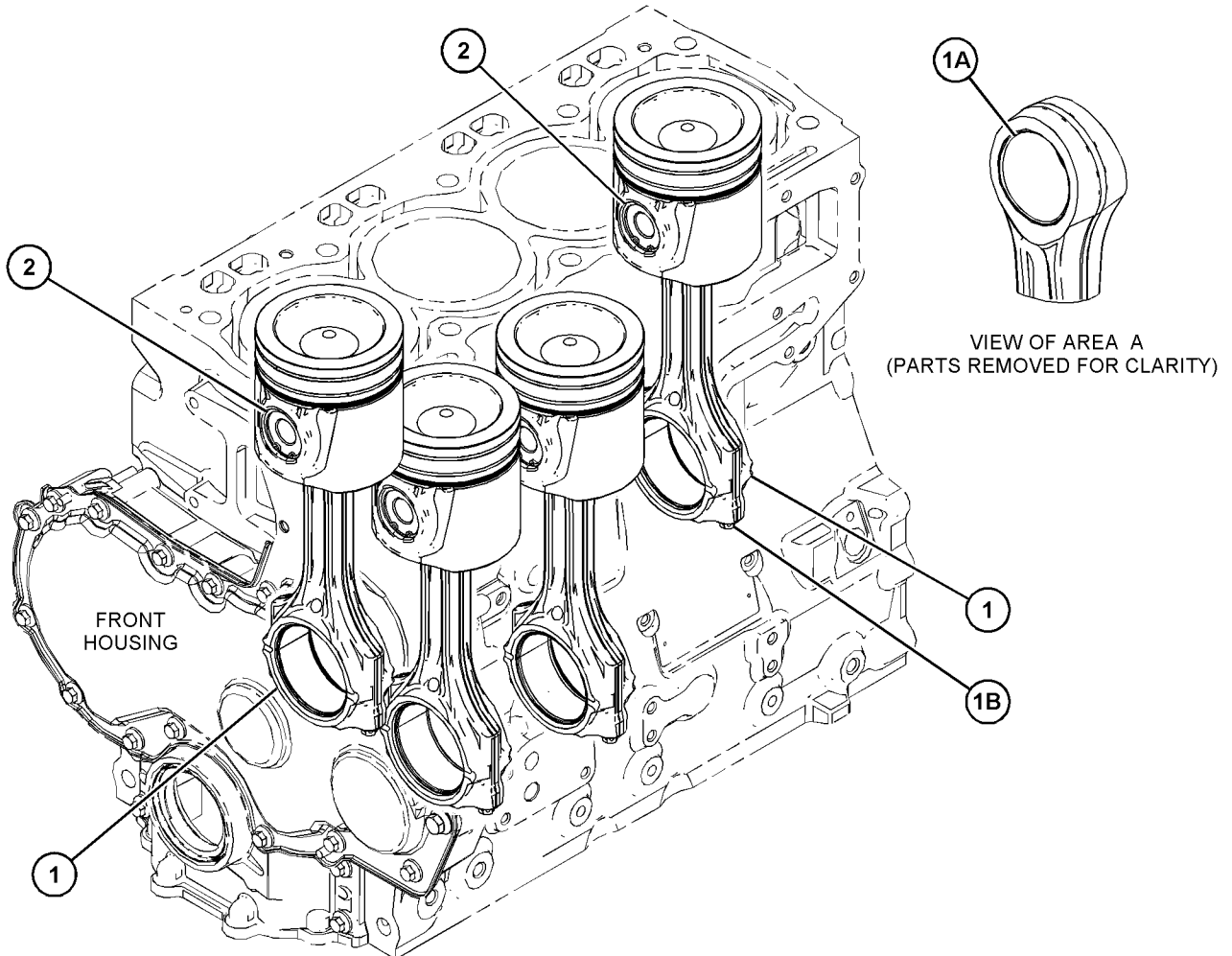
PART OF 452-7386 CYLINDER BLOCK GP-SHORT

SMCS-1225

i06138442

NOTE	REF NO	GRAPHIC REF	PART NUMBER	QTY	PART NAME						SEE PAGE
					1	2	3	4	5	6 (PRODUCT LEVEL)	
	1	1	359-0719	4	ROD AS-CONNECTING (LENGTH R)						
					(EACH INCLUDES)						
	1A	1	225-5438	1	BUSHING						
	1B	1	323-9312	2	BOLT (M10X1X50-MM)						
	2	1	124-3536	8	RING-RETAINING						
AVAILABLE REPAIR KIT(S):											
B			360-3986	1	KIT-BEARING (CONNECTING ROD)						
					(INCLUDES BEARINGS)						
B			443-9543	1	KIT-RING (PISTON)						
					(INCLUDES RINGS)						
B			380-2065	1	KIT-PISTON RING (0.5-MM OS)						
					(INCLUDES RINGS)						
B			466-4849	1	KIT-PISTON RING (1-MM OS) (PISTON)						
					(INCLUDES RINGS)						
B			447-5251		KIT-PISTON (STANDARD)						
					(INCLUDES PISTON, PIN & RINGS)						

B - USE AS REQUIRED



GRAPHIC #1

<END>

g03814933

BASIC ENGINE

415-5519 PISTON & ROD GP

S/N: W231-UP

PART OF 463-8848, 463-8910 ENGINE AR-PRIMARY

SMCS - 1225

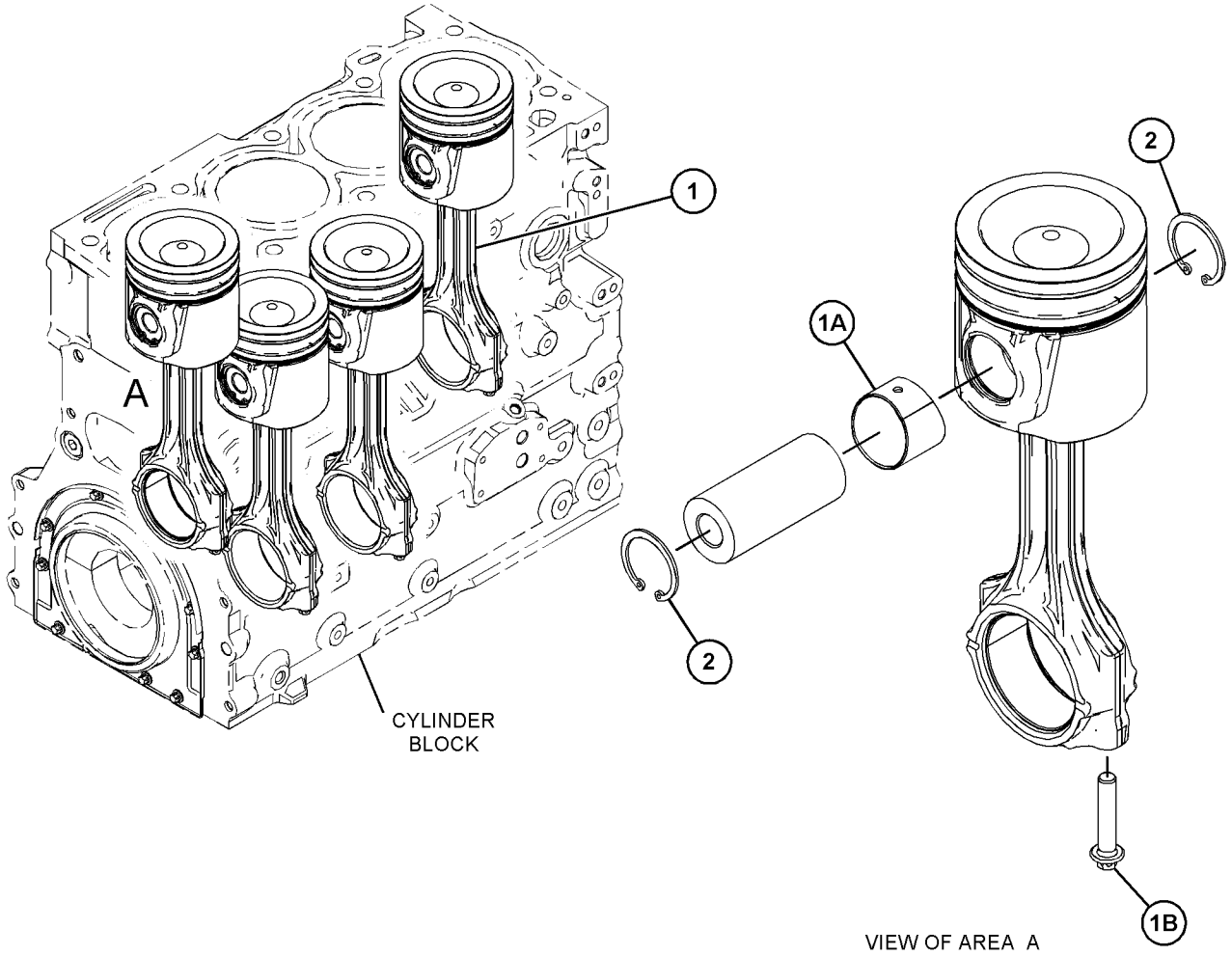
i06781892

NOTE	REF NO	GRAPHIC REF	PART NUMBER	QTY	PART NAME						SEE PAGE
					1	2	3	4	5	6 (PRODUCT LEVEL)	
	1	1	359-0719	4	ROD AS-CONNECTING (LENGTH R)						
					(EACH INCLUDES)						
	1A	1	225-5438	1	BUSHING						
	1B	1	323-9312	2	BOLT (M10X1X50-MM)						
	2	1	124-3536	8	RING-RETAINING						
PARTS SHOWN IN GRAPHIC(S) WITHOUT A REFERENCE NUMBER ARE NOT SERVICED SEPARATELY											
AVAILABLE REPAIR KIT(S):											
B			360-3986	1	KIT-BEARING (CONNECTING ROD) (STANDARD)						
					(INCLUDES BEARING)						
B			468-7762	1	KIT-BEARING (0.254-MM US)						
					(INCLUDES BEARING)						
B			468-7769	1	KIT-BEARING (0.508-MM US)						
					(INCLUDES BEARING)						
B			468-7770	1	KIT-BEARING (0.762-MM US)						
					(INCLUDES BEARING)						
B			443-9543	1	KIT-RING (STANDARD)						
					(INCLUDES RINGS)						
B			380-2065	1	KIT-PISTON RING (0.5-MM OS)						
					(INCLUDES RINGS)						
B			466-4849	1	KIT-PISTON RING (1-MM OS) (PISTON)						
					(INCLUDES RINGS)						
B			447-5252	1	KIT-PISTON (STANDARD)						
					(INCLUDES PISTON, PIN, & RINGS)						
B			447-5249	1	KIT-PISTON (0.5-MM OS)						
					(INCLUDES PISTON, PIN, & RINGS)						
B			447-5250	1	KIT-PISTON (1-MM OS)						
					(INCLUDES PISTON, PIN, & RINGS)						
B - USE AS REQUIRED											

BASIC ENGINE

415-5519 PISTON & ROD GP (contd.)

i06781892



GRAPHIC #1

<END>

VIEW OF AREA A

g03826302

BASIC ENGINE

441-9673 PISTON & ROD GP

S/N: CJ41-UP

PART OF 465-2880 ENGINE AR-PRIMARY

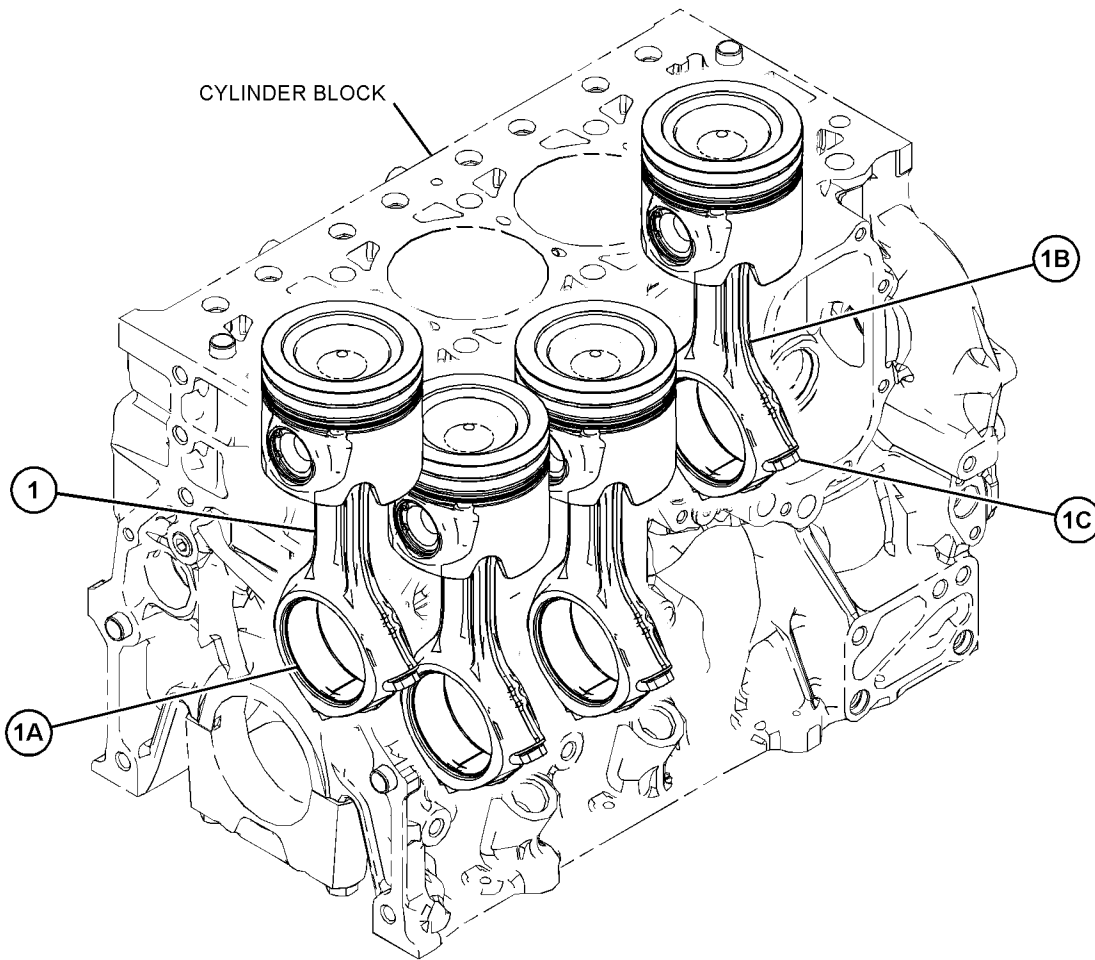
SMCS-1225

i06252212

NOTE	REF NO	GRAPHIC REF	PART NUMBER	QTY	PART NAME						SEE PAGE
					1	2	3	4	5	6 (PRODUCT LEVEL)	
	1	1	393-7738	1	ROD AS-CONNECTING						
	1A	1	390-2401	4	BEARING-CONNECTING ROD						
AB		1	390-2402		BEARING-CONNECTING ROD (0.254-MM US)						
AB		1	390-2403		BEARING-CONNECTING ROD (0.508-MM US)						
	1B	1	390-2404	4	ROD AS-CONNECTING						
					(EACH INCLUDES)						
	1C	1	386-6247	2	SCREW						

A - NOT PART OF THIS GROUP

B - USE AS REQUIRED



GRAPHIC #1

<END>

g03827541

BASIC ENGINE

329-8482 PLUG GP-ENGINE

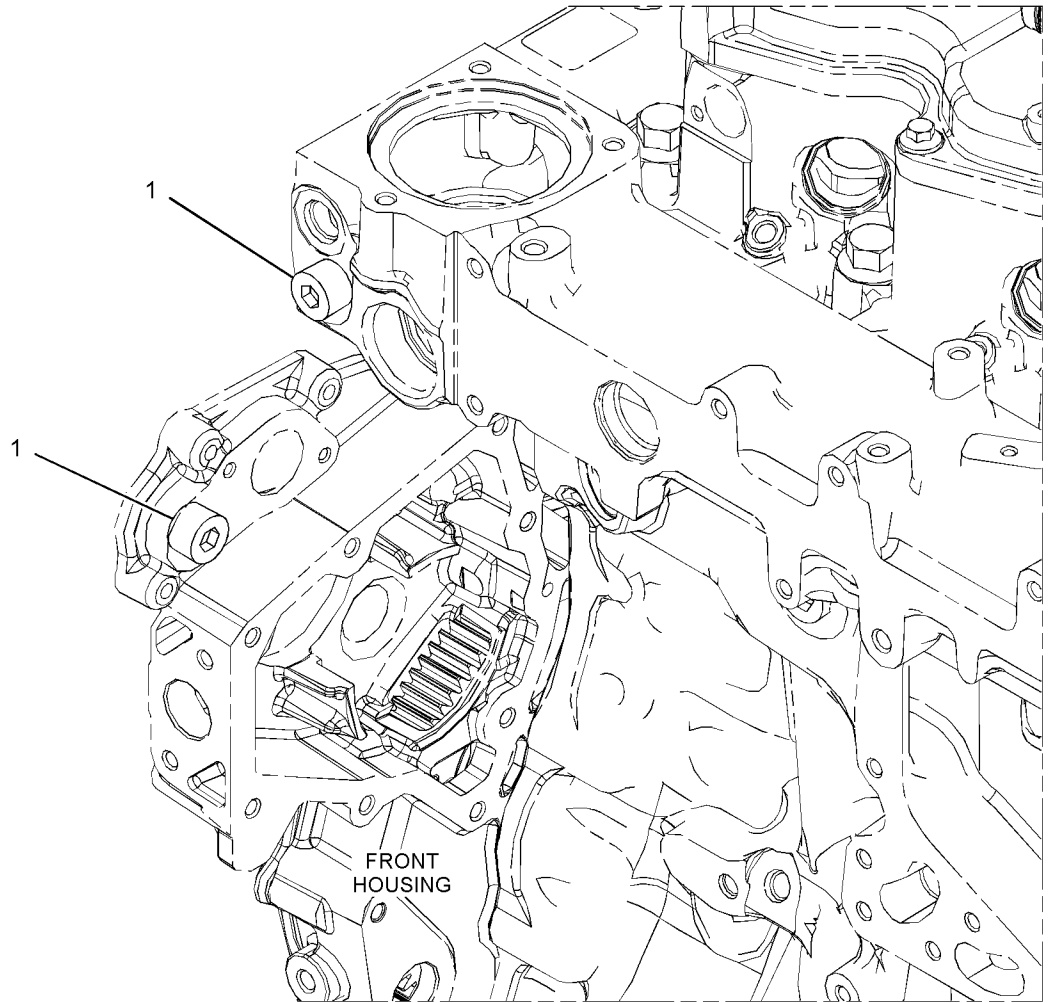
S/N: JKT1-UP

PART OF 464-2307, 464-2308 ENGINE AR-PRIMARY
ALSO AN ATTACHMENT

SMCS-1000

i04630572

NOTE	REF NO	GRAPHIC REF	PART NUMBER	QTY	PART NAME						SEE PAGE	
					1	2	3	4	5	6 (PRODUCT LEVEL)		
	1	1	067-6823	2	PLUG							



GRAPHIC #1

<END>

g02713169

BASIC ENGINE

337-8032 PLUG GP-ENGINE

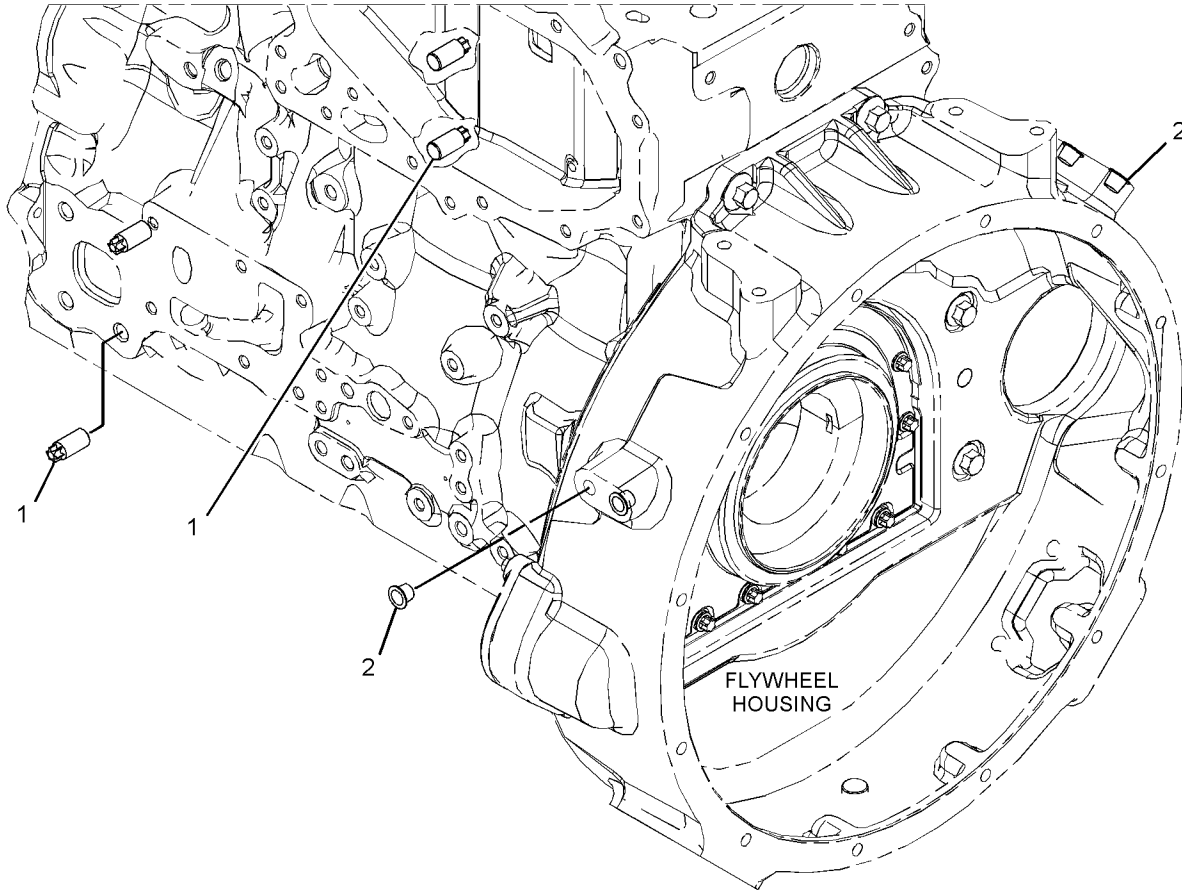
S/N: JKT1-UP

PART OF 464-2307, 464-2308 ENGINE AR-PRIMARY
ALSO AN ATTACHMENT

SMCS-1000

i05727449

NOTE	REF NO	GRAPHIC REF	PART NUMBER	QTY	PART NAME						SEE PAGE
					1	2	3	4	5	6 (PRODUCT LEVEL)	
1	1	1	233-9436	4	PLUG						
2	1	1	6H-3616	4	PLUG-PROTECTION						



GRAPHIC #1

<END>

g02854496

BASIC ENGINE

417-4286 PLUG GP-ENGINE

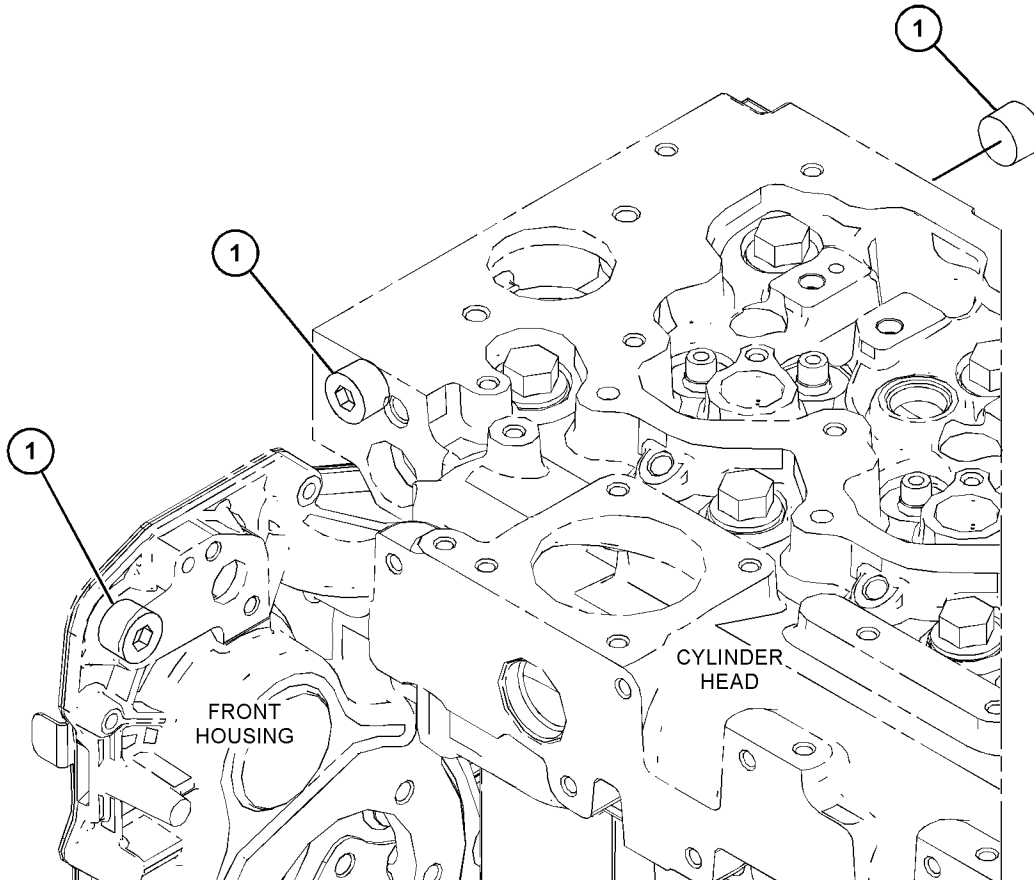
S/N: W231-UP

PART OF 463-8848, 463-8910 ENGINE AR-PRIMARY

SMCS - 1000

i06134086

NOTE	REF NO	GRAPHIC REF	PART NUMBER	QTY	PART NAME						SEE PAGE	
					1	2	3	4	5	6 (PRODUCT LEVEL)		
	1	1	067-6823	3	PLUG							



GRAPHIC #1

<END>

g03815206

BASIC ENGINE

446-2236 PLUG GP-ENGINE

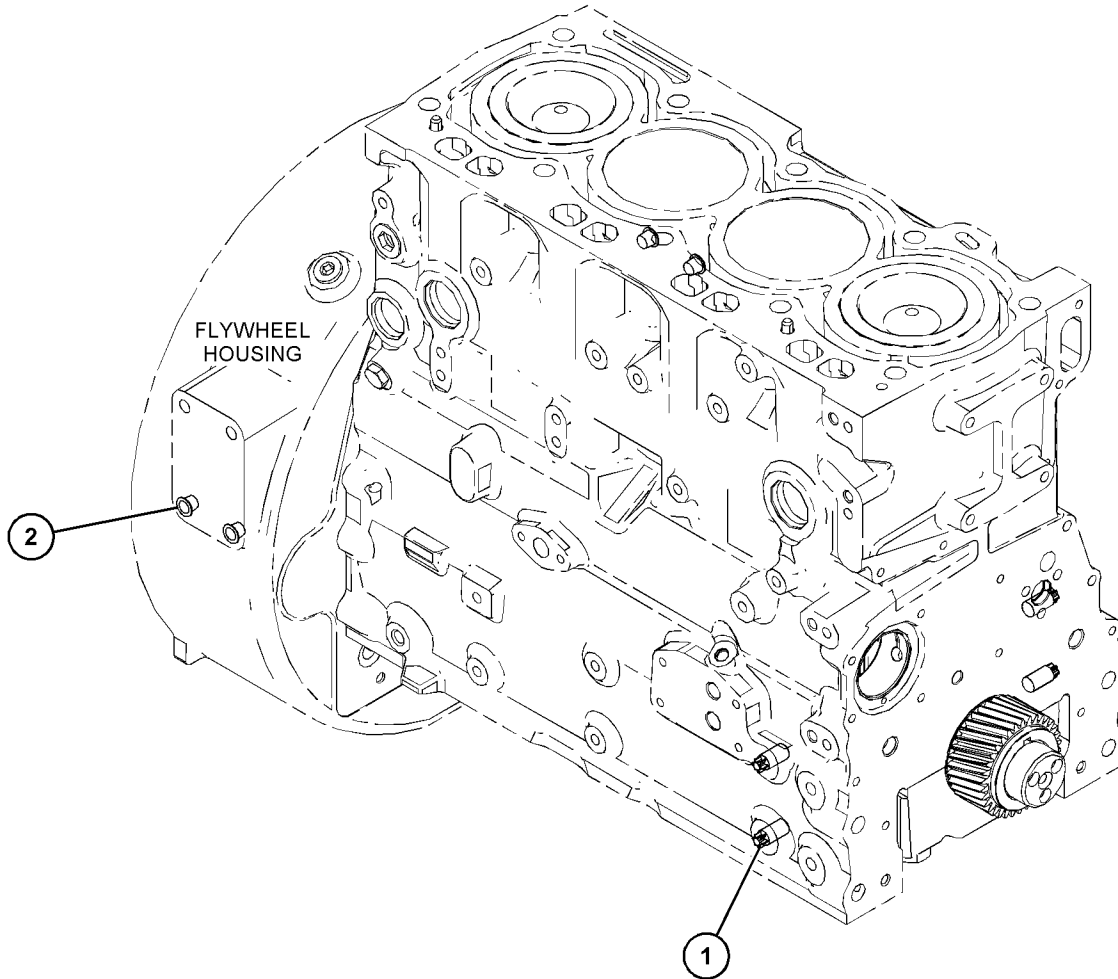
S/N: W231-UP

PART OF 463-8848, 463-8910 ENGINE AR-PRIMARY

SMCS - 1000

i06155141

NOTE	REF NO	GRAPHIC REF	PART NUMBER	QTY	PART NAME						SEE PAGE
					1	2	3	4	5	6 (PRODUCT LEVEL)	
1	1	1	233-9436	4	PLUG						
2	1	1	6H-3616	4	PLUG-PROTECTION						



GRAPHIC #1

<END>

g03830685

BASIC ENGINE

347-6547 PLUG GP-FRONT HOUSING-ENGINE OIL FILLER

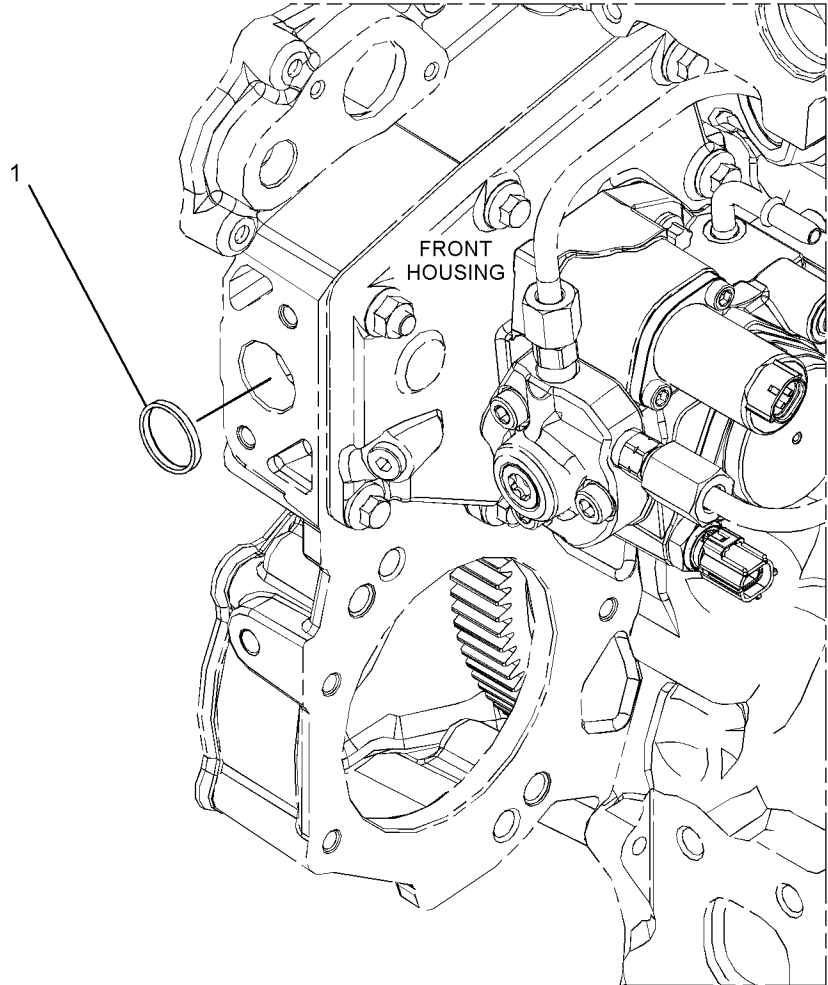
S/N: JKT1-UP

PART OF 464-2307, 464-2308 ENGINE AR-PRIMARY
ALSO AN ATTACHMENT

SMCS-1151, 1162

i05727289

NOTE	REF NO	GRAPHIC REF	PART NUMBER	QTY	PART NAME						SEE PAGE
					1	2	3	4	5	6 (PRODUCT LEVEL)	
	1	1	225-6524	1	PLUG-CUP						



GRAPHIC #1

<END>

g02896458

BASIC ENGINE

350-6265 PULLEY GP-ALTERNATOR

S/N: JKT1-UP

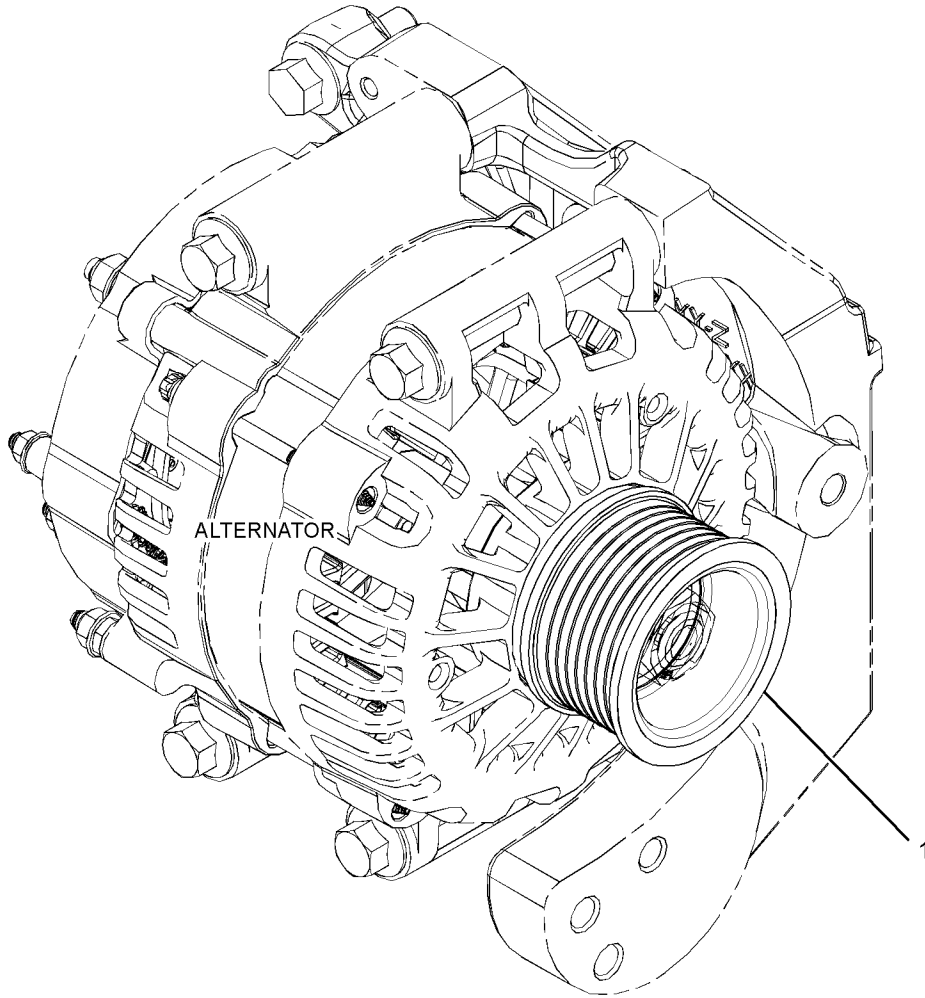
8-GROOVE

PART OF 464-2307 ENGINE AR-PRIMARY
AN ATTACHMENT

SMCS-1205, 1425

i04630456

NOTE	REF NO	GRAPHIC REF	PART NUMBER	QTY	PART NAME						SEE PAGE
					1	2	3	4	5	6 (PRODUCT LEVEL)	
	1	1	321-6131	1	PULLEY (8-GROOVE)						



GRAPHIC #1

<END>

g02720607

BASIC ENGINE

350-1117 PULLEY GP-AUXILIARY DRIVE

S/N: CJ41-UP

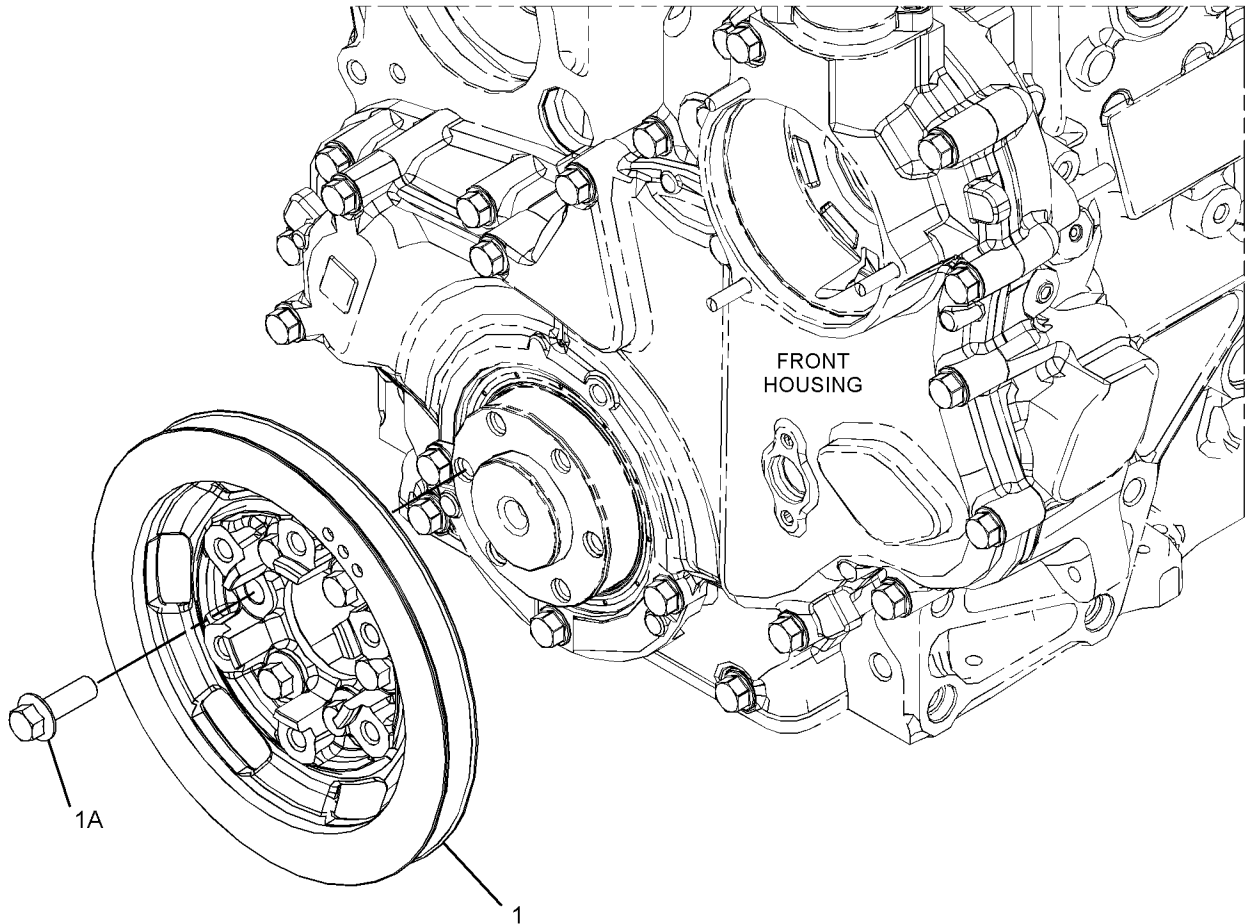
PART OF 465-2880 ENGINE AR-PRIMARY

SMCS-1205

i05722355

NOTE	REF NO	GRAPHIC REF	PART NUMBER	QTY	PART NAME						SEE PAGE
					1	2	3	4	5	6 (PRODUCT LEVEL)	
	1	1	379-2999	1	PULLEY AS						
M	1A	1	121-0883	6	BOLT (M10X1.5X30-MM)						
		1	385-1451	1	PULLEY						

M - METRIC PART



GRAPHIC #1

<END>

g03043058

BASIC ENGINE

329-7997 PULLEY GP-CRANKSHAFT

S/N: JKT1-UP

8-GROOVE

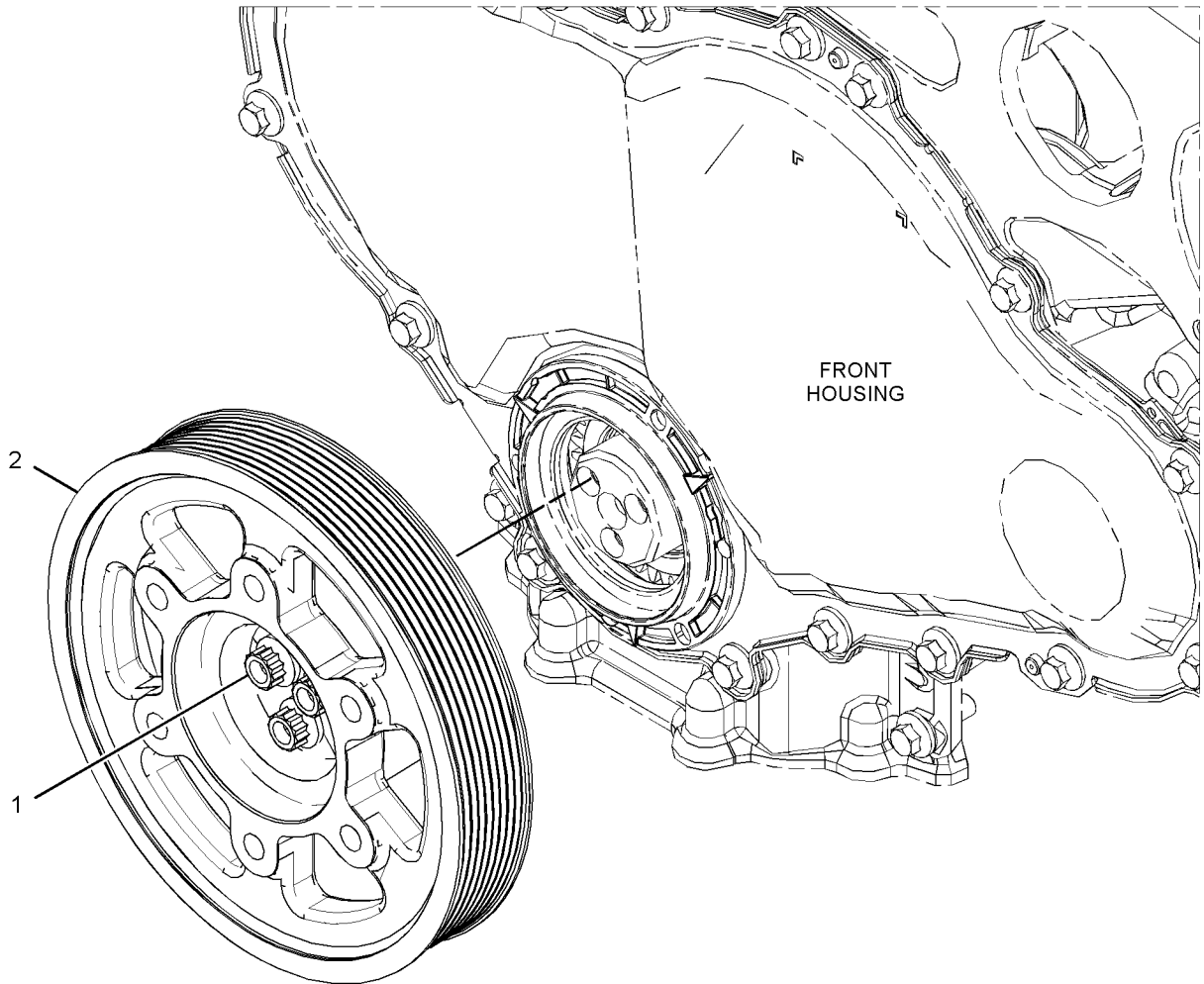
PART OF 464-2307, 464-2308 ENGINE AR-PRIMARY

ALSO AN ATTACHMENT

SMCS-1205

i04553381

NOTE	REF NO	GRAPHIC REF	PART NUMBER	QTY	PART NAME						SEE PAGE
					1	2	3	4	5	6 (PRODUCT LEVEL)	
1	1	1	334-9334	3	BOLT						
2	1	1	335-8270	1	PULLEY (8-GROOVE)						



GRAPHIC #1

<END>

g02715045

BASIC ENGINE

350-1102 PULLEY GP-CRANKSHAFT

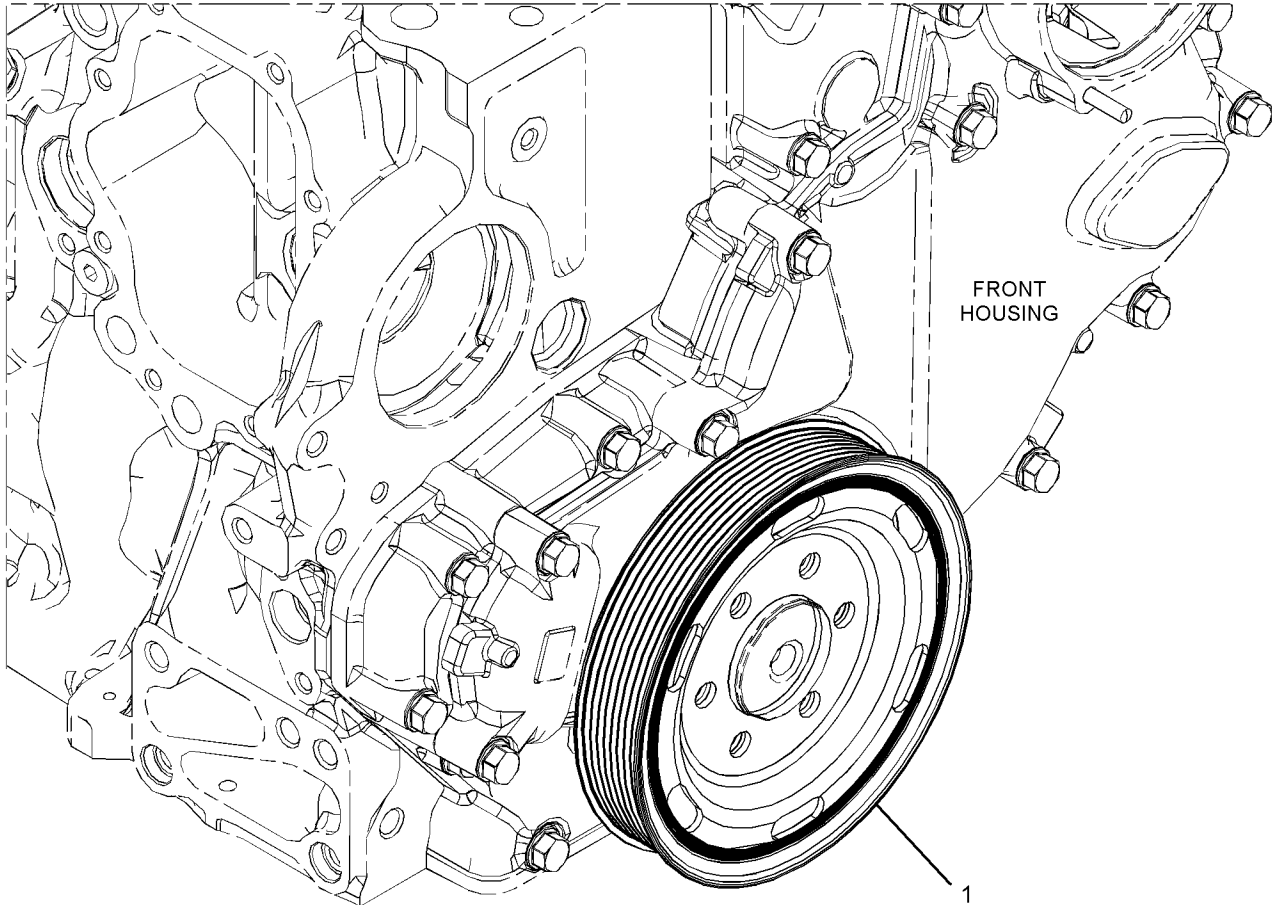
S/N: CJ41-UP

PART OF 465-2880 ENGINE AR-PRIMARY

SMCS-1205

i05722356

NOTE	REF NO	GRAPHIC REF	PART NUMBER	QTY	PART NAME						SEE PAGE
					1	2	3	4	5	6 (PRODUCT LEVEL)	
	1	1	360-8847	1	PULLEY AS-CRANKSHAFT						
		1	382-9620	1	PULLEY						



GRAPHIC #1

<END>

g02878516

BASIC ENGINE

416-1089 PULLEY GP-CRANKSHAFT

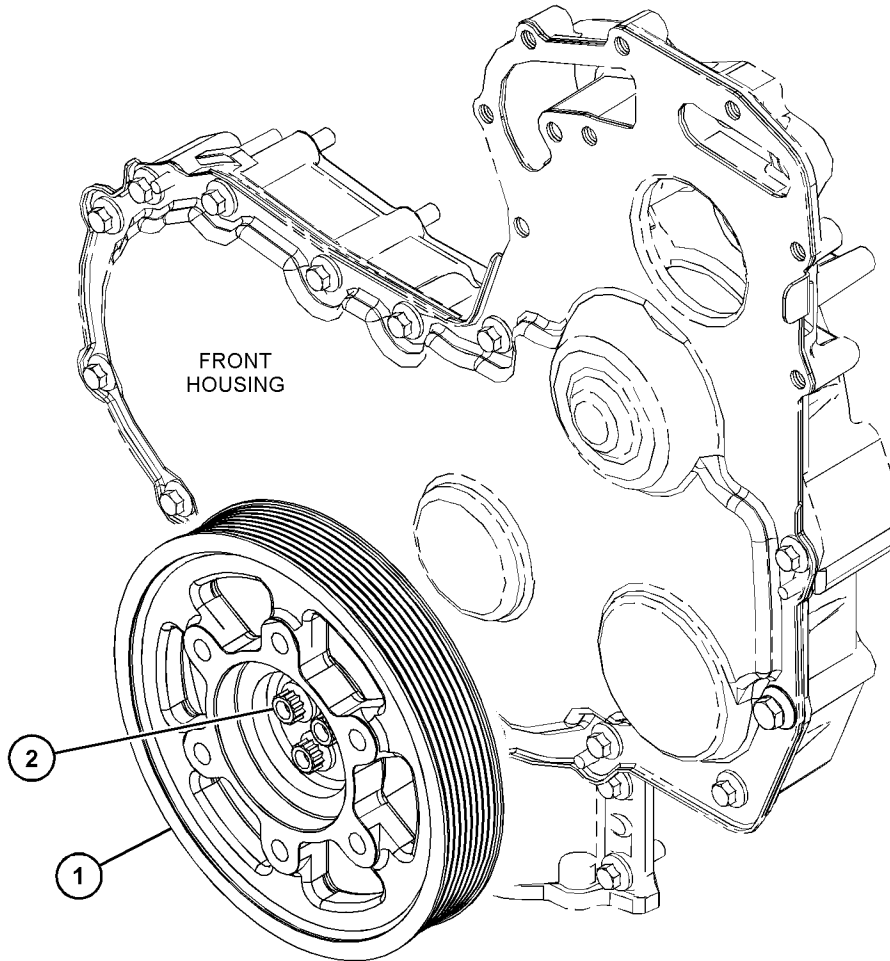
S/N: W231-UP

PART OF 463-8848, 463-8910 ENGINE AR-PRIMARY

SMCS - 1205

i06146777

NOTE	REF NO	GRAPHIC REF	PART NUMBER	QTY	PART NAME						SEE PAGE
					1	2	3	4	5	6 (PRODUCT LEVEL)	
	1	1	335-8270	1	PULLEY (8-GROOVE)						
	2	1	334-9334	3	BOLT						



GRAPHIC #1

<END>

g03822867

BASIC ENGINE

298-4533 ROCKER ARM GP

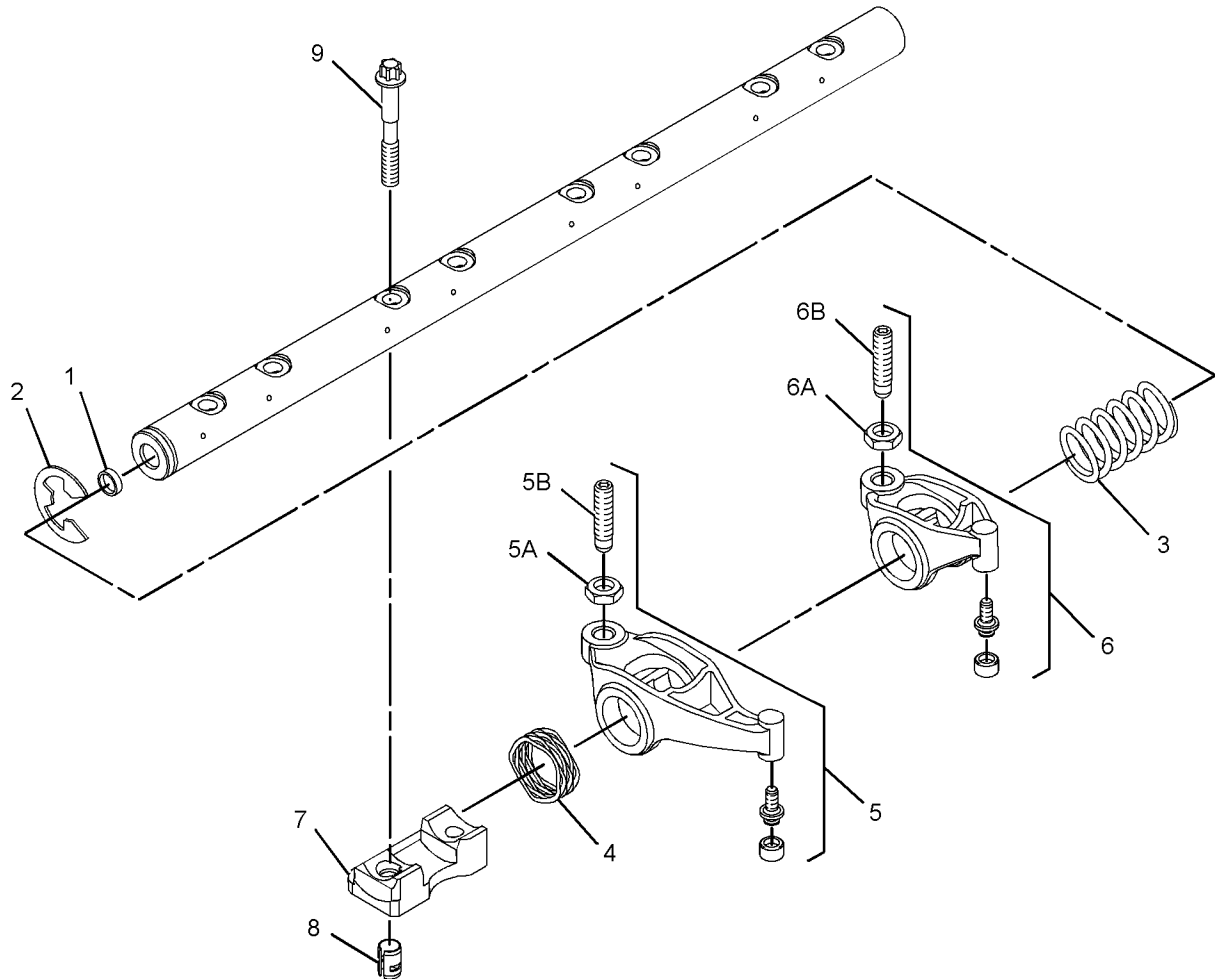
S/N: W231-UP

PART OF 415-7947 ROCKER ARM GP

SMCS-1102, 1123

i03866203

NOTE	REF NO	GRAPHIC REF	PART NUMBER	QTY	PART NAME						SEE PAGE
					1	2	3	4	5	6 (PRODUCT LEVEL)	
	1	1	276-9200	2	PLUG-SHAFT END						
	2	1	276-9201	1	CLIP						
	3	1	276-9206	3	SPRING-SHAFT						
	4	1	276-9207	1	SPRING-SHAFT						
	5	1	278-5111	4	ROCKER ARM AS						
	5A	1	276-9230	1	NUT						
	5B	1	278-5113	1	SCREW-ADJUSTING (TORX)						
	6	1	278-5112	4	ROCKER ARM AS						
	6A	1	276-9230	1	NUT						
	6B	1	278-5113	1	SCREW-ADJUSTING (TORX)						
	7	1	280-1912	4	BRACKET						
	8	1	280-1913	4	RETAINER						
	9	1	280-1914	8	BOLT (M8X1.25X55-MM)						



GRAPHIC #1

<END>

g01532745

BASIC ENGINE

349-4732 ROCKER ARM GP

S/N: JKT1-UP

INTAKE

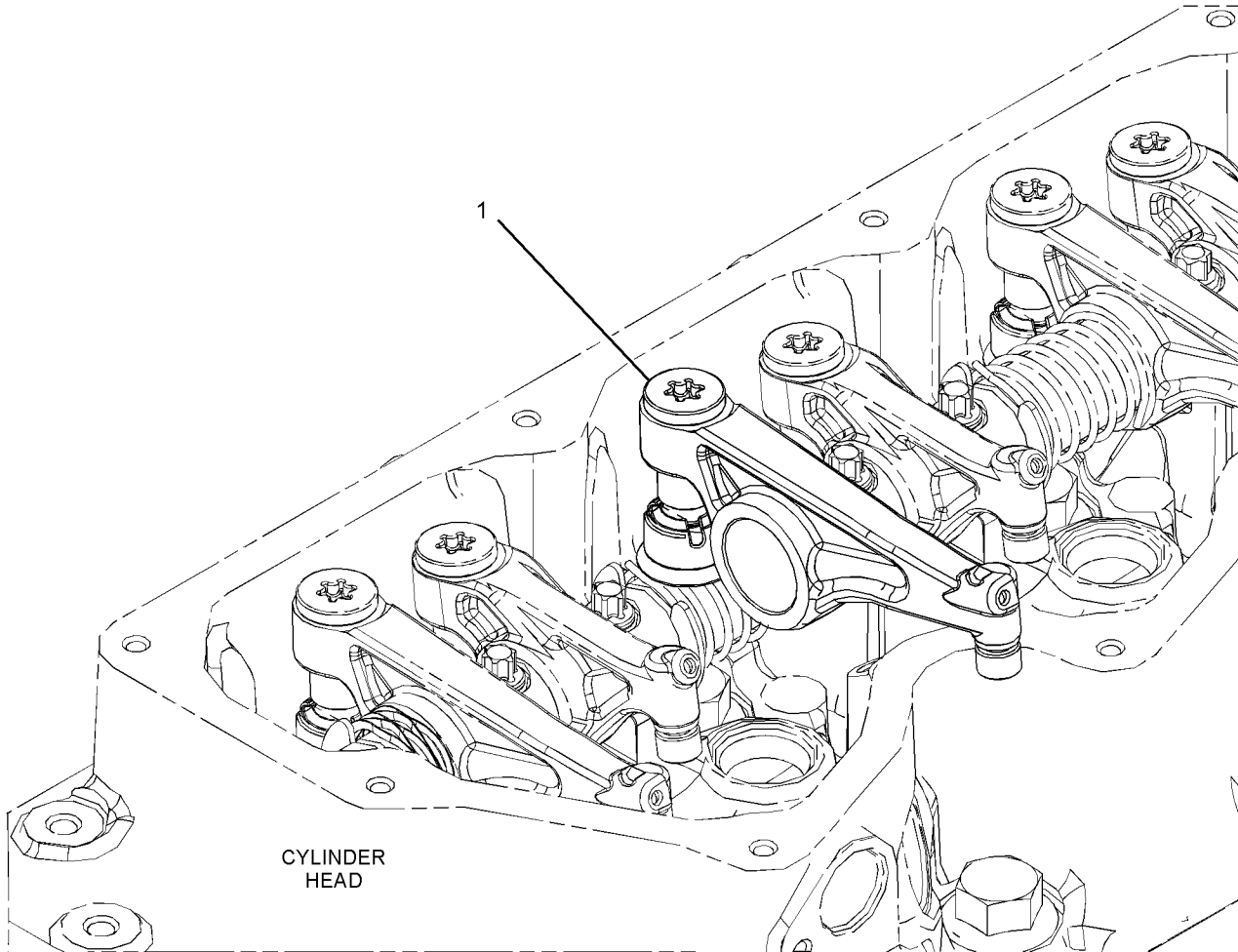
PART OF 349-4716 MECHANISM GP-FUEL PUMP & VALVE

ALSO AN ATTACHMENT

SMCS-1102, 1123

i05065861

NOTE	REF NO	GRAPHIC REF	PART NUMBER	QTY	PART NAME						SEE PAGE
					1	2	3	4	5	6 (PRODUCT LEVEL)	
	1	1	346-4772	1	INSERT - THREADED						



GRAPHIC #1

<END>

g03233437

BASIC ENGINE

349-4733 ROCKER ARM GP

S/N: JKT1-UP

EXHAUST

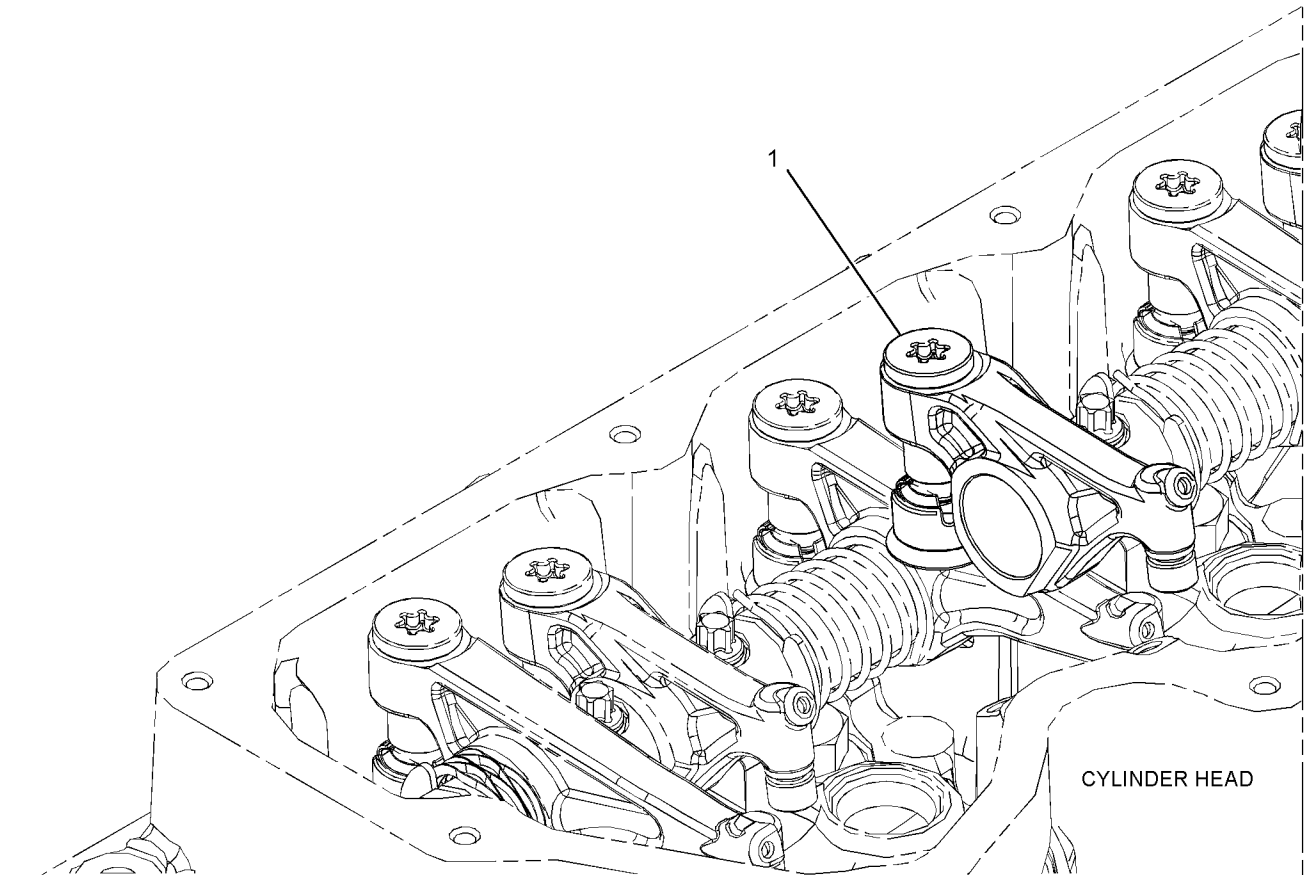
PART OF 349-4716 MECHANISM GP-FUEL PUMP & VALVE

ALSO AN ATTACHMENT

SMCS-1102, 1123

i05066062

NOTE	REF NO	GRAPHIC REF	PART NUMBER	QTY	PART NAME						SEE PAGE
					1	2	3	4	5	6 (PRODUCT LEVEL)	
	1	1	346-4772	1	INSERT - THREADED						



GRAPHIC #1

<END>

g03233439

BASIC ENGINE

351-9797 ROCKER ARM GP

S/N: JKT1-UP

PART OF 464-2307, 464-2308 ENGINE AR-PRIMARY
ALSO AN ATTACHMENT

SMCS-1102, 1123

i06536530

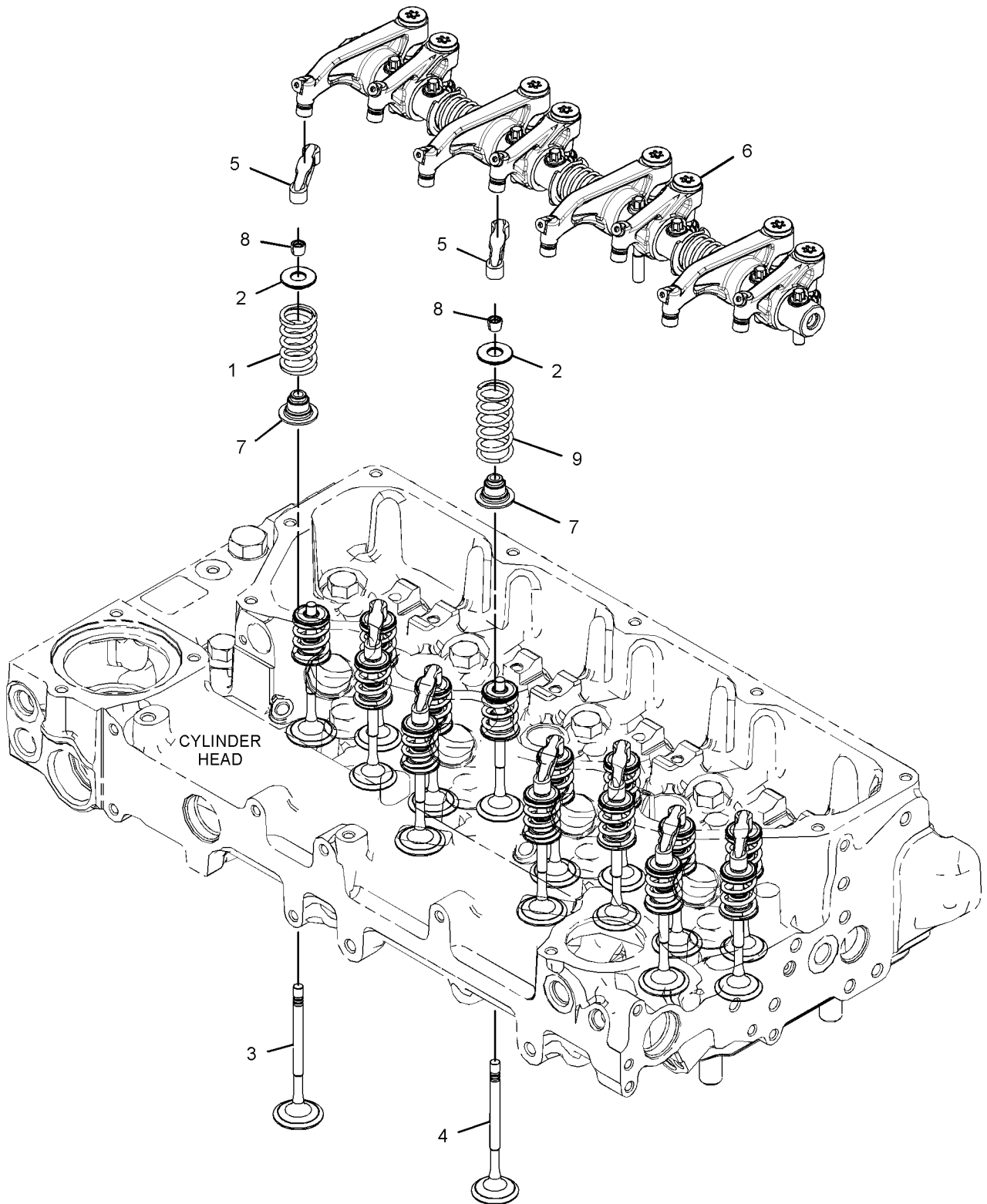
NOTE	REF NO	GRAPHIC REF	PART NUMBER	QTY	PART NAME						SEE PAGE
					1	2	3	4	5	6 (PRODUCT LEVEL)	
	1	1	436-0525	8	SPRING-VALVE						
	2	1	336-5439	16	RETAINER-VALVE SPRING						
	3	1	336-5446	8	VALVE-INLET						
	4	1	336-5447	8	VALVE-EXHAUST						
	5	1	346-4712	8	BRIDGE-VALVE						
Y	6	1	349-4716	1	MECHANISM GP-FUEL PUMP & VALVE						114
	7	1	387-9503	16	SEAL-VALVE STEM						
	8	1	152-9860	32	RETAINER						
	9	1	436-0523	8	SPRING-VALVE						
					AVAILABLE REPAIR KIT(S):						
			440-8443	1	KIT-CYLINDER HEAD REPAIR						
					(INCLUDES RETAINERS)						

Y - SEPARATE ILLUSTRATION

BASIC ENGINE

351-9797 **ROCKER ARM GP** (contd.)

106536530



GRAPHIC #1

<END>

g03677152

BASIC ENGINE

384-4080 ROCKER ARM GP

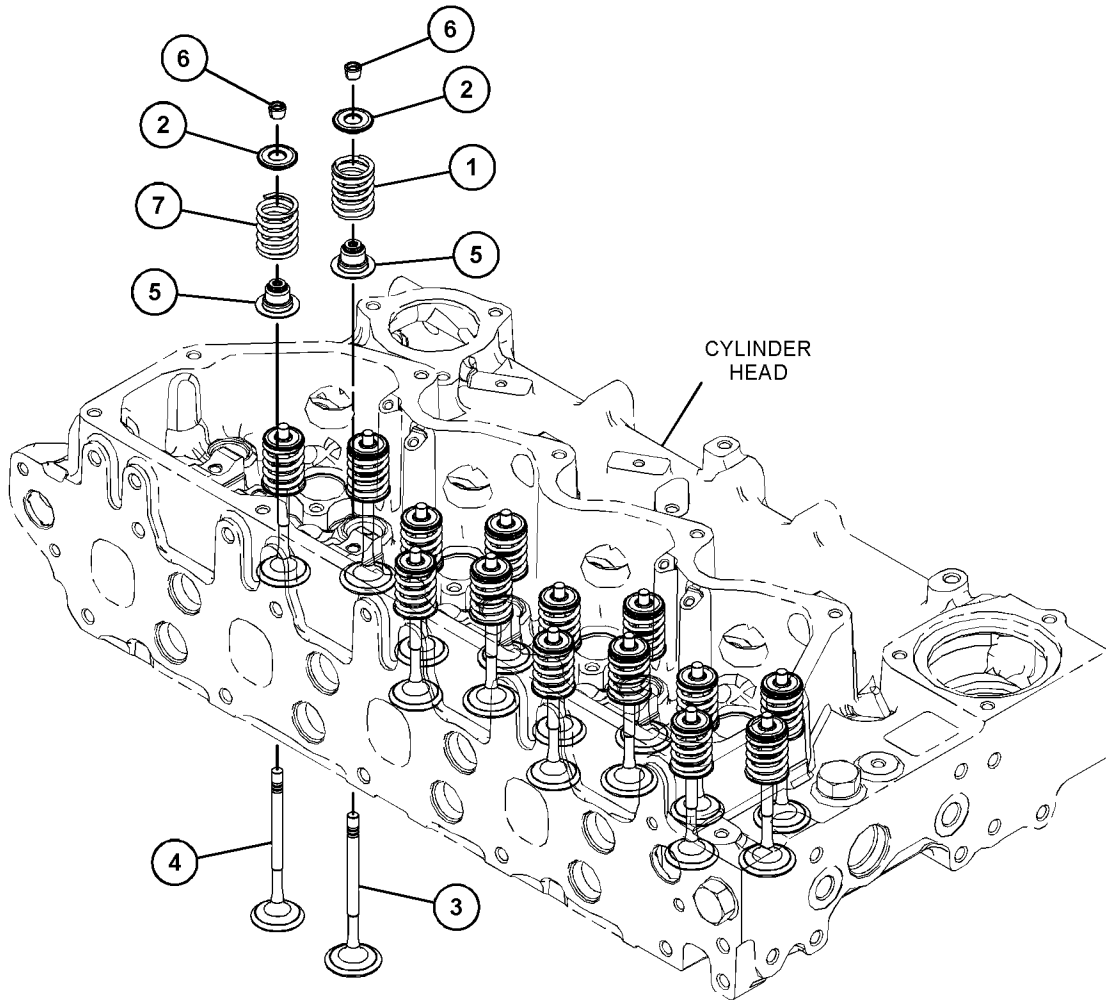
S/N: JKT1-UP

PART OF 384-4906 CYLINDER HEAD GP

SMCS-1102, 1123

i06052740

NOTE	REF NO	GRAPHIC REF	PART NUMBER	QTY	PART NAME						SEE PAGE
					1	2	3	4	5	6 (PRODUCT LEVEL)	
	1	1	436-0525	8	SPRING-VALVE						
	2	1	336-5439	16	RETAINER-VALVE SPRING						
	3	1	336-5446	8	VALVE-INLET						
	4	1	336-5447	8	VALVE-EXHAUST						
	5	1	387-9503	16	SEAL-VALVE STEM						
	6	1	152-9860	32	RETAINER						
	7	1	436-0523	8	SPRING-VALVE						



GRAPHIC #1

<END>

g03664338

BASIC ENGINE

415-7947 ROCKER ARM GP

S/N: W231-UP

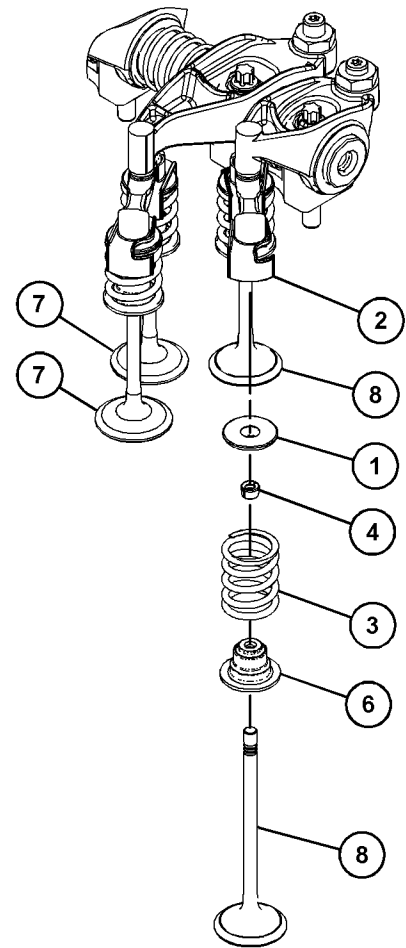
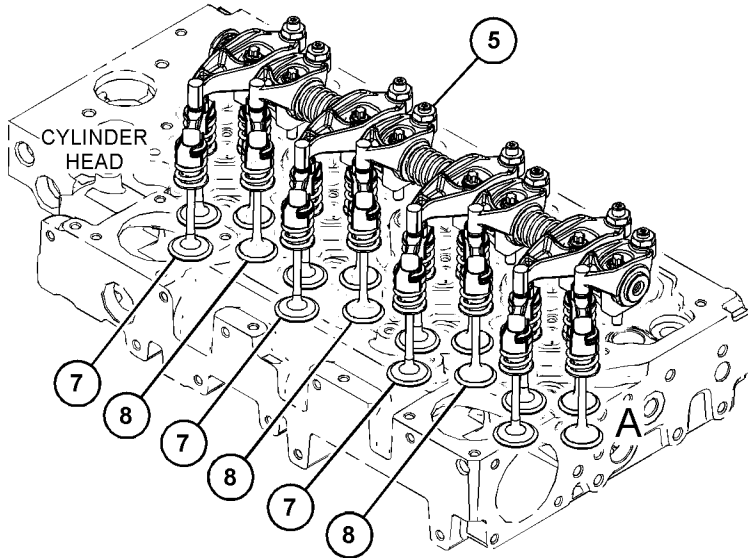
PART OF 463-8848, 463-8910 ENGINE AR-PRIMARY

SMCS-1102, 1123

i06138510

NOTE	REF NO	GRAPHIC REF	PART NUMBER	QTY	PART NAME						SEE PAGE
					1	2	3	4	5	6 (PRODUCT LEVEL)	
	1	1	276-8133	16	CAP-VALVE						
	2	1	346-4709	8	BRIDGE GP-VALVE						
	3	1	436-0524	16	SPRING-VALVE						
	4	1	276-8123	32	RETAINER						
Y	5	1	298-4533	1	ROCKER ARM GP						143
	6	1	299-5511	16	SEAL-VALVE STEM						
	7	1	309-6678	8	VALVE-INLET						
	8	1	339-9637	8	VALVE-EXHAUST						

Y - SEPARATE ILLUSTRATION



VIEW OF AREA A
(EXPLODED)

GRAPHIC #1

<END>

g03815520

BASIC ENGINE

441-9676 ROCKER ARM GP

S/N: CJ41-UP

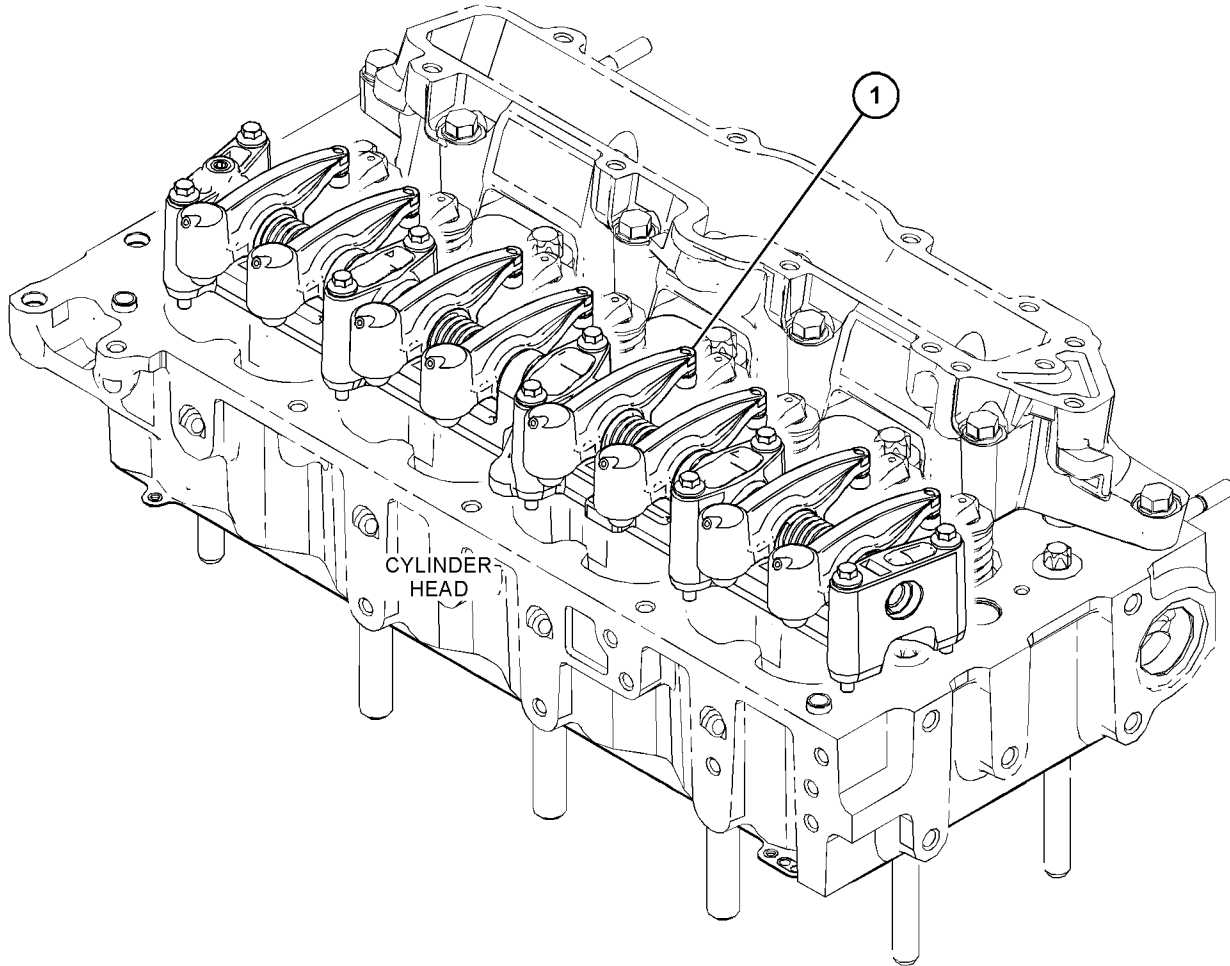
PART OF 465-2880 ENGINE AR-PRIMARY

SMCS-1102, 1123

i06252229

NOTE	REF NO	GRAPHIC REF	PART NUMBER	QTY	PART NAME						SEE PAGE
					1	2	3	4	5	6 (PRODUCT LEVEL)	
Y	1	1	446-4785	1	ROCKER ARM GP						151

Y - SEPARATE ILLUSTRATION



GRAPHIC #1

<END>

g03825239

BASIC ENGINE

446-4785 ROCKER ARM GP

S/N: CJ41-UP

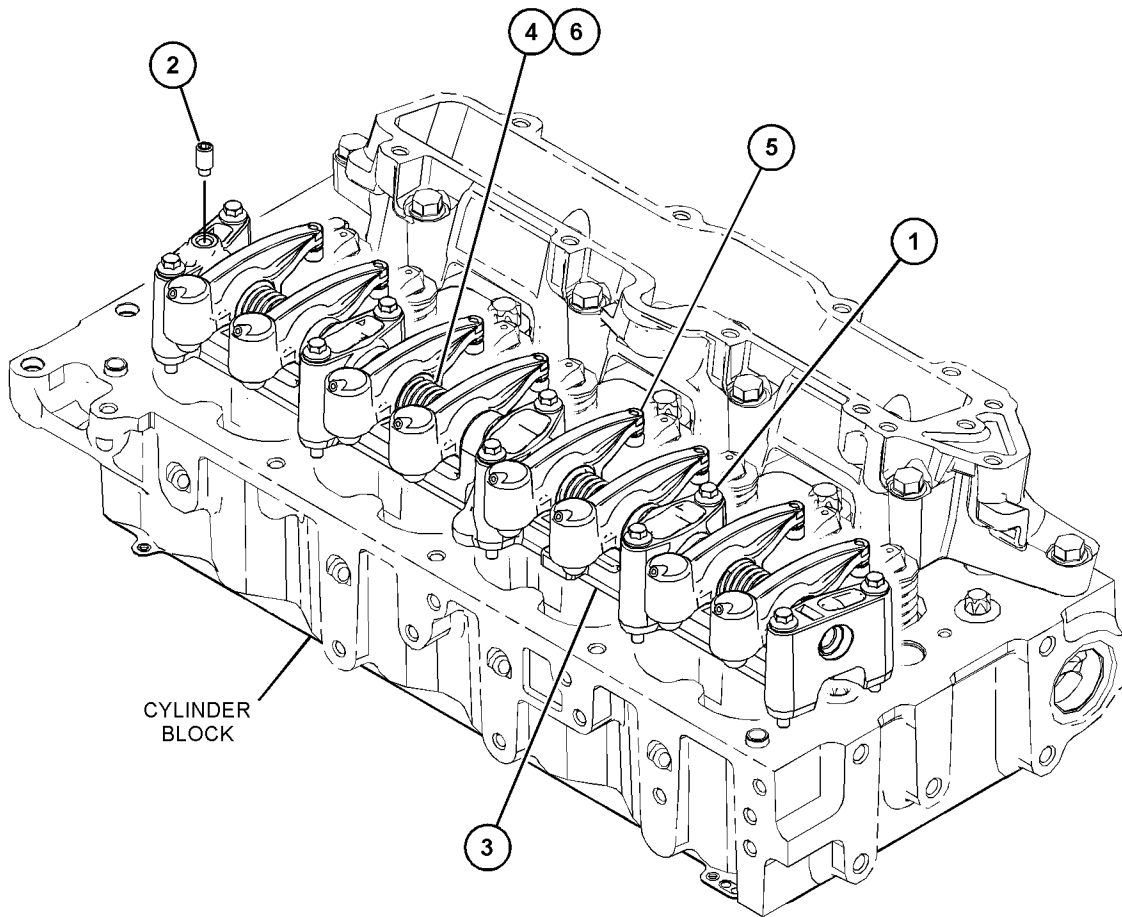
PART OF 441-9676 ROCKER ARM GP

SMCS-1102, 1123

i06145428

NOTE	REF NO	GRAPHIC REF	PART NUMBER	QTY	PART NAME						SEE PAGE
					1	2	3	4	5	6 (PRODUCT LEVEL)	
M	1	1	204-7464	10	BOLT-FLANGE HEAD (M6X1X60-MM) (ROCKER ARM)						
	2	1	386-2062	1	SCREW						
	3	1	463-7837	1	BRACKET						
	4	1	463-7876	1	SHAFT AS						
		1	386-2061	2	PLUG						
	5	1	463-8750	8	ARM AS (ROCKER ARM)						
	6	1	463-8751	4	SPRING						

M - METRIC PART



GRAPHIC #1

<END>

g03782342

BASIC ENGINE

460-7781 ROCKER ARM GP

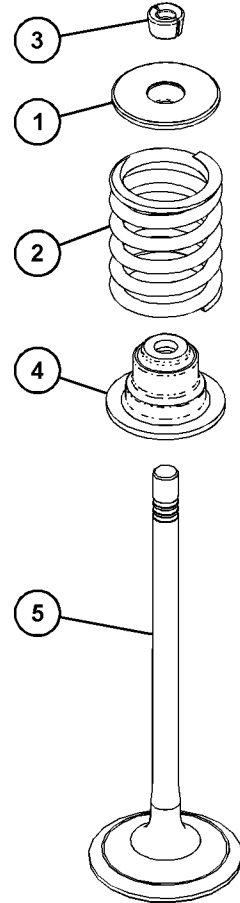
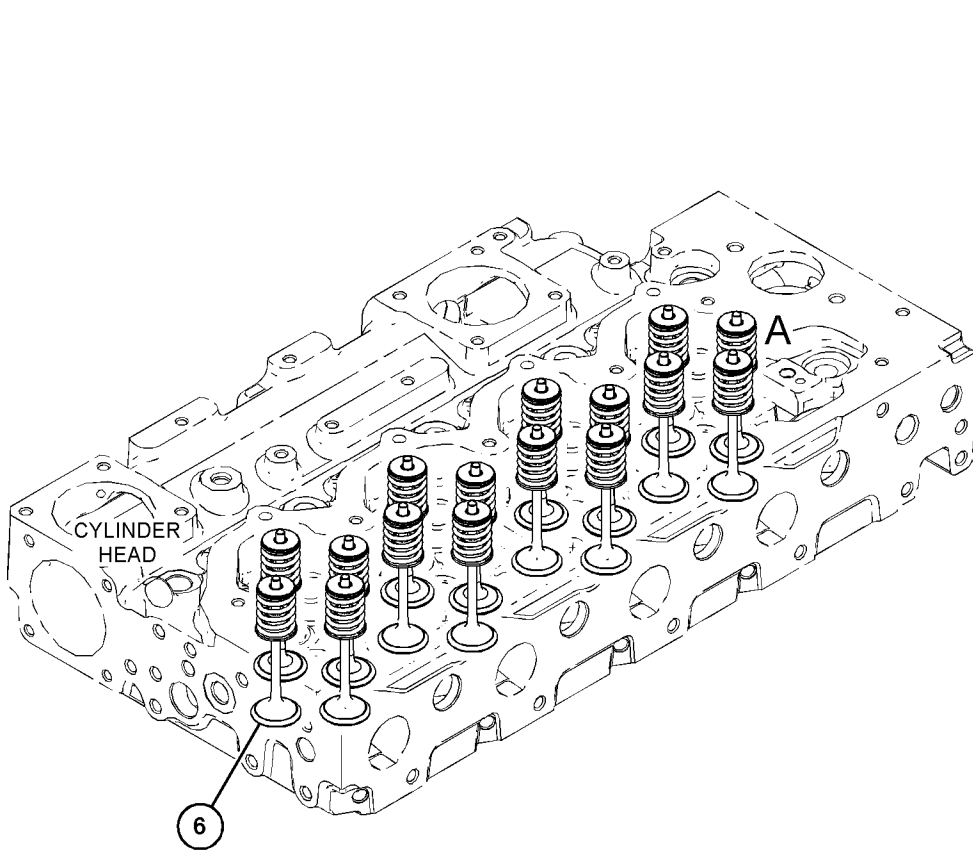
S/N: W231-UP

PART OF 452-7397 CYLINDER HEAD GP

SMCS-1102, 1123

i07075563

NOTE	REF NO	GRAPHIC REF	PART NUMBER	QTY	PART NAME						SEE PAGE
					1	2	3	4	5	6 (PRODUCT LEVEL)	
	1	1	276-8133	16	CAP - VALVE						
	2	1	436-0524	16	SPRING - VALVE						
	3	1	276-8123	32	RETAINER						
	4	1	299-5511	16	SEAL - VALVE STEM						
	5	1	309-6678	8	VALVE - INLET						
	6	1	339-9637	8	VALVE - EXHAUST						



VIEW OF AREA A
(EXPLODED)
g06123274

GRAPHIC #1

<END>

LUBRICATION SYSTEM

373-0282 FILLER GP-ENGINE OIL

S/N: CJ41-UP

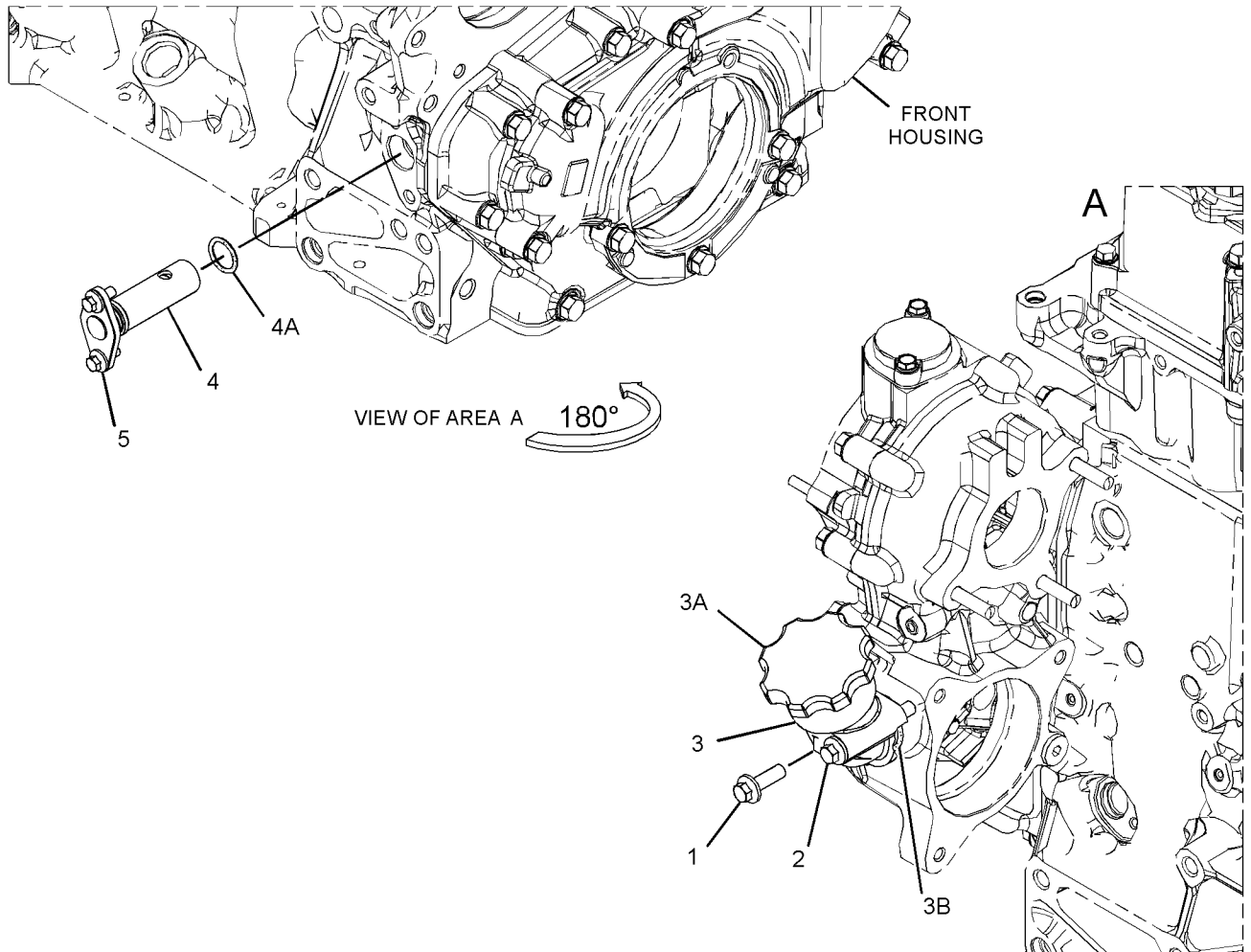
PART OF 377-5991 FILLER GP-ENGINE OIL

SMCS-1316

i05979642

NOTE	REF NO	GRAPHIC REF	PART NUMBER	QTY	PART NAME						SEE PAGE
					1	2	3	4	5	6 (PRODUCT LEVEL)	
M	1	1	6I-0260	1	BOLT (M8X1.25X25-MM)						
M	2	1	6I-4374	1	BOLT (M8X1.25X60-MM)						
	3	1	321-2383	1	FILLER AS						
	3A	1	130-9888	1	CAP AS-OIL FILLER (ENGINE)						
	3B	1	306-2337	1	SEAL-O-RING						
	4	1	465-0250	1	VALVE AS						
	4A	1	386-1911	1	SEAL						
M	5	1	6I-0846	2	BOLT (M6X1X14-MM)						
F			369-3867	1	CAP AS-OIL FILLER (ENGINE)						
		1	357-0147	1	FILM-IDENTIFICATION (OIL FILL, READ OMM)						

F - NOT SHOWN
M - METRIC PART



GRAPHIC #1

<END>

g03384988

LUBRICATION SYSTEM

377-5991 FILLER GP-ENGINE OIL

S/N: CJ41-UP

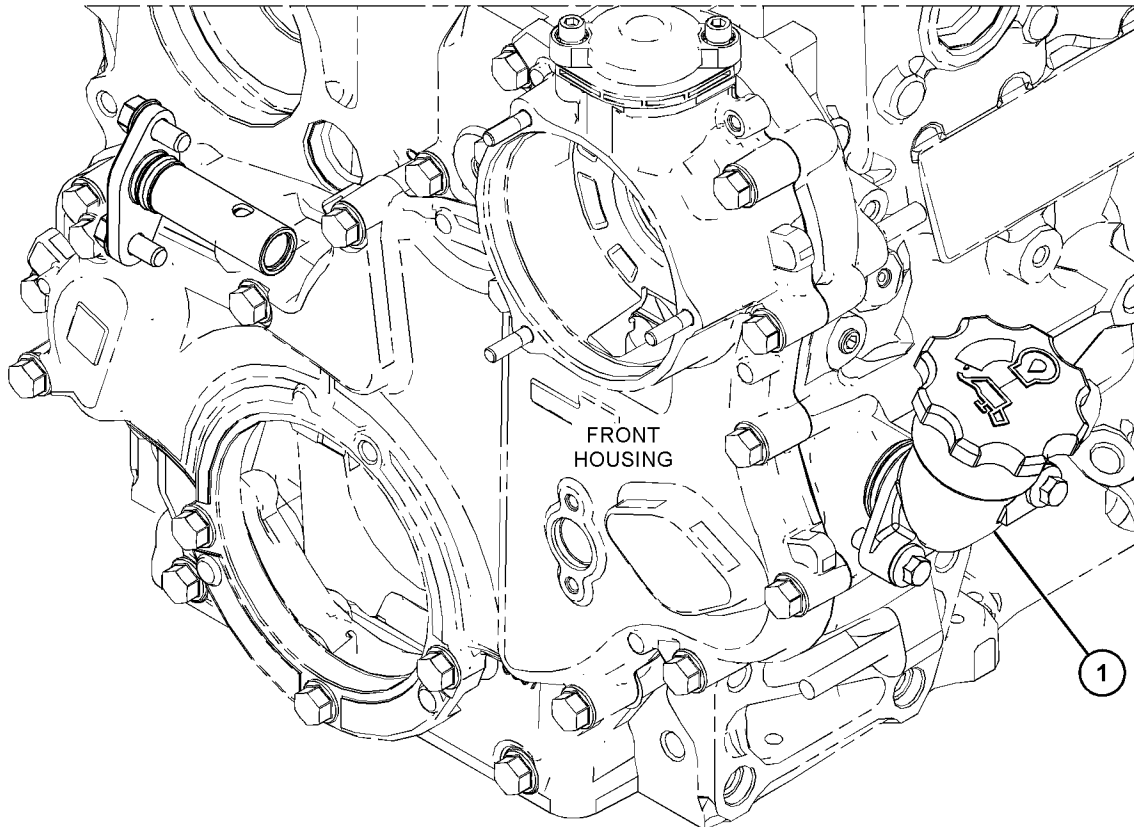
PART OF 465-2880 ENGINE AR-PRIMARY

SMCS-1316

i05963873

NOTE	REF NO	GRAPHIC REF	PART NUMBER	QTY	PART NAME						SEE PAGE
					1	2	3	4	5	6 (PRODUCT LEVEL)	
Y	1	1	373-0282	1	FILLER GP-ENGINE OIL						153

Y - SEPARATE ILLUSTRATION



GRAPHIC #1

<END>

g03521779

LUBRICATION SYSTEM

432-0065 FILLER GP-ENGINE OIL

S/N: W231-UP

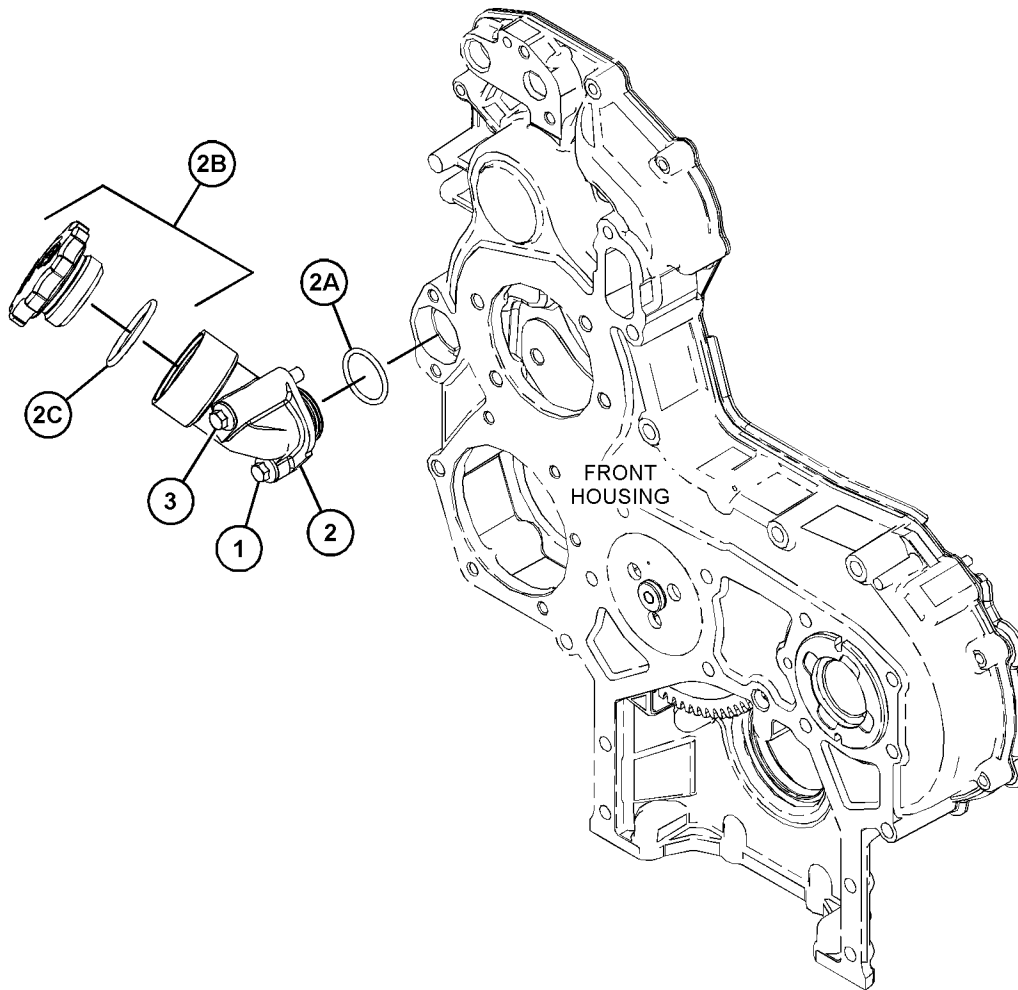
PART OF 463-8848, 463-8910 ENGINE AR-PRIMARY

SMCS-1316

i06621176

NOTE	REF NO	GRAPHIC REF	PART NUMBER	QTY	PART NAME						SEE PAGE
					1	2	3	4	5	6 (PRODUCT LEVEL)	
M	1	1	6I-0254	1	BOLT (M8X1.25X30-MM)						
	2	1	321-2383	1	FILLER AS						
	2A	1	306-2337	1	SEAL-O-RING						
	2B	1	130-9888	1	CAP AS-OIL FILLER (ENGINE)						
	2C	1	113-1504	1	SEAL-O-RING						
M	3	1	6I-4374	1	BOLT (M8X1.25X60-MM)						

M - METRIC PART



GRAPHIC #1

<END>

g03812334

LUBRICATION SYSTEM

329-8386 FILTER GP-ENGINE OIL

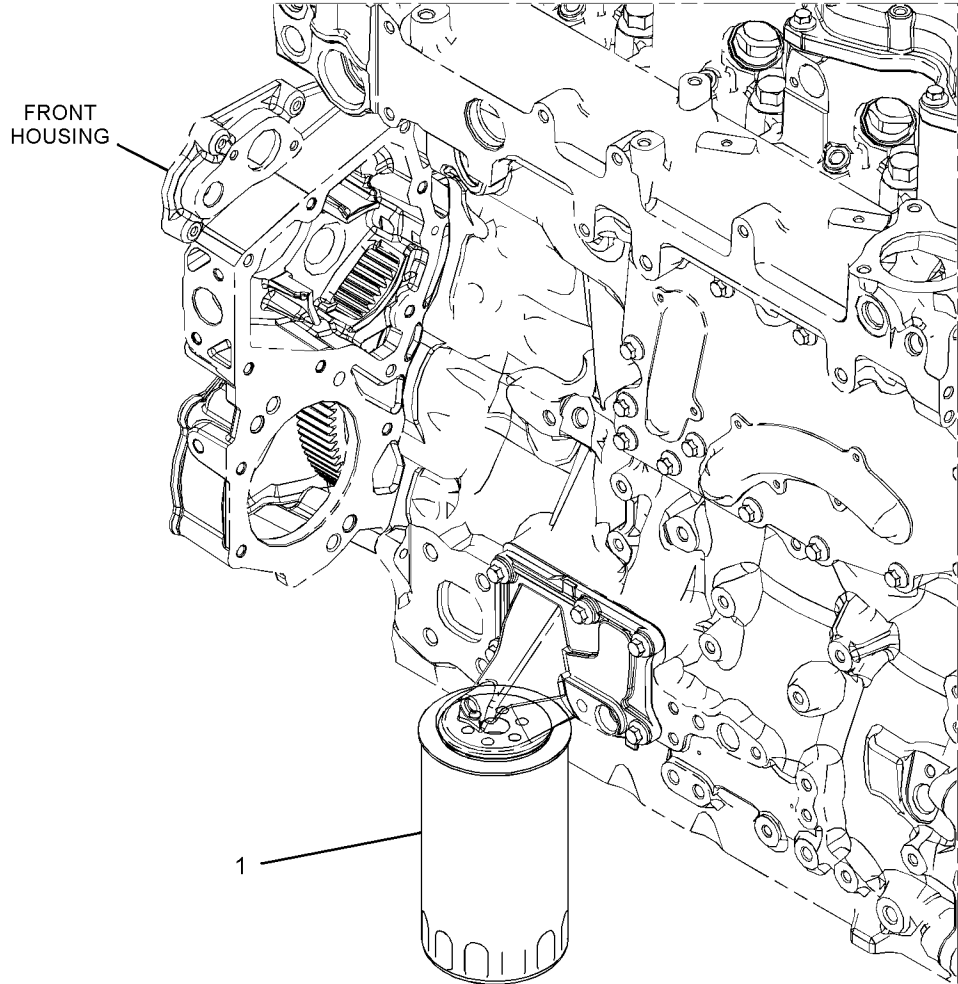
S/N: JKT1-UP

PART OF 464-2307, 464-2308 ENGINE AR-PRIMARY
ALSO AN ATTACHMENT

SMCS-1306, 1308

i05725355

NOTE	REF NO	GRAPHIC REF	PART NUMBER	QTY	PART NAME						SEE PAGE
					1	2	3	4	5	6 (PRODUCT LEVEL)	
	1	1	7W-2326	1	FILTER AS-ENGINE OIL						



GRAPHIC #1

<END>

g02713207

LUBRICATION SYSTEM

417-3394 FILTER GP-ENGINE OIL

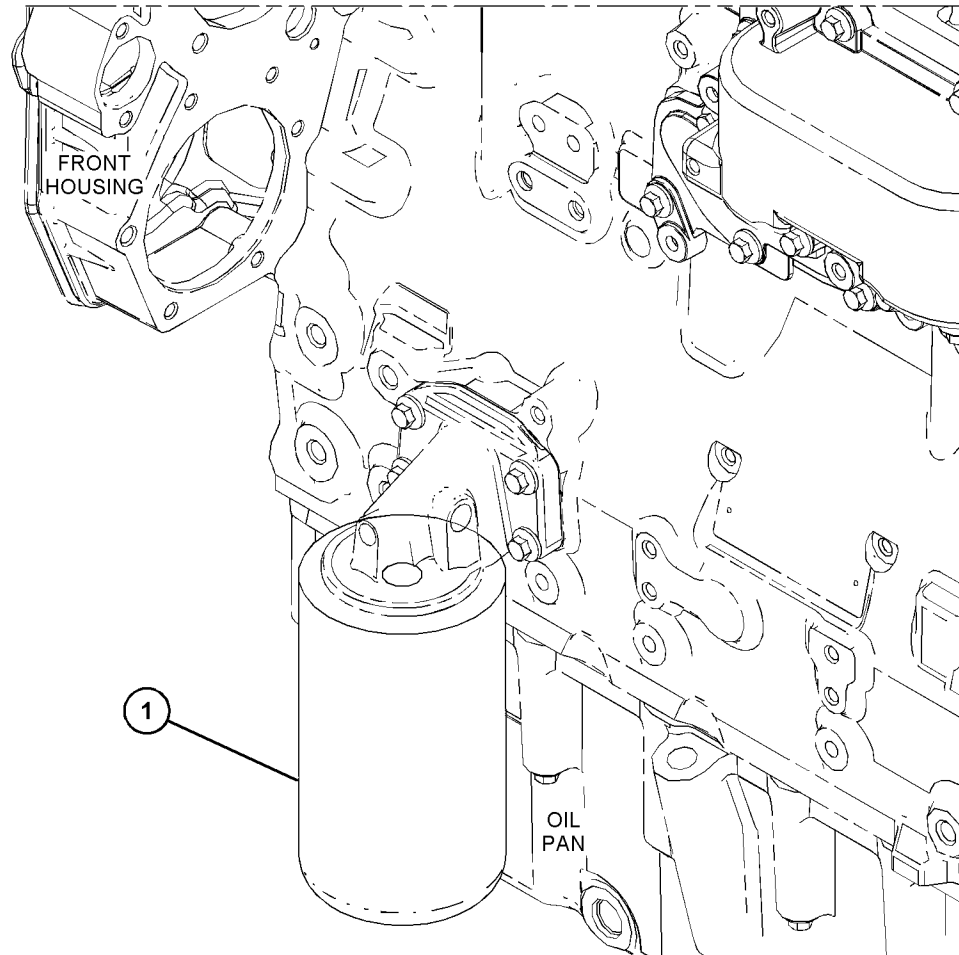
S/N: W231-UP

PART OF 463-8848, 463-8910 ENGINE AR-PRIMARY

SMCS-1306, 1308

i06151992

NOTE	REF NO	GRAPHIC REF	PART NUMBER	QTY	PART NAME						SEE PAGE
					1	2	3	4	5	6 (PRODUCT LEVEL)	
	1	1	7W-2326	1	FILTER AS-ENGINE OIL						



GRAPHIC #1

<END>

g03817298

LUBRICATION SYSTEM

418-3402 FILTER GP-ENGINE OIL

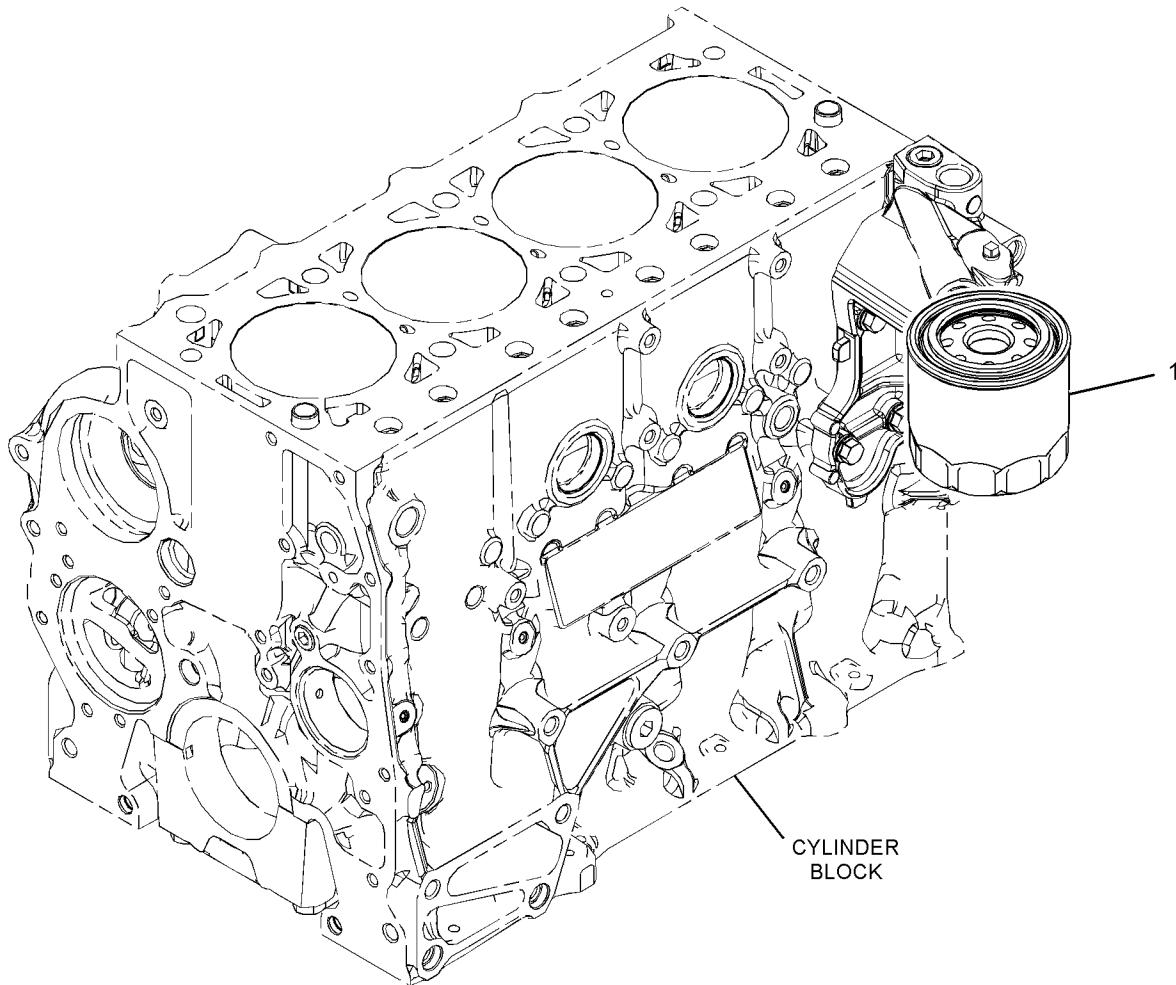
S/N: CJ41-UP

PART OF 465-2880 ENGINE AR-PRIMARY

SMCS-1306, 1308

i05722196

NOTE	REF NO	GRAPHIC REF	PART NUMBER	QTY	PART NAME						SEE PAGE
					1	2	3	4	5	6 (PRODUCT LEVEL)	
	1	1	441-6852	1	FILTER AS-OIL (ENGINE OIL)						



GRAPHIC #1

<END>

g03358504

LUBRICATION SYSTEM

360-7817 FILTER GP-FUMES DISPOSAL

S/N: JKT1-UP

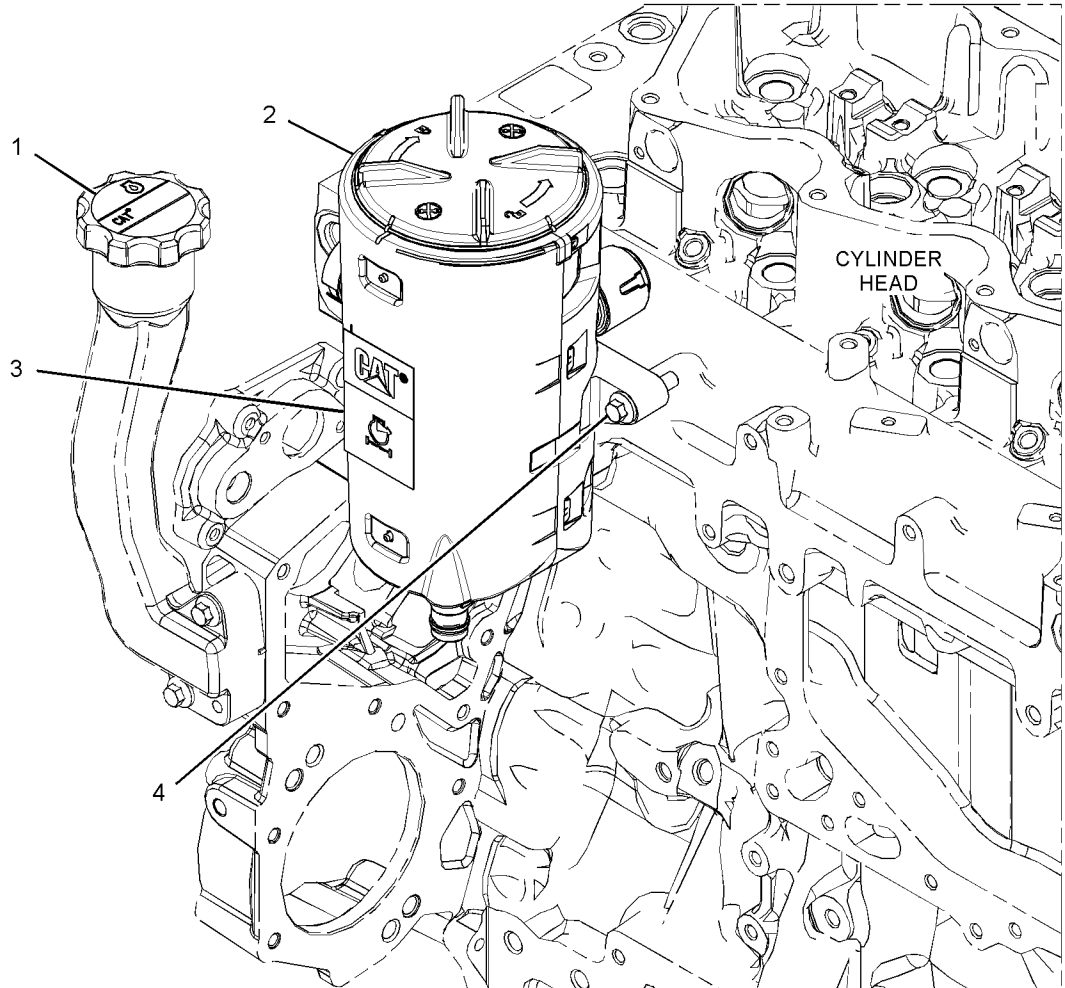
PART OF 464-2307, 464-2308 ENGINE AR-PRIMARY
ALSO AN ATTACHMENT

SMCS-1074, 1317

i06060616

NOTE	REF NO	GRAPHIC REF	PART NUMBER	QTY	PART NAME						SEE PAGE
					1	2	3	4	5	6 (PRODUCT LEVEL)	
	1	1	357-0147	1	FILM-IDENTIFICATION (OIL FILL, READ OMM)						
J	2	1	357-3355	1	FILTER AS-FUMES DISPOSAL						
J		1	339-1048	1	KIT-BREATHER (FUMES DISPOSAL)						
J		1	362-2915	1	SEAL						
J	3	1	361-1777	1	FILM-IDENTIFICATION (FILTER)						
M	4	1	101-3895	3	BOLT (M8X1.25X35-MM)						
AVAILABLE REPAIR KIT(S):											
J			361-1758	1	KIT-FILTER (COMPLETE)						
(INCLUDES FILTER HOUSING, HEAD AS, VALVE AS, ELEMENT AS, SEAL & FILM) (NOTE: FILTER REPLACEMENT ELEMENT IS AVAILABLE SEPARATELY)											

J - KIT MARKED J SERVICES PART(S) MARKED J
M - METRIC PART



GRAPHIC #1

<END>

g02715965

LUBRICATION SYSTEM

356-7282 FUMES DISPOSAL GP

S/N: JKT1-UP

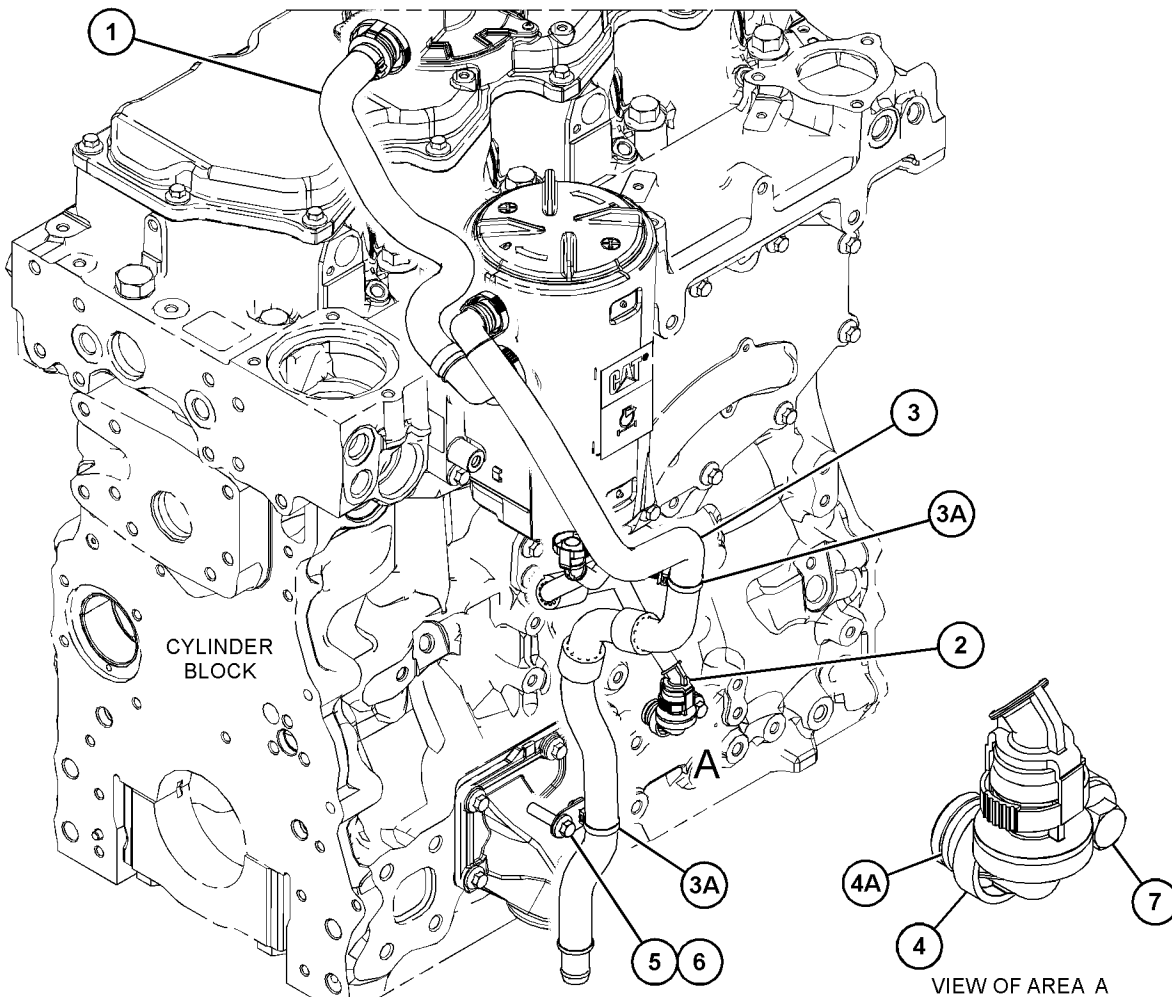
PART OF 464-2307, 464-2308 ENGINE AR-PRIMARY
ALSO AN ATTACHMENT

SMCS-1317

i06062214

NOTE	REF NO	GRAPHIC REF	PART NUMBER	QTY	PART NAME						SEE PAGE
					1	2	3	4	5	6 (PRODUCT LEVEL)	
	1	1	347-9981	1	PIPE-BREATHER (INLET)						
	2	1	448-5787	1	PIPE (BREATHER TO DRAIN)						
	3	1	356-4590	1	PIPE-BREATHER (VENT)						
	3A	1	316-9351	2	MOUNTING-CABLE TIE						
	4	1	356-8338	1	VALVE AS						
	4A	1	3E-6749	1	SEAL-O-RING						
	5	1	360-5696	1	BRACKET AS						
M	6	1	156-6964	1	BOLT (M8X1.25X30-MM)						
M	7	1	6I-0572	1	BOLT (M8X1.25X20-MM)						

M - METRIC PART



GRAPHIC #1

<END>

g03799883

LUBRICATION SYSTEM

433-5258 FUMES DISPOSAL GP

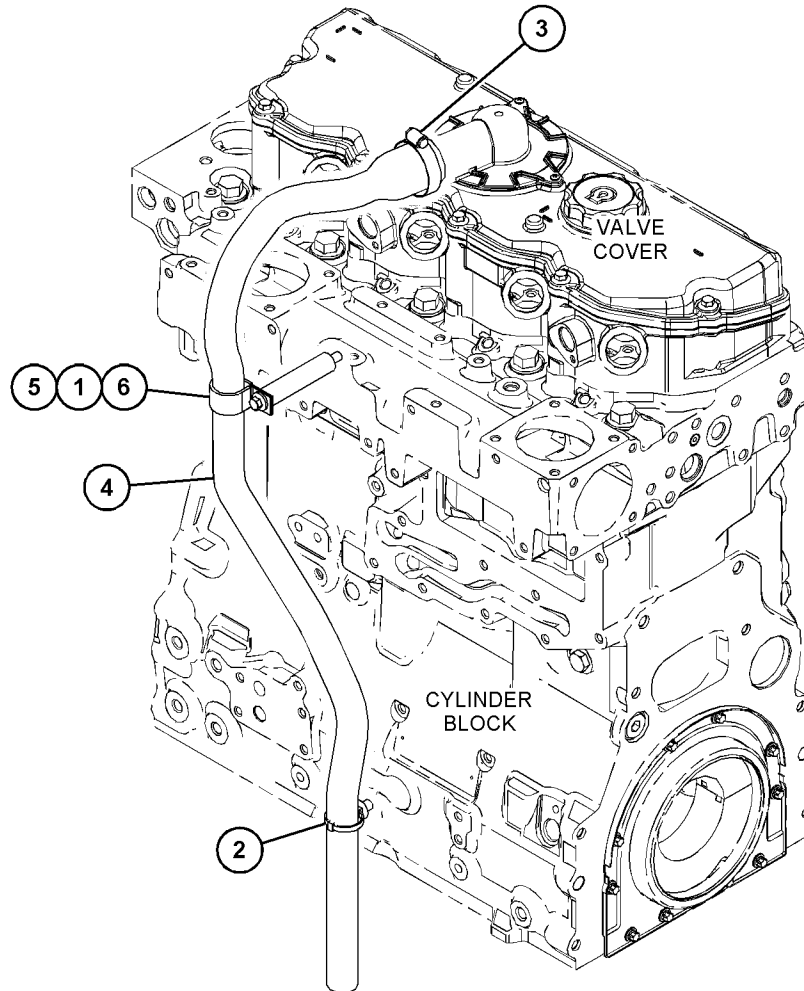
S/N: W231-UP

PART OF 463-8848, 463-8910 ENGINE AR-PRIMARY

SMCS-1317

i06119719

NOTE	REF NO	GRAPHIC REF	PART NUMBER	QTY	PART NAME						SEE PAGE
					1	2	3	4	5	6 (PRODUCT LEVEL)	
	1	1	127-3361	1	BOLT (M8X1.25X95-MM)						
	2	1	316-9351	1	MOUNTING-CABLE TIE						
	3	1	363-5813	1	CLAMP-HOSE						
	4	1	433-1900	1	HOSE						
	5	1	433-2688	1	PILLAR						
	6	1	067-3045	1	CLIP (LOOP)						



GRAPHIC #1

<END>

g03811633

LUBRICATION SYSTEM

449-2730 FUMES DISPOSAL GP

S/N: CJ41-UP

PART OF 451-8483 FUMES DISPOSAL GP

SMCS-1317

i07152440

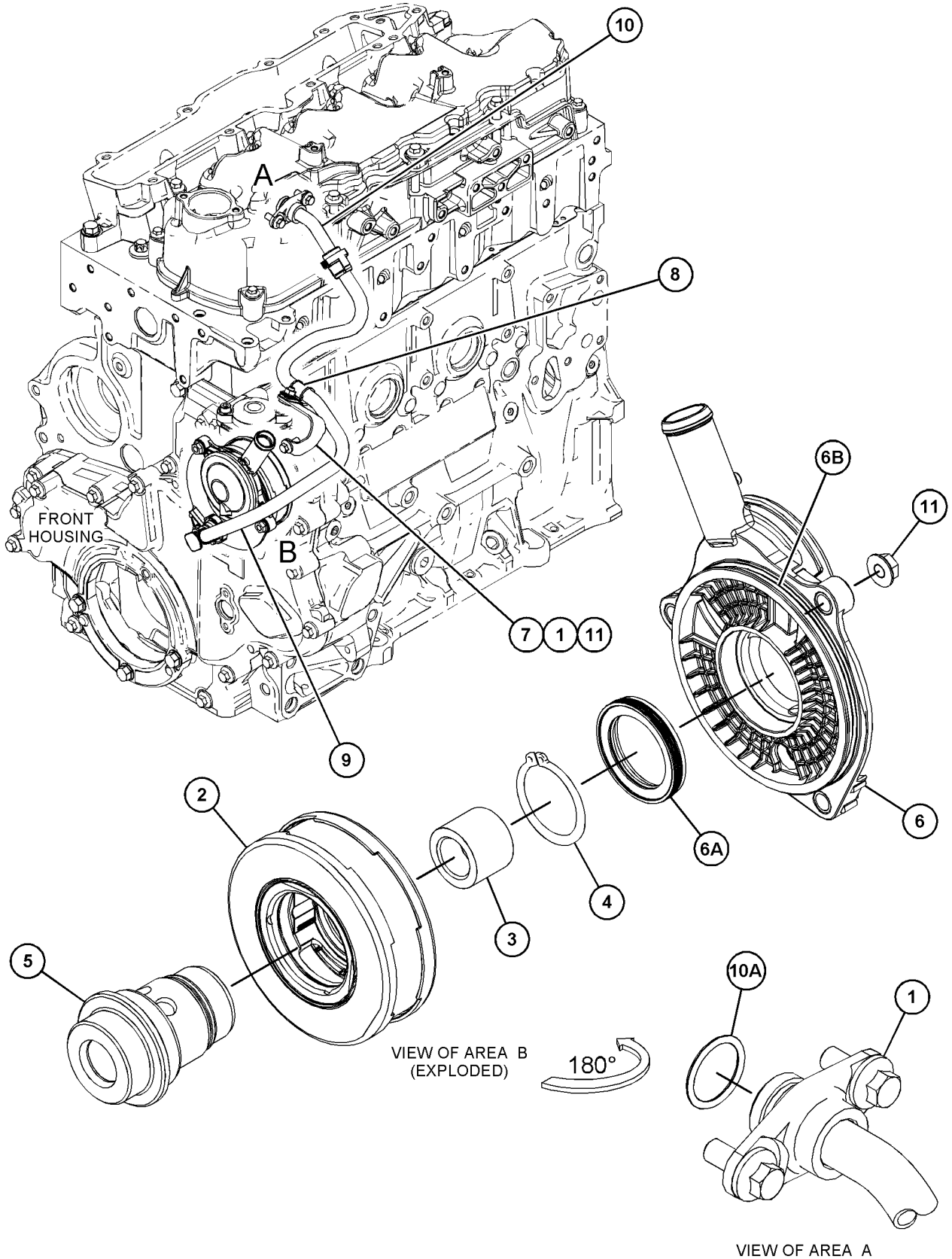
NOTE	REF NO	GRAPHIC REF	PART NUMBER	QTY	PART NAME						SEE PAGE
					1	2	3	4	5	6 (PRODUCT LEVEL)	
M	1	1	6I-0846	3	BOLT (M6X1X14-MM)						
	2	1	481-3598	1	FILTER ELEMENT-BREATHER (CRANKCASE)						
	3	1	379-3066	1	BUSHING						
	4	1	381-3938	1	SPRING						
	5	1	422-0638	1	SHAFT						
	6	1	422-0642	1	COVER AS						
	6A	1	379-3061	1	SEAL						
	6B	1	379-3064	1	SEAL-O-RING						
	7	1	422-0643	1	BRACKET AS						
	8	1	422-9961	1	CLIP						
	9	1	504-1913	1	PIPE AS						
	10	1	463-6995	1	PIPE AS						
	10A	1	463-6993	1	SEAL						
	11	1	6I-0918	4	NUT						

M - METRIC PART

LUBRICATION SYSTEM

449-2730 FUMES DISPOSAL GP (contd.)

i07152440



GRAPHIC #1

<END>

g03826956

LUBRICATION SYSTEM

451-8483 FUMES DISPOSAL GP

S/N: CJ41-UP

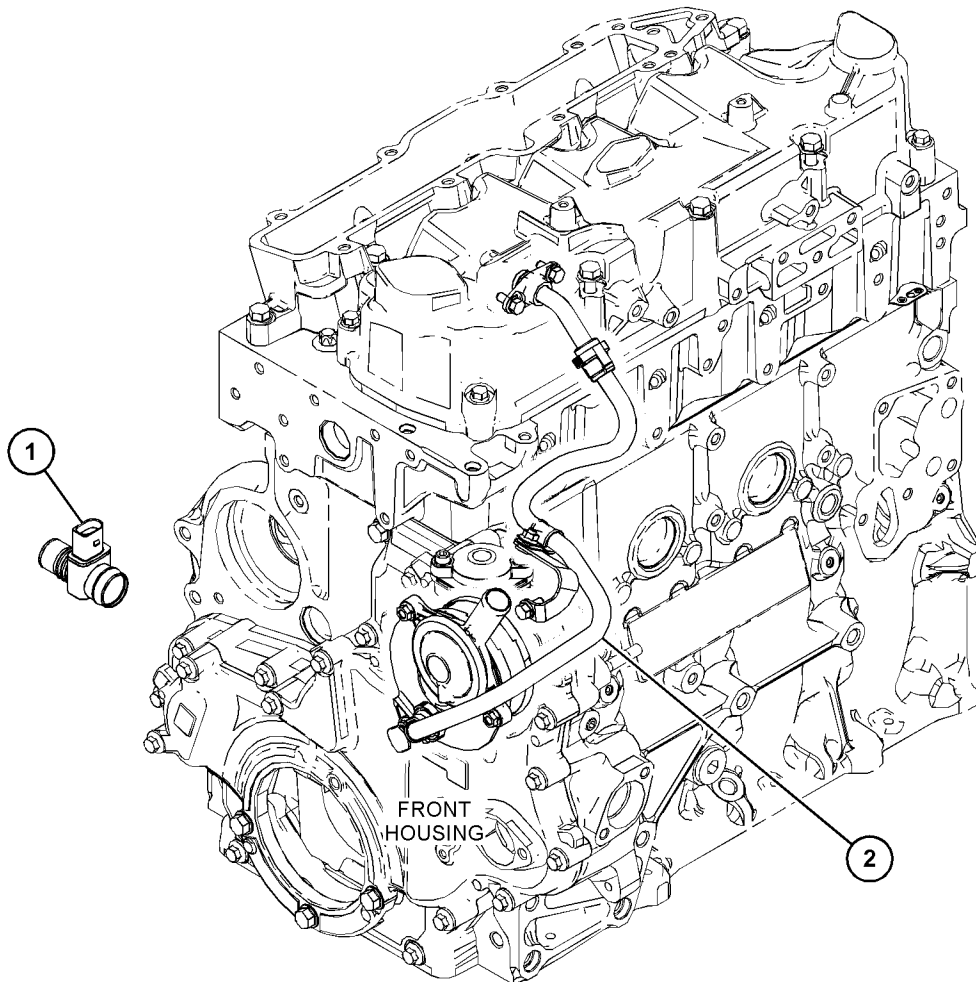
PART OF 465-2880 ENGINE AR-PRIMARY

SMCS-1317

i06252161

NOTE	REF NO	GRAPHIC REF	PART NUMBER	QTY	PART NAME						SEE PAGE
					1	2	3	4	5	6 (PRODUCT LEVEL)	
	1	1	376-1398	1	CONNECTION						
Y	2	1	449-2730	1	FUMES DISPOSAL GP						162

Y - SEPARATE ILLUSTRATION



GRAPHIC #1

<END>

g03879482

LUBRICATION SYSTEM

338-9479 GAUGE GP-OIL LEVEL (DIPSTICK)-ENGINE

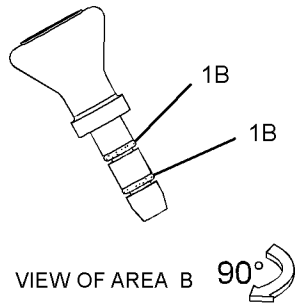
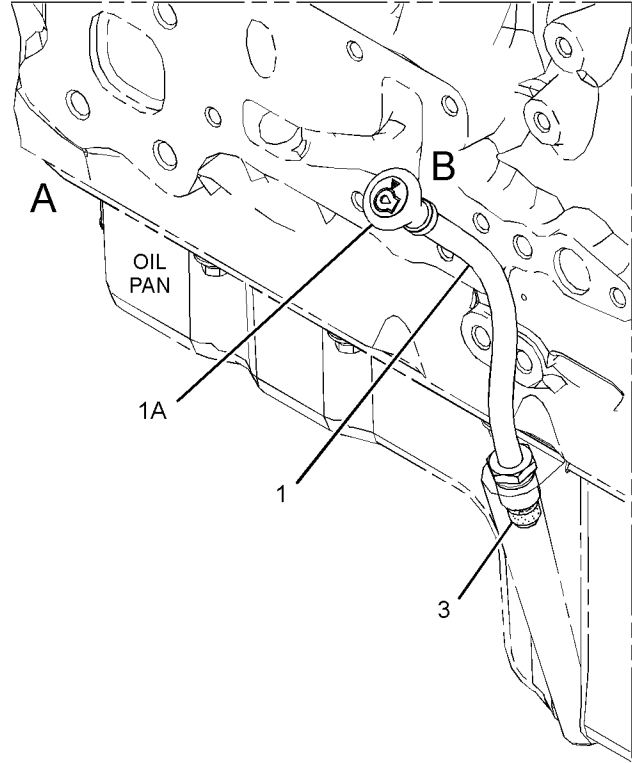
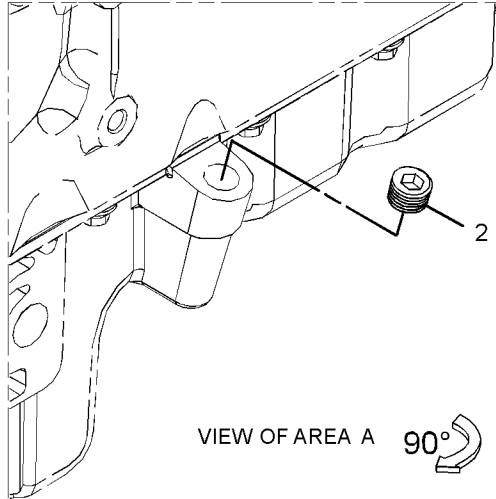
S/N: JKT1-UP

PART OF 464-2307, 464-2308 ENGINE AR-PRIMARY
ALSO AN ATTACHMENT

SMCS-1326

i06605488

NOTE	REF NO	GRAPHIC REF	PART NUMBER	QTY	PART NAME						SEE PAGE
					1	2	3	4	5	6 (PRODUCT LEVEL)	
	1	1	351-2100	1	GAUGE GP-OIL LEVEL (DIPSTICK) (ENGINE)						
	1A	1	351-2099	1	GAUGE AS-OIL LEVEL (DIPSTICK) (ENGINE)						
	1B	1	275-9891	2	SEAL-O-RING						
	2	1	6I-0289	1	PLUG						
	3	1	6I-1497	1	SEAL						



GRAPHIC #1

<END>

g02913977

LUBRICATION SYSTEM

441-9154 GAUGE GP-OIL LEVEL (DIPSTICK)

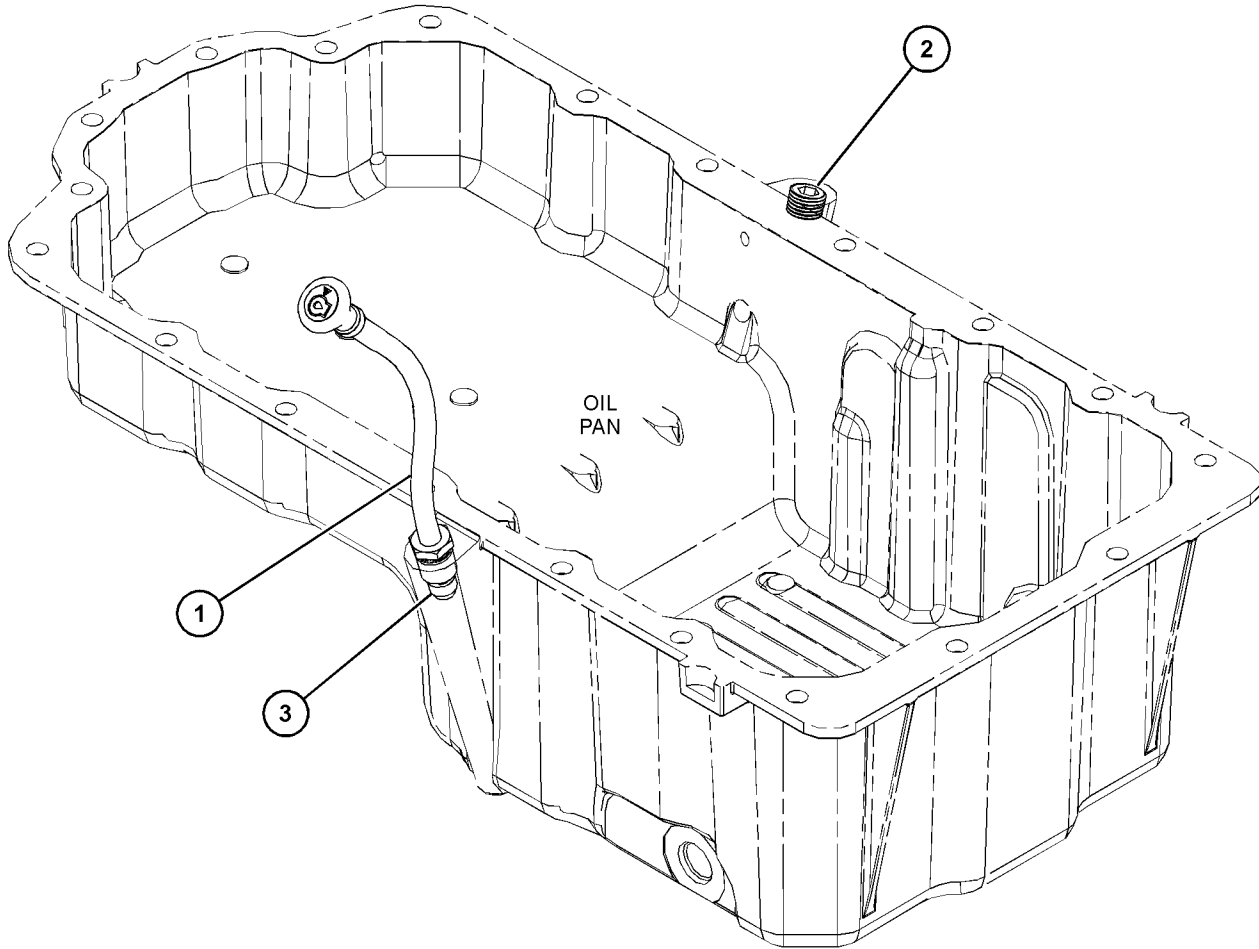
S/N: W231-UP

PART OF 463-8848, 463-8910 ENGINE AR-PRIMARY

SMCS-1326

i06621178

NOTE	REF NO	GRAPHIC REF	PART NUMBER	QTY	PART NAME						SEE PAGE
					1	2	3	4	5	6 (PRODUCT LEVEL)	
1	1	1	351-2100	1	GAUGE GP-OIL LEVEL (DIPSTICK) (ENGINE)						
		1	228-7089	1	SEAL-O-RING						
		1	275-9891	2	SEAL-O-RING						
2	1	1	6I-0289	1	PLUG						
3	1	1	6I-1497	1	SEAL						



GRAPHIC #1

<END>

g06002473

LUBRICATION SYSTEM

502-2907 LINES GP-TURBOCHARGER OIL

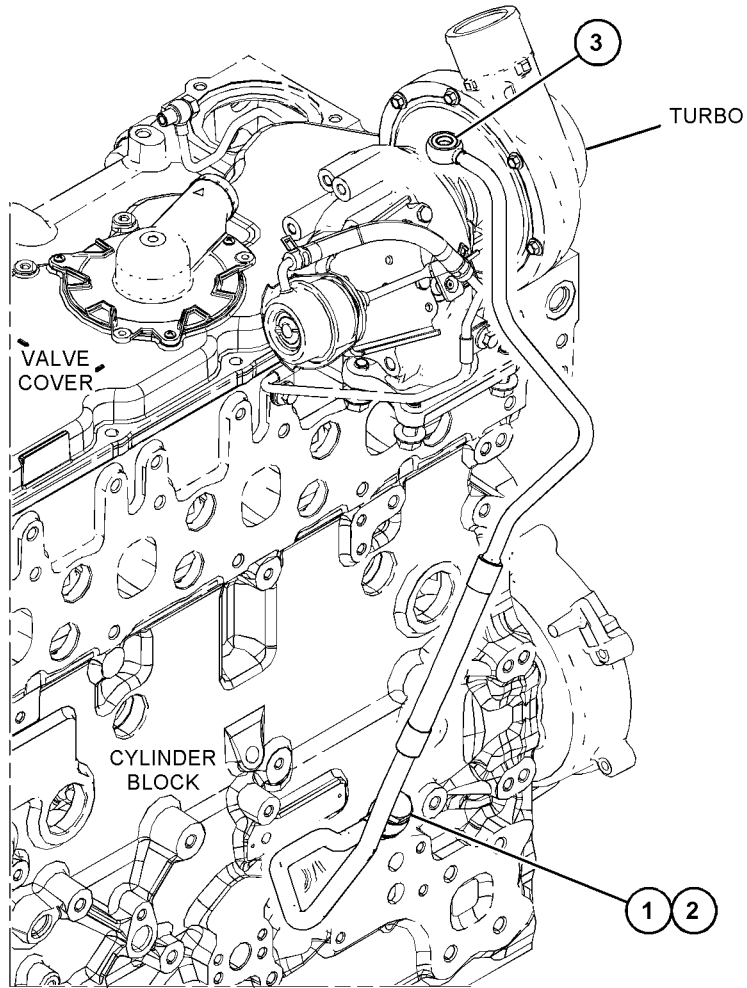
S/N: JKT1-UP

PART OF 356-1124 MANIFOLD GP-EXHAUST
ALSO AN ATTACHMENT

SMCS-1052, 1307

i06838747

NOTE	REF NO	GRAPHIC REF	PART NUMBER	QTY	PART NAME						SEE PAGE
					1	2	3	4	5	6 (PRODUCT LEVEL)	
1	1	1	348-8082	1	BOLT (BANJO)						
2	1	1	348-8608	2	WASHER						
3	1	1	8L-2777	2	SEAL-O-RING						



GRAPHIC #1

<END>

g06142079

LUBRICATION SYSTEM

464-8169 MOUNTING GP-ENGINE OIL FILTER

S/N: CJ41-UP

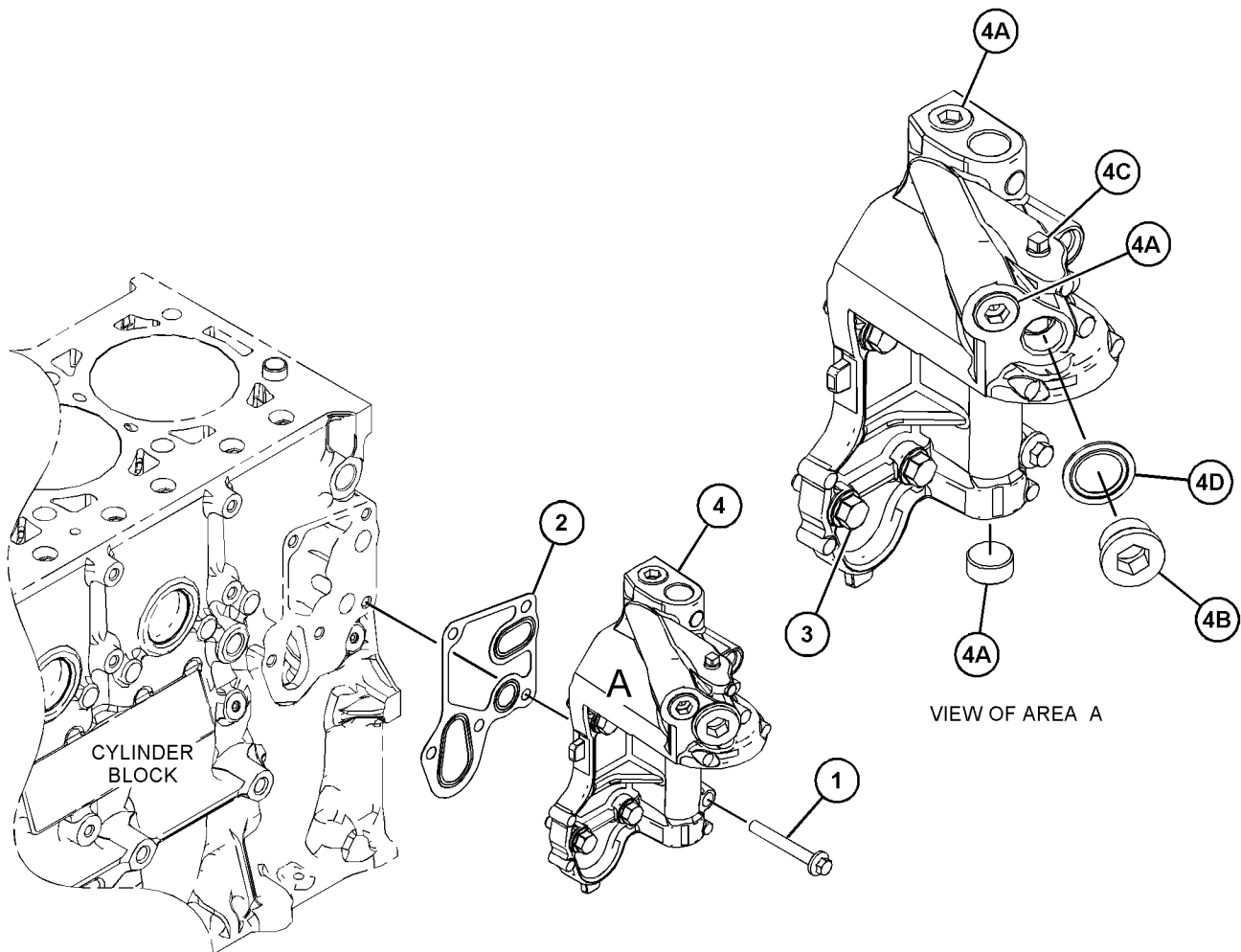
PART OF 350-1054 COOLER GP-ENGINE OIL

SMCS-1306, 1308

i05951032

NOTE	REF NO	GRAPHIC REF	PART NUMBER	QTY	PART NAME						SEE PAGE
					1	2	3	4	5	6 (PRODUCT LEVEL)	
M	1	1	6I-4374	2	BOLT (M8X1.25X60-MM)						
	2	1	388-7604	1	GASKET						
	3	1	389-1920	3	BOLT						
	4	1	392-2042	1	HEADER AS (OIL FILTER)						
	4A	1	390-0324	3	PLUG						
	4B	1	390-3117	1	PLUG						
	4C	1	390-3118	1	PLUG						
	4D	1	419-8726	1	WASHER						

M - METRIC PART



GRAPHIC #1

<END>

g03738941

LUBRICATION SYSTEM

329-8473 PLUG GP-OIL FILTER MOUNTING

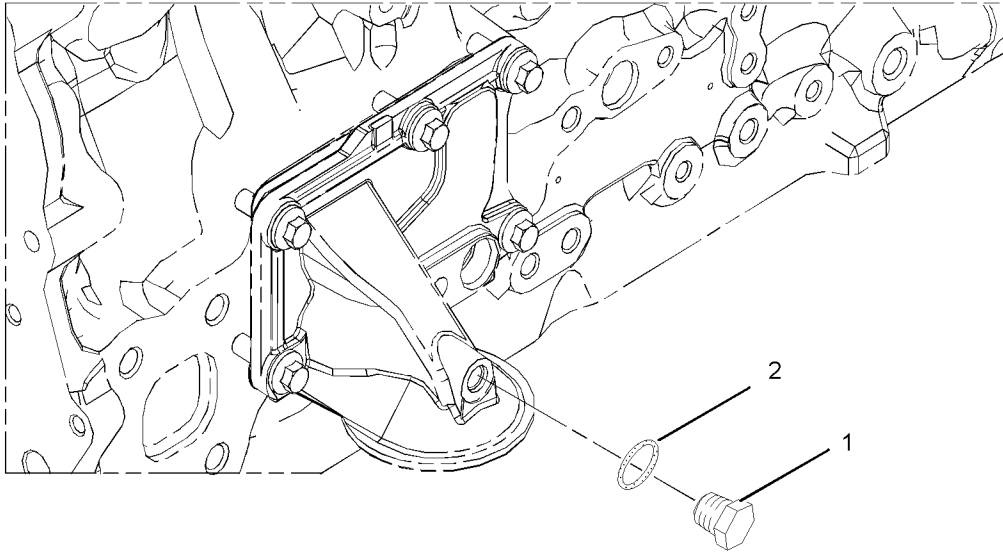
S/N: JKT1-UP

PART OF 464-2307, 464-2308 ENGINE AR-PRIMARY
ALSO AN ATTACHMENT

SMCS-1306

i05727311

NOTE	REF NO	GRAPHIC REF	PART NUMBER	QTY	PART NAME						SEE PAGE
					1	2	3	4	5	6 (PRODUCT LEVEL)	
	1	1	225-7941	1	PLUG						
	2	1	330-5898	1	SEAL-O-RING						



GRAPHIC #1

<END>

g02736196

LUBRICATION SYSTEM

417-4190 PLUG GP-OIL FILTER MOUNTING

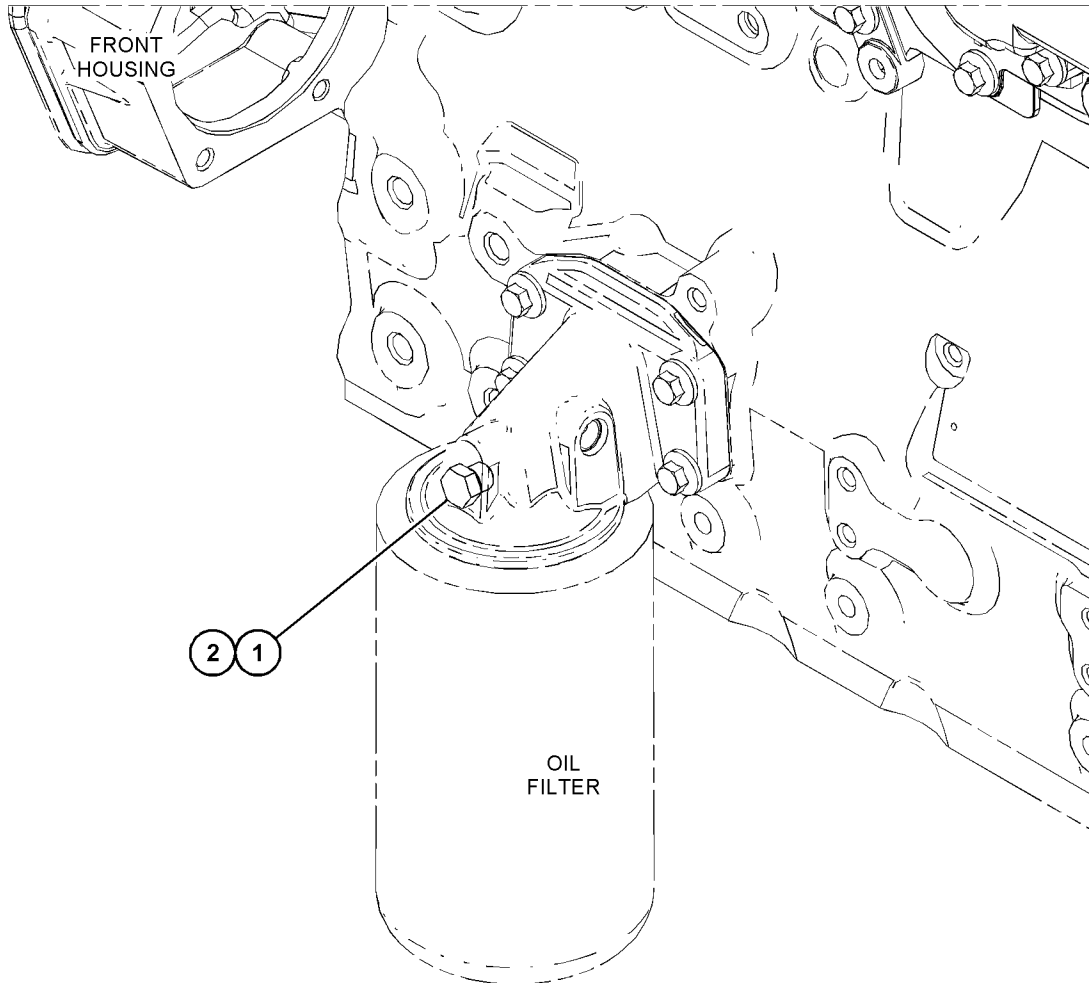
S/N: W231-UP

PART OF 463-8848, 463-8910 ENGINE AR-PRIMARY

SMCS-1306

i06138453

NOTE	REF NO	GRAPHIC REF	PART NUMBER	QTY	PART NAME						SEE PAGE
					1	2	3	4	5	6 (PRODUCT LEVEL)	
	1	1	225-7941	1	PLUG						
	2	1	330-5898	1	SEAL-O-RING						



GRAPHIC #1

<END>

g03815199

LUBRICATION SYSTEM

329-8435 PUMP GP-ENGINE OIL-ENGINE

S/N: JKT1-UP

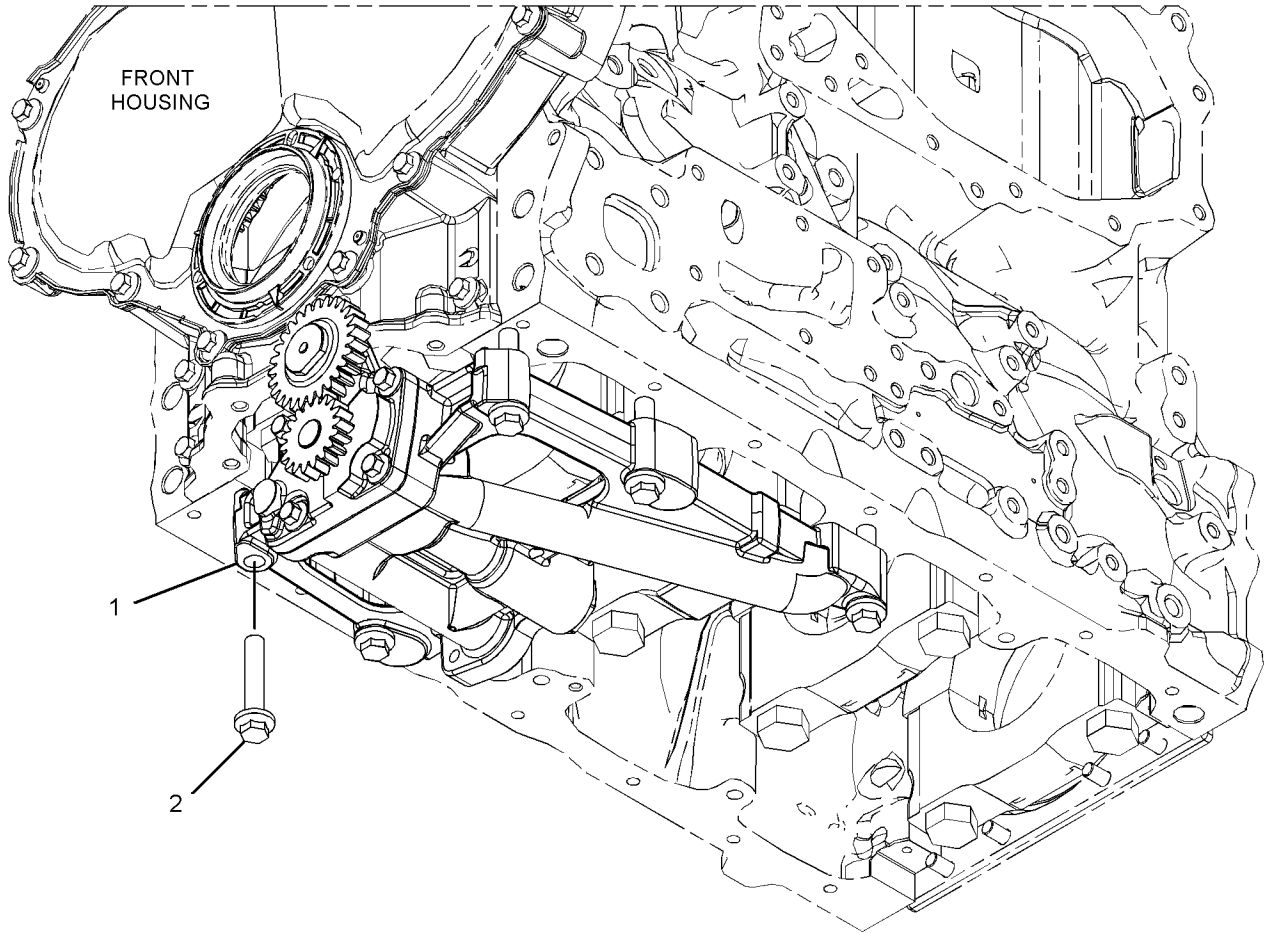
PART OF 464-2307, 464-2308 ENGINE AR-PRIMARY
ALSO AN ATTACHMENT

SMCS-1304, 1315

i05822865

NOTE	REF NO	GRAPHIC REF	PART NUMBER	QTY	PART NAME						SEE PAGE
					1	2	3	4	5	6 (PRODUCT LEVEL)	
	1	1	447-8576	1	PUMP AS-OIL						
M	2	1	100-4461	5	BOLT (M10X1.5X50-MM)						

M - METRIC PART



GRAPHIC #1

<END>

g03688512

LUBRICATION SYSTEM

350-1569 PUMP GP-ENGINE OIL

S/N: CJ41-UP

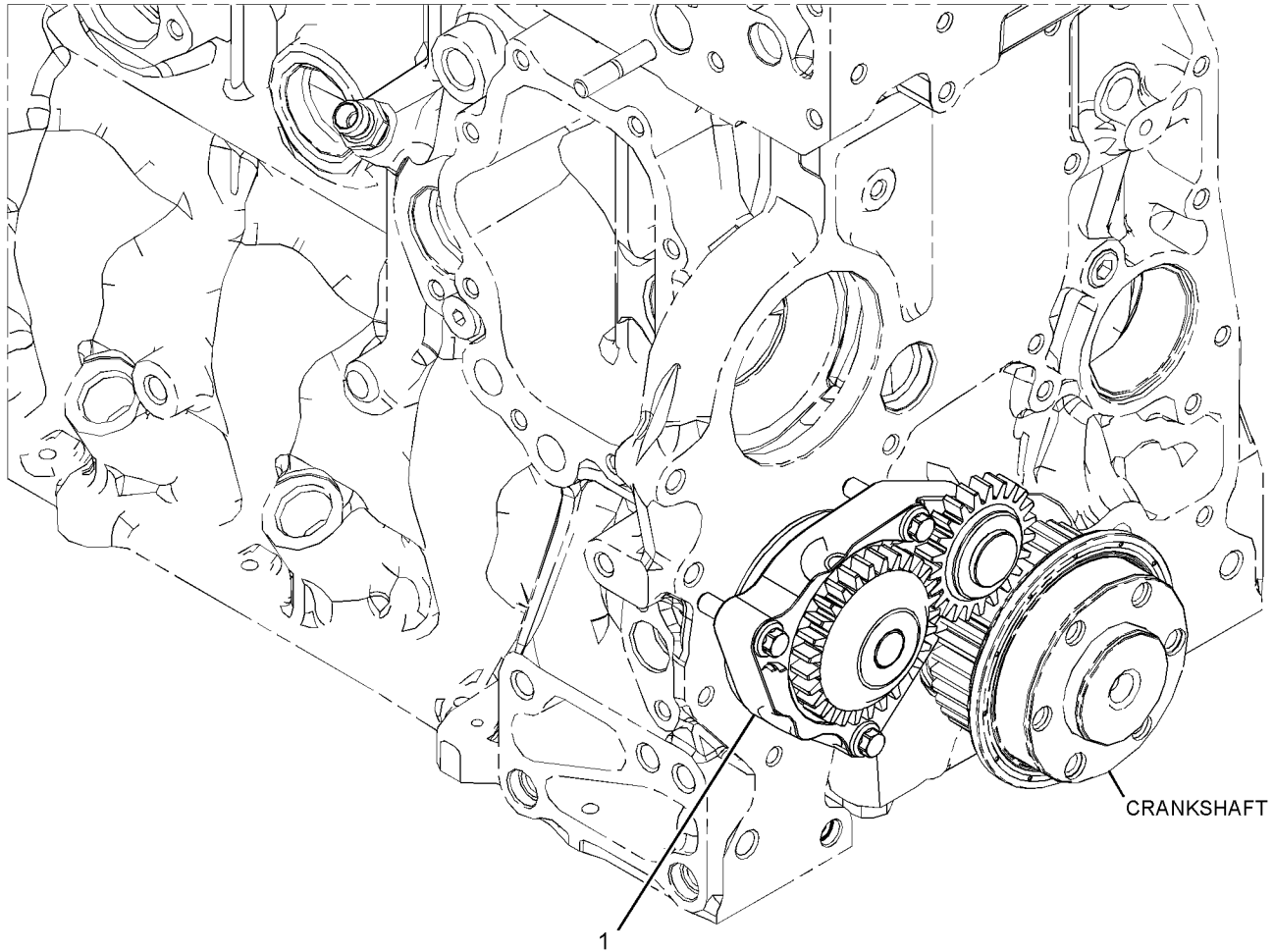
PART OF 465-2880 ENGINE AR-PRIMARY

SMCS-1304, 1315

i05722360

NOTE	REF NO	GRAPHIC REF	PART NUMBER	QTY	PART NAME						SEE PAGE
					1	2	3	4	5	6 (PRODUCT LEVEL)	
Y	1	1	372-4967	1	PUMP GP-ENGINE OIL						173

Y - SEPARATE ILLUSTRATION



GRAPHIC #1

<END>

g02879038

LUBRICATION SYSTEM

372-4967 PUMP GP-ENGINE OIL

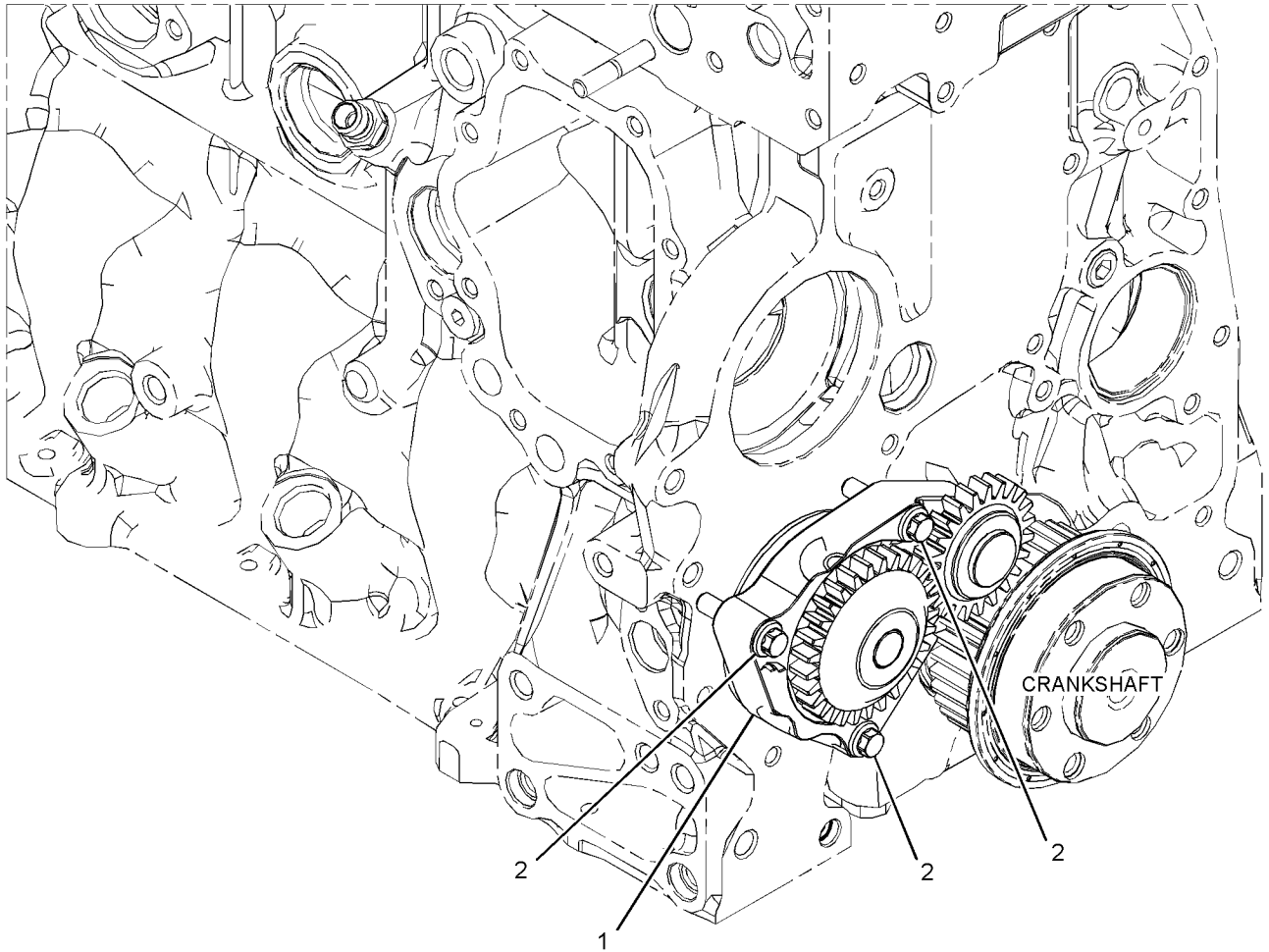
S/N: CJ41-UP

PART OF 350-1569 PUMP GP-ENGINE OIL

SMCS-1304, 1315

i05773241

NOTE	REF NO	GRAPHIC REF	PART NUMBER	QTY	PART NAME						SEE PAGE
					1	2	3	4	5	6 (PRODUCT LEVEL)	
	1	1	387-9152	1	PUMP AS-ENGINE OIL						
	2	1	389-2870	3	SCREW						



GRAPHIC #1

<END>

g02879040

LUBRICATION SYSTEM

416-8723 PUMP GP-ENGINE OIL

S/N: W231-UP

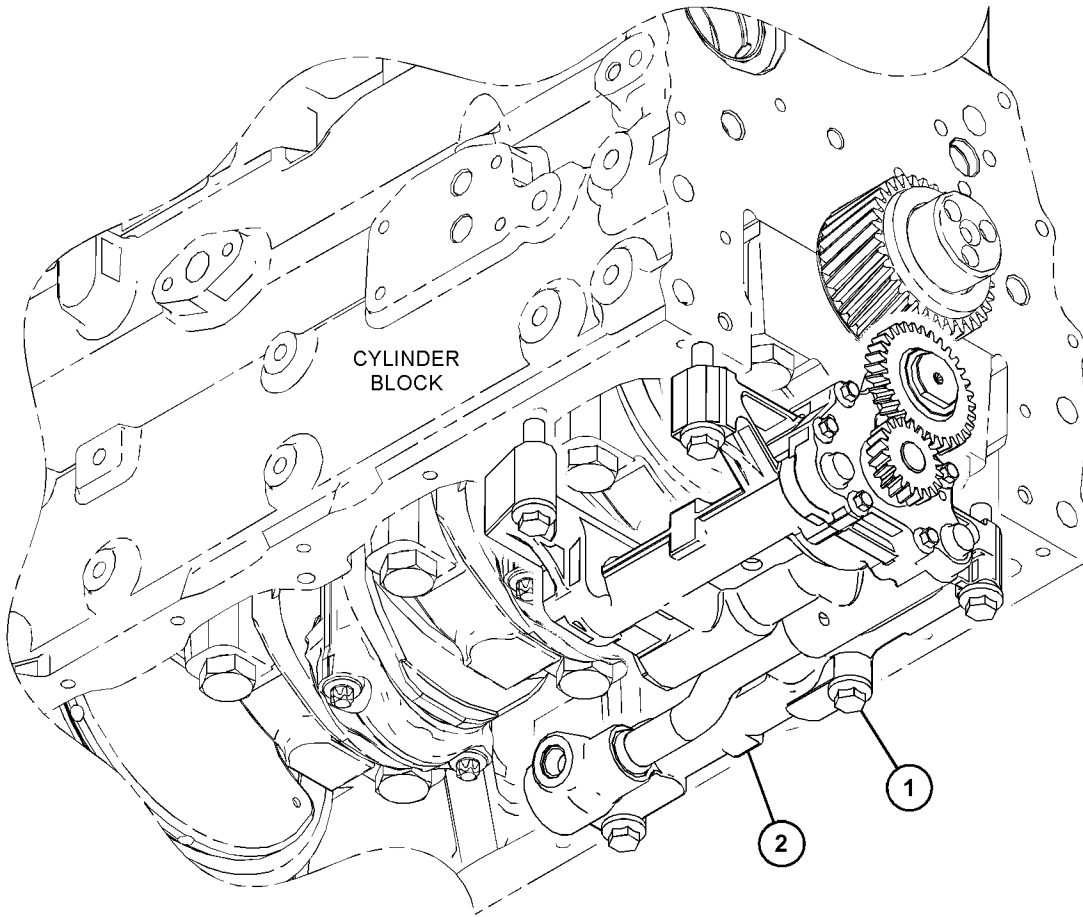
PART OF 463-8848 ENGINE AR-PRIMARY

SMCS-1304, 1315

i06238741

NOTE	REF NO	GRAPHIC REF	PART NUMBER	QTY	PART NAME						SEE PAGE
					1	2	3	4	5	6	
M	1	1	100-4461	5	BOLT (M10X1.5X50-MM)						
C	2	1	447-8572	1	PUMP AS-OIL						

C - CHANGE FROM PREVIOUS TYPE
M - METRIC PART



GRAPHIC #1

<END>

g03822861

LUBRICATION SYSTEM

508-3673 PUMP GP-ENGINE OIL

S/N: W231-UP

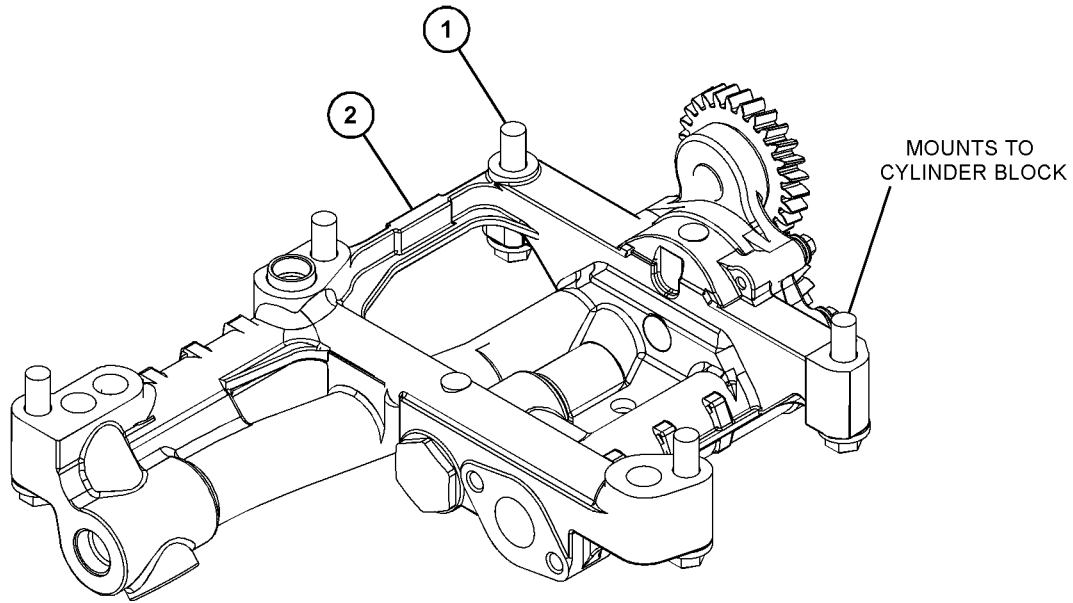
PART OF 463-8910 ENGINE AR-PRIMARY

SMCS-1304, 1315

i06909639

NOTE	REF NO	GRAPHIC REF	PART NUMBER	QTY	PART NAME						SEE PAGE
					1	2	3	4	5	6 (PRODUCT LEVEL)	
M	1	1	100-4461	5	BOLT (M10X1.5X50-MM)						
	2	1	420-0471	1	PUMP AS-ENGINE OIL						

M - METRIC PART



GRAPHIC #1

<END>

g06152360

COOLING SYSTEM

332-4634 CONNECTION GP-WATER

S/N: JKT1-UP

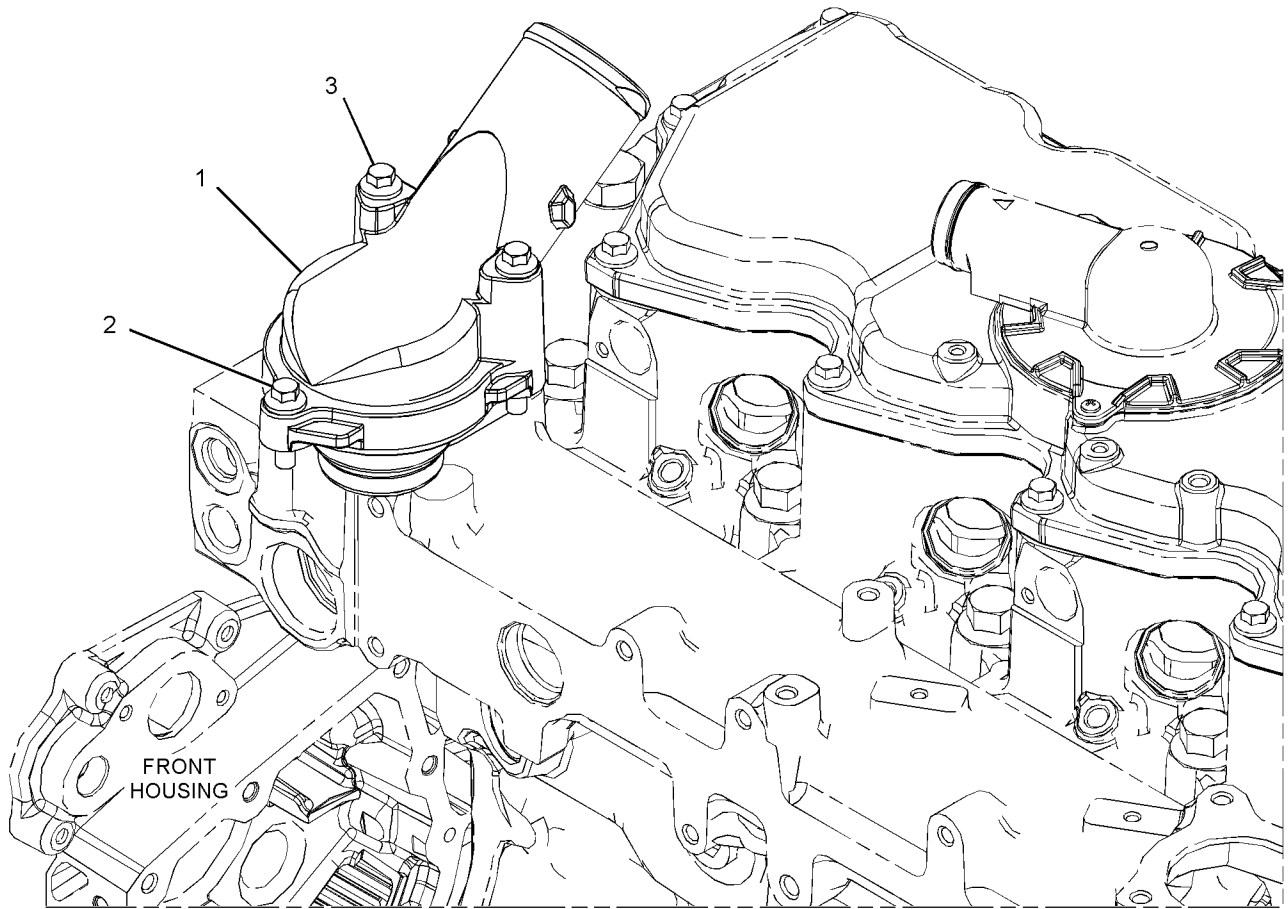
PART OF 464-2307, 464-2308 ENGINE AR-PRIMARY
ALSO AN ATTACHMENT

SMCS-1380

i06747241

NOTE	REF NO	GRAPHIC REF	PART NUMBER	QTY	PART NAME						SEE PAGE
					1	2	3	4	5	6 (PRODUCT LEVEL)	
	1	1	497-3998	1	REGULATOR AS-WATER TEMPERATURE						
M	2	1	6I-0254	1	BOLT (M8X1.25X30-MM)						
M	3	1	6I-0839	2	BOLT (M8X1.25X70-MM)						

M - METRIC PART



GRAPHIC #1

<END>

g02758376

COOLING SYSTEM

349-2761 CONNECTION GP-WATER

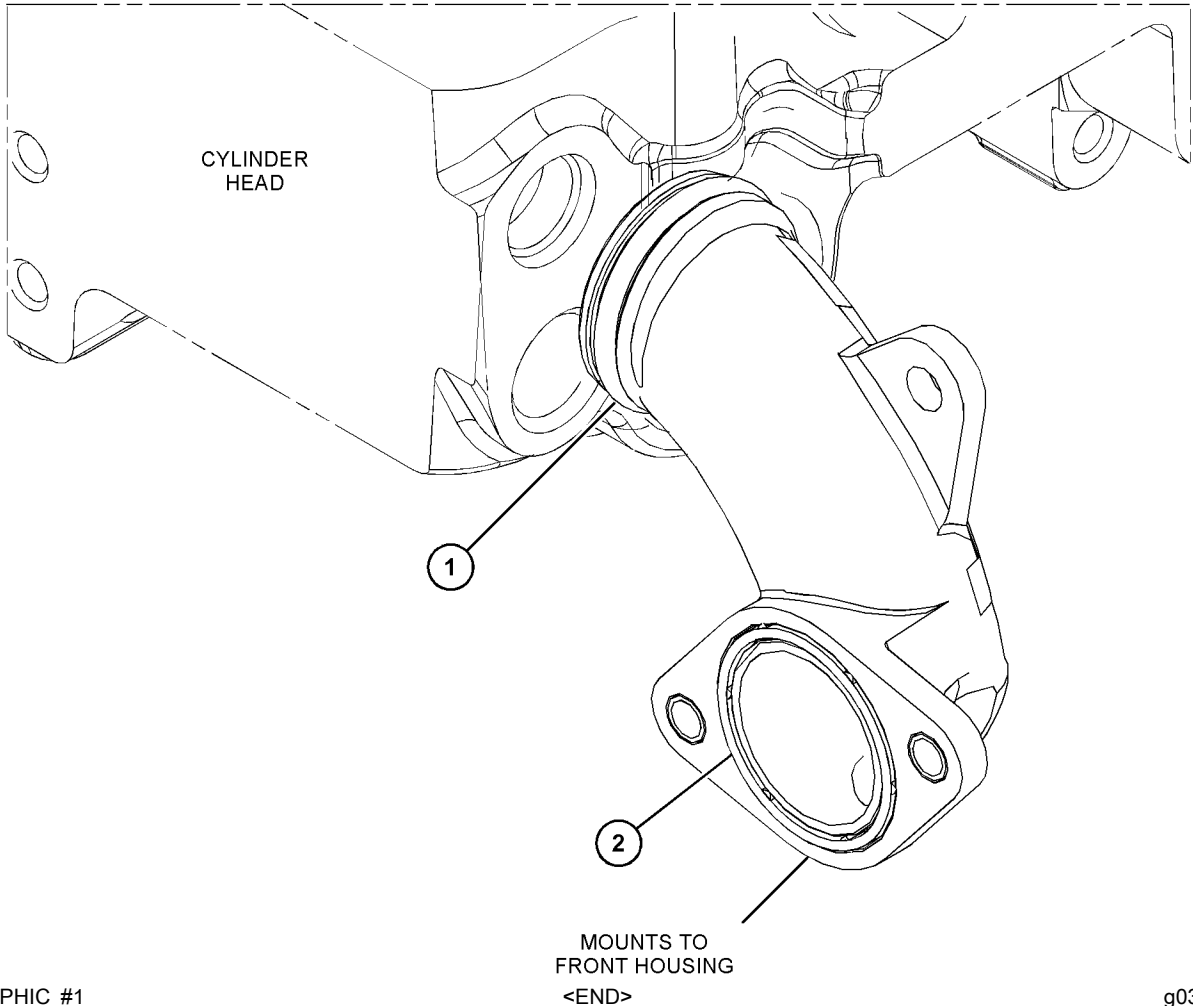
S/N: JKT1-UP

PART OF 333-7914 PUMP GP-WATER
ALSO AN ATTACHMENT

SMCS-1380

i05503680

NOTE	REF NO	GRAPHIC REF	PART NUMBER	QTY	PART NAME						SEE PAGE
					1	2	3	4	5	6 (PRODUCT LEVEL)	
	1	1	344-7219	1	SEAL						
	2	1	357-8722	1	GASKET						



GRAPHIC #1

g03485323

COOLING SYSTEM

367-6788 CONNECTION GP-WATER

S/N: CJ41-UP

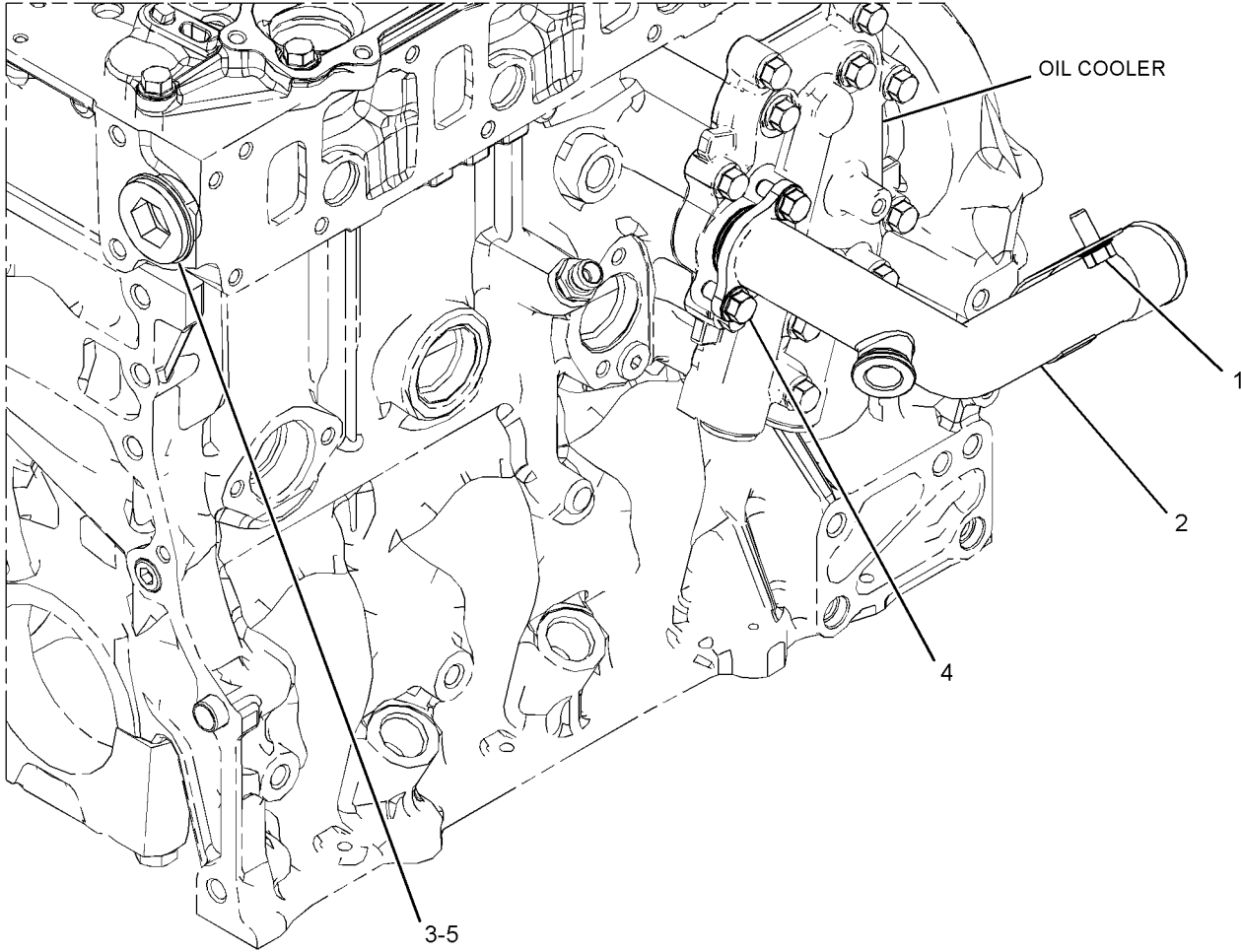
PART OF 350-5644 PUMP GP-WATER

SMCS-1380

i06252243

NOTE	REF NO	GRAPHIC REF	PART NUMBER	QTY	PART NAME						SEE PAGE
					1	2	3	4	5	6 (PRODUCT LEVEL)	
M	1	1	100-4458	1	BOLT (M8X1.25X14-MM)						
	2	1	386-1927	1	PIPE						
	3	1	387-7732	1	PLUG						
	4	1	389-1863	2	BOLT-SPECIAL						
	5	1	389-2865	1	WASHER						

M - METRIC PART



GRAPHIC #1

<END>

g03614576

COOLING SYSTEM

416-1867 CONNECTION GP-WATER

S/N: W231-UP

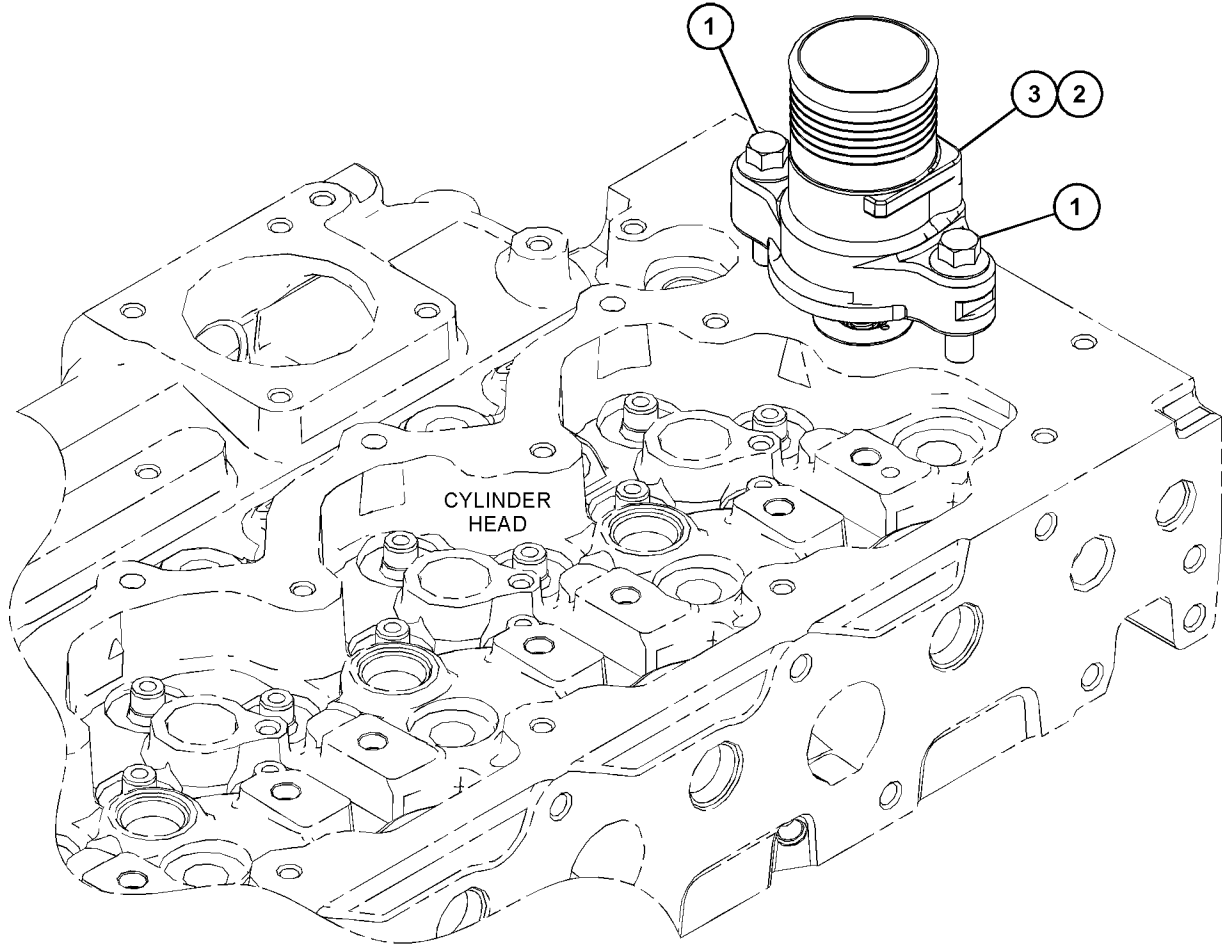
PART OF 463-8848, 463-8910 ENGINE AR-PRIMARY

SMCS-1380

i06134094

NOTE	REF NO	GRAPHIC REF	PART NUMBER	QTY	PART NAME						SEE PAGE
					1	2	3	4	5	6 (PRODUCT LEVEL)	
M	1	1	123-2899	2	BOLT (M10X1.5X40-MM)						
	2	1	281-8744	1	GASKET-WATER REGULATOR						
	3	1	417-7782	1	REGULATOR AS-WATER TEMPERATURE (INCLUDES CONNECTOR)						

M - METRIC PART



GRAPHIC #1

<END>

g03818151

COOLING SYSTEM

441-9785 CONNECTION GP-WATER

S/N: CJ41-UP

PART OF 465-2880 ENGINE AR-PRIMARY

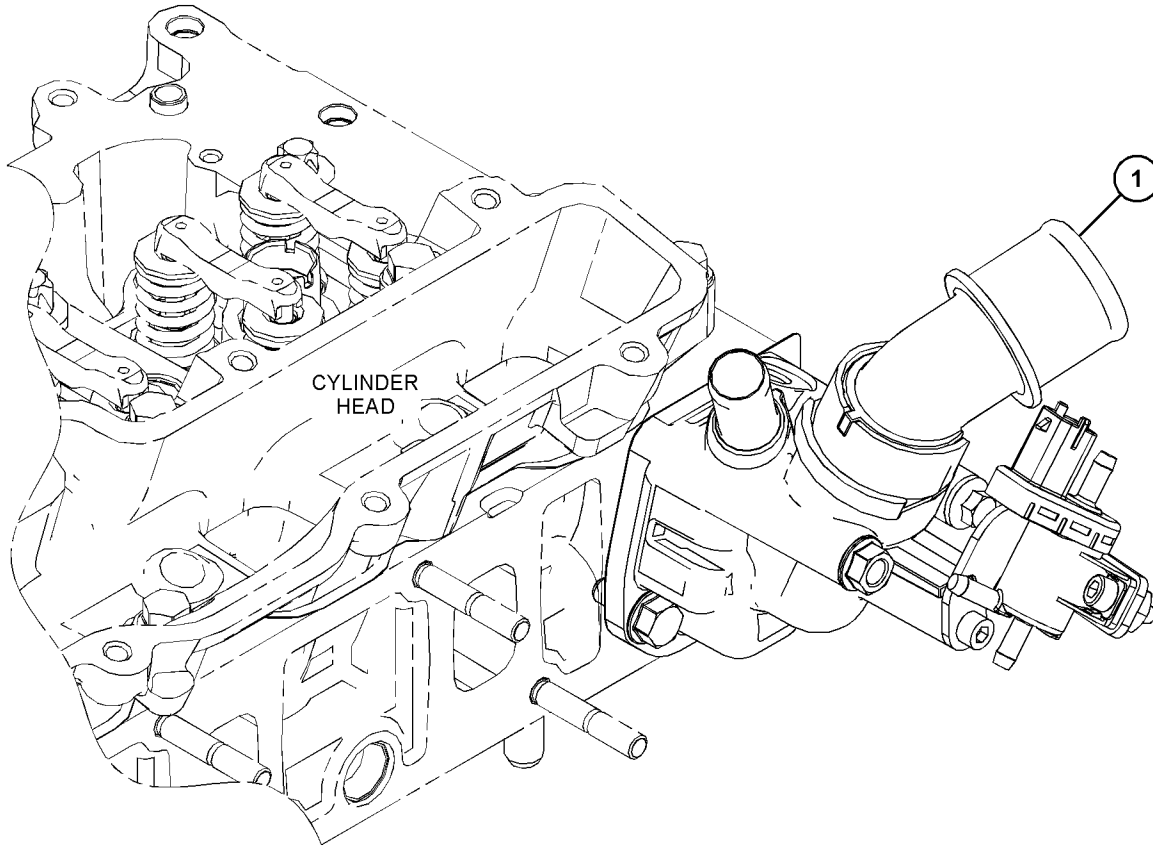
SMCS-1380

i06258471

NOTE	REF NO	GRAPHIC REF	PART NUMBER	QTY	PART NAME						SEE PAGE
					1	2	3	4	5	6 (PRODUCT LEVEL)	
CY	1	1	481-4382	1	CONNECTION GP-WATER						181

C - CHANGE FROM PREVIOUS TYPE

Y - SEPARATE ILLUSTRATION



GRAPHIC #1

<END>

g03825833

COOLING SYSTEM

481-4382 CONNECTION GP-WATER

S/N: CJ41-UP

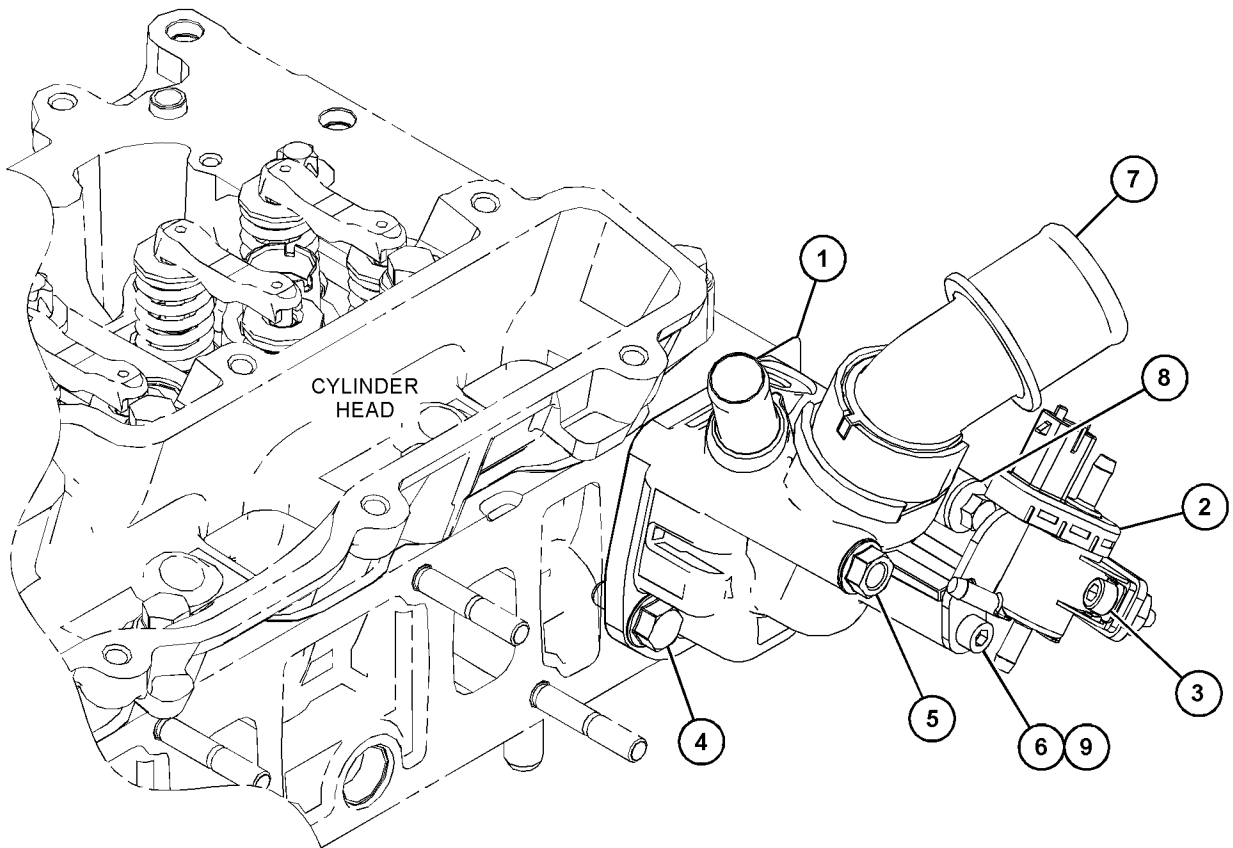
PART OF 441-9785 CONNECTION GP-WATER

SMCS-1380

i06258497

NOTE	REF NO	GRAPHIC REF	PART NUMBER	QTY	PART NAME						SEE PAGE
					1	2	3	4	5	6 (PRODUCT LEVEL)	
	1	1	385-1422	1	GASKET						
	2	1	385-9082	1	ACTUATOR (WASTEGATE)						
	3	1	385-9087	2	SCREW						
	4	1	389-1874	2	BOLT - SPECIAL						
M	5	1	178-3336	1	NUT-HEX FLANGE (M8X1.25-THD)						
	6	1	428-8163	1	BRACKET AS						
	7	1	481-4381	1	REGULATOR-TEMPERATURE						
M	8	1	6I-4709	1	BOLT (M8X1.25X100-MM)						
M	9	1	6V-5683	1	BOLT (M6X1X16-MM)						

M - METRIC PART



GRAPHIC #1

<END>

g03825720

COOLING SYSTEM

350-1054 COOLER GP-ENGINE OIL

S/N: CJ41-UP

PART OF 465-2880 ENGINE AR-PRIMARY

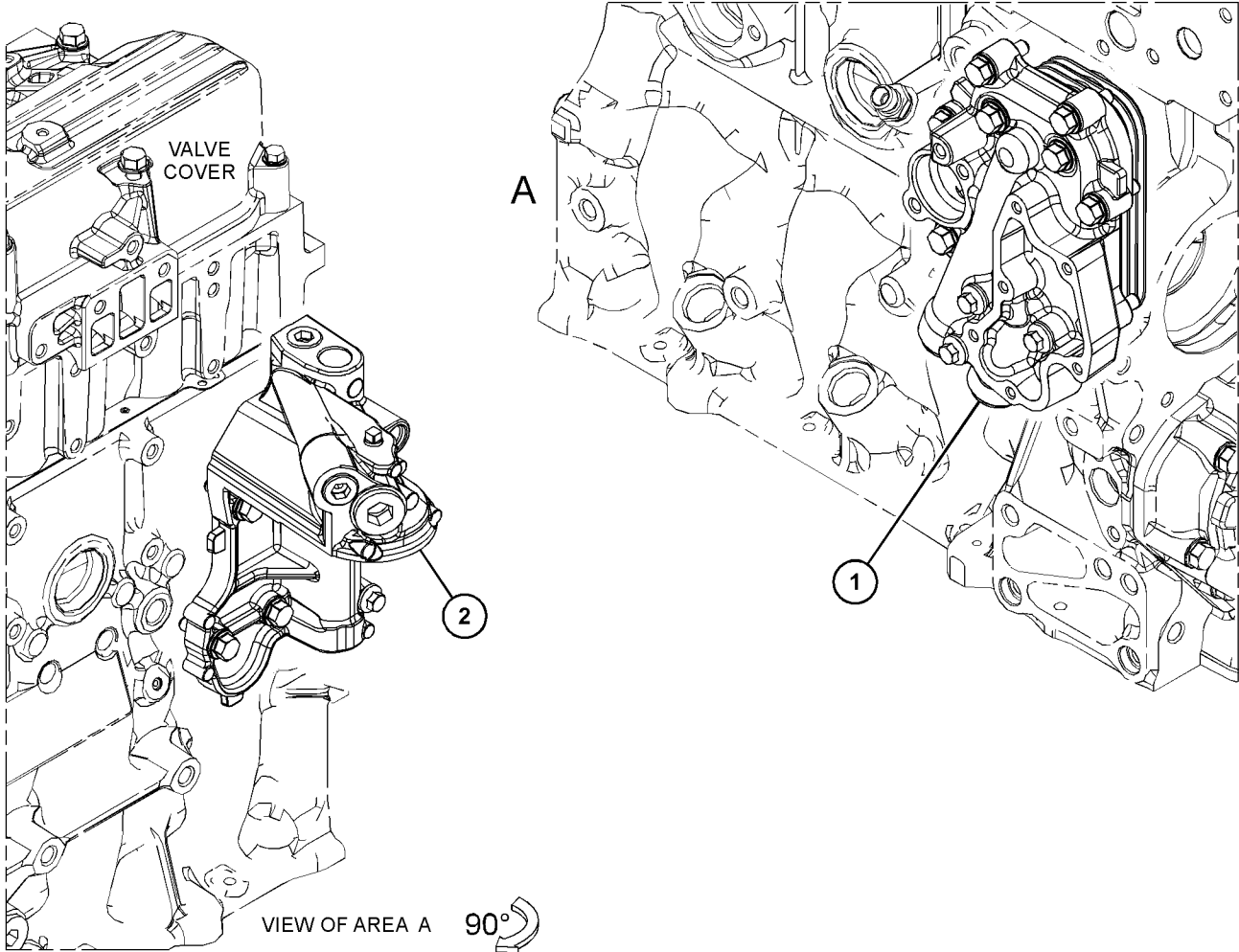
SMCS-1378

i05950811

NOTE	REF NO	GRAPHIC REF	PART NUMBER	QTY	PART NAME						SEE PAGE
					1	2	3	4	5	6 (PRODUCT LEVEL)	
Y	1	1	392-0563	1	COOLER GP-ENGINE OIL						185
CY	2	1	464-8169	1	MOUNTING GP-ENGINE OIL FILTER						168

C - CHANGE FROM PREVIOUS TYPE

Y - SEPARATE ILLUSTRATION



GRAPHIC #1

<END>

g03737745

COOLING SYSTEM

353-7717 COOLER GP-ENGINE OIL

S/N: W231-UP

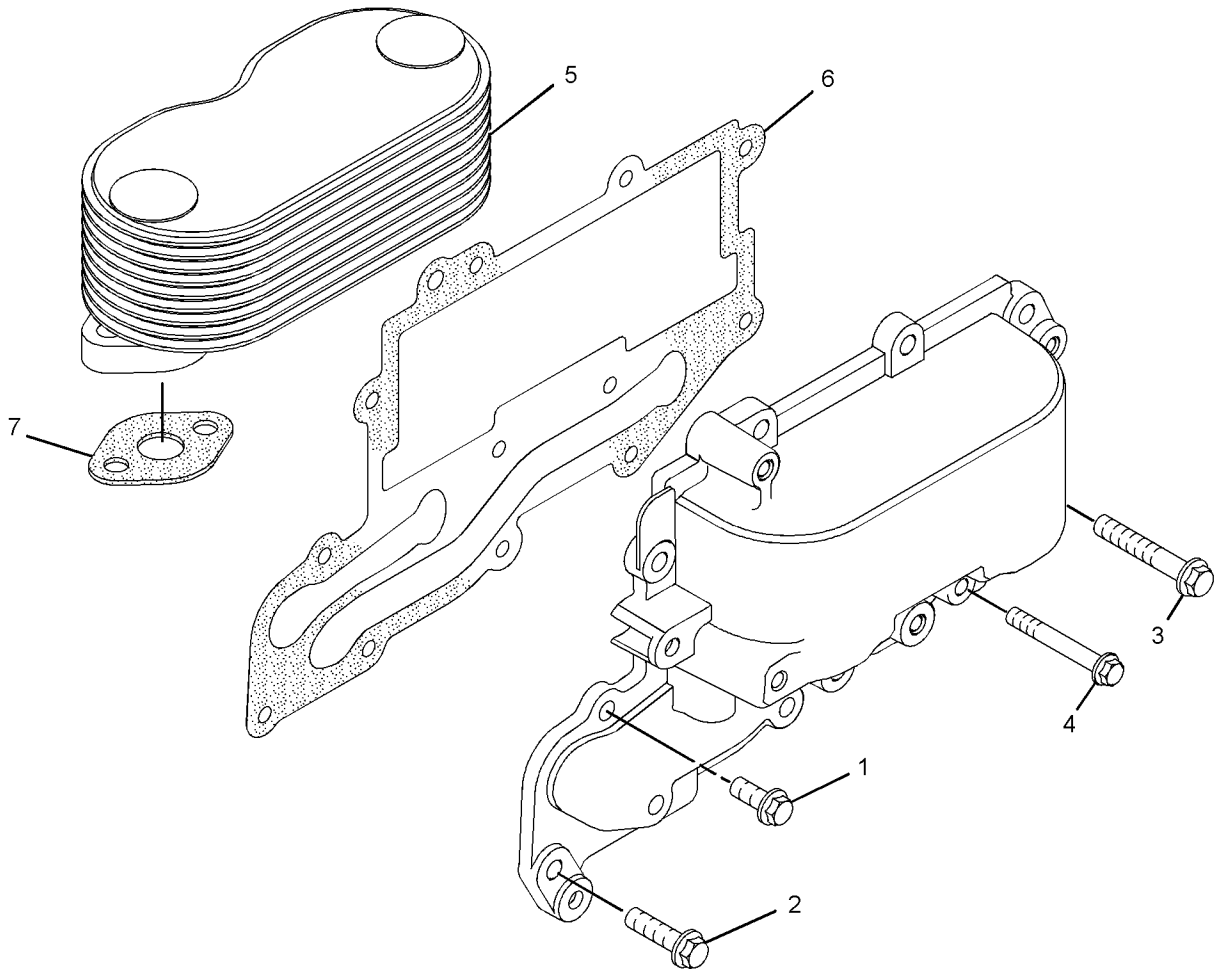
PART OF 418-7659 COOLER GP-ENGINE OIL

SMCS-1378

i04003848

NOTE	REF NO	GRAPHIC REF	PART NUMBER	QTY	PART NAME						SEE PAGE
					1	2	3	4	5	6	
M	1	1	6I-0217	2	BOLT (M8X1.25X20-MM)						
M	2	1	6I-0260	7	BOLT (M8X1.25X25-MM)						
M	3	1	6I-1090	1	BOLT (M8X1.25X40-MM)						
M	4	1	100-3751	2	BOLT (M8X1.25X65-MM)						
	5	1	298-4558	1	COOLER-OIL						
	6	1	353-7715	1	GASKET						
	7	1	298-4560	2	GASKET						

M - METRIC PART



GRAPHIC #1

<END>

g02196064

COOLING SYSTEM

356-7156 COOLER GP-ENGINE OIL

S/N: JKT1-UP

PART OF 464-2307, 464-2308 ENGINE AR-PRIMARY
ALSO AN ATTACHMENT

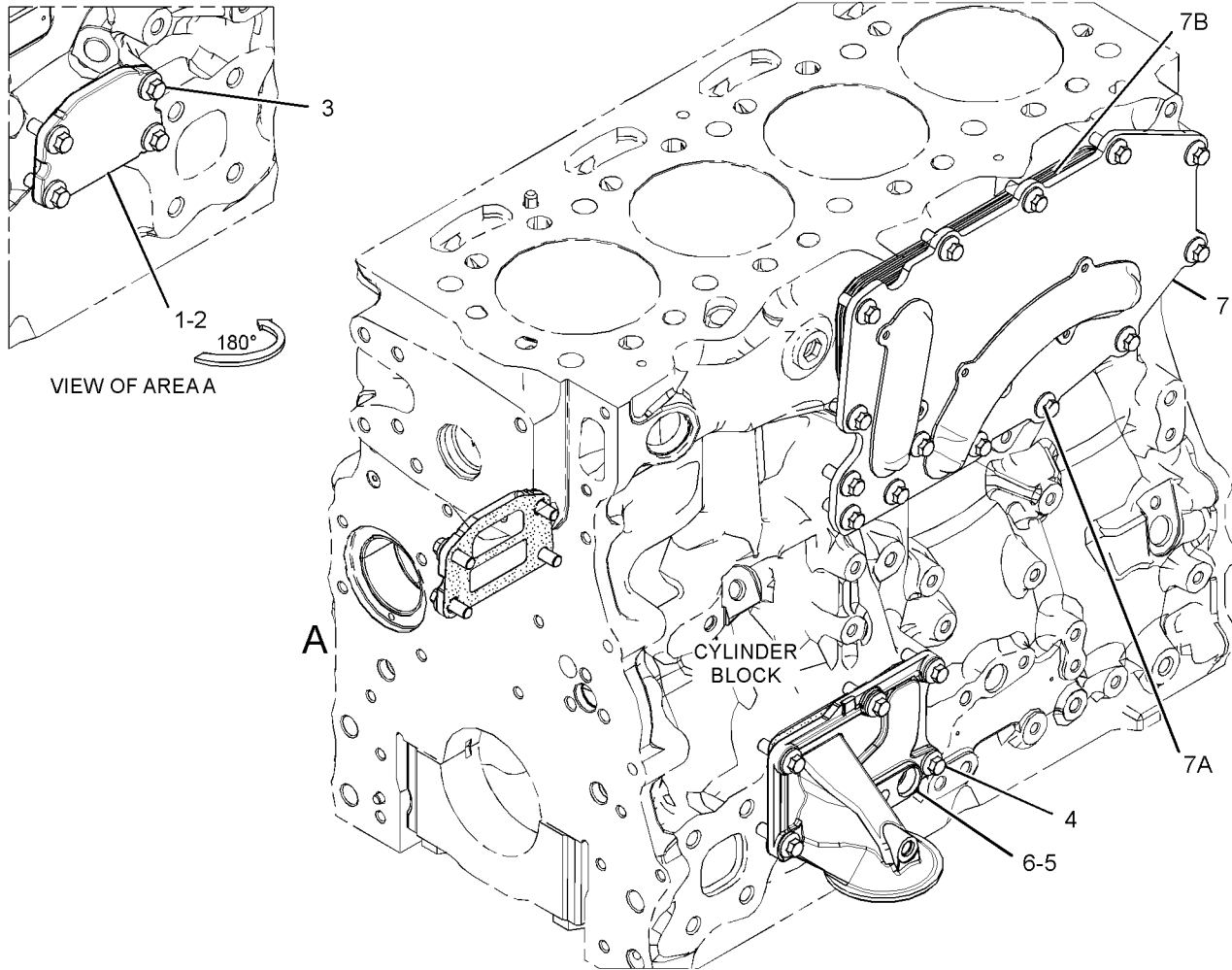
SMCS-1378

i05983224

NOTE	REF NO	GRAPHIC REF	PART NUMBER	QTY	PART NAME						SEE PAGE
					1	2	3	4	5	6 (PRODUCT LEVEL)	
	1	1	225-7944	1	GASKET						
	2	1	232-3751	1	PLATE						
M	3	1	6I-0572	4	BOLT (M8X1.25X20-MM)						
M	4	1	6I-0645	5	BOLT (M8X1.25X25-MM)						
	5	1	330-9847	1	GASKET						
Y	6	1	352-7822	1	BASE GP-OIL FILTER						494
	7	1	361-1225	1	COOLER GP-ENGINE OIL						
M	7A	1	6I-0217	14	BOLT (M8X1.25X20-MM)						
	7B	1	361-0841	1	GASKET						

M - METRIC PART

Y - SEPARATE ILLUSTRATION



GRAPHIC #1

<END>

g02753659

COOLING SYSTEM

392-0563 COOLER GP-ENGINE OIL

S/N: CJ41-UP

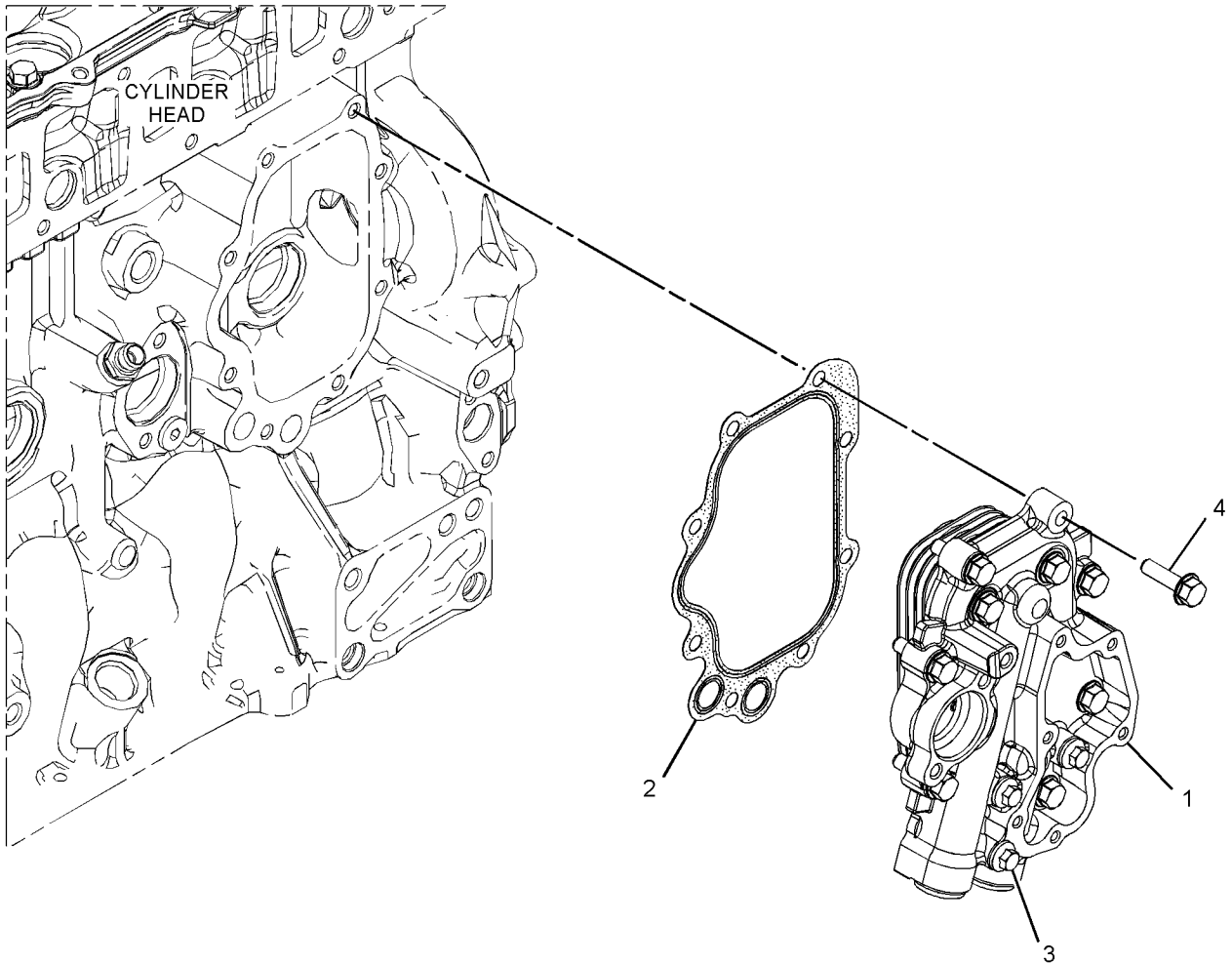
PART OF 350-1054 COOLER GP-ENGINE OIL

SMCS-1378

i05773165

NOTE	REF NO	GRAPHIC REF	PART NUMBER	QTY	PART NAME						SEE PAGE
					1	2	3	4	5	6 (PRODUCT LEVEL)	
Y	1	1	392-2045	1	COOLER GP-ENGINE OIL						186
	2	1	386-6451	1	GASKET						
	3	1	388-2068	1	BOLT						
	4	1	389-1920	7	BOLT						

Y - SEPARATE ILLUSTRATION



GRAPHIC #1

<END>

g03412257

COOLING SYSTEM

392-2045 COOLER GP-ENGINE OIL

S/N: CJ41-UP

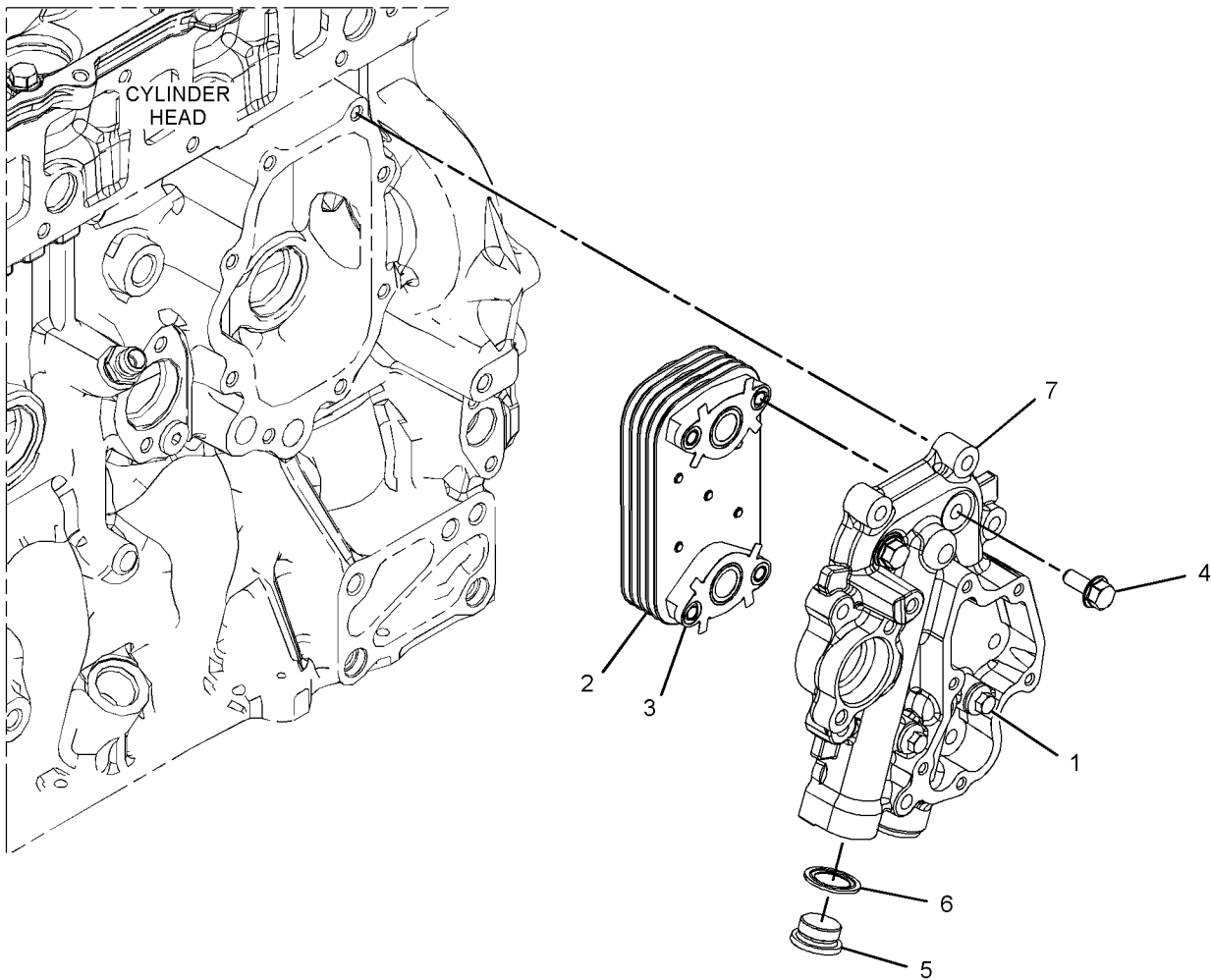
PART OF 392-0563 COOLER GP-ENGINE OIL

SMCS-1378

i05773211

NOTE	REF NO	GRAPHIC REF	PART NUMBER	QTY	PART NAME						SEE PAGE
					1	2	3	4	5	6	
M	1	1	101-3895	2	BOLT (M8X1.25X35-MM)						
	2	1	386-6507	1	COOLER						
	3	1	388-0519	2	GASKET						
	4	1	389-1874	2	BOLT-SPECIAL						
	5	1	390-0321	2	PLUG						
	6	1	390-3130	2	SEAL						
	7	1	392-2047	1	HOUSING						

M - METRIC PART



GRAPHIC #1

<END>

g03412440

COOLING SYSTEM

418-7659 COOLER GP-ENGINE OIL

S/N: W231-UP

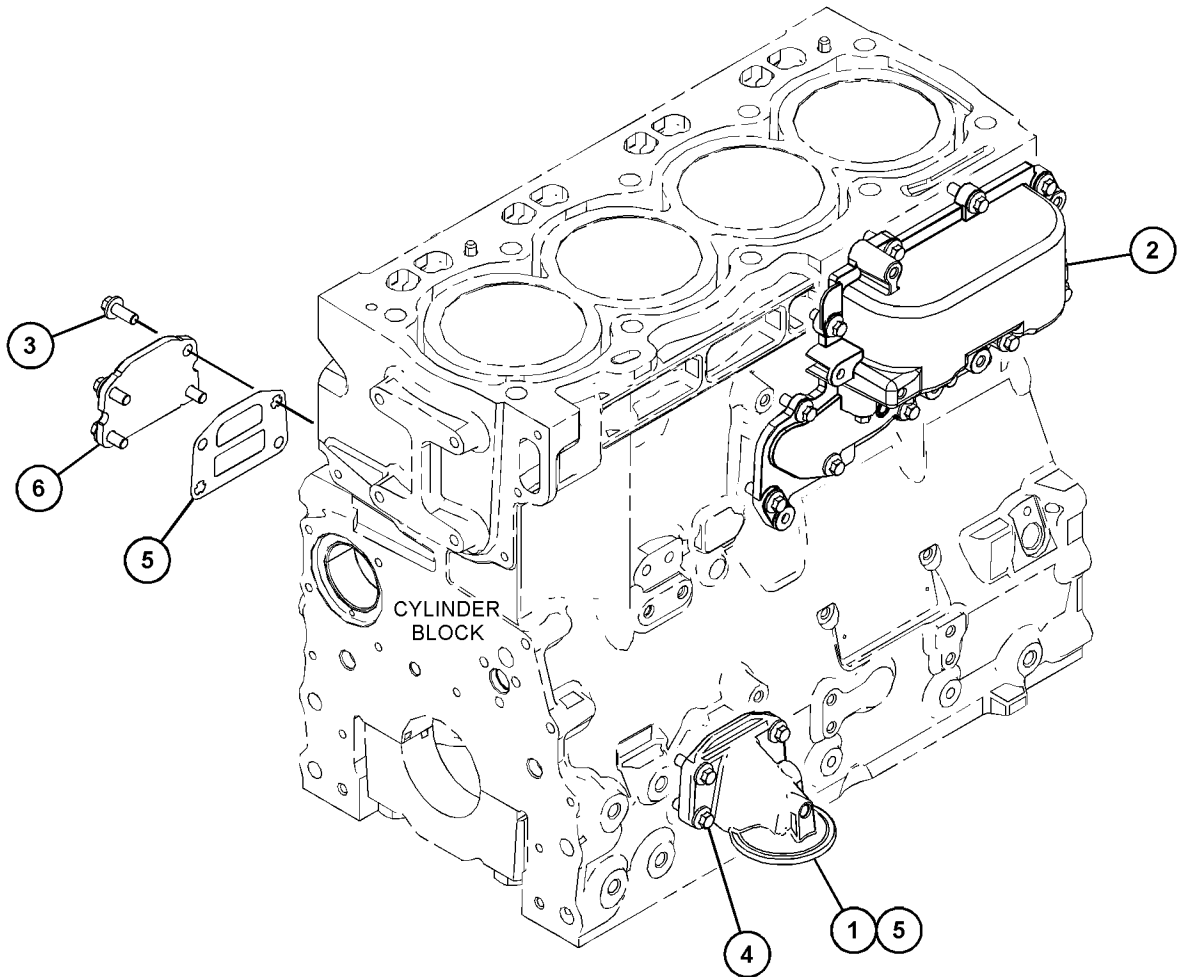
PART OF 463-8848, 463-8910 ENGINE AR-PRIMARY

SMCS-1378

i06124016

NOTE	REF NO	GRAPHIC REF	PART NUMBER	QTY	PART NAME						SEE PAGE
					1	2	3	4	5	6 (PRODUCT LEVEL)	
	1	1	249-0974	1	HEAD AS-OIL FILTER						
Y	2	1	353-7717	1	COOLER GP-ENGINE OIL						183
M	3	1	6I-0572	4	BOLT (M8X1.25X20-MM)						
M	4	1	6I-0645	4	BOLT (M8X1.25X25-MM)						
	5	1	225-7944	2	GASKET (ENGINE OIL FILTER BASE)						
	6	1	232-3751	1	PLATE (BLANKING)						

M - METRIC PART
Y - SEPARATE ILLUSTRATION



GRAPHIC #1

<END>

g03821671

COOLING SYSTEM

435-5729 COVER GP-ENGINE OIL COOLER

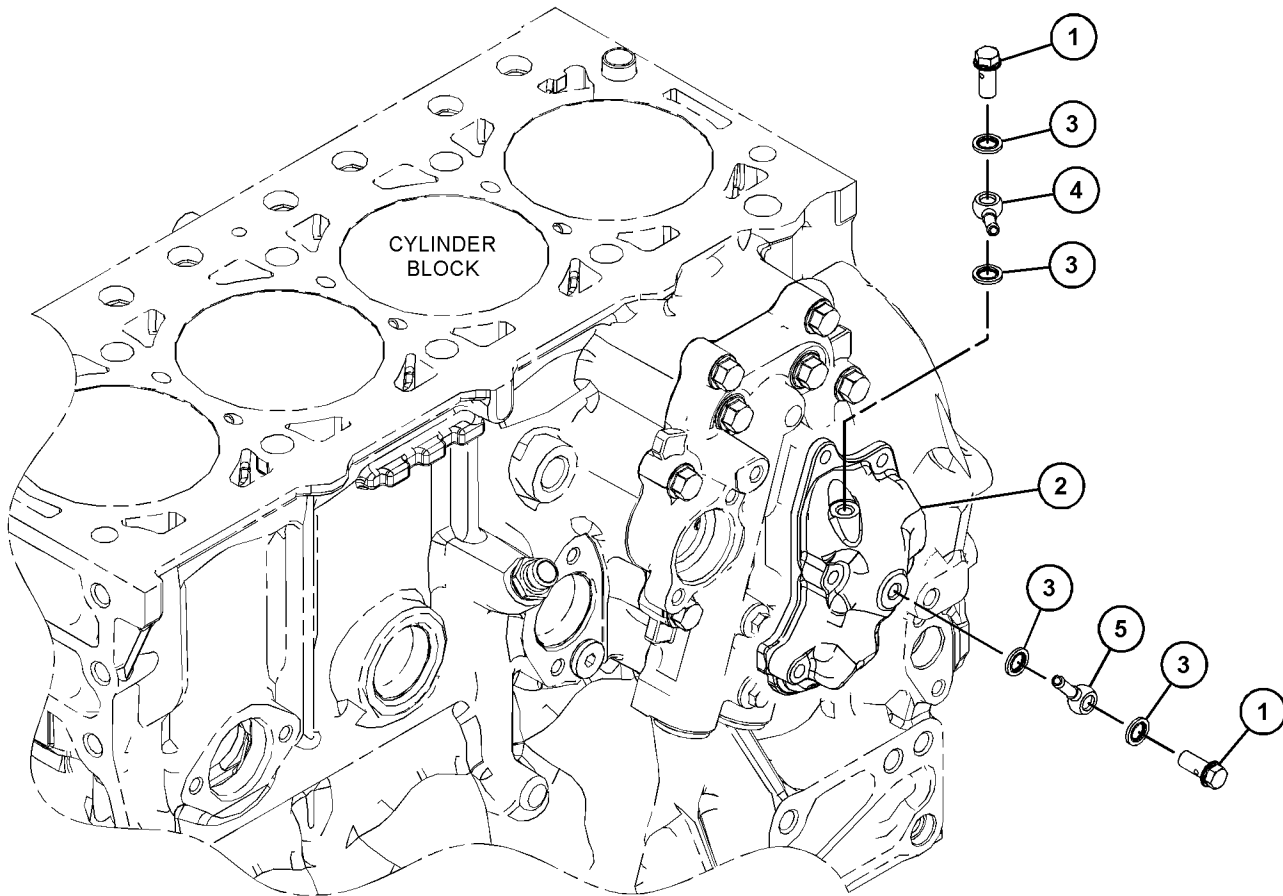
S/N: CJ41-UP

PART OF 464-1175 TURBOCHARGER GP

SMCS-1378

i06068719

NOTE	REF NO	GRAPHIC REF	PART NUMBER	QTY	PART NAME						SEE PAGE
					1	2	3	4	5	6 (PRODUCT LEVEL)	
	1	1	390-2386	2	BOLT						
	2	1	392-0744	1	COVER						
	3	1	392-2147	4	WASHER						
	4	1	435-5842	1	CONNECTOR						
	5	1	435-5844	1	CONNECTOR						



GRAPHIC #1

<END>

g03799949

COOLING SYSTEM

350-1474 EXTENSION GP-FAN

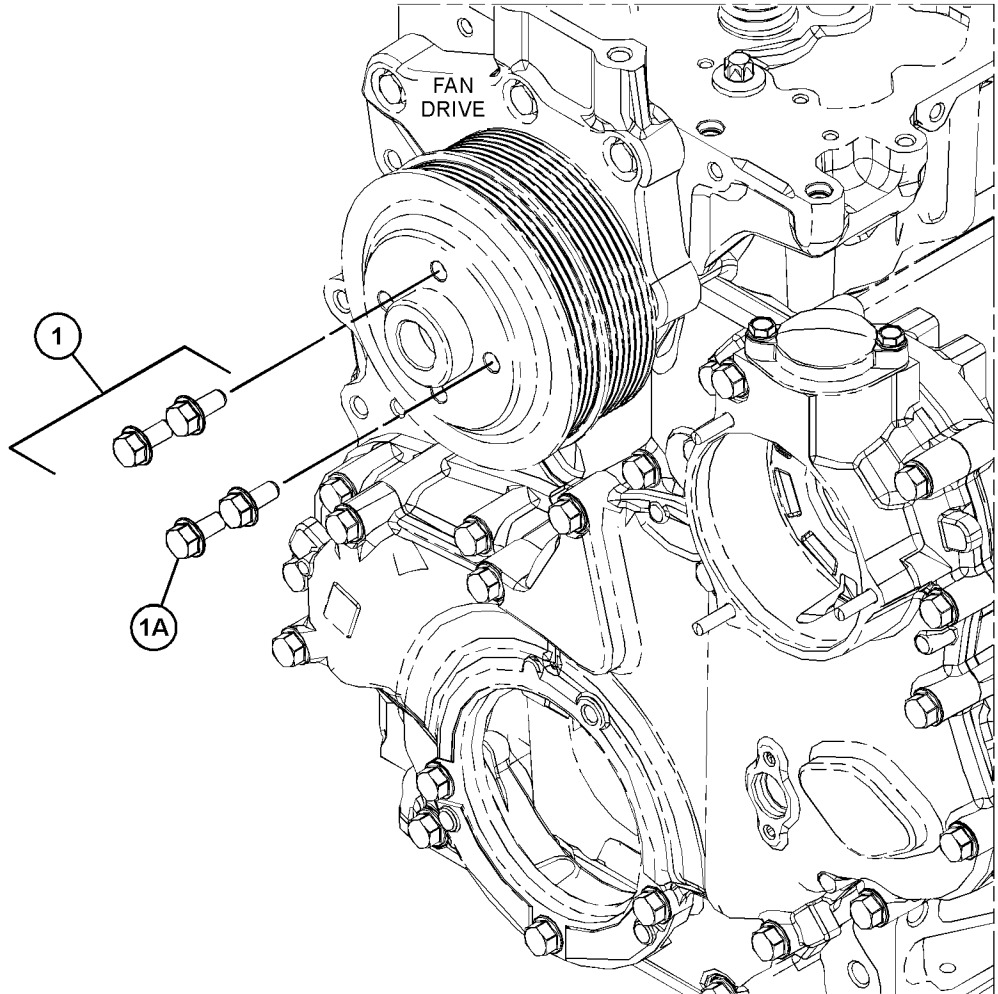
S/N: CJ41-UP

PART OF 465-2880 ENGINE AR-PRIMARY

SMCS-1356

i05963868

NOTE	REF NO	GRAPHIC REF	PART NUMBER	QTY	PART NAME						SEE PAGE
					1	2	3	4	5	6 (PRODUCT LEVEL)	
	1	1	423-8220	1	FASTENER GP-FAN						
	1A	1	389-1863	4	BOLT-SPECIAL						



GRAPHIC #1

<END>

g03676112

COOLING SYSTEM

497-9592 FAN & MOTOR GP

S/N: TH21-UP; TH31-UP

PART OF 505-5387, 505-6119, 505-6163, 505-6164, 505-6165, 505-6167, 505-6168 ENGINE
AR-COMplete
AN ATTACHMENT

SMCS-1356, 1360, 1386, 5057

i06601105

NOTE	REF NO	GRAPHIC REF	PART NUMBER	QTY	PART NAME						SEE PAGE
					1	2	3	4	5	6 (PRODUCT LEVEL)	
M	1	1	8T-4189	4	BOLT (M8X1.25X20-MM)						
M	2	1	8T-4908	4	BOLT (M8X1.25X25-MM)						
	3	1	298-0475	2	FITTING-ADAPTER						
J	4	1	497-9596	1	MOTOR GP-GEAR (COOLING FAN)						
	5	1	396-1025	4	BOLT-SOCKET HEAD						
	6	1	497-9595	1	FAN						
	7	1	116-8517	4	WASHER (10.5X30X2.5-MM THK)						
	8	1	5M-2894	13	WASHER-HARD (10.2X18.5X2.5-MM THK)						
	9	1	495-7633	4	NUT-HEX FLANGE						
	10	1	316-1999	1	ADAPTER						
	11	1	497-9594	1	GUARD AS-FAN						
	12	1	497-9593	1	HUB-ADAPTER						
M	13	1	8T-5093	1	BOLT-LOCKING (M8X1.25X25-MM)						
	14	1	450-4786	1	KEY (FAN HUB)						

AVAILABLE REPAIR KIT(S):

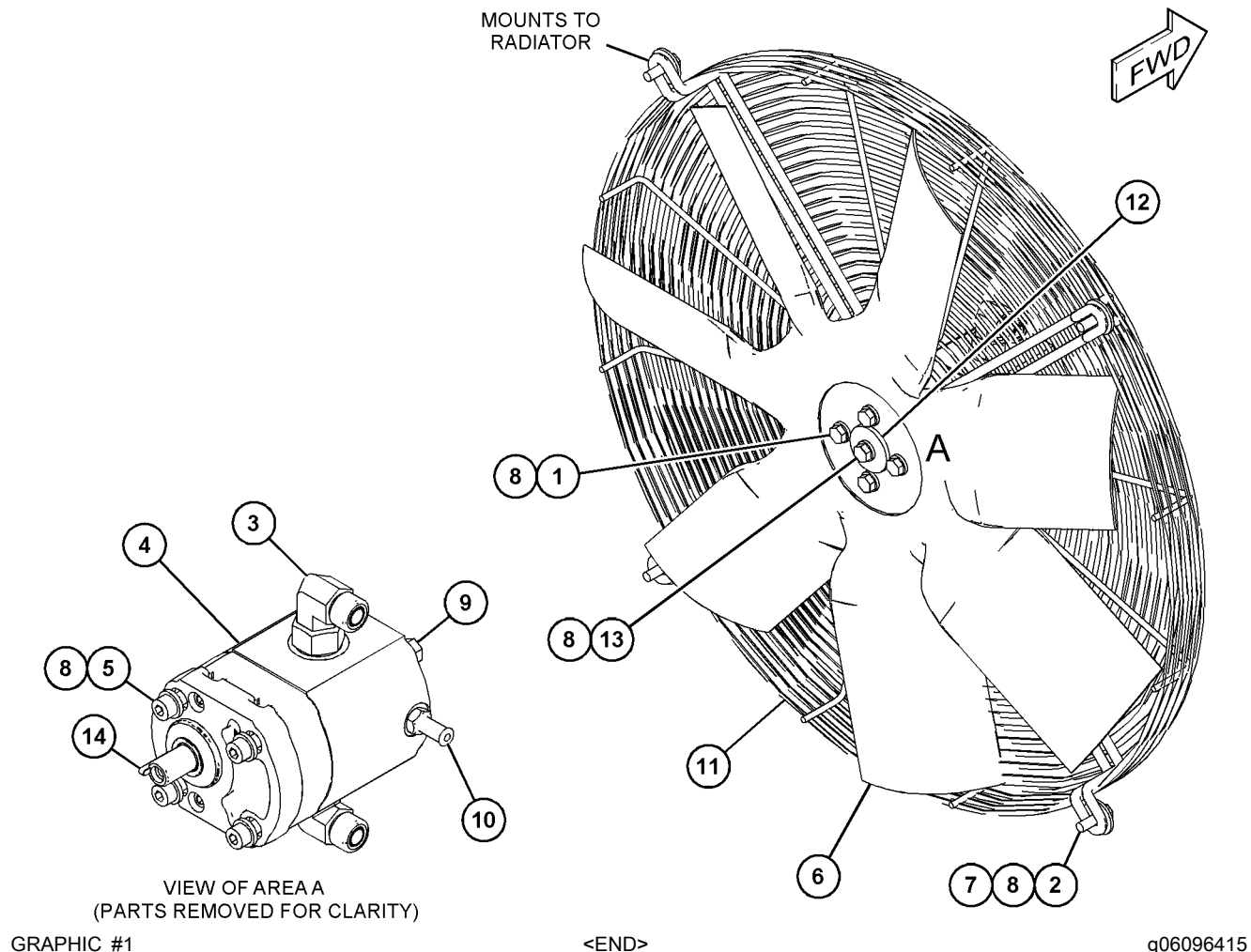
J			499-3351	1	KIT-SEAL (INCLUDES SEALS, BUSH HOLDER, ANTIEXTRUSION RING & SHAFT SEAL)						
---	--	--	-----------------	---	--	--	--	--	--	--	--

J - KIT MARKED J SERVICES PART(S) MARKED J
M - METRIC PART

COOLING SYSTEM

497-9592 FAN & MOTOR GP (contd.)

i06601105



COOLING SYSTEM

499-5286 FAN GP

S/N: TH21-UP; TH31-UP

**PART OF 499-4950 COOLER GP-HYDRAULIC OIL
AN ATTACHMENT**

SMCS-1356

i06601115

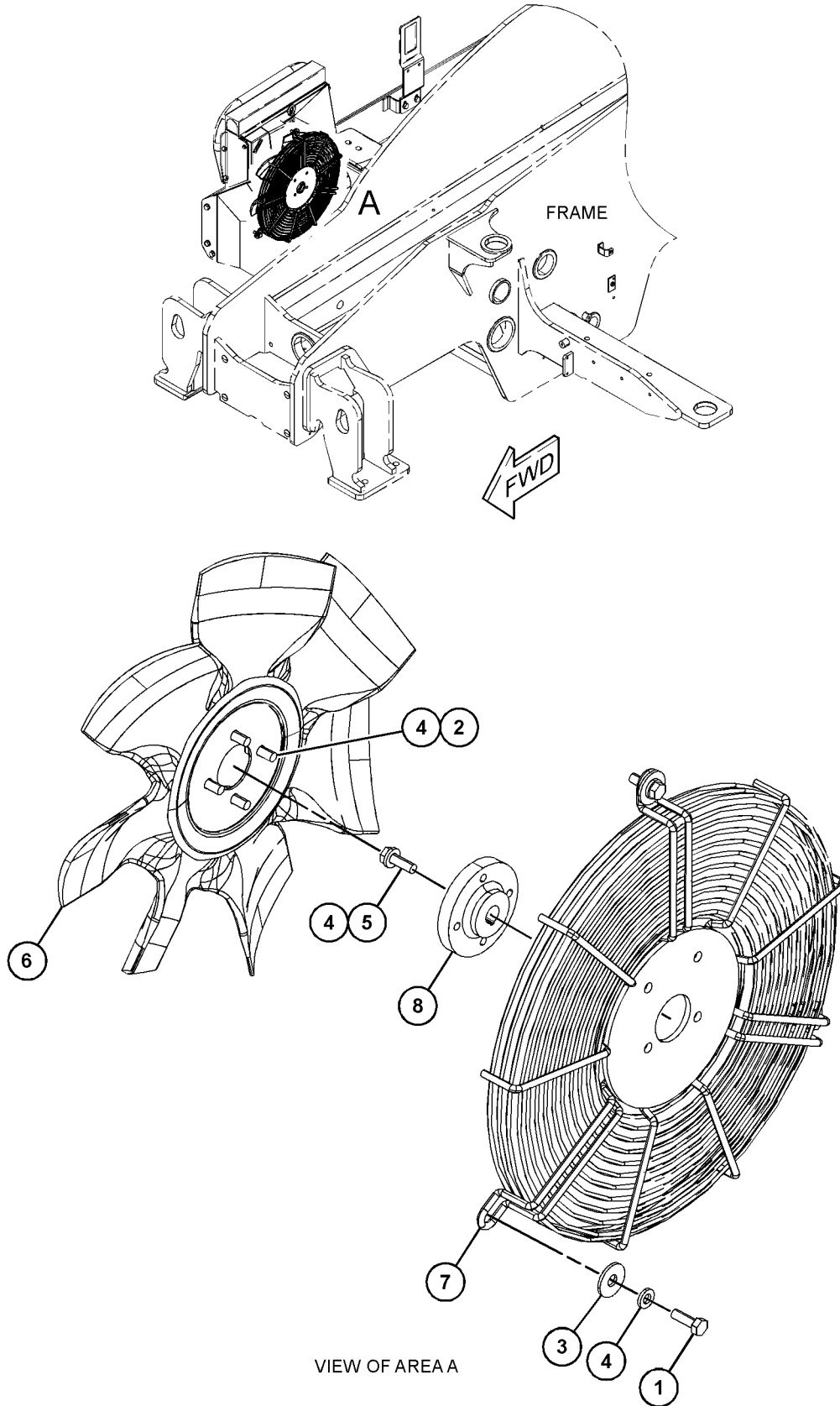
NOTE	REF NO	GRAPHIC REF	PART NUMBER	QTY	PART NAME						SEE PAGE
					1	2	3	4	5	6 (PRODUCT LEVEL)	
M	1	1	8T-4908	3	BOLT (M8X1.25X25-MM)						
M	2	1	8T-4189	4	BOLT (M8X1.25X20-MM)						
	3	1	116-8517	3	WASHER (10.5X30X2.5-MM THK)						
	4	1	5M-2894	8	WASHER-HARD (10.2X18.5X2.5-MM THK)						
M	5	1	8T-5093	1	BOLT-LOCKING (M8X1.25X25-MM)						
	6	1	499-5287	1	FAN						
	7	1	499-5288	1	GUARD AS-FAN						
	8	1	497-9593	1	HUB-ADAPTER						

M - METRIC PART

COOLING SYSTEM

499-5286 FAN GP (contd.)

106601115



GRAPHIC #1

<END>

g06048849

COOLING SYSTEM

496-3423 LINES GP-COOLANT

S/N: TH21-UP

PART OF 505-6164, 505-6165, 505-6167, 505-6168 ENGINE AR-COMPLETE
AN ATTACHMENT

SMCS-1380

i06928750

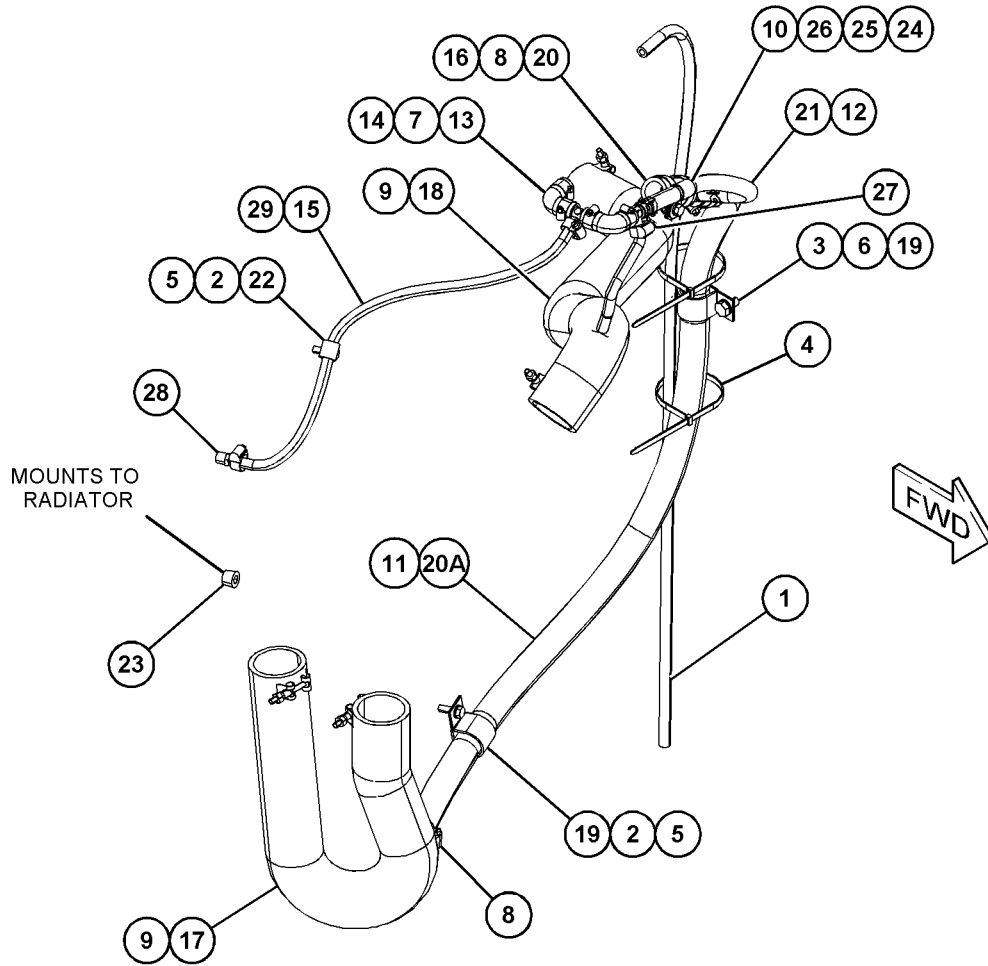
NOTE	REF NO	GRAPHIC REF	PART NUMBER	QTY	PART NAME						SEE PAGE
					1	2	3	4	5	6 (PRODUCT LEVEL)	
	1	1	496-3418	1	HOSE						
M	2	1	8T-4908	2	BOLT (M8X1.25X25-MM)						
M	3	1	8T-4137	1	BOLT (M10X1.5X20-MM)						
	4	1	7K-1181	2	STRAP-CABLE						
	5	1	8T-4224	2	WASHER-HARD (8.8X16X2-MM THK)						
	6	1	8T-4121	1	WASHER-HARD (11X21X2.5-MM THK)						
	7	1	336-7700	4	CLAMP						
	8	1	450-5251	5	CLAMP-SPRING						
	9	1	268-5612	4	CLAMP						
	10	1	317-5987	1	CLIP						
	11	1	478-6916	1	ADAPTER-STRAIGHT						
	12	1	451-9869	2	CLAMP						
	13	1	425-9258	2	HOSE						
	14	1	478-5153	2	ADAPTER						
E	15	1	326-1178		HOSE (60-CM)						
	16	1	477-0692	1	ADAPTER-TEE						
	17	1	496-3421	1	HOSE						
	18	1	496-3420	1	HOSE						
	19	1	184-7211	2	CLIP						
E	20	1	8I-1362		HOSE (8-CM)						
E	20A	1	8I-1362		HOSE (123-CM)						
E	21	1	9X-2133		HOSE (37-CM)						
	22	1	4K-8864	1	CLIP						
	23	1	464-1334	1	PLUG						
	24	1	309-3997	1	WASHER (8.4X25X2-MM THK)						
	25	1	298-7387	1	LOCKWASHER						
M	26	1	8T-4200	1	BOLT (M8X1.25X16-MM)						
	27	1	330-8103	1	CLAMP-HOSE						
	28	1	496-3419	1	FITTING						
	29	1	317-7012	2	CLAMP-BAND						

E - ORDER BY THE CENTIMETER
M - METRIC PART

COOLING SYSTEM

496-3423 LINES GP-COOLANT (contd.)

106928750



GRAPHIC #1

<END>

g06171922

COOLING SYSTEM

501-2993 LINES GP-COOLANT

S/N: TH21-UP

PART OF 505-6163 ENGINE AR-COMPLETE
AN ATTACHMENT

SMCS-1380

i06928749

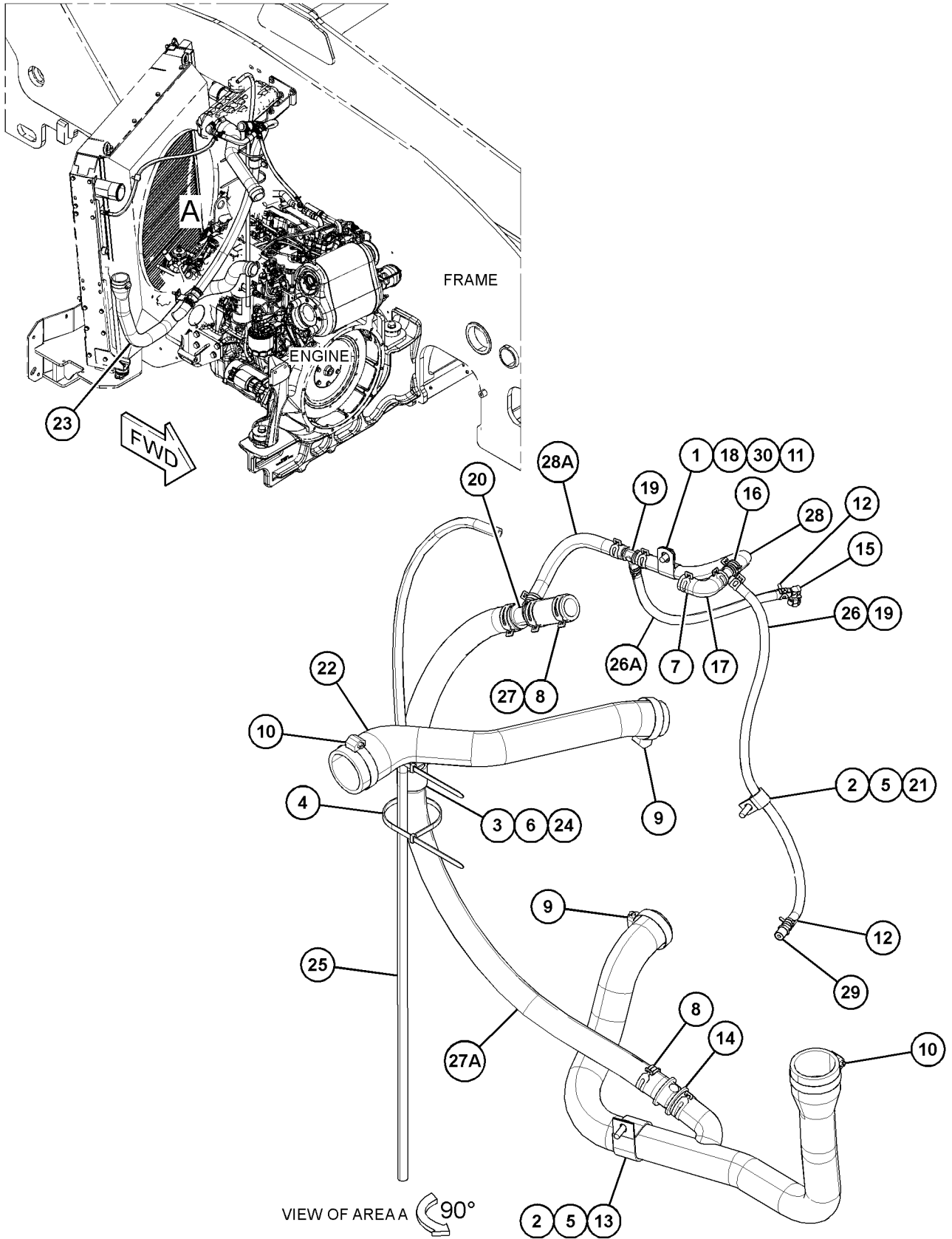
NOTE	REF NO	GRAPHIC REF	PART NUMBER	QTY	PART NAME						SEE PAGE
					1	2	3	4	5	6 (PRODUCT LEVEL)	
	1	1	298-7387	1	LOCKWASHER						
M	2	1	8T-4908	2	BOLT (M8X1.25X25-MM)						
M	3	1	8T-4137	1	BOLT (M10X1.5X20-MM)						
	4	1	7K-1181	2	STRAP-CABLE						
	5	1	8T-4224	2	WASHER-HARD (8.8X16X2-MM THK)						
	6	1	8T-4121	1	WASHER-HARD (11X21X2.5-MM THK)						
	7	1	336-7700	2	CLAMP						
	8	1	450-5251	5	CLAMP-SPRING						
	9	1	332-1989	2	CLAMP						
	10	1	309-4001	2	CLAMP						
	11	1	317-5987	1	CLIP						
	12	1	317-7012	4	CLAMP-BAND						
	13	1	105-1866	1	CLIP						
	14	1	478-6916	1	ADAPTER-STRAIGHT						
	15	1	399-1410	1	ADAPTER AS						
	16	1	451-9869	4	CLAMP						
	17	1	425-9258	1	HOSE						
M	18	1	8T-4200	1	BOLT (M8X1.25X16-MM)						
	19	1	478-5153	2	ADAPTER						
	20	1	477-0692	1	ADAPTER-TEE						
	21	1	4K-8864	1	CLIP						
	22	1	501-2994	1	HOSE						
	23	1	501-2995	1	HOSE						
	24	1	184-7211	1	CLIP						
	25	1	496-3418	1	HOSE						
E	26	1	326-1178		HOSE (60-CM)						
E	26A	1	326-1178		HOSE (36-CM)						
E	27	1	8I-1362		HOSE (8-CM)						
E	27A	1	8I-1362		HOSE (97-CM)						
E	28	1	9X-2133		HOSE (26-CM)						
E	28A	1	9X-2133		HOSE (22-CM)						
	29	1	496-3419	1	FITTING						
	30	1	309-3997	1	WASHER (8.4X25X2-MM THK)						

E - ORDER BY THE CENTIMETER
M - METRIC PART

COOLING SYSTEM

501-2993 LINES GP-COOLANT (contd.)

i06928749



GRAPHIC #1

<END>

g06171890

COOLING SYSTEM

501-2998 LINES GP-COOLANT

S/N: TH31-UP

PART OF 505-5387, 505-6119 ENGINE AR-COMPLETE
AN ATTACHMENT

SMCS-1380

i06928723

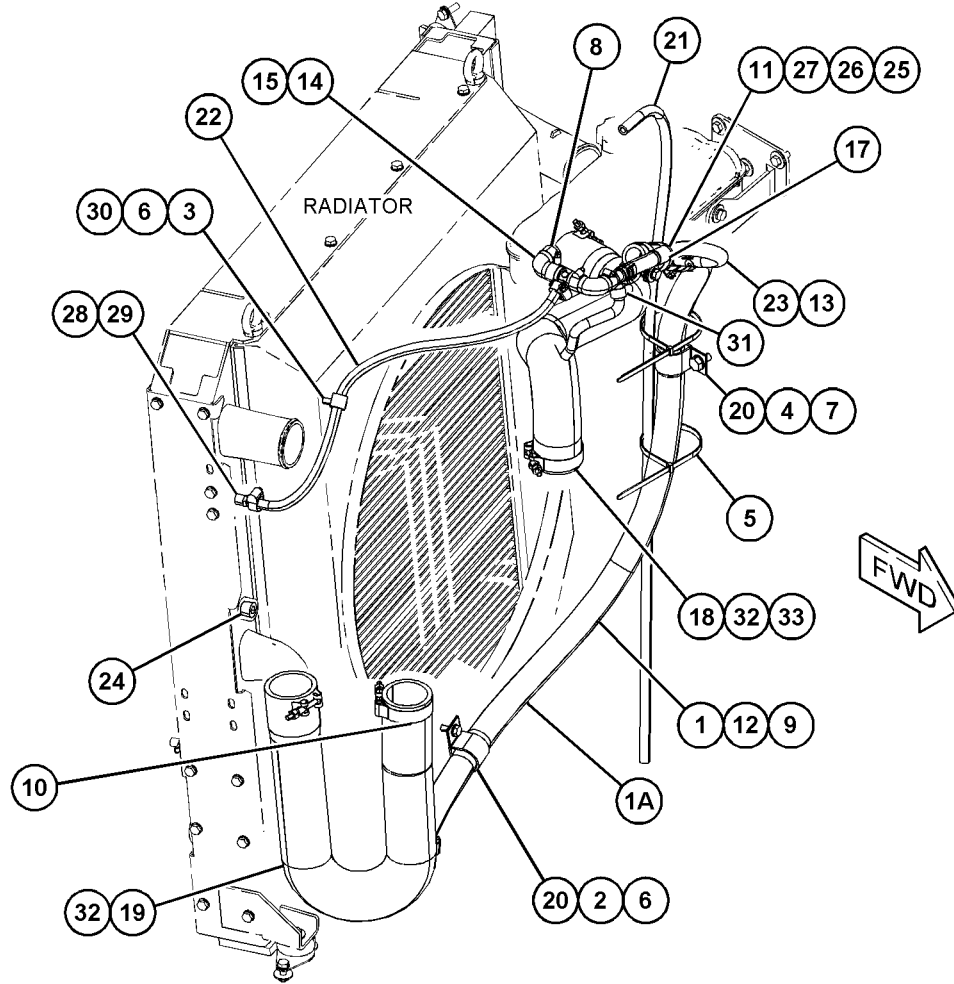
NOTE	REF NO	GRAPHIC REF	PART NUMBER	QTY	PART NAME						SEE PAGE
					1	2	3	4	5	6 (PRODUCT LEVEL)	
E	1	1	8I-1362		HOSE (8-CM)						
E	1A	1	8I-1362		HOSE (123-CM)						
M	2	1	8T-4189	1	BOLT (M8X1.25X20-MM)						
M	3	1	8T-4908	1	BOLT (M8X1.25X25-MM)						
M	4	1	8T-4137	1	BOLT (M10X1.5X20-MM)						
	5	1	7K-1181	2	STRAP-CABLE						
	6	1	8T-4224	2	WASHER-HARD (8.8X16X2-MM THK)						
	7	1	8T-4121	1	WASHER-HARD (11X21X2.5-MM THK)						
	8	1	336-7700	4	CLAMP						
	9	1	450-5251	5	CLAMP-SPRING						
	10	1	457-1255	1	CLAMP						
	11	1	317-5987	1	CLIP						
	12	1	478-6916	1	ADAPTER-STRAIGHT						
	13	1	451-9869	2	CLAMP						
	14	1	425-9258	2	HOSE						
	15	1	478-5153	2	ADAPTER						
	17	1	477-0692	1	ADAPTER-TEE						
	18	1	501-2999	1	HOSE						
	19	1	501-3000	1	HOSE						
	20	1	184-7211	2	CLIP						
	21	1	496-3418	1	HOSE						
E	22	1	326-1178		HOSE (60-CM)						
E	23	1	9X-2133		HOSE (37-CM)						
	24	1	464-1334	1	PLUG						
	25	1	298-7387	1	LOCKWASHER						
M	26	1	8T-4200	1	BOLT (M8X1.25X16-MM)						
	27	1	309-3997	1	WASHER (8.4X25X2-MM THK)						
	28	1	317-7012	2	CLAMP-BAND						
	29	1	496-3419	1	FITTING						
	30	1	4K-8864	1	CLIP						
	31	1	330-8103	1	CLAMP-HOSE						
	32	1	461-9739	2	CLAMP						
	33	1	484-1744	1	CLAMP						

E - ORDER BY THE CENTIMETER
M - METRIC PART

COOLING SYSTEM

501-2998 LINES GP-COOLANT (contd.)

i06928723



GRAPHIC #1

<END>

g06172446

COOLING SYSTEM

350-1959 PLUG GP-WATER LINES

S/N: CJ41-UP

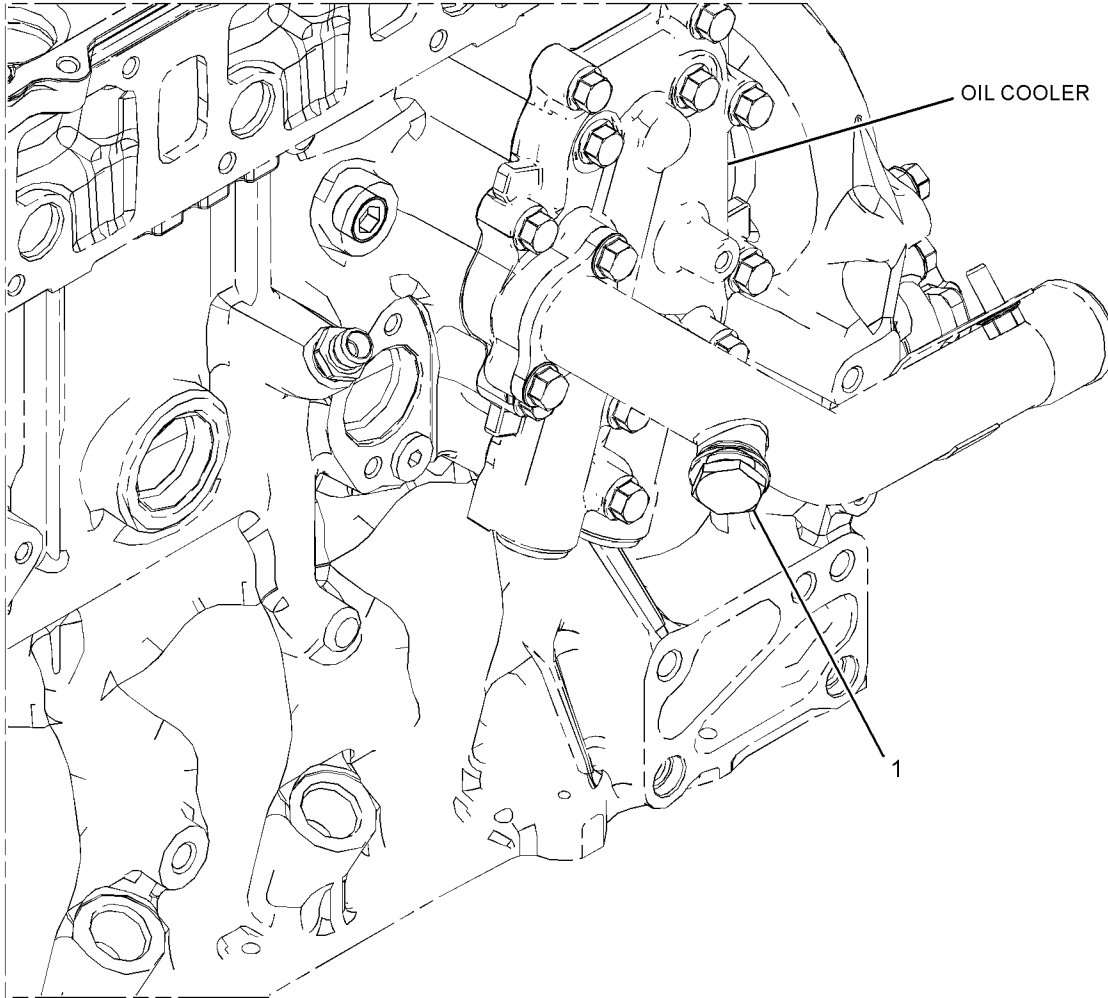
PART OF 465-2880 ENGINE AR-PRIMARY

SMCS-1380, 1393

i05722351

NOTE	REF NO	GRAPHIC REF	PART NUMBER	QTY	PART NAME						SEE PAGE
					1	2	3	4	5	6 (PRODUCT LEVEL)	
Y	1	1	374-6765	1	PLUG GP-WATER LINES						201

Y - SEPARATE ILLUSTRATION



GRAPHIC #1

<END>

g02879057

COOLING SYSTEM

374-6765 PLUG GP-WATER LINES

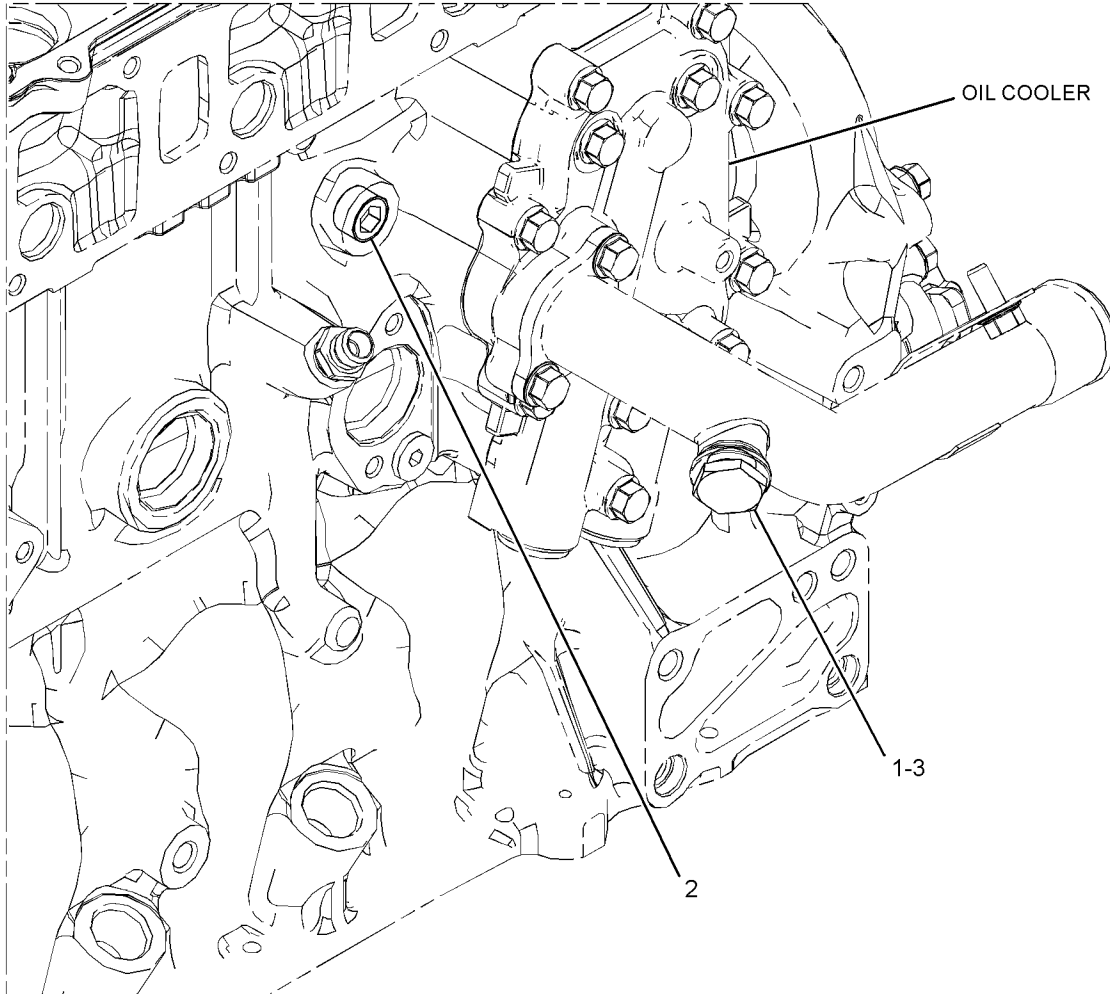
S/N: CJ41-UP

PART OF 350-1959 PLUG GP-WATER LINES

SMCS-1380, 1393

i05773239

NOTE	REF NO	GRAPHIC REF	PART NUMBER	QTY	PART NAME						SEE PAGE
					1	2	3	4	5	6 (PRODUCT LEVEL)	
	1	1	387-7727	1	PLUG						
	2	1	456-1357	1	PLUG						
	3	1	389-2856	1	WASHER						



GRAPHIC #1

<END>

g02881402

COOLING SYSTEM

333-7914 PUMP GP-WATER

S/N: JKT1-UP

PART OF 464-2307, 464-2308 ENGINE AR-PRIMARY
ALSO AN ATTACHMENT

SMCS-1361

i05813298

NOTE	REF NO	GRAPHIC REF	PART NUMBER	QTY	PART NAME						SEE PAGE
					1	2	3	4	5	6 (PRODUCT LEVEL)	
JY	1	1	380-1659	1	PUMP GP-WATER						205
Y	2	1	349-2761	1	CONNECTION GP-WATER (BYPASS)						177
J	3	1	353-8578	1	GASKET						
M	4	1	101-3771	4	BOLT (M8X1.25X85-MM)						
M	5	1	101-3895	3	BOLT (M8X1.25X35-MM)						
M	6	1	106-8916	2	BOLT (M6X16-MM)						

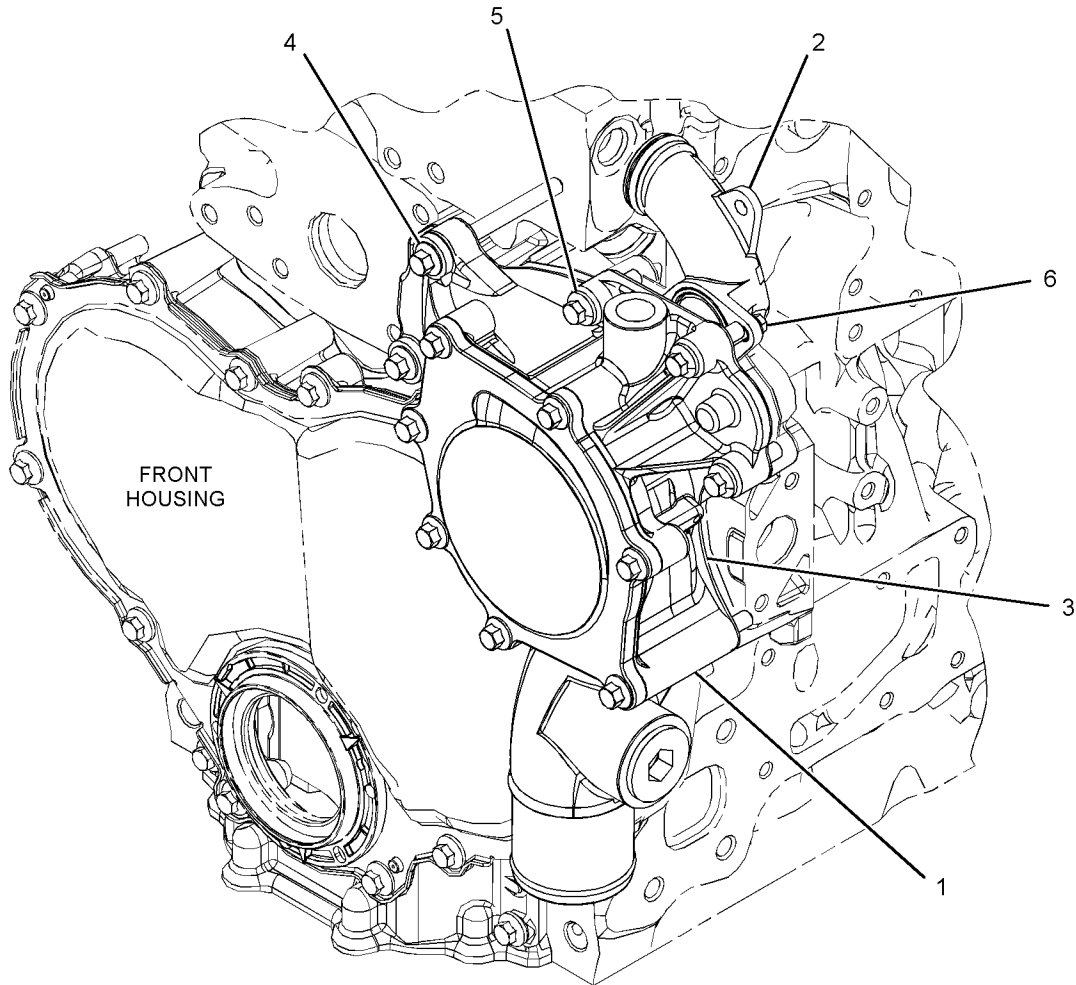
AVAILABLE REPAIR KIT(S) :

J	397-5684	1	KIT-PUMP		
(INCLUDES GASKET & PUMP)					

J - KIT MARKED J SERVICES PART(S) MARKED J

M - METRIC PART

Y - SEPARATE ILLUSTRATION



GRAPHIC #1

<END>

g03680776

COOLING SYSTEM

350-5644 PUMP GP-WATER

S/N: CJ41-UP

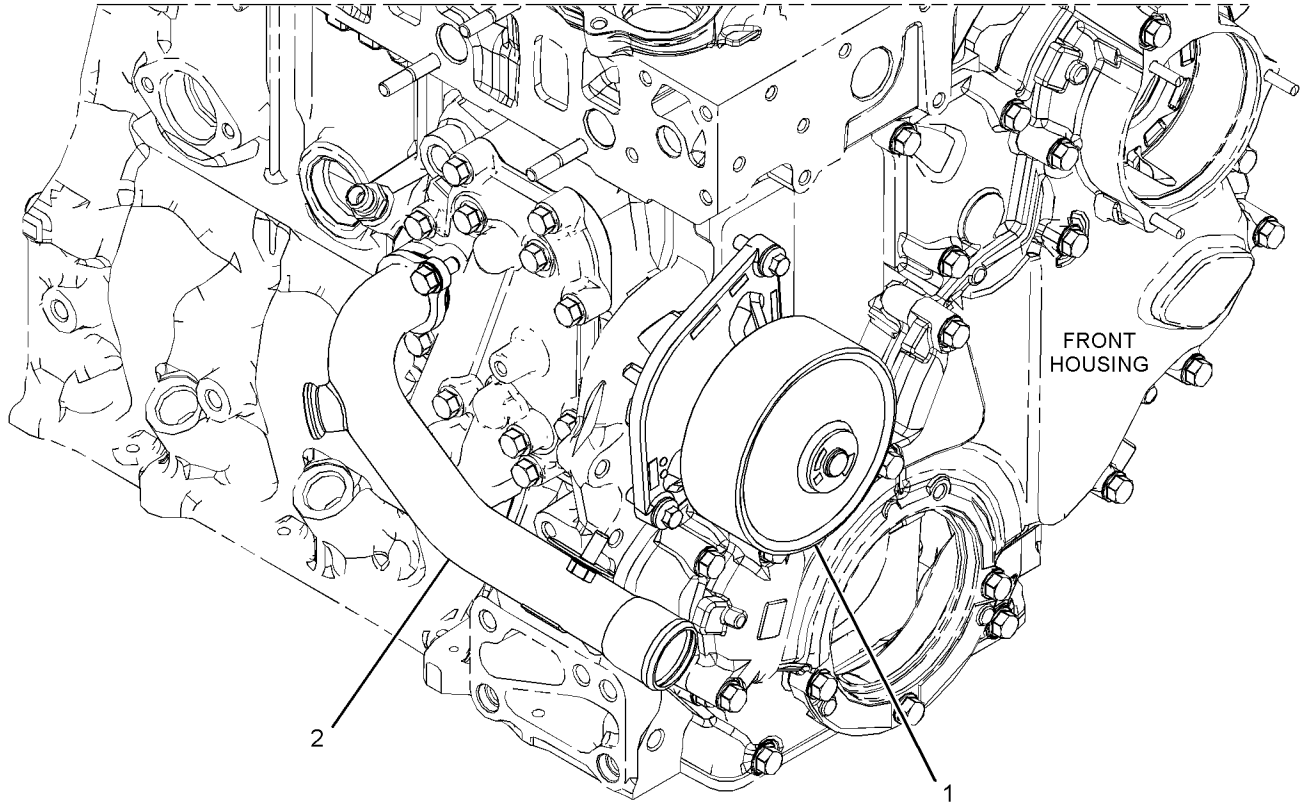
PART OF 465-2880 ENGINE AR-PRIMARY

SMCS-1361

i06252222

NOTE	REF NO	GRAPHIC REF	PART NUMBER	QTY	PART NAME						SEE PAGE
					1	2	3	4	5	6 (PRODUCT LEVEL)	
Y	1	1	367-6033	1	PUMP GP-WATER						204
Y	2	1	367-6788	1	CONNECTION GP-WATER						178

Y - SEPARATE ILLUSTRATION



GRAPHIC #1

<END>

g02880663

COOLING SYSTEM

367-6033 PUMP GP-WATER

S/N: CJ41-UP

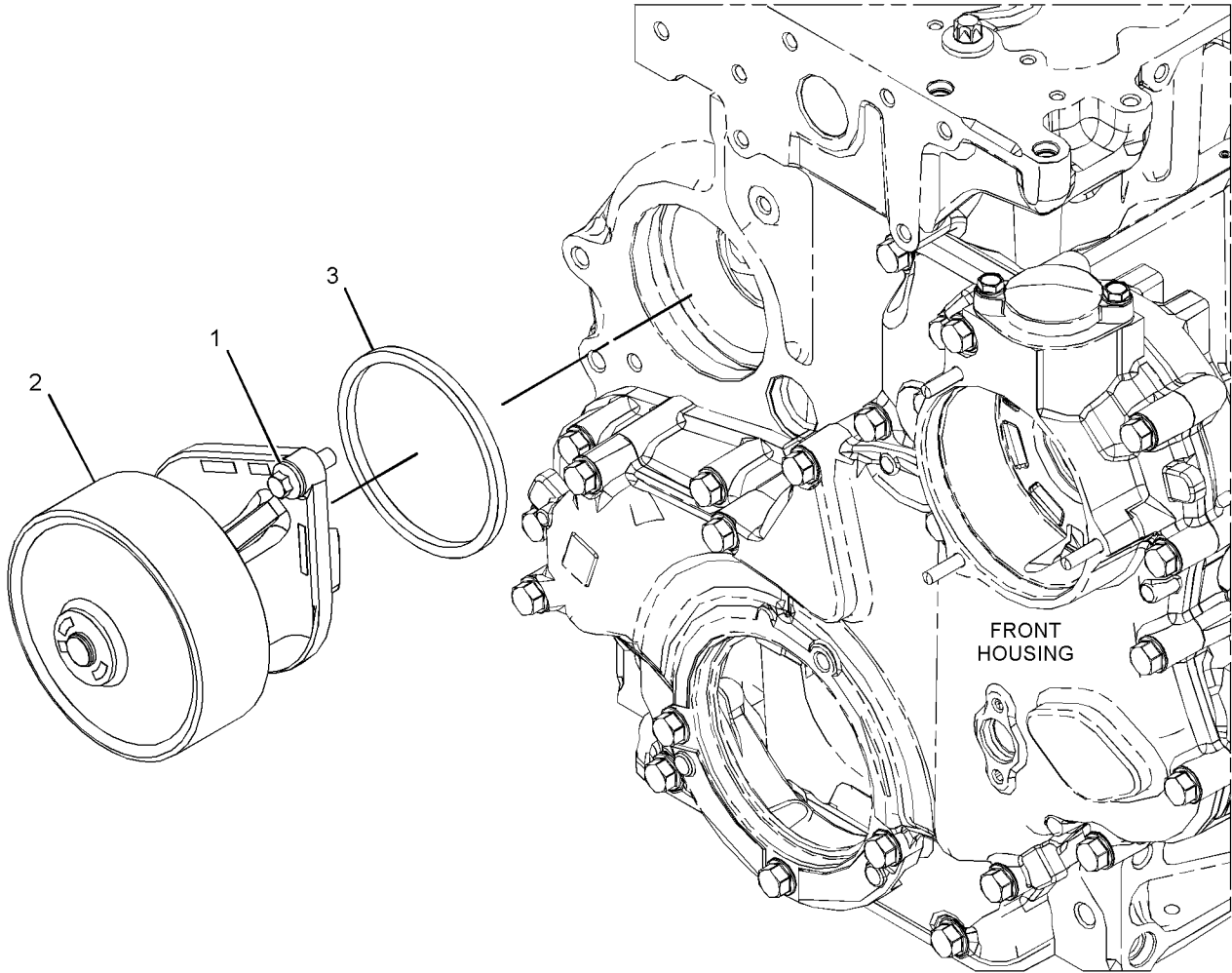
PART OF 350-5644 PUMP GP-WATER

SMCS-1361

i06259816

NOTE	REF NO	GRAPHIC REF	PART NUMBER	QTY	PART NAME						SEE PAGE
					1	2	3	4	5	6 (PRODUCT LEVEL)	
M	1	1	6I-0260	2	BOLT (M8X1.25X25-MM)						
	2	1	477-5624	1	PUMP						
	3	1	389-2863	1	WASHER						

M - METRIC PART



GRAPHIC #1

<END>

g02880577

COOLING SYSTEM

380-1659 PUMP GP-WATER

S/N: JKT1-UP

MID FLOW 12-MM SHAFT

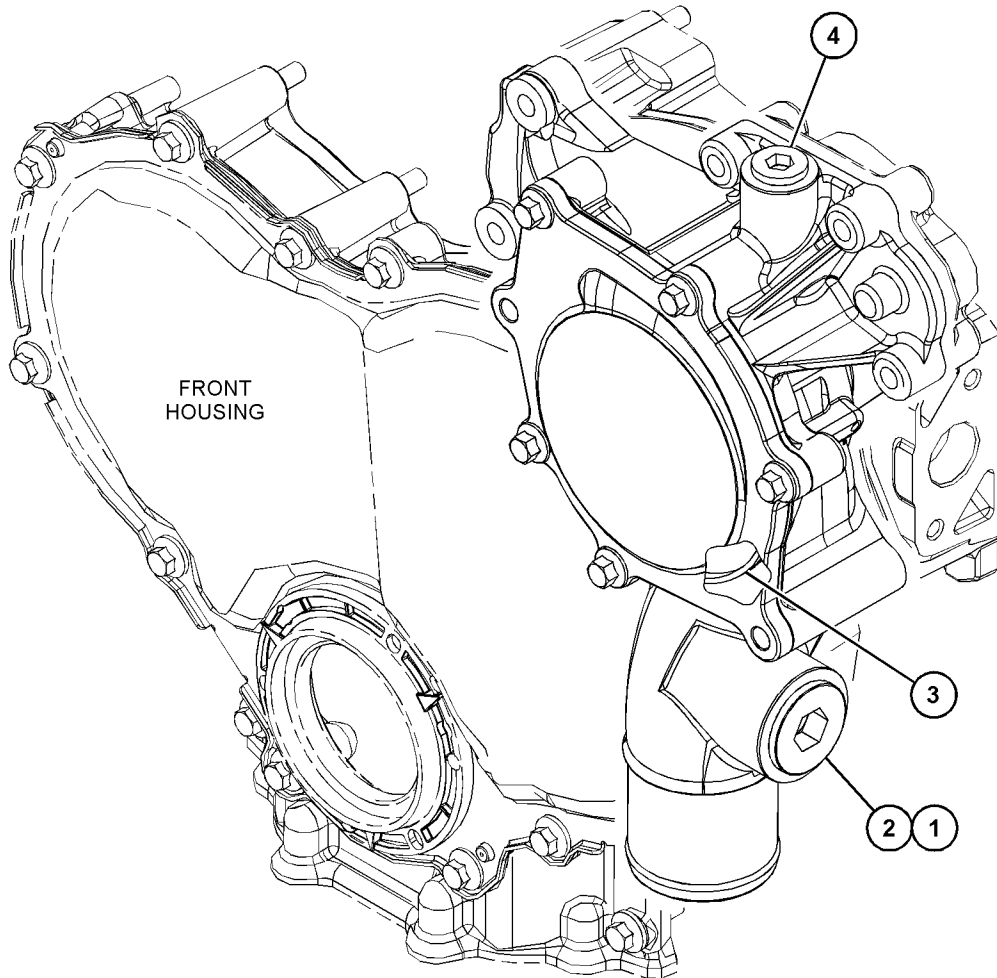
PART OF 333-7914 PUMP GP-WATER

ALSO AN ATTACHMENT

SMCS-1361

i06240414

NOTE	REF NO	GRAPHIC REF	PART NUMBER	QTY	PART NAME						SEE PAGE	
					1	2	3	4	5	6 (PRODUCT LEVEL)		
	1	1	388-7652	1	SEAL							
	2	1	388-7644	1	PLUG							
	3	1	388-7649	1	GASKET							
	4	1	388-7651	1	PLUG							



GRAPHIC #1

<END>

g03868505

COOLING SYSTEM

416-1864 PUMP GP-WATER

S/N: W231-UP

PART OF 463-8848, 463-8910 ENGINE AR-PRIMARY

SMCS-1361

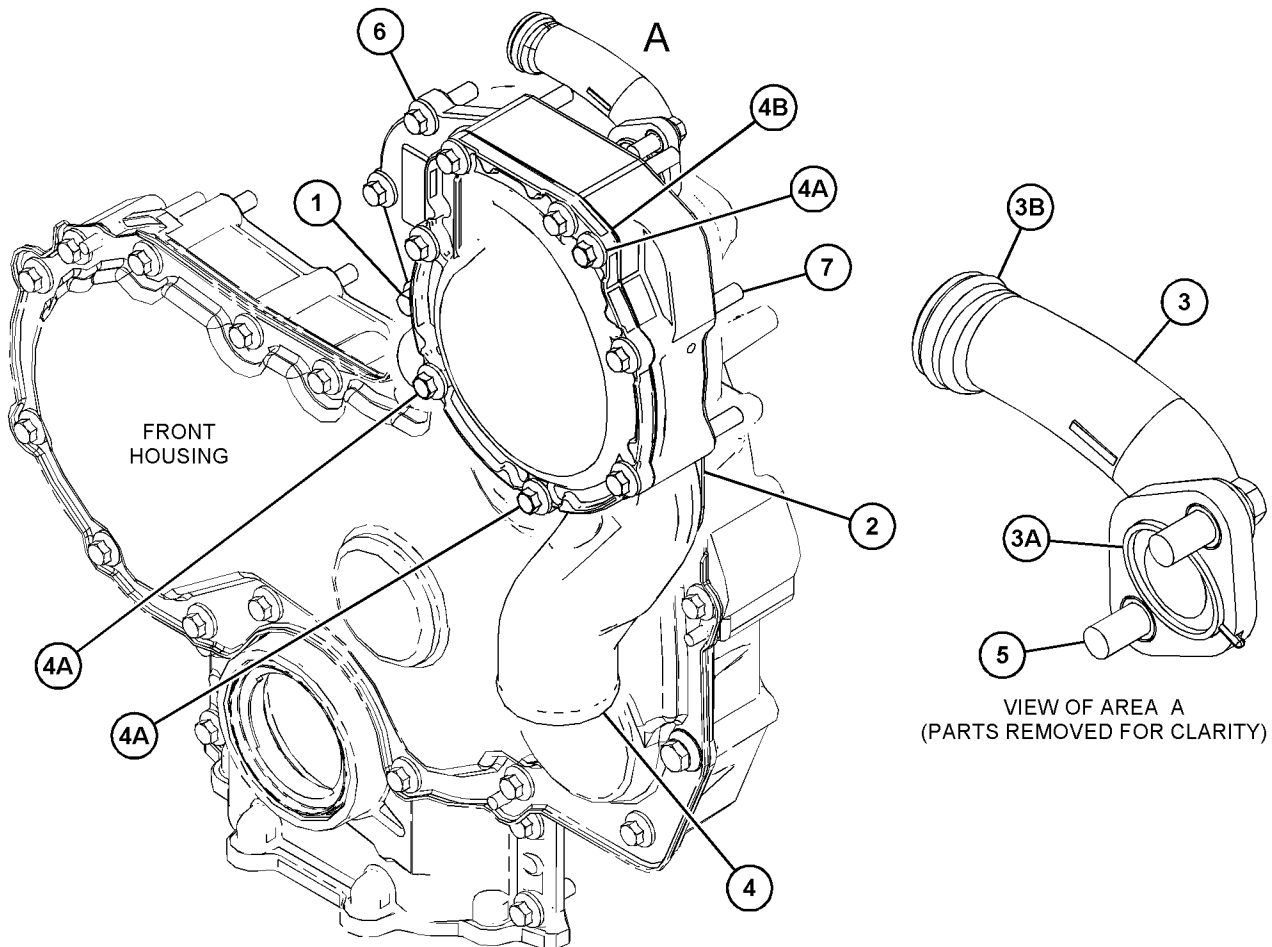
i06797683

NOTE	REF NO	GRAPHIC REF	PART NUMBER	QTY	PART NAME						SEE PAGE
					1	2	3	4	5	6 (PRODUCT LEVEL)	
M	1	1	113-8129	2	BOLT (M8X1.25X75-MM)						
J	2	1	225-8019	1	GASKET						
	3	1	277-2925	1	CONNECTION AS						
	3A	1	277-2923	1	GASKET						
	3B	1	225-7738	1	SEAL-O-RING						
CJ	4	1	485-4894	1	PUMP GP-WATER						
	4A	1	278-3242	3	BOLT-FLANGE HEAD (M8X1.25X18-MM)						
	4B	1	374-4419	1	GASKET						
M	5	1	6I-0217	2	BOLT (M8X1.25X20-MM)						
M	6	1	6I-0254	2	BOLT (M8X1.25X30-MM)						
M	7	1	6I-0839	5	BOLT (M8X1.25X70-MM)						

AVAILABLE REPAIR KIT(S) :

CJ	485-4895	1	PUMP GP-WATER (INCLUDES WATER PUMP GP & GASKET)		
----	-----------------	---	--	--	--

C - CHANGE FROM PREVIOUS TYPE
 J - KIT MARKED J SERVICES PART(S) MARKED J
 M - METRIC PART



GRAPHIC #1

<END>

g06120580

COOLING SYSTEM

500-0768 RADIATOR & HYD OIL COOLER GP

S/N: TH21-UP; TH31-UP

PART OF 500-0767 RADIATOR & MOUNTING GP
AN ATTACHMENT

SMCS-1351, 1353, 1374, 1382

i06750408

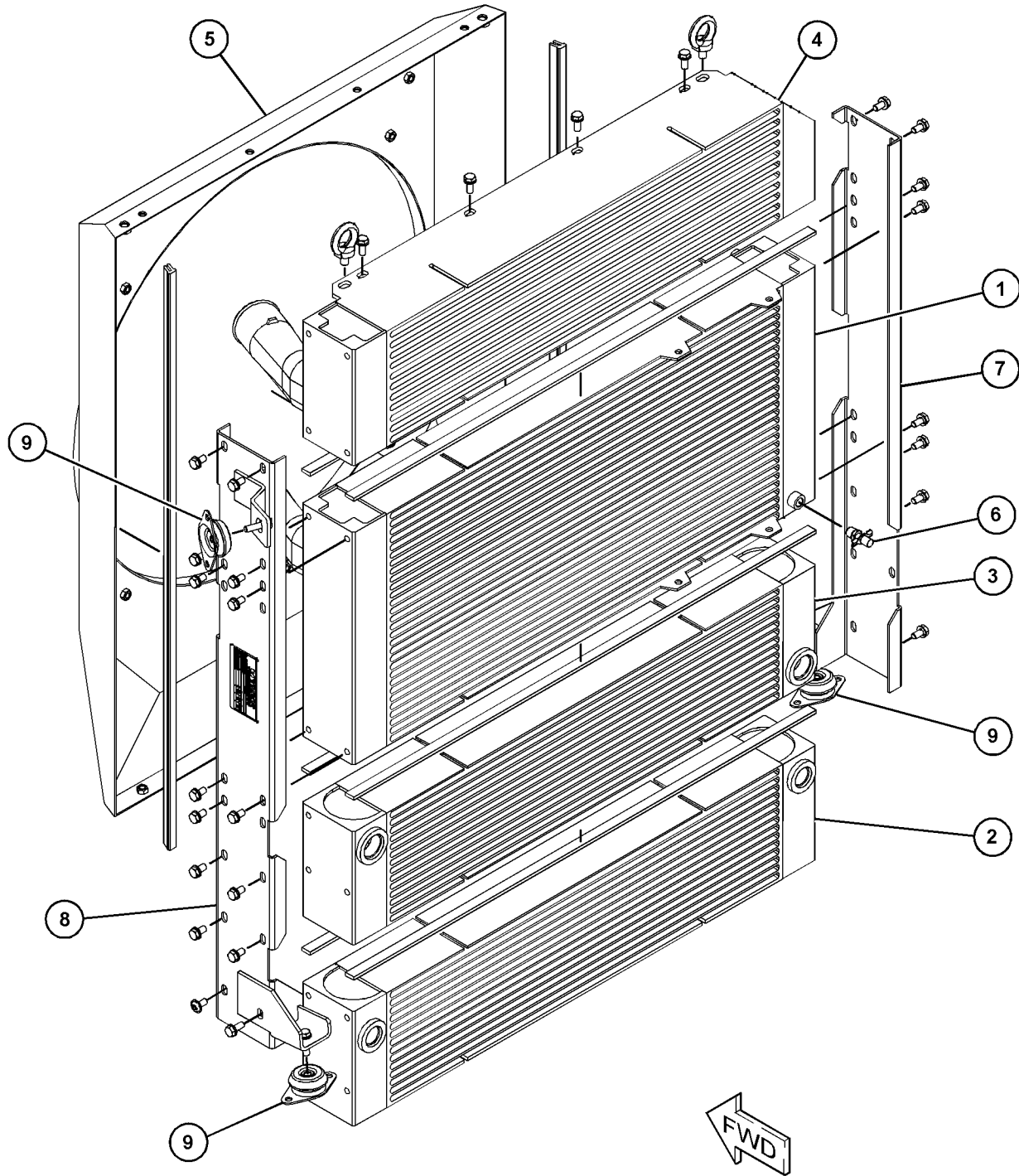
NOTE	REF NO	GRAPHIC REF	PART NUMBER	QTY	PART NAME						SEE PAGE
					1	2	3	4	5	6 (PRODUCT LEVEL)	
	1	1	510-8406	1	COOLER						
	2	1	510-8407	1	COOLER						
	3	1	510-8408	1	COOLER						
	4	1	510-8409	1	COOLER						
	5	1	510-8403	1	SHROUD						
	6	1	458-8403	1	VALVE AS-DRAIN						
	7	1	510-8404	1	BRACKET						
	8	1	510-8405	1	BRACKET						
	9	1	500-0786	3	MOUNT						

PARTS SHOWN IN GRAPHIC(S) WITHOUT A REFERENCE NUMBER ARE NOT SERVICED SEPARATELY

COOLING SYSTEM

500-0768 RADIATOR & HYD OIL COOLER GP (contd.)

i06750408



GRAPHIC #1

<END>

g06105429

COOLING SYSTEM

500-3149 RADIATOR & HYD OIL COOLER GP

S/N: TH21-UP; TH31-UP

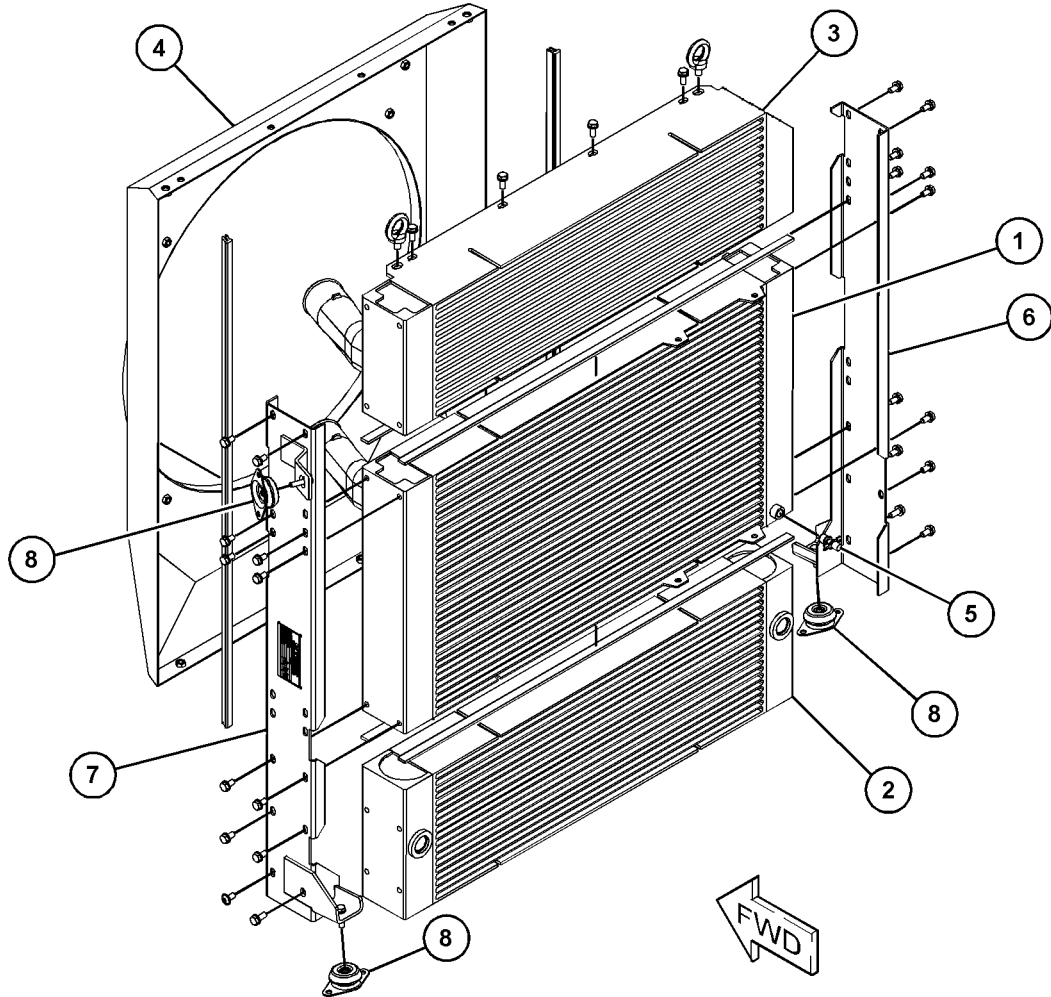
PART OF 500-3146 RADIATOR & MOUNTING GP
AN ATTACHMENT

SMCS-1351, 1353, 1374, 1382

i06826185

NOTE	REF NO	GRAPHIC REF	PART NUMBER	QTY	PART NAME						SEE PAGE
					1	2	3	4	5	6 (PRODUCT LEVEL)	
	1	1	510-8400	1	COOLER						
	2	1	510-8401	1	COOLER						
	3	1	510-8402	1	COOLER						
	4	1	510-8403	1	SHROUD						
	5	1	458-8403	1	VALVE AS-DRAIN						
	6	1	510-8404	1	BRACKET						
	7	1	510-8405	1	BRACKET						
	8	1	500-0786	3	MOUNT						

PARTS SHOWN IN GRAPHIC(S) WITHOUT A REFERENCE NUMBER ARE NOT SERVICED SEPARATELY



GRAPHIC #1

<END>

g06131723

COOLING SYSTEM

499-4946 RADIATOR & MOUNTING GP

S/N: TH21-UP; TH31-UP

PART OF 499-4950 COOLER GP-HYDRAULIC OIL
AN ATTACHMENT

SMCS-1353

i06601116

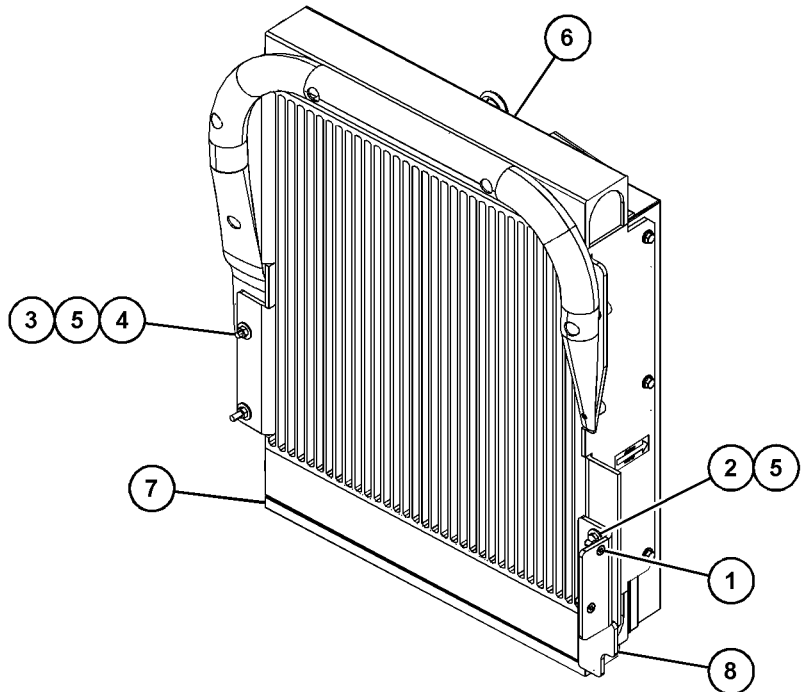
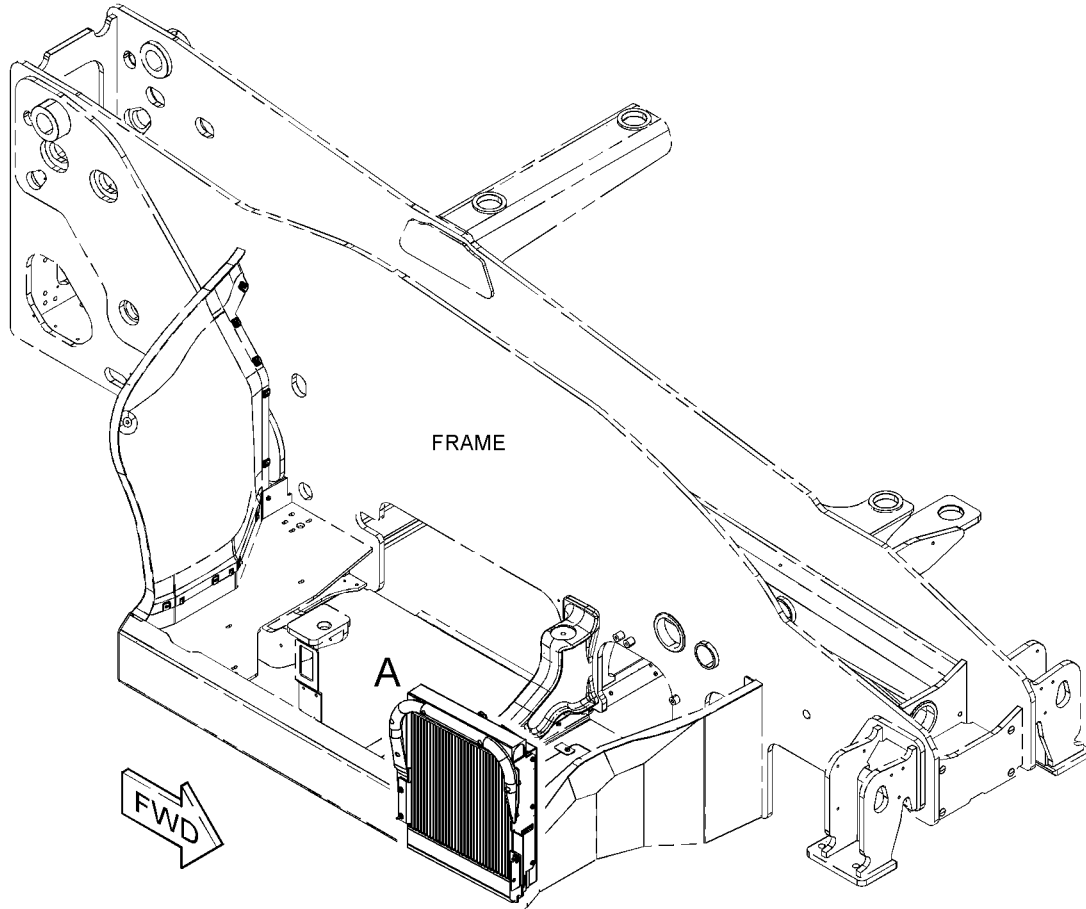
NOTE	REF NO	GRAPHIC REF	PART NUMBER	QTY	PART NAME						SEE PAGE
					1	2	3	4	5	6 (PRODUCT LEVEL)	
M	1	1	112-2095	2	SCREW-HEX SOCKET (M6X1X16.7-MM)						
M	2	1	8T-4138	2	BOLT (M6X1X20-MM)						
M	3	1	6V-7357	2	BOLT (M6X1X25-MM)						
M	4	1	5C-2890	4	NUT (M6X1-THD)						
	5	1	5W-1417	8	WASHER (6.4X18X1.6-MM THK)						
	6	1	499-4947	1	RADIATOR & HYD OIL COOLER GP						
	7	1	499-4948	1	SEAL						
	8	1	499-4949	1	BRACKET AS						

M - METRIC PART

COOLING SYSTEM

499-4946 RADIATOR & MOUNTING GP (contd.)

106601116



VIEW OF AREA A

GRAPHIC #1

<END>

g06041866

COOLING SYSTEM

500-0767 RADIATOR & MOUNTING GP

S/N: TH21-UP; TH31-UP

PART OF 505-5390, 505-6134 INSTALLATION AR-ENGINE
AN ATTACHMENT

SMCS-1353

i06603097

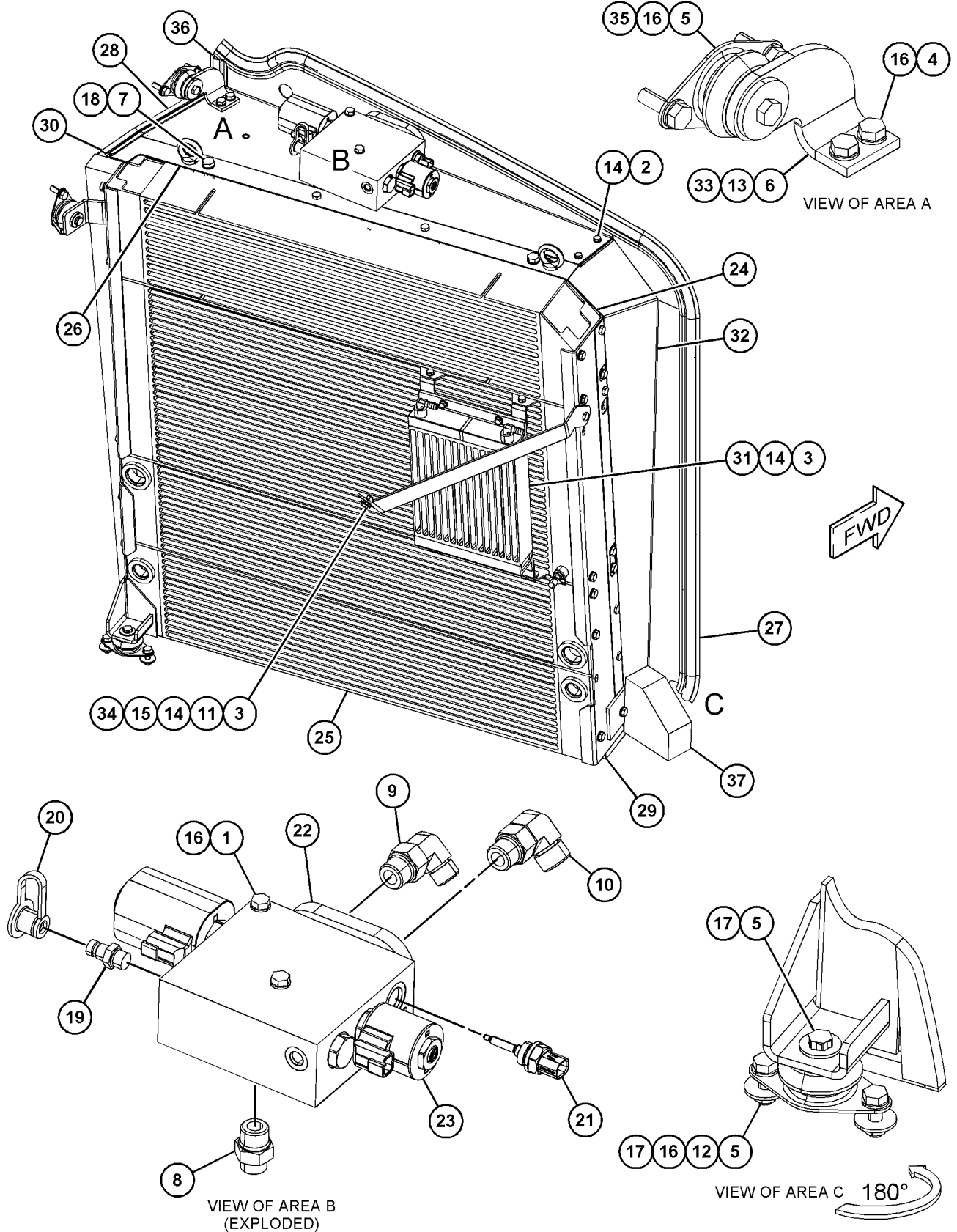
NOTE	REF NO	GRAPHIC REF	PART NUMBER	QTY	PART NAME						SEE PAGE
					1	2	3	4	5	6 (PRODUCT LEVEL)	
M	1	1	096-5866	2	BOLT (M8X1.25X75-MM)						
M	2	1	8T-4970	2	BOLT (M6X1X14-MM)						
M	3	1	5C-9553	5	BOLT (M6X1X16-MM)						
M	4	1	8T-4189	2	BOLT (M8X1.25X20-MM)						
M	5	1	8T-4908	11	BOLT (M8X1.25X25-MM)						
M	6	1	8T-7547	1	BOLT (M8X1.25X30-MM)						
M	7	1	8T-4137	2	BOLT (M10X1.5X20-MM)						
	8	1	298-0464	2	FITTING-ADAPTER						
	9	1	298-0475	1	FITTING-ADAPTER						
	10	1	300-6096	1	FITTING						
M	11	1	5C-2890	1	NUT (M6X1-THD)						
M	12	1	5C-7261	4	NUT (M8X1.25-THD)						
	13	1	7X-0632	1	WASHER-HARD (11X36X6-MM THK)						
	14	1	8T-4205	7	WASHER-HARD (7.2X14.5X2-MM THK)						
	15	1	5W-1417	1	WASHER (6.4X18X1.6-MM THK)						
	16	1	8T-4224	12	WASHER-HARD (8.8X16X2-MM THK)						
	17	1	309-3997	7	WASHER (8.4X25X2-MM THK)						
	18	1	8T-4121	2	WASHER-HARD (11X21X2.5-MM THK)						
	19	1	164-5567	1	COUPLER AS-QUICK DISCONNECT (MALE)						
		1	6V-3965	1	FITTING (QUICK DISCONNECT)						
		1	214-7568	1	SEAL-O-RING						
	20	1	6V-0852	1	CAP-DUST						
	21	1	256-6454	1	SENSOR-TEMPERATURE						
	22	1	397-4750	1	SEAL						
	23	1	504-1315	1	VALVE GP-SOLENOID & RELIEF (FAN)						
	24	1	498-5771	1	STRAP						
Y	25	1	500-0768	1	RADIATOR & HYD OIL COOLER GP						207
	26	1	500-0769	1	PLATE AS						
	27	1	499-7135	1	SEAL						
	28	1	500-0770	1	SEAL						
	29	1	500-0771	1	SEAL						
	30	1	500-0772	1	SEAL						
	31	1	500-0773	1	COOLER AS-FUEL						
		1	510-8414	1	COOLER						
		1	510-8421	2	BRACKET						
	32	1	500-0775	1	PLATE AS						
	33	1	500-0781	1	PLATE						
	34	1	500-0952	1	PLATE						
	35	1	500-0786	1	MOUNT						
	36	1	499-8472	1	SEAL						
	37	1	499-8473	1	SEAL						

M - METRIC PART
Y - SEPARATE ILLUSTRATION

COOLING SYSTEM

500-0767 RADIATOR & MOUNTING GP (contd.)

106603097



GRAPHIC #1

<END>

g06107519

COOLING SYSTEM

500-3146 RADIATOR & MOUNTING GP

S/N: TH21-UP; TH31-UP

PART OF 505-6135 ENGINE AR, 505-6120 INSTALLATION AR-ENGINE
AN ATTACHMENT

SMCS-1353

i06601126

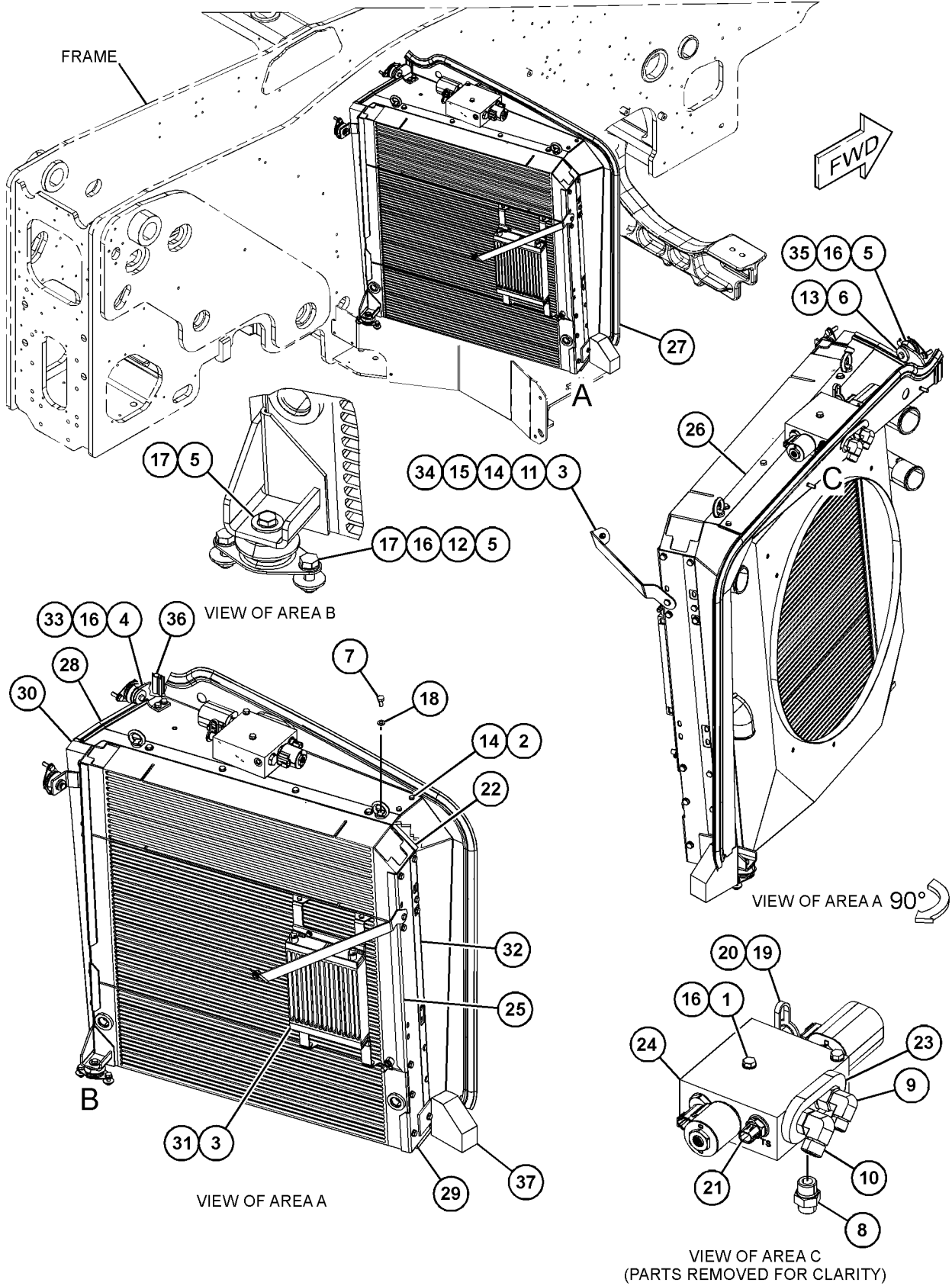
NOTE	REF NO	GRAPHIC REF	PART NUMBER	QTY	PART NAME						SEE PAGE
					1	2	3	4	5	6 (PRODUCT LEVEL)	
M	1	1	096-5866	2	BOLT (M8X1.25X75-MM)						
M	2	1	8T-4970	2	BOLT (M6X1X14-MM)						
M	3	1	5C-9553	5	BOLT (M6X1X16-MM)						
M	4	1	8T-4189	2	BOLT (M8X1.25X20-MM)						
M	5	1	8T-4908	11	BOLT (M8X1.25X25-MM)						
M	6	1	8T-7547	1	BOLT (M8X1.25X30-MM)						
M	7	1	8T-4137	2	BOLT (M10X1.5X20-MM)						
	8	1	298-0464	2	FITTING-ADAPTER						
	9	1	298-0475	1	FITTING-ADAPTER						
	10	1	300-6096	1	FITTING						
M	11	1	5C-2890	1	NUT (M6X1-THD)						
M	12	1	5C-7261	4	NUT (M8X1.25-THD)						
	13	1	7X-0632	1	WASHER-HARD (11X36X6-MM THK)						
	14	1	8T-4205	3	WASHER-HARD (7.2X14.5X2-MM THK)						
	15	1	5W-1417	1	WASHER (6.4X18X1.6-MM THK)						
	16	1	8T-4224	12	WASHER-HARD (8.8X16X2-MM THK)						
	17	1	309-3997	7	WASHER (8.4X25X2-MM THK)						
	18	1	8T-4121	2	WASHER-HARD (11X21X2.5-MM THK)						
	19	1	<i>164-5567</i>	1	COUPLER AS-QUICK DISCONNECT (MALE)						
		1	6V-3965	1	FITTING (QUICK DISCONNECT)						
		1	214-7568	1	SEAL-O-RING						
	20	1	6V-0852	1	CAP-DUST						
	21	1	256-6454	1	SENSOR-TEMPERATURE						
	22	1	498-5771	1	STRAP						
	23	1	397-4750	1	SEAL						
	24	1	504-1315	1	VALVE GP-SOLENOID & RELIEF						
Y	25	1	500-3149	1	RADIATOR & HYD OIL COOLER GP						209
	26	1	500-0769	1	PLATE AS						
	27	1	499-7135	1	SEAL						
	28	1	500-0770	1	SEAL						
	29	1	500-0771	1	SEAL						
	30	1	500-0772	1	SEAL						
	31	1	<i>500-3151</i>	1	COOLER GP-FUEL						
		1	510-8414	1	COOLER						
		1	510-8414	2	COOLER						
	32	1	500-0775	1	PLATE AS						
	33	1	500-0781	1	PLATE						
	34	1	500-0952	1	PLATE						
	35	1	500-0786	1	MOUNT						
	36	1	499-8472	1	SEAL						
	37	1	499-8473	1	SEAL						

M - METRIC PART
Y - SEPARATE ILLUSTRATION

COOLING SYSTEM

500-3146 RADIATOR & MOUNTING GP (contd.)

106601126



GRAPHIC #1

<END>

g06150978

COOLING SYSTEM

495-9896 TANK GP-COOLANT

S/N: TH21-UP; TH31-UP

4.3-LITER (1.1-US GAL)

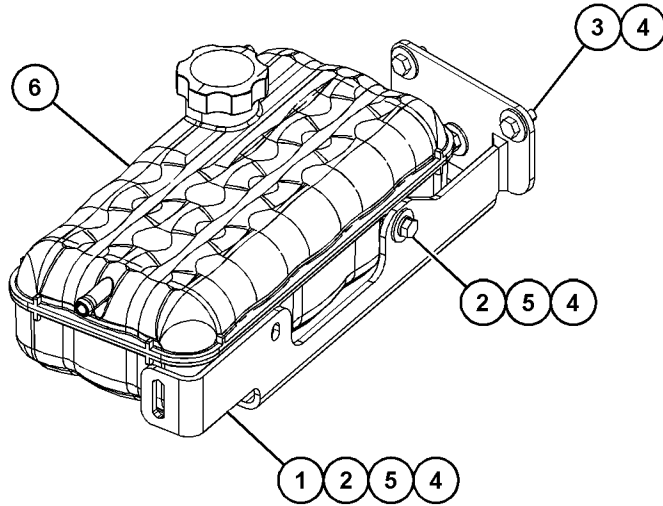
PART OF 505-6135 ENGINE AR, 505-5390, 505-6120, 505-6134 INSTALLATION AR-ENGINE
AN ATTACHMENT

SMCS-1354, 1377

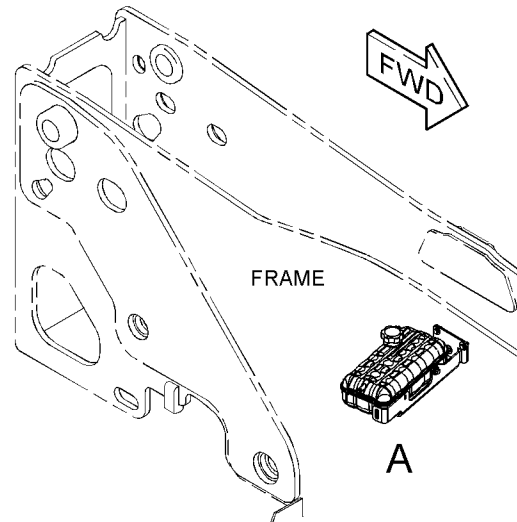
i06823053

NOTE	REF NO	GRAPHIC REF	PART NUMBER	QTY	PART NAME						SEE PAGE
					1	2	3	4	5	6 (PRODUCT LEVEL)	
	1	1	485-1681	1	BRACKET AS						
M	2	1	8T-4200	3	BOLT (M8X1.25X16-MM)						
M	3	1	8T-4189	3	BOLT (M8X1.25X20-MM)						
	4	1	309-3997	6	WASHER (8.4X25X2-MM THK)						
	5	1	298-7387	3	LOCKWASHER						
	6	1	247-1385	1	TANK GP-COOLANT						
		1	251-3227	1	CAP AS-COOLANT TANK (RADIATOR)						

M - METRIC PART



VIEW OF AREA A



GRAPHIC #1

<END>

g06131105

AIR INLET AND EXHAUST SYSTEM

499-9420 AIR CLEANER GP

S/N: TH21-UP; TH31-UP

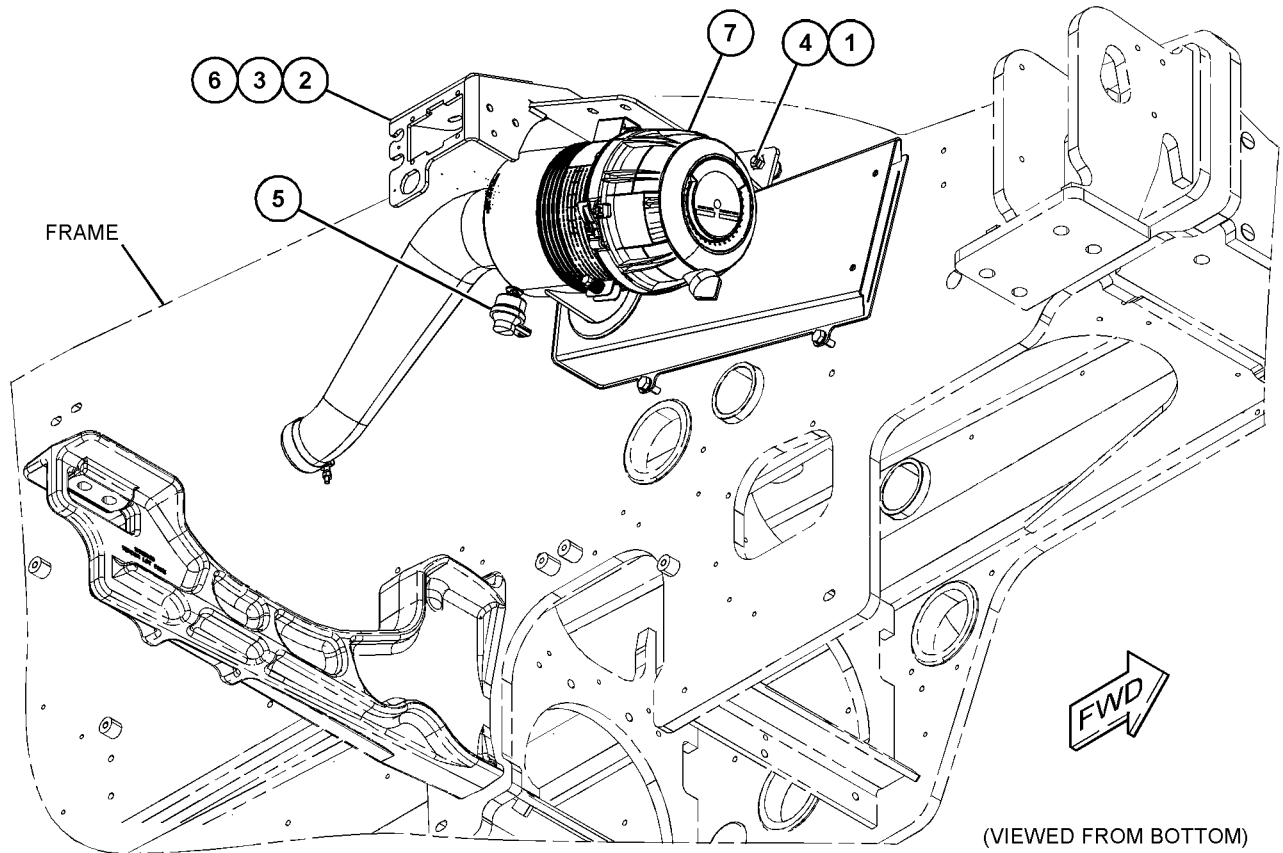
PART OF 505-5390, 505-6134 INSTALLATION AR-ENGINE
AN ATTACHMENT

SMCS-1051, 1054

i07228605

NOTE	REF NO	GRAPHIC REF	PART NUMBER	QTY	PART NAME						SEE PAGE
					1	2	3	4	5	6 (PRODUCT LEVEL)	
M	1	1	8T-4186	3	BOLT (M10X1.5X40-MM)						
M	2	1	8T-4189	2	BOLT (M8X1.25X20-MM)						
	3	1	309-3997	2	WASHER (8.4X25X2-MM THK)						
	4	1	116-8517	3	WASHER (10.5X30X2.5-MM THK)						
	5	1	477-0663	1	INDICATOR (CUTOFF)						
	6	1	548-8995	1	BRACKET AS						
	7	1	473-1346	1	AIR CLEANER GP						
		1	472-1148	1	ELEMENT (SECONDARY)						
		1	472-1149	1	ELEMENT (PRIMARY)						
		1	474-9465	1	COVER						
		1	474-9466	1	BRACKET AS						

M - METRIC PART



GRAPHIC #1

<END>

g06045204

AIR INLET AND EXHAUST SYSTEM

500-3159 AIR CLEANER GP-AIR

S/N: TH21-UP; TH31-UP

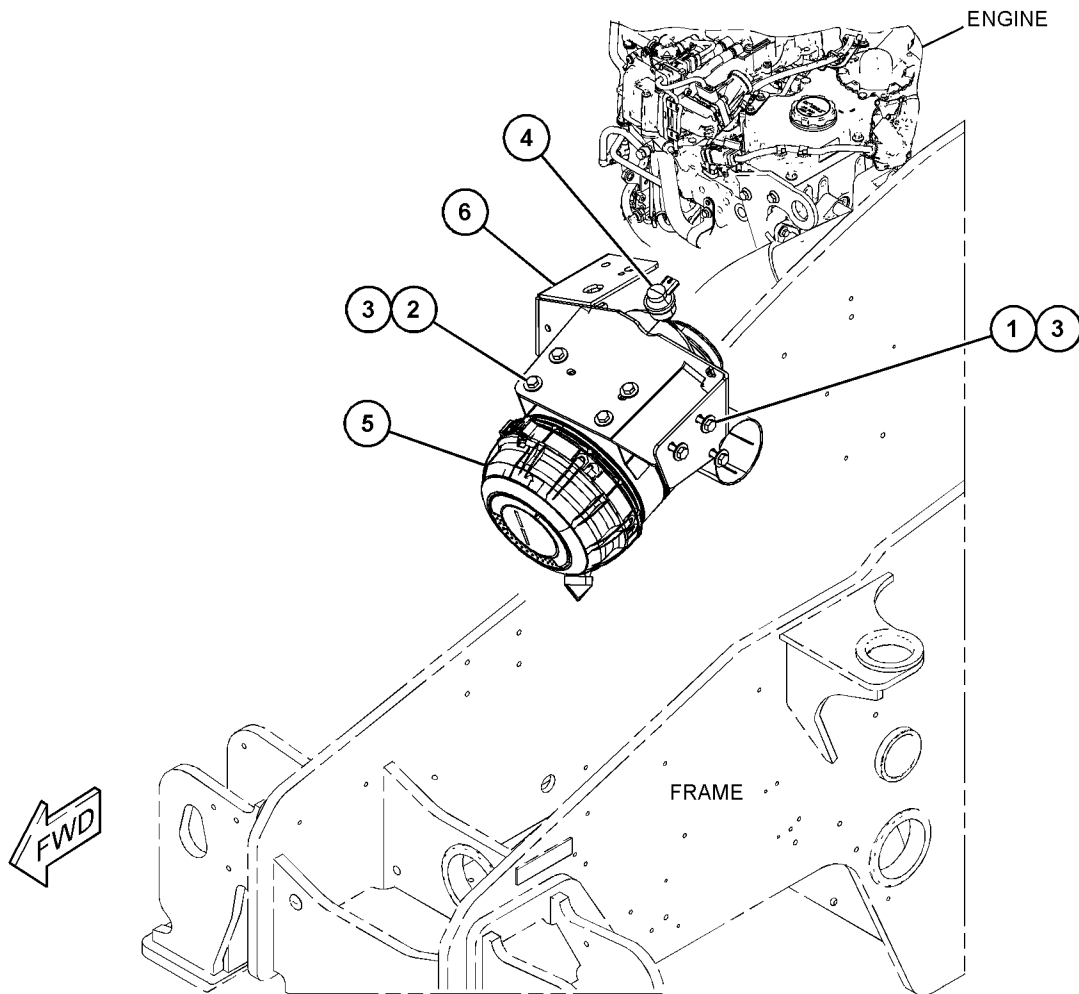
PART OF 505-6135 ENGINE AR, 505-6120 INSTALLATION AR-ENGINE
AN ATTACHMENT

SMCS-1051, 1054

i06601128

NOTE	REF NO	GRAPHIC REF	PART NUMBER	QTY	PART NAME						SEE PAGE
					1	2	3	4	5	6 (PRODUCT LEVEL)	
M	1	1	8T-4186	3	BOLT (M10X1.5X40-MM)						
M	2	1	8T-4137	4	BOLT (M10X1.5X20-MM)						
	3	1	116-8517	7	WASHER (10.5X30X2.5-MM THK)						
	4	1	477-0663	1	INDICATOR (CUTOFF)						
	5	1	473-1347	1	AIR CLEANER GP						
		1	473-1344	1	ELEMENT (SECONDARY)						
		1	473-1345	1	ELEMENT (PRIMARY)						
		1	474-3360	1	COVER						
		1	474-3386	2	BRACKET AS						
	6	1	500-3160	1	BRACKET AS						

M - METRIC PART



GRAPHIC #1

<END>

g06042860

AIR INLET AND EXHAUST SYSTEM

356-7409 COOLER & MTG GP-EXHAUST (NRS)

S/N: JKT1-UP

PART OF 464-2307, 464-2308 ENGINE AR-PRIMARY
ALSO AN ATTACHMENT

SMCS-1061, 1087, 108C

i06238233

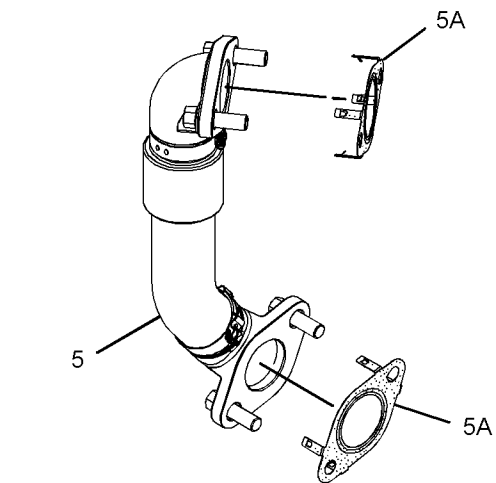
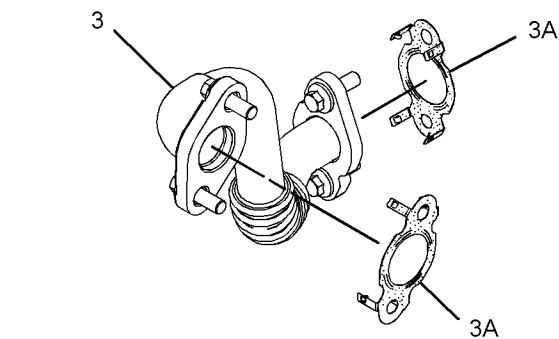
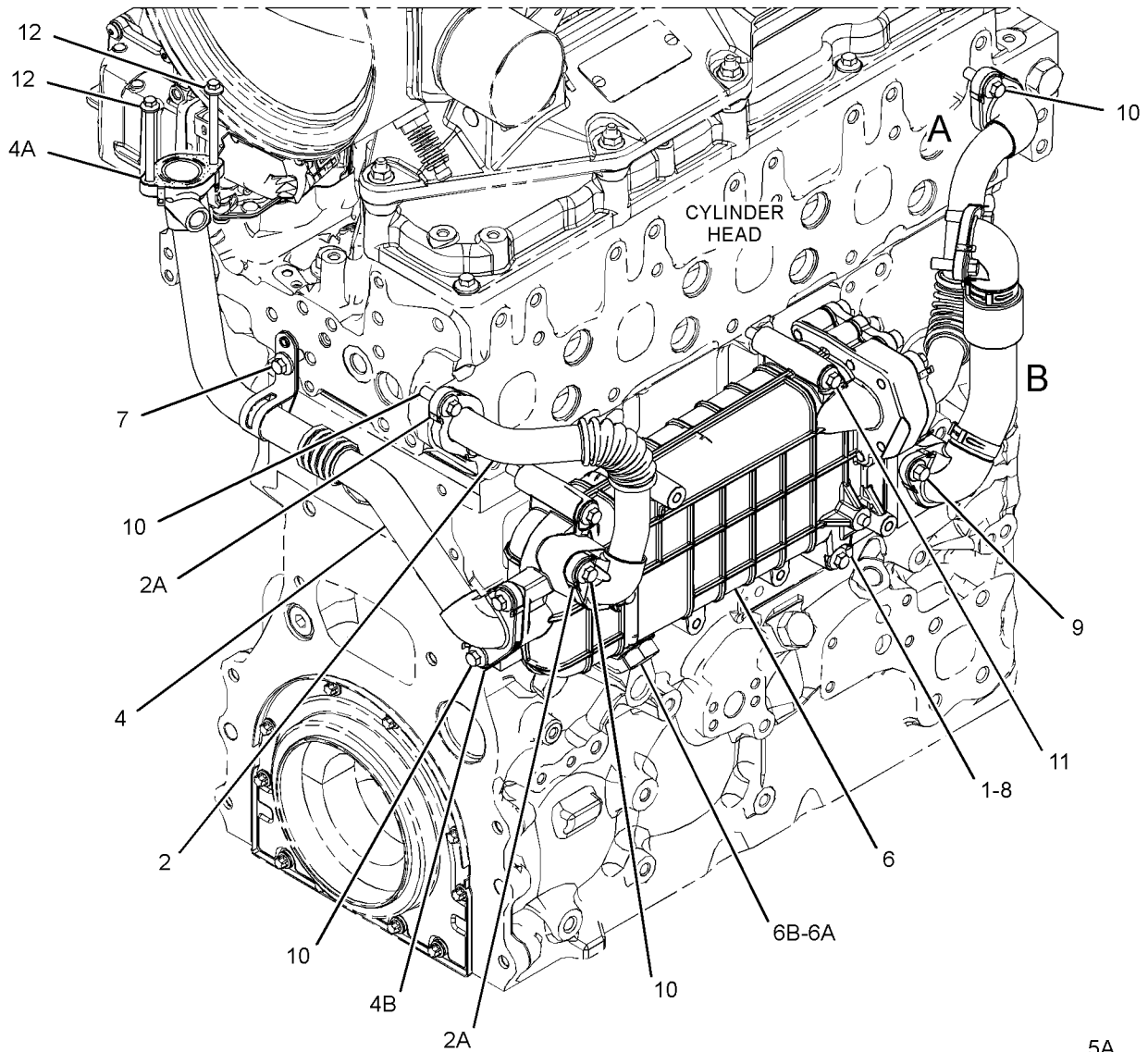
NOTE	REF NO	GRAPHIC REF	PART NUMBER	QTY	PART NAME						SEE PAGE
					1	2	3	4	5	6 (PRODUCT LEVEL)	
	1	1	232-1322	1	PLUG						
	2	1	357-7345	1	PIPE						
	2A	1	360-4066	2	GASKET						
	3	1	357-7346	1	PIPE						
	3A	1	360-4066	2	GASKET						
	4	1	357-7350	1	PIPE						
	4A	1	360-4064	1	GASKET						
	4B	1	360-4065	1	GASKET						
	5	1	371-3354	1	PIPE						
	5A	1	360-4063	2	GASKET						
	6	1	374-6307	1	COOLER						
	6A	1	199-9751	1	SEAL-O-RING						
	6B	1	232-1322	1	PLUG						
M	7	1	124-3815	1	BOLT (M8X1.25X16-MM)						
	8	1	199-9751	1	SEAL-O-RING						
	9	1	375-0351	4	BOLT-SPECIAL						
M	10	1	6I-0260	10	BOLT (M8X1.25X25-MM)						
M	11	1	6I-0293	3	BOLT (M8X1.25X80-MM)						
	12	1	6I-4068	2	BOLT (M6X1X75-MM)						

M - METRIC PART

AIR INLET AND EXHAUST SYSTEM

356-7409 COOLER & MTG GP-EXHAUST (NRS) (contd.)

i06238233



GRAPHIC #1

<END>

g02663019

AIR INLET AND EXHAUST SYSTEM

416-9543 ELBOW GP-AIR INLET

S/N: W231-UP

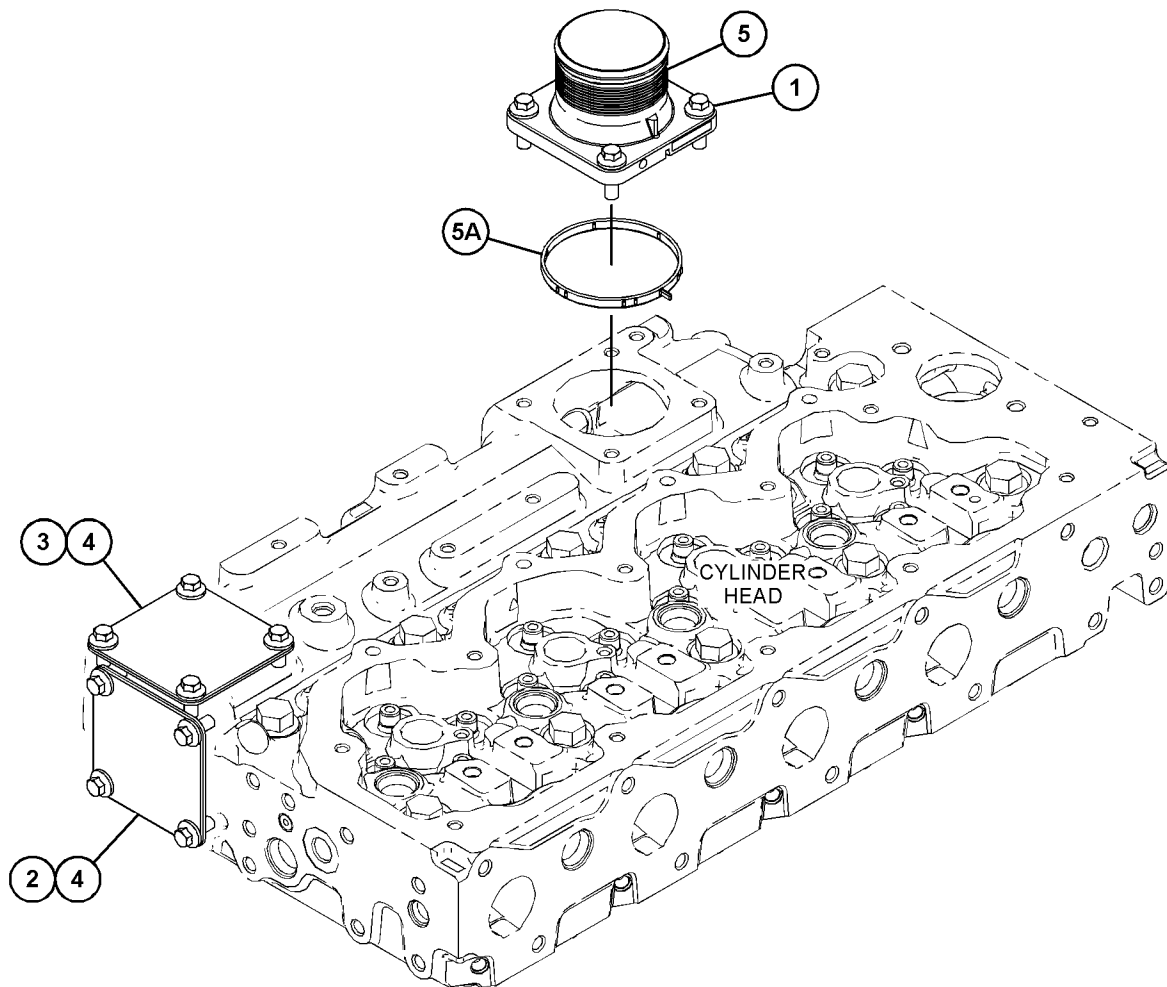
PART OF 463-8848, 463-8910 ENGINE AR-PRIMARY

SMCS-1087

i06174912

NOTE	REF NO	GRAPHIC REF	PART NUMBER	QTY	PART NAME						SEE PAGE
					1	2	3	4	5	6 (PRODUCT LEVEL)	
M	1	1	6I-0260	4	BOLT (M8X1.25X25-MM)						
M	2	1	111-8222	4	BOLT (M8X16-MM)						
M	3	1	124-3815	4	BOLT (M8X1.25X16-MM)						
	4	1	185-6627	2	PLATE						
	5	1	419-3740	1	CONNECTION GP-INLET						
	5A	1	238-8288	1	GASKET-INLET						

M - METRIC PART



GRAPHIC #1

<END>

g03822801

AIR INLET AND EXHAUST SYSTEM

459-3633 ELBOW GP-AIR INLET

S/N: JKT1-UP

12-VOLT

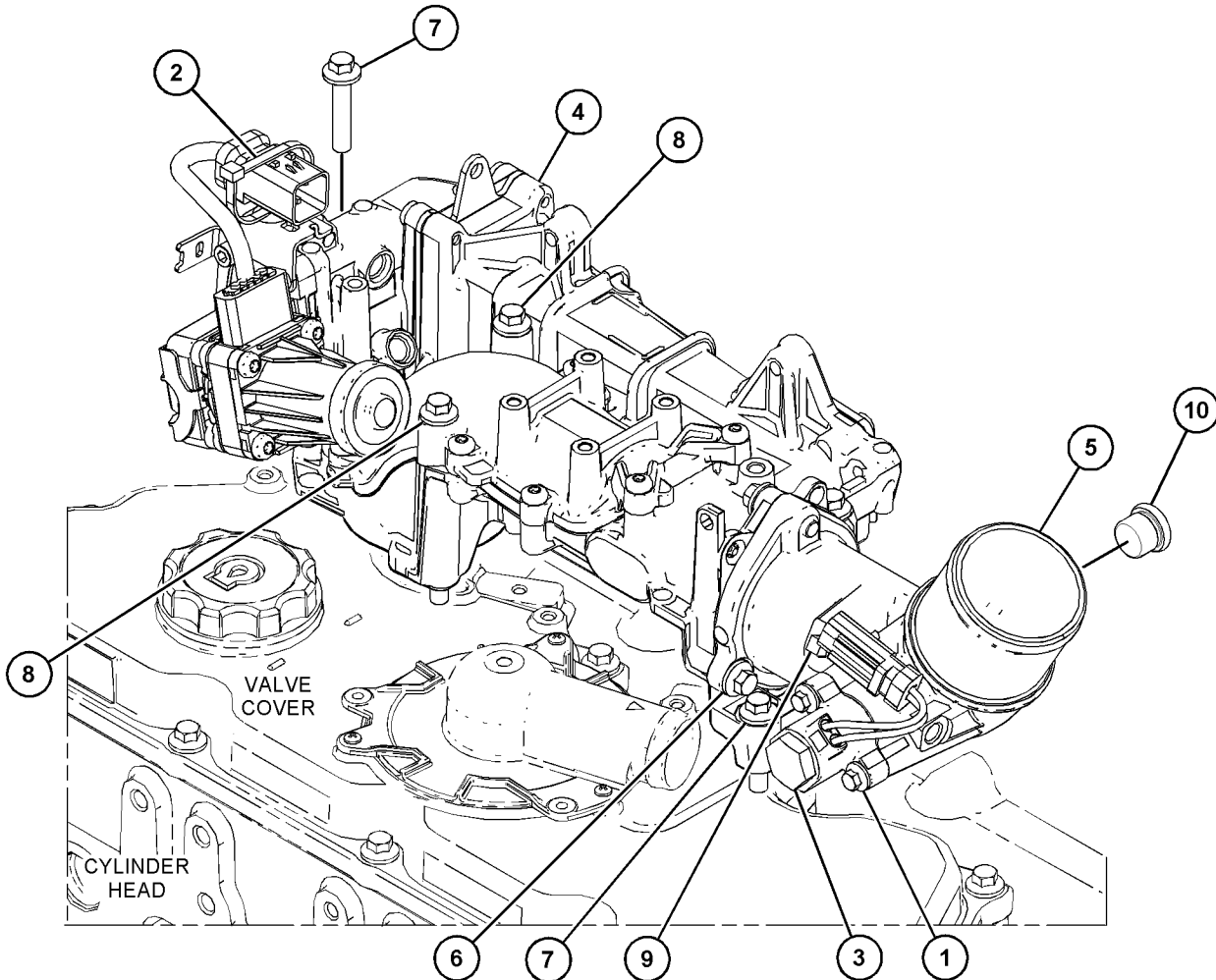
PART OF 464-2307, 464-2308 ENGINE AR-PRIMARY
ALSO AN ATTACHMENT

SMCS-1087

i06845958

NOTE	REF NO	GRAPHIC REF	PART NUMBER	QTY	PART NAME						SEE PAGE
					1	2	3	4	5	6 (PRODUCT LEVEL)	
M	1	1	6I-0917	2	BOLT (M6X1X25-MM)						
	2	1	316-9351	1	MOUNTING-CABLE TIE						
	3	1	369-1658	1	SOLENOID						
CY	4	1	466-7874	1	VALVE & MOUNTING GP (NRS)						273
	5	1	434-0513	1	PIPE						
M	6	1	6I-0254	3	BOLT (M8X1.25X30-MM)						
M	7	1	6I-1090	2	BOLT (M8X1.25X40-MM)						
M	8	1,1	6I-4709	3	BOLT (M8X1.25X100-MM)						
	9	1	035-8063	1	PLUG						
	10	1	470-4925	1	PLUG						

C - CHANGE FROM PREVIOUS TYPE
M - METRIC PART
Y - SEPARATE ILLUSTRATION



GRAPHIC #1

<END>

g06138874

AIR INLET AND EXHAUST SYSTEM

473-0267 EXHAUST GP

S/N: JKT1-UP

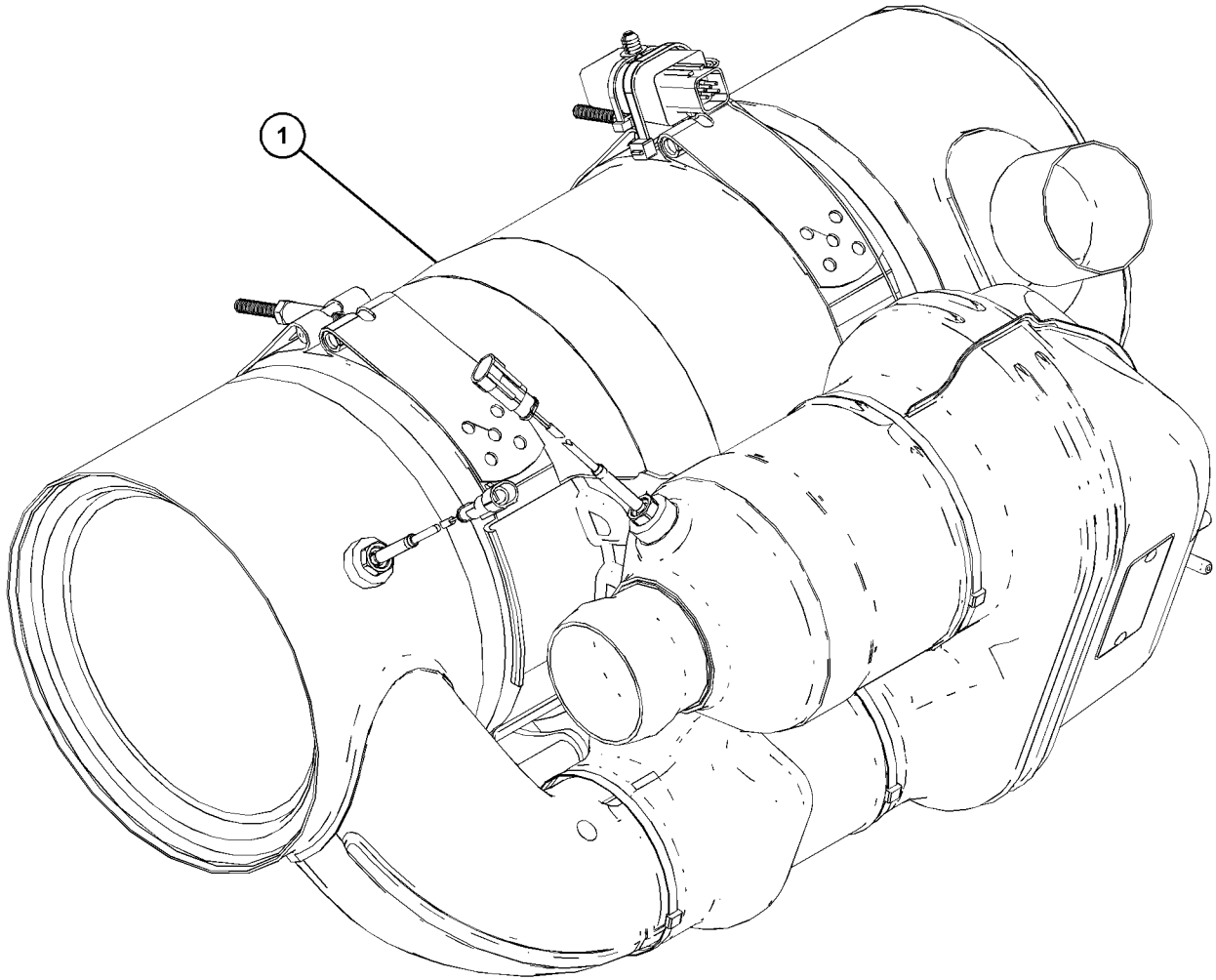
PART OF 464-2308 ENGINE AR-PRIMARY

SMCS-1061, 1062

i07162306

NOTE	REF NO	GRAPHIC REF	PART NUMBER	QTY	PART NAME						SEE PAGE
					1	2	3	4	5	6 (PRODUCT LEVEL)	
Y	1	1	479-6503	1	MODULE AR-CLEAN EMISSIONS						251

Y - SEPARATE ILLUSTRATION



GRAPHIC #1

<END>

g06158572

AIR INLET AND EXHAUST SYSTEM

497-9617 EXHAUST GP

S/N: TH31-UP

PART OF 505-5390, 505-6120 INSTALLATION AR-ENGINE
AN ATTACHMENT

SMCS-1061, 1062

i06823051

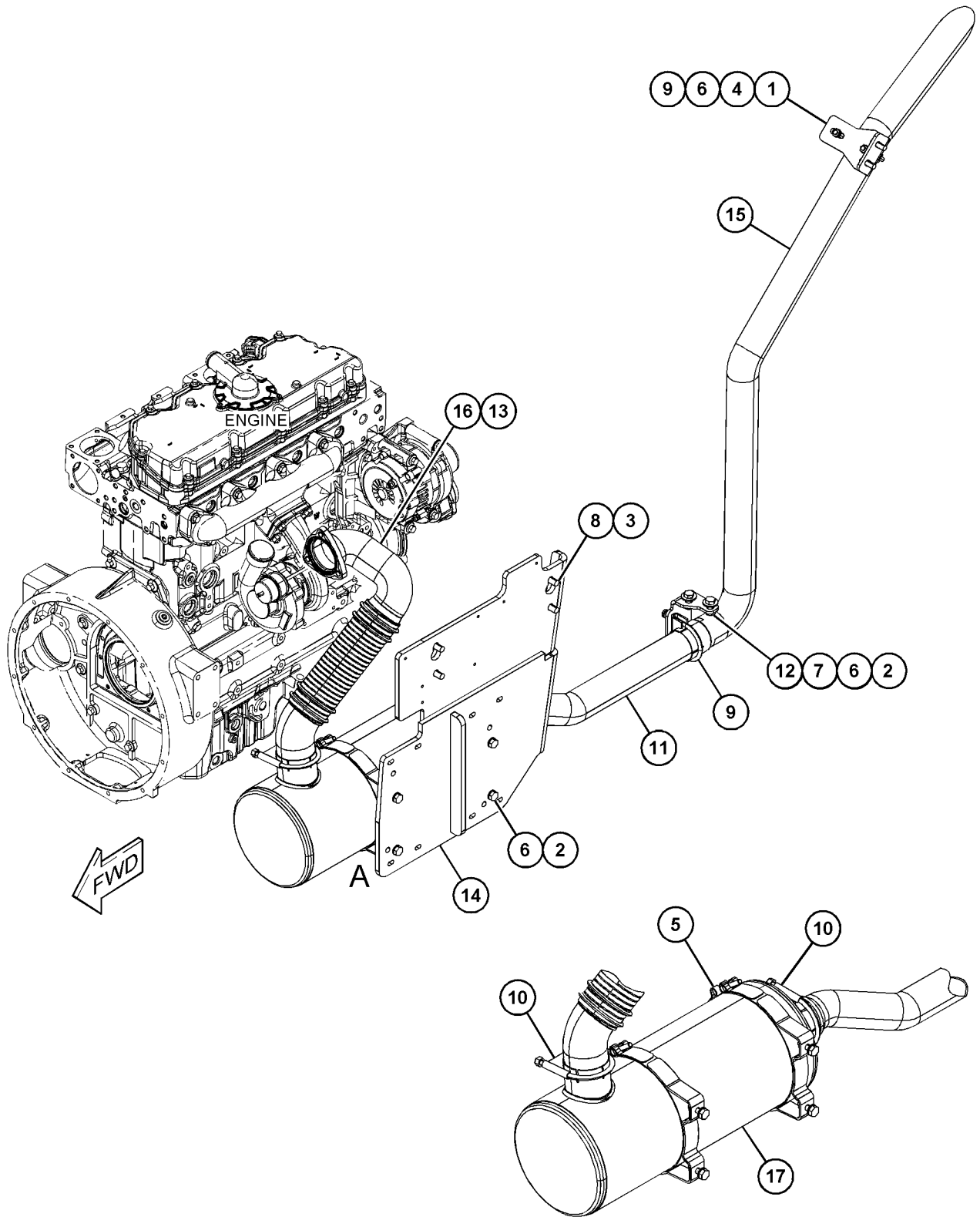
NOTE	REF NO	GRAPHIC REF	PART NUMBER	QTY	PART NAME						SEE PAGE
					1	2	3	4	5	6 (PRODUCT LEVEL)	
	1	1	476-5236	2	CLAMP AS						
M	2	1	8T-4195	6	BOLT (M10X1.5X30-MM)						
M	3	1	8T-4139	4	BOLT (M12X1.75X30-MM)						
M	4	1	8T-4136	2	BOLT (M10X1.5X25-MM)						
	5	1	497-9620	2	BRACKET						
	6	1	8T-4121	10	WASHER-HARD (11X21X2.5-MM THK)						
	7	1	116-8517	2	WASHER (10.5X30X2.5-MM THK)						
	8	1	8T-4223	4	WASHER-HARD (13.5X25.5X3-MM THK)						
	9	1	331-4387	2	CLAMP						
	10	1	298-0530	2	CLAMP-MUFFLER						
	11	1	497-9621	1	TUBE						
	12	1	497-9622	1	BRACKET AS						
	13	1	225-8530	2	GASKET						
	14	1	515-9723	1	BRACKET AS						
	15	1	497-9619	1	TUBE						
	16	1	519-1668	1	TUBE AS						
	17	1	476-5235	1	MUFFLER AS						

M - METRIC PART

AIR INLET AND EXHAUST SYSTEM

497-9617 EXHAUST GP (contd.)

106823051



VIEW OF AREA A
(PARTS REMOVED FOR CLARITY)

GRAPHIC #1

<END>

g06129755

AIR INLET AND EXHAUST SYSTEM

442-2325 EXHAUST GP-FLEXIBLE

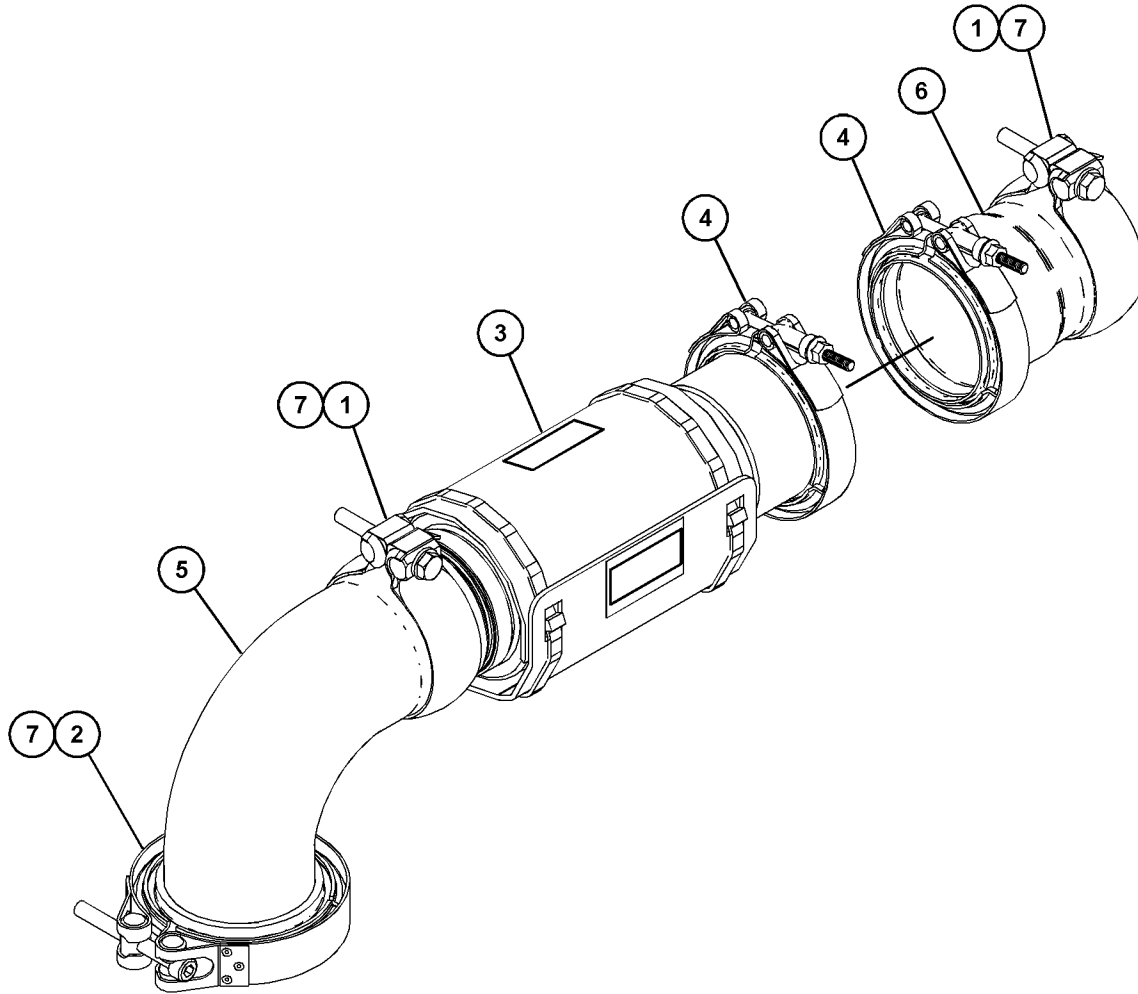
S/N: CJ41-UP

PART OF 465-2880 ENGINE AR-PRIMARY

SMCS-1061

i06252291

NOTE	REF NO	GRAPHIC REF	PART NUMBER	QTY	PART NAME						SEE PAGE
					1	2	3	4	5	6	
	1	1	359-5885	2	CLAMP AS						
	2	1	367-2071	1	CLAMP						
	3	1	447-3888	1	BELLOWS AS						
	4	1	451-4751	2	CLAMP AS						
	5	1	459-6647	1	ADAPTER AS						
	6	1	459-6656	1	TUBE-EXHAUST						
	7	1	470-0924	1	GASKET AS						



GRAPHIC #1

<END>

g03817816

AIR INLET AND EXHAUST SYSTEM

500-3104 EXTENSION GP-EXHAUST

S/N: TH21-UP

PART OF 505-6135 ENGINE AR
AN ATTACHMENT

SMCS-1061

i06948958

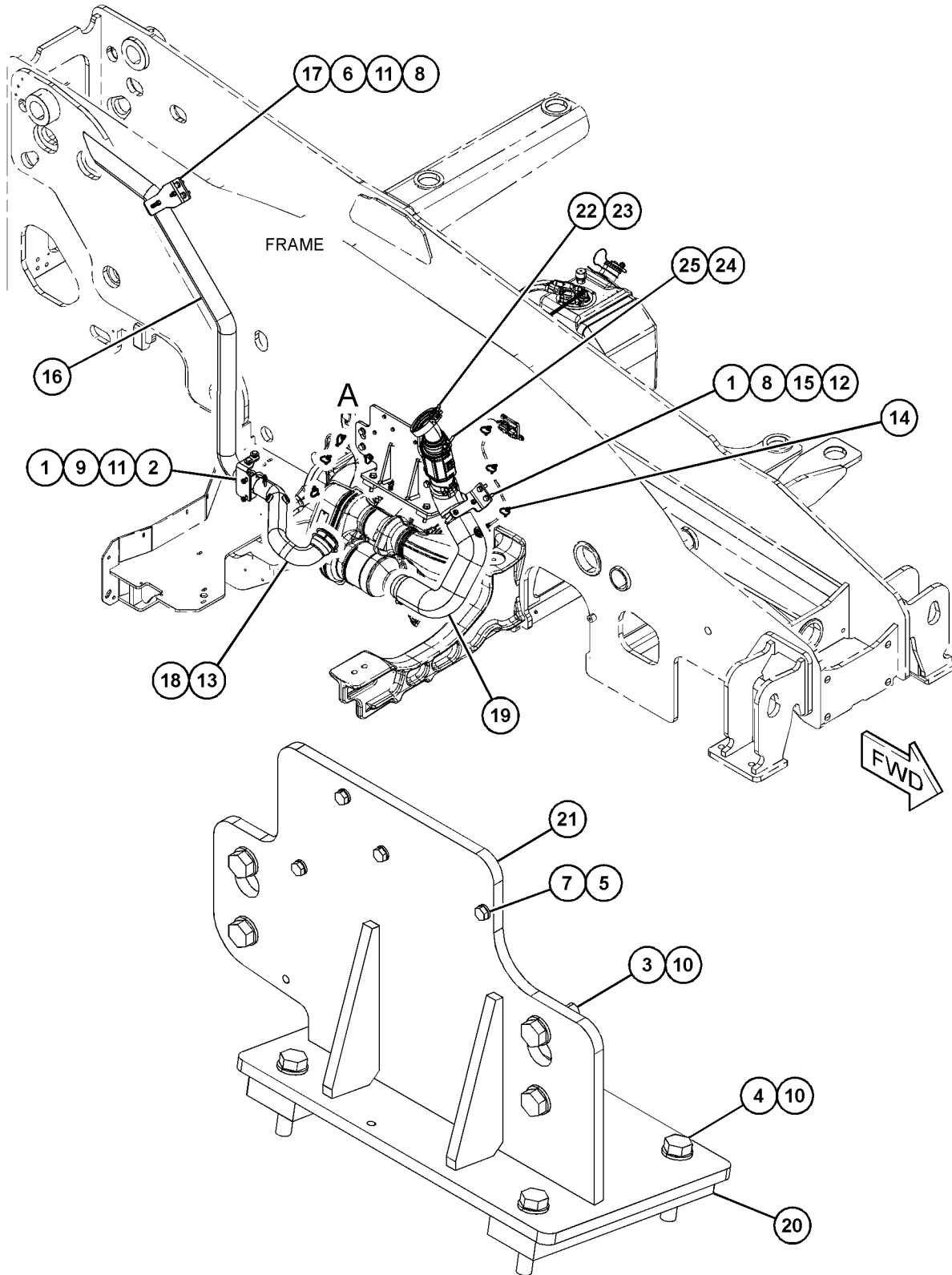
NOTE	REF NO	GRAPHIC REF	PART NUMBER	QTY	PART NAME						SEE PAGE
					1	2	3	4	5	6 (PRODUCT LEVEL)	
M	1	1	8T-4195	4	BOLT (M10X1.5X30-MM)						
	2	1	497-9622	1	BRACKET AS						
M	3	1	8T-4183	4	BOLT (M12X1.75X40-MM)						
M	4	1	8T-4910	4	BOLT (M12X1.75X60-MM)						
M	5	1	8T-4970	4	BOLT (M6X1X14-MM)						
M	6	1	8T-4136	2	BOLT (M10X1.5X25-MM)						
	7	1	8T-4205	4	WASHER-HARD (7.2X14.5X2-MM THK)						
	8	1	8T-4121	4	WASHER-HARD (11X21X2.5-MM THK)						
	9	1	116-8517	2	WASHER (10.5X30X2.5-MM THK)						
	10	1	8T-4223	8	WASHER-HARD (13.5X25.5X3-MM THK)						
	11	1	331-4387	2	CLAMP						
	12	1	298-0530	1	CLAMP-MUFFLER						
	13	1	298-1758	1	CLAMP-PIPE						
	14	1	455-3027	9	TIE-CABLE						
	15	1	500-3311	1	PLATE						
	16	1	497-9619	1	TUBE						
	17	1	497-9620	1	BRACKET						
	18	1	500-3135	1	TUBE AS						
	19	1	500-3136	1	TUBE AS						
	20	1	500-3137	2	PLATE-SPACER						
	21	1	500-3310	1	BRACKET AS						
	22	1	359-5885	2	CLAMP AS						
	23	1	367-2071	1	CLAMP						
	24	1	383-4141	1	ADAPTER AS-EXHAUST						
	25	1	362-9401	1	BELLOWS AS						
		1	034-1432	2	STRAP-CABLE						
		1	337-7304	1	CLAMP-BAND						

M - METRIC PART

AIR INLET AND EXHAUST SYSTEM

500-3104 EXTENSION GP-EXHAUST (contd.)

i06948958



VIEW OF AREA A
(PARTS REMOVED FOR CLARITY)

GRAPHIC #1

<END>

g06187284

AIR INLET AND EXHAUST SYSTEM

355-5592 FASTENER GP-CEM

S/N: JKT1-UP

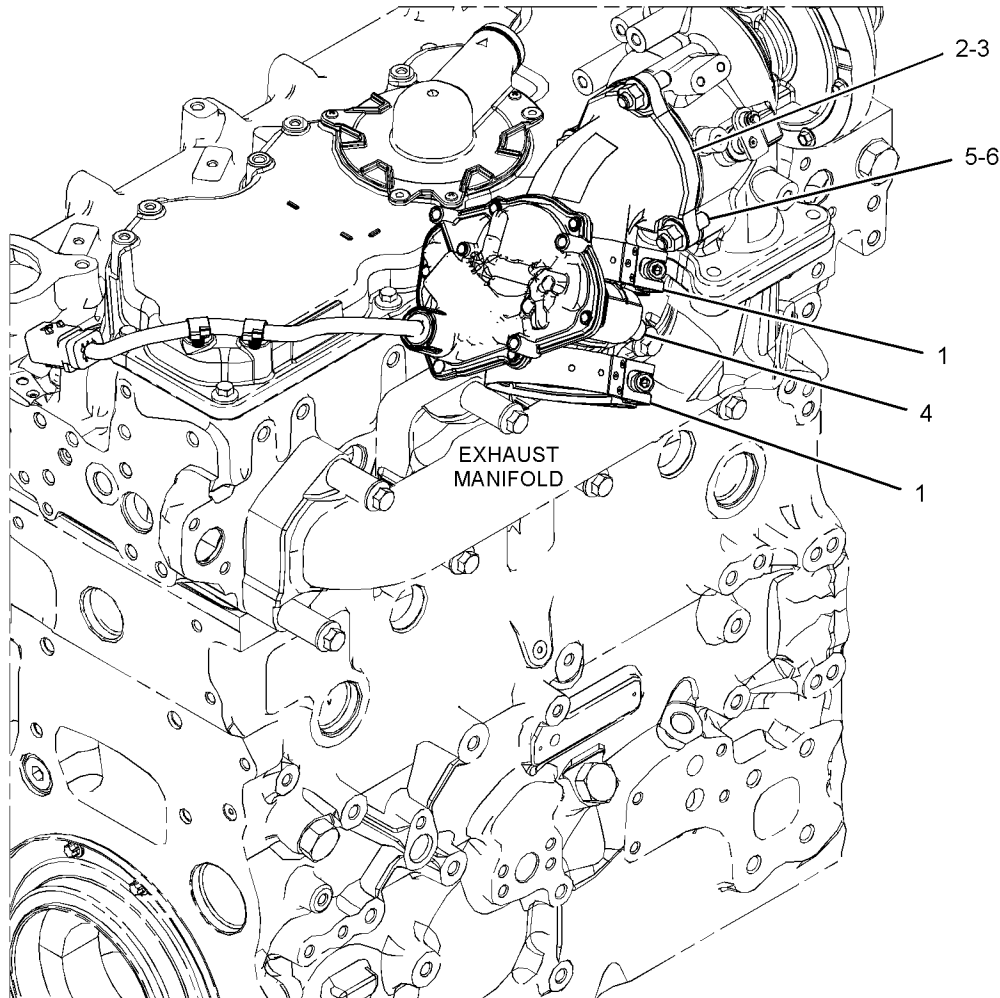
PART OF 464-2307, 464-2308 ENGINE AR-PRIMARY
ALSO AN ATTACHMENT

SMCS-7553

i04630475

NOTE	REF NO	GRAPHIC REF	PART NUMBER	QTY	PART NAME						SEE PAGE
					1	2	3	4	5	6 (PRODUCT LEVEL)	
	1	1	343-5908	2	CLAMP-V BAND						
	2	1	346-6185	1	GASKET						
	3	1	356-8242	1	ELBOW GP						
	4	1	362-9021	1	VALVE-EXHAUST BACK PRESSURE						
	5	1	147-5553	3	STUD						
M	6	1	6I-0563	3	NUT (M10X1.5-THD)						

M - METRIC PART



GRAPHIC #1

<END>

g02789633

AIR INLET AND EXHAUST SYSTEM

442-0486 FILTER GP-DIESEL PARTICULATE

S/N: CJ41-UP

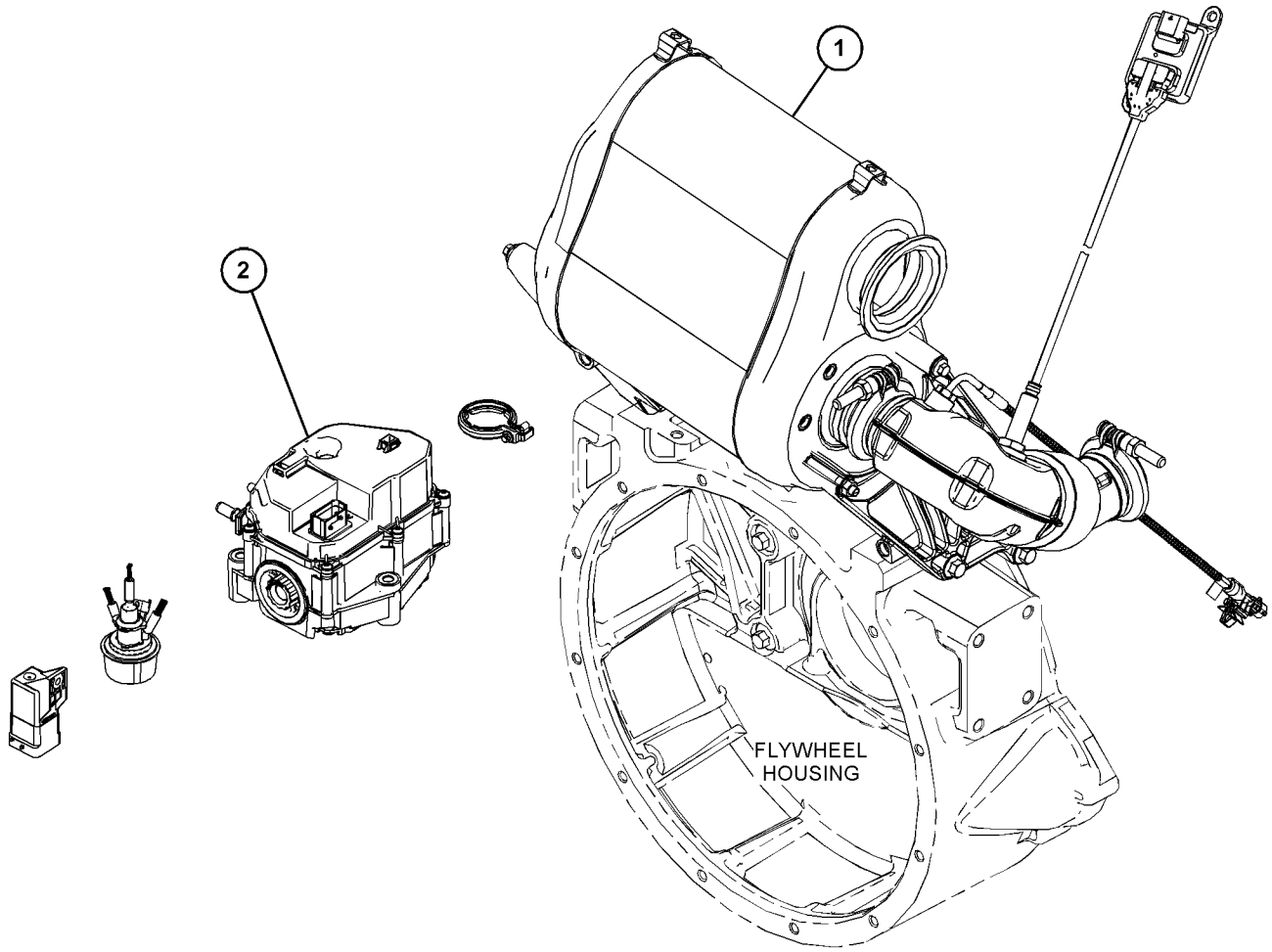
PART OF 465-2880 ENGINE AR-PRIMARY

SMCS-108F, 1091

i06277234

NOTE	REF NO	GRAPHIC REF	PART NUMBER	QTY	PART NAME						SEE PAGE
					1	2	3	4	5	6 (PRODUCT LEVEL)	
Y	1	1	464-2121	1	FILTER GP-DIESEL PARTICULATE						232
CY	2	1	470-9781	1	PUMP GP-DIESEL EXHAUST FLUID						259

C - CHANGE FROM PREVIOUS TYPE
Y - SEPARATE ILLUSTRATION



GRAPHIC #1

<END>

g06079836

AIR INLET AND EXHAUST SYSTEM

442-1585 FILTER GP-DIESEL PARTICULATE

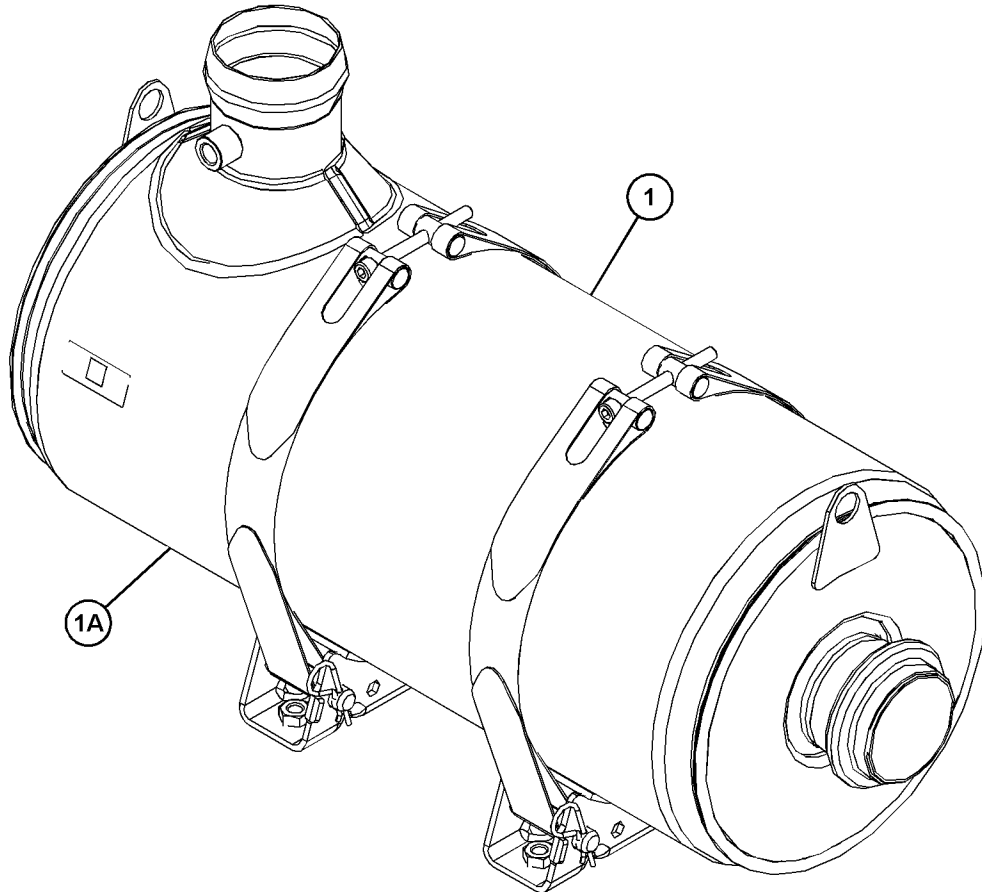
S/N: CJ41-UP

PART OF 465-2880 ENGINE AR-PRIMARY

SMCS-108F, 1091

i06252194

NOTE	REF NO	GRAPHIC REF	PART NUMBER	QTY	PART NAME						SEE PAGE
					1	2	3	4	5	6 (PRODUCT LEVEL)	
	1	1	467-1399	1	FILTER GP-DIESEL PARTICULATE						
	1A	1	467-1400	1	FILTER GP-DIESEL PARTICULATE						



GRAPHIC #1

<END>

g03828010

AIR INLET AND EXHAUST SYSTEM

464-2121 FILTER GP-DIESEL PARTICULATE

S/N: CJ41-UP

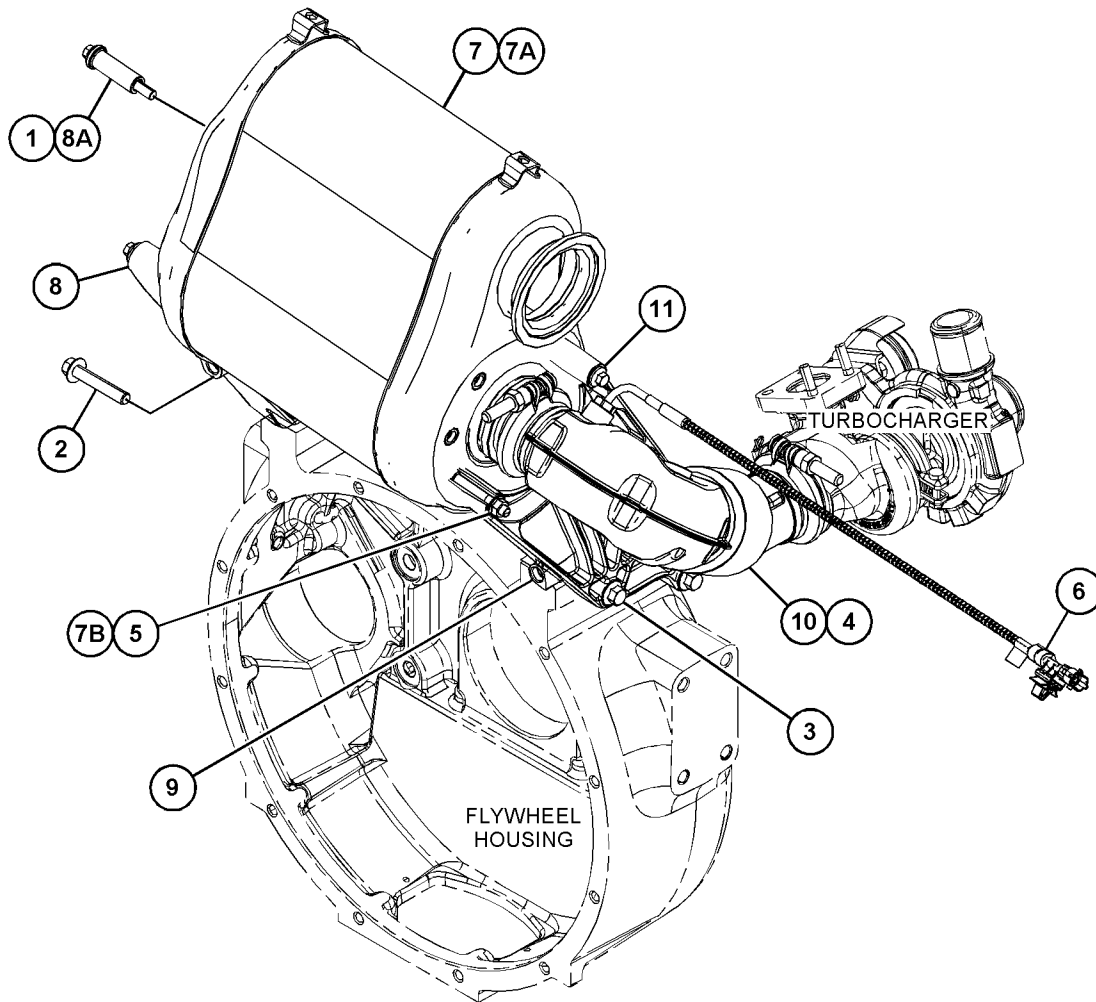
PART OF 442-0486 FILTER GP-DIESEL PARTICULATE

SMCS-108F, 1091

i06839549

NOTE	REF NO	GRAPHIC REF	PART NUMBER	QTY	PART NAME						SEE PAGE
					1	2	3	4	5	6	
M	1	1	100-3751	3	BOLT (M8X1.25X65-MM)						
M	2	1	101-7178	3	BOLT (M10X1.5X55-MM)						
M	3	1	123-2899	3	BOLT (M10X1.5X40-MM)						
	4	1	387-9343	2	CLIP						
	5	1	394-8799	1	NUT-SPECIAL						
	6	1	450-7214	1	SENSOR AS-TEMPERATURE						
	7	1	464-8795	1	FILTER AS-DIESEL PARTICULATE						
	7A	1	463-9169	1	CATALYST AS						
	7B	1	464-8891	1	STUD						
	8	1	464-8797	1	BRACKET AS						
	8A	1	464-8806	3	BUSHING						
	9	1	464-8829	1	BRACKET						
	10	1	464-8973	1	PIPE AS						
M	11	1	6I-0455	2	BOLT (M8X1.25X55-MM)						

M - METRIC PART



GRAPHIC #1

<END>

g06137039

AIR INLET AND EXHAUST SYSTEM

499-9429 LINES GP-AIR

S/N: TH21-UP

PART OF 505-6134 INSTALLATION AR-ENGINE
AN ATTACHMENT

SMCS-1071

i06907155

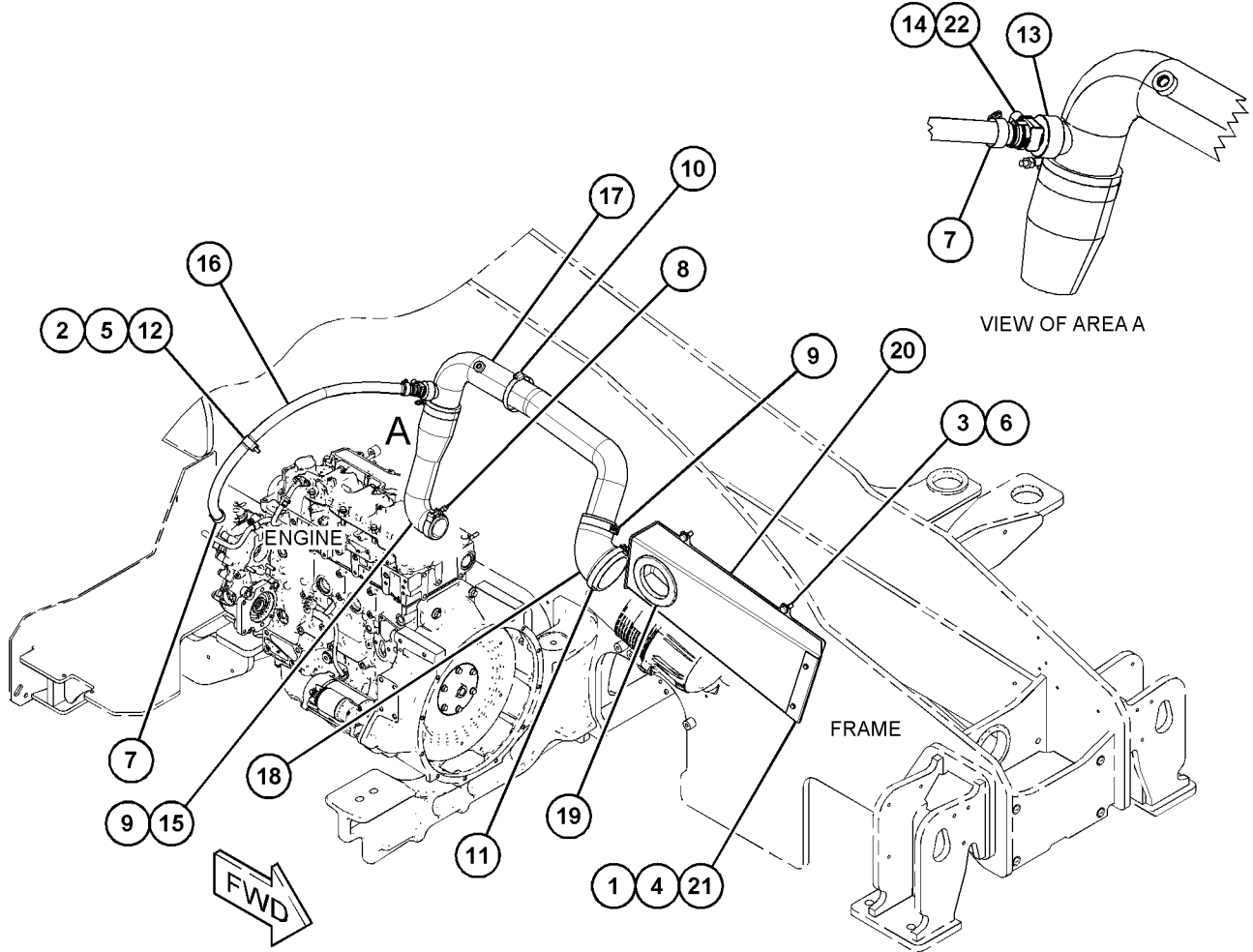
NOTE	REF NO	GRAPHIC REF	PART NUMBER	QTY	PART NAME						SEE PAGE
					1	2	3	4	5	6 (PRODUCT LEVEL)	
M	1	1	5C-9553	2	BOLT (M6X1X16-MM)						
M	2	1	8T-4189	1	BOLT (M8X1.25X20-MM)						
M	3	1	8T-4136	4	BOLT (M10X1.5X25-MM)						
	4	1	8T-4205	2	WASHER-HARD (7.2X14.5X2-MM THK)						
	5	1	8T-4224	1	WASHER-HARD (8.8X16X2-MM THK)						
	6	1	8T-4121	4	WASHER-HARD (11X21X2.5-MM THK)						
	7	1	303-8599	2	CLAMP						
	8	1	457-1255	1	CLAMP						
	9	1	309-4002	2	CLAMP						
	10	1	3E-7404	1	CLAMP-HOSE						
	11	1	332-7540	1	CLAMP						
	12	1	7C-4354	1	CLIP						
	13	1	398-2009	1	GROMMET						
	14	1	444-6962	1	ADAPTER						
	15	1	476-6644	1	HOSE						
	16	1	476-6640	1	HOSE						
	17	1	499-9432	1	TUBE AS						
	18	1	499-9433	1	HOSE						
	19	1	481-4436	1	GROMMET						
	20	1	499-9434	1	PLATE AS						
	21	1	499-9435	1	PLATE						
	22	1	376-1398	1	CONNECTION						

M - METRIC PART

AIR INLET AND EXHAUST SYSTEM

499-9429 LINES GP-AIR (contd.)

i06907155



GRAPHIC #1

<END>

g06165549

AIR INLET AND EXHAUST SYSTEM

500-1294 LINES GP-AIR

S/N: TH31-UP

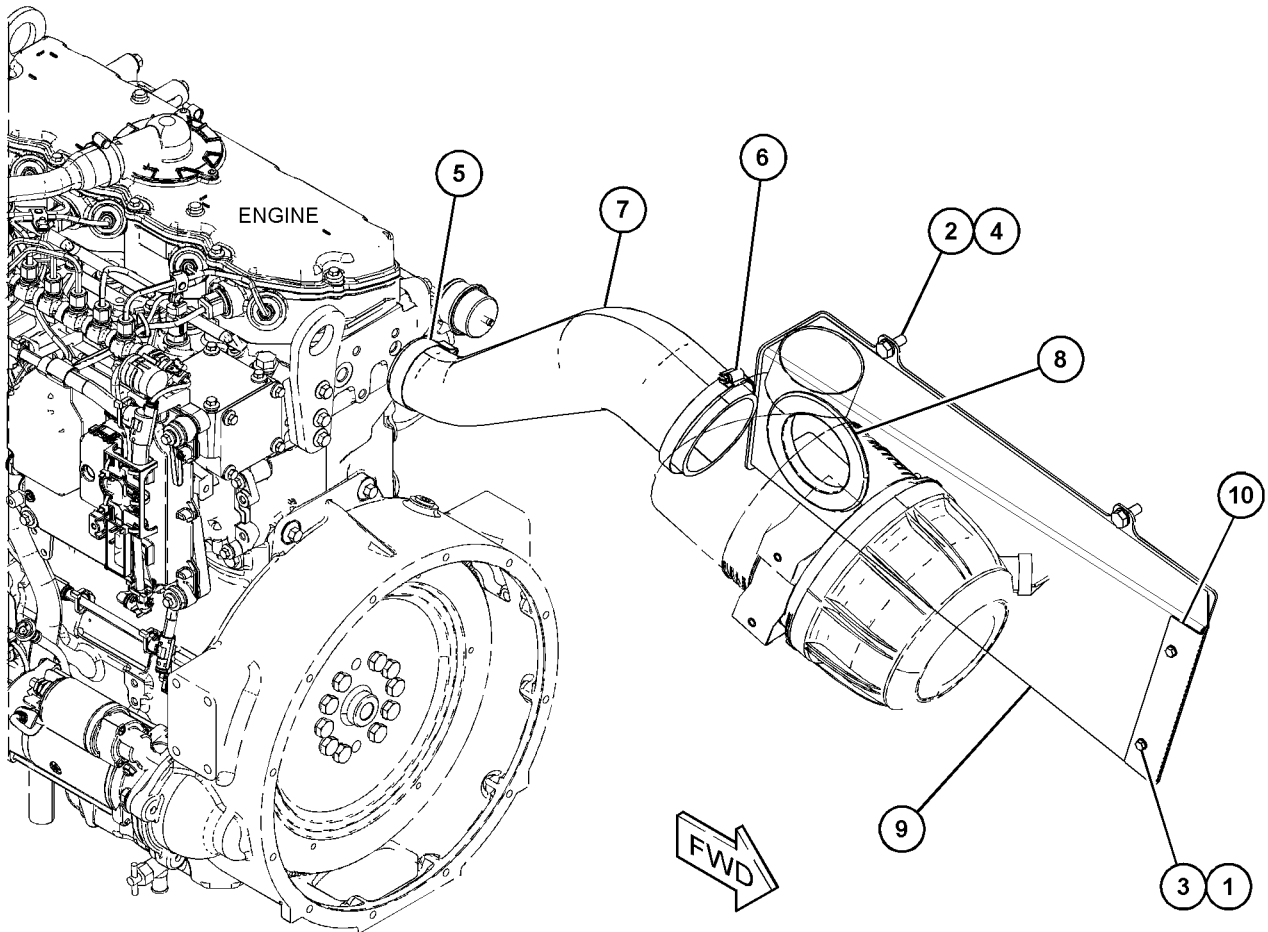
PART OF 505-5390 INSTALLATION AR-ENGINE
AN ATTACHMENT

SMCS-1071

i06603092

NOTE	REF NO	GRAPHIC REF	PART NUMBER	QTY	PART NAME						SEE PAGE
					1	2	3	4	5	6 (PRODUCT LEVEL)	
M	1	1	5C-9553	2	BOLT (M6X1X16-MM)						
M	2	1	8T-4136	4	BOLT (M10X1.5X25-MM)						
	3	1	8T-4205	2	WASHER-HARD (7.2X14.5X2-MM THK)						
	4	1	8T-4121	4	WASHER-HARD (11X21X2.5-MM THK)						
	5	1	457-9914	1	CLAMP						
	6	1	332-7540	1	CLAMP						
	7	1	500-1295	1	HOSE						
	8	1	481-4436	1	GROMMET						
	9	1	499-9434	1	PLATE AS						
	10	1	499-9435	1	PLATE						

M - METRIC PART



GRAPHIC #1

<END>

g06045268

AIR INLET AND EXHAUST SYSTEM

500-3068 LINES GP-AIR

S/N: TH31-UP

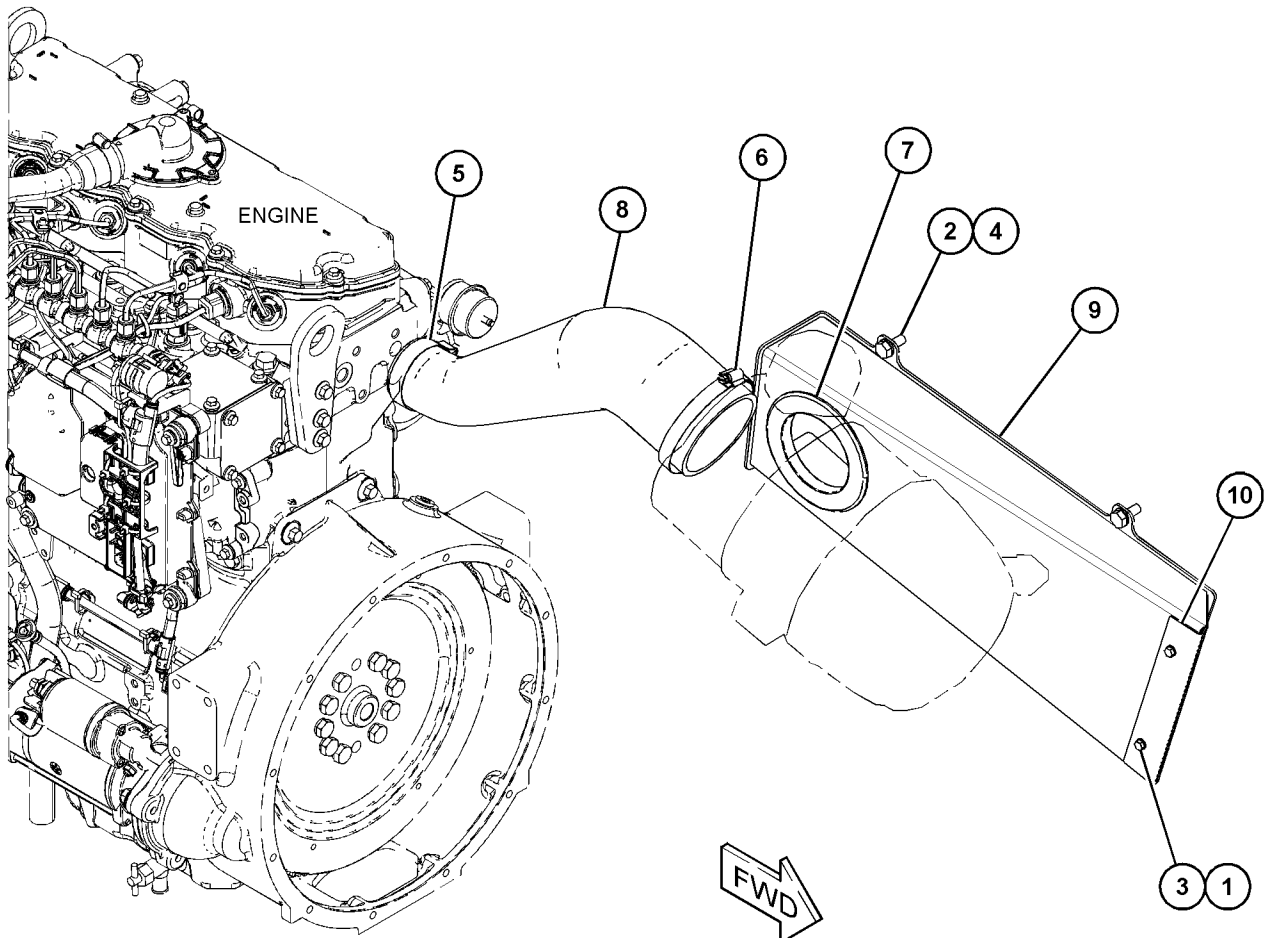
PART OF 505-6120 INSTALLATION AR-ENGINE
AN ATTACHMENT

SMCS-1071

i06603100

NOTE	REF NO	GRAPHIC REF	PART NUMBER	QTY	PART NAME						SEE PAGE
					1	2	3	4	5	6	
M	1	1	5C-9553	2	BOLT (M6X1X16-MM)						
M	2	1	8T-4136	4	BOLT (M10X1.5X25-MM)						
	3	1	8T-4205	2	WASHER-HARD (7.2X14.5X2-MM THK)						
	4	1	8T-4121	4	WASHER-HARD (11X21X2.5-MM THK)						
	5	1	457-9914	1	CLAMP						
	6	1	332-7540	1	CLAMP						
	7	1	482-8491	1	GROMMET						
	8	1	502-1188	1	HOSE						
	9	1	499-9434	1	PLATE AS						
	10	1	499-9435	1	PLATE						

M - METRIC PART



GRAPHIC #1

<END>

g06049966

AIR INLET AND EXHAUST SYSTEM

500-3139 LINES GP-AIR

S/N: TH21-UP

PART OF 505-6135 ENGINE AR
AN ATTACHMENT

SMCS-1071

i06601122

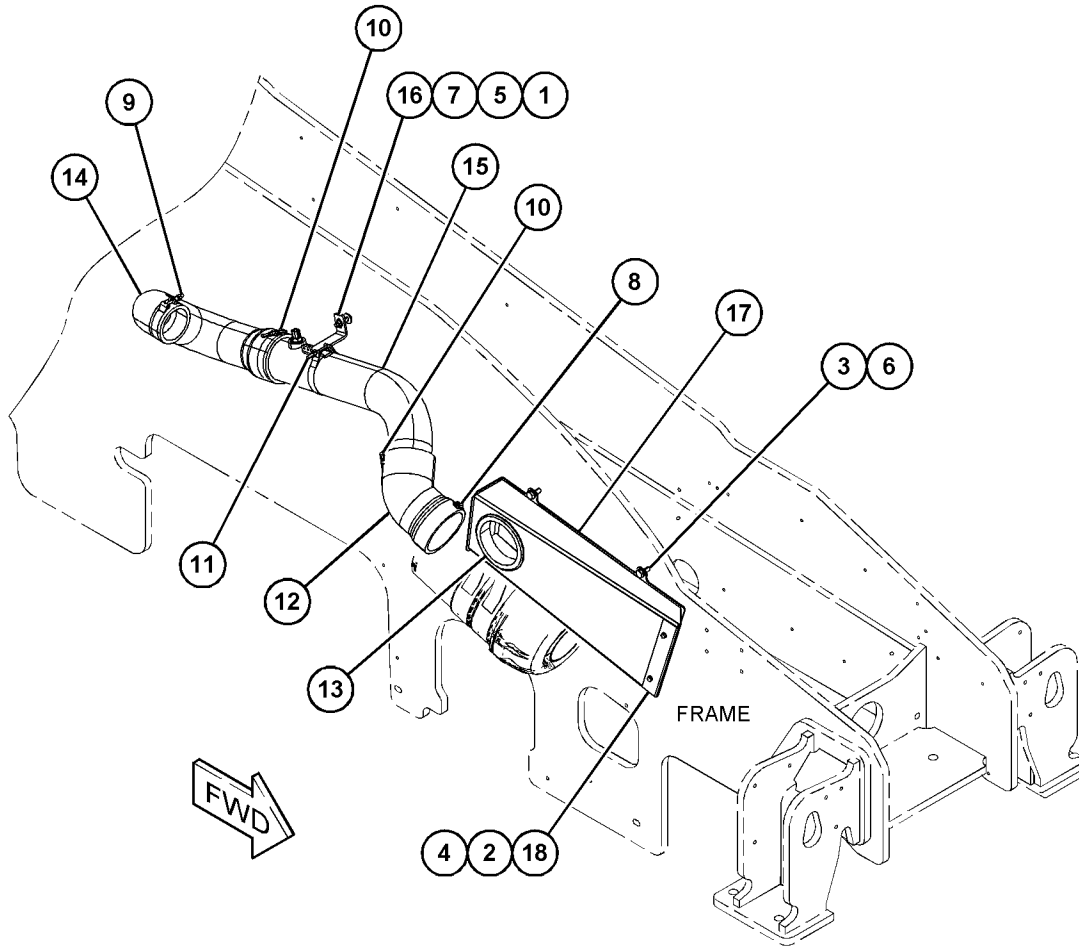
NOTE	REF NO	GRAPHIC REF	PART NUMBER	QTY	PART NAME						SEE PAGE
					1	2	3	4	5	6 (PRODUCT LEVEL)	
M	1	1	9X-2480	1	BOLT (M6X1X45-MM)						
M	2	1	5C-9553	2	BOLT (M6X1X16-MM)						
M	3	1	8T-4136	4	BOLT (M10X1.5X25-MM)						
	4	1	8T-4205	2	WASHER-HARD (7.2X14.5X2-MM THK)						
	5	1	309-3997	1	WASHER (8.4X25X2-MM THK)						
	6	1	8T-4121	4	WASHER-HARD (11X21X2.5-MM THK)						
M	7	1	178-3336	1	NUT-HEX FLANGE (M8X1.25-THD)						
	8	1	332-7540	1	CLAMP						
	9	1	464-6623	1	CLAMP						
	10	1	464-1268	2	CLAMP						
	11	1	303-5002	1	CLAMP-BAND						
	12	1	474-4048	1	HOSE						
	13	1	482-8491	1	GROMMET						
	14	1	474-4050	1	HOSE						
	15	1	500-3140	1	TUBE AS						
	16	1	500-3141	1	PLATE						
	17	1	499-9434	1	PLATE AS						
	18	1	499-9435	1	PLATE						

M - METRIC PART

AIR INLET AND EXHAUST SYSTEM

500-3139 LINES GP-AIR (contd.)

i06601122



GRAPHIC #1

<END>

g06044685

AIR INLET AND EXHAUST SYSTEM

499-5295 LINES GP-COOLING-RADIATOR

S/N: TH21-UP

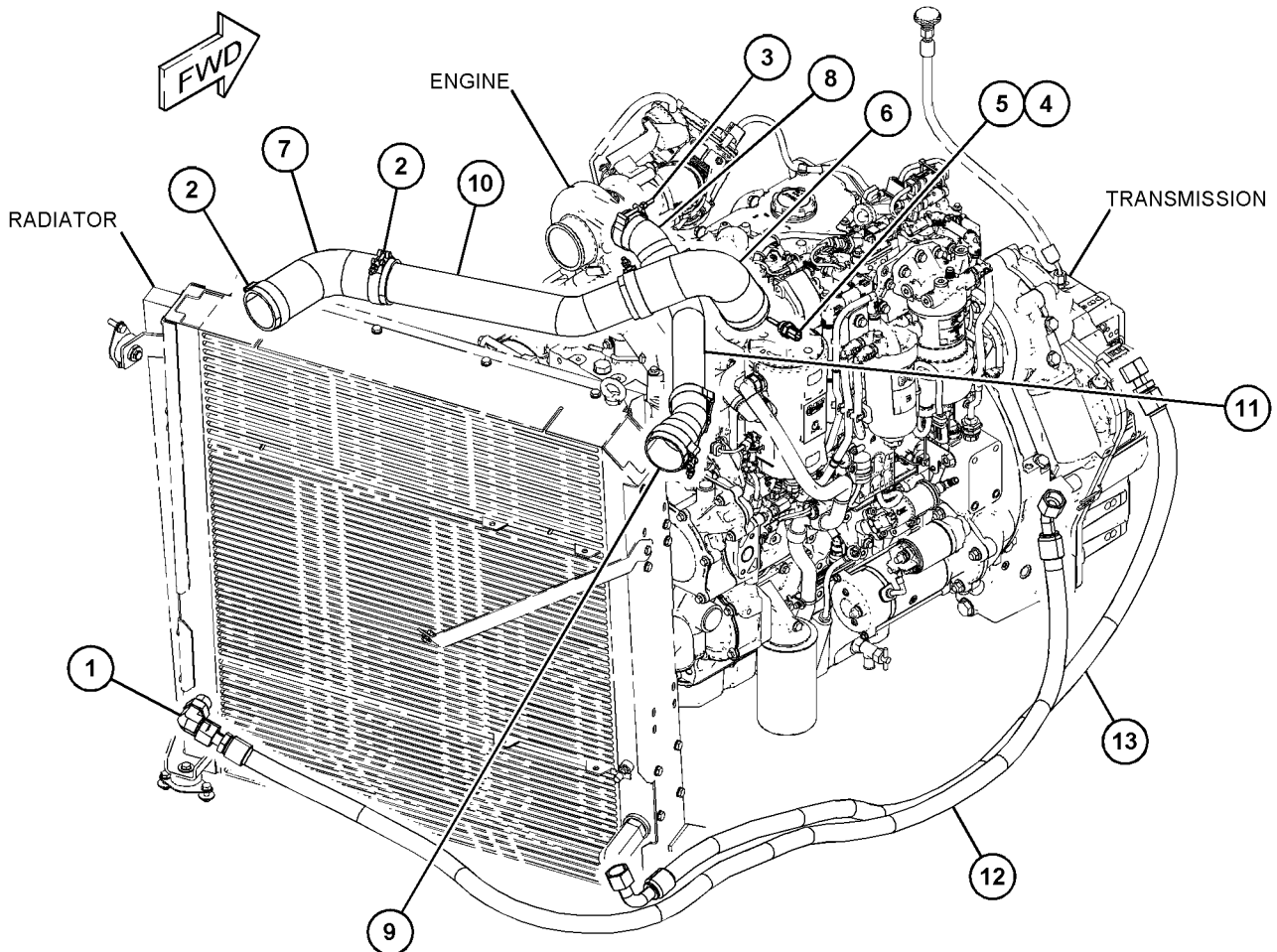
PART OF 505-6164, 505-6165, 505-6167, 505-6168 ENGINE AR-COMPLETE
AN ATTACHMENT

SMCS-1087, 1380

i06601109

NOTE	REF NO	GRAPHIC REF	PART NUMBER	QTY	PART NAME						SEE PAGE
					1	2	3	4	5	6 (PRODUCT LEVEL)	
	1	1	298-0476	1	FITTING-ADAPTER						
	2	1	457-9914	5	CLAMP						
	3	1	298-7884	3	CLAMP-BAND						
	4	1	8T-7524	1	SEAL-O-RING						
	5	1	256-6454	1	SENSOR-TEMPERATURE (COOLANT)						
	6	1	499-5294	1	HOSE						
	7	1	499-5293	1	HOSE						
	8	1	499-5292	1	HOSE						
	9	1	499-5291	1	HOSE						
	10	1	499-5290	1	TUBE						
	11	1	499-5289	1	TUBE						
I	12	1	499-4258	1	HOSE AS						
I	13	1	499-4260	1	HOSE AS						

I - REFER TO HYDRAULIC INFORMATION SYSTEM



GRAPHIC #1

<END>

g06099711

AIR INLET AND EXHAUST SYSTEM

495-9884 LINES GP-DIESEL EXHAUST FLUID

S/N: TH21-UP

PART OF 500-1062 TANK & MTG GP-DEF
AN ATTACHMENT

SMCS-108K, 1091

i06823056

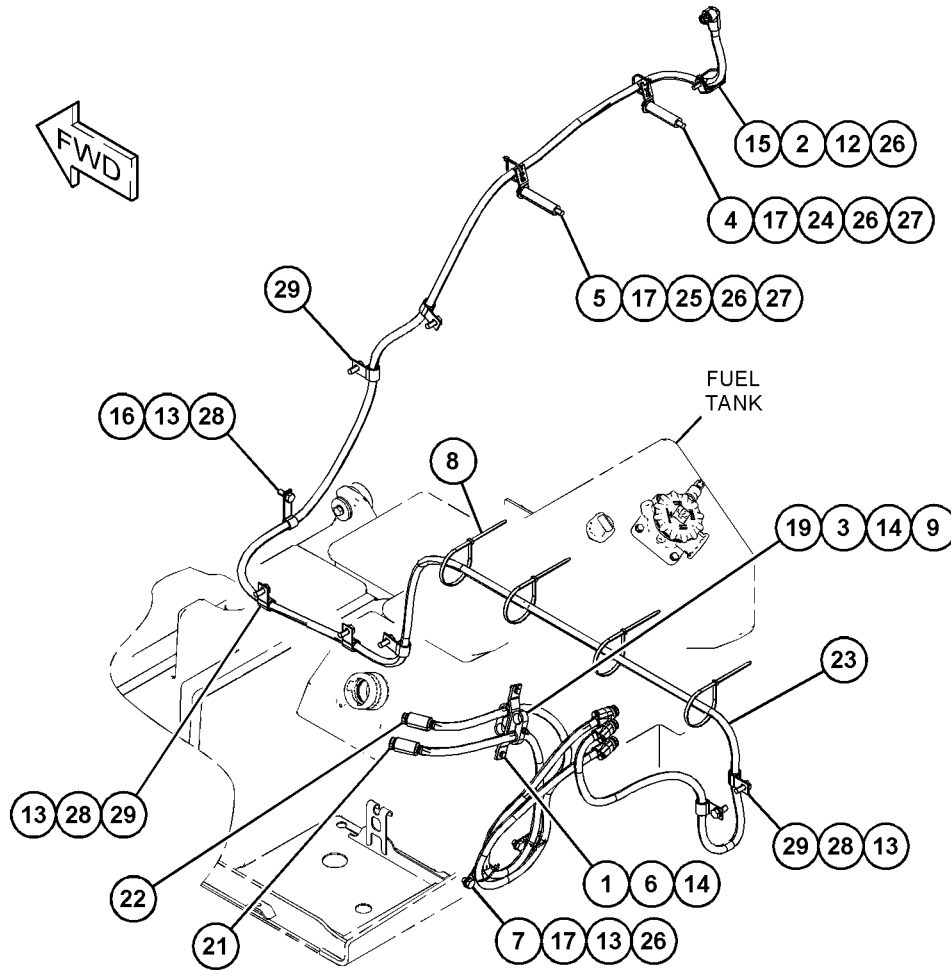
NOTE	REF NO	GRAPHIC REF	PART NUMBER	QTY	PART NAME						SEE PAGE
					1	2	3	4	5	6 (PRODUCT LEVEL)	
	1	1	495-9887	1	BRACKET						
M	2	1	8T-4189	1	BOLT (M8X1.25X20-MM)						
M	3	1	8T-6974	1	BOLT (M6X1X80-MM)						
M	4	1	8T-4198	1	BOLT (M10X1.5X100-MM)						
M	5	1	8T-6685	1	BOLT (M10X1.5X110-MM)						
M	6	1	5C-9553	2	BOLT (M6X1X16-MM)						
M	7	1	328-9688	2	SCREW (M10X1.5X14-MM)						
	8	1	7K-1181	4	STRAP-CABLE						
M	9	1	208-8469	1	LOCKNUT (M6X1-THD)						
	12	1	309-3997	1	WASHER (8.4X25X2-MM THK)						
	13	1	8T-4121	9	WASHER-HARD (11X21X2.5-MM THK)						
	14	1	303-4787	3	WASHER (6.1X11.8X1.6-MM THK)						
	15	1	132-5789	1	CLIP (LADDER)						
	16	1	1P-7009	1	CLIP						
	17	1	4P-7581	4	CLIP (LADDER)						
	19	1	495-9886	2	CLAMP						
	21	1	495-9888	1	HOSE AS						
	22	1	495-9889	1	HOSE AS						
	23	1	495-9891	1	HOSE AS						
	24	1	495-9893	1	TUBE						
	25	1	495-9895	1	TUBE						
	26	1	3S-2093	5	STRAP-CABLE						
	27	1	116-8517	2	WASHER (10.5X30X2.5-MM THK)						
M	28	1	8T-4191	7	BOLT (M10X1.5X16-MM)						
	29	1	4D-7735	7	CLIP						

M - METRIC PART

AIR INLET AND EXHAUST SYSTEM

495-9884 LINES GP-DIESEL EXHAUST FLUID (contd.)

106823056



GRAPHIC #1

<END>

g06129862

AIR INLET AND EXHAUST SYSTEM

496-3412 LINES GP-DIESEL EXHAUST FLUID

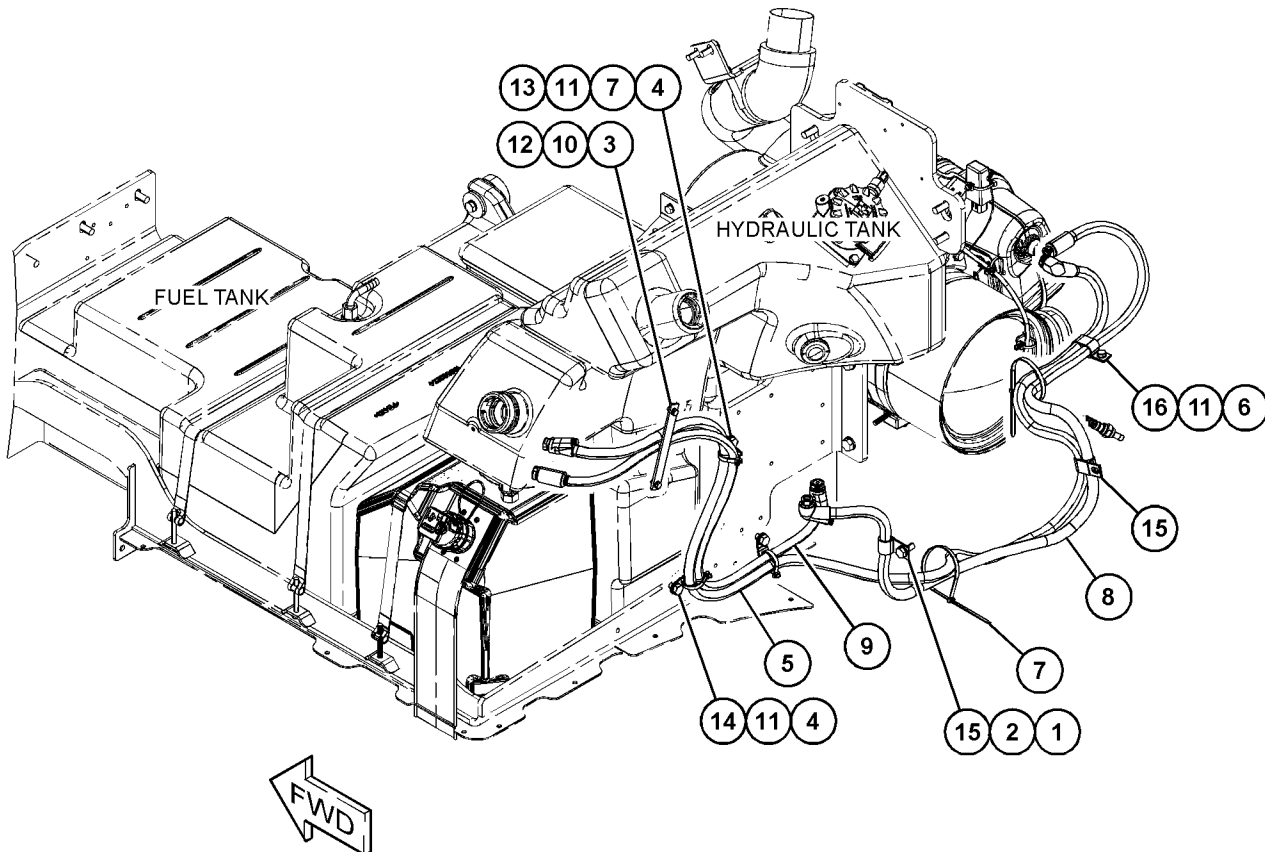
S/N: TH21-UP
PART OF 500-3138 TANK & MTG GP-DEF
AN ATTACHMENT

SMCS-108K, 1091

i07003509

NOTE	REF NO	GRAPHIC REF	PART NUMBER	QTY	PART NAME						SEE PAGE
					1	2	3	4	5	6 (PRODUCT LEVEL)	
M	1	1	8T-4199	1	BOLT (M8X1.25X12-MM)						
	2	1	8T-4224	1	WASHER-HARD (8.8X16X2-MM THK)						
M	3	1	8T-4970	2	BOLT (M6X1X14-MM)						
M	4	1	328-9688	3	SCREW (M10X1.5X14-MM)						
	5	1	496-3408	1	HOSE AS						
M	6	1	8T-4136	1	BOLT (M10X1.5X25-MM)						
	7	1	7K-1181	5	STRAP-CABLE						
	8	1	518-7574	1	HOSE AS						
	9	1	518-7551	1	HOSE AS						
	10	1	474-9810	1	PLATE						
	11	1	8T-4121	4	WASHER-HARD (11X21X2.5-MM THK)						
	12	1	303-4787	2	WASHER (6.1X11.8X1.6-MM THK)						
	13	1	132-5789	1	CLIP (LADDER)						
	14	1	4P-7581	2	CLIP (LADDER)						
	15	1	5K-8451	2	CLIP						
	16	1	4D-7735	1	CLIP						

M - METRIC PART



GRAPHIC #1

<END>

g06205543

AIR INLET AND EXHAUST SYSTEM

356-4035 LINES GP-TURBOCHARGER AIR

S/N: JKT1-UP

TO ACTUATOR

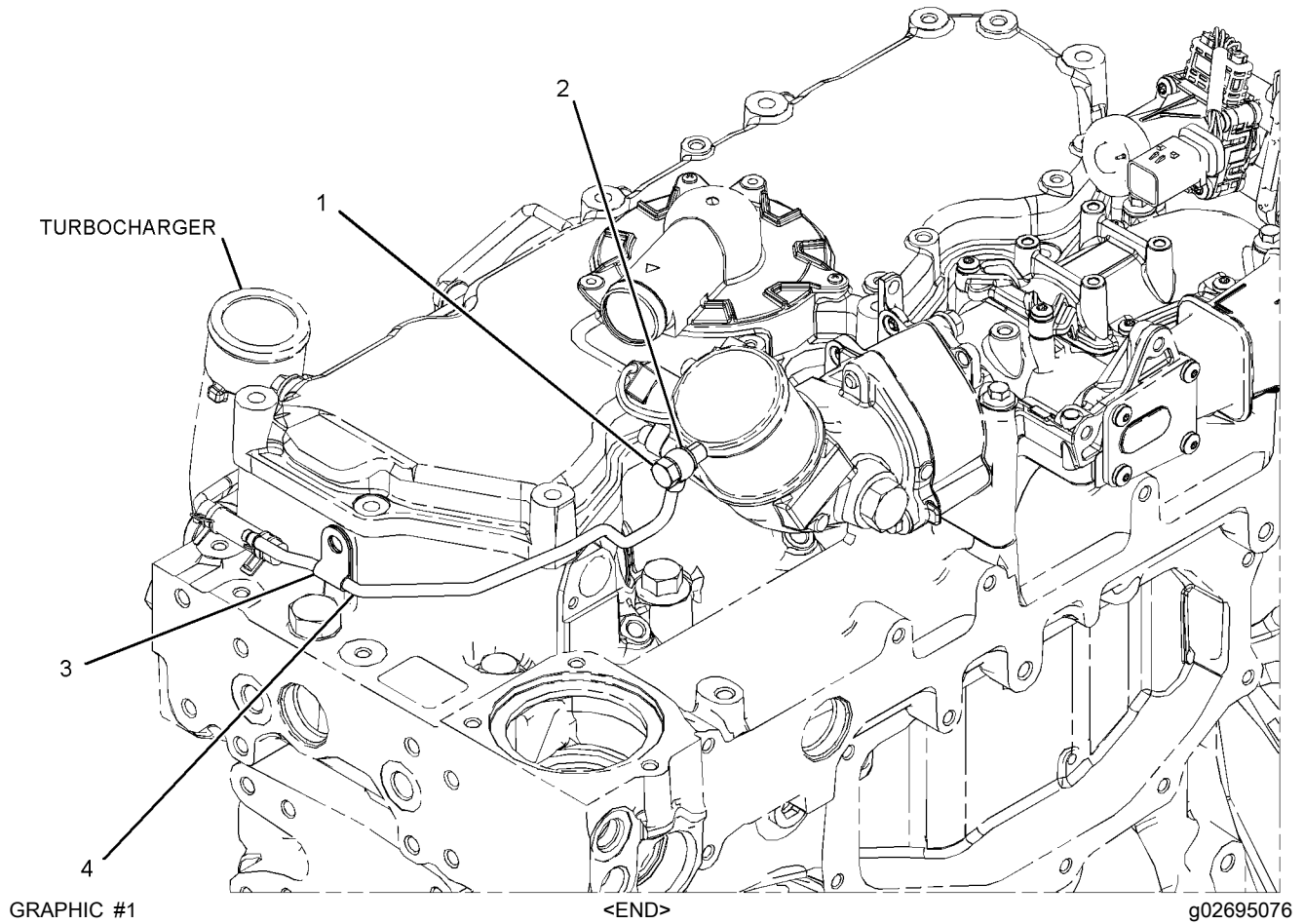
PART OF 425-9719 TURBOCHARGER GP

ALSO AN ATTACHMENT

SMCS-1052, 1071

i04631422

NOTE	REF NO	GRAPHIC REF	PART NUMBER	QTY	PART NAME						SEE PAGE
					1	2	3	4	5	6 (PRODUCT LEVEL)	
	1	1	225-8524	1	BOLT-SPECIAL						
	2	1	225-8526	2	WASHER (10.4X13.75X1.37-MM THK)						
	3	1	335-8611	1	CLIP						
	4	1	356-4036	1	TUBE AS-TURBOCHARGER						



AIR INLET AND EXHAUST SYSTEM

425-9824 LINES GP-TURBOCHARGER AIR

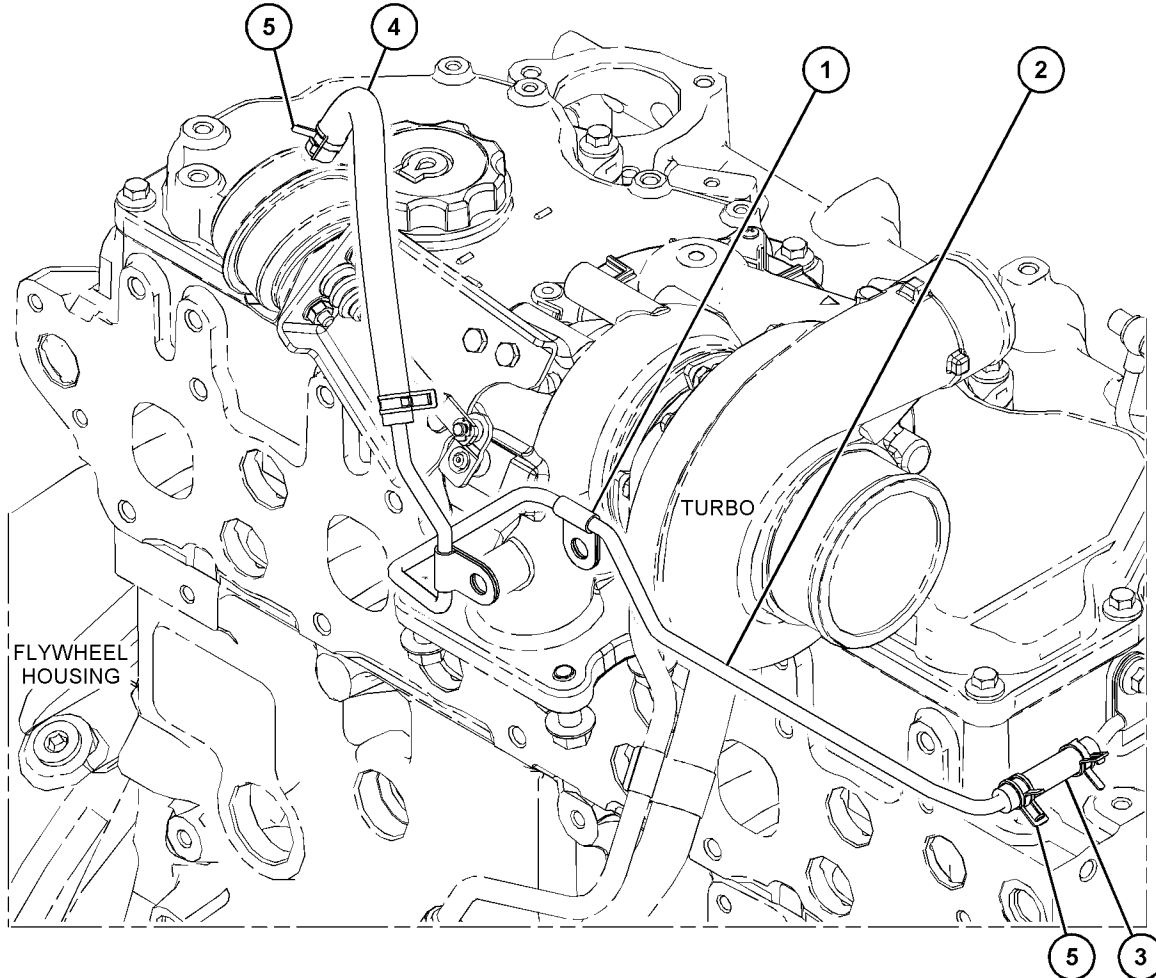
S/N: JKT1-UP

PART OF 425-9719 TURBOCHARGER GP
ALSO AN ATTACHMENT

SMCS-1052, 1071

i05943751

NOTE	REF NO	GRAPHIC REF	PART NUMBER	QTY	PART NAME						SEE PAGE
					1	2	3	4	5	6 (PRODUCT LEVEL)	
1	1	1	335-8611	2	CLIP						
2	1	1	356-4042	1	PIPE						
3	1	1	422-7716	1	HOSE						
4	1	1	426-0441	1	HOSE						
5	1	1	107-2348	4	CLIP						



GRAPHIC #1

<END>

g03705310

AIR INLET AND EXHAUST SYSTEM

462-3219 MANIFOLD GP-DEF

S/N: TH21-UP; JKT1-UP

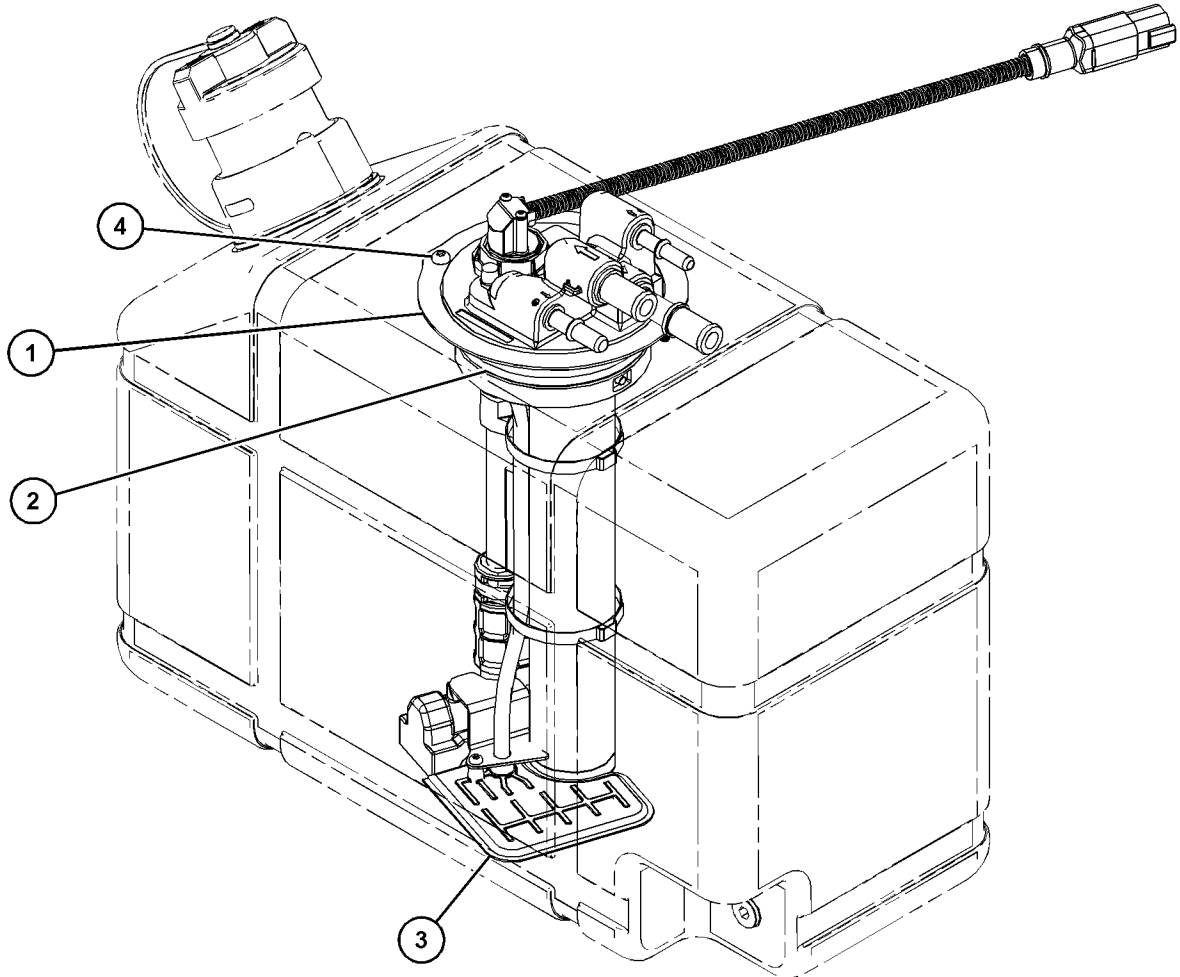
PART OF 399-1209 MODULE AR-DIESEL EXHAUST FLUID, 474-9848 TANK GP-DIESEL EXHAUST FLUID

ALSO AN ATTACHMENT

SMCS-108K, 3206

i06943048

NOTE	REF NO	GRAPHIC REF	PART NUMBER	QTY	PART NAME						SEE PAGE
					1	2	3	4	5	6 (PRODUCT LEVEL)	
1	1	1	461-9107	1	CLAMP						
2	1	1	461-9110	1	SEAL						
3	1	1	461-9113	1	FILTER AS (DIESEL EXHAUST FLUID)						
4	1	1	461-9115	2	SCREW (10-32X0.5-IN)						



GRAPHIC #1

<END>

g03841311

AIR INLET AND EXHAUST SYSTEM

356-1124 MANIFOLD GP-EXHAUST

S/N: JKT1-UP

PART OF 464-2307, 464-2308 ENGINE AR-PRIMARY
ALSO AN ATTACHMENT

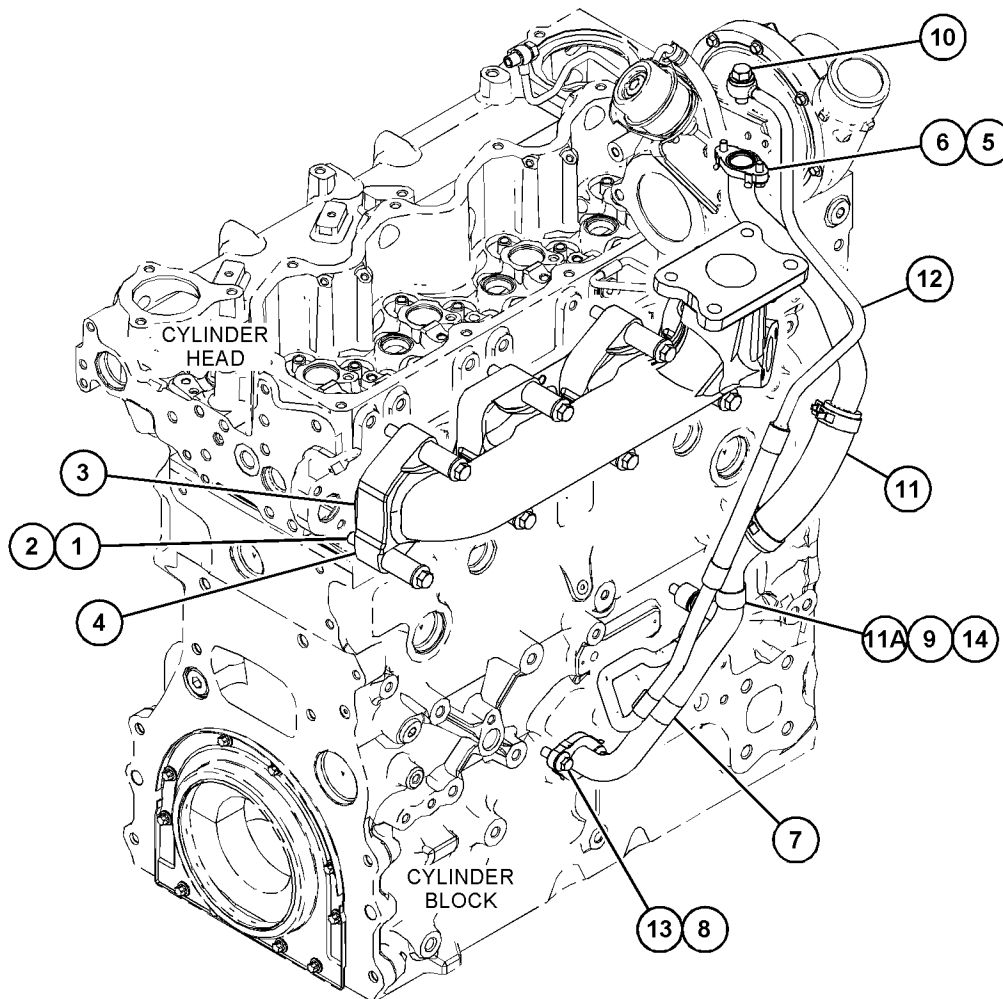
SMCS-1059

i06983487

NOTE	REF NO	GRAPHIC REF	PART NUMBER	QTY	PART NAME						SEE PAGE
					1	2	3	4	5	6 (PRODUCT LEVEL)	
	1	1	238-8292	8	BOLT-FLANGE HEAD						
	2	1	286-7851	8	SPACER						
	3	1	349-1835	1	GASKET						
	4	1	355-2495	1	MANIFOLD (EXHAUST)						
M	5	1	106-8916	2	BOLT (M6X16-MM)						
	6	1	357-0617	1	GASKET						
	7	1	357-0646	1	CLIP						
	8	1	358-7592	1	GASKET						
	9	1	383-6037	1	SPACER						
	10	1	457-8672	1	BOLT						
	11	1	487-2925	1	LINE AS-OIL						
	11A	1	359-4462	1	CLIP						
Y	12	1	502-2907	1	LINES GP-TURBOCHARGER OIL						167
M	13	1	6I-0217	2	BOLT (M8X1.25X20-MM)						
M	14	1	6I-0254	1	BOLT (M8X1.25X30-MM)						

M - METRIC PART

Y - SEPARATE ILLUSTRATION



GRAPHIC #1

<END>

g06165900

AIR INLET AND EXHAUST SYSTEM

381-3502 MANIFOLD GP-EXHAUST

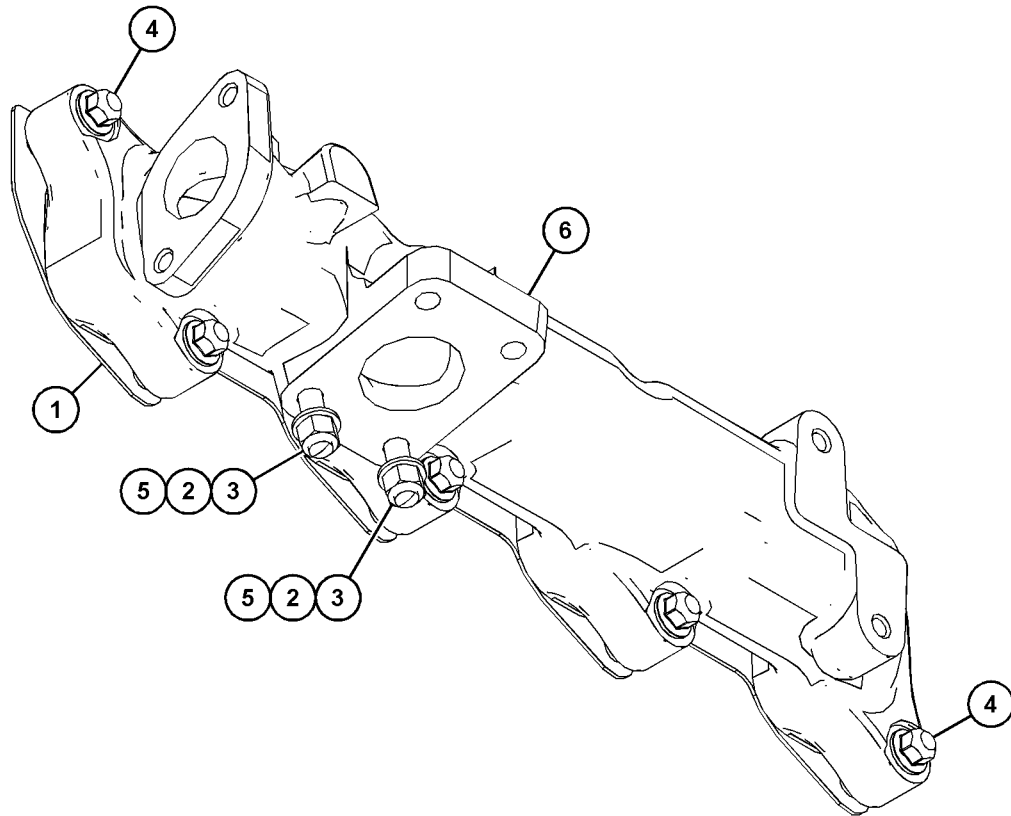
S/N: CJ41-UP

PART OF 441-9792 TURBOCHARGER GP

SMCS-1059

i06970220

NOTE	REF NO	GRAPHIC REF	PART NUMBER	QTY	PART NAME						SEE PAGE
					1	2	3	4	5	6 (PRODUCT LEVEL)	
	1	1	387-7702	1	GASKET						
	2	1	387-7725	2	STUD						
	3	1	389-1934	2	NUT						
	4	1	389-1935	8	NUT						
	5	1	499-8543	2	WASHER						
	6	1	511-5393	1	MANIFOLD-EXHAUST						



GRAPHIC #1

<END>

g06194625

AIR INLET AND EXHAUST SYSTEM

416-9552 MANIFOLD GP-EXHAUST

S/N: W231-UP

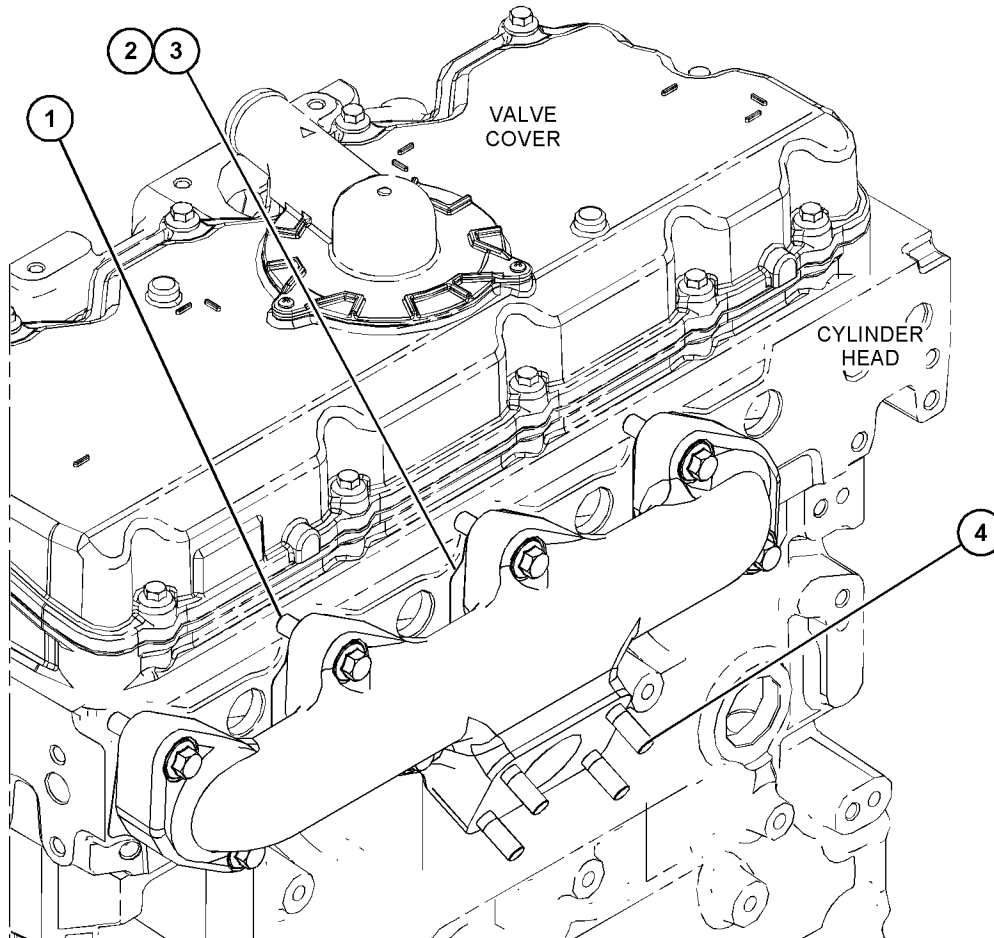
PART OF 463-8848, 463-8910 ENGINE AR-PRIMARY

SMCS-1059

i06138400

NOTE	REF NO	GRAPHIC REF	PART NUMBER	QTY	PART NAME						SEE PAGE
					1	2	3	4	5	6 (PRODUCT LEVEL)	
M	1	1	278-0361	8	BOLT (M10X1.5X45-MM)						
	2	1	298-4570	1	GASKET-EXHAUST MANIFOLD						
	3	1	301-8256	1	MANIFOLD-EXHAUST						
	4	1	361-7519	4	ROD-THREADED						

M - METRIC PART



GRAPHIC #1

<END>

g03817296

AIR INLET AND EXHAUST SYSTEM

350-1802 MANIFOLD GP-INLET

S/N: CJ41-UP

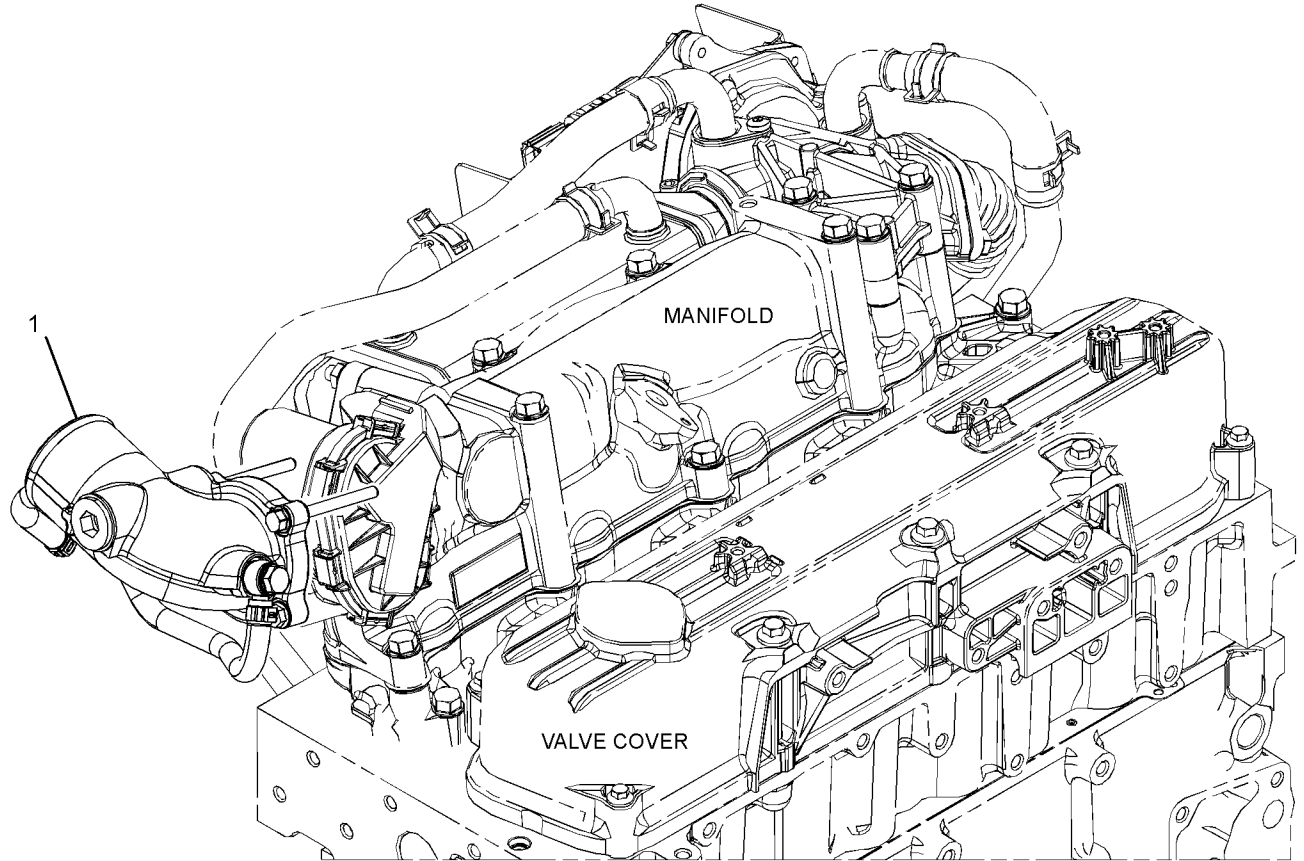
PART OF 465-2880 ENGINE AR-PRIMARY

SMCS-1058

i06605455

NOTE	REF NO	GRAPHIC REF	PART NUMBER	QTY	PART NAME						SEE PAGE
					1	2	3	4	5	6 (PRODUCT LEVEL)	
Y	1	1	432-1689	1	MANIFOLD GP-INLET						250

Y - SEPARATE ILLUSTRATION



GRAPHIC #1

<END>

g03547748

AIR INLET AND EXHAUST SYSTEM

432-1689 MANIFOLD GP-INLET

S/N: CJ41-UP

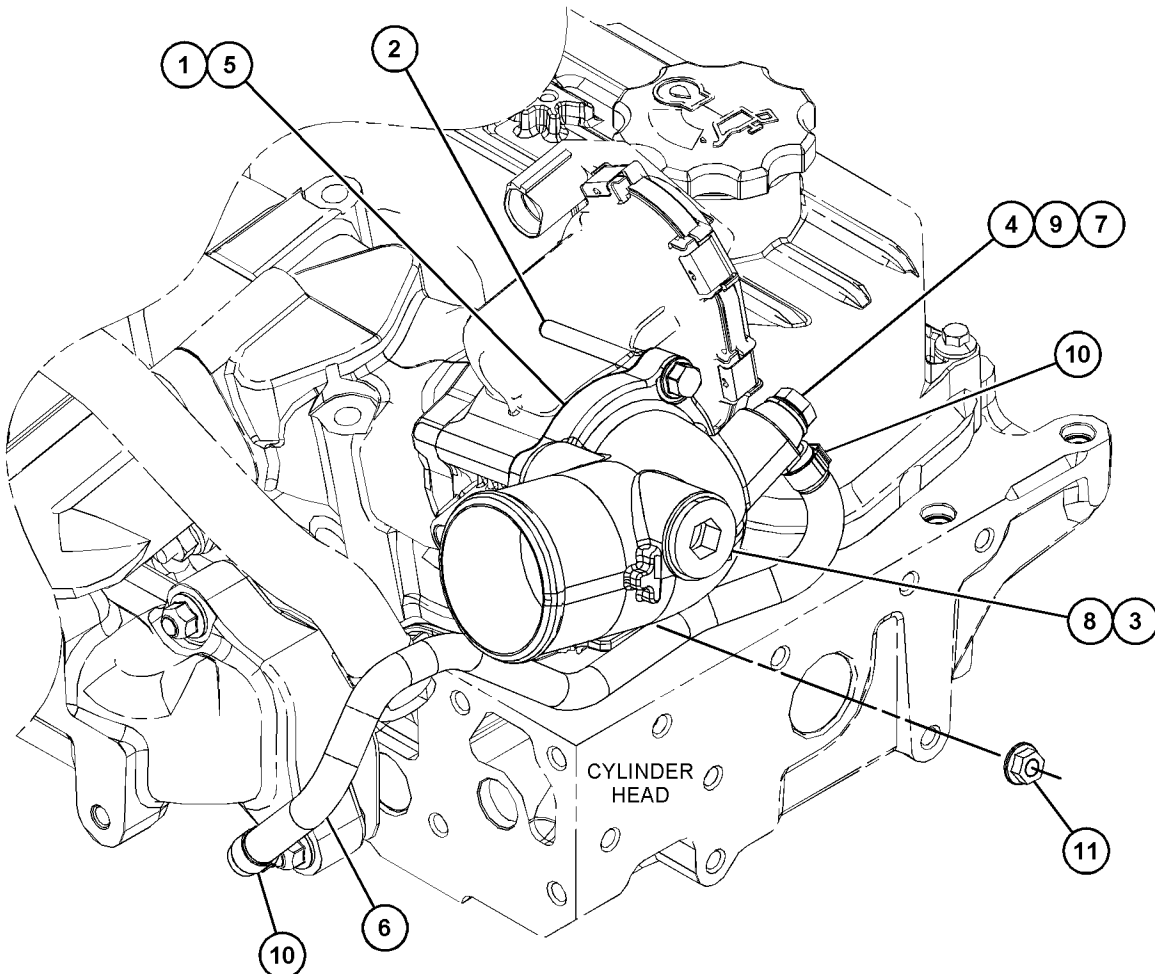
PART OF 350-1802 MANIFOLD GP-INLET

SMCS-1058

i06815608

NOTE	REF NO	GRAPHIC REF	PART NUMBER	QTY	PART NAME						SEE PAGE
					1	2	3	4	5	6 (PRODUCT LEVEL)	
	1	1	386-2783	1	GASKET						
	2	1	389-2867	2	BOLT						
	3	1	390-3130	1	SEAL						
	4	1	428-8158	1	CONNECTOR						
	5	1	428-8210	1	ELBOW						
	6	1	428-8227	1	PIPE						
	7	1	428-8230	2	SEAL						
	8	1	428-8232	1	PLUG						
	9	1	428-8237	1	BOLT						
	10	1	489-0637	2	CLIP						
M	11	1	099-6418	2	NUT (M6X1-THD)						

M - METRIC PART



GRAPHIC #1

<END>

g03685406

AIR INLET AND EXHAUST SYSTEM

479-6503 MODULE AR-CLEAN EMISSIONS

S/N: JKT1-UP

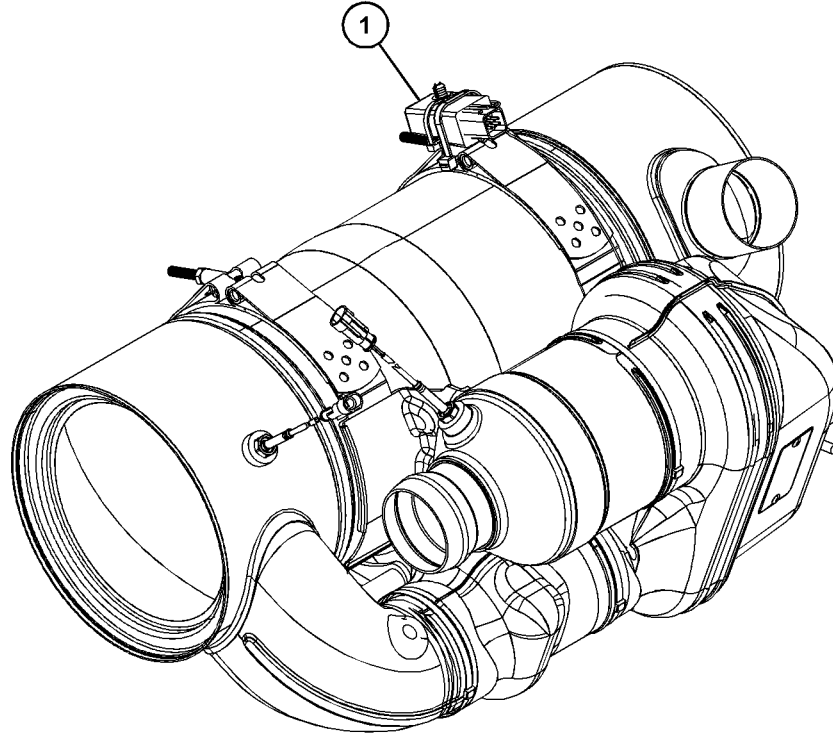
PART OF 473-0267 EXHAUST GP

SMCS-1050, 108D

i07162348

NOTE	REF NO	GRAPHIC REF	PART NUMBER	QTY	PART NAME						SEE PAGE
					1	2	3	4	5	6 (PRODUCT LEVEL)	
Y	1	1	479-9470	1	ELECTRICAL GP-DEF						347

Y - SEPARATE ILLUSTRATION



GRAPHIC #1

<END>

g06143648

AIR INLET AND EXHAUST SYSTEM

399-1209 MODULE AR-DIESEL EXHAUST FLUID

S/N: JKT1-UP

TANK

PART OF 466-2883 ENGINE AR

SMCS-108H, 108K

i06747208

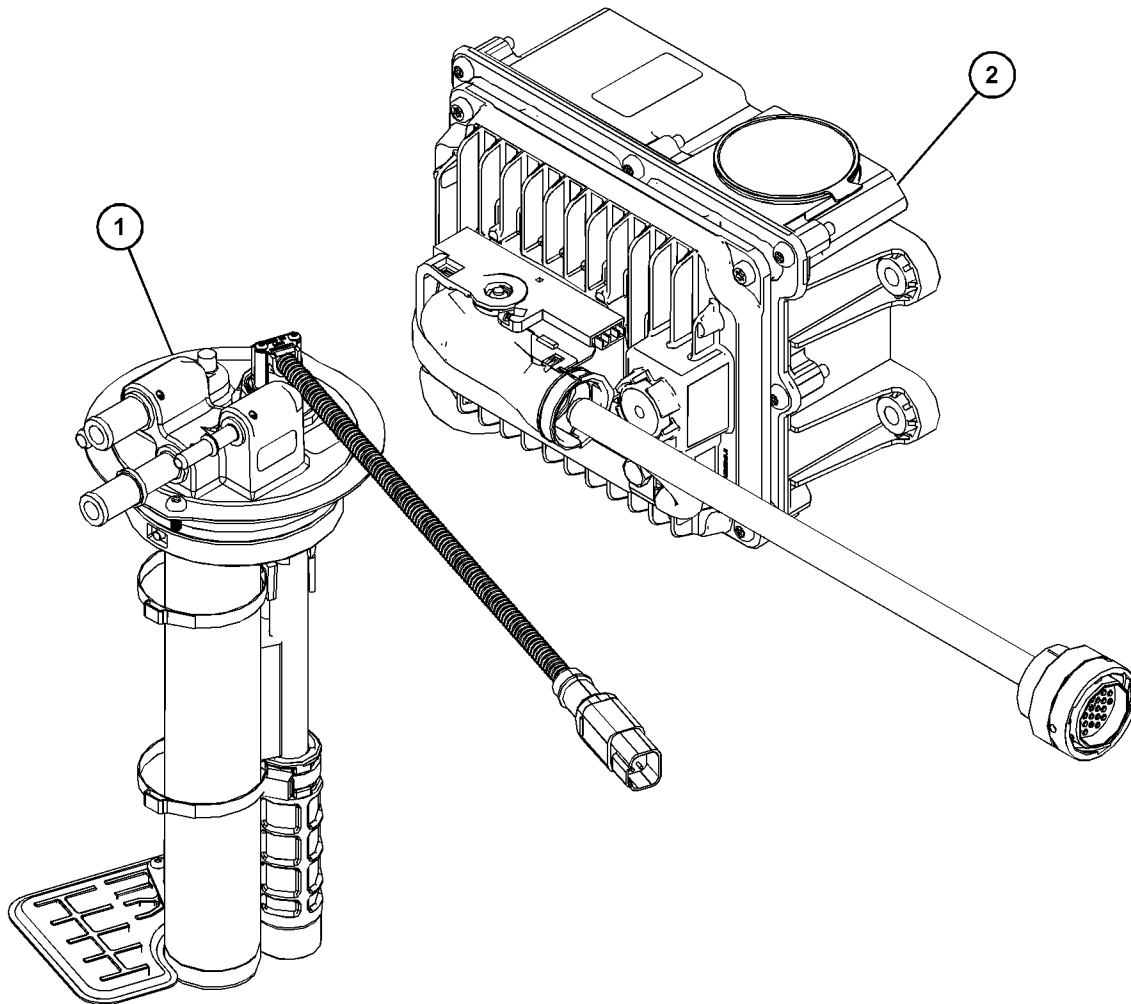
NOTE	REF NO	GRAPHIC REF	PART NUMBER	QTY	PART NAME						SEE PAGE
					1	2	3	4	5	6 (PRODUCT LEVEL)	
CY	1	1	462-3219	1	MANIFOLD GP-DEF						245
CY	2	1	466-8285	1	PUMP GP-DIESEL EXHAUST FLUID						258

AVAILABLE GASKET KIT(S) :

473-2944 1 KIT-EXHAUST PARTS

(INCLUDES CAPS & PLUGS)

C - CHANGE FROM PREVIOUS TYPE
Y - SEPARATE ILLUSTRATION



GRAPHIC #1

<END>

g06011231

AIR INLET AND EXHAUST SYSTEM

416-8775 MOUNTING GP-EXHAUST

S/N: W231-UP

HARDWARE

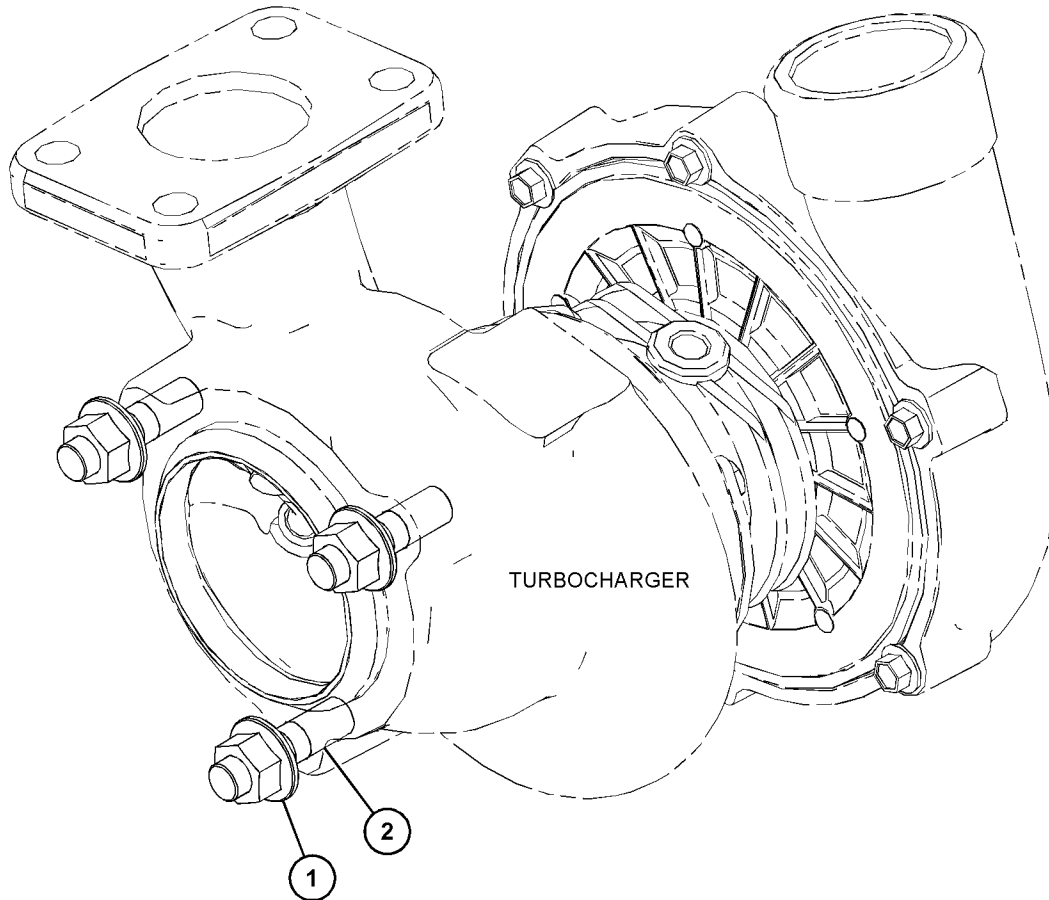
PART OF 463-8848, 463-8910 ENGINE AR-PRIMARY

SMCS-1061

i06146793

NOTE	REF NO	GRAPHIC REF	PART NUMBER	QTY	PART NAME						SEE PAGE
					1	2	3	4	5	6 (PRODUCT LEVEL)	
M	1	1	6I-0563	3	NUT (M10X1.5-THD)						
	2	1	361-7519	3	ROD-THREADED						

M - METRIC PART



GRAPHIC #1

<END>

g03828783

AIR INLET AND EXHAUST SYSTEM

499-9422 MOUNTING GP-EXHAUST

S/N: TH21-UP

PART OF 505-6134 INSTALLATION AR-ENGINE
AN ATTACHMENT

SMCS-1061

i06948963

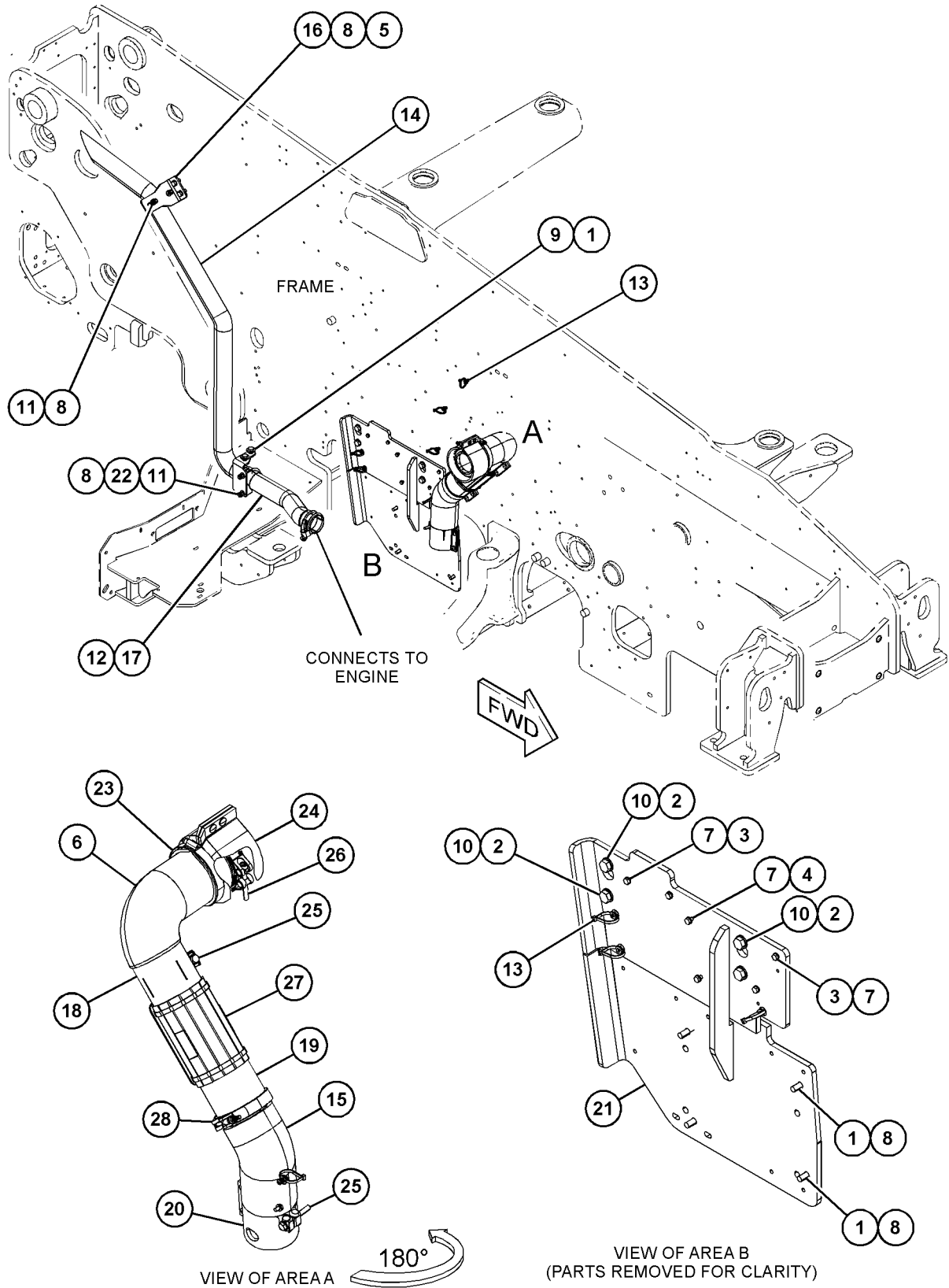
NOTE	REF NO	GRAPHIC REF	PART NUMBER	QTY	PART NAME						SEE PAGE
					1	2	3	4	5	6 (PRODUCT LEVEL)	
M	1	1	8T-4195	6	BOLT (M10X1.5X30-MM)						
M	2	1	8T-4139	4	BOLT (M12X1.75X30-MM)						
M	3	1	7X-2619	4	BOLT (M6X1X10-MM)						
M	4	1	8T-4970	2	BOLT (M6X1X14-MM)						
M	5	1	8T-4136	2	BOLT (M10X1.5X25-MM)						
	6	1	459-6652	1	ADAPTER AS-EXHAUST						
	7	1	8T-4205	6	WASHER-HARD (7.2X14.5X2-MM THK)						
	8	1	8T-4121	10	WASHER-HARD (11X21X2.5-MM THK)						
	9	1	116-8517	2	WASHER (10.5X30X2.5-MM THK)						
	10	1	8T-4223	4	WASHER-HARD (13.5X25.5X3-MM THK)						
	11	1	331-4387	2	CLAMP						
	12	1	437-7650	1	CLAMP-PIPE						
	13	1	455-3027	7	TIE-CABLE						
	14	1	497-9619	1	TUBE						
	15	1	499-9423	1	TUBE AS						
	16	1	497-9620	1	BRACKET						
	17	1	499-9426	1	TUBE						
	18	1	495-0200	1	CLAMP-EXHAUST						
	19	1	495-0201	1	CLAMP-EXHAUST						
	20	1	495-0202	1	CLAMP-EXHAUST						
	21	1	515-9723	1	BRACKET AS						
	22	1	497-9622	1	BRACKET AS						
	23	1	343-7049	1	CLAMP						
	24	1	515-9722	1	CLAMP						
	25	1	359-5885	2	CLAMP AS						
	26	1	367-2071	1	CLAMP						
	27	1	447-3888	1	BELLOWS AS						
	28	1	451-4751	1	CLAMP AS						

M - METRIC PART

AIR INLET AND EXHAUST SYSTEM

499-9422 MOUNTING GP-EXHAUST (contd.)

106948963



GRAPHIC #1

<END>

g06193783

AIR INLET AND EXHAUST SYSTEM

373-7250 PIPE GP-FLEXIBLE EXHAUST

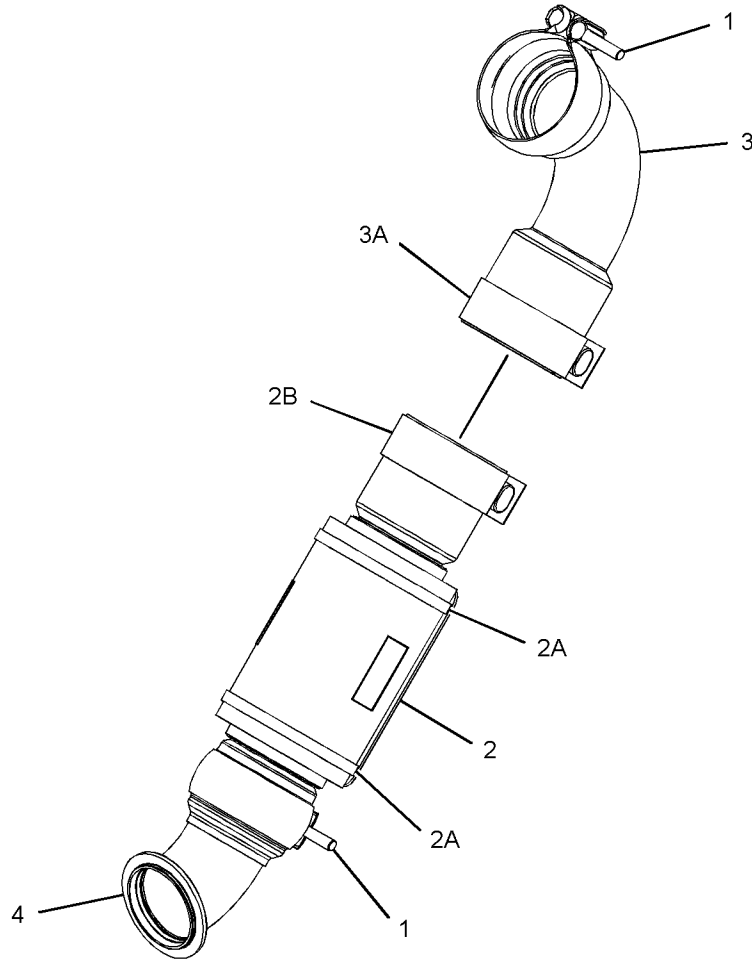
S/N: JKT1-UP

PART OF 466-2883 ENGINE AR

SMCS-1061

i06113698

NOTE	REF NO	GRAPHIC REF	PART NUMBER	QTY	PART NAME						SEE PAGE
					1	2	3	4	5	6 (PRODUCT LEVEL)	
	1	1	359-5885	2	CLAMP AS						
	2	1	362-9401	1	BELLOWS AS						
	2A	1	034-1432	2	STRAP-CABLE						
	2B	1	360-1731	1	CLAMP-BAND						
	3	1	363-8035	1	TUBE AS-EXHAUST						
	3A	1	360-1731	1	CLAMP-BAND						
	4	1	383-4141	1	ADAPTER AS-EXHAUST						



GRAPHIC #1

<END>

g03620217

AIR INLET AND EXHAUST SYSTEM

450-8101 PUMP GP-DIESEL EXHAUST FLUID

S/N: CJ41-UP

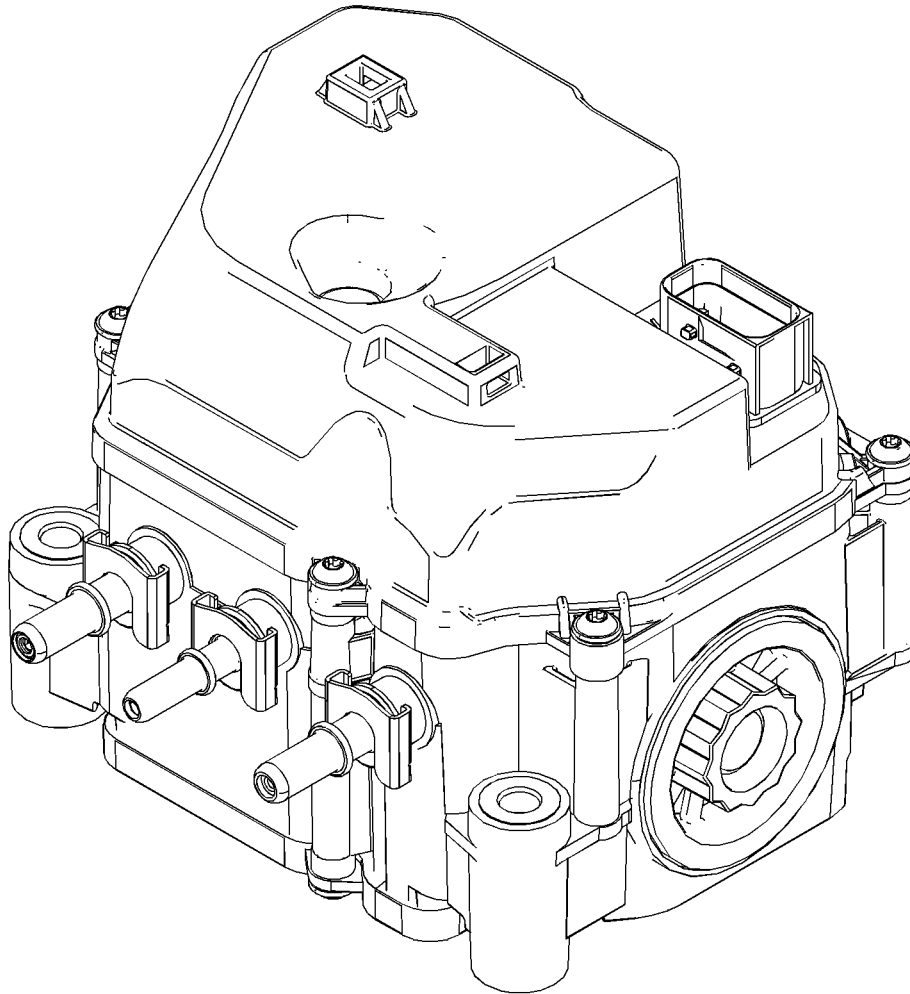
PART OF 470-9781 PUMP GP-DIESEL EXHAUST FLUID

SMCS-108J

i06928197

NOTE	REF NO	GRAPHIC REF	PART NUMBER	QTY	PART NAME						SEE PAGE
					1	2	3	4	5	6 (PRODUCT LEVEL)	
F		1	481-3374	1	FILTER AS (DIESEL EXHAUST FLUID)						
F		1	481-3375	1	CAP (DIESEL EXHAUST FLUID)						
F		1	484-9787	1	CONNECTOR AS						
F		1	484-9788	1	CONNECTOR AS						
F		1	484-9789	1	CONNECTOR AS						
F		1	484-9790	1	COVER AS						

F - NOT SHOWN



GRAPHIC #1

<END>

g06011785

AIR INLET AND EXHAUST SYSTEM

466-8285 PUMP GP-DIESEL EXHAUST FLUID

S/N: JKT1-UP

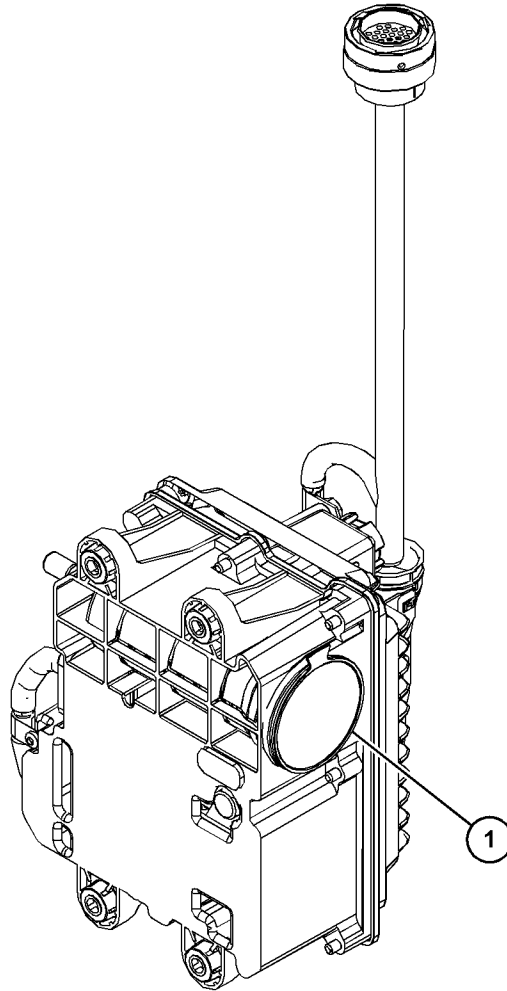
PART OF 399-1209 MODULE AR-DIESEL EXHAUST FLUID

SMCS-108J

i06916281

NOTE	REF NO	GRAPHIC REF	PART NUMBER	QTY	PART NAME						SEE PAGE
					1	2	3	4	5	6 (PRODUCT LEVEL)	
	1	1	466-8288	1	FILTER GP-DIESEL EXHAUST FLUID (PUMP)						
F		1	457-7727	1	ELECTRONICS GP-ENGINE						
		1	457-7728	1	SOFTWARE GP-ENGINE (DEF CONTROL)						

F - NOT SHOWN



GRAPHIC #1

<END>

g03785216

AIR INLET AND EXHAUST SYSTEM

470-9781 PUMP GP-DIESEL EXHAUST FLUID

S/N: CJ41-UP

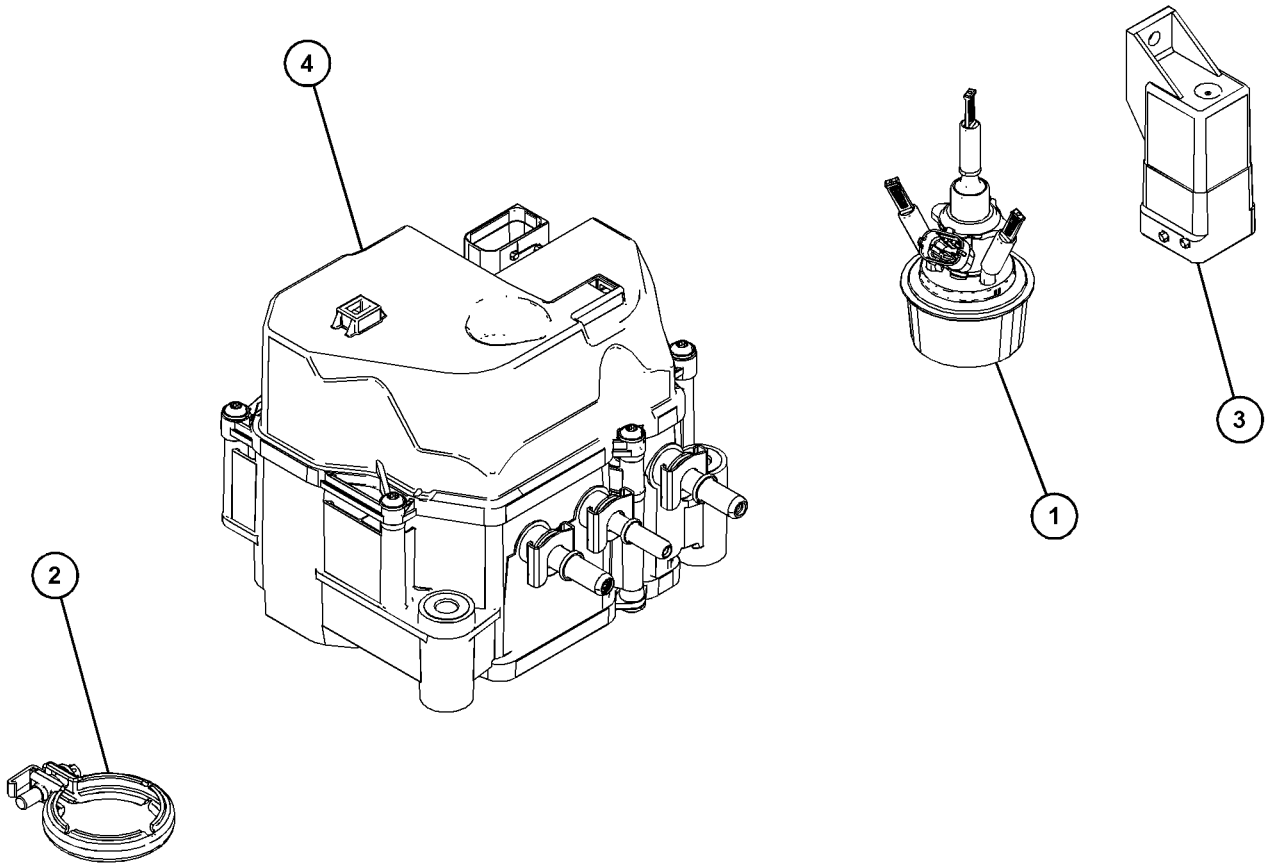
PART OF 442-0486 FILTER GP-DIESEL PARTICULATE

SMCS-108J

i06983683

NOTE	REF NO	GRAPHIC REF	PART NUMBER	QTY	PART NAME						SEE PAGE
					1	2	3	4	5	6 (PRODUCT LEVEL)	
J	1	1	451-0188	1	MODULE AS						
	2	1	470-9832	1	CLAMP AS						
	3	1	451-0189	1	CONTROLLER						
Y	4	1	450-8101	1	PUMP GP-DIESEL EXHAUST FLUID						257
AVAILABLE REPAIR KIT(S) :											
J			499-4850	1	KIT-CAP						
			499-4849	1	KIT-CLAMP						

J - KIT MARKED J SERVICES PART(S) MARKED J
 Y - SEPARATE ILLUSTRATION



GRAPHIC #1

<END>

g06009008

AIR INLET AND EXHAUST SYSTEM

532-7513 SEAL GP-AIR INLET

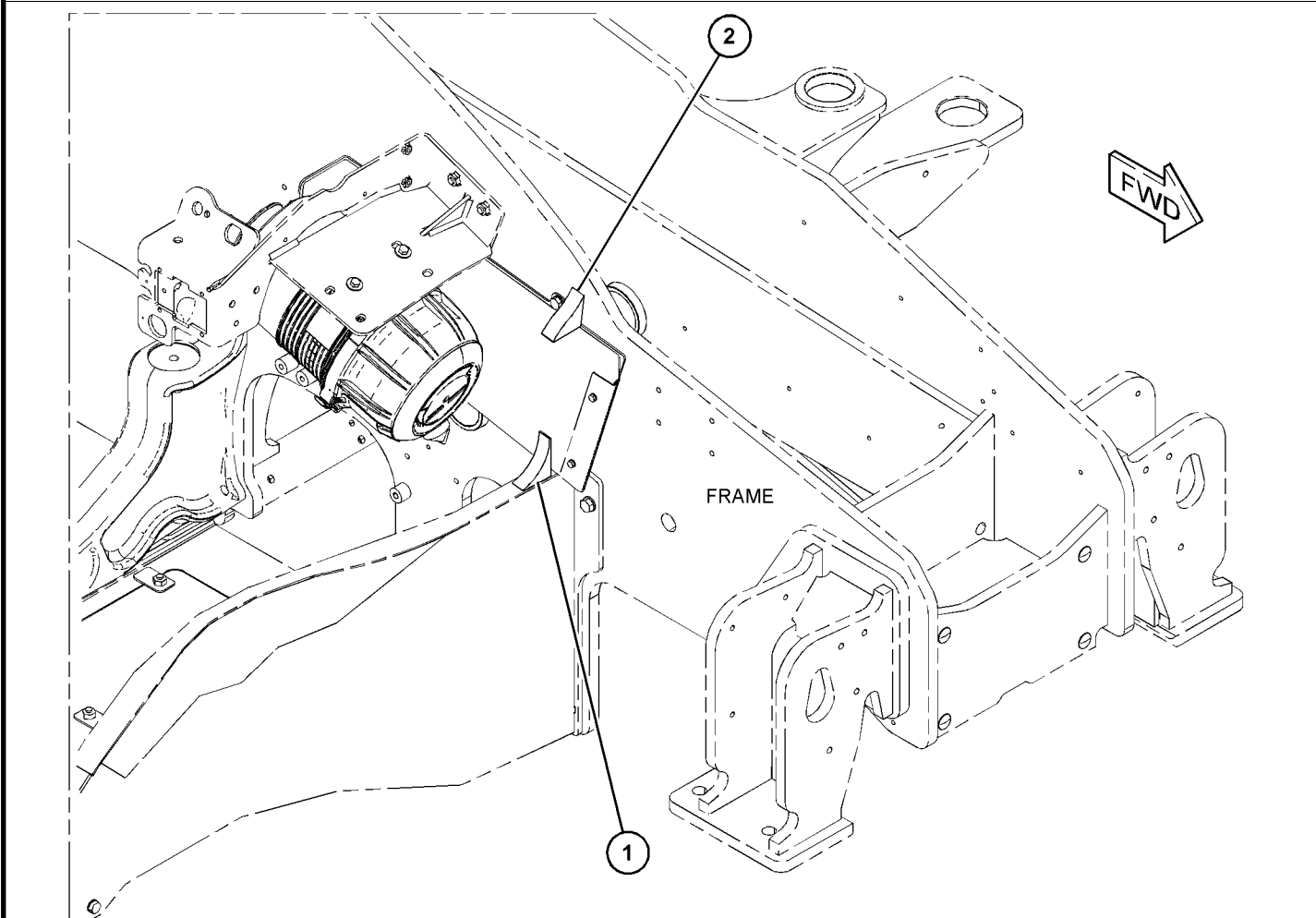
S/N: TH21-UP; TH31-UP

PART OF 505-5390, 505-6120, 505-6134 INSTALLATION AR-ENGINE
AN ATTACHMENT

SMCS-7555

i06999993

NOTE	REF NO	GRAPHIC REF	PART NUMBER	QTY	PART NAME						SEE PAGE
					1	2	3	4	5	6 (PRODUCT LEVEL)	
1	1	1	532-7514	1	SEAL (AIR INTAKE)						
2	1	1	532-7515	1	SEAL (AIR INTAKE)						



GRAPHIC #1

<END>

g06207100

AIR INLET AND EXHAUST SYSTEM

500-1062 TANK & MTG GP-DEF

S/N: TH21-UP

21.5-LITERS (5.6-US GAL)

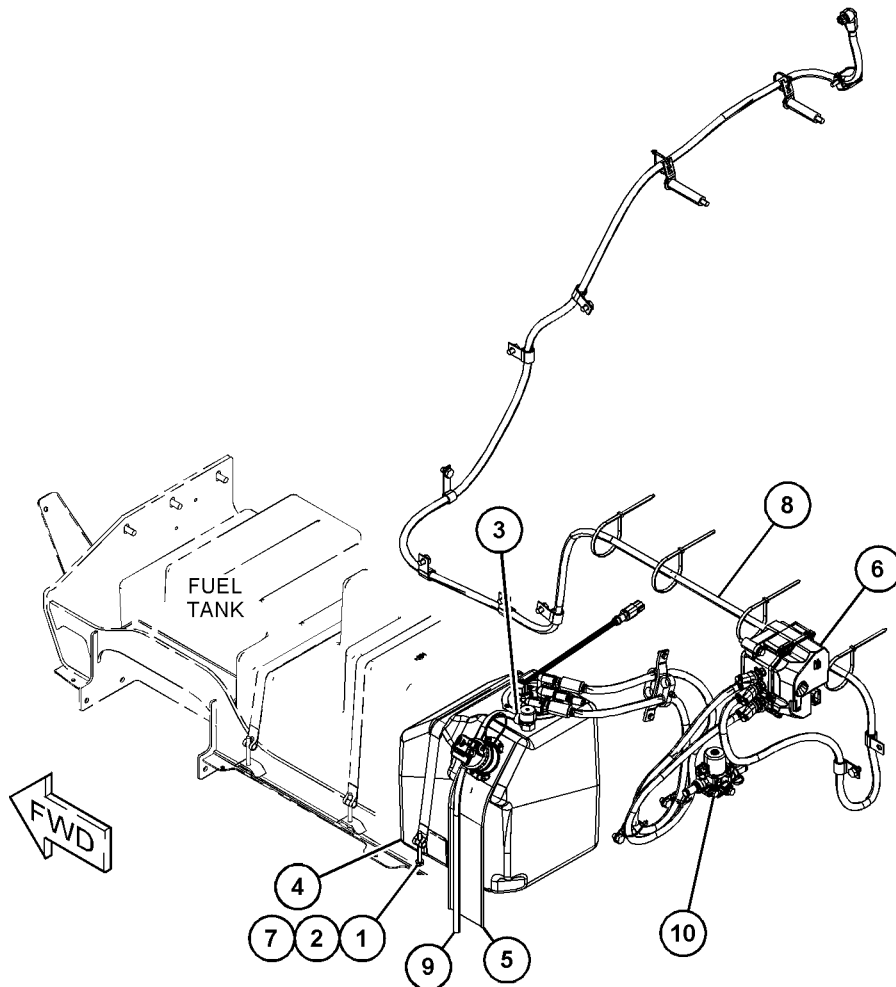
PART OF 505-6134 INSTALLATION AR-ENGINE
AN ATTACHMENT

SMCS-108T

i06948960

NOTE	REF NO	GRAPHIC REF	PART NUMBER	QTY	PART NAME						SEE PAGE
					1	2	3	4	5	6 (PRODUCT LEVEL)	
M	1	1	6V-9804	1	BOLT (M8X1.25X75-MM)						
	2	1	8T-4224	1	WASHER-HARD (8.8X16X2-MM THK)						
	3	1	330-8103	1	CLAMP-HOSE						
Y	4	1	474-9848	1	TANK GP-DIESEL EXHAUST FLUID						263
	5	1	474-9758	1	SLEEVE						
	6	1	497-9591	1	MOUNTING GP						
		1	8T-4224	6	WASHER-HARD (8.8X16X2-MM THK)						
M		1	8T-6869	6	BOLT (M8X1.25X60-MM)						
	7	1	474-9760	1	STRAP AS						
Y	8	1	495-9884	1	LINES GP-DIESEL EXHAUST FLUID						240
E	9	1	326-1178		HOSE (60-CM)						
	10	1	443-9142	1	VALVE AS-COOLANT CONTROL						

E - ORDER BY THE CENTIMETER
M - METRIC PART
Y - SEPARATE ILLUSTRATION



GRAPHIC #1

<END>

g06179667

AIR INLET AND EXHAUST SYSTEM

500-3138 TANK & MTG GP-DEF

S/N: TH21-UP

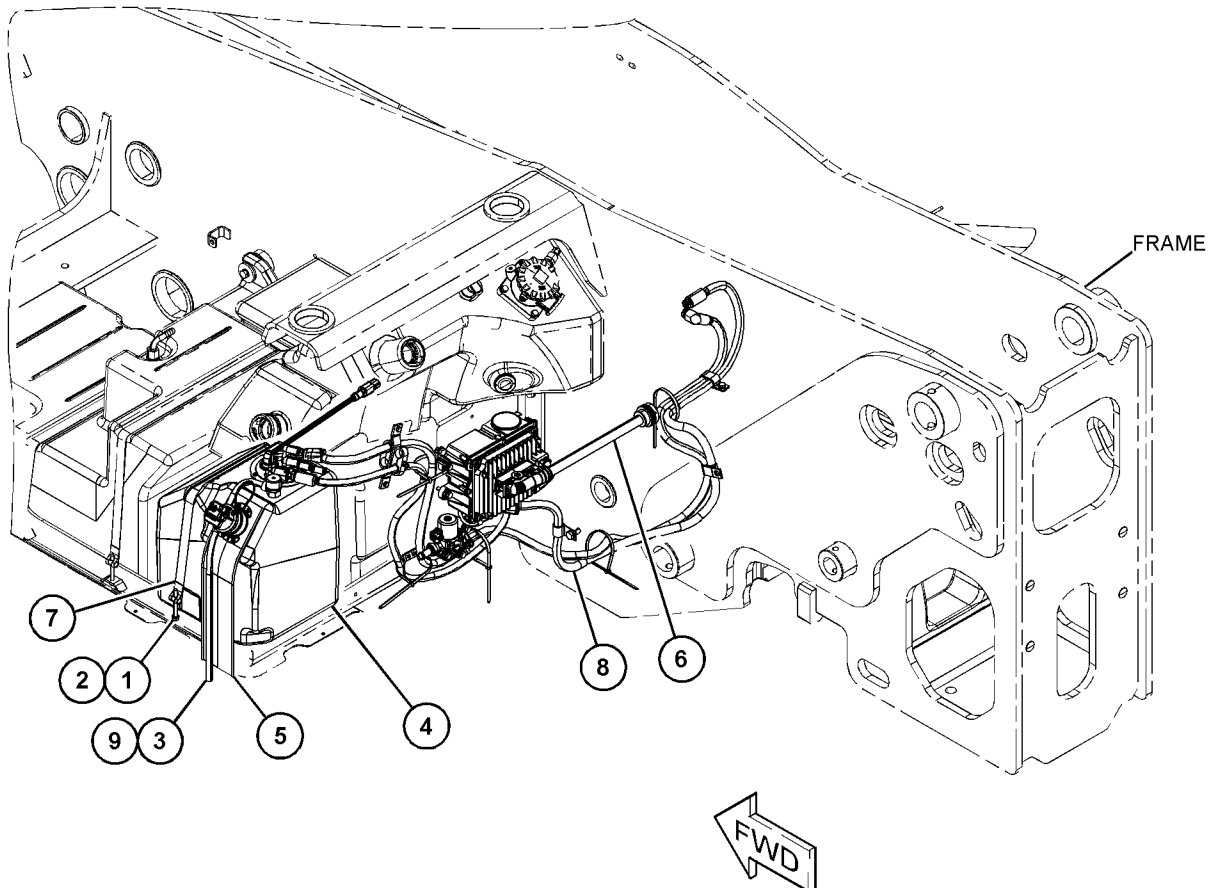
PART OF 505-6135 ENGINE AR
AN ATTACHMENT

SMCS-108T

i06601123

NOTE	REF NO	GRAPHIC REF	PART NUMBER	QTY	PART NAME						SEE PAGE
					1	2	3	4	5	6	
M	1	1	6V-9804	1	BOLT (M8X1.25X75-MM)						
	2	1	8T-4224	1	WASHER-HARD (8.8X16X2-MM THK)						
	3	1	330-8103	1	CLAMP-HOSE						
	4	1	474-9848	1	TANK GP-DIESEL EXHAUST FLUID						
		1	454-9427	1	MANIFOLD-DIESEL EXHAUST FLUID						
		1	474-9851	1	CAP AS (DEF TANK)						
		1	492-5709	1	VALVE-BREATHER (TANK)						
	5	1	474-9758	1	SLEEVE						
	6	1	497-9602	1	MOUNTING GP-DEF TANK						
M		1	7X-2537	4	BOLT (M8X1.25X35-MM)						
		1	8T-4224	7	WASHER-HARD (8.8X16X2-MM THK)						
M		1	8T-6869	3	BOLT (M8X1.25X60-MM)						
	7	1	474-9760	1	STRAP AS						
Y	8	1	496-3412	1	LINES GP-DIESEL EXHAUST FLUID						242
E	9	1	326-1178		HOSE (60-CM)						

E - ORDER BY THE CENTIMETER
M - METRIC PART
Y - SEPARATE ILLUSTRATION



GRAPHIC #1

<END>

g06043489

AIR INLET AND EXHAUST SYSTEM

474-9848 TANK GP-DIESEL EXHAUST FLUID

S/N: TH21-UP

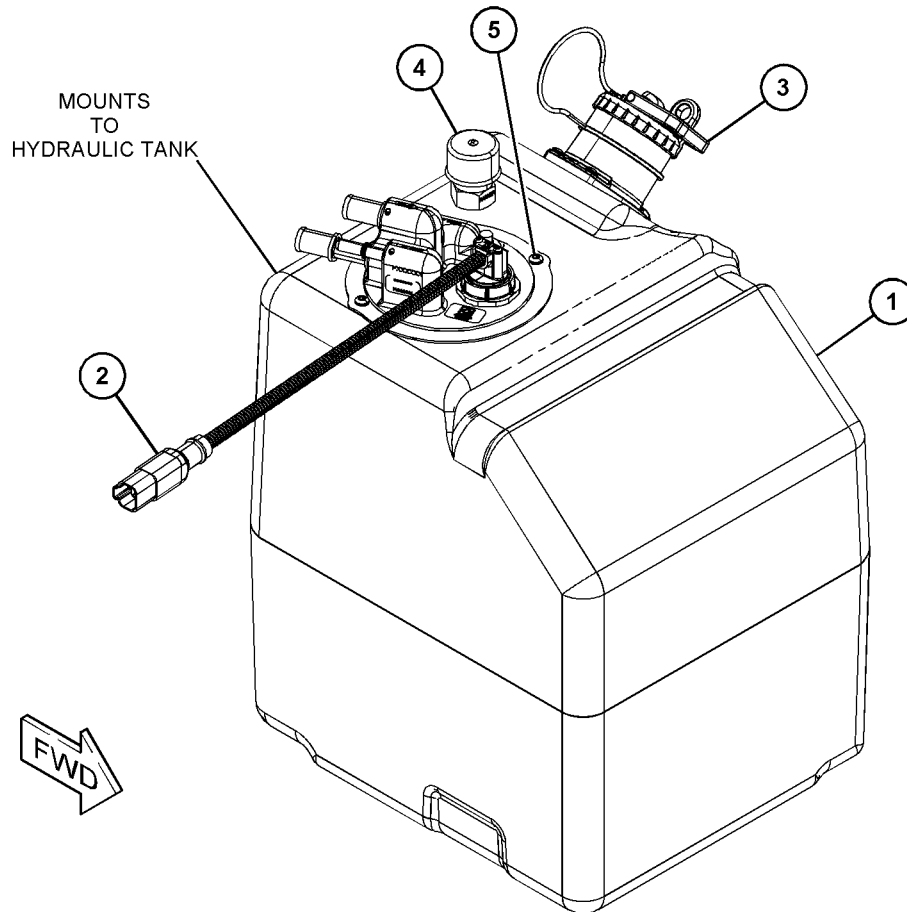
PART OF 500-1062 TANK & MTG GP-DEF
AN ATTACHMENT

SMCS-108K

i06825104

NOTE	REF NO	GRAPHIC REF	PART NUMBER	QTY	PART NAME						SEE PAGE
					1	2	3	4	5	6 (PRODUCT LEVEL)	
Y	1	1	474-9849	1	TANK GP-DIESEL EXHAUST FLUID						264
Y	2	1	462-3219	1	MANIFOLD GP-DEF						245
	3	1	474-9851	1	CAP AS						
	4	1	492-5709	1	VALVE-BREATHER						
	5	1	514-4831	2	SCREW-PAN HEAD						

Y - SEPARATE ILLUSTRATION



GRAPHIC #1

<END>

g06133415

AIR INLET AND EXHAUST SYSTEM

474-9849 TANK GP-DIESEL EXHAUST FLUID

S/N: TH21-UP

21.5-LITER (4.7-US GAL)

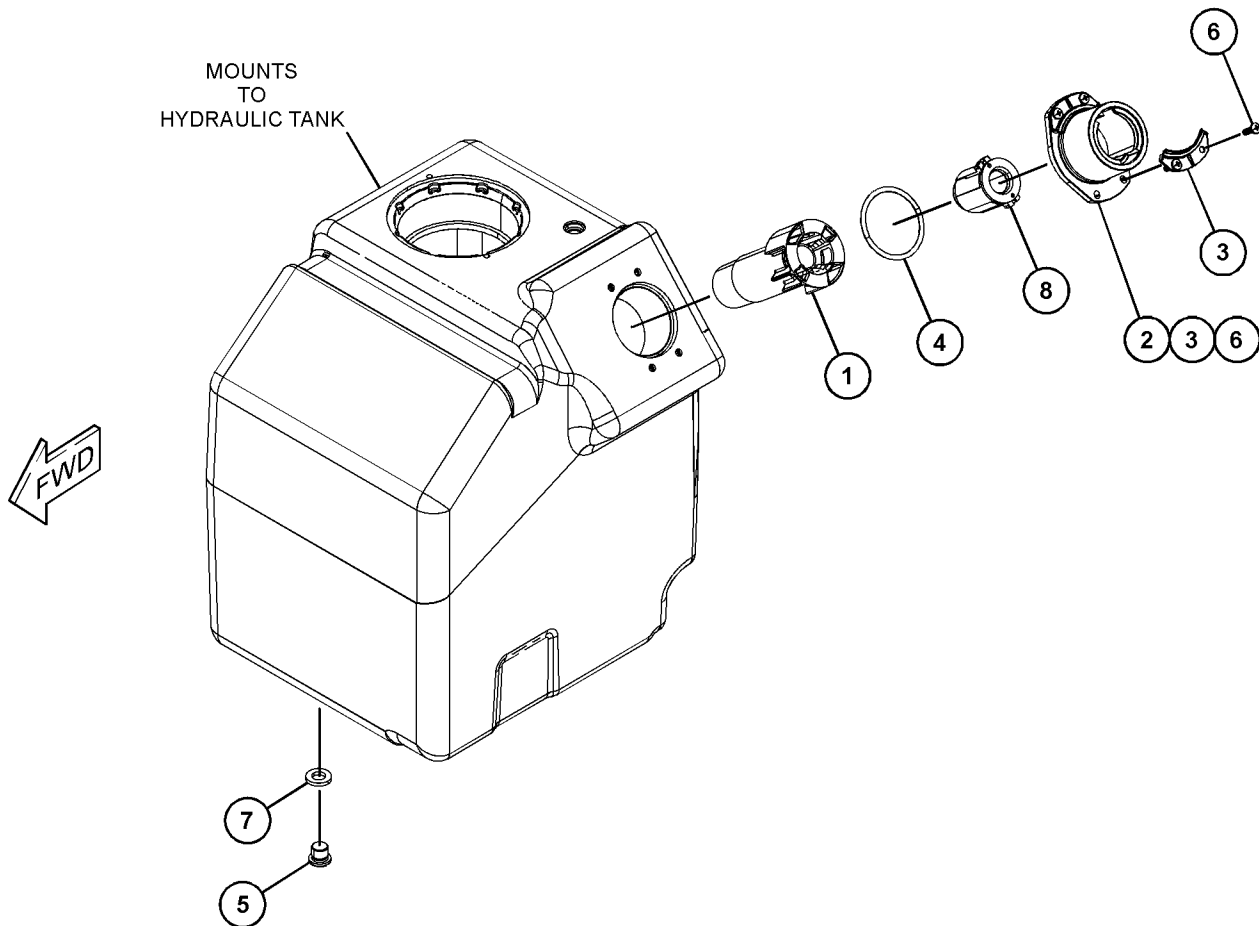
PART OF 474-9848 TANK GP-DIESEL EXHAUST FLUID
AN ATTACHMENT

SMCS-108K

i06825103

NOTE	REF NO	GRAPHIC REF	PART NUMBER	QTY	PART NAME						SEE PAGE
					1	2	3	4	5	6	
	1	1	509-0326	1	TUBE						
	2	1	509-0327	1	TUBE						
	3	1	509-0328	1	RING						
	4	1	509-0329	1	SEAL - O-RING						
	5	1	509-0331	1	PLUG						
	6	1	509-0332	4	SCREW						
	7	1	509-0333	1	SEAL						
	8	1	509-0334	1	ADAPTER						

PARTS SHOWN IN GRAPHIC(S) WITHOUT A REFERENCE NUMBER ARE NOT SERVICED SEPARATELY



GRAPHIC #1

<END>

g06164774

AIR INLET AND EXHAUST SYSTEM

452-1488 TUBE & MTG GP-DEF BLEND

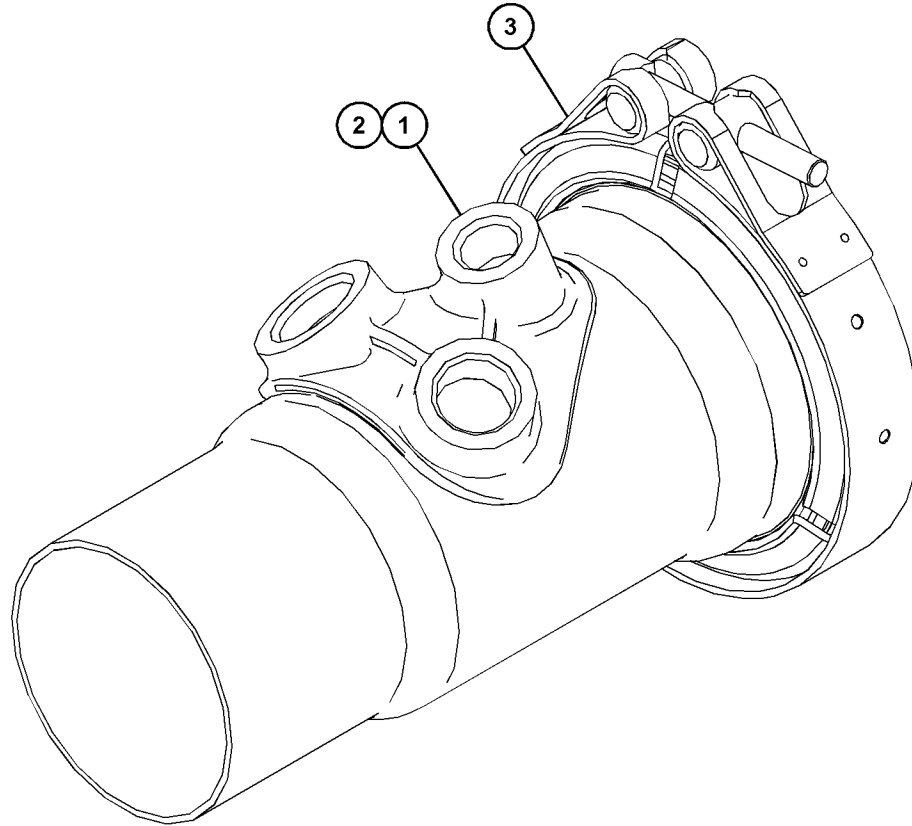
S/N: CJ41-UP

PART OF 465-2880 ENGINE AR-PRIMARY

SMCS-1050, 108K

i06252300

NOTE	REF NO	GRAPHIC REF	PART NUMBER	QTY	PART NAME						SEE PAGE
					1	2	3	4	5	6 (PRODUCT LEVEL)	
	1	1	477-5625	1	TUBE AS						
	2	1	454-6981	1	GASKET						
	3	1	454-6988	1	CLAMP						



GRAPHIC #1

<END>

g03868933

AIR INLET AND EXHAUST SYSTEM

425-9719 TURBOCHARGER GP

S/N: JKT1-UP

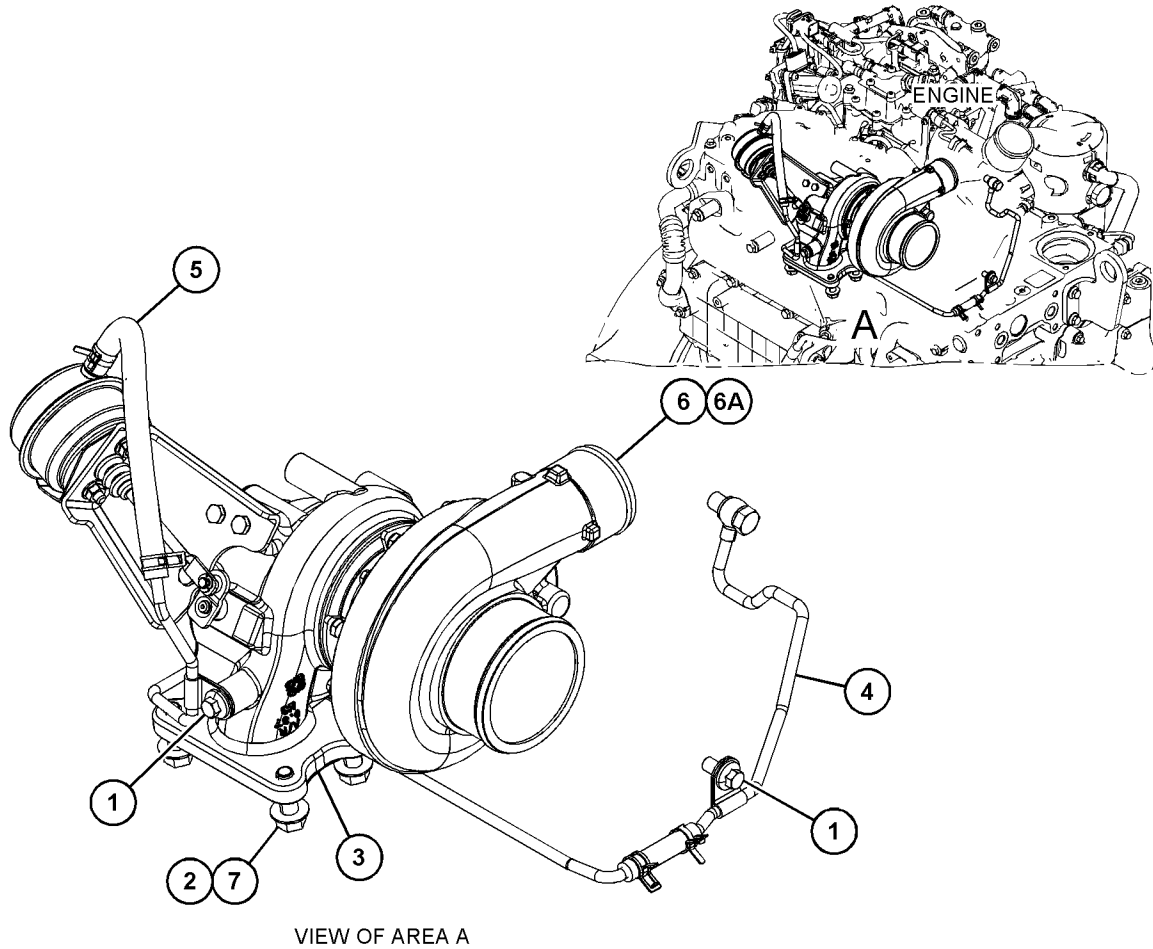
PART OF 464-2307, 464-2308 ENGINE AR-PRIMARY
ALSO AN ATTACHMENT

SMCS-1052, 1053

i07012292

NOTE	REF NO	GRAPHIC REF	PART NUMBER	QTY	PART NAME						SEE PAGE
					1	2	3	4	5	6 (PRODUCT LEVEL)	
M	1	1	124-3815	3	BOLT (M8X1.25X16-MM)						
	2	1	147-5553	4	STUD						
	3	1	345-6605	1	GASKET						
Y	4	1	356-4035	1	LINES GP-TURBOCHARGER AIR (WASTEGATE)						243
Y	5	1	425-9824	1	LINES GP-TURBOCHARGER AIR						244
	6	1	450-1871	1	TURBOCHARGER AS						
	6A	1	487-8468	1	RING						
M	7	1	6I-0563	4	NUT (M10X1.5-THD)						

M - METRIC PART
Y - SEPARATE ILLUSTRATION



GRAPHIC #1

<END>

g06207092

AIR INLET AND EXHAUST SYSTEM

432-6628 TURBOCHARGER GP

S/N: W231-UP

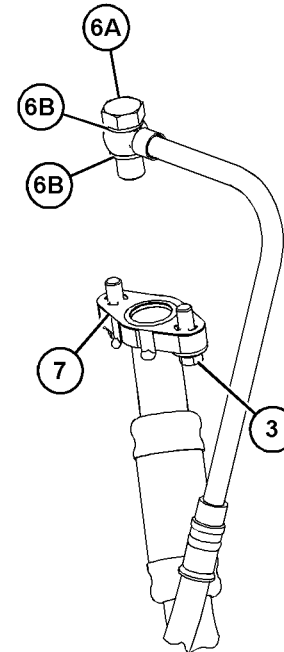
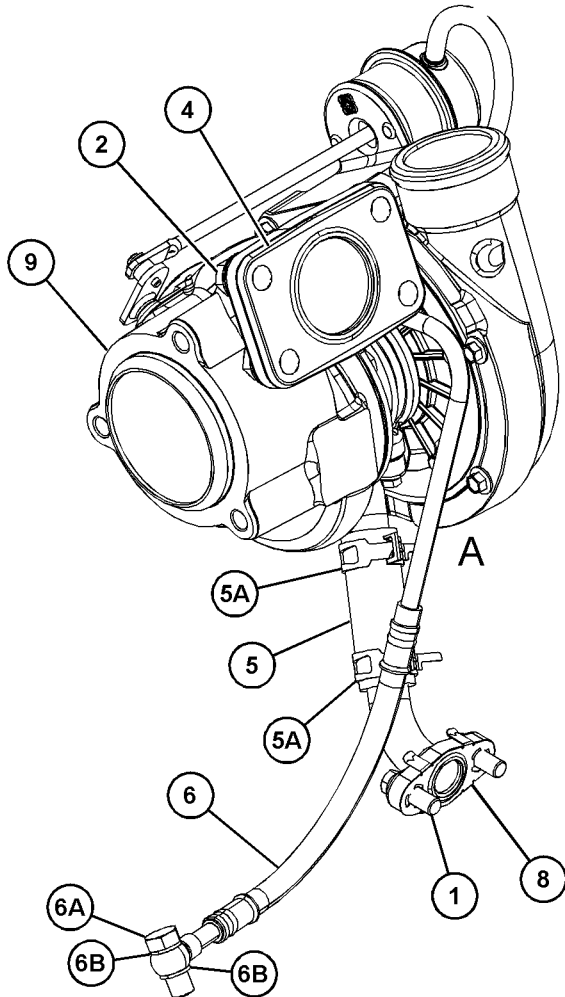
PART OF 463-8910 ENGINE AR-PRIMARY

SMCS-1052, 1053

i06947958

NOTE	REF NO	GRAPHIC REF	PART NUMBER	QTY	PART NAME						SEE PAGE
					1	2	3	4	5	6 (PRODUCT LEVEL)	
M	1	1	6I-0217	2	BOLT (M8X1.25X20-MM)						
M	2	1	6I-0563	4	NUT (M10X1.5-THD)						
M	3	1	106-8916	2	BOLT (M6X16-MM)						
	4	1	194-5390	1	GASKET-MANIFOLD						
	5	1	507-5019	1	LINE AS-OIL						
	5A	1	269-3086		CLAMP-BAND						
	6	1	301-8255	1	TUBE AS						
	6A	1	225-8524	2	BOLT-SPECIAL						
	6B	1	225-8526	4	WASHER (10.4X13.75X1.37-MM THK)						
	7	1	353-3477	1	GASKET-TURBOCHARGER						
	8	1	353-3478	1	GASKET-TURBOCHARGER						
	9	1	488-1825	1	TURBOCHARGER						
		1	487-8468	1	RING						
		1	487-8469	1	HOSE						
		1	487-8470	2	CLIP						

M - METRIC PART



VIEW OF AREA A
(PARTS REMOVED FOR CLARITY)

GRAPHIC #1

<END>

g06205219

AIR INLET AND EXHAUST SYSTEM

432-6655 TURBOCHARGER GP

S/N: W231-UP

PART OF 463-8848 ENGINE AR-PRIMARY

SMCS-1052, 1053

i06948896

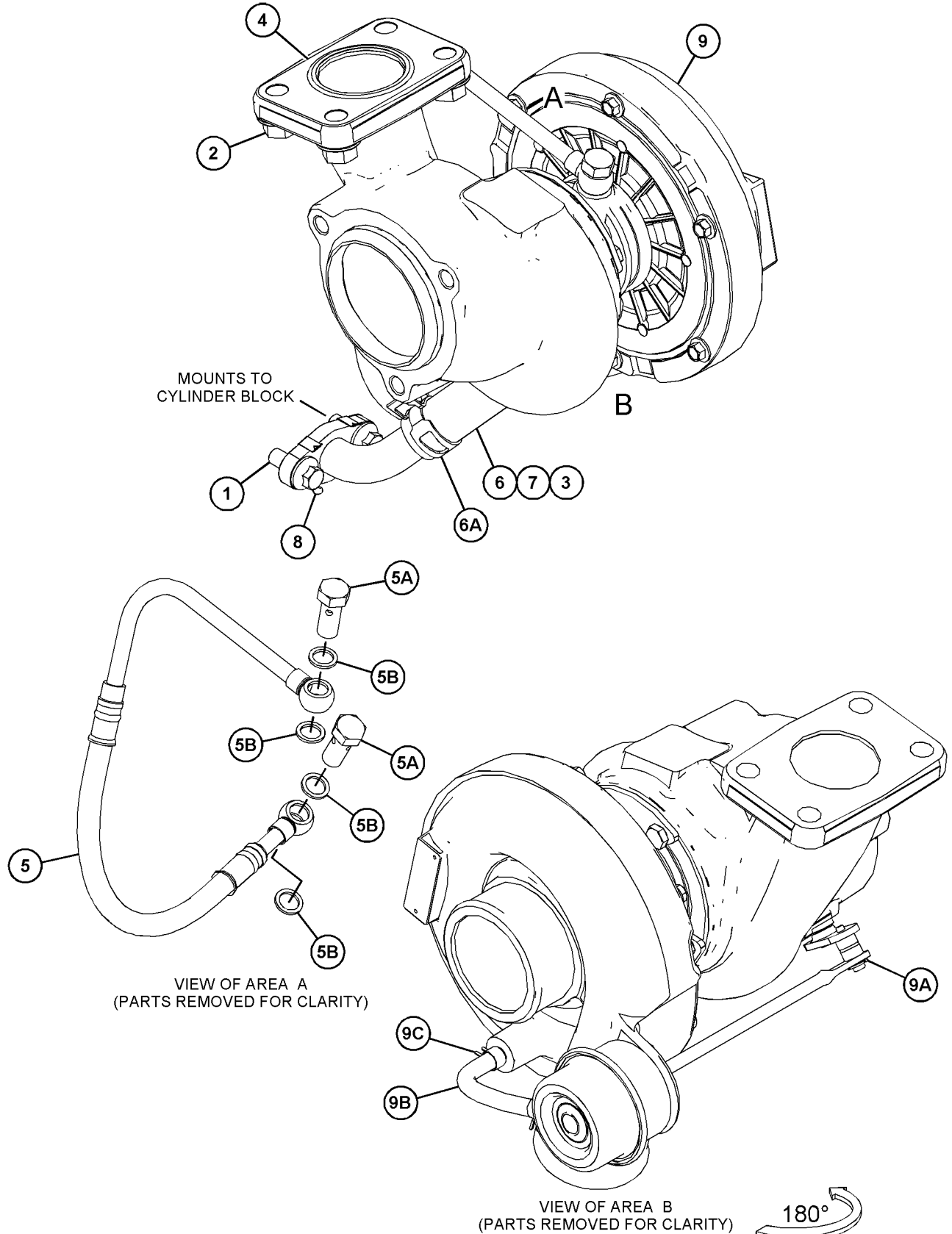
NOTE	REF NO	GRAPHIC REF	PART NUMBER	QTY	PART NAME						SEE PAGE
					1	2	3	4	5	6 (PRODUCT LEVEL)	
M	1	1	6I-0217	2	BOLT (M8X1.25X20-MM)						
M	2	1	6I-0563	4	NUT (M10X1.5-THD)						
M	3	1	106-8916	2	BOLT (M6X16-MM)						
	4	1	194-5390	1	GASKET-MANIFOLD						
	5	1	298-4566	1	TUBE AS						
	5A	1	225-8524	2	BOLT-SPECIAL						
	5B	1	225-8526	4	WASHER (10.4X13.75X1.37-MM THK)						
	6	1	507-5015	1	LINE AS						
	6A	1	269-3086	2	CLAMP-BAND						
	7	1	353-3477	1	GASKET-TURBOCHARGER						
	8	1	353-3478	1	GASKET-TURBOCHARGER						
	9	1	488-1831	1	TURBOCHARGER						
	9A	1	487-8468	1	RING						
	9B	1	487-8469	1	HOSE						
	9C	1	487-8470	2	CLIP						

M - METRIC PART

AIR INLET AND EXHAUST SYSTEM

432-6655 TURBOCHARGER GP (contd.)

106948896



GRAPHIC #1

<END>

g06212728

AIR INLET AND EXHAUST SYSTEM

441-9792 TURBOCHARGER GP

S/N: CJ41-UP

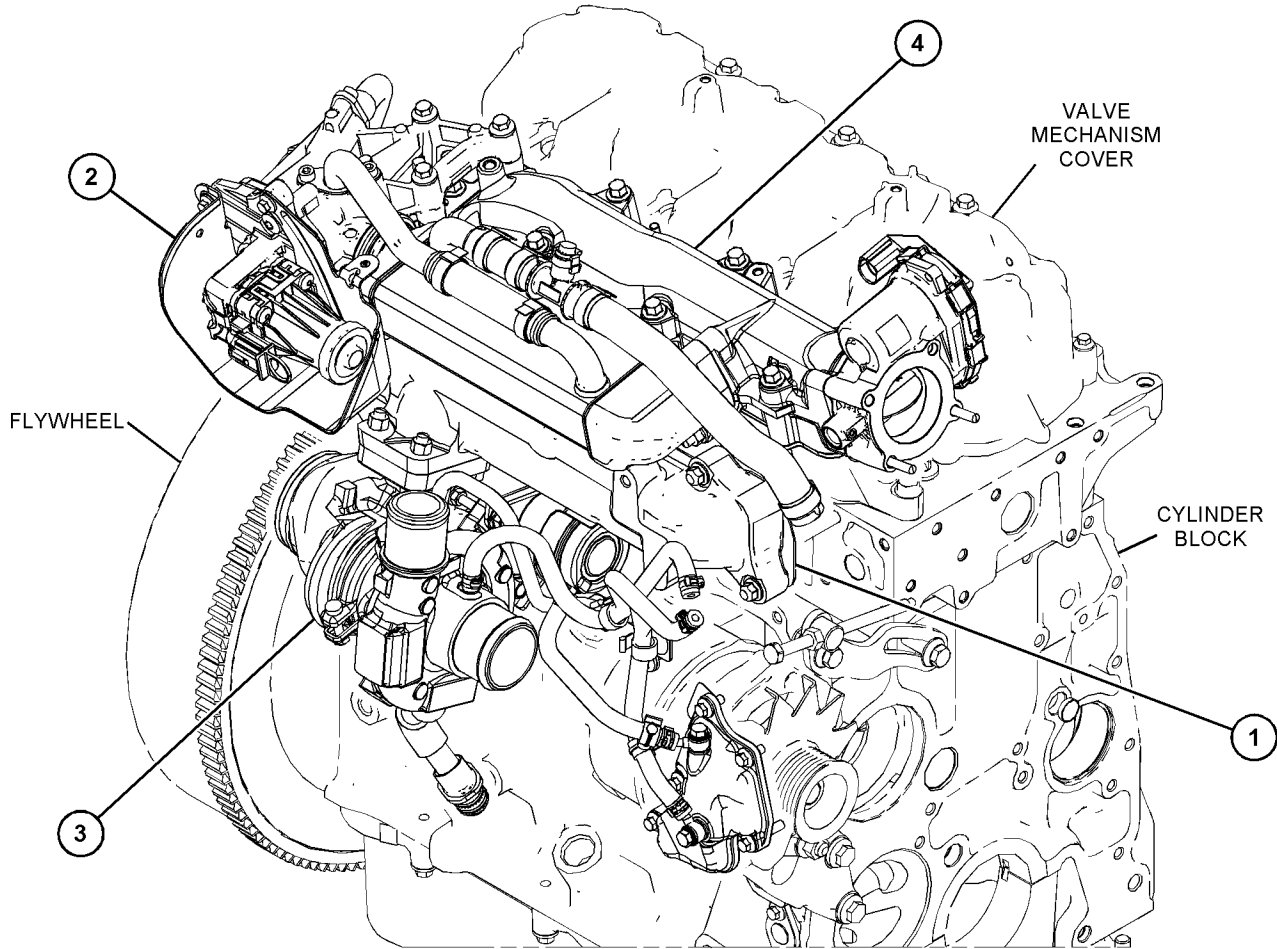
PART OF 465-2880 ENGINE AR-PRIMARY

SMCS-1052, 1053

i06944124

NOTE	REF NO	GRAPHIC REF	PART NUMBER	QTY	PART NAME						SEE PAGE
					1	2	3	4	5	6 (PRODUCT LEVEL)	
CY	1	1	381-3502	1	MANIFOLD GP-EXHAUST						247
Y	2	1	449-1083	1	VALVE GP-EXHAUST GAS (NRS)						276
Y	3	1	464-1175	1	TURBOCHARGER GP						271
Y	4	1	464-3548	1	MANIFOLD GP-CONTROL						724

C - CHANGE FROM PREVIOUS TYPE
Y - SEPARATE ILLUSTRATION



GRAPHIC #1

<END>

g06205095

AIR INLET AND EXHAUST SYSTEM

464-1175 TURBOCHARGER GP

S/N: CJ41-UP

PART OF 441-9792 TURBOCHARGER GP

SMCS-1052, 1053

i06692987

NOTE	REF NO	GRAPHIC REF	PART NUMBER	QTY	PART NAME						SEE PAGE
					1	2	3	4	5	6 (PRODUCT LEVEL)	
M	1	1	6I-0846	3	BOLT (M6X1X14-MM)						
M	2	1	112-7704	3	BOLT (M6X1X30-MM)						
M	3	1	124-3815	1	BOLT (M8X1.25X16-MM)						
	4	1	386-6368	1	GASKET						
	5	1	387-7697	1	GASKET (EXHAUST MANIFOLD)						
	6	1	387-8113	1	TUBE AS						
		1	386-1911	2	SEAL						
	7	1	389-1934	2	NUT						
	8	1	390-2468	1	GASKET						
	9	1	428-8151	1	PIPE						
	10	1	428-8153	1	PIPE						
	11	1	428-8168	1	BRACKET AS						
	11A	1	390-2397	2	CLIP						
	12	1	489-0637	6	CLIP						
Y	13	1	435-5729	1	COVER GP-ENGINE OIL COOLER						188
	14	1	462-6745	2	WASHER						
	15	1	465-3458	1	TURBOCHARGER AS						
	16	1	465-3473	1	LINE AS						
	17	1	465-3480	1	BOLT						
	18	1	465-3481	1	PIPE						
	19	1	465-3482	1	CLIP AS						
M	20	1	6V-5683	2	BOLT (M6X1X16-MM)						

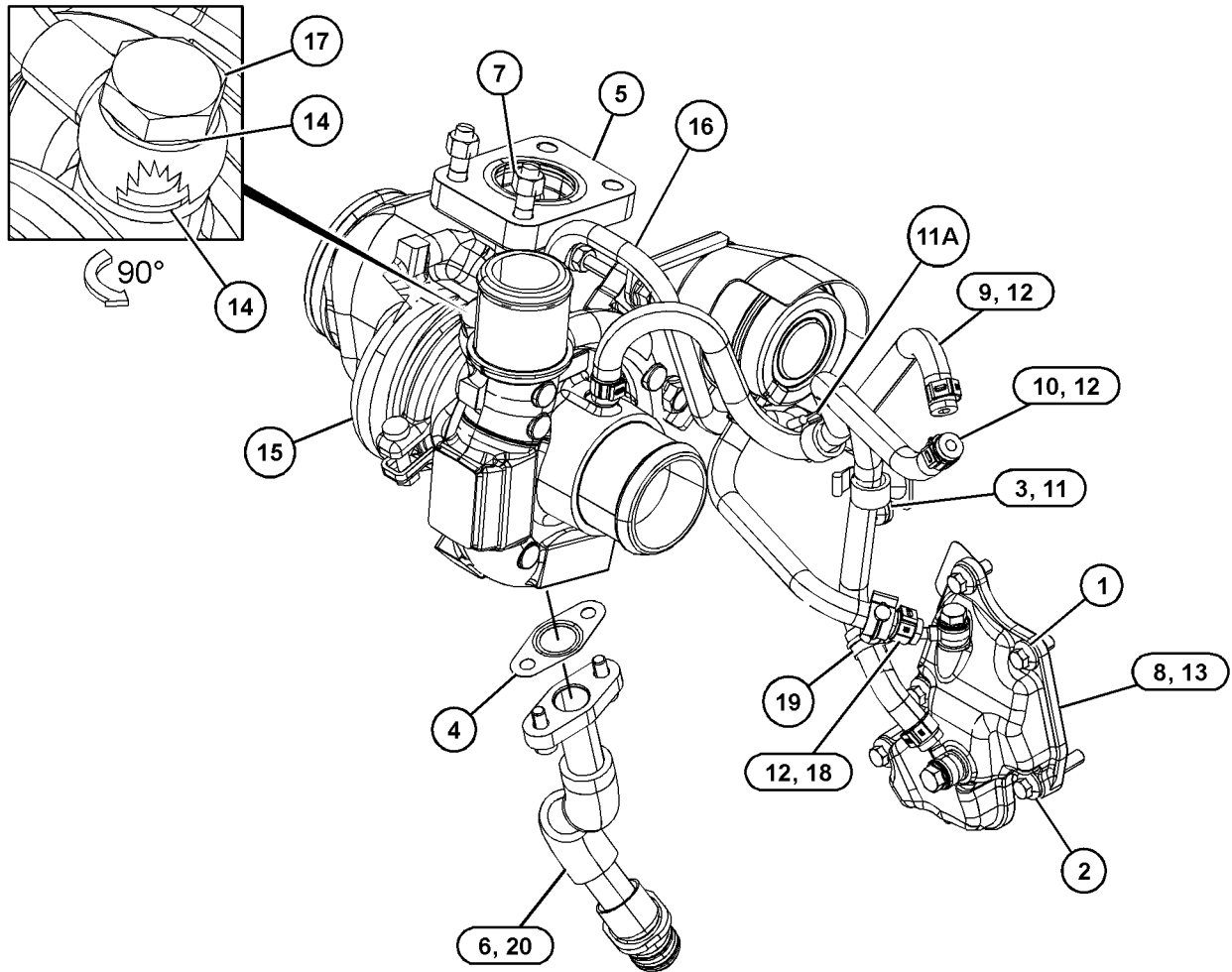
M - METRIC PART

Y - SEPARATE ILLUSTRATION

AIR INLET AND EXHAUST SYSTEM

464-1175 TURBOCHARGER GP (contd.)

i06692987



GRAPHIC #1

<END>

g03827463

AIR INLET AND EXHAUST SYSTEM

466-7874 VALVE & MOUNTING GP (NRS)

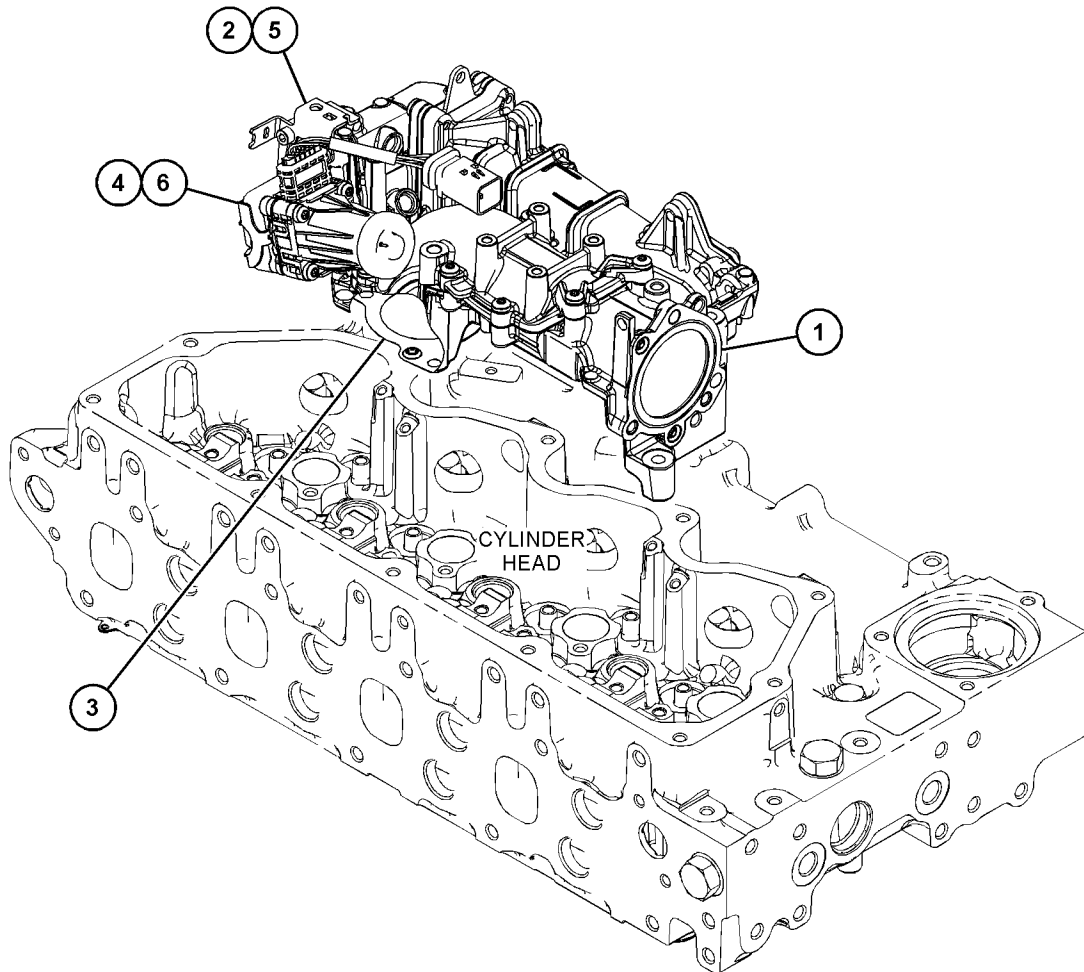
S/N: JKT1-UP

PART OF 459-3633 ELBOW GP-AIR INLET
ALSO AN ATTACHMENT

SMCS-1050, 108N

i06271153

NOTE	REF NO	GRAPHIC REF	PART NUMBER	QTY	PART NAME						SEE PAGE
					1	2	3	4	5	6 (PRODUCT LEVEL)	
1	1	1	346-9507	1	GASKET						
2	1	1	153-0983	4	BOLT (M6X1X25-MM)						
3	1	1	332-7624	1	GASKET						
4	1	1	345-0835	1	GASKET						
5	1	1	348-9331	1	BRACKET						
6	1	1	466-7876	1	VALVE						



GRAPHIC #1

<END>

g03678981

AIR INLET AND EXHAUST SYSTEM

425-6359 VALVE GP-COOLANT CONTROL-DEF TEMPERATURE

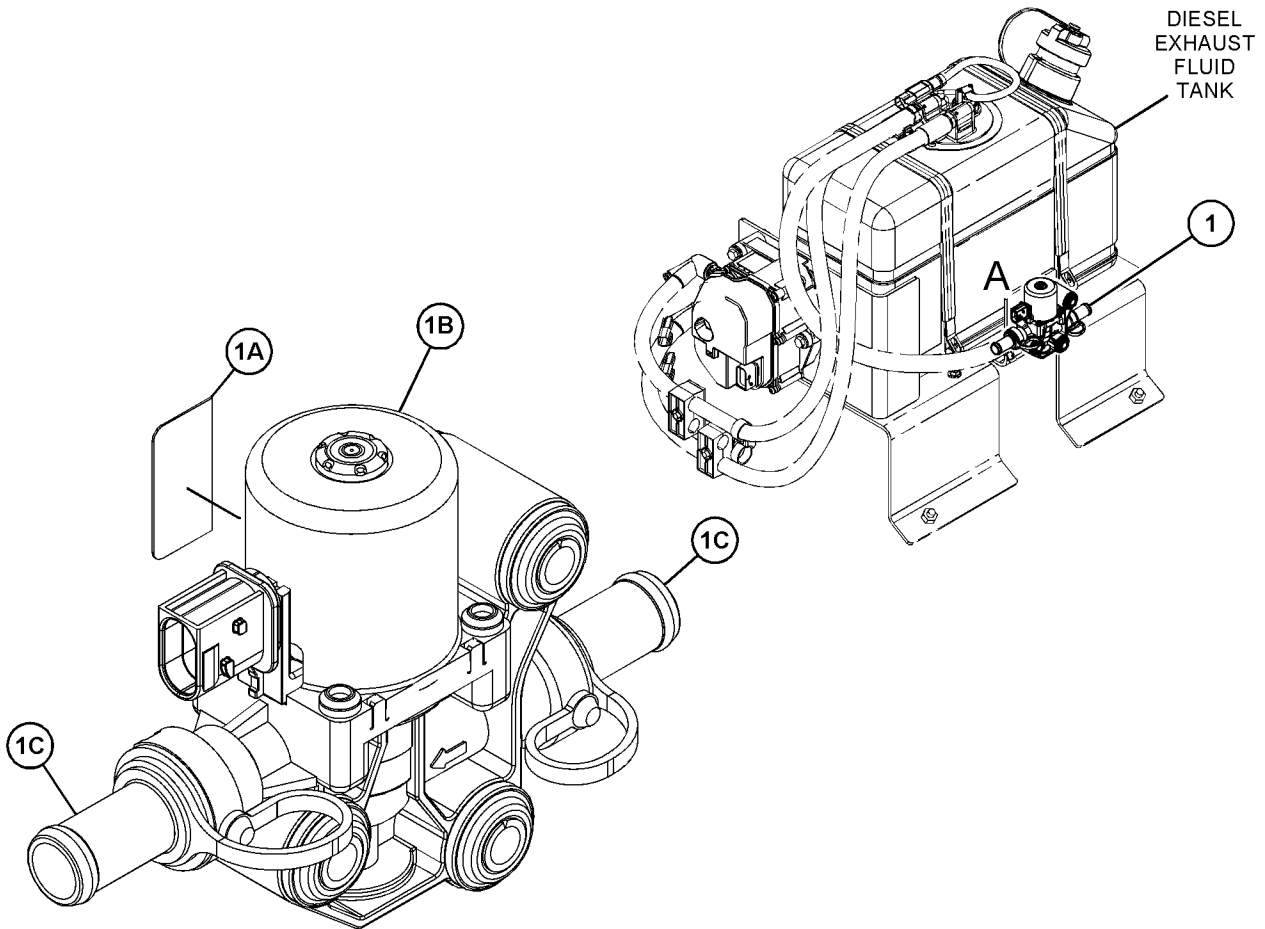
S/N: JKT1-UP

PART OF 466-2883 ENGINE AR

SMCS-5479

i07060109

NOTE	REF NO	GRAPHIC REF	PART NUMBER	QTY	PART NAME						SEE PAGE
					1	2	3	4	5	6 (PRODUCT LEVEL)	
	1	1	526-8387	1	VALVE AS-EXHAUST						
	1A	1	498-2822	1	FILM-IDENTIFICATION (12V, CAT)						
	1B	1	526-8388	1	VALVE AS-EXHAUST						
	1C	1	526-8391	2	CONNECTOR AS						



VIEW OF AREA A

GRAPHIC #1

<END>

g06222116

AIR INLET AND EXHAUST SYSTEM

442-2287 VALVE GP-COOLANT CONTROL

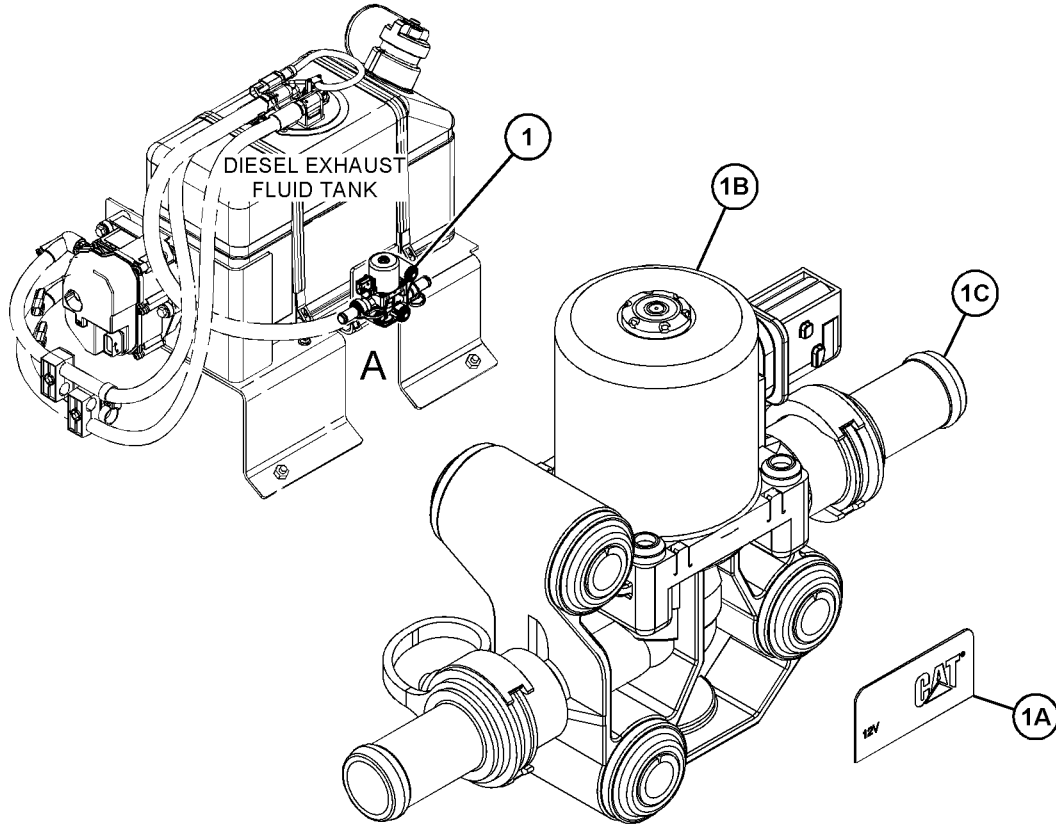
S/N: CJ41-UP

PART OF 465-2880 ENGINE AR-PRIMARY

SMCS-5479

i07155709

NOTE	REF NO	GRAPHIC REF	PART NUMBER	QTY	PART NAME						SEE PAGE
					1	2	3	4	5	6 (PRODUCT LEVEL)	
	1	1	526-8387	1	VALVE AS-EXHAUST						
	1A	1	498-2822	1	FILM-IDENTIFICATION (12V, CAT)						
	1B	1	526-8388	1	VALVE AS-EXHAUST						
	1C	1	526-8391	2	CONNECTOR AS						



VIEW OF AREA A

GRAPHIC #1

<END>

g06244730

AIR INLET AND EXHAUST SYSTEM

449-1083 VALVE GP-EXHAUST GAS (NRS)

S/N: CJ41-UP

PART OF 441-9792 TURBOCHARGER GP

SMCS-3139, 5137, 5479

i06995811

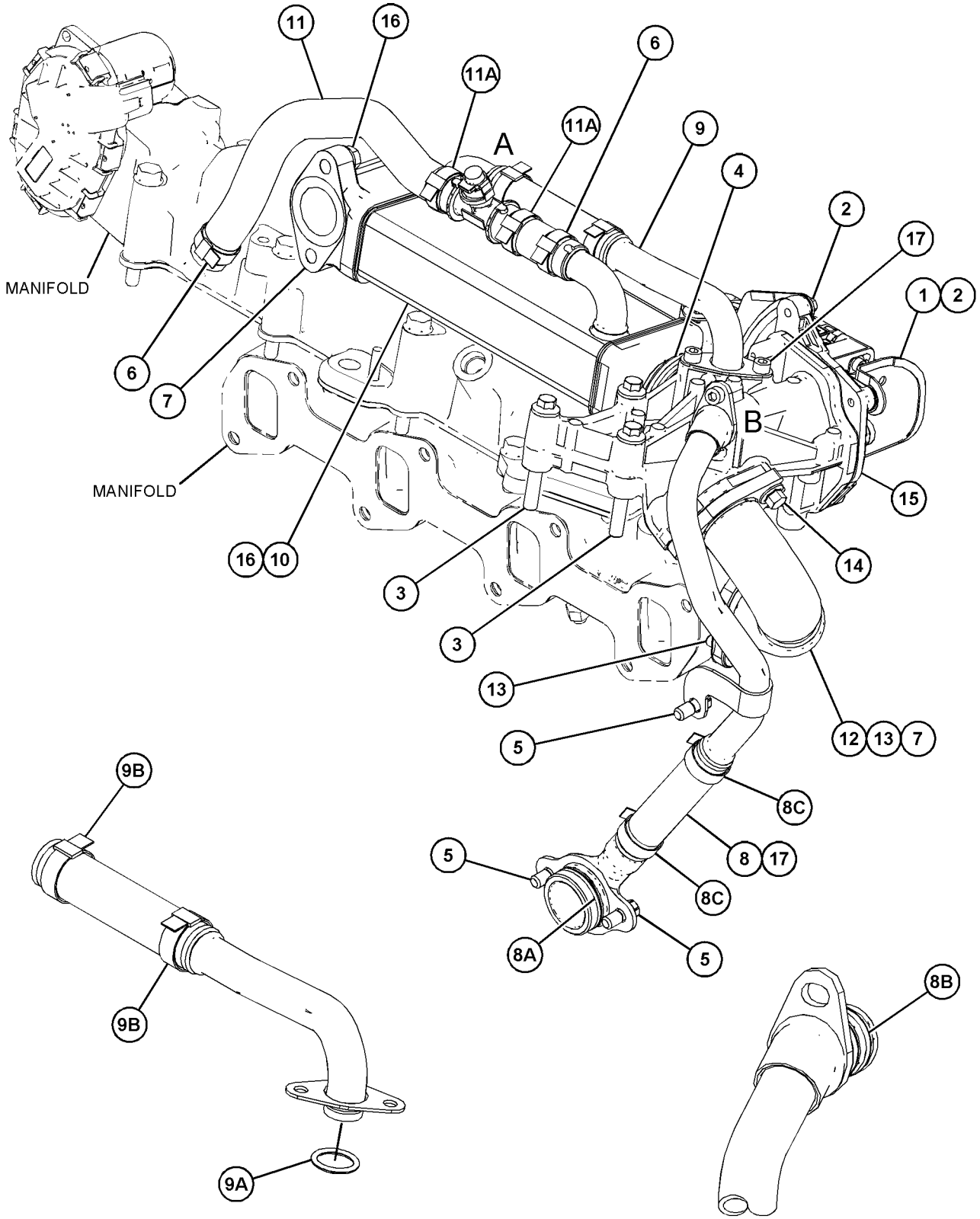
NOTE	REF NO	GRAPHIC REF	PART NUMBER	QTY	PART NAME						SEE PAGE
					1	2	3	4	5	6 (PRODUCT LEVEL)	
	1	1	390-3119	1	SHIELD						
M	2	1	6I-0846	3	BOLT (M6X1X14-MM)						
M	3	1	100-3751	3	BOLT (M8X1.25X65-MM)						
	4	1	386-2068	1	CLIP						
	5	1	389-2875	3	SCREW (SPECIAL)						
	6	1	390-2396	3	CLIP						
	7	1	515-0077	3	GASKET (EXHAUST MANIFOLD)						
	8	1	390-3292	1	TUBE AS						
	8A	1	386-1910	1	SEAL						
	8B	1	386-1911	2	SEAL						
	8C	1	390-2396	2	CLIP						
	9	1	390-3298	1	TUBE AS						
	9A	1	386-1911	1	SEAL						
	9B	1	390-2396	2	CLIP						
	10	1	487-5857	1	COOLER AS						
	11	1	417-9196	1	PIPE						
	11A	1	390-2396	2	CLIP						
	12	1	423-3785	1	PIPE						
	13	1	432-8596	2	BOLT-SPECIAL						
	14	1	463-8911	2	BOLT						
	15	1	463-8913	1	VALVE AS						
M	16	1	178-3336	2	NUT-HEX FLANGE (M8X1.25-THD)						
M	17	1	6V-5683	3	BOLT (M6X1X16-MM)						

M - METRIC PART

AIR INLET AND EXHAUST SYSTEM

449-1083 VALVE GP-EXHAUST GAS (NRS) (contd.)

106995811



VIEW OF AREA A
(PARTS REMOVED FOR CLARITY)

VIEW OF AREA B
(PARTS REMOVED FOR CLARITY)

GRAPHIC #1

<END>

g06204328

FUEL SYSTEM

375-1397 BRACKET GP-MOUNTING

S/N: CJ41-UP

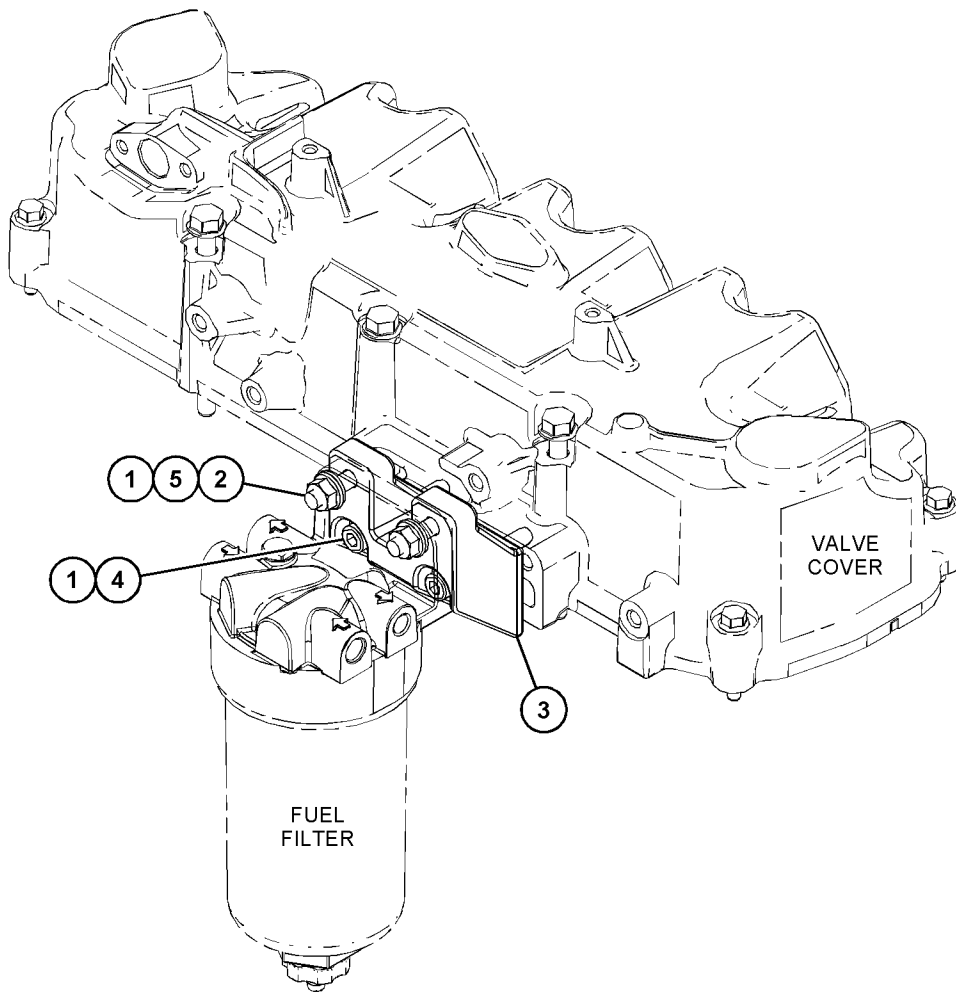
PART OF 372-8164 LINES GP-FUEL FILTER

SMCS-1261, 1702

i06252234

NOTE	REF NO	GRAPHIC REF	PART NUMBER	QTY	PART NAME						SEE PAGE
					1	2	3	4	5	6 (PRODUCT LEVEL)	
	1	1	7W-2632	4	WASHER (8.5X16.8X1.6-MM THK)						
	2	1	390-0313	2	STUD						
	3	1	417-8427	1	BRACKET						
	4	1	417-8452	2	SCREW						
M	5	1	178-3336	2	NUT-HEX FLANGE (M8X1.25-THD)						
					AVAILABLE REPAIR KIT(S):						
			388-1289	1	KIT-FUEL SYSTEM PARTS						
					(INCLUDES CAPS)						

M - METRIC PART



GRAPHIC #1

<END>

g03833252

FUEL SYSTEM

361-7347 CONNECTION GP-FUEL

S/N: JKT1-UP

9.49 SAE, M16

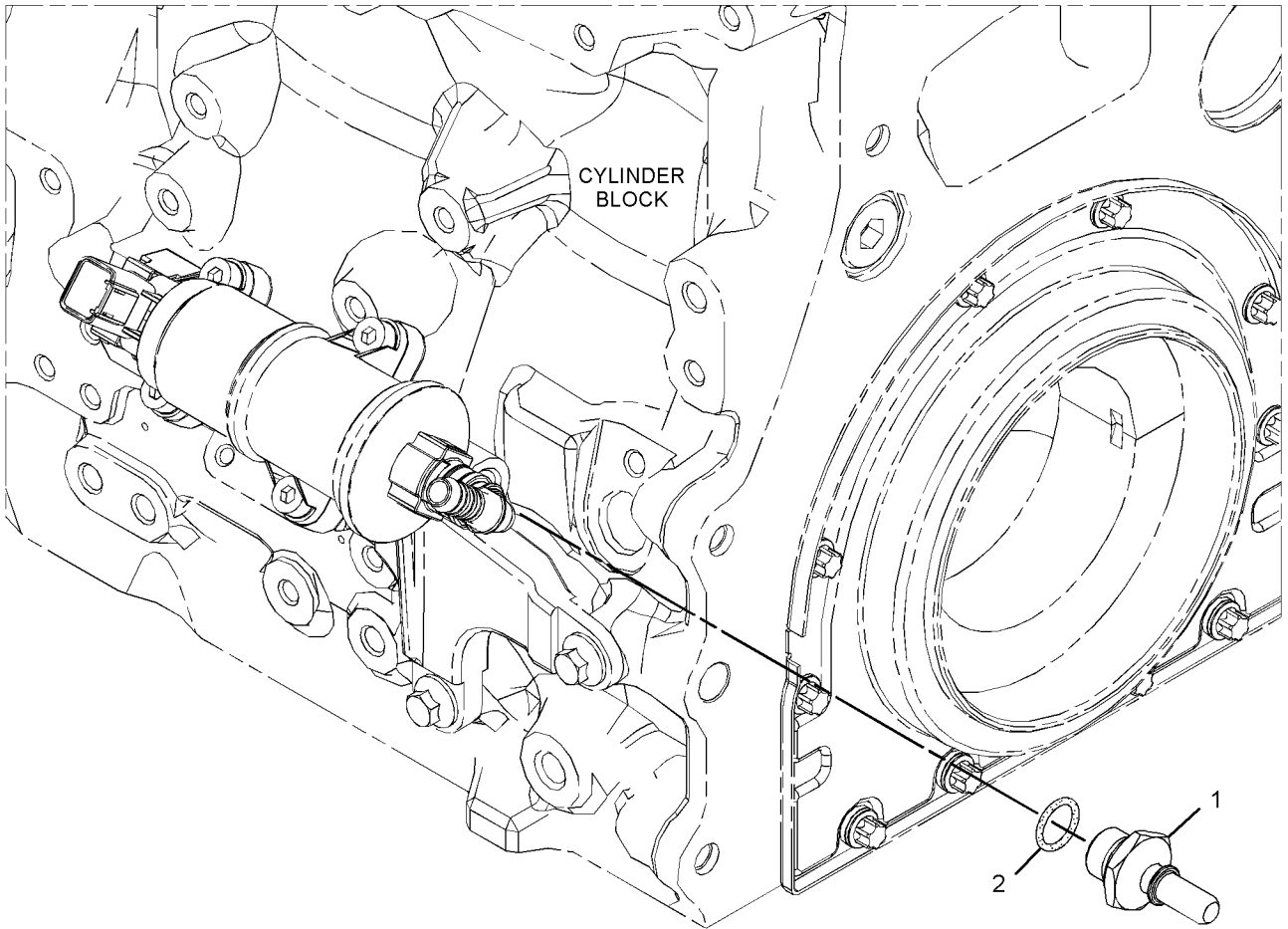
PART OF 446-5393 PUMP GP-FUEL TRANSFER

ALSO AN ATTACHMENT

SMCS-1250, 1274

i04758101

NOTE	REF NO	GRAPHIC REF	PART NUMBER	QTY	PART NAME						SEE PAGE
					1	2	3	4	5	6 (PRODUCT LEVEL)	
1	1	1	361-7346	1	CONNECTION						
2	1	1	228-7102	1	SEAL-O-RING						



GRAPHIC #1

<END>

g02716582

FUEL SYSTEM

360-8958 FILTER GP-FUEL

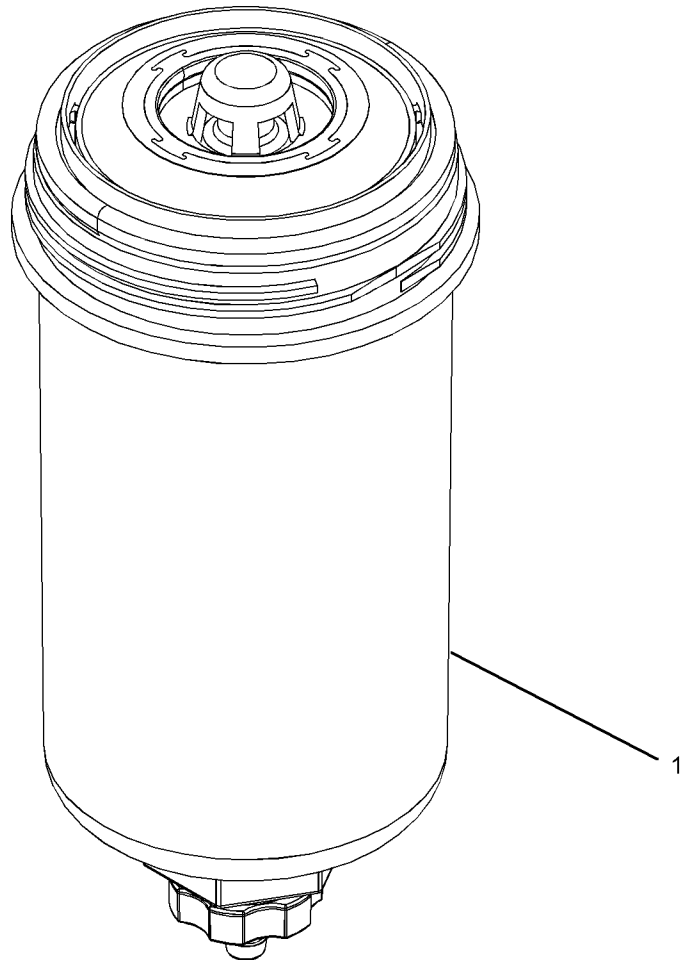
S/N: W231-UP; CJ41-UP; JKT1-UP

PART OF 367-9085, 452-8547 FILTER GP-FUEL, 452-0344 FILTER GP-WATER SEP & FUEL
ALSO AN ATTACHMENT

SMCS-1261

i06791624

NOTE	REF NO	GRAPHIC REF	PART NUMBER	QTY	PART NAME						SEE PAGE
					1	2	3	4	5	6 (PRODUCT LEVEL)	
	1	1	360-8960	1	FILTER ELEMENT-FUEL						
					AVAILABLE REPAIR KIT(S):						
			362-5412	1	KIT-DRAIN (FUEL FILTER)						
					(INCLUDES DRAIN, KNOB, & SEALS)						
			370-8376	1	KIT-FUEL SYSTEM PARTS						



GRAPHIC #1

<END>

g03173178

FUEL SYSTEM

361-1224 FILTER GP-FUEL

S/N: JKT1-UP

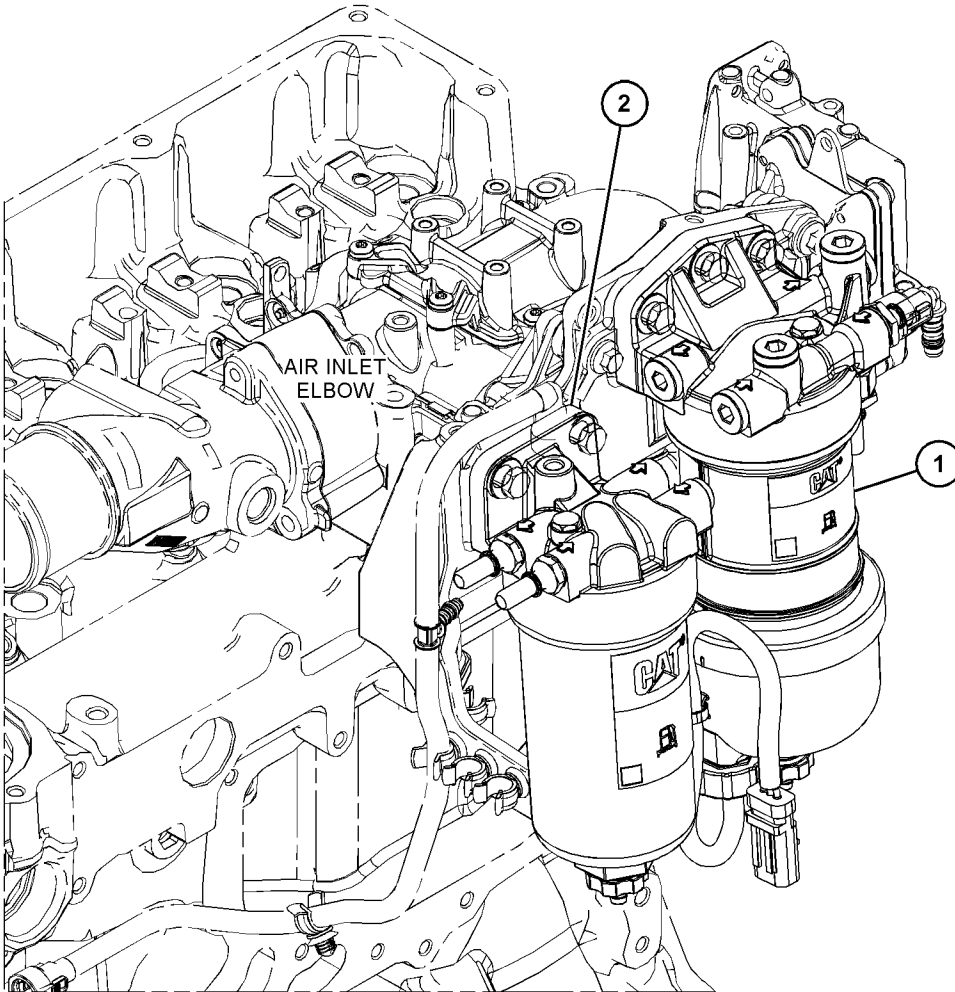
PART OF 464-2307, 464-2308 ENGINE AR-PRIMARY
ALSO AN ATTACHMENT

SMCS-1261

i07080579

NOTE	REF NO	GRAPHIC REF	PART NUMBER	QTY	PART NAME						SEE PAGE
					1	2	3	4	5	6 (PRODUCT LEVEL)	
CY	1	1	483-1002	1	FILTER GP-WATER SEP & FUEL						298
Y	2	1	452-0344	1	FILTER GP-WATER SEP & FUEL						297

C - CHANGE FROM PREVIOUS TYPE
Y - SEPARATE ILLUSTRATION



GRAPHIC #1

<END>

g03707913

FUEL SYSTEM

361-1224 FILTER GP-FUEL

S/N: JKT1-UP

PART OF 464-2307 ENGINE AR-PRIMARY
AN ATTACHMENT

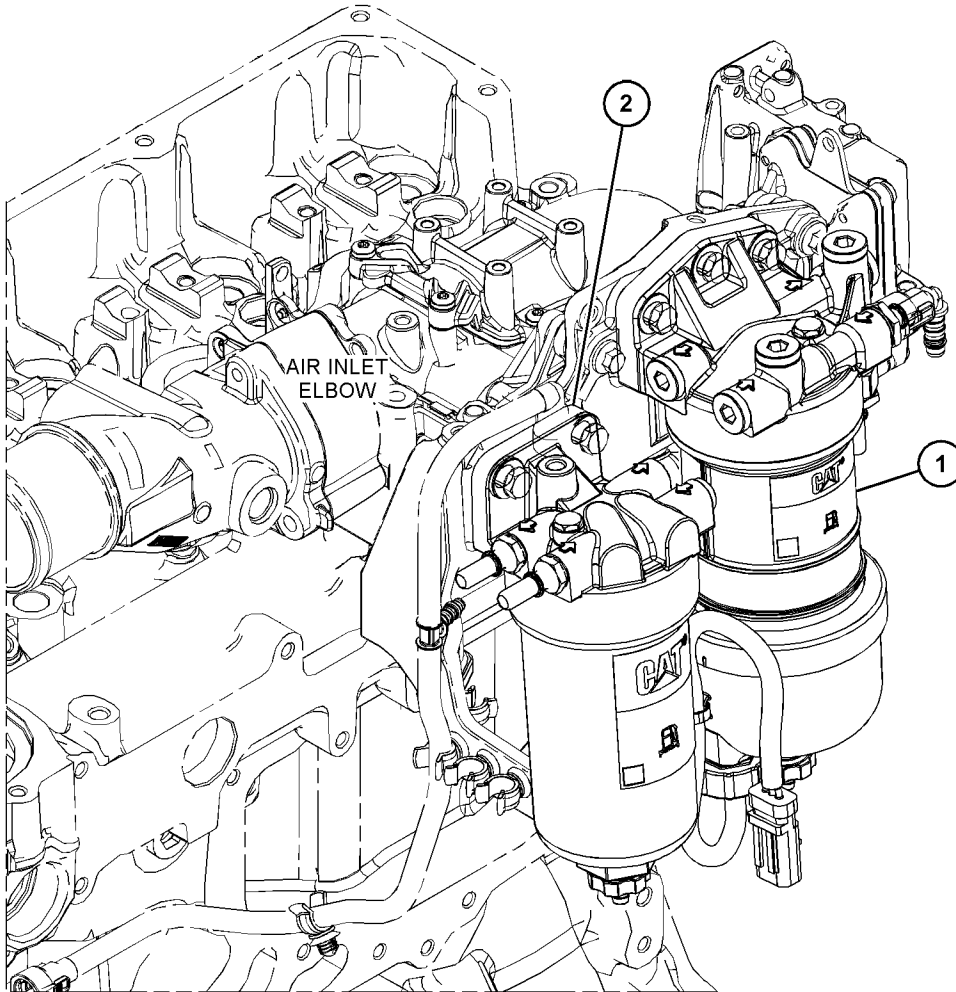
SMCS-1261

i05872461

NOTE	REF NO	GRAPHIC REF	PART NUMBER	QTY	PART NAME						SEE PAGE
					1	2	3	4	5	6 (PRODUCT LEVEL)	
Y	1	1	361-4302	1	FILTER GP-WATER SEP & FUEL						294
CY	2	1	452-0344	1	FILTER GP-WATER SEP & FUEL						297

C - CHANGE FROM PREVIOUS TYPE

Y - SEPARATE ILLUSTRATION



GRAPHIC #1

<END>

g03707913

FUEL SYSTEM

367-9085 FILTER GP-FUEL

S/N: CJ41-UP

PART OF 418-3788 FILTER GP-FUEL

SMCS-1261

i06745935

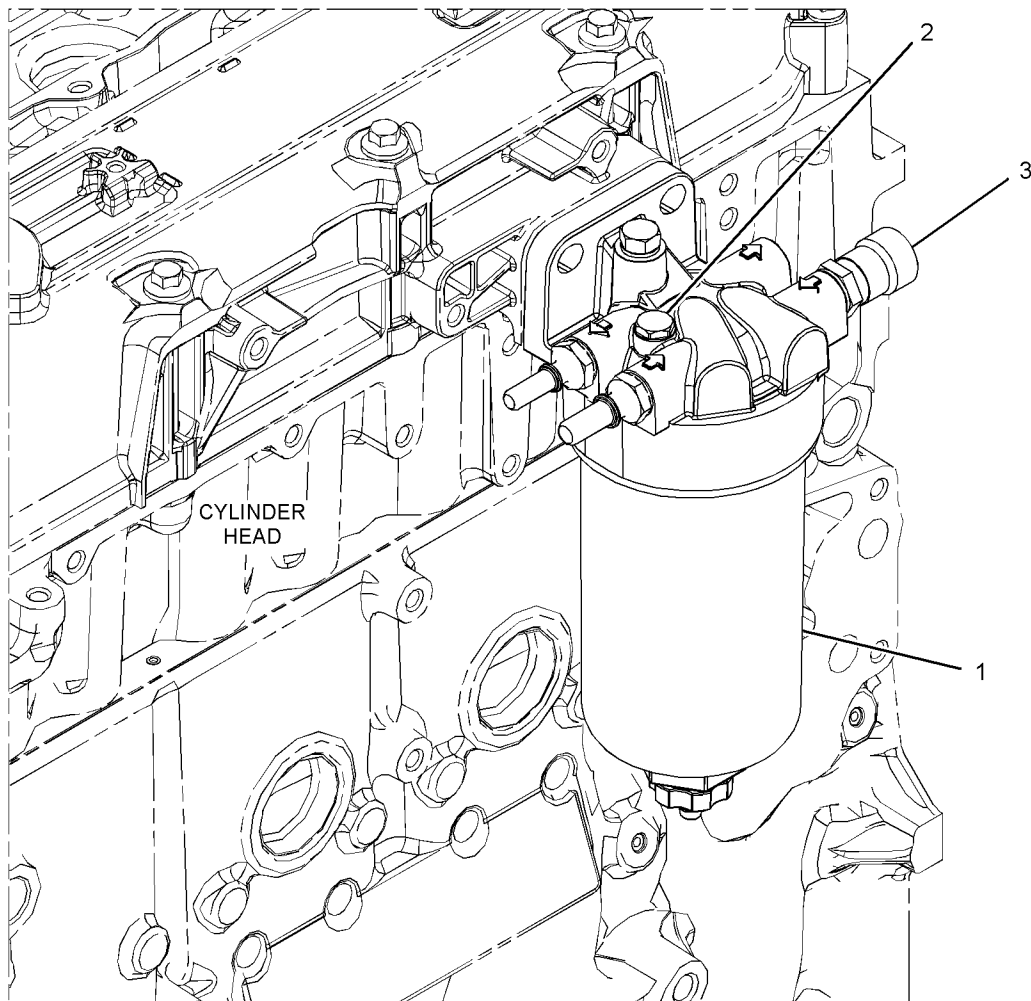
NOTE	REF NO	GRAPHIC REF	PART NUMBER	QTY	PART NAME						SEE PAGE
					1	2	3	4	5	6 (PRODUCT LEVEL)	
Y	1	1	360-8958	1	FILTER GP-FUEL						280
	2	1	362-9689	1	SCREW-SPECIAL						
	3	1	373-9526	1	SENSOR-TEMPERATURE (FUEL)						

AVAILABLE REPAIR KIT(S):

362-5412 1 KIT-DRAIN

(INCLUDES DRAIN, KNOB, & SEALS)

Y - SEPARATE ILLUSTRATION



GRAPHIC #1

<END>

g02939197

FUEL SYSTEM

418-3788 FILTER GP-FUEL

S/N: CJ41-UP

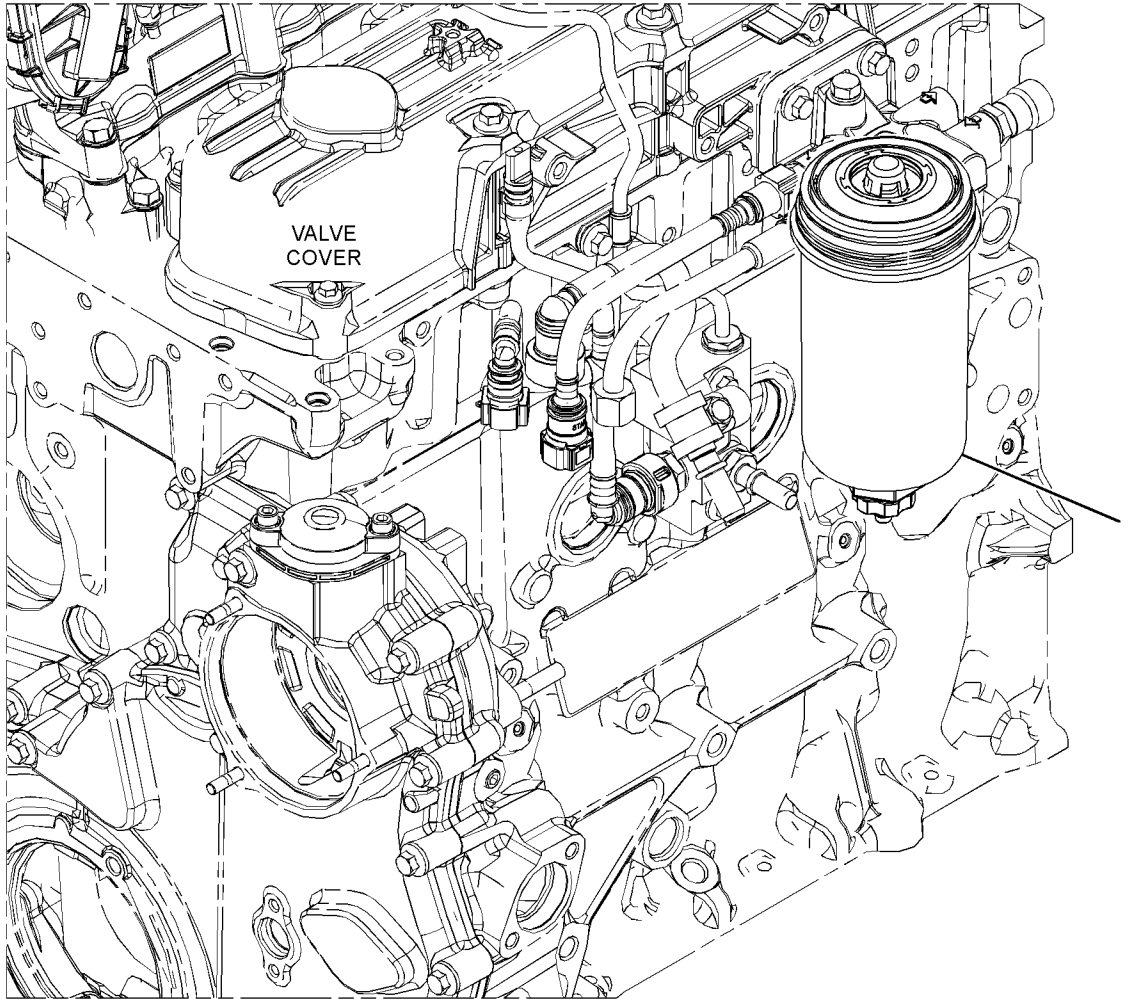
PART OF 465-2880 ENGINE AR-PRIMARY

SMCS-1261

i06745975

NOTE	REF NO	GRAPHIC REF	PART NUMBER	QTY	PART NAME						SEE PAGE
					1	2	3	4	5	6 (PRODUCT LEVEL)	
Y	1	1	367-9085	1	FILTER GP-FUEL						283

Y - SEPARATE ILLUSTRATION



GRAPHIC #1

<END>

g03334746

FUEL SYSTEM

421-3853 FILTER GP-FUEL

S/N: W231-UP

PART OF 463-8848, 463-8910 ENGINE AR-PRIMARY

SMCS-1261

i07213653

NOTE	REF NO	GRAPHIC REF	PART NUMBER	QTY	PART NAME						SEE PAGE
					1	2	3	4	5	6 (PRODUCT LEVEL)	
M	1	1	6I-0593	2	BOLT (M10X1.5X30-MM)						
M	2	1	100-4458	1	BOLT (M8X1.25X14-MM)						
M	3	1	164-7468	1	BOLT (M10X1.5X95-MM)						
M	4	1	293-1875	1	BOLT (M10X1.5X16-MM)						
	5	1	330-9723	2	PLUG AS						
					(EACH INCLUDES)						
		1	228-7100	1	SEAL-O-RING						
		1	241-6157	1	PLUG						
	6	1	342-3782	1	CLIP-PIPE						
Y	7	1	396-2103	1	LINES GP-FUEL						306
	8	1	396-2421	1	LINE AS-FUEL						
		1	348-0495	2	WASHER						
M		1	277-9938	1	BOLT-SPECIAL (BANJO)						
		1	286-2890	2	WASHER						
		1	295-4670	1	BOLT-SPECIAL (BANJO)						
	9	1	433-1316	1	LINES GP-FUEL						
		1	246-4361	2	WASHER (10.5X14X1.5-MM THK)						
		1	247-4928	2	WASHER (16.5X20.5X1.6-MM THK)						
		1	385-1398	1	CONNECTION-FUEL						
		1	386-1864	1	BOLT-BANJO						
	10	1	454-9914	1	BRACKET-FILTER						
	11	1	456-1364	1	LINE AS-FUEL						
		1	277-4993	1	SEAL-O-RING						
		1	286-2890	2	WASHER						
		1	295-4670	1	BOLT-SPECIAL (BANJO)						
M	12	1	6I-0254	3	BOLT (M8X1.25X30-MM)						

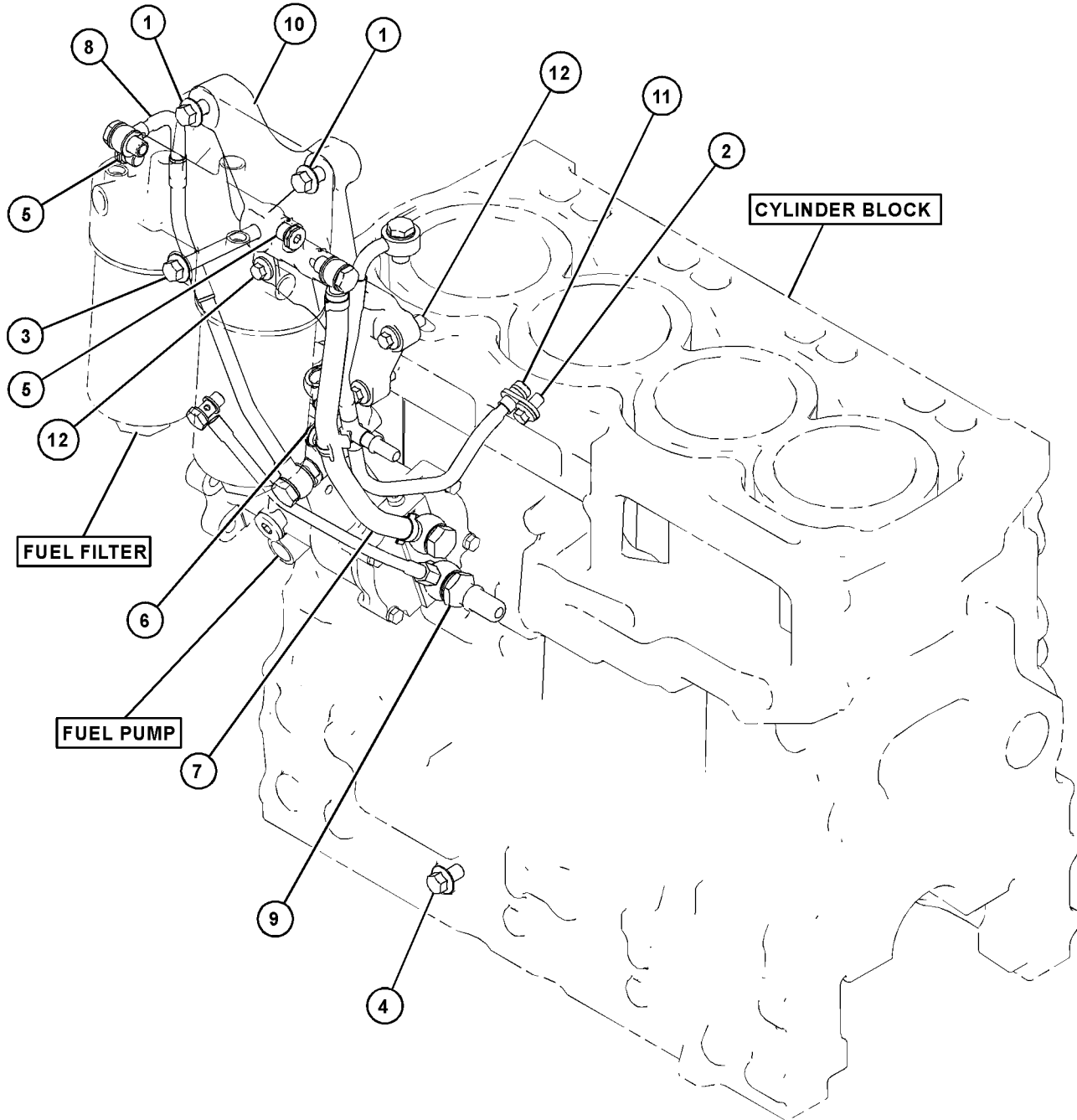
M - METRIC PART

Y - SEPARATE ILLUSTRATION

FUEL SYSTEM

421-3853 FILTER GP-FUEL (contd.)

i07213653



GRAPHIC #1

<END>

g03823887

FUEL SYSTEM

438-7763 FILTER GP-FUEL

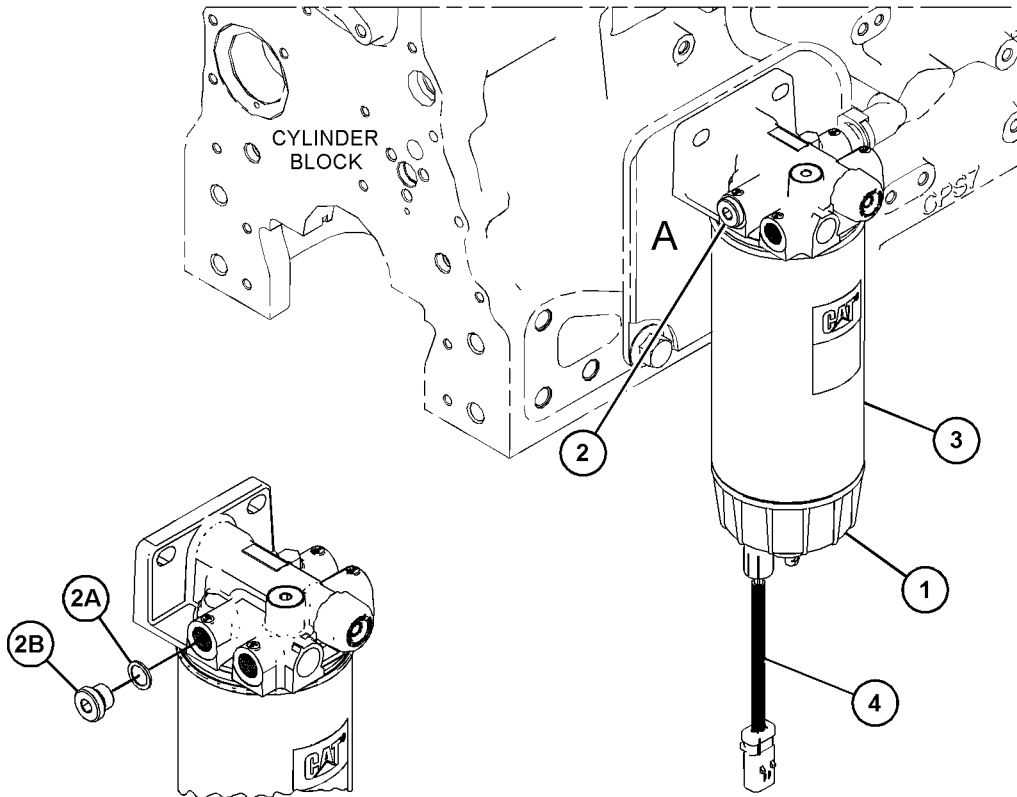
S/N: W231-UP

PART OF 441-1215 FILTER GP-FUEL

SMCS-1261

i07104147

NOTE	REF NO	GRAPHIC REF	PART NUMBER	QTY	PART NAME						SEE PAGE
					1	2	3	4	5	6 (PRODUCT LEVEL)	
	1	1	439-5040	1	BOWL AS						
	2	1	192-9207	1	PLUG AS						
	2A	1	126-9093	1	SEAL						
	2B	1	439-1841	1	PLUG						
	3	1	439-5037	1	FILTER AS-WATER SEP & FUEL						
	4	1	439-5039	1	SENSOR GP-LIQUID LEVEL (WATER IN FUEL)						



VIEW OF AREA A

GRAPHIC #1

<END>

g06217269

FUEL SYSTEM

441-1215 FILTER GP-FUEL

S/N: W231-UP

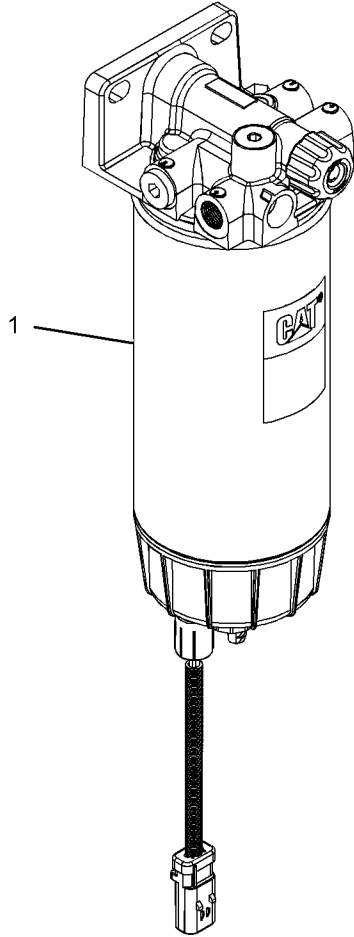
PART OF 463-8848, 463-8910 ENGINE AR-PRIMARY

SMCS-1261

i06174925

NOTE	REF NO	GRAPHIC REF	PART NUMBER	QTY	PART NAME						SEE PAGE
					1	2	3	4	5	6 (PRODUCT LEVEL)	
Y	1	1	438-7763	1	FILTER GP-FUEL						287

Y - SEPARATE ILLUSTRATION



GRAPHIC #1

<END>

g03535423

FUEL SYSTEM

452-8547 FILTER GP-FUEL

S/N: W231-UP

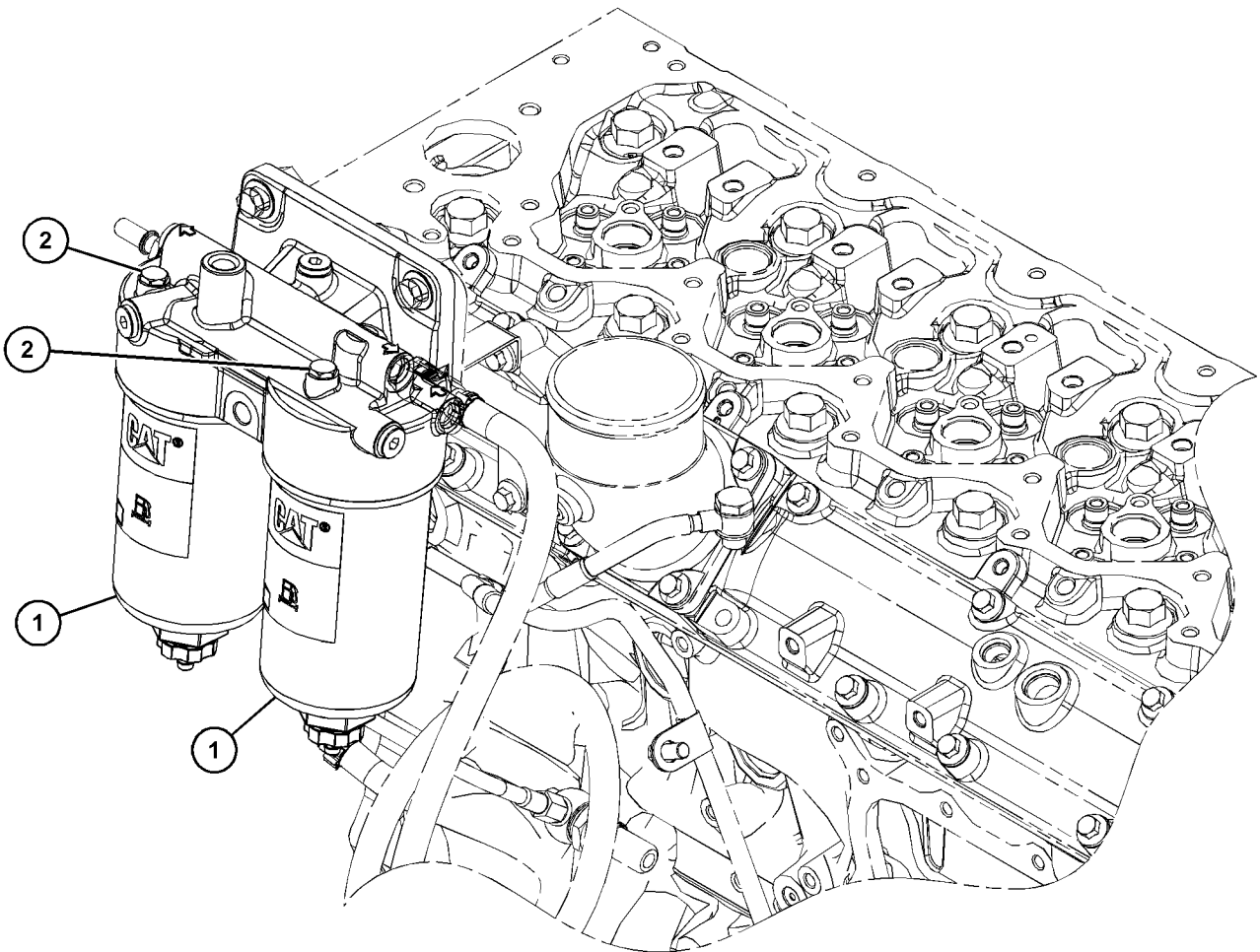
PART OF 453-7163 FILTER GP-FUEL

SMCS-1261

i06156141

NOTE	REF NO	GRAPHIC REF	PART NUMBER	QTY	PART NAME						SEE PAGE
					1	2	3	4	5	6 (PRODUCT LEVEL)	
Y	1	1	360-8958	2	FILTER GP-FUEL						280
	2	1	362-9689	2	SCREW-SPECIAL						
					AVAILABLE REPAIR KIT(S):						
			362-5412	2	KIT-DRAIN						
					(EACH KIT INCLUDES DRAIN, KNOB & SEAL)						

Y - SEPARATE ILLUSTRATION



GRAPHIC #1

<END>

g03701881

FUEL SYSTEM

453-7163 FILTER GP-FUEL

S/N: W231-UP

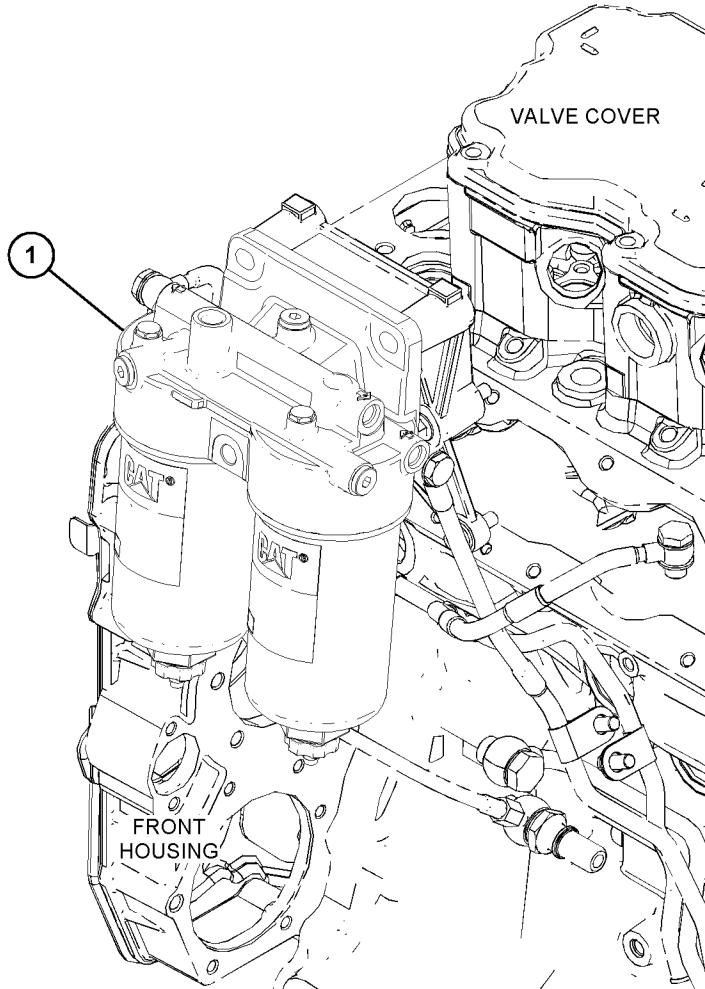
PART OF 463-8848, 463-8910 ENGINE AR-PRIMARY

SMCS-1261

i06120045

NOTE	REF NO	GRAPHIC REF	PART NUMBER	QTY	PART NAME						SEE PAGE
					1	2	3	4	5	6 (PRODUCT LEVEL)	
Y	1	1	452-8547	1	FILTER GP-FUEL						289

Y - SEPARATE ILLUSTRATION



GRAPHIC #1

<END>

g03695817

FUEL SYSTEM

361-1562 FILTER GP-PRIMARY FUEL

S/N: JKT1-UP

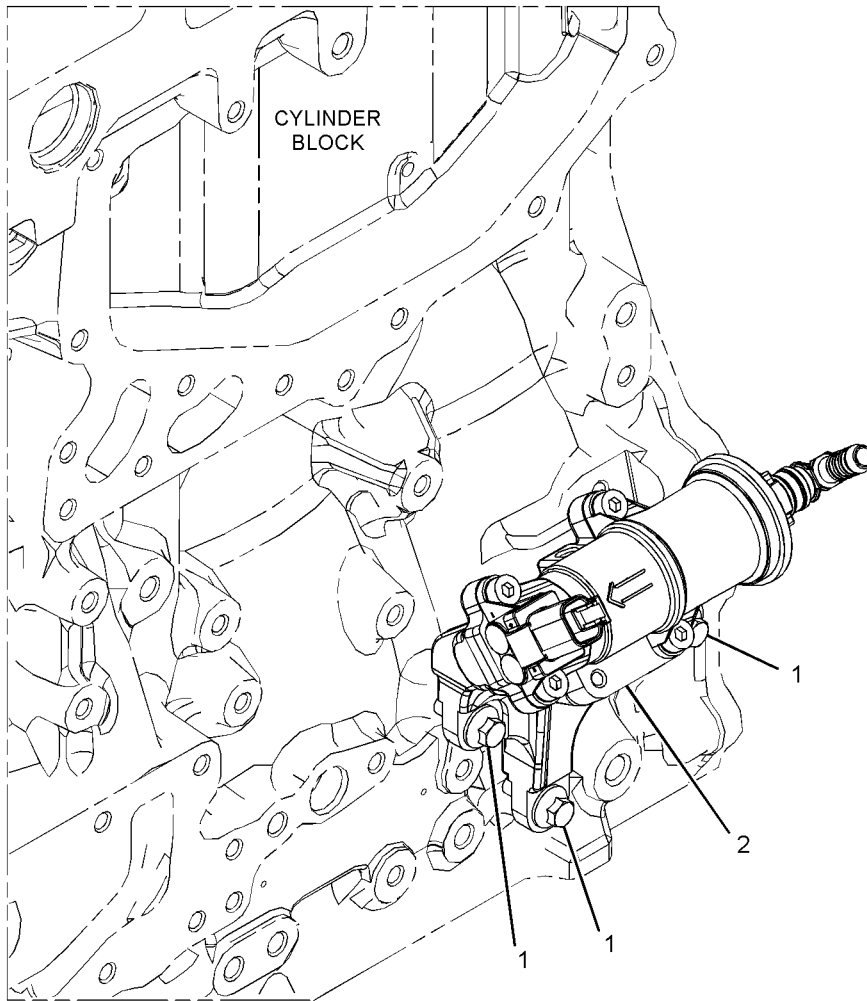
PART OF 464-2307, 464-2308 ENGINE AR-PRIMARY
ALSO AN ATTACHMENT

SMCS-1260, 1261

i07074286

NOTE	REF NO	GRAPHIC REF	PART NUMBER	QTY	PART NAME						SEE PAGE
					1	2	3	4	5	6 (PRODUCT LEVEL)	
M	1	1	6I-0217	3	BOLT (M8X1.25X20-MM)						
Y	2	1	446-5393	1	PUMP GP-FUEL TRANSFER						324

M - METRIC PART
Y - SEPARATE ILLUSTRATION



GRAPHIC #1

<END>

g06214736

FUEL SYSTEM

366-9821 FILTER GP-PRIMARY FUEL

S/N: CJ41-UP

PART OF 465-2880 ENGINE AR-PRIMARY

SMCS-1260, 1261

i05722210

NOTE	PART NUMBER	QTY	PART NAME						SEE PAGE
			1	2	3	4	5	6 (PRODUCT LEVEL)	
Y	393-5525	1	FILTER GP-PRIMARY FUEL						293

Y - SEPARATE ILLUSTRATION

<END>

FUEL SYSTEM

393-5525 FILTER GP-PRIMARY FUEL

S/N: TH21-UP; CJ41-UP

PART OF 366-9821 FILTER GP-PRIMARY FUEL, 503-4920 LINES GP-FUEL
ALSO AN ATTACHMENT

SMCS-1260, 1261

i05773221

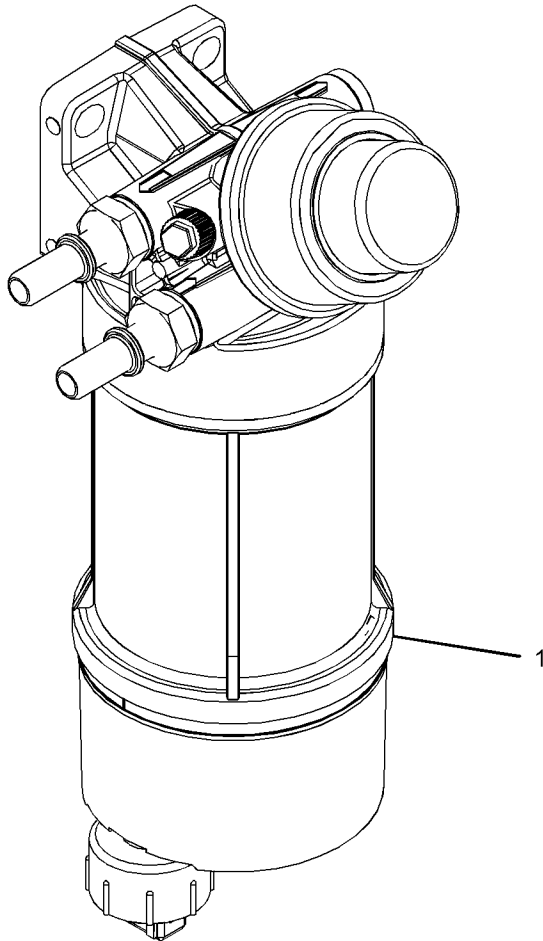
NOTE	REF NO	GRAPHIC REF	PART NUMBER	QTY	PART NAME						SEE PAGE
					1	2	3	4	5	6 (PRODUCT LEVEL)	
Y	1	1	369-6035	1	FILTER GP-WATER SEP & FUEL						296

AVAILABLE REPAIR KIT(S):

388-1289	1	KIT-FUEL SYSTEM PARTS
-----------------	---	-----------------------

(INCLUDES CAPS)

Y - SEPARATE ILLUSTRATION



GRAPHIC #1

<END>

g02885956

FUEL SYSTEM

361-4302 FILTER GP-WATER SEP & FUEL

S/N: JKT1-UP

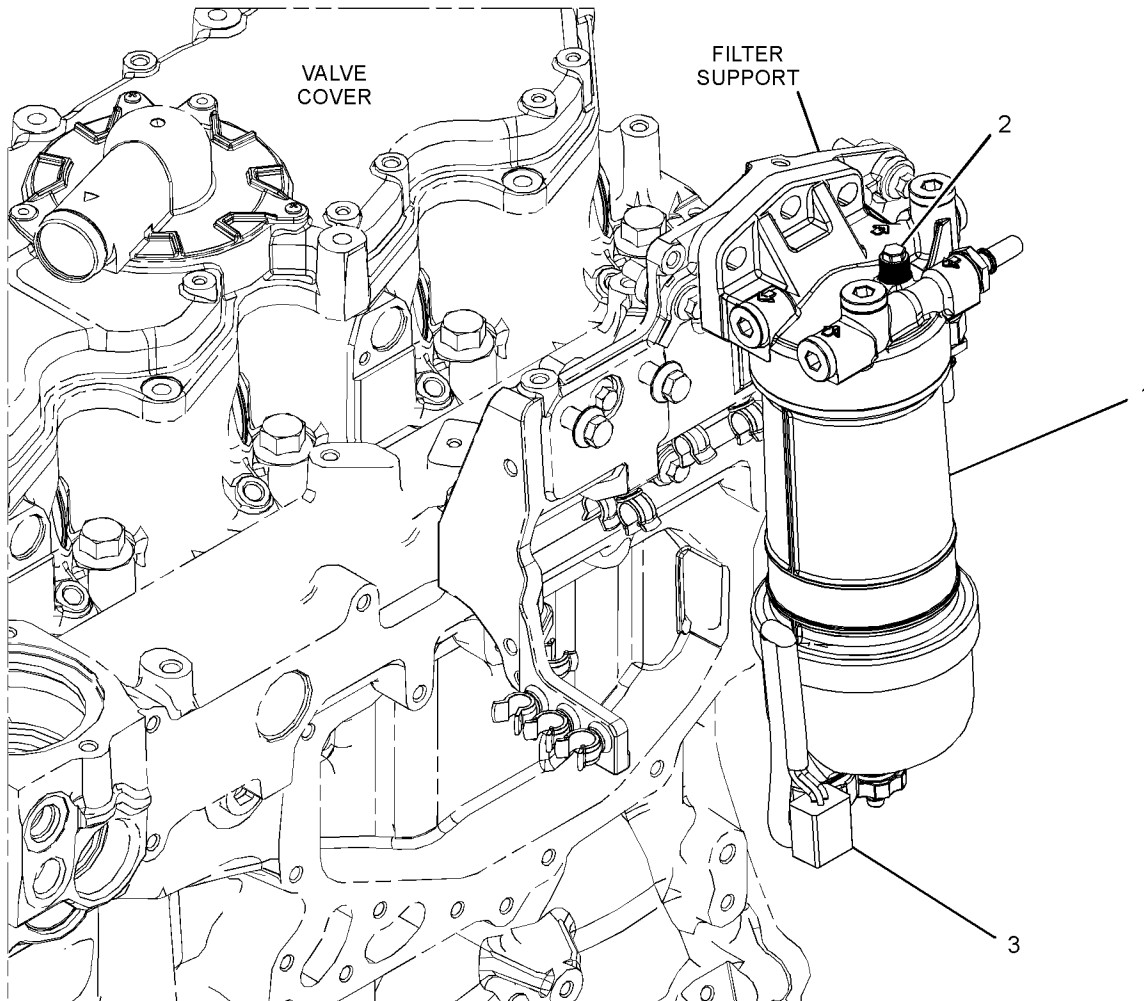
PART OF 361-1224 FILTER GP-FUEL
AN ATTACHMENT

SMCS-1260, 1261, 1263

i07218860

NOTE	REF NO	GRAPHIC REF	PART NUMBER	QTY	PART NAME						SEE PAGE		
					1	2	3	4	5	6 (PRODUCT LEVEL)			
Y	1	1	363-6571	1	FILTER GP-WATER SEP & FUEL						295		
	2	1	362-9689	1	SCREW-SPECIAL								
CY	3	1	423-6434	1	SENSOR GP-LIQUID LEVEL (WATER IN FUEL)						421		
					AVAILABLE REPAIR KIT(S):								
					362-5412	1	KIT-DRAIN						
					(INCLUDES DRAIN, KNOB, & SEALS)								

C - CHANGE FROM PREVIOUS TYPE
Y - SEPARATE ILLUSTRATION



GRAPHIC #1

<END>

g02932499

FUEL SYSTEM

363-6571 FILTER GP-WATER SEP & FUEL

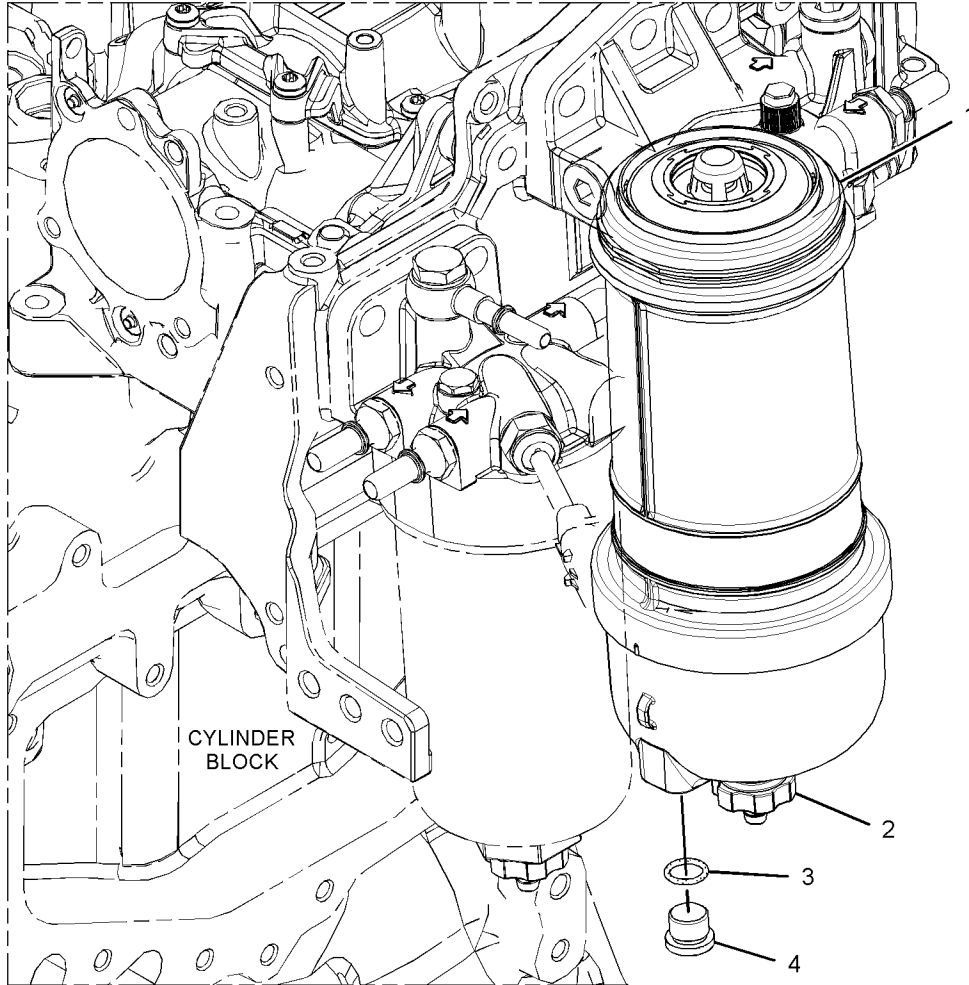
S/N: JKT1-UP

PART OF 361-4302 FILTER GP-WATER SEP & FUEL
AN ATTACHMENT

SMCS-1260, 1261, 1263

i07104050

NOTE	REF NO	GRAPHIC REF	PART NUMBER	QTY	PART NAME						SEE PAGE
					1	2	3	4	5	6 (PRODUCT LEVEL)	
	1	1	363-6572	1	ELEMENT-WATER SEPARATOR						
	2	1	362-5412	1	KIT-DRAIN						
					(INCLUDES DRAIN, KNOB, & SEAL)						
	3	1	3J-1907	1	SEAL-O-RING						
	4	1	9S-8004	1	PLUG (9/16-18-THD)						



GRAPHIC #1

<END>

g02716627

FUEL SYSTEM

369-6035 FILTER GP-WATER SEP & FUEL

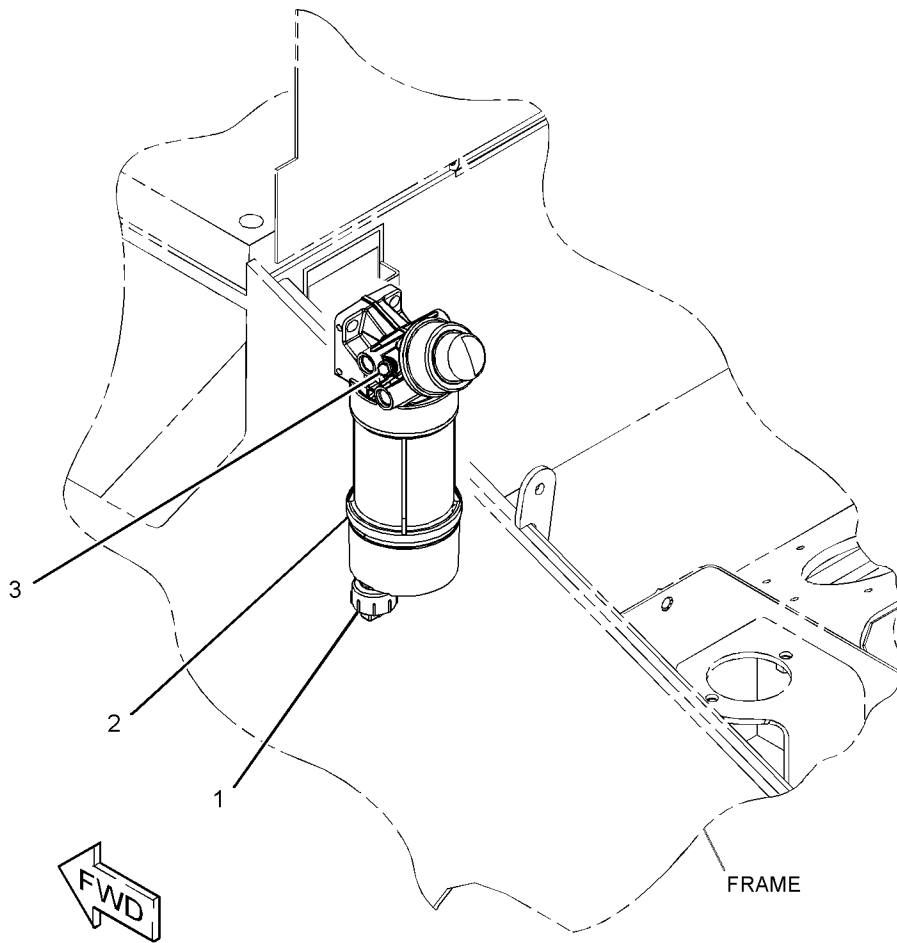
S/N: TH21-UP; CJ41-UP

PART OF 393-5525 FILTER GP-PRIMARY FUEL
ALSO AN ATTACHMENT

SMCS-1260, 1261, 1263

i05773223

NOTE	REF NO	GRAPHIC REF	PART NUMBER	QTY	PART NAME						SEE PAGE
					1	2	3	4	5	6 (PRODUCT LEVEL)	
	1	1	291-6570	1	SENSOR AS-LIQUID LEVEL (FUEL, WATER SEPARATOR)						
	2	1	311-3903	1	FILTER GP-WATER SEP & FUEL						
		1	311-3901	1	ELEMENT-WATER SEPARATOR						
		1	317-2236	1	PLUG-THREADED						
3	1	1	362-8205	1	SCREW-SPECIAL						



GRAPHIC #1

<END>

g02797480

FUEL SYSTEM

452-0344 FILTER GP-WATER SEP & FUEL

S/N: JKT1-UP

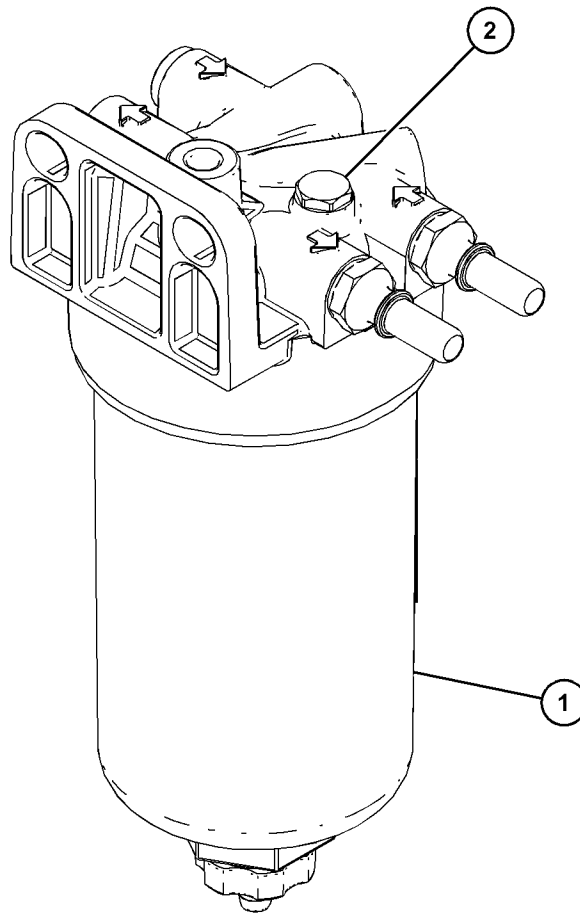
PART OF 361-1224 FILTER GP-FUEL
ALSO AN ATTACHMENT

SMCS-1260, 1261, 1263

i06792140

NOTE	REF NO	GRAPHIC REF	PART NUMBER	QTY	PART NAME						SEE PAGE
					1	2	3	4	5	6 (PRODUCT LEVEL)	
Y	1	1	360-8958	1	FILTER GP-FUEL						280
	2	1	362-9689	1	SCREW-SPECIAL						
					AVAILABLE REPAIR KIT(S) :						
				362-5412	1	KIT-DRAIN					
					(KIT INCLUDES DRAIN, KNOB, & SEALS)						
				370-8376	1	KIT-FUEL SYSTEM PARTS					

Y - SEPARATE ILLUSTRATION



GRAPHIC #1

<END>

g03703283

FUEL SYSTEM

483-1002 FILTER GP-WATER SEP & FUEL

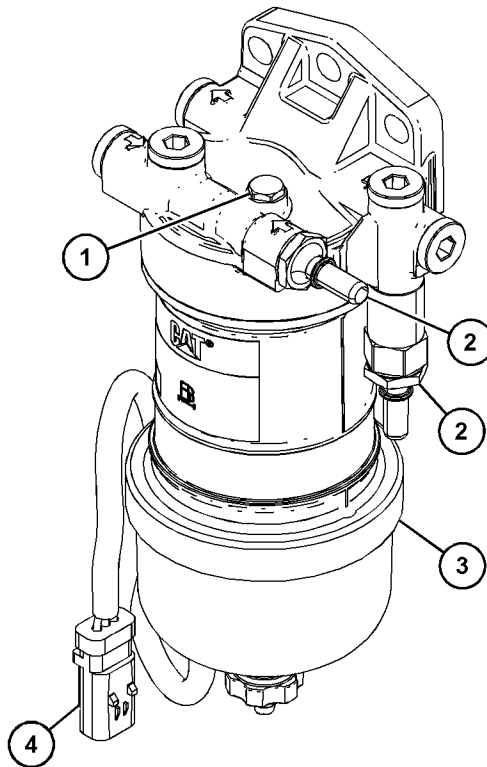
S/N: JKT1-UP

PART OF 361-1224 FILTER GP-FUEL
ALSO AN ATTACHMENT

SMCS-1260, 1261, 1263

i07045218

NOTE	REF NO	GRAPHIC REF	PART NUMBER	QTY	PART NAME						SEE PAGE
					1	2	3	4	5	6 (PRODUCT LEVEL)	
	1	1	362-9689	1	SCREW-SPECIAL						
	2	1	367-6363	2	CONNECTOR-HOSE						
J	3	1	479-4137	1	FILTER GP-WATER SEP & FUEL						
		1	479-4133	1	ELEMENT-WATER SEPARATOR						
		1	479-7459	1	FILM-IDENTIFICATION						
Y	4	1	423-6434	1	SENSOR GP-LIQUID LEVEL (WATER IN FUEL)						421
AVAILABLE REPAIR KIT(S) :											
J			362-5412	1	KIT-DRAIN						
J - KIT MARKED J SERVICES PART(S) MARKED J											
Y - SEPARATE ILLUSTRATION											



GRAPHIC #1

<END>

g06091175

FUEL SYSTEM

392-1368 INJECTOR GP-FUEL

S/N: JKT1-UP

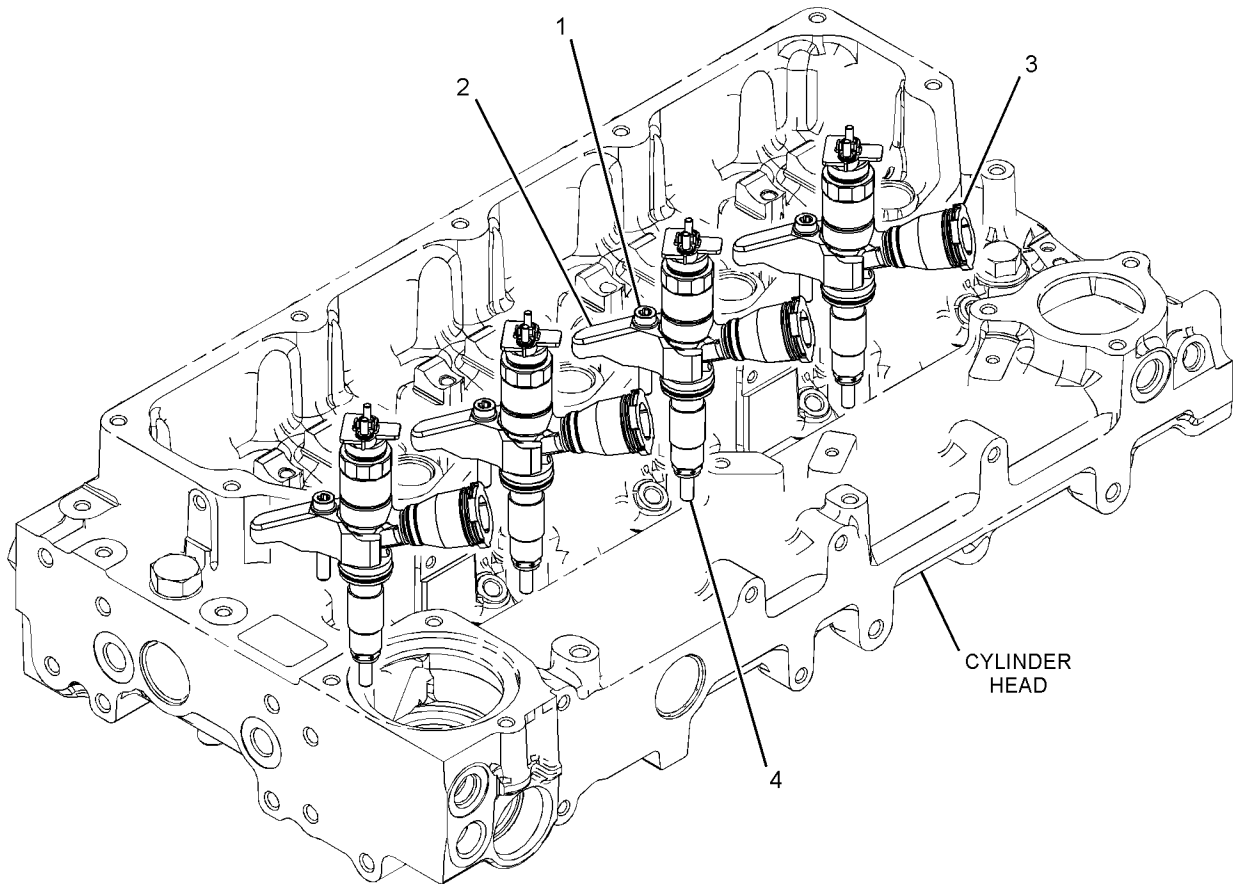
PART OF 464-2307, 464-2308 ENGINE AR-PRIMARY
ALSO AN ATTACHMENT

SMCS-1251, 1290

i05951607

NOTE	REF NO	GRAPHIC REF	PART NUMBER	QTY	PART NAME						SEE PAGE
					1	2	3	4	5	6 (PRODUCT LEVEL)	
	1	1	278-5170	4	BOLT						
	2	1	320-7149	4	CLAMP-INJECTOR						
	3	1	341-8536	4	SEAL						
Y	4	1	418-3229	4	INJECTOR GP-FUEL						302

Y - SEPARATE ILLUSTRATION



GRAPHIC #1

<END>

g03621399

FUEL SYSTEM

415-5522 INJECTOR GP-FUEL

S/N: W231-UP

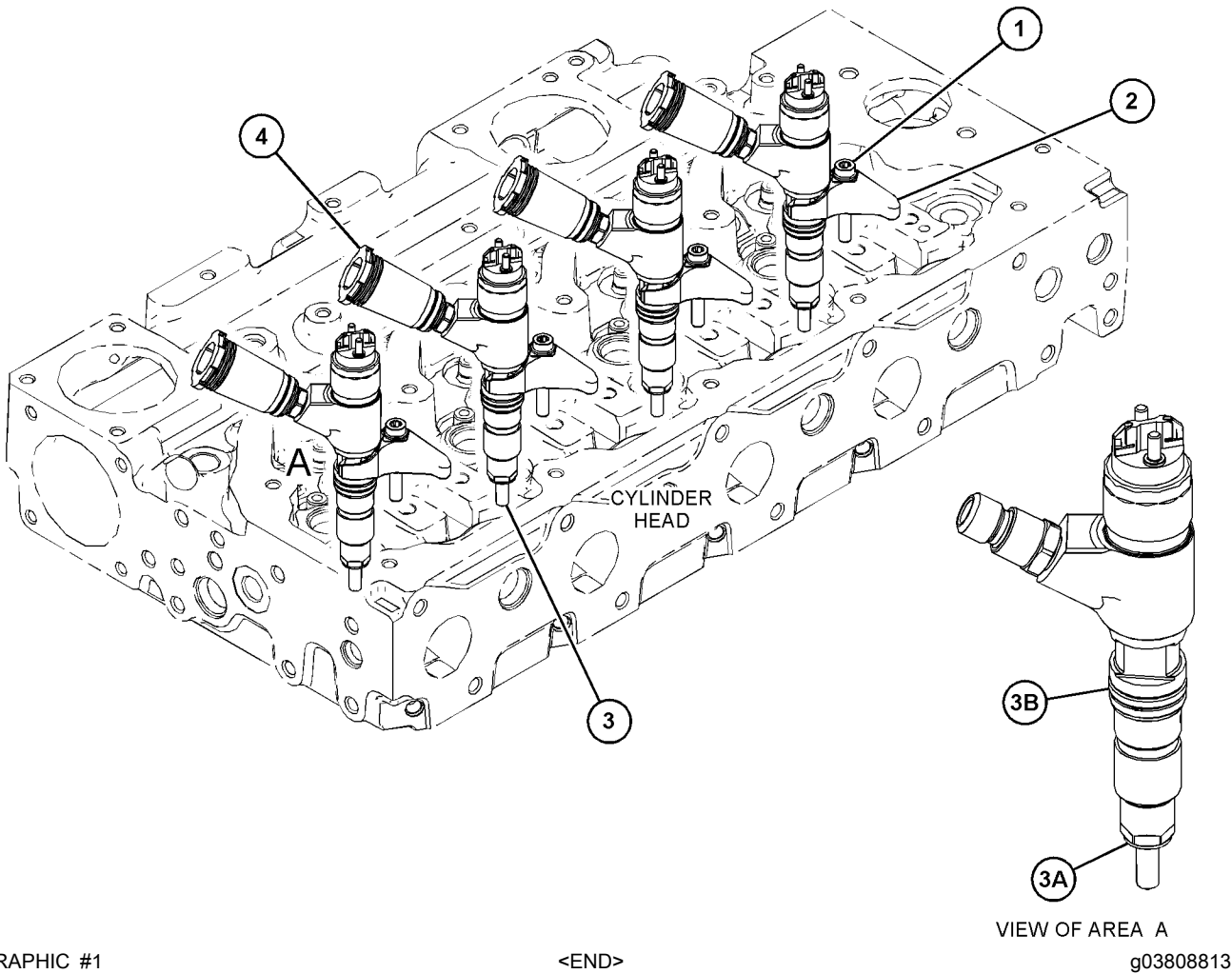
PART OF 463-8910 ENGINE AR-PRIMARY

TYPE 1

SMCS-1251, 1290

i06120048

NOTE	REF NO	GRAPHIC REF	PART NUMBER	QTY	PART NAME						SEE PAGE
					1	2	3	4	5	6 (PRODUCT LEVEL)	
	1	1	278-5170	4	BOLT						
	2	1	369-7799	4	CLAMP - INJECTOR						
	3	1	449-3315	4	INJECTOR GP-FUEL						
	3A	1	376-6403	1	WASHER-SEALING						
	3B	1	376-6405	1	SEAL-O-RING						
	4	1	277-5067	4	SLEEVE						



GRAPHIC #1

<END>

g03808813

FUEL SYSTEM

415-5522 INJECTOR GP-FUEL

S/N: W231-UP

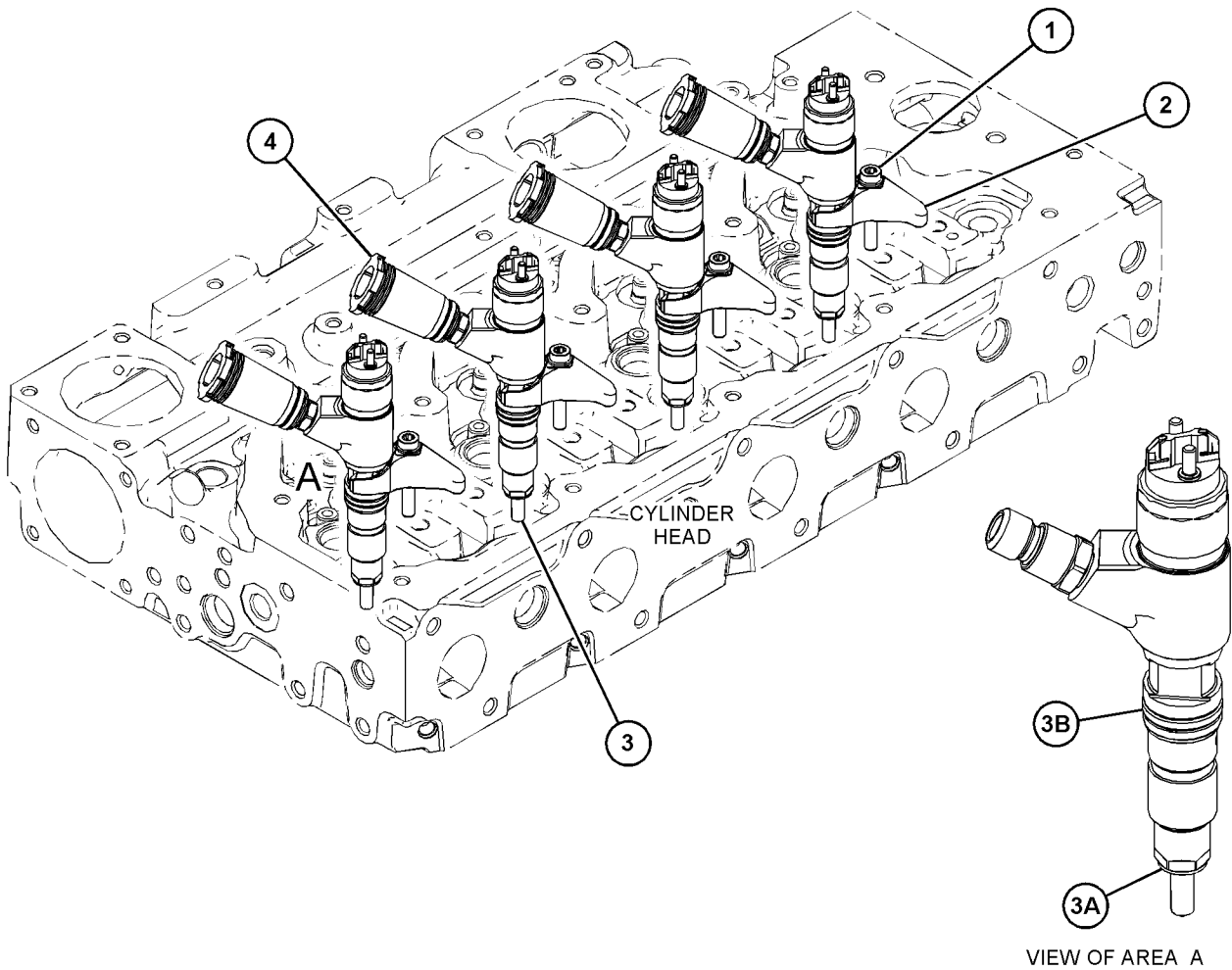
PART OF 463-8848, 463-8910 ENGINE AR-PRIMARY
TYPE 2

SMCS-1251, 1290

i06919729

NOTE	REF NO	GRAPHIC REF	PART NUMBER	QTY	PART NAME						SEE PAGE
					1	2	3	4	5	6 (PRODUCT LEVEL)	
	1	1	278-5170	4	BOLT						
	2	1	369-7799	4	CLAMP-INJECTOR						
	3	1	449-3315	4	INJECTOR GP-FUEL						
					(EACH INCLUDES)						
	3A	1	376-6403	1	WASHER-SEALING						
	3B	1	376-6405	1	SEAL-O-RING						
	C	4	517-8243	4	SLEEVE-INJECTOR						

C - CHANGE FROM PREVIOUS TYPE



GRAPHIC #1

<END>

g03808813

FUEL SYSTEM

418-3229 INJECTOR GP-FUEL

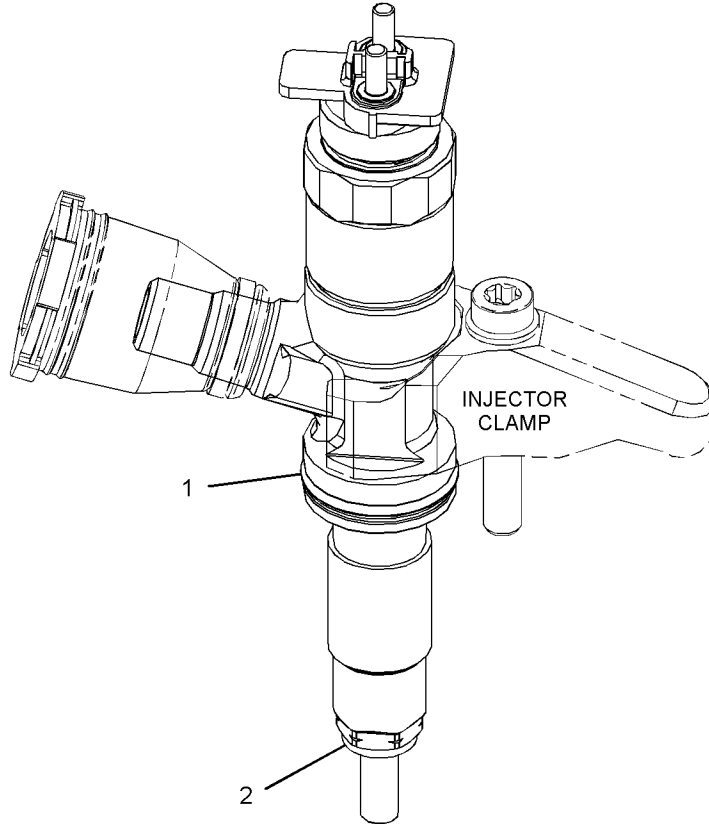
S/N: JKT1-UP

PART OF 392-1368 INJECTOR GP-FUEL
ALSO AN ATTACHMENT

SMCS-1251, 1290

i05951613

NOTE	REF NO	GRAPHIC REF	PART NUMBER	QTY	PART NAME						SEE PAGE
					1	2	3	4	5	6 (PRODUCT LEVEL)	
	1	1	320-8616	1	SEAL-O-RING						
	2	1	320-8617	1	WASHER						



GRAPHIC #1

<END>

g03631584

FUEL SYSTEM

441-9679 INJECTOR GP-FUEL

S/N: CJ41-UP

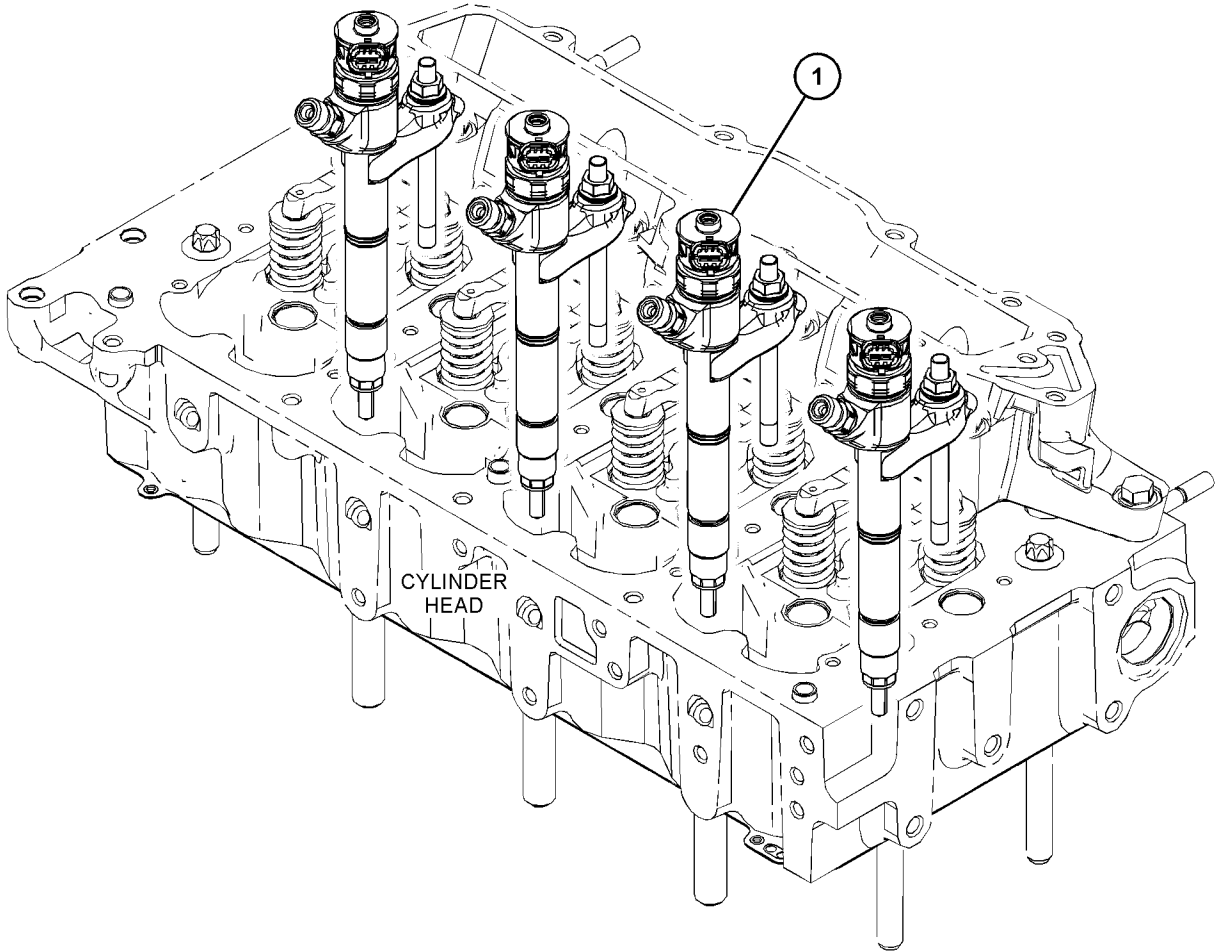
PART OF 465-2880 ENGINE AR-PRIMARY

SMCS-1251, 1290

i06252198

NOTE	REF NO	GRAPHIC REF	PART NUMBER	QTY	PART NAME						SEE PAGE
					1	2	3	4	5	6 (PRODUCT LEVEL)	
Y	1	1	464-1152	1	INJECTOR GP-FUEL						304

Y - SEPARATE ILLUSTRATION



GRAPHIC #1

<END>

g03825290

FUEL SYSTEM

464-1152 INJECTOR GP-FUEL

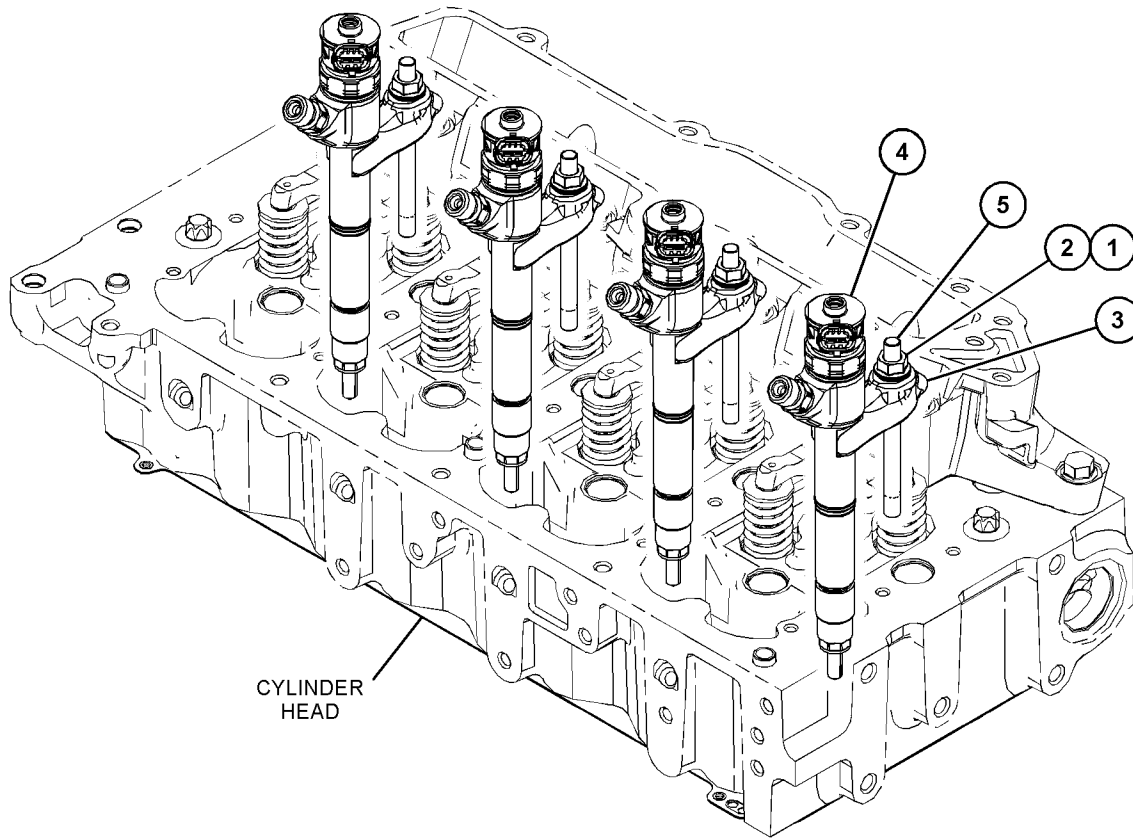
S/N: CJ41-UP

PART OF 441-9679 INJECTOR GP-FUEL

SMCS-1251, 1290

i06252204

NOTE	REF NO	GRAPHIC REF	PART NUMBER	QTY	PART NAME						SEE PAGE
					1	2	3	4	5	6 (PRODUCT LEVEL)	
	1	1	389-2862	4	WASHER - SPECIAL						
	2	1	394-8799	4	NUT - SPECIAL						
	3	1	463-8811	4	BRACKET						
	4	1	463-8812	4	INJECTOR AS						
	5	1	463-8816	4	STUD						



GRAPHIC #1

<END>

g03827826

FUEL SYSTEM

377-9003 LINES GP-FUEL

S/N: CJ41-UP

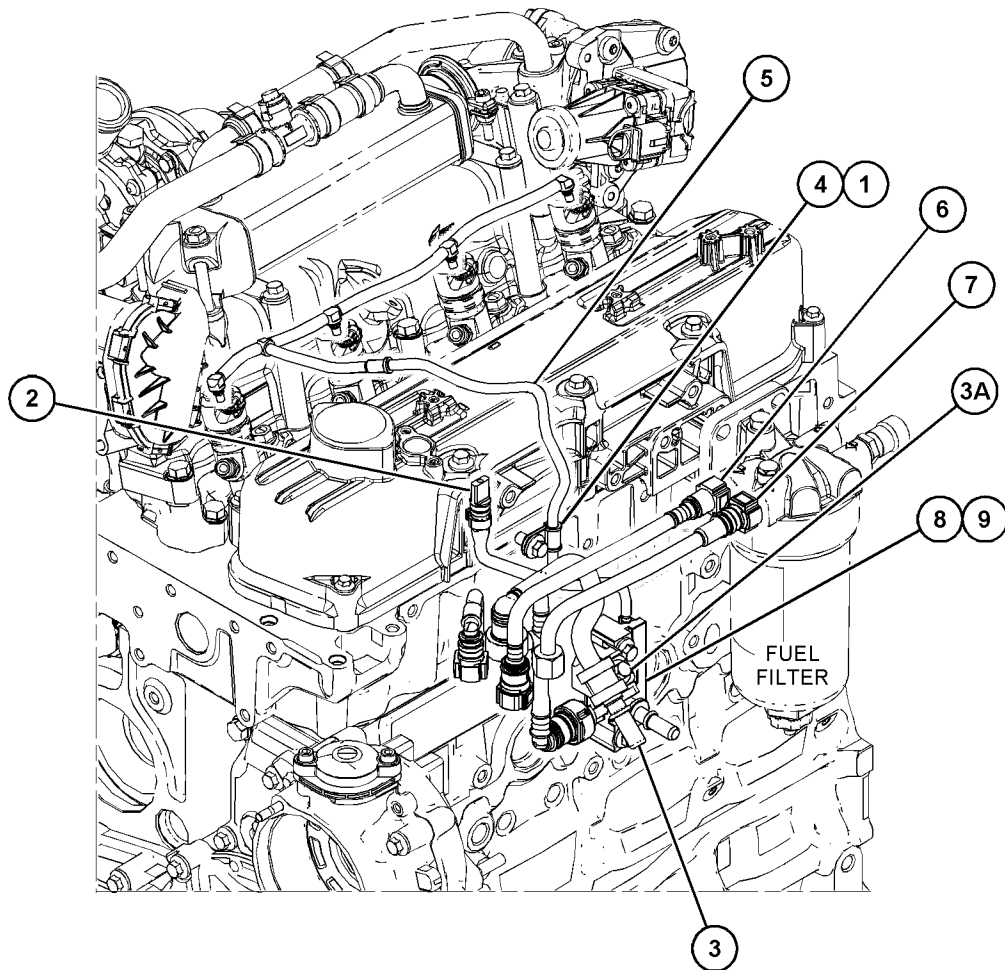
PART OF 372-8164 LINES GP-FUEL FILTER

SMCS-1274

i06252242

NOTE	REF NO	GRAPHIC REF	PART NUMBER	QTY	PART NAME						SEE PAGE
					1	2	3	4	5	6	
M	1	1	100-4458	1	BOLT (M8X1.25X14-MM)						
	2	1	388-1200	1	LINE AS-FUEL						
	3	1	388-1201	1	LINE AS-FUEL						
M	3A	1	100-4458	1	BOLT (M8X1.25X14-MM)						
	4	1	390-0347	1	CLIP						
	5	1	390-2594	1	TUBE						
	6	1	391-2085	1	PIPE AS						
	7	1	391-2094	1	PIPE AS						
	8	1	463-8792	1	SOCKET						
M	9	1	6I-1090	2	BOLT (M8X1.25X40-MM)						

M - METRIC PART



GRAPHIC #1

<END>

g03817301

FUEL SYSTEM

396-2103 LINES GP-FUEL

S/N: W231-UP

PART OF 421-3853 FILTER GP-FUEL

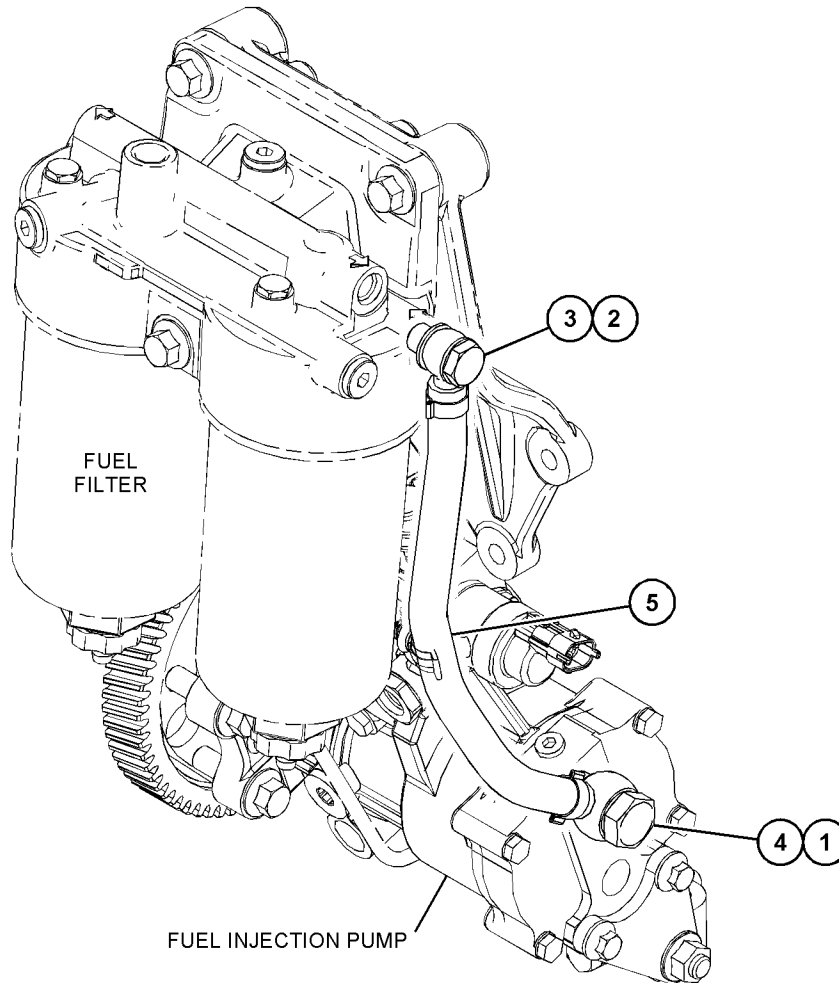
SMCS-1274

i06140284

NOTE	REF NO	GRAPHIC REF	PART NUMBER	QTY	PART NAME						SEE PAGE
					1	2	3	4	5	6 (PRODUCT LEVEL)	
	1	1	247-4928	2	WASHER (16.5X20.5X1.6-MM THK)						
	2	1	286-2890	2	WASHER						
	3	1	295-4670	1	BOLT-SPECIAL (BANJO)						
M	4	1	386-2737	1	BOLT-BANJO (M16X1.5X27-MM)						
	5	1	396-2102	1	LINE AS-FUEL						
E		1	347-8645		HOSE (28-CM)						

E - ORDER BY THE CENTIMETER

M - METRIC PART



GRAPHIC #1

<END>

g03824380

FUEL SYSTEM

503-4909 LINES GP-FUEL

S/N: TH31-UP

PART OF 505-5387, 505-6119 ENGINE AR-COMPLETE
AN ATTACHMENT

SMCS-1274

i06603083

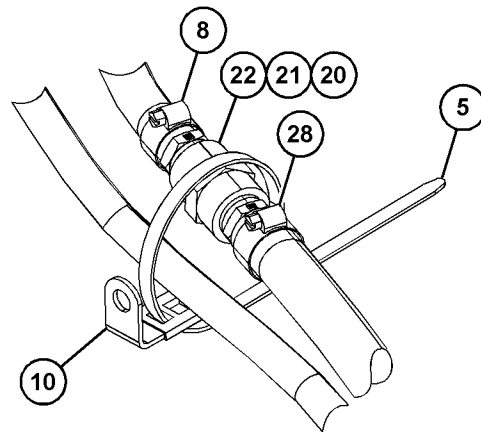
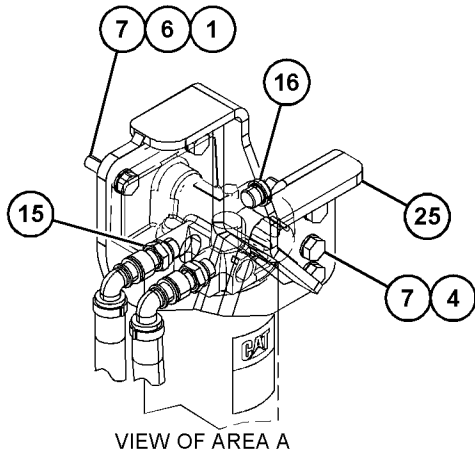
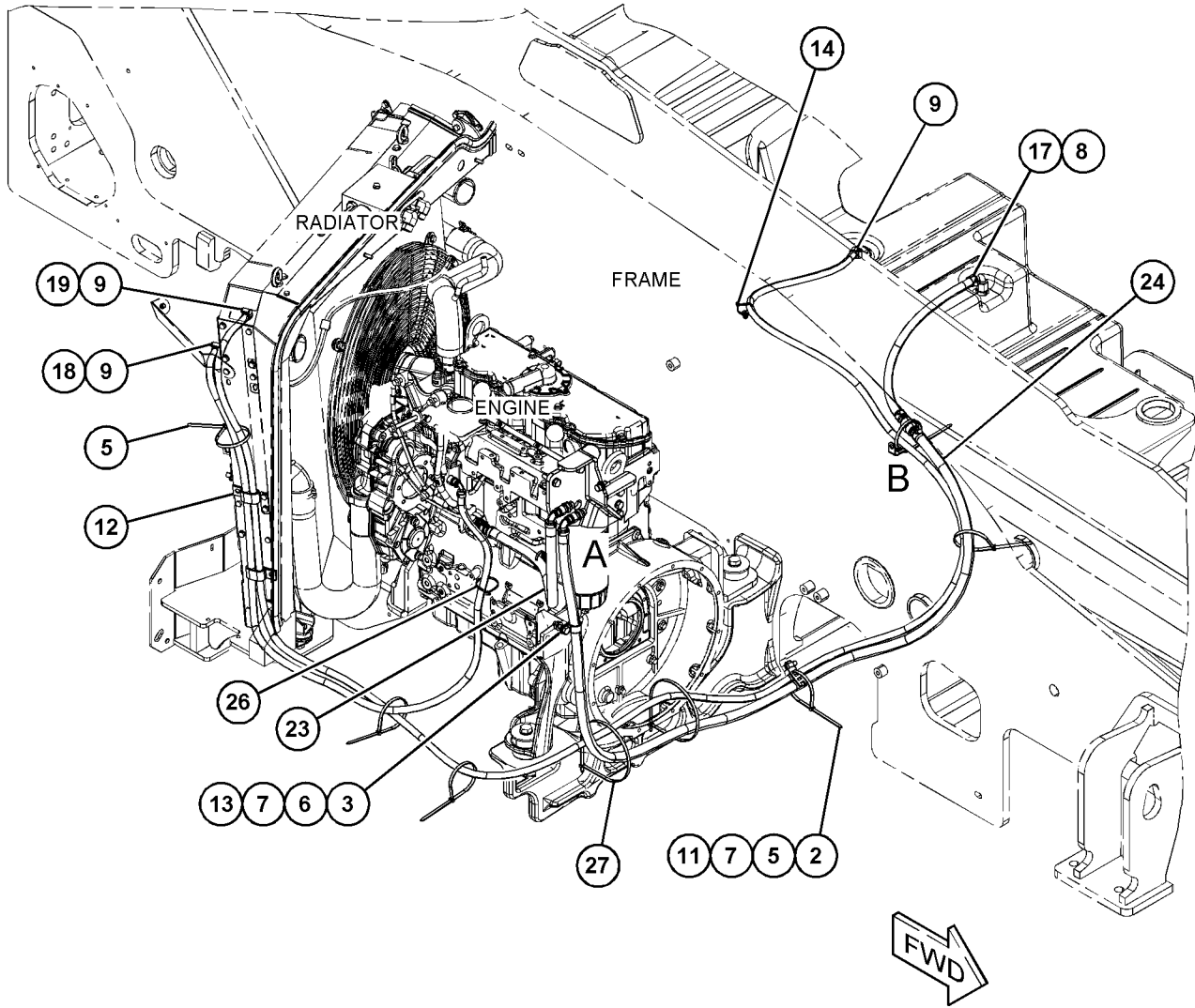
NOTE	REF NO	GRAPHIC REF	PART NUMBER	QTY	PART NAME						SEE PAGE
					1	2	3	4	5	6 (PRODUCT LEVEL)	
M	1	1	8T-4186	2	BOLT (M10X1.5X40-MM)						
M	2	1	8T-4136	1	BOLT (M10X1.5X25-MM)						
M	3	1	8T-4196	1	BOLT (M10X1.5X35-MM)						
M	4	1	8T-4185	3	BOLT (M10X1.5X50-MM)						
	5	1	7K-1181	6	STRAP-CABLE						
M	6	1	8T-4133	3	NUT (M10X1.5-THD)						
	7	1	8T-4121	10	WASHER-HARD (11X21X2.5-MM THK)						
	8	1	331-3890	2	CLAMP						
	9	1	330-8103	3	CLAMP-HOSE						
	10	1	132-5789	1	CLIP (LADDER)						
	11	1	4P-7581	1	CLIP (LADDER)						
	12	1	100-4336	2	CLIP						
	13	1	327-5534	1	CLIP						
	14	1	455-3027	2	TIE-CABLE						
	15	1	473-8713	2	COUPLING						
	16	1	473-8714	1	PLUG						
E	17	1	133-7442		HOSE (50-CM)						
	18	1	503-4910	1	HOSE AS						
E	19	1	103-2529		HOSE (439-CM)						
	20	1	503-4911	1	UNION						
	21	1	030-8491	1	CONNECTOR						
	22	1	9M-4814	1	CONNECTOR-HOSE						
	23	1	503-4913	1	HOSE AS						
	24	1	503-4914	1	HOSE AS						
	25	1	503-4915	1	PLATE AS						
	26	1	3S-2093	1	STRAP-CABLE						
	27	1	034-1432	2	STRAP-CABLE						
	28	1	303-8599	1	CLAMP						

E - ORDER BY THE CENTIMETER
M - METRIC PART

FUEL SYSTEM

503-4909 LINES GP-FUEL (contd.)

i06603083



GRAPHIC #1

<END>

g06093129

FUEL SYSTEM

503-4920 LINES GP-FUEL

S/N: TH21-UP

PART OF 505-6163 ENGINE AR-COMPLETE
AN ATTACHMENT

SMCS-1274

i06948956

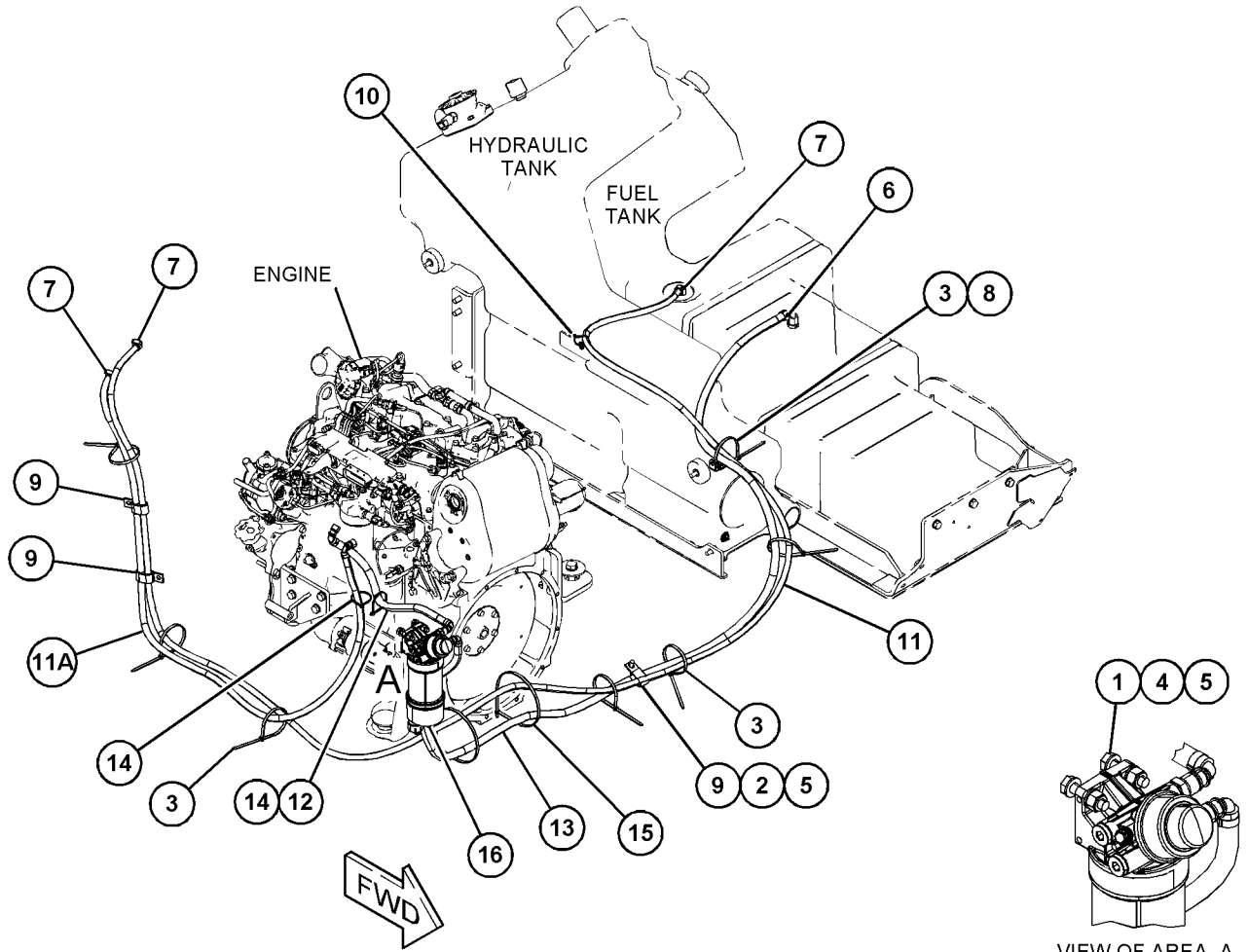
NOTE	REF NO	GRAPHIC REF	PART NUMBER	QTY	PART NAME						SEE PAGE
					1	2	3	4	5	6 (PRODUCT LEVEL)	
M	1	1	8T-4182	2	BOLT (M10X1.5X45-MM)						
M	2	1	8T-4136	1	BOLT (M10X1.5X25-MM)						
	3	1	7K-1181	7	STRAP-CABLE						
M	4	1	8T-0389	2	LOCKNUT (M10X1.5-THD)						
	5	1	8T-4121	5	WASHER-HARD (11X21X2.5-MM THK)						
	6	1	331-3890	1	CLAMP						
	7	1	330-8103	3	CLAMP-HOSE						
	8	1	132-5789	1	CLIP (LADDER)						
	9	1	100-4336	3	CLIP						
	10	1	455-3027	1	TIE-CABLE						
E	11	1	103-2529		HOSE (447-CM)						
E	11A	1	103-2529		HOSE (188-CM)						
	12	1	503-4917	1	HOSE AS						
	13	1	503-4919	1	HOSE AS						
	14	1	3S-2093	2	STRAP-CABLE						
	15	1	034-1432	2	STRAP-CABLE						
Y	16	1	393-5525	1	FILTER GP-PRIMARY FUEL						293

E - ORDER BY THE CENTIMETER
M - METRIC PART
Y - SEPARATE ILLUSTRATION

FUEL SYSTEM

503-4920 LINES GP-FUEL (contd.)

i06948956



VIEW OF AREA A

g06188522

GRAPHIC #1

<END>

FUEL SYSTEM

503-6870 LINES GP-FUEL

S/N: TH21-UP

PART OF 505-6164, 505-6165, 505-6167, 505-6168 ENGINE AR-COMPLETE
AN ATTACHMENT

SMCS-1274

i06948957

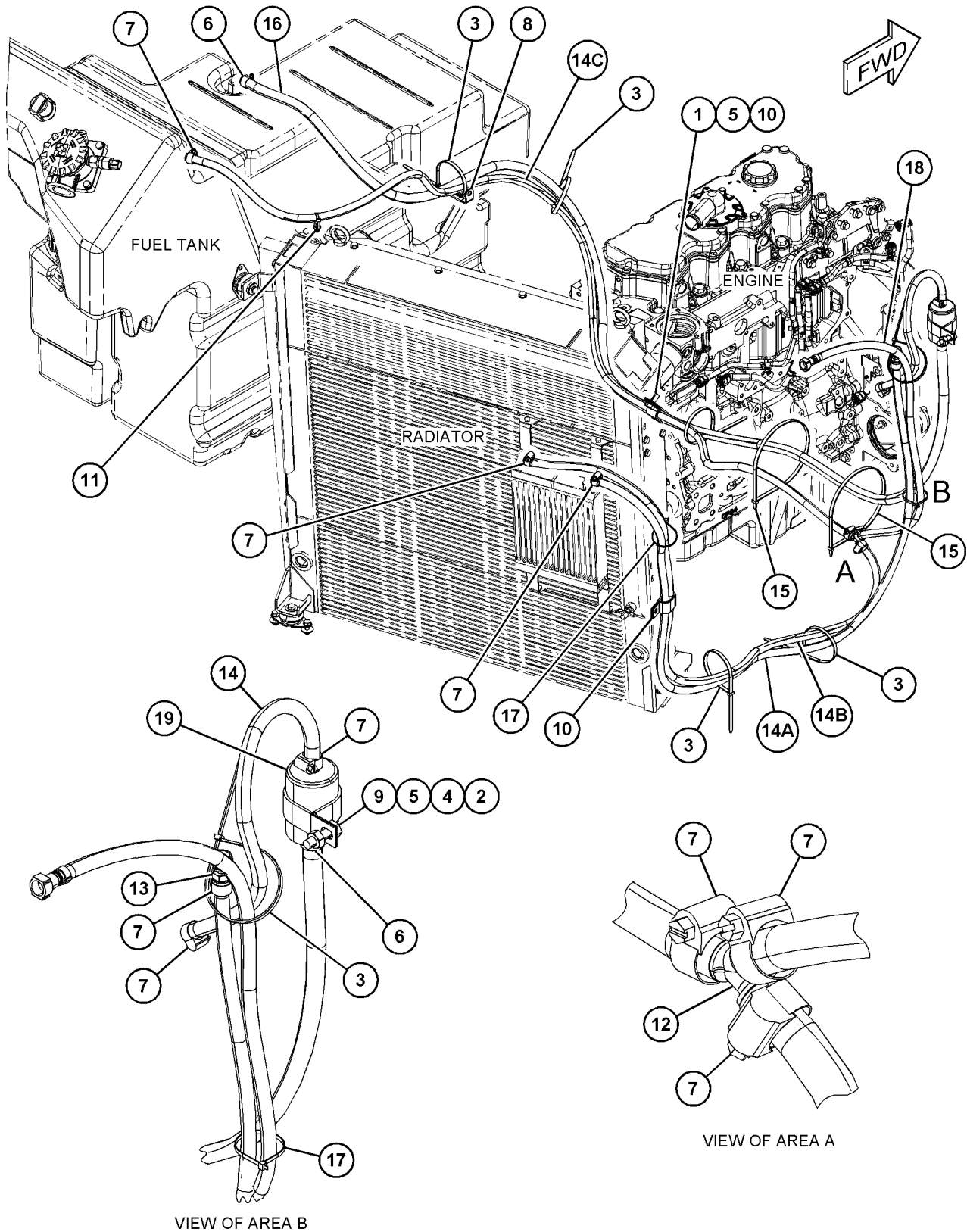
NOTE	REF NO	GRAPHIC REF	PART NUMBER	QTY	PART NAME						SEE PAGE
					1	2	3	4	5	6 (PRODUCT LEVEL)	
M	1	1	8T-4136	1	BOLT (M10X1.5X25-MM)						
M	2	1	8T-4196	1	BOLT (M10X1.5X35-MM)						
	3	1	7K-1181	6	STRAP-CABLE						
M	4	1	8T-4133	1	NUT (M10X1.5-THD)						
	5	1	8T-4121	2	WASHER-HARD (11X21X2.5-MM THK)						
	6	1	334-1073	2	CLAMP						
	7	1	330-8103	9	CLAMP-HOSE						
	8	1	132-5789	1	CLIP (LADDER)						
	9	1	5P-4325	1	CLIP						
	10	1	100-4336	2	CLIP						
	11	1	455-3027	1	TIE-CABLE						
	12	1	503-6871	1	ADAPTER						
	13	1	503-6872	1	ADAPTER AS						
E	14	1	103-2529		HOSE (54-CM)						
E	14A	1	103-2529		HOSE (194-CM)						
E	14B	1	103-2529		HOSE (173-CM)						
E	14C	1	103-2529		HOSE (252-CM)						
	15	1	034-1432	2	STRAP-CABLE						
E	16	1	133-7442		HOSE (266-CM)						
	17	1	3S-2093	2	STRAP-CABLE						
	18	1	503-6874	1	HOSE AS						
	19	1	384-8512	1	FILTER-FUEL (IN-LINE)						

E - ORDER BY THE CENTIMETER
M - METRIC PART

FUEL SYSTEM

503-6870 LINES GP-FUEL (contd.)

i06948957



GRAPHIC #1

<END>

g06187307

FUEL SYSTEM

372-8164 LINES GP-FUEL FILTER

S/N: CJ41-UP

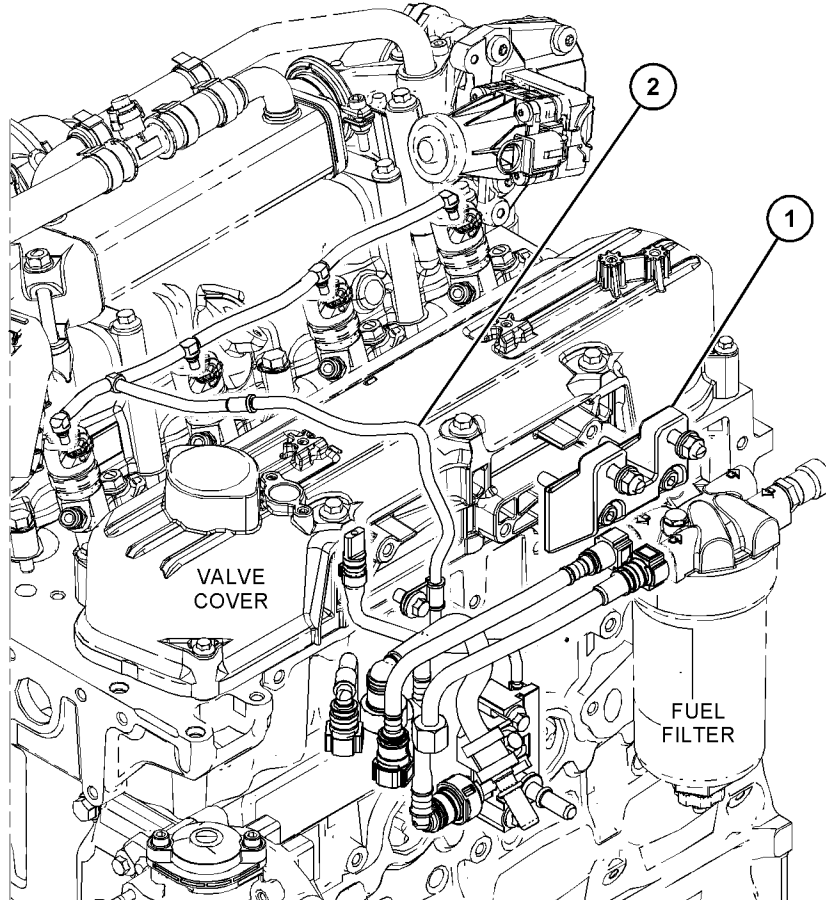
PART OF 465-2880 ENGINE AR-PRIMARY

SMCS-1261, 1274

i06252207

NOTE	REF NO	GRAPHIC REF	PART NUMBER	QTY	PART NAME						SEE PAGE
					1	2	3	4	5	6 (PRODUCT LEVEL)	
Y	1	1	375-1397	1	BRACKET GP-MOUNTING						278
Y	2	1	377-9003	1	LINES GP-FUEL						305

Y - SEPARATE ILLUSTRATION



GRAPHIC #1

<END>

g03817300

FUEL SYSTEM

398-8198 LINES GP-FUEL FILTER

S/N: JKT1-UP

PART OF 464-2307, 464-2308 ENGINE AR-PRIMARY
ALSO AN ATTACHMENT

SMCS-1261, 1274

i06113737

NOTE	REF NO	GRAPHIC REF	PART NUMBER	QTY	PART NAME						SEE PAGE
					1	2	3	4	5	6 (PRODUCT LEVEL)	
M	1	1	6I-0631	3	BOLT (M6X1X12-MM)						
M	2	1	6I-0654	5	BOLT (M10X1.5X25-MM)						
M	3	1	6I-0846	1	BOLT (M6X1X14-MM)						
M	4	1	100-4458	1	BOLT (M8X1.25X14-MM)						
M	5	1	101-3895	3	BOLT (M8X1.25X35-MM)						
	6	1	101-3917	2	WASHER (10.5X21X2-MM THK)						
M	7	1	124-3815	1	BOLT (M8X1.25X16-MM)						
	8	1	347-3429	1	CLIP-PIPE						
	9	1	357-9545	2	CLIP-PIPE						
	10	1	360-5450	1	LINE AS-FUEL						
	11	1	360-5695	1	LINE AS-FUEL						
	11A	1	246-4361	2	WASHER (10.5X14X1.5-MM THK)						
	11B	1	341-3566	1	BOLT						
	12	1	361-6344	1	SUPPORT GP-FILTER						
	13	1	361-7402	1	LINE AS-FUEL						
	14	1	371-5658	1	BRACKET GP						
	14A	1	347-3429	1	CLIP-PIPE						
	15	1	376-6895	1	LINES GP-FUEL						
	15A	1	228-7089	1	SEAL-O-RING						
	15B	1	277-4993	1	SEAL-O-RING						
	16	1	383-6121	1	LINE AS-FUEL						
	17	1	383-6123	1	LINE AS-FUEL						
	18	1	447-1936	1	BRACKET AS						
	19	1	434-7061	1	BRACKET AS-FUEL LINES						
M	20	1	6I-1090	2	BOLT (M8X1.25X40-MM)						
M	21	1	6I-0260	1	BOLT (M8X1.25X25-MM)						

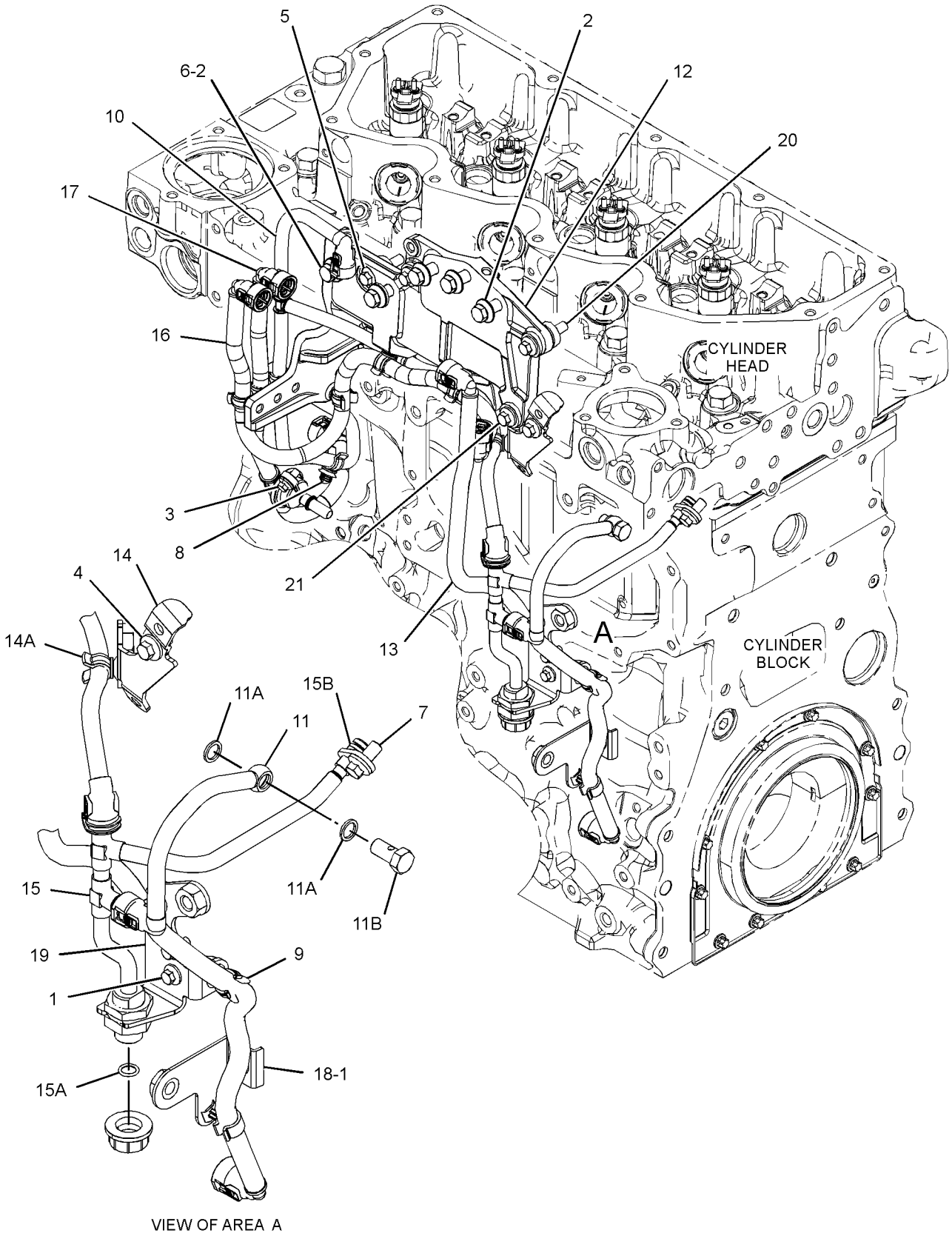
PARTS SHOWN IN GRAPHIC(S) WITHOUT A REFERENCE NUMBER ARE NOT SERVICED SEPARATELY

M - METRIC PART

FUEL SYSTEM

398-8198 LINES GP-FUEL FILTER (contd.)

106113737



GRAPHIC #1

<END>

g03624341

FUEL SYSTEM

360-9061 LINES GP-FUEL INJECTION-INJECTORS 1 & 3

S/N: JKT1-UP

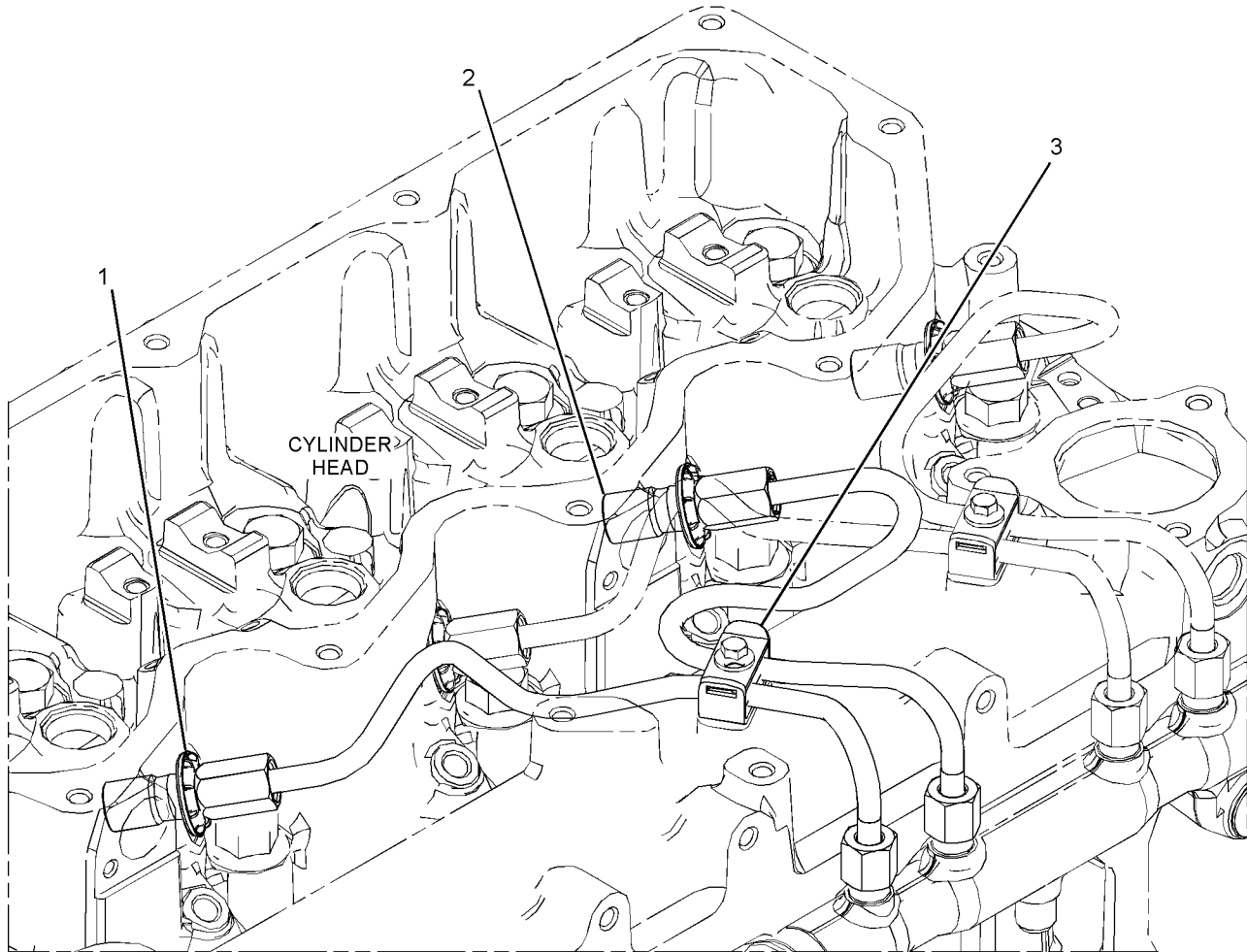
PART OF 361-2883 RAIL GP-FUEL

ALSO AN ATTACHMENT

SMCS-1252, 1254

i04590037

NOTE	REF NO	GRAPHIC REF	PART NUMBER	QTY	PART NAME						SEE PAGE
					1	2	3	4	5	6 (PRODUCT LEVEL)	
1	1	1	360-9027	1	LINE AS-FUEL						
2	1	1	360-9030	1	LINE AS-FUEL						
3	1	1	360-9034	1	CLIP-PIPE						



GRAPHIC #1

<END>

g02717978

FUEL SYSTEM

360-9062 LINES GP-FUEL INJECTION-INJECTORS 2 & 4

S/N: JKT1-UP

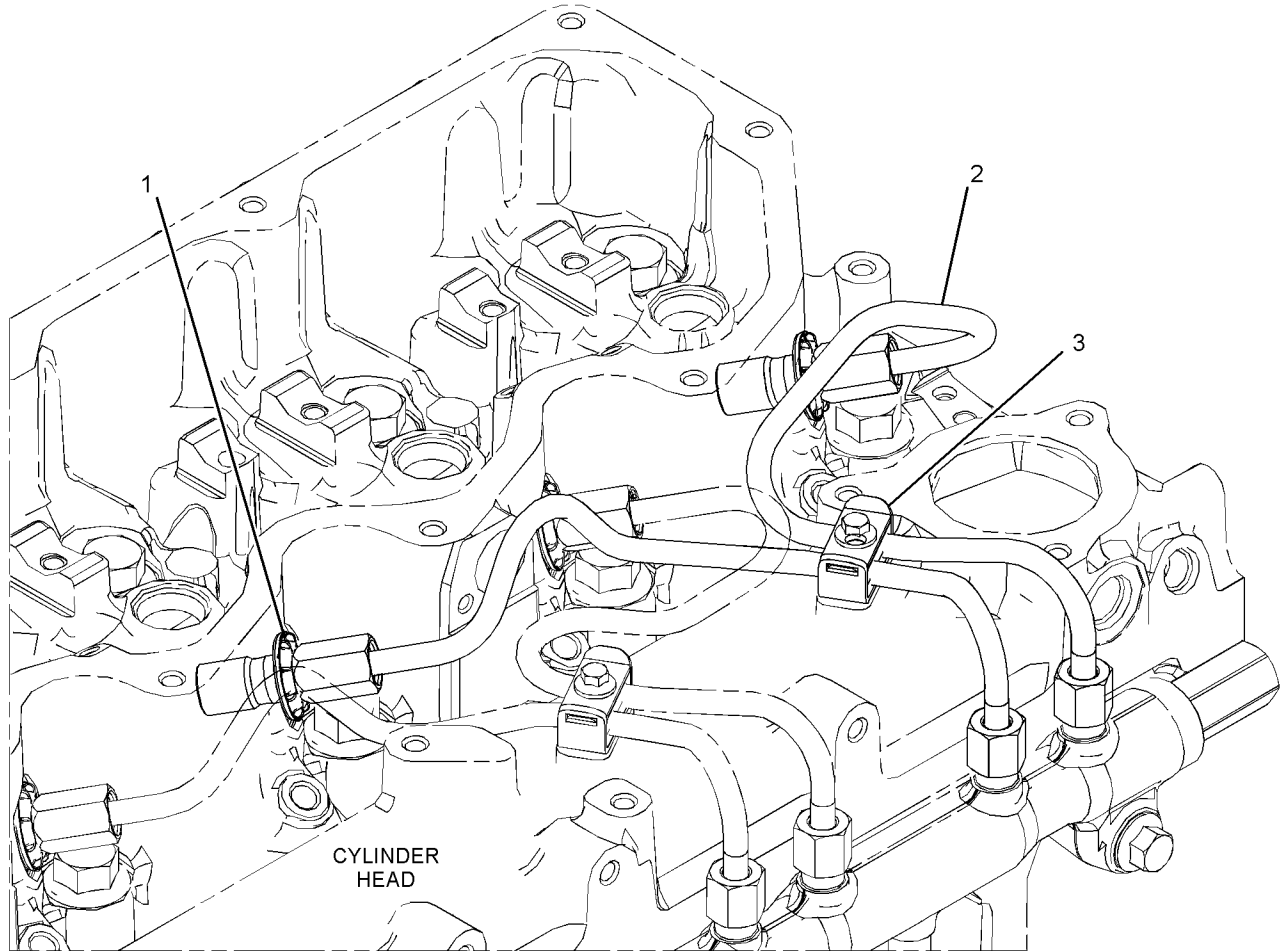
PART OF 361-2883 RAIL GP-FUEL

ALSO AN ATTACHMENT

SMCS-1252, 1254

i04590051

NOTE	REF NO	GRAPHIC REF	PART NUMBER	QTY	PART NAME						SEE PAGE
					1	2	3	4	5	6 (PRODUCT LEVEL)	
	1	1	360-9028	1	LINE AS-FUEL						
	2	1	360-9031	1	LINE AS-FUEL						
	3	1	360-9034	1	CLIP-PIPE						



GRAPHIC #1

<END>

g02717956

FUEL SYSTEM

375-2647 PUMP GP-FUEL INJECTION*R

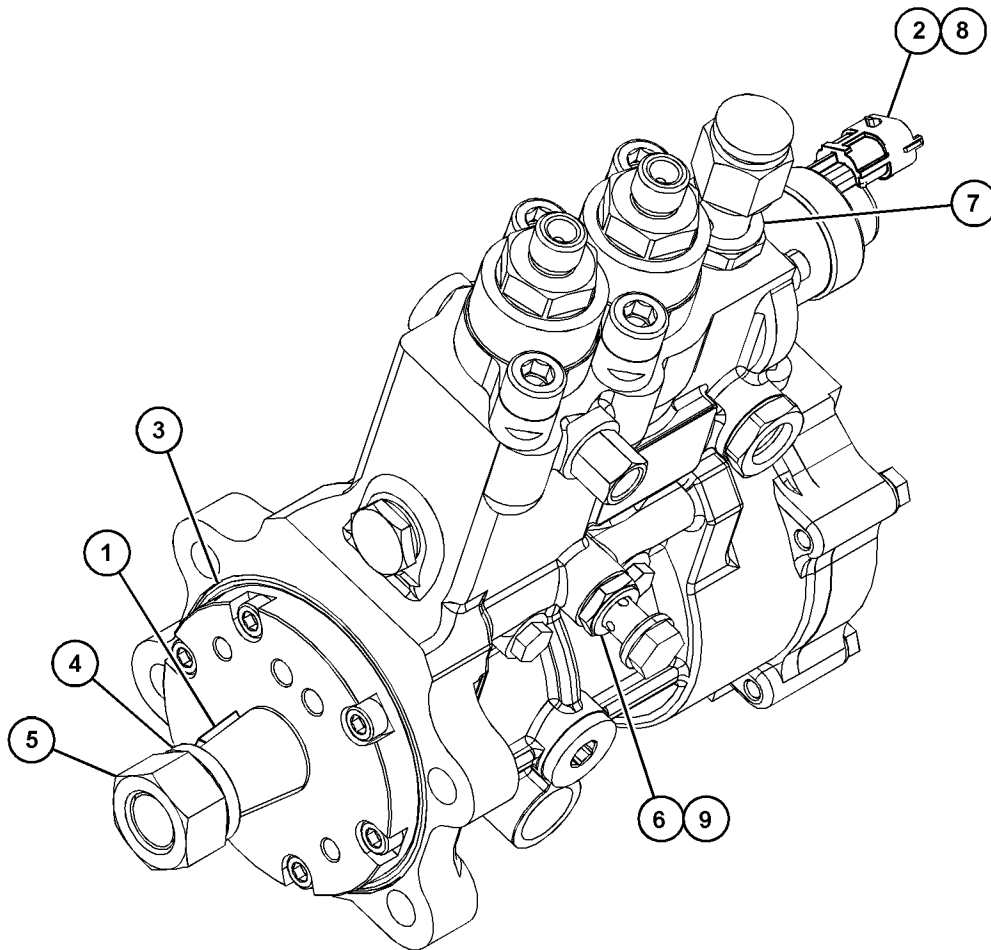
S/N: W231-UP

PART OF 415-5523 PUMP GP-FUEL INJECTION

SMCS-1251, 1290

i06969751

NOTE	REF NO	GRAPHIC REF	PART NUMBER	QTY	PART NAME						SEE PAGE
					1	2	3	4	5	6 (PRODUCT LEVEL)	
	1	1	386-3819	1	KEY-SHAFT						
	2	1	375-8254	1	VALVE						
	3	1	376-6409	1	SEAL						
	4	1	376-6410	1	RETAINER-WASHER						
	5	1	376-6411	1	NUT-SHAFT						
	6	1	386-2971	2	WASHER						
	7	1	386-2976	2	WASHER						
	8	1	453-0790	3	BOLT						
	9	1	454-5109	1	BOLT-BANJO						



GRAPHIC #1

<END>

g06182840

FUEL SYSTEM

415-5523 PUMP GP-FUEL INJECTION

S/N: W231-UP

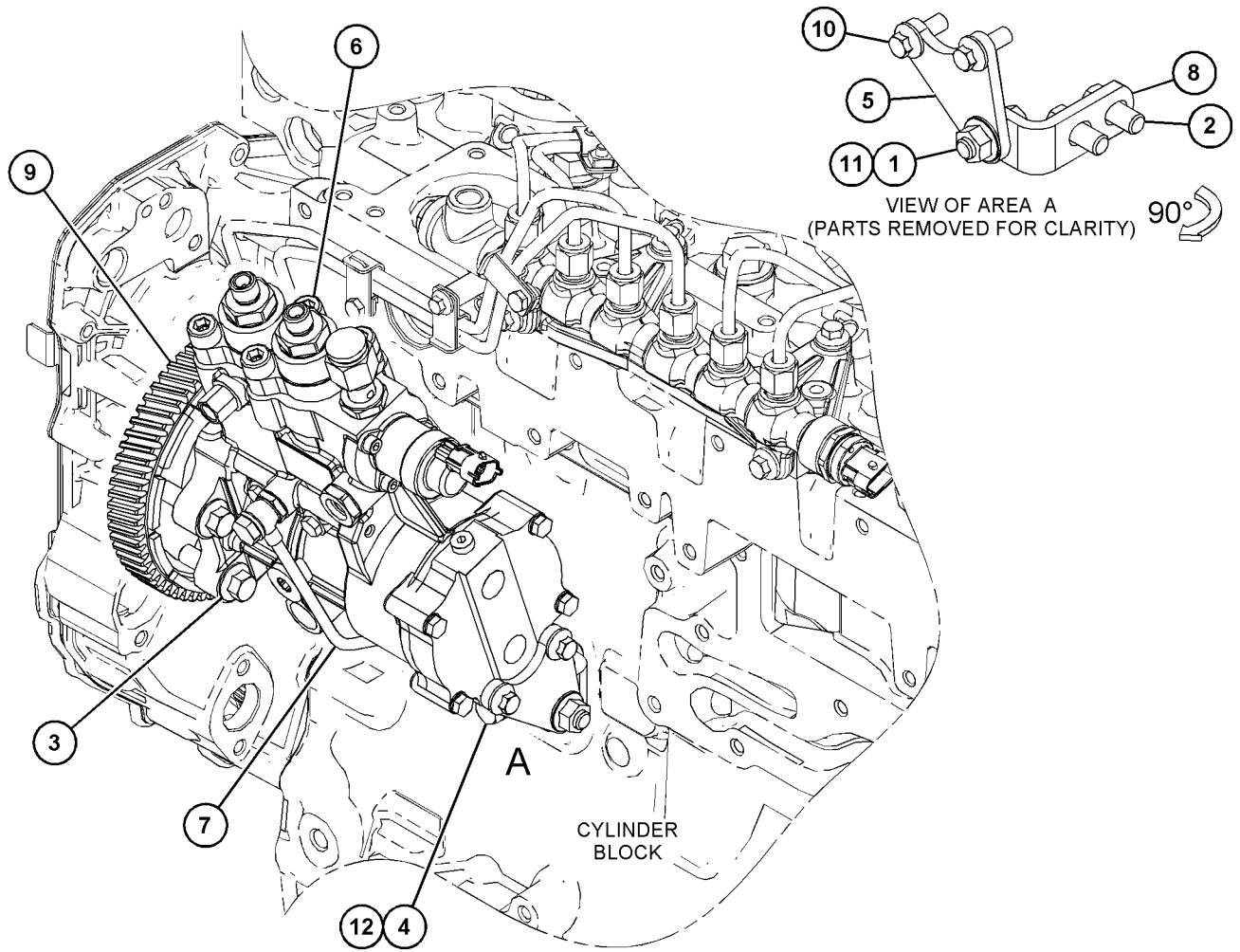
PART OF 463-8848, 463-8910 ENGINE AR-PRIMARY

SMCS-1251, 1290

i06952351

NOTE	REF NO	GRAPHIC REF	PART NUMBER	QTY	PART NAME						SEE PAGE
					1	2	3	4	5	6 (PRODUCT LEVEL)	
M	1	1	6I-0654	1	BOLT (M10X1.5X25-MM)						
M	2	1	100-4830	2	BOLT (M10X1.5X20-MM)						
M	3	1	286-0123	4	BOLT (M10X1.5X35-MM THK)						
	4	1	346-0006	1	BOLT-SPECIAL						
	5	1	371-2691	1	BRACKET						
YR	6	1	375-2647	1	PUMP GP-FUEL INJECTION						318
	7	1	445-9016	1	LINE AS-OIL						
	8	1	449-3333	1	BRACKET						
	9	1	500-3055	1	GEAR-FUEL PUMP						
M	10	1	6I-0217	2	BOLT (M8X1.25X20-MM)						
M	11	1	175-7141	1	NUT-HEX FLANGE (M10X1.5-THD)						
	12	1	346-0007	2	WASHER						

M - METRIC PART
R - REMANUFACTURED PART MAY BE AVAILABLE
Y - SEPARATE ILLUSTRATION



GRAPHIC #1

<END>

g03808909

FUEL SYSTEM

419-0677 PUMP GP-FUEL INJECTION

S/N: JKT1-UP

12-VOLT

PART OF 464-2307, 464-2308 ENGINE AR-PRIMARY

ALSO AN ATTACHMENT

SMCS-1251, 1290

i05983250

NOTE	REF NO	GRAPHIC REF	PART NUMBER	QTY	PART NAME						SEE PAGE
					1	2	3	4	5	6 (PRODUCT LEVEL)	
	1	1	5W-1437	2	LOCKWASHER						
	2	1	100-3752	2	STUD (M8X1.25X30-MM)						
M	3	1	111-3422	1	NUT (M14X1.5-THD)						
	4	1	185-7149	4	BOLT						
	5	1	277-4223	1	PLUG						
	6	1	328-7837	1	GEAR (36-TEETH)						
	7	1	330-3036	1	GASKET						
M	8	1	331-6841	2	BOLT (M8X1.25X30-MM)						
	9	1	347-2165	1	PLATE-ADAPTER						
R	10	1	370-8363	1	PUMP AS						
	10A	1	337-3905	1	SENSOR-TEMPERATURE (FUEL TEMPERATURE)						
	10B	1	358-2583	1	VALVE (12-VOLT)						
	11	1	420-1641	1	LINE AS-FUEL						
M	12	1	178-3336	2	NUT-HEX FLANGE (M8X1.25-THD)						
M	13	1	6I-0645	2	BOLT (M8X1.25X25-MM)						
M	14	1	6I-4072	2	BOLT (M8X1.25X14-MM)						
	15	1	111-3423	1	WASHER						
	16	1	6V-8676	1	SEAL-O-RING						

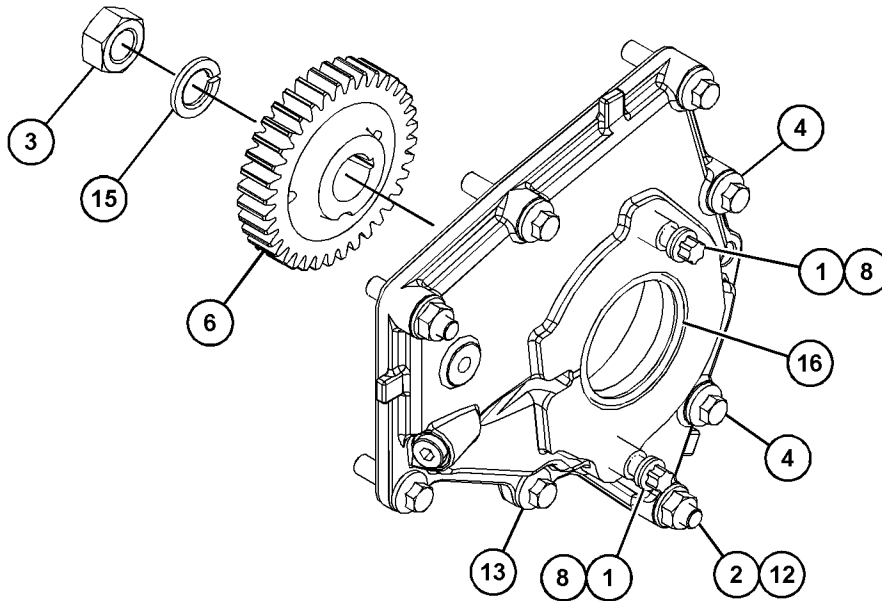
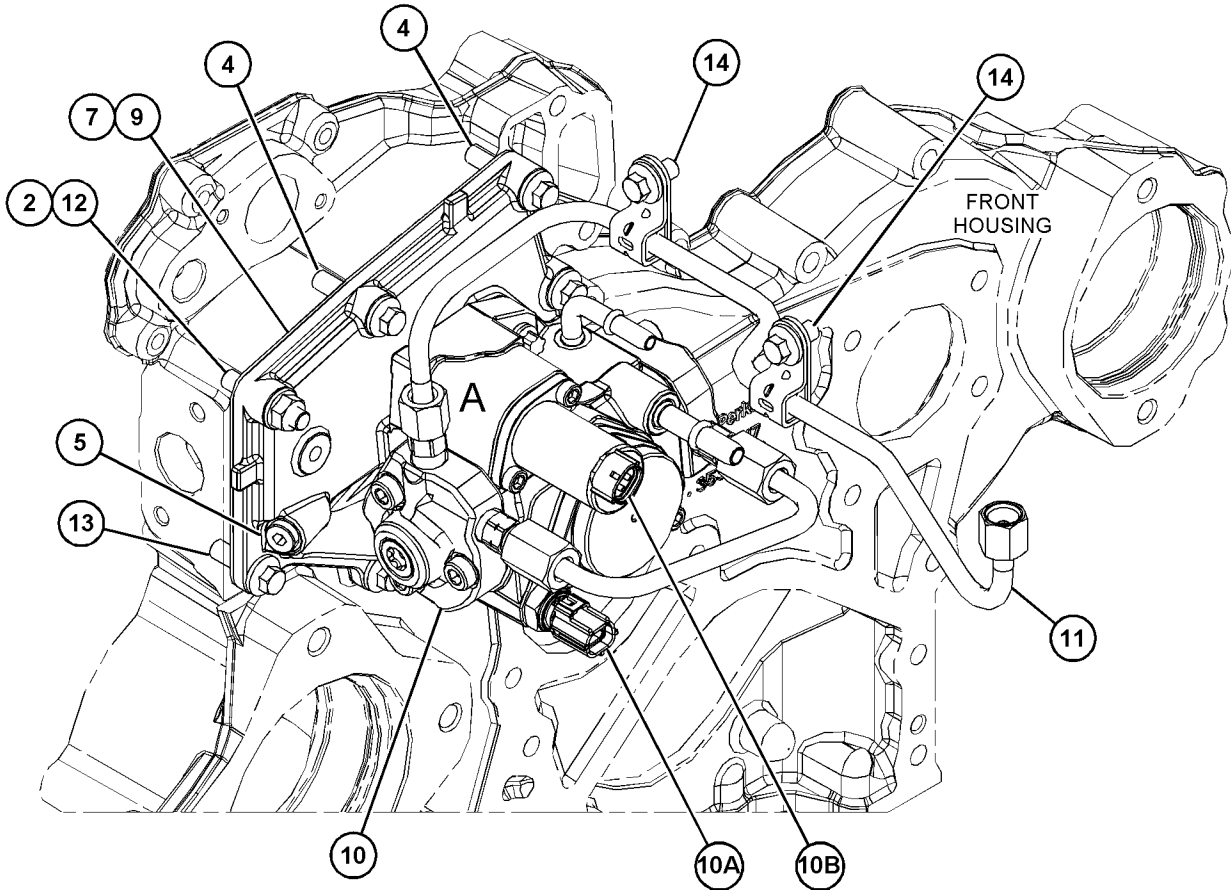
M - METRIC PART

R - REMANUFACTURED PART MAY BE AVAILABLE

FUEL SYSTEM

419-0677 PUMP GP-FUEL INJECTION (contd.)

i05983250



VIEW OF AREA A
(PARTS REMOVED FOR CLARITY)

GRAPHIC #1

<END>

g03653828

FUEL SYSTEM

441-9680 PUMP GP-FUEL INJECTION

S/N: CJ41-UP

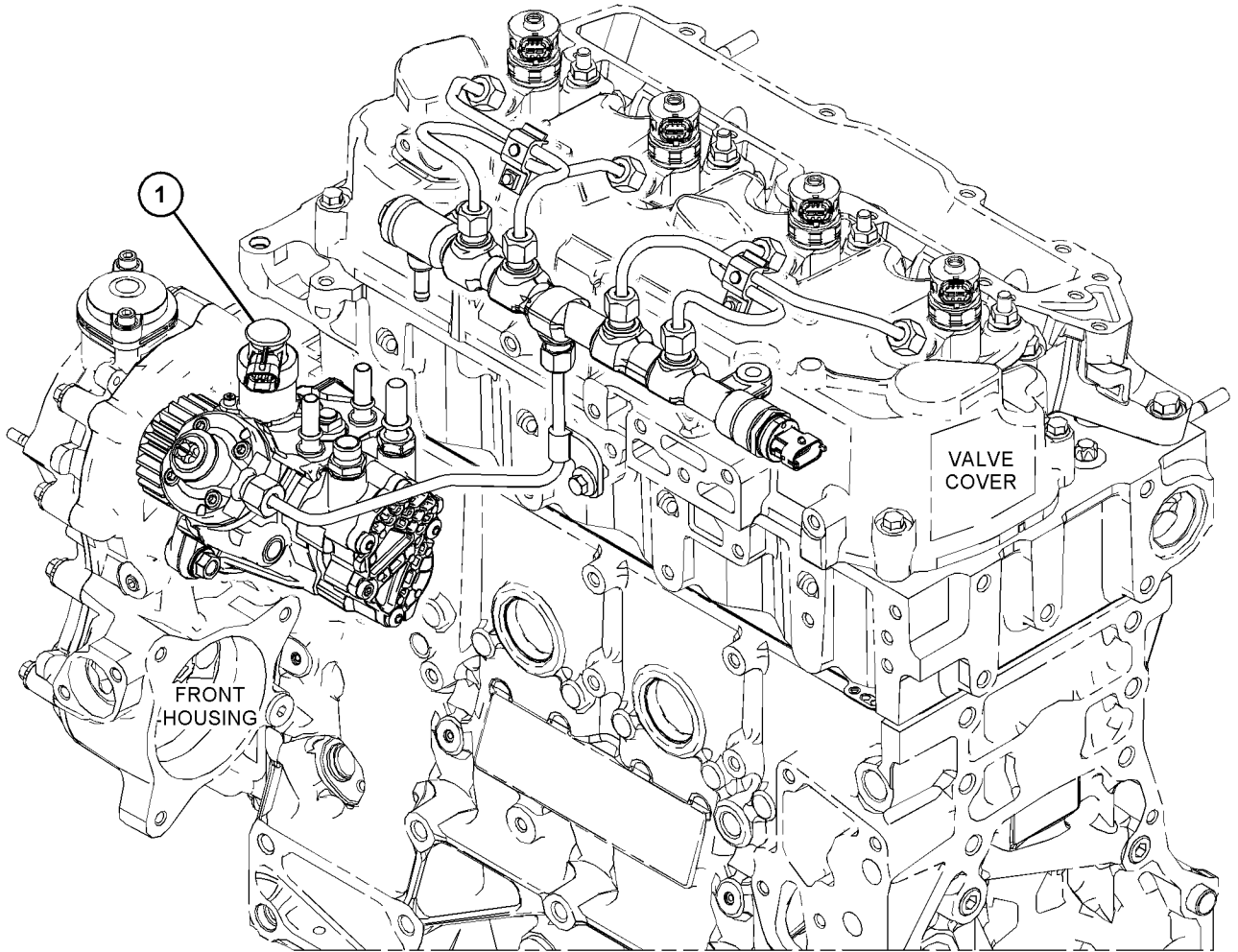
PART OF 465-2880 ENGINE AR-PRIMARY

SMCS-1251, 1290

i06252219

NOTE	REF NO	GRAPHIC REF	PART NUMBER	QTY	PART NAME						SEE PAGE
					1	2	3	4	5	6 (PRODUCT LEVEL)	
Y	1	1	464-1169	1	PUMP GP-FUEL INJECTION						323

Y - SEPARATE ILLUSTRATION



GRAPHIC #1

<END>

g03825330

FUEL SYSTEM

464-1169 PUMP GP-FUEL INJECTION

S/N: CJ41-UP

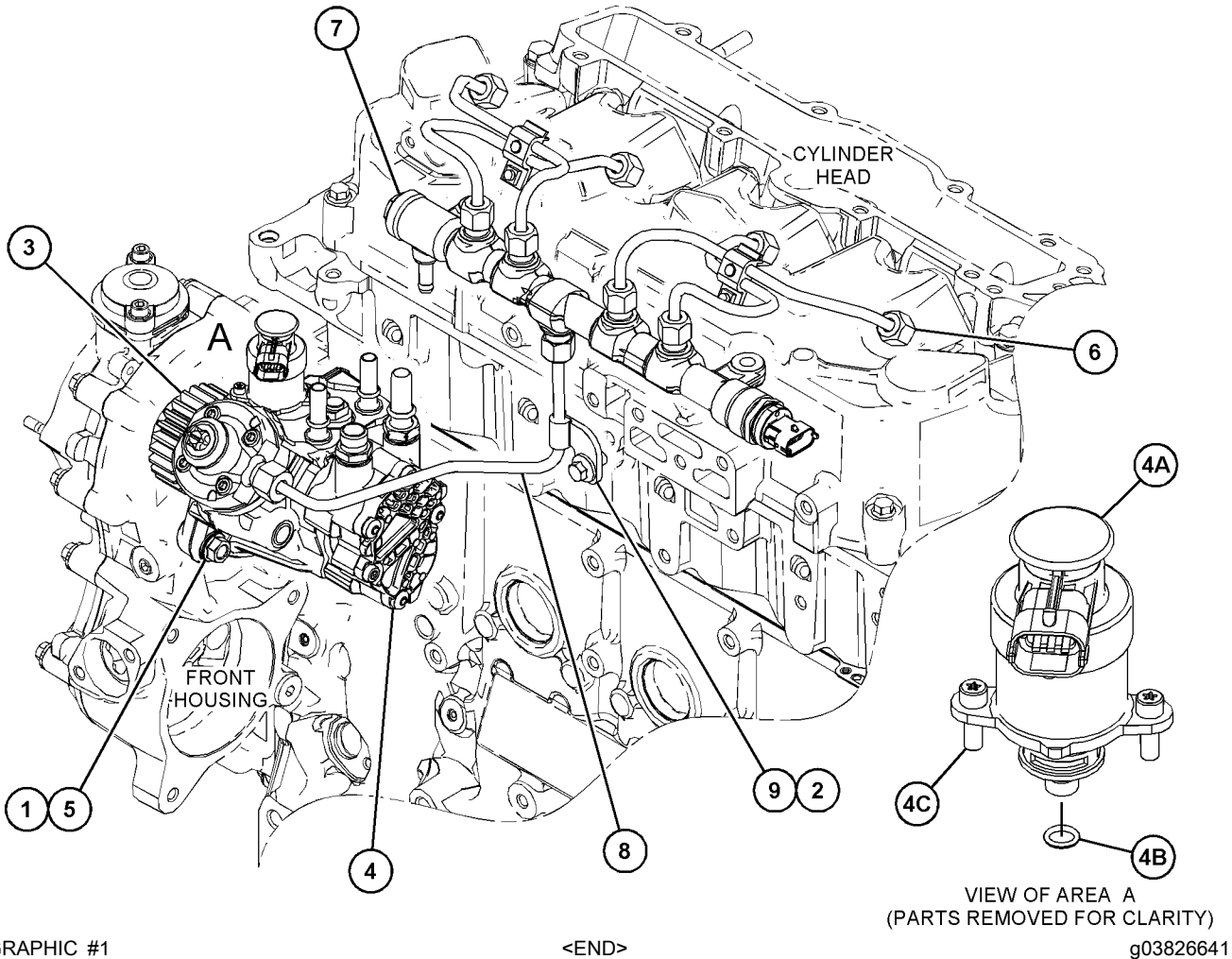
PART OF 441-9680 PUMP GP-FUEL INJECTION

SMCS-1251, 1290

i06252232

NOTE	REF NO	GRAPHIC REF	PART NUMBER	QTY	PART NAME						SEE PAGE
					1	2	3	4	5	6 (PRODUCT LEVEL)	
	1	1	7W-2632	3	WASHER (8.5X16.8X1.6-MM THK)						
M	2	1	100-4458	1	BOLT (M8X1.25X14-MM)						
	3	1	386-2096	1	GEAR						
	4	1	390-3122	1	PUMP AS-FUEL INJECTION						
	4A	1	452-8698	1	CONTROL						
	4B	1	452-8769	1	SEAL						
	4C	1	452-9198	2	SCREW						
	5	1	394-8799	3	NUT-SPECIAL						
	6	1	464-9702	1	LINES GP-FUEL INJECTION						
	7	1	464-9707	1	RAIL AS						
	8	1	464-9735	1	LINE AS						
	9	1	464-9741	1	BRACKET AS						

M - METRIC PART



FUEL SYSTEM

446-5393 PUMP GP-FUEL TRANSFER

S/N: JKT1-UP

PART OF 361-1562 FILTER GP-PRIMARY FUEL
ALSO AN ATTACHMENT

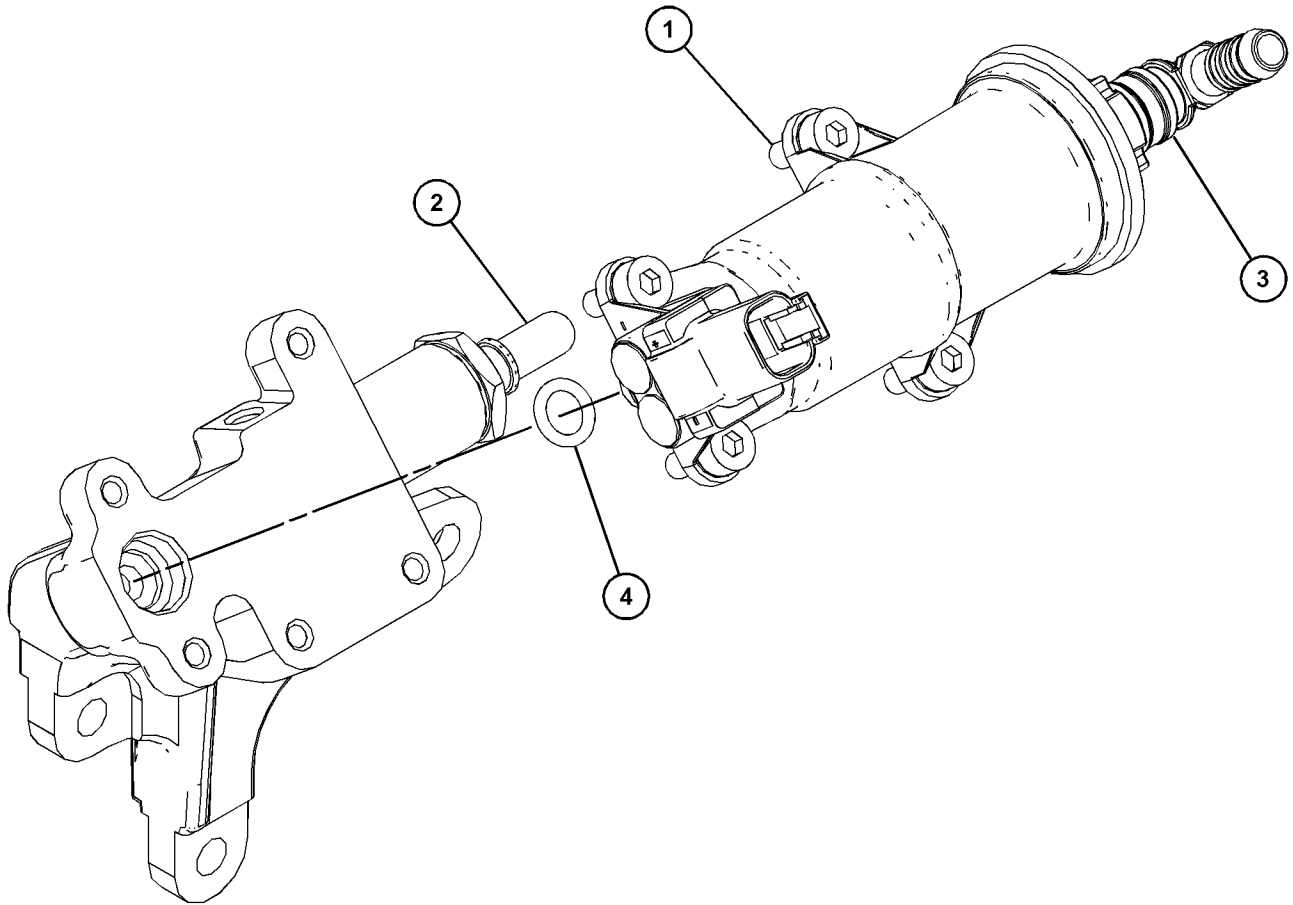
SMCS-1256

i06670723

NOTE	REF NO	GRAPHIC REF	PART NUMBER	QTY	PART NAME						SEE PAGE
					1	2	3	4	5	6 (PRODUCT LEVEL)	
M	1	1	262-1618	4	BOLT-SOCKET HEAD (M6X1X16-MM)						
Y	2	1	361-7347	1	CONNECTION GP-FUEL						279
	3	1	363-8622	1	CONNECTOR-FUEL						
	4	1	363-8652	1	SEAL-O-RING						

M - METRIC PART

Y - SEPARATE ILLUSTRATION



GRAPHIC #1

<END>

g06069258

FUEL SYSTEM

446-5393 PUMP GP-FUEL TRANSFER

S/N: JKT1-UP

PART OF 361-1562 FILTER GP-PRIMARY FUEL

SMCS-1256

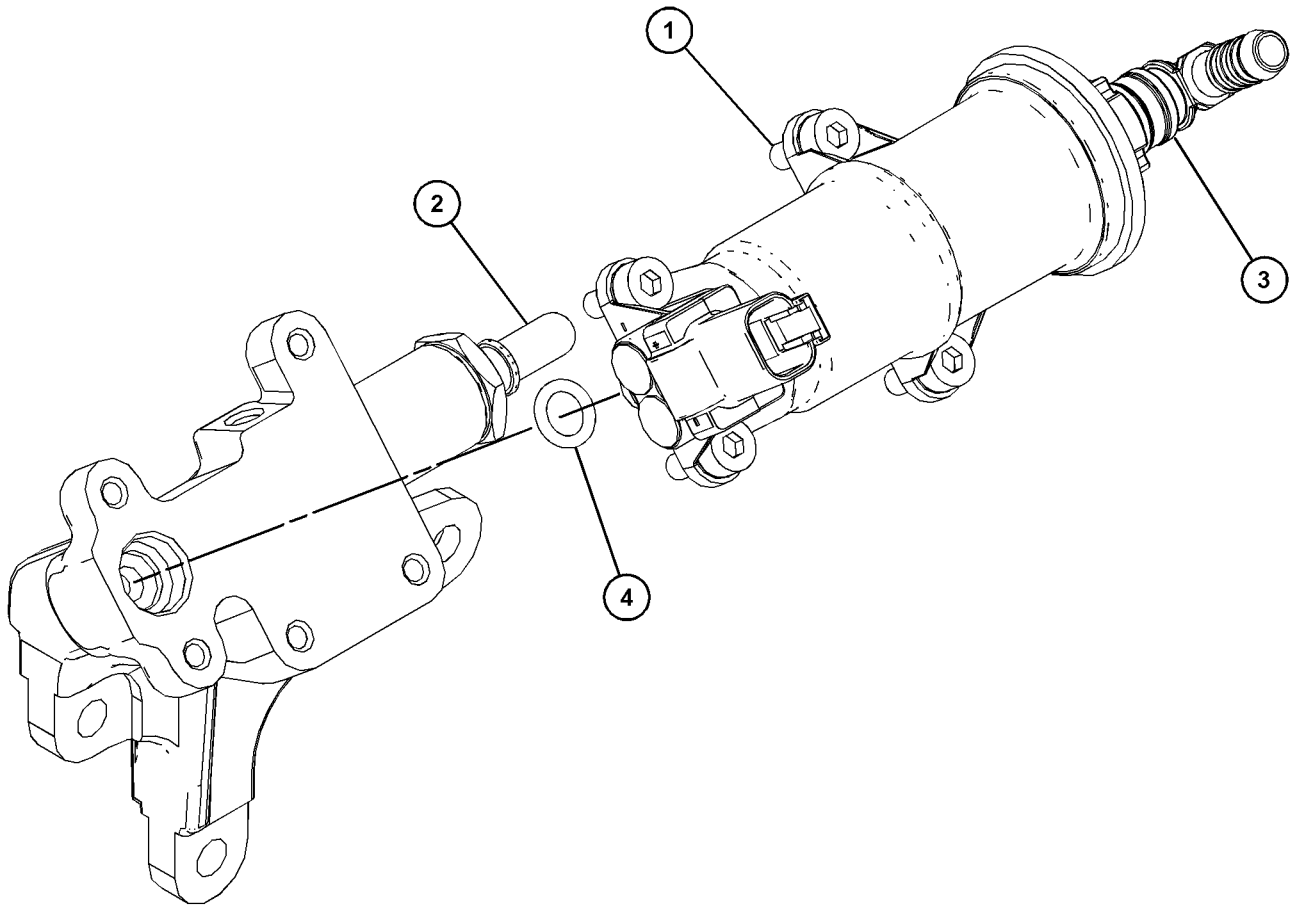
i06991604

NOTE	REF NO	GRAPHIC REF	PART NUMBER	QTY	PART NAME						SEE PAGE
					1	2	3	4	5	6 (PRODUCT LEVEL)	
M	1	1	262-1618	4	BOLT-SOCKET HEAD (M6X1X16-MM)						
Y	2	1	361-7347	1	CONNECTION GP-FUEL						279
	3	1	355-0632	1	CONNECTOR-SPECIAL						
C	4	1	526-4589	1	SEAL						

C - CHANGE FROM PREVIOUS TYPE

M - METRIC PART

Y - SEPARATE ILLUSTRATION



GRAPHIC #1

<END>

g06069258

FUEL SYSTEM

361-2883 RAIL GP-FUEL

S/N: JKT1-UP

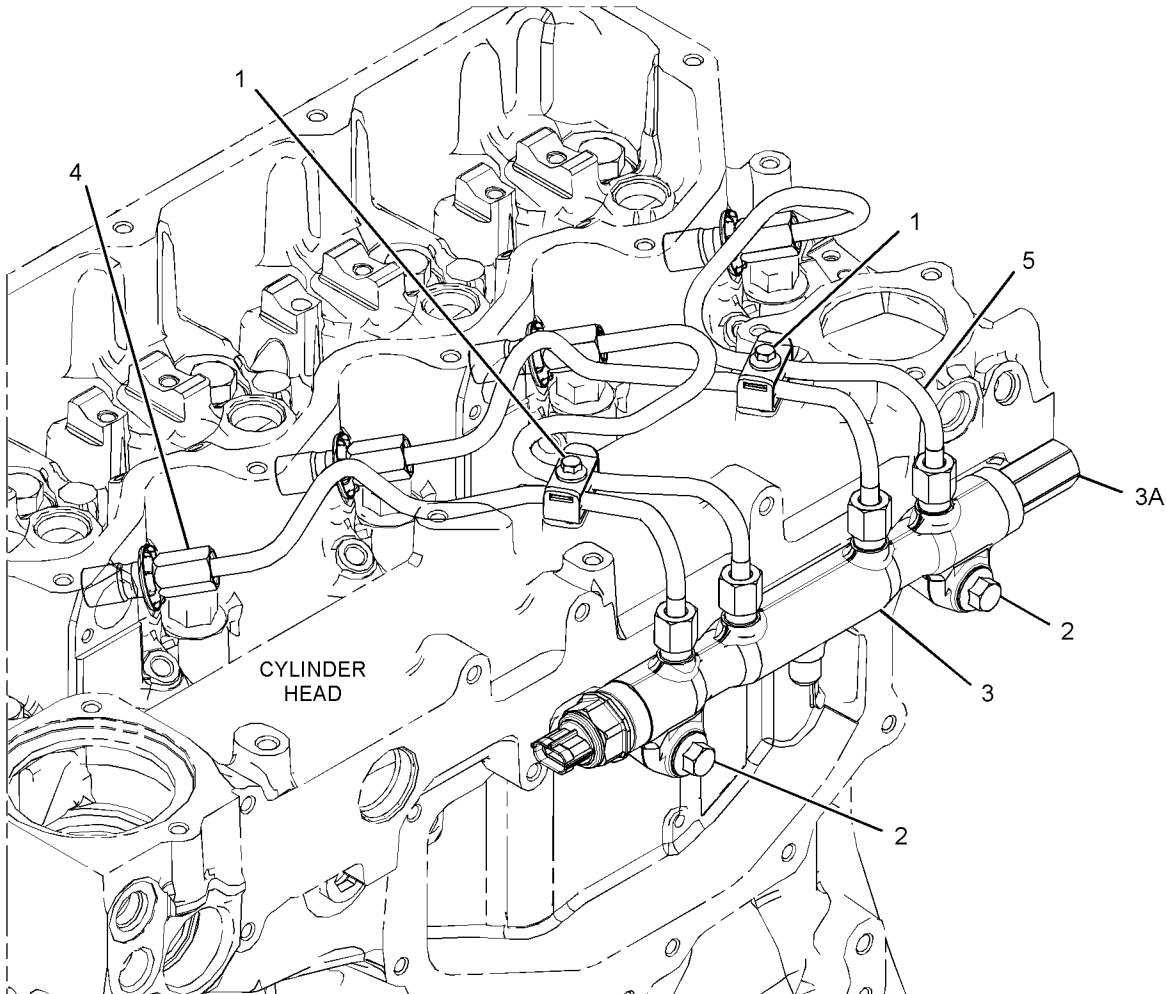
PART OF 464-2307, 464-2308 ENGINE AR-PRIMARY
ALSO AN ATTACHMENT

SMCS-127A, 1288

i04588850

NOTE	REF NO	GRAPHIC REF	PART NUMBER	QTY	PART NAME						SEE PAGE
					1	2	3	4	5	6 (PRODUCT LEVEL)	
M	1	1	6I-0917	2	BOLT (M6X1X25-MM)						
M	2	1	101-7178	2	BOLT (M10X1.5X55-MM)						
	3	1	345-4153	1	RAIL GP-FUEL						
	3A	1	334-7232	1	VALVE						
Y	4	1	360-9061	1	LINES GP-FUEL INJECTION (INJECTORS 1 & 3)						316
Y	5	1	360-9062	1	LINES GP-FUEL INJECTION (INJECTORS 2 & 4)						317

M - METRIC PART
Y - SEPARATE ILLUSTRATION



GRAPHIC #1

<END>

g02717938

FUEL SYSTEM

415-5527 RAIL GP-FUEL

S/N: W231-UP

PART OF 463-8848, 463-8910 ENGINE AR-PRIMARY

SMCS-127A, 1288

i06138506

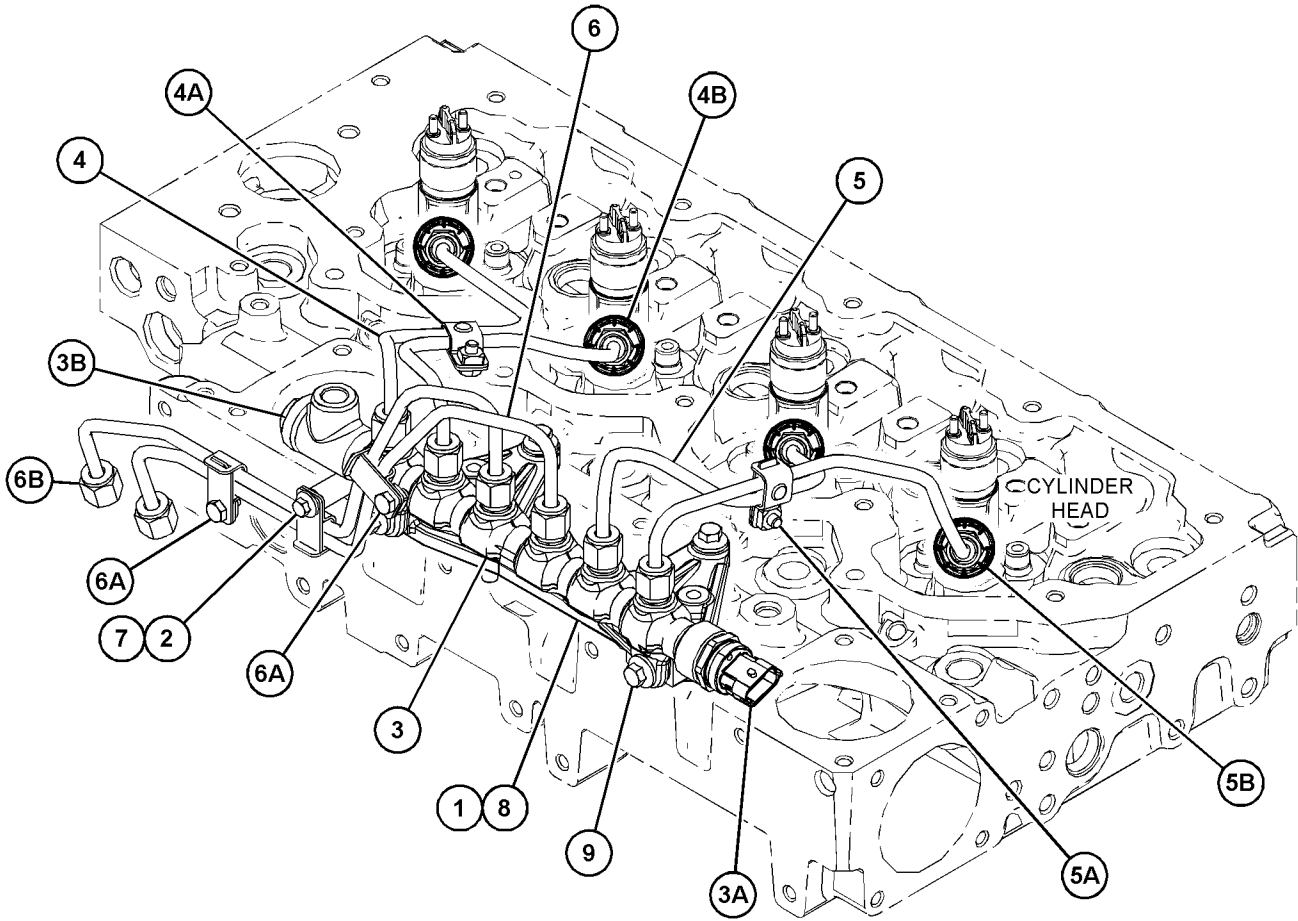
NOTE	REF NO	GRAPHIC REF	PART NUMBER	QTY	PART NAME						SEE PAGE
					1	2	3	4	5	6 (PRODUCT LEVEL)	
M	1	1	101-3895	2	BOLT (M8X1.25X35-MM)						
M	2	1	178-2510	1	BOLT (M6X1X45-MM)						
	3	1	396-2052	1	RAIL AS-FUEL						
	3A	1	375-6988	1	SENSOR (FUEL RAIL PRESSURE)						
	3B	1	398-6226	1	VALVE (FUEL RAIL PRESSURE)						
	4	1	<i>396-2602</i>	1	LINE AS-FUEL						
	4A	1	397-6836	1	CLAMP AS						
		1	396-2606	1	LINE-FUEL						
	4B	1	396-2607	1	LINE-FUEL						
	5	1	<i>396-2603</i>	1	LINE AS-FUEL						
	5A	1	397-6836	1	CLAMP AS						
		1	396-2608	1	LINE-FUEL						
	5B	1	396-2609	1	LINE-FUEL						
	6	1	<i>396-2604</i>	1	LINE AS-FUEL						
	6A	1	397-6836	2	CLAMP AS						
	6B	1	396-2610	1	LINE-FUEL						
		1	396-2611	1	LINE-FUEL						
	7	1	398-7219	1	PILLAR						
	8	1	399-8470	1	BRACKET						
M	9	1	6I-0260	4	BOLT (M8X1.25X25-MM)						
					AVAILABLE REPAIR KIT(S) :						
			463-8336	1	KIT-CLIP						
					(INCLUDES PLATE, BRACKET & INSERT)						

M - METRIC PART

FUEL SYSTEM

415-5527 RAIL GP-FUEL (contd.)

106138506



GRAPHIC #1

<END>

g03815915

FUEL SYSTEM

499-0184 TANK & MTG GP-FUEL

S/N: TH21-UP; TH31-UP

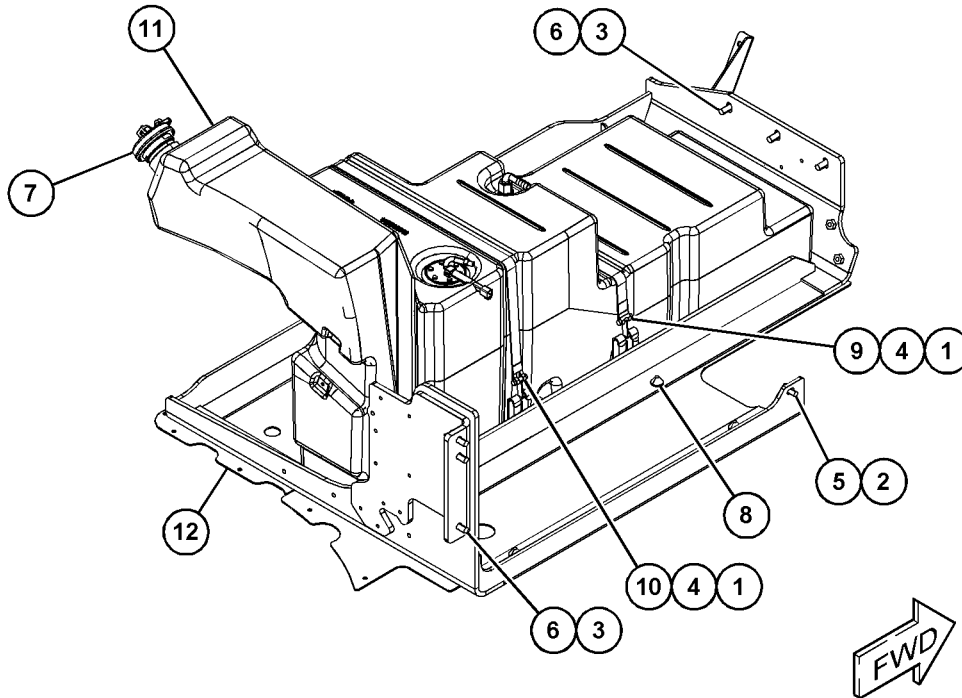
PART OF 505-5033, 505-5035 CHASSIS AR

SMCS-1273

i06603110

NOTE	REF NO	GRAPHIC REF	PART NUMBER	QTY	PART NAME						SEE PAGE
					1	2	3	4	5	6 (PRODUCT LEVEL)	
M	1	1	6V-9804	2	BOLT (M8X1.25X75-MM)						
M	2	1	8T-4136	1	BOLT (M10X1.5X25-MM)						
M	3	1	8T-4956	6	BOLT (M12X1.75X35-MM)						
	4	1	8T-4224	2	WASHER-HARD (8.8X16X2-MM THK)						
	5	1	8T-4121	1	WASHER-HARD (11X21X2.5-MM THK)						
	6	1	8T-4223	6	WASHER-HARD (13.5X25.5X3-MM THK)						
	7	1	284-9039	1	CAP-FUEL (VENTED)						
	8	1	472-5352	4	MOUNT						
	9	1	477-2357	1	STRAP AS						
	10	1	477-2358	1	STRAP AS						
Y	11	1	490-8043	1	TANK GP-FUEL						330
	12	1	499-0185	1	PLATE AS						

M - METRIC PART
Y - SEPARATE ILLUSTRATION



GRAPHIC #1

<END>

g06045544

FUEL SYSTEM

490-8043 TANK GP-FUEL

S/N: TH21-UP; TH31-UP

148-LITER (39-US GAL)

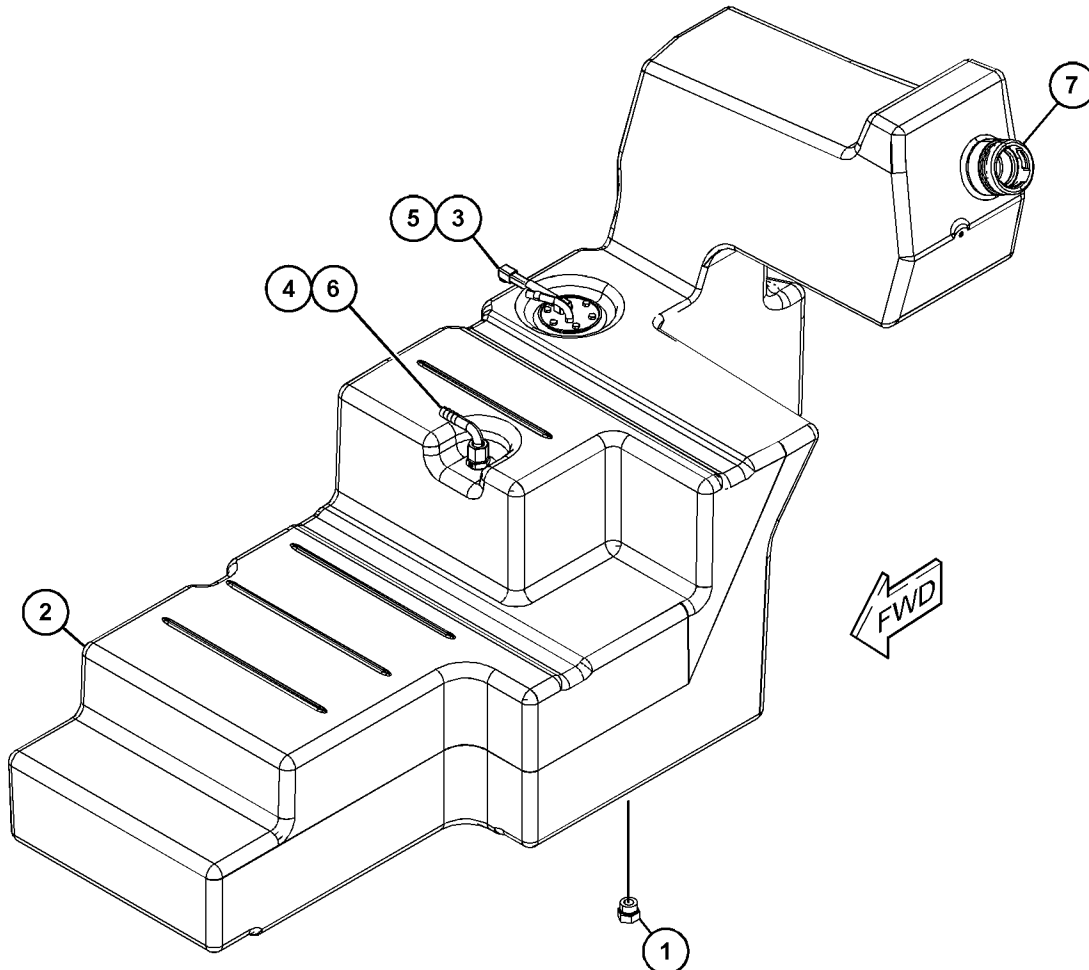
PART OF 499-0184 TANK & MTG GP-FUEL

SMCS-1273

i06603111

NOTE	REF NO	GRAPHIC REF	PART NUMBER	QTY	PART NAME						SEE PAGE
					1	2	3	4	5	6	
	1	1	148-8410	1	PLUG AS						
		1	2M-9780	1	SEAL-O-RING						
		1	9S-4190	1	PLUG-O-RING (7/8-14-THD)						
	2	1	490-1203	1	TANK AS-FUEL						
	3	1	477-1863	1	SENDER AS-FUEL LEVEL						
	4	1	477-1868	1	TUBE AS						
M	5	1	8T-0325	6	BOLT (M5X0.8X14-MM)						
	6	1	477-1872	1	ELBOW						
	7	1	385-5360	1	ADAPTER-FUEL CAP						

M - METRIC PART



GRAPHIC #1

<END>

g06049234

ELECTRICAL AND STARTING SYSTEM

495-7754 ALARM GP

S/N: TH21-UP; TH31-UP

REVERSE

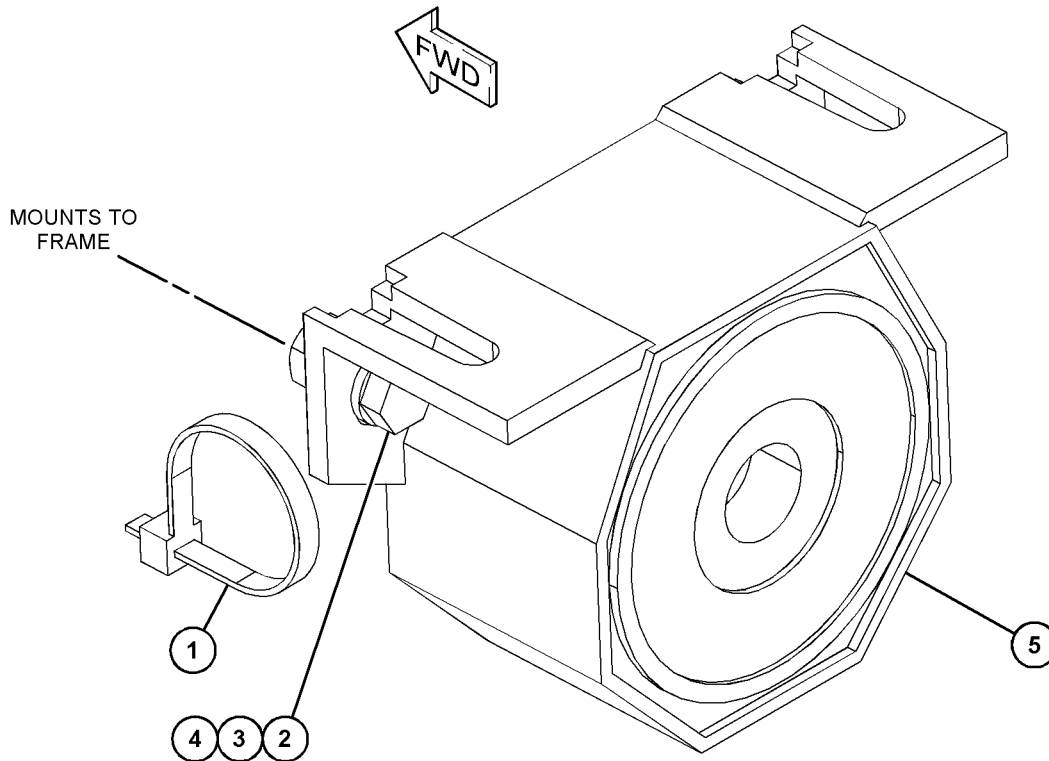
PART OF 505-5033, 505-5035 CHASSIS AR

SMCS-7400, 7402, 7407

i06591315

NOTE	REF NO	GRAPHIC REF	PART NUMBER	QTY	PART NAME						SEE PAGE
					1	2	3	4	5	6 (PRODUCT LEVEL)	
	1	1	3S-2093	1	STRAP-CABLE						
M	2	1	5C-9553	2	BOLT (M6X1X16-MM)						
M	3	1	5C-2890	2	NUT (M6X1-THD)						
	4	1	8T-4205	4	WASHER-HARD (7.2X14.5X2-MM THK)						
	5	1	325-7701	1	ALARM-BACK UP						

M - METRIC PART



GRAPHIC #1

<END>

g06039506

ELECTRICAL AND STARTING SYSTEM

350-1459 ALTERNATOR GP-CHARGING

S/N: JKT1-UP

PART OF 464-2307, 464-2308 ENGINE AR-PRIMARY
ALSO AN ATTACHMENT

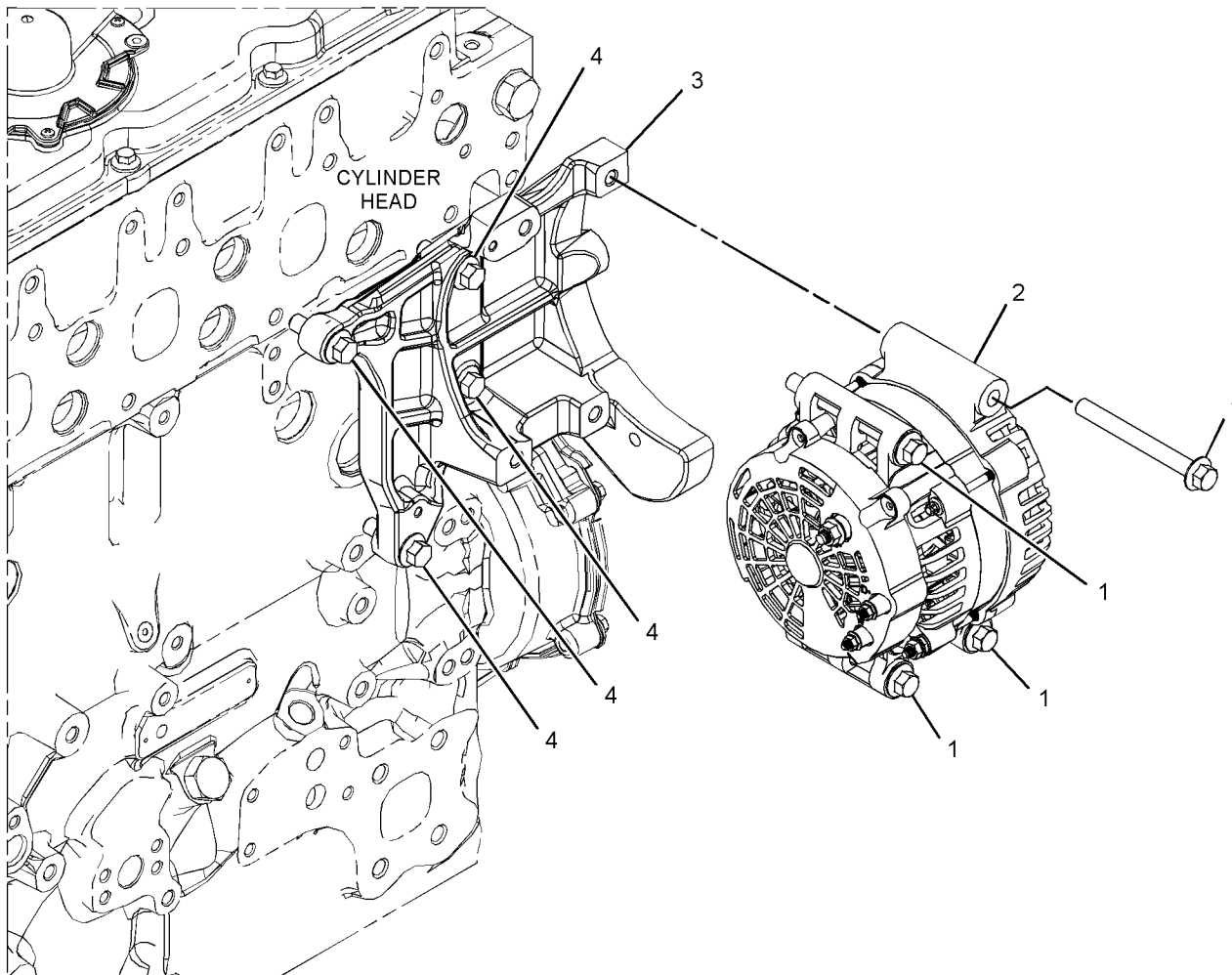
SMCS-1405

i04630453

NOTE	REF NO	GRAPHIC REF	PART NUMBER	QTY	PART NAME						SEE PAGE
					1	2	3	4	5	6 (PRODUCT LEVEL)	
M	1	1	164-7468	4	BOLT (M10X1.5X95-MM)						
R	2	1	321-8927	1	ALTERNATOR (12-VOLT, 150-AMPERE)						
	3	1	321-8952	1	BRACKET AS						
		1	161-9820	2	PIN						
M	4	1	111-0859	4	BOLT (M10X1.5X35-MM)						

M - METRIC PART

R - REMANUFACTURED PART MAY BE AVAILABLE



GRAPHIC #1

<END>

g02784199

ELECTRICAL AND STARTING SYSTEM

350-1486 ALTERNATOR GP-CHARGING

S/N: CJ41-UP

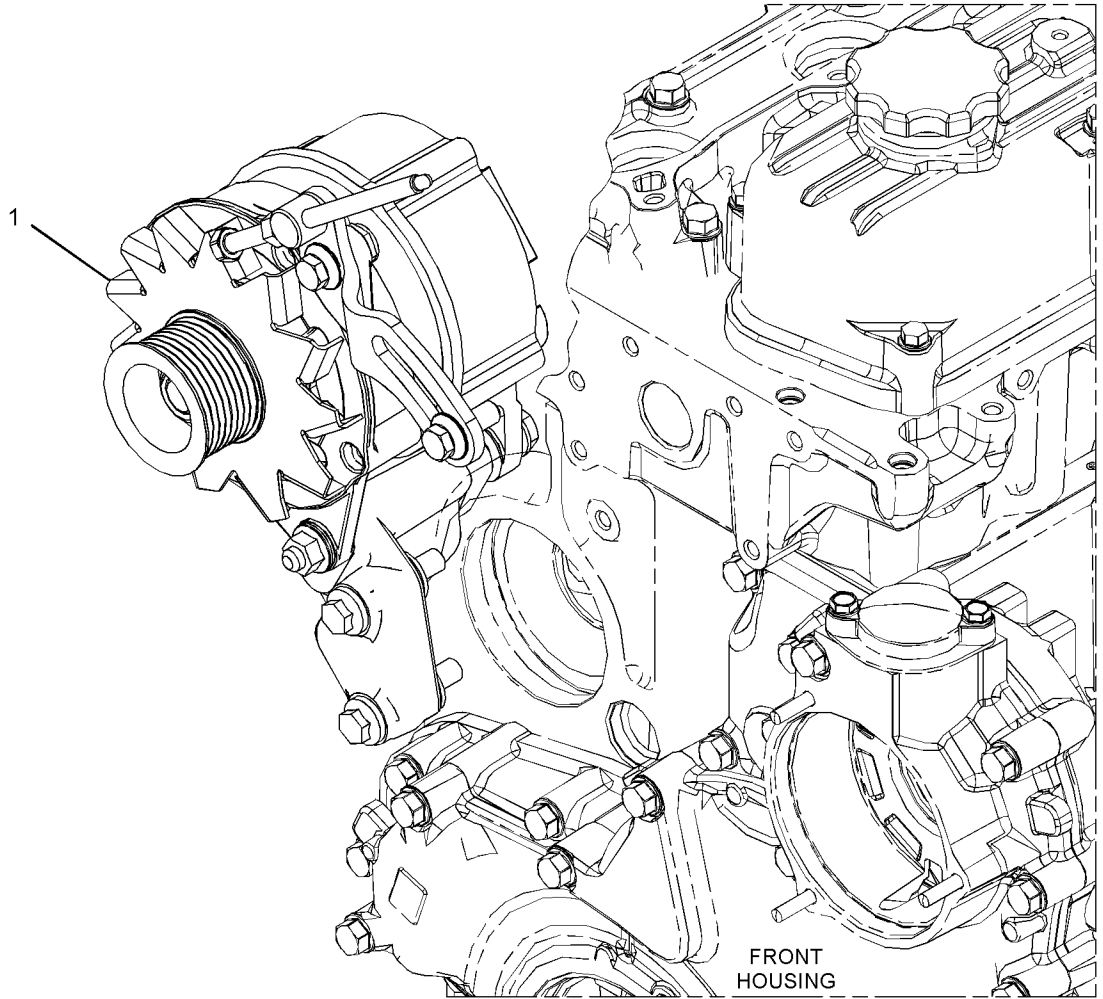
PART OF 465-2880 ENGINE AR-PRIMARY

SMCS-1405

i05722395

NOTE	REF NO	GRAPHIC REF	PART NUMBER	QTY	PART NAME						SEE PAGE
					1	2	3	4	5	6 (PRODUCT LEVEL)	
Y	1	1	361-7141	1	ALTERNATOR GP-CHARGING						334

Y - SEPARATE ILLUSTRATION



GRAPHIC #1

<END>

g02886616

ELECTRICAL AND STARTING SYSTEM

361-7141 ALTERNATOR GP-CHARGING

S/N: CJ41-UP

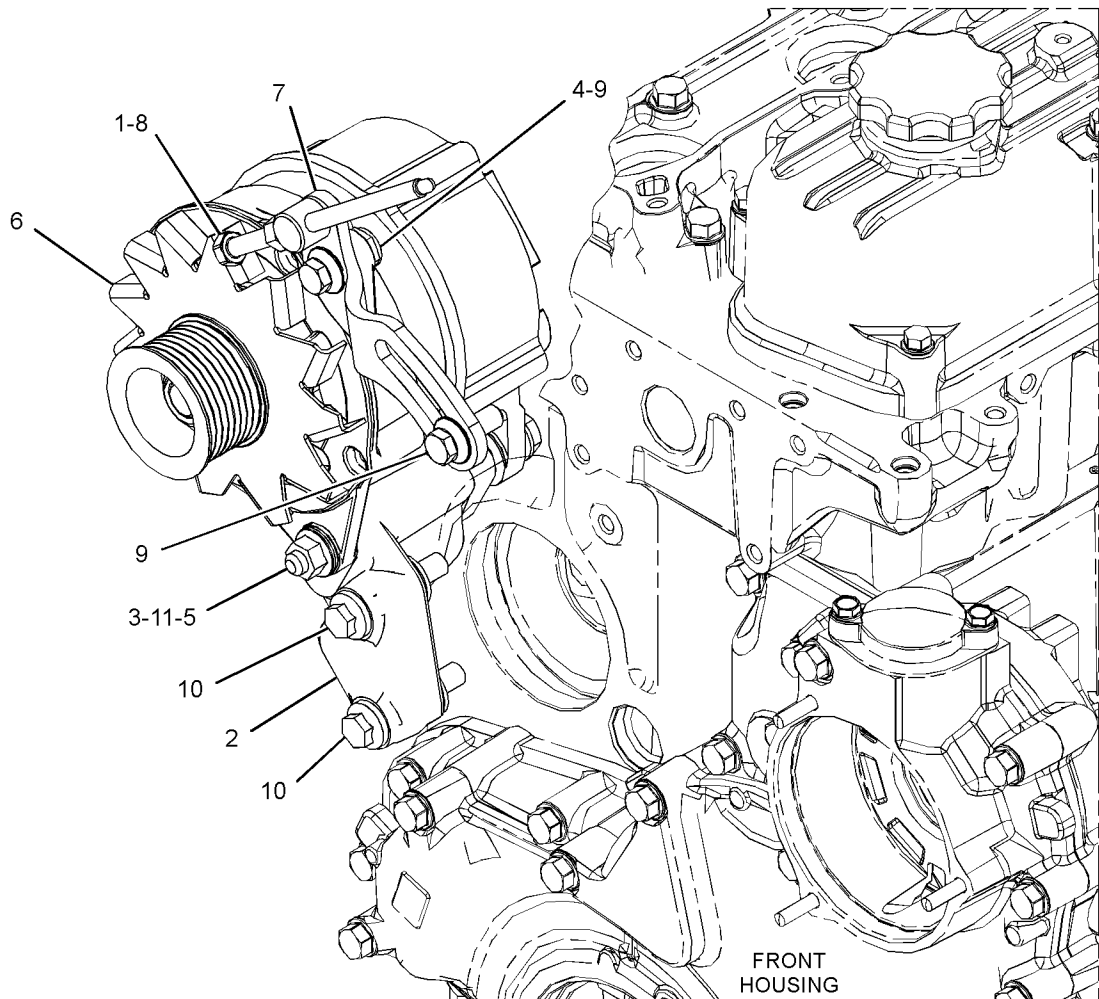
PART OF 350-1486 ALTERNATOR GP-CHARGING

SMCS-1405

i05773242

NOTE	REF NO	GRAPHIC REF	PART NUMBER	QTY	PART NAME						SEE PAGE
					1	2	3	4	5	6 (PRODUCT LEVEL)	
	1	1	152-6578	1	NUT						
	2	1	385-9093	1	BRACKET						
	3	1	389-2722	1	BOLT						
	4	1	389-2854	1	NUT						
	5	1	389-2857	2	WASHER						
	6	1	390-2384	1	ALTERNATOR						
	7	1	390-2387	1	TENSIONER						
	8	1	393-0383	1	BOLT						
M	9	1	6I-0654	2	BOLT (M10X1.5X25-MM)						
M	10	1	100-4461	2	BOLT (M10X1.5X50-MM)						
M	11	1	6I-0594	1	NUT (M10X1.5-THD)						

M - METRIC PART



GRAPHIC #1

<END>

g02886597

ELECTRICAL AND STARTING SYSTEM

425-8162 ALTERNATOR GP-CHARGING

S/N: W231-UP

PART OF 463-8848, 463-8910 ENGINE AR-PRIMARY

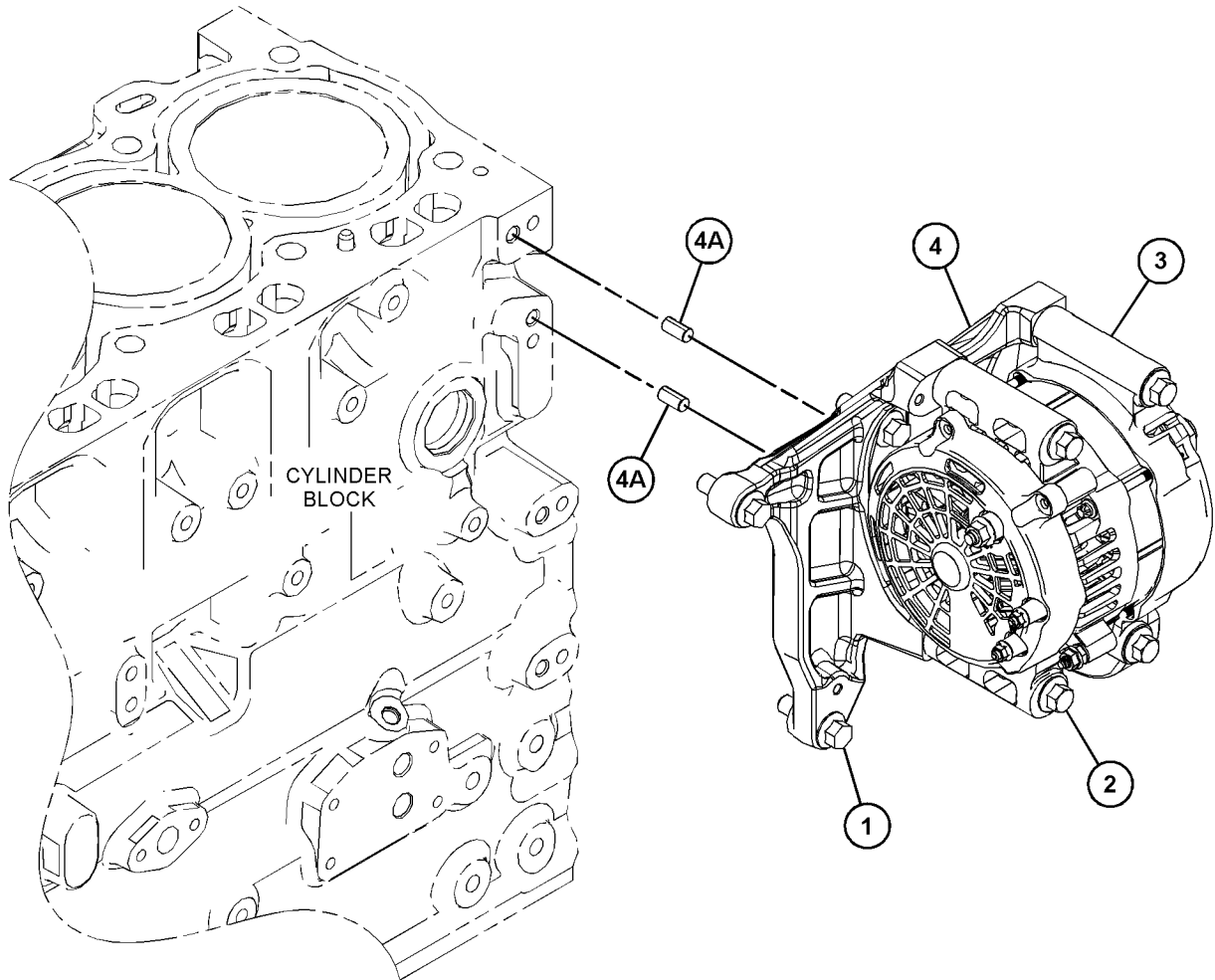
SMCS-1405

i06146718

NOTE	REF NO	GRAPHIC REF	PART NUMBER	QTY	PART NAME						SEE PAGE
					1	2	3	4	5	6 (PRODUCT LEVEL)	
M	1	1	111-0859	4	BOLT (M10X1.5X35-MM)						
M	2	1	164-7468	4	BOLT (M10X1.5X95-MM)						
R	3	1	321-8928	1	ALTERNATOR (12-VOLT, 120-AMPERE)						
	4	1	321-8952	1	BRACKET AS						
	4A	1	161-9820	2	PIN						

M - METRIC PART

R - REMANUFACTURED PART MAY BE AVAILABLE



GRAPHIC #1

<END>

g03814818

ELECTRICAL AND STARTING SYSTEM

499-0257 BATTERY GP-SINGLE

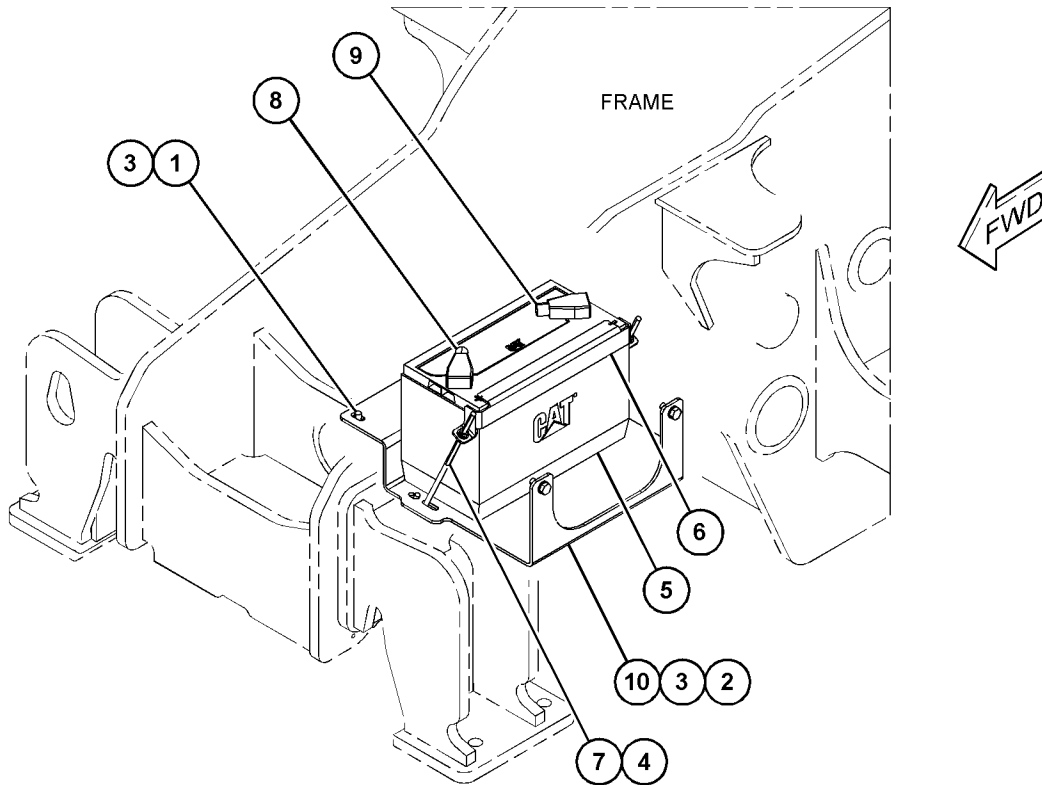
S/N: TH21-UP; TH31-UP
AN ATTACHMENT

SMCS-1401

i06608806

NOTE	REF NO	GRAPHIC REF	PART NUMBER	QTY	PART NAME						SEE PAGE
					1	2	3	4	5	6 (PRODUCT LEVEL)	
M	1	1	328-9688	2	SCREW (M10X1.5X14-MM)						
M	2	1	8T-4136	2	BOLT (M10X1.5X25-MM)						
	3	1	8T-4121	4	WASHER-HARD (11X21X2.5-MM THK)						
M	4	1	178-3336	2	NUT-HEX FLANGE (M8X1.25-THD)						
	5	1	175-4390	1	BATTERY AS (12-VOLT)						
		1	123-1373	6	CAP AS-FILLER (7/8-9-THD)						
	6	1	416-8113	1	PLATE-BATTERY						
M	7	1	473-8964	2	BOLT-SPECIAL (M8X1.25-THD)						
	8	1	495-4703	1	COVER-TERMINAL						
	9	1	495-4704	1	COVER-TERMINAL						
	10	1	499-0258	1	PLATE						

M - METRIC PART



GRAPHIC #1

<END>

g06045455

ELECTRICAL AND STARTING SYSTEM

499-0259 BATTERY GP-DUAL

S/N: TH21-UP; TH31-UP

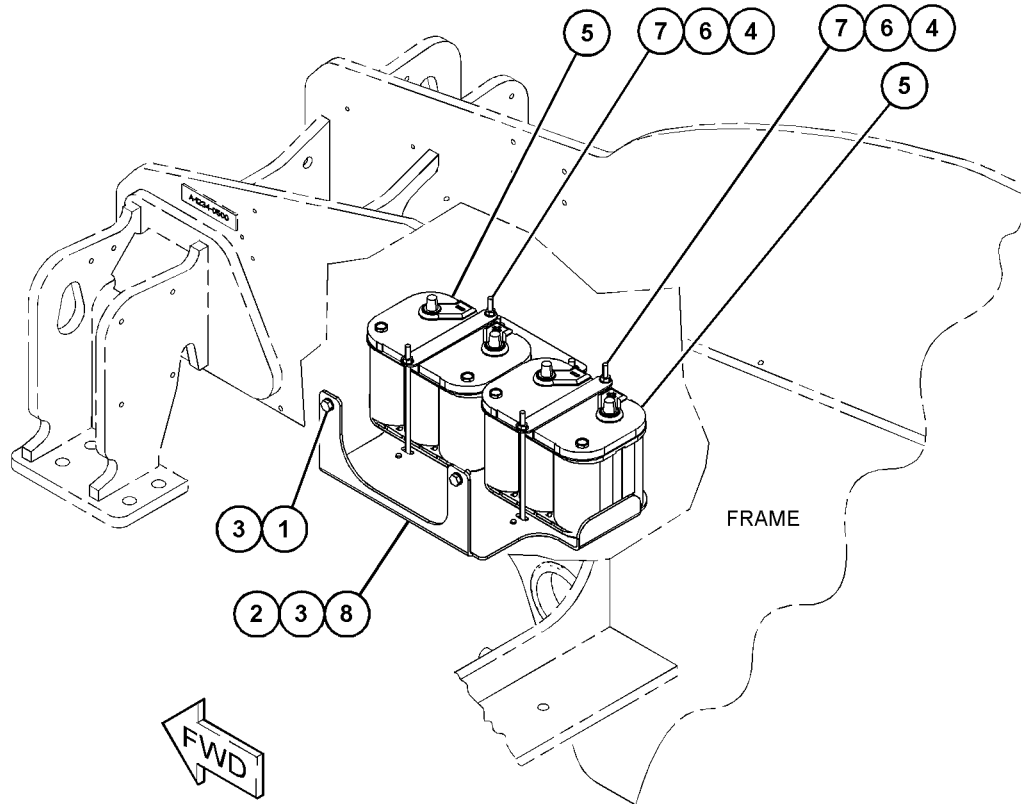
AN ATTACHMENT

SMCS-1401

i06608807

NOTE	REF NO	GRAPHIC REF	PART NUMBER	QTY	PART NAME						SEE PAGE
					1	2	3	4	5	6	
M	1	1	8T-4137	1	BOLT (M10X1.5X20-MM)						
M	2	1	8T-4136	3	BOLT (M10X1.5X25-MM)						
	3	1	8T-4121	4	WASHER-HARD (11X21X2.5-MM THK)						
M	4	1	178-3336	4	NUT-HEX FLANGE (M8X1.25-THD)						
	5	1	459-9625	2	BATTERY						
	6	1	499-0260	2	PLATE						
	7	1	499-0261	4	ROD						
	8	1	499-0262	1	PLATE						

M - METRIC PART



GRAPHIC #1

<END>

g06045540

ELECTRICAL AND STARTING SYSTEM

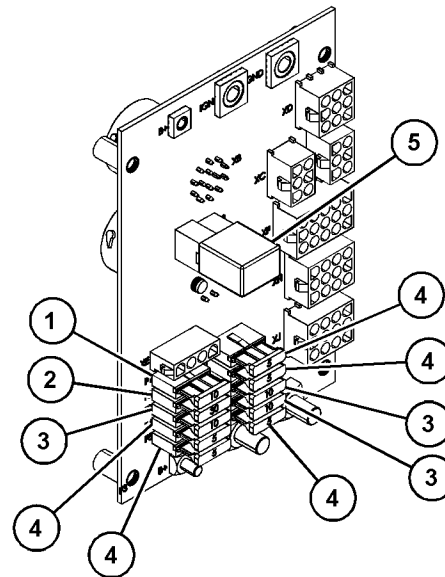
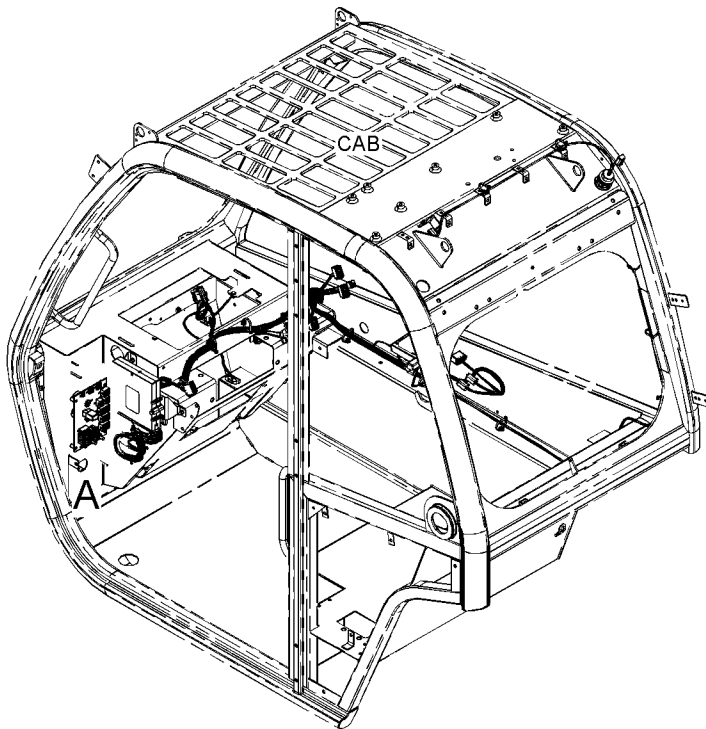
474-4149 BOARD AS-CIRCUIT

S/N: TH21-UP; TH31-UP
PART OF 493-1110 WIRING GP-CAB
AN ATTACHMENT

SMCS-1418

i06080179

NOTE	REF NO	GRAPHIC REF	PART NUMBER	QTY	PART NAME						SEE PAGE
					1	2	3	4	5	6 (PRODUCT LEVEL)	
	1	1	113-8490	1	FUSE (10-AMPERE)						
	2	1	8T-9636	1	FUSE (30-AMPERE)						
	3	1	9W-1442	3	FUSE (10-AMPERE)						
	4	1	141-2759	5	FUSE (5-AMPERE)						
	5	1	478-5125	1	RELAY AS (12-VOLT) (HORN)						



VIEW OF AREA A

GRAPHIC #1

<END>

g03821484

ELECTRICAL AND STARTING SYSTEM

499-5902 CAMERA & MOUNTING GP

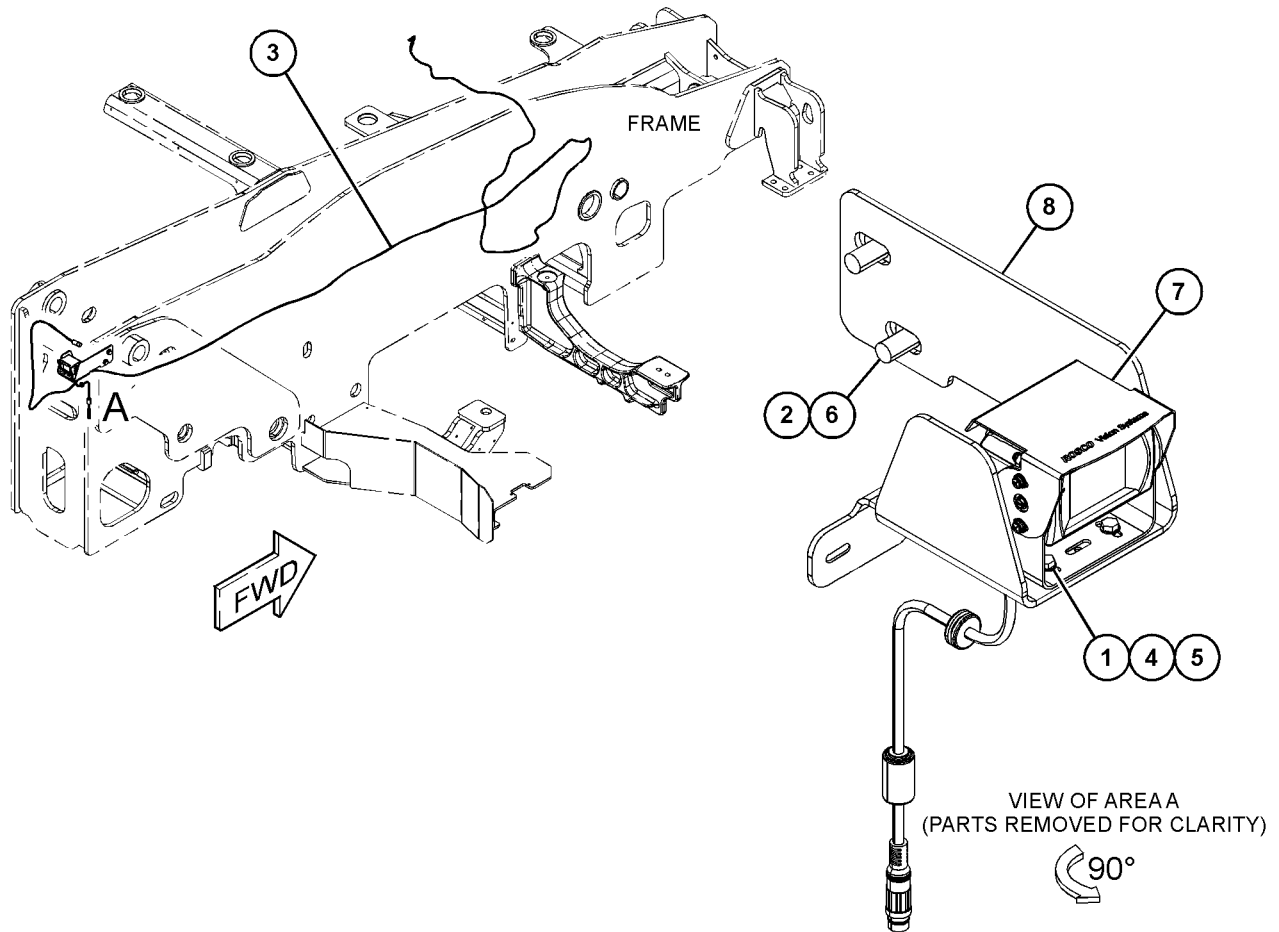
S/N: TH21-UP; TH31-UP
 FOR USE WITH 474-6061-PAGE: 939
 AN ATTACHMENT

SMCS-7348

i07037552

NOTE	REF NO	GRAPHIC REF	PART NUMBER	QTY	PART NAME						SEE PAGE
					1	2	3	4	5	6	
M	1	1	170-5632	2	BOLT (M4X0.7X16-MM)						
M	2	1	8T-4137	2	BOLT (M10X1.5X20-MM)						
	3	1	499-5904	1	CABLE						
M	4	1	5C-8312	2	NUT (M4X0.7-THD)						
	5	1	5W-5038	4	WASHER (4.3X9X0.8-MM THK)						
	6	1	8T-4121	2	WASHER-HARD (11X21X2.5-MM THK)						
	7	1	474-9802	1	CAMERA						
	8	1	499-5900	1	BRACKET						

M - METRIC PART



GRAPHIC #1

<END>

g06204725

ELECTRICAL AND STARTING SYSTEM

528-2072 CAMERA & MOUNTING GP

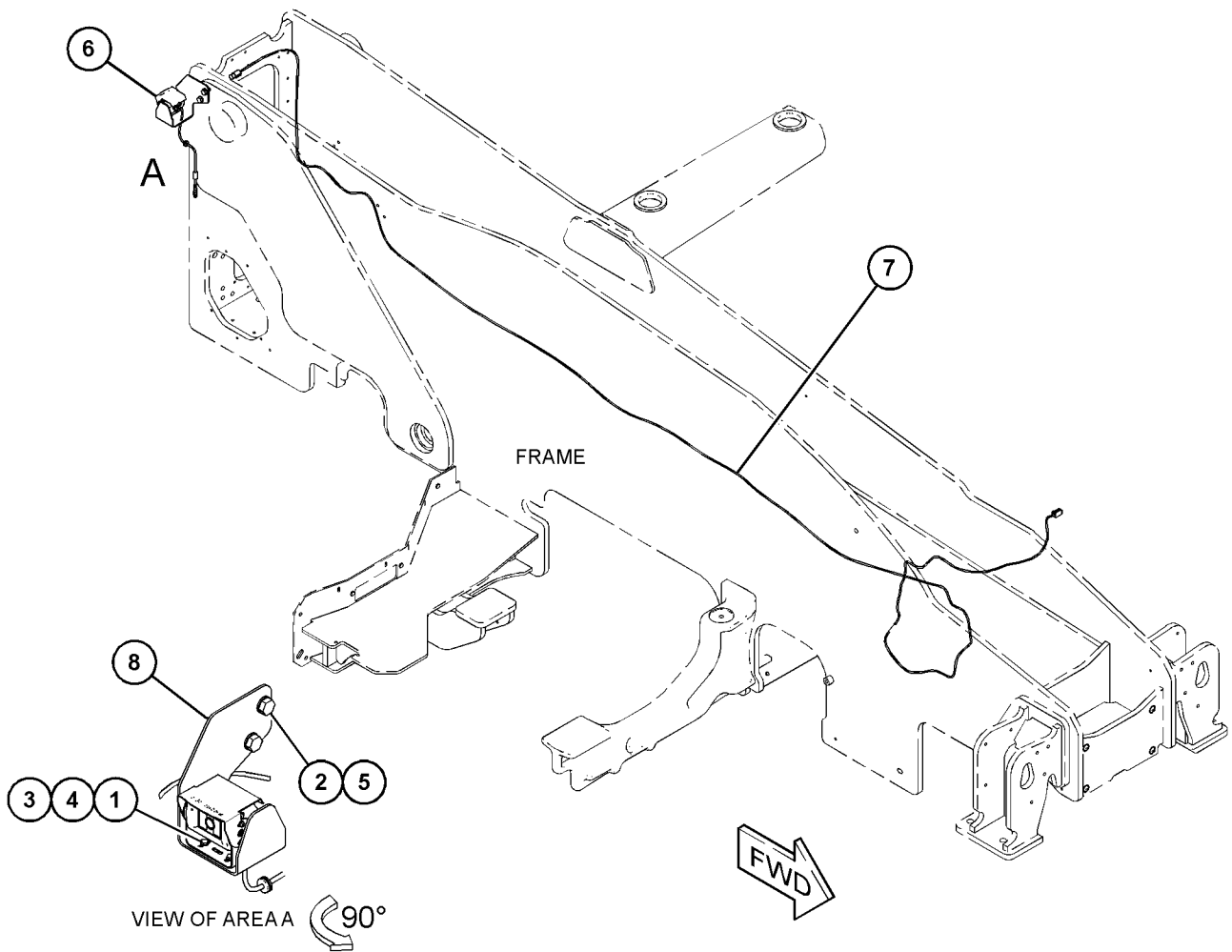
S/N: TH21-UP; TH31-UP
 FOR USE WITH 474-6061-PAGE: 939
 AN ATTACHMENT

SMCS-7348

i07043346

NOTE	REF NO	GRAPHIC REF	PART NUMBER	QTY	PART NAME						SEE PAGE
					1	2	3	4	5	6	
M	1	1	170-5632	2	BOLT (M4X0.7X16-MM)						
M	2	1	264-3627	2	BOLT (M10X1.5X20-MM)						
M	3	1	5C-8312	2	NUT (M4X0.7-THD)						
	4	1	5W-5038	4	WASHER (4.3X9X0.8-MM THK)						
	5	1	8T-4121	2	WASHER-HARD (11X21X2.5-MM THK)						
	6	1	474-9802	1	CAMERA						
	7	1	499-5904	1	CABLE						
	8	1	539-3063	1	BRACKET						

M - METRIC PART



GRAPHIC #1

<END>

g06207257

ELECTRICAL AND STARTING SYSTEM

415-5534 CONTROL GP-ELECTRONIC

S/N: W231-UP

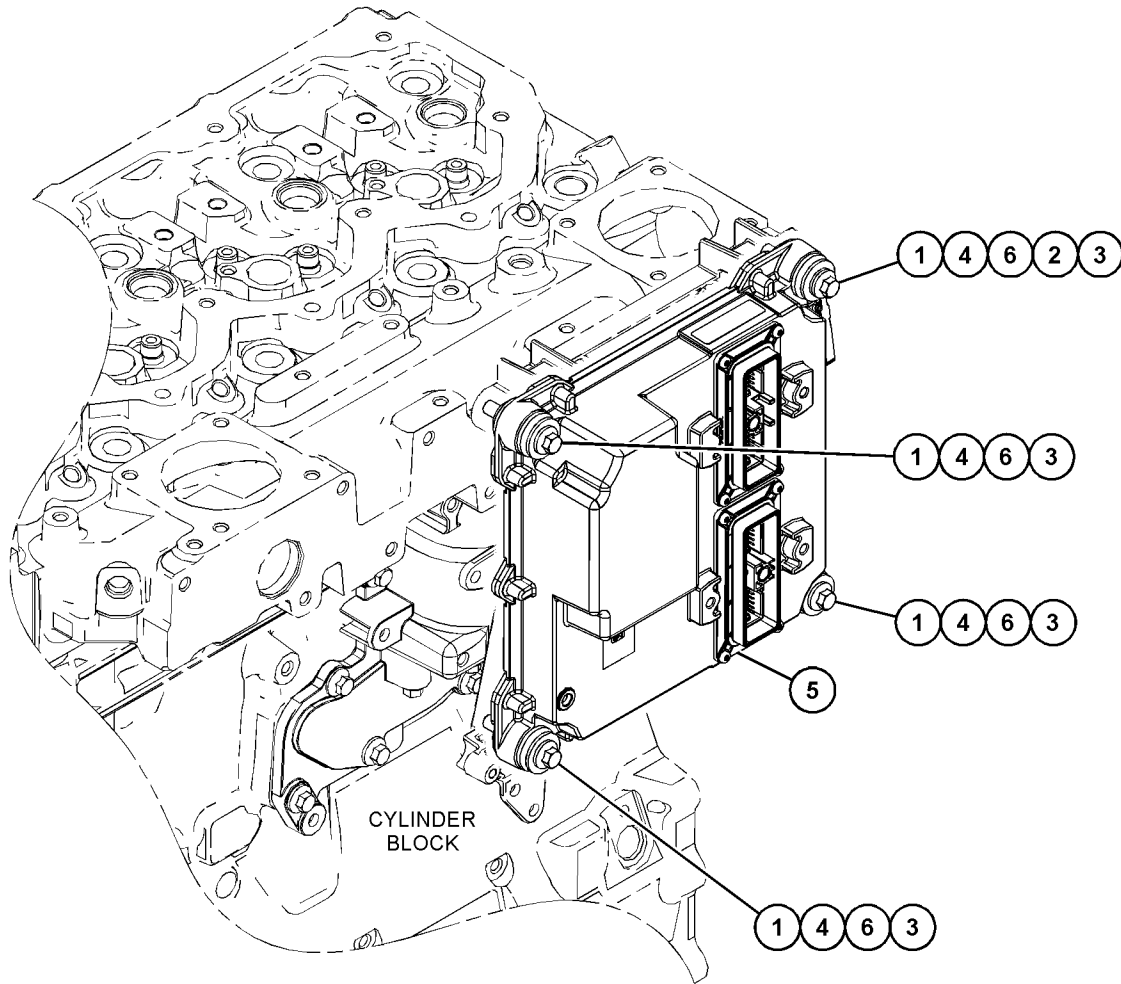
PART OF 463-8848, 463-8910 ENGINE AR-PRIMARY

SMCS-1901, 1902, 3168, 7490

i06181533

NOTE	REF NO	GRAPHIC REF	PART NUMBER	QTY	PART NAME						SEE PAGE
					1	2	3	4	5	6 (PRODUCT LEVEL)	
M	1	1	6I-0456	4	BOLT (M8X1.25X45-MM)						
	2	1	7W-2632	1	WASHER (8.5X16.8X1.6-MM THK)						
	3	1	217-0099	4	SPACER (8.2X25X2-MM THK)						
	4	1	278-5203	4	SPACER						
R	5	1	374-2640	1	CONTROL GP-UNPROGRAMMED						
	6	1	300-6714	8	MOUNT						

M - METRIC PART
R - REMANUFACTURED PART MAY BE AVAILABLE



GRAPHIC #1

<END>

g03824323

ELECTRICAL AND STARTING SYSTEM

433-4674 CONTROL GP-ELECTRONIC

S/N: JKT1-UP

PART OF 464-2307, 464-2308 ENGINE AR-PRIMARY
ALSO AN ATTACHMENT

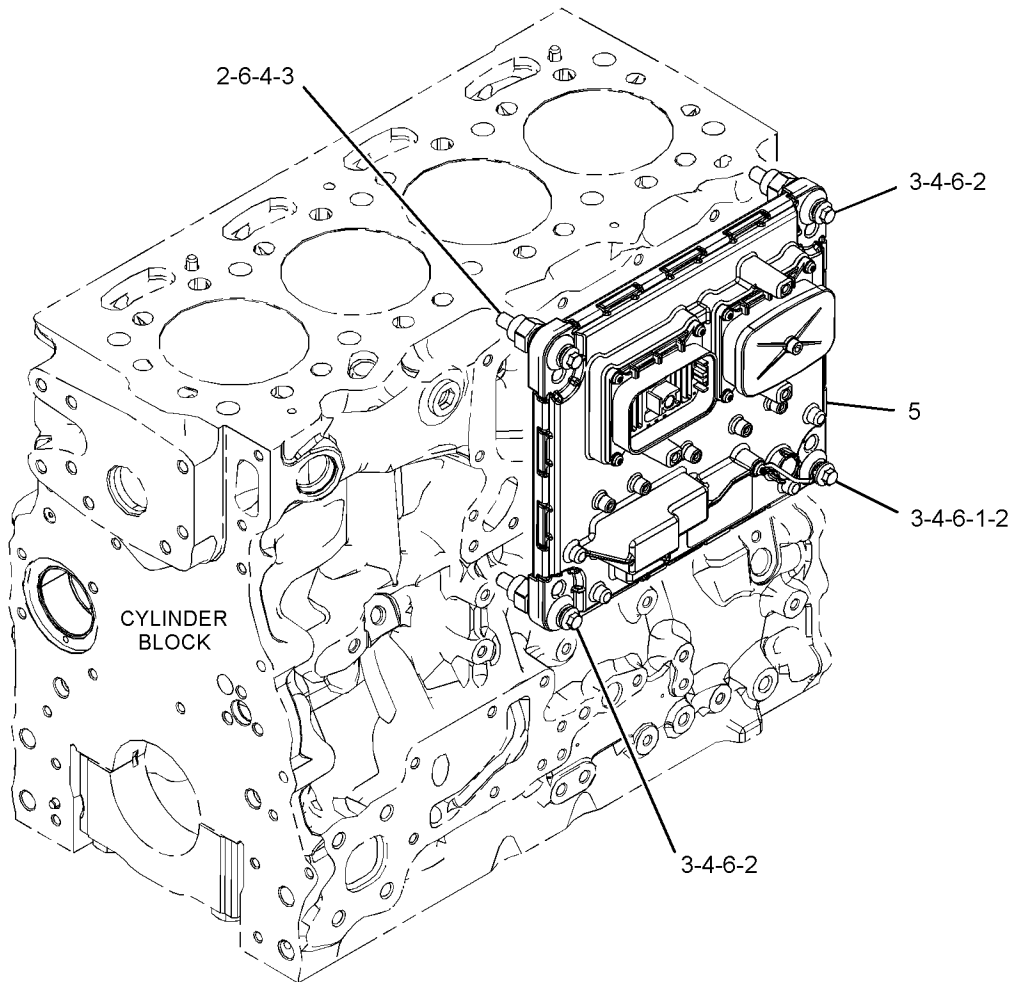
SMCS-1901, 1902, 3168, 7490

i05984890

NOTE	REF NO	GRAPHIC REF	PART NUMBER	QTY	PART NAME						SEE PAGE
					1	2	3	4	5	6 (PRODUCT LEVEL)	
	1	1	7W-2632	1	WASHER (8.5X16.8X1.6-MM THK)						
	2	1	278-5203	4	SPACER						
	3	1	332-9700	4	SPACER-SPECIAL						
	4	1	300-6714	8	MOUNT						
R	5	1	458-7273	1	CONTROL GP-ELECTRONIC						
M	6	1	6I-0456	4	BOLT (M8X1.25X45-MM)						

M - METRIC PART

R - REMANUFACTURED PART MAY BE AVAILABLE



GRAPHIC #1

<END>

g03629136

ELECTRICAL AND STARTING SYSTEM

441-9720 CONTROL GP-ELECTRONIC

S/N: CJ41-UP

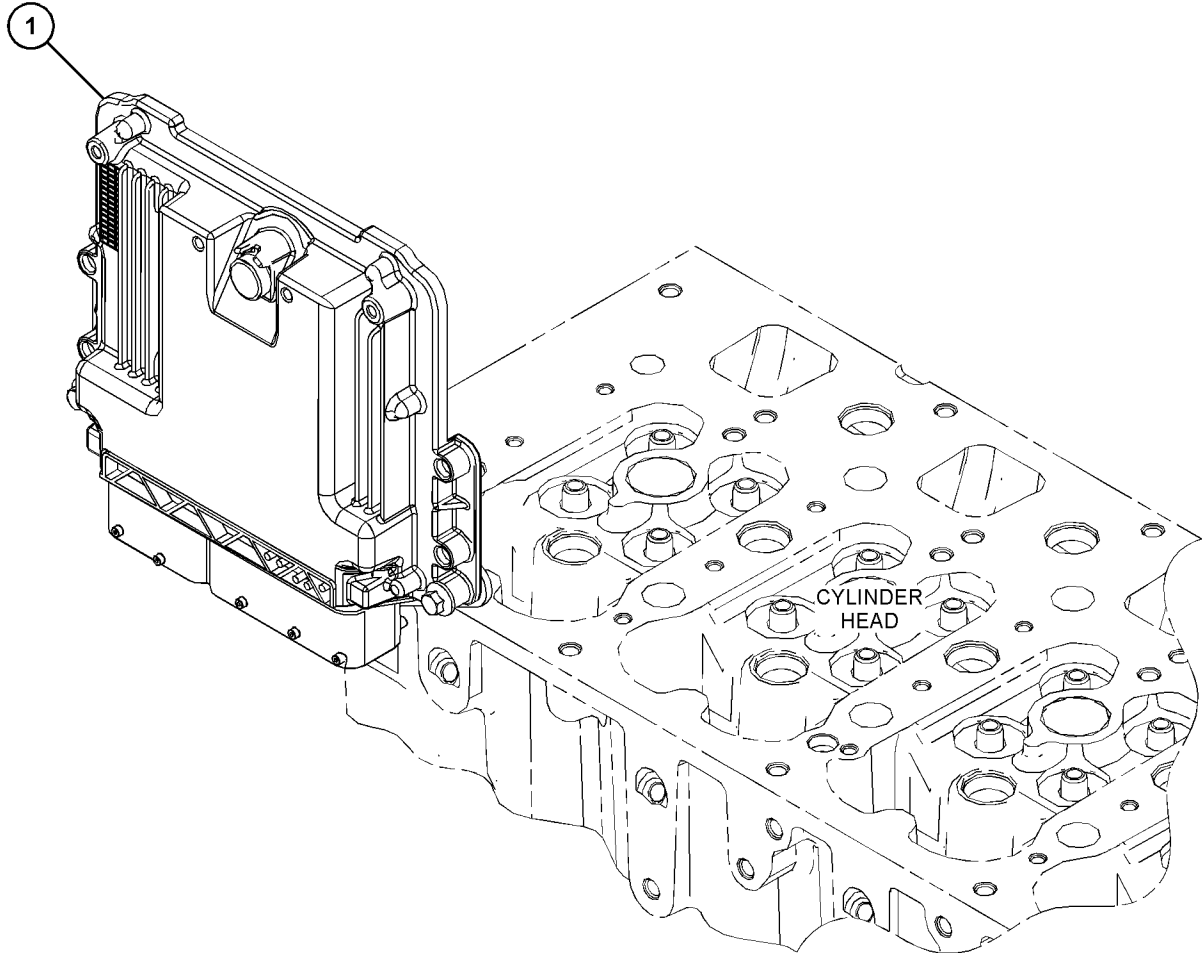
PART OF 465-2880 ENGINE AR-PRIMARY

SMCS-1901, 1902, 3168, 7490

i06252182

NOTE	REF NO	GRAPHIC REF	PART NUMBER	QTY	PART NAME						SEE PAGE
					1	2	3	4	5	6 (PRODUCT LEVEL)	
Y	1	1	464-3477	1	MODULE & MTG GP-CONTROL						402

Y - SEPARATE ILLUSTRATION



GRAPHIC #1

<END>

g03817500

ELECTRICAL AND STARTING SYSTEM

474-9674 CONTROL GP-ELECTRONIC

S/N: TH21-UP; TH31-UP

PART OF 499-0181 WIRING GP-CHASSIS

SMCS-1901, 1902, 3168, 7490

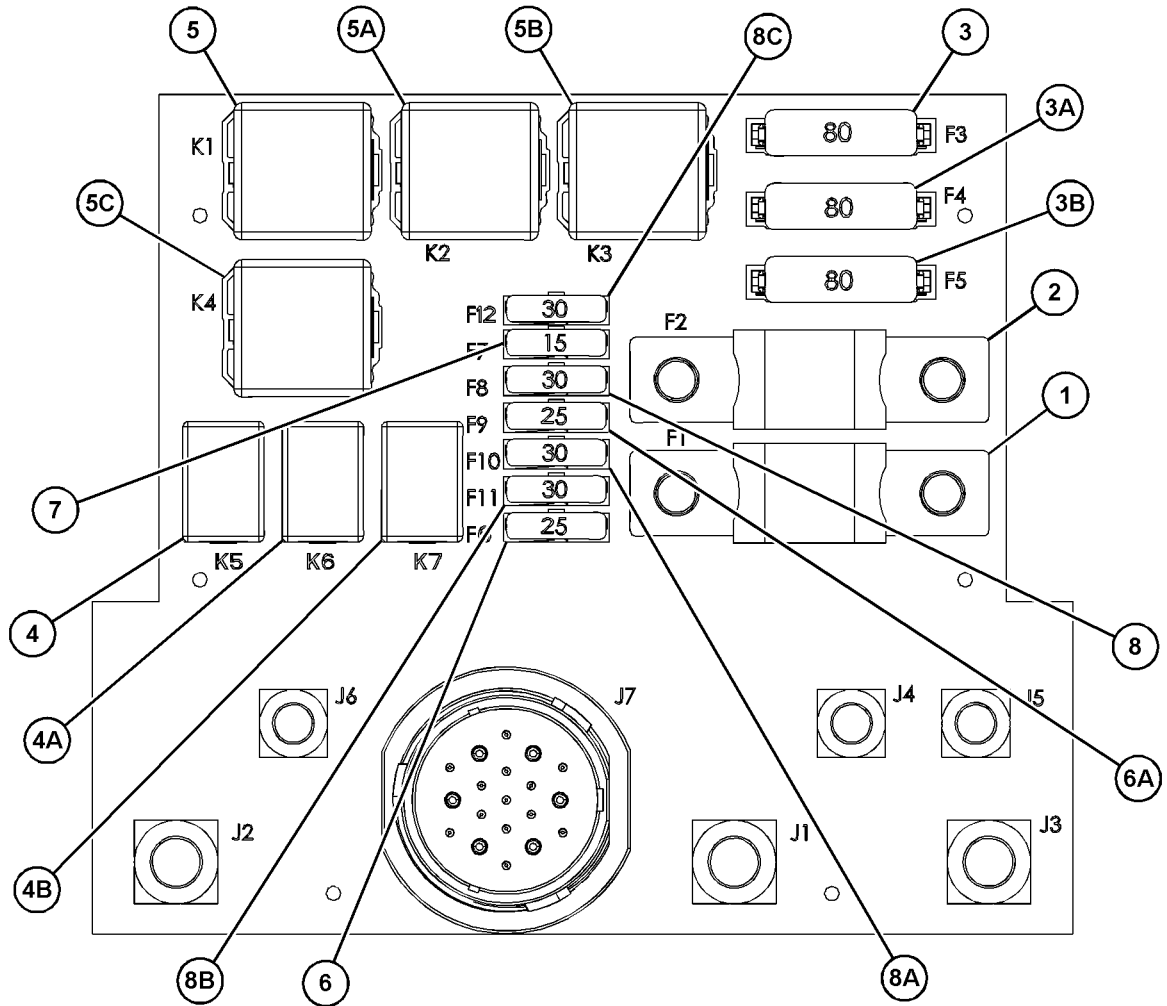
i06181537

NOTE	REF NO	GRAPHIC REF	PART NUMBER	QTY	PART NAME						SEE PAGE	
					1	2	3	4	5	6 (PRODUCT LEVEL)		
	1	1	478-5135	1	FUSE	(150-AMPERE)	(GLOW PLUGS)					
	2	1	478-5136	1	FUSE	(200-AMPERE)	(ALTERNATOR)					
	3	1	478-5142	1	FUSE	(80-AMPERE)	(FRONT FRAME)					
	3A	1	478-5142	1	FUSE	(80-AMPERE)	(REAR FRAME)					
	3B	1	478-5142	1	FUSE	(80-AMPERE)	(CAB)					
	4	1	478-5144	1	RELAY AS	(30-AMPERE)						
	4A	1	478-5144	1	RELAY AS	(30-AMPERE)						
	4B	1	478-5144	1	RELAY AS	(30-AMPERE)						
	5	1	478-5143	1	RELAY AS	(70-AMPERE)						
	5A	1	478-5143	1	RELAY AS	(70-AMPERE)						
	5B	1	478-5143	1	RELAY AS	(70-AMPERE)						
	5C	1	478-5143	1	RELAY AS	(70-AMPERE)						
	6	1	113-8493	1	FUSE	(25-AMPERE)	(IGNITION)					
	6A	1	113-8493	1	FUSE	(25-AMPERE)	(CAB)					
	7	1	9W-1441	1	FUSE	(15-AMPERE)	(FRAME)					
	8	1	8T-9636	1	FUSE	(30-AMPERE)	(ECM)					
	8A	1	8T-9636	1	FUSE	(30-AMPERE)	(AIR CONDITIONER, HEATER FAN)					
	8B	1	8T-9636	1	FUSE	(30-AMPERE)	(STARTER)					
	8C	1	8T-9636	1	FUSE	(30-AMPERE)	(CAB)					

ELECTRICAL AND STARTING SYSTEM

474-9674 CONTROL GP-ELECTRONIC (contd.)

i06181537



GRAPHIC #1

<END>

g03822674

ELECTRICAL AND STARTING SYSTEM

496-8312 CONTROL GP-ELECTRONIC

S/N: TH21-UP; TH31-UP

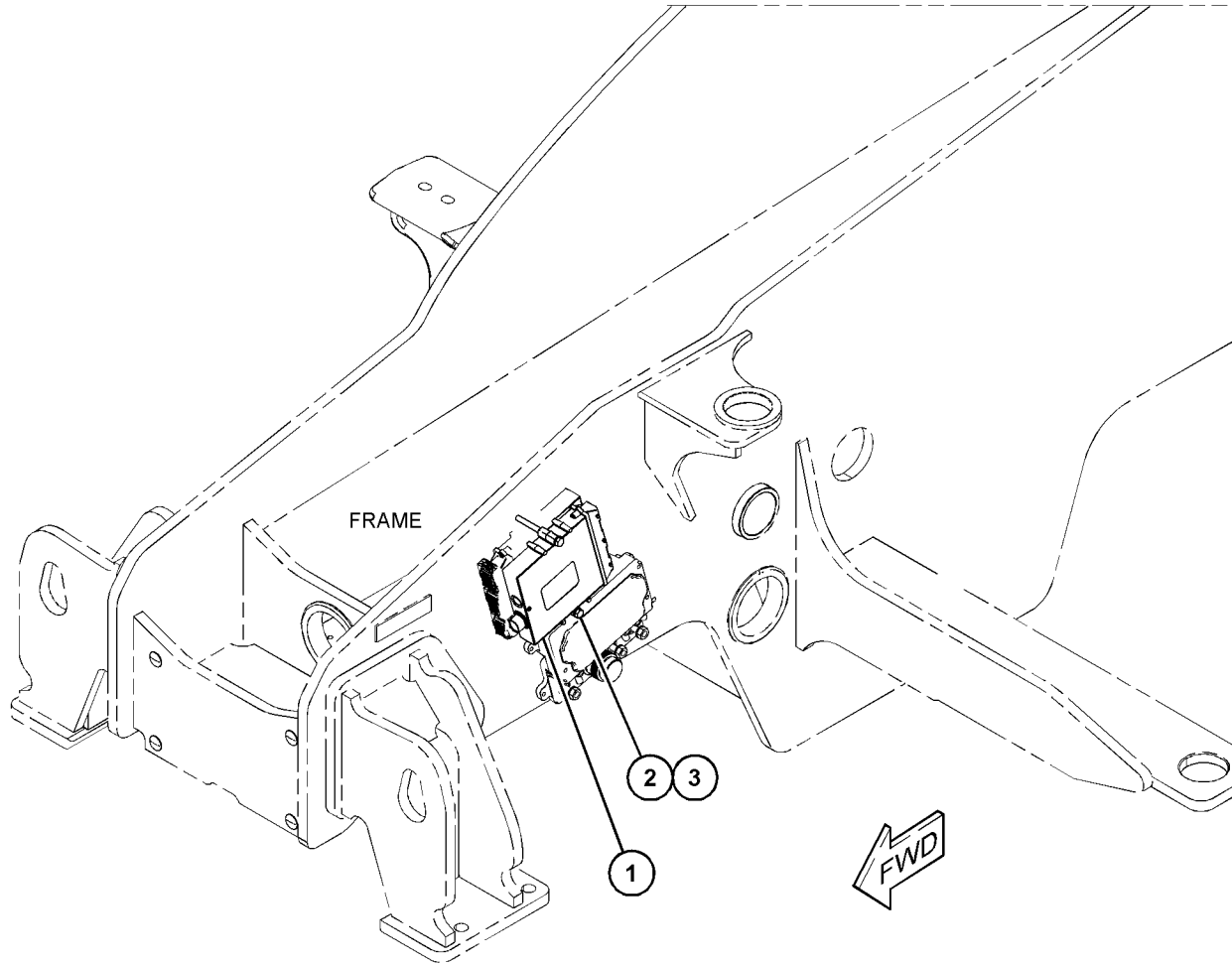
PART OF 505-0900 INSTALLATION AR-MACHINE
AN ATTACHMENT

SMCS-1901, 1902, 3168, 7490

i06788462

NOTE	REF NO	GRAPHIC REF	PART NUMBER	QTY	PART NAME						SEE PAGE
					1	2	3	4	5	6 (PRODUCT LEVEL)	
	1	1	477-2457	1	CONTROL GP-ELECTRONIC (LOAD MANAGEMENT INDICATOR SYSTEM)						
M	2	1	8T-4177	2	BOLT (M8X1.25X90-MM)						
	3	1	8T-4224	2	WASHER-HARD (8.8X16X2-MM THK)						

M - METRIC PART



GRAPHIC #1

<END>

g06118728

ELECTRICAL AND STARTING SYSTEM

479-9470 ELECTRICAL GP-DEF

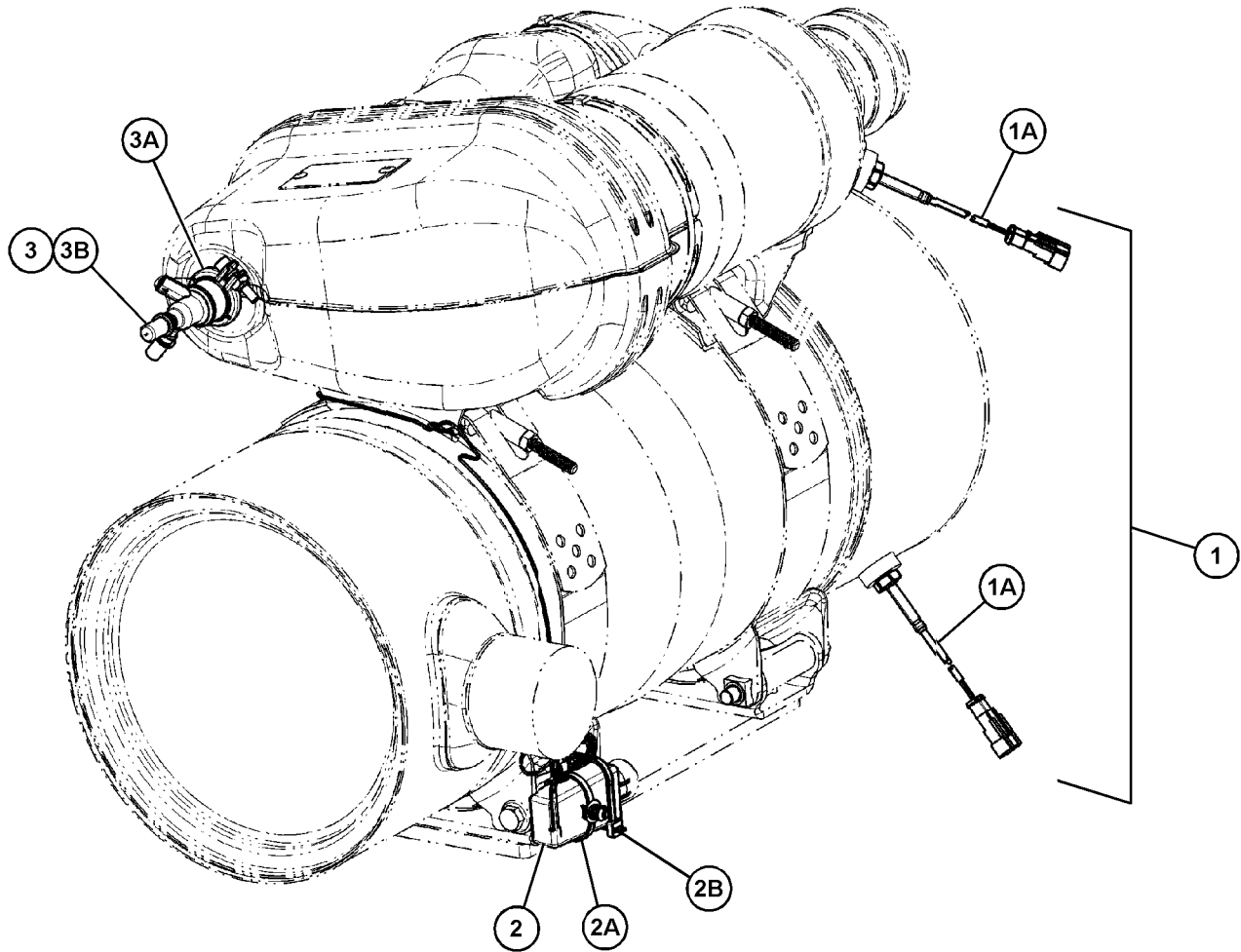
S/N: JKT1-UP

PART OF 479-6503 MODULE AR-CLEAN EMISSIONS

SMCS-108K, 1400, 1408

i06815284

NOTE	REF NO	GRAPHIC REF	PART NUMBER	QTY	PART NAME						SEE PAGE
					1	2	3	4	5	6 (PRODUCT LEVEL)	
	1	1	446-1264	1	SENSOR AS-TEMPERATURE (EXHAUST GAS)						
	1A	1	435-4932	2	SENSOR AS-TEMPERATURE (EXHAUST GAS)						
	2	1	454-8293	1	RECEPTACLE GP-ELECTRICAL						
	2A	1	316-9351	1	MOUNTING-CABLE TIE						
	2B	1	326-4516	1	TIE-CABLE						
	3	1	471-6029	1	INJECTOR & MTG GP-DEF						
	3A	1	446-1273	1	CLAMP AS						
	3B	1	479-2647	1	GASKET						



GRAPHIC #1

<END>

g06141567

ELECTRICAL AND STARTING SYSTEM

477-0021 HARNESS AS-CAB

S/N: TH21-UP; TH31-UP

CAB

PART OF 493-1110 WIRING GP-CAB
AN ATTACHMENT

SMCS-1408

i06591353

NOTE	PART NUMBER	QTY	PART NAME						SEE PAGE
			1	2	3	4	5	6 (PRODUCT LEVEL)	
	9W-0852	1	PIN-CONNECTOR (14-GA TO 16-GA)						
	9X-3401	3	PIN-CONNECTOR (16-GA TO 18-GA)						
	8T-8737	13	PLUG-SEAL						
	323-7236	1	RECEPTACLE (2-PIN)						
	303-4970	2	SOCKET-CONNECTOR (16-GA TO 20-GA)						

<END>

ELECTRICAL AND STARTING SYSTEM

493-1111 HARNESS AS-CAB

S/N: TH21-UP; TH31-UP

PART OF 493-1110 WIRING GP-CAB
AN ATTACHMENT

SMCS-1408

i06669042

NOTE	PART NUMBER	QTY	PART NAME						SEE PAGE
			1	2	3	4	5	6 (PRODUCT LEVEL)	
	334-5876	4	CONNECTOR AS						
	362-8011	1	CONNECTOR (10-PIN)						
	362-8013	24	CONNECTOR (10-PIN)						
	362-8041	1	CONNECTOR (6-PIN)						
	459-3500	1	CONNECTOR (3-PIN)						
	460-2707	2	CONNECTOR (12-PIN)						
	460-4116	1	CONNECTOR (3-PIN)						
	493-5720	1	CONNECTOR (10-PIN)						
	506-3892	1	CONNECTOR (4-PIN)						
	506-3893	1	CONNECTOR (4-PIN)						
	506-3894	1	CONNECTOR						
	213-8351	1	CONNECTOR AS						
	213-8351	1	CONNECTOR AS						
	5W-4957	3	HOUSING						
	196-7729	1	HOUSING						
	155-2260	2	KIT-CONNECTING PLUG (3-PIN)						
			(EACH INCLUDES PLUG AS & WEDGES)						
	9X-3401	12	PIN-CONNECTOR (16-GA TO 18-GA)						
	303-4969	15	PIN-CONNECTOR (16-GA TO 20-GA)						
	334-5870	3	PLUG (4-PIN)						
	334-5872	1	PLUG (6-PIN)						
	334-5874	1	PLUG (8-PIN)						
	362-6742	1	PLUG AS-CONNECTOR (6-PIN)						
	458-7526	3	PLUG AS-CONNECTOR (6-PIN)						
	217-5888	2	PLUG AS-CONNECTOR (3-PIN)						
	234-1857	1	PLUG-CONNECTOR (9-PIN)						
	234-1858	4	PLUG-CONNECTOR (12-PIN)						
	8T-8737	27	PLUG-SEAL						
	362-3821	13	PLUG-SEAL						
	104-7622	1	RECEPTACLE						
	323-7236	1	RECEPTACLE (2-PIN)						
	362-6352	2	RECEPTACLE AS-CONNECTOR (1-PIN)						
	362-6353	4	RECEPTACLE AS-CONNECTOR (1-PIN)						
	362-8040	1	RECEPTACLE AS-CONNECTOR (6-PIN)						
	423-0594	4	RECEPTACLE AS-CONNECTOR (15-PIN)						
	325-9568	1	RECEPTACLE-CONNECTOR (9-PIN)						
	128-5016	8	SEAL -CABLE						
	356-2911	2	SOCKET-CONNECTOR (16-GA TO 20-GA)						
	303-4970	58	SOCKET-CONNECTOR (16-GA TO 20-GA)						
	122-4401	147	TERMINAL						
	125-2627	2	TERMINAL						
	305-5502	6	TERMINAL (18-GA)						
	334-5871	1	TERMINAL (2-PIN)						
	368-9616	13	TERMINAL						
	390-0057	8	TERMINAL						
	459-3499	2	TERMINAL						
	478-7684	7	TERMINAL						

ELECTRICAL AND STARTING SYSTEM

493-1111 **HARNESS AS-CAB (contd.)**

i06669042

NOTE	PART NUMBER	QTY	PART NAME						SEE PAGE
			1	2	3	4	5	6 (PRODUCT LEVEL)	
	493-5721	7	TERMINAL						
	493-5892	2	TERMINAL						
	506-3898	3	TERMINAL						
<END>									

496-8319 **HARNESS AS-CHASSIS**

S/N: TH21-UP; TH31-UP
PART OF 496-8318 WIRING GP-BOOM
AN ATTACHMENT

SMCS-1408

i06897800

NOTE	PART NUMBER	QTY	PART NAME						SEE PAGE
			1	2	3	4	5	6 (PRODUCT LEVEL)	
	460-4116	1	CONNECTOR (3-PIN)						
	303-4969	4	PIN-CONNECTOR (16-GA TO 20-GA)						
	334-5870	1	PLUG (4-PIN)						
	8T-8737	5	PLUG-SEAL						
	356-2911	2	SOCKET-CONNECTOR (16-GA TO 20-GA)						
	303-4970	19	SOCKET-CONNECTOR (16-GA TO 20-GA)						
	9W-0844	4	SOCKET-CONNECTOR (14-GA TO 16-GA)						
	334-5873	1	TERMINAL (6-PIN)						
	334-5879	2	TERMINAL						
<END>									

501-0349 **HARNESS AS-CONTROL**

S/N: TH31-UP
PART OF 524-8429 WIRING GP-CONTROL
AN ATTACHMENT

SMCS-1408

i06895474

NOTE	PART NUMBER	QTY	PART NAME						SEE PAGE
			1	2	3	4	5	6 (PRODUCT LEVEL)	
	356-2911	6	SOCKET-CONNECTOR (16-GA TO 20-GA)						
	9X-3401	6	PIN-CONNECTOR (16-GA TO 18-GA)						
	334-5874	1	PLUG (8-PIN)						
	157-3584	1	PLUG-CONNECTOR (9-PIN)						
	8T-8737	18	PLUG-SEAL						
	303-4969	6	PIN-CONNECTOR (16-GA TO 20-GA)						
	303-4970	19	SOCKET-CONNECTOR (16-GA TO 20-GA)						
<END>									

ELECTRICAL AND STARTING SYSTEM

501-0350 HARNESS AS-CONTROL

S/N: TH21-UP

PART OF 524-8430 WIRING GP-CONTROL
AN ATTACHMENT

SMCS-1408

i06857068

NOTE	PART NUMBER	QTY	PART NAME						SEE PAGE
			1	2	3	4	5	6 (PRODUCT LEVEL)	
	9X-3401	8	PIN-CONNECTOR (16-GA TO 18-GA)						
	303-4969	6	PIN-CONNECTOR (16-GA TO 20-GA)						
	334-5874	1	PLUG (8-PIN)						
	157-3584	1	PLUG-CONNECTOR (9-PIN)						
	8T-8737	20	PLUG-SEAL						
	356-2911	8	SOCKET-CONNECTOR (16-GA TO 20-GA)						
	8T-8730	19	SOCKET-CONNECTOR (16-GA TO 18-GA)						
<END>									

ELECTRICAL AND STARTING SYSTEM

432-5917 HARNESS AS-ENGINE

S/N: JKT1-UP

PART OF 433-4677 WIRING GP-ENGINE

ALSO AN ATTACHMENT

SMCS-1403, 1408

i06132927

NOTE	PART NUMBER	QTY	PART NAME 1 2 3 4 5 6 (PRODUCT LEVEL)	SEE PAGE
	8C-6354	1	CAP-RECEPTACLE (ET CONNECTOR)	
E	292-2896		CONDUIT (26-CM)	
	398-3671	1	COVER	
	155-2271	4	KIT-CONNECTING PLUG (4-PIN)	
			(EACH INCLUDES PLUG AS, WEDGE & INTERFACE SEAL)	
	316-9351	26	MOUNTING-CABLE TIE	
	9X-3401	6	PIN-CONNECTOR (16-GA TO 18-GA)	
			-OR-	
	126-1767	6	PIN-CONNECTOR (14-GA TO 16-GA)	
	230-4011	2	PLUG AS-CONNECTOR (2-PIN)	
			(EACH INCLUDES)	
	455-0704	1	SEAL-CONNECTOR	
	238-8245	1	PLUG AS-CONNECTOR (2-PIN)	
	455-0704	1	SEAL-CONNECTOR	
	239-7352	1	PLUG AS-CONNECTOR (6-PIN)	
	455-0707	1	SEAL-CONNECTOR	
	287-3133	1	PLUG AS-CONNECTOR (6-PIN)	
	455-0707	1	SEAL-CONNECTOR	
	281-8801	1	PLUG AS-CONNECTOR (2-PIN)	
	455-0704	1	SEAL-CONNECTOR	
	281-8803	1	PLUG AS-CONNECTOR (3-PIN)	
	455-0705	1	SEAL-CONNECTOR	
	281-8804	3	PLUG AS-CONNECTOR (3-PIN)	
			(EACH INCLUDES)	
	455-0705	1	SEAL-CONNECTOR	
	374-8332	1	PLUG AS-CONNECTOR	
	435-5221	1	KIT-BOLT (CONNECTOR)	
	435-5222	1	SEAL	
	8T-8737	12	PLUG-SEAL	
	270-1784	1	RECEPTACLE	
	169-0705	39	SEAL	
	8T-8730	8	SOCKET-CONNECTOR (16-GA TO 18-GA)	
	9X-3402	30	SOCKET-CONNECTOR (16-GA TO 18-GA)	
			-OR-	
	126-1768	30	SOCKET-CONNECTOR (14-GA TO 16-GA)	
	344-1686	7	SOCKET-CONNECTOR (18-GA)	
	394-9569	40	SOCKET-CONNECTOR (16-GA TO 18-GA)	
	217-9039	5	STRAP-CABLE	
	365-5772	1	WIRE AS	
	091-7473	2	SPLICE-WIRE	
	365-5773	1	WIRE AS	
	091-7473	2	SPLICE-WIRE	
	365-5774	1	WIRE AS	
	091-7473	3	SPLICE-WIRE	
E - ORDER BY THE CENTIMETER				
<END>				

ELECTRICAL AND STARTING SYSTEM

499-4244 HARNESS AS-ENGINE

S/N: TH21-UP

PART OF 499-4255 WIRING GP-ENGINE
AN ATTACHMENT

SMCS-1403, 1408

i06756399

NOTE	PART NUMBER	QTY	PART NAME 1 2 3 4 5 6 (PRODUCT LEVEL)	SEE PAGE
	459-3502	1	CONNECTOR	
	459-3504	1	CONNECTOR	
	460-4116	1	CONNECTOR (3-PIN)	
	155-2260	2	KIT-CONNECTING PLUG (3-PIN)	
			(EACH INCLUDES PLUG AS, WEDGE, & INTERFACE SEAL)	
	102-8801	3	KIT-RECEPTACLE (12-PIN)	
	371-8537	1	KIT-RECEPTACLE (4-PIN)	
			(EACH RECEPTACLE KIT INCLUDES RECEPTACLE AS & WEDGE)	
	9X-3401	2	PIN-CONNECTOR (16-GA TO 18-GA)	
	303-4969	42	PIN-CONNECTOR (16-GA TO 20-GA)	
	303-4971	4	PIN-CONNECTOR (12-GA TO 14-GA)	
	202-5397	2	PLUG	
	334-5872	1	PLUG (6-PIN)	
	334-5874	1	PLUG (8-PIN)	
	205-9362	1	PLUG AS	
	230-4011	2	PLUG AS-CONNECTOR (2-PIN)	
			(EACH INCLUDES)	
	455-0704	1	SEAL-CONNECTOR	
	273-3143	1	PLUG AS-CONNECTOR (3-PIN)	
	7R-2751	18	PLUG-CONNECTOR (1-PIN)	
	8T-8737	42	PLUG-SEAL	
	265-4123	1	RECEPTACLE AS-CONNECTOR (9-PIN)	
	456-1570	2	RING-TERMINAL	
	128-5016	9	SEAL-CABLE	
	299-0348	7	SEAL-CABLE	
	7R-2750	6	SEAL-CONNECTOR	
	362-3261	3	SEAL-CONNECTOR	
	356-2911	6	SOCKET-CONNECTOR (16-GA TO 20-GA)	
	349-7364	8	SOCKET-CONNECTOR	
	303-4970	40	SOCKET-CONNECTOR (16-GA TO 20-GA)	
	116-6159	2	SOCKET-TERMINAL	
	299-0320	2	TERMINAL (14-GA TO 16-GA)	
	334-5871	12	TERMINAL (2-PIN)	
	334-5873	1	TERMINAL (6-PIN)	
	459-3503	6	TERMINAL	
	202-0315	14	TERMINAL AS (12-GA)	
			(EACH INCLUDES)	
	128-4123	1	SEAL-CABLE	
	202-0313	18	TERMINAL AS (18-GA)	
			(EACH INCLUDES)	
	128-5016	1	SEAL-CABLE	
			<END>	

ELECTRICAL AND STARTING SYSTEM

499-4245 HARNESS AS-ENGINE

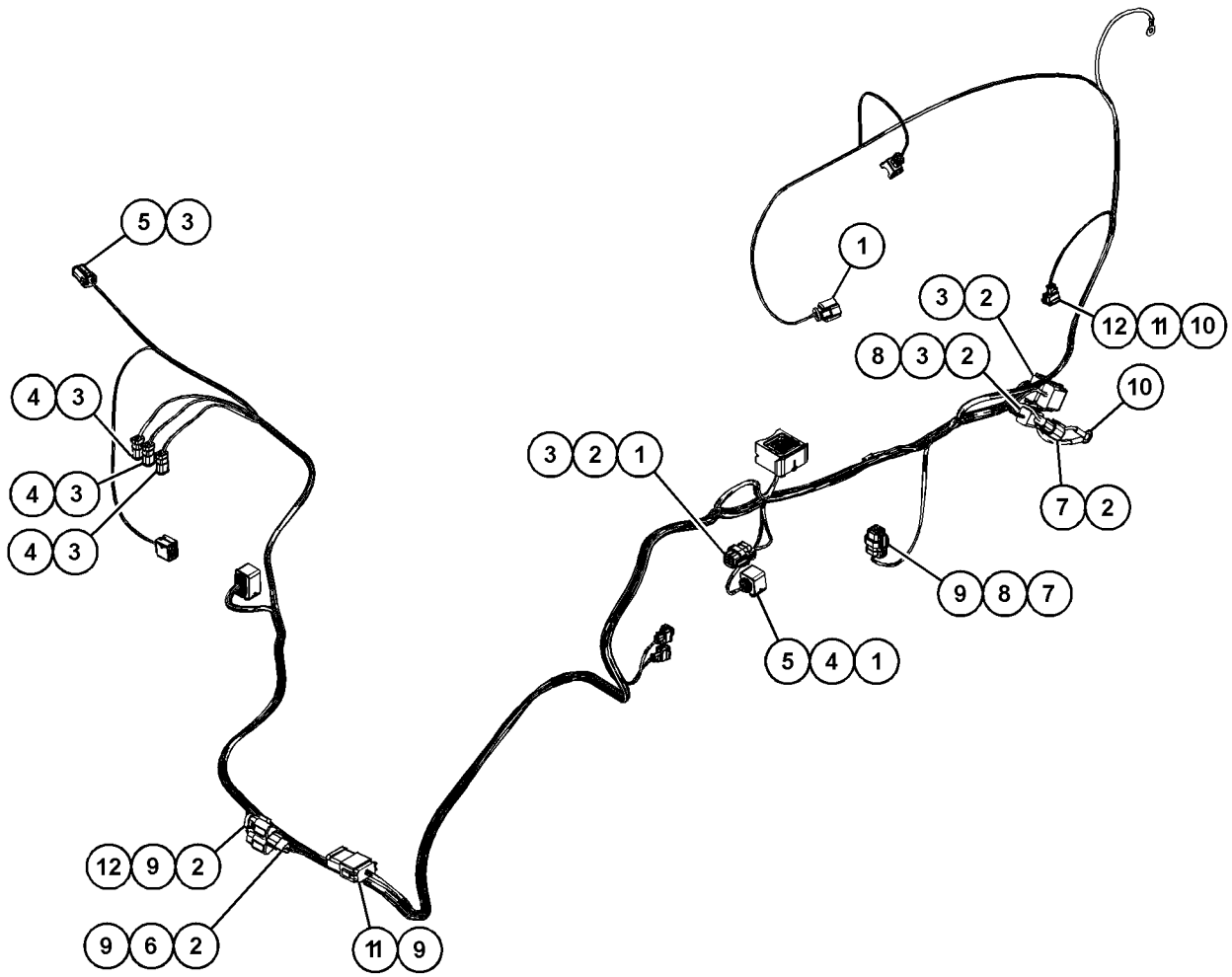
S/N: TH21-UP

PART OF 499-4255 WIRING GP-ENGINE
AN ATTACHMENT

SMCS-1403, 1408

i06756398

NOTE	REF NO	GRAPHIC REF	PART NUMBER	QTY	PART NAME						SEE PAGE
					1	2	3	4	5	6 (PRODUCT LEVEL)	
	1	1	362-3261	8	SEAL-CONNECTOR						
	2	1	8T-8737	14	PLUG-SEAL						
	3	1	303-4970	28	SOCKET-CONNECTOR (16-GA TO 20-GA)						
	4	1	155-2270	3	KIT-CONNECTING PLUG (2-PIN)						
	5	1	155-2271	1	KIT-CONNECTING PLUG (4-PIN)						
	6	1	155-2260	1	KIT-CONNECTING PLUG (3-PIN)						
(EACH PLUG KIT INCLUDES PLUG AS, WEDGE, & INTERFACE SEAL)											
	7	1	303-4972	1	TERMINAL (12-GA)						
	8	1	334-5872	1	PLUG (6-PIN)						
	9	1	356-2911	16	SOCKET-CONNECTOR (16-GA TO 20-GA)						
	10	1	456-1570	2	RING-TERMINAL						
	11	1	460-2707	1	CONNECTOR (12-PIN)						
	12	1	460-4116	1	CONNECTOR (3-PIN)						



GRAPHIC #1

<END>

g06134445

ELECTRICAL AND STARTING SYSTEM

500-2295 HARNESS AS-ENGINE

S/N: TH31-UP

PART OF 500-2291 WIRING GP-ENGINE
AN ATTACHMENT

SMCS-1403, 1408

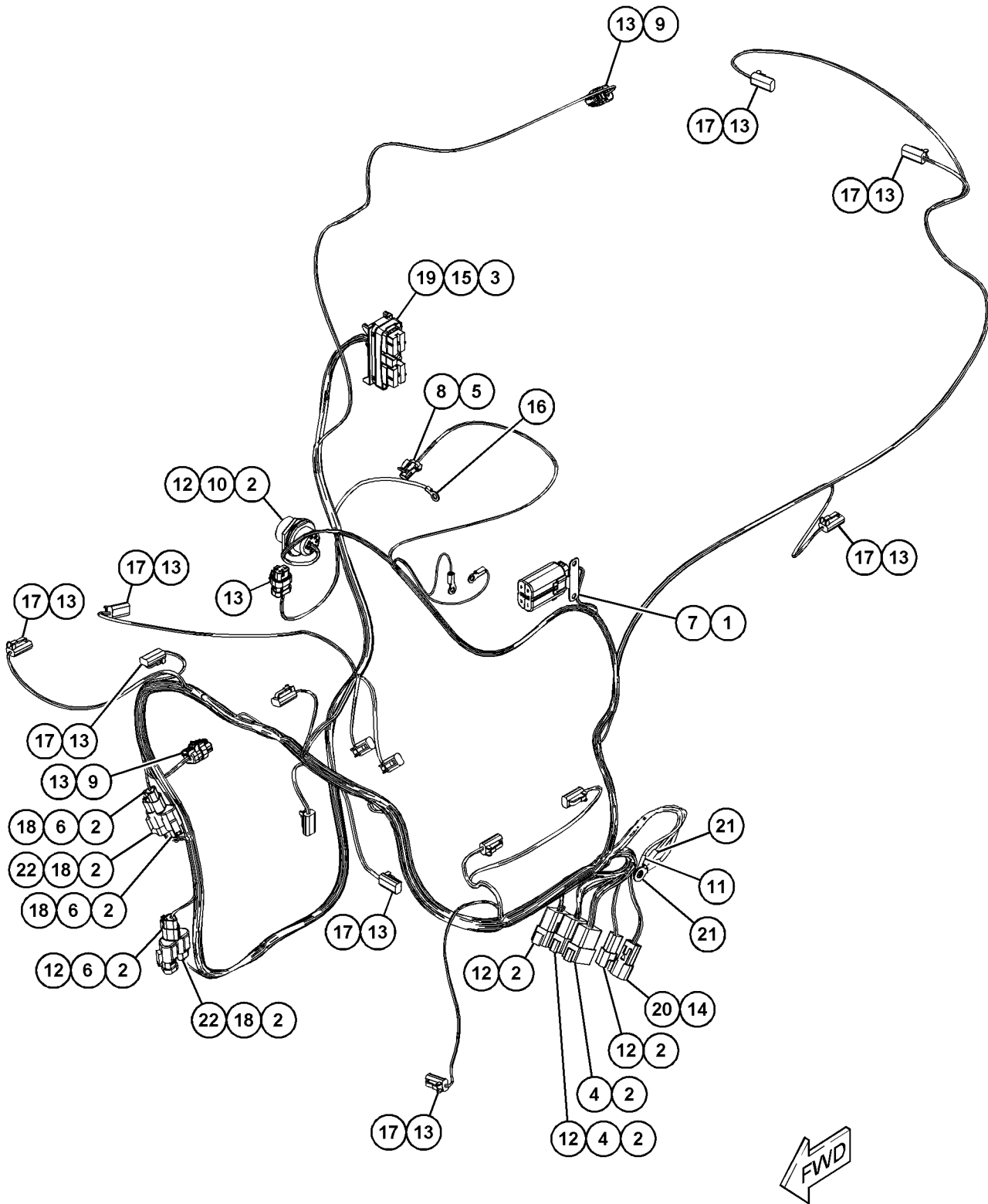
i06707133

NOTE	REF NO	GRAPHIC REF	PART NUMBER	QTY	PART NAME						SEE PAGE
					1	2	3	4	5	6 (PRODUCT LEVEL)	
	1	1	7R-2751	4	PLUG-CONNECTOR (1-PIN)						
	2	1	8T-8737	22	PLUG-SEAL						
	3	1	9X-1056	46	TERMINAL-RECEPTACLE (14-GA TO 16-GA)						
	4	1	102-8801	2	KIT-RECEPTACLE (12-PIN)						
					(EACH INCLUDES RECEPTACLE AS & WEDGE)						
	5	1	116-6159	2	SOCKET-TERMINAL						
	6	1	155-2260	3	KIT-CONNECTING PLUG (3-PIN)						
					(EACH INCLUDES PLUG AS, WEDGES & INTERFACE SEAL)						
	7	1	196-2385	1	KIT-CONNECTING PLUG (8-PIN)						
					(INCLUDES PLUG AS, LOCK CONNECTOR & TERMINAL ASSEMBLIES)						
	8	1	205-9362	1	PLUG AS						
	9	1	230-4011	2	PLUG AS-CONNECTOR (2-PIN)						
					(EACH INCLUDES)						
		1	455-0704	1	SEAL-CONNECTOR						
	10	1	265-4123	1	RECEPTACLE AS-CONNECTOR (9-PIN)						
	11	1	299-0320	2	TERMINAL (14-GA TO 16-GA)						
	12	1	303-4969	33	PIN-CONNECTOR (16-GA TO 20-GA)						
	13	1	303-4970	35	SOCKET-CONNECTOR (16-GA TO 20-GA)						
	14	1	303-4971	4	PIN-CONNECTOR (12-GA TO 14-GA)						
	15	1	305-2095	1	PLUG						
	16	1	334-5867	2	TERMINAL-RING						
	17	1	334-5871	14	TERMINAL (2-PIN)						
	18	1	356-2911	8	SOCKET-CONNECTOR (16-GA TO 20-GA)						
	19	1	368-3140	18	SOCKET-CONNECTOR						
	20	1	371-8537	1	KIT-RECEPTACLE (4-PIN)						
					(INCLUDES RECEPTACLE AS & WEDGE)						
	21	1	456-1570	5	RING-TERMINAL						
	22	1	460-4116	2	CONNECTOR (3-PIN)						

ELECTRICAL AND STARTING SYSTEM

500-2295 HARNESS AS-ENGINE (contd.)

i06707133



GRAPHIC #1

<END>

g06102342

ELECTRICAL AND STARTING SYSTEM

500-3150 HARNESS AS-ENGINE

S/N: TH21-UP

PART OF 500-3144 WIRING GP-ENGINE
AN ATTACHMENT

SMCS-1403, 1408

i06811741

NOTE	PART NUMBER	QTY	PART NAME 1 2 3 4 5 6 (PRODUCT LEVEL)	SEE PAGE
	460-4116	1	CONNECTOR (3-PIN)	
	122-4382	1	CONNECTOR-RECEPTACLE (10-PIN)	
	155-2260	1	KIT-CONNECTING PLUG (3-PIN)	
			(INCLUDES PLUG AS, WEDGE, & INTERFACE SEAL)	
	102-8801	2	KIT-RECEPTACLE (12-PIN)	
	371-8537	1	KIT-RECEPTACLE (4-PIN)	
			(EACH RECEPTACLE KIT INCLUDES RECEPTACLE AS & WEDGE)	
	9X-3401	4	PIN-CONNECTOR (16-GA TO 18-GA)	
	303-4969	39	PIN-CONNECTOR (16-GA TO 20-GA)	
	303-4971	4	PIN-CONNECTOR (12-GA TO 14-GA)	
	334-5874	1	PLUG (8-PIN)	
	205-9362	1	PLUG AS	
	230-4011	3	PLUG AS-CONNECTOR (2-PIN)	
			(EACH INCLUDES)	
	455-0704	1	SEAL-CONNECTOR	
	230-5008	1	PLUG AS-CONNECTOR (4-PIN)	
	455-0706	1	SEAL-CONNECTOR	
	374-8331	1	PLUG AS-CONNECTOR (86-PIN)	
	435-5221	1	KIT-BOLT (CONNECTOR)	
	435-5222	1	SEAL	
	7R-2751	37	PLUG-CONNECTOR (1-PIN)	
	8T-8737	19	PLUG-SEAL	
	265-4123	1	RECEPTACLE AS-CONNECTOR (9-PIN)	
	456-1570	2	RING-TERMINAL	
	169-0705	55	SEAL	
	128-5016	6	SEAL-CABLE	
	299-0348	3	SEAL-CABLE	
	7R-2750	6	SEAL-CONNECTOR	
	356-2911	12	SOCKET-CONNECTOR (16-GA TO 20-GA)	
	322-4838	25	SOCKET-CONNECTOR (16-GA TO 18-GA)	
	303-4970	47	SOCKET-CONNECTOR (16-GA TO 20-GA)	
	116-6159	2	SOCKET-TERMINAL	
	334-5871	15	TERMINAL (2-PIN)	
	202-0313	8	TERMINAL AS (18-GA)	
			(EACH INCLUDES)	
	128-5016	1	SEAL-CABLE	
	202-0315	6	TERMINAL AS (12-GA)	
			(EACH INCLUDES)	
	128-4123	1	SEAL-CABLE	
	334-5864	4	TERMINAL-RING	
	334-5867	2	TERMINAL-RING	
			<END>	

ELECTRICAL AND STARTING SYSTEM

500-3152 HARNESS AS-ENGINE

S/N: TH21-UP

PART OF 500-3144 WIRING GP-ENGINE
AN ATTACHMENT

SMCS-1403, 1408

i06811740

NOTE	PART NUMBER	QTY	PART NAME 1 2 3 4 5 6 (PRODUCT LEVEL)	SEE PAGE
	362-4935	1	CONNECTOR (2-PIN)	
	460-2707	1	CONNECTOR (12-PIN)	
	460-4116	1	CONNECTOR (3-PIN)	
	155-2271	1	KIT-CONNECTING PLUG (4-PIN)	
	155-2260	1	KIT-CONNECTING PLUG (3-PIN)	
			(EACH PLUG KIT INCLUDES PLUG AS, WEDGE, & INTERFACE SEAL)	
	281-8811	1	PLUG AS-CONNECTOR (6-PIN)	
	455-0707	1	SEAL-CONNECTOR	
	8T-8737	19	PLUG-SEAL	
	456-1570	2	RING-TERMINAL	
	395-9551	2	SEAL	
	299-0348	1	SEAL-CABLE	
	303-4970	20	SOCKET-CONNECTOR (16-GA TO 20-GA)	
	356-2911	55	SOCKET-CONNECTOR (16-GA TO 20-GA)	
	334-5871	3	TERMINAL (2-PIN)	
			<END>	

ELECTRICAL AND STARTING SYSTEM

499-0182 HARNESS AS-FRONT-FRAME

S/N: TH21-UP; TH31-UP

PART OF 499-0181 WIRING GP-CHASSIS

SMCS-1408

i06624636

NOTE	PART NUMBER	QTY	PART NAME						SEE PAGE
			1	2	3	4	5	6 (PRODUCT LEVEL)	
	460-2707	4	CONNECTOR (12-PIN)						
	460-4116	3	CONNECTOR (3-PIN)						
	155-2260	3	KIT-CONNECTING PLUG (3-PIN)						
			(INCLUDES PLUG AS, WEDGE, & INTERFACE SEAL)						
	102-8801	1	KIT-RECEPTACLE (12-PIN)						
			(INCLUDES RECEPTACLE AS & WEDGE)						
	9X-3401	1	PIN-CONNECTOR (16-GA TO 18-GA)						
	303-4969	12	PIN-CONNECTOR (16-GA TO 20-GA)						
	334-5872	3	PLUG (6-PIN)						
	334-5874	1	PLUG (8-PIN)						
	274-8267	4	PLUG (4-GA)						
	247-8195	1	PLUG AS						
	197-7261	1	PLUG AS-CONNECTOR (19-PIN)						
	230-4011	1	PLUG AS-CONNECTOR (2-PIN)						
	8T-8737	37	PLUG-SEAL						
	456-1570	7	RING-TERMINAL						
	356-2911	6	SOCKET-CONNECTOR (16-GA TO 20-GA)						
	7T-0094	2	SOCKET-CONNECTOR (12-GA TO 14-GA)						
	322-4838	3	SOCKET-CONNECTOR (16-GA TO 18-GA)						
	303-4970	82	SOCKET-CONNECTOR (16-GA TO 20-GA)						
	334-5871	7	TERMINAL (2-PIN)						
	334-5879	6	TERMINAL						
			<END>						

474-4112 HARNESS AS-HEATER & AIR COND

S/N: TH21-UP; TH31-UP

PART OF 501-0752, 501-0753 AIR CONDITIONER & MOUNTING GP
AN ATTACHMENT

SMCS-1408

i06702620

NOTE	PART NUMBER	QTY	PART NAME						SEE PAGE
			1	2	3	4	5	6 (PRODUCT LEVEL)	
	362-4935	1	CONNECTOR (2-PIN)						
	362-6360	2	CONNECTOR (2-PIN)						
	9W-0852	4	PIN-CONNECTOR (14-GA TO 16-GA)						
	303-4969	2	PIN-CONNECTOR (16-GA TO 20-GA)						
	7R-2750	4	SEAL-CONNECTOR						
	267-9572	4	SOCKET-CONNECTION (18-GA)						
	334-5873	1	TERMINAL (6-PIN)						
			<END>						

ELECTRICAL AND STARTING SYSTEM

495-3047 HARNESS AS-LIGHTING

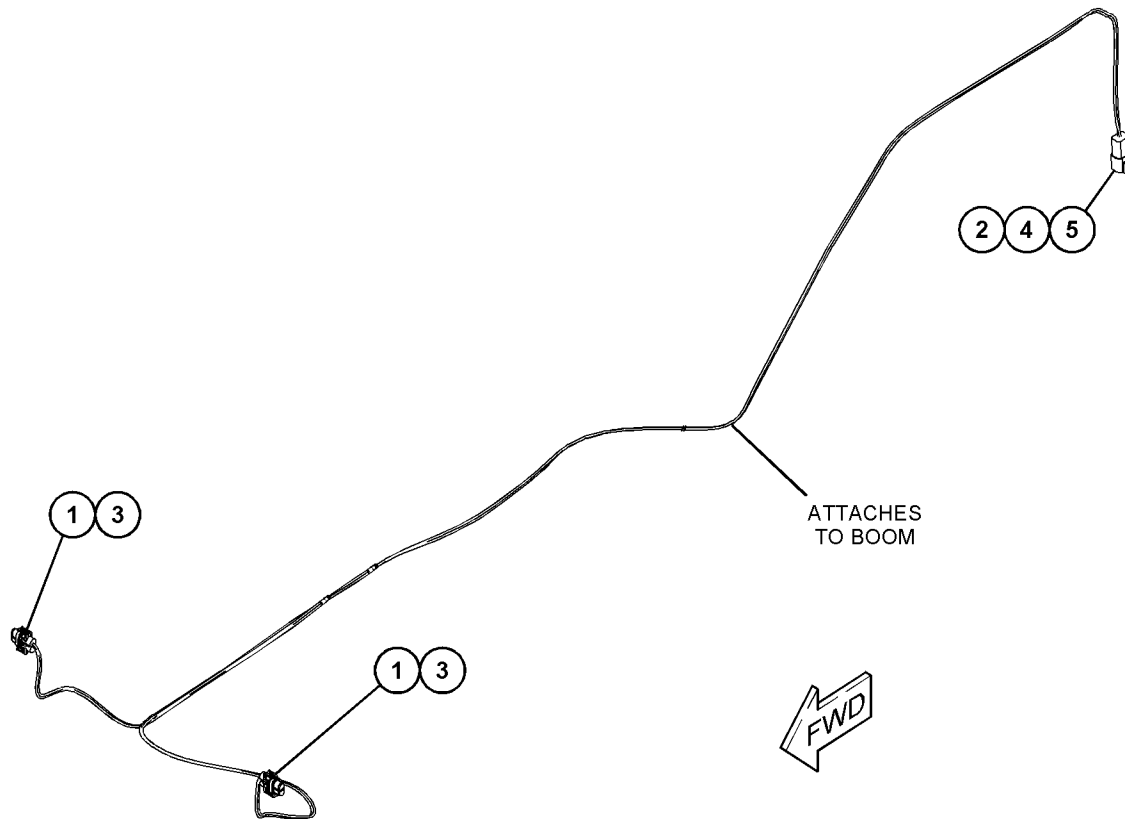
S/N: TH21-UP; TH31-UP

PART OF 495-2278 LIGHTING GP-BOOM, 503-7090 LIGHTING GP-FRONT
AN ATTACHMENT

SMCS-1408

i06635892

NOTE	REF NO	GRAPHIC REF	PART NUMBER	QTY	PART NAME						SEE PAGE
					1	2	3	4	5	6 (PRODUCT LEVEL)	
	1	1	334-5876	2	CONNECTOR AS						
	2	1	323-7237	1	RECEPTACLE (4-PIN)						
	3	1	357-6165	4	CONNECTOR (3-PIN)						
	4	1	303-4969	2	PIN-CONNECTOR (16-GA TO 20-GA)						
	5	1	8T-8737	2	PLUG-SEAL						



GRAPHIC #1

<END>

g06056923

ELECTRICAL AND STARTING SYSTEM

499-0183 HARNESS AS-REAR-FRAME

S/N: TH21-UP; TH31-UP

PART OF 499-0181 WIRING GP-CHASSIS

SMCS-1408

i06624635

NOTE	PART NUMBER	QTY	PART NAME 1 2 3 4 5 6 (PRODUCT LEVEL)	SEE PAGE
	362-6360	1	CONNECTOR (2-PIN)	
	460-2707	1	CONNECTOR (12-PIN)	
	460-4116	1	CONNECTOR (3-PIN)	
	102-8801	1	KIT-RECEPTACLE (12-PIN)	
			(INCLUDES RECEPTACLE AS & WEDGE)	
	5E-9295	2	PIN-CONNECTOR (6-GA)	
	9W-0852	1	PIN-CONNECTOR (14-GA TO 16-GA)	
	303-4969	10	PIN-CONNECTOR (16-GA TO 20-GA)	
	334-5870	3	PLUG (4-PIN)	
	334-5872	2	PLUG (6-PIN)	
	334-5875	1	PLUG	
	247-8195	1	PLUG AS	
	217-5888	2	PLUG AS-CONNECTOR (3-PIN)	
	8T-8737	18	PLUG-SEAL	
	203-8977	1	RECEPTACLE AS (6-PIN)	
	159-9496	1	LOCKWASHER	
	203-9007	1	NUT (1-1/2-18-THD)	
	203-9000	1	PLUG AS (6-PIN)	
	203-8999	2	SEAL	
	203-9001	2	SLEEVE	
	456-1570	2	RING-TERMINAL	
	210-8314	6	SEAL	
	128-5016	2	SEAL-CABLE	
	303-4970	53	SOCKET-CONNECTOR (16-GA TO 20-GA)	
	322-4838	3	SOCKET-CONNECTOR (16-GA TO 18-GA)	
	334-5871	16	TERMINAL (2-PIN)	
	384-3682	12	TERMINAL	
			<END>	

361-7856 HARNESS AS-WIRING-LIGHT

S/N: TH21-UP; TH31-UP

PART OF 496-8320 INSTALLATION GP-WARNING BEACON
AN ATTACHMENT

SMCS-1408

i06841123

NOTE	PART NUMBER	QTY	PART NAME 1 2 3 4 5 6 (PRODUCT LEVEL)	SEE PAGE
	323-7237	1	RECEPTACLE (4-PIN)	
			<END>	

ELECTRICAL AND STARTING SYSTEM

448-0757 HARNESS AS-WIRING

S/N: W231-UP

PART OF 492-2945 WIRING GP-ENGINE

SMCS-1408

i06548455

NOTE	PART NUMBER	QTY	PART NAME 1 2 3 4 5 6 (PRODUCT LEVEL)	SEE PAGE
E	292-2896		CONDUIT (109-CM)	
	8C-6354	1	CAP-RECEPTACLE (ET CONNECTOR)	
	245-1044	2	LOCK-CONNECTOR	
	206-1345	4	STRAP-CABLE	
	316-9351	5	MOUNTING-CABLE TIE	
	9X-3401	6	PIN-CONNECTOR (16-GA TO 18-GA)	
			-OR-	
	126-1767	6	PIN-CONNECTOR (14-GA TO 16-GA)	
	155-2271	4	KIT-CONNECTING PLUG (4-PIN)	
			(EACH INCLUDES PLUG AS, WEDGE & INTERFACE SEAL)	
	230-4011	2	PLUG AS-CONNECTOR (2-PIN)	
			(EACH INCLUDES)	
	455-0704	1	SEAL-CONNECTOR	
	245-1043	1	PLUG GP-CONNECTOR (64-PIN)	
M	267-7207	1	BOLT-SPECIAL (M6X1-THD)	
	267-7208	1	RING-RETAINING	
	274-4990	1	SEAL	
	281-8804	2	PLUG AS-CONNECTOR (3-PIN)	
			(EACH INCLUDES)	
	455-0705	1	SEAL-CONNECTOR	
	245-1048	33	PLUG-CONNECTOR (1-PIN)	
	8T-8737	3	PLUG-SEAL	
	270-1784	1	RECEPTACLE	
	185-1860	5	SEAL-WIRE	
	267-9572	32	SOCKET-CONNECTION (18-GA)	
	344-1686	4	SOCKET-CONNECTOR (18-GA)	
	217-9039	8	STRAP-CABLE	
E	125-7874		TUBE-HEAT SHRINK (5.72-MM DIA) (10-CM)	
E - ORDER BY THE CENTIMETER				
M - METRIC PART				
<END>				

ELECTRICAL AND STARTING SYSTEM

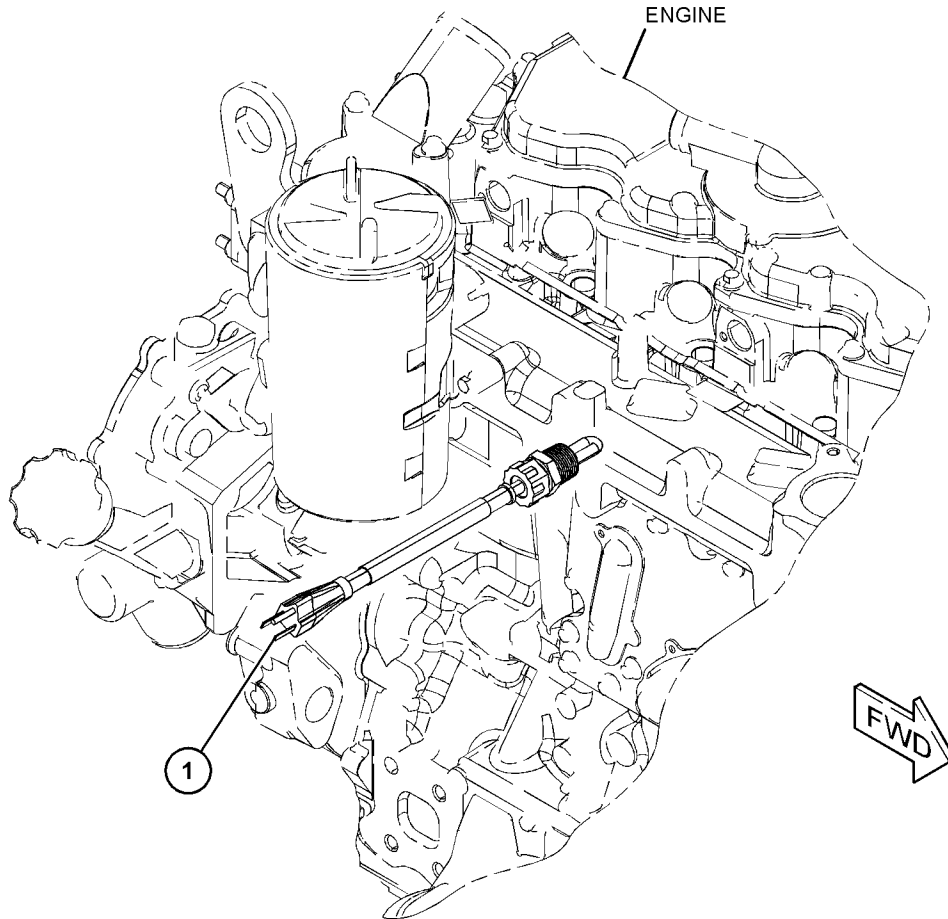
389-3543 HEATER GP-BLOCK

S/N: TH21-UP
120-VOLT, 600-WATT
AN ATTACHMENT

SMCS-1383

i05838915

NOTE	REF NO	GRAPHIC REF	PART NUMBER	QTY	PART NAME						SEE PAGE
					1	2	3	4	5	6 (PRODUCT LEVEL)	
	1	1	384-2284	1	HEATER-JACKET WATER (120-VOLT)						



GRAPHIC #1

<END>

g03658796

ELECTRICAL AND STARTING SYSTEM

437-1994 HEATER GP-BLOCK

S/N: TH21-UP

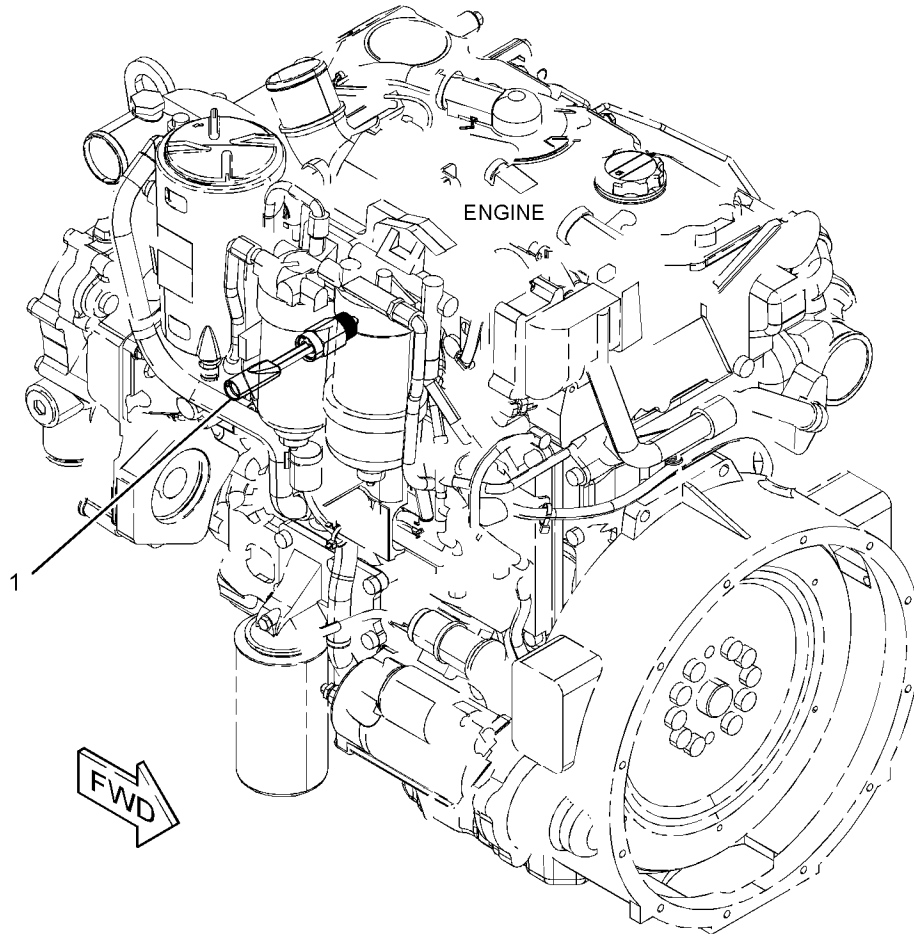
230-VOLT

AN ATTACHMENT

SMCS-1383

i05838913

NOTE	REF NO	GRAPHIC REF	PART NUMBER	QTY	PART NAME						SEE PAGE
					1	2	3	4	5	6 (PRODUCT LEVEL)	
	1	1	437-2042	1	BLOCK						



GRAPHIC #1

<END>

g03641019

ELECTRICAL AND STARTING SYSTEM

437-4176 HEATER GP-BLOCK

S/N: TH21-UP

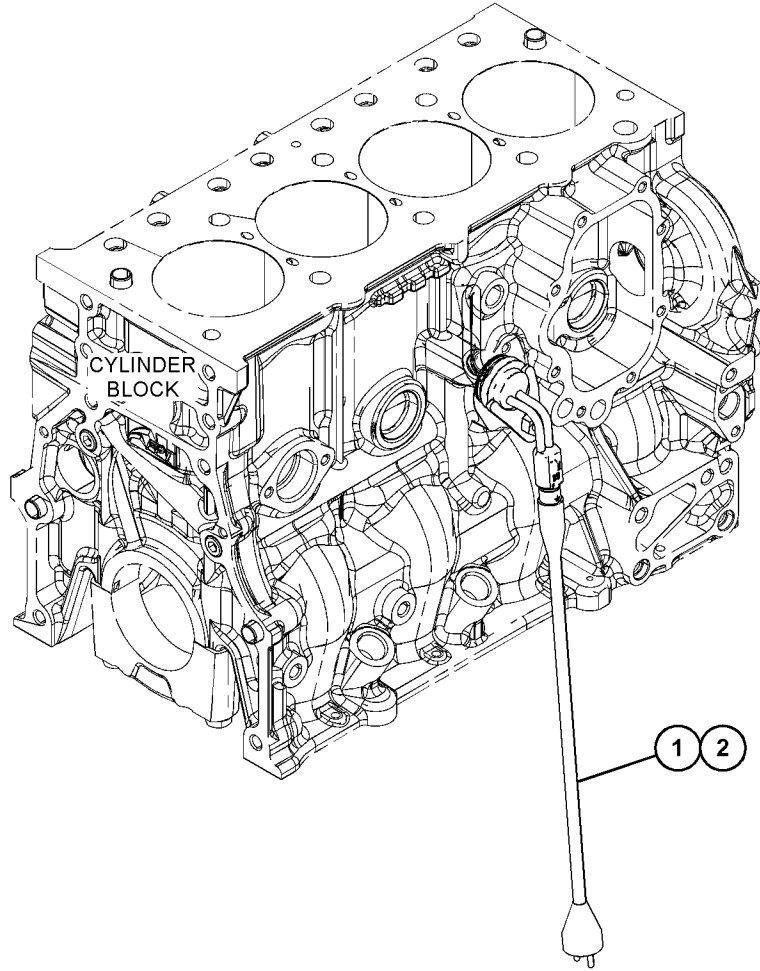
230-VOLT

AN ATTACHMENT

SMCS-1383

i05838543

NOTE	REF NO	GRAPHIC REF	PART NUMBER	QTY	PART NAME						SEE PAGE
					1	2	3	4	5	6 (PRODUCT LEVEL)	
	1	1	437-4177	1	HEATER AS-JACKET WATER						
	2	1	437-4178	1	CABLE AS						



GRAPHIC #1

<END>

g03660009

ELECTRICAL AND STARTING SYSTEM

453-7296 HEATER GP-BLOCK

S/N: TH21-UP; TH31-UP

AN ATTACHMENT

SMCS-1383

i05691691

NOTE	PART NUMBER	QTY	PART NAME						SEE PAGE
			1	2	3	4	5	6 (PRODUCT LEVEL)	
	399-1368	1	HARNESS AS-HEATER						
	399-1355	1	HEATER AS						
<END>									

ELECTRICAL AND STARTING SYSTEM

219-3270 HEATER GP-JACKET WATER

S/N: TH21-UP; TH31-UP

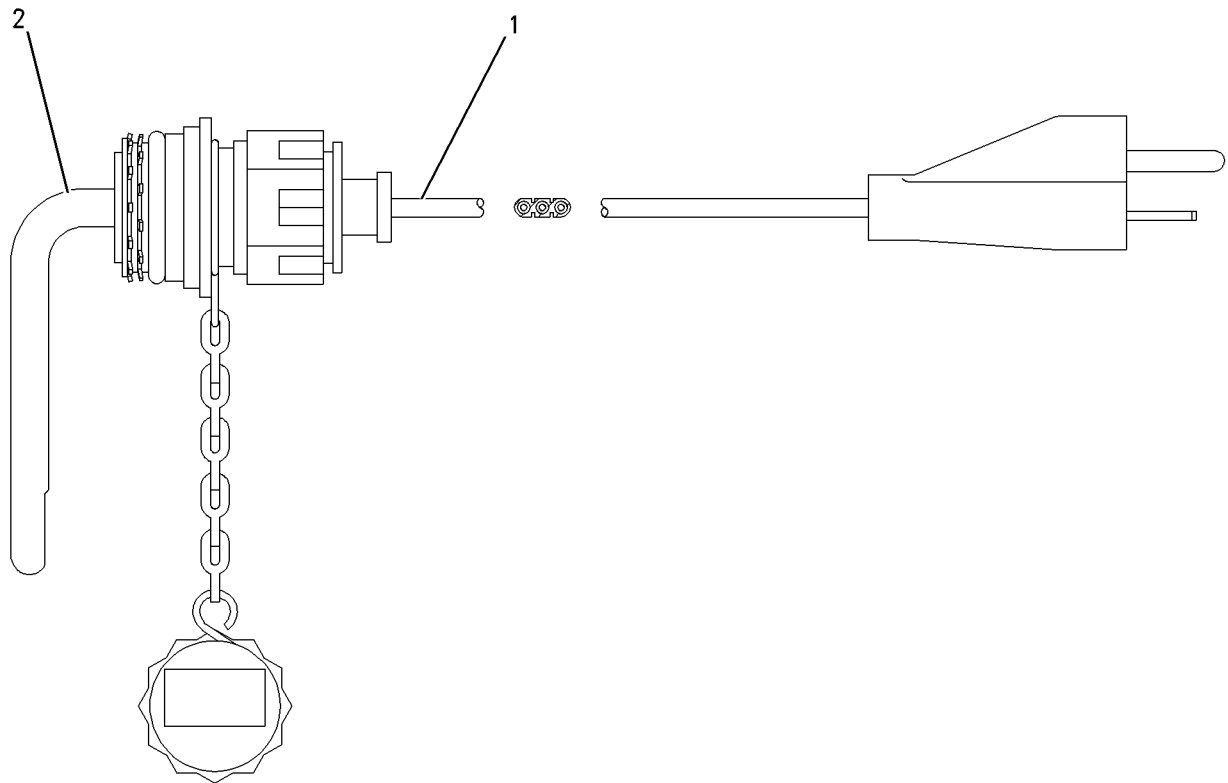
240 VOLT-1000 WATT

PART OF 505-9433 HEATER GP-JACKET WATER
AN ATTACHMENT

SMCS-1383

i07213654

NOTE	REF NO	GRAPHIC REF	PART NUMBER	QTY	PART NAME						SEE PAGE
					1	2	3	4	5	6 (PRODUCT LEVEL)	
	1	1	127-8609	1	CORD AS-HEATER ELEMENT (240-VOLT, 15-AMPERE)						
	2	1	219-3271	1	ELEMENT AS-JACKET WATER HEATER (240-VOLT, 1000-WATT)						
		1	133-3413	1	KIT-SEAL (WATER JACKET) (INCLUDES SEAL, SPACER & RINGS)						
		1	133-6517	1	CAP AS-DUST						



GRAPHIC #1

<END>

g00849189

ELECTRICAL AND STARTING SYSTEM

219-3272 HEATER GP-JACKET WATER

S/N: TH21-UP; TH31-UP

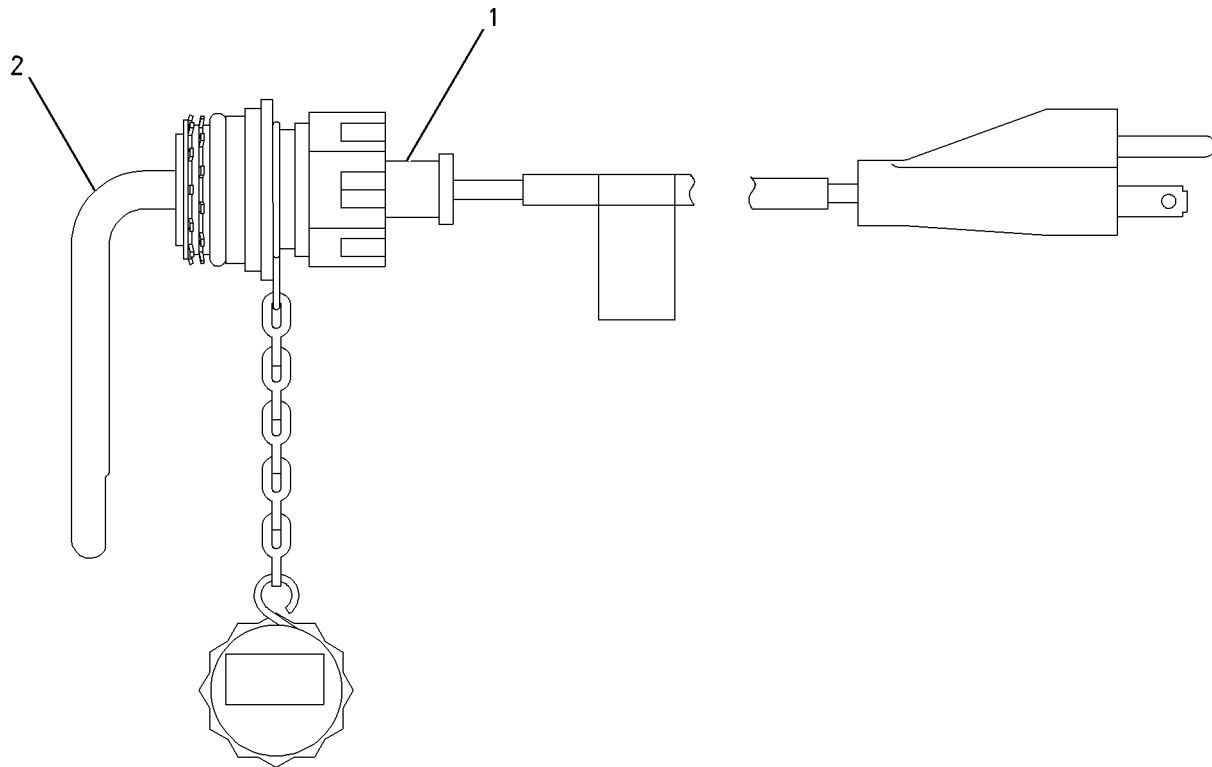
120 VOLT-1000 WATT

PART OF 505-9579 HEATER GP-JACKET WATER
AN ATTACHMENT

SMCS-1383

i02394617

NOTE	REF NO	GRAPHIC REF	PART NUMBER	QTY	PART NAME						SEE PAGE
					1	2	3	4	5	6 (PRODUCT LEVEL)	
	1	1	7X-6312	1	CORD AS-HEATER ELEMENT (120-VOLT, 15-AMPERE)						
	2	1	219-3273	1	ELEMENT AS-JACKET WATER HEATER (120-VOLT, 1000-WATT)						
		1	133-3413	1	KIT-SEAL (WATER JACKET) (INCLUDES SEAL, SPACER & RINGS)						
		1	133-6517	1	CAP AS-DUST						



GRAPHIC #1

<END>

g00890341

ELECTRICAL AND STARTING SYSTEM

505-9433 HEATER GP-JACKET WATER

S/N: TH21-UP; TH31-UP

CANNOT BE USED WITH 437-1994-PAGE: 364, 389-3543-PAGE: 363, 453-7296-PAGE: 366,
505-9579-PAGE: 370
AN ATTACHMENT

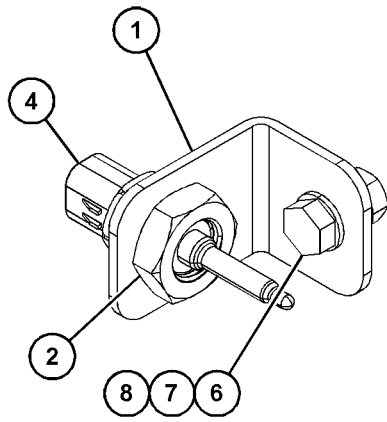
SMCS-1383

i06602091

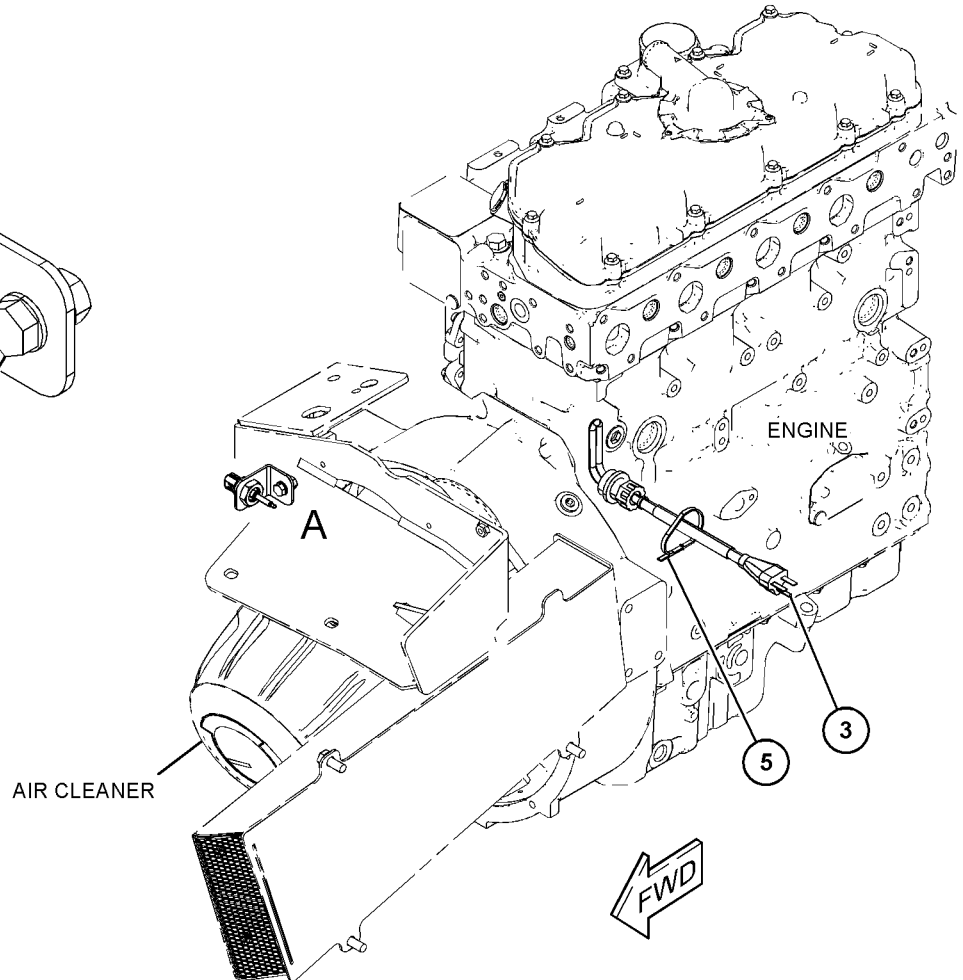
NOTE	REF NO	GRAPHIC REF	PART NUMBER	QTY	PART NAME						SEE PAGE
					1	2	3	4	5	6 (PRODUCT LEVEL)	
	1	1	481-8596	1	BRACKET (SENSOR)						
M	2	1	505-9432	1	NUT (M18X1.5-THD)						
Y	3	1	219-3270	1	HEATER GP-JACKET WATER						367
	4	1	256-6454	1	SENSOR-TEMPERATURE						
	5	1	9X-6772	1	STRAP-CABLE						
M	6	1	8T-4189	1	BOLT (M8X1.25X20-MM)						
M	7	1	344-5674	1	NUT (M8X1.25-THD)						
	8	1	8T-4224	1	WASHER-HARD (8.8X16X2-MM THK)						

M - METRIC PART

Y - SEPARATE ILLUSTRATION



VIEW OF AREA A



GRAPHIC #1

<END>

g06045461

ELECTRICAL AND STARTING SYSTEM

505-9579 HEATER GP-JACKET WATER

S/N: TH21-UP; TH31-UP

CANNOT BE USED WITH 437-4176-PAGE: 365, 389-3543-PAGE: 363, 453-7296-PAGE: 366,
505-9433-PAGE: 369
AN ATTACHMENT

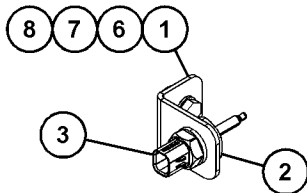
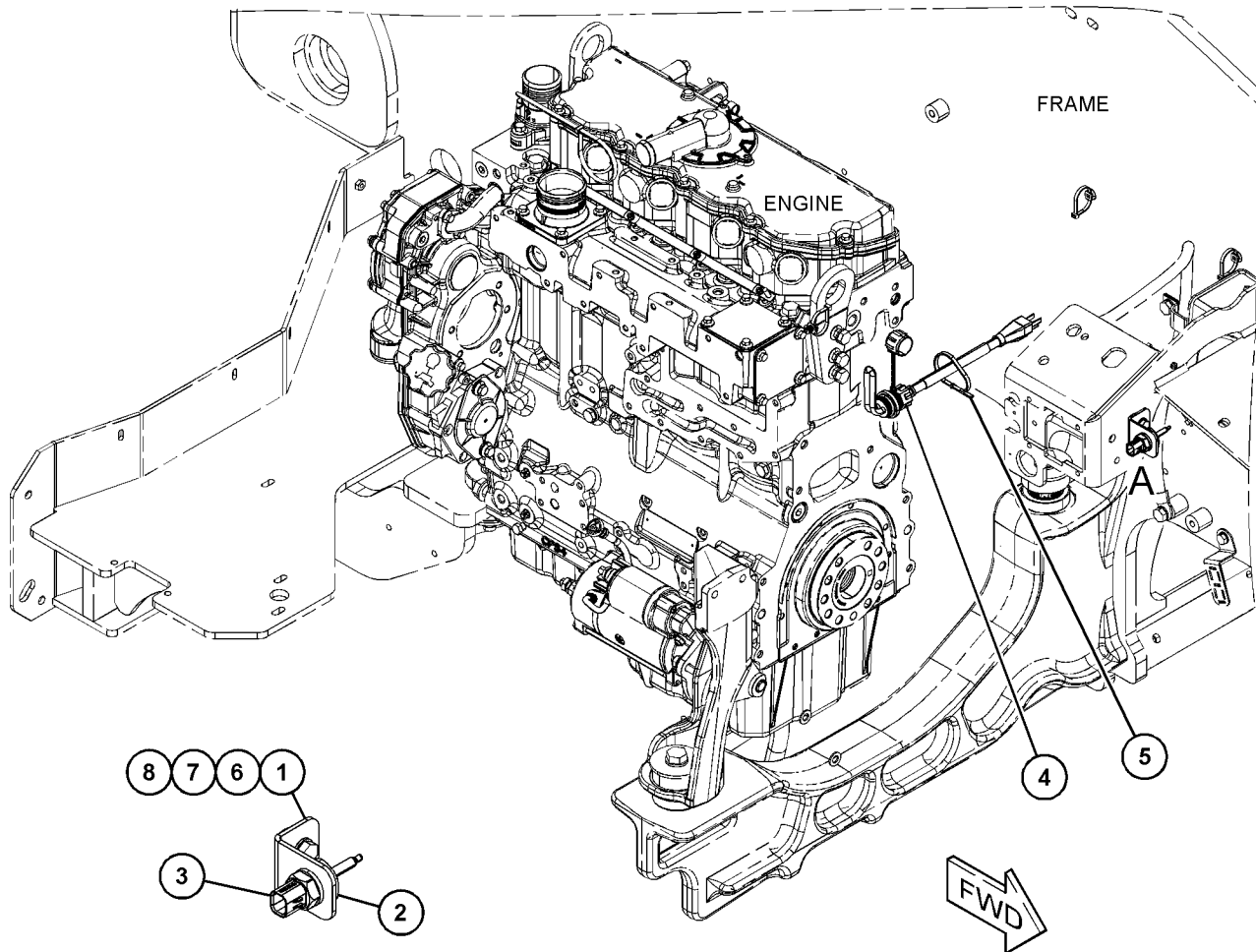
SMCS-1383

i06602090

NOTE	REF NO	GRAPHIC REF	PART NUMBER	QTY	PART NAME						SEE PAGE
					1	2	3	4	5	6	
	1	1	8T-4224	2	WASHER-HARD (8.8X16X2-MM THK)						
M	2	1	505-9432	1	NUT (M18X1.5-THD)						
	3	1	256-6454	1	SENSOR-TEMPERATURE (AMBIENT AIR)						
Y	4	1	219-3272	1	HEATER GP-JACKET WATER						368
	5	1	9X-6772	1	STRAP-CABLE						
	6	1	481-8596	1	BRACKET (SENSOR)						
M	7	1	8T-4189	1	BOLT (M8X1.25X20-MM)						
M	8	1	5C-7261	1	NUT (M8X1.25-THD)						

M - METRIC PART

Y - SEPARATE ILLUSTRATION



VIEW OF AREA A

GRAPHIC #1

<END>

g06043526

ELECTRICAL AND STARTING SYSTEM

503-1701 INDICATOR GP-LOAD

S/N: TH21-UP; TH31-UP

PART OF 507-9536, 515-9680, 515-9681, 515-9682, 515-9683, 515-9684 CONFIGURATION AR,
507-9537, 507-9538, 507-9539, 507-9540 FILM GP
AN ATTACHMENT

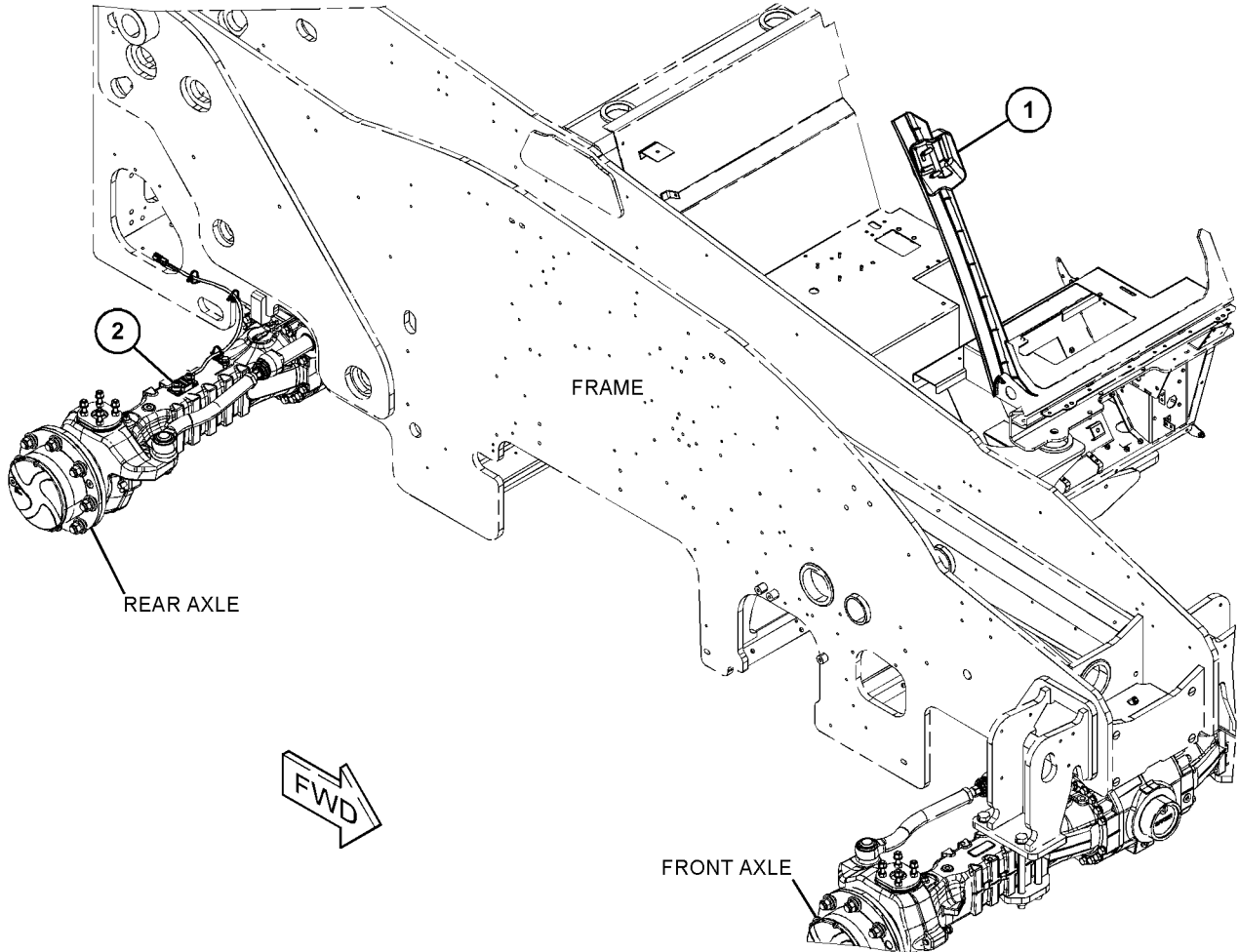
TYPE 1

SMCS-7490, 7856

i07218861

NOTE	REF NO	GRAPHIC REF	PART NUMBER	QTY	PART NAME						SEE PAGE
					1	2	3	4	5	6 (PRODUCT LEVEL)	
Y	1	1	476-6686	1	GAUGE GP (INDICATOR)						890
Y	2	1	496-8309	1	SENSOR & MOUNTING GP (AXLE LOCK)						410

Y - SEPARATE ILLUSTRATION



GRAPHIC #1

<END>

g06126349

ELECTRICAL AND STARTING SYSTEM

503-1701 INDICATOR GP-LOAD

S/N: TH21-UP; TH31-UP

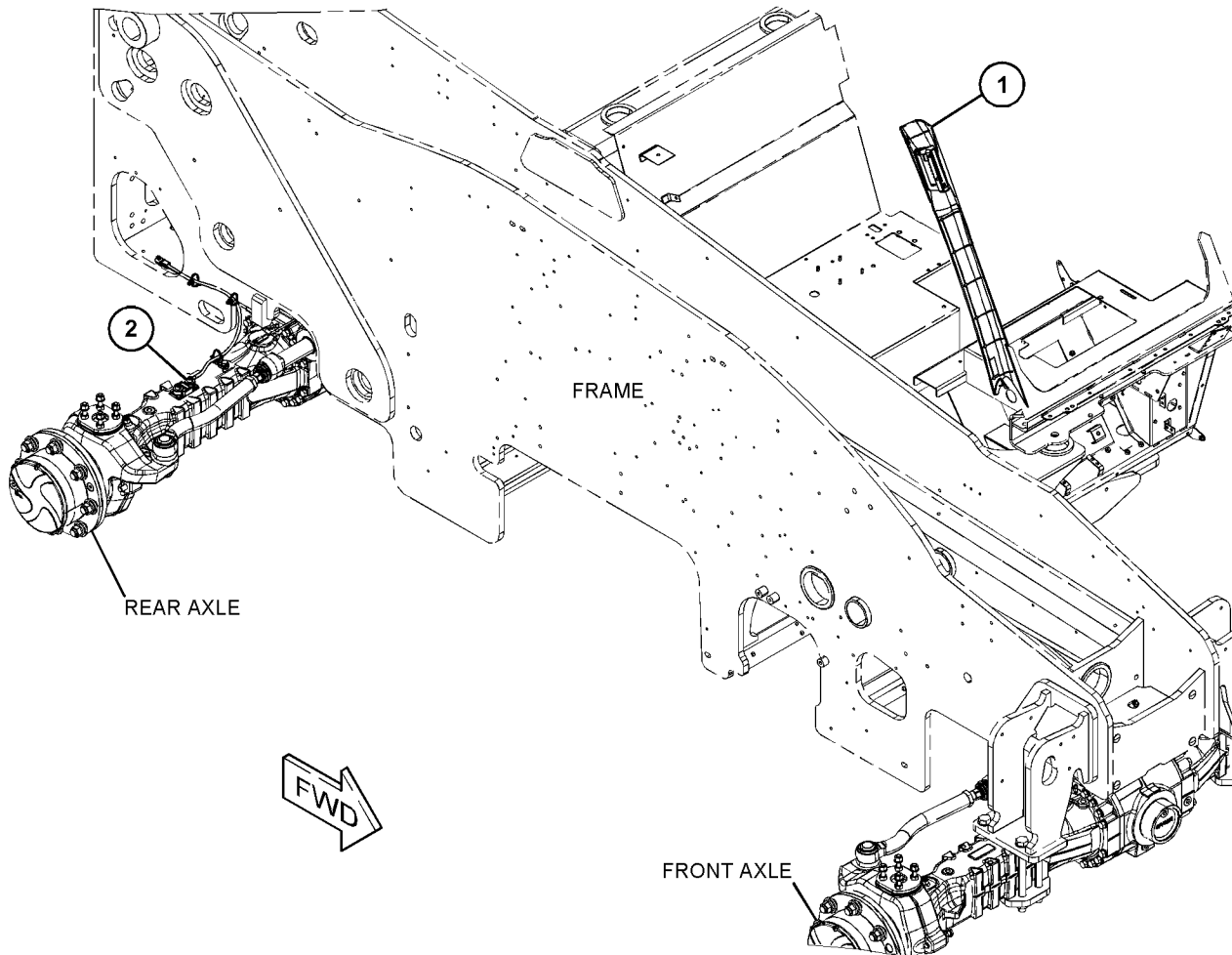
PART OF 507-9536, 515-9680, 515-9681, 515-9682, 515-9683, 515-9684 CONFIGURATION AR,
507-9537, 507-9538, 507-9539, 507-9540 FILM GP
AN ATTACHMENT
TYPE 2

SMCS-7490, 7856

i06984529

NOTE	REF NO	GRAPHIC REF	PART NUMBER	QTY	PART NAME						SEE PAGE
					1	2	3	4	5	6 (PRODUCT LEVEL)	
CY	1	1	522-9012	1	DISPLAY & MTG GP-LS INDICATOR						883
Y	2	1	496-8309	1	SENSOR & MOUNTING GP (AXLE LOCK)						410

C - CHANGE FROM PREVIOUS TYPE
Y - SEPARATE ILLUSTRATION



GRAPHIC #1

<END>

g06199736

ELECTRICAL AND STARTING SYSTEM

523-8303 INSTALLATION AR-COMMUNICATION-PL641, A/C, 3.4L

S/N: TH21-UP
AN ATTACHMENT

SMCS-5267, 7606

i06895457

NOTE	PART NUMBER	QTY	PART NAME						SEE PAGE
			1	2	3	4	5	6 (PRODUCT LEVEL)	
Y	501-0359	1	INSTALLATION GP-COMMUNICATION						375
Y	524-8430	1	WIRING GP-CONTROL						450
Y - SEPARATE ILLUSTRATION									
<END>									

523-8304 INSTALLATION AR-COMMUNICATION-PL641, A/C, 4.4L

S/N: TH21-UP
AN ATTACHMENT

SMCS-5267, 7606

i06895460

NOTE	PART NUMBER	QTY	PART NAME						SEE PAGE
			1	2	3	4	5	6 (PRODUCT LEVEL)	
Y	501-0359	1	INSTALLATION GP-COMMUNICATION						375
Y	524-8428	1	WIRING GP-CONTROL						448
Y - SEPARATE ILLUSTRATION									
<END>									

523-8305 INSTALLATION AR-COMMUNICATION-PL641, 3.4L

S/N: TH21-UP
AN ATTACHMENT

SMCS-5267, 7606

i06895467

NOTE	PART NUMBER	QTY	PART NAME						SEE PAGE
			1	2	3	4	5	6 (PRODUCT LEVEL)	
Y	501-0360	1	INSTALLATION GP-COMMUNICATION						376
Y	524-8430	1	WIRING GP-CONTROL						450
Y - SEPARATE ILLUSTRATION									
<END>									

523-8306 INSTALLATION AR-COMMUNICATION-PL641, 4.4L

S/N: TH21-UP
AN ATTACHMENT

SMCS-5267, 7606

i06893201

NOTE	PART NUMBER	QTY	PART NAME						SEE PAGE
			1	2	3	4	5	6 (PRODUCT LEVEL)	
Y	501-0360	1	INSTALLATION GP-COMMUNICATION						376
Y	524-8428	1	WIRING GP-CONTROL						448
Y - SEPARATE ILLUSTRATION									
<END>									

ELECTRICAL AND STARTING SYSTEM

**523-8307 INSTALLATION AR-COMMUNICATION-PL641, A/C,
LESSER REGULATED COUNTRIES
S/N: TH31-UP
AN ATTACHMENT**

SMCS-5267, 7606

i06895471

NOTE	PART NUMBER	QTY	PART NAME						SEE PAGE
			1	2	3	4	5	6 (PRODUCT LEVEL)	
Y	501-0359	1	INSTALLATION GP-COMMUNICATION						375
Y	524-8429	1	WIRING GP-CONTROL						449

Y - SEPARATE ILLUSTRATION

<END>

**523-8308 INSTALLATION AR-COMMUNICATION-PL641, LESSER
REGULATED COUNTRIES
S/N: TH31-UP
AN ATTACHMENT**

SMCS-5267, 7606

i06895476

NOTE	PART NUMBER	QTY	PART NAME						SEE PAGE
			1	2	3	4	5	6 (PRODUCT LEVEL)	
Y	501-0360	1	INSTALLATION GP-COMMUNICATION						376
Y	524-8429	1	WIRING GP-CONTROL						449

Y - SEPARATE ILLUSTRATION

<END>

ELECTRICAL AND STARTING SYSTEM

501-0359 INSTALLATION GP-COMMUNICATION

S/N: TH21-UP; TH31-UP

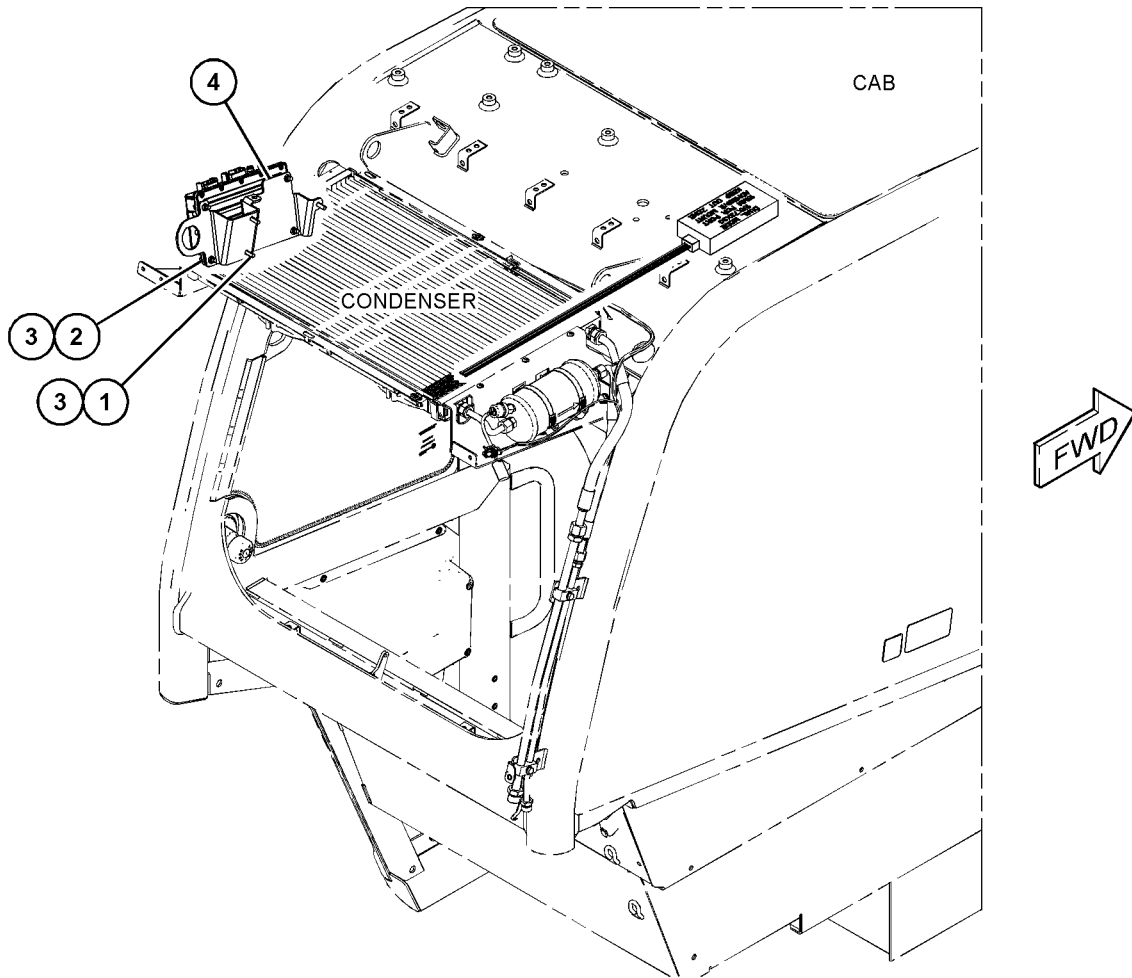
PART OF 523-8303, 523-8304, 523-8307 INSTALLATION AR-COMMUNICATION
AN ATTACHMENT

SMCS-1408, 7602, 7606, 7620

i06893944

NOTE	REF NO	GRAPHIC REF	PART NUMBER	QTY	PART NAME						SEE PAGE
					1	2	3	4	5	6 (PRODUCT LEVEL)	
M	1	1	8T-4138	3	BOLT (M6X1X20-MM)						
M	2	1	6V-7357	4	BOLT (M6X1X25-MM)						
	3	1	8T-4205	7	WASHER-HARD (7.2X14.5X2-MM THK)						
	4	1	518-1351	1	BRACKET AS						

M - METRIC PART



GRAPHIC #1

<END>

g06132425

ELECTRICAL AND STARTING SYSTEM

501-0360 INSTALLATION GP-COMMUNICATION

S/N: TH21-UP; TH31-UP

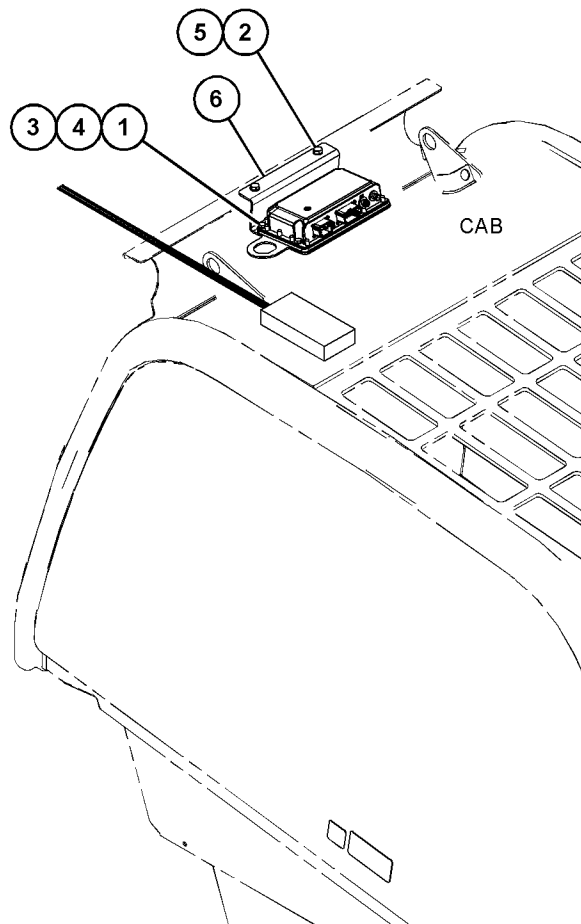
PART OF 523-8305, 523-8306, 523-8308 INSTALLATION AR-COMMUNICATION
AN ATTACHMENT

SMCS-1408, 7602, 7606, 7620

i06575667

NOTE	REF NO	GRAPHIC REF	PART NUMBER	QTY	PART NAME						SEE PAGE
					1	2	3	4	5	6 (PRODUCT LEVEL)	
M	1	1	8T-4138	4	BOLT (M6X1X20-MM)						
M	2	1	8T-4200	2	BOLT (M8X1.25X16-MM)						
M	3	1	344-5673	4	NUT (M6X1-THD)						
	4	1	8T-4205	4	WASHER-HARD (7.2X14.5X2-MM THK)						
	5	1	8T-4224	2	WASHER-HARD (8.8X16X2-MM THK)						
	6	1	501-0361	1	BRACKET AS						

M - METRIC PART



GRAPHIC #1

<END>

g06049223

ELECTRICAL AND STARTING SYSTEM

496-8320 INSTALLATION GP-WARNING BEACON

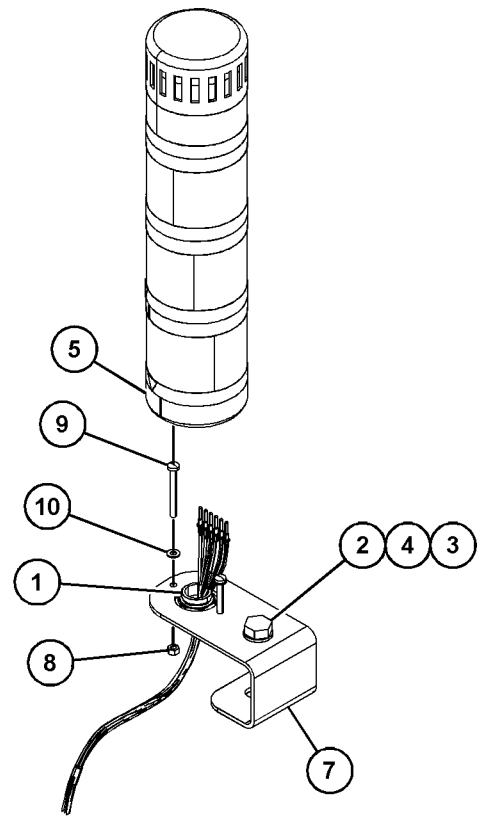
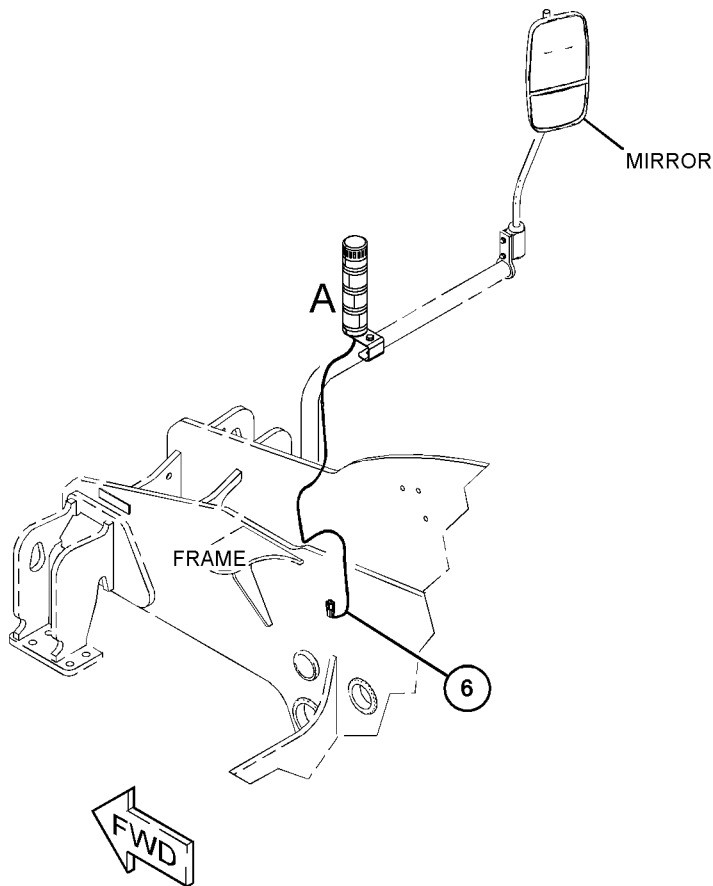
S/N: TH21-UP; TH31-UP
PART OF 496-8318 WIRING GP-BOOM
AN ATTACHMENT

SMCS-1408, 1429, 1431, 7553

i06604876

NOTE	REF NO	GRAPHIC REF	PART NUMBER	QTY	PART NAME						SEE PAGE
					1	2	3	4	5	6 (PRODUCT LEVEL)	
	1	1	453-2214	1	SEAL						
M	2	1	8T-5005	1	BOLT (M10X1.5X70-MM)						
M	3	1	8T-4133	1	NUT (M10X1.5-THD)						
	4	1	8T-4121	2	WASHER-HARD (11X21X2.5-MM THK)						
Y	5	1	432-4133	1	LIGHTING GP-WARNING						400
Y	6	1	361-7856	1	HARNESS AS-WIRING (LIGHT)						361
	7	1	496-8321	1	BRACKET						
M	8	1	178-9983	2	LOCKNUT (M4X0.7-THD)						
	9	1	332-3058	2	SCREW (M4X40-MM)						
	10	1	5W-5038	4	WASHER (4.3X9X0.8-MM THK)						

M - METRIC PART
Y - SEPARATE ILLUSTRATION



VIEW OF AREA A
(EXPLODED)

GRAPHIC #1

<END>

g06045587

ELECTRICAL AND STARTING SYSTEM

195-0189 LAMP GP-HEAD & SIGNAL-FRONT, RH

S/N: TH21-UP; TH31-UP

12-VOLT

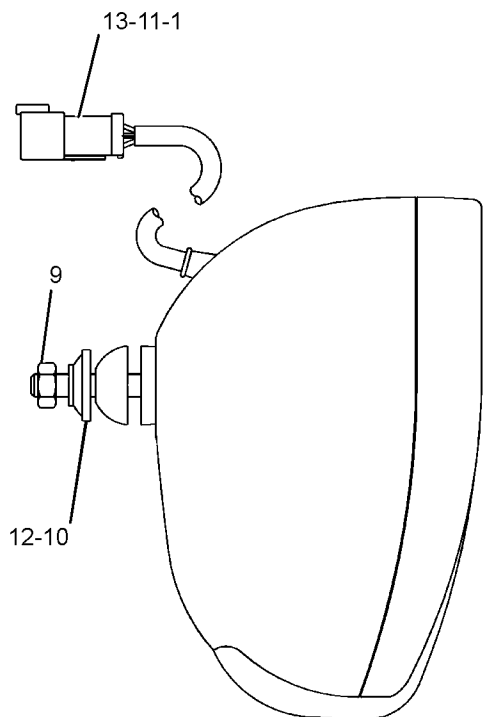
PART OF 501-0759 LIGHTING GP-ROADING
AN ATTACHMENT

SMCS-1429, 1430

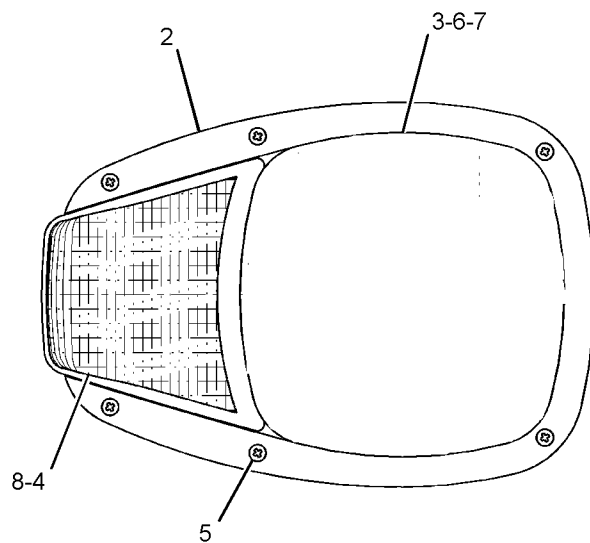
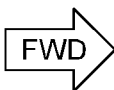
i06584211

NOTE	REF NO	GRAPHIC REF	PART NUMBER	QTY	PART NAME						SEE PAGE
					1	2	3	4	5	6 (PRODUCT LEVEL)	
	1	1	8T-8737	1	PLUG-SEAL						
	2	1	228-6054	1	BEZEL						
	3	1	444-6523	1	LENS AS (HEADLIGHT)						
	4	1	228-6052	1	LENS AS (TURN SIGNAL)						
	5	1	228-6056	6	SCREW (4-32X1.26-IN)						
	6	1	9W-3324	1	LAMP-HEAD (12-VOLT, 60/55-WATT) (CLEAR)						
	7	1	226-4561	1	LAMP (12-VOLT, 5-WATT) (CLEAR)						
	8	1	226-4560	1	LAMP (12-VOLT, 21-WATT) (AMBER)						
M	9	1	8T-0389	1	LOCKNUT (M10X1.5-THD)						
	10	1	473-8155	2	SPACER (SPHERICAL)						
	11	1	8T-8729	5	PIN-CONNECTOR (16-GA TO 18-GA)						
	12	1	473-8156	2	WASHER (SPHERICAL)						
	13	1	102-8805	1	KIT-RECEPTACLE (6-PIN)						
(INCLUDES RECEPTACLE AS & WEDGE)											

M - METRIC PART



TOP VIEW



FRONT VIEW

GRAPHIC #1

<END>

g03840936

ELECTRICAL AND STARTING SYSTEM

195-0190 LAMP GP-HEAD & SIGNAL-FRONT, LH

S/N: TH21-UP; TH31-UP

12-VOLT

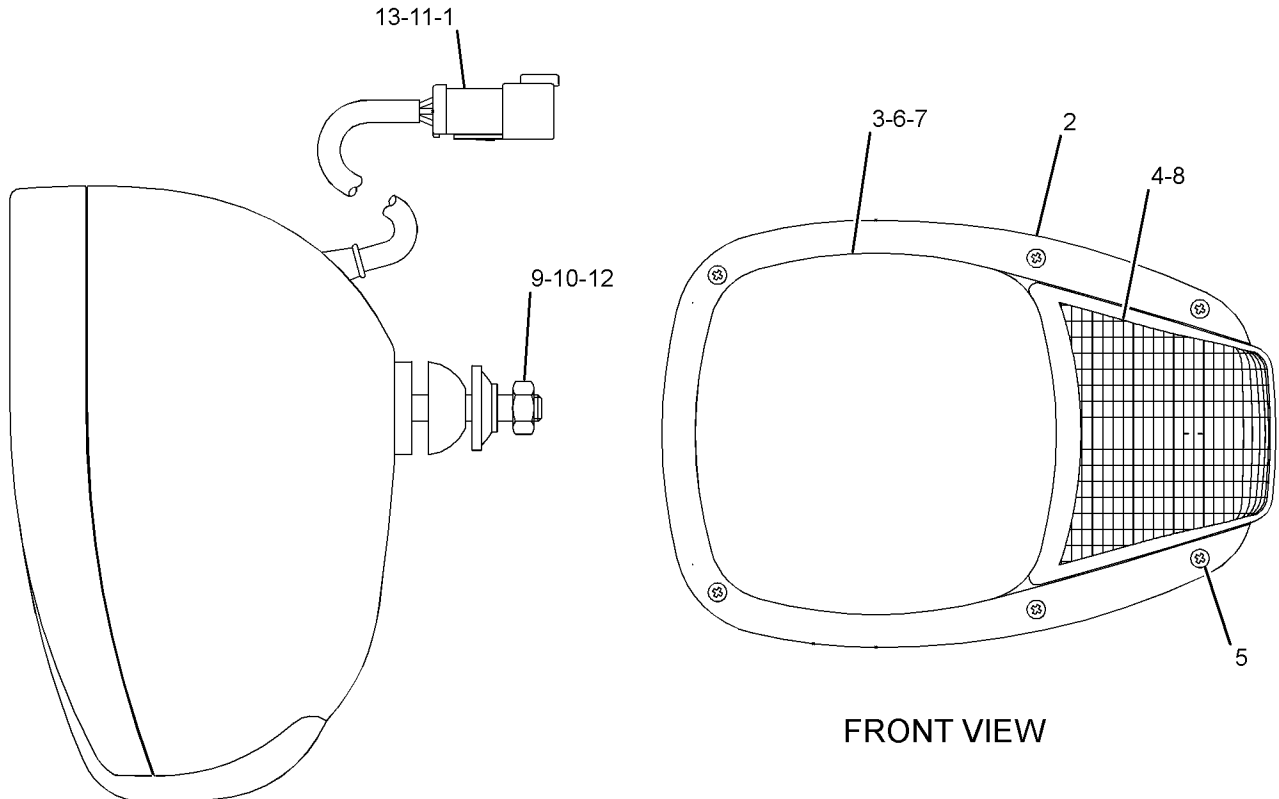
PART OF 501-0759 LIGHTING GP-ROADING
AN ATTACHMENT

SMCS-1429, 1430

i06584217

NOTE	REF NO	GRAPHIC REF	PART NUMBER	QTY	PART NAME						SEE PAGE
					1	2	3	4	5	6 (PRODUCT LEVEL)	
	1	1	8T-8737	1	PLUG-SEAL						
	2	1	228-6054	1	BEZEL						
	3	1	444-6523	1	LENS AS (HEADLIGHT)						
	4	1	228-6052	1	LENS AS (TURN SIGNAL)						
	5	1	228-6056	6	SCREW (4-32X1.26-IN)						
	6	1	9W-3324	1	LAMP-HEAD (12-VOLT, 60/55-WATT) (CLEAR)						
	7	1	226-4561	1	LAMP (12-VOLT, 5-WATT) (CLEAR)						
	8	1	226-4560	1	LAMP (12-VOLT, 21-WATT) (AMBER)						
M	9	1	8T-0389	1	LOCKNUT (M10X1.5-THD)						
	10	1	473-8155	2	SPACER (SPHERICAL)						
	11	1	8T-8729	5	PIN-CONNECTOR (16-GA TO 18-GA)						
	12	1	473-8156	2	WASHER (SPHERICAL)						
	13	1	102-8805	1	KIT-RECEPTACLE (6-PIN)						
(INCLUDES RECEPTACLE AS & WEDGE)											

M - METRIC PART



TOP VIEW



FRONT VIEW

GRAPHIC #1

<END>

g03820987

ELECTRICAL AND STARTING SYSTEM

195-0191 LAMP GP-HEAD & SIGNAL-RH

S/N: TH21-UP; TH31-UP

12-VOLT

PART OF 501-4200 LIGHTING GP-ROADING
AN ATTACHMENT

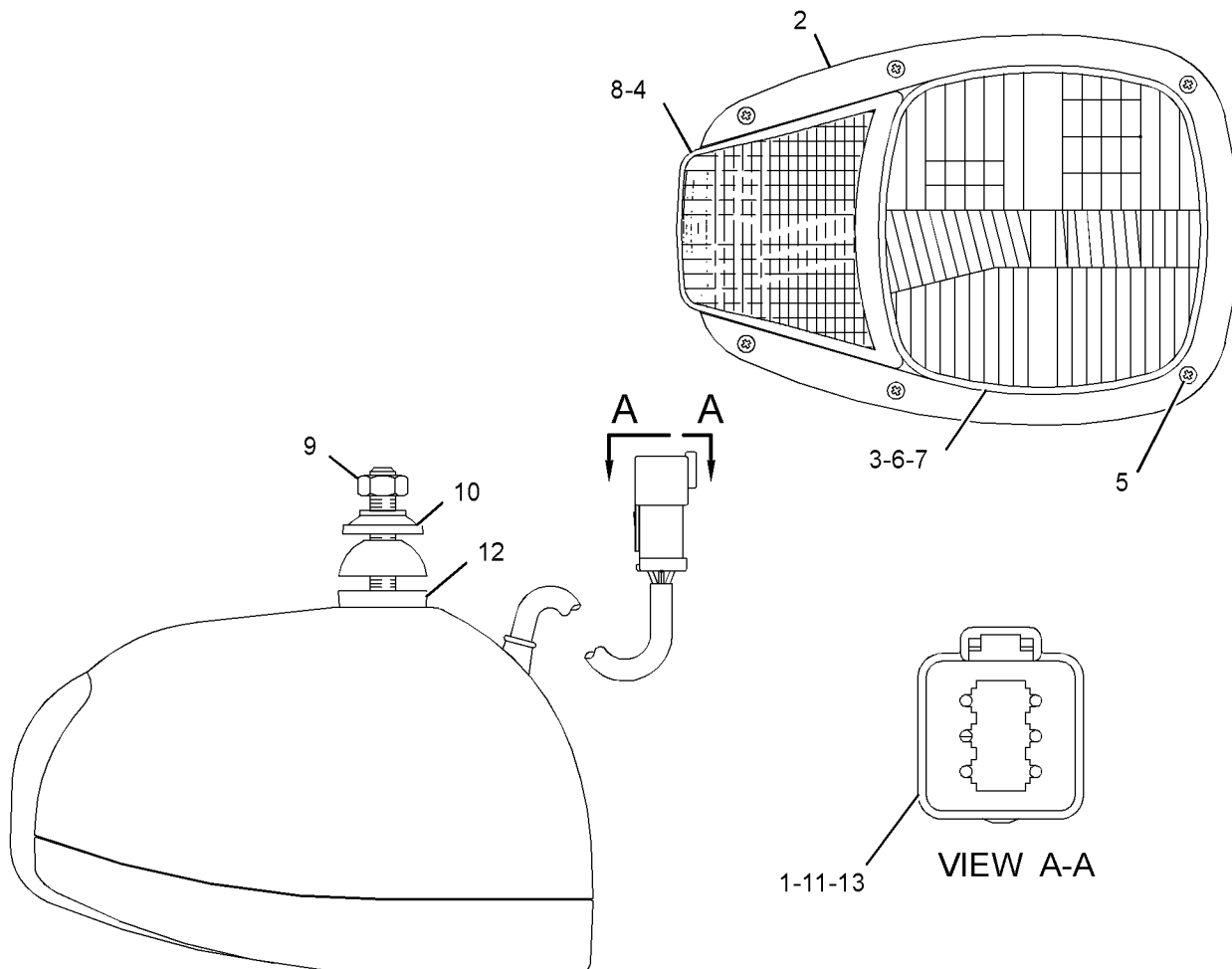
SMCS-1429, 1430

i06580065

NOTE	REF NO	GRAPHIC REF	PART NUMBER	QTY	PART NAME						SEE PAGE
					1	2	3	4	5	6 (PRODUCT LEVEL)	
	1	1	8T-8737	1	PLUG-SEAL						
	2	1	228-6054	1	BEZEL						
	3	1	444-6523	1	LENS AS (HEADLIGHT)						
	4	1	228-6052	1	LENS AS (TURN SIGNAL)						
	5	1	228-6056	6	SCREW (4-32X1.26-IN)						
	6	1	9W-3324	1	LAMP-HEAD (12-VOLT, 60/55-WATT) (CLEAR)						
	7	1	226-4561	1	LAMP (12-VOLT, 5-WATT) (CLEAR)						
	8	1	226-4560	1	LAMP (12-VOLT, 21-WATT) (AMBER)						
M	9	1	8T-0389	1	LOCKNUT (M10X1.5-THD)						
	10	1	473-8155	2	SPACER (SPHERICAL)						
	11	1	8T-8729	5	PIN-CONNECTOR (16-GA TO 18-GA)						
	12	1	473-8156	2	WASHER (SPHERICAL)						
	13	1	102-8805	1	KIT-RECEPTACLE (6-PIN)						

(INCLUDES RECEPTACLE AS & WEDGE)

M - METRIC PART



GRAPHIC #1

<END>

g03840935

ELECTRICAL AND STARTING SYSTEM

195-0192 LAMP GP-HEAD & SIGNAL-LH

S/N: TH21-UP; TH31-UP

12-VOLT

PART OF 501-4200 LIGHTING GP-ROADING
AN ATTACHMENT

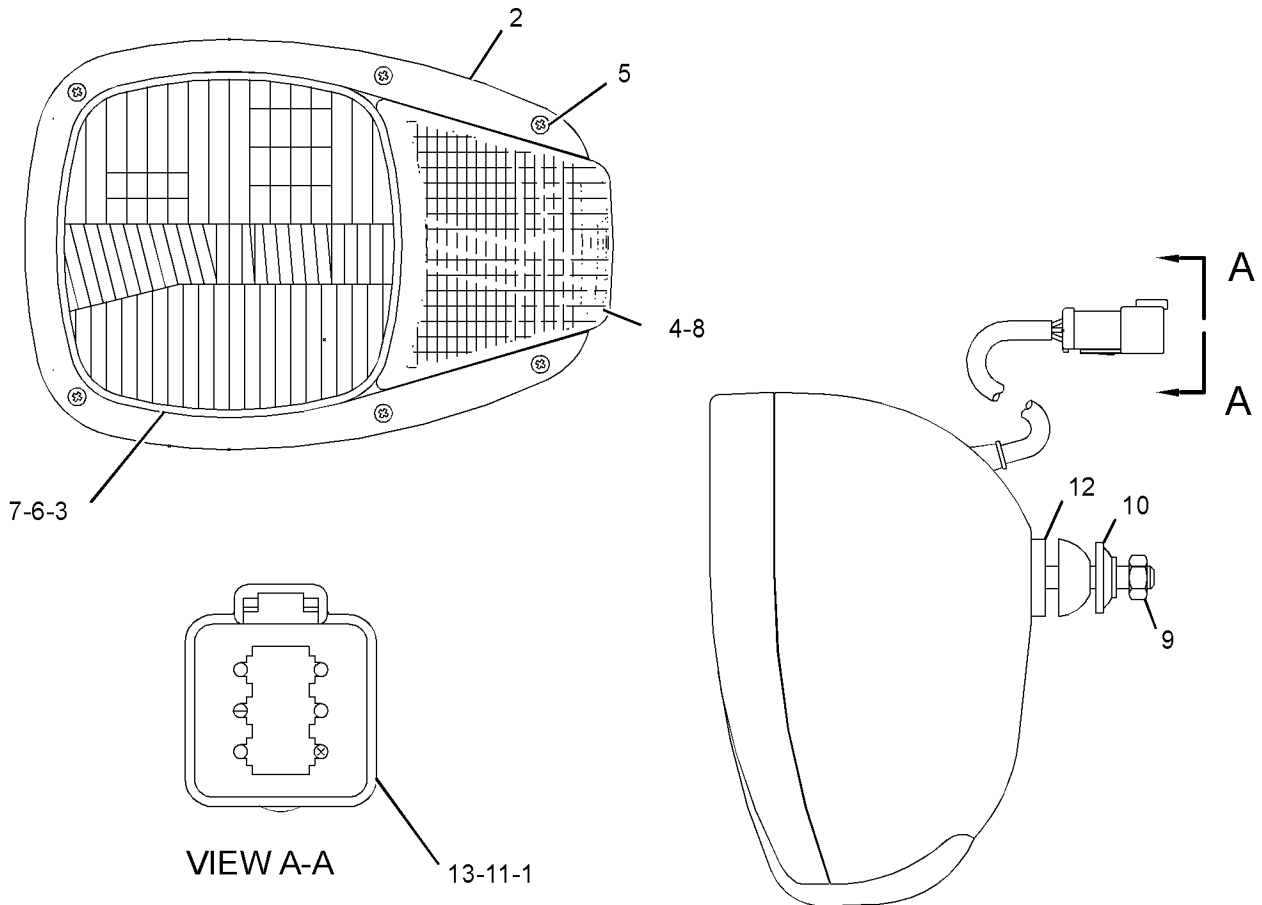
SMCS-1429, 1430

i06580066

NOTE	REF NO	GRAPHIC REF	PART NUMBER	QTY	PART NAME						SEE PAGE
					1	2	3	4	5	6 (PRODUCT LEVEL)	
	1	1	8T-8737	1	PLUG-SEAL						
	2	1	228-6054	1	BEZEL						
	3	1	444-6523	1	LENS AS (HEADLIGHT)						
	4	1	228-6052	1	LENS AS (TURN SIGNAL)						
	5	1	228-6056	6	SCREW (4-32X1.26-IN)						
	6	1	9W-3324	1	LAMP-HEAD (12-VOLT, 60/55-WATT) (CLEAR)						
	7	1	226-4561	1	LAMP (12-VOLT, 5-WATT) (CLEAR)						
	8	1	226-4560	1	LAMP (12-VOLT, 21-WATT) (AMBER)						
M	9	1	8T-0389	1	LOCKNUT (M10X1.5-THD)						
	10	1	473-8155	1	SPACER (SPHERICAL)						
	11	1	8T-8729	5	PIN-CONNECTOR (16-GA TO 18-GA)						
	12	1	473-8156	2	WASHER (SPHERICAL)						
	13	1	102-8805	1	KIT-RECEPTACLE (6-PIN)						

(INCLUDES RECEPTACLE AS & WEDGE)

M - METRIC PART



GRAPHIC #1

<END>

g03840925

ELECTRICAL AND STARTING SYSTEM

480-7044 LAMP GP-ROADING-LICENSE PLATE

S/N: TH21-UP; TH31-UP

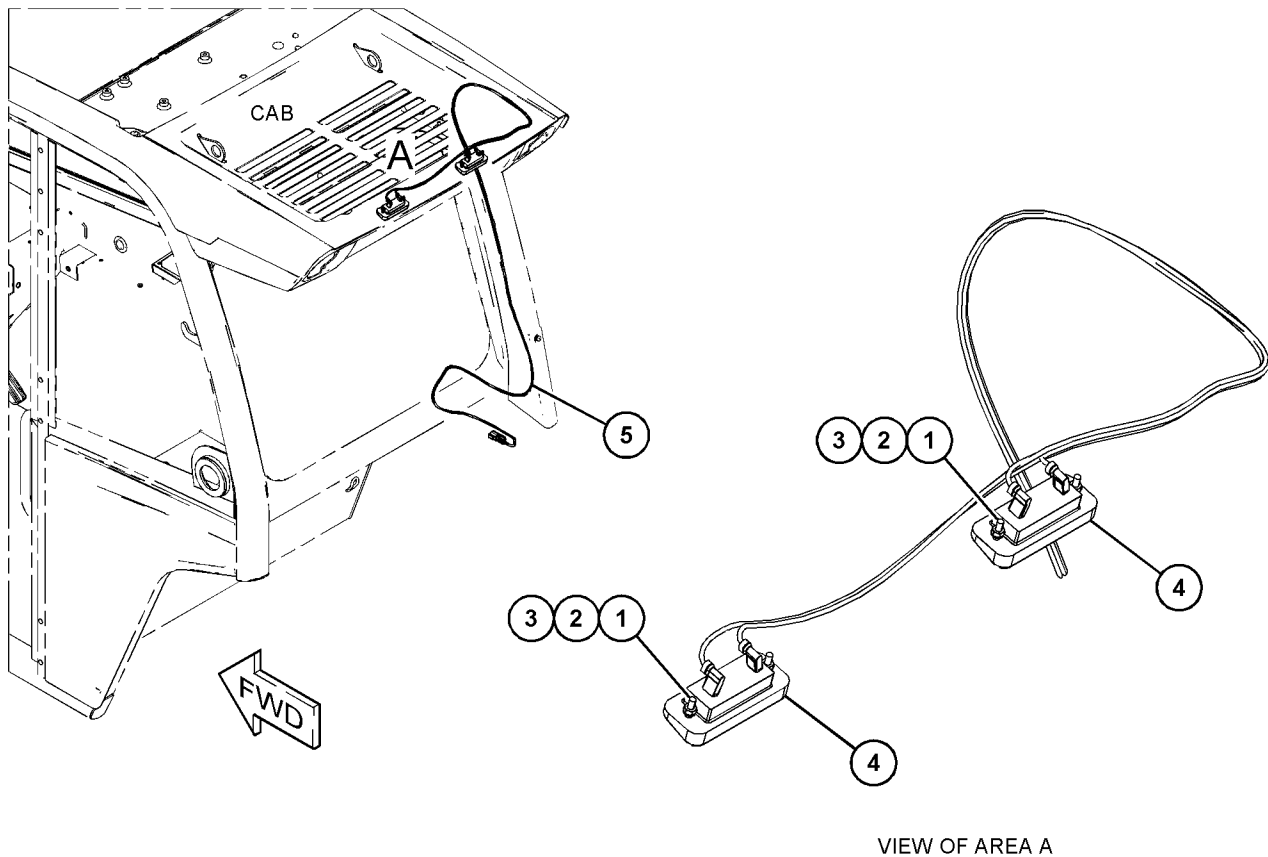
PART OF 501-0758 LIGHTING AR-ROADING, 501-7274 LIGHTING GP-ROADING
AN ATTACHMENT

SMCS-1429, 1430

i06586895

NOTE	REF NO	GRAPHIC REF	PART NUMBER	QTY	PART NAME						SEE PAGE
					1	2	3	4	5	6 (PRODUCT LEVEL)	
M	1	1	8T-4647	4	SCREW-MACHINE (M4X0.7X20-MM)						
M	2	1	5C-8312	1	NUT (M4X0.7-THD)						
	3	1	473-9270	4	WASHER-SPRING						
	4	1	480-7030	2	LAMP						
	5	1	480-7035	1	HARNESS AS-LIGHTING						
		1	9W-0852	2	PIN-CONNECTOR (14-GA TO 16-GA)						
		1	323-7236	1	RECEPTACLE (2-PIN)						

M - METRIC PART



GRAPHIC #1

<END>

g06092469

ELECTRICAL AND STARTING SYSTEM

501-0762 LAMP GP-STOP & TAIL-REAR

S/N: TH21-UP; TH31-UP

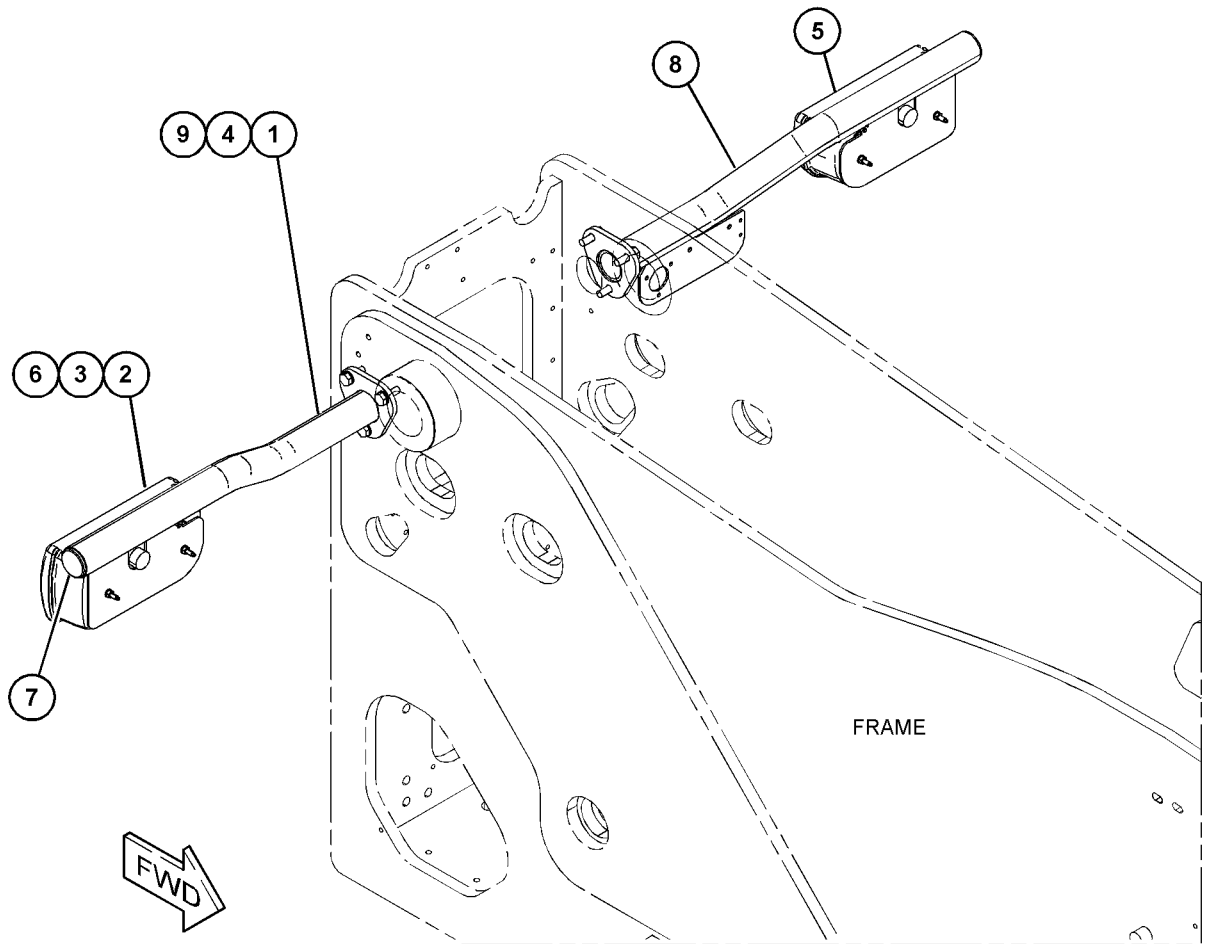
PART OF 501-0758 LIGHTING AR-ROADING, 501-7274 LIGHTING GP-ROADING
AN ATTACHMENT

SMCS-1432

i06602094

NOTE	REF NO	GRAPHIC REF	PART NUMBER	QTY	PART NAME						SEE PAGE
					1	2	3	4	5	6 (PRODUCT LEVEL)	
M	1	1	8T-4195	6	BOLT (M10X1.5X30-MM)						
M	2	1	5C-2890	4	NUT (M6X1-THD)						
	3	1	8T-4205	4	WASHER-HARD (7.2X14.5X2-MM THK)						
	4	1	8T-4121	6	WASHER-HARD (11X21X2.5-MM THK)						
	5	1	316-8038	1	LAMP GP (STOP, TAIL, TURN, BACKUP, LH)						
	6	1	316-8039	1	LAMP GP (STOP, TAIL, TURN, BACKUP, RH)						
					(EACH LAMP GP INCLUDES)						
		1	305-2109	1	LAMP (12-VOLT) (TURN SIGNAL)						
		1	323-5648	1	LAMP (12-VOLT) (TAIL LIGHTS)						
		1	323-5649	1	LAMP (12-VOLT) (INDICATOR LIGHT)						
	7	1	314-5567	2	PLUG						
	8	1	501-0763	1	BRACKET AS						
	9	1	501-0764	1	BRACKET AS						

M - METRIC PART



GRAPHIC #1

<END>

g06048278

ELECTRICAL AND STARTING SYSTEM

495-3014 LIGHTING AR-ROADING-WITHOUT AIR CONDITIONER

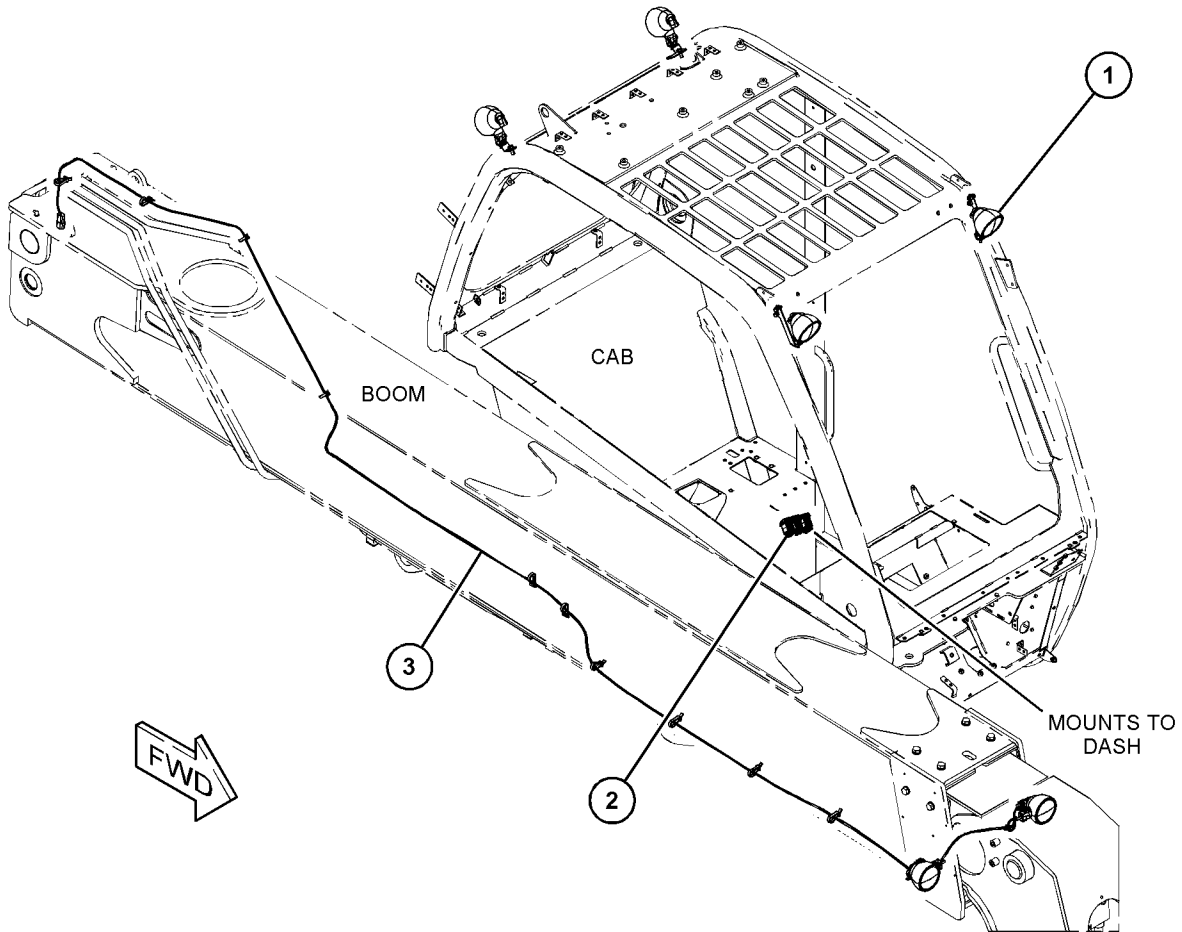
S/N: TH21-UP; TH31-UP
AN ATTACHMENT

SMCS-1408, 1429

i06601103

NOTE	REF NO	GRAPHIC REF	PART NUMBER	QTY	PART NAME						SEE PAGE
					1	2	3	4	5	6 (PRODUCT LEVEL)	
Y	1	1	473-7750	1	LIGHTING GP-FLOOD						388
	2	1	503-7086	1	SWITCH GP-ROCKER						
		1	501-7278	1	SWITCH AS-ROCKER (BOOM WORKLIGHTS)						
		1	503-7087	1	SWITCH AS-ROCKER (FRONT WORKLIGHT)						
		1	503-7088	1	SWITCH AS-ROCKER (REAR WORKLIGHT)						
Y	3	1	495-2278	1	LIGHTING GP-BOOM						387

Y - SEPARATE ILLUSTRATION



GRAPHIC #1

<END>

g06112703

ELECTRICAL AND STARTING SYSTEM

495-3015 LIGHTING AR-ROADING-AIR CONDITIONER

S/N: TH21-UP; TH31-UP

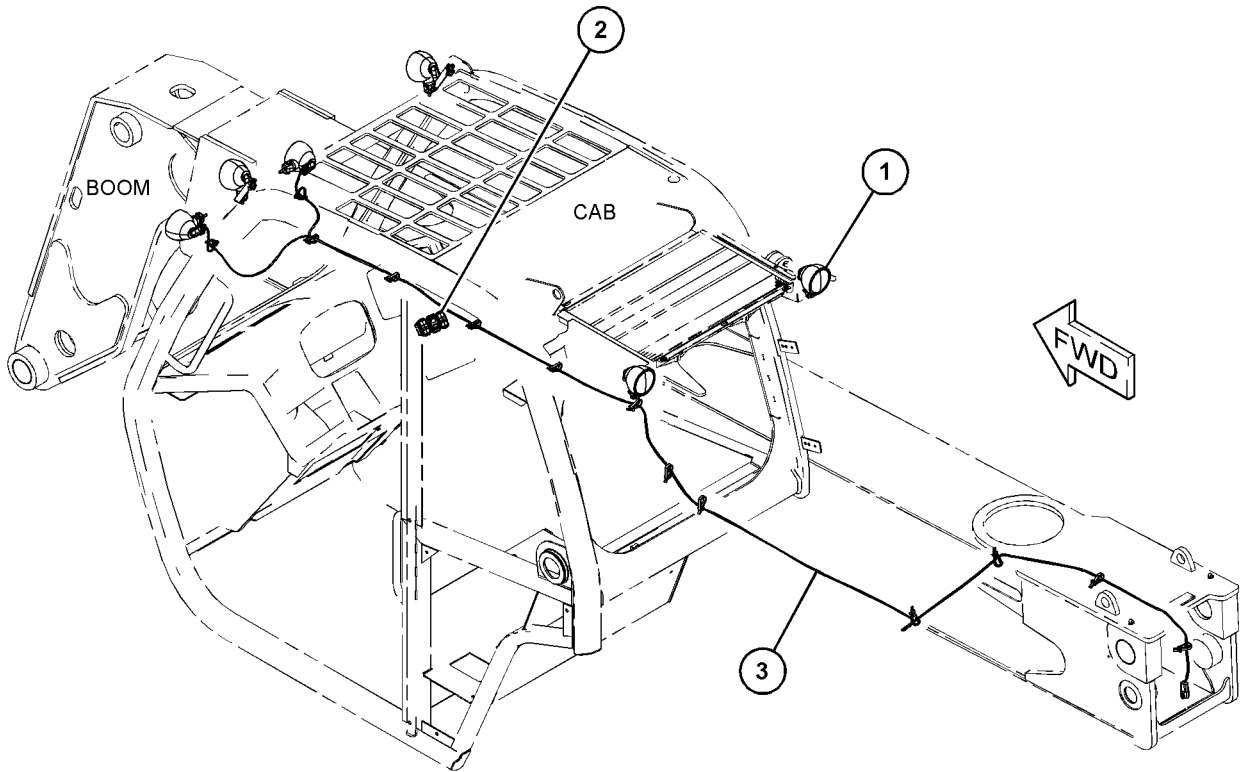
AN ATTACHMENT

SMCS-1408, 1429

i06601102

NOTE	REF NO	GRAPHIC REF	PART NUMBER	QTY	PART NAME						SEE PAGE
					1	2	3	4	5	6 (PRODUCT LEVEL)	
Y	1	1	473-7632	1	LIGHTING GP-ROADING (WITH AIR CONDITIONER)						394
	2	1	495-3013	1	SWITCH GP-ROCKER						
		1	501-7278	1	SWITCH AS-ROCKER (BOOM WORKLIGHTS)						
		1	503-7087	1	SWITCH AS-ROCKER (FRONT WORKLIGHT)						
		1	503-7088	1	SWITCH AS-ROCKER (REAR WORKLIGHT)						
Y	3	1	495-2278	1	LIGHTING GP-BOOM (WORK LIGHT)						387

Y - SEPARATE ILLUSTRATION



GRAPHIC #1

<END>

g06057315

ELECTRICAL AND STARTING SYSTEM

501-0758 LIGHTING AR-ROADING

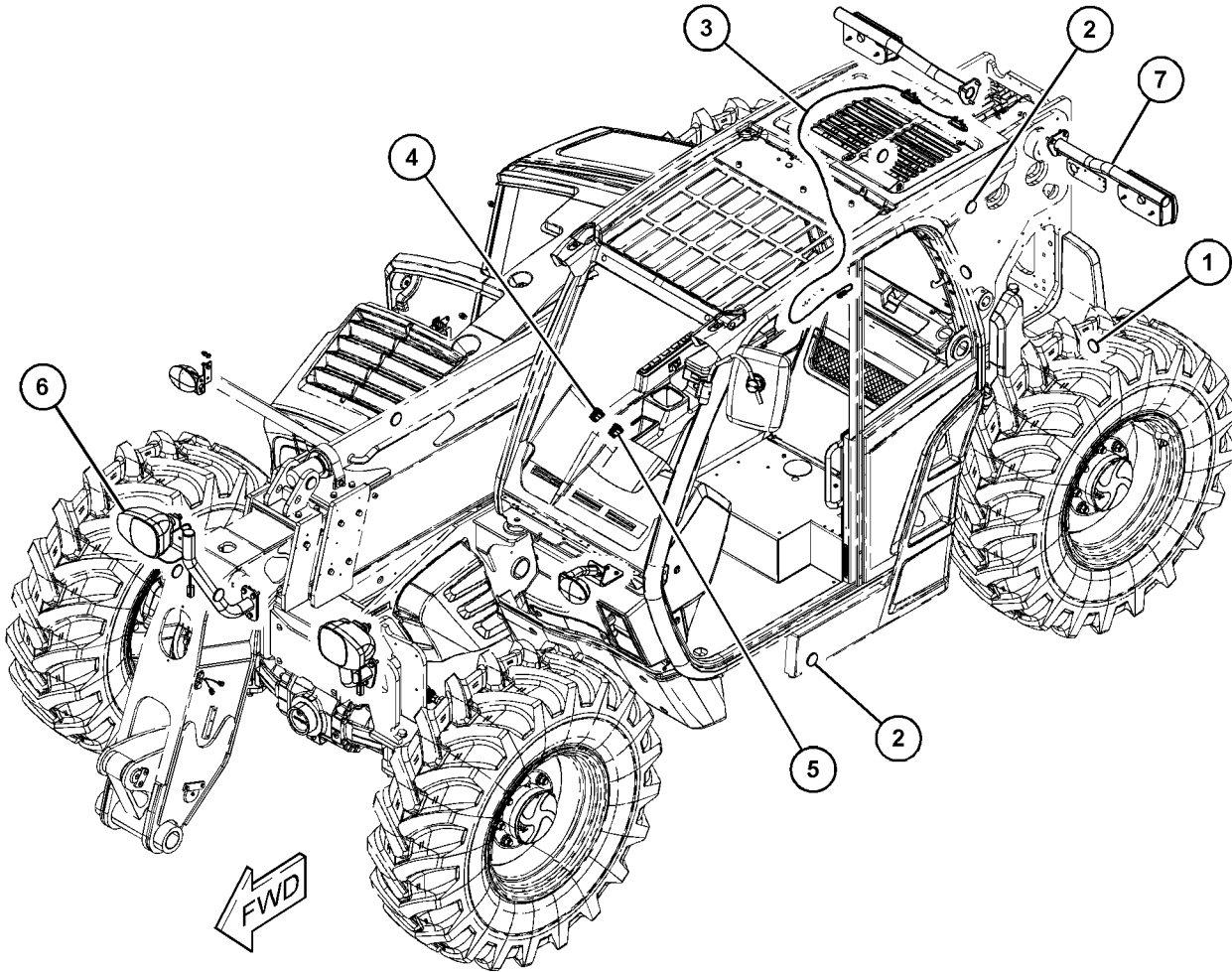
S/N: TH21-UP; TH31-UP
AN ATTACHMENT

SMCS-1408, 1429

i06883351

NOTE	REF NO	GRAPHIC REF	PART NUMBER	QTY	PART NAME	SEE PAGE
					1 2 3 4 5 6 (PRODUCT LEVEL)	
	1	1	329-3634	2	REFLECTOR (REAR)	
	2	1	329-3635	6	REFLECTOR (REAR)	
Y	3	1	480-7044	1	LAMP GP-ROADING (LICENSE PLATE)	382
	4	1	495-4597	1	SWITCH AS-ROCKER (HAZARD)	
	5	1	495-4604	1	SWITCH AS-ROCKER (DRIVING LIGHT)	
Y	6	1	501-0759	1	LIGHTING GP-ROADING	395
Y	7	1	501-0762	1	LAMP GP-STOP & TAIL	383

Y - SEPARATE ILLUSTRATION



GRAPHIC #1

<END>

g06060076

ELECTRICAL AND STARTING SYSTEM

495-2278 LIGHTING GP-BOOM

S/N: TH21-UP; TH31-UP

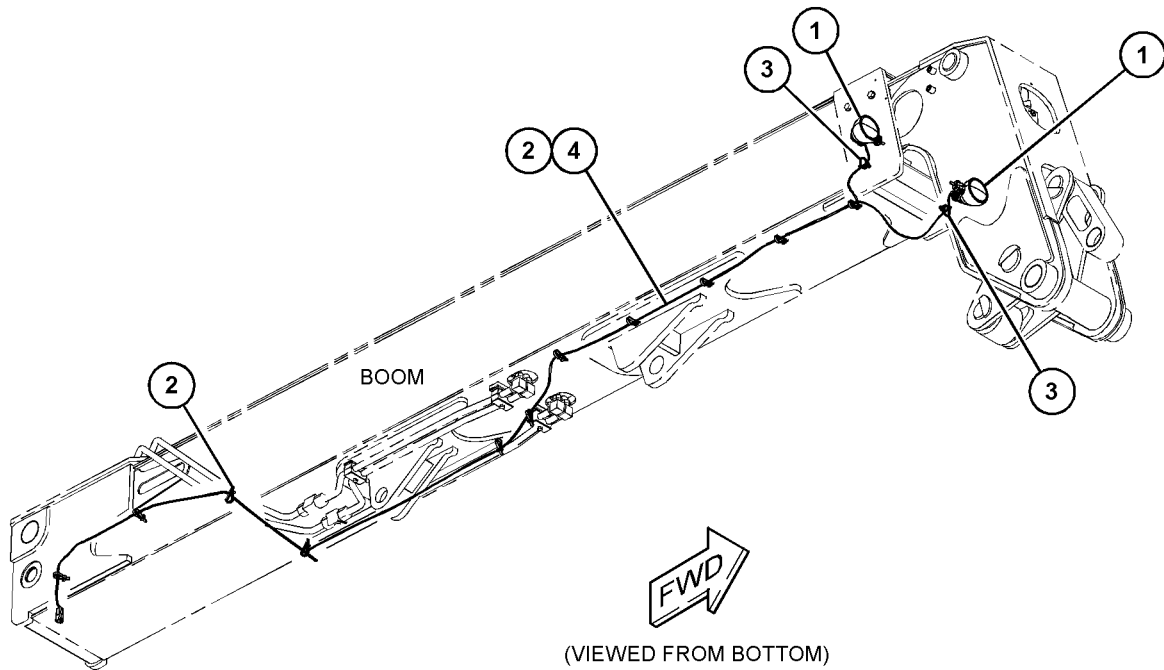
PART OF 495-3014, 495-3015 LIGHTING AR-ROADING
AN ATTACHMENT

SMCS-1434

i06602087

NOTE	REF NO	GRAPHIC REF	PART NUMBER	QTY	PART NAME						SEE PAGE
					1	2	3	4	5	6 (PRODUCT LEVEL)	
	1	1	312-3332	2	LAMP AS (50-WATT) (WORK LIGHT)						
					(EACH INCLUDES)						
		1	323-5646	1	LAMP (50-WATT)						
	2	1	7K-1181	11	STRAP-CABLE						
	3	1	455-3027	2	TIE-CABLE						
Y	4	1	495-3047	1	HARNESS AS-LIGHTING						360

Y - SEPARATE ILLUSTRATION



GRAPHIC #1

<END>

g06044662

ELECTRICAL AND STARTING SYSTEM

473-7750 LIGHTING GP-FLOOD

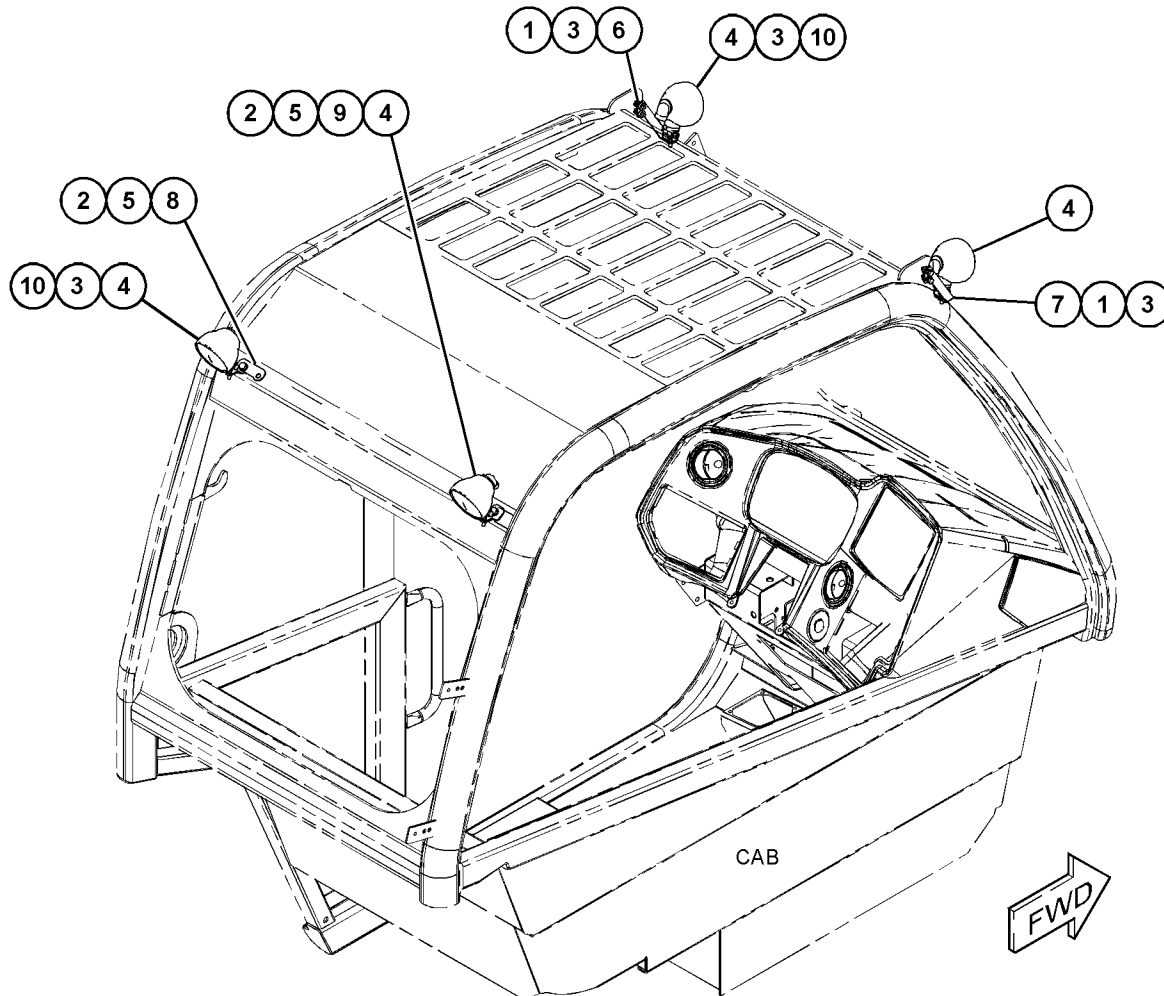
S/N: TH21-UP; TH31-UP
PART OF 495-3014 LIGHTING AR-ROADING
AN ATTACHMENT

SMCS-1434

i06830070

NOTE	REF NO	GRAPHIC REF	PART NUMBER	QTY	PART NAME						SEE PAGE
					1	2	3	4	5	6 (PRODUCT LEVEL)	
M	1	1	8T-4138	4	BOLT (M6X1X20-MM)						
M	2	1	8T-4189	2	BOLT (M8X1.25X20-MM)						
	3	1	8T-4205	8	WASHER-HARD (7.2X14.5X2-MM THK)						
	4	1	312-3332	4	LAMP AS (50-WATT) (WORK LIGHT)						
					(EACH INCLUDES)						
		1	323-5646	1	LAMP (50-WATT)						
	5	1	8T-4224	2	WASHER-HARD (8.8X16X2-MM THK)						
	6	1	473-7634	1	BRACKET AS						
	7	1	473-7633	1	BRACKET AS						
	8	1	495-8722	1	BRACKET AS						
	9	1	495-8723	1	BRACKET AS						
M	10	1	5C-2890	4	NUT (M6X1-THD)						

M - METRIC PART



GRAPHIC #1

<END>

g06133417

ELECTRICAL AND STARTING SYSTEM

503-7083 LIGHTING GP-FRONT-WORK LIGHT

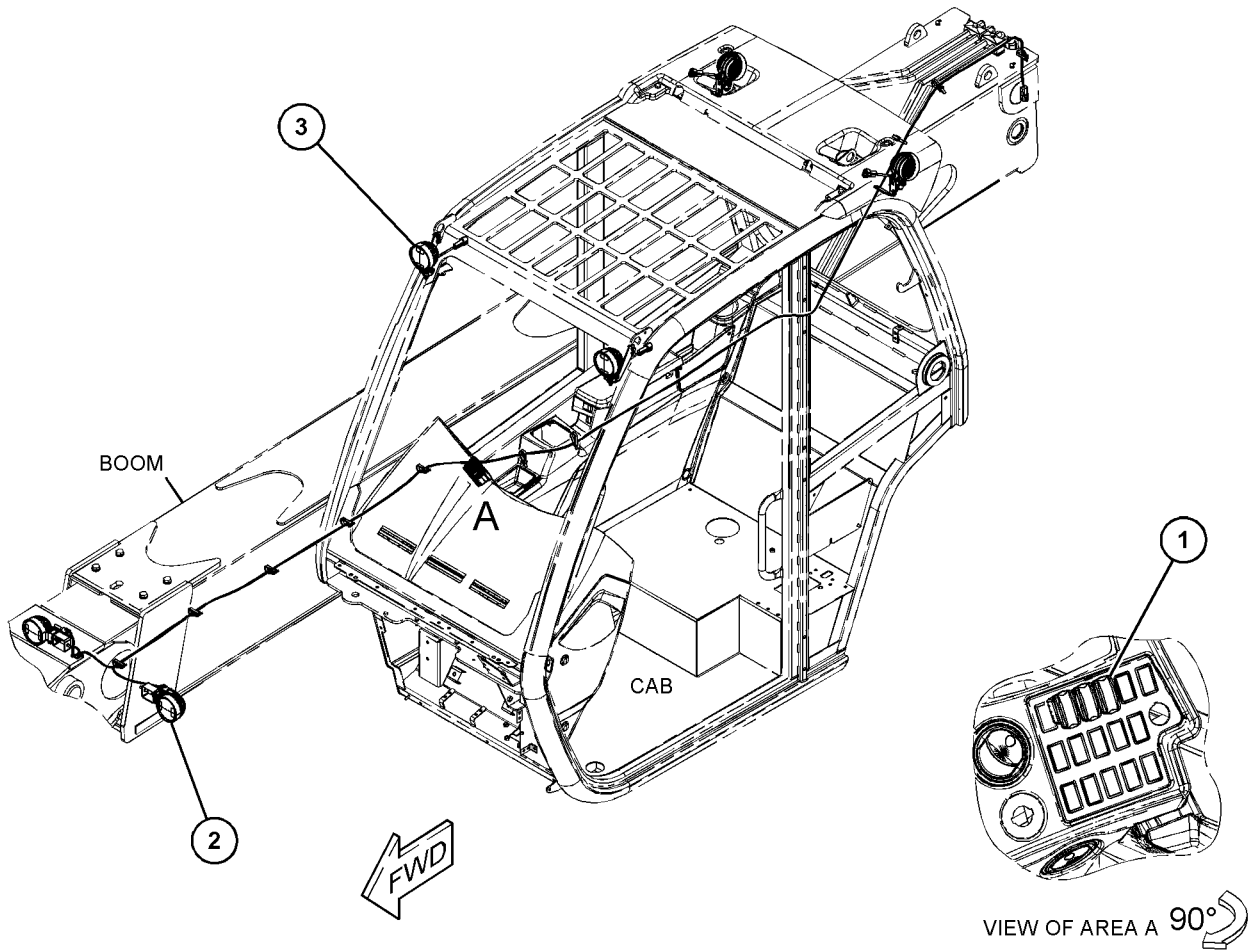
S/N: TH21-UP; TH31-UP
WITHOUT AIR CONDITIONER
AN ATTACHMENT

SMCS-1429, 1434

i06788492

NOTE	REF NO	GRAPHIC REF	PART NUMBER	QTY	PART NAME						SEE PAGE
					1	2	3	4	5	6 (PRODUCT LEVEL)	
	1	1	501-7266	1	SWITCH GP-ROCKER (WORK LIGHTS)						
		1	474-7170	1	SWITCH AS-ROCKER (BOOM LIGHTS)						
		1	487-4976	1	SWITCH AS-ROCKER (FRONT WORKLIGHT)						
		1	487-4977	1	SWITCH AS-ROCKER (REAR WORKLIGHT)						
Y	2	1	503-7090	1	LIGHTING GP-FRONT (BOOM)						391
Y	3	1	503-7093	1	LIGHTING GP-FRONT (WITHOUT AIR CONDITIONER)						392

Y - SEPARATE ILLUSTRATION



GRAPHIC #1

<END>

g06122397

ELECTRICAL AND STARTING SYSTEM

503-7085 LIGHTING GP-FRONT-WORK LIGHT

S/N: TH21-UP; TH31-UP

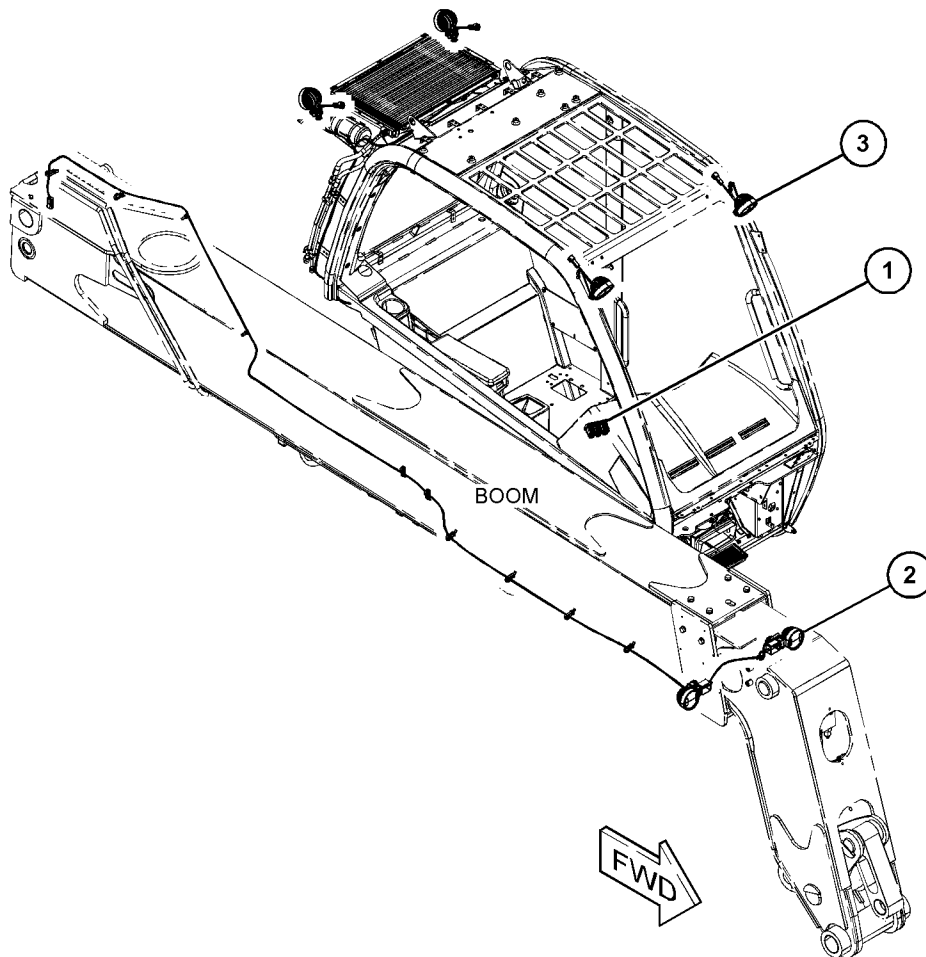
AIR CONDITIONER
AN ATTACHMENT

SMCS-1429, 1434

i06788476

NOTE	REF NO	GRAPHIC REF	PART NUMBER	QTY	PART NAME						SEE PAGE
					1	2	3	4	5	6 (PRODUCT LEVEL)	
	1	1	501-7266	1	SWITCH GP-ROCKER (WORK LIGHTS)						
		1	474-7170	1	SWITCH AS-ROCKER (BOOM LIGHTS)						
		1	487-4976	1	SWITCH AS-ROCKER (FRONT WORKLIGHT)						
		1	487-4977	1	SWITCH AS-ROCKER (REAR WORKLIGHT)						
Y	2	1	503-7090	1	LIGHTING GP-FRONT (BOOM)						391
Y	3	1	503-7260	1	LIGHTING GP-FRONT (AIR CONDITIONER)						393

Y - SEPARATE ILLUSTRATION



GRAPHIC #1

<END>

g06116069

ELECTRICAL AND STARTING SYSTEM

503-7090 LIGHTING GP-FRONT-WORK LIGHT

S/N: TH21-UP; TH31-UP

BOOM

PART OF 503-7083, 503-7085 LIGHTING GP-FRONT
AN ATTACHMENT

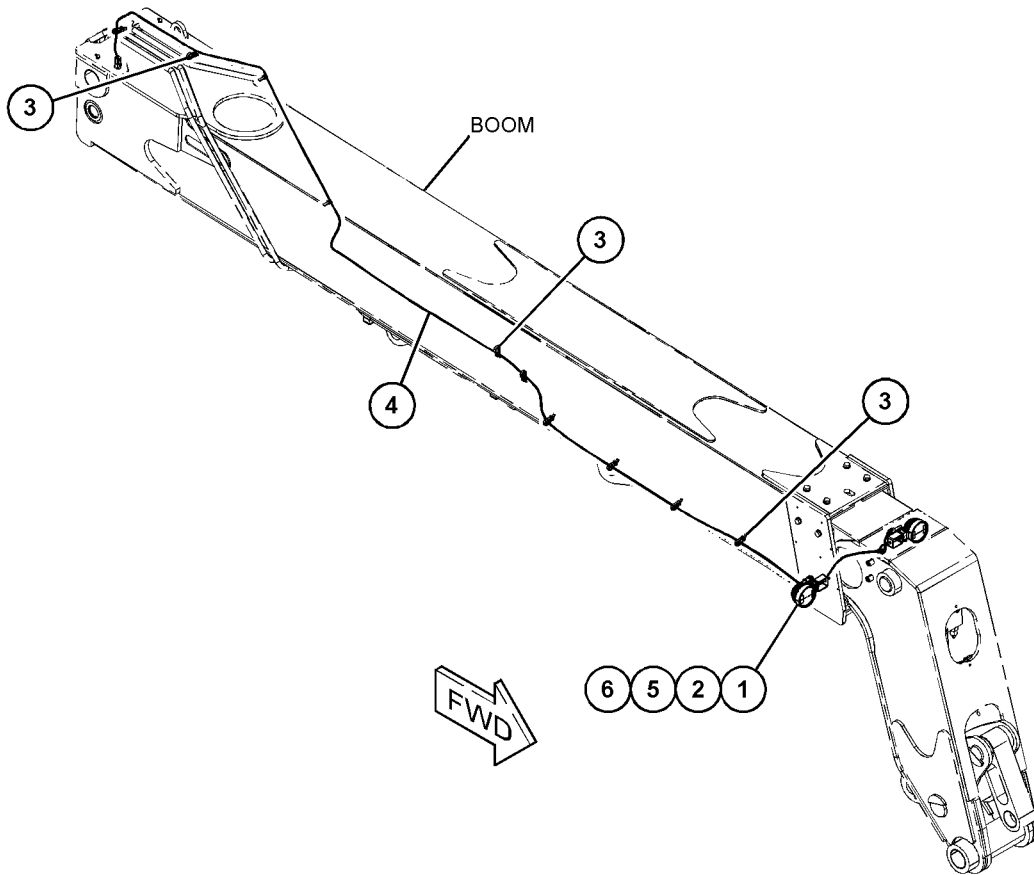
SMCS-1429, 1434

i06788489

NOTE	REF NO	GRAPHIC REF	PART NUMBER	QTY	PART NAME						SEE PAGE
					1	2	3	4	5	6 (PRODUCT LEVEL)	
M	1	1	8T-4138	2	BOLT (M6X1X20-MM)						
	2	1	455-3027	2	TIE-CABLE						
	3	1	7K-1181	11	STRAP-CABLE						
Y	4	1	495-3047	1	HARNESS AS-LIGHTING						360
	5	1	503-7089	2	BRACKET						
	6	1	503-7262	2	LAMP GP-FRONT						

M - METRIC PART

Y - SEPARATE ILLUSTRATION



GRAPHIC #1

<END>

g06118049

ELECTRICAL AND STARTING SYSTEM

503-7093 LIGHTING GP-FRONT-WORK LIGHT

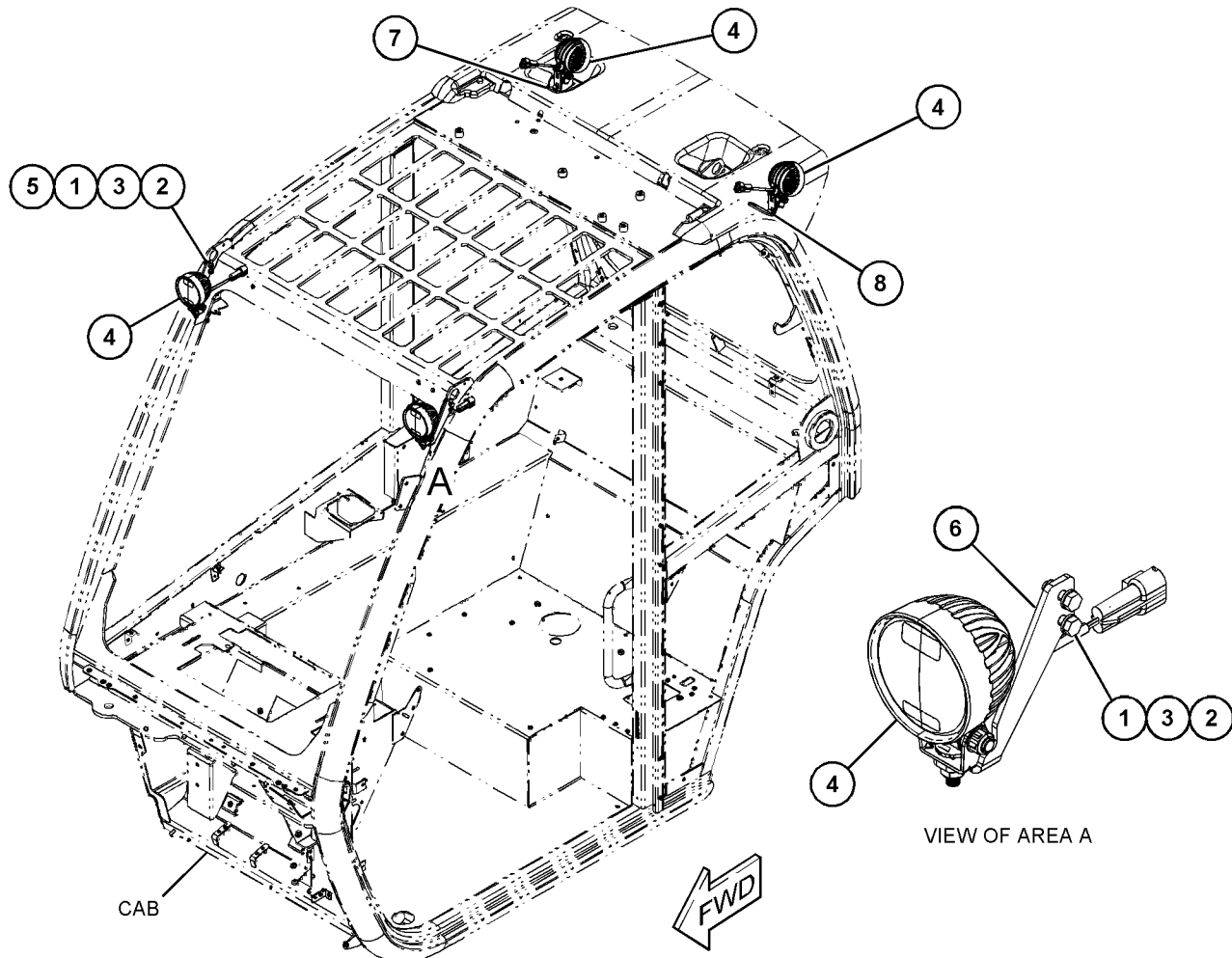
S/N: TH21-UP; TH31-UP
 WITHOUT AIR CONDITIONER
 PART OF 503-7083 LIGHTING GP-FRONT
 AN ATTACHMENT

SMCS-1429, 1434

i06788482

NOTE	REF NO	GRAPHIC REF	PART NUMBER	QTY	PART NAME						SEE PAGE
					1	2	3	4	5	6 (PRODUCT LEVEL)	
M	1	1	8T-4138	4	BOLT (M6X1X20-MM)						
M	2	1	5C-2890	4	NUT (M6X1-THD)						
	3	1	8T-4205	8	WASHER-HARD (7.2X14.5X2-MM THK)						
	4	1	503-7262	4	LAMP GP-FRONT						
	5	1	503-7267	1	PLATE						
	6	1	503-7268	1	PLATE						
	7	1	503-7091	1	PLATE						
	8	1	503-7092	1	PLATE						

M - METRIC PART



GRAPHIC #1

<END>

g06116893

ELECTRICAL AND STARTING SYSTEM

503-7260 LIGHTING GP-FRONT-WORK LIGHT

S/N: TH21-UP; TH31-UP

AIR CONDITIONER

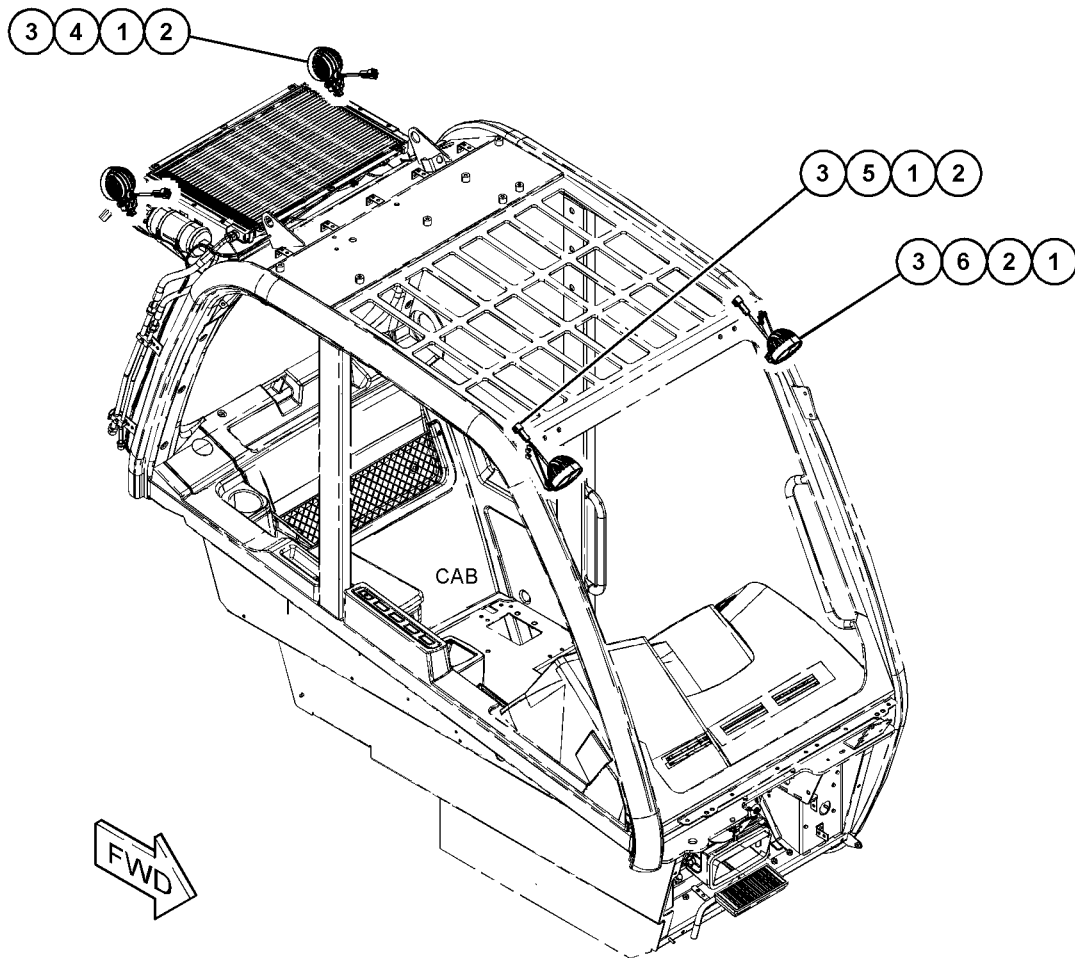
PART OF 503-7085 LIGHTING GP-FRONT
AN ATTACHMENT

SMCS-1429, 1434

i06788474

NOTE	REF NO	GRAPHIC REF	PART NUMBER	QTY	PART NAME						SEE PAGE
					1	2	3	4	5	6 (PRODUCT LEVEL)	
M	1	1	8T-4138	6	BOLT (M6X1X20-MM)						
M	2	1	347-4584	6	NUT (M6X1-THD)						
	3	1	503-7262	4	LAMP GP-FRONT						
	4	1	503-7266	2	BRACKET						
	5	1	503-7267	1	PLATE						
	6	1	503-7268	1	PLATE						

M - METRIC PART



GRAPHIC #1

<END>

g06116105

ELECTRICAL AND STARTING SYSTEM

473-7632 LIGHTING GP-ROADING

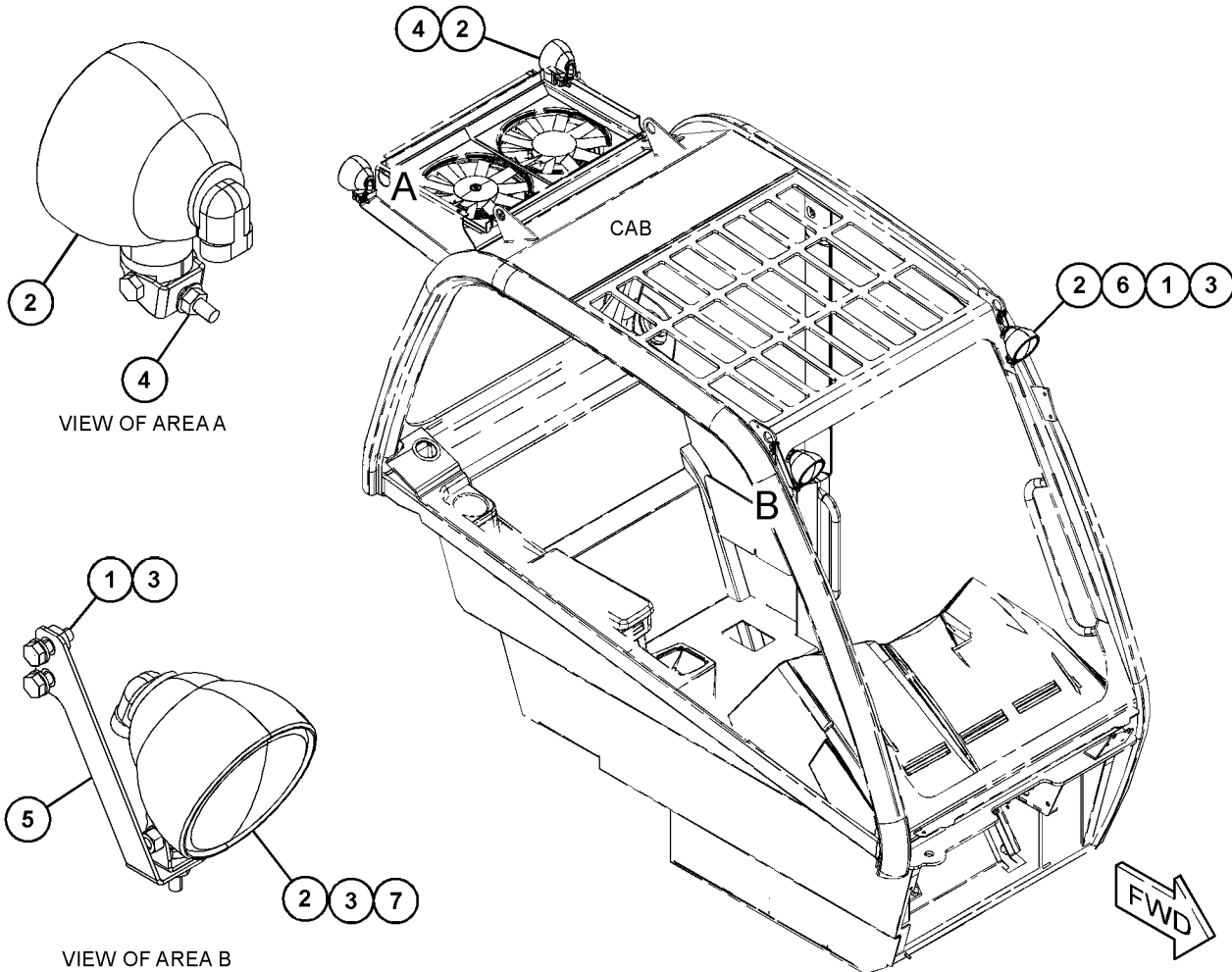
S/N: TH21-UP; TH31-UP
PART OF 495-3015 LIGHTING AR-ROADING
AN ATTACHMENT

SMCS-1429

i06830792

NOTE	REF NO	GRAPHIC REF	PART NUMBER	QTY	PART NAME						SEE PAGE
					1	2	3	4	5	6 (PRODUCT LEVEL)	
M	1	1	8T-4138	4	BOLT (M6X1X20-MM)						
	2	1	312-3332	4	LAMP AS (50-WATT) (WORK LIGHT)						
					(EACH INCLUDES)						
		1	323-5646	1	LAMP (50-WATT)						
	3	1	8T-4205	6	WASHER-HARD (7.2X14.5X2-MM THK)						
M	4	1	347-4584	2	NUT (M6X1-THD)						
	5	1	473-7633	1	BRACKET AS						
	6	1	473-7634	1	BRACKET AS						
M	7	1	5C-2890	2	NUT (M6X1-THD)						

M - METRIC PART



GRAPHIC #1

<END>

g06133458

ELECTRICAL AND STARTING SYSTEM

501-0759 LIGHTING GP-ROADING-FRONT

S/N: TH21-UP; TH31-UP

PART OF 501-0758 LIGHTING AR-ROADING
AN ATTACHMENT

SMCS-1429

i06602096

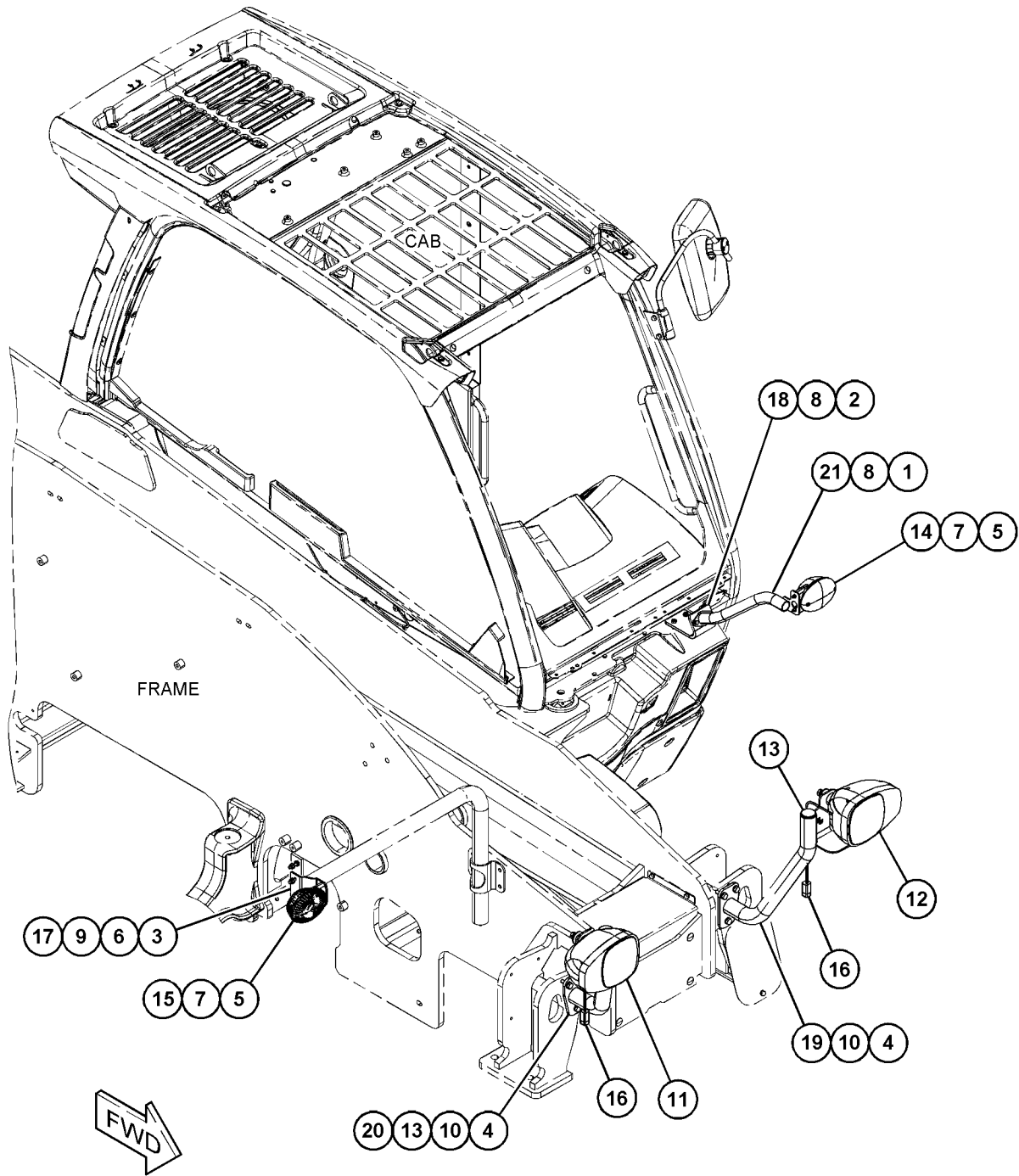
NOTE	REF NO	GRAPHIC REF	PART NUMBER	QTY	PART NAME						SEE PAGE
					1	2	3	4	5	6 (PRODUCT LEVEL)	
M	1	1	5C-9553	2	BOLT (M6X1X16-MM)						
M	2	1	6V-7357	2	BOLT (M6X1X25-MM)						
M	3	1	8T-7547	2	BOLT (M8X1.25X30-MM)						
M	4	1	8T-4195	6	BOLT (M10X1.5X30-MM)						
M	5	1	179-4324	4	LOCKNUT (M5X0.8-THD)						
M	6	1	5C-7261	2	NUT (M8X1.25-THD)						
	7	1	309-3996	4	WASHER (5.3X12.5X5-MM THK)						
	8	1	8T-4205	4	WASHER-HARD (7.2X14.5X2-MM THK)						
	9	1	8T-4224	4	WASHER-HARD (8.8X16X2-MM THK)						
	10	1	8T-4121	6	WASHER-HARD (11X21X2.5-MM THK)						
Y	11	1	195-0189	1	LAMP GP-HEAD & SIGNAL (FRONT, RH)						378
Y	12	1	195-0190	1	LAMP GP-HEAD & SIGNAL (FRONT, LH)						379
	13	1	314-5567	2	PLUG						
	14	1	333-8792	1	LAMP AS (SIDE, LH)						
	15	1	333-8793	1	LAMP AS (SIDE, RH)						
	16	1	477-1801	2	HARNESS AS-LIGHTING						
					(EACH INCLUDES)						
		1	8T-8737	2	PLUG-SEAL						
		1	9W-0852	5	PIN-CONNECTOR (14-GA TO 16-GA)						
		1	334-5872	1	PLUG (6-PIN)						
		1	334-5873	1	TERMINAL (6-PIN)						
	17	1	495-3413	1	BRACKET (LIGHT)						
	18	1	495-3415	1	BRACKET AS						
	19	1	501-0760	1	BRACKET AS (LH)						
	20	1	501-0761	1	BRACKET AS (RH)						
	21	1	495-3416	1	BRACKET AS						

M - METRIC PART
Y - SEPARATE ILLUSTRATION

ELECTRICAL AND STARTING SYSTEM

501-0759 LIGHTING GP-ROADING (contd.)

i06602096



GRAPHIC #1

<END>

g06096548

ELECTRICAL AND STARTING SYSTEM

501-4200 LIGHTING GP-ROADING-FRONT

S/N: TH21-UP; TH31-UP

PART OF 501-7274 LIGHTING GP-ROADING
AN ATTACHMENT

SMCS-1429

i06602095

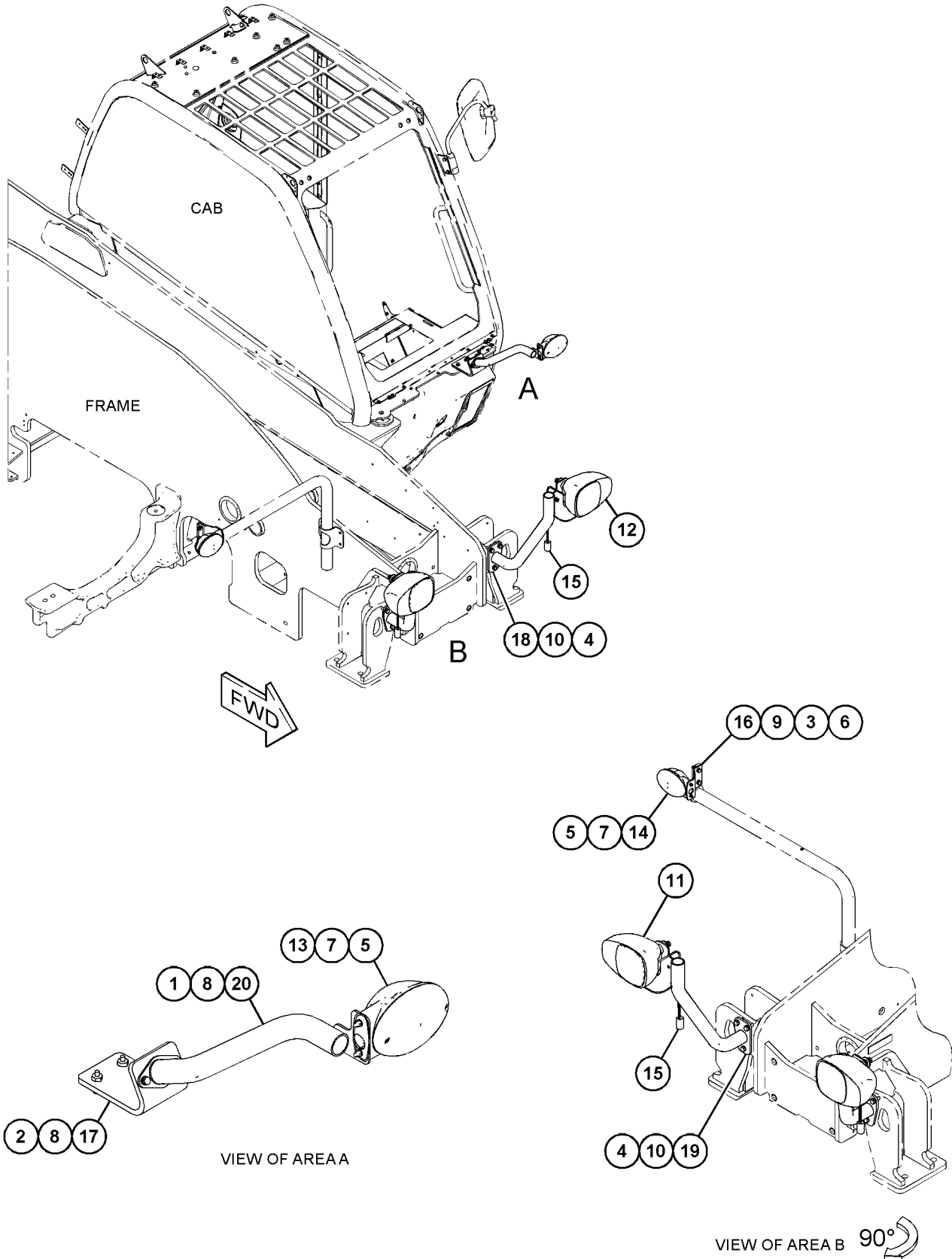
NOTE	REF NO	GRAPHIC REF	PART NUMBER	QTY	PART NAME						SEE PAGE
					1	2	3	4	5	6 (PRODUCT LEVEL)	
M	1	1	6V-7357	2	BOLT (M6X1X25-MM)						
M	2	1	8T-4971	2	BOLT (M6X1X30-MM)						
M	3	1	8T-7547	2	BOLT (M8X1.25X30-MM)						
M	4	1	8T-4195	6	BOLT (M10X1.5X30-MM)						
M	5	1	179-4324	4	LOCKNUT (M5X0.8-THD)						
M	6	1	5C-7261	2	NUT (M8X1.25-THD)						
	7	1	309-3996	4	WASHER (5.3X12.5X5-MM THK)						
	8	1	8T-4205	4	WASHER-HARD (7.2X14.5X2-MM THK)						
	9	1	8T-4224	4	WASHER-HARD (8.8X16X2-MM THK)						
	10	1	8T-4121	6	WASHER-HARD (11X21X2.5-MM THK)						
Y	11	1	195-0191	1	LAMP GP-HEAD & SIGNAL (RH) (HIGH, LOW BEAM)						380
Y	12	1	195-0192	1	LAMP GP-HEAD & SIGNAL (LH) (HIGH, LOW BEAM)						381
	13	1	333-8792	1	LAMP AS (SIDE, LH)						
	14	1	333-8793	1	LAMP AS (SIDE, RH)						
	15	1	477-1801	2	HARNESS AS-LIGHTING						
					(EACH INCLUDES)						
		1	8T-8737	2	PLUG-SEAL						
		1	9W-0852	5	PIN-CONNECTOR (14-GA TO 16-GA)						
		1	334-5872	1	PLUG (6-PIN)						
		1	334-5873	1	TERMINAL (6-PIN)						
	16	1	495-3413	1	BRACKET						
	17	1	495-3415	1	BRACKET AS						
	18	1	501-0760	1	BRACKET AS						
	19	1	501-0761	1	BRACKET AS						
	20	1	495-3416	1	BRACKET AS						

M - METRIC PART
Y - SEPARATE ILLUSTRATION

ELECTRICAL AND STARTING SYSTEM

501-4200 LIGHTING GP-ROADING (contd.)

i06602095



GRAPHIC #1

<END>

g06092065

ELECTRICAL AND STARTING SYSTEM

501-7274 LIGHTING GP-ROADING

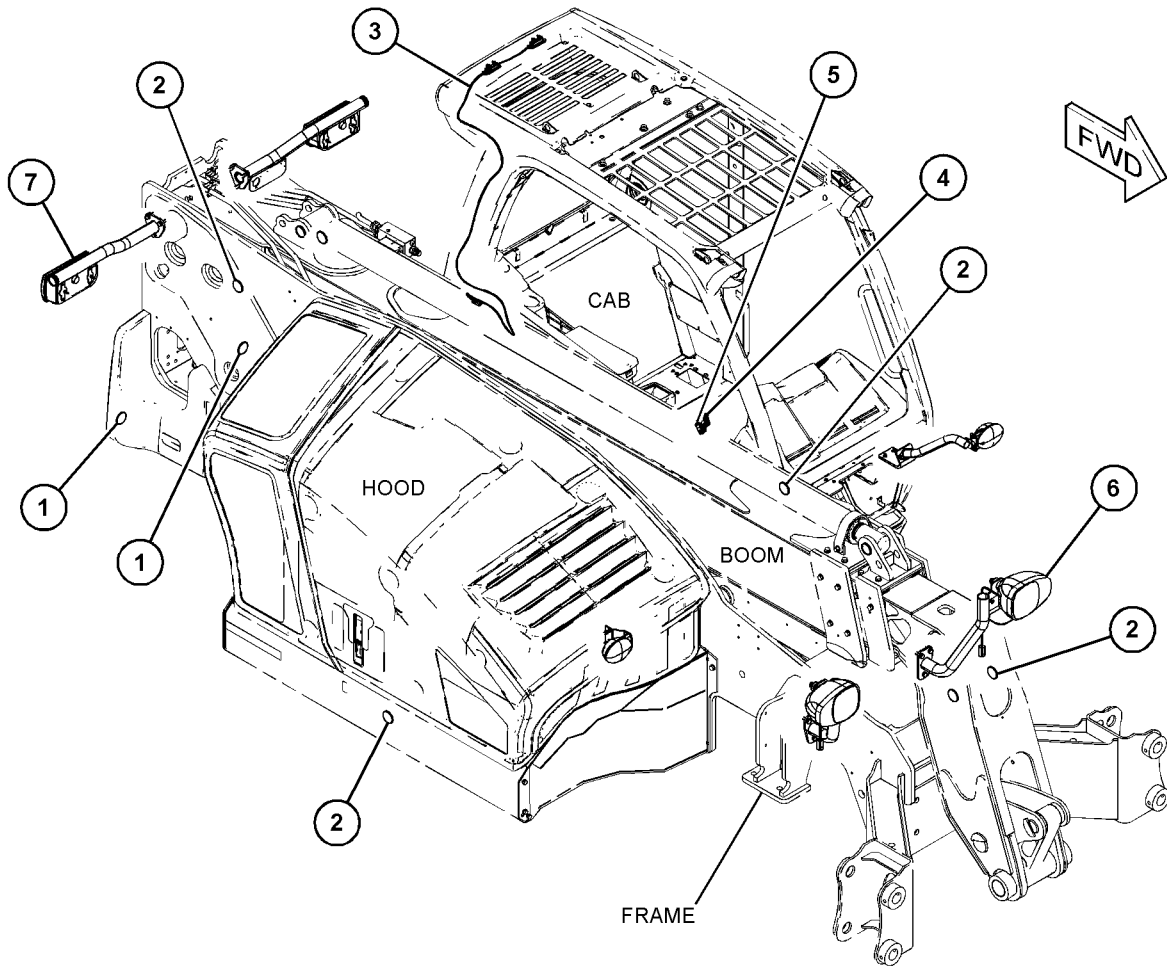
S/N: TH21-UP; TH31-UP
AN ATTACHMENT

SMCS-1429

i07218862

NOTE	REF NO	GRAPHIC REF	PART NUMBER	QTY	PART NAME						SEE PAGE
					1	2	3	4	5	6	
	1	1	329-3634	2	REFLECTOR						
	2	1	329-3635	6	REFLECTOR						
Y	3	1	480-7044	1	LAMP GP-ROADING (LICENSE PLATE)						382
	4	1	495-4597	1	SWITCH AS-ROCKER (HAZARD)						
	5	1	495-4604	1	SWITCH AS-ROCKER (DRIVING LIGHT)						
Y	6	1	501-4200	1	LIGHTING GP-ROADING						397
Y	7	1	501-0762	1	LAMP GP-STOP & TAIL						383

Y - SEPARATE ILLUSTRATION



GRAPHIC #1

<END>

g06055230

ELECTRICAL AND STARTING SYSTEM

432-4133 LIGHTING GP-WARNING

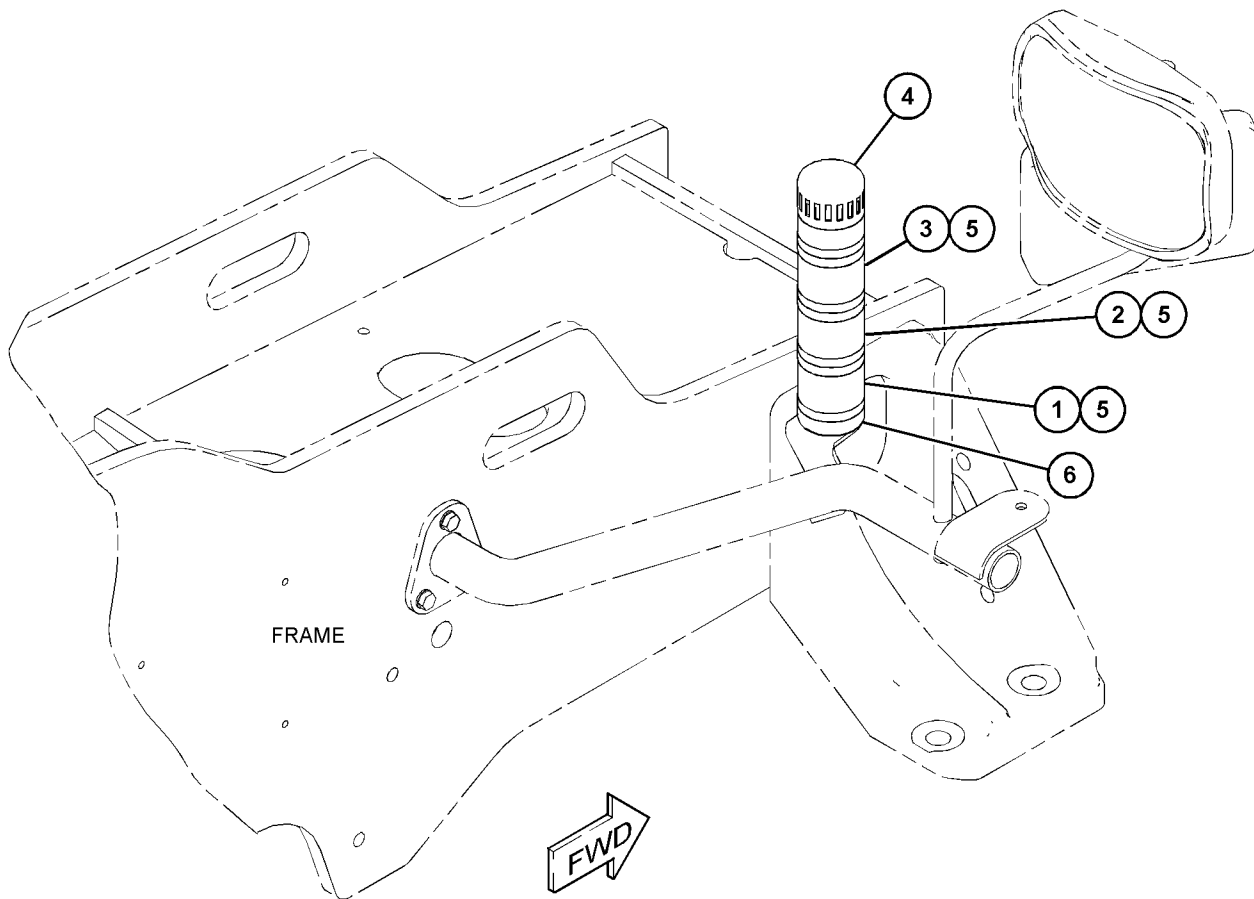
S/N: TH21-UP; TH31-UP

PART OF 496-8320 INSTALLATION GP-WARNING BEACON
AN ATTACHMENT

SMCS-1429, 1431

i05782403

NOTE	REF NO	GRAPHIC REF	PART NUMBER	QTY	PART NAME						SEE PAGE
					1	2	3	4	5	6	
1		1	432-4134	1	LAMP (12-VOLT, 7-WATT) (GREEN)						
2		1	432-4135	1	LAMP (12-VOLT, 7-WATT) (YELLOW)						
3		1	432-4136	1	LAMP (12-VOLT, 7-WATT) (RED)						
4		1	432-4137	1	ALARM						
5		1	432-4138	3	LAMP (12-VOLT, 5-WATT)						
6		1	432-4139	1	TERMINAL						



GRAPHIC #1

<END>

g03668628

ELECTRICAL AND STARTING SYSTEM

495-7659 LIGHTING GP-WARNING-BEACON

S/N: TH21-UP; TH31-UP

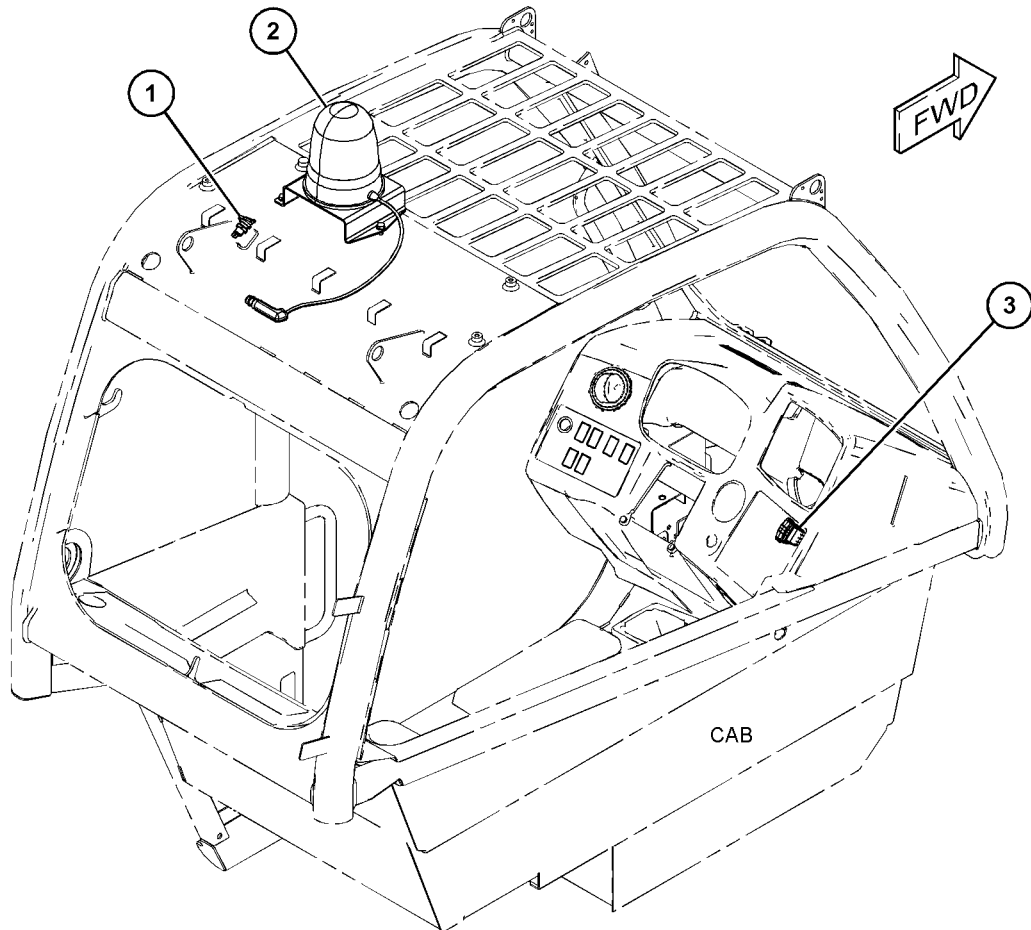
AN ATTACHMENT

SMCS-1429, 1431

i06586877

NOTE	REF NO	GRAPHIC REF	PART NUMBER	QTY	PART NAME						SEE PAGE
					1	2	3	4	5	6 (PRODUCT LEVEL)	
	1	1	317-6379	1	RECEPTACLE AS-POWER						
	2	1	472-7843	1	LAMP GP-WARNING BEACON (12-VOLT, AMBER)						
M		1	8T-4200	3	BOLT (M8X1.25X16-MM)						
		1	8T-4224	3	WASHER-HARD (8.8X16X2-MM THK)						
		1	317-3270	1	LAMP AS (12-VOLT, 55-WATT)						
		1	323-5644	1	LAMP (12-VOLT, 55-WATT) (BEACON)						
		1	472-7844	1	BRACKET						
	3	1	495-7692	1	SWITCH AS-ROCKER						

M - METRIC PART



GRAPHIC #1

<END>

g06037270

ELECTRICAL AND STARTING SYSTEM

464-3477 MODULE & MTG GP-CONTROL

S/N: CJ41-UP

PART OF 441-9720 CONTROL GP-ELECTRONIC

SMCS-1900, 1901, 7610

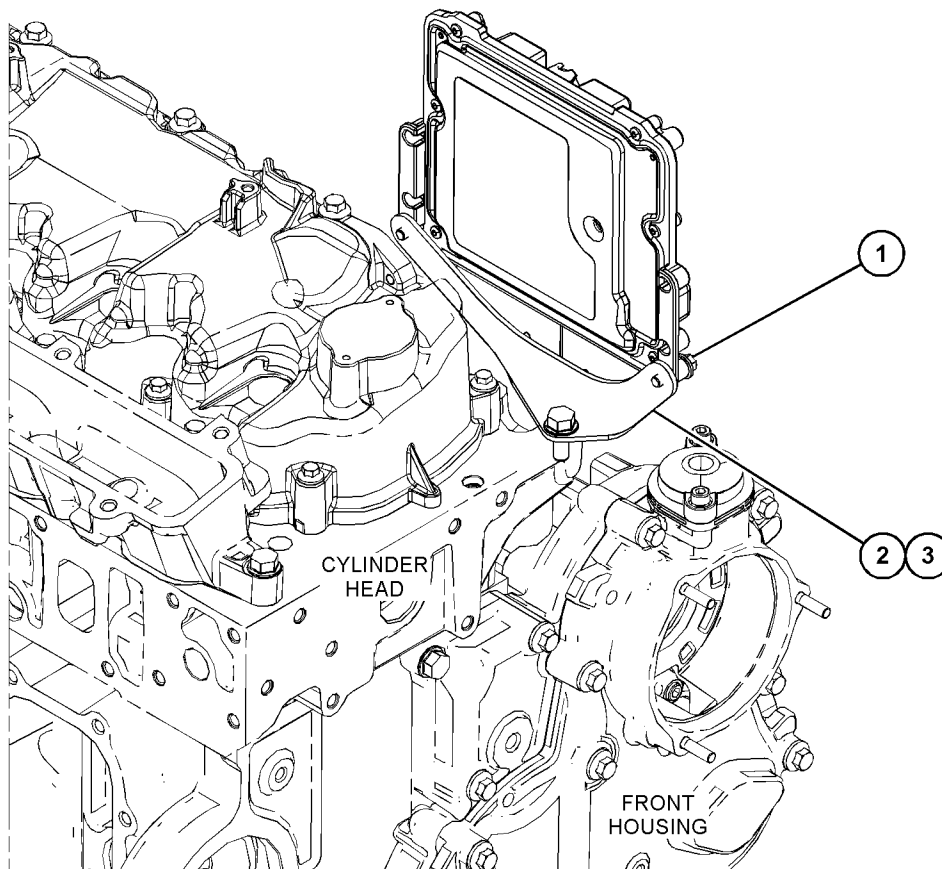
i06252187

NOTE	REF NO	GRAPHIC REF	PART NUMBER	QTY	PART NAME						SEE PAGE
					1	2	3	4	5	6 (PRODUCT LEVEL)	
MR	1	1	100-4838	2	BOLT (M6X1X20-MM)						
	2	1	386-1919	1	BRACKET						
	3	1	389-1874	1	BOLT-SPECIAL						
F			470-8027	1	MODULE AS-CONTROL						
			465-0307	1	CONTROLLER						
			475-6698	1	FILM-IDENTIFICATION (ECU)						

F - NOT SHOWN

M - METRIC PART

R - REMANUFACTURED PART MAY BE AVAILABLE



GRAPHIC #1

<END>

g03820786

ELECTRICAL AND STARTING SYSTEM

415-7949 MOUNTING GP-CONTROL

S/N: W231-UP

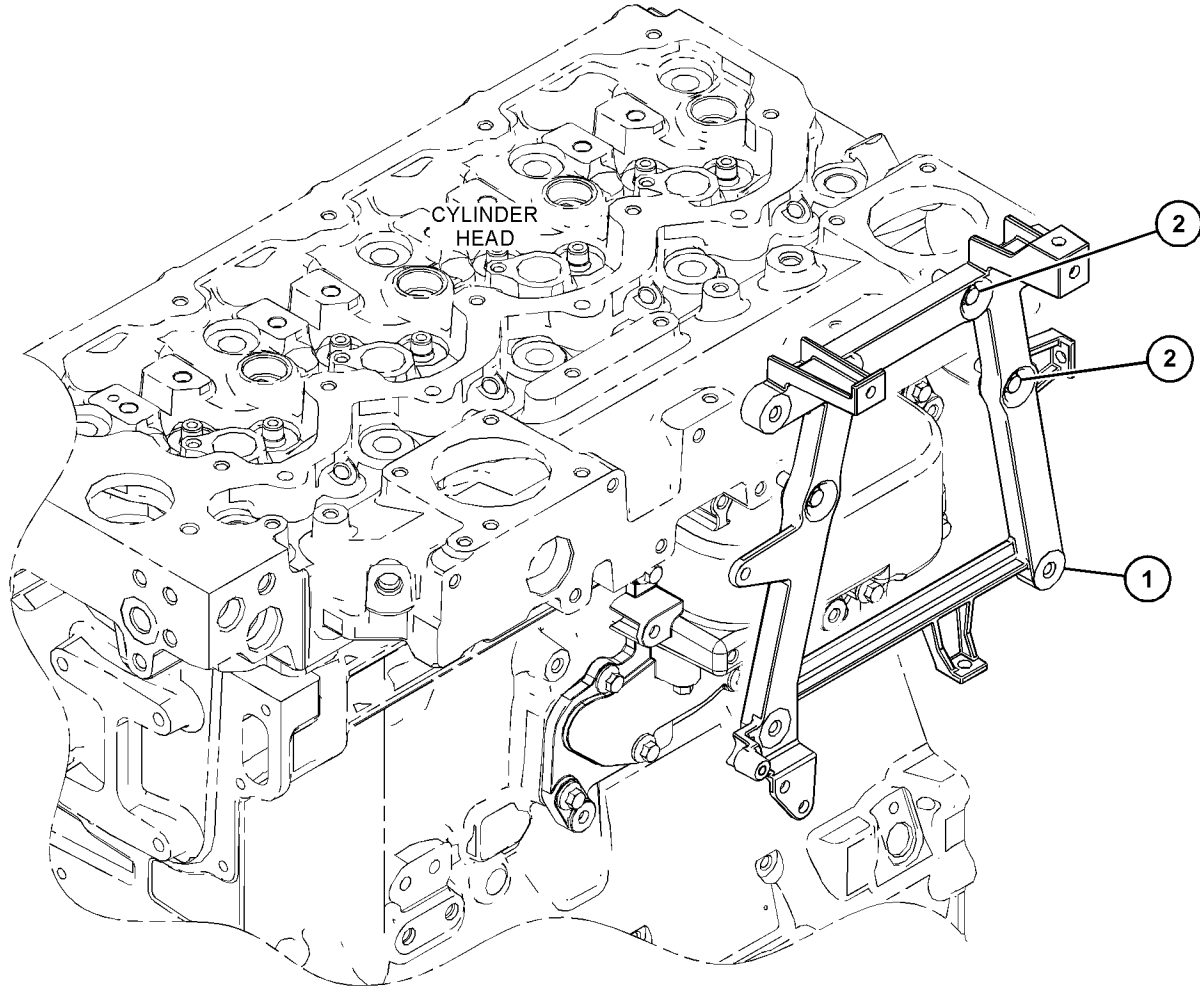
PART OF 463-8848, 463-8910 ENGINE AR-PRIMARY

SMCS-1901

i06138417

NOTE	REF NO	GRAPHIC REF	PART NUMBER	QTY	PART NAME						SEE PAGE
					1	2	3	4	5	6 (PRODUCT LEVEL)	
	1	1	425-9955	1	BRACKET						
M	2	1	6I-0572	4	BOLT (M8X1.25X20-MM)						

M - METRIC PART



GRAPHIC #1

<END>

g03818841

ELECTRICAL AND STARTING SYSTEM

495-4594 PANEL GP-SWITCH

S/N: TH21-UP

PART OF 507-9544, 507-9545 CAB AR
AN ATTACHMENT

SMCS-1408, 7451

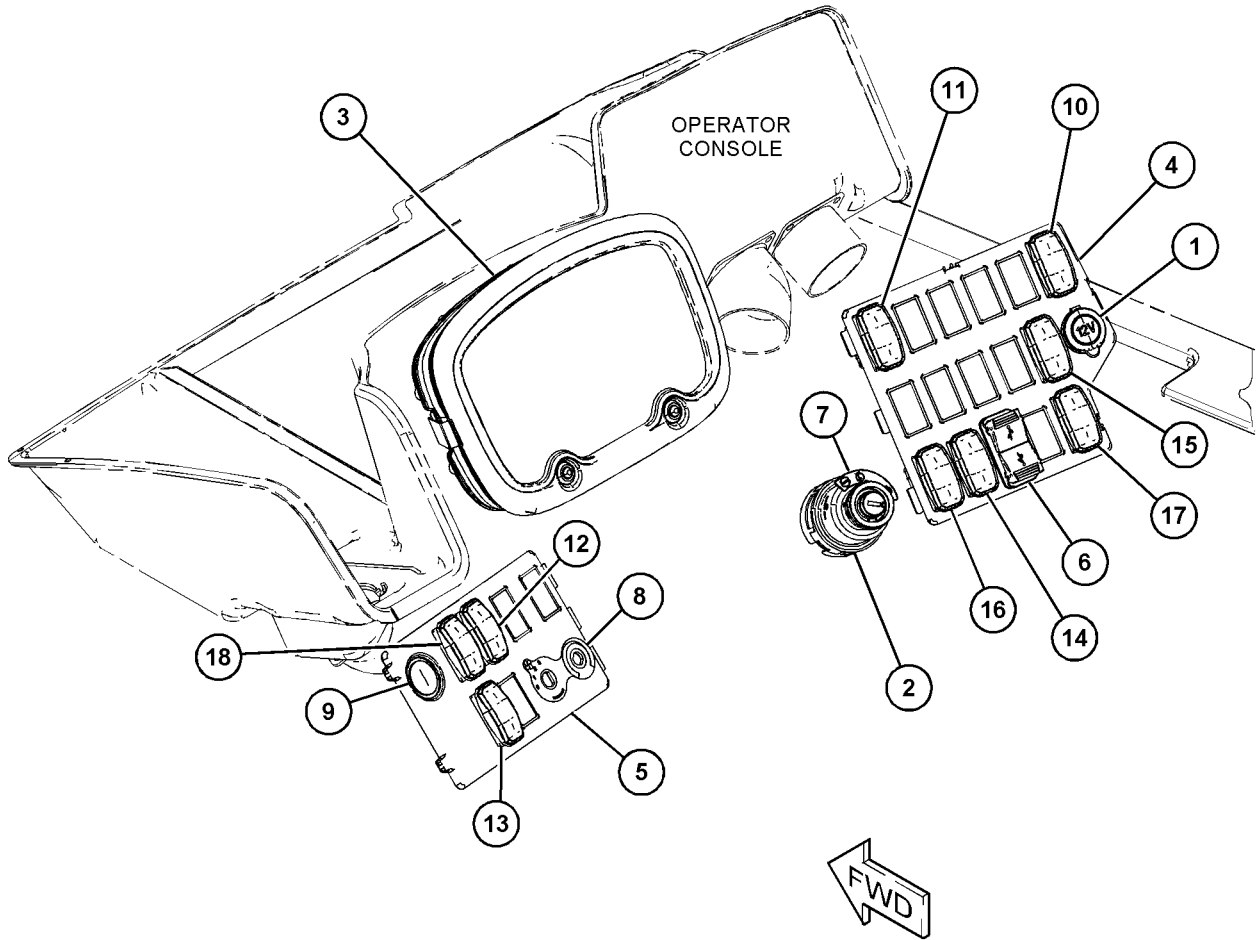
i07003476

NOTE	REF NO	GRAPHIC REF	PART NUMBER	QTY	PART NAME						SEE PAGE
					1	2	3	4	5	6 (PRODUCT LEVEL)	
	1	1	323-5605	1	RECEPTACLE-POWER						
	2	1	325-4927	1	SWITCH-IGNITION						
	3	1	473-4953	1	GAUGE GP-CLUSTER						
	4	1	535-6691	1	PANEL AS-SWITCH (RH)						
		1	473-4956	1	PANEL-SWITCH (RH)						
		1	474-6092	7	CLIP						
5		1	<i>535-6692</i>	1	PANEL AS-SWITCH (LH)						
		1	473-4957	1	PANEL-SWITCH (LH)						
		1	474-6092	4	CLIP						
6		1	495-4595	1	SWITCH AS (USB CHARGER)						
7		1	497-5476	1	FILM-IDENTIFICATION (IGNITION SWITCH)						
8		1	484-1477	1	FILM-IDENTIFICATION (HVAC)						
9		1	495-4596	1	PLUG						
10		1	495-4597	1	SWITCH AS-ROCKER (HAZARD)						
11		1	495-4598	1	SWITCH AS-ROCKER (FOG LIGHT)						
12		1	495-4599	1	SWITCH AS-ROCKER (AUXILIARY CONTROL)						
13		1	495-4600	1	SWITCH AS-ROCKER (OVERRIDE)						
14		1	495-4601	1	SWITCH AS-ROCKER (ROADING)						
15		1	495-4602	1	SWITCH AS-ROCKER (AUXILIARY, DECOMPRESSION)						
16		1	495-4603	1	SWITCH AS-ROCKER (STEERING MODE)						
17		1	495-4604	1	SWITCH AS-ROCKER (DRIVING LIGHT)						
18		1	495-4605	1	SWITCH AS-ROCKER (LOADER)						

ELECTRICAL AND STARTING SYSTEM

495 - 4594 PANEL GP-SWITCH (contd.)

i07003476



GRAPHIC #1

<END>

g06103969

ELECTRICAL AND STARTING SYSTEM

492-5086 SENSOR & MOUNTING GP-HITCH

S/N: TH21-UP

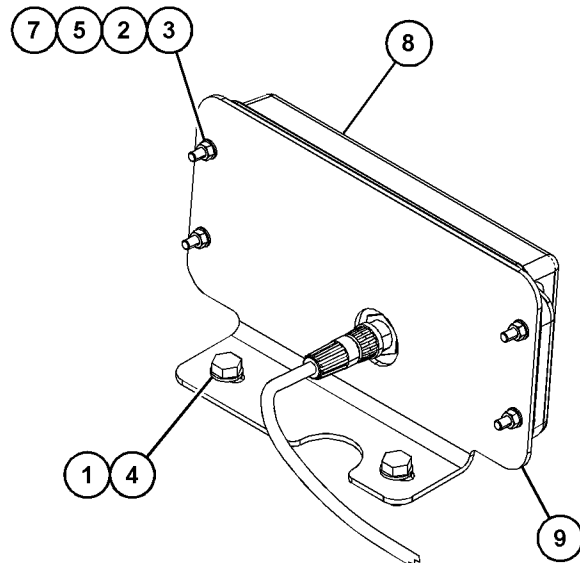
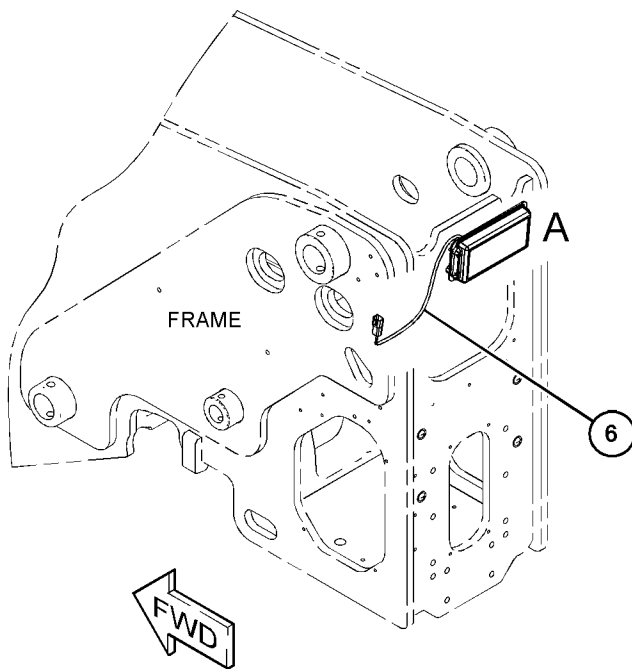
CANNOT BE USED WITH 497-9632-PAGE: 411
AN ATTACHMENT

SMCS-1408, 1439, 1906, 1907, 1912, 1917, 191N, 1923,
1924, 430S, 7400

i06586862

NOTE	REF NO	GRAPHIC REF	PART NUMBER	QTY	PART NAME						SEE PAGE
					1	2	3	4	5	6 (PRODUCT LEVEL)	
M	1	1	8T-4189	2	BOLT (M8X1.25X20-MM)						
M	2	1	303-4777	4	NUT (M5X0.8-THD)						
	3	1	309-3996	4	WASHER (5.3X12.5X5-MM THK)						
	4	1	8T-4224	2	WASHER-HARD (8.8X16X2-MM THK)						
M	5	1	096-5969	4	BOLT-SOCKET HEAD (M5X0.8X25-MM)						
	6	1	488-9824	1	HARNESS AS-SENSOR						
		1	303-4969	4	PIN-CONNECTOR (16-GA TO 20-GA)						
		1	323-7237	1	RECEPTACLE (4-PIN)						
	7	1	473-9386	4	WASHER (8.4X18X1.5-MM THK)						
	8	1	473-7701	1	SENSOR GP-OBJECT DETECTION						
	9	1	492-4992	1	BRACKET						

M - METRIC PART



VIEW OF AREA A

GRAPHIC #1

<END>

g06049102

ELECTRICAL AND STARTING SYSTEM

495-8471 SENSOR & MOUNTING GP-BOOM ANGLE

S/N: TH21-UP; TH31-UP

PART OF 505-5252 BOOM & CHASSIS AR

SMCS-1408, 1439, 1906, 1907, 1912, 1917, 191N, 1923,
1924, 430S, 7400

i06603202

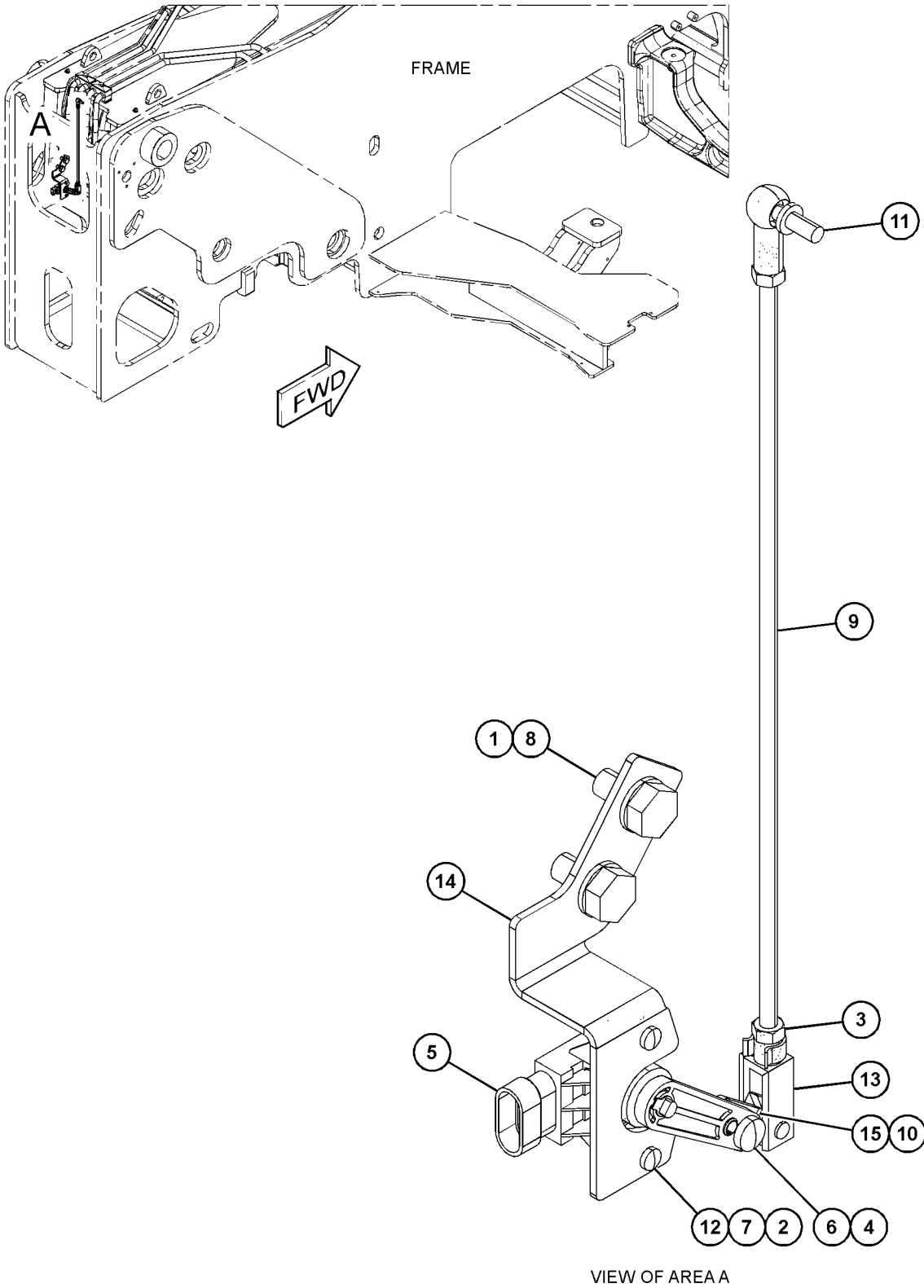
NOTE	REF NO	GRAPHIC REF	PART NUMBER	QTY	PART NAME						SEE PAGE
					1	2	3	4	5	6 (PRODUCT LEVEL)	
M	1	1	8T-4137	2	BOLT (M10X1.5X20-MM)						
M	2	1	178-9983	2	LOCKNUT (M4X0.7-THD)						
M	3	1	5C-2890	2	NUT (M6X1-THD)						
	4	1	303-4779	1	LOCKNUT (M6X1-THD)						
	5	1	329-3638	1	SENSOR (BOOM ANGLE)						
M	6	1	095-0742	1	SCREW-MACHINE (M6X1X16-MM)						
	7	1	5W-5038	2	WASHER (4.3X9X0.8-MM THK)						
	8	1	8T-4121	2	WASHER-HARD (11X21X2.5-MM THK)						
	9	1	495-8474	1	ROD						
	10	1	331-1571	1	PIN-ROLL						
	11	1	331-1572	1	BALL JOINT						
	12	1	281-1784	2	SCREW-PAN HEAD (M4X0.7X16-MM)						
	13	1	454-4678	1	CLEVIS						
	14	1	495-8472	1	BRACKET						
	15	1	495-8473	1	LINK						

M - METRIC PART

ELECTRICAL AND STARTING SYSTEM

495-8471 SENSOR & MOUNTING GP (contd.)

i06603202



GRAPHIC #1

<END>

g06049532

ELECTRICAL AND STARTING SYSTEM

496-8307 SENSOR & MOUNTING GP

S/N: TH21-UP; TH31-UP

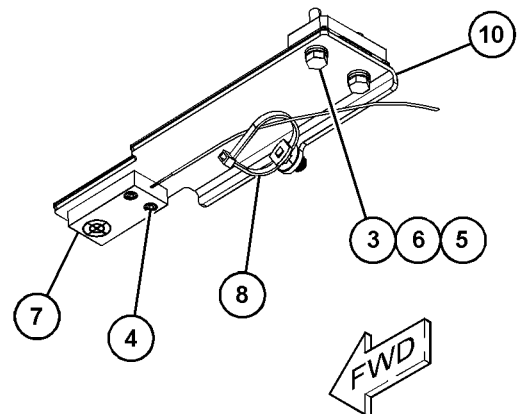
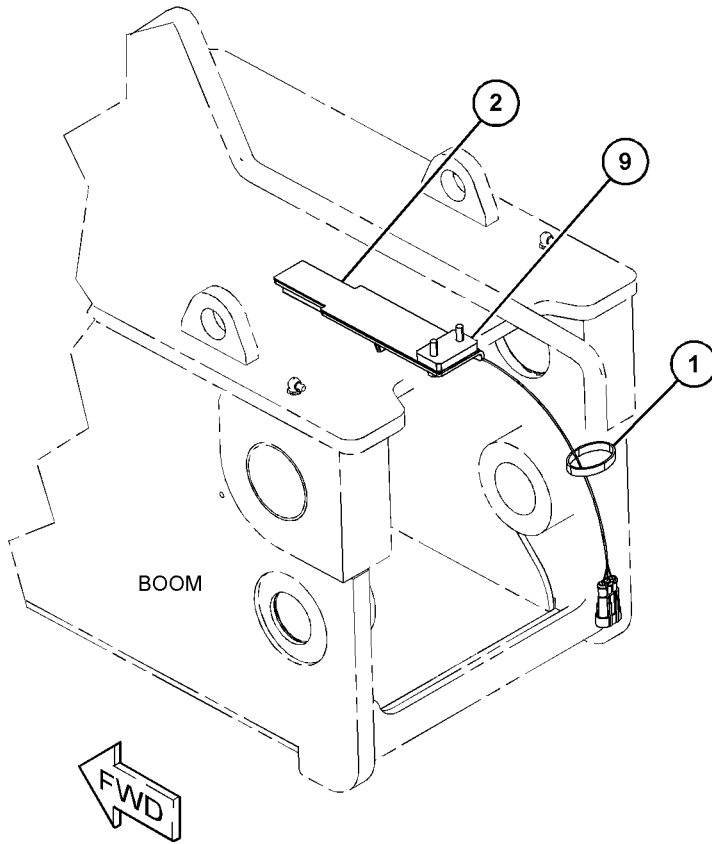
PART OF 505-5252 BOOM & CHASSIS AR

SMCS-1408, 1439, 1906, 1907, 1912, 1917, 191N, 1923,
1924, 430S, 7400

i06834550

NOTE	REF NO	GRAPHIC REF	PART NUMBER	QTY	PART NAME						SEE PAGE
					1	2	3	4	5	6 (PRODUCT LEVEL)	
	1	1	7K-1181	1	STRAP-CABLE						
B	2	1	492-2133	1	SHIM						
M	3	1	8T-4971	2	BOLT (M6X1X30-MM)						
	4	1	454-4171	2	SCREW						
	5	1	8T-4205	2	WASHER-HARD (7.2X14.5X2-MM THK)						
	6	1	303-4787	2	WASHER (6.1X11.8X1.6-MM THK)						
	7	1	378-9703	1	SENSOR AS (PROXIMITY)						
	8	1	455-3027	1	TIE-CABLE						
	9	1	496-8308	1	PLATE						
	10	1	522-4418	1	BRACKET						

B - USE AS REQUIRED
M - METRIC PART



(VIEWED FROM BOTTOM)

GRAPHIC #1

<END>

g06043970

ELECTRICAL AND STARTING SYSTEM

496-8309 SENSOR & MOUNTING GP

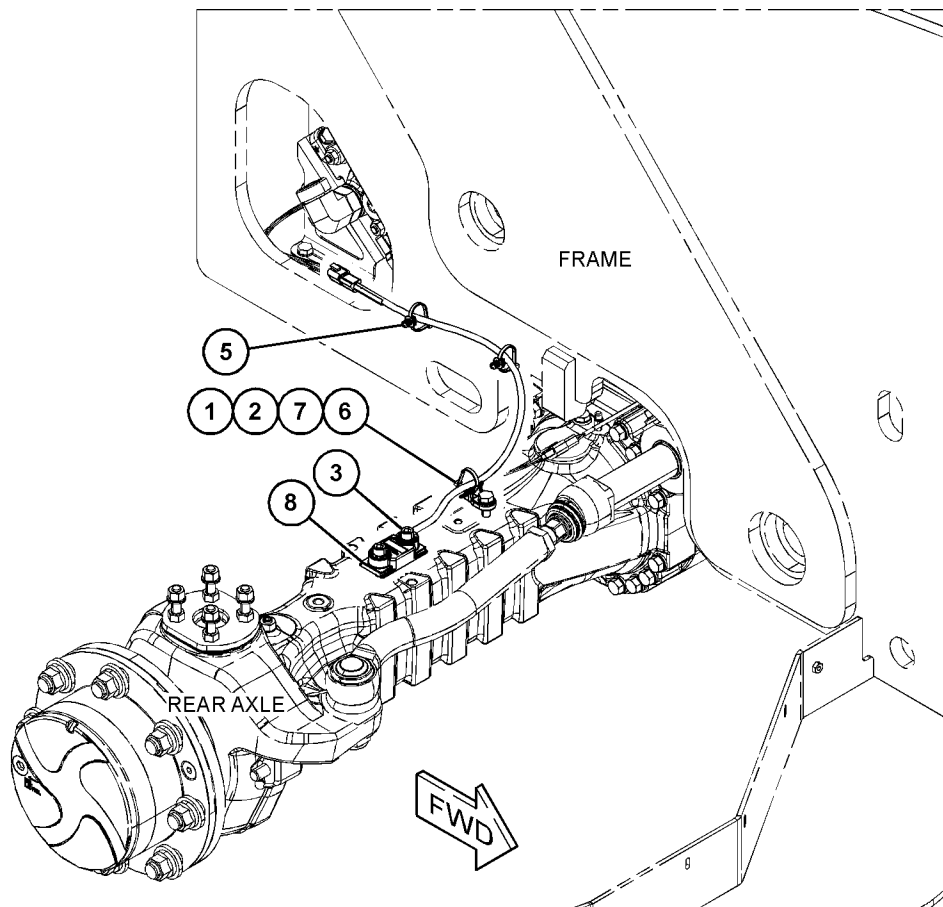
S/N: TH21-UP; TH31-UP
PART OF 503-1701 INDICATOR GP-LOAD
AN ATTACHMENT

SMCS-1408, 1439, 1906, 1907, 1912, 1917, 191N, 1923,
1924, 430S, 7400

i06645734

NOTE	REF NO	GRAPHIC REF	PART NUMBER	QTY	PART NAME						SEE PAGE
					1	2	3	4	5	6 (PRODUCT LEVEL)	
M	1	1	8T-4136	1	BOLT (M10X1.5X25-MM)						
	2	1	8T-4121	1	WASHER-HARD (11X21X2.5-MM THK)						
M	3	1	105-3478	2	BOLT-SOCKET HEAD (M10X1.5X35-MM)						
	5	1	455-3027	2	TIE-CABLE						
	6	1	473-8975	1	MOUNT						
	7	1	206-1345	1	STRAP-CABLE						
	8	1	452-7079	1	SENSOR (AXLE LOCK)						

M - METRIC PART



GRAPHIC #1

<END>

g06065480

ELECTRICAL AND STARTING SYSTEM

497-9632 SENSOR & MOUNTING GP-REVERSE

S/N: TH21-UP; TH31-UP

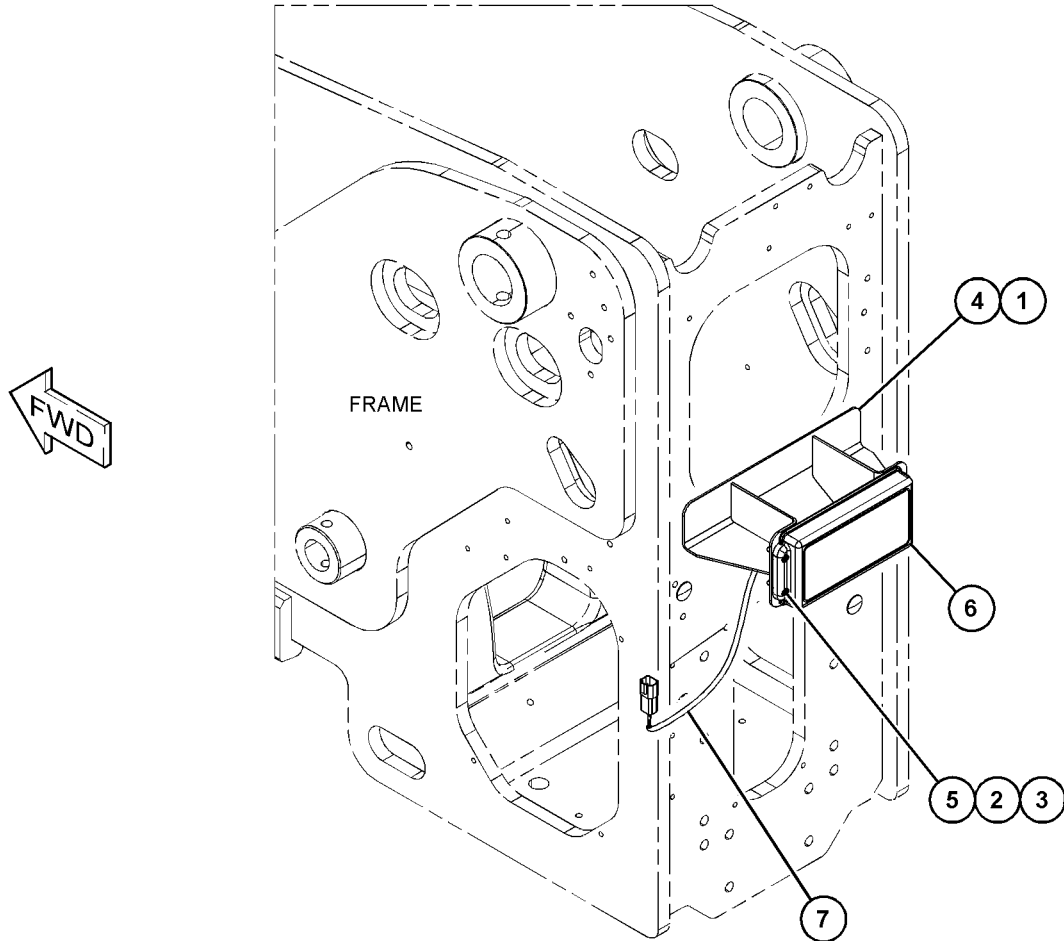
**CANNOT BE USED WITH HYDRAULIC TOW HITCH
AN ATTACHMENT**

**SMCS-1408, 1439, 1906, 1907, 1912, 1917, 191N, 1923,
1924, 430S, 7400**

i07047603

NOTE	REF NO	GRAPHIC REF	PART NUMBER	QTY	PART NAME						SEE PAGE
					1	2	3	4	5	6 (PRODUCT LEVEL)	
	1	1	473-9386	4	WASHER (8.4X18X1.5-MM THK)						
M	2	1	5C-2874	4	NUT (M5X0.8-THD)						
	3	1	8T-0328	4	WASHER-HARD (5.5X10X1-MM THK)						
	4	1	497-9633	1	BRACKET AS						
M	5	1	096-5969	4	BOLT-SOCKET HEAD (M5X0.8X25-MM)						
	6	1	473-7701	1	SENSOR GP-OBJECT DETECTION (REVERSE)						
	7	1	488-9824	1	HARNESS AS-SENSOR (REVERSE)						
		1	303-4969	4	PIN-CONNECTOR (16-GA TO 20-GA)						
		1	323-7237	1	RECEPTACLE (4-PIN)						

M - METRIC PART



GRAPHIC #1

<END>

g06209346

ELECTRICAL AND STARTING SYSTEM

441-9798 SENSOR GP

S/N: CJ41-UP

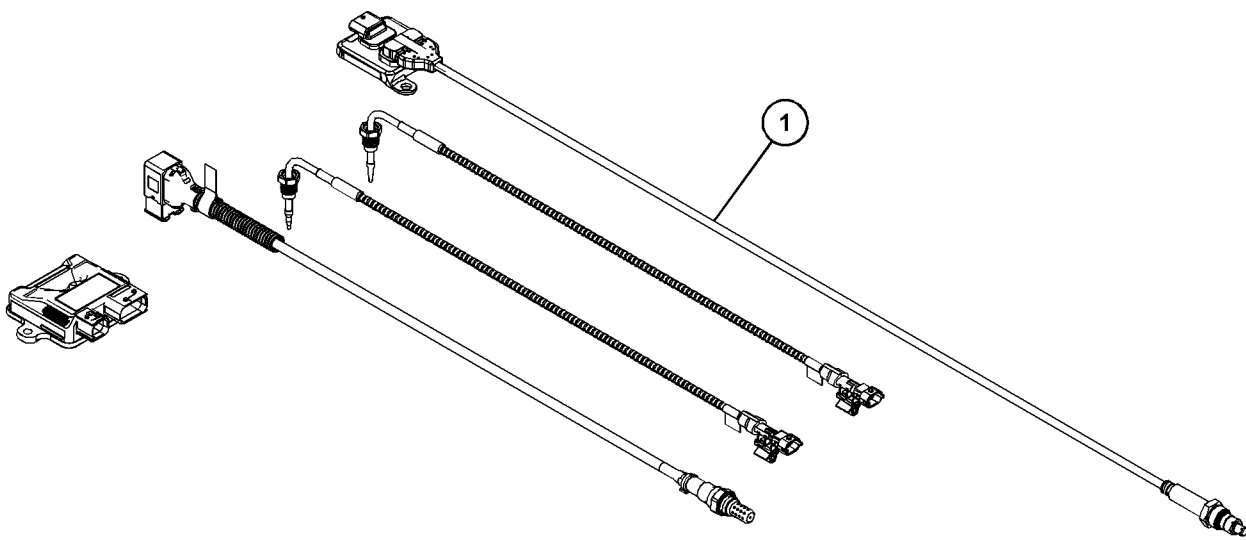
PART OF 465-2880 ENGINE AR-PRIMARY

SMCS-1408, 1901

i06252244

NOTE	REF NO	GRAPHIC REF	PART NUMBER	QTY	PART NAME						SEE PAGE
					1	2	3	4	5	6 (PRODUCT LEVEL)	
Y	1	1	465-8761	1	SENSOR GP (CLEAN EMISSIONS MODULE) (EXHAUST TEMPERATURE)						413

Y - SEPARATE ILLUSTRATION



GRAPHIC #1

<END>

g03817431

ELECTRICAL AND STARTING SYSTEM

465-8761 SENSOR GP

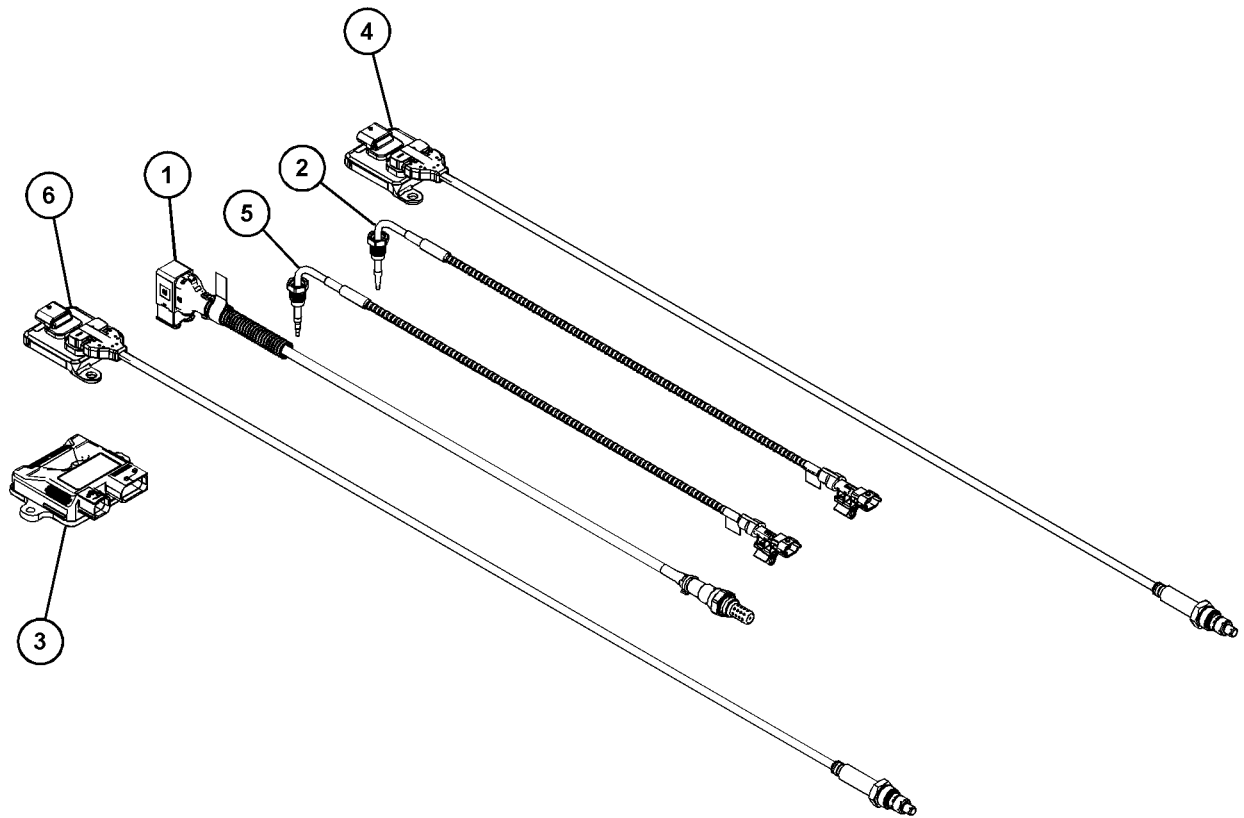
S/N: CJ41-UP

PART OF 441-9798 SENSOR GP

SMCS-1408, 1901

i07155919

NOTE	REF NO	GRAPHIC REF	PART NUMBER	QTY	PART NAME						SEE PAGE
					1	2	3	4	5	6 (PRODUCT LEVEL)	
	1	1	450-7212	1	SENSOR AS-AMMONIA						
	2	1	450-7214	1	SENSOR AS-TEMPERATURE (SCR INLET)						
	3	1	450-7215	1	CONTROLLER AS						
	4	1	461-5511	1	SENSOR AS-NITROGEN OXIDE (DOWNSTREAM)						
	5	1	461-5573	1	SENSOR AS-TEMPERATURE (DOC INLET)						
	6	1	461-5585	1	SENSOR-NITROGEN OXIDE (UPSTREAM)						



GRAPHIC #1

<END>

g06139512

ELECTRICAL AND STARTING SYSTEM

428-8196 SENSOR GP-COMBUSTION

S/N: JKT1-UP

SENSOR

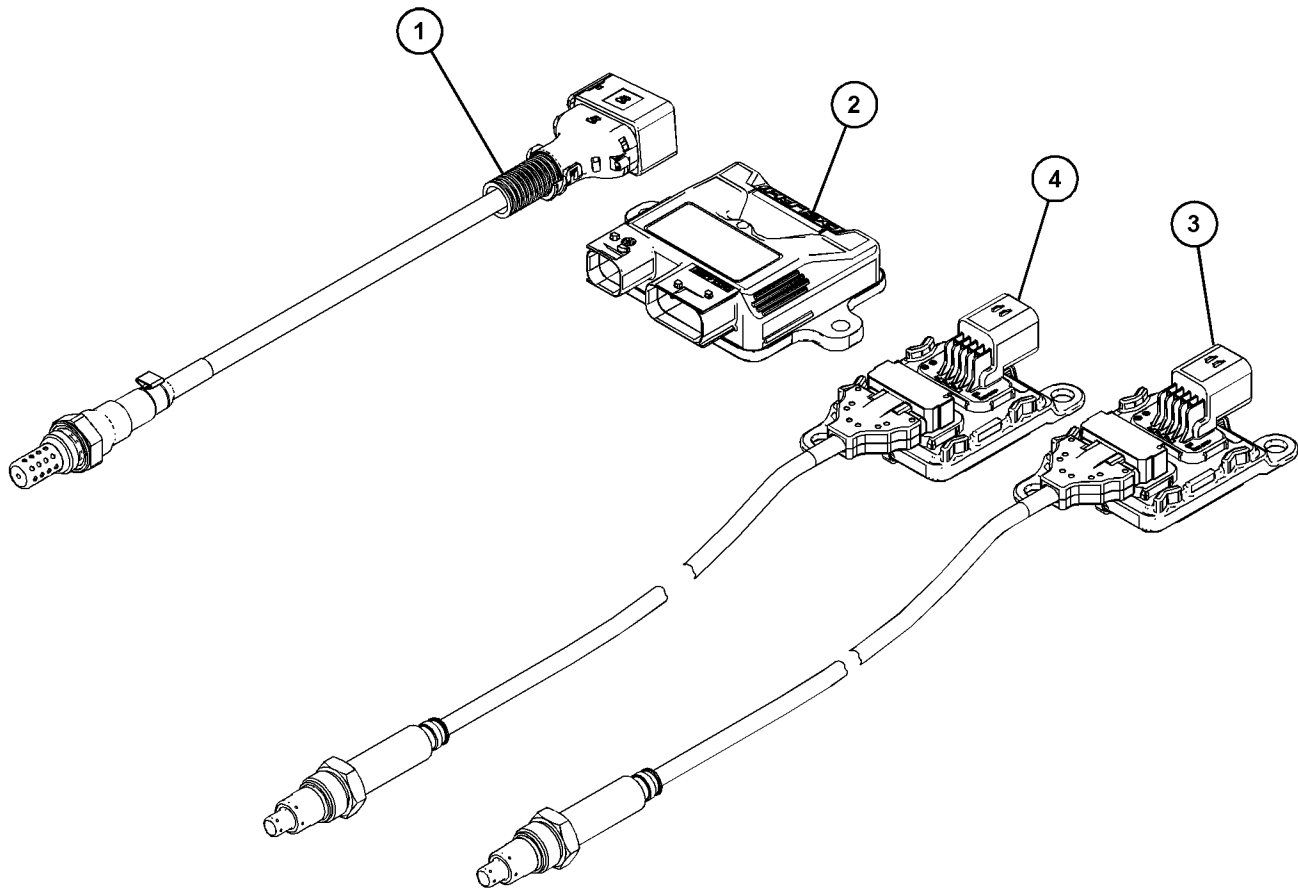
PART OF 464-2307, 464-2308 ENGINE AR-PRIMARY

ALSO AN ATTACHMENT

SMCS-1563

i06243789

NOTE	REF NO	GRAPHIC REF	PART NUMBER	QTY	PART NAME						SEE PAGE
					1	2	3	4	5	6 (PRODUCT LEVEL)	
	1	1	421-7786	1	SENSOR AS-AMMONIA (EXHAUST GAS)						
	2	1	421-7787	1	CONTROLLER AS						
	3	1	441-5129	1	SENSOR AS-NITROGEN OXIDE (ENGINE OUTPUT)						
	4	1	441-5130	1	SENSOR AS-NITROGEN OXIDE (EXHAUST PIPE OUT)						



GRAPHIC #1

<END>

g06011263

ELECTRICAL AND STARTING SYSTEM

425-9760 SENSOR GP-ENGINE

S/N: W231-UP

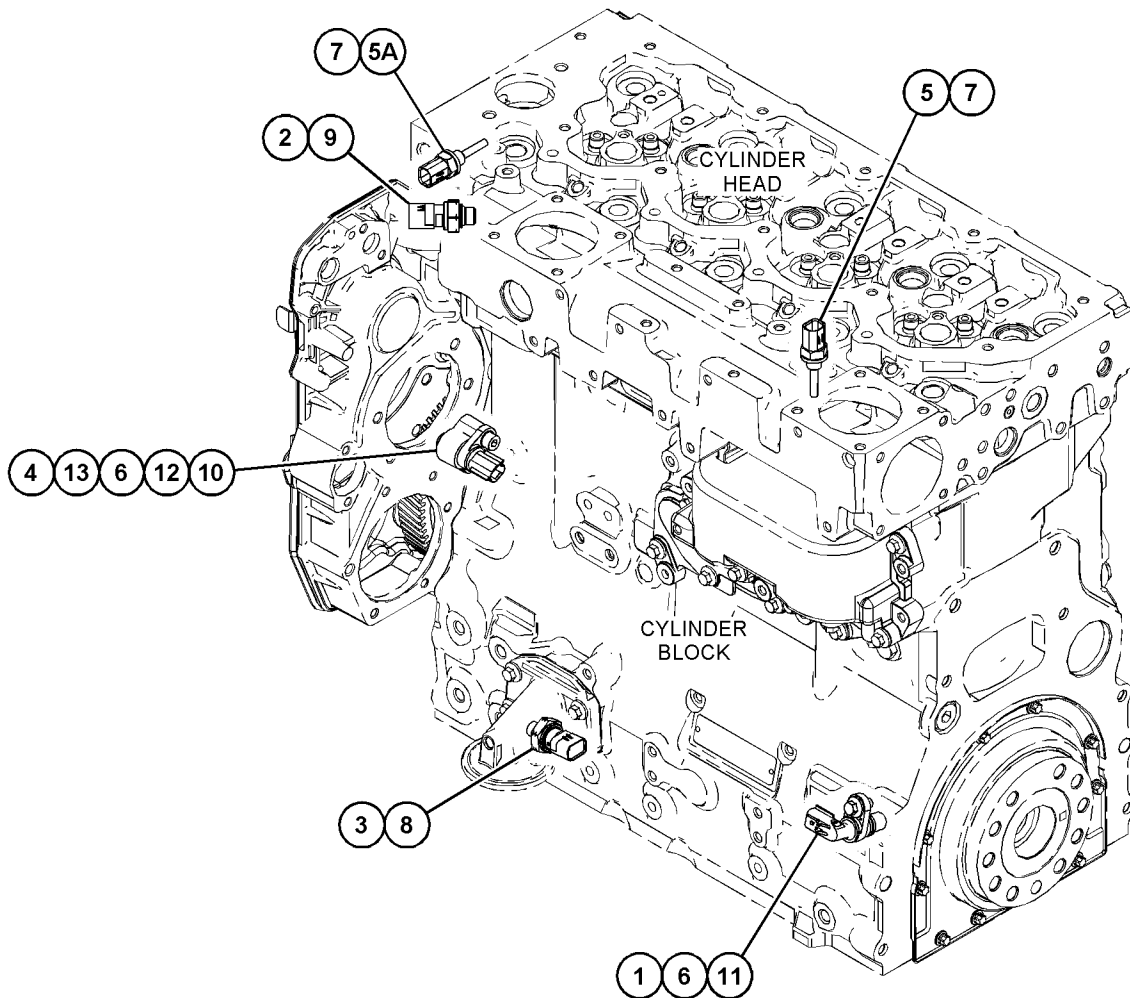
PART OF 463-8848, 463-8910 ENGINE AR-PRIMARY

SMCS-1439

i06120205

NOTE	REF NO	GRAPHIC REF	PART NUMBER	QTY	PART NAME						SEE PAGE
					1	2	3	4	5	6	
M	1	1	124-3815	1	BOLT (M8X1.25X16-MM)						
	2	1	199-9252	1	SEAL-O-RING						
	3	1	199-9267	1	SEAL-O-RING						
	4	1	206-1826	1	BOLT						
	5	1	238-0112	1	SENSOR GP-TEMPERATURE (ENGINE COOLANT)						
	5A	1	238-0112	1	SENSOR GP-TEMPERATURE (ENGINE COOLANT)						
	6	1	274-1639	2	SEAL						
	7	1	278-5226	2	SEAL-O-RING						
	8	1	320-3060	1	SENSOR GP-PRESSURE (ENGINE OIL)						
	9	1	320-3062	1	SENSOR GP-PRESSURE (INLET MANIFOLD AIR)						
	10	1	384-3887	1	SENSOR GP-SPEED						
	11	1	384-3888	1	SENSOR GP-SPEED						
	12	1	425-9111	1	ADAPTER						
M	13	1	8T-1158	1	BOLT-SOCKET HEAD (M8X1.25X20-MM)						

M - METRIC PART



GRAPHIC #1

<END>

g03814927

ELECTRICAL AND STARTING SYSTEM

433-4681 SENSOR GP-ENGINE

S/N: JKT1-UP

PART OF 464-2307, 464-2308 ENGINE AR-PRIMARY
ALSO AN ATTACHMENT

SMCS-1439

i07213657

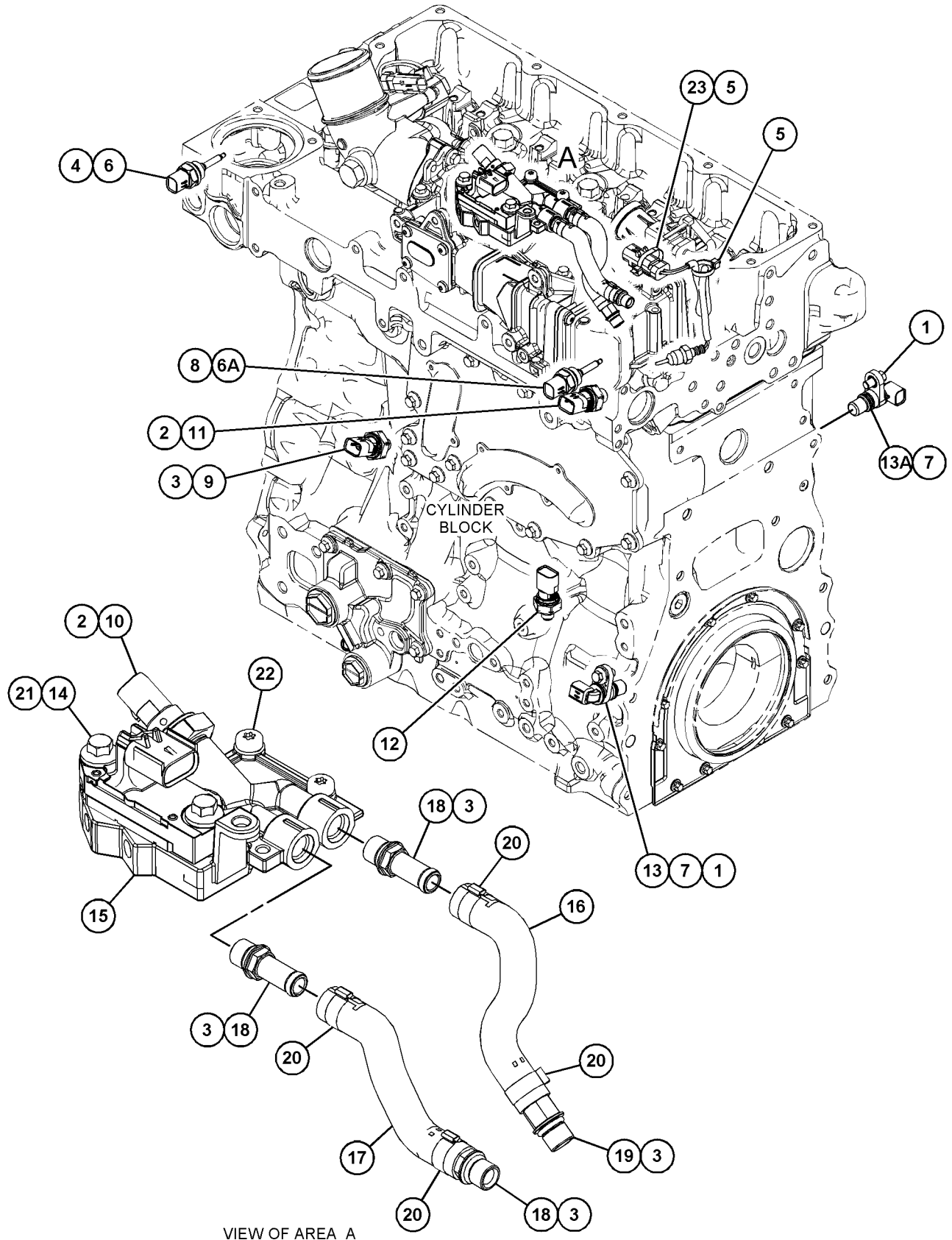
NOTE	REF NO	GRAPHIC REF	PART NUMBER	QTY	PART NAME	SEE PAGE
					1 2 3 4 5 6 (PRODUCT LEVEL)	
M	1	1	124-3815	2	BOLT (M8X1.25X16-MM)	
	2	1	199-9252	2	SEAL-O-RING	
	3	1	199-9267	5	SEAL-O-RING	
	4	1	199-9751	1	SEAL-O-RING	
	5	1	217-9039	2	STRAP-CABLE	
	6	1	256-6454	1	SENSOR-TEMPERATURE (COOLANT)	
	6A	1	256-6454	1	SENSOR-TEMPERATURE (INTAKE MANIFOLD AIR)	
	7	1	274-1639	2	SEAL	
	8	1	276-5603	1	SEAL-O-RING	
	9	1	320-3060	1	SENSOR GP-PRESSURE (ENGINE OIL)	
	10	1	320-3061	1	SENSOR GP-PRESSURE (NRS INLET)	
	11	1	320-3062	1	SENSOR GP-PRESSURE (INTAKE MANIFOLD AIR)	
	12	1	320-3063	1	SENSOR GP-PRESSURE (INTAKE AIR)	
	13	1	238-0120	1	SENSOR GP-SPEED (PRIMARY, TIMING)	
	13A	1	238-0120	1	SENSOR GP-SPEED (SECONDARY, TIMING)	
Y	14	1	385-1174	1	SENSOR GP-PRESSURE (NRS OUTLET)	424
	15	1	432-1403	1	MANIFOLD AS	
J	16	1	<i>466-2880</i>	1	HOSE	
L	17	1	<i>466-2881</i>	1	HOSE	
	18	1	453-6510	3	UNION	
	19	1	453-6997	1	UNION	
	20	1	454-8813	4	CLAMP	
M	21	1	6I-0254	2	BOLT (M8X1.25X30-MM)	
M	22	1	301-7012	4	SCREW-PAN HEAD (M6X1X20-MM)	
	23	1	339-8822	1	SENSOR AS-TEMPERATURE (NOX REDUCTION SYSTEM)	
		1	281-8802	1	RECEPTACLE AS-CONNECTOR (2-PIN)	
AVAILABLE REPAIR KIT(S):						
J			454-3966	1	KIT-HOSE	
L			454-3970	1	KIT-HOSE	

J - KIT MARKED J SERVICES PART(S) MARKED J
L - KIT MARKED L SERVICES PART(S) MARKED L
M - METRIC PART
Y - SEPARATE ILLUSTRATION

ELECTRICAL AND STARTING SYSTEM

433-4681 SENSOR GP-ENGINE (contd.)

i07213657



GRAPHIC #1

<END>

g03848882

ELECTRICAL AND STARTING SYSTEM

441-9700 SENSOR GP-ENGINE

S/N: CJ41-UP

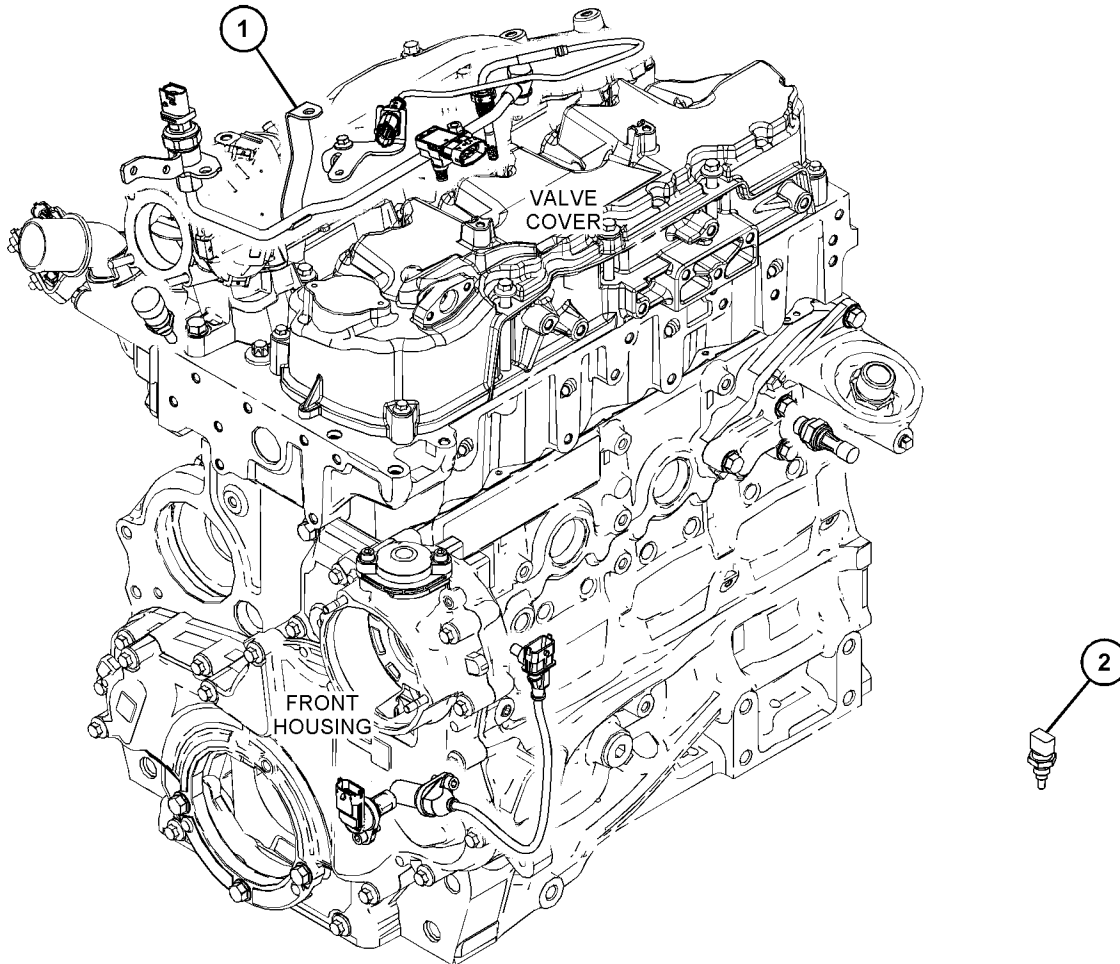
PART OF 465-2880 ENGINE AR-PRIMARY

SMCS-1439

i06252245

NOTE	REF NO	GRAPHIC REF	PART NUMBER	QTY	PART NAME						SEE PAGE
					1	2	3	4	5	6 (PRODUCT LEVEL)	
Y	1	1	464-3491	1	SENSOR GP-ENGINE						419
	2	1	399-8728	1	SENSOR (AMBIENT AIR TEMP)						

Y - SEPARATE ILLUSTRATION



GRAPHIC #1

<END>

g03825990

ELECTRICAL AND STARTING SYSTEM

464-3491 SENSOR GP-ENGINE

S/N: CJ41-UP

PART OF 441-9700 SENSOR GP-ENGINE

SMCS-1439

i06252249

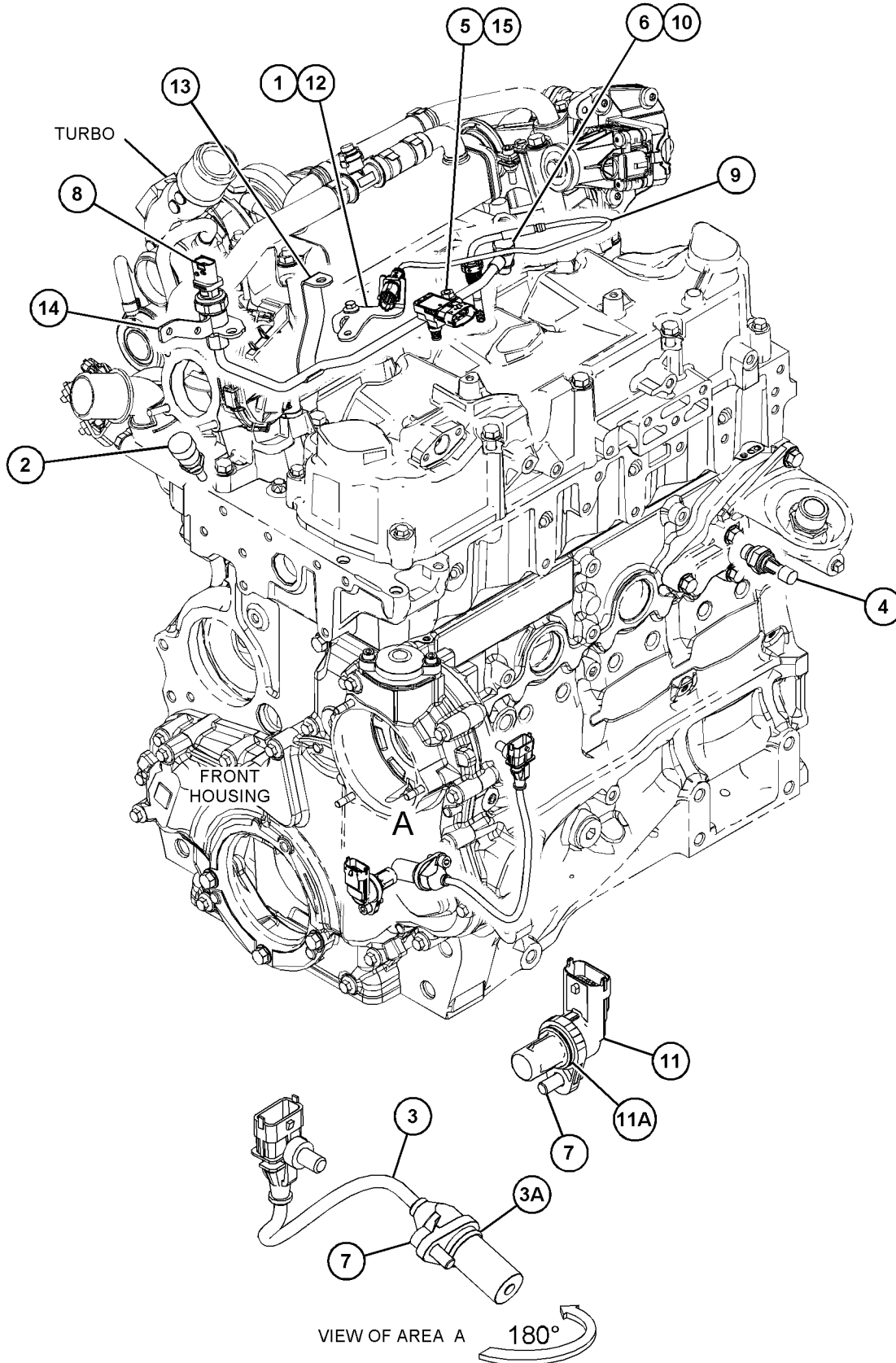
NOTE	REF NO	GRAPHIC REF	PART NUMBER	QTY	PART NAME						SEE PAGE
					1	2	3	4	5	6 (PRODUCT LEVEL)	
M	1	1	6I-0631	1	BOLT (M6X1X12-MM)						
	2	1	373-9526	1	SENSOR-TEMPERATURE (AMBIENT)						
	3	1	386-0153	1	SENSOR-SPEED						
	3A	1	387-7709	1	SEAL						
	4	1	386-0154	1	SWITCH (OIL PRESSURE)						
	5	1	386-0163	1	SENSOR						
	6	1	386-0164	1	SCREW						
	7	1	386-0166	2	SCREW						
	8	1	386-6508	1	SENSOR (PRESSURE)						
	9	1	386-6510	1	SENSOR-TEMPERATURE						
	10	1	393-0900	2	WASHER						
	11	1	435-5717	1	SENSOR (CAMSHAFT)						
	11A	1	392-6032	1	SEAL						
	12	1	465-1034	1	BRACKET						
	13	1	465-1037	1	PIPE AS						
	14	1	465-1038	1	BRACKET AS						
M	15	1	099-6418	1	NUT (M6X1-THD)						

M - METRIC PART

ELECTRICAL AND STARTING SYSTEM

464-3491 SENSOR GP-ENGINE (contd.)

i06252249



GRAPHIC #1

<END>

g03825947

ELECTRICAL AND STARTING SYSTEM

423-6434 SENSOR GP-LIQUID LEVEL

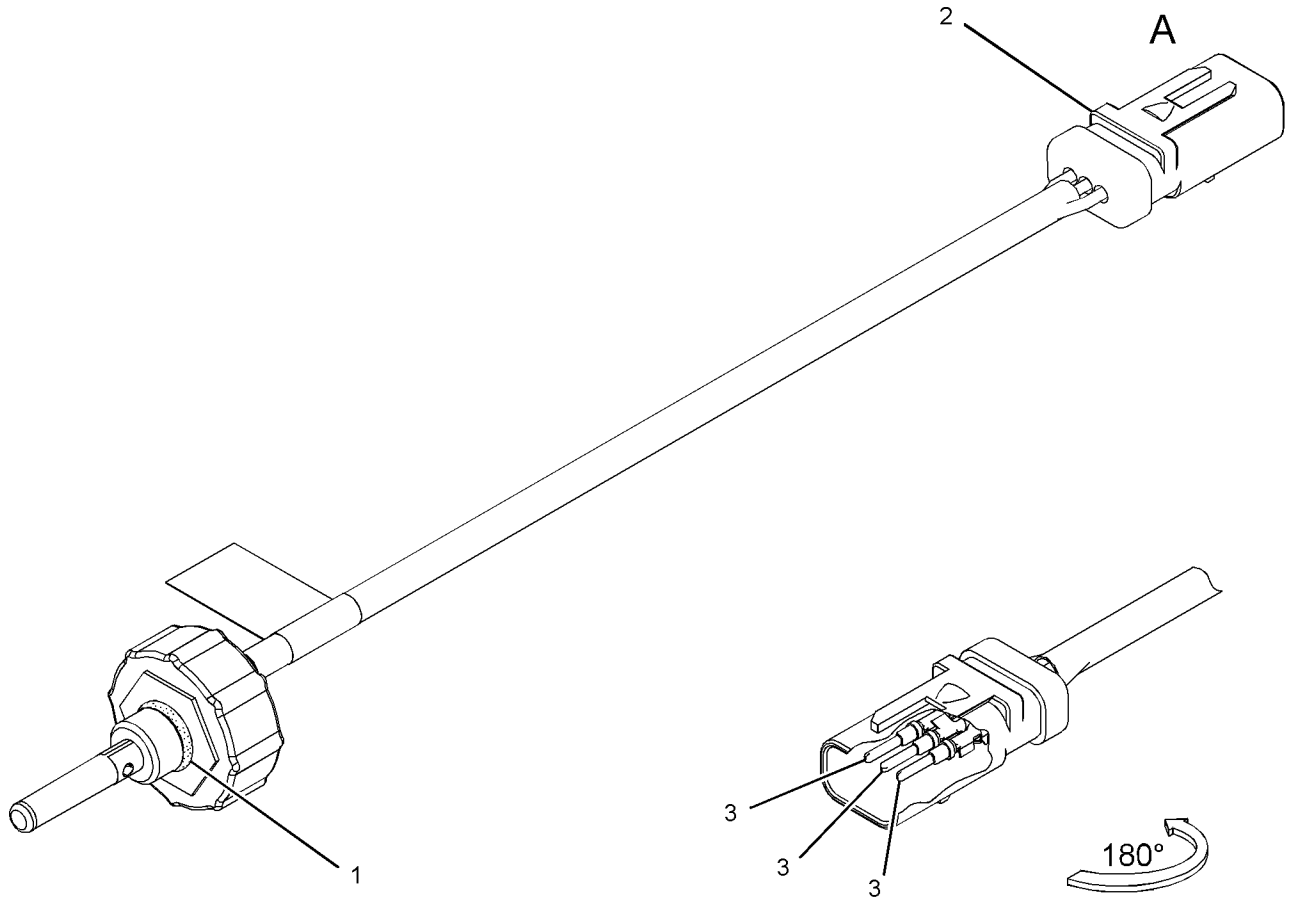
S/N: JKT1-UP

PART OF 361-4302, 483-1002 FILTER GP-WATER SEP & FUEL
ALSO AN ATTACHMENT

SMCS-1439, 7422

i06059531

NOTE	REF NO	GRAPHIC REF	PART NUMBER	QTY	PART NAME						SEE PAGE
					1	2	3	4	5	6 (PRODUCT LEVEL)	
	1	1	214-7568	1	SEAL-O-RING						
	2	1	281-8805	1	RECEPTACLE AS-CONNECTOR						
	3	1	9X-3401	3	PIN-CONNECTOR (16-GA TO 18-GA)						



VIEW OF AREA A

GRAPHIC #1

<END>

g02423836

ELECTRICAL AND STARTING SYSTEM

505-0901 SENSOR GP-LOAD INDICATOR

S/N: TH21-UP; TH31-UP

PART OF 505-0900 INSTALLATION AR-MACHINE
AN ATTACHMENT

SMCS-7400, 7856

i06788463

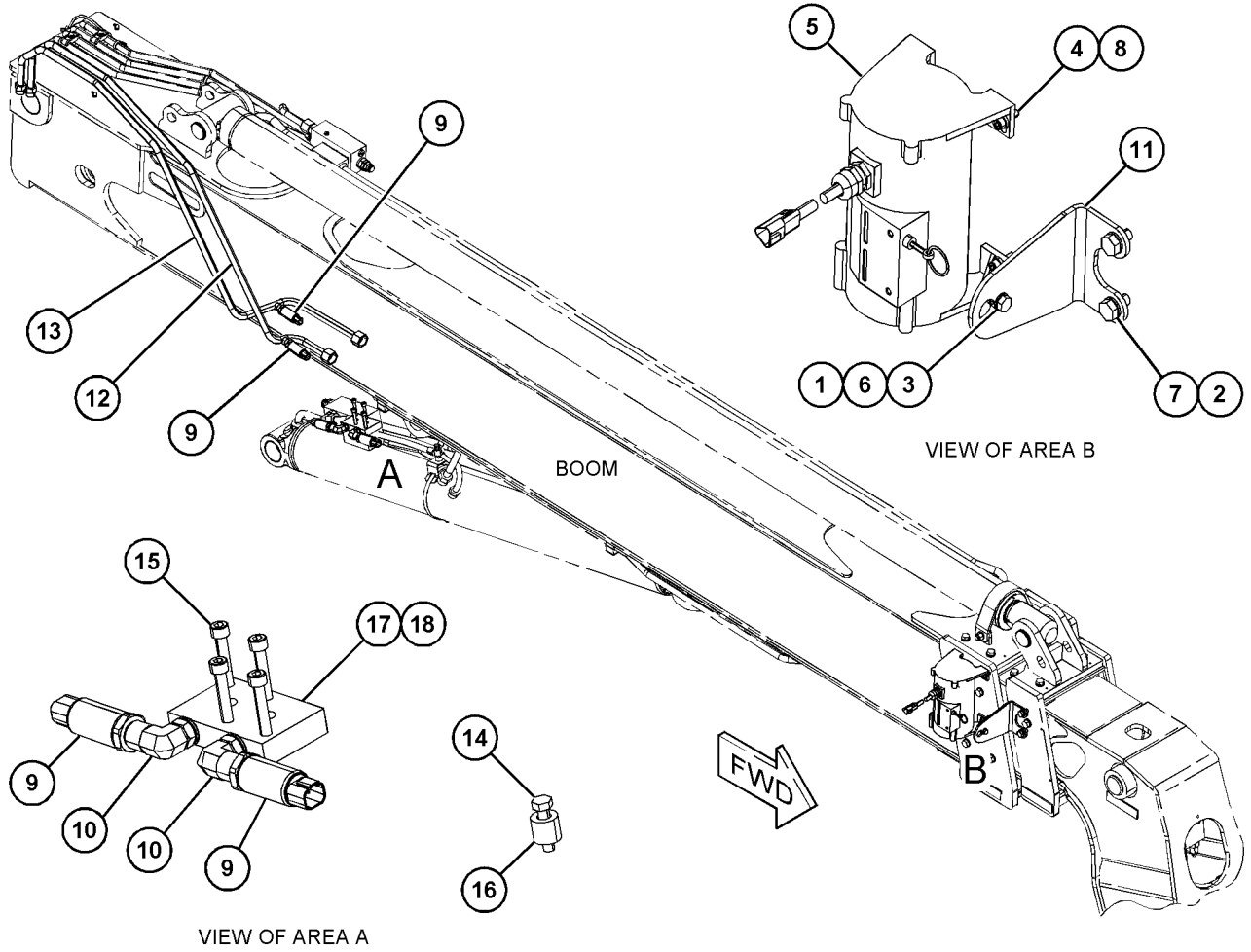
NOTE	REF NO	GRAPHIC REF	PART NUMBER	QTY	PART NAME						SEE PAGE
					1	2	3	4	5	6 (PRODUCT LEVEL)	
M	1	1	8T-4200	1	BOLT (M8X1.25X16-MM)						
M	2	1	8T-4137	2	BOLT (M10X1.5X20-MM)						
M	3	1	5C-7261	1	NUT (M8X1.25-THD)						
M	4	1	105-3487	4	BOLT-SOCKET HEAD (M6X1X20-MM)						
	5	1	503-1689	1	SWITCH AS-INDICATOR (BOOM)						
	6	1	8T-4224	2	WASHER-HARD (8.8X16X2-MM THK)						
	7	1	8T-4121	2	WASHER-HARD (11X21X2.5-MM THK)						
	8	1	477-0655	4	WASHER (7.3X13.6X4-MM THK)						
	9	1	477-0968	4	SENSOR-PRESSURE (ENGINE)						
	10	1	417-2760	2	ADAPTER						
	11	1	496-8314	1	BRACKET						
	12	1	503-1686	1	TUBE AS						
	13	1	503-1687	1	TUBE AS						
M	14	1	7X-2537	1	BOLT (M8X1.25X35-MM)						
M	15	1	7I-8935	4	BOLT-SOCKET HEAD (M8X1.25X75-MM)						
	16	1	314-5546	1	SPACER (10.5X20X18-MM THK)						
	17	1	361-4910	1	MANIFOLD						
	18	1	374-7332	2	SEAL-O-RING						

M - METRIC PART

ELECTRICAL AND STARTING SYSTEM

505-0901 SENSOR GP-LOAD INDICATOR (contd.)

106788463



GRAPHIC #1

<END>

g06115787

ELECTRICAL AND STARTING SYSTEM

385-1174 SENSOR GP-PRESSURE

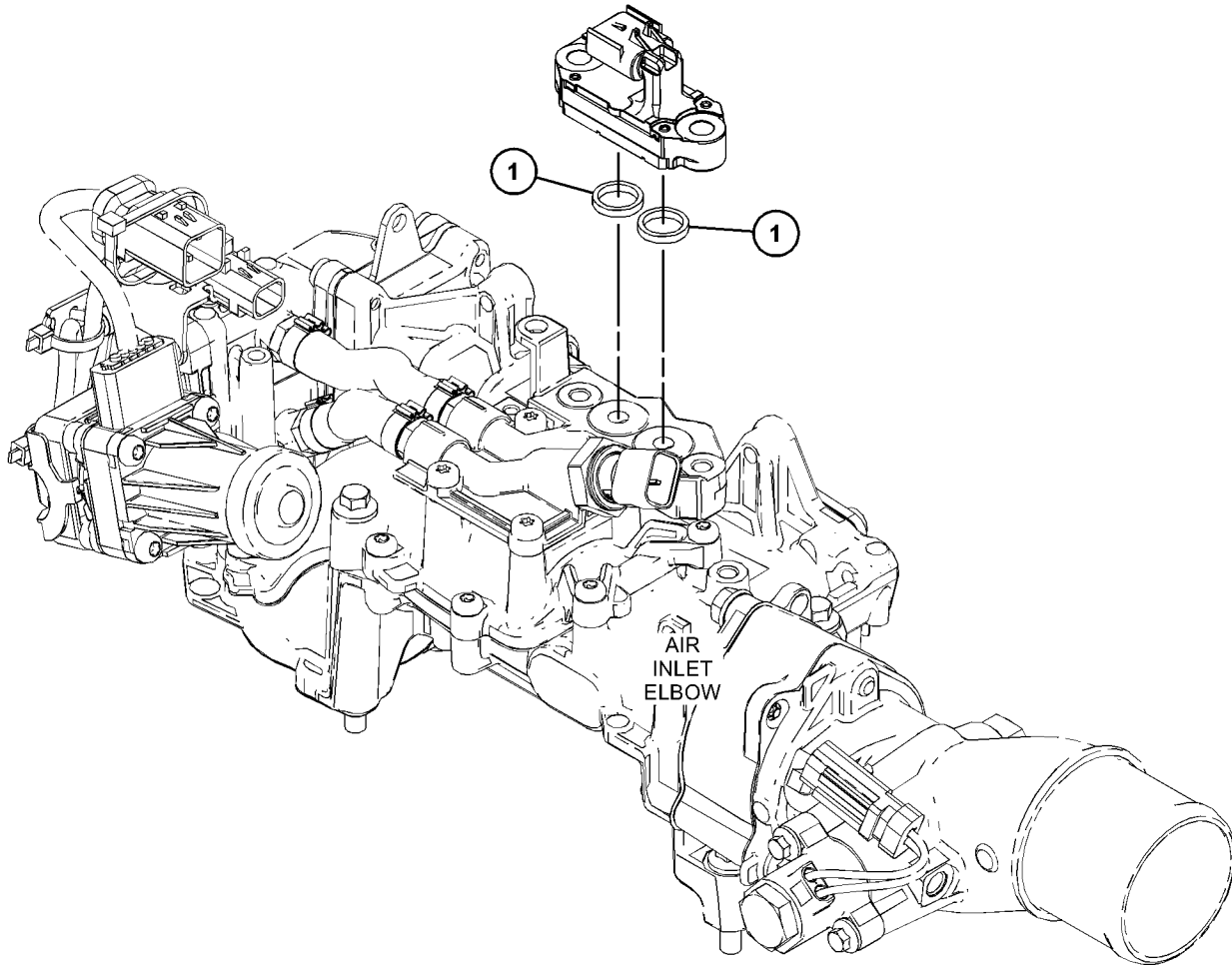
S/N: JKT1-UP

PART OF 433-4681 SENSOR GP-ENGINE
ALSO AN ATTACHMENT

SMCS-1408

i07052884

NOTE	REF NO	GRAPHIC REF	PART NUMBER	QTY	PART NAME						SEE PAGE
					1	2	3	4	5	6 (PRODUCT LEVEL)	
1	1	1	341-0643	2	SEAL-RECTANGULAR						



GRAPHIC #1

<END>

g03804963

ELECTRICAL AND STARTING SYSTEM

377-9847 SENSOR GP-TEMPERATURE

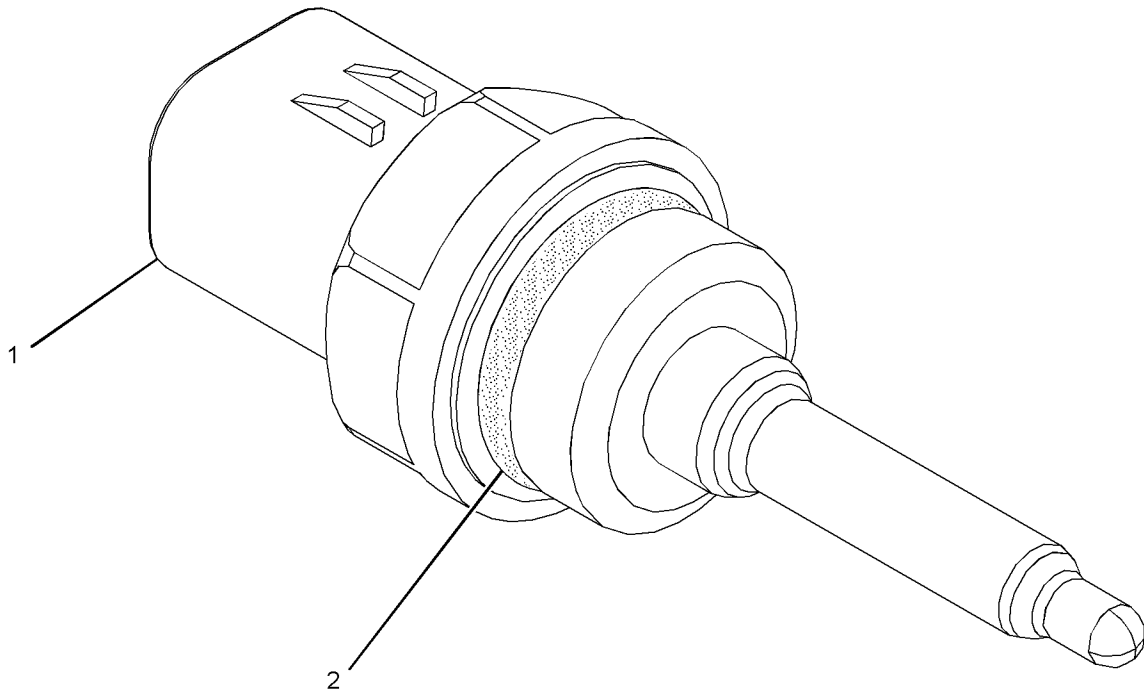
S/N: JKT1-UP

PART OF 466-2883 ENGINE AR

SMCS-1906, 1919, 1921, 1922, 1928, 1929, 301T, 3290,
429T, 509T, 7400

i05033144

NOTE	REF NO	GRAPHIC REF	PART NUMBER	QTY	PART NAME						SEE PAGE
					1	2	3	4	5	6 (PRODUCT LEVEL)	
	1	1	256-6454	1	SENSOR - TEMPERATURE						
	2	1	228-7103	1	SEAL - O-RING						



GRAPHIC #1

<END>

g02731844

ELECTRICAL AND STARTING SYSTEM

430-5204 SENSOR GP-TEMPERATURE

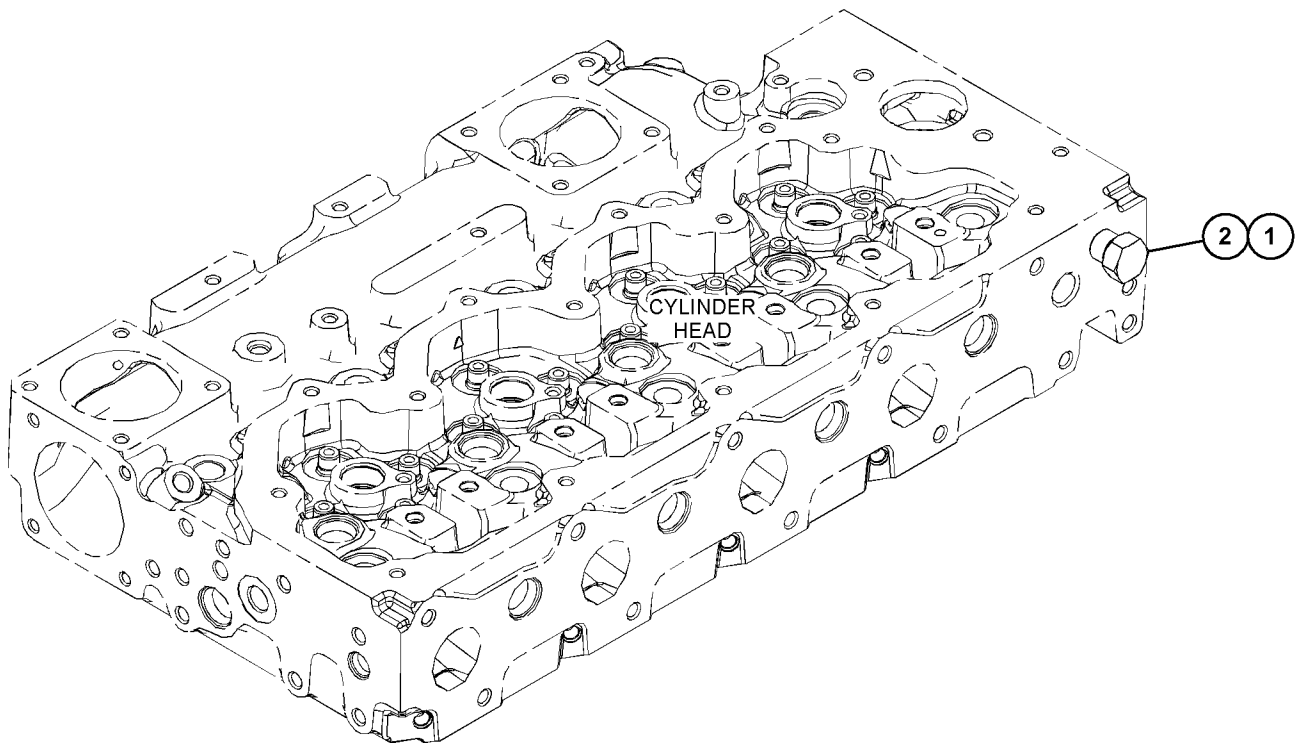
S/N: W231-UP

PART OF 463-8848, 463-8910 ENGINE AR-PRIMARY

SMCS-1906, 1919, 1921, 1922, 1928, 1929, 301T, 3290,
429T, 509T, 7400

i06120206

NOTE	REF NO	GRAPHIC REF	PART NUMBER	QTY	PART NAME						SEE PAGE
					1	2	3	4	5	6	
	1	1	199-9751	1	SEAL-O-RING						
	2	1	232-1322	1	PLUG						



GRAPHIC #1

<END>

g03812299

ELECTRICAL AND STARTING SYSTEM

500-3084 SENSOR GP-TEMPERATURE

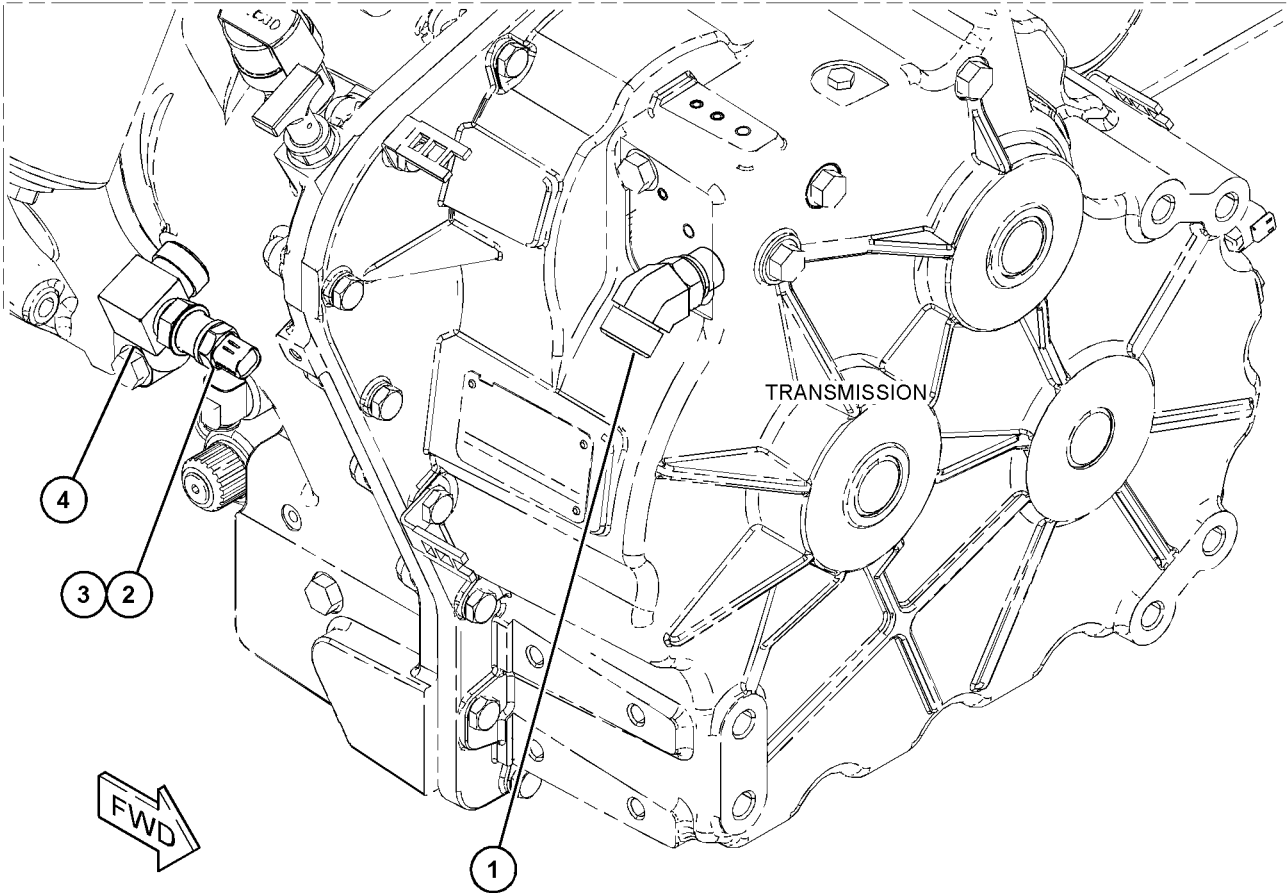
S/N: TH21-UP; TH31-UP

PART OF 505-5329, 505-5340, 505-5341 TRANSMISSION AR
AN ATTACHMENT

SMCS-1906, 1919, 1921, 1922, 1928, 1929, 301T, 3290,
429T, 509T, 7400

i06601136

NOTE	REF NO	GRAPHIC REF	PART NUMBER	QTY	PART NAME						SEE PAGE
					1	2	3	4	5	6 (PRODUCT LEVEL)	
	1	1	464-3819	1	ADAPTER-ELBOW						
	2	1	8T-7524	1	SEAL-O-RING						
	3	1	256-6454	1	SENSOR-TEMPERATURE						
	4	1	500-3085	1	ADAPTER AS-TEE						



GRAPHIC #1

<END>

g06050618

ELECTRICAL AND STARTING SYSTEM

417-3453 STARTING AID GP

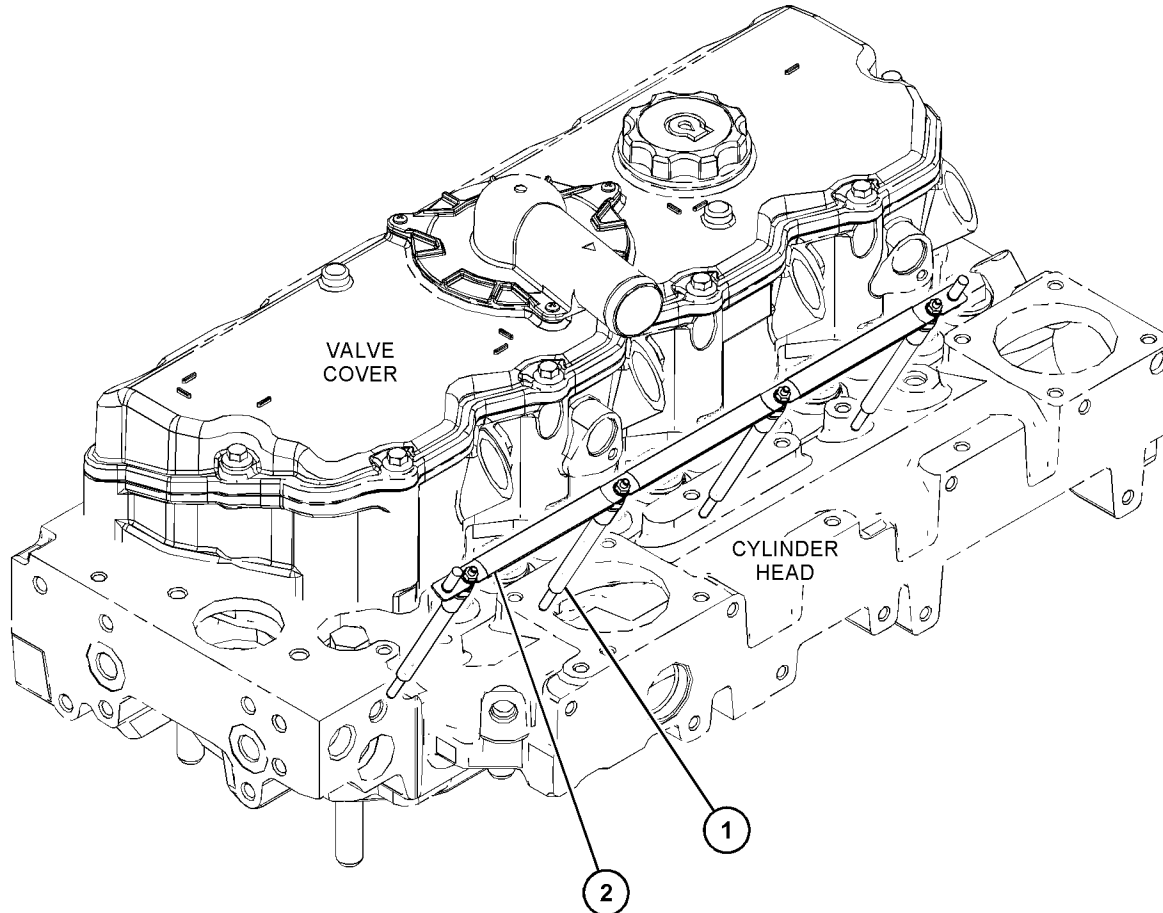
S/N: W231-UP

PART OF 463-8848, 463-8910 ENGINE AR-PRIMARY

SMCS - 1090

i06138511

NOTE	REF NO	GRAPHIC REF	PART NUMBER	QTY	PART NAME						SEE PAGE
					1	2	3	4	5	6 (PRODUCT LEVEL)	
1	1	1	452-3112	4	GLOW PLUG (12-VOLT)						
2	1	1	368-3147	1	BUS BAR AS						



GRAPHIC #1

<END>

g03817299

ELECTRICAL AND STARTING SYSTEM

443-0630 STARTING AID GP

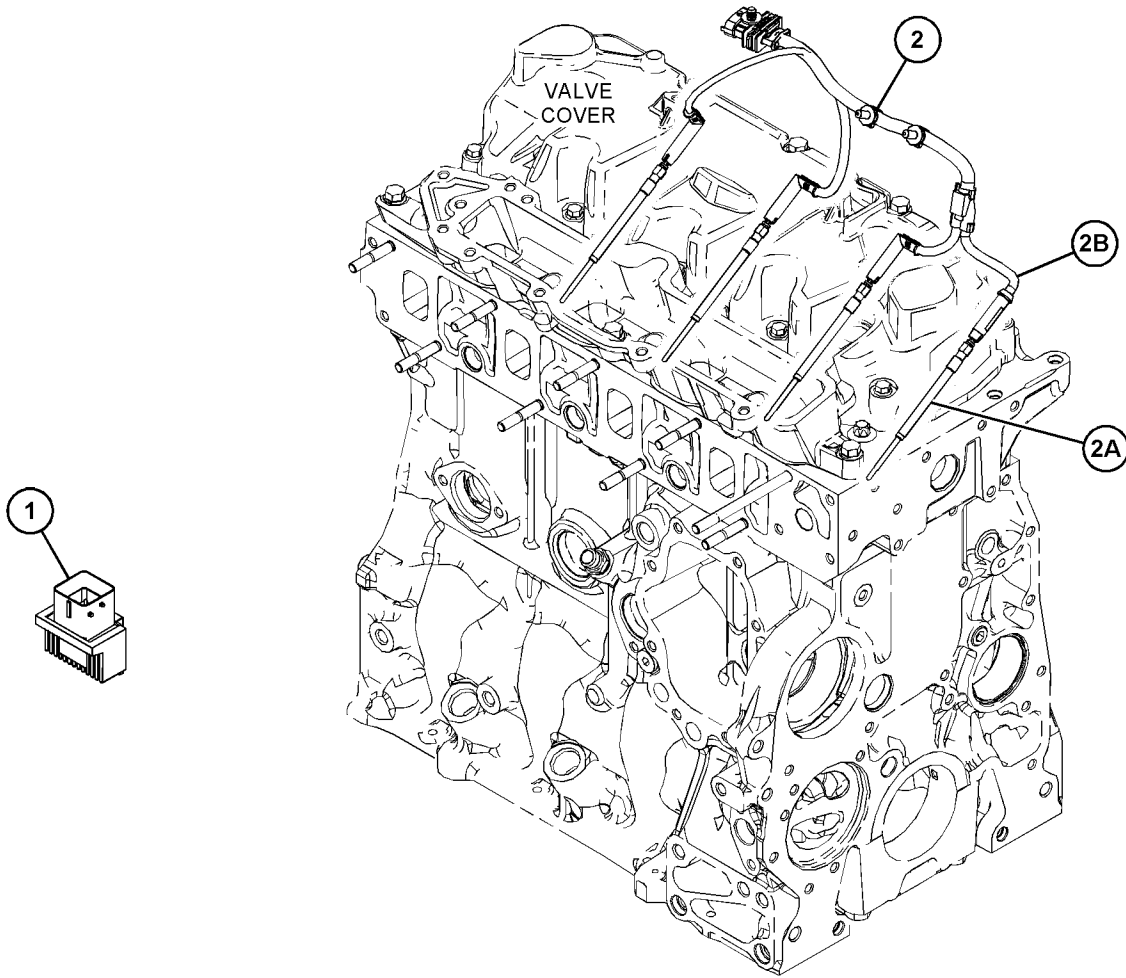
S/N: CJ41-UP

PART OF 465-2880 ENGINE AR-PRIMARY

SMCS-1090

i06252251

NOTE	REF NO	GRAPHIC REF	PART NUMBER	QTY	PART NAME						SEE PAGE
					1	2	3	4	5	6 (PRODUCT LEVEL)	
	1	1	375-1424	1	PLUG-GLOW						
	2	1	464-8225	1	GLOW PLUG AS						
	2A	1	469-1359	4	GLOW PLUG						
	2B	1	465-4973	1	HARNESS AS-STARTING AID						



GRAPHIC #1

<END>

g03826619

ELECTRICAL AND STARTING SYSTEM

465-3619 STARTING AID GP

S/N: JKT1-UP

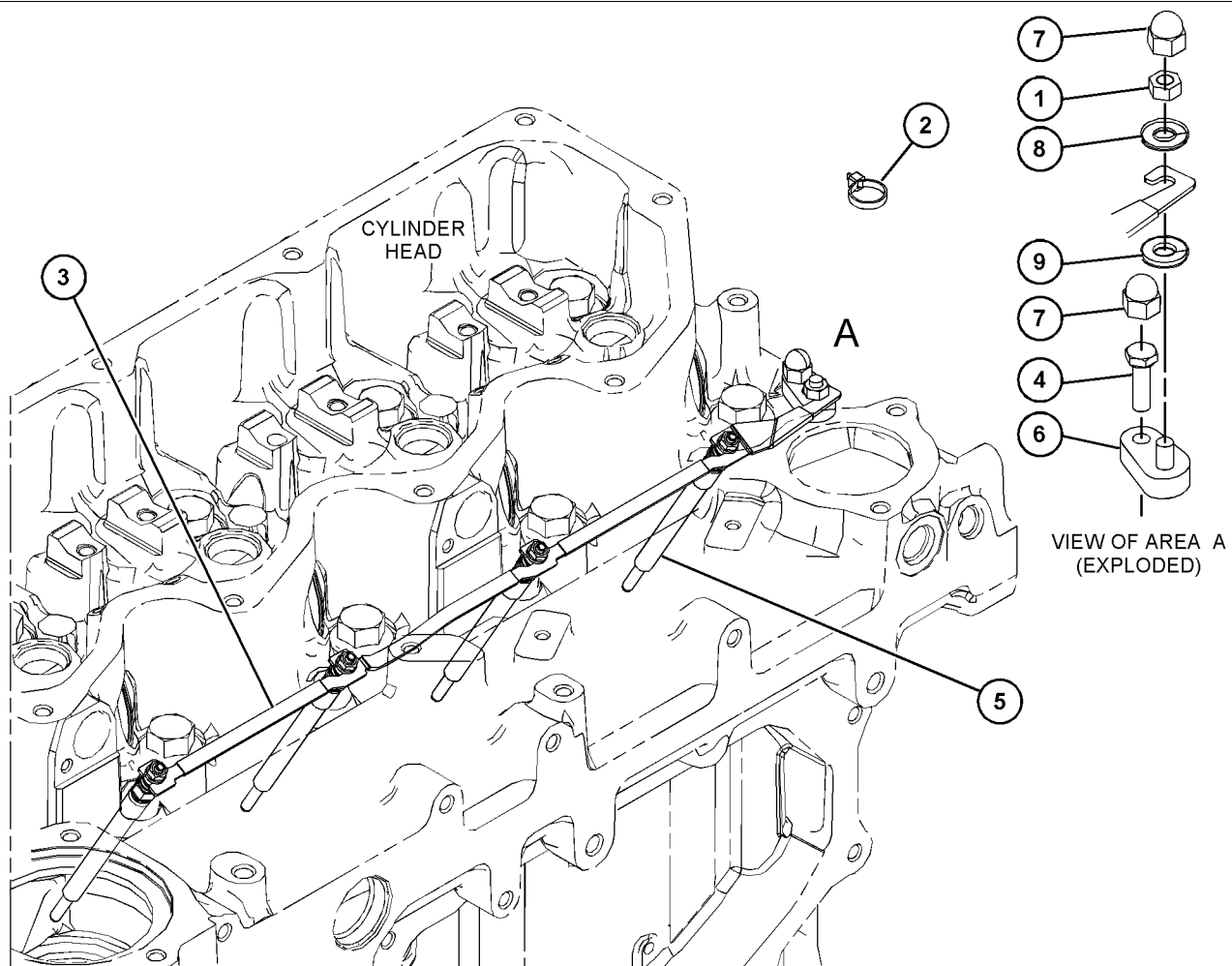
PART OF 464-2307, 464-2308 ENGINE AR-PRIMARY
ALSO AN ATTACHMENT

SMCS-1090

i06692668

NOTE	REF NO	GRAPHIC REF	PART NUMBER	QTY	PART NAME						SEE PAGE
					1	2	3	4	5	6	
M	1	1	5C-2890	1	NUT (M6X1-THD)						
	2	1	217-9039	1	STRAP-CABLE						
	3	1	344-4775	1	CONNECTION AS						
M	4	1	215-3790	1	BOLT (M6X1X20-MM)						
	5	1	452-3112	4	GLOW PLUG (12-VOLT)						
	6	1	275-2428	1	INSULATOR						
	7	1	277-4409	2	CAP						
	8	1	067-6070	1	WASHER						

M - METRIC PART



GRAPHIC #1

<END>

g03878607

ELECTRICAL AND STARTING SYSTEM

329-7919 STARTING MOTOR GP-ELECTRIC

S/N: JKT1-UP

PART OF 464-2307, 464-2308 ENGINE AR-PRIMARY
ALSO AN ATTACHMENT

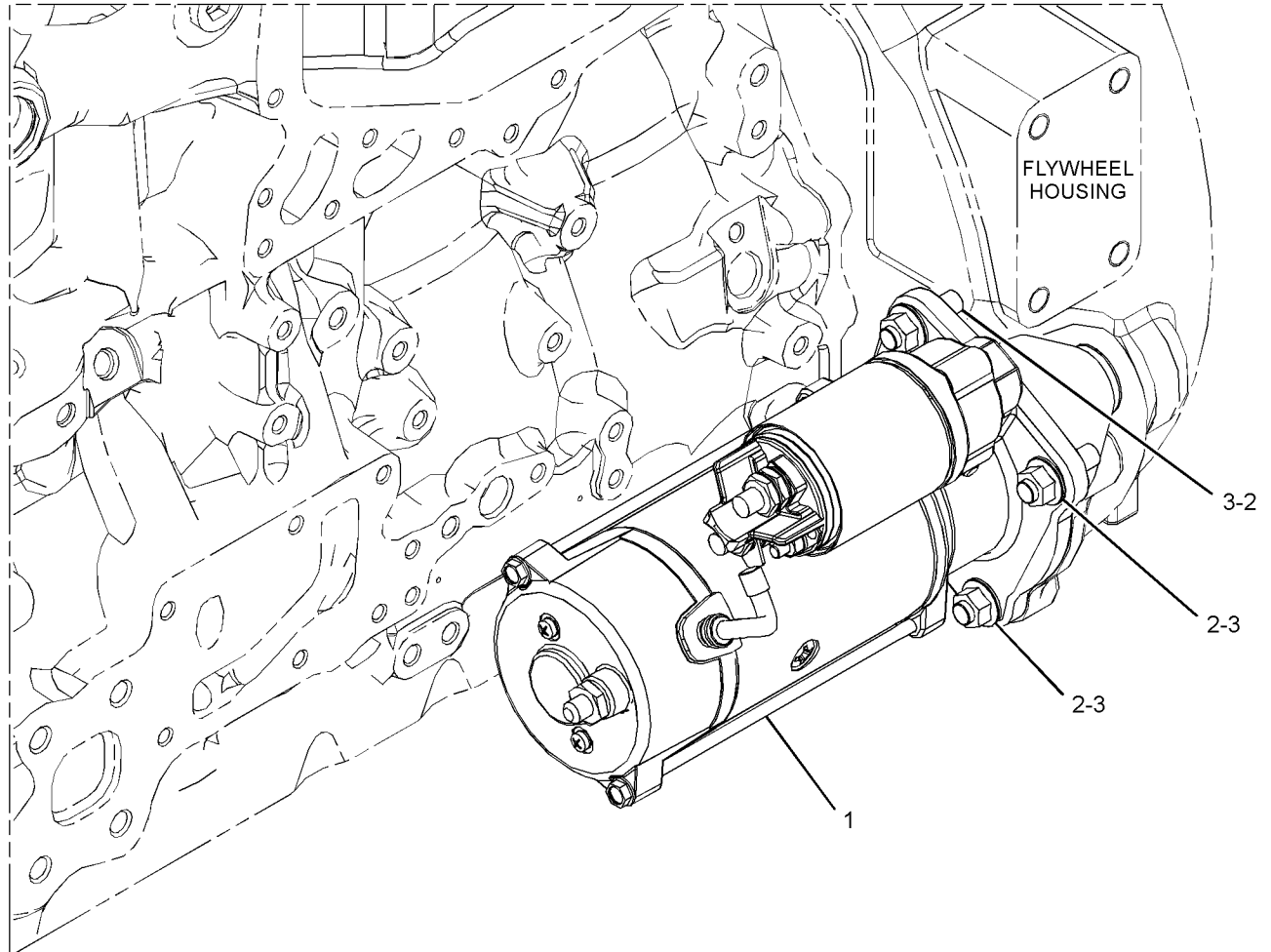
SMCS-1453

i04591185

NOTE	REF NO	GRAPHIC REF	PART NUMBER	QTY	PART NAME						SEE PAGE
					1	2	3	4	5	6 (PRODUCT LEVEL)	
R	1	1	331-7010	1	STARTING MOTOR-ELECTRIC (12-VOLT, 4-KW)						
M	2	1	6I-0594	3	NUT (M10X1.5-THD)						
	3	1	6I-4012	3	STUD						

M - METRIC PART

R - REMANUFACTURED PART MAY BE AVAILABLE



GRAPHIC #1

<END>

g02751077

ELECTRICAL AND STARTING SYSTEM

350-0562 STARTING MOTOR GP-ELECTRIC

S/N: CJ41-UP

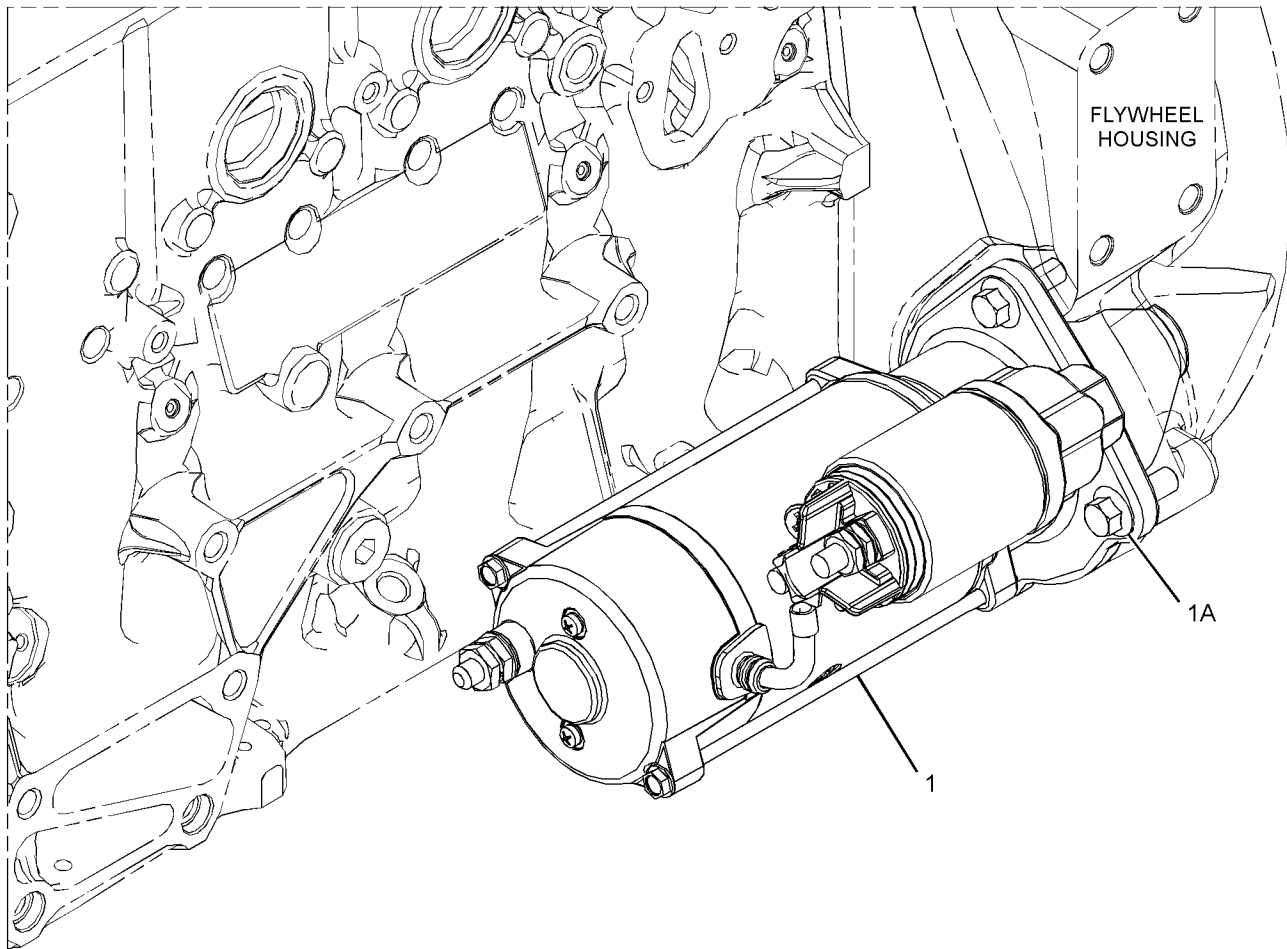
PART OF 465-2880 ENGINE AR-PRIMARY

SMCS-1453

i05722390

NOTE	REF NO	GRAPHIC REF	PART NUMBER	QTY	PART NAME						SEE PAGE
					1	2	3	4	5	6 (PRODUCT LEVEL)	
	1	1	361-7883	1	STARTING MOTOR AS						
M	1A	1	121-0883	3	BOLT (M10X1.5X30-MM)						
		1	390-3144	1	STARTING MOTOR AS						

M - METRIC PART



GRAPHIC #1

<END>

g02888129

ELECTRICAL AND STARTING SYSTEM

425-9174 STARTING MOTOR GP-ELECTRIC

S/N: W231-UP

PART OF 463-8848, 463-8910 ENGINE AR-PRIMARY

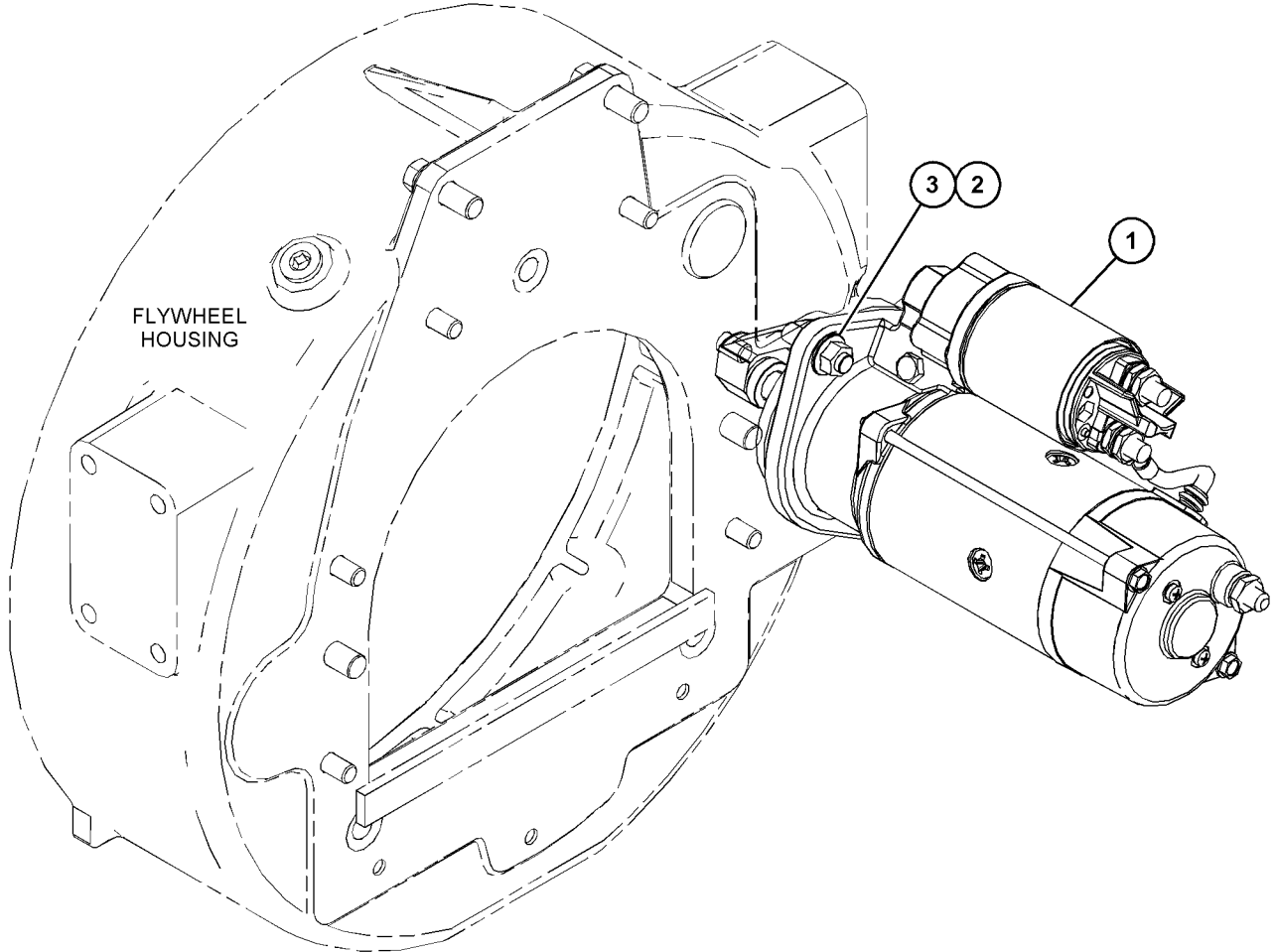
SMCS-1453

i06146782

NOTE	REF NO	GRAPHIC REF	PART NUMBER	QTY	PART NAME						SEE PAGE
					1	2	3	4	5	6 (PRODUCT LEVEL)	
R	1	1	331-7010	1	STARTING MOTOR-ELECTRIC (12-VOLT, 4-KW)						
M	2	1	175-7141	3	NUT-HEX FLANGE (M10X1.5-THD)						
	3	1	6I-4012	3	STUD						

M - METRIC PART

R - REMANUFACTURED PART MAY BE AVAILABLE



GRAPHIC #1

<END>

g03822779

ELECTRICAL AND STARTING SYSTEM

505-7629 SWITCH & MTG GP-SIGNAL-BRAKE

S/N: TH21-UP; TH31-UP

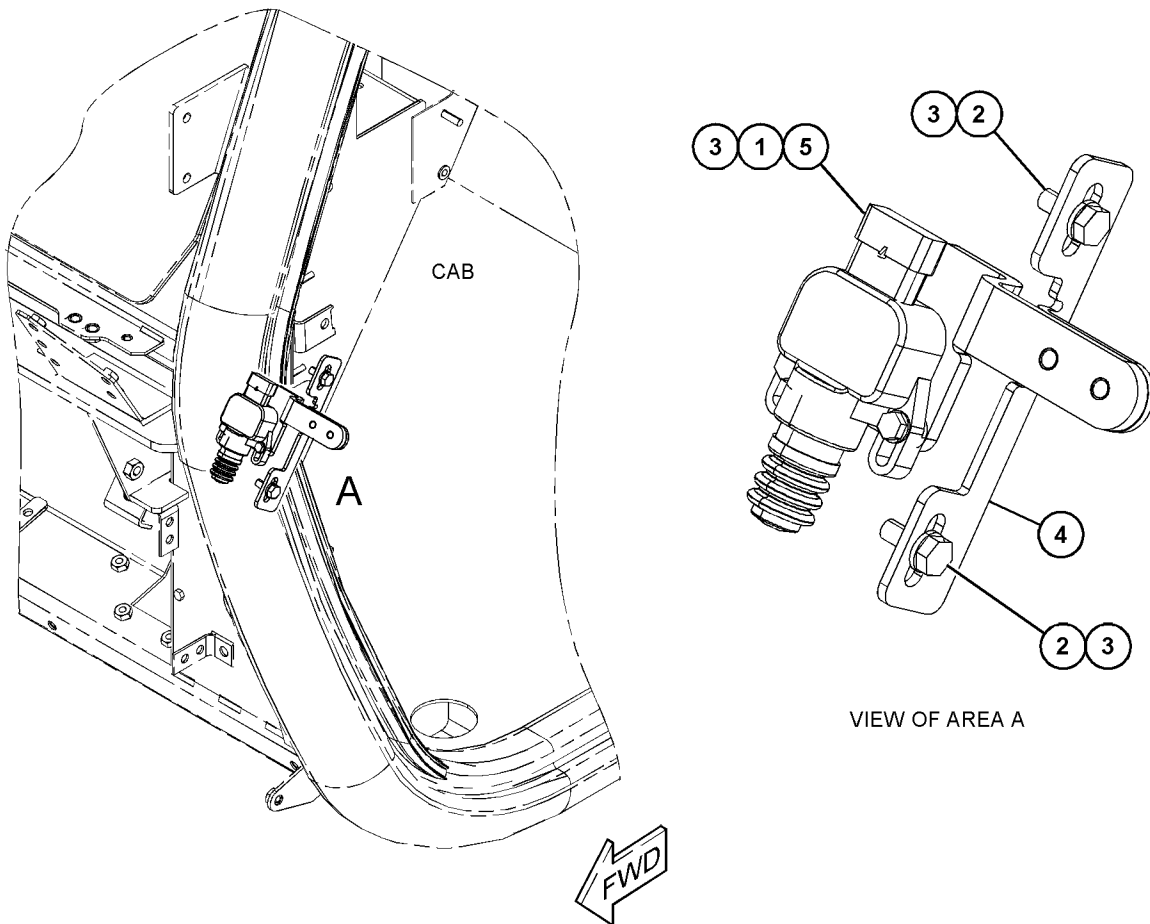
PART OF 505-7484 PEDAL & MOUNTING GP-BRAKE
AN ATTACHMENT

SMCS-1430, 7332

i06811721

NOTE	REF NO	GRAPHIC REF	PART NUMBER	QTY	PART NAME						SEE PAGE
					1	2	3	4	5	6 (PRODUCT LEVEL)	
M	1	1	312-3282	2	SCREW (M6X1.0X10-MM)						
M	2	1	5C-9553	4	BOLT (M6X1X16-MM)						
	3	1	8T-4205	2	WASHER-HARD (7.2X14.5X2-MM THK)						
	4	1	505-7678	2	PLATE-SWITCH						
	5	1	505-8342	2	SWITCH GP-LIGHT						
					(EACH INCLUDES)						
		1	5W-5038	2	WASHER (4.3X9X0.8-MM THK)						
M		1	170-5632	2	BOLT (M4X0.7X16-MM)						
		1	317-8726	1	SWITCH AS						
		1	505-8341	1	PLATE						

M - METRIC PART



GRAPHIC #1

<END>

g06134351

ELECTRICAL AND STARTING SYSTEM

7N-0718 SWITCH GP-DISCONNECT-BATTERY

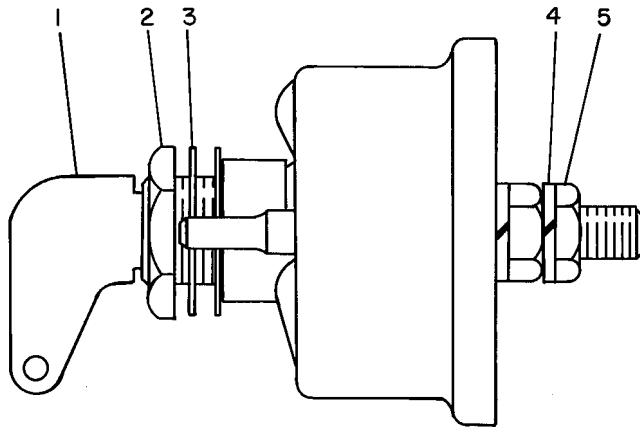
S/N: TH21-UP; TH31-UP

PART OF 499-4255, 500-2291, 500-3144 WIRING GP-ENGINE
AN ATTACHMENT

SMCS-1411

i02544993

NOTE	REF NO	GRAPHIC REF	PART NUMBER	QTY	PART NAME						SEE PAGE
					1	2	3	4	5	6 (PRODUCT LEVEL)	
	1	1	8H-5306	1	KEY (BATTERY DISCONNECT)						
	2	1	8H-5303	1	NUT (3/4-16-THD)						
	3	1	2H-3922	2	LOCKWASHER						
	4	1	9F-5644	2	LOCKWASHER						
	5	1	6F-7045	2	NUT-FULL (3/8-24-THD)						



GRAPHIC #1

<END>

g00084912

ELECTRICAL AND STARTING SYSTEM

497-6972 SWITCH GP-ROCKER

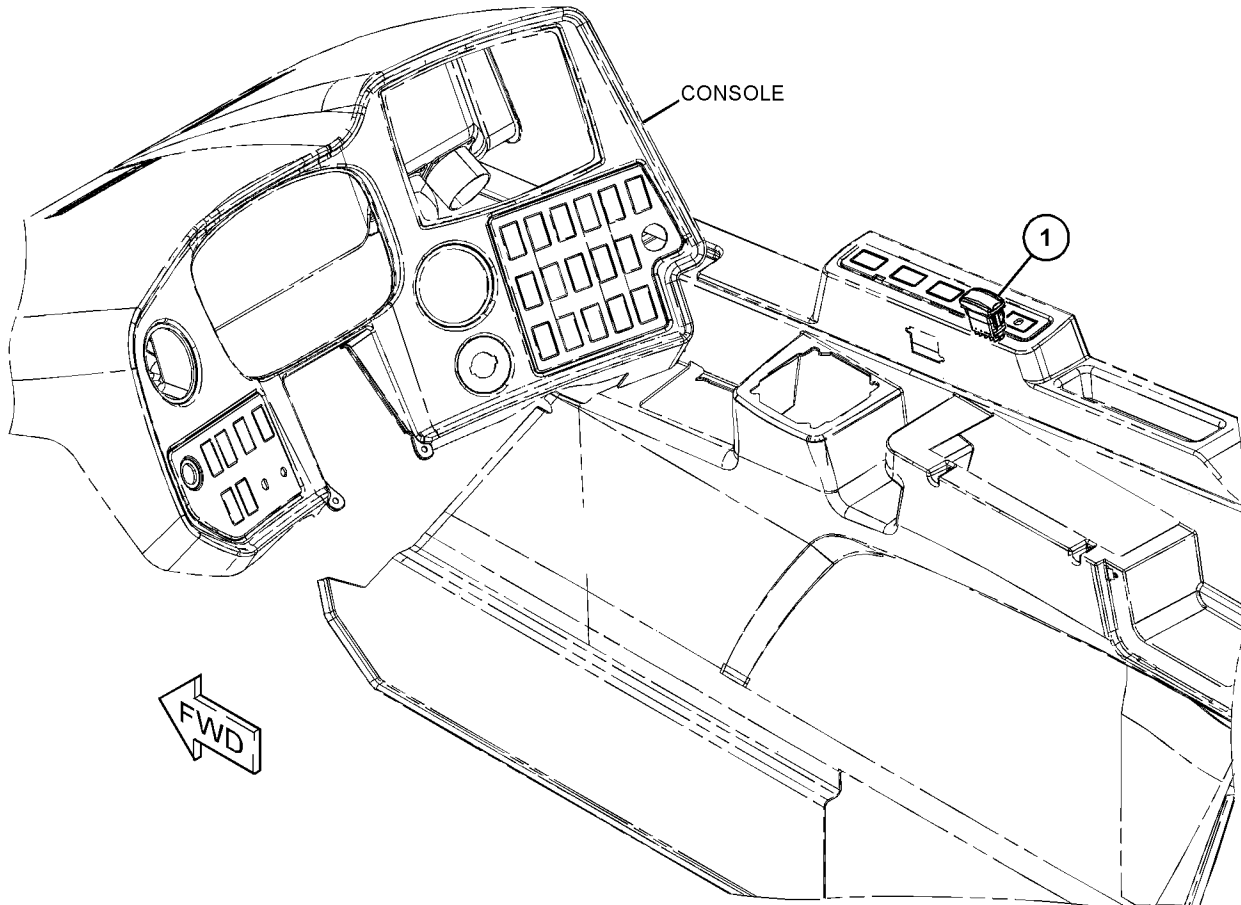
S/N: TH21-UP; TH31-UP

PART OF 507-9544, 507-9545, 507-9546, 507-9547 CAB AR
AN ATTACHMENT

SMCS-1435

i06591346

NOTE	REF NO	GRAPHIC REF	PART NUMBER	QTY	PART NAME						SEE PAGE
					1	2	3	4	5	6 (PRODUCT LEVEL)	
	1	1	497-6973	1	SWITCH AS-ROCKER (ENGINE SPEED)						



GRAPHIC #1

<END>

g06040634

ELECTRICAL AND STARTING SYSTEM

492-4839 SWITCH GP-TRANSMISSION-WIPER

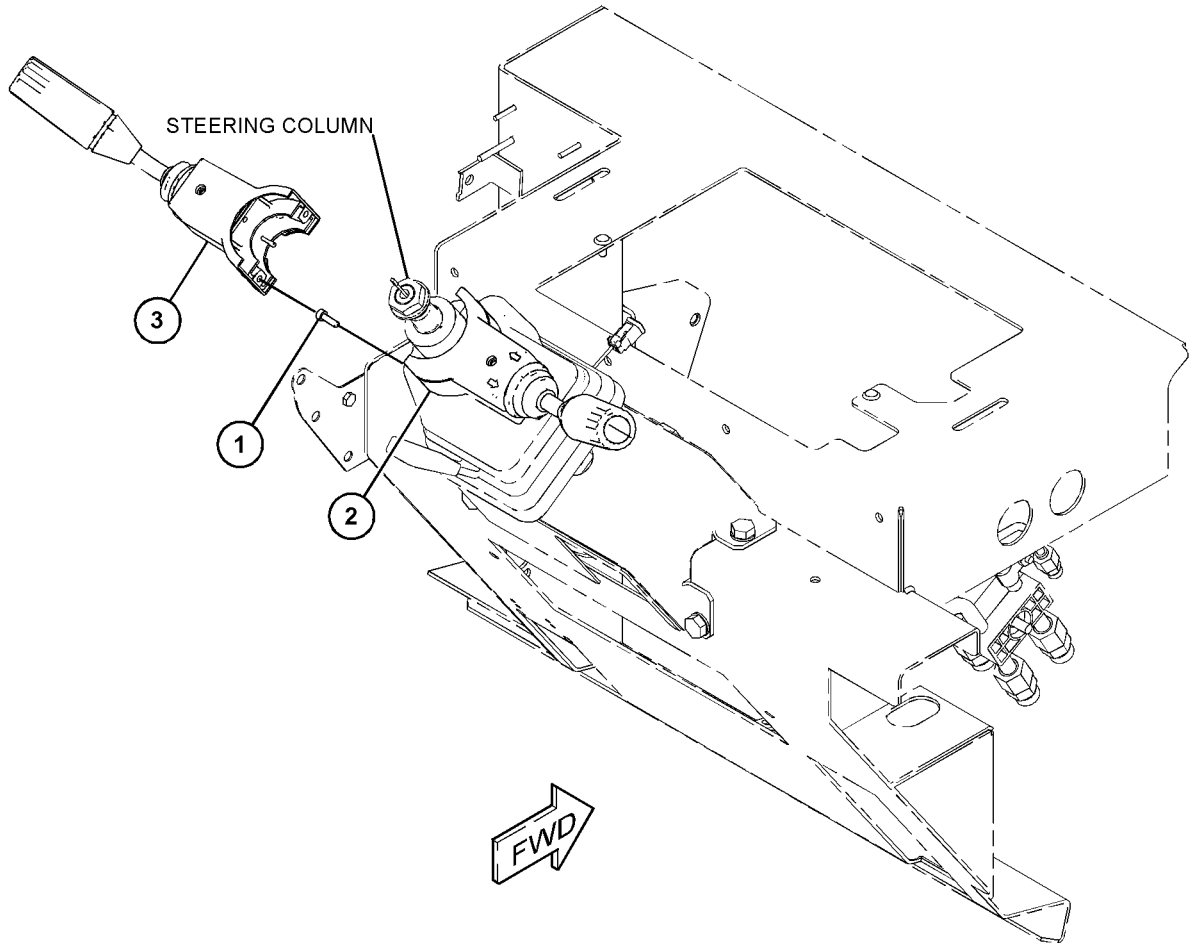
S/N: TH21-UP
AN ATTACHMENT

SMCS-1611, 3065

i06586860

NOTE	REF NO	GRAPHIC REF	PART NUMBER	QTY	PART NAME						SEE PAGE
					1	2	3	4	5	6 (PRODUCT LEVEL)	
M	1	1	105-3480	2	BOLT-SOCKET HEAD (M5X0.8X16-MM)						
	2	1	472-7833	1	SWITCH AS-MULTIFUNCTION (HD LIGHT, TURN SIG, WDO WIPER)						
	3	1	477-3267	1	SWITCH AS-SPEED						

M - METRIC PART



GRAPHIC #1

<END>

g06037900

ELECTRICAL AND STARTING SYSTEM

500-4363 SWITCH GP-TRANSMISSION

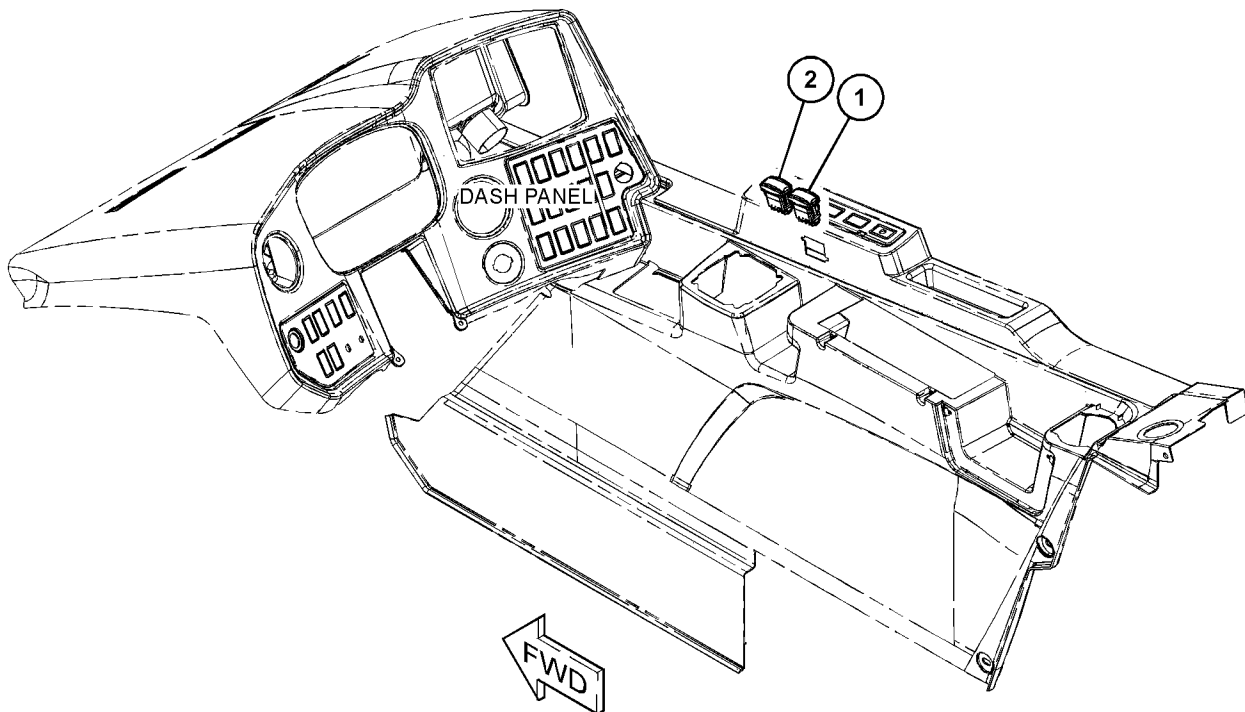
S/N: TH21-UP

PART OF 505-5343 TRANSMISSION AR
AN ATTACHMENT

SMCS-1611, 3065

i06601131

NOTE	REF NO	GRAPHIC REF	PART NUMBER	QTY	PART NAME						SEE PAGE
					1	2	3	4	5	6 (PRODUCT LEVEL)	
	1	1	500-4364	1	SWITCH AS-ROCKER (LOCKUP TORQUE CONVERTER)						
	2	1	500-4366	1	SWITCH AS-ROCKER (AUTOMATIC, MANUAL)						



GRAPHIC #1

<END>

g06041813

ELECTRICAL AND STARTING SYSTEM

520-7778 SWITCH GP-TRANSMISSION

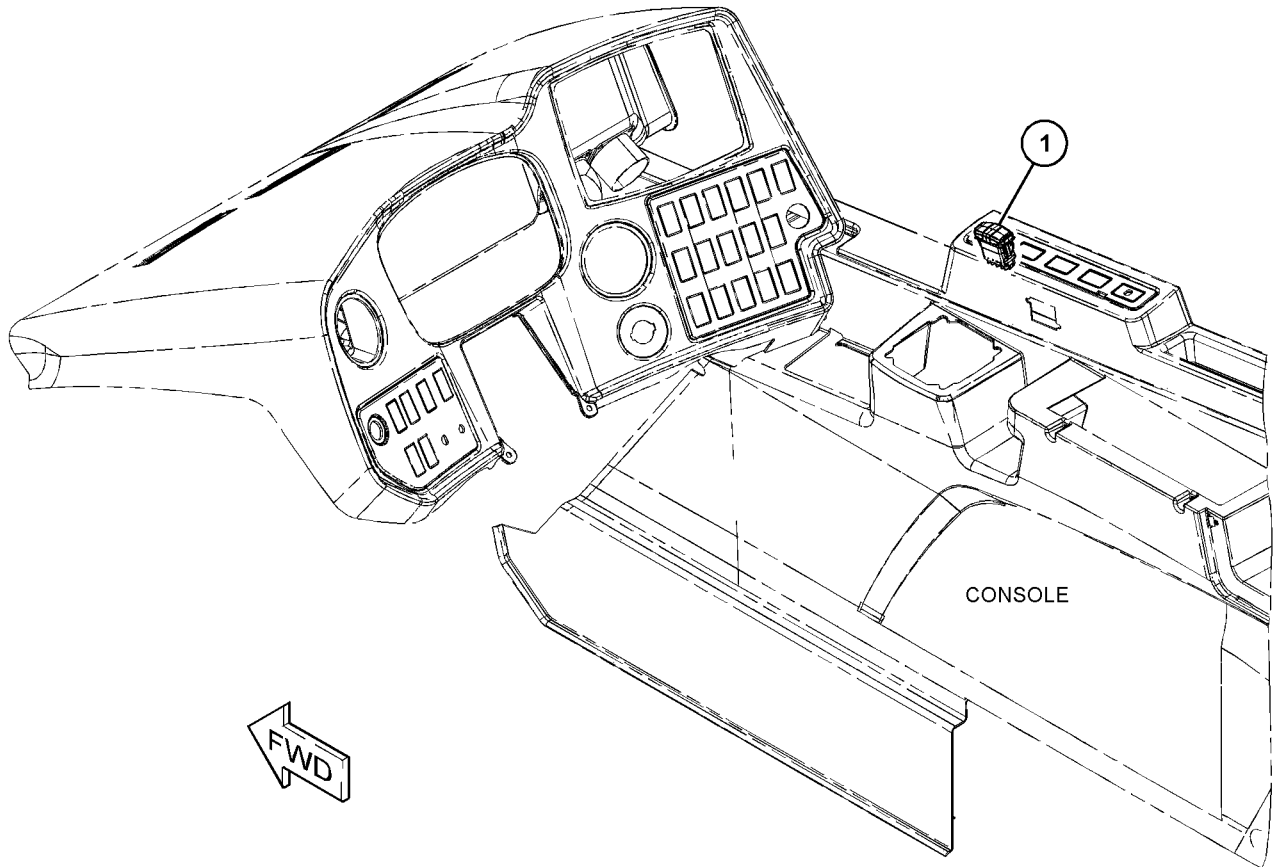
S/N: TH21-UP; TH31-UP

PART OF 507-9544, 507-9545, 507-9546, 507-9547 CAB AR
AN ATTACHMENT

SMCS-1611, 3065

i06811212

NOTE	REF NO	GRAPHIC REF	PART NUMBER	QTY	PART NAME						SEE PAGE
					1	2	3	4	5	6 (PRODUCT LEVEL)	
	1	1	520-7783	1	SWITCH (CLUTCH CONTROL)						



GRAPHIC #1

<END>

g06126515

ELECTRICAL AND STARTING SYSTEM

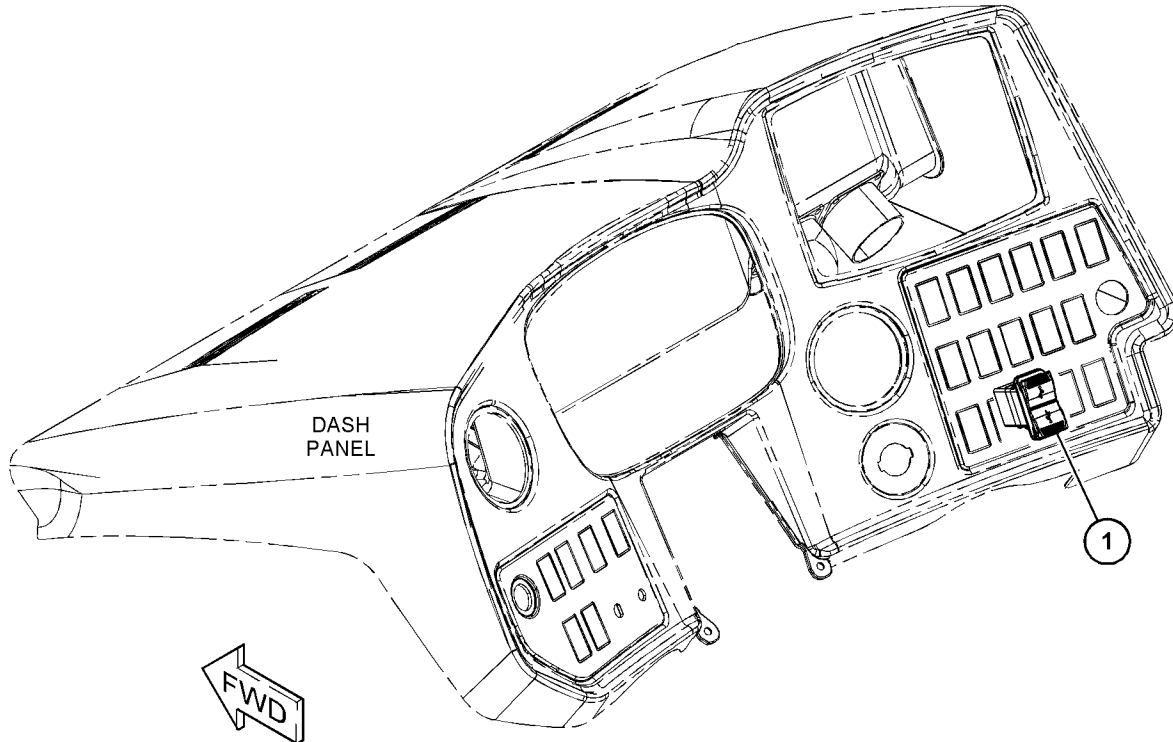
500-4484 SWITCH GP-USB

S/N: TH21-UP
PART OF 507-9544 CAB AR
AN ATTACHMENT

SMCS-7332

i06591344

NOTE	REF NO	GRAPHIC REF	PART NUMBER	QTY	PART NAME						SEE PAGE
					1	2	3	4	5	6 (PRODUCT LEVEL)	
	1	1	495-4595	1	SWITCH AS (USB CHARGER)						



GRAPHIC #1

<END>

g06039381

ELECTRICAL AND STARTING SYSTEM

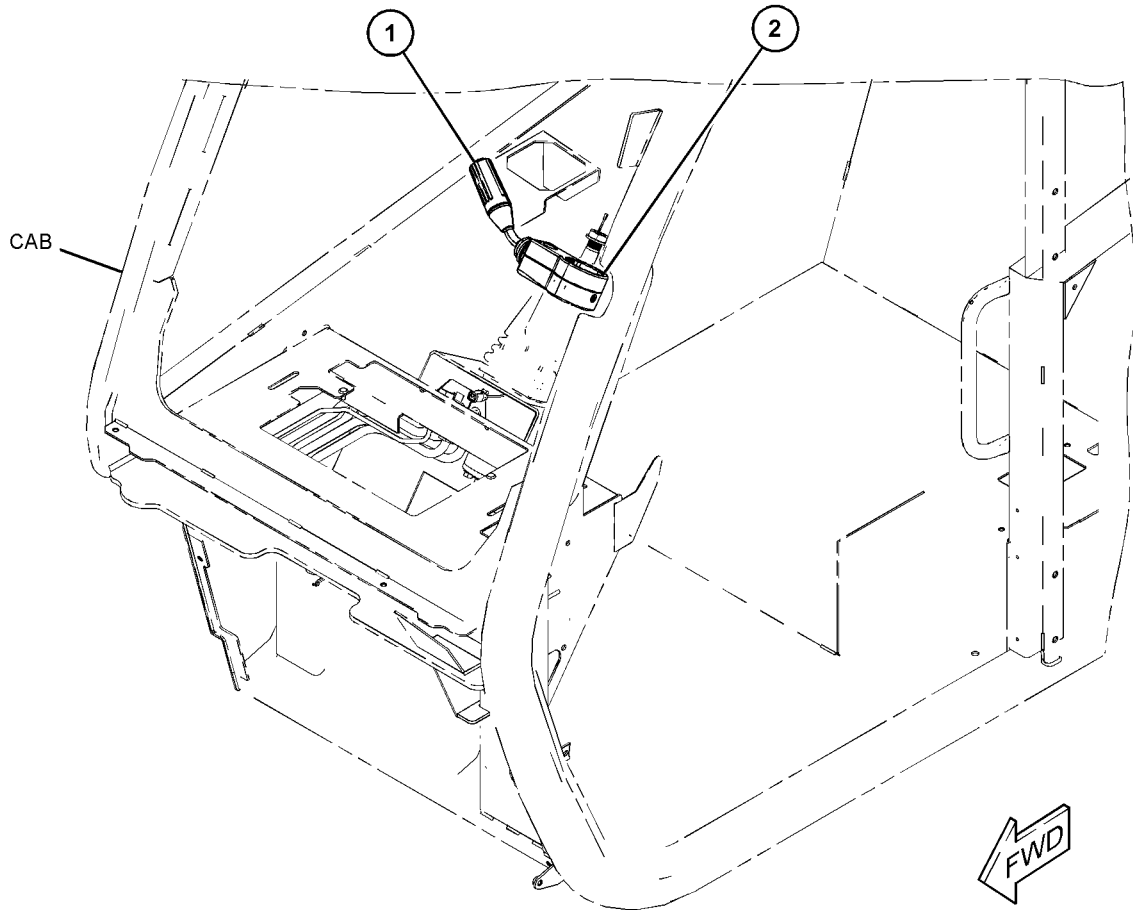
492-3940 SWITCH GP-WIPER

S/N: TH21-UP
FOR USE WITH ENCLOSED CAB
AN ATTACHMENT

SMCS-7305, 7332

i06586859

NOTE	REF NO	GRAPHIC REF	PART NUMBER	QTY	PART NAME						SEE PAGE
					1	2	3	4	5	6 (PRODUCT LEVEL)	
1	1	1	472-7833	1	SWITCH AS-MULTIFUNCTION (HD LIGHT, TURN SIG, WDO WIPER)						
2	1	1	459-3693	1	CLAMP						



GRAPHIC #1

<END>

g06039946

ELECTRICAL AND STARTING SYSTEM

496-8318 WIRING GP-BOOM

S/N: TH21-UP; TH31-UP

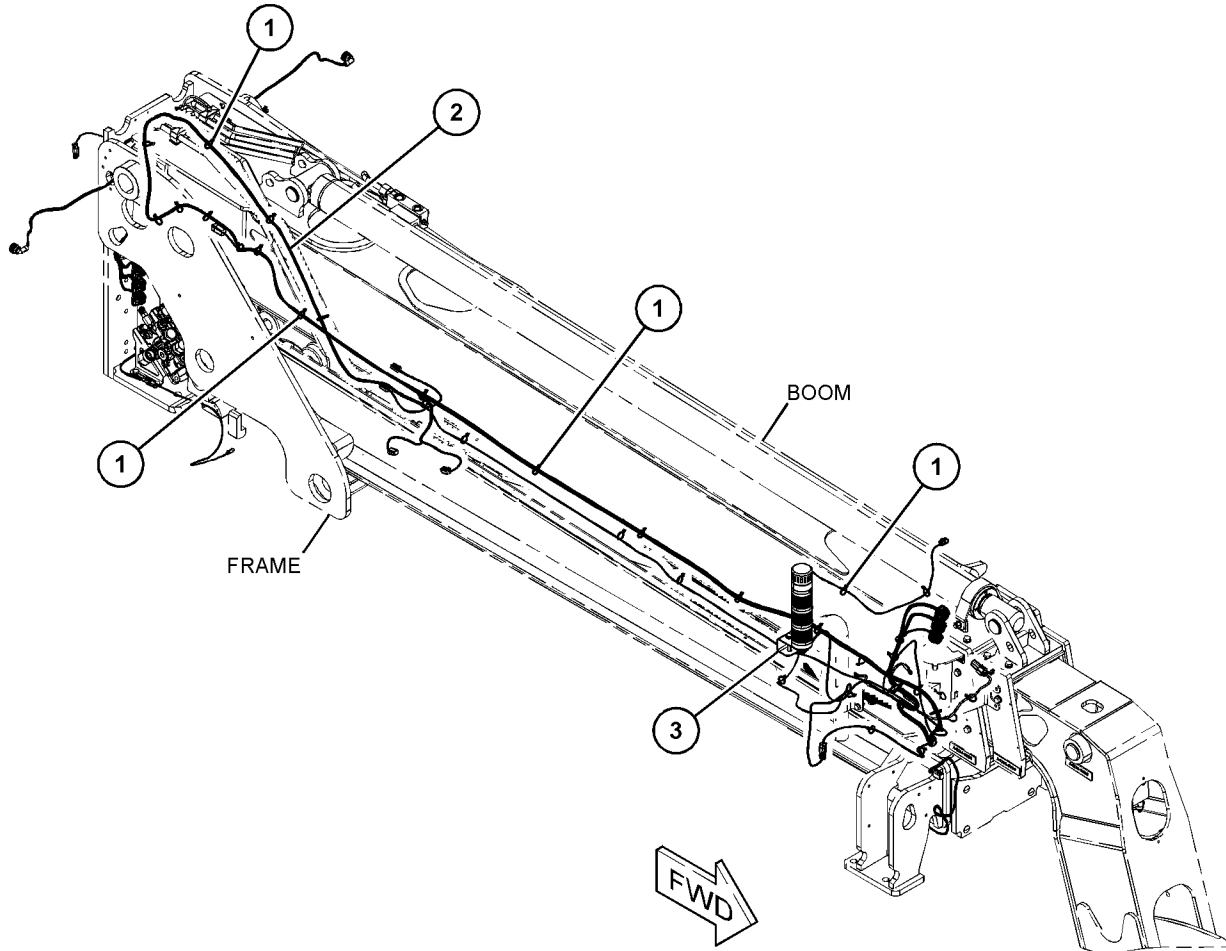
PART OF 503-1684, 505-0900 INSTALLATION AR-MACHINE
AN ATTACHMENT

SMCS-1408

i06736221

NOTE	REF NO	GRAPHIC REF	PART NUMBER	QTY	PART NAME						SEE PAGE
					1	2	3	4	5	6 (PRODUCT LEVEL)	
	1	1	3S-2093	38	STRAP-CABLE						
Y	2	1	496-8319	1	HARNESS AS-CHASSIS						350
Y	3	1	496-8320	1	INSTALLATION GP-WARNING BEACON						377

Y - SEPARATE ILLUSTRATION



GRAPHIC #1

<END>

g06103168

ELECTRICAL AND STARTING SYSTEM

492-2937 WIRING GP-CAB-HEATER

S/N: TH21-UP; TH31-UP

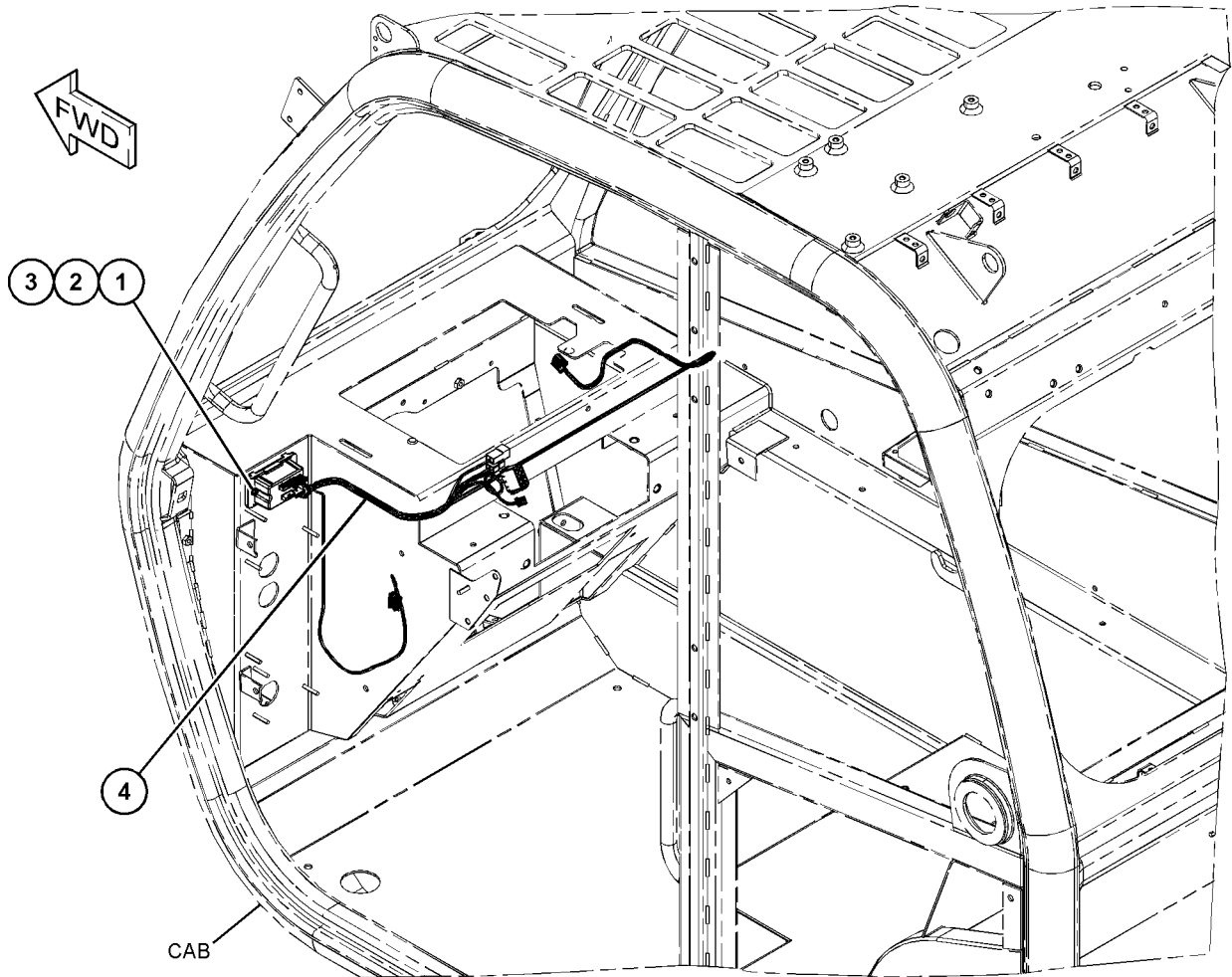
PART OF 507-9544, 507-9545, 507-9546, 507-9547 CAB AR
AN ATTACHMENT

SMCS-1408

i06591351

NOTE	REF NO	GRAPHIC REF	PART NUMBER	QTY	PART NAME						SEE PAGE
					1	2	3	4	5	6 (PRODUCT LEVEL)	
M	1	1	5C-8312	2	NUT (M4X0.7-THD)						
	2	1	5W-5038	2	WASHER (4.3X9X0.8-MM THK)						
	3	1	473-9270	2	WASHER-SPRING						
	4	1	492-2944	1	HARNESS AS-CAB						
		1	473-2087	1	ACTUATOR						
		1	473-8717	1	HARNESS AS-HEATER & AIR COND (MAIN)						

M - METRIC PART



GRAPHIC #1

<END>

g06090132

ELECTRICAL AND STARTING SYSTEM

493-1110 WIRING GP-CAB

S/N: TH21-UP; TH31-UP

PART OF 507-9544, 507-9545, 507-9546, 507-9547 CAB AR
AN ATTACHMENT

SMCS-1408

i06591352

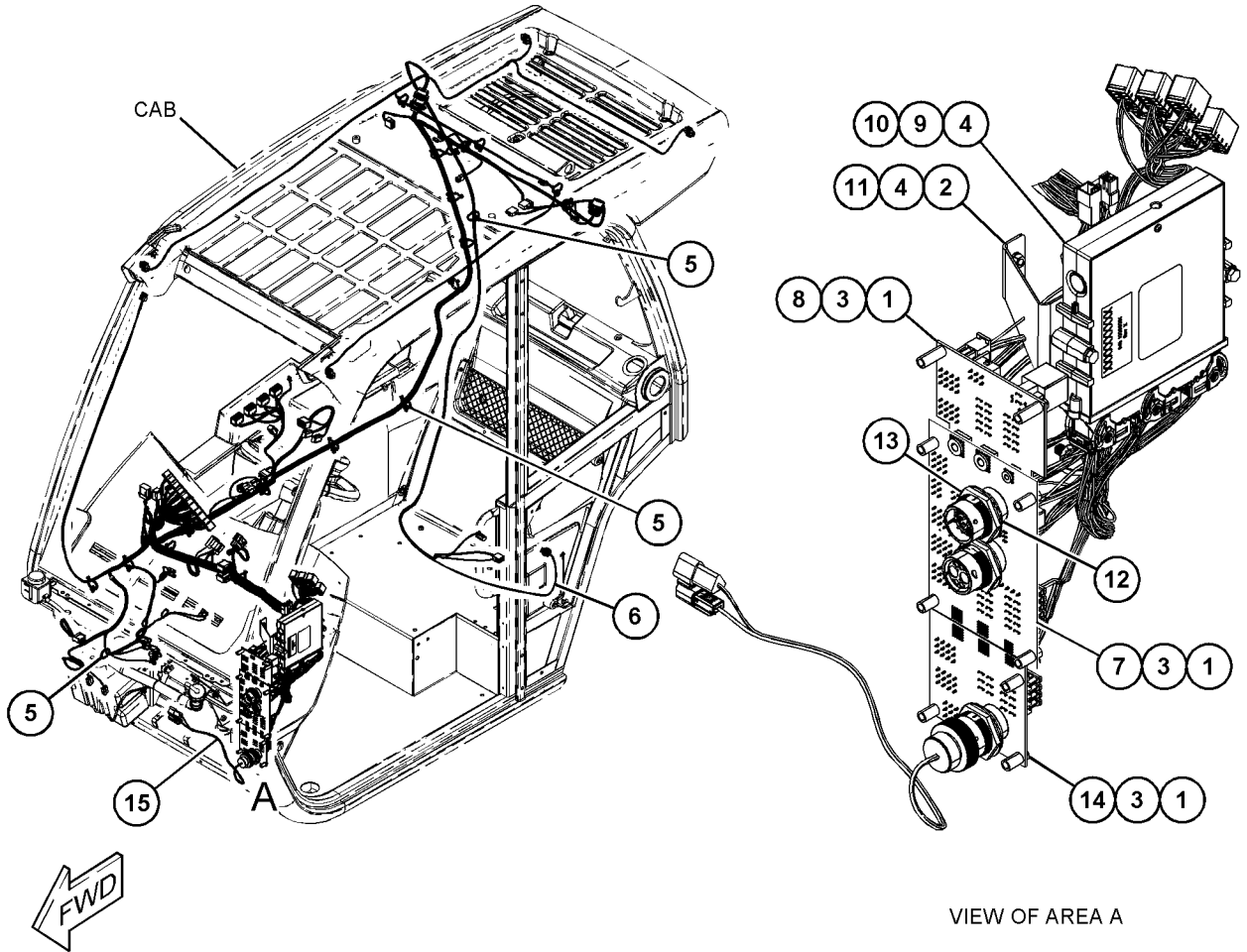
NOTE	REF NO	GRAPHIC REF	PART NUMBER	QTY	PART NAME						SEE PAGE
					1	2	3	4	5	6 (PRODUCT LEVEL)	
M	1	1	303-4777	7	NUT (M5X0.8-THD)						
M	2	1	5C-2890	2	NUT (M6X1-THD)						
	3	1	474-4148	7	WASHER (5.2X10X1-MM THK)						
	4	1	8T-4205	4	WASHER-HARD (7.2X14.5X2-MM THK)						
	5	1	455-3027	23	TIE-CABLE						
Y	6	1	493-1111	1	HARNESS AS-CAB (MAIN)						349
Y	7	1	474-4149	1	BOARD AS-CIRCUIT (CAB POWER CENTER, MAIN)						338
	8	1	474-4891	1	BOARD AS-CIRCUIT (CAB POWER CENTER, OPTION 1)						
		1	9W-1442	1	FUSE (10-AMPERE)						
		1	113-8490	8	FUSE (10-AMPERE)						
		1	141-2759	1	FUSE (5-AMPERE)						
		1	478-5127	1	RELAY AS (12 VDC)						
	9	1	473-0008	1	CONTROLLER						
M	10	1	7X-2534	2	BOLT (M6X1X50-MM)						
	11	1	473-0009	1	BRACKET AS						
	12	1	159-9496	5	LOCKWASHER						
	13	1	159-9495	5	NUT (1-1/2-18-THD)						
	14	1	474-6067	1	BOARD AS-CIRCUIT (CAB POWER CENTER, OPTION 2)						
		1	9W-1441	6	FUSE (15-AMPERE)						
		1	113-8490	1	FUSE (10-AMPERE)						
Y	15	1	477-0021	1	HARNESS AS-CAB (AUXILIARY, CAMERA)						348

M - METRIC PART
Y - SEPARATE ILLUSTRATION

ELECTRICAL AND STARTING SYSTEM

493-1110 WIRING GP-CAB (contd.)

i06591352



GRAPHIC #1

<END>

g06115688

ELECTRICAL AND STARTING SYSTEM

499-0181 WIRING GP-CHASSIS

S/N: TH21-UP; TH31-UP

PART OF 505-5033, 505-5035 CHASSIS AR

SMCS-1408

i06603109

NOTE	REF NO	GRAPHIC REF	PART NUMBER	QTY	PART NAME						SEE PAGE
					1	2	3	4	5	6 (PRODUCT LEVEL)	
M	1	1	8T-4971	4	BOLT (M6X1X30-MM)						
M	2	1	8T-6912	4	BOLT (M8X1.25X50-MM)						
M	3	1	8T-4137	1	BOLT (M10X1.5X20-MM)						
M	4	1	8T-4136	3	BOLT (M10X1.5X25-MM)						
M	5	1	5C-2890	1	NUT (M6X1-THD)						
	6	1	5W-1417	1	WASHER (6.4X18X1.6-MM THK)						
	7	1	8T-4224	4	WASHER-HARD (8.8X16X2-MM THK)						
	8	1	8T-4121	4	WASHER-HARD (11X21X2.5-MM THK)						
	9	1	303-4787	4	WASHER (6.1X11.8X1.6-MM THK)						
	10	1	132-5789	1	CLIP (LADDER)						
	11	1	206-2423	1	SADDLE						
	12	1	3S-2093	8	STRAP-CABLE						
	13	1	8I-4641	1	STRAP-GROUND						
	14	1	455-3027	56	TIE-CABLE						
	15	1	474-9852	1	CONTROL GP-ELECTRONIC (FRONT FRAME)						
	16	1	474-9855	1	CONTROL GP-ELECTRONIC (REAR FRAME)						
Y	17	1	474-9674	1	CONTROL GP-ELECTRONIC (POWER DISTRIBUTION)						344
Y	18	1	499-0182	1	HARNESS AS-FRONT						359
Y	19	1	499-0183	1	HARNESS AS-REAR						361

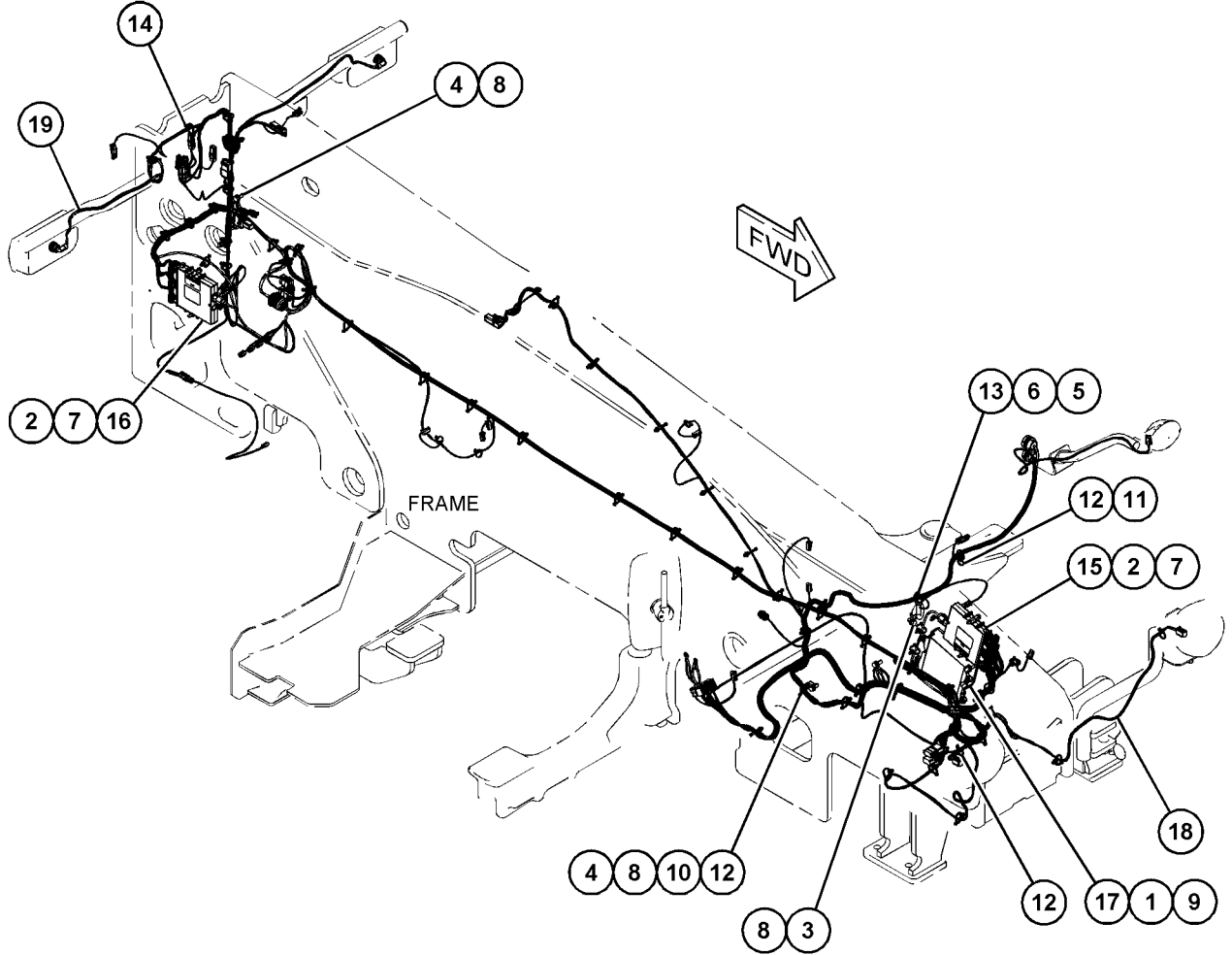
M - METRIC PART

Y - SEPARATE ILLUSTRATION

ELECTRICAL AND STARTING SYSTEM

499-0181 WIRING GP-CHASSIS (contd.)

i06603109



GRAPHIC #1

<END>

g06056758

ELECTRICAL AND STARTING SYSTEM

524-8428 WIRING GP-CONTROL

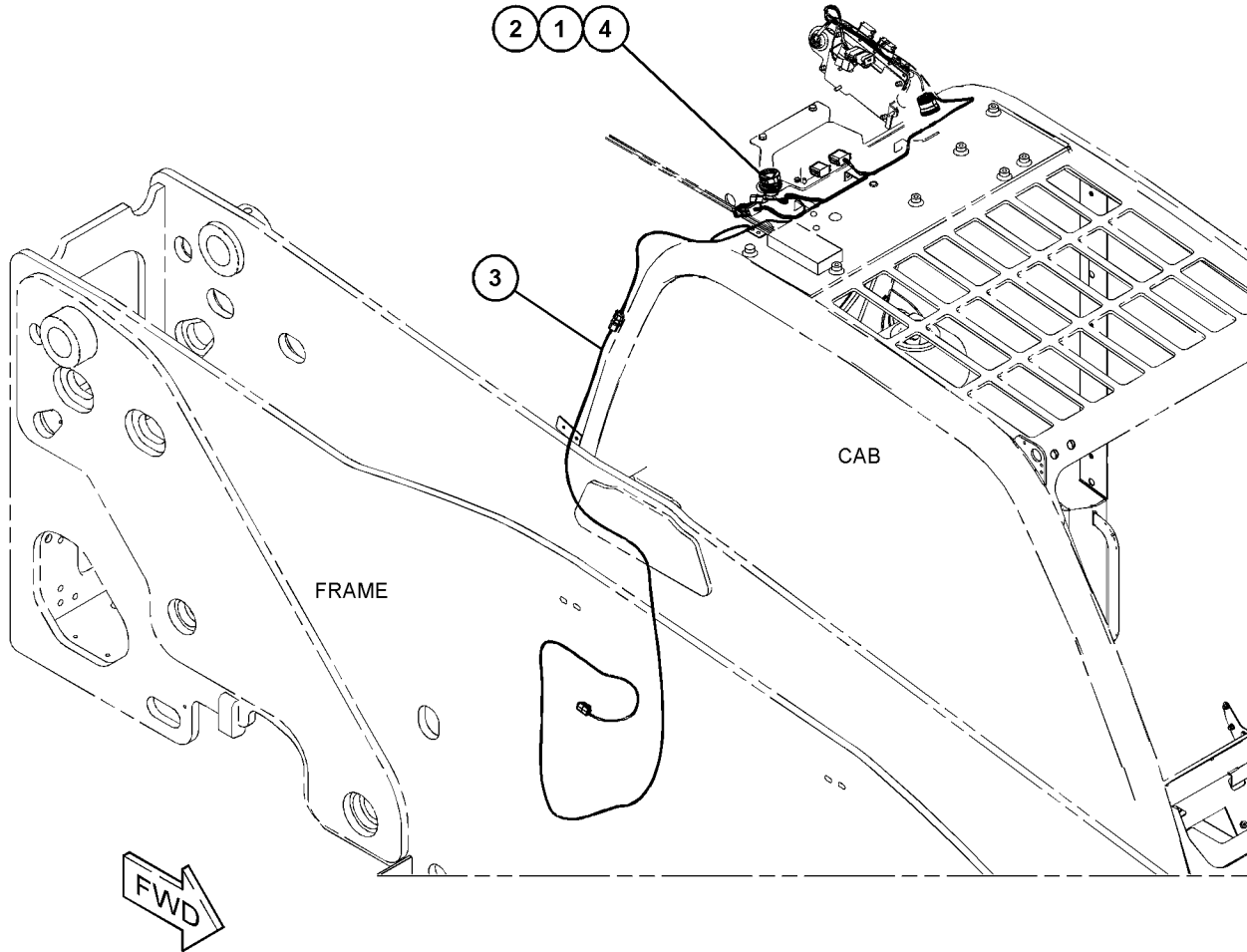
S/N: TH21-UP

PART OF 523-8304, 523-8306 INSTALLATION AR-COMMUNICATION
AN ATTACHMENT

SMCS-1408

i06893204

NOTE	REF NO	GRAPHIC REF	PART NUMBER	QTY	PART NAME						SEE PAGE
					1	2	3	4	5	6 (PRODUCT LEVEL)	
1	1	1	159-9496	1	LOCKWASHER						
2	1	1	159-9495	1	NUT (1-1/2-18-THD)						
3	1	1	501-0348	1	HARNESS AS-CONTROL						
4	1	1	501-1119	1	CAP-DUST						



GRAPHIC #1

<END>

g06162653

ELECTRICAL AND STARTING SYSTEM

524-8429 WIRING GP-CONTROL

S/N: TH31-UP

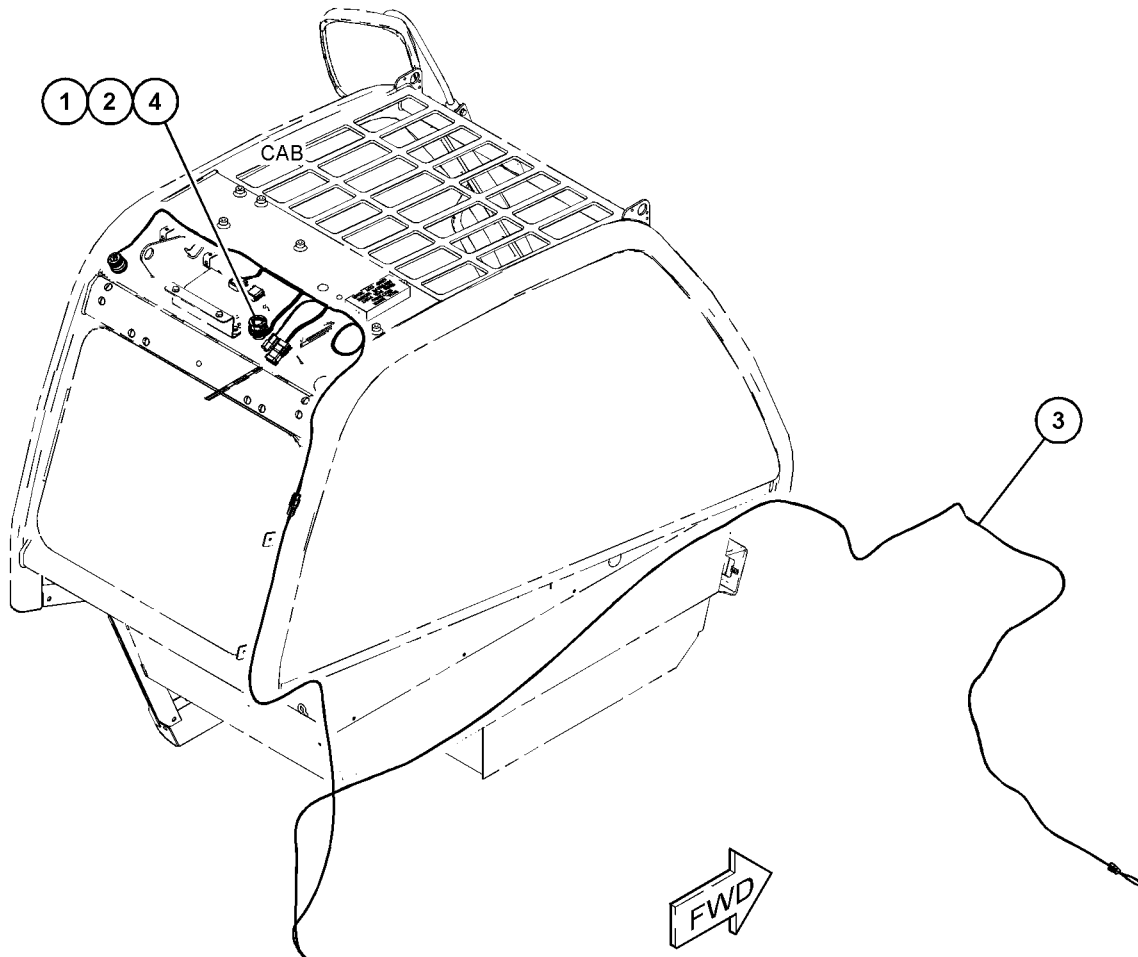
PART OF 523-8307, 523-8308 INSTALLATION AR-COMMUNICATION
AN ATTACHMENT

SMCS-1408

i06895472

NOTE	REF NO	GRAPHIC REF	PART NUMBER	QTY	PART NAME						SEE PAGE
					1	2	3	4	5	6 (PRODUCT LEVEL)	
	1	1	159-9496	1	LOCKWASHER						
	2	1	159-9495	1	NUT (1-1/2-18-THD)						
Y	3	1	501-0349	1	HARNESS AS-CONTROL						350
	4	1	501-1119	1	CAP-DUST						

Y - SEPARATE ILLUSTRATION



GRAPHIC #1

<END>

g06163298

ELECTRICAL AND STARTING SYSTEM

524-8430 WIRING GP-CONTROL

S/N: TH21-UP

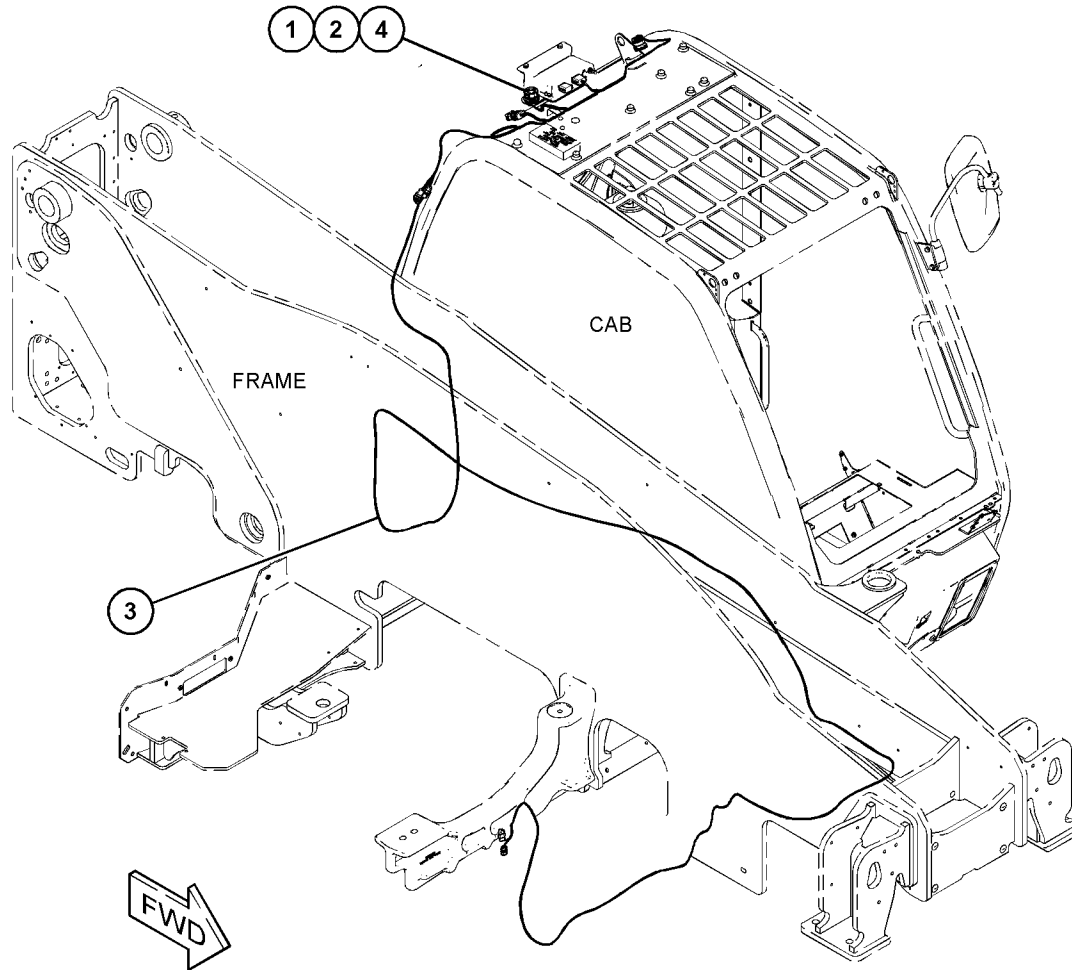
PART OF 523-8303, 523-8305 INSTALLATION AR-COMMUNICATION
AN ATTACHMENT

SMCS-1408

i06895459

NOTE	REF NO	GRAPHIC REF	PART NUMBER	QTY	PART NAME						SEE PAGE
					1	2	3	4	5	6 (PRODUCT LEVEL)	
	1	1	159-9496	1	LOCKWASHER						
	2	1	159-9495	1	NUT (1-1/2-18-THD)						
Y	3	1	501-0350	1	HARNESS AS-CONTROL						351
	4	1	501-1119	1	CAP-DUST						

Y - SEPARATE ILLUSTRATION



GRAPHIC #1

<END>

g06164077

ELECTRICAL AND STARTING SYSTEM

433-4677 WIRING GP-ENGINE

S/N: JKT1-UP

PART OF 464-2307, 464-2308 ENGINE AR-PRIMARY
ALSO AN ATTACHMENT

SMCS-1000, 1408

i06113752

NOTE	REF NO	GRAPHIC REF	PART NUMBER	QTY	PART NAME						SEE PAGE
					1	2	3	4	5	6 (PRODUCT LEVEL)	
M	1	1	6I-0631	2	BOLT (M6X1X12-MM)						
M	2	1	6I-0846	4	BOLT (M6X1X14-MM)						
	3	1	236-5539	1	CLIP						
	4	1	359-6302	1	BRACKET						
	5	1	360-8054	1	BRACKET						
	6	1	361-3488	1	BRACKET AS						
	7	1	362-5031	1	BRACKET						
	8	1	367-6803	2	HARNESS AS-WIRING						
					(EACH INCLUDES)						
		1	323-7347	1	SEAL-O-RING						
		1	332-7865	2	TIE-CABLE						
	9	1	381-9267	1	BRACKET						
	10	1	430-9520	1	BRACKET AS						
Y	11	1	432-5917	1	HARNESS AS-ENGINE						352
M	12	1	6I-0572	1	BOLT (M8X1.25X20-MM)						
M	13	1	232-1693	1	BOLT-FLANGE HEAD (M6X1X35-MM)						
M	14	1	254-3633	2	BOLT-FLANGE HEAD (M6X1X16-MM, SELF LOCKING)						

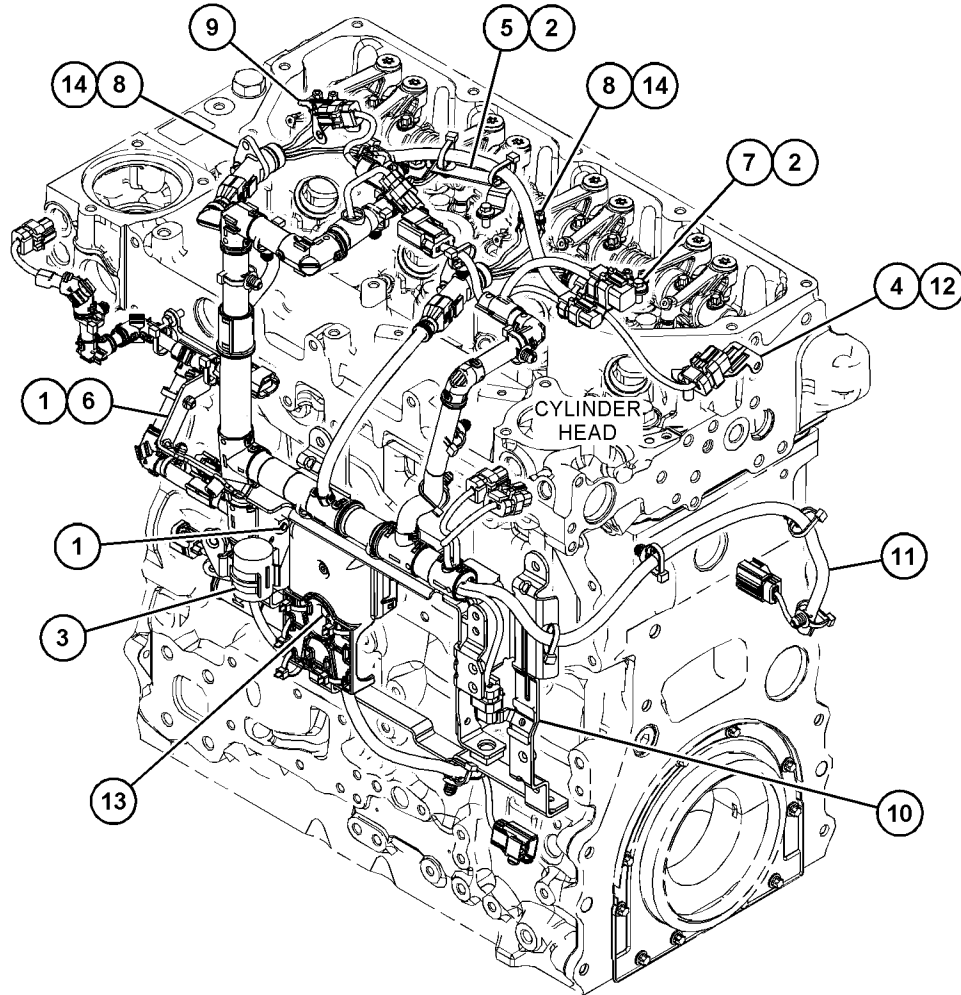
M - METRIC PART

Y - SEPARATE ILLUSTRATION

ELECTRICAL AND STARTING SYSTEM

433-4677 WIRING GP-ENGINE (contd.)

i06113752



GRAPHIC #1

<END>

g03698167

ELECTRICAL AND STARTING SYSTEM

443-0632 WIRING GP-ENGINE

S/N: CJ41-UP

PART OF 465-2880 ENGINE AR-PRIMARY

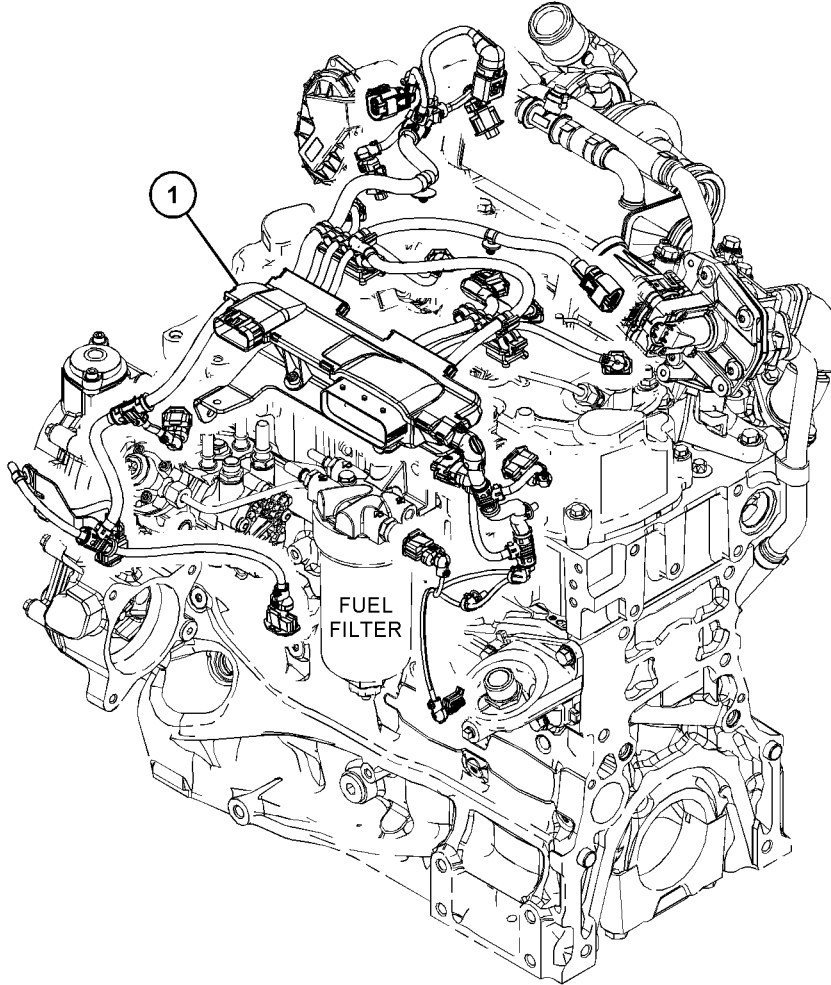
SMCS-1000, 1408

i06945163

NOTE	REF NO	GRAPHIC REF	PART NUMBER	QTY	PART NAME						SEE PAGE
					1	2	3	4	5	6 (PRODUCT LEVEL)	
CY	1	1	511-5488	1	WIRING GP-ENGINE						467

C - CHANGE FROM PREVIOUS TYPE

Y - SEPARATE ILLUSTRATION



GRAPHIC #1

<END>

g06179076

ELECTRICAL AND STARTING SYSTEM

492-2945 WIRING GP-ENGINE

S/N: W231-UP

PART OF 463-8848, 463-8910 ENGINE AR-PRIMARY

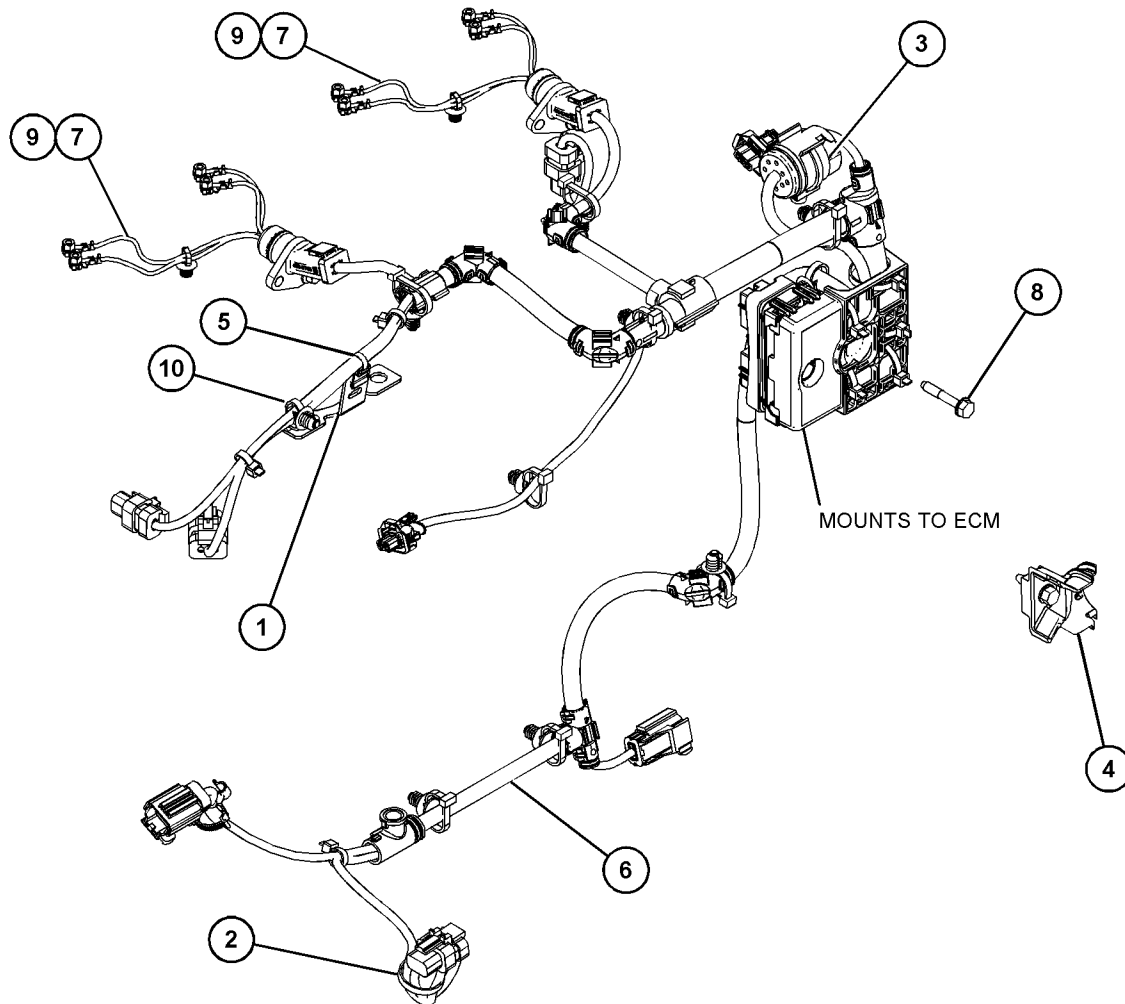
SMCS-1000, 1408

i06621499

NOTE	REF NO	GRAPHIC REF	PART NUMBER	QTY	PART NAME						SEE PAGE
					1	2	3	4	5	6 (PRODUCT LEVEL)	
	1	1	487-6726	1	BRACKET						
	2	1	217-9039	1	STRAP-CABLE						
	3	1	236-5539	1	CLIP						
	4	1	268-6677	1	BRACKET AS						
M		1	260-3939	1	SCREW-HEX HEAD (M6X1X25-MM)						
	5	1	396-5615	1	MOUNT						
Y	6	1	448-0757	1	HARNESS AS-WIRING (POWER)						362
	7	1	458-3745	2	HARNESS AS-PLATFORM						
					(EACH INCLUDES)						
		1	323-7347	4	SEAL-O-RING						
		1	332-7865	1	TIE-CABLE						
M	8	1	232-1693	1	BOLT-FLANGE HEAD (M6X1X35-MM)						
M	9	1	254-3633	2	BOLT-FLANGE HEAD (M6X1X16-MM, SELF LOCKING)						
	10	1	316-9351	1	MOUNTING-CABLE TIE						

M - METRIC PART

Y - SEPARATE ILLUSTRATION



GRAPHIC #1

<END>

g06077692

ELECTRICAL AND STARTING SYSTEM

499-4255 WIRING GP-ENGINE

S/N: TH21-UP

PART OF 505-6134 INSTALLATION AR-ENGINE
AN ATTACHMENT

SMCS-1000, 1408

i06608797

NOTE	REF NO	GRAPHIC REF	PART NUMBER	QTY	PART NAME						SEE PAGE
					1	2	3	4	5	6 (PRODUCT LEVEL)	
	1	1	499-4240	1	CABLE						
M	2	1	7X-2534	2	BOLT (M6X1X50-MM)						
M	3	2	8T-4138	2	BOLT (M6X1X20-MM)						
M	4	2	8T-4971	4	BOLT (M6X1X30-MM)						
M	5	2	8T-4200	3	BOLT (M8X1.25X16-MM)						
M	6	1,2	8T-4189	4	BOLT (M8X1.25X20-MM)						
M	7	1	8T-4137	5	BOLT (M10X1.5X20-MM)						
M	8	1	8T-4136	3	BOLT (M10X1.5X25-MM)						
M	9	1	8T-4139	1	BOLT (M12X1.75X30-MM)						
	10	1,2	7K-1181	11	STRAP-CABLE						
	11	1	499-4254	1	KIT-RECEPTACLE (INCLUDES CONNECTORS & TERMINAL)						
M	12	2	309-9184	2	LOCKNUT (M8X1.25-THD)						
M	13	1	494-8824	1	BOLT-SOCKET HEAD (M2.5X0.45X8-MM)						
	14	2	352-2638	3	SCREW-MACHINE						
M	15	1	455-2256	5	BOLT-SOCKET HEAD (M5X0.8X20-MM)						
	16	1	499-4252	1	CONNECTOR						
	17	1,2	8T-4205	8	WASHER-HARD (7.2X14.5X2-MM THK)						
	18	2	8T-4224	7	WASHER-HARD (8.8X16X2-MM THK)						
	19	1	8T-4121	8	WASHER-HARD (11X21X2.5-MM THK)						
	20	1	8T-4223	1	WASHER-HARD (13.5X25.5X3-MM THK)						
	21	1	304-2604	5	WASHER (3.1X6.2X0.8-IN THK)						
	22	1	303-4787	2	WASHER (6.1X11.8X1.6-MM THK)						
	24	1	464-1257	1	CLIP						
	25	2	323-7231	3	TIE-CABLE						
	26	1	132-5789	8	CLIP (LADDER)						
Y	27	1	7N-0718	1	SWITCH GP-DISCONNECT (BATTERY)						435
	28	1,2	3S-2093	24	STRAP-CABLE						
	29	2	9X-7345	1	GROMMET						
	30	1,2	4P-7428	4	CLIP (LADDER)						
	31	1	100-4336	1	CLIP						
	32	1	328-7285	1	BOX-FUSE						
		1	113-8490	7	FUSE (10-AMPERE)						
		1	113-8491	3	FUSE (15-AMPERE)						
		1	141-2759	2	FUSE (5-AMPERE)						
		1	330-1792	2	RELAY						
	33	1	325-9568	1	RECEPTACLE-CONNECTOR (9-PIN)						
	35	1	481-1051	1	FUSE AS (POWER MODULE)						
		1	339-6361	2	FUSE (40-AMPERE)						
	36	1	275-0553	1	BAR-BUS						
	37	2	398-2026	3	TIE-CABLE						
	38	1	455-3027	26	TIE-CABLE						
	39	1	473-8971	1	TERMINAL						
	40	2	473-8975	2	MOUNT						
	41	1	473-9371	1	LAMP (12-VOLT)						
	42	2	481-1052	3	MOUNT						

ELECTRICAL AND STARTING SYSTEM

499-4255 WIRING GP-ENGINE (contd.)

i06608797

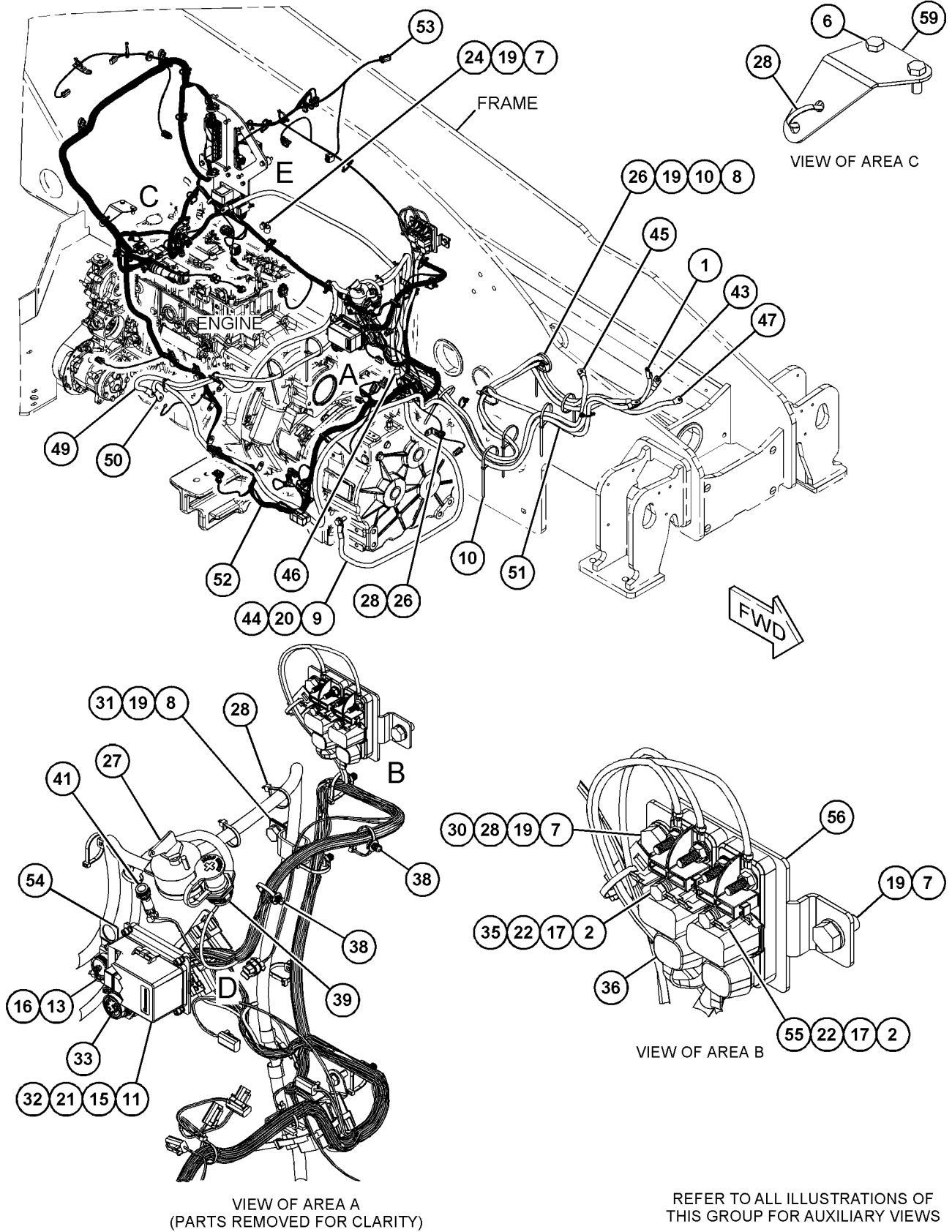
NOTE	REF NO	GRAPHIC REF	PART NUMBER	QTY	PART NAME						SEE PAGE
					1	2	3	4	5	6 (PRODUCT LEVEL)	
	43	1	499-4251	1	CABLE (2-GA, RED)						
	44	1	499-4250	1	CABLE						
	45	1	499-4249	1	CABLE						
	46	1	499-4248	1	CABLE						
	47	1	499-4247	1	CABLE						
	48	2	481-1053	1	PLATE AS						
	49	1	499-4241	1	CABLE						
	50	1	499-4242	1	CABLE						
	51	1	499-4243	1	CABLE						
Y	52	1	499-4244	1	HARNESS AS-ENGINE (CHASSIS)						353
Y	53	1	499-4245	1	HARNESS AS-ENGINE						354
	54	1	494-9551	1	PLATE						
	55	1	481-1056	1	FUSE AS						
		1	339-6363	1	FUSE (60-AMPERE)						
	56	1	481-7718	1	BRACKET AS						
	58	2	499-4234	2	BRACKET						
	59	1	499-4229	1	BRACKET						

M - METRIC PART
Y - SEPARATE ILLUSTRATION

ELECTRICAL AND STARTING SYSTEM

499-4255 WIRING GP-ENGINE (contd.)

106608797



GRAPHIC #1

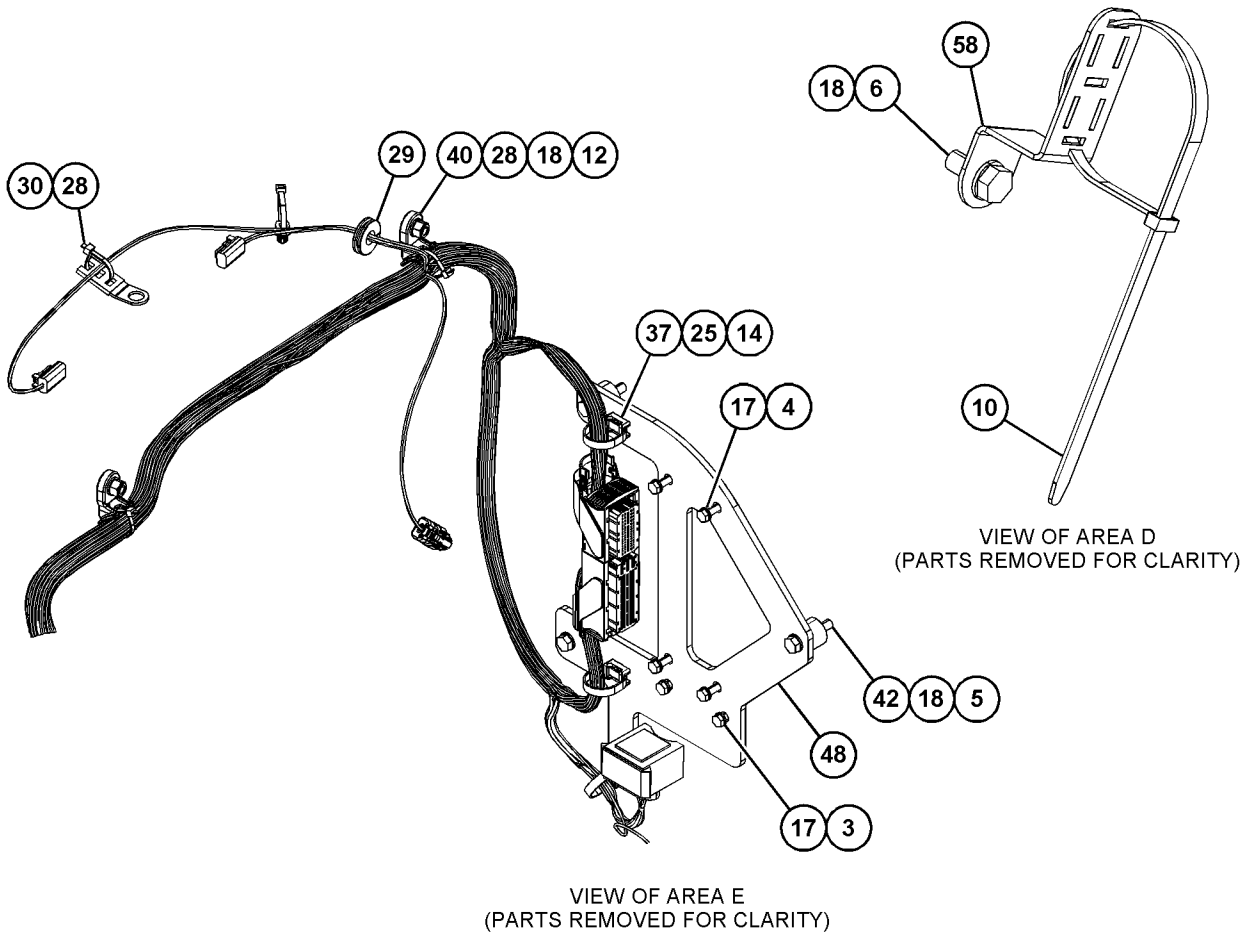
REFER TO ALL ILLUSTRATIONS OF THIS GROUP FOR AUXILIARY VIEWS

g06116096

ELECTRICAL AND STARTING SYSTEM

499-4255 WIRING GP-ENGINE (contd.)

i06608797



GRAPHIC #2

<END>

g06116100

ELECTRICAL AND STARTING SYSTEM

500-2291 WIRING GP-ENGINE

S/N: TH31-UP

PART OF 505-5390, 505-6120 INSTALLATION AR-ENGINE
AN ATTACHMENT

SMCS-1000, 1408

i06603090

NOTE	REF NO	GRAPHIC REF	PART NUMBER	QTY	PART NAME						SEE PAGE
					1	2	3	4	5	6 (PRODUCT LEVEL)	
M	1	2	8T-4138	2	BOLT (M6X1X20-MM)						
M	2	2	8T-4189	2	BOLT (M8X1.25X20-MM)						
M	3	2	8T-4137	2	BOLT (M10X1.5X20-MM)						
M	4	1,2	8T-4136	4	BOLT (M10X1.5X25-MM)						
	5	2	499-4254	1	KIT-RECEPTACLE						
					(INCLUDES TERMINALS & CONNECTORS)						
M	6	1	309-9184	1	LOCKNUT (M8X1.25-THD)						
M	7	2	494-8824	1	BOLT-SOCKET HEAD (M2.5X0.45X8-MM)						
M	8	2	455-2256	5	BOLT-SOCKET HEAD (M5X0.8X20-MM)						
	9	1,2	8T-4224	3	WASHER-HARD (8.8X16X2-MM THK)						
	10	1,2	8T-4121	6	WASHER-HARD (11X21X2.5-MM THK)						
	11	2	304-2604	5	WASHER (3.1X6.2X0.8-IN THK)						
	12	2	477-0655	2	WASHER (7.3X13.6X4-MM THK)						
	13	2	464-1257	1	CLIP						
	14	1	132-5789	2	CLIP (LADDER)						
Y	15	2	7N-0718	1	SWITCH GP-DISCONNECT (BATTERY)						435
	16	1	4P-7428	1	CLIP (LADDER)						
	17	2	100-4336	1	CLIP						
	18	2	328-7285	1	BOX-FUSE						
		2	113-8490	7	FUSE (10-AMPERE)						
		2	113-8491	3	FUSE (15-AMPERE)						
		2	141-2759	2	FUSE (5-AMPERE)						
		2	330-1792	2	RELAY (12-VOLT)						
	19	2	325-9568	1	RECEPTACLE-CONNECTOR (9-PIN)						
	20	2	459-8801	1	RELAY (12-VOLT, 200-AMPERE) (HEATER)						
	21	1,2	500-2293	4	CLIP						
	22	2	455-3027	12	TIE-CABLE						
	23	2	473-8971	1	TERMINAL						
	24	1	473-8975	1	MOUNT						
	25	2	473-9371	1	LAMP (12-VOLT) (LED)						
	26	1	499-4251	1	CABLE (2-GA, RED)						
	27	1	500-2294	1	CABLE (2-GA, RED)						
	28	1	499-4249	1	CABLE						
	29	2	499-4248	1	CABLE						
	30	1	499-4247	1	CABLE						
	31	1	499-4241	1	CABLE						
	32	1	499-4243	1	CABLE						
Y	33	1	500-2295	1	HARNESS AS-ENGINE						355
	34	2	494-9551	1	PLATE						
	35	1,2	484-1801	2	PLATE						
	36	2	499-4234	2	BRACKET						
	37	1,2	3S-2093	23	STRAP-CABLE						
	38	1	9X-7345	1	GROMMET						
	39	1	499-4242	1	CABLE						
	40	1	500-2296	1	CABLE (2-GA, RED)						

ELECTRICAL AND STARTING SYSTEM

500-2291 WIRING GP-ENGINE (contd.)

i06603090

NOTE	REF	GRAPHIC	PART NUMBER	QTY	PART NAME						SEE PAGE
	NO	REF			1	2	3	4	5	6 (PRODUCT LEVEL)	
	41	2	500-2297	1	CABLE						
	42	1,2	7K-1181	12	STRAP-CABLE						

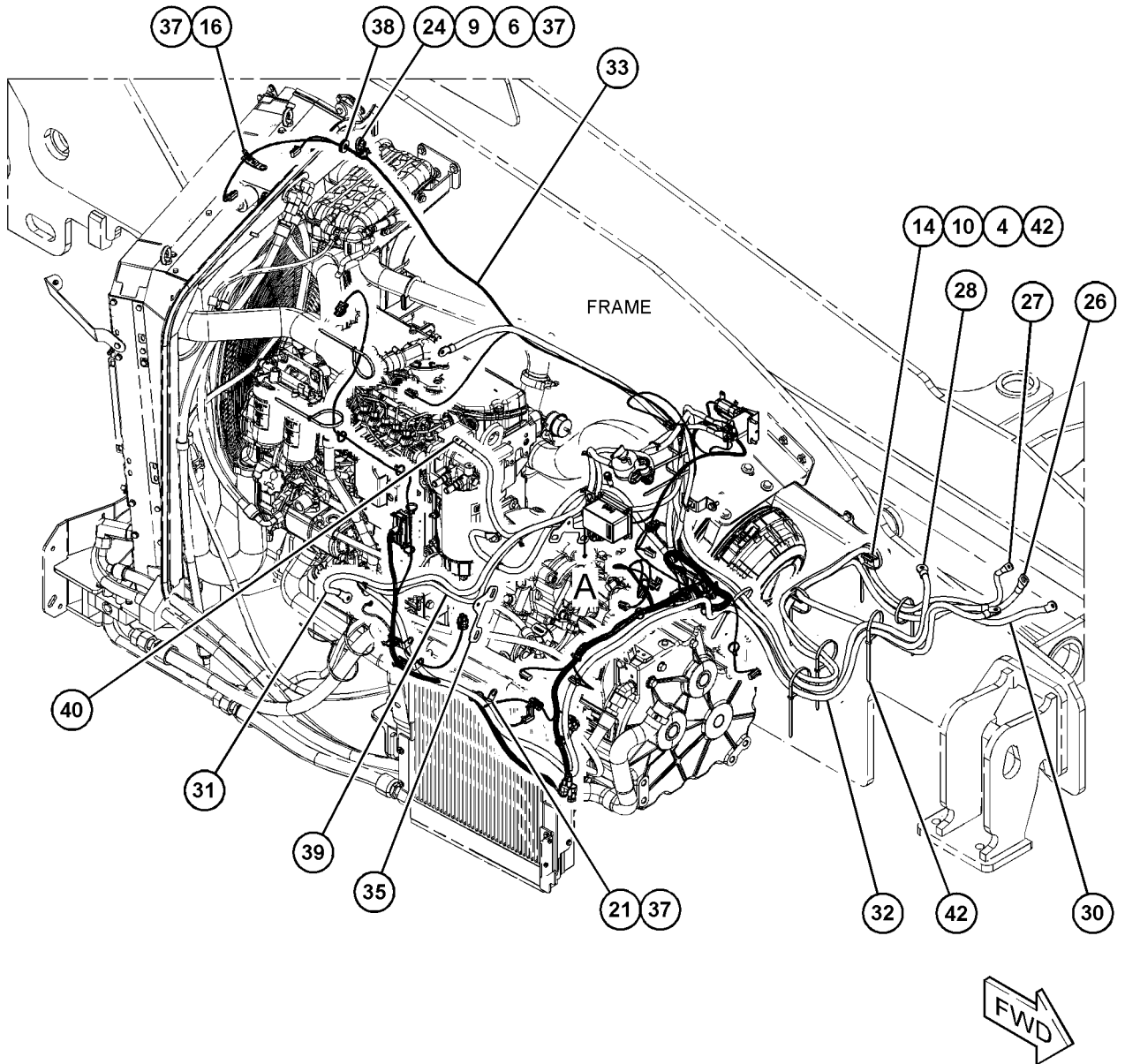
M - METRIC PART
Y - SEPARATE ILLUSTRATION

ELECTRICAL AND STARTING SYSTEM

500-2291 WIRING GP-ENGINE (contd.)

i06603090

REFER TO ALL ILLUSTRATIONS OF THIS GROUP FOR AUXILIARY VIEWS



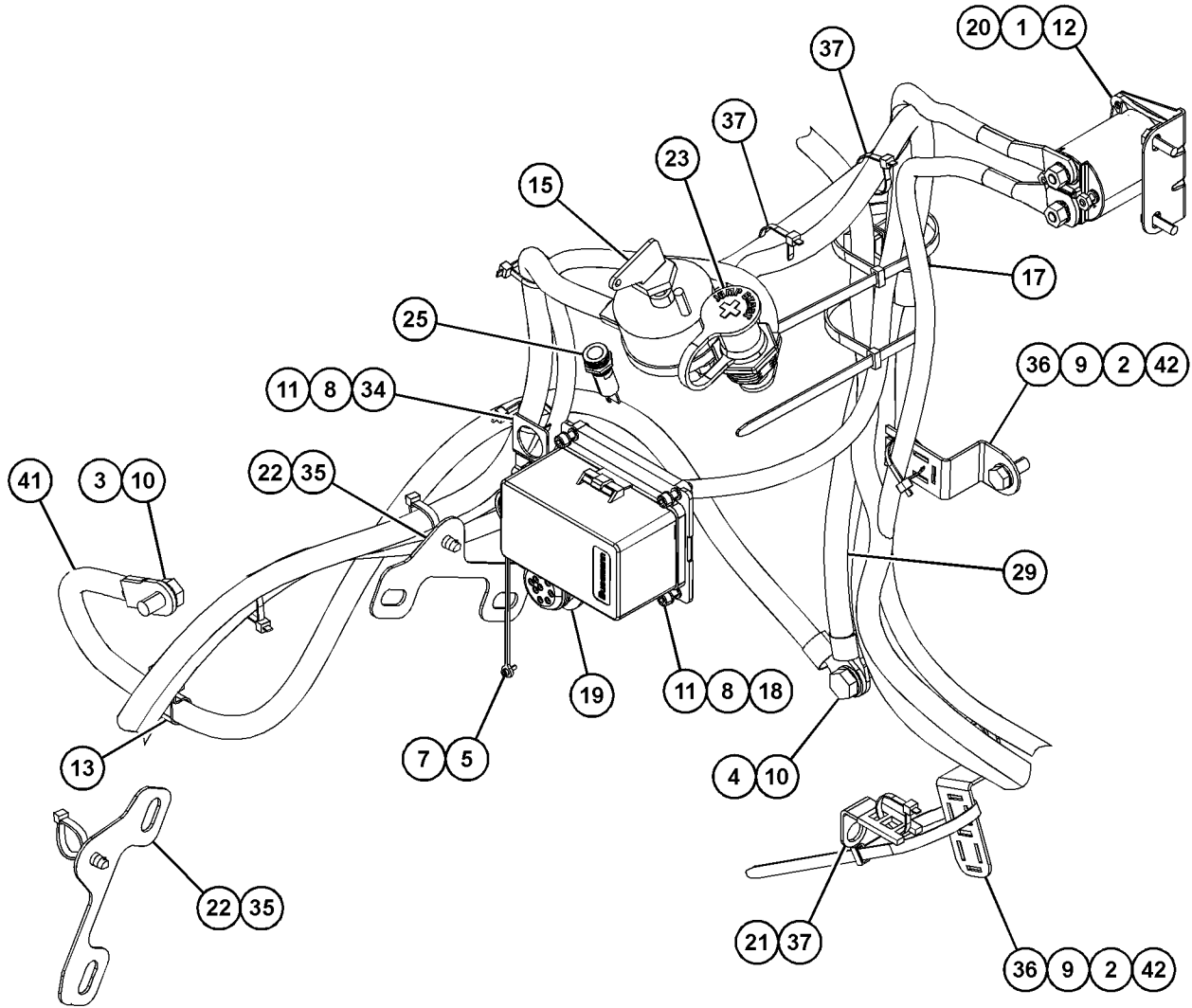
GRAPHIC #1

g06097856

ELECTRICAL AND STARTING SYSTEM

500-2291 WIRING GP-ENGINE (contd.)

i06603090



VIEW OF AREA A
(PARTS REMOVED FOR CLARITY)

GRAPHIC #2

<END>

g06097857

ELECTRICAL AND STARTING SYSTEM

500-3144 WIRING GP-ENGINE

S/N: TH21-UP

PART OF 505-6135 ENGINE AR
AN ATTACHMENT

SMCS-1000, 1408

i06601125

NOTE	REF NO	GRAPHIC REF	PART NUMBER	QTY	PART NAME						SEE PAGE
					1	2	3	4	5	6 (PRODUCT LEVEL)	
M	1	2	8T-4138	2	BOLT (M6X1X20-MM)						
M	2	2	7X-2534	1	BOLT (M6X1X50-MM)						
M	3	1	8T-4189	3	BOLT (M8X1.25X20-MM)						
M	4	1,2	8T-4137	4	BOLT (M10X1.5X20-MM)						
M	5	1,2	8T-4136	5	BOLT (M10X1.5X25-MM)						
	6	2	499-4254	1	KIT-RECEPTACLE						
					(INCLUDES TERMINALS & CONNECTORS)						
M	7	1	309-9184	1	LOCKNUT (M8X1.25-THD)						
M	8	2	494-8824	1	BOLT-SOCKET HEAD (M2.5X0.45X8-MM)						
M	9	1,2	455-2256	5	BOLT-SOCKET HEAD (M5X0.8X20-MM)						
	10	2	8T-4205	1	WASHER-HARD (7.2X14.5X2-MM THK)						
	11	1	8T-4224	4	WASHER-HARD (8.8X16X2-MM THK)						
	12	1,2	8T-4121	9	WASHER-HARD (11X21X2.5-MM THK)						
	13	1,2	304-2604	5	WASHER (3.1X6.2X0.8-IN THK)						
	14	2	303-4787	1	WASHER (6.1X11.8X1.6-MM THK)						
	15	2	477-0655	2	WASHER (7.3X13.6X4-MM THK)						
	16	1	464-1257	1	CLIP						
	17	1	132-5789	6	CLIP (LADDER)						
Y	18	1	7N-0718	1	SWITCH GP-DISCONNECT (BATTERY)						435
	19	1,2	4P-7428	2	CLIP (LADDER)						
	20	2	100-4336	1	CLIP						
	21	2	325-9568	1	RECEPTACLE-CONNECTOR (9-PIN)						
	22	2	459-8801	1	RELAY (12-VOLT, 200-AMPERE) (GLOW PLUG)						
	23	2	481-1051	1	FUSE AS (POWER MODULE)						
		2	339-6361	2	FUSE (40-AMPERE)						
	24	1	455-3027	28	TIE-CABLE						
	25	1	473-8971	1	TERMINAL						
	26	1	473-8975	1	MOUNT						
	27	1	473-9371	1	LAMP (12-VOLT)						
	28	1	499-4251	1	CABLE (2-GA, RED)						
	29	1	500-2294	1	CABLE (2-GA, RED)						
	30	1	499-4249	1	CABLE						
	31	1	499-4248	1	CABLE						
	32	1	499-4247	1	CABLE						
	33	1	499-4241	1	CABLE						
	34	1	499-4243	1	CABLE						
	35	1	500-2296	1	CABLE (2-GA, RED)						
Y	36	1	500-3150	1	HARNESS AS-ENGINE (CAT)						357
Y	37	1	500-3152	1	HARNESS AS-ENGINE (CHASSIS)						358
	38	1	500-2297	1	CABLE						
	39	2	494-9551	1	PLATE						
	40	2	481-7718	1	BRACKET AS						
	41	1	484-1801	2	PLATE						
	42	1	499-4240	1	CABLE						
	43	1	499-4234	3	BRACKET						
	44	1,2	3S-2093	20	STRAP-CABLE						

ELECTRICAL AND STARTING SYSTEM

500-3144 **WIRING GP-ENGINE** (contd.)

i06601125

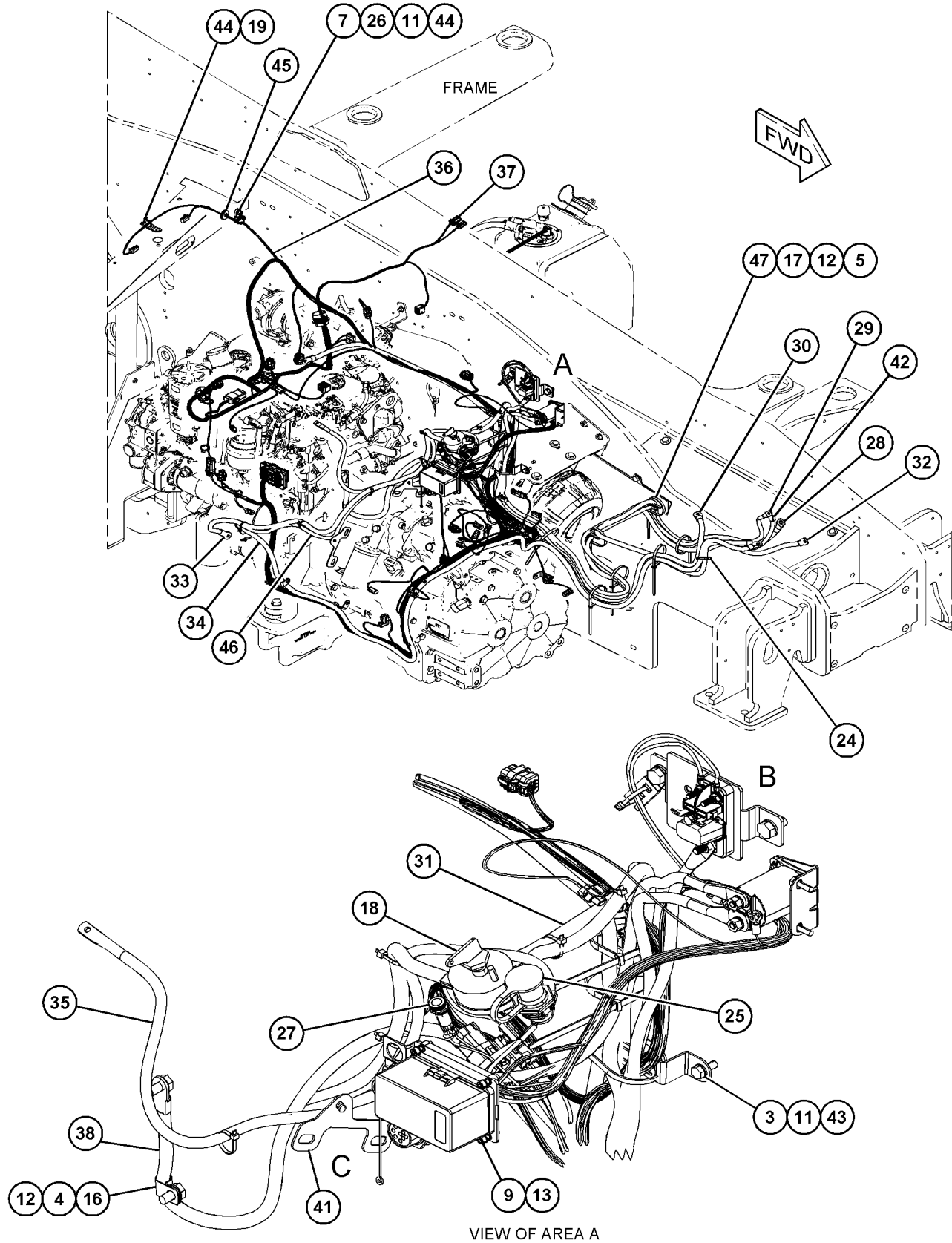
NOTE	REF NO	GRAPHIC REF	PART NUMBER	QTY	PART NAME						SEE PAGE
					1	2	3	4	5	6 (PRODUCT LEVEL)	
	45	1	9X-7345	1	GROMMET						
	46	1	499-4242	1	CABLE						
	47	1	7K-1181	12	STRAP-CABLE						
	48	2	499-4252	1	CONNECTOR						

M - METRIC PART
Y - SEPARATE ILLUSTRATION

ELECTRICAL AND STARTING SYSTEM

500-3144 WIRING GP-ENGINE (contd.)

106601125



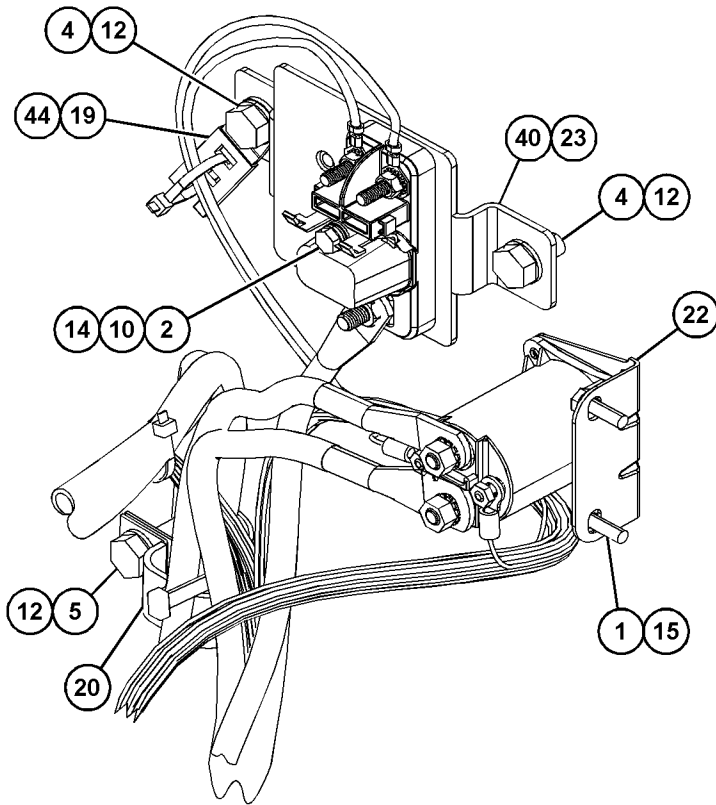
GRAPHIC #1

g06152237

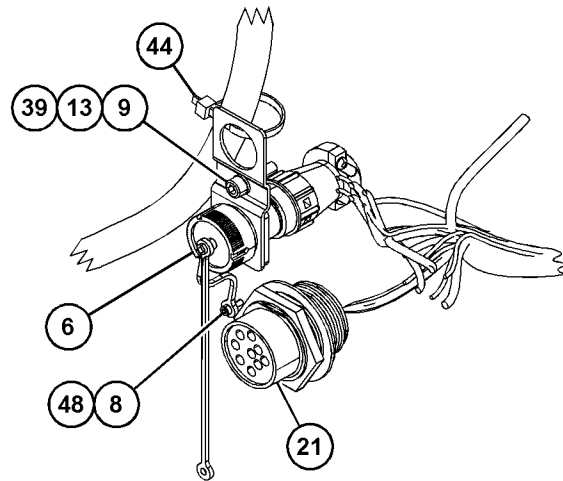
ELECTRICAL AND STARTING SYSTEM

500-3144 WIRING GP-ENGINE (contd.)

i06601125



VIEW OF AREA B
(PARTS REMOVED FOR CLARITY)



VIEW OF AREA C
(PARTS REMOVED FOR CLARITY)

GRAPHIC #2

<END>

g06152325

ELECTRICAL AND STARTING SYSTEM

511-5488 WIRING GP-ENGINE

S/N: CJ41-UP

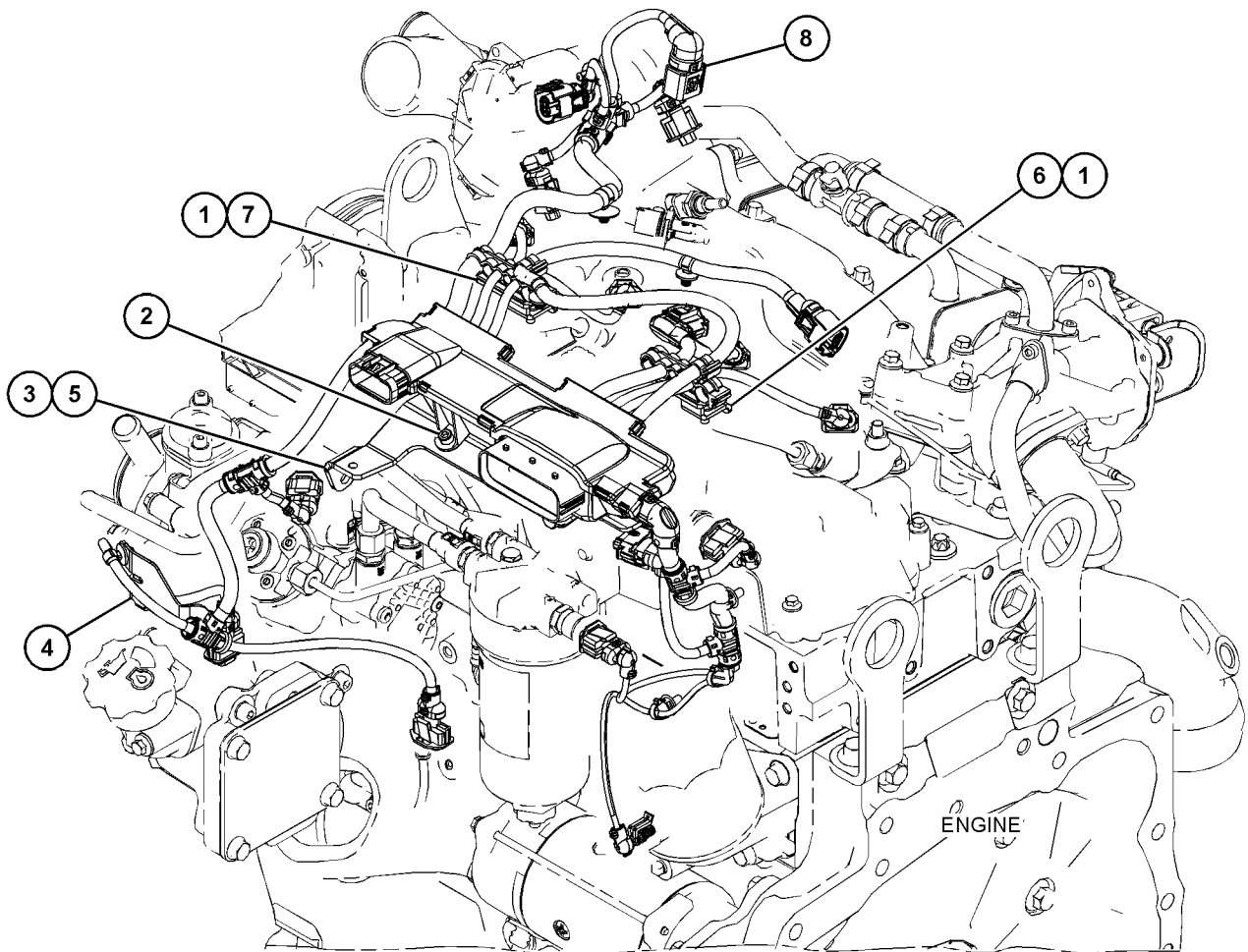
PART OF 443-0632 WIRING GP-ENGINE

SMCS-1000, 1408

i06946852

NOTE	REF NO	GRAPHIC REF	PART NUMBER	QTY	PART NAME						SEE PAGE
					1	2	3	4	5	6	
M	1	1	6I-0846	2	BOLT (M6X1X14-MM)						
	2	1	386-3036	1	SCREW						
	3	1	389-1874	3	BOLT-SPECIAL						
	4	1	419-8715	1	BRACKET						
	5	1	463-8785	1	BRACKET AS						
	6	1	463-8787	1	BRACKET						
	7	1	463-8791	1	BRACKET						
	8	1	511-5487	1	HARNES AS-ENGINE						

M - METRIC PART



GRAPHIC #1

<END>

g06179068

ELECTRICAL AND STARTING SYSTEM

496-8310 WIRING GP-TRAILER

S/N: TH21-UP; TH31-UP

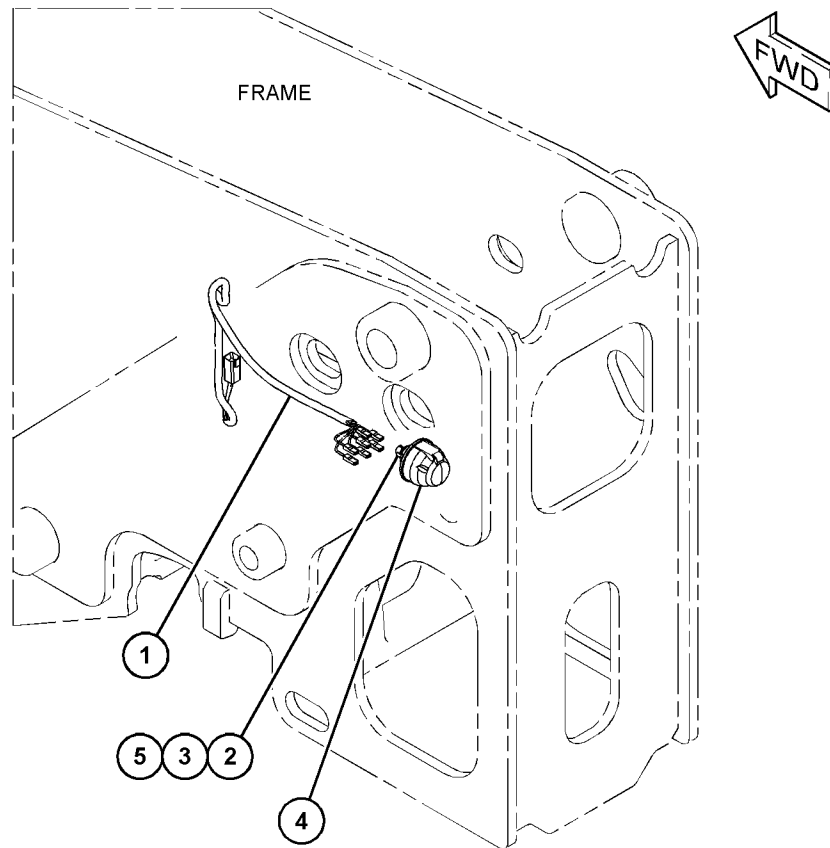
PART OF 506-7652 BRAKE AR-TRAILER, 506-7650, 506-7655 TRAILER AR
AN ATTACHMENT

SMCS-1408

i06613298

NOTE	REF NO	GRAPHIC REF	PART NUMBER	QTY	PART NAME						SEE PAGE
					1	2	3	4	5	6 (PRODUCT LEVEL)	
	1	1	492-4869	1	HARNESS AS-BRAKE						
		1	8T-8737	1	PLUG-SEAL						
		1	9W-0852	5	PIN-CONNECTOR (14-GA TO 16-GA)						
		1	334-5873	1	TERMINAL (6-PIN)						
		1	362-6352	14	RECEPTACLE AS-CONNECTOR (1-PIN)						
M	2	1	303-4777	3	NUT (M5X0.8-THD)						
	3	1	309-3992	3	SCREW						
	4	1	329-3645	1	CONNECTOR (7-PIN)						
	5	1	309-3996	3	WASHER (5.3X12.5X5-MM THK)						

M - METRIC PART



GRAPHIC #1

<END>

g06051446

POWER TRAIN

499-7309 AXLE & MOUNTING GP-REAR

S/N: TH21-UP; TH31-UP

PART OF 505-5260, 505-5261, 505-5262 AXLE AR
AN ATTACHMENT

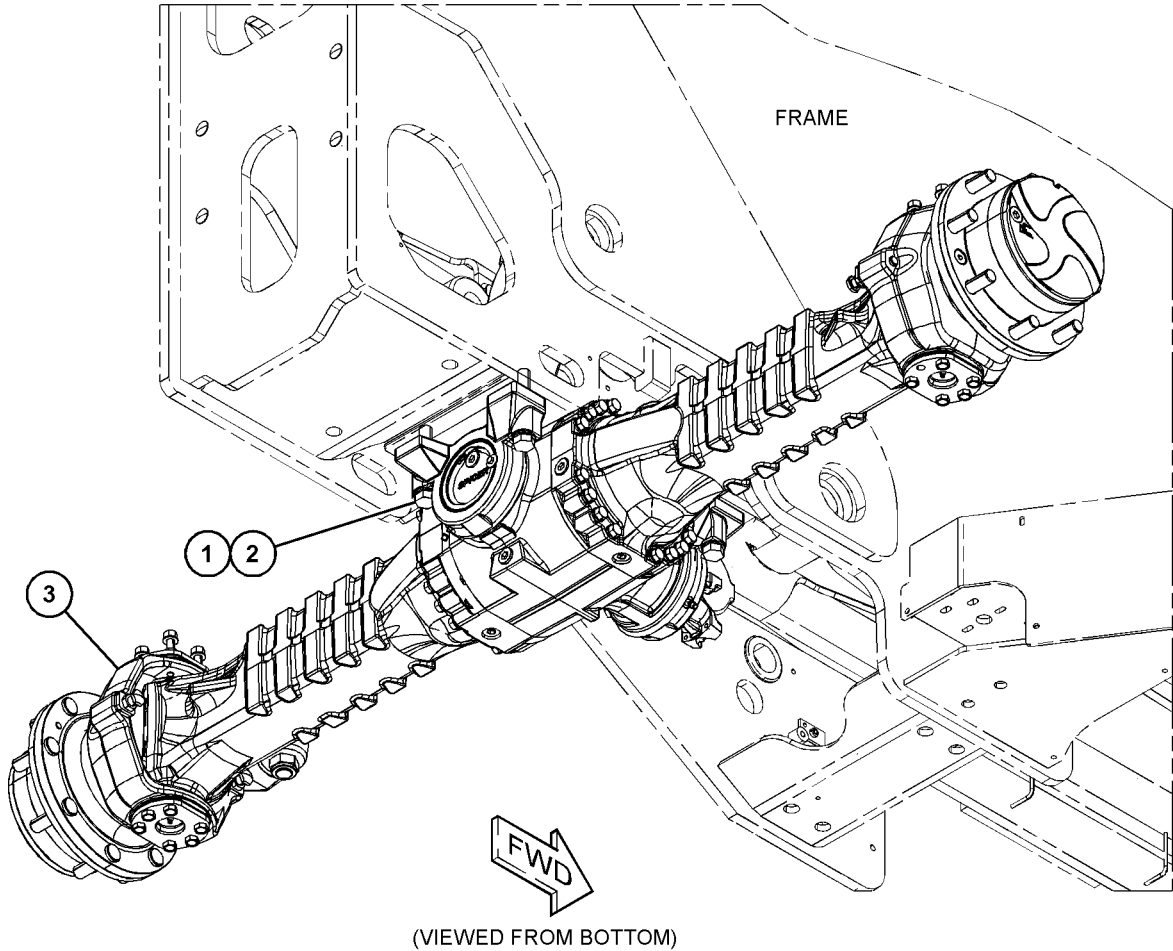
SMCS-3013

i06601147

NOTE	REF NO	GRAPHIC REF	PART NUMBER	QTY	PART NAME						SEE PAGE
					1	2	3	4	5	6 (PRODUCT LEVEL)	
M	1	1	7X-2532	4	BOLT (M20X2.5X130-MM)						
	2	1	499-8656	4	WASHER (21X37X4-MM THK)						
Y	3	1	485-1677	1	AXLE GP-REAR						486

M - METRIC PART

Y - SEPARATE ILLUSTRATION



GRAPHIC #1

<END>

g06040879

POWER TRAIN

499-7311 AXLE & MOUNTING GP-FRONT

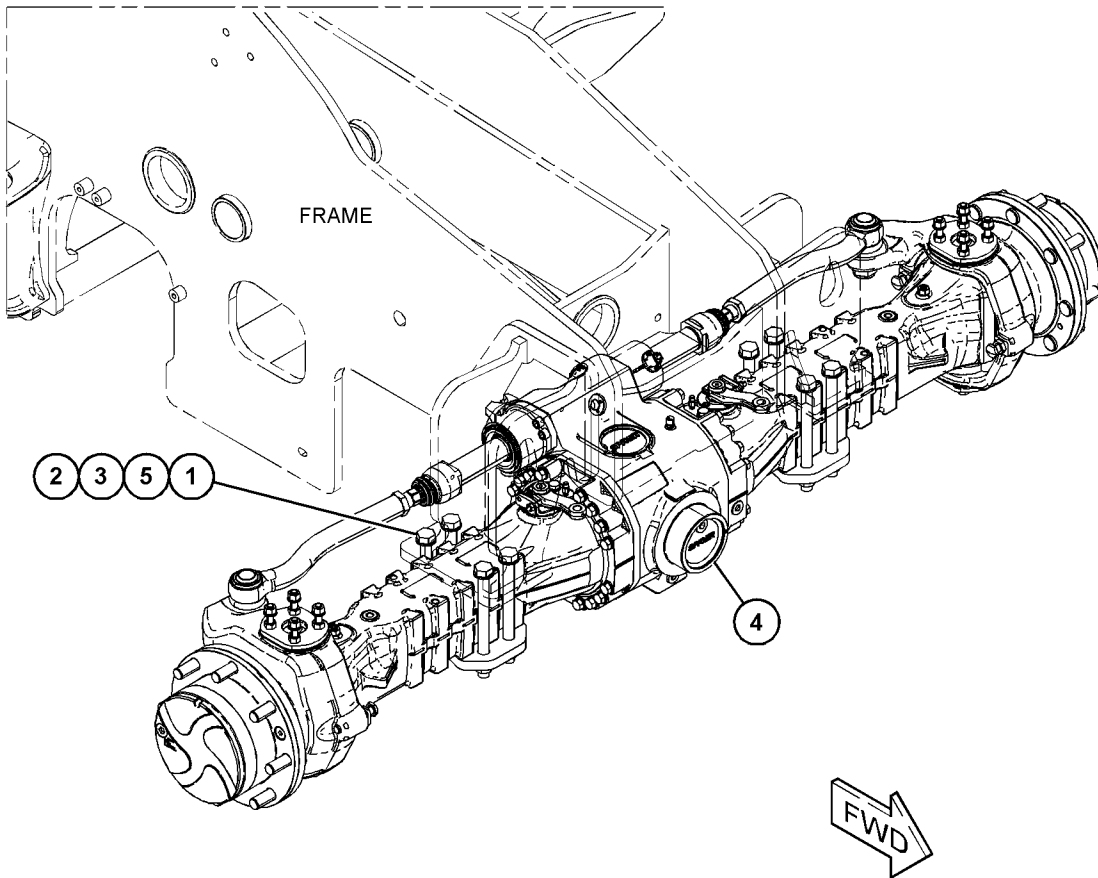
S/N: TH21-UP; TH31-UP
PART OF 505-5260 AXLE AR
AN ATTACHMENT

SMCS-3013

i06601151

NOTE	REF NO	GRAPHIC REF	PART NUMBER	QTY	PART NAME						SEE PAGE
					1	2	3	4	5	6 (PRODUCT LEVEL)	
M	1	1	4I-6766	8	BOLT (M20X2.5X230-MM)						
M	2	1	6V-7742	8	NUT-FULL (M20X2.5-THD)						
	3	1	499-8656	16	WASHER (21X37X4-MM THK)						
Y	4	1	499-7312	1	AXLE GP-FRONT						473
	5	1	499-7342	2	PLATE						

M - METRIC PART
Y - SEPARATE ILLUSTRATION



GRAPHIC #1

<END>

g06049076

POWER TRAIN

499-8464 AXLE & MOUNTING GP

S/N: TH21-UP; TH31-UP

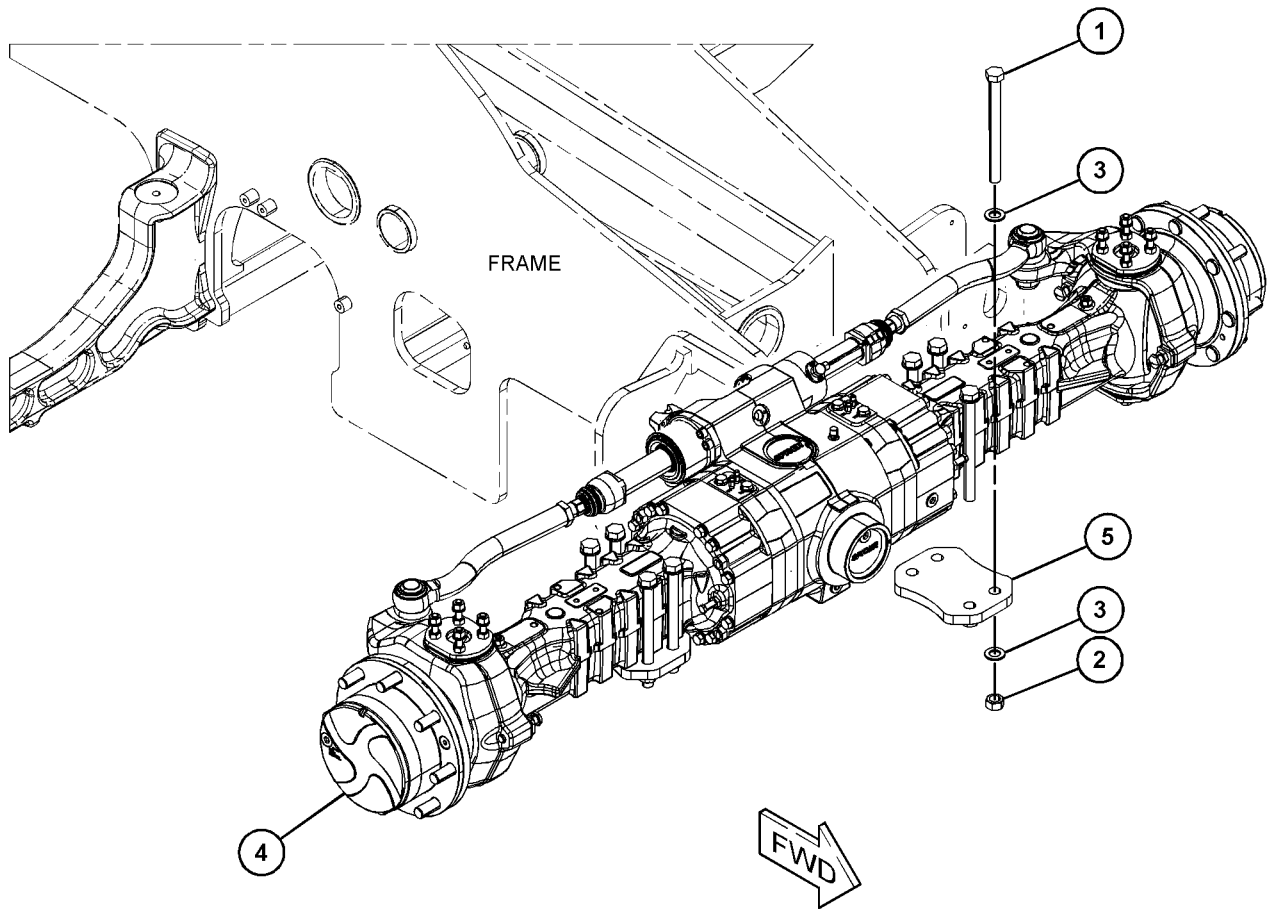
PART OF 505-5261, 505-5262 AXLE AR
AN ATTACHMENT

SMCS-3013

i06601150

NOTE	REF NO	GRAPHIC REF	PART NUMBER	QTY	PART NAME						SEE PAGE
					1	2	3	4	5	6 (PRODUCT LEVEL)	
M	1	1	4I-6766	8	BOLT (M20X2.5X230-MM)						
M	2	1	6V-7742	8	NUT-FULL (M20X2.5-THD)						
	3	1	499-8656	16	WASHER (21X37X4-MM THK)						
Y	4	1	499-8465	1	AXLE GP-FRONT						480
	5	1	499-7342	2	PLATE						

M - METRIC PART
Y - SEPARATE ILLUSTRATION



GRAPHIC #1

<END>

g06097994

POWER TRAIN

505-5260 AXLE AR

S/N: TH21-UP; TH31-UP
FOR USE WITH 505-5261, 505-5262
AN ATTACHMENT

SMCS-3013

i06811054

NOTE	PART NUMBER	QTY	PART NAME						SEE PAGE
			1	2	3	4	5	6 (PRODUCT LEVEL)	
Y	499-7309	1	AXLE & MOUNTING GP (REAR)						469
Y	499-7311	1	AXLE & MOUNTING GP (FRONT)						470
Y	514-4634	1	BRAKE GP-PARKING						635

Y - SEPARATE ILLUSTRATION

<END>

505-5261 AXLE AR

S/N: TH21-UP
AN ATTACHMENT

SMCS-3013

i06601145

NOTE	PART NUMBER	QTY	PART NAME						SEE PAGE
			1	2	3	4	5	6 (PRODUCT LEVEL)	
Y	499-7309	1	AXLE & MOUNTING GP (REAR)						469
Y	499-8464	1	AXLE & MOUNTING GP (FRONT)						471
Y	505-0902	1	BRAKE GP-HYDRAULIC						633
Y	495-9806	1	LINES GP-BRAKE (PRIORITY)						638
Y	495-9881	1	LINES GP-BRAKE						639
Y	495-9804	1	LINES GP-RETURN						713

Y - SEPARATE ILLUSTRATION

<END>

505-5262 AXLE AR

S/N: TH31-UP
FOR USE WITH 505-5260
AN ATTACHMENT

SMCS-3013

i06603074

NOTE	PART NUMBER	QTY	PART NAME						SEE PAGE
			1	2	3	4	5	6 (PRODUCT LEVEL)	
Y	499-7309	1	AXLE & MOUNTING GP (REAR)						469
Y	499-8464	1	AXLE & MOUNTING GP (FRONT)						471
Y	476-8923	1	CONTROL GP-PARKING BRAKE						636
Y	495-9806	1	LINES GP-BRAKE (PRIORITY)						638
Y	495-9881	1	LINES GP-BRAKE						639
Y	495-9804	1	LINES GP-RETURN						713

Y - SEPARATE ILLUSTRATION

<END>

POWER TRAIN

499-7312 AXLE GP-FRONT

S/N: TH21-UP; TH31-UP

PART OF 499-7311 AXLE & MOUNTING GP
AN ATTACHMENT

SMCS-3020

i06907236

NOTE	REF NO	GRAPHIC REF	PART NUMBER	QTY	PART NAME						SEE PAGE
					1	2	3	4	5	6 (PRODUCT LEVEL)	
	1	2,3	298-1799	5	SEAL -O-RING						
	2	2	385-3595	1	COVER						
	3	2	498-1005	1	HOUSING						
	4	2	385-3597	1	PLUG						
	5	2	299-7134	1	VENT						
	6	2,3	299-7170	5	PLUG						
	7	2,3	304-2241	3	PLUG						
	8	2	299-0821	1	CLIP						
M	9	2	498-0999	1	NUT (M20X1.5-THD)						
	10	2	458-5992	1	FLANGE						
	11	2	459-0425	1	SEAL						
	12	2	304-3222	4	BOLT						
	13	2	298-1802	1	SEAL -O-RING						
	14	2	298-1803	1	NUT-RING						
	15	2	298-1808	1	SPACER						
	16	2	298-1804	1	SHIM						
	17	2	298-1805	1	SHIM						
	18	2	298-1806	1	SHIM						
	19	2	298-1807	1	SHIM						
	20	2	385-3608	1	SHIM (0.3-MM THK)						
	21	2	385-3609	1	SHIM (0.4-MM THK)						
	22	2	385-3606	1	SHIM (0.2-MM THK)						
	23	2	385-3607	1	SHIM (0.3-MM THK)						
	24	2	298-1811	1	SHIM						
	25	2	298-1812	1	SHIM						
	26	2	304-2603	2	BEARING						
	27	2	498-2943	1	KIT-BEVEL GEAR (INCLUDES PARTS MARKED "J" IN GRAPHIC)						
	28	2	304-3232	2	BOLT						
	29	2	498-1002	2	BEARING AS						
	30	2	298-1865	12	BOLT						
	31	2	298-1813	2	NUT-RING						
	32	2	390-7746	1	KIT-DIFFERENTIAL (INCLUDES RETAINING RING, BEVEL GEARS, PINS, FRICTION WASHERS & HOUSING)						
	33	3	298-1853	2	NUT						
	34	3	458-5997	2	BOLT						
	35	3	505-3926	2	CASE-AXLE						
M	36	3	385-3620	32	BOLT (M16X1.5X100-MM)						
	37	3	458-6016	2	SHIM (0.15-MM THK)						
	38	3	458-6017	2	SHIM (0.2-MM THK)						
	39	3	458-6018	2	SHIM (0.5-MM THK)						
	40	3	299-0236	2	BEARING GP-AXLE (EACH INCLUDES)						
		3	298-1877	1	SEAL -O-RING						
40A		3	299-0235	1	BEARING						
		3	299-0520	1	SEAL						

POWER TRAIN

499-7312 AXLE GP-FRONT (contd.)

i06907236

NOTE	REF NO	GRAPHIC REF	PART NUMBER	QTY	PART NAME						SEE PAGE
					1	2	3	4	5	6 (PRODUCT LEVEL)	
		3	299-0821	1	CLIP						
41		3	299-0827	2	CLIP						
42		3	498-2945	2	SHAFT						
44		3	322-0641	2	BUSHING						
45		3	458-6851	12	BOLT						
46		3	458-6003	2	COVER						
47		3,4	299-7103	6	PLUG						
48		3	298-1857	2	FITTING-GREASE						
49		3	458-6004	2	PIVOT PIN						
50		3	458-6005	2	PIVOT PIN						
51		3	458-6006	4	SEAL						
52		3	458-6007	2	BUSHING						
53		3	458-6009	2	SEAL						
54		3	386-0145	8	GEAR AS						
					(EACH INCLUDES)						
54A		3	299-0207	4	BEARING						
54B		3	299-0206	4	GEAR-PLANETARY						
57		3	179-2801	2	SEAL						
58		3	322-0640	4	BEARING						
59		3	179-8593	16	STUD						
60		3	498-2947	2	HUB						
67		3	498-2948	2	KIT-CARRIER						
					(EACH INCLUDES)						
67A		3	299-0205	2	CLIP						
67B		3	503-1968	1	GEAR-PLANETARY						
					(ALSO INCLUDES BEARINGS & PLANETARY GEAR)						
68		3	298-8300	4	BOLT						
70		3	513-2421	16	STUD						
71		3	298-1825	16	NUT						
75		3	458-6092	1	KIT-CASE						
76		3	458-6093	1	KIT-CASE						
					(EACH CASE INCLUDES)						
76A		3	8I-3860	1	BUSHING-THRUST						
77		3	458-6015	2	PLATE						
78		3	305-5426	4	KIT-BOLT						
					(EACH INCLUDES)						
78A		3	298-1863	1	BOLT						
78B		3	298-7868		NUT						
79		3	458-6094	2	KIT-RING GEAR						
79A		3	298-8195	1	GEAR-RING						
79B		3	458-6014	1	GEAR						
79C		3	298-8194	1	CLIP						
80		3	458-6091	2	FITTING-GREASE						
81		3	459-3345	8	STUD						
83		3	526-2655	8	NUT						
84		4	459-0424	1	LEVER						
85		4	298-7873	2	BOLT						
87		4	458-6095	6	BOLT						
88		4	458-6096	2	SEAL-O-RING						
89		4	507-0387	2	BUSHING						
90		4	458-6098	2	BOLT						

POWER TRAIN

499-7312 AXLE GP-FRONT (contd.)

i06907236

NOTE	REF NO	GRAPHIC REF	PART NUMBER	QTY	PART NAME						SEE PAGE
					1	2	3	4	5	6 (PRODUCT LEVEL)	
	91	4	458-6099	2	NUT						
	92	4	458-6100	2	SEAL-O-RING						
	93	4	8Q-2143	2	LEVER						
	94	4	458-6132	2	WASHER						
M	95	4	097-5154	2	BOLT (M8X1X18-MM)						
	96	4	459-3348	10	DISC-BRAKE						
M	97	4	350-8573	6	BOLT (M14X34-MM)						
	100	4	458-6153	2	DOWEL						
	101	4	458-6136	1	LEVER						
	102	4	385-3639	6	SPRING						
	105	4	298-8191	8	DISC-BRAKE						
	106	4	<i>513-9576</i>	1	KIT-PISTON						
		4	8Q-2150	2	PUSHER						
		4	513-9565	3	SPRING						
		4	477-1687	1	SEAL						
		4	459-3347	1	SEAL-O-RING						
		4	458-6138	1	PISTON						
	107	4	514-0659	1	KIT-PISTON						
	108	4	458-6141	2	SEAL-O-RING						
	109	4	298-1878	2	KIT-FASTENER						
	110	4	298-1800	4	BOLT						
	111	4	498-2950	1	SENSOR						
M	112	4	458-6143	2	BOLT (M5X0.8X10-MM)						
	113	4	498-2951	1	CYLINDER						
	114	4	498-2952	1	TIE ROD AS						
	115	4	498-2954	1	TIE ROD AS						
	116	4	459-3350	1	KIT-SEAL						

PARTS SHOWN IN GRAPHIC(S) WITHOUT A REFERENCE NUMBER ARE NOT SERVICED SEPARATELY

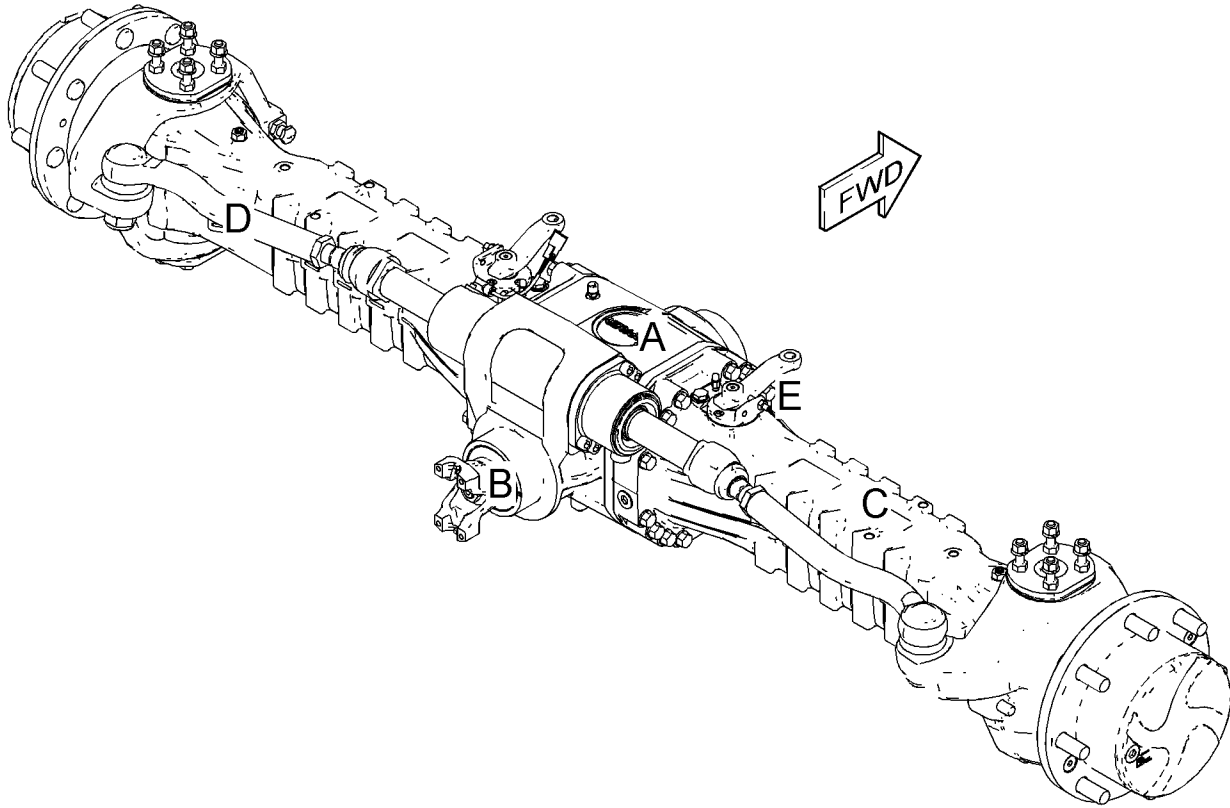
M - METRIC PART

POWER TRAIN

499-7312 AXLE GP-FRONT (contd.)

i06907236

REFER TO ALL ILLUSTRATIONS OF THIS GROUP FOR AUXILIARY VIEWS



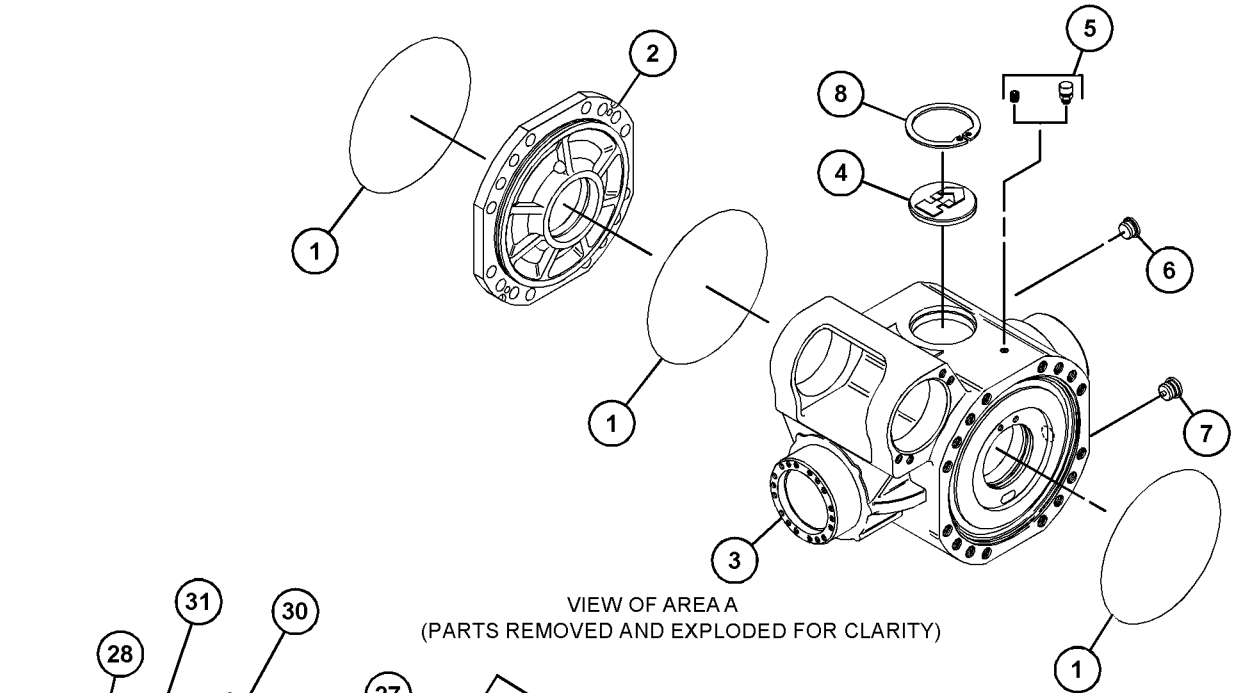
GRAPHIC #1

g06121375

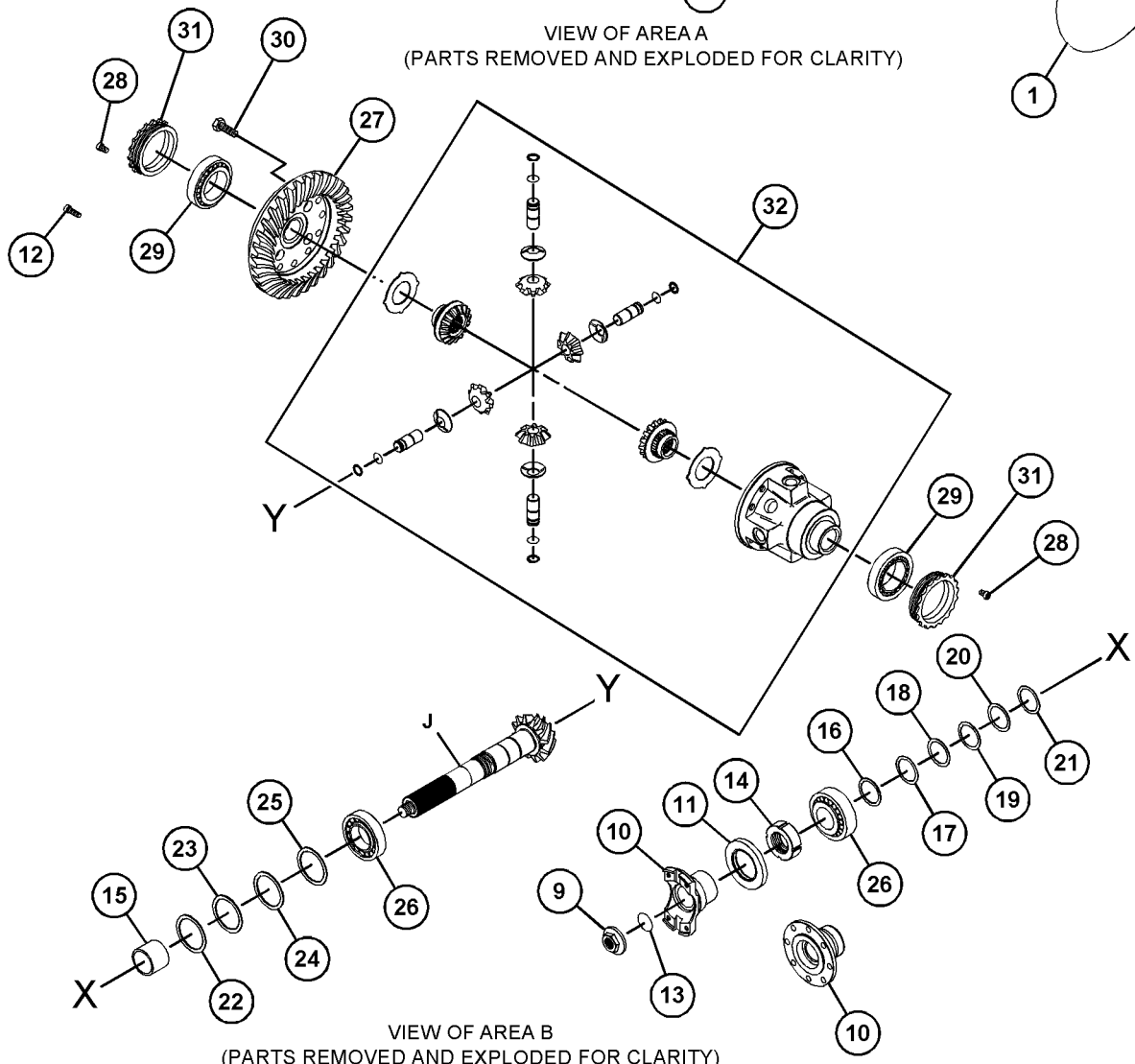
POWER TRAIN

499-7312 AXLE GP-FRONT (contd.)

i06907236



VIEW OF AREA A
(PARTS REMOVED AND EXPLODED FOR CLARITY)



VIEW OF AREA B
(PARTS REMOVED AND EXPLODED FOR CLARITY)

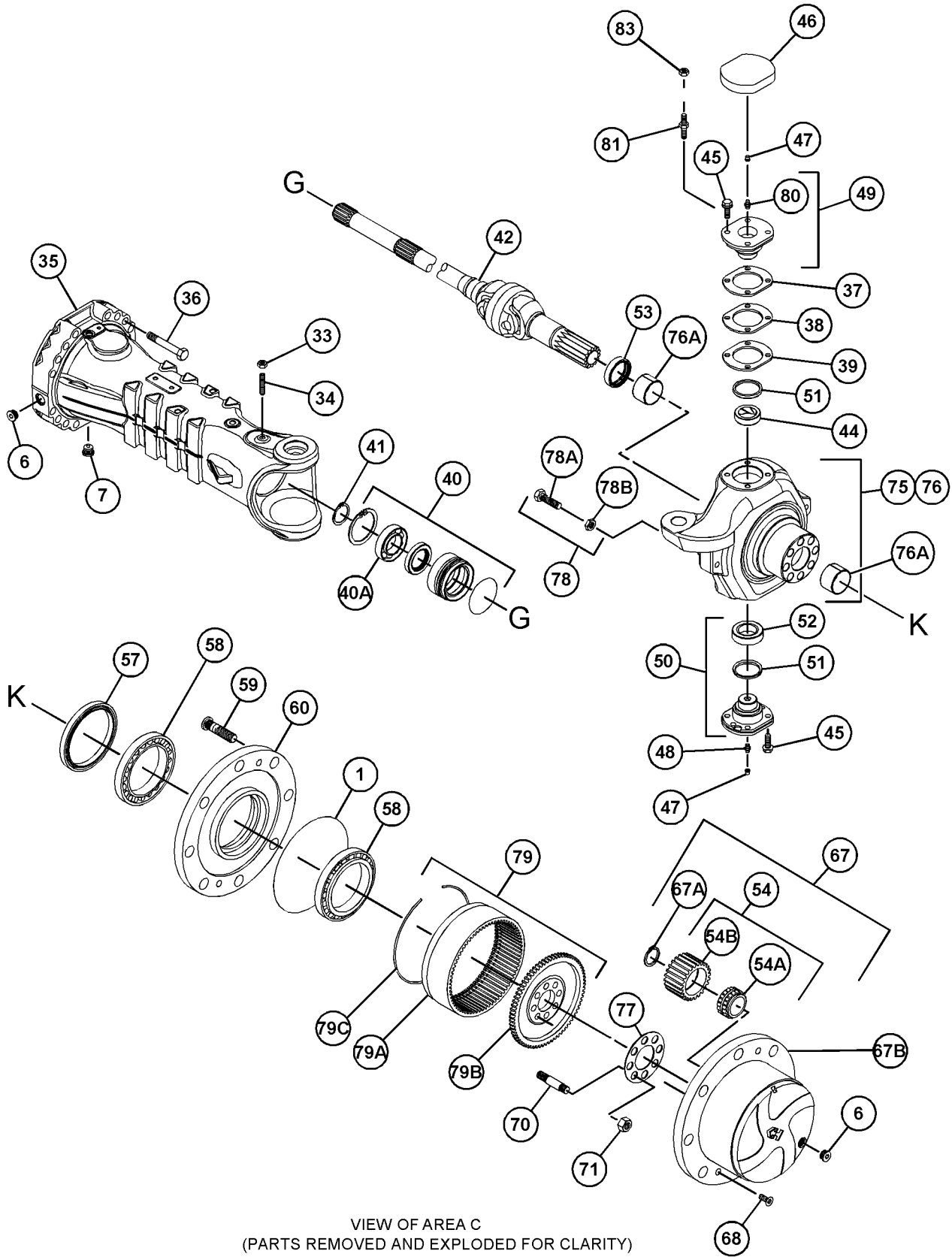
GRAPHIC #2

g06121376

POWER TRAIN

499-7312 AXLE GP-FRONT (contd.)

i06907236



VIEW OF AREA C
(PARTS REMOVED AND EXPLODED FOR CLARITY)

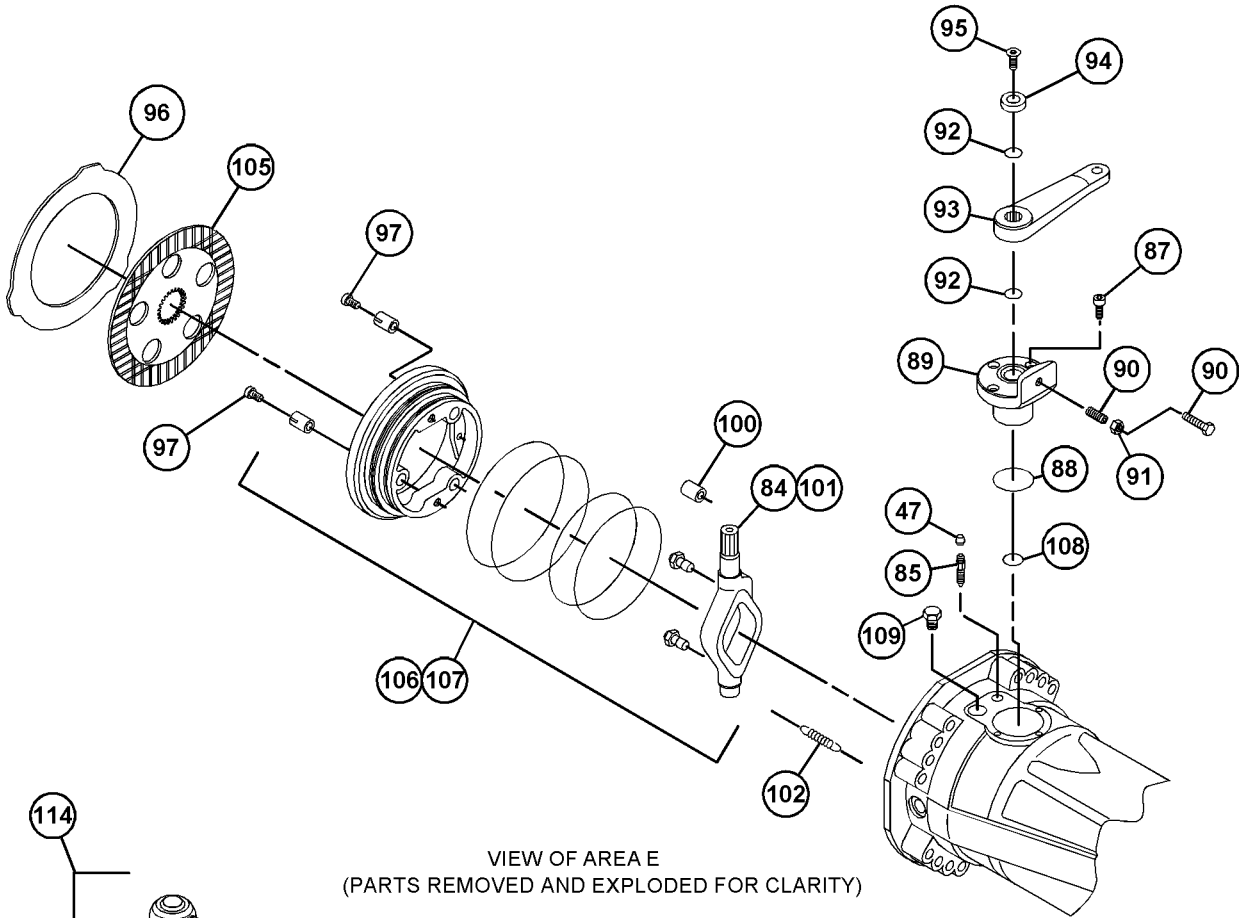
GRAPHIC #3

g06166006

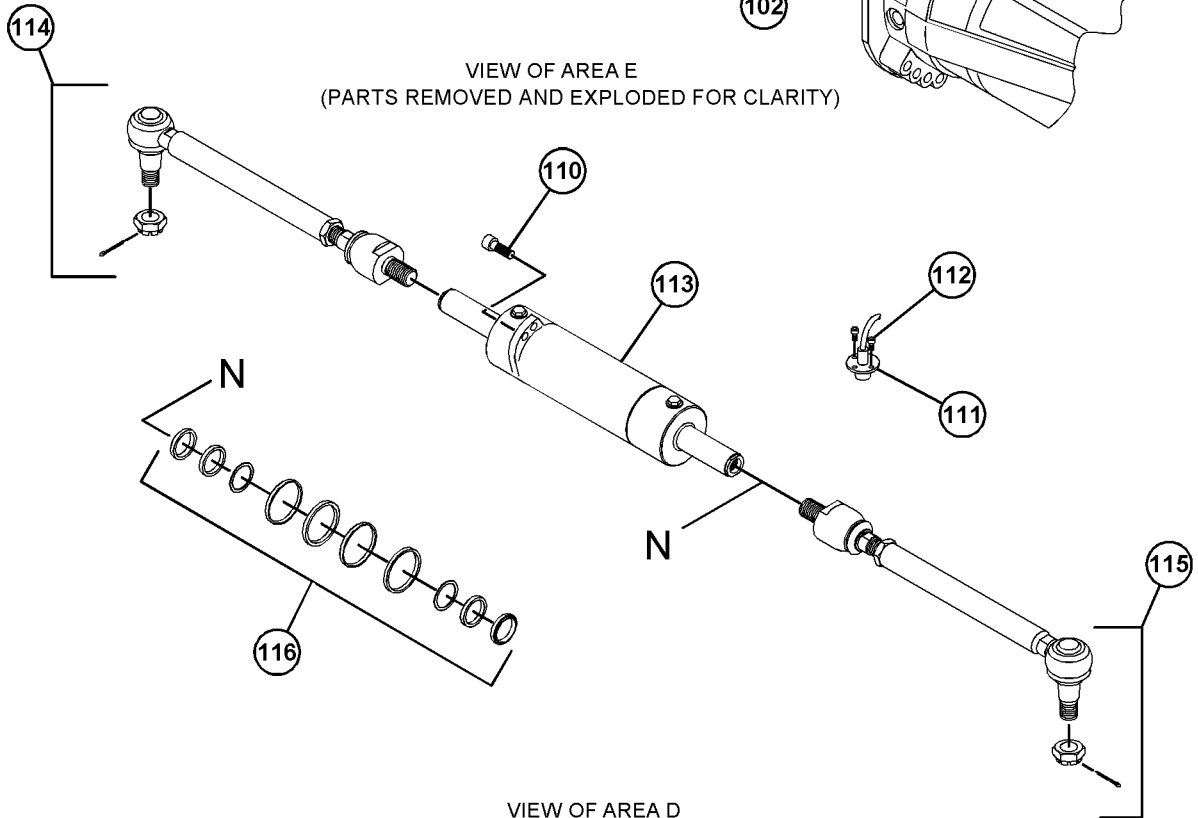
POWER TRAIN

499-7312 AXLE GP-FRONT (contd.)

i06907236



VIEW OF AREA E
(PARTS REMOVED AND EXPLODED FOR CLARITY)



VIEW OF AREA D
(PARTS REMOVED AND EXPLODED FOR CLARITY)

GRAPHIC #4

<END>

g06121547

POWER TRAIN

499-8465 AXLE GP-FRONT

S/N: TH21-UP; TH31-UP

PART OF 499-8464 AXLE & MOUNTING GP
AN ATTACHMENT

SMCS-3020

i07048588

NOTE	REF NO	GRAPHIC REF	PART NUMBER	QTY	PART NAME						SEE PAGE
					1	2	3	4	5	6 (PRODUCT LEVEL)	
	1	1	298-1799	5	SEAL-O-RING						
	2	1	458-6157	1	COVER						
	3	1	498-1005	1	HOUSING						
	4	1	385-3597	1	PLUG						
	5	1	385-3598	1	BREATHER						
	6	1	299-7170	5	PLUG						
	7	1	304-2241	3	PLUG						
	8	1	299-0821	1	CLIP						
M	9	3	498-0999	1	NUT (M20X1.5-THD)						
	10	3	458-5992	1	FLANGE						
					(INCLUDES PARTS MARKED "X" IN GRAPHIC)						
	11	3	459-0425	1	SEAL						
	12	2	304-3222	4	BOLT						
	13	3	298-1802	1	SEAL-O-RING						
	14	3	298-1803	1	NUT-RING						
	15	3	298-1808	1	SPACER						
	16	3	298-1804	1	SHIM						
	17	3	298-1805	1	SHIM						
	18	3	298-1806	1	SHIM						
	19	3	298-1807	1	SHIM						
	20	3	385-3608	1	SHIM (0.3-MM THK)						
	21	3	385-3609	1	SHIM (0.4-MM THK)						
	22	3	385-3606	1	SHIM (0.2-MM THK)						
	23	3	385-3607	1	SHIM (0.3-MM THK)						
	24	3	298-1811	1	SHIM						
	25	3	298-1812	1	SHIM						
	26	3	304-2603	2	BEARING						
	27	2	498-2943	1	KIT-BEVEL GEAR						
					(INCLUDES PARTS MARKED "K" IN GRAPHIC)						
	28	2	304-3232	2	BOLT						
	29	2	498-1002	2	BEARING AS						
	30	2	298-1865	12	BOLT						
	31	2	298-1813	2	NUT-RING						
	32	2	390-7746	1	KIT-DIFFERENTIAL						
					(INCLUDES RETAINING RING, BEVEL GEARS, PINS, FRICTION WASHERS, & HOUSING)						
	33	1	298-1853	2	NUT						
	34	1	458-5997	2	BOLT						
	35	1	498-2944	2	CASE						
M	36	1	475-1216	24	BOLT (M16X21-MM)						
	37	1	304-3231	8	WASHER						
	38	1	299-0236	2	BEARING GP-AXLE						
					(EACH INCLUDES)						
		1	298-1877	1	SEAL-O-RING						
		1	299-0235	1	BEARING						
		1	299-0520	1	SEAL						
		1	299-0821	1	CLIP						

POWER TRAIN

499-8465 AXLE GP-FRONT (contd.)

i07048588

NOTE	REF NO	GRAPHIC REF	PART NUMBER	QTY	PART NAME						SEE PAGE
					1	2	3	4	5	6 (PRODUCT LEVEL)	
	39	1	299-0827	2	CLIP						
	40	1	498-2945	2	SHAFT						
	41	1,2	8I-3860	2	BUSHING-THRUST						
	42	2	322-0641	2	BUSHING						
	43	2	458-6851	24	BOLT						
	44	2	458-6003	2	COVER						
	45	2	299-7103	6	PLUG						
	46	2	298-1857	4	FITTING-GREASE						
	47	2	458-6004	2	PIVOT PIN						
	48	2	458-6005	2	PIVOT PIN						
	49	2	458-6006	4	SEAL						
	50	2	458-6007	2	BUSHING						
	51	1	458-6009	2	SEAL						
	54	1	179-2801	2	SEAL						
	55	1	322-0640	4	BEARING						
	56	1	179-8593	16	STUD						
	57	1	498-2947	2	HUB						
	59	1	298-8300	4	BOLT						
	60	1	513-2421	16	STUD						
	61	1	298-1825	16	NUT						
	62	1	298-1863	4	BOLT						
	63	1	298-7868	4	NUT						
	64	1	458-6015	2	PLATE						
	65	2	459-3345	8	STUD						
	66	2	526-2655	8	NUT						
	68	2	458-6016	2	SHIM						
	69	2	458-6017	2	SHIM						
	70	2	458-6018	2	SHIM						
	71	2	458-6091	2	FITTING-GREASE						
	72	1	<i>498-2948</i>	2	KIT-CARRIER						
					(EACH INCLUDES)						
		1	299-0205	2	CLIP						
		1	299-0206	4	GEAR-PLANETARY						
		1	299-0207	4	BEARING						
		1	503-1968	1	GEAR-PLANETARY						
	73	1	458-6846	8	STUD						
	74	1	298-1854	8	NUT						
	75	2	458-6092	1	KIT-CASE						
	75A	2	8I-3860	1	BUSHING-THRUST						
	76	2	458-6093	1	KIT-CASE						
	76A	2	8I-3860	1	BUSHING-THRUST						
	77	1	<i>305-5426</i>	4	KIT-BOLT						
					(EACH INCLUDES)						
		1	298-1863	1	BOLT						
		1	298-7868	1	NUT						
	78	1	458-6094	2	KIT-RING GEAR						
					(EACH INCLUDES)						
		1	298-8194	1	CLIP						
		1	298-8195	1	GEAR-RING						
		1	458-6014	1	GEAR						
	79	1	386-0145	8	GEAR AS						

POWER TRAIN

499-8465 AXLE GP-FRONT (contd.)

i07048588

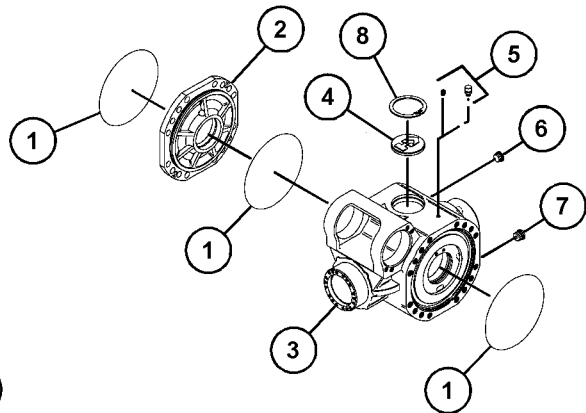
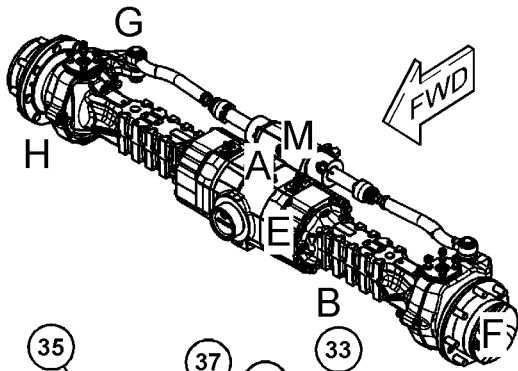
NOTE	REF	GRAPHIC	PART NUMBER	QTY	PART NAME	SEE
	NO	REF			1 2 3 4 5 6 (PRODUCT LEVEL)	
					(EACH INCLUDES)	
		1	299-0206	4	GEAR-PLANETARY	
	79A	1	299-0207	4	BEARING	
	80	2	458-6852	1	SPACER	
	81	2	298-8186	4	SPRING	
	82	2	298-8187	2	PISTON	
	83	2	298-1816	2	SEAL-O-RING	
	84	2	477-1687	4	SEAL	
	85	2	458-6854	2	COVER	
	86	2	498-2949	2	SEAL	
	87	2	298-8188	2	PISTON	
	88	2	298-8189	2	DISC-BRAKE	
	89	2	299-0240	6	SPRING	
M	90	2	399-1143	6	BOLT (M8X46-MM)	
	91	2	298-8191	8	DISC-BRAKE	
	92	2	459-3348	8	DISC-BRAKE	
	93	2	298-1819	2	SPACER	
M	94	2	399-1147	4	BOLT (M12X122.5-MM)	
	95	2	298-7430	6	BOLT	
	96	2	513-9565	6	SPRING	
	97	2	298-7867	4	NUT	
	98	2	298-7870	4	LOCKWASHER	
	99	2	298-7873	4	BOLT	
	101	2	298-1820	2	SHIM	
	102	2	298-1821	2	SHIM	
	103	2	298-1822	2	SHIM	
	104	2	298-1878	4	KIT-FASTENER	
	105	3	298-1800	4	BOLT	
	106	3	498-2950	1	SENSOR	
M	107	3	458-6143	2	BOLT (M5X0.8X10-MM)	
	108	3	498-2951	1	CYLINDER	
	109	3	498-2952	1	TIE ROD AS	
	110	3	498-2954	1	TIE ROD AS	
	111	3	459-3350	1	KIT-SEAL	

M - METRIC PART

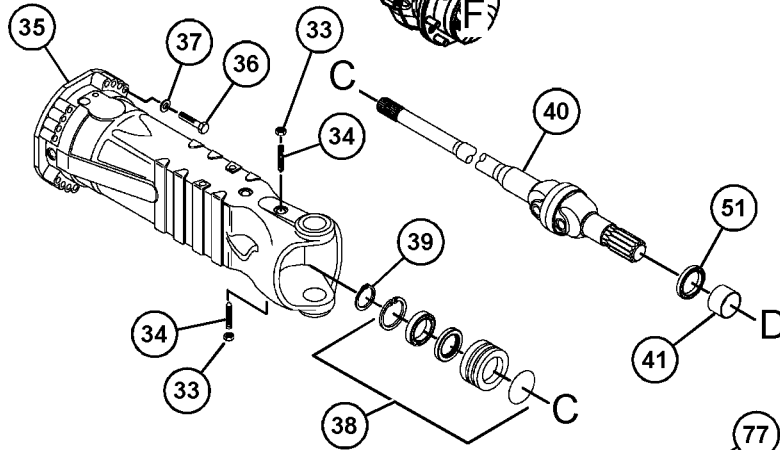
POWER TRAIN

499-8465 AXLE GP-FRONT (contd.)

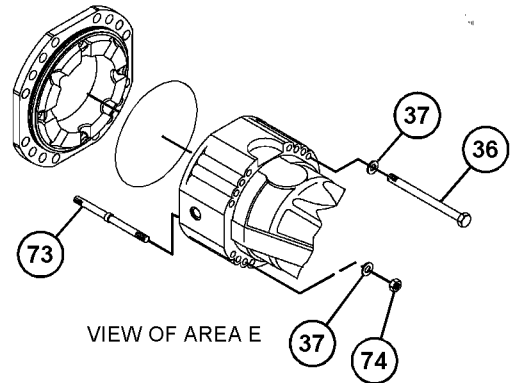
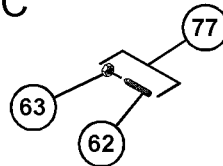
i07048588



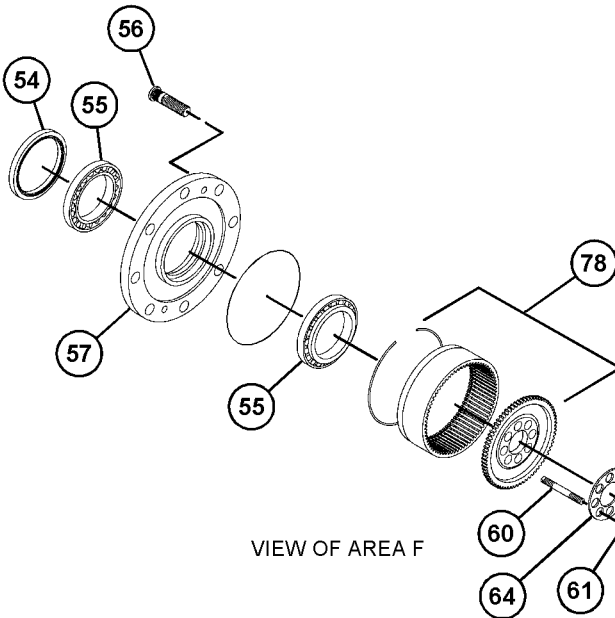
VIEW OF AREA A



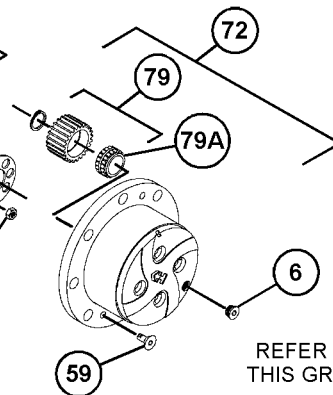
VIEW OF AREA B



VIEW OF AREA E



VIEW OF AREA F



REFER TO ALL ILLUSTRATIONS OF THIS GROUP FOR AUXILIARY VIEWS

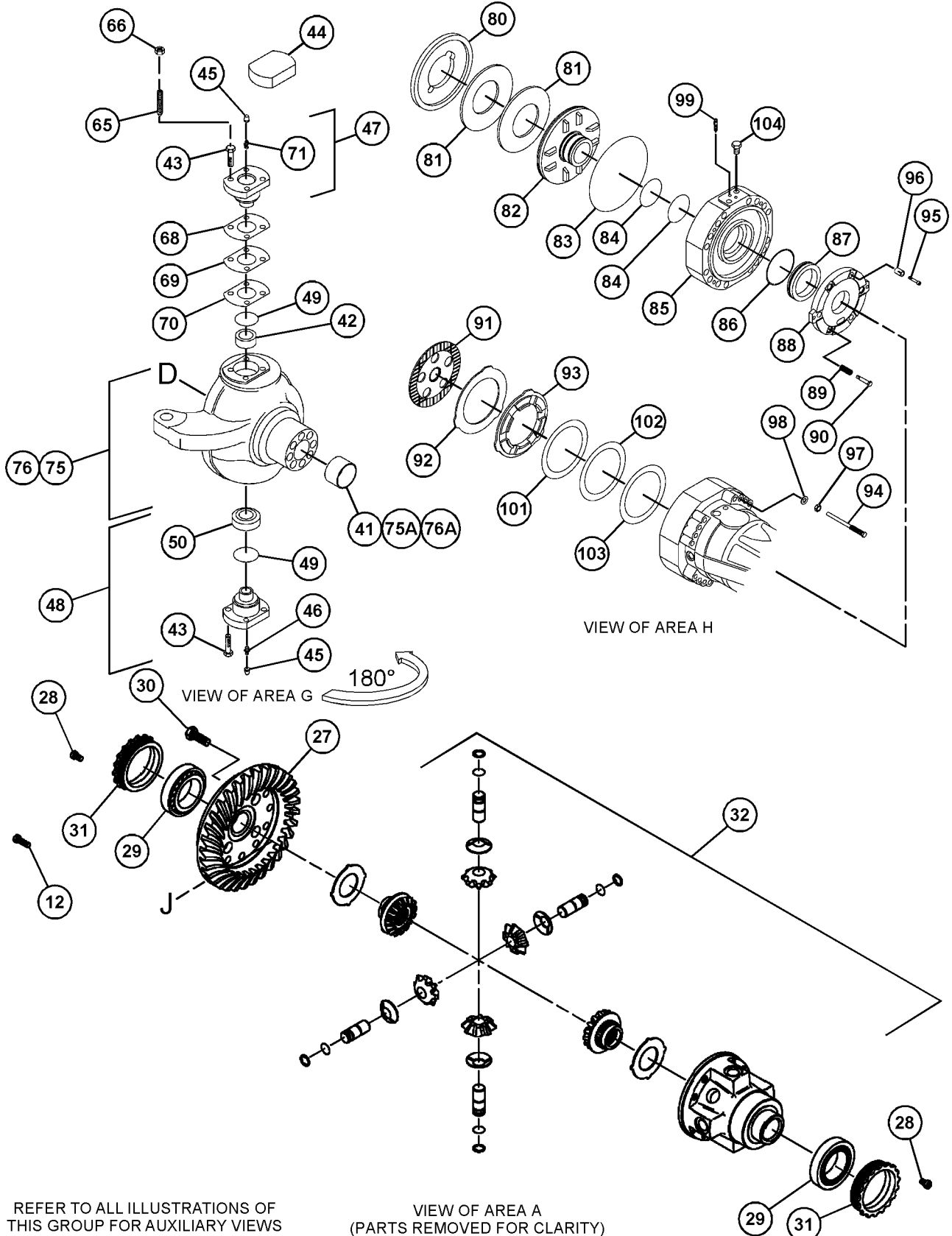
GRAPHIC #1

g06116870

POWER TRAIN

499-8465 AXLE GP-FRONT (contd.)

i07048588



REFER TO ALL ILLUSTRATIONS OF THIS GROUP FOR AUXILIARY VIEWS

VIEW OF AREA A (PARTS REMOVED FOR CLARITY)

GRAPHIC #2

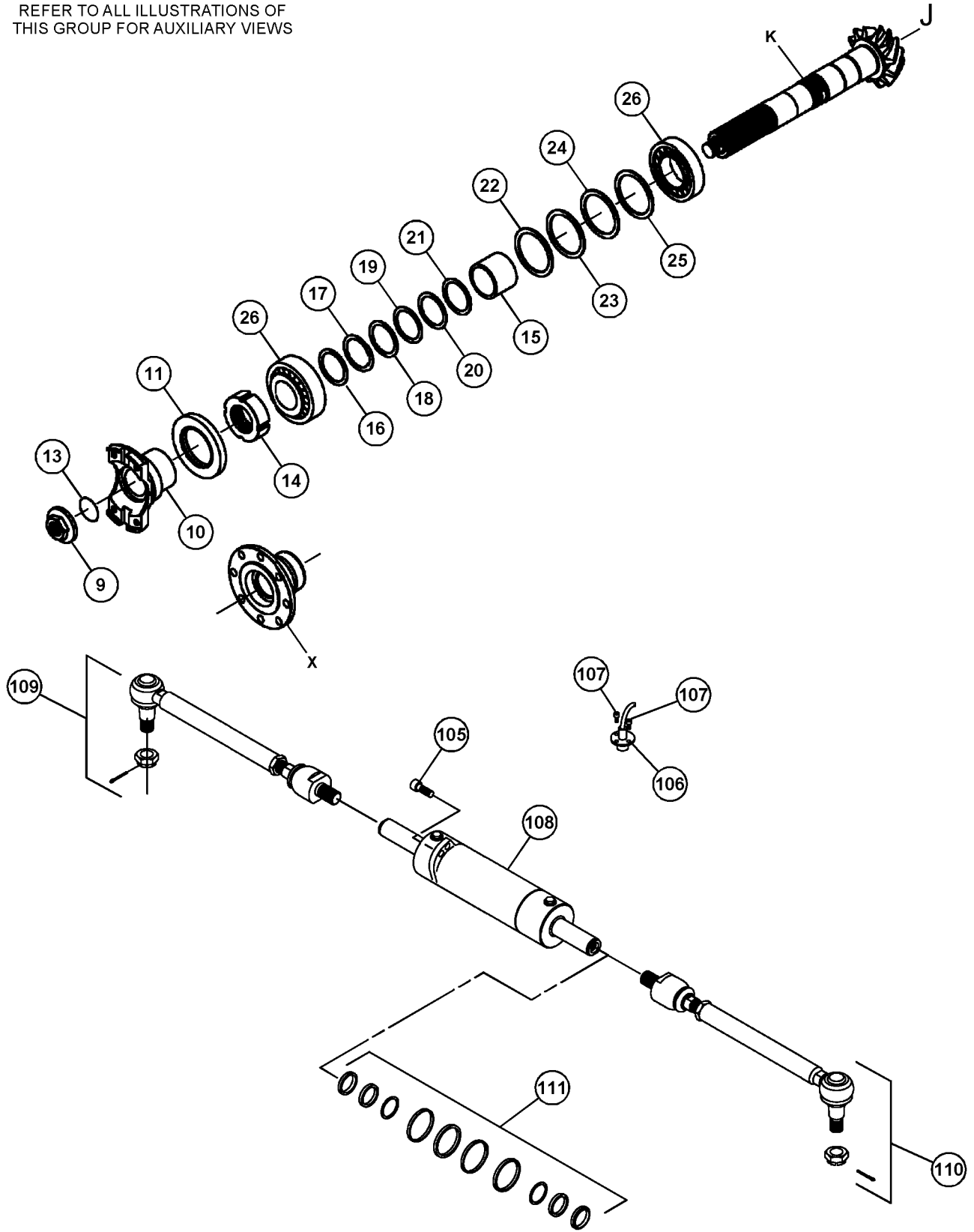
g06164035

POWER TRAIN

499-8465 AXLE GP-FRONT (contd.)

i07048588

REFER TO ALL ILLUSTRATIONS OF THIS GROUP FOR AUXILIARY VIEWS



VIEW OF AREA M

<END>

GRAPHIC #3

g06116873

POWER TRAIN

485-1677 AXLE GP-REAR

S/N: TH21-UP; TH31-UP

PART OF 499-7309 AXLE & MOUNTING GP
AN ATTACHMENT

SMCS-3020

i06826608

NOTE	REF NO	GRAPHIC REF	PART NUMBER	QTY	PART NAME						SEE PAGE
					1	2	3	4	5	6 (PRODUCT LEVEL)	
	1	1,3	298-1799	5	SEAL-O-RING						
	2	1	385-3595	1	COVER						
	3	1	498-1005	1	HOUSING						
	4	1	385-3597	1	PLUG						
	5	1	299-7134	1	VENT						
	6	1,3	299-7170	5	PLUG						
	7	1,3	304-2241	3	PLUG						
	8	1	299-0821	1	CLIP						
	9	4	298-1802	1	SEAL-O-RING						
	10	4	390-7681	1	GEAR GP-BEVEL						
					(INCLUDES PARTS MARKED "J" IN GRAPHIC)						
	11	4	498-1002	2	BEARING AS						
	12	4	298-1813	2	NUT-RING						
	13	4	304-3222	4	BOLT						
	14	4	304-3232	2	BOLT						
	15	4	298-1865	12	BOLT						
	16	4	304-2603	2	BEARING						
	17	4	298-1808	1	SPACER						
	18	4	298-1803	1	NUT-RING						
	19	4	459-0425	1	SEAL						
	20	4	458-5992	1	FLANGE						
M	21	4	498-0999	1	NUT (M20X1.5-THD)						
Y	22	4	350-8571	1	DIFFERENTIAL GP						522
	23	3	298-1853	2	NUT						
	24	3	458-5997	2	BOLT						
	25	3	503-1970	2	CASE						
M	26	3	385-3620	24	BOLT (M16X1.5X100-MM)						
	27	3	458-6016	2	SHIM (0.15-MM THK)						
	28	3	458-6017	2	SHIM (0.2-MM THK)						
	29	3	458-6018	2	SHIM (0.5-MM THK)						
	30	3	299-0236	2	BEARING GP-AXLE						
					(EACH INCLUDES)						
		3	298-1877	1	SEAL-O-RING						
	30A	3	299-0235	1	BEARING						
		3	299-0520	1	SEAL						
		3	299-0821	1	CLIP						
	31	3	299-0827	2	CLIP						
	32	3	470-7719	2	UNIVERSAL JOINT						
	33	3	8I-3860	2	BUSHING-THRUST						
	34	3	322-0641	2	BUSHING						
	35	3	458-6851	24	BOLT						
	36	3	458-6003	2	COVER						
	37	2,3	299-7103	4	PLUG						
	38	3	298-1857	4	FITTING-GREASE						
	39	3	458-6004	2	PIVOT PIN						
	40	3	458-6005	2	PIVOT PIN						
	41	3	458-6006	4	SEAL						

POWER TRAIN

485-1677 AXLE GP-REAR (contd.)

106826608

NOTE	REF NO	GRAPHIC REF	PART NUMBER	QTY	PART NAME						SEE PAGE
					1	2	3	4	5	6 (PRODUCT LEVEL)	
	42	3	458-6007	2	BUSHING						
	43	3	458-6092	1	KIT-CASE						
	44	3	458-6009	2	SEAL						
	45	3	386-0145	8	GEAR AS						
					(EACH INCLUDES)						
	45A	3	299-0207	4	BEARING						
		3	299-0206	4	GEAR-PLANETARY						
	48	3	458-6093	1	KIT-CASE						
	49	3	179-2801	2	SEAL						
	50	3	322-0640	4	BEARING						
	51	3	179-8593	2	STUD						
	52	3	498-2947	2	HUB						
	54	3	<i>498-2948</i>	2	KIT-CARRIER						
					(EACH INCLUDES)						
		3	299-0205	2	CLIP						
		3	299-0206	4	GEAR-PLANETARY						
		3	503-1968	1	GEAR-PLANETARY						
	55	3	298-8300	4	BOLT						
	56	3	513-2421	16	STUD						
	57	3	298-1825	16	NUT						
	58	3	458-6015	2	PLATE						
	59	3	<i>305-5426</i>	4	KIT-BOLT						
					(EACH INCLUDES)						
		3	298-1863	1	BOLT						
		3	298-7868	1	NUT						
	60	3	458-6094	2	KIT-RING GEAR						
					(EACH INCLUDES)						
		3	298-8194	1	CLIP						
		3	298-8195	1	GEAR-RING						
		3	458-6014	1	GEAR						
	61	3	458-6091	2	FITTING-GREASE						
	62	3	459-3345	8	STUD						
	64	3	298-8295	8	NUT						
	65	2	298-8191	6	DISC-BRAKE						
M	66	2	350-8573	6	BOLT (M14X34-MM)						
	67	2	385-3639	6	SPRING						
	68	2	298-1878	2	KIT-FASTENER						
	69	2	459-3348	8	DISC-BRAKE						
	70	2	298-7873	2	BOLT						
	72	2	350-2524	2	BOLT-SPECIAL						
	73	2	<i>513-9564</i>	2	KIT-PISTON						
					(EACH INCLUDES)						
		2	513-9565	3	SPRING						
		2	458-6154	1	PISTON						
		2	459-3346	1	SEAL-O-RING						
		2	459-3347	1	SEAL-O-RING						
	74	5	298-1800	4	BOLT						
	75	5	498-2950	1	SENSOR						
M	76	5	458-6143	2	BOLT (M5X0.8X10-MM)						
	77	5	498-2951	1	CYLINDER						
	78	5	498-2952	1	TIE ROD AS						

POWER TRAIN

485-1677 AXLE GP-REAR (contd.)

i06826608

NOTE	REF NO	GRAPHIC REF	PART NUMBER	QTY	PART NAME						SEE PAGE
					1	2	3	4	5	6 (PRODUCT LEVEL)	
	79	5	498-2954	1	TIE ROD AS						
	80	5	459-3350	1	KIT-SEAL						
	81	2	498-0992	2	KIT-SUPPORT						
					(EACH INCLUDES)						
		2	298-1857	1	FITTING-GREASE						
	81A	2	299-0196	1	BUSHING-THRUST						
	81B	2	299-0197	2	BUSHING						
		2	299-7103	1	PLUG						

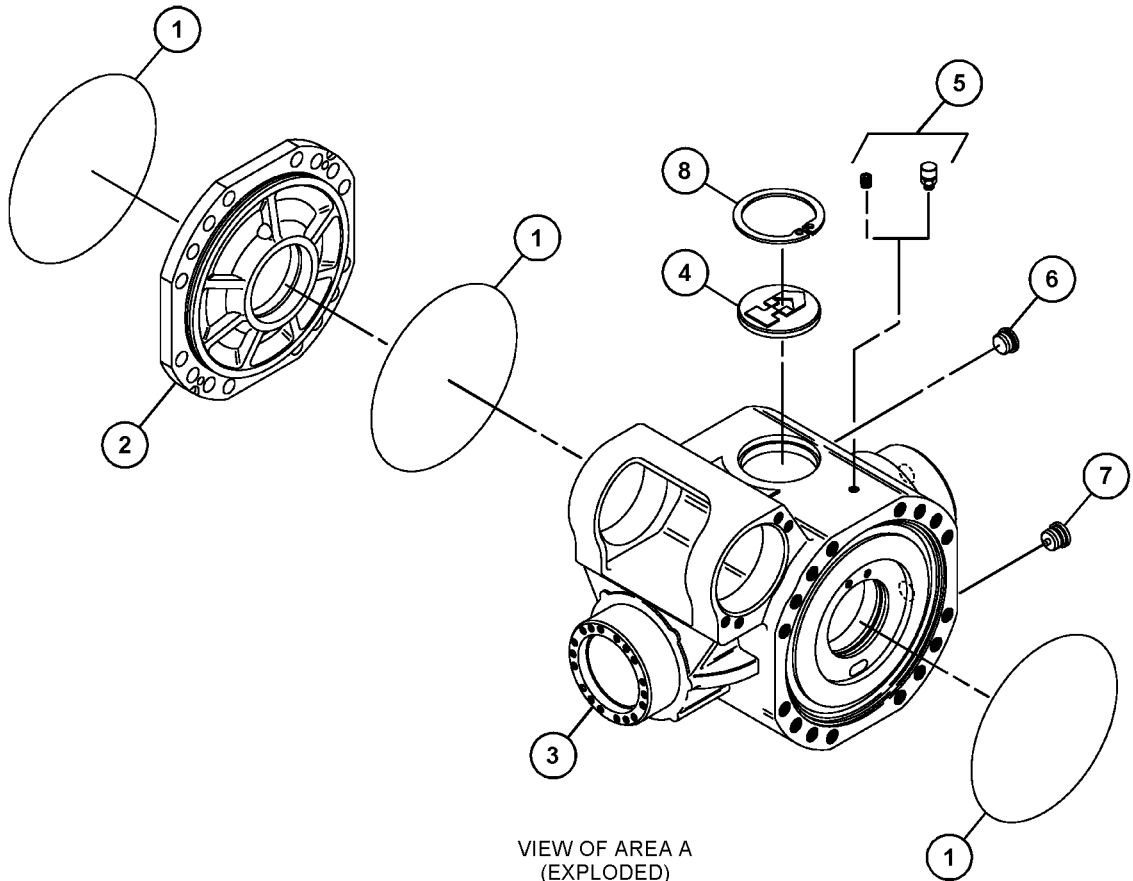
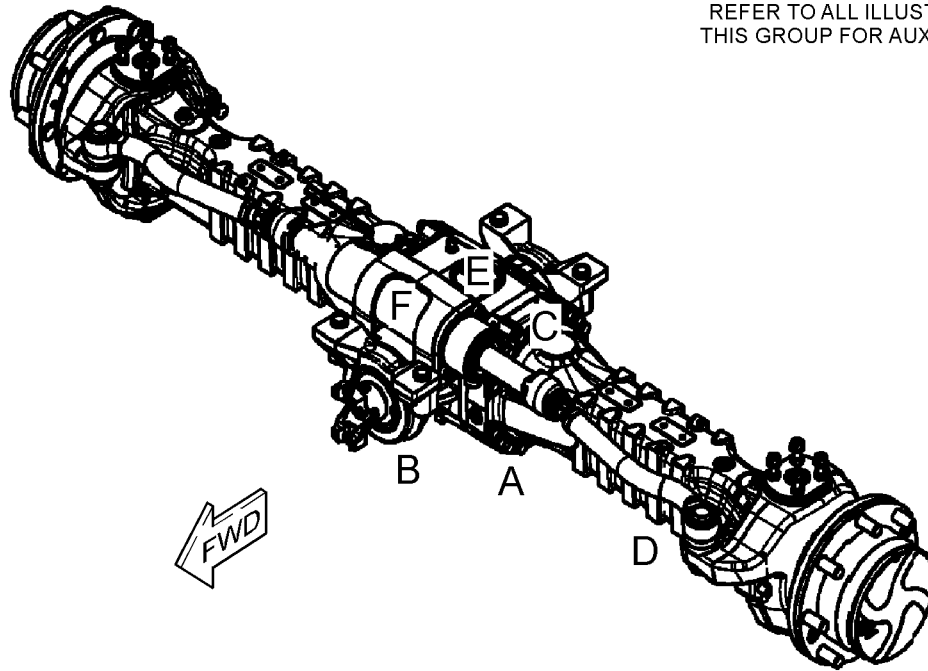
M - METRIC PART
Y - SEPARATE ILLUSTRATION

POWER TRAIN

485-1677 AXLE GP-REAR (contd.)

106826608

REFER TO ALL ILLUSTRATIONS OF THIS GROUP FOR AUXILIARY VIEWS



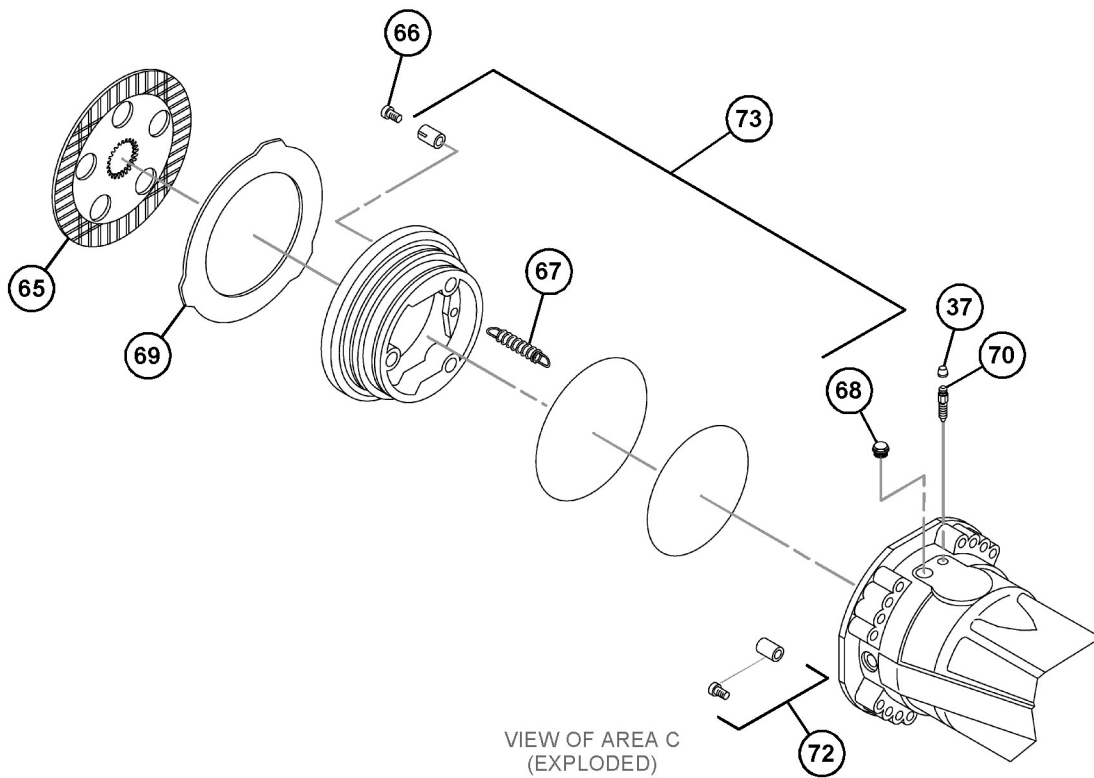
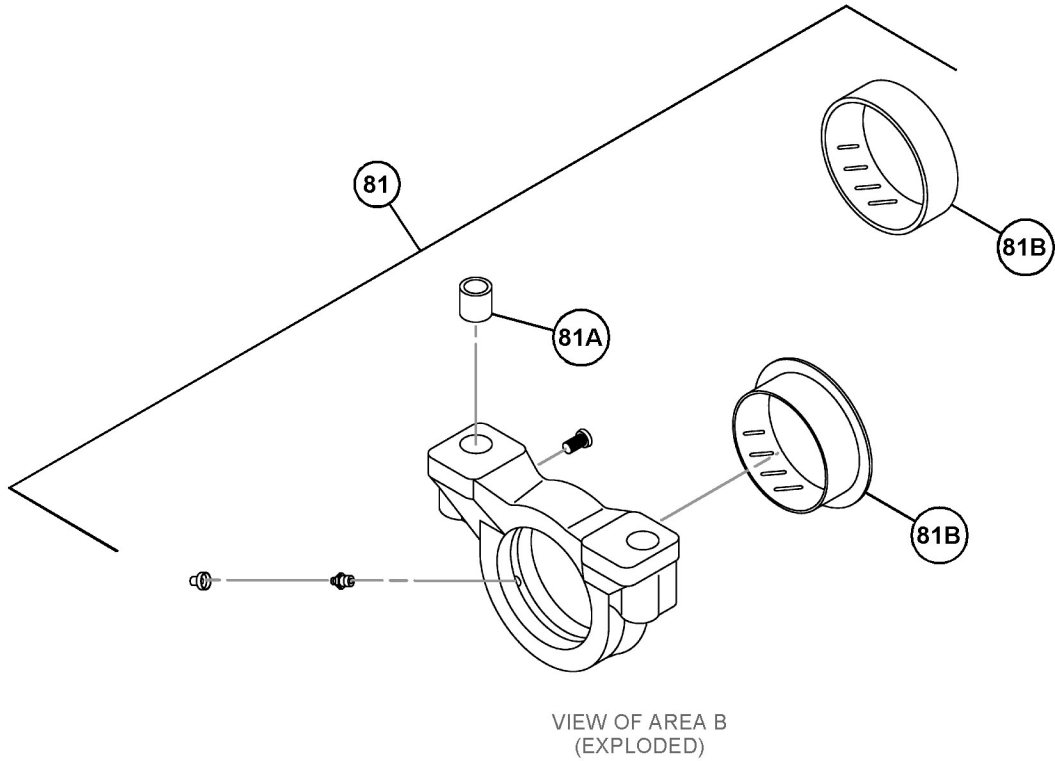
GRAPHIC #1

g06098470

POWER TRAIN

485-1677 AXLE GP-REAR (contd.)

106826608



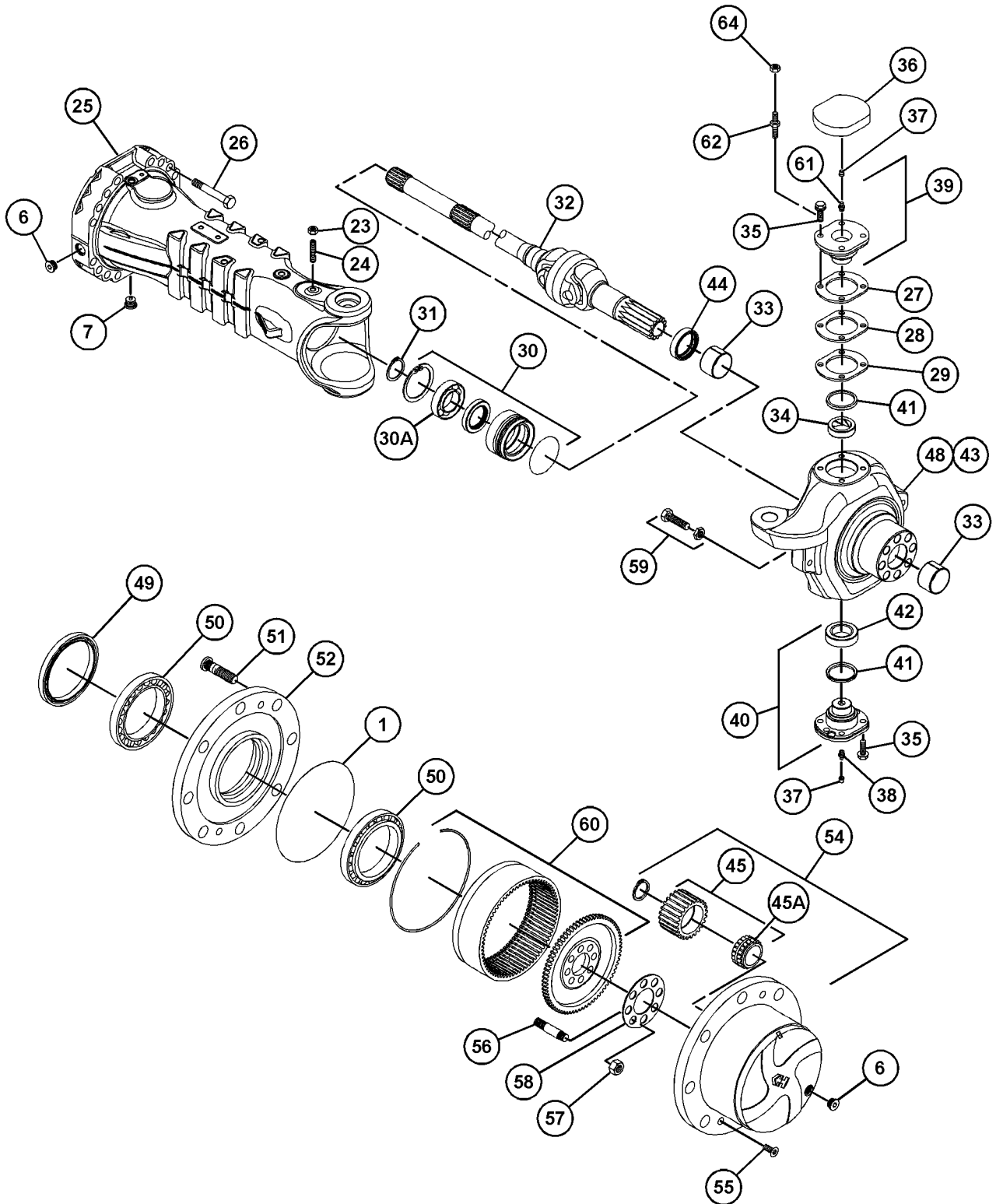
GRAPHIC #2

g06098472

POWER TRAIN

485-1677 AXLE GP-REAR (contd.)

i06826608



VIEW OF AREA D
(EXPLODED)

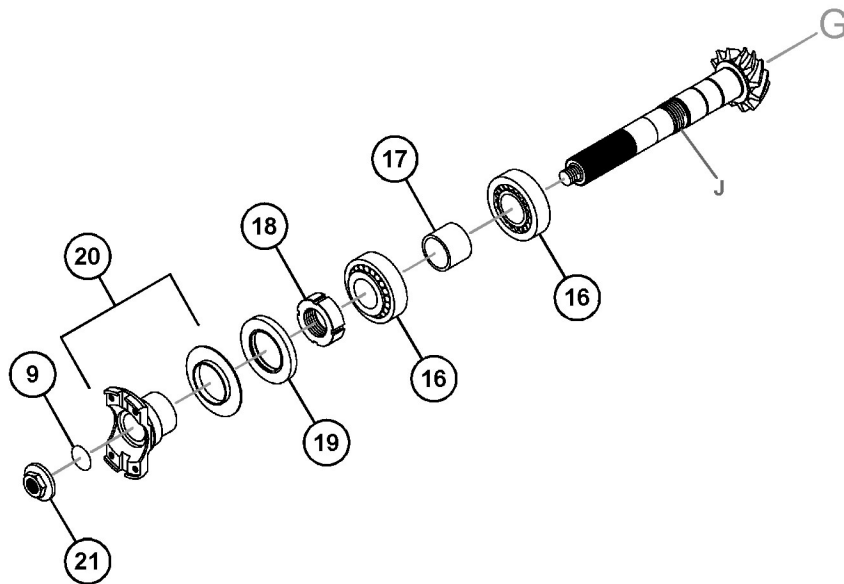
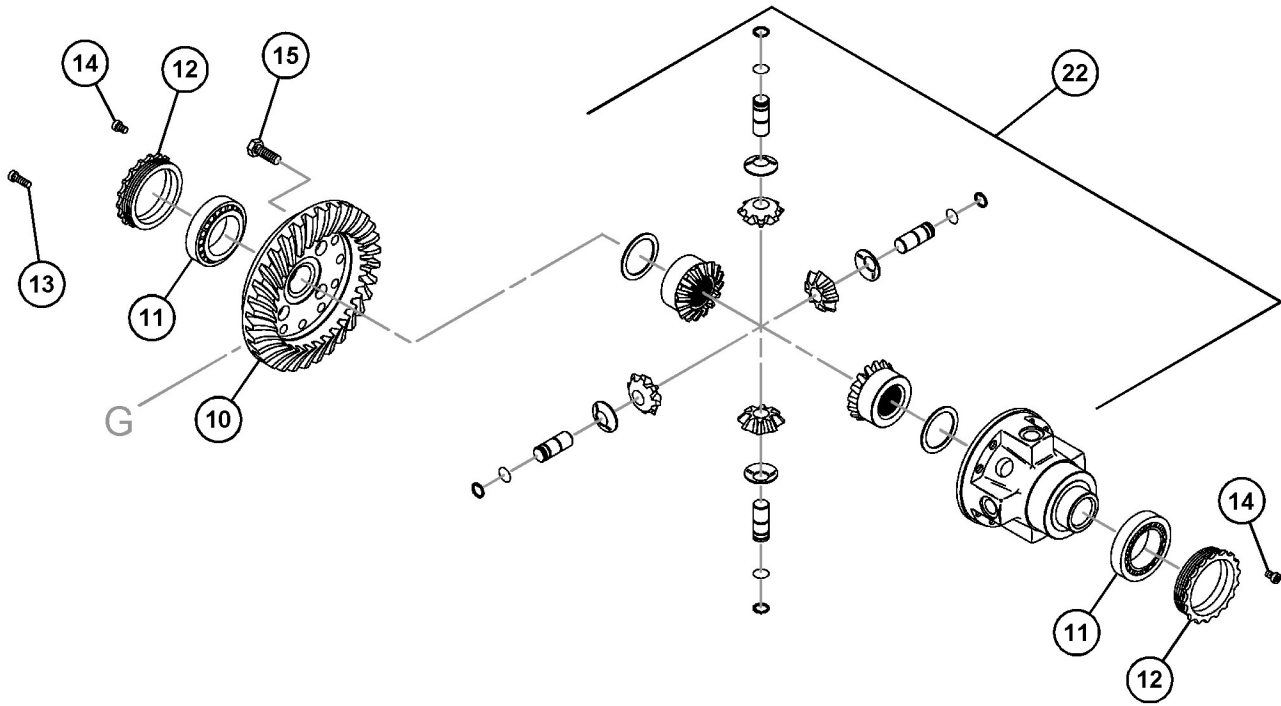
GRAPHIC #3

g06131467

POWER TRAIN

485-1677 AXLE GP-REAR (contd.)

i06826608



VIEW OF AREA E
(CASE REMOVED FOR CLARITY)

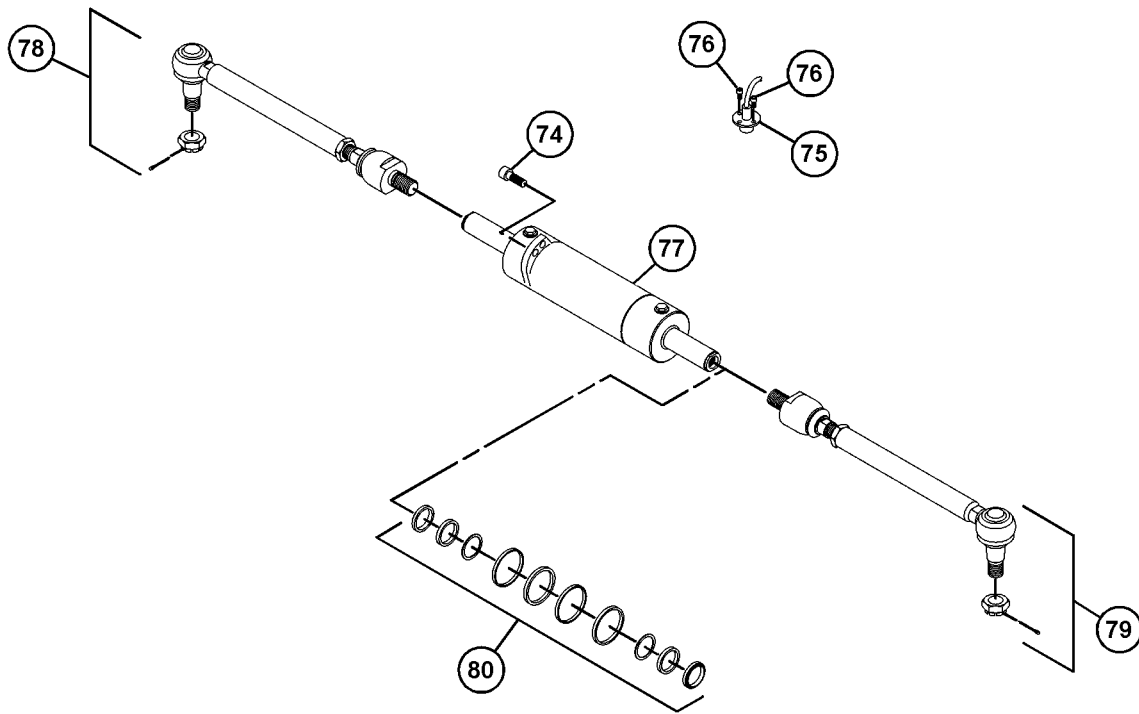
GRAPHIC #4

g06098484

POWER TRAIN

485-1677 AXLE GP-REAR (contd.)

106826608



VIEW OF AREA F
(EXPLODED)

GRAPHIC #5

<END>

g06098524

POWER TRAIN

352-7822 BASE GP-OIL FILTER

S/N: JKT1-UP

LHS, VERTICALLY DOWN

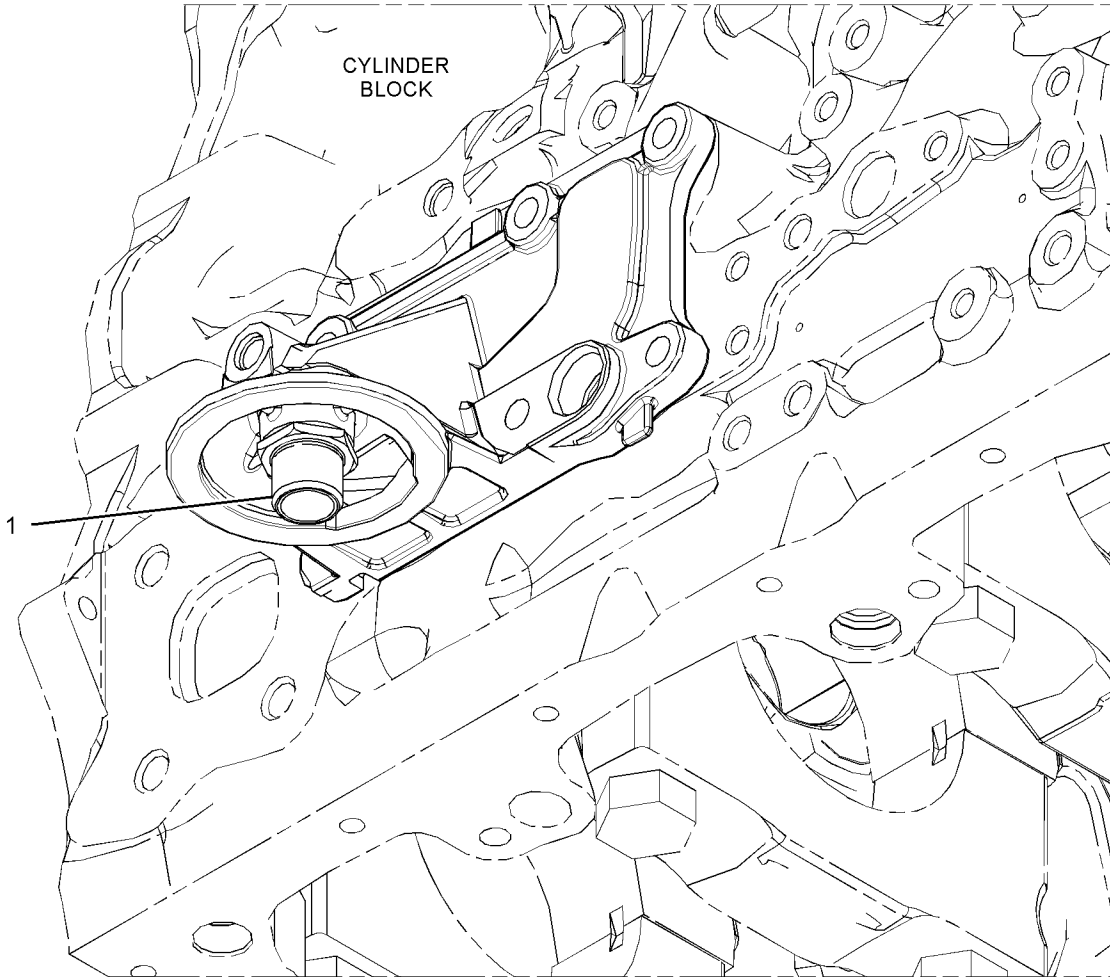
PART OF 356-7156 COOLER GP-ENGINE OIL

ALSO AN ATTACHMENT

SMCS-3004, 3067

i04631454

NOTE	REF NO	GRAPHIC REF	PART NUMBER	QTY	PART NAME						SEE PAGE
					1	2	3	4	5	6 (PRODUCT LEVEL)	
	1	1	118-9145	1	CONNECTOR						



GRAPHIC #1

<END>

g02718822

POWER TRAIN

482-1134 CASE & PARTS GP-PLANETARY

S/N: BK21-UP; SD31-UP; CF51-UP; H5E1-UP; H5F1-UP

PART OF 460-9942 TRANSMISSION AR, 460-9943, 482-2978, 526-0654 TRANSMISSION AR-POWER
SHIFT
AN ATTACHMENT

SMCS-3030, 3064, 3160

i06893942

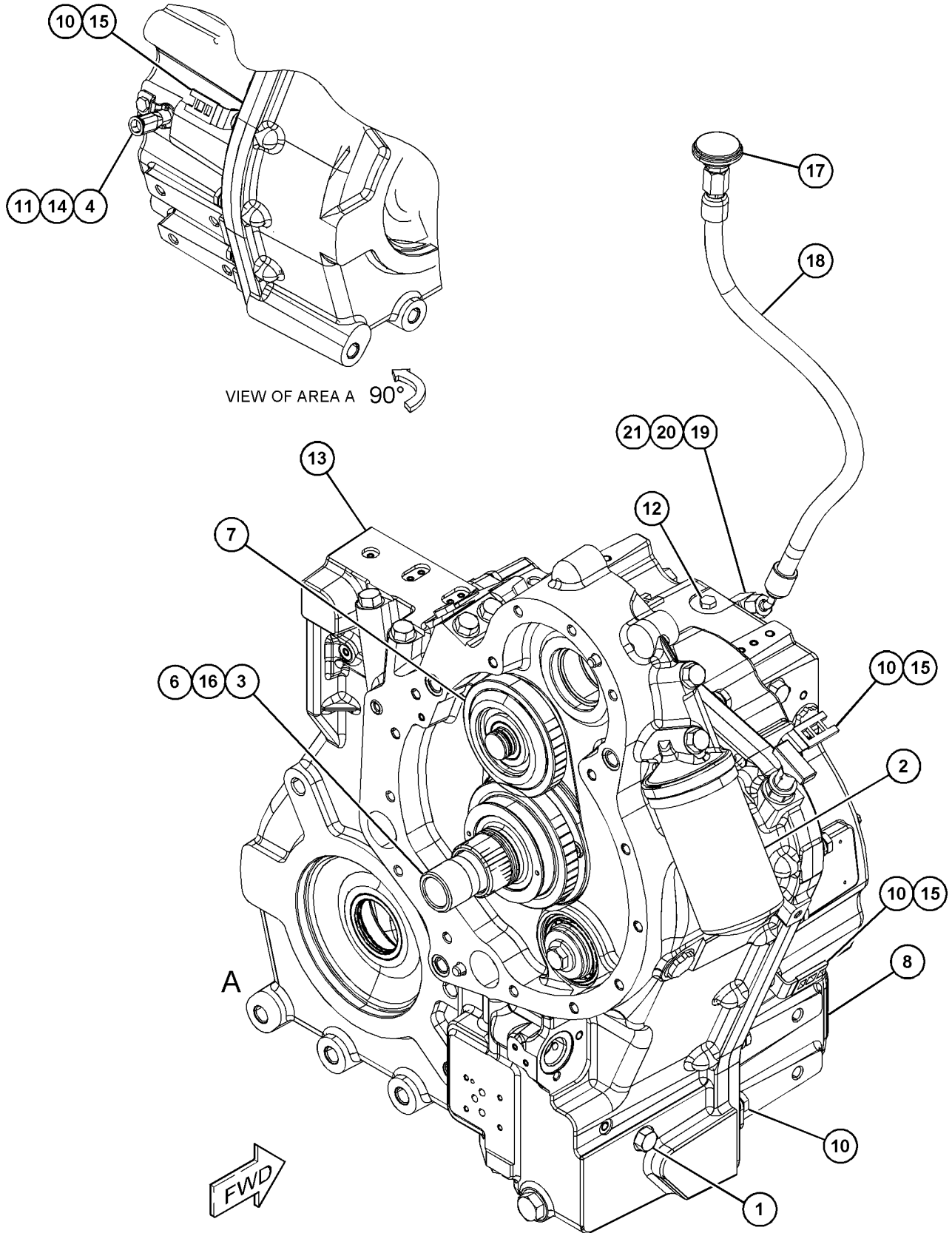
NOTE	REF NO	GRAPHIC REF	PART NUMBER	QTY	PART NAME						SEE PAGE
					1	2	3	4	5	6 (PRODUCT LEVEL)	
	1	1	334-5131	1	PLUG AS						
		1	3J-1907	1	SEAL-O-RING						
		1	9S-4191	1	PLUG (9/16-18-THD)						
	2	1	471-7003	1	FILTER-TRANSMISSION (HYDRAULIC)						
	3	1	178-8169	2	WASHER-THRUST (71X93X2-MM THK)						
	4	1	191-8303	1	SENSOR GP-SPEED (TRANSMISSION)						
		1	137-6645	1	PAD-CONNECTOR						
	6	1	334-7402	1	GEAR AS						
Y	7	1	334-7404	1	GEAR GP-IDLER						528
Y	8	1	512-1678	1	CASE GP-TRANSMISSION (REAR)						513
M	10	1	6V-5842	20	BOLT (M10X1.5X40-MM)						
M	11	1	6V-5215	1	BOLT (M8X1.25X16-MM)						
	12	1	5M-6213	1	PLUG-PIPE						
Y	13	1	482-1135	1	CASE & PARTS GP-PLANETARY						497
	14	1	117-1385	1	SEAL-O-RING						
	15	1	132-5789	5	CLIP (LADDER)						
	16	1	195-7657	1	SEAL-O-RING						
	17	1	9G-5127	1	BREATHER						
I	18	1	459-7275	1	HOSE AS						
	19	1	3J-7354	1	SEAL-O-RING						
	20	1	4J-5477	1	SEAL-O-RING						
	21	1	6V-8628	1	ELBOW						

I - REFER TO HYDRAULIC INFORMATION SYSTEM
M - METRIC PART
Y - SEPARATE ILLUSTRATION

POWER TRAIN

482-1134 CASE & PARTS GP-PLANETARY (contd.)

i06893942



GRAPHIC #1

<END>

g06166658

POWER TRAIN

482-1135 CASE & PARTS GP-PLANETARY

S/N: BK21-UP; SD31-UP; CF51-UP; H5E1-UP; H5F1-UP

PART OF 482-1134 CASE & PARTS GP-PLANETARY
AN ATTACHMENT

SMCS-3030, 3064, 3160

i06738189

NOTE	REF NO	GRAPHIC REF	PART NUMBER	QTY	PART NAME						SEE PAGE
					1	2	3	4	5	6 (PRODUCT LEVEL)	
	1	2	8T-1580	1	CUP-BEARING						
	2	2	005-0469	3	CUP-BEARING						
	3	2	005-0471	1	CONE-BEARING						
	4	1,2	120-9762	4	SEAL-O-RING						
	5	2	123-8910	1	CUP-TAPERED ROLLER						
	6	1	334-3562	3	SEAL-O-RING						
	7	2	334-6641	1	CUP-BEARING						
	8	2	334-6649	1	WASHER (13X29X3-MM THK)						
M	9	2	6V-8097	1	BOLT (M12X1.75X30-MM)						
Y	10	2	334-7500	1	CASE GP-TRANSMISSION (FRONT)						502
	11	2	334-5841	1	HOUSING						
	12	2	466-4938	1	SEAL-LIP TYPE						
	13	1	334-7443	1	BEARING-NEEDLE						
	14	2	<i>334-7562</i>	1	STRAINER AS (SUCTION)						
		2	334-3570	2	SEAL-O-RING						
		2	334-7523	1	STRAINER AS (SUCTION)						
	15	2	7T-3195	1	WASHER (12.3X47X6.35-MM THK)						
M	16	1	238-7563	5	BOLT (M8X1.25X20-MM)						
M	17	2	238-7564	3	SCREW-HEX SOCKET (M8X1.25X16-MM)						
	18	2	334-3553	1	WASHER (27X35X2.38-MM THK)						
	19	2	<i>334-6846</i>	1	SHAFT GP-IDLER						
19A	2	2	005-0471	1	CONE-BEARING						
		2	334-6658	1	GEAR (28-TEETH)						
	20	2	334-7438	1	REACTOR AS						
		2	238-6532	2	PIN						
	21	2	334-7505	1	GAUGE AS-OIL LEVEL (DIPSTICK)						
	22	2	<i>334-7560</i>	1	TUBE AS-OIL GAUGE						
		2	8L-2786	1	SEAL-O-RING						
		2	334-7503	1	TUBE-DIPSTICK						
B	23	2	334-7625	1	SPACER (35.2X42X15.11-MM THK)						
B		2	399-1164	1	SPACER (35.2X42X15.29-MM THK)						
B		2	334-7583	1	SPACER (35.2X42X14.87-MM THK)						
B		2	399-1166	1	SPACER (35.2X42X15.32-MM THK)						
B		2	334-7627	1	SPACER (35.2X42X15.14-MM THK)						
B		2	334-7629	1	SPACER-BEARING (35.2X42X15.17-MM THK)						
B		2	334-7638	1	SPACER (35.2X42X15.20-MM THK)						
B		2	334-7603	1	SPACER (35.2X42X14.90-MM THK)						
B		2	334-7604	1	SPACER (35.2X42X14.93-MM THK)						
B		2	334-7605	1	SPACER (35.2X42X14.96-MM THK)						
B		2	334-7608	1	SPACER (35.2X42X14.99-MM THK)						
B		2	334-7611	1	SPACER (35.2X42X15.02-MM THK)						
B		2	334-7615	1	SPACER (35.2X42X15.05-MM THK)						
B		2	334-7624	1	SPACER (35.2X42X15.08-MM THK)						
B		2	334-7649	1	SPACER (35.2X42X15.23-MM THK)						
B		2	399-1167	1	SPACER (35.2X42X15.35-MM THK)						

POWER TRAIN

482-1135 CASE & PARTS GP-PLANETARY (contd.)

i06738189

NOTE	REF NO	GRAPHIC REF	PART NUMBER	QTY	PART NAME						SEE PAGE
					1	2	3	4	5	6 (PRODUCT LEVEL)	
B		2	399-1168	1	SPACER (35.2X42X15.38-MM THK)						
B		2	399-1528	1	SPACER (35.2X42X15.26-MM THK)						

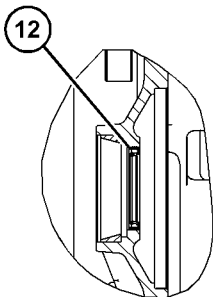
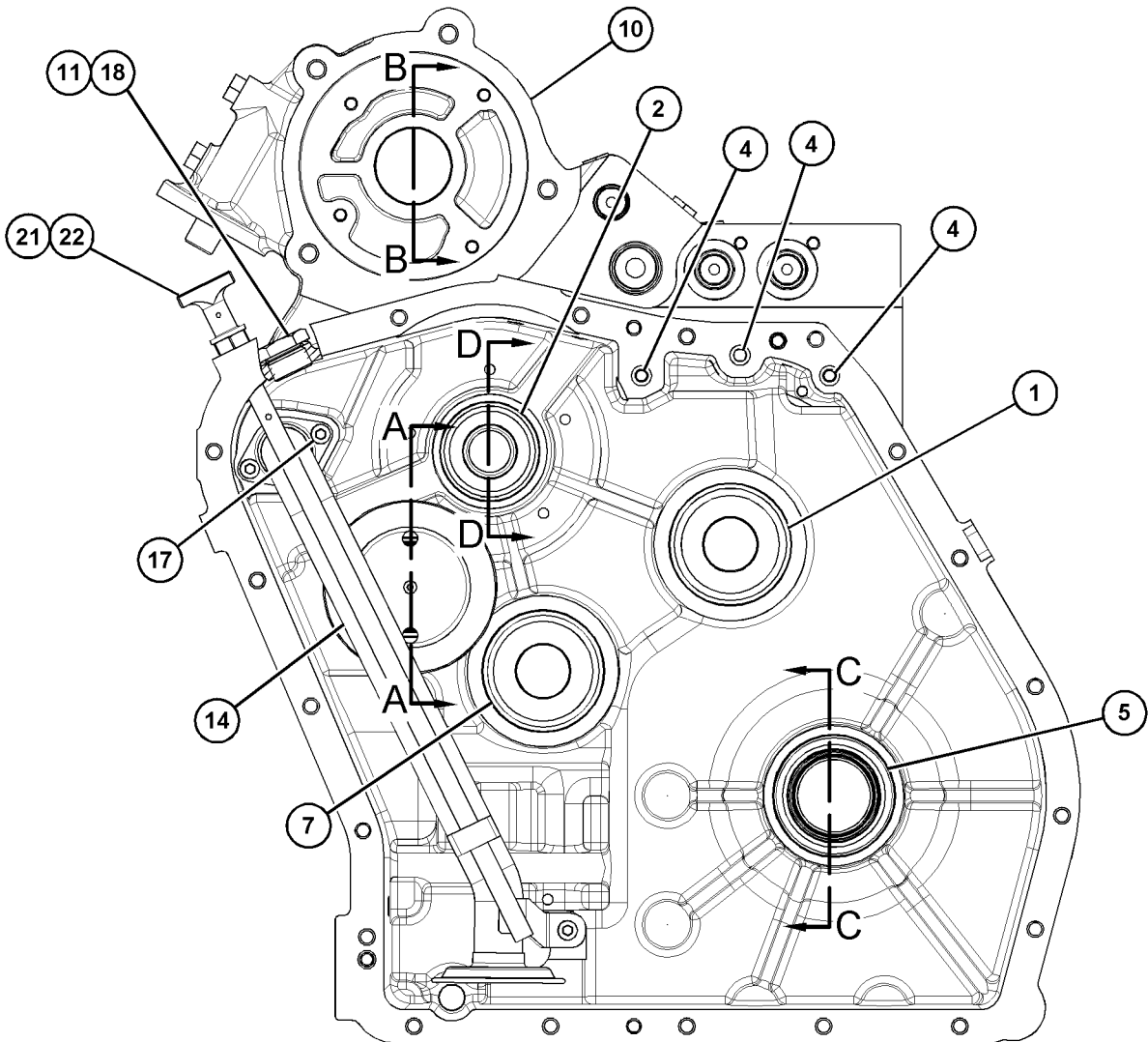
B - USE AS REQUIRED
M - METRIC PART
Y - SEPARATE ILLUSTRATION

POWER TRAIN

482-1135 CASE & PARTS GP-PLANETARY (contd.)

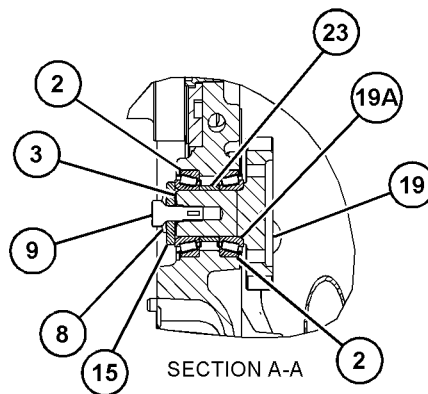
106738189

REFER TO ALL ILLUSTRATIONS OF THIS GROUP FOR AUXILIARY VIEWS

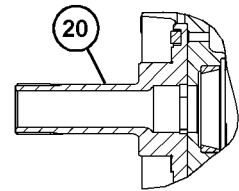


SECTION C-C

GRAPHIC #1



SECTION A-A



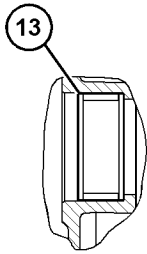
SECTION D-D

g06086008

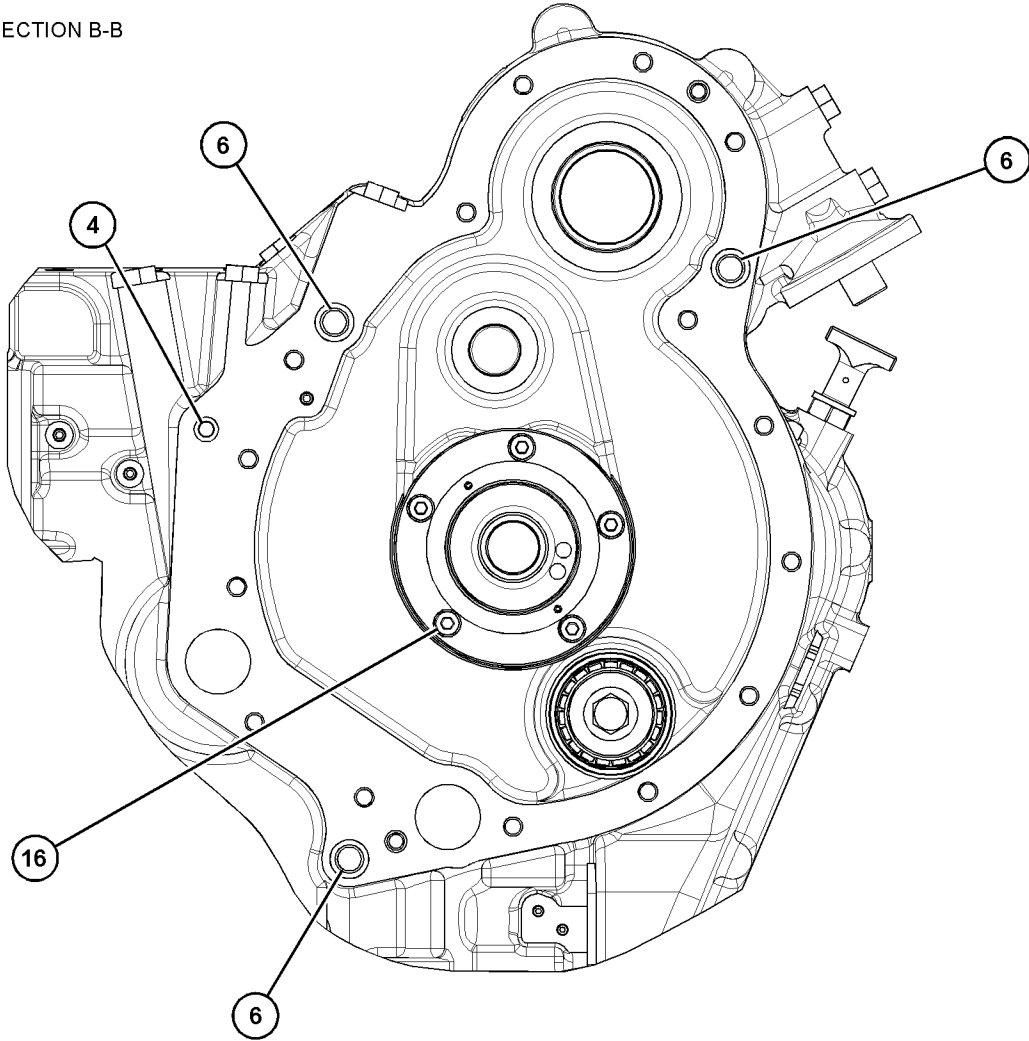
POWER TRAIN

482-1135 CASE & PARTS GP-PLANETARY (contd.)

i06738189



SECTION B-B



GRAPHIC #2

<END>

g06086009

POWER TRAIN

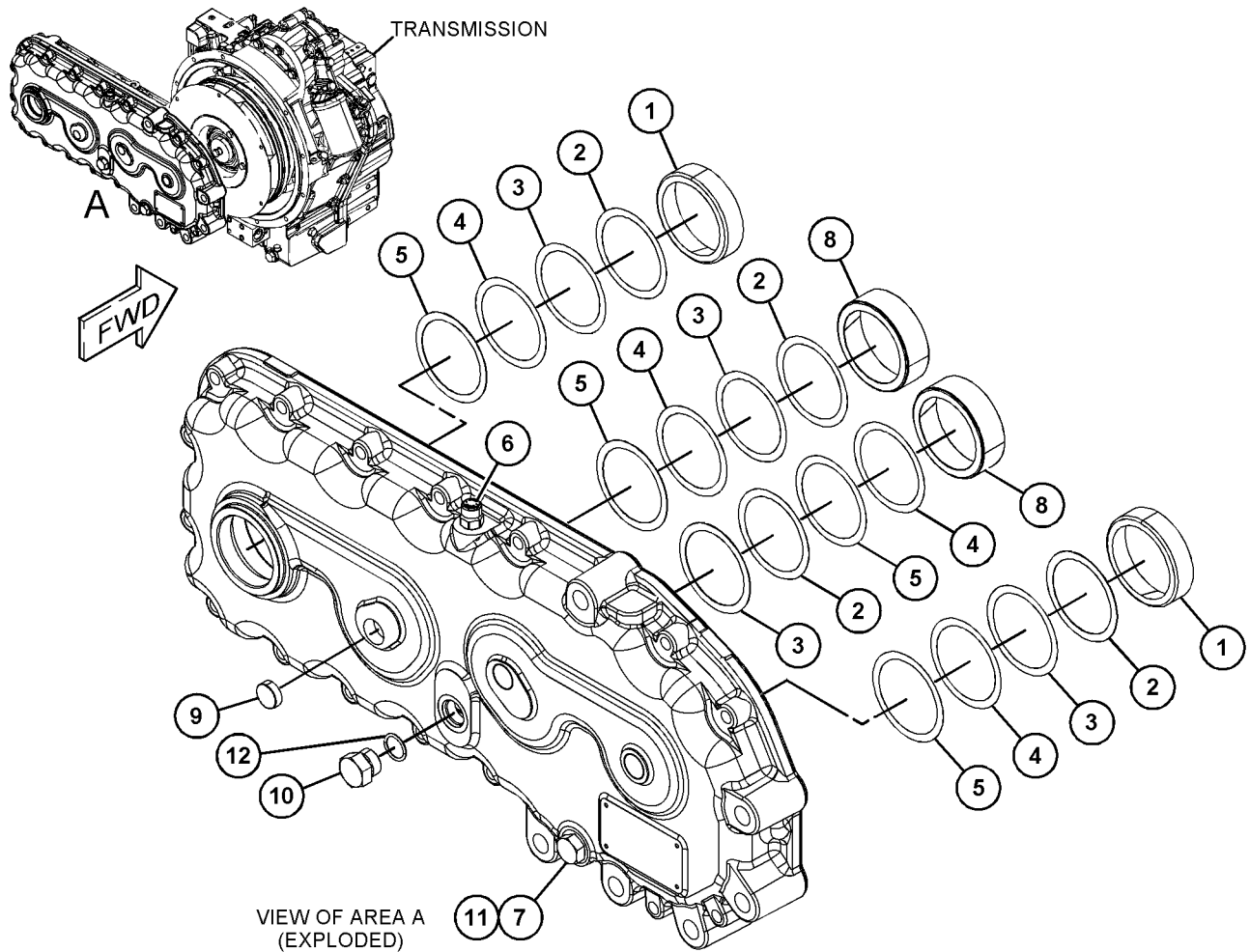
464-5019 CASE GP-TRANSFER

S/N: SD31-UP; CF51-UP; HA51-UP; H5E1-UP
 PART OF 460-9945, 526-0637 GEAR & CASE GP-TRANSFER
 AN ATTACHMENT

SMCS-3159

i06709042

NOTE	REF NO	GRAPHIC REF	PART NUMBER	QTY	PART NAME						SEE PAGE
					1	2	3	4	5	6 (PRODUCT LEVEL)	
	1	1	8T-1580	2	CUP-BEARING						
	2	1	6T-9163	4	SHIM (0.599-MM THK)						
	3	1	6T-9164	4	SHIM (0.178-MM THK)						
	4	1	6T-9165	4	SHIM (0.076-MM THK)						
	5	1	6T-9166	4	SHIM (0.051-MM THK)						
	6	1	461-7838	1	BREATHER AS (TRANSFER CASE)						
	7	1	9X-2230	1	PLUG-DRAIN (MAGNETIC)						
	8	1	123-8908	2	CUP-TAPERED ROLLER						
	9	1	334-7485	3	CAP-PROTECTION						
	10	1	9S-4190	1	PLUG-O-RING (7/8-14-THD)						
	11	1	3K-0360	1	SEAL-O-RING						
	12	1	6V-4589	1	SEAL-O-RING						



GRAPHIC #1

<END>

g06082187

POWER TRAIN

334-7500 CASE GP-TRANSMISSION

S/N: BK21-UP; SD31-UP; CF51-UP; H5E1-UP; H5F1-UP

PART OF 482-1135 CASE & PARTS GP-PLANETARY

AN ATTACHMENT

SMCS-3064

i05996211

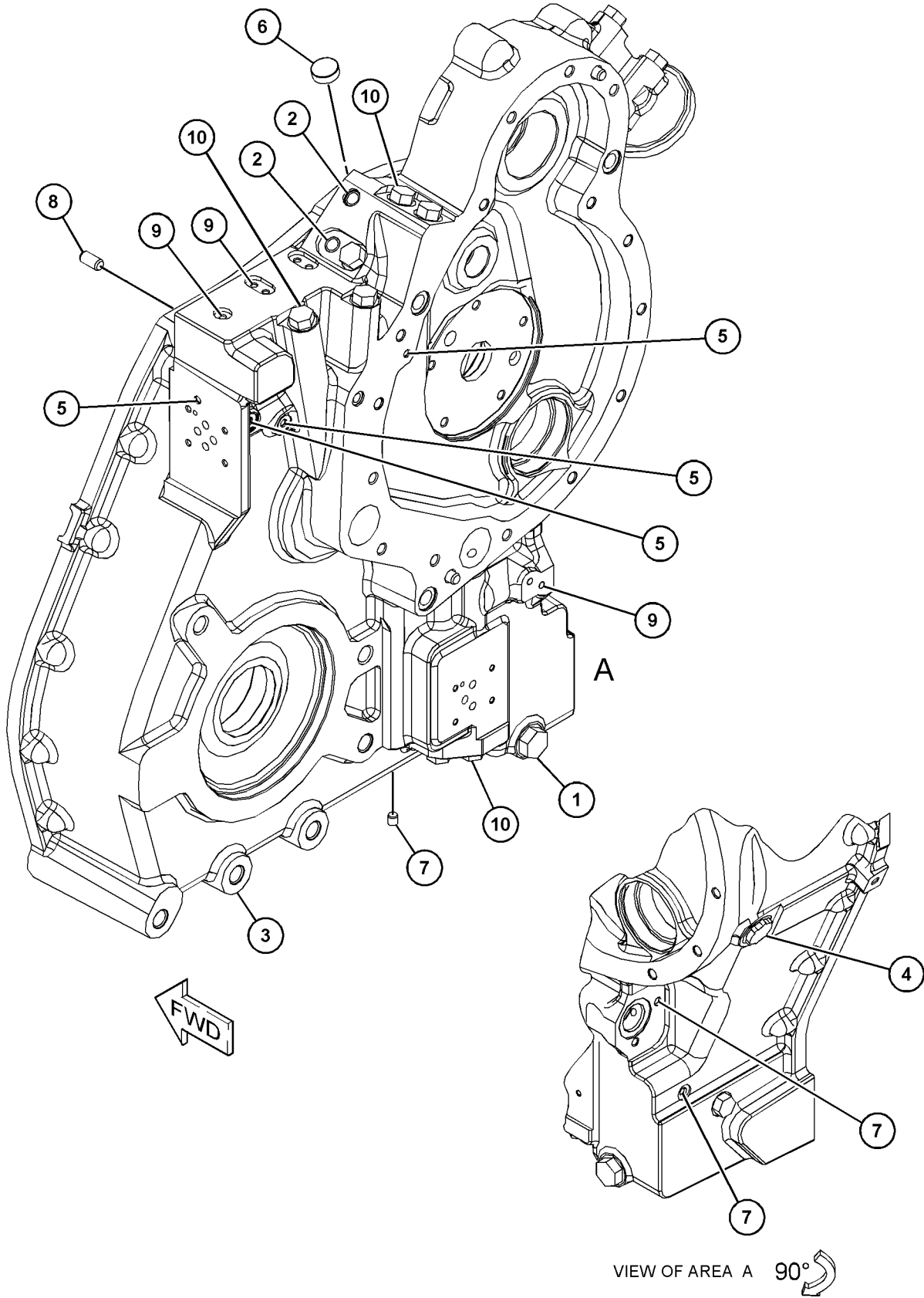
NOTE	REF NO	GRAPHIC REF	PART NUMBER	QTY	PART NAME						SEE PAGE
					1	2	3	4	5	6 (PRODUCT LEVEL)	
	1	1	9X-2230	1	PLUG-DRAIN (MAGNETIC)						
	2	1	122-3652	2	PLUG						
	3	1	<i>334-7693</i>	1	CASE AS-TRANSMISSION (FRONT)						
		1	342-3830	1	ADAPTER						
	4	1	334-3059	1	PLUG						
	5	1	334-4963	4	PLUG						
	6	1	334-7485	1	CAP-PROTECTION						
	7	1	334-4979	3	PLUG						
	8	1	8T-5353	4	DOWEL						
	9	1	123-2920	7	PLUG						
	10	1	<i>334-5131</i>	10	PLUG AS						
					(EACH INCLUDES)						
		1	3J-1907	1	SEAL-O-RING						
		1	9S-4191	1	PLUG (9/16-18-THD)						
F			433-7466	1	CASE AS-FRONT						
			123-2920	7	PLUG						
			334-4963	4	PLUG						
			334-4979	3	PLUG						
			342-3830	1	ADAPTER						

F - NOT SHOWN

POWER TRAIN

334-7500 CASE GP-TRANSMISSION (contd.)

105996211



GRAPHIC #1

<END>

g0377600

POWER TRAIN

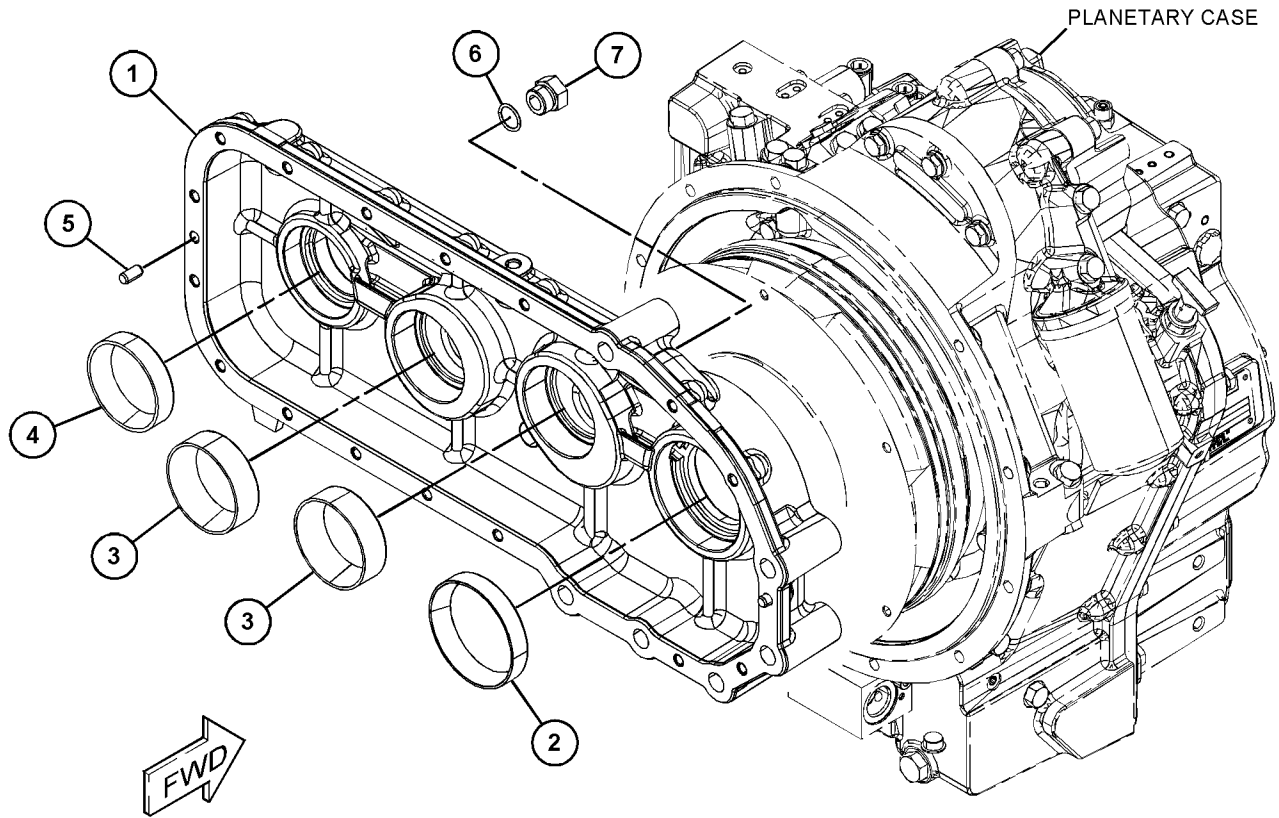
459-8309 CASE GP-TRANSMISSION-REAR

S/N: BK21-UP; H5F1-UP
PART OF 459-8308 GEAR GP-TRANSFER
AN ATTACHMENT

SMCS-3064

i06624631

NOTE	REF NO	GRAPHIC REF	PART NUMBER	QTY	PART NAME						SEE PAGE
					1	2	3	4	5	6	
	1	1	459-8310	1	CASE-TRANSFER						
	2	1	334-7441	1	CUP-TAPERED ROLLER						
	3	1	123-8908	2	CUP-TAPERED ROLLER						
	4	1	8T-1580	1	CUP-BEARING						
	5	1	8T-5353	2	DOWEL						
	6	1	6V-4589	1	SEAL-O-RING						
	7	1	9S-4190	1	PLUG-O-RING (7/8-14-THD)						



GRAPHIC #1

<END>

g06059600

POWER TRAIN

464-5020 CASE GP-TRANSMISSION-FRONT

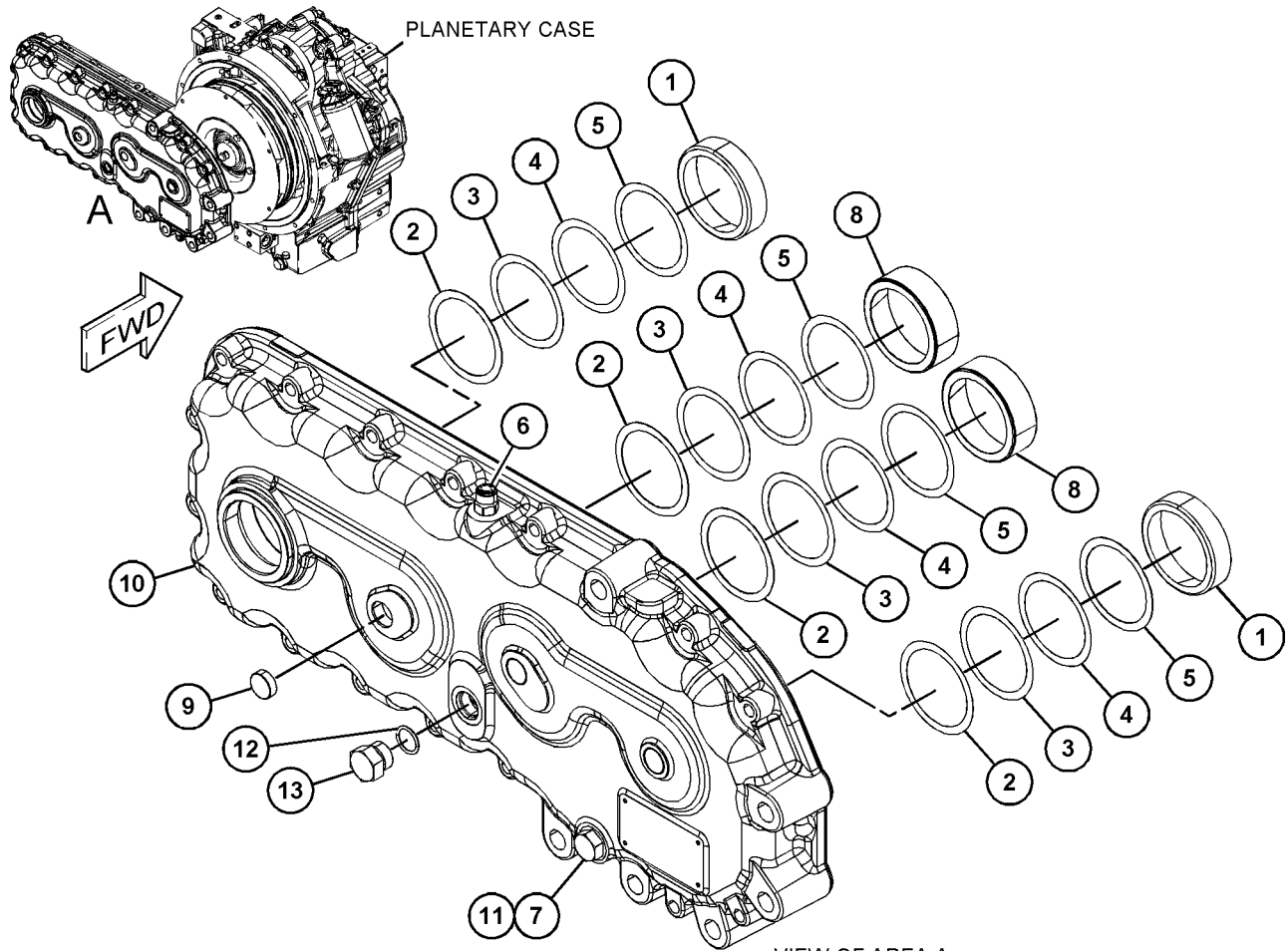
S/N: BK21-UP; H5F1-UP

PART OF 459-8308 GEAR GP-TRANSFER
AN ATTACHMENT

SMCS-3064

i06624632

NOTE	REF NO	GRAPHIC REF	PART NUMBER	QTY	PART NAME						SEE PAGE
					1	2	3	4	5	6	
	1	1	8T-1580	2	CUP-BEARING						
	2	1	6T-9163	4	SHIM (0.599-MM THK)						
	3	1	6T-9164	4	SHIM (0.178-MM THK)						
	4	1	6T-9165	4	SHIM (0.076-MM THK)						
	5	1	6T-9166	4	SHIM (0.051-MM THK)						
	6	1	461-7838	1	BREATHER AS						
	7	1	9X-2230	1	PLUG-DRAIN (MAGNETIC)						
	8	1	123-8908	2	CUP-TAPERED ROLLER						
	9	1	334-7485	3	CAP-PROTECTION						
	10	1	378-9817	1	CASE-TRANSFER GEAR						
	11	1	3K-0360	1	SEAL-O-RING						
	12	1	6V-4589	1	SEAL-O-RING						
	13	1	9S-4190	1	PLUG-O-RING (7/8-14-THD)						



GRAPHIC #1

<END>

g06059652

POWER TRAIN

468-0122 CASE GP-TRANSMISSION

S/N: HA51-UP

PART OF 468-0145 TRANSMISSION AR-POWER SHIFT
AN ATTACHMENT

SMCS-3064

i06624637

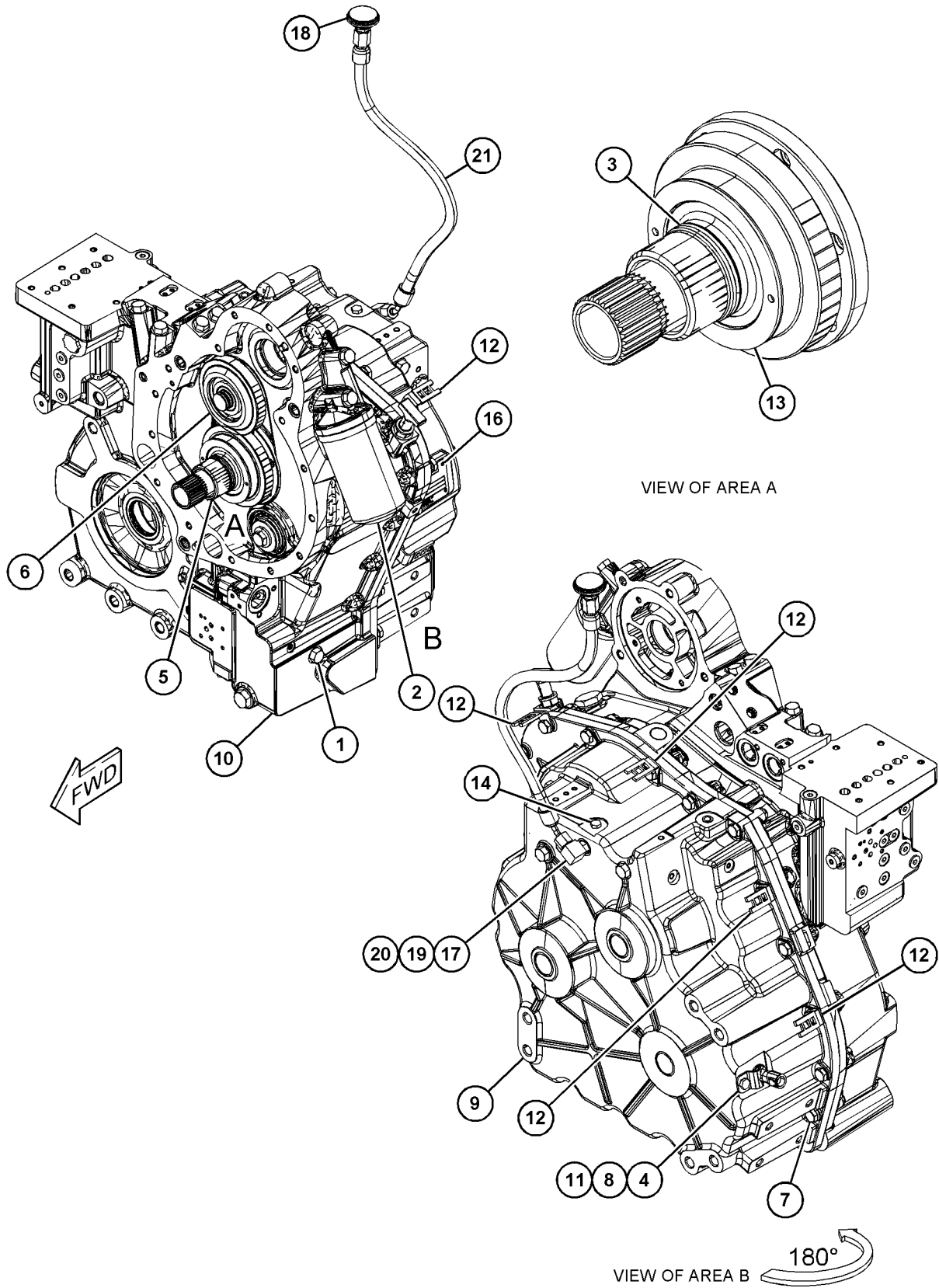
NOTE	REF NO	GRAPHIC REF	PART NUMBER	QTY	PART NAME						SEE PAGE
					1	2	3	4	5	6 (PRODUCT LEVEL)	
	1	1	334-5131	1	PLUG AS						
		1	3J-1907	1	SEAL-O-RING						
		1	9S-4191	1	PLUG (9/16-18-THD)						
	2	1	471-7003	1	FILTER-TRANSMISSION (HYDRAULIC)						
	3	1	178-8169	2	WASHER-THRUST (71X93X2-MM THK)						
	4	1	191-8303	1	SENSOR GP-SPEED (TRANSMISSION)						
		1	137-6645	1	PAD-CONNECTOR						
	5	1	334-7402	1	GEAR AS						
Y	6	1	334-7404	1	GEAR GP-IDLER						528
M	7	1	6V-5842	20	BOLT (M10X1.5X40-MM)						
M	8	1	6V-5215	1	BOLT (M8X1.25X16-MM)						
Y	9	1	512-1678	1	CASE GP-TRANSMISSION (REAR)						513
Y	10	1	468-0127	1	CASE GP-TRANSMISSION						508
	11	1	117-1385	1	SEAL-O-RING						
	12	1	132-5789	5	CLIP (LADDER)						
	13	1	195-7657	1	SEAL-O-RING						
	14	1	5M-6213	1	PLUG-PIPE						
	16	1	336-5469	4	RIVET						
	17	1	3J-7354	1	SEAL-O-RING						
	18	1	9G-5127	1	BREATHER (TRANSMISSION)						
	19	1	4J-5477	1	SEAL-O-RING						
	20	1	6V-8628	1	ELBOW						
I	21	1	459-7275	1	HOSE AS						

I - REFER TO HYDRAULIC INFORMATION SYSTEM
M - METRIC PART
Y - SEPARATE ILLUSTRATION

POWER TRAIN

468-0122 CASE GP-TRANSMISSION (contd.)

i06624637



GRAPHIC #1

<END>

g06126827

POWER TRAIN

468-0127 CASE GP-TRANSMISSION

S/N: HA51-UP

PART OF 468-0122 CASE GP-TRANSMISSION
AN ATTACHMENT

SMCS-3064

i06724558

NOTE	REF NO	GRAPHIC REF	PART NUMBER	QTY	PART NAME						SEE PAGE
					1	2	3	4	5	6 (PRODUCT LEVEL)	
	1	2	8T-1580	1	CUP-BEARING (TAPERED ROLLER)						
	2	1,2	005-0469	2	CUP-BEARING (TAPERED ROLLER)						
	3	1	005-0471	1	CONE-BEARING (TAPERED ROLLER)						
	4	1,2	120-9762	4	SEAL-O-RING						
	5	2	123-8910	1	CUP-TAPERED ROLLER						
	6	1	334-3562	3	SEAL-O-RING						
	7	2	334-6641	1	CUP-BEARING						
	8	1	334-6649	1	WASHER (13X29X3-MM THK)						
	9	1	123-8906	1	CUP-TAPERED ROLLER						
B	10	2	399-1164	1	SPACER (35.2X42X15.29-MM THK)						
B		2	334-7583	1	SPACER (35.2X42X14.87-MM THK)						
B		2	334-7625	1	SPACER (35.2X42X15.11-MM THK)						
B		2	334-7627	1	SPACER (35.2X42X15.14-MM THK)						
B		2	334-7629	1	SPACER-BEARING (35.2X42X15.17-MM THK)						
B		2	334-7638	1	SPACER (35.2X42X15.20-MM THK)						
B		2	334-7603	1	SPACER (35.2X42X14.90-MM THK)						
B		2	334-7604	1	SPACER (35.2X42X14.93-MM THK)						
B		2	334-7605	1	SPACER (35.2X42X14.96-MM THK)						
B		2	334-7608	1	SPACER (35.2X42X14.99-MM THK)						
B		2	334-7611	1	SPACER (35.2X42X15.02-MM THK)						
B		2	334-7615	1	SPACER (35.2X42X15.05-MM THK)						
B		2	334-7624	1	SPACER (35.2X42X15.08-MM THK)						
B		2	334-7649	1	SPACER (35.2X42X15.23-MM THK)						
B		2	399-1528	1	SPACER (35.2X42X15.26-MM THK)						
B		2	399-1166	1	SPACER (35.2X42X15.32-MM THK)						
B		2	399-1167	1	SPACER (35.2X42X15.35-MM THK)						
	12	2	466-4938	1	SEAL-LIP TYPE						
	13	2	334-7443	1	BEARING-NEEDLE						
	15	1	7T-3195	1	WASHER (12.3X47X6.35-MM THK)						
M	17	2	238-7564	3	SCREW-HEX SOCKET (M8X1.25X16-MM)						
	18	2	334-3553	1	WASHER (27X35X2.38-MM THK)						
	19	2	334-6846	1	SHAFT GP-IDLER						
		2	005-0471	1	CONE-BEARING						
		2	334-6658	1	GEAR (28-TEETH)						
		2	399-1168	1	SPACER (35.2X42X15.38-MM THK)						
	21	2	334-7505	1	GAUGE AS-OIL LEVEL (DIPSTICK)						
	22	2	334-7560	1	TUBE AS-OIL GAUGE						
		2	8L-2786	1	SEAL-O-RING						
		2	334-7503	1	TUBE-DIPSTICK						
	23	2	334-7562	1	STRAINER AS (SUCTION)						
		2	334-3570	2	SEAL-O-RING						
		2	334-7523	1	STRAINER AS (SUCTION)						
	24	2	334-5841	1	HOUSING						
M	25	1	6V-8097	1	BOLT (M12X1.75X30-MM)						
M	26	1	8T-8442	7	BOLT-SOCKET HEAD (M6X1X30-MM)						
	27	1	468-0130	1	REACTOR AS						

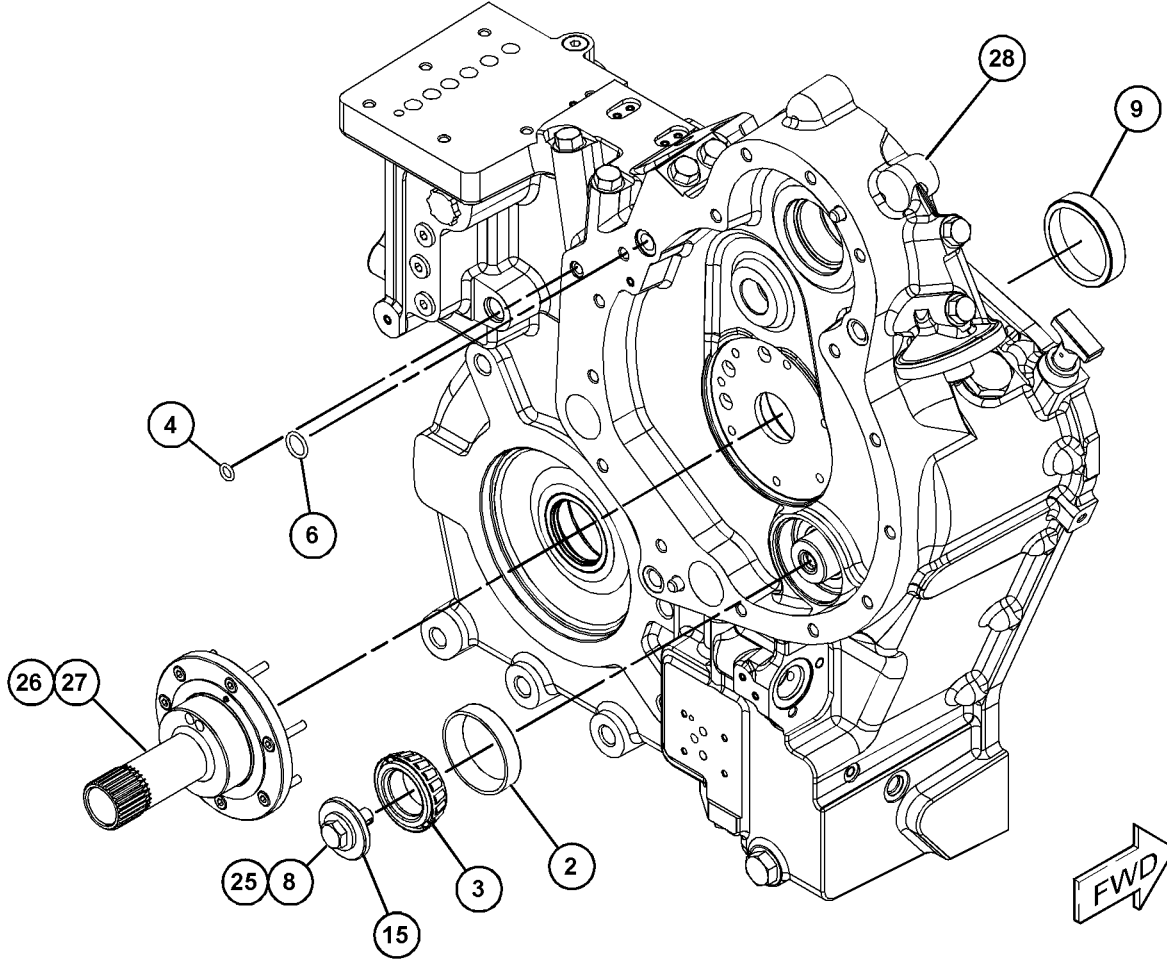
POWER TRAIN

468-0127 CASE GP-TRANSMISSION (contd.)

106724558

NOTE	REF NO	GRAPHIC REF	PART NUMBER	QTY	PART NAME						SEE PAGE
					1	2	3	4	5	6 (PRODUCT LEVEL)	
		1	238-6532	2	PIN						
Y	28	1	468-0128	1	CASE GP-TRANSMISSION						511

B - USE AS REQUIRED
M - METRIC PART
Y - SEPARATE ILLUSTRATION



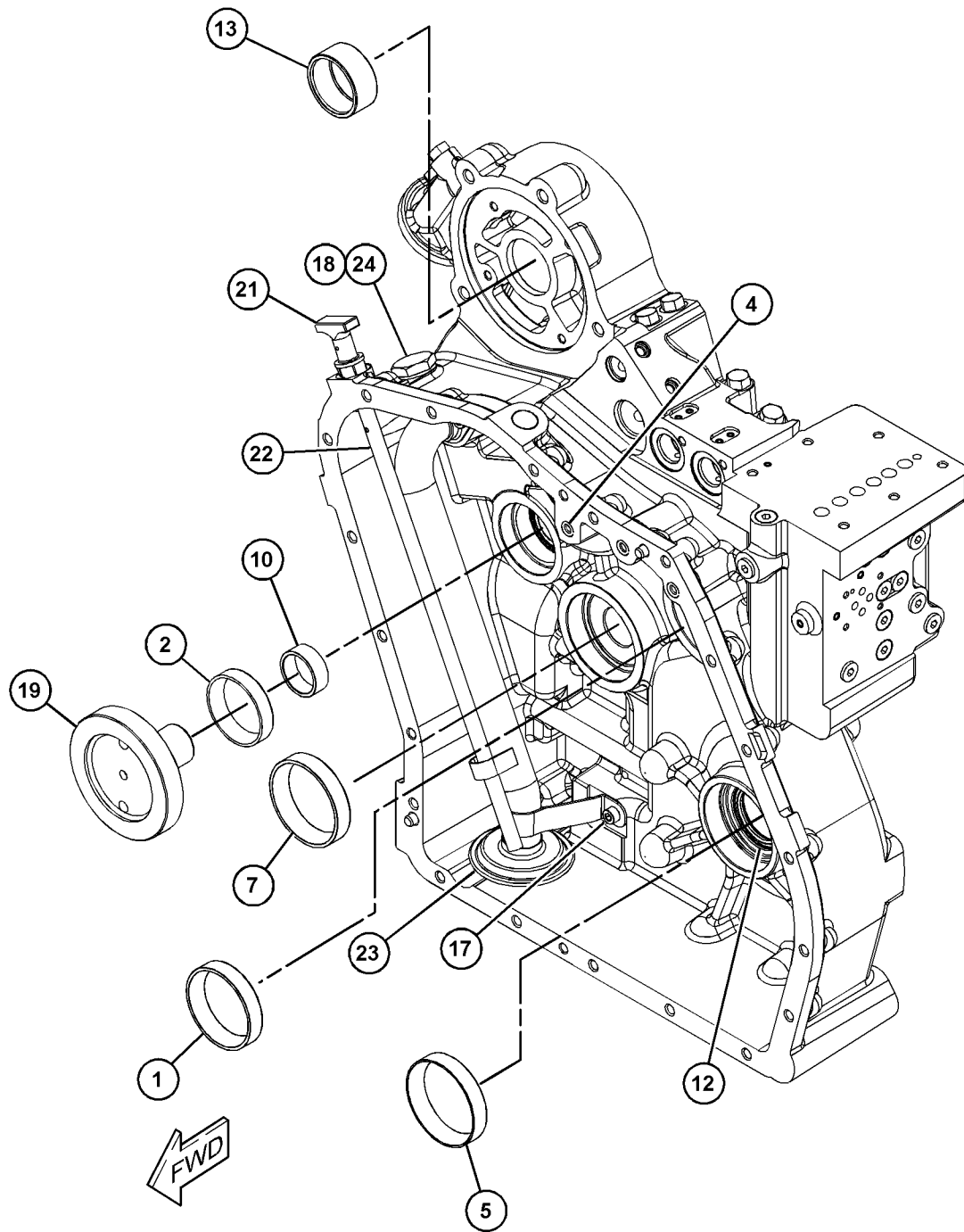
GRAPHIC #1

g06104533

POWER TRAIN

468-0127 CASE GP-TRANSMISSION (contd.)

i06724558



GRAPHIC #2

<END>

g06104534

POWER TRAIN

468-0128 CASE GP-TRANSMISSION

S/N: HA51-UP

PART OF 468-0127 CASE GP-TRANSMISSION
AN ATTACHMENT

SMCS-3064

i06749001

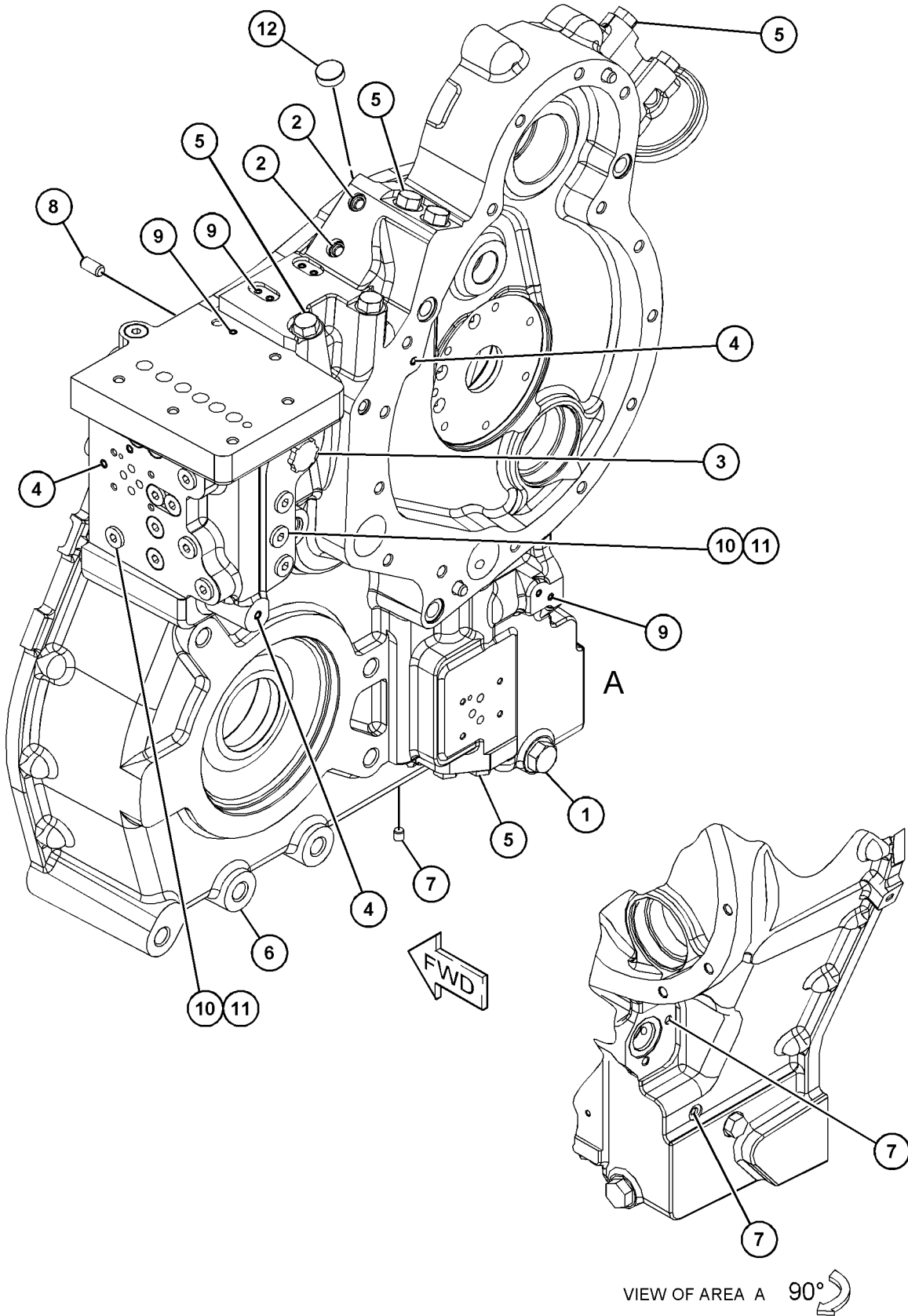
NOTE	REF NO	GRAPHIC REF	PART NUMBER	QTY	PART NAME						SEE PAGE
					1	2	3	4	5	6 (PRODUCT LEVEL)	
	1	1	9X-2230	1	PLUG-DRAIN (MAGNETIC)						
	2	1	122-3652	2	PLUG						
	3	1	334-3059	1	PLUG						
	4	1	334-4963	5	PLUG						
	5	1	<i>334-5131</i>	8	PLUG AS						
					(EACH INCLUDES)						
		1	3J-1907	1	SEAL-O-RING						
		1	9S-4191	1	PLUG (9/16-18-THD)						
	6	1	<i>468-0141</i>	1	CASE AS-FRONT						
		1	342-3830	1	ADAPTER						
	7	1	334-4979	3	PLUG						
	8	1	8T-5353	4	DOWEL						
	9	1	123-2920	7	PLUG						
	10	1	3J-1907	15	SEAL-O-RING						
	11	1	9S-8004	15	PLUG (9/16-18-THD)						
	12	1	334-7485	1	CAP-PROTECTION						
	A	1	468-0149	1	CASE AS-FRONT						
	A	1	123-2920	7	PLUG						
	A	1	334-4963	5	PLUG						
	A	1	334-4979	3	PLUG						
	A	1	342-3830	1	ADAPTER						

A - NOT PART OF THIS GROUP

POWER TRAIN

468-0128 CASE GP-TRANSMISSION (contd.)

i06749001



GRAPHIC #1

<END>

g06106569

POWER TRAIN

512-1678 CASE GP-TRANSMISSION

S/N: BK21-UP; SD31-UP; CF51-UP; HA51-UP; H5E1-UP; H5F1-UP
 PART OF 482-1134 CASE & PARTS GP-PLANETARY, 468-0122 CASE GP-TRANSMISSION
 AN ATTACHMENT

SMCS-3064

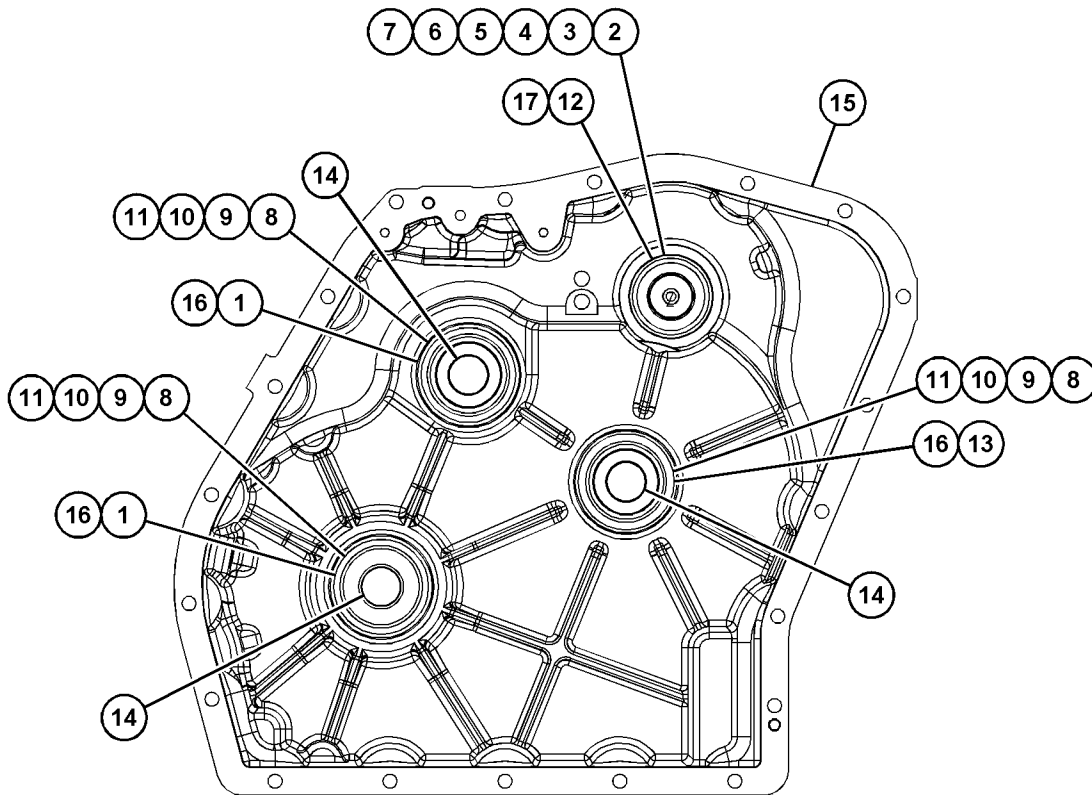
i06724557

NOTE	REF NO	GRAPHIC REF	PART NUMBER	QTY	PART NAME						SEE PAGE
					1	2	3	4	5	6 (PRODUCT LEVEL)	
	1	1	8T-1580	2	CUP-BEARING						
	2	1	6T-9142	1	SHIM (0.508-MM THK)						
	3	1	6T-9143	1	SHIM (0.381-MM THK)						
	4	1	6T-9144	1	SHIM (0.051-MM THK)						
	5	1	6T-9145	1	SHIM (0.178-MM THK)						
	6	1	6T-9146	1	SHIM (0.127-MM THK)						
	7	1	6T-9147	1	SHIM (0.076-MM THK)						
	8	1	6T-9163	3	SHIM (0.599-MM THK)						
	9	1	6T-9164	3	SHIM (0.178-MM THK)						
	10	1	6T-9165	3	SHIM (0.076-MM THK)						
	11	1	6T-9166	3	SHIM (0.051-MM THK)						
	12	1	005-0469	1	CUP-BEARING						
	13	1	123-8908	1	CUP-TAPERED ROLLER						
	14	1	147-0232	3	PLUG						
	15	1	<i>512-1677</i>	1	CASE AS-REAR						
		1	334-3059	1	PLUG						
		1	<i>334-5131</i>	4	PLUG AS						
					(EACH INCLUDES)						
		1	3J-1907	1	SEAL-O-RING						
		1	9S-4191	1	PLUG (9/16-18-THD)						
		1	512-1676	1	CASE AS-TRANSMISSION (REAR)						
		1	334-4963	4	PLUG						
		1	334-4979	4	PLUG						
	16	1	334-7682	3	SPACER (66X78.25X0.6-MM THK)						
	17	1	334-7684	1	SPACER (56.9X63.25X0.6-MM THK)						

POWER TRAIN

512-1678 CASE GP-TRANSMISSION (contd.)

i06724557



REAR VIEW

(INSIDE CASE)

GRAPHIC #1

<END>

g06084097

POWER TRAIN

334-7532 CLUTCH & GEAR GP

S/N: BK21-UP; SD31-UP; CF51-UP; HA51-UP; H5E1-UP; H5F1-UP
 PART OF 460-9942 TRANSMISSION AR, 460-9943, 468-0145, 482-2978, 526-
 0654 TRANSMISSION AR-POWER SHIFT
 AN ATTACHMENT

SMCS-3061, 3155

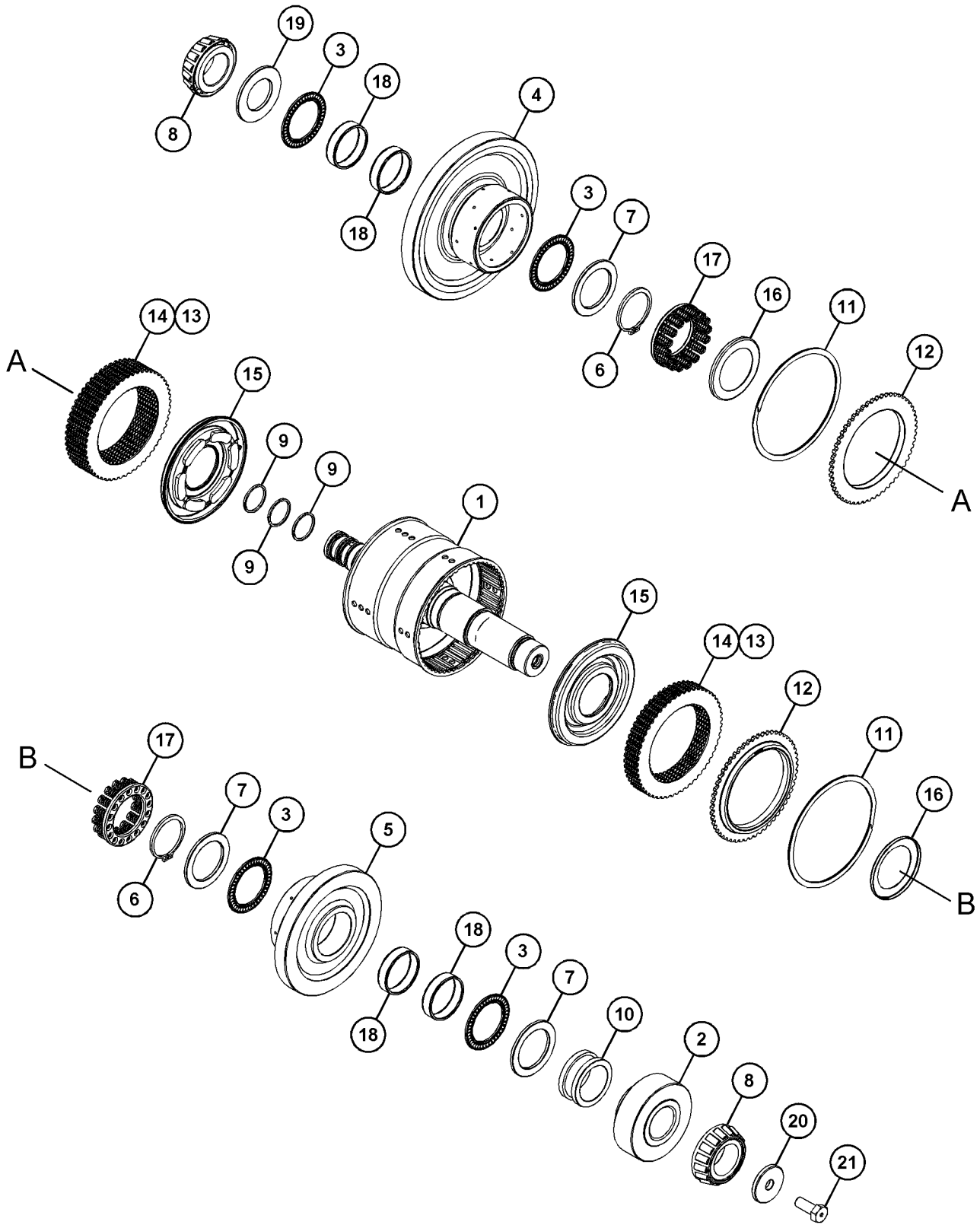
i05751189

NOTE	REF NO	GRAPHIC REF	PART NUMBER	QTY	PART NAME						SEE PAGE
					1	2	3	4	5	6 (PRODUCT LEVEL)	
	1	1	334-7395	1	SHAFT AS						
		1	123-2920	2	PLUG						
		1	334-7452	1	PLUG						
		1	334-7564	1	PLUG-ORIFICE						
2		1	334-7417	1	GEAR						
3		1	172-5317	4	BEARING-SPECIAL						
4		1	334-6676	1	GEAR (53-TEETH)						
5		1	334-7416	1	GEAR (45-TEETH)						
6		1	6V-8757	2	RING-RETAINING						
7		1	121-2500	3	WASHER-THRUST (50X70X4-MM THK)						
8		1	8T-1581	2	BEARING-TAPERED ROLLER						
9		1	6Y-1192	3	RING-SEAL						
10		1	334-7449	1	SPACER						
11		1	9U-8875	2	RING-RETAINING						
12		1	334-7659	2	PLATE-END						
13		1	6Y-7929	13	DISC-FRICTION						
14		1	274-4553	15	DISC-CLUTCH						
15		1	294-9810	2	PISTON						
16		1	294-9812	2	RETAINER-SPRING						
17		1	147-0238	2	SPRING AS						
18		1	334-7444	4	BEARING-NEEDLE						
19		1	121-0694	1	WASHER-THRUST (40X70X4-MM THK)						
20		1	7T-3195	1	WASHER (12.3X47X6.35-MM THK)						
21		1	378-9763	1	BOLT-SPECIAL						

POWER TRAIN

334-7532 CLUTCH & GEAR GP (contd.)

i05751189



GRAPHIC #1

<END>

g03655324

POWER TRAIN

392-3996 CLUTCH & GEAR GP

S/N: BK21-UP; SD31-UP; CF51-UP; HA51-UP; H5E1-UP; H5F1-UP
 PART OF 460-9942 TRANSMISSION AR, 460-9943, 468-0145, 482-2978, 526-
 0654 TRANSMISSION AR-POWER SHIFT
 AN ATTACHMENT

SMCS-3061, 3155

i05751209

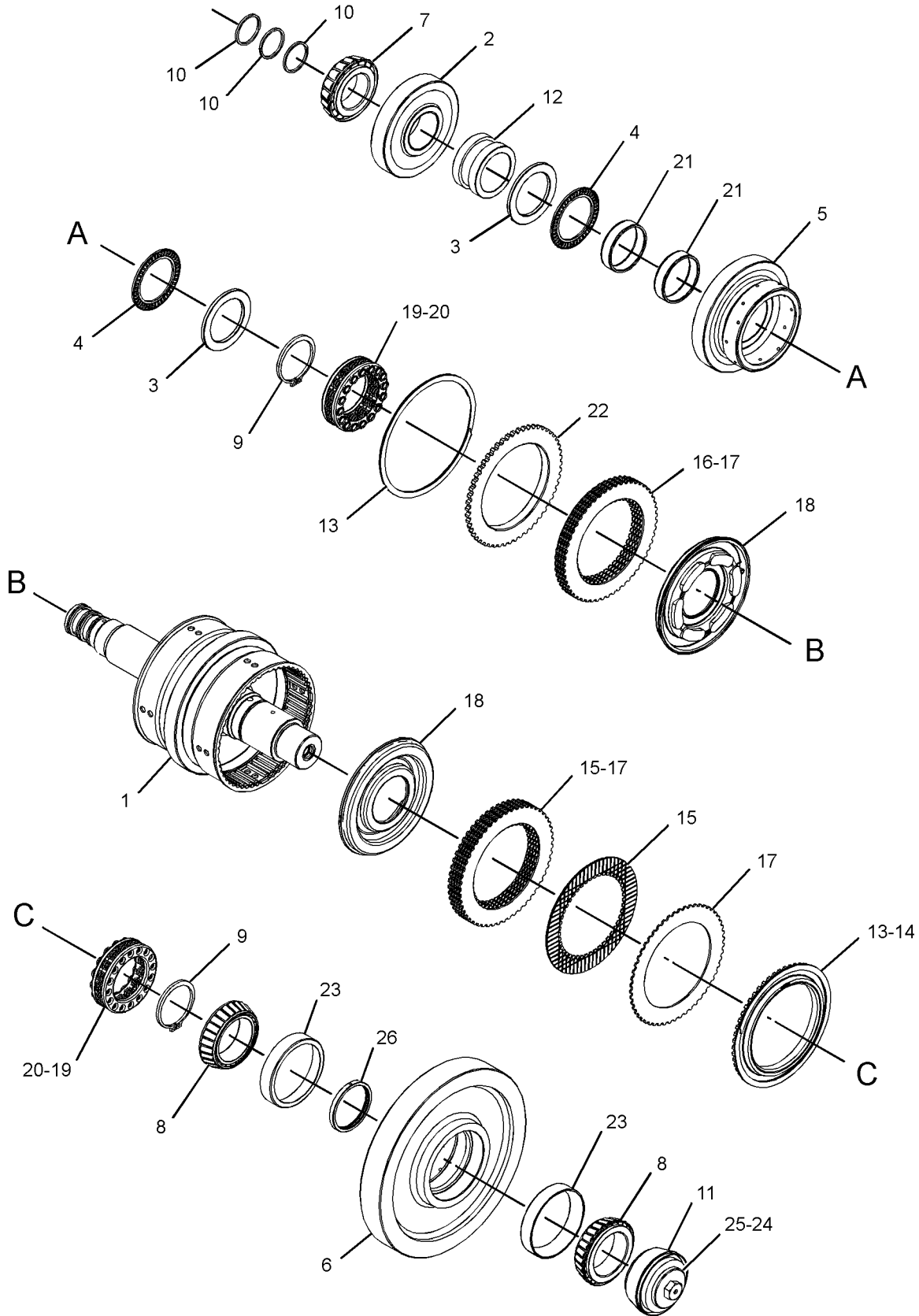
NOTE	REF NO	GRAPHIC REF	PART NUMBER	QTY	PART NAME						SEE PAGE
					1	2	3	4	5	6 (PRODUCT LEVEL)	
	1	1	334-7399	1	SHAFT AS						
		1	334-4979	2	PLUG						
		1	334-7452	1	PLUG						
	2	1	334-6668	1	GEAR (27-TEETH)						
	3	1	121-2500	2	WASHER-THRUST (50X70X4-MM THK)						
	4	1	172-5317	2	BEARING-SPECIAL						
	5	1	334-7407	1	GEAR (36-TEETH)						
	6	1	334-7415	1	GEAR (56-TEETH)						
	7	1	334-6623	1	CONE-BEARING						
	8	1	123-8909	2	CONE-BEARING						
	9	1	6V-8757	2	RING-RETAINING						
	10	1	6Y-1192	3	RING-SEAL						
	11	1	123-8907	1	CONE-BEARING						
	12	1	334-7448	1	SPACER						
	13	1	9U-8875	2	RING-RETAINING						
	14	1	334-7659	1	PLATE-END						
	15	1	6Y-7929	5	DISC-FRICTION						
	16	1	313-5544	4	DISC-FRICTION						
	17	1	274-4553	10	DISC-CLUTCH						
	18	1	294-9810	2	PISTON						
	19	1	294-9812	2	RETAINER-SPRING						
	20	1	147-0238	2	SPRING AS						
	21	1	334-7444	2	BEARING-NEEDLE						
	22	1	378-9766	1	PLATE-RETAINER						
	23	1	123-8910	2	CUP-TAPERED ROLLER						
	24	1	7T-3195	1	WASHER (12.3X47X6.35-MM THK)						
	25	1	378-9763	1	BOLT-SPECIAL						
B	26	1	334-7566	1	SPACER-SPECIAL						
B			334-7568	1	SPACER-SPECIAL						
B			334-7572	1	SPACER-SPECIAL						
B			334-7573	1	SPACER-SPECIAL						
B			334-7574	1	SPACER-SPECIAL						
B			334-7576	1	SPACER-SPECIAL						
B			334-7577	1	SPACER-SPECIAL						
B			334-7578	1	SPACER-SPECIAL						
B			334-7579	1	SPACER-SPECIAL						
B			334-7581	1	SPACER-SPECIAL						
B			381-3316	1	SPACER-SPECIAL						
B			381-3317	1	SPACER-SPECIAL						
B			334-7582	1	SPACER-SPECIAL						
B			418-9987	1	SPACER-SPECIAL						
B			418-9988	1	SPACER-SPECIAL						

B - USE AS REQUIRED

POWER TRAIN

392-3996 CLUTCH & GEAR GP (contd.)

105751209



GRAPHIC #1

<END>

g03660437

POWER TRAIN

418-7411 CONTROL GP-TRANSMISSION HYD

S/N: BK21-UP; SD31-UP; CF51-UP; H5E1-UP; H5F1-UP

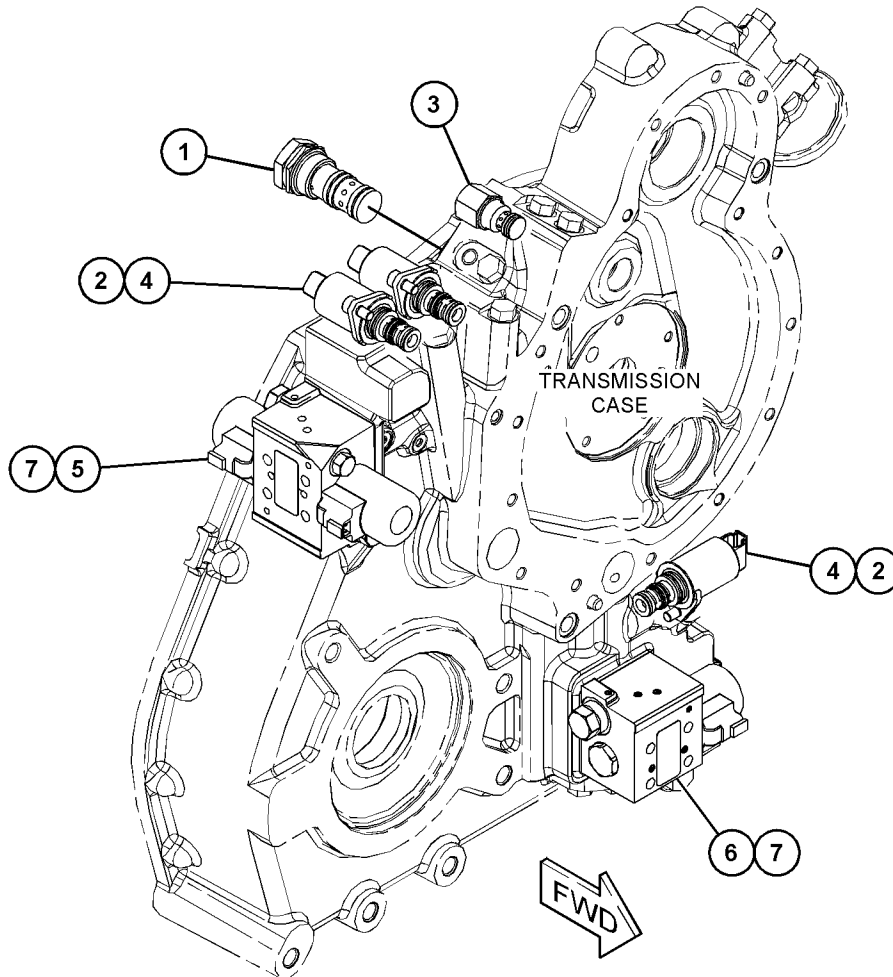
PART OF 460-9942 TRANSMISSION AR, 460-9943, 482-2978, 526-0654 TRANSMISSION AR-POWER
SHIFT
AN ATTACHMENT

SMCS-3073, 3167

i07213658

NOTE	REF NO	GRAPHIC REF	PART NUMBER	QTY	PART NAME						SEE PAGE
					1	2	3	4	5	6 (PRODUCT LEVEL)	
Y	1	1	147-0209	1	VALVE GP-RELIEF (PRESSURE REGULATOR)						752
M	2	1	238-7564	3	SCREW-HEX SOCKET (M8X1.25X16-MM)						
	3	1	330-3037	1	VALVE GP-RELIEF (CONVERTER)						
		1	6V-4589	1	SEAL-O-RING						
		1	8L-2746	1	SEAL-O-RING						
	4	1	334-7531	3	VALVE AS-SOLENOID (TRANSMISSION)						
Y	5	1	391-9654	1	VALVE GP-SOLENOID (MODULATING)						585
Y	6	1	399-5410	1	VALVE GP-SOLENOID (MODULATING)						586
M	7	1	449-8810	8	BOLT (M5X0.8X30-MM)						

M - METRIC PART
Y - SEPARATE ILLUSTRATION



GRAPHIC #1

<END>

g03661505

POWER TRAIN

468-0120 CONTROL GP-TRANSMISSION HYD

S/N: HA51-UP

PART OF 468-0145 TRANSMISSION AR-POWER SHIFT
AN ATTACHMENT

SMCS-3073, 3167

i06624638

NOTE	REF NO	GRAPHIC REF	PART NUMBER	QTY	PART NAME						SEE PAGE
					1	2	3	4	5	6 (PRODUCT LEVEL)	
	1	1	5E-8771	1	SEAL-O-RING						
Y	2	1	147-0209	1	VALVE GP-RELIEF						752
	3	1	256-6454	1	SENSOR-TEMPERATURE						
	4	1	334-7531	3	VALVE AS-SOLENOID						
Y	5	1	391-9654	1	VALVE GP-SOLENOID (MODULATING)						585
Y	6	1	399-5410	1	VALVE GP-SOLENOID (MODULATING)						586
M	7	1	9X-6615	8	BOLT (M5X0.8X30-MM)						
	8	1	474-8225	1	VALVE & MTG GP-RELIEF						
		1	274-4559	1	COIL AS (12-VOLT)						
		1	286-0867	1	SOLENOID AS						
		1	6V-8399	1	SEAL-O-RING						
		1	274-4560	1	NUT-SELF LOCKING						
		1	<i>398-5596</i>	1	PLUG AS						
		1	238-5080	1	SEAL-O-RING						
		1	360-3680	1	PLUG						
		1	<i>460-9958</i>	1	VALVE GP-RELIEF						
		1	6V-9178	1	SEAL-O-RING						
		1	7X-4744	1	SEAL-O-RING						
		1	106-9586	1	SEAL-O-RING						
	9	1	484-9576	1	VALVE GP-RELIEF						
		1	6V-4589	1	SEAL-O-RING						
		1	8L-2746	1	SEAL-O-RING						
	10	1	228-7103	1	SEAL-O-RING						
M	11	1	238-7564	3	SCREW-HEX SOCKET (M8X1.25X16-MM)						
M	12	1	289-9555	6	BOLT-SOCKET HEAD (M8X1.25X30-MM)						
	13	1	8T-4224	6	WASHER-HARD (8.8X16X2-MM THK)						

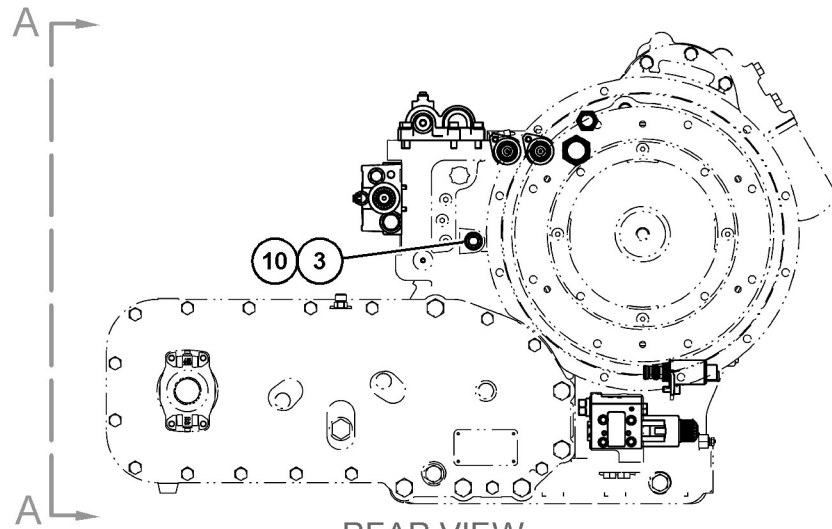
M - METRIC PART

Y - SEPARATE ILLUSTRATION

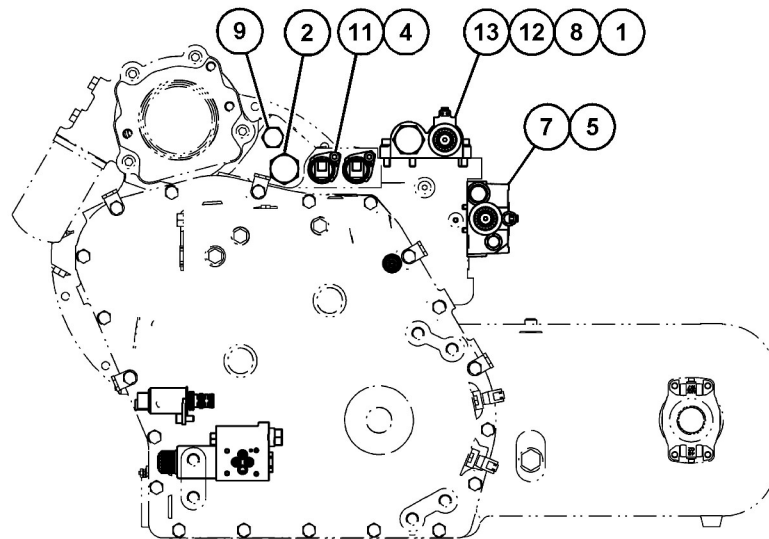
POWER TRAIN

468-0120 CONTROL GP-TRANSMISSION HYD (contd.)

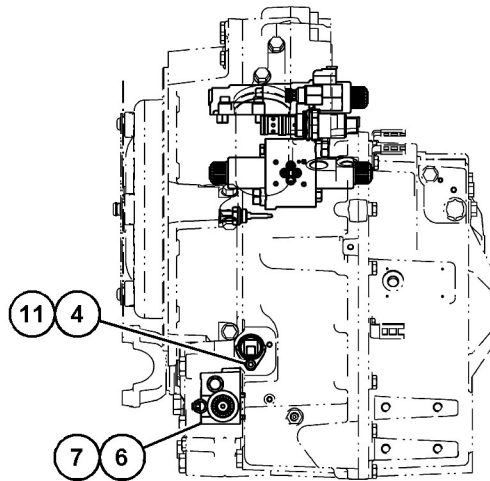
106624638



REAR VIEW



FRONT VIEW



VIEW A-A

<END>

GRAPHIC #1

g06097971

POWER TRAIN

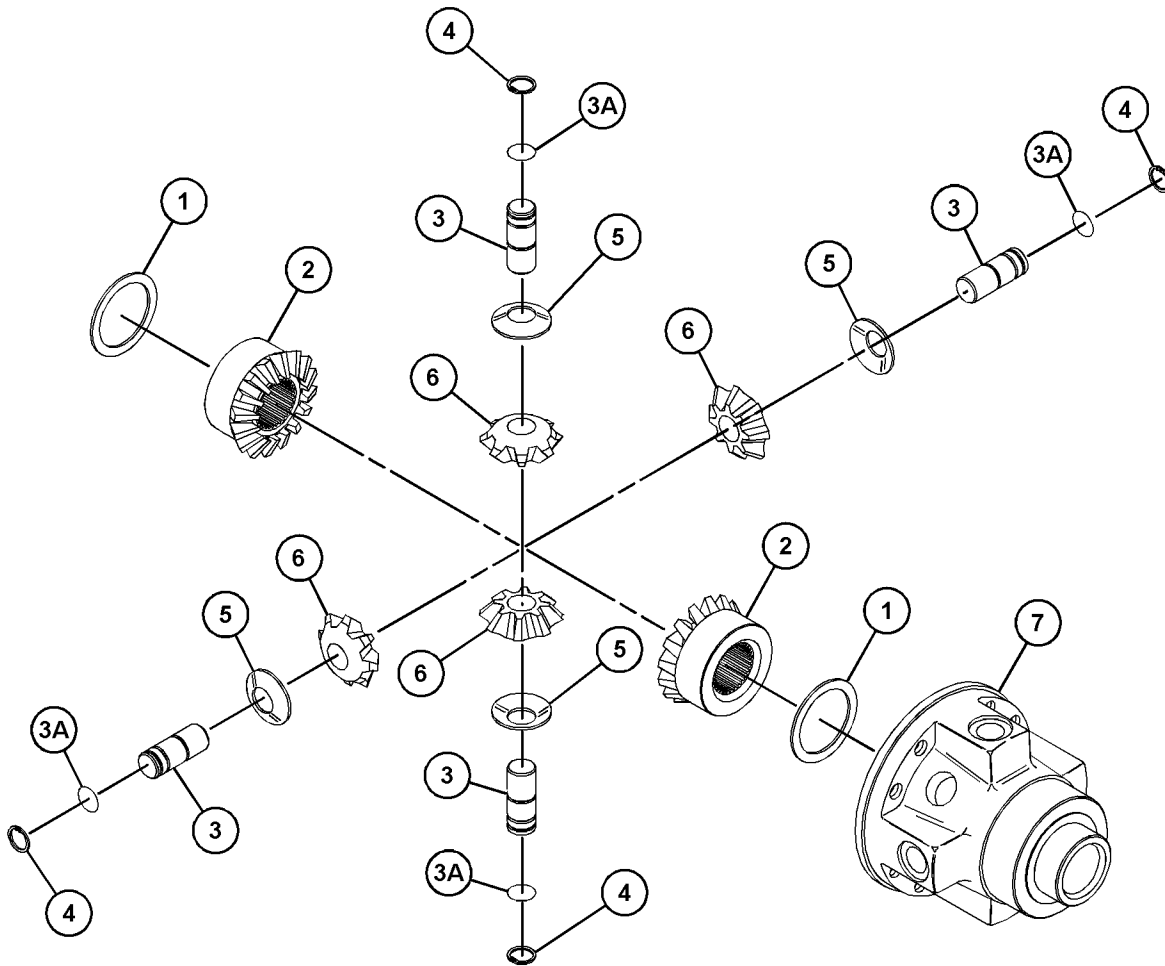
350-8571 DIFFERENTIAL GP

S/N: TH21-UP; TH31-UP
PART OF 485-1677 AXLE GP-REAR
AN ATTACHMENT

SMCS-3258

i06642612

NOTE	REF NO	GRAPHIC REF	PART NUMBER	QTY	PART NAME						SEE PAGE
					1	2	3	4	5	6	
	1	1	304-3223	2	WASHER						
	2	1	458-6148	2	GEAR						
	3	1	299-0789	4	KIT-PIN						
(EACH INCLUDES)											
	3A	1	304-3221	1	CLIP						
	4	1	304-3220	4	CLIP						
	5	1	298-1814	4	WASHER-FRICTION						
	6	1	458-6149	4	PINION-DIFFERENTIAL						
	7	1	304-4582	1	CARRIER AS-DIFFERENTIAL						



GRAPHIC #1

<END>

g06086866

POWER TRAIN

460-9945 GEAR & CASE GP-TRANSFER

S/N: SD31-UP; CF51-UP; HA51-UP; H5E1-UP

PART OF 460-9942 TRANSMISSION AR, 460-9943, 468-0145 TRANSMISSION AR-POWER SHIFT
AN ATTACHMENT

SMCS-3159

i06883746

NOTE	REF NO	GRAPHIC REF	PART NUMBER	QTY	PART NAME						SEE PAGE
					1	2	3	4	5	6 (PRODUCT LEVEL)	
Y	1	1	461-1160	1	GEAR & CASE GP-TRANSFER						525
	2	1	334-7459	1	SEAL-LIP TYPE						
	3	1	466-4938	2	SEAL-LIP TYPE						
	4	1	460-9946	1	GEAR AS						
	4A	1	8T-1581	1	BEARING-TAPERED ROLLER						
	4B	1	334-7440	1	BEARING-ROLLER						
		1	460-8951	1	GEAR-INPUT (35-TEETH)						
	5	1	460-9947	1	GEAR AS-IDLER						
	5A	1	123-8907	2	CONE-BEARING						
		1	460-8952	1	GEAR-IDLER (37-TEETH)						
	6	1	460-9948	1	GEAR AS-IDLER						
	6A	1	123-8907	2	CONE-BEARING						
		1	460-8953	1	GEAR-IDLER (35-TEETH)						
	7	1	460-9949	1	SHAFT AS-OUTPUT						
	7A	1	8T-1581	2	BEARING-TAPERED ROLLER						
		1	6V-8757	2	RING-RETAINING						
		1	334-7418	1	SHAFT						
		1	460-8954	1	GEAR-OUTPUT (32-TEETH)						
Y	8	1	464-5019	1	CASE GP-TRANSFER						501
	9	1	122-1883	2	SPACER (38X45X5-MM THK)						
	10	1	334-7525	2	YOKE AS						
	11	1	5P-8066	2	SEAL-O-RING						
	12	1	7T-3195	2	WASHER (12.3X47X6.35-MM THK)						
M	13	1	6V-8097	2	BOLT (M12X1.75X30-MM)						
M	14	1	160-8742	14	BOLT (M10X1.5X55-MM)						
M	15	1	6V-5815	2	BOLT (M10X1.5X75-MM)						
M	16	1	6V-8154	6	BOLT (M16X2X150-MM)						

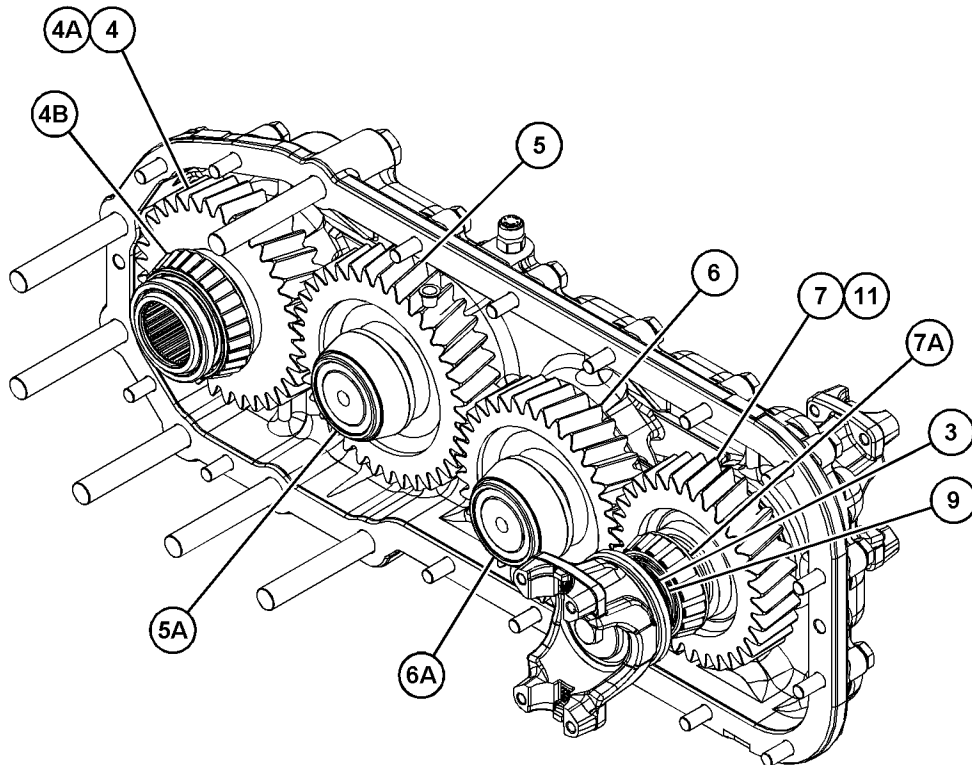
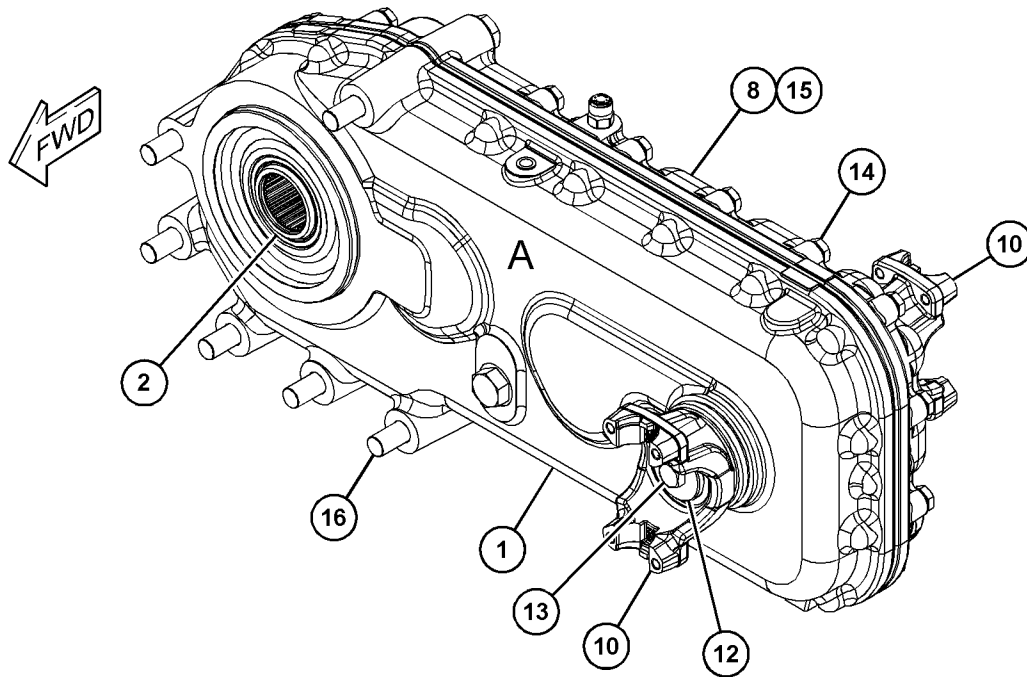
M - METRIC PART

Y - SEPARATE ILLUSTRATION

POWER TRAIN

460-9945 GEAR & CASE GP-TRANSFER (contd.)

i06883746



VIEW OF AREA A
(PARTS REMOVED FOR CLARITY)

GRAPHIC #1

<END>

g06086992

POWER TRAIN

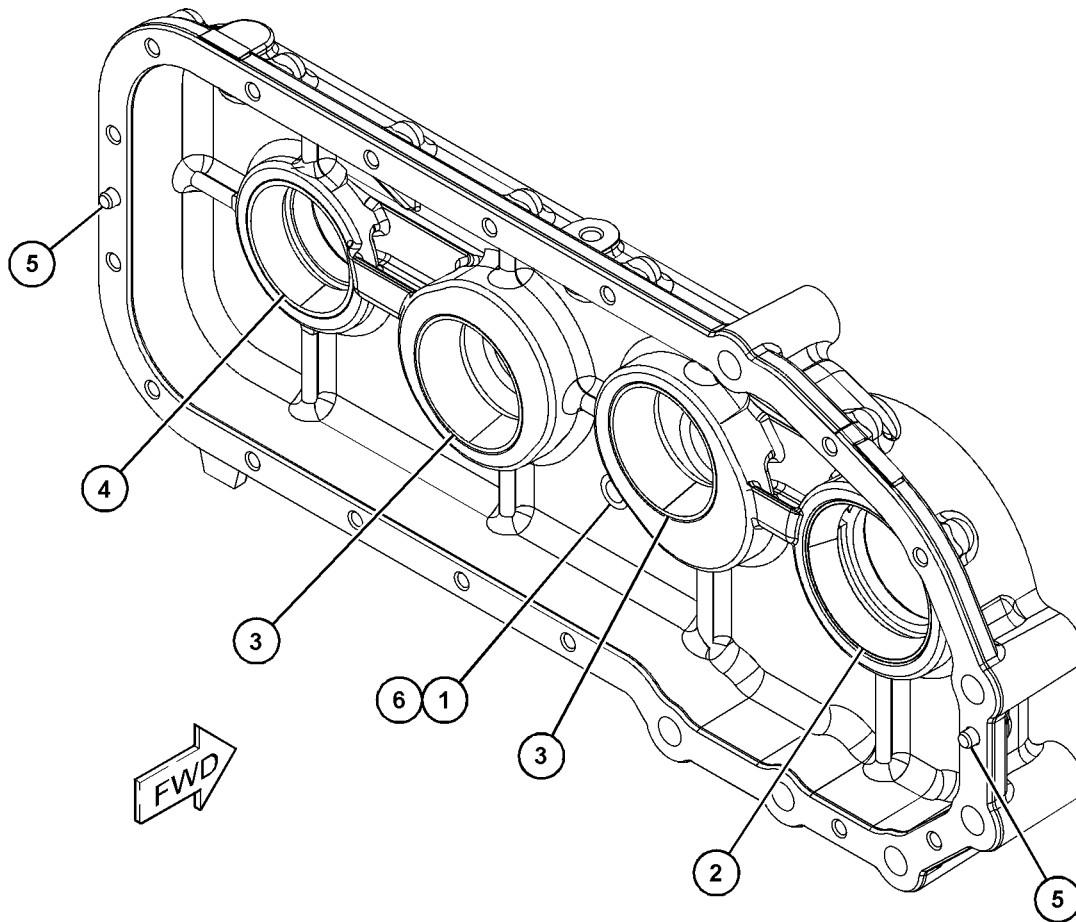
461-1160 GEAR & CASE GP-TRANSFER

S/N: SD31-UP; CF51-UP; HA51-UP; H5E1-UP
 PART OF 460-9945, 526-0637 GEAR & CASE GP-TRANSFER
 AN ATTACHMENT

SMCS-3159

i06709043

NOTE	REF NO	GRAPHIC REF	PART NUMBER	QTY	PART NAME						SEE PAGE
					1	2	3	4	5	6	
	1	1	9S-4190	1	PLUG-O-RING (7/8-14-THD)						
	2	1	334-7441	1	CUP-TAPERED ROLLER						
	3	1	123-8908	2	CUP-TAPERED ROLLER						
	4	1	8T-1580	1	CUP-BEARING (TAPERED ROLLER)						
	5	1	8T-5353	2	DOWEL						
	6	1	6V-4589	1	SEAL-O-RING						



GRAPHIC #1

<END>

g06082192

POWER TRAIN

526-0637 GEAR & CASE GP-TRANSFER

S/N: SD31-UP; H5E1-UP

PART OF 460-9943 TRANSMISSION AR-POWER SHIFT
AN ATTACHMENT

SMCS-3159

i06938270

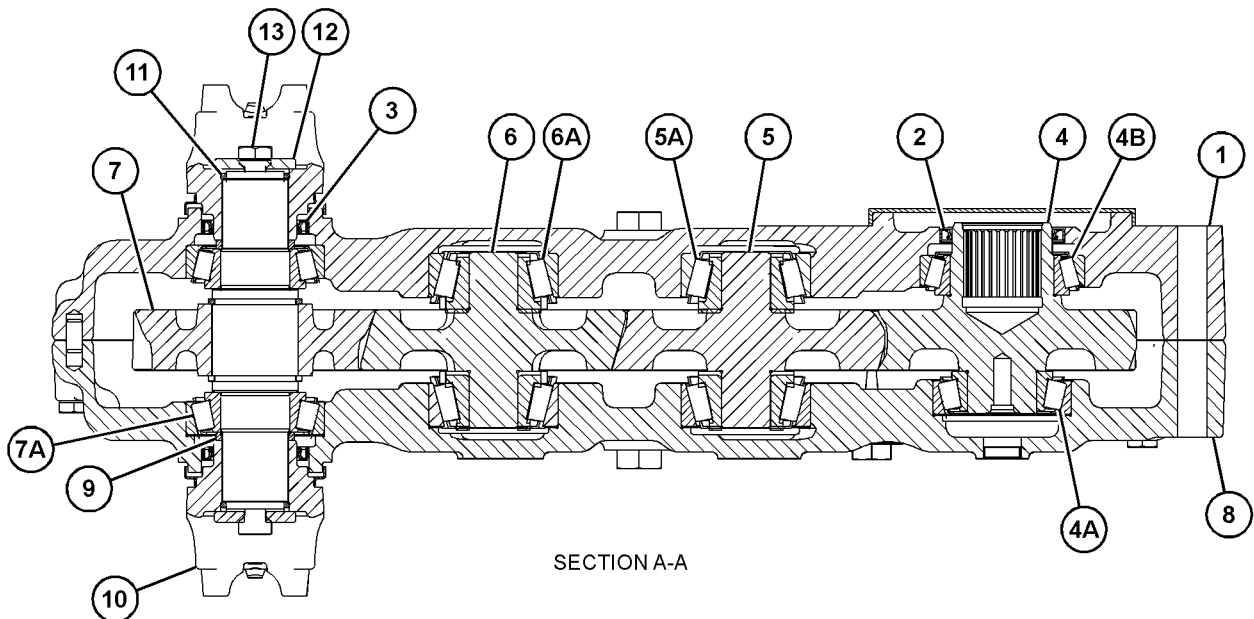
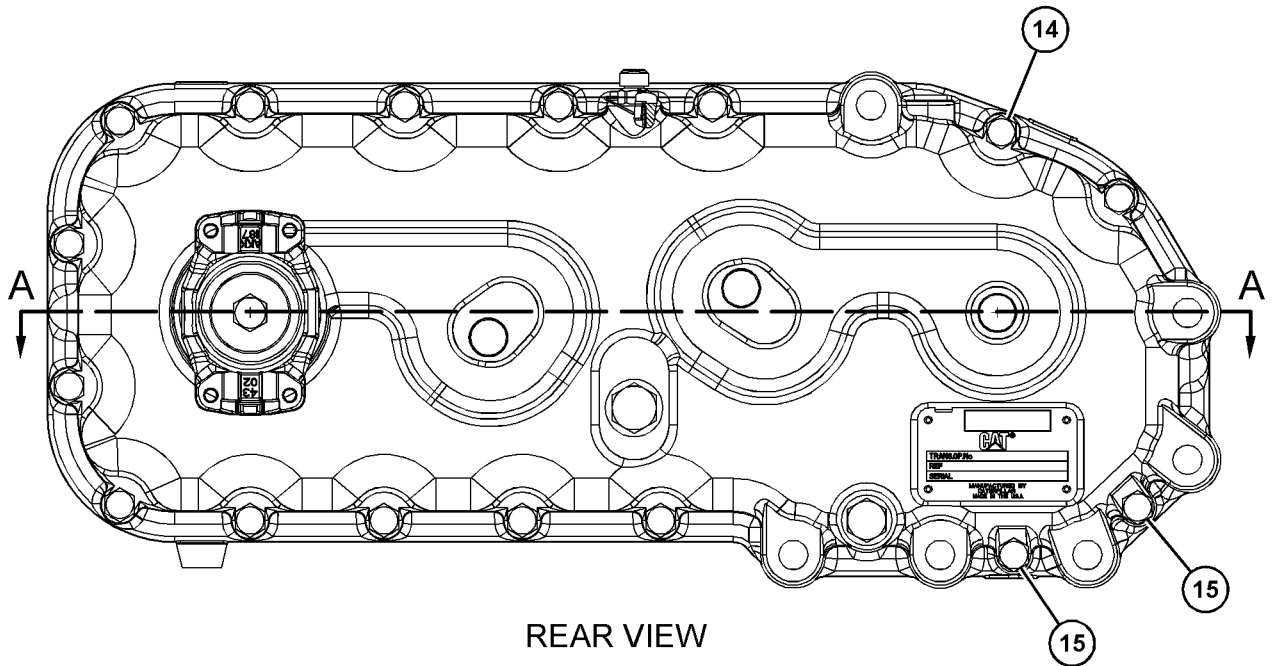
NOTE	REF NO	GRAPHIC REF	PART NUMBER	QTY	PART NAME	SEE PAGE
					1 2 3 4 5 6 (PRODUCT LEVEL)	
Y	1	1	461-1160	1	GEAR & CASE GP-TRANSFER (REAR)	525
	2	1	334-7459	1	SEAL-LIP TYPE	
	3	1	466-4938	2	SEAL-LIP TYPE	
	4	1	460-9946	1	GEAR AS	
	4A	1	8T-1581	1	BEARING-TAPERED ROLLER	
	4B	1	334-7440	1	BEARING-ROLLER	
		1	460-8951	1	GEAR-INPUT	
	5	1	460-9947	1	GEAR AS-IDLER	
	5A	1	123-8907	2	CONE-BEARING	
		1	460-8952	1	GEAR-IDLER	
	6	1	460-9948	1	GEAR AS-IDLER	
	6A	1	123-8907	2	CONE-BEARING	
		1	460-8953	1	GEAR-IDLER	
	7	1	460-9949	1	SHAFT AS-OUTPUT	
		1	6V-8757	2	RING-RETAINING	
	7A	1	8T-1581	2	BEARING-TAPERED ROLLER	
		1	334-7418	1	SHAFT	
		1	460-8954	1	GEAR-OUTPUT	
Y	8	1	464-5019	1	CASE GP-TRANSFER (FRONT)	501
	9	1	122-1883	2	SPACER (38X45X5-MM THK)	
	10	1	334-7525	2	YOKE AS	
	11	1	5P-8066	2	SEAL-O-RING	
	12	1	7T-3195	2	WASHER (12.3X47X6.35-MM THK)	
M	13	1	6V-8097	2	BOLT (M12X1.75X30-MM)	
M	14	1	160-8742	14	BOLT (M10X1.5X55-MM)	
M	15	1	6V-5815	2	BOLT (M10X1.5X75-MM)	

M - METRIC PART
Y - SEPARATE ILLUSTRATION

POWER TRAIN

526-0637 GEAR & CASE GP-TRANSFER (contd.)

i06938270



GRAPHIC #1

<END>

g06177318

POWER TRAIN

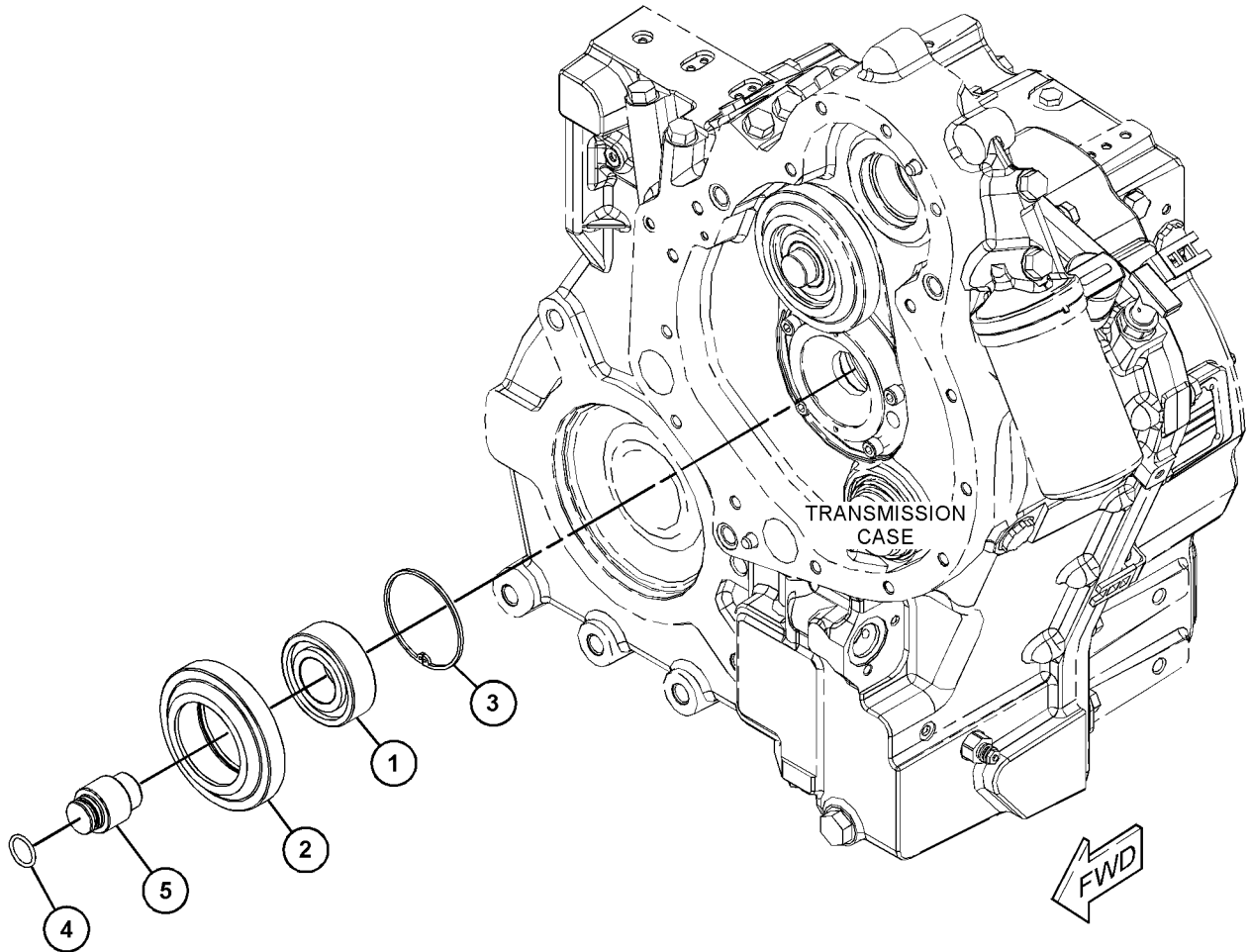
334-7404 GEAR GP-IDLER

S/N: BK21-UP; SD31-UP; CF51-UP; HA51-UP; H5E1-UP; H5F1-UP
 PART OF 482-1134 CASE & PARTS GP-PLANETARY, 468-0122 CASE GP-TRANSMISSION
 AN ATTACHMENT

SMCS-1234

i05771331

NOTE	REF NO	GRAPHIC REF	PART NUMBER	QTY	PART NAME						SEE PAGE
					1	2	3	4	5	6 (PRODUCT LEVEL)	
	1	1	209-3768	1	BEARING AS-ROLLER						
	2	1	334-6764	1	GEAR (34-TEETH)						
	3	1	334-4921	1	RING-RETAINING						
	4	1	334-3567	1	SEAL-O-RING						
	5	1	334-6849	1	SHAFT						



GRAPHIC #1

<END>

g03671209

POWER TRAIN

459-8308 GEAR GP-TRANSFER

S/N: BK21-UP; H5F1-UP

PART OF 482-2978 TRANSMISSION AR-POWER SHIFT
AN ATTACHMENT

SMCS-3159

i06603098

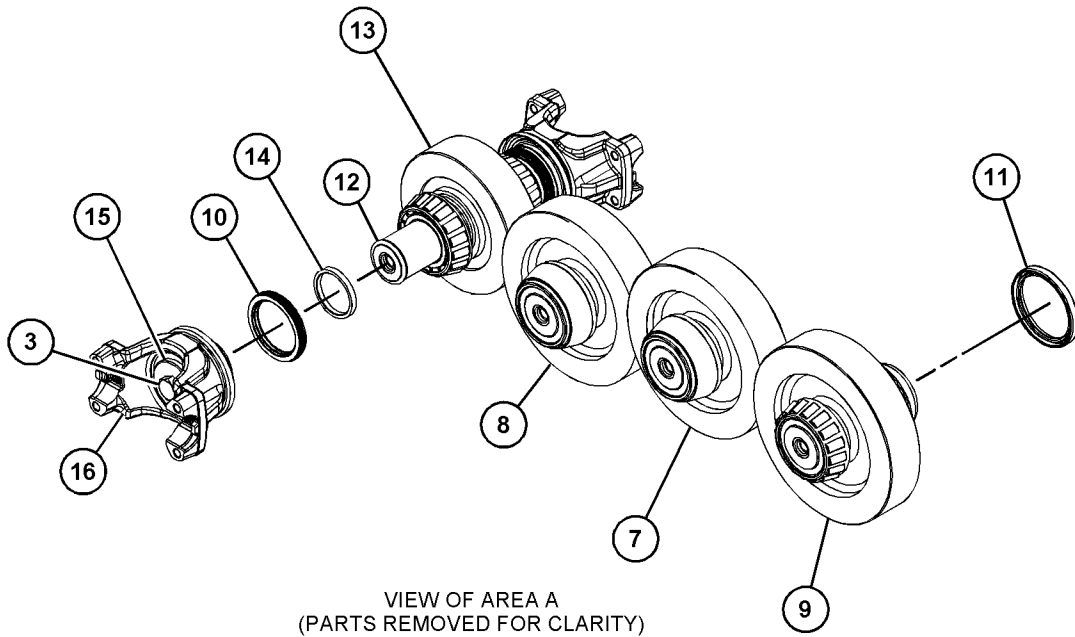
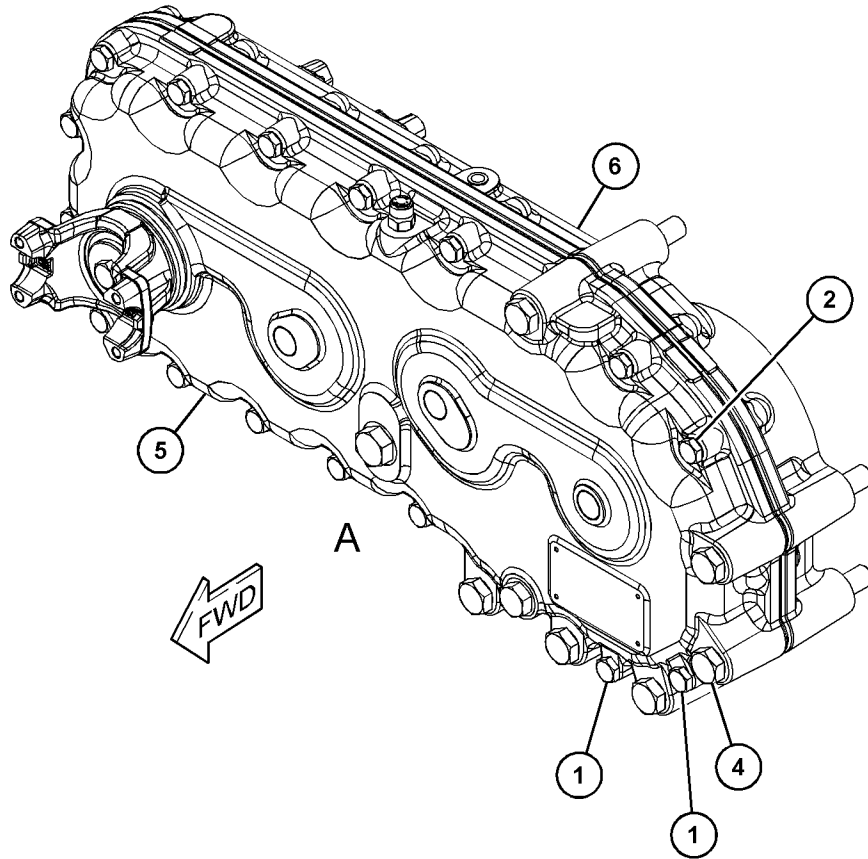
NOTE	REF NO	GRAPHIC REF	PART NUMBER	QTY	PART NAME						SEE PAGE
					1	2	3	4	5	6 (PRODUCT LEVEL)	
M	1	1	6V-5815	2	BOLT (M10X1.5X75-MM)						
M	2	1	160-8742	14	BOLT (M10X1.5X55-MM)						
M	3	1	6V-8097	2	BOLT (M12X1.75X30-MM)						
M	4	1	6V-8154	6	BOLT (M16X2X150-MM)						
Y	5	1	464-5020	1	CASE GP-TRANSMISSION (TRANSFER)						505
Y	6	1	459-8309	1	CASE GP-TRANSMISSION (TRANSFER)						504
	7	1	334-7427	1	GEAR AS-IDLER (LH)						
	8	1	334-7428	1	GEAR AS-IDLER (RH)						
					(EACH GEAR AS-IDLER INCLUDES)						
		1	123-8907		CONE-BEARING						
	9	1	378-9815	1	GEAR AS-TRANSFER (INPUT)						
		1	8T-1581	1	BEARING-TAPERED ROLLER						
		1	334-7440	1	BEARING-ROLLER						
	10	1	466-4938	2	SEAL-LIP TYPE						
	11	1	334-7459	1	SEAL-LIP TYPE						
	12	1	5P-8066	2	SEAL-O-RING						
	13	1	378-9816	1	SHAFT AS-OUTPUT (LH)						
		1	6V-8757	2	RING-RETAINING						
		1	8T-1581	2	BEARING-TAPERED ROLLER						
		1	334-7418	1	SHAFT						
		1	378-9814	1	GEAR-OUTPUT (29-TEETH)						
	14	1	122-1883	2	SPACER (38X45X5-MM THK)						
	15	1	7T-3195	2	WASHER (12.3X47X6.35-MM THK)						
	16	1	334-7525	2	YOKE AS						

M - METRIC PART
Y - SEPARATE ILLUSTRATION

POWER TRAIN

459-8308 GEAR GP-TRANSFER (contd.)

i06603098



GRAPHIC #1

<END>

g06060872

POWER TRAIN

500-0761 LINES GP-POWER TRAIN COOLER

S/N: TH21-UP

PART OF 505-6163 ENGINE AR-COMplete
AN ATTACHMENT

SMCS-1375, 3016

i06604920

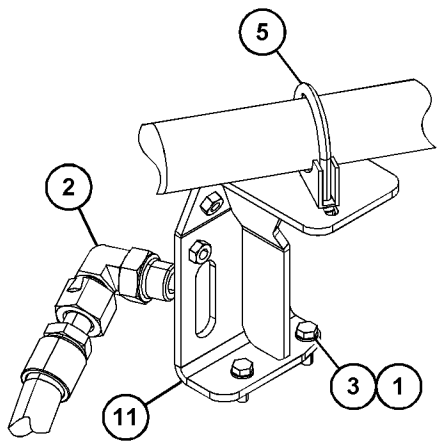
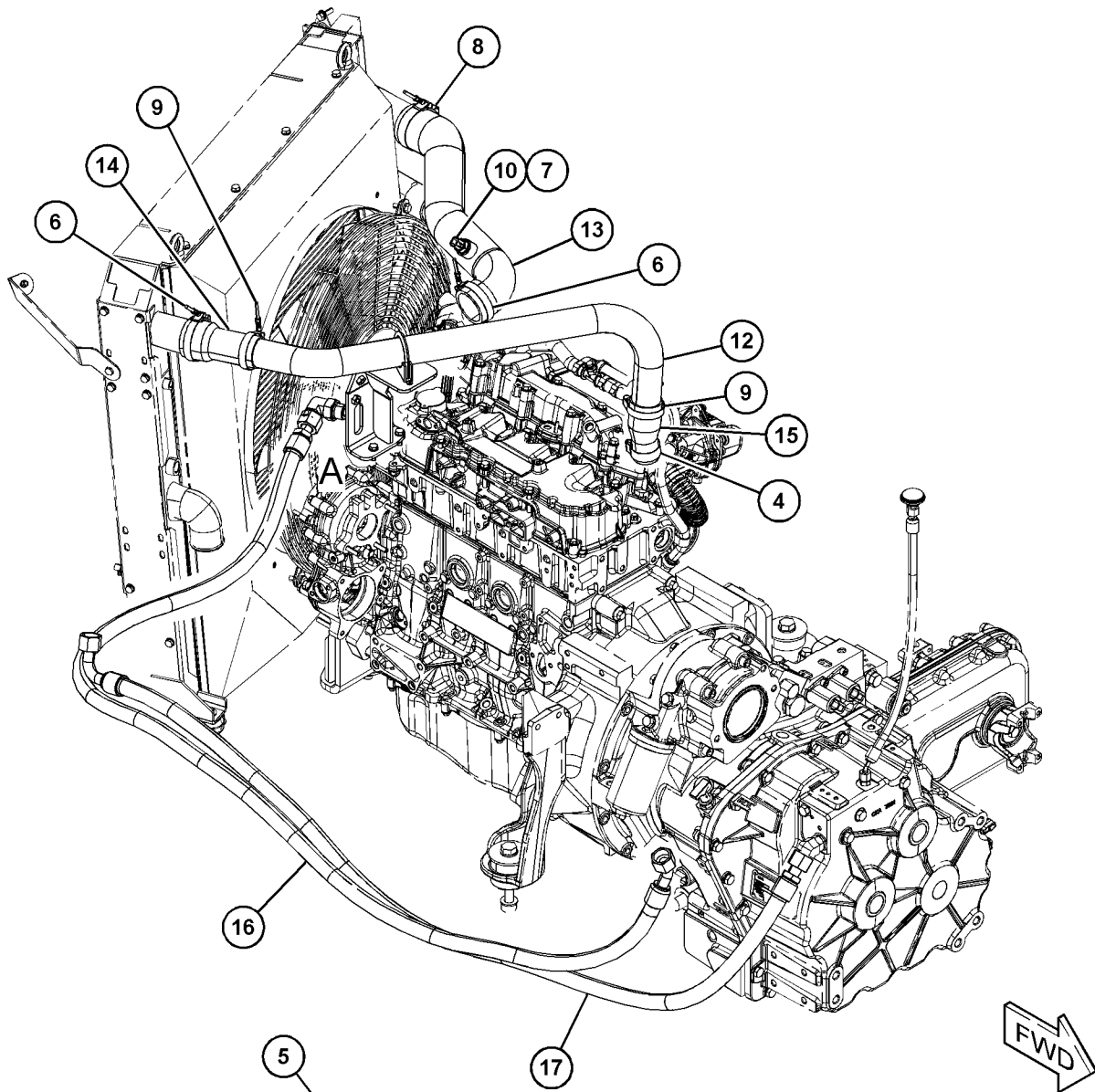
NOTE	REF NO	GRAPHIC REF	PART NUMBER	QTY	PART NAME						SEE PAGE
					1	2	3	4	5	6 (PRODUCT LEVEL)	
M	1	1	8T-4908	2	BOLT (M8X1.25X25-MM)						
	2	1	298-0476	1	FITTING-ADAPTER						
	3	1	8T-4224	2	WASHER-HARD (8.8X16X2-MM THK)						
	4	1	461-9738	1	CLAMP						
	5	1	500-0762	1	CLAMP AS						
	6	1	226-0449	2	CLAMP-HOSE						
	7	1	8T-7524	1	SEAL-O-RING						
	8	1	209-4573	1	CLAMP-T BOLT						
	9	1	368-8447	2	CLAMP-HOSE						
	10	1	256-6454	1	SENSOR-TEMPERATURE (POWER TRAIN OIL)						
	11	1	478-5145	1	BRACKET AS						
	12	1	500-0763	1	TUBE						
	13	1	500-0764	1	HOSE						
	14	1	500-0765	1	HOSE						
	15	1	500-0766	1	HOSE						
I	16	1	499-4258	1	HOSE AS						
I	17	1	499-4260	1	HOSE AS						

I - REFER TO HYDRAULIC INFORMATION SYSTEM
M - METRIC PART

POWER TRAIN

500-0761 LINES GP-POWER TRAIN COOLER (contd.)

i06604920



VIEW OF AREA A

GRAPHIC #1

<END>

g06092893

POWER TRAIN

500-1287 LINES GP-POWER TRAIN COOLER

S/N: TH31-UP

PART OF 505-5387, 505-6119 ENGINE AR-COMPLETE
AN ATTACHMENT

SMCS-1375, 3016

i06603079

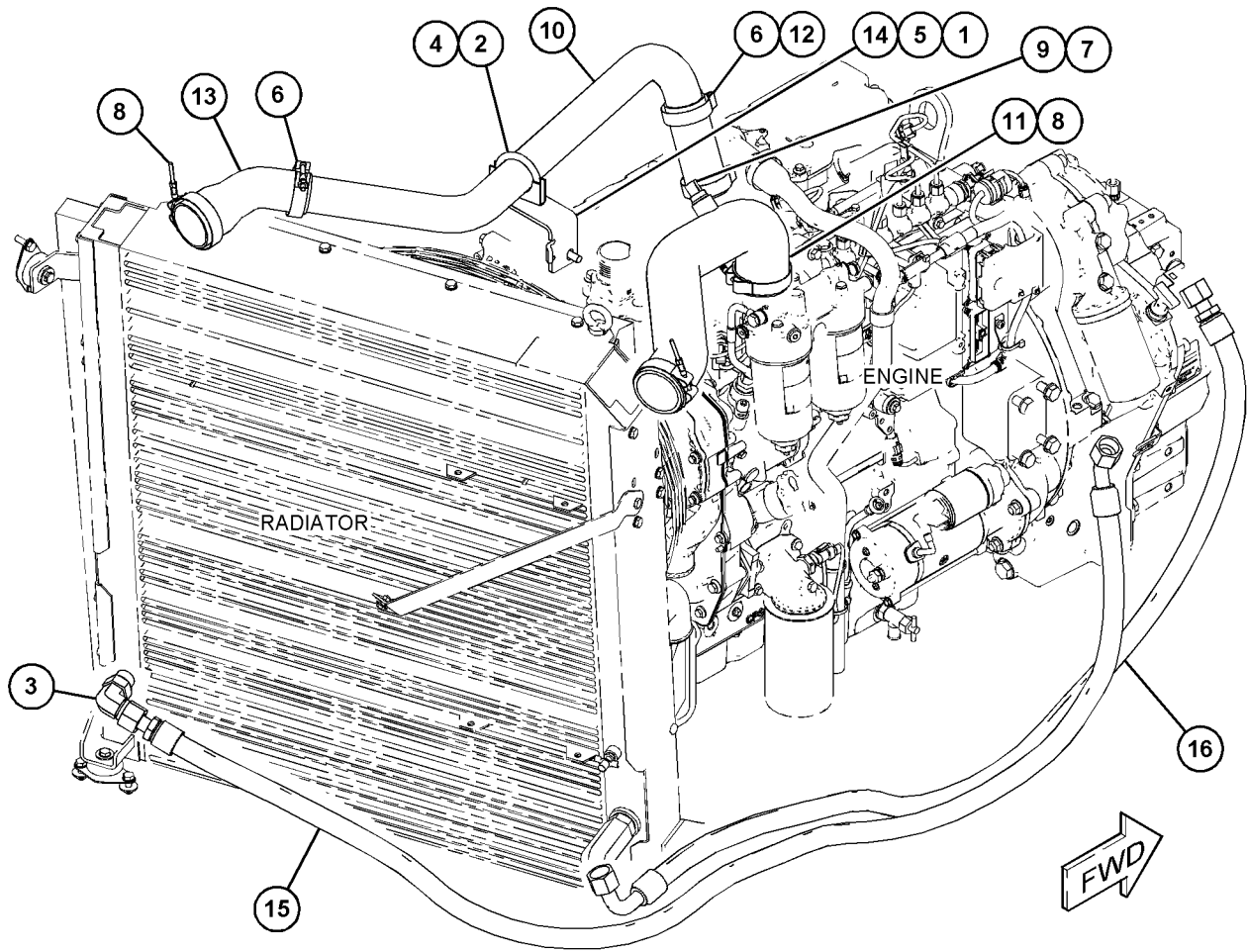
NOTE	REF NO	GRAPHIC REF	PART NUMBER	QTY	PART NAME						SEE PAGE
					1	2	3	4	5	6 (PRODUCT LEVEL)	
M	1	1	8T-4136	1	BOLT (M10X1.5X25-MM)						
	2	1	500-1288	1	CLAMP AS						
	3	1	298-0476	1	FITTING-ADAPTER						
	4	1	8T-4224	2	WASHER-HARD (8.8X16X2-MM THK)						
	5	1	8T-4121	1	WASHER-HARD (11X21X2.5-MM THK)						
	6	1	457-1255	3	CLAMP						
	7	1	8T-7524	1	SEAL-O-RING						
	8	1	209-4573	3	CLAMP-T BOLT						
	9	1	256-6454	1	SENSOR-TEMPERATURE (ENGINE COOLANT)						
	10	1	500-1289	1	TUBE						
	11	1	500-1290	1	HOSE						
	12	1	500-1291	1	HOSE						
	13	1	500-1292	1	HOSE						
	14	1	500-1293	1	BRACKET						
I	15	1	499-4258	1	HOSE AS						
I	16	1	499-4260	1	HOSE AS						

I - REFER TO HYDRAULIC INFORMATION SYSTEM
M - METRIC PART

POWER TRAIN

500-1287 LINES GP-POWER TRAIN COOLER (contd.)

i06603079



GRAPHIC #1

<END>

g06092509

POWER TRAIN

418-7407 PUMP GP-TRANSMISSION

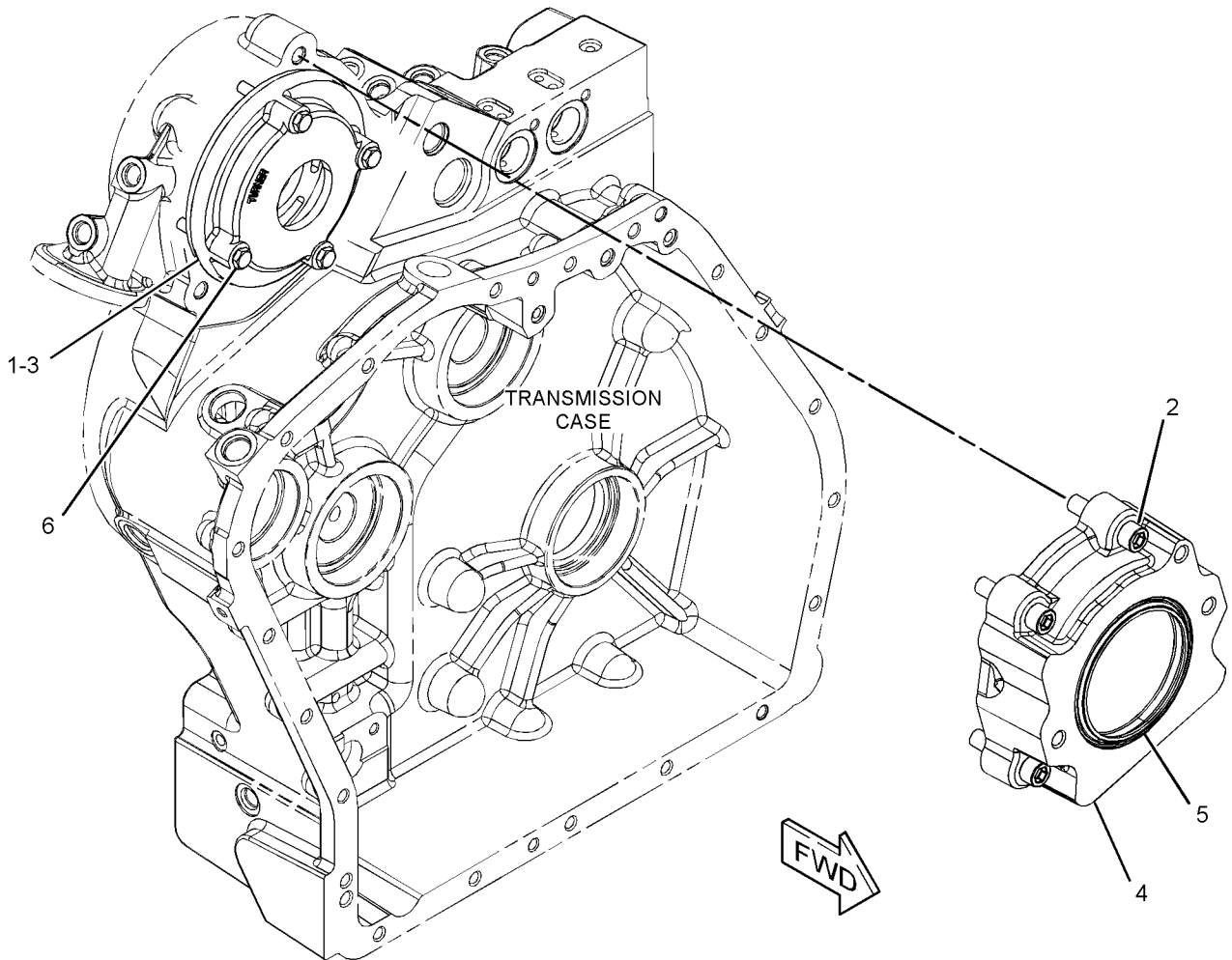
S/N: BK21-UP; SD31-UP; CF51-UP; HA51-UP; H5E1-UP; H5F1-UP
 PART OF 460-9942 TRANSMISSION AR, 460-9943, 468-0145, 482-2978, 526-0654 TRANSMISSION AR-POWER SHIFT
 AN ATTACHMENT

SMCS-3066

i05752280

NOTE	REF NO	GRAPHIC REF	PART NUMBER	QTY	PART NAME						SEE PAGE
					1	2	3	4	5	6	
	1	1	334-3575	1	SEAL - O-RING						
	2	1	334-4206	4	BOLT (M12X1.75X50-MM)						
	3	1	334-7450	1	PUMP						
	4	1	334-7439	1	HOUSING - PUMP						
	5	1	334-7558	1	PLUG						
M	6	1	449-8814	4	BOLT (M8X1.25X55-MM)						

M - METRIC PART



GRAPHIC #1

<END>

g03660636

POWER TRAIN

496-6524 SHAFT GP-DRIVE

S/N: TH21-UP; TH31-UP

PART OF 505-5329, 505-5340, 505-5341 TRANSMISSION AR
AN ATTACHMENT

SMCS-3253

i06601135

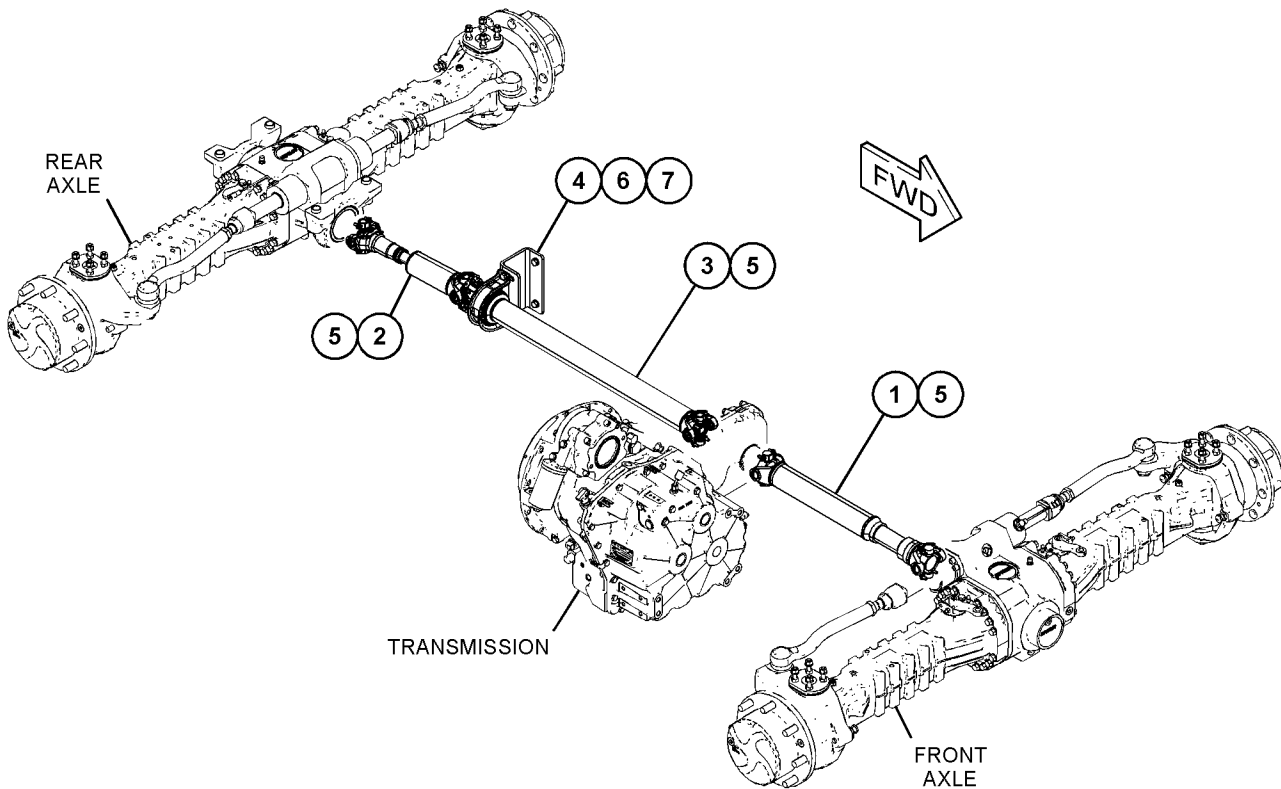
NOTE	REF NO	GRAPHIC REF	PART NUMBER	QTY	PART NAME						SEE PAGE
					1	2	3	4	5	6	
J	1	1	496-6525	1	SHAFT AS-DRIVE						
L	2	1	496-6526	1	SHAFT AS-DRIVE						
N	3	1	496-6527	1	SHAFT AS-DRIVE						
	4	1	496-6528	1	SUPPORT AS						
	5	1	327-6739	10	FASTENER						
M	6	1	8T-4139	4	BOLT (M12X1.75X30-MM)						
	7	1	8T-4223	4	WASHER-HARD (13.5X25.5X3-MM THK)						

AVAILABLE REPAIR KIT(S):

JLN		392-6301	1	KIT-SPIDER & BEARING
-----	--	-----------------	---	----------------------

(INCLUDES SNAP RINGS, BEARING ASSEMBLIES & UNIVERSAL JOINT)

J - KIT MARKED J SERVICES PART(S) MARKED J
L - KIT MARKED L SERVICES PART(S) MARKED L
M - METRIC PART
N - KIT MARKED N SERVICES PART(S) MARKED N



GRAPHIC #1

<END>

g06053958

POWER TRAIN

496-8124 SHAFT GP-DRIVE

S/N: TH21-UP

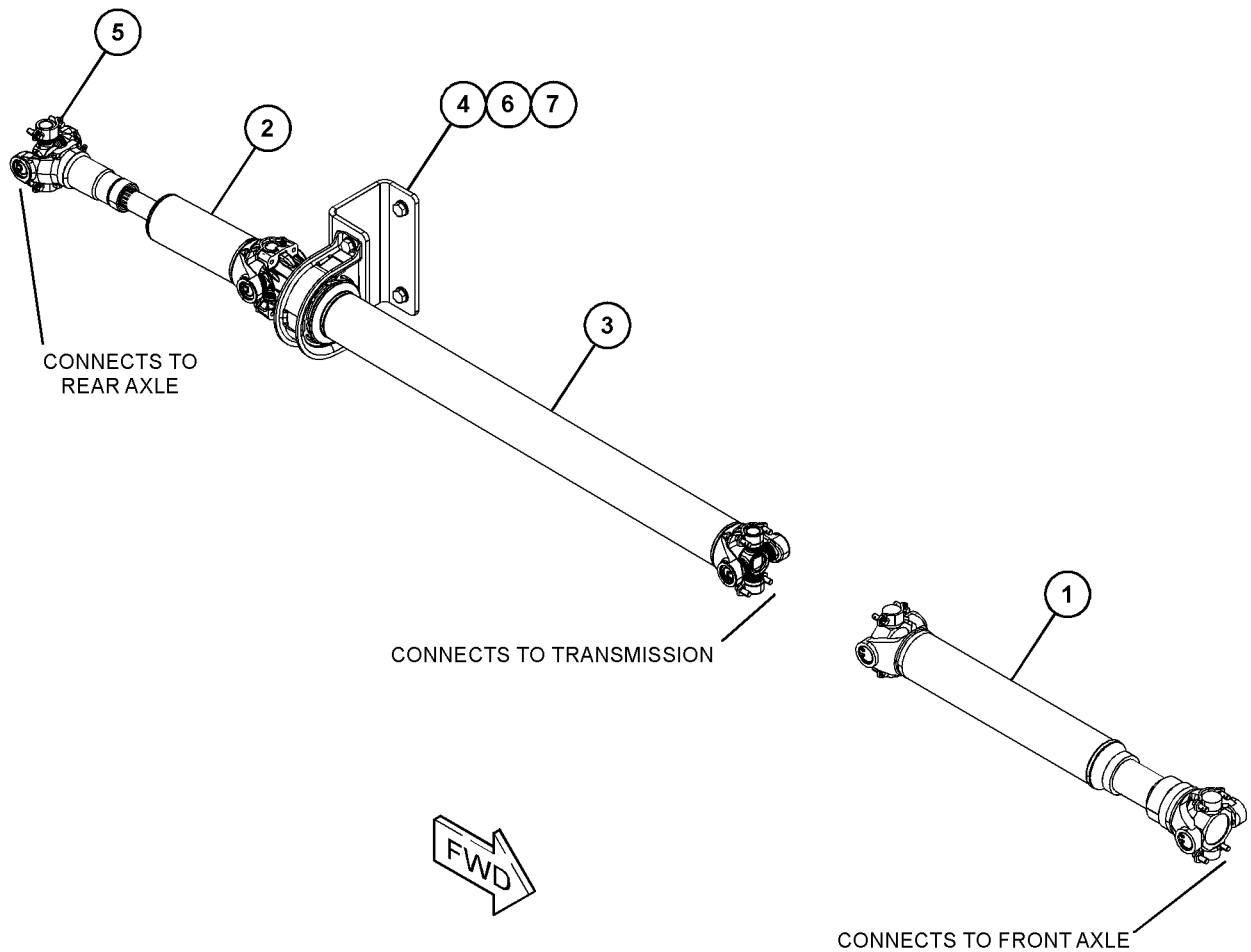
PART OF 505-5343 TRANSMISSION AR
AN ATTACHMENT

SMCS-3253

i06601129

NOTE	REF NO	GRAPHIC REF	PART NUMBER	QTY	PART NAME						SEE PAGE
					1	2	3	4	5	6	
	1	1	496-6525	1	SHAFT AS-DRIVE						
	2	1	496-6526	1	SHAFT AS-DRIVE						
					(EACH SHAFT AS-DRIVE INCLUDES)						
		1	392-6301	2	KIT-SPIDER & BEARING						
					(EACH INCLUDES SNAP RINGS, BEARING AS & CROSS)						
	3	1	496-6527	1	SHAFT AS-DRIVE						
		1	392-6301	1	KIT-SPIDER & BEARING						
					(INCLUDES SNAP RINGS, BEARING AS & CROSS)						
	4	1	496-6528	1	SUPPORT AS						
	5	1	327-6739	10	FASTENER						
M	6	1	8T-4139	4	BOLT (M12X1.75X30-MM)						
	7	1	8T-4223	4	WASHER-HARD (13.5X25.5X3-MM THK)						

M - METRIC PART



GRAPHIC #1

<END>

g06060021

POWER TRAIN

334-7556 SHAFT GP-INPUT

S/N: BK21-UP; SD31-UP; CF51-UP; H5E1-UP; H5F1-UP

PART OF 460-9942 TRANSMISSION AR, 460-9943, 482-2978, 526-0654 TRANSMISSION AR-POWER
SHIFT
AN ATTACHMENT

SMCS-3063

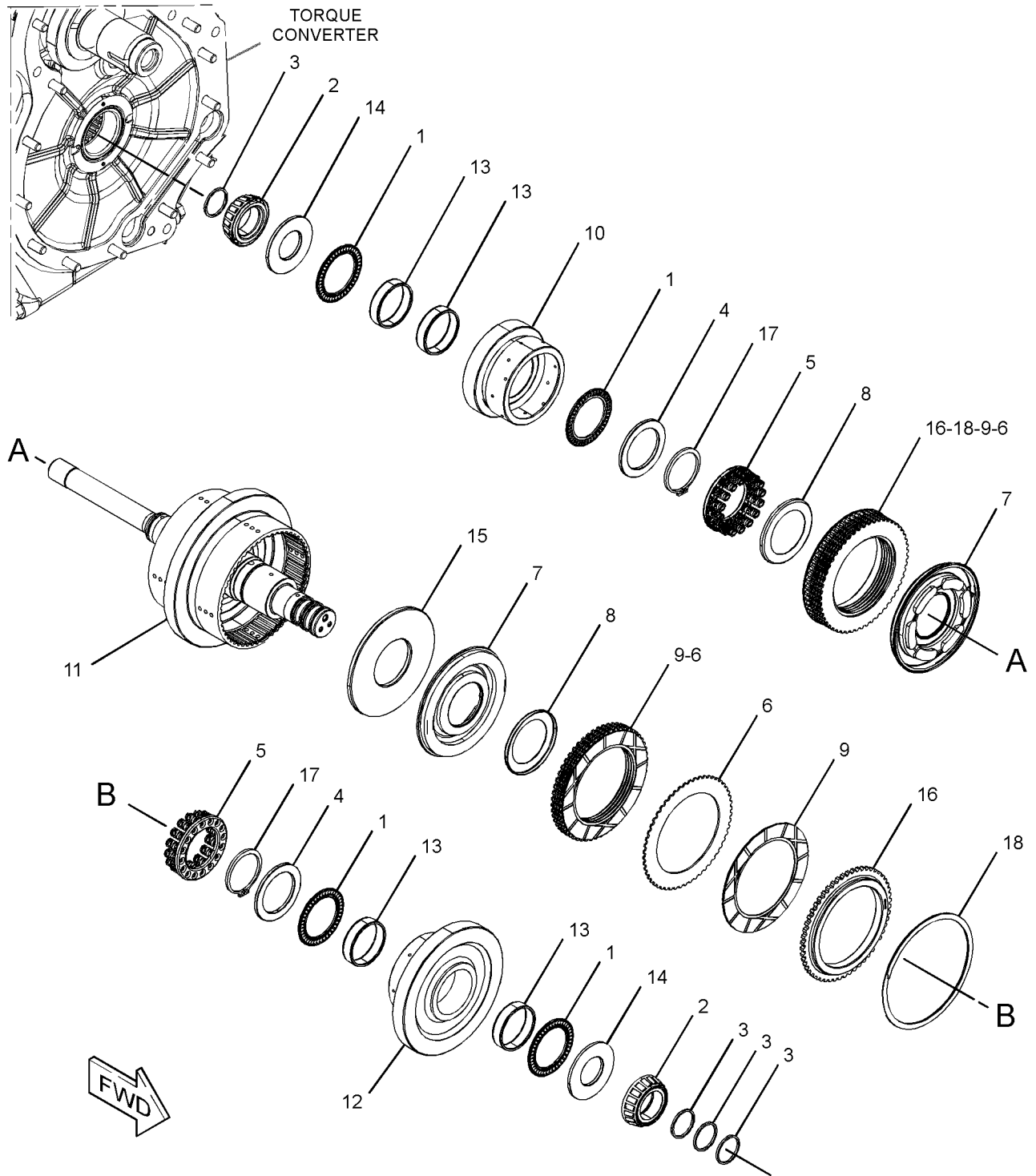
i06831771

NOTE	REF NO	GRAPHIC REF	PART NUMBER	QTY	PART NAME						SEE PAGE
					1	2	3	4	5	6	
	1	1	172-5317	4	BEARING-SPECIAL						
	2	1	005-0471	2	CONE-BEARING						
	3	1	6Y-1192	4	RING-SEAL						
	4	1	121-2500	2	WASHER-THRUST (50X70X4-MM THK)						
	5	1	147-0238	2	SPRING AS						
	6	1	274-4553	10	DISC-CLUTCH						
	7	1	294-9810	2	PISTON						
	8	1	294-9812	2	RETAINER-SPRING						
	9	1	313-5544	10	DISC-FRICTION						
	10	1	334-6652	1	GEAR (27-TEETH)						
	11	1	334-6859	1	SHAFT AS						
		1	123-2920	2	PLUG						
		1	334-7563	1	PLUG-ORIFICE						
	12	1	334-7416	1	GEAR (45-TEETH)						
	13	1	334-7444	4	BEARING-NEEDLE						
	14	1	334-7453	2	WASHER-THRUST (35.26X70X4-MM THK)						
	15	1	334-7486	1	SPACER (57.35X133.15X6.00-MM THK)						
	16	1	378-9766	2	PLATE-RETAINER						
	17	1	6V-8757	2	RING-RETAINING						
	18	1	9U-8875	2	RING-RETAINING						

POWER TRAIN

334-7556 SHAFT GP-INPUT (contd.)

i06831771



GRAPHIC #1

<END>

g03655694

POWER TRAIN

468-0119 SHAFT GP-INPUT

S/N: HA51-UP

PART OF 468-0145 TRANSMISSION AR-POWER SHIFT
AN ATTACHMENT

SMCS-3063

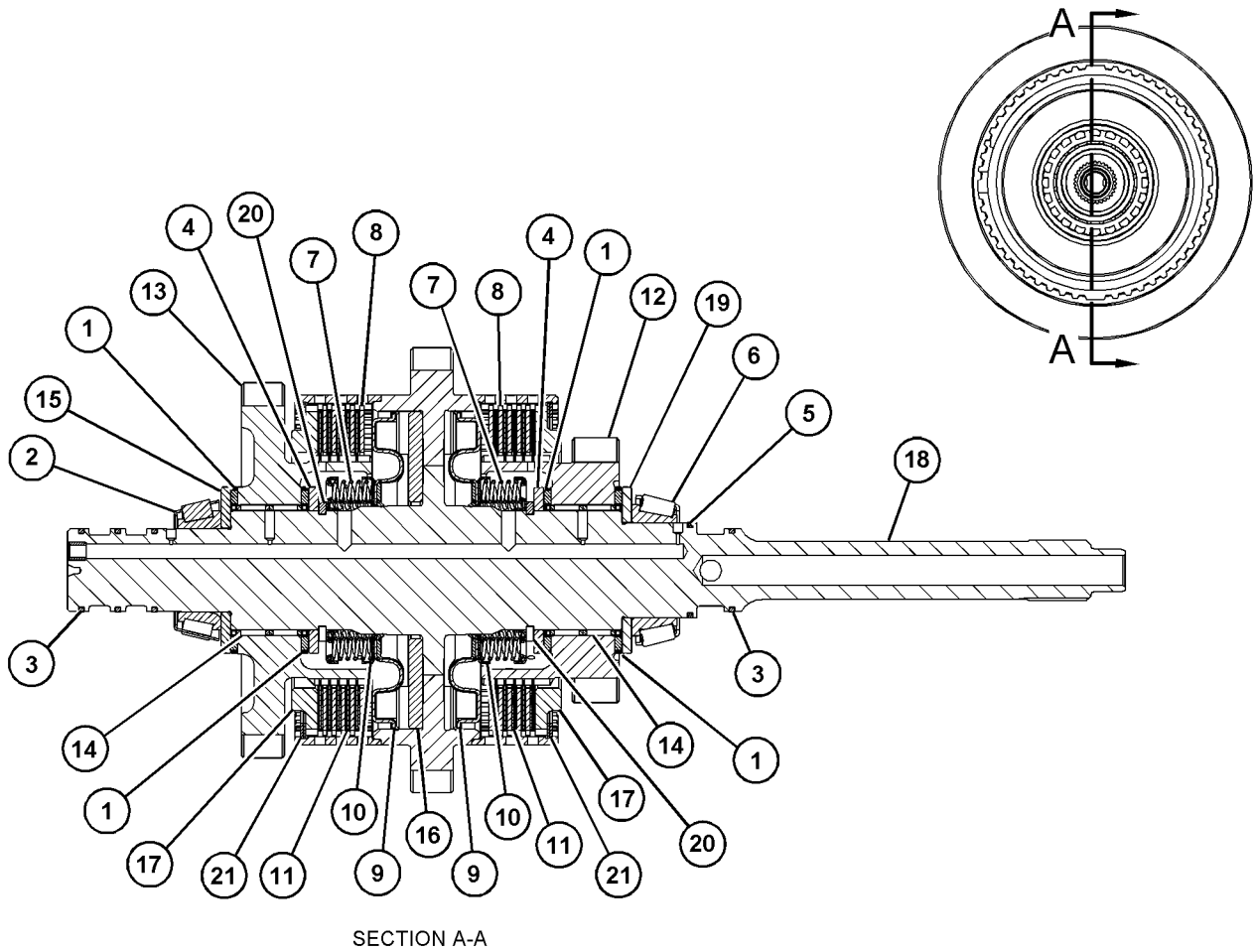
i06624634

NOTE	REF NO	GRAPHIC REF	PART NUMBER	QTY	PART NAME						SEE PAGE
					1	2	3	4	5	6 (PRODUCT LEVEL)	
	1	1	172-5317	4	BEARING-SPECIAL						
	2	1	005-0471	1	CONE-BEARING						
	3	1	6Y-1192	4	RING-SEAL						
	4	1	121-2500	2	WASHER-THRUST (50X70X4-MM THK)						
	5	1	122-1886	1	RING-SEAL						
	6	1	123-8905	1	CONE-BEARING						
	7	1	147-0238	2	SPRING AS						
	8	1	274-4553	10	DISC-CLUTCH						
	9	1	294-9810	2	PISTON						
	10	1	294-9812	2	RETAINER-SPRING						
	11	1	313-5544	10	DISC-FRICTION						
	12	1	334-6652	1	GEAR (27-TEETH)						
	13	1	334-7416	1	GEAR (45-TEETH)						
	14	1	334-7444	4	BEARING-NEEDLE						
	15	1	334-7453	1	WASHER-THRUST (35.26X70X4-MM THK)						
	16	1	334-7486	1	SPACER (57.35X133.15X6.00-MM THK)						
	17	1	378-9766	2	PLATE-RETAINER						
	18	1	468-0118	1	SHAFT AS						
		1	123-2920	2	PLUG						
		1	334-7563	1	PLUG-ORIFICE						
	19	1	468-0143	1	WASHER-THRUST						
	20	1	6V-8757	2	RING-RETAINING						
	21	1	9U-8875	2	RING-RETAINING						

POWER TRAIN

468-0119 SHAFT GP-INPUT (contd.)

i06624634



GRAPHIC #1

<END>

g06087488

POWER TRAIN

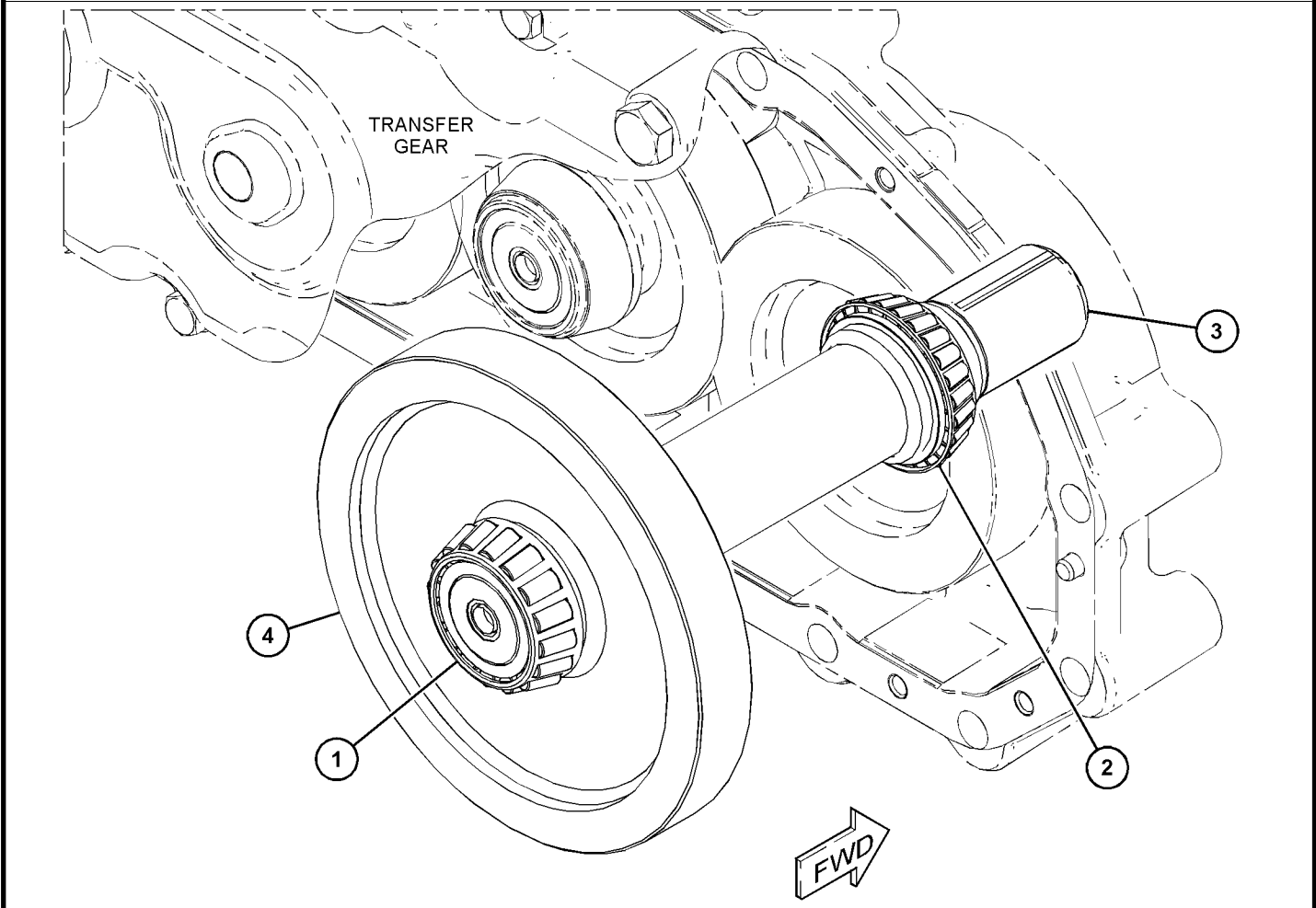
334-7541 SHAFT GP-OUTPUT

S/N: BK21-UP; SD31-UP; CF51-UP; HA51-UP; H5E1-UP; H5F1-UP
 PART OF 460-9942 TRANSMISSION AR, 460-9943, 468-0145, 482-2978, 526-0654 TRANSMISSION AR-POWER SHIFT
 AN ATTACHMENT

SMCS-3063

i05759877

NOTE	REF NO	GRAPHIC REF	PART NUMBER	QTY	PART NAME						SEE PAGE
					1	2	3	4	5	6 (PRODUCT LEVEL)	
	1	1	8T-1581	1	BEARING - TAPERED ROLLER						
	2	1	123-8909	1	CONE-BEARING						
	3	1	334-6678	1	GEAR (56-TEETH)						
	4	1	334-6837	1	SHAFT (OUTPUT)						



GRAPHIC #1

<END>

g03659587

POWER TRAIN

512-4763 TIRE & RIM AR

S/N: TH21-UP; TH31-UP

AN ATTACHMENT

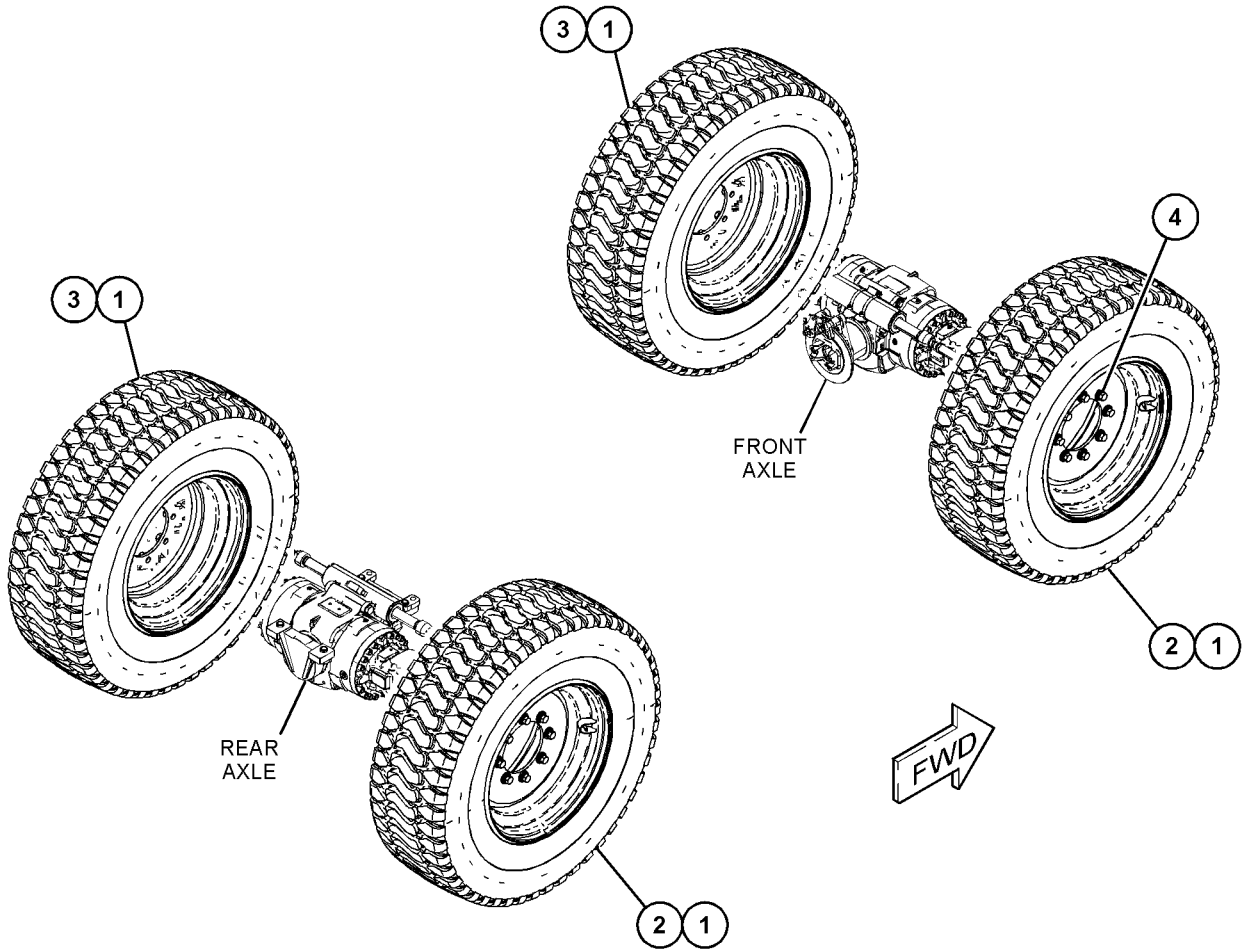
SMCS-4202, 4203, 4209

i06907149

NOTE	REF NO	GRAPHIC REF	PART NUMBER	QTY	PART NAME						SEE PAGE
					1	2	3	4	5	6 (PRODUCT LEVEL)	
	1	1	348-9442	4	FILM-INFORMATION (TIRE PRESSURE)						
Y	2	1	526-0580	2	TIRE & RIM GP (RH)						553
Y	3	1	526-0581	2	TIRE & RIM GP (LH)						554
	4	1	486-8069	1	FASTENER GP						
M		1	5W-1386	32	NUT (M22X1.5-THD)						
		1	351-7528	32	WASHER (22.5X46X6-MM THK)						

M - METRIC PART

Y - SEPARATE ILLUSTRATION



GRAPHIC #1

<END>

g06115851

POWER TRAIN

512-4764 TIRE & RIM AR

S/N: TH21-UP; TH31-UP

(15X24)

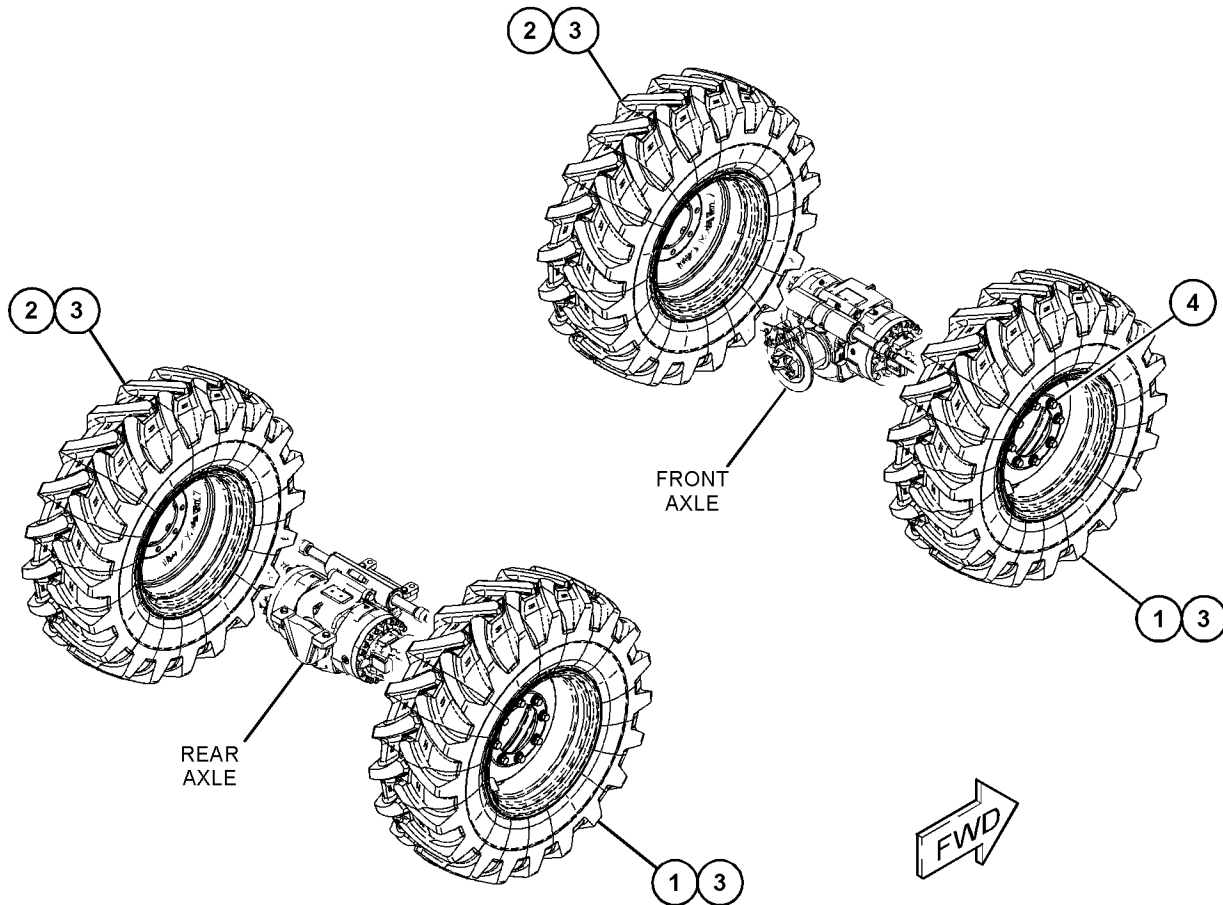
AN ATTACHMENT

SMCS-4202, 4203, 4209

i06928724

NOTE	REF NO	GRAPHIC REF	PART NUMBER	QTY	PART NAME						SEE PAGE
					1	2	3	4	5	6 (PRODUCT LEVEL)	
Y	1	1	526-9593	2	TIRE & RIM GP (RH)						567
Y	2	1	526-9592	2	TIRE & RIM GP (LH)						566
	3	1	348-9442	4	FILM-INFORMATION (TIRE PRESSURE)						
	4	1	486-8069	1	FASTENER GP						
M		1	5W-1386	32	NUT (M22X1.5-THD)						
		1	351-7528	32	WASHER (22.5X46X6-MM THK)						

M - METRIC PART
Y - SEPARATE ILLUSTRATION



GRAPHIC #1

<END>

g06115794

POWER TRAIN

512-4765 TIRE & RIM AR

S/N: TH21-UP; TH31-UP

(15X24)

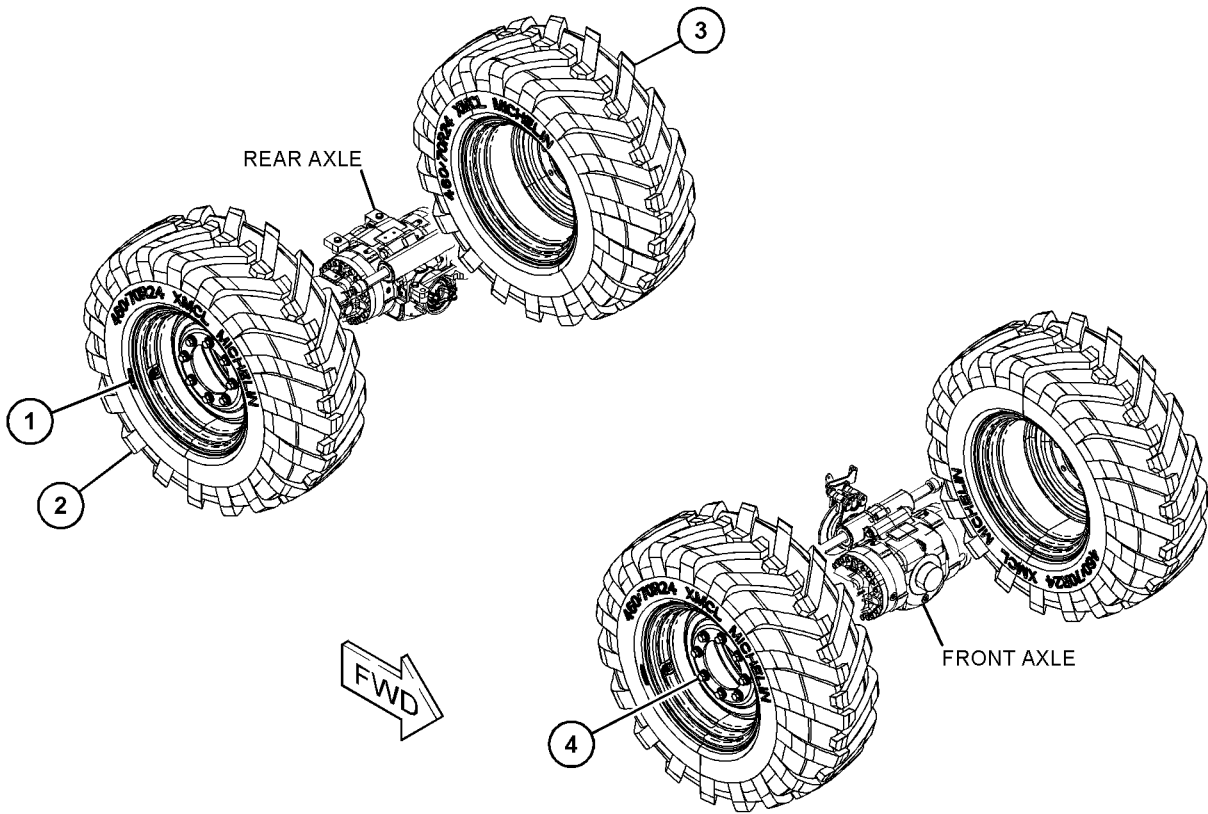
AN ATTACHMENT

SMCS-4202, 4203, 4209

i06928737

NOTE	REF NO	GRAPHIC REF	PART NUMBER	QTY	PART NAME						SEE PAGE
					1	2	3	4	5	6 (PRODUCT LEVEL)	
	1	1	348-9444	4	FILM-INFORMATION (TIRE PRESSURE)						
Y	2	1	526-5728	2	TIRE & RIM GP (RH)						558
Y	3	1	526-6911	2	TIRE & RIM GP (LH)						559
	4	1	486-8069	1	FASTENER GP						
M		1	5W-1386	32	NUT (M22X1.5-THD)						
		1	351-7528	32	WASHER (22.5X46X6-MM THK)						

M - METRIC PART
Y - SEPARATE ILLUSTRATION



GRAPHIC #1

<END>

g06119645

POWER TRAIN

512-4766 TIRE & RIM AR

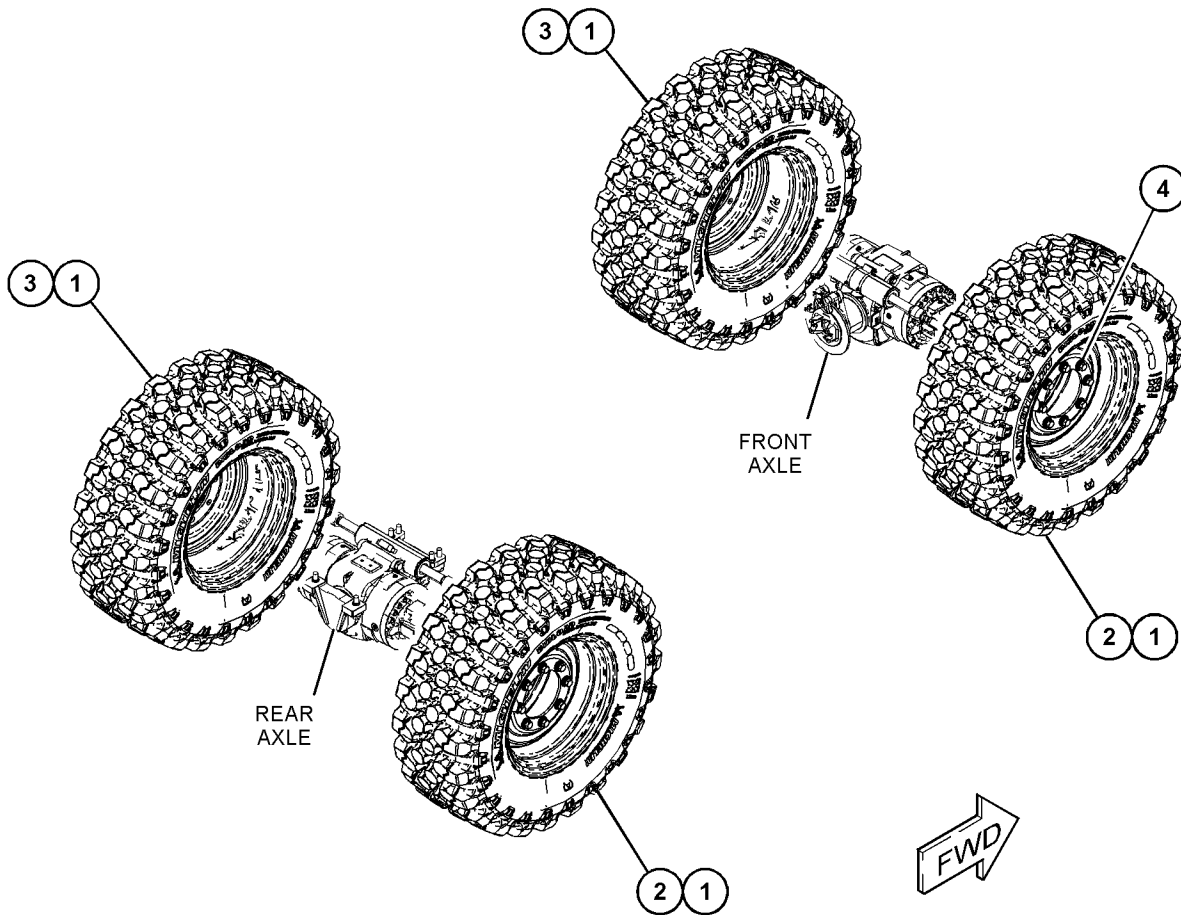
S/N: TH21-UP; TH31-UP
(15X24)
AN ATTACHMENT

SMCS-4202, 4203, 4209

i06927856

NOTE	REF NO	GRAPHIC REF	PART NUMBER	QTY	PART NAME						SEE PAGE
					1	2	3	4	5	6 (PRODUCT LEVEL)	
	1	1	348-9444	4	FILM-INFORMATION (TIRE PRESSURE)						
Y	2	1	526-5726	2	TIRE & RIM GP (RH)						556
Y	3	1	526-5727	2	TIRE & RIM GP (LH)						557
	4	1	486-8069	1	FASTENER GP						
M		1	5W-1386	32	NUT (M22X1.5-THD)						
		1	351-7528	32	WASHER (22.5X46X6-MM THK)						

M - METRIC PART
Y - SEPARATE ILLUSTRATION



GRAPHIC #1

<END>

g06115772

POWER TRAIN

512-4767 TIRE & RIM AR

S/N: TH21-UP; TH31-UP

(15X24)

AN ATTACHMENT

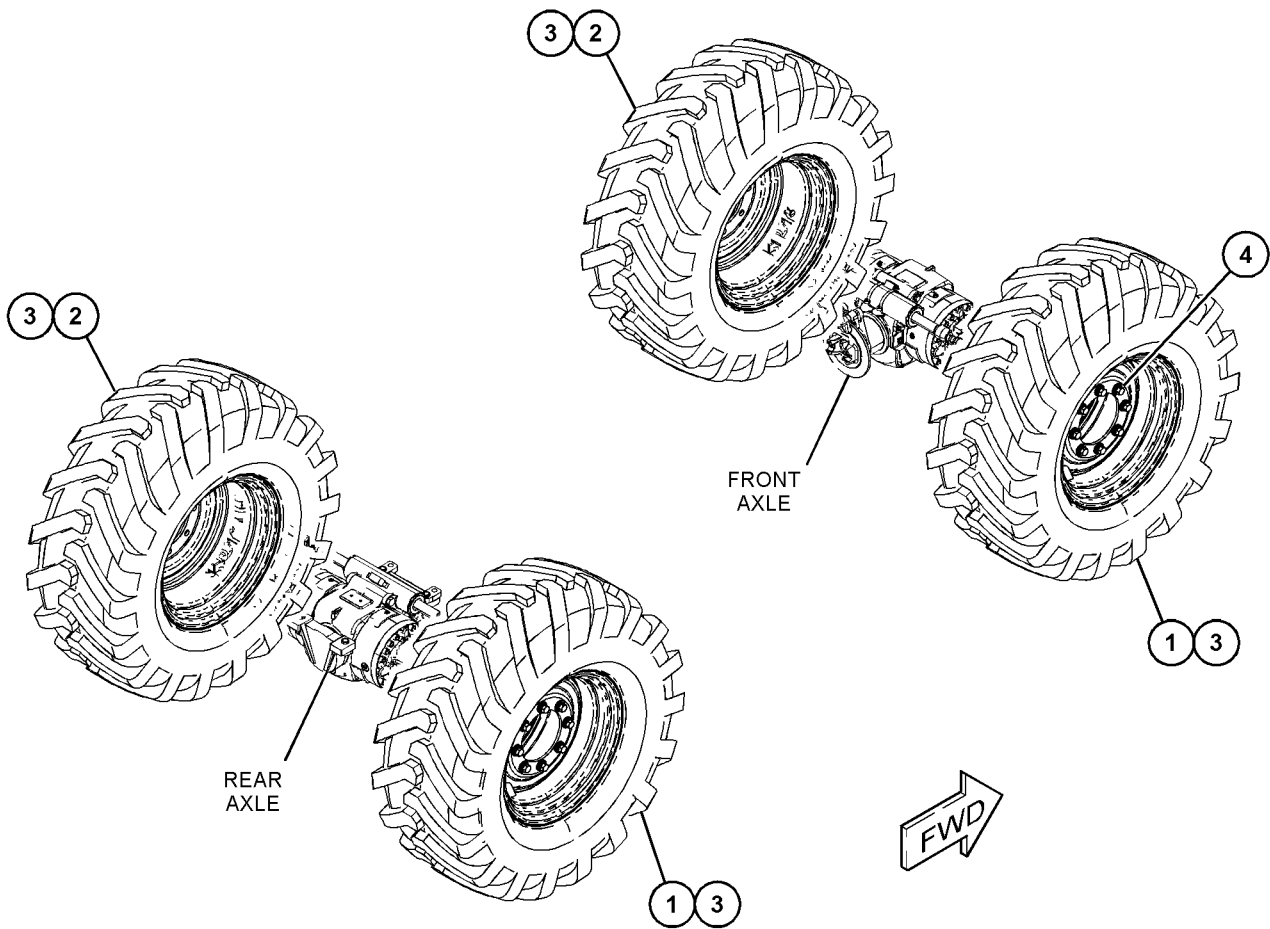
SMCS-4202, 4203, 4209

i06928746

NOTE	REF NO	GRAPHIC REF	PART NUMBER	QTY	PART NAME						SEE PAGE
					1	2	3	4	5	6 (PRODUCT LEVEL)	
Y	1	1	526-6913	2	TIRE & RIM GP (RH)						560
Y	2	1	526-6914	2	TIRE & RIM GP (LH)						561
	3	1	453-6390	4	FILM-INFORMATION (3.0-BAR)						
	4	1	486-8069	1	FASTENER GP						
M		1	5W-1386	32	NUT (M22X1.5-THD)						
		1	351-7528	32	WASHER (22.5X46X6-MM THK)						

M - METRIC PART

Y - SEPARATE ILLUSTRATION



GRAPHIC #1

<END>

g06115778

POWER TRAIN

512-4768 TIRE & RIM AR

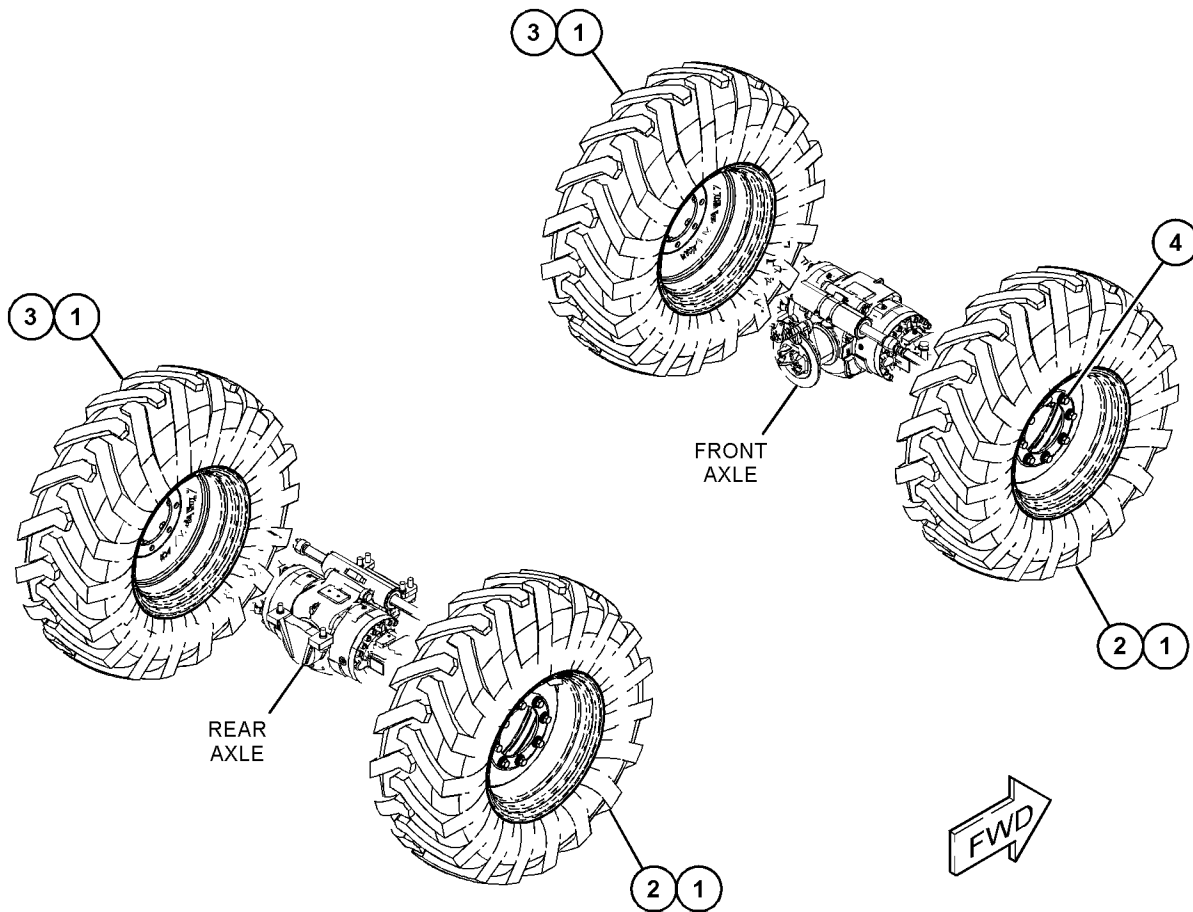
S/N: TH21-UP; TH31-UP
(15X24)
AN ATTACHMENT

SMCS-4202, 4203, 4209

i06927775

NOTE	REF NO	GRAPHIC REF	PART NUMBER	QTY	PART NAME						SEE PAGE
					1	2	3	4	5	6 (PRODUCT LEVEL)	
	1	1	453-6476	4	FILM-IDENTIFICATION (TIRE PRESSURE)						
Y	2	1	526-7162	2	TIRE & RIM GP (RH)						562
Y	3	1	526-7163	2	TIRE & RIM GP (LH)						563
	4	1	486-8069	1	FASTENER GP						
M		1	5W-1386	32	NUT (M22X1.5-THD)						
		1	351-7528	32	WASHER (22.5X46X6-MM THK)						

M - METRIC PART
Y - SEPARATE ILLUSTRATION



GRAPHIC #1

<END>

g06115789

POWER TRAIN

512-4769 TIRE & RIM AR

S/N: TH21-UP; TH31-UP

(14X24)

AN ATTACHMENT

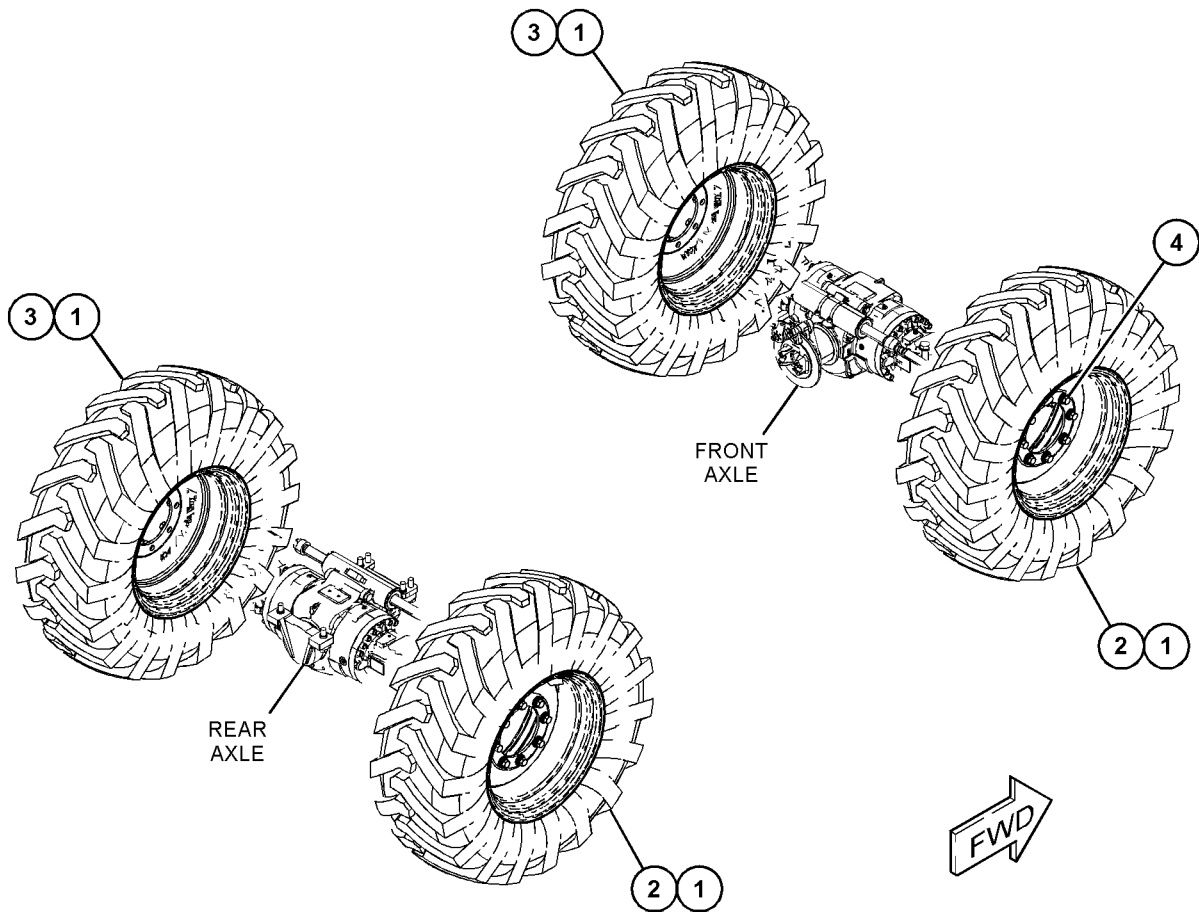
SMCS-4202, 4203, 4209

i06927859

NOTE	REF NO	GRAPHIC REF	PART NUMBER	QTY	PART NAME						SEE PAGE
					1	2	3	4	5	6 (PRODUCT LEVEL)	
	1	1	348-9444	4	FILM-INFORMATION (TIRE PRESSURE)						
Y	2	1	526-9591	2	TIRE & RIM GP (RH)						565
Y	3	1	526-9589	2	TIRE & RIM GP (LH)						564
	4	1	486-8069	1	FASTENER GP						
M		1	5W-1386	32	NUT (M22X1.5-THD)						
		1	351-7528	32	WASHER (22.5X46X6-MM THK)						

M - METRIC PART

Y - SEPARATE ILLUSTRATION



GRAPHIC #1

<END>

g06115792

POWER TRAIN

512-4770 TIRE & RIM AR

S/N: TH21-UP; TH31-UP

(28X11)

AN ATTACHMENT

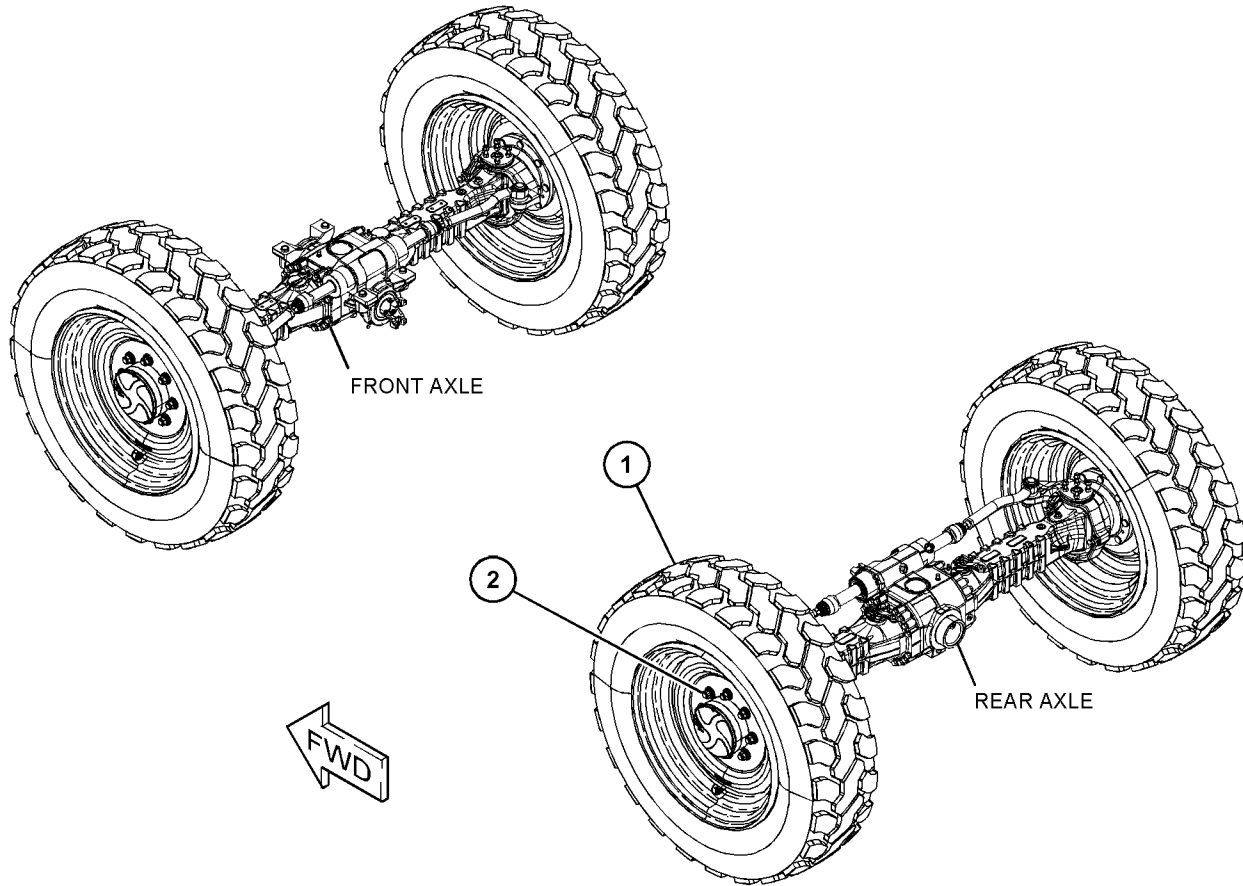
SMCS-4202, 4203, 4209

i06740204

NOTE	REF NO	GRAPHIC REF	PART NUMBER	QTY	PART NAME						SEE PAGE
					1	2	3	4	5	6 (PRODUCT LEVEL)	
Y	1	1	496-8247	4	TIRE & RIM GP						552
	2	1	486-8069	1	FASTENER GP						
M		1	5W-1386	32	NUT (M22X1.5-THD)						
		1	351-7528	32	WASHER (22.5X46X6-MM THK)						

M - METRIC PART

Y - SEPARATE ILLUSTRATION



GRAPHIC #1

<END>

g06115605

POWER TRAIN

512-4771 TIRE & RIM AR-SOLID

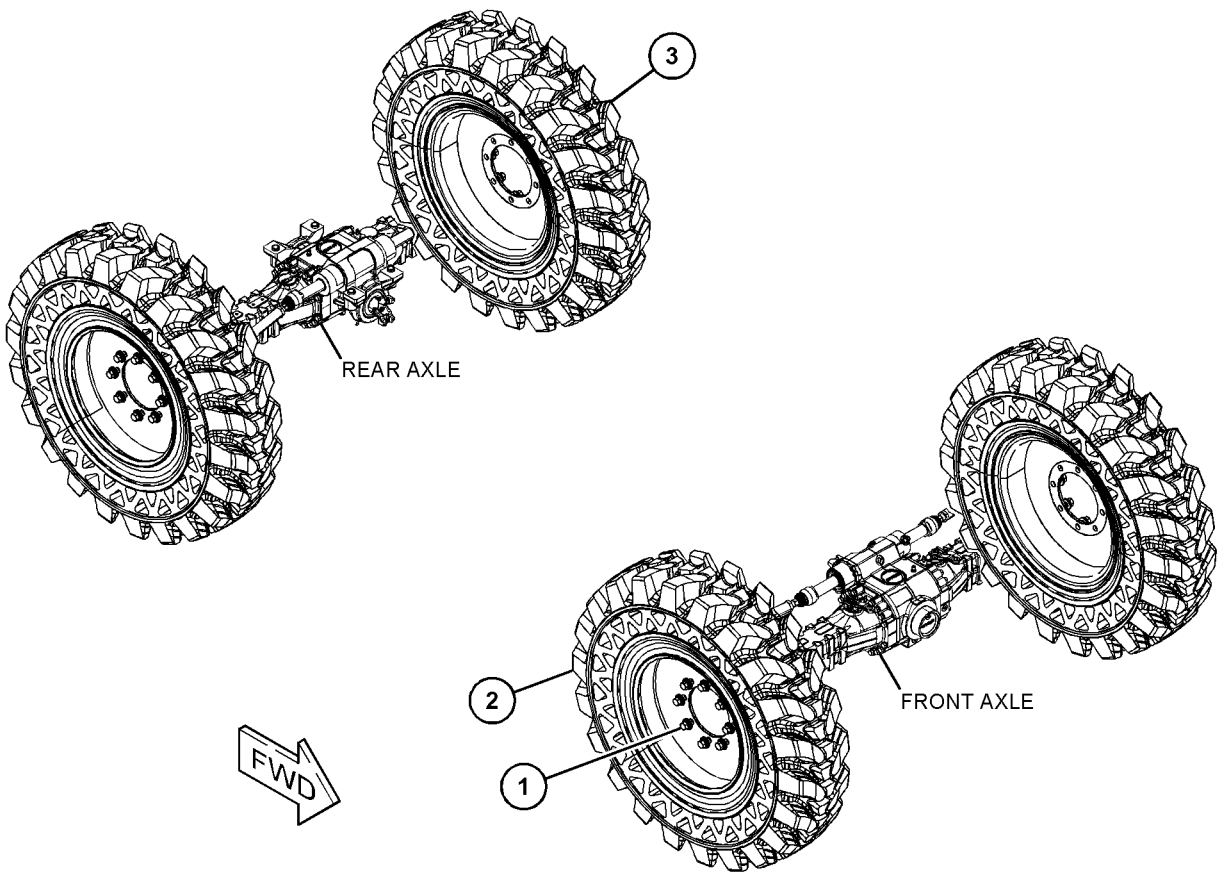
S/N: TH21-UP; TH31-UP
(13X24)
AN ATTACHMENT

SMCS-4202, 4203, 4209

i06740203

NOTE	REF NO	GRAPHIC REF	PART NUMBER	QTY	PART NAME						SEE PAGE
					1	2	3	4	5	6 (PRODUCT LEVEL)	
	1	1	486-8069	1	FASTENER GP						
M		1	5W-1386	32	NUT (M22X1.5-THD)						
		1	351-7528	32	WASHER (22.5X46X6-MM THK)						
	2	1	496-8249	2	TIRE & RIM GP (RH)						
	3	1	496-8250	2	TIRE & RIM GP (LH)						

M - METRIC PART



GRAPHIC #1

<END>

g06117573

POWER TRAIN

496-8247 TIRE & RIM GP

S/N: TH21-UP; TH31-UP

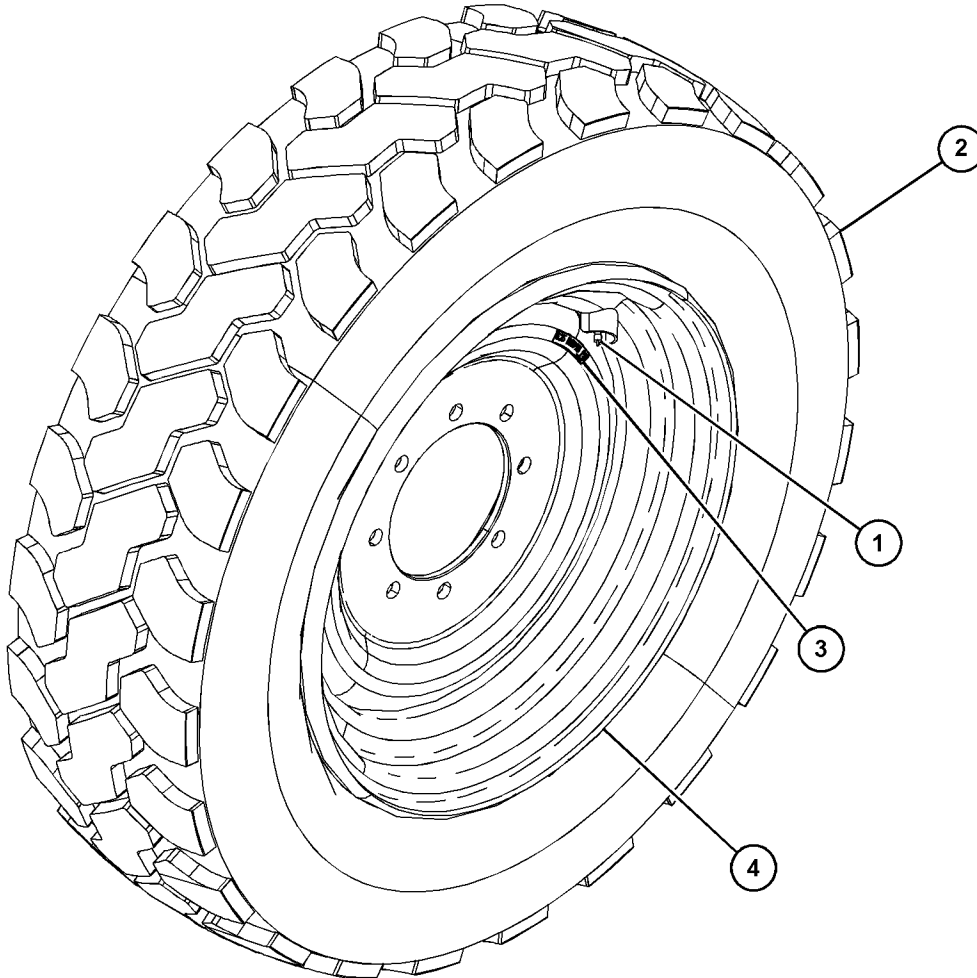
(28X11)

PART OF 512-4770 TIRE & RIM AR
AN ATTACHMENT

SMCS-4202

i06790170

NOTE	REF NO	GRAPHIC REF	PART NUMBER	QTY	PART NAME						SEE PAGE
					1	2	3	4	5	6 (PRODUCT LEVEL)	
1	1	1	298-7311	1	VALVE-TIRE						
2	1	1	459-8921	1	TIRE (370/75-28)						
3	1	1	348-9443	1	FILM-INFORMATION (5.25 BAR)						
4	1	1	496-8248	1	RIM AS						



GRAPHIC #1

<END>

g06128890

POWER TRAIN

526-0580 TIRE & RIM GP

S/N: TH21-UP; TH31-UP

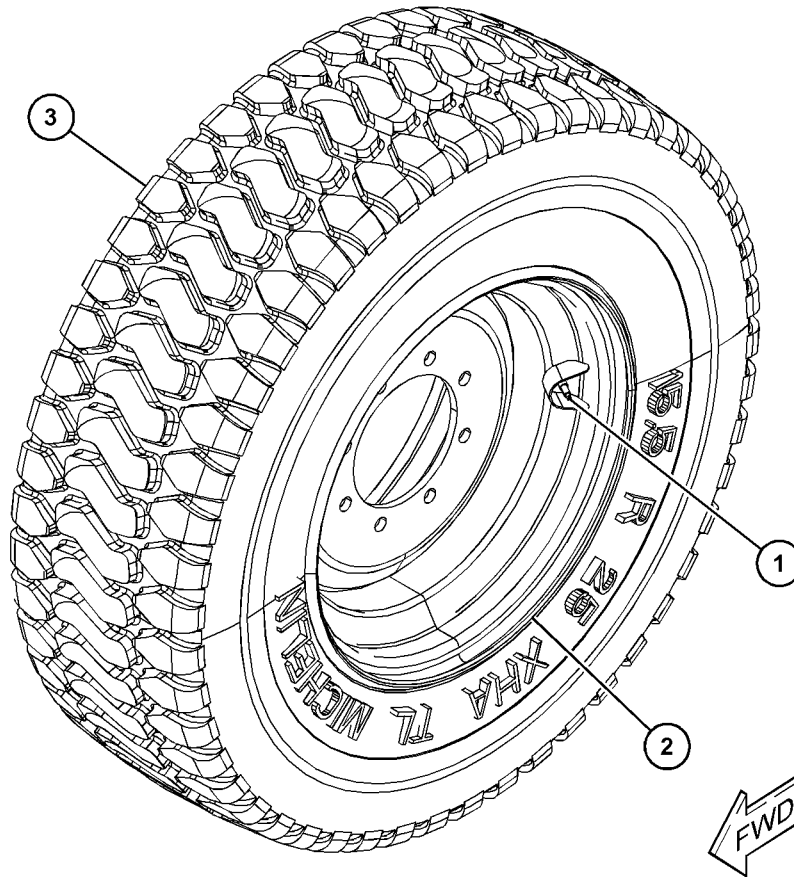
12/1.3 X 25

PART OF 512-4763 TIRE & RIM AR
AN ATTACHMENT

SMCS-4202

i06907154

NOTE	REF NO	GRAPHIC REF	PART NUMBER	QTY	PART NAME						SEE PAGE
					1	2	3	4	5	6 (PRODUCT LEVEL)	
1	1	1	6D-0337	1	VALVE GP-TIRE (BASIC)						
2	1	1	311-8221	1	RIM AS						
3	1	1	478-8887	1	TIRE (15.5-R25)						



GRAPHIC #1

<END>

g06164516

POWER TRAIN

526-0581 TIRE & RIM GP

S/N: TH21-UP; TH31-UP

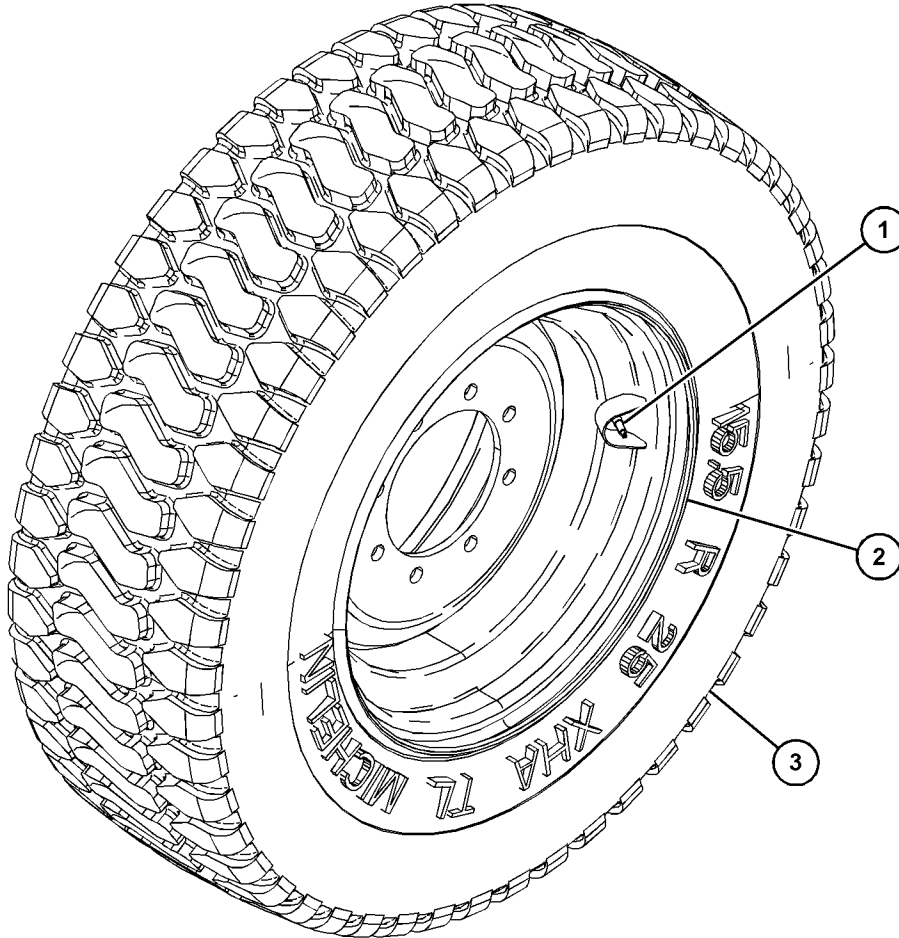
12/1.3 X 25

PART OF 512-4763 TIRE & RIM AR
AN ATTACHMENT

SMCS-4202

i06907151

NOTE	REF NO	GRAPHIC REF	PART NUMBER	QTY	PART NAME						SEE PAGE
					1	2	3	4	5	6 (PRODUCT LEVEL)	
	1	1	6D-0337	1	VALVE GP-TIRE (BASIC)						
	2	1	311-8221	1	RIM AS						
	3	1	478-8887	1	TIRE (15.5-R25)						



GRAPHIC #1

<END>

g06165402

POWER TRAIN

526-4259 TIRE & RIM GP

S/N: TH21-UP; TH31-UP

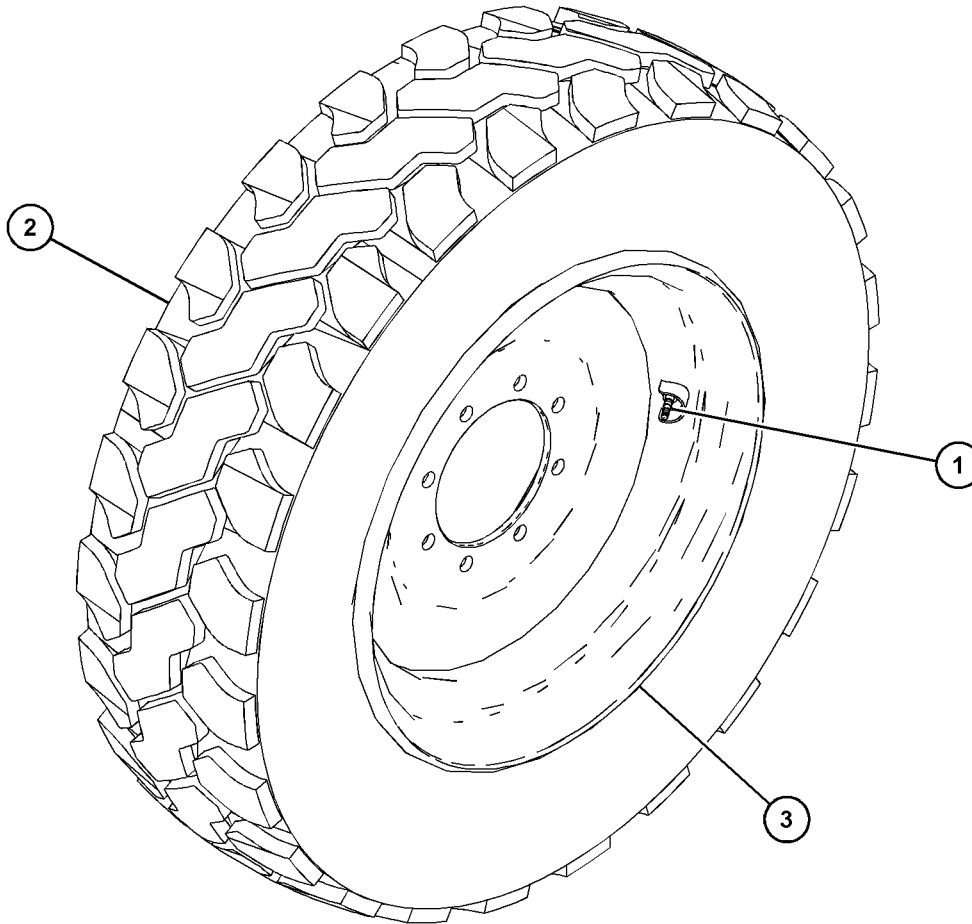
PART OF 526-4258 WHEEL & TIRE AR
AN ATTACHMENT

SMCS-4202

i06910611

NOTE	REF NO	GRAPHIC REF	PART NUMBER	QTY	PART NAME						SEE PAGE
					1	2	3	4	5	6 (PRODUCT LEVEL)	
Y	1	1	6D-0337	1	VALVE GP-TIRE (BASIC)						587
	2	1	459-8921	1	TIRE (370/75-28)						
	3	1	496-8248	1	RIM AS						

Y - SEPARATE ILLUSTRATION



GRAPHIC #1

<END>

g06165296

POWER TRAIN

526-5726 TIRE & RIM GP-RH

S/N: TH21-UP; TH31-UP

15X24

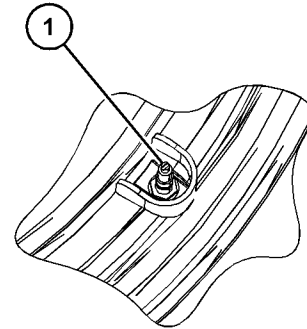
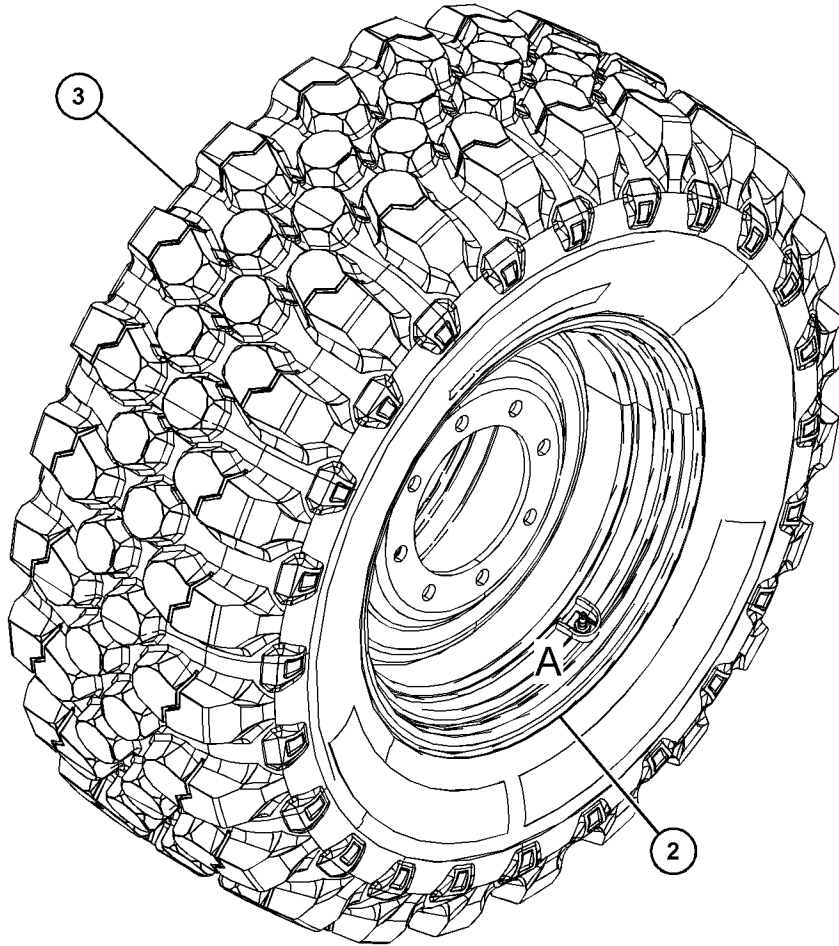
PART OF 512-4766 TIRE & RIM AR
AN ATTACHMENT

SMCS-4202

i06927796

NOTE	REF NO	GRAPHIC REF	PART NUMBER	QTY	PART NAME						SEE PAGE
					1	2	3	4	5	6 (PRODUCT LEVEL)	
Y	1	1	6D-0337	1	VALVE GP-TIRE (BASIC)						587
	2	1	311-8220	1	RIM AS						
	3	1	496-8245	1	TIRE (460/70-R24)						

Y - SEPARATE ILLUSTRATION



VIEW OF AREA A

GRAPHIC #1

<END>

g06171600

POWER TRAIN

526-5727 TIRE & RIM GP-LH

S/N: TH21-UP; TH31-UP

15X24

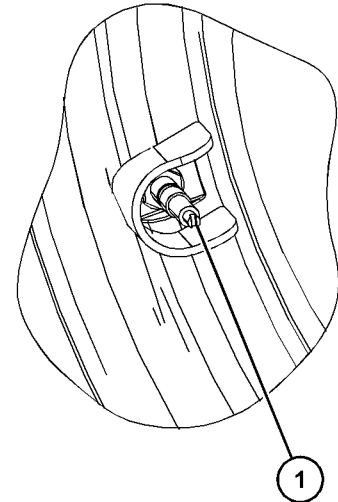
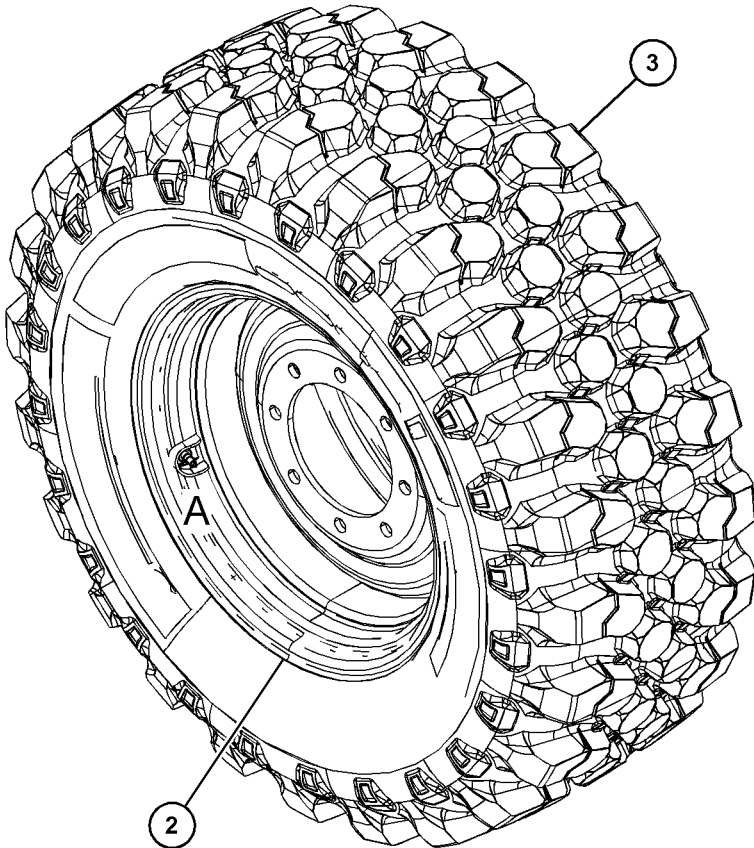
PART OF 512-4766 TIRE & RIM AR
AN ATTACHMENT

SMCS-4202

i06927792

NOTE	REF NO	GRAPHIC REF	PART NUMBER	QTY	PART NAME						SEE PAGE
					1	2	3	4	5	6 (PRODUCT LEVEL)	
Y	1	1	6D-0337	1	VALVE GP-TIRE (BASIC)						587
	2	1	311-8220	1	RIM AS						
	3	1	496-8245	1	TIRE (460/70-R24)						

Y - SEPARATE ILLUSTRATION



VIEW OF AREA A

GRAPHIC #1

<END>

g06171589

POWER TRAIN

526-5728 TIRE & RIM GP

S/N: TH21-UP; TH31-UP

15X24

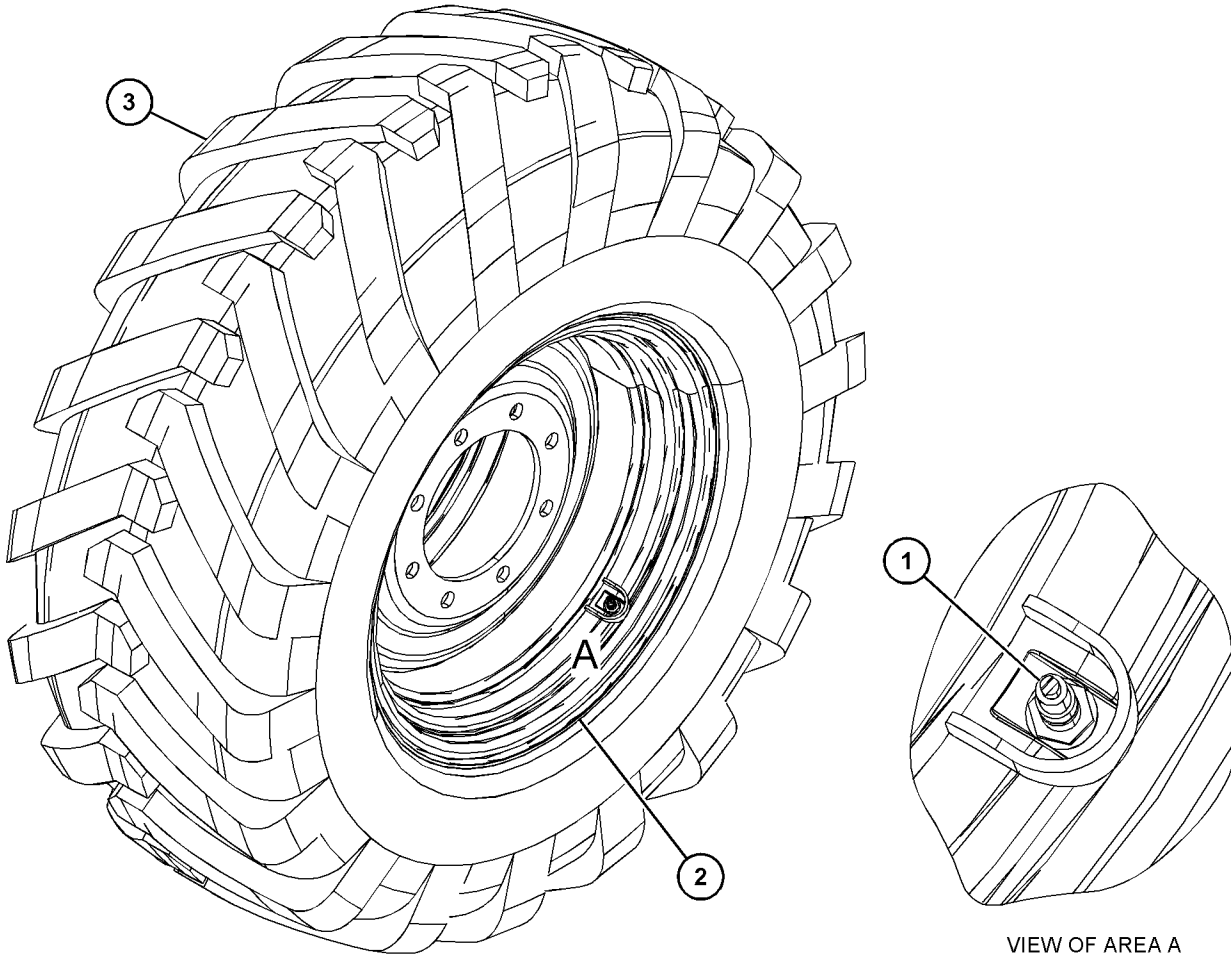
PART OF 512-4765 TIRE & RIM AR
AN ATTACHMENT

SMCS-4202

i06928739

NOTE	REF NO	GRAPHIC REF	PART NUMBER	QTY	PART NAME						SEE PAGE
					1	2	3	4	5	6 (PRODUCT LEVEL)	
Y	1	1	6D-0337	1	VALVE GP-TIRE (BASIC)						587
	2	1	311-8220	1	RIM AS						
	3	1	316-9551	1	TIRE (460/70-R24)						

Y - SEPARATE ILLUSTRATION



GRAPHIC #1

<END>

g06171565

POWER TRAIN

526-6911 TIRE & RIM GP

S/N: TH21-UP; TH31-UP

15X24

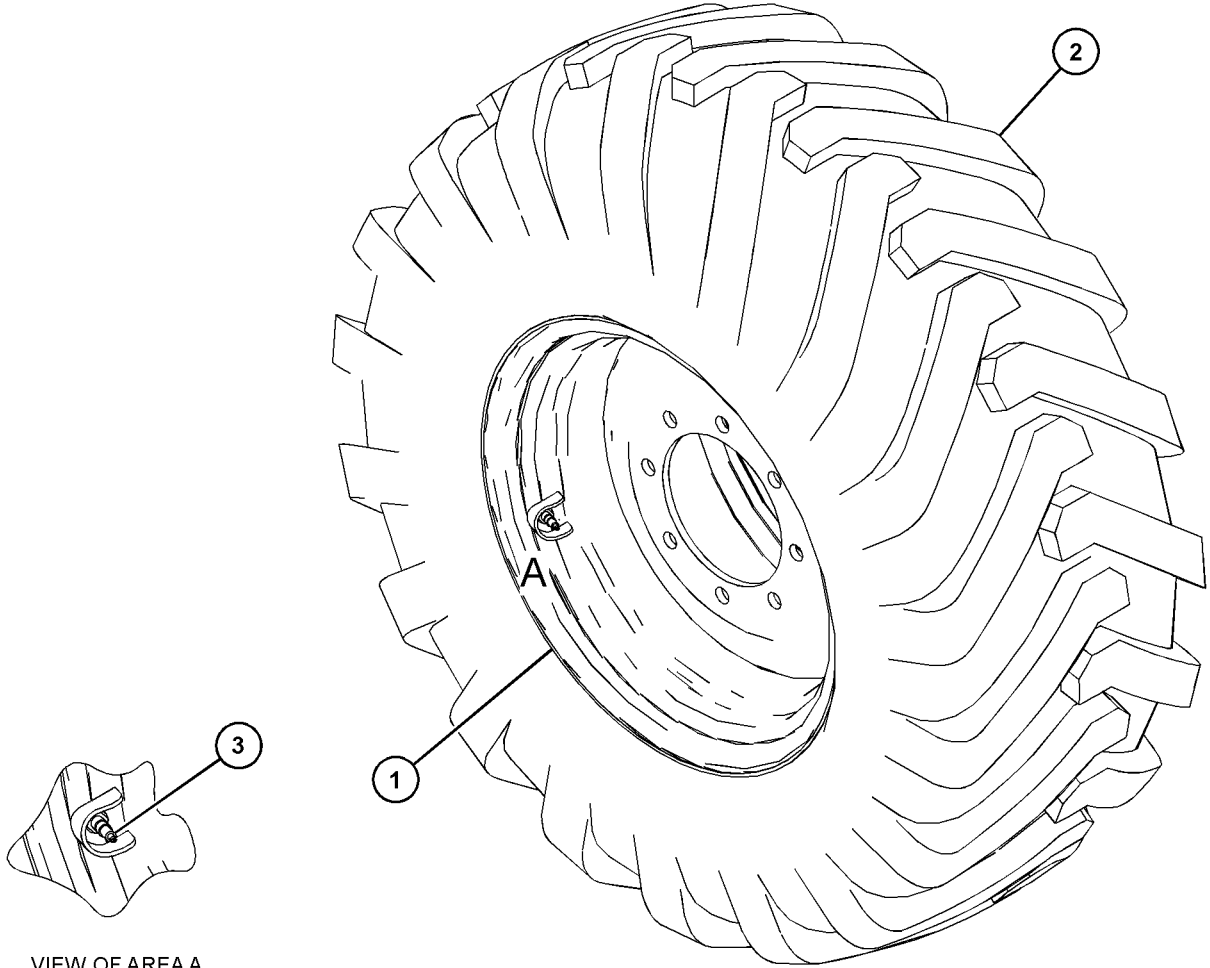
PART OF 512-4765 TIRE & RIM AR
AN ATTACHMENT

SMCS-4202

i06928741

NOTE	REF NO	GRAPHIC REF	PART NUMBER	QTY	PART NAME						SEE PAGE
					1	2	3	4	5	6 (PRODUCT LEVEL)	
	1	1	311-8220	1	RIM AS						
	2	1	316-9551	1	TIRE (460/70-R24)						
Y	3	1	6D-0337	1	VALVE GP-TIRE (BASIC)						587

Y - SEPARATE ILLUSTRATION



VIEW OF AREA A
GRAPHIC #1

<END>

g06171611

POWER TRAIN

526-6913 TIRE & RIM GP-RH

S/N: TH21-UP; TH31-UP

15X24

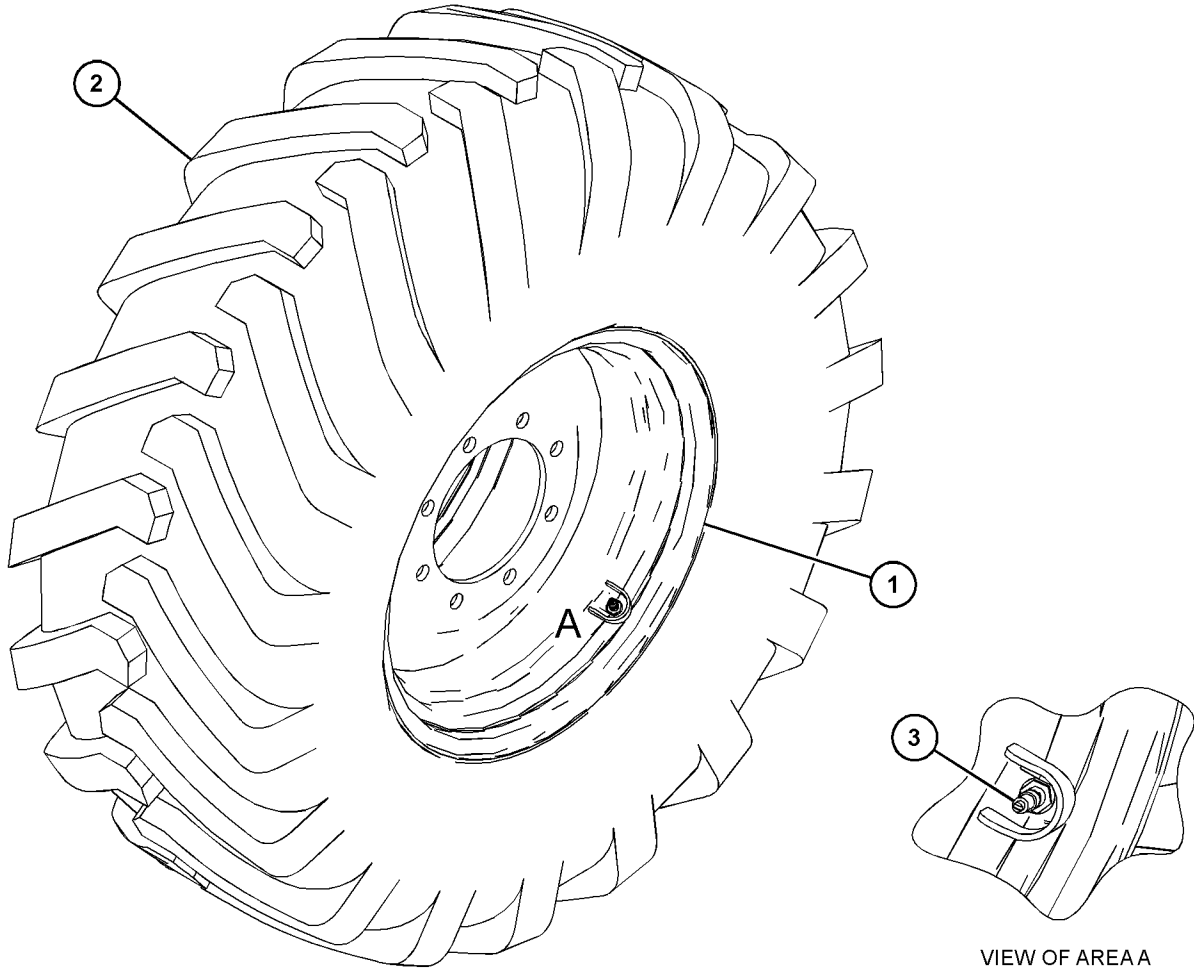
PART OF 512-4767 TIRE & RIM AR
AN ATTACHMENT

SMCS-4202

i07213663

NOTE	REF NO	GRAPHIC REF	PART NUMBER	QTY	PART NAME						SEE PAGE
					1	2	3	4	5	6 (PRODUCT LEVEL)	
	1	1	311-8220	1	RIM AS						
	2	1	316-9552	1	TIRE (500/70-R24)						
Y	3	1	6D-0337	1	VALVE GP-TIRE (BASIC)						587

Y - SEPARATE ILLUSTRATION



GRAPHIC #1

<END>

g06172033

POWER TRAIN

526-6914 TIRE & RIM GP-LH

S/N: TH21-UP; TH31-UP

15X24

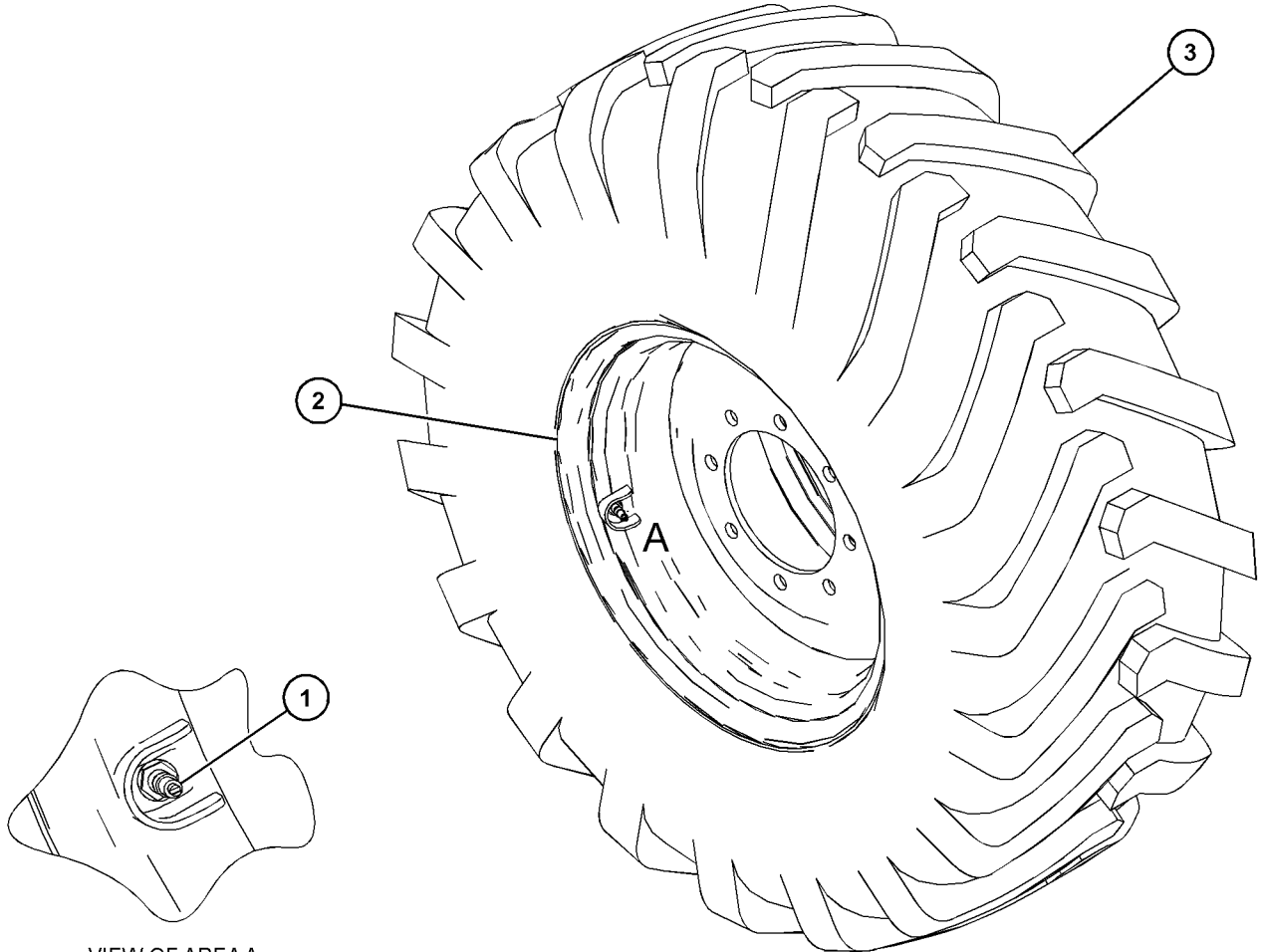
PART OF 512-4767 TIRE & RIM AR
AN ATTACHMENT

SMCS-4202

i07213664

NOTE	REF NO	GRAPHIC REF	PART NUMBER	QTY	PART NAME						SEE PAGE
					1	2	3	4	5	6 (PRODUCT LEVEL)	
Y	1	1	6D-0337	1	VALVE GP-TIRE (BASIC)						587
	2	1	311-8220	1	RIM AS						
	3	1	316-9552	1	TIRE (500/70-R24)						

Y - SEPARATE ILLUSTRATION



VIEW OF AREA A

GRAPHIC #1

<END>

g06172014

POWER TRAIN

526-7162 TIRE & RIM GP-RH

S/N: TH21-UP; TH31-UP

15X24

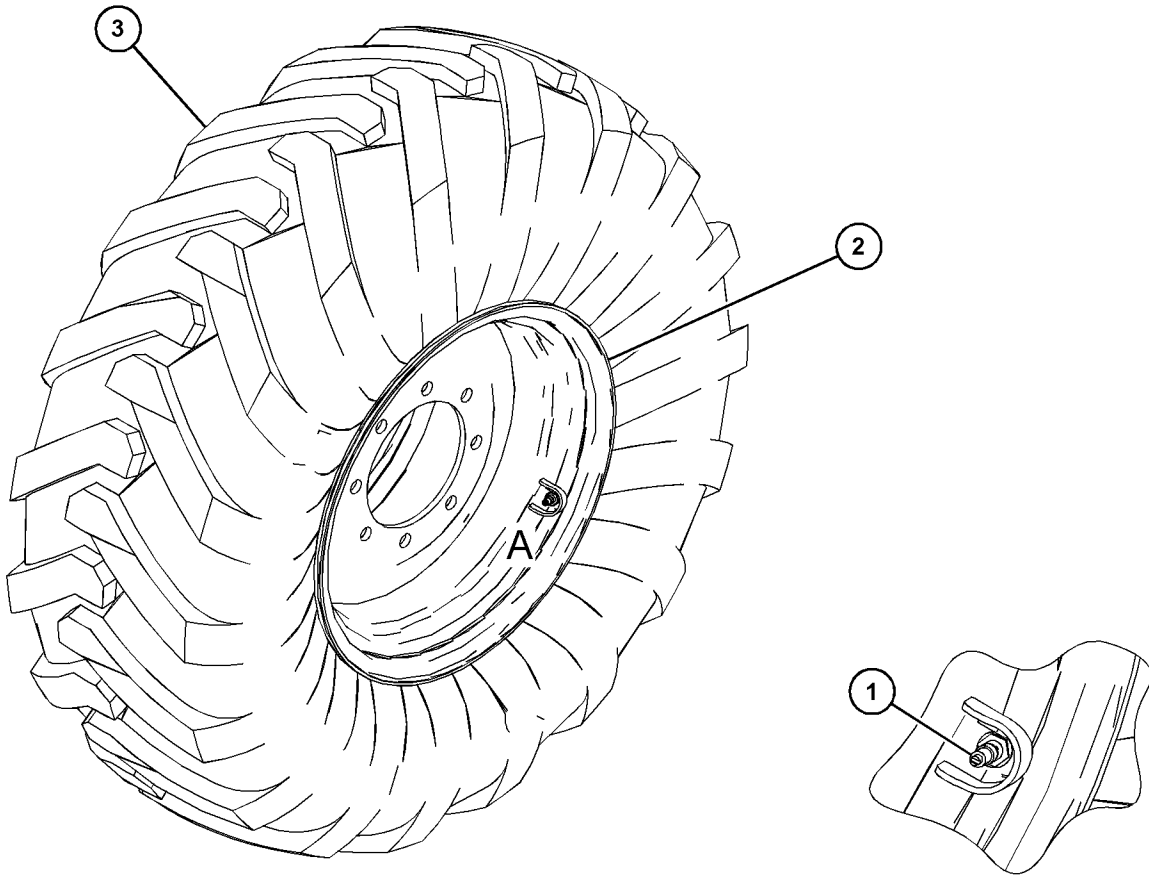
PART OF 512-4768 TIRE & RIM AR
AN ATTACHMENT

SMCS-4202

i06927773

NOTE	REF NO	GRAPHIC REF	PART NUMBER	QTY	PART NAME						SEE PAGE
					1	2	3	4	5	6 (PRODUCT LEVEL)	
Y	1	1	6D-0337	1	VALVE GP-TIRE (BASIC)						587
	2	1	311-8220	1	RIM AS						
	3	1	453-7117	1	TIRE (440/80-R24)						

Y - SEPARATE ILLUSTRATION



VIEW OF AREA A

GRAPHIC #1

<END>

g06171512

POWER TRAIN

526-7163 TIRE & RIM GP-LH

S/N: TH21-UP; TH31-UP

15X24

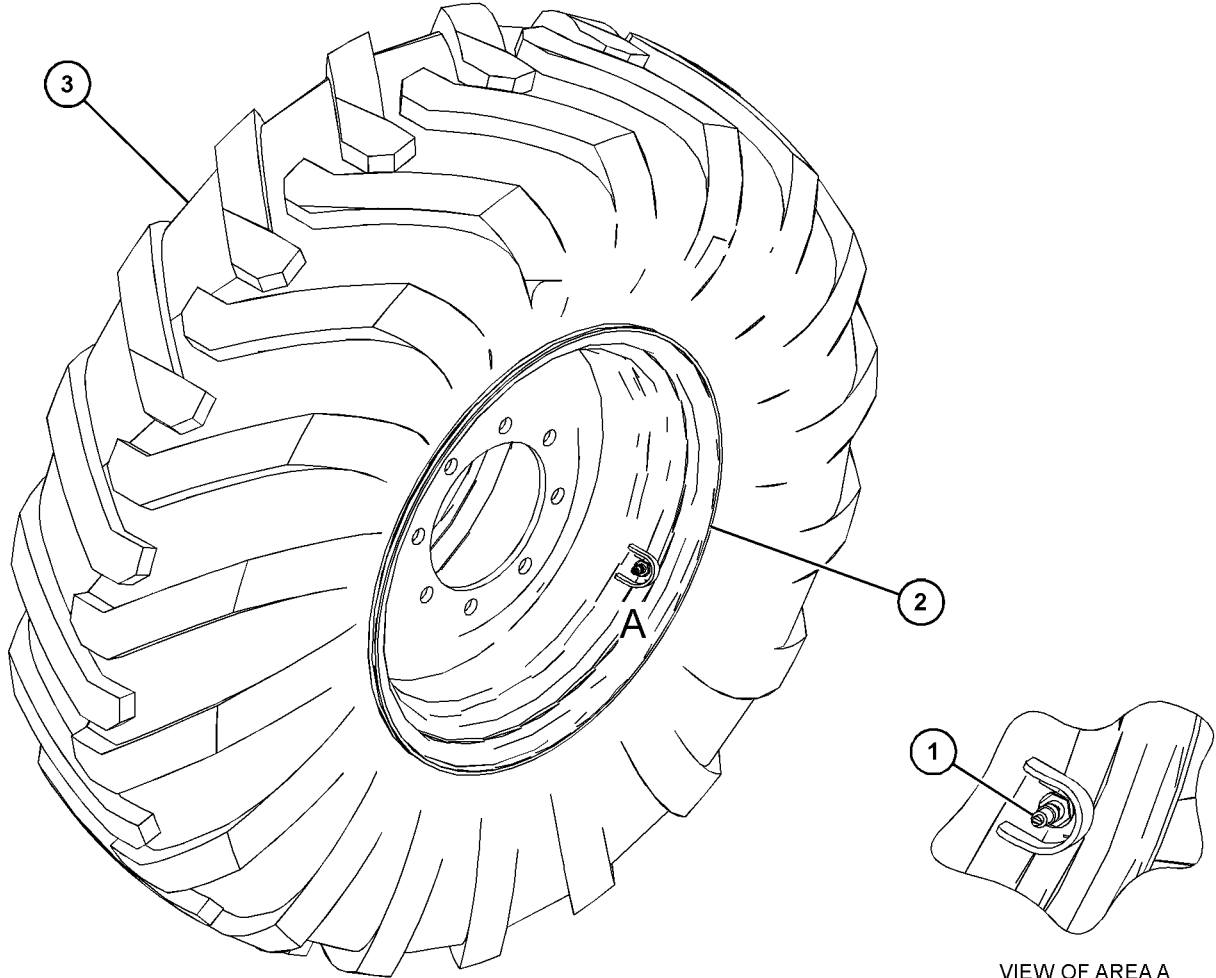
PART OF 512-4768 TIRE & RIM AR
AN ATTACHMENT

SMCS-4202

i06927768

NOTE	REF NO	GRAPHIC REF	PART NUMBER	QTY	PART NAME						SEE PAGE
					1	2	3	4	5	6 (PRODUCT LEVEL)	
Y	1	1	6D-0337	1	VALVE GP-TIRE (BASIC)						587
	2	1	311-8220	1	RIM AS						
	3	1	453-7117	1	TIRE (440/80-R24)						

Y - SEPARATE ILLUSTRATION



GRAPHIC #1

<END>

VIEW OF AREA A

g06171524

POWER TRAIN

526-9589 TIRE & RIM GP-LH

S/N: TH21-UP; TH31-UP

14X24

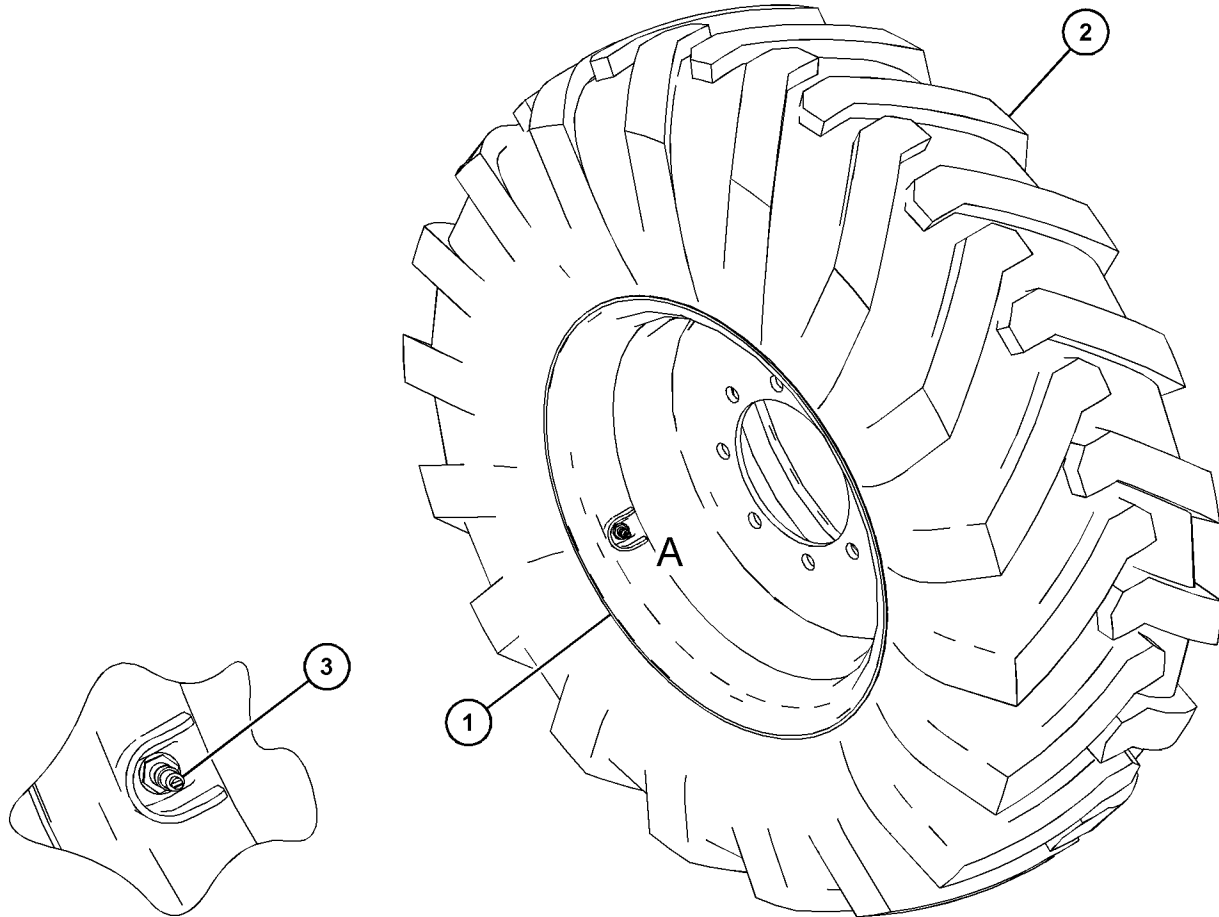
PART OF 512-4769 TIRE & RIM AR
AN ATTACHMENT

SMCS-4202

i06927804

NOTE	REF NO	GRAPHIC REF	PART NUMBER	QTY	PART NAME						SEE PAGE
					1	2	3	4	5	6 (PRODUCT LEVEL)	
	1	1	311-8219	1	RIM AS						
	2	1	453-7110	1	TIRE (400/80-24)						
Y	3	1	6D-0337	1	VALVE GP-TIRE (BASIC)						587

Y - SEPARATE ILLUSTRATION



VIEW OF AREA A

GRAPHIC #1

<END>

g06171540

POWER TRAIN

526-9591 TIRE & RIM GP-RH

S/N: TH21-UP; TH31-UP

14X24

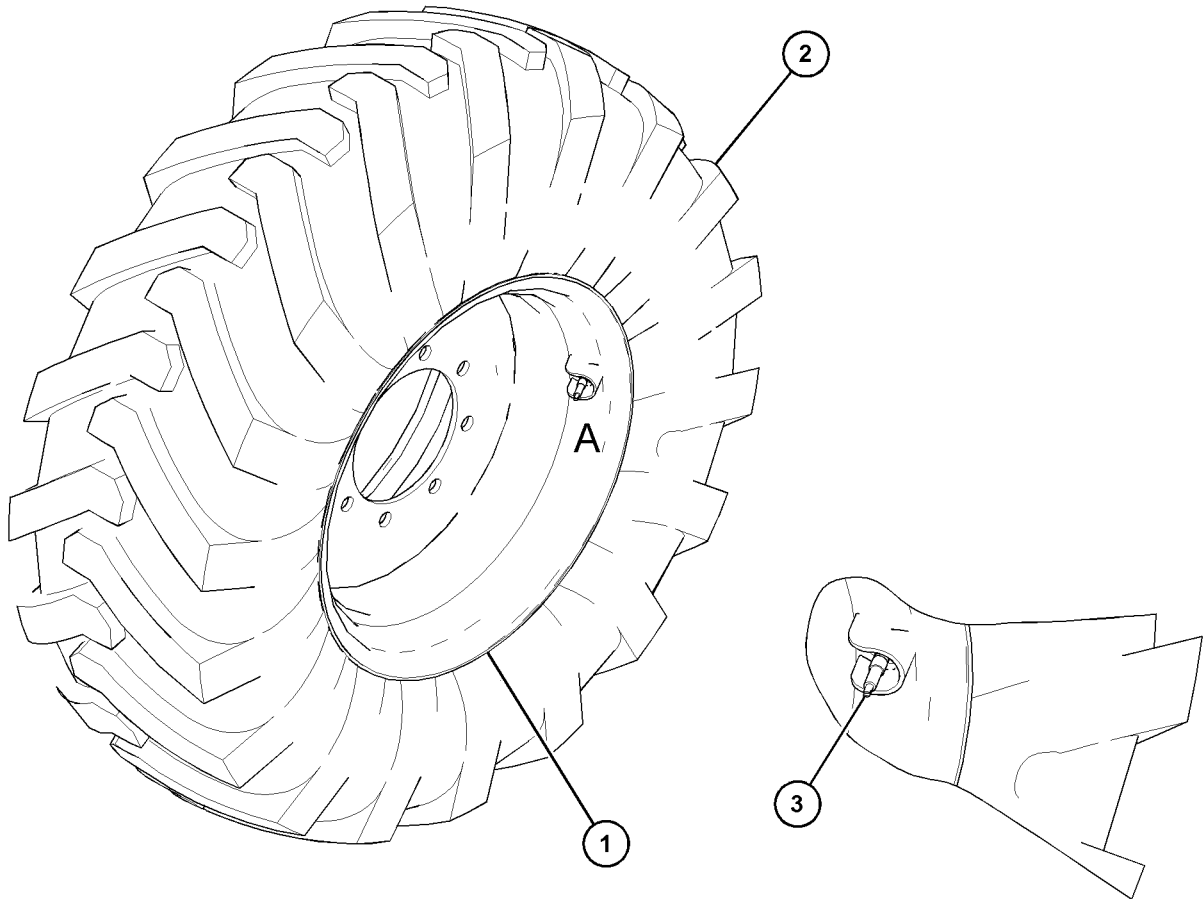
PART OF 512-4769 TIRE & RIM AR
AN ATTACHMENT

SMCS-4202

i07213665

NOTE	REF NO	GRAPHIC REF	PART NUMBER	QTY	PART NAME						SEE PAGE
					1	2	3	4	5	6 (PRODUCT LEVEL)	
	1	1	311-8219	1	RIM AS						
	2	1	453-7110	1	TIRE (400/80-24)						
Y	3	1	6D-0337	1	VALVE GP-TIRE (BASIC)						587

Y - SEPARATE ILLUSTRATION



VIEW OF AREA A

GRAPHIC #1

<END>

g06171880

POWER TRAIN

526-9592 TIRE & RIM GP

S/N: TH21-UP; TH31-UP

14X24

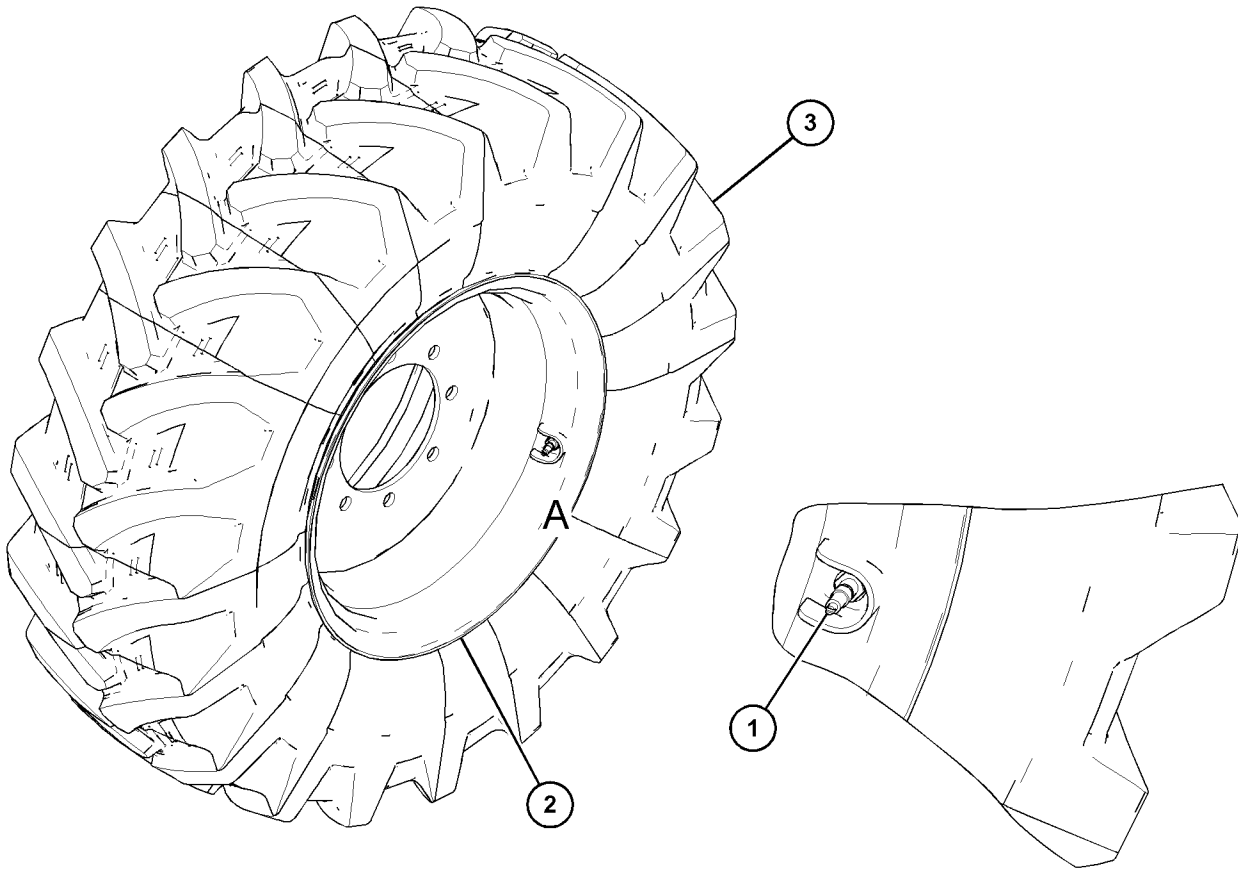
PART OF 512-4764 TIRE & RIM AR
AN ATTACHMENT

SMCS-4202

i06928726

NOTE	REF NO	GRAPHIC REF	PART NUMBER	QTY	PART NAME						SEE PAGE
					1	2	3	4	5	6 (PRODUCT LEVEL)	
Y	1	1	6D-0337	1	VALVE GP-TIRE (BASIC)						587
	2	1	311-8219	1	RIM AS						
	3	1	524-8951	1	TIRE (15.5/80-24)						

Y - SEPARATE ILLUSTRATION



VIEW OF AREA A

GRAPHIC #1

<END>

g06171876

POWER TRAIN

526-9593 TIRE & RIM GP

S/N: TH21-UP; TH31-UP

14X24

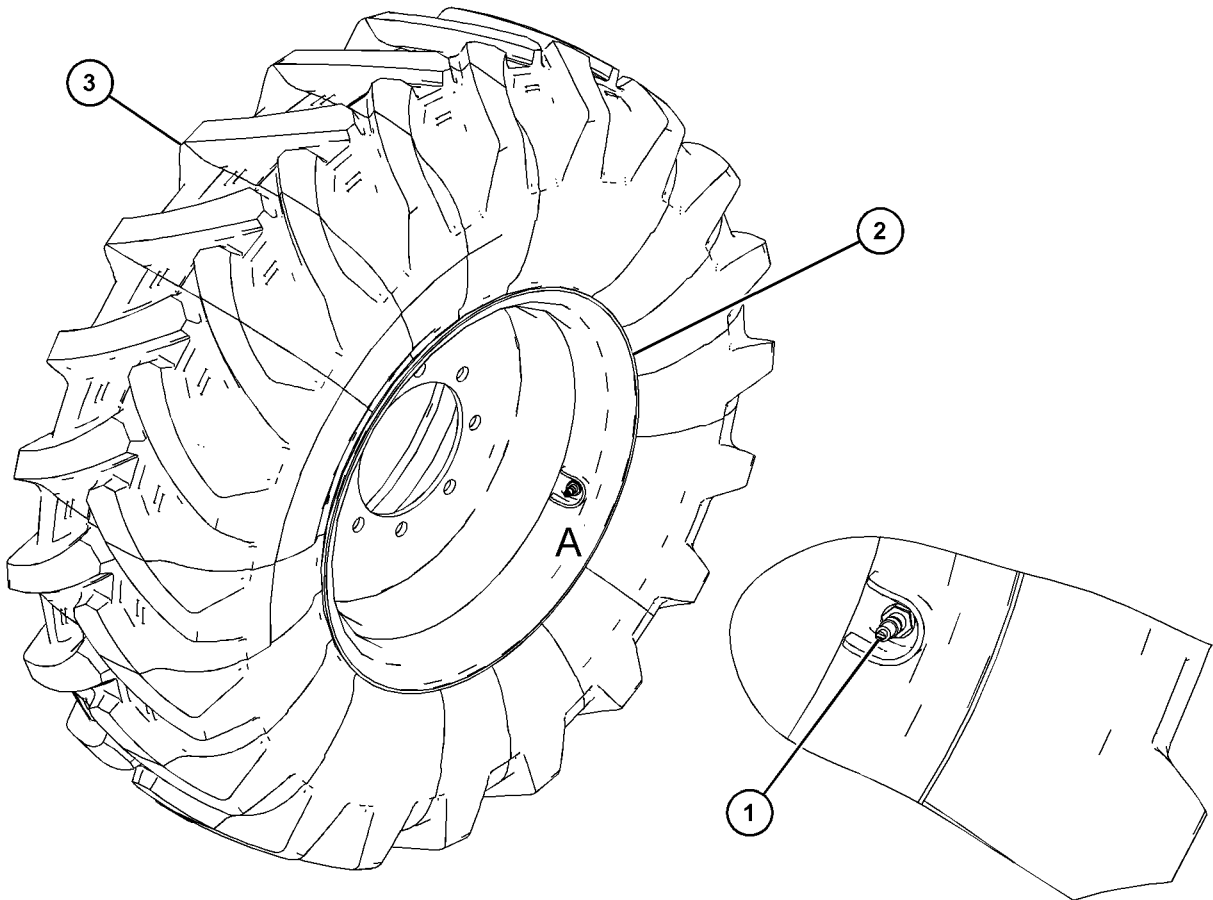
PART OF 512-4764 TIRE & RIM AR
AN ATTACHMENT

SMCS-4202

i06928736

NOTE	REF NO	GRAPHIC REF	PART NUMBER	QTY	PART NAME						SEE PAGE
					1	2	3	4	5	6 (PRODUCT LEVEL)	
Y	1	1	6D-0337	1	VALVE GP-TIRE (BASIC)						587
	2	1	311-8219	1	RIM AS						
	3	1	524-8951	1	TIRE (15.5/80-24)						

Y - SEPARATE ILLUSTRATION



VIEW OF AREA A

GRAPHIC #1

<END>

g06171510

POWER TRAIN

453-9534 TORQUE CONVERTER GP

S/N: BK21-UP; CF51-UP; H5F1-UP

PART OF 460-9942 TRANSMISSION AR, 482-2978 TRANSMISSION AR-POWER SHIFT
AN ATTACHMENT

SMCS-3101

i06056819

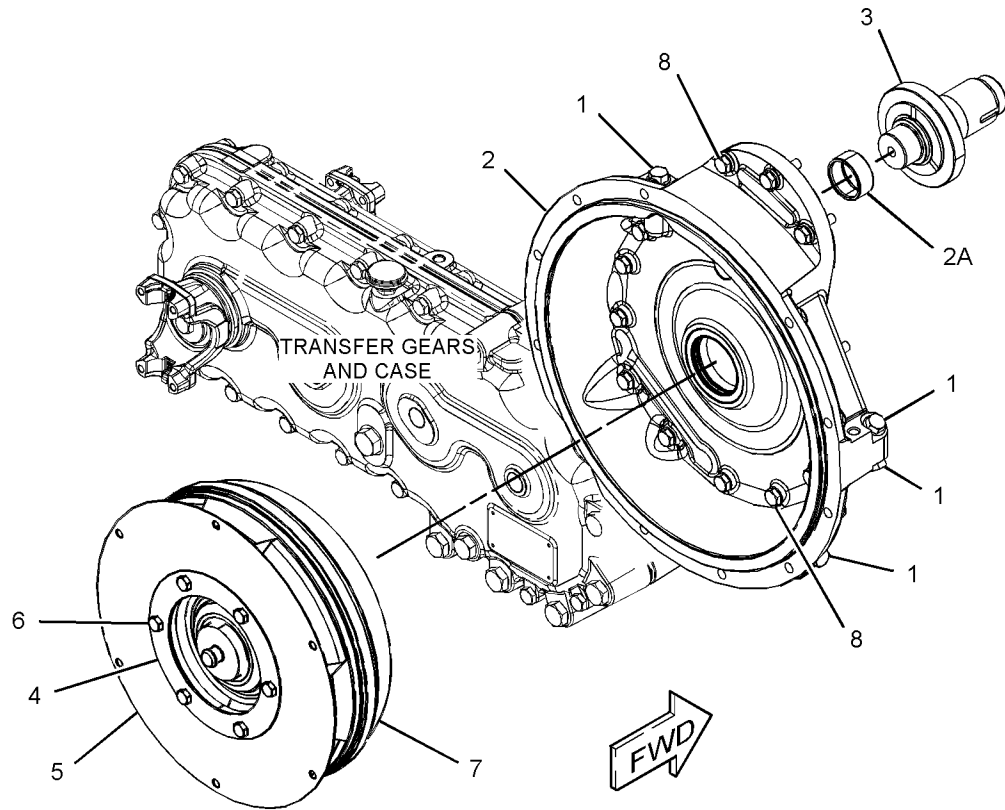
NOTE	REF NO	GRAPHIC REF	PART NUMBER	QTY	PART NAME						SEE PAGE
					1	2	3	4	5	6	
	1	1	334-5131	7	PLUG AS						
					(EACH INCLUDES)						
		1	3J-1907	1	SEAL-O-RING						
		1	9S-4191	1	PLUG (9/16-18-THD)						
	2	1	334-7502	1	TORQUE CONVERTER GP						
	2A	1	334-7442	1	BEARING-NEEDLE						
		1	178-8164	1	SEAL-OIL						
		1	238-6532	2	PIN						
		1	334-7492	1	CONVERTER AS						
	3	1	334-7524	1	SHAFT AS						
		1	8C-3982	2	RING-RETAINING						
		1	8E-8313	2	DISC-THRUST						
		1	430-5748	1	GEAR (34-TEETH)						
	4	1	334-7526	1	PLATE-CONVERTER REINFORCEMENT						
	5	1	334-7527	1	PLATE-CONVERTER DRIVE						
	6	1	334-7559	6	SETSCREW						
	7	1	469-3523	1	TORQUE CONVERTER						
	M	8	6V-5842	15	BOLT (M10X1.5X40-MM)						

M - METRIC PART

POWER TRAIN

453-9534 TORQUE CONVERTER GP (contd.)

106056819



GRAPHIC #1

<END>

g03653823

POWER TRAIN

453-9535 TORQUE CONVERTER GP

S/N: SD31-UP; H5E1-UP

PART OF 460-9943, 526-0654 TRANSMISSION AR-POWER SHIFT
AN ATTACHMENT

SMCS-3101

i06056818

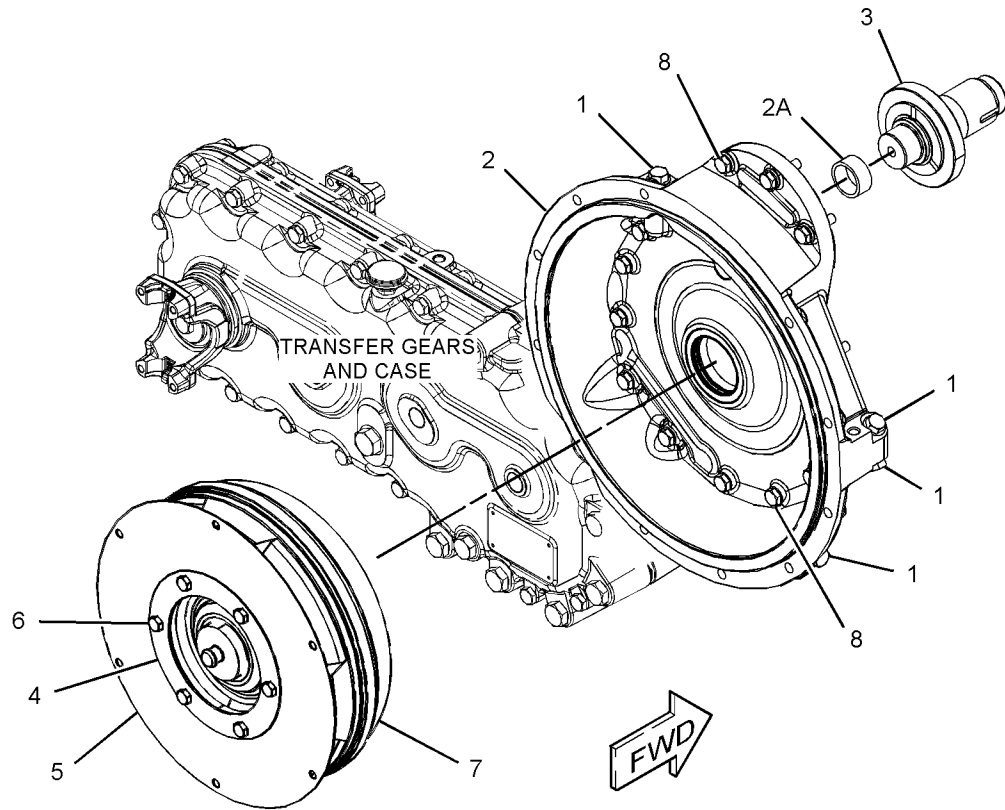
NOTE	REF NO	GRAPHIC REF	PART NUMBER	QTY	PART NAME						SEE PAGE
					1	2	3	4	5	6	
	1	1	334-5131	7	PLUG AS						
					(EACH INCLUDES)						
		1	3J-1907	1	SEAL-O-RING						
		1	9S-4191	1	PLUG (9/16-18-THD)						
	2	1	334-7502	1	TORQUE CONVERTER GP						
		1	178-8164	1	SEAL-OIL						
		1	238-6532	2	PIN						
	2A	1	334-7442	1	BEARING-NEEDLE						
		1	334-7492	1	CONVERTER AS						
	3	1	334-7524	1	SHAFT AS						
		1	8C-3982	2	RING-RETAINING						
		1	8E-8313	2	DISC-THRUST						
		1	430-5748	1	GEAR (34-TEETH)						
	4	1	334-7526	1	PLATE-CONVERTER REINFORCEMENT						
	5	1	334-7527	1	PLATE-CONVERTER DRIVE						
	6	1	334-7559	6	SETSCREW						
	7	1	469-3524	1	TORQUE CONVERTER						
M	8	1	6V-5842	15	BOLT (M10X1.5X40-MM)						

M - METRIC PART

POWER TRAIN

453-9535 TORQUE CONVERTER GP (contd.)

106056818



GRAPHIC #1

<END>

g03675153

POWER TRAIN

468-0123 TORQUE CONVERTER GP

S/N: HA51-UP

PART OF 468-0145 TRANSMISSION AR-POWER SHIFT
AN ATTACHMENT

SMCS-3101

i06624633

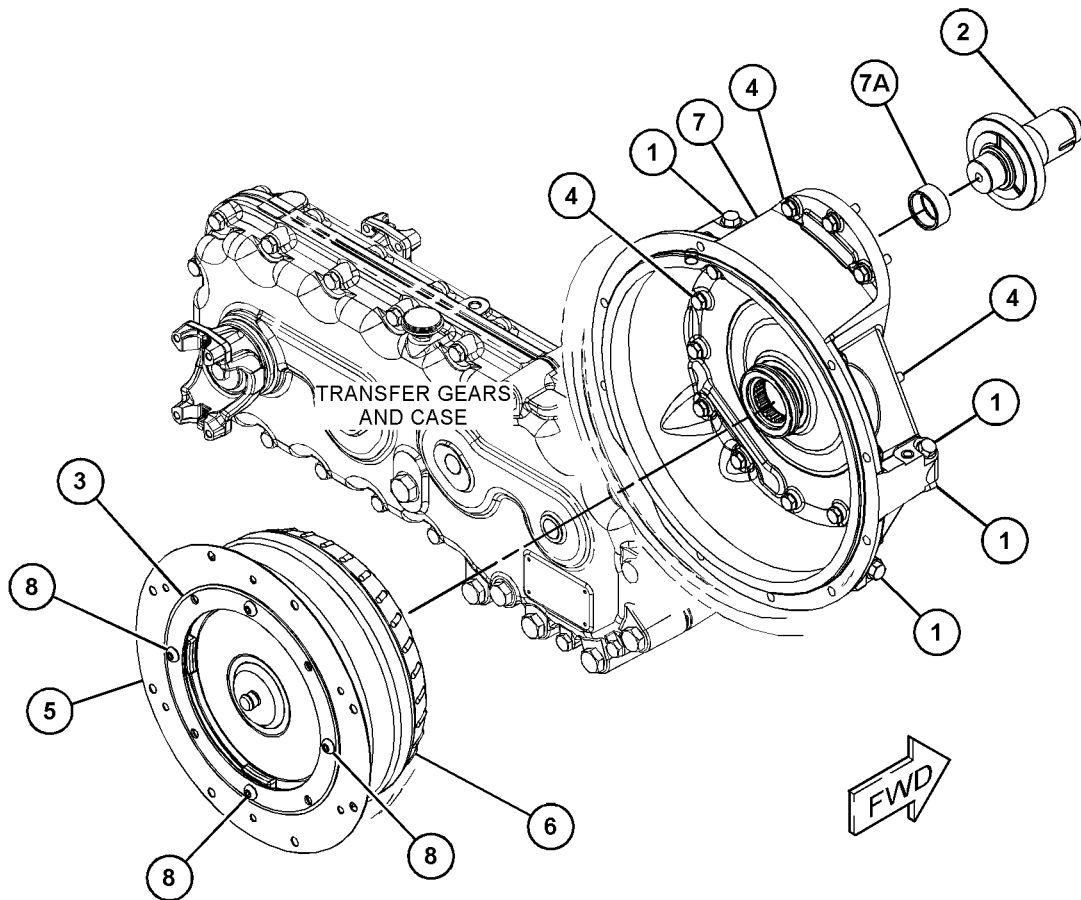
NOTE	REF NO	GRAPHIC REF	PART NUMBER	QTY	PART NAME						SEE PAGE
					1	2	3	4	5	6 (PRODUCT LEVEL)	
	1	1	334-5131	7	PLUG AS						
					(EACH INCLUDES)						
		1	3J-1907	1	SEAL-O-RING						
		1	9S-4191	1	PLUG (9/16-18-THD)						
	2	1	334-7524	1	SHAFT AS						
		1	8C-3982	2	RING-RETAINING						
		1	8E-8313	2	DISC-THRUST						
		1	430-5748	1	GEAR (34-TEETH)						
	3	1	388-0731	1	PLATE-CONVERTER						
M	4	1	6V-5842	15	BOLT (M10X1.5X40-MM)						
	5	1	460-9956	1	PLATE-DRIVE						
	6	1	468-0114	1	TORQUE CONVERTER AS						
	7	1	468-0132	1	TORQUE CONVERTER GP						
	7A	1	6V-5264	1	BEARING						
		1	178-8164	1	SEAL-OIL						
		1	238-6532	2	PIN						
		1	468-0133	1	TORQUE CONVERTER AS						
M	8	1	302-1606	4	SCREW (M10X1.5X16-MM)						

M - METRIC PART

POWER TRAIN

468-0123 TORQUE CONVERTER GP (contd.)

106624633



GRAPHIC #1

<END>

g06142196

POWER TRAIN

460-9942 TRANSMISSION AR

S/N: CF51-UP

PART OF 500-4361 TRANSMISSION AR
AN ATTACHMENT

SMCS-3030

i06604927

NOTE	PART NUMBER	QTY	PART NAME						SEE PAGE
			1	2	3	4	5	6 (PRODUCT LEVEL)	
Y	482-1134	1	CASE & PARTS GP-PLANETARY						495
Y	334-7532	1	CLUTCH & GEAR GP (1ST, 2ND)						515
Y	392-3996	1	CLUTCH & GEAR GP (FORWARD HIGH, 3RD)						517
Y	418-7411	1	CONTROL GP-TRANSMISSION HYD						519
Y	460-9945	1	GEAR & CASE GP-TRANSFER						523
Y	418-7407	1	PUMP GP-TRANSMISSION						535
Y	334-7556	1	SHAFT GP-INPUT						538
Y	334-7541	1	SHAFT GP-OUTPUT						542
Y	453-9534	1	TORQUE CONVERTER GP						568

Y - SEPARATE ILLUSTRATION

<END>

POWER TRAIN

500-4353 TRANSMISSION AR

S/N: TH31-UP

PART OF 505-5329 TRANSMISSION AR
AN ATTACHMENT

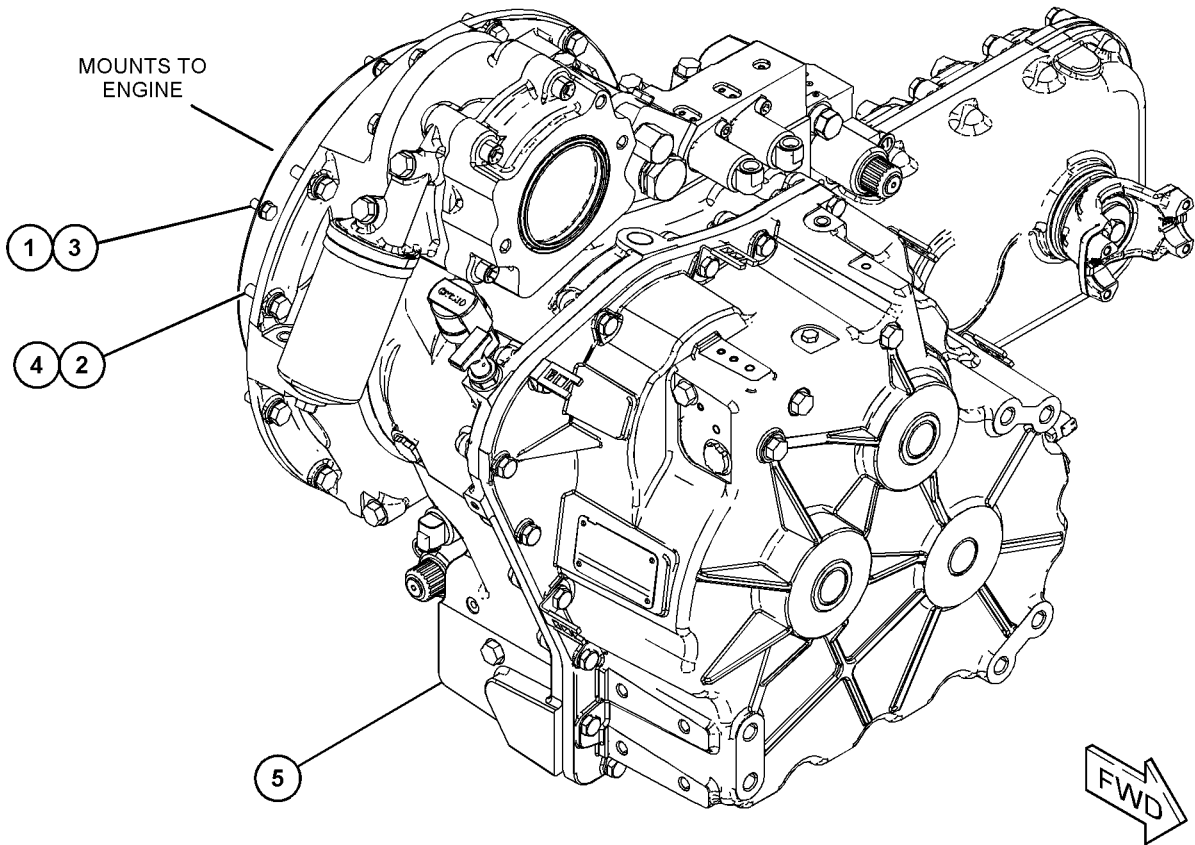
SMCS-3030

i06603086

NOTE	REF NO	GRAPHIC REF	PART NUMBER	QTY	PART NAME						SEE PAGE
					1	2	3	4	5	6 (PRODUCT LEVEL)	
	1	1	297-7015	6	BOLT (5/16-18X2-IN)						
M	2	1	8T-4196	10	BOLT (M10X1.5X35-MM)						
	3	1	8T-4224	6	WASHER-HARD (8.8X16X2-MM THK)						
	4	1	8T-4121	10	WASHER-HARD (11X21X2.5-MM THK)						
Y	5	1	482-2978	1	TRANSMISSION AR-POWER SHIFT						582

M - METRIC PART

Y - SEPARATE ILLUSTRATION



GRAPHIC #1

<END>

g06049081

POWER TRAIN

500-4361 TRANSMISSION AR

S/N: TH21-UP

PART OF 505-5340 TRANSMISSION AR
AN ATTACHMENT

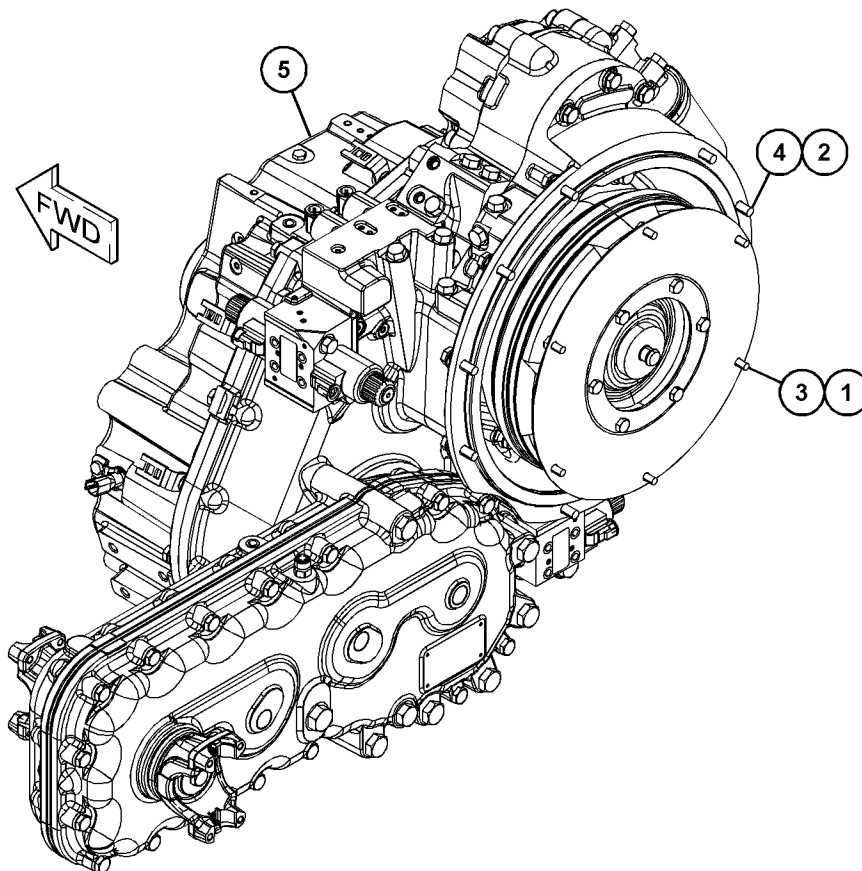
SMCS-3030

i06608784

NOTE	REF NO	GRAPHIC REF	PART NUMBER	QTY	PART NAME						SEE PAGE
					1	2	3	4	5	6 (PRODUCT LEVEL)	
	1	1	297-7015	6	BOLT (5/16-18X2-IN)						
M	2	1	8T-4196	10	BOLT (M10X1.5X35-MM)						
	3	1	8T-4224	6	WASHER-HARD (8.8X16X2-MM THK)						
	4	1	8T-4121	10	WASHER-HARD (11X21X2.5-MM THK)						
Y	5	1	460-9942	1	TRANSMISSION AR						574

M - METRIC PART

Y - SEPARATE ILLUSTRATION



GRAPHIC #1

<END>

g06093624

POWER TRAIN

500-4362 TRANSMISSION AR

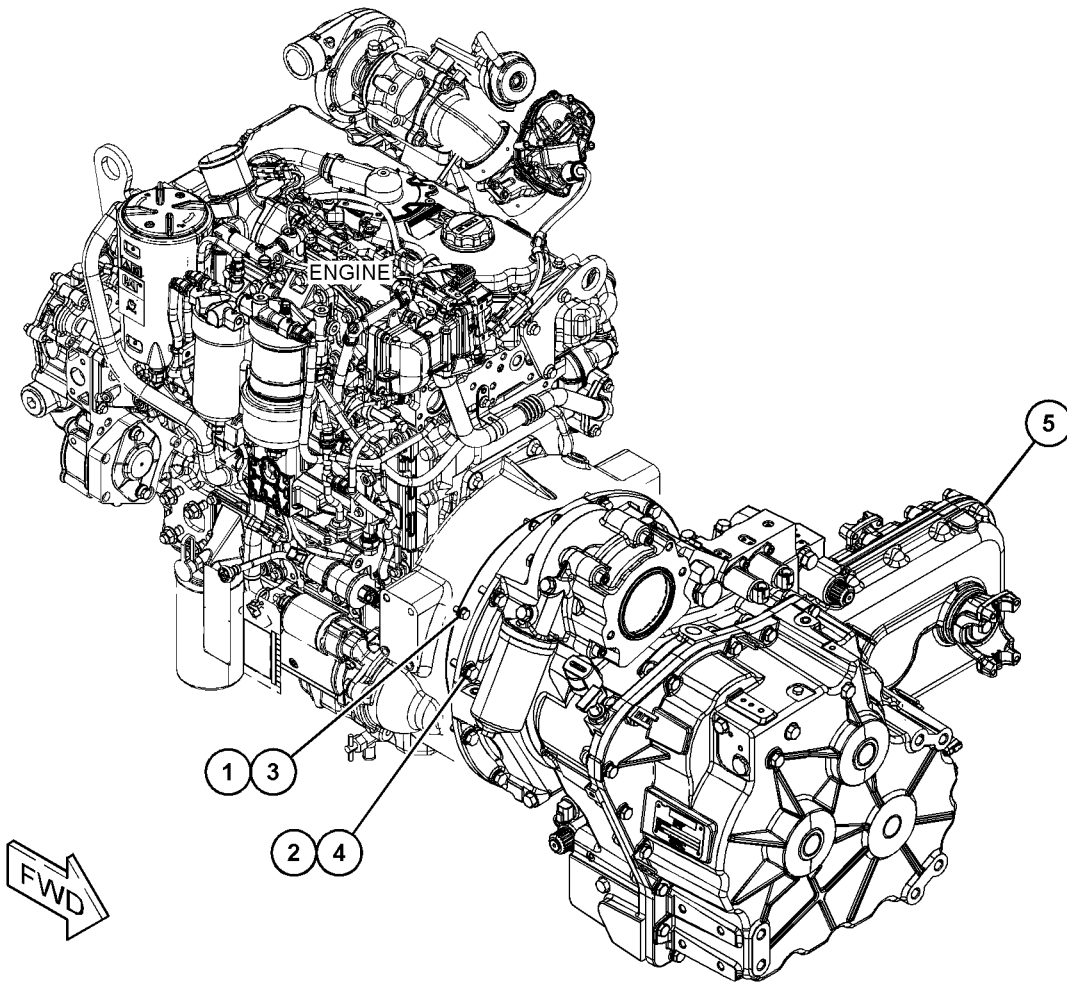
S/N: TH21-UP; TH31-UP
PART OF 505-5341 TRANSMISSION AR
AN ATTACHMENT

SMCS-3030

i06601137

NOTE	REF NO	GRAPHIC REF	PART NUMBER	QTY	PART NAME						SEE PAGE
					1	2	3	4	5	6 (PRODUCT LEVEL)	
	1	1	297-7015	6	BOLT (5/16-18X2-IN)						
M	2	1	8T-4196	10	BOLT (M10X1.5X35-MM)						
	3	1	8T-4224	6	WASHER-HARD (8.8X16X2-MM THK)						
	4	1	8T-4121	10	WASHER-HARD (11X21X2.5-MM THK)						
Y	5	1	460-9943	1	TRANSMISSION AR-POWER SHIFT						580

M - METRIC PART
Y - SEPARATE ILLUSTRATION



GRAPHIC #1

<END>

g06040748

POWER TRAIN

500-4368 TRANSMISSION AR

S/N: TH21-UP

PART OF 505-5343 TRANSMISSION AR
AN ATTACHMENT

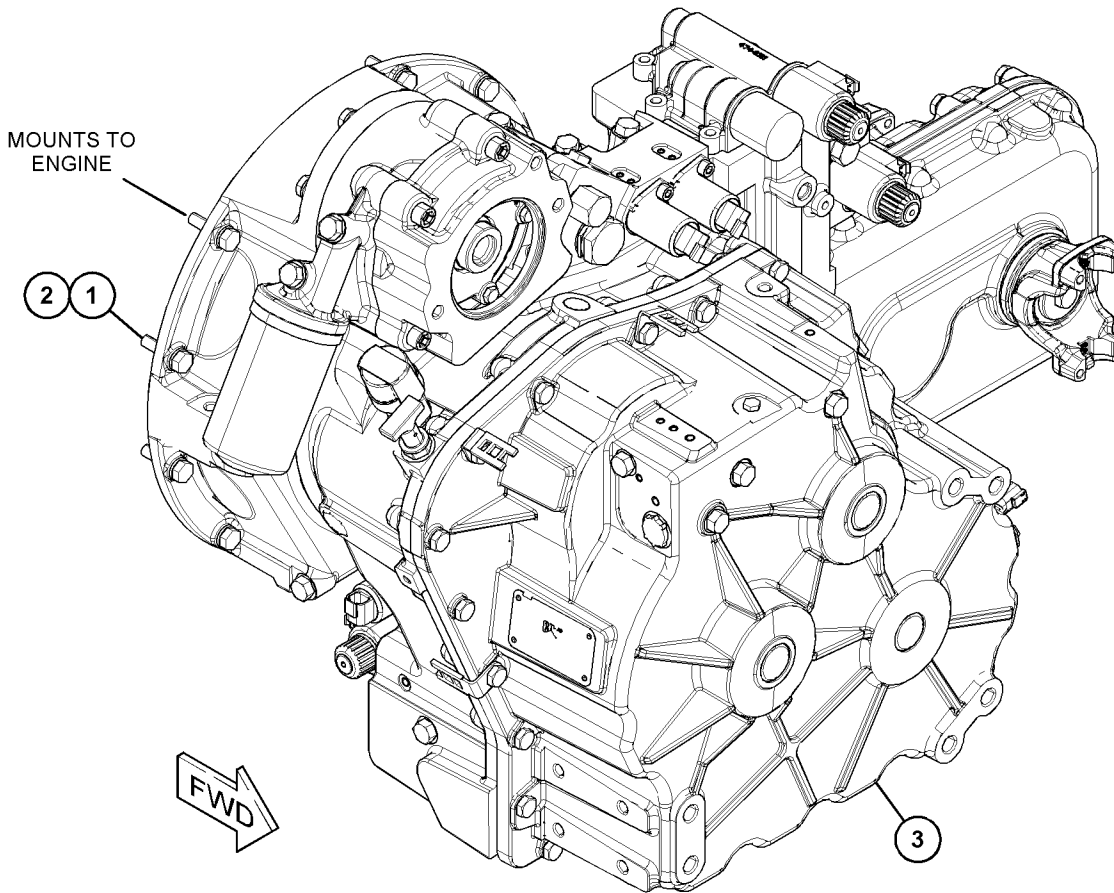
SMCS-3030

i06601132

NOTE	REF NO	GRAPHIC REF	PART NUMBER	QTY	PART NAME						SEE PAGE
					1	2	3	4	5	6 (PRODUCT LEVEL)	
M	1	1	8T-4186	10	BOLT (M10X1.5X40-MM)						
	2	1	8T-4121	10	WASHER-HARD (11X21X2.5-MM THK)						
Y	3	1	468-0145	1	TRANSMISSION AR-POWER SHIFT						582

M - METRIC PART

Y - SEPARATE ILLUSTRATION



GRAPHIC #1

<END>

g06049216

POWER TRAIN

505-5329 TRANSMISSION AR

S/N: TH31-UP

PART OF 505-5387 ENGINE AR-COMPLETE
AN ATTACHMENT

SMCS-3030

i06603084

NOTE	PART NUMBER	QTY	PART NAME						SEE PAGE
			1	2	3	4	5	6 (PRODUCT LEVEL)	
Y	500-3084	1	SENSOR GP-TEMPERATURE (TRANSMISSION)						427
Y	496-6524	1	SHAFT GP-DRIVE						536
Y	500-4353	1	TRANSMISSION AR						575

Y - SEPARATE ILLUSTRATION

<END>

505-5340 TRANSMISSION AR

S/N: TH21-UP

PART OF 505-6163 ENGINE AR-COMPLETE
AN ATTACHMENT

SMCS-3030

i06608785

NOTE	PART NUMBER	QTY	PART NAME						SEE PAGE
			1	2	3	4	5	6 (PRODUCT LEVEL)	
Y	500-3084	1	SENSOR GP-TEMPERATURE (TRANSMISSION)						427
Y	496-6524	1	SHAFT GP-DRIVE						536
Y	500-4361	1	TRANSMISSION AR						576

Y - SEPARATE ILLUSTRATION

<END>

505-5341 TRANSMISSION AR

S/N: TH21-UP; TH31-UP

PART OF 505-6119, 505-6164, 505-6167 ENGINE AR-COMPLETE
AN ATTACHMENT

SMCS-3030

i06601139

NOTE	PART NUMBER	QTY	PART NAME						SEE PAGE
			1	2	3	4	5	6 (PRODUCT LEVEL)	
Y	500-3084	1	SENSOR GP-TEMPERATURE (TRANSMISSION)						427
Y	496-6524	1	SHAFT GP-DRIVE						536
Y	500-4362	1	TRANSMISSION AR						577

Y - SEPARATE ILLUSTRATION

<END>

505-5343 TRANSMISSION AR

S/N: TH21-UP

PART OF 505-6165, 505-6168 ENGINE AR-COMPLETE
AN ATTACHMENT

SMCS-3030

i06601113

NOTE	PART NUMBER	QTY	PART NAME						SEE PAGE
			1	2	3	4	5	6 (PRODUCT LEVEL)	
Y	500-4367	1	FITTING GP-HYDRAULIC (TRANSMISSION)						680
Y	496-8124	1	SHAFT GP-DRIVE						537
Y	500-4363	1	SWITCH GP-TRANSMISSION						438
Y	500-4368	1	TRANSMISSION AR						578

Y - SEPARATE ILLUSTRATION

<END>

POWER TRAIN

460-9943 TRANSMISSION AR-POWER SHIFT

S/N: SD31-UP; H5E1-UP
 PART OF 500-4362 TRANSMISSION AR
 AN ATTACHMENT

SMCS-3030

i06938268

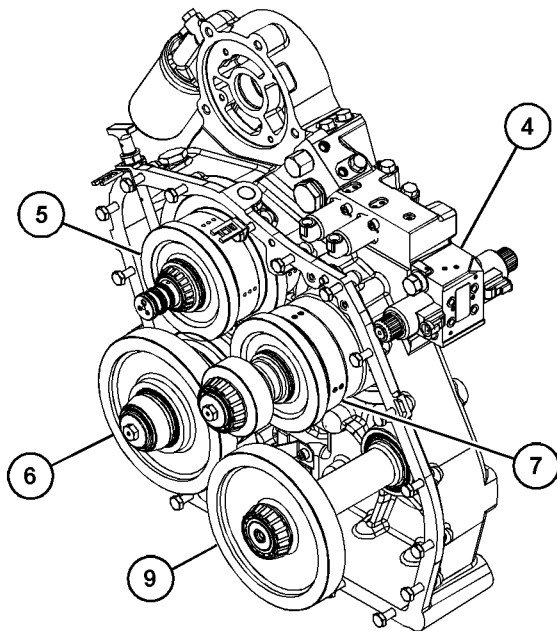
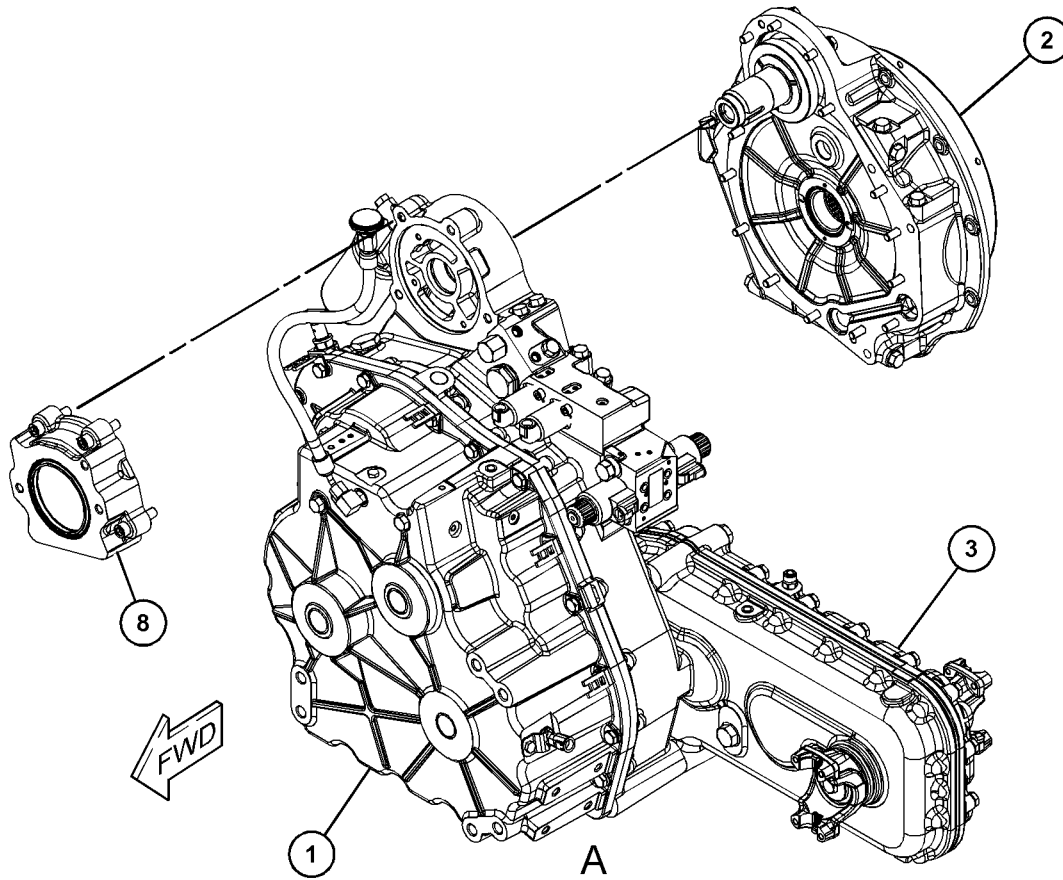
NOTE	REF NO	GRAPHIC REF	PART NUMBER	QTY	PART NAME						SEE PAGE
					1	2	3	4	5	6 (PRODUCT LEVEL)	
Y	1	1	482-1134	1	CASE & PARTS GP-PLANETARY						495
Y	2	1	453-9535	1	TORQUE CONVERTER GP						570
Y	3	1	460-9945	1	GEAR & CASE GP-TRANSFER						523
Y	4	1	418-7411	1	CONTROL GP-TRANSMISSION HYD						519
Y	5	1	334-7556	1	SHAFT GP-INPUT						538
Y	6	1	392-3996	1	CLUTCH & GEAR GP (FORWARD HIGH, 3RD)						517
Y	7	1	334-7532	1	CLUTCH & GEAR GP (1ST, 2ND)						515
Y	8	1	418-7407	1	PUMP GP-TRANSMISSION						535
Y	9	1	334-7541	1	SHAFT GP-OUTPUT						542
FY		1	526-0637	1	GEAR & CASE GP-TRANSFER						526
FY		1	526-0654	1	TRANSMISSION AR-POWER SHIFT						583

F - NOT SHOWN
 Y - SEPARATE ILLUSTRATION

POWER TRAIN

460-9943 TRANSMISSION AR-POWER SHIFT (contd.)

106938268



VIEW OF AREA A
(PARTS REMOVED FOR CLARITY)

GRAPHIC #1

<END>

g06179757

POWER TRAIN

468-0145 TRANSMISSION AR-POWER SHIFT

S/N: HA51-UP

PART OF 500-4368 TRANSMISSION AR
AN ATTACHMENT AND FIELD INSTALLATION

SMCS-3030

i06601134

NOTE	PART NUMBER	QTY	PART NAME						SEE PAGE
			1	2	3	4	5	6 (PRODUCT LEVEL)	
Y	468-0122	1	CASE GP-TRANSMISSION						506
Y	334-7532	1	CLUTCH & GEAR GP (1ST, 2ND)						515
Y	392-3996	1	CLUTCH & GEAR GP (FORWARD HIGH, 3RD)						517
Y	468-0120	1	CONTROL GP-TRANSMISSION HYD						520
Y	460-9945	1	GEAR & CASE GP-TRANSFER						523
Y	418-7407	1	PUMP GP-TRANSMISSION						535
Y	468-0119	1	SHAFT GP-INPUT						540
Y	334-7541	1	SHAFT GP-OUTPUT						542
Y	468-0123	1	TORQUE CONVERTER GP						572

Y - SEPARATE ILLUSTRATION

<END>

482-2978 TRANSMISSION AR-POWER SHIFT

S/N: BK21-UP; H5F1-UP

PART OF 500-4353 TRANSMISSION AR
AN ATTACHMENT

SMCS-3030

i06603087

NOTE	PART NUMBER	QTY	PART NAME						SEE PAGE
			1	2	3	4	5	6 (PRODUCT LEVEL)	
Y	482-1134	1	CASE & PARTS GP-PLANETARY						495
Y	334-7532	1	CLUTCH & GEAR GP (1ST, 2ND)						515
Y	392-3996	1	CLUTCH & GEAR GP (FORWARD HIGH, 3RD)						517
Y	418-7411	1	CONTROL GP-TRANSMISSION HYD						519
Y	459-8308	1	GEAR GP-TRANSFER						529
Y	418-7407	1	PUMP GP-TRANSMISSION						535
Y	334-7556	1	SHAFT GP-INPUT						538
Y	334-7541	1	SHAFT GP-OUTPUT						542
Y	453-9534	1	TORQUE CONVERTER GP						568

Y - SEPARATE ILLUSTRATION

<END>

POWER TRAIN

526-0654 TRANSMISSION AR-POWER SHIFT

S/N: SD31-UP; H5E1-UP

PART OF 460-9943 TRANSMISSION AR-POWER SHIFT
AN ATTACHMENT

SMCS-3030

i06938272

NOTE	REF NO	GRAPHIC REF	PART NUMBER	QTY	PART NAME						SEE PAGE
					1	2	3	4	5	6 (PRODUCT LEVEL)	
Y	1	1	482-1134	1	CASE & PARTS GP-PLANETARY						495
Y	2	1	453-9535	1	TORQUE CONVERTER GP						570
Y	3	1	418-7411	1	CONTROL GP-TRANSMISSION HYD						519
Y	4	1	334-7556	1	SHAFT GP-INPUT						538
Y	5	1	392-3996	1	CLUTCH & GEAR GP (FORWARD HIGH, 3RD)						517
Y	6	1	334-7532	1	CLUTCH & GEAR GP (1ST, 2ND)						515
Y	7	1	418-7407	1	PUMP GP-TRANSMISSION						535
Y	8	1	334-7541	1	SHAFT GP-OUTPUT						542

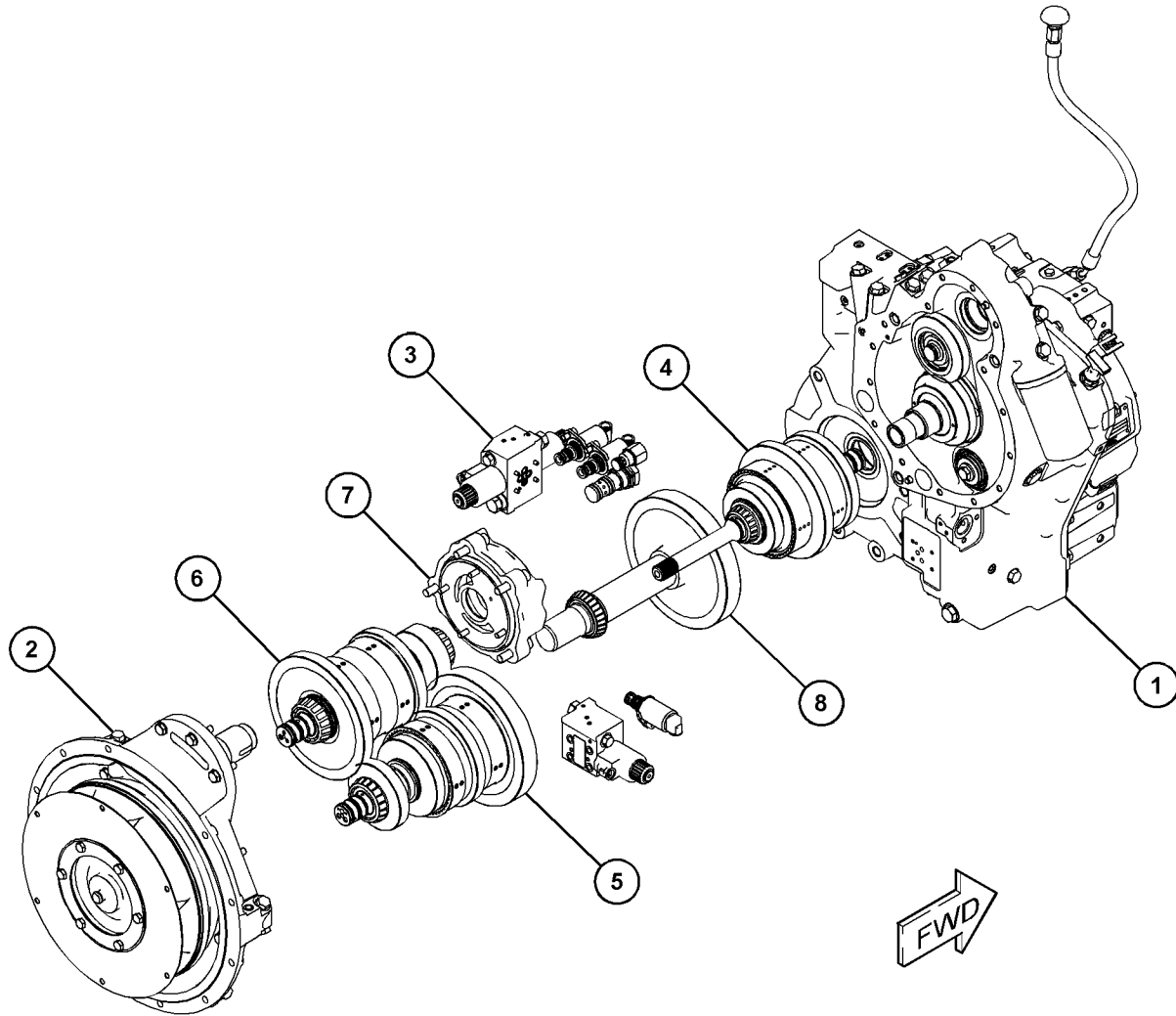
PARTS SHOWN IN GRAPHIC(S) WITHOUT A REFERENCE NUMBER ARE NOT SERVICED SEPARATELY

Y - SEPARATE ILLUSTRATION

POWER TRAIN

526-0654 TRANSMISSION AR-POWER SHIFT (contd.)

i06938272



GRAPHIC #1

<END>

g06177271

POWER TRAIN

391-9654 VALVE GP-SOLENOID-MODULATING

S/N: BK21-UP; SD31-UP; CF51-UP; HA51-UP; H5E1-UP; H5F1-UP
12-VDC

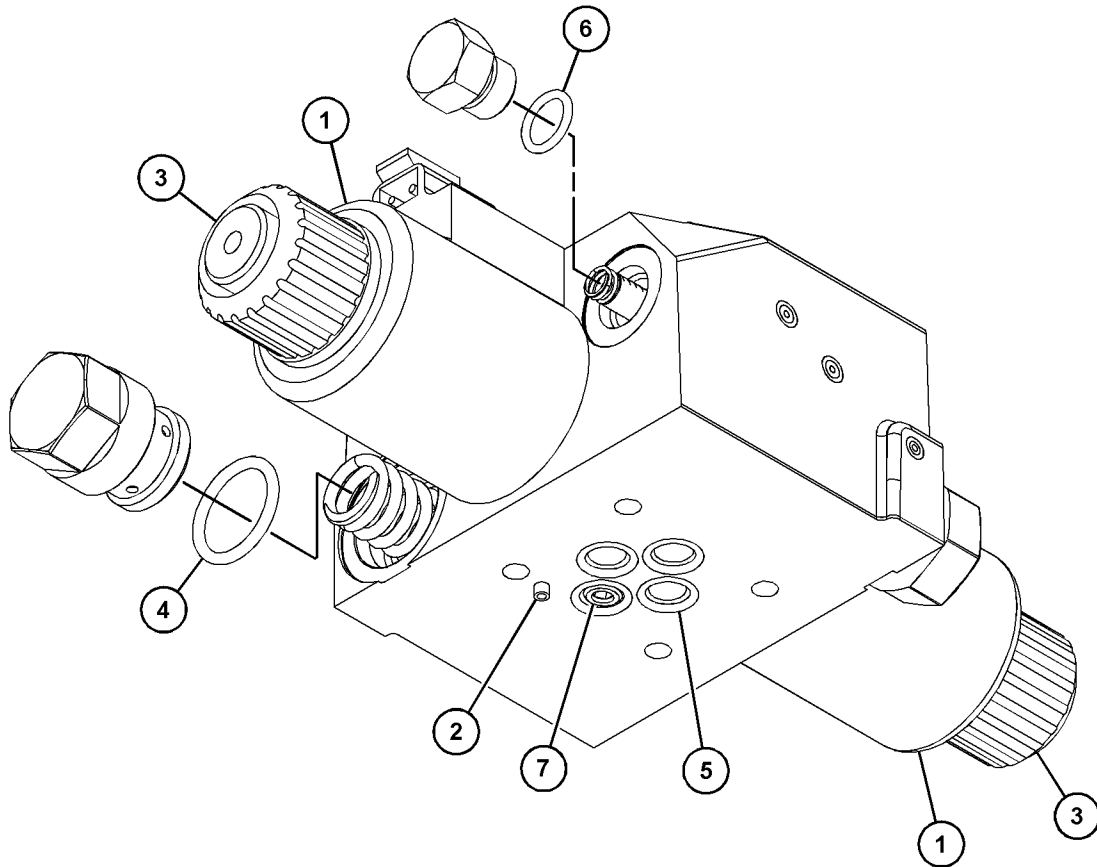
PART OF 418-7411, 468-0120 CONTROL GP-TRANSMISSION HYD
AN ATTACHMENT

SMCS-3174, 5051, 5479

i05751229

NOTE	REF NO	GRAPHIC REF	PART NUMBER	QTY	PART NAME						SEE PAGE
					1	2	3	4	5	6	
	1	1	274-4559	2	COIL AS (12-VOLT)						
	2	1	8L-6565	1	PIN-SPRING						
	3	1	286-0867	2	SOLENOID AS						
					(EACH INCLUDES)						
		1	6V-8399	1	SEAL-O-RING						
		1	274-4560	1	NUT-SELF LOCKING						
	4	1	336-7526	2	SEAL-O-RING						
	5	1	388-8350	4	SEAL-O-RING						
	6	1	336-7529	2	SEAL-O-RING						
	7	1	391-8781	1	PLUG-ORIFICE						

PARTS SHOWN IN GRAPHIC(S) WITHOUT A REFERENCE NUMBER ARE NOT SERVICED SEPARATELY



GRAPHIC #1

<END>

g03667724

POWER TRAIN

399-5410 VALVE GP-SOLENOID-MODULATING

S/N: BK21-UP; SD31-UP; CF51-UP; HA51-UP; H5E1-UP; H5F1-UP
12-VDC

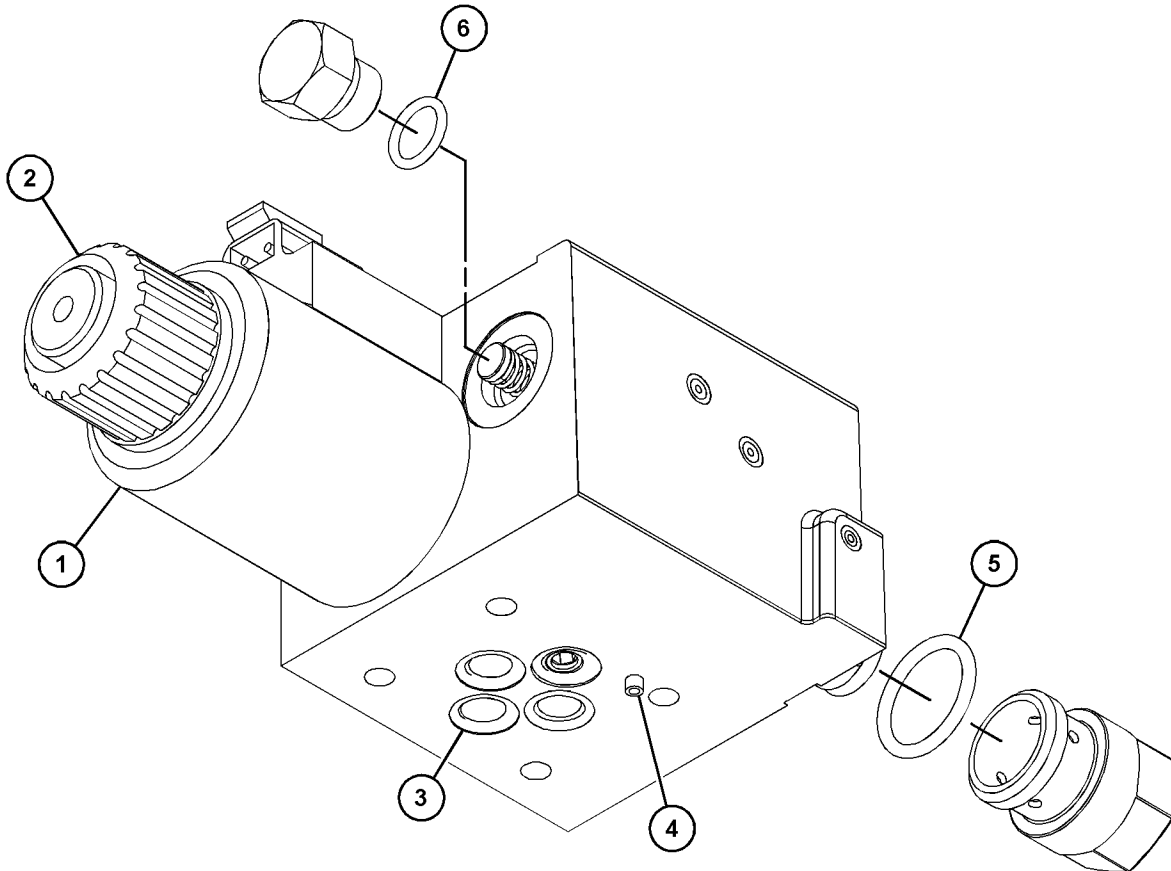
PART OF 418-7411, 468-0120 CONTROL GP-TRANSMISSION HYD
AN ATTACHMENT

SMCS-3174, 5051, 5479

i05751232

NOTE	REF NO	GRAPHIC REF	PART NUMBER	QTY	PART NAME						SEE PAGE
					1	2	3	4	5	6 (PRODUCT LEVEL)	
	1	1	274-4559	1	COIL AS (12-VOLT)						
	2	1	286-0867	1	SOLENOID AS						
		1	6V-8399	1	SEAL-O-RING						
		1	274-4560	1	NUT-SELF LOCKING						
3		1	388-8350	4	SEAL-O-RING						
4		1	8L-6565	1	PIN-SPRING						
5		1	336-7526	1	SEAL-O-RING						
6		1	336-7529	1	SEAL-O-RING						

PARTS SHOWN IN GRAPHIC(S) WITHOUT A REFERENCE NUMBER ARE NOT SERVICED SEPARATELY



GRAPHIC #1

<END>

g03667783

POWER TRAIN

6D-0337 VALVE GP-TIRE

S/N: TH21-UP; TH31-UP

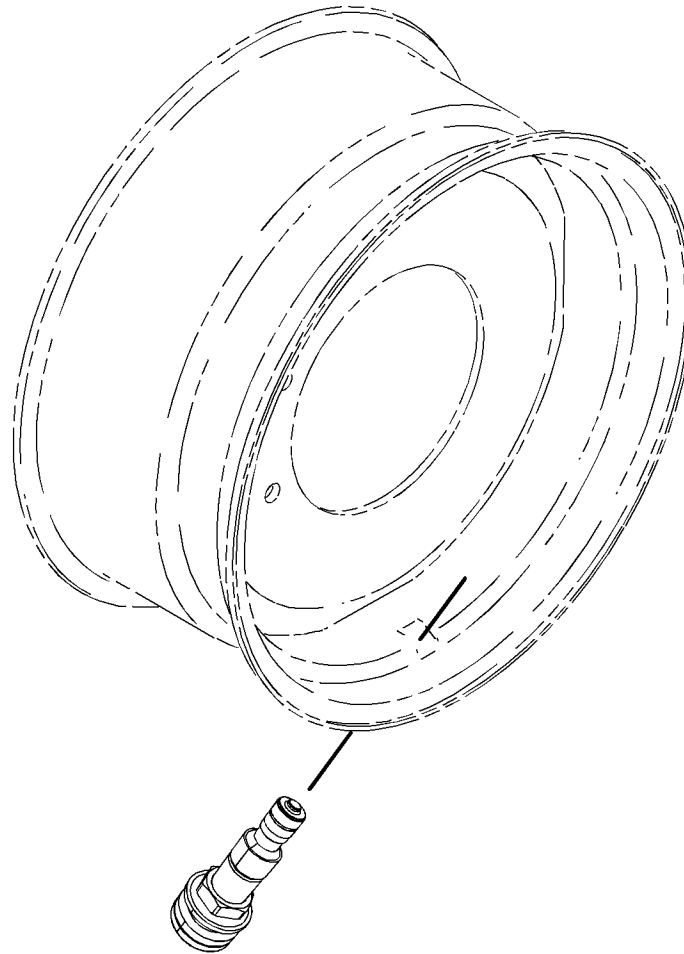
PART OF 526-4259, 526-5726, 526-5727, 526-5728, 526-6911, 526-6913, 526-6914, 526-7162, 526-7163, 526-9589, 526-9591, 526-9592, 526-9593 TIRE & RIM GP
AN ATTACHMENT

SMCS-4203, 4209

i05600611

NOTE	REF NO	GRAPHIC REF	PART NUMBER	QTY	PART NAME						SEE PAGE
					1	2	3	4	5	6 (PRODUCT LEVEL)	

(NO SERVICED PARTS)



GRAPHIC #1

<END>

g02718908

POWER TRAIN

526-4258 WHEEL & TIRE AR

S/N: TH21-UP; TH31-UP

AN ATTACHMENT

SMCS-4200, 4201, 4202, 4203, 4208, 4209

i06907160

NOTE	PART NUMBER	QTY	PART NAME						SEE PAGE
			1	2	3	4	5	6 (PRODUCT LEVEL)	
Y	526-4259	4	TIRE & RIM GP						555
	486-8069	1	FASTENER GP						
M	5W-1386	32	NUT (M22X1.5-THD)						
	351-7528	32	WASHER (22.5X46X6-MM THK)						
	348-9443	4	FILM-INFORMATION (5.25 BAR)						

M - METRIC PART

Y - SEPARATE ILLUSTRATION

<END>

FRAME AND BODY

541-9094 BOX & MOUNTING GP-TOOL-TOOL BOX

S/N: TH21-UP; TH31-UP

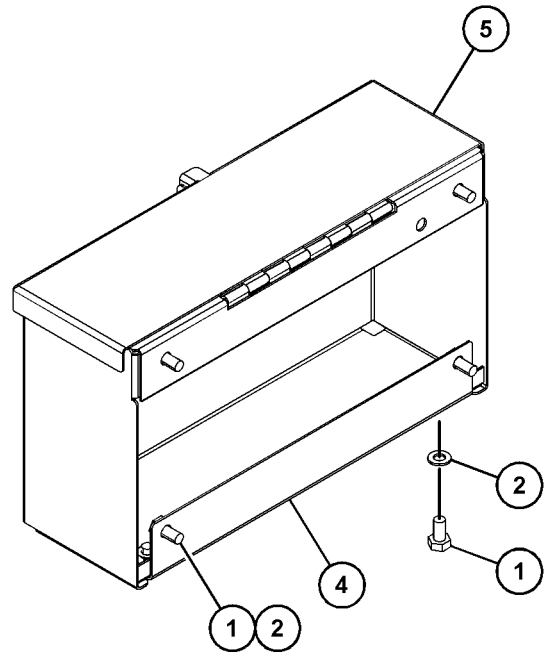
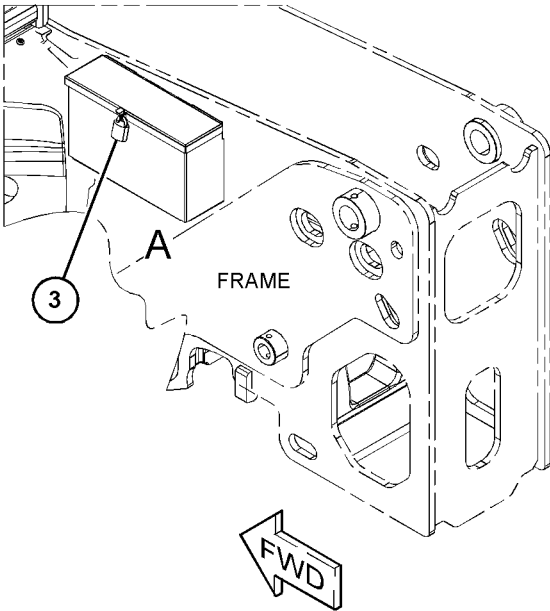
AN ATTACHMENT

SMCS-7259

i07163198

NOTE	REF NO	GRAPHIC REF	PART NUMBER	QTY	PART NAME						SEE PAGE
					1	2	3	4	5	6	
M	1	1	264-3627	6	BOLT (M10X1.5X20-MM)						
	2	1	8T-4121	6	WASHER-HARD (11X21X2.5-MM THK)						
	3	1	246-2641	1	PADLOCK GP						
		1	5P-8500	1	KEY						
	4	1	477-0027	1	BRACKET						
	5	1	485-5329	1	TOOL						

M - METRIC PART



VIEW OF AREA A 90°

GRAPHIC #1

<END>

g06241514

FRAME AND BODY

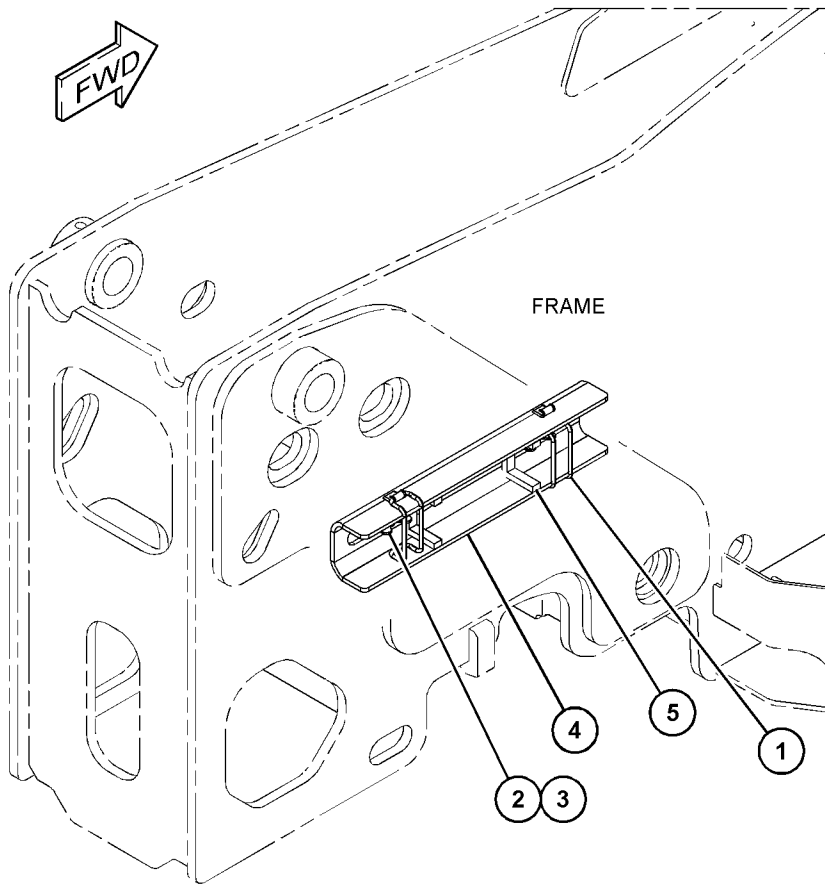
492-5088 BRACKET GP-MOUNTING-BOOM

S/N: TH21-UP
NOT FOR NACD REGION
AN ATTACHMENT

SMCS-1429

i06586863

NOTE	REF NO	GRAPHIC REF	PART NUMBER	QTY	PART NAME						SEE PAGE
					1	2	3	4	5	6 (PRODUCT LEVEL)	
	1	1	329-3624	2	SEAL-O-RING						
	2	1	492-5067	2	NUT-WING						
	3	1	266-5360	2	WASHER (13X37X3-MM THK)						
	4	1	492-5068	1	BRACKET AS						
	5	1	492-5089	2	SEAL						



GRAPHIC #1

<END>

g06039858

FRAME AND BODY

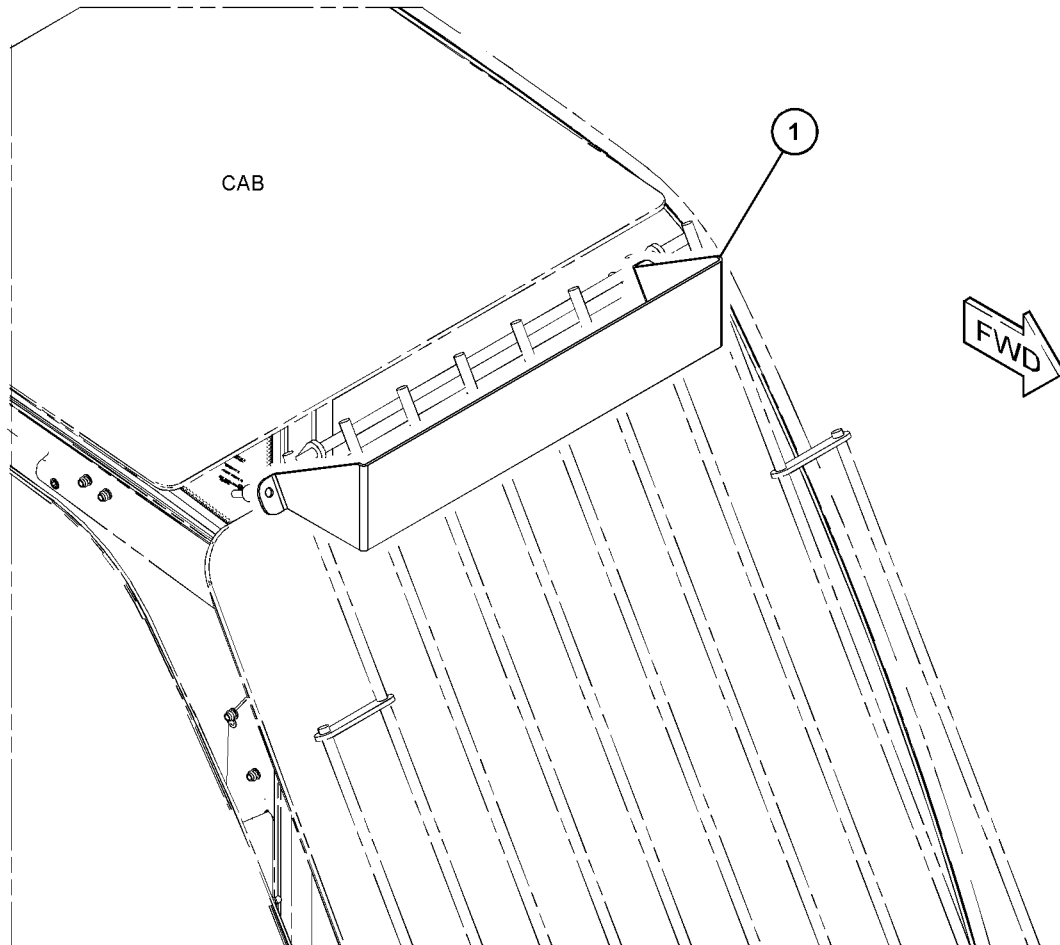
518-2673 BRACKET GP-MOUNTING

S/N: TH21-UP; TH31-UP
FOR USE WITH CAB SCREEN, ROOF GUARD
AN ATTACHMENT

SMCS-1429

i06809292

NOTE	REF NO	GRAPHIC REF	PART NUMBER	QTY	PART NAME						SEE PAGE
					1	2	3	4	5	6 (PRODUCT LEVEL)	
	1	1	518-2671	1	BRACKET						



GRAPHIC #1

<END>

g06125747

FRAME AND BODY

518-2674 BRACKET GP-MOUNTING

S/N: TH21-UP; TH31-UP

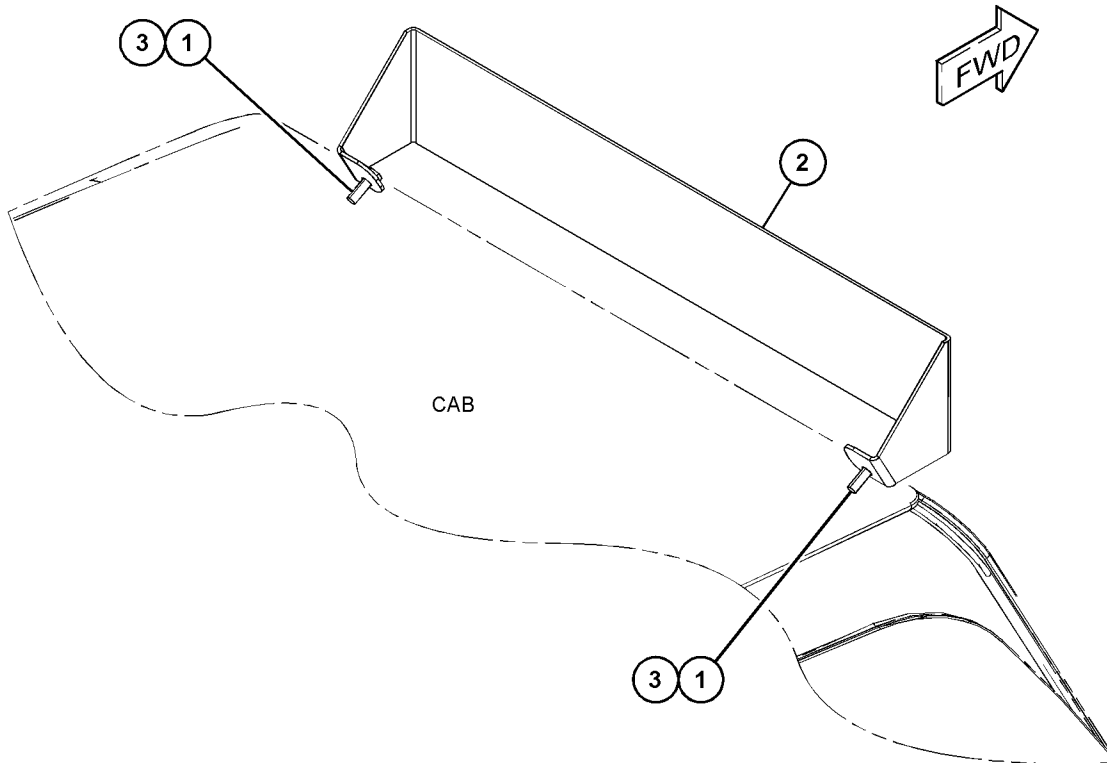
**CANNOT BE USED WITH CAB SCREEN GUARD, ROOF GUARD
AN ATTACHMENT**

SMCS-1429

i06809349

NOTE	REF NO	GRAPHIC REF	PART NUMBER	QTY	PART NAME						SEE PAGE
					1	2	3	4	5	6	
M	1	1	8T-4908	2	BOLT (M8X1.25X25-MM)						
	2	1	518-2672	1	BRACKET						
	3	1	8T-4224	2	WASHER-HARD (8.8X16X2-MM THK)						

M - METRIC PART



GRAPHIC #1

<END>

g06125533

FRAME AND BODY

495-8844 COUNTERWEIGHT & MOUNTING GP

S/N: TH21-UP; TH31-UP

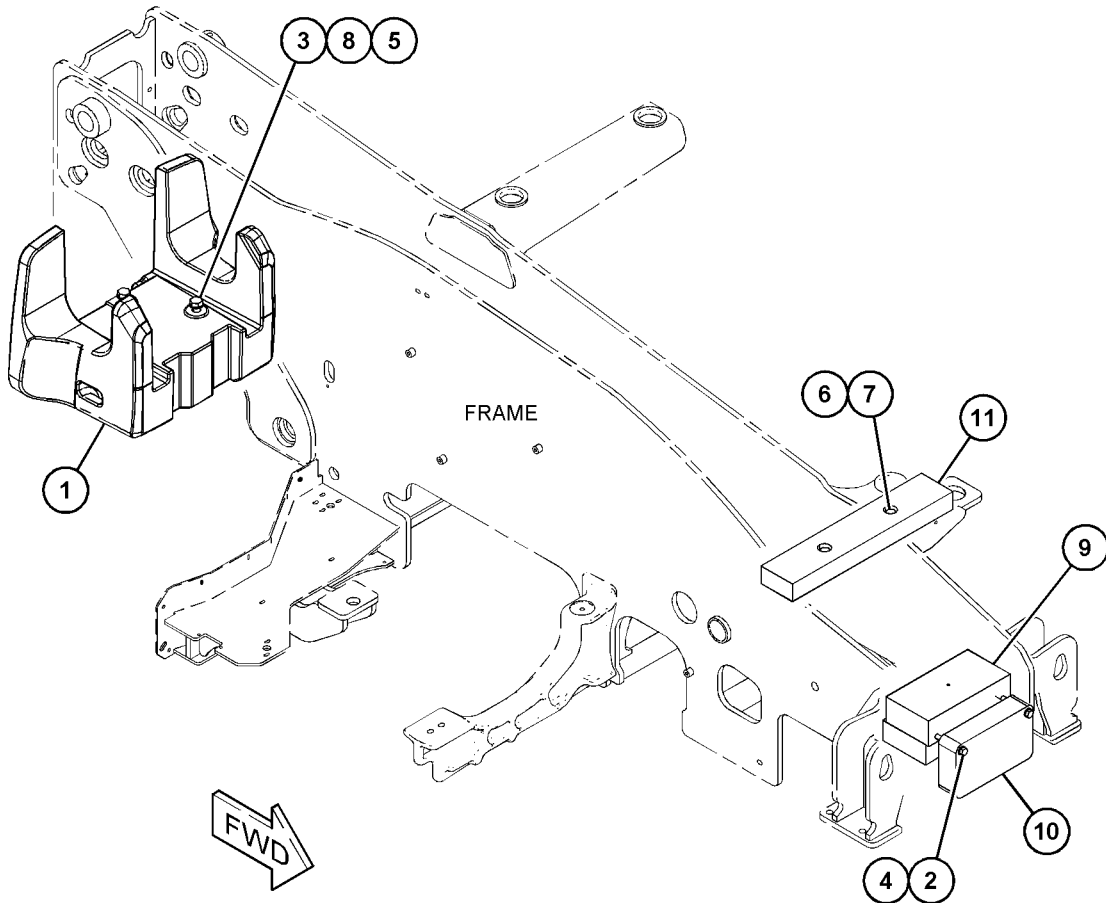
PART OF 505-5033, 505-5035 CHASSIS AR

SMCS-7056

i06603107

NOTE	REF NO	GRAPHIC REF	PART NUMBER	QTY	PART NAME						SEE PAGE
					1	2	3	4	5	6 (PRODUCT LEVEL)	
	1	1	495-8506	1	COUNTERWEIGHT						
M	2	1	7X-2557	2	BOLT (M16X2X140-MM)						
M	3	1	483-1385	3	BOLT (M24X3X200-MM)						
	4	1	9X-8257	2	WASHER (17.5X30X3.5-MM THK)						
M	5	1	7X-0851	3	NUT (M24X3-THD)						
	6	1	7Y-1858	2	WASHER (21X37X3-MM THK)						
M	7	1	495-8561	2	BOLT (M20X2.5X75-MM)						
	8	1	8T-4167	6	WASHER-HARD (26X44X4-MM THK)						
	9	1	495-8833	1	PLATE AS						
	10	1	495-8834	1	PLATE						
	11	1	495-8835	1	PLATE						

M - METRIC PART



GRAPHIC #1

<END>

g06045583

FRAME AND BODY

505-0886 COUNTERWEIGHT GP

S/N: TH21-UP

60-KG (132.2-LB)

PART OF 495-2470, 495-2471, 495-2472, 495-2473, 495-2474, 495-2475, 495-2476 HITCH
AR

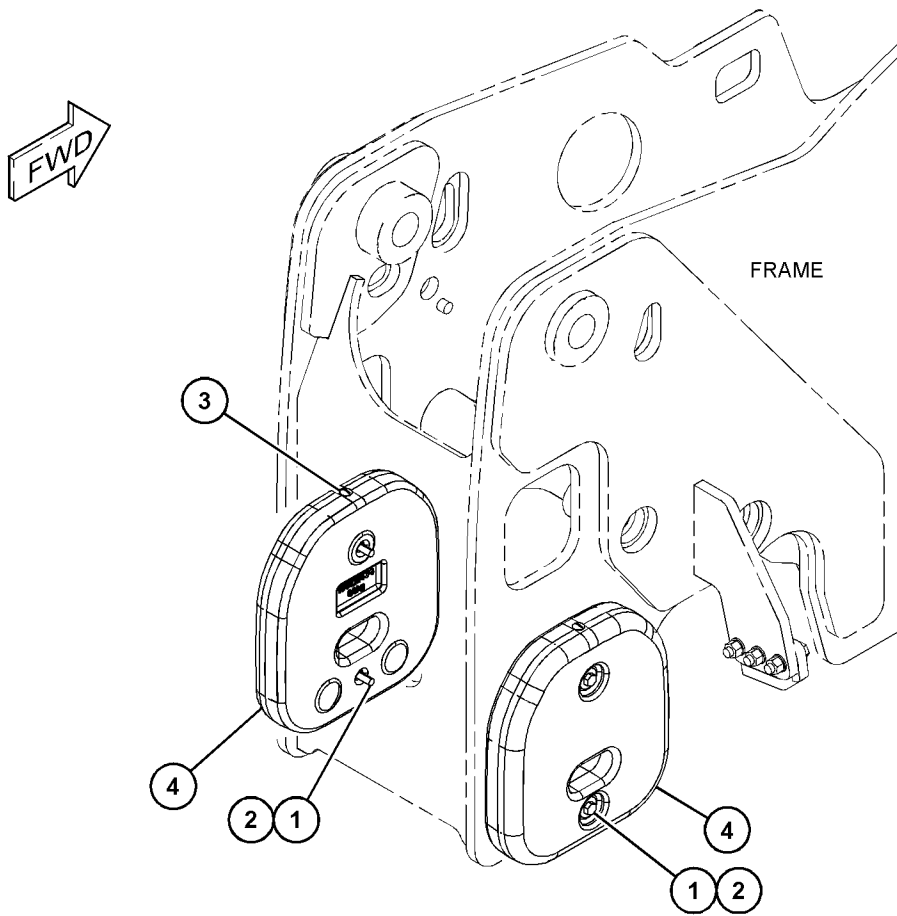
AN ATTACHMENT

SMCS-7056

i06603310

NOTE	REF NO	GRAPHIC REF	PART NUMBER	QTY	PART NAME						SEE PAGE
					1	2	3	4	5	6 (PRODUCT LEVEL)	
M	1	1	8T-6868	4	BOLT (M12X1.75X80-MM)						
	2	1	266-5360	4	WASHER (13X37X3-MM THK)						
	3	1	495-6218	2	SCREW						
	4	1	505-0887	2	COUNTERWEIGHT						

M - METRIC PART



GRAPHIC #1

<END>

g06044056

FRAME AND BODY

474-9856 COVER GP-FRONT

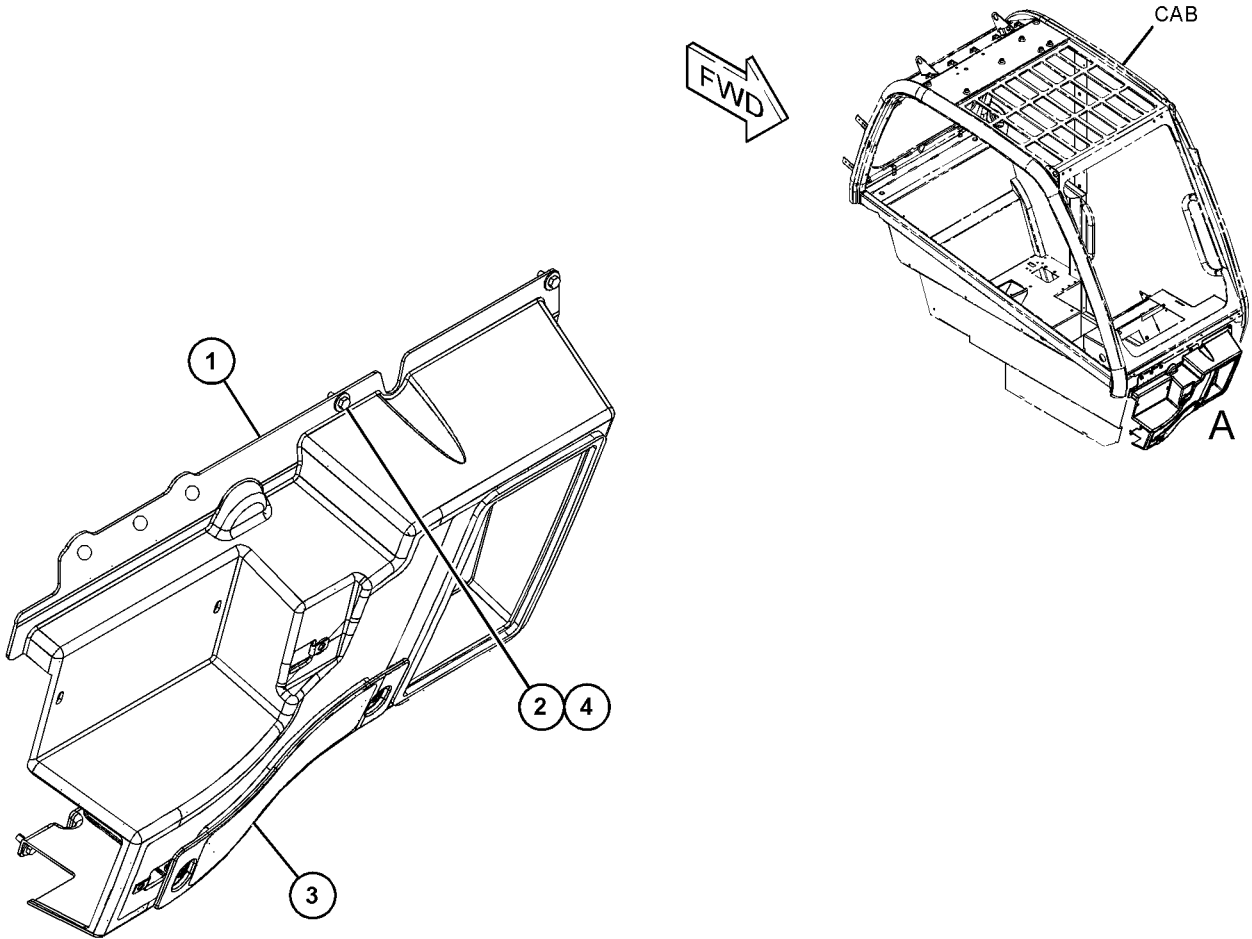
S/N: TH21-UP; TH31-UP
PART OF 495-6202 TRIM GP-CAB
AN ATTACHMENT

SMCS-7150, 7158, 726A, 795C

i06850978

NOTE	REF NO	GRAPHIC REF	PART NUMBER	QTY	PART NAME						SEE PAGE
					1	2	3	4	5	6 (PRODUCT LEVEL)	
	1	1	474-9864	1	COVER GP						
M		1	341-7590	2	NUT (M6X1-THD)						
		1	474-9865	1	SEAL						
		1	474-9866	1	SEAL						
		1	474-9867	2	NUT						
CM	2	1	5C-9553	7	BOLT (M6X1X16-MM)						
	3	1	474-9861	1	PANEL AS						
		1	473-6973	2	SCREW-SPECIAL						
		1	473-6976	2	CLIP-RETAINING						
		1	474-9863	1	CLIP						
	4	1	5W-1417	7	WASHER (6.4X18X1.6-MM THK)						

C - CHANGE FROM PREVIOUS TYPE
M - METRIC PART



VIEW OF AREA A

GRAPHIC #1

<END>

g06144845

FRAME AND BODY

492-4867 COVER GP-ACCESS-REAR

S/N: TH21-UP

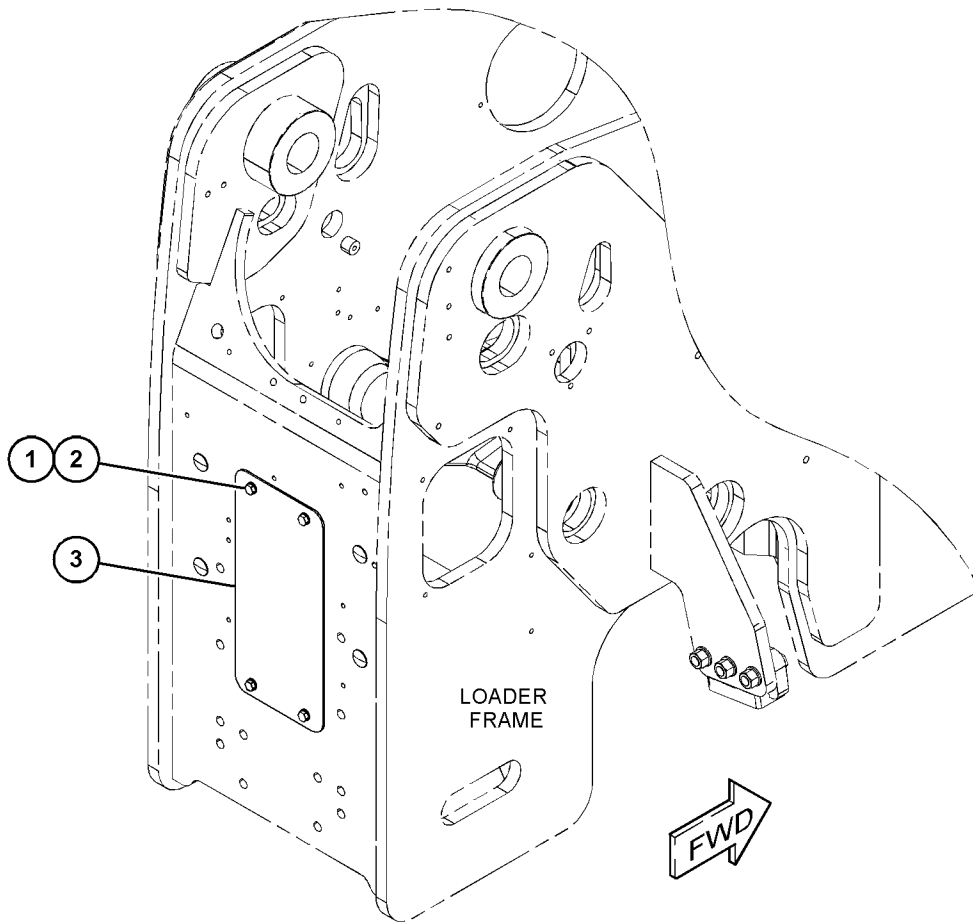
PART OF 495-2470, 495-2471, 495-2472, 495-2473, 495-2474, 495-2475, 495-2476 HITCH
AR
AN ATTACHMENT

SMCS-726A

i06586866

NOTE	REF NO	GRAPHIC REF	PART NUMBER	QTY	PART NAME						SEE PAGE
					1	2	3	4	5	6 (PRODUCT LEVEL)	
M	1	1	8T-4189	2	BOLT (M8X1.25X20-MM)						
	2	1	8T-4224	2	WASHER-HARD (8.8X16X2-MM THK)						
	3	1	492-5074	1	PLATE						

M - METRIC PART



GRAPHIC #1

<END>

g06037463

FRAME AND BODY

496-8305 COVER GP-ACCESS

S/N: TH21-UP; TH31-UP

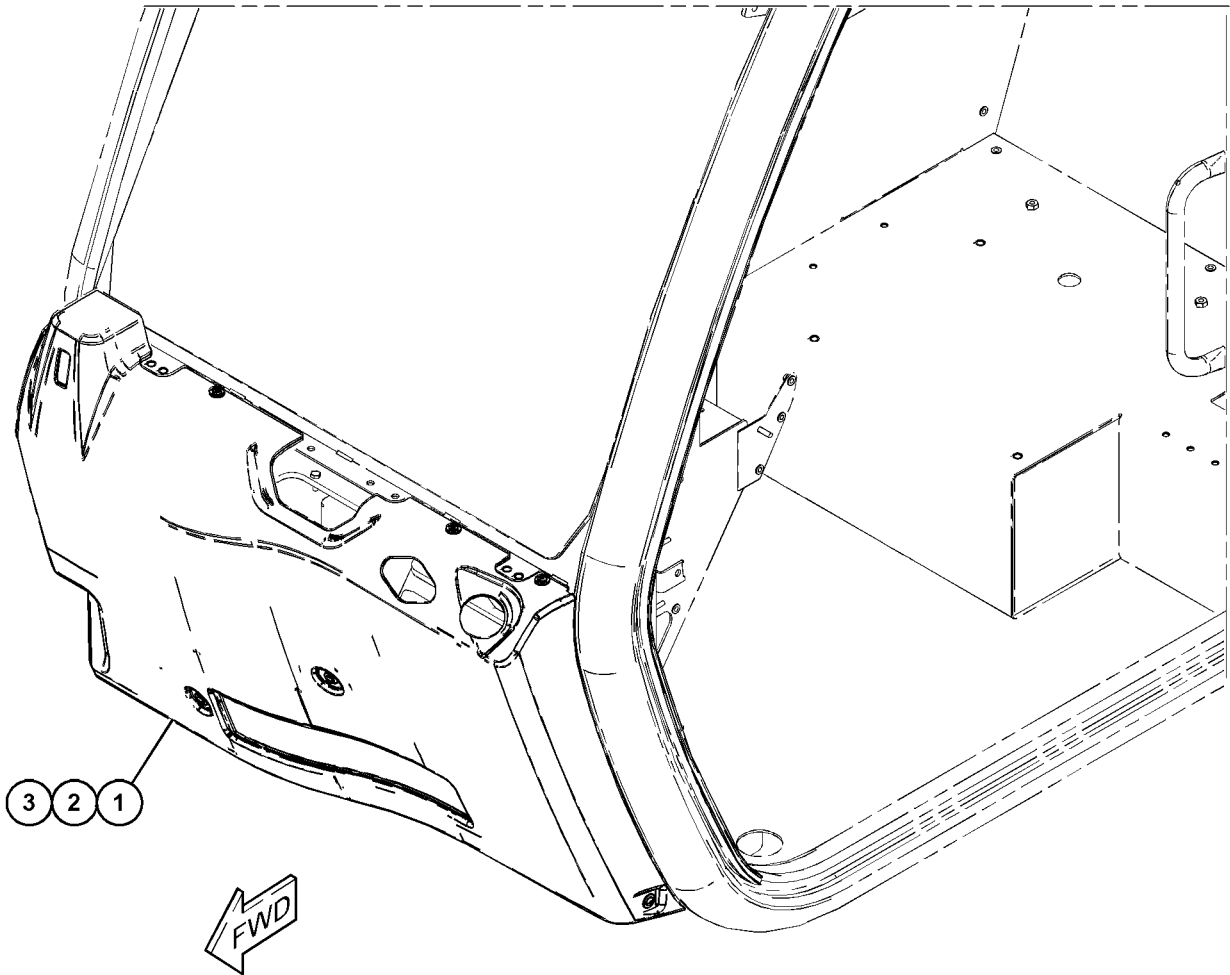
PART OF 505-5033, 505-5035 CHASSIS AR

SMCS-726A

i06823054

NOTE	REF NO	GRAPHIC REF	PART NUMBER	QTY	PART NAME						SEE PAGE
					1	2	3	4	5	6 (PRODUCT LEVEL)	
	1	1	496-8306	1	COVER						
	2	1	5W-1417	6	WASHER (6.4X18X1.6-MM THK)						
M	3	1	166-3777	6	SCREW-BUTTON HEAD (M6X1X28-MM)						

M - METRIC PART



GRAPHIC #1

<END>

g06048878

FRAME AND BODY

499-7305 ENCLOSURE GP-ENGINE-CHASSIS

S/N: TH21-UP; TH31-UP

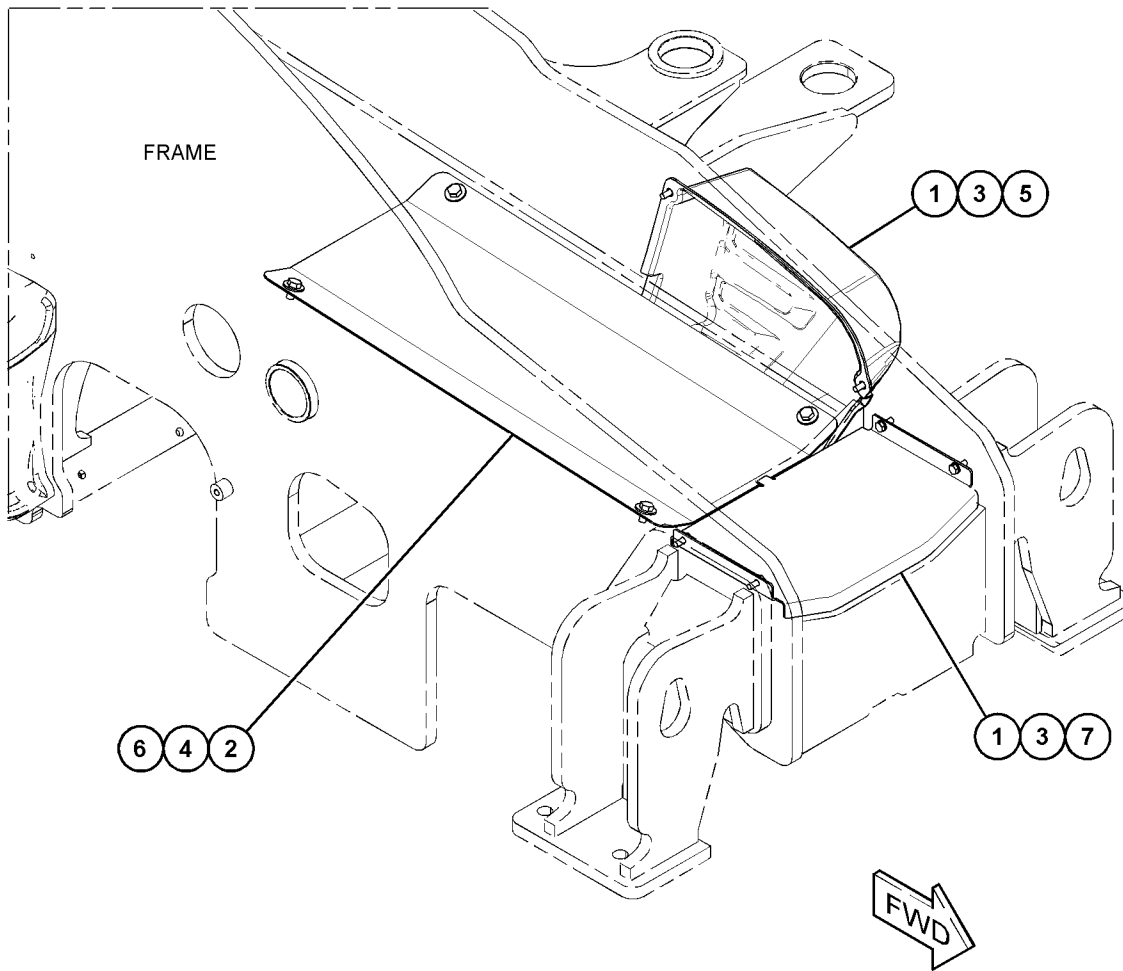
PART OF 505-5033, 505-5035 CHASSIS AR

SMCS-7263

i06603131

NOTE	REF NO	GRAPHIC REF	PART NUMBER	QTY	PART NAME						SEE PAGE
					1	2	3	4	5	6 (PRODUCT LEVEL)	
M	1	1	8T-4189	8	BOLT (M8X1.25X20-MM)						
M	2	1	8T-4137	4	BOLT (M10X1.5X20-MM)						
	3	1	8T-4224	8	WASHER-HARD (8.8X16X2-MM THK)						
	4	1	116-8517	4	WASHER (10.5X30X2.5-MM THK)						
	5	1	499-7306	1	COVER						
	6	1	499-7307	1	PLATE						
	7	1	499-7308	1	PLATE (FRAME)						

M - METRIC PART



GRAPHIC #1

<END>

g06051799

FRAME AND BODY

500-3072 ENCLOSURE GP-ENGINE

S/N: TH21-UP; TH31-UP

PART OF 505-5387, 505-6163 ENGINE AR-COMplete
AN ATTACHMENT

SMCS-7263

i07181240

NOTE	REF NO	GRAPHIC REF	PART NUMBER	QTY	PART NAME						SEE PAGE
					1	2	3	4	5	6 (PRODUCT LEVEL)	
M	1	1	8T-4138	13	BOLT (M6X1X20-MM)						
M	2	1	8T-4195	2	BOLT (M10X1.5X30-MM)						
M	3	1	8T-4137	9	BOLT (M10X1.5X20-MM)						
M	4	1	8T-4136	9	BOLT (M10X1.5X25-MM)						
M	5	1	8T-4139	2	BOLT (M12X1.75X30-MM)						
M	6	1	165-7019	2	BOLT (M12X1.75X45-MM)						
	7	1	8T-4205	4	WASHER-HARD (7.2X14.5X2-MM THK)						
	8	1	8T-4121	20	WASHER-HARD (11X21X2.5-MM THK)						
	9	1	8T-4223	4	WASHER-HARD (13.5X25.5X3-MM THK)						
M	10	1	500-3073	4	BOLT-FLANGE (M10X1.5X20-MM)						
M	11	1	341-7590	9	NUT (M6X1-THD)						
	12	1	459-7674	1	PLATE						
	13	1	500-3074	1	PLATE (REAR EXHAUST)						
	14	1	500-3075	1	COVER						
	15	1	495-6347	2	BRACE						
	16	1	500-3076	2	SPACER (11X16X6-MM THK)						
	17	1	500-3077	1	SEAL						
Y	18	1	500-3069	1	HOOD GP-ENGINE						626
	19	1	500-3078	1	PLATE AS						
	20	1	500-3079	1	PLATE						
	21	1	500-3080	1	PLATE						
	22	1	500-3081	1	PLATE AS						
	23	1	500-3082	1	PLATE (COVER)						
	24	1	500-3083	1	PLATE AS						
	25	1	539-2408	1	PLATE						
M	26	1	388-4063	2	SCREW (M6X16-MM)						
	27	1	5Y-2425	9	WASHER (6.5X17.5X1.5-MM THK)						

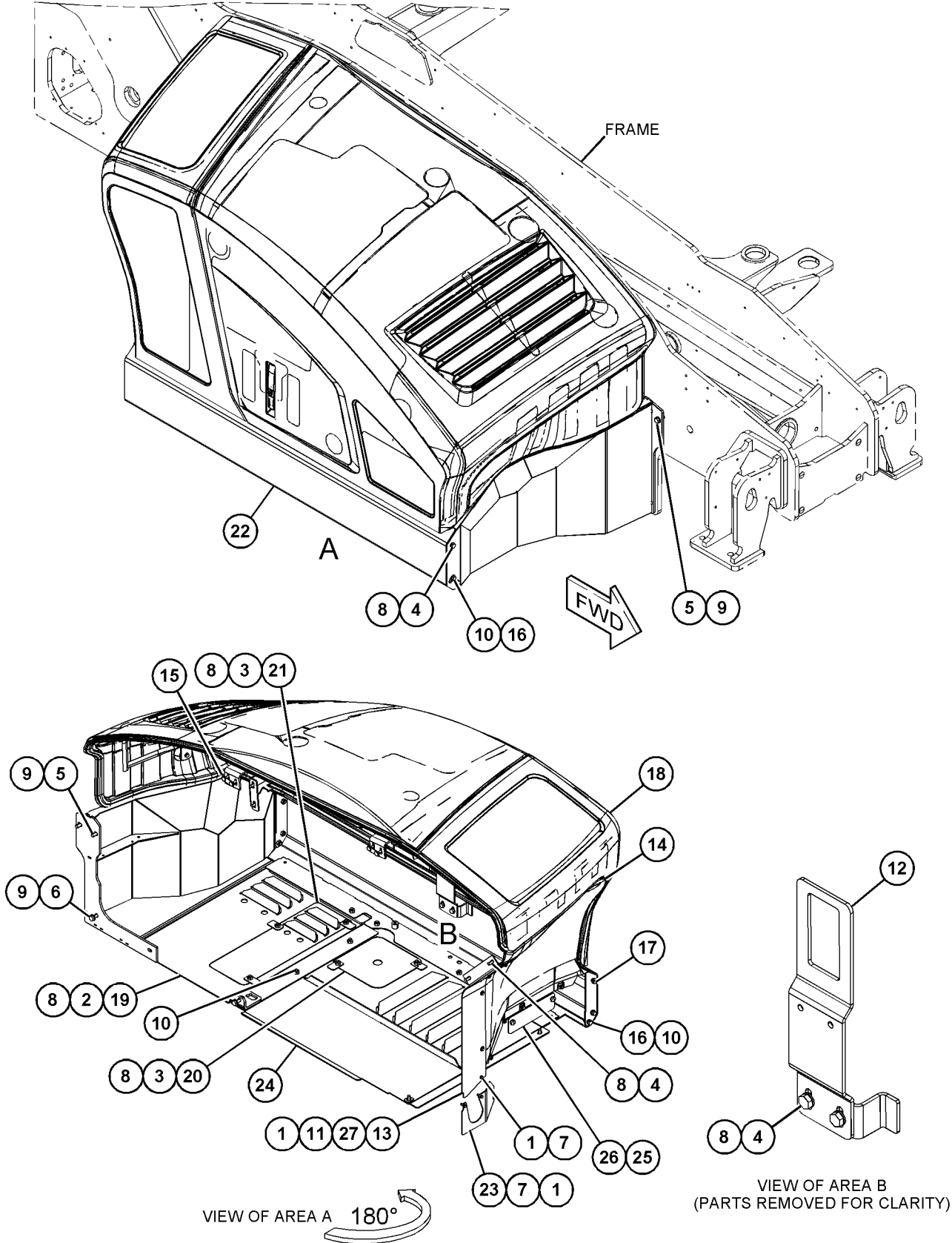
M - METRIC PART

Y - SEPARATE ILLUSTRATION

FRAME AND BODY

500-3072 ENCLOSURE GP-ENGINE (contd.)

i07181240



GRAPHIC #1

<END>

g06245015

FRAME AND BODY

500-4356 ENCLOSURE GP-ENGINE

S/N: TH21-UP; TH31-UP

PART OF 505-6119, 505-6164, 505-6165, 505-6167, 505-6168 ENGINE AR-COMplete
AN ATTACHMENT

SMCS-7263

i07081250

NOTE	REF NO	GRAPHIC REF	PART NUMBER	QTY	PART NAME						SEE PAGE
					1	2	3	4	5	6 (PRODUCT LEVEL)	
M	1	1	8T-4138	13	BOLT (M6X1X20-MM)						
M	2	1	8T-4195	2	BOLT (M10X1.5X30-MM)						
M	3	1	8T-4137	10	BOLT (M10X1.5X20-MM)						
M	4	1	8T-4136	8	BOLT (M10X1.5X25-MM)						
M	5	1	8T-4139	2	BOLT (M12X1.75X30-MM)						
M	6	1	165-7019	2	BOLT (M12X1.75X45-MM)						
M	7	1	5C-7423	4	SCREW (M6X1X16-MM)						
	8	1	8T-4205	4	WASHER-HARD (7.2X14.5X2-MM THK)						
	9	1	8T-4121	20	WASHER-HARD (11X21X2.5-MM THK)						
	10	1	8T-4223	4	WASHER-HARD (13.5X25.5X3-MM THK)						
M	11	1	500-3073	4	BOLT-FLANGE (M10X1.5X20-MM)						
M	12	1	341-7590	9	NUT (M6X1-THD)						
	13	1	459-7674	1	PLATE						
	14	1	500-3074	1	PLATE (REAR EXHAUST)						
	15	1	500-3075	1	COVER						
	16	1	500-4357	1	PLATE						
	17	1	495-6347	2	BRACE						
	18	1	500-3076	2	SPACER (11X16X6-MM THK)						
	19	1	500-3077	1	SEAL						
Y	20	1	<i>500-3069</i>	1	HOOD GP-ENGINE						626
	21	1	500-4359	1	PLATE						
	22	1	500-3078	1	PLATE AS						
	23	1	500-3079	1	PLATE						
	24	1	500-3080	1	PLATE						
	25	1	500-4360	1	PLATE AS						
	26	1	500-3082	1	PLATE (COVER)						
	27	1	500-3083	1	PLATE AS						
	28	1	5W-1417	9	WASHER (6.4X18X1.6-MM THK)						

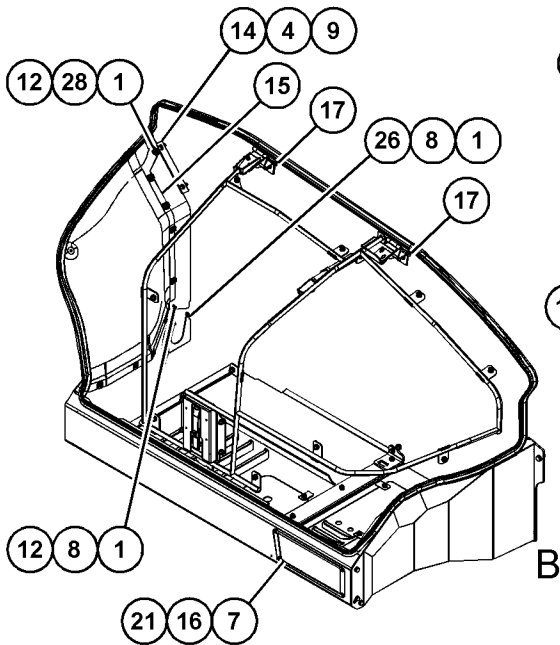
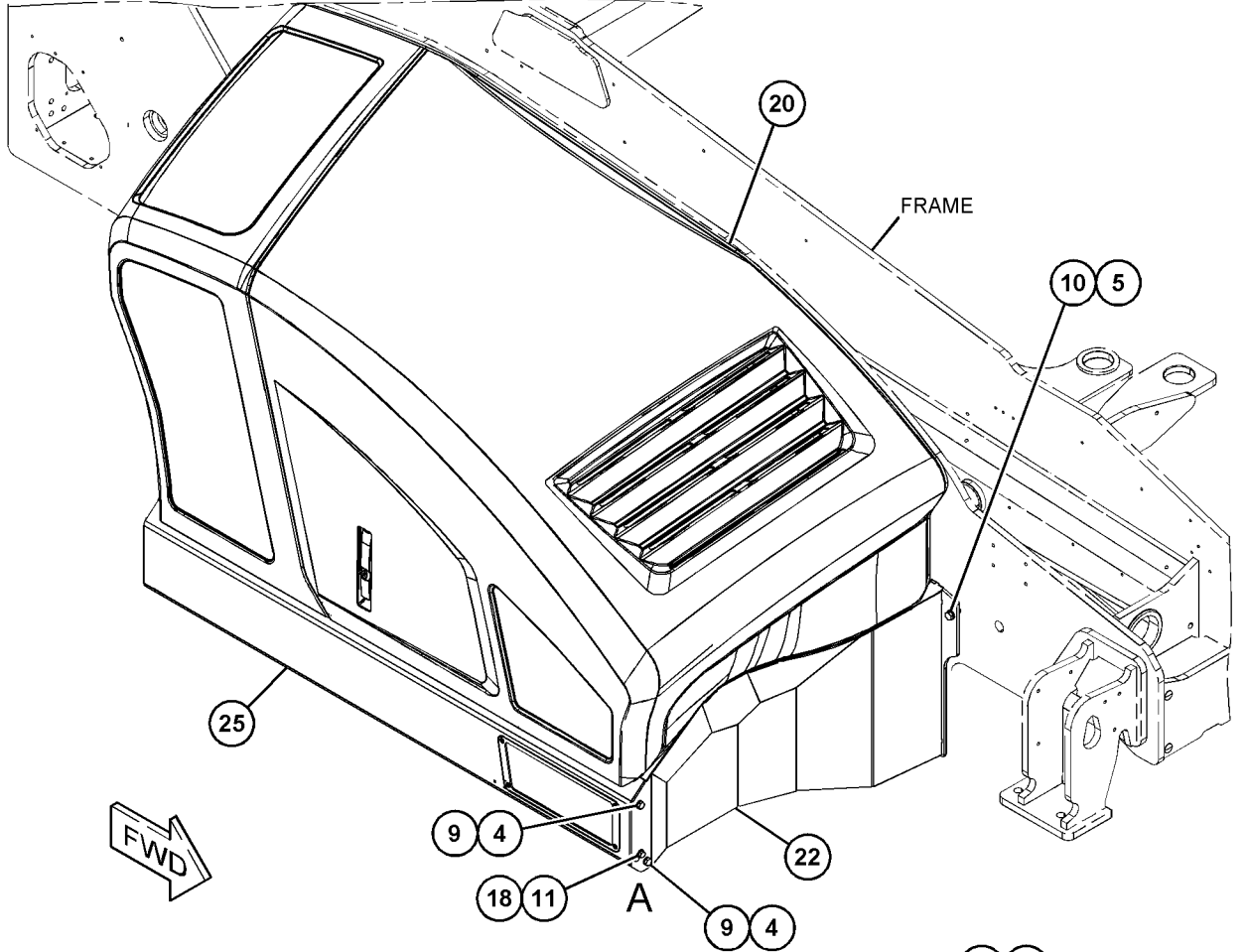
M - METRIC PART

Y - SEPARATE ILLUSTRATION

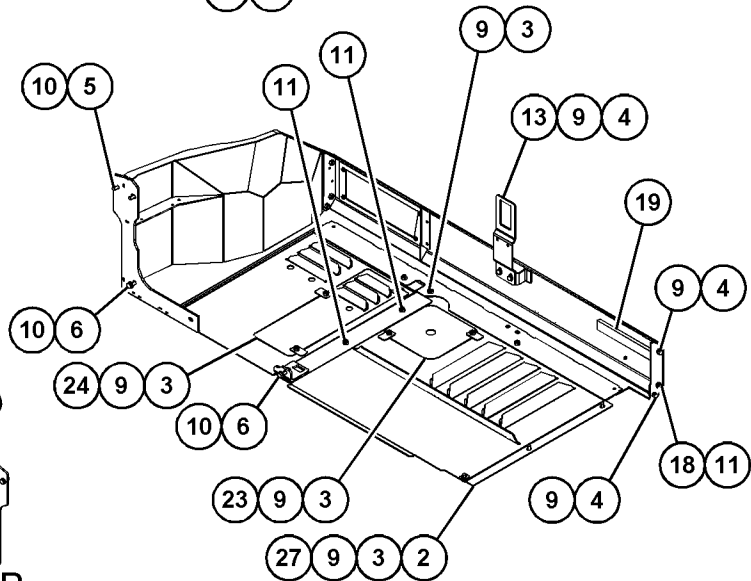
FRAME AND BODY

500-4356 ENCLOSURE GP-ENGINE (contd.)

i07081250



VIEW OF AREA A
(PARTS REMOVED FOR CLARITY)



VIEW OF AREA B
(PARTS REMOVED FOR CLARITY) 180°

GRAPHIC #1

<END>

g06226541

FRAME AND BODY

501-0778 FENDER GP

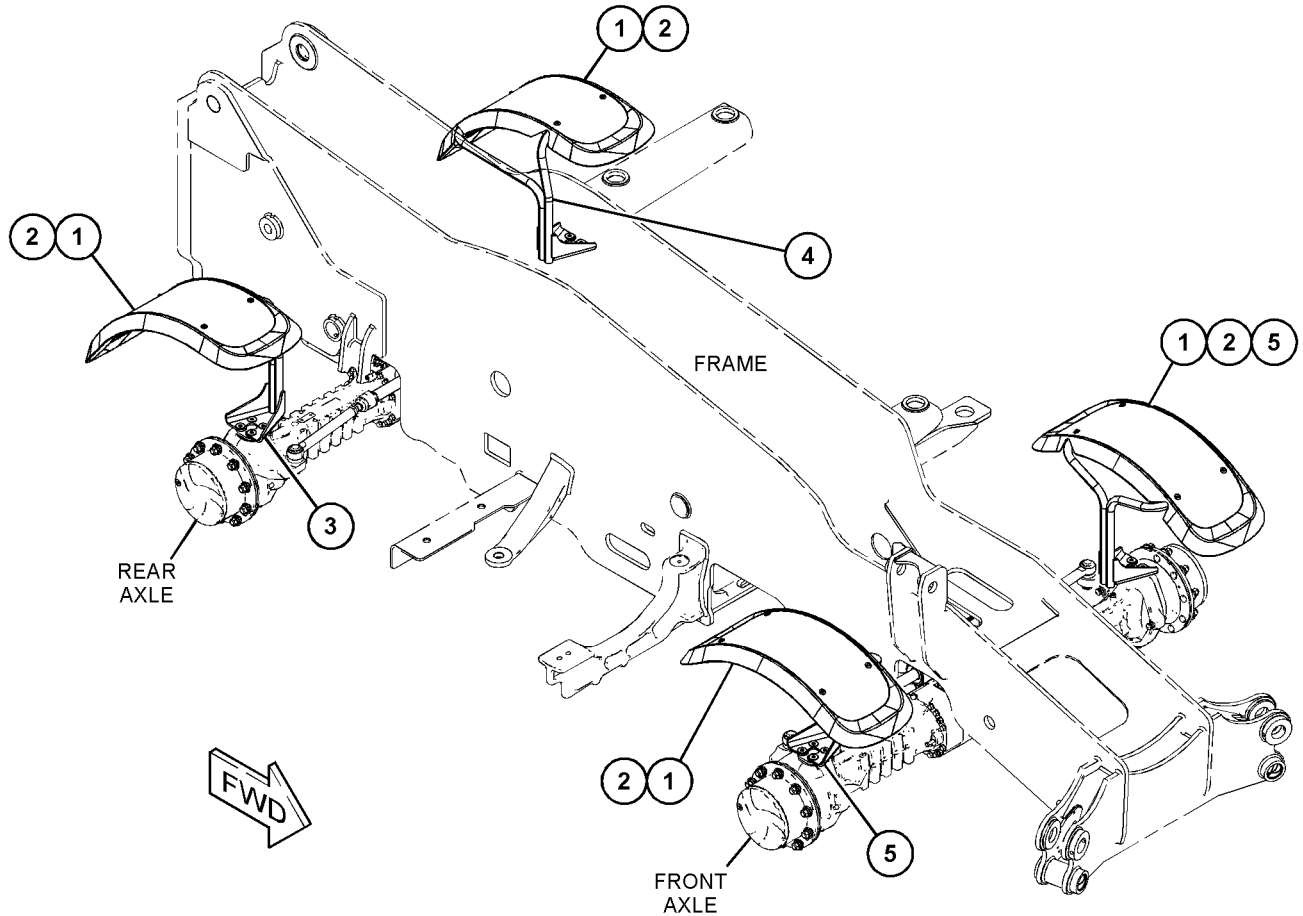
S/N: TH21-UP; TH31-UP

AN ATTACHMENT

SMCS-7252

i06736226

NOTE	REF NO	GRAPHIC REF	PART NUMBER	QTY	PART NAME						SEE PAGE
					1	2	3	4	5	6 (PRODUCT LEVEL)	
	1	1	474-7178	4	FENDER						
	2	1	474-7179	16	SCREW-SPECIAL						
	3	1	500-9502	1	BRACKET AS (REAR, RH)						
	4	1	500-9503	1	BRACKET AS (REAR, LH)						
	5	1	500-9504	2	BRACKET AS (FENDER)						



GRAPHIC #1

<END>

g06107954

FRAME AND BODY

501-0779 FENDER GP

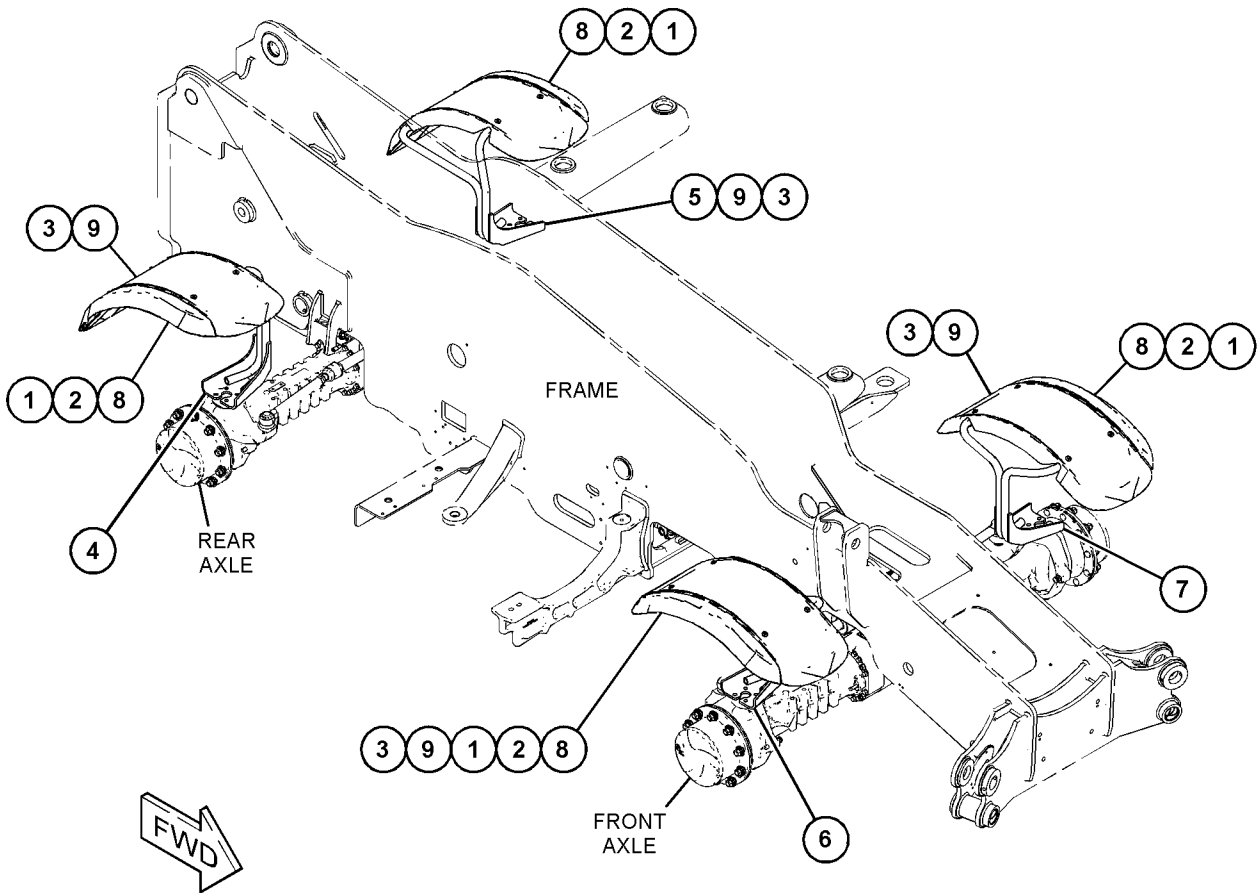
S/N: TH21-UP; TH31-UP

AN ATTACHMENT

SMCS-7252

i06736224

NOTE	REF NO	GRAPHIC REF	PART NUMBER	QTY	PART NAME						SEE PAGE
					1	2	3	4	5	6	
	1	1	506-1894	20	SCREW (M4X20-MM)						
	2	1	5W-1405	20	WASHER (4.3X12X1-MM THK)						
	3	1	474-7179	16	SCREW-SPECIAL						
	4	1	500-9600	1	BRACKET AS (REAR, RH)						
	5	1	500-9601	1	BRACKET AS (REAR, LH)						
	6	1	500-9602	1	BRACKET AS (FRONT, RH)						
	7	1	500-9603	1	BRACKET AS (FRONT, LH)						
	8	1	500-9605	4	EXTENSION-FENDER						
	9	1	500-9606	4	FENDER						



GRAPHIC #1

<END>

g06107128

FRAME AND BODY

499-7303 FRAME GP-LOADER

S/N: TH21-UP; TH31-UP

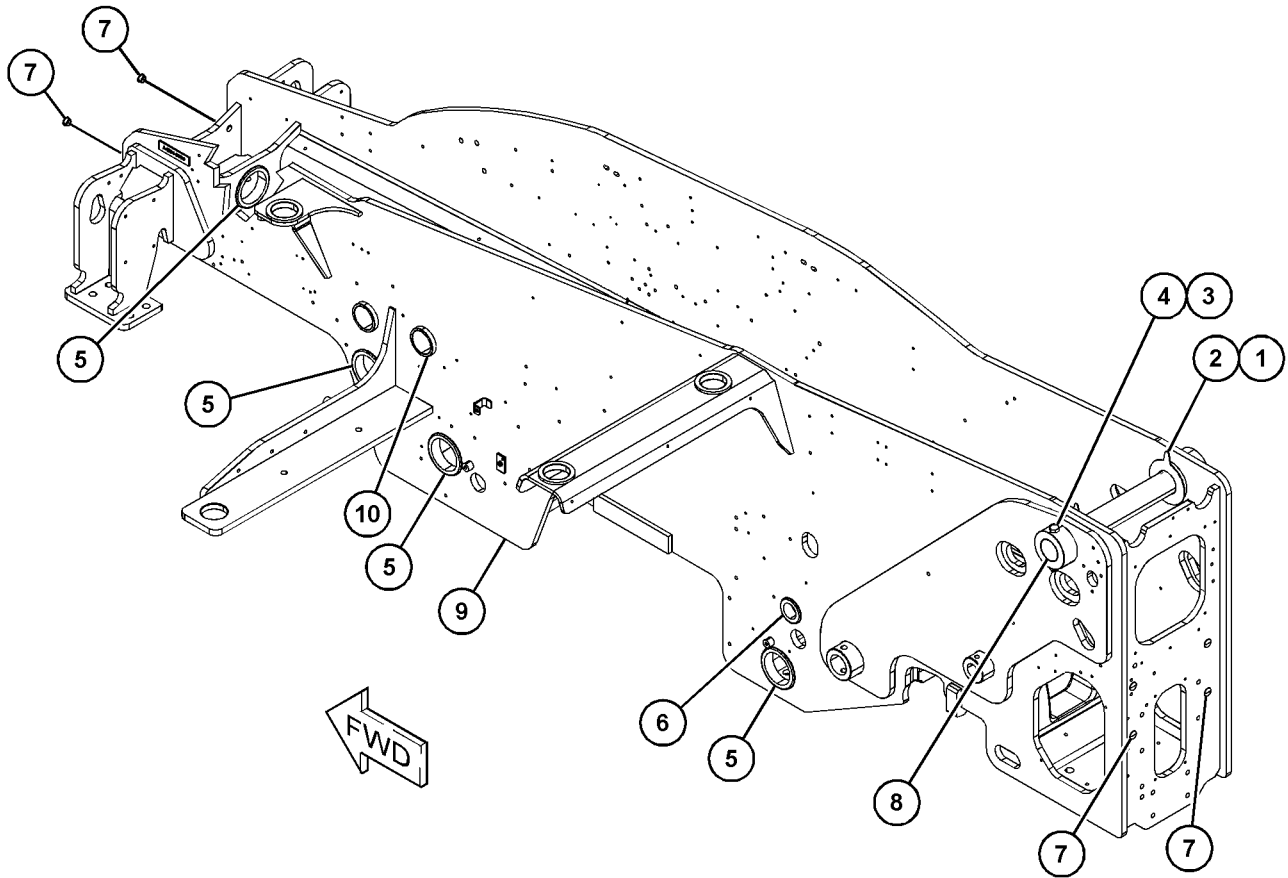
PART OF 505-5033, 505-5035 CHASSIS AR

SMCS-7054

i06669041

NOTE	REF NO	GRAPHIC REF	PART NUMBER	QTY	PART NAME						SEE PAGE
					1	2	3	4	5	6 (PRODUCT LEVEL)	
B	1	1	459-6913	1	SHIM (1-MM THK)						
B	2	1	459-6912	1	SHIM (1-MM THK)						
M	3	1	7X-2557	1	BOLT (M16X2X140-MM)						
M	4	1	8T-4132	1	NUT (M16X2-THD)						
	5	1	149-6549	5	GROMMET						
	6	1	133-4409	1	GROMMET						
	7	1	329-3606	8	PLUG						
	8	1	499-3144	1	PIN						
	9	1	499-7304	1	FRAME AS						
	10	1	106-3887	1	GROMMET						

B - USE AS REQUIRED
M - METRIC PART



GRAPHIC #1

<END>

g06072621

FRAME AND BODY

495-2470 HITCH AR

S/N: TH21-UP

NOT FOR USE WITH ITALIAN MARKET
AN ATTACHMENT

SMCS-7100

i06735376

NOTE	PART NUMBER	QTY	PART NAME						SEE PAGE
			1	2	3	4	5	6 (PRODUCT LEVEL)	
Y	505-0886	1	COUNTERWEIGHT GP						594
Y	492-4867	1	COVER GP-ACCESS (REAR)						596
Y	493-1118	1	HITCH GP						613

Y - SEPARATE ILLUSTRATION

<END>

495-2471 HITCH AR

S/N: TH21-UP

NOT FOR USE WITH ITALIAN MARKET
AN ATTACHMENT

SMCS-7100

i06735371

NOTE	PART NUMBER	QTY	PART NAME						SEE PAGE
			1	2	3	4	5	6 (PRODUCT LEVEL)	
Y	505-0886	1	COUNTERWEIGHT GP						594
Y	492-4867	1	COVER GP-ACCESS (REAR)						596
Y	493-1119	1	HITCH GP-TOWING						617

Y - SEPARATE ILLUSTRATION

<END>

495-2472 HITCH AR

S/N: TH21-UP

ITALIAN MARKET ONLY
AN ATTACHMENT

SMCS-7100

i06735373

NOTE	PART NUMBER	QTY	PART NAME						SEE PAGE
			1	2	3	4	5	6 (PRODUCT LEVEL)	
Y	505-0886	1	COUNTERWEIGHT GP						594
Y	492-4867	1	COVER GP-ACCESS (REAR)						596
Y	493-1121	1	HITCH GP-TOWING						618

Y - SEPARATE ILLUSTRATION

<END>

495-2473 HITCH AR

S/N: TH21-UP

AN ATTACHMENT

SMCS-7100

i06735168

NOTE	PART NUMBER	QTY	PART NAME						SEE PAGE
			1	2	3	4	5	6 (PRODUCT LEVEL)	
Y	505-0886	1	COUNTERWEIGHT GP						594
Y	492-4867	1	COVER GP-ACCESS (REAR)						596
Y	493-1123	1	HITCH GP-TOWING						619

Y - SEPARATE ILLUSTRATION

<END>

FRAME AND BODY

495-2474 HITCH AR

S/N: TH21-UP
ITALIAN MARKET ONLY
AN ATTACHMENT

SMCS-7100

i06735372

NOTE	PART NUMBER	QTY	PART NAME						SEE PAGE
			1	2	3	4	5	6 (PRODUCT LEVEL)	
Y	505-0886	1	COUNTERWEIGHT GP						594
Y	492-4867	1	COVER GP-ACCESS (REAR)						596
Y	493-1292	1	HITCH GP-TOWING						622

Y - SEPARATE ILLUSTRATION

<END>

495-2475 HITCH AR

S/N: TH21-UP
NOT FOR USE IN ITALIAN MARKET
AN ATTACHMENT

SMCS-7100

i06735374

NOTE	PART NUMBER	QTY	PART NAME						SEE PAGE
			1	2	3	4	5	6 (PRODUCT LEVEL)	
Y	505-0886	1	COUNTERWEIGHT GP						594
Y	492-4867	1	COVER GP-ACCESS (REAR)						596
Y	493-1124	1	HITCH GP-TOWING						620

Y - SEPARATE ILLUSTRATION

<END>

495-2476 HITCH AR

S/N: TH21-UP
NOT FOR USE WITH ITALIAN MARKET
AN ATTACHMENT

SMCS-7100

i06735375

NOTE	PART NUMBER	QTY	PART NAME						SEE PAGE
			1	2	3	4	5	6 (PRODUCT LEVEL)	
Y	505-0886	1	COUNTERWEIGHT GP						594
Y	492-4867	1	COVER GP-ACCESS (REAR)						596
Y	493-1126	1	HITCH GP-TOWING						621

Y - SEPARATE ILLUSTRATION

<END>

506-7531 HITCH AR-RETRIEVAL

S/N: TH21-UP; TH31-UP
AN ATTACHMENT

SMCS-7100

i07053030

NOTE	PART NUMBER	QTY	PART NAME						SEE PAGE
			1	2	3	4	5	6 (PRODUCT LEVEL)	
Y	493-1118	1	HITCH GP						613
Y	501-7473	1	PLATE & MTG GP (FRAME, REAR)						627
Y	539-4494	1	PLATE & MTG GP (HITCH)						630

Y - SEPARATE ILLUSTRATION

<END>

FRAME AND BODY

506-7532 HITCH AR

S/N: TH21-UP; TH31-UP
NOT AVAILABLE IN THE ITALIAN MARKET
AN ATTACHMENT

SMCS-7100

i07053034

NOTE	PART NUMBER	QTY	PART NAME						SEE PAGE
			1	2	3	4	5	6 (PRODUCT LEVEL)	
Y	493-1119	1	HITCH GP-TOWING						617
Y	501-7473	1	PLATE & MTG GP (FRAME, REAR)						627
Y	539-4494	1	PLATE & MTG GP (HITCH)						630

Y - SEPARATE ILLUSTRATION

<END>

506-7533 HITCH AR

S/N: TH21-UP; TH31-UP
NOT AVAILABLE IN THE ITALIAN MARKET
AN ATTACHMENT

SMCS-7100

i07053032

NOTE	PART NUMBER	QTY	PART NAME						SEE PAGE
			1	2	3	4	5	6 (PRODUCT LEVEL)	
Y	493-1121	1	HITCH GP-TOWING						618
Y	501-7473	1	PLATE & MTG GP (FRAME, REAR)						627
Y	539-4494	1	PLATE & MTG GP (HITCH)						630

Y - SEPARATE ILLUSTRATION

<END>

506-7534 HITCH AR

S/N: TH21-UP; TH31-UP
AN ATTACHMENT

SMCS-7100

i06606823

NOTE	PART NUMBER	QTY	PART NAME						SEE PAGE
			1	2	3	4	5	6 (PRODUCT LEVEL)	
Y	501-7473	1	PLATE & MTG GP (FRAME, REAR)						627
Y	493-1123	1	HITCH GP-TOWING						619

Y - SEPARATE ILLUSTRATION

<END>

506-7535 HITCH AR

S/N: TH21-UP; TH31-UP
AN ATTACHMENT

SMCS-7100

i06606821

NOTE	PART NUMBER	QTY	PART NAME						SEE PAGE
			1	2	3	4	5	6 (PRODUCT LEVEL)	
Y	501-7473	1	PLATE & MTG GP (FRAME, REAR)						627
Y	493-1292	1	HITCH GP-TOWING						622

Y - SEPARATE ILLUSTRATION

<END>

FRAME AND BODY

506-7536 HITCH AR
S/N: TH21-UP; TH31-UP
NOT AVAILABLE IN THE ITALIAN MARKET
AN ATTACHMENT

SMCS-7100

i07090264

NOTE	PART NUMBER	QTY	PART NAME						SEE PAGE
			1	2	3	4	5	6 (PRODUCT LEVEL)	
Y	493-1124	1	HITCH GP-TOWING						620
Y	501-7473	1	PLATE & MTG GP (FRAME, REAR)						627
Y	539-4494	1	PLATE & MTG GP (HITCH)						630

Y - SEPARATE ILLUSTRATION

<END>

506-7537 HITCH AR
S/N: TH21-UP; TH31-UP
NOT AVAILABLE IN THE ITALIAN MARKET
AN ATTACHMENT

SMCS-7100

i07048663

NOTE	PART NUMBER	QTY	PART NAME						SEE PAGE
			1	2	3	4	5	6 (PRODUCT LEVEL)	
Y	493-1126	1	HITCH GP-TOWING						621
Y	501-7473	1	PLATE & MTG GP (FRAME, REAR)						627
Y	539-4494	1	PLATE & MTG GP (HITCH)						630

Y - SEPARATE ILLUSTRATION

<END>

506-7538 HITCH AR-HYDRAULIC
S/N: TH21-UP; TH31-UP
AN ATTACHMENT

SMCS-7100

i07090267

NOTE	PART NUMBER	QTY	PART NAME						SEE PAGE
			1	2	3	4	5	6 (PRODUCT LEVEL)	
Y	501-7467	1	HITCH GP-TOWING (REAR)						623
Y	501-7474	1	PLATE & MTG GP (HITCH)						628
Y	539-4494	1	PLATE & MTG GP (HITCH)						630

Y - SEPARATE ILLUSTRATION

<END>

FRAME AND BODY

322-5944 HITCH GP

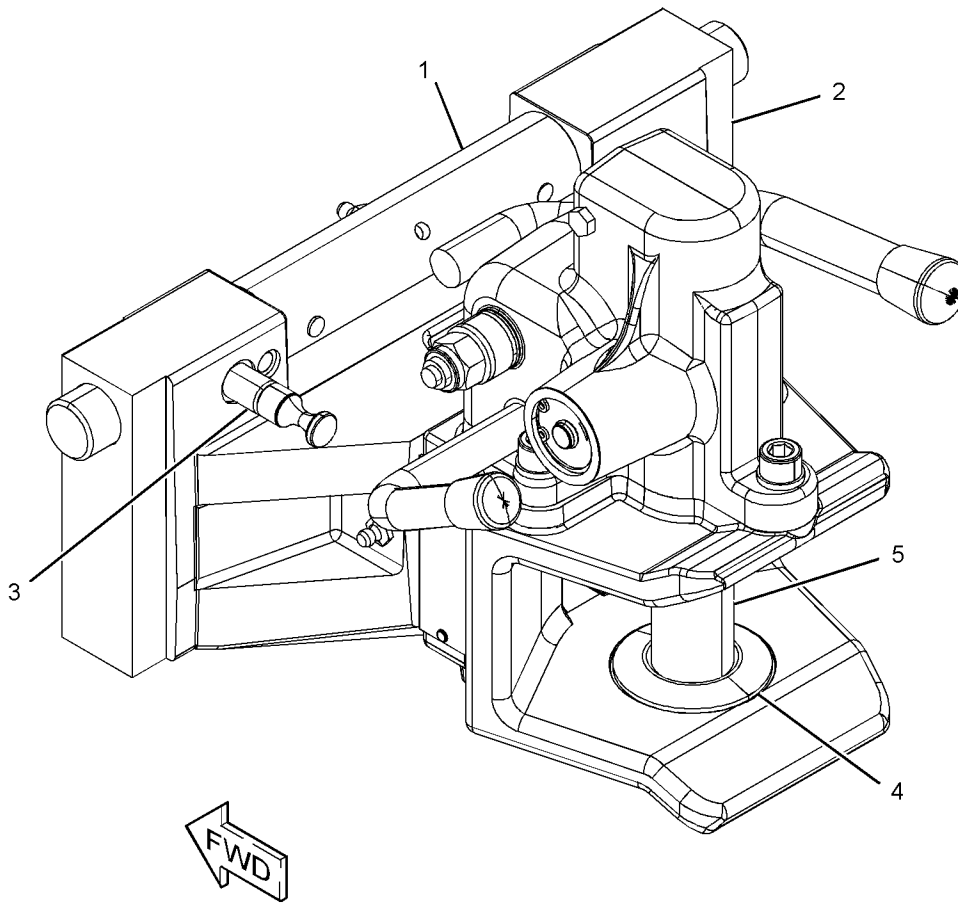
S/N: TH21-UP; TH31-UP

PART OF 493-1119, 493-1124 HITCH GP-TOWING
AN ATTACHMENT

SMCS-7100

i06145582

NOTE	REF NO	GRAPHIC REF	PART NUMBER	QTY	PART NAME						SEE PAGE
					1	2	3	4	5	6 (PRODUCT LEVEL)	
	1	1	348-8510	1	KIT-LEVER						
(INCLUDES PINS, INTERNAL SPRING, FITTING & HANDLE)											
	2	1	348-8512	1	HITCH AS						
	3	1	348-8513	1	PIN-PIVOT						
	4	1	348-8514	1	BUSHING						
	5	1	348-8515	1	PIN						



GRAPHIC #1

<END>

g03660982

FRAME AND BODY

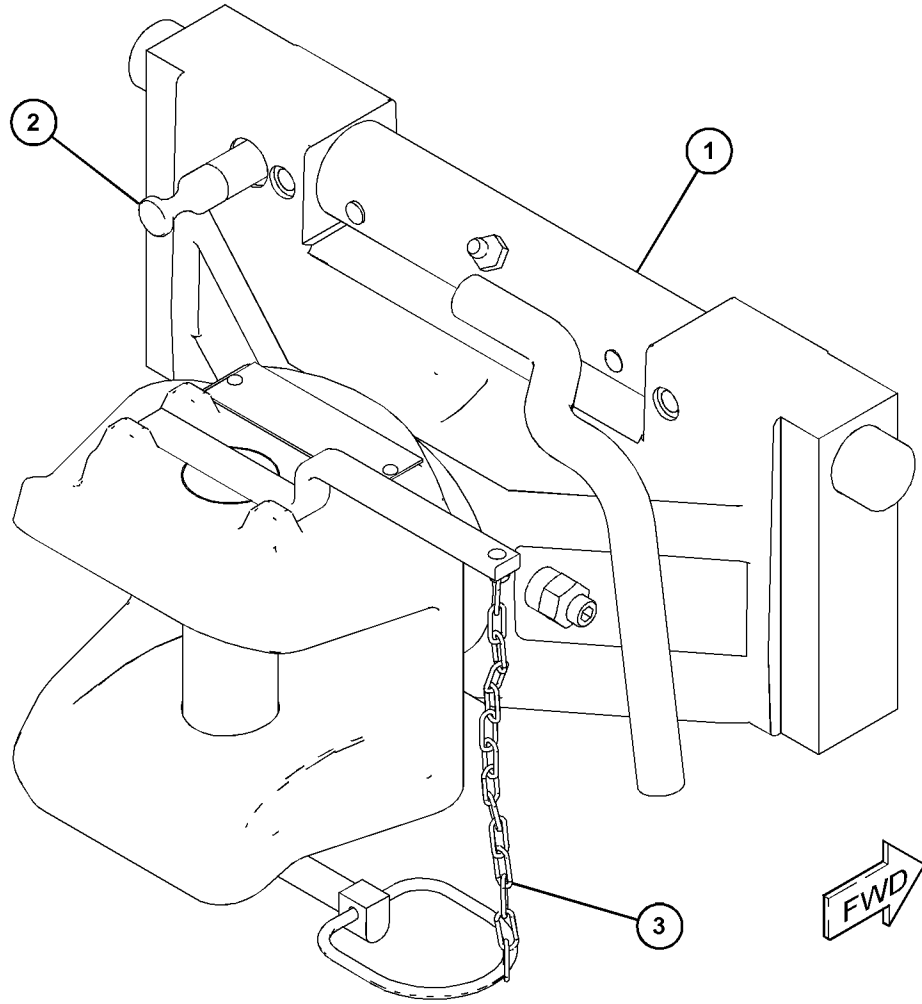
322-5945 HITCH GP

S/N: TH21-UP; TH31-UP
PART OF 493-1121 HITCH GP-TOWING
AN ATTACHMENT

SMCS-7100

i05755799

NOTE	REF NO	GRAPHIC REF	PART NUMBER	QTY	PART NAME						SEE PAGE
					1	2	3	4	5	6 (PRODUCT LEVEL)	
	1	1	348-8510	1	KIT-LEVER						
(INCLUDES PINS, INTERNAL SPRING, FITTING & HANDLE)											
	2	1	348-8513	1	PIN-PIVOT						
	3	1	348-8516	1	PIN						



GRAPHIC #1

<END>

g03657874

FRAME AND BODY

322-5947 HITCH GP

S/N: TH21-UP; TH31-UP

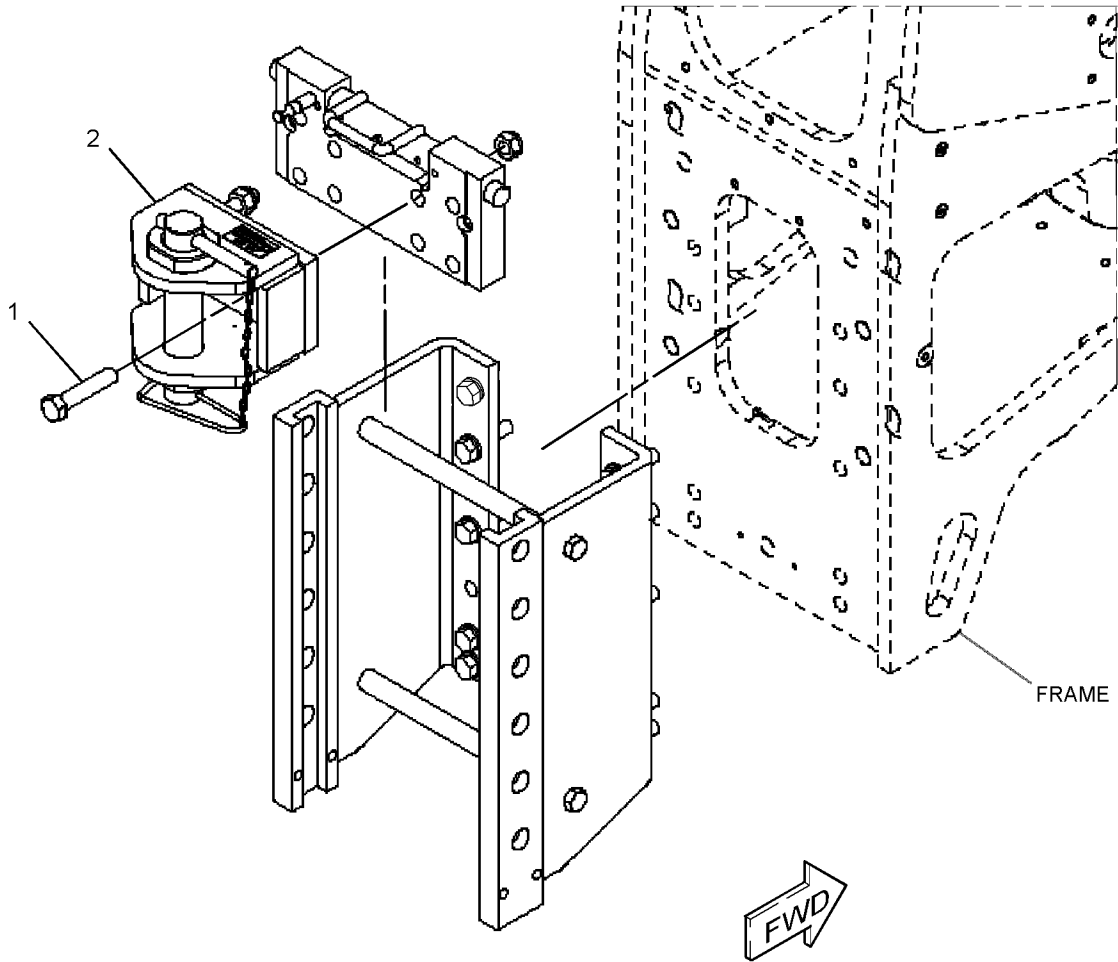
PART OF 493-1292 HITCH GP-TOWING
AN ATTACHMENT

SMCS-7100

i05755286

NOTE	REF NO	GRAPHIC REF	PART NUMBER	QTY	PART NAME						SEE PAGE
					1	2	3	4	5	6 (PRODUCT LEVEL)	
1	1	1	348-8517	4	BOLT						
2	1	1	348-8518	4	KIT-MOUNTING						

(INCLUDES LOCKNUTS, SCREWS & WASHERS)



GRAPHIC #1

<END>

g03680957

FRAME AND BODY

493-1118 HITCH GP-RETRIEVAL

S/N: TH21-UP; TH31-UP

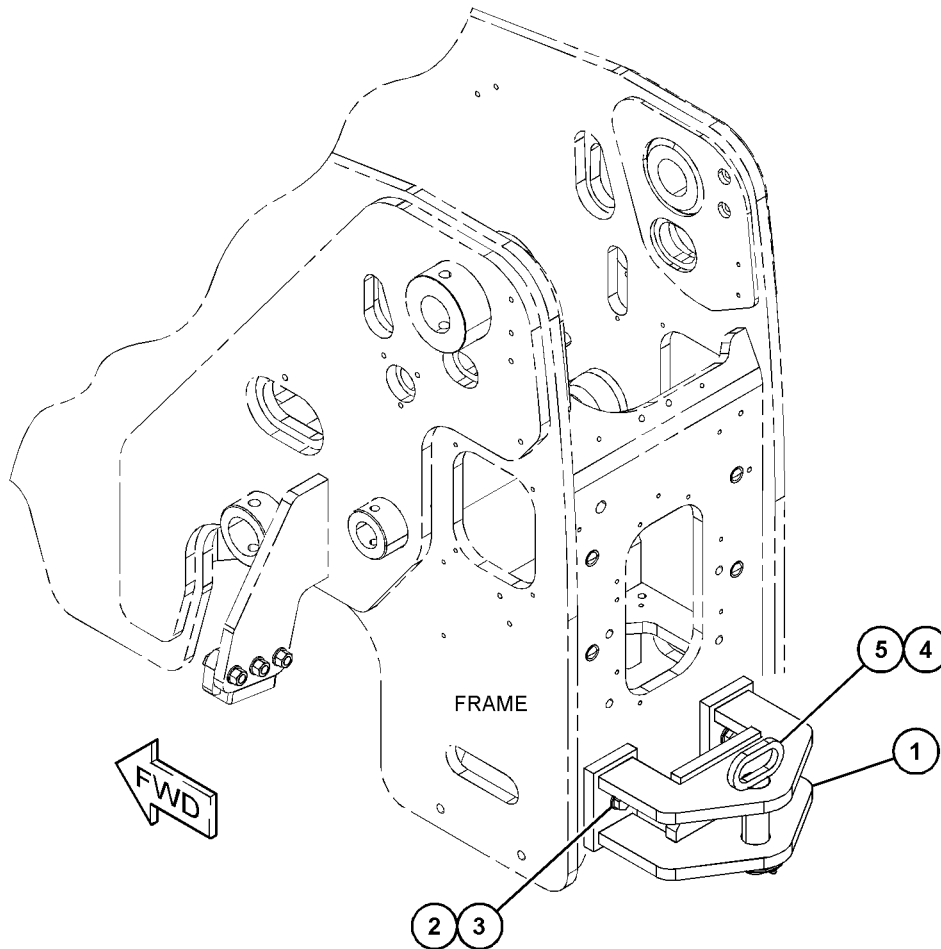
PART OF 495-2470, 506-7531 HITCH AR
AN ATTACHMENT

SMCS-7100

i06590575

NOTE	REF NO	GRAPHIC REF	PART NUMBER	QTY	PART NAME						SEE PAGE
					1	2	3	4	5	6 (PRODUCT LEVEL)	
	1	1	335-4870	1	HITCH AS						
M	2	1	8T-4193	2	BOLT (M16X2X50-MM)						
	3	1	333-5572	2	WASHER (18.2X33.2X3.9-MM THK)						
	4	1	174-2844	1	PIN						
	5	1	211-9462	1	PIN AS						

M - METRIC PART



GRAPHIC #1

<END>

g06039524

FRAME AND BODY

501-7455 HITCH GP-RELEASE CABLE

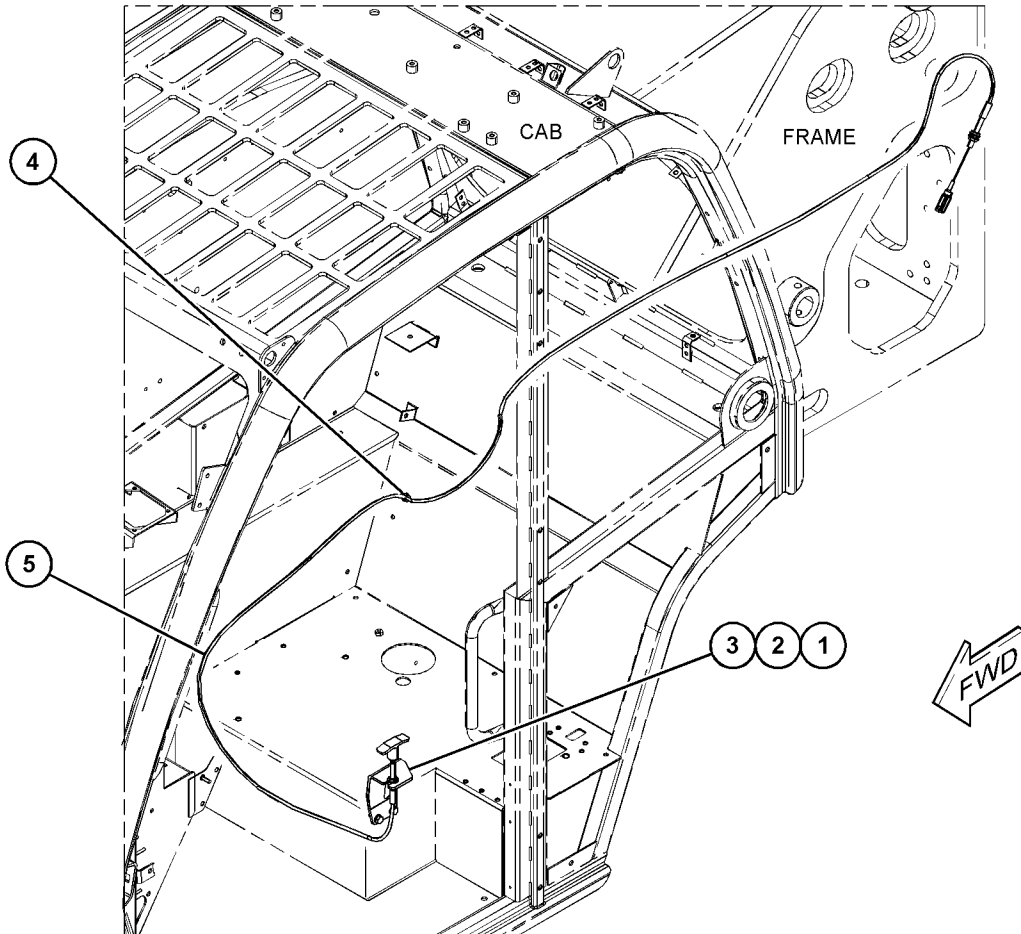
S/N: TH21-UP; TH31-UP
PART OF 501-7467 HITCH GP-TOWING
AN ATTACHMENT

SMCS-7100

i06610960

NOTE	REF NO	GRAPHIC REF	PART NUMBER	QTY	PART NAME						SEE PAGE
					1	2	3	4	5	6 (PRODUCT LEVEL)	
M	1	1	8T-4189	2	BOLT (M8X1.25X20-MM)						
	2	1	8T-4224	2	WASHER-HARD (8.8X16X2-MM THK)						
	3	1	501-7457	1	BRACKET AS						
	4	1	455-3027	1	TIE-CABLE						
	5	1	501-7458	1	CABLE						

M - METRIC PART



GRAPHIC #1

<END>

g06092555

FRAME AND BODY

501-7460 HITCH GP-HYDRAULIC

S/N: TH21-UP; TH31-UP

PART OF 501-8492 HITCH GP-TOWING
AN ATTACHMENT

SMCS-7100

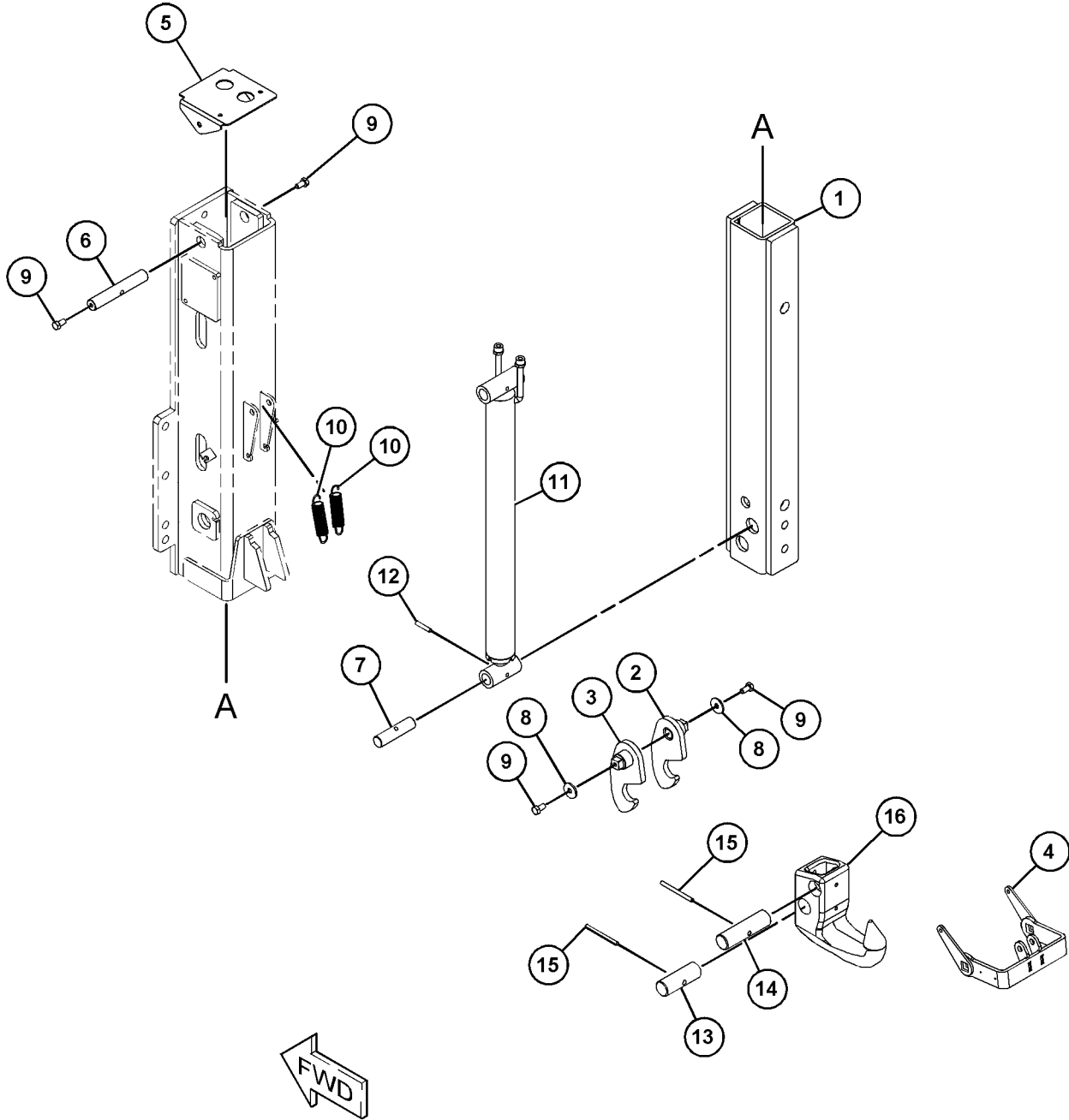
i06810930

NOTE	REF NO	GRAPHIC REF	PART NUMBER	QTY	PART NAME						SEE PAGE
					1	2	3	4	5	6 (PRODUCT LEVEL)	
	1	1	509-7186	1	BODY						
	2	1	509-7187	1	LOCK						
	3	1	509-7188	1	LOCK						
	4	1	509-7189	1	BRACKET						
	5	1	509-7190	1	PLATE-COVER						
	6	1	509-7191	1	PIN						
	7	1	509-7192	1	PIN						
	8	1	509-7193	2	WASHER						
	9	1	509-7194	4	BOLT-HEAD						
	10	1	509-7195	2	SPRING						
	11	1	509-7196	1	CYLINDER						
	12	1	509-7197	1	PIN						
	13	1	509-7198	1	PIN						
	14	1	509-7199	1	PIN						
	15	1	509-7200	1	PIN						
	16	1	509-7201	1	HOOK						

FRAME AND BODY

501-7460 HITCH GP (contd.)

i06810930



GRAPHIC #1

<END>

g06127191

FRAME AND BODY

493-1119 HITCH GP-TOWING

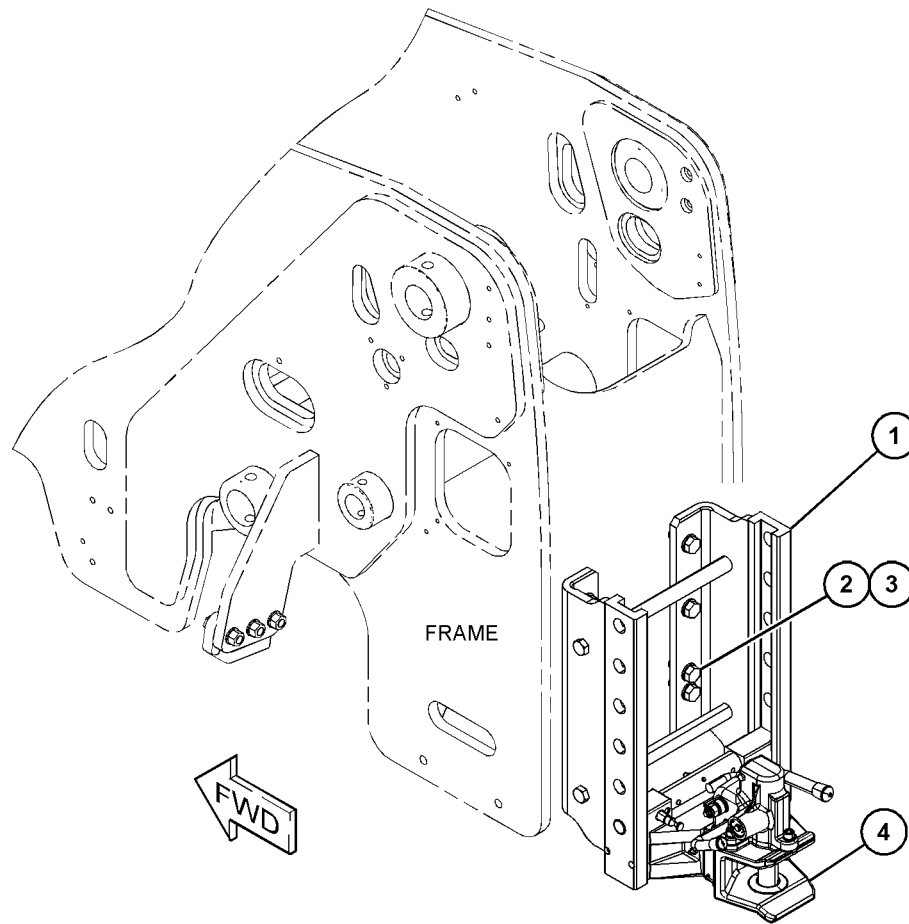
S/N: TH21-UP; TH31-UP
PART OF 495-2471, 506-7532 HITCH AR
AN ATTACHMENT

SMCS-7100, 7103

i06735368

NOTE	REF NO	GRAPHIC REF	PART NUMBER	QTY	PART NAME						SEE PAGE
					1	2	3	4	5	6 (PRODUCT LEVEL)	
	1	1	493-1120	1	BRACKET AS						
M	2	1	7X-2553	8	BOLT (M16X2X40-MM)						
	3	1	9X-8257	8	WASHER (17.5X30X3.5-MM THK)						
Y	4	1	322-5944	1	HITCH GP (AUTO HITCH)						610

M - METRIC PART
Y - SEPARATE ILLUSTRATION



GRAPHIC #1

<END>

g06037826

FRAME AND BODY

493-1121 HITCH GP-TOWING

S/N: TH21-UP; TH31-UP

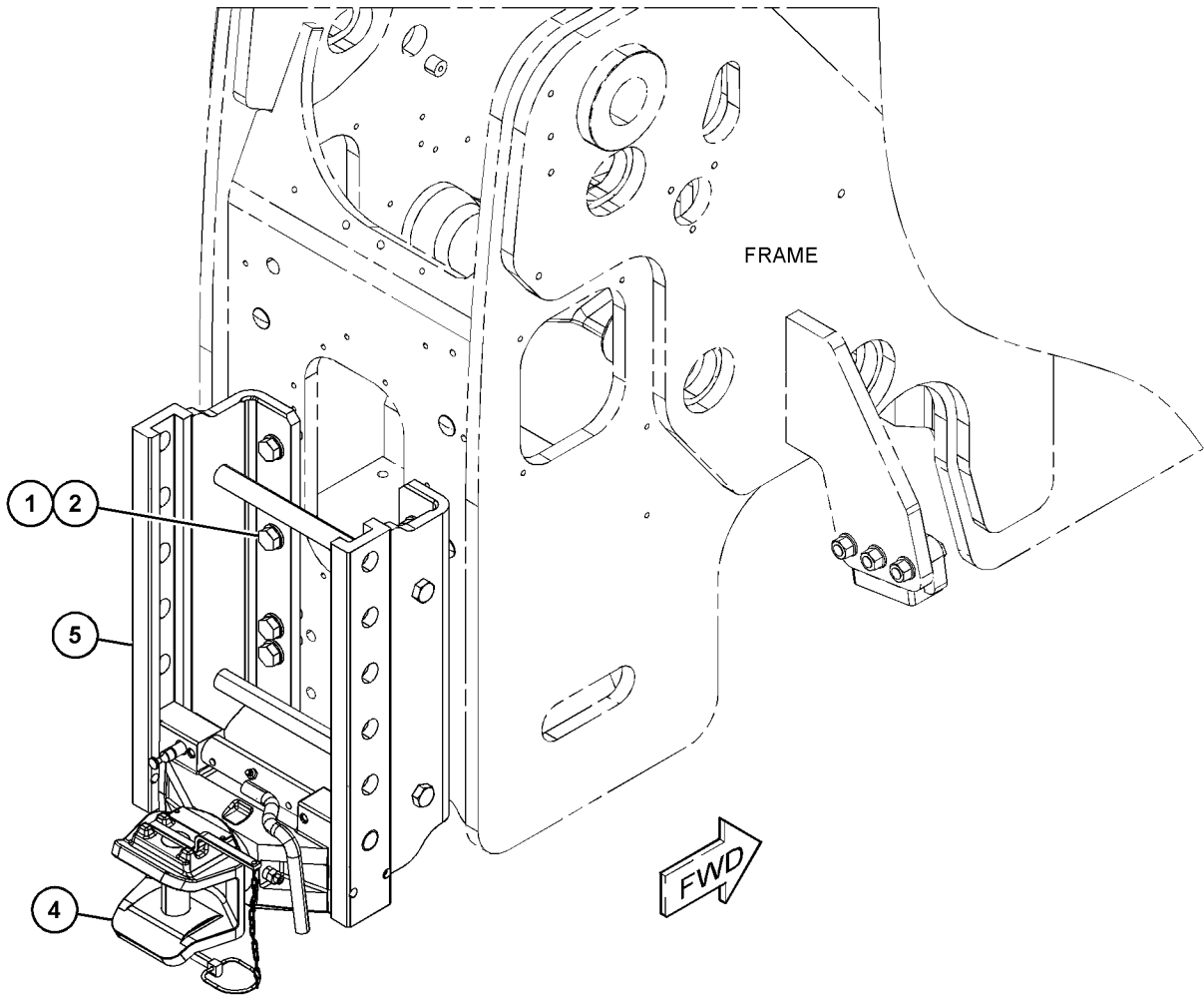
PART OF 495-2472, 506-7533 HITCH AR
AN ATTACHMENT

SMCS-7100, 7103

i06709010

NOTE	REF NO	GRAPHIC REF	PART NUMBER	QTY	PART NAME						SEE PAGE
					1	2	3	4	5	6 (PRODUCT LEVEL)	
M	1	1	7X-2553	8	BOLT (M16X2X40-MM)						
	2	1	9X-8257	8	WASHER (17.5X30X3.5-MM THK)						
Y	4	1	322-5945	1	HITCH GP (TOWING)						611
	5	1	493-1120	1	BRACKET AS						

M - METRIC PART
Y - SEPARATE ILLUSTRATION



GRAPHIC #1

<END>

g06037052

FRAME AND BODY

493-1123 HITCH GP-TOWING

S/N: TH21-UP; TH31-UP

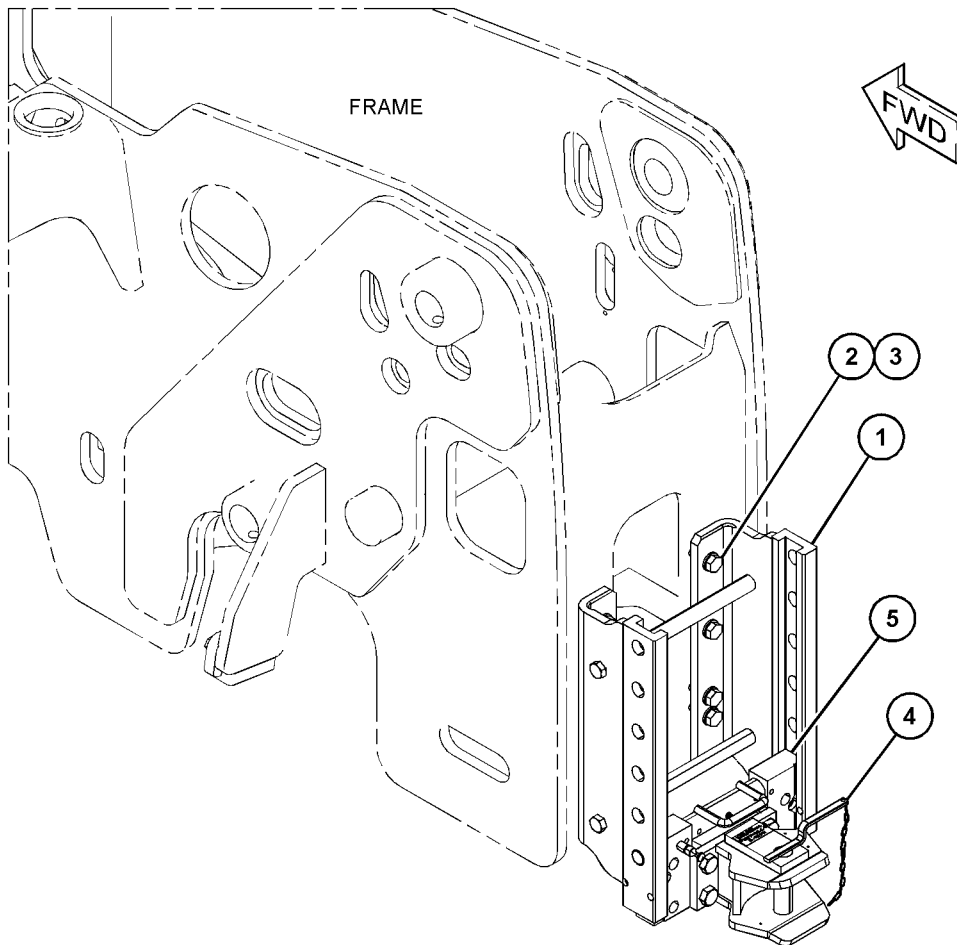
PART OF 495-2473, 506-7534 HITCH AR
AN ATTACHMENT

SMCS-7100, 7103

i06709012

NOTE	REF NO	GRAPHIC REF	PART NUMBER	QTY	PART NAME						SEE PAGE
					1	2	3	4	5	6 (PRODUCT LEVEL)	
	1	1	493-1120	1	BRACKET AS						
M	2	1	7X-2553	8	BOLT (M16X2X40-MM)						
	3	1	9X-8257	8	WASHER (17.5X30X3.5-MM THK)						
	4	1	322-5946	1	HITCH						
	5	1	322-5951	1	ADAPTER						

M - METRIC PART



GRAPHIC #1

<END>

g06037268

FRAME AND BODY

493-1124 HITCH GP-TOWING

S/N: TH21-UP; TH31-UP

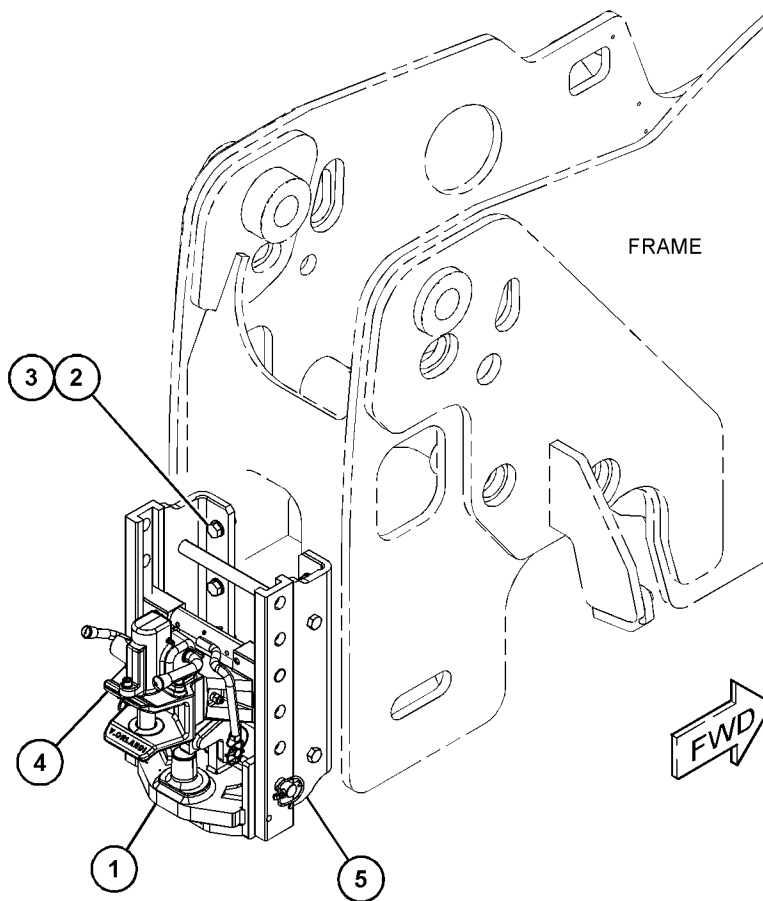
PART OF 495-2475, 506-7536 HITCH AR
AN ATTACHMENT

SMCS-7100, 7103

i06735369

NOTE	REF NO	GRAPHIC REF	PART NUMBER	QTY	PART NAME						SEE PAGE
					1	2	3	4	5	6 (PRODUCT LEVEL)	
	1	1	493-1125	1	HITCH GP						
M	2	1	7X-2553	8	BOLT (M16X2X40-MM)						
	3	1	9X-8257	8	WASHER (17.5X30X3.5-MM THK)						
Y	4	1	322-5944	1	HITCH GP (AUTO HITCH)						610
	5	1	493-1120	1	BRACKET AS						

M - METRIC PART
Y - SEPARATE ILLUSTRATION



GRAPHIC #1

<END>

g06038744

FRAME AND BODY

493-1126 HITCH GP-TOWING

S/N: TH21-UP; TH31-UP

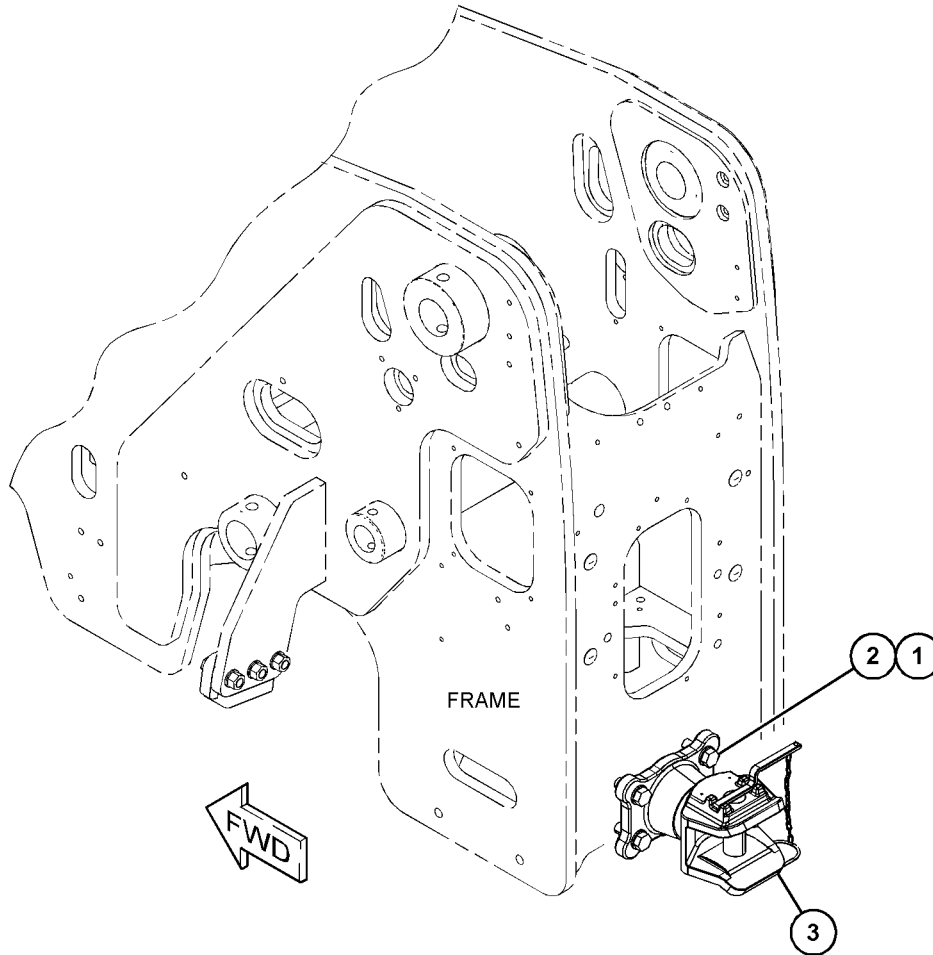
PART OF 495-2476, 506-7537 HITCH AR
AN ATTACHMENT

SMCS-7100, 7103

i06709011

NOTE	REF NO	GRAPHIC REF	PART NUMBER	QTY	PART NAME						SEE PAGE
					1	2	3	4	5	6 (PRODUCT LEVEL)	
	1	1	9X-8257	4	WASHER (17.5X30X3.5-MM THK)						
M	2	1	303-8559	4	SCREW (M16X2X45-MM)						
	3	1	345-7560	1	HITCH AS						

M - METRIC PART



GRAPHIC #1

<END>

g06039474

FRAME AND BODY

493-1292 HITCH GP-TOWING

S/N: TH21-UP; TH31-UP

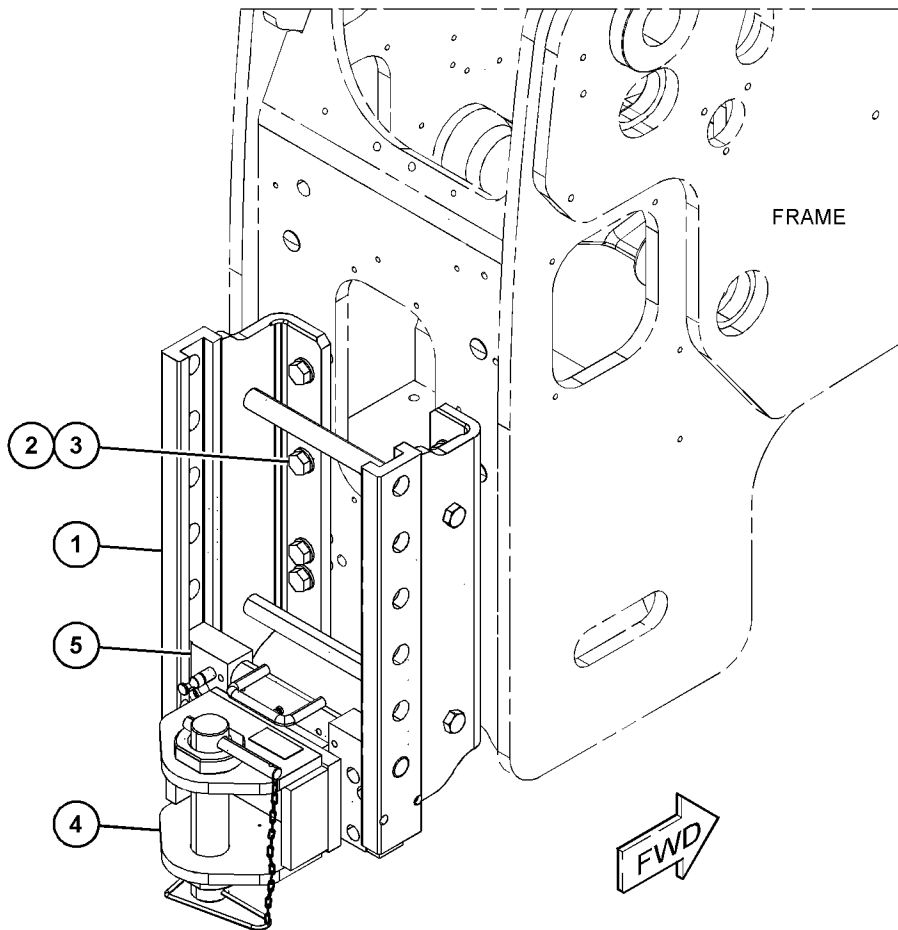
PART OF 495-2474, 506-7535 HITCH AR
AN ATTACHMENT

SMCS-7100, 7103

i06735370

NOTE	REF NO	GRAPHIC REF	PART NUMBER	QTY	PART NAME						SEE PAGE
					1	2	3	4	5	6 (PRODUCT LEVEL)	
	1	1	493-1120	1	BRACKET AS						
M	2	1	7X-2553	8	BOLT (M16X2X40-MM)						
	3	1	9X-8257	8	WASHER (17.5X30X3.5-MM THK)						
Y	4	1	322-5947	1	HITCH GP						612
	5	1	322-5951	1	ADAPTER						

M - METRIC PART
Y - SEPARATE ILLUSTRATION



GRAPHIC #1

<END>

g06037653

FRAME AND BODY

501-7467 HITCH GP-TOWING-HYDRAULIC

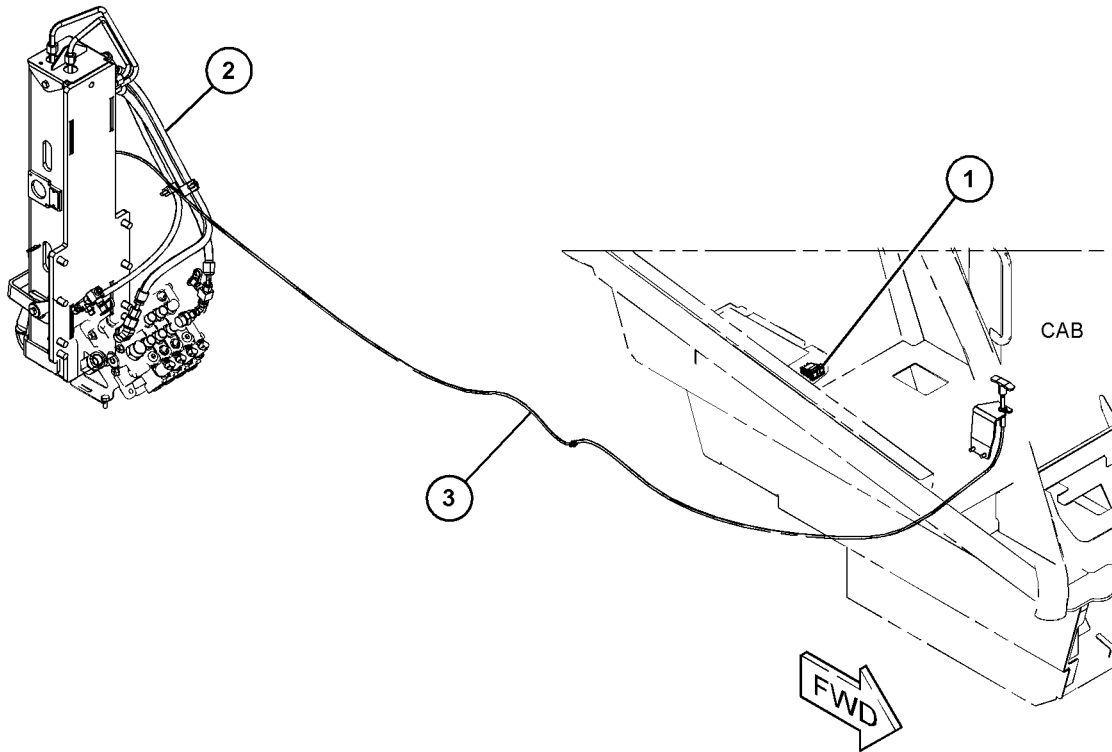
S/N: TH21-UP; TH31-UP
PART OF 506-7538 HITCH AR
AN ATTACHMENT

SMCS-7100, 7103

i06606817

NOTE	REF NO	GRAPHIC REF	PART NUMBER	QTY	PART NAME						SEE PAGE
					1	2	3	4	5	6 (PRODUCT LEVEL)	
	1	1	501-9264	1	SWITCH AS-ROCKER (HITCH MOVEMENT)						
Y	2	1	501-8492	1	HITCH GP-TOWING						624
Y	3	1	501-7455	1	HITCH GP (RELEASE CABLE)						614

Y - SEPARATE ILLUSTRATION



GRAPHIC #1

<END>

g06046076

FRAME AND BODY

501-8492 HITCH GP-TOWING

S/N: TH21-UP; TH31-UP
PART OF 501-7467 HITCH GP-TOWING
AN ATTACHMENT

SMCS-7100, 7103

i07000747

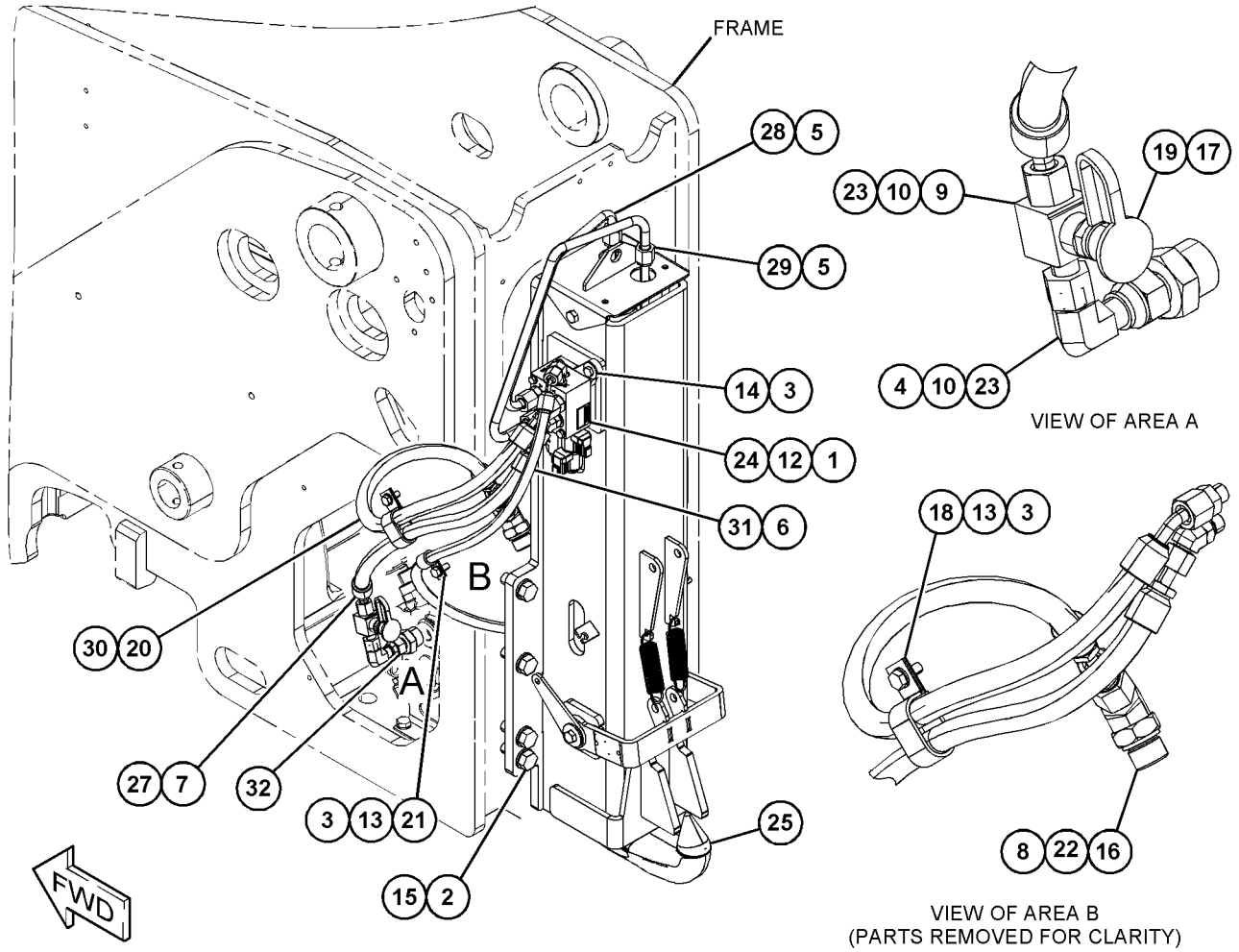
NOTE	REF NO	GRAPHIC REF	PART NUMBER	QTY	PART NAME						SEE PAGE
					1	2	3	4	5	6 (PRODUCT LEVEL)	
M	1	1	7X-2535	2	BOLT (M6X1X60-MM)						
M	2	1	7X-2553	8	BOLT (M16X2X40-MM)						
M	3	1	8T-4189	4	BOLT (M8X1.25X20-MM)						
	4	1	309-6362	1	REDUCER						
	5	1	473-8956	3	ADAPTER						
	6	1	463-5618	1	ADAPTER-ELBOW						
	7	1	303-4760	1	FITTING						
	8	1	309-6350	1	CONNECTOR						
	9	1	298-0493	1	FITTING-ADAPTER						
	10	1	298-0507	2	ADAPTER-SWIVEL						
	12	1	8T-4205	2	WASHER-HARD (7.2X14.5X2-MM THK)						
	13	1	8T-4224	2	WASHER-HARD (8.8X16X2-MM THK)						
	14	1	309-3997	2	WASHER (8.4X25X2-MM THK)						
	15	1	9X-8257	8	WASHER (17.5X30X3.5-MM THK)						
	16	1	418-6370	1	NUT (1-14-THD)						
	17	1	<i>164-5567</i>	2	COUPLER AS-QUICK DISCONNECT (MALE)						
					(EACH INCLUDES)						
		1	6V-3965	1	FITTING (QUICK DISCONNECT)						
		1	214-7568	1	SEAL-O-RING						
	18	1	6D-1641	1	CLIP						
	19	1	6V-0852	2	CAP-DUST						
	20	1	6V-8398	1	SEAL-O-RING						
	21	1	9M-8406	1	CLIP (LOOP)						
	22	1	6V-8939	1	REDUCER-O-RING						
	23	1	8T-8902	2	ADAPTER-TEE						
Y	24	1	501-7459	1	VALVE GP-CONTROL						740
Y	25	1	501-7460	1	HITCH GP						615
	27	1	501-7462	1	HOSE AS						
	28	1	501-7463	1	TUBE AS						
	29	1	501-7464	1	TUBE AS						
	30	1	501-7465	1	HOSE AS						
	31	1	501-7466	1	HOSE AS						
	32	1	330-8325	1	ADAPTER						

M - METRIC PART
Y - SEPARATE ILLUSTRATION

FRAME AND BODY

501-8492 HITCH GP-TOWING (contd.)

i07000747



GRAPHIC #1

<END>

g06207488

FRAME AND BODY

500-3069 HOOD GP-ENGINE

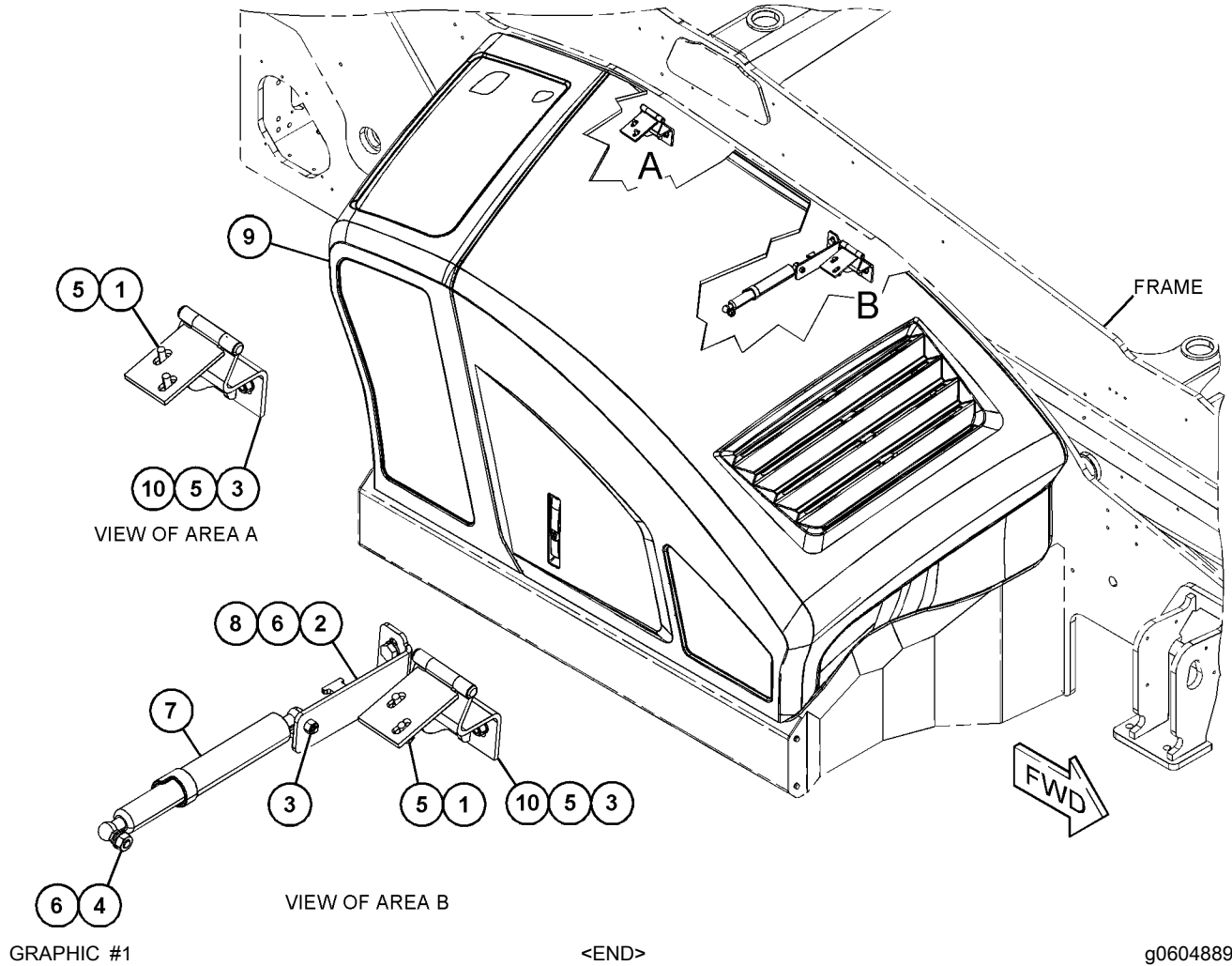
S/N: TH21-UP; TH31-UP
PART OF 500-3072, 500-4356 ENCLOSURE GP-ENGINE
AN ATTACHMENT

SMCS-7251

i06601119

NOTE	REF NO	GRAPHIC REF	PART NUMBER	QTY	PART NAME						SEE PAGE
					1	2	3	4	5	6 (PRODUCT LEVEL)	
M	1	1	8T-4189	4	BOLT (M8X1.25X20-MM)						
M	2	1	8T-4137	2	BOLT (M10X1.5X20-MM)						
M	3	1	309-9184	5	LOCKNUT (M8X1.25-THD)						
M	4	1	8T-4133	1	NUT (M10X1.5-THD)						
	5	1	8T-4224	8	WASHER-HARD (8.8X16X2-MM THK)						
	6	1	8T-4121	3	WASHER-HARD (11X21X2.5-MM THK)						
	7	1	459-8867	1	SPRING						
	8	1	500-3070	1	BRACKET AS						
	9	1	500-3071	1	HOOD AS						
	10	1	495-7648	2	HINGE AS						

M - METRIC PART



FRAME AND BODY

501-7473 PLATE & MTG GP-REAR

S/N: TH21-UP; TH31-UP

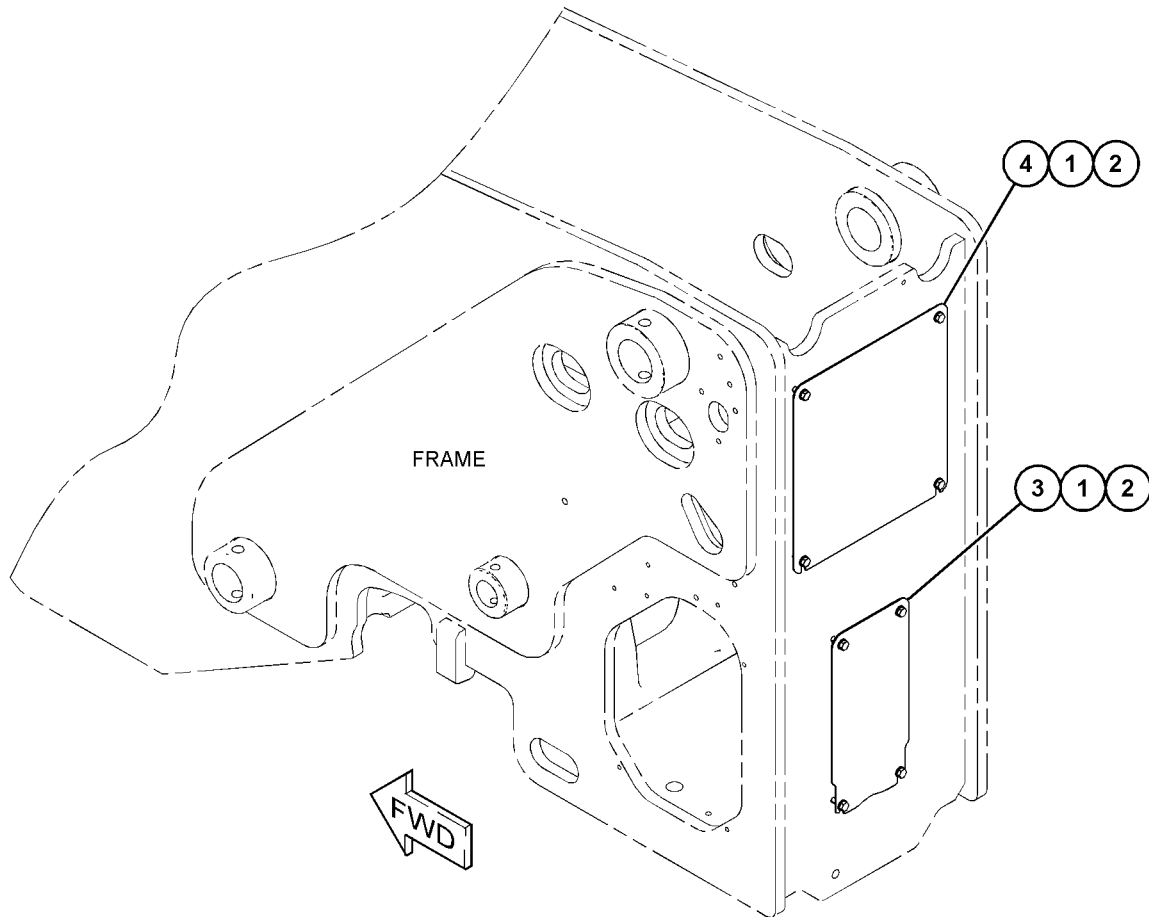
PART OF 506-7531, 506-7532, 506-7533, 506-7534, 506-7535, 506-7536, 506-7537 HITCH
AR
AN ATTACHMENT

SMCS-7050, 795C

i06608820

NOTE	REF NO	GRAPHIC REF	PART NUMBER	QTY	PART NAME						SEE PAGE
					1	2	3	4	5	6 (PRODUCT LEVEL)	
M	1	1	8T-4189	8	BOLT (M8X1.25X20-MM)						
	2	1	8T-4224	8	WASHER-HARD (8.8X16X2-MM THK)						
	3	1	499-7299	1	PLATE-COVER						
	4	1	499-7300	1	PLATE-COVER						

M - METRIC PART



GRAPHIC #1

<END>

g06045350

FRAME AND BODY

501-7474 PLATE & MTG GP-HITCH

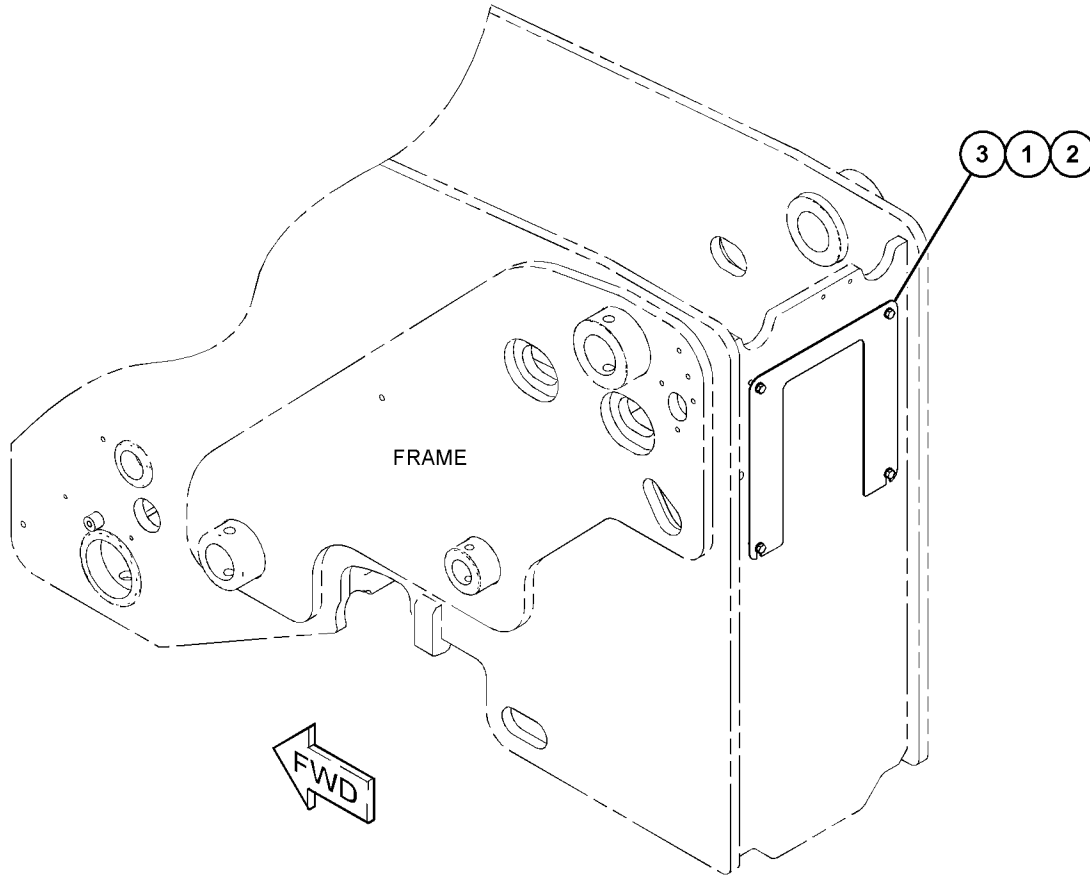
S/N: TH21-UP; TH31-UP
PART OF 506-7538 HITCH AR
AN ATTACHMENT

SMCS-7050, 795C

i06606818

NOTE	REF NO	GRAPHIC REF	PART NUMBER	QTY	PART NAME						SEE PAGE
					1	2	3	4	5	6 (PRODUCT LEVEL)	
M	1	1	8T-4189	4	BOLT (M8X1.25X20-MM)						
	2	1	8T-4224	4	WASHER-HARD (8.8X16X2-MM THK)						
	3	1	501-7475	1	PLATE						

M - METRIC PART



GRAPHIC #1

<END>

g06045346

FRAME AND BODY

501-7476 PLATE & MTG GP-FRAME

S/N: TH21-UP; TH31-UP

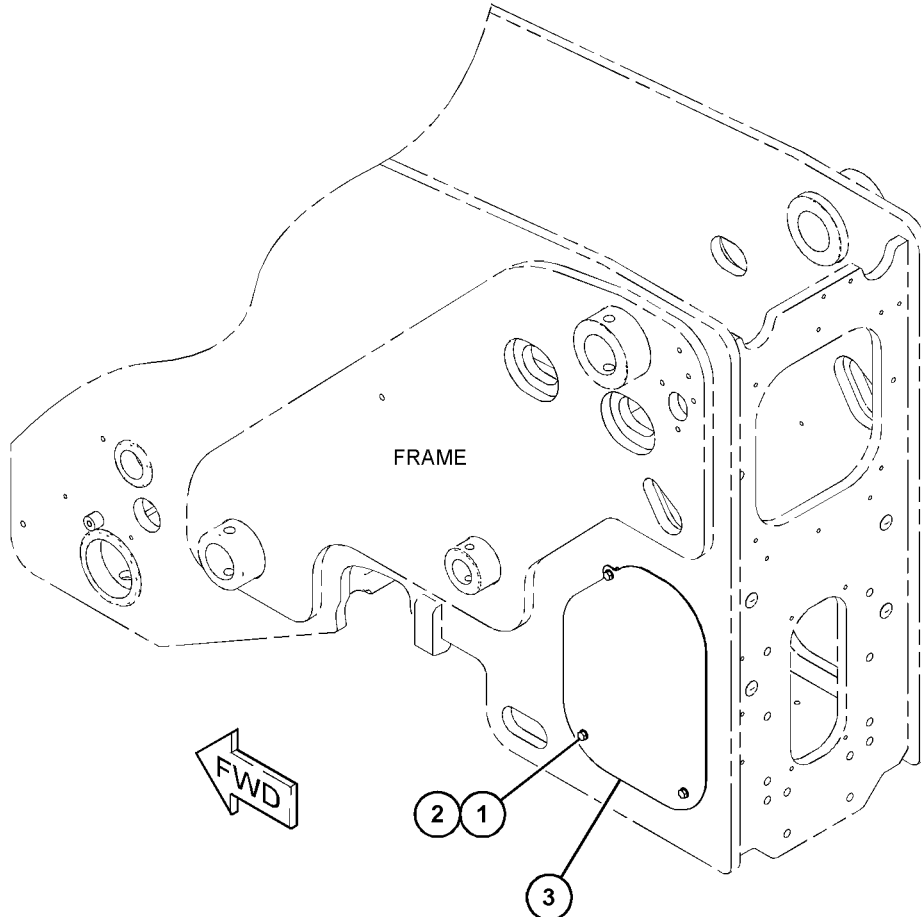
PART OF 506-3317 CONTROL AR-AUXILIARY
AN ATTACHMENT

SMCS-7050, 795C

i06608809

NOTE	REF NO	GRAPHIC REF	PART NUMBER	QTY	PART NAME						SEE PAGE
					1	2	3	4	5	6 (PRODUCT LEVEL)	
M	1	1	8T-4189	3	BOLT (M8X1.25X20-MM)						
	2	1	8T-4224	3	WASHER-HARD (8.8X16X2-MM THK)						
	3	1	499-7298	1	PLATE						

M - METRIC PART



GRAPHIC #1

<END>

g06045344

FRAME AND BODY

539-4494 PLATE & MTG GP-HITCH

S/N: TH21-UP; TH31-UP

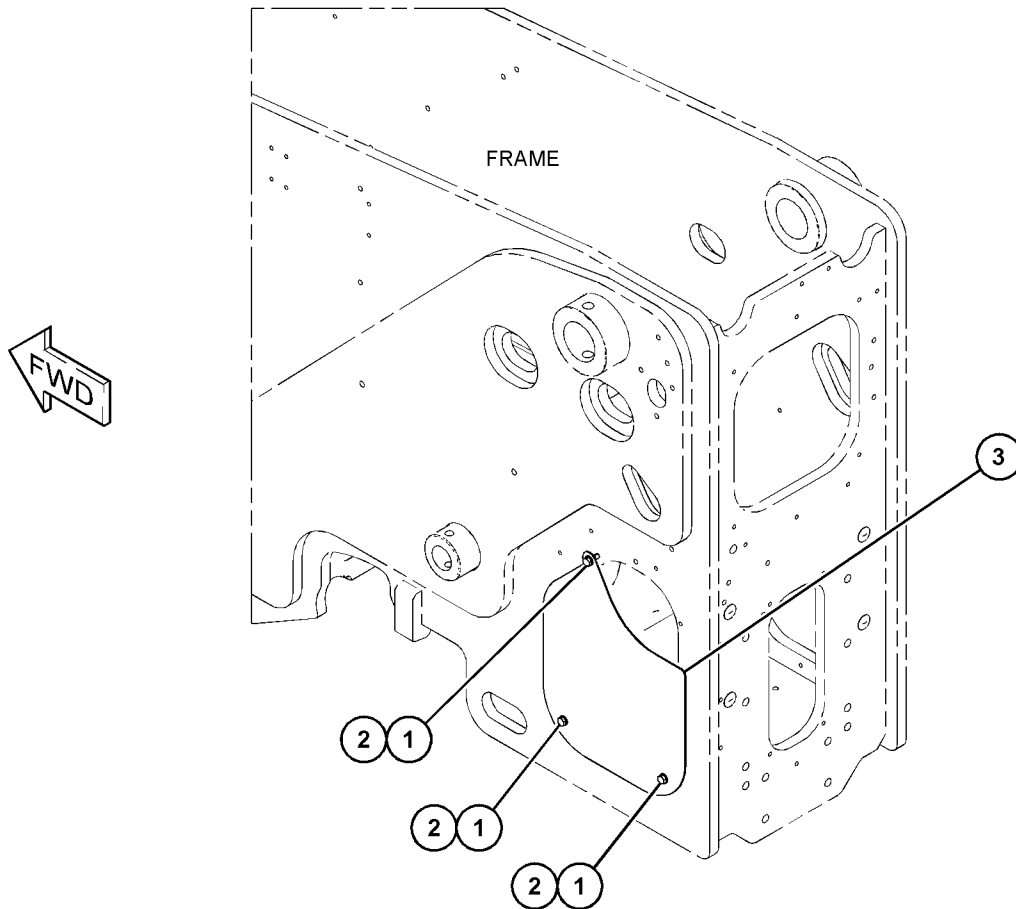
PART OF 506-7531, 506-7532, 506-7533, 506-7536, 506-7537, 506-7538 HITCH AR
AN ATTACHMENT

SMCS-7050, 795C

i07048667

NOTE	REF NO	GRAPHIC REF	PART NUMBER	QTY	PART NAME						SEE PAGE
					1	2	3	4	5	6 (PRODUCT LEVEL)	
M	1	1	8T-4189	3	BOLT (M8X1.25X20-MM)						
	2	1	8T-4224	3	WASHER-HARD (8.8X16X2-MM THK)						
	3	1	539-4427	1	PLATE-COVER						

M - METRIC PART



GRAPHIC #1

<END>

g06211479

FRAME AND BODY

505-0884 STEP GP

S/N: TH21-UP; TH31-UP

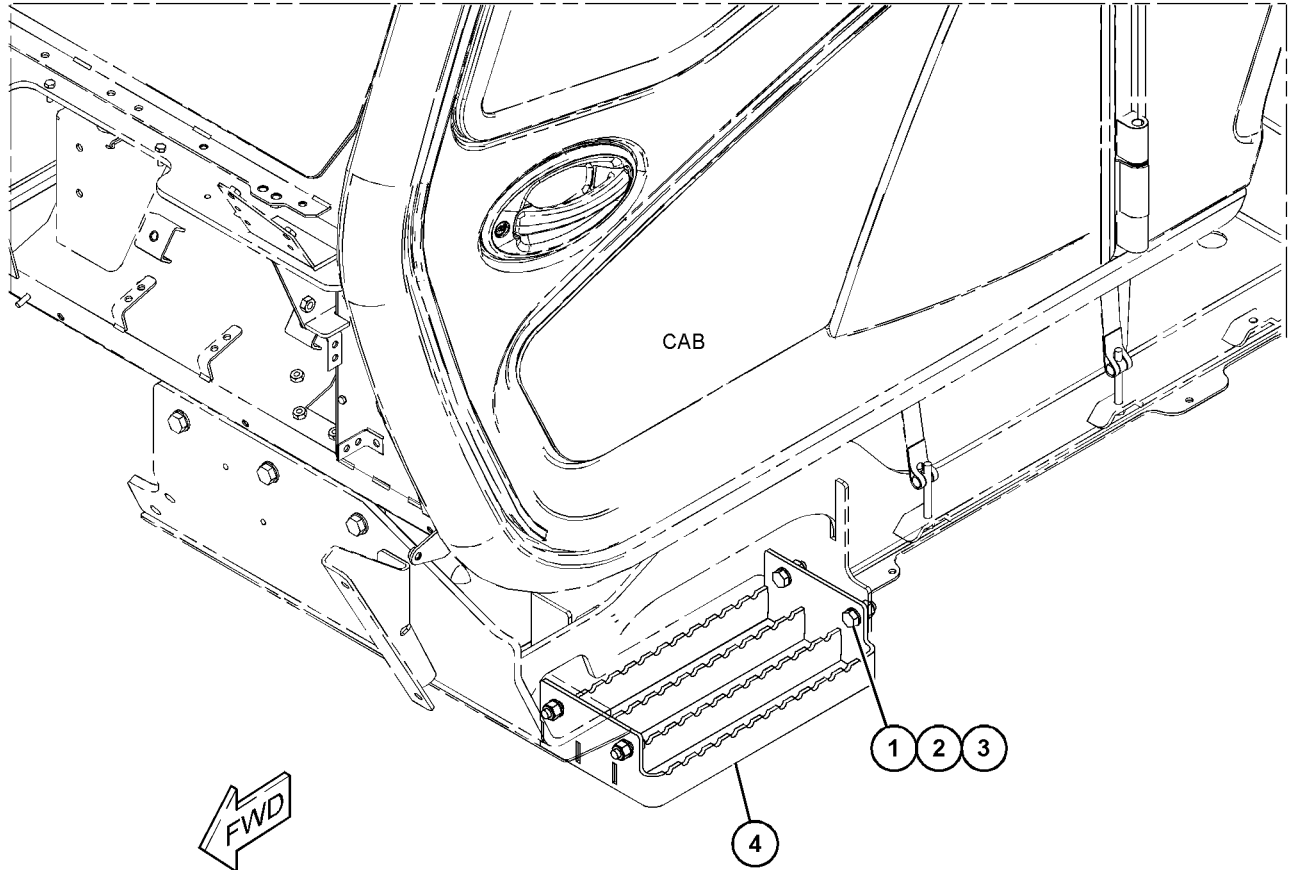
PART OF 505-5033, 505-5035 CHASSIS AR

SMCS-7254

i06603137

NOTE	REF NO	GRAPHIC REF	PART NUMBER	QTY	PART NAME						SEE PAGE
					1	2	3	4	5	6 (PRODUCT LEVEL)	
M	1	1	8T-4195	4	BOLT (M10X1.5X30-MM)						
M	2	1	8T-0389	4	LOCKNUT (M10X1.5-THD)						
	3	1	8T-4121	8	WASHER-HARD (11X21X2.5-MM THK)						
	4	1	505-0885	1	STEP AS						

M - METRIC PART



GRAPHIC #1

<END>

g06045043

BRAKING SYSTEM

506-7649 BRAKE AR-TRAILER

S/N: TH21-UP; TH31-UP
NOT AVAILABLE IN THE ITALIAN MARKET
AN ATTACHMENT

SMCS-4250

i06613302

NOTE	PART NUMBER	QTY	PART NAME						SEE PAGE
			1	2	3	4	5	6 (PRODUCT LEVEL)	
Y	497-9630	1	COVER GP-ACCESS (TRAILER)						876
Y	501-7468	1	LINES GP-TRAILER						722
Y	501-7470	1	VALVE & MTG GP-BRAKE (TRAILER BRAKE)						647
Y	501-7471	1	VALVE & MTG GP-BRAKE (DYNAMIC BRAKE)						648

Y - SEPARATE ILLUSTRATION

<END>

506-7651 BRAKE AR-TRAILER

S/N: TH21-UP; TH31-UP
FOR USE IN THE ITALIAN MARKET
AN ATTACHMENT

SMCS-4250

i06613297

NOTE	PART NUMBER	QTY	PART NAME						SEE PAGE
			1	2	3	4	5	6 (PRODUCT LEVEL)	
Y	497-9630	1	COVER GP-ACCESS (TRAILER)						876
Y	501-2452	1	LINES GP-TRAILER (STEERING COLUMN)						720
Y	501-2456	1	VALVE & MTG GP-BRAKE (MAIN CONTROL VALVE)						645
Y	501-7471	1	VALVE & MTG GP-BRAKE (DYNAMIC BRAKE)						648

Y - SEPARATE ILLUSTRATION

<END>

506-7652 BRAKE AR-TRAILER

S/N: TH21-UP; TH31-UP
NOT AVAILABLE IN THE ITALIAN MARKET
AN ATTACHMENT

SMCS-4250

i06613294

NOTE	PART NUMBER	QTY	PART NAME						SEE PAGE
			1	2	3	4	5	6 (PRODUCT LEVEL)	
Y	497-9630	1	COVER GP-ACCESS (TRAILER)						876
Y	501-7468	1	LINES GP-TRAILER (STEERING COLUMN)						722
Y	501-7470	1	VALVE & MTG GP-BRAKE (TRAILER BRAKE)						647
Y	501-7471	1	VALVE & MTG GP-BRAKE (DYNAMIC BRAKE)						648
Y	496-8310	1	WIRING GP-TRAILER						468

Y - SEPARATE ILLUSTRATION

<END>

BRAKING SYSTEM

505-0902 BRAKE GP-HYDRAULIC

S/N: TH21-UP

PART OF 505-5261 AXLE AR
AN ATTACHMENT

SMCS-4257, 4265

i06735167

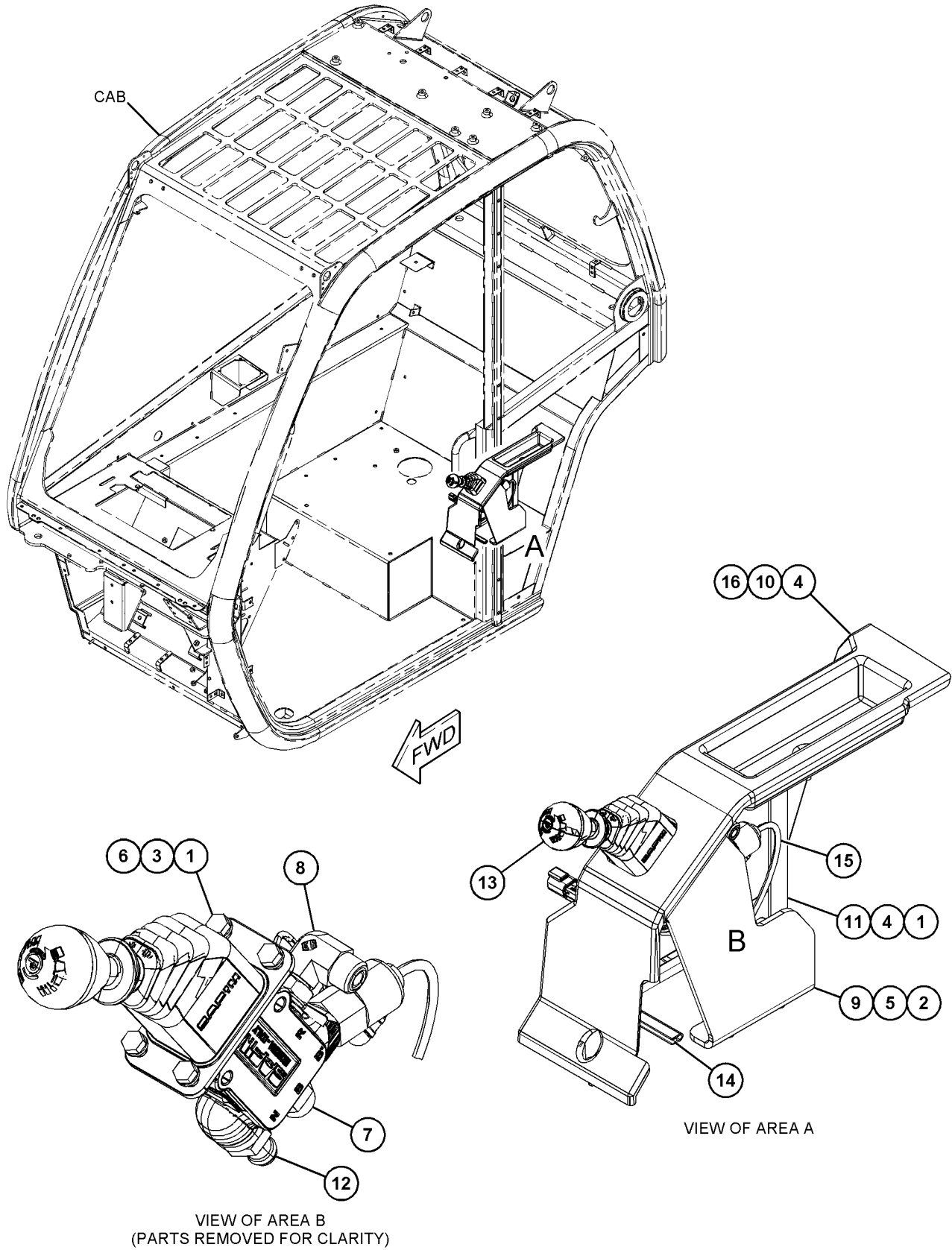
NOTE	REF NO	GRAPHIC REF	PART NUMBER	QTY	PART NAME						SEE PAGE
					1	2	3	4	5	6 (PRODUCT LEVEL)	
M	1	1	5C-9553	5	BOLT (M6X1X16-MM)						
M	2	1	8T-4137	2	BOLT (M10X1.5X20-MM)						
M	3	1	5C-2890	4	NUT (M6X1-THD)						
	4	1	8T-4205	3	WASHER-HARD (7.2X14.5X2-MM THK)						
	5	1	8T-4121	2	WASHER-HARD (11X21X2.5-MM THK)						
	6	1	303-4787	4	WASHER (6.1X11.8X1.6-MM THK)						
	7	1	326-9028	1	ADAPTER						
	8	1	504-5534	1	ADAPTER						
	9	1	497-8542	1	BRACKET						
	10	1	497-8539	1	COVER-BRAKE						
	11	1	497-8541	1	BRACKET AS						
	12	1	504-5535	1	ADAPTER						
	13	1	317-8720	1	CONTROL GP-PARKING BRAKE						
	14	1	505-1112	1	SEAL						
	15	1	505-0905	1	SWITCH-PRESSURE						
M	16	1	473-6822	2	SCREW (M6X1X20-MM)						

M - METRIC PART

BRAKING SYSTEM

505-0902 BRAKE GP-HYDRAULIC (contd.)

i06735167



GRAPHIC #1

<END>

g06053082

BRAKING SYSTEM

514-4634 BRAKE GP-PARKING

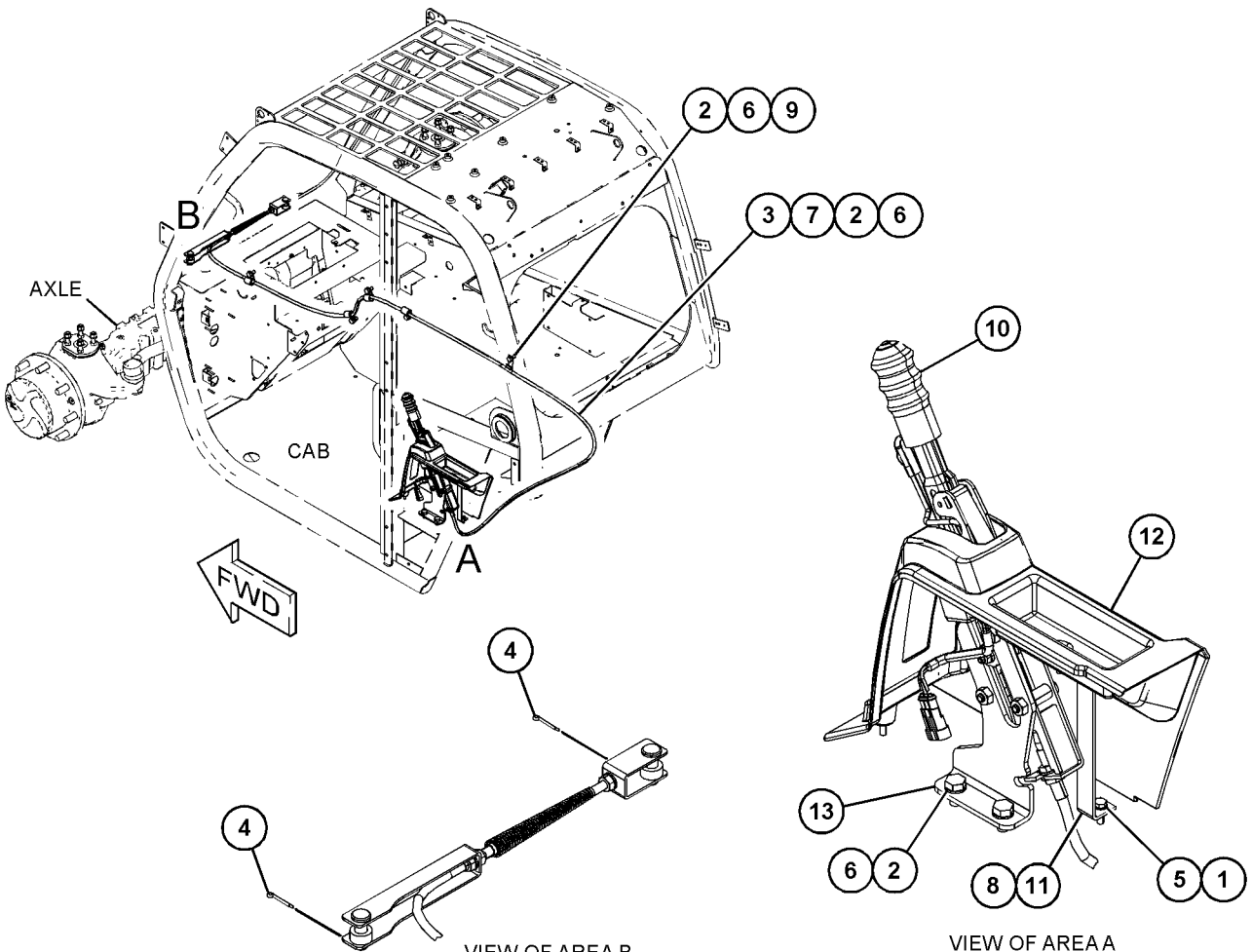
S/N: TH21-UP; TH31-UP
PART OF 505-5260 AXLE AR
AN ATTACHMENT

SMCS-4267

i06811051

NOTE	REF NO	GRAPHIC REF	PART NUMBER	QTY	PART NAME						SEE PAGE
					1	2	3	4	5	6 (PRODUCT LEVEL)	
M	1	1	8T-4138	1	BOLT (M6X1X20-MM)						
M	2	1	8T-4137	7	BOLT (M10X1.5X20-MM)						
	3	1	519-0945	1	CABLE AS						
	4	1	323-7223	2	PIN-COTTER						
	5	1	8T-4205	3	WASHER-HARD (7.2X14.5X2-MM THK)						
	6	1	8T-4121	7	WASHER-HARD (11X21X2.5-MM THK)						
	7	1	175-7739	4	CLAMP						
M	8	1	473-6822	2	SCREW (M6X1X20-MM)						
	9	1	514-4637	1	CLIP						
	10	1	514-4636	1	LEVER AS						
	11	1	497-8541	1	BRACKET AS						
	12	1	499-7169	1	COVER-BRAKE						
	13	1	514-4635	1	BRACKET AS						

M - METRIC PART



GRAPHIC #1

VIEW OF AREA B
<END>

VIEW OF AREA A

g06131228

BRAKING SYSTEM

476-8923 CONTROL GP-PARKING BRAKE

S/N: TH31-UP
PART OF 505-5262 AXLE AR
AN ATTACHMENT

SMCS-4284

i06850124

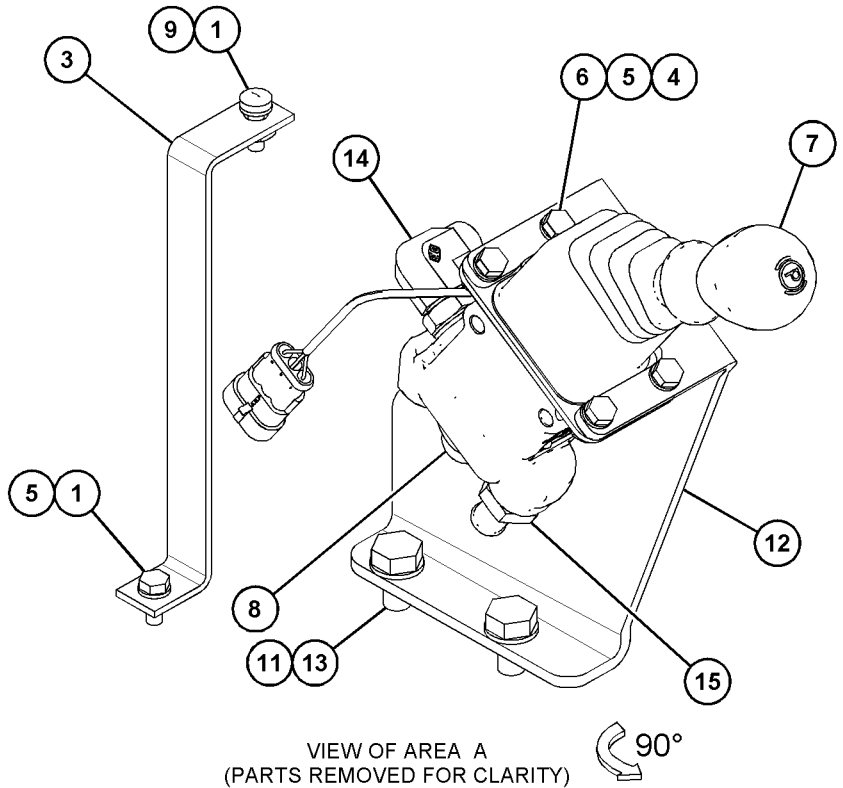
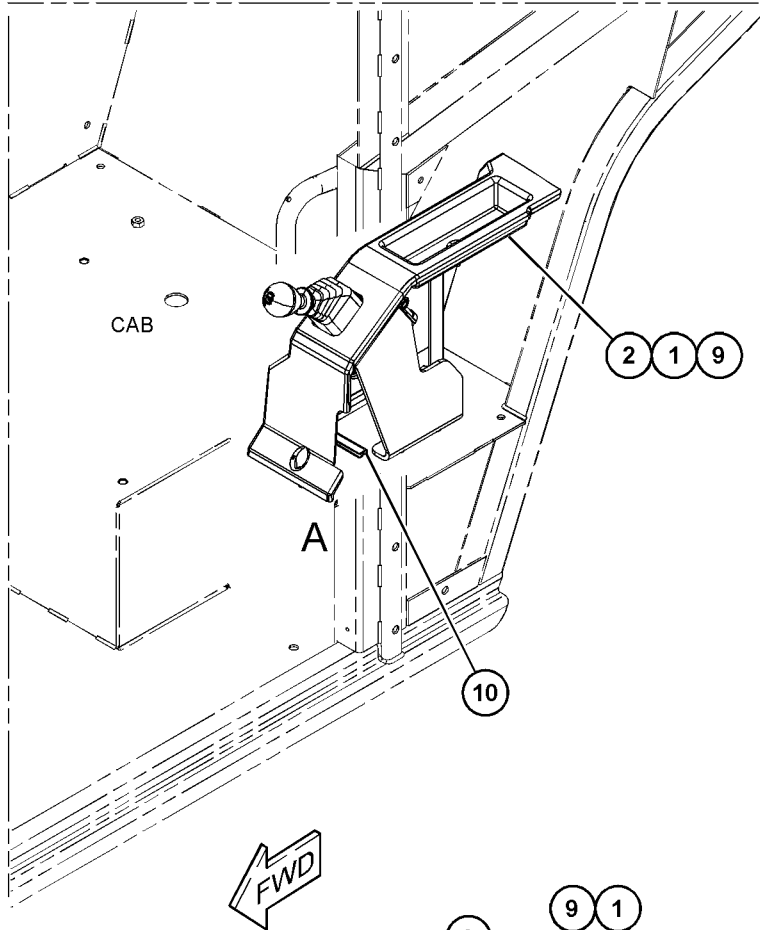
NOTE	REF NO	GRAPHIC REF	PART NUMBER	QTY	PART NAME						SEE PAGE
					1	2	3	4	5	6	
	1	1	8T-4205	3	WASHER-HARD (7.2X14.5X2-MM THK)						
	2	1	497-8539	1	COVER-BRAKE						
	3	1	497-8541	1	BRACKET AS						
M	4	1	5C-2890	4	NUT (M6X1-THD)						
M	5	1	5C-9553	5	BOLT (M6X1X16-MM)						
	6	1	303-4787	4	WASHER (6.1X11.8X1.6-MM THK)						
	7	1	505-0903	1	BRAKE						
	8	1	326-9028	1	ADAPTER						
M	9	1	473-6822	2	SCREW (M6X1X20-MM)						
	10	1	505-1112	1	SEAL						
	11	1	8T-4121	2	WASHER-HARD (11X21X2.5-MM THK)						
	12	1	497-8542	1	BRACKET						
M	13	1	8T-4137	2	BOLT (M10X1.5X20-MM)						
	14	1	504-5534	1	ADAPTER						
	15	1	504-5535	1	ADAPTER						

M - METRIC PART

BRAKING SYSTEM

476-8923 CONTROL GP-PARKING BRAKE (contd.)

106850124



VIEW OF AREA A
(PARTS REMOVED FOR CLARITY)

GRAPHIC #1

<END>

g06141427

BRAKING SYSTEM

495-9806 LINES GP-BRAKE

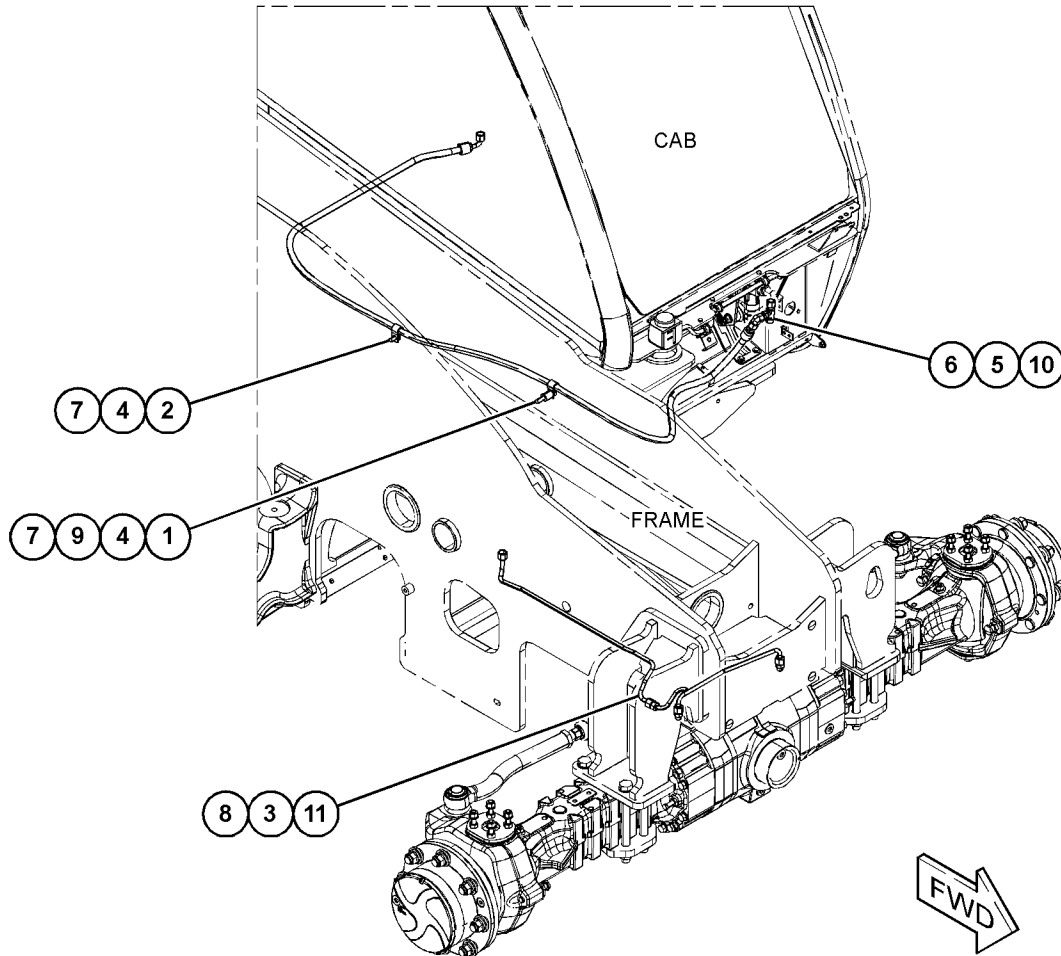
S/N: TH21-UP; TH31-UP
PART OF 505-5261, 505-5262 AXLE AR
AN ATTACHMENT

SMCS-4257

i06601149

NOTE	REF NO	GRAPHIC REF	PART NUMBER	QTY	PART NAME						SEE PAGE
					1	2	3	4	5	6 (PRODUCT LEVEL)	
M	1	1	085-8091	1	BOLT (M10X1.5X55-MM)						
M	2	1	8T-4137	1	BOLT (M10X1.5X20-MM)						
	3	1	298-1610	2	FITTING						
	4	1	8T-4121	2	WASHER-HARD (11X21X2.5-MM THK)						
	5	1	298-0496	1	FITTING-ADAPTER						
	6	1	298-0507	1	ADAPTER-SWIVEL						
	7	1	9M-8406	2	CLIP (LOOP)						
	8	1	495-9807	1	TUBE AS						
	9	1	495-1404	1	SPACER (10.5X20X25-MM THK)						
I	10	1	495-9760	1	HOSE AS						
	11	1	6V-8397	1	SEAL-O-RING						

I - REFER TO HYDRAULIC INFORMATION SYSTEM
M - METRIC PART



GRAPHIC #1

<END>

g06040633

BRAKING SYSTEM

495-9881 LINES GP-BRAKE

S/N: TH21-UP; TH31-UP

PART OF 505-5261, 505-5262 AXLE AR
AN ATTACHMENT

SMCS-4257

i06826611

NOTE	REF NO	GRAPHIC REF	PART NUMBER	QTY	PART NAME						SEE PAGE
					1	2	3	4	5	6 (PRODUCT LEVEL)	
M	1	1	8T-4137	4	BOLT (M10X1.5X20-MM)						
	2	1	298-1610	2	FITTING						
	3	1	8T-4121	3	WASHER-HARD (11X21X2.5-MM THK)						
	4	1	6V-3265	2	CLIP						
	5	1	1S-0994	3	CLIP (LOOP)						
	6	1	495-9882	1	TUBE AS						
	7	1	521-7497	1	TUBE AS						
I	8	1	521-7498	1	HOSE AS						
	9	1	6V-8397	2	SEAL-O-RING						
M	10	1	085-8091	1	BOLT (M10X1.5X55-MM)						
	11	1	495-1404	1	SPACER (10.5X20X25-MM THK)						
	12	1	495-9807	1	TUBE AS						
I	13	1	521-7499	1	HOSE AS						

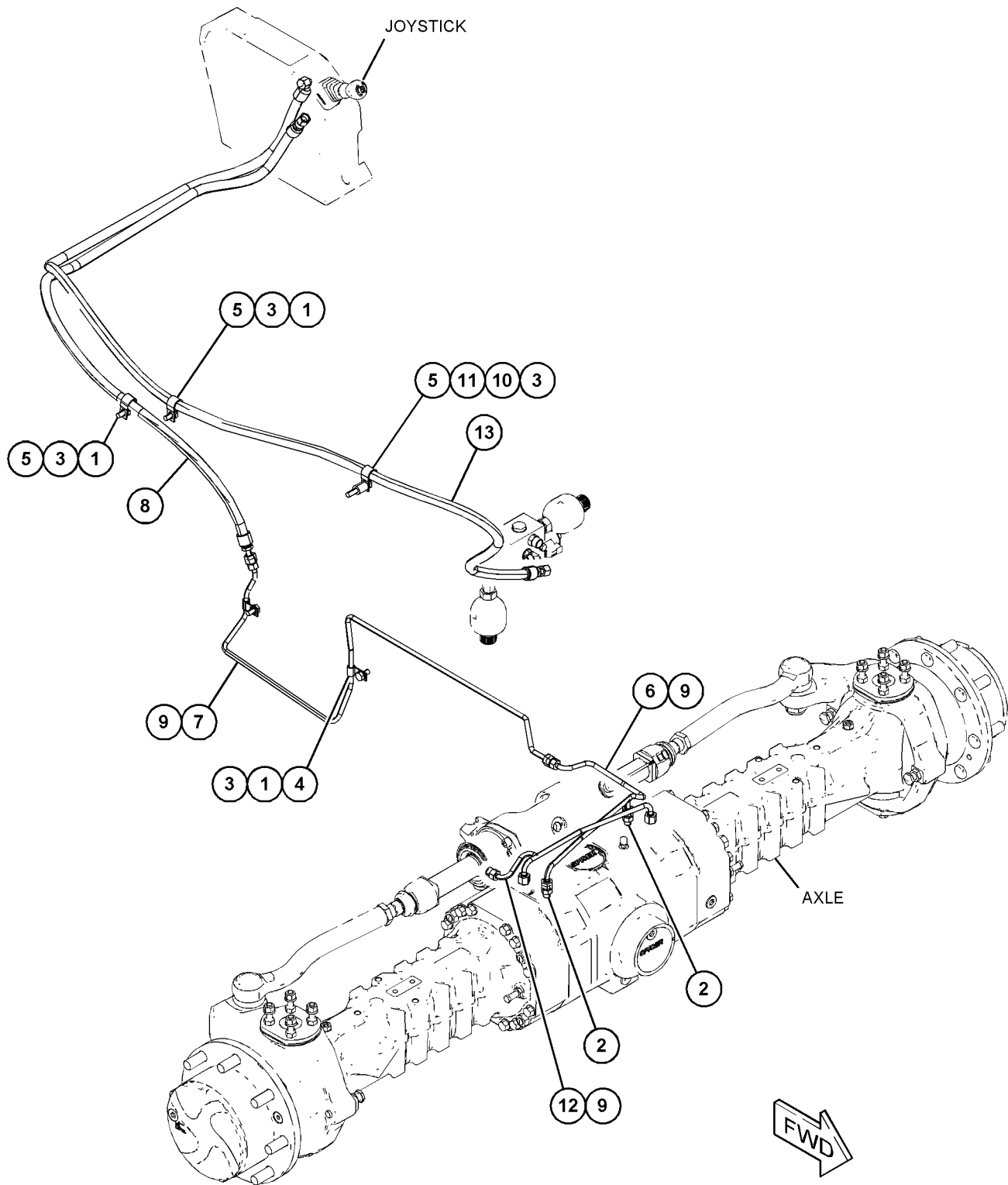
I - REFER TO HYDRAULIC INFORMATION SYSTEM

M - METRIC PART

BRAKING SYSTEM

495-9881 LINES GP-BRAKE (contd.)

i06826611



GRAPHIC #1

<END>

g06137977

BRAKING SYSTEM

499-0189 LINES GP-BRAKE

S/N: TH21-UP; TH31-UP

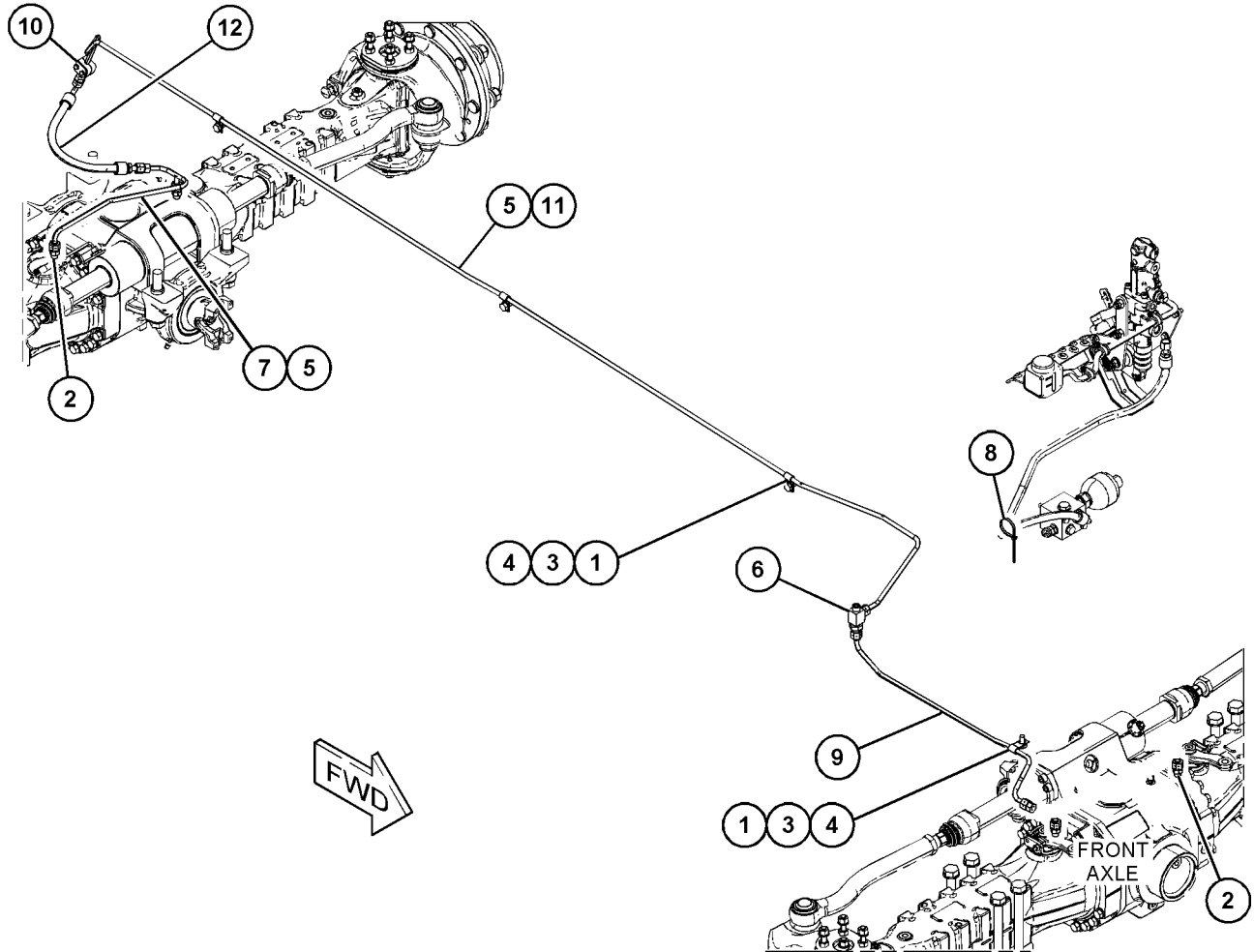
PART OF 505-5240 HYDRAULIC AR

SMCS-4257

i06826187

NOTE	REF NO	GRAPHIC REF	PART NUMBER	QTY	PART NAME						SEE PAGE
					1	2	3	4	5	6	
M	1	1	8T-4137	4	BOLT (M10X1.5X20-MM)						
	2	1	298-1610	4	FITTING						
	3	1	8T-4121	4	WASHER-HARD (11X21X2.5-MM THK)						
	4	1	6V-3265	4	CLIP						
	5	1	6V-8397	2	SEAL-O-RING						
	6	1	7X-0820	1	TEE						
	7	1	499-0190	1	TUBE AS						
	8	1	342-3862	1	STRIP						
	9	1	499-0192	1	TUBE AS						
	10	1	499-2332	1	CLAMP AS						
	11	1	506-3306	1	PIPE AS						
I	12	1	498-9357	1	HOSE AS						

I - REFER TO HYDRAULIC INFORMATION SYSTEM
M - METRIC PART



GRAPHIC #1

<END>

g06131417

BRAKING SYSTEM

502-0664 LINES GP-BRAKE

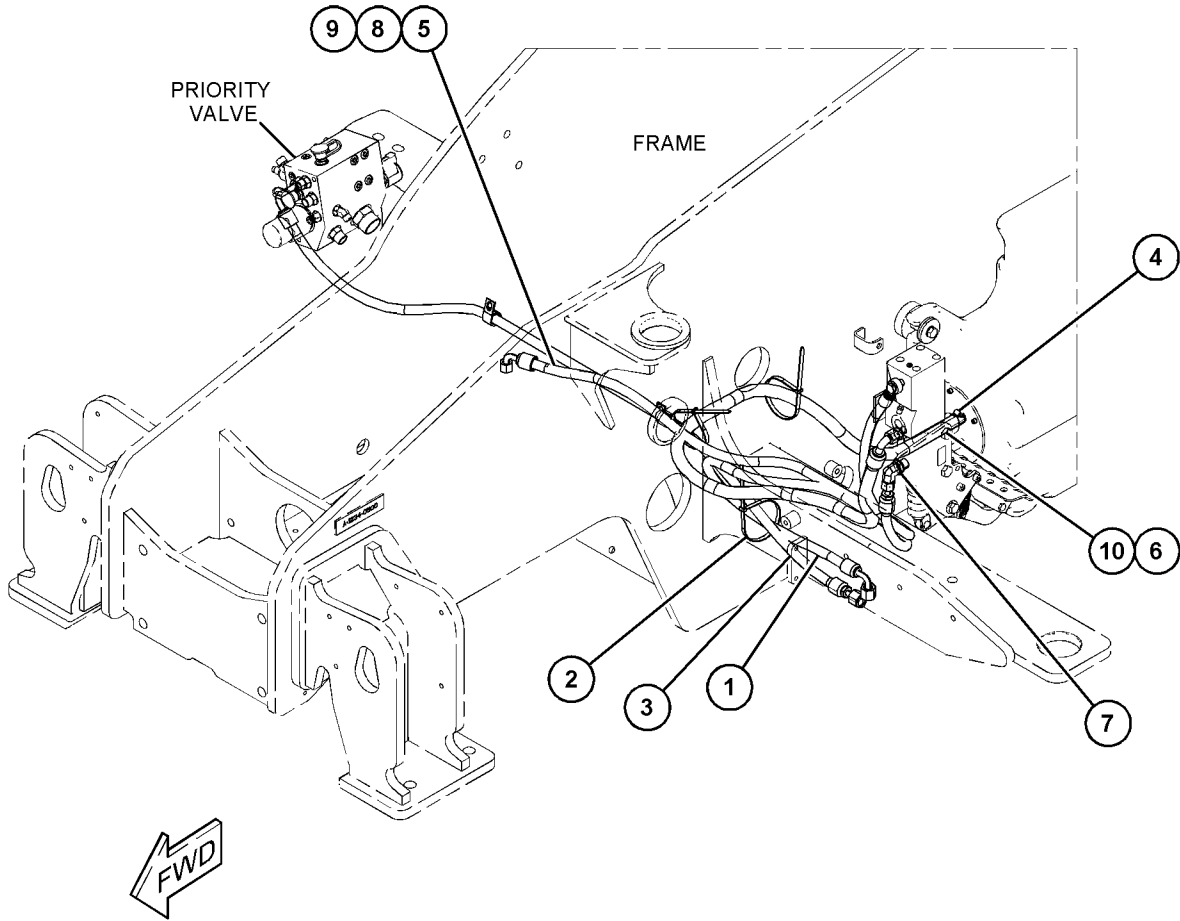
S/N: TH21-UP; TH31-UP
PART OF 505-5240 HYDRAULIC AR

SMCS-4257

i06826610

NOTE	REF NO	GRAPHIC REF	PART NUMBER	QTY	PART NAME						SEE PAGE	
					1	2	3	4	5	6 (PRODUCT LEVEL)		
I	1	1	502-0314	1	HOSE AS							
	2	1	7K-1181	3	STRAP-CABLE							
I	3	1	502-0313	1	HOSE AS							
	4	1	309-2982	1	CLAMP							
	5	1	502-0376	1	HOSE AS							
	6	1	473-8503	1	ADAPTER							
	7	1	477-4116	1	ELBOW							
	8	1	296-5747	2	WASHER-COPPER (12X16X1.5-MM THK)							
	M	9	1	477-4117	1	BOLT (M12X1.5X24-MM)						
		10	1	502-0312	1	HOSE AS						

I - REFER TO HYDRAULIC INFORMATION SYSTEM
M - METRIC PART



GRAPHIC #1

<END>

g06131409

BRAKING SYSTEM

505-7484 PEDAL & MOUNTING GP-BRAKE

S/N: TH21-UP; TH31-UP

PART OF 507-9544, 507-9545, 507-9546, 507-9547 CAB AR
AN ATTACHMENT

SMCS-4269

i06826607

NOTE	REF NO	GRAPHIC REF	PART NUMBER	QTY	PART NAME						SEE PAGE
					1	2	3	4	5	6	
	1	1	474-6097	1	BRACKET						
	2	1	493-8976	1	HOSE						
M	3	1	312-3282	4	SCREW (M6X1.0X10-MM)						
M	4	1	8T-4189	3	BOLT (M8X1.25X20-MM)						
	6	1	491-0615	1	PEDAL AS-BRAKE						
M		1	8T-7547	2	BOLT (M8X1.25X30-MM)						
M		1	3T-0852	2	LOCKNUT (M8X1.25-THD)						
	7	1	5W-1417	4	WASHER (6.4X18X1.6-MM THK)						
	8	1	8T-4224	3	WASHER-HARD (8.8X16X2-MM THK)						
Y	9	1	505-7629	1	SWITCH & MTG GP-SIGNAL (BRAKE)						434
	10	1	474-6095	1	SEAL						
	11	1	474-6096	1	PLATE (BRAKE PEDAL)						
	12	1	505-7485	1	PEDAL GP-BRAKE						
		1	458-8885	1	COVER						
		1	458-8886	1	SPRING						
		1	483-3923	1	CYLINDER						
M	13	1	5C-9553	1	BOLT (M6X1X16-MM)						
	14	1	8T-4205	4	WASHER-HARD (7.2X14.5X2-MM THK)						
M	15	1	5C-2890	3	NUT (M6X1-THD)						
	16	1	477-0667	1	RETAINER						
	17	1	333-0736	2	CLAMP						
	18	1	521-5502	1	RESERVOIR						
	19	1	474-6053	3	CLIP						
	20	1	474-6058	1	ADAPTER						

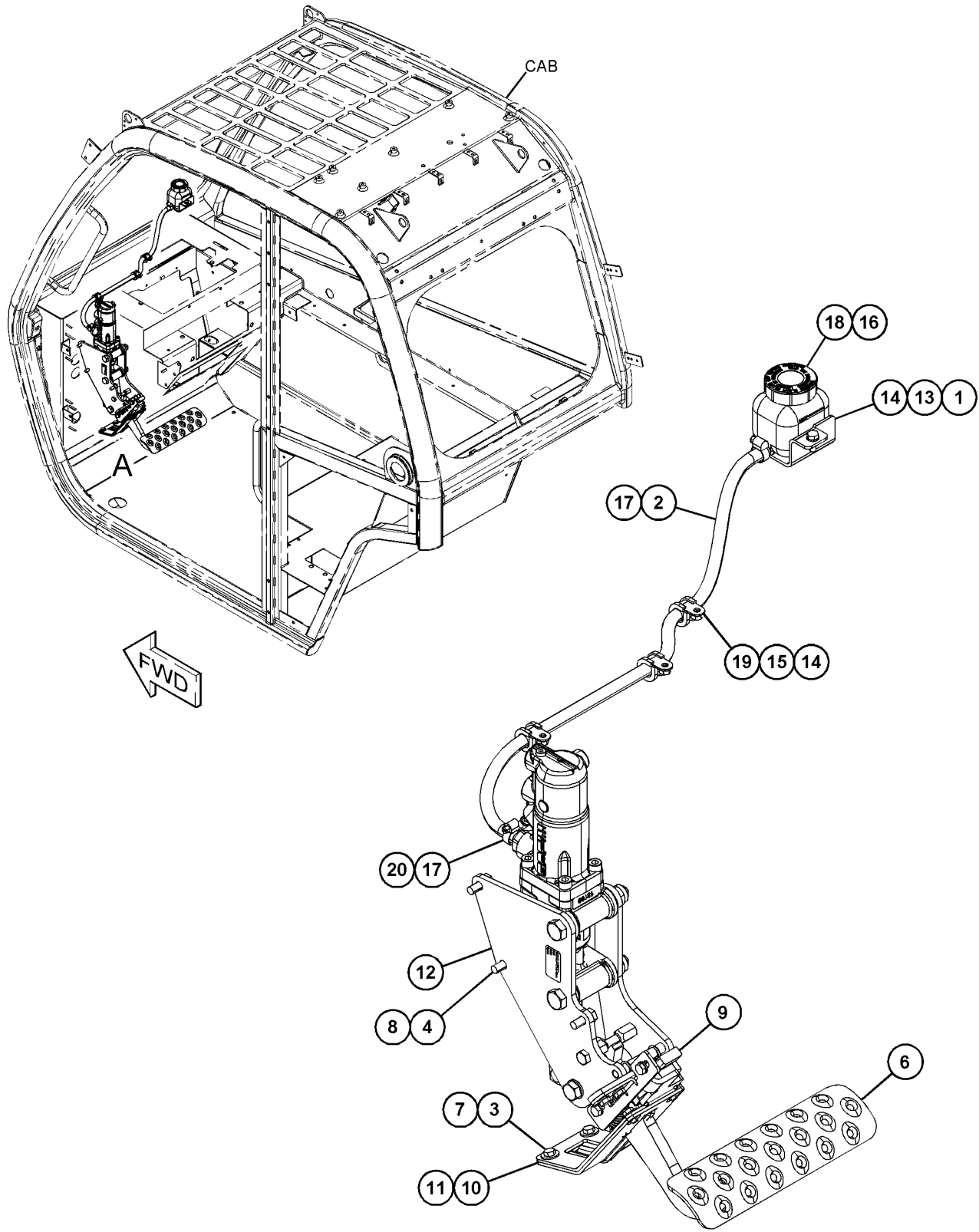
M - METRIC PART

Y - SEPARATE ILLUSTRATION

BRAKING SYSTEM

505-7484 PEDAL & MOUNTING GP-BRAKE (contd.)

i06826607



VIEW OF AREA A

GRAPHIC #1

<END>

g06136516

BRAKING SYSTEM

501-2456 VALVE & MTG GP-BRAKE

S/N: TH21-UP; TH31-UP

PART OF 506-7651 BRAKE AR-TRAILER, 506-7655 TRAILER AR
AN ATTACHMENT

SMCS-4262, 4265, 4282

i07000705

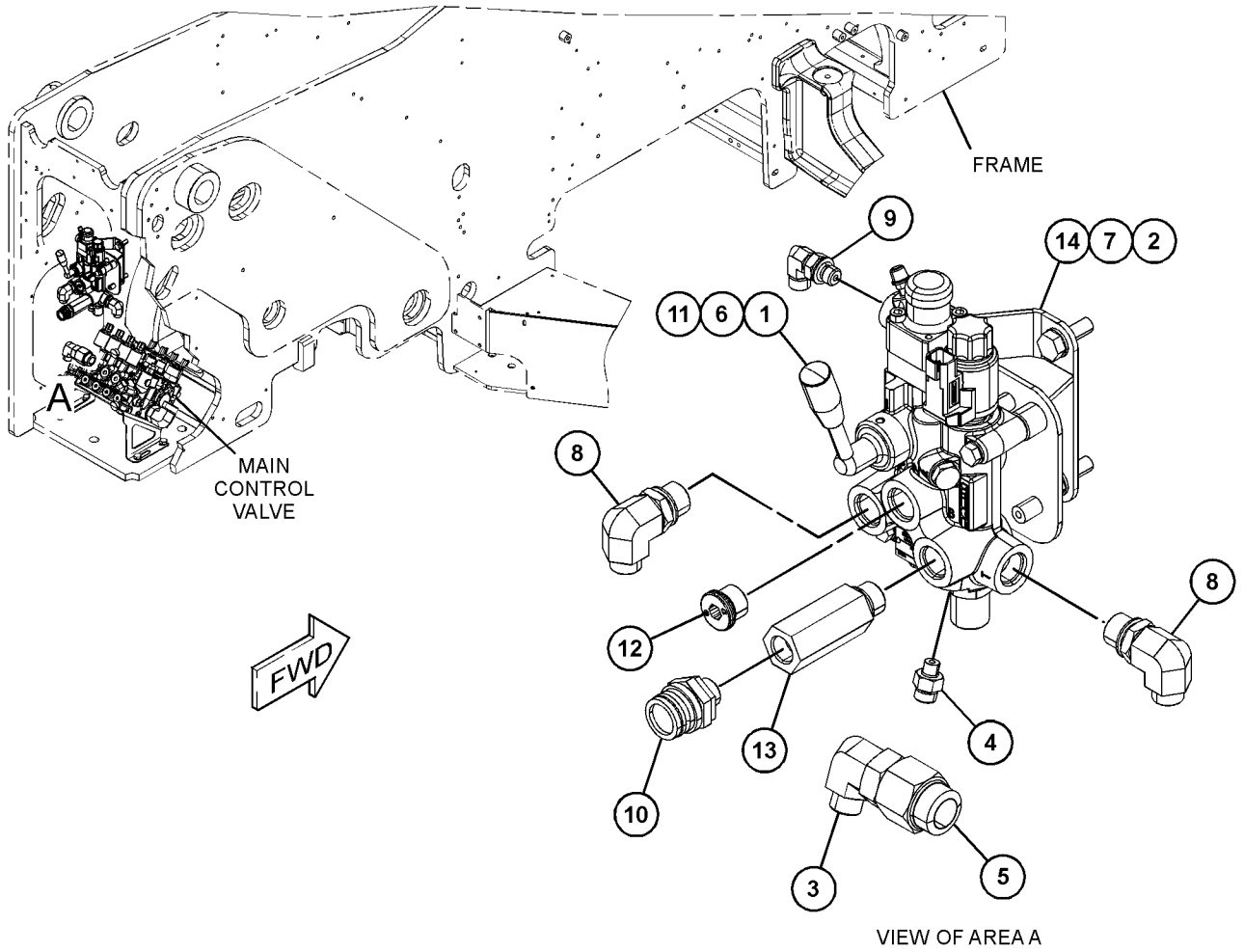
NOTE	REF NO	GRAPHIC REF	PART NUMBER	QTY	PART NAME						SEE PAGE
					1	2	3	4	5	6 (PRODUCT LEVEL)	
M	1	1	8T-7329	2	BOLT (M8X1.25X55-MM)						
M	2	1	8T-4195	2	BOLT (M10X1.5X30-MM)						
	3	1	303-4756	1	FITTING						
	4	1	309-6344	1	CONNECTOR						
	5	1	501-2457	1	ADAPTER-STR						
	6	1	8T-4224	4	WASHER-HARD (8.8X16X2-MM THK)						
	7	1	8T-4121	2	WASHER-HARD (11X21X2.5-MM THK)						
	8	1	<i>377-9560</i>	2	ELBOW AS						
					(EACH INCLUDES)						
		1	6V-7970	1	SEAL-O-RING						
		1	6V-8398	1	SEAL-O-RING						
		1	379-4372	1	ADAPTER-ELBOW						
	9	1	309-2986	1	FITTING						
	10	1	219-4562	1	FITTING						
	11	1	528-8260	1	VALVE GP-BRAKE						
	12	1	<i>330-9726</i>	1	PLUG AS						
		1	227-0136	1	PLUG						
		1	228-7105	1	SEAL-O-RING						
	13	1	425-2264	1	ADAPTER						
	14	1	501-2458	1	BRACKET AS						

M - METRIC PART

BRAKING SYSTEM

501-2456 VALVE & MTG GP-BRAKE (contd.)

i07000705



GRAPHIC #1

<END>

g06205397

BRAKING SYSTEM

501-7470 VALVE & MTG GP-BRAKE

S/N: TH21-UP; TH31-UP

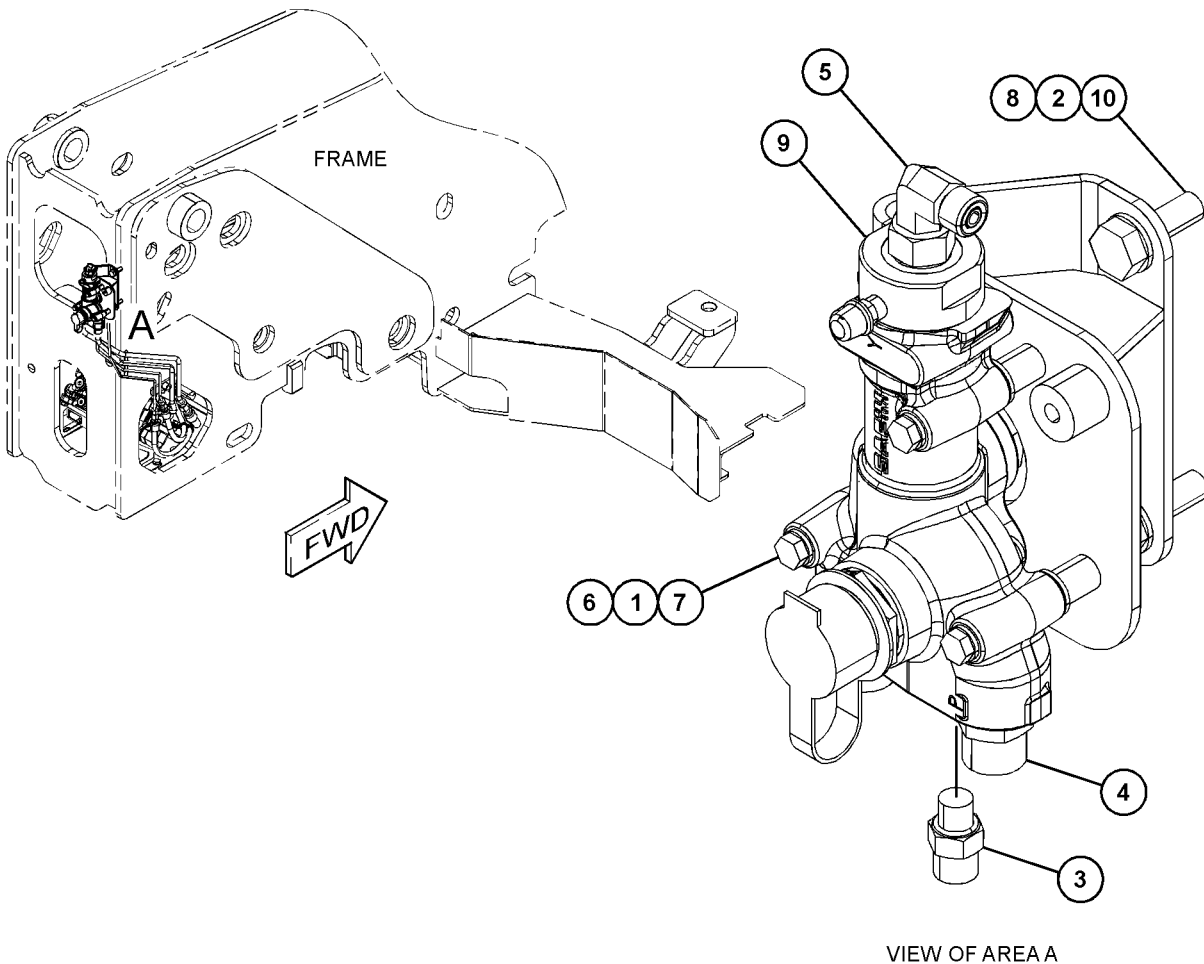
PART OF 506-7649, 506-7652 BRAKE AR-TRAILER
AN ATTACHMENT

SMCS-4262, 4265, 4282

i06809425

NOTE	REF NO	GRAPHIC REF	PART NUMBER	QTY	PART NAME						SEE PAGE
					1	2	3	4	5	6 (PRODUCT LEVEL)	
M	1	1	7X-2534	3	BOLT (M6X1X50-MM)						
M	2	1	8T-4195	2	BOLT (M10X1.5X30-MM)						
	3	1	508-2599	1	VALVE GP-CHECK						
	4	1	298-0463	2	FITTING-ADAPTER						
	5	1	298-0472	1	FITTING-ADAPTER						
	6	1	8T-4205	3	WASHER-HARD (7.2X14.5X2-MM THK)						
	7	1	8T-4224	3	WASHER-HARD (8.8X16X2-MM THK)						
	8	1	8T-4121	2	WASHER-HARD (11X21X2.5-MM THK)						
	9	1	508-2600	1	VALVE GP-BRAKE CONTROL (TRAILER BRAKE)						
	10	1	501-2458	1	BRACKET AS						

M - METRIC PART



GRAPHIC #1

<END>

g06048934

BRAKING SYSTEM

501-7471 VALVE & MTG GP-BRAKE

S/N: TH21-UP; TH31-UP

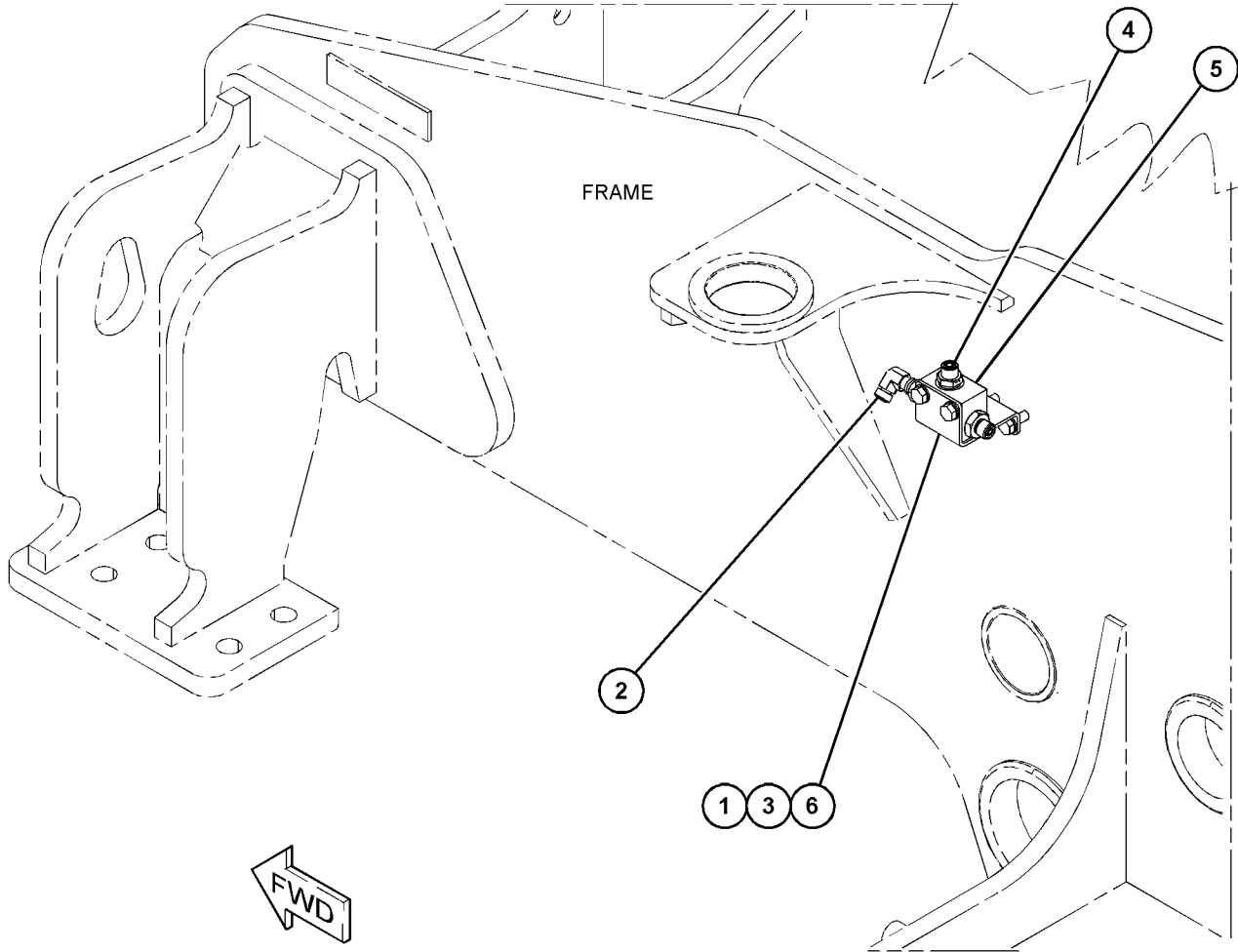
PART OF 506-7649, 506-7651, 506-7652 BRAKE AR-TRAILER, 506-7655 TRAILER AR
AN ATTACHMENT

SMCS-4262, 4265, 4282

i06613300

NOTE	REF NO	GRAPHIC REF	PART NUMBER	QTY	PART NAME						SEE PAGE
					1	2	3	4	5	6 (PRODUCT LEVEL)	
M	1	1	8T-4189	4	BOLT (M8X1.25X20-MM)						
	2	1	328-9691	1	ELBOW						
	3	1	8T-4224	4	WASHER-HARD (8.8X16X2-MM THK)						
	4	1	170-5121	1	ADAPTER AS						
		1	4J-5477	1	SEAL-O-RING						
		1	162-6816	1	SEAL						
		1	377-9597	1	ADAPTER						
	5	1	437-7007	1	VALVE-HYDRAULIC						
	6	1	501-7472	1	PLATE						

M - METRIC PART



GRAPHIC #1

<END>

g06051710

STEERING SYSTEM

499-0187 LINES GP-STEERING

S/N: TH21-UP; TH31-UP
PART OF 505-5240 HYDRAULIC AR

SMCS-4304

i06603153

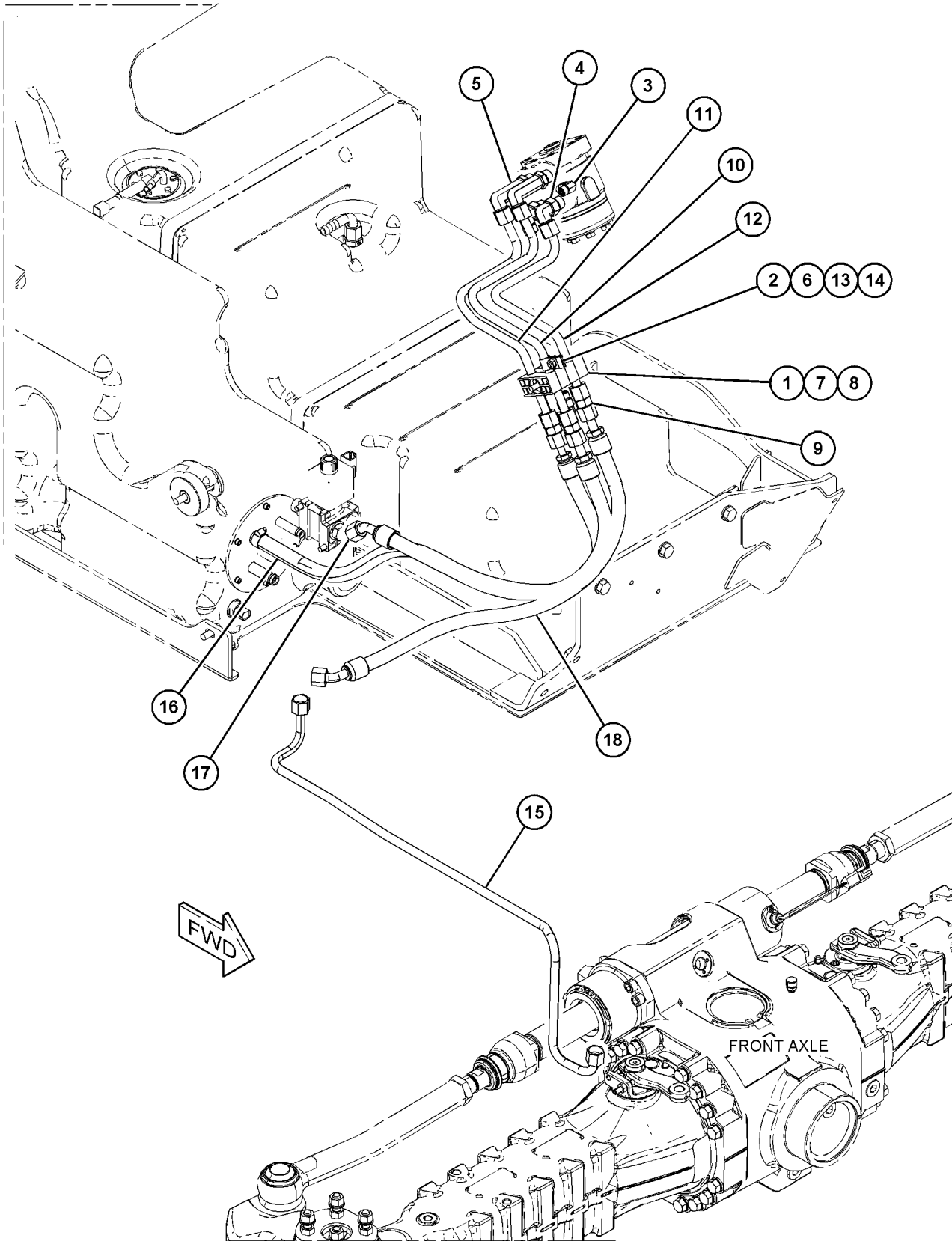
NOTE	REF NO	GRAPHIC REF	PART NUMBER	QTY	PART NAME						SEE PAGE
					1	2	3	4	5	6 (PRODUCT LEVEL)	
M	1	1	8T-3647	1	BOLT (M8X1.25X80-MM)						
M	2	1	5C-9553	1	BOLT (M6X1X16-MM)						
	3	1	298-0471	1	FITTING-ADAPTER						
	4	1	298-0474	2	FITTING-ADAPTER						
	5	1	298-0490	2	FITTING-ELBOW						
	6	1	5W-1417	1	WASHER (6.4X18X1.6-MM THK)						
	7	1	8T-4224	1	WASHER-HARD (8.8X16X2-MM THK)						
	8	1	204-7274	4	CLAMP						
	9	1	<i>164-5572</i>	4	UNION AS						
					(EACH INCLUDES)						
		1	6V-8398	2	SEAL-O-RING						
		1	6V-8731	1	UNION						
	10	1	473-7236	1	TUBE AS						
	11	1	473-7237	1	TUBE AS						
	12	1	473-7238	1	TUBE AS						
	13	1	473-1595	1	BRACKET AS						
	14	1	473-1597	1	BRACKET						
	15	1	499-0188	1	TUBE AS						
	16	1	499-0089	1	HOSE AS						
I	17	1	499-0079	1	HOSE AS						
I	18	1	499-0080	1	HOSE AS						

I - REFER TO HYDRAULIC INFORMATION SYSTEM
M - METRIC PART

STEERING SYSTEM

499-0187 LINES GP-STEERING (contd.)

i06603153



GRAPHIC #1

<END>

g06051830

STEERING SYSTEM

501-2459 LINES GP-STEERING

S/N: TH21-UP; TH31-UP
PART OF 505-5240 HYDRAULIC AR

SMCS-4304

i06603149

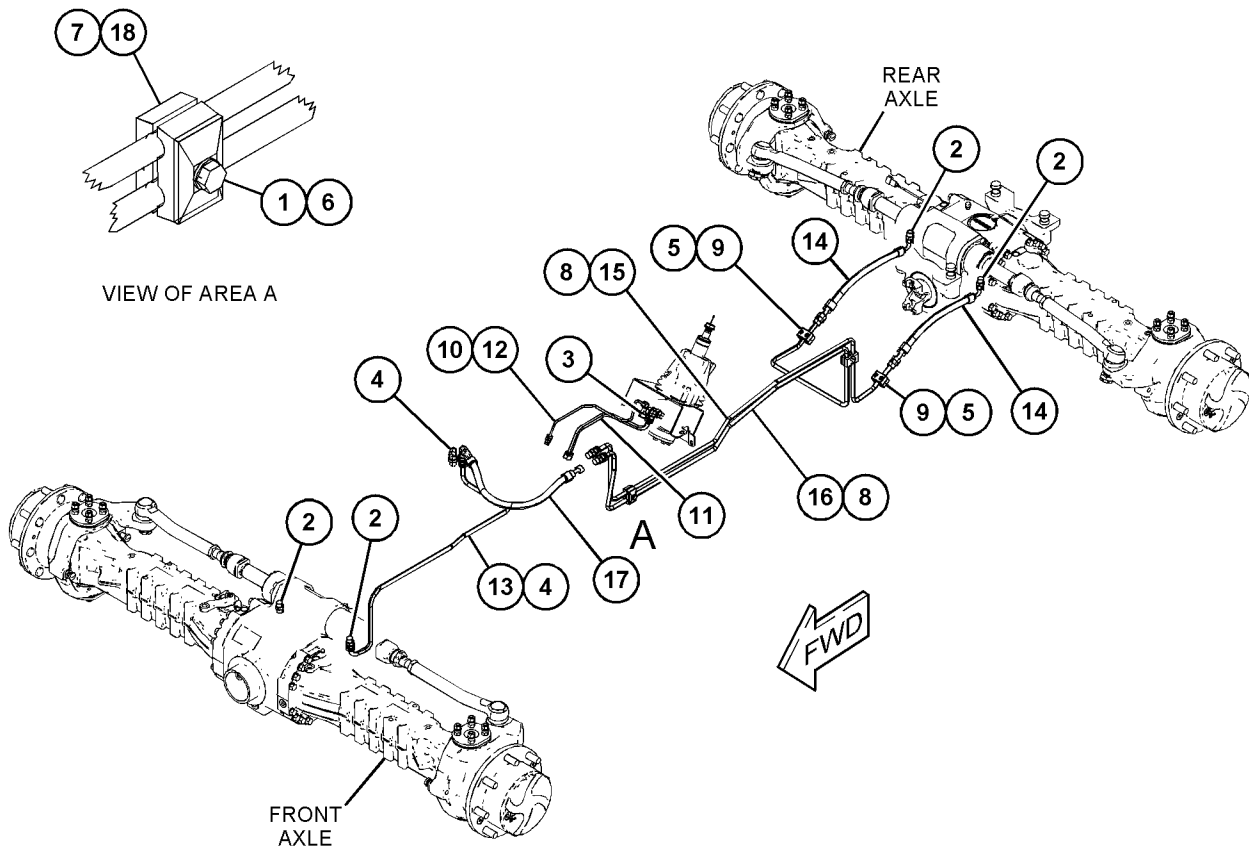
NOTE	REF NO	GRAPHIC REF	PART NUMBER	QTY	PART NAME						SEE PAGE
					1	2	3	4	5	6 (PRODUCT LEVEL)	
M	1	1	7X-2537	2	BOLT (M8X1.25X35-MM)						
	2	1	298-0463	6	FITTING-ADAPTER						
	3	1	298-0474	2	FITTING-ADAPTER						
	4	1	473-2656	2	ADAPTER						
M	5	1	3T-0849	4	BOLT-SOCKET HEAD (M6X1X25-MM)						
	6	1	8T-4224	2	WASHER-HARD (8.8X16X2-MM THK)						
	7	1	299-6644	2	PLATE						
	8	1	6V-8398	2	SEAL-O-RING						
	9	1	337-6264	2	CLAMP AS						
	10	1	<i>150-3067</i>	1	UNION AS						
		1	4J-5477	2	SEAL-O-RING						
		1	6V-8729	1	UNION						
	11	1	472-7846	1	TUBE AS						
	12	1	472-7847	1	TUBE AS						
	13	1	501-2460	1	TUBE AS						
I	14	1	501-0772	2	HOSE AS						
	15	1	501-2461	1	TUBE AS						
	16	1	501-2462	1	TUBE AS						
I	17	1	501-0773	1	HOSE AS						
	18	1	298-7438	2	CLAMP						

I - REFER TO HYDRAULIC INFORMATION SYSTEM
M - METRIC PART

STEERING SYSTEM

501-2459 LINES GP-STEERING (contd.)

i06603149



GRAPHIC #1

<END>

g06046068

STEERING SYSTEM

486-4419 STEERING COLUMN GP

S/N: TH21-UP; TH31-UP

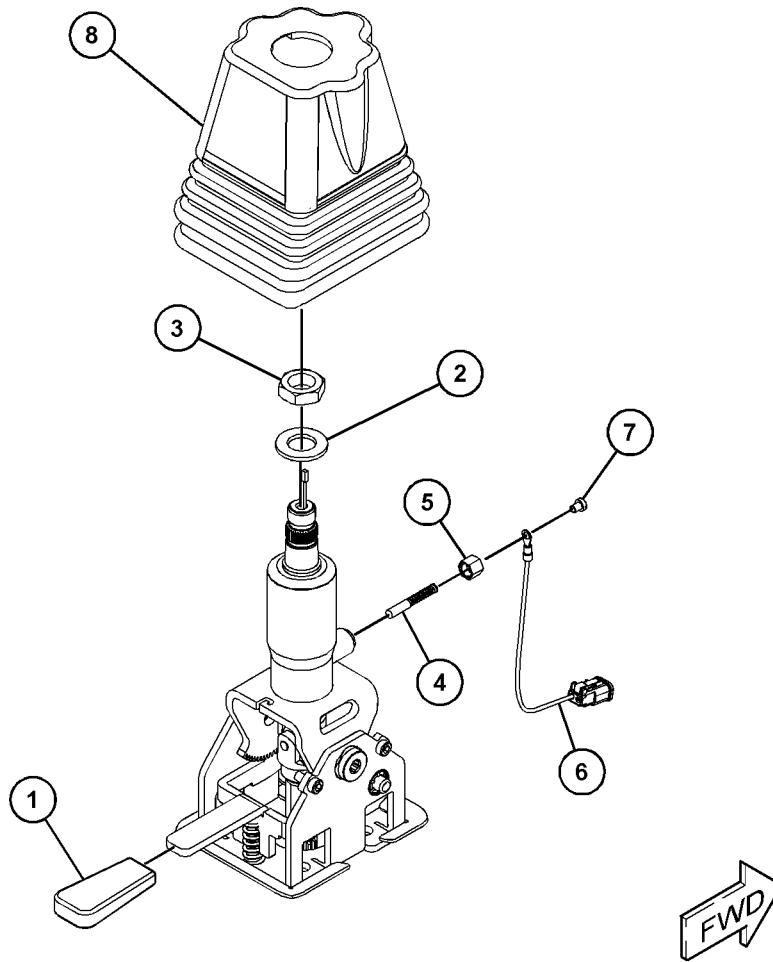
PART OF 486-4417 STEERING GP-HYDRAULIC
AN ATTACHMENT

SMCS-4338

i06591342

NOTE	REF NO	GRAPHIC REF	PART NUMBER	QTY	PART NAME						SEE PAGE
					1	2	3	4	5	6	
	1	1	480-6174	1	KNOB						
M	2	1	480-5398	1	WASHER (34X3-MM THK)						
M	3	1	480-5397	1	NUT (M18X2.5-THD)						
	4	1	480-5399	1	CONTACT						
	5	1	480-5400	1	CAP						
	6	1	480-5401	1	CABLE						
	7	1	480-7425	1	SCREW						
	8	1	480-9044	1	BOOT						

M - METRIC PART



GRAPHIC #1

<END>

g06086744

STEERING SYSTEM

486-4417 STEERING GP-HYDRAULIC

S/N: TH21-UP; TH31-UP

PART OF 507-9544, 507-9545, 507-9546, 507-9547 CAB AR
AN ATTACHMENT

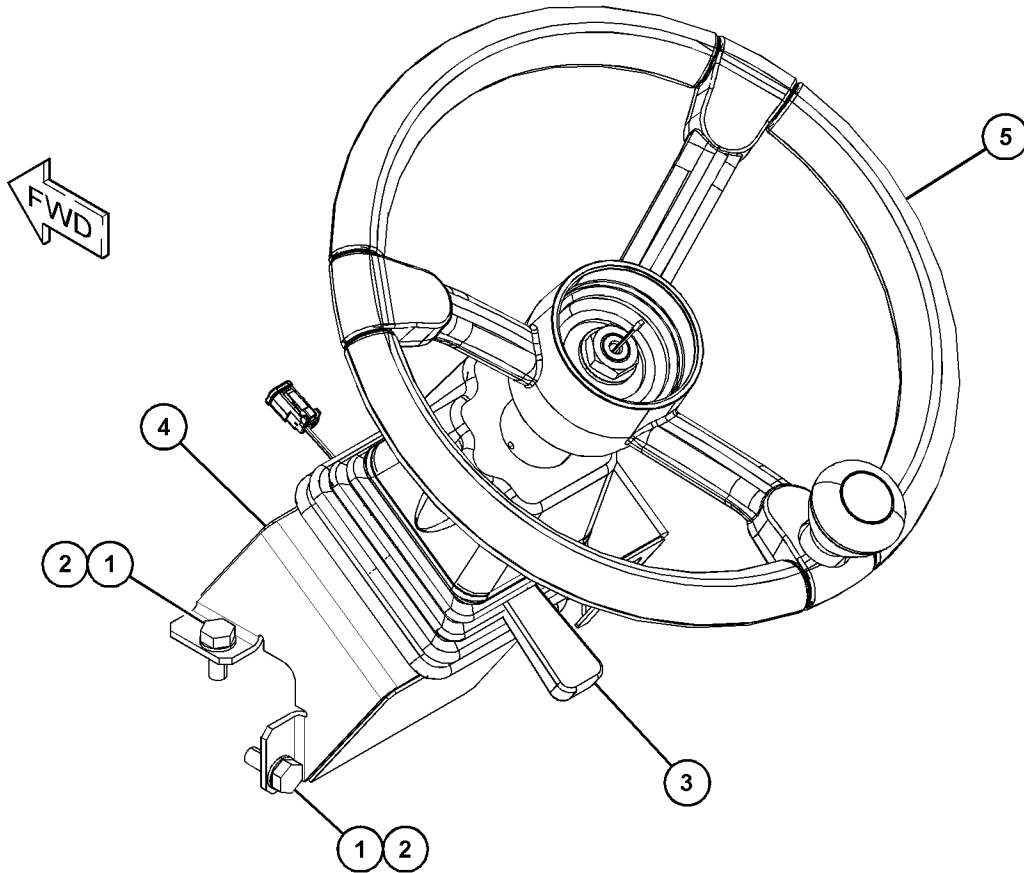
SMCS-4300, 4312

i06591343

NOTE	REF NO	GRAPHIC REF	PART NUMBER	QTY	PART NAME						SEE PAGE
					1	2	3	4	5	6 (PRODUCT LEVEL)	
M	1	1	8T-4136	8	BOLT (M10X1.5X25-MM)						
	2	1	8T-4121	8	WASHER-HARD (11X21X2.5-MM THK)						
Y	3	1	486-4419	1	STEERING COLUMN GP						653
	4	1	473-1593	1	PLATE AS (STEERING COLUMN)						
	5	1	481-3658	1	WHEEL AS						
		1	481-3653	1	STEERING WHEEL						
		1	481-3654	1	SPINNER AS						
M		1	344-5674	1	NUT (M8X1.25-THD)						

M - METRIC PART

Y - SEPARATE ILLUSTRATION



GRAPHIC #1

<END>

g06055240

STEERING SYSTEM

501-2463 VALVE & MTG GP-STEERING

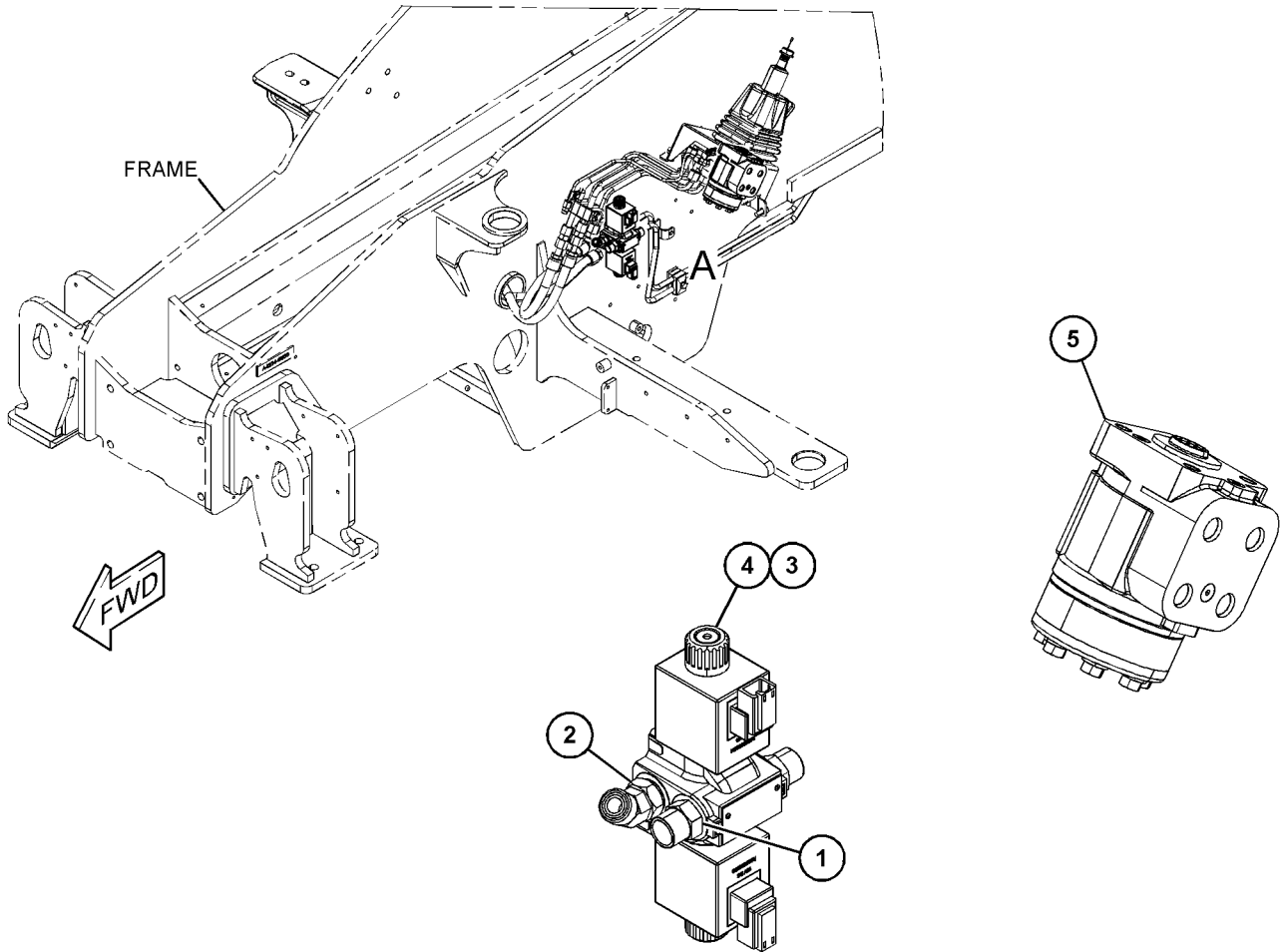
S/N: TH21-UP; TH31-UP
PART OF 505-5240 HYDRAULIC AR

SMCS-4307, 4312, 4343

i07218863

NOTE	REF NO	GRAPHIC REF	PART NUMBER	QTY	PART NAME						SEE PAGE
					1	2	3	4	5	6 (PRODUCT LEVEL)	
	1	1	298-0463	3	FITTING-ADAPTER						
	2	1	298-0487	1	FITTING-ADAPTER						
M	3	1	6V-5192	2	BOLT-SOCKET HEAD (M8X1.25X30-MM)						
	4	1	448-4869	1	VALVE GP-STEERING						
		1	319-7671	2	KIT-SEAL						
		1	484-1870	2	COIL						
	5	1	486-4416	1	VALVE GP-STEERING (LOAD SENSING)						

M - METRIC PART



VIEW OF AREA A

GRAPHIC #1

<END>

g06093596

HYDRAULIC SYSTEM

506-3317 CONTROL AR-AUXILIARY

S/N: TH21-UP; TH31-UP
AN ATTACHMENT

SMCS-5051

i06608808

NOTE	PART NUMBER	QTY	PART NAME						SEE PAGE
			1	2	3	4	5	6 (PRODUCT LEVEL)	
Y	501-7476	1	PLATE & MTG GP (FRAME)						629

Y - SEPARATE ILLUSTRATION

<END>

506-3319 CONTROL AR-AUXILIARY

S/N: TH21-UP; TH31-UP
AN ATTACHMENT

SMCS-5051

i06608814

NOTE	PART NUMBER	QTY	PART NAME						SEE PAGE
			1	2	3	4	5	6 (PRODUCT LEVEL)	
Y	501-7477	1	COVER GP-ACCESS (AUXILIARY)						878
Y	497-9605	1	LINES GP-AUXILIARY HYDRAULIC						683

Y - SEPARATE ILLUSTRATION

<END>

HYDRAULIC SYSTEM

499-4950 COOLER GP-HYDRAULIC OIL

S/N: TH21-UP; TH31-UP

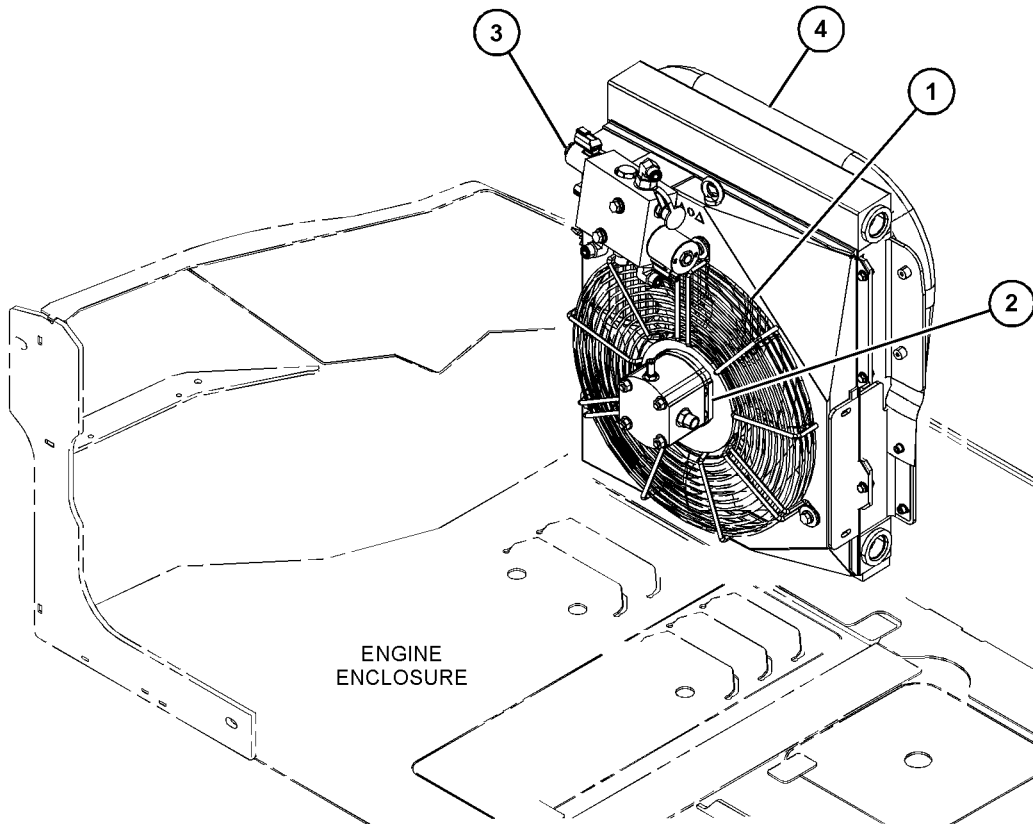
PART OF 505-6119, 505-6164, 505-6165, 505-6167, 505-6168 ENGINE AR-COMplete
AN ATTACHMENT

SMCS-1374

i06603234

NOTE	REF NO	GRAPHIC REF	PART NUMBER	QTY	PART NAME						SEE PAGE
					1	2	3	4	5	6 (PRODUCT LEVEL)	
Y	1	1	499-5286	1	FAN GP						192
Y	2	1	499-4942	1	MOTOR & MTG GP-HYDRAULIC FAN						725
Y	3	1	499-4944	1	VALVE GP-CONTROL						739
Y	4	1	499-4946	1	RADIATOR & MOUNTING GP						210

Y - SEPARATE ILLUSTRATION



GRAPHIC #1

<END>

g06043972

HYDRAULIC SYSTEM

224-5083 CYLINDER & MTG GP-CARRIAGE-FORK

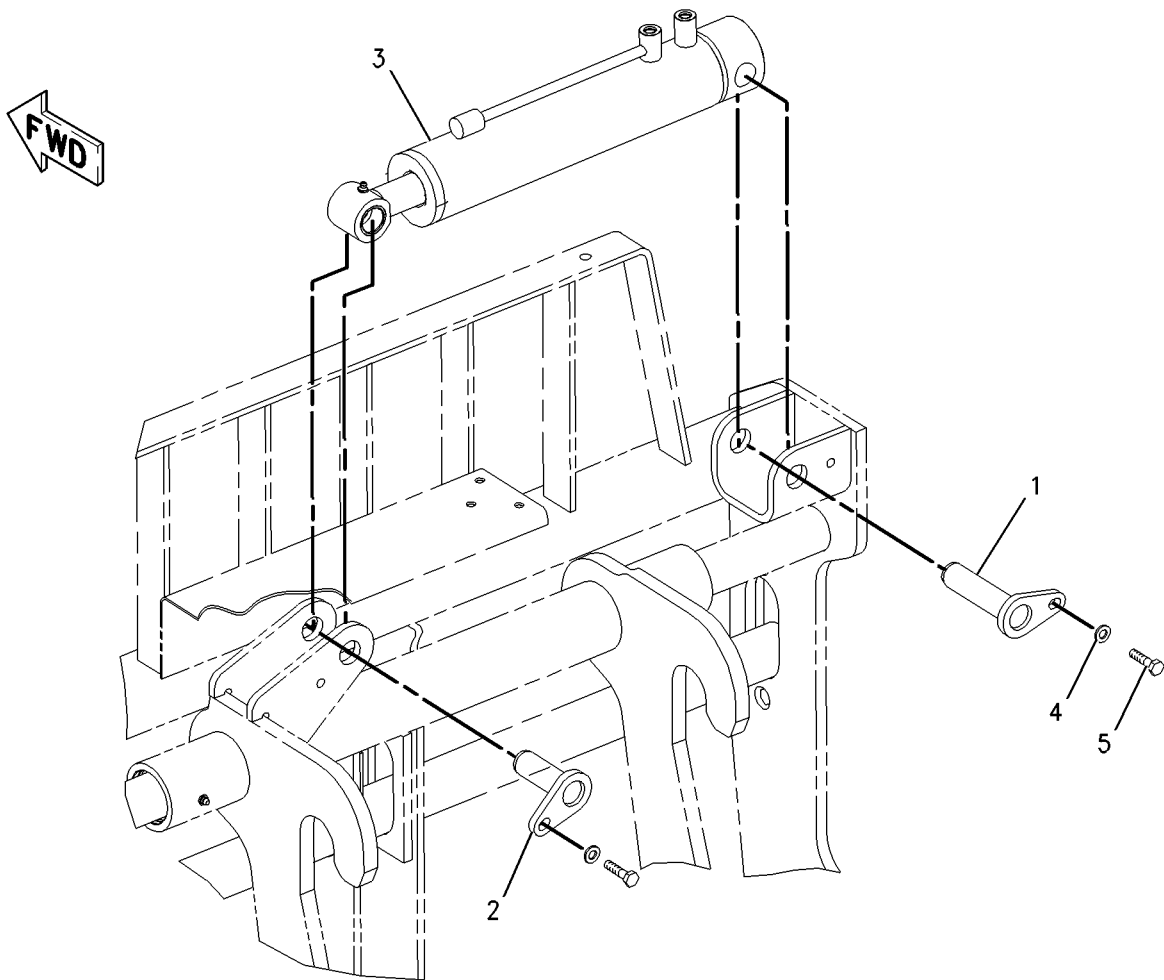
S/N: TH21-UP; TH31-UP
 76.2-MM(3-IN) BORE X 300-MM(11.8-IN) STROKE
 PART OF 222-6210 CARRIAGE GP-FORK
 AN ATTACHMENT

SMCS-5804

i05838920

NOTE	REF NO	GRAPHIC REF	PART NUMBER	QTY	PART NAME						SEE PAGE
					1	2	3	4	5	6 (PRODUCT LEVEL)	
	1	1	224-5084	1	PIN AS						
	2	1	224-5087	1	PIN AS						
Y	3	1	224-5091	1	CYLINDER GP-CARRIAGE (SIDESHIFT)						665
	4	1	8T-4121	2	WASHER-HARD (11X21X2.5-MM THK)						
M	5	1	8T-4186	2	BOLT (M10X1.5X40-MM)						

M - METRIC PART
 Y - SEPARATE ILLUSTRATION



GRAPHIC #1

<END>

g00929393

HYDRAULIC SYSTEM

235-2662 CYLINDER & MTG GP-CARRIAGE-ROTATING

S/N: TH21-UP; TH31-UP

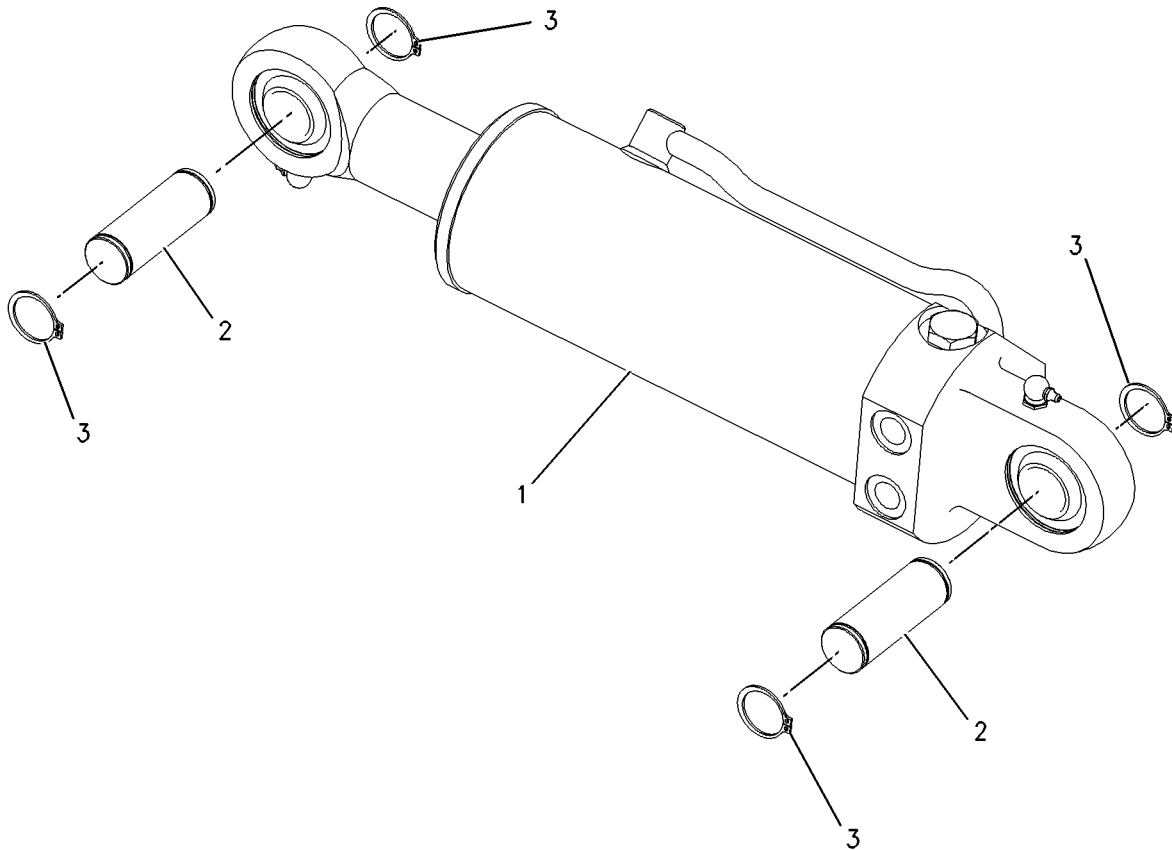
80-MM(3.1-IN) BORE X 123-MM(4.8-IN) STROKE

PART OF 227-5748, 231-3229 CARRIAGE GP-ROTATING
AN ATTACHMENT

SMCS-5804

i05840624

NOTE	REF NO	GRAPHIC REF	PART NUMBER	QTY	PART NAME						SEE PAGE
					1	2	3	4	5	6 (PRODUCT LEVEL)	
J	1	1	160-0064	1	CYLINDER GP-CARRIAGE (ROTATE)						
	2	1	160-4658	2	PIN						
	3	1	6V-8754	4	RING-RETAINING						
					AVAILABLE REPAIR KIT(S):						
J			8Q-6229	1	KIT-SEAL						
					(INCLUDES SEAL, LOCK RING, RING-GUIDE, O-RING SEALS, BACKUP RING, PISTON SEAL, SCREW & WIPER)						
J - KIT MARKED J SERVICES PART(S) MARKED J											



GRAPHIC #1

<END>

g01001931

HYDRAULIC SYSTEM

499-0263 CYLINDER & MTG GP-COMPENSATING

S/N: TH21-UP; TH31-UP

65-MM (2.5-IN) BORE X 765-MM (30.1-IN) STROKE

PART OF 505-5033, 505-5035 CHASSIS AR

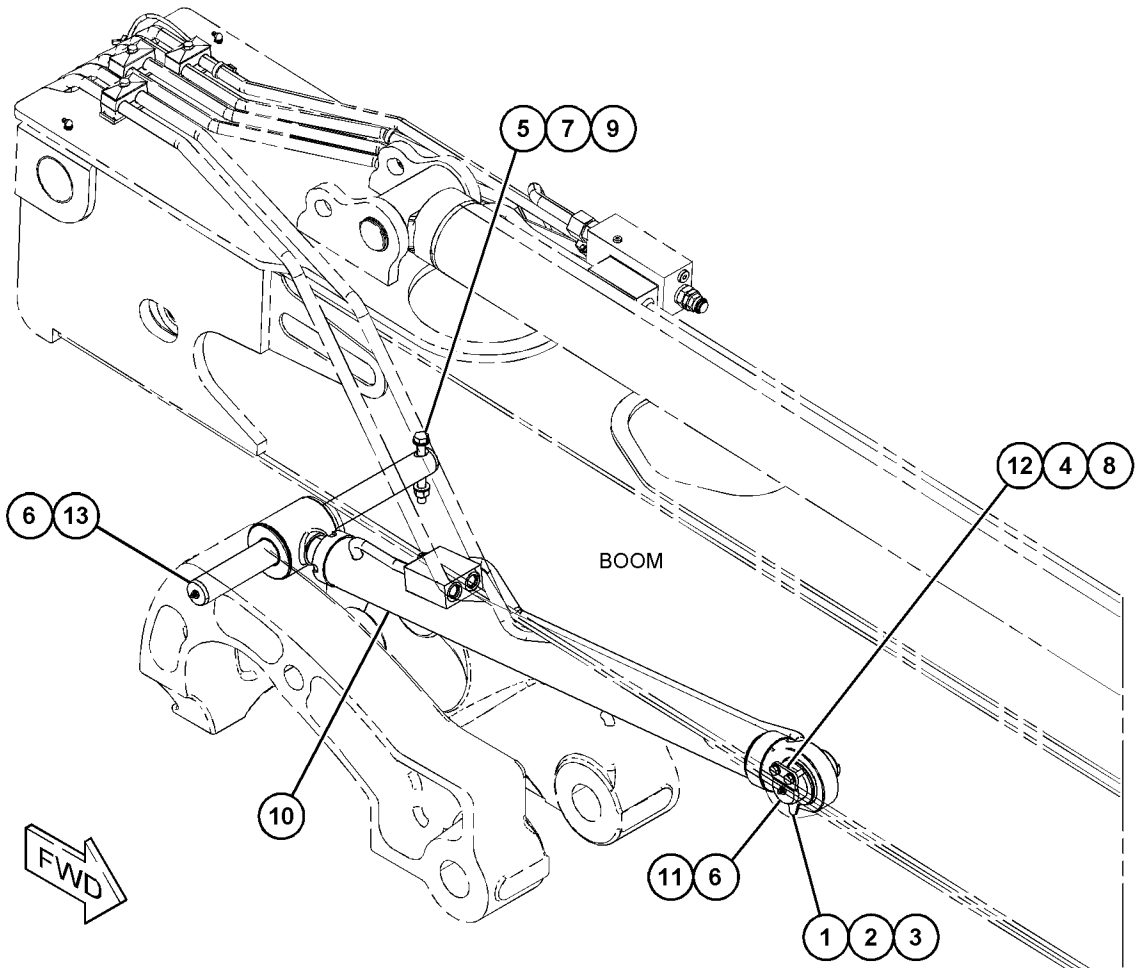
SMCS-5086, 5816, 6460

i06603129

NOTE	REF NO	GRAPHIC REF	PART NUMBER	QTY	PART NAME						SEE PAGE
					1	2	3	4	5	6 (PRODUCT LEVEL)	
B	1	1	494-3707	1	SHIM (1-MM THK)						
B	2	1	494-3708	1	SHIM (2-MM THK)						
B	3	1	494-3709	1	SHIM (3-MM THK)						
M	4	1	8T-4908	2	BOLT (M8X1.25X25-MM)						
M	5	1	474-2467	1	BOLT (M12X1.75X110-MM)						
	6	1	323-5623	2	FITTING						
M	7	1	309-9185	1	LOCKNUT (M12X1.75-THD)						
	8	1	8T-4224	2	WASHER-HARD (8.8X16X2-MM THK)						
	9	1	8T-4223	2	WASHER-HARD (13.5X25.5X3-MM THK)						
	10	1	499-0264	1	CYLINDER GP-COMPENSATING (BOOM)						
	11	1	494-2035	1	PIN						
	12	1	494-2037	1	PLATE						
	13	1	499-0265	1	PIN						

B - USE AS REQUIRED

M - METRIC PART



GRAPHIC #1

<END>

g06052598

HYDRAULIC SYSTEM

499-0266 CYLINDER & MTG GP-LIFT

S/N: TH21-UP; TH31-UP

PART OF 505-5033, 505-5035 CHASSIS AR

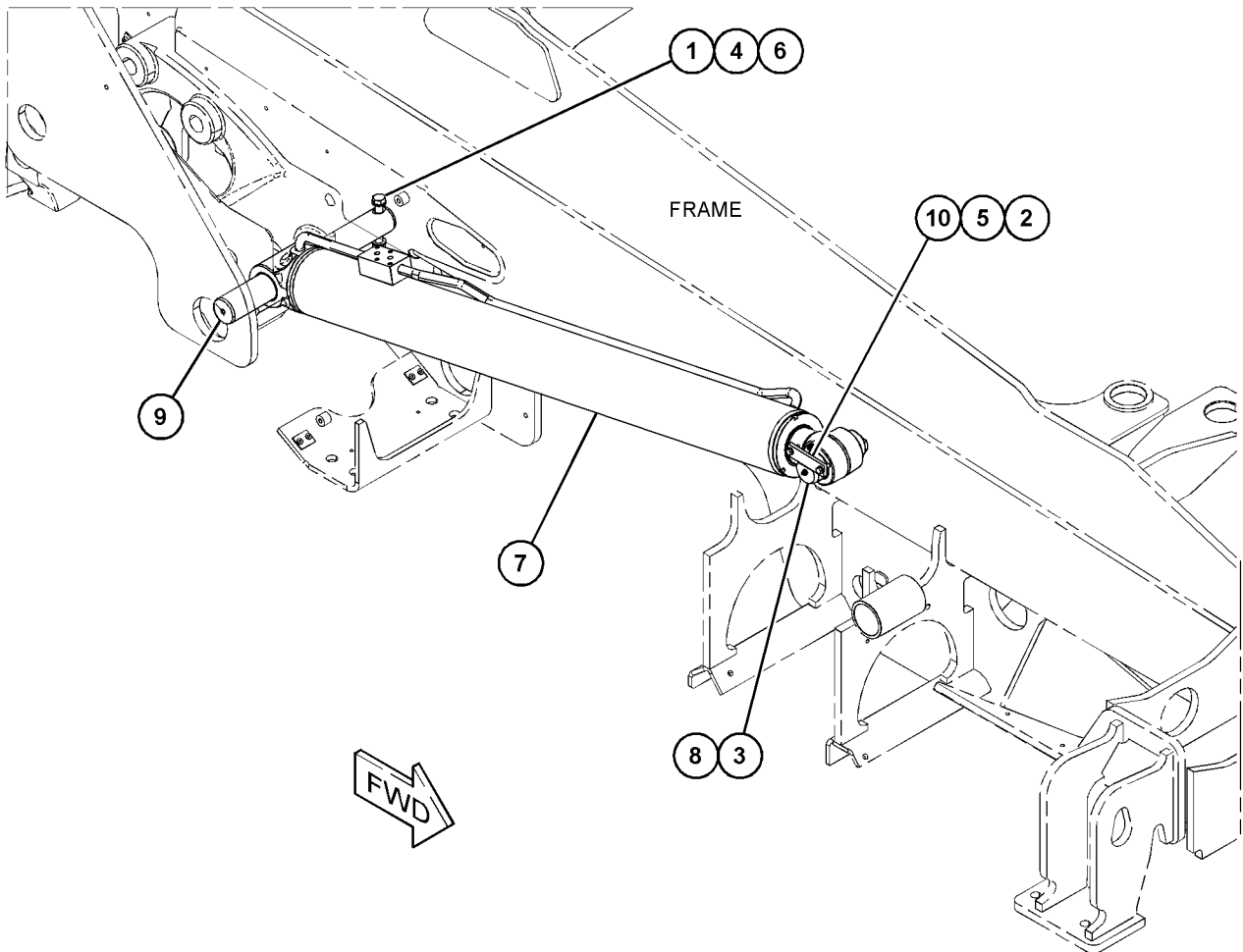
SMCS-5102

i06603130

NOTE	REF NO	GRAPHIC REF	PART NUMBER	QTY	PART NAME						SEE PAGE
					1	2	3	4	5	6 (PRODUCT LEVEL)	
M	1	1	477-7924	1	BOLT (M16X2X130-MM)						
M	2	1	8T-4908	2	BOLT (M8X1.25X25-MM)						
	3	1	323-5623	1	FITTING						
M	4	1	459-8912	1	NUT (M16X2-THD)						
	5	1	8T-4224	2	WASHER-HARD (8.8X16X2-MM THK)						
	6	1	9X-8257	2	WASHER (17.5X30X3.5-MM THK)						
Y	7	1	499-0267	1	CYLINDER GP-LIFT						670
	8	1	494-1910	1	PIN						
	9	1	499-0268	1	PIN						
	10	1	494-1912	1	PLATE						

M - METRIC PART

Y - SEPARATE ILLUSTRATION



GRAPHIC #1

<END>

g06049896

HYDRAULIC SYSTEM

499-2175 CYLINDER & MTG GP-TELESCOPING

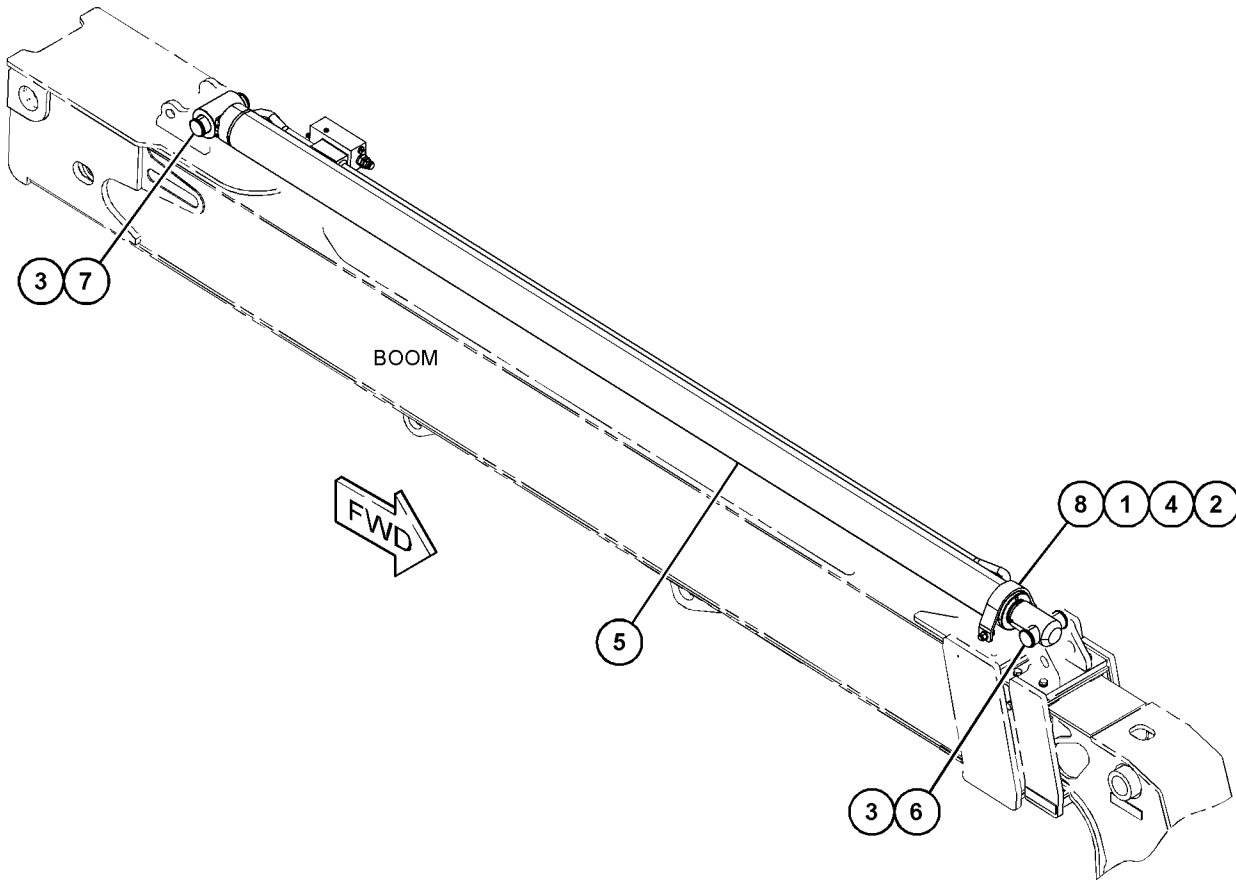
S/N: TH21-UP; TH31-UP
PART OF 505-5252 BOOM & CHASSIS AR

SMCS-5486

i06603205

NOTE	REF NO	GRAPHIC REF	PART NUMBER	QTY	PART NAME						SEE PAGE
					1	2	3	4	5	6 (PRODUCT LEVEL)	
M	1	1	459-3673	2	BOLT (M12X1.75X40-MM)						
M	2	1	309-9185	2	LOCKNUT (M12X1.75-THD)						
	3	1	348-1610	4	RING-RETAINING						
	4	1	398-9127	4	WASHER-HARD (13X24X2.5-MM THK)						
Y	5	1	506-6193	1	CYLINDER GP-TELESCOPING						676
	6	1	499-2177	1	PIN						
	7	1	499-2178	1	PIN						
	8	1	499-2179	1	STRAP						

M - METRIC PART
Y - SEPARATE ILLUSTRATION



GRAPHIC #1

<END>

g06044069

HYDRAULIC SYSTEM

499-3137 CYLINDER & MTG GP-TELESCOPING-INNER

S/N: TH21-UP; TH31-UP

80-MM (3.1-IN) BORE X 2642-MM (104-IN) STROKE

PART OF 505-5252 BOOM & CHASSIS AR

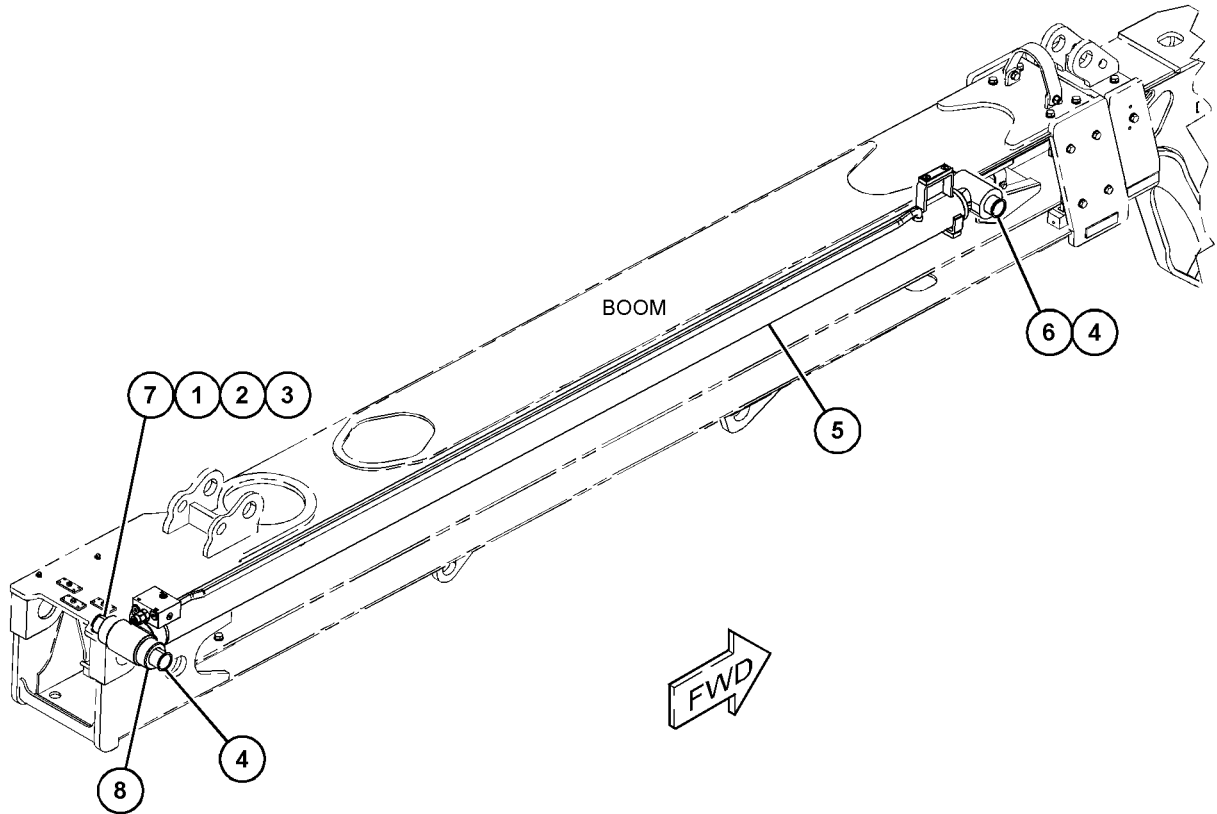
SMCS-5486

i06603204

NOTE	REF NO	GRAPHIC REF	PART NUMBER	QTY	PART NAME						SEE PAGE
					1	2	3	4	5	6 (PRODUCT LEVEL)	
B	1	1	459-6914	1	SHIM (3-MM THK)						
B	2	1	459-6915	1	SHIM (2-MM THK)						
B	3	1	459-6916	1	SHIM (1-MM THK)						
	4	1	323-7222	4	RING						
Y	5	1	499-3138	1	CYLINDER GP-TELESCOPING						674
	6	1	495-0028	1	PIN						
	7	1	499-3139	1	PIN						
	8	1	499-3140	2	SPACER						

B - USE AS REQUIRED

Y - SEPARATE ILLUSTRATION



GRAPHIC #1

<END>

g06049598

HYDRAULIC SYSTEM

499-3141 CYLINDER & MTG GP-TILT

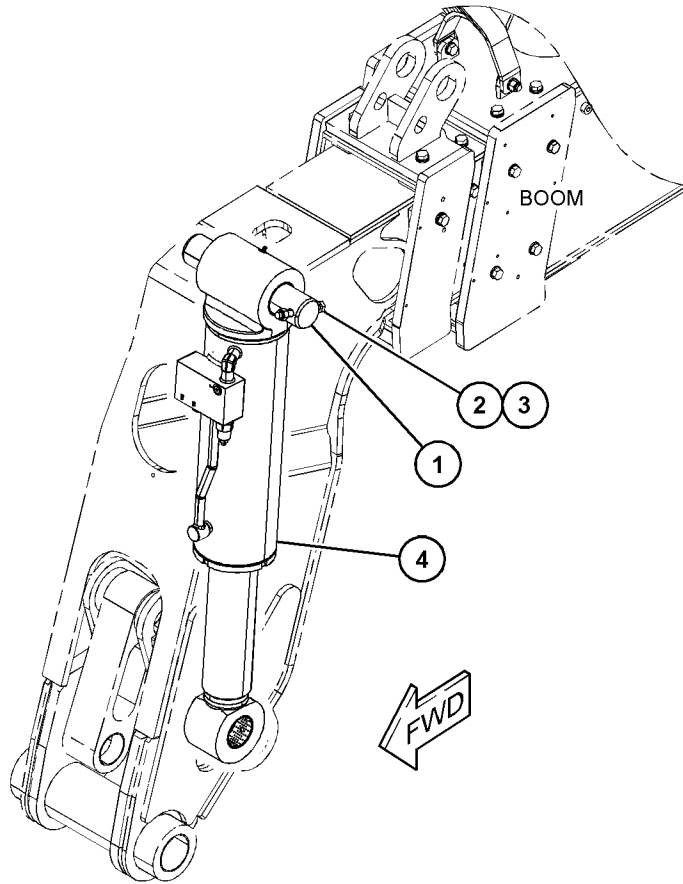
S/N: TH21-UP; TH31-UP
PART OF 505-5252 BOOM & CHASSIS AR

SMCS-5104, 5823

i06809490

NOTE	REF NO	GRAPHIC REF	PART NUMBER	QTY	PART NAME						SEE PAGE
					1	2	3	4	5	6 (PRODUCT LEVEL)	
	1	1	495-0033	1	PIN						
M	2	1	482-4975	1	BOLT (M12X1.75X110-MM)						
M	3	1	309-9185	1	LOCKNUT (M12X1.75-THD)						
Y	4	1	499-3142	1	CYLINDER GP-TILT						679

M - METRIC PART
Y - SEPARATE ILLUSTRATION



GRAPHIC #1

<END>

g06042622

HYDRAULIC SYSTEM

224-5091 CYLINDER GP-CARRIAGE-SIDESHIFT

S/N: TH21-UP; TH31-UP

76.2-MM (3-IN) BORE X 300-MM (11.81-IN) STROKE

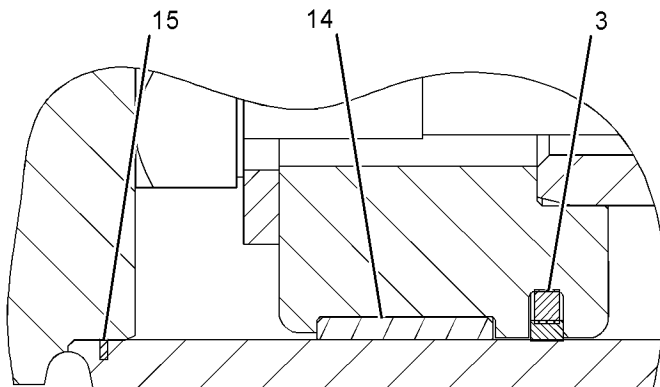
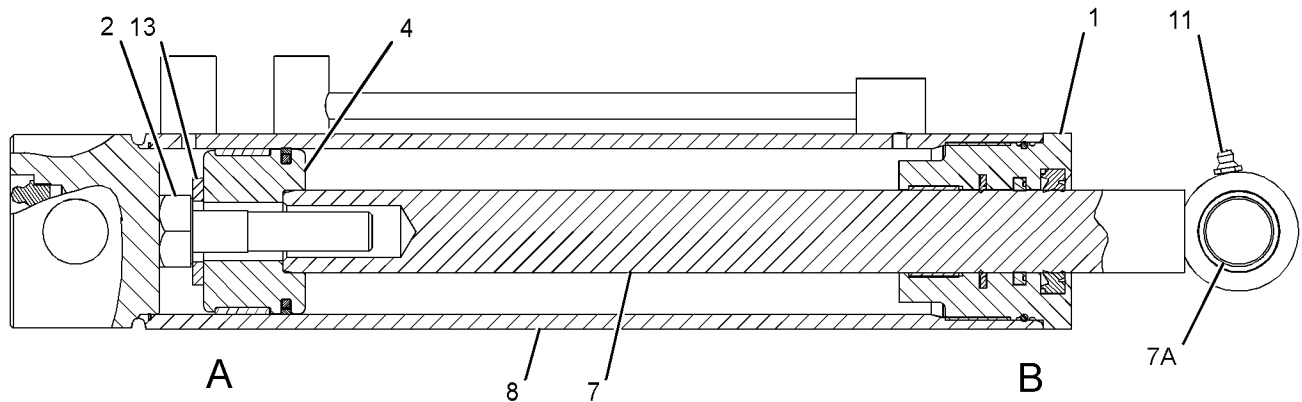
PART OF 224-5083 CYLINDER & MTG GP-CARRIAGE

AN ATTACHMENT

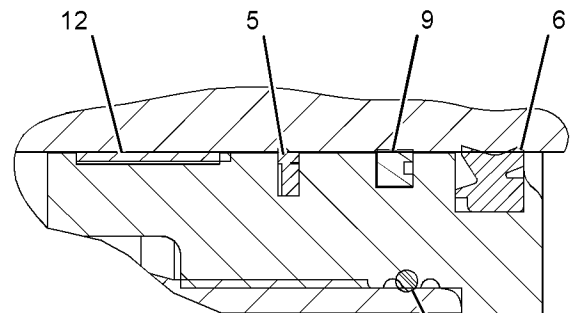
SMCS-5804

i05838584

NOTE	REF NO	GRAPHIC REF	PART NUMBER	QTY	PART NAME						SEE PAGE
					1	2	3	4	5	6 (PRODUCT LEVEL)	
	1	1	6E-0122	1	HEAD						
	2	1	6F-7037	1	BOLT (1-14X3.25-IN)						
	3	1	6J-1972	1	SEAL AS						
	4	1	9T-2212	1	PISTON						
	5	1	167-2186	1	SEAL AS-BUFFER						
	6	1	226-8202	1	SEAL-WIPER						
	7	1	224-5311	1	ROD AS						
	7A	1	9T-4007	2	BEARING						
	8	1	224-5312	1	CYLINDER AS						
	9	1	167-2294	1	SEAL-U-CUP						
	10	1	1H-7339	1	SEAL-O-RING						
	11	1	3B-8489	2	FITTING-GREASE (1/8-27 PTF)						
	12	1	4T-6780	1	RING-WEAR						
	13	1	5P-8250	1	WASHER (28X49X5-MM THK)						
	14	1	6J-5733	1	RING-WEAR						
	15	1	8J-2574	1	RING-BACKUP						



VIEW OF AREA A



VIEW OF AREA B

GRAPHIC #1

<END>

g03693239

HYDRAULIC SYSTEM

362-2120 CYLINDER GP-CARRIAGE

S/N: TH21-UP

PART OF 474-0141 CARRIAGE GP-FORK
AN ATTACHMENT

SMCS-5804

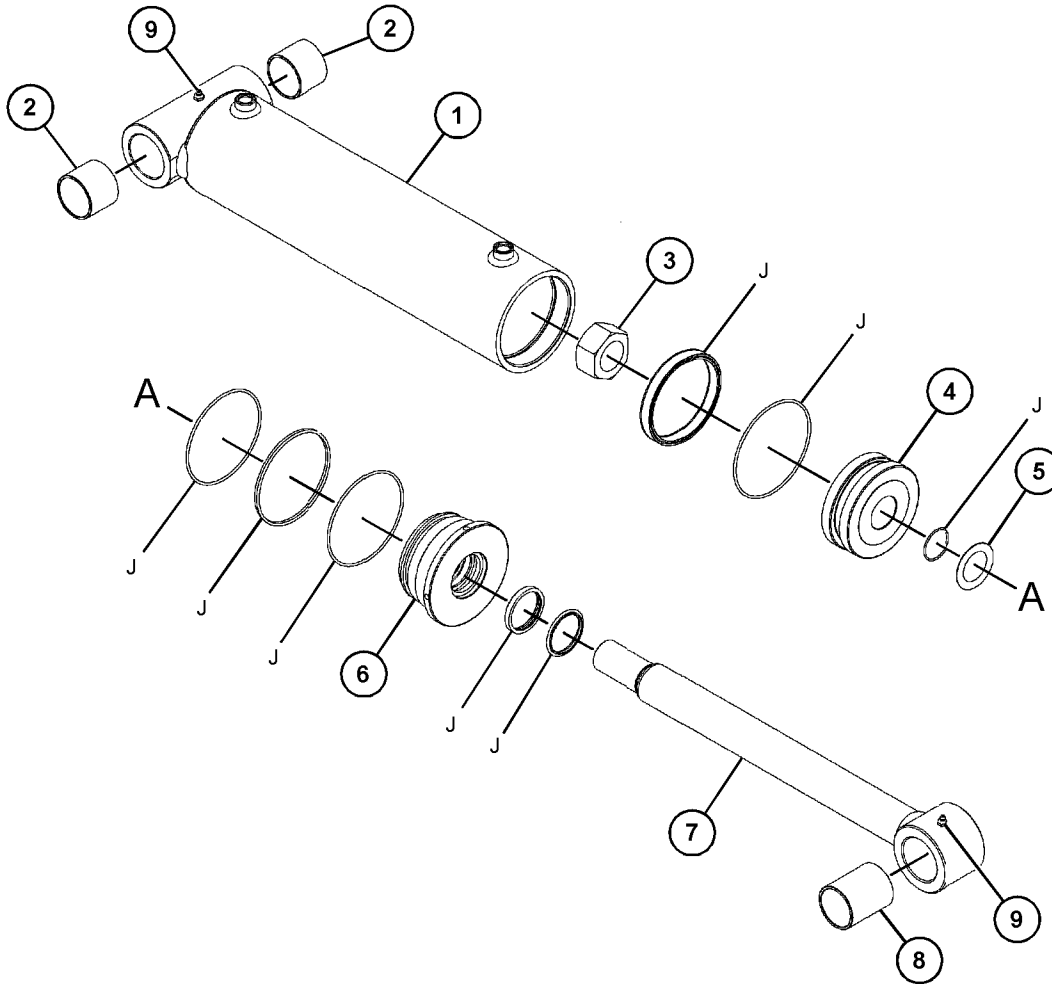
i06264053

NOTE	REF NO	GRAPHIC REF	PART NUMBER	QTY	PART NAME						SEE PAGE
					1	2	3	4	5	6 (PRODUCT LEVEL)	
	1	1	362-2121	1	TUBE						
	2	1	327-6312	2	BUSHING						
	3	1	327-6307	1	NUT						
	4	1	327-5313	1	KIT-SEAL (TRAVEL MOTOR)						
	5	1	327-6308	1	SPACER (3.2X3.8X0.25-MM THK)						
	6	1	327-6310	1	GLAND						
	7	1	327-6309	1	ROD AS						
	8	1	327-6311	1	BUSHING						
	9	1	327-6331	2	FITTING-GREASE						

AVAILABLE REPAIR KIT(S):

327-6314 1 KIT-SEAL

(INCLUDES PARTS MARKED J IN THE GRAPHIC)



GRAPHIC #1

<END>

g03886579

HYDRAULIC SYSTEM

367-6694 CYLINDER GP-COUPLER-LOCKING

S/N: TH21-UP; TH31-UP

50-MM (2-IN) BORE X 81.5-MM (3.2-IN) STROKE

PART OF 500-4374 COUPLER GP-QUICK

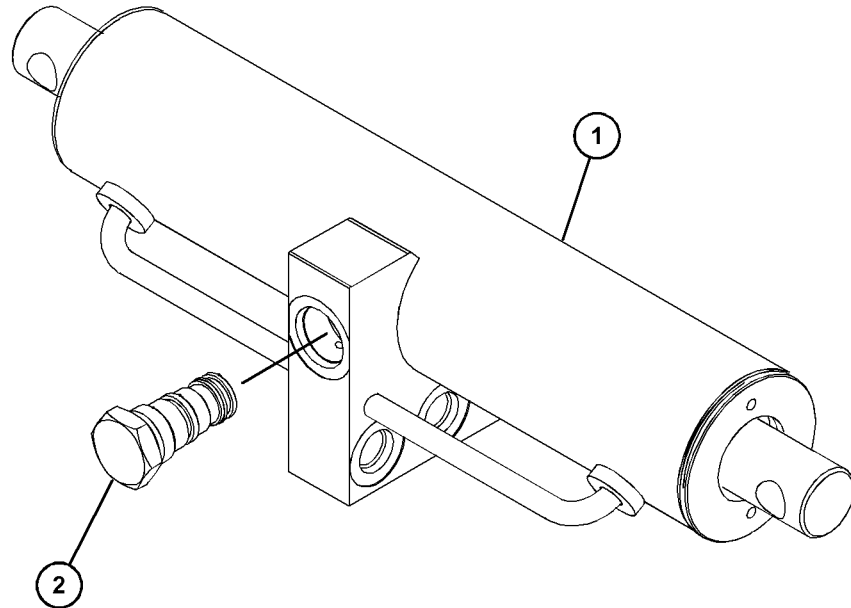
AN ATTACHMENT

SMCS-5133

i06252680

NOTE	REF NO	GRAPHIC REF	PART NUMBER	QTY	PART NAME						SEE PAGE
					1	2	3	4	5	6 (PRODUCT LEVEL)	
Y	1	1	460-2115	1	CYLINDER GP-COUPLER						668
	2	1	460-2117	1	VALVE-CHECK						

Y - SEPARATE ILLUSTRATION



GRAPHIC #1

<END>

g06107901

HYDRAULIC SYSTEM

460-2115 CYLINDER GP-COUPLER

S/N: TH21-UP; TH31-UP

50-MM (2-IN) BORE X 81.5-MM (3.2-IN) STROKE

PART OF 367-6694 CYLINDER GP-COUPLER

AN ATTACHMENT

SMCS-5133

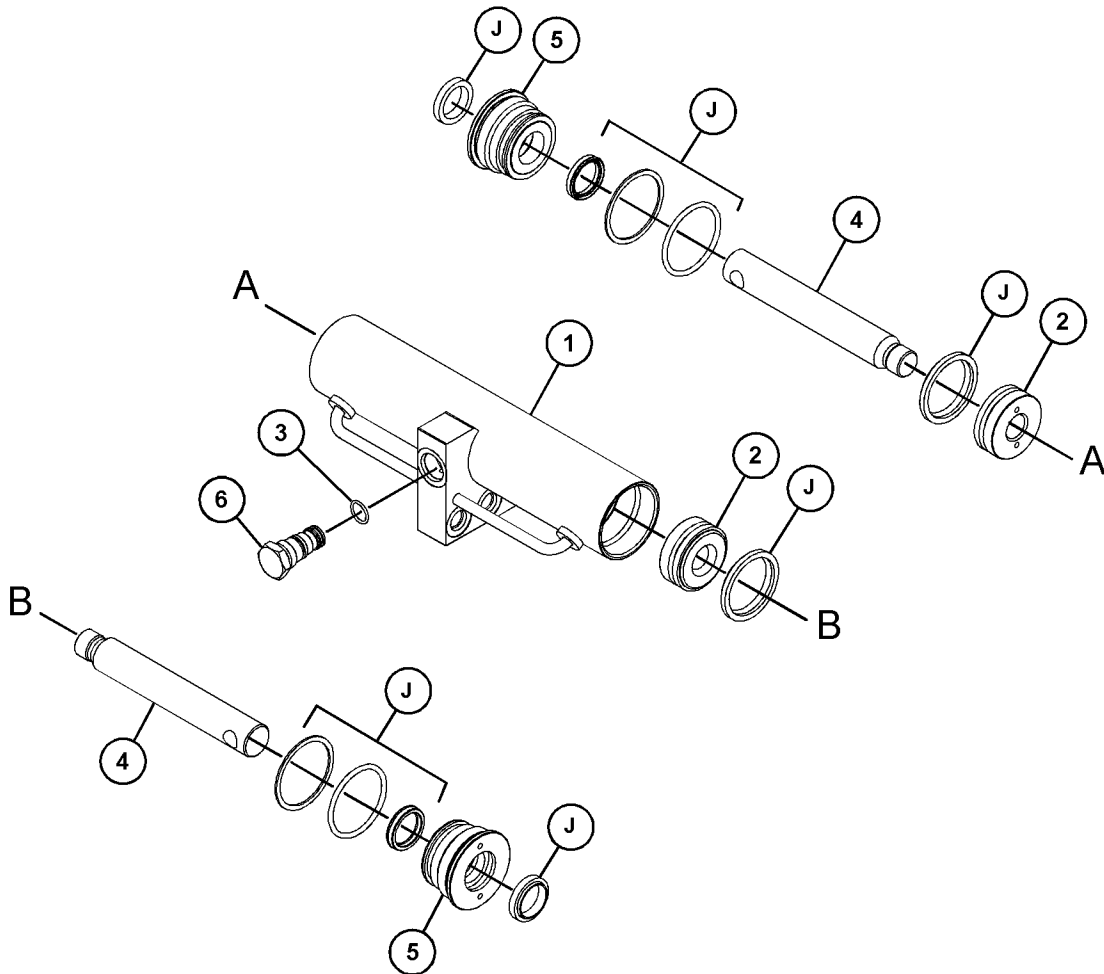
i06708960

NOTE	REF NO	GRAPHIC REF	PART NUMBER	QTY	PART NAME						SEE PAGE
					1	2	3	4	5	6	
	1	1	422-0893	1	BODY						
	2	1	422-0894	2	PISTON						
	3	1	299-0285	1	KIT-SEAL						
	4	1	422-0895	2	ROD						
	5	1	422-0896	2	SEAL						
	6	1	299-0308	1	VALVE-CHECK						

AVAILABLE REPAIR KIT(S) :

422-0897 1 KIT-SEAL

(INCLUDES PISTON SEAL, O-RING, BACK UP-RING, ROD SEAL, WIPER SEAL & PARTS MARKED 'J' IN THE GRAPHIC)



GRAPHIC #1

<END>

g06084860

HYDRAULIC SYSTEM

475-9070 CYLINDER GP-FORK

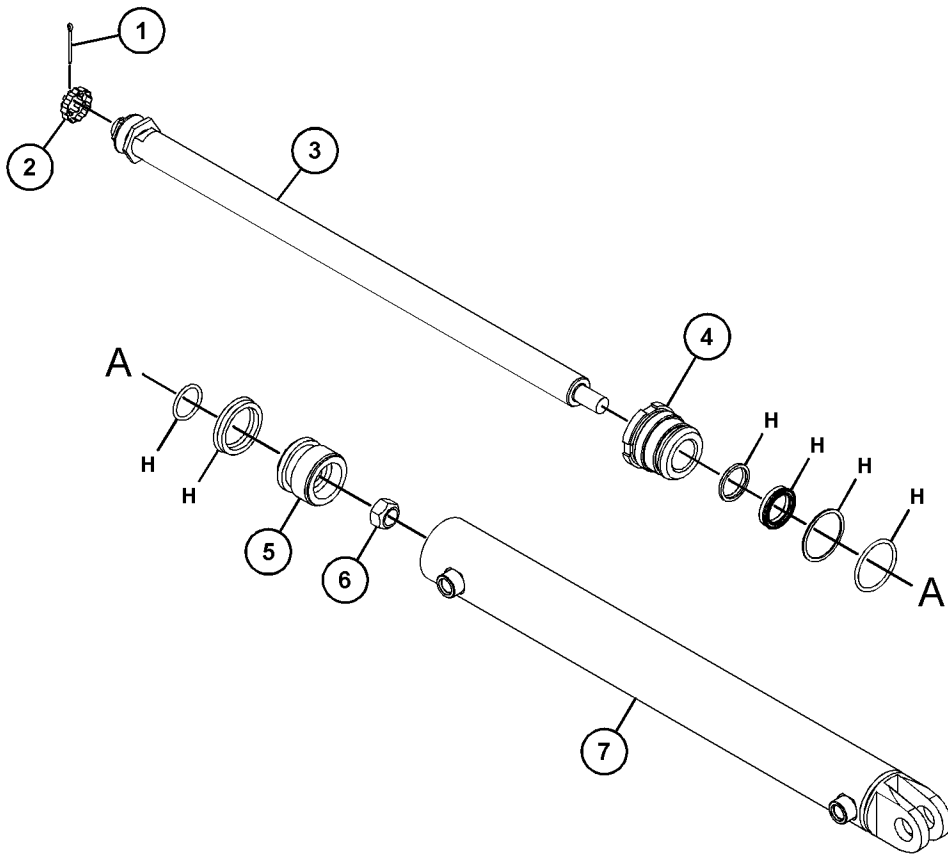
S/N: TH21-UP

PART OF 397-6838 CARRIAGE GP-FORK
AN ATTACHMENT

SMCS-5807

i06111558

NOTE	REF NO	GRAPHIC REF	PART NUMBER	QTY	PART NAME						SEE PAGE
					1	2	3	4	5	6	
	1	1	417-9882	1	PIN-COTTER						
	2	1	417-9883	1	RETAINER						
	3	1	417-9884	1	ROD						
	4	1	417-9885	1	SEAL						
	5	1	417-9886	1	PISTON						
	6	1	417-9887	1	NUT						
	7	1	417-9888	1	BARREL						
					AVAILABLE REPAIR KIT(S):						
					417-9889	1	KIT-SEAL				
(INCLUDES PARTS MARKED "H" IN THE GRAPHIC)											



GRAPHIC #1

<END>

g03824347

HYDRAULIC SYSTEM

499-0267 CYLINDER GP-LIFT

S/N: TH21-UP; TH31-UP

PART OF 499-0266 CYLINDER & MTG GP-LIFT

SMCS-5102

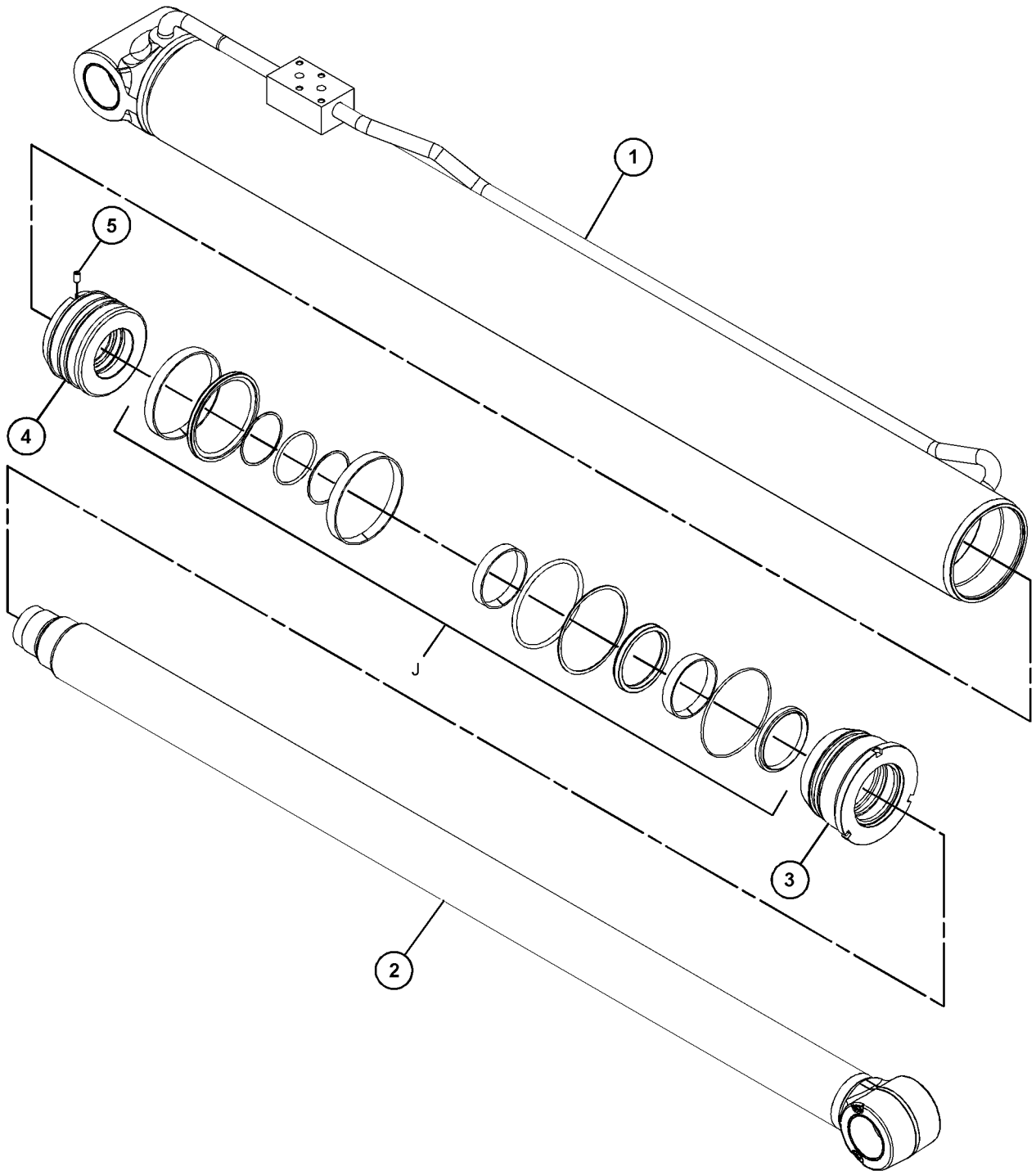
i06603132

NOTE	REF NO	GRAPHIC REF	PART NUMBER	QTY	PART NAME						SEE PAGE	
					1	2	3	4	5	6 (PRODUCT LEVEL)		
	1	1	498-8992	1	BARREL AS							
	2	1	498-8993	1	ROD AS							
	3	1	498-8994	1	ROD-GUIDE							
	4	1	498-8990	1	PISTON							
M	5	1	316-8073	1	SCREW (M8X16-MM)							
					AVAILABLE REPLACEMENT PART(S):							
					498-8999	1	KIT-SEAL					
					(INCLUDES SEALS & ALSO INCLUDES PARTS MARKED 'J' IN THE GRAPHIC)							
M - METRIC PART												

HYDRAULIC SYSTEM

499-0267 CYLINDER GP-LIFT (contd.)

106603132



GRAPHIC #1

<END>

g06055782

HYDRAULIC SYSTEM

499-2176 CYLINDER GP-TELESCOPING

S/N: TH21-UP; TH31-UP

100-MM (3.9-IN) BORE X 2642-MM (104-IN) STROKE
PART OF 506-6193 CYLINDER GP-TELESCOPING

SMCS-5486

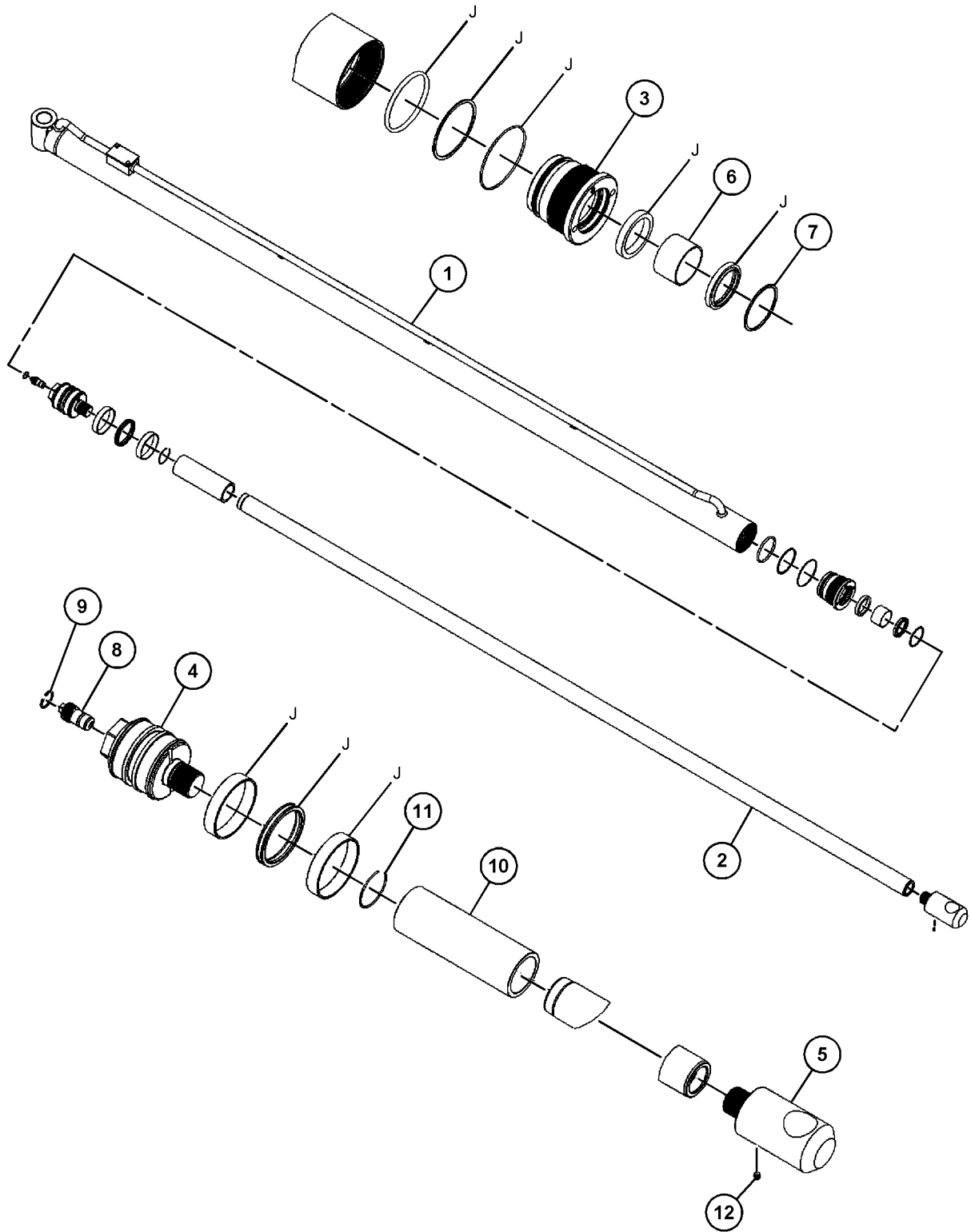
i06603231

NOTE	REF NO	GRAPHIC REF	PART NUMBER	QTY	PART NAME	SEE PAGE
					1 2 3 4 5 6 (PRODUCT LEVEL)	
	1	1	505-5392	1	BARREL AS	
	2	1	505-5393	1	ROD	
	3	1	505-5394	1	HEAD	
	4	1	505-5395	1	PISTON	
	5	1	505-5396	1	ROD	
	6	1	505-5397	1	BUSHING	
	7	1	505-5398	1	RETAINER	
	8	1	505-5399	1	VALVE AS-CHECK	
	9	1	505-5400	1	RETAINER	
	10	1	505-5401	1	SPACER	
	11	1	505-5402	1	RETAINER	
	12	1	505-5403	1	SCREW	
					AVAILABLE REPAIR KIT(S) :	
			505-5404	1	KIT-SEAL	
(INCLUDES PARTS MARKED J IN THE GRAPHICS)						

HYDRAULIC SYSTEM

499-2176 CYLINDER GP-TELESCOPING (contd.)

106603231



GRAPHIC #1

<END>

g06071468

HYDRAULIC SYSTEM

499-3138 CYLINDER GP-TELESCOPING

S/N: TH21-UP; TH31-UP

80-MM (3.1-IN) BORE X 2642-MM (104-IN) STROKE

PART OF 499-3137 CYLINDER & MTG GP-TELESCOPING

SMCS-5486

i06603232

NOTE	REF NO	GRAPHIC REF	PART NUMBER	QTY	PART NAME						SEE PAGE
					1	2	3	4	5	6	
	1	1	505-5405	1	BARREL AS						
	2	1	505-5406	1	ROD AS						
	3	1	505-5407	1	HEAD						
	4	1	505-5408	1	PISTON						
	5	1	505-5409	1	VALVE AS-COUNTERBALANCE						
	6	1	505-5410	1	BUSHING						
	7	1	356-2149	1	RING-RETAINING						
M	8	1	476-0028	1	SCREW (M10X10-MM)						
	9	1	461-2918	1	BEARING						
	10	1	505-5399	1	VALVE AS-CHECK						
	11	1	505-5400	1	RETAINER						
	12	1	505-5411	1	SPACER						
	13	1	505-5412	2	PLATE						
	14	1	505-5413	1	RETAINER						
	15	1	505-5414	4	SCREW						

PARTS SHOWN IN GRAPHIC(S) WITHOUT A REFERENCE NUMBER ARE NOT SERVICED SEPARATELY

AVAILABLE REPAIR KIT(S):

505-5415 1 KIT-SEAL

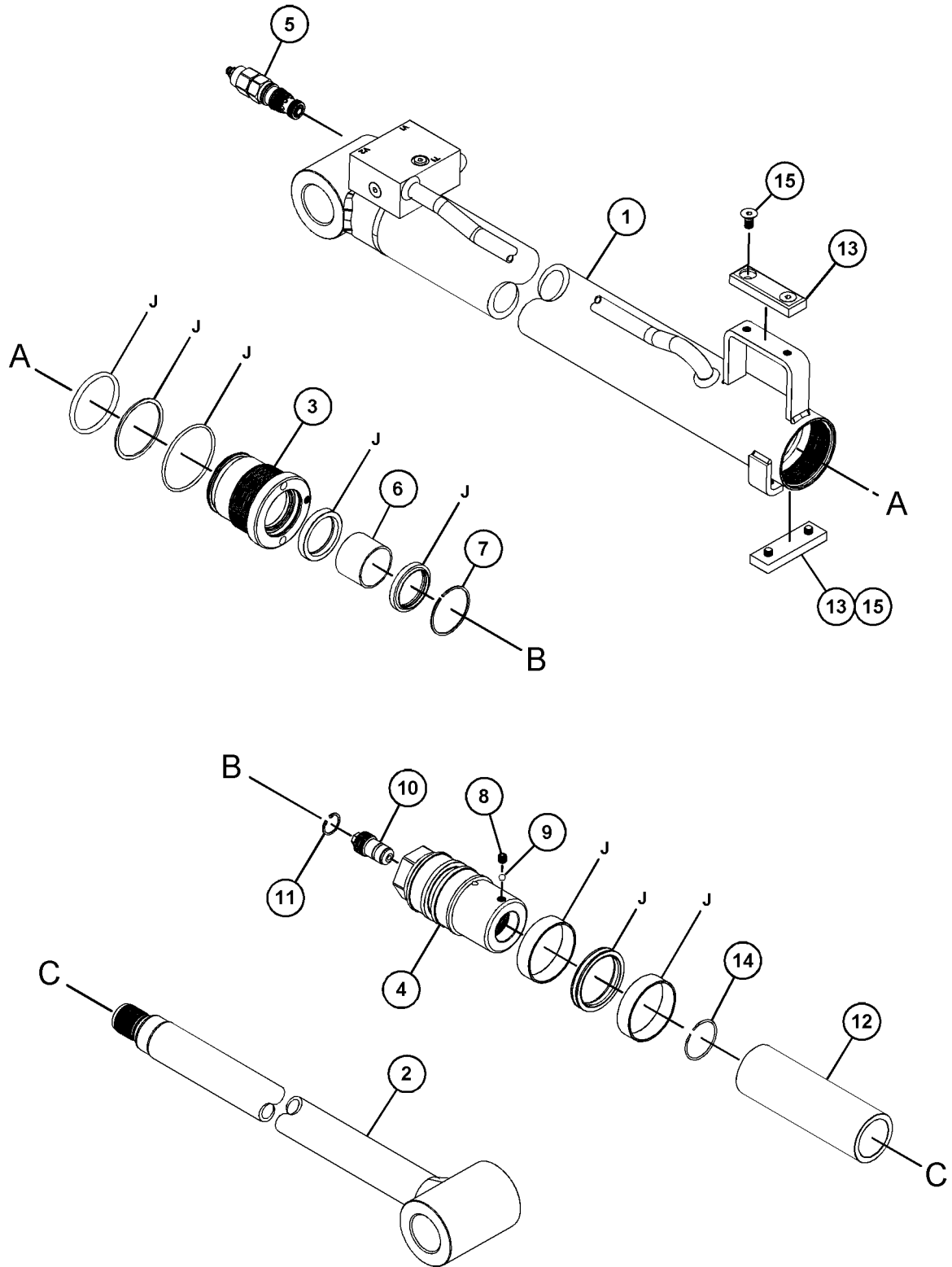
(INCLUDES RUBBER RINGS, BACKUP RING, BEARING RINGS, SEALS & ALSO INCLUDES PARTS MARKED J IN THE GRAPHICS)

M - METRIC PART

HYDRAULIC SYSTEM

499-3138 CYLINDER GP-TELESCOPING (contd.)

106603232



GRAPHIC #1

<END>

g06122163

HYDRAULIC SYSTEM

506-6193 CYLINDER GP-TELESCOPING

S/N: TH21-UP; TH31-UP

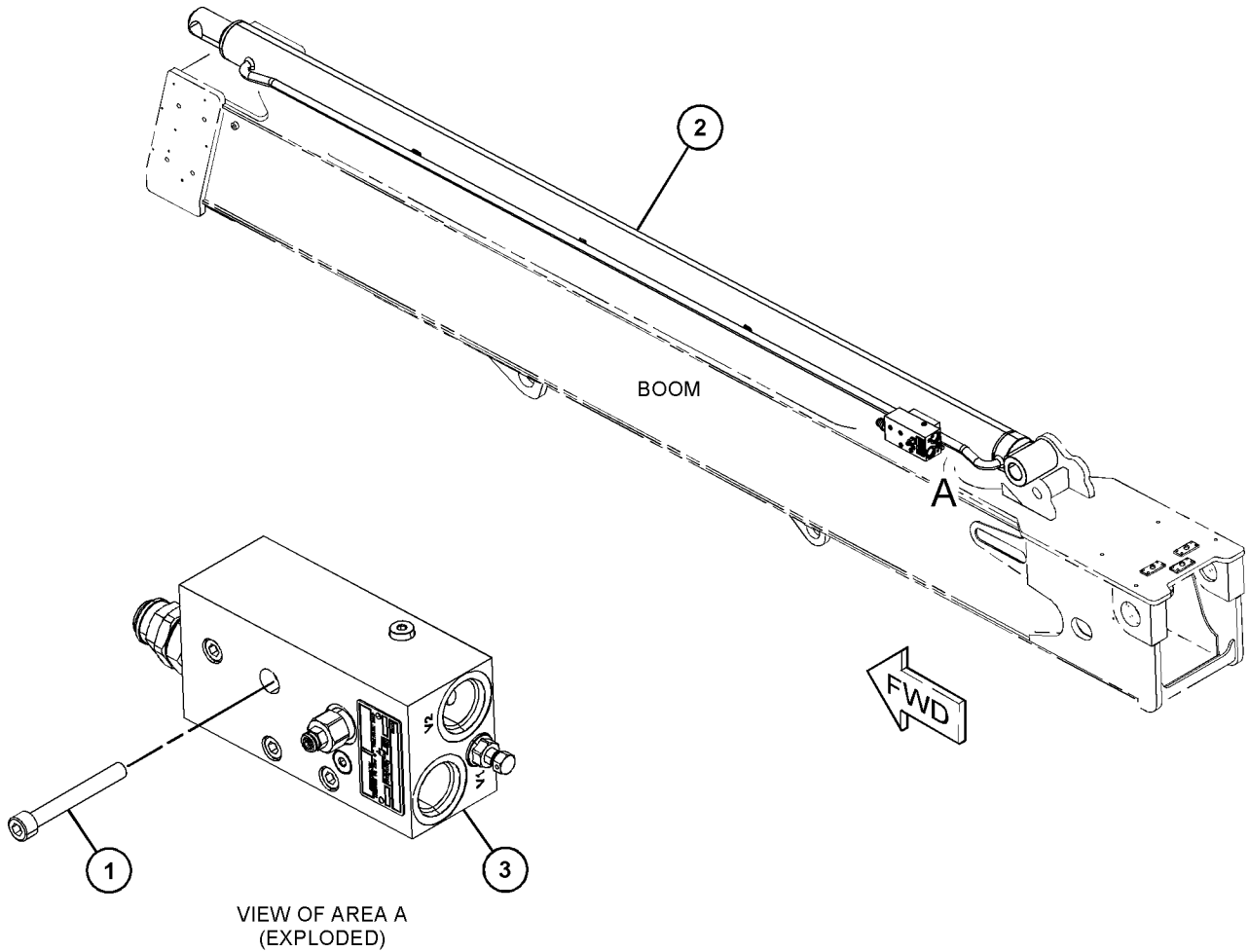
PART OF 499-2175 CYLINDER & MTG GP-TELESCOPING

SMCS-5486

i06603230

NOTE	REF NO	GRAPHIC REF	PART NUMBER	QTY	PART NAME						SEE PAGE
					1	2	3	4	5	6 (PRODUCT LEVEL)	
	1	1	506-6535	1	BOLT						
Y	2	1	499-2176	1	CYLINDER GP-TELESCOPING						672
	3	1	506-6178	1	VALVE						

Y - SEPARATE ILLUSTRATION



GRAPHIC #1

<END>

g06050428

HYDRAULIC SYSTEM

466-8312 CYLINDER GP-TILT-CARRIAGE

S/N: TH21-UP

90-MM (3.5-IN) BORE X 114-MM (4.5-IN) STROKE
 PART OF 375-6292, 375-6293 CARRIAGE GP-ROTATING
 AN ATTACHMENT

SMCS-5104

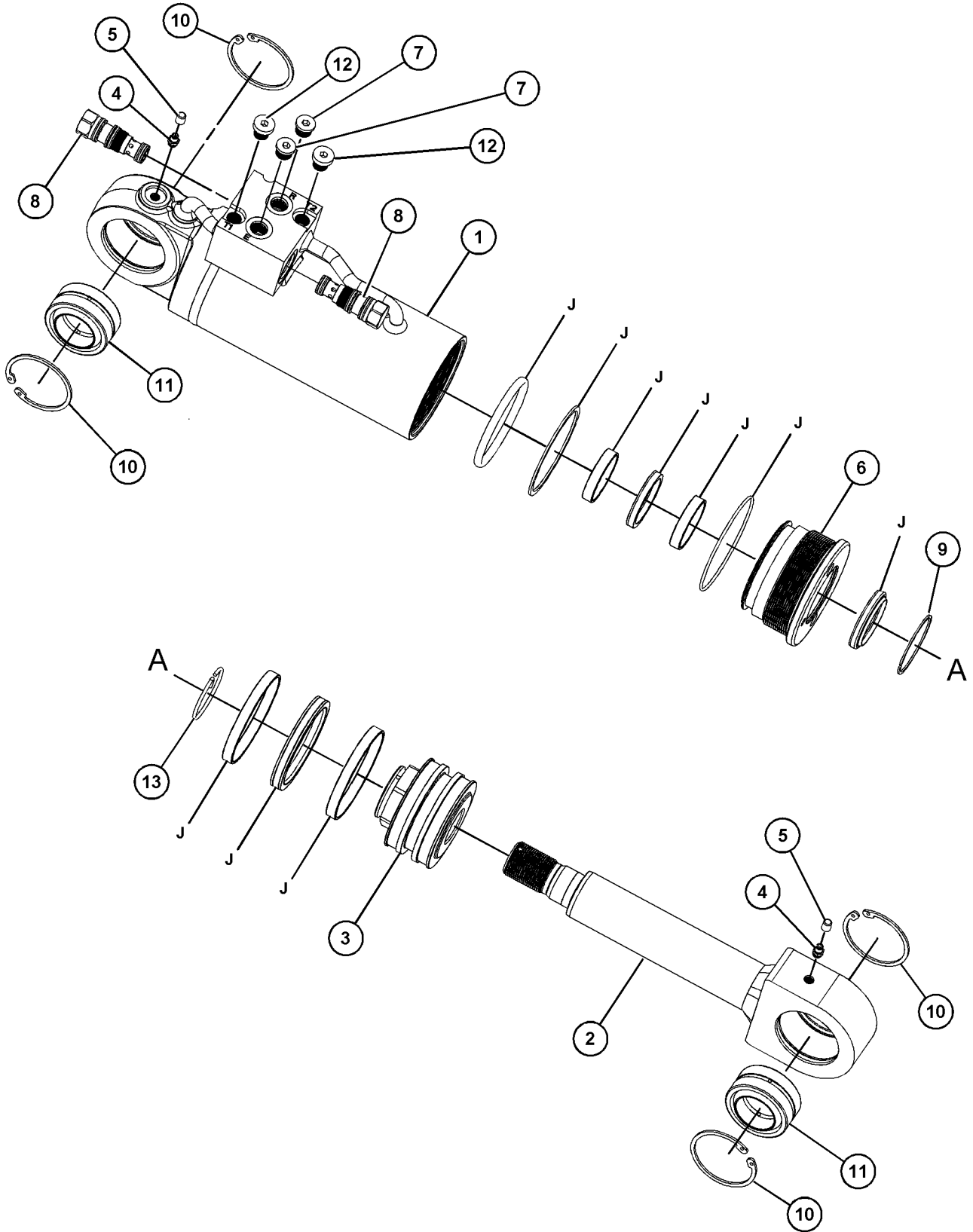
i06567609

NOTE	REF NO	GRAPHIC REF	PART NUMBER	QTY	PART NAME						SEE PAGE
					1	2	3	4	5	6 (PRODUCT LEVEL)	
	1	1	477-1410	1	BARREL AS						
	2	1	477-1413	1	ROD AS						
	3	1	477-1415	1	PISTON-HEAD						
	4	1	461-3100	2	FITTING-GREASE						
	5	1	476-0031	2	PLUG						
	6	1	477-1417	1	GLAND						
	7	1	476-0104	2	PLUG						
	8	1	477-1419	2	VALVE-CHECK						
	9	1	456-0493	1	RING-SNAP						
	10	1	477-1420	4	RETAINER						
	11	1	474-1421	2	BEARING						
	12	1	458-0536	2	PLUG						
	13	1	477-1422	1	RING-LOCK						
					AVAILABLE REPAIR KIT(S) :						
			477-1495	1	KIT-SEAL						
					(INCLUDES BEARING RINGS, RUBBER SEAL, RUBBER RINGS, & ALSO PARTS MARKED J IN THE GRAPHICS)						

HYDRAULIC SYSTEM

466-8312 CYLINDER GP-TILT (contd.)

106567609



GRAPHIC #1

<END>

g06128146

HYDRAULIC SYSTEM

499-3142 CYLINDER GP-TILT

S/N: TH21-UP; TH31-UP

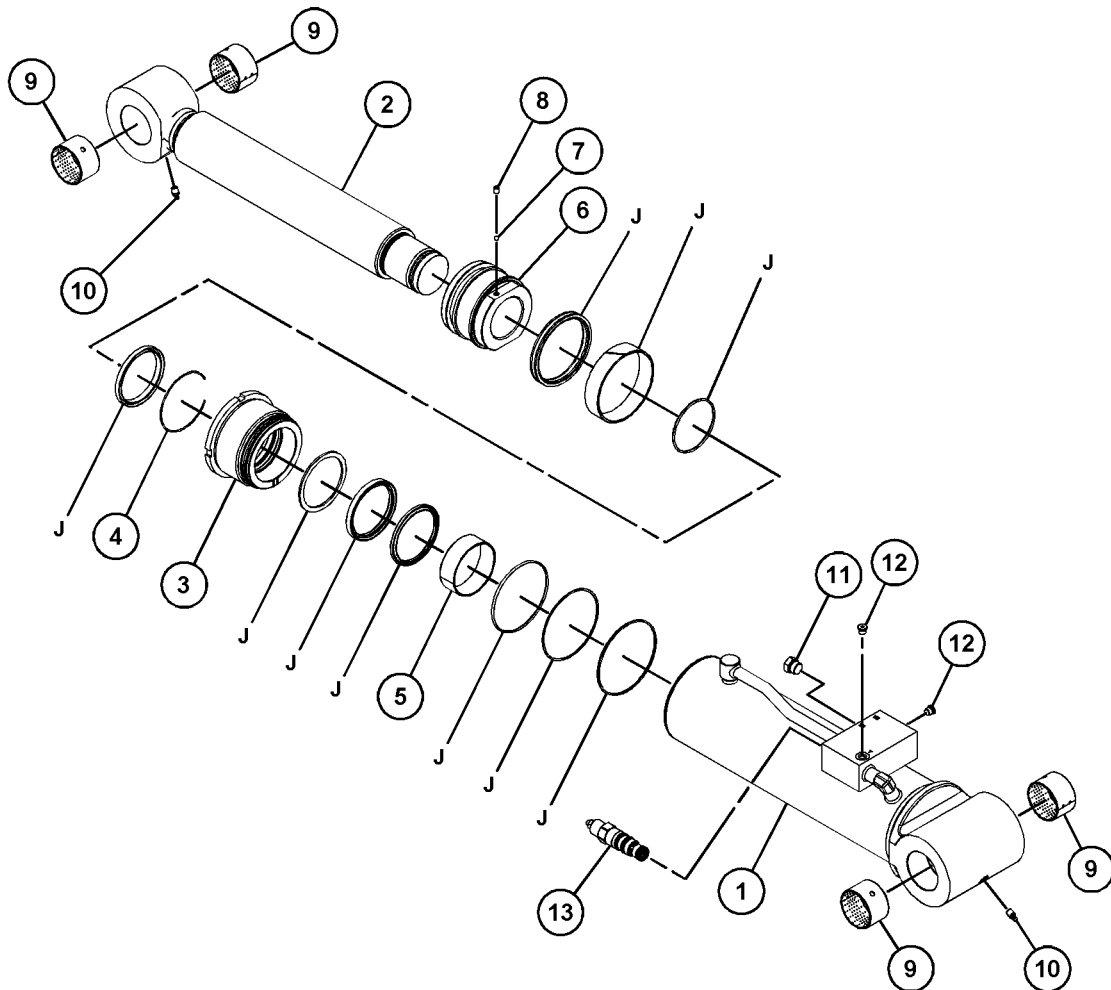
90-MM (3.5-IN) BORE X 313-MM (12.3-IN) STROKE

PART OF 499-3141 CYLINDER & MTG GP-TILT

SMCS-5104

i06823109

NOTE	REF NO	GRAPHIC REF	PART NUMBER	QTY	PART NAME						SEE PAGE
					1	2	3	4	5	6 (PRODUCT LEVEL)	
	1	1	510-6866	1	TUBE						
	2	1	510-6867	1	ROD						
	3	1	510-6868	1	GLAND						
	4	1	510-6869	1	RING-RETAINING						
	5	1	510-6870	1	BEARING						
	6	1	510-6871	1	PISTON						
	7	1	510-6619	1	BALL						
	8	1	510-8126	1	SCREW-SET						
	9	1	484-6062	4	BEARING						
	10	1	478-6580	2	FITTING-GREASE						
	11	1	484-6065	2	PLUG AS						
	12	1	484-6064	3	PLUG AS						
	13	1	479-5684	1	VALVE GP-COUNTERBALANCE (RELIEF)						
					AVAILABLE REPAIR KIT(S) :						
					510-7037	1	KIT-SEAL				
					(INCLUDES PARTS MARKED "J" IN THE GRAPHIC)						



GRAPHIC #1

<END>

g06132995

HYDRAULIC SYSTEM

500-4367 FITTING GP-HYDRAULIC

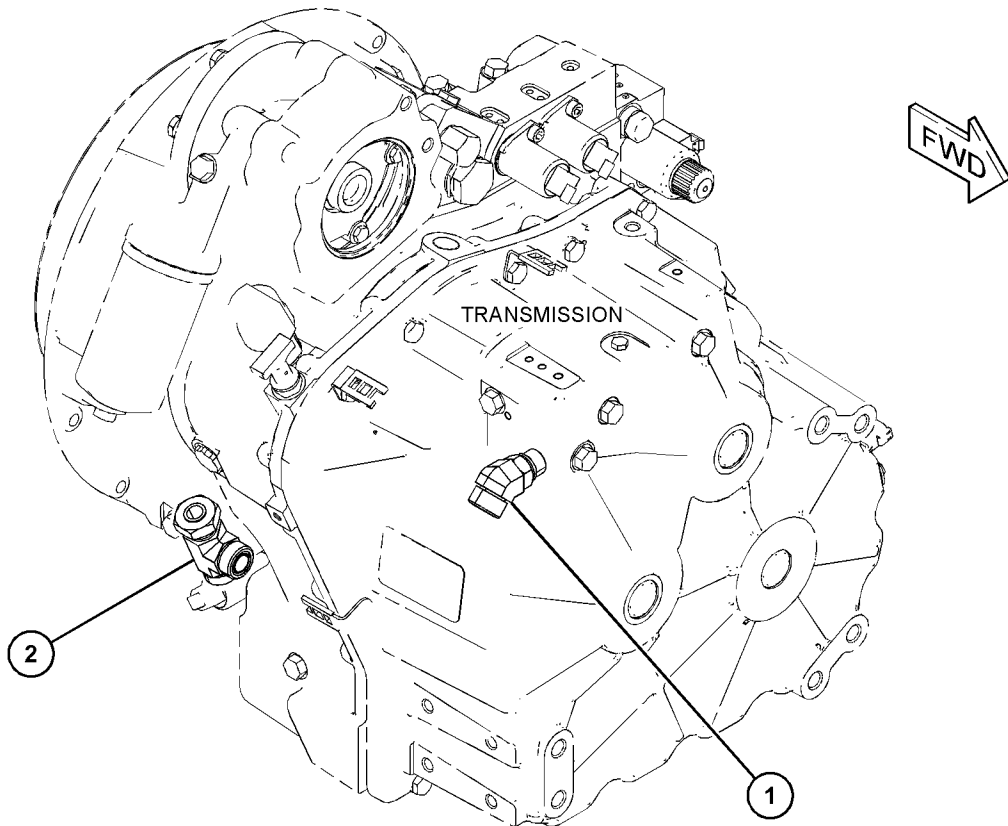
S/N: TH21-UP

PART OF 505-5343 TRANSMISSION AR
AN ATTACHMENT

SMCS-5057

i06601133

NOTE	REF NO	GRAPHIC REF	PART NUMBER	QTY	PART NAME						SEE PAGE
					1	2	3	4	5	6 (PRODUCT LEVEL)	
1	1	1	464-3819	1	ADAPTER-ELBOW						
2	1	1	317-5982	1	ADAPTER						



GRAPHIC #1

<END>

g06044169

HYDRAULIC SYSTEM

505-5240 HYDRAULIC AR

S/N: TH21-UP; TH31-UP

PART OF 493-1085, 493-1086 COMMON AR

SMCS-5050, 5051

i06825100

NOTE	PART NUMBER	QTY	PART NAME						SEE PAGE
			1	2	3	4	5	6 (PRODUCT LEVEL)	
Y	495-8788	1	LINES GP-BOOM						688
Y	499-0189	1	LINES GP-BRAKE (AXLE, FRONT, REAR)						641
Y	502-0664	1	LINES GP-BRAKE (PEDAL)						642
Y	521-2830	1	LINES GP-GREASE						763
Y	502-0369	1	LINES GP-PUMP						711
Y	499-0187	1	LINES GP-STEERING (FRONT AXLE)						649
Y	501-2459	1	LINES GP-STEERING (TILT COLUMN)						651
Y	495-8986	1	PUMP & MTG GP-HYDRAULIC						727
Y	501-7255	1	TANK & MTG GP-HYDRAULIC						732
Y	495-9795	1	VALVE & MTG GP-MAIN CONTROL						735
Y	495-9793	1	VALVE & MTG GP-PRIORITY						737
Y	501-2463	1	VALVE & MTG GP-STEERING						655

Y - SEPARATE ILLUSTRATION

<END>

506-3318 HYDRAULIC AR-AUXILIARY

S/N: TH21-UP; TH31-UP

CANNOT BE USED WITH 506-3317-PAGE: 656

AN ATTACHMENT

SMCS-5050, 5051, 5057

i06608812

NOTE	PART NUMBER	QTY	PART NAME						SEE PAGE
			1	2	3	4	5	6 (PRODUCT LEVEL)	
Y	501-7477	1	COVER GP-ACCESS (AUXILIARY)						878
Y	501-2996	1	LINES GP-AUXILIARY HYDRAULIC						685

Y - SEPARATE ILLUSTRATION

<END>

HYDRAULIC SYSTEM

503-1685 INSTALLATION GP-RIDE CONTROL-RIDE CONTROL

S/N: TH21-UP; TH31-UP

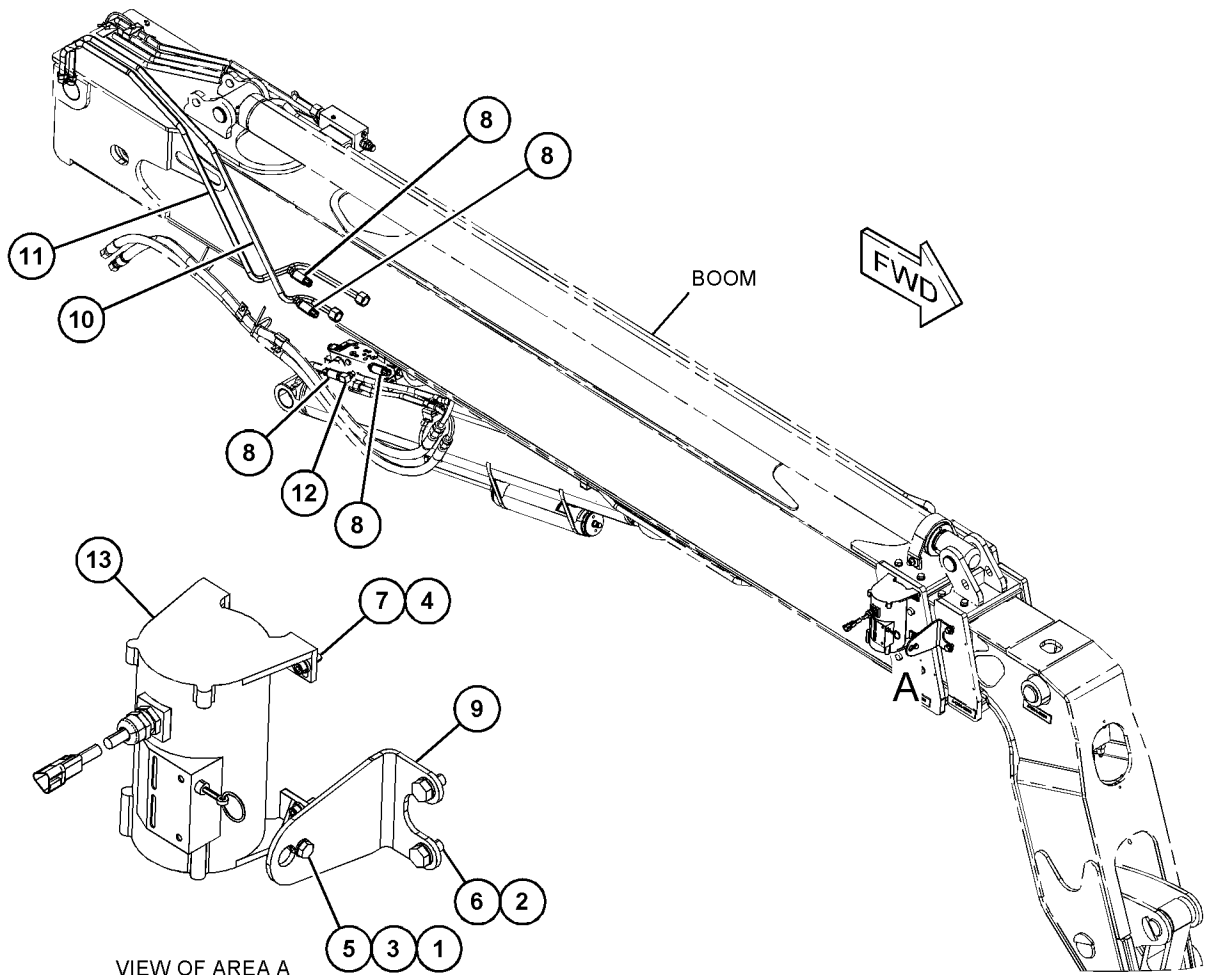
PART OF 503-1684 INSTALLATION AR-MACHINE
AN ATTACHMENT

SMCS-1408, 5004, 5057, 5077

i06736217

NOTE	REF NO	GRAPHIC REF	PART NUMBER	QTY	PART NAME						SEE PAGE
					1	2	3	4	5	6 (PRODUCT LEVEL)	
M	1	1	8T-4200	1	BOLT (M8X1.25X16-MM)						
M	2	1	8T-4137	2	BOLT (M10X1.5X20-MM)						
M	3	1	5C-7261	1	NUT (M8X1.25-THD)						
M	4	1	105-3487	4	BOLT-SOCKET HEAD (M6X1X20-MM)						
	5	1	8T-4224	2	WASHER-HARD (8.8X16X2-MM THK)						
	6	1	8T-4121	2	WASHER-HARD (11X21X2.5-MM THK)						
	7	1	477-0655	4	WASHER (7.3X13.6X4-MM THK)						
	8	1	477-0968	4	SENSOR-PRESSURE (ENGINE)						
	9	1	496-8314	1	BRACKET						
	10	1	503-1686	1	TUBE AS						
	11	1	503-1687	1	TUBE AS						
	12	1	503-1688	1	ELBOW AS						
	13	1	503-1689	1	SWITCH AS-INDICATOR						

M - METRIC PART



GRAPHIC #1

<END>

g06103702

HYDRAULIC SYSTEM

497-9605 LINES GP-AUXILIARY HYDRAULIC-REAR

S/N: TH21-UP; TH31-UP

PART OF 506-3319 CONTROL AR-AUXILIARY
AN ATTACHMENT

SMCS-5057

i06907186

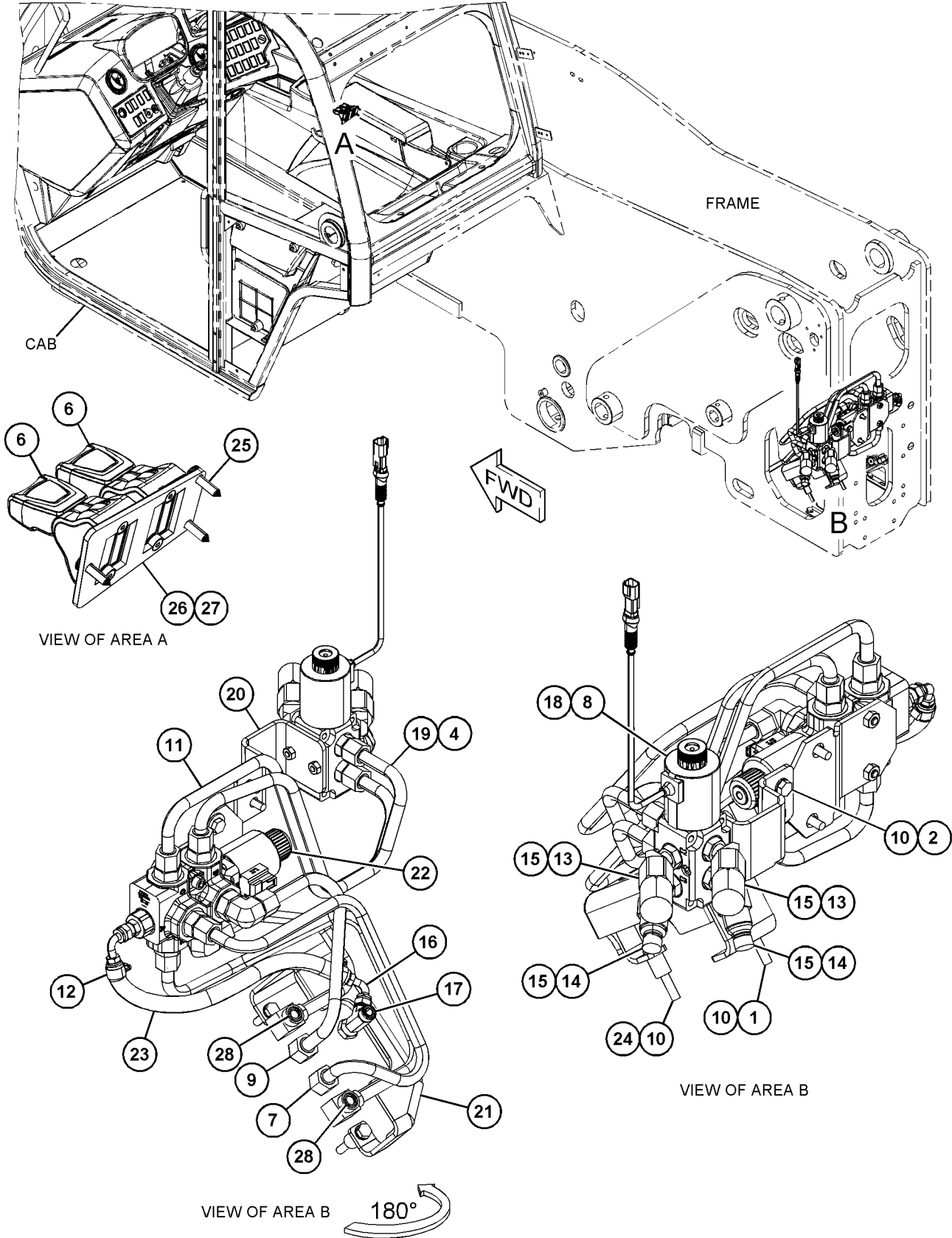
NOTE	REF NO	GRAPHIC REF	PART NUMBER	QTY	PART NAME						SEE PAGE
					1	2	3	4	5	6 (PRODUCT LEVEL)	
M	1	1	8T-4186	1	BOLT (M10X1.5X40-MM)						
M	2	1	8T-4136	2	BOLT (M10X1.5X25-MM)						
	4	1	298-0466	2	FITTING-ADAPTER						
	6	1	473-4952	2	SWITCH GP-STABILIZER						
	7	1	497-9959	1	TUBE AS						
M	8	1	6V-8213	2	BOLT-SOCKET HEAD (M8X1.25X70-MM)						
	9	1	497-9958	1	TUBE AS						
	10	1	8T-4121	4	WASHER-HARD (11X21X2.5-MM THK)						
	11	1	519-1733	1	PIPE AS						
	12	1	331-3890	2	CLAMP						
	13	1	153-2994	2	COUPLING (FEMALE)						
	14	1	153-2995	2	COUPLING (MALE)						
	15	1	219-6331	4	ELBOW AS						
					(EACH INCLUDES)						
		1	2M-9780	2	SEAL-O-RING						
		1	210-0066	1	ELBOW						
	16	1	314-5545	1	FITTING-ELBOW						
	17	1	497-9606	1	ADAPTER AS-TEE						
JP	18	1	343-7928	1	VALVE AS (QUICK COUPLER)						
		1	319-7658	1	COIL						
	19	1	519-1732	1	PIPE AS						
	20	1	519-1735	1	BRACKET AS						
	21	1	497-9955	1	TUBE AS						
Y	22	1	497-9603	1	VALVE GP-DIVERTER						743
G	23	1	423-1983		HOSE (15-IN)						
M	24	1	260-6673	1	BOLT (M10X1.5X65-MM)						
M	25	1	211-1389	3	SCREW (M4X19-MM)						
	26	1	524-1805	1	PLATE						
	27	1	524-4689	4	SCREW-FLAT HEAD						
	28	1	7J-9108	2	SEAL-O-RING						
					AVAILABLE REPAIR KIT(S):						
P			450-0307	1	KIT-RETAINER						
					(INCLUDES O-RINGS & NUT)						
J			518-6720	1	KIT-SEAL						
					(INCLUDE O-RINGS)						

G - ORDER BY THE INCH
 J - KIT MARKED J SERVICES PART(S) MARKED J
 M - METRIC PART
 P - KIT MARKED P SERVICES PART(S) MARKED P
 Y - SEPARATE ILLUSTRATION

HYDRAULIC SYSTEM

497-9605 LINES GP-AUXILIARY HYDRAULIC (contd.)

i06907186



GRAPHIC #1

<END>

g06165370

HYDRAULIC SYSTEM

501-2996 LINES GP-AUXILIARY HYDRAULIC-REAR

S/N: TH21-UP; TH31-UP

PART OF 506-3318 HYDRAULIC AR-AUXILIARY
AN ATTACHMENT

SMCS-5057

i06907187

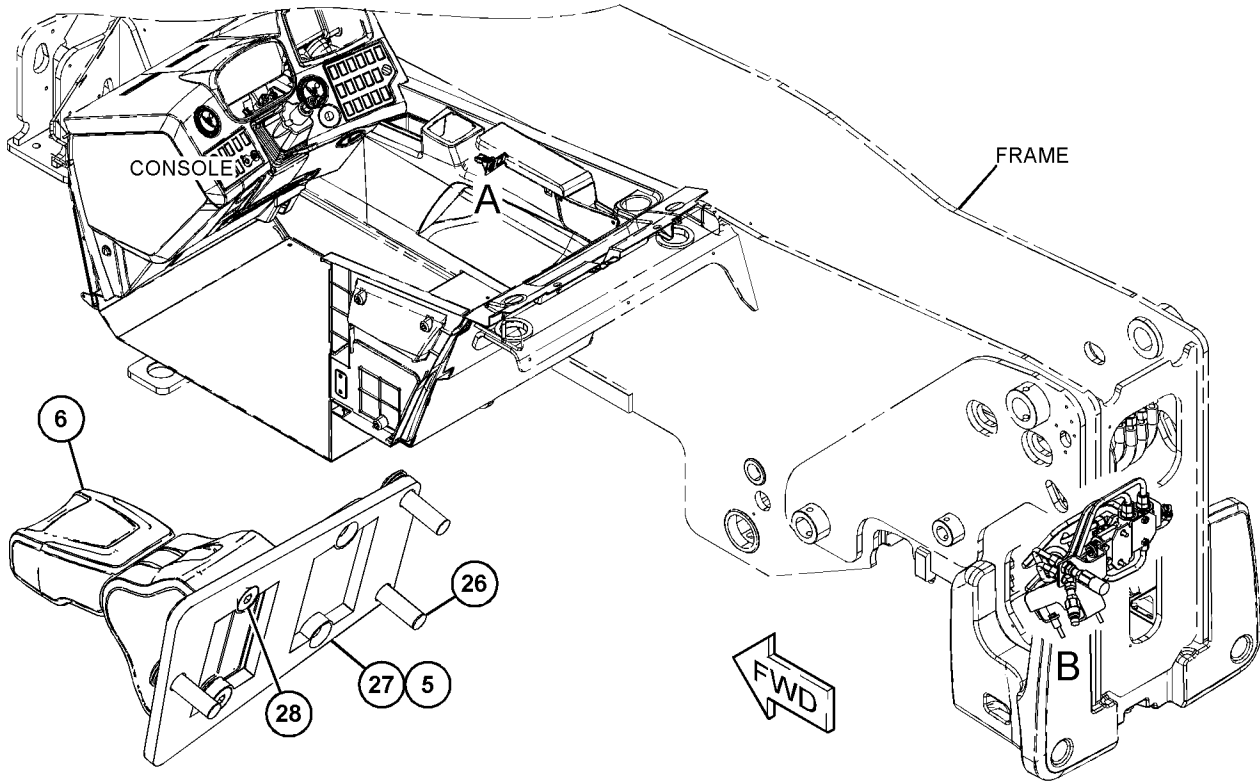
NOTE	REF NO	GRAPHIC REF	PART NUMBER	QTY	PART NAME						SEE PAGE
					1	2	3	4	5	6 (PRODUCT LEVEL)	
M	1	1	8T-4186	1	BOLT (M10X1.5X40-MM)						
M	2	1	8T-4136	2	BOLT (M10X1.5X25-MM)						
	5	1	519-1737	1	COVER						
	6	1	473-4952	1	SWITCH GP-STABILIZER						
	7	1	298-0503	1	ADAPTER-STRAIGHT						
	8	1	298-0414	2	FITTING-STRAIGHT						
	9	1	8T-4121	4	WASHER-HARD (11X21X2.5-MM THK)						
G	10	1	423-1983		HOSE (15-IN)						
	11	1	331-3890	2	CLAMP						
	12	1	497-9959	1	TUBE AS						
	13	1	153-2994	1	COUPLING (FEMALE)						
	14	1	153-2995	1	COUPLING (MALE)						
	15	1	314-5545	1	FITTING-ELBOW						
	16	1	497-9606	1	ADAPTER AS-TEE						
	17	1	519-1736	1	ELBOW						
	18	1	497-9958	1	TUBE AS						
	19	1	519-1734	1	BRACKET AS						
	20	1	519-1733	1	PIPE AS						
	21	1	519-1732	1	PIPE AS						
	22	1	497-9955	1	TUBE AS						
Y	23	1	497-9603	1	VALVE GP-DIVERTER						743
M	24	1	260-6673	1	BOLT (M10X1.5X65-MM)						
	25	1	7J-9108	2	SEAL-O-RING						
M	26	1	211-1389	3	SCREW (M4X19-MM)						
	27	1	524-1805	1	PLATE						
	28	1	524-4689	2	SCREW-FLAT HEAD						

G - ORDER BY THE INCH
M - METRIC PART
Y - SEPARATE ILLUSTRATION

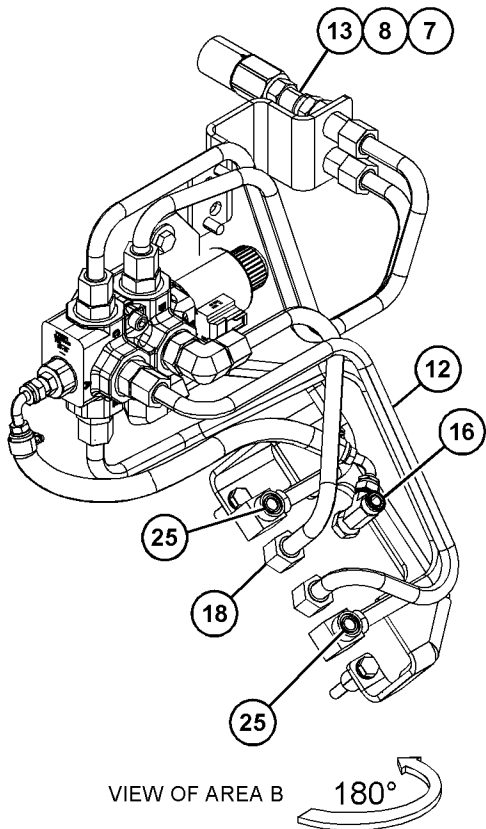
HYDRAULIC SYSTEM

501-2996 LINES GP-AUXILIARY HYDRAULIC (contd.)

i06907187

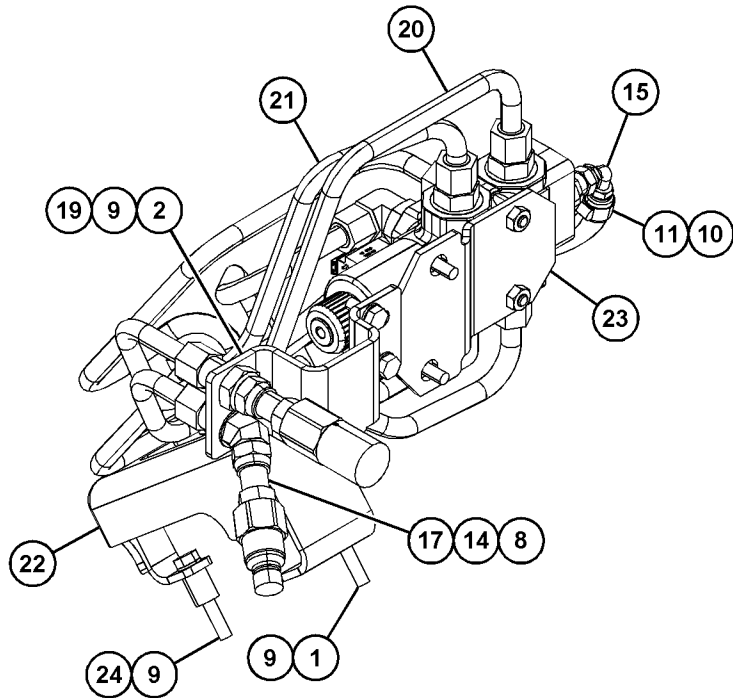


VIEW OF AREA A



VIEW OF AREA B

180°



VIEW OF AREA B

GRAPHIC #1

<END>

g06164765

HYDRAULIC SYSTEM

495-8390 LINES GP-BOOM

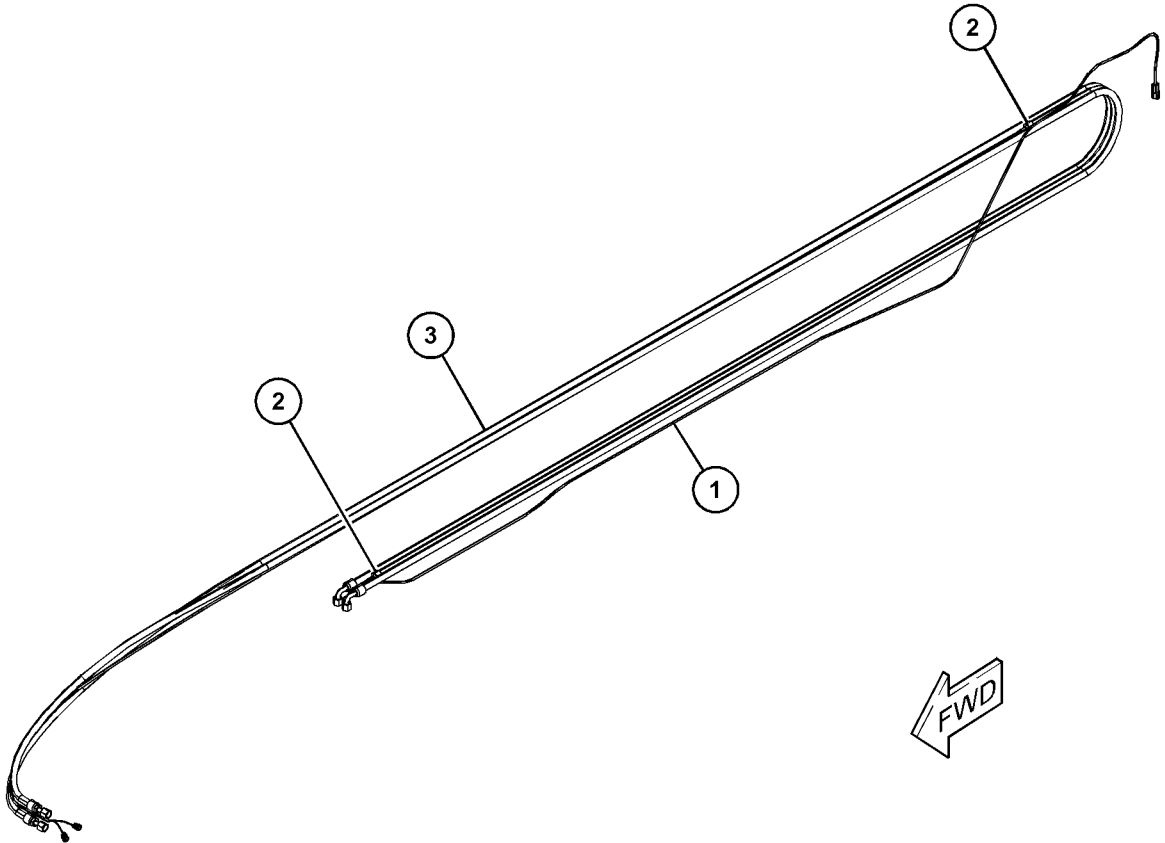
S/N: TH21-UP; TH31-UP

PART OF 505-5252 BOOM & CHASSIS AR, 495-8987 LINES GP-BOOM

SMCS-5057, 5456

i06603203

NOTE	REF NO	GRAPHIC REF	PART NUMBER	QTY	PART NAME						SEE PAGE
					1	2	3	4	5	6 (PRODUCT LEVEL)	
	1	1	495-8391	1	HARNES AS-BOOM						
	2	1	495-8394	2	INSULATION						
	3	1	495-8393	1	HOSE AS						



GRAPHIC #1

<END>

g06044652

HYDRAULIC SYSTEM

495-8788 LINES GP-BOOM

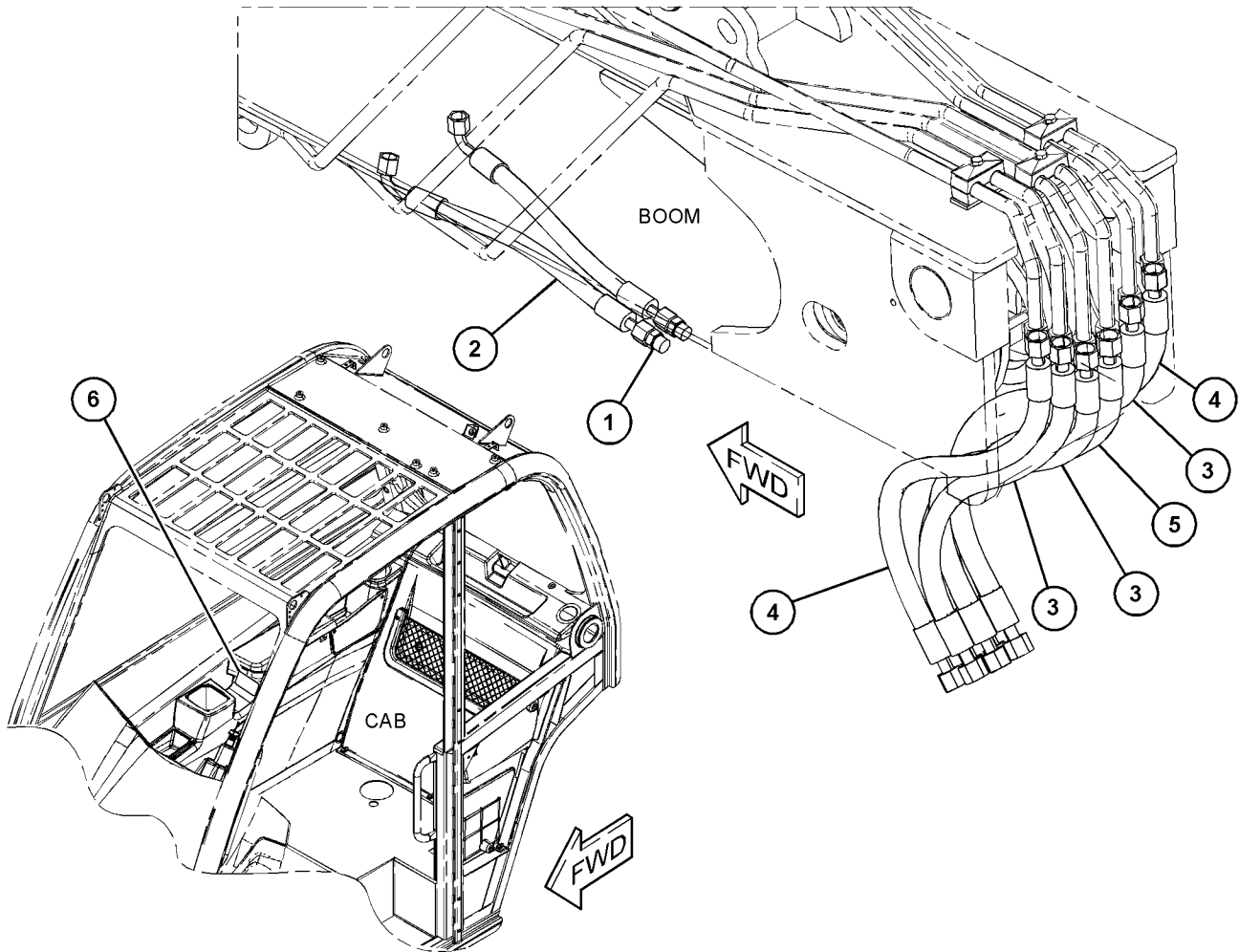
S/N: TH21-UP; TH31-UP
PART OF 505-5240 HYDRAULIC AR

SMCS-5057, 5456

i06825101

NOTE	REF NO	GRAPHIC REF	PART NUMBER	QTY	PART NAME						SEE PAGE
					1	2	3	4	5	6 (PRODUCT LEVEL)	
	1	1	298-0463	2	FITTING-ADAPTER						
I	2	1	495-8489	2	HOSE AS						
I	3	1	495-8490	3	HOSE AS						
I	4	1	495-8492	2	HOSE AS						
I	5	1	495-8491	1	HOSE AS						
	6	1	483-5158	1	COVER						

I - REFER TO HYDRAULIC INFORMATION SYSTEM



GRAPHIC #1

<END>

g06131574

HYDRAULIC SYSTEM

495-8987 LINES GP-BOOM

S/N: TH21-UP; TH31-UP
PART OF 499-2174 BOOM AR

SMCS-5057, 5456

i06823108

NOTE	REF NO	GRAPHIC REF	PART NUMBER	QTY	PART NAME						SEE PAGE
					1	2	3	4	5	6 (PRODUCT LEVEL)	
M	1	1	7X-2537	2	BOLT (M8X1.25X35-MM)						
M	2	1	8T-4189	2	BOLT (M8X1.25X20-MM)						
	3	1	298-0463	4	FITTING-ADAPTER						
	4	2	298-0468	2	FITTING-ADAPTER						
	5	1	150-3072	2	PLUG AS						
					(EACH INCLUDES)						
		1	6V-8398	1	SEAL-O-RING						
		1	6V-9509	1	PLUG (13/16-16-THD)						
	6	1,2	8T-4224	7	WASHER-HARD (8.8X16X2-MM THK)						
	8	2	148-0341	1	PLATE						
M	9	2	206-0451	1	BOLT-STACKING (M8X1.25X44-MM)						
	10	2	6V-8398	8	SEAL-O-RING						
	11	2	6V-9746	4	SEAL-O-RING						
	12	2	7J-9108	6	SEAL-O-RING						
	13	1	517-0933	1	CLAMP AS-HOSE						
Y	14	1	495-8390	1	LINES GP-BOOM						687
	15	1	495-8386	1	HOSE AS						
	16	2	492-2119	7	CLAMP AS						
	17	2	495-8388	1	TUBE AS						
	18	2	495-8389	1	TUBE AS						
	19	2	495-8380	1	TUBE AS						
	20	2	495-8381	2	ADAPTER-TEE						
	21	2	495-9857	2	CLAMP AS						
	22	1	495-8382	1	PLATE AS						
	23	1	495-8383	1	HOSE AS						
	24	2	495-8384	1	TUBE AS						
	25	2	495-9767	1	TUBE AS						
	26	2	495-9768	1	TUBE AS						
	27	2	495-9769	1	TUBE AS						
	28	2	495-9771	1	TUBE AS						
	29	2	495-9772	1	TUBE AS						
B	30	1,2	7K-1181	1	STRAP-CABLE						
	31	2	513-3297	3	CLAMP						
M	32	2	8T-7329	3	BOLT (M8X1.25X55-MM)						

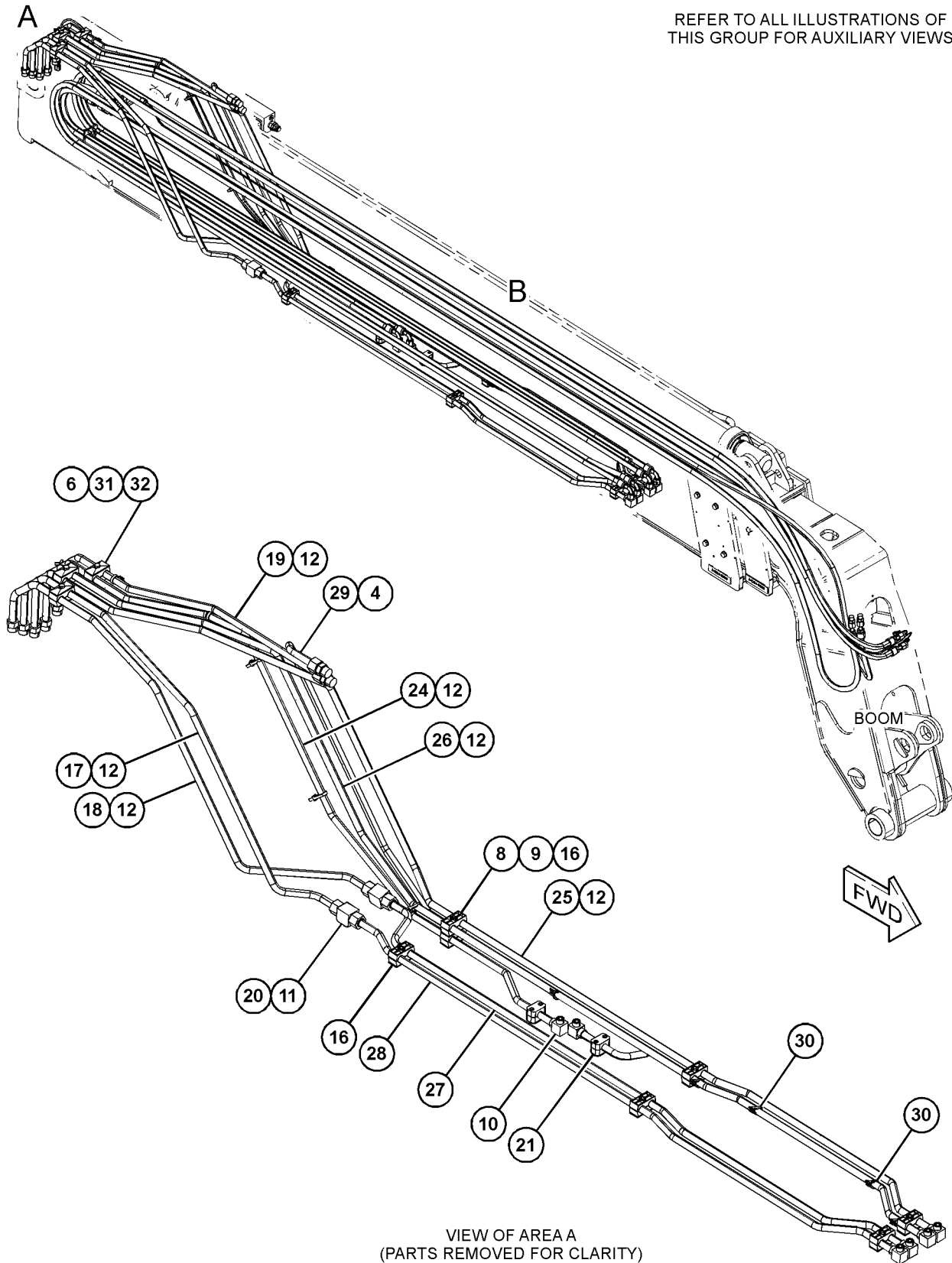
B - USE AS REQUIRED
M - METRIC PART
Y - SEPARATE ILLUSTRATION

HYDRAULIC SYSTEM

495-8987 LINES GP-BOOM (contd.)

i06823108

REFER TO ALL ILLUSTRATIONS OF THIS GROUP FOR AUXILIARY VIEWS



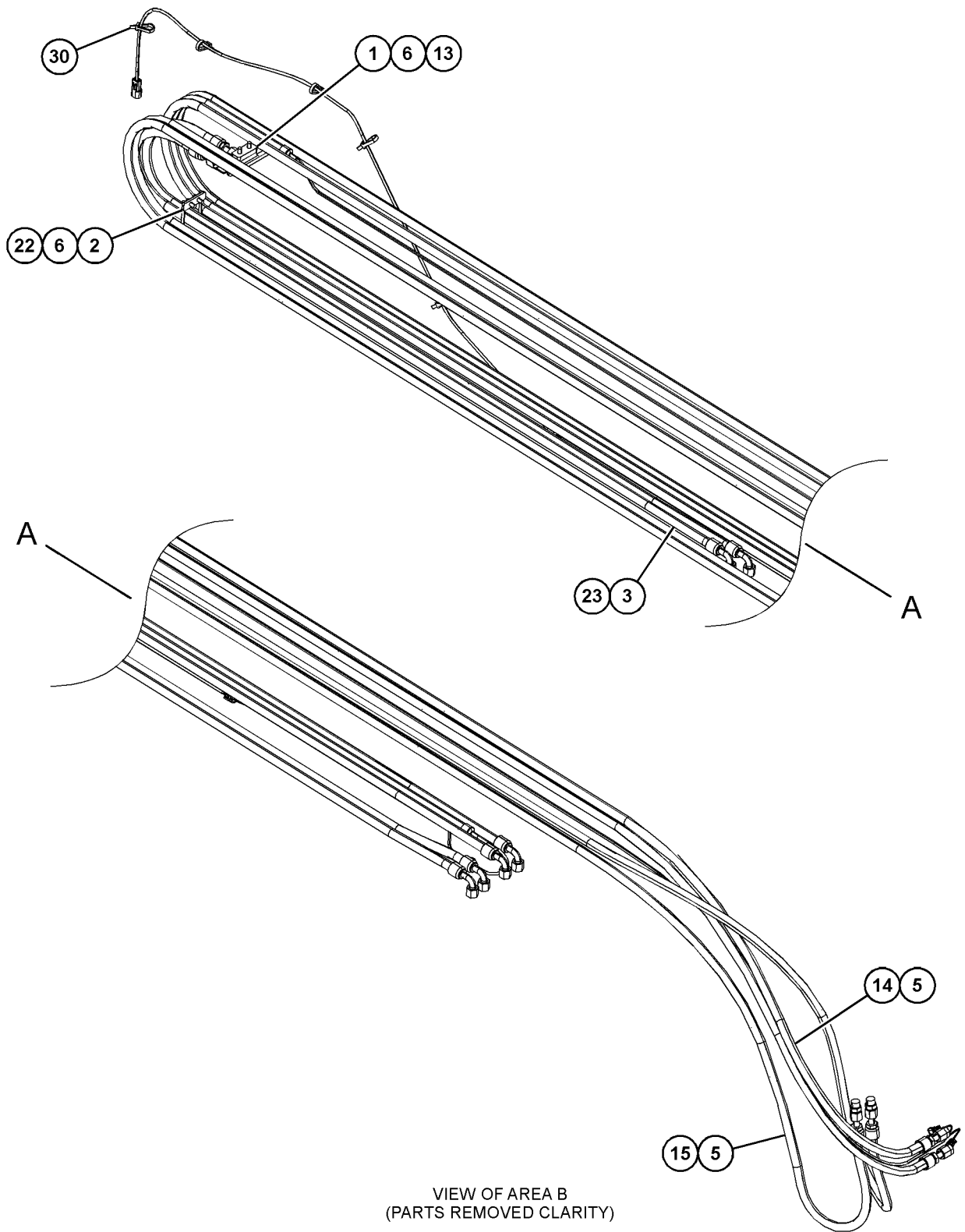
GRAPHIC #1

g06134824

HYDRAULIC SYSTEM

495-8987 LINES GP-BOOM (contd.)

i06823108



GRAPHIC #2

<END>

g06129309

HYDRAULIC SYSTEM

224-5092 LINES GP-CONNECTING-FORK

S/N: TH21-UP; TH31-UP

PART OF 222-6210 CARRIAGE GP-FORK
AN ATTACHMENT

SMCS-5057

i01885394

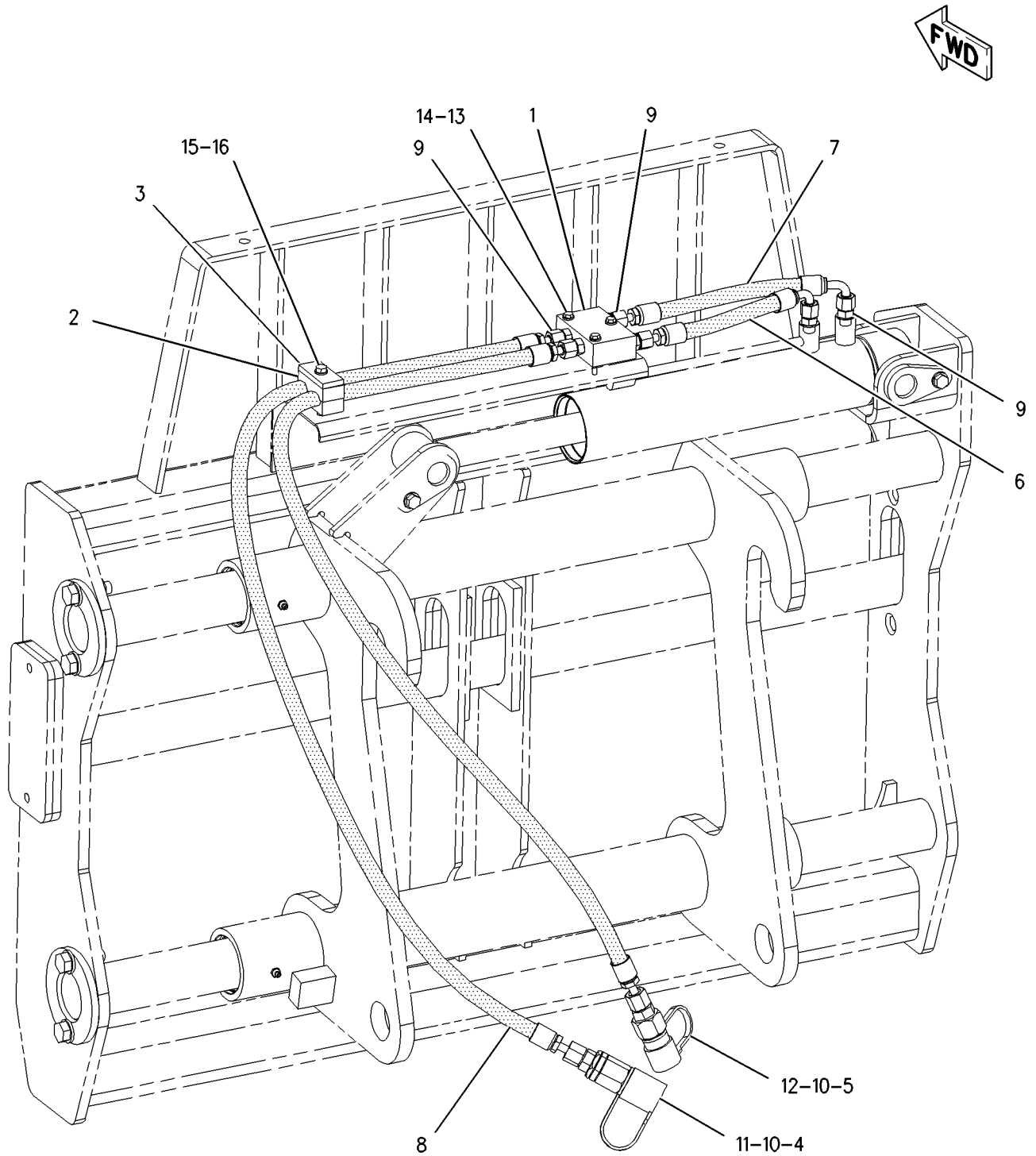
NOTE	REF NO	GRAPHIC REF	PART NUMBER	QTY	PART NAME						SEE PAGE
					1	2	3	4	5	6 (PRODUCT LEVEL)	
	1	1	8I-3959	1	VALVE-CHECK						
	2	1	9V-6588	2	CLAMP						
	3	1	102-8705	1	PLATE (TOP)						
	4	1	153-2994	1	COUPLING (FEMALE)						
	5	1	153-2995	1	COUPLING (MALE)						
I	6	1	224-5093	1	HOSE AS						
I	7	1	224-5094	1	HOSE AS						
I	8	1	228-9502	2	HOSE AS						
	9	1	<i>148-8336</i>	6	CONNECTOR AS						
					(EACH INCLUDES)						
		1	3J-1907	1	SEAL-O-RING						
		1	6V-8397	1	SEAL-O-RING						
		1	6V-8636	1	CONNECTOR						
	10	1	<i>148-8345</i>	2	CONNECTOR AS						
					(EACH INCLUDES)						
		1	2M-9780	1	SEAL-O-RING						
		1	6V-8398	1	SEAL-O-RING						
		1	6V-8638	1	CONNECTOR						
	11	1	152-5717	1	CAP-DUST						
	12	1	152-5718	1	CAP-DUST						
M	13	1	7X-2534	3	BOLT (M6X1X50-MM)						
	14	1	8T-4205	3	WASHER-HARD (7.2X14.5X2-MM THK)						
	15	1	8T-4224	1	WASHER-HARD (8.8X16X2-MM THK)						
M	16	1	8T-6869	1	BOLT (M8X1.25X60-MM)						

I - REFER TO HYDRAULIC INFORMATION SYSTEM
M - METRIC PART

HYDRAULIC SYSTEM

224-5092 LINES GP-CONNECTING (contd.)

101885394



GRAPHIC #1

<END>

g00927770

HYDRAULIC SYSTEM

492-3922 LINES GP-COUPLER

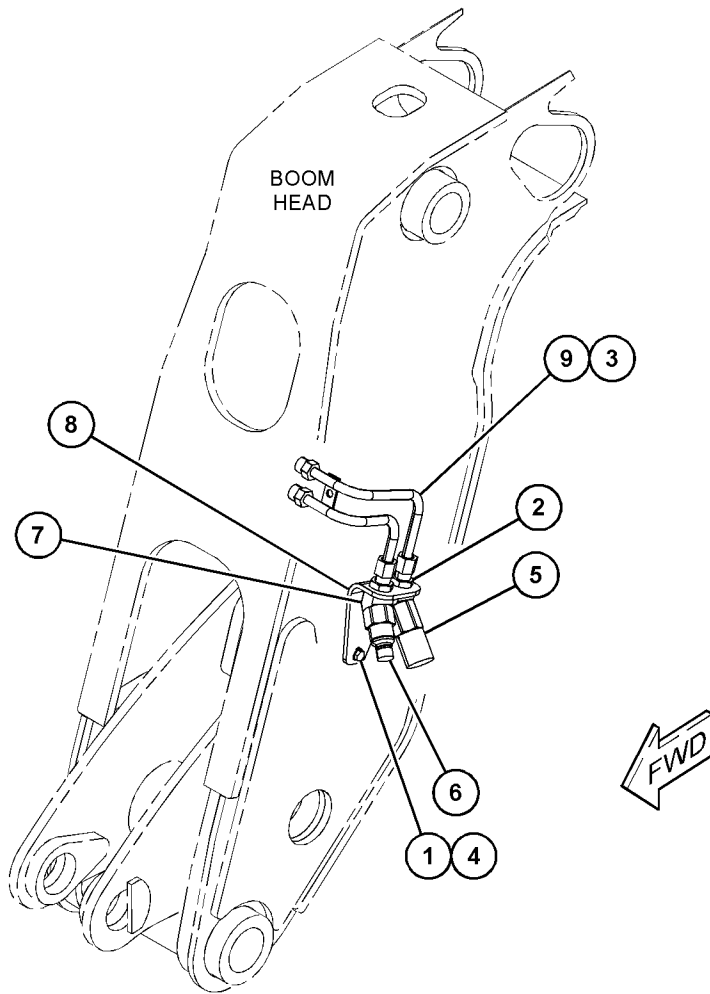
S/N: TH21-UP
AN ATTACHMENT

SMCS-5057, 5133

i06586858

NOTE	REF NO	GRAPHIC REF	PART NUMBER	QTY	PART NAME						SEE PAGE
					1	2	3	4	5	6 (PRODUCT LEVEL)	
M	1	1	8T-4189	2	BOLT (M8X1.25X20-MM)						
	2	1	330-4258	2	LOCKNUT (13/16-16-THD)						
	3	1	6V-8398	2	SEAL-O-RING						
	4	1	5M-2894	2	WASHER-HARD (10.2X18.5X2.5-MM THK)						
	5	1	153-2994	1	COUPLING (FEMALE)						
	6	1	153-2995	1	COUPLING (MALE)						
	7	1	330-4773	2	ADAPTER AS						
					(EACH INCLUDES)						
		1	6V-8398	1	SEAL-O-RING						
		1	2M-9780	1	SEAL-O-RING						
		1	232-7724	1	ELBOW						
	8	1	492-3923	1	PLATE						
	9	1	492-3924	1	TUBE AS						

M - METRIC PART



GRAPHIC #1

<END>

g06039888

HYDRAULIC SYSTEM

492-3925 LINES GP-COUPLER-COUPLER

S/N: TH21-UP
AN ATTACHMENT

SMCS-5057, 5133

i06586857

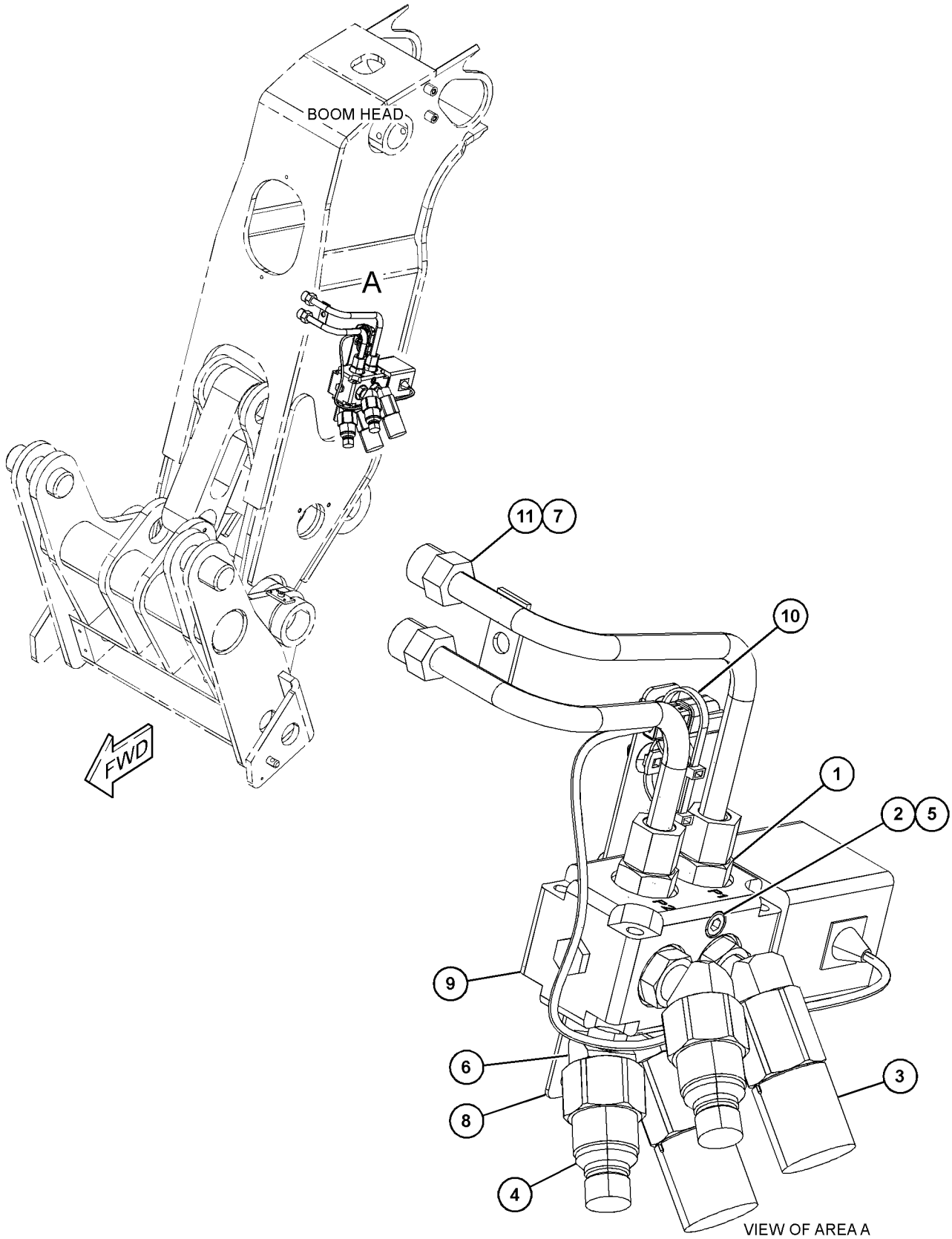
NOTE	REF NO	GRAPHIC REF	PART NUMBER	QTY	PART NAME						SEE PAGE
					1	2	3	4	5	6 (PRODUCT LEVEL)	
	1	1	298-0464	2	FITTING-ADAPTER						
M	2	1	6V-8213	2	BOLT-SOCKET HEAD (M8X1.25X70-MM)						
	3	1	153-2994	2	COUPLING (FEMALE)						
	4	1	153-2995	2	COUPLING (MALE)						
	5	1	211-9032	2	WASHER-HARD (8.8X13X2-MM THK)						
	6	1	219-6331	4	ELBOW AS						
					(EACH INCLUDES)						
		1	2M-9780	2	SEAL-O-RING						
		1	210-0066	1	ELBOW						
	7	1	6V-8398	2	SEAL-O-RING						
	8	1	347-1645	1	PLATE						
	9	1	343-7928	1	VALVE AS						
	10	1	455-3027	2	TIE-CABLE						
	11	1	492-3924	1	TUBE AS						

M - METRIC PART

HYDRAULIC SYSTEM

492-3925 LINES GP-COUPLER (contd.)

i06586857



GRAPHIC #1

<END>

g06037500

HYDRAULIC SYSTEM

495-7651 LINES GP-COUPLER

S/N: TH21-UP
AN ATTACHMENT

SMCS-5057, 5133

i06591317

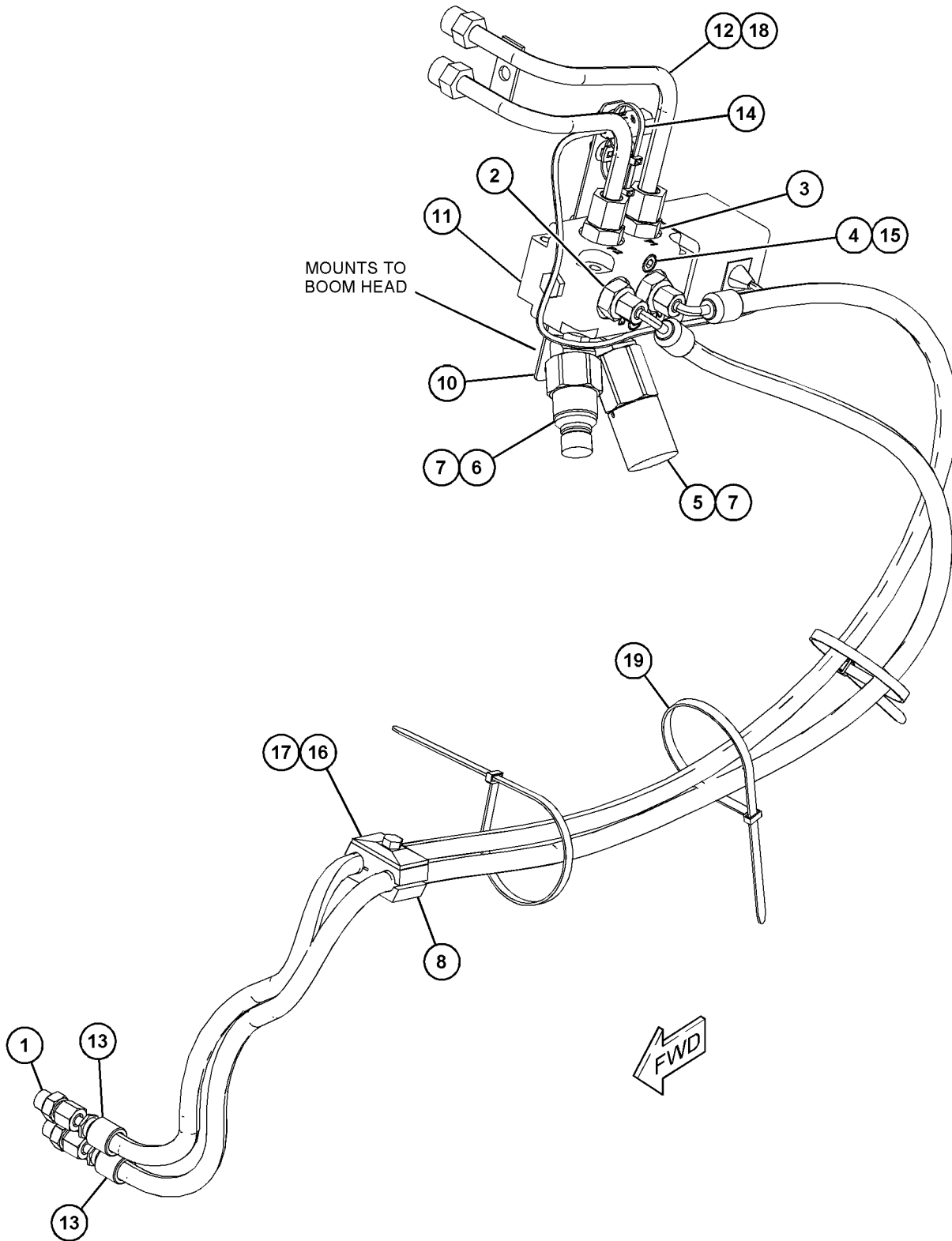
NOTE	REF NO	GRAPHIC REF	PART NUMBER	QTY	PART NAME						SEE PAGE
					1	2	3	4	5	6 (PRODUCT LEVEL)	
	1	1	298-7356	2	FITTING-ADAPTER						
	2	1	495-7653	2	TEE AS						
	3	1	298-0464	2	FITTING-ADAPTER						
M	4	1	6V-8213	2	BOLT-SOCKET HEAD (M8X1.25X70-MM)						
	5	1	153-2994	1	COUPLING (FEMALE)						
	6	1	153-2995	1	COUPLING (MALE)						
	7	1	<i>219-6331</i>	2	ELBOW AS						
					(EACH INCLUDES)						
		1	2M-9780	2	SEAL-O-RING						
		1	210-0066	1	ELBOW						
	8	1	<i>495-8706</i>	1	CLAMP AS						
		1	206-6410	2	CLAMP-HALF						
	10	1	347-1645	1	PLATE						
	11	1	343-7928	1	VALVE AS						
	12	1	492-3924	1	TUBE AS						
I	13	1	495-7600	2	HOSE AS						
	14	1	455-3027	2	TIE-CABLE						
	15	1	211-9032	2	WASHER-HARD (8.8X13X2-MM THK)						
	16	1	299-6644	1	PLATE						
	17	1	305-2110	1	SCREW (3/8-24X1.75-IN)						
	18	1	6V-8398	2	SEAL-O-RING						
	19	1	7K-1181	3	STRAP-CABLE						

I - REFER TO HYDRAULIC INFORMATION SYSTEM
M - METRIC PART

HYDRAULIC SYSTEM

495-7651 LINES GP-COUPLER (contd.)

i06591317



GRAPHIC #1

<END>

g06049601

HYDRAULIC SYSTEM

495-7652 LINES GP-COUPLER

S/N: TH21-UP
AN ATTACHMENT

SMCS-5057, 5133

i06591318

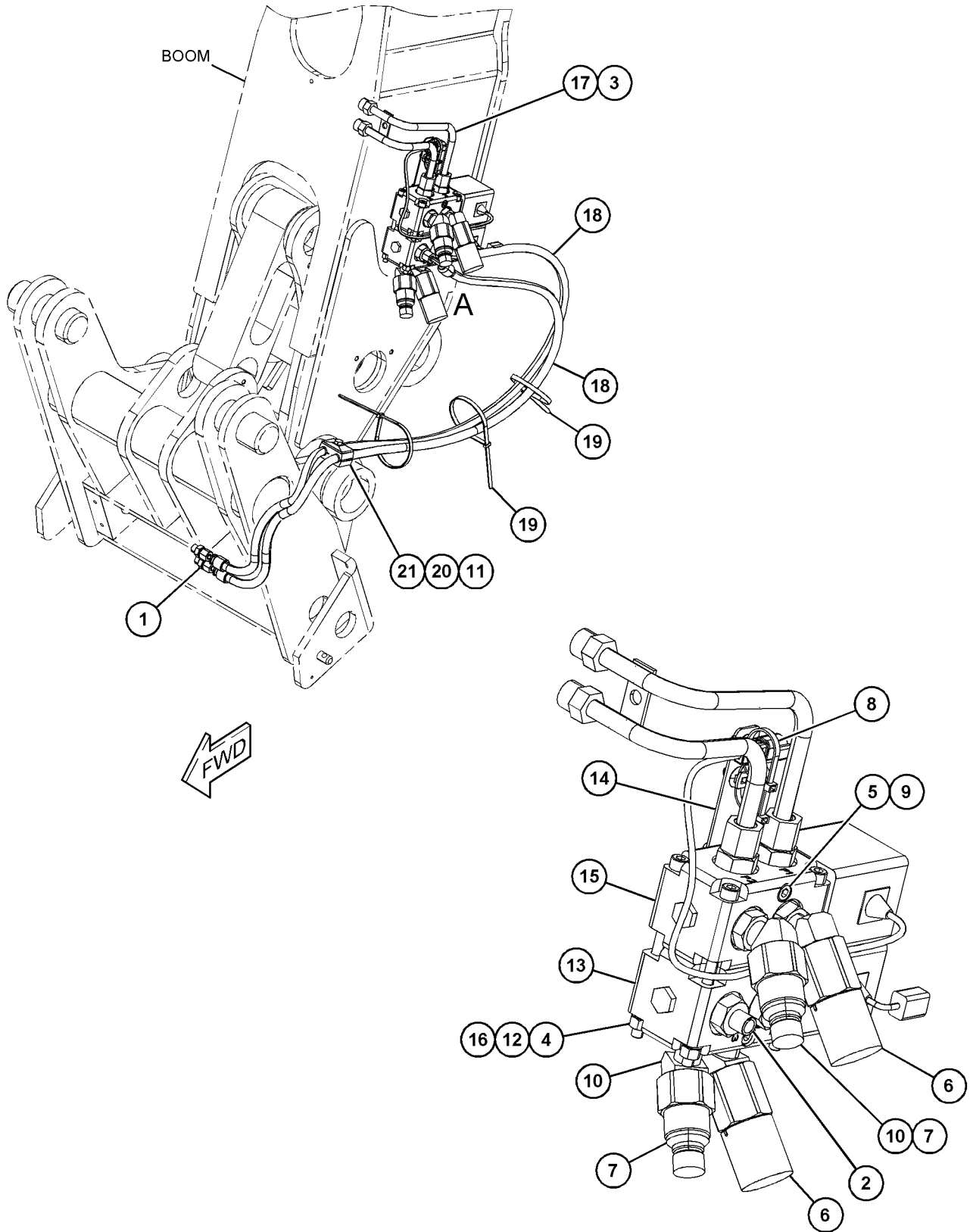
NOTE	REF NO	GRAPHIC REF	PART NUMBER	QTY	PART NAME						SEE PAGE
					1	2	3	4	5	6 (PRODUCT LEVEL)	
	1	1	298-7356	2	FITTING-ADAPTER						
	2	1	495-7653	2	TEE AS						
	3	1	298-0464	2	FITTING-ADAPTER						
M	4	1	309-9184	4	LOCKNUT (M8X1.25-THD)						
M	5	1	6V-8213	2	BOLT-SOCKET HEAD (M8X1.25X70-MM)						
	6	1	153-2994	2	COUPLING (FEMALE)						
	7	1	153-2995	2	COUPLING (MALE)						
	8	1	455-3027	2	TIE-CABLE						
	9	1	211-9032	2	WASHER-HARD (8.8X13X2-MM THK)						
	10	1	219-6331	4	ELBOW AS						
					(EACH INCLUDES)						
		1	2M-9780	2	SEAL-O-RING						
		1	210-0066	1	ELBOW						
	11	1	206-6410	1	CLAMP-HALF						
	12	1	298-7387	4	LOCKWASHER						
Y	13	1	226-6494	1	VALVE GP-DIVERTER (QUICK COUPLER)						741
	14	1	347-1645	1	PLATE						
	15	1	343-7928	1	VALVE AS (QUICK COUPLER)						
M	16	1	3E-8006	4	BOLT (M8X1.25X130-MM)						
	17	1	492-3924	1	TUBE AS						
I	18	1	495-7600	2	HOSE AS						
	19	1	7K-1181	3	STRAP-CABLE						
	20	1	299-6644	1	PLATE						
	21	1	305-2110	1	SCREW (3/8-24X1.75-IN)						

I - REFER TO HYDRAULIC INFORMATION SYSTEM
M - METRIC PART
Y - SEPARATE ILLUSTRATION

HYDRAULIC SYSTEM

495-7652 LINES GP-COUPLER (contd.)

i06591318



GRAPHIC #1

<END>

VIEW OF AREA A

g06093883

HYDRAULIC SYSTEM

235-2663 LINES GP-HYDRAULIC-ROTATING CARRIAGE

S/N: TH21-UP; TH31-UP

PART OF 227-5748, 231-3229 CARRIAGE GP-ROTATING
AN ATTACHMENT

SMCS-5057

i01906819

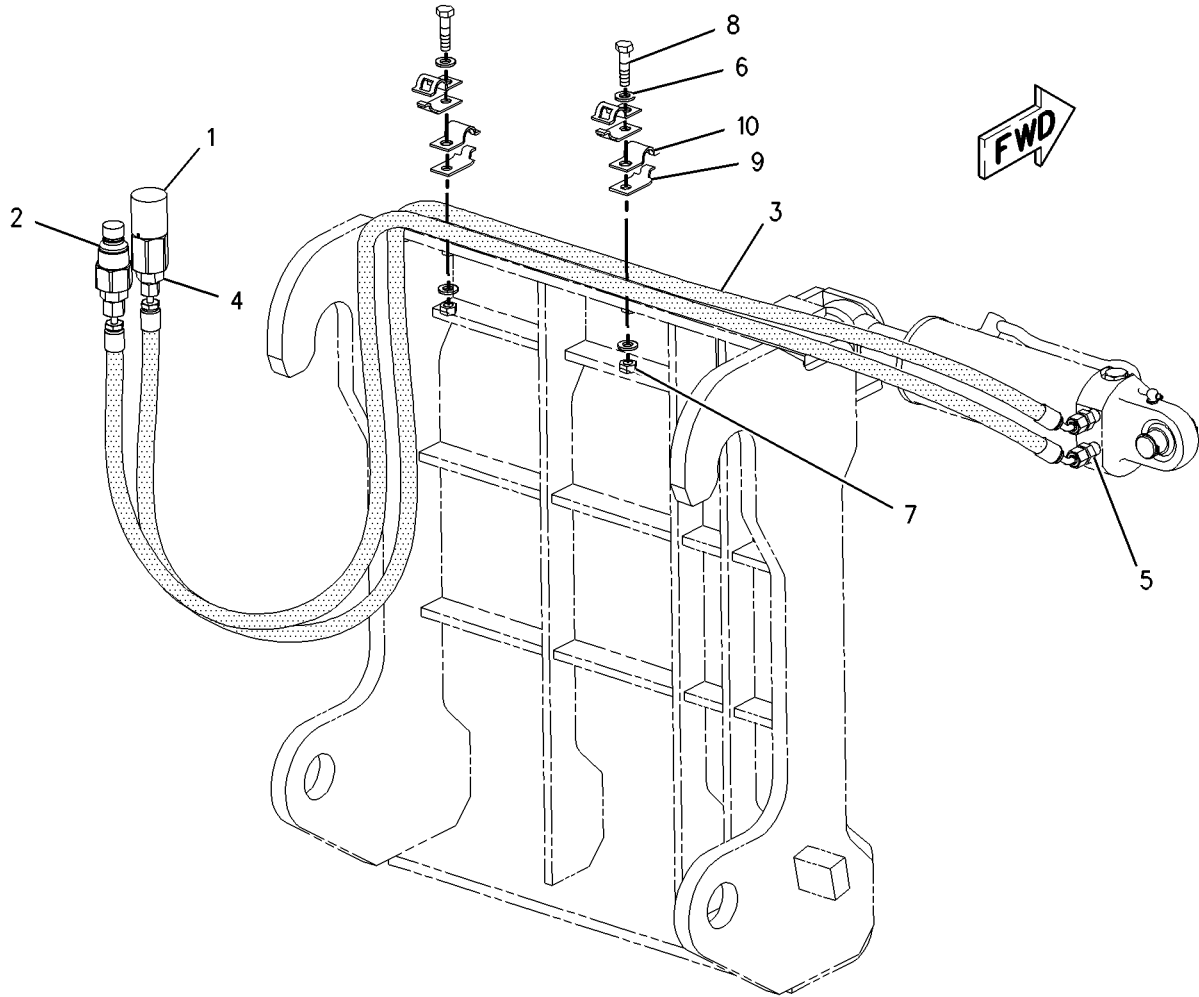
NOTE	REF NO	GRAPHIC REF	PART NUMBER	QTY	PART NAME						SEE PAGE
					1	2	3	4	5	6 (PRODUCT LEVEL)	
	1	1	153-2994	1	COUPLING (FEMALE)						
	2	1	153-2995	1	COUPLING (MALE)						
I	3	1	234-1457	2	HOSE AS						
	4	1	<i>148-8319</i>	2	CONNECTOR AS						
					(EACH INCLUDES)						
		1	2M-9780	1	SEAL-O-RING						
		1	6V-8397	1	SEAL-O-RING						
		1	6V-8715	1	CONNECTOR						
	5	1	<i>156-3691</i>	2	ADAPTER AS						
					(EACH INCLUDES)						
		1	3J-1907	1	SEAL-O-RING						
		1	4J-5477	1	SEAL-O-RING						
		1	081-6352	1	ADAPTER						
	6	1	8T-4121	4	WASHER-HARD (11X21X2.5-MM THK)						
M	7	1	8T-4133	2	NUT (M10X1.5-THD)						
M	8	1	8T-4186	2	BOLT (M10X1.5X40-MM)						
	9	1	9R-1004	4	CLIP (TAB)						
	10	1	9R-1005	4	CLIP (SLOT)						

I - REFER TO HYDRAULIC INFORMATION SYSTEM
M - METRIC PART

HYDRAULIC SYSTEM

235-2663 LINES GP-HYDRAULIC (contd.)

i01906819



GRAPHIC #1

<END>

g00993585

HYDRAULIC SYSTEM

497-9597 LINES GP-HYDRAULIC FAN

S/N: TH21-UP; TH31-UP

PART OF 505-5387, 505-6163 ENGINE AR-COMplete
AN ATTACHMENT

SMCS-5057

i06603078

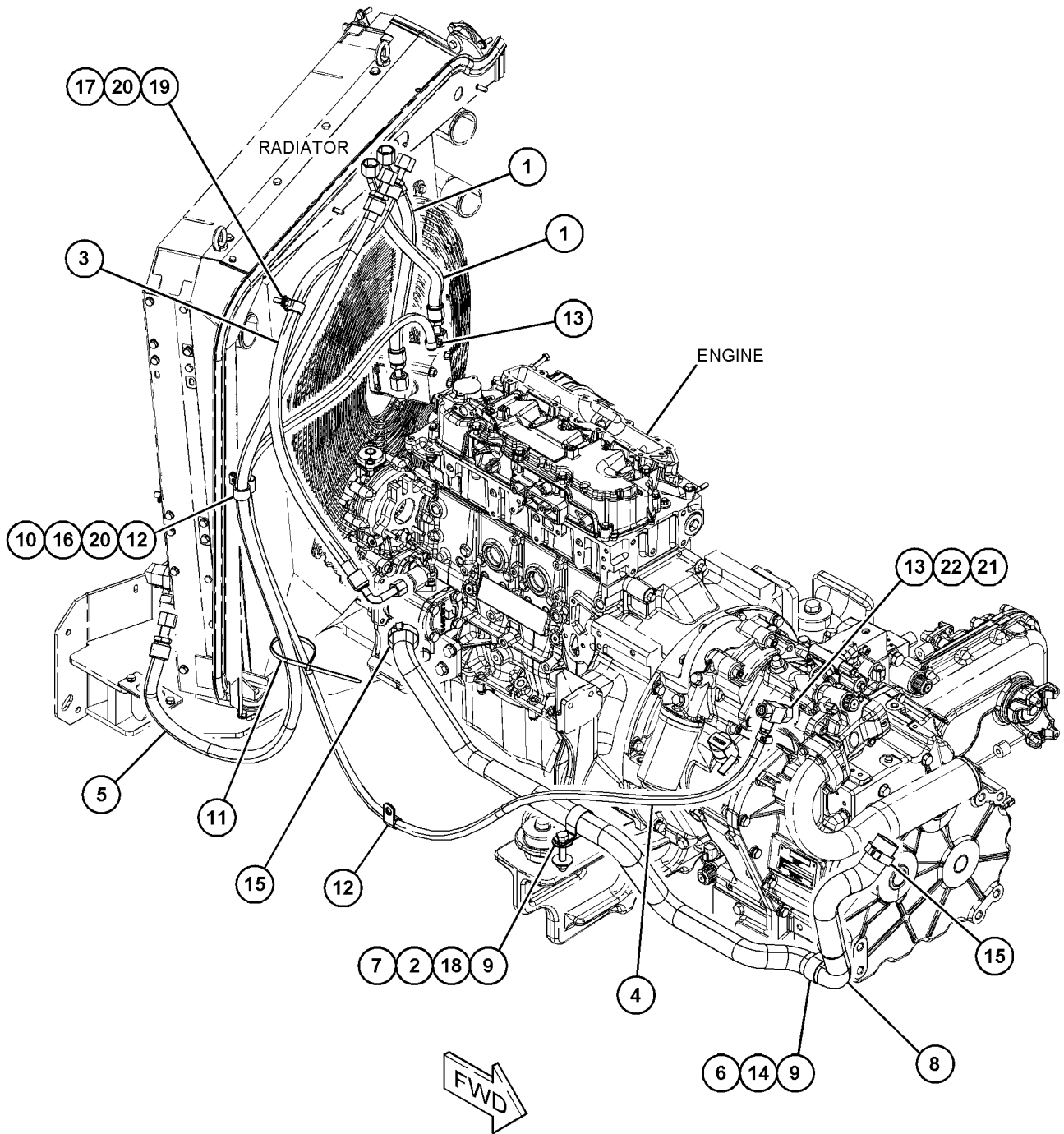
NOTE	REF NO	GRAPHIC REF	PART NUMBER	QTY	PART NAME						SEE PAGE
					1	2	3	4	5	6 (PRODUCT LEVEL)	
I	1	1	497-9821	2	HOSE AS						
	2	1	266-5360	2	WASHER (13X37X3-MM THK)						
I	3	1	497-9822	1	HOSE AS						
G	4	1	423-1982		HOSE (91.7-IN)						
I	5	1	497-9823	1	HOSE AS						
	6	1	8T-4223	1	WASHER-HARD (13.5X25.5X3-MM THK)						
M	7	1	309-9185	1	LOCKNUT (M12X1.75-THD)						
	8	1	497-9598	1	HOSE						
	9	1	298-7242	2	CLIP						
M	10	1	309-9184	1	LOCKNUT (M8X1.25-THD)						
	11	1	7K-1181	1	STRAP-CABLE						
	12	1	317-5987	2	CLIP						
	13	1	330-8103	2	CLAMP-HOSE						
M	14	1	8T-4192	1	BOLT (M12X1.75X25-MM)						
	15	1	5P-2230	2	CLAMP-HOSE						
	16	1	9X-8250	1	CLIP						
	17	1	327-5534	1	CLIP						
M	18	1	8T-4648	1	BOLT (M12X1.75X70-MM)						
M	19	1	8T-4908	1	BOLT (M8X1.25X25-MM)						
	20	1	8T-4224	1	WASHER-HARD (8.8X16X2-MM THK)						
	21	1	7X-0872	1	TEE-SWIVEL						
	22	1	474-8989	1	ADAPTER						

G - ORDER BY THE INCH
I - REFER TO HYDRAULIC INFORMATION SYSTEM
M - METRIC PART

HYDRAULIC SYSTEM

497-9597 LINES GP-HYDRAULIC FAN (contd.)

i06603078



GRAPHIC #1

<END>

g06102607

HYDRAULIC SYSTEM

497-9599 LINES GP-HYDRAULIC FAN

S/N: TH21-UP; TH31-UP

PART OF 505-6119, 505-6164, 505-6165, 505-6167, 505-6168 ENGINE AR-COMplete
AN ATTACHMENT

SMCS-5057

i06601111

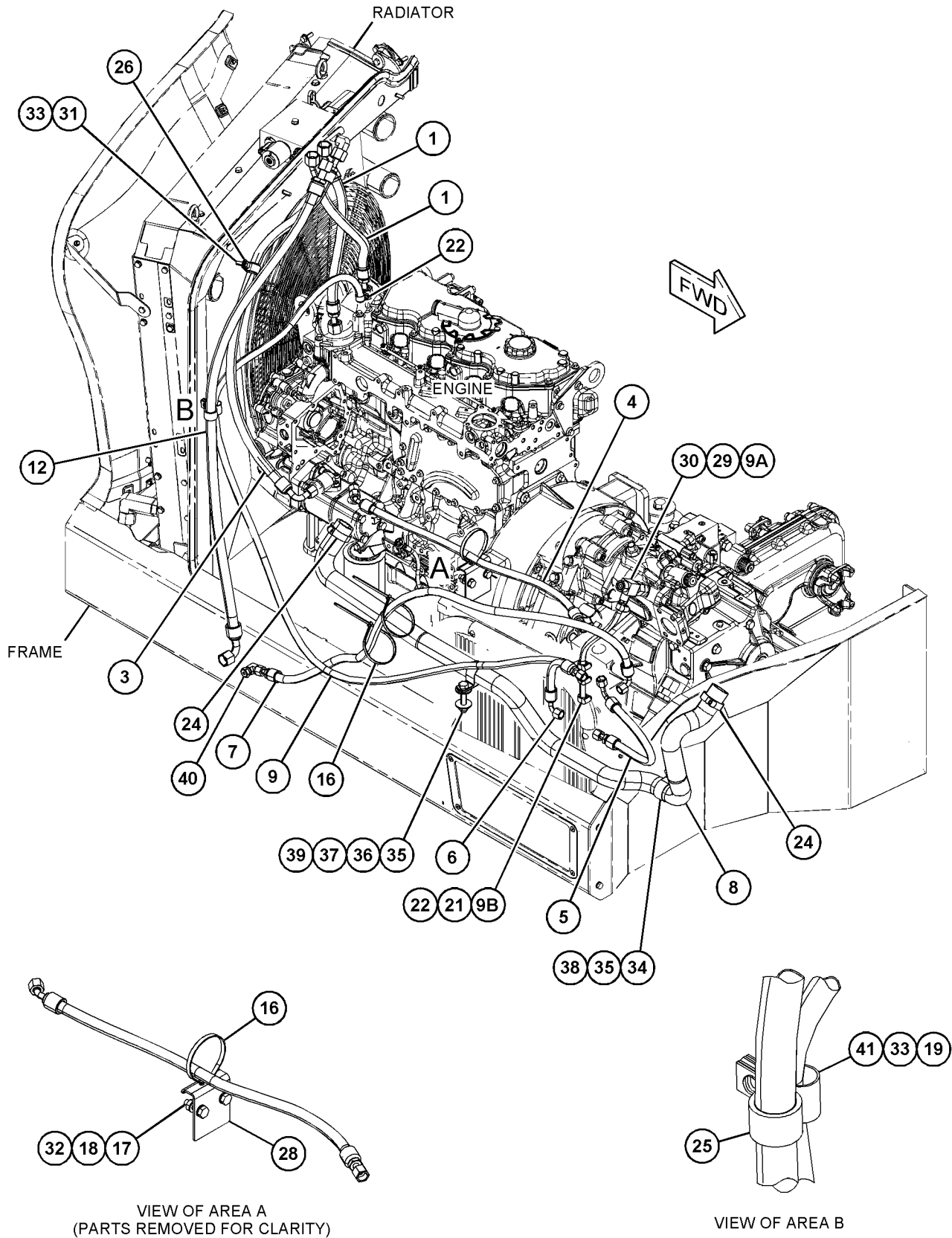
NOTE	REF NO	GRAPHIC REF	PART NUMBER	QTY	PART NAME						SEE PAGE
					1	2	3	4	5	6 (PRODUCT LEVEL)	
I	1	1	497-9821	2	HOSE AS						
I	3	1	497-9822	1	HOSE AS						
I	4	1	497-9824	1	HOSE AS						
I	5	1	497-9825	1	HOSE AS						
I	6	1	497-9826	1	HOSE AS						
I	7	1	497-9827	1	HOSE AS						
	8	1	497-9600	1	HOSE						
G	9	1	423-1982	1	HOSE (92-IN)						
G	9A	1	423-1982	1	HOSE (3-IN)						
G	9B	1	423-1982	1	HOSE (11-IN)						
I	12	1	497-9828	1	HOSE AS						
	16	1	7K-1181	3	STRAP-CABLE						
M	17	1	8T-4133	2	NUT (M10X1.5-THD)						
	18	1	8T-4121	4	WASHER-HARD (11X21X2.5-MM THK)						
	19	1	317-5987	1	CLIP						
	21	1	187-5086	1	TEE						
	22	1	330-8103	6	CLAMP-HOSE						
	24	1	5P-2230	2	CLAMP-HOSE						
	25	1	9X-8250	1	CLIP						
	26	1	327-5534	1	CLIP						
	28	1	497-9601	1	BRACKET						
	29	1	7X-0872	1	TEE-SWIVEL						
	30	1	474-8989	1	ADAPTER						
M	31	1	8T-4908	1	BOLT (M8X1.25X25-MM)						
M	32	1	8T-4196	2	BOLT (M10X1.5X35-MM)						
	33	1	8T-4224	2	WASHER-HARD (8.8X16X2-MM THK)						
M	34	1	8T-4139	1	BOLT (M12X1.75X30-MM)						
	35	1	298-7242	2	CLIP						
M	36	1	8T-4648	1	BOLT (M12X1.75X70-MM)						
	37	1	266-5360	2	WASHER (13X37X3-MM THK)						
	38	1	8T-4223	1	WASHER-HARD (13.5X25.5X3-MM THK)						
M	39	1	309-9185	1	LOCKNUT (M12X1.75-THD)						
	40	1	298-0507	1	ADAPTER-SWIVEL						
M	41	1	309-9184	1	LOCKNUT (M8X1.25-THD)						

G - ORDER BY THE INCH
I - REFER TO HYDRAULIC INFORMATION SYSTEM
M - METRIC PART

HYDRAULIC SYSTEM

497-9599 LINES GP-HYDRAULIC FAN (contd.)

i06601111



GRAPHIC #1

<END>

g06048825

HYDRAULIC SYSTEM

497-9608 LINES GP-LIFT CYLINDER

S/N: TH21-UP; TH31-UP

AN ATTACHMENT

SMCS-5057, 5102, 5303

i06897802

NOTE	REF NO	GRAPHIC REF	PART NUMBER	QTY	PART NAME						SEE PAGE
					1	2	3	4	5	6 (PRODUCT LEVEL)	
M	1	1	3E-8025	4	BOLT-SOCKET HEAD (M8X1.25X50-MM)						
	2	1	300-6096	1	FITTING						
	3	1	298-0476	1	FITTING-ADAPTER						
	4	1	8T-4224	5	WASHER-HARD (8.8X16X2-MM THK)						
	5	1	492-4896	1	VALVE GP-COUNTERBALANCE (TELESCOPING)						
I	6	1	497-9829	1	HOSE AS						
I	7	1	497-9830	1	HOSE AS						
M	8	1	8T-4189	1	BOLT (M8X1.25X20-MM)						
M	9	1	328-9688	1	SCREW (M10X1.5X14-MM)						
	10	1	7K-1181	2	STRAP-CABLE						
M	11	1	136-4184	2	BOLT-SOCKET HEAD (M8X1.25X40-MM)						
	12	1	8T-4121	1	WASHER-HARD (11X21X2.5-MM THK)						
	13	1	492-4851	1	CLAMP						
	14	1	4D-7388	1	CLIP (LOOP)						
	15	1	492-4927	2	CLIP						
	16	1	492-4858	1	BRACKET AS						
	17	1	497-9609	1	TUBE AS						
	18	1	497-9610	1	TUBE AS						
	19	1	497-9611	1	BRACKET AS						
	20	1	6V-9746	1	SEAL-O-RING						
	21	1	7J-9108	1	SEAL-O-RING						
	22	1	340-4934	1	CLIP						

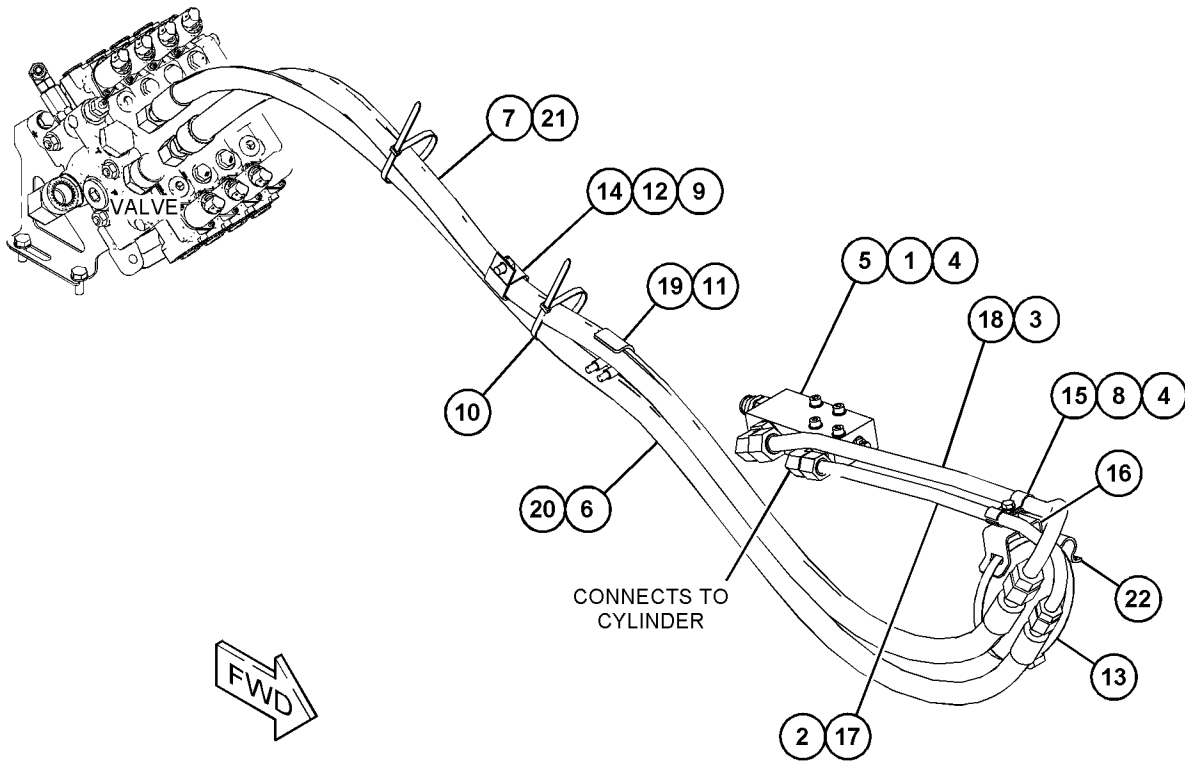
I - REFER TO HYDRAULIC INFORMATION SYSTEM

M - METRIC PART

HYDRAULIC SYSTEM

497-9608 LINES GP-LIFT CYLINDER (contd.)

i06897802



GRAPHIC #1

<END>

g06166108

HYDRAULIC SYSTEM

497-9612 LINES GP-LIFT CYLINDER-RIDE CONTROL

S/N: TH21-UP; TH31-UP

AN ATTACHMENT

SMCS-5057, 5102, 5303

i06907158

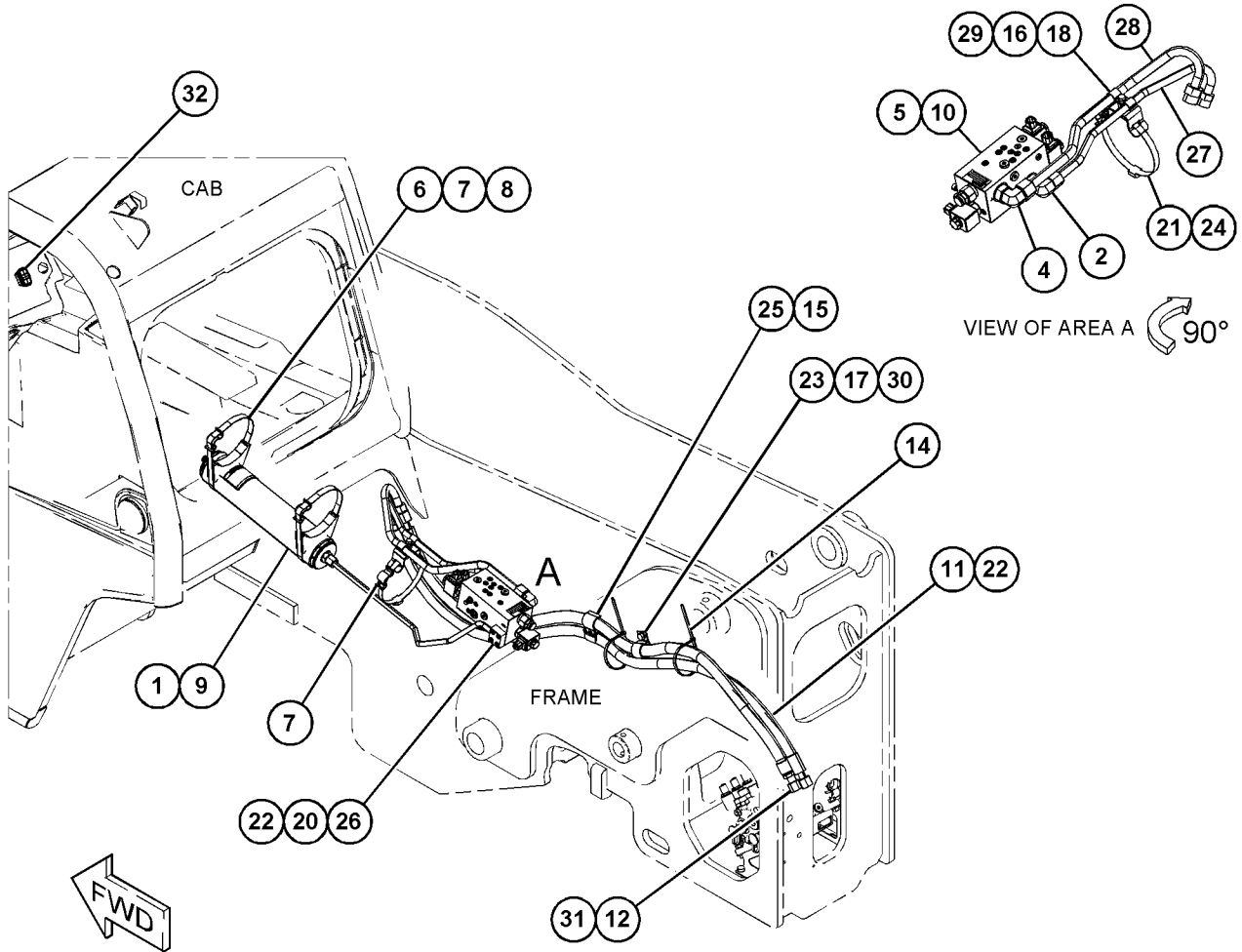
NOTE	REF NO	GRAPHIC REF	PART NUMBER	QTY	PART NAME						SEE PAGE
					1	2	3	4	5	6 (PRODUCT LEVEL)	
	1	1	523-5678	1	VALVE-CHECK						
	2	1	323-5622	1	ELBOW						
	4	1	298-0476	1	FITTING-ADAPTER						
M	5	1	8T-2394	4	BOLT-SOCKET HEAD (M8X1.25X90-MM)						
	6	1	340-4933	2	CLIP						
	7	1	340-4934	3	CLIP						
	8	1	506-5127	2	BUMPER						
	9	1	340-2293	1	PISTON						
HJ	10	1	523-5702	1	VALVE GP-RIDE CONTROL (BOOM FLOAT)						
		1	340-5927	3	COIL (12-VOLT)						
I	11	1	497-9829	1	HOSE AS						
I	12	1	497-9830	1	HOSE AS						
	14	1	7K-1181	2	STRAP-CABLE						
M	15	1	136-4184	2	BOLT-SOCKET HEAD (M8X1.25X40-MM)						
	16	1	8T-4224	1	WASHER-HARD (8.8X16X2-MM THK)						
	17	1	8T-4121	1	WASHER-HARD (11X21X2.5-MM THK)						
	18	1	492-4927	2	CLIP						
M	20	1	8T-1158	4	BOLT-SOCKET HEAD (M8X1.25X20-MM)						
	21	1	492-4851	1	CLAMP						
	22	1	7J-9108	2	SEAL-O-RING						
	23	1	4D-7388	1	CLIP						
	24	1	492-4858	1	BRACKET AS						
	25	1	497-9611	1	BRACKET AS						
	26	1	506-5128	1	TUBE AS						
	27	1	497-9615	1	TUBE AS						
	28	1	497-9616	1	TUBE AS						
M	29	1	8T-4189	1	BOLT (M8X1.25X20-MM)						
M	30	1	328-9688	1	SCREW (M10X1.5X14-MM)						
	31	1	6V-9746	1	SEAL-O-RING						
	32	1	506-5129	1	SWITCH AS-DISCONNECT (BOOM)						
AVAILABLE REPAIR KIT(S) :											
J			518-0703	1	KIT-SEAL						
H			518-0627	1	KIT-SEAL						
(EACH SEAL KIT INCLUDES O-RING SEALS)											

H - KIT MARKED H SERVICES PART(S) MARKED H
 I - REFER TO HYDRAULIC INFORMATION SYSTEM
 J - KIT MARKED J SERVICES PART(S) MARKED J
 M - METRIC PART

HYDRAULIC SYSTEM

497-9612 LINES GP-LIFT CYLINDER (contd.)

i06907158



GRAPHIC #1

<END>

g06165754

HYDRAULIC SYSTEM

502-0369 LINES GP-PUMP

S/N: TH21-UP; TH31-UP

PART OF 505-5240 HYDRAULIC AR

SMCS-5057

i06603147

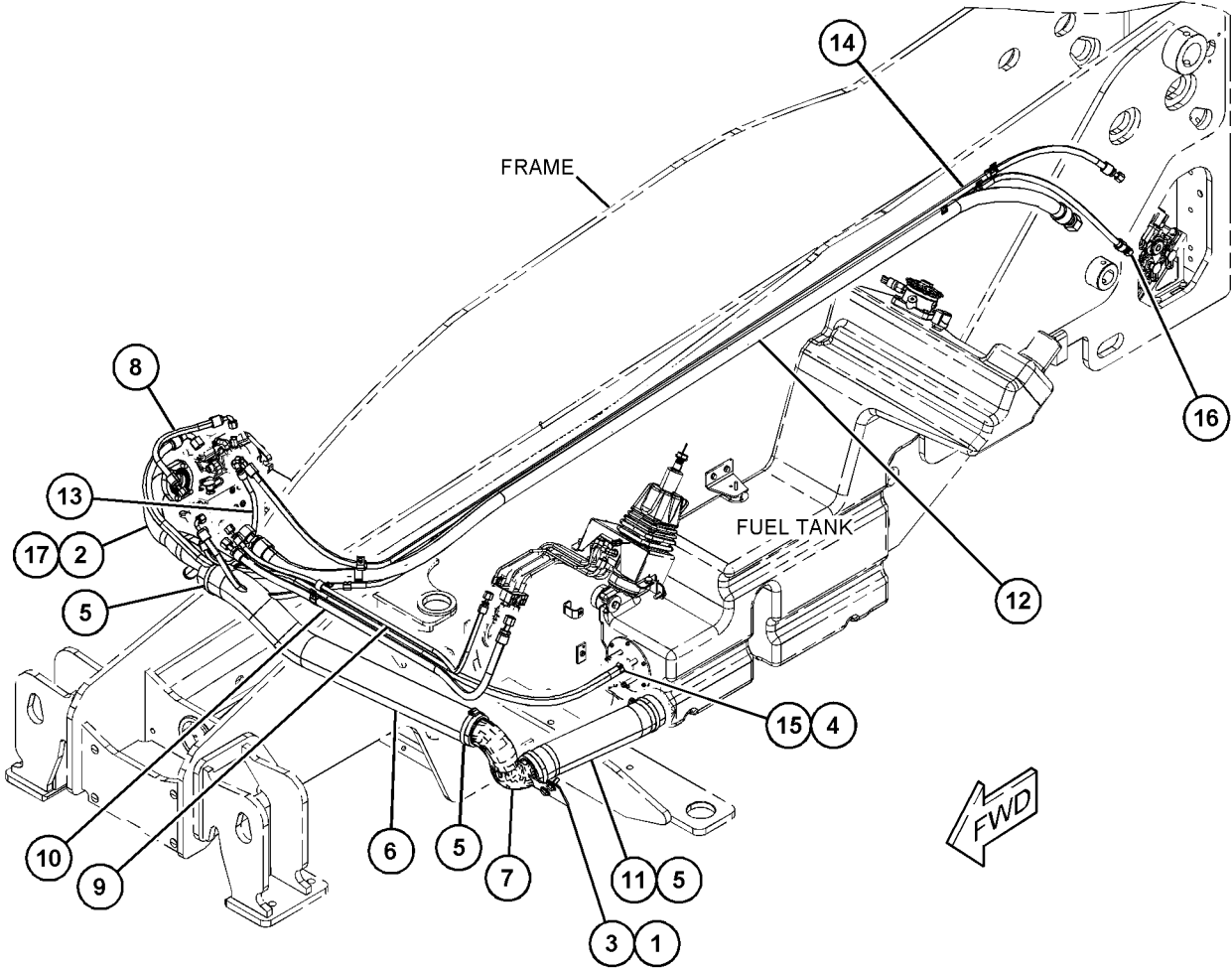
NOTE	REF NO	GRAPHIC REF	PART NUMBER	QTY	PART NAME						SEE PAGE
					1	2	3	4	5	6 (PRODUCT LEVEL)	
M	1	1	8T-4195	2	BOLT (M10X1.5X30-MM)						
	2	1	357-6217	1	KIT-FLANGE						
	3	1	116-8517	2	WASHER (10.5X30X2.5-MM THK)						
	4	1	331-3890	1	CLAMP						
	5	1	502-0379	4	CLAMP AS						
	6	1	502-0400	1	HOSE						
	7	1	502-0401	1	TUBE AS						
I	8	1	502-0301	1	HOSE AS						
I	9	1	502-0304	1	HOSE AS						
I	10	1	502-0305	1	HOSE AS						
	11	1	502-0403	1	HOSE						
I	12	1	502-0306	1	HOSE AS						
I	13	1	502-0307	1	HOSE AS						
I	14	1	502-0308	1	HOSE AS						
	15	1	502-0309	1	HOSE AS						
I	16	1	502-0311	1	HOSE AS						
	17	1	502-0375	1	TUBE AS						

I - REFER TO HYDRAULIC INFORMATION SYSTEM
M - METRIC PART

HYDRAULIC SYSTEM

502-0369 LINES GP-PUMP (contd.)

i06603147



GRAPHIC #1

<END>

g06059225

HYDRAULIC SYSTEM

495-9804 LINES GP-RETURN

S/N: TH21-UP; TH31-UP

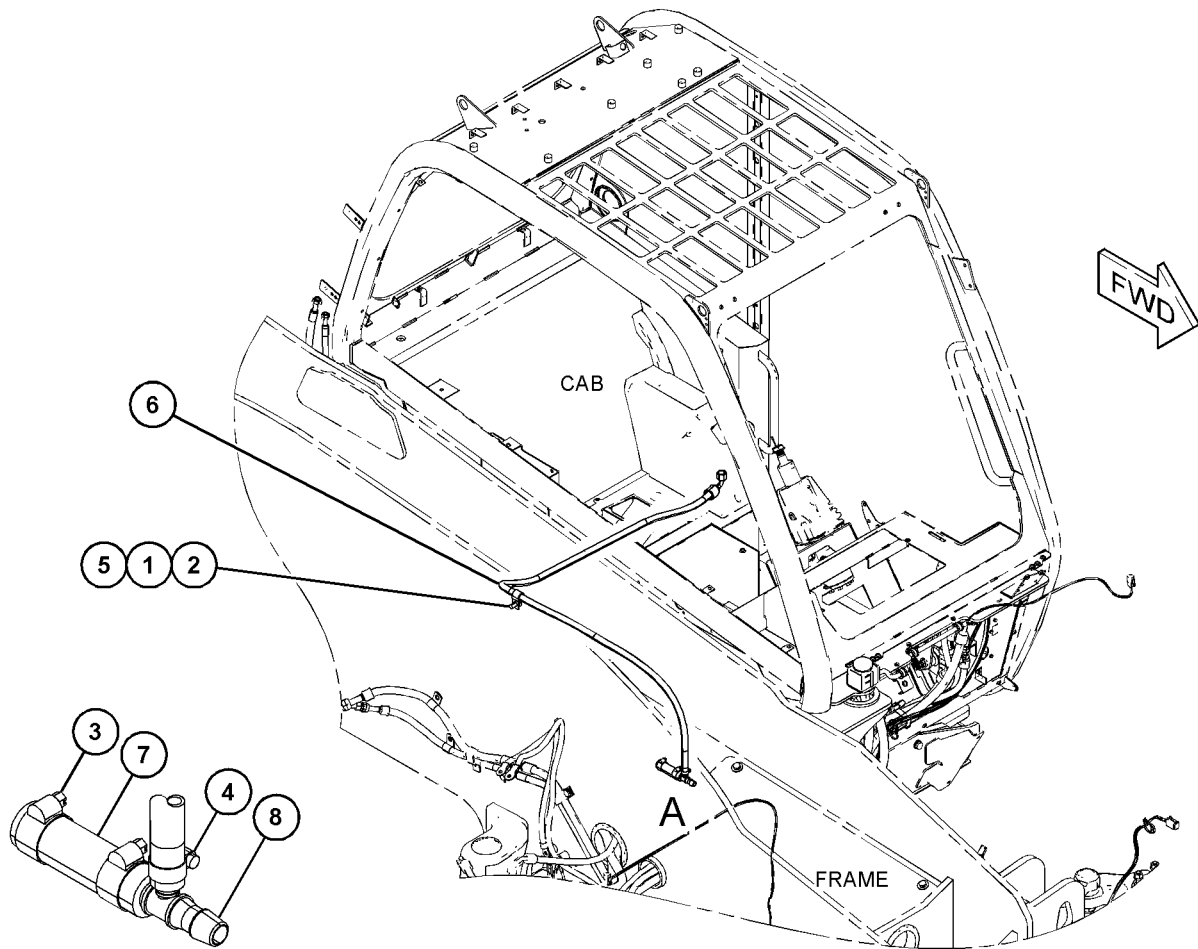
PART OF 505-5261, 505-5262 AXLE AR
AN ATTACHMENT

SMCS-5057

i06601148

NOTE	REF NO	GRAPHIC REF	PART NUMBER	QTY	PART NAME						SEE PAGE
					1	2	3	4	5	6 (PRODUCT LEVEL)	
M	1	1	8T-4137	1	BOLT (M10X1.5X20-MM)						
	2	1	8T-4121	1	WASHER-HARD (11X21X2.5-MM THK)						
	3	1	309-2982	2	CLAMP						
	4	1	1P-4278	1	CLAMP-HOSE						
	5	1	9M-8406	1	CLIP (LOOP)						
	6	1	495-9759	1	HOSE AS						
G	7	1	423-1983		HOSE (3.14-IN)						
	8	1	495-9805	1	TEE						

G - ORDER BY THE INCH
M - METRIC PART



VIEW OF AREA A

GRAPHIC #1

<END>

g06041143

HYDRAULIC SYSTEM

500-1123 LINES GP-RETURN

S/N: TH21-UP; TH31-UP

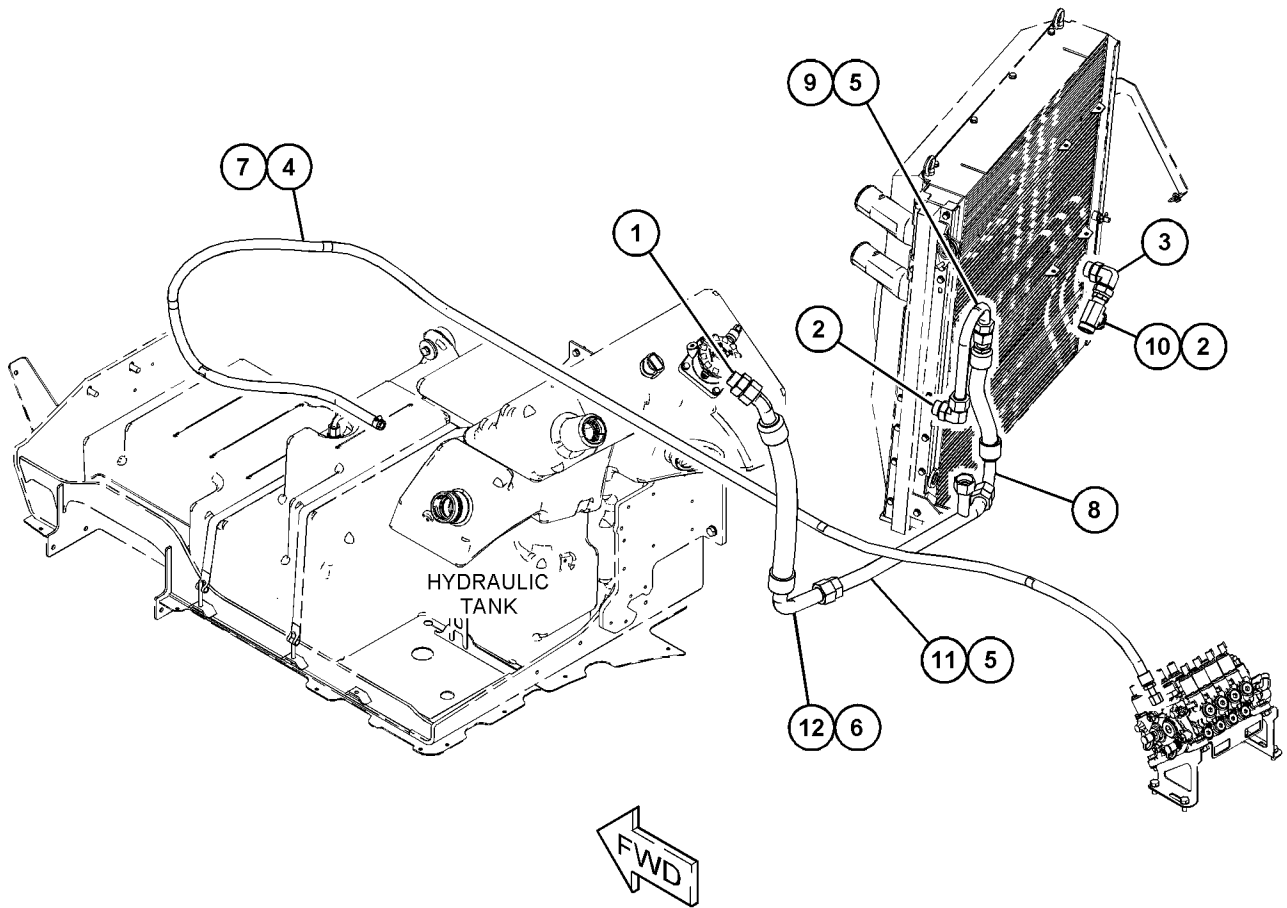
PART OF 505-5390, 505-6134 INSTALLATION AR-ENGINE
AN ATTACHMENT

SMCS-5057

i06603096

NOTE	REF NO	GRAPHIC REF	PART NUMBER	QTY	PART NAME						SEE PAGE
					1	2	3	4	5	6	
	1	1	500-2096	1	ADAPTER-O-RING						
	2	1	303-4759	2	FITTING						
	3	1	303-4762	1	FITTING						
	4	1	309-2982	1	CLAMP						
	5	1	5K-9090	2	SEAL-O-RING						
	6	1	6V-8400	1	SEAL-O-RING						
	7	1	499-7321	1	HOSE AS						
	8	1	499-7362	1	HOSE AS						
	9	1	500-1124	1	TUBE AS						
	10	1	499-0273	1	ADAPTER-REDUCER						
	11	1	499-9419	1	TUBE AS						
I	12	1	499-7358	1	HOSE AS						

I - REFER TO HYDRAULIC INFORMATION SYSTEM



GRAPHIC #1

<END>

g06052697

HYDRAULIC SYSTEM

500-1125 LINES GP-RETURN

S/N: TH21-UP; TH31-UP

PART OF 505-5390, 505-6134 INSTALLATION AR-ENGINE
AN ATTACHMENT

SMCS-5057

i06603089

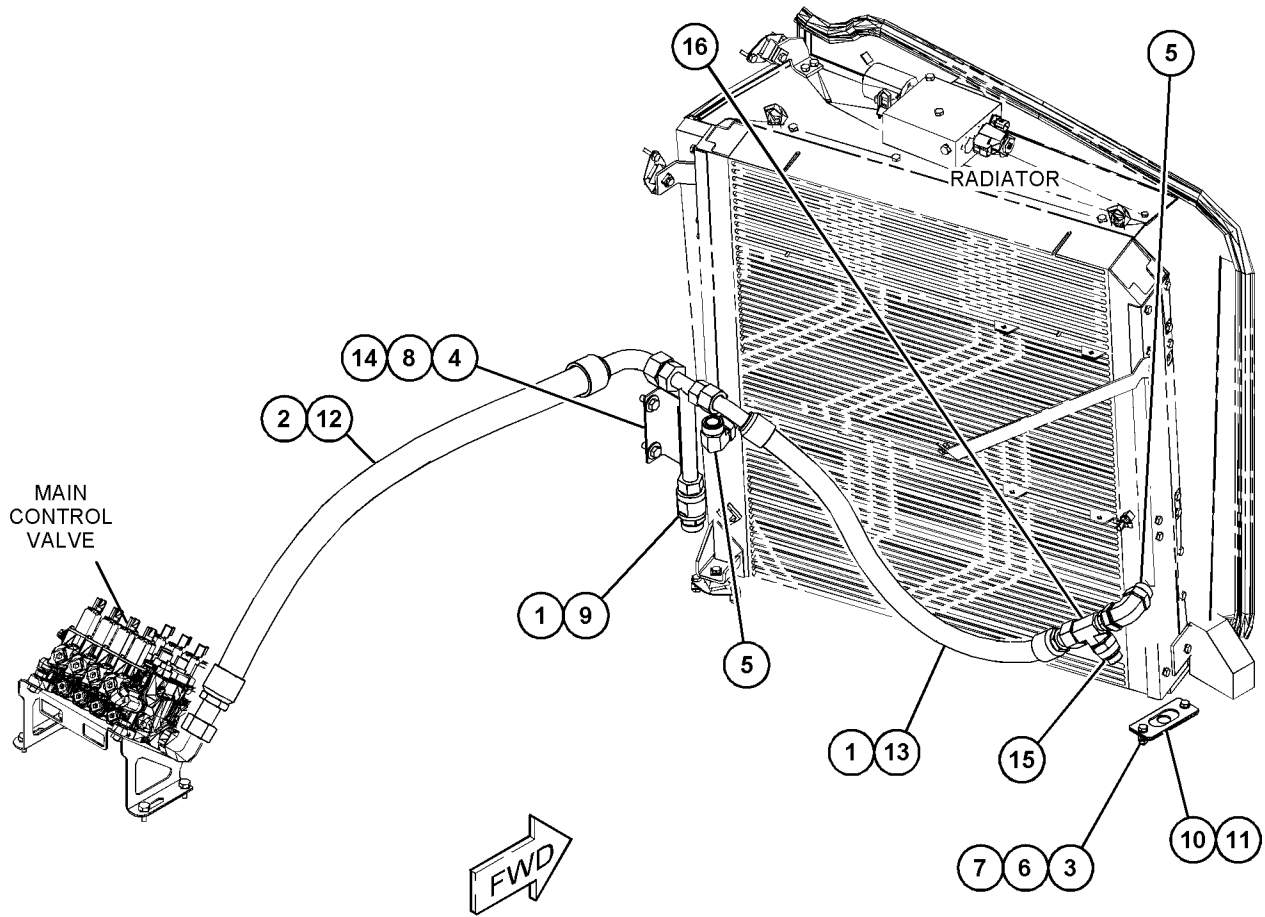
NOTE	REF NO	GRAPHIC REF	PART NUMBER	QTY	PART NAME						SEE PAGE
					1	2	3	4	5	6 (PRODUCT LEVEL)	
	1	1	5K-9090	2	SEAL-O-RING						
	2	1	6V-8400	1	SEAL-O-RING						
M	3	1	8T-7547	2	BOLT (M8X1.25X30-MM)						
M	4	1	8T-4136	2	BOLT (M10X1.5X25-MM)						
	5	1	303-4759	2	FITTING						
M	6	1	5C-7261	2	NUT (M8X1.25-THD)						
	7	1	8T-4224	4	WASHER-HARD (8.8X16X2-MM THK)						
	8	1	116-8517	2	WASHER (10.5X30X2.5-MM THK)						
	9	1	495-1408	1	VALVE AS-CHECK						
	10	1	500-1126	1	PLATE						
	11	1	500-1127	1	GASKET						
	12	1	499-7363	1	HOSE AS						
I	13	1	499-7364	1	HOSE AS						
	14	1	499-8477	1	TUBE AS						
	15	1	499-0273	1	ADAPTER-REDUCER						
	16	1	303-4762	1	FITTING						

I - REFER TO HYDRAULIC INFORMATION SYSTEM
M - METRIC PART

HYDRAULIC SYSTEM

500-1125 LINES GP-RETURN (contd.)

i06603089



GRAPHIC #1

<END>

g06045211

HYDRAULIC SYSTEM

500-3153 LINES GP-RETURN

S/N: TH21-UP; TH31-UP

PART OF 505-6135 ENGINE AR, 505-6120 INSTALLATION AR-ENGINE
AN ATTACHMENT

SMCS-5057

i06601130

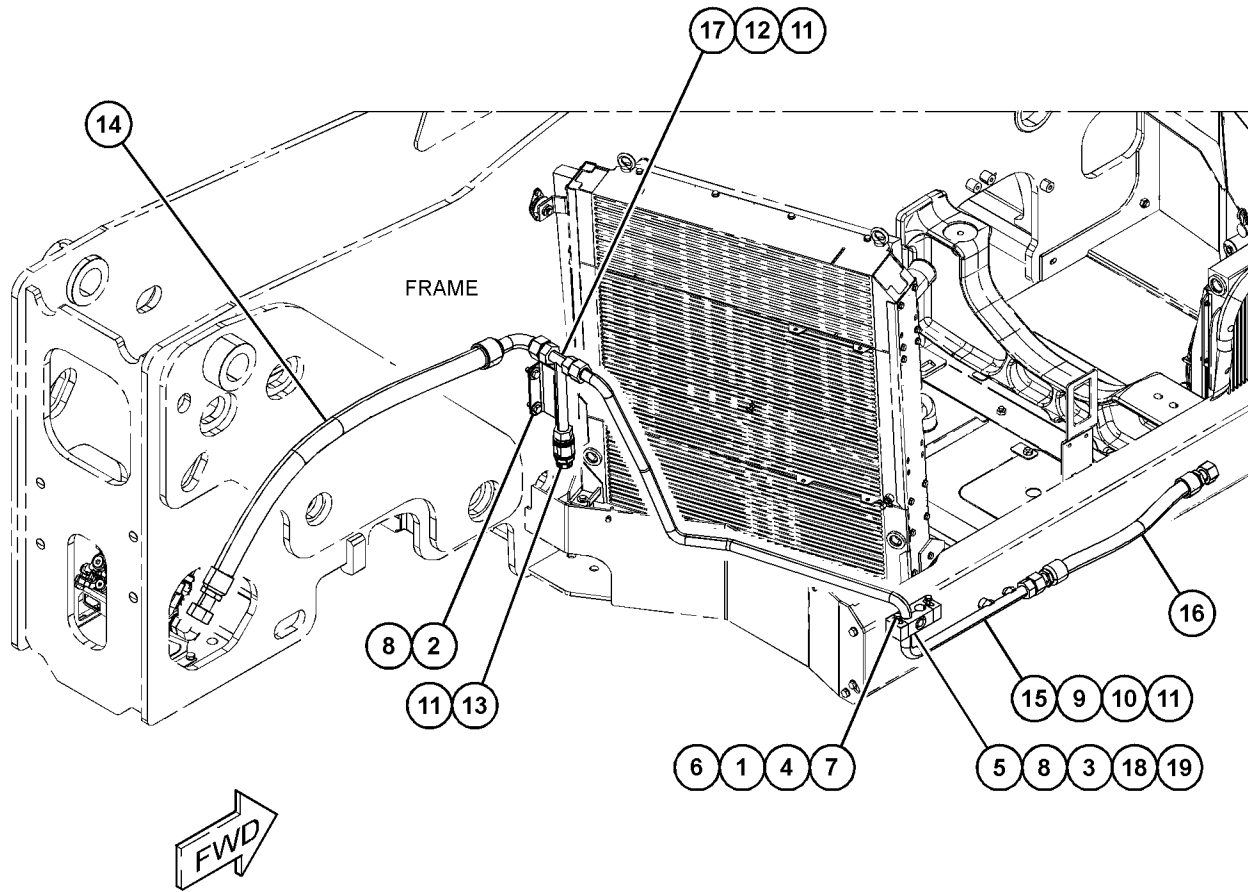
NOTE	REF NO	GRAPHIC REF	PART NUMBER	QTY	PART NAME						SEE PAGE
					1	2	3	4	5	6 (PRODUCT LEVEL)	
M	1	1	8T-6869	2	BOLT (M8X1.25X60-MM)						
M	2	1	8T-4136	2	BOLT (M10X1.5X25-MM)						
M	3	1	8T-4185	1	BOLT (M10X1.5X50-MM)						
M	4	1	5C-7261	2	NUT (M8X1.25-THD)						
M	5	1	8T-4133	1	NUT (M10X1.5-THD)						
	6	1	8T-4224	2	WASHER-HARD (8.8X16X2-MM THK)						
	7	1	309-3997	2	WASHER (8.4X25X2-MM THK)						
	8	1	116-8517	3	WASHER (10.5X30X2.5-MM THK)						
	9	1	6V-8397	1	SEAL-O-RING						
	10	1	7J-9108	1	SEAL-O-RING						
	11	1	5K-9090	3	SEAL-O-RING						
	12	1	6V-8400	1	SEAL-O-RING						
	13	1	495-1408	1	VALVE AS-CHECK						
	14	1	499-7363	1	HOSE AS						
	15	1	500-3154	1	TUBE AS						
I	16	1	500-1095	1	HOSE AS						
	17	1	499-8477	1	TUBE AS						
	18	1	500-3155	1	CLAMP-HALF						
	19	1	500-3156	1	CLAMP-HALF						

I - REFER TO HYDRAULIC INFORMATION SYSTEM
M - METRIC PART

HYDRAULIC SYSTEM

500-3153 LINES GP-RETURN (contd.)

i06601130



GRAPHIC #1

<END>

g06097367

HYDRAULIC SYSTEM

500-3157 LINES GP-RETURN

S/N: TH21-UP; TH31-UP

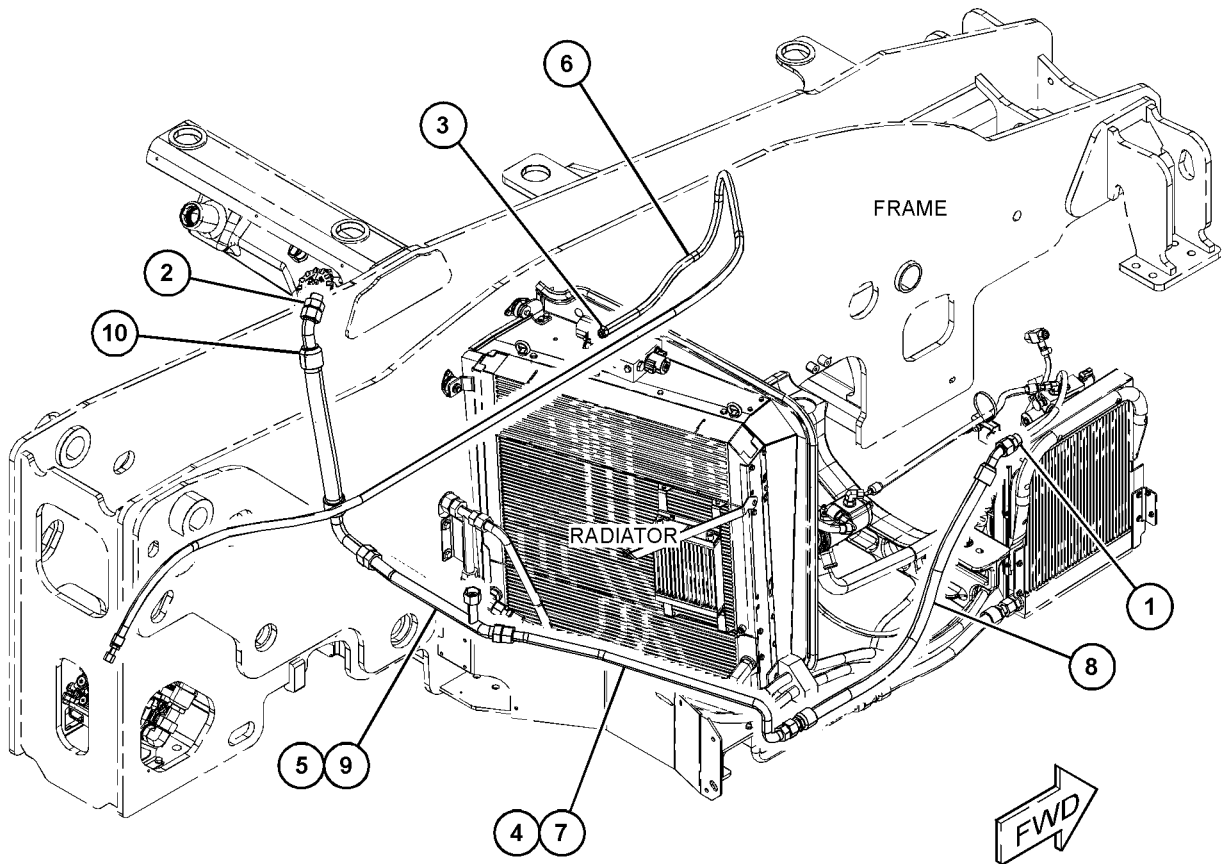
PART OF 505-6135 ENGINE AR, 505-6120 INSTALLATION AR-ENGINE
AN ATTACHMENT

SMCS-5057

i06601127

NOTE	REF NO	GRAPHIC REF	PART NUMBER	QTY	PART NAME						SEE PAGE
					1	2	3	4	5	6 (PRODUCT LEVEL)	
	1	1	298-0470	1	FITTING-ADAPTER						
	2	1	500-2096	1	ADAPTER-O-RING						
	3	1	309-2982	1	CLAMP						
	4	1	5K-9090	2	SEAL-O-RING						
	5	1	6V-8400	1	SEAL-O-RING						
	6	1	499-7321	1	HOSE AS						
	7	1	500-3158	1	TUBE AS						
I	8	1	500-1096	1	HOSE AS						
	9	1	499-9419	1	TUBE AS						
I	10	1	499-7358	1	HOSE AS						

I - REFER TO HYDRAULIC INFORMATION SYSTEM



GRAPHIC #1

<END>

g06040797

HYDRAULIC SYSTEM

501-2452 LINES GP-TRAILER

S/N: TH21-UP; TH31-UP

PART OF 506-7651 BRAKE AR-TRAILER, 506-7655 TRAILER AR
AN ATTACHMENT

SMCS-5057

i06613295

NOTE	REF NO	GRAPHIC REF	PART NUMBER	QTY	PART NAME						SEE PAGE
					1	2	3	4	5	6 (PRODUCT LEVEL)	
M	1	1	7X-0818	1	BOLT (M8X1.25X45-MM)						
M	2	1	501-2453	1	BOLT (M10X1.5X22-MM)						
M	3	1	8T-4136	1	BOLT (M10X1.5X25-MM)						
M	4	1	8T-4195	3	BOLT (M10X1.5X30-MM)						
	5	1	7K-1181	1	STRAP-CABLE						
	6	1	309-6355	1	TEE						
	7	1	298-0496	1	FITTING-ADAPTER						
M	8	1	8T-4133	2	NUT (M10X1.5-THD)						
	9	1	309-3997	1	WASHER (8.4X25X2-MM THK)						
	10	1	8T-4121	4	WASHER-HARD (11X21X2.5-MM THK)						
	11	1	5K-8451	1	CLIP						
	12	1	9X-8250	1	CLIP						
	13	1	501-2454	1	PLATE-CLAMP						
I	14	1	501-0767	1	HOSE AS						
I	15	1	501-0768	1	HOSE AS						
I	16	1	501-0769	1	HOSE AS						
	17	1	501-2455	1	TUBE AS						
I	18	1	501-0770	1	HOSE AS						
I	19	1	501-0771	1	HOSE AS						

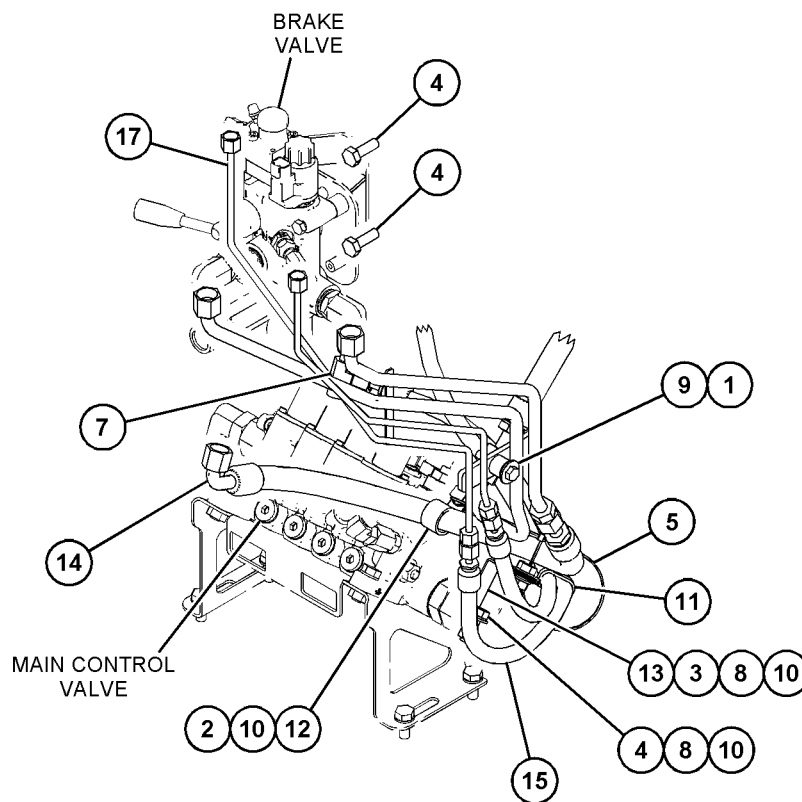
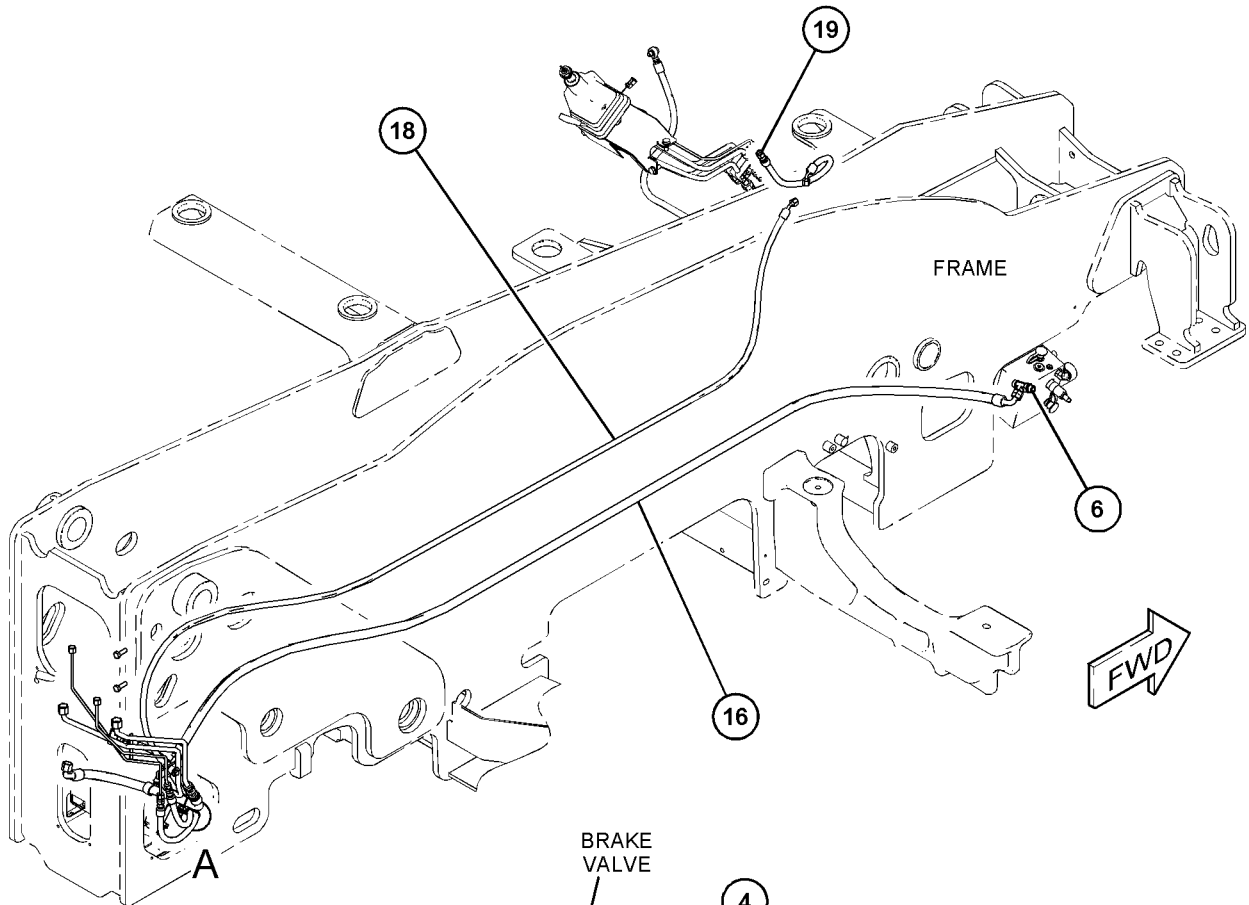
I - REFER TO HYDRAULIC INFORMATION SYSTEM

M - METRIC PART

HYDRAULIC SYSTEM

501-2452 LINES GP-TRAILER (contd.)

106613295



VIEW OF AREA A

<END>

GRAPHIC #1

g06140434

HYDRAULIC SYSTEM

501-7468 LINES GP-TRAILER

S/N: TH21-UP; TH31-UP
 PART OF 506-7649, 506-7652 BRAKE AR-TRAILER
 AN ATTACHMENT

SMCS-5057

i06613303

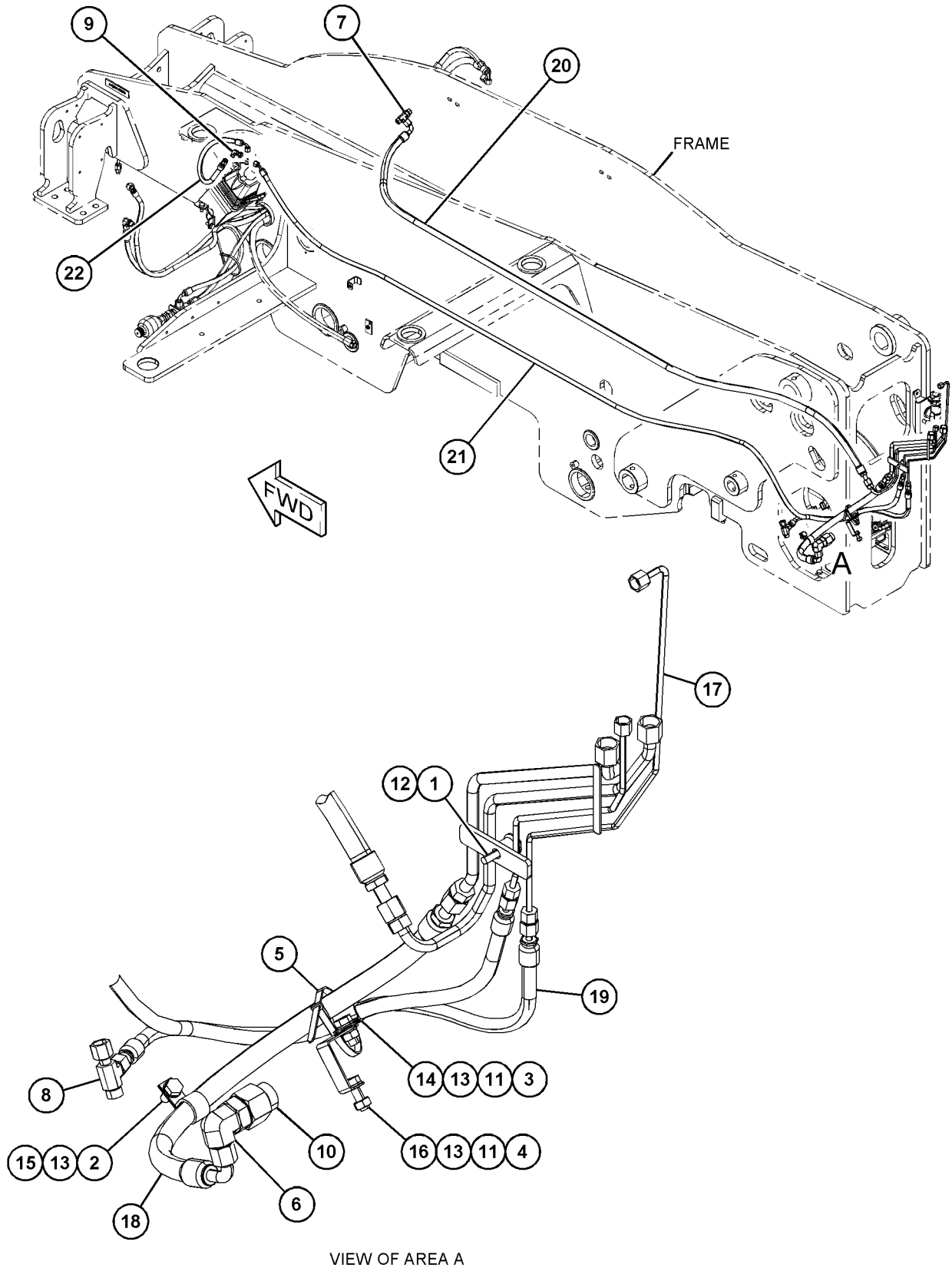
NOTE	REF NO	GRAPHIC REF	PART NUMBER	QTY	PART NAME						SEE PAGE
					1	2	3	4	5	6 (PRODUCT LEVEL)	
M	1	1	7X-0818	1	BOLT (M8X1.25X45-MM)						
M	2	1	501-2453	1	BOLT (M10X1.5X22-MM)						
M	3	1	8T-4136	1	BOLT (M10X1.5X25-MM)						
M	4	1	8T-4195	1	BOLT (M10X1.5X30-MM)						
	5	1	7K-1181	1	STRAP-CABLE						
	6	1	303-4756	1	FITTING						
	7	1	309-6355	1	TEE						
	8	1	298-0496	1	FITTING-ADAPTER						
	9	1	328-9691	1	ELBOW						
	10	1	501-2457	1	ADAPTER-STR						
M	11	1	8T-4133	2	NUT (M10X1.5-THD)						
	12	1	309-3997	1	WASHER (8.4X25X2-MM THK)						
	13	1	8T-4121	4	WASHER-HARD (11X21X2.5-MM THK)						
	14	1	5K-8451	1	CLIP						
	15	1	9X-8250	1	CLIP						
	16	1	501-2454	1	PLATE-CLAMP						
	17	1	501-7469	1	TUBE AS						
I	18	1	501-0767	1	HOSE AS						
I	19	1	501-0768	1	HOSE AS						
I	20	1	501-0769	1	HOSE AS						
I	21	1	501-0770	1	HOSE AS						
I	22	1	501-0771	1	HOSE AS						

I - REFER TO HYDRAULIC INFORMATION SYSTEM
 M - METRIC PART

HYDRAULIC SYSTEM

501-7468 LINES GP-TRAILER (contd.)

106613303



GRAPHIC #1

<END>

g06093922

HYDRAULIC SYSTEM

464-3548 MANIFOLD GP-CONTROL

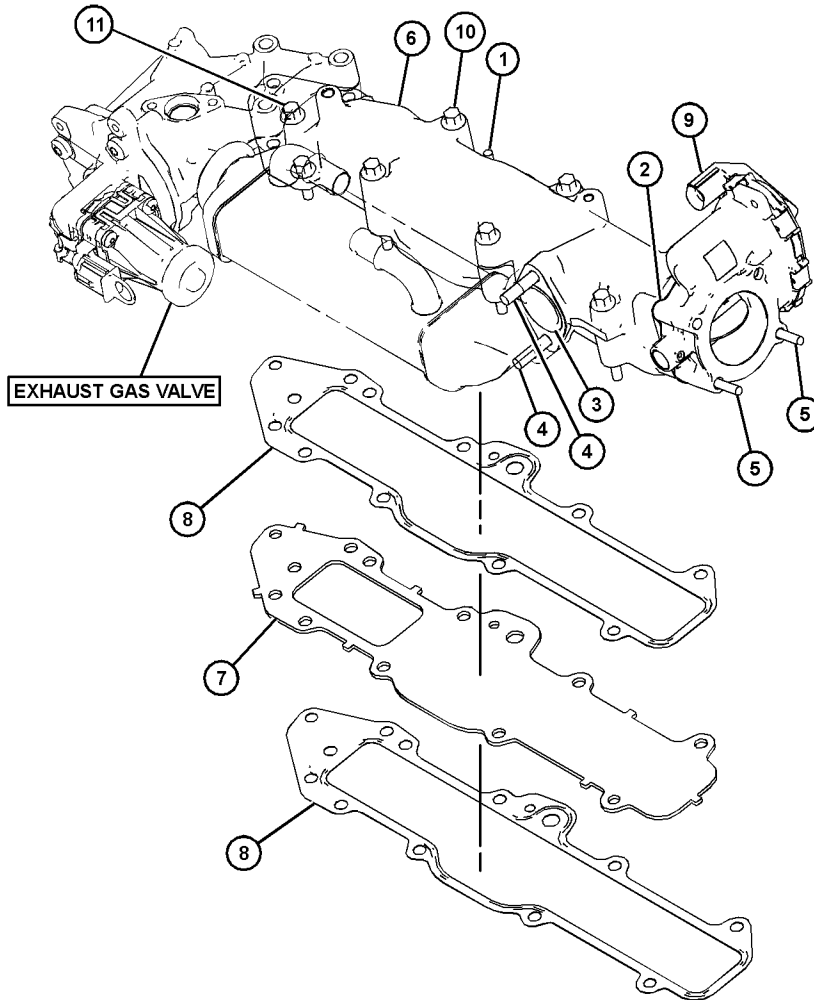
S/N: CJ41-UP

PART OF 441-9792 TURBOCHARGER GP

SMCS-3206, 5051, 5264, 5479

i06937935

NOTE	REF NO	GRAPHIC REF	PART NUMBER	QTY	PART NAME						SEE PAGE
					1	2	3	4	5	6 (PRODUCT LEVEL)	
	1	1	331-6839	1	STUD (M6X1X29-MM)						
	2	1	386-2783	1	GASKET						
	3	1	386-2911	1	PIPE						
	4	1	390-0316	2	STUD						
	5	1	393-7228	2	STUD						
	6	1	464-9128	1	MANIFOLD AS						
	7	1	464-9136	1	SPACER						
	8	1	464-9137	2	GASKET						
	9	1	504-8890	1	HOUSING AS						
	10	1	464-9140	6	BOLT						
	11	1	465-1167	3	BOLT						



GRAPHIC #1

<END>

g03836460

HYDRAULIC SYSTEM

499-4942 MOTOR & MTG GP-HYDRAULIC FAN

S/N: TH21-UP; TH31-UP
PART OF 499-4950 COOLER GP-HYDRAULIC OIL
AN ATTACHMENT

SMCS-1386, 5061

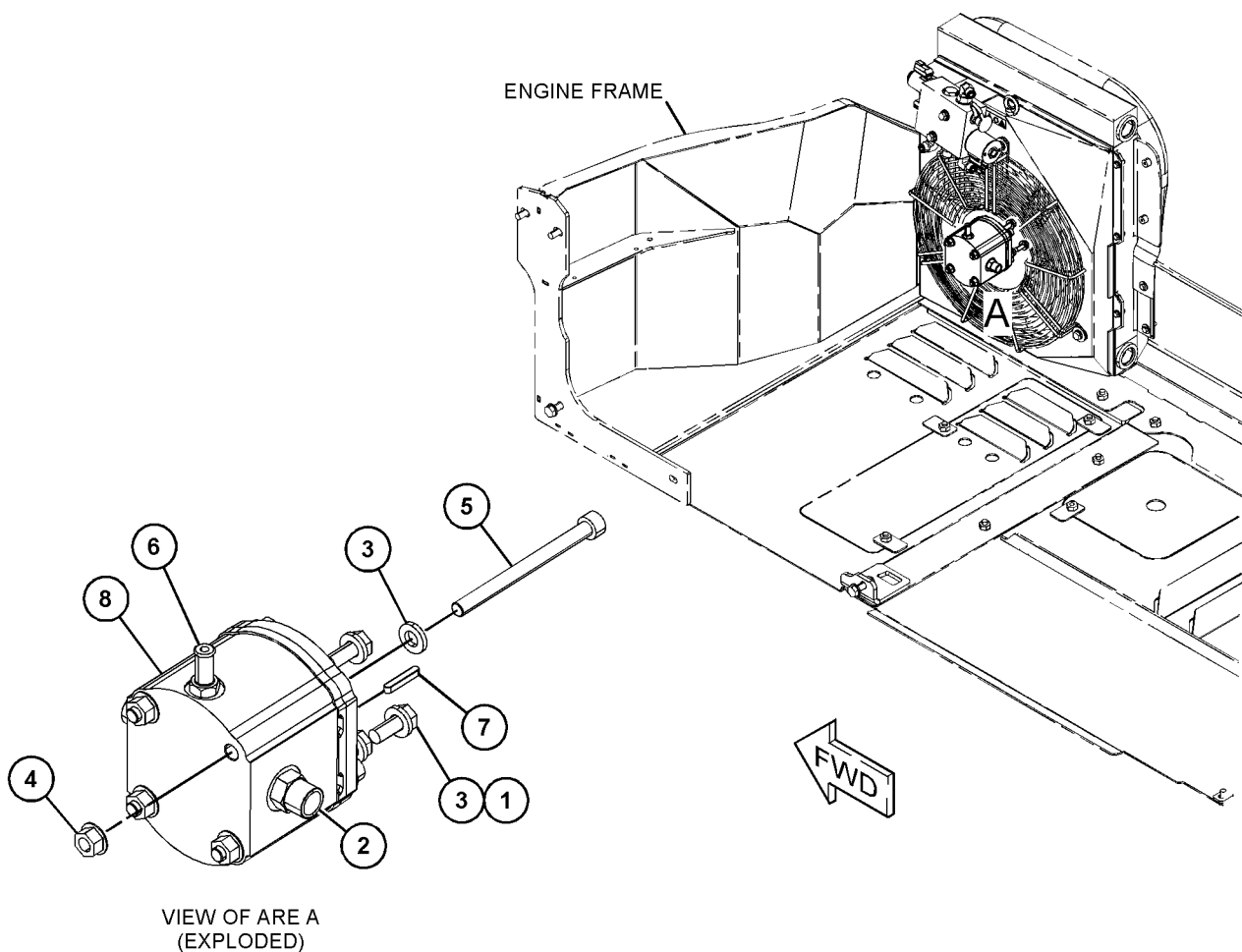
i06601117

NOTE	REF NO	GRAPHIC REF	PART NUMBER	QTY	PART NAME						SEE PAGE
					1	2	3	4	5	6 (PRODUCT LEVEL)	
M	1	1	8T-4189	4	BOLT (M8X1.25X20-MM)						
	2	1	298-7358	2	FITTING-ADAPTER						
	3	1	5M-2894	8	WASHER-HARD (10.2X18.5X2.5-MM THK)						
	4	1	495-7633	4	NUT-HEX FLANGE						
M	5	1	8T-4776	4	BOLT-SOCKET HEAD (M8X1.25X100-MM)						
	6	1	316-1999	1	ADAPTER						
	7	1	450-4786	1	KEY						
J	8	1	499-4943	1	MOTOR GP-FAN						

AVAILABLE REPAIR KIT(S) :

J			477-0901	1	KIT-SEAL (INCLUDES BEARINGS, O-RING, SEALS & BACK UP RING)					
---	--	--	-----------------	---	---	--	--	--	--	--

J - KIT MARKED J SERVICES PART(S) MARKED J
M - METRIC PART



GRAPHIC #1

<END>

g06049288

HYDRAULIC SYSTEM

495-8985 PUMP & MOUNTING GP

S/N: TH21-UP; TH31-UP

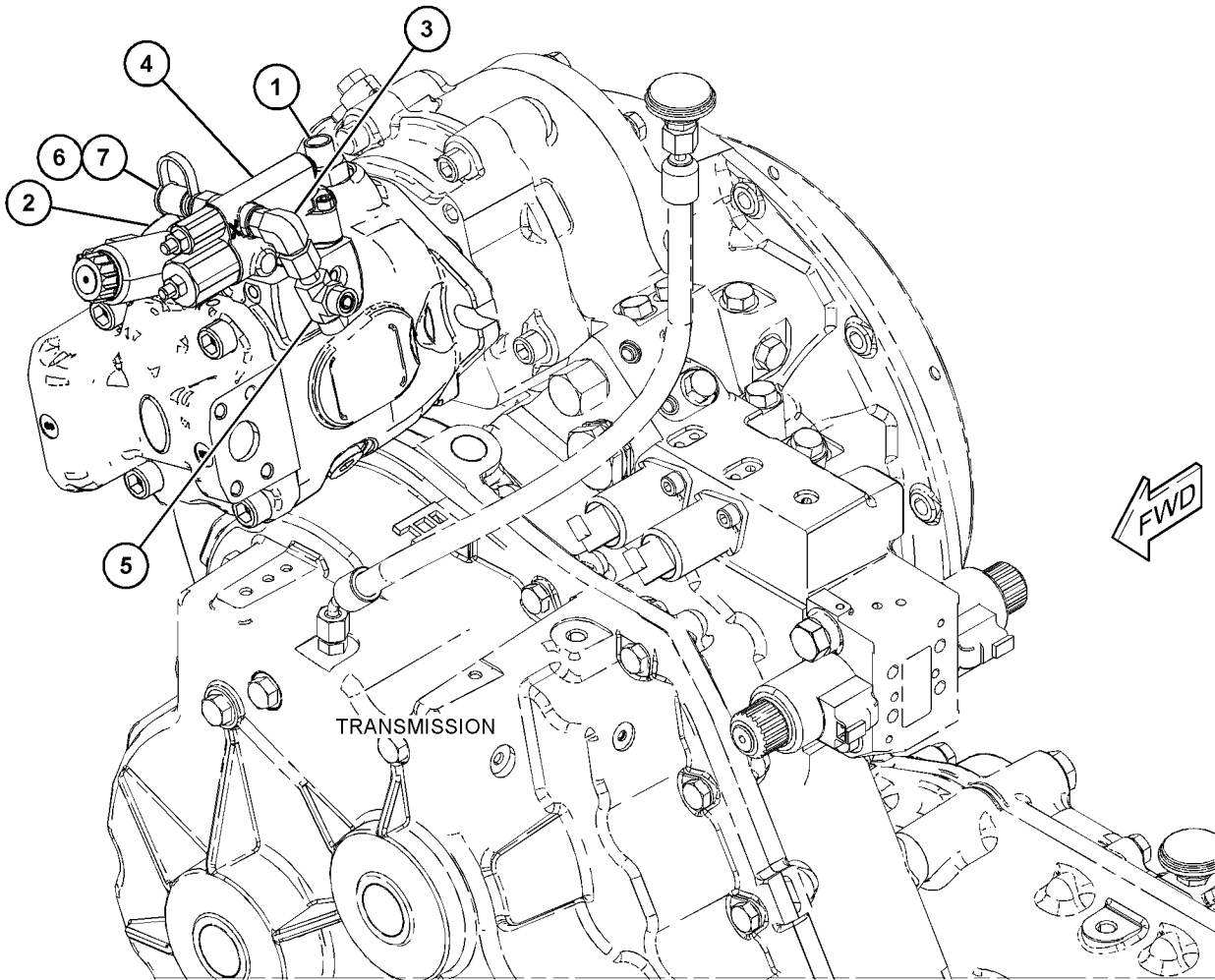
PART OF 495-8986 PUMP & MTG GP-HYDRAULIC

SMCS-5057, 5070, 5073, 5084

i07214783

NOTE	REF NO	GRAPHIC REF	PART NUMBER	QTY	PART NAME						SEE PAGE
					1	2	3	4	5	6 (PRODUCT LEVEL)	
	1	1	330-8325	1	ADAPTER						
	2	1	298-0466	1	FITTING-ADAPTER						
	3	1	463-5618	1	ADAPTER-ELBOW						
Y	4	1	495-8984	1	PUMP GP-PISTON (HYDRAULIC)						731
	5	1	298-0496	1	FITTING-ADAPTER						
	6	1	417-2855	1	PLUG-DUST						
	7	1	312-3348	1	FITTING						

Y - SEPARATE ILLUSTRATION



GRAPHIC #1

<END>

g06049051

HYDRAULIC SYSTEM

495-8986 PUMP & MTG GP-HYDRAULIC

S/N: TH21-UP; TH31-UP

PART OF 505-5240 HYDRAULIC AR

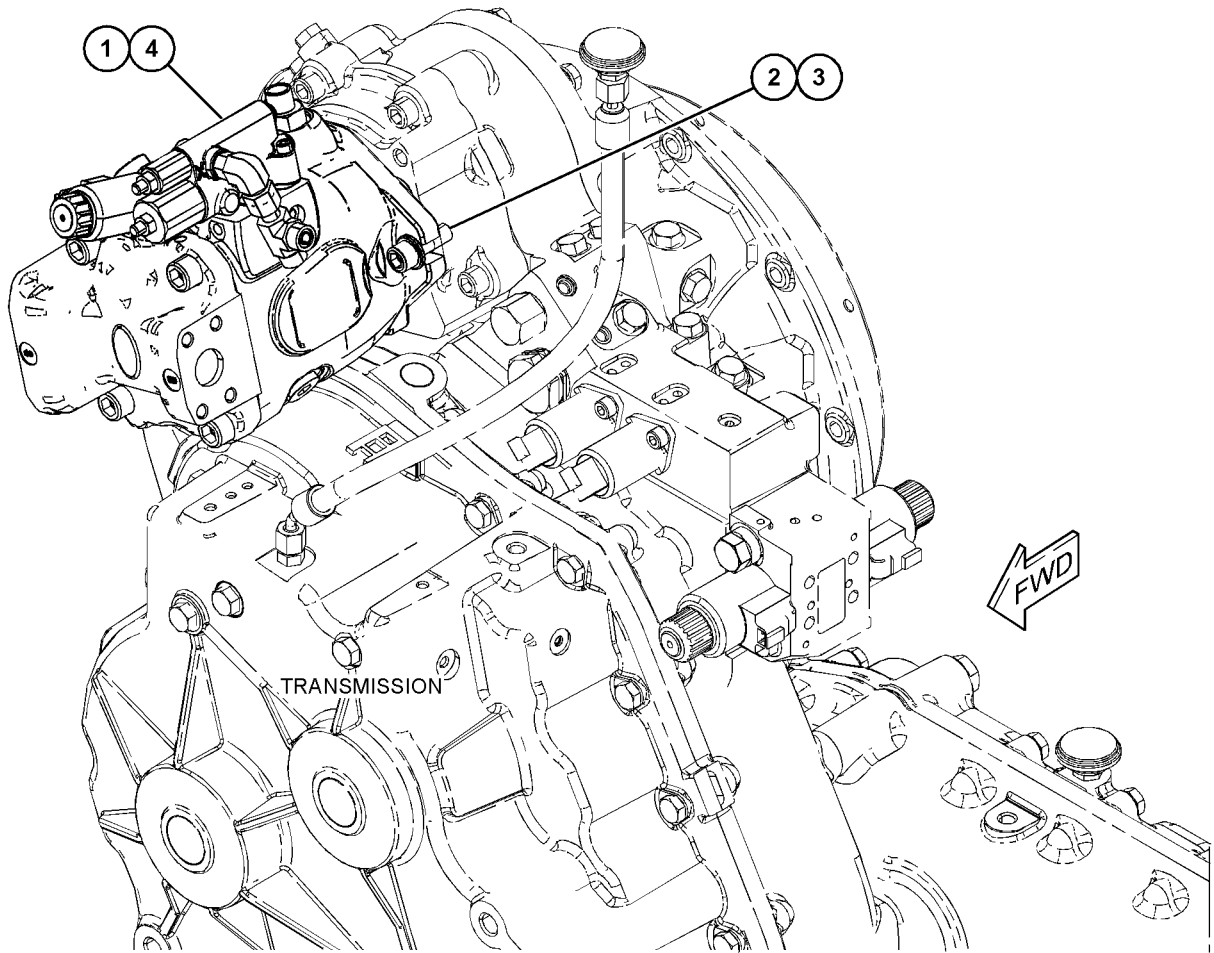
SMCS-5070

i06603139

NOTE	REF NO	GRAPHIC REF	PART NUMBER	QTY	PART NAME						SEE PAGE
					1	2	3	4	5	6 (PRODUCT LEVEL)	
Y	1	1	495-8985	1	PUMP & MOUNTING GP						726
M	2	1	6V-8200	2	BOLT-SOCKET HEAD (M12X1.75X35-MM)						
	3	1	348-1612	2	WASHER (13X24X3-MM THK)						
	4	1	2H-3934	1	SEAL-O-RING						

M - METRIC PART

Y - SEPARATE ILLUSTRATION



GRAPHIC #1

<END>

g06049030

HYDRAULIC SYSTEM

496-3417 PUMP & MTG GP-HYDRAULIC FAN-FAN PUMP

S/N: TH21-UP; TH31-UP

PART OF 505-6119, 505-6164, 505-6165, 505-6167, 505-6168 ENGINE AR-COMplete
AN ATTACHMENT

SMCS-1387

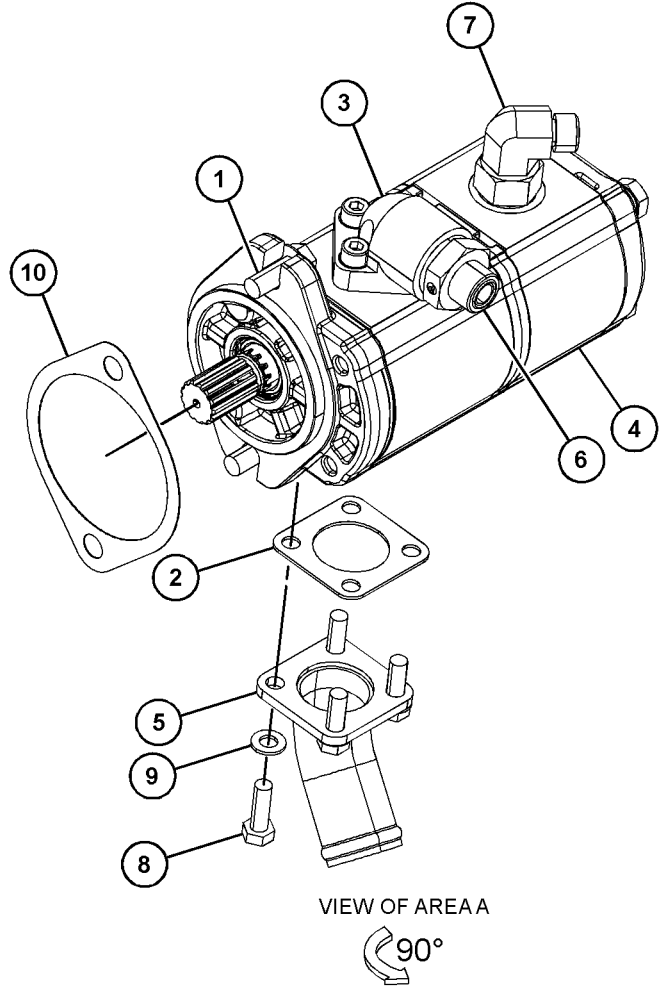
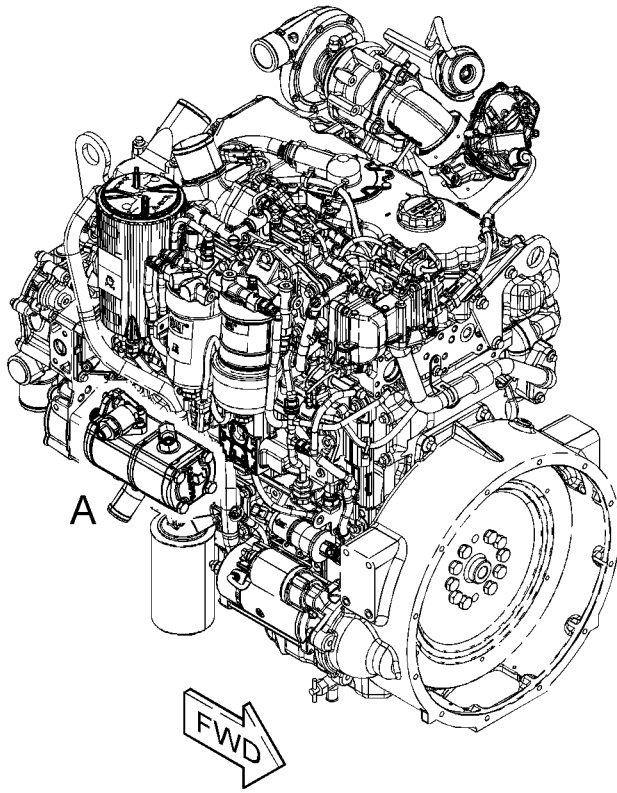
i06601114

NOTE	REF NO	GRAPHIC REF	PART NUMBER	QTY	PART NAME						SEE PAGE
					1	2	3	4	5	6 (PRODUCT LEVEL)	
M	1	1	449-6115	2	BOLT (M10X1.5X25-MM)						
	2	1	496-3413	1	GASKET						
	3	1	493-1296	1	ELBOW AS						
J	4	1	497-3854	1	PUMP GP-GEAR						
	5	1	496-3414	1	PIPE AS						
	6	1	<i>441-9195</i>	1	ADAPTER AS						
		1	228-7090	1	SEAL-O-RING						
		1	451-0357	1	ADAPTER						
		1	451-2764	1	SEAL						
	7	1	299-0471	1	FITTING-ADAPTER						
M	8	1	8T-4908	4	BOLT (M8X1.25X25-MM)						
	9	1	8T-4224	4	WASHER-HARD (8.8X16X2-MM THK)						
	10	1	496-3416	1	GASKET						
					AVAILABLE REPLACEMENT PART(S):						
J			503-1114	1	KIT-SEAL						
					(INCLUDES SEALS, SHAFT SEALS & ANTIEXTRUSION)						
J - KIT MARKED J SERVICES PART(S) MARKED J M - METRIC PART											

HYDRAULIC SYSTEM

496-3417 PUMP & MTG GP-HYDRAULIC FAN (contd.)

i06601114



GRAPHIC #1

<END>

g06041192

HYDRAULIC SYSTEM

496-3425 PUMP & MTG GP-HYDRAULIC FAN

S/N: TH21-UP; TH31-UP

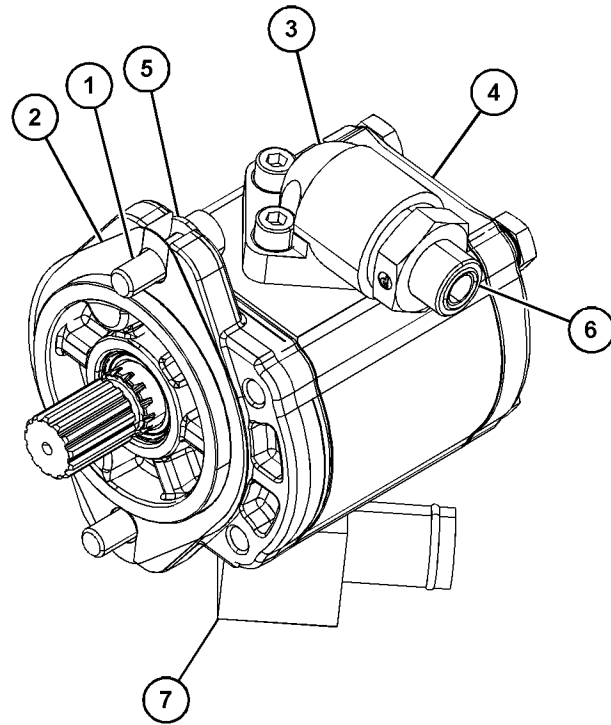
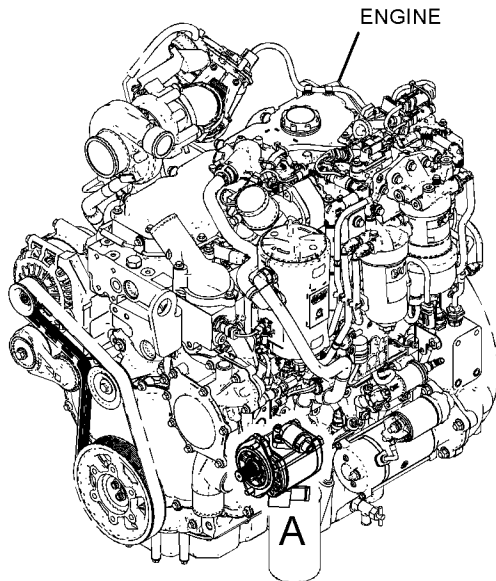
PART OF 505-5387, 505-6163 ENGINE AR-COMplete
AN ATTACHMENT

SMCS-1387

i06603077

NOTE	REF NO	GRAPHIC REF	PART NUMBER	QTY	PART NAME						SEE PAGE
					1	2	3	4	5	6	
M	1	1	9X-6032	2	BOLT-SOCKET HEAD (M10X1.5X30-MM)						
	2	1	496-3416	1	GASKET						
	3	1	493-1296	1	ELBOW AS						
J	4	1	496-3424	1	PUMP GP-GEAR						
	5	1	8T-4121	2	WASHER-HARD (11X21X2.5-MM THK)						
	6	1	441-9195	1	ADAPTER AS						
		1	228-7090	1	SEAL-O-RING						
		1	451-0357	1	ADAPTER						
		1	451-2764	1	SEAL						
	7	1	444-0274	1	FITTING-ADAPTER						
AVAILABLE REPAIR KIT(S):											
J			503-1113	1	KIT-SEAL						
(INCLUDES SEALS, STANDARD SEAL, SHAFT SEAL, BACKUP WASHER, ANTI-EXTRUSIONS)											

J - KIT MARKED J SERVICES PART(S) MARKED J
M - METRIC PART



VIEW OF AREA A

GRAPHIC #1

<END>

g06099712

HYDRAULIC SYSTEM

495-8984 PUMP GP-PISTON

S/N: TH21-UP; TH31-UP

PART OF 495-8985 PUMP & MOUNTING GP

SMCS-5070

i07214787

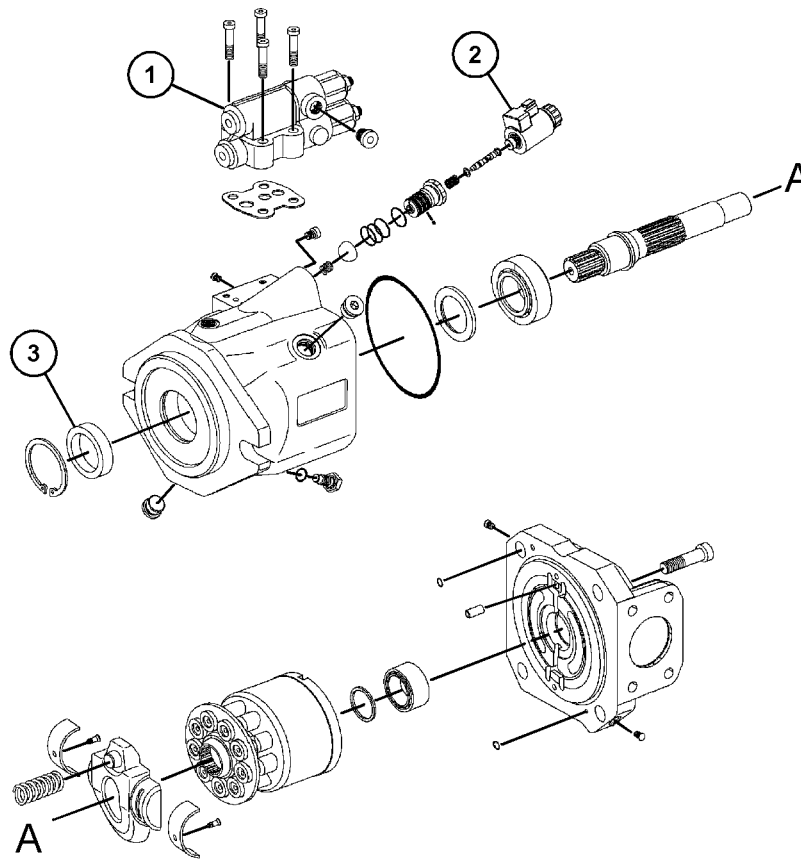
NOTE	REF NO	GRAPHIC REF	PART NUMBER	QTY	PART NAME						SEE PAGE
					1	2	3	4	5	6 (PRODUCT LEVEL)	
Y	1	1	373-8468	1	VALVE GP-PUMP CONTROL						751
	2	1	450-0850	1	VALVE-CONTROL						
	3	1	299-0475	1	SEAL-SHAFT						

AVAILABLE REPAIR KIT(S) :

484-4199 1 KIT-SEAL

(INCLUDES O-RINGS & SEAL RING)

Y - SEPARATE ILLUSTRATION



GRAPHIC #1

<END>

g06255618

HYDRAULIC SYSTEM

501-7255 TANK & MTG GP-HYDRAULIC

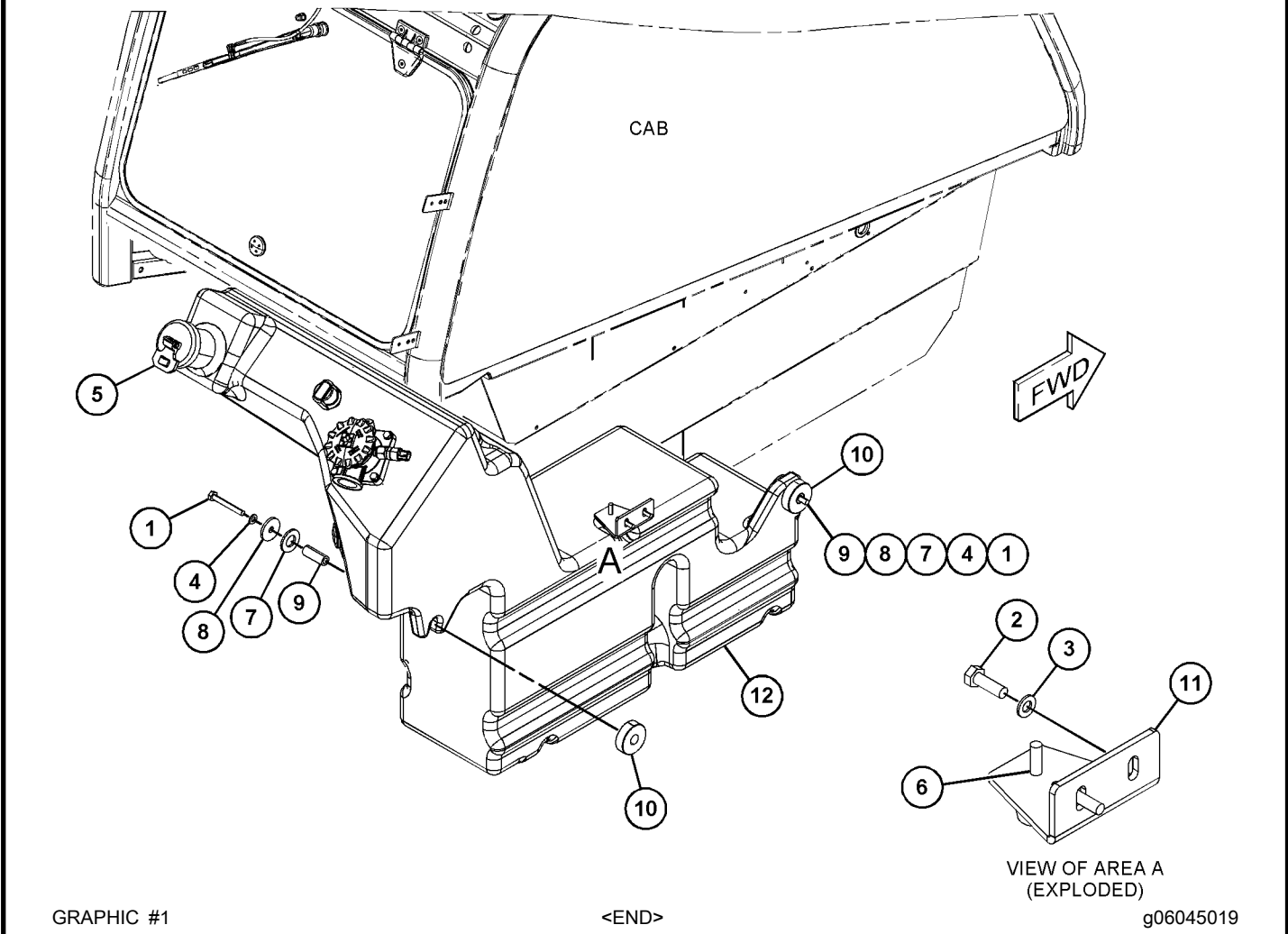
S/N: TH21-UP; TH31-UP
PART OF 505-5240 HYDRAULIC AR

SMCS-5056

i07218865

NOTE	REF NO	GRAPHIC REF	PART NUMBER	QTY	PART NAME						SEE PAGE
					1	2	3	4	5	6	
M	1	1	8T-4172	2	BOLT (M10X1.5X80-MM)						
M	2	1	8T-4908	2	BOLT (M8X1.25X25-MM)						
	3	1	8T-4224	2	WASHER-HARD (8.8X16X2-MM THK)						
	4	1	8T-4121	2	WASHER-HARD (11X21X2.5-MM THK)						
	5	1	497-9002	1	CAP AS-FILLER (NON-AIR VENTED)						
	6	1	4E-1384	1	BUMPER-CONICAL						
	7	1	473-7652	2	WASHER (25X48X4-MM THK)						
	8	1	473-7653	2	WASHER (12X48X5-MM THK)						
	9	1	501-7256	2	SPACER (12X20X53-MM THK)						
	10	1	501-7257	2	WASHER (22X65X20-MM THK)						
	11	1	495-2268	1	BRACKET						
Y	12	1	501-7258	1	TANK GP-HYDRAULIC						733

M - METRIC PART
Y - SEPARATE ILLUSTRATION



HYDRAULIC SYSTEM

501-7258 TANK GP-HYDRAULIC

S/N: TH21-UP; TH31-UP

20-LITER (5.2-US GAL)

PART OF 501-7255 TANK & MTG GP-HYDRAULIC

SMCS-5056

i06826605

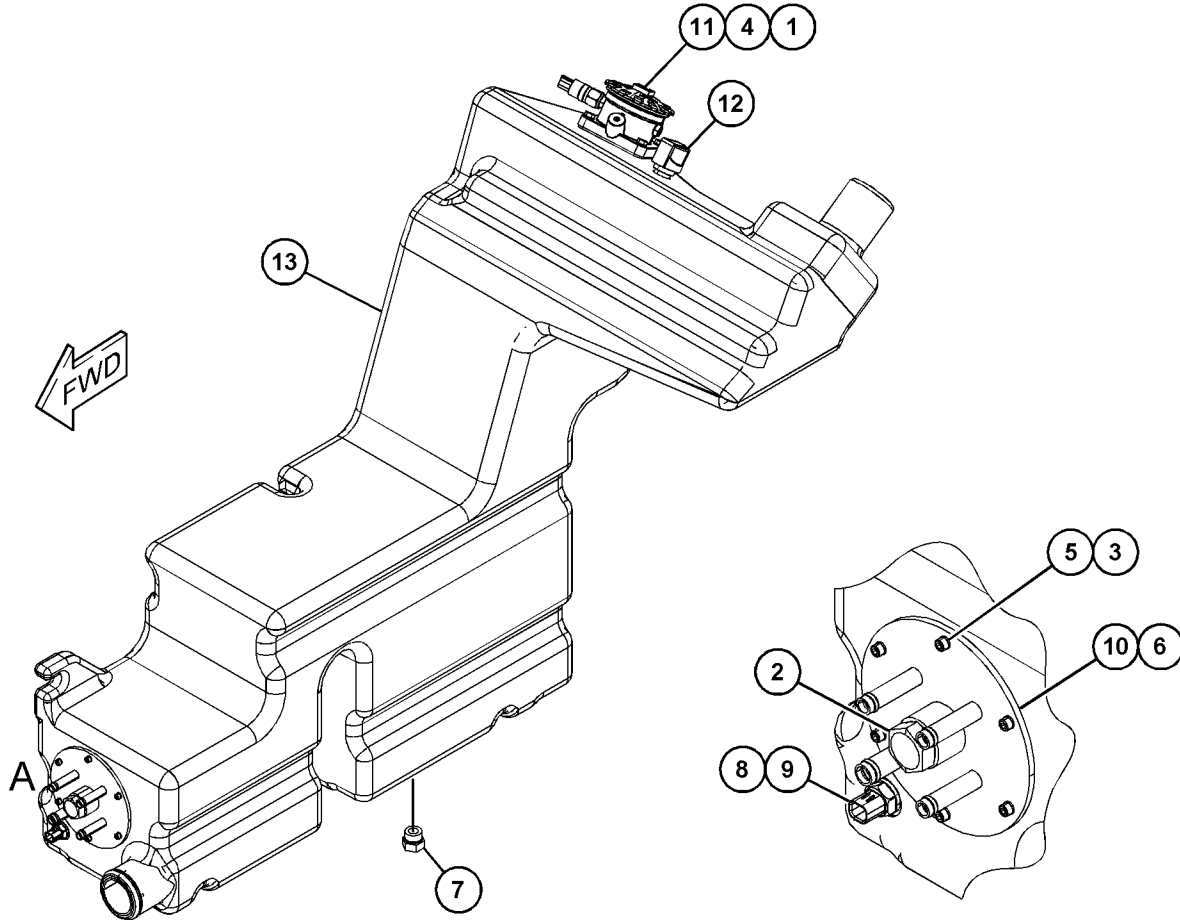
NOTE	REF NO	GRAPHIC REF	PART NUMBER	QTY	PART NAME						SEE PAGE
					1	2	3	4	5	6 (PRODUCT LEVEL)	
M	1	1	8T-7547	4	BOLT (M8X1.25X30-MM)						
	2	1	148-8408	1	PLUG AS						
		1	3D-2824	1	SEAL-O-RING						
		1	9S-4183	1	PLUG (1-1/16-12-THD)						
M	3	1	10S-3480	6	BOLT-SOCKET HEAD (M5X0.8X16-MM)						
	4	1	8T-4224	4	WASHER-HARD (8.8X16X2-MM THK)						
	5	1	304-2604	6	WASHER (3.1X6.2X0.8-IN THK)						
	6	1	132-3056	1	SEAL-O-RING						
	7	1	328-9686	1	PLUG						
	8	1	8T-7524	1	SEAL-O-RING						
	9	1	256-6454	1	SENSOR-TEMPERATURE (HYDRAULIC OIL)						
	10	1	501-7259	1	MANIFOLD AS						
J	11	1	477-4113	1	FILTER GP-OIL						
		1	481-6648	1	SWITCH-OIL PRESSURE (OIL PRESSURE)						
		1	482-0957	1	PIPE						
		1	481-6649	1	FILTER (HYDRAULIC OIL)						
		1	481-6650	1	COVER AS-FILTER						
	12	1	473-9271	1	FILTER (BREATHING)						
	13	1	477-5535	1	TANK AS-HYDRAULIC						
					AVAILABLE REPAIR KIT(S):						
J			512-6176	1	KIT-SEAL						
					(INCLUDES O-RING, GASKET & SEAL)						

J - KIT MARKED J SERVICES PART(S) MARKED J
M - METRIC PART

HYDRAULIC SYSTEM

501-7258 TANK GP-HYDRAULIC (contd.)

i06826605



GRAPHIC #1

<END>

VIEW OF AREA A

g06095814

HYDRAULIC SYSTEM

495-9795 VALVE & MTG GP-MAIN CONTROL

S/N: TH21-UP; TH31-UP
PART OF 505-5240 HYDRAULIC AR

SMCS-5051

i06897801

NOTE	REF NO	GRAPHIC REF	PART NUMBER	QTY	PART NAME						SEE PAGE
					1	2	3	4	5	6 (PRODUCT LEVEL)	
	1	1	523-4877	1	VALVE AS-CHECK (THROTTLE)						
	2	1	506-3313	1	ADAPTER-PIPE						
	3	1	298-7358	1	FITTING-ADAPTER						
	4	1	464-6221	1	ADAPTER						
	5	1	298-0473	1	FITTING-ADAPTER						
	6	1	8T-4121	7	WASHER-HARD (11X21X2.5-MM THK)						
	7	1	6V-0852	2	CAP-DUST						
	8	1	298-0466	8	FITTING-ADAPTER						
	9	1	<i>164-5567</i>	2	COUPLER AS-QUICK DISCONNECT (MALE)						
					(EACH INCLUDES)						
		1	6V-3965	1	FITTING (QUICK DISCONNECT)						
		1	214-7568	1	SEAL-O-RING						
Y	10	1	495-8855	1	VALVE GP-MAIN CONTROL						746
	11	1	495-8856	1	BRACKET AS						
	12	1	<i>148-8373</i>	1	ELBOW AS						
		1	6V-8400	1	SEAL-O-RING						
		1	7M-8485	1	SEAL-O-RING						
		1	8C-3364	1	ELBOW						
M	13	1	8T-4195	3	BOLT (M10X1.5X30-MM)						
M	14	1	8T-4136	4	BOLT (M10X1.5X25-MM)						
	15	1	473-8956	1	ADAPTER						
	16	1	<i>442-3478</i>	1	PLUG AS						
		1	9S-4181	1	PLUG (1-5/16-12-THD)						
		1	238-5084	1	SEAL-O-RING						

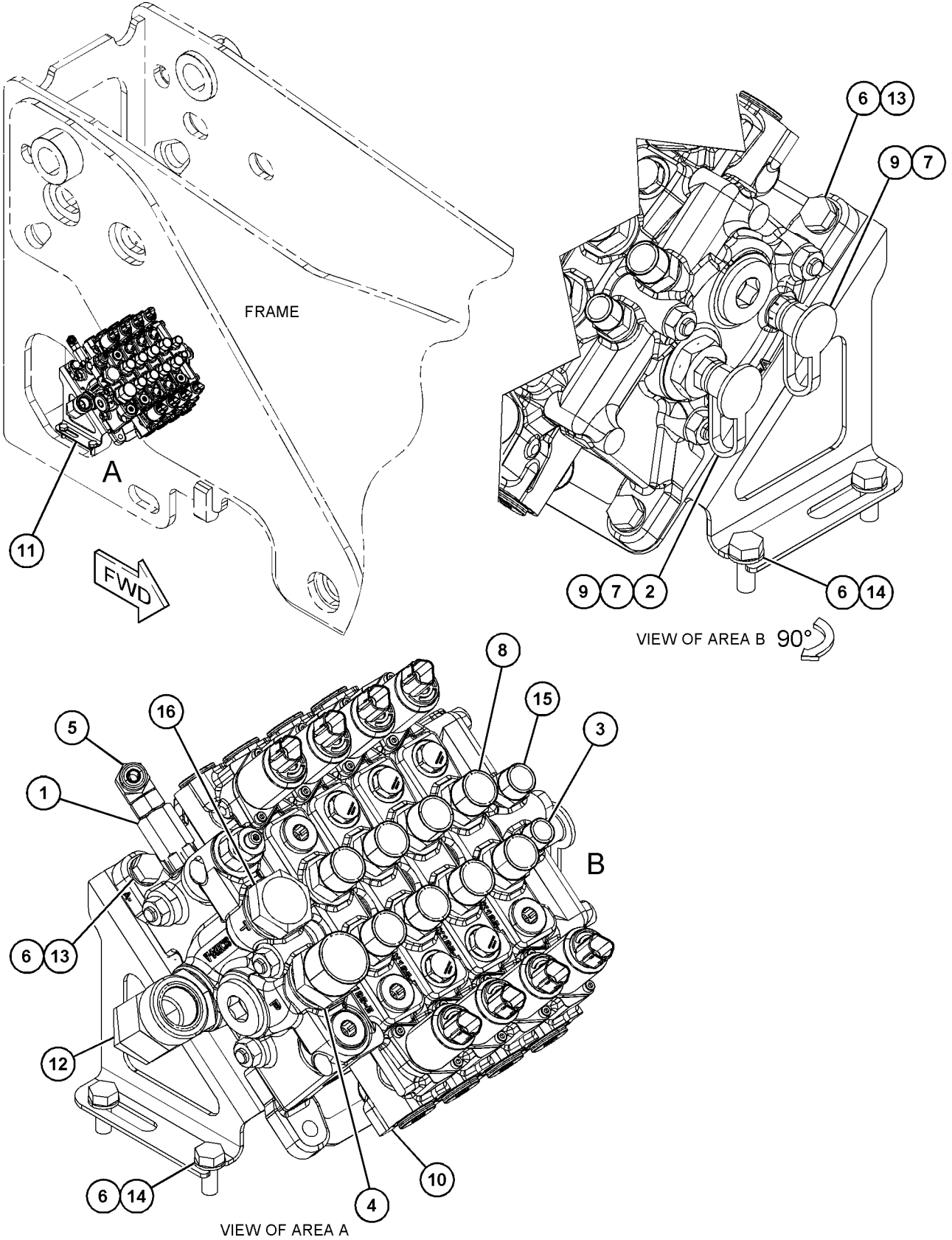
M - METRIC PART

Y - SEPARATE ILLUSTRATION

HYDRAULIC SYSTEM

495-9795 VALVE & MTG GP-MAIN CONTROL (contd.)

i06897801



GRAPHIC #1

<END>

g06134168

HYDRAULIC SYSTEM

495-9793 VALVE & MTG GP-PRIORITY

S/N: TH21-UP; TH31-UP

PART OF 505-5240 HYDRAULIC AR

SMCS-4320, 5137

i06811697

NOTE	REF NO	GRAPHIC REF	PART NUMBER	QTY	PART NAME						SEE PAGE
					1	2	3	4	5	6 (PRODUCT LEVEL)	
	1	1	298-7358	2	FITTING-ADAPTER						
	2	1	298-0463	1	FITTING-ADAPTER						
	3	1	298-0470	1	FITTING-ADAPTER						
	4	1	303-4760	1	FITTING						
M	5	1	105-3479	4	BOLT-SOCKET HEAD (M10X1.5X90-MM)						
	6	1	495-8853	1	VALVE-CHECK						
Y	7	1	495-8854	1	VALVE GP-PRIORITY (FLOW DIVIDER)						749
	8	1	317-6373	1	ADAPTER						
	9	1	<i>164-5567</i>	3	COUPLER AS-QUICK DISCONNECT (MALE)						
					(EACH INCLUDES)						
		1	6V-3965	1	FITTING (QUICK DISCONNECT)						
		1	214-7568	1	SEAL-O-RING						
	10	1	6V-0852	3	CAP-DUST						

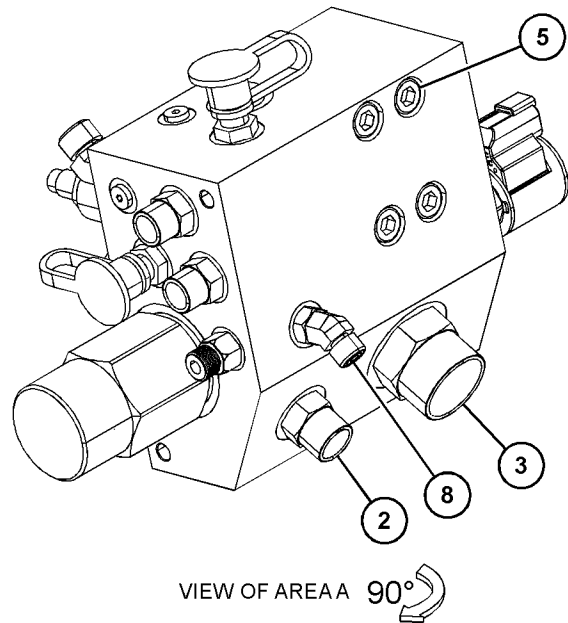
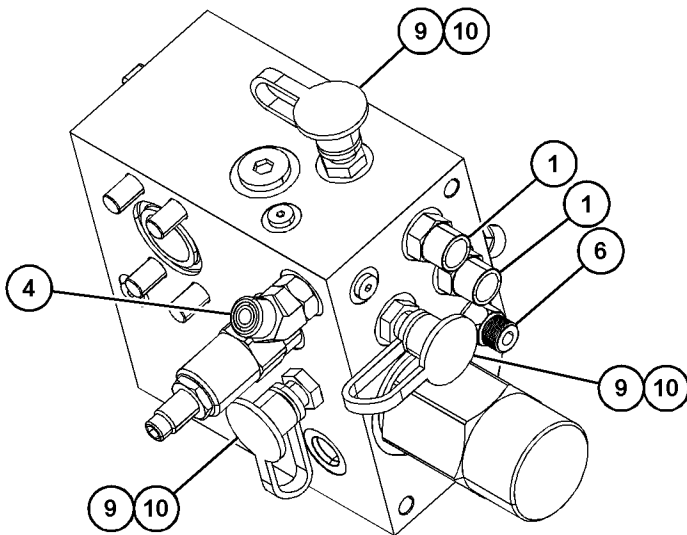
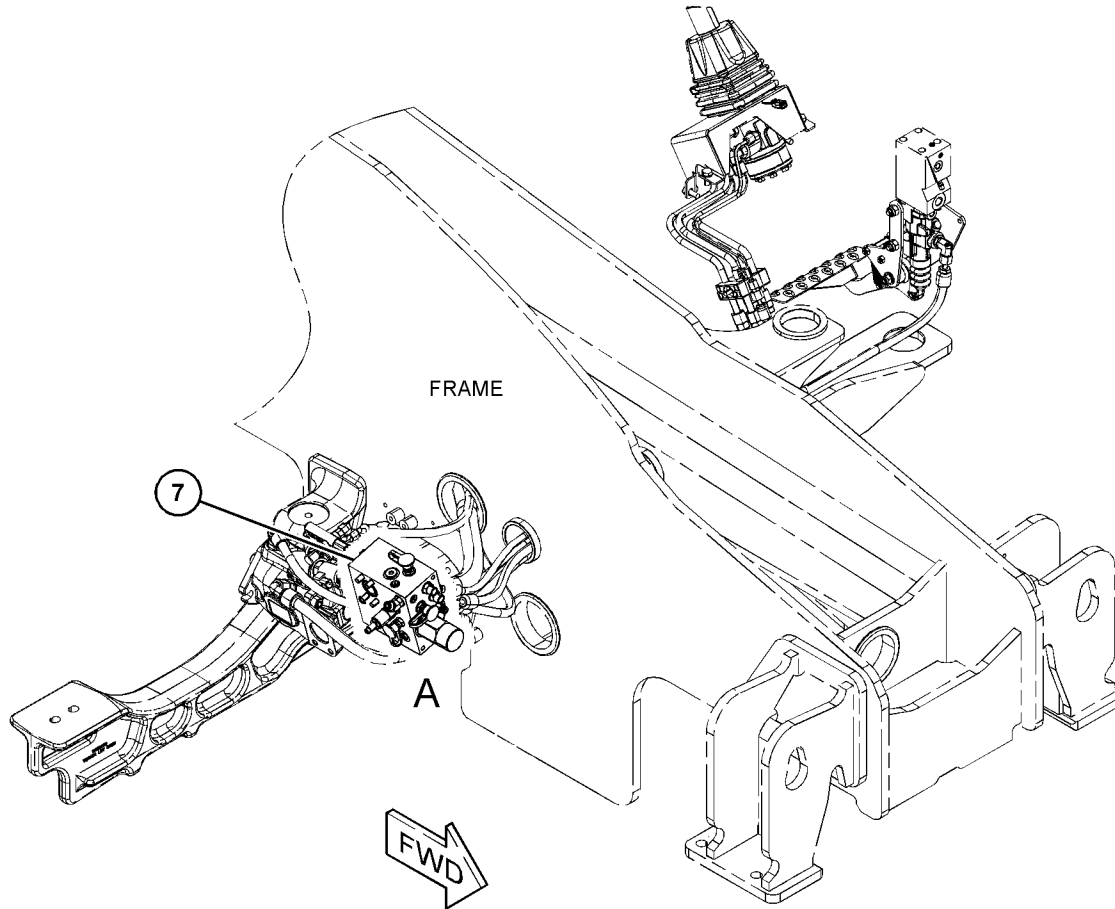
M - METRIC PART

Y - SEPARATE ILLUSTRATION

HYDRAULIC SYSTEM

495-9793 VALVE & MTG GP-PRIORITY (contd.)

i06811697



GRAPHIC #1

<END>

g06048789

HYDRAULIC SYSTEM

499-4944 VALVE GP-CONTROL

S/N: TH21-UP; TH31-UP

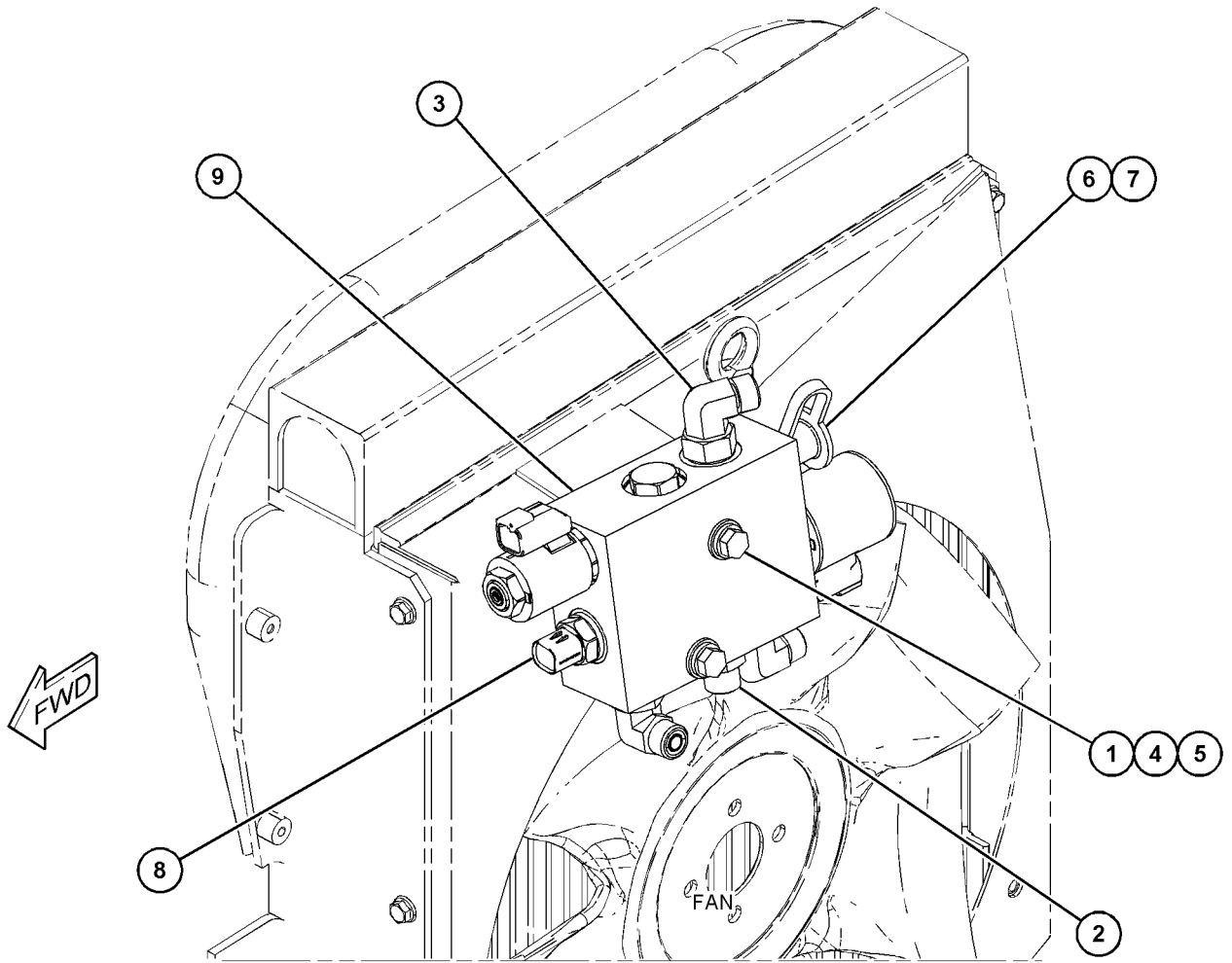
PART OF 499-4950 COOLER GP-HYDRAULIC OIL
AN ATTACHMENT

SMCS-5051

i06804738

NOTE	REF NO	GRAPHIC REF	PART NUMBER	QTY	PART NAME						SEE PAGE
					1	2	3	4	5	6	
M	1	1	285-9066	2	BOLT (M8X1.25X65-MM)						
	2	1	298-0462	1	FITTING-ADAPTER						
	3	1	303-4754	3	FITTING-ADAPTER						
	4	1	8T-4121	2	WASHER-HARD (11X21X2.5-MM THK)						
	5	1	5M-2894	2	WASHER-HARD (10.2X18.5X2.5-MM THK)						
	6	1	164-5567	1	COUPLER AS-QUICK DISCONNECT (MALE)						
		1	6V-3965	1	FITTING (QUICK DISCONNECT)						
		1	214-7568	1	SEAL-O-RING						
	7	1	6V-0852	1	CAP-DUST						
	8	1	256-6454	1	SENSOR-TEMPERATURE						
Y	9	1	499-4945	1	VALVE GP-FAN REVERSING (FAN)						744

M - METRIC PART
Y - SEPARATE ILLUSTRATION



GRAPHIC #1

<END>

g06048352

HYDRAULIC SYSTEM

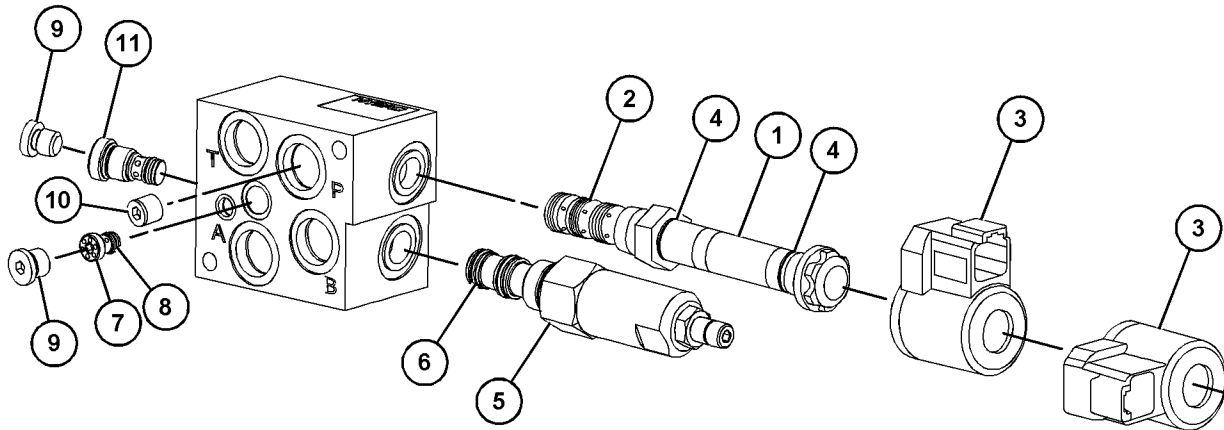
501-7459 VALVE GP-CONTROL

S/N: TH21-UP; TH31-UP
PART OF 501-8492 HITCH GP-TOWING
AN ATTACHMENT

SMCS-5051

i06621650

NOTE	REF NO	GRAPHIC REF	PART NUMBER	QTY	PART NAME						SEE PAGE
					1	2	3	4	5	6	
	1	1	497-9903	1	VALVE GP-SOLENOID						
	2	1	497-9662	1	KIT-SEAL (INCLUDES O-RINGS & SUPPORT RINGS)						
	3	1	497-9663	2	COIL						
	4	1	497-9965	1	COIL AS						
	5	1	497-9966	1	VALVE AS-RELIEF						
	6	1	497-9666	1	KIT-SEAL (INCLUDES O-RINGS & SUPPORT RINGS)						
	7	1	497-9967	1	VALVE GP-CHECK						
	8	1	497-9906	1	SEAL						
	9	1	497-9833	2	PLUG						
	10	1	497-9908	1	ORIFICE						
J	11	1	485-2934	1	VALVE AS-SHUTTLE						
					AVAILABLE REPAIR KIT(S):						
J			485-2943	1	KIT-SEAL (INCLUDES O-RING SEALS)						
J - KIT MARKED J SERVICES PART(S) MARKED J											



GRAPHIC #1

<END>

g06051250

HYDRAULIC SYSTEM

226-6494 VALVE GP-DIVERTER

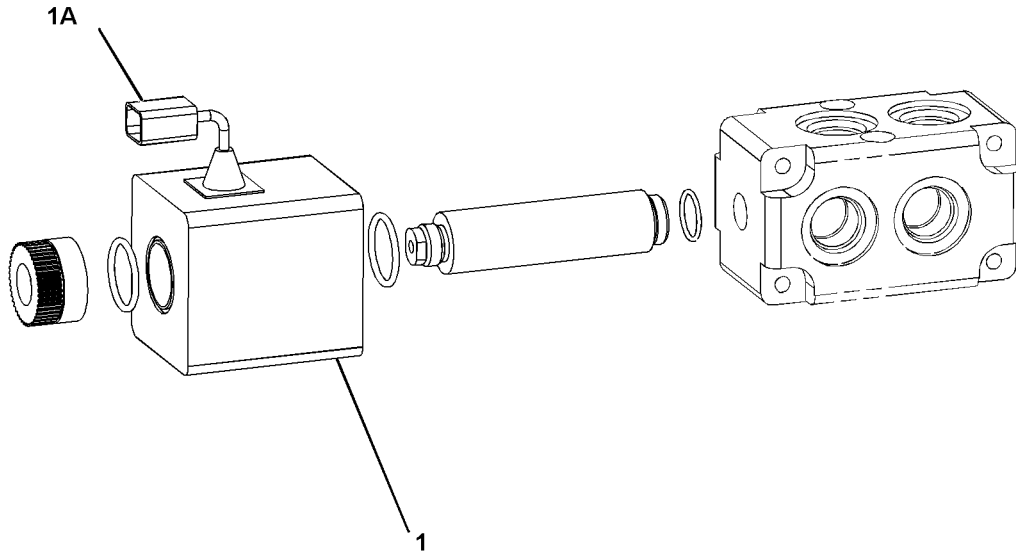
S/N: TH21-UP

PART OF 495-7652 LINES GP-COUPLER
AN ATTACHMENT

SMCS-5066

i06568202

NOTE	REF NO	GRAPHIC REF	PART NUMBER	QTY	PART NAME						SEE PAGE
					1	2	3	4	5	6 (PRODUCT LEVEL)	
	1	1	212-3350	1	SOLENOID AS						
	1A	1	102-8802	1	KIT-RECEPTACLE (2-PIN)						
					(INCLUDES RECEPTACLE AS & WEDGE)						
		1	8T-8729	2	PIN-CONNECTOR (16-GA TO 18-GA)						



GRAPHIC #1

<END>

g06095190

HYDRAULIC SYSTEM

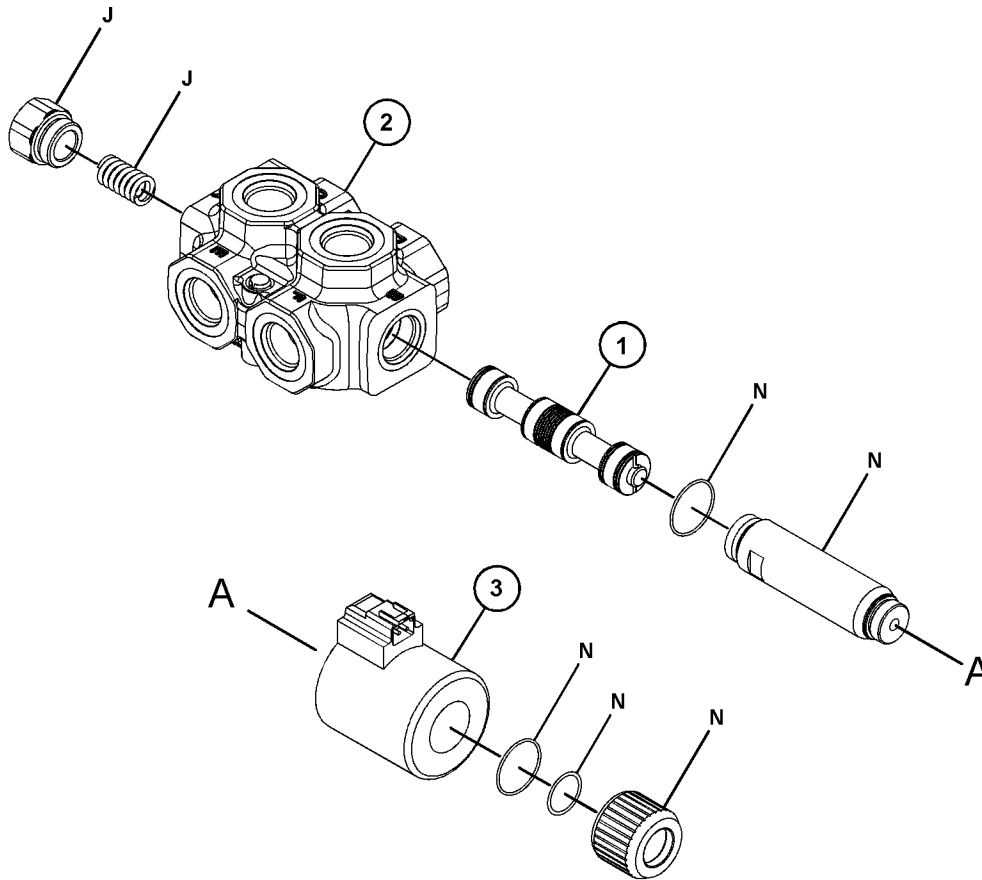
495-7583 VALVE GP-DIVERTER

S/N: TH21-UP; TH31-UP
PART OF 497-9603 VALVE GP-DIVERTER
AN ATTACHMENT

SMCS-5066

i06693944

NOTE	REF NO	GRAPHIC REF	PART NUMBER	QTY	PART NAME						SEE PAGE
					1	2	3	4	5	6 (PRODUCT LEVEL)	
	1	1	511-5835	1	SPOOL						
	2	1	511-5836	1	BODY-DIVERTER						
	3	1	511-5837	1	COIL						
AVAILABLE REPAIR KIT(S):											
			511-5864	1	KIT-DRAIN						
(INCLUDES PLUG, SPRING & INCLUDES PARTS MARKED 'J' IN THE GRAPHIC)											
			511-5865	1	KIT-TUBE						
(INCLUDES O-RINGS , PLUG, TUBE & ALSO INCLUDES PARTS MARKED 'N' IN THE GRAPHIC)											



GRAPHIC #1

<END>

g06122227

HYDRAULIC SYSTEM

497-9603 VALVE GP-DIVERTER

S/N: TH21-UP; TH31-UP

PART OF 497-9605, 501-2996 LINES GP-AUXILIARY HYDRAULIC
AN ATTACHMENT

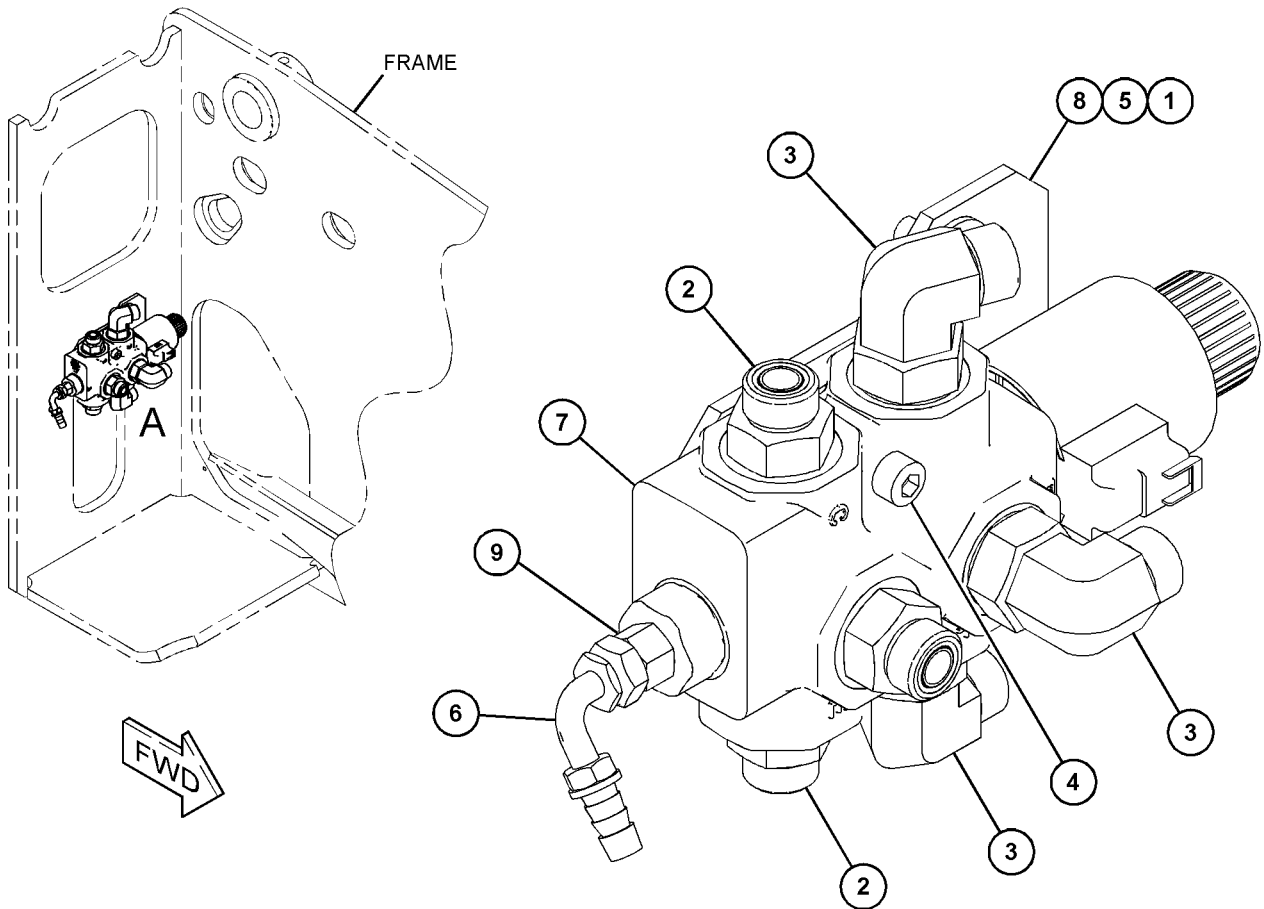
SMCS-5066

i06811713

NOTE	REF NO	GRAPHIC REF	PART NUMBER	QTY	PART NAME						SEE PAGE
					1	2	3	4	5	6	
M	1	1	8T-4136	2	BOLT (M10X1.5X25-MM)						
	2	1	309-2963	4	CONNECTOR						
	3	1	323-5622	2	ELBOW						
M	4	1	365-7861	2	BOLT-SOCKET HEAD (M10X1.5X65-MM)						
	5	1	116-8517	2	WASHER (10.5X30X2.5-MM THK)						
	6	1	314-5545	1	FITTING-ELBOW						
Y	7	1	495-7583	1	VALVE GP-DIVERTER (HIGH FLOW)						742
	8	1	519-1731	1	BRACKET AS						
	9	1	298-7357	1	FITTING-ADAPTER						

M - METRIC PART

Y - SEPARATE ILLUSTRATION



GRAPHIC #1

<END>

VIEW OF AREA A

g06125057

HYDRAULIC SYSTEM

499-4945 VALVE GP-FAN REVERSING-FAN

S/N: TH21-UP; TH31-UP
PART OF 499-4944 VALVE GP-CONTROL
AN ATTACHMENT

SMCS-138R, 5051

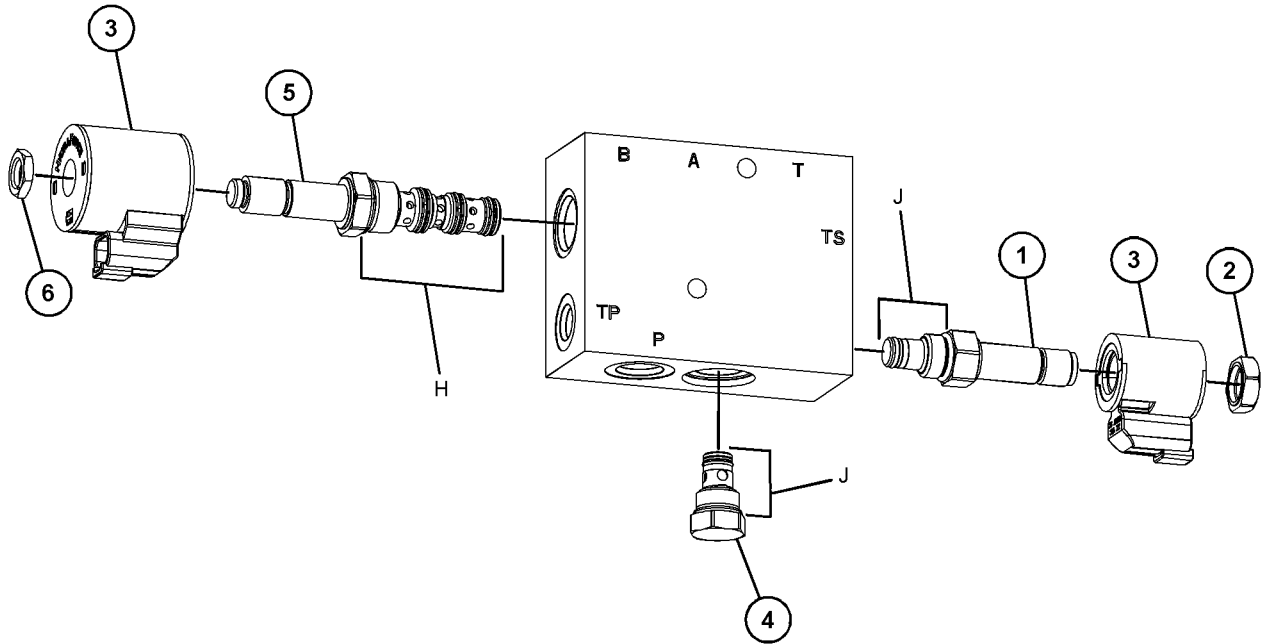
i06804739

NOTE	REF NO	GRAPHIC REF	PART NUMBER	QTY	PART NAME						SEE PAGE
					1	2	3	4	5	6 (PRODUCT LEVEL)	
	1	1	511-7802	1	VALVE						
	2	1	511-7803	1	NUT						
	3	1	155-2270	2	KIT-CONNECTING PLUG (2-PIN)						
					(EACH INCLUDES PLUG AS, WEDGE, & INTERFACE SEAL)						
N	4	1	177-3868	1	VALVE GP-CHECK (HYDRAULIC FAN OIL)						
		1	3K-0360	1	SEAL-O-RING						
	5	1	511-7804	1	VALVE-SOLENOID (FAN)						
	6	1	511-7697	1	NUT						
PARTS SHOWN IN GRAPHIC(S) WITHOUT A REFERENCE NUMBER ARE NOT SERVICED SEPARATELY											
AVAILABLE REPAIR KIT(S):											
			341-7110	2	KIT-SEAL						
(INCLUDES PARTS MARKED "J" IN THE GRAPHIC)											
			120-9054	1	KIT-SEAL						
(INCLUDES PARTS MARKED "H" IN THE GRAPHIC)											
N			120-9051	1	KIT-SEAL (CHECK VALVE)						
(INCLUDES O-RINGS & RING RETAINER)											
N - KIT MARKED N SERVICES PART(S) MARKED N											

HYDRAULIC SYSTEM

499-4945 VALVE GP-FAN REVERSING (contd.)

i06804739



GRAPHIC #1

<END>

g06132533

HYDRAULIC SYSTEM

495-8855 VALVE GP-MAIN CONTROL

S/N: TH21-UP; TH31-UP

PART OF 495-9795 VALVE & MTG GP-MAIN CONTROL

SMCS-5051

i06907157

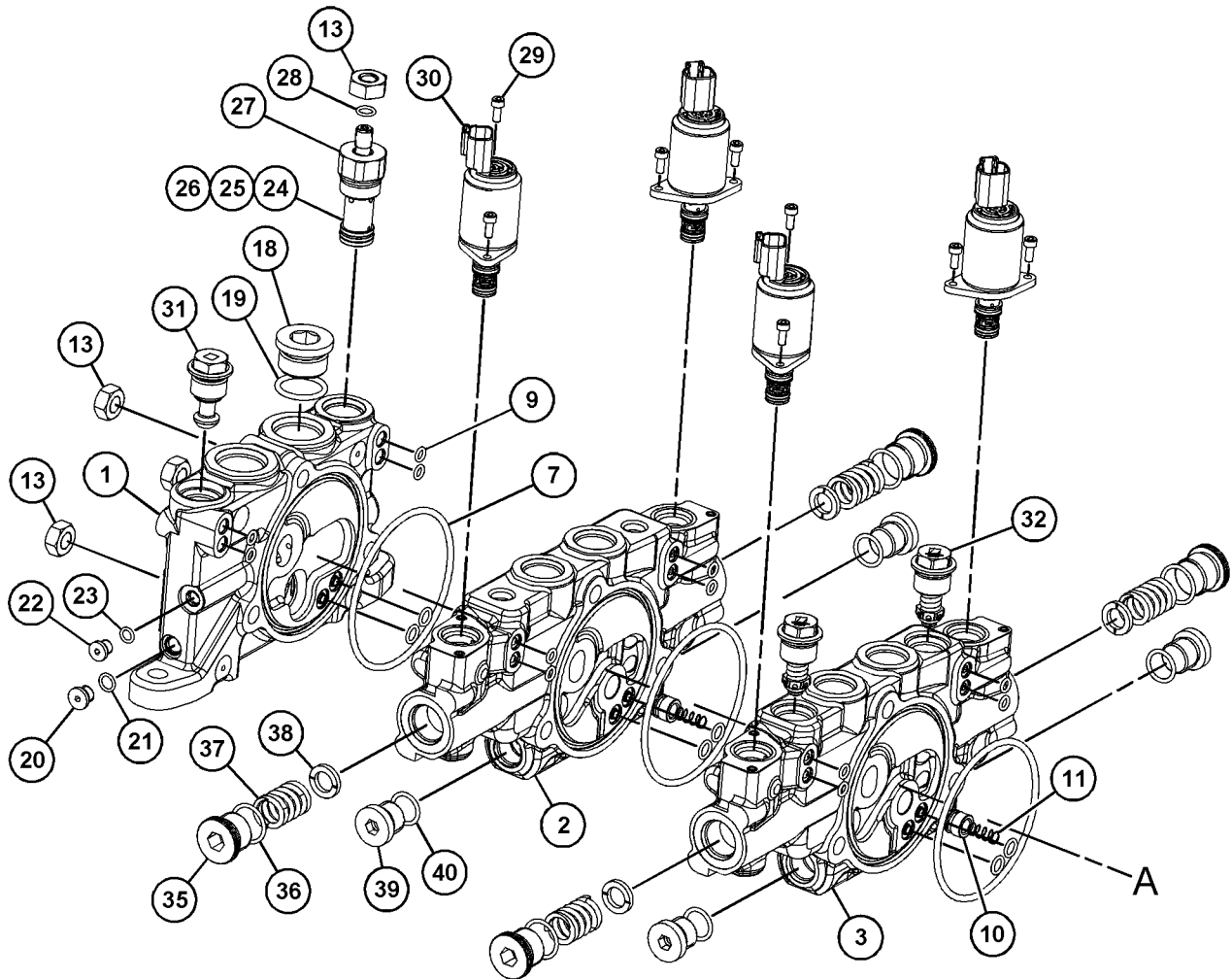
NOTE	REF NO	GRAPHIC REF	PART NUMBER	QTY	PART NAME						SEE PAGE
					1	2	3	4	5	6 (PRODUCT LEVEL)	
	1	1	507-6922	1	VALVE AS-INLET						
	2	1	507-6923	1	VALVE AS-CONTROL (LIFT)						
	3	1	507-6925	1	VALVE AS-CONTROL (TILT)						
	4	2	507-6975	1	VALVE AS-CONTROL (AUXILIARY)						
	5	2	507-6976	1	VALVE AS-CONTROL (TELE)						
	6	2	507-6979	1	VALVE AS-CONTROL (OUTLET)						
	7	1	479-7282	5	SEAL-O-RING						
	8	2	507-6981	10	SEAL-O-RING						
	9	1,2	507-6982	20	SEAL-O-RING						
	10	1,2	479-7786	4	VALVE-POPPET (MAIN CONTROL)						
	11	1,2	479-7285	4	SPRING						
	12	2	479-7010	3	TIE ROD						
	13	1,2	479-7011	6	NUT						
	14	2	507-7130	1	PLUG						
	15	2	507-7131	1	SEAL-O-RING						
	16	2	507-7132	1	PLUG						
	17	2	7M-8485	1	SEAL-O-RING						
	18	1	479-7281	1	PLUG						
	19	1	479-7280	1	SEAL-O-RING						
	20	1	507-7158	1	PLUG						
	21	1	479-7015	1	SEAL-O-RING						
	22	1	479-7014	1	PLUG						
	23	1	479-7013	1	SEAL-O-RING						
	24	1	479-7278	1	SEAL-O-RING						
	25	1	479-7277	1	RING-BACKUP						
	26	1	479-7276	1	SEAL-O-RING						
	27	1	507-7179	1	DRAIN AS						
	28	1	479-7292	1	SEAL-O-RING						
	29	1,2	507-7255	16	BOLT-SOCKET HEAD						
	30	1,2	507-7282	8	VALVE AS-CONTROL (EXTEND, RETRACT)						
	31	1,2	479-7279	2	PLUG AS						
	32	1	336-3689	2	VALVE-RELIEF						
	33	2	507-7348	2	VALVE AS-RELIEF						
	34	2	507-7349	1	VALVE AS-RELIEF (MAIN CONTROL)						
	35	1,2	507-8147	8	PLUG AS						
	36	1,2	507-7398	8	SEAL-O-RING						
	37	1,2	479-7289	8	SPRING						
	38	1,2	507-7399	8	SPRING-SEAT						
	39	1,2	507-7400	8	PLUG AS						
	40	1,2	507-7401	8	SEAL-O-RING						

HYDRAULIC SYSTEM

495-8855 VALVE GP-MAIN CONTROL (contd.)

106907157

REFER TO ALL ILLUSTRATIONS OF THIS GROUP FOR AUXILIARY VIEWS



GRAPHIC #1

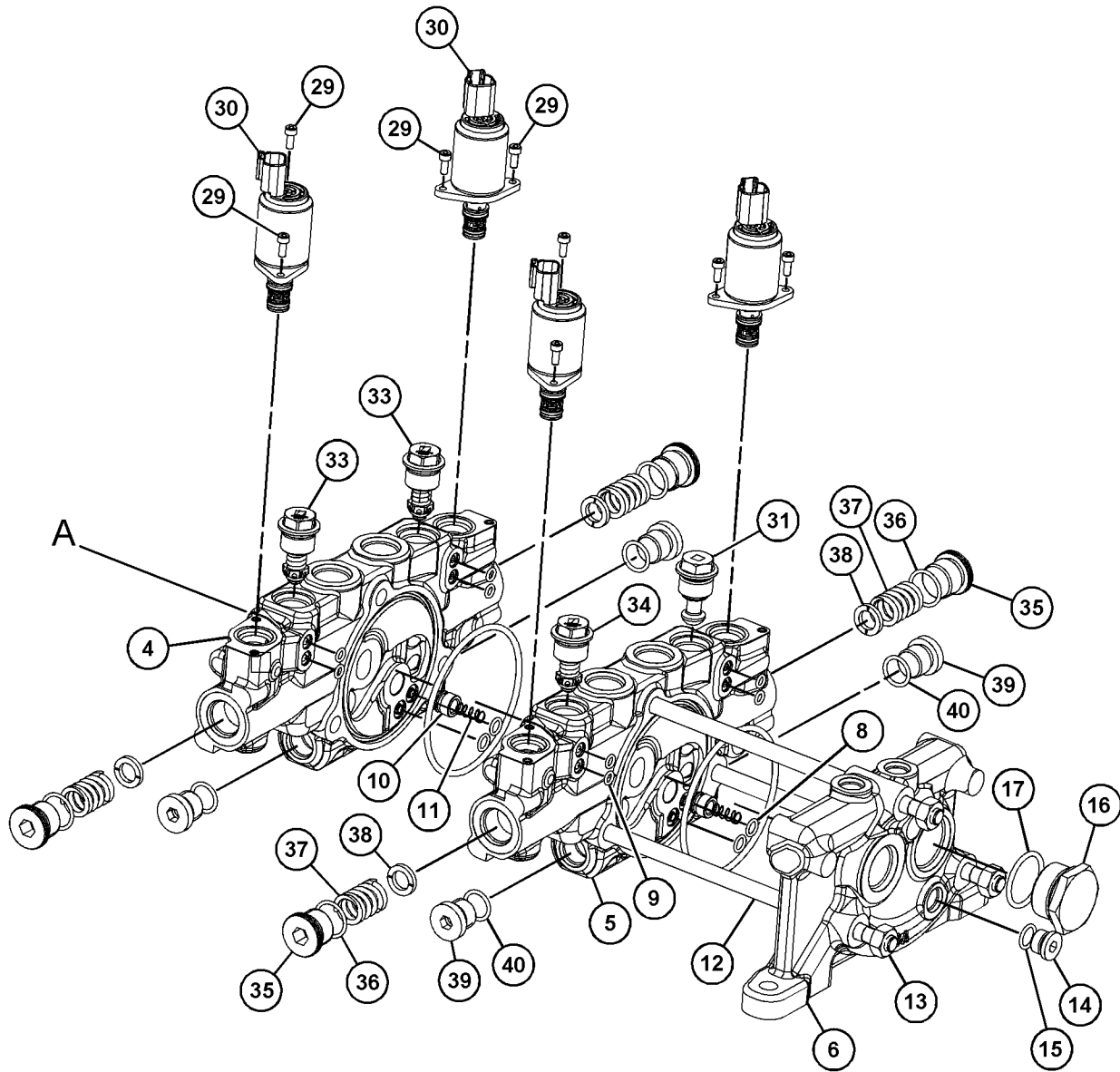
g06164954

HYDRAULIC SYSTEM

495-8855 VALVE GP-MAIN CONTROL (contd.)

i06907157

REFER TO ALL ILLUSTRATIONS OF THIS GROUP FOR AUXILIARY VIEWS



GRAPHIC #2

<END>

g06164955

HYDRAULIC SYSTEM

495-8854 VALVE GP-PRIORITY-FLOW DIVIDER

S/N: TH21-UP; TH31-UP

PART OF 495-9793 VALVE & MTG GP-PRIORITY

SMCS-4320, 506P, 5137

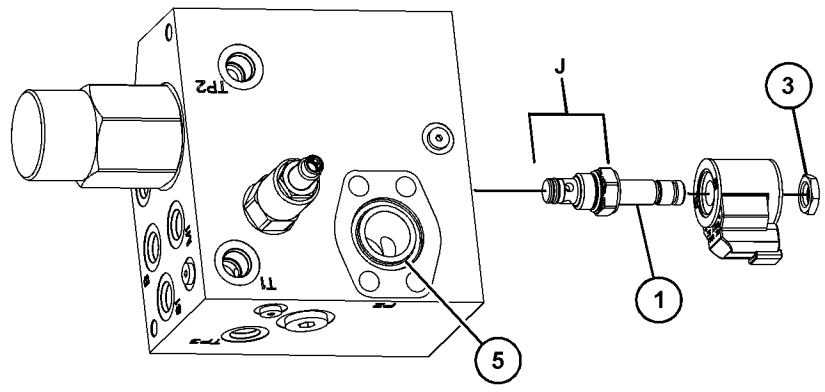
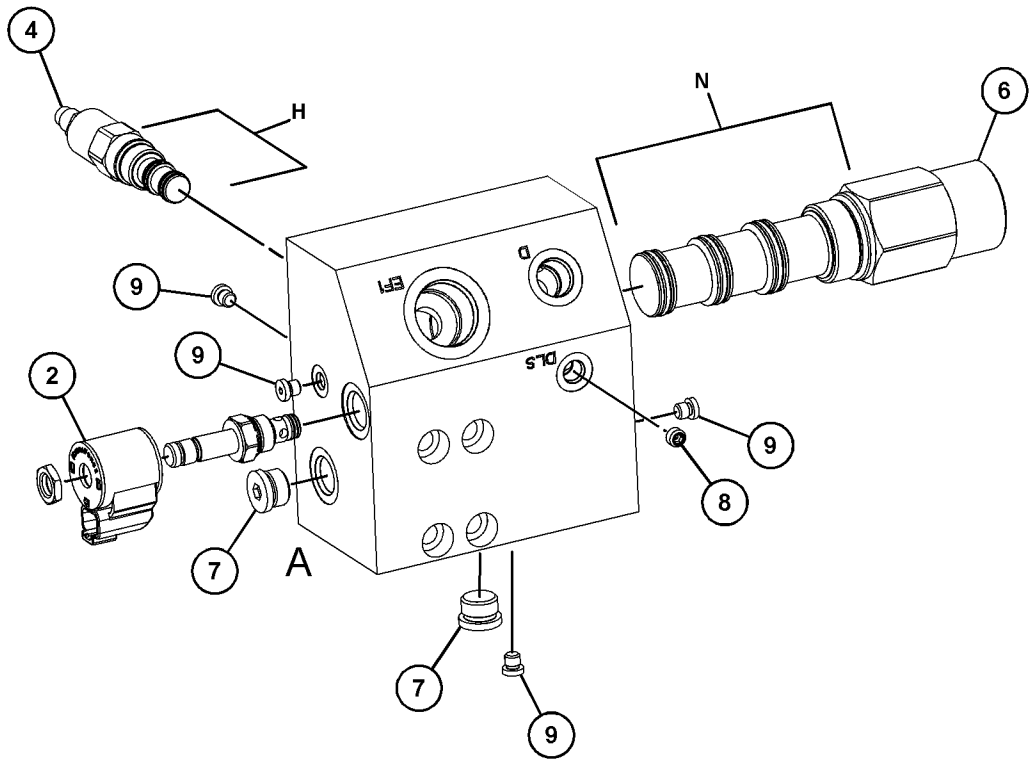
i06811696

NOTE	REF NO	GRAPHIC REF	PART NUMBER	QTY	PART NAME						SEE PAGE
					1	2	3	4	5	6 (PRODUCT LEVEL)	
	1	1	134-8626	1	VALVE-SOLENOID (RIDE CONTROL)						
	2	1	349-8256	1	COIL						
	3	1	511-7697	1	NUT						
	4	1	511-7698	1	REDUCER						
	5	1	511-7701	1	SEAL-O-RING						
	6	1	511-7699	1	COMPENSATOR						
	7	1	511-7700	2	PLUG						
	8	1	478-6612	1	PLUG						
	9	1	478-6615	4	PLUG						
					AVAILABLE REPAIR KIT(S) :						
			341-7110	1	KIT-SEAL						
					(INCLUDES PARTS MARKED "J" IN THE GRAPHIC)						
			264-5726	1	KIT-SEAL						
					(INCLUDES PARTS MARKED "H" IN THE GRAPHIC)						
			478-6898	1	KIT-SEAL						
					(INCLUDES PARTS MARKED "N" IN THE GRAPHIC)						

HYDRAULIC SYSTEM

495-8854 VALVE GP-PRIORITY (contd.)

106811696



VIEW OF AREA A 180°

GRAPHIC #1

<END>

g06126423

HYDRAULIC SYSTEM

373-8468 VALVE GP-PUMP CONTROL

S/N: TH21-UP; TH31-UP

PART OF 495-8984 PUMP GP-PISTON

SMCS-5455

i07217079

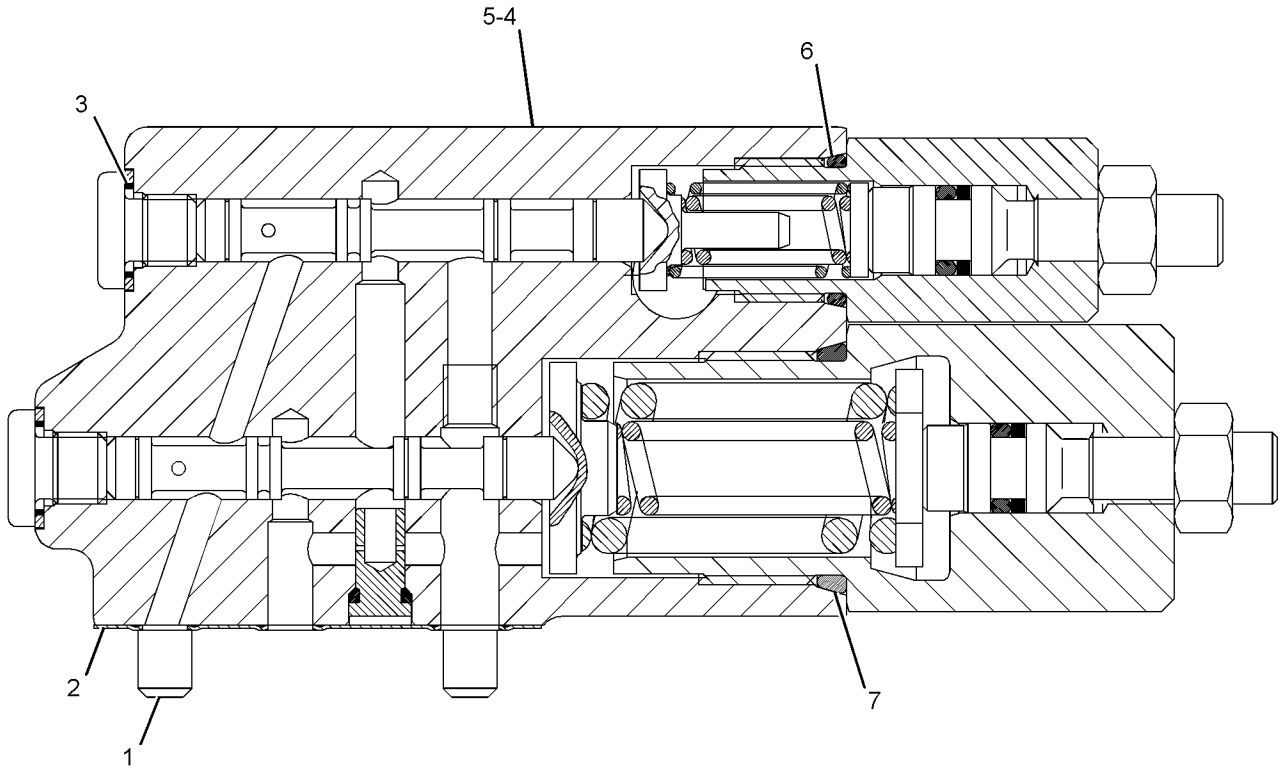
NOTE	REF NO	GRAPHIC REF	PART NUMBER	QTY	PART NAME						SEE PAGE
					1	2	3	4	5	6	
M	1	1	8T-8442	4	BOLT-SOCKET HEAD (M6X1X30-MM)						
	2	1	280-7870	1	GASKET						
	3	1	6E-6528	2	SEAL						
	4	1	9S-8002	1	PLUG (7/16-20-THD)						
	5	1	3J-7354	1	SEAL-O-RING						
	6	1	033-6043	1	SEAL-O-RING						
	7	1	6V-6339	1	SEAL-O-RING						

AVAILABLE REPAIR KIT(S) :

293-8350 1 KIT-SEAL (FLOW COMPENSATOR)

(INCLUDES O-RINGS & BACKUP RINGS)

M - METRIC PART



GRAPHIC #1

<END>

g02794401

HYDRAULIC SYSTEM

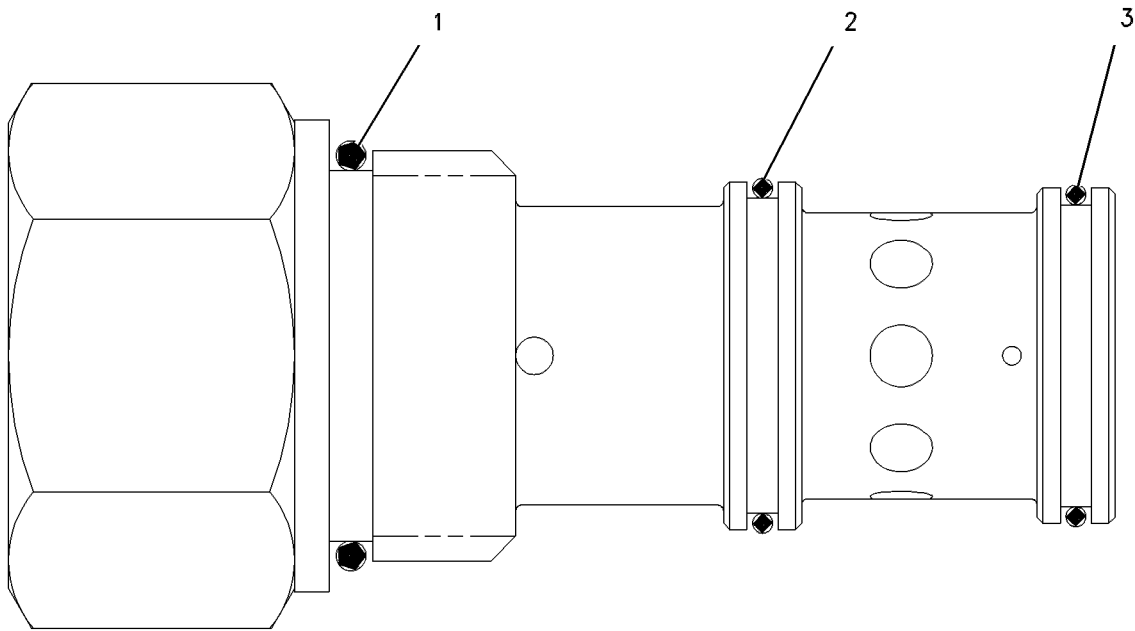
147-0209 VALVE GP-RELIEF

S/N: BK21-UP; SD31-UP; CF51-UP; HA51-UP; H5E1-UP; H5F1-UP
 PART OF 418-7411, 468-0120 CONTROL GP-TRANSMISSION HYD
 AN ATTACHMENT

SMCS-5069, 5117

i05121850

NOTE	REF NO	GRAPHIC REF	PART NUMBER	QTY	PART NAME						SEE PAGE
					1	2	3	4	5	6 (PRODUCT LEVEL)	
1	1	1	7X-4744	1	SEAL-O-RING						
2	1	1	6V-9178	1	SEAL-O-RING						
3	1	1	106-9586	1	SEAL-O-RING						



GRAPHIC #1

<END>

g00304718

IMPLEMENTS

499-2174 BOOM AR

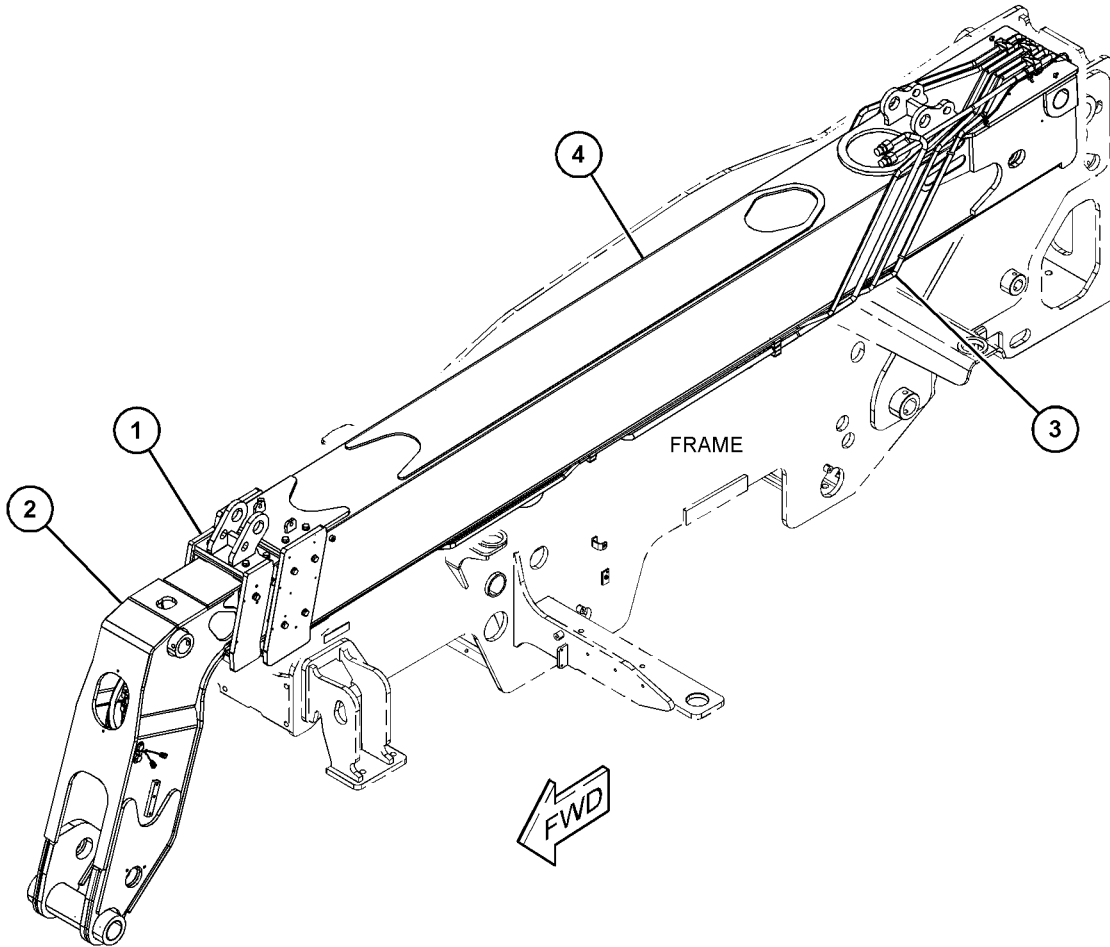
S/N: TH21-UP; TH31-UP
PART OF 505-5252 BOOM & CHASSIS AR

SMCS-6501

i06603197

NOTE	REF NO	GRAPHIC REF	PART NUMBER	QTY	PART NAME						SEE PAGE
					1	2	3	4	5	6 (PRODUCT LEVEL)	
Y	1	1	495-7755	1	BOOM GP (INTERMEDIATE)						757
Y	2	1	495-7759	1	BOOM GP (INNER)						758
Y	3	1	495-8987	1	LINES GP-BOOM						689
Y	4	1	499-2171	1	BOOM GP (OUTER)						759

Y - SEPARATE ILLUSTRATION



GRAPHIC #1

<END>

g06042628

IMPLEMENTS

474-0144 BOOM GP

S/N: TH21-UP; TH31-UP

(12-IN)

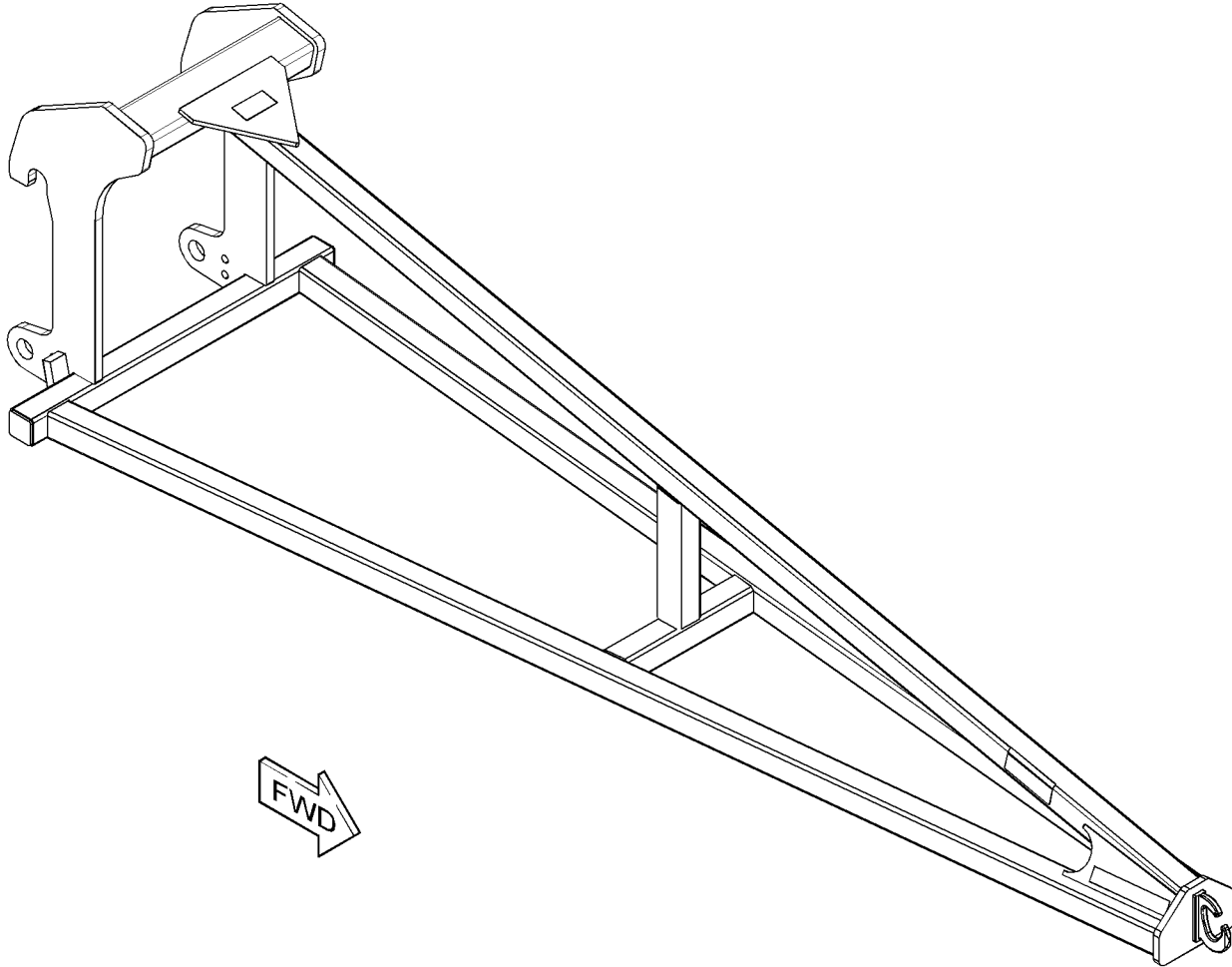
AN ATTACHMENT

SMCS-6501

i06883776

NOTE	REF NO	GRAPHIC REF	PART NUMBER	QTY	PART NAME	SEE PAGE
					1 2 3 4 5 6 (PRODUCT LEVEL)	

(NO SERVICED PARTS)



GRAPHIC #1

<END>

g03873186

IMPLEMENTS

474-0147 BOOM GP-WITH WINCH

S/N: TH21-UP; TH31-UP
(12-FT), AVAILABLE IN NACD REGION ONLY
AN ATTACHMENT

SMCS-6501

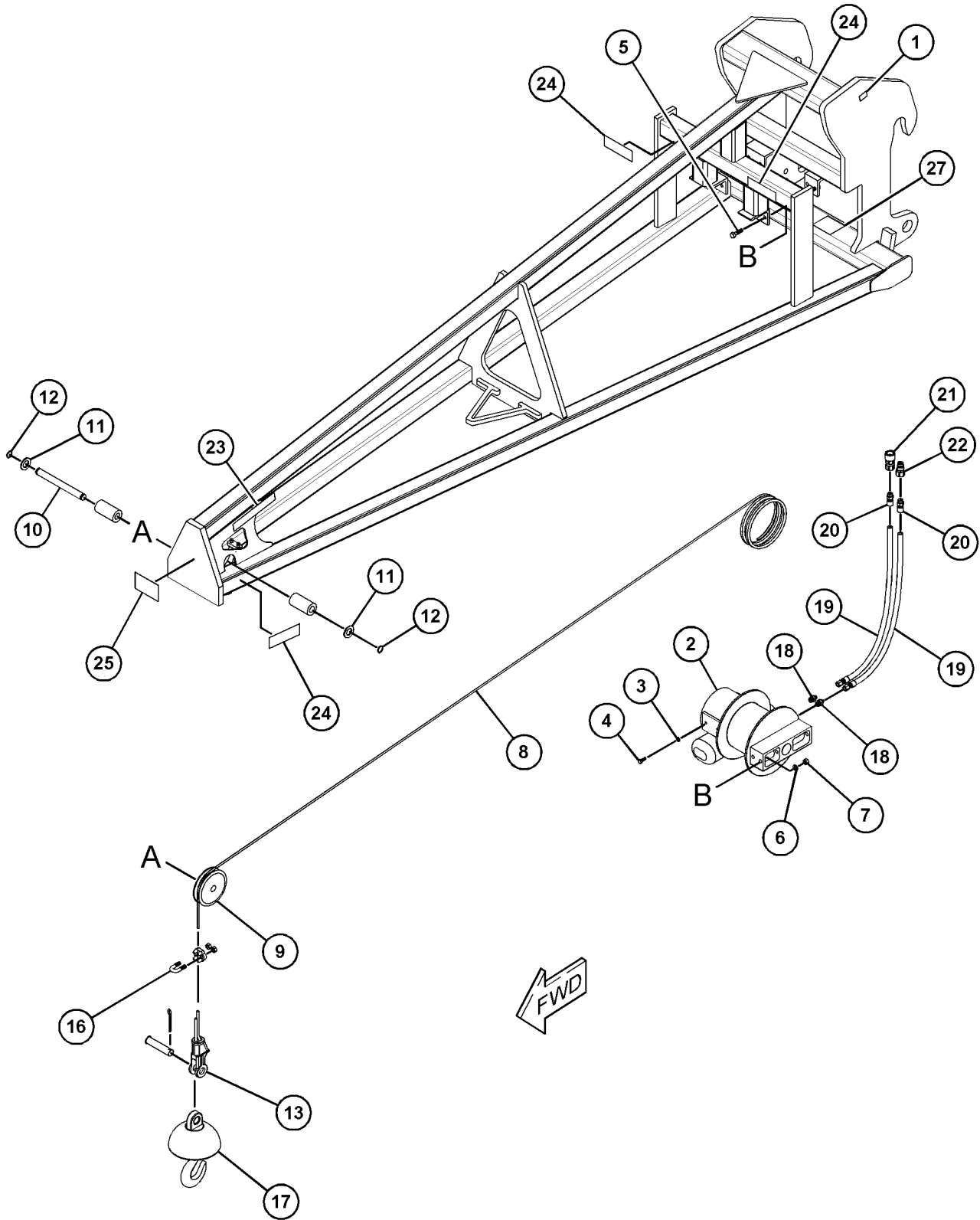
i06948947

NOTE	REF NO	GRAPHIC REF	PART NUMBER	QTY	PART NAME						SEE PAGE
					1	2	3	4	5	6 (PRODUCT LEVEL)	
	1	1	362-2106	1	FILM-INFORMATION (MADE IN USA)						
	2	1	490-6358	1	WINCH						
	3	1	327-6330	4	LOCKWASHER						
	4	1	327-6285	4	SCREW (0.375-INCH THD)						
	5	1	490-6359	2	BOLT						
	6	1	327-6329	2	LOCKWASHER						
	7	1	490-6360	2	NUT						
	8	1	490-6361	1	CABLE						
	9	1	490-6362	1	PULLEY						
	10	1	490-6363	1	PIN						
	11	1	490-6364	2	WASHER						
	12	1	490-6365	2	RING						
	13	1	490-6366	1	SOCKET						
	16	1	490-6367	1	CLAMP						
	17	1	490-6368	1	BALL-SWIVEL						
	18	1	339-8047	2	CONNECTOR						
	19	1	490-6369	2	HOSE						
	20	1	362-2111	2	CONNECTOR						
	21	1	300-6078	1	COUPLING (FEMALE)						
	22	1	300-6079	1	COUPLING (MALE)						
	23	1	490-6371	2	FILM-INFORMATION (LOAD CAPACITY)						
	24	1	490-6372	4	FILM-WARNING (ROTATING)						
	25	1	490-6373	1	FILM-WARNING (NO TOWING)						
	27	1	327-6325	1	FILM-WARNING (HIGH PRESSURE)						

IMPLEMENTS

474-0147 BOOM GP (contd.)

i06948947



GRAPHIC #1

<END>

g03885319

IMPLEMENTS

495-7755 BOOM GP

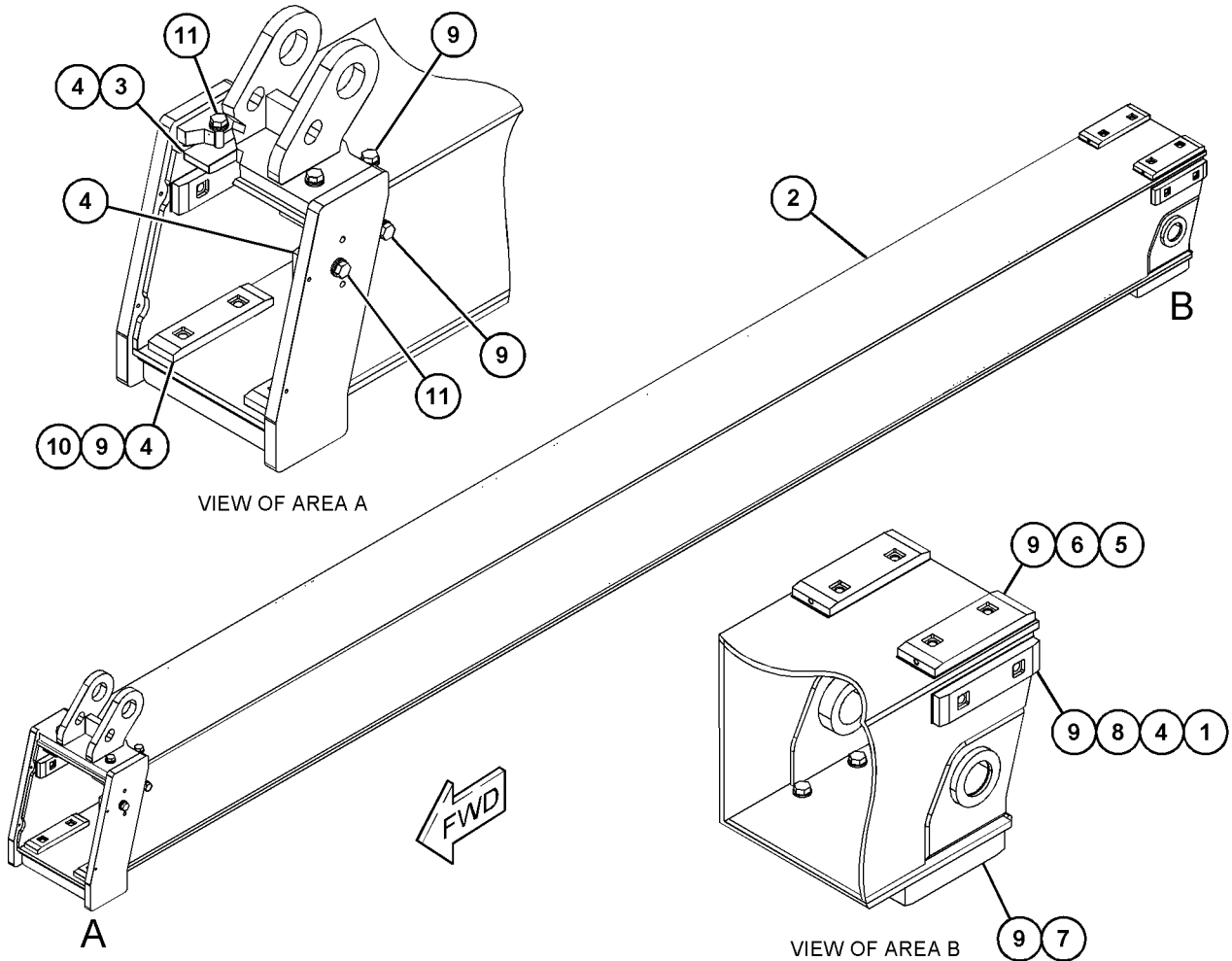
S/N: TH21-UP; TH31-UP
PART OF 499-2174 BOOM AR

SMCS-6501

i06893943

NOTE	REF NO	GRAPHIC REF	PART NUMBER	QTY	PART NAME						SEE PAGE
					1	2	3	4	5	6 (PRODUCT LEVEL)	
	1	1	337-8663	2	SCREW (M12X1.75X30-MM)						
	2	1	495-7756	1	BOOM AS						
B	3	1	459-1953	3	SHIM (1-MM THK)						
	4	1	459-1954	8	PAD AS						
B	5	1	459-3542	1	SHIM (1-MM THK)						
	6	1	459-4310	2	PAD AS						
	7	1	495-7758	2	PAD AS						
B	8	1	398-9127	9	WASHER-HARD (13X24X2.5-MM THK)						
M	9	1	459-8895	16	BOLT (M12X1.75X25-MM)						
M	10	1	459-8888	2	BOLT (M12X1.75X35-MM)						
M	11	1	481-8415	4	BOLT (M12X1.75X45-MM)						

B - USE AS REQUIRED
M - METRIC PART



GRAPHIC #1

<END>

g06045756

IMPLEMENTS

495-7759 BOOM GP-INNER

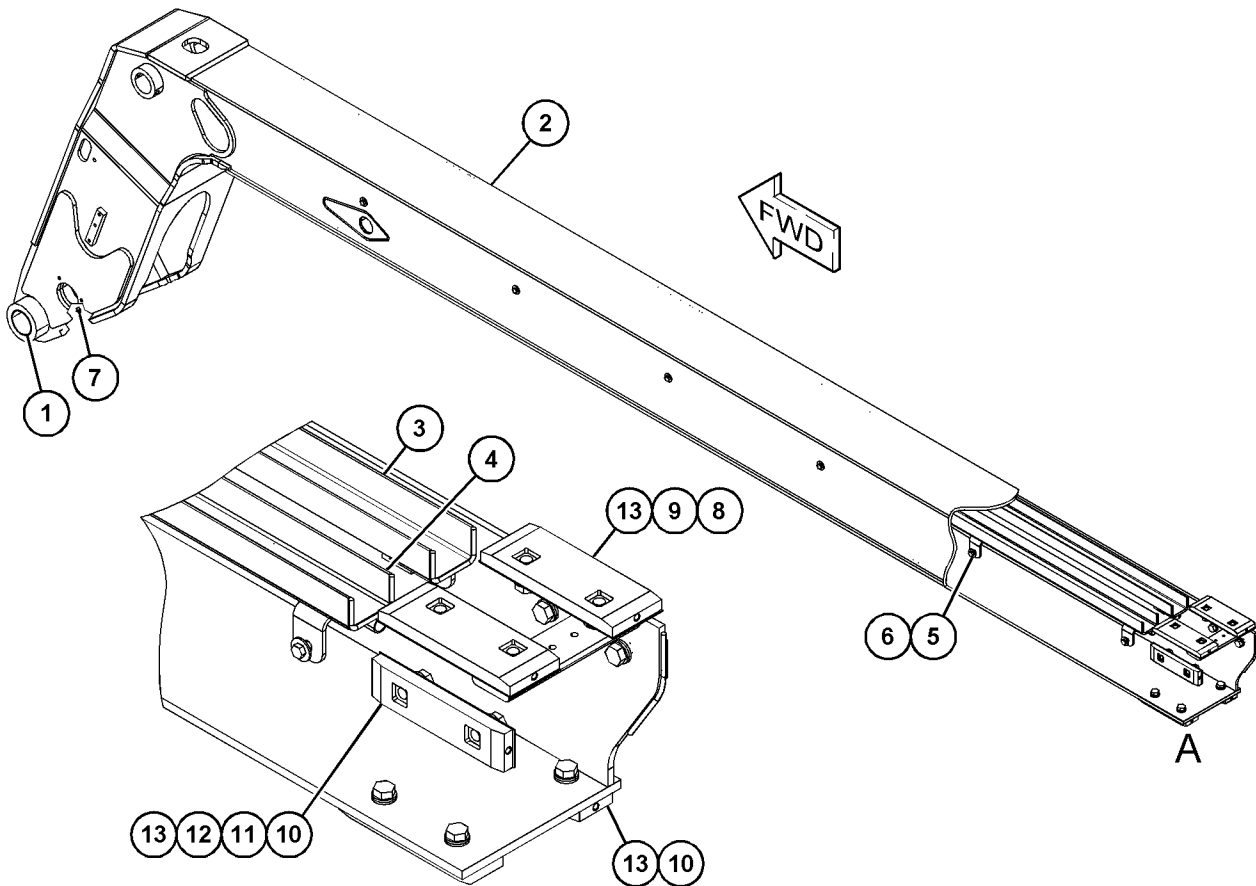
S/N: TH21-UP; TH31-UP
PART OF 499-2174 BOOM AR

SMCS-6501

i06603227

NOTE	REF NO	GRAPHIC REF	PART NUMBER	QTY	PART NAME						SEE PAGE
					1	2	3	4	5	6 (PRODUCT LEVEL)	
	1	1	318-7351	2	BEARING						
	2	1	495-8757	1	BOOM AS						
	3	1	495-7762	1	SUPPORT AS						
	4	1	495-8379	1	SUPPORT AS						
	5	1	309-3997	12	WASHER (8.4X25X2-MM THK)						
M	6	1	8T-4908	12	BOLT (M8X1.25X25-MM)						
	7	1	323-5623	1	FITTING						
	8	1	459-4310	2	PAD AS						
B	9	1	459-3542	1	SHIM (1-MM THK)						
	10	1	459-1954	4	PAD AS						
B	11	1	459-1953	1	SHIM (1-MM THK)						
B	12	1	398-9127	3	WASHER-HARD (13X24X2.5-MM THK)						
M	13	1	459-8895	12	BOLT (M12X1.75X25-MM)						

B - USE AS REQUIRED
M - METRIC PART



VIEW OF AREA A

GRAPHIC #1

<END>

g06045568

IMPLEMENTS

499-2171 BOOM GP-OUTER

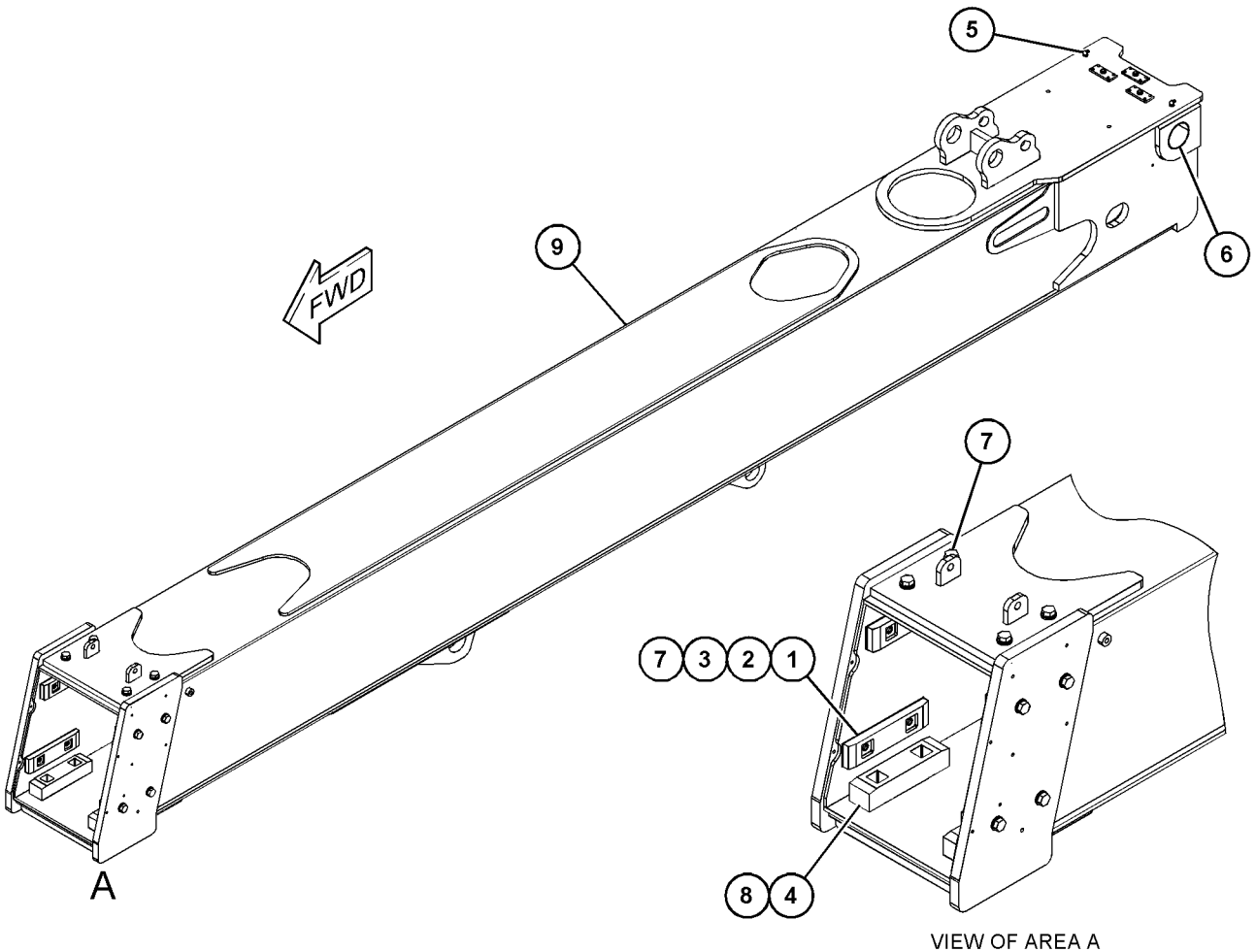
S/N: TH21-UP; TH31-UP
PART OF 499-2174 BOOM AR

SMCS-6501

i06811053

NOTE	REF NO	GRAPHIC REF	PART NUMBER	QTY	PART NAME						SEE PAGE
					1	2	3	4	5	6	
B	1	1	459-1953	2	SHIM (1-MM THK)						
B	2	1	398-9127	3	WASHER-HARD (13X24X2.5-MM THK)						
BM	3	1	459-8888	1	BOLT (M12X1.75X35-MM)						
BM	4	1	459-3673	1	BOLT (M12X1.75X40-MM)						
	5	1	442-9830	4	FITTING-GREASE						
	6	1	318-7351	2	BEARING						
	7	1	459-1954	6	PAD AS						
	8	1	499-2172	2	PAD AS						
	9	1	499-2173	1	BOOM AS						

B - USE AS REQUIRED
M - METRIC PART



GRAPHIC #1

<END>

g06045620

IMPLEMENTS

497-9577 BRUSH GP-BOOM

S/N: TH21-UP; TH31-UP

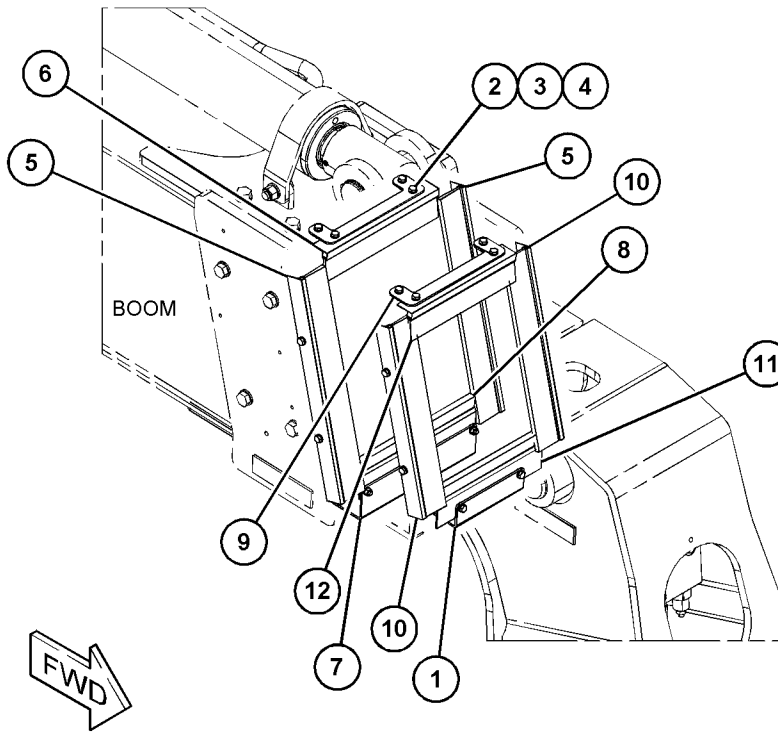
PART OF 505-5252 BOOM & CHASSIS AR

SMCS-7158

i06823052

NOTE	REF NO	GRAPHIC REF	PART NUMBER	QTY	PART NAME						SEE PAGE
					1	2	3	4	5	6 (PRODUCT LEVEL)	
	1	1	521-1510	1	BRACKET						
M	2	1	5C-9553	16	BOLT (M6X1X16-MM)						
M	3	1	5C-2890	8	NUT (M6X1-THD)						
	4	1	8T-4205	24	WASHER-HARD (7.2X14.5X2-MM THK)						
	5	1	497-9578	2	BRUSH						
	6	1	497-9579	1	BRUSH						
	7	1	521-1511	1	BRACKET						
	8	1	497-9581	1	BRUSH						
	9	1	521-1509	2	BRACKET						
	10	1	492-4998	2	BRUSH						
	11	1	497-9586	1	BRUSH						
	12	1	497-9585	1	BRUSH						

M - METRIC PART



GRAPHIC #1

<END>

g06131170

IMPLEMENTS

492-5091 INDICATOR GP-BOOM ANGLE

S/N: TH31-UP

FOR USE IN AUSTRALIA AND NEW ZEALAND ONLY

PART OF 515-9684 CONFIGURATION AR

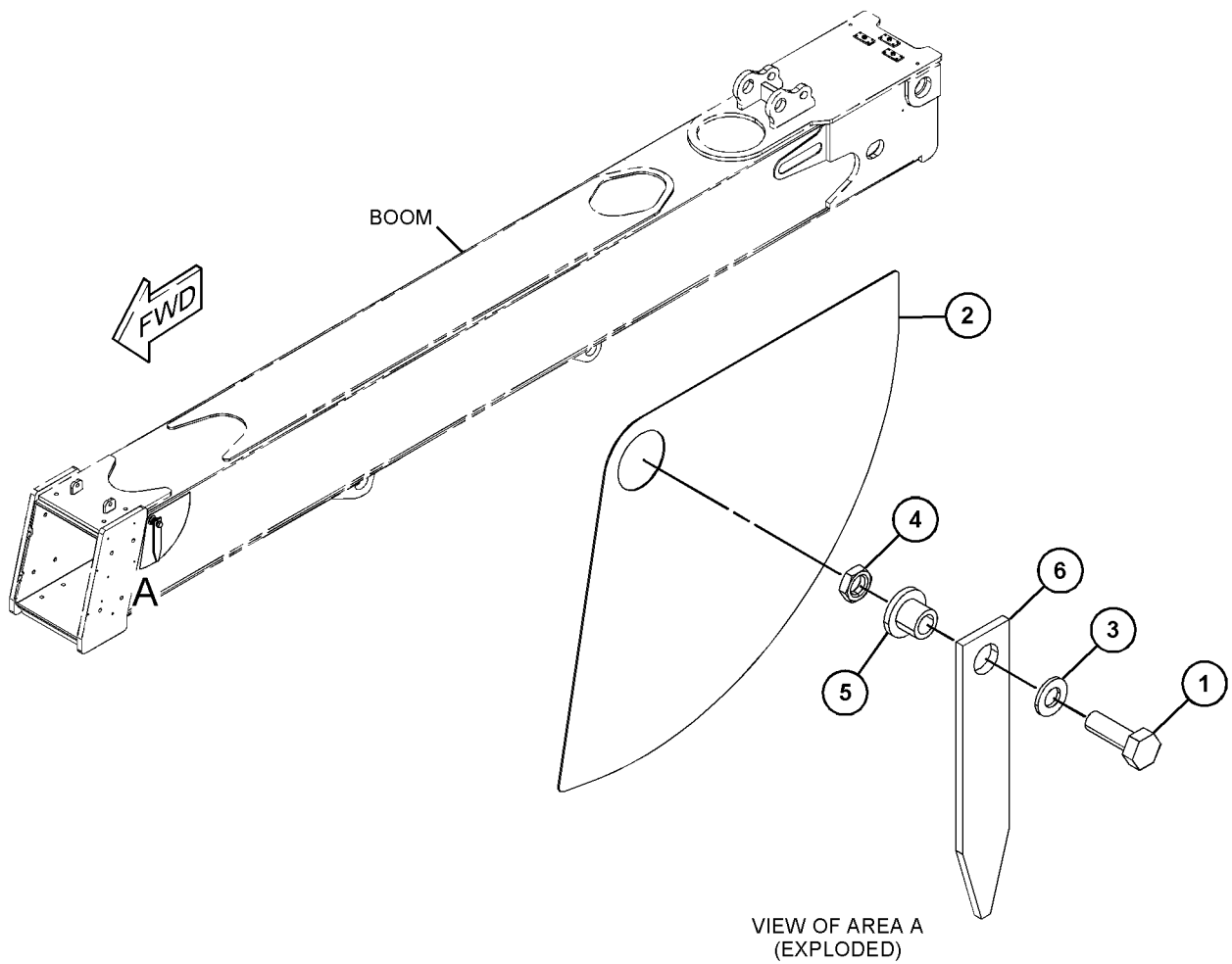
AN ATTACHMENT

SMCS-7858

i06591321

NOTE	REF NO	GRAPHIC REF	PART NUMBER	QTY	PART NAME						SEE PAGE
					1	2	3	4	5	6	
M	1	1	8T-4195	1	BOLT (M10X1.5X30-MM)						
	2	1	298-0576	1	FILM-IDENTIFICATION (BOOM ANGLE)						
	3	1	8T-4121	1	WASHER-HARD (11X21X2.5-MM THK)						
	4	1	492-5069	1	NUT-HEX						
	5	1	471-6032	1	BUSHING						
	6	1	320-7883	1	POINTER						

M - METRIC PART



GRAPHIC #1

<END>

g06040913

IMPLEMENTS

499-0269 LEVER GP-TILT

S/N: TH21-UP; TH31-UP

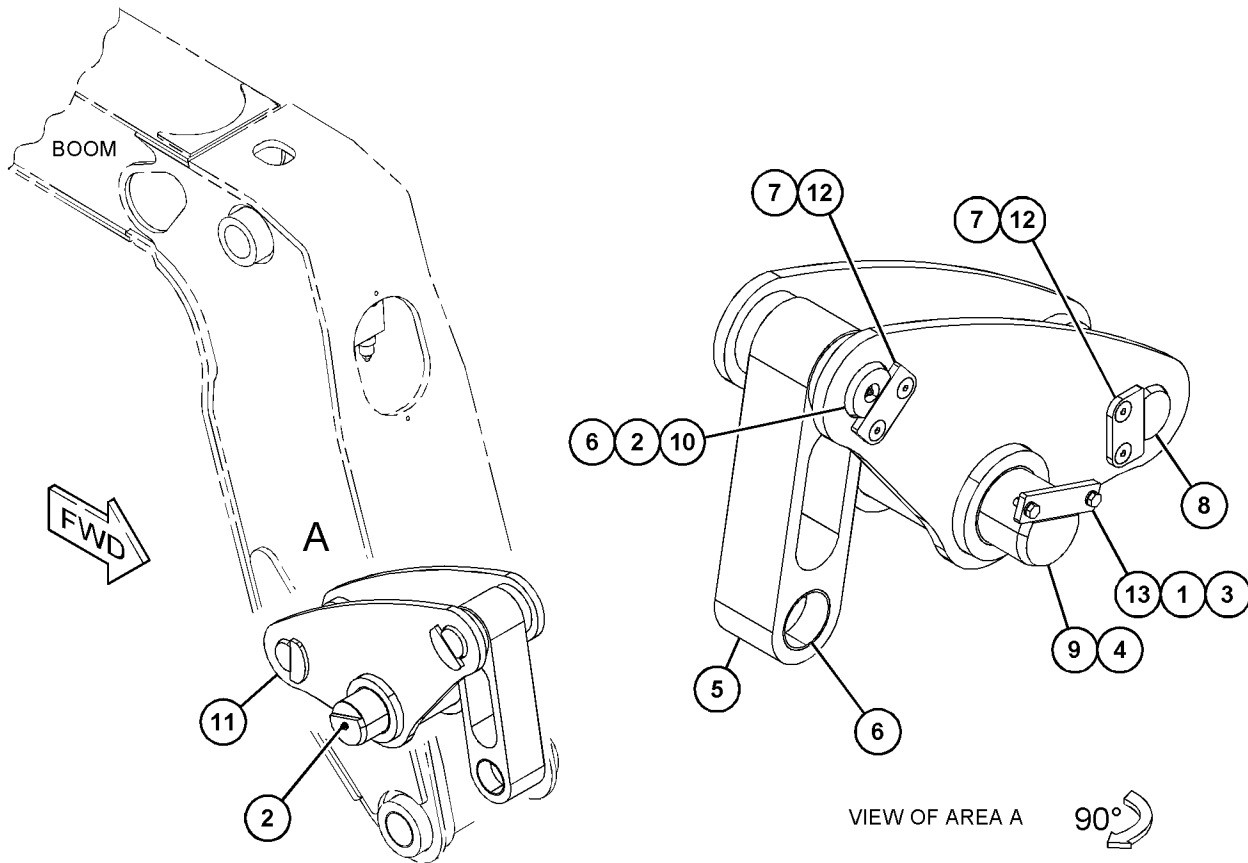
PART OF 505-5252 BOOM & CHASSIS AR

SMCS-6116

i06669040

NOTE	REF NO	GRAPHIC REF	PART NUMBER	QTY	PART NAME						SEE PAGE
					1	2	3	4	5	6 (PRODUCT LEVEL)	
M	1	1	8T-4189	2	BOLT (M8X1.25X20-MM)						
	2	1	323-5623	2	FITTING						
	3	1	298-7387	2	LOCKWASHER						
	4	1	318-7355	2	BEARING						
	5	1	315-3638	1	LINK						
	6	1	329-3613	4	BEARING						
M	7	1	127-2909	4	SCREW-FLAT HEAD (M10X1.5X20-MM)						
	8	1	494-9793	1	PIN						
	9	1	494-9794	1	PIN						
	10	1	494-9795	1	PIN						
	11	1	510-1175	1	LEVER AS						
	12	1	494-9797	2	PLATE						
	13	1	494-1912	1	PLATE						

M - METRIC PART



GRAPHIC #1

<END>

g06044079

IMPLEMENTS

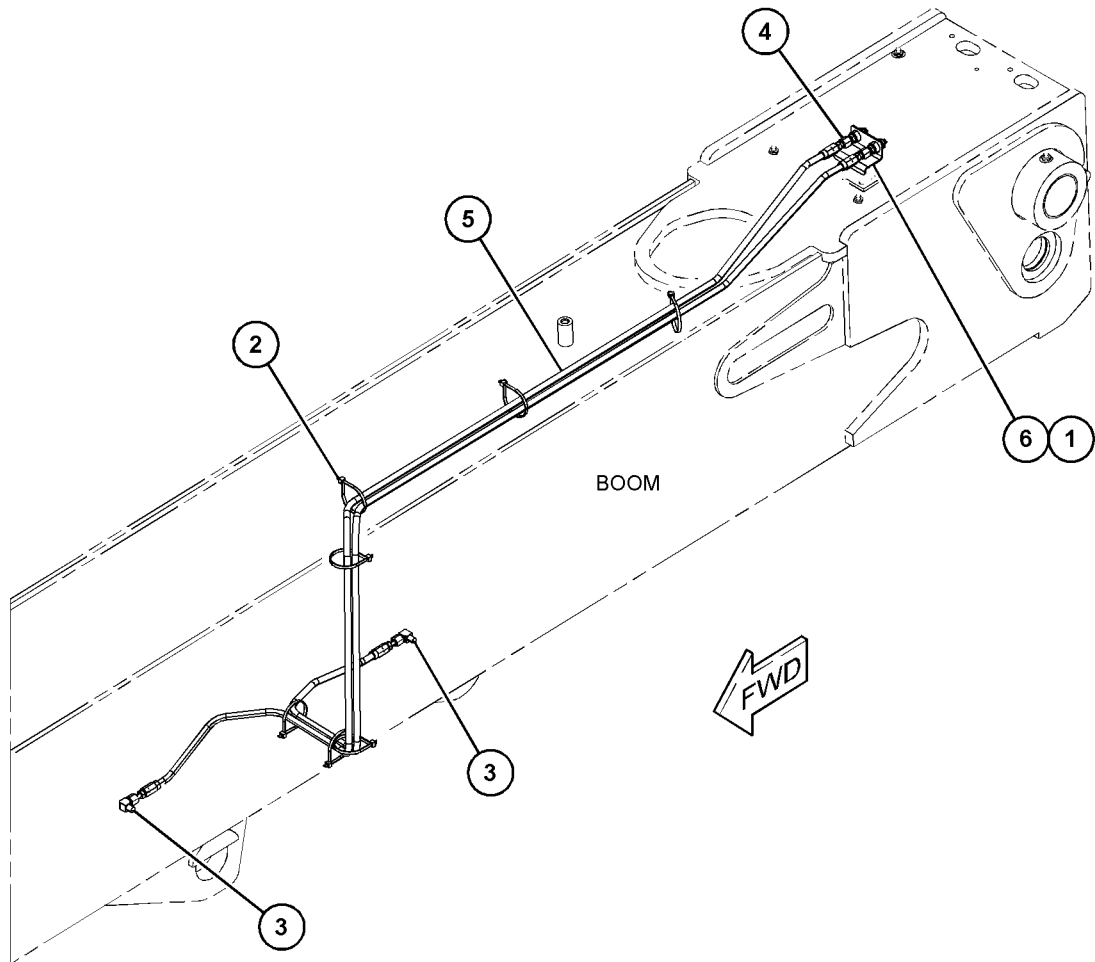
521-2830 LINES GP-GREASE-BOOM

S/N: TH21-UP; TH31-UP
PART OF 505-5240 HYDRAULIC AR

SMCS-7510

i06818932

NOTE	REF NO	GRAPHIC REF	PART NUMBER	QTY	PART NAME						SEE PAGE
					1	2	3	4	5	6	
	1	1	437-0940	2	FITTING						
	2	1	3S-2093	7	STRAP-CABLE						
	3	1	330-8923	2	ELBOW						
	4	1	327-1786	2	FITTING-ADAPTER						
	5	1	521-2834	1	HOSE						
	6	1	521-2831	1	BRACKET						



GRAPHIC #1

<END>

g06132994

WORK TOOLS

229-9714 ARM GP-MATERIAL HANDLING

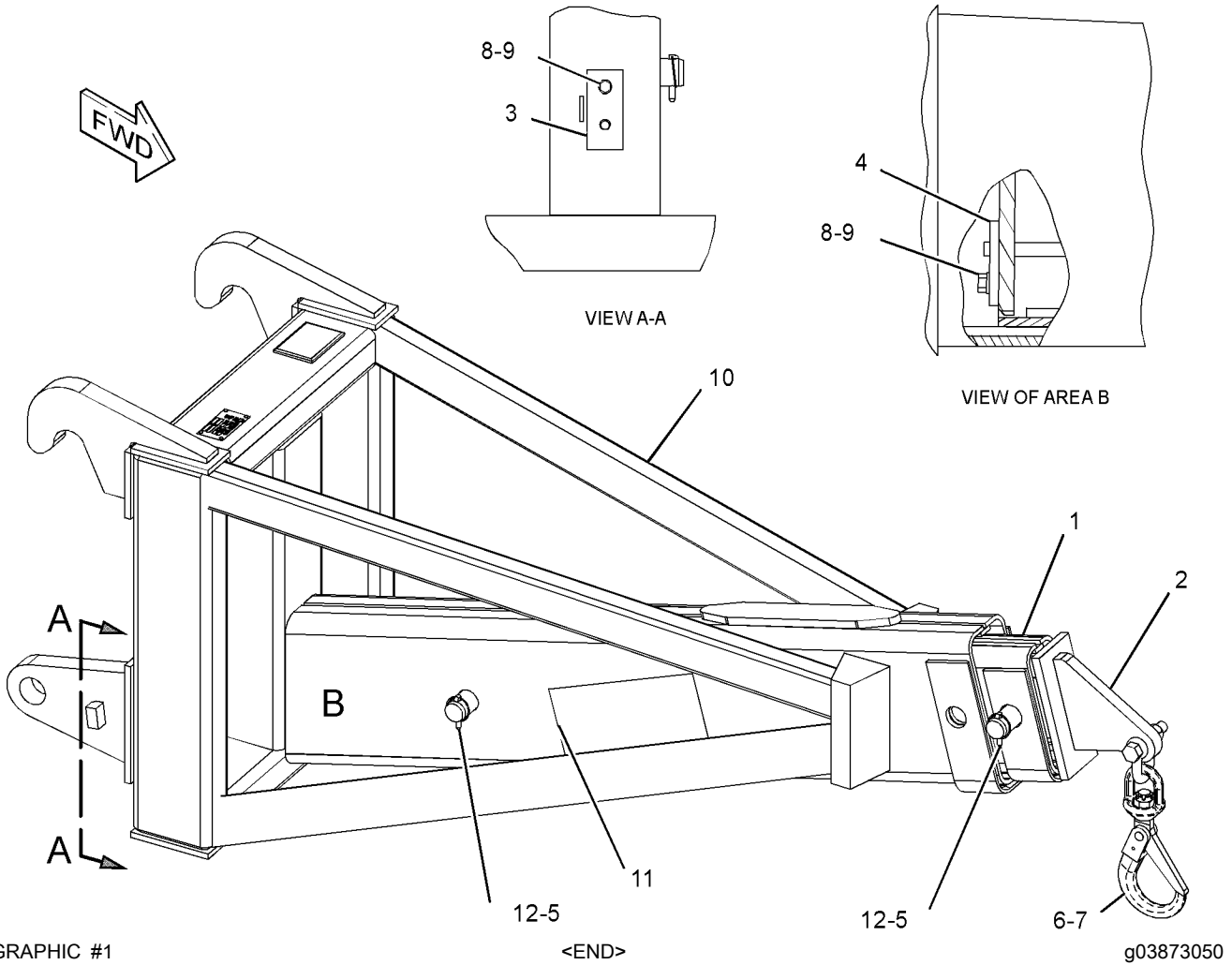
S/N: TH21-UP; TH31-UP

AN ATTACHMENT

SMCS-6542

i06249037

NOTE	REF NO	GRAPHIC REF	PART NUMBER	QTY	PART NAME						SEE PAGE
					1	2	3	4	5	6 (PRODUCT LEVEL)	
	1	1	6W-5652	1	EXTENSION AS (MIDDLE)						
	2	1	6W-5656	1	EXTENSION AS (OUTER)						
	3	1	6W-5678	1	RETAINER AS						
	4	1	6W-5679	1	RETAINER AS						
(EACH RETAINER AS INCLUDES)											
		1	6W-5677	1	ROD						
	5	1	8D-3791	2	PIN						
	6	1	9V-2714	1	HOOK						
	7	1	9V-2715	1	SHACKLE AS						
	8	1	5M-3062	2	BOLT (3/8-16X0.75-IN)						
	9	1	8T-4896	2	WASHER-HARD (10.2X18.5X2.5-MM THK)						
	10	1	229-9715	1	BASE AS						
	11	1	233-2944	2	FILM-INSTRUCTION (LOAD CAPACITY, READ OMM)						
	12	1	5G-2373	2	PIN						



WORK TOOLS

169-3945 BOOM GP-TRUSS

S/N: TH21-UP; TH31-UP

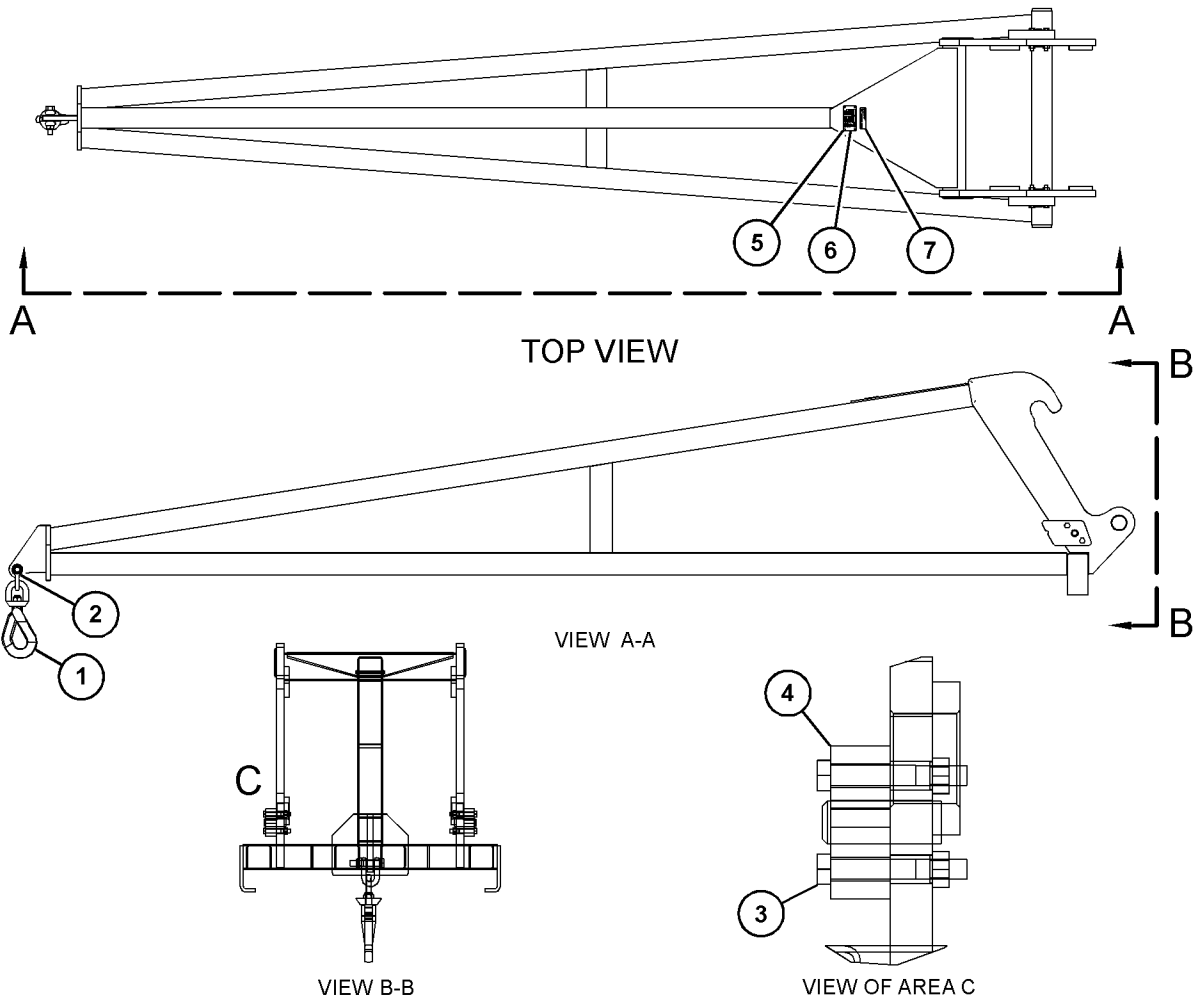
PART OF 456-0473 BOOM GP-TRUSS
AN ATTACHMENT

SMCS-6501

i05743136

NOTE	REF NO	GRAPHIC REF	PART NUMBER	QTY	PART NAME						SEE PAGE
					1	2	3	4	5	6	
	1	1	9V-2714	1	HOOK						
	2	1	9V-2715	1	SHACKLE AS						
M	3	1	8T-6868	4	BOLT (M12X1.75X80-MM)						
	4	1	169-3943	2	BLOCK						
	5	1	168-8389	4	TACK (METAL)						
	6	1	180-3516	1	PLATE-IDENTIFICATION (MATERIAL HANDLING)						
	7	1	354-7356	1	PLATE-CERTIFICATION						

M - METRIC PART



GRAPHIC #1

<END>

g03652692

WORK TOOLS

456-0473 BOOM GP-TRUSS

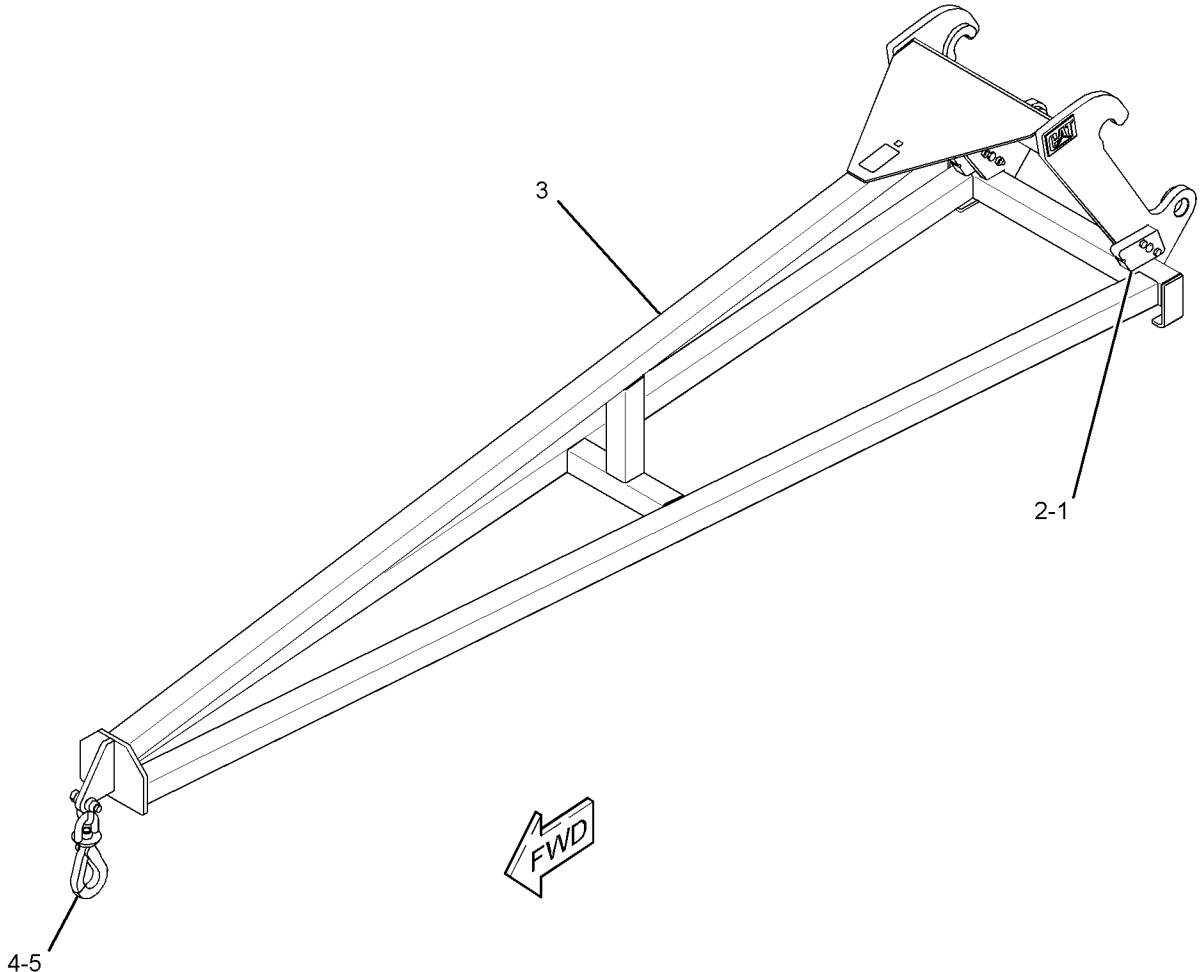
S/N: TH21-UP; TH31-UP
AN ATTACHMENT

SMCS-6501

i05685349

NOTE	REF NO	GRAPHIC REF	PART NUMBER	QTY	PART NAME						SEE PAGE
					1	2	3	4	5	6 (PRODUCT LEVEL)	
M	1	1	8T-6868	4	BOLT (M12X1.75X80-MM)						
	2	1	169-3943	2	BLOCK						
Y	3	1	169-3945	1	BOOM GP-TRUSS						765
	4	1	9V-2714	1	HOOK						
	5	1	9V-2715	1	SHACKLE AS						

M - METRIC PART
Y - SEPARATE ILLUSTRATION



GRAPHIC #1

<END>

g03641822

WORK TOOLS

479-0239 BOOM GP-TRUSS

S/N: TH21-UP; TH31-UP

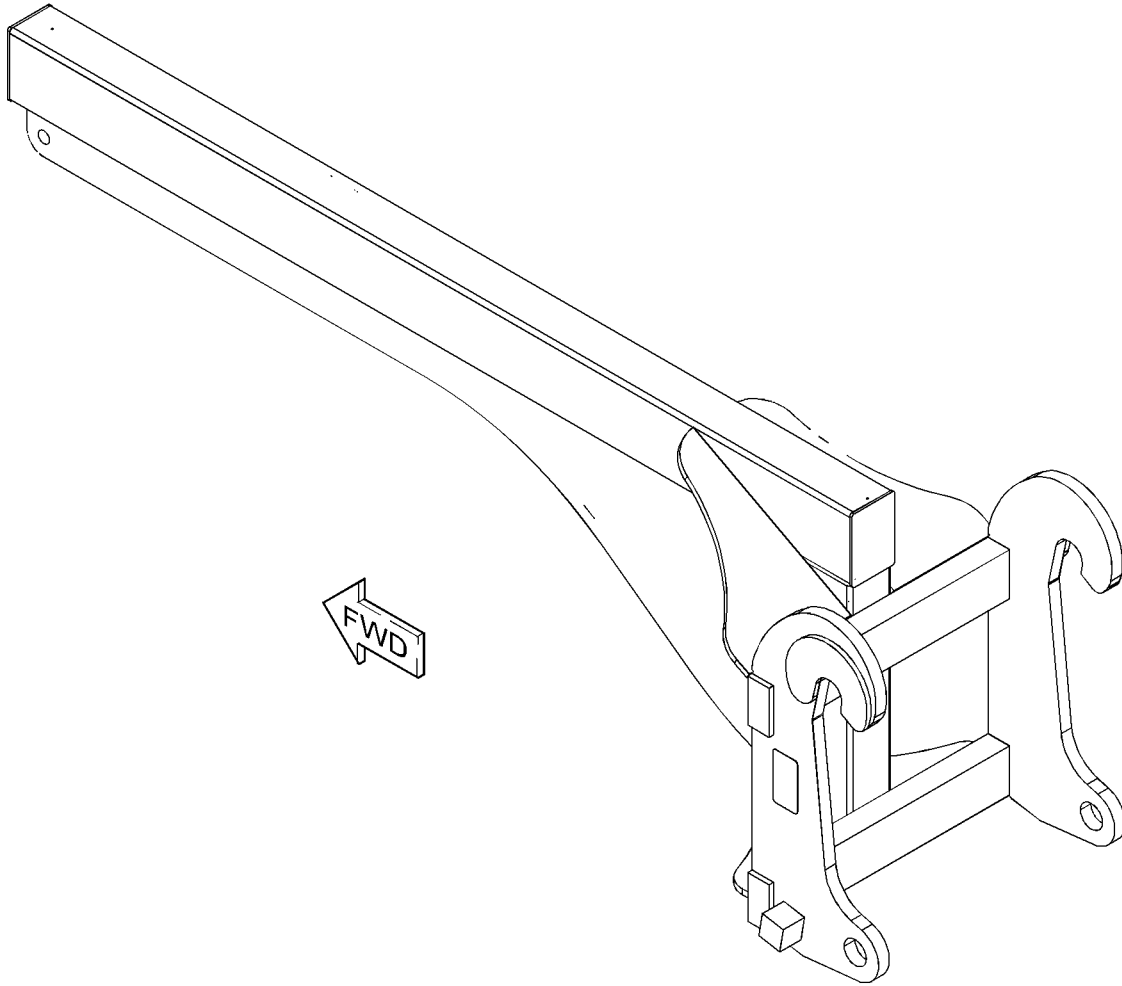
AN ATTACHMENT

SMCS-6501

i06836833

NOTE	REF NO	GRAPHIC REF	PART NUMBER	QTY	PART NAME	SEE PAGE
					1 2 3 4 5 6 (PRODUCT LEVEL)	

(NO BREAKDOWN OF SERVICEABLE PARTS AVAILABLE AT TIME OF PUBLICATION)



GRAPHIC #1

<END>

g06137515

WORK TOOLS

491-9893 BOOM GP-TRUSS

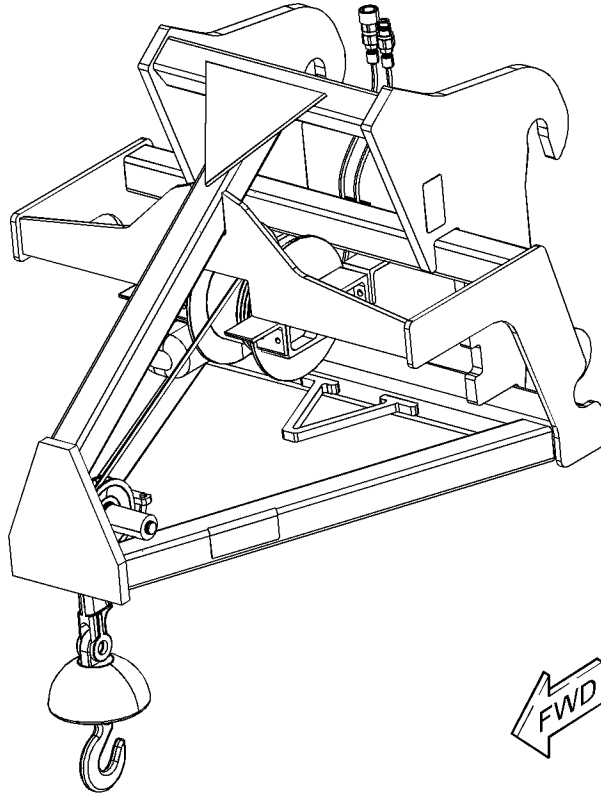
S/N: TH21-UP; TH31-UP
FOR USE IN NACD REGION ONLY
AN ATTACHMENT

SMCS-6501

i06836911

NOTE	REF NO	GRAPHIC REF	PART NUMBER	QTY	PART NAME	SEE PAGE
					1 2 3 4 5 6 (PRODUCT LEVEL)	

(NO BREAKDOWN OF SERVICEABLE PARTS AVAILABLE
AT TIME OF PUBLICATION)



GRAPHIC #1

<END>

g06137561

WORK TOOLS

486-0528 BROOM GP

S/N: TH21-UP; TH31-UP

AN ATTACHMENT

SMCS-6335

i06927678

NOTE	REF NO	GRAPHIC REF	PART NUMBER	QTY	PART NAME						SEE PAGE
					1	2	3	4	5	6 (PRODUCT LEVEL)	
	1	2	528-4804	1	PLATE						
	2	1	528-4805	2	ADAPTER						
	3	1	528-4806	1	CYLINDER						
	4	1	153-2994	1	COUPLING (FEMALE)						
	5	1	153-2995	1	COUPLING (MALE)						
	6	4	528-3194	1	KIT-BROOM JACK						
					(INCLUDES SCREW, BOLTS, SPRING WASHERS, WASHERS & BRUSHES)						
	7	1	528-4807	2	STRAP						
	8	2	528-3858	1	KIT-BROOM FLOAT GUIDE						
					(INCLUDES FLOAT BRACKET, BOLTS, WASHERS & FLOAT POINTER)						
	9	1	528-4808	2	STOP						
	10	1	528-4809	1	PIVOT						
	11	1	528-4810	1	PIVOT						
	12	1	528-4811	1	GUARD-SIDE						
	13	3	528-4812	1	GUARD						
	14	4	528-4813	1	CORE-BRUSH						
	15	3	528-3866	1	KIT-VALVE						
					(INCLUDES OVERTHROW CONTROL VALVE, ADAPTERS & CAP HEADS)						
					AVAILABLE REPAIR KIT(S):						
			528-3015	1	KIT-BRUSH						
					(INCLUDES PARTS MARKED J IN THE GRAPHICS)						
			528-3023	2	KIT-BEARING						
					(INCLUDES PARTS MARKED H IN THE GRAPHICS)						
			528-3024	1	KIT-HOPPER ARM						
					(INCLUDES PARTS MARKED P IN THE GRAPHICS)						
			528-3027	1	KIT-BROOM JACK						
					(INCLUDES PARTS MARKED N IN THE GRAPHICS)						
			528-3191	1	KIT-MOTOR						
					(INCLUDES PARTS MARKED L IN THE GRAPHICS)						
			528-3702	1	KIT-BEARING						
					(INCLUDES PARTS MARKED HP IN THE GRAPHICS)						
			528-3710	1	KIT-BROOM RAM MOUNT						
					(INCLUDES PARTS MARKED S IN THE GRAPHICS)						
			528-3722	1	KIT-PLATE						
					(INCLUDES PARTS MARKED T IN THE GRAPHICS)						
			528-3741	2	KIT-BRUSH						
					(INCLUDES PARTS MARKED U IN THE GRAPHICS)						
			528-3751	2	KIT-BROOM FRONT RUBBER						
					(INCLUDES PARTS MARKED V IN THE GRAPHICS)						
			528-3806	4	KIT-BEARING						
					(INCLUDES PARTS MARKED X IN THE GRAPHICS)						
			528-3807	1	KIT-COVER						
					(INCLUDES PARTS MARKED W IN THE GRAPHICS)						
			528-3812	2	KIT-STOP						
					(INCLUDES PARTS MARKED HJ IN THE GRAPHICS)						
			528-3859	1	KIT-COVER						
					(INCLUDES PARTS MARKED HN IN THE GRAPHICS)						

WORK TOOLS

486-0528 **BROOM GP** (contd.)

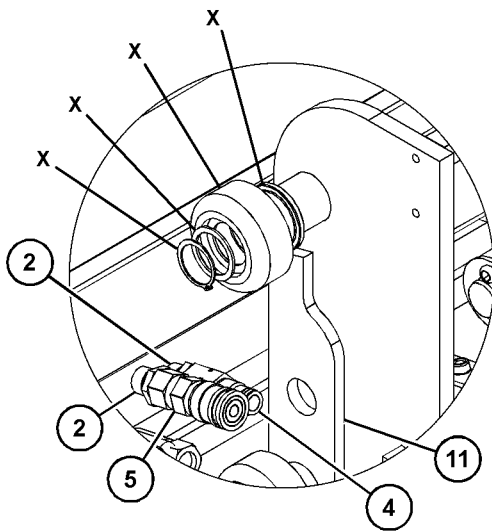
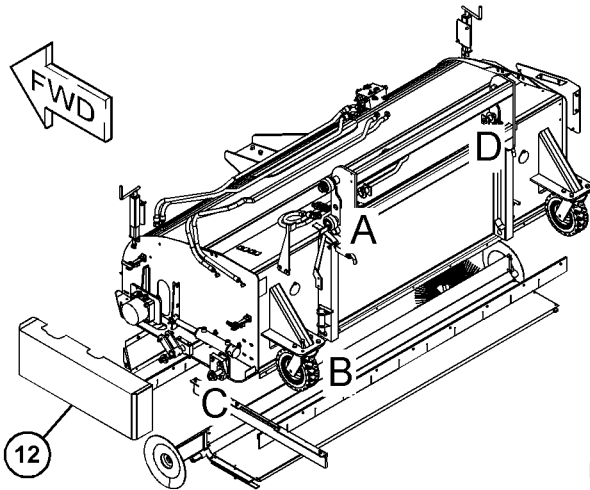
i06927678

NOTE	REF NO	GRAPHIC REF	PART NUMBER	QTY	PART NAME						SEE PAGE
					1	2	3	4	5	6 (PRODUCT LEVEL)	
			528-4293	1	KIT-HOPPER						
					(INCLUDES PARTS MARKED HL IN THE GRAPHICS)						
			528-4296	2	KIT-BROOM PIVOT PIN						
					(INCLUDES PARTS MARKED HS IN THE GRAPHICS)						
			528-4544	3	KIT-WHEEL						
					(INCLUDES PARTS MARKED HT IN THE GRAPHICS)						

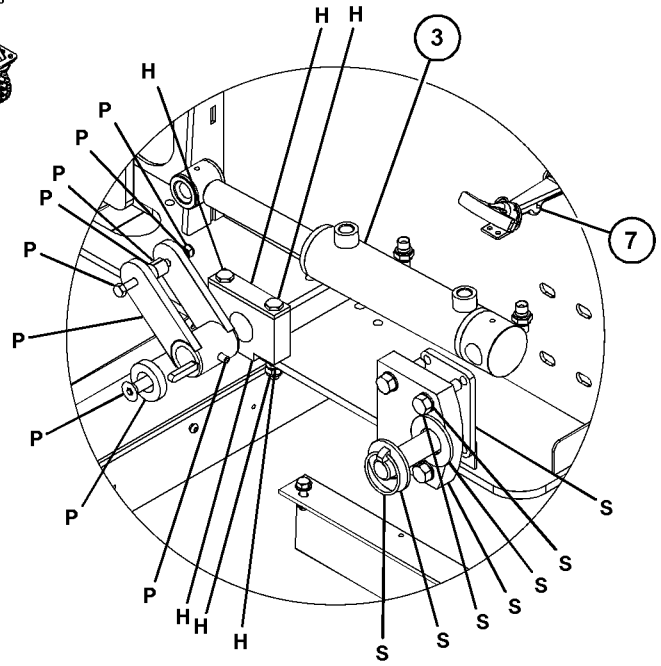
WORK TOOLS

486-0528 BROOM GP (contd.)

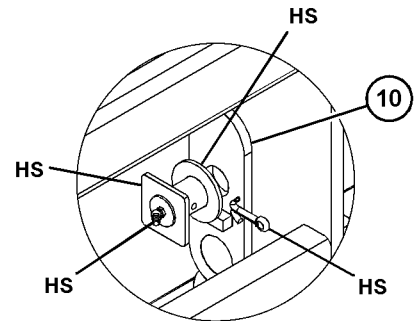
i06927678



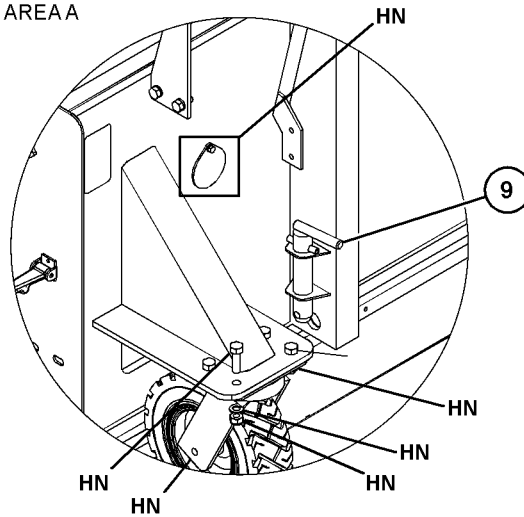
VIEW OF AREA A



VIEW OF AREA C



VIEW OF AREA D



VIEW OF AREA B

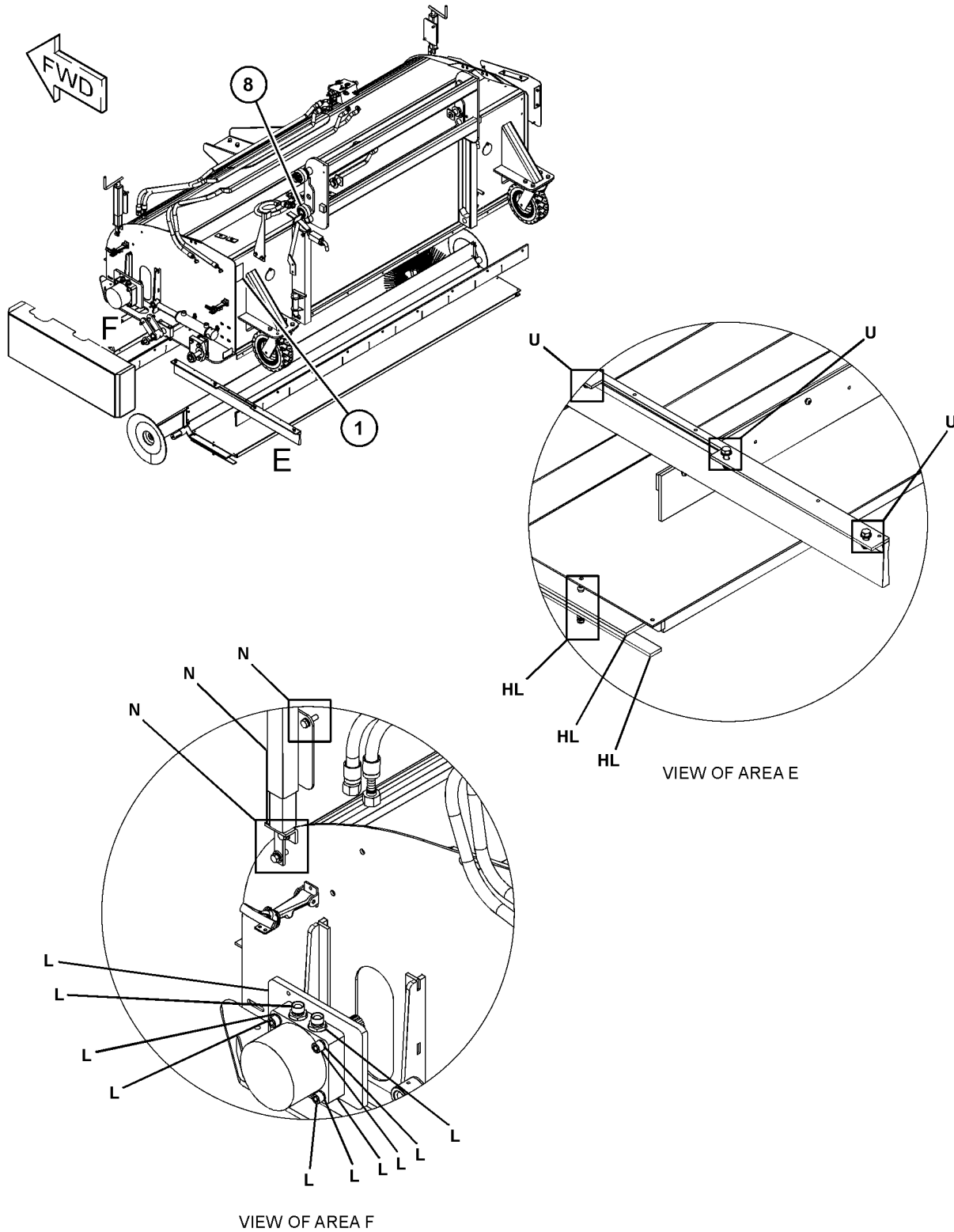
GRAPHIC #1

g06172886

WORK TOOLS

486-0528 BROOM GP (contd.)

i06927678



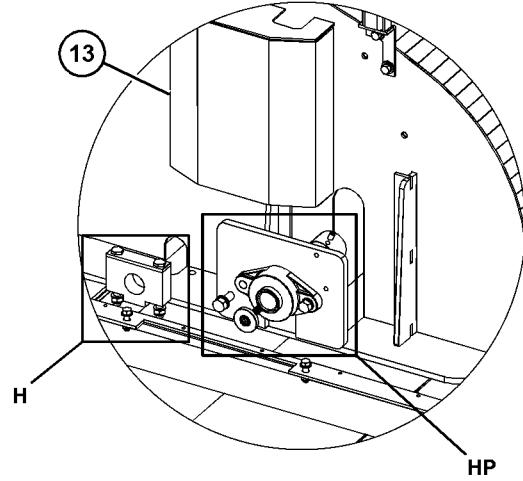
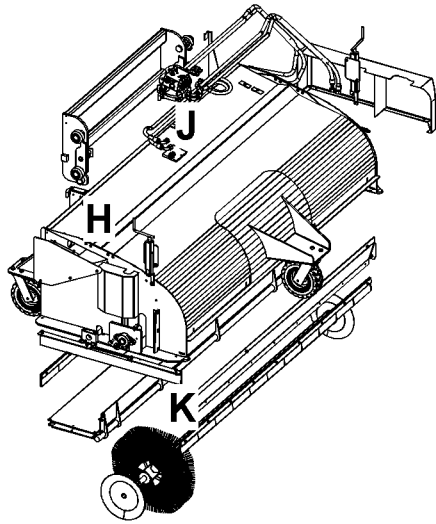
GRAPHIC #2

g06172887

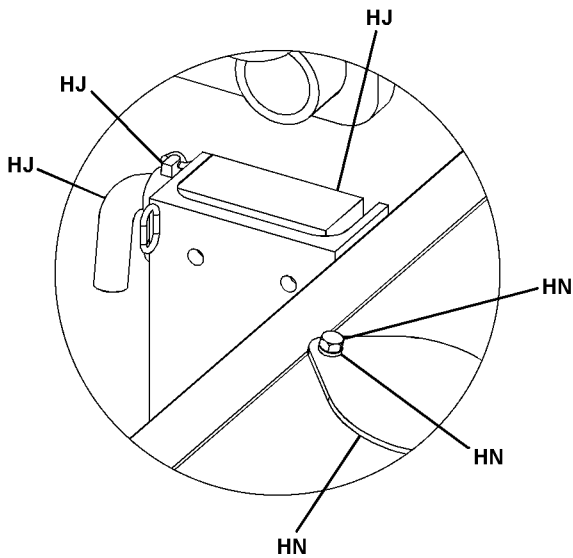
WORK TOOLS

486-0528 BROOM GP (contd.)

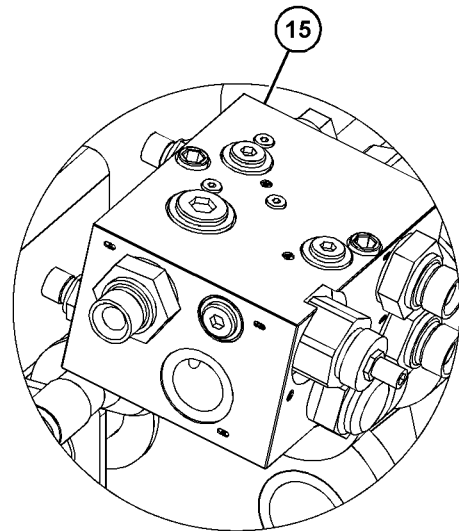
i06927678



VIEW OF AREA J



VIEW OF AREA H



VIEW OF AREA K

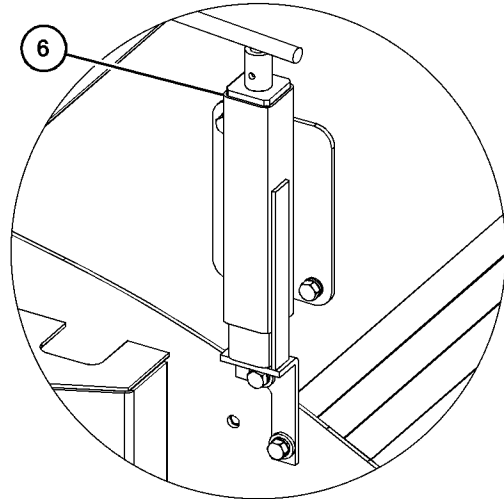
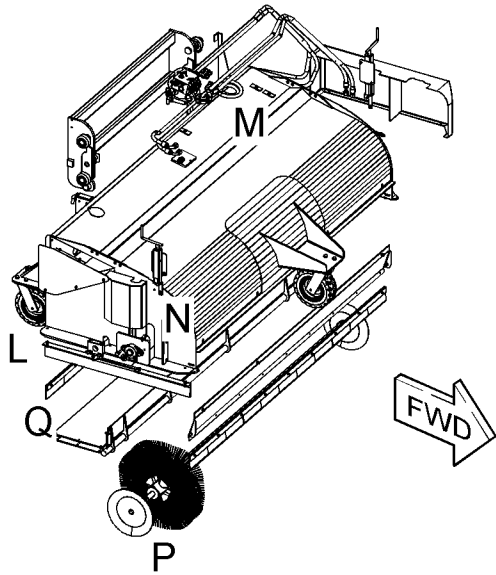
GRAPHIC #3

g06172889

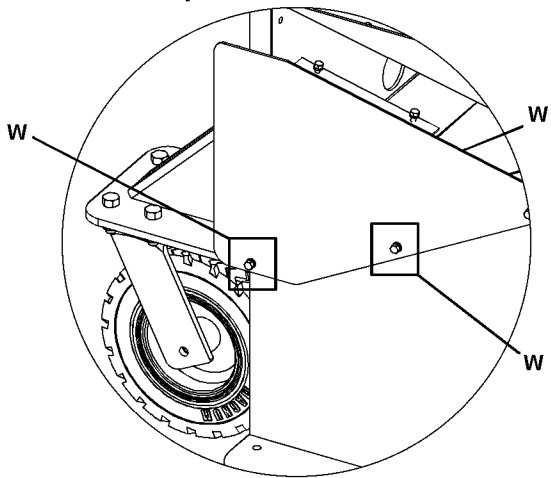
WORK TOOLS

486-0528 BROOM GP (contd.)

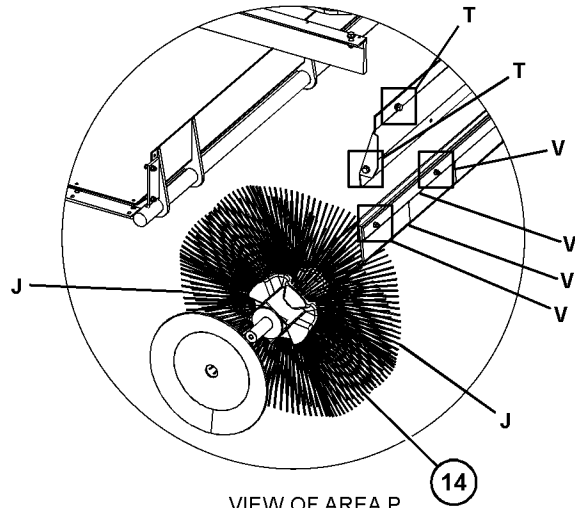
i06927678



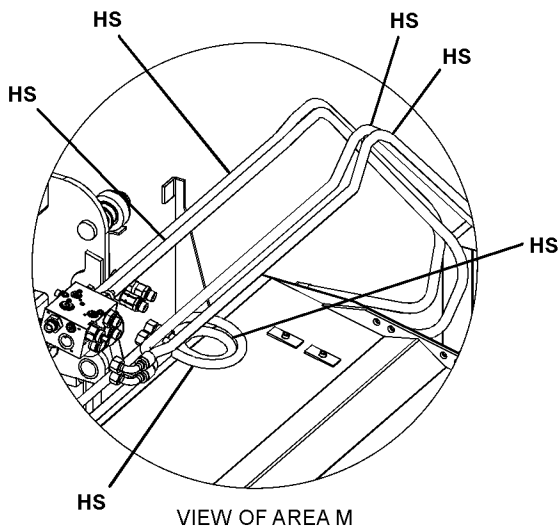
VIEW OF AREA N



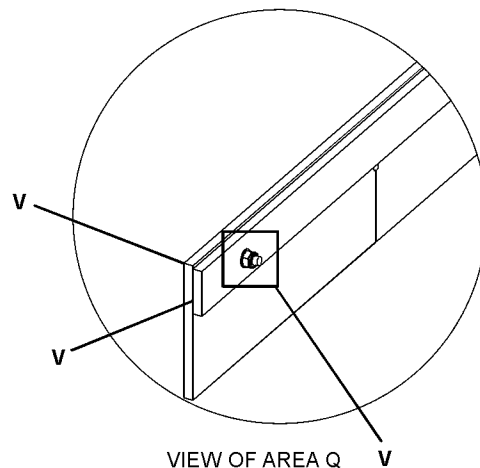
VIEW OF AREA L



VIEW OF AREA P



VIEW OF AREA M



VIEW OF AREA Q

GRAPHIC #4

<END>

g06172891

WORK TOOLS

474-2534 BUCKET GP-GENERAL PURPOSE

S/N: TH21-UP; TH31-UP

1785-MM (70.2-IN) WIDE X 0.5-CU M (0.6-CU YD) CAPACITY, NOT FOR USE IN NACD REGION
AN ATTACHMENT

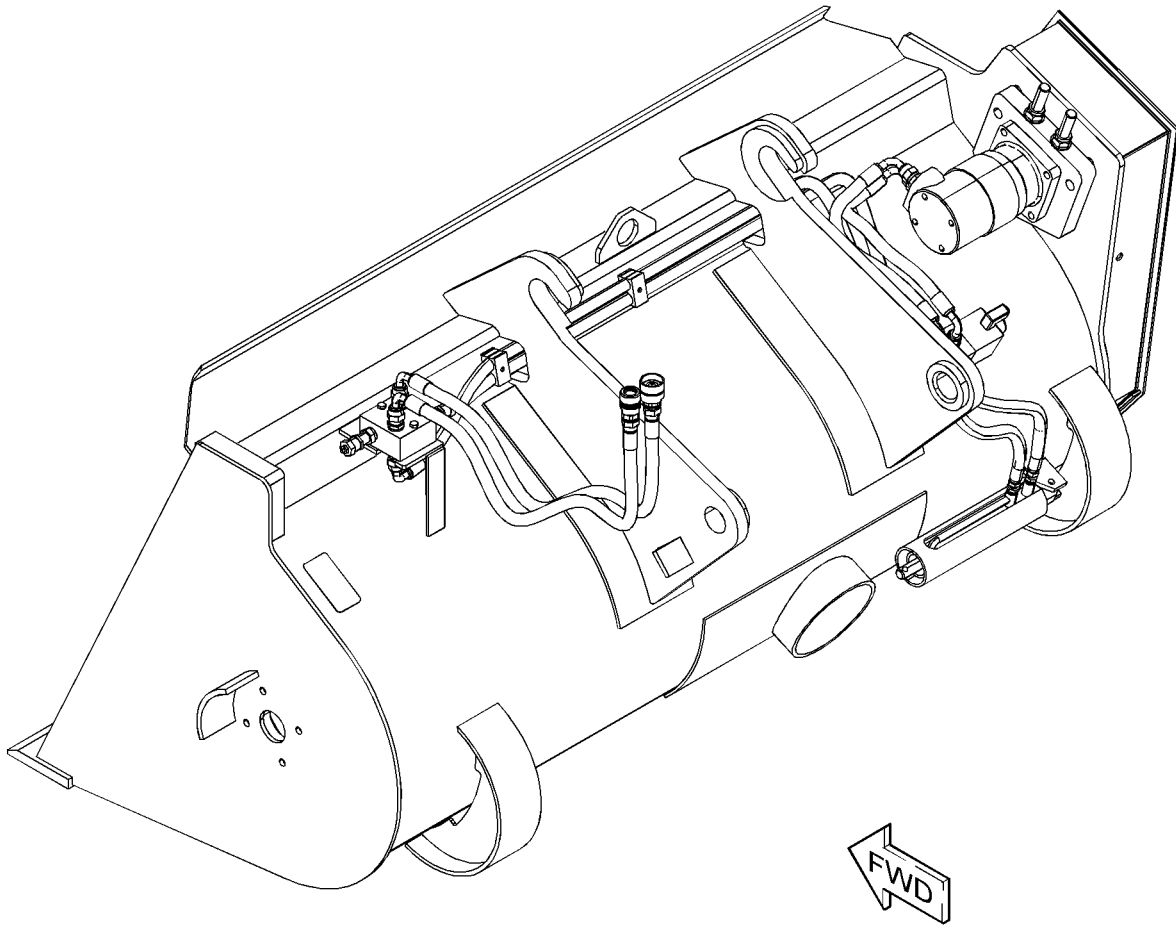
SMCS-6101

i06836817

NOTE	REF NO	GRAPHIC REF	PART NUMBER	QTY	PART NAME	SEE PAGE
------	--------	-------------	-------------	-----	-----------	----------

1 2 3 4 5 6 (PRODUCT LEVEL)

(NO BREAKDOWN OF SERVICEABLE PARTS AVAILABLE AT TIME OF PUBLICATION)



GRAPHIC #1

<END>

g06137613

WORK TOOLS

509-4664 BUCKET GP-GRAPPLE

S/N: TH21-UP; TH31-UP

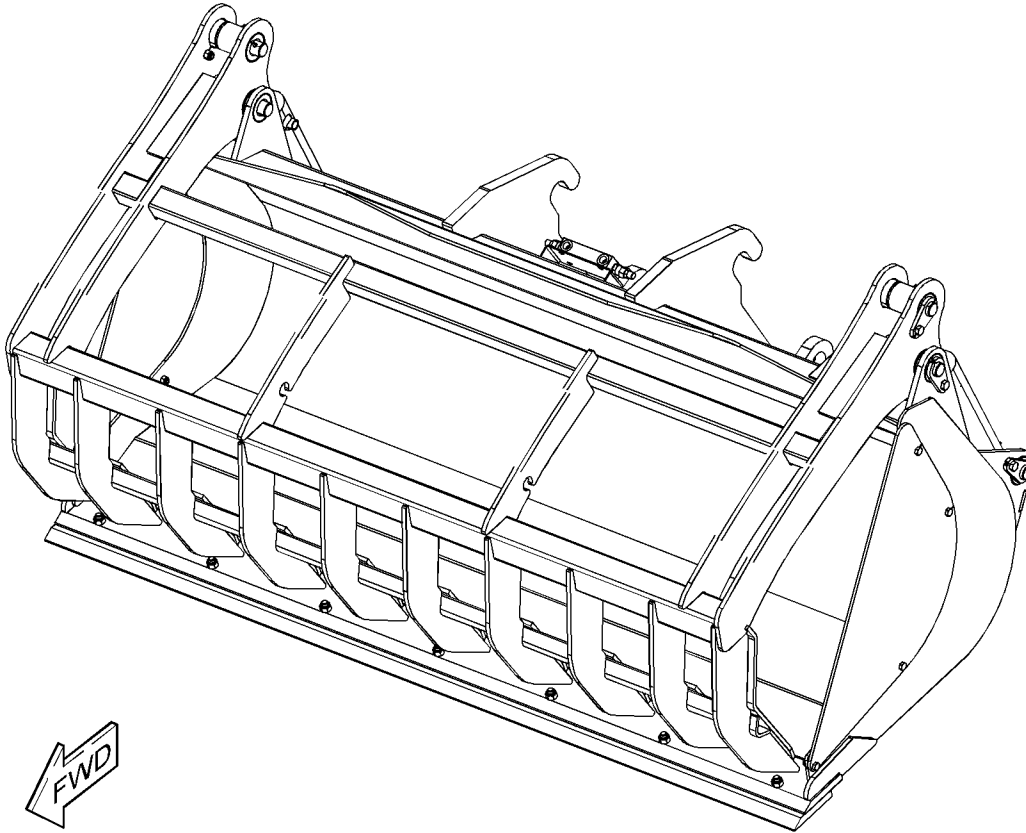
1870-MM (73.6-IN) WIDE X 1.5-CU M (1.9-CU YD) CAPACITY
AN ATTACHMENT

SMCS-6704

i06836939

NOTE	REF NO	GRAPHIC REF	PART NUMBER	QTY	PART NAME	SEE PAGE
					1 2 3 4 5 6 (PRODUCT LEVEL)	

(NO BREAKDOWN OF SERVICEABLE PARTS AVAILABLE
AT TIME OF PUBLICATION)



GRAPHIC #1

<END>

g06136889

WORK TOOLS

326-1997 CARRIAGE AS-FORK

S/N: TH21-UP; TH31-UP

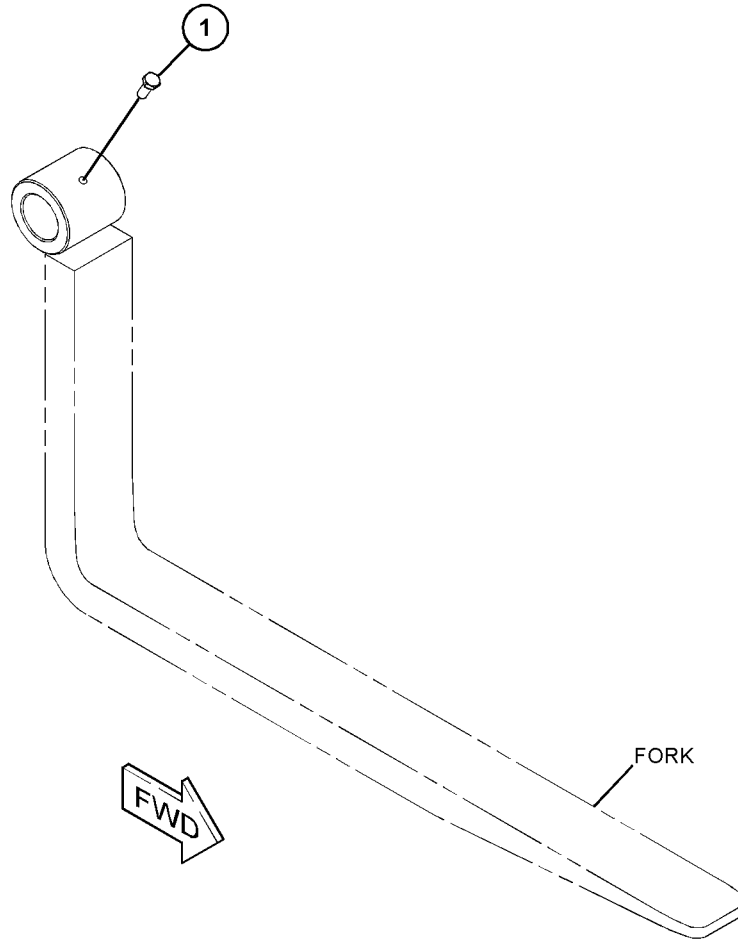
AN ATTACHMENT

SMCS-6402

i06702553

NOTE	REF NO	GRAPHIC REF	PART NUMBER	QTY	PART NAME						SEE PAGE
					1	2	3	4	5	6 (PRODUCT LEVEL)	
M	1	1	6V-3668	1	BOLT (M12X1.75X30-MM)						

M - METRIC PART



GRAPHIC #1

<END>

g06085037

WORK TOOLS

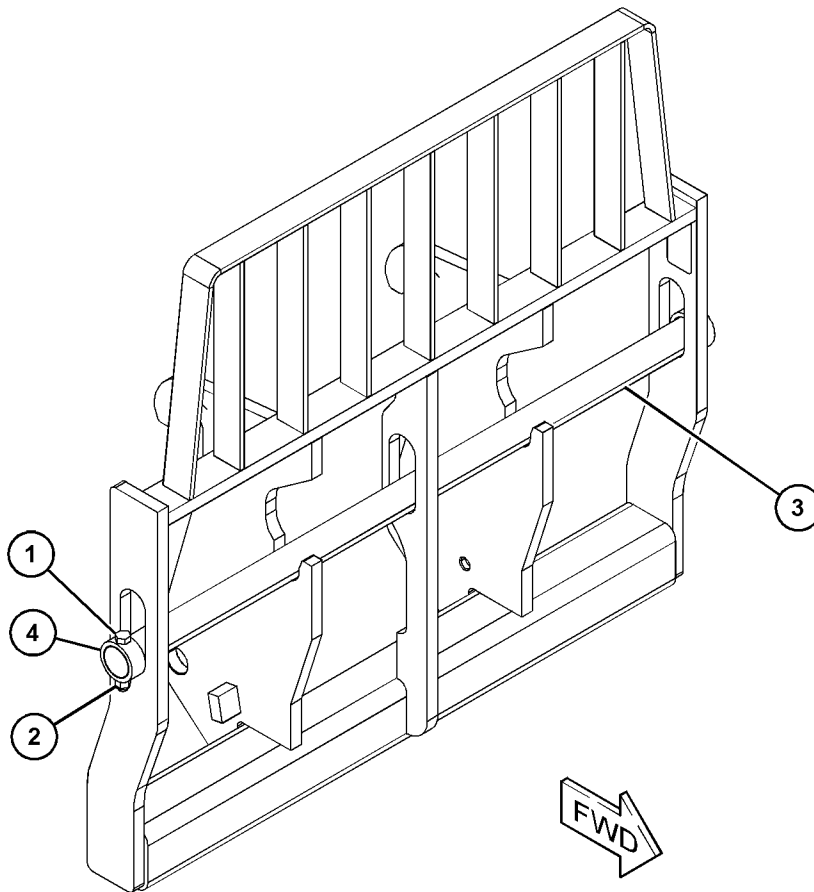
301-9757 CARRIAGE GP-TILT

S/N: TH21-UP
 1270-MM (50-INCH), FOR USE IN NACD REGION ONLY
 AN ATTACHMENT

SMCS-6402, 6409

i05757129

NOTE	REF NO	GRAPHIC REF	PART NUMBER	QTY	PART NAME						SEE PAGE
					1	2	3	4	5	6 (PRODUCT LEVEL)	
1	1	1	303-4741	2	SCREW (5/8-11X4-IN)						
2	1	1	303-4782	2	NUT (0.63-11-THD)						
3	1	1	303-4957	1	PIN						
4	1	1	303-4988	2	COLLAR						



GRAPHIC #1

<END>

g03665648

WORK TOOLS

301-9758 CARRIAGE GP-TILT

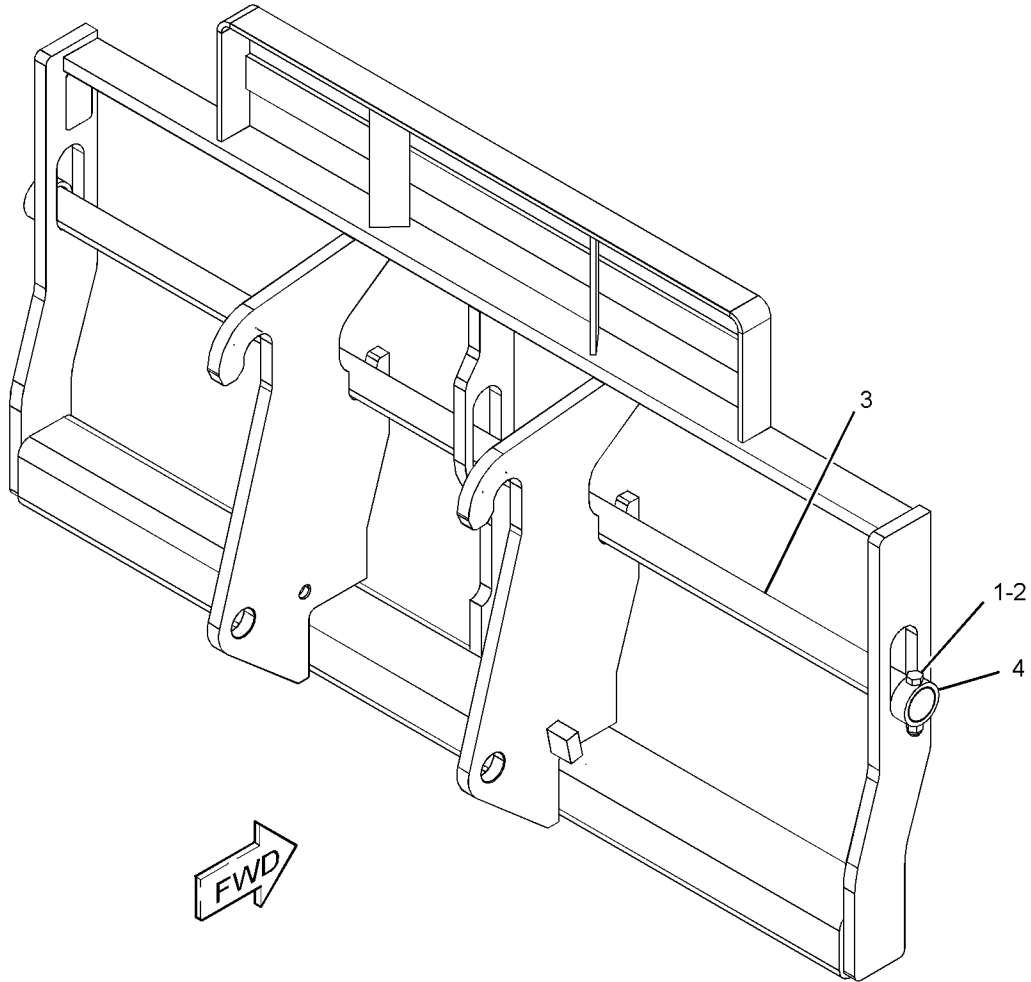
S/N: TH21-UP

1829-MM (72-INCH), FOR USE IN NACD ONLY
AN ATTACHMENT

SMCS-6402, 6409

i05757130

NOTE	REF NO	GRAPHIC REF	PART NUMBER	QTY	PART NAME						SEE PAGE
					1	2	3	4	5	6 (PRODUCT LEVEL)	
1	1	1	303-4741	2	SCREW (5/8-11X4-IN)						
2	1	1	303-4782	2	NUT (0.63-11-THD)						
3	1	1	303-4958	1	PIN						
4	1	1	303-4988	2	COLLAR						



GRAPHIC #1

<END>

g03658975

WORK TOOLS

474-0135 CARRIAGE GP

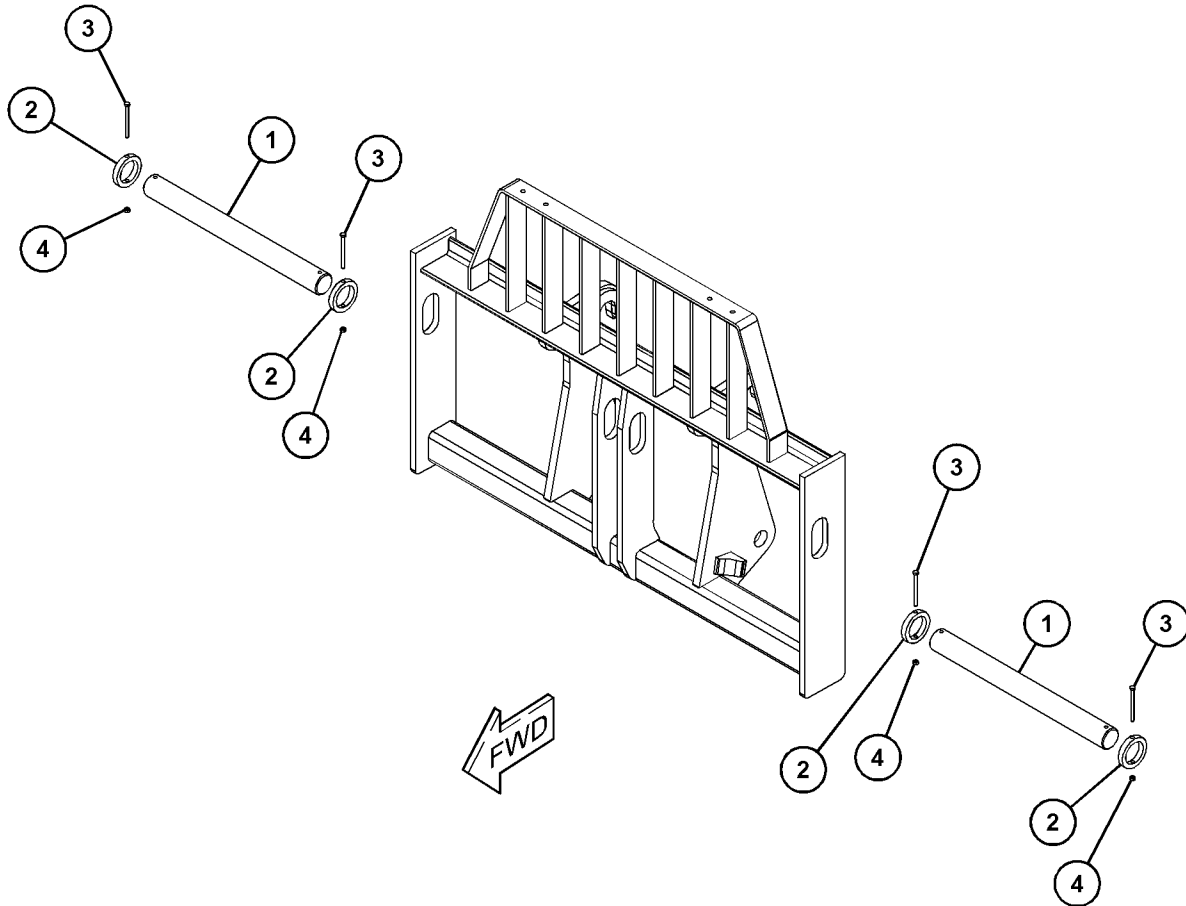
S/N: TH21-UP; TH31-UP

NOT FOR USE IN NACD
AN ATTACHMENT

SMCS-6402, 6409

i07032189

NOTE	REF NO	GRAPHIC REF	PART NUMBER	QTY	PART NAME						SEE PAGE
					1	2	3	4	5	6 (PRODUCT LEVEL)	
1		1	527-7879	2	PIN						
2		1	527-7880	4	BLOCK-PIN						
3		1	527-7881	4	BOLT						
4		1	527-7882	4	LOCKNUT						



GRAPHIC #1

<END>

g06204882

WORK TOOLS

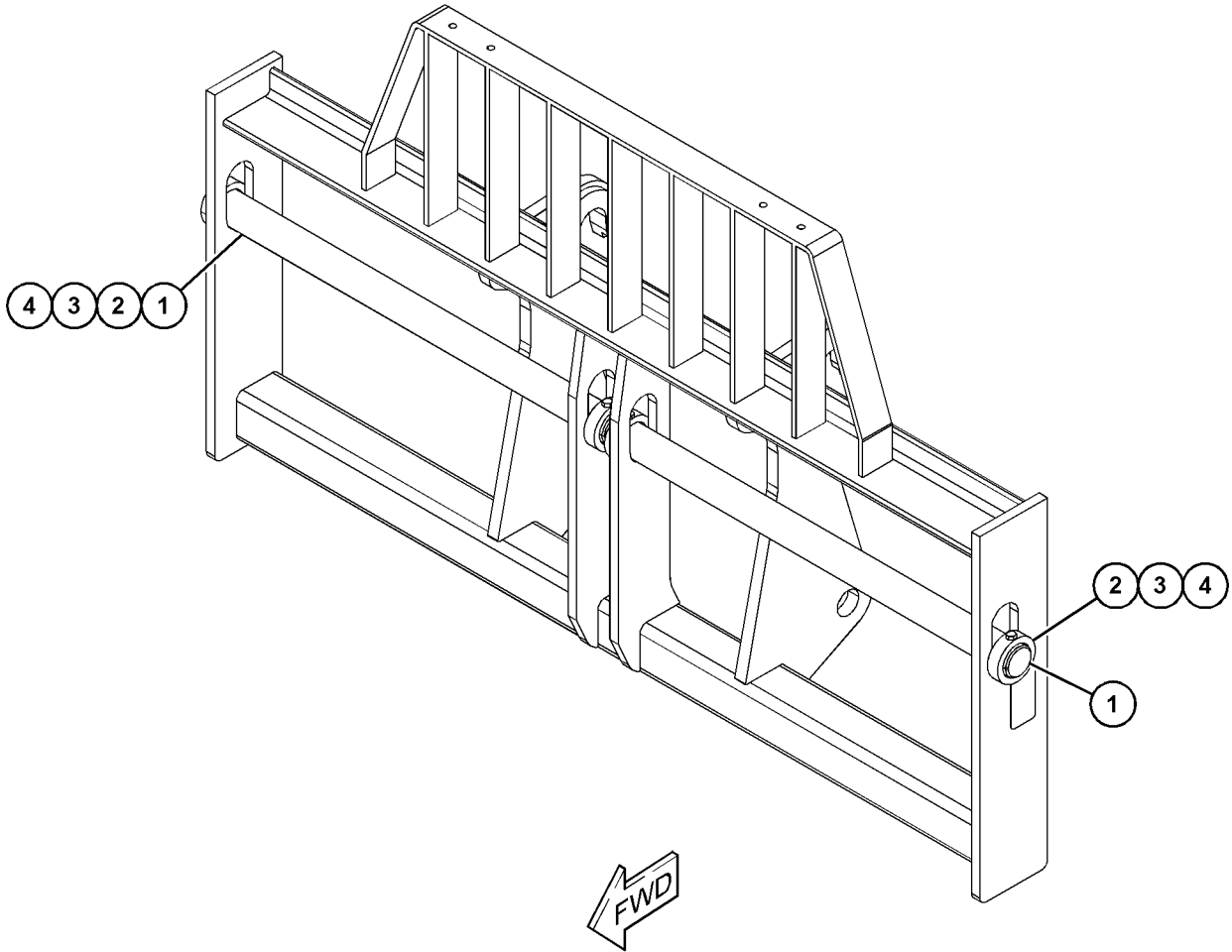
474-0136 CARRIAGE GP

S/N: TH21-UP; TH31-UP
CAN NOT BE USED IN NACD
AN ATTACHMENT

SMCS-6402, 6409

i07032179

NOTE	REF NO	GRAPHIC REF	PART NUMBER	QTY	PART NAME						SEE PAGE
					1	2	3	4	5	6 (PRODUCT LEVEL)	
	1	1	527-7883	2	PIN						
	2	1	527-7880	4	BLOCK-PIN						
	3	1	527-7881	4	BOLT						
	4	1	527-7882	4	LOCKNUT						



GRAPHIC #1

<END>

g06206597

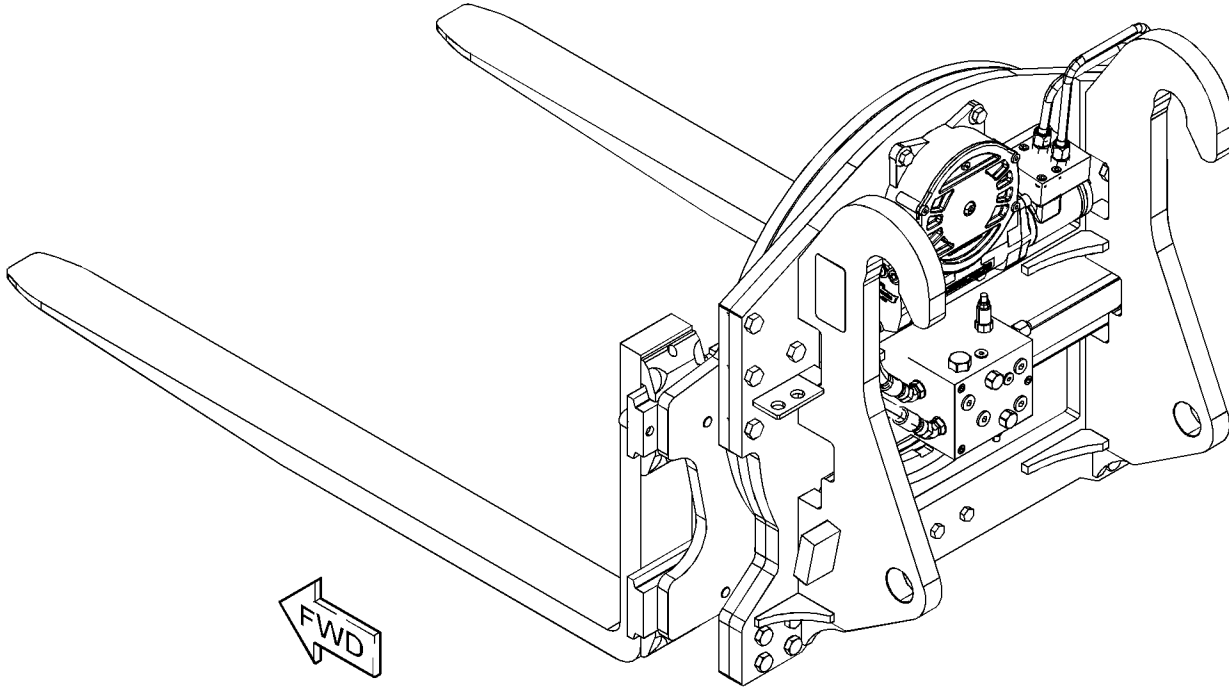
WORK TOOLS

515-1158 CARRIAGE GP-ROTATING FORK CARRIAGE S/N: TH21-UP; TH31-UP AN ATTACHMENT

SMCS-6402, 6409

i07210859

NOTE	REF NO	GRAPHIC REF	PART NUMBER	QTY	PART NAME						SEE PAGE
					1	2	3	4	5	6 (PRODUCT LEVEL)	
(NO SERVICED PARTS)											



GRAPHIC #1

<END>

g06254055

WORK TOOLS

517-6817 CARRIAGE GP

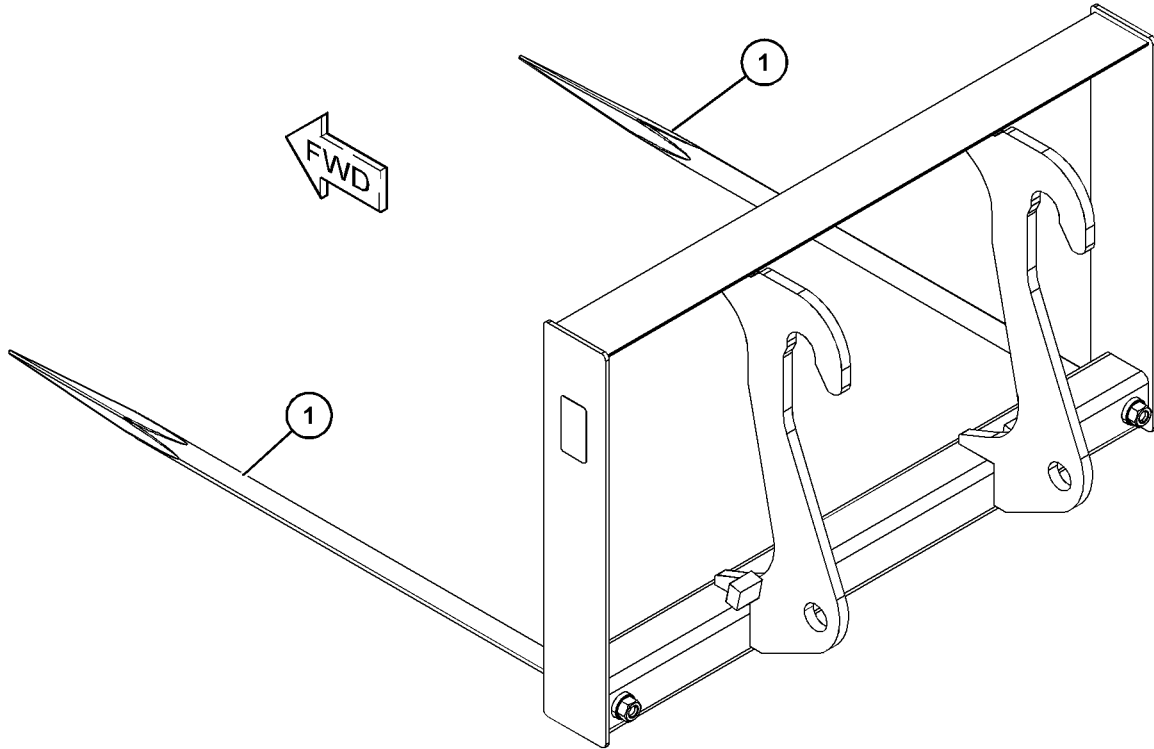
S/N: TH21-UP; TH31-UP

AN ATTACHMENT

SMCS-6402, 6409

i06907164

NOTE	REF NO	GRAPHIC REF	PART NUMBER	QTY	PART NAME						SEE PAGE
					1	2	3	4	5	6 (PRODUCT LEVEL)	
	1	1	525-9189	2	KIT-BAIL TINE						
(EACH INCLUDES TINE & NUT)											



GRAPHIC #1

<END>

g06163097

WORK TOOLS

222-6210 CARRIAGE GP-FORK-SIDESHIFT

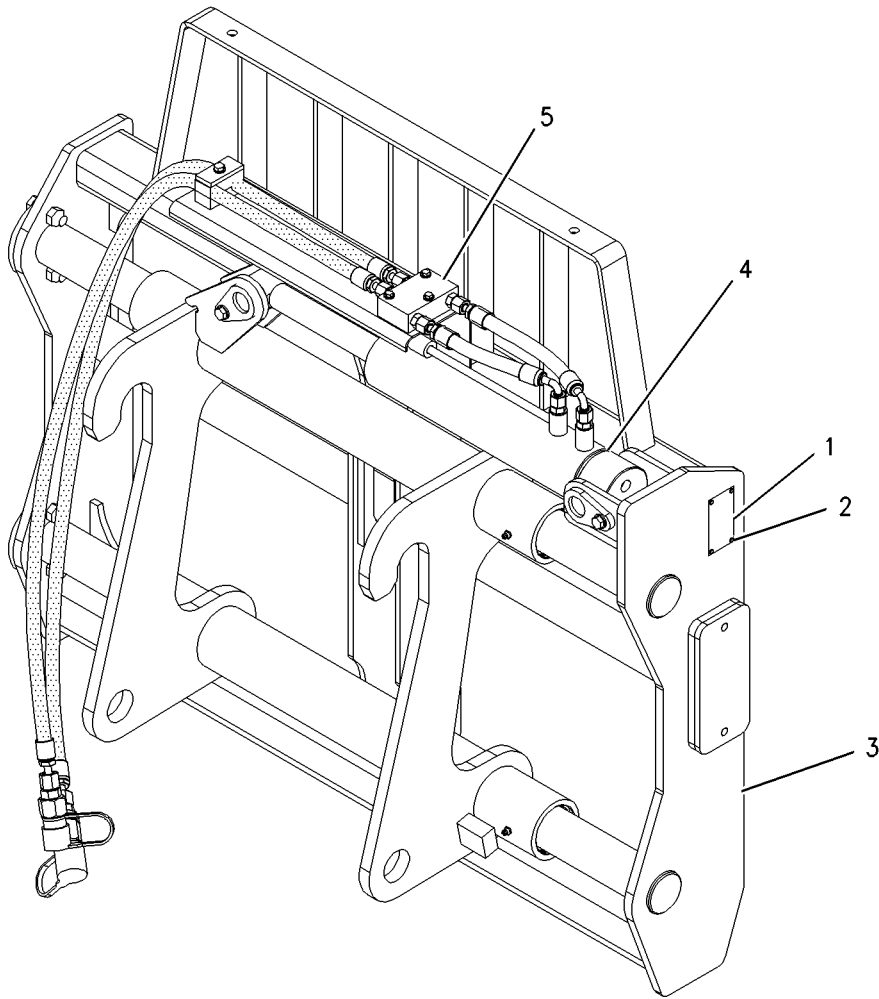
S/N: TH21-UP; TH31-UP
 NOR FOR USE WITH NACD REGION
 AN ATTACHMENT

SMCS-6402

i02545721

NOTE	REF NO	GRAPHIC REF	PART NUMBER	QTY	PART NAME						SEE PAGE
					1	2	3	4	5	6 (PRODUCT LEVEL)	
	1	1	157-4835	1	PLATE-INSTRUCTION (LOAD CAPACITY)						
	2	1	168-8389	4	TACK (METAL)						
Y	3	1	224-5065	1	CARRIAGE GP-SIDESHIFT						801
Y	4	1	224-5083	1	CYLINDER & MTG GP-CARRIAGE (FORK)						658
Y	5	1	224-5092	1	LINES GP-CONNECTING (FORK)						692

Y - SEPARATE ILLUSTRATION



GRAPHIC #1

<END>

g00926619

WORK TOOLS

326-2013 CARRIAGE GP-FORK

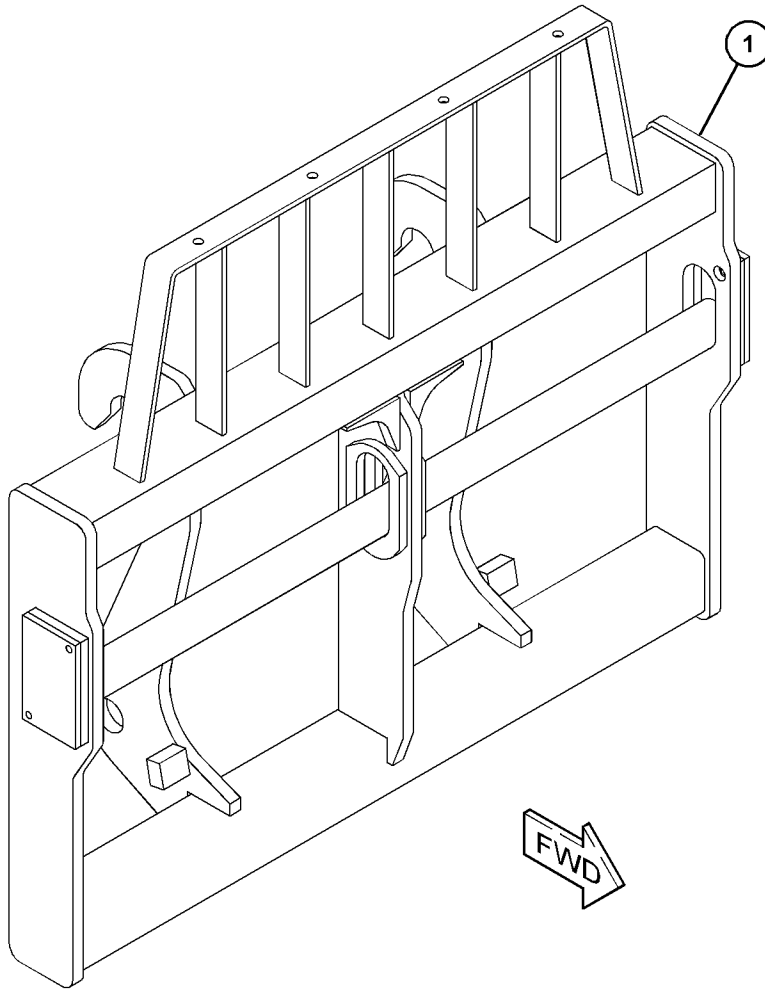
S/N: TH21-UP; TH31-UP

NOT FOR USE IN NACD
AN ATTACHMENT

SMCS-6402

i06258159

NOTE	REF NO	GRAPHIC REF	PART NUMBER	QTY	PART NAME						SEE PAGE
					1	2	3	4	5	6 (PRODUCT LEVEL)	
	1	1	326-1999	1	CARRIAGE AS-FORK						



GRAPHIC #1

<END>

g03877215

WORK TOOLS

397-6838 CARRIAGE GP-FORK

S/N: TH21-UP
NACD REGION ONLY
AN ATTACHMENT

SMCS-6402

i06117928

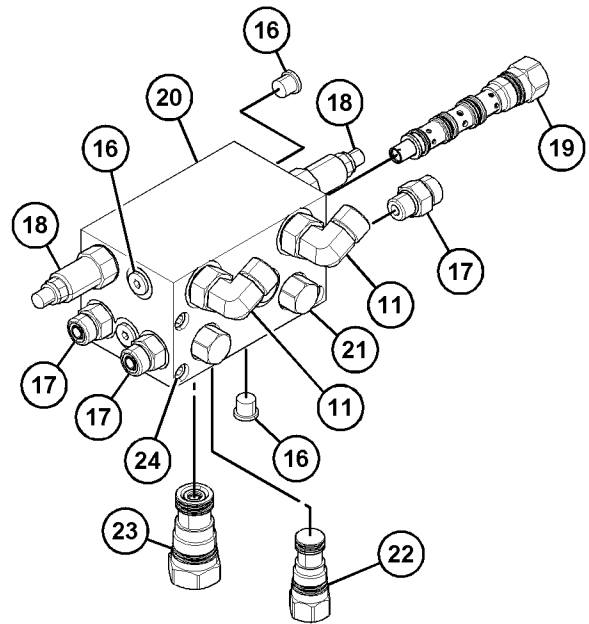
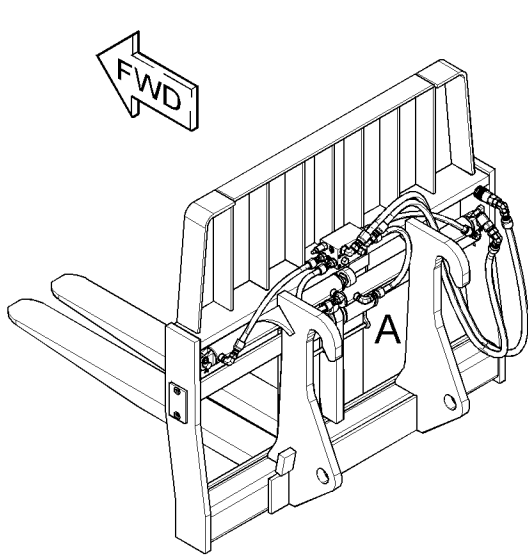
NOTE	REF NO	GRAPHIC REF	PART NUMBER	QTY	PART NAME	SEE PAGE
					1 2 3 4 5 6 (PRODUCT LEVEL)	
	1	1	417-9861	4	BOLT	
	2	1	417-9862	2	PLATE-RETAINER	
	3	1	417-9863	2	PIN	
	4	1	417-9864	2	PIN-COTTER	
Y	5	1	475-9070	1	CYLINDER GP-FORK	669
	6	1	417-9865	1	SHAFT	
	7	1	417-9866	4	ADAPTER	
	8	1	417-9867	2	HOSE AS	
	9	1	417-9868	2	HOSE AS	
	10	1	417-9869	2	HOSE AS	
	11	1	417-9870	2	ADAPTER	
	13	1	417-9871	2	ADAPTER	
	14	1	300-6078	1	COUPLING (FEMALE)	
	15	1	300-6079	1	COUPLING (MALE)	
	16	1	417-9872	6	PLUG	
	17	1	417-9873	4	ADAPTER	
	18	1	417-9874	2	CARTRIDGE	
	19	1	417-9875	1	CARTRIDGE	
	20	1	417-9876	1	VALVE	
	21	1	417-9877	2	CARTRIDGE	
	22	1	417-9878	1	CARTRIDGE	
	23	1	417-9879	1	CARTRIDGE	
	24	1	417-9880	3	BOLT	
	25	1	479-9423	1	CARRIER	
	26	1	479-9424	1	CARRIER	
	27	1	479-9425	1	HOSE AS	
	28	1	479-9426	1	HOSE AS	

Y - SEPARATE ILLUSTRATION

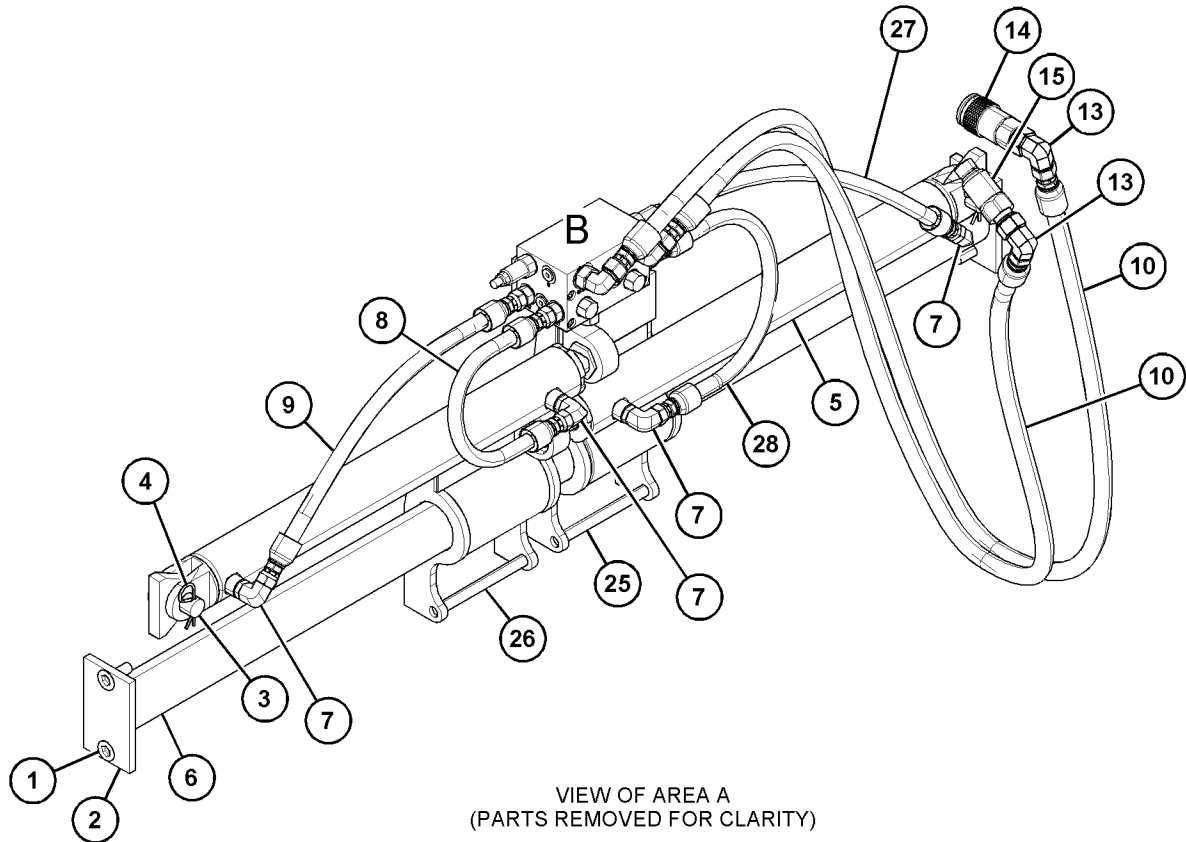
WORK TOOLS

397-6838 CARRIAGE GP-FORK (contd.)

i06117928



VIEW OF AREA B
(PARTS REMOVED FOR CLARITY)



VIEW OF AREA A
(PARTS REMOVED FOR CLARITY)

GRAPHIC #1

<END>

g03826093

WORK TOOLS

474-0141 CARRIAGE GP-FORK

S/N: TH21-UP
(48-IN), NACD REGION ONLY
AN ATTACHMENT

SMCS-6402

i06808195

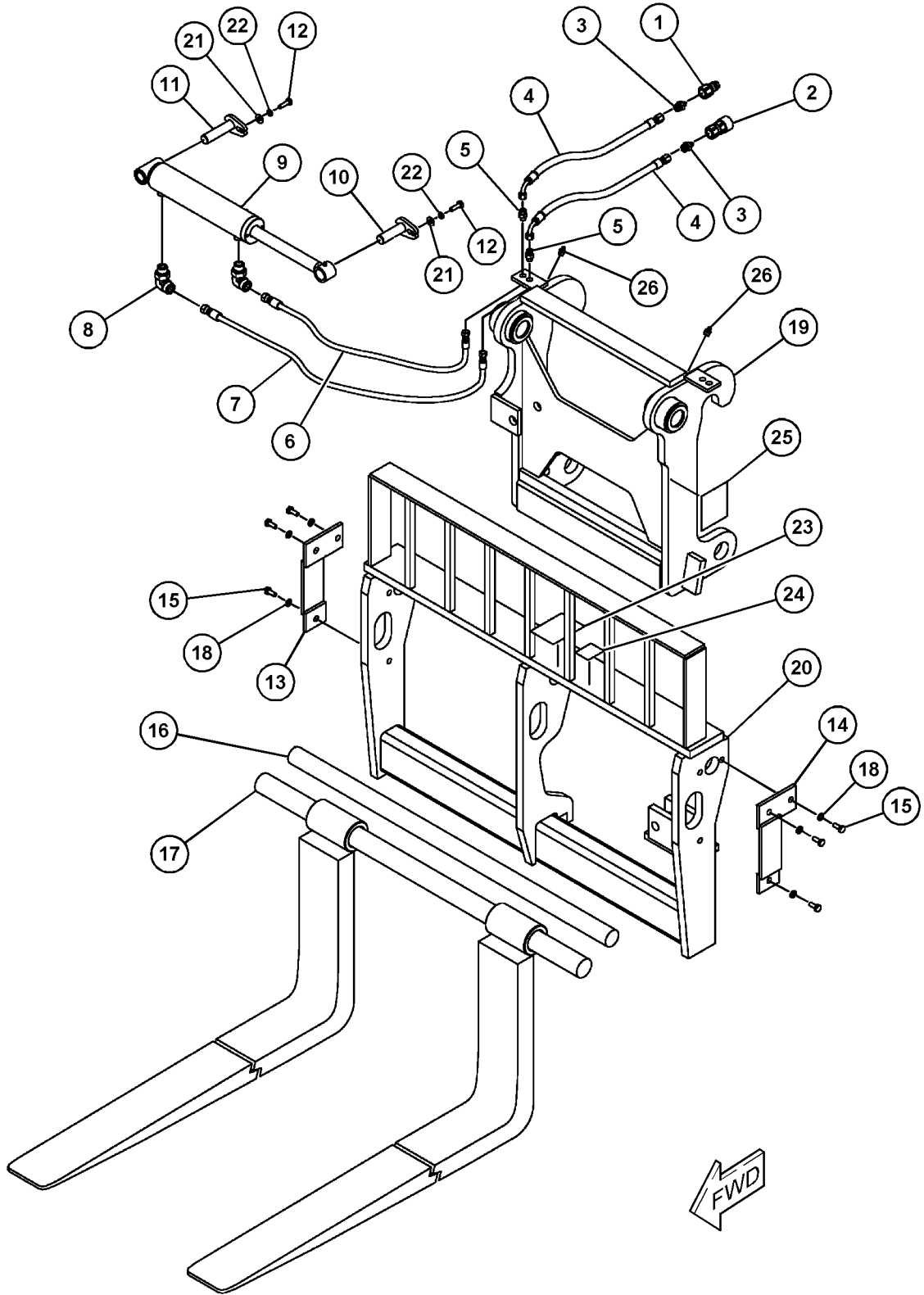
NOTE	REF NO	GRAPHIC REF	PART NUMBER	QTY	PART NAME	SEE PAGE
					1 2 3 4 5 6 (PRODUCT LEVEL)	
	1	1	300-6079	1	COUPLING (MALE)	
	2	1	300-6078	1	COUPLING (FEMALE)	
	3	1	362-2111	2	CONNECTOR	
	4	1	362-2119	2	HOSE AS	
	5	1	362-2104	2	CONNECTOR	
	6	1	362-2118	1	HOSE AS	
	7	1	362-2117	1	HOSE AS	
	8	1	327-6333	2	ELBOW	
Y	9	1	362-2120	1	CYLINDER GP-CARRIAGE	666
	10	1	362-2121	1	TUBE	
	11	1	362-2122	1	PIN	
M	12	1	362-2108	2	BOLT (5/16-24X1-IN)	
	13	1	362-2116	1	PIN	
	14	1	362-2114	1	RETAINER-PLATE	
M	15	1	362-2100	6	BOLT (1/2-13X1.5-IN)	
	16	1	362-2115	1	PIN	
	17	1	327-6277	1	PIN-FORK	
	18	1	327-6329	6	LOCKWASHER	
	19	1	362-2112	1	FRAME-REAR	
C	20	1	362-2113	1	FRAME-FRONT	
	21	1	362-2103	2	WASHER (8X15X2-MM THK)	
	22	1	362-2102	2	LOCKWASHER	
	23	1	327-6325	1	FILM-WARNING (HIGH PRESSURE)	
	24	1	362-2106	1	FILM-INFORMATION (MADE IN USA)	
	25	1	327-6328	2	FILM-WARNING (PINCH POINT)	
	26	1	362-2107	2	FITTING-GREASE	

C - CHANGE FROM PREVIOUS TYPE
M - METRIC PART
Y - SEPARATE ILLUSTRATION

WORK TOOLS

474-0141 CARRIAGE GP-FORK (contd.)

i06808195



GRAPHIC #1

<END>

g03887169

WORK TOOLS

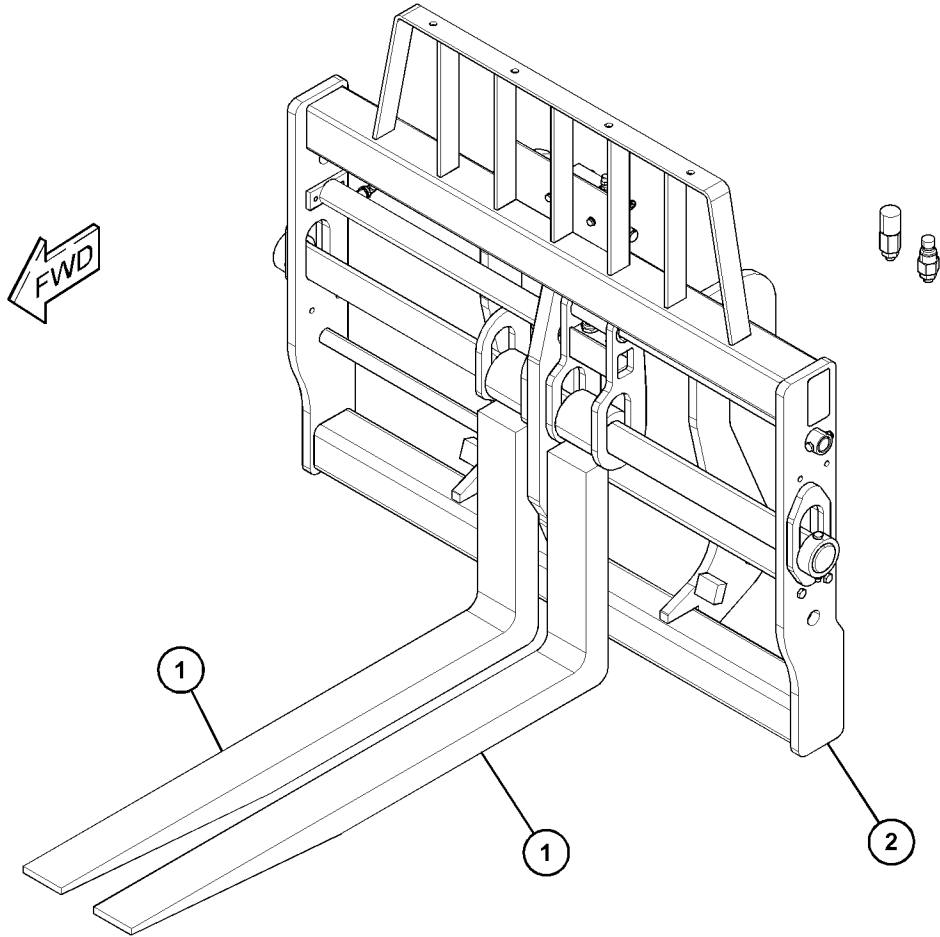
479-0237 CARRIAGE GP-FORK

S/N: TH21-UP; TH31-UP
CAN NOT BE USED IN NACD
AN ATTACHMENT

SMCS-6402

i06642643

NOTE	REF NO	GRAPHIC REF	PART NUMBER	QTY	PART NAME						SEE PAGE
					1	2	3	4	5	6 (PRODUCT LEVEL)	
1	1	1	326-1998	2	FORK GP						
2	1	1	484-6067	1	CARRIAGE GP-FORK						



GRAPHIC #1

<END>

g06086792

WORK TOOLS

486-0527 CARRIAGE GP-FORK

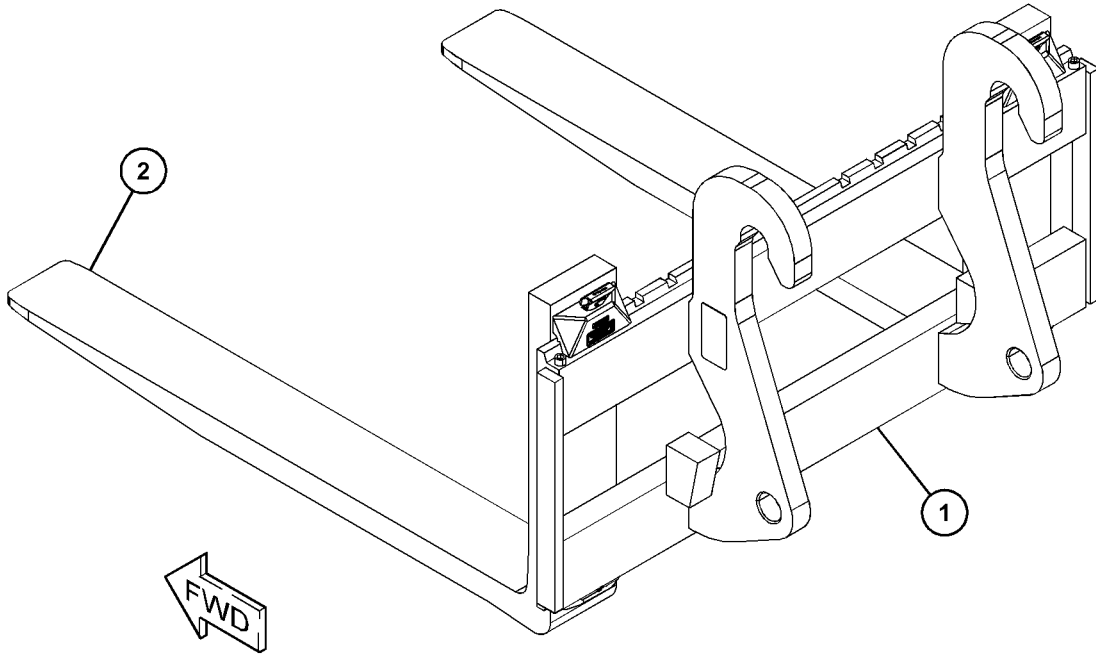
S/N: TH21-UP; TH31-UP

AN ATTACHMENT

SMCS-6402

i06642642

NOTE	REF NO	GRAPHIC REF	PART NUMBER	QTY	PART NAME						SEE PAGE
					1	2	3	4	5	6 (PRODUCT LEVEL)	
	1	1	505-8348	1	CARRIAGE AS						
	2	1	505-8350	2	FORK						



GRAPHIC #1

<END>

g06090423

WORK TOOLS

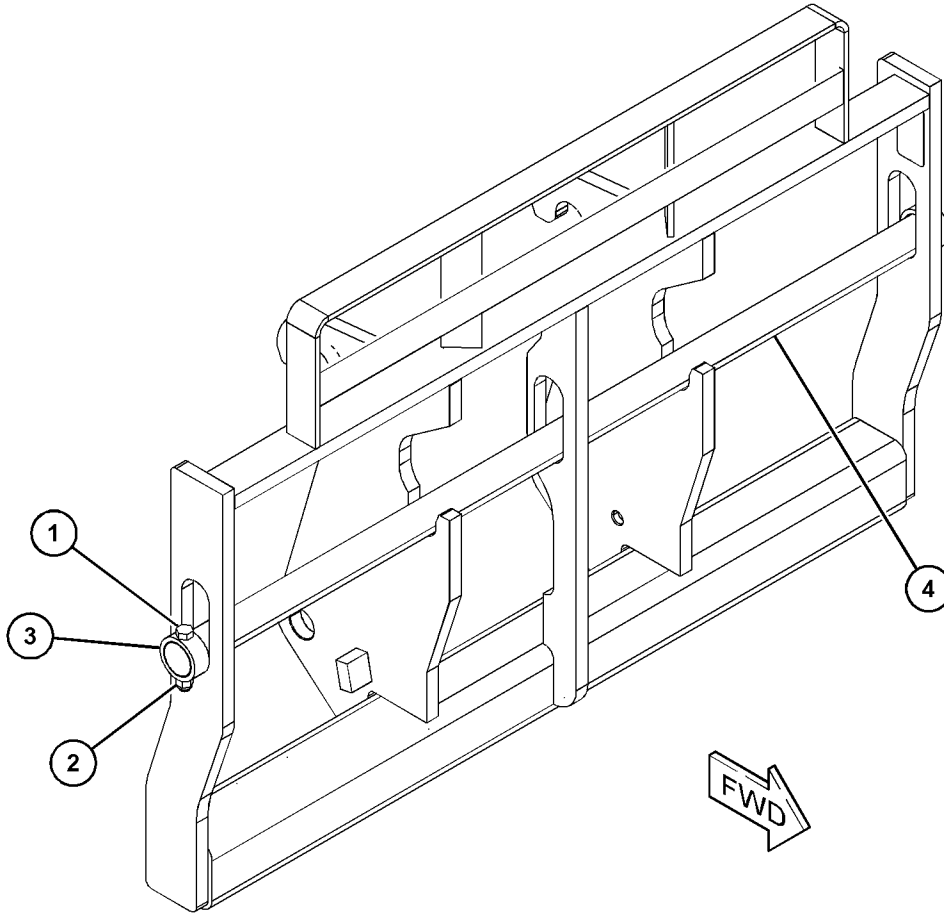
500-4475 CARRIAGE GP-FORK

S/N: TH21-UP
FOR USE IN NACD ONLY
AN ATTACHMENT

SMCS-6402

i06736228

NOTE	REF NO	GRAPHIC REF	PART NUMBER	QTY	PART NAME						SEE PAGE
					1	2	3	4	5	6 (PRODUCT LEVEL)	
	1	1	303-4741	2	SCREW (5/8-11X4-IN)						
	2	1	303-4782	2	NUT (0.63-11-THD)						
	3	1	303-4988	2	COLLAR						
	4	1	476-5228	1	PIN						



GRAPHIC #1

<END>

g06102223

WORK TOOLS

227-5748 CARRIAGE GP-ROTATING-WIDE, 4/5 TINE

S/N: TH21-UP; TH31-UP

AN ATTACHMENT

SMCS-6408, 6409

i02545733

NOTE	REF NO	GRAPHIC REF	PART NUMBER	QTY	PART NAME						SEE PAGE
					1	2	3	4	5	6 (PRODUCT LEVEL)	
	1	1	8T-1114	1	BEARING						
	2	1	157-4835	1	PLATE-INSTRUCTION (LOAD CAPACITY)						
	3	1	160-4129	1	SHAFT						
	4	1	160-4659	2	SPACER (50.25X57X43.5-MM THK)						
	5	1	163-3101	2	PLATE						
	6	1	163-6283	2	SHAFT						
	7	1	168-8389	4	TACK (METAL)						
	8	1	227-5749	1	CARRIER GP-FORK						
		1	227-5751	1	PLATE AS						
		1	227-5754	1	PLATE AS						
		1	231-9308	1	BRACKET AS						
	9	1	227-5756	1	CARRIAGE AS						
Y	10	1	235-2662	1	CYLINDER & MTG GP-CARRIAGE (ROTATING)						659
Y	11	1	235-2663	1	LINES GP-HYDRAULIC (ROTATING CARRIAGE)						701
	12	1	3B-8488	1	FITTING-GREASE (1/8-27 PTF)						
	13	1	6V-8757	2	RING-RETAINING						
	14	1	8T-0707	2	RING-RETAINING (INTERNAL)						
M	15	1	8T-4192	4	BOLT (M12X1.75X25-MM)						
	16	1	8T-4223	4	WASHER-HARD (13.5X25.5X3-MM THK)						

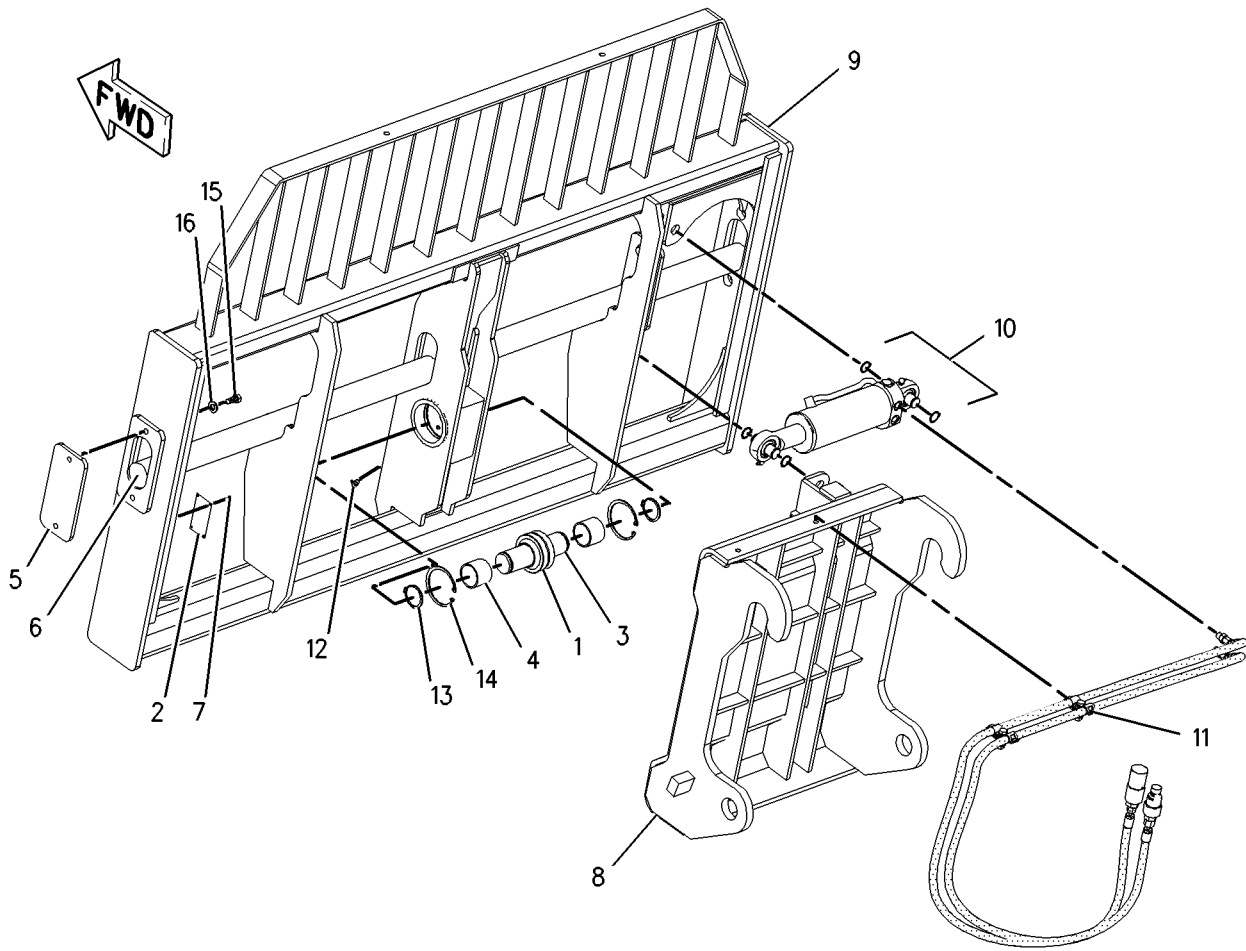
M - METRIC PART

Y - SEPARATE ILLUSTRATION

WORK TOOLS

227-5748 CARRIAGE GP-ROTATING (contd.)

i02545733



GRAPHIC #1

<END>

g00993765

WORK TOOLS

231-3229 CARRIAGE GP-ROTATING-STANDARD

S/N: TH21-UP; TH31-UP
 NOT FOR NACD REGION
 AN ATTACHMENT

SMCS-6408, 6409

i02449798

NOTE	REF NO	GRAPHIC REF	PART NUMBER	QTY	PART NAME						SEE PAGE
					1	2	3	4	5	6 (PRODUCT LEVEL)	
	1	1	8T-1114	1	BEARING						
	2	1	157-4835	1	PLATE-INSTRUCTION (LOAD CAPACITY)						
	3	1	160-4129	1	SHAFT						
	4	1	160-4657	1	SHAFT						
	5	1	160-4659	2	SPACER (50.25X57X43.5-MM THK)						
	6	1	163-3101	2	PLATE						
	7	1	168-8389	4	TACK (METAL)						
	8	1	227-5749	1	CARRIER GP-FORK						
	9	1	231-3230	1	CARRIAGE AS						
Y	10	1	235-2662	1	CYLINDER & MTG GP-CARRIAGE (ROTATING)						659
Y	11	1	235-2663	1	LINES GP-HYDRAULIC (ROTATING CARRIAGE)						701
	12	1	3B-8488	1	FITTING-GREASE (1/8-27 PTF)						
	13	1	6V-8757	2	RING-RETAINING						
	14	1	8T-0707	2	RING-RETAINING (INTERNAL)						
M	15	1	8T-4192	4	BOLT (M12X1.75X25-MM)						
	16	1	8T-4223	4	WASHER-HARD (13.5X25.5X3-MM THK)						

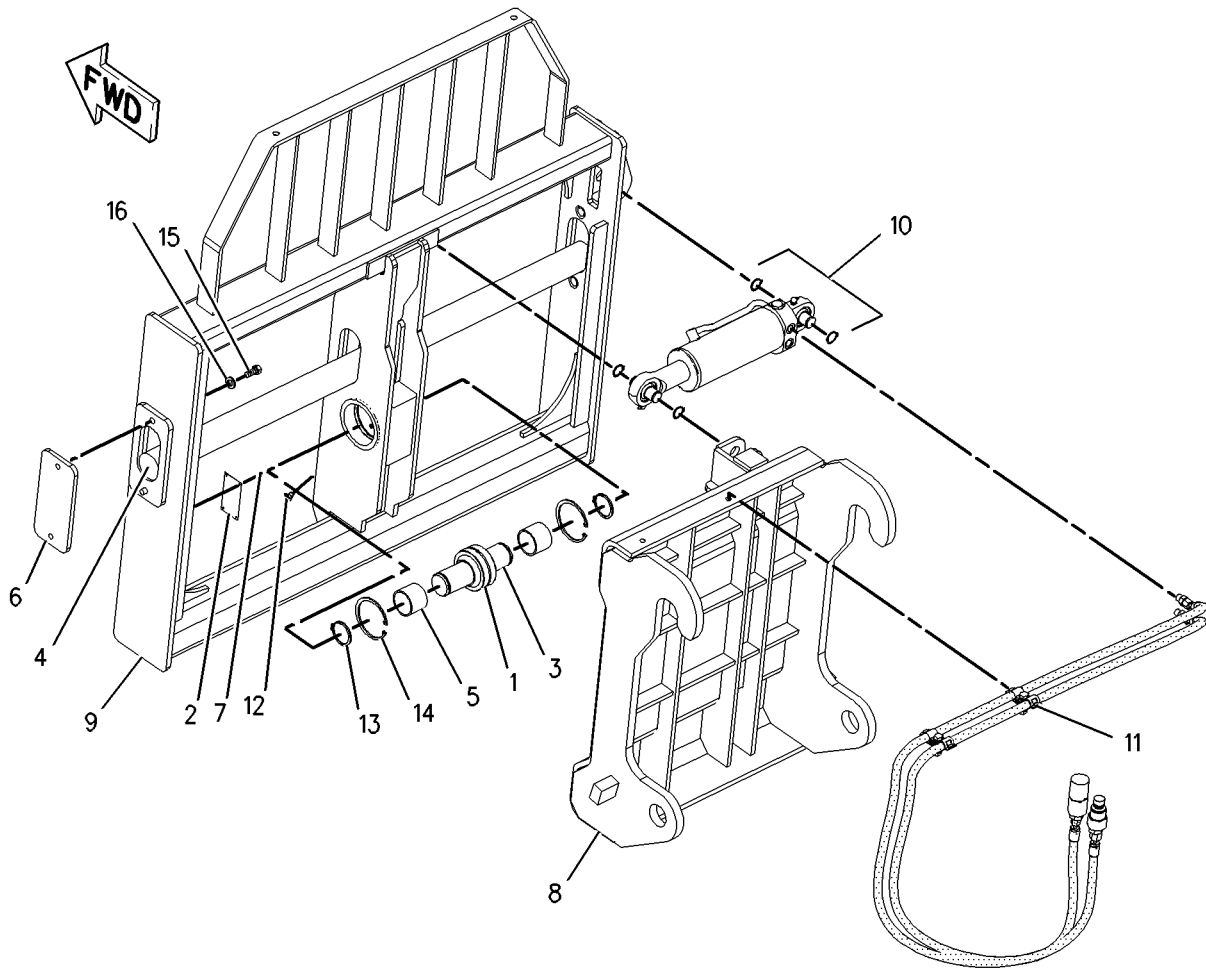
M - METRIC PART

Y - SEPARATE ILLUSTRATION

WORK TOOLS

231-3229 CARRIAGE GP-ROTATING (contd.)

i02449798



GRAPHIC #1

<END>

g00993735

WORK TOOLS

375-6292 CARRIAGE GP-ROTATING

S/N: TH21-UP
FOR USE IN NACD REGION
AN ATTACHMENT

SMCS-6408, 6409

i07090244

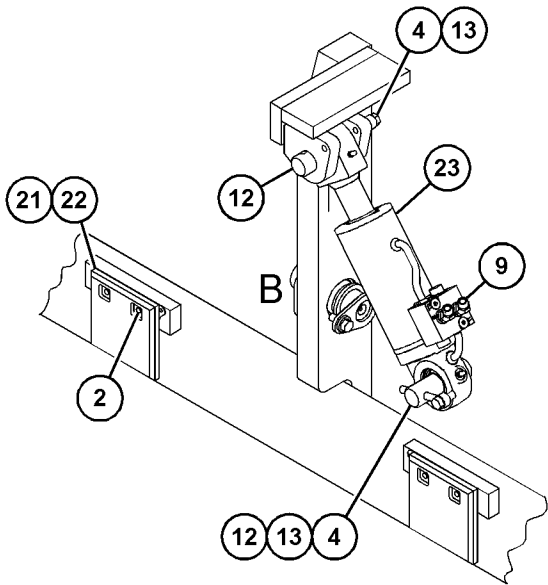
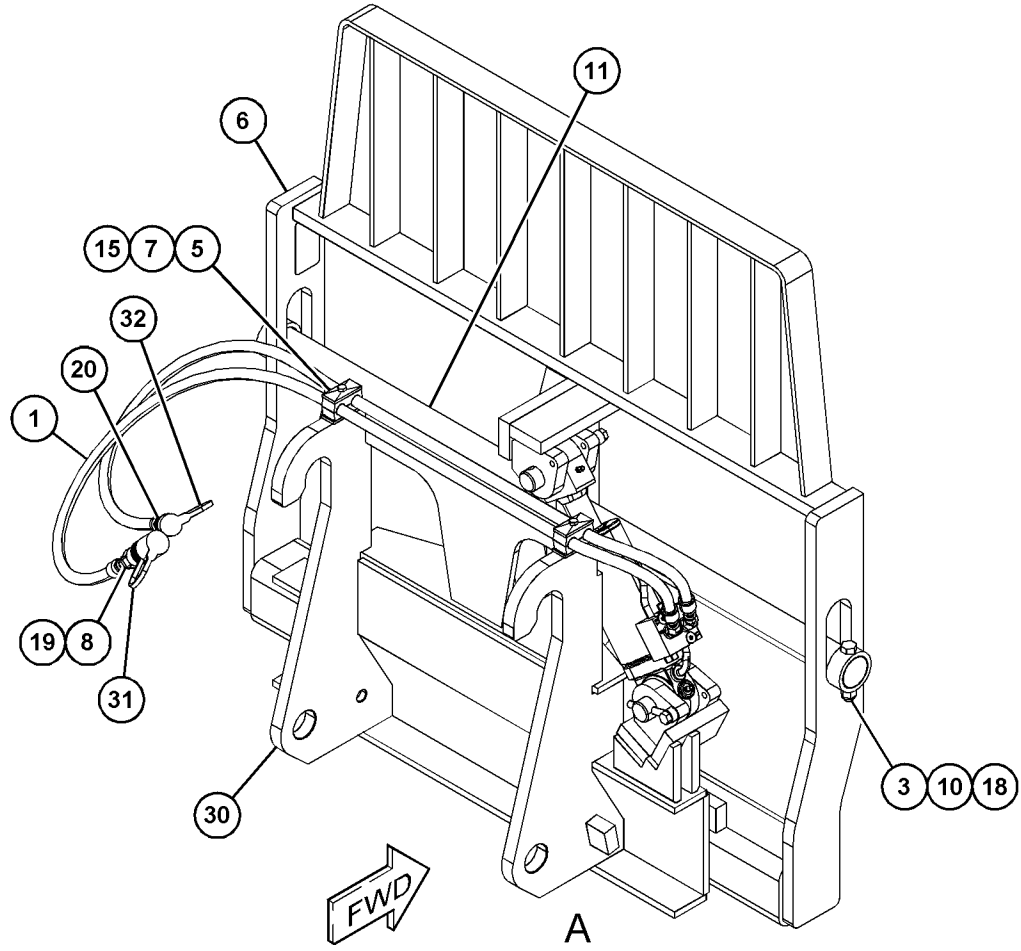
NOTE	REF NO	GRAPHIC REF	PART NUMBER	QTY	PART NAME						SEE PAGE
					1	2	3	4	5	6 (PRODUCT LEVEL)	
I	1	1	375-6294	2	HOSE AS						
	2	1	297-7033	4	BOLT (3/8-16X1.5-IN)						
	3	1	303-4741	2	SCREW (5/8-11X4-IN)						
	4	1	297-7077	3	SCREW (0.5-13X1.25-IN)						
M	5	1	7X-0818	2	BOLT (M8X1.25X45-MM)						
	6	1	309-4320	1	CARRIAGE AS						
	7	1	102-8705	2	PLATE (TOP)						
	8	1	330-8325	2	ADAPTER						
	9	1	303-4760	2	FITTING						
	10	1	303-4782	2	NUT (0.63-11-THD)						
	11	1	303-4957	1	PIN						
	12	1	309-4322	2	PIN						
	13	1	309-4323	2	ROD						
	14	1	298-7392	1	WASHER-HARD (0.5X1.1X0.19-MM THK)						
	15	1	456-3152	2	CLAMP						
	16	1	375-0099	6	SCREW (3/8-16X1.25-IN)						
	17	1	298-1612	1	FITTING						
	18	1	303-4988	2	COLLAR						
	19	1	300-6078	1	COUPLING (FEMALE)						
	20	1	300-6079	1	COUPLING (MALE)						
	21	1	309-4311	2	PAD AS						
	22	1	309-4312	4	SHIM (0.06-MM THK)						
Y	23	1	466-8312	1	CYLINDER GP-TILT (CARRIAGE)						677
	24	1	309-4318	1	BEARING						
	25	1	339-4396	1	PIN-PIVOT						
	26	1	339-4397	2	SPACER (2.1X2.5X0.250-MM THK)						
	28	1	374-7352	1	SHIM (0.25-MM THK)						
	29	1	374-7353	1	PLATE						
	30	1	375-2016	1	COUPLER AS						
	31	1	340-5953	1	CAP-DUST						
	32	1	340-5954	1	CAP-DUST						

I - REFER TO HYDRAULIC INFORMATION SYSTEM
M - METRIC PART
Y - SEPARATE ILLUSTRATION

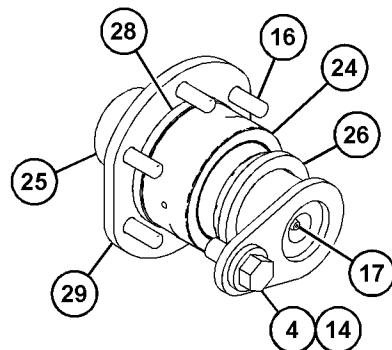
WORK TOOLS

375-6292 CARRIAGE GP-ROTATING (contd.)

i07090244



VIEW OF AREA A
(PARTS REMOVED FOR CLARITY)



VIEW OF AREA B
(PARTS REMOVED FOR CLARITY)

GRAPHIC #1

<END>

g06222205

WORK TOOLS

375-6293 CARRIAGE GP-ROTATING

S/N: TH21-UP
FOR USE IN NACD ONLY
AN ATTACHMENT

SMCS-6408, 6409

i07090245

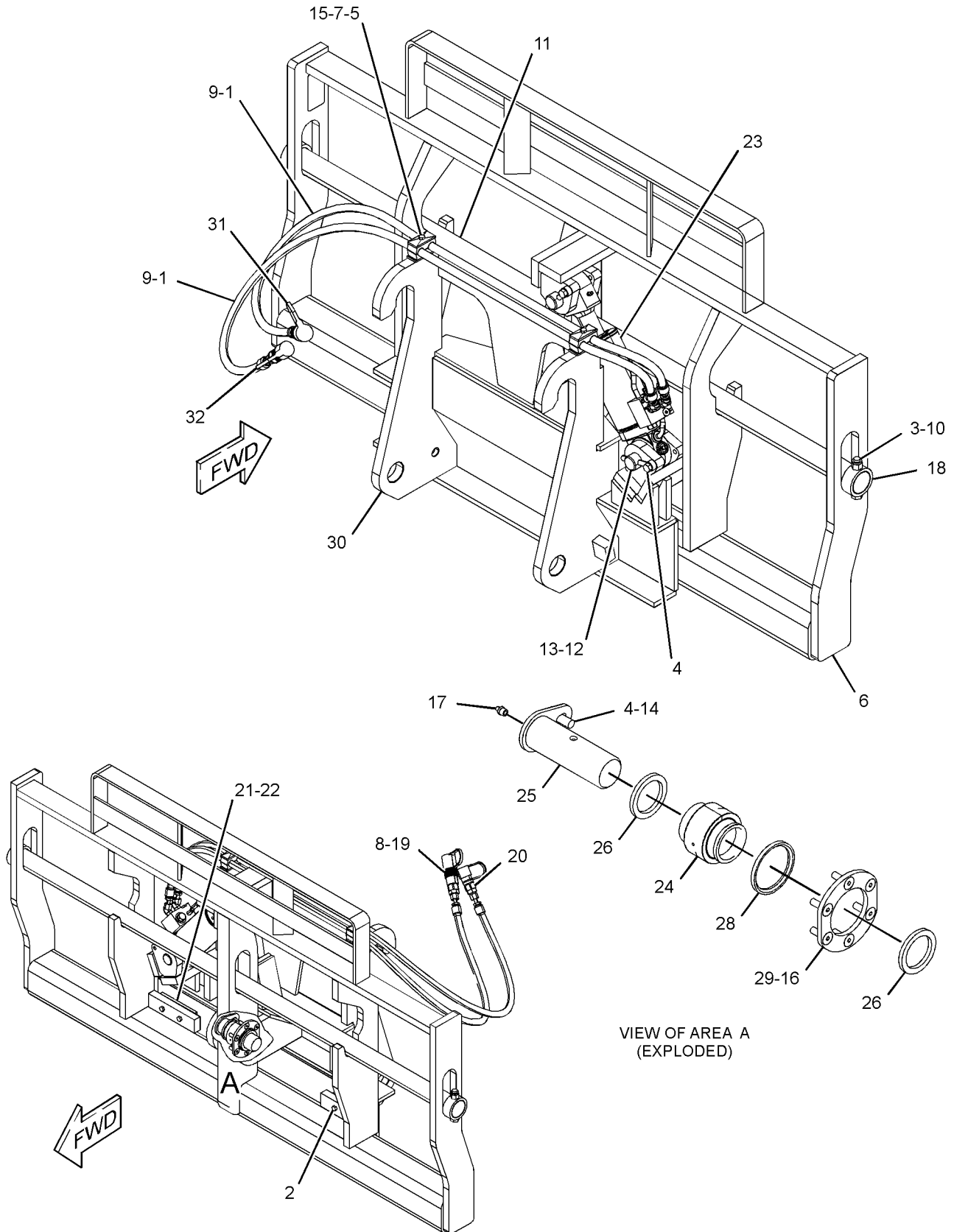
NOTE	REF NO	GRAPHIC REF	PART NUMBER	QTY	PART NAME						SEE PAGE
					1	2	3	4	5	6 (PRODUCT LEVEL)	
I	1	1	375-6294	2	HOSE AS						
	2	1	297-7033	4	BOLT (3/8-16X1.5-IN)						
	3	1	303-4741	2	SCREW (5/8-11X4-IN)						
	4	1	297-7077	3	SCREW (0.5-13X1.25-IN)						
M	5	1	7X-0818	2	BOLT (M8X1.25X45-MM)						
	6	1	309-4321	1	CARRIAGE AS (72-INCH, SIDE TILT)						
	7	1	102-8705	2	PLATE (TOP)						
	8	1	330-8325	2	ADAPTER						
	9	1	303-4760	2	FITTING						
	10	1	303-4782	2	NUT (0.63-11-THD)						
	11	1	303-4958	1	PIN						
	12	1	309-4322	2	PIN						
	13	1	309-4323	2	ROD						
	14	1	3B-4506	1	LOCKWASHER						
	15	1	456-3152	2	CLAMP						
	16	1	375-0099	6	SCREW (3/8-16X1.25-IN)						
	17	1	298-1612	1	FITTING						
	18	1	303-4988	2	COLLAR						
	19	1	300-6078	1	COUPLING (FEMALE)						
	20	1	300-6079	1	COUPLING (MALE)						
	21	1	309-4311	2	PAD AS						
	22	1	309-4312	2	SHIM (0.06-MM THK)						
Y	23	1	466-8312	1	CYLINDER GP-TILT						677
	24	1	309-4318	1	BEARING						
	25	1	339-4396	1	PIN-PIVOT						
	26	1	339-4397	2	SPACER (2.1X2.5X0.250-MM THK)						
	28	1	374-7352	1	SHIM (0.25-MM THK)						
	29	1	374-7353	1	PLATE						
	30	1	375-2016	1	COUPLER AS						
	31	1	340-5953	1	CAP-DUST						
	32	1	340-5954	1	CAP-DUST						

I - REFER TO HYDRAULIC INFORMATION SYSTEM
M - METRIC PART
Y - SEPARATE ILLUSTRATION

WORK TOOLS

375-6293 CARRIAGE GP-ROTATING (contd.)

i07090245



VIEW OF AREA A
(EXPLODED)

GRAPHIC #1

<END>

g06222591

WORK TOOLS

224-5065 CARRIAGE GP-SIDESHIFT

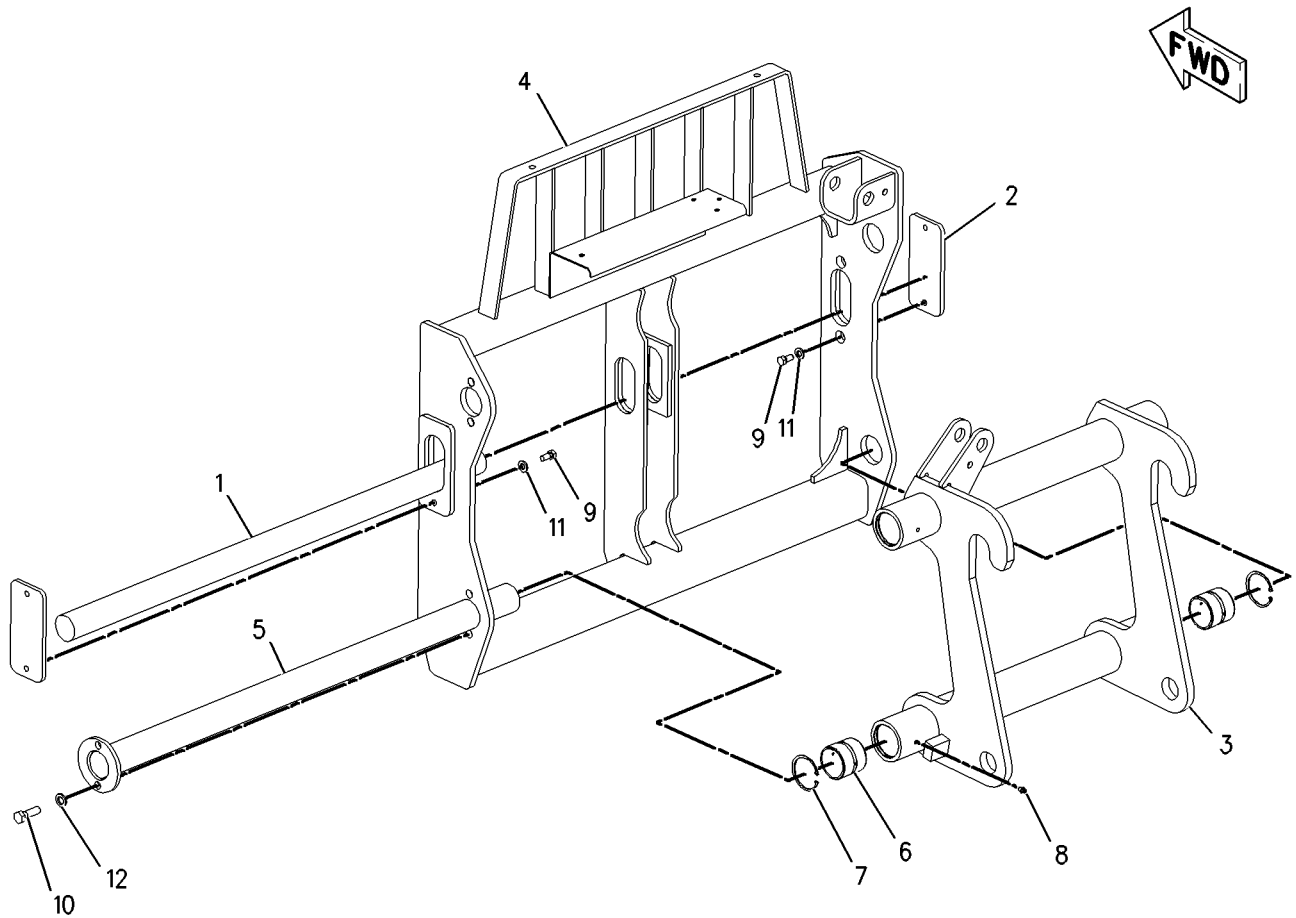
S/N: TH21-UP; TH31-UP
PART OF 222-6210 CARRIAGE GP-FORK
AN ATTACHMENT

SMCS-6425

i01851487

NOTE	REF NO	GRAPHIC REF	PART NUMBER	QTY	PART NAME						SEE PAGE
					1	2	3	4	5	6	
	1	1	160-4657	1	SHAFT						
	2	1	163-3101	2	PLATE						
	3	1	224-5066	1	CARRIER AS						
	4	1	224-5072	1	CARRIAGE AS						
	5	1	224-5079	2	GUIDE AS						
	6	1	224-5082	4	BUSHING						
	7	1	2R-1236	4	RING-RETAINING (LOCK, INTERNAL)						
	8	1	3B-8489	4	FITTING-GREASE (1/8-27 PTF)						
M	9	1	8T-4192	4	BOLT (M12X1.75X25-MM)						
M	10	1	8T-4193	4	BOLT (M16X2X50-MM)						
	11	1	8T-4223	4	WASHER-HARD (13.5X25.5X3-MM THK)						
	12	1	9X-8257	4	WASHER (17.5X30X3.5-MM THK)						

M - METRIC PART



GRAPHIC #1

<END>

g00929371

WORK TOOLS

529-6465 COUPLER & MTG AR-HYDRAULIC

S/N: TH21-UP; TH31-UP

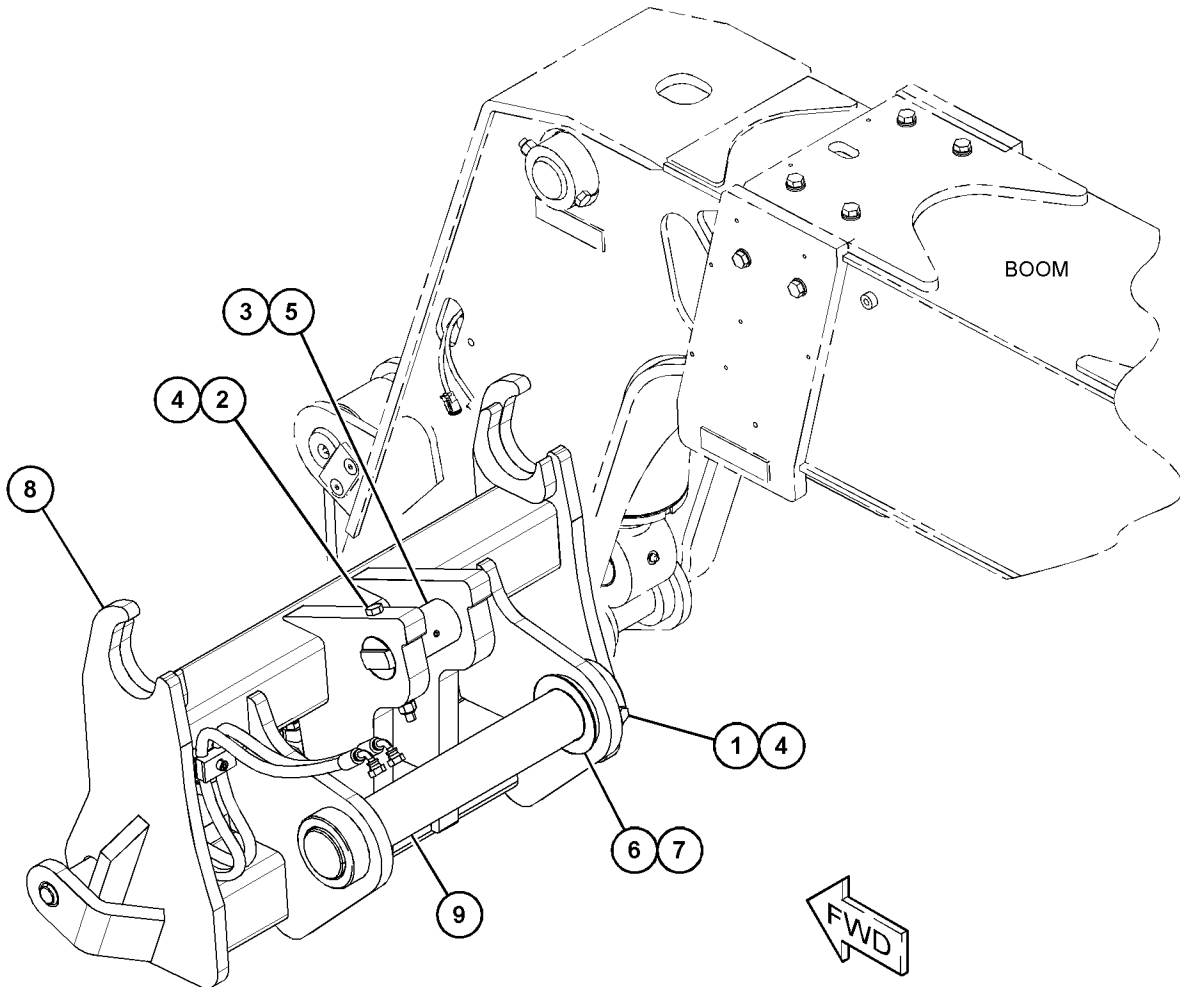
AN ATTACHMENT

SMCS-6129

i07046057

NOTE	REF NO	GRAPHIC REF	PART NUMBER	QTY	PART NAME						SEE PAGE
					1	2	3	4	5	6	
M	1	1	8T-5041	1	BOLT (M12X1.75X120-MM)						
M	2	1	8T-5092	1	BOLT (M12X1.75X150-MM)						
	3	1	437-0940	1	FITTING						
M	4	1	309-9185	2	LOCKNUT (M12X1.75-THD)						
	5	1	495-3020	1	PIN						
B	6	1	316-5553	1	WASHER (72X110X0.5-MM THK)						
B	7	1	316-5554	1	WASHER (72X110X1-MM THK)						
Y	8	1	<i>517-4332</i>	1	COUPLER AR-QUICK (HYDRAULIC)						810
	9	1	500-4373	1	PIN						

B - USE AS REQUIRED
M - METRIC PART
Y - SEPARATE ILLUSTRATION



GRAPHIC #1

<END>

g06208080

WORK TOOLS

529-6466 COUPLER & MTG AR-HYDRAULIC

S/N: TH21-UP; TH31-UP

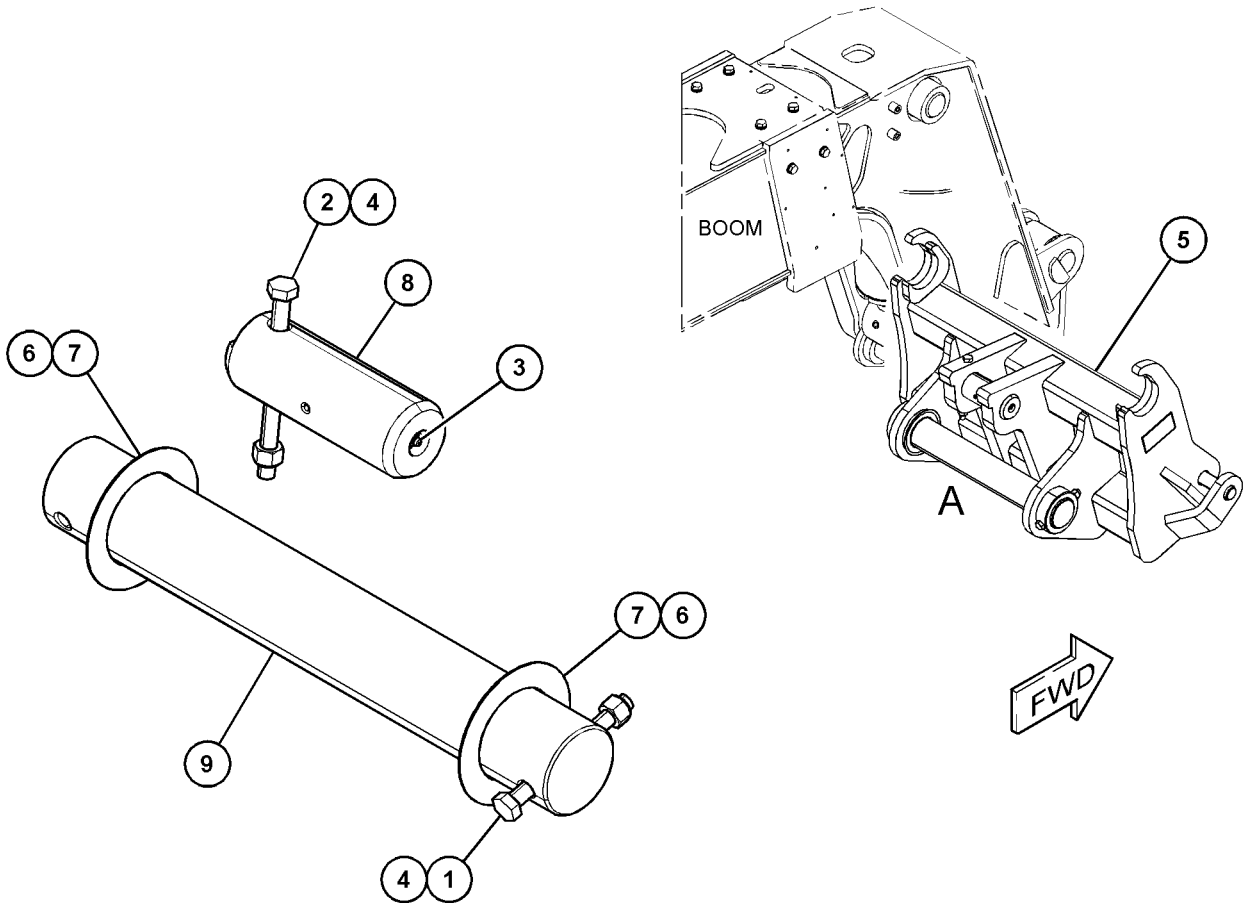
AN ATTACHMENT

SMCS-6129

i07046060

NOTE	REF NO	GRAPHIC REF	PART NUMBER	QTY	PART NAME						SEE PAGE
					1	2	3	4	5	6 (PRODUCT LEVEL)	
M	1	1	8T-5041	1	BOLT (M12X1.75X120-MM)						
M	2	1	8T-5092	1	BOLT (M12X1.75X150-MM)						
	3	1	437-0940	1	FITTING						
M	4	1	309-9185	2	LOCKNUT (M12X1.75-THD)						
Y	5	1	517-4329	1	COUPLER GP-QUICK (MANITOU)						821
B	6	1	316-5553	1	WASHER (72X110X0.5-MM THK)						
B	7	1	316-5554	1	WASHER (72X110X1-MM THK)						
	8	1	495-3020	1	PIN						
	9	1	500-4373	1	PIN						

B - USE AS REQUIRED
M - METRIC PART
Y - SEPARATE ILLUSTRATION



VIEW OF AREA A
(PARTS REMOVED FOR CLARITY)

GRAPHIC #1

<END>

g06208096

WORK TOOLS

540-6609 COUPLER & MTG AR-HYDRAULIC

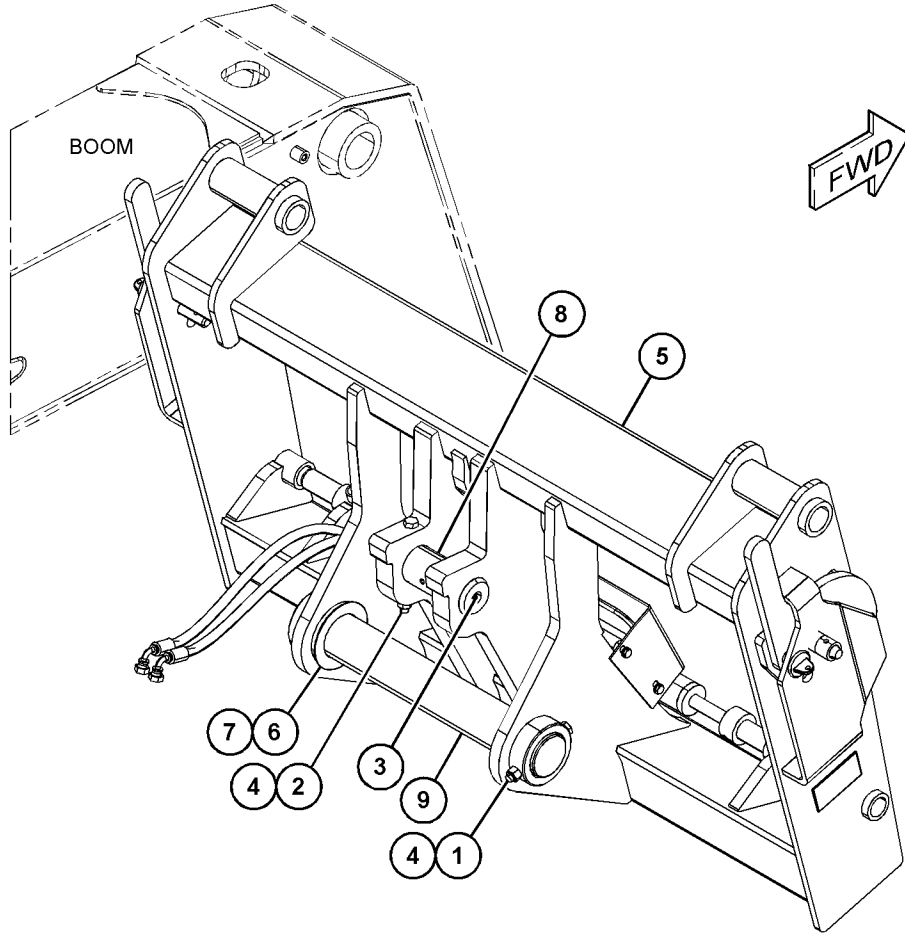
S/N: TH21-UP; TH31-UP
AN ATTACHMENT

SMCS-6129

i07108612

NOTE	REF NO	GRAPHIC REF	PART NUMBER	QTY	PART NAME						SEE PAGE
					1	2	3	4	5	6 (PRODUCT LEVEL)	
M	1	1	8T-5041	1	BOLT (M12X1.75X120-MM)						
M	2	1	8T-5092	1	BOLT (M12X1.75X150-MM)						
	3	1	437-0940	1	FITTING						
M	4	1	309-9185	2	LOCKNUT (M12X1.75-THD)						
	5	1	517-4334	1	COUPLER AR-HYDRAULIC						
B	6	1	316-5553	1	WASHER (72X110X0.5-MM THK)						
B	7	1	316-5554	1	WASHER (72X110X1-MM THK)						
	8	1	495-3020	1	PIN						
	9	1	500-4373	1	PIN						

B - USE AS REQUIRED
M - METRIC PART



GRAPHIC #1

<END>

g06227885

WORK TOOLS

540-6685 COUPLER & MTG AR-HYDRAULIC

S/N: TH21-UP; TH31-UP

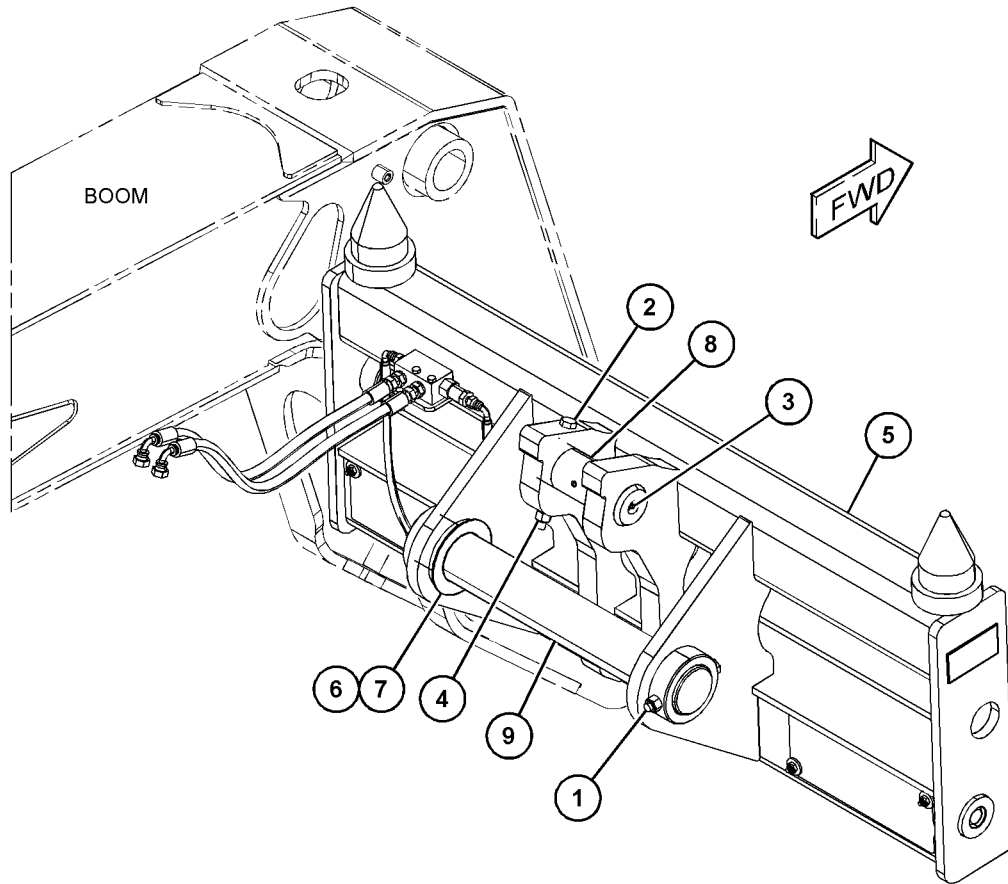
AN ATTACHMENT

SMCS-6129

i07108614

NOTE	REF NO	GRAPHIC REF	PART NUMBER	QTY	PART NAME						SEE PAGE
					1	2	3	4	5	6	
M	1	1	8T-5041	1	BOLT (M12X1.75X120-MM)						
M	2	1	8T-5092	1	BOLT (M12X1.75X150-MM)						
	3	1	437-0940	1	FITTING						
M	4	1	309-9185	2	LOCKNUT (M12X1.75-THD)						
	5	1	517-4335	1	COUPLER AS-HYDRAULIC						
B	6	1	316-5553	1	WASHER (72X110X0.5-MM THK)						
B	7	1	316-5554	1	WASHER (72X110X1-MM THK)						
	8	1	495-3020	1	PIN						
	9	1	500-4373	1	PIN						

B - USE AS REQUIRED
M - METRIC PART



GRAPHIC #1

<END>

g06227876

WORK TOOLS

540-6562 COUPLER & MTG AR-MANUAL

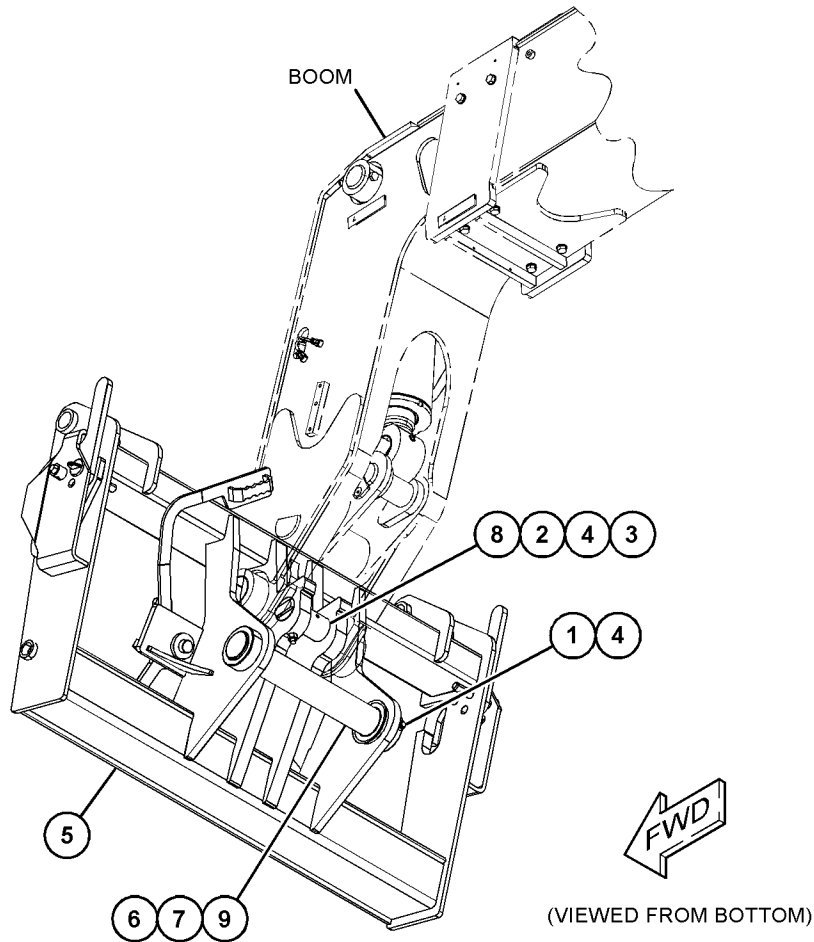
S/N: TH21-UP
AN ATTACHMENT

SMCS-6129

i07163209

NOTE	REF NO	GRAPHIC REF	PART NUMBER	QTY	PART NAME						SEE PAGE
					1	2	3	4	5	6 (PRODUCT LEVEL)	
M	1	1	8T-5041	1	BOLT (M12X1.75X120-MM)						
M	2	1	8T-5092	1	BOLT (M12X1.75X150-MM)						
	3	1	437-0940	1	FITTING						
M	4	1	309-9185	2	LOCKNUT (M12X1.75-THD)						
	5	1	517-4330	1	COUPLER GP-QUICK						
	6	1	316-5553	1	WASHER (72X110X0.5-MM THK)						
	7	1	316-5554	1	WASHER (72X110X1-MM THK)						
	8	1	495-3020	1	PIN						
	9	1	500-4373	1	PIN						

M - METRIC PART



GRAPHIC #1

<END>

g06254141

WORK TOOLS

501-0751 COUPLER & MTG GP-QUICK

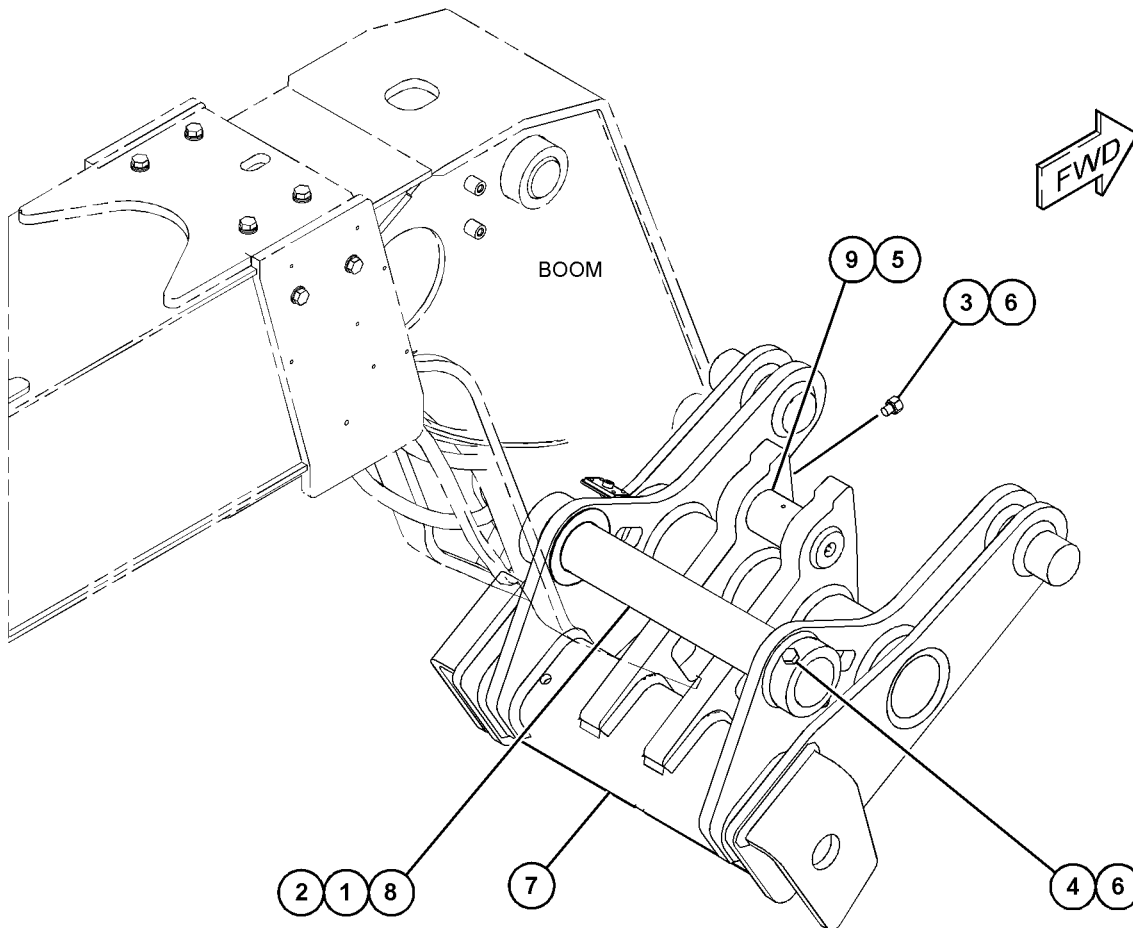
S/N: TH21-UP; TH31-UP
PART OF 506-3031 COUPLER AR-QUICK
AN ATTACHMENT

SMCS-6129

i06826188

NOTE	REF NO	GRAPHIC REF	PART NUMBER	QTY	PART NAME						SEE PAGE
					1	2	3	4	5	6 (PRODUCT LEVEL)	
B	1	1	316-5553	1	WASHER (72X110X0.5-MM THK)						
B	2	1	316-5554	1	WASHER (72X110X1-MM THK)						
M	3	1	8T-5092	1	BOLT (M12X1.75X150-MM)						
M	4	1	500-4371	1	BOLT (M12X1.75X120-MM)						
	5	1	323-5623	1	FITTING						
M	6	1	309-9185	2	LOCKNUT (M12X1.75-THD)						
Y	7	1	500-4374	1	COUPLER GP-QUICK						820
	8	1	500-4373	1	PIN						
	9	1	495-3020	1	PIN						

B - USE AS REQUIRED
M - METRIC PART
Y - SEPARATE ILLUSTRATION



GRAPHIC #1

<END>

g06121984

WORK TOOLS

540-8046 COUPLER AR-HYDRAULIC

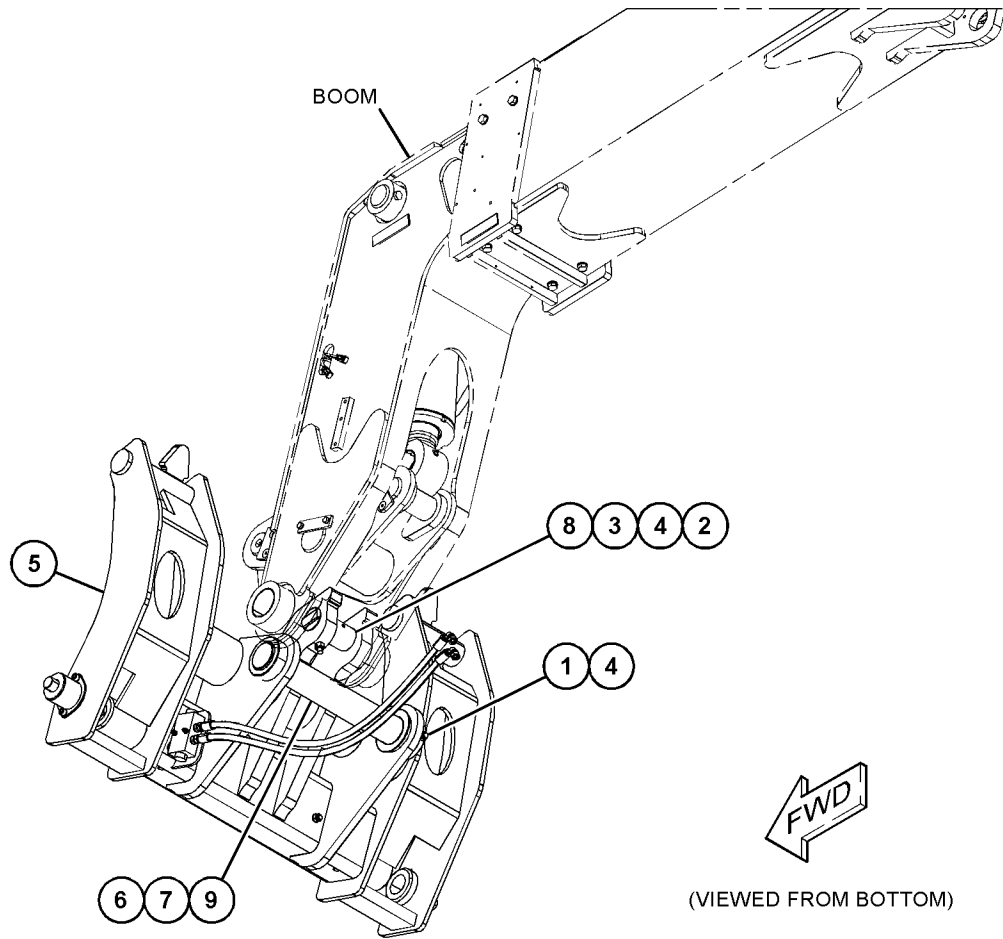
S/N: TH21-UP; TH31-UP
AN ATTACHMENT

SMCS-6129

i07163210

NOTE	REF NO	GRAPHIC REF	PART NUMBER	QTY	PART NAME						SEE PAGE
					1	2	3	4	5	6	
M	1	1	8T-5041	1	BOLT (M12X1.75X120-MM)						
M	2	1	8T-5092	1	BOLT (M12X1.75X150-MM)						
	3	1	437-0940	1	FITTING						
M	4	1	309-9185	2	LOCKNUT (M12X1.75-THD)						
Y	5	1	517-4336	1	COUPLER AR-QUICK (VOLVO)						814
B	6	1	316-5553	1	WASHER (72X110X0.5-MM THK)						
B	7	1	316-5554	1	WASHER (72X110X1-MM THK)						
	8	1	495-3020	1	PIN						
	9	1	500-4373	1	PIN						

B - USE AS REQUIRED
M - METRIC PART
Y - SEPARATE ILLUSTRATION



GRAPHIC #1

<END>

g06254150

WORK TOOLS

506-3031 COUPLER AR-QUICK

S/N: TH21-UP; TH31-UP
FOR USE WITH 506-3030
AN ATTACHMENT

SMCS-6129

i07163263

NOTE	PART NUMBER	QTY	PART NAME 1 2 3 4 5 6 (PRODUCT LEVEL)	SEE PAGE
Y	501-0751	1	COUPLER & MTG GP-QUICK	807
Y - SEPARATE ILLUSTRATION				

<END>

WORK TOOLS

517-4332 COUPLER AR-QUICK

S/N: TH21-UP; TH31-UP

PART OF 529-6465 COUPLER & MTG AR-HYDRAULIC
AN ATTACHMENT

SMCS-6129

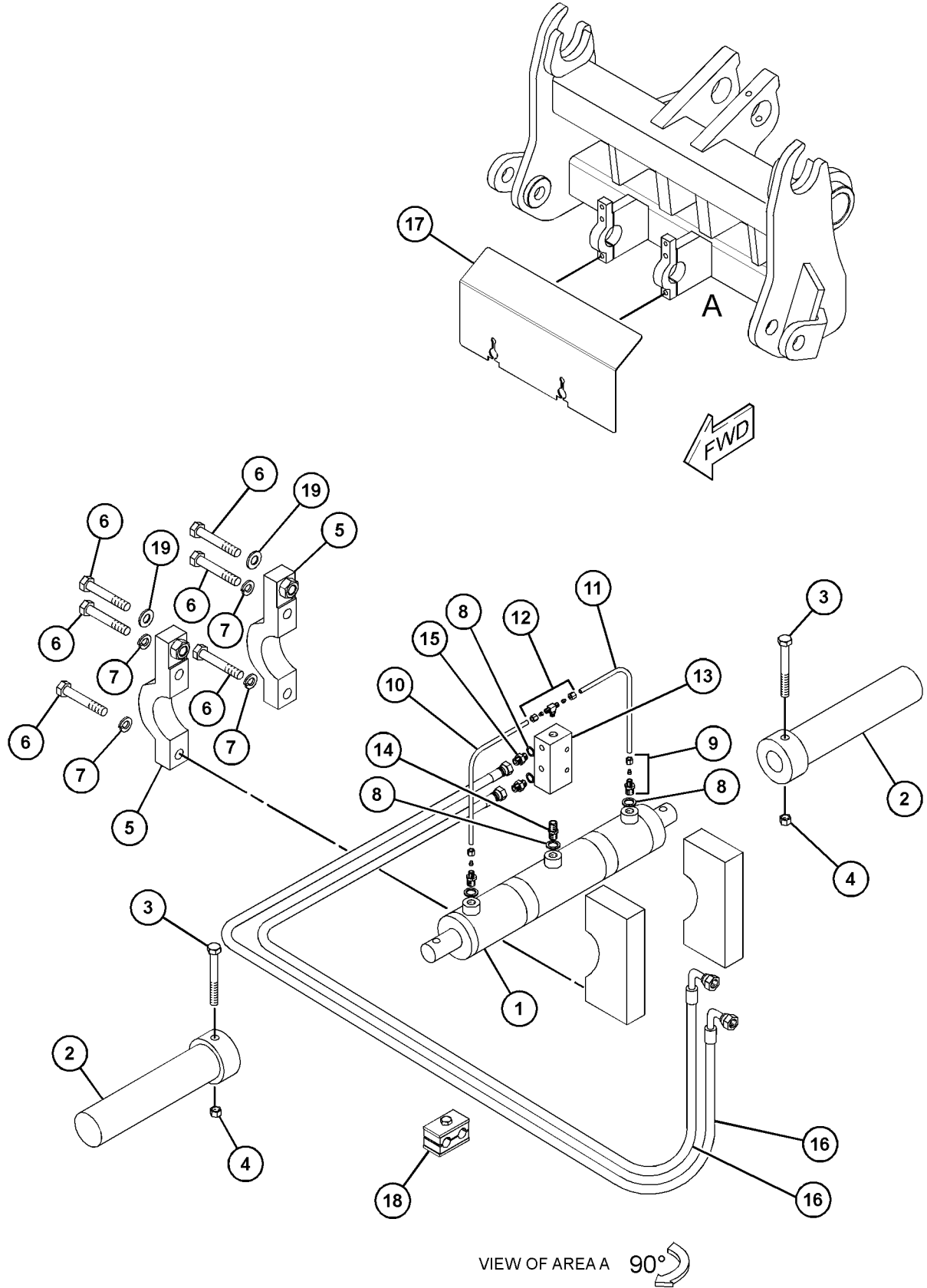
i07105710

NOTE	REF NO	GRAPHIC REF	PART NUMBER	QTY	PART NAME	SEE PAGE
					1 2 3 4 5 6 (PRODUCT LEVEL)	
J	1	1	333-9849	1	CYLINDER AS-COUPLER	
	2	1	333-9850	2	PIN	
	3	1	333-9852	2	BOLT	
	4	1	333-9774	2	NUT	
	5	1	527-7884	2	CLAMP	
	6	1	333-9855	6	BOLT	
	7	1	333-9856	4	WASHER	
	8	1	333-9860	5	SEAL	
	9	1	527-7885	2	LINK	
	10	1	527-7886	1	PIPE	
	11	1	527-7887	1	PIPE	
	12	1	527-7888	1	LINK	
	13	1	334-0453	1	BLOCK-VALVE	
	14	1	333-9857	1	LINK	
	15	1	334-0451	2	LINK	
	16	1	333-9866	2	PIPE	
	17	1	527-7889	1	CARRIER	
	18	1	333-9864	1	CLAMP	
	19	1	527-7890	2	WASHER	
					AVAILABLE REPAIR KIT(S) :	
J			362-2148	1	KIT-SEAL	
					(INCLUDES O-RINGS, RINGS, ROD SEAL, ROD WIPERS & SEALS)	
J - KIT MARKED J SERVICES PART(S) MARKED J						

WORK TOOLS

517-4332 COUPLER AR-QUICK (contd.)

i07105710



GRAPHIC #1

<END>

g06207224

WORK TOOLS

517-4333 COUPLER AR-QUICK-MERLO

S/N: TH21-UP; TH31-UP
 PART OF 529-8470 COUPLER AR-QUICK
 AN ATTACHMENT

SMCS-6129

i07046040

NOTE	REF NO	GRAPHIC REF	PART NUMBER	QTY	PART NAME	SEE PAGE
					1 2 3 4 5 6 (PRODUCT LEVEL)	
	1	1	527-7891	1	CYLINDER	
	2	1	527-7892	1	PIN	
	3	1	527-7893	2	BOLT	
	4	1	527-7894	1	PIN	
	5	1	334-0453	1	BLOCK-VALVE	
	6	1	527-7895	2	BOLT	
	7	1	527-7896	2	WASHER (11X11X1.5-MM THK)	
M	8	1	333-9770	2	NUT (M6-THD)	
	9	1	527-7897	1	PIPE	
	10	1	527-7898	1	PIPE	
	11	1	527-7899	2	GASKET	
	12	1	527-7900	2	LINK	
	13	1	333-9860	2	SEAL	
	14	1	334-0451	2	LINK	
	15	1	527-7901	2	PIPE-FLEXIBLE	
	16	1	527-7902	2	LINK	

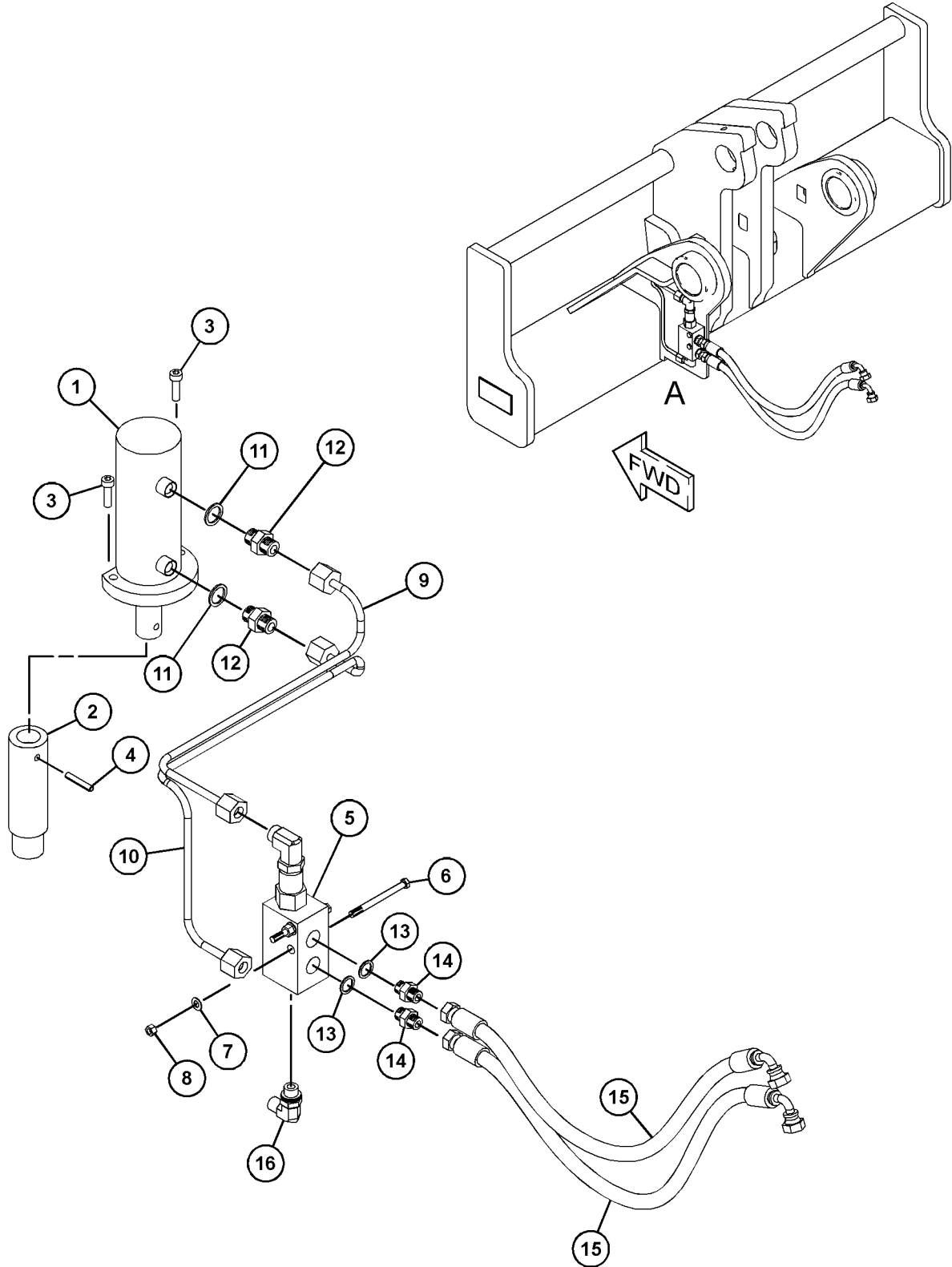
PARTS SHOWN IN GRAPHIC(S) WITHOUT A REFERENCE NUMBER ARE NOT SERVICED SEPARATELY

M - METRIC PART

WORK TOOLS

517-4333 COUPLER AR-QUICK (contd.)

i07046040



VIEW OF AREA A
(PARTS REMOVED FOR CLARITY)

GRAPHIC #1

<END>

g06208074

WORK TOOLS

517-4336 COUPLER AR-QUICK-VOLVO

S/N: TH21-UP; TH31-UP

PART OF 540-8046 COUPLER AR-HYDRAULIC
AN ATTACHMENT

SMCS-6129

i07046042

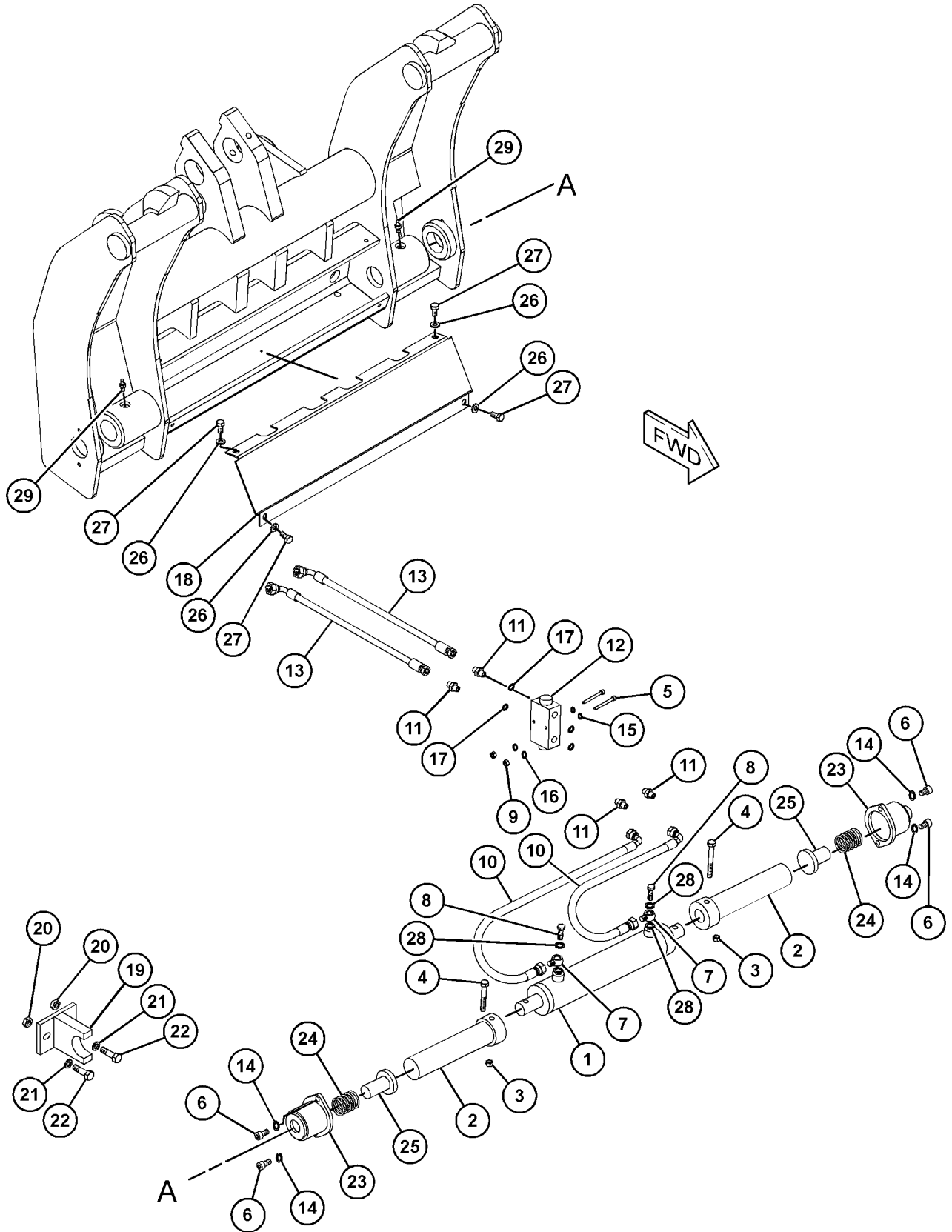
NOTE	REF NO	GRAPHIC REF	PART NUMBER	QTY	PART NAME	SEE PAGE
					1 2 3 4 5 6 (PRODUCT LEVEL)	
	1	1	527-7903	1	CYLINDER	
	2	1	527-7904	2	PIN	
	3	1	333-9774	2	NUT	
	4	1	527-7905	2	BOLT	
	5	1	334-0456	2	BOLT	
	6	1	527-7906	4	BOLT	
	7	1	527-7907	2	LINK	
	8	1	527-7908	2	BOLT	
M	9	1	333-9770	2	NUT (M6-THD)	
	10	1	527-7909	2	PIPE-FLEXIBLE	
	11	1	527-7910	4	LINK	
	12	1	362-3768	1	VALVE	
	13	1	527-7901	2	PIPE-FLEXIBLE	
	14	1	333-9776	4	WASHER	
	15	1	527-7896	2	WASHER (11X11X1.5-MM THK)	
	16	1	527-7913	2	WASHER	
	17	1	362-3765	4	SEAL-O-RING	
	18	1	527-7914	1	CARRIER	
	19	1	527-7915	1	BRACKET	
	20	1	527-7882	2	LOCKNUT	
	21	1	527-7917	2	WASHER	
	22	1	527-7918	2	BOLT	
	23	1	527-7919	2	COVER-INDICATOR	
	24	1	527-7920	2	SPRING	
	25	1	527-7921	2	PIN	
	26	1	527-7890	4	WASHER	
	27	1	527-7923	4	BOLT	
	28	1	333-9860	4	SEAL	
	29	1	362-3760	2	FITTING-GREASE	

M - METRIC PART

WORK TOOLS

517-4336 COUPLER AR-QUICK (contd.)

i07046042



GRAPHIC #1

<END>

g06208423

WORK TOOLS

517-6763 COUPLER AR-QUICK

S/N: TH21-UP; TH31-UP
FOR USE WITH 506-3031-PAGE: 809
AN ATTACHMENT

SMCS-6129

i07163213

NOTE	PART NUMBER	QTY	PART NAME						SEE PAGE
			1	2	3	4	5	6 (PRODUCT LEVEL)	
Y	500-4370	1	COUPLER GP-QUICK						819
Y - SEPARATE ILLUSTRATION									

<END>

WORK TOOLS

529-8470 COUPLER AR-QUICK

S/N: TH21-UP; TH31-UP

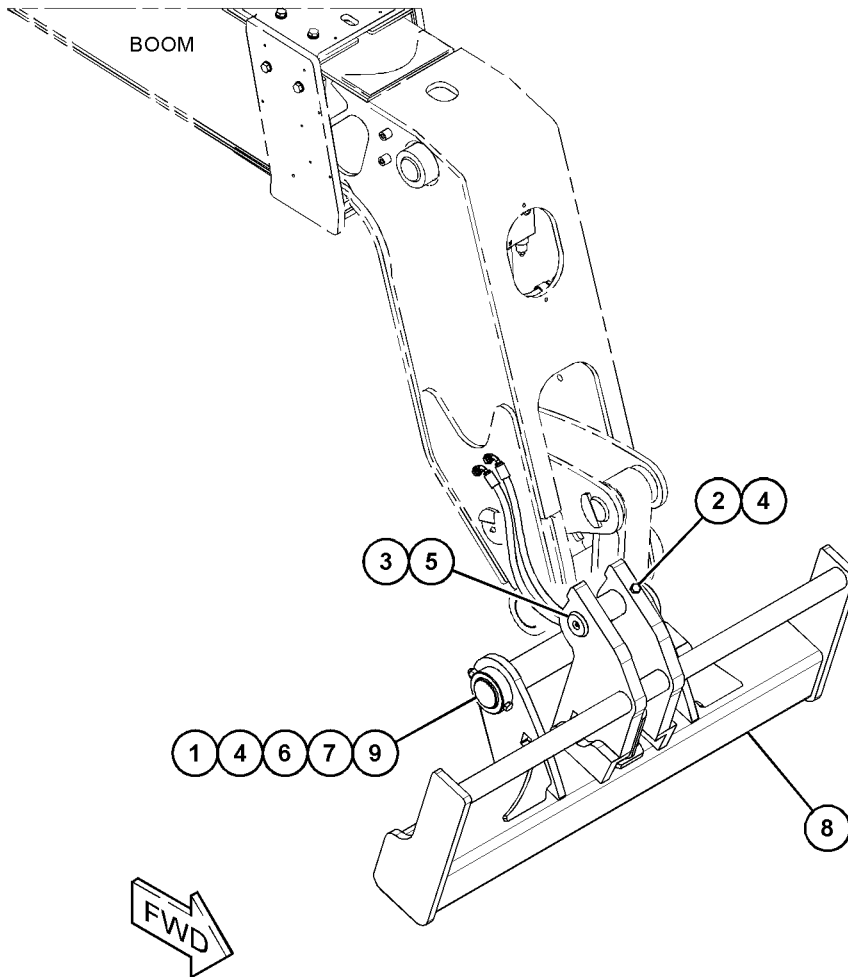
AN ATTACHMENT

SMCS-6129

i07046059

NOTE	REF NO	GRAPHIC REF	PART NUMBER	QTY	PART NAME						SEE PAGE
					1	2	3	4	5	6 (PRODUCT LEVEL)	
M	1	1	8T-5041	1	BOLT (M12X1.75X120-MM)						
M	2	1	8T-5092	1	BOLT (M12X1.75X150-MM)						
	3	1	437-0940	1	FITTING						
BM	4	1	309-9185	2	LOCKNUT (M12X1.75-THD)						
	5	1	495-3020	1	PIN						
B	6	1	316-5553	1	WASHER (72X110X0.5-MM THK)						
B	7	1	316-5554	1	WASHER (72X110X1-MM THK)						
Y	8	1	517-4333	1	COUPLER AR-QUICK (MERLO)						812
	9	1	500-4373	1	PIN						

B - USE AS REQUIRED
M - METRIC PART
Y - SEPARATE ILLUSTRATION



GRAPHIC #1

<END>

g06208092

WORK TOOLS

500-4369 COUPLER GP-QUICK

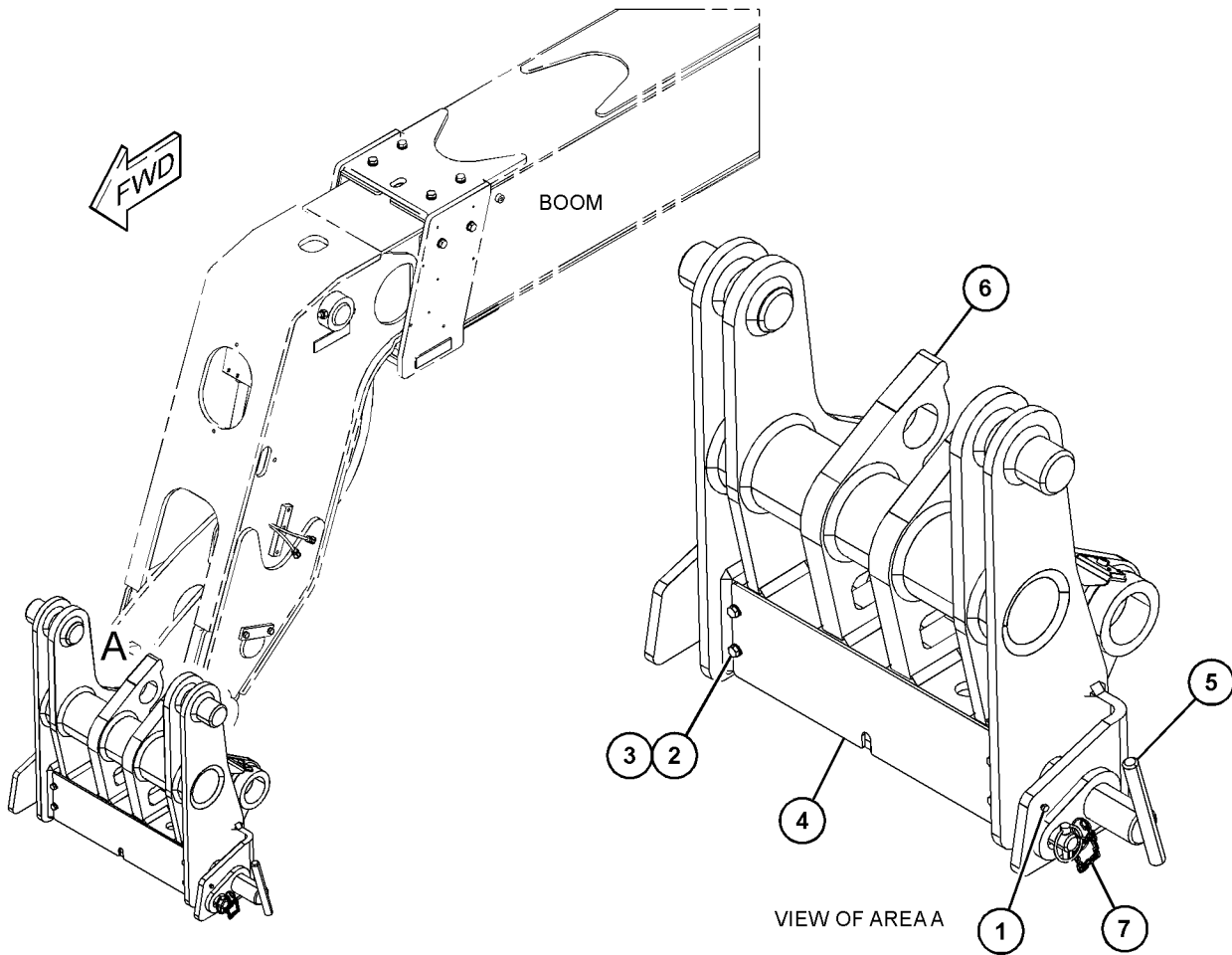
S/N: TH21-UP; TH31-UP
PART OF 500-4370 COUPLER GP-QUICK
AN ATTACHMENT

SMCS-6129

i06822902

NOTE	REF NO	GRAPHIC REF	PART NUMBER	QTY	PART NAME						SEE PAGE
					1	2	3	4	5	6	
M	1	1	8T-0325	1	BOLT (M5X0.8X14-MM)						
M	2	1	8T-4200	4	BOLT (M8X1.25X16-MM)						
	3	1	8T-4224	4	WASHER-HARD (8.8X16X2-MM THK)						
	4	1	495-3016	1	PLATE						
	5	1	473-6297	1	PIN AS						
	6	1	500-4375	1	COUPLER AS						
	7	1	459-6115	1	CHAIN AS						

M - METRIC PART



GRAPHIC #1

<END>

g06130483

WORK TOOLS

500-4370 COUPLER GP-QUICK

S/N: TH21-UP; TH31-UP

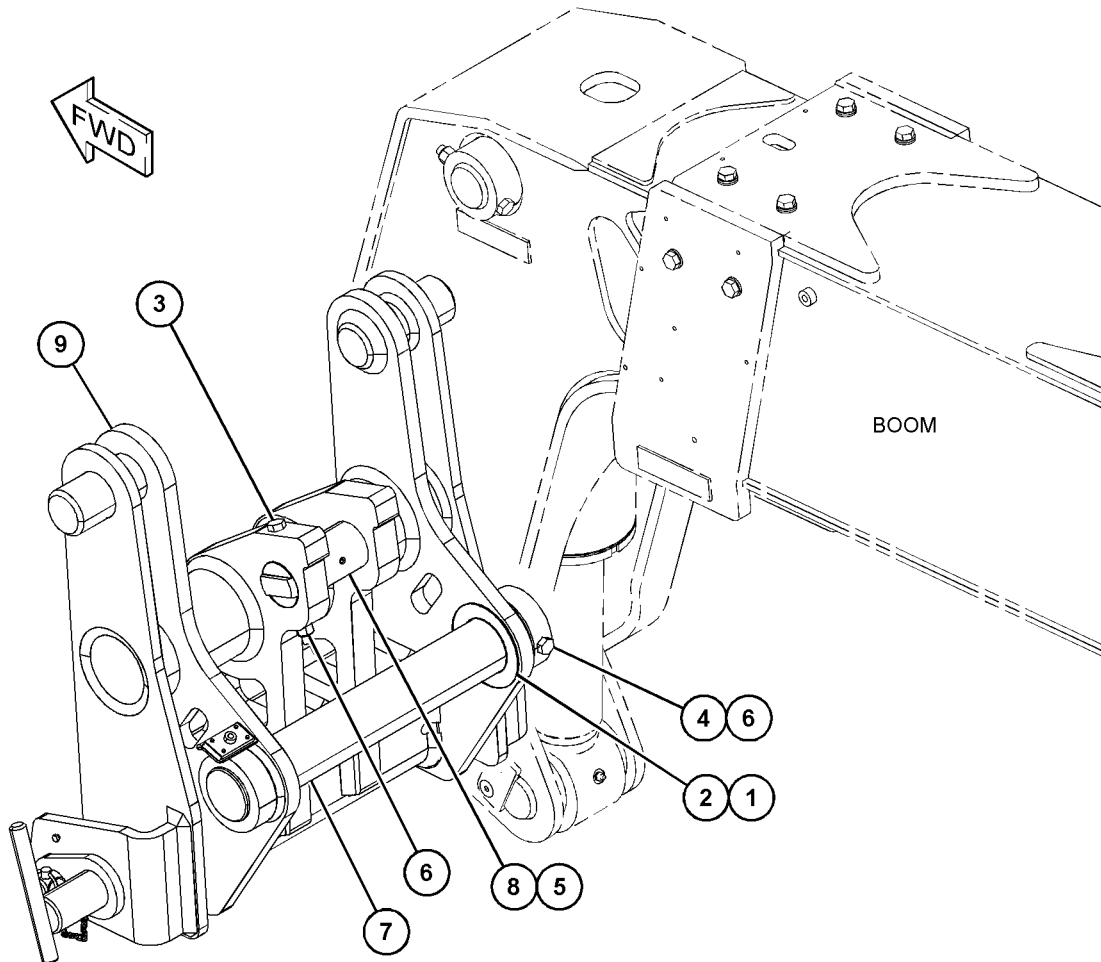
PART OF 517-6763 COUPLER AR-QUICK
AN ATTACHMENT

SMCS-6129

i06818935

NOTE	REF NO	GRAPHIC REF	PART NUMBER	QTY	PART NAME						SEE PAGE
					1	2	3	4	5	6	
B	1	1	316-5553	1	WASHER (72X110X0.5-MM THK)						
B	2	1	316-5554	1	WASHER (72X110X1-MM THK)						
M	3	1	8T-5092	1	BOLT (M12X1.75X150-MM)						
M	4	1	500-4371	1	BOLT (M12X1.75X120-MM)						
	5	1	323-5612	1	CLIP						
M	6	1	309-9185	2	LOCKNUT (M12X1.75-THD)						
	7	1	500-4373	1	PIN						
	8	1	495-3020	1	PIN						
Y	9	1	500-4369	1	COUPLER GP-QUICK						818

B - USE AS REQUIRED
M - METRIC PART
Y - SEPARATE ILLUSTRATION



GRAPHIC #1

<END>

g06130492

WORK TOOLS

500-4374 COUPLER GP-QUICK

S/N: TH21-UP; TH31-UP

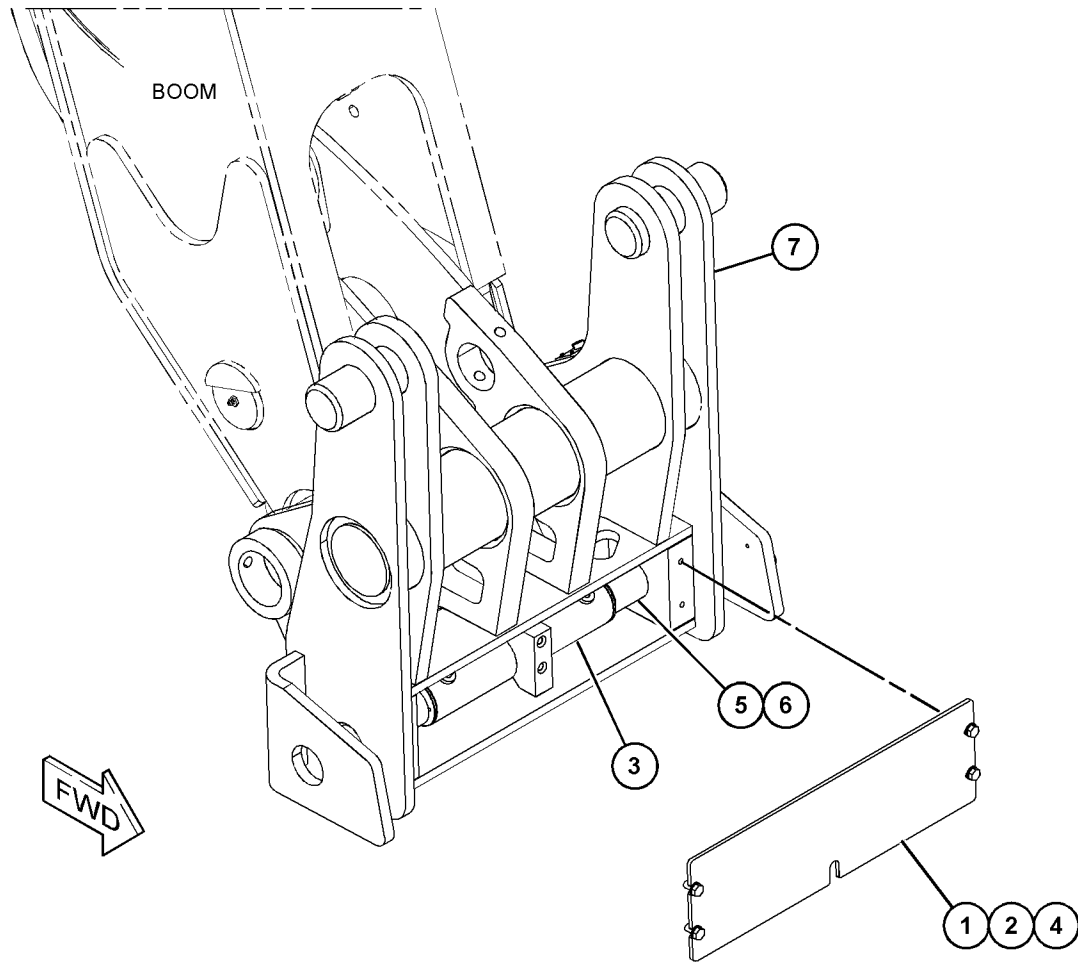
PART OF 501-0751 COUPLER & MTG GP-QUICK
AN ATTACHMENT

SMCS-6129

i06624657

NOTE	REF NO	GRAPHIC REF	PART NUMBER	QTY	PART NAME						SEE PAGE
					1	2	3	4	5	6 (PRODUCT LEVEL)	
M	1	1	8T-4200	4	BOLT (M8X1.25X16-MM)						
	2	1	8T-4224	4	WASHER-HARD (8.8X16X2-MM THK)						
Y	3	1	367-6694	1	CYLINDER GP-COUPLER (LOCKING)						667
	4	1	495-3016	1	PLATE						
	5	1	495-3017	2	ROD						
	6	1	477-5548	2	PIN-GROOVED						
	7	1	500-4375	1	COUPLER AS						

M - METRIC PART
Y - SEPARATE ILLUSTRATION



GRAPHIC #1

<END>

g06058961

WORK TOOLS

517-4329 COUPLER GP-QUICK-MANITOU

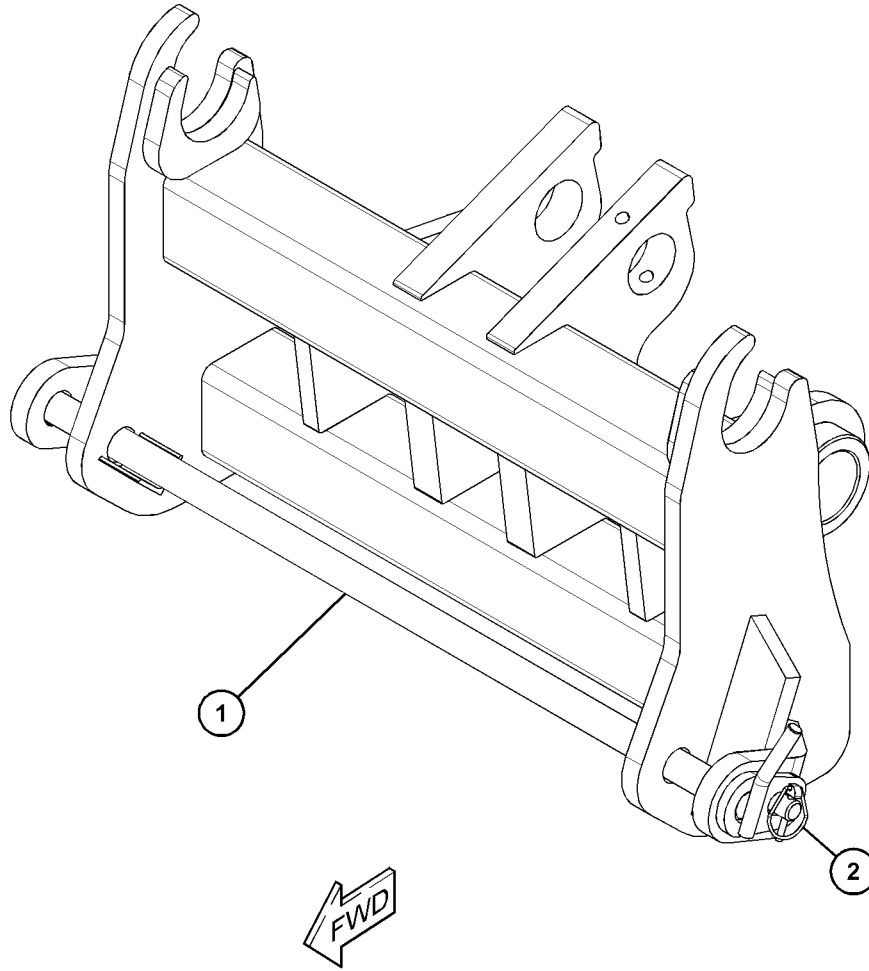
S/N: TH21-UP; TH31-UP

PART OF 529-6466 COUPLER & MTG AR-HYDRAULIC
AN ATTACHMENT

SMCS-6129

i07046024

NOTE	REF NO	GRAPHIC REF	PART NUMBER	QTY	PART NAME						SEE PAGE
					1	2	3	4	5	6 (PRODUCT LEVEL)	
1	1	1	335-2233	1	PIN						
2	1	1	335-2234	1	PIN						



GRAPHIC #1

<END>

g06208078

WORK TOOLS

346-2975 FORK AR

S/N: TH21-UP; TH31-UP

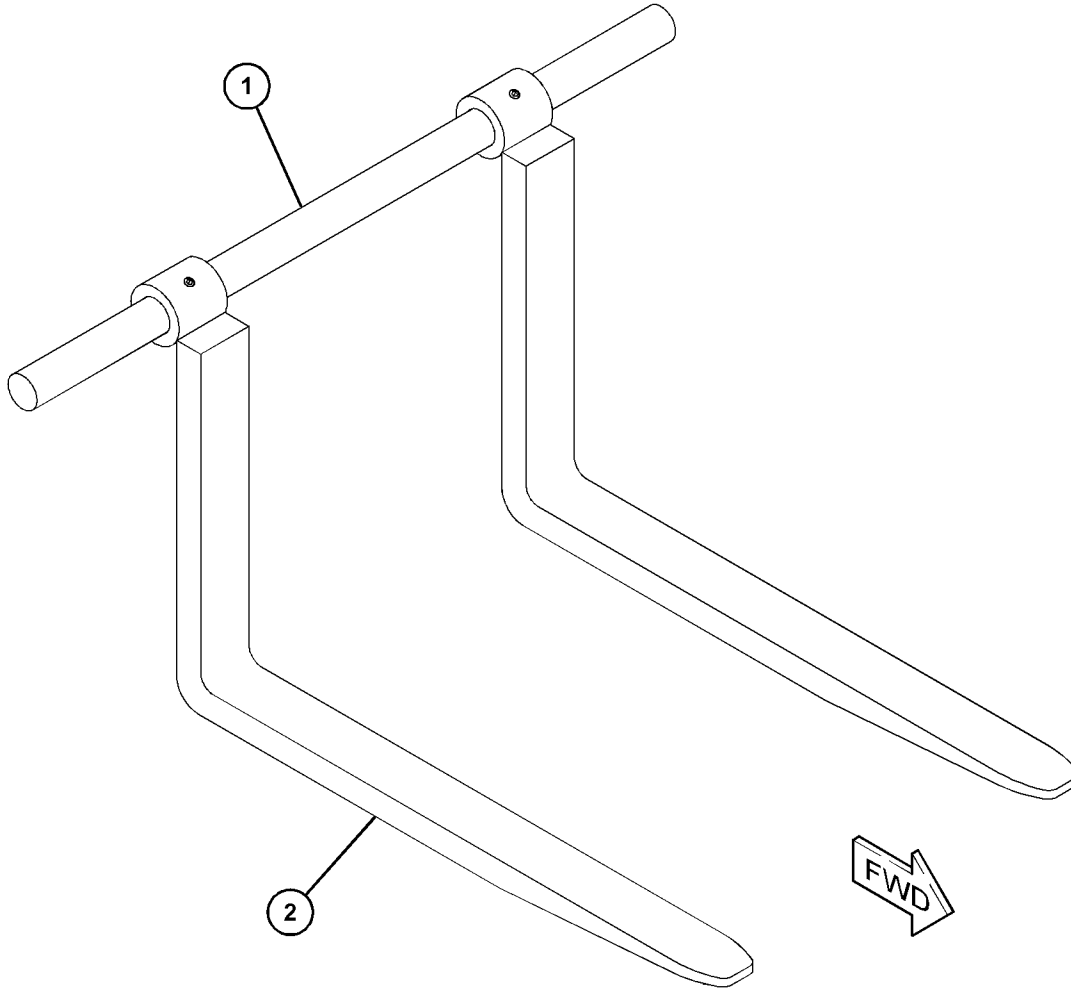
AN ATTACHMENT

SMCS-6405

i05823433

NOTE	REF NO	GRAPHIC REF	PART NUMBER	QTY	PART NAME						SEE PAGE
					1	2	3	4	5	6 (PRODUCT LEVEL)	
	1	1	346-2973	1	BAR						
Y	2	1	346-2974	2	FORK GP						831

Y - SEPARATE ILLUSTRATION



GRAPHIC #1

<END>

g03688500

WORK TOOLS

301-9756 FORK AS

S/N: TH21-UP

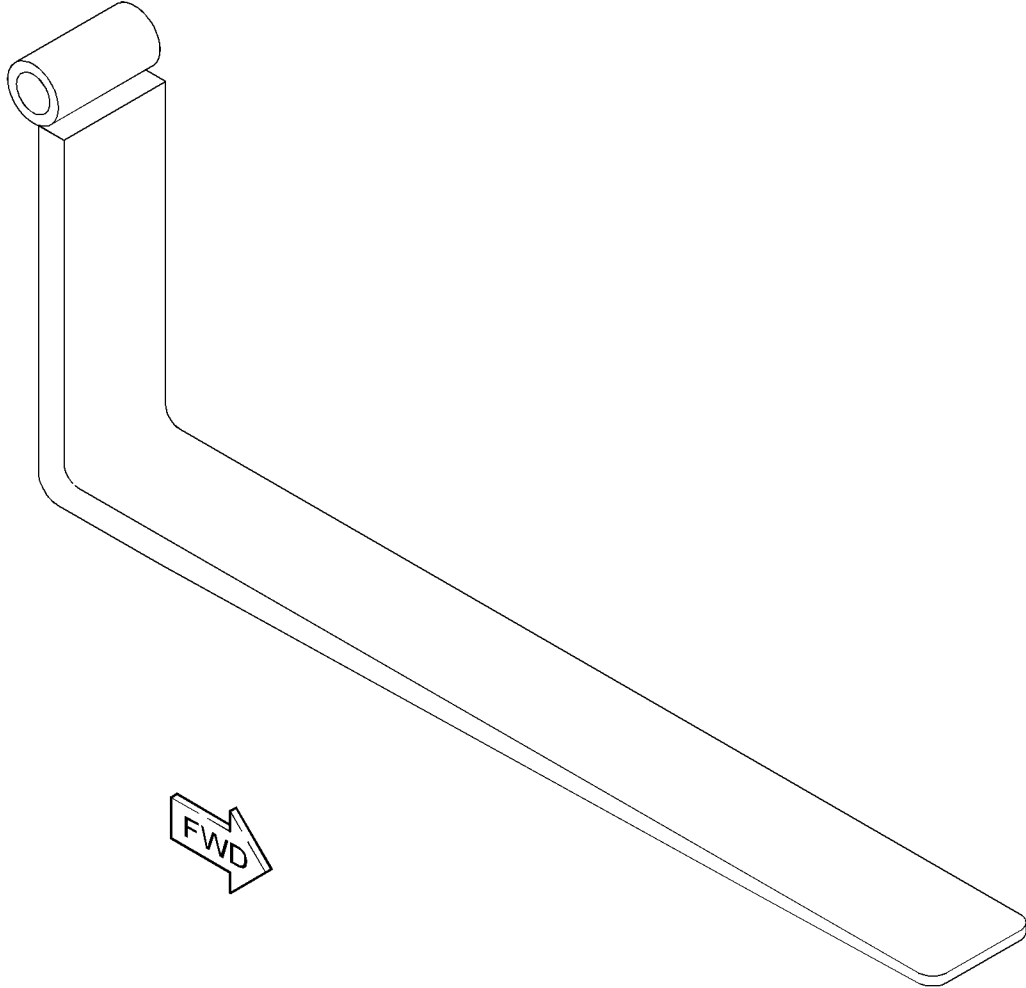
180-MM (7-IN) X 45-MM (1.8-IN) X 1540-MM (61-IN), FOR USE IN NACD REGION
AN ATTACHMENT

SMCS-6405

i06883805

NOTE	REF NO	GRAPHIC REF	PART NUMBER	QTY	PART NAME	SEE PAGE
					1 2 3 4 5 6 (PRODUCT LEVEL)	

(NO SERVICED PARTS)



GRAPHIC #1

<END>

g03756997

WORK TOOLS

311-2854 FORK AS

S/N: TH21-UP

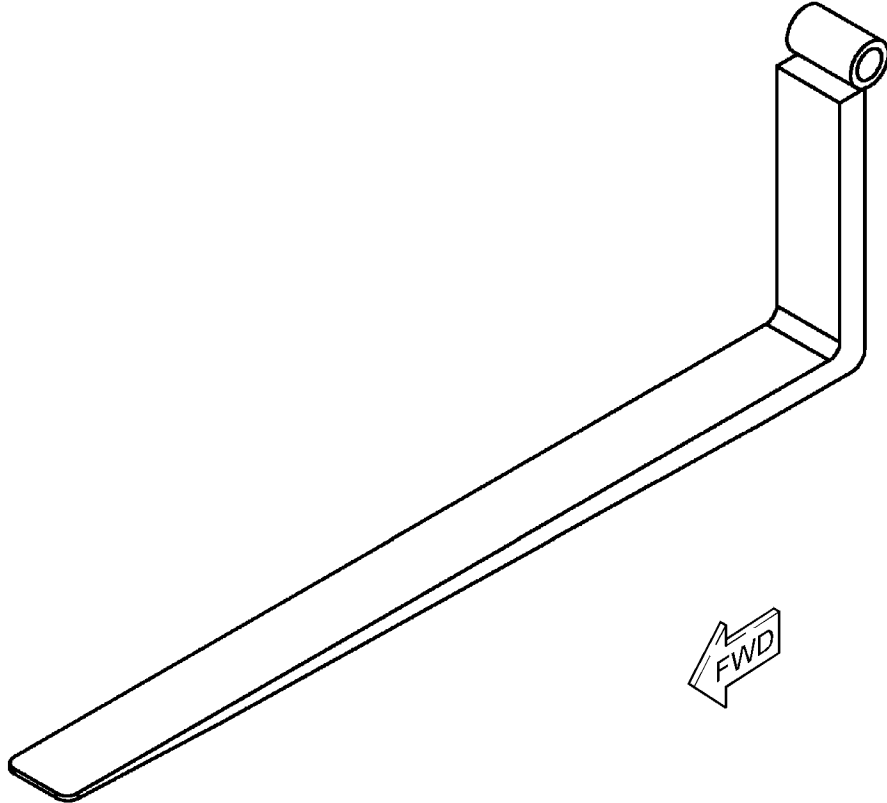
150-MM (5.9-IN) X 50-MM (2-IN) X 1830-MM (72-IN), FOR USE IN NACD ONLY
AN ATTACHMENT

SMCS-6405

i06885235

NOTE	REF NO	GRAPHIC REF	PART NUMBER	QTY	PART NAME	SEE PAGE
					1 2 3 4 5 6 (PRODUCT LEVEL)	

(NO SERVICED PARTS)



GRAPHIC #1

<END>

g03745694

WORK TOOLS

323-5737 FORK AS

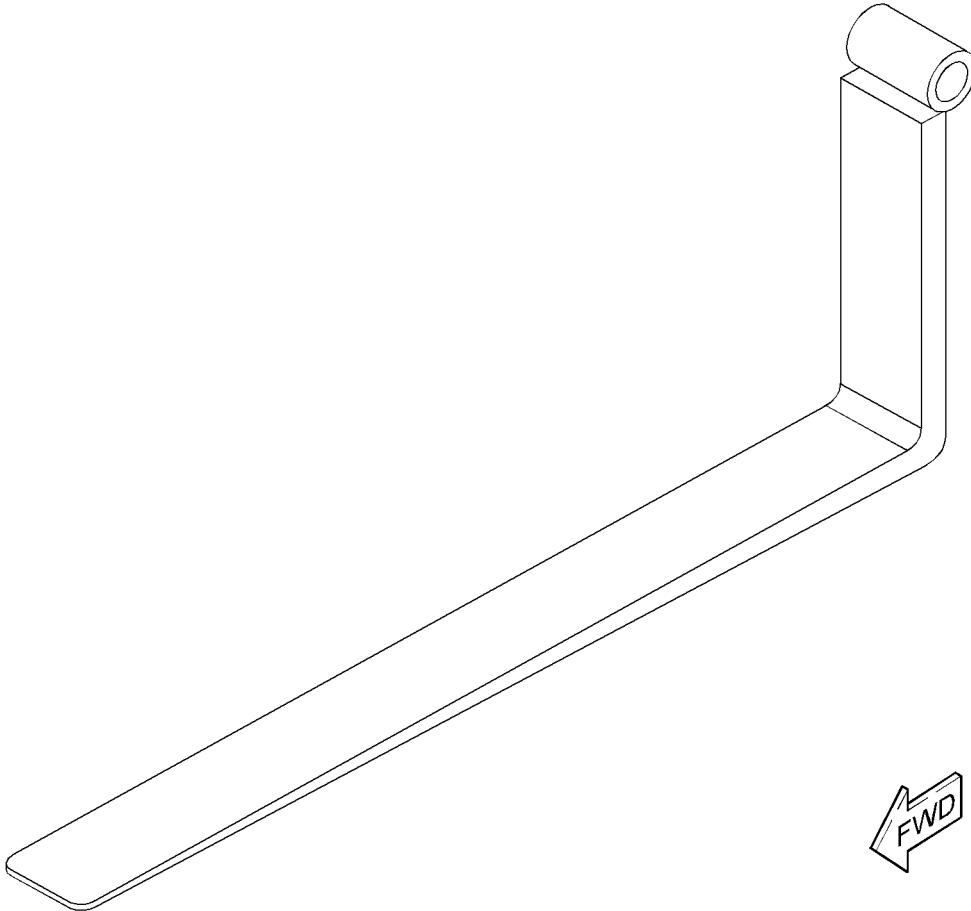
S/N: TH21-UP
1540-MM (60.6-IN)
AN ATTACHMENT

SMCS-6405

i06836824

NOTE	REF NO	GRAPHIC REF	PART NUMBER	QTY	PART NAME	SEE PAGE
					1 2 3 4 5 6 (PRODUCT LEVEL)	

(NO BREAKDOWN OF SERVICEABLE PARTS AVAILABLE
AT TIME OF PUBLICATION)



GRAPHIC #1

<END>

g06139547

WORK TOOLS

301-9752 FORK AS-BLOCK

S/N: TH21-UP

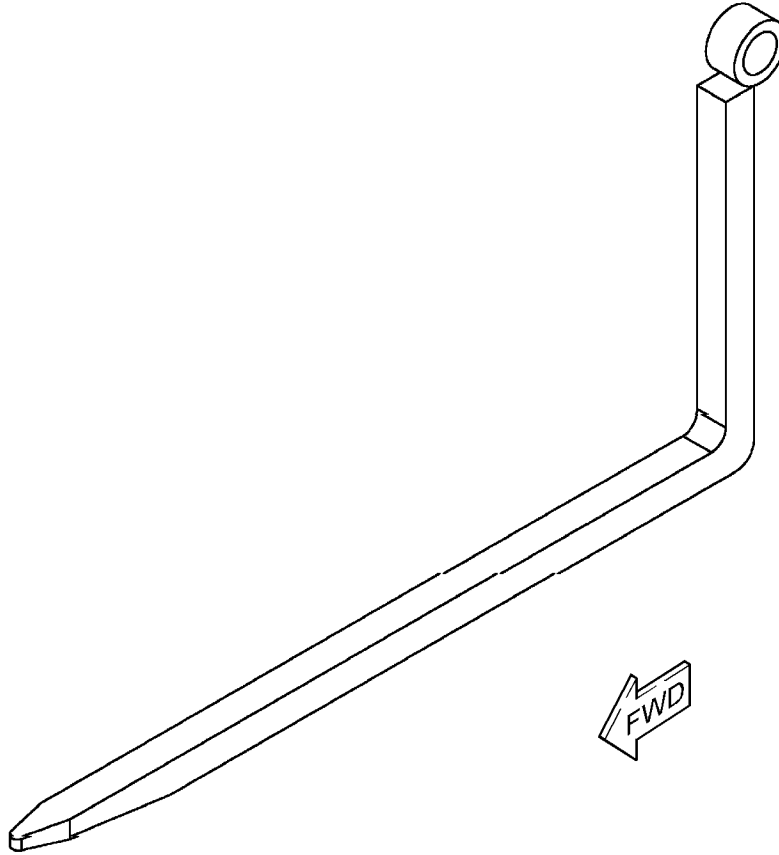
50-MM (2-IN) X 50-MM (2-IN) X 1220-MM (48-IN), FOR USE IN NACD REGION
AN ATTACHMENT

SMCS-6405

i06885239

NOTE	REF NO	GRAPHIC REF	PART NUMBER	QTY	PART NAME	SEE PAGE
					1 2 3 4 5 6 (PRODUCT LEVEL)	

(NO SERVICED PARTS)



GRAPHIC #1

<END>

g03745652

WORK TOOLS

301-9753 FORK AS-PALLET

S/N: TH21-UP

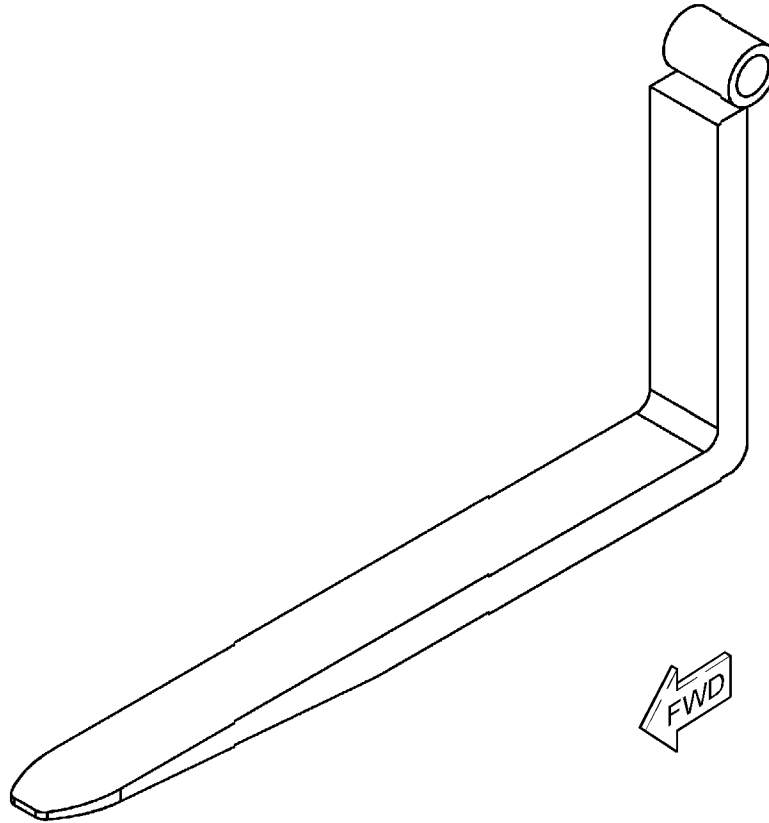
125-MM (4.9-IN) X 60-MM (2.4-IN) X 1220-MM (48-IN), FOR USE IN NACD REGION ONLY
AN ATTACHMENT

SMCS-6136, 6405

i06885241

NOTE	REF NO	GRAPHIC REF	PART NUMBER	QTY	PART NAME	SEE PAGE
------	--------	-------------	-------------	-----	-----------	----------

(NO SERVICED PARTS)



GRAPHIC #1

<END>

g03745664

WORK TOOLS

301-9754 FORK AS-PALLET

S/N: TH21-UP

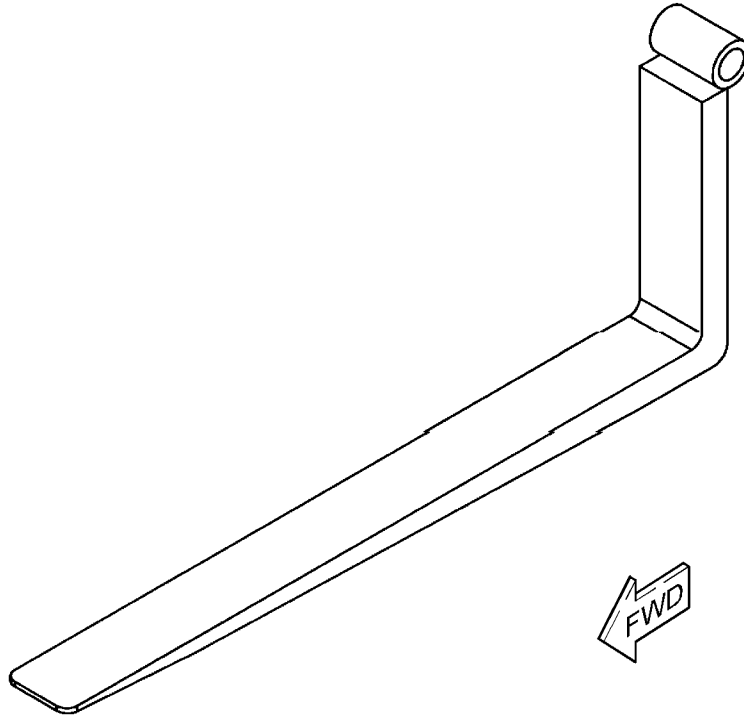
150-MM (5.9-IN) X 60-MM (2.4-IN) X 1524-MM (60-IN), FOR USE IN NACD REGION ONLY
AN ATTACHMENT

SMCS-6136, 6405

i06885246

NOTE	REF NO	GRAPHIC REF	PART NUMBER	QTY	PART NAME	SEE PAGE
------	--------	-------------	-------------	-----	-----------	----------

(NO SERVICED PARTS)



GRAPHIC #1

<END>

g03745642

WORK TOOLS

301-9755 FORK AS-PALLET

S/N: TH21-UP

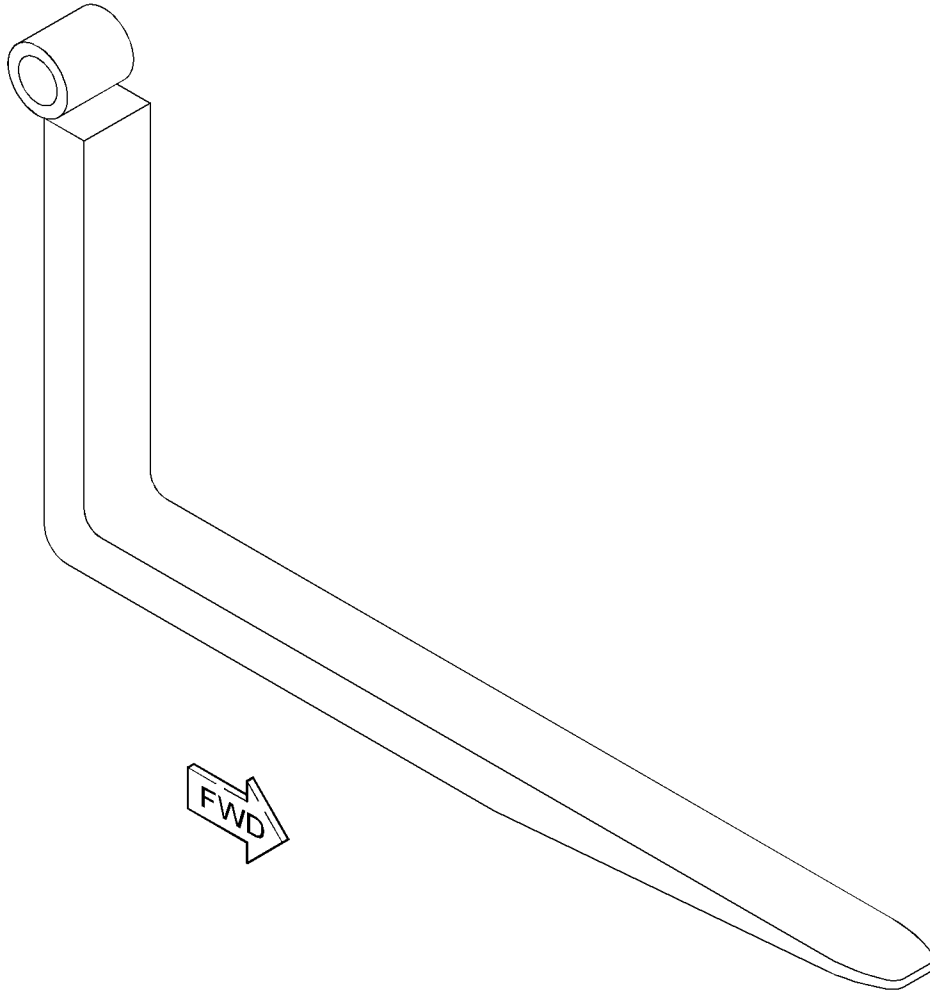
100-MM (3.9-IN) X 60-MM (2.4-IN) X 1220-MM (48-IN), FOR USE IN NACD REGION
AN ATTACHMENT

SMCS-6136, 6405

i05992169

NOTE	REF NO	GRAPHIC REF	PART NUMBER	QTY	PART NAME	SEE PAGE
------	--------	-------------	-------------	-----	-----------	----------

(NO BREAKDOWN OF SERVICEABLE PARTS AVAILABLE
AT TIME OF PUBLICATION)



GRAPHIC #1

<END>

g03757036

WORK TOOLS

326-1998 FORK GP

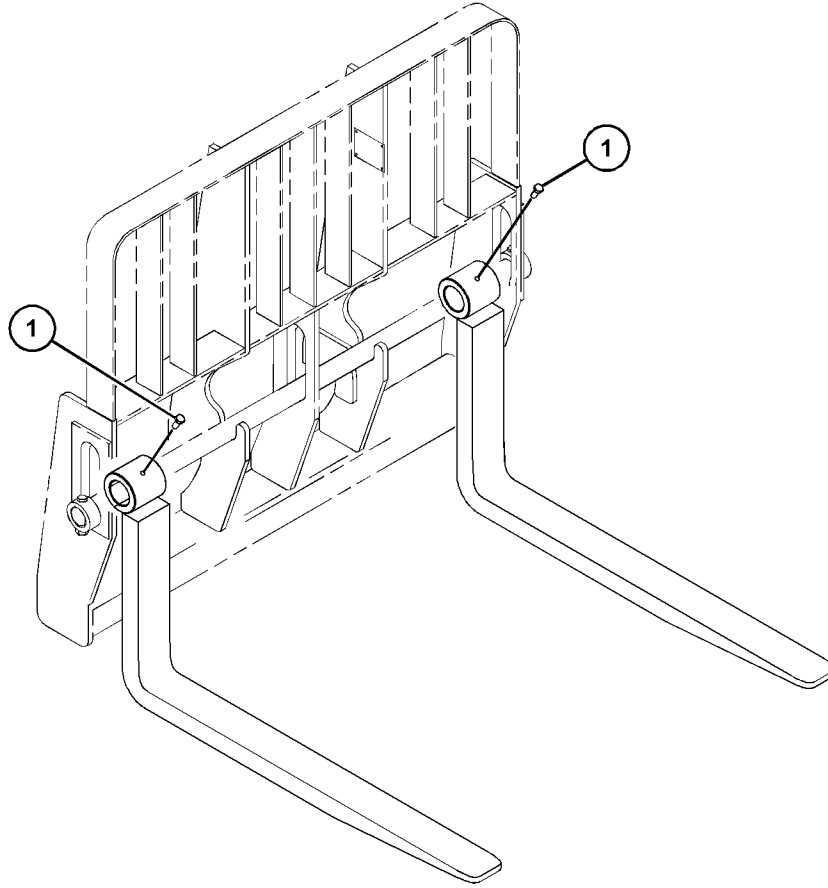
S/N: TH21-UP; TH31-UP

AN ATTACHMENT

SMCS-6405

i06907168

NOTE	REF NO	GRAPHIC REF	PART NUMBER	QTY	PART NAME						SEE PAGE
					1	2	3	4	5	6 (PRODUCT LEVEL)	
	1	1	524-3872	2	SCREW						



GRAPHIC #1

<END>

g06164625

WORK TOOLS

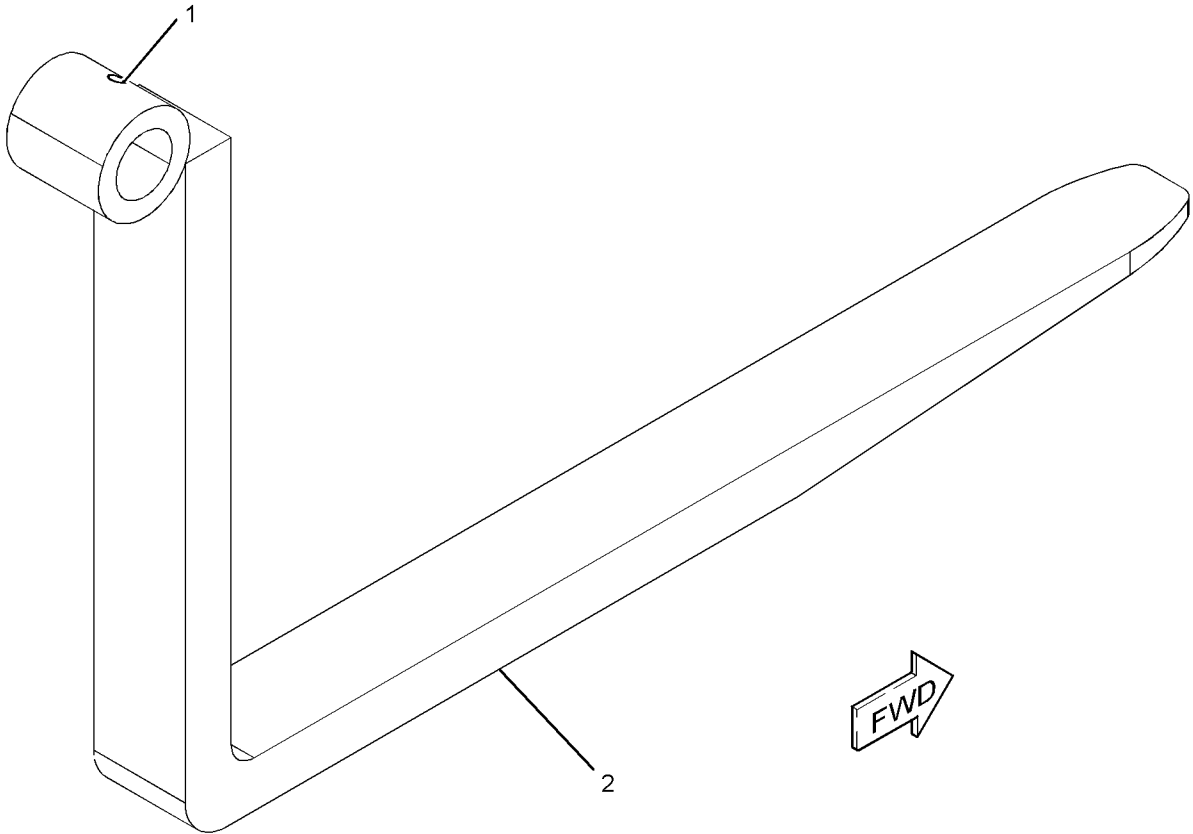
346-2974 FORK GP

S/N: TH21-UP; TH31-UP
PART OF 346-2975 FORK AR
AN ATTACHMENT

SMCS-6405

i06635994

NOTE	REF NO	GRAPHIC REF	PART NUMBER	QTY	PART NAME						SEE PAGE
					1	2	3	4	5	6 (PRODUCT LEVEL)	
	1	1	477-1675	1	SCREW						
	2	1	346-2972	1	FORK AS						



GRAPHIC #1

<END>

g03692654

WORK TOOLS

364-5356 FORK GP

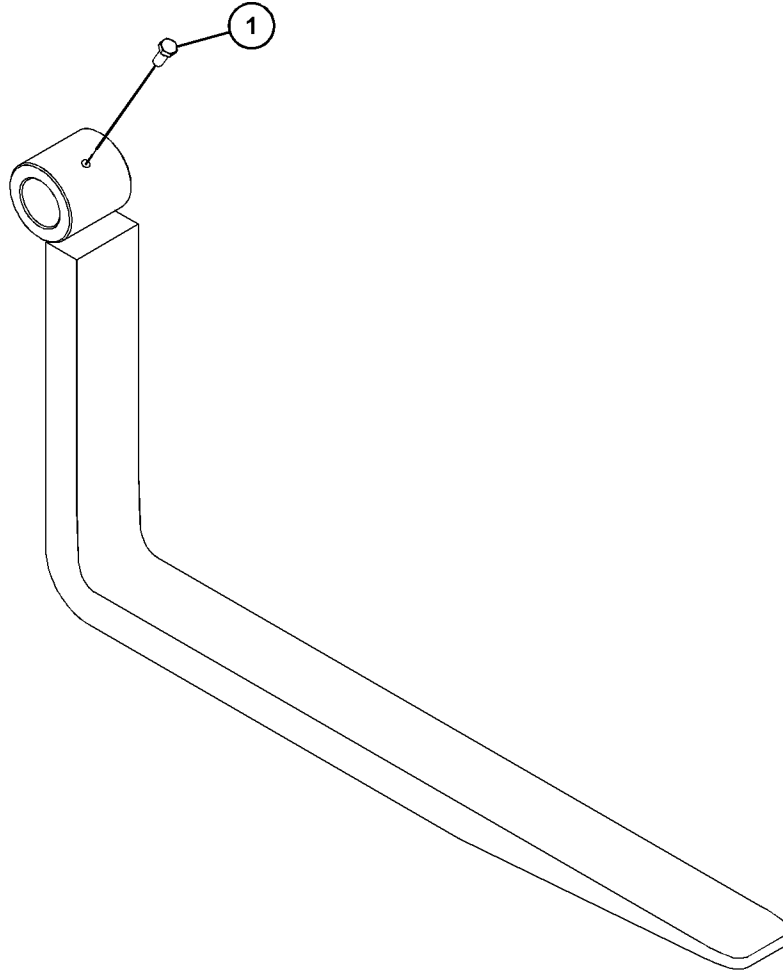
S/N: TH21-UP; TH31-UP
4000-KG, CAN NOT BE USED IN NACD
AN ATTACHMENT

SMCS-6405

i06809395

NOTE	REF NO	GRAPHIC REF	PART NUMBER	QTY	PART NAME						SEE PAGE
					1	2	3	4	5	6 (PRODUCT LEVEL)	
M	1	1	510-5662	1	BOLT (M16X2X30-MM)						

M - METRIC PART



GRAPHIC #1

<END>

g06126600

WORK TOOLS

456-0454 FORK GP

S/N: TH21-UP; TH31-UP

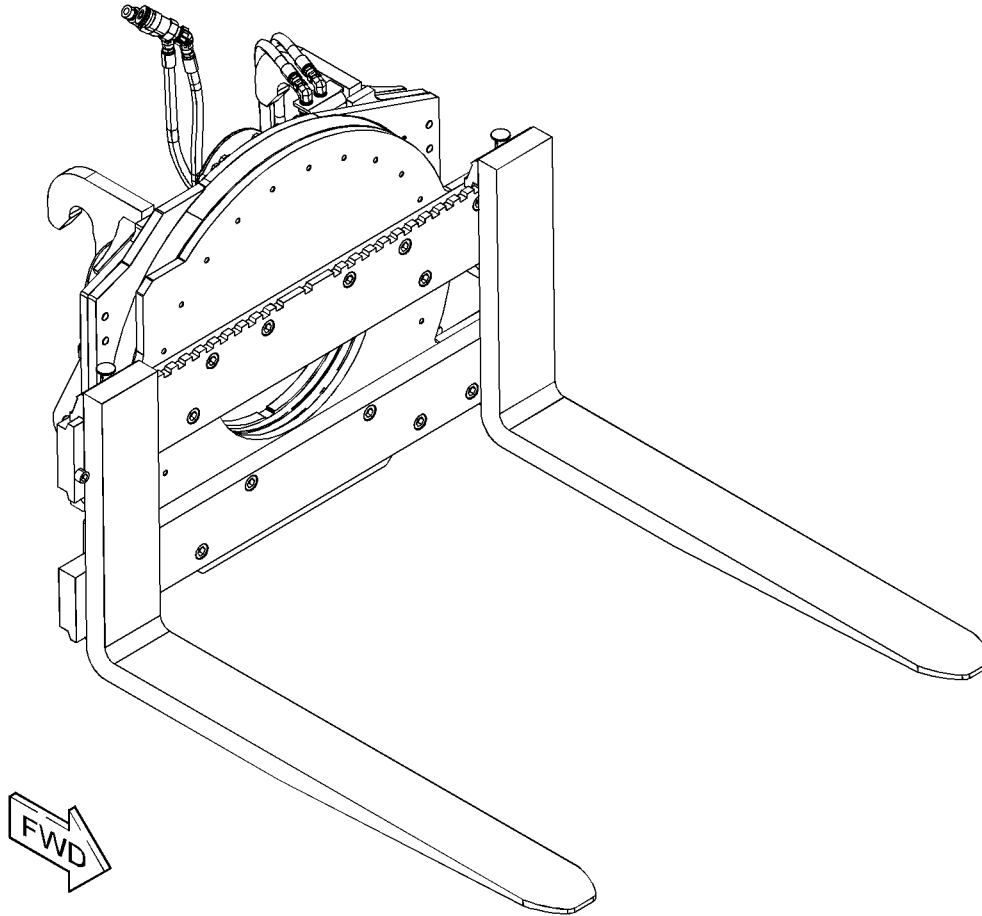
AN ATTACHMENT

SMCS-6405

i07210847

NOTE	REF NO	GRAPHIC REF	PART NUMBER	QTY	PART NAME	SEE PAGE
------	--------	-------------	-------------	-----	-----------	----------

(NO SERVICED PARTS)



GRAPHIC #1

<END>

g06252829

WORK TOOLS

463-1675 FORK GP

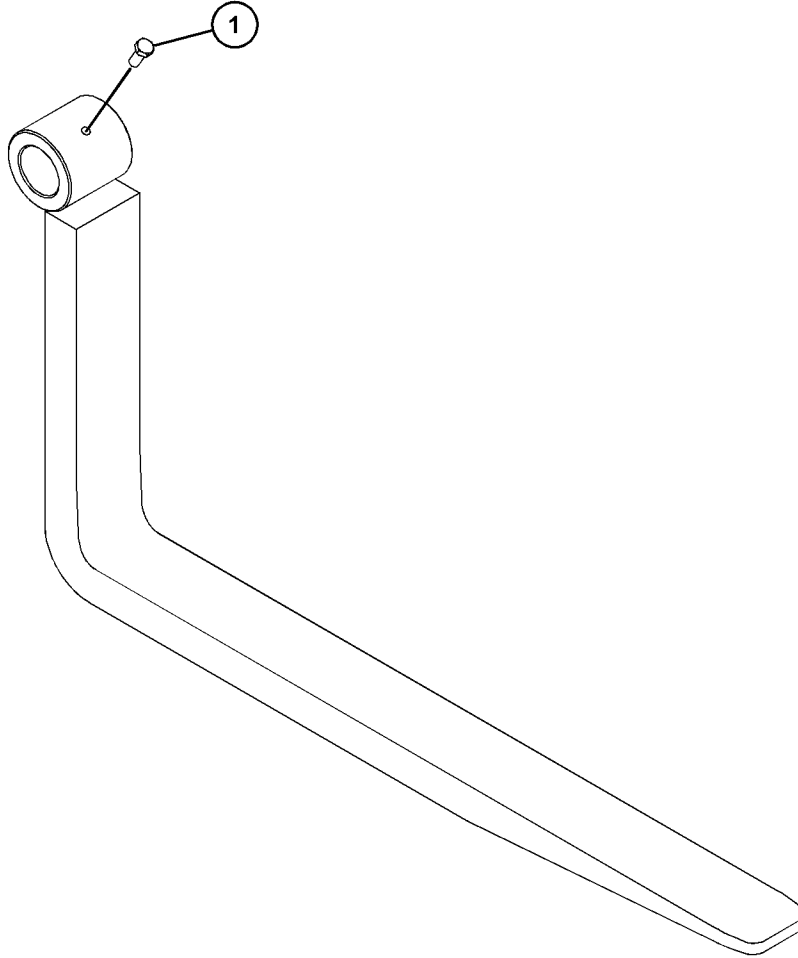
S/N: TH21-UP; TH31-UP
NOT FOR USE IN NACD REGION
AN ATTACHMENT

SMCS-6405

i06736229

NOTE	REF NO	GRAPHIC REF	PART NUMBER	QTY	PART NAME						SEE PAGE
					1	2	3	4	5	6 (PRODUCT LEVEL)	
M	1	1	6V-3668	1	BOLT (M12X1.75X30-MM)						

M - METRIC PART



GRAPHIC #1

<END>

g06114235

WORK TOOLS

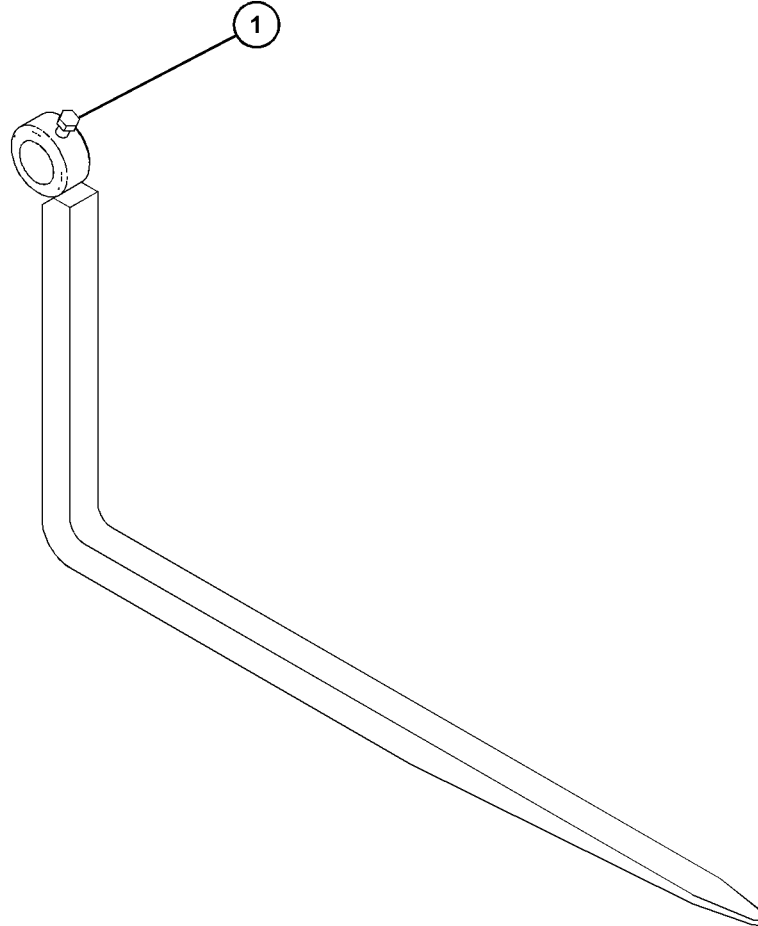
485-7240 FORK GP

S/N: TH21-UP; TH31-UP
NOT FOR USE IN NACD REGION
AN ATTACHMENT

SMCS-6405

i06735315

NOTE	REF NO	GRAPHIC REF	PART NUMBER	QTY	PART NAME						SEE PAGE
					1	2	3	4	5	6 (PRODUCT LEVEL)	
	1	1	2L-1701	1	BOLT (5/8-18X1.5-IN)						



GRAPHIC #1

<END>

g06114391

WORK TOOLS

497-6985 FORK GP

S/N: TH21-UP; TH31-UP

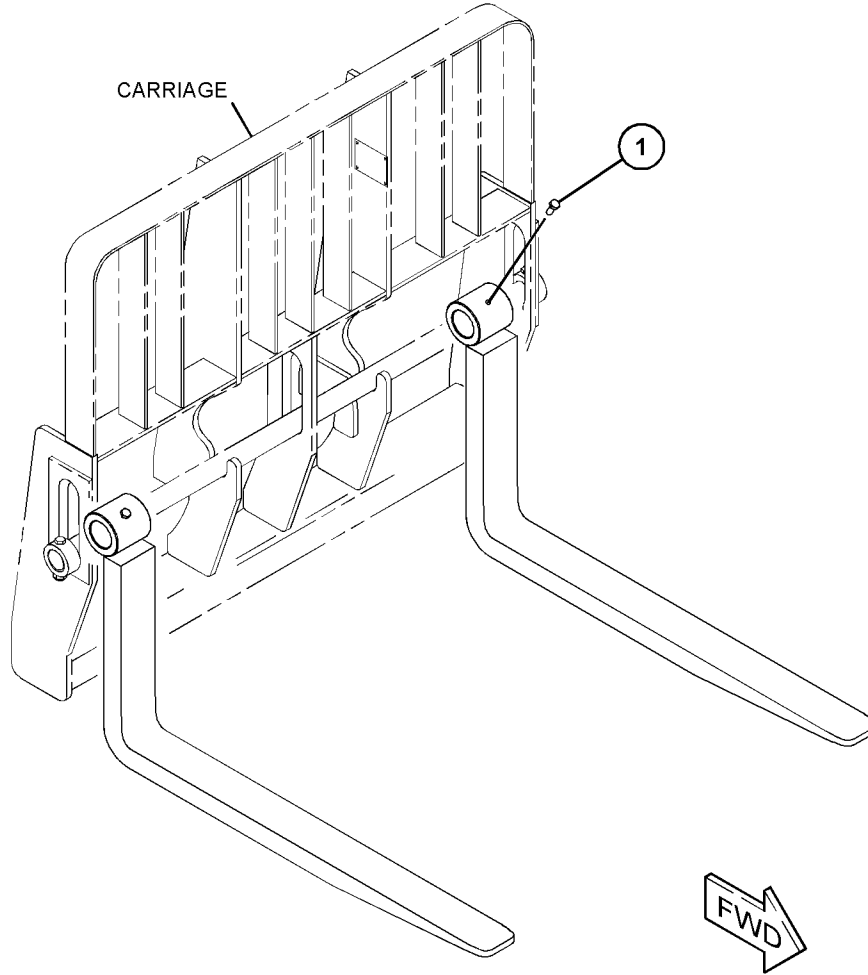
40-MM (1.6-IN) X 150-MM (6-IN) X 1540-MM (60.6-IN)
AN ATTACHMENT

SMCS-6405

i06889523

NOTE	REF NO	GRAPHIC REF	PART NUMBER	QTY	PART NAME						SEE PAGE
					1	2	3	4	5	6 (PRODUCT LEVEL)	
M	1	1	510-5662	1	BOLT (M16X2X30-MM)						

M - METRIC PART



GRAPHIC #1

<END>

g06158562

WORK TOOLS

509-4662 FORK GP-GRAB

S/N: TH21-UP; TH31-UP

2450-MM (96.5-IN)

AN ATTACHMENT

SMCS-6405

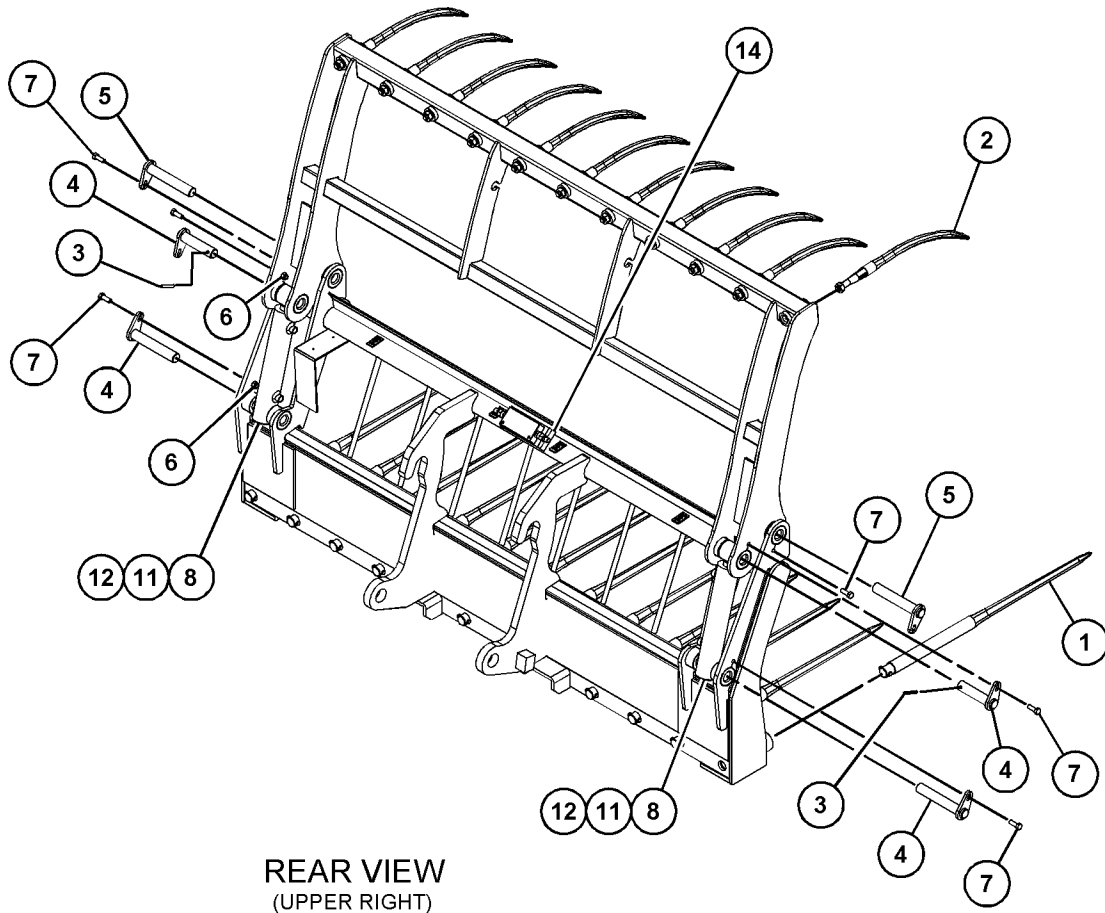
i07175293

NOTE	REF NO	GRAPHIC REF	PART NUMBER	QTY	PART NAME						SEE PAGE
					1	2	3	4	5	6 (PRODUCT LEVEL)	
	1	1	512-8037	12	PLATE AS						
	2	1	545-6982	11	PLATE AS						
	3	1	512-6795	2	PIN AS						
	4	1	512-6796	4	PIN AS						
	5	1	512-6802	2	PIN-ROLL						
	6	1	512-6800	6	NUT						
	7	1	512-6801	6	SCREW						
	8	1	512-6797	2	CYLINDER AS						
	9	1	545-7587	2	HOSE						
	10	1	545-7591	2	HOSE						
	11	1	512-6798	10	RETAINER-RING						
	12	1	512-6799	6	FITTING						
	13	1	512-6793	1	VALVE						
	14	1	545-7596	1	SUPPORT						

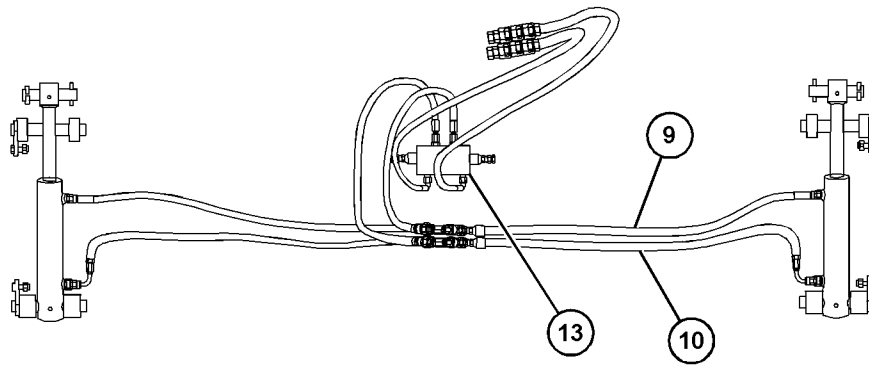
WORK TOOLS

509-4662 FORK GP (contd.)

i07175293



REAR VIEW
(UPPER RIGHT)



REAR VIEW
(PARTS REMOVED FOR CLARITY)

GRAPHIC #1

<END>

g06245028

WORK TOOLS

252-1456 FORK GP-PALLET

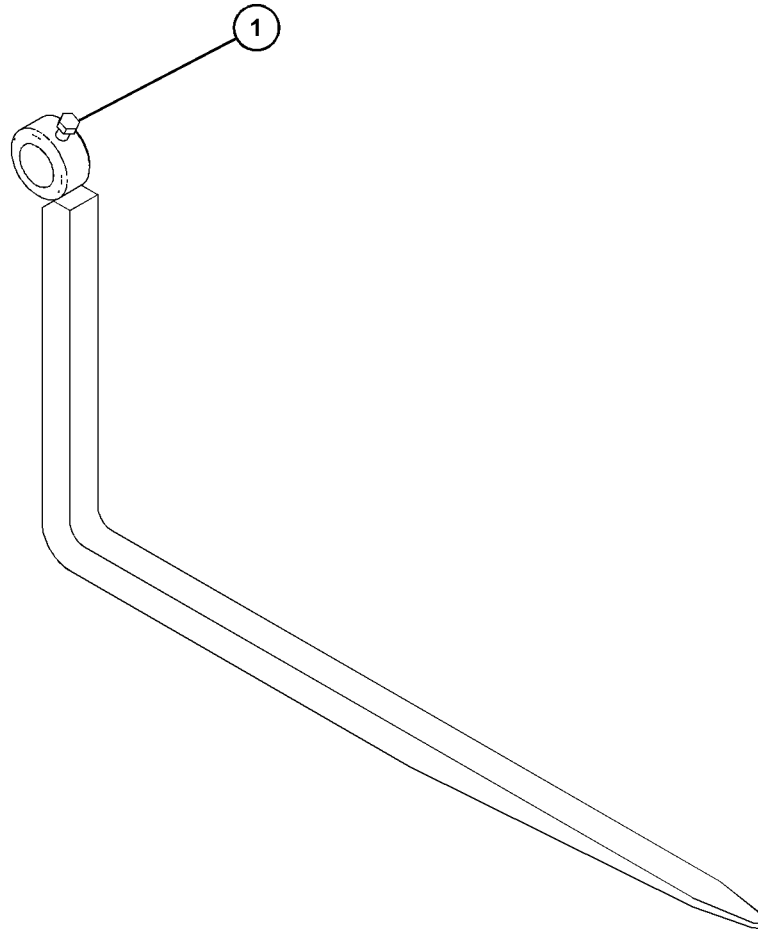
S/N: TH21-UP; TH31-UP

100-MM (3.9-IN) X 50-MM (2-IN) X 1525-MM (60-IN), NOT FOR USE IN NACD REGION AND AUSTRALIA.
AN ATTACHMENT

SMCS-6136

i06885249

NOTE	REF NO	GRAPHIC REF	PART NUMBER	QTY	PART NAME						SEE PAGE
					1	2	3	4	5	6 (PRODUCT LEVEL)	
	1	1	2L-1701	1	BOLT (5/8-18X1.5-IN)						



GRAPHIC #1

<END>

g06114391

WORK TOOLS

309-9182 HOOK GP-LIFTING

S/N: TH31-UP

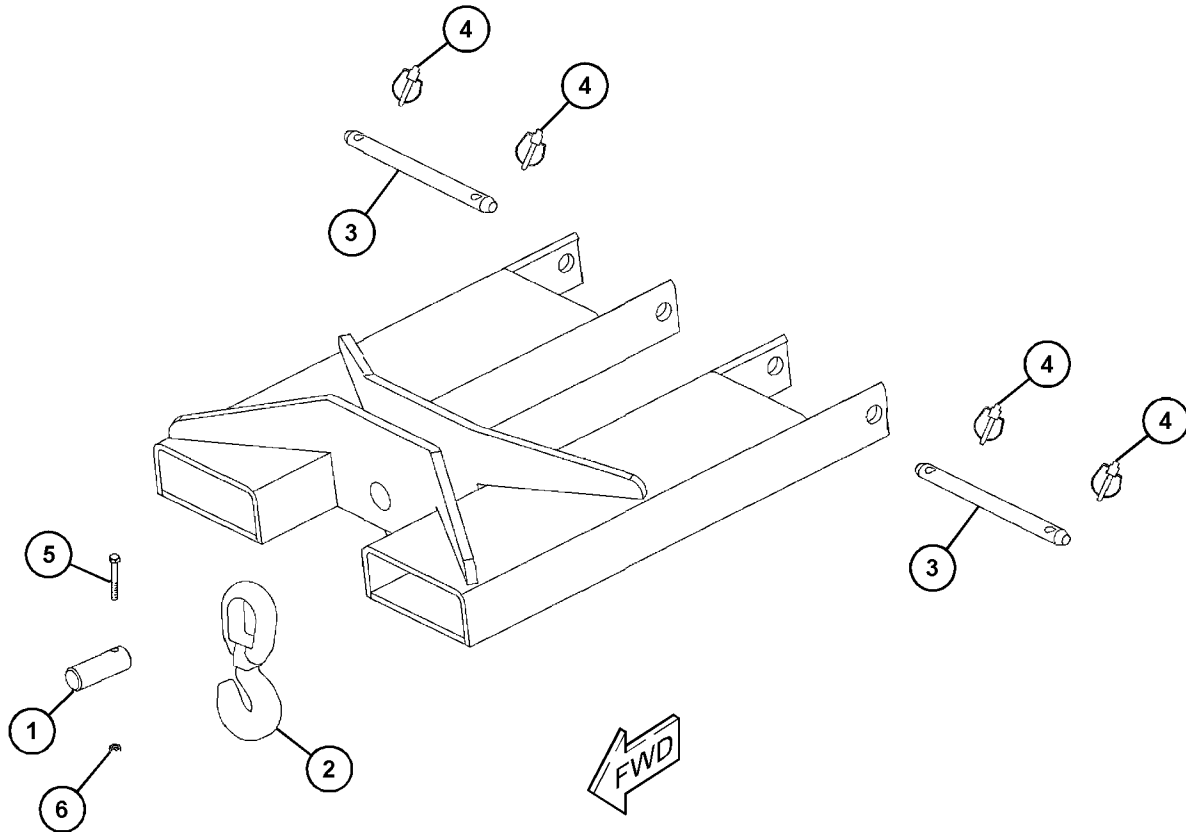
NOT AVAILABLE IN NACD REGION
AN ATTACHMENT

SMCS-6459

i06735317

NOTE	REF NO	GRAPHIC REF	PART NUMBER	QTY	PART NAME						SEE PAGE
					1	2	3	4	5	6 (PRODUCT LEVEL)	
	1	1	513-7375	1	PIN						
	2	1	513-7376	1	HOOK						
	3	1	513-7370	2	PIN						
	4	1	513-7371	4	RETAINER-RING						
	5	1	513-7379	1	BOLT						
	6	1	513-7380	1	NUT						

PARTS SHOWN IN GRAPHIC(S) WITHOUT A REFERENCE NUMBER ARE NOT SERVICED SEPARATELY



GRAPHIC #1

<END>

g06099429

WORK TOOLS

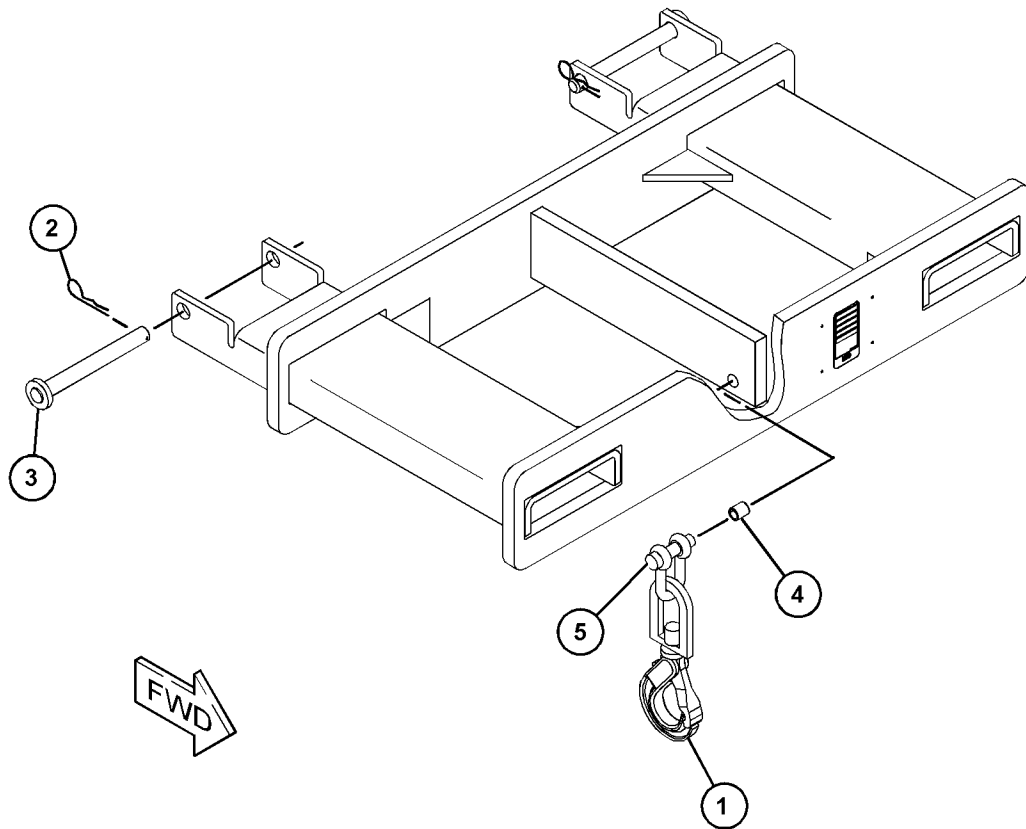
321-0556 HOOK GP-LIFTING

S/N: TH21-UP
FOR USE IN NACD REGION
AN ATTACHMENT

SMCS-6459

i06115735

NOTE	REF NO	GRAPHIC REF	PART NUMBER	QTY	PART NAME						SEE PAGE
					1	2	3	4	5	6 (PRODUCT LEVEL)	
	1	1	327-6335	1	HOOK						
	2	1	327-6317	2	PIN-COTTER						
	3	1	327-6271	2	PIN						
	4	1	327-6272	1	BUSHING						
	5	1	327-6318	1	SHACKLE						



GRAPHIC #1

<END>

g03821330

WORK TOOLS

456-0465 HOOK GP-LIFTING

S/N: TH21-UP; TH31-UP

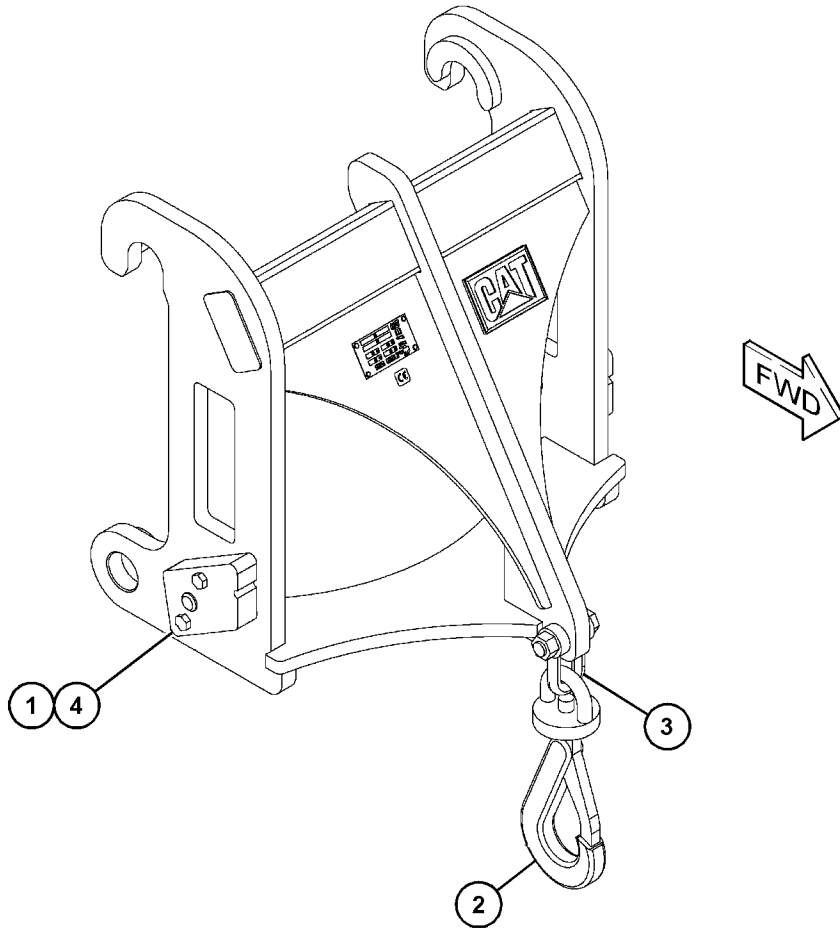
AN ATTACHMENT

SMCS-6459

i06218489

NOTE	REF NO	GRAPHIC REF	PART NUMBER	QTY	PART NAME						SEE PAGE
					1	2	3	4	5	6 (PRODUCT LEVEL)	
	1	1	169-3943	2	BLOCK						
	2	1	180-7826	1	HOOK						
	3	1	180-7827	1	CLEVIS						
M	4	1	8T-6868	4	BOLT (M12X1.75X80-MM)						

M - METRIC PART



GRAPHIC #1

<END>

g03884782

WORK TOOLS

486-0529 HOPPER GP

S/N: TH21-UP; W231-UP
 FOR USE IN NACD REGION ONLY
 AN ATTACHMENT

SMCS-6639

i06836838

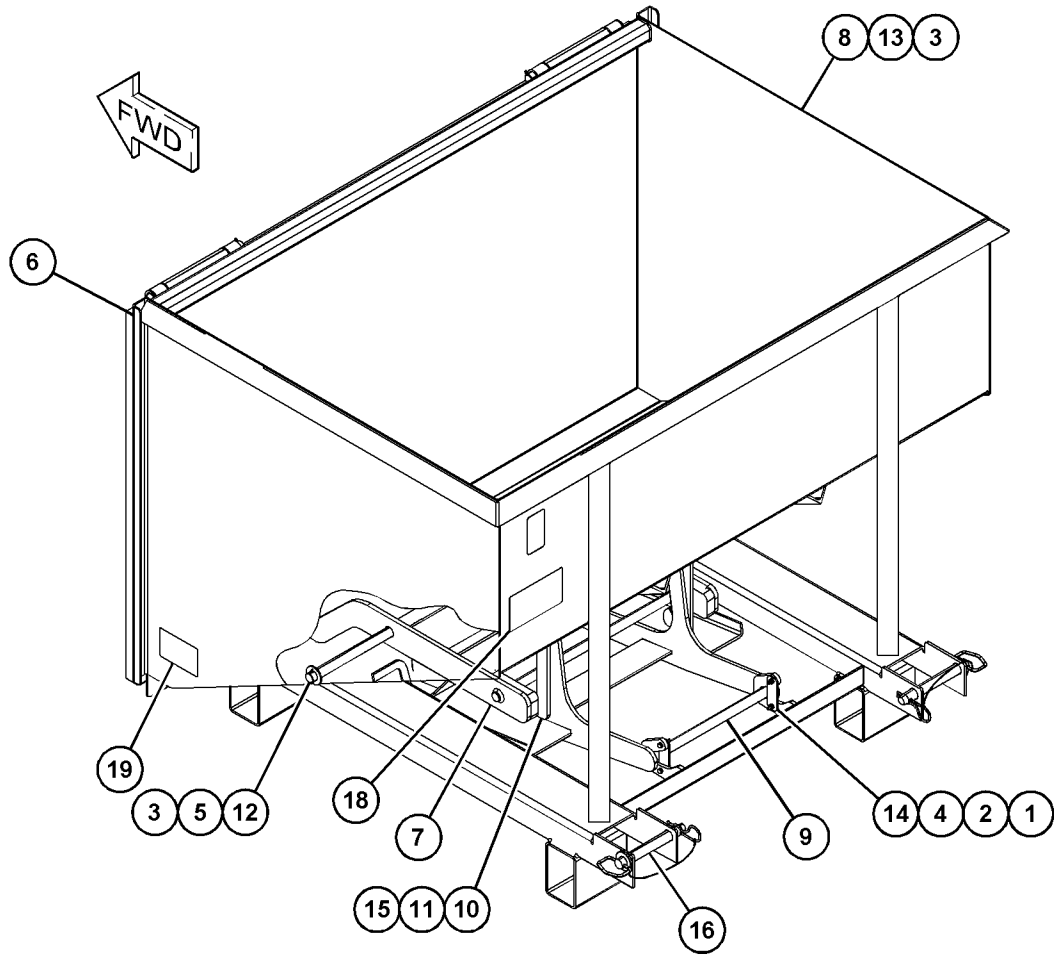
NOTE	REF NO	GRAPHIC REF	PART NUMBER	QTY	PART NAME						SEE PAGE
					1	2	3	4	5	6 (PRODUCT LEVEL)	
M	1	1	8T-4971	4	BOLT (M6X1X30-MM)						
M	2	1	344-5673	4	NUT (M6X1-THD)						
	3	1	309-8533	6	PIN-COTTER						
	4	1	8T-4205	8	WASHER-HARD (7.2X14.5X2-MM THK)						
	5	1	8T-4167	4	WASHER-HARD (26X44X4-MM THK)						
	6	1	504-5709	1	DOOR AS						
	7	1	504-5710	1	HOOK AS						
	8	1	504-5711	1	HOPPER AS						
	9	1	504-5712	1	TRAY AS						
	10	1	504-5713	2	ARM						
	11	1	504-5714	1	ROD						
	12	1	504-5715	1	BAR						
	13	1	504-5716	2	PIN AS						
	14	1	504-5717	2	PLATE						
	15	1	504-5718	2	SPACER (28X34X25-MM THK)						
	16	1	340-8979	2	PIN-HITCH						
	18	1	503-7488	1	FILM-IDENTIFICATION (TRASH HOPPER TILT)						
	19	1	303-4943	2	FILM-WARNING (PINCH POINT)						

M - METRIC PART

WORK TOOLS

486-0529 HOPPER GP (contd.)

i06836838



GRAPHIC #1

<END>

g06150712

WORK TOOLS

491-9892 MOTOR & MTG GP-AUGER

S/N: TH21-UP; W231-UP

AN ATTACHMENT

SMCS-5061, 5082, 6282

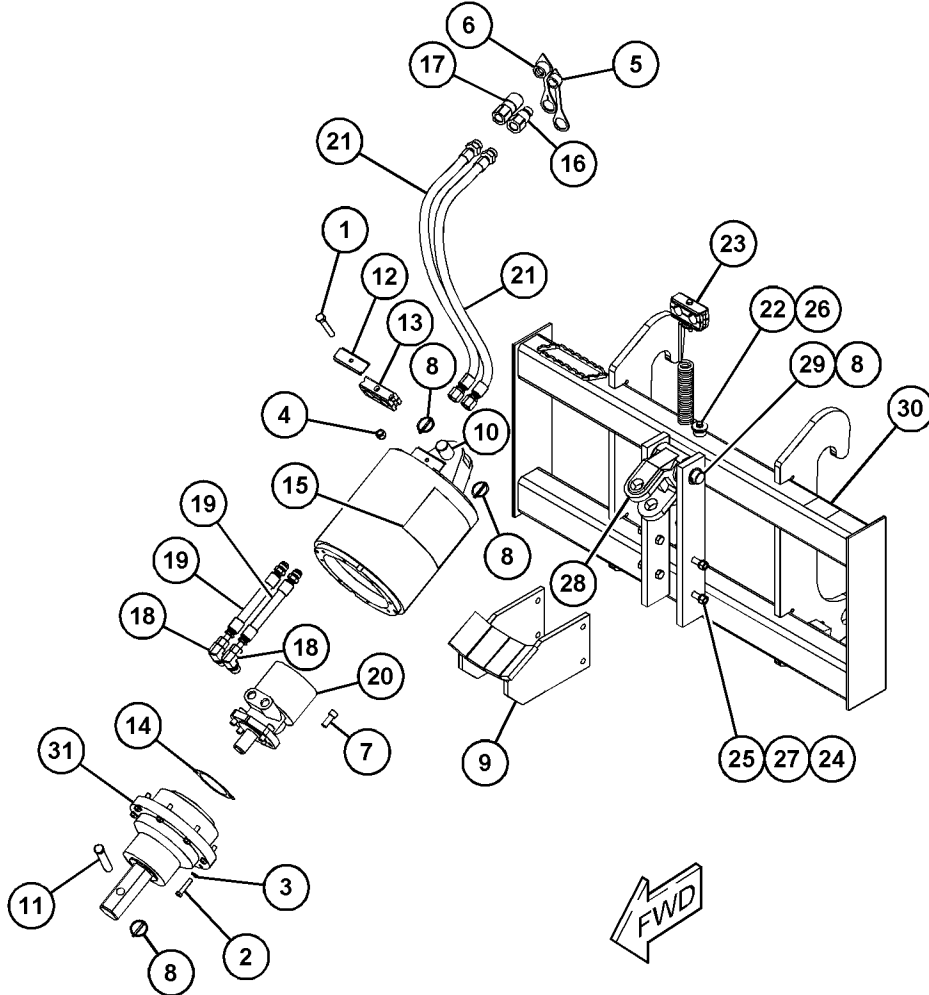
i06907145

NOTE	REF NO	GRAPHIC REF	PART NUMBER	QTY	PART NAME						SEE PAGE
					1	2	3	4	5	6 (PRODUCT LEVEL)	
1	1	1	476-3713	1	BOLT						
2	1	1	525-3164	8	BOLT						
3	1	1	327-6330	8	LOCKWASHER						
4	1	1	525-3165	1	LOCKNUT						
5	1	1	340-5954	1	CAP-DUST						
6	1	1	340-5953	1	CAP-DUST						
7	1	1	525-3166	4	BOLT						
8	1	1	525-3167	5	PIN						
9	1	1	525-3168	1	BRACKET						
10	1	1	525-3169	1	PIN						
11	1	1	525-3170	1	PIN						
12	1	1	525-3171	1	PLATE						
13	1	1	525-3172	1	BLOCK						
14	1	1	525-3173	1	GASKET						
15	1	1	525-3174	2	FILM-DANGER						
16	1	1	153-2995	1	COUPLING (MALE)						
17	1	1	153-2994	1	COUPLING (FEMALE)						
18	1	1	525-3175	2	FITTING						
19	1	1	525-3176	2	HOSE						
20	1	1	525-3177	1	MOTOR						
21	1	1	525-3178	2	HOSE						
22	1	1	525-3179	1	BOLT						
23	1	1	525-3180	1	CLAMP						
24	1	1	525-3181	4	BOLT						
25	1	1	490-6360	4	NUT						
26	1	1	362-2102	1	LOCKWASHER						
27	1	1	327-6329	4	LOCKWASHER						
28	1	1	525-3182	1	SWIVEL						
29	1	1	525-3183	1	PIN						
30	1	1	525-3184	1	FILM-WARNING						
31	1	1	525-3185	1	GEARBOX						

WORK TOOLS

491-9892 MOTOR & MTG GP-AUGER (contd.)

i06907145



GRAPHIC #1

<END>

g06164705

WORK TOOLS

343-9736 PLATFORM AR-ACCESS

S/N: TH21-UP

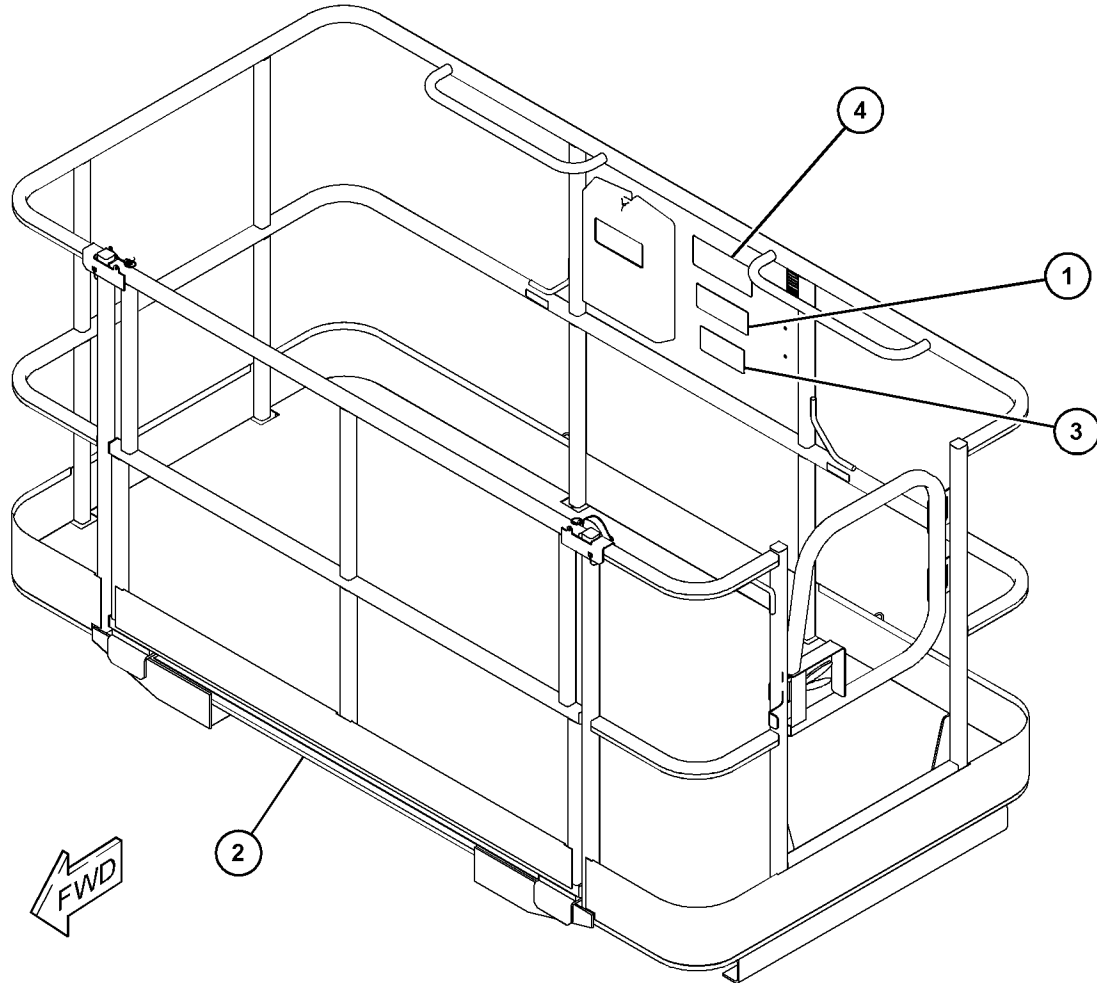
ENGLISH, FOR USE IN NACD REGION
AN ATTACHMENT

SMCS-6461

i06117495

NOTE	REF NO	GRAPHIC REF	PART NUMBER	QTY	PART NAME						SEE PAGE
					1	2	3	4	5	6 (PRODUCT LEVEL)	
	1	1	338-9998	1	FILM-WARNING (PLATFORM)						
Y	2	1	340-8976	1	PLATFORM GP-ACCESS						850
	3	1	338-9999	1	FILM-WARNING (PLATFORM)						
	4	1	339-0000	1	FILM-WARNING (TIPPING HAZARD, READ OMM)						

Y - SEPARATE ILLUSTRATION



GRAPHIC #1

<END>

g03823007

WORK TOOLS

343-9737 PLATFORM AR-ACCESS

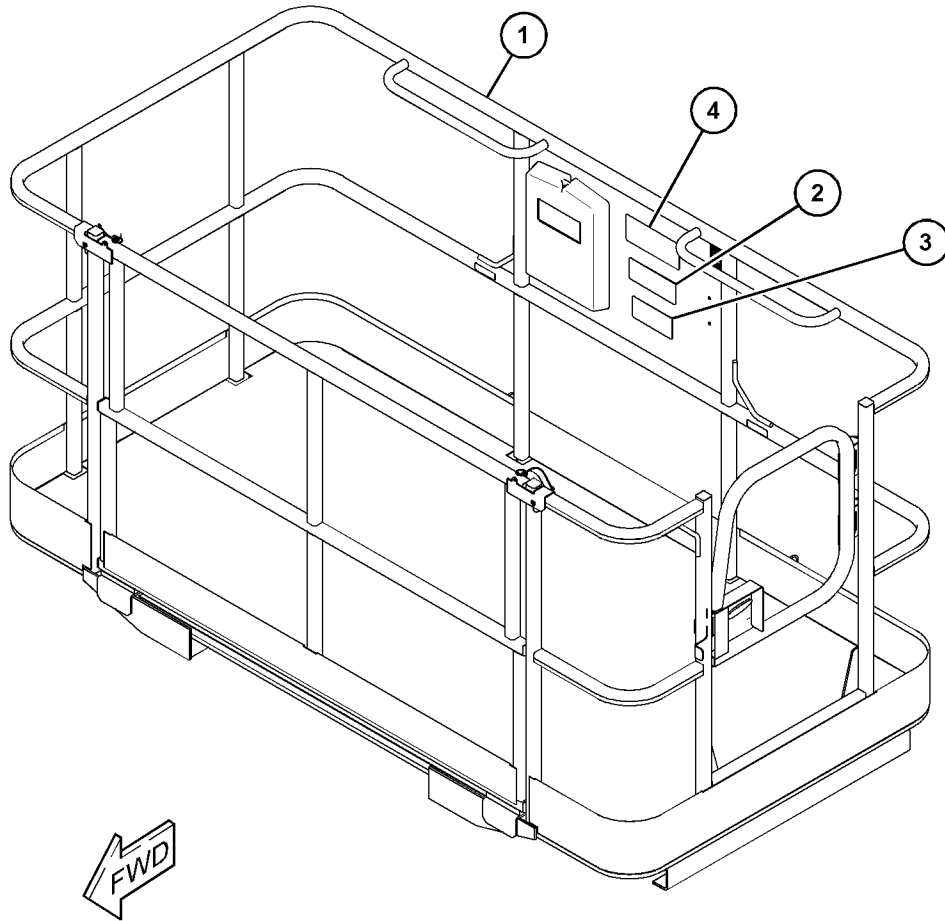
S/N: TH21-UP; TH31-UP
 PORTUGUESE, SPANISH, FOR USE IN NACD REGION
 AN ATTACHMENT

SMCS-6461

i06117634

NOTE	REF NO	GRAPHIC REF	PART NUMBER	QTY	PART NAME						SEE PAGE
					1	2	3	4	5	6 (PRODUCT LEVEL)	
Y	1	1	340-8976	1	PLATFORM GP-ACCESS						850
	2	1	328-7293	1	FILM-WARNING (OPERATOR PLATFORM)						
	3	1	328-7290	1	FILM-WARNING (TIPPING HAZARD, WEIGHT)						
	4	1	328-7291	1	FILM-WARNING (LOAD CAPACITY, READ OMM)						

Y - SEPARATE ILLUSTRATION



GRAPHIC #1

<END>

g03820409

WORK TOOLS

343-9738 PLATFORM AR-ACCESS

S/N: TH21-UP

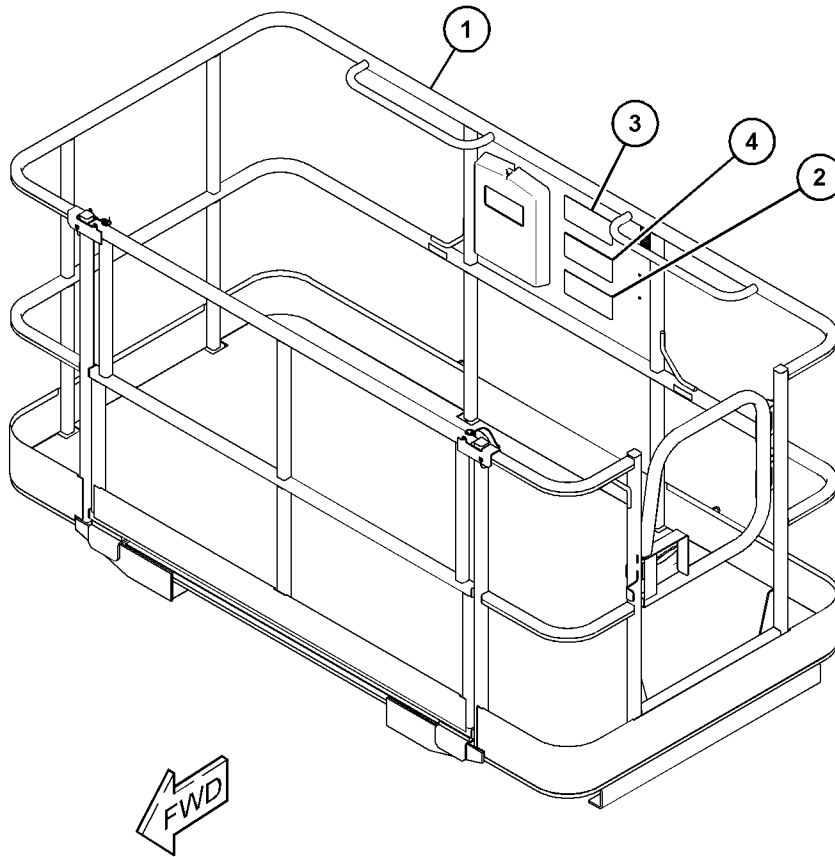
FRENCH, FOR USE IN NACD REGION
AN ATTACHMENT

SMCS-6461

i06116188

NOTE	REF NO	GRAPHIC REF	PART NUMBER	QTY	PART NAME						SEE PAGE
					1	2	3	4	5	6 (PRODUCT LEVEL)	
Y	1	1	340-8976	1	PLATFORM GP-ACCESS						850
	2	1	328-7288	1	FILM-WARNING (PLATFORM)						
	3	1	328-7289	1	FILM-WARNING (TIPPING HAZARD, READ OMM)						
	4	1	328-7292	1	FILM-WARNING (PLATFORM)						

Y - SEPARATE ILLUSTRATION



GRAPHIC #1

<END>

g03822398

WORK TOOLS

340-8976 PLATFORM GP-ACCESS

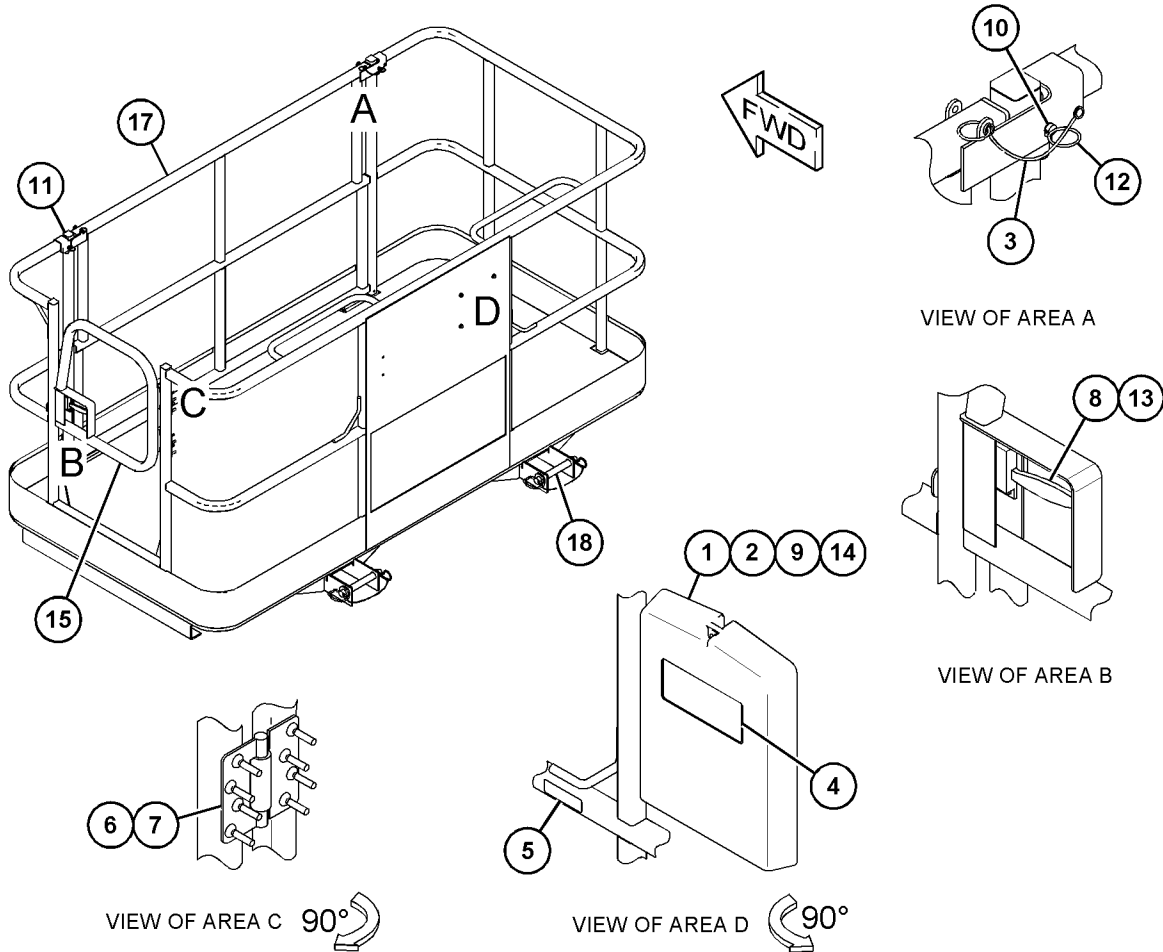
S/N: TH21-UP; TH31-UP

PART OF 343-9736, 343-9737, 343-9738 PLATFORM AR-ACCESS
AN ATTACHMENT

SMCS-6461

i05982809

NOTE	REF NO	GRAPHIC REF	PART NUMBER	QTY	PART NAME						SEE PAGE
					1	2	3	4	5	6 (PRODUCT LEVEL)	
	1	1	297-7010	4	SCREW (1/4X0.62-IN)						
	2	1	304-2566	1	BOX-STORAGE						
	3	1	340-8977	2	LANYARD						
	4	1	338-9997	1	FILM-IDENTIFICATION (MANUAL)						
	5	1	335-8059	3	FILM-IDENTIFICATION (LANYARD ATTACH)						
	6	1	335-8065	16	STUD						
	7	1	335-8066	2	HINGE AS						
	8	1	336-2804	1	LATCH						
	9	1	298-0549	4	LOCKNUT (1/4-20-THD)						
	10	1	340-8978	2	PIN-SNAP						
	11	1	335-8077	10	PLUG						
	12	1	466-8177	4	RING-BACKUP						
	13	1	335-8080	4	RIVET						
	14	1	298-7363	8	WASHER (0.28X0.63X0.065-IN THK)						
	15	1	335-8098	1	GATE AS						
	17	1	340-8975	1	GATE AS						
	18	1	340-8979	2	PIN-HITCH						



GRAPHIC #1

<END>

g03785566

OPERATOR STATION

501-0752 AIR CONDITIONER & MOUNTING GP

S/N: TH21-UP

PART OF 508-7848 AIR CONDITIONER AR

AN ATTACHMENT

TYPE 1

SMCS-7320, 7322

i06645730

NOTE	REF NO	GRAPHIC REF	PART NUMBER	QTY	PART NAME						SEE PAGE
					1	2	3	4	5	6 (PRODUCT LEVEL)	
M	1	2	8T-4138	3	BOLT (M6X1X20-MM)						
M	2	1	8T-4971	2	BOLT (M6X1X30-MM)						
M	3	2	8T-4195	3	BOLT (M10X1.5X30-MM)						
M	4	2	8T-4185	1	BOLT (M10X1.5X50-MM)						
M	5	2	8T-5436	1	BOLT (M10X1.5X130-MM)						
M	6	1,2	8T-4189	6	BOLT (M8X1.25X20-MM)						
M	7	1	5C-2890	1	NUT (M6X1-THD)						
	8	2	303-4779	3	LOCKNUT (M6X1-THD)						
M	9	2	8T-4133	2	NUT (M10X1.5-THD)						
M	10	2	8T-0389	2	LOCKNUT (M10X1.5-THD)						
	11	1,2	8T-4205	9	WASHER-HARD (7.2X14.5X2-MM THK)						
	12	1	8T-4224	4	WASHER-HARD (8.8X16X2-MM THK)						
	13	2	309-3997	2	WASHER (8.4X25X2-MM THK)						
	14	2	8T-4121	5	WASHER-HARD (11X21X2.5-MM THK)						
	15	1,2	298-7387	6	LOCKWASHER						
	16	2	309-2978	1	WASHER (11X22X10-MM)						
	17	2	365-9915	1	COMPRESSOR (AIR CONDITIONER)						
	18	1	459-8862	2	TUBE						
Y	19	2	<i>474-3810</i>	1	CONDENSER GP-REFRIGERANT (CAB)						871
	20	2	477-3325	1	BELT (AIR CONDITIONER)						
	21	1	474-4083	1	HOSE AS						
	22	1	474-4084	1	HOSE AS						
	23	1	474-4085	1	TUBE AS						
	24	1	474-4086	1	TUBE AS						
Y	25	1	474-4112	1	HARNES AS-HEATER & AIR COND (CONDENSER FAN, PRESSURE SWITCH)						359
	26	2	477-3328	1	COVER						
	27	1	474-4115	1	BRACKET AS						
Y	28	2	<i>496-8251</i>	1	LINES GP-AIR CONDITIONER						919
	29	2	483-8200	1	PLATE						
	30	2	483-8201	1	ROD END						
	31	2	482-1147	1	FILM-IDENTIFICATION (AIR CONDITIONER REFRIGERANT)						
	32	2	495-0017	1	SUPPORT						
Y	33	2	<i>501-0754</i>	1	AIR CONDITIONER & MOUNTING GP						859

M - METRIC PART

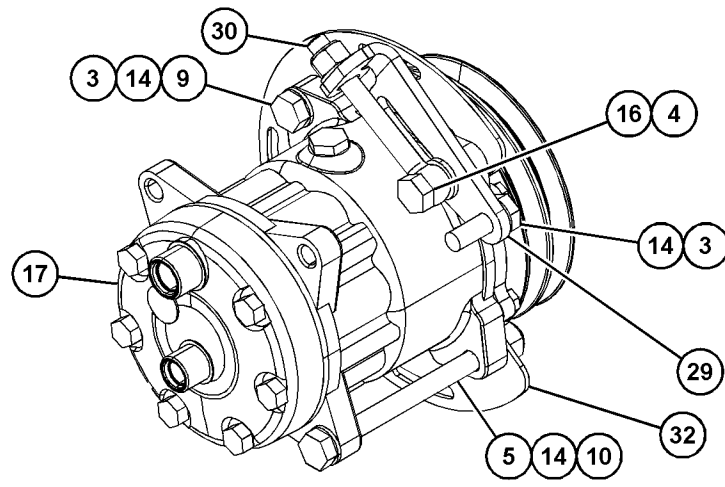
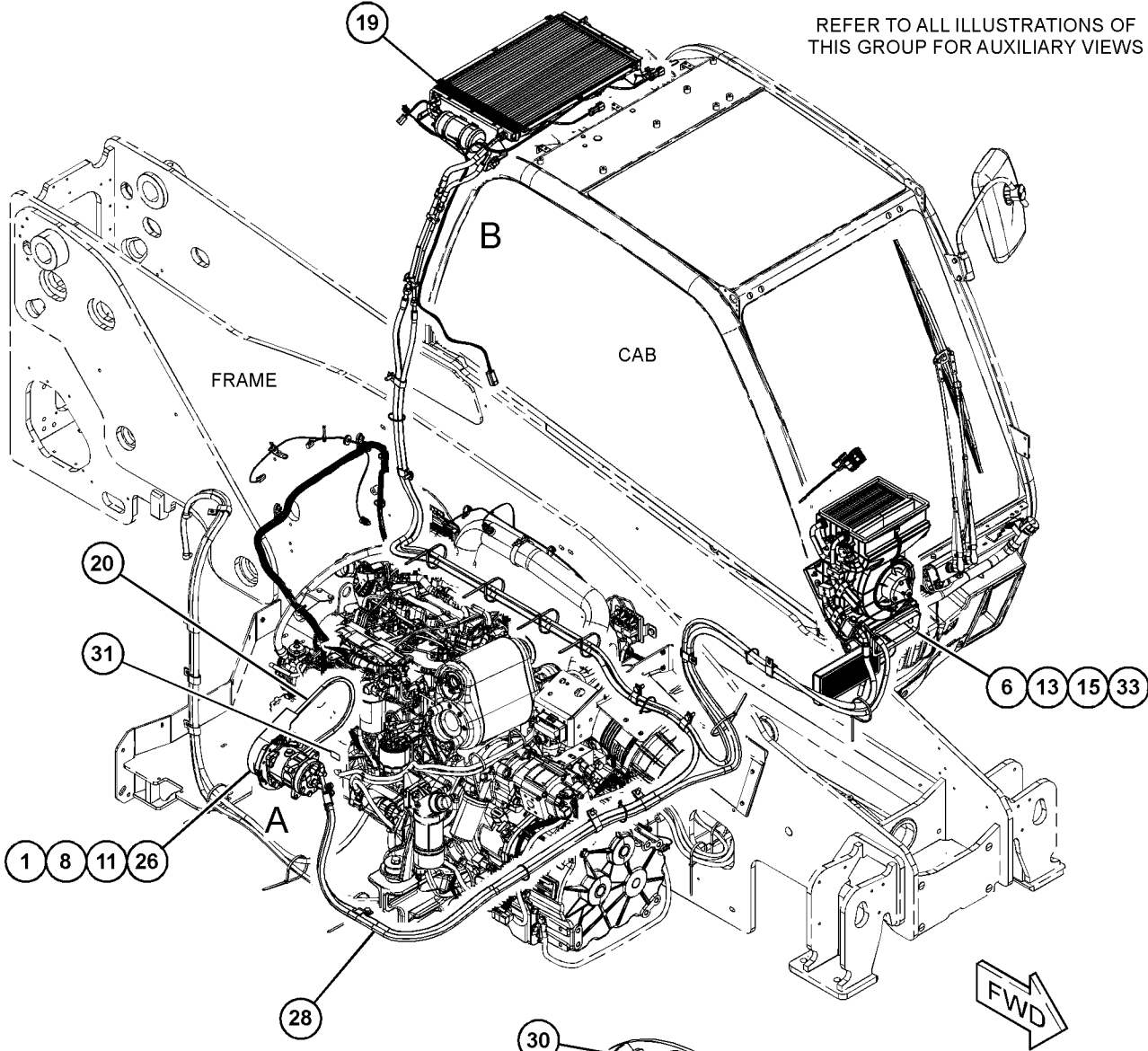
Y - SEPARATE ILLUSTRATION

OPERATOR STATION

501-0752 AIR CONDITIONER & MOUNTING GP (contd.)

i06645730

REFER TO ALL ILLUSTRATIONS OF THIS GROUP FOR AUXILIARY VIEWS



VIEW OF AREA A
(PARTS REMOVED FOR CLARITY) 90°

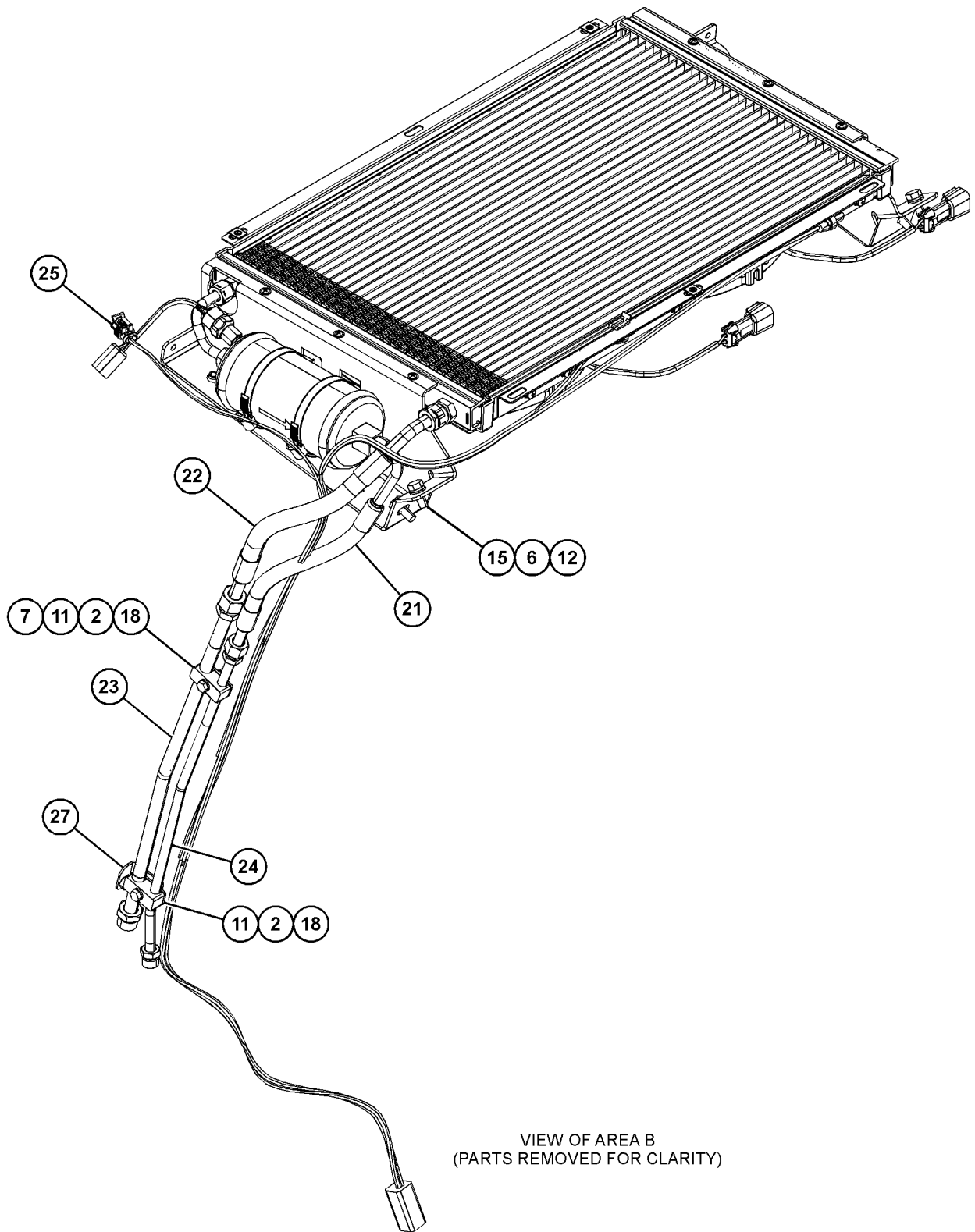
GRAPHIC #1

g06103525

OPERATOR STATION

501-0752 AIR CONDITIONER & MOUNTING GP (contd.)

106645730



GRAPHIC #2

<END>

g06103527

OPERATOR STATION

501-0752 AIR CONDITIONER & MOUNTING GP

S/N: TH21-UP

PART OF 508-7848 AIR CONDITIONER AR

AN ATTACHMENT

TYPE 2

SMCS-7320, 7322

i06978574

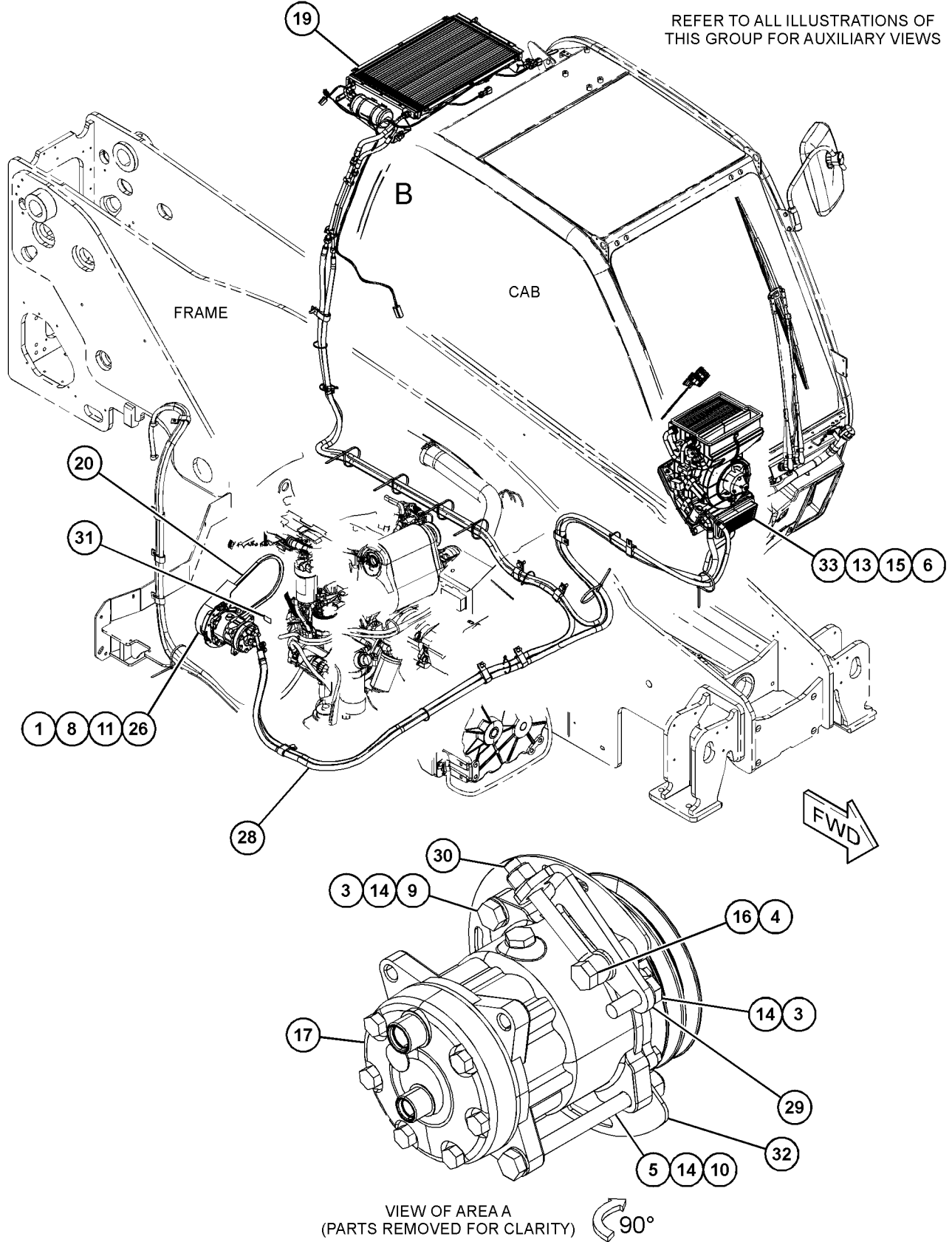
NOTE	REF NO	GRAPHIC REF	PART NUMBER	QTY	PART NAME						SEE PAGE
					1	2	3	4	5	6 (PRODUCT LEVEL)	
M	1	1	8T-4138	3	BOLT (M6X1X20-MM)						
M	2	2	8T-4971	2	BOLT (M6X1X30-MM)						
M	3	1	8T-4195	3	BOLT (M10X1.5X30-MM)						
M	4	1	8T-4185	1	BOLT (M10X1.5X50-MM)						
M	5	1	8T-5436	1	BOLT (M10X1.5X130-MM)						
M	6	1,2	8T-4189	6	BOLT (M8X1.25X20-MM)						
M	7	2	5C-2890	1	NUT (M6X1-THD)						
	8	1	303-4779	3	LOCKNUT (M6X1-THD)						
M	9	1	8T-4133	2	NUT (M10X1.5-THD)						
M	10	1	8T-0389	2	LOCKNUT (M10X1.5-THD)						
	11	1,2	8T-4205	9	WASHER-HARD (7.2X14.5X2-MM THK)						
	12	2	8T-4224	4	WASHER-HARD (8.8X16X2-MM THK)						
	13	1	309-3997	2	WASHER (8.4X25X2-MM THK)						
	14	1	8T-4121	5	WASHER-HARD (11X21X2.5-MM THK)						
	15	1,2	298-7387	6	LOCKWASHER						
	16	1	309-2978	1	WASHER (11X22X10-MM)						
	17	1	365-9915	1	COMPRESSOR (AIR CONDITIONER)						
	18	2	459-8862	2	TUBE						
Y	19	1	474-3810	1	CONDENSER GP-REFRIGERANT (CAB)						871
	20	1	477-3325	1	BELT (AIR CONDITIONER)						
	21	2	474-4083	1	HOSE AS						
	22	2	474-4084	1	HOSE AS						
	23	2	474-4085	1	TUBE AS						
	24	2	474-4086	1	TUBE AS						
Y	25	2	474-4112	1	HARNES AS-HEATER & AIR COND (CONDENSER FAN, PRESSURE SWITCH)						359
	26	1	477-3328	1	COVER						
	27	2	474-4115	1	BRACKET AS						
Y	28	1	496-8251	1	LINES GP-AIR CONDITIONER						919
	29	1	483-8200	1	PLATE						
	30	1	483-8201	1	ROD END						
	31	1	482-1147	1	FILM-IDENTIFICATION (AIR CONDITIONER REFRIGERANT)						
	32	1	495-0017	1	SUPPORT						
CY	33	1	525-3137	1	AIR CONDITIONER & MOUNTING GP						860

C - CHANGE FROM PREVIOUS TYPE
M - METRIC PART
Y - SEPARATE ILLUSTRATION

OPERATOR STATION

501-0752 AIR CONDITIONER & MOUNTING GP (contd.)

106978574



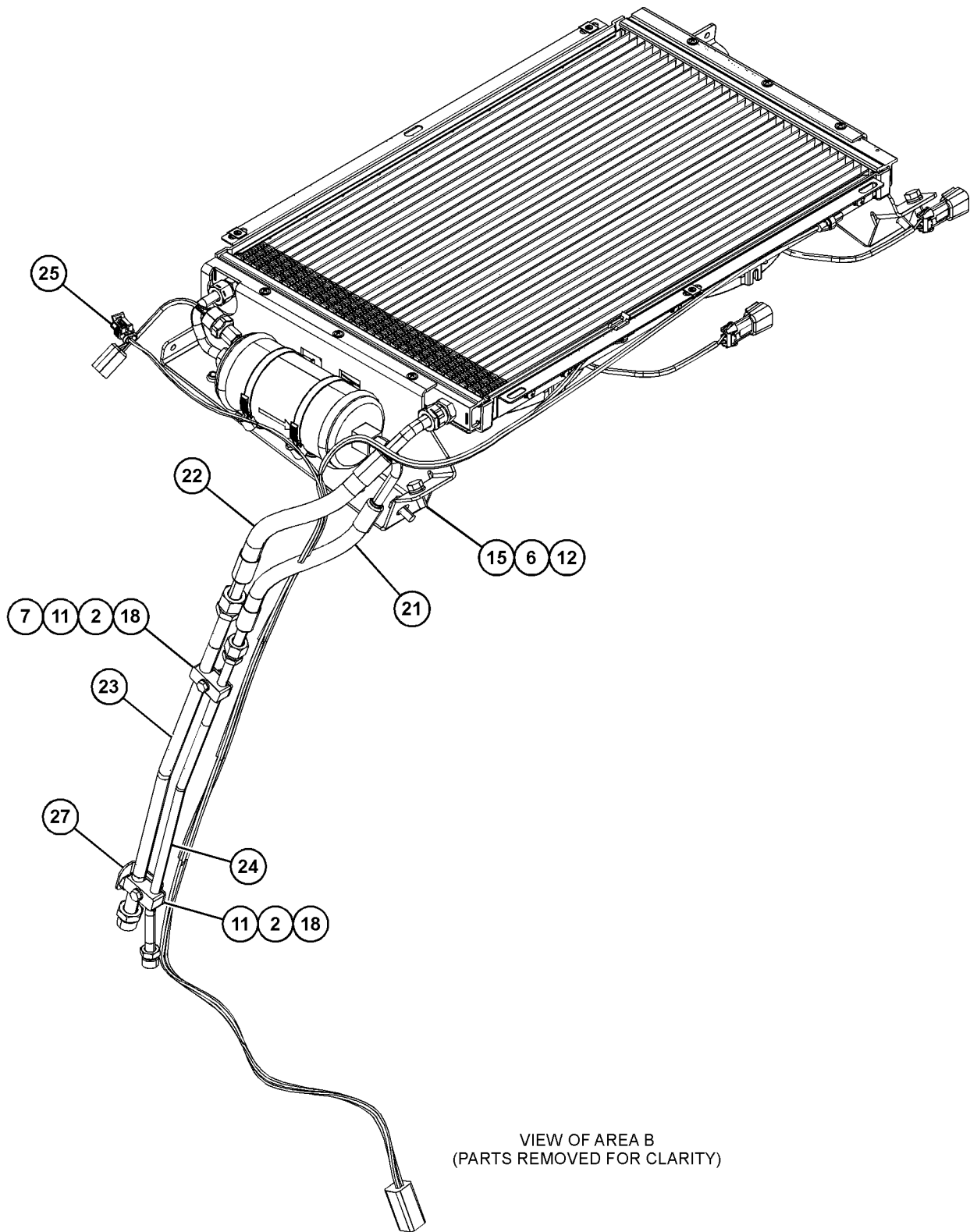
GRAPHIC #1

g06195485

OPERATOR STATION

501-0752 AIR CONDITIONER & MOUNTING GP (contd.)

i06978574



GRAPHIC #2

<END>

g06103527

OPERATOR STATION

501-0753 AIR CONDITIONER & MOUNTING GP

S/N: TH21-UP; TH31-UP

PART OF 508-7849, 521-2180 AIR CONDITIONER AR, 507-9546 CAB AR
AN ATTACHMENT

SMCS-7320, 7322

i07085892

NOTE	REF NO	GRAPHIC REF	PART NUMBER	QTY	PART NAME						SEE PAGE
					1	2	3	4	5	6 (PRODUCT LEVEL)	
M	1	1	8T-4971	2	BOLT (M6X1X30-MM)						
M	2	1	482-1340	3	SCREW (M10X1.50X55-MM)						
M	3	1	8T-4189	6	BOLT (M8X1.25X20-MM)						
M	4	1	5C-2890	1	NUT (M6X1-THD)						
	5	1	8T-4205	3	WASHER-HARD (7.2X14.5X2-MM THK)						
	6	1	8T-4224	8	WASHER-HARD (8.8X16X2-MM THK)						
	7	1	309-3997	2	WASHER (8.4X25X2-MM THK)						
Y	8	1	<i>525-3137</i>	1	AIR CONDITIONER & MOUNTING GP						860
	9	1	3B-4505	6	LOCKWASHER						
	10	1	399-7779	1	COMPRESSOR AS						
Y	11	1	<i>450-0003</i>	1	BELT TENSIONER GP (WITH AIR CONDITIONER)						26
M	12	1	399-7790	4	BOLT (M8X1.25X95-MM)						
	13	1	459-8862	2	TUBE						
Y	14	1	<i>474-3810</i>	1	CONDENSER GP-REFRIGERANT (CAB)						871
	15	1	474-4083	1	HOSE AS						
	16	1	474-4084	1	HOSE AS						
	17	1	474-4085	1	TUBE AS						
	18	1	474-4086	1	TUBE AS						
Y	19	1	474-4112	1	HARNES AS-HEATER & AIR COND (CONDENSER FAN, PRESSURE SWITCH)						359
	20	1	474-4115	1	BRACKET AS						
Y	21	1	<i>496-8258</i>	1	LINES GP-AIR CONDITIONER						921
	22	1	482-1147	1	FILM-IDENTIFICATION (AIR CONDITIONER REFRIGERANT)						
	23	1	299-0309	1	CLAMP						

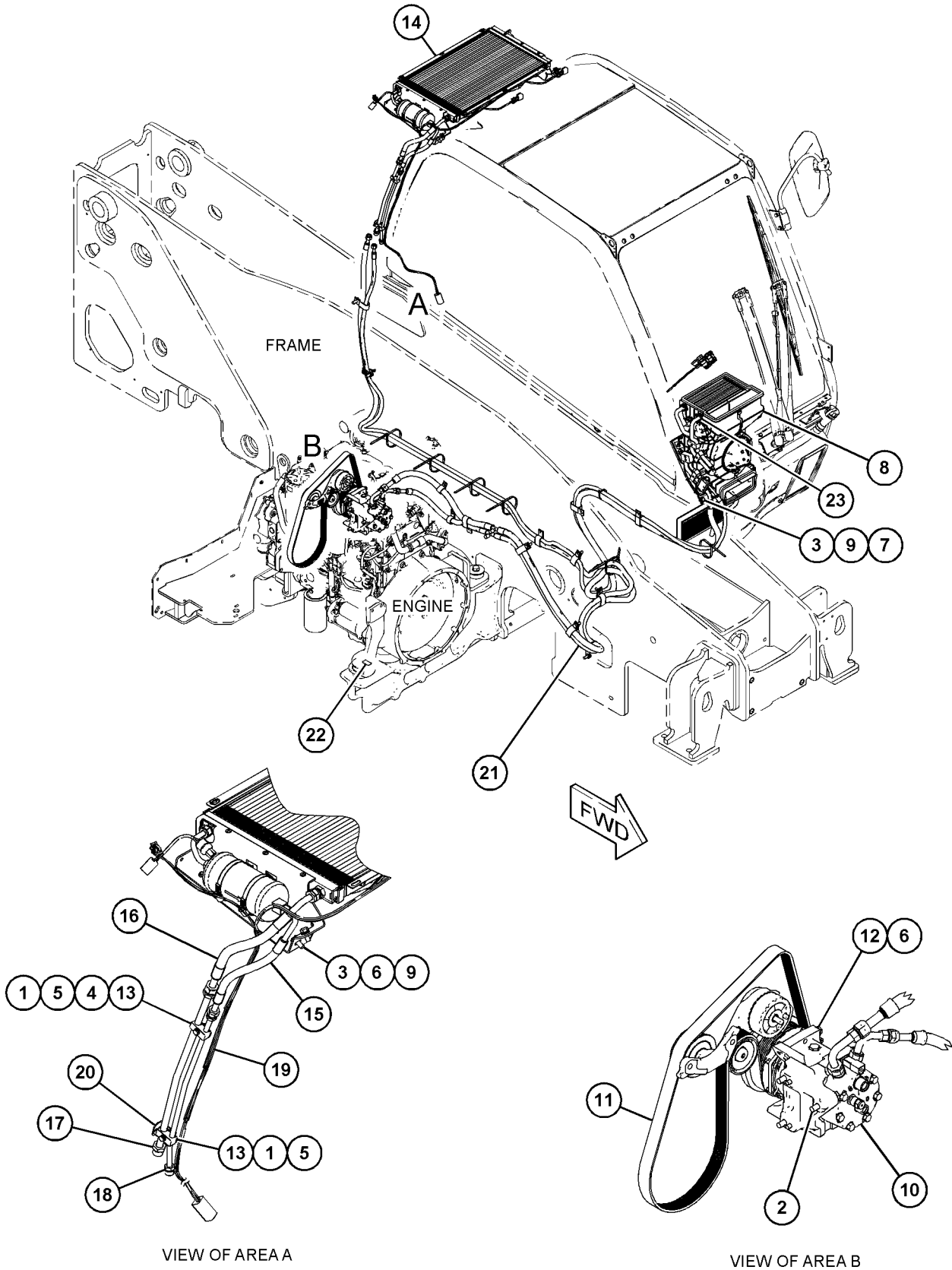
M - METRIC PART

Y - SEPARATE ILLUSTRATION

OPERATOR STATION

501-0753 AIR CONDITIONER & MOUNTING GP (contd.)

i07085892



GRAPHIC #1

<END>

g06220234

OPERATOR STATION

501-0754 AIR CONDITIONER & MOUNTING GP

S/N: TH21-UP

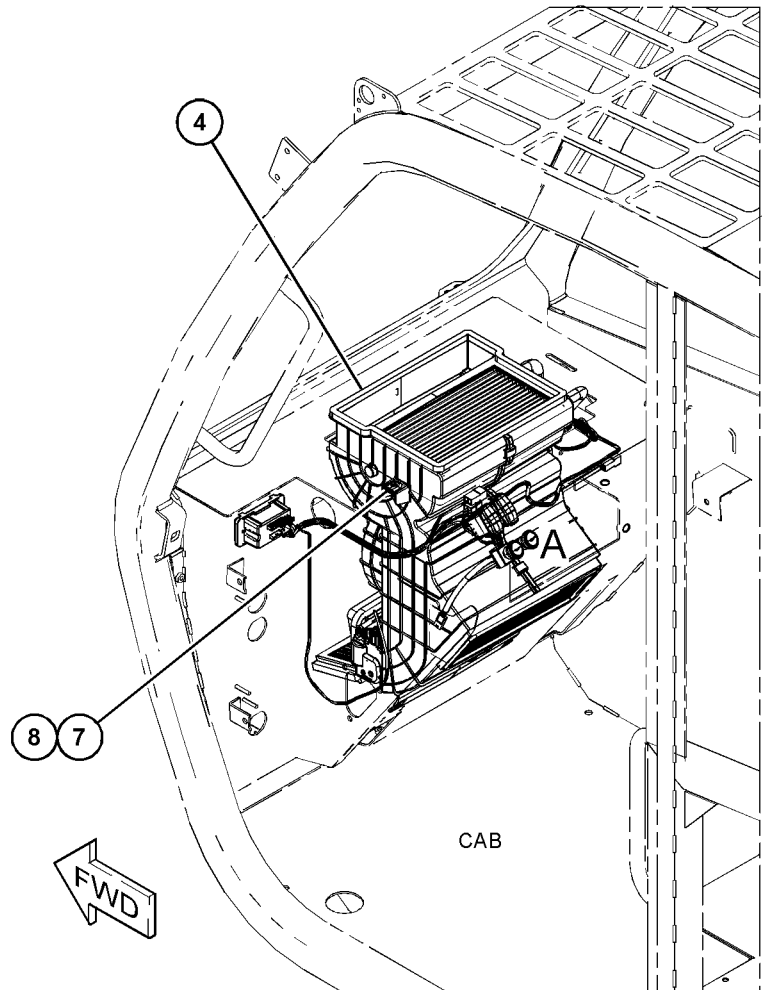
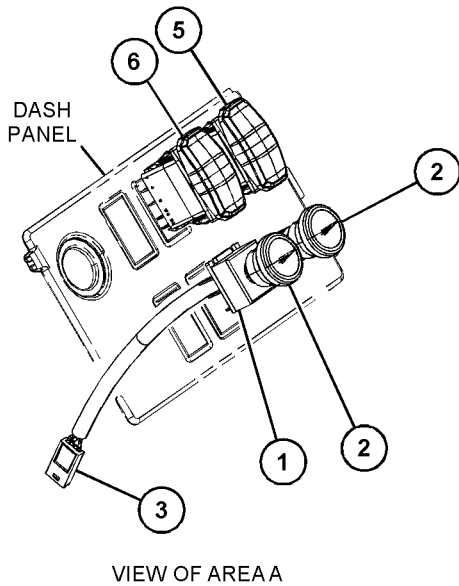
PART OF 501-0752 AIR CONDITIONER & MOUNTING GP
AN ATTACHMENT

SMCS-7320, 7322

i07048585

NOTE	REF NO	GRAPHIC REF	PART NUMBER	QTY	PART NAME						SEE PAGE
					1	2	3	4	5	6 (PRODUCT LEVEL)	
	1	1	473-2085	1	SWITCH AS-AIR CONDITIONER (ROTARY)						
	2	1	473-2086	2	KNOB (CONTROL)						
	3	1	536-9853	1	SWITCH AS-AIR CONDITIONER						
Y	4	1	473-4942	1	HEATER & AIR CONDITIONER GP						896
	5	1	496-8264	1	SWITCH AS-ROCKER (HVAC)						
	6	1	501-0755	1	SWITCH AS (ON/OFF)						
	7	1	536-9761	2	SHIM (0.5-MM THK)						
	8	1	484-8325	2	GROMMET						

Y - SEPARATE ILLUSTRATION



GRAPHIC #1

<END>

g06211843

OPERATOR STATION

525-3137 AIR CONDITIONER & MOUNTING GP

S/N: TH21-UP; TH31-UP

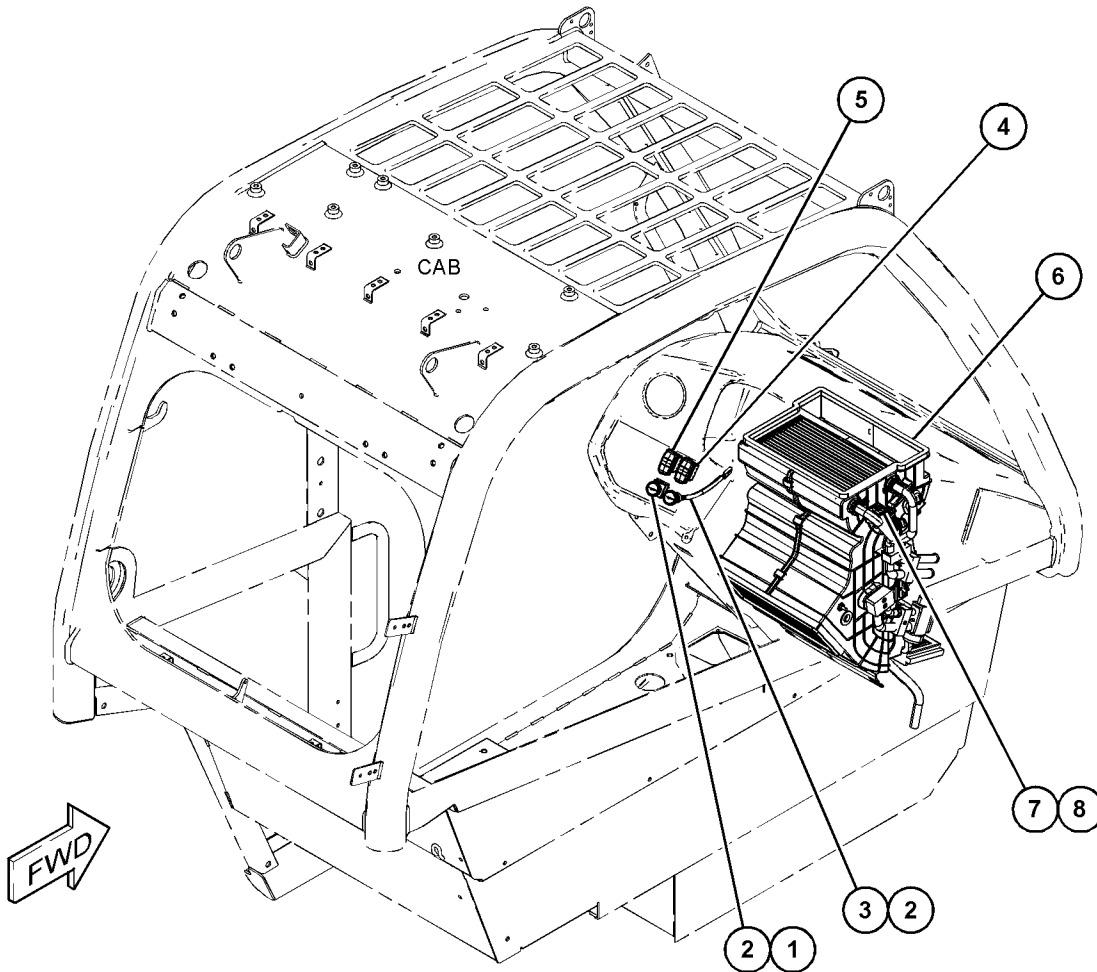
PART OF 501-0752, 501-0753 AIR CONDITIONER & MOUNTING GP
AN ATTACHMENT

SMCS-7320, 7322

i07059314

NOTE	REF NO	GRAPHIC REF	PART NUMBER	QTY	PART NAME						SEE PAGE
					1	2	3	4	5	6 (PRODUCT LEVEL)	
	1	1	473-2085	1	SWITCH AS-AIR CONDITIONER (ROTARY)						
	2	1	473-2086	2	KNOB (CONTROL)						
	3	1	536-9853	1	SWITCH AS-AIR CONDITIONER (HVAC)						
	4	1	496-8264	1	SWITCH AS-ROCKER (HVAC) (RECIRCULATION)						
	5	1	501-0755	1	SWITCH AS (ON/OFF)						
Y	6	1	525-3040	1	AIR CONDITIONER GP						862
	7	1	536-9761	2	SHIM (0.5-MM THK)						
	8	1	484-8325	2	GROMMET						

Y - SEPARATE ILLUSTRATION



GRAPHIC #1

<END>

g06213121

OPERATOR STATION

508-7848 AIR CONDITIONER AR

S/N: TH21-UP
AN ATTACHMENT

SMCS-7320

i06645682

NOTE	PART NUMBER	QTY	PART NAME						SEE PAGE
			1	2	3	4	5	6 (PRODUCT LEVEL)	
Y	501-0752	1	AIR CONDITIONER & MOUNTING GP						851
Y	492-3933	1	COVER GP-CAB (ROOF)						879
Y	497-3809	1	LINES GP-HEATER & AIR COND						927

Y - SEPARATE ILLUSTRATION

<END>

508-7849 AIR CONDITIONER AR

S/N: TH21-UP
AN ATTACHMENT

SMCS-7320

i06645681

NOTE	PART NUMBER	QTY	PART NAME						SEE PAGE
			1	2	3	4	5	6 (PRODUCT LEVEL)	
Y	501-0753	1	AIR CONDITIONER & MOUNTING GP						857
Y	492-3933	1	COVER GP-CAB (ROOF)						879
Y	496-8262	1	LINES GP-HEATER & AIR COND						923

Y - SEPARATE ILLUSTRATION

<END>

521-2180 AIR CONDITIONER AR

S/N: TH31-UP
AN ATTACHMENT

SMCS-7320

i06818933

NOTE	PART NUMBER	QTY	PART NAME						SEE PAGE
			1	2	3	4	5	6 (PRODUCT LEVEL)	
Y	501-0753	1	AIR CONDITIONER & MOUNTING GP						857
Y	492-3933	1	COVER GP-CAB (ROOF)						879
Y	497-9625	1	LINES GP-HEATER & AIR COND						930

Y - SEPARATE ILLUSTRATION

<END>

OPERATOR STATION

525-3040 AIR CONDITIONER GP

S/N: TH21-UP; TH31-UP

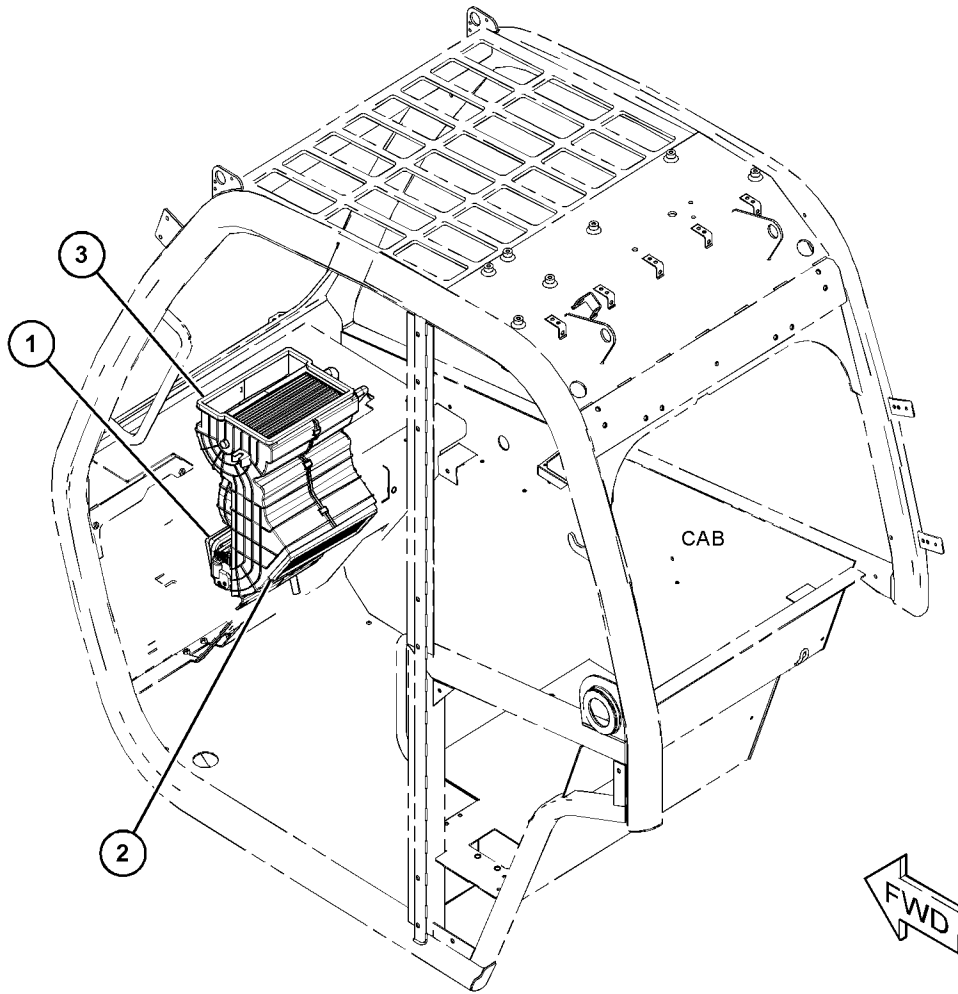
PART OF 525-3137 AIR CONDITIONER & MOUNTING GP
AN ATTACHMENT

SMCS-7320

i07162646

NOTE	REF NO	GRAPHIC REF	PART NUMBER	QTY	PART NAME						SEE PAGE
					1	2	3	4	5	6 (PRODUCT LEVEL)	
	1	1	528-8853	1	FILTER-AIR (FRESH AIR)						
	2	1	473-2651	1	FILTER (HVAC) (RECIRCULATION)						
Y	3	1	525-3038	1	HEATER & AIR CONDITIONER GP						900

Y - SEPARATE ILLUSTRATION



GRAPHIC #1

<END>

g06165664

OPERATOR STATION

495-6206 ARMREST GP-ADJUSTABLE

S/N: TH21-UP; TH31-UP
PART OF 495-6202 TRIM GP-CAB
AN ATTACHMENT

SMCS-7307

i06649604

NOTE	REF NO	GRAPHIC REF	PART NUMBER	QTY	PART NAME						SEE PAGE
					1	2	3	4	5	6 (PRODUCT LEVEL)	
M	1	1	8T-4138	4	BOLT (M6X1X20-MM)						
M	2	1	5C-8312	2	NUT (M4X0.7-THD)						
	3	1	5W-5038	2	WASHER (4.3X9X0.8-MM THK)						
	4	1	8T-4205	4	WASHER-HARD (7.2X14.5X2-MM THK)						
	5	1	473-9270	2	WASHER-SPRING						
	6	1	495-6207	2	SCREW-SOCKET HEAD						
	7	1	473-6930	2	MOUNT						
	8	1	495-4796	1	ARMREST GP						
		1	494-0158	6	SCREW-SELF-TAPPING						
	9	1	495-4799	1	BRACKET GP-MOUNTING (FIXED)						
		1	495-4800	1	BRACKET						
		1	495-4801	4	BLOCK						
		1	495-6228	8	SCREW-DRIVE (M6X1X25-MM)						
Y	10	1	495-4802	1	BRACKET GP-MOUNTING						27
	11	1	495-6230	1	SPRING AS-GAS						
		1	495-4791	1	SPRING AS-GAS						
		1	495-4792	1	CABLE						
	12	1	495-6208	2	SCREW (M6X1X30-MM)						
	13	1	303-4779	2	LOCKNUT (M6X1-THD)						
	14	1	495-6228	4	SCREW-DRIVE (M6X1X25-MM)						
M	15	1	5C-9553	2	BOLT (M6X1X16-MM)						
M	16	1	5C-2890	2	NUT (M6X1-THD)						
	17	1	512-0429	1	BRACKET						

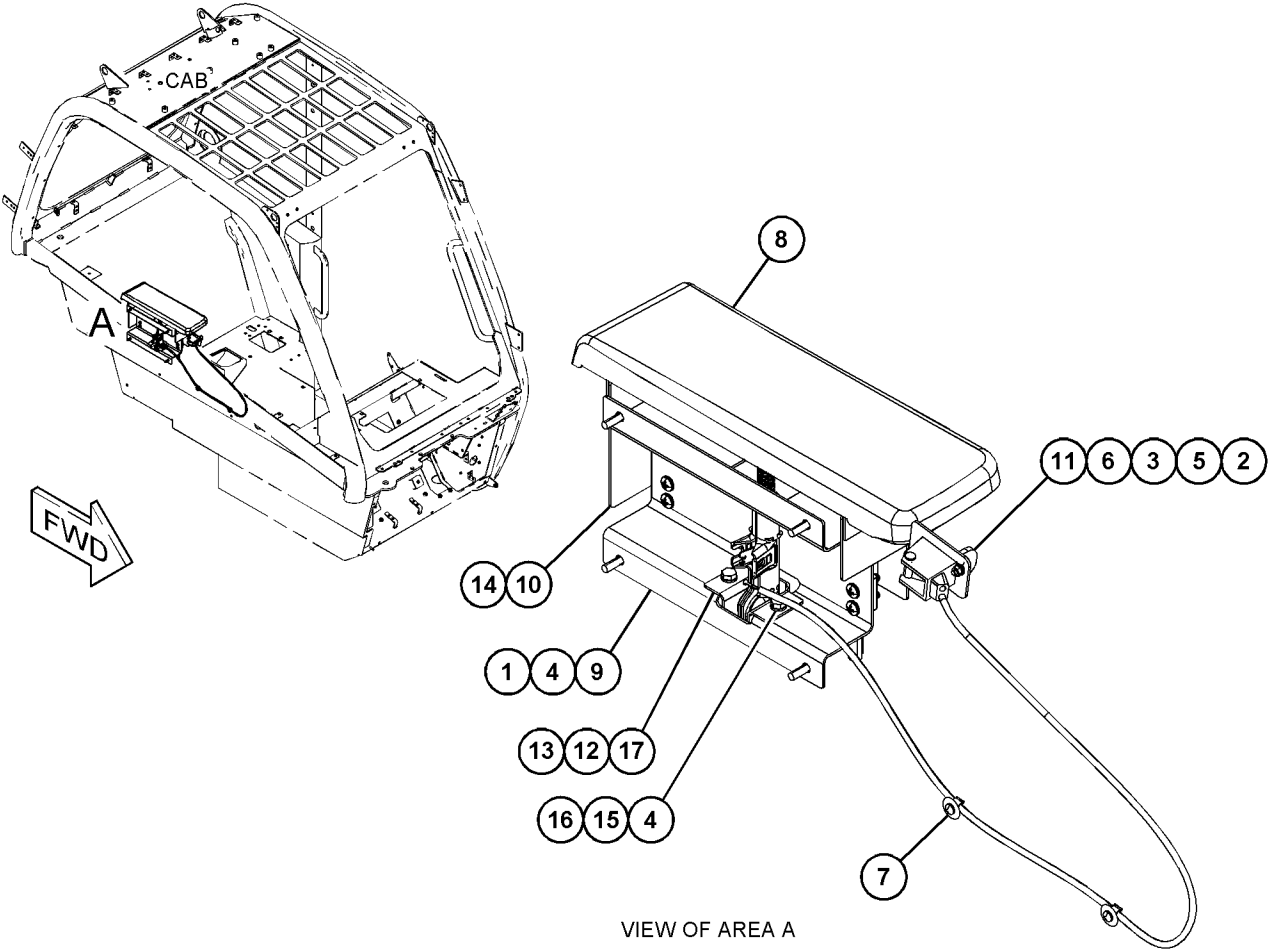
M - METRIC PART

Y - SEPARATE ILLUSTRATION

OPERATOR STATION

495-6206 ARMREST GP (contd.)

i06649604



GRAPHIC #1

<END>

g06105760

OPERATOR STATION

507-9544 CAB AR-HEATER, AIR CONDITIONER

**S/N: TH21-UP
AN ATTACHMENT**

SMCS-7301, 7325

i06811172

NOTE	PART NUMBER	QTY	PART NAME						SEE PAGE
			1	2	3	4	5	6 (PRODUCT LEVEL)	
Y	495-6210	1	CAB GP						869
Y	487-3912	1	CONTROL GP-JOYSTICK						873
Y	495-6135	1	DOOR GP-CAB						885
Y	476-0697	1	FLOOR MAT GP (CAB)						889
Y	505-7476	1	HAMMER & MOUNTING GP						893
Y	471-6121	1	MIRROR GP (EXTERNAL)						932
Y	474-9043	1	MIRROR GP (INTERNAL)						933
Y	505-7484	1	PEDAL & MOUNTING GP-BRAKE						643
Y	476-8924	1	PEDAL GP-GOVERNOR (ACCELERATOR)						946
Y	486-4417	1	STEERING GP-HYDRAULIC						654
Y	520-7778	1	SWITCH GP-TRANSMISSION (DISCONNECT)						439
Y	495-4594	1	PANEL GP-SWITCH (IGNITION)						404
Y	497-6972	1	SWITCH GP-ROCKER (ENG SPEED CTL)						436
Y	500-4484	1	SWITCH GP-USB						440
Y	495-7646	1	TANK GP-WINDOW WASHER						965
Y	495-6209	1	TRIM GP-CAB						969
Y	497-9587	1	VISOR GP-CAB (SUN SCREEN)						971
Y	495-3426	1	WINDOW GP-CAB (REAR)						972
Y	503-1675	1	WIPER GP-UPPER						975
Y	471-6094	1	WIPER GP-WINDOW (FRONT)						976
Y	471-6158	1	WIPER GP-WINDOW (REAR)						979
Y	492-2937	1	WIRING GP-CAB (HEATER)						443
Y	493-1110	1	WIRING GP-CAB (MAIN)						444

Y - SEPARATE ILLUSTRATION

<END>

OPERATOR STATION

507-9545 CAB AR-HEATER

S/N: TH21-UP
AN ATTACHMENT

SMCS-7301, 7325

i06811217

NOTE	PART NUMBER	QTY	PART NAME						SEE PAGE
			1	2	3	4	5	6 (PRODUCT LEVEL)	
Y	495-6210	1	CAB GP						869
Y	487-3912	1	CONTROL GP-JOYSTICK						873
Y	495-6135	1	DOOR GP-CAB						885
Y	476-0697	1	FLOOR MAT GP (CAB)						889
Y	505-7476	1	HAMMER & MOUNTING GP						893
Y	471-6121	1	MIRROR GP (EXTERNAL)						932
Y	474-9043	1	MIRROR GP (INTERNAL)						933
Y	505-7484	1	PEDAL & MOUNTING GP-BRAKE						643
Y	476-8924	1	PEDAL GP-GOVERNOR (ACCELERATOR)						946
Y	486-4417	1	STEERING GP-HYDRAULIC						654
Y	520-7778	1	SWITCH GP-TRANSMISSION (DISCONNECT)						439
Y	495-4594	1	PANEL GP-SWITCH (IGNITION)						404
Y	497-6972	1	SWITCH GP-ROCKER (ENG SPEED CTL)						436
Y	495-7646	1	TANK GP-WINDOW WASHER						965
Y	495-6209	1	TRIM GP-CAB						969
Y	497-9587	1	VISOR GP-CAB (SUN SCREEN)						971
Y	495-3426	1	WINDOW GP-CAB (REAR)						972
Y	503-1675	1	WIPER GP-UPPER						975
Y	471-6094	1	WIPER GP-WINDOW (FRONT)						976
Y	471-6158	1	WIPER GP-WINDOW (REAR)						979
Y	492-2937	1	WIRING GP-CAB (HEATER)						443
Y	493-1110	1	WIRING GP-CAB (MAIN)						444

Y - SEPARATE ILLUSTRATION

<END>

OPERATOR STATION

507-9546 CAB AR-HEATER, AIR CONDITIONER

**S/N: TH31-UP
AN ATTACHMENT**

SMCS-7301, 7325

i07134153

NOTE	PART NUMBER	QTY	PART NAME	SEE PAGE
			1 2 3 4 5 6 (PRODUCT LEVEL)	
Y	501-0753	1	AIR CONDITIONER & MOUNTING GP	857
Y	495-6210	1	CAB GP	869
Y	487-3912	1	CONTROL GP-JOYSTICK	873
Y	492-3933	1	COVER GP-CAB (ROOF)	879
Y	495-6135	1	DOOR GP-CAB	885
Y	476-0697	1	FLOOR MAT GP (CAB)	889
Y	505-7476	1	HAMMER & MOUNTING GP	893
Y	497-9625	1	LINES GP-HEATER & AIR COND	930
Y	471-6121	1	MIRROR GP (EXTERNAL)	932
Y	474-9043	1	MIRROR GP (INTERNAL)	933
Y	519-2695	1	PANEL GP-INSTRUMENT	942
			-OR-	
Y	533-7334	1	PANEL GP-INSTRUMENT	944
Y	505-7484	1	PEDAL & MOUNTING GP-BRAKE	643
Y	476-8924	1	PEDAL GP-GOVERNOR (ACCELERATOR)	946
Y	486-4417	1	STEERING GP-HYDRAULIC	654
Y	497-6972	1	SWITCH GP-ROCKER (ENG SPEED CTL)	436
Y	520-7778	1	SWITCH GP-TRANSMISSION (DISCONNECT)	439
Y	495-7646	1	TANK GP-WINDOW WASHER	965
Y	495-6209	1	TRIM GP-CAB	969
Y	497-9587	1	VISOR GP-CAB (SUN SCREEN)	971
Y	495-3426	1	WINDOW GP-CAB (REAR)	972
Y	503-1675	1	WIPER GP-UPPER	975
Y	471-6094	1	WIPER GP-WINDOW (FRONT)	976
Y	471-6158	1	WIPER GP-WINDOW (REAR)	979
Y	492-2937	1	WIRING GP-CAB (HEATER)	443
Y	493-1110	1	WIRING GP-CAB (MAIN)	444

Y - SEPARATE ILLUSTRATION

<END>

OPERATOR STATION

507-9547 CAB AR-HEATER

S/N: TH31-UP
AN ATTACHMENT

SMCS-7301, 7325

i06811753

NOTE	PART NUMBER	QTY	PART NAME						SEE PAGE
			1	2	3	4	5	6 (PRODUCT LEVEL)	
Y	495-6210	1	CAB GP						869
Y	487-3912	1	CONTROL GP-JOYSTICK						873
Y	492-3937	1	COVER GP-ACCESS (CAB ROOF)						874
Y	495-6135	1	DOOR GP-CAB						885
Y	476-0697	1	FLOOR MAT GP (CAB)						889
Y	505-7476	1	HAMMER & MOUNTING GP						893
Y	496-8263	1	HEATER & MTG GP-CAB						902
Y	497-9625	1	LINES GP-HEATER & AIR COND						930
Y	471-6121	1	MIRROR GP (EXTERNAL)						932
Y	474-9043	1	MIRROR GP (INTERNAL)						933
Y	519-2695	1	PANEL GP-INSTRUMENT						942
Y	505-7484	1	PEDAL & MOUNTING GP-BRAKE						643
Y	476-8924	1	PEDAL GP-GOVERNOR (ACCELERATOR)						946
Y	486-4417	1	STEERING GP-HYDRAULIC						654
Y	520-7778	1	SWITCH GP-TRANSMISSION (DISCONNECT)						439
Y	497-6972	1	SWITCH GP-ROCKER (ENG SPEED CTL)						436
Y	495-7646	1	TANK GP-WINDOW WASHER						965
Y	495-6209	1	TRIM GP-CAB						969
Y	497-9587	1	VISOR GP-CAB (SUN SCREEN)						971
Y	495-3426	1	WINDOW GP-CAB (REAR)						972
Y	503-1675	1	WIPER GP-UPPER						975
Y	471-6158	1	WIPER GP-WINDOW (REAR)						979
Y	471-6094	1	WIPER GP-WINDOW (FRONT)						976
Y	492-2937	1	WIRING GP-CAB (HEATER)						443
Y	493-1110	1	WIRING GP-CAB (MAIN)						444

Y - SEPARATE ILLUSTRATION

<END>

OPERATOR STATION

495-6210 CAB GP

S/N: TH21-UP; TH31-UP

PART OF 507-9544, 507-9545, 507-9546, 507-9547 CAB AR
AN ATTACHMENT

SMCS-7301, 7325

i06591330

NOTE	REF NO	GRAPHIC REF	PART NUMBER	QTY	PART NAME						SEE PAGE
					1	2	3	4	5	6 (PRODUCT LEVEL)	
	1	1	495-6213	1	CAB AS						
	2	1	323-5620	28	RIVET						
M	3	1	342-0434	16	NUT (M6X1 - THD)						
	4	1	342-0438	2	RIVET						
	5	1	325-4928	4	INSERT - THREADED						
	6	1	473-8917	1	GLASS						
	7	1	473-8920	1	GLASS						
	8	1	473-9410	1	PANEL AS (CAB)						
Y	9	1	473-9471	1	PLUG GP - CAB						947
	10	1	473-8879	4	FASTENER						
	11	1	473-8933	1	STRIKER						
	12	1	473-9411	1	SEAL - DOOR						
	13	1	495-6211	1	GLASS						
	14	1	495-6212	1	GLASS						

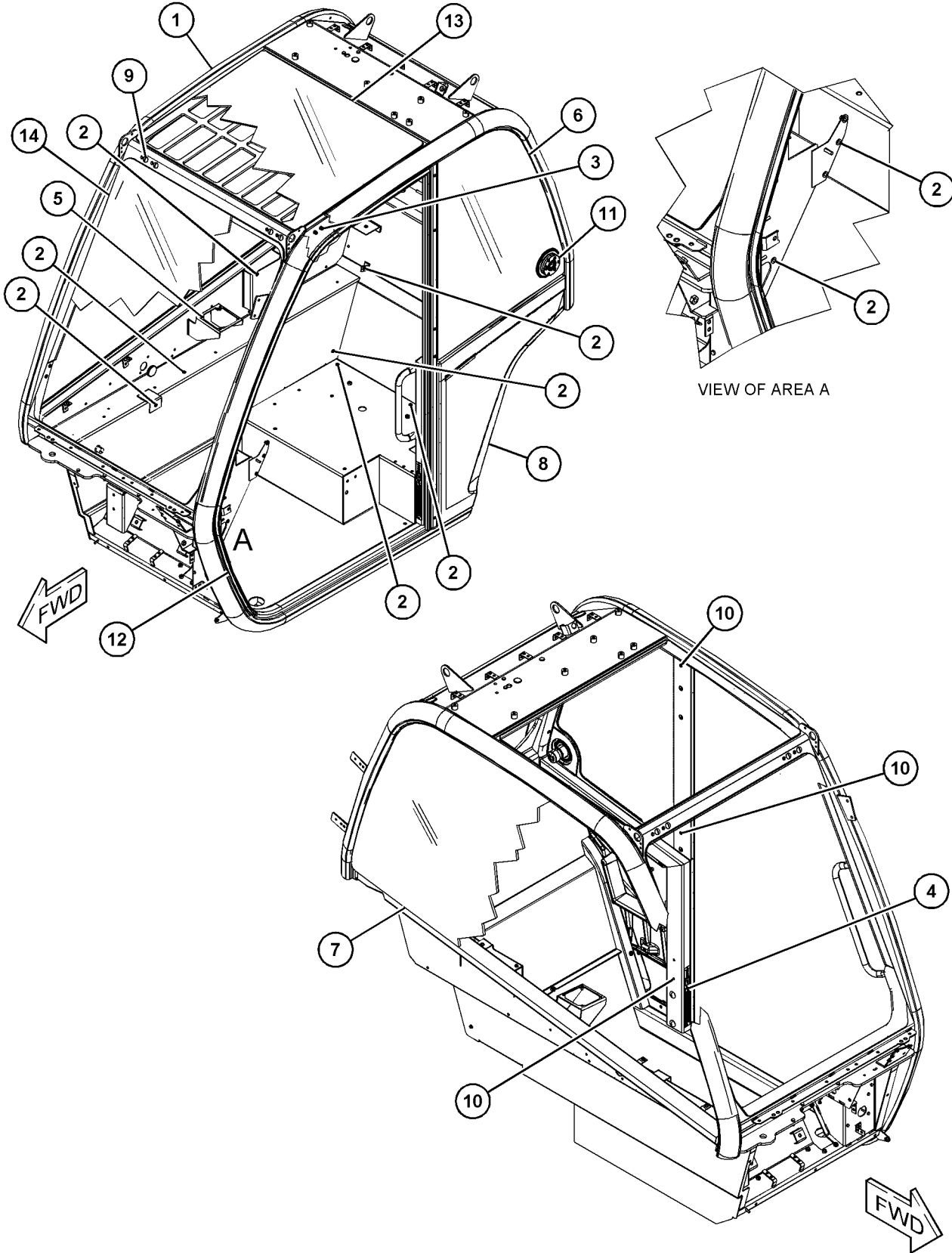
M - METRIC PART

Y - SEPARATE ILLUSTRATION

OPERATOR STATION

495-6210 CAB GP (contd.)

i06591330



GRAPHIC #1

<END>

g06041324

OPERATOR STATION

474-3810 CONDENSER GP-REFRIGERANT-CAB

S/N: TH21-UP; TH31-UP

PART OF 501-0752, 501-0753 AIR CONDITIONER & MOUNTING GP
AN ATTACHMENT

SMCS-1805

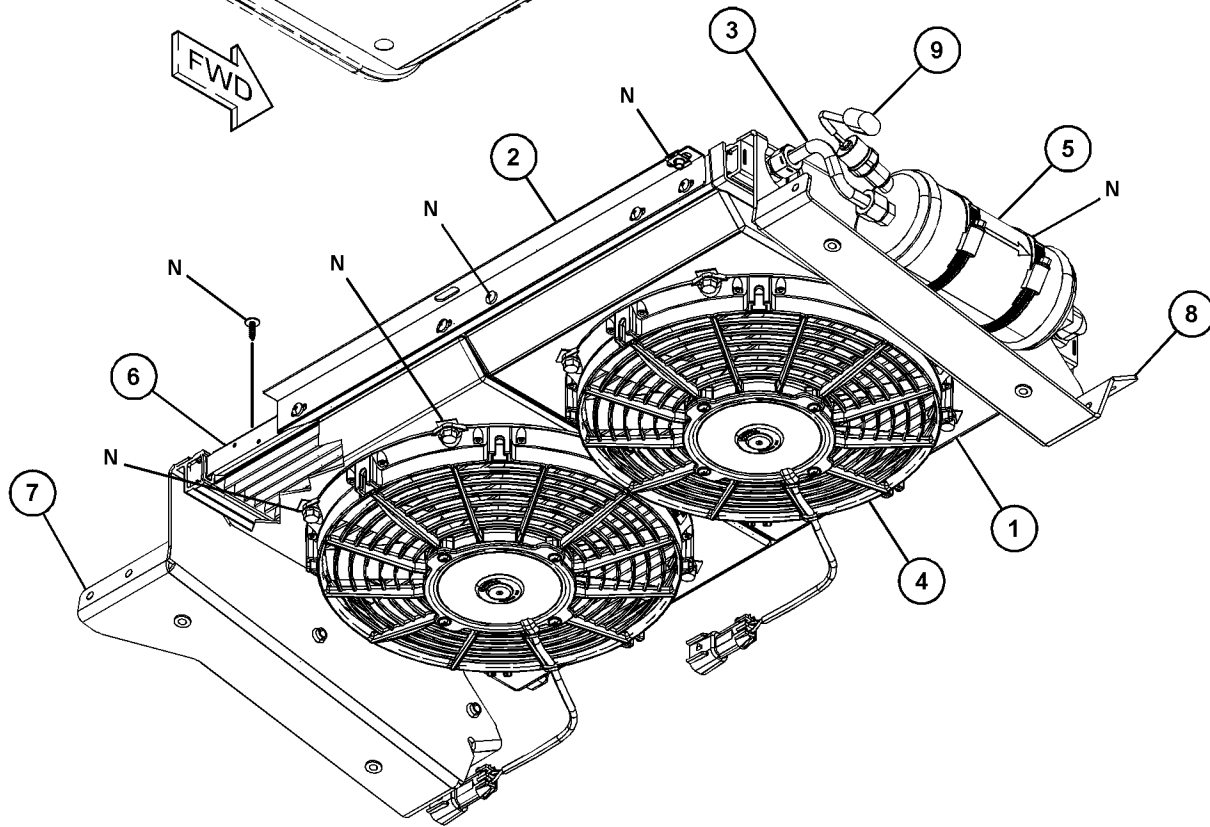
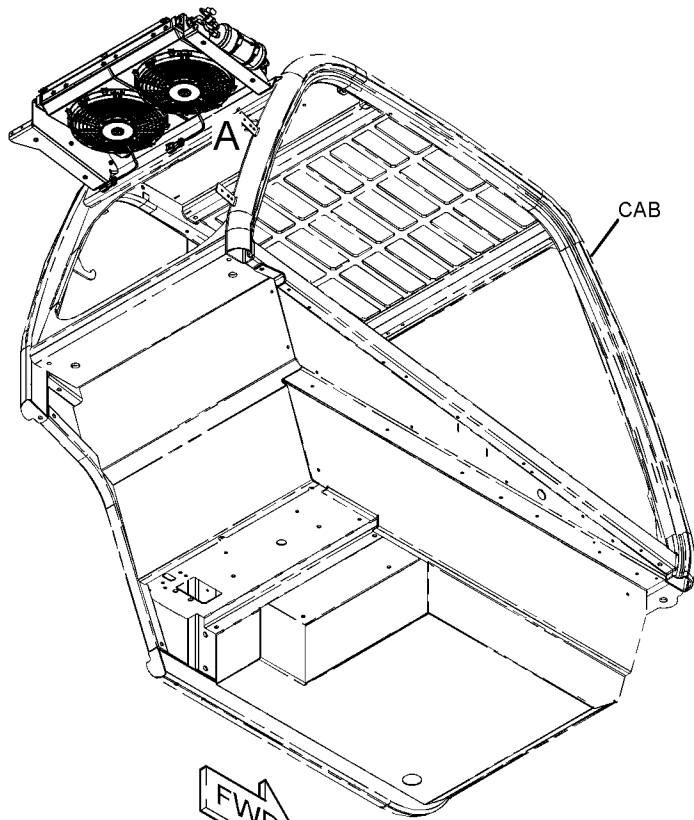
i07059327

NOTE	REF NO	GRAPHIC REF	PART NUMBER	QTY	PART NAME						SEE PAGE
					1	2	3	4	5	6 (PRODUCT LEVEL)	
	1	1	497-7205	1	BRACKET						
	2	1	497-7206	2	SUPPORT						
	3	1	497-6388	1	TUBE						
	4	1	497-7207	2	FAN-CONDENSER						
	5	1	497-6389	1	HEATER (CONDENSER)						
	6	1	497-7208	1	CONDENSER						
	7	1	474-4156	1	BRACKET AS (CONDENSER)						
	8	1	474-4157	1	BRACKET AS						
	9	1	497-6391	1	CONNECTOR						
					AVAILABLE REPAIR KIT(S):						
			479-5954	1	KIT-FASTENER						
					(INCLUDES PARTS MARKED 'N' IN THE GRAPHIC)						
			479-5955	1	KIT-O-RING						
					(INCLUDES O-RINGS)						

OPERATOR STATION

474-3810 CONDENSER GP-REFRIGERANT (contd.)

i07059327



VIEW OF AREA A

GRAPHIC #1

<END>

g06212919

OPERATOR STATION

487-3912 CONTROL GP-JOYSTICK

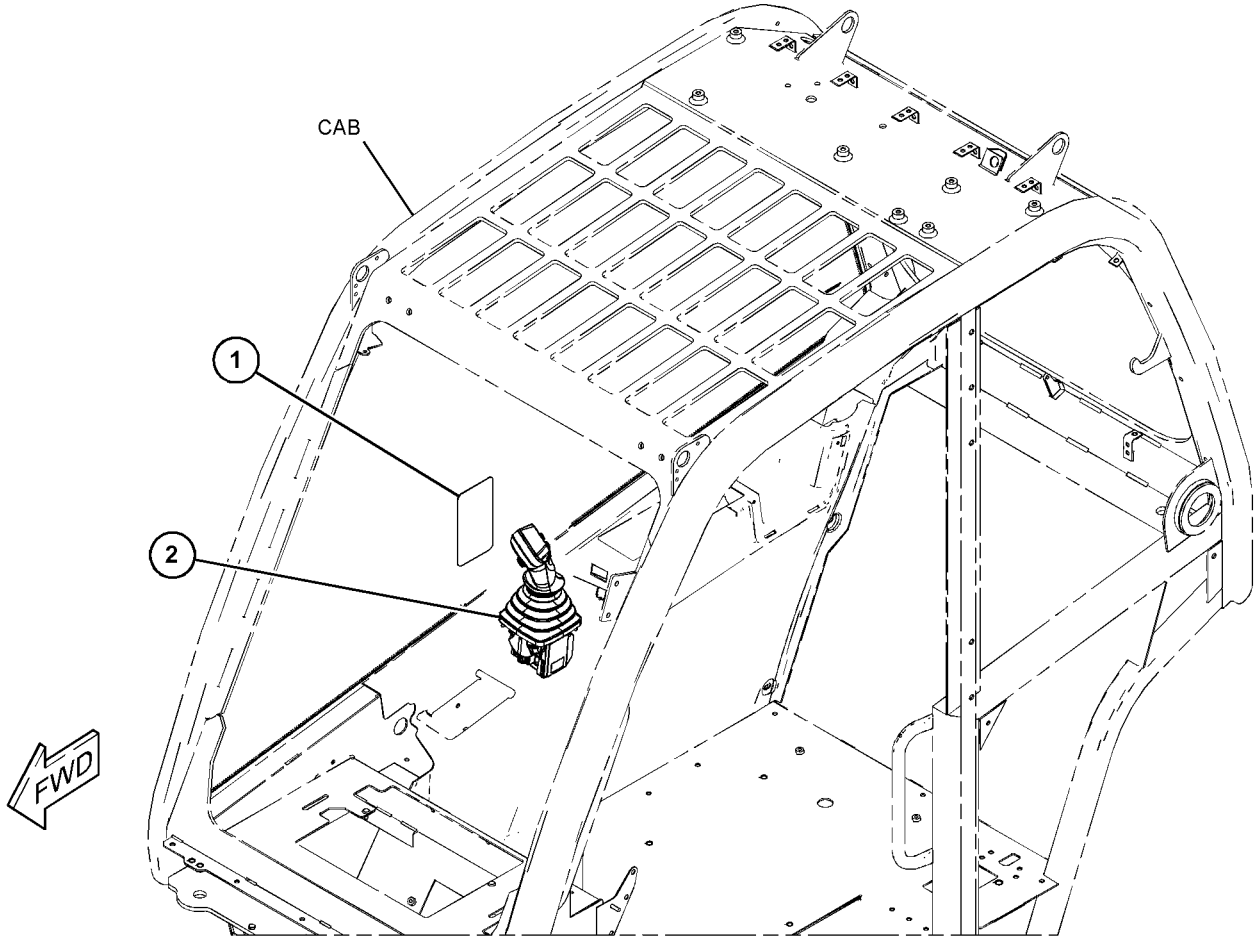
S/N: TH21-UP; TH31-UP

PART OF 507-9544, 507-9545, 507-9546, 507-9547 CAB AR
AN ATTACHMENT

SMCS-5063, 5705

i07104563

NOTE	REF NO	GRAPHIC REF	PART NUMBER	QTY	PART NAME						SEE PAGE
					1	2	3	4	5	6 (PRODUCT LEVEL)	
	1	1	477-2618	1	FILM-IDENTIFICATION (JOYSTICK)						
	2	1	477-2614	1	CONTROL GP-JOYSTICK						
		1	472-7793	4	SCREW (M6X1X20-MM)						
		1	541-7470	1	CONTROL AS-JOYSTICK						



GRAPHIC #1

<END>

g06042296

OPERATOR STATION

492-3937 COVER GP-ACCESS-CAB ROOF

S/N: TH21-UP; TH31-UP

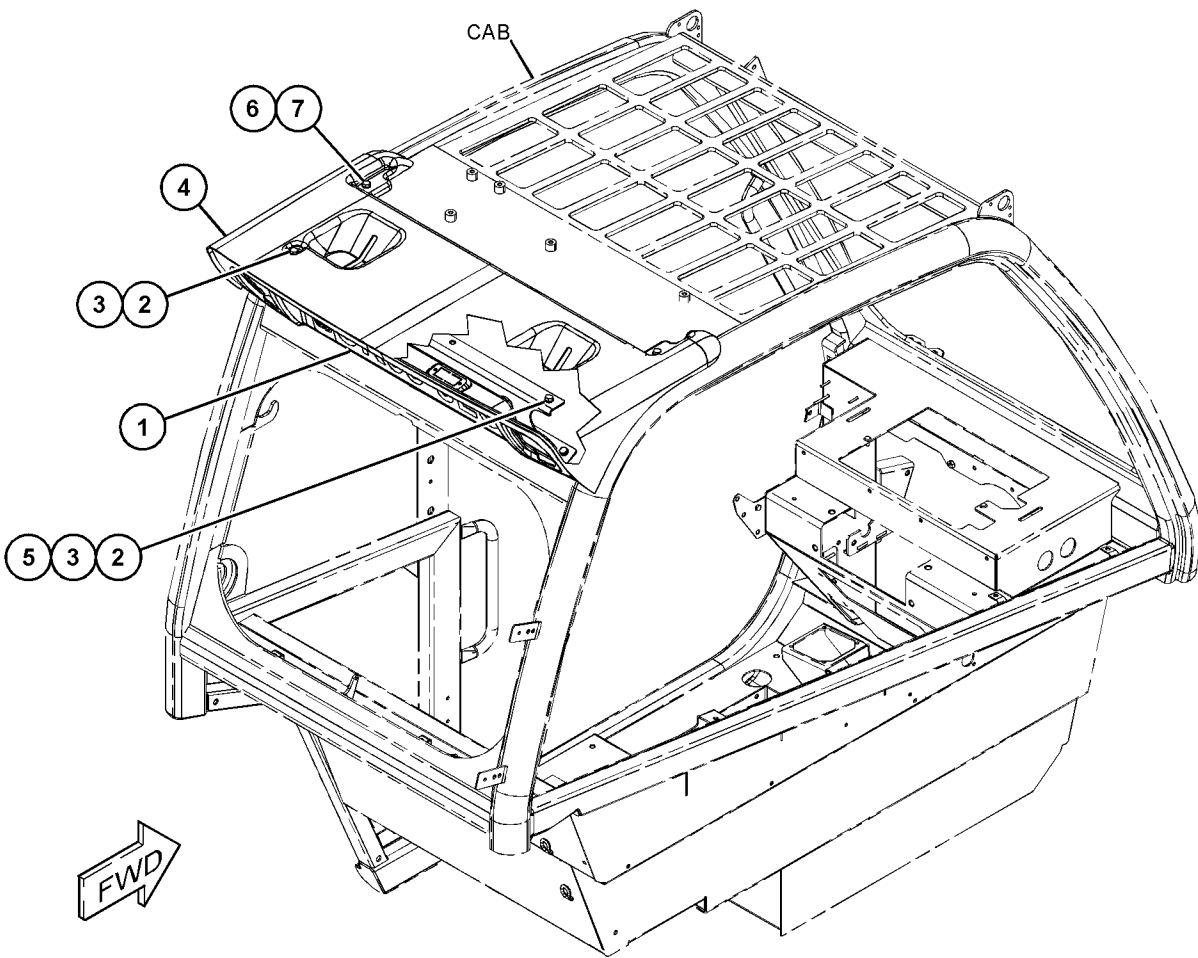
PART OF 507-9547 CAB AR, 508-7851, 508-7852, 521-2181 HEATER AR-CAB
AN ATTACHMENT

SMCS-726A

i07081254

NOTE	REF NO	GRAPHIC REF	PART NUMBER	QTY	PART NAME						SEE PAGE
					1	2	3	4	5	6 (PRODUCT LEVEL)	
	1	1	492-3939	1	COVER						
M	2	1	8T-4189	8	BOLT (M8X1.25X20-MM)						
	3	1	8T-4224	8	WASHER-HARD (8.8X16X2-MM THK)						
	4	1	492-3938	1	COVER						
	5	1	474-6081	1	BRACKET AS						
	6	1	309-3997	2	WASHER (8.4X25X2-MM THK)						
M	7	1	8T-4200	2	BOLT (M8X1.25X16-MM)						

M - METRIC PART



GRAPHIC #1

<END>

g06218973

OPERATOR STATION

497-9628 COVER GP-ACCESS-FRAME

S/N: TH21-UP; TH31-UP

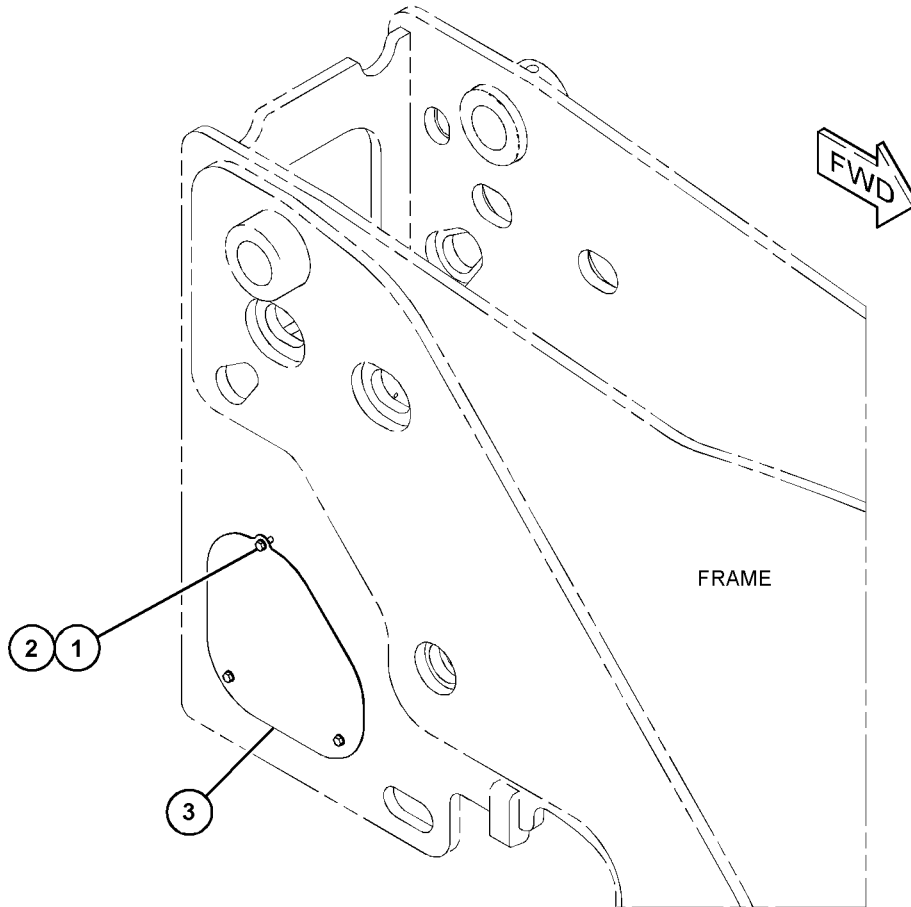
PART OF 506-7647, 506-7650 TRAILER AR
AN ATTACHMENT

SMCS-726A

i06613305

NOTE	REF NO	GRAPHIC REF	PART NUMBER	QTY	PART NAME						SEE PAGE
					1	2	3	4	5	6 (PRODUCT LEVEL)	
M	1	1	8T-4189	3	BOLT (M8X1.25X20-MM)						
	2	1	8T-4224	3	WASHER-HARD (8.8X16X2-MM THK)						
	3	1	497-9629	1	PLATE						

M - METRIC PART



GRAPHIC #1

<END>

g06046722

OPERATOR STATION

497-9630 COVER GP-ACCESS-TRAILER BRAKE

S/N: TH21-UP; TH31-UP

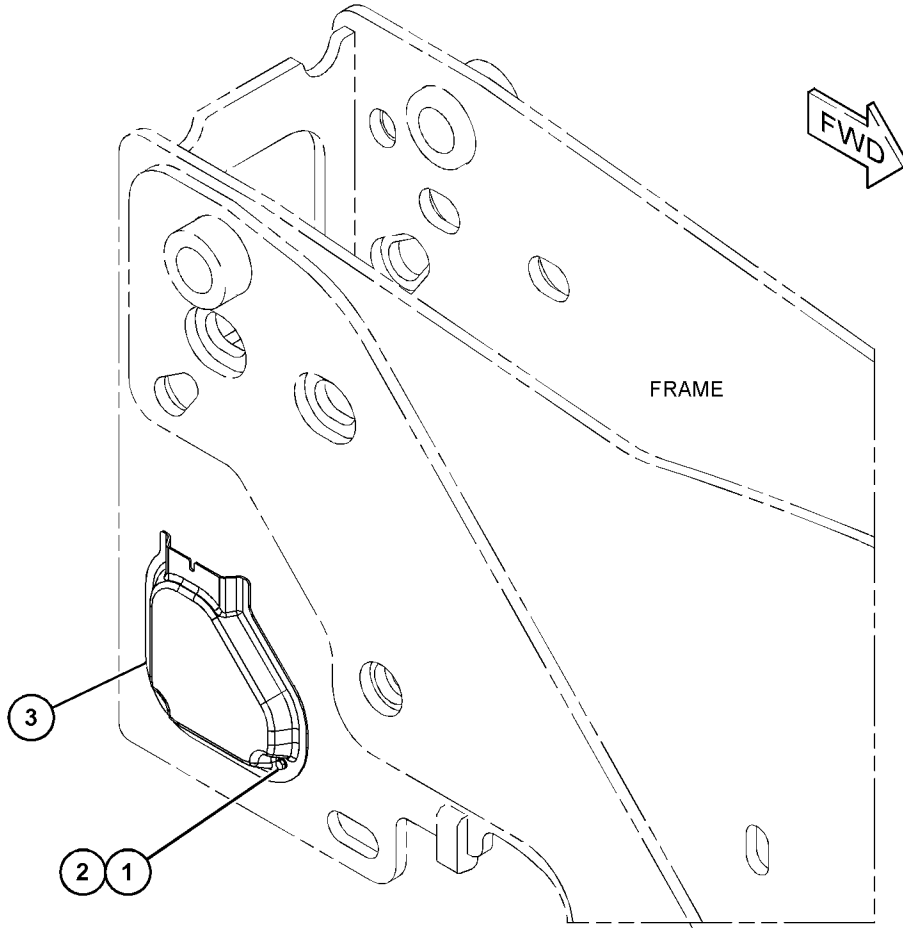
PART OF 506-7649, 506-7651, 506-7652 BRAKE AR-TRAILER, 506-7655 TRAILER AR
AN ATTACHMENT

SMCS-726A

i06613301

NOTE	REF NO	GRAPHIC REF	PART NUMBER	QTY	PART NAME						SEE PAGE
					1	2	3	4	5	6 (PRODUCT LEVEL)	
M	1	1	8T-4189	2	BOLT (M8X1.25X20-MM)						
	2	1	8T-4224	2	WASHER-HARD (8.8X16X2-MM THK)						
	3	1	497-9631	1	COVER						

M - METRIC PART



GRAPHIC #1

<END>

g06046720

OPERATOR STATION

501-5070 COVER GP-ACCESS-BOOM

S/N: TH21-UP; TH31-UP

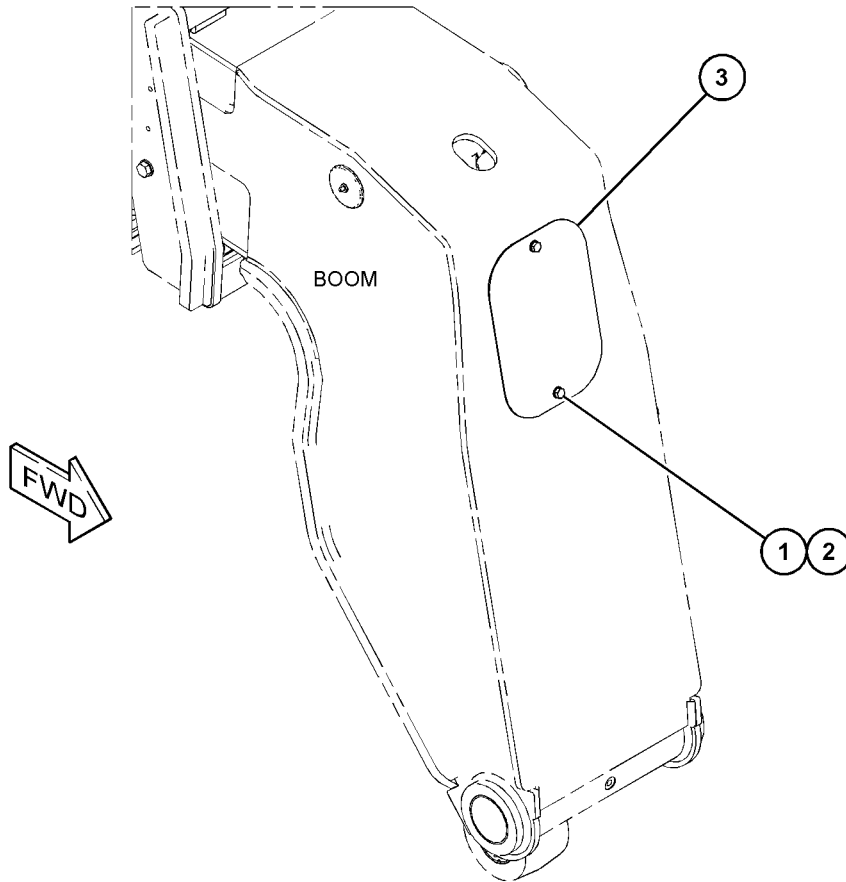
PART OF 505-5033, 505-5035 CHASSIS AR

SMCS-726A

i06702579

NOTE	REF NO	GRAPHIC REF	PART NUMBER	QTY	PART NAME						SEE PAGE
					1	2	3	4	5	6 (PRODUCT LEVEL)	
M	1	1	8T-4189	2	BOLT (M8X1.25X20-MM)						
	2	1	8T-4224	2	WASHER-HARD (8.8X16X2-MM THK)						
	3	1	494-1901	1	PLATE-COVER						

M - METRIC PART



GRAPHIC #1

<END>

g06091872

OPERATOR STATION

501-7477 COVER GP-ACCESS-REAR AUXILIARY HYDRAULICS

S/N: TH21-UP; TH31-UP

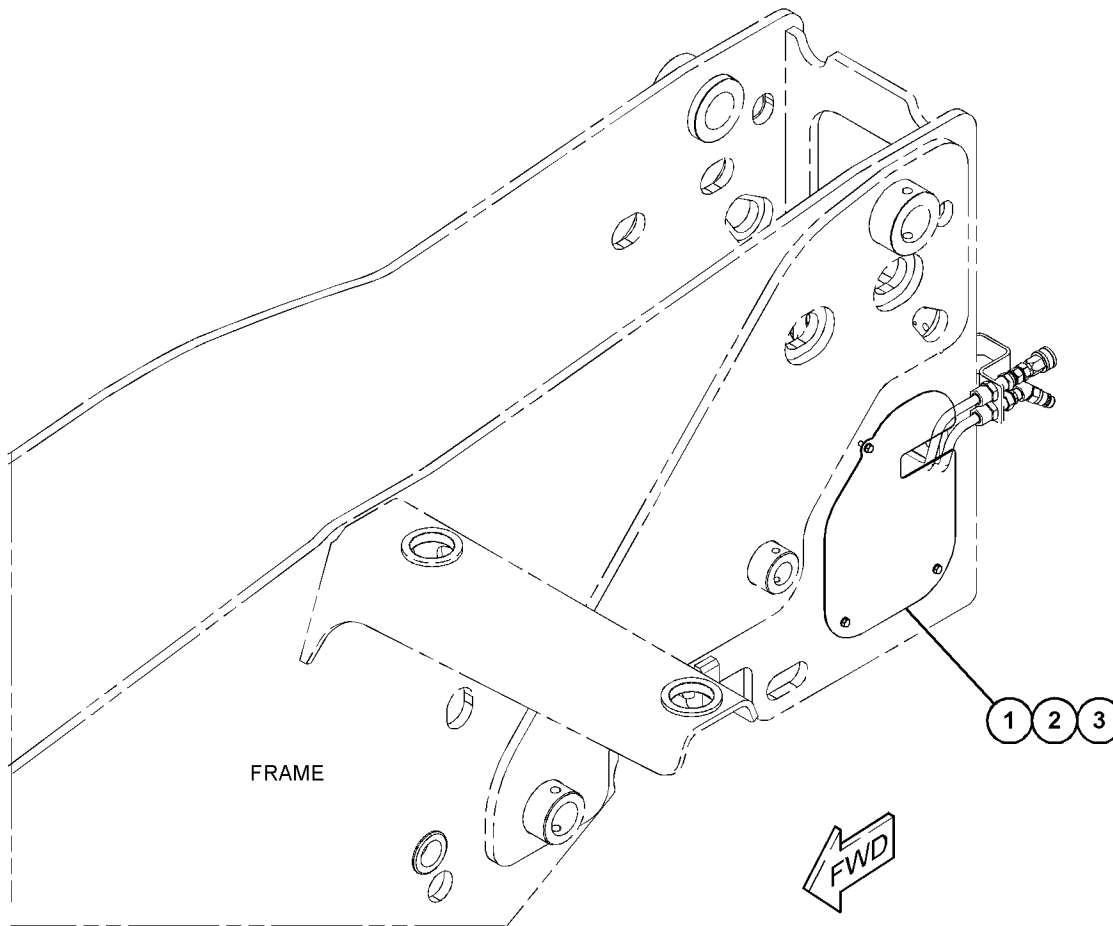
PART OF 506-3319 CONTROL AR-AUXILIARY, 506-3318 HYDRAULIC AR-AUXILIARY
AN ATTACHMENT

SMCS-726A

i06608810

NOTE	REF NO	GRAPHIC REF	PART NUMBER	QTY	PART NAME						SEE PAGE
					1	2	3	4	5	6 (PRODUCT LEVEL)	
M	1	1	8T-4189	3	BOLT (M8X1.25X20-MM)						
	2	1	8T-4224	3	WASHER-HARD (8.8X16X2-MM THK)						
	3	1	501-7478	1	PLATE						

M - METRIC PART



GRAPHIC #1

<END>

g06048402

OPERATOR STATION

492-3933 COVER GP-CAB-ROOF

S/N: TH21-UP; TH31-UP

PART OF 508-7848, 508-7849, 521-2180 AIR CONDITIONER AR, 507-9546 CAB AR
AN ATTACHMENT

SMCS-7301

i07175291

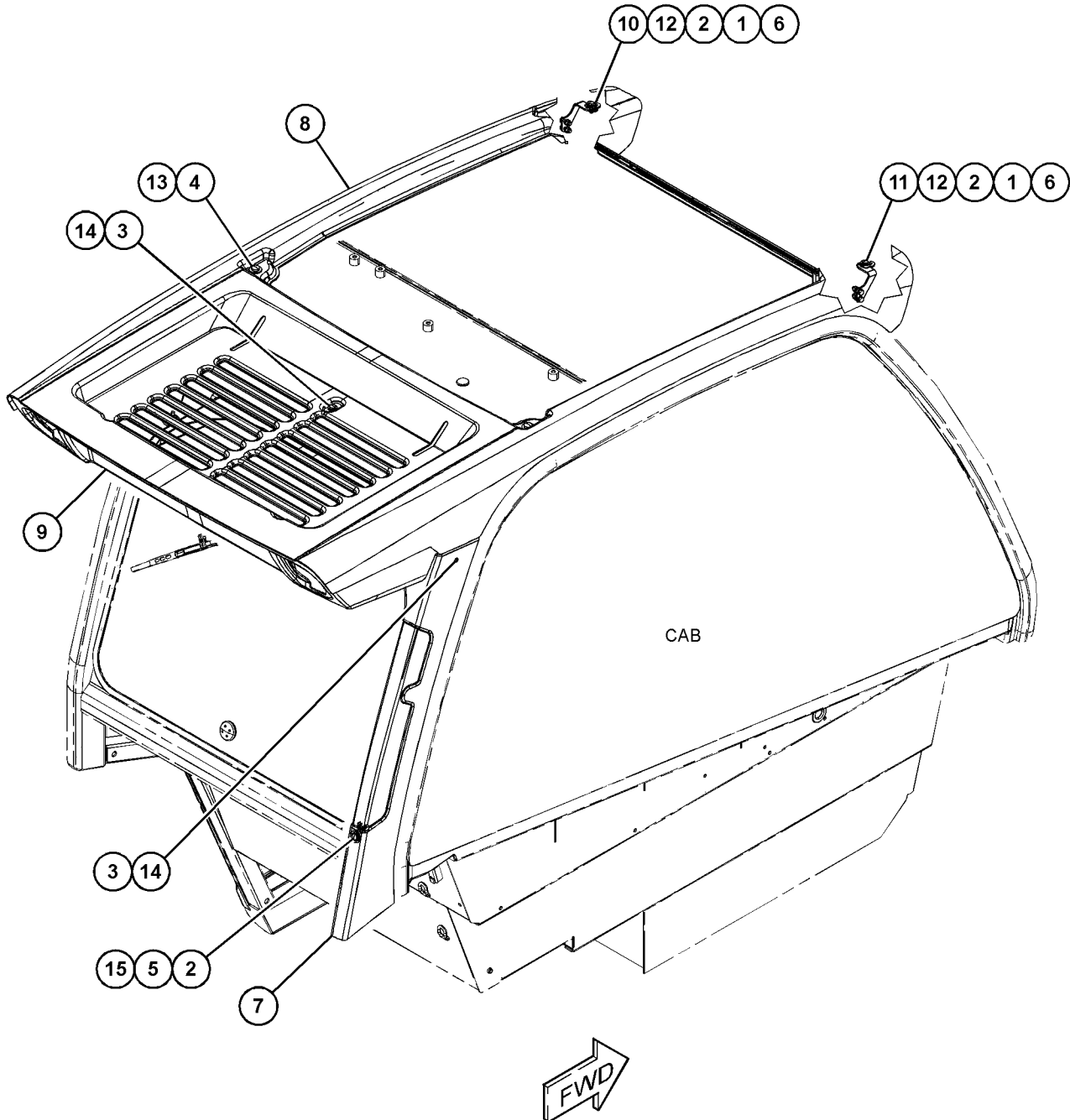
NOTE	REF NO	GRAPHIC REF	PART NUMBER	QTY	PART NAME						SEE PAGE
					1	2	3	4	5	6 (PRODUCT LEVEL)	
M	1	1	5C-2890	4	NUT (M6X1-THD)						
	2	1	8T-4205	9	WASHER-HARD (7.2X14.5X2-MM THK)						
	3	1	5Y-2425	10	WASHER (6.5X17.5X1.5-MM THK)						
	4	1	309-3997	2	WASHER (8.4X25X2-MM THK)						
	5	1	303-4787	1	WASHER (6.1X11.8X1.6-MM THK)						
M	6	1	341-7590	3	NUT (M6X1-THD)						
	7	1	471-6125	1	COVER						
	8	1	492-3941	1	COVER GP-CAB						
	9	1	492-3934	1	COVER-ROOF						
	10	1	492-3935	1	BRACKET						
	11	1	492-3936	1	BRACKET						
M	12	1	8T-4138	4	BOLT (M6X1X20-MM)						
M	13	1	8T-4200	2	BOLT (M8X1.25X16-MM)						
M	14	1	8T-8998	10	SCREW-MACHINE (M6X1X20-MM)						
M	15	1	471-6671	1	SCREW (M6X1X16-MM)						

M - METRIC PART

OPERATOR STATION

492-3933 COVER GP-CAB (contd.)

i07175291



GRAPHIC #1

<END>

g06248371

OPERATOR STATION

501-2809 COVER GP-CAB

S/N: TH21-UP

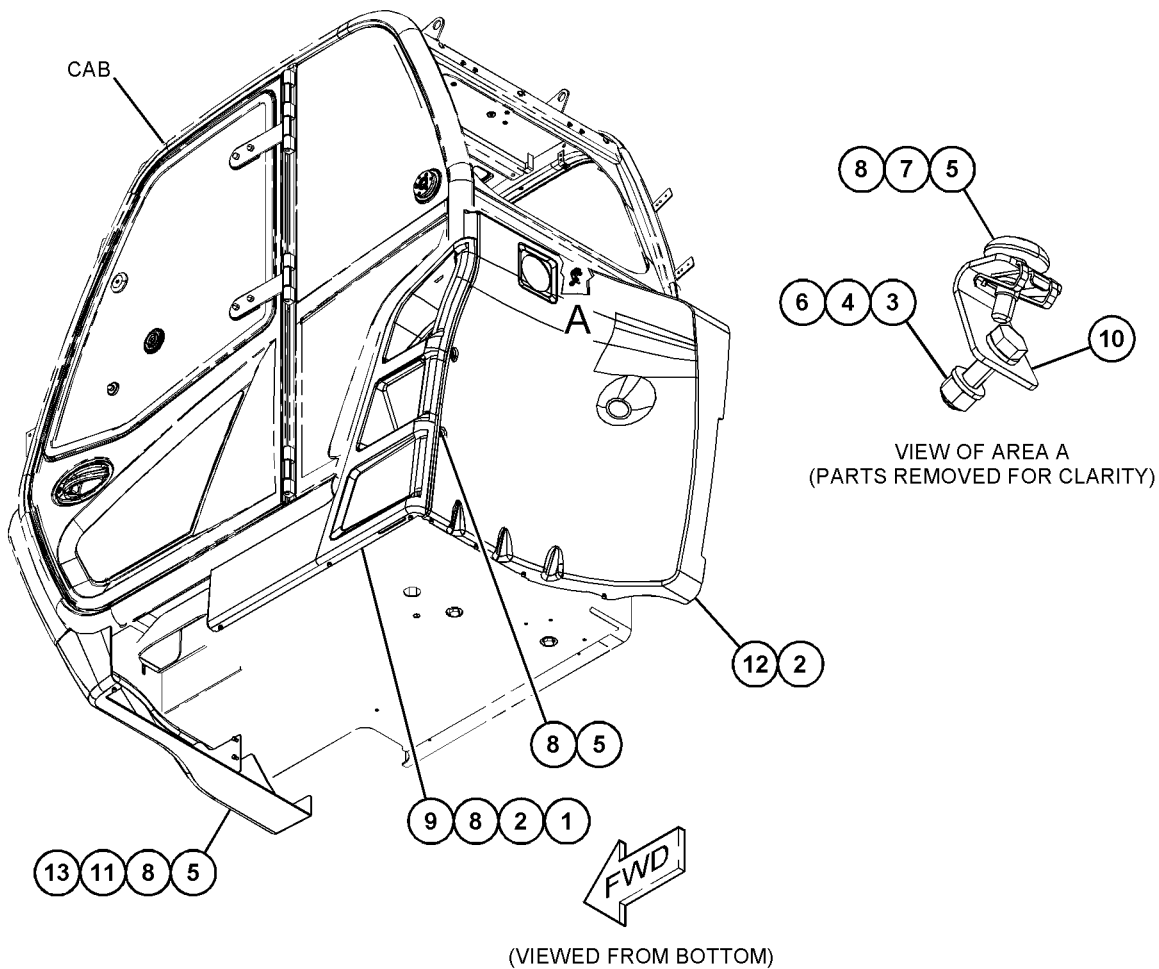
PART OF 505-5033 CHASSIS AR

SMCS-7301

i06603135

NOTE	REF NO	GRAPHIC REF	PART NUMBER	QTY	PART NAME						SEE PAGE
					1	2	3	4	5	6 (PRODUCT LEVEL)	
M	1	1	112-2095	1	SCREW-HEX SOCKET (M6X1X16.7-MM)						
M	2	1	8T-4138	10	BOLT (M6X1X20-MM)						
M	3	1	6V-7357	3	BOLT (M6X1X25-MM)						
	4	1	303-4779	3	LOCKNUT (M6X1-THD)						
M	5	1	280-2651	9	SCREW-FLAT HEAD (M6X1X25-MM)						
	6	1	8T-4205	16	WASHER-HARD (7.2X14.5X2-MM THK)						
M	7	1	341-7590	17	NUT (M6X1-THD)						
	8	1	315-3901	10	WASHER (6.2X20X5-MM THK)						
	9	1	477-1614	1	COVER (TANK)						
	10	1	477-1617	3	PLATE						
	11	1	477-1616	1	COVER (LOWER FRONT)						
	12	1	501-2810	1	COVER (TANK)						
	13	1	501-2811	1	BRACKET AS						

M - METRIC PART



GRAPHIC #1

<END>

g06045073

OPERATOR STATION

501-4201 COVER GP-CAB

S/N: TH31-UP

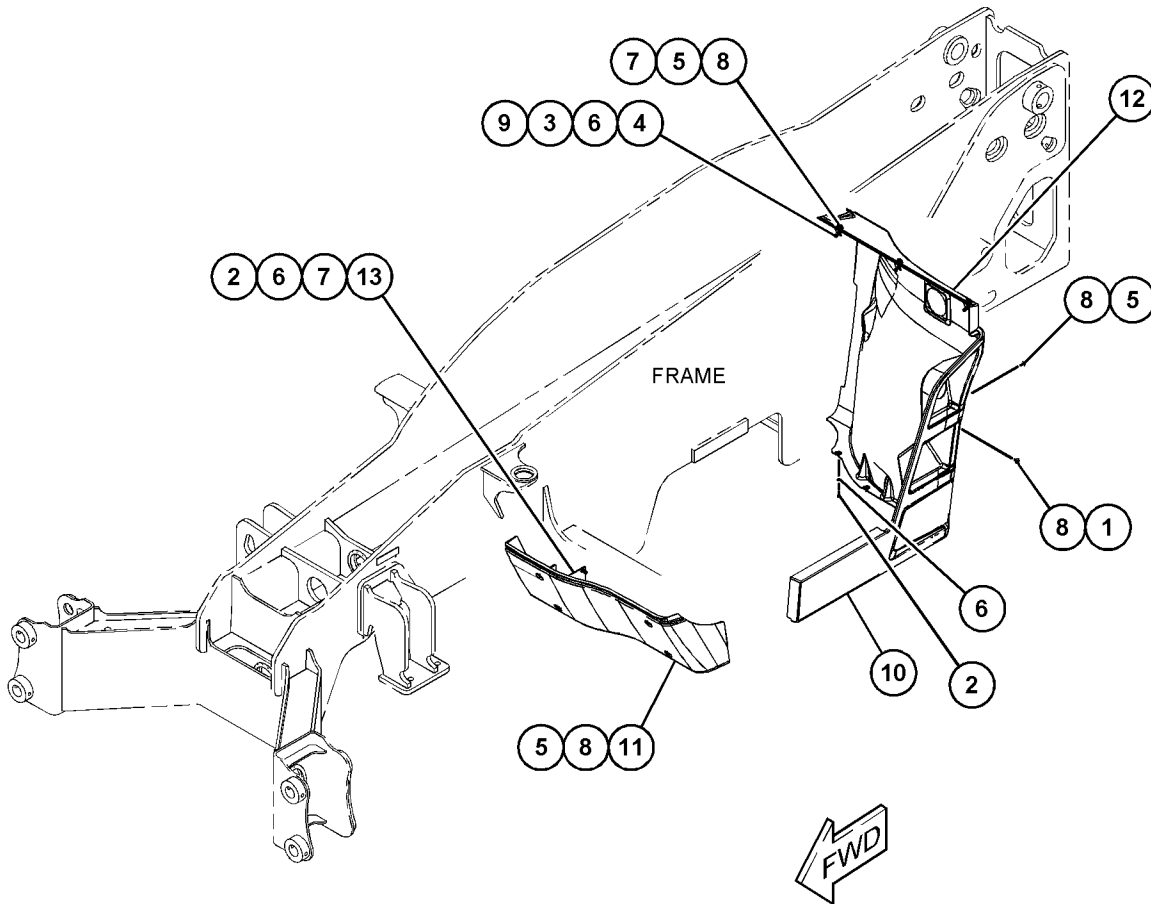
PART OF 505-5035 CHASSIS AR

SMCS-7301

i06603233

NOTE	REF NO	GRAPHIC REF	PART NUMBER	QTY	PART NAME						SEE PAGE
					1	2	3	4	5	6 (PRODUCT LEVEL)	
M	1	1	112-2095	1	SCREW-HEX SOCKET (M6X1X16.7-MM)						
M	2	1	8T-4138	10	BOLT (M6X1X20-MM)						
M	3	1	6V-7357	3	BOLT (M6X1X25-MM)						
	4	1	303-4779	3	LOCKNUT (M6X1-THD)						
M	5	1	280-2651	9	SCREW-FLAT HEAD (M6X1X25-MM)						
	6	1	8T-4205	16	WASHER-HARD (7.2X14.5X2-MM THK)						
M	7	1	341-7590	17	NUT (M6X1-THD)						
	8	1	315-3901	10	WASHER (6.2X20X5-MM THK)						
	9	1	477-1617	3	PLATE						
	10	1	477-1629	1	COVER						
	11	1	477-1616	1	COVER (LOWER FRONT)						
	12	1	501-2810	1	COVER (TANK)						
	13	1	501-2811	1	BRACKET AS						

M - METRIC PART



GRAPHIC #1

<END>

g06045425

OPERATOR STATION

522-9012 DISPLAY & MTG GP-LS INDICATOR

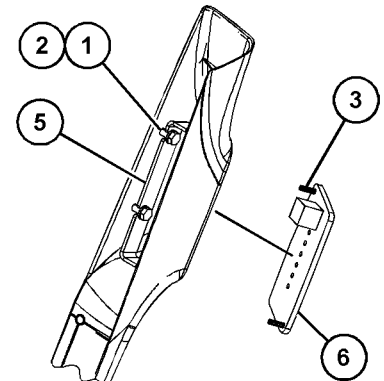
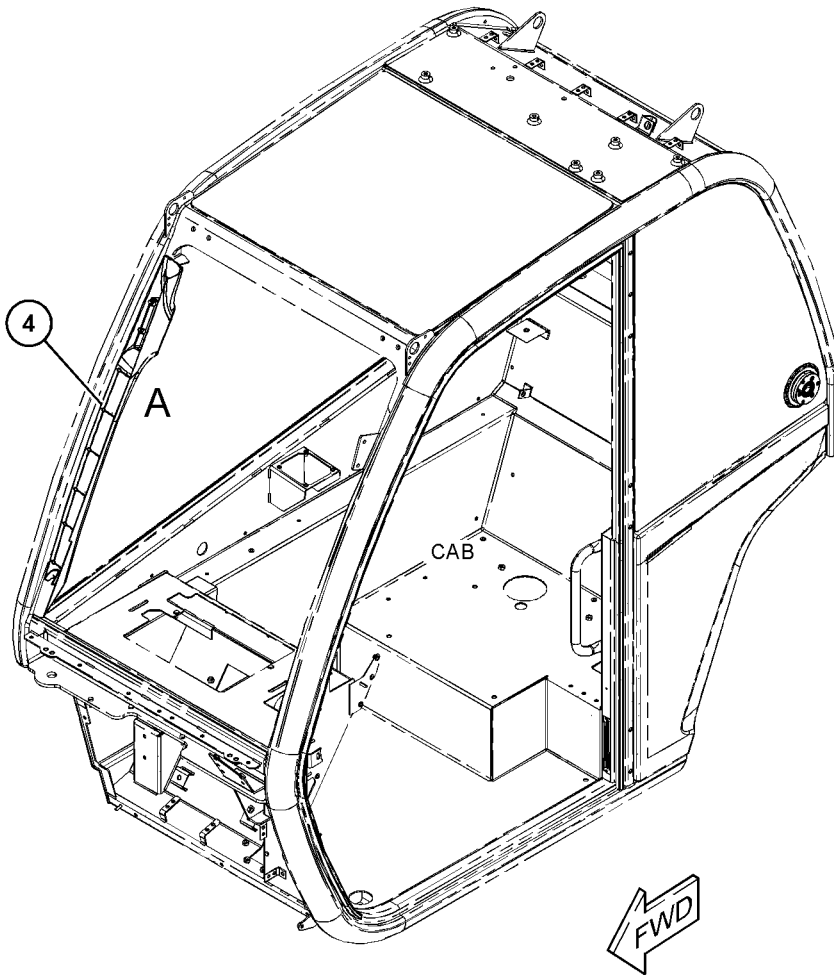
S/N: TH21-UP; TH31-UP
PART OF 503-1701 INDICATOR GP-LOAD
AN ATTACHMENT

SMCS-7490

i06981558

NOTE	REF NO	GRAPHIC REF	PART NUMBER	QTY	PART NAME						SEE PAGE
					1	2	3	4	5	6 (PRODUCT LEVEL)	
M	1	1	8T-4171	2	BOLT (M6X1X12-MM)						
	2	1	8T-4205	2	WASHER-HARD (7.2X14.5X2-MM THK)						
	3	1	281-1784	2	SCREW-PAN HEAD (M4X0.7X16-MM)						
	4	1	522-9013	1	PANEL						
	5	1	522-9014	1	BRACKET						
	6	1	519-2619	1	DISPLAY GP-LOAD SENSING IND						

M - METRIC PART



VIEW OF AREA A

GRAPHIC #1

<END>

g06197818

OPERATOR STATION

546-5767 DISPLAY AR-MONITOR

S/N: TH21-UP; TH31-UP

AN ATTACHMENT

SMCS-7490

i07195211

NOTE	PART NUMBER	QTY	PART NAME						SEE PAGE
			1	2	3	4	5	6 (PRODUCT LEVEL)	
Y	474-6061	1	MONITOR & MOUNTING GP						939
	546-5411	1	SOFTWARE GP-MACHINE						
	546-5410	1	SOFTWARE GP-MACHINE						

Y - SEPARATE ILLUSTRATION

<END>

OPERATOR STATION

495-6135 DOOR GP-CAB

S/N: TH21-UP; TH31-UP

PART OF 507-9544, 507-9545, 507-9546, 507-9547 CAB AR
AN ATTACHMENT

SMCS-7308

i06810936

NOTE	REF NO	GRAPHIC REF	PART NUMBER	QTY	PART NAME						SEE PAGE
					1	2	3	4	5	6 (PRODUCT LEVEL)	
	1	2	495-6138	1	NUT						
	2	2	473-8907	2	BUSHING						
M	3	2	312-3282	4	SCREW (M6X1.0X10-MM)						
M	4	2	8T-4970	4	BOLT (M6X1X14-MM)						
M	5	2	5C-7261	2	NUT (M8X1.25-THD)						
	6	1	473-8905	1	COVER-DOOR						
	7	2	8T-4205	4	WASHER-HARD (7.2X14.5X2-MM THK)						
	8	1,2	8T-4224	11	WASHER-HARD (8.8X16X2-MM THK)						
	9	2	329-3663	1	PIN-THREADED						
M	10	1	7Y-7394	5	SCREW-BUTTON HEAD (M8X1.25X25-MM)						
M	11	2	142-2304	2	SCREW-BUTTON HEAD (M8X1.25X35-MM)						
	12	1	343-7429	10	SLEEVE						
	13	1	459-2772	5	PLUG						
Y	14	1	513-3136	1	WINDOW GP-CAB						973
	15	2	495-2033	1	LATCH AS						
		2	495-2043	1	LINK						
M		2	178-9983	1	LOCKNUT (M4X0.7-THD)						
		2	495-2042	1	LATCH AS						
	16	2	473-9375	1	HANDLE AS						
		2	497-8800	1	CABLE AS						
	17	1	495-6136	1	HANDLE GP-DOOR						
Y	18	1	495-6139	1	DOOR GP-CAB						888
	19	2	473-8799	2	SCREW (M6X1X12-MM)						
	20	2	473-8881	1	BRACKET AS						
	21	1	495-6146	1	STRAP GP						
		1	329-3664	2	HOLDER-DOOR						
		1	515-9909	1	STRAP						
		1	495-6147	4	SCREW						
		1	495-6148	1	PLATE						
	22	1	473-8911	7	HINGE						
	23	2	5W-1417	2	WASHER (6.4X18X1.6-MM THK)						
M	24	1	198-3899	2	SCREW-BUTTON HEAD (M8X1.25X20-MM)						
	25	1	329-3604	2	WASHER						
	26	1	513-7913	1	PIN-HINGE						

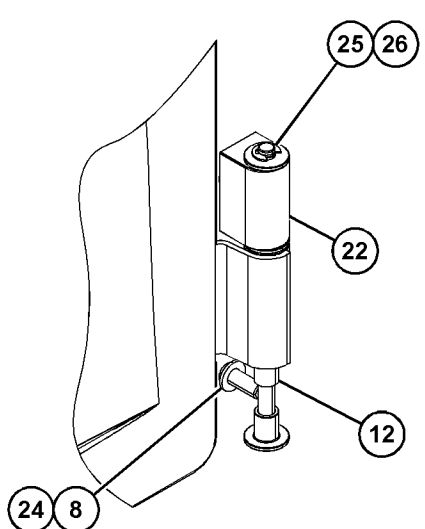
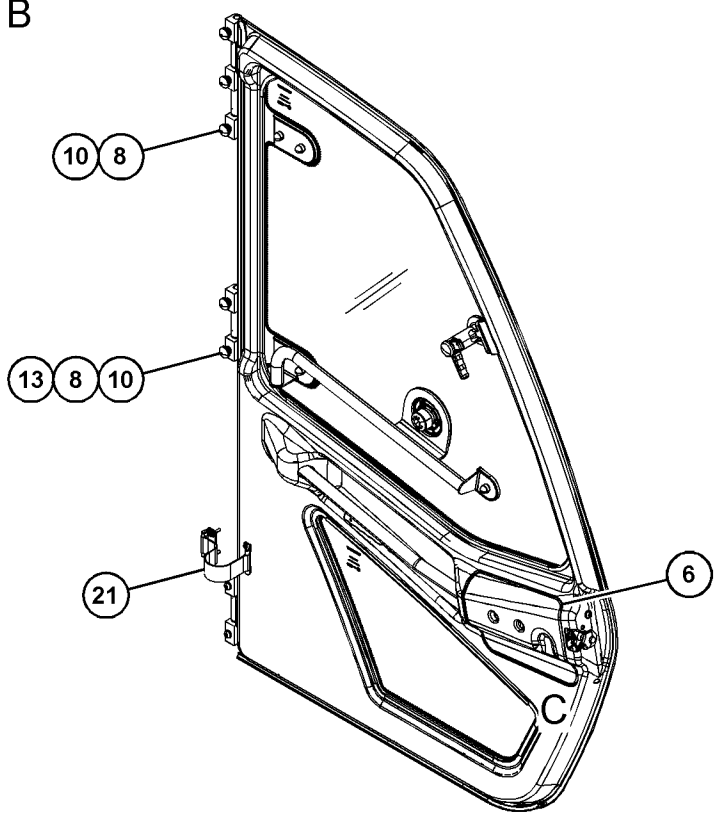
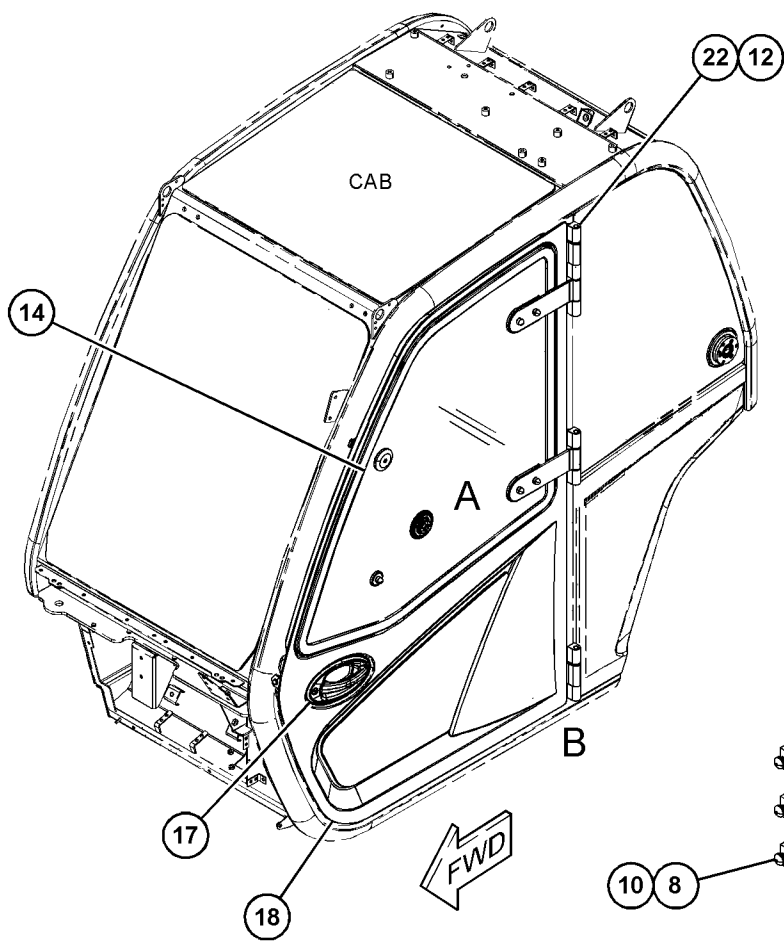
M - METRIC PART
Y - SEPARATE ILLUSTRATION

OPERATOR STATION

495-6135 DOOR GP-CAB (contd.)

i06810936

REFER TO ALL ILLUSTRATIONS OF THIS GROUP FOR AUXILIARY VIEWS



VIEW OF AREA B
(PARTS REMOVED FOR CLARITY)

VIEW OF AREA A 90°

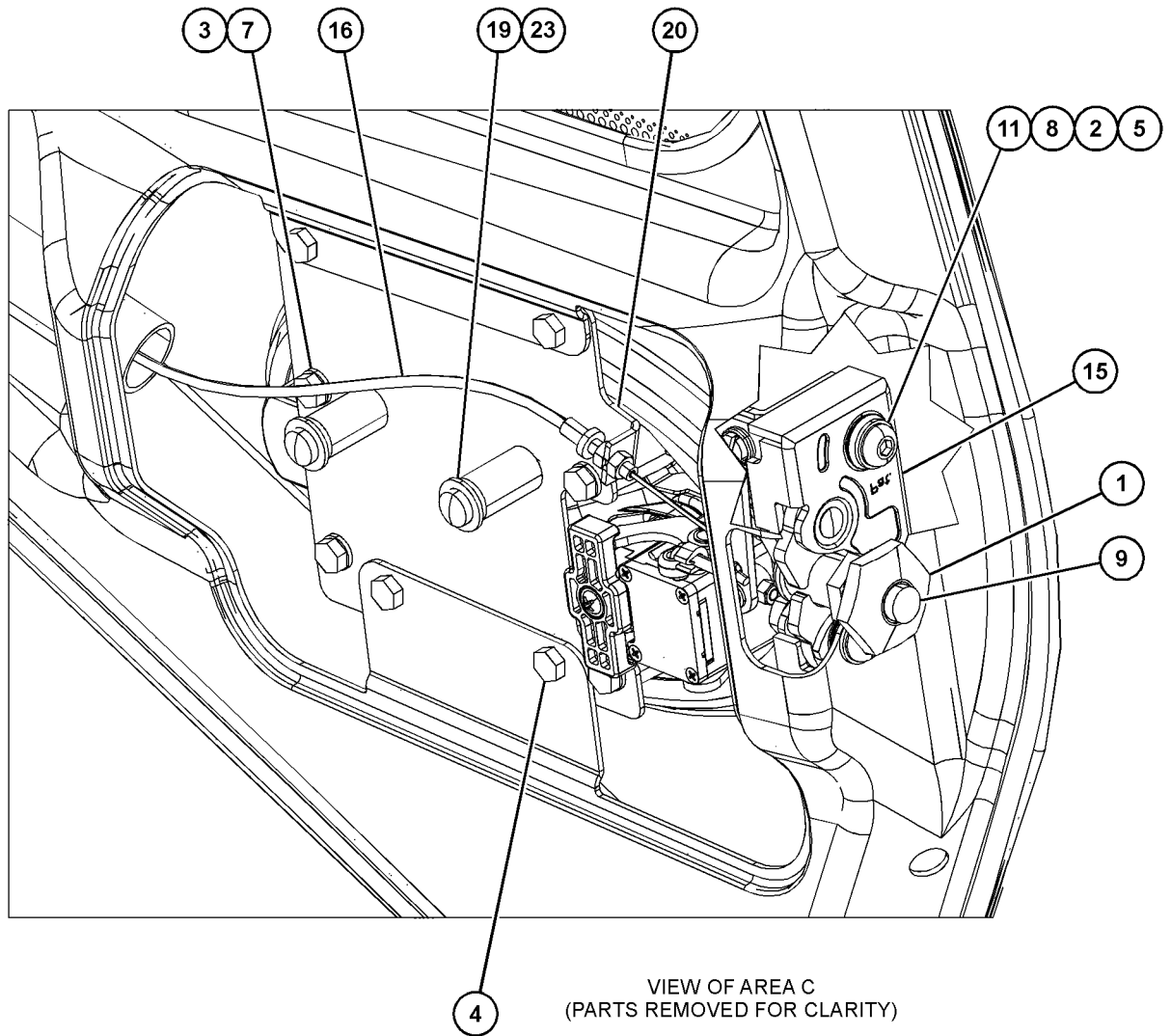
GRAPHIC #1

g06130713

OPERATOR STATION

495-6135 DOOR GP-CAB (contd.)

i06810936



GRAPHIC #2

<END>

g06130743

OPERATOR STATION

495-6139 DOOR GP-CAB

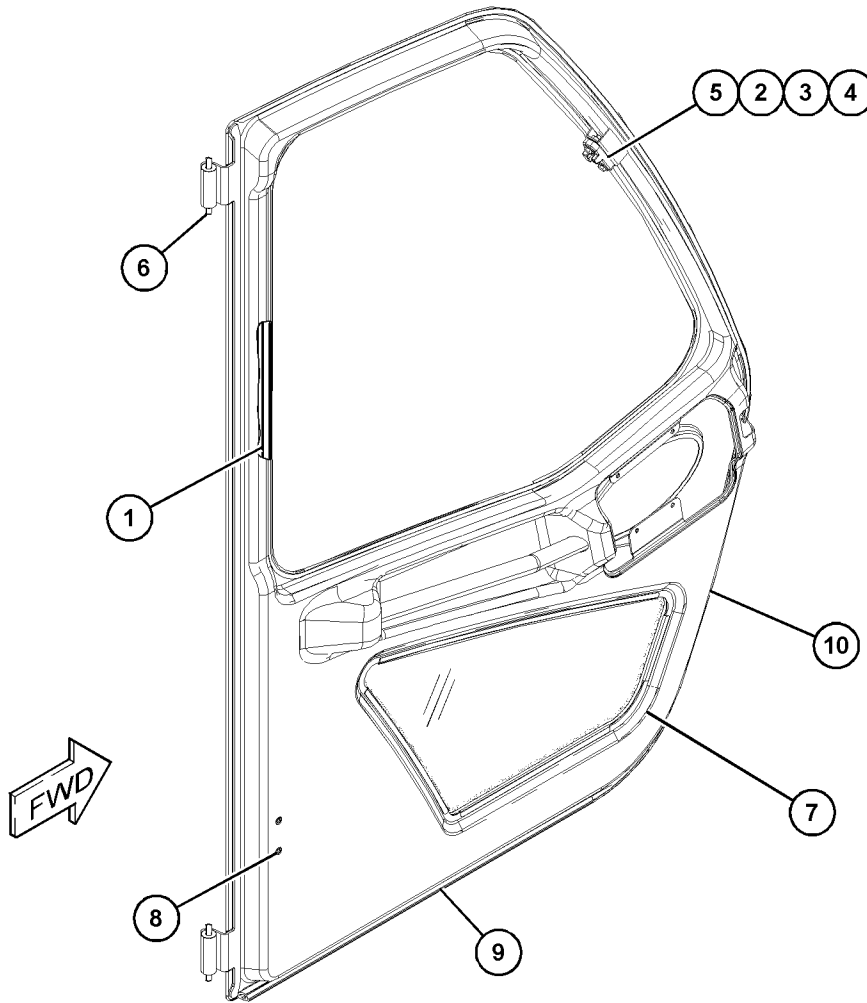
S/N: TH21-UP; TH31-UP
PART OF 495-6135 DOOR GP-CAB
AN ATTACHMENT

SMCS-7308

i06601140

NOTE	REF NO	GRAPHIC REF	PART NUMBER	QTY	PART NAME						SEE PAGE
					1	2	3	4	5	6	
	1	1	473-8906	1	SEAL - DOOR						
B	2	1	495-6142	1	SHIM (1-MM THK)						
M	3	1	6V-7357	2	BOLT (M6X1X25-MM)						
	4	1	5W-1417	2	WASHER (6.4X18X1.6-MM THK)						
	5	1	459-2776	1	LATCH						
	6	1	473-8729	1	PIN						
	7	1	495-6140	1	GLASS						
	8	1	473-8879	2	FASTENER						
	9	1	473-8903	1	SEAL - DOOR						
	10	1	495-6141	1	DOOR AS						

B - USE AS REQUIRED
M - METRIC PART



GRAPHIC #1

<END>

g06088898

OPERATOR STATION

476-0697 FLOOR MAT GP

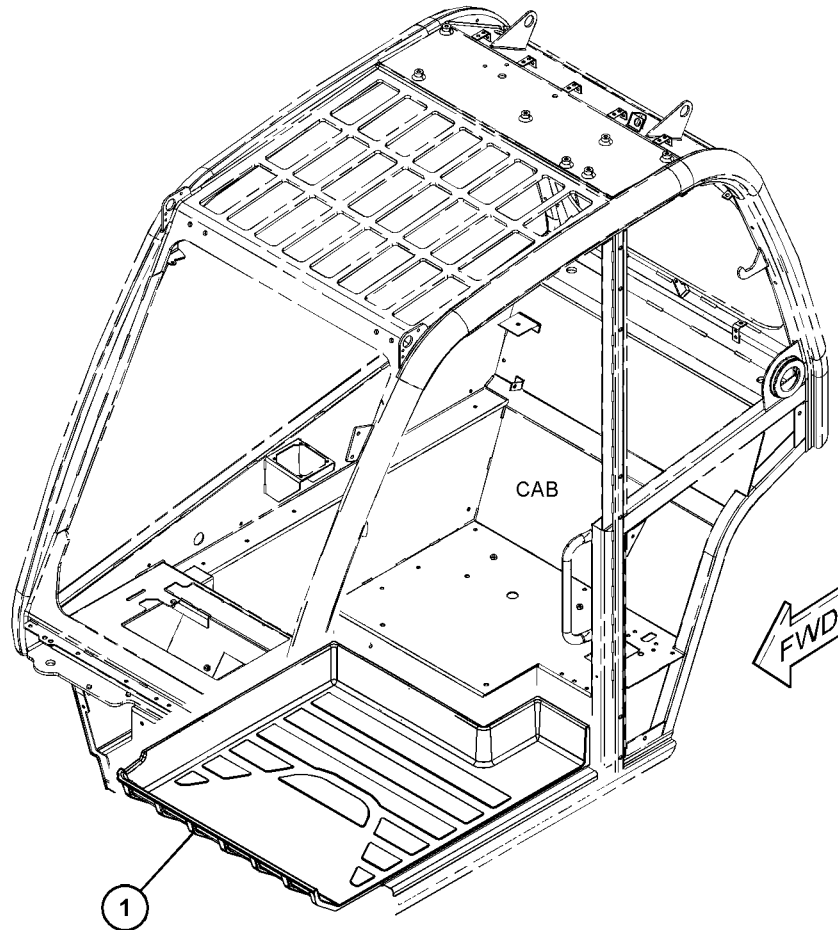
S/N: TH21-UP; TH31-UP

PART OF 507-9544, 507-9545, 507-9546, 507-9547 CAB AR
AN ATTACHMENT

SMCS-726M

i06603243

NOTE	REF NO	GRAPHIC REF	PART NUMBER	QTY	PART NAME						SEE PAGE
					1	2	3	4	5	6 (PRODUCT LEVEL)	
	1	1	476-0698	1	FLOOR MAT						



GRAPHIC #1

<END>

g06046095

OPERATOR STATION

476-6686 GAUGE GP-INDICATOR

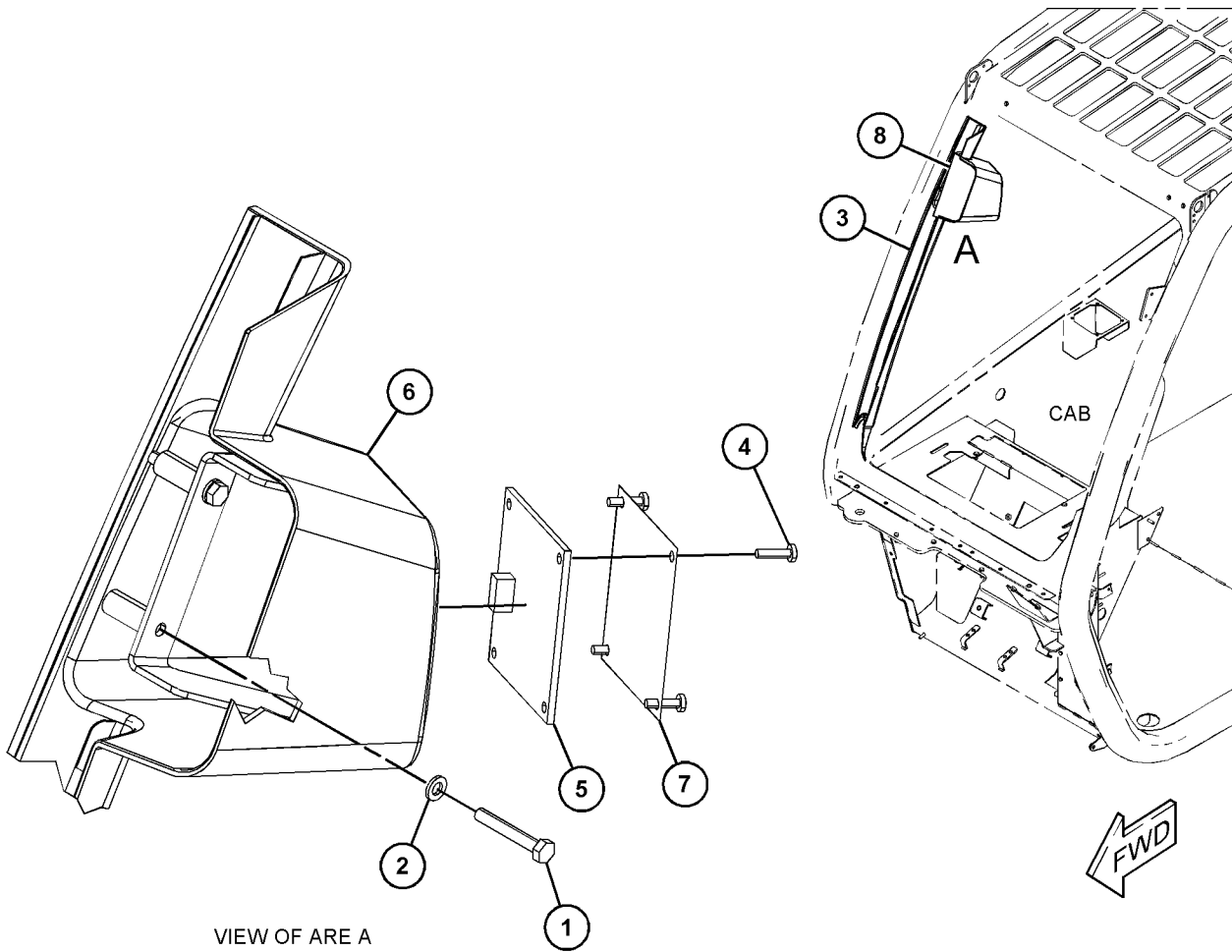
S/N: TH21-UP; TH31-UP
PART OF 503-1701 INDICATOR GP-LOAD
AN ATTACHMENT

SMCS-7450, 7451

i06824009

NOTE	REF NO	GRAPHIC REF	PART NUMBER	QTY	PART NAME						SEE PAGE
					1	2	3	4	5	6	
M	1	1	8C-8451	2	BOLT (M6X1X40-MM)						
	2	1	8T-4205	2	WASHER-HARD (7.2X14.5X2-MM THK)						
	3	1	476-9093	1	PANEL						
	4	1	386-4796	4	SCREW (M4X0.7X16-MM)						
	5	1	476-9090	1	BOARD-DISPLAY						
	6	1	476-9091	1	BRACKET AS						
	7	1	476-9092	1	FILM-IDENTIFICATION (LSI DISPLAY)						
	8	1	509-6096	1	FILM-IDENTIFICATION (LOAD STABILITY INDICATOR)						

M - METRIC PART



GRAPHIC #1

<END>

g06132542

OPERATOR STATION

471-9523 GUARD GP-FRONT WINDOW

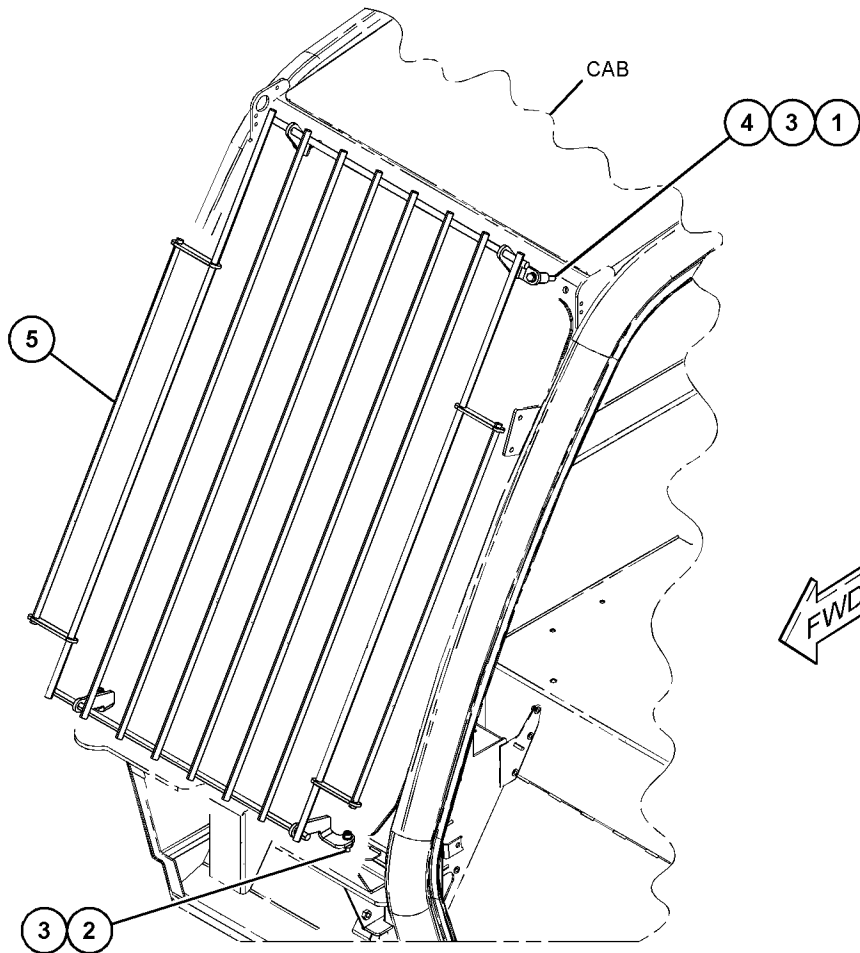
S/N: TH21-UP
AN ATTACHMENT

SMCS-7182, 7315

i06102993

NOTE	REF NO	GRAPHIC REF	PART NUMBER	QTY	PART NAME						SEE PAGE
					1	2	3	4	5	6 (PRODUCT LEVEL)	
	1	1	471-9527	2	SPACER (9X18X28-MM THK)						
M	2	1	6V-5192	2	BOLT-SOCKET HEAD (M8X1.25X30-MM)						
	3	1	8T-4224	4	WASHER-HARD (8.8X16X2-MM THK)						
M	4	1	8T-6869	2	BOLT (M8X1.25X60-MM)						
	5	1	471-6162	1	GUARD AS-SCREEN						

M - METRIC PART



GRAPHIC #1

<END>

g03822403

OPERATOR STATION

472-0940 GUARD GP-ROOF

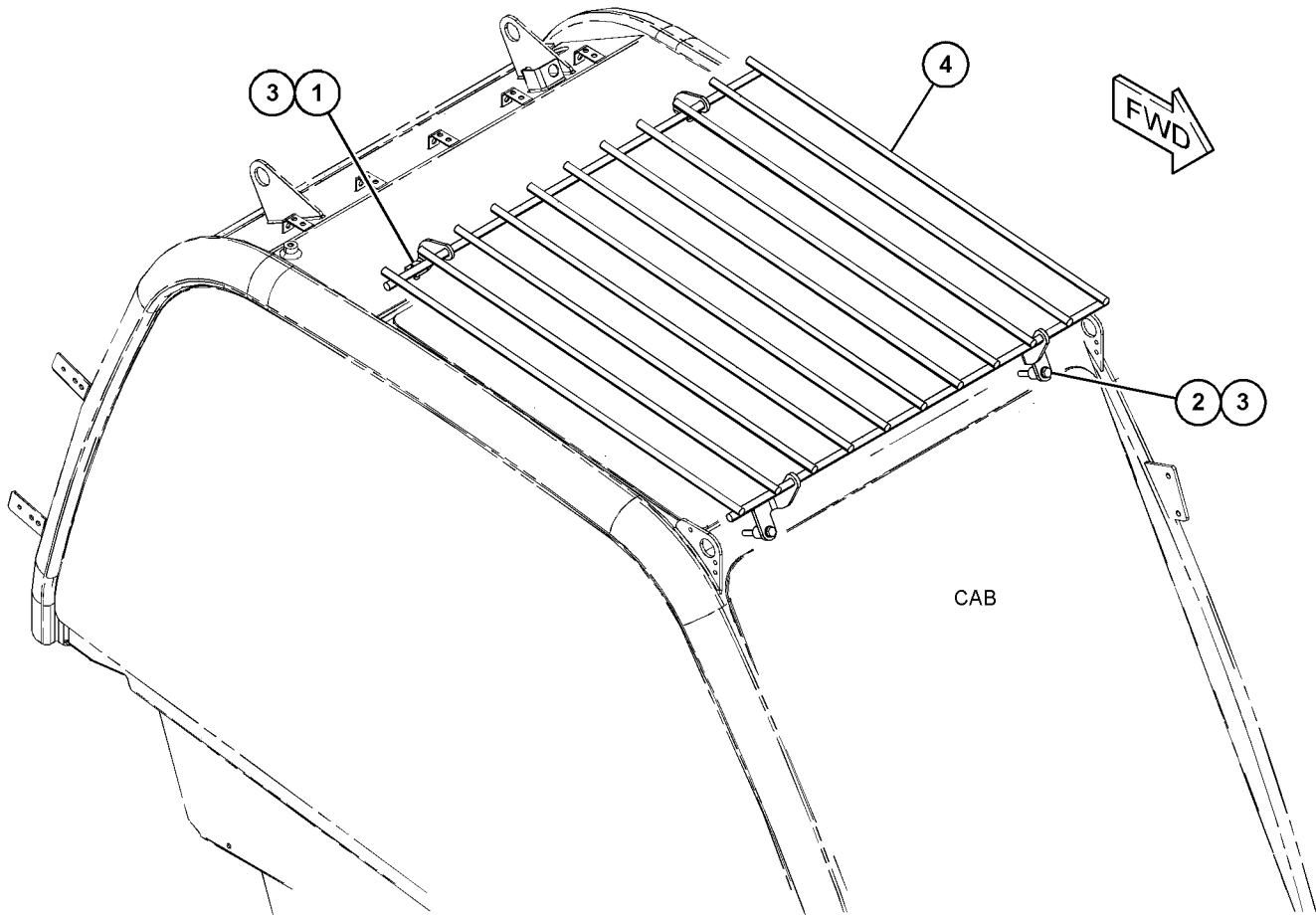
S/N: TH21-UP
AN ATTACHMENT

SMCS-7150

i06102979

NOTE	REF NO	GRAPHIC REF	PART NUMBER	QTY	PART NAME						SEE PAGE
					1	2	3	4	5	6 (PRODUCT LEVEL)	
M	1	1	8T-4189	2	BOLT (M8X1.25X20-MM)						
M	2	1	8T-6869	2	BOLT (M8X1.25X60-MM)						
	3	1	8T-4224	4	WASHER-HARD (8.8X16X2-MM THK)						
	4	1	471-6160	1	GUARD AS-SCREEN						

M - METRIC PART



GRAPHIC #1

<END>

g03820939

OPERATOR STATION

505-7476 HAMMER & MOUNTING GP

S/N: TH21-UP; TH31-UP

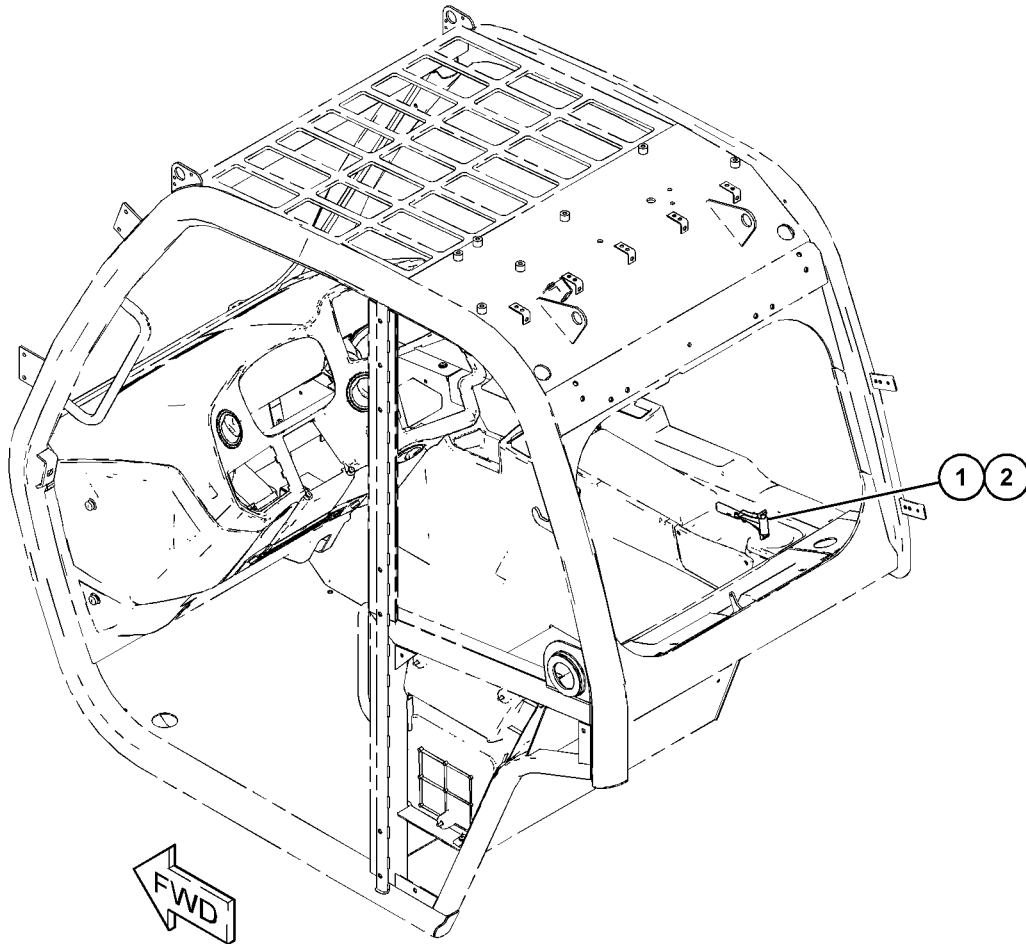
PART OF 507-9544, 507-9545, 507-9546, 507-9547 CAB AR
AN ATTACHMENT

SMCS-0606, 7310

i06591335

NOTE	REF NO	GRAPHIC REF	PART NUMBER	QTY	PART NAME						SEE PAGE
					1	2	3	4	5	6 (PRODUCT LEVEL)	
	1	1	209-4212	1	HAMMER GP (CAB WINDOW)						
M	2	1	211-1389	2	SCREW (M4X19-MM)						

M - METRIC PART



GRAPHIC #1

<END>

g06040089

OPERATOR STATION

495-3734 HEADLINER GP-CAB-RADIO

S/N: TH21-UP; TH31-UP

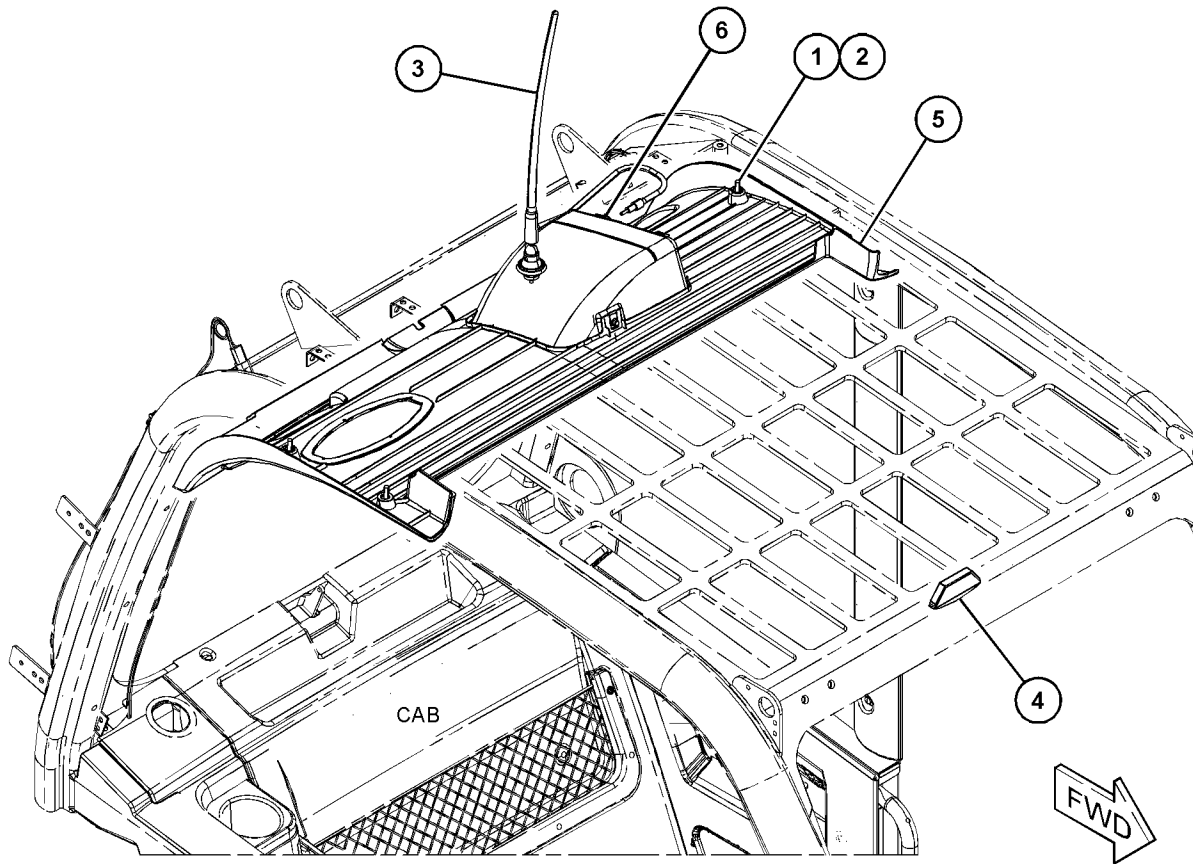
AN ATTACHMENT

SMCS-7325

i06591336

NOTE	REF NO	GRAPHIC REF	PART NUMBER	QTY	PART NAME						SEE PAGE
					1	2	3	4	5	6 (PRODUCT LEVEL)	
M	1	1	473-6822	6	SCREW (M6X1X20-MM)						
	2	1	8T-4205	6	WASHER-HARD (7.2X14.5X2-MM THK)						
	3	1	337-6457	1	ANTENNA (RADIO)						
	4	1	473-4949	1	ANGLE-INDICATOR (LEVEL)						
		1	299-0354	1	GAUGE (TILT ANGLE)						
	5	1	495-3735	1	HEADLINER GP-CAB						
	6	1	495-3736	1	PLATE						

M - METRIC PART



GRAPHIC #1

<END>

g06094147

OPERATOR STATION

495-3740 HEADLINER GP-CAB

S/N: TH21-UP; TH31-UP

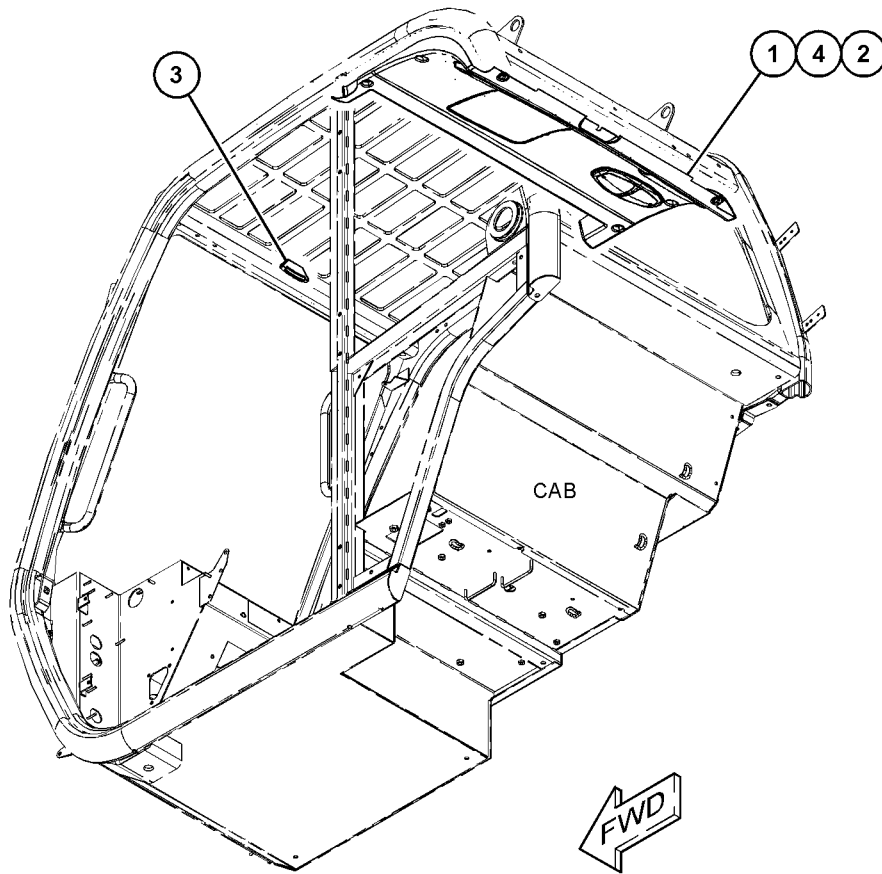
AN ATTACHMENT

SMCS-7325

i06608798

NOTE	REF NO	GRAPHIC REF	PART NUMBER	QTY	PART NAME						SEE PAGE
					1	2	3	4	5	6	
	1	1	8T-4205	6	WASHER-HARD (7.2X14.5X2-MM THK)						
	2	1	495-3741	1	HEADLINER						
	3	1	473-4949	1	ANGLE-INDICATOR (LEVEL)						
		1	299-0354	1	GAUGE (TILT ANGLE)						
M	4	1	473-6822	6	SCREW (M6X1X20-MM)						

M - METRIC PART



(VIEWED FROM BOTTOM)

GRAPHIC #1

<END>

g06048764

OPERATOR STATION

473-4942 HEATER & AIR CONDITIONER GP

S/N: TH21-UP

PART OF 501-0754 AIR CONDITIONER & MOUNTING GP

AN ATTACHMENT

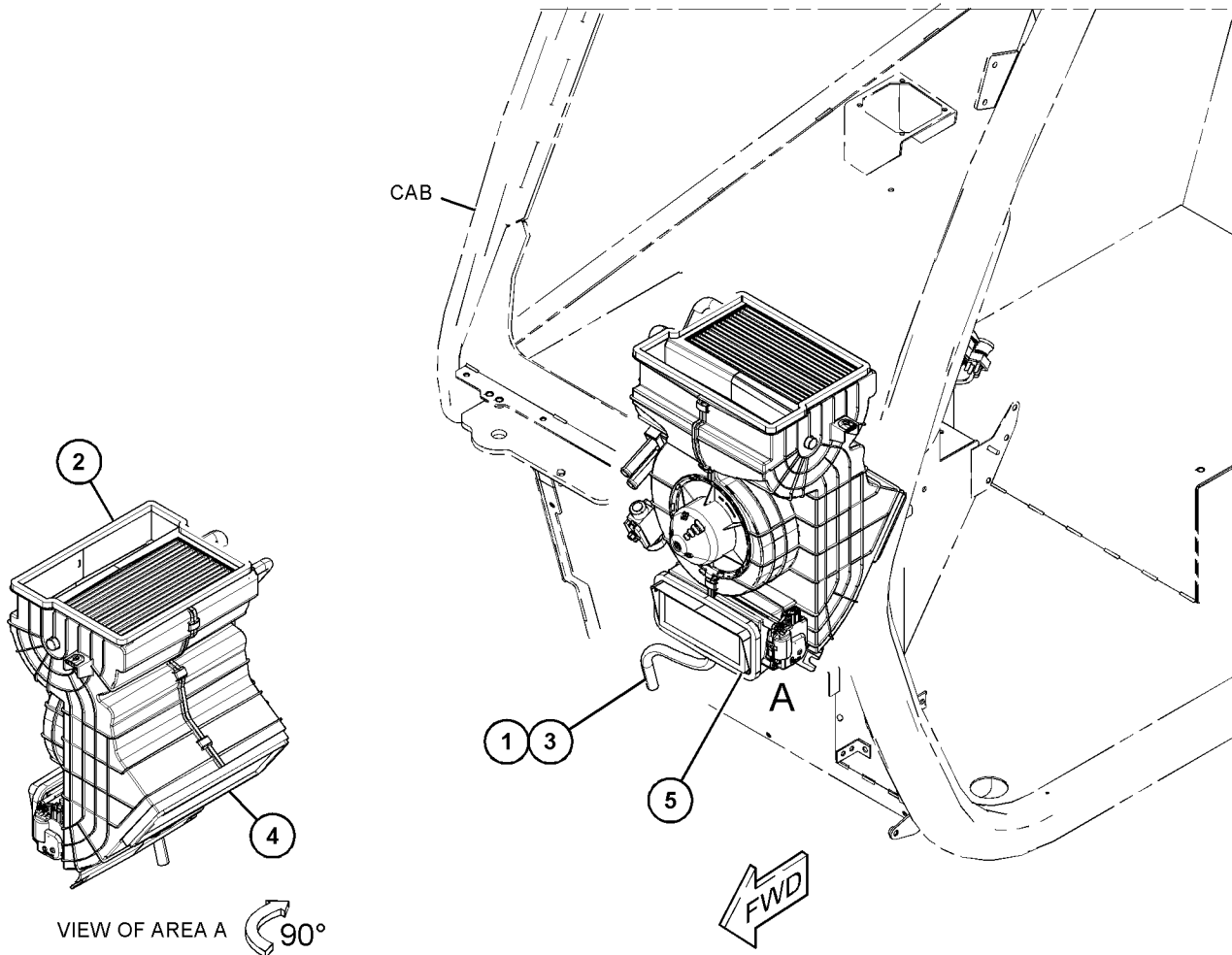
TYPE 1

SMCS-7304, 7309, 7320

i06921852

NOTE	REF NO	GRAPHIC REF	PART NUMBER	QTY	PART NAME						SEE PAGE
					1	2	3	4	5	6 (PRODUCT LEVEL)	
	1	1	459-3609	1	CLAMP						
Y	2	1	484-8312	1	HEATER GP-CAB (HEATER, AIR CONDITIONER)						908
D	3	1	5P-5674		TUBE (12.7-OD DIA) (1-M)						
	4	1	473-2650	1	FILTER (HVAC) (FRESH AIR)						
	5	1	473-2651	1	FILTER (HVAC) (RECIRCULATION)						

D - ORDER BY THE METER
Y - SEPARATE ILLUSTRATION



GRAPHIC #1

<END>

g06168997

OPERATOR STATION

473-4942 HEATER & AIR CONDITIONER GP

S/N: TH21-UP

PART OF 501-0754 AIR CONDITIONER & MOUNTING GP

AN ATTACHMENT

TYPE 2

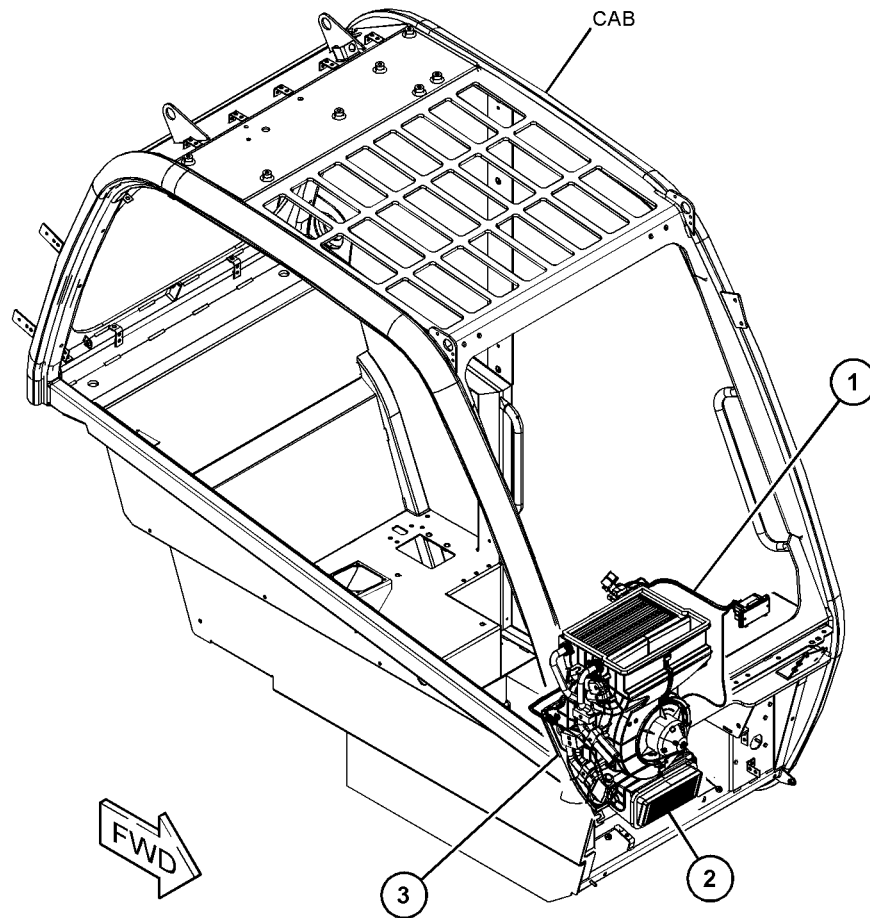
SMCS-7304, 7309, 7320

i07192183

NOTE	REF NO	GRAPHIC REF	PART NUMBER	QTY	PART NAME						SEE PAGE
					1	2	3	4	5	6 (PRODUCT LEVEL)	
CY	1	1	513-4291	1	HEATER & AIR CONDITIONER GP						898
	2	1	473-2650	1	FILTER (HVAC) (FRESH AIR)						
	3	1	473-2651	1	FILTER (HVAC) (RECIRCULATION)						

C - CHANGE FROM PREVIOUS TYPE

Y - SEPARATE ILLUSTRATION



GRAPHIC #1

<END>

g06248975

OPERATOR STATION

513-4291 HEATER & AIR CONDITIONER GP

S/N: TH21-UP

PART OF 473-4942 HEATER & AIR CONDITIONER GP

AN ATTACHMENT

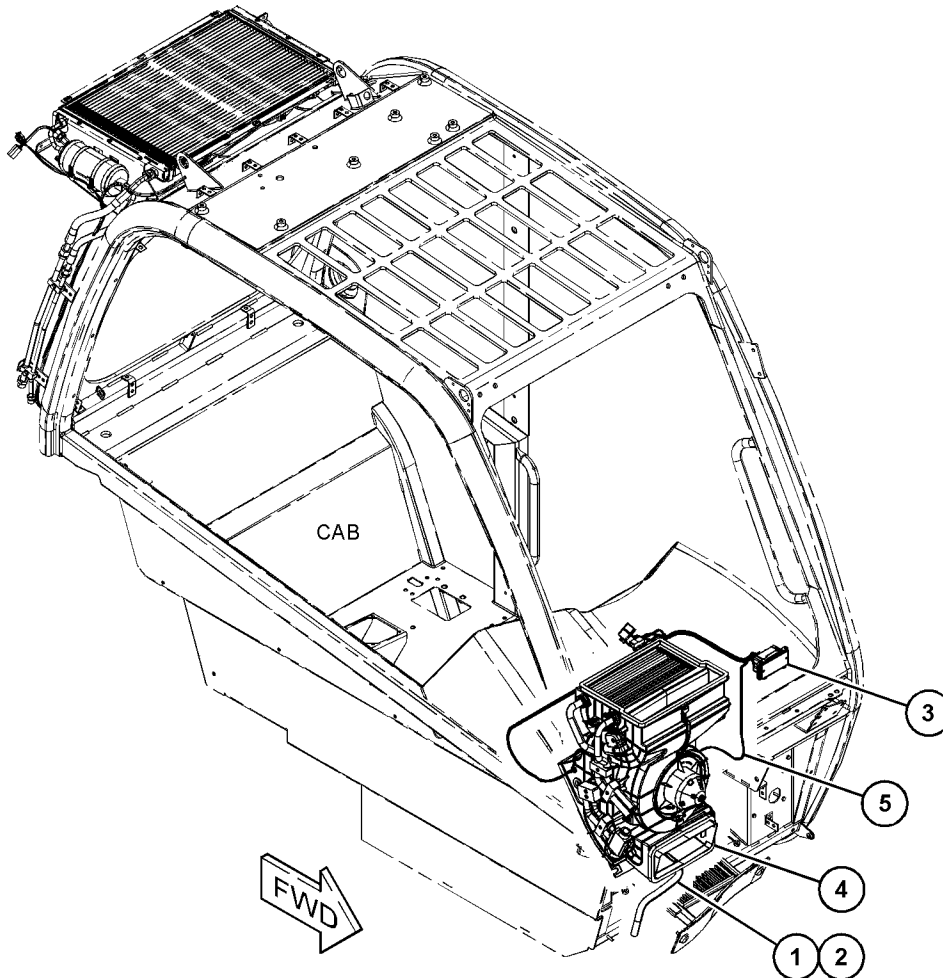
TYPE 1

SMCS-7304, 7309, 7320

i06895710

NOTE	REF NO	GRAPHIC REF	PART NUMBER	QTY	PART NAME						SEE PAGE
					1	2	3	4	5	6 (PRODUCT LEVEL)	
	1	1	459-3609	1	CLAMP						
D	2	1	5P-5674		TUBE (12.7-OD DIA) (1-M)						
	3	1	473-2087	1	ACTUATOR						
Y	4	1	484-8312	1	HEATER GP-CAB (HEATER, AIR CONDITIONER)						908
	5	1	473-8717	1	HARNESS AS-HEATER & AIR COND (MAIN)						

D - ORDER BY THE METER
Y - SEPARATE ILLUSTRATION



GRAPHIC #1

<END>

g06162018

OPERATOR STATION

513-4291 HEATER & AIR CONDITIONER GP

S/N: TH21-UP

PART OF 473-4942 HEATER & AIR CONDITIONER GP

AN ATTACHMENT

TYPE 2

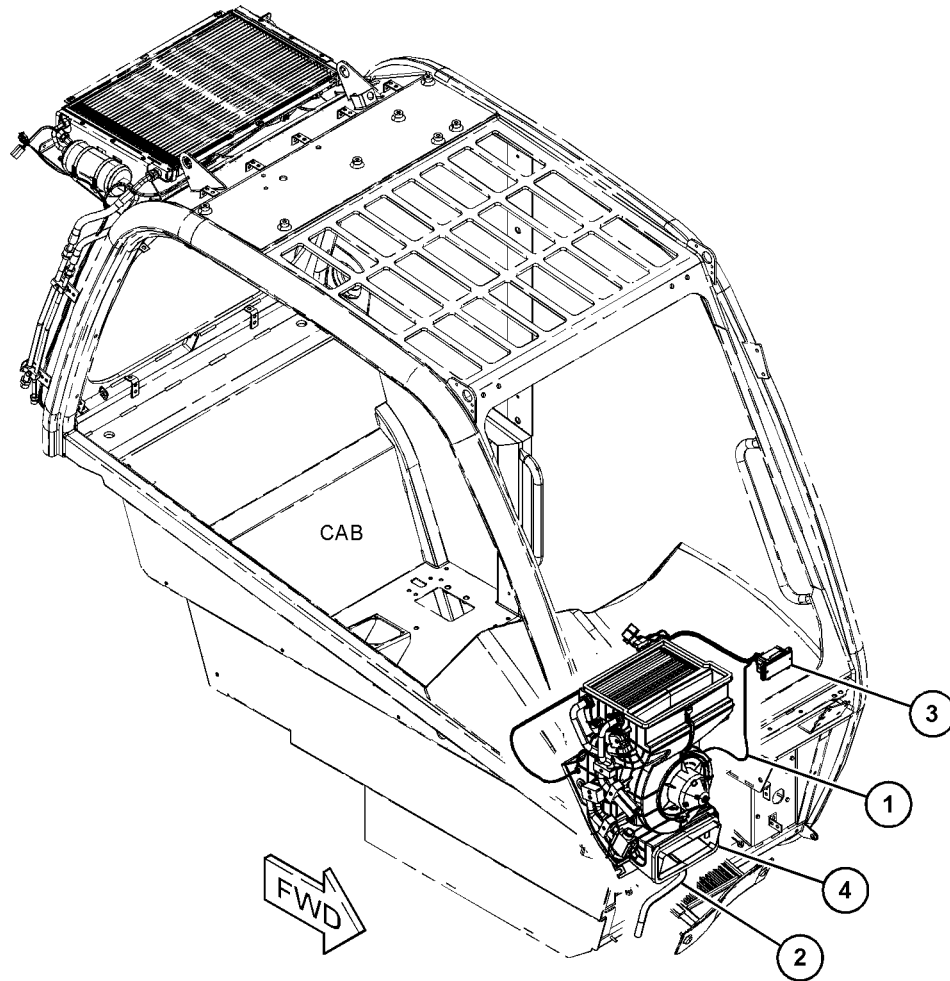
SMCS-7304, 7309, 7320

i07047367

NOTE	REF NO	GRAPHIC REF	PART NUMBER	QTY	PART NAME						SEE PAGE
					1	2	3	4	5	6 (PRODUCT LEVEL)	
	1	1	473-8717	1	HARNESS AS-HEATER & AIR COND (MAIN)						
D	2	1	5P-5674		TUBE (12.7-OD DIA) (1-M)						
	3	1	473-2087	1	ACTUATOR (HVAC)						
Y	4	1	484-8312	1	HEATER GP-CAB (HEATER, AIR CONDITIONER)						908

D - ORDER BY THE METER

Y - SEPARATE ILLUSTRATION



GRAPHIC #1

<END>

g06218520

OPERATOR STATION

525-3038 HEATER & AIR CONDITIONER GP-CAB

S/N: TH21-UP; TH31-UP

PART OF 525-3040 AIR CONDITIONER GP

AN ATTACHMENT

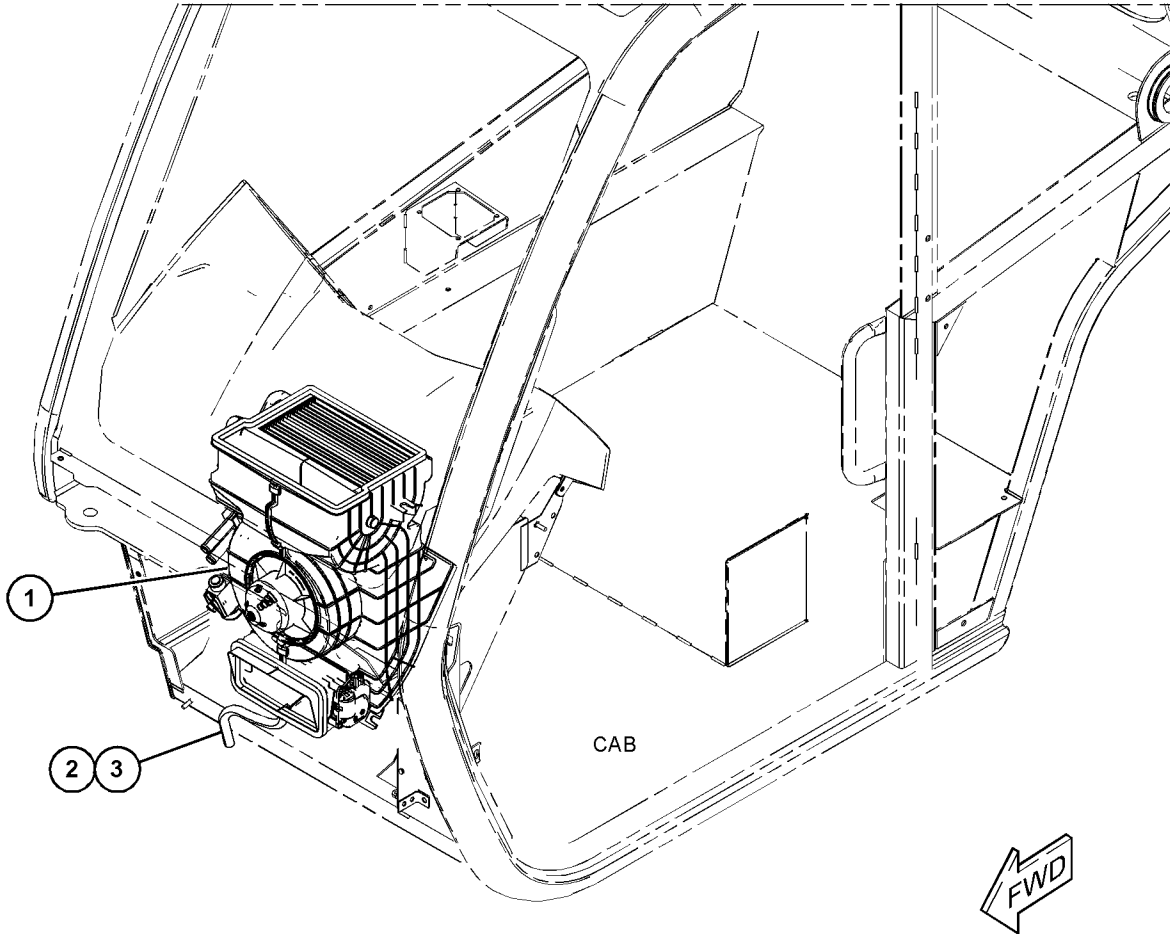
TYPE 1

SMCS-7304, 7309, 7320

i06907147

NOTE	REF NO	GRAPHIC REF	PART NUMBER	QTY	PART NAME						SEE PAGE
					1	2	3	4	5	6 (PRODUCT LEVEL)	
Y	1	1	484-8312	1	HEATER GP-CAB (HEATER, AIR CONDITIONER)						908
	2	1	459-3609	1	CLAMP						
	3	1	5P-5674	1	TUBE (12.7-OD DIA)						

Y - SEPARATE ILLUSTRATION



GRAPHIC #1

<END>

g06164970

OPERATOR STATION

525-3038 HEATER & AIR CONDITIONER GP-CAB

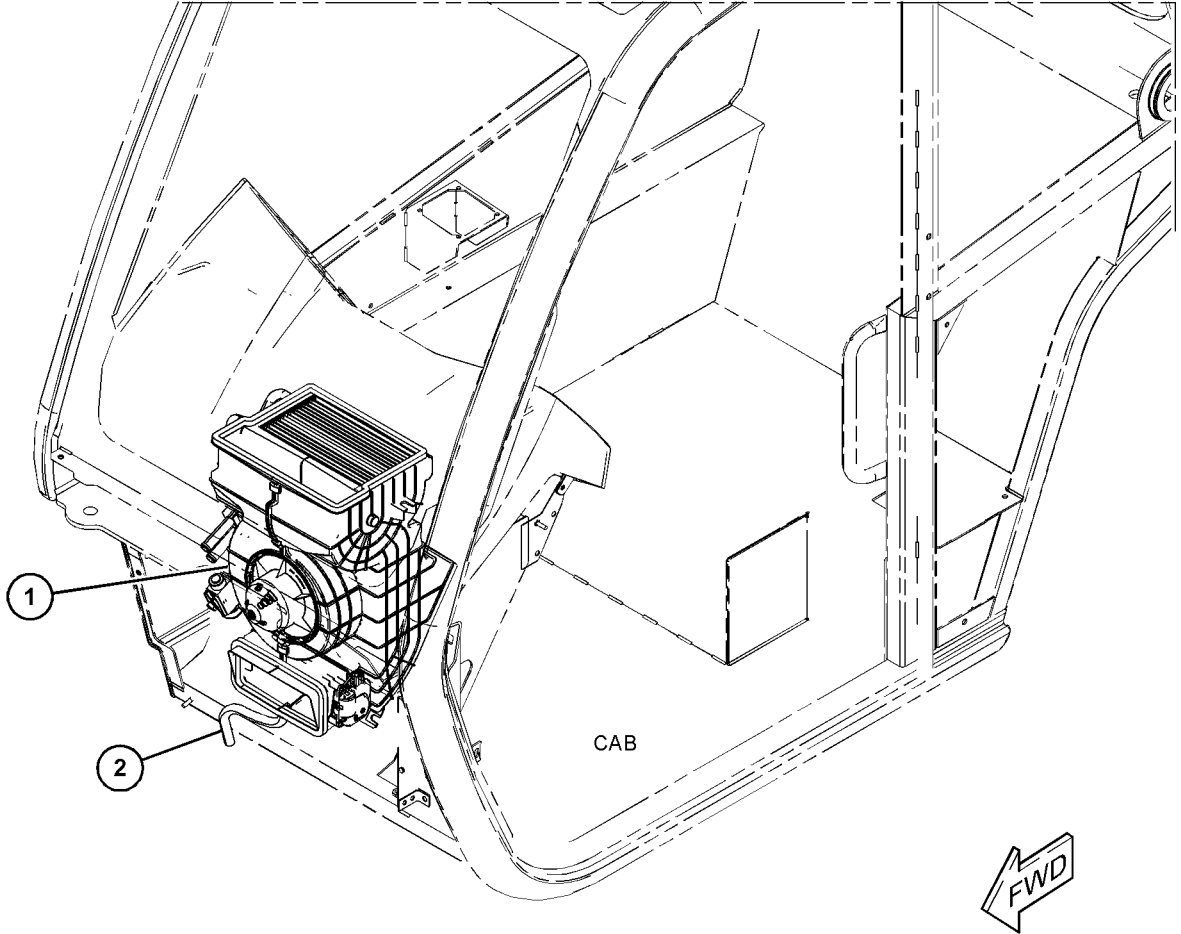
S/N: TH21-UP; TH31-UP
 PART OF 525-3040 AIR CONDITIONER GP
 AN ATTACHMENT
 TYPE 2

SMCS-7304, 7309, 7320

i07047366

NOTE	REF NO	GRAPHIC REF	PART NUMBER	QTY	PART NAME						SEE PAGE
					1	2	3	4	5	6 (PRODUCT LEVEL)	
Y	1	1	484-8312	1	HEATER GP-CAB (HEATER, AIR CONDITIONER)						908
	2	1	5P-5674	1	TUBE (12.7-OD DIA)						

Y - SEPARATE ILLUSTRATION



GRAPHIC #1

<END>

g06218534

OPERATOR STATION

496-8263 HEATER & MTG GP-CAB

S/N: TH21-UP; TH31-UP

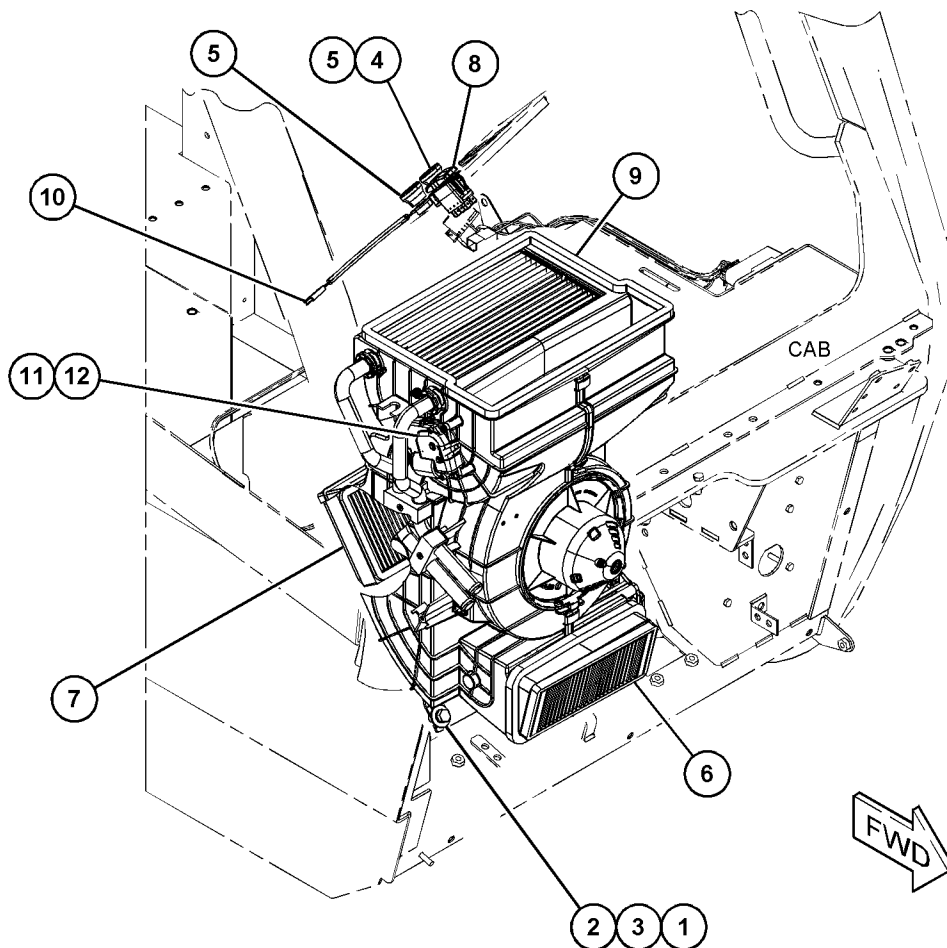
PART OF 507-9547 CAB AR, 508-7851, 508-7852, 521-2181 HEATER AR-CAB
AN ATTACHMENT

SMCS-7304

i07213659

NOTE	REF NO	GRAPHIC REF	PART NUMBER	QTY	PART NAME						SEE PAGE
					1	2	3	4	5	6 (PRODUCT LEVEL)	
M	1	1	8T-4189	2	BOLT (M8X1.25X20-MM)						
	2	1	309-3997	2	WASHER (8.4X25X2-MM THK)						
	3	1	3B-4505	2	LOCKWASHER						
	4	1	473-2085	1	SWITCH AS-AIR CONDITIONER (ROTARY)						
	5	1	473-2086	2	KNOB (CONTROL) (HVAC)						
	6	1	528-8853	1	FILTER-AIR (FRESH AIR)						
	7	1	473-2651	1	FILTER (HVAC) (RECIRCULATION)						
	8	1	496-8264	1	SWITCH AS-ROCKER (HVAC) (RECIRCULATION)						
Y	9	1	496-8265	1	HEATER GP-CAB						912
	10	1	536-9853	1	SWITCH AS-AIR CONDITIONER (HVAC)						
	11	1	536-9761	2	SHIM (0.5-MM THK)						
	12	1	484-8325	2	GROMMET						

M - METRIC PART
Y - SEPARATE ILLUSTRATION



GRAPHIC #1

<END>

g06205979

OPERATOR STATION

508-7851 HEATER AR-CAB

S/N: TH21-UP
AN ATTACHMENT

SMCS-1380, 1408, 7304

i06645683

NOTE	PART NUMBER	QTY	PART NAME						SEE PAGE
			1	2	3	4	5	6 (PRODUCT LEVEL)	
Y	492-3937	1	COVER GP-ACCESS (CAB ROOF)						874
Y	496-8263	1	HEATER & MTG GP-CAB						902
Y	497-3809	1	LINES GP-HEATER & AIR COND						927

Y - SEPARATE ILLUSTRATION

<END>

508-7852 HEATER AR-CAB

S/N: TH21-UP
AN ATTACHMENT

SMCS-1380, 1408, 7304

i06645684

NOTE	PART NUMBER	QTY	PART NAME						SEE PAGE
			1	2	3	4	5	6 (PRODUCT LEVEL)	
Y	492-3937	1	COVER GP-ACCESS (CAB ROOF)						874
Y	496-8263	1	HEATER & MTG GP-CAB						902
Y	496-8262	1	LINES GP-HEATER & AIR COND						923

Y - SEPARATE ILLUSTRATION

<END>

521-2181 HEATER AR-CAB

S/N: TH31-UP
AN ATTACHMENT

SMCS-1380, 1408, 7304

i06818934

NOTE	PART NUMBER	QTY	PART NAME						SEE PAGE
			1	2	3	4	5	6 (PRODUCT LEVEL)	
Y	492-3937	1	COVER GP-ACCESS (CAB ROOF)						874
Y	496-8263	1	HEATER & MTG GP-CAB						902
Y	497-9625	1	LINES GP-HEATER & AIR COND						930

Y - SEPARATE ILLUSTRATION

<END>

OPERATOR STATION

473-2084 HEATER GP-CAB

S/N: TH21-UP; TH31-UP

PART OF 496-8265 HEATER GP-CAB

AN ATTACHMENT

TYPE 1

SMCS-7304

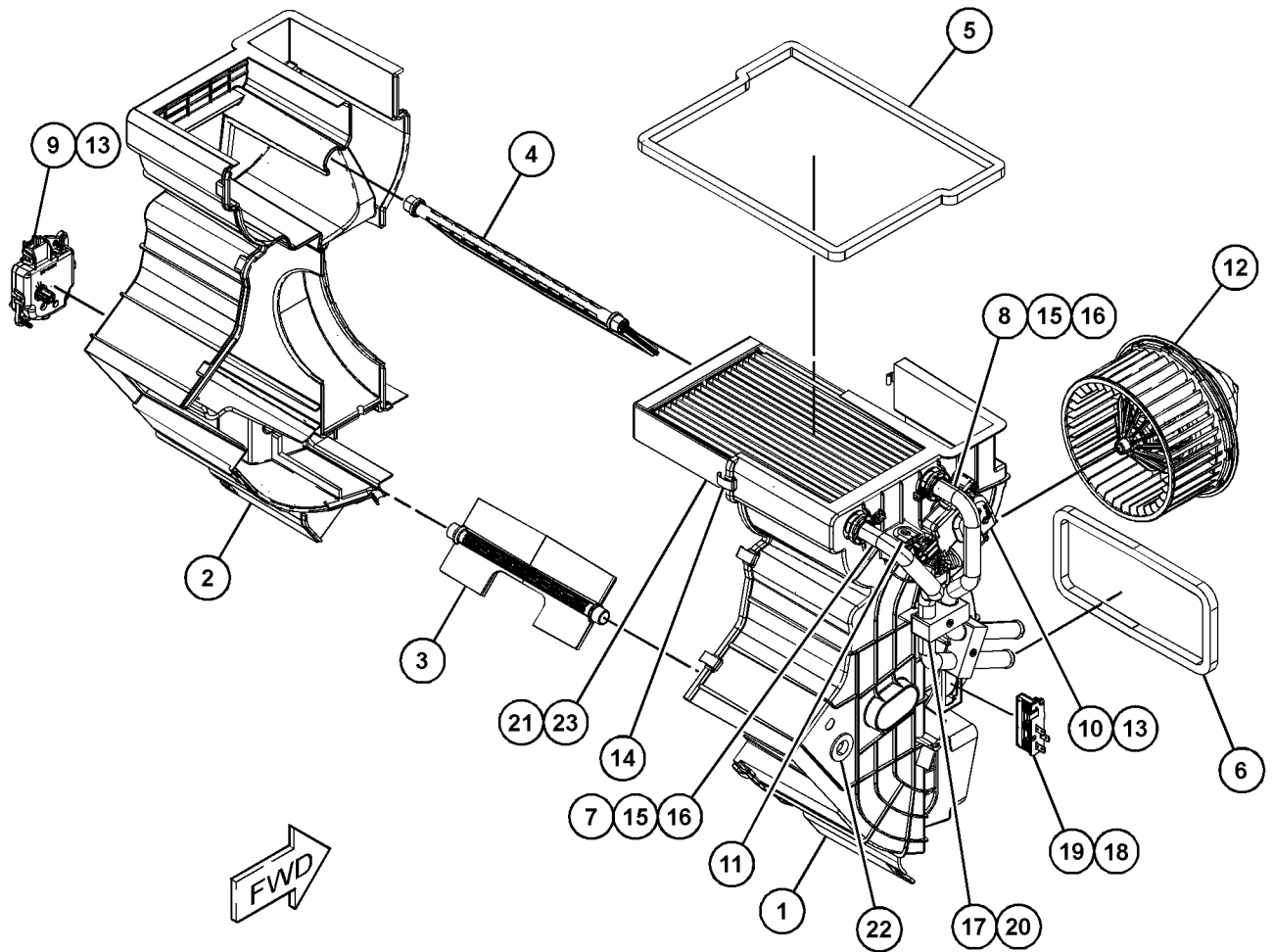
i06708438

NOTE	REF NO	GRAPHIC REF	PART NUMBER	QTY	PART NAME						SEE PAGE
					1	2	3	4	5	6 (PRODUCT LEVEL)	
	1	1	484-8317	1	HOUSING						
	2	1	484-8318	1	HOUSING						
	3	1	484-8313	1	HEATER AS-CAB (FRESH AIR)						
		1	484-9149	1	FOAM						
		1	484-9150	2	FOAM						
	4	1	484-8314	1	HEATER AS-CAB (MIXING CHAMBER)						
		1	484-8350	2	FOAM						
	5	1	484-9138	1	FOAM						
	6	1	484-9139	1	FOAM						
	7	1	484-9140	1	PIPE-WATER						
	8	1	484-8319	1	PIPE-WATER						
	9	1	484-8323	1	ACTUATOR						
	10	1	484-8324	1	ACTUATOR						
	11	1	484-8325	2	GROMMET						
	12	1	484-8327	1	FAN						
	13	1	484-8328	4	SCREW						
	14	1	484-8330	9	CLAMP						
	15	1	484-8331	2	CLAMP						
	16	1	484-8332	2	SCREW						
	17	1	484-8333	2	CLAMP						
	18	1	484-8334	1	RESISTOR						
	19	1	484-8337	2	SCREW						
	20	1	484-8338	2	SCREW						
	21	1	484-8316	1	HEATER AS-CAB (RADIATOR)						
	22	1	484-8340	1	GROMMET						
	23	1	484-8345	2	SEAL-O-RING						

OPERATOR STATION

473-2084 HEATER GP-CAB (contd.)

106708438



GRAPHIC #1

<END>

g06096204

OPERATOR STATION

473-2084 HEATER GP-CAB

S/N: TH21-UP; TH31-UP

PART OF 496-8265 HEATER GP-CAB

AN ATTACHMENT

TYPE 2

SMCS-7304

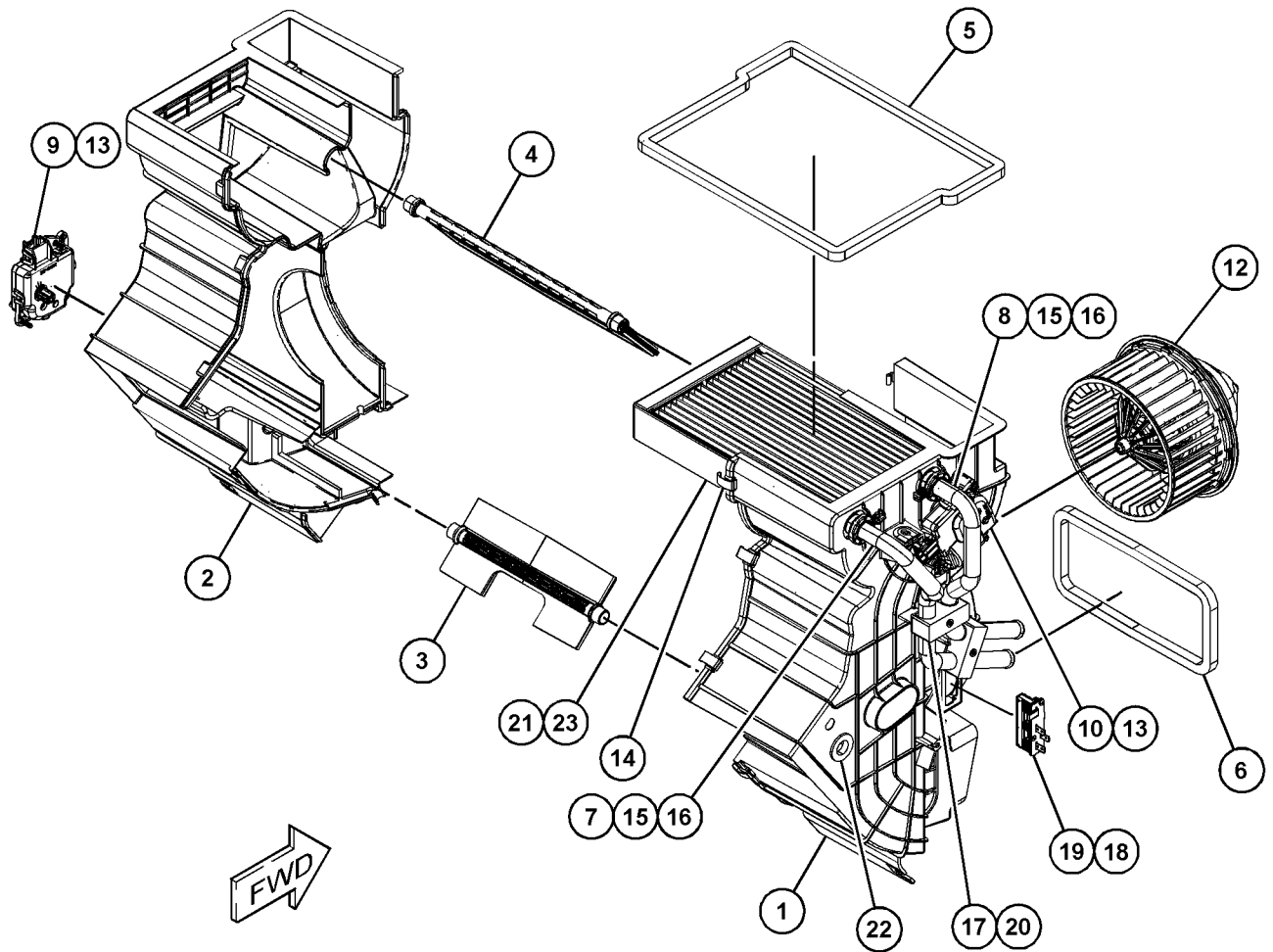
i07184379

NOTE	REF NO	GRAPHIC REF	PART NUMBER	QTY	PART NAME						SEE PAGE
					1	2	3	4	5	6 (PRODUCT LEVEL)	
	1	1	484-8317	1	HOUSING						
	2	1	484-8318	1	HOUSING						
	3	1	484-8313	1	HEATER AS-CAB (FRESH AIR)						
		1	484-9149	1	FOAM						
		1	484-9150	2	FOAM						
	4	1	484-8314	1	HEATER AS-CAB (MIXING CHAMBER)						
		1	484-8350	2	FOAM						
	5	1	484-9138	1	FOAM						
	6	1	484-9139	1	FOAM						
	7	1	484-9140	1	PIPE-WATER						
	8	1	484-8319	1	PIPE-WATER						
	9	1	484-8323	1	ACTUATOR						
	10	1	484-8324	1	ACTUATOR						
	12	1	484-8327	1	FAN						
	13	1	484-8328	4	SCREW						
	14	1	484-8330	9	CLAMP						
	15	1	484-8331	2	CLAMP						
	16	1	484-8332	2	SCREW						
	17	1	484-8333	2	CLAMP						
	18	1	484-8334	1	RESISTOR						
	19	1	484-8337	2	SCREW						
	20	1	484-8338	2	SCREW						
	21	1	484-8316	1	HEATER AS-CAB (RADIATOR)						
	22	1	484-8340	1	GROMMET						
	23	1	484-8345	2	SEAL-O-RING						

OPERATOR STATION

473-2084 HEATER GP-CAB (contd.)

i07184379



GRAPHIC #1

<END>

g06244746

OPERATOR STATION

484-8312 HEATER GP-CAB-HEATER, AIR CONDITIONER

S/N: TH21-UP; TH31-UP

PART OF 473-4942, 513-4291, 525-3038 HEATER & AIR CONDITIONER GP
AN ATTACHMENT

SMCS-7304

i06783859

NOTE	REF NO	GRAPHIC REF	PART NUMBER	QTY	PART NAME						SEE PAGE
					1	2	3	4	5	6 (PRODUCT LEVEL)	
	1	1	484-8317	1	HOUSING (RIGHT)						
	2	2	484-8318	1	HOUSING (LEFT)						
	3	2	484-8313	1	HEATER AS-CAB (FRESH AIR)						
		2	484-9149	1	FOAM						
		2	484-9150	2	FOAM						
	4	2	484-8314	1	HEATER AS-CAB (MIXING CHAMBER)						
		2	484-8350	2	FOAM						
	5	2	484-8316	1	HEATER AS-CAB (RADIATOR)						
	6	2	484-9138	1	FOAM (AIR OUTLET)						
	7	2	484-9139	1	FOAM (AIR INLET)						
	8	1	484-9140	1	PIPE-WATER						
	9	1	484-8319	1	PIPE-WATER						
	10	1	484-8321	1	PIPE AS						
	11	2	484-8323	1	ACTUATOR						
	12	1	484-8324	1	ACTUATOR						
	13	2	484-8325	2	GROMMET						
	14	1	484-8326	1	VALVE (HVAC)						
	15	2	484-8327	1	FAN						
	16	1,2	484-8328	4	SCREW						
	17	2	484-8330	9	CLAMP						
	18	1	484-8331	2	CLAMP						
	19	1	484-8332	2	SCREW						
	20	1	484-8333	3	CLAMP						
	21	2	484-8334	1	RESISTOR						
	22	1	484-8335	4	BOLT						
	23	1	484-8336	1	BOLT						
	24	2	484-8337	2	SCREW						
	25	1	484-8338	3	SCREW						
	26	1	484-8339	1	SENSOR (HVAC) (THERMOSTAT)						
Y	27	2	484-8315	1	HEATER GP-CAB (EVAPORATOR)						911
	28	1	484-8340	1	GROMMET						
	29	1	484-8341	1	CLAMP						
	30	1	484-8342	1	CLAMP						
	31	1	484-8343	1	SEAL-O-RING						
	32	1	484-8344	1	SEAL-O-RING						
	33	2	484-8345	2	SEAL-O-RING						
	34	1	484-8346	1	WASHER						
	35	1	484-8348	1	WASHER						

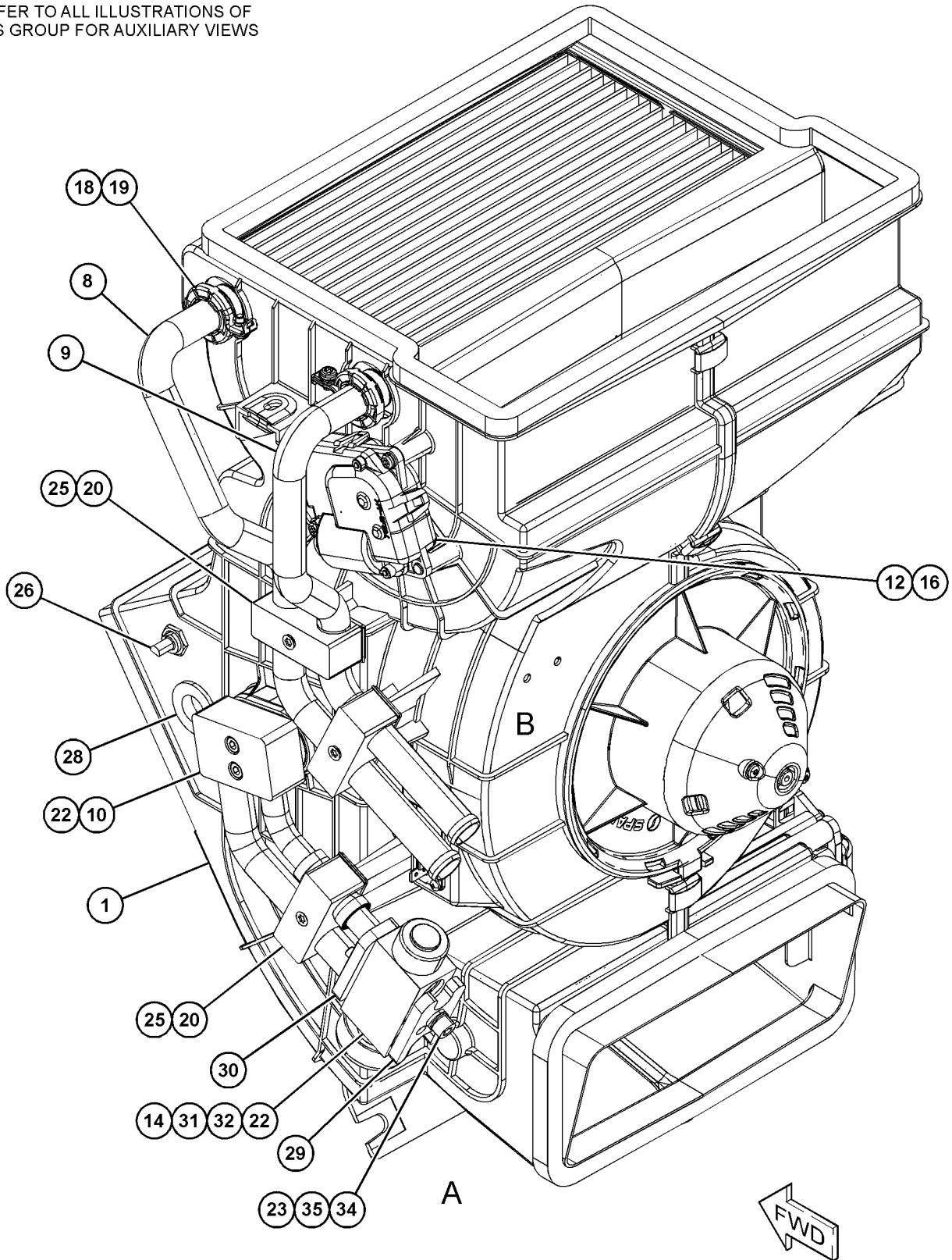
Y - SEPARATE ILLUSTRATION

OPERATOR STATION

484-8312 HEATER GP-CAB (contd.)

106783859

REFER TO ALL ILLUSTRATIONS OF THIS GROUP FOR AUXILIARY VIEWS



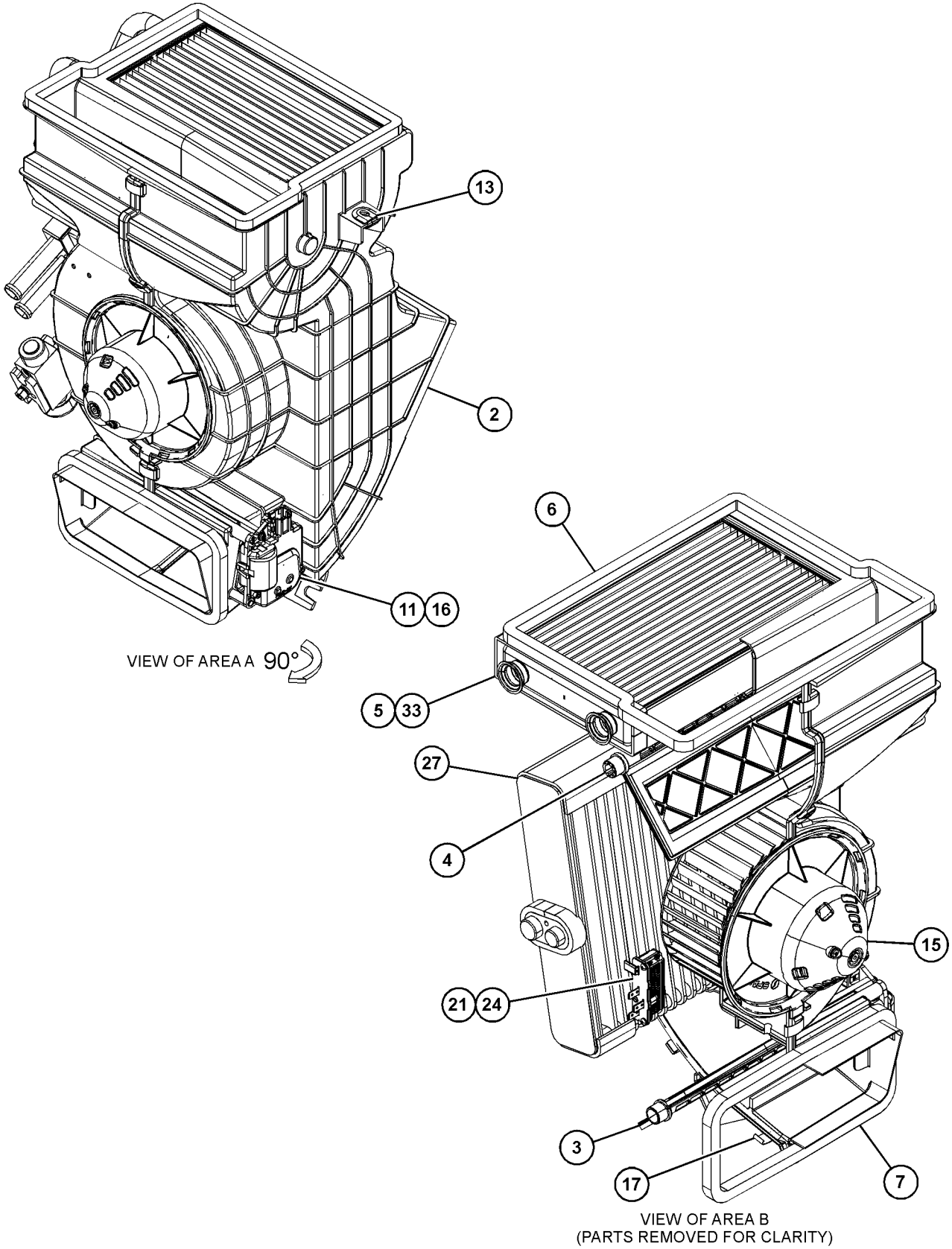
GRAPHIC #1

g06113581

OPERATOR STATION

484-8312 HEATER GP-CAB (contd.)

i06783859



GRAPHIC #2

<END>

g06113582

OPERATOR STATION

484-8315 HEATER GP-CAB-EVAPORATOR

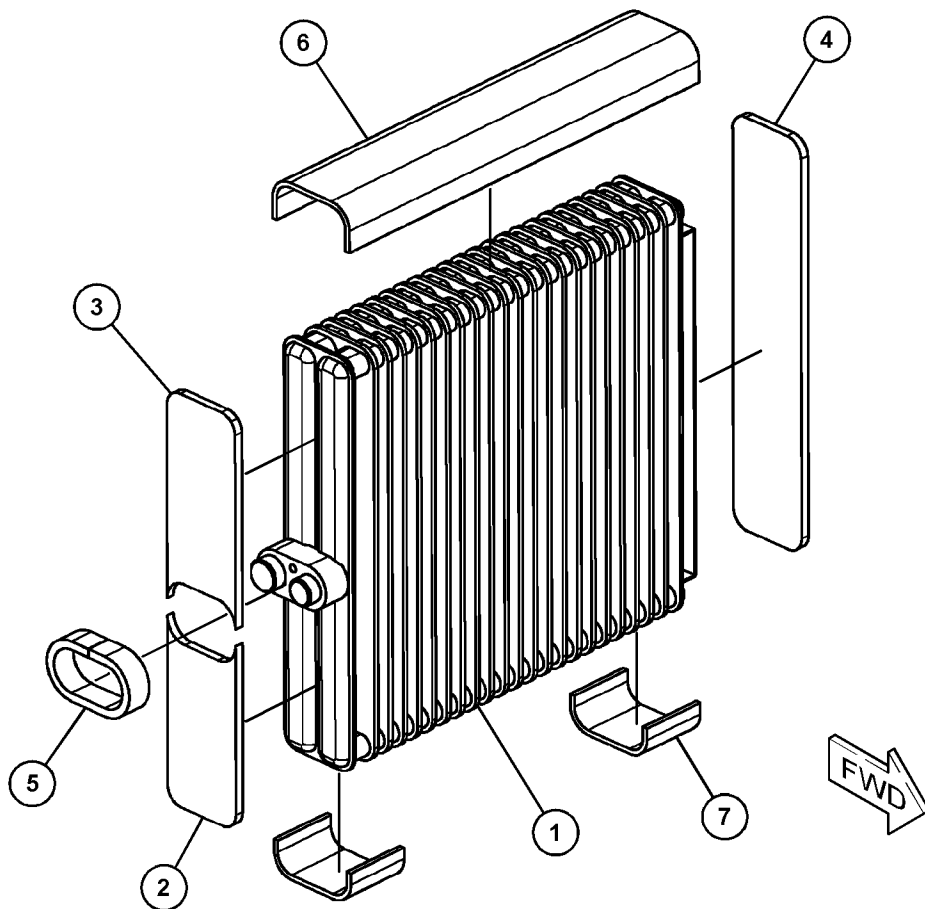
S/N: TH21-UP; TH31-UP

PART OF 484-8312 HEATER GP-CAB
AN ATTACHMENT

SMCS-7304

i06249055

NOTE	REF NO	GRAPHIC REF	PART NUMBER	QTY	PART NAME						SEE PAGE
					1	2	3	4	5	6 (PRODUCT LEVEL)	
	1	1	484-8351	1	HEATER						
	2	1	484-8352	1	FOAM						
	3	1	484-8353	1	FOAM						
	4	1	484-8354	1	FOAM						
	5	1	484-8355	1	SEAL						
	6	1	484-8356	1	INSULATOR						
	7	1	484-8357	2	INSULATOR						



GRAPHIC #1

<END>

g03886638

OPERATOR STATION

496-8265 HEATER GP-CAB

S/N: TH21-UP; TH31-UP

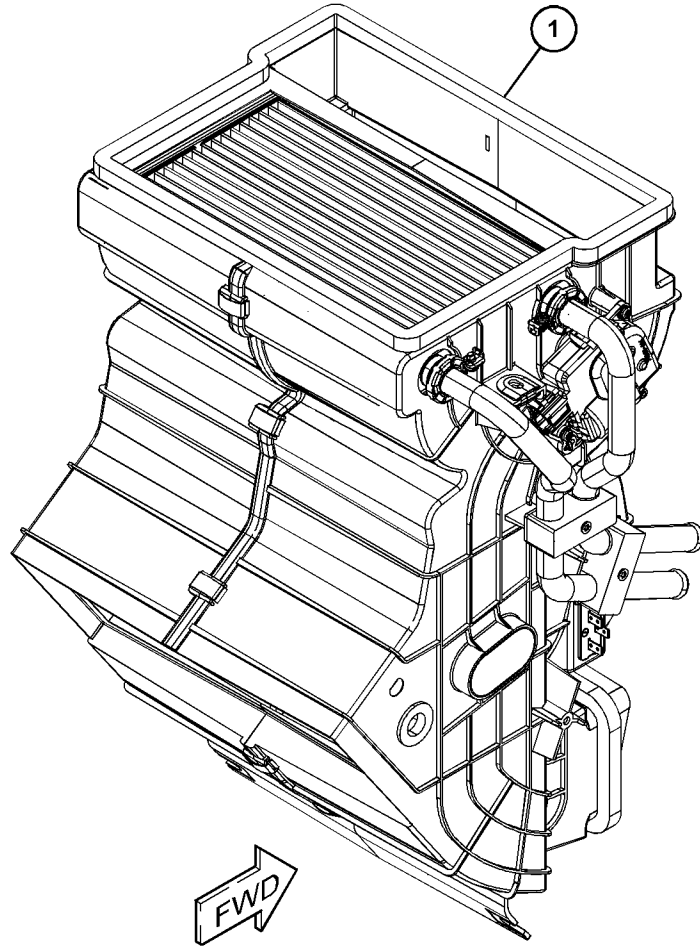
PART OF 496-8263 HEATER & MTG GP-CAB
AN ATTACHMENT

SMCS-7304

i06893887

NOTE	REF NO	GRAPHIC REF	PART NUMBER	QTY	PART NAME						SEE PAGE
					1	2	3	4	5	6 (PRODUCT LEVEL)	
Y	1	1	473-2084	1	HEATER GP-CAB						904

Y - SEPARATE ILLUSTRATION



GRAPHIC #1

<END>

g06158528

OPERATOR STATION

499-0186 HORN GP-ELECTRIC

S/N: TH21-UP; TH31-UP

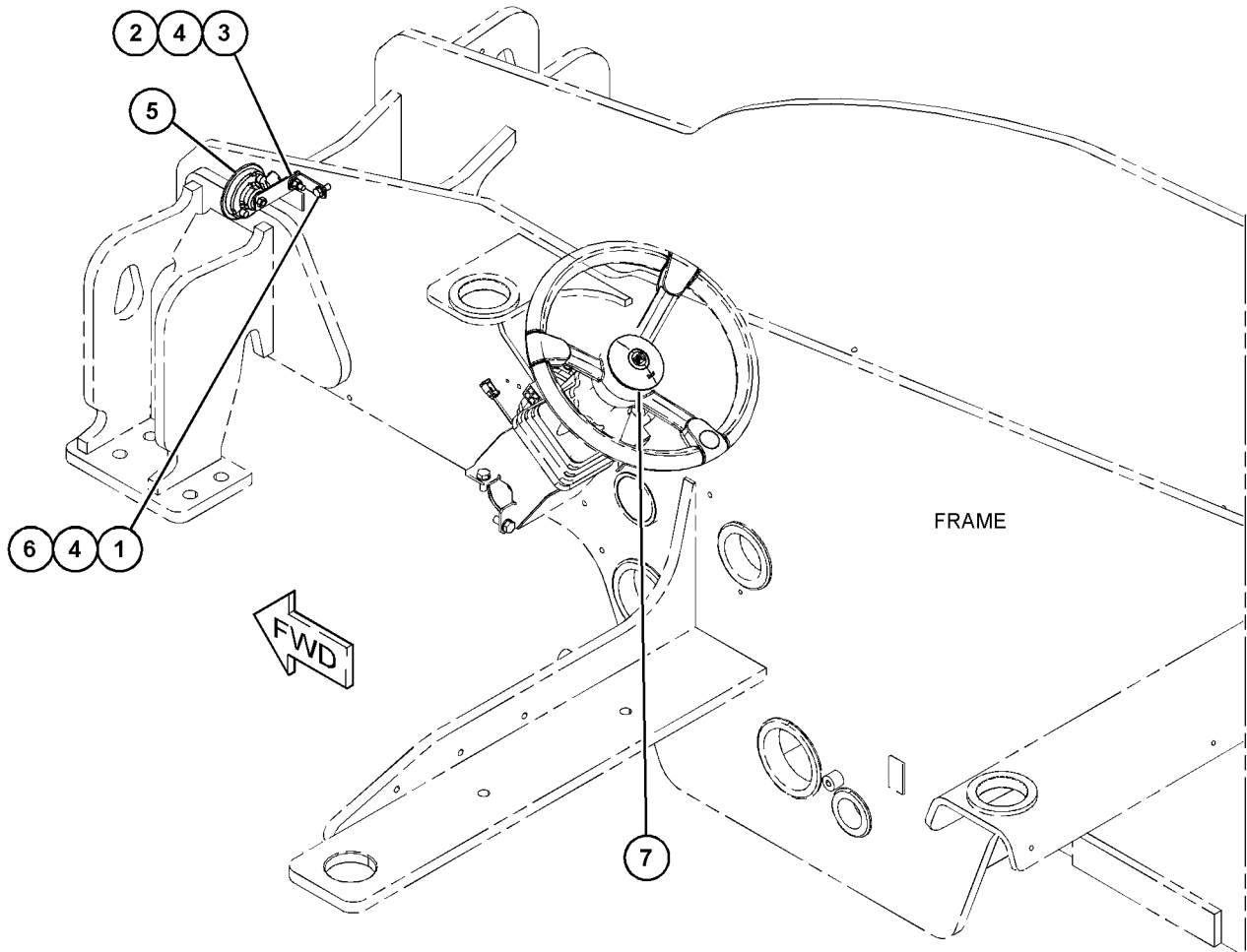
PART OF 505-5033, 505-5035 CHASSIS AR

SMCS-7402

i06603113

NOTE	REF NO	GRAPHIC REF	PART NUMBER	QTY	PART NAME						SEE PAGE
					1	2	3	4	5	6 (PRODUCT LEVEL)	
M	1	1	8T-4189	1	BOLT (M8X1.25X20-MM)						
M	2	1	8T-4908	1	BOLT (M8X1.25X25-MM)						
M	3	1	309-9184	1	LOCKNUT (M8X1.25-THD)						
	4	1	8T-4224	3	WASHER-HARD (8.8X16X2-MM THK)						
	5	1	164-9425	1	HORN AS (12-VOLT, LOW TONE)						
	6	1	341-3075	1	BRACKET-HORN						
	7	1	474-1502	1	SWITCH (HORN) (BUTTON)						

M - METRIC PART



GRAPHIC #1

<END>

g06051224

OPERATOR STATION

535-5874 KIT-D00R

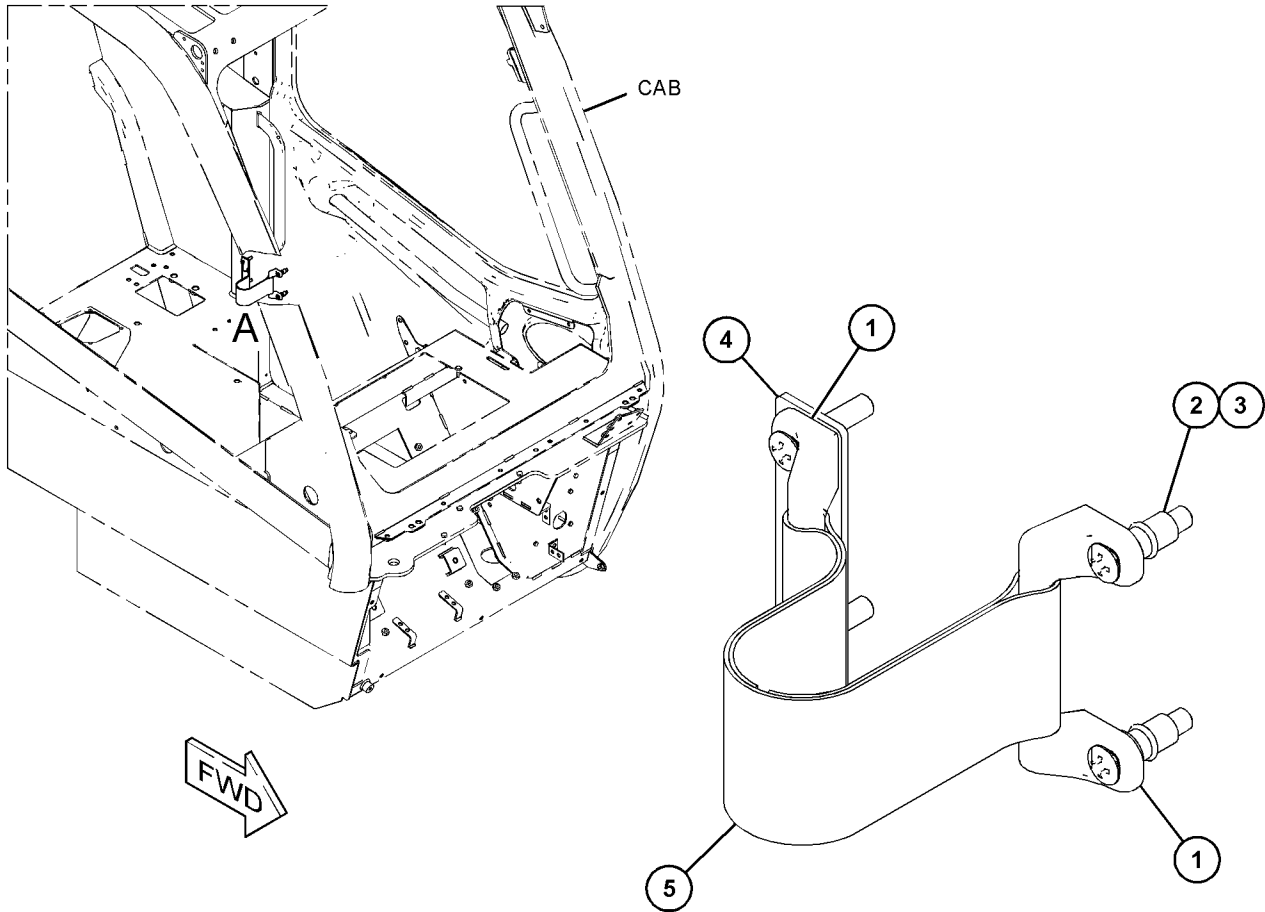
S/N: TH21-UP; TH31-UP

AN ATTACHMENT

SMCS-7308

i07046048

NOTE	REF NO	GRAPHIC REF	PART NUMBER	QTY	PART NAME						SEE PAGE
					1	2	3	4	5	6	
	1	1	329-3664	2	HOLDER - DOOR						
	2	1	473-8879	2	FASTENER						
	3	1	495-6147	4	SCREW						
	4	1	495-6148	1	PLATE						
	5	1	515-9909	1	STRAP						



GRAPHIC #1

<END>

VIEW OF AREA A

g06208262

OPERATOR STATION

535-5875 KIT-D00R

S/N: TH21-UP; TH31-UP

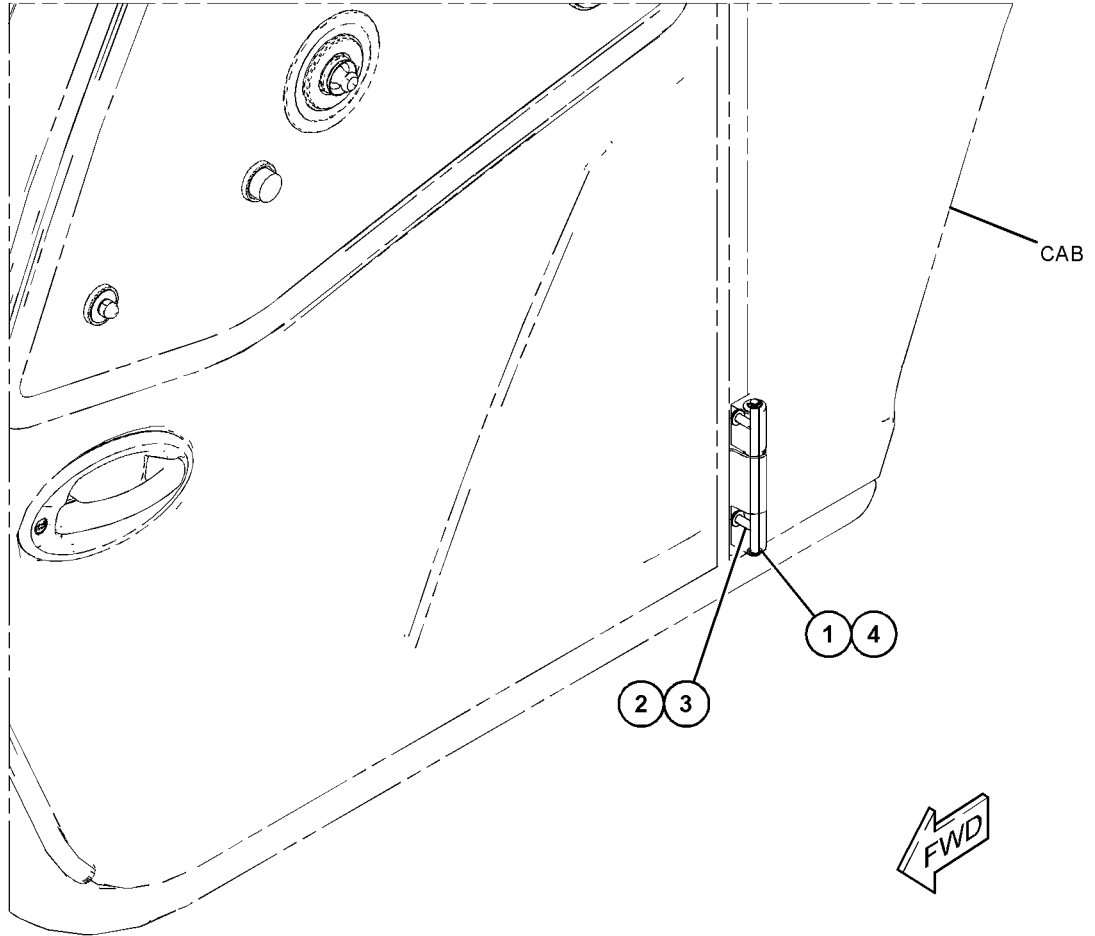
AN ATTACHMENT

SMCS-7308

i07046052

NOTE	REF NO	GRAPHIC REF	PART NUMBER	QTY	PART NAME						SEE PAGE
					1	2	3	4	5	6 (PRODUCT LEVEL)	
	1	1	327-1749	2	RING						
	2	1	8T-4224	2	WASHER-HARD (8.8X16X2-MM THK)						
M	3	1	198-3899	2	SCREW-BUTTON HEAD (M8X1.25X20-MM)						
	4	1	513-7913	1	PIN-HINGE						

M - METRIC PART



GRAPHIC #1

<END>

g06208253

OPERATOR STATION

213-4578 KIT-SEAT SUSPENSION

S/N: TH21-UP

PART OF 476-8931 SEAT GP
AN ATTACHMENT

SMCS-7312

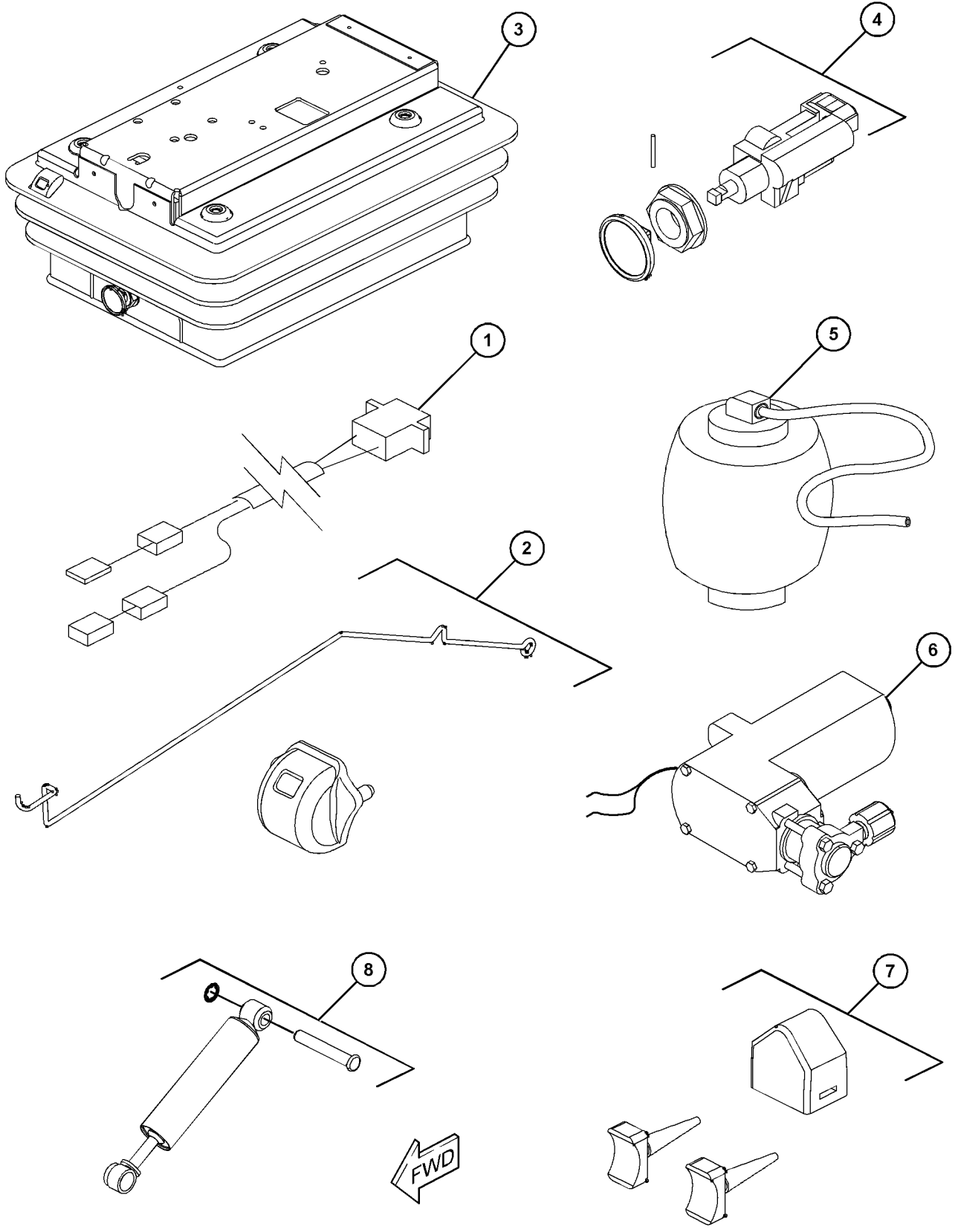
i07085852

NOTE	REF NO	GRAPHIC REF	PART NUMBER	QTY	PART NAME						SEE PAGE
					1	2	3	4	5	6	
1	1	1	322-8073	1	KIT-FLY LEAD						
2	1	1	322-8071	1	KIT-INDICATOR						
					(INCLUDES RIDE INDICATOR, INDICATOR WIRE & WASHERS)						
3	1	1	213-4575	1	KIT-BOOT (SUSPENSION SEAT)						
					(INCLUDES COVER CLIPS & SUSPENSION COVER)						
4	1	1	210-8332	1	KIT-AIR VALVE (SUSPENSION SEAT)						
					(INCLUDES STRAP, NUT, VALVE, AIR VALVE NUT, AIR VALVE KNOB & RETAINING PIN)						
5	1	1	322-8067	1	KIT-AIR SPRING						
					(INCLUDES AIR SPRING, CLIP & BOLT)						
6	1	1	210-8334	1	AIR COMPRESSOR GP (SUSPENSION SEAT)						
7	1	1	322-8069	1	KIT-STOP						
					(INCLUDES UPSTOPS & BUMPSTOP)						
8	1	1	210-8277	1	KIT-SHOCK ABSORBER (SUSPENSION SEAT)						
					(INCLUDES HEAD PINS, DAMPER & WASHERS)						

OPERATOR STATION

213-4578 KIT-SEAT SUSPENSION (contd.)

i07085852



GRAPHIC #1

<END>

g06138132

OPERATOR STATION

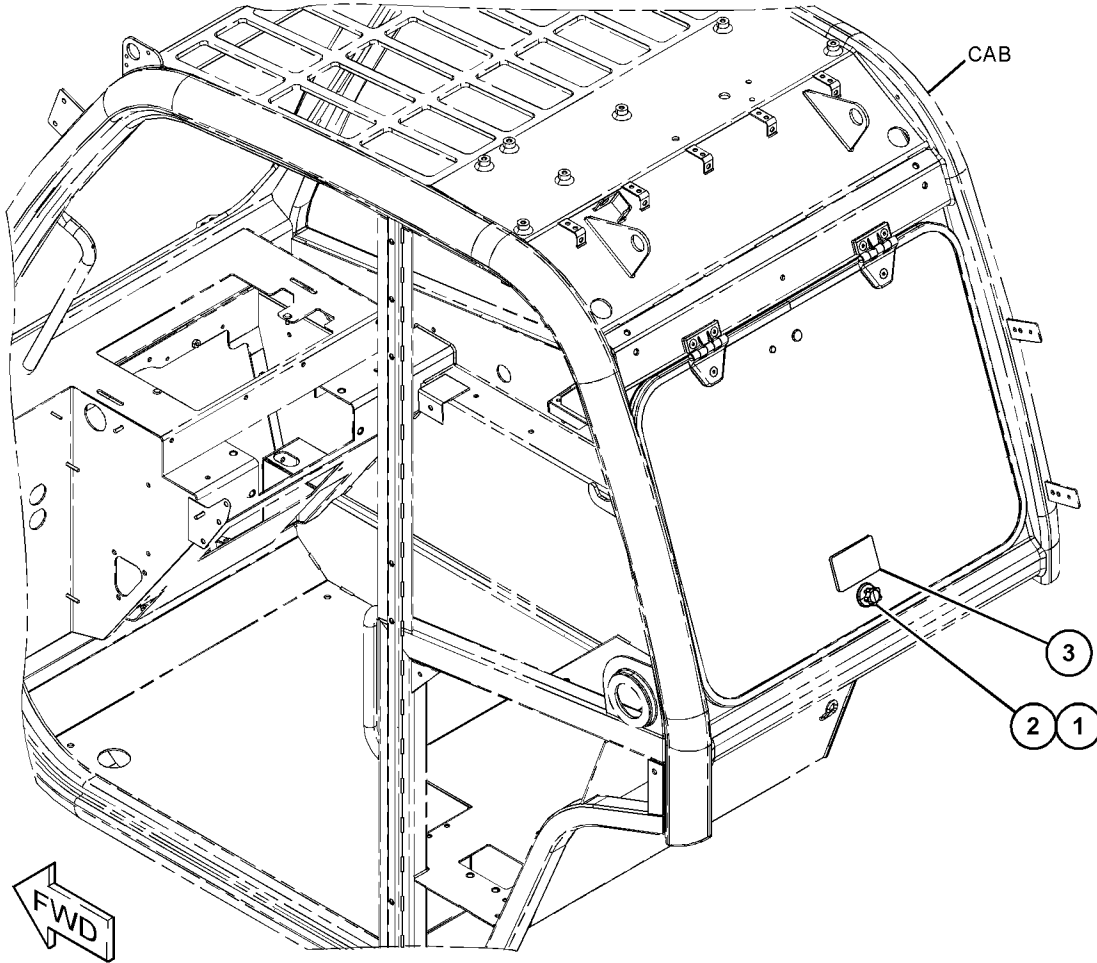
496-6529 KNOB GP-REAR WINDOW-REAR VIEW

S/N: TH21-UP; TH31-UP
**CANNOT BE USED WITH OPEN CAB
 AN ATTACHMENT**

SMCS-7310

i06645699

NOTE	REF NO	GRAPHIC REF	PART NUMBER	QTY	PART NAME						SEE PAGE
					1	2	3	4	5	6 (PRODUCT LEVEL)	
	1	1	473-7168	1	CAP						
	2	1	473-7169	1	KNOB						
	3	1	496-6530	2	FILM-IDENTIFICATION (EMERGENCY EXIT)						



GRAPHIC #1

<END>

g06072527

OPERATOR STATION

496-8251 LINES GP-AIR CONDITIONER

S/N: TH21-UP

PART OF 501-0752 AIR CONDITIONER & MOUNTING GP
AN ATTACHMENT

SMCS-1808, 7320

i06645732

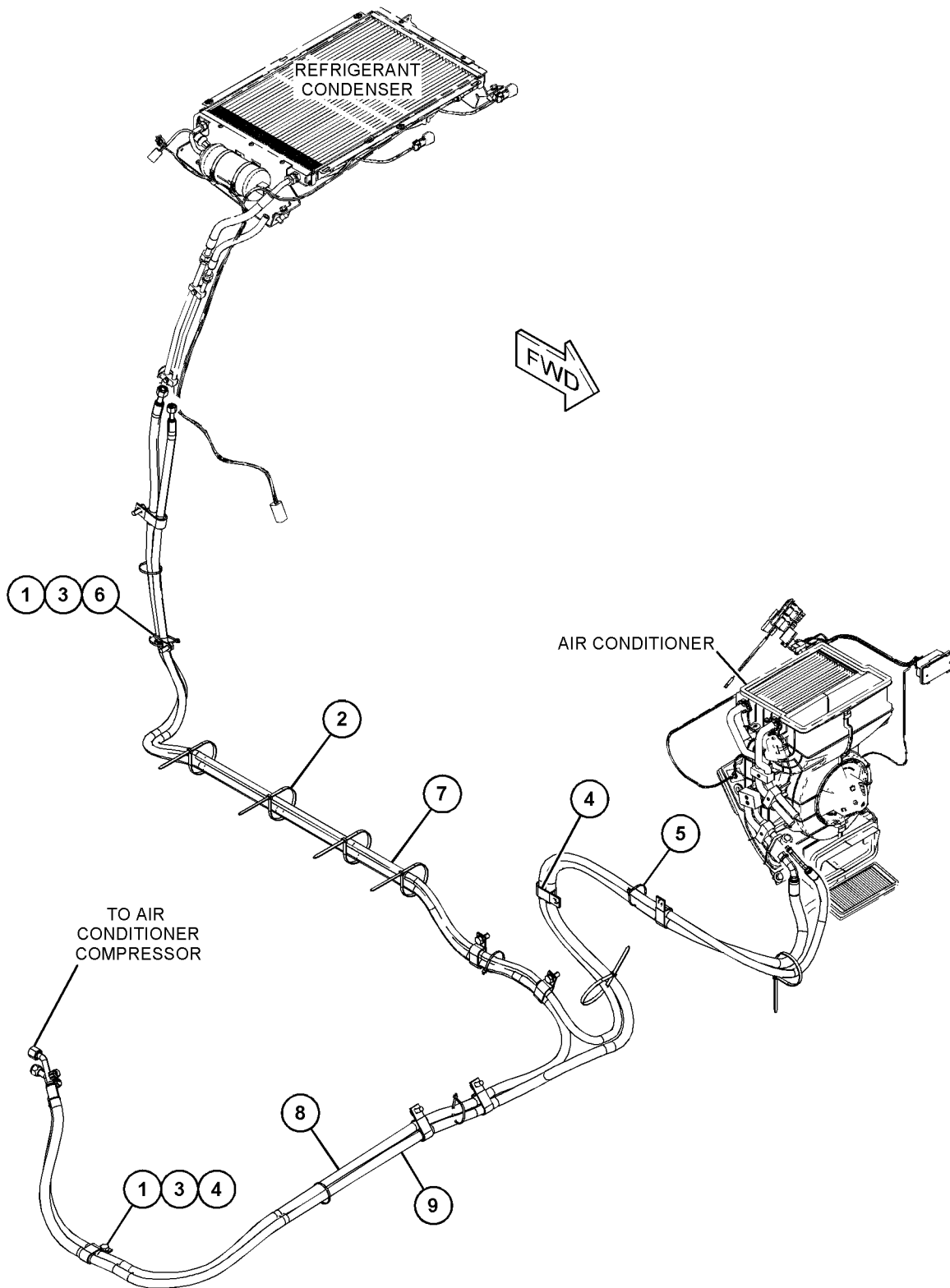
NOTE	REF NO	GRAPHIC REF	PART NUMBER	QTY	PART NAME						SEE PAGE
					1	2	3	4	5	6 (PRODUCT LEVEL)	
M	1	1	8T-4136	7	BOLT (M10X1.5X25-MM)						
	2	1	7K-1181	6	STRAP-CABLE						
	3	1	8T-4121	7	WASHER-HARD (11X21X2.5-MM THK)						
	4	1	6D-1641	8	CLIP						
	5	1	3S-2093	6	STRAP-CABLE						
	6	1	4P-7581	1	CLIP (LADDER)						
	7	1	496-8252	1	HOSE AS						
	8	1	496-8253	1	HOSE AS						
	9	1	496-8254	1	HOSE AS						

M - METRIC PART

OPERATOR STATION

496-8251 LINES GP-AIR CONDITIONER (contd.)

106645732



GRAPHIC #1

<END>

g06097592

OPERATOR STATION

496-8258 LINES GP-AIR CONDITIONER

S/N: TH21-UP; TH31-UP

PART OF 501-0753 AIR CONDITIONER & MOUNTING GP
AN ATTACHMENT

SMCS-1808, 7320

i06981503

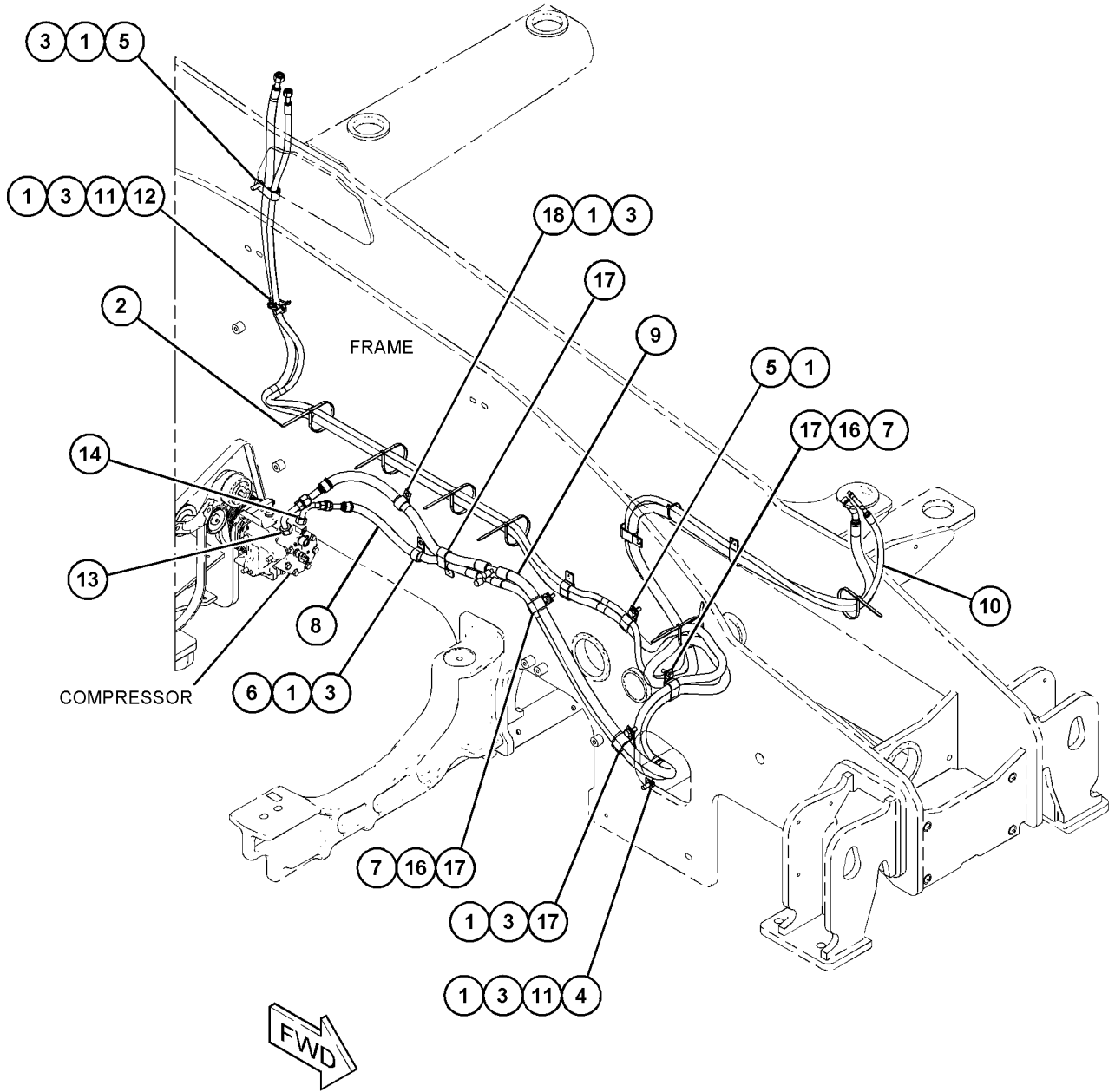
NOTE	REF NO	GRAPHIC REF	PART NUMBER	QTY	PART NAME						SEE PAGE
					1	2	3	4	5	6 (PRODUCT LEVEL)	
M	1	1	8T-4136	6	BOLT (M10X1.5X25-MM)						
	2	1	7K-1181	7	STRAP-CABLE						
	3	1	8T-4121	6	WASHER-HARD (11X21X2.5-MM THK)						
	4	1	132-5789	1	CLIP (LADDER)						
	5	1	100-4336	3	CLIP						
	6	1	9X-8250	1	CLIP						
M	7	1	8T-4908	2	BOLT (M8X1.25X25-MM)						
	8	1	496-8259	1	HOSE AS						
	9	1	496-8260	1	HOSE AS						
	10	1	496-8261	1	HOSE AS						
	11	1	3S-2093	3	STRAP-CABLE						
	12	1	4P-7581	1	CLIP (LADDER)						
	13	1	453-0805	1	TUBE AS						
	14	1	453-0806	1	TUBE AS						
	16	1	309-3997	2	WASHER (8.4X25X2-MM THK)						
	17	1	6D-1641	6	CLIP						
	18	1	7C-4354	1	CLIP						

M - METRIC PART

OPERATOR STATION

496-8258 LINES GP-AIR CONDITIONER (contd.)

i06981503



GRAPHIC #1

<END>

g06197767

OPERATOR STATION

496-8262 LINES GP-HEATER & AIR COND

S/N: TH21-UP

PART OF 508-7849 AIR CONDITIONER AR, 508-7852 HEATER AR-CAB

AN ATTACHMENT

TYPE 1

SMCS-1380, 1808, 1812, 7304

i06645736

NOTE	REF NO	GRAPHIC REF	PART NUMBER	QTY	PART NAME						SEE PAGE
					1	2	3	4	5	6 (PRODUCT LEVEL)	
E	1	1	5P-0767		HOSE (207-CM)						
E	1A	1	5P-0767		HOSE (84-CM)						
E	1B	1	5P-0767		HOSE (39-CM)						
E	1C	1	5P-0767		HOSE (121-CM)						
E	1D	1	5P-0767		HOSE (357-CM EACH)						
	2	1	357-4399	1	CONNECTOR AS						
		1	6V-7970	1	SEAL-O-RING						
		1	7J-9108	1	SEAL-O-RING						
		1	227-0064	1	CONNECTOR						
M	3	1	8T-4137	2	BOLT (M10X1.5X20-MM)						
M	4	1	8T-4136	6	BOLT (M10X1.5X25-MM)						
	5	1	3S-2093	9	STRAP-CABLE						
	6	1	492-3930	2	TEE						
	7	1	8T-4121	8	WASHER-HARD (11X21X2.5-MM THK)						
	8	1	309-2982	13	CLAMP						
	9	1	132-5789	2	CLIP (LADDER)						
	10	1	496-8134	1	HOSE AS						
	11	1	6D-1641	6	CLIP						
	12	1	464-1335	1	ADAPTER						

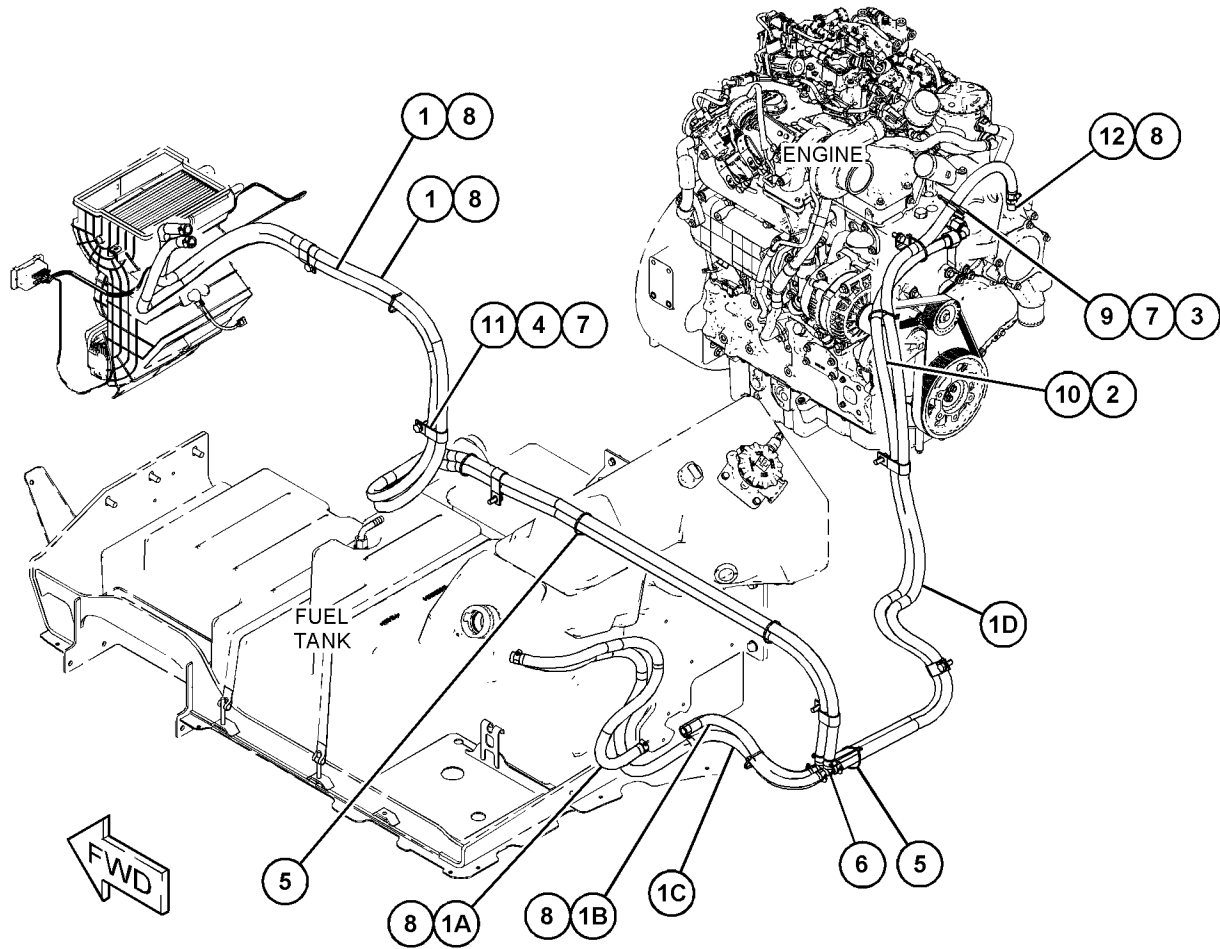
E - ORDER BY THE CENTIMETER

M - METRIC PART

OPERATOR STATION

496-8262 LINES GP-HEATER & AIR COND (contd.)

i06645736



GRAPHIC #1

<END>

g06092481

OPERATOR STATION

496-8262 LINES GP-HEATER & AIR COND

S/N: TH21-UP

PART OF 508-7849 AIR CONDITIONER AR, 508-7852 HEATER AR-CAB

AN ATTACHMENT

TYPE 2

SMCS-1380, 1808, 1812, 7304

i07043955

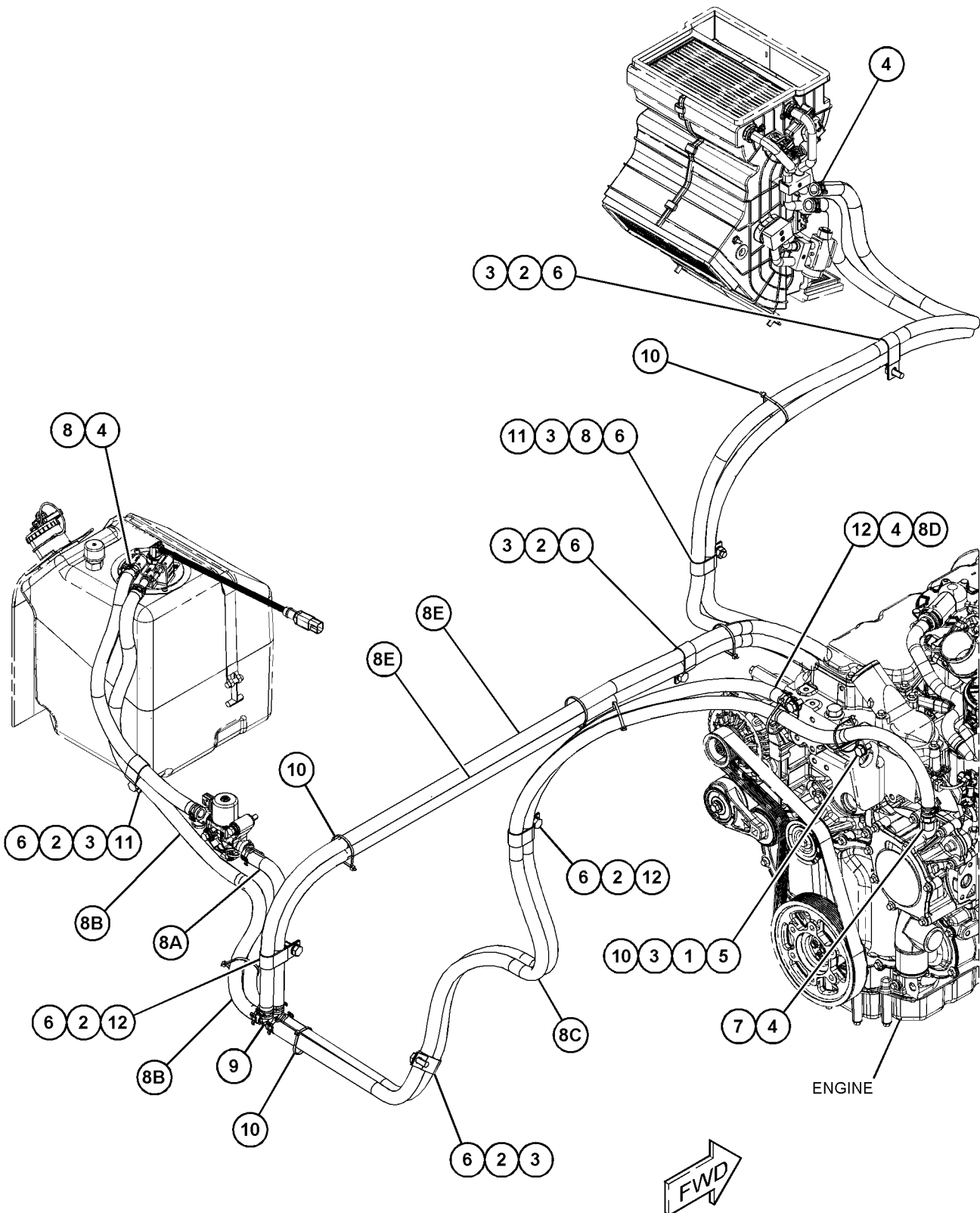
NOTE	REF NO	GRAPHIC REF	PART NUMBER	QTY	PART NAME						SEE PAGE
					1	2	3	4	5	6 (PRODUCT LEVEL)	
M	1	1	8T-4137	2	BOLT (M10X1.5X20-MM)						
CM	2	1	8T-4136	7	BOLT (M10X1.5X25-MM)						
C	3	1	8T-4121	11	WASHER-HARD (11X21X2.5-MM THK)						
C	4	1	502-3818	14	CLAMP						
	5	1	132-5789	2	CLIP (LADDER)						
C	6	1	6D-1641	7	CLIP						
	7	1	464-1335	1	ADAPTER						
CE	8	1	5P-0767		HOSE (62-CM)						
CE	8A	1	5P-0767		HOSE (39-CM)						
CE	8B	1	5P-0767		HOSE (112-CM)						
CE	8C	1	5P-0767		HOSE (207-CM)						
CE	8D	1	5P-0767		HOSE (175-CM)						
CE	8E	1	5P-0767		HOSE (357-CM EACH)						
	9	1	492-3930	2	TEE						
	10	1	3S-2093	9	STRAP-CABLE						
CM	11	1	344-5675	2	NUT (M10X1.5-THD)						
C	12	1	474-4980	1	ADAPTER						

C - CHANGE FROM PREVIOUS TYPE
 E - ORDER BY THE CENTIMETER
 M - METRIC PART

OPERATOR STATION

496-8262 LINES GP-HEATER & AIR COND (contd.)

i07043955



GRAPHIC #1

<END>

g06207746

OPERATOR STATION

497-3809 LINES GP-HEATER & AIR COND

S/N: TH21-UP

PART OF 508-7848 AIR CONDITIONER AR, 508-7851 HEATER AR-CAB
AN ATTACHMENT

SMCS-1380, 1808, 1812, 7304

i06980475

NOTE	REF NO	GRAPHIC REF	PART NUMBER	QTY	PART NAME						SEE PAGE
					1	2	3	4	5	6 (PRODUCT LEVEL)	
	1	2	7X-0872	1	TEE-SWIVEL						
M	2	1	8T-4200	2	BOLT (M8X1.25X16-MM)						
M	3	1,2	8T-4137	9	BOLT (M10X1.5X20-MM)						
	4	1,2	8T-4224	5	WASHER-HARD (8.8X16X2-MM THK)						
	5	1,2	8T-4121	10	WASHER-HARD (11X21X2.5-MM THK)						
	6	1,2	309-2982	10	CLAMP						
	7	2	333-0736	4	CLAMP						
	8	1,2	132-5789	2	CLIP (LADDER)						
	9	1	4P-7581	1	CLIP (LADDER)						
	10	1,2	6D-1641	8	CLIP						
M	11	1	344-5675	1	NUT (M10X1.5-THD)						
	12	1	464-1335	1	ADAPTER						
	13	2	5W-1417	1	WASHER (6.4X18X1.6-MM THK)						
	14	2	474-4980	1	ADAPTER						
	15	1	478-5155	1	ADAPTER						
M	16	2	5C-9553	1	BOLT (M6X1X16-MM)						
E	17	1	5P-0767		HOSE (488-CM)						
E	17A	1	5P-0767		HOSE (338-CM)						
E	17B	1	5P-0767		HOSE (355-CM)						
E	17C	2	5P-0767		HOSE (51-CM)						
E	17D	1	5P-0767		HOSE (98-CM)						
	18	1	269-3086	2	CLAMP-BAND						
	19	2	5K-8451	1	CLIP						
	20	1	7K-1181	1	STRAP-CABLE						
E	21	1	326-1178		HOSE (194-CM)						
	22	1	496-8135	1	HOSE AS						
	23	1	496-8133	1	HOSE AS						
	24	2	478-5154	1	ADAPTER						
	25	2	496-8257	1	ADAPTER						
	26	1,2	3S-2093	10	STRAP-CABLE						
	27	2	496-8255	1	BRACKET AS						
	28	2	7C-4354	1	CLIP						
M	29	2	8T-4189	3	BOLT (M8X1.25X20-MM)						
	30	2	298-7356	1	FITTING-ADAPTER						
	31	2	496-8256	1	HOSE						
	32	2	227-0056	1	ELBOW						

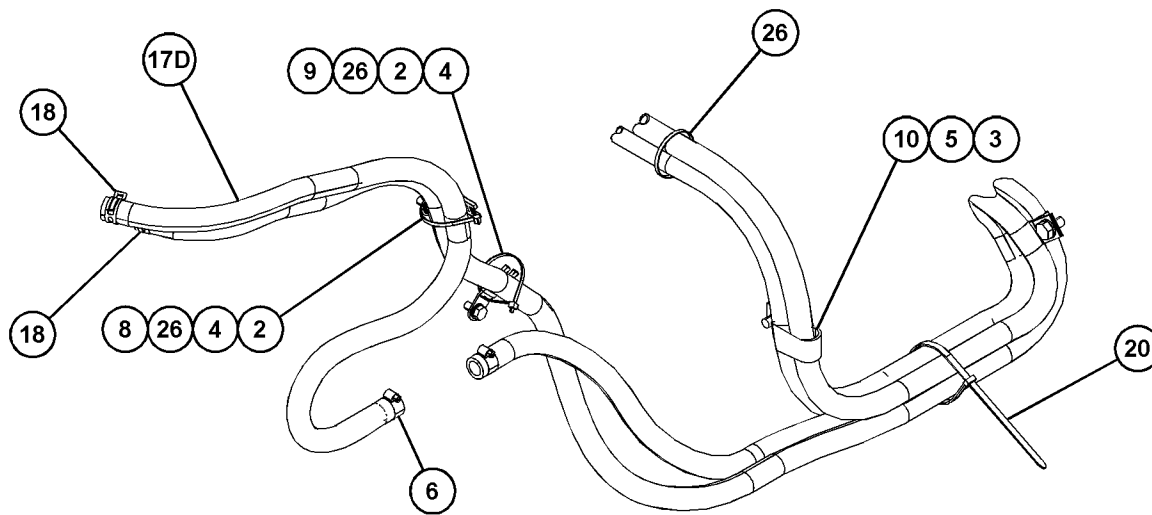
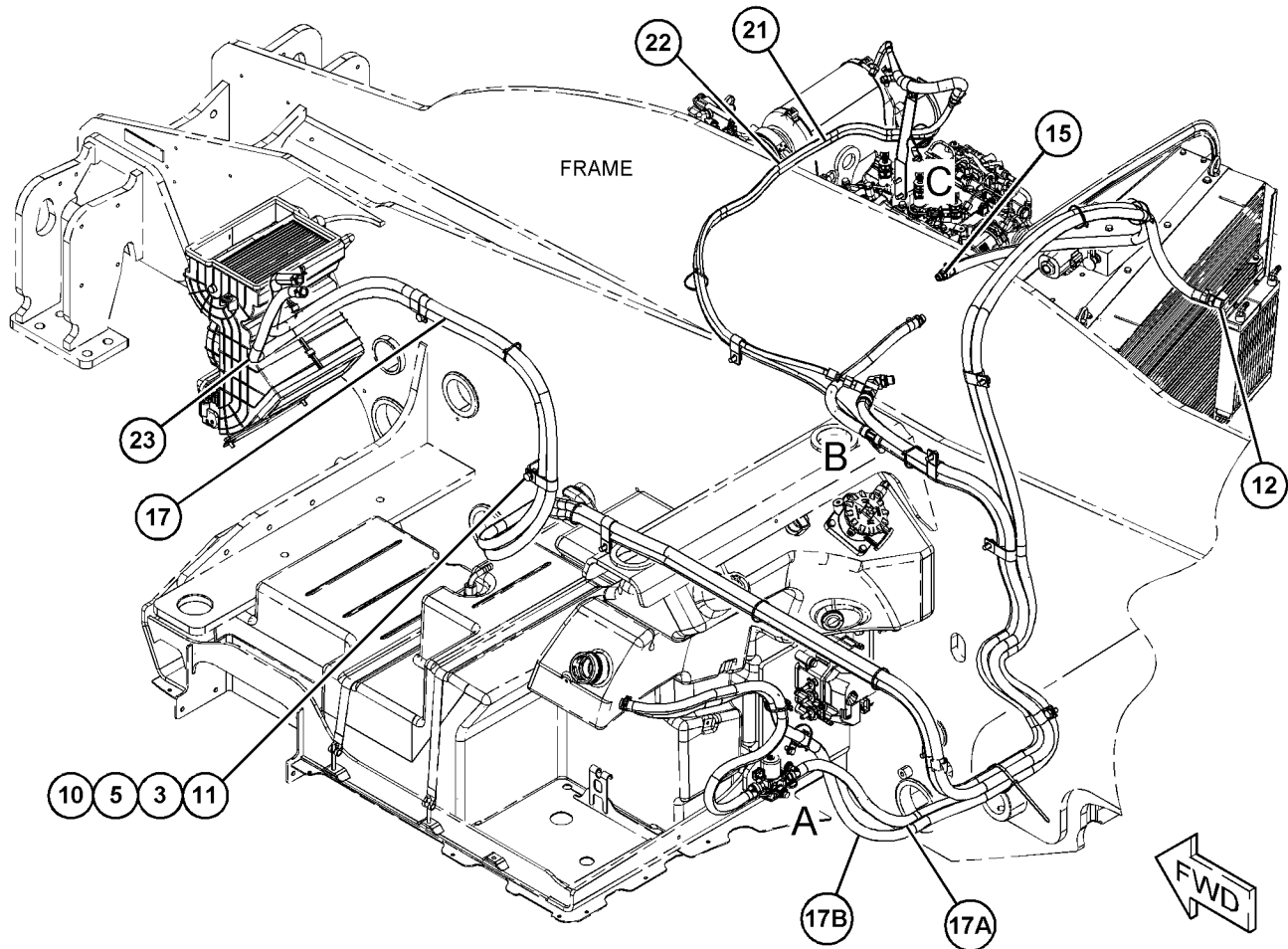
E - ORDER BY THE CENTIMETER
M - METRIC PART

OPERATOR STATION

497-3809 LINES GP-HEATER & AIR COND (contd.)

i06980475

REFER TO ALL ILLUSTRATIONS OF THIS GROUP FOR AUXILIARY VIEWS



VIEW OF AREA A

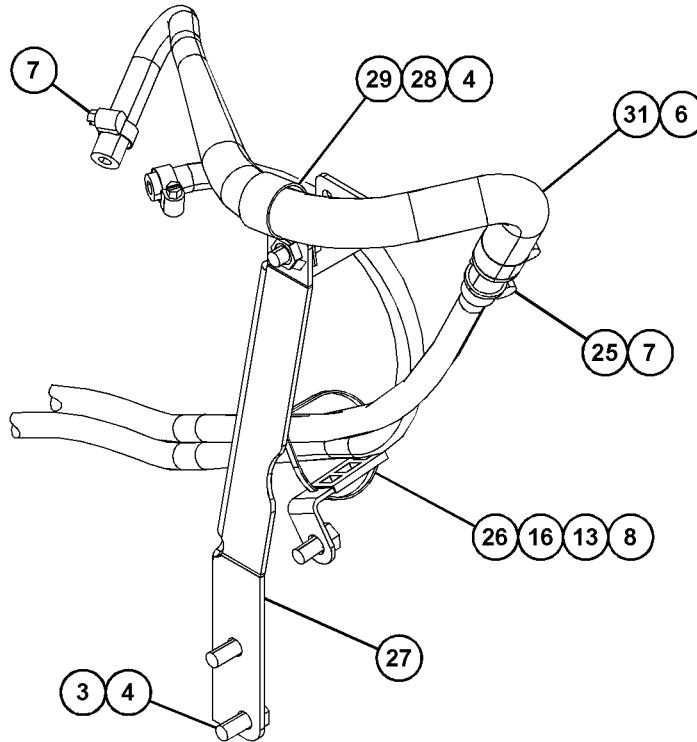
GRAPHIC #1

g06203288

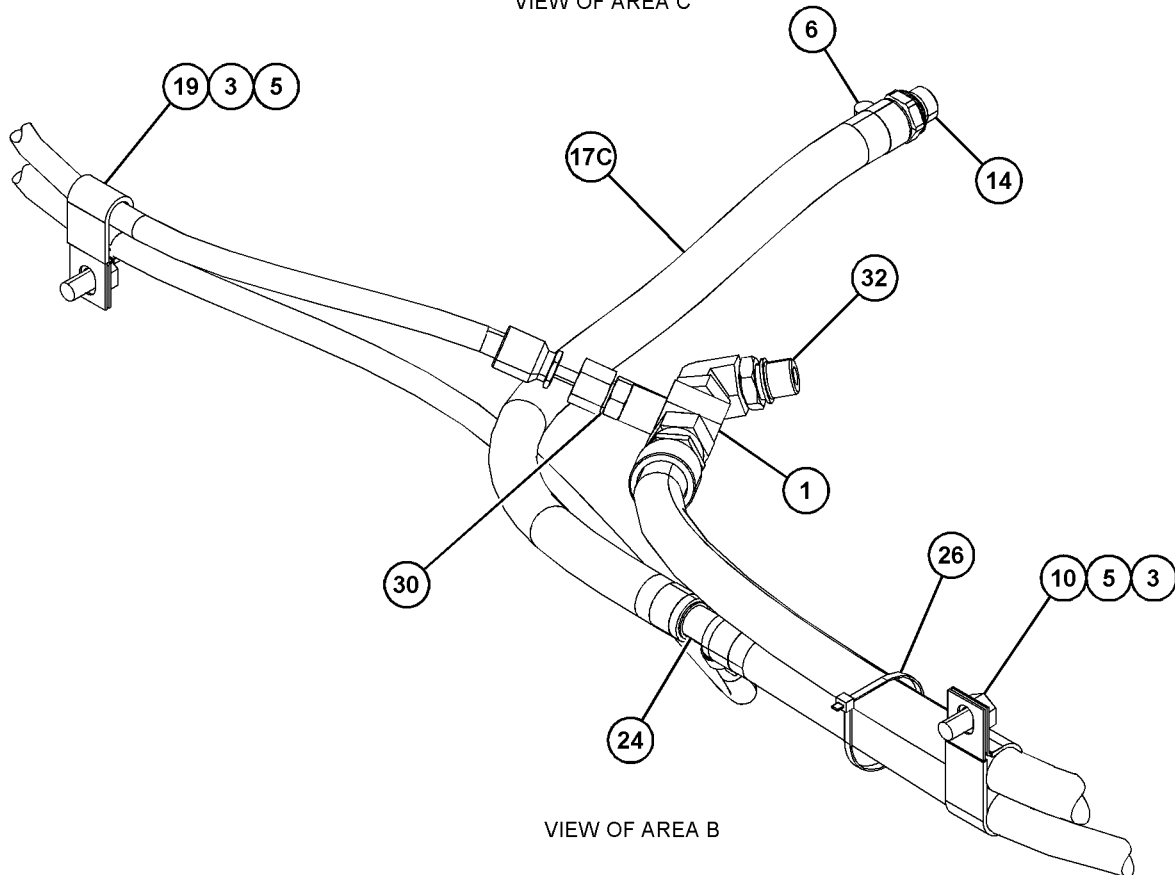
OPERATOR STATION

497-3809 LINES GP-HEATER & AIR COND (contd.)

i06980475



VIEW OF AREA C



VIEW OF AREA B

GRAPHIC #2

<END>

g06203290

OPERATOR STATION

497-9625 LINES GP-HEATER & AIR COND

S/N: TH31-UP

PART OF 521-2180 AIR CONDITIONER AR, 507-9546, 507-9547 CAB AR, 521-2181 HEATER AR-
CAB
AN ATTACHMENT

SMCS-1380, 1808, 1812, 7304

i06645727

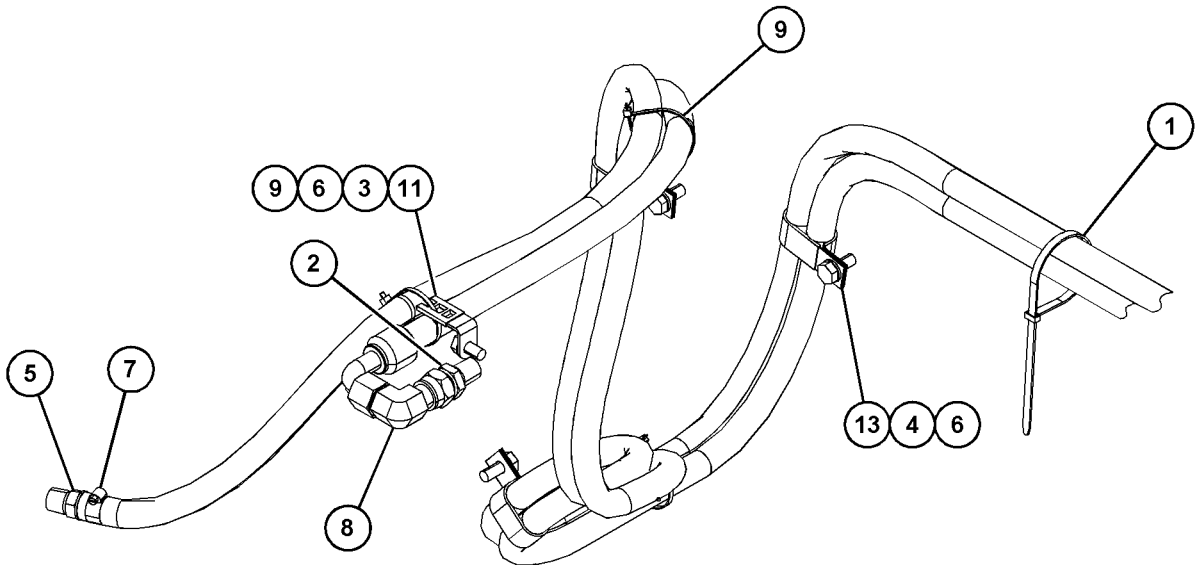
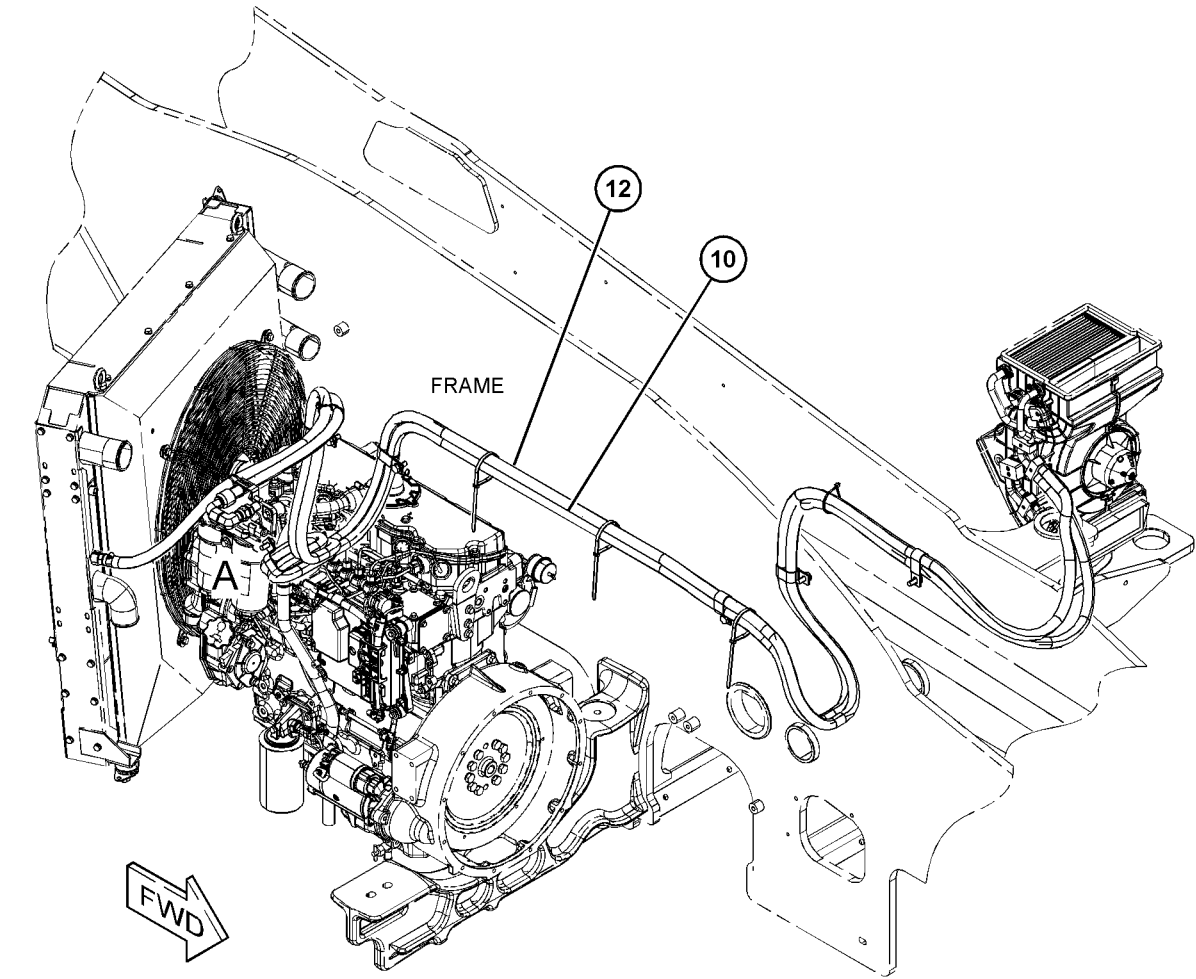
NOTE	REF NO	GRAPHIC REF	PART NUMBER	QTY	PART NAME						SEE PAGE
					1	2	3	4	5	6 (PRODUCT LEVEL)	
	1	1	7K-1181	3	STRAP-CABLE						
	2	1	497-9626	1	ADAPTER						
M	3	1	8T-4137	1	BOLT (M10X1.5X20-MM)						
M	4	1	8T-4136	6	BOLT (M10X1.5X25-MM)						
	5	1	464-1335	1	ADAPTER						
	6	1	8T-4121	7	WASHER-HARD (11X21X2.5-MM THK)						
	7	1	309-2982	3	CLAMP						
	8	1	309-6455	1	ADAPTER						
	9	1	3S-2093	4	STRAP-CABLE						
	10	1	497-9910	1	HOSE AS						
	11	1	132-5789	1	CLIP (LADDER)						
E	12	1	5P-0767		HOSE (579-CM)						
	13	1	6D-1641	6	CLIP						

E - ORDER BY THE CENTIMETER
M - METRIC PART

OPERATOR STATION

497-9625 LINES GP-HEATER & AIR COND (contd.)

106645727



VIEW OF AREA A

<END>

GRAPHIC #1

g06116615

OPERATOR STATION

471-6121 MIRROR GP-EXTERNAL

S/N: TH21-UP; TH31-UP

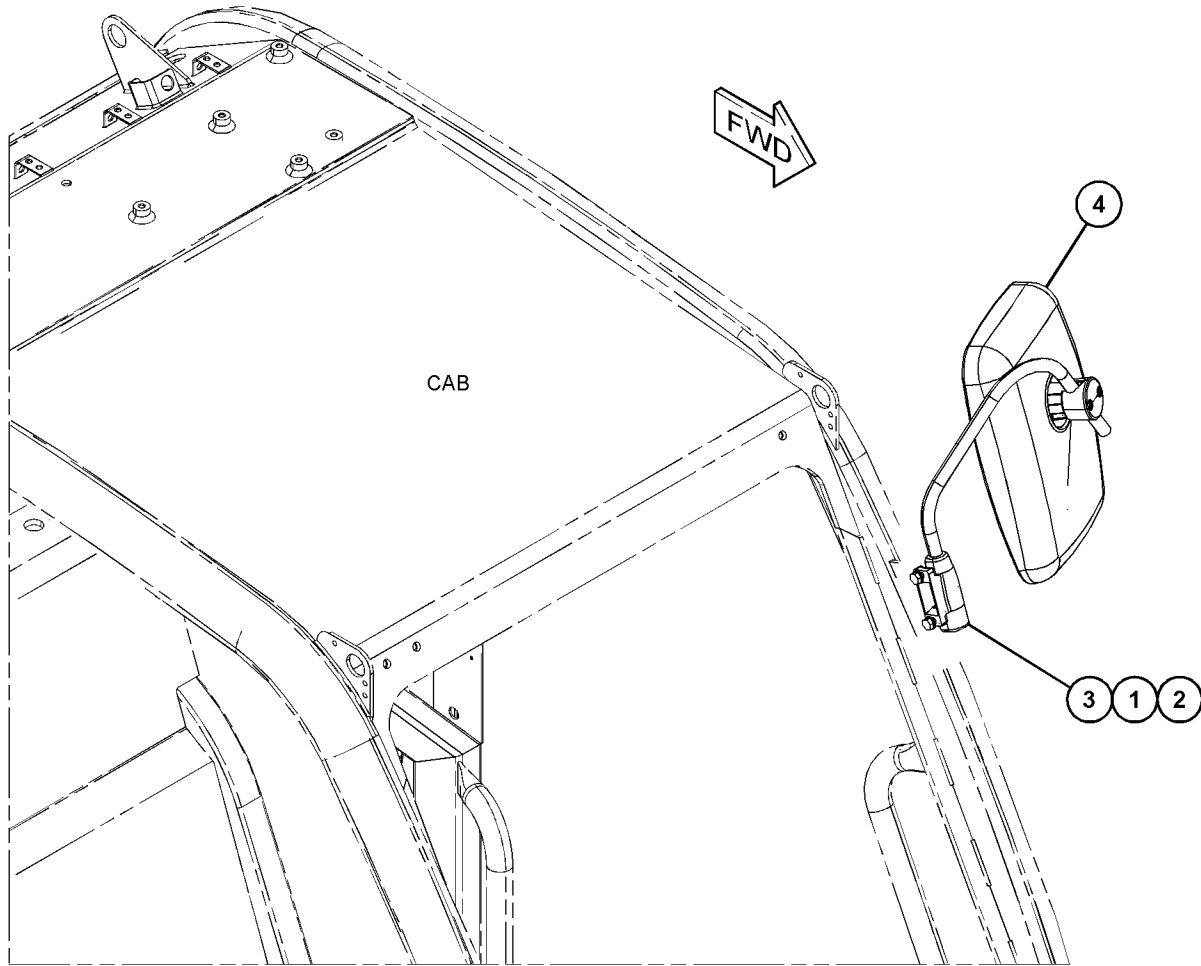
PART OF 507-9544, 507-9545, 507-9546, 507-9547 CAB AR
AN ATTACHMENT

SMCS-7319

i06080041

NOTE	REF NO	GRAPHIC REF	PART NUMBER	QTY	PART NAME						SEE PAGE
					1	2	3	4	5	6 (PRODUCT LEVEL)	
M	1	1	8T-4200	2	BOLT (M8X1.25X16-MM)						
	2	1	8T-4224	2	WASHER-HARD (8.8X16X2-MM THK)						
	3	1	471-6105	1	BRACKET-MIRROR						
	4	1	299-0334	1	MIRROR						

M - METRIC PART



GRAPHIC #1

<END>

g03821996

OPERATOR STATION

474-9043 MIRROR GP-INTERNAL

S/N: TH21-UP; TH31-UP

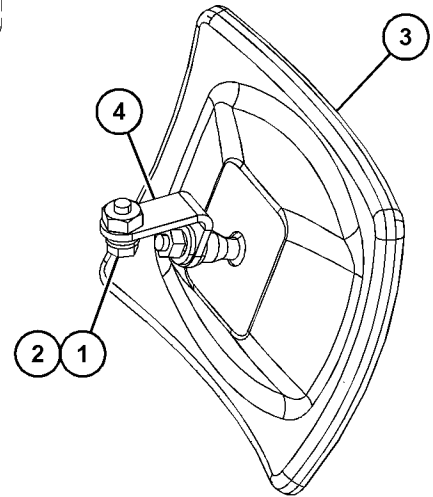
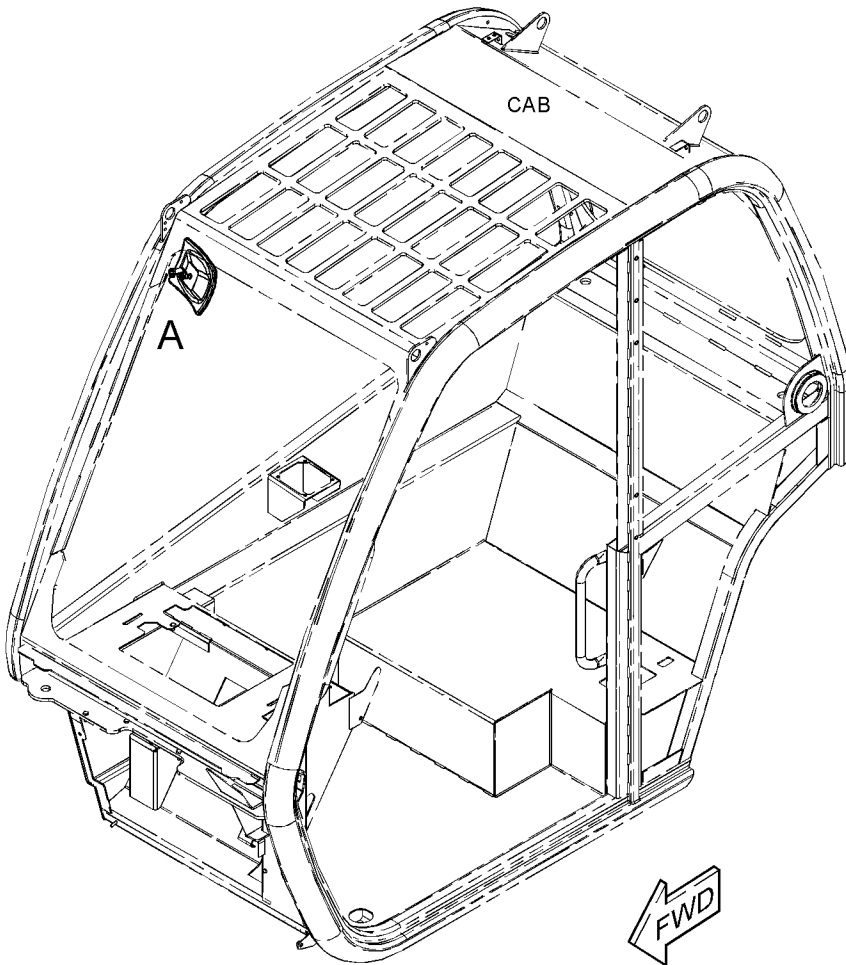
PART OF 507-9544, 507-9545, 507-9546, 507-9547 CAB AR
AN ATTACHMENT

SMCS-7319

i06080184

NOTE	REF NO	GRAPHIC REF	PART NUMBER	QTY	PART NAME						SEE PAGE
					1	2	3	4	5	6 (PRODUCT LEVEL)	
M	1	1	5C-9553	1	BOLT (M6X1X16-MM)						
	2	1	8T-4205	1	WASHER-HARD (7.2X14.5X2-MM THK)						
Y	3	1	315-3786	1	MIRROR GP-REAR VIEW						935
	4	1	474-9044	1	BRACKET AS						

M - METRIC PART
Y - SEPARATE ILLUSTRATION



VIEW OF AREA A

GRAPHIC #1

<END>

g03820043

OPERATOR STATION

257-8403 MIRROR GP-REAR VIEW-INTERIOR

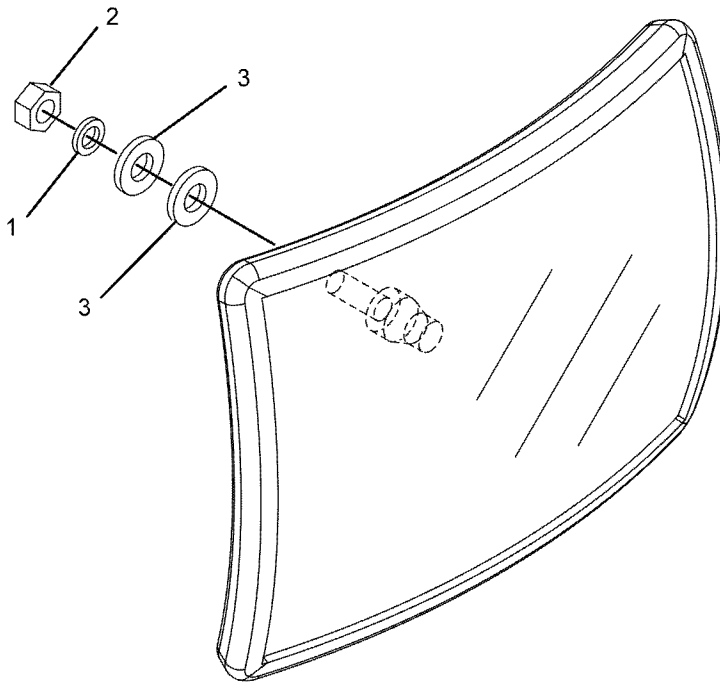
S/N: TH21-UP; TH31-UP
PART OF 315-3786 MIRROR GP-REAR VIEW
AN ATTACHMENT

SMCS-7319

i02179710

NOTE	REF NO	GRAPHIC REF	PART NUMBER	QTY	PART NAME						SEE PAGE
					1	2	3	4	5	6 (PRODUCT LEVEL)	
	1	1	3B-4503	1	LOCKWASHER						
M	2	1	5C-2890	1	NUT (M6X1-THD)						
	3	1	8T-4205	2	WASHER-HARD (7.2X14.5X2-MM THK)						

M - METRIC PART



GRAPHIC #1

<END>

g01105769

OPERATOR STATION

315-3786 MIRROR GP-REAR VIEW

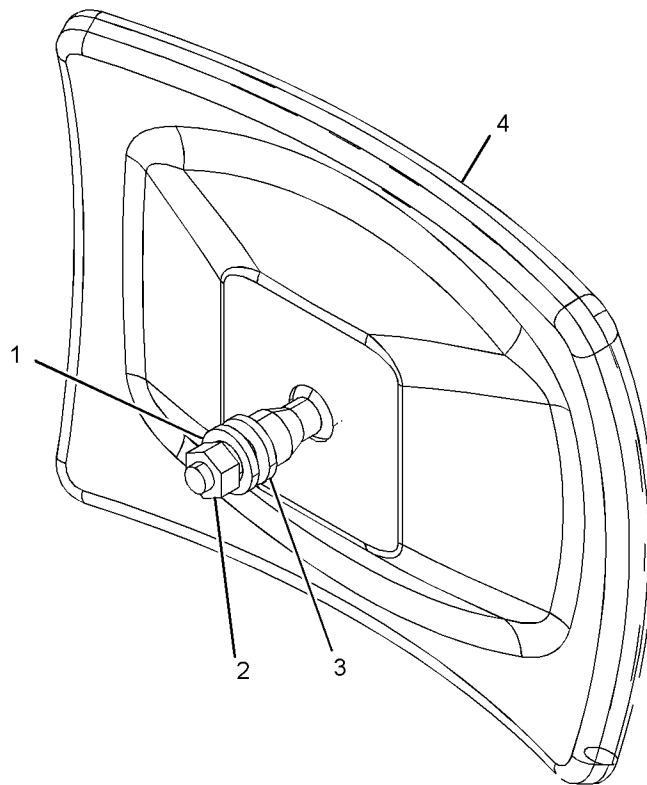
S/N: TH21-UP; TH31-UP
PART OF 474-9043 MIRROR GP
AN ATTACHMENT

SMCS-7319

i05691753

NOTE	REF NO	GRAPHIC REF	PART NUMBER	QTY	PART NAME						SEE PAGE
					1	2	3	4	5	6 (PRODUCT LEVEL)	
	1	1	3B-4503	1	LOCKWASHER						
M	2	1	344-5673	1	NUT (M6X1-THD)						
	3	1	8T-4205	2	WASHER-HARD (7.2X14.5X2-MM THK)						
Y	4	1	257-8403	1	MIRROR GP-REAR VIEW (INTERIOR)						934

M - METRIC PART
Y - SEPARATE ILLUSTRATION



GRAPHIC #1

<END>

g03662232

OPERATOR STATION

496-8301 MIRROR GP-REAR VIEW

S/N: TH21-UP; TH31-UP

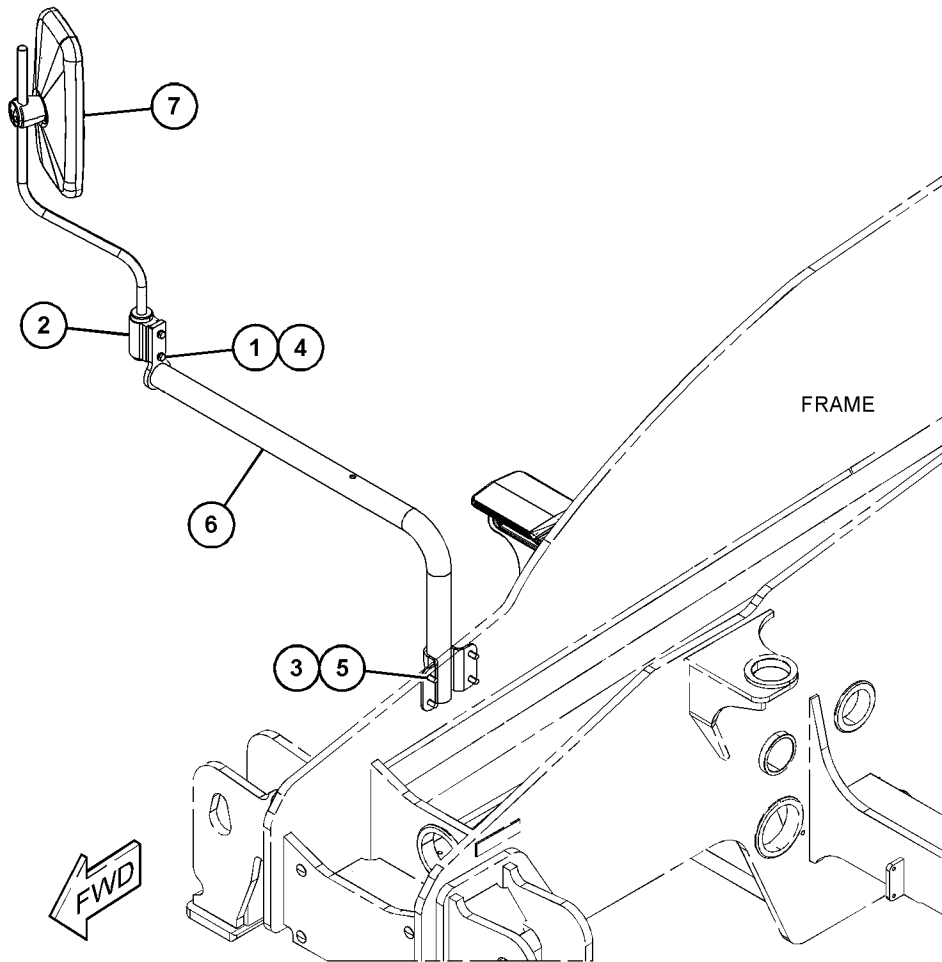
PART OF 507-9536, 515-9680, 515-9681, 515-9682, 515-9683, 515-9684 CONFIGURATION AR,
507-9537, 507-9538, 507-9539, 507-9540, 507-9541, 507-9542 FILM GP
AN ATTACHMENT

SMCS-7319

i06645737

NOTE	REF NO	GRAPHIC REF	PART NUMBER	QTY	PART NAME						SEE PAGE
					1	2	3	4	5	6	
M	1	1	8T-4908	2	BOLT (M8X1.25X25-MM)						
	2	1	496-8303	1	ARM AS						
M	3	1	8T-4136	4	BOLT (M10X1.5X25-MM)						
	4	1	8T-4224	2	WASHER-HARD (8.8X16X2-MM THK)						
	5	1	8T-4121	4	WASHER-HARD (11X21X2.5-MM THK)						
	6	1	496-8302	1	ARM AS						
	7	1	476-0760	1	MIRROR						

M - METRIC PART



GRAPHIC #1

<END>

g06064311

OPERATOR STATION

497-9575 MIRROR GP-REAR VIEW

S/N: TH21-UP; TH31-UP

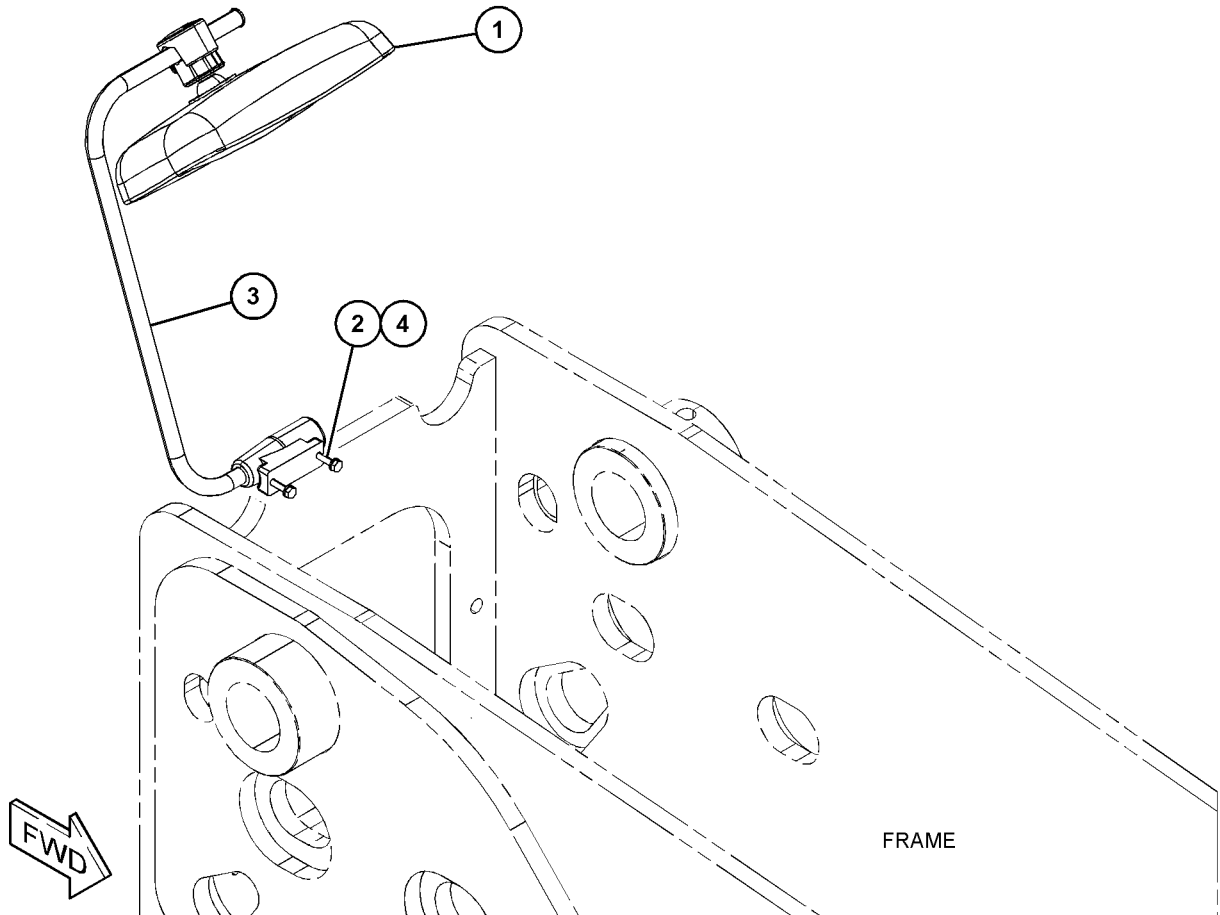
AN ATTACHMENT

SMCS-7319

i06645700

NOTE	REF NO	GRAPHIC REF	PART NUMBER	QTY	PART NAME						SEE PAGE
					1	2	3	4	5	6 (PRODUCT LEVEL)	
	1	1	220-4050	1	MIRROR (EXTERIOR, REAR)						
M	2	1	8T-4971	2	BOLT (M6X1X30-MM)						
	3	1	220-4049	1	ARM AS						
	4	1	8T-4205	2	WASHER-HARD (7.2X14.5X2-MM THK)						

M - METRIC PART



GRAPHIC #1

<END>

g06064754

OPERATOR STATION

497-9576 MIRROR GP-REAR VIEW

S/N: TH21-UP; TH31-UP

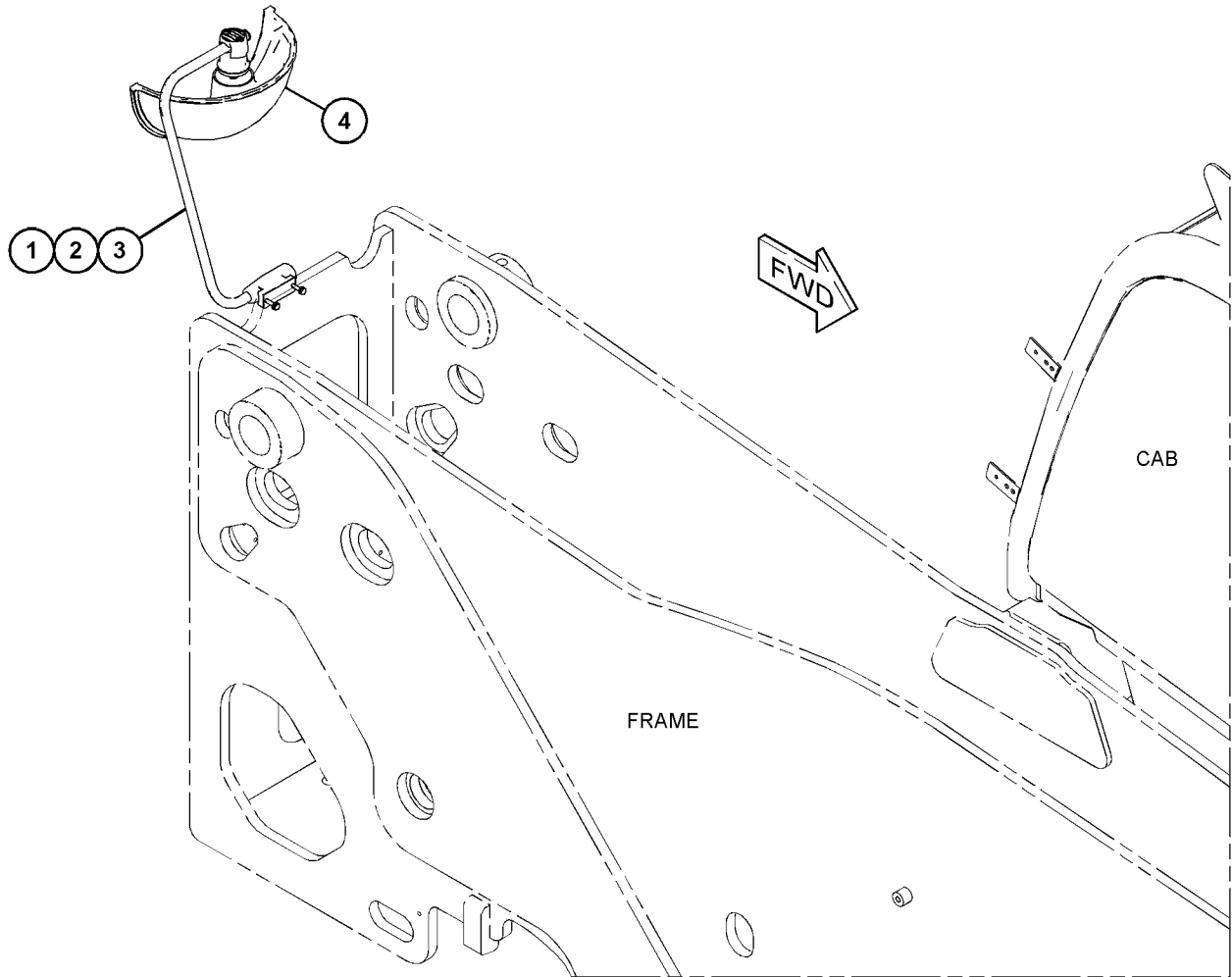
AN ATTACHMENT

SMCS-7319

i06645698

NOTE	REF NO	GRAPHIC REF	PART NUMBER	QTY	PART NAME						SEE PAGE
					1	2	3	4	5	6 (PRODUCT LEVEL)	
M	1	1	8T-4971	2	BOLT (M6X1X30-MM)						
	2	1	8T-4205	2	WASHER-HARD (7.2X14.5X2-MM THK)						
	3	1	220-4049	1	ARM AS						
	4	1	336-7619	1	MIRROR AS						

M - METRIC PART



GRAPHIC #1

<END>

g06096490

OPERATOR STATION

474-6061 MONITOR & MOUNTING GP

S/N: TH21-UP; TH31-UP

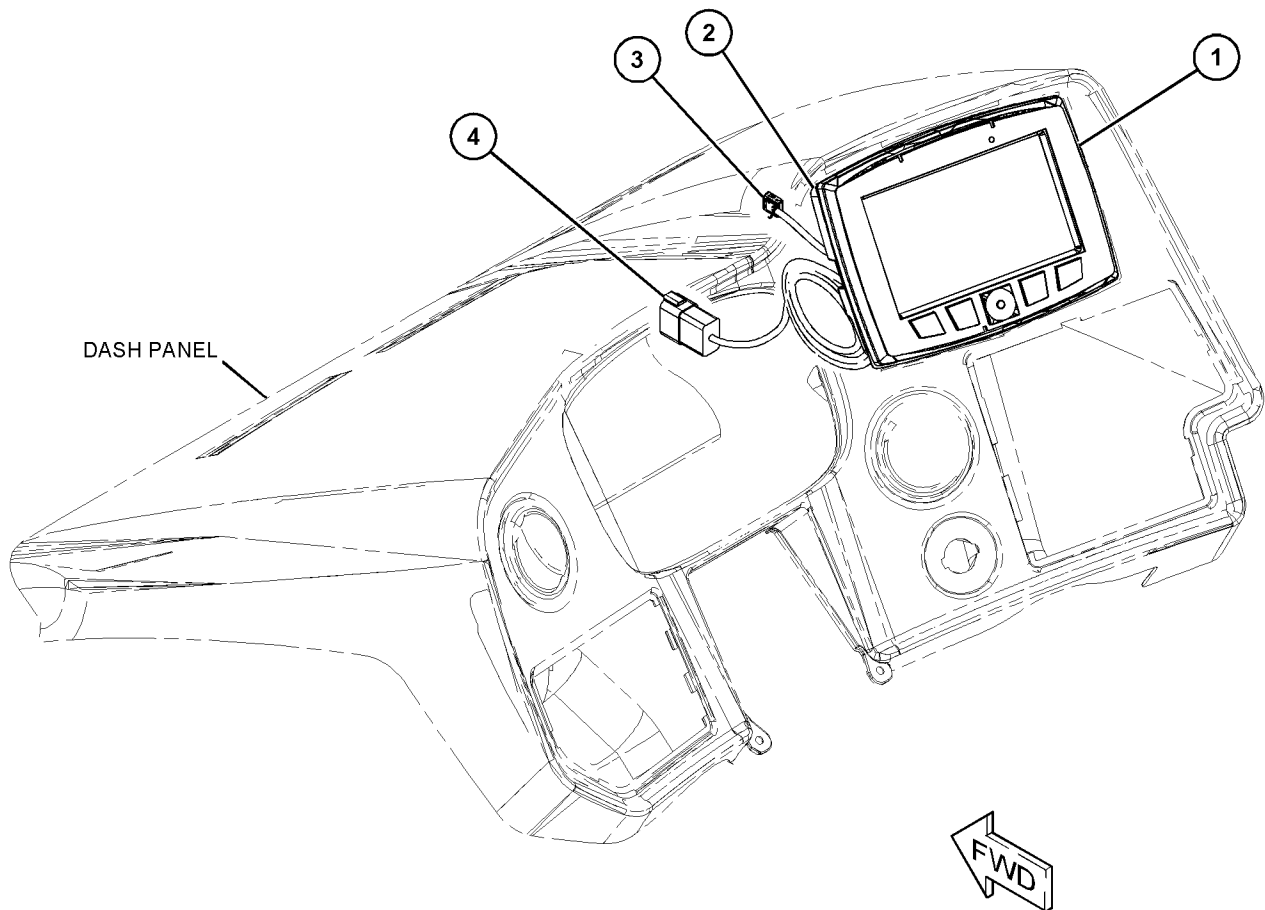
FOR USE WITH 499-5902-PAGE: 339

PART OF 546-5767 DISPLAY AR-MONITOR
AN ATTACHMENT

SMCS-7490

i06881722

NOTE	REF NO	GRAPHIC REF	PART NUMBER	QTY	PART NAME						SEE PAGE
					1	2	3	4	5	6 (PRODUCT LEVEL)	
	1	1	502-3075	1	DISPLAY GP-MONITOR						
		1	474-6089	4	SCREW-PAN HEAD (10-24X0.5-IN)						
2		1	474-6090	1	COVER GP-CAB						
		1	474-6091	1	BEZEL						
		1	474-6092	6	CLIP						
3		1	474-6062	1	CABLE						
4		1	474-6063	1	CABLE						



GRAPHIC #1

<END>

g03820574

OPERATOR STATION

471-6019 MOUNTING GP-CAB

S/N: TH21-UP; TH31-UP

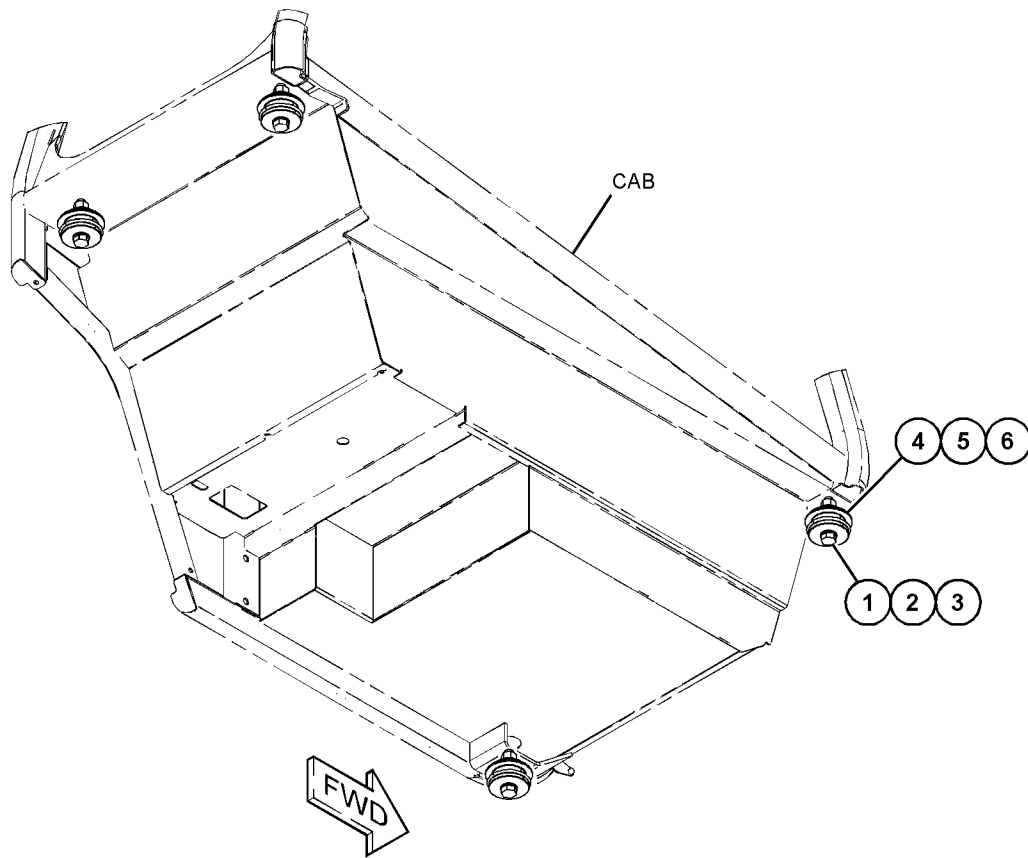
PART OF 505-5033, 505-5035 CHASSIS AR

SMCS-7266, 7301

i06981502

NOTE	REF NO	GRAPHIC REF	PART NUMBER	QTY	PART NAME						SEE PAGE
					1	2	3	4	5	6 (PRODUCT LEVEL)	
M	1	1	471-5583	4	BOLT (M20X2.5X100-MM)						
M	2	1	6V-7742	4	NUT-FULL (M20X2.5-THD)						
	3	1	7Y-1858	8	WASHER (21X37X3-MM THK)						
	4	1	471-6025	4	MOUNT						
	5	1	471-6024	4	WASHER (21X90X10-MM THK)						
	6	1	528-8583	4	SPACER (21X100X5-MM THK)						

M - METRIC PART



(VIEWED FROM BOTTOM)

GRAPHIC #1

<END>

g06197768

OPERATOR STATION

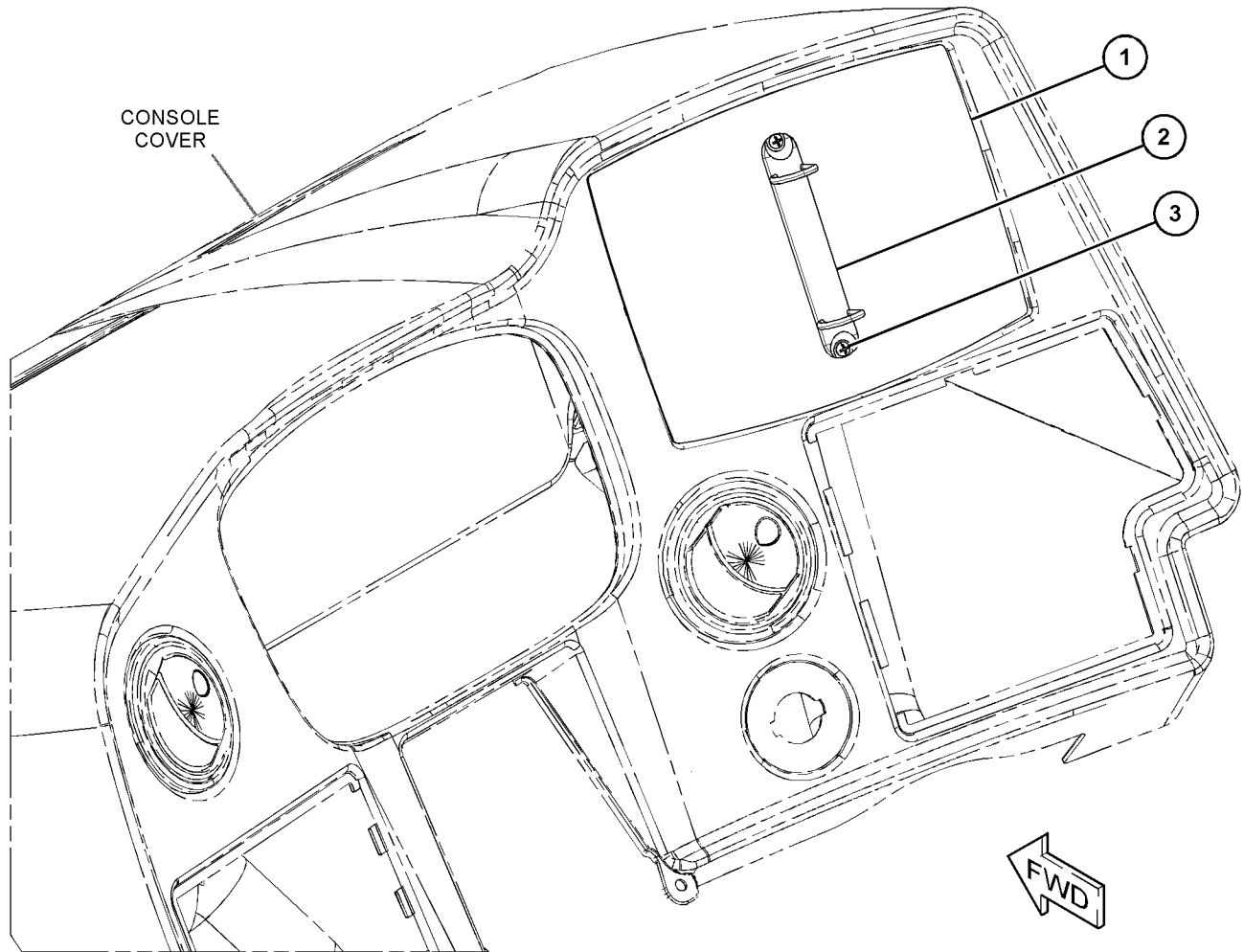
476-5226 PANEL GP-INSTRUMENT

S/N: TH21-UP; TH31-UP
AN ATTACHMENT

SMCS-7451

i06078511

NOTE	REF NO	GRAPHIC REF	PART NUMBER	QTY	PART NAME						SEE PAGE
					1	2	3	4	5	6 (PRODUCT LEVEL)	
	1	1	476-5237	1	PANEL AS-FUSE						
		1	474-6092	6	CLIP						
		1	476-5238	1	BEZEL						
2		1	220-2608	1	HOLDER-FLIP CHART						
3		1	347-5373	2	SCREW-PAN HEAD						



GRAPHIC #1

<END>

g03814447

OPERATOR STATION

519-2695 PANEL GP-INSTRUMENT

S/N: TH31-UP

PART OF 507-9546, 507-9547 CAB AR

AN ATTACHMENT

SMCS-7451

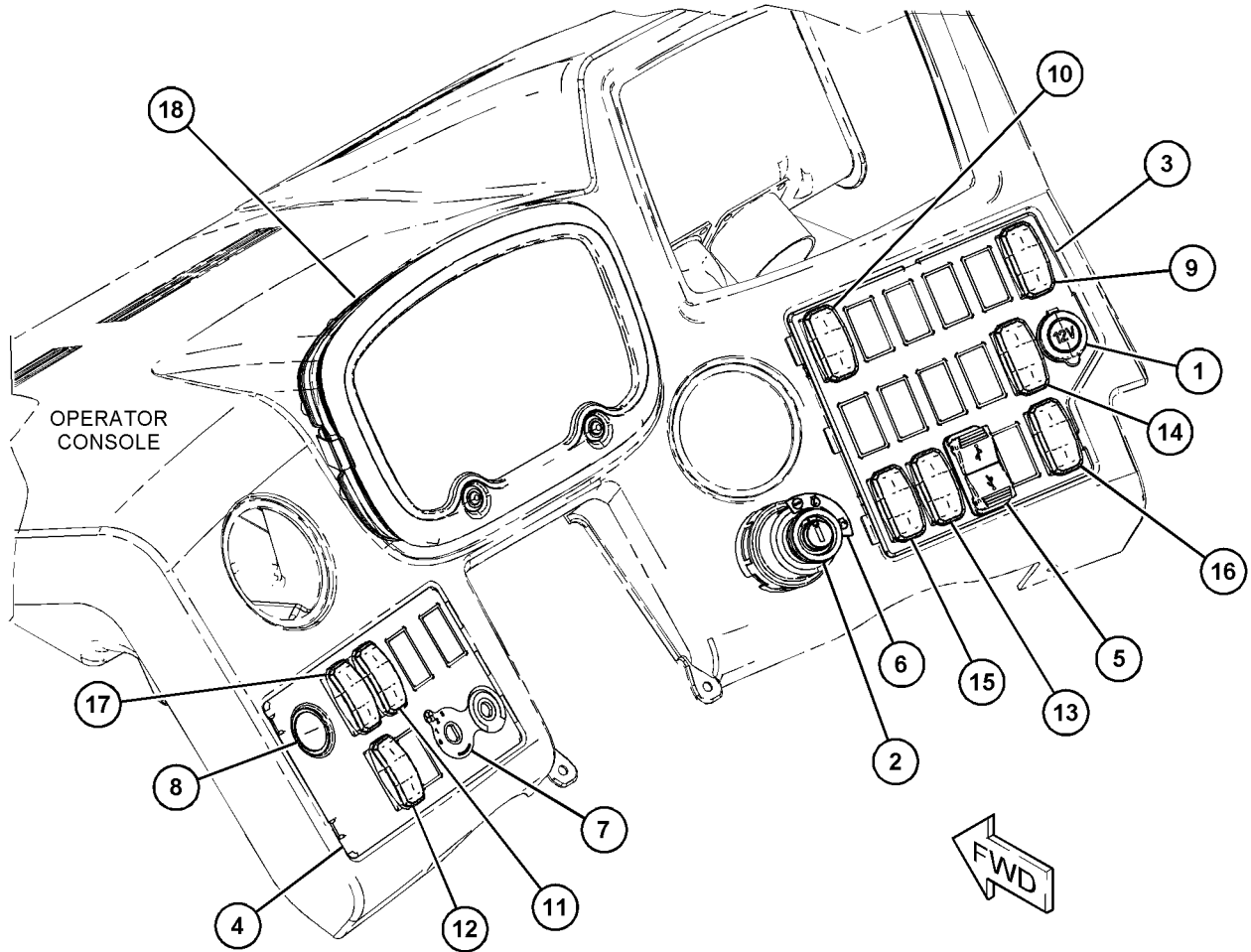
i06811758

NOTE	REF NO	GRAPHIC REF	PART NUMBER	QTY	PART NAME						SEE PAGE
					1	2	3	4	5	6 (PRODUCT LEVEL)	
	1	1	323-5605	1	RECEPTACLE-POWER						
	2	1	325-4927	1	SWITCH-IGNITION						
	3	1	473-4956	1	PANEL-SWITCH (RH)						
	4	1	473-4957	1	PANEL-SWITCH (LH)						
	5	1	495-4595	1	SWITCH AS (USB CHARGER)						
	6	1	497-5476	1	FILM-IDENTIFICATION (IGNITION SWITCH)						
	7	1	484-1477	1	FILM-IDENTIFICATION (HVAC)						
	8	1	495-4596	1	PLUG						
	9	1	495-4597	1	SWITCH AS-ROCKER (HAZARD)						
	10	1	495-4598	1	SWITCH AS-ROCKER (FOG LIGHT)						
	11	1	495-4599	1	SWITCH AS-ROCKER (AUXILIARY CONTROL)						
	12	1	495-4600	1	SWITCH AS-ROCKER (OVERRIDE)						
	13	1	495-4601	1	SWITCH AS-ROCKER (ROADING)						
	14	1	495-4602	1	SWITCH AS-ROCKER (AUXILIARY, DECOMPRESSION)						
	15	1	495-4603	1	SWITCH AS-ROCKER (STEERING MODE)						
	16	1	495-4604	1	SWITCH AS-ROCKER (DRIVING LIGHT)						
	17	1	495-4605	1	SWITCH AS-ROCKER (LOADER)						
	18	1	505-5334	1	PANEL-INSTRUMENT						

OPERATOR STATION

519-2695 PANEL GP-INSTRUMENT (contd.)

i06811758



GRAPHIC #1

<END>

g06125924

OPERATOR STATION

533-7334 PANEL GP-INSTRUMENT

S/N: TH31-UP

PART OF 507-9546 CAB AR

AN ATTACHMENT

SMCS-7451

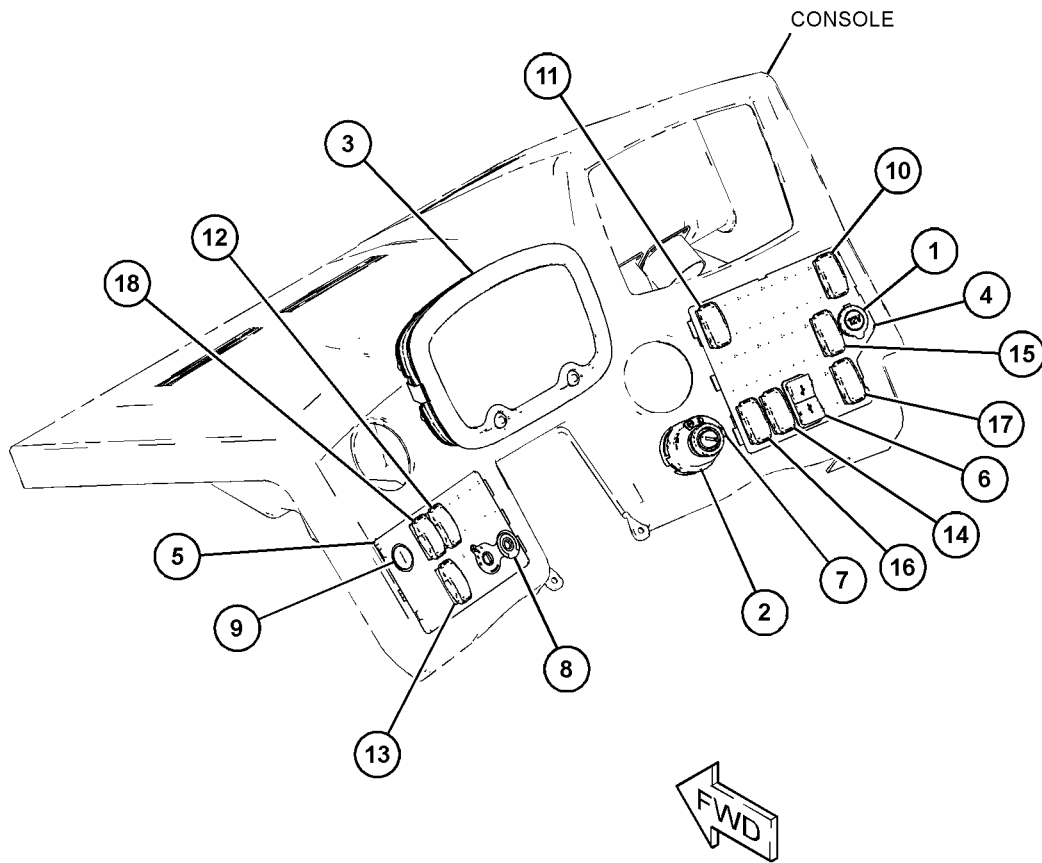
i07043988

NOTE	REF NO	GRAPHIC REF	PART NUMBER	QTY	PART NAME						SEE PAGE
					1	2	3	4	5	6 (PRODUCT LEVEL)	
	1	1	323-5605	1	RECEPTACLE-POWER						
	2	1	325-4927	1	SWITCH-IGNITION						
	3	1	505-5334	1	PANEL-INSTRUMENT						
	4	1	535-6691	1	PANEL AS-SWITCH (RH)						
		1	473-4956	1	PANEL-SWITCH (RH)						
		1	474-6092	7	CLIP						
	5	1	535-6692	1	PANEL AS-SWITCH (LH)						
		1	473-4957	1	PANEL-SWITCH (LH)						
		1	474-6092	4	CLIP						
	6	1	495-4595	1	SWITCH AS (USB CHARGER)						
	7	1	497-5476	1	FILM-IDENTIFICATION (IGNITION SWITCH)						
	8	1	484-1477	1	FILM-IDENTIFICATION (HVAC)						
	9	1	495-4596	1	PLUG						
	10	1	495-4597	1	SWITCH AS-ROCKER (HAZARD)						
	11	1	495-4598	1	SWITCH AS-ROCKER (FOG LIGHT)						
	12	1	495-4599	1	SWITCH AS-ROCKER (AUXILIARY CONTROL)						
	13	1	495-4600	1	SWITCH AS-ROCKER (OVERRIDE)						
	14	1	495-4601	1	SWITCH AS-ROCKER (ROADING)						
	15	1	495-4602	1	SWITCH AS-ROCKER (AUXILIARY, DECOMPRESSION)						
	16	1	495-4603	1	SWITCH AS-ROCKER (STEERING MODE)						
	17	1	495-4604	1	SWITCH AS-ROCKER (DRIVING LIGHT)						
	18	1	495-4605	1	SWITCH AS-ROCKER (LOADER)						

OPERATOR STATION

533-7334 PANEL GP-INSTRUMENT (contd.)

i07043988



GRAPHIC #1

<END>

g06211416

OPERATOR STATION

476-8924 PEDAL GP-GOVERNOR-ACCELERATOR

S/N: TH21-UP; TH31-UP

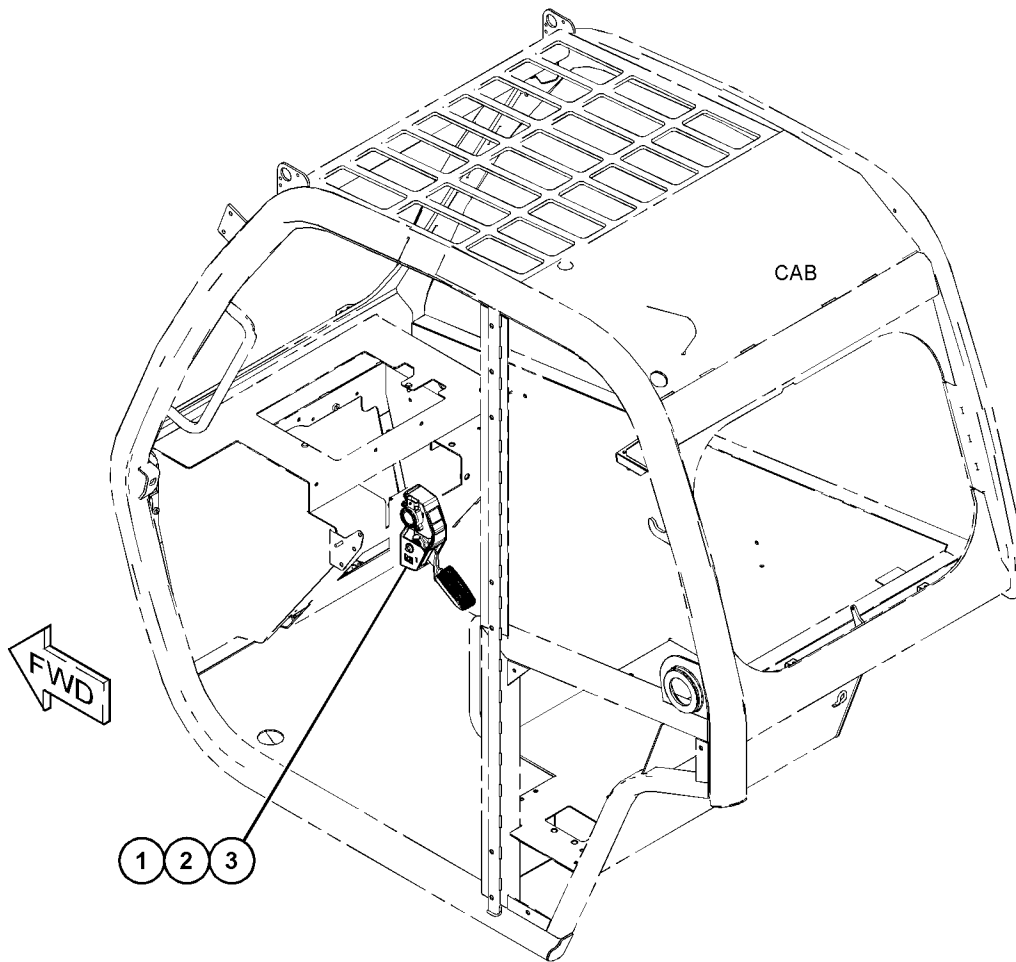
PART OF 507-9544, 507-9545, 507-9546, 507-9547 CAB AR
AN ATTACHMENT

SMCS-1265, 1276

i06230716

NOTE	REF NO	GRAPHIC REF	PART NUMBER	QTY	PART NAME						SEE PAGE
					1	2	3	4	5	6 (PRODUCT LEVEL)	
M	1	1	5C-7261	2	NUT (M8X1.25-THD)						
	2	1	8T-4224	2	WASHER-HARD (8.8X16X2-MM THK)						
	3	1	473-4960	1	PEDAL GP-GOVERNOR						
		1	458-8876	1	PAD						
		1	458-8877	1	COVER						

M - METRIC PART



GRAPHIC #1

<END>

g03871732

OPERATOR STATION

473-9471 PLUG GP-CAB

S/N: TH21-UP; TH31-UP
PART OF 495-6210 CAB GP
AN ATTACHMENT

SMCS-7301

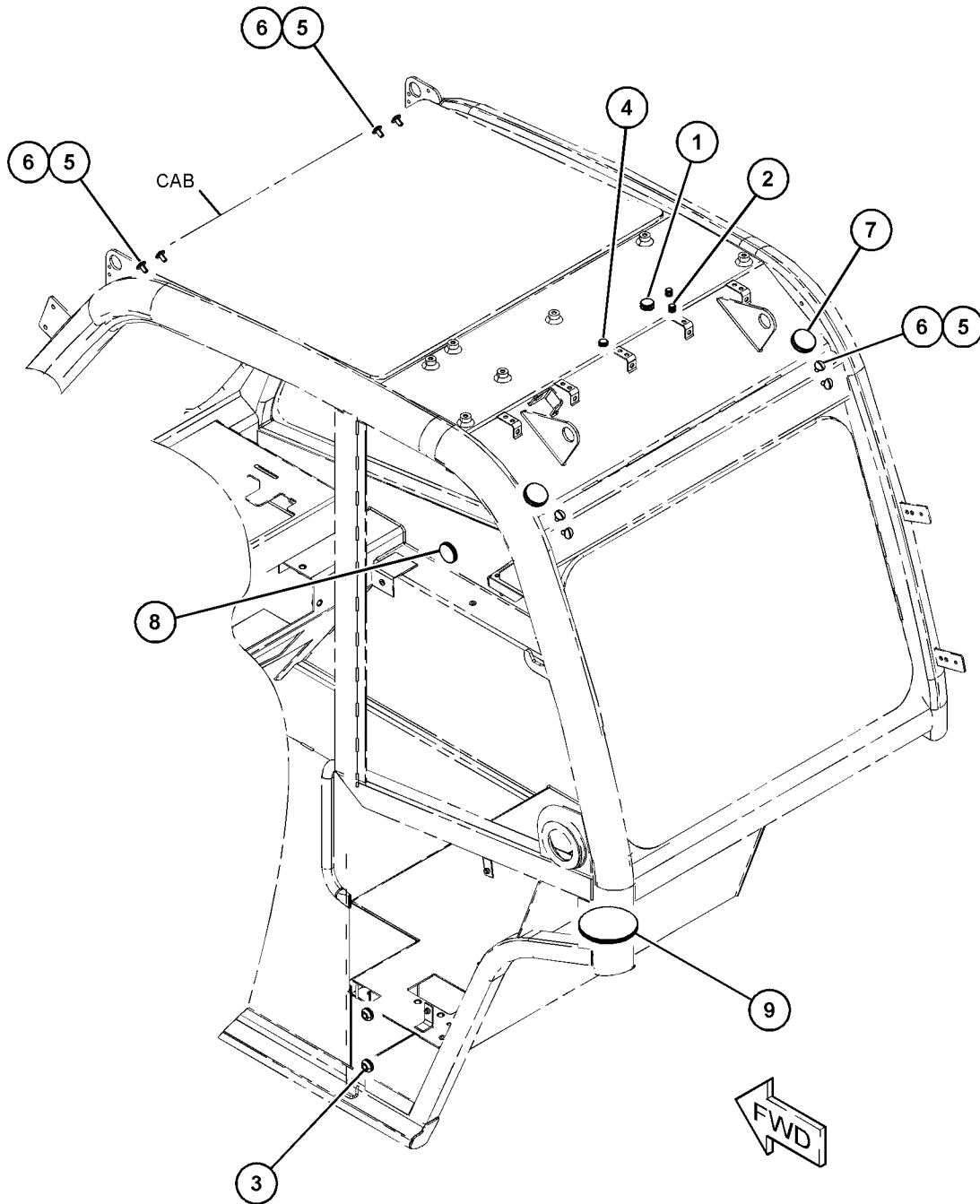
i06812691

NOTE	REF NO	GRAPHIC REF	PART NUMBER	QTY	PART NAME						SEE PAGE
					1	2	3	4	5	6 (PRODUCT LEVEL)	
	1	1	468-5335	1	PLUG						
	2	1	468-5334	2	PLUG						
	3	1	459-2772	2	PLUG						
	4	1	468-5337	1	PLUG						
	5	1	473-9385	8	SCREW (M8X1.25X16-MM)						
	6	1	473-9386	8	WASHER (8.4X18X1.5-MM THK)						
	7	1	473-9387	2	PLUG						
	8	1	473-9388	1	PLUG						
	9	1	518-3803	1	CAP						

OPERATOR STATION

473-9471 PLUG GP-CAB (contd.)

i06812691



GRAPHIC #1

<END>

g06129801

OPERATOR STATION

518-2993 PLUG GP-CAB

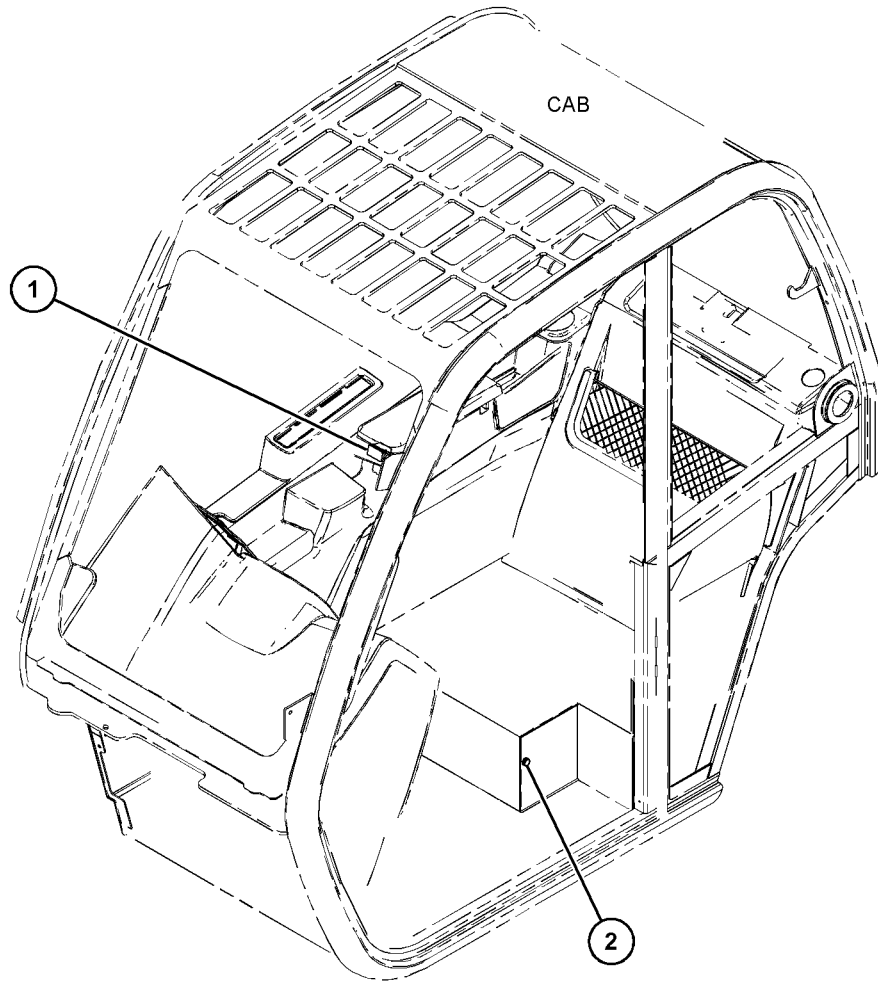
S/N: TH21-UP; TH31-UP

PART OF 505-5033, 505-5035 CHASSIS AR

SMCS-7301

i06810162

NOTE	REF NO	GRAPHIC REF	PART NUMBER	QTY	PART NAME						SEE PAGE
					1	2	3	4	5	6 (PRODUCT LEVEL)	
	1	1	323-7233	1	COVER-SWITCH						
	2	1	468-5336	1	PLUG						



GRAPHIC #1

<END>

g06124415

OPERATOR STATION

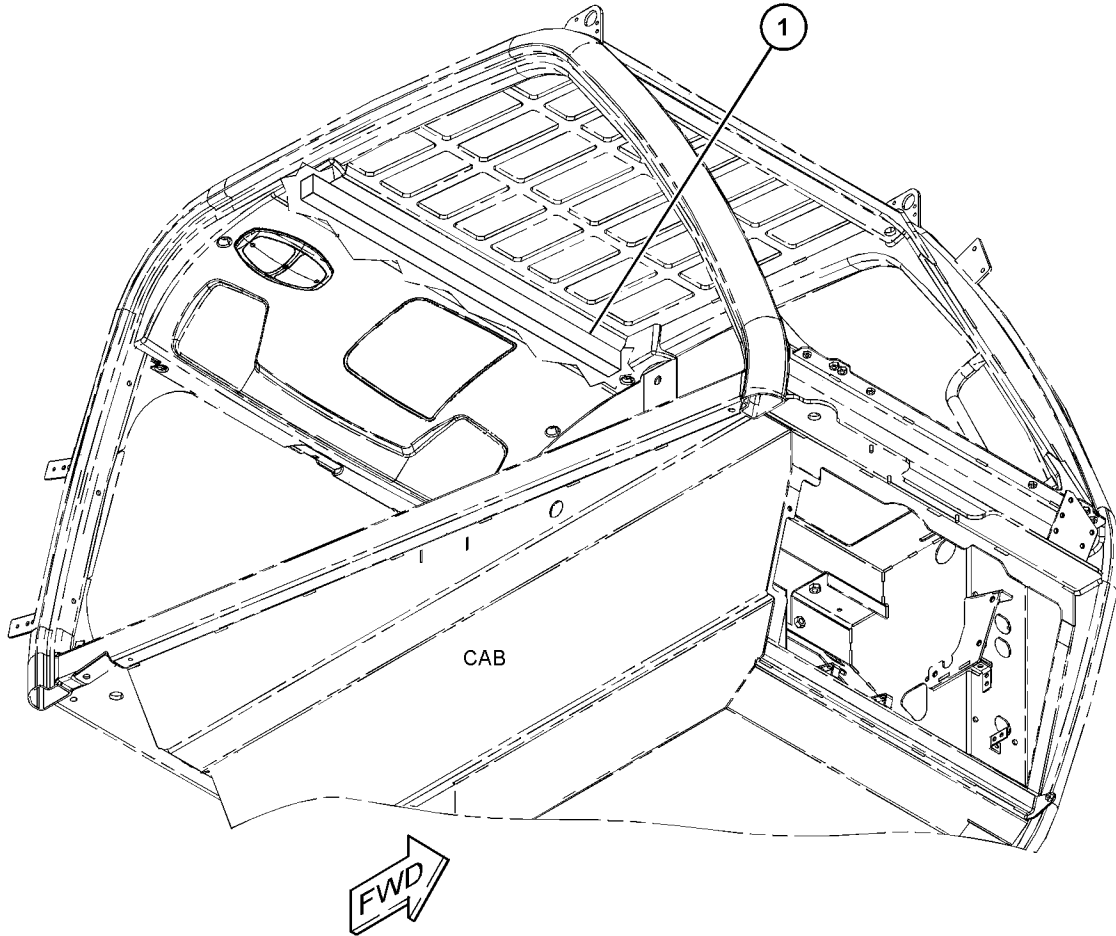
515-9736 SCREEN GP-SUN

S/N: TH21-UP; TH31-UP
CANNOT BE USED WITH OPEN CAB
AN ATTACHMENT

SMCS-7165

i06735411

NOTE	REF NO	GRAPHIC REF	PART NUMBER	QTY	PART NAME						SEE PAGE
					1	2	3	4	5	6	
	1	1	515-9739	1	SEAL (FOAM)						



(VIEWED FROM BOTTOM)

GRAPHIC #1

<END>

g06102340

OPERATOR STATION

476-7796 SEAT & MOUNTING GP

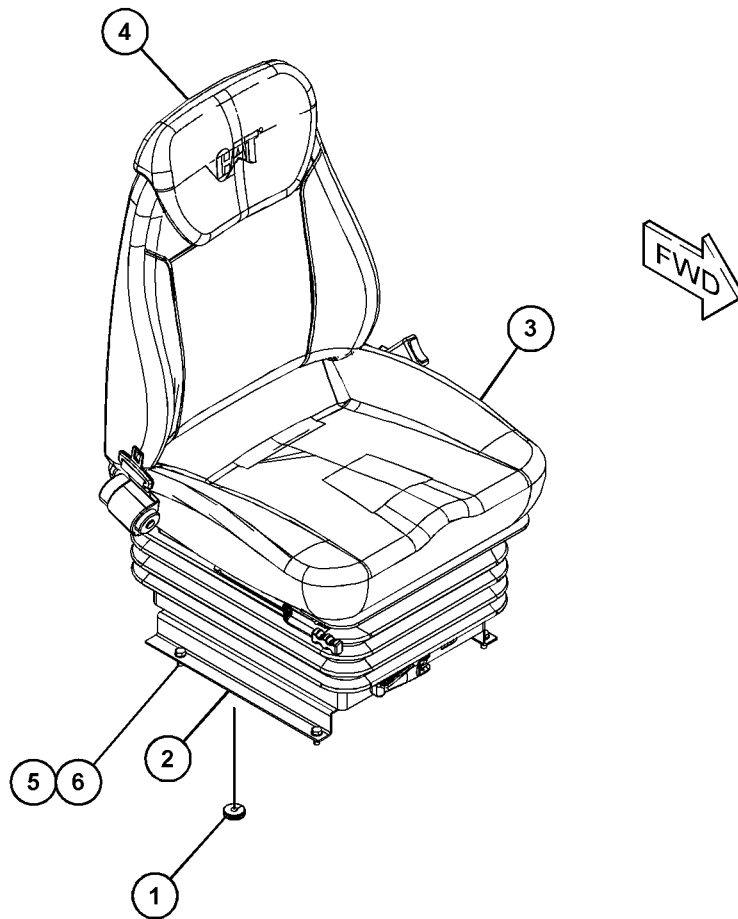
S/N: TH21-UP
AN ATTACHMENT

SMCS-7312

i06826606

NOTE	REF NO	GRAPHIC REF	PART NUMBER	QTY	PART NAME						SEE PAGE
					1	2	3	4	5	6 (PRODUCT LEVEL)	
	1	1	521-6487	1	GROMMET						
	2	1	476-7795	1	BRACKET AS						
Y	3	1	460-0318	1	SEAT GP						958
	4	1	460-0319	1	HEADREST						
	5	1	8T-4224	8	WASHER-HARD (8.8X16X2-MM THK)						
M	6	1	8T-4189	8	BOLT (M8X1.25X20-MM)						

M - METRIC PART
Y - SEPARATE ILLUSTRATION



GRAPHIC #1

<END>

g06039890

OPERATOR STATION

476-7798 SEAT & MOUNTING GP

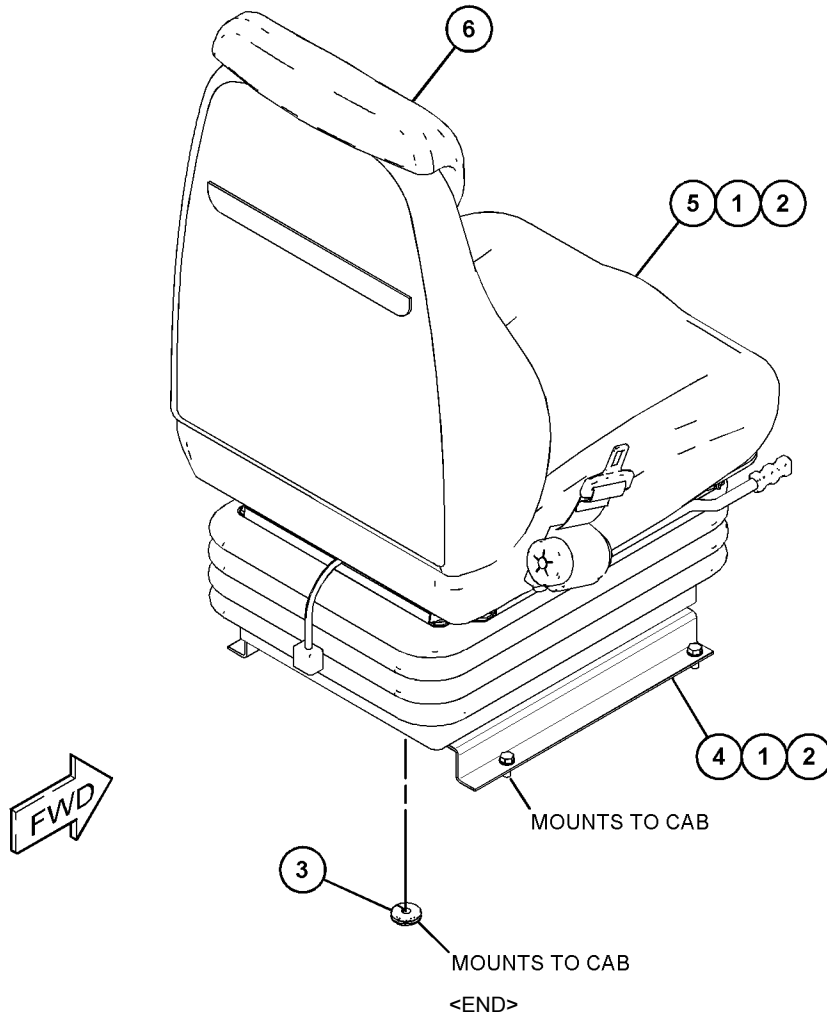
S/N: TH21-UP
AN ATTACHMENT

SMCS-7312

i06824016

NOTE	REF NO	GRAPHIC REF	PART NUMBER	QTY	PART NAME						SEE PAGE
					1	2	3	4	5	6 (PRODUCT LEVEL)	
M	1	1	8T-4189	8	BOLT (M8X1.25X20-MM)						
	2	1	8T-4224	8	WASHER-HARD (8.8X16X2-MM THK)						
	3	1	521-6487	1	GROMMET						
	4	1	476-7795	1	BRACKET AS						
Y	5	1	460-0320	1	SEAT GP						959
	6	1	460-0321	1	HEADREST						

M - METRIC PART
Y - SEPARATE ILLUSTRATION



GRAPHIC #1

g06040606

OPERATOR STATION

476-8930 SEAT & MOUNTING GP-AIR SUSPENSION

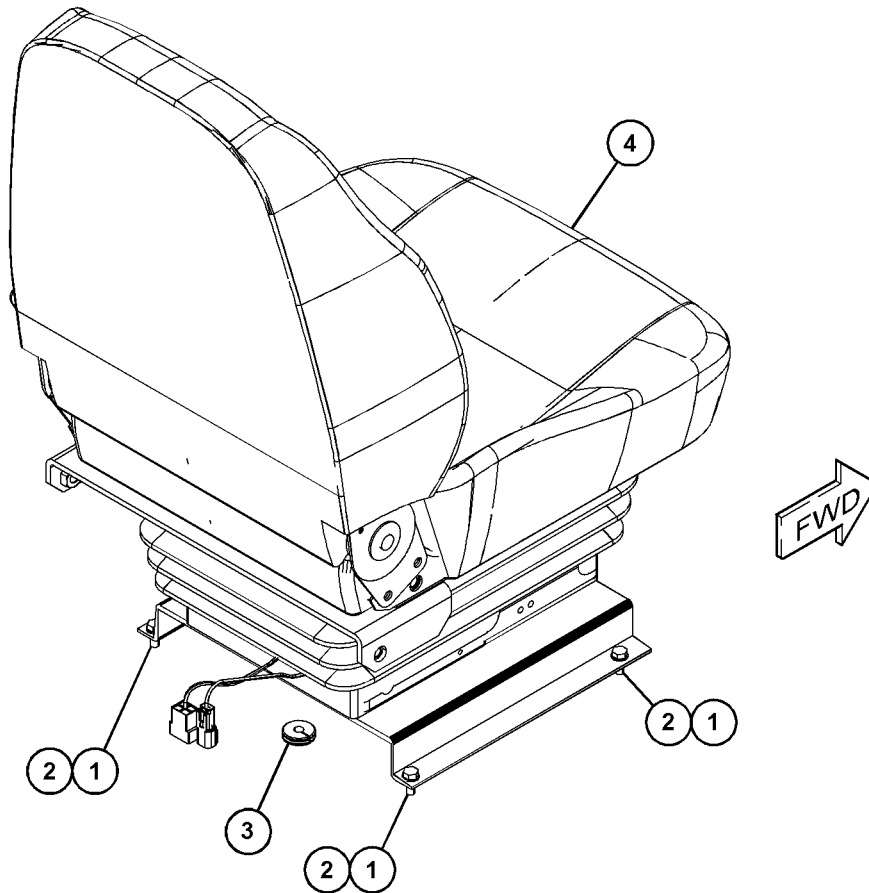
S/N: TH21-UP
AN ATTACHMENT

SMCS-7312

i06823988

NOTE	REF NO	GRAPHIC REF	PART NUMBER	QTY	PART NAME						SEE PAGE
					1	2	3	4	5	6 (PRODUCT LEVEL)	
M	1	1	8T-4189	4	BOLT (M8X1.25X20-MM)						
	2	1	8T-4224	4	WASHER-HARD (8.8X16X2-MM THK)						
	3	1	521-6487	1	GROMMET						
Y	4	1	476-8931	1	SEAT GP						961

M - METRIC PART
Y - SEPARATE ILLUSTRATION



GRAPHIC #1

<END>

g06042291

OPERATOR STATION

492-4861 SEAT & MOUNTING GP-AIR SUSPENSION

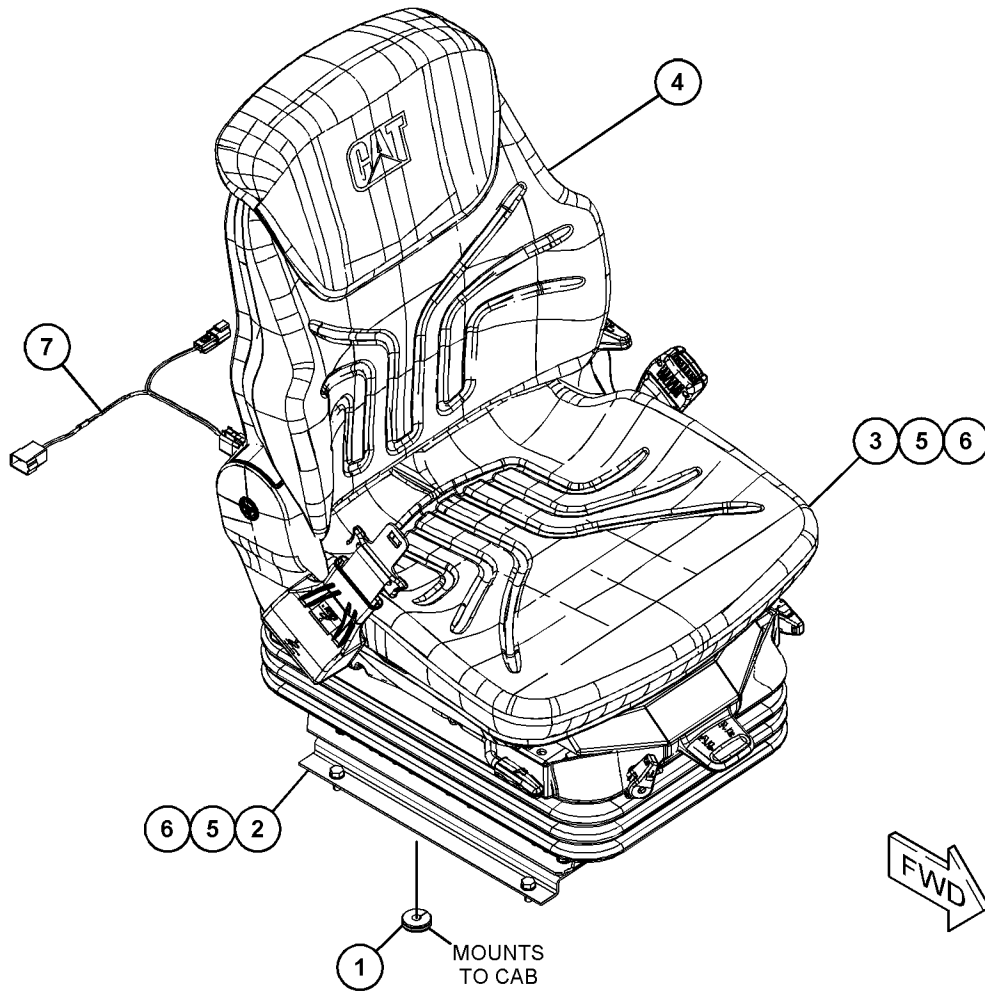
S/N: TH21-UP
AN ATTACHMENT

SMCS-7312

i06822967

NOTE	REF NO	GRAPHIC REF	PART NUMBER	QTY	PART NAME						SEE PAGE
					1	2	3	4	5	6 (PRODUCT LEVEL)	
	1	1	521-6487	1	GROMMET						
	2	1	492-4862	1	PLATE AS						
	3	1	463-2072	1	SEAT GP-SUSPENSION						
	4	1	450-9503	1	SUPPORT						
	5	1	8T-4224	8	WASHER-HARD (8.8X16X2-MM THK)						
M	6	1	8T-4189	8	BOLT (M8X1.25X20-MM)						
	7	1	463-2071	1	HARNESS AS-SWITCH						

M - METRIC PART



GRAPHIC #1

g06037926

OPERATOR STATION

503-1690 SEAT & MOUNTING GP-AIR SUSPENSION

S/N: TH21-UP; TH31-UP

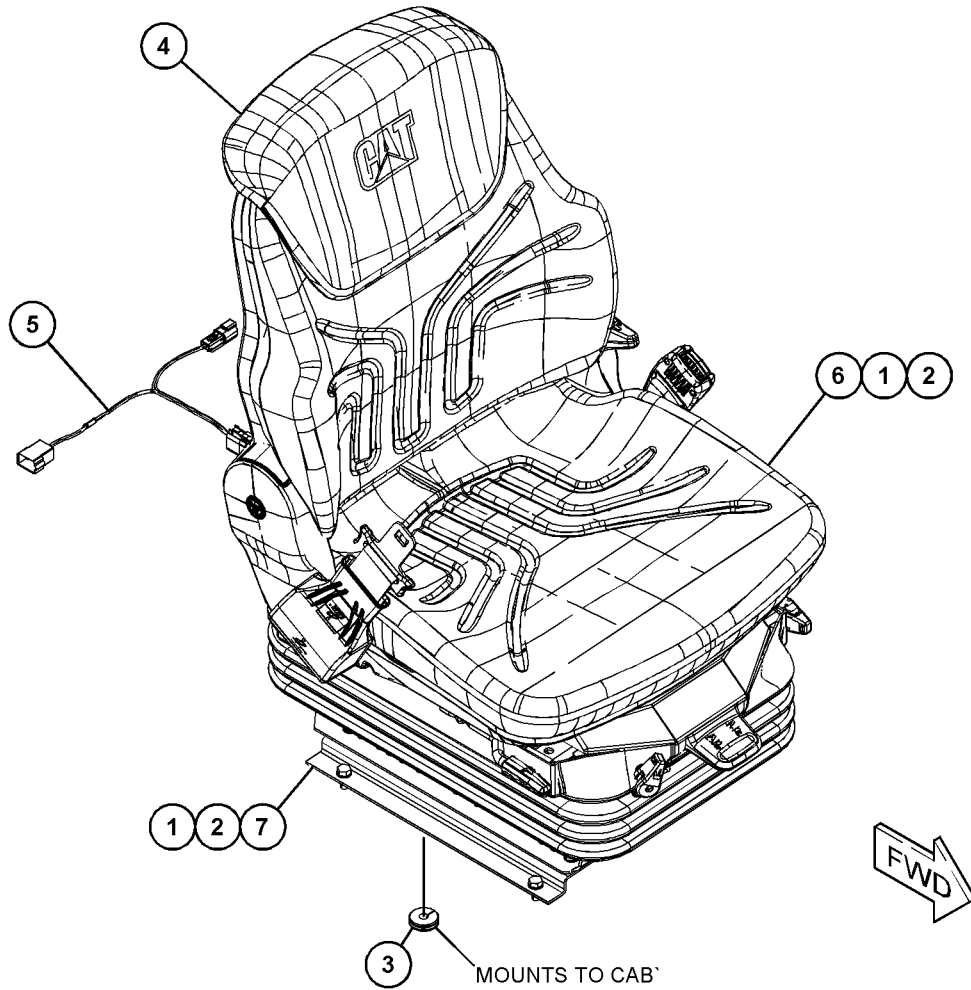
AN ATTACHMENT

SMCS-7312

i06825094

NOTE	REF NO	GRAPHIC REF	PART NUMBER	QTY	PART NAME						SEE PAGE
					1	2	3	4	5	6 (PRODUCT LEVEL)	
M	1	1	8T-4189	8	BOLT (M8X1.25X20-MM)						
	2	1	8T-4224	8	WASHER-HARD (8.8X16X2-MM THK)						
	3	1	521-6487	1	GROMMET						
	4	1	450-9503	1	SUPPORT						
	5	1	463-2071	1	HARNESS AS-SWITCH						
	6	1	463-2072	1	SEAT GP-SUSPENSION						
	7	1	492-4862	1	PLATE AS						

M - METRIC PART



GRAPHIC #1

<END>

g06038395

OPERATOR STATION

229-0582 SEAT BELT GP-2 IN

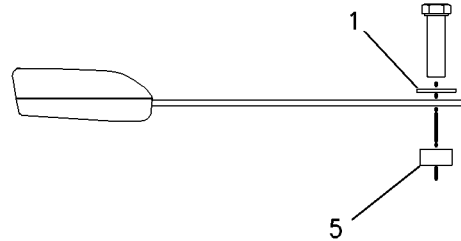
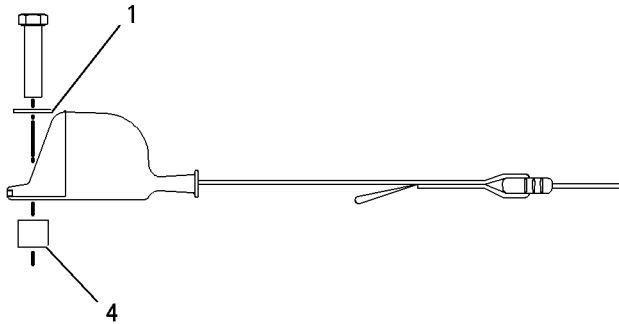
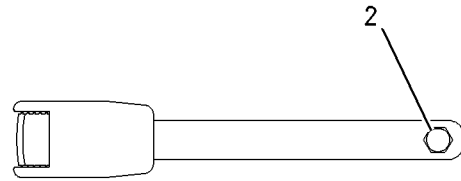
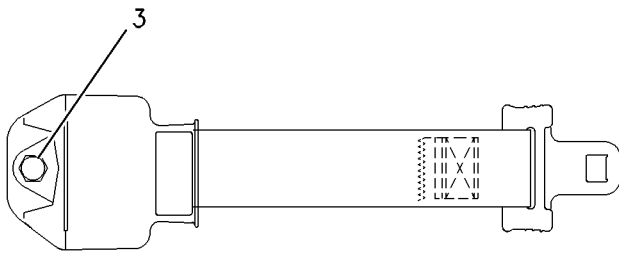
S/N: TH21-UP; W231-UP

AN ATTACHMENT

SMCS-7327

i01996488

NOTE	REF NO	GRAPHIC REF	PART NUMBER	QTY	PART NAME						SEE PAGE
					1	2	3	4	5	6	
	1	1	3K-6113	2	WASHER-HARD (12X18.5X3-MM THK)						
	2	1	5P-8282	1	BOLT-LOCKING (7/16-14X1.5-IN)						
	3	1	5P-9940	1	BOLT-LOCKING						
	4	1	215-9632	1	SPACER (12X20X20-MM THK)						
	5	1	161-3357	1	SPACER (12X20X10-MM THK)						



GRAPHIC #1

<END>

g00951155

OPERATOR STATION

229-0583 SEAT BELT GP-3 IN

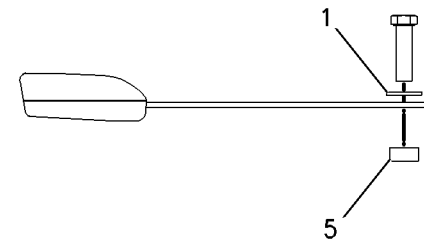
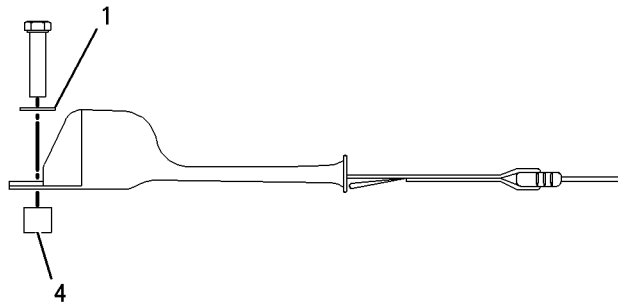
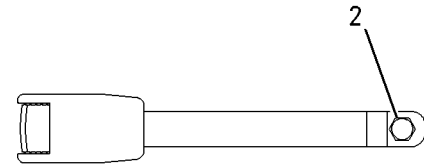
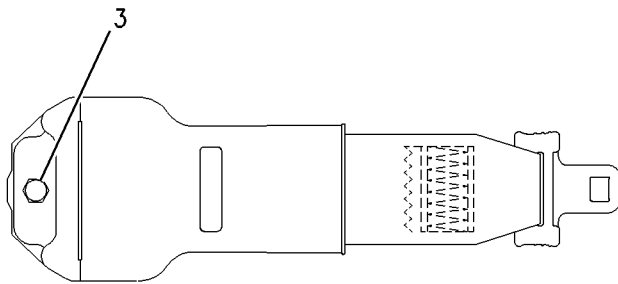
S/N: TH21-UP; W231-UP

AN ATTACHMENT

SMCS-7327

i01996489

NOTE	REF NO	GRAPHIC REF	PART NUMBER	QTY	PART NAME						SEE PAGE
					1	2	3	4	5	6	
	1	1	3K-6113	2	WASHER-HARD (12X18.5X3-MM THK)						
	2	1	5P-8282	1	BOLT-LOCKING (7/16-14X1.5-IN)						
	3	1	5P-9940	1	BOLT-LOCKING						
	4	1	215-9632	1	SPACER (12X20X20-MM THK)						
	5	1	161-3357	1	SPACER (12X20X10-MM THK)						



GRAPHIC #1

<END>

g00951160

OPERATOR STATION

460-0318 SEAT GP

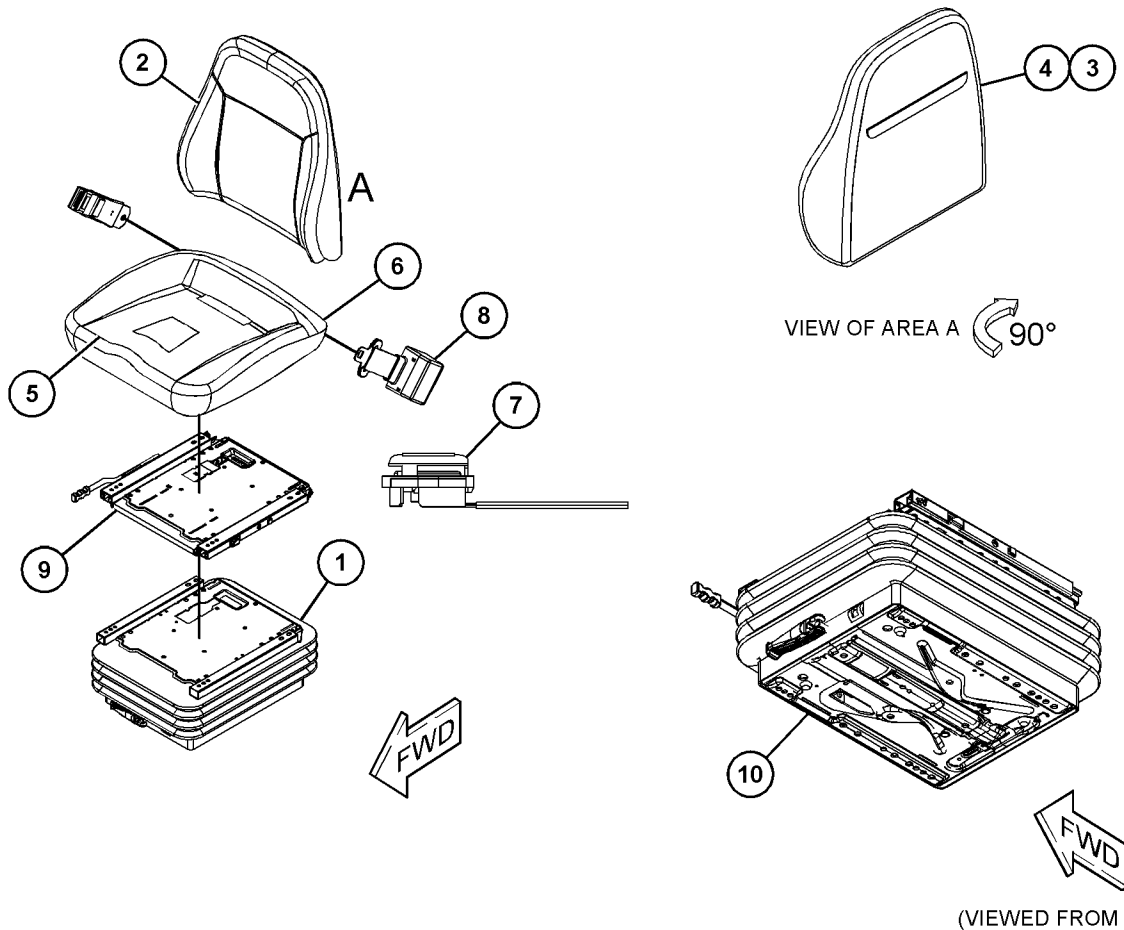
S/N: TH21-UP

PART OF 476-7796 SEAT & MOUNTING GP
AN ATTACHMENT

SMCS-7312, 7324

i06586854

NOTE	REF NO	GRAPHIC REF	PART NUMBER	QTY	PART NAME						SEE PAGE
					1	2	3	4	5	6 (PRODUCT LEVEL)	
	1	1	458-8422	1	COVER						
	2	1	458-8415	1	SEAT						
	3	1	458-8416	1	COVER-REAR						
	4	1	458-8425	1	FOAM						
	5	1	458-8418	1	COVER-SEAT						
	6	1	458-8419	1	FOAM-SEAT						
	7	1	458-8420	1	SWITCH						
	8	1	458-8421	1	SEAT BELT						
	9	1	322-5996	1	FRAME-SLIDE						
	10	1	322-5995	1	FRAME-SEAT						



GRAPHIC #1

<END>

g06040059

OPERATOR STATION

460-0320 SEAT GP

S/N: TH21-UP; TH31-UP

PART OF 476-7798 SEAT & MOUNTING GP, 503-1691 SEAT GP
AN ATTACHMENT

SMCS-7312, 7324

i06586855

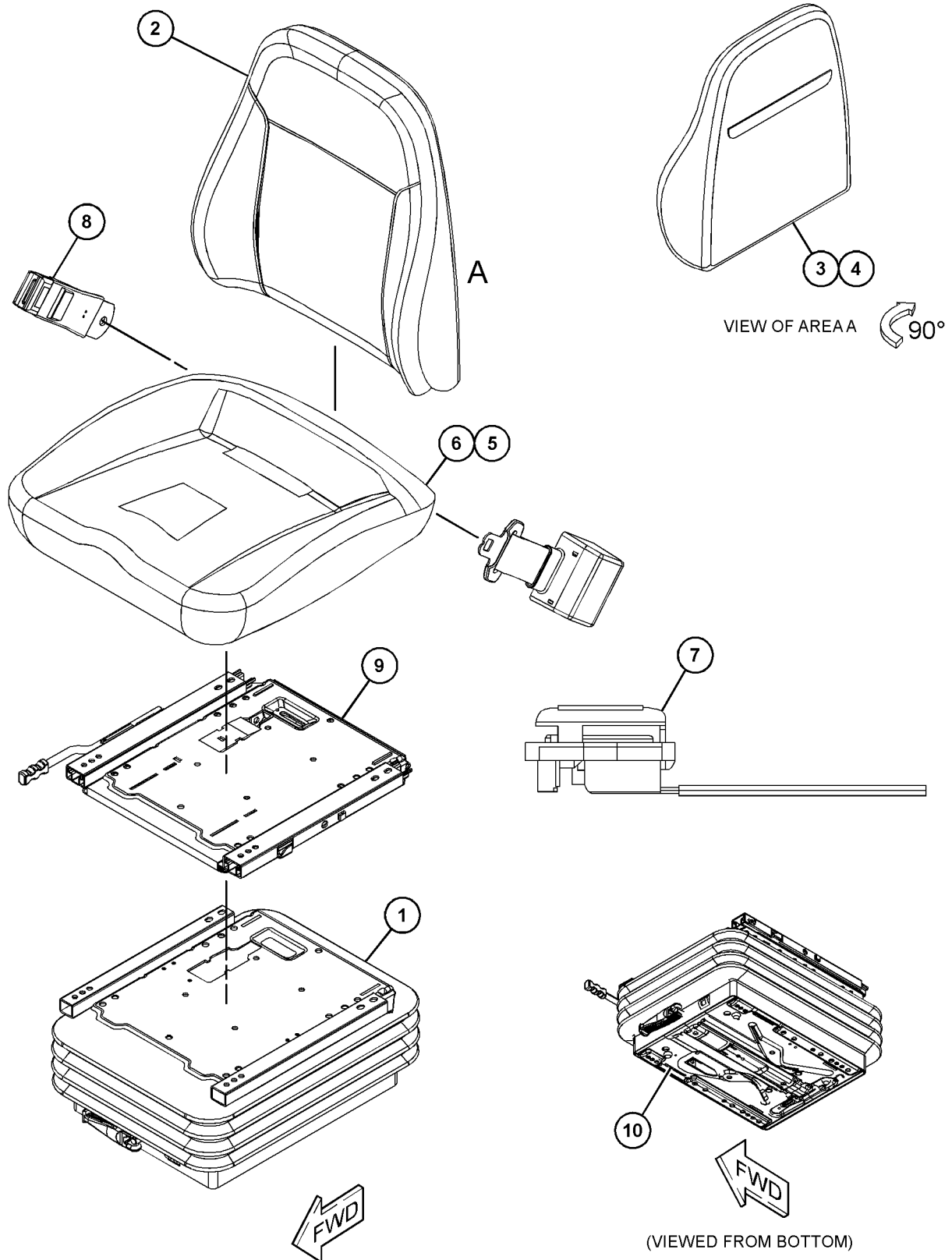
NOTE	REF NO	GRAPHIC REF	PART NUMBER	QTY	PART NAME						SEE PAGE
					1	2	3	4	5	6 (PRODUCT LEVEL)	
	1	1	458-8422	1	COVER						
	2	1	458-8423	1	SEAT						
	3	1	458-8424	1	COVER-REAR						
	4	1	458-8425	1	FOAM						
	5	1	458-8426	1	COVER-SEAT						
	6	1	458-8419	1	FOAM-SEAT						
	7	1	458-8420	1	SWITCH						
	8	1	458-8421	1	SEAT BELT						
	9	1	322-5996	1	FRAME-SLIDE						
	10	1	322-5995	1	FRAME-SEAT						

PARTS SHOWN IN GRAPHIC(S) WITHOUT A REFERENCE NUMBER ARE NOT SERVICED SEPARATELY

OPERATOR STATION

460-0320 SEAT GP (contd.)

106586855



GRAPHIC #1

<END>

g06037820

OPERATOR STATION

476-8931 SEAT GP

S/N: TH21-UP

PART OF 476-8930 SEAT & MOUNTING GP
AN ATTACHMENT

SMCS-7312, 7324

i06823989

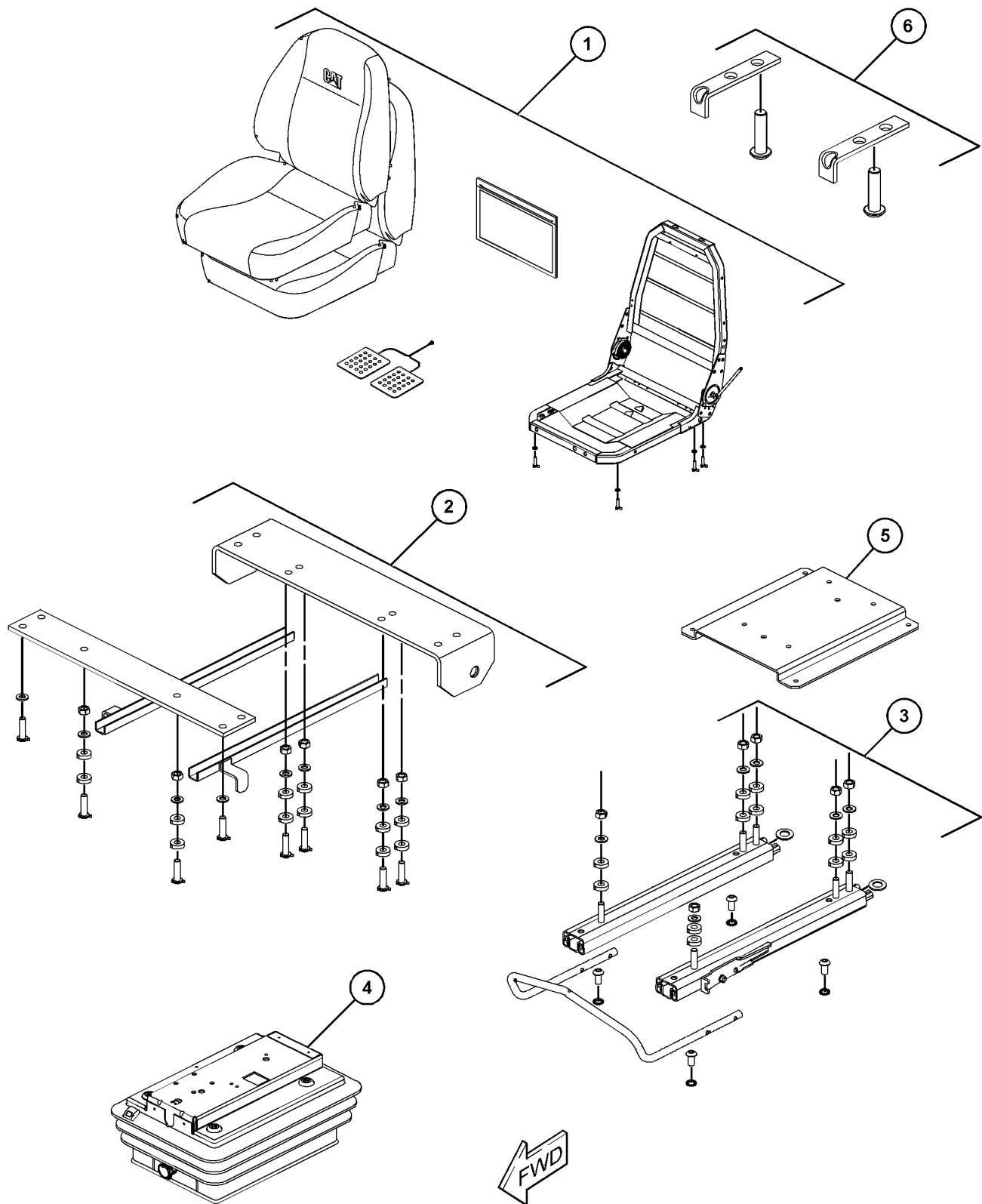
NOTE	REF NO	GRAPHIC REF	PART NUMBER	QTY	PART NAME						SEE PAGE
					1	2	3	4	5	6 (PRODUCT LEVEL)	
Y	1	1	515-8400	1	SEAT GP						964
	2	1	322-8060	1	KIT-STRAP						
					(INCLUDES CHANNELS, STRAPS, SCREWS, NUTS, WASHERS & SPACERS)						
	3	1	322-8061	1	KIT-SEAT ADJUSTER						
					(INCLUDES SPRING WASHERS, NUTS, SCREWS, WASHERS, SPACERS & SLIDE RAILS)						
Y	4	1	213-4578	1	KIT-SEAT SUSPENSION						916
	5	1	515-8220	1	KIT-PLATE						
					(INCLUDES SCREWS, WASHERS & ADAPTER PLATE)						
	6	1	322-8065	1	KIT-STOP						
					(INCLUDES SLIDE RAILS & SCREWS)						

Y - SEPARATE ILLUSTRATION

OPERATOR STATION

476-8931 SEAT GP (contd.)

i06823989



GRAPHIC #1

<END>

g06136130

OPERATOR STATION

503-1691 SEAT GP

S/N: TH21-UP; TH31-UP

CLOTH

AN ATTACHMENT

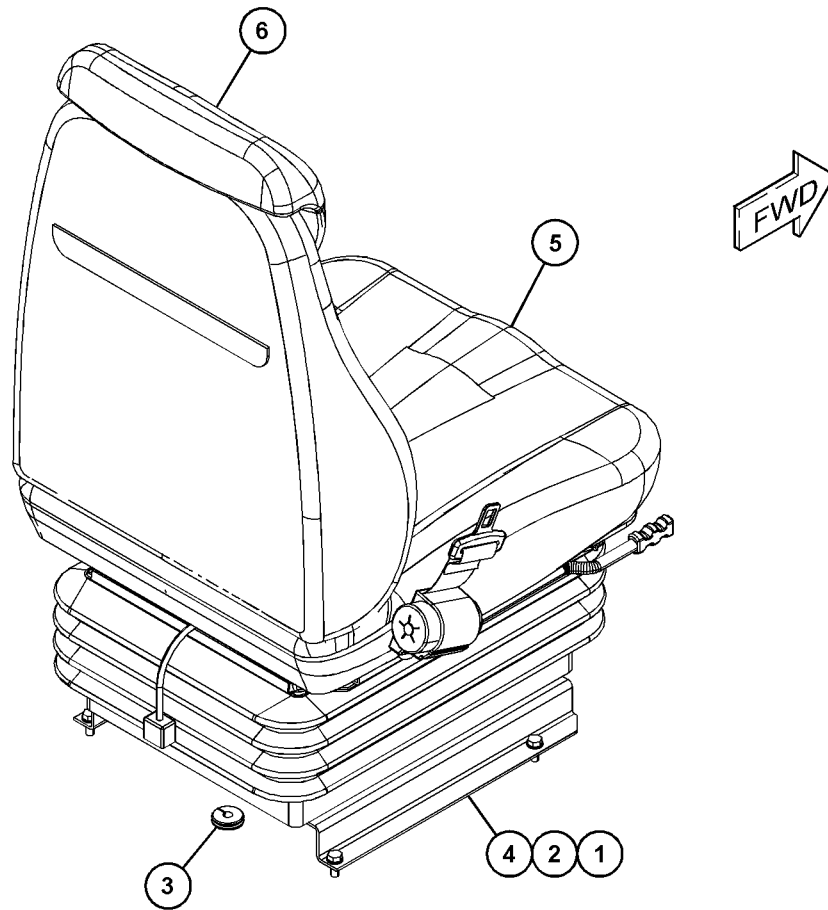
SMCS-7312, 7324

i06825097

NOTE	REF NO	GRAPHIC REF	PART NUMBER	QTY	PART NAME						SEE PAGE
					1	2	3	4	5	6 (PRODUCT LEVEL)	
M	1	1	8T-4189	8	BOLT (M8X1.25X20-MM)						
	2	1	8T-4224	8	WASHER-HARD (8.8X16X2-MM THK)						
	3	1	521-6487	1	GROMMET						
	4	1	503-1693	1	PLATE AS						
Y	5	1	460-0320	1	SEAT GP						959
	6	1	460-0321	1	HEADREST						

M - METRIC PART

Y - SEPARATE ILLUSTRATION



GRAPHIC #1

<END>

g06038858

OPERATOR STATION

515-8400 SEAT GP

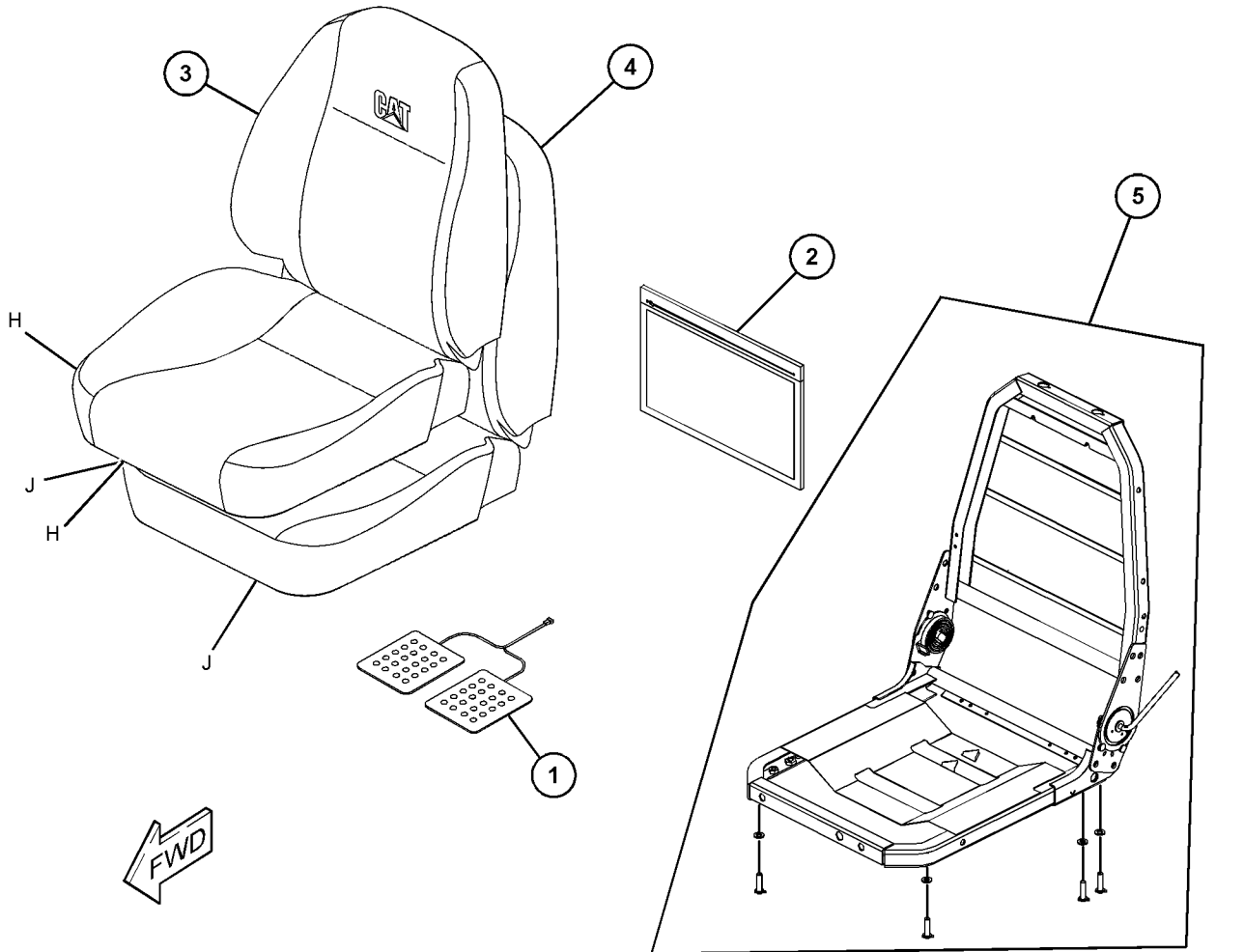
S/N: TH21-UP

PART OF 476-8931 SEAT GP
AN ATTACHMENT

SMCS-7312, 7324

i06823990

NOTE	REF NO	GRAPHIC REF	PART NUMBER	QTY	PART NAME						SEE PAGE
					1	2	3	4	5	6 (PRODUCT LEVEL)	
	1	1	451-8375	1	KIT-SENSOR (OPERATOR PRESENT)						
					(INCLUDES PADS)						
	2	1	322-8059	1	KIT-LITERATURE HOLDER						
	3	1	515-8262	1	COVER-BACK						
	4	1	322-8080	1	KIT-BACK FOAM						
					(INCLUDES BACK FOAM, TRIM BARS & HOG RINGS)						
	5	1	322-8057	1	KIT-FRAME AS						
					(INCLUDES FRAME, SCREWS & WASHERS)						
					AVAILABLE REPAIR KIT(S):						
			110-5059	1	KIT-SEAT (BOTTOM)						
					(INCLUDES PARTS MARKED "J" IN THE GRAPHICS)						
			515-8263	1	KIT-SEAT COVER						
					(INCLUDES PARTS MARKED "H" IN THE GRAPHICS)						



GRAPHIC #1

<END>

g06134910

OPERATOR STATION

495-7646 TANK GP-WINDOW WASHER

S/N: TH21-UP; TH31-UP

PART OF 507-9544, 507-9545, 507-9546, 507-9547 CAB AR
AN ATTACHMENT

SMCS-7306

i06591329

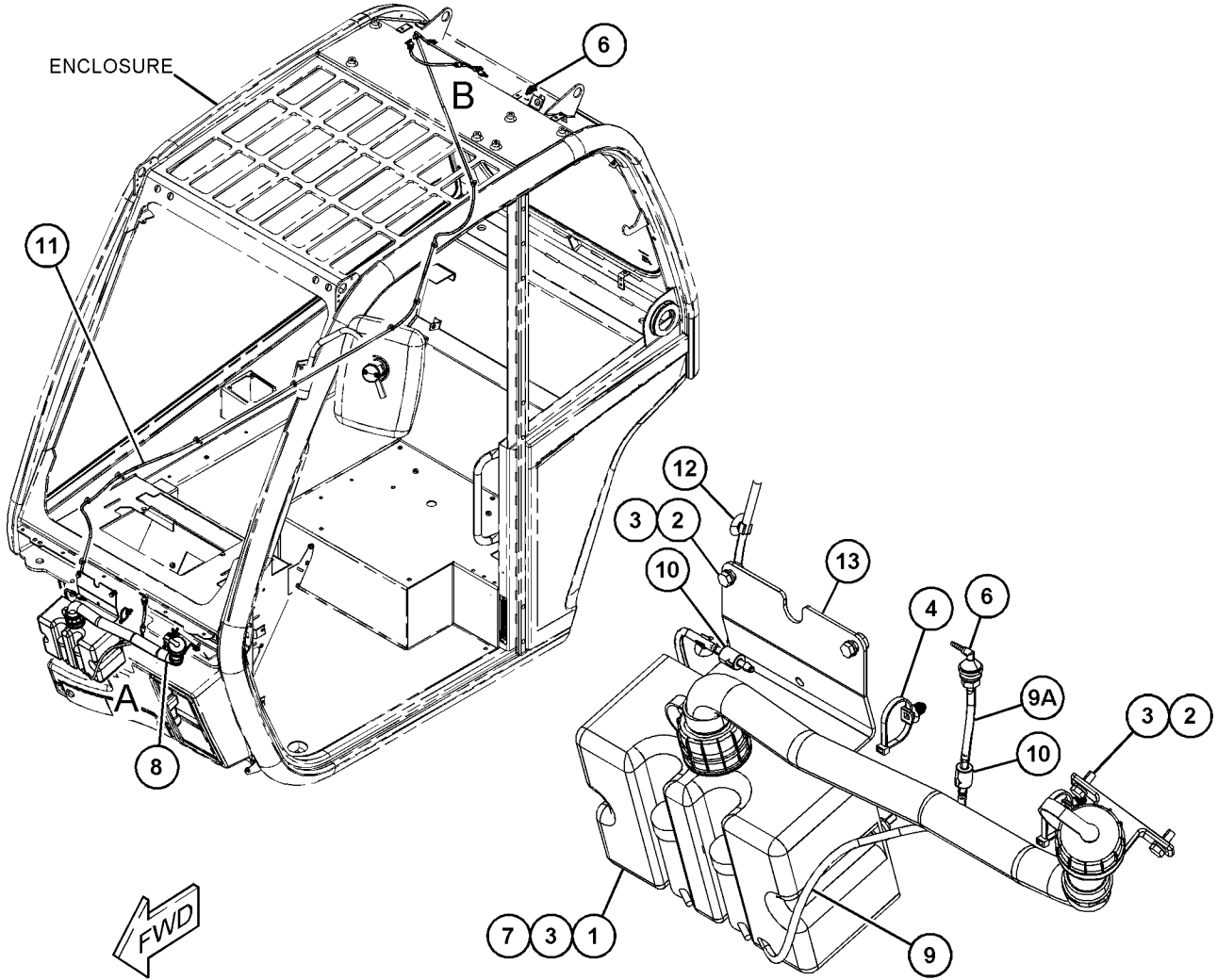
NOTE	REF NO	GRAPHIC REF	PART NUMBER	QTY	PART NAME						SEE PAGE
					1	2	3	4	5	6 (PRODUCT LEVEL)	
M	1	1	473-7230	2	BOLT (M5X0.8X25-MM)						
M	2	1	5C-9553	4	BOLT (M6X1X16-MM)						
	3	1	8T-4205	6	WASHER-HARD (7.2X14.5X2-MM THK)						
	4	1	206-1345	2	STRAP-CABLE						
	5	1	6K-9632	1	TEE						
	6	1	315-3812	3	CONNECTOR						
	7	1	495-7649	1	TANK AS-WINDOW WASHER						
	8	1	473-6830	1	HOSE AS						
E	9	1	144-0195		HOSE (47-CM)						
E	9A	1	144-0195		HOSE (10-CM)						
E	9B	1	144-0195		HOSE (4-CM EACH)						
E	9C	1	144-0195		HOSE (16-CM)						
	10	1	489-4104	4	VALVE-CHECK						
	11	1	495-7650	1	HOSE						
	12	1	473-6930	16	MOUNT						
	13	1	474-9857	1	BRACKET AS						

E - ORDER BY THE CENTIMETER
M - METRIC PART

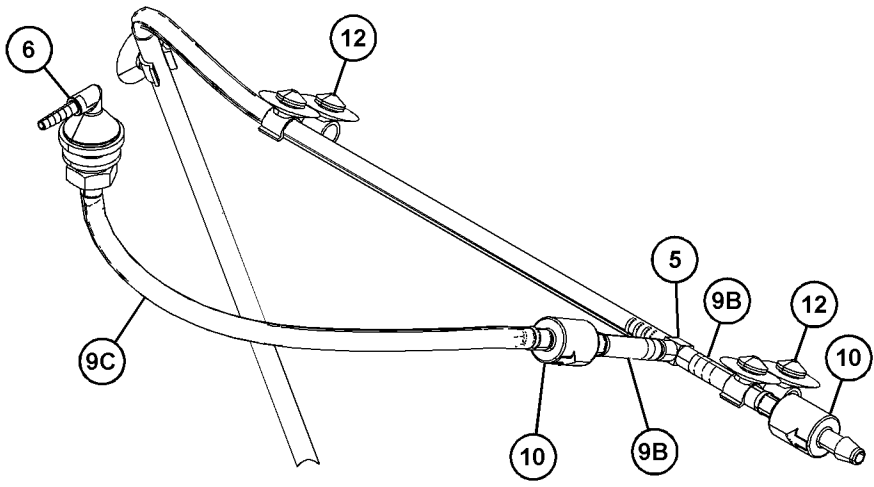
OPERATOR STATION

495-7646 TANK GP-WINDOW WASHER (contd.)

i06591329



VIEW OF AREA A



VIEW OF AREA B

GRAPHIC #1

<END>

g06040613

OPERATOR STATION

495-6202 TRIM GP-CAB

S/N: TH21-UP; TH31-UP
PART OF 495-6209 TRIM GP-CAB
AN ATTACHMENT

SMCS-7329, 7450

i07213660

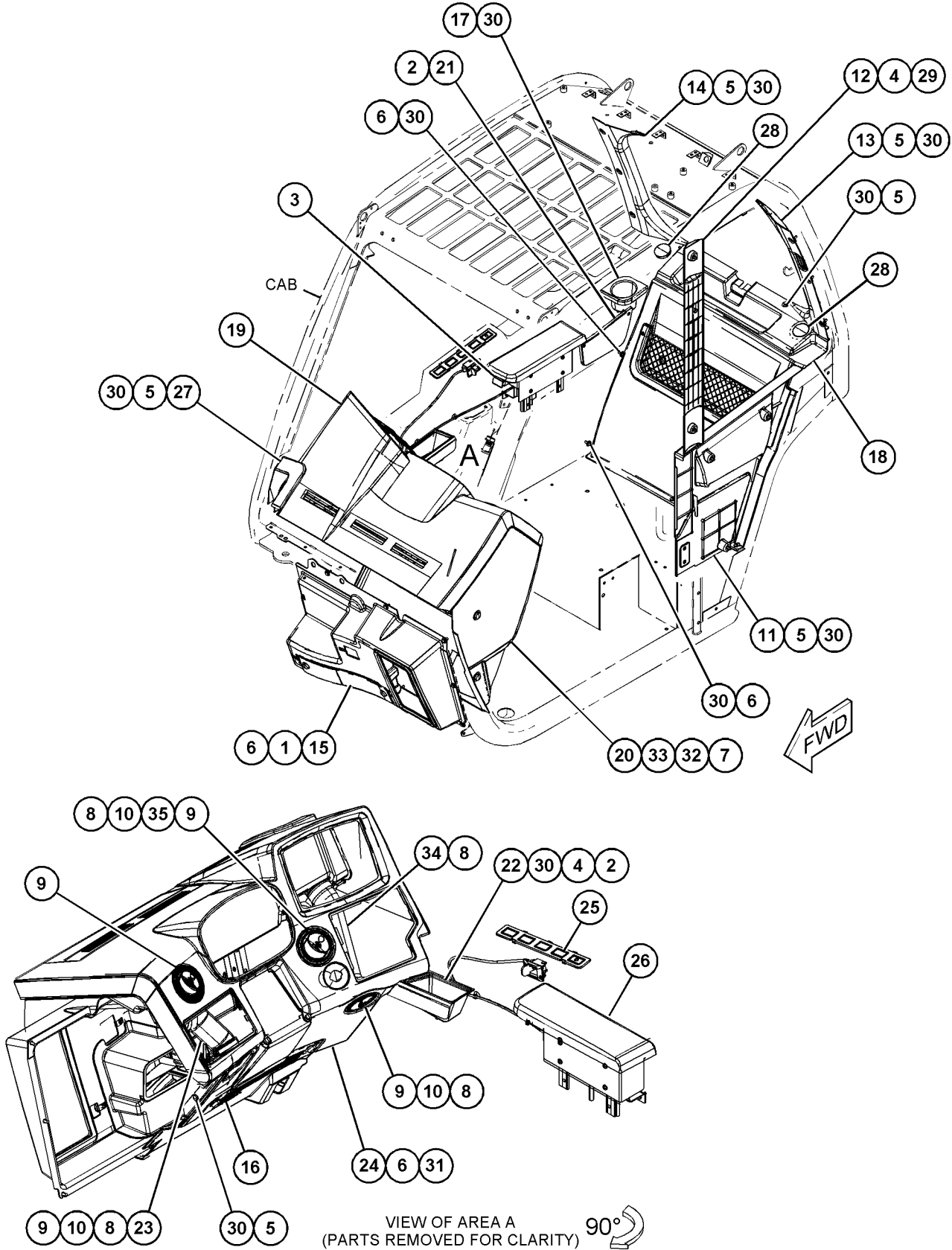
NOTE	REF NO	GRAPHIC REF	PART NUMBER	QTY	PART NAME						SEE PAGE
					1	2	3	4	5	6 (PRODUCT LEVEL)	
	1	1	303-4779	2	LOCKNUT (M6X1-THD)						
M	2	1	455-2256	3	BOLT-SOCKET HEAD (M5X0.8X20-MM)						
	3	1	323-7233	1	COVER-SWITCH						
	4	1	309-3996	3	WASHER (5.3X12.5X5-MM THK)						
	5	1	8T-4205	24	WASHER-HARD (7.2X14.5X2-MM THK)						
	6	1	5W-1417	5	WASHER (6.4X18X1.6-MM THK)						
M	7	1	341-7590	2	NUT (M6X1-THD)						
	8	1	323-7265	6	CLAMP						
	9	1	459-5371	4	VENT						
	10	1	459-5188	3	CONNECTOR						
	11	1	477-5914	1	COVER						
	12	1	473-6967	1	COVER						
	13	1	495-6203	1	COVER						
	14	1	477-5891	1	COVER						
Y	15	1	<i>474-9856</i>	1	COVER GP (FRONT)						595
	16	1	473-6971	1	COVER AS-ACCESS (GRILL)						
M		1	388-4063	2	SCREW (M6X16-MM)						
		1	460-4126	2	WASHER						
	17	1	473-6968	1	CUP HOLDER						
	18	1	<i>473-6974</i>	1	COVER AS-ACCESS (REAR PANEL)						
		1	473-6842	6	SCREW (NO 6 X 1-IN)						
		1	473-6977	1	COVER-REAR						
		1	473-6986	1	NET AS-STORAGE						
	19	1	475-0755	1	COVER GP-CONSOLE (DASH)						
		1	315-3850	1	TUBE						
		1	323-5629	2	ELBOW-HOSE						
		1	494-0160	2	STUD						
	20	1	473-6983	1	CONSOLE (LH)						
	21	1	473-6841	1	BEZEL						
	22	1	473-7034	1	BOX-STORAGE						
	23	1	474-9789	1	HOSE						
	24	1	<i>474-9859</i>	1	COVER GP (DASH, LOWER)						
		1	473-6985	2	CLIP						
		1	474-9860	1	CONSOLE						
	25	1	495-6204	1	PLATE						
Y	26	1	<i>495-6206</i>	1	ARMREST GP						863
	27	1	495-6205	1	COVER						
	28	1	484-1473	2	CAP						
M	29	1	484-1475	2	SCREW (M5X20-THD)						
M	30	1	471-6671	28	SCREW (M6X1X16-MM)						
M	31	1	473-6822	1	SCREW (M6X1X20-MM)						
	32	1	460-4126	2	WASHER						
	33	1	515-2777	1	SCREW-THUMB						
	34	1	474-9797	1	HOSE						
	35	1	474-9790	1	HOSE						

M - METRIC PART
Y - SEPARATE ILLUSTRATION

OPERATOR STATION

495-6202 TRIM GP-CAB (contd.)

i07213660



GRAPHIC #1

<END>

g06133367

OPERATOR STATION

495-6209 TRIM GP-CAB

S/N: TH21-UP; TH31-UP

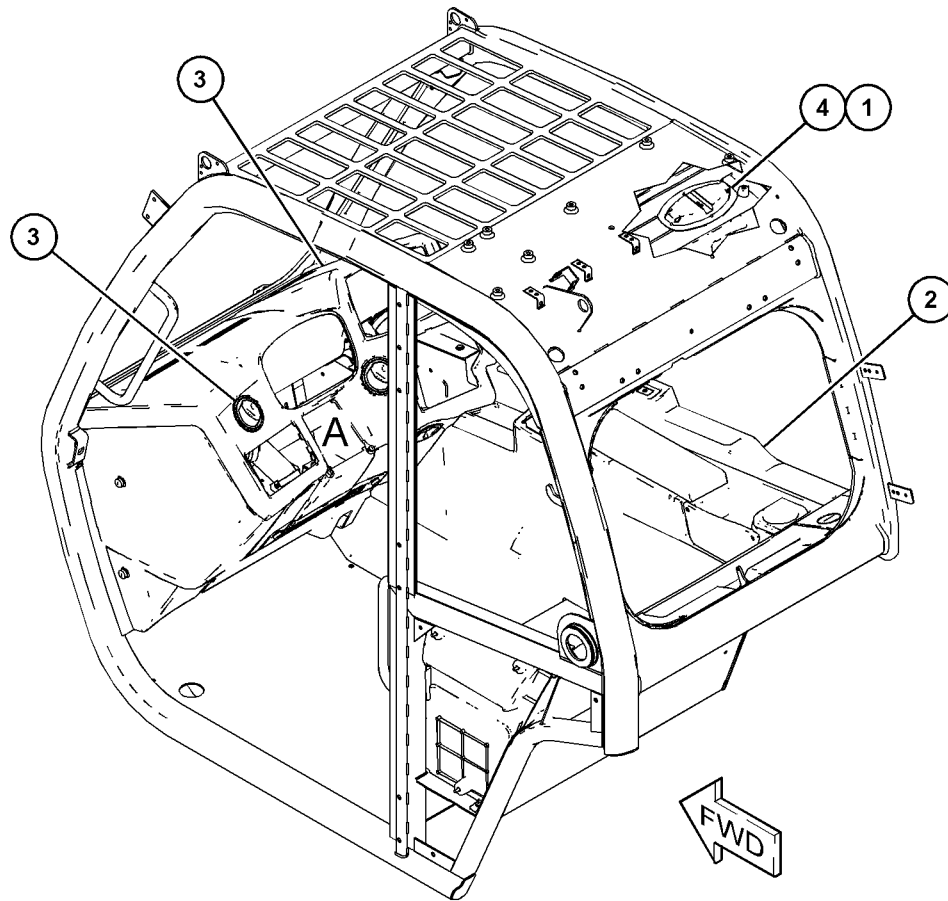
PART OF 507-9544, 507-9545, 507-9546, 507-9547 CAB AR
AN ATTACHMENT

SMCS-7329, 7450

i06810934

NOTE	REF NO	GRAPHIC REF	PART NUMBER	QTY	PART NAME						SEE PAGE
					1	2	3	4	5	6 (PRODUCT LEVEL)	
	1	1	347-5373	4	SCREW-PAN HEAD						
Y	2	1	495-6240	1	TRIM GP-CAB (FRONT) (RH)						970
Y	3	1	495-6202	1	TRIM GP-CAB (FRONT)						967
	4	1	474-9787	1	LAMP (DOME)						

Y - SEPARATE ILLUSTRATION



GRAPHIC #1

<END>

g06125482

OPERATOR STATION

495-6240 TRIM GP-CAB-SIDE

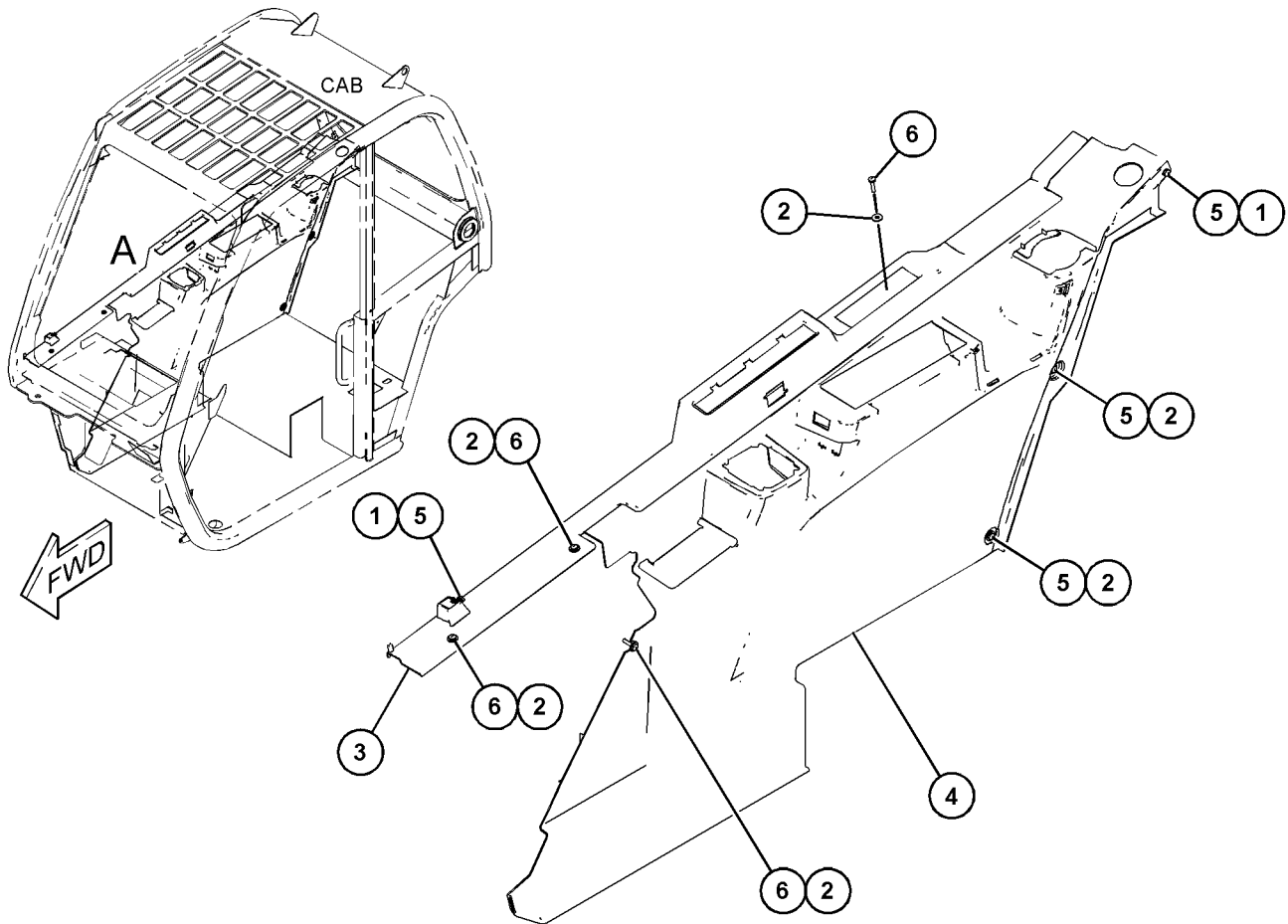
S/N: TH21-UP; TH31-UP
PART OF 495-6209 TRIM GP-CAB
AN ATTACHMENT

SMCS-7329, 7450

i06591348

NOTE	REF NO	GRAPHIC REF	PART NUMBER	QTY	PART NAME						SEE PAGE
					1	2	3	4	5	6 (PRODUCT LEVEL)	
	1	1	8T-4205	2	WASHER-HARD (7.2X14.5X2-MM THK)						
	2	1	5W-1417	6	WASHER (6.4X18X1.6-MM THK)						
	3	1	495-4512	1	COVER GP-ACCESS (EXTENSION)						
M		1	341-7590	1	NUT (M6X1-THD)						
	4	1	495-4514	1	COVER GP-ACCESS (AUGER)						
M		1	494-0157	1	NUT (M5X0.8-THD)						
M	5	1	471-6671	4	SCREW (M6X1X16-MM)						
	6	1	495-6228	4	SCREW-DRIVE (M6X1X25-MM)						

M - METRIC PART



VIEW OF AREA A
<END>

GRAPHIC #1

g06042294

OPERATOR STATION

497-9587 VISOR GP-CAB

S/N: TH21-UP; TH31-UP

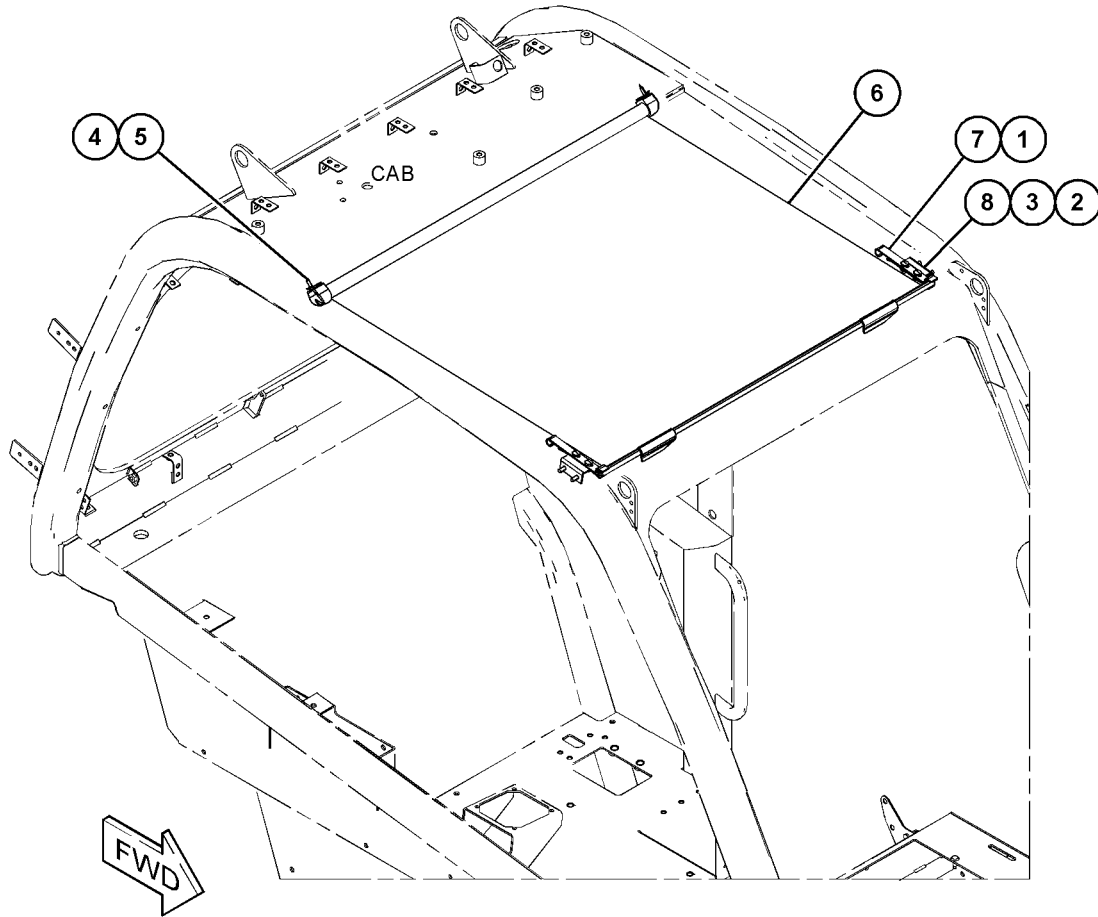
PART OF 507-9544, 507-9545, 507-9546, 507-9547 CAB AR
AN ATTACHMENT

SMCS-7301

i06735169

NOTE	REF NO	GRAPHIC REF	PART NUMBER	QTY	PART NAME						SEE PAGE
					1	2	3	4	5	6 (PRODUCT LEVEL)	
M	1	1	471-6671	4	SCREW (M6X1X16-MM)						
M	2	1	5C-9553	4	BOLT (M6X1X16-MM)						
	3	1	8T-4205	4	WASHER-HARD (7.2X14.5X2-MM THK)						
	4	1	347-4596	2	CLIP						
	5	1	347-4597	2	SCREW-PAN HEAD						
	6	1	497-9588	1	VISOR						
	7	1	513-8862	2	BRACKET						
	8	1	477-0897	2	BRACKET AS						

M - METRIC PART



GRAPHIC #1

<END>

g06113331

OPERATOR STATION

495-3426 WINDOW GP-CAB

S/N: TH21-UP; TH31-UP

REAR

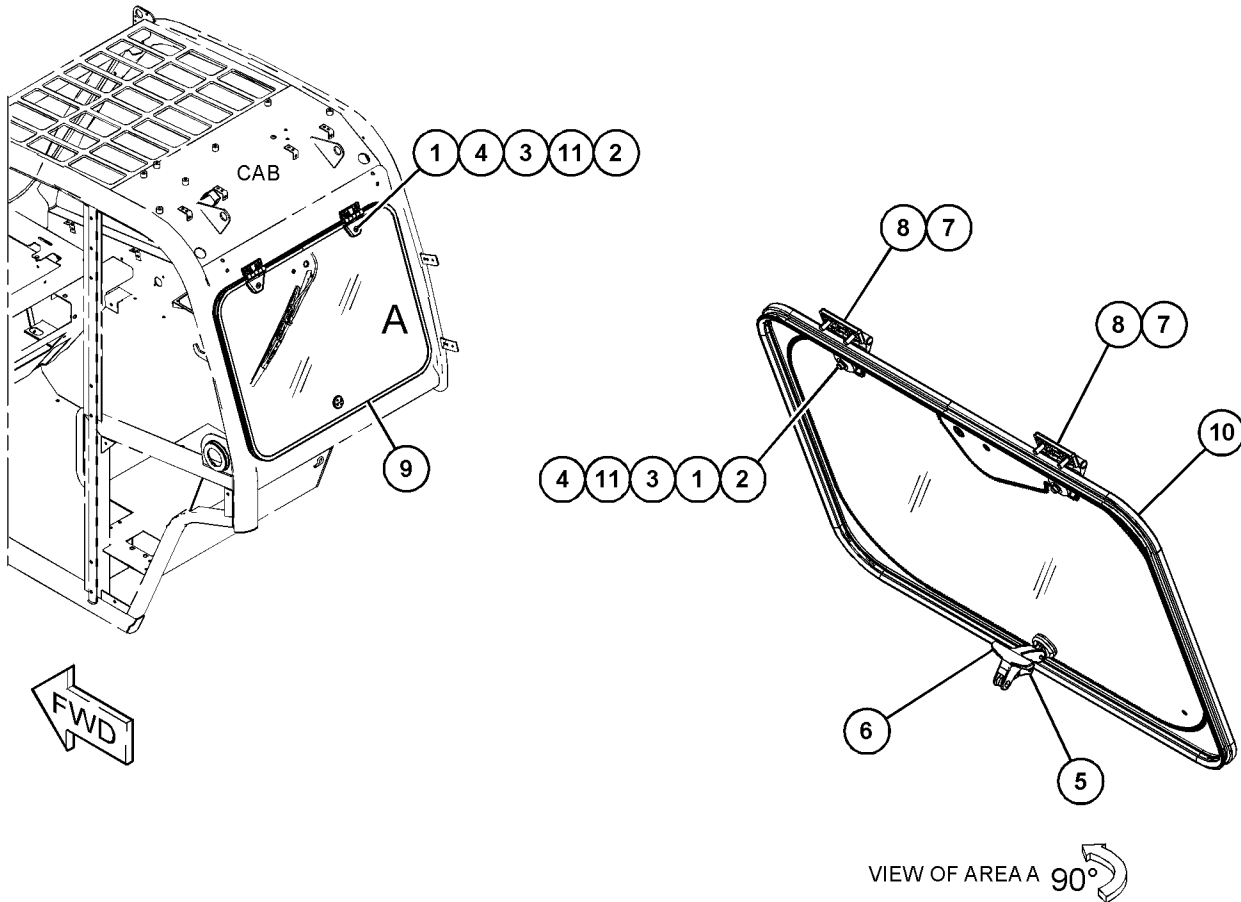
PART OF 507-9544, 507-9545, 507-9546, 507-9547 CAB AR
AN ATTACHMENT

SMCS-7310

i06591350

NOTE	REF NO	GRAPHIC REF	PART NUMBER	QTY	PART NAME						SEE PAGE
					1	2	3	4	5	6 (PRODUCT LEVEL)	
M	1	1	131-3539	2	SCREW-FLAT HEAD (M8X1.25X30-MM)						
M	2	1	459-8911	2	NUT (M8X1.25-THD)						
	3	1	459-1977	2	SPACER						
	4	1	459-1978	2	SPACER						
	5	1	095-0880	1	PIN						
	6	1	213-3263	1	LATCH AS						
		1	226-2754	1	PIN AS						
M	7	1	101-7541	4	SCREW-FLAT HEAD (M8X1.25X25-MM)						
	8	1	459-2708	2	HINGE AS						
	9	1	495-3427	1	GLASS						
	10	1	495-3428	1	SEAL-BULK						
	11	1	473-6966	2	FOAM						

M - METRIC PART



GRAPHIC #1

<END>

g06055409

OPERATOR STATION

513-3136 WINDOW GP-CAB

S/N: TH21-UP; TH31-UP
 PART OF 495-6135 DOOR GP-CAB
 AN ATTACHMENT

SMCS-7310

i06756400

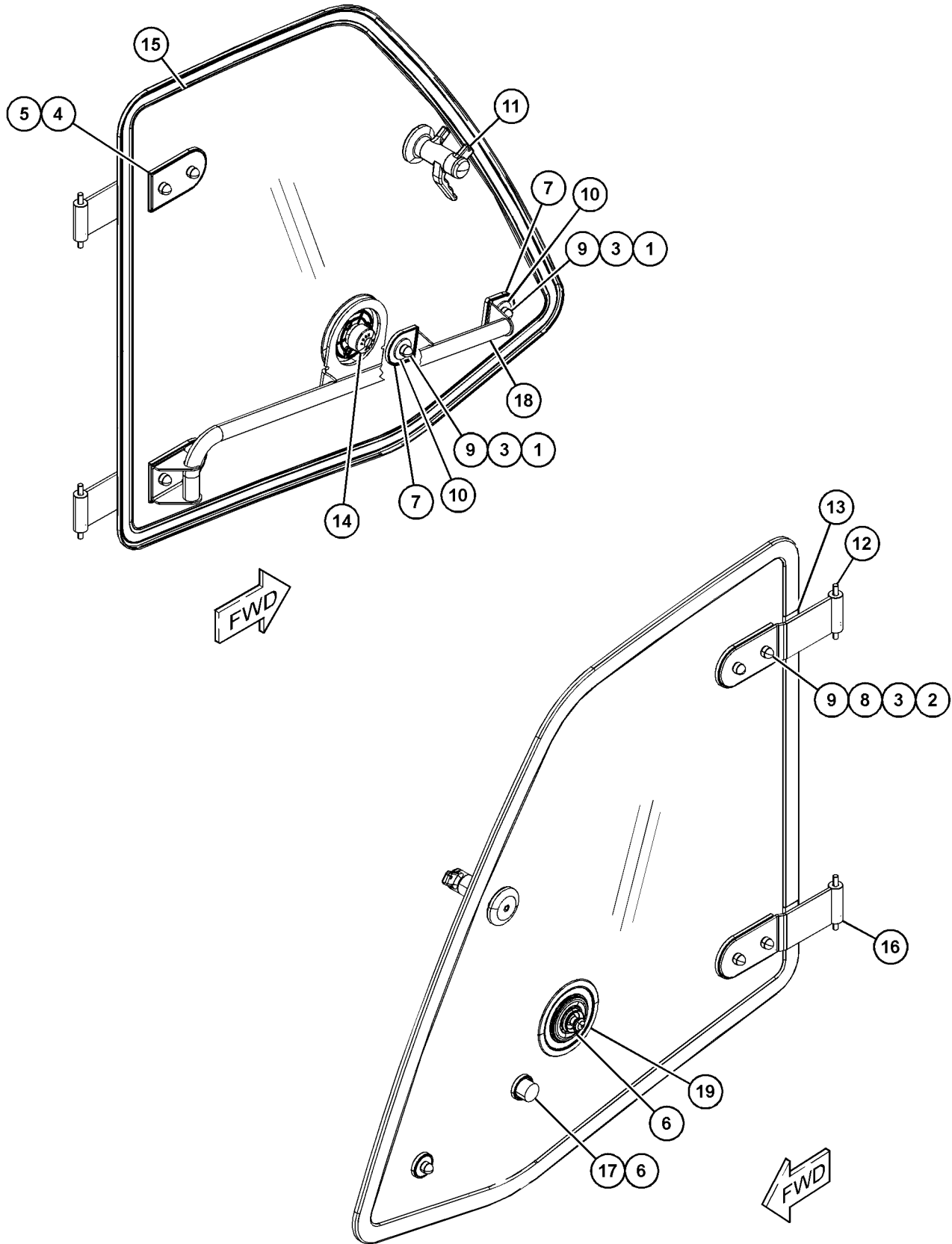
NOTE	REF NO	GRAPHIC REF	PART NUMBER	QTY	PART NAME						SEE PAGE
					1	2	3	4	5	6 (PRODUCT LEVEL)	
M	1	1	8T-7547	1	BOLT (M8X1.25X30-MM)						
M	2	1	7X-2537	5	BOLT (M8X1.25X35-MM)						
	3	1	8T-4224	11	WASHER-HARD (8.8X16X2-MM THK)						
	4	1	315-3760	4	PLATE-MOUNTING						
	5	1	315-3761	1	PLATE-MOUNTING						
	6	1	315-3763	2	MOUNT-RUBBER						
	7	1	315-3767	2	MOUNT-LATCH						
M	8	1	6V-9189	5	LOCKNUT (M8X1.25-THD)						
	9	1	188-8391	11	CAP						
	10	1	459-2758	3	MOUNT						
	11	1	459-2760	1	LATCH-WINDOW						
	12	1	473-8729	2	PIN						
	13	1	473-8730	1	PANEL						
	14	1	473-8731	1	STRIKER						
	15	1	513-3137	1	GLASS						
	16	1	513-3138	2	HINGE AS						
	17	1	513-3139	1	MOUNT						
	18	1	513-3140	1	HANDLE AS						
	19	1	513-3141	1	GASKET						

M - METRIC PART

OPERATOR STATION

513-3136 WINDOW GP-CAB (contd.)

i06756400



GRAPHIC #1

<END>

g06136666

OPERATOR STATION

503-1675 WIPER GP-UPPER

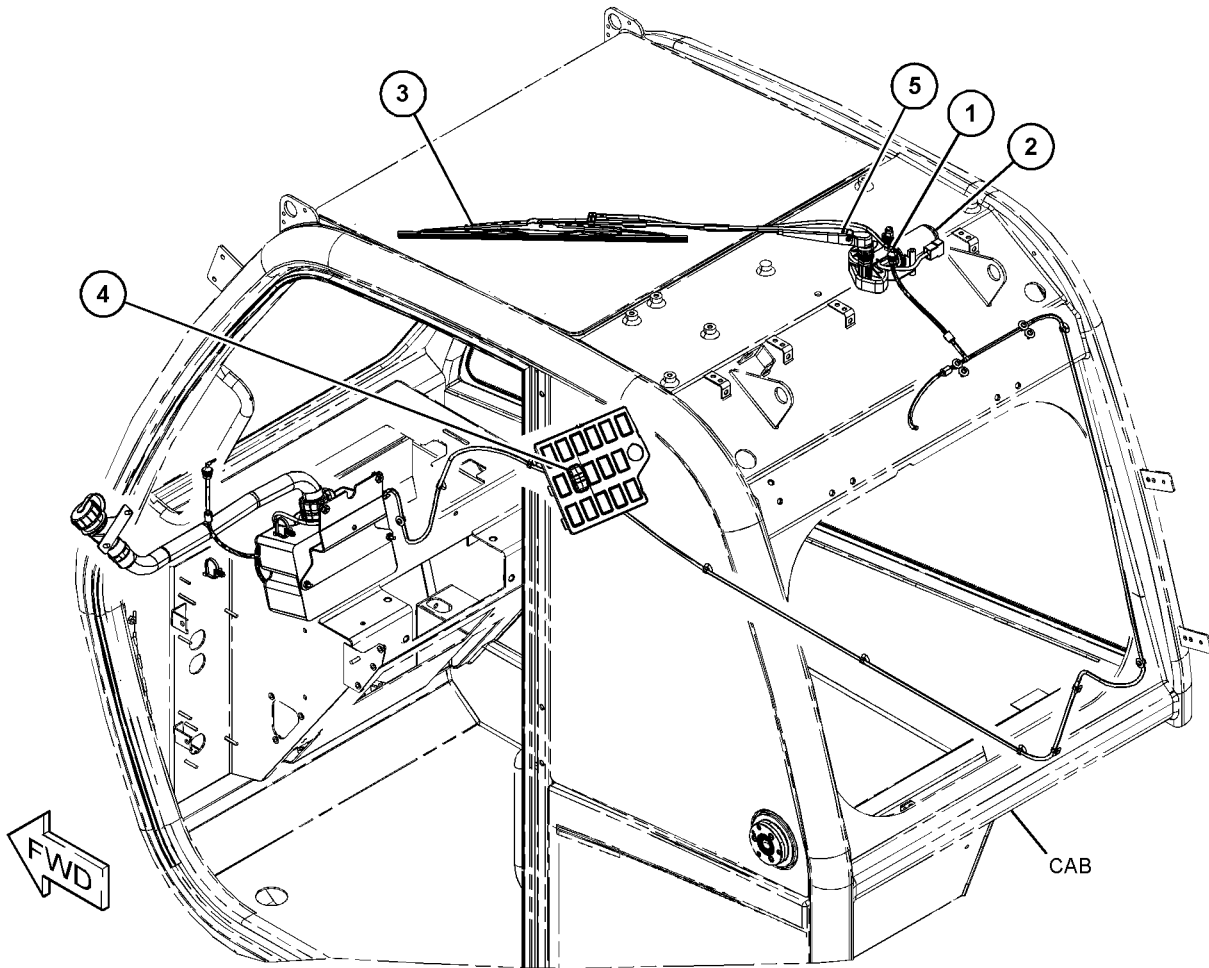
S/N: TH21-UP; TH31-UP

PART OF 507-9544, 507-9545, 507-9546, 507-9547 CAB AR
AN ATTACHMENT

SMCS-7305

i06645701

NOTE	REF NO	GRAPHIC REF	PART NUMBER	QTY	PART NAME						SEE PAGE
					1	2	3	4	5	6 (PRODUCT LEVEL)	
	1	1	315-3812	1	CONNECTOR						
	2	1	459-9780	1	MOTOR-WIPER						
	3	1	459-9783	1	BLADE-WIPER						
	4	1	503-1676	1	SWITCH AS-ROCKER						
	5	1	459-9782	1	BLADE-WIPER (ARM)						



GRAPHIC #1

<END>

g06092596

OPERATOR STATION

471-6094 WIPER GP-WINDOW-FRONT

S/N: TH21-UP; TH31-UP

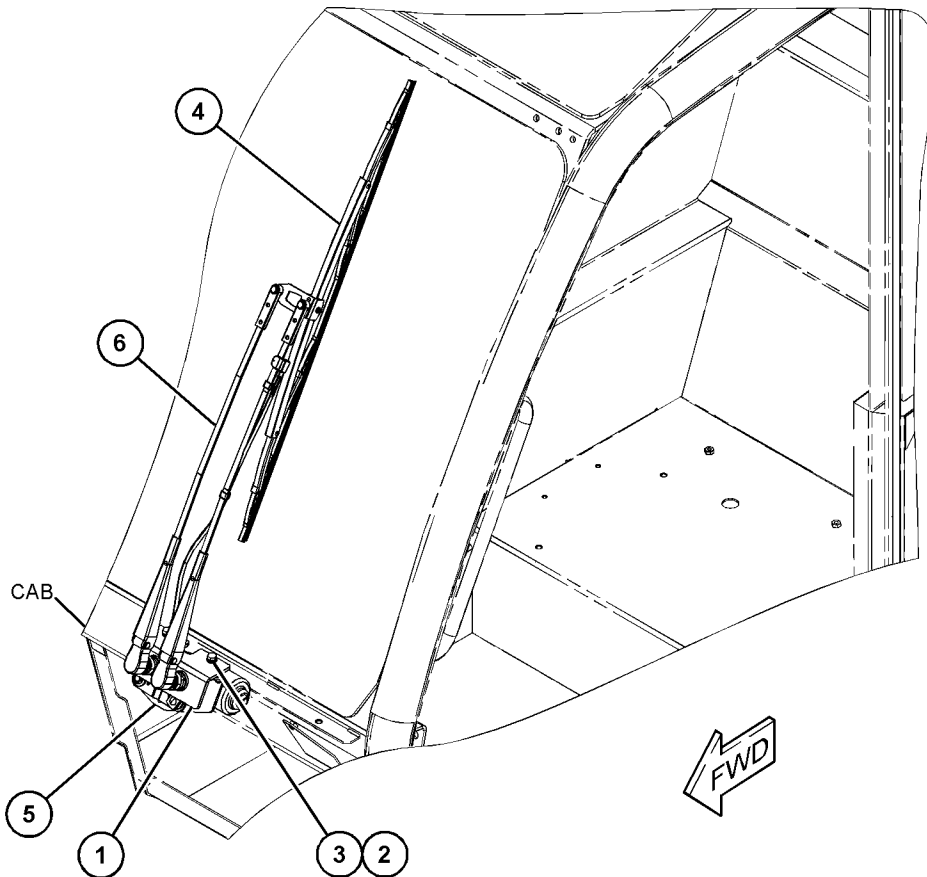
PART OF 507-9544, 507-9545, 507-9546, 507-9547 CAB AR
AN ATTACHMENT
TYPE 1

SMCS-7305

i06746716

NOTE	REF NO	GRAPHIC REF	PART NUMBER	QTY	PART NAME						SEE PAGE
					1	2	3	4	5	6 (PRODUCT LEVEL)	
	1	1	471-6093	1	PLATE AS						
M	2	1	8T-4189	2	BOLT (M8X1.25X20-MM)						
	3	1	8T-4224	2	WASHER-HARD (8.8X16X2-MM THK)						
	4	1	459-7645	1	WIPER						
	5	1	315-3805	1	MOTOR AS-WINDOW WIPER						
		1	322-8051	1	KIT-FASTENER						
	6	1	315-3809	1	WIPER						

M - METRIC PART



GRAPHIC #1

<END>

g06106922

OPERATOR STATION

471-6094 WIPER GP-WINDOW-FRONT

S/N: TH21-UP; TH31-UP

PART OF 507-9544, 507-9545, 507-9546, 507-9547 CAB AR

AN ATTACHMENT

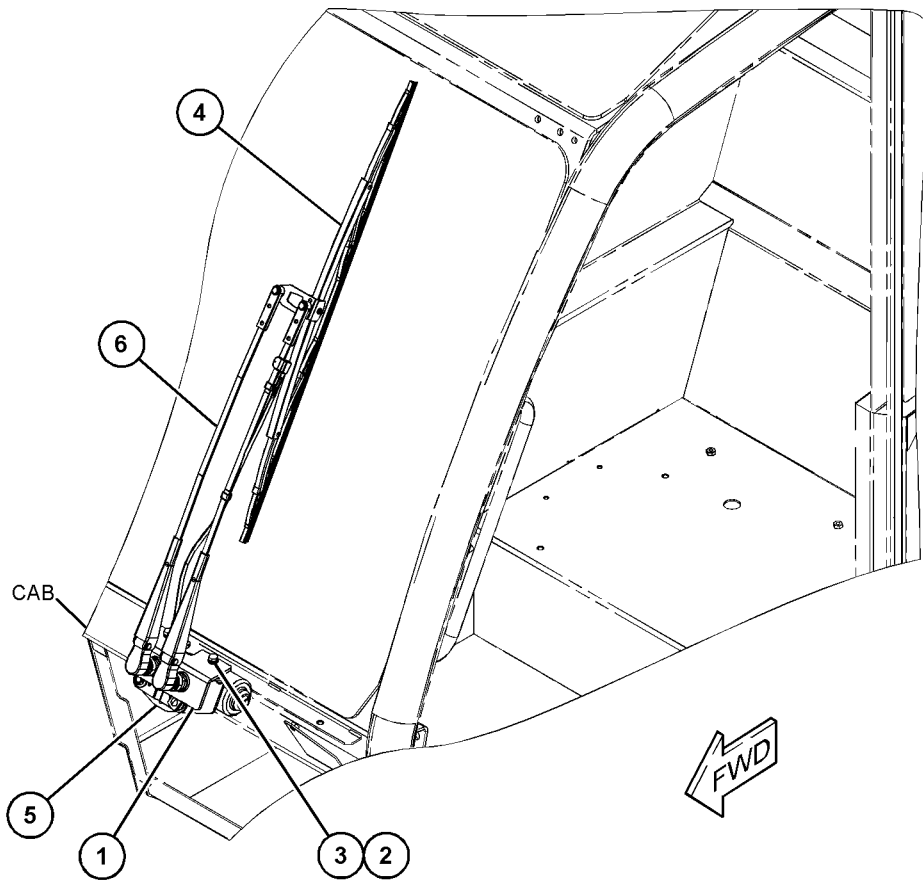
TYPE 2

SMCS-7305

i06936271

NOTE	REF NO	GRAPHIC REF	PART NUMBER	QTY	PART NAME						SEE PAGE
					1	2	3	4	5	6 (PRODUCT LEVEL)	
	1	1	471-6093	1	PLATE AS						
M	2	1	8T-4189	2	BOLT (M8X1.25X20-MM)						
	3	1	8T-4224	2	WASHER-HARD (8.8X16X2-MM THK)						
	4	1	459-7645	1	WIPER						
	5	1	315-3805	1	MOTOR AS-WINDOW WIPER						
		1	322-8051	1	KIT-FASTENER						
C	6	1	517-0147	1	ARM-WINDOW WIPER						

C - CHANGE FROM PREVIOUS TYPE
M - METRIC PART



GRAPHIC #1

<END>

g06106922

OPERATOR STATION

471-6107 WIPER GP-WINDOW-ROOF

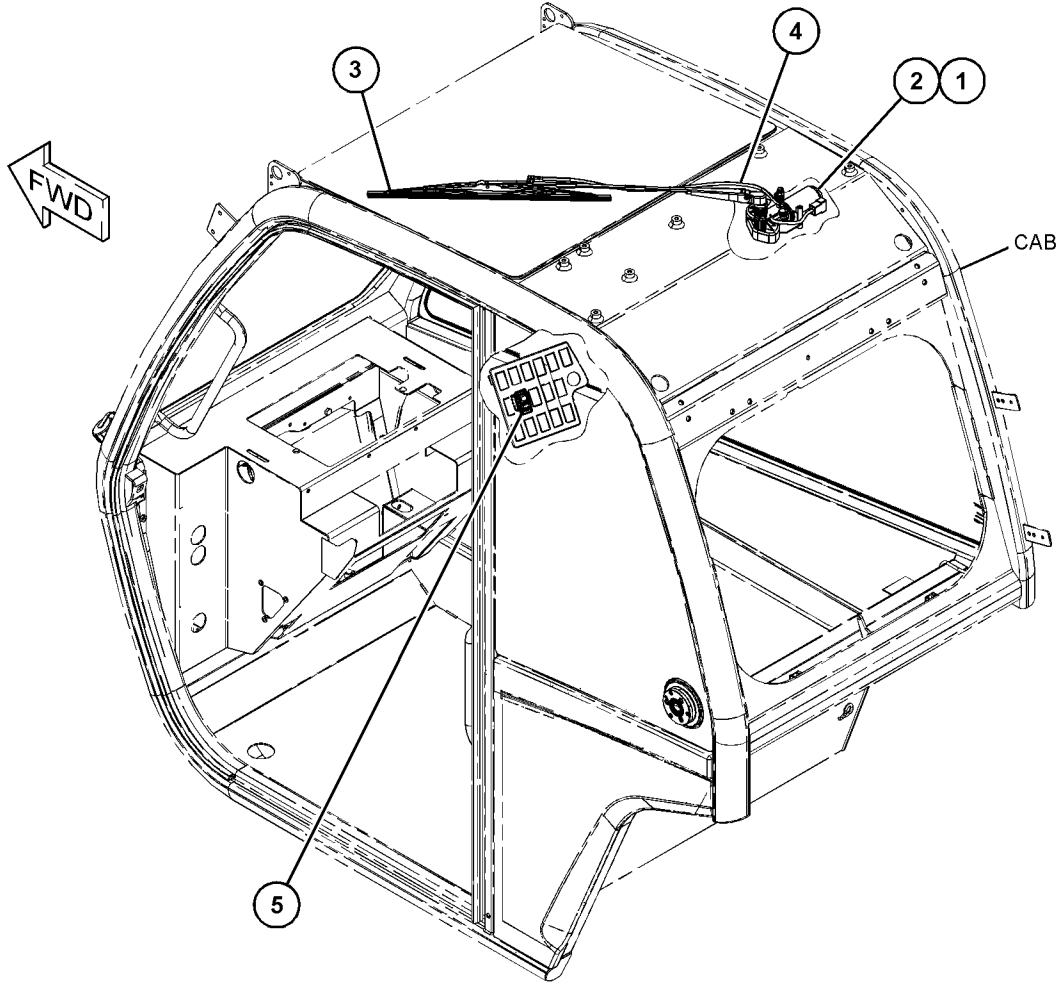
S/N: TH21-UP

AN ATTACHMENT

SMCS-7305

i06103021

NOTE	REF NO	GRAPHIC REF	PART NUMBER	QTY	PART NAME						SEE PAGE
					1	2	3	4	5	6 (PRODUCT LEVEL)	
	1	1	315-3812	1	CONNECTOR						
	2	1	459-9780	1	MOTOR-WIPER						
	3	1	459-9783	1	BLADE-WIPER						
	4	1	459-9782	1	BLADE-WIPER						
	5	1	471-6106	1	SWITCH AS-WIPER (REAR)						



GRAPHIC #1

<END>

g03819373

OPERATOR STATION

471-6158 WIPER GP-WINDOW-REAR

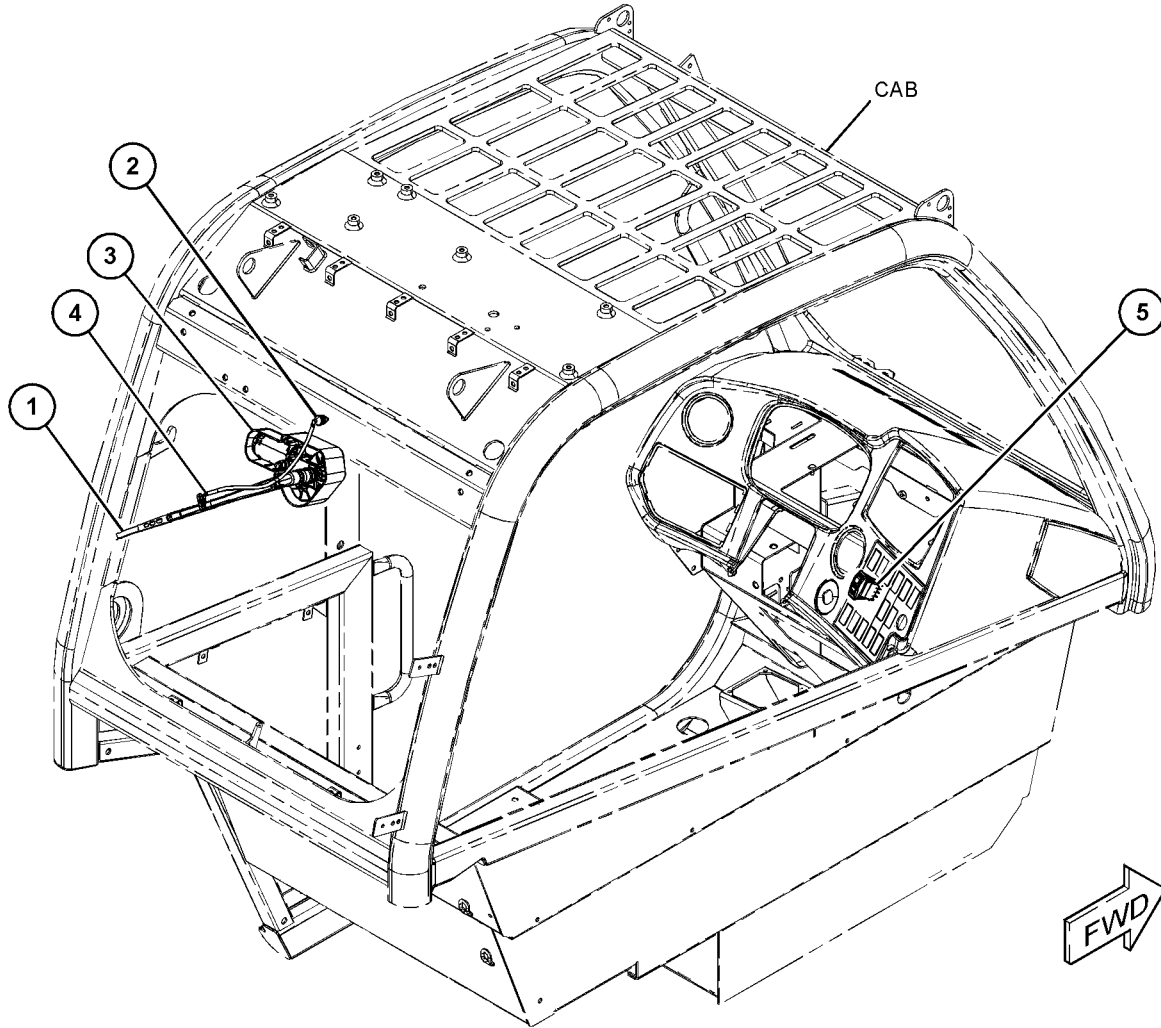
S/N: TH21-UP; TH31-UP

PART OF 507-9544, 507-9545, 507-9546, 507-9547 CAB AR
AN ATTACHMENT

SMCS-7305

i06103004

NOTE	REF NO	GRAPHIC REF	PART NUMBER	QTY	PART NAME						SEE PAGE
					1	2	3	4	5	6 (PRODUCT LEVEL)	
	1	1	459-2710	1	BLADE-WIPER						
	2	1	299-0341	1	CONNECTOR						
	3	1	459-2707	1	MOTOR AS-WINDOW WIPER						
	4	1	459-2709	1	BLADE-WIPER						
	5	1	471-6156	1	SWITCH AS-WIPER (REAR WIPER)						



GRAPHIC #1

<END>

g03817944

SERVICE EQUIPMENT AND SUPPLIES

528-8179 BRACKET GP-TRANSPORT-FORKS

S/N: TH21-UP; TH31-UP

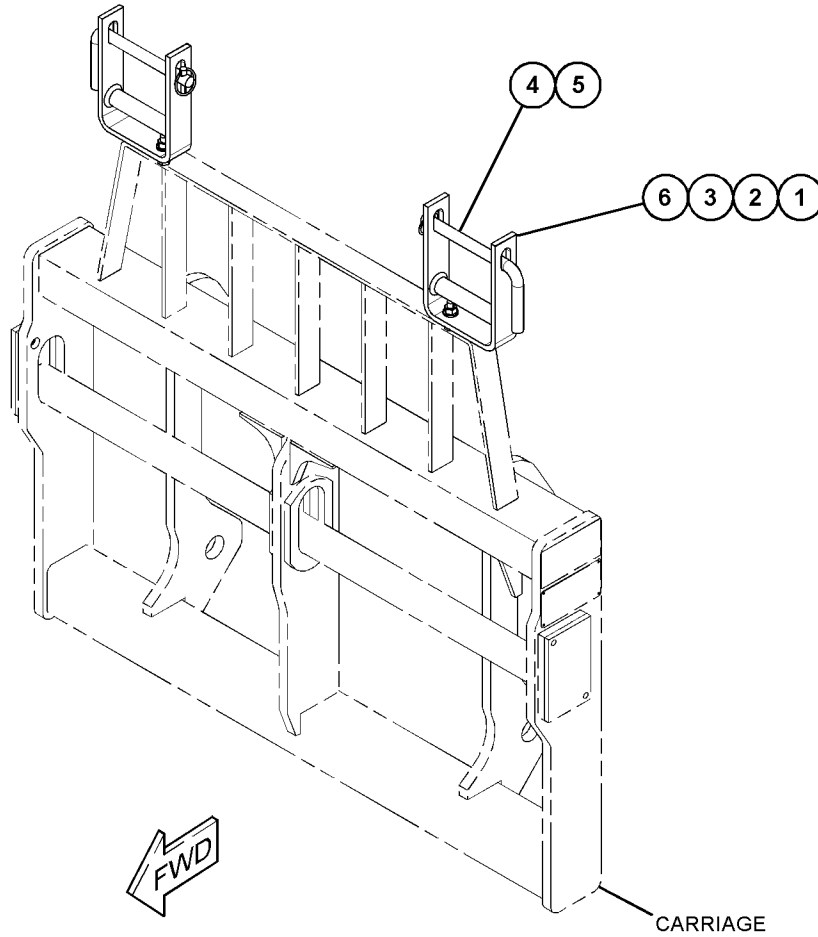
AN ATTACHMENT

SMCS-0659, 7505

i07046046

NOTE	REF NO	GRAPHIC REF	PART NUMBER	QTY	PART NAME						SEE PAGE
					1	2	3	4	5	6 (PRODUCT LEVEL)	
M	1	1	8T-4184	2	BOLT (M12X1.75X45-MM)						
M	2	1	471-2121	2	NUT (M12X1.75-THD)						
	3	1	309-2979	4	WASHER (14X25.7X4.5-MM THK)						
	4	1	326-1976	2	PIN-RETAINER						
	5	1	339-8840	2	PIN-LINCH						
	6	1	453-5783	2	BRACKET AS						

M - METRIC PART



GRAPHIC #1

<END>

g06208114

SERVICE EQUIPMENT AND SUPPLIES

532-3899 CHART GP-LIFT/LOAD EXTENSION

S/N: TH31-UP

AUSTRALIA

PART OF 515-9684 CONFIGURATION AR
AN ATTACHMENT

SMCS-6001, 6402, 6501, 7557

i06981506

NOTE	PART NUMBER	QTY	PART NAME 1 2 3 4 5 6 (PRODUCT LEVEL)	SEE PAGE
(NO SERVICED PARTS)				
<END>				

540-0765 CHART GP-LIFT/LOAD EXTENSION

S/N: TH21-UP

PART OF 507-9541, 507-9542 FILM GP
AN ATTACHMENT

SMCS-6001, 6402, 6501, 7557

i07060041

NOTE	PART NUMBER	QTY	PART NAME 1 2 3 4 5 6 (PRODUCT LEVEL)	SEE PAGE
(NO SERVICED PARTS)				
<END>				

SERVICE EQUIPMENT AND SUPPLIES

497-9589 CHOCK GP-WHEEL

S/N: TH21-UP; TH31-UP

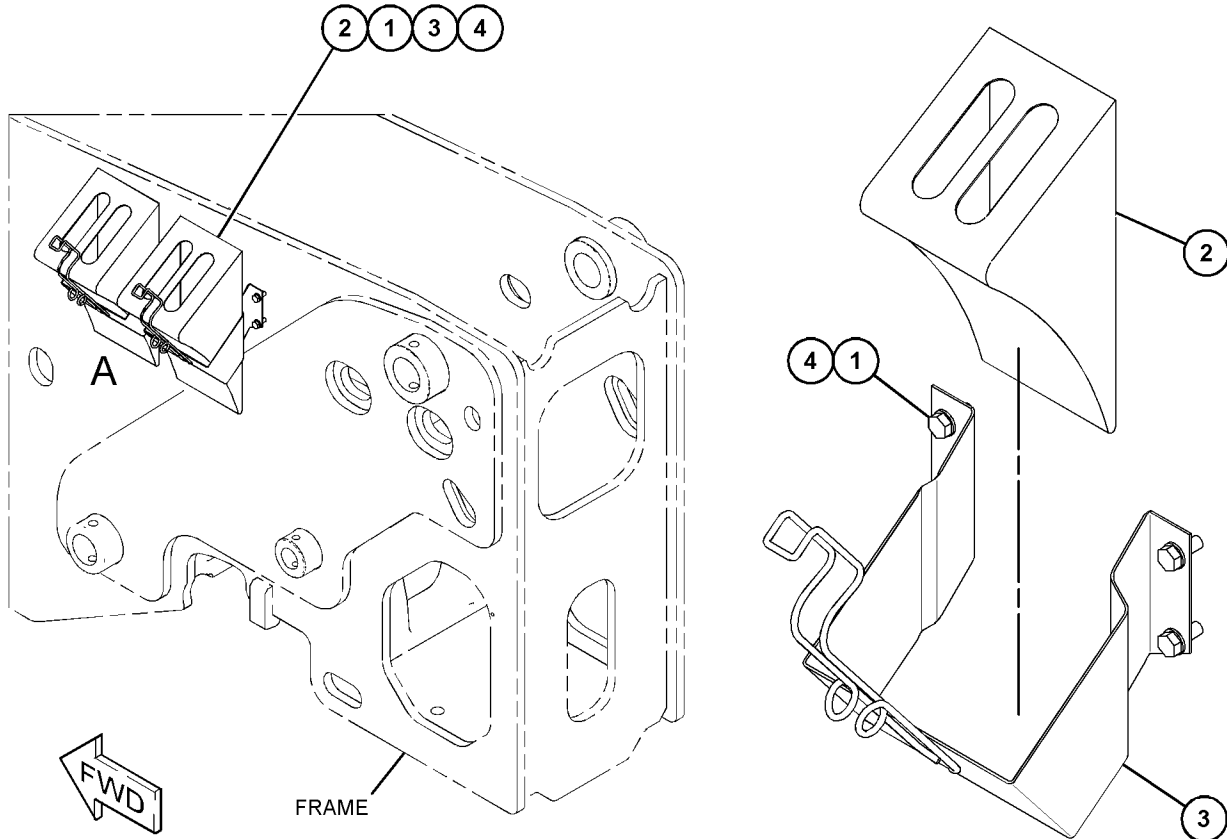
AN ATTACHMENT

SMCS-7000, 7192

i06649602

NOTE	REF NO	GRAPHIC REF	PART NUMBER	QTY	PART NAME						SEE PAGE
					1	2	3	4	5	6 (PRODUCT LEVEL)	
M	1	1	8T-4189	8	BOLT (M8X1.25X20-MM)						
	2	1	148-6596	2	CHOCK-WHEEL						
	3	1	148-6598	2	BRACKET						
	4	1	8T-4224	8	WASHER-HARD (8.8X16X2-MM THK)						

M - METRIC PART



VIEW OF AREA A
(PARTS REMOVED FOR CLARITY)

GRAPHIC #1

<END>

g06123043

SERVICE EQUIPMENT AND SUPPLIES

329-8098 FILM GP

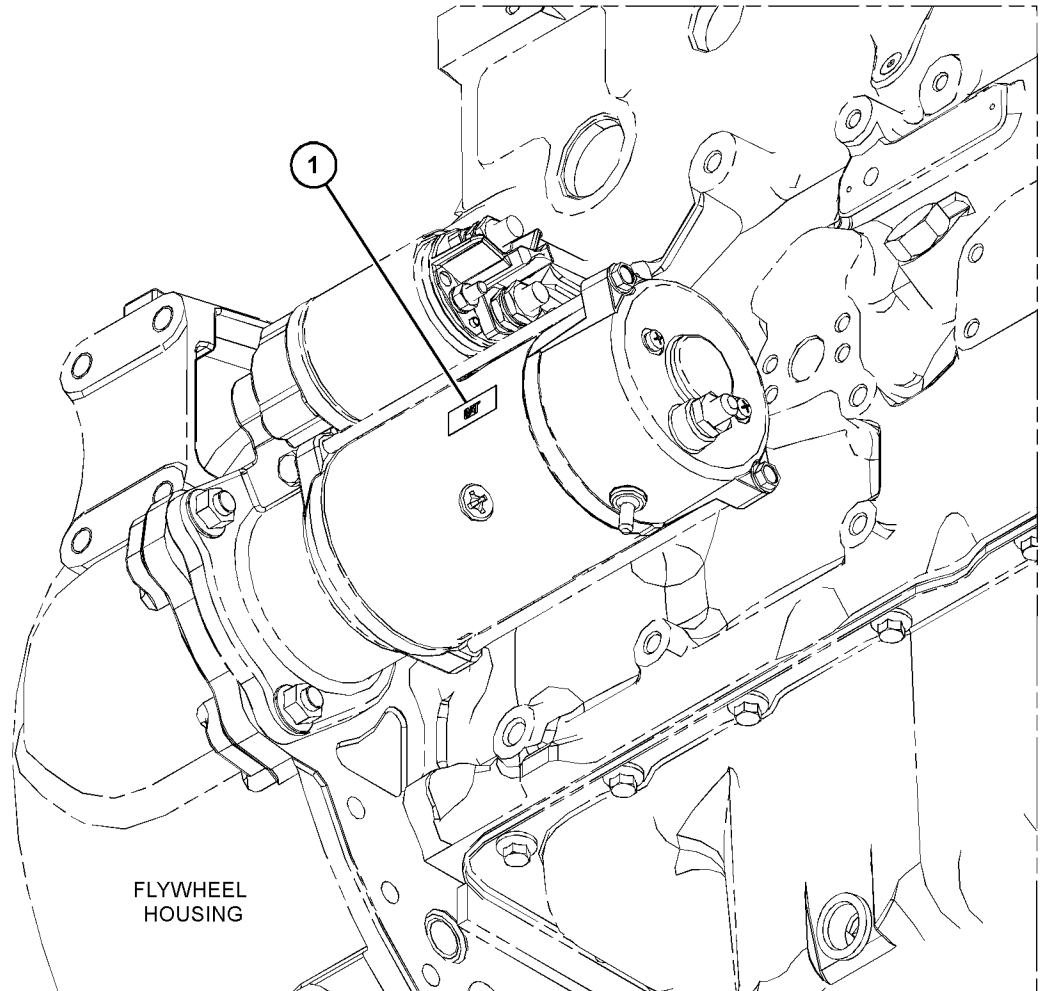
S/N: JKT1-UP

PART OF 464-2307, 464-2308 ENGINE AR-PRIMARY
ALSO AN ATTACHMENT

SMCS-0375, 7405, 7557

i05775637

NOTE	REF NO	GRAPHIC REF	PART NUMBER	QTY	PART NAME						SEE PAGE
					1	2	3	4	5	6 (PRODUCT LEVEL)	
	1	1	451-7225	1	FILM-IDENTIFICATION (CAT)						



GRAPHIC #1

<END>

g03667489

SERVICE EQUIPMENT AND SUPPLIES

329-8409 FILM GP

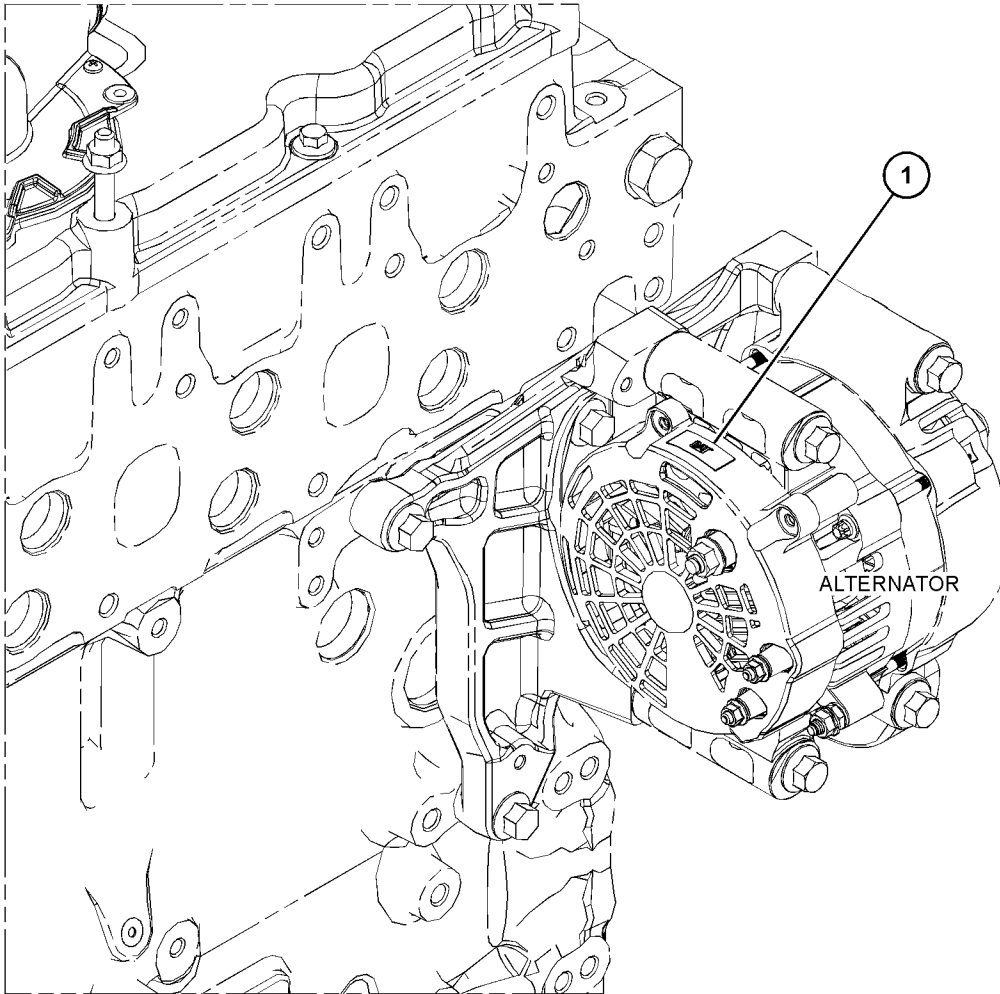
S/N: JKT1-UP

PART OF 464-2307, 464-2308 ENGINE AR-PRIMARY
ALSO AN ATTACHMENT

SMCS-0375, 7405, 7557

i05775650

NOTE	REF NO	GRAPHIC REF	PART NUMBER	QTY	PART NAME						SEE PAGE
					1	2	3	4	5	6 (PRODUCT LEVEL)	
	1	1	451-7225	1	FILM-IDENTIFICATION (CAT)						



GRAPHIC #1

<END>

g03667401

SERVICE EQUIPMENT AND SUPPLIES

416-1042 FILM GP

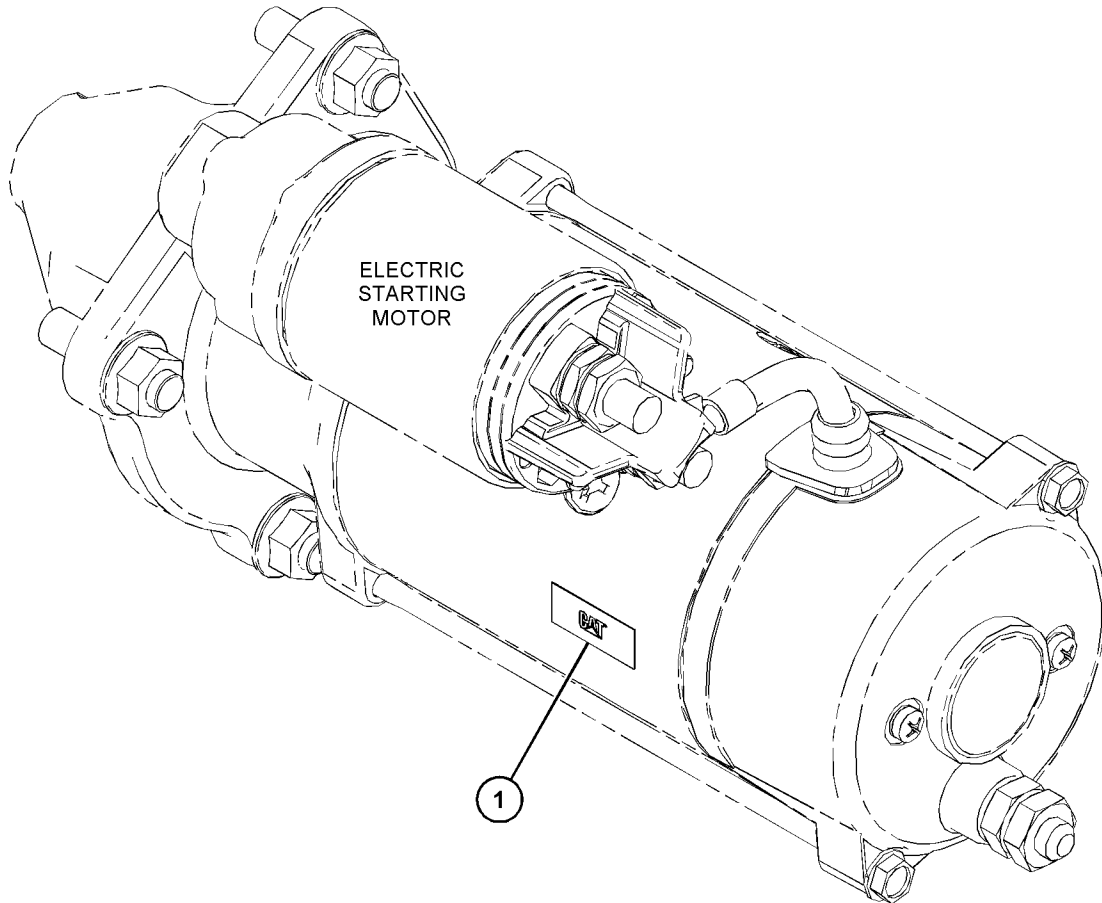
S/N: W231-UP

PART OF 463-8848, 463-8910 ENGINE AR-PRIMARY

SMCS-0375, 7405, 7557

i06138513

NOTE	REF NO	GRAPHIC REF	PART NUMBER	QTY	PART NAME						SEE PAGE
					1	2	3	4	5	6 (PRODUCT LEVEL)	
	1	1	329-7312	1	FILM-IDENTIFICATION (CAT)						



GRAPHIC #1

<END>

g03818117

SERVICE EQUIPMENT AND SUPPLIES

416-8716 FILM GP

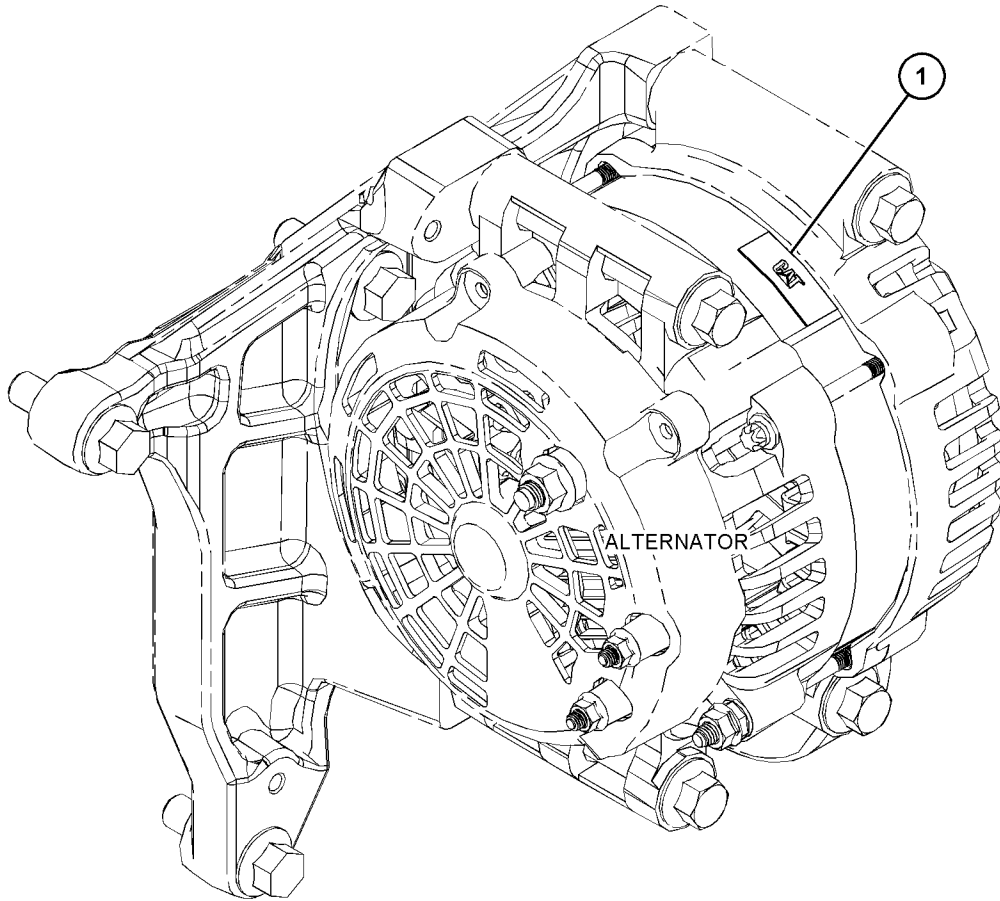
S/N: W231-UP

PART OF 463-8848, 463-8910 ENGINE AR-PRIMARY

SMCS-0375, 7405, 7557

i06134089

NOTE	REF NO	GRAPHIC REF	PART NUMBER	QTY	PART NAME						SEE PAGE
					1	2	3	4	5	6	
	1	1	451-7225	1	FILM-IDENTIFICATION (CAT)						



GRAPHIC #1

<END>

g03818177

SERVICE EQUIPMENT AND SUPPLIES

417-4284 FILM GP

S/N: W231-UP

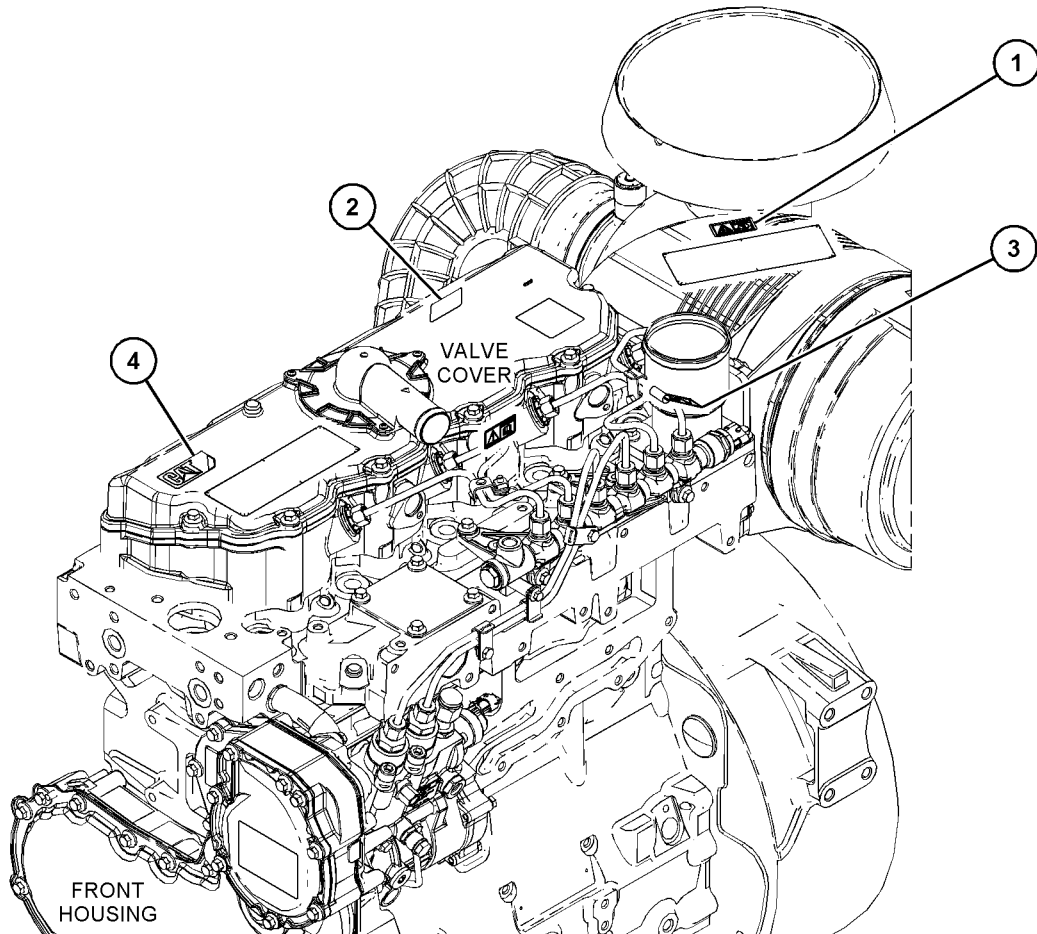
EMISSIONS

PART OF 463-8848, 463-8910 ENGINE AR-PRIMARY

SMCS-0375, 7405, 7557

i06801303

NOTE	REF NO	GRAPHIC REF	PART NUMBER	QTY	PART NAME						SEE PAGE
					1	2	3	4	5	6 (PRODUCT LEVEL)	
	1	1	326-9053	1	FILM-WARNING (DO NOT SPRAY, READ OMM)						
	2	1	346-8219	2	FILM-WARNING (UNIVERSAL WARNING)						
	3	1	355-3486	1	STRIP-ADHESIVE						
	4	1	450-9772	1	PLATE-IDENTIFICATION (CAT)						



GRAPHIC #1

<END>

g06117384

SERVICE EQUIPMENT AND SUPPLIES

447-1044 FILM GP

S/N: JKT1-UP

EMISSIONS

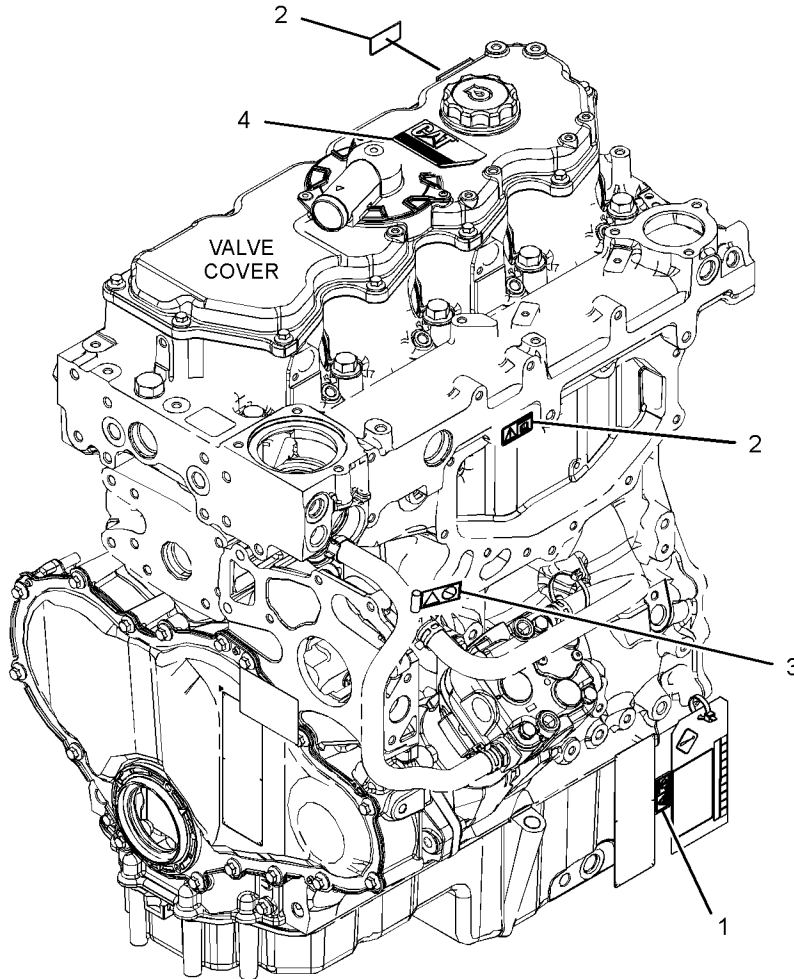
PART OF 464-2307, 464-2308 ENGINE AR-PRIMARY

ALSO AN ATTACHMENT

SMCS-0375, 7405, 7557

i05943806

NOTE	REF NO	GRAPHIC REF	PART NUMBER	QTY	PART NAME						SEE PAGE
					1	2	3	4	5	6 (PRODUCT LEVEL)	
1	1	1	326-9053	1	FILM-WARNING (DO NOT SPRAY, READ OMM)						
2	1	1	346-8219	2	FILM-WARNING (UNIVERSAL WARNING)						
3	1	1	355-3486	1	STRIP-ADHESIVE						
4	1	1	363-3084	1	PLATE-IDENTIFICATION (CAT, C4.4)						



GRAPHIC #1

<END>

g03628479

SERVICE EQUIPMENT AND SUPPLIES

501-7261 FILM GP

S/N: TH21-UP

PART OF 507-9536 CONFIGURATION AR, 507-9537, 507-9538, 507-9539, 507-9540 FILM GP
AN ATTACHMENT

SMCS-0375, 7405, 7557

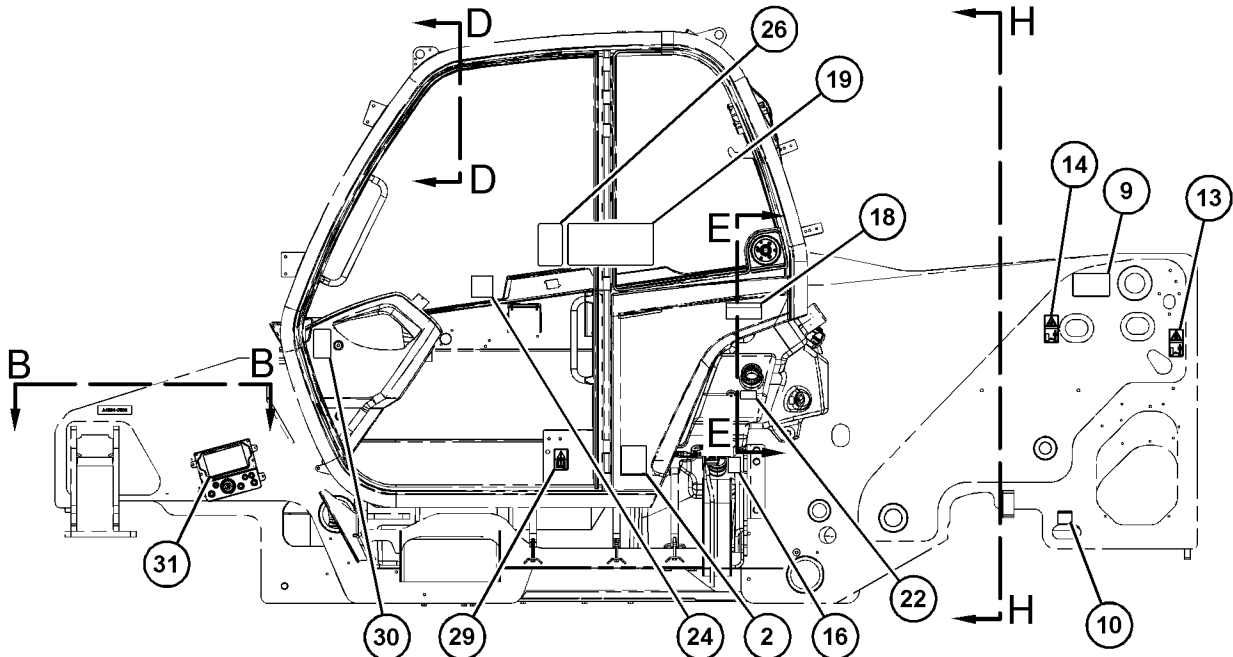
i06645733

NOTE	REF NO	GRAPHIC REF	PART NUMBER	QTY	PART NAME						SEE PAGE
					1	2	3	4	5	6 (PRODUCT LEVEL)	
1	2		335-8056	1	FILM-INFORMATION (MANUAL)						
2	1		329-3617	1	FILM-INFORMATION (100-DB)						
3	1		323-5615	1	FILM-WARNING (ETHER START)						
4	2		314-5318	1	FILM-WARNING (BATTERY)						
5	3		314-5319	1	FILM-WARNING (CARRY PERSONNEL)						
6	2		314-5321	1	FILM-WARNING (ELECTROCUTION HAZARD)						
7	1		314-5322	1	FILM-WARNING (MOVING PARTS)						
8	2		314-5324	1	FILM-WARNING (TIP OVER)						
9	1		314-5326	2	FILM-WARNING (PINCH POINT)						
10	1,3		303-4963	4	FILM-IDENTIFICATION (TIE-DOWN LOCATION)						
11	1,2		323-7256	2	FILM-WARNING (CYLINDER LOCK)						
12	1		323-7257	2	FILM-WARNING (RAISED BOOM, BUCKET)						
13	1		323-7262	2	FILM-WARNING (STAY CLEAR OF SWING AREA)						
14	1,2		421-2302	4	FILM-WARNING (SET BRAKE LEVER)						
15	3		495-2446	1	FILM-IDENTIFICATION (HYDRAULIC OIL FILLER)						
16	1		486-9888	1	FILM-WARNING (DIESEL)						
17	2		314-5315	1	FILM-WARNING (CRUSH HAZARD)						
18	1		314-5316	1	FILM-WARNING (NO RIDERS)						
19	1		330-4301	1	FILM-WARNING (CAB)						
20	3		389-3574	1	FILM-IDENTIFICATION (OIL LEVEL)						
21	1		453-8398	1	FILM-INSTRUCTION (NO PRESSURE WASHER)						
22	1		425-9082	1	FILM-INFORMATION (ULTRA LOW SULFUR FUEL)						
23	1		473-6954	1	FILM-INFORMATION (BOOM EXTEND, RETRACT)						
24	1		473-6955	1	FILM-INFORMATION (NO WELD, NO DRILL, READ OMM)						
25	1		460-2867	1	FILM-IDENTIFICATION (EAC)						
26	1		477-2612	1	FILM-INFORMATION (JOYSTICK)						
27	2		478-5100	1	FILM-IDENTIFICATION (PARKING BRAKE, SERVICE BRAKE)						
28	3		473-6957	1	FILM-INFORMATION (BATTERY POSITIVE)						
29	1		486-9886	2	FILM-IDENTIFICATION (READ OMM)						
30	1		480-9880	1	FILM-IDENTIFICATION (FUSE PANEL)						
31	1		480-9877	1	FILM-IDENTIFICATION (FUSE PANEL)						
32	3		488-7889	1	FILM-IDENTIFICATION (BATTERY DISCONNECT, READ OMM)						

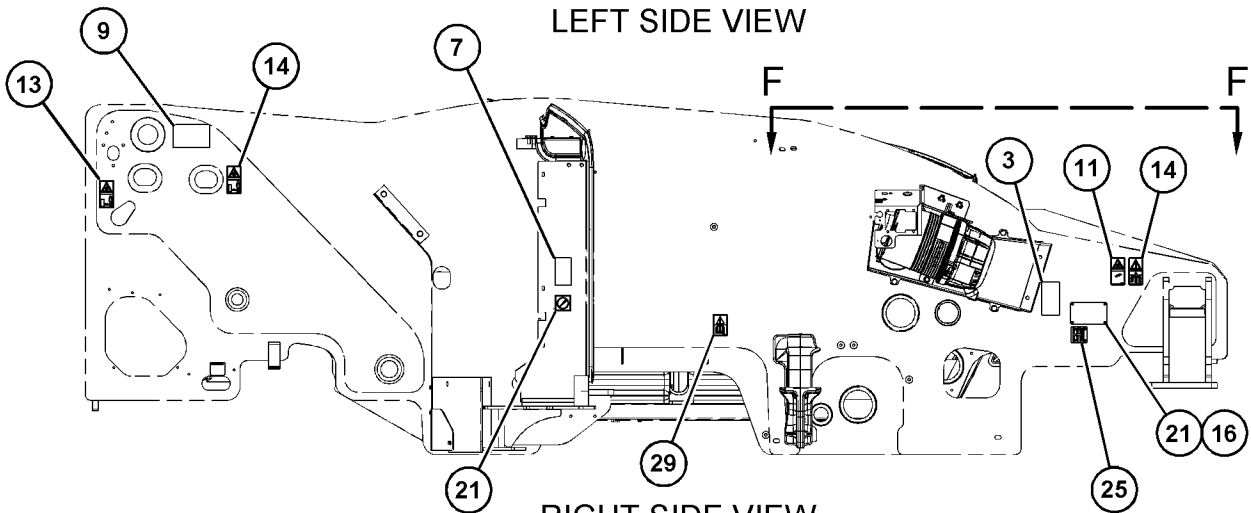
SERVICE EQUIPMENT AND SUPPLIES

501-7261 FILM GP (contd.)

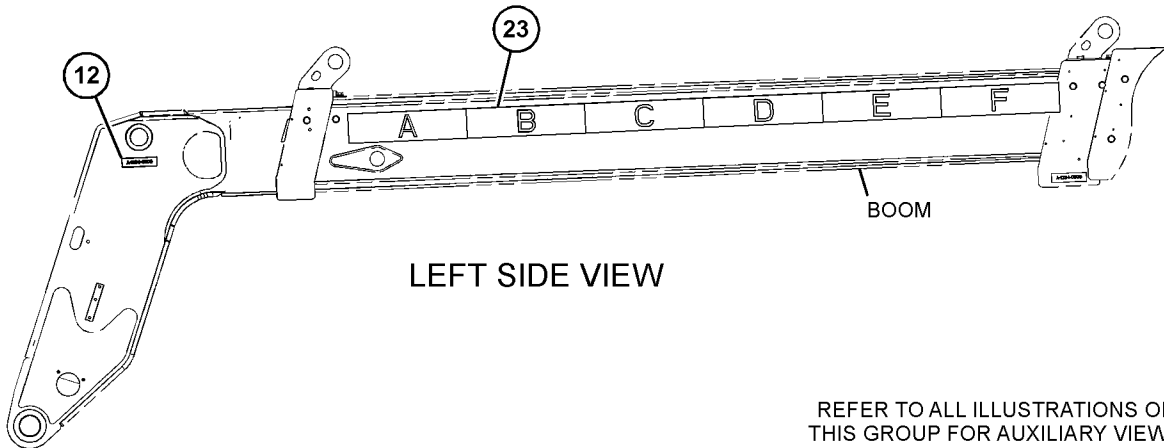
i06645733



LEFT SIDE VIEW



RIGHT SIDE VIEW



LEFT SIDE VIEW

REFER TO ALL ILLUSTRATIONS OF THIS GROUP FOR AUXILIARY VIEWS

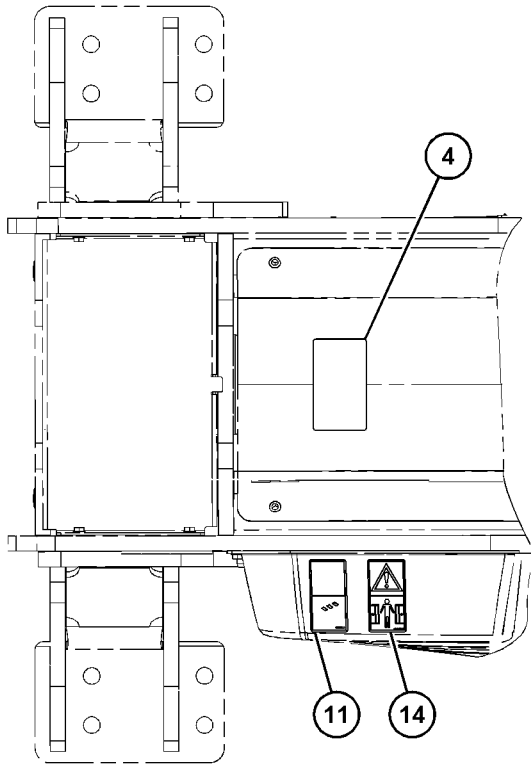
GRAPHIC #1

g06094594

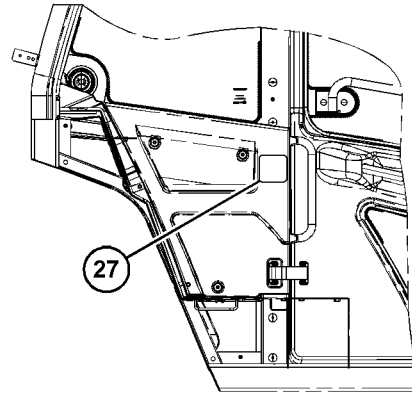
SERVICE EQUIPMENT AND SUPPLIES

501-7261 FILM GP (contd.)

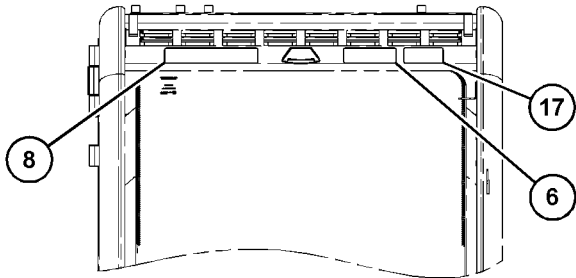
106645733



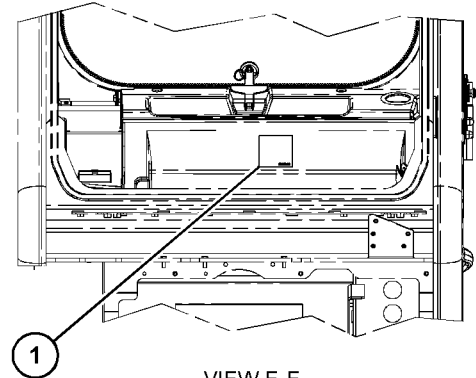
VIEW B-B



VIEW C-C



VIEW D-D



VIEW E-E

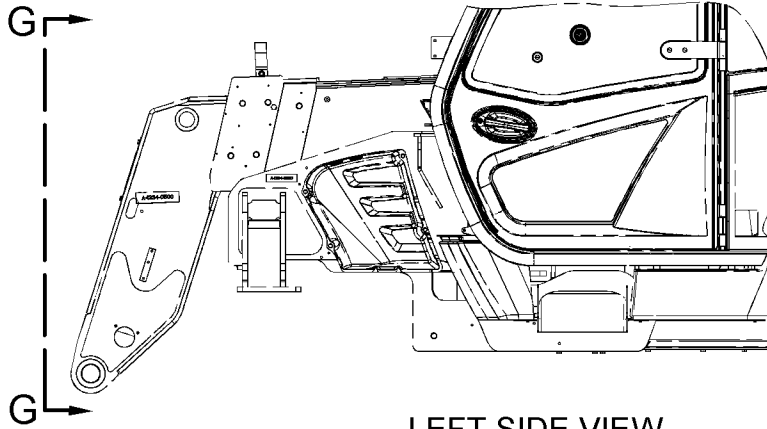
GRAPHIC #2

g06094595

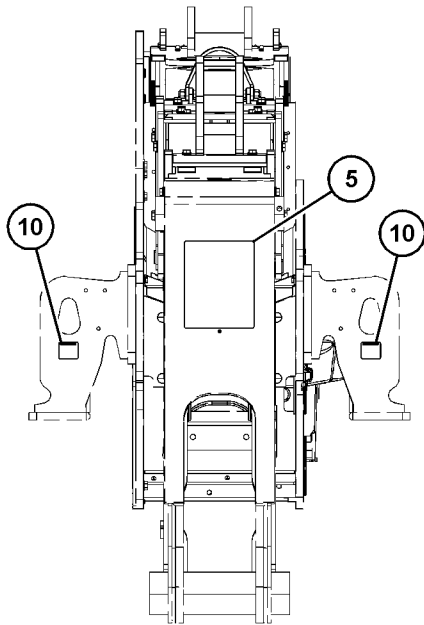
SERVICE EQUIPMENT AND SUPPLIES

501-7261 FILM GP (contd.)

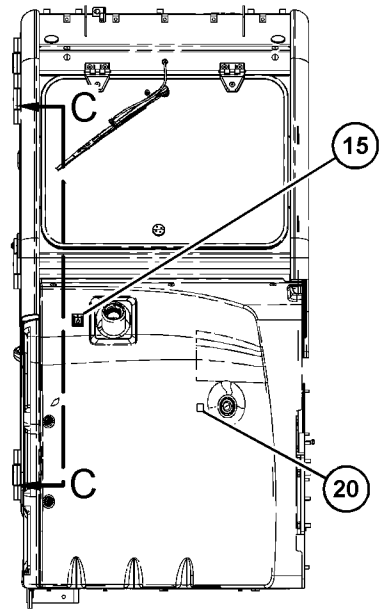
i06645733



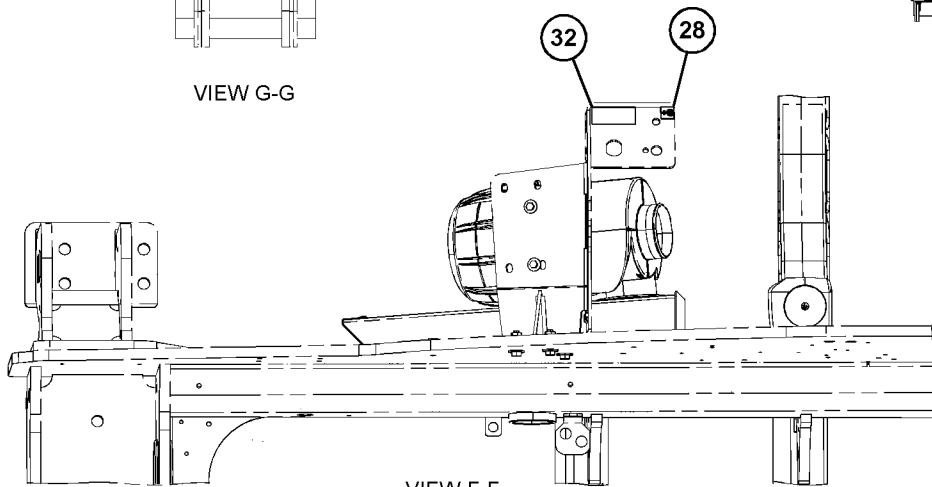
LEFT SIDE VIEW



VIEW G-G



VIEW H-H



VIEW F-F

REFER TO ALL ILLUSTRATIONS OF THIS GROUP FOR AUXILIARY VIEWS

GRAPHIC #3

<END>

g06094596

SERVICE EQUIPMENT AND SUPPLIES

501-7262 FILM GP

S/N: TH21-UP; TH31-UP

PART OF 515-9680, 515-9681, 515-9682 CONFIGURATION AR
AN ATTACHMENT

SMCS-0375, 7405, 7557

i06735417

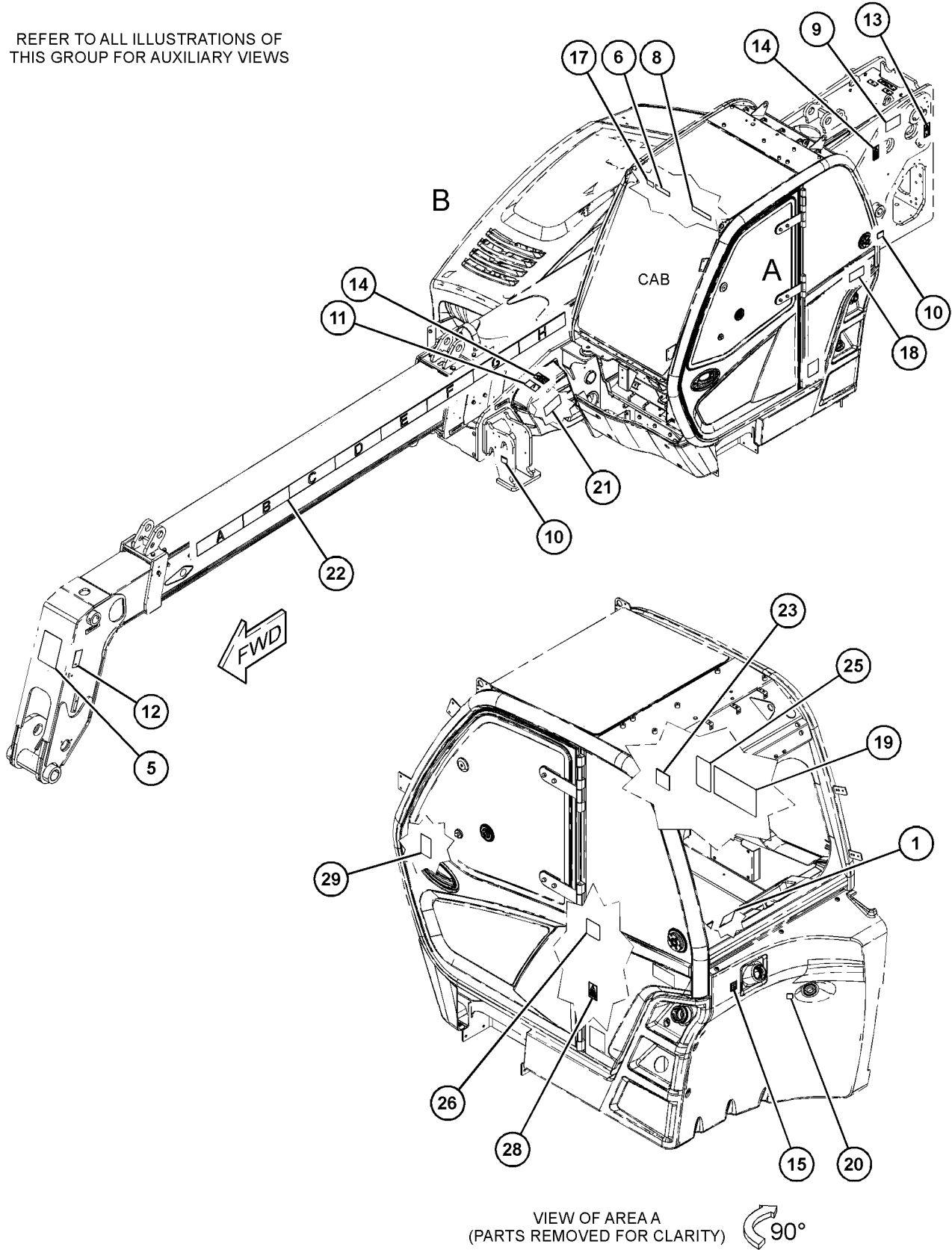
NOTE	REF NO	GRAPHIC REF	PART NUMBER	QTY	PART NAME						SEE PAGE
					1	2	3	4	5	6 (PRODUCT LEVEL)	
1	1	1	335-8056	1	FILM-INFORMATION (MANUAL)						
2	2	2	453-8398	1	FILM-INSTRUCTION (NO PRESSURE WASHER)						
3	2	2	323-5615	1	FILM-WARNING (ETHER START)						
4	2	2	314-5318	1	FILM-WARNING (BATTERY)						
5	1	1	314-5319	1	FILM-WARNING (CARRY PERSONNEL)						
6	1	1	314-5321	1	FILM-WARNING (ELECTROCUTION HAZARD)						
7	2	2	314-5322	1	FILM-WARNING (MOVING PARTS)						
8	1	1	314-5324	1	FILM-WARNING (TIP OVER)						
9	1,2	1,2	314-5326	2	FILM-WARNING (PINCH POINT)						
10	1,2	1,2	303-4963	4	FILM-IDENTIFICATION (TIE-DOWN LOCATION)						
11	1,2	1,2	323-7256	2	FILM-WARNING (CYLINDER LOCK)						
12	1	1	323-7257	2	FILM-WARNING (RAISED BOOM, BUCKET)						
13	1,2	1,2	323-7262	2	FILM-WARNING (STAY CLEAR OF SWING AREA)						
14	1,2	1,2	421-2302	4	FILM-WARNING (SET BRAKE LEVER)						
15	1	1	495-2446	1	FILM-IDENTIFICATION (HYDRAULIC OIL FILLER)						
16	2	2	488-7889	1	FILM-IDENTIFICATION (BATTERY DISCONNECT, READ OMM)						
17	1	1	314-5315	1	FILM-WARNING (CRUSH HAZARD)						
18	1	1	314-5316	1	FILM-WARNING (NO RIDERS)						
19	1	1	330-4301	1	FILM-WARNING (CAB)						
20	1	1	389-3574	1	FILM-IDENTIFICATION (OIL LEVEL)						
21	1,2	1,2	480-9877	1	FILM-IDENTIFICATION (FUSE PANEL)						
22	1	1	473-6954	1	FILM-INFORMATION (BOOM EXTEND, RETRACT)						
23	1	1	473-6955	1	FILM-INFORMATION (NO WELD, NO DRILL, READ OMM)						
24	2	2	460-2867	1	FILM-IDENTIFICATION (EAC)						
25	1	1	477-2612	1	FILM-INFORMATION (JOYSTICK)						
26	1	1	478-5100	1	FILM-IDENTIFICATION (PARKING BRAKE, SERVICE BRAKE)						
27	2	2	473-6957	1	FILM-INFORMATION (BATTERY POSITIVE)						
28	1,2	1,2	486-9886	2	FILM-IDENTIFICATION (READ OMM)						
29	1	1	480-9880	1	FILM-IDENTIFICATION (FUSE PANEL)						

SERVICE EQUIPMENT AND SUPPLIES

501-7262 FILM GP (contd.)

i06735417

REFER TO ALL ILLUSTRATIONS OF THIS GROUP FOR AUXILIARY VIEWS



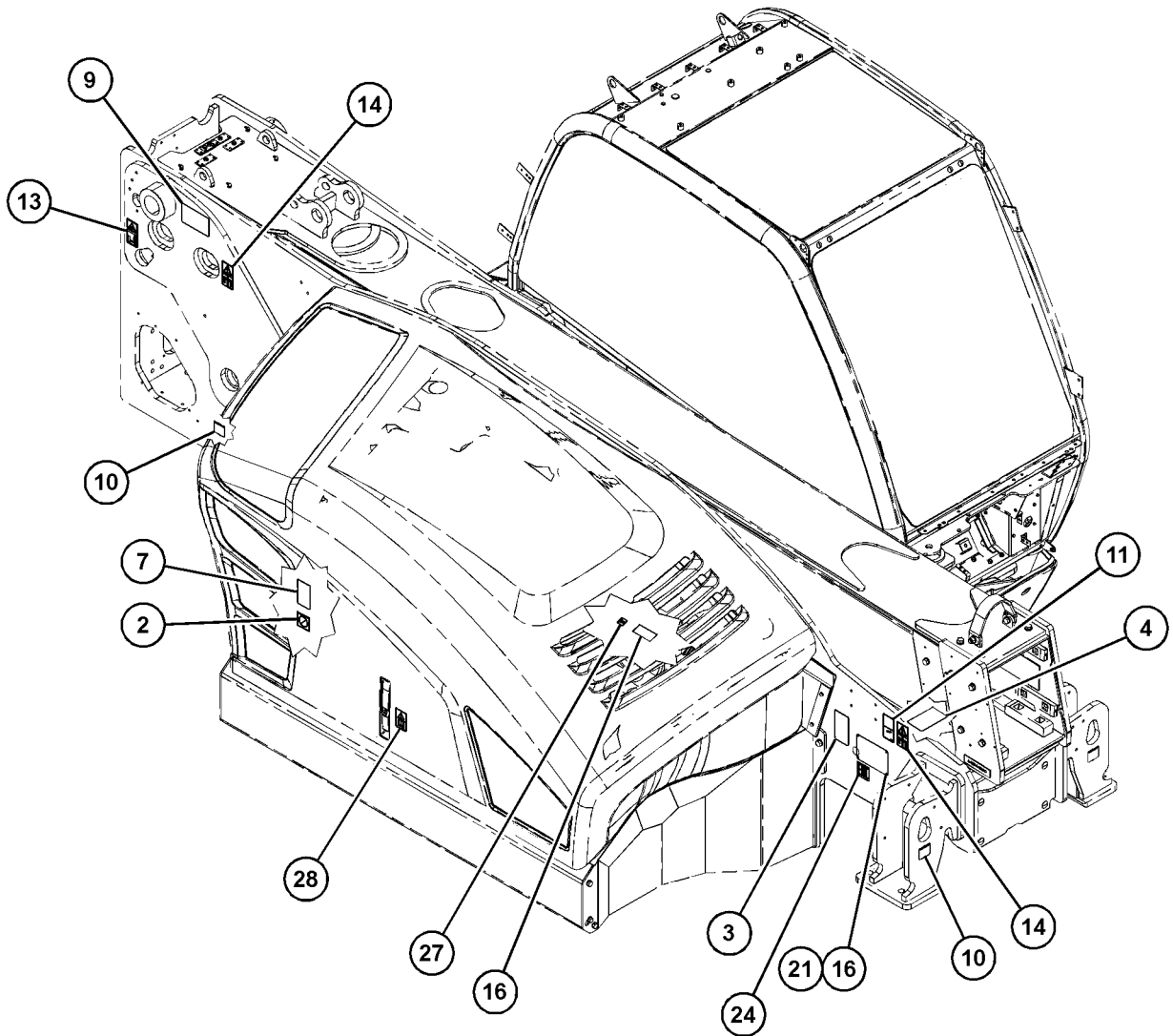
GRAPHIC #1

g06105081

SERVICE EQUIPMENT AND SUPPLIES

501-7262 FILM GP (contd.)

106735417



VIEW OF AREA B 

GRAPHIC #2

<END>

g06105082

SERVICE EQUIPMENT AND SUPPLIES

501-7264 FILM GP

S/N: TH31-UP

PART OF 515-9683 CONFIGURATION AR
AN ATTACHMENT

SMCS-0375, 7405, 7557

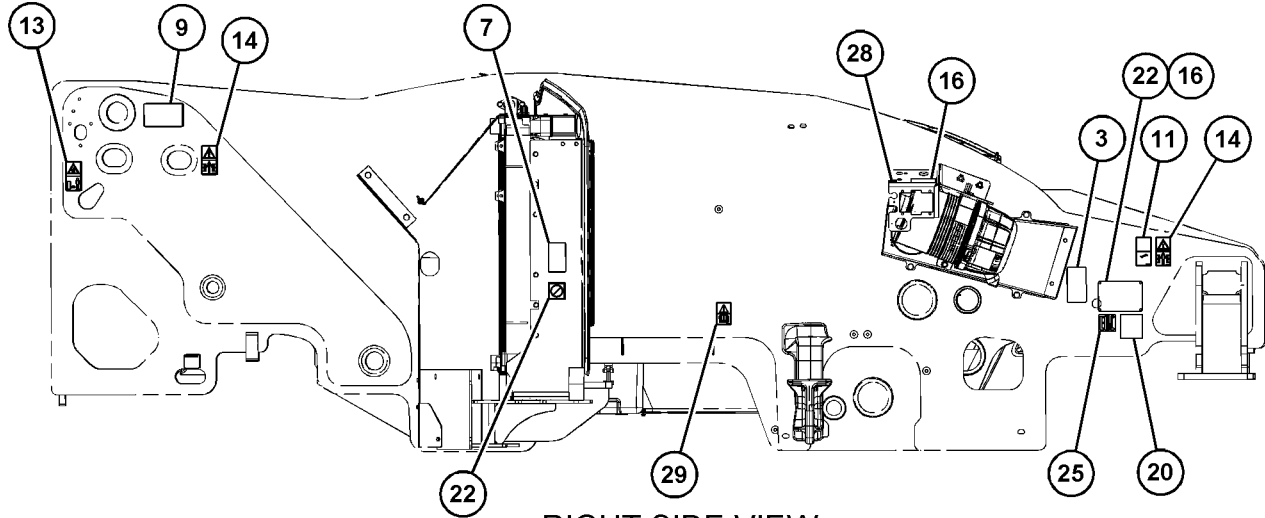
i06735415

NOTE	REF NO	GRAPHIC REF	PART NUMBER	QTY	PART NAME						SEE PAGE
					1	2	3	4	5	6 (PRODUCT LEVEL)	
1	1	2	335-8056	1	FILM-INFORMATION (MANUAL)						
2	2	1	480-9877	1	FILM-IDENTIFICATION (FUSE PANEL)						
3	3	1	323-5615	1	FILM-WARNING (ETHER START)						
4	4	1	314-5318	1	FILM-WARNING (BATTERY)						
5	5	2	314-5319	1	FILM-WARNING (CARRY PERSONNEL)						
6	6	1	314-5321	1	FILM-WARNING (ELECTROCUTION HAZARD)						
7	7	1	314-5322	1	FILM-WARNING (MOVING PARTS)						
8	8	1	314-5324	1	FILM-WARNING (TIP OVER)						
9	9	1	314-5326	2	FILM-WARNING (PINCH POINT)						
10	10	1,2	303-4963	4	FILM-IDENTIFICATION (TIE-DOWN LOCATION)						
11	11	1	323-7256	2	FILM-WARNING (CYLINDER LOCK)						
12	12	2	323-7257	2	FILM-WARNING (RAISED BOOM, BUCKET)						
13	13	1	323-7262	2	FILM-WARNING (STAY CLEAR OF SWING AREA)						
14	14	1	421-2302	4	FILM-WARNING (SET BRAKE LEVER)						
15	15	2	495-2446	1	FILM-IDENTIFICATION (HYDRAULIC OIL FILLER)						
16	16	1	488-7889	1	FILM-IDENTIFICATION (BATTERY DISCONNECT, READ OMM)						
17	17	1	314-5315	1	FILM-WARNING (CRUSH HAZARD)						
18	18	1	314-5316	1	FILM-WARNING (NO RIDERS)						
19	19	1	330-4301	1	FILM-WARNING (CAB)						
20	20	1	368-7759	1	FILM-INFORMATION (PCT)						
21	21	2	389-3574	1	FILM-IDENTIFICATION (OIL LEVEL)						
22	22	1	453-8398	1	FILM-INSTRUCTION (NO PRESSURE WASHER)						
23	23	2	473-6954	1	FILM-INFORMATION (BOOM EXTEND, RETRACT)						
24	24	1	473-6955	1	FILM-INFORMATION (NO WELD, NO DRILL, READ OMM)						
25	25	1	460-2867	1	FILM-IDENTIFICATION (EAC)						
26	26	1	477-2612	1	FILM-INFORMATION (JOYSTICK)						
27	27	2	478-5100	1	FILM-IDENTIFICATION (PARKING BRAKE, SERVICE BRAKE)						
28	28	1	473-6957	1	FILM-INFORMATION (BATTERY POSITIVE)						
29	29	1	486-9886	2	FILM-IDENTIFICATION (READ OMM)						
30	30	1	480-9880	1	FILM-IDENTIFICATION (FUSE PANEL)						

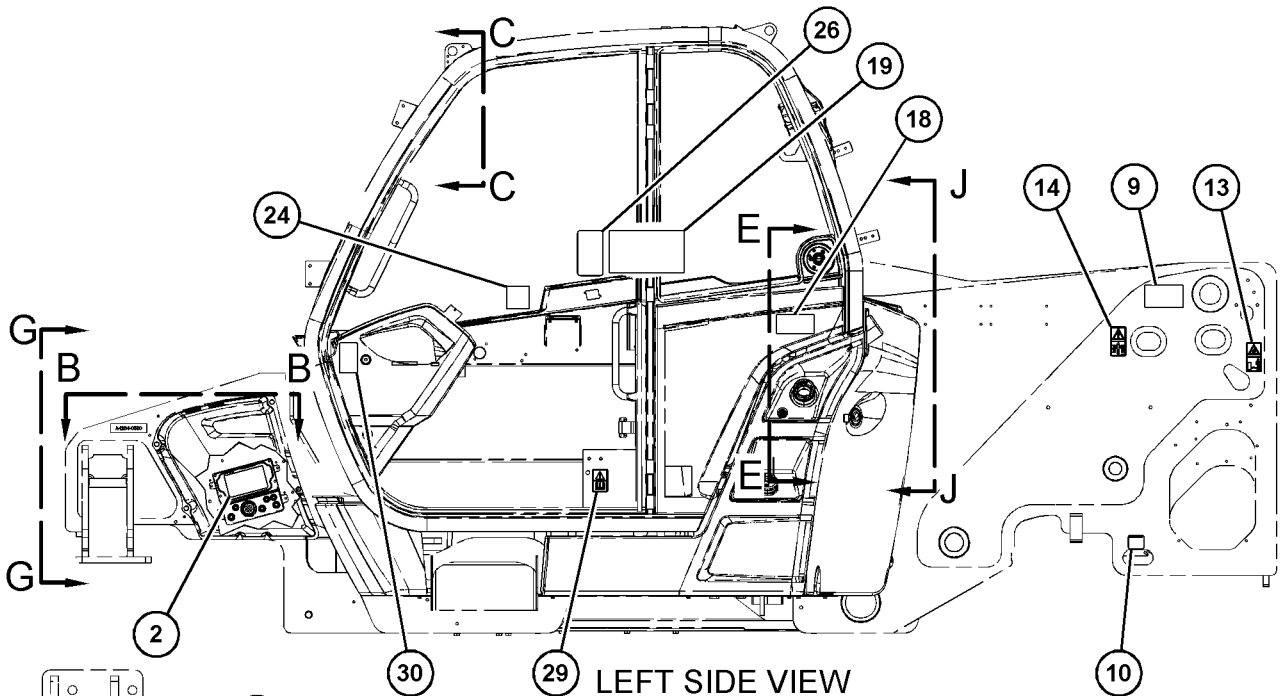
SERVICE EQUIPMENT AND SUPPLIES

501-7264 FILM GP (contd.)

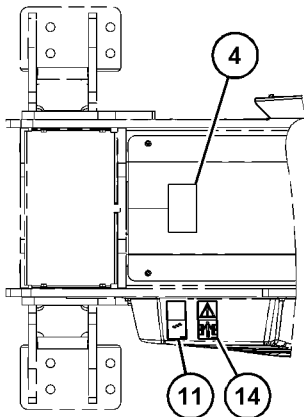
i06735415



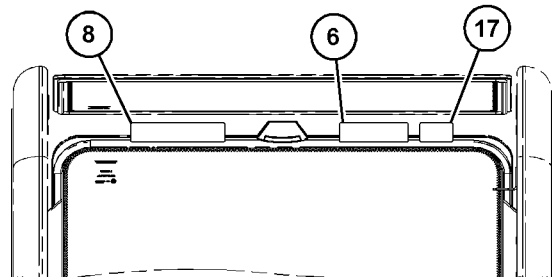
RIGHT SIDE VIEW



LEFT SIDE VIEW



VIEW B-B



VIEW C-C

REFER TO ALL ILLUSTRATIONS OF THIS GROUP FOR AUXILIARY VIEWS

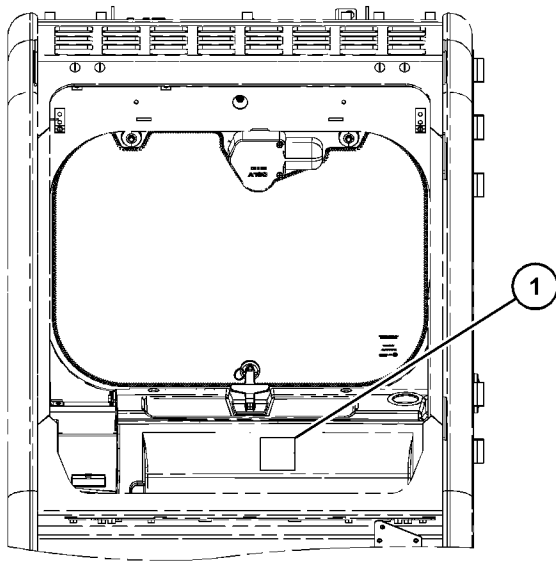
GRAPHIC #1

g06103610

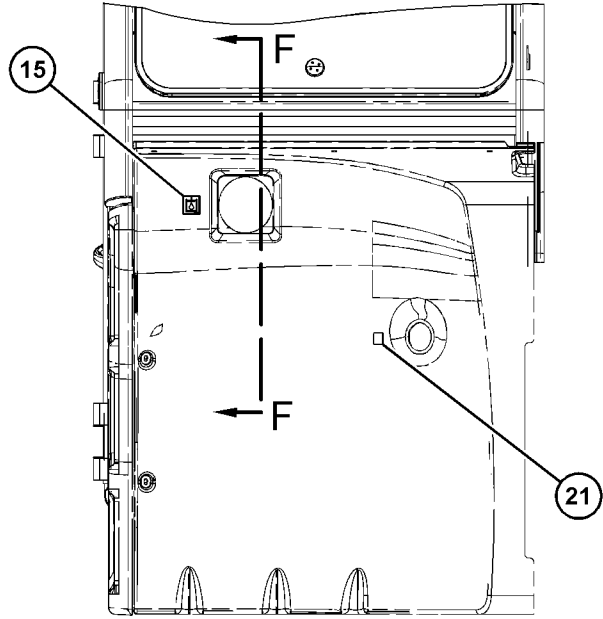
SERVICE EQUIPMENT AND SUPPLIES

501-7264 FILM GP (contd.)

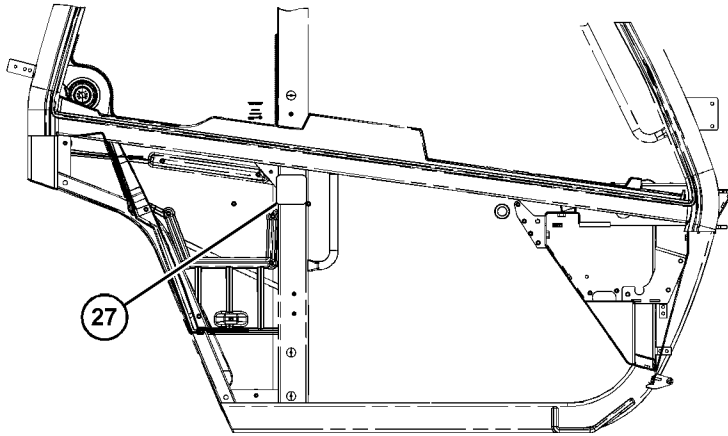
i06735415



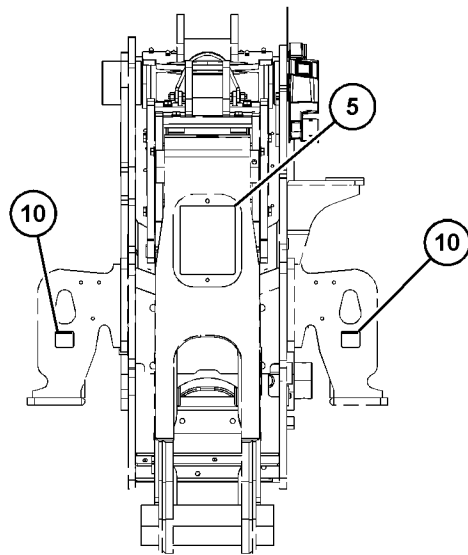
VIEW E-E



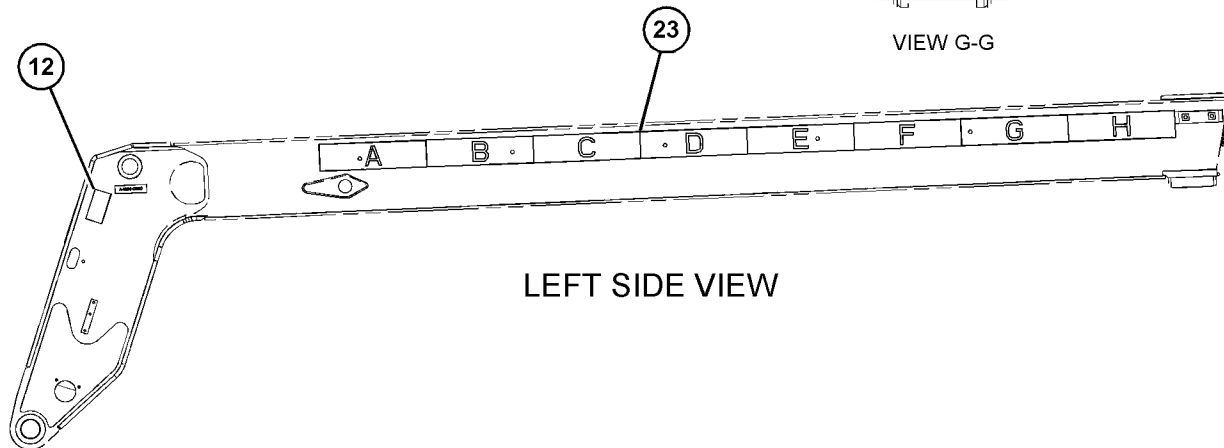
VIEW J-J



VIEW F-F



VIEW G-G



LEFT SIDE VIEW

GRAPHIC #2

<END>

g06103613

SERVICE EQUIPMENT AND SUPPLIES

501-7265 FILM GP

S/N: TH21-UP

PART OF 507-9541, 507-9542 FILM GP
AN ATTACHMENT

SMCS-0375, 7405, 7557

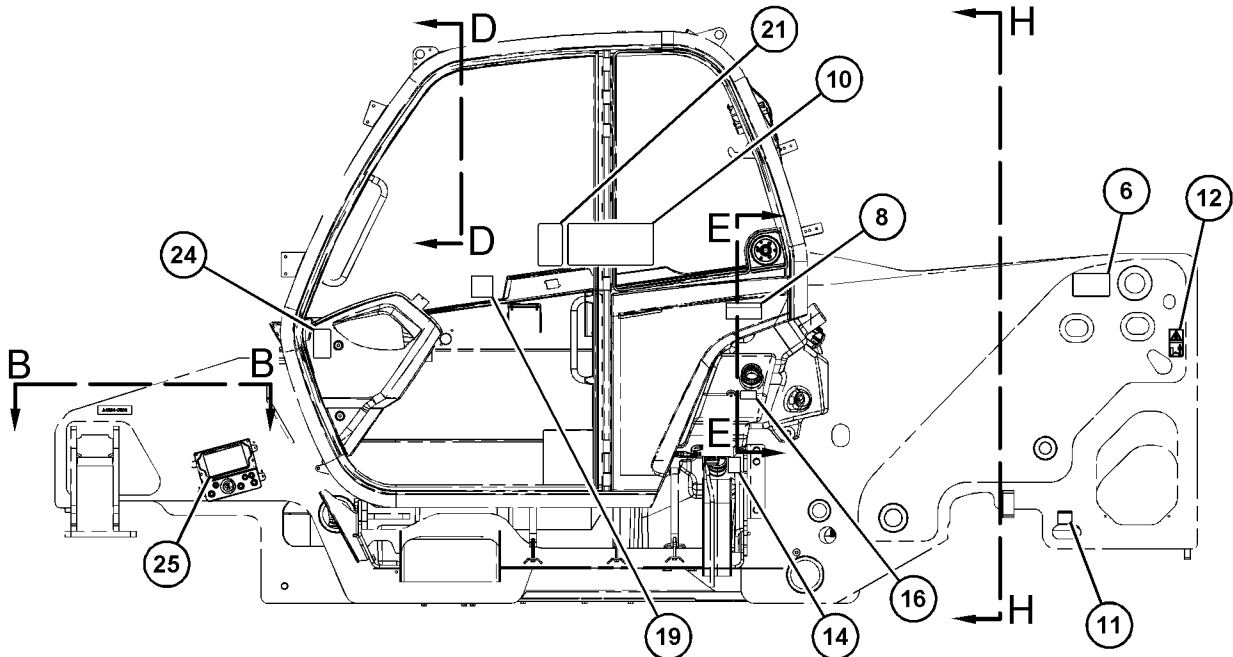
i06645735

NOTE	REF NO	GRAPHIC REF	PART NUMBER	QTY	PART NAME						SEE PAGE
					1	2	3	4	5	6 (PRODUCT LEVEL)	
1		3	335-8056	1	FILM-INFORMATION (MANUAL)						
2		1	323-5615	1	FILM-WARNING (ETHER START)						
3		3	303-4939	1	FILM-WARNING (BATTERY, EXPLOSIVE GAS)						
4		3	303-4941	1	FILM-WARNING (POWER LINES CLEARANCE)						
5		1	303-4942	1	FILM-WARNING (ROTATING)						
6		1	303-4943	2	FILM-WARNING (PINCH POINT)						
7		3	303-4946	1	FILM-WARNING (TIP OVER)						
8		1	303-4948	1	FILM-WARNING (NO RIDERS)						
9		3	303-4949	1	FILM-WARNING (CRUSH HAZARD)						
10		1	330-4304	1	FILM-WARNING (HAZARD, READ OMM)						
11		1	303-4963	4	FILM-IDENTIFICATION (TIE-DOWN LOCATION)						
12		1	323-7262	2	FILM-WARNING (STAY CLEAR OF SWING AREA)						
13		2	495-2446	1	FILM-IDENTIFICATION (HYDRAULIC OIL FILLER)						
14		1	486-9888	1	FILM-WARNING (DIESEL)						
15		1	453-8398	1	FILM-INSTRUCTION (NO PRESSURE WASHER)						
16		1	421-2305	1	FILM-INFORMATION (ULTRA LOW SULFUR FUEL)						
17		2	389-3574	1	FILM-IDENTIFICATION (OIL LEVEL)						
18		1	473-6954	1	FILM-INFORMATION (BOOM EXTEND, RETRACT)						
19		1	473-6955	1	FILM-INFORMATION (NO WELD, NO DRILL, READ OMM)						
20		1	460-2867	1	FILM-IDENTIFICATION (EAC)						
21		1	477-2612	1	FILM-INFORMATION (JOYSTICK)						
22		3	478-5100	1	FILM-IDENTIFICATION (PARKING BRAKE, SERVICE BRAKE)						
23		2	473-6957	1	FILM-INFORMATION (BATTERY POSITIVE)						
24		1	480-9880	1	FILM-IDENTIFICATION (FUSE PANEL)						
25		1	480-9877	1	FILM-IDENTIFICATION (FUSE PANEL)						
26		2	486-9892	1	FILM-WARNING (CARRY PERSONNEL)						
27		2	488-7889	1	FILM-IDENTIFICATION (BATTERY DISCONNECT, READ OMM)						

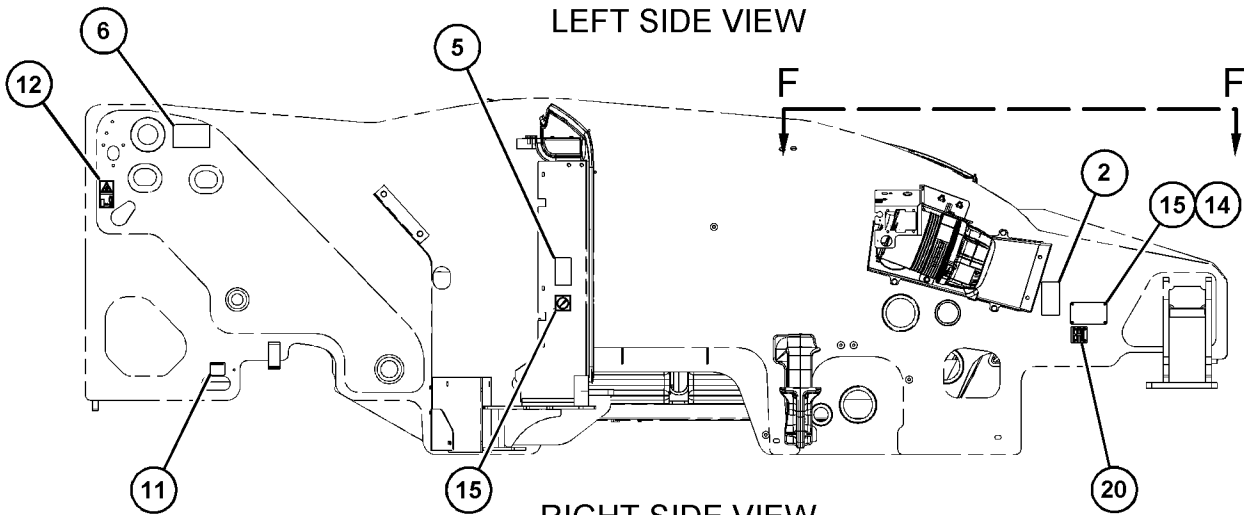
SERVICE EQUIPMENT AND SUPPLIES

501-7265 FILM GP (contd.)

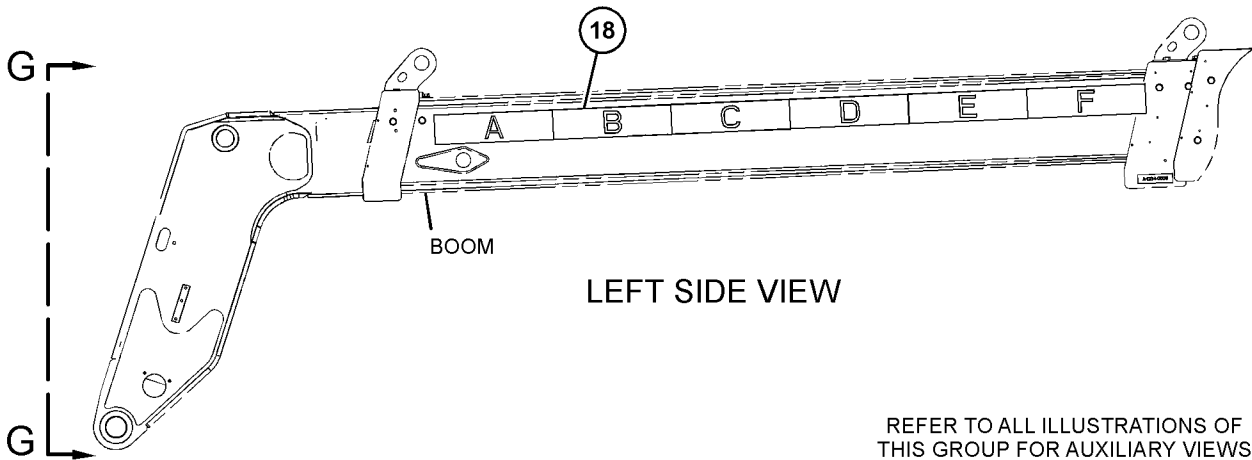
i06645735



LEFT SIDE VIEW



RIGHT SIDE VIEW



LEFT SIDE VIEW

REFER TO ALL ILLUSTRATIONS OF THIS GROUP FOR AUXILIARY VIEWS

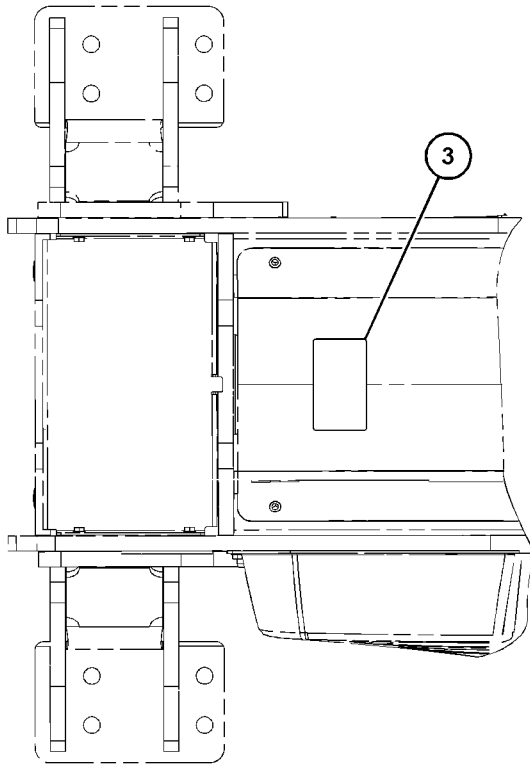
GRAPHIC #1

g06094484

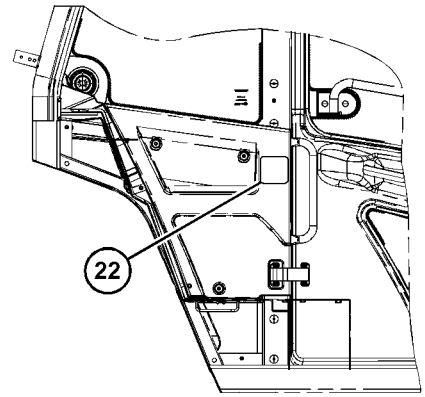
SERVICE EQUIPMENT AND SUPPLIES

501-7265 FILM GP (contd.)

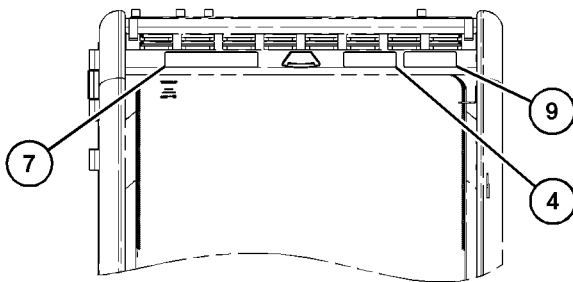
106645735



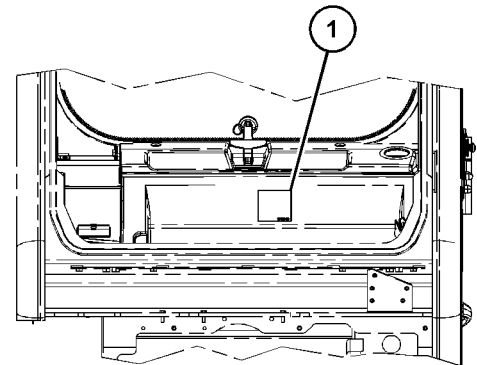
VIEW B-B



VIEW C-C



VIEW D-D



VIEW E-E

GRAPHIC #2

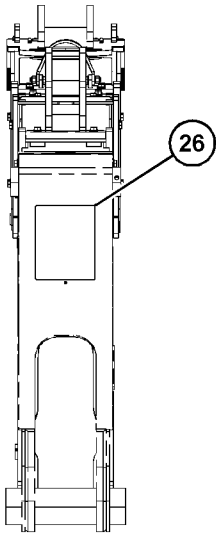
g06094485

SERVICE EQUIPMENT AND SUPPLIES

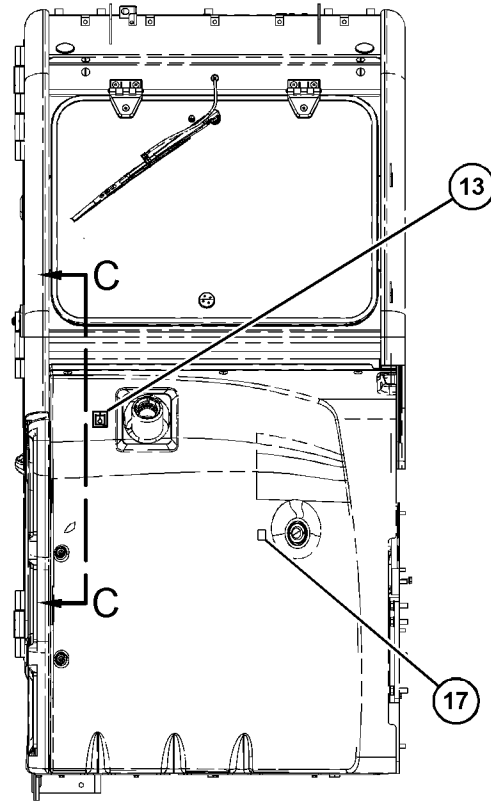
501-7265 **FILM GP** (contd.)

i06645735

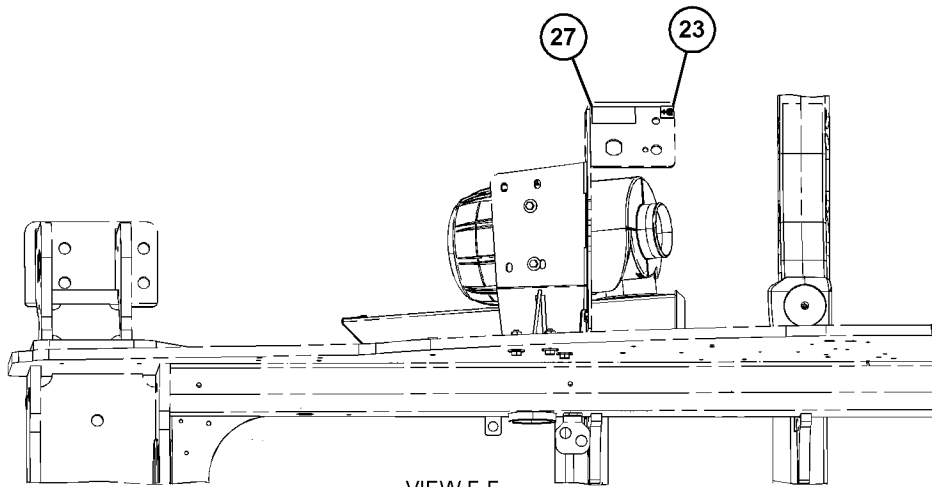
REFER TO ALL ILLUSTRATIONS OF THIS GROUP FOR AUXILIARY VIEWS



VIEW G-G



VIEW H-H



VIEW F-F

GRAPHIC #3

<END>

g06094486

SERVICE EQUIPMENT AND SUPPLIES

503-1712 FILM GP

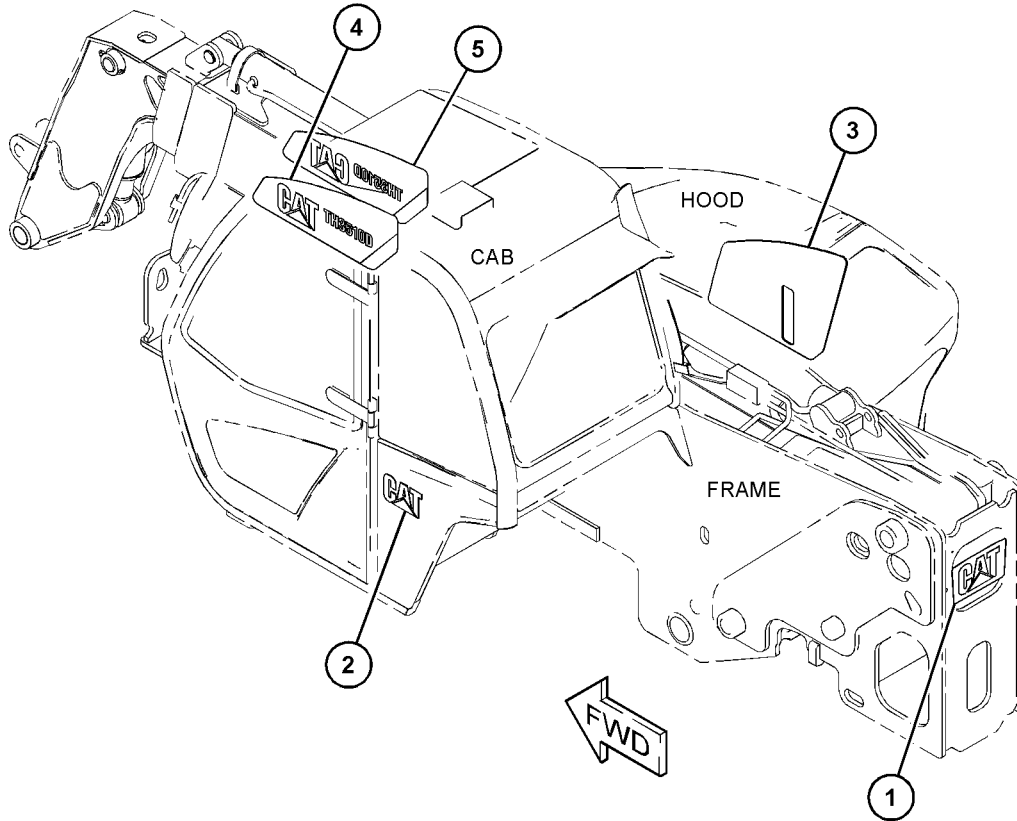
S/N: TH21-UP; TH31-UP

PART OF 505-5033, 505-5035 CHASSIS AR

SMCS-0375, 7405, 7557

i07218864

NOTE	REF NO	GRAPHIC REF	PART NUMBER	QTY	PART NAME						SEE PAGE
					1	2	3	4	5	6 (PRODUCT LEVEL)	
	1	1	322-8032	1	FILM-IDENTIFICATION (CAT, REAR)						
	2	1	473-0029	1	FILM-IDENTIFICATION (CAT)						
	3	1	503-1714	1	FILM-IDENTIFICATION (CAT HOOD)						
	4	1	503-1715	1	FILM-IDENTIFICATION (CAT BOOM, LH)						
	5	1	503-1716	1	FILM-IDENTIFICATION (CAT BOOM, RH)						



GRAPHIC #1

<END>

g06057351

SERVICE EQUIPMENT AND SUPPLIES

507-9537 FILM GP

S/N: TH21-UP
GERMAN
AN ATTACHMENT

SMCS-0375, 7405, 7557

i06811689

NOTE	PART NUMBER	QTY	PART NAME						SEE PAGE
			1	2	3	4	5	6 (PRODUCT LEVEL)	
Y	501-7261	1	FILM GP						989
Y	519-3823	1	FILM GP (SENSING)						1008
Y	503-1701	1	INDICATOR GP-LOAD						371
Y	496-8301	1	MIRROR GP-REAR VIEW						936

Y - SEPARATE ILLUSTRATION

<END>

507-9538 FILM GP

S/N: TH21-UP
FRANCE
AN ATTACHMENT

SMCS-0375, 7405, 7557

i06811303

NOTE	PART NUMBER	QTY	PART NAME						SEE PAGE
			1	2	3	4	5	6 (PRODUCT LEVEL)	
Y	501-7261	1	FILM GP						989
Y	519-3823	1	FILM GP (SENSING)						1008
Y	503-1701	1	INDICATOR GP-LOAD						371
Y	496-8301	1	MIRROR GP-REAR VIEW						936

Y - SEPARATE ILLUSTRATION

<END>

507-9539 FILM GP

S/N: TH21-UP
UNITED KINGDOM
AN ATTACHMENT

SMCS-0375, 7405, 7557

i06811687

NOTE	PART NUMBER	QTY	PART NAME						SEE PAGE
			1	2	3	4	5	6 (PRODUCT LEVEL)	
Y	501-7261	1	FILM GP						989
Y	519-3823	1	FILM GP (SENSING)						1008
Y	503-1701	1	INDICATOR GP-LOAD						371
Y	496-8301	1	MIRROR GP-REAR VIEW						936

Y - SEPARATE ILLUSTRATION

<END>

SERVICE EQUIPMENT AND SUPPLIES

507-9540 FILM GP

S/N: TH21-UP
EUROPE
AN ATTACHMENT

SMCS-0375, 7405, 7557

i06811684

NOTE	PART NUMBER	QTY	PART NAME						SEE PAGE
			1	2	3	4	5	6 (PRODUCT LEVEL)	
Y	501-7261	1	FILM GP						989
Y	519-3823	1	FILM GP (SENSING)						1008
Y	503-1701	1	INDICATOR GP-LOAD						371
Y	496-8301	1	MIRROR GP-REAR VIEW						936

Y - SEPARATE ILLUSTRATION

<END>

507-9541 FILM GP

S/N: TH21-UP
UNITED STATES
AN ATTACHMENT

SMCS-0375, 7405, 7557

i07060042

NOTE	PART NUMBER	QTY	PART NAME						SEE PAGE
			1	2	3	4	5	6 (PRODUCT LEVEL)	
Y	540-0765	1	CHART GP-LIFT/LOAD EXTENSION						981
Y	501-7265	1	FILM GP						999
Y	519-3821	1	FILM GP (SENSING)						1006
Y	496-8301	1	MIRROR GP-REAR VIEW						936

Y - SEPARATE ILLUSTRATION

<END>

507-9542 FILM GP

S/N: TH21-UP
CANADA
AN ATTACHMENT

SMCS-0375, 7405, 7557

i07060043

NOTE	PART NUMBER	QTY	PART NAME						SEE PAGE
			1	2	3	4	5	6 (PRODUCT LEVEL)	
Y	540-0765	1	CHART GP-LIFT/LOAD EXTENSION						981
Y	501-7265	1	FILM GP						999
Y	519-3822	1	FILM GP (SENSING)						1007
Y	496-8301	1	MIRROR GP-REAR VIEW						936

Y - SEPARATE ILLUSTRATION

<END>

SERVICE EQUIPMENT AND SUPPLIES

519-3821 FILM GP-SENSING

S/N: TH21-UP

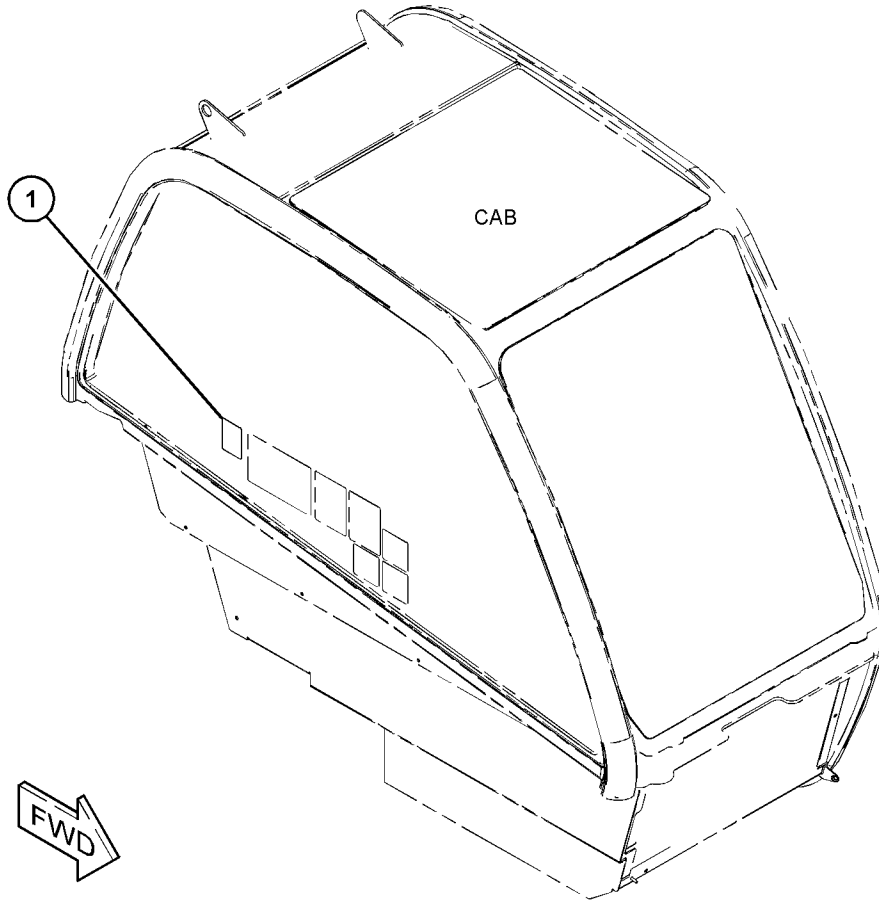
REVERSE

PART OF 507-9541 FILM GP
AN ATTACHMENT

SMCS-0375, 7405, 7557

i06810221

NOTE	REF NO	GRAPHIC REF	PART NUMBER	QTY	PART NAME						SEE PAGE
					1	2	3	4	5	6 (PRODUCT LEVEL)	
	1	1	484-5235	1	FILM-INFORMATION (REVERSE ALARM)						



GRAPHIC #1

<END>

g06124411

SERVICE EQUIPMENT AND SUPPLIES

519-3822 FILM GP-SENSING

S/N: TH21-UP

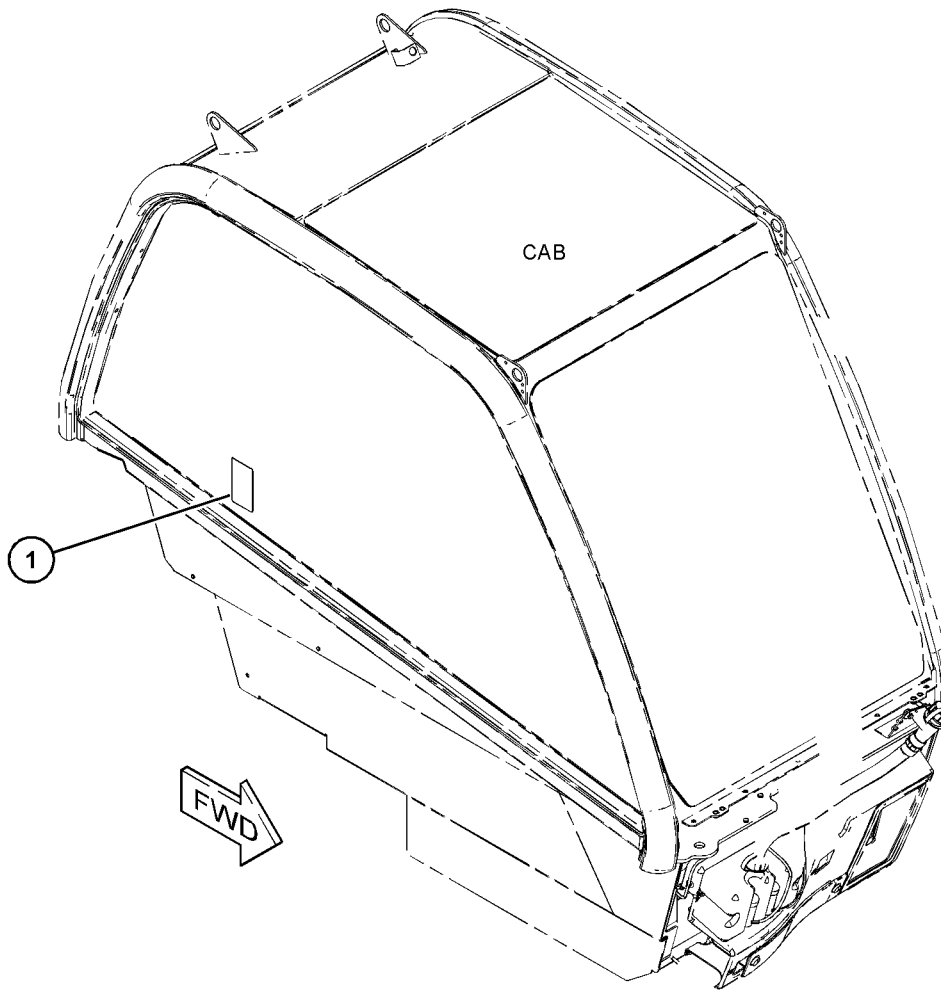
REVERSE

PART OF 507-9542 FILM GP
AN ATTACHMENT

SMCS-0375, 7405, 7557

i06810242

NOTE	REF NO	GRAPHIC REF	PART NUMBER	QTY	PART NAME						SEE PAGE
					1	2	3	4	5	6 (PRODUCT LEVEL)	
	1	1	484-5240	1	FILM (REVERSE ALARM)						



GRAPHIC #1

<END>

g06126889

SERVICE EQUIPMENT AND SUPPLIES

519-3823 FILM GP

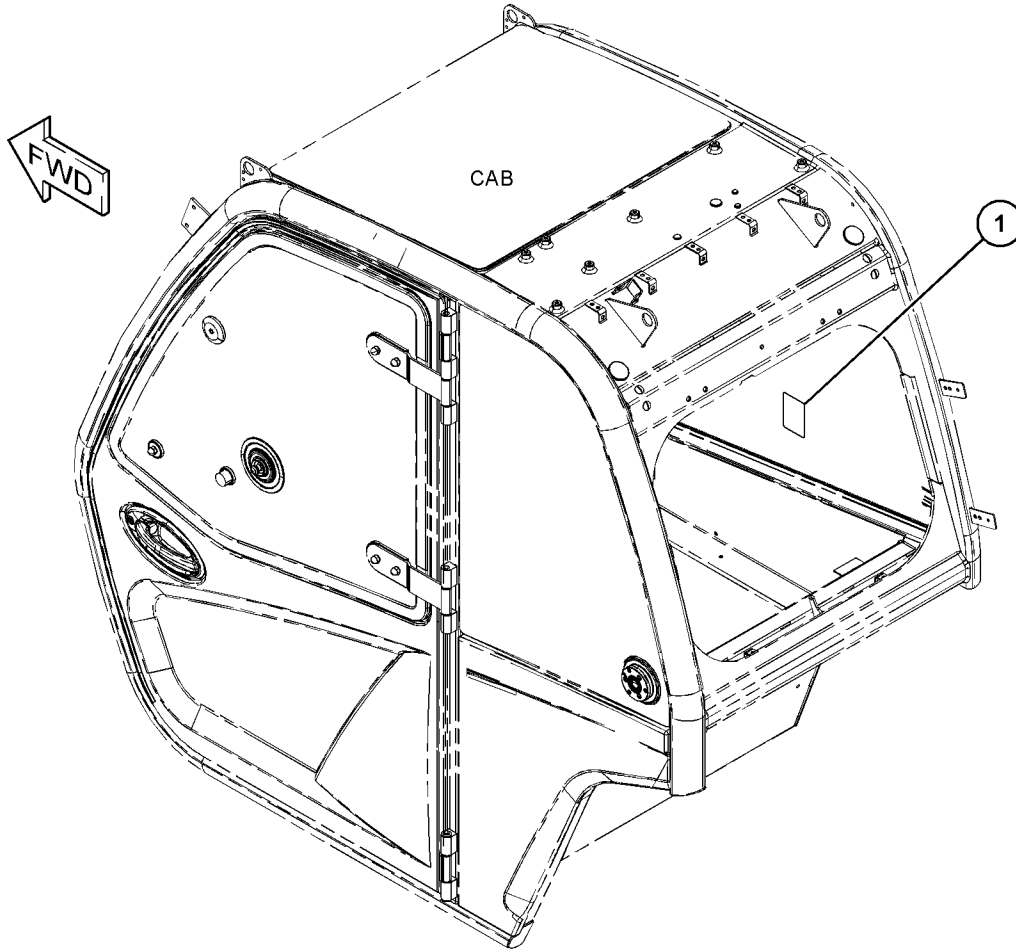
S/N: TH21-UP; TH31-UP

PART OF 507-9536, 515-9680, 515-9681, 515-9682, 515-9683, 515-9684 CONFIGURATION AR,
507-9537, 507-9538, 507-9539, 507-9540 FILM GP
AN ATTACHMENT

SMCS-0375, 7405, 7557

i06809354

NOTE	REF NO	GRAPHIC REF	PART NUMBER	QTY	PART NAME	SEE PAGE
	1	1	484-5239	1	1 2 3 4 5 6 (PRODUCT LEVEL) FILM-INFORMATION (REAR WINDOW)	PAGE



GRAPHIC #1

<END>

g06125760

SERVICE EQUIPMENT AND SUPPLIES

520-6928 FILM GP

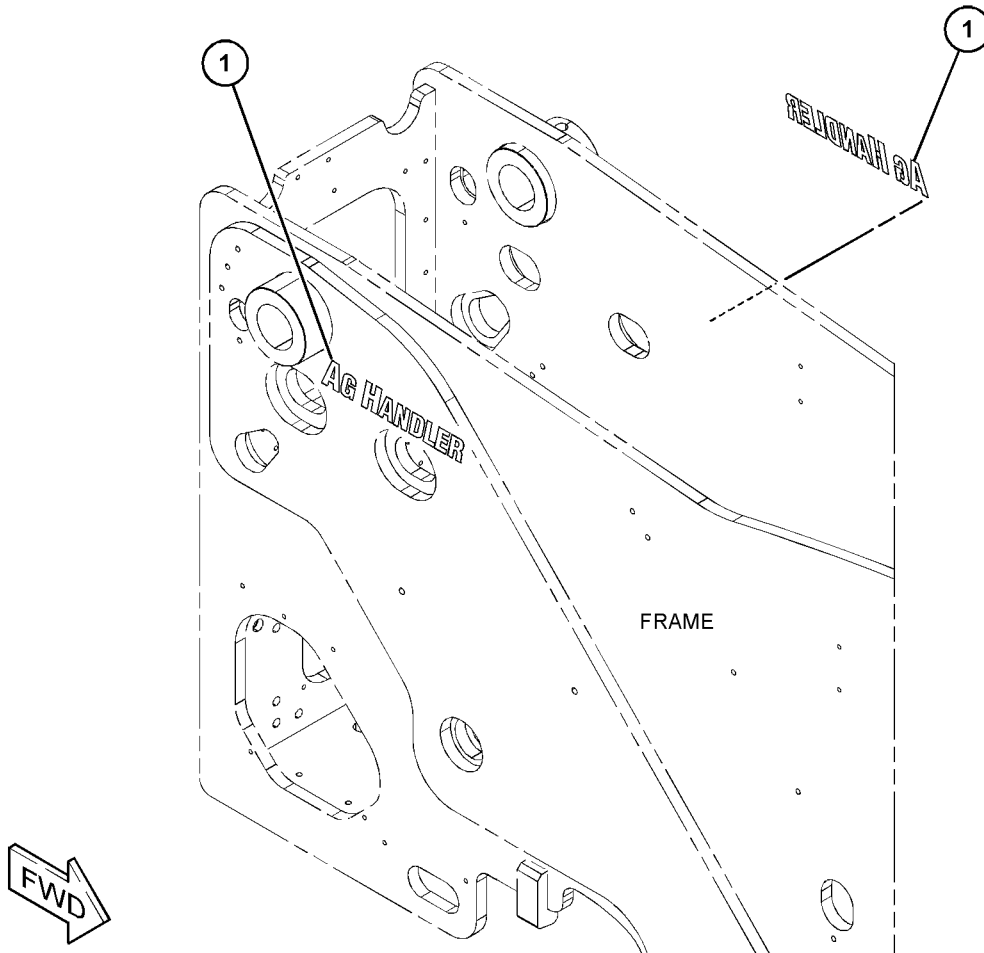
S/N: TH21-UP; TH31-UP

PART OF 505-5033, 505-5035 CHASSIS AR

SMCS-0375, 7405, 7557

i06811738

NOTE	REF NO	GRAPHIC REF	PART NUMBER	QTY	PART NAME						SEE PAGE
					1	2	3	4	5	6 (PRODUCT LEVEL)	
	1	1	520-6930	2	FILM-IDENTIFICATION (AGGREGATE HANDLER)						



GRAPHIC #1

<END>

g06129848

SERVICE EQUIPMENT AND SUPPLIES

503-6003 LOCK GP-VANDALISM

S/N: TH21-UP; TH31-UP

AN ATTACHMENT

SMCS-7315, 7430

i06586879

NOTE	PART NUMBER	QTY	PART NAME						SEE PAGE
			1	2	3	4	5	6 (PRODUCT LEVEL)	
	246-2641	4	PADLOCK GP						
			(EACH INCLUDES)						
	5P-8500	1	KEY						
			<END>						

SERVICE EQUIPMENT AND SUPPLIES

443-1143 PLATE & FILM GP

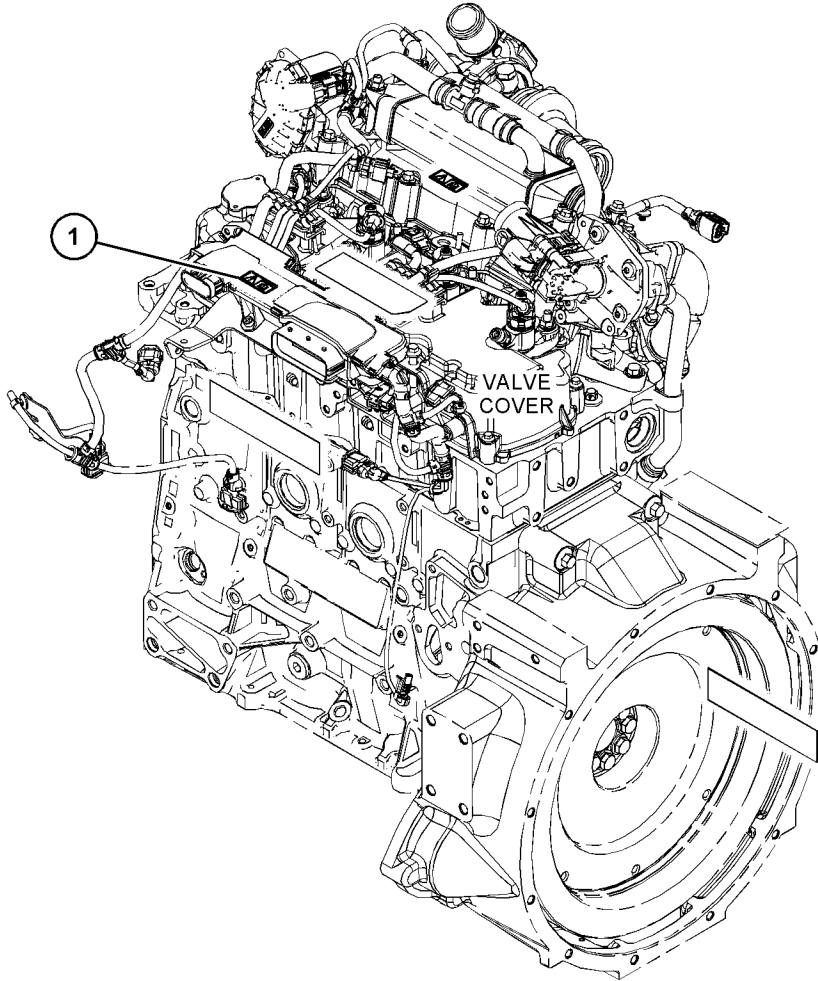
S/N: CJ41-UP

PART OF 465-2880 ENGINE AR-PRIMARY

SMCS-7405, 7557

i06252216

NOTE	REF NO	GRAPHIC REF	PART NUMBER	QTY	PART NAME						SEE PAGE
					1	2	3	4	5	6 (PRODUCT LEVEL)	
1	1	1	346-8219	2	FILM-WARNING (UNIVERSAL WARNING)						
2	1	1	381-1799	1	PLATE						
3	1	1	469-0462	1	FILM-IDENTIFICATION (EMISSION)						



GRAPHIC #1

<END>

g03825159

SERVICE EQUIPMENT AND SUPPLIES

501-7263 PLATE & FILM GP

S/N: TH31-UP

PART OF 515-9684 CONFIGURATION AR
AN ATTACHMENT

SMCS-7405, 7557

i06735413

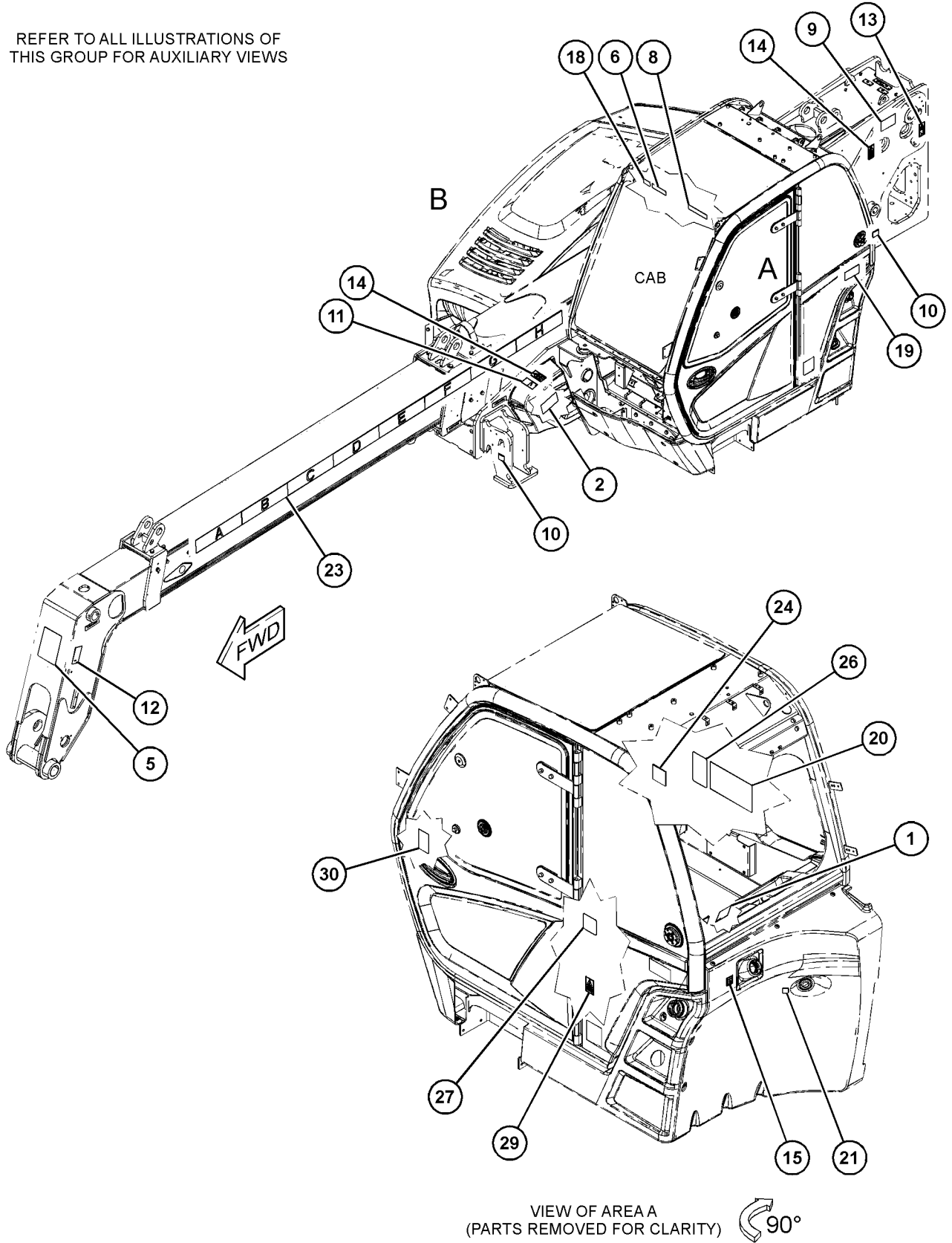
NOTE	REF NO	GRAPHIC REF	PART NUMBER	QTY	PART NAME						SEE PAGE
					1	2	3	4	5	6 (PRODUCT LEVEL)	
1	1	1	335-8056	1	FILM-INFORMATION (MANUAL)						
2	1	1	480-9877	1	FILM-IDENTIFICATION (FUSE PANEL)						
3	2	2	323-5615	1	FILM-WARNING (ETHER START)						
4	2	2	314-5318	1	FILM-WARNING (BATTERY)						
5	1	1	314-5319	1	FILM-WARNING (CARRY PERSONNEL)						
6	1	1	314-5321	1	FILM-WARNING (ELECTROCUTION HAZARD)						
7	2	2	314-5322	1	FILM-WARNING (MOVING PARTS)						
8	1	1	314-5324	1	FILM-WARNING (TIP OVER)						
9	1,2	1,2	314-5326	2	FILM-WARNING (PINCH POINT)						
10	1,2	1,2	303-4963	4	FILM-IDENTIFICATION (TIE-DOWN LOCATION)						
11	1,2	1,2	323-7256	2	FILM-WARNING (CYLINDER LOCK)						
12	1	1	323-7257	2	FILM-WARNING (RAISED BOOM, BUCKET)						
13	1,2	1,2	323-7262	2	FILM-WARNING (STAY CLEAR OF SWING AREA)						
14	1,2	1,2	421-2302	4	FILM-WARNING (SET BRAKE LEVER)						
15	1	1	495-2446	1	FILM-IDENTIFICATION (HYDRAULIC OIL FILLER)						
16	2	2	299-0354	1	GAUGE (TILT ANGLE)						
17	2	2	488-7889	1	FILM-IDENTIFICATION (BATTERY DISCONNECT, READ OMM)						
18	1	1	314-5315	1	FILM-WARNING (CRUSH HAZARD)						
19	1	1	314-5316	1	FILM-WARNING (NO RIDERS)						
20	1	1	330-4301	1	FILM-WARNING (CAB)						
21	1,2	1,2	389-3574	1	FILM-IDENTIFICATION (OIL LEVEL)						
22	2	2	453-8398	1	FILM-INSTRUCTION (NO PRESSURE WASHER)						
23	1	1	473-6954	1	FILM-INFORMATION (BOOM EXTEND, RETRACT)						
24	1	1	473-6955	1	FILM-INFORMATION (NO WELD, NO DRILL, READ OMM)						
25	2	2	460-2867	1	FILM-IDENTIFICATION (EAC)						
26	1	1	477-2612	1	FILM-INFORMATION (JOYSTICK)						
27	1	1	478-5100	1	FILM-IDENTIFICATION (PARKING BRAKE, SERVICE BRAKE)						
28	2	2	473-6957	1	FILM-INFORMATION (BATTERY POSITIVE)						
29	1	1	486-9886	2	FILM-IDENTIFICATION (READ OMM)						
30	1	1	480-9880	1	FILM-IDENTIFICATION (FUSE PANEL)						

SERVICE EQUIPMENT AND SUPPLIES

501-7263 PLATE & FILM GP (contd.)

106735413

REFER TO ALL ILLUSTRATIONS OF THIS GROUP FOR AUXILIARY VIEWS



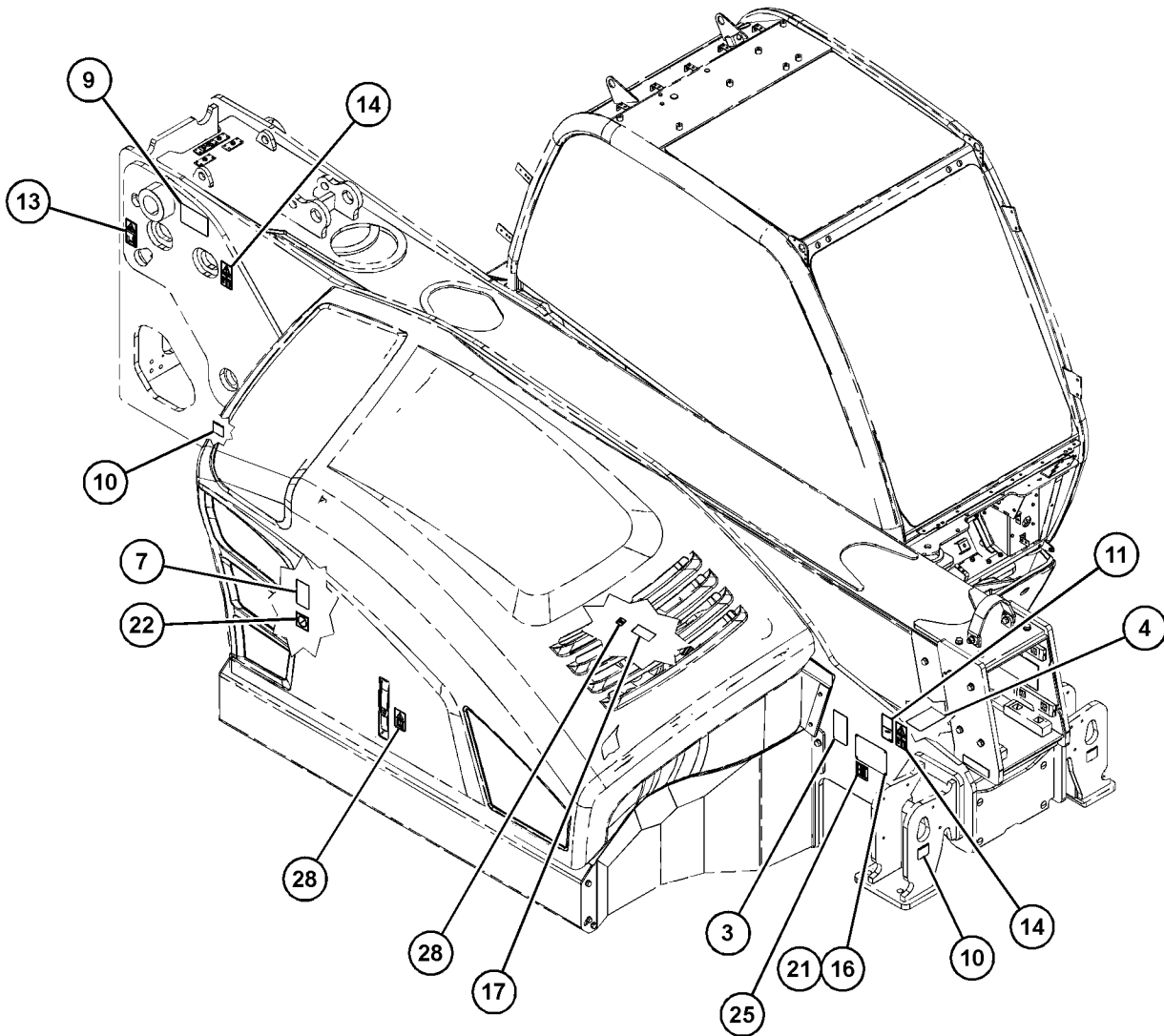
GRAPHIC #1

g06105129

SERVICE EQUIPMENT AND SUPPLIES

501-7263 PLATE & FILM GP (contd.)

i06735413



VIEW OF AREA B 

GRAPHIC #2

<END>

g06105130

SERVICE EQUIPMENT AND SUPPLIES

509-4663 PLATE GP-IDENTIFICATION

S/N: TH21-UP; TH31-UP

2300-MM (90.5-IN)

AN ATTACHMENT

SMCS-7557

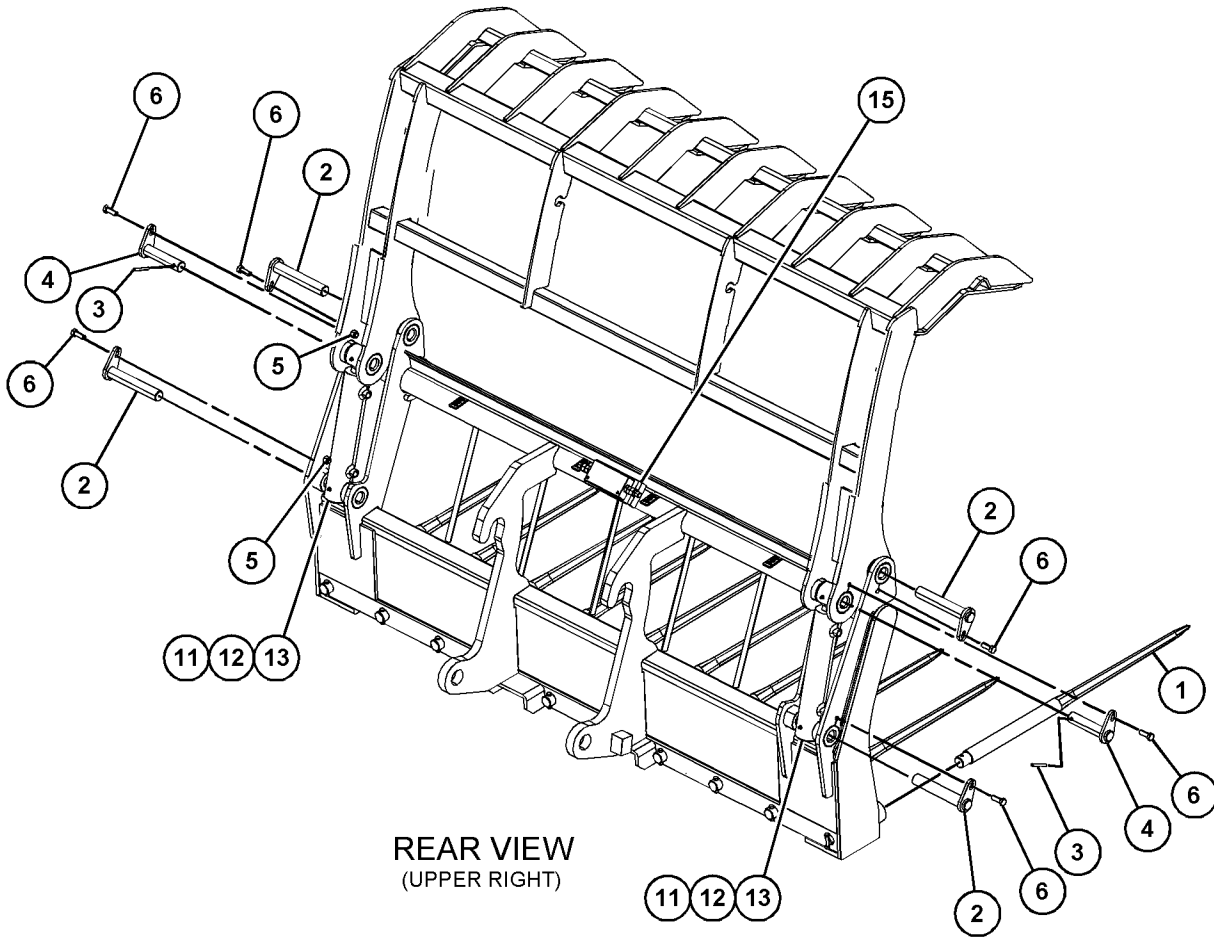
i07175296

NOTE	REF NO	GRAPHIC REF	PART NUMBER	QTY	PART NAME						SEE PAGE
					1	2	3	4	5	6 (PRODUCT LEVEL)	
	1	1	512-8037	10	PLATE AS						
	2	1	512-6796	4	PIN AS						
	3	1	512-6802	2	PIN-ROLL						
	4	1	512-6795	2	PIN AS						
	5	1	512-6800	6	NUT						
	6	1	512-6801	6	SCREW						
	7	1	545-9415	1	HOSE						
	8	1	545-9416	1	HOSE						
	9	1	545-9418	1	HOSE						
	10	1	545-9419	1	HOSE						
	11	1	512-6798	10	RETAINER-RING						
	12	1	512-6799	6	FITTING						
	13	1	512-6797	2	CYLINDER AS						
	14	1	512-6793	1	VALVE						
	15	1	512-6794	1	SUPPORT						

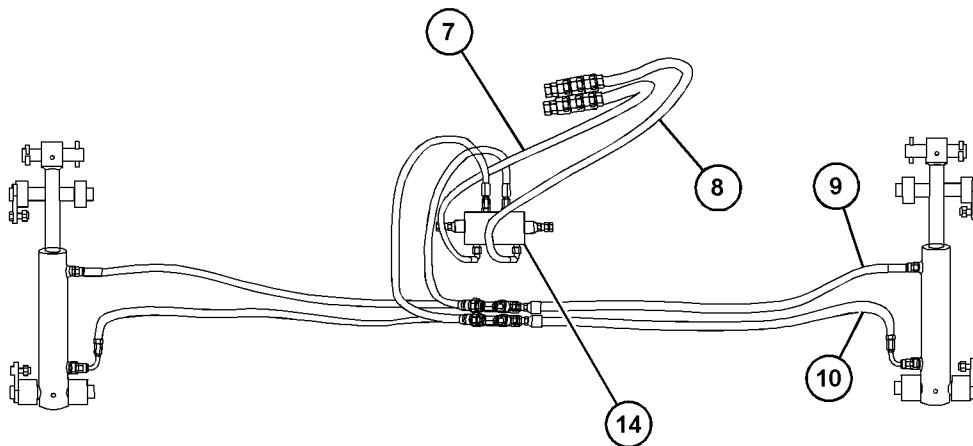
SERVICE EQUIPMENT AND SUPPLIES

509-4663 PLATE GP-IDENTIFICATION (contd.)

i07175296



REAR VIEW
(UPPER RIGHT)



REAR VIEW
(PARTS REMOVED FOR CLARITY)

GRAPHIC #1

<END>

g06251402

PART NUMBER INDEX

Part	Page	Part	Page	Part	Page	Part	Page
6F-7045	435		314		504	6V-8638	692
6H-3616	134		319		505	6V-8676	320
	136		334		519	6V-8715	701
6H-3957	106	6I-0789	101		520	6V-8729	651
6I-0217	34	6I-0839	176		525	6V-8731	649
	101		206	6V-5192	655	6V-8754	659
	104	6I-0846	153		891	6V-8757	515
	123		162	6V-5215	495		517
	126		271		506		523
	183		276	6V-5264	572		526
	184		314	6V-5683	181		529
	206		451		271		538
	246		467		276		540
	267	6I-0917	222	6V-5815	523		793
	268		326		526		795
	291	6I-0918	162		529	6V-8939	624
	319	6I-1090	107	6V-5842	495	6V-9178	520
6I-0254	155		183		506		752
	176		222		568	6V-9189	973
	206		305		570	6V-9509	689
	222		314		572	6V-9746	689
	246	6I-1497	165	6V-6339	751		707
	285		166	6V-7238	84		709
	416	6I-4012	431		85	6V-9804	261
6I-0260	33		433	6V-7357	210		262
	123	6I-4068	219		375		329
	126	6I-4072	320		395	6W-5652	764
	153	6I-4200	97		397	6W-5656	764
	183		100		881	6W-5677	764
	204	6I-4374	153		882	6W-5678	764
	219		155		888	6W-5679	764
	221		168	6V-7742	470	6Y-1192	515
	314	6I-4709	35		471		517
	327		181		940		538
6I-0289	165		222	6V-7970	645		540
	166	6J-1972	665		923	6Y-7929	515
6I-0293	219	6J-5733	665	6V-8097	497		517
6I-0363	126	6K-9632	965		508		
6I-0423	97	6T-9142	513		523		
	100	6T-9143	513		526		
6I-0455	81	6T-9144	513		529		
	232	6T-9145	513	6V-8154	523	7C-0351	84
6I-0456	341	6T-9146	513		529		85
	342	6T-9147	513	6V-8200	727	7C-4354	233
6I-0563	229	6T-9163	501	6V-8213	683		921
	253		505		695		927
	266		513		697	7C-4616	101
	267	6T-9164	501		699		104
	268		505	6V-8397	638	7I-8935	422
6I-0572	123		513		639	7J-9108	683
	126	6T-9165	501		641		685
	160		505		692		689
	184		513		701		707
	187	6T-9166	501		717		709
	403		505	6V-8398	624		717
	451		513		645		923
6I-0593	91	6V-0852	212		649	7K-1181	194
	285		214		651		196
6I-0594	334		624		689		198
	431		735		692		240
6I-0631	97		737		694		242
	100		739		695		307
	314	6V-3265	639		697		309
	419		641	6V-8399	520		311
	451	6V-3303	119		585		387
6I-0645	101	6V-3668	777		586		391
	104		834	6V-8400	714		409
	184	6V-3965	212		715		455
	187		214		717		460
	320		624		719		464
6I-0646	106		735		735		642
6I-0650	104		737	6V-8628	495		689
6I-0654	110		739		506		697
	112	6V-4589	501	6V-8636	692		

7

PART NUMBER INDEX

Part	Page	Part	Page	Part	Page	Part	Page
	699	7Y-1858	593	8T-4121	194		927
	703		940		196		930
	705	7Y-7394	885		198		936
	707				212	8T-4132	605
	709				214	8T-4133	307
	720	8			224		311
	722				227		377
	919	8C-3364	735		233		626
	921	8C-3982	568		235		701
	927		570		236		705
	930		572		237		717
7M-8485	735	8C-6354	352		240		720
	746		362		242		722
7N-0718	▶ 435	8C-8451	890		254		851
	455	8D-3791	764		307		854
	459	8E-8313	568		309	8T-4136	224
	463		570		311		227
7R-2750	353		572		329		233
	357	8H-5303	435		336		235
	359	8H-5306	435		337		236
7R-2751	353	8I-1362	194		339		237
	355		196		340		242
	357		198		377		254
7T-0094	359	8I-3860	474		383		307
7T-3195	497		481		395		309
	508		486		397		311
	515	8I-3959	692		407		329
	517	8I-4641	446		410		336
	523	8J-2574	665		422		337
	526	8L-2746	519		446		410
	529		520		455		446
7W-2326	156	8L-2777	167		459		455
	157	8L-2786	497		463		459
7W-2632	278		508		533		463
	323	8L-6565	585		575		533
	341		586		576		599
	342	8Q-2143	475		577		601
7W-4642	97	8Q-2150	475		578		654
7X-0632	212	8Q-6229	659		589		683
	214	8T-0269	64		599		685
7X-0818	720		67		601		715
	722		123		626		717
	797	8T-0325	330		631		720
	799		818		633		722
7X-0820	641	8T-0328	411		635		735
7X-0851	593	8T-0389	309		636		743
7X-0872	703		378		638		919
	705		379		639		921
	927		380		641		923
7X-2532	469		381		645		925
7X-2534	444		631		647		930
	455		851		654		936
	463		854		658	8T-4137	194
	647	8T-0707	793		682		196
	692		795		683		198
7X-2535	624	8T-1114	793		685		212
7X-2537	262		795		701		214
	422	8T-1158	415		705		218
	651		709		707		337
	689	8T-1580	497		709		339
	973		501		713		407
7X-2553	118		504		720		422
	617		505		722		446
	618		508		730		455
	619		513		732		459
	620	8T-1581	515		735		463
	622		523		739		598
	624		526		761		599
7X-2557	593		529		851		601
	605		542		854		626
7X-2619	254		549		919		633
7X-4744	520	8T-2394	709		921		635
	752	8T-3647	649		923		636
7X-6312	368				925		638

PART NUMBER INDEX

Part	Page	Part	Page	Part	Page	Part	Page
	639		388	8T-4198	240		119
	641		406	8T-4199	242		224
	682		455	8T-4200	194		227
	713		459		196		254
	923		463		198		329
	925		596		216		455
	927		598		376		536
	930		614		401		537
8T-4138	210		624		422		599
	375		626		455		601
	376		627		682		660
	388		628		818		703
	391		629		820		705
	392		630		874		793
	393		643		879		795
	394		648		927		801
	455		689		932	8T-4224	5
	459		694	8T-4205	212		194
	463		707		214		196
	599		709		227		198
	601		725		233		212
	635		762		235		214
	851		851		236		233
	854		854		237		242
	863		857		254		261
	879		874		331		262
	881		875		375		329
	882		876		376		346
8T-4139	224		877		383		369
	254		878		388		370
	455		892		392		376
	536		902		394		388
	537		913		395		395
	599		927		397		397
	601		951		409		401
	705		952		434		406
8T-4167	593		953		444		422
	843		954		455		446
8T-4171	883		955		463		455
8T-4172	732		963		599		459
8T-4173	120		976		601		463
	121		977		624		520
	122		982		633		531
8T-4177	5	8T-4191	240		635		533
	346	8T-4192	703		636		575
8T-4182	309		793		643		576
8T-4183	116		795		647		577
	117		801		692		592
	118	8T-4193	613		760		596
	227		801		843		598
8T-4184	980	8T-4195	224		851		614
8T-4185	307		227		854		624
	717		254		857		626
	851		383		863		627
	854		395		879		628
8T-4186	217		397		881		629
	218		599		882		630
	307		601		883		643
	578		631		885		645
	658		645		890		647
	683		647		894		648
	685		711		895		649
	701		720		933		651
8T-4189	190		722		934		660
	192		735		935		661
	198		761		937		682
	212		851		938		689
	214		854		965		692
	216	8T-4196	307		967		703
	217		311		970		705
	233		575		971		707
	240		576	8T-4223	116		709
	369		577		117		715
	370		705		118		717

PART NUMBER INDEX

Part	Page	Part	Page	Part	Page	Part	Page
	728		937		359		379
	732		938		360		380
	733	8T-5005	377		361		381
	818	8T-5041	802		362	9X-1056	355
	820		803		378	9X-2133	194
	851		804		379		196
	854		805		380		198
	857		806		381	9X-2230	501
	874		808		395		502
	875		817		397		505
	876	8T-5092	802		468		511
	877		803	8T-8902	624	9X-2480	237
	878		804	8T-8998	879	9X-3401	348
	885		805	8T-9535	114		349
	891		806	8T-9636	338		350
	892		807		344		351
	913		808				352
	915		817				353
	927		819				357
	932	8T-5093	190				359
	936		192				362
	946	8T-5353	502				421
	951		504	9F-5644	435	9X-3402	352
	952		511	9G-5127	495	9X-6032	730
	953		525	9M-4814	307	9X-6615	520
	954	8T-5436	851	9M-8406	624	9X-6772	369
	955		854		638		370
	963	8T-6685	240		713	9X-7345	455
	973	8T-6868	594	9R-1004	701		459
	976		765	9R-1005	701		464
	977		766	9S-4181	735	9X-8250	703
	982		842	9S-4183	733		705
8T-4647	382	8T-6869	261	9S-4190	330		720
8T-4648	703		262		501		722
	705		692		504		921
8T-4776	725		717		505	9X-8257	119
8T-4896	764		891		525		120
8T-4908	190		892	9S-4191	495		121
	192	8T-6912	446		502		122
	194	8T-6974	240		506		593
	196	8T-7329	645		511		617
	198		689		513		618
	212	8T-7524	239		568		619
	214		427		570		620
	531		531		572		621
	592		533	9S-8002	751		622
	660		733	9S-8004	295		624
	661	8T-7547	212		511		661
	703		214	9T-2212	665		801
	705		395	9T-4007	665		
	728		397	9U-8875	515		
	732		643		517		
	758		715		538		
	913		733		540		
	921		973	9V-2714	764	005-0469	497
	936	8T-8442	508		765		508
8T-4910	227		751		766		513
8T-4956	116	8T-8729	378	9V-2715	764	005-0471	497
	117		379		765		508
	329		380		766		538
8T-4970	212		381	9V-6588	692		540
	214		741	9W-0844	350	030-8491	307
	227	8T-8730	351	9W-0852	348	032-9090	46
	242		352		359	032-9091	46
	254	8T-8737	348		361	033-6043	751
	885		349		382	033-7687	94
8T-4971	397		350		395		96
	409		351		397	034-1432	227
	446		352		468		256
	455		353	9W-1441	344		307
	843		354		444		309
	851		355	9W-1442	338		311
	854		357		444	035-8063	222
	857		358	9W-3324	378	035-8068	60

9

0

PART NUMBER INDEX

Part	Page	Part	Page	Part	Page	Part	Page
067-3045	161		104		192	125-7874	362
067-6002	52		107		217	126-1767	352
	60		125		218		362
067-6006	53		159		224	126-1768	352
	60		186		227	126-3212	88
067-6043	53		202		240		106
	60		314		254	126-9093	287
067-6070	430		327		598	127-2909	762
067-6135	30	101-3917	314		711	127-3361	161
	39	101-7178	232		715	127-8609	367
	42		326		717	128-4123	353
	44	101-7541	972		743		357
	46	102-2073	106	117-1385	495	128-5016	349
	48	102-2075	106		506		353
	50	102-2076	106	118-9145	494		357
067-6179	101	102-2078	106	120-9051	744		361
	104	102-8705	692	120-9054	744	130-9888	153
067-6213	123		797	120-9762	497		155
	126		799		508	131-3539	972
067-6823	133	102-8801	353	121-0694	515	132-3056	733
	135		355	121-0883	97	132-5789	240
081-6352	701		357		100		242
085-8091	638		359		139		307
	639		361		432		309
091-7473	352	102-8802	741	121-2500	515		311
095-0742	407	102-8805	378		517		446
095-0880	972		379		538		455
096-5866	212		380		540		459
	214		381	122-1883	523		463
096-5969	406	103-2529	307		526		495
	411		309		529		506
097-5154	475		311	122-1886	540		921
099-6418	250	103-5705	34	122-3652	502		923
	419	104-7622	349		511		925
		105-1866	196	122-4382	357		927
		105-3478	410	122-4401	349		930
		105-3479	737	123-1373	336	133-1011	101
		105-3480	437	123-2899	112		104
			733		179	133-3413	367
100-3751	101	105-3487	422		232		368
	104		682	123-2920	502	133-4409	605
	183	106-3887	605		511	133-6517	367
	232	106-8916	202		515		368
	276		246		538	133-7442	307
100-3752	320		267		540		311
100-4336	307		268	123-8905	540	134-8626	749
	309	106-9586	520	123-8906	508	136-4184	707
	311		752	123-8907	517		709
	455	107-2348	244		523	137-6645	495
	459	110-5059	964		526		506
	463	111-0859	93		529	141-2759	338
	921		125	123-8908	501		444
100-4458	178		332		504		455
	285		335		505		459
	305	111-3422	320		513	142-2304	885
	314	111-3423	320		525	144-0195	965
	323	111-8222	221	123-8909	517	145-4911	94
100-4461	171	112-2095	210		542		96
	174		881	123-8910	497	147-0209	519
	175		882		508		520
	334	112-7704	271		517		752
100-4830	88	113-1504	155	124-0506	36	147-0232	513
	104	113-8129	206	124-3536	127	147-0238	515
	106	113-8490	338		129		517
	319		444		130		538
100-4838	402		455	124-3815	104		540
100-4841	99		459		219	147-5553	229
	108	113-8491	455		221		266
	109		459		266	148-0341	689
101-3771	123	113-8493	344		271	148-6596	982
	126	116-6159	353		314	148-6598	982
	202		355		415	148-8319	701
101-3895	34		357		416	148-8336	692
	101	116-8517	190	125-2627	349	148-8345	692

1

PART NUMBER INDEX

Part	Page	Part	Page	Part	Page	Part	Page
148-8373	735	161-9820	26		487	205-9362	353
148-8408	733		332	179-4324	395		355
148-8410	330		335		397		357
149-6549	605	162-6816	648	179-8593	474	206-0451	689
150-3067	651	163-3101	793		481	206-1345	362
150-3072	689		795		487		410
152-5717	692		801	180-3516	765		965
152-5718	692	163-6283	793	180-7826	842	206-1826	415
152-6578	334	164-5567	212	180-7827	842	206-2423	446
152-9860	146		214	184-7211	194	206-6410	697
	148		624		196		699
153-0983	273		735		198	208-8469	240
153-2994	683		737	185-0884	53	209-3768	528
	685		739		60	209-4212	893
	692	164-5572	649	185-1860	362	209-4573	531
	694	164-7468	285	185-6627	221		533
	695		332	185-7149	320	209-9219	56
	697		335	187-5086	705		58
	699	164-9425	913	188-5102	68		59
	701	165-7019	116		69	210-0066	683
	769		117	188-8391	973		695
	845		118	191-8303	495		697
153-2995	683		119		506		699
	685		599	192-9207	287	210-8277	916
	692		601	194-5390	267	210-8314	361
	694	166-3777	597		268	210-8332	916
	695	167-2186	665	195-0189	▶378	210-8334	916
	697	167-2294	665		395	211-1389	683
	699	168-8389	765	195-0190	▶379		685
	701		784		395		893
	769		793	195-0191	▶380	211-9032	695
	845		795		397		697
155-2260	349	169-0705	352	195-0192	▶381		699
	353		357		397	211-9462	613
	354	169-3943	765	195-7657	495	212-3350	741
	355		766		506	213-3263	972
	357		842	195-9245	34	213-4575	916
	358	169-3945	▶765		36	213-4578	▶916
	359		766	196-2385	355		961
155-2270	354	170-5121	648	196-7729	349	213-8351	349
	744	170-5632	339	197-7261	359	214-3203	106
155-2271	352		340	198-3899	885	214-7568	212
	354		434		915		214
	358	170-8555	120	198-8262	88		421
	362		121		106		624
156-3691	701		122	198-8263	88		735
156-6964	160	172-5317	515		106		737
157-3584	350		517	199-9252	415		739
	351		538		416	215-3790	430
157-4835	784		540	199-9267	415	215-9632	956
	793	174-2844	613		416		957
	795	175-4390	336	199-9751	56	216-8314	44
159-9495	444	175-7141	319		73		46
	448		433		219		48
	449	175-7739	635		416		50
	450	177-3868	744		426	217-0099	341
159-9496	361	178-2510	327			217-5888	349
	444	178-3336	181				361
	448		237			217-9039	352
	449		276				362
	450		278				416
160-0064	659		320	202-0313	353		430
160-4129	793		336		357		454
	795		337	202-0315	353	219-3270	▶367
160-4657	795	178-8164	568		357		369
	801		570	202-5397	353	219-3271	367
160-4658	659		572	203-8977	361	219-3272	▶368
160-4659	793	178-8169	495	203-8999	361		370
	795		506	203-9000	361	219-3273	368
160-8742	523	178-9983	377	203-9001	361	219-4562	645
	526		407	203-9007	361	219-6331	683
	529		885	204-7274	649		695
161-3357	956	179-2801	474	204-7464	151		697
	957		481	205-3686	107		699

2

PART NUMBER INDEX

Part	Page	Part	Page	Part	Page	Part	Page
220-2608	941		381		568	270-1784	352
220-4049	937	228-6056	378		570		362
	938		379		572	273-3143	353
220-4050	937		380	238-7563	497	274-1639	415
222-6210	▶784		381	238-7564	497		416
224-5065	784	228-7089	166		508	274-4553	515
	▶801		314		519		517
224-5066	801	228-7090	728		520		538
224-5072	801		730	238-8245	352		540
224-5079	801	228-7100	285	238-8288	221	274-4559	520
224-5082	801	228-7102	279	238-8292	246		585
224-5083	▶658	228-7103	425	239-7352	352		586
	784		520	241-6157	285	274-4560	520
224-5084	658	228-7105	645	243-3811	35		585
224-5087	658	228-9502	692	243-4278	94		586
224-5091	658	229-0582	▶956		96	274-4990	362
	▶665	229-0583	▶957	245-1043	362	274-8267	359
224-5092	▶692	229-0583	▶957	245-1044	362	275-0553	455
	784	229-9714	▶764	245-1048	362	275-2428	430
		229-9715	764	246-2641	589	275-9891	165
224-5093	692	230-4011	352		1010		166
224-5094	692		353	246-4361	285	276-5603	56
224-5311	665		355		314		58
224-5312	665		357	247-1385	216		416
225-5438	129		359	247-2717	46	276-5604	56
	130		362	247-4928	285		58
225-5501	80	230-5008	357		306	276-5605	109
225-6041	123	230-8094	67	247-8195	359	276-7394	37
	126		126		361		38
225-6524	137	231-3229	▶795	249-0974	187		44
225-7738	206	231-3230	795	251-3227	216		46
225-7941	169	231-9308	793	251-4336	104		48
	170	232-1322	56	252-1456	▶839		50
225-7944	184		58	254-3633	451	276-7478	127
	187		73		454	276-8116	70
225-8019	206		219	256-6454	212	276-8117	68
225-8524	243	232-1693	451		214		69
	267		454		239		70
	268	232-3666	101		369	276-8123	149
225-8526	243		104		370		152
	267	232-3751	184		416	276-8133	149
	268		187		425		152
225-8530	224	232-7449	56		427	276-8134	75
225-8858	60		58		520	276-9200	114
226-0449	531		59		531		143
226-2754	972	232-7596	53		533	276-9201	114
226-4560	378		60		733		143
	379	232-7597	53		739	276-9206	143
	380		60	257-8403	▶934	276-9207	114
	381	232-7599	53		935		143
226-4561	378		60	260-3939	454	276-9230	143
	379	232-7724	694	260-6673	683	277-2923	206
	380		764		685	277-2925	206
	381	233-2944	764		685	277-3012	104
226-6494	699	233-9436	134	262-1618	324	277-3013	104
	▶741		136		325	277-4223	88
226-8202	665	234-1457	701	264-3627	340		320
226-8766	104	234-1857	349		589	277-4409	430
226-8767	104	234-1858	349	264-5726	749	277-4993	285
227-0056	927	235-1061	106	265-4123	353		314
227-0064	923	235-1063	106		355	277-5067	300
227-0136	645	235-2662	▶659		357	277-9938	285
227-5748	▶793		793	266-5360	590	278-0361	248
227-5749	793		795		594		206
	795	235-2663	▶701		703	278-3242	206
227-5751	793		793		705	278-5111	143
227-5754	793		795	267-7207	362	278-5112	143
227-5756	793	236-5539	451	267-7208	362	278-5113	143
228-6052	378		454	267-9572	359	278-5126	30
	379	238-0112	415		362	278-5170	299
	380	238-0120	416	268-5612	194		300
	381	238-5080	520	268-6677	454		301
228-6054	378	238-5084	735	269-3086	267	278-5203	341
	379	238-6532	497		268		342
	380		509		927	278-5226	415

PART NUMBER INDEX

Part	Page	Part	Page	Part	Page	Part	Page
279-9651	112		697	298-1819	482		487
280-1912	143		699	298-1820	482	298-8194	474
280-1913	143	298-0466	683	298-1821	482		481
280-1914	143		726	298-1822	482		487
280-2651	881		735	298-1825	474	298-8195	474
	882	298-0468	689		481		481
280-7870	751	298-0470	719		487		487
281-1784	407		737	298-1853	473	298-8295	487
	883	298-0471	649		480	298-8300	474
281-3133	352	298-0472	647		486		481
281-8744	179	298-0473	735	298-1854	481		487
281-8751	86	298-0474	649	298-1857	474	299-0196	488
	87		651		481	299-0197	488
281-8801	352	298-0475	190		486	299-0205	474
281-8802	416		212		488		481
281-8803	352		214	298-1863	474		487
281-8804	352	298-0476	239		481	299-0206	474
	362		531		487		481
281-8805	421		533	298-1865	473		482
281-8811	358		707		480		487
284-9039	329		709		486	299-0207	474
285-9066	739	298-0487	655	298-1877	473		481
286-0123	319	298-0490	649		480		482
286-0867	520	298-0493	624		486		487
	585	298-0496	638	298-1878	475	299-0235	473
	586		720		482		480
286-2890	285		722		487		486
	306		726	298-4527	70	299-0236	473
286-7845	91	298-0503	685	298-4528	68		480
	93	298-0507	624		69		486
286-7851	246		638		70	299-0240	482
287-8597	97		705	298-4533	143	299-0285	668
	100	298-0530	224		149	299-0308	668
289-9555	520		227	298-4558	183	299-0309	857
291-4146	99	298-0549	850	298-4560	183	299-0320	353
291-6570	296	298-0576	761	298-4566	268		355
292-2896	352	298-1610	638	298-4570	248	299-0334	932
	362		639	298-7242	703	299-0341	979
293-1875	285		641		705	299-0348	353
293-8350	751	298-1612	797	298-7311	552		357
294-9810	515		799	298-7356	697		358
	517	298-1758	227		699	299-0354	894
	538	298-1799	473		927		895
	540		480	298-7357	743		1012
294-9812	515		486	298-7358	725	299-0471	728
	517	298-1800	475		735	299-0475	731
	538		482		737	299-0520	473
	540		487	298-7363	850		480
295-4670	285	298-1802	473	298-7387	194		486
	306		480		196	299-0789	522
295-6661	73		486		198	299-0821	473
	75	298-1803	473		216		474
	77		480		699		480
	80		486		762		486
296-5747	642	298-1804	473		851	299-0827	474
297-7010	850		480		854		481
297-7015	575	298-1805	473	298-7392	797		486
	576		480	298-7430	482	299-5511	149
	577	298-1806	473	298-7438	651		152
297-7033	797		480	298-7867	482	299-6644	651
	799	298-1807	473	298-7868	474		697
297-7077	797		480		481		699
	799	298-1808	473		487	299-7103	474
298-0414	685		480	298-7870	482		481
298-0462	739		486	298-7873	474		486
298-0463	647	298-1811	473		482		488
	651		480		487	299-7134	473
	655	298-1812	473	298-7884	239		486
	688		480	298-8186	482	299-7170	473
	689	298-1813	473	298-8187	482		480
	737		480	298-8188	482		486
298-0464	212		486	298-8189	482		
	214	298-1814	522	298-8191	475		
	695	298-1816	482		482		

PART NUMBER INDEX

Part	Page	Part	Page	Part	Page	Part	Page
	3						
		303-4946	999		487		703
		303-4948	999	305-5502	349		705
300-6078	755	303-4949	999	306-2337	153		913
	786	303-4957	778		155	309-9185	660
	788		797	309-2963	743		662
	797	303-4958	779	309-2978	851		664
	799		799		854		703
300-6079	755	303-4963	989	309-2979	980		705
	786		993	309-2982	86		802
	788		996		87		803
	797		999		642		804
	799		1012		713		805
300-6096	212	303-4969	349		714		806
	214		350		719		807
	707		351		923		808
300-6714	341		353		927		817
	342		355		930		819
301-7012	416		357	309-2986	645	310-8520	80
301-8255	267		359	309-3992	468	311-2854	▶824
301-8256	248		360	309-3996	395	311-3901	296
301-9752	▶826		361		397	311-3903	296
301-9753	▶827		406		406	311-8219	564
301-9754	▶828		411		468		565
301-9755	▶829	303-4970	348		967		566
301-9756	▶823		349	309-3997	194		567
301-9757	▶778		350		196	311-8220	556
301-9758	▶779		353		198		557
302-1606	572		354		212		558
303-4741	778		355		214		559
	779		357		216		560
	792		358		217		561
	797		359		237		562
	799		361		240		563
303-4754	739	303-4971	353		624	311-8221	553
303-4756	645		355		717		554
	722		357		720	312-3282	434
303-4759	714	303-4972	354		722		643
	715	303-4988	778		758		885
303-4760	624		779		851	312-3332	387
	737		792		854		388
	797		797		857		394
	799		799		874	312-3345	118
303-4762	714	303-5002	237		879	312-3348	726
	715	303-8559	621		902	313-5544	517
303-4777	406	303-8599	233		921		538
	444		307	309-4001	196		540
	468	304-2241	473	309-4002	233	314-5315	989
303-4779	27		480	309-4311	797		993
	407		486		799		996
	851	304-2566	850	309-4312	797		1012
	854	304-2603	473		799	314-5316	989
	863		480	309-4318	797		993
	881		486		799		996
	882	304-2604	455	309-4320	797		1012
	967		459	309-4321	799	314-5318	989
303-4782	778		463	309-4322	797		993
	779		733		799		996
	792	304-3220	522	309-4323	797		1012
	797	304-3221	522		799	314-5319	989
	799	304-3222	473	309-6344	645		993
303-4787	240		480	309-6350	624		996
	242		486	309-6355	720		1012
	409	304-3223	522		722	314-5321	989
	446	304-3231	480	309-6362	624		993
	455	304-3232	473	309-6455	930		996
	463		480	309-6678	149		1012
	633		486		152	314-5322	989
	636	304-4582	522	309-8533	843		993
	879	305-2095	355	309-9182	▶840		996
303-4939	999	305-2109	383	309-9184	455		1012
303-4941	999	305-2110	697		459	314-5324	989
303-4942	999		699		463		993
303-4943	843	305-5426	474		626		996
	999		481		699		1012

PART NUMBER INDEX

Part	Page	Part	Page	Part	Page	Part	Page
314-5326	989	317-7012	194	322-8080	964		927
	993		196	323-5605	404	326-1976	980
	996		198		942	326-1997	▶ 777
	1012	317-8720	633		944	326-1998	790
314-5545	683	317-8726	434	323-5612	819		▶ 830
	685	318-7351	758	323-5615	989	326-1999	785
	743		759		993	326-2013	▶ 785
314-5546	422	318-7355	762		996	326-4516	347
314-5567	383	319-7658	683		999	326-9028	633
	395	319-7671	655		1012		636
315-3384	30	319-8426	29	323-5620	869	326-9053	987
315-3638	762	319-9361	101	323-5622	709		988
315-3760	973	320-3060	415		743	327-1749	915
315-3761	973		416	323-5623	660	327-1786	763
315-3763	973	320-3061	416		661	327-5313	666
315-3767	973	320-3062	415		758	327-5534	307
315-3786	933		416		762		703
	▶ 935	320-3063	416		807		705
315-3805	976	320-7149	299	323-5629	967	327-6271	841
	977	320-7883	761	323-5644	401	327-6272	841
315-3809	976	320-8616	302	323-5646	387	327-6277	788
315-3812	965	320-8617	302		388	327-6285	755
	975	321-0556	▶ 841		394	327-6307	666
	978	321-2383	153	323-5648	383	327-6308	666
315-3850	967		155	323-5649	383	327-6309	666
315-3901	881	321-5594	97	323-5737	▶ 825	327-6310	666
	882		100	323-7222	663	327-6311	666
316-1999	190	321-5595	97	323-7223	635	327-6312	666
	725		100	323-7231	455	327-6314	666
316-5553	802	321-6131	24	323-7233	949	327-6317	841
	803		25		967	327-6318	841
	804		138	323-7236	348	327-6325	755
	805	321-8927	332		349		788
	806	321-8928	335		382	327-6328	788
	807	321-8952	332	323-7237	360	327-6329	755
	808		335		361		788
	817	322-0640	474		406		845
	819		481		411	327-6330	755
316-5554	802		487	323-7256	989		845
	803	322-0641	474		993	327-6331	666
	804		481		996	327-6333	788
	805		486		1012	327-6335	841
	806	322-4110	114	323-7257	989	327-6739	536
	807	322-4120	68		993		537
	808		69		996	328-7285	455
	817	322-4838	357		1012		459
	819		359	323-7262	989	328-7288	849
316-8038	383		361		993	328-7289	849
316-8039	383	322-5944	▶ 610		996	328-7290	848
316-8073	670		617		999	328-7291	848
316-9351	160		620		1012	328-7292	849
	161	322-5945	▶ 611	323-7265	967	328-7293	848
	222		618	323-7347	451	328-7837	320
	347	322-5946	619		454	328-9686	733
	352	322-5947	▶ 612	323-9312	127		240
	362		622		129		242
	454	322-5951	619		130		336
316-9551	558		622	324-0444	104		707
	559	322-5995	958	325-4374	101		709
316-9552	560		959	325-4927	404	328-9691	648
	561	322-5996	958		942		722
317-2236	296		959		944	329-3604	885
317-3270	401	322-8032	1003	325-4928	869	329-3606	605
317-5485	42	322-8051	976	325-7701	331	329-3613	762
317-5486	42		977	325-9568	349	329-3617	989
317-5487	46	322-8057	964		455	329-3624	590
317-5982	680	322-8059	964		459	329-3634	386
317-5987	194		961		463		399
	196	322-8060	961	326-0477	112	329-3635	386
	198	322-8061	961	326-1178	194		399
	703	322-8065	961		196	329-3638	407
	705	322-8067	916		198	329-3645	468
317-6373	737	322-8069	916		261	329-3663	885
317-6379	401	322-8071	916		262	329-3664	885
		322-8073	916				

PART NUMBER INDEX

Part	Page	Part	Page	Part	Page	Part	Page
	914		19	334-0456	814	334-6652	538
329-3796	108		64	334-1073	311		540
329-5230	64		▶108	334-3059	502	334-6658	497
	123	330-9723	285		511		508
329-7312	985	330-9726	645		513	334-6668	517
329-7884	17	330-9847	184	334-3553	497	334-6676	515
	19	331-1571	407		508	334-6678	542
	▶97	331-1572	407	334-3562	497	334-6764	528
329-7900	17	331-3797	88		508	334-6837	542
	19	331-3890	307	334-3567	528	334-6846	497
	▶94		309	334-3570	497		508
329-7919	18		683		508	334-6849	528
	20		685	334-3575	535	334-6859	538
	▶431		711	334-4206	535	334-7232	326
329-7945	17	331-4387	224	334-4921	528	334-7395	515
	19		227	334-4963	502	334-7399	517
	▶123		254		511	334-7402	495
329-7997	17	331-6835	53		513		506
	19	331-6839	107	334-4979	502	334-7404	495
	▶140		724		511		506
329-8098	17	331-6841	320		513		▶528
	19	331-7010	431		517	334-7407	517
	▶983		433	334-5131	495	334-7415	517
329-8386	17	331-7316	99		502	334-7416	515
	19	332-0137	37		506		538
	▶156	332-0905	67		511		540
329-8409	17	332-1989	196		513	334-7417	515
	19	332-3058	377		568	334-7418	523
	▶984	332-4634	17		570		526
329-8421	17		19		572		529
	19		▶176	334-5841	497	334-7427	529
	▶101	332-4667	17		508	334-7428	529
329-8428	17		19	334-5864	357	334-7438	497
	19		▶84	334-5867	355		535
	▶88	332-7540	233		357	334-7439	535
329-8435	17		235	334-5870	349	334-7440	523
	19		236		350		526
	▶171		237		361		529
329-8473	17	332-7624	273	334-5871	349	334-7441	504
	19	332-7865	451		353		525
	▶169		454		355	334-7442	568
329-8482	17	332-9700	342		357	334-7443	497
	19	333-0736	643		358		508
	▶133		927		359	334-7444	515
330-1714	88	333-5465	127		361		517
330-1725	26	333-5572	613	334-5872	349		538
330-1792	455	333-7914	17		353		540
	459		20		354	334-7448	517
330-3036	320		▶202		359	334-7449	515
330-3037	519	333-8052	36		361	334-7450	535
330-4258	694	333-8792	395		395	334-7452	515
330-4301	989		397	334-5873	350		517
	993	333-8793	395		353	334-7453	538
	996		397		359		540
	1012	333-9770	812		395	334-7459	523
330-4304	999		814		397		526
330-4773	694	333-9774	810		397		529
330-5898	169		814		468	334-7485	501
	170	333-9776	814	334-5874	349		502
330-8103	194	333-9849	810		350		505
	198	333-9850	810		351		511
	261	333-9852	810		353	334-7486	538
	262	333-9855	810		357		540
	307	333-9856	810		359	334-7492	568
	309	333-9857	810	334-5875	361		570
	311	333-9860	810	334-5876	349	334-7500	497
	703		812		360		▶502
	705		814	334-5879	350	334-7502	568
330-8325	624	333-9864	810		359		570
	726	333-9866	810	334-6623	517	334-7503	497
	797	334-0451	810	334-6641	497		508
	799		812		508	334-7505	497
330-8923	763	334-0453	810	334-6649	497		508
330-9652	17		812		508	334-7523	497

PART NUMBER INDEX

Part	Page	Part	Page	Part	Page	Part	Page
	508		508		799	343-9736	▶847
334-7524	568	334-7659	515	339-5858	17	343-9737	▶848
	570		517		19	343-9738	▶849
	572	334-7682	513		▶29	344-1686	352
334-7525	523	334-7684	513	339-6361	455		362
	526	334-7693	502		463	344-4775	430
	529	334-9333	46	339-6363	456	344-5673	376
334-7526	568	334-9334	140	339-8047	755		843
	570		142	339-8780	37		935
334-7527	568	335-2233	821		38	344-5674	369
	570	335-2234	821		44		654
334-7531	519	335-4870	613		46	344-5675	925
	520	335-5330	101		48		927
334-7532	▶515	335-7585	84		50	344-7219	177
	574		85	339-8822	416	345-0835	273
	580	335-8056	989	339-8840	980	345-4153	326
	582		993	339-9637	149	345-6605	266
	583		996		152	345-7560	621
334-7541	▶542		999	340-0571	101	346-0006	319
	574		1012	340-2293	709	346-0007	319
	580	335-8059	850	340-4933	709	346-0408	104
	582	335-8065	850	340-4934	707	346-2972	831
	583	335-8066	850		709	346-2973	822
334-7556	▶538	335-8077	850	340-5927	709	346-2974	822
	574	335-8080	850	340-5953	797		▶831
	580	335-8098	850		799	346-2975	▶822
	582	335-8270	140		845	346-4197	17
	583		142	340-5954	797		19
334-7558	535	335-8611	243		799		▶39
334-7559	568		244		845	346-4709	149
	570	336-1294	26	340-8975	850	346-4712	146
334-7560	497		91	340-8976	847	346-4772	144
	508	336-2804	850		848		145
334-7562	497	336-3689	746		849	346-6185	229
	508	336-5439	146		▶850	346-8219	987
334-7563	538		148	340-8977	850		988
	540	336-5446	146	340-8978	850		1011
334-7564	515		148	340-8979	843	346-9507	273
334-7566	517	336-5447	146		850	347-1645	695
334-7568	517		148	341-0643	424		697
334-7572	517	336-5469	506	341-3075	913		699
334-7573	517	336-7526	585	341-3566	314	347-2165	320
334-7574	517		586	341-4028	44	347-3429	314
334-7576	517	336-7529	585		46	347-4584	393
334-7577	517		586		48		394
334-7578	517	336-7619	938		50	347-4596	971
334-7579	517	336-7700	194	341-7110	744	347-4597	971
334-7581	517		196		749	347-5373	941
334-7582	517		198	341-7590	595		969
334-7583	497	337-3905	320		599	347-6547	17
	508	337-6264	651		601		19
334-7603	497	337-6457	894		879		▶137
	508	337-7304	227		881	347-8645	306
334-7604	497	337-8032	17		882	347-9981	160
	508		19		967	348-0495	285
334-7605	497		▶134		970	348-1610	662
	508	337-8663	757	341-8536	299	348-1612	727
334-7608	497	338-1402	39	342-0434	869	348-2822	110
	508		42	342-0438	869	348-8082	167
334-7611	497	338-9479	17	342-1306	101	348-8510	610
	508		19	342-3782	285		611
334-7615	497		▶165	342-3830	502	348-8512	610
	508	338-9595	114		511	348-8513	610
334-7624	497	338-9997	850	342-3862	641		611
	508	338-9998	847	342-6508	42	348-8514	610
334-7625	497	338-9999	847	343-5908	229	348-8515	610
	508	339-0000	847	343-5964	68	348-8516	611
334-7627	497	339-1048	159		69	348-8517	612
	508	339-2997	17	343-7049	254	348-8518	612
334-7629	497		19	343-7429	885	348-8608	167
	508		▶91	343-7928	683	348-9331	273
334-7638	497	339-4396	797		695	348-9442	543
	508		799		697		544
334-7649	497	339-4397	797		699	348-9443	552

PART NUMBER INDEX

Part	Page	Part	Page	Part	Page	Part	Page
	588		546		19		▶281
348-9444 545		547		▶184		▶282
	546		548	356-7282 17	361-1225 184
	549		549		19	361-1562 17
349-1835 246		550		▶160		19
349-2761 ▶177		551	356-7409 17		▶291
	202		588		19	361-1758 159
349-4716 ▶114	351-8228 ▶52		▶219	361-1777 159
	146		53	356-8242 229	361-2883 18
349-4729 114	351-8229 ▶53	356-8338 160		20
349-4732 114		56	356-9640 68		▶326
	▶144		58		69	361-3488 451
349-4733 114	351-9797 18	357-0147 153	361-4302 282
	▶145		20		159		▶294
349-7364 353		▶146	357-0617 246	361-4910 422
349-7415 21	352-2638 455	357-0646 246	361-6344 314
	▶98	352-7822 184	357-3355 159	361-7141 333
349-8256 749		▶494	357-4399 923		▶334
349-9649 21	353-3477 267	357-6165 360	361-7346 279
	▶95		268	357-6217 711	361-7347 ▶279
350-0562 21	353-3478 267	357-7345 219		324
	▶432		268	357-7346 219		325
350-0644 21	353-7423 46	357-7350 219	361-7402 314
	▶92	353-7424 46	357-8722 177	361-7519 248
350-1044 17	353-7425 46	357-9545 314		253
	19	353-7426 46	358-2583 320	361-7856 ▶361
	▶110	353-7715 183	358-7592 246		377
350-1054 21	353-7717 ▶183	358-8132 110	361-7866 124
	▶182		187	359-0719 129		▶125
350-1102 21	353-8578 202		130	361-7867 124
	▶141	353-9607 ▶68	359-1310 36	361-7883 432
350-1117 21		77	359-4462 246	362-0555 89
	▶139	353-9662 ▶69	359-5885 226		▶90
350-1459 17		75		227	362-2100 788
	19	354-7356 765		254	362-2102 788
	▶332	355-0632 325		256		845
350-1474 21	355-2495 246	359-6302 451	362-2103 788
	▶189	355-3486 987	360-1731 256	362-2104 788
350-1486 21		988	360-1978 42	362-2106 755
	▶333	355-3530 17	360-3680 520		788
350-1569 21		19	360-3986 127	362-2107 788
	▶172		▶56		129	362-2108 788
350-1802 21		▶58		130	362-2111 755
	▶249		64	360-3988 42		788
350-1826 21	355-4951 21	360-4063 219	362-2112 788
	▶111		▶89	360-4064 219	362-2113 788
350-1959 21	355-5048 17	360-4065 219	362-2114 788
	▶200		19	360-4066 219	362-2115 788
350-2524 487		▶33	360-5450 314	362-2116 788
350-3745 21	355-5592 17	360-5695 314	362-2117 788
	▶55		19	360-5696 160	362-2118 788
350-3746 21		▶229	360-7817 17	362-2119 788
	▶41	355-7044 17		19	362-2120 ▶666
350-5188 21		19		▶159		788
	▶124		▶75	360-8054 451	362-2121 666
350-5644 21	356-1124 17	360-8847 141		788
	▶203		19	360-8958 ▶280	362-2122 788
350-6265 17		▶246		283	362-2148 810
	19	356-2149 674		289	362-2915 159
	▶138	356-2911 349		297	362-3261 353
350-6268 17		350	360-8960 280		354
	19		351	360-9027 316	362-3760 814
	▶24		353	360-9028 317	362-3765 814
350-8571 486		354	360-9030 316	362-3768 814
	▶522		355	360-9031 317	362-3821 349
350-8573 475		357	360-9034 316	362-4935 358
	487		358		317		359
350-8959 67		359	360-9061 ▶316	362-5031 451
351-2099 165	356-4035 ▶243		326	362-5412 280
351-2100 165		266	360-9062 ▶317		283
	166	356-4036 243		326		289
351-7528 543	356-4042 244	361-0841 184		294
	544	356-4590 160	361-1224 17		295
	545	356-7156 17		19		297

PART NUMBER INDEX

Part	Page	Part	Page	Part	Page	Part	Page
	298		▶296	376-6895	314	383-6123	314
362-6352	349	369-7799	300	377-0399	70	384-2284	363
	468		301	377-0400	70	384-3682	361
362-6353	349	370-6891	75	377-5991	21	384-3887	415
362-6360	359	370-6892	75		▶154	384-3888	415
	361	370-8363	320	377-6012	21	384-4080	79
362-6742	349	370-8376	280		▶103		▶148
362-8011	349		297	377-9003	▶305	384-4082	▶77
362-8013	349	371-2691	319		313		79
362-8040	349	371-3354	219	377-9082	24	384-4902	8
362-8041	349	371-5658	314		25		▶78
362-8205	296	371-8057	101	377-9255	26	384-4906	78
362-9021	229	371-8062	101		91		▶79
362-9401	227	371-8298	93		93	384-8512	311
	256	371-8537	353	377-9560	645	385-1174	416
362-9689	283		355	377-9597	648		▶424
	289		357	377-9847	8	385-1398	285
	294	372-0494	90		20	385-1422	181
	297	372-4967	172		▶425	385-1451	139
	298		▶173	378-9703	409	385-1649	32
363-0171	88	372-8164	21	378-9763	515		99
363-0559	39		▶313		517	385-3595	473
	42	373-0282	▶153	378-9766	517		486
363-3084	988		154		538	385-3597	473
363-3890	29	373-7250	8		540		480
363-5813	161		19	378-9814	529		486
363-6571	294		▶256	378-9815	529	385-3598	480
	▶295	373-8468	731	378-9816	529	385-3606	473
363-6572	295		▶751	378-9817	505		480
363-8035	256	373-9526	283	379-2999	139	385-3607	473
363-8622	324		419	379-3061	162		480
363-8652	324	374-2640	341	379-3064	162	385-3608	473
363-9725	125	374-4419	206	379-3066	162		480
364-5145	39	374-6307	219	379-3111	125	385-3609	473
	42	374-6765	200	379-3141	62		480
364-5356	▶832		▶201	379-3142	61	385-3620	473
364-5843	▶42	374-7332	422		62		486
	64	374-7352	797	379-3144	62	385-3639	475
365-2985	26		799	379-3145	62		487
365-5772	352	374-7353	797	379-3146	62	385-4313	29
365-5773	352		799		74	385-5360	330
365-5774	352	374-8331	357	379-3147	62	385-9059	45
365-7861	743	374-8332	352	379-3158	61	385-9063	45
365-9915	851	375-0099	797	379-3163	61	385-9077	32
	854		799	379-3164	61	385-9082	181
366-8853	60	375-0351	219	379-3314	99	385-9087	181
366-9821	21	375-1397	▶278	379-4372	645	385-9093	334
	▶292		313	380-1659	202	386-0145	474
367-2071	226	375-1424	429		▶205		481
	227	375-2016	797	380-2065	129		487
	254		799		130	386-0153	419
367-6033	203	375-2647	▶318	380-9615	34	386-0154	419
	▶204		319	381-1799	1011	386-0163	419
367-6363	298	375-6292	▶797	381-3316	517	386-0164	419
367-6694	▶667	375-6293	▶799	381-3317	517	386-0166	419
	820	375-6294	797	381-3502	▶247	386-1864	285
367-6788	▶178		799		270	386-1910	276
	203	375-6988	327	381-3504	74	386-1911	153
367-6803	451	375-8190	95	381-3510	71		271
367-9085	▶283	375-8223	99		107		276
	284	375-8254	318	381-3513	45	386-1919	402
368-3140	355	375-9272	97	381-3514	45	386-1921	107
368-3147	428		100	381-3515	32	386-1922	107
368-7759	996	376-1398	164	381-3938	162	386-1927	178
368-8447	531		233	381-3940	95	386-2061	151
368-9616	349	376-4078	37	381-9267	451	386-2062	151
369-1255	26		38	382-9620	141	386-2068	276
369-1658	222	376-6403	300	383-0799	71	386-2096	323
369-3707	80		301	383-1333	32	386-2737	306
369-3793	98	376-6405	300	383-1335	32	386-2777	107
	▶99		301	383-4141	227	386-2778	107
369-3795	95	376-6409	318		256	386-2783	250
369-3867	153	376-6410	318	383-6037	246		724
369-6035	293	376-6411	318	383-6121	314	386-2911	724

PART NUMBER INDEX

Part	Page	Part	Page	Part	Page	Part	Page
386-2971	318	389-2862	304	392-2045	185	399-1168	498
386-2976	318	389-2863	204		▶186		508
386-3036	467	389-2864	90	392-2047	186	399-1209	8
386-3819	318	389-2865	178	392-2147	188		▶252
386-4796	890	389-2867	250	392-3996	▶517	399-1322	87
386-6247	132	389-2868	107		574	399-1355	366
386-6368	271		115		580	399-1368	366
386-6451	185	389-2870	173		582	399-1410	196
386-6507	186	389-2872	107		583	399-1528	498
386-6508	419	389-2875	276	392-6032	419		508
386-6510	419	389-3543	▶363	392-6301	536	399-5410	519
387-7697	271	389-3574	989		537		520
387-7702	247		993	392-9458	34		▶586
387-7707	90		996	392-9471	34	399-7779	857
387-7709	419		999	392-9472	34	399-7790	857
387-7711	124		1012	393-0301	90	399-8470	327
387-7713	90	390-0057	349	393-0383	334	399-8728	418
387-7717	90	390-0313	278	393-0900	419		
387-7725	247	390-0316	724	393-4006	100		
387-7727	201	390-0319	71	393-5525	292		
387-7732	178	390-0320	62		▶293		
387-7747	71	390-0321	186		309		
387-8113	271	390-0324	168	393-7228	724	415-3299	13
387-9123	124	390-0341	75	393-7738	132		15
387-9130	90	390-0347	305	394-8799	232		▶59
387-9134	124	390-2384	334		304	415-5518	67
387-9136	90	390-2386	188		323		67
387-9152	173	390-2387	334	394-9569	352		▶129
387-9154	90	390-2388	90	395-9551	358	415-5519	13
387-9162	113	390-2396	276	396-1025	190		15
387-9343	232	390-2397	271	396-2052	327		▶130
387-9503	146	390-2401	132	396-2102	306	415-5520	13
	148	390-2402	132	396-2103	285		15
388-0519	186	390-2403	132		▶306		▶80
388-0731	572	390-2404	132	396-2421	285	415-5522	13
388-1200	305	390-2405	107	396-2602	327		15
388-1201	305	390-2468	271	396-2603	327		▶300
388-1289	278	390-2594	305	396-2604	327		▶301
	293	390-3066	45	396-2606	327	415-5523	13
388-2068	107	390-3076	45	396-2607	327		15
	185	390-3077	45	396-2608	327		▶319
388-4063	599	390-3117	168	396-2609	327	415-5527	13
	967	390-3118	168	396-2610	327		15
388-6986	115	390-3119	276	396-2611	327		▶327
388-7602	95	390-3122	323	396-2615	454	415-5534	13
388-7604	168	390-3130	186	397-1559	▶70		15
388-7644	205		250		73		▶341
388-7649	205	390-3144	432		80	415-7105	13
388-7651	205	390-3292	276	397-4750	212		15
388-7652	205	390-3298	276		214		▶34
388-8350	585	390-5138	113	397-5684	202	415-7116	13
	586	390-7681	486	397-6836	327		15
389-1863	32	390-7746	473	397-6838	▶786		▶104
	90		480	398-2009	233	415-7947	13
	95	390-8959	115	398-2026	455		16
	178	391-2085	305	398-3671	352		▶149
	189	391-2094	305	398-5596	520	415-7948	13
389-1874	32	391-5559	113	398-6226	327		15
	181		124	398-7219	327		67
	186	391-8781	585	398-8198	17		▶109
	402	391-9654	519		19	415-7949	13
	467		520		▶314		15
389-1920	81		▶585	398-9127	662		▶403
	99	392-0563	182		757	415-9833	67
	168		▶185		758	415-9834	14
	185	392-0744	188		759	416-1042	14
389-1934	247	392-1366	17	399-1143	482		15
	271		19	399-1147	482		▶985
389-1935	247		64	399-1164	497	416-1043	13
389-2722	334		▶127		508		15
389-2854	334	392-1368	17	399-1166	497		▶93
389-2856	201		19		508	416-1051	13
389-2857	334		▶299	399-1167	497		15
389-2858	90	392-2042	168		508		▶126

4

PART NUMBER INDEX

Part	Page	Part	Page	Part	Page	Part	Page
416-1089	13	417-9883	669		705	432-4136	400
	15	417-9884	669	423-1983	683	432-4137	400
	▶142	417-9885	669		685	432-4138	400
416-1864	13	417-9886	669		713	432-4139	400
	15	417-9887	669	423-3785	276	432-5917	▶352
	▶206	417-9888	669	423-6434	294		451
416-1867	13	417-9889	669		298	432-6628	16
	15	418-3229	299		▶421		▶267
	▶179		▶302	423-7576	26	432-6655	14
416-8113	336	418-3402	21		93		▶268
416-8716	13		▶158	423-8220	189	432-8596	276
	15	418-3788	21	425-2264	645	433-1316	285
	▶986		▶284	425-6359	8	433-1900	161
416-8722	13	418-6370	624		20	433-2688	161
	15	418-7407	▶535		▶274	433-4674	17
	▶106		574	425-7103	104		19
416-8723	13		580	425-8162	13		▶342
	15		582		15	433-4677	18
	▶174		583		▶335		19
416-8775	13	418-7411	▶519	425-9082	989		▶451
	15		574	425-9111	415	433-4681	18
	▶253		580	425-9174	14		20
416-9543	13		582		16		▶416
	15		583		▶433	433-5258	13
	▶221	418-7425	13	425-9258	194		15
416-9552	13		15		196		▶161
	15		▶25		198	433-6323	13
	▶248	418-7659	13	425-9719	18		15
417-2760	422		15		20		▶44
417-2855	726		▶187		▶266		67
417-3394	13	418-9987	517	425-9760	13	433-7466	502
	15	418-9988	517		16	434-0513	222
	▶157	419-0423	101		▶415	434-6401	90
417-3453	14	419-0677	17	425-9824	▶244	434-7061	314
	16		20		266	435-4932	347
	▶428		▶320	425-9955	403	435-5221	352
417-3463	13	419-3740	221	426-0441	244		357
	15	419-8538	13	428-7127	111	435-5222	352
	▶112		15		▶113		357
417-4190	13		▶85	428-7171	113	435-5717	419
	15	419-8715	467	428-7183	113	435-5729	▶188
	▶170	419-8726	168	428-8151	271		271
417-4284	13	420-0471	175	428-8153	271	435-5842	188
	15	420-1641	320	428-8158	250	435-5844	188
	▶987	421-2302	989	428-8163	181	435-7778	13
417-4286	13		993	428-8168	271		15
	15		996	428-8196	18		▶30
	▶135		1012		20	435-9905	115
417-5749	46	421-2305	999		▶414	436-0523	146
417-7782	179	421-3853	13	428-8210	250		148
417-8427	278		15	428-8227	250	436-0524	149
417-8452	278		▶285	428-8230	250		152
417-9196	276	421-5383	112	428-8232	250	436-0525	146
417-9861	786	421-7760	127	428-8237	250		148
417-9862	786	421-7763	127	430-5204	13	437-0940	763
417-9863	786	421-7786	414		16		802
417-9864	786	421-7787	414		▶426		803
417-9865	786	422-0638	162	430-5748	568		804
417-9866	786	422-0642	162		570		805
417-9867	786	422-0643	162		572		806
417-9868	786	422-0655	115	430-9520	451		808
417-9869	786	422-0893	668	431-7048	13		817
417-9870	786	422-0894	668		15	437-1994	▶364
417-9871	786	422-0895	668		▶100	437-2042	364
417-9872	786	422-0896	668	432-0065	13	437-4176	▶365
417-9873	786	422-0897	668		15	437-4177	365
417-9874	786	422-7716	244		▶155	437-4178	365
417-9875	786	422-9961	162	432-1403	416	437-7007	648
417-9876	786	423-0030	32	432-1689	249	437-7650	254
417-9877	786	423-0594	349		▶250	437-7653	120
417-9878	786	423-1270	13	432-4133	377		121
417-9879	786		15		▶400		122
417-9880	786		▶96	432-4134	400	437-9758	92
417-9882	669	423-1982	703	432-4135	400		▶115

PART NUMBER INDEX

Part	Page	Part	Page	Part	Page	Part	Page
438-7763	▶287 288	445-9016	319	451-0188	259	454-5820	45
439-1624	107	445-9440	▶71 81	451-0189	259	454-6981	265
439-1841	287	445-9442	81	451-0357	728	454-6988	265
439-5037	287	446-0181	64		730	454-8293	347
439-5039	287	446-1264	347	451-2764	728	454-8813	416
439-5040	287	446-1273	347		730	454-9427	262
440-8443	146	446-1405	31	451-4751	226	454-9914	285
441-1161	99		▶32		254	455-0704	352
441-1215	13 15	446-2236	13	451-7225	983		353
	▶288		15		984		355
441-5129	414		▶136	451-7736	59		357
441-5130	414	446-4785	150		▶60	455-0705	352
441-6852	158		▶151	451-8375	964		362
441-9154	13 15	446-5393	291	451-8483	21	455-0706	357
	▶166		▶324		▶164	455-0707	352
441-9195	728	446-7562	33	451-9869	194		358
	730		▶36		196	455-2256	455
441-9673	21	447-1044	17		198		459
	▶132		▶19	452-0344	281		463
441-9675	21		▶988		282	455-3027	967
	▶81	447-1847	22	452-1488	21		227
441-9676	21	447-1936	314		▶265		254
	▶150	447-3888	226	452-3112	428		307
441-9678	21		254		430		309
	▶31	447-5249	130	452-7079	410		311
441-9679	21	447-5250	130	452-7366	8		387
	▶303	447-5251	129		▶66		391
441-9680	21	447-5252	130	452-7386	66		409
	▶322	447-7816	18		▶67		410
441-9700	21	447-8572	174	452-7394	8		444
	▶418	447-8576	171		▶82		446
441-9720	21	448-0757	▶362	452-7397	82		455
	▶343		454		▶83		459
441-9739	21	448-2620	46	452-8547	▶289		463
	▶35		48		290		614
441-9785	21		50	452-8698	323		695
	▶180	448-4227	39		323		697
441-9792	21	448-4869	655	452-8769	323		699
	▶270	448-5787	160	452-9198	323	455-3693	44
441-9798	21	449-1083	270	453-0790	318	455-6923	34
	▶412		▶276	453-0805	921	456-0454	▶833
442-0486	21	449-2730	▶162	453-0806	921	456-0465	▶842
	▶230		164	453-2214	377	456-0473	▶766
442-1585	21	449-3315	300	453-5783	980	456-0493	677
	▶231		301	453-6390	547	456-1357	201
442-2287	21	449-3333	319	453-6476	548	456-1364	285
	▶275	449-5062	▶64	453-6510	416	456-1570	353
442-2325	21		65	453-6997	416		354
	▶226	449-5064	8	453-7110	564		355
442-3478	735		▶65		565		357
442-9830	759	449-6115	728	453-7117	562		358
443-0630	21	449-8810	519		563		359
	▶429	449-8814	535	453-7163	13		361
443-0632	21	450-0003	▶26		15	456-3152	797
	▶453		857	453-7296	▶366		799
443-1143	21	450-0307	683	453-8398	989	457-1255	198
	▶1011	450-0850	731		993		233
443-9142	261	450-1871	266		996	457-7727	258
443-9253	104	450-4786	190		999	457-7728	258
443-9543	129		725		1012	457-8672	246
	130	450-5251	194	453-9534	▶568	457-9914	235
444-0274	730		196		574		236
444-6164	103		198		582		239
	▶107	450-7212	413	453-9535	▶570	458-0536	677
444-6523	378	450-7214	232		580	458-3745	454
	379		413		583	458-5992	473
	380	450-7215	413	454-0683	30		480
	381	450-8101	▶257	454-3966	416		486
444-6962	233		259	454-3970	416	458-5997	473
444-7241	107	450-9503	954	454-4171	409		480
444-7262	22		955	454-4678	407		486
		450-9772	987	454-5109	318	458-6003	474

PART NUMBER INDEX

Part	Page	Part	Page	Part	Page	Part	Page
	481	458-8419	958	459-6912	605	460-6528	67
	486		959	459-6913	605	460-7780	▶ 73
458-6004	474	458-8420	958	459-6914	663		83
	481		959	459-6915	663	460-7781	83
	486	458-8421	958	459-6916	663		▶ 152
458-6005	474		959	459-7275	495	460-8951	523
	481	458-8422	958		506		526
	486		959	459-7645	976	460-8952	523
458-6006	474	458-8423	959		977		526
	481	458-8424	959	459-7674	599	460-8953	523
	486	458-8425	958		601		526
458-6007	474		959	459-8174	41	460-8954	523
	481	458-8426	959		▶ 45		526
	487	458-8876	946	459-8308	▶ 529	460-9942	▶ 574
458-6009	474	458-8877	946		582		576
	481	458-8885	643	459-8309	▶ 504	460-9943	577
	487	458-8886	643		529		▶ 580
458-6014	474	459-0424	474	459-8310	504	460-9945	▶ 523
	481	459-0425	473	459-8801	459		574
	487		480		463		580
458-6015	474		486	459-8862	851		582
	481	459-1953	757		854	460-9946	523
	487		758		857		526
458-6016	473		759	459-8867	626	460-9947	523
	481	459-1954	757	459-8888	757		526
	486		758		759	460-9948	523
458-6017	473		759	459-8895	757		526
	481	459-1977	972		758	460-9949	523
	486	459-1978	972	459-8911	972		526
458-6018	473	459-2707	979	459-8912	120	460-9956	572
	481	459-2708	972		121	460-9958	520
	486	459-2709	979		122	461-1160	523
458-6091	474	459-2710	979		661		▶ 525
	481	459-2758	973	459-8921	552		526
	487	459-2760	973		555	461-2918	674
458-6092	474	459-2772	885	459-9625	337	461-3100	677
	481		947	459-9780	975	461-5511	413
	487	459-2776	888		978	461-5573	413
458-6093	474	459-3345	474	459-9782	975	461-5585	413
	481		481		978	461-7838	501
	487		487	459-9783	975		505
458-6094	474	459-3346	487		978	461-9107	245
	481	459-3347	475	460-0318	951	461-9110	245
	487		487		▶ 958	461-9113	245
458-6095	474	459-3348	475	460-0319	951	461-9115	245
458-6096	474		482	460-0320	952	461-9738	531
458-6098	474		487		▶ 959	461-9739	198
458-6099	475	459-3350	475		963	462-3219	▶ 245
458-6100	475		482	460-0321	952		252
458-6132	475		488		963		263
458-6136	475	459-3499	349	460-2115	667	462-5117	14
458-6138	475	459-3500	349		▶ 668	462-6745	271
458-6141	475	459-3502	353	460-2117	667	463-1675	▶ 834
458-6143	475	459-3503	353	460-2323	45	463-2071	954
	482	459-3504	353	460-2707	349		955
	487	459-3542	757		354	463-2072	954
458-6148	522		758		358		955
458-6149	522	459-3609	896		359	463-5618	624
458-6153	475		898		361		726
458-6154	487		900	460-2867	989	463-6993	162
458-6157	480	459-3633	17		993	463-6995	162
458-6846	481		19		996	463-7715	74
458-6851	474		▶ 222		999	463-7717	71
	481	459-3673	662		1012	463-7718	71
	486		759	460-4116	349	463-7726	71
458-6852	482	459-3693	441		350	463-7727	71
458-6854	482	459-4310	757		353	463-7731	71
458-7273	342		758		354	463-7732	71
458-7526	349	459-5188	967		355	463-7733	71
458-8403	207	459-5371	967		357	463-7736	71
	209	459-6115	818		358	463-7737	74
458-8415	958	459-6647	226		359	463-7738	71
458-8416	958	459-6652	254		361		▶ 74
458-8418	958	459-6656	226	460-4126	967	463-7776	81

PART NUMBER INDEX

Part	Page	Part	Page	Part	Page	Part	Page
463-7831	81	464-8806	232	468-0132	572		▶932
463-7837	151	464-8829	232	468-0133	572	471-6125	879
463-7876	151	464-8891	232	468-0141	511	471-6156	979
463-8336	327	464-8973	232	468-0143	540	471-6158	865
463-8750	151	464-9128	724	468-0145	578		866
463-8751	151	464-9136	724		▶582		867
463-8773	32	464-9137	724	468-0149	511		868
463-8775	32	464-9140	724	468-5334	947		▶979
463-8776	32	464-9702	323	468-5335	947	471-6160	892
463-8785	467	464-9707	323	468-5336	949	471-6162	891
463-8787	467	464-9735	323	468-5337	947	471-6671	879
463-8791	467	464-9741	323	468-7762	127		967
463-8792	305	465-0250	153		130		970
463-8811	304	465-0307	402	468-7769	127		971
463-8812	304	465-0435	▶8		130	471-7003	495
463-8816	304	465-1034	419	468-7770	127		506
463-8848	8	465-1037	419		130	471-9523	▶891
	▶13	465-1038	419	469-0462	1011	471-9527	891
463-8910	8	465-1167	724	469-1359	429	472-0209	38
	▶15	465-2880	▶21	469-3523	568	472-0940	▶892
463-8911	276	465-3458	271	469-3524	570	472-1148	217
463-8913	276	465-3473	271	470-0924	226	472-1149	217
463-9169	232	465-3480	271	470-4925	58	472-5352	329
464-0959	127	465-3481	271		75	472-7793	873
464-1143	55	465-3482	271		77	472-7833	437
	▶61	465-3619	18		222		441
464-1147	35		20	470-7719	486	472-7843	401
464-1152	303		▶430	470-7971	44	472-7844	401
	▶304	465-4973	429		48	472-7846	651
464-1169	322	465-8761	412		50	472-7847	651
	▶323		▶413	470-7995	44	473-0008	444
464-1175	270	465-8913	20		48	473-0009	444
	▶271	466-2880	416		50	473-0029	1003
464-1257	455	466-2881	416	470-8021	44	473-0267	19
	459	466-2883	▶8		48		▶223
	463	466-4849	129		50	473-1344	218
464-1268	237		130	470-8023	44	473-1345	218
464-1334	194	466-4921	37		48	473-1346	217
	198	466-4938	497		50	473-1347	218
464-1335	923		508	470-8027	402	473-1593	654
	925		523	470-8031	44	473-1595	649
	927		526		48	473-1597	649
	930		529		50	473-2080	120
464-2121	230	466-7874	222	470-8101	39	473-2083	122
	▶232		▶273	470-8171	39	473-2084	▶904
464-2307	8	466-7876	273	470-9781	230		▶906
	▶17	466-8177	850		▶259		912
464-2308	8	466-8285	252	470-9832	259	473-2085	859
	▶19		▶258	471-2121	980		860
464-3477	343	466-8288	258	471-2882	123		902
	▶402	466-8312	▶677		126	473-2086	859
464-3491	418		797	471-5583	940		860
	▶419		799	471-6019	1		902
464-3548	270	466-8480	▶37		2	473-2087	443
	▶724		42		▶940		898
464-3819	427	467-1399	231	471-6024	940		899
	680	467-1400	231	471-6025	940	473-2650	896
464-5019	▶501	467-4409	▶8	471-6029	347		897
	523	467-8302	▶8	471-6032	761	473-2651	862
	526	468-0114	572	471-6093	976		896
464-5020	▶505	468-0118	540		977		897
	529	468-0119	▶540	471-6094	865		902
464-6221	735		582		866	473-2656	651
464-6417	61	468-0120	▶520		867	473-2944	252
464-6447	62		582		868	473-4942	859
464-6623	237	468-0122	▶506		▶976		▶896
464-8101	35		582		▶977		▶897
464-8160	35	468-0123	▶572	471-6105	932	473-4949	894
464-8169	▶168		582	471-6106	978		895
	182	468-0127	506	471-6107	▶978	473-4952	683
464-8216	35		▶508	471-6121	865		685
464-8225	429	468-0128	509		866	473-4953	404
464-8795	232		▶511		867	473-4956	404
464-8797	232	468-0130	508		868		942

PART NUMBER INDEX

Part	Page	Part	Page	Part	Page	Part	Page
	944		898		854	474-9851	262
473-4957	404		899		857		263
	942	473-8729	888	474-4112	359	474-9852	446
	944		973		851	474-9855	446
473-4960	946	473-8730	973		854	474-9856	595
473-6297	818	473-8731	973		857		967
473-6822	633	473-8799	885	474-4115	851	474-9857	965
	635	473-8879	869		854	474-9859	967
	636		888		857	474-9860	967
	894		914	474-4148	444	474-9861	595
	895	473-8881	885	474-4149	338	474-9863	595
	967	473-8903	888		444	474-9864	595
473-6830	965	473-8905	885	474-4156	871	474-9865	595
473-6841	967	473-8906	888	474-4157	871	474-9866	595
473-6842	967	473-8907	885	474-4891	444	474-9867	595
473-6930	863	473-8911	885	474-4980	925	475-0755	967
	965	473-8917	869		927	475-1216	480
473-6954	989	473-8920	869	474-5150	9	475-6698	402
	993	473-8933	869		10	475-8373	44
	996	473-8956	624		11	475-9070	669
	999		735		12		786
	1012	473-8964	336		86	476-0028	674
473-6955	989	473-8971	455	474-6053	643	476-0031	677
	993		459	474-6058	643	476-0104	677
	996		463	474-6061	884	476-0697	865
	999	473-8975	410		939		866
	1012		455	474-6062	939		867
473-6957	989		459	474-6063	939		868
	993		463	474-6067	444		889
	996	473-9270	382	474-6081	874	476-0698	889
	999		443	474-6089	939	476-0760	936
	1012		863	474-6090	939	476-3713	845
473-6966	972	473-9271	733	474-6091	939	476-5226	941
473-6967	967	473-9371	455	474-6092	404	476-5228	792
473-6968	967		459		939	476-5235	224
473-6971	967		463		941	476-5236	224
473-6973	595	473-9375	885		944	476-5237	941
473-6974	967	473-9385	947	474-6095	643	476-5238	941
473-6976	595	473-9386	406	474-6096	643	476-6640	233
473-6977	967		411	474-6097	643	476-6644	233
473-6983	967		947	474-7170	389	476-6686	371
473-6985	967	473-9387	947		390		890
473-6986	967	473-9388	947	474-7178	603	476-7795	951
473-7034	967	473-9410	869	474-7179	603		952
473-7168	918	473-9411	869		604	476-7796	951
473-7169	918	473-9471	869	474-8225	520	476-7798	952
473-7230	965		869	474-8989	703	476-8923	472
473-7236	649	474-0135	780		705		636
473-7237	649	474-0136	781	474-9043	865	476-8924	865
473-7238	649	474-0141	788		866		866
473-7632	385	474-0144	754		867		867
	394	474-0147	755		868		868
473-7633	388	474-1421	677		933		946
	394	474-1502	913	474-9044	933	476-8930	953
473-7634	388	474-2467	660	474-9465	217	476-8931	953
	394	474-2534	775	474-9466	217		961
473-7652	732	474-3360	218	474-9674	344	476-9090	890
473-7653	732	474-3386	218		446	476-9091	890
473-7701	406	474-3810	851	474-9758	261	476-9092	890
	411		854		262	476-9093	890
473-7750	384		857	474-9760	261	477-0021	348
	388		871		262		444
473-8155	378	474-4048	237	474-9787	969	477-0027	589
	379	474-4050	237	474-9789	967	477-0655	422
	380	474-4083	851	474-9790	967		459
	381		854	474-9797	967		463
473-8156	378		857	474-9802	339		682
	379	474-4084	851		340	477-0663	217
	380		854	474-9810	242		218
	381		857	474-9848	261	477-0667	643
473-8503	642	474-4085	851		262	477-0692	194
473-8713	307		854		263		196
473-8714	307		857	474-9849	263		198
473-8717	443	474-4086	851		264	477-0897	971

PART NUMBER INDEX

Part	Page	Part	Page	Part	Page	Part	Page
477-0901	725	478-5144	344		996	484-6062	679
477-0968	422	478-5145	531		999	484-6064	679
	682	478-5153	194		1012	484-6065	679
477-1410	677		196	481-1029	10	484-6067	790
477-1413	677		198		▶87	484-8312	896
477-1415	677	478-5154	927	481-1051	455		898
477-1417	677	478-5155	927		463		899
477-1419	677	478-5162	116	481-1052	455		900
477-1420	677		117	481-1053	456		901
477-1422	677	478-6580	679	481-1056	456		▶908
477-1495	677	478-6612	749	481-3374	257	484-8313	904
477-1614	881	478-6615	749	481-3375	257		906
477-1616	881	478-6898	749	481-3598	162		908
	882	478-6916	194	481-3653	654	484-8314	904
477-1617	881		196	481-3654	654		906
	882		198	481-3658	654		908
477-1629	882	478-7684	349	481-4381	181	484-8315	908
477-1675	831	478-8887	553	481-4382	180		▶911
477-1687	475		554		▶181	484-8316	904
	482	479-0237	▶790	481-4436	233		906
477-1801	395	479-0239	▶767		235		908
	397	479-2647	347	481-6648	733	484-8317	904
477-1863	330	479-4133	298	481-6649	733		906
477-1868	330	479-4137	298	481-6650	733		908
477-1872	330	479-5684	679	481-7718	456	484-8318	904
477-2357	329	479-5954	871		463		906
477-2358	329	479-5955	871	481-8415	757		908
477-2457	5	479-6503	223	481-8596	369	484-8319	904
	346		▶251		370		906
477-2612	989	479-7010	746	481-9816	116		908
	993	479-7011	746		117	484-8321	908
	996	479-7013	746	482-0957	733	484-8323	904
	999	479-7014	746	482-1134	▶495		906
	1012	479-7015	746		574		908
477-2614	873	479-7276	746		580	484-8324	904
477-2618	873	479-7277	746		582		906
477-3267	437	479-7278	746		583		908
477-3325	851	479-7279	746	482-1135	495	484-8325	859
	854	479-7280	746		▶497		860
477-3328	851	479-7281	746	482-1147	851		902
	854	479-7282	746		854		904
477-4113	733	479-7285	746		857		908
477-4116	642	479-7289	746	482-1340	857	484-8326	908
477-4117	642	479-7292	746	482-2978	575	484-8327	904
477-5535	733	479-7459	298		▶582		906
477-5548	820	479-7786	746	482-4975	664		908
477-5624	204	479-9423	786	482-8491	236	484-8328	904
477-5625	265	479-9424	786		237		906
477-5891	967	479-9425	786	483-1002	281		908
477-5914	967	479-9426	786		▶298	484-8330	904
477-6069	116	479-9470	251	483-1385	593		906
	117		▶347	483-3923	643		908
	118	480-4406	123	483-5158	688	484-8331	904
	119		126	483-5164	116		906
477-6070	116	480-5397	653	483-8200	851		908
	117	480-5398	653		854	484-8332	904
	118	480-5399	653	483-8201	851		906
	119	480-5400	653		854		908
477-7924	120	480-5401	653	484-1473	967	484-8333	904
	121	480-6174	653	484-1475	967		906
	122	480-7030	382	484-1477	404		908
	661	480-7035	382		942	484-8334	904
478-2120	118	480-7044	▶382		944		906
478-5100	989		386	484-1744	198		908
	993		399	484-1800	120	484-8335	908
	996	480-7425	653		121	484-8336	908
	999	480-9044	653		122	484-8337	904
	1012	480-9877	989	484-1801	459		906
478-5125	338		993		463		908
478-5127	444		996	484-1870	655	484-8338	904
478-5135	344		999	484-4199	731		906
478-5136	344		1012	484-5235	1006		908
478-5142	344	480-9880	989	484-5239	1008	484-8339	908
478-5143	344		993	484-5240	1007	484-8340	904

PART NUMBER INDEX

Part	Page	Part	Page	Part	Page	Part	Page
	906		549		868		622
	908		550	492-2944	443	493-1121	606
484-8341	908		551	492-2945	13		608
484-8342	908		588		16		▶618
484-8343	908	486-9886	989		▶454	493-1123	606
484-8344	908		993	492-3922	▶694		608
484-8345	904		996	492-3923	694		▶619
	906		1012	492-3924	694	493-1124	607
	908	486-9888	989		695		609
484-8346	908		999		697		▶620
484-8348	908	486-9892	999		699	493-1125	620
484-8350	904	487-2925	246	492-3925	▶695	493-1126	607
	906	487-3912	865	492-3930	923		609
	908		866		925		▶621
484-8351	911		867	492-3933	861	493-1292	607
484-8352	911		868		867		608
484-8353	911		▶873		▶879		▶622
484-8354	911	487-4976	389	492-3934	879	493-1296	728
484-8355	911		390	492-3935	879		730
484-8356	911	487-4977	389	492-3936	879	493-3286	127
484-8357	911		390	492-3937	868	493-5720	349
484-9138	904	487-5857	276		▶874	493-5721	350
	906	487-6726	454		903	493-5892	350
	908	487-8468	266	492-3938	874	493-8976	643
484-9139	904		267	492-3939	874	494-0157	970
	906		268	492-3940	▶441	494-0158	863
	908	487-8469	267	492-3941	879	494-0160	967
484-9140	904		268	492-4839	▶437	494-1901	877
	906	487-8470	267	492-4851	707	494-1910	661
	908		268		709	494-1912	661
484-9149	904	488-1825	267	492-4858	707		762
	906	488-1831	268		709	494-2035	660
	908	488-7889	989	492-4861	▶954	494-2037	660
484-9150	904		993	492-4862	954	494-3707	660
	906		996		955	494-3708	660
	908		999	492-4867	▶596	494-3709	660
484-9576	520		1012		606	494-8824	455
484-9787	257	488-9824	406		607		459
484-9788	257		411	492-4869	468		463
484-9789	257	489-0637	250	492-4896	707	494-9551	456
484-9790	257		271	492-4927	707		459
485-1677	▶469	489-4104	965		709		463
	▶486	490-1203	330	492-4992	406	494-9793	762
485-1681	216	490-6358	755	492-4998	760	494-9794	762
485-2934	740	490-6359	755	492-5067	590	494-9795	762
485-2943	740	490-6360	755	492-5068	590	494-9797	762
485-4894	206		845	492-5069	761	495-0017	851
485-4895	206	490-6361	755	492-5074	596		854
485-5329	589	490-6362	755	492-5086	▶406	495-0028	663
485-7240	▶835	490-6363	755	492-5088	▶590	495-0033	664
485-9160	71	490-6364	755	492-5089	590	495-0200	254
486-0527	▶791	490-6365	755	492-5091	4	495-0201	254
486-0528	▶769	490-6366	755		▶761	495-0202	254
486-0529	▶843	490-6367	755	492-5709	262	495-1404	638
486-3235	10	490-6368	755		263		639
	▶116	490-6369	755	493-1085	▶2	495-1408	715
	▶117	490-6371	755	493-1086	▶2		717
486-4416	655	490-6372	755	493-1110	▶444	495-2033	885
486-4417	▶654	490-6373	755		865	495-2042	885
	865	490-8043	329		866	495-2043	885
	866		▶330		867	495-2268	732
	867	491-0615	643		868	495-2278	384
	868	491-5234	▶38	493-1111	▶349		385
486-4419	▶653		39		444		▶387
	654	491-7329	61	493-1118	606	495-2446	989
486-7983	9		▶62		607		993
	10	491-9892	▶845		▶613		996
	▶118	491-9893	▶768	493-1119	606		999
486-8069	543	492-2119	689		608		1012
	544	492-2133	409		▶617	495-2470	▶606
	545	492-2937	▶443	493-1120	617	495-2471	▶606
	546		865		618	495-2472	▶606
	547		866		619	495-2473	▶606
	548		867		620	495-2474	▶607

PART NUMBER INDEX

Part	Page	Part	Page	Part	Page	Part	Page
495-2475	▶607		399		725		▶727
495-2476	▶607		404	495-7646	865	495-8987	▶689
495-3013	385		942		866		753
495-3014	▶384		944		867	495-9759	713
495-3015	▶385	495-4605	404		868	495-9760	638
495-3016	818		942		▶965	495-9767	689
	820		944	495-7648	626	495-9768	689
495-3017	820	495-4703	336	495-7649	965	495-9769	689
495-3020	802	495-4704	336	495-7650	965	495-9771	689
	803	495-4791	863	495-7651	▶697	495-9772	689
	804	495-4792	863	495-7652	▶699	495-9793	681
	805	495-4796	863	495-7653	697		▶737
	806	495-4799	863		699	495-9795	681
	807	495-4800	863	495-7659	▶401		▶735
	808	495-4801	863	495-7692	401	495-9804	472
	817	495-4802	▶27	495-7754	1		▶713
	819		863		2	495-9805	713
495-3047	▶360	495-4803	27		▶331	495-9806	472
	387	495-4804	27	495-7755	753		▶638
	391	495-4805	27		▶757	495-9807	638
495-3413	395	495-4806	27	495-7756	757		639
	397	495-6135	865	495-7758	757	495-9857	689
495-3415	395		866	495-7759	753	495-9881	472
	397		867		▶758		▶639
495-3416	395		868	495-7762	758	495-9882	639
	397		▶885	495-8379	758	495-9884	▶240
495-3426	865	495-6136	885	495-8380	689		261
	866	495-6138	885	495-8381	689	495-9886	240
	867	495-6139	885	495-8382	689	495-9887	240
	868		▶888	495-8383	689	495-9888	240
495-3427	▶972	495-6140	888	495-8384	689	495-9889	240
495-3428	972	495-6141	888	495-8386	689	495-9891	240
495-3734	▶894	495-6142	888	495-8388	689	495-9893	240
495-3735	894	495-6146	885	495-8389	689	495-9895	240
495-3736	894	495-6147	885	495-8390	1	495-9896	9
495-3740	▶895		914		▶687		22
495-3741	895	495-6148	885		689		23
495-4512	970		914	495-8391	687		▶216
495-4514	970	495-6202	▶967	495-8393	687	496-3408	242
495-4594	▶404		969	495-8394	687	496-3412	▶242
	865	495-6203	967	495-8471	1		262
	866	495-6204	967		▶407	496-3413	728
495-4595	404	495-6205	967	495-8472	407	496-3414	728
	440	495-6206	▶863	495-8473	407	496-3416	728
	942		967	495-8474	407		730
495-4596	404	495-6207	863	495-8489	688	496-3417	10
	942	495-6208	863	495-8490	688		11
	944	495-6209	865	495-8491	688		12
495-4597	386		866	495-8492	688		▶728
	399		867	495-8506	593	496-3418	194
	404	495-6210	868	495-8561	593		196
	942		▶969	495-8706	697		198
	944		865	495-8722	388	496-3419	194
495-4598	404		866	495-8723	388		196
	942		867	495-8757	758		198
	944		868	495-8788	681	496-3420	194
495-4599	404		▶869		▶688	496-3421	194
	942	495-6211	869	495-8833	593	496-3423	11
	944	495-6212	869	495-8834	593		12
495-4600	404	495-6213	869	495-8835	593		▶194
	942	495-6218	594	495-8844	1	496-3424	730
	944	495-6228	27		2	496-3425	9
	944		863		▶593		10
495-4601	404		970	495-8853	737		▶730
	942	495-6230	863	495-8854	737	496-6524	▶536
	944	495-6240	969		▶749		579
495-4602	404		▶970	495-8855	735	496-6525	536
	942	495-6347	599		▶746		537
	944		601	495-8856	735	496-6526	536
495-4603	404	495-7583	▶742	495-8984	726		537
	942		743		▶731	496-6527	536
	944	495-7600	697	495-8985	▶726		537
495-4604	386		699		727	496-6528	536
		495-7633	190	495-8986	681		537

PART NUMBER INDEX

Part	Page	Part	Page	Part	Page	Part	Page
496-6529	▶918	497-3809	861	497-9606	683		486
496-6530	918		903		685	498-1005	473
496-8124	▶537		▶927	497-9608	▶707		480
	579	497-3854	728	497-9609	707		486
496-8133	927	497-3998	176	497-9610	707	498-2822	274
496-8134	923	497-5476	404	497-9611	707		275
496-8135	927		942		709	498-2943	473
496-8245	556		944	497-9612	▶709		480
	557	497-6388	871	497-9615	709	498-2944	480
496-8247	550	497-6389	871	497-9616	709	498-2945	474
	▶552	497-6391	871	497-9617	22		481
496-8248	552	497-6972	▶436		▶224	498-2947	474
	555		865	497-9619	224		481
496-8249	551		866		227		487
496-8250	551		867		254	498-2948	474
496-8251	851		868	497-9620	224		481
	854	497-6973	436		227		487
	▶919	497-6985	▶836		254	498-2949	482
496-8252	919	497-7205	871	497-9621	224	498-2950	475
496-8253	919	497-7206	871	497-9622	224		482
496-8254	919	497-7207	871		227		487
496-8255	927	497-7208	871		254	498-2951	475
496-8256	927	497-8539	633	497-9625	861		482
496-8257	927		636		867		487
496-8258	857	497-8541	633		868	498-2952	475
	▶921		635		903		482
496-8259	921		636		▶930		487
496-8260	921	497-8542	633	497-9626	930	498-2954	475
496-8261	921		636	497-9628	7		482
496-8262	861	497-8800	885		▶875		488
	903	497-9002	732	497-9629	875	498-5771	212
	▶923	497-9575	▶937	497-9630	7		214
	▶925	497-9576	▶938		632	498-8990	670
496-8263	868	497-9577	1		▶876	498-8992	670
	▶902		▶760	497-9631	876	498-8993	670
	903	497-9578	760	497-9632	▶411	498-8994	670
496-8264	859	497-9579	760	497-9633	411	498-8999	670
	860	497-9581	760	497-9662	740	498-9357	641
	902	497-9585	760	497-9663	740	499-0079	649
496-8265	902	497-9586	760	497-9666	740	499-0080	649
	▶912	497-9587	865	497-9821	703	499-0089	649
496-8301	3		866		705	499-0181	1
	4		867	497-9822	703		2
	▶936		868		705		▶446
	1004		▶971	497-9823	703	499-0182	▶359
	1005	497-9588	971	497-9824	705		446
496-8302	936	497-9589	▶982	497-9825	705	499-0183	▶361
496-8303	936	497-9591	261	497-9826	705		446
496-8305	1	497-9592	9	497-9827	705	499-0184	1
	2		10	497-9828	705		2
	▶597		11	497-9829	707		▶329
496-8306	597		12		709	499-0185	329
496-8307	1		▶190	497-9830	707	499-0186	1
	▶409	497-9593	190		709		2
496-8308	409		192	497-9833	740		▶913
496-8309	371	497-9594	190	497-9903	740	499-0187	▶649
	372	497-9595	190	497-9906	740		681
	▶410	497-9596	190	497-9908	740	499-0188	649
496-8310	7	497-9597	9	497-9910	930	499-0189	▶641
	▶468		10	497-9955	683		681
	632		▶703		685	499-0190	641
496-8312	5	497-9598	703	497-9958	683	499-0192	641
	6	497-9599	10		685	499-0257	▶336
	▶346		11	497-9959	683	499-0258	336
496-8314	422		12		685	499-0259	▶337
	682		▶705	497-9965	740	499-0260	337
496-8318	5	497-9600	705	497-9966	740	499-0261	337
	6	497-9601	705	497-9967	740	499-0262	337
	▶442	497-9602	262	498-0992	488	499-0263	1
496-8319	▶350	497-9603	683	498-0999	473		2
	442		685		480		▶660
496-8320	▶377		▶743		486	499-0264	660
	442	497-9605	656	498-1002	473	499-0265	660
496-8321	377		▶683		480	499-0266	1

PART NUMBER INDEX

Part	Page	Part	Page	Part	Page	Part	Page
	2	499-4258	239	499-7363	715	500-0952	212
499-0267	▶661 661		531		717		214
	▶670	499-4260	239	499-7364	715	500-1062	23
499-0268	661		531	499-8464	▶471		▶261
499-0269	1		533		472	500-1095	717
	▶762	499-4849	259	499-8465	471	500-1096	719
499-0273	714	499-4850	259		▶480	500-1123	22
	715	499-4942	657	499-8472	212		23
499-2171	753		▶725		214		▶714
	▶759	499-4943	725	499-8473	212	500-1124	714
499-2172	759	499-4944	657		214	500-1125	22
499-2173	759		▶739	499-8477	715		23
499-2174	1	499-4945	739		717		▶715
	▶753		▶744	499-8543	247	500-1126	715
499-2175	1	499-4946	▶210	499-8656	469	500-1127	715
	▶662		657		470	500-1287	9
499-2176	▶672	499-4947	210		471		10
	676	499-4948	210	499-9419	714		▶533
499-2177	662	499-4949	210		719	500-1288	533
499-2178	662	499-4950	10	499-9420	22	500-1289	533
499-2179	662		11		23	500-1290	533
499-2332	641		12		▶217	500-1291	533
499-3137	1		▶657	499-9422	23	500-1292	533
	▶663	499-5286	▶192		▶254	500-1293	533
499-3138	663		657	499-9423	254	500-1294	22
	▶674	499-5287	192	499-9426	254		▶235
499-3139	663	499-5288	192	499-9429	23	500-1295	235
499-3140	663	499-5289	239		▶233	500-1296	22
499-3141	1	499-5290	239	499-9432	233		▶120
	▶664	499-5291	239	499-9433	233	500-2096	714
499-3142	664	499-5292	239	499-9434	233		719
	▶679	499-5293	239		235	500-2291	22
499-3144	605	499-5294	239		236		▶459
499-3351	190	499-5295	11	499-9435	233	500-2293	459
499-4229	456		12		235	500-2294	459
499-4234	456		▶239		236	500-2295	▶355
	459	499-5296	119		237		459
	463	499-5297	11			500-2296	459
499-4240	455		12				463
	463		▶119			500-2297	460
499-4241	456	499-5900	339				463
	459	499-5902	▶339	500-0760	23	500-3055	319
	463	499-5904	339		▶122	500-3068	22
499-4242	456		340	500-0761	10		▶236
	459	499-7135	212		▶531	500-3069	599
	464		214	500-0762	531		601
499-4243	456	499-7169	635	500-0763	531		▶626
	459	499-7298	629	500-0764	531	500-3070	626
	463	499-7299	627	500-0765	531	500-3071	626
499-4244	▶353	499-7300	627	500-0766	531	500-3072	9
	456	499-7303	1	500-0767	22		10
499-4245	▶354		2		23		▶599
	456		▶605		▶212	500-3073	599
499-4247	456	499-7304	605	500-0768	▶207		601
	459	499-7305	1		212	500-3074	599
	463		2	500-0769	212		601
499-4248	456		▶598		214	500-3075	599
	459	499-7306	598	500-0770	212		601
	463	499-7307	598		214	500-3076	599
499-4249	456	499-7308	598	500-0771	212		601
	459	499-7309	▶469		214	500-3077	599
	463		472	500-0772	212		601
499-4250	456	499-7311	▶470		214	500-3078	599
499-4251	456		472	500-0773	212		601
	459	499-7312	470	500-0775	212	500-3079	599
	463		▶473		214		601
499-4252	455	499-7321	714	500-0781	212	500-3080	599
	464		719		214		601
499-4254	455	499-7342	470	500-0786	207	500-3081	599
	459		471		209	500-3082	599
	463	499-7358	714		212		601
499-4255	23		719		214	500-3083	599
	▶455	499-7362	714				601

PART NUMBER INDEX

Part	Page	Part	Page	Part	Page	Part	Page
500-3084	▶427		804		449		623
	579		805		450	501-7457	614
500-3085	427		806	501-2452	7	501-7458	614
500-3104	9		807		632	501-7459	624
	▶227		808		▶720		▶740
500-3135	227		817	501-2453	720	501-7460	▶615
500-3136	227		819		722		624
500-3137	227	500-4374	807	501-2454	720	501-7462	624
500-3138	9		▶820		722	501-7463	624
	▶262	500-4375	818	501-2455	720	501-7464	624
500-3139	9		820	501-2456	7	501-7465	624
	▶237	500-4475	▶792		632	501-7466	624
500-3140	237	500-4484	▶440		▶645	501-7467	609
500-3141	237		865	501-2457	645		▶623
500-3142	9	500-9502	603		722	501-7468	632
	▶121	500-9503	603	501-2458	645		▶722
500-3143	121	500-9504	603		647	501-7469	722
500-3144	9	500-9600	604	501-2459	▶651	501-7470	632
	▶463	500-9601	604		681		▶647
500-3146	9	500-9602	604	501-2460	651	501-7471	7
	22	500-9603	604	501-2461	651		632
	▶214	500-9605	604	501-2462	651		▶648
500-3149	▶209	500-9606	604	501-2463	▶655	501-7472	648
	214	501-0348	448		681	501-7473	607
500-3150	▶357	501-0349	▶350	501-2809	1		608
	463		449		▶881		609
500-3151	214	501-0350	▶351	501-2810	881		▶627
500-3152	▶358		450		882	501-7474	609
	463	501-0359	373	501-2811	881		▶628
500-3153	9		374		882	501-7475	628
	22		▶375	501-2993	10	501-7476	▶629
	▶717	501-0360	373		▶196		656
500-3154	717		374	501-2994	196	501-7477	656
500-3155	717		▶376	501-2995	196		681
500-3156	717	501-0361	376	501-2996	681		▶878
500-3157	9	501-0751	▶807		▶685	501-7478	878
	22		809	501-2998	9	501-8492	623
	▶719	501-0752	▶851		10		▶624
500-3158	719		▶854		▶198	501-9264	623
500-3159	9		861	501-2999	198	502-0301	711
	22	501-0753	▶857	501-3000	198	502-0304	711
	▶218		861	501-4200	▶397	502-0305	711
500-3160	218		867		399	502-0306	711
500-3310	227	501-0754	851	501-4201	2	502-0307	711
500-3311	227		▶859		▶882	502-0308	711
500-4353	▶575	501-0755	859	501-5070	1	502-0309	711
	579		860		2	502-0311	711
500-4356	10	501-0758	▶386		▶877	502-0312	642
	11	501-0759	386	501-7255	681	502-0313	642
	12		▶395		▶732	502-0314	642
	▶601	501-0760	395	501-7256	732	502-0369	681
500-4357	601		397	501-7257	732		▶711
500-4359	601	501-0761	395	501-7258	732	502-0375	711
500-4360	601		397		▶733	502-0376	642
500-4361	▶576	501-0762	▶383	501-7259	733	502-0379	711
	579		386	501-7261	3	502-0400	711
500-4362	▶577		399		▶989	502-0401	711
	579	501-0763	383		1004	502-0403	711
500-4363	▶438	501-0764	383		1005	502-0664	▶642
	579	501-0767	720	501-7262	3		681
500-4364	438		722		4	502-1188	236
500-4366	438	501-0768	720		▶993	502-2907	▶167
500-4367	579		722	501-7263	4		246
	▶680	501-0769	720		▶1012	502-3075	939
500-4368	▶578		722	501-7264	4	502-3579	101
	579	501-0770	720		▶996	502-3818	925
500-4369	▶818		722	501-7265	▶999	503-1113	730
	819	501-0771	720		1005	503-1114	728
500-4370	816		722	501-7266	389	503-1675	865
	▶819	501-0772	651		390		866
500-4371	807	501-0773	651	501-7274	▶399		867
	819	501-0778	▶603	501-7278	384		868
500-4373	802	501-0779	▶604		385		▶975
	803	501-1119	448	501-7455	▶614	503-1676	975

PART NUMBER INDEX

Part	Page	Part	Page	Part	Page	Part	Page
503-1684	▶5	504-1315	212	505-5401	674	506-7536	▶609
503-1685	5		214	505-5402	672	506-7537	▶609
	▶682	504-1913	162	505-5403	672	506-7538	▶609
503-1686	422	504-3282	21	505-5404	672	506-7647	▶7
	682	504-5534	633	505-5405	674	506-7649	▶632
503-1687	422		636	505-5406	674	506-7650	▶7
	682	504-5535	633	505-5407	674	506-7651	▶632
503-1688	682		636	505-5408	674	506-7652	▶632
503-1689	422	504-5709	843	505-5409	674	506-7655	▶7
	682	504-5710	843	505-5410	674	507-0387	474
503-1690	▶955	504-5711	843	505-5411	674	507-5015	268
503-1691	▶963	504-5712	843	505-5412	674	507-5019	267
503-1693	963	504-5713	843	505-5413	674	507-6922	746
503-1701	3	504-5714	843	505-5414	674	507-6923	746
	4	504-5715	843	505-5415	674	507-6925	746
	▶371	504-5716	843	505-6119	▶10	507-6975	746
	▶372	504-5717	843	505-6120	10	507-6976	746
	1004	504-5718	843		▶22	507-6979	746
	1005	504-8890	724	505-6134	10	507-6981	746
503-1712	1	505-0884	1		▶23	507-6982	746
	2		2	505-6135	▶9	507-7130	746
	▶1003		▶631		11	507-7131	746
503-1714	1003	505-0885	631		12	507-7132	746
503-1715	1003	505-0886	▶594	505-6163	▶10	507-7158	746
503-1716	1003		606	505-6164	▶11	507-7179	746
503-1968	474		607	505-6165	▶11	507-7255	746
	481	505-0887	594	505-6167	▶12	507-7282	746
	487	505-0900	▶6	505-6168	▶12	507-7348	746
503-1970	486	505-0901	6	505-7476	865	507-7349	746
503-4909	9		▶422		866	507-7398	746
	10	505-0902	472		867	507-7399	746
	▶307		▶633		868	507-7400	746
503-4910	307	505-0903	636	505-7484	▶643	507-7401	746
503-4911	307	505-0905	633		865	507-8147	746
503-4913	307	505-1112	633		866	507-9536	▶3
503-4914	307		636		867	507-9537	▶1004
503-4915	307	505-3926	473		868	507-9538	▶1004
503-4917	309	505-5033	▶1		868	507-9539	▶1004
503-4919	309		2	505-7485	643	507-9540	▶1005
503-4920	10	505-5035	▶2	505-7629	▶434	507-9541	▶1005
	▶309		2		643	507-9542	▶1005
503-6003	▶1010	505-5240	2		643	507-9544	▶865
503-6870	11		▶681	505-7678	434	507-9545	▶866
	12	505-5252	▶1	505-8341	434	507-9546	▶867
	▶311		2	505-8342	434	507-9547	▶868
503-6871	311	505-5260	▶472	505-8348	791	508-2599	647
503-6872	311	505-5261	▶472	505-8350	791	508-2600	647
503-6874	311	505-5262	▶472	505-9432	369	508-3673	15
503-7083	▶389	505-5329	9		370		▶175
503-7085	▶390		▶579	505-9433	▶369	508-7848	▶861
503-7086	384	505-5334	942	505-9579	▶370	508-7849	▶861
503-7087	384		944	506-1894	604	508-7851	▶903
	385	505-5340	10	506-3031	▶809	508-7852	▶903
503-7088	384		▶579	506-3306	641	509-0326	264
	385	505-5341	10	506-3313	735	509-0327	264
503-7089	391		11	506-3317	▶656	509-0328	264
503-7090	389		12	506-3318	▶681	509-0329	264
	390		▶579	506-3319	▶656	509-0331	264
	▶391	505-5343	11	506-3892	349	509-0332	264
503-7091	392		12	506-3893	349	509-0333	264
503-7092	392		▶579	506-3894	349	509-0334	264
503-7093	389	505-5387	▶9	506-3898	350	509-4662	▶837
	▶392	505-5390	9	506-5127	709	509-4663	▶1015
503-7260	390		▶22	506-5128	709	509-4664	▶776
	▶393	505-5392	672	506-5129	709	509-6096	890
503-7262	391	505-5393	672	506-6178	676	509-7186	615
	392	505-5394	672	506-6193	662	509-7187	615
	393	505-5395	672		▶676	509-7188	615
503-7266	393	505-5396	672	506-6535	676	509-7189	615
503-7267	392	505-5397	672	506-7531	▶607	509-7190	615
	393	505-5398	672	506-7532	▶608	509-7191	615
503-7268	392	505-5399	672	506-7533	▶608	509-7192	615
	393		674	506-7534	▶608	509-7193	615
503-7488	843	505-5400	672	506-7535	▶608	509-7194	615

PART NUMBER INDEX

Part	Page	Part	Page	Part	Page	Part	Page
509-7195	615	512-6793	837	515-9909	885	520-6928	1
509-7196	615		1015		914		2
509-7197	615	512-6794	1015	517-0147	977		▶1009
509-7198	615	512-6795	837	517-0933	689	520-6930	1009
509-7199	615		1015	517-4329	803	520-7778	▶439
509-7200	615	512-6796	837		▶821		865
509-7201	615		1015	517-4330	806		866
510-1175	762	512-6797	837	517-4332	802		867
510-5297	15		1015		▶810		868
	▶46	512-6798	837	517-4333	▶812	520-7783	439
	▶48		1015		817	521-1509	760
	▶50	512-6799	837	517-4334	804	521-1510	760
510-5662	832		1015	517-4335	805	521-1511	760
	836	512-6800	837	517-4336	808	521-2180	▶861
510-6619	679		1015		▶814	521-2181	▶903
510-6866	679	512-6801	837	517-6763	▶816	521-2830	681
510-6867	679		1015	517-6817	▶783		▶763
510-6868	679	512-6802	837	517-8243	301	521-2831	763
510-6869	679		1015	518-0627	709	521-2834	763
510-6870	679	512-8037	837	518-0703	709	521-5502	643
510-6871	679		1015	518-1351	375	521-6487	951
510-7037	679	513-2421	474	518-2671	591		952
510-8126	679		481	518-2672	592		953
510-8400	209		487	518-2673	▶591		954
510-8401	209	513-3136	885	518-2674	▶592		955
510-8402	209		▶973	518-2993	1		963
510-8403	207	513-3137	973		2	521-7497	639
	209	513-3138	973		▶949	521-7498	639
510-8404	207	513-3139	973	518-3803	947	521-7499	639
	209	513-3140	973	518-5431	39	522-4418	409
510-8405	207	513-3141	973	518-5432	39	522-9012	372
	209	513-3297	689	518-5433	39		▶883
510-8406	207	513-4291	897	518-5436	39	522-9013	883
510-8407	207		▶898	518-5437	48	522-9014	883
510-8408	207		▶899		50	523-4877	735
510-8409	207	513-7370	840	518-5440	48	523-5678	709
510-8414	212	513-7371	840		50	523-5702	709
	214	513-7375	840	518-5441	48	523-8303	▶373
510-8421	212	513-7376	840		50	523-8304	▶373
511-5393	247	513-7379	840	518-5885	48	523-8305	▶373
511-5487	467	513-7380	840		50	523-8306	▶373
511-5488	453	513-7913	885	518-5891	48	523-8307	▶374
	▶467		915		50	523-8308	▶374
511-5835	742	513-8862	971	518-5892	48	523-8546	3
511-5836	742	513-9564	487		50		4
511-5837	742	513-9565	475	518-5893	48	524-1805	683
511-5864	742		482		50		685
511-5865	742		487	518-6720	683	524-2574	16
511-7127	125	513-9576	475	518-7551	242	524-3872	830
511-7697	744	514-0659	475	518-7574	242	524-4689	683
	749	514-4634	472	519-0945	635		685
511-7698	749		▶635	519-1668	224	524-8428	373
511-7699	749	514-4635	635	519-1731	743		▶448
511-7700	749	514-4636	635	519-1732	683	524-8429	374
511-7701	749	514-4637	635		685		▶449
511-7802	744	514-4831	263	519-1733	683	524-8430	373
511-7803	744	515-0077	276		685		▶450
511-7804	744	515-1158	▶782	519-1734	685	524-8951	566
512-0429	863	515-2777	967	519-1735	683		567
512-1676	513	515-8220	961	519-1736	685	525-3038	862
512-1677	513	515-8262	964	519-1737	685		▶900
512-1678	495	515-8263	964	519-2619	883		▶901
	506	515-8400	961	519-2695	867	525-3040	860
	▶513		▶964		868		▶862
512-4763	▶543	515-9680	▶3		▶942	525-3137	854
512-4764	▶544	515-9681	▶3	519-3821	1005		857
512-4765	▶545	515-9682	▶4		▶1006		▶860
512-4766	▶546	515-9683	▶4	519-3822	1005	525-3164	845
512-4767	▶547	515-9684	▶4		▶1007	525-3165	845
512-4768	▶548	515-9722	254	519-3823	3	525-3166	845
512-4769	▶549	515-9723	224		4	525-3167	845
512-4770	▶550		254		1004	525-3168	845
512-4771	▶551	515-9736	▶950		1005	525-3169	845
512-6176	733	515-9739	950		▶1008	525-3170	845

PART NUMBER INDEX

Part	Page	Part	Page	Part	Page	Part	Page
525-3171	. 845	527-7889	. 810	530-2770	. 117		
525-3172	. 845	527-7890	. 810	532-3899	. 4		
525-3173	. 845		814		▶981		
525-3174	. 845	527-7891	. 812	532-7513	. 22		
525-3175	. 845	527-7892	. 812		23		
525-3176	. 845	527-7893	. 812		▶260		
525-3177	. 845	527-7894	. 812	532-7514	. 260		
525-3178	. 845	527-7895	. 812	532-7515	. 260		
525-3179	. 845	527-7896	. 812	533-7334	. 867		
525-3180	. 845		814		▶944		
525-3181	. 845	527-7897	. 812	535-5874	. 914		
525-3182	. 845	527-7898	. 812	535-5875	. 915		
525-3183	. 845	527-7899	. 812	535-6691	. 404		
525-3184	. 845	527-7900	. 812		944		
525-3185	. 845	527-7901	. 812	535-6692	. 404		
525-9189	. 783		814		944		
526-0580	. 543	527-7902	. 812	536-9761	. 859		
	▶553	527-7903	. 814		860		
526-0581	. 543	527-7904	. 814		902		
	▶554	527-7905	. 814	536-9853	. 859		
526-0637	. 526	527-7906	. 814		860		
	580	527-7907	. 814		902		
526-0654	. 580	527-7908	. 814	539-2408	. 599		
	▶583	527-7909	. 814	539-3063	. 340		
526-2655	. 474	527-7910	. 814	539-4427	. 630		
	481	527-7913	. 814	539-4494	. 607		
526-4258	. 588	527-7914	. 814		608		
526-4259	. 555	527-7915	. 814		609		
	588	527-7917	. 814		▶630		
526-4589	. 325	527-7918	. 814	540-0765	. 981		
526-5726	. 546	527-7919	. 814		1005		
	▶556	527-7920	. 814	540-6562	. 806		
526-5727	. 546	527-7921	. 814	540-6609	. 804		
	▶557	527-7923	. 814	540-6685	. 805		
526-5728	. 545	528-2072	. 340	540-8046	. 808		
	▶558	528-3015	. 769	541-7470	. 873		
526-6911	. 545	528-3023	. 769	541-9094	. 589		
	▶559	528-3024	. 769	545-6982	. 837		
526-6913	. 547	528-3027	. 769	545-7587	. 837		
	▶560	528-3191	. 769	545-7591	. 837		
526-6914	. 547	528-3194	. 769	545-7596	. 837		
	▶561	528-3702	. 769	545-9415	. 1015		
526-7162	. 548	528-3710	. 769	545-9416	. 1015		
	▶562	528-3722	. 769	545-9418	. 1015		
526-7163	. 548	528-3741	. 769	545-9419	. 1015		
	▶563	528-3751	. 769	546-5410	. 884		
526-8387	. 274	528-3806	. 769	546-5411	. 884		
	275	528-3807	. 769	546-5767	. 884		
526-8388	. 274	528-3812	. 769	548-8995	. 217		
	275	528-3858	. 769				
526-8391	. 274	528-3859	. 769				
	275	528-3866	. 769				
526-9589	. 549	528-4293	. 770				
	▶564	528-4296	. 770				
526-9591	. 549	528-4544	. 770				
	▶565	528-4804	. 769				
526-9592	. 544	528-4805	. 769				
	▶566	528-4806	. 769				
526-9593	. 544	528-4807	. 769				
	▶567	528-4808	. 769				
527-7879	. 780	528-4809	. 769				
527-7880	. 780	528-4810	. 769				
	781	528-4811	. 769				
527-7881	. 780	528-4812	. 769				
	781	528-4813	. 769				
527-7882	. 780	528-6601	. 18				
	781	528-8179	. 980				
	814	528-8260	. 645				
527-7883	. 781	528-8583	. 940				
527-7884	. 810	528-8853	. 862				
527-7885	. 810		902				
527-7886	. 810	529-6465	. 802				
527-7887	. 810	529-6466	. 803				
527-7888	. 810	529-8470	. 817				



M0067952-05

TH3510D Telehandler

CJ41-UP