



Parts Manual

TH357D Telehandler

CJ41-UP (Engine)
JKT1-UP (Engine)
W231-UP (Engine)
TD61-UP (Machine)
TD71-UP (Machine)
H5E1-UP (Transmission)
HA51-UP (Transmission)
SD31-UP (Transmission)
BK21-UP (Transmission)
H5E1-UP (Transmission)
H5F1-UP (Transmission)
HA51-UP (Transmission)
SD31-UP (Transmission)

Powered By C3.4 or C4.4 Engine

Product and Dealer Information

Note: For product identification plate locations, see the section "Product Identification Information" in the Operation and Maintenance Manual.

Delivery Date: _____

Product Information

Model: _____

Product Identification Number: _____

Engine Serial Number: _____

Transmission Serial Number: _____

Generator Serial Number: _____

Attachment Serial Numbers: _____

Attachment Information: _____

Customer Equipment Number: _____

Dealer Equipment Number: _____

Dealer Information

Name: _____ Branch: _____

Address: _____

Dealer Contact

Phone Number

Hours

Sales: _____

Parts: _____

Service: _____

MEMORANDA

TABLE OF CONTENTS

NAME	PAGE	NAME	PAGE
GENERAL INFORMATION	A5	LUBRICATION SYSTEM	149
REPAIR ALTERNATIVES.....	A8	FILLER GP-ENGINE OIL.....	149
SUPPLEMENTAL COOLANT		FILTER GP-ENGINE OIL.....	153
ADDITIVES.....	A9	FILTER GP-FUMES DISPOSAL.....	156
MAINTENANCE PARTS.....	A10	FUMES DISPOSAL GP	157
INDEX	A14	GAUGE GP-OIL LEVEL (DIPSTICK)	162
MACHINE ARRANGEMENT	1	LINES GP-TURBOCHARGER OIL.....	165
CHASSIS AR.....	1	MOUNTING GP-ENGINE OIL	
COMMON AR	2	FILTER	166
CONFIGURATION AR.....	2	PLUG GP-OIL FILTER MOUNTING	167
INSTALLATION AR-MACHINE	5	PUMP GP-ENGINE OIL.....	169
TRAILER AR.....	6	COOLING SYSTEM.....	173
ENGINE ARRANGEMENT	7	CONNECTION GP-WATER	173
ENGINE AR.....	7	COOLER GP-ENGINE OIL	179
ENGINE AR-COMPLETE	8	COVER GP-ENGINE OIL COOLER	185
ENGINE AR-PRIMARY	10	EXTENSION GP-FAN	186
INSTALLATION AR-ENGINE.....	17	FAN & MOTOR GP.....	188
BASIC ENGINE	19	FAN GP	190
BELT TENSIONER GP.....	19	FAN GP-SUCTION.....	192
BRACKET GP-MOUNTING	22	LINES GP-COOLANT	193
CAMSHAFT GP	24	PLUG GP-WATER LINES	202
COVER GP-VALVE MECHANISM.....	28	PUMP GP-WATER.....	204
CRANKSHAFT AS	34	RADIATOR & HYD OIL COOLER	
CRANKSHAFT GP.....	36	GP	209
CYLINDER BLOCK AS.....	48	RADIATOR & MOUNTING GP.....	213
CYLINDER BLOCK GP	51	TANK GP-COOLANT.....	221
CYLINDER BLOCK GP-SHORT.....	59	AIR INLET AND EXHAUST SYSTEM	222
CYLINDER HEAD AS.....	63	AIR CLEANER GP.....	222
CYLINDER HEAD GP.....	70	COOLER & MTG GP-EXHAUST	
DRAIN GP-ENGINE OIL.....	79	(NRS).....	224
DRIVE GP-AUXILIARY	82	ELBOW GP-AIR INLET	226
DRIVE GP-FAN.....	85	EXHAUST GP	228
FLYWHEEL GP.....	89	EXHAUST GP-FLEXIBLE.....	231
HOUSING GP-FLYWHEEL.....	92	EXTENSION GP-EXHAUST.....	232
HOUSING GP-FRONT	96	FASTENER GP-CEM.....	234
JET GP-PISTON COOLING	105	FILTER GP-DIESEL PARTICULATE.....	235
LIFTING GP-ENGINE	107	LINES GP-AIR.....	238
MECHANISM GP-FUEL PUMP &		LINES GP-DIESEL EXHAUST	
VALVE.....	111	FLUID	248
MOUNTING GP-BELT TENSIONER	112	LINES GP-TURBOCHARGER AIR.....	249
MOUNTING GP-ENGINE	113	MANIFOLD GP-DEF	251
PAN GP-OIL	117	MANIFOLD GP-EXHAUST	252
PISTON & ROD GP	122	MANIFOLD GP-INLET.....	255
PLUG GP-ENGINE.....	128	MODULE AR-CLEAN EMISSIONS	257
PLUG GP-FRONT HOUSING	132	MODULE AR-DIESEL EXHAUST	
PULLEY GP-AUXILIARY DRIVE	134	FLUID	258
PULLEY GP-CRANKSHAFT	135	MOUNTING GP-EXHAUST	259
ROCKER ARM GP	139	PIPE GP-FLEXIBLE EXHAUST	260
		PUMP GP-DIESEL EXHAUST	
		FLUID	261
		SEAL GP-AIR INLET.....	264
		TANK & MTG GP-DEF.....	265
		TUBE & MTG GP-DEF BLEND.....	266
		TURBOCHARGER GP	267
		VALVE & MOUNTING GP (NRS)	272

TABLE OF CONTENTS

NAME	PAGE	NAME	PAGE
VALVE GP-COOLANT CONTROL.....	273	MODULE & MTG GP-CONTROL.....	396
VALVE GP-EXHAUST GAS (NRS).....	275	MOUNTING GP-CONTROL.....	397
FUEL SYSTEM.....	277	PANEL GP-SWITCH.....	398
BRACKET GP-MOUNTING.....	277	SENSOR & MOUNTING GP.....	400
CONNECTION GP-FUEL.....	278	SENSOR & MTG GP-PRESSURE.....	406
FILTER GP-FUEL.....	279	SENSOR GP.....	407
FILTER GP-PRIMARY FUEL.....	289	SENSOR GP-COMBUSTION.....	409
FILTER GP-WATER SEP & FUEL.....	292	SENSOR GP-ENGINE.....	410
INJECTOR GP-FUEL.....	295	SENSOR GP-LIQUID LEVEL.....	416
LINES GP-FUEL.....	300	SENSOR GP-PRESSURE.....	417
LINES GP-FUEL FILTER.....	306	SENSOR GP-TEMPERATURE.....	418
LINES GP-FUEL INJECTION.....	309	STARTING AID GP.....	421
PUMP GP-FUEL INJECTION.....	311	STARTING MOTOR GP-ELECTRIC.....	424
PUMP GP-FUEL TRANSFER.....	317	SWITCH & MTG GP-SIGNAL.....	427
RAIL GP-FUEL.....	318	SWITCH GP-DISCONNECT.....	428
TANK & MTG GP-FUEL.....	321	SWITCH GP-REVERSING FAN.....	429
TANK GP-FUEL.....	322	SWITCH GP-ROCKER.....	430
ELECTRICAL AND STARTING		SWITCH GP-TRANSMISSION.....	431
SYSTEM.....	323	SWITCH GP-WIPER.....	434
ALARM GP.....	323	WIRING GP-BOOM.....	435
ALTERNATOR GP-CHARGING.....	324	WIRING GP-CAB.....	437
BATTERY GP.....	328	WIRING GP-CHASSIS.....	440
BOARD AS-CIRCUIT.....	330	WIRING GP-CONTROL.....	442
CAMERA & MOUNTING GP.....	331	WIRING GP-ENGINE.....	445
CONTROL GP-ELECTRONIC.....	333	WIRING GP-TRAILER.....	458
ELECTRICAL GP-DEF.....	339	POWER TRAIN.....	459
HARNESS AS-CAB.....	340	AXLE & MOUNTING GP.....	459
HARNESS AS-CHASSIS.....	342	AXLE AR.....	462
HARNESS AS-CONTROL.....	342	AXLE GP-FRONT.....	463
HARNESS AS-ENGINE.....	344	AXLE GP-REAR.....	476
HARNESS AS-FRONT.....	349	BASE GP-OIL FILTER.....	484
HARNESS AS-HEATER & AIR		CASE & PARTS GP-PLANETARY.....	485
COND.....	349	CASE GP-TRANSFER.....	491
HARNESS AS-LIGHTING.....	350	CASE GP-TRANSMISSION.....	492
HARNESS AS-REAR.....	352	CLUTCH & GEAR GP.....	505
HARNESS AS-WIRING.....	352	CONTROL GP-TRANSMISSION	
HEATER GP-BLOCK.....	354	HYD.....	509
HEATER GP-JACKET WATER.....	358	DIFFERENTIAL GP.....	512
INSTALLATION AR-		GEAR & CASE GP-TRANSFER.....	513
COMMUNICATION.....	362	GEAR GP-IDLER.....	518
INSTALLATION AR-LOAD MGT IND.....	364	GEAR GP-TRANSFER.....	519
INSTALLATION GP-		PUMP GP-TRANSMISSION.....	521
COMMUNICATION.....	365	SHAFT GP-DRIVE.....	522
INSTALLATION GP-WARNING		SHAFT GP-INPUT.....	523
BEACON.....	367	SHAFT GP-OUTPUT.....	527
LAMP GP-FRONT.....	368	SHIM GP-AXLE INSTALLATION.....	528
LAMP GP-HEAD & SIGNAL.....	370	TIRE & RIM AR.....	529
LAMP GP-REAR.....	374	TIRE & RIM GP.....	538
LAMP GP-ROADING.....	375	TORQUE CONVERTER GP.....	559
LIGHTING AR-ROADING.....	376	TRANSMISSION AR.....	565
LIGHTING GP-BOOM.....	380	TRANSMISSION AR-POWER SHIFT.....	569
LIGHTING GP-FLOOD.....	381	VALVE GP-SOLENOID.....	574
LIGHTING GP-FRONT.....	382	VALVE GP-TIRE.....	576
LIGHTING GP-ROADING.....	389	WHEEL & TIRE AR.....	577
LIGHTING GP-WARNING.....	394		

TABLE OF CONTENTS

NAME	PAGE	NAME	PAGE
FRAME AND BODY	578	HYDRAULIC AR-AUXILIARY	670
BOX & MOUNTING GP-TOOL	578	INSTALLATION GP-RIDE CONTROL	671
BRACKET GP-MOUNTING	579	LINES GP-AUXILIARY HYDRAULIC	672
COUNTERWEIGHT GP	582	LINES GP-BOOM	676
COVER GP	583	LINES GP-CONNECTING	679
COVER GP-ACCESS	584	LINES GP-COUPLER	683
ENCLOSURE GP-ENGINE	586	LINES GP-HYDRAULIC	690
FENDER & MOUNTING GP	590	LINES GP-HYDRAULIC FAN	692
FENDER GP	591	LINES GP-HYDRAULIC OIL	
FRAME GP-LOADER	592	COOLER	696
HITCH AR	593	LINES GP-LIFT CYLINDER	697
HITCH GP	597	LINES GP-MULTIPURPOSE	
HITCH GP-TOWING	604	BUCKET	701
HOOD GP-ENGINE	613	LINES GP-PUMP	703
PIN GP-HITCH	614	LINES GP-RETURN	705
PLATE & MTG GP	615	LINES GP-TRAILER	712
STEP GP	619	MANIFOLD GP-CONTROL	716
BRAKING SYSTEM	620	MOTOR & MTG GP-HYDRAULIC	
ACCUMULATOR GP-BRAKE	620	FAN	717
BRAKE AR-TRAILER	621	MOUNTING GP-CYLINDER	718
BRAKE GP-HYDRAULIC	622	PUMP & MOUNTING GP	719
BRAKE GP-PARKING	624	PUMP & MTG GP-HYDRAULIC	720
BRAKE GP-SERVICE	625	PUMP & MTG GP-HYDRAULIC	
LINES GP-BRAKE	626	FAN	721
PEDAL & MOUNTING GP-BRAKE	630	TANK & MTG GP-HYDRAULIC	724
VALVE & MTG GP-BRAKE	632	TANK GP-HYDRAULIC	725
STEERING SYSTEM	636	VALVE & MTG GP-MAIN	
LINES GP-STEERING	636	CONTROL	727
STEERING COLUMN GP	640	VALVE & MTG GP-PRIORITY	729
STEERING GP-HYDRAULIC	641	VALVE GP-CONTROL	731
VALVE GP-STEERING	642	VALVE GP-DIVERTER	733
HYDRAULIC SYSTEM	643	VALVE GP-FAN REVERSING	736
CONTROL AR-AUXILIARY	643	VALVE GP-MAIN CONTROL	738
COOLER GP-HYDRAULIC OIL	644	VALVE GP-PRIORITY	741
CYLINDER & MTG GP-CARRIAGE	645	VALVE GP-RELIEF	743
CYLINDER & MTG GP-		VALVE GP-SOLENOID & RELIEF	744
COMPENSATING	647	IMPLEMENTS	746
CYLINDER & MTG GP-LIFT	648	BOOM AR	746
CYLINDER & MTG GP-		BOOM GP	748
TELESCOPING	649	BRUSH GP	753
CYLINDER & MTG GP-TILT	650	INDICATOR GP-BOOM ANGLE	754
CYLINDER GP-CARRIAGE	651	LEVER GP-TILT	755
CYLINDER GP-COMPENSATING	653	WORK TOOLS	756
CYLINDER GP-COUPLER	655	ARM GP-MATERIAL HANDLING	756
CYLINDER GP-FORK	657	BIT GP-AUGER	757
CYLINDER GP-HYDRAULIC	658	BOOM GP-TRUSS	764
CYLINDER GP-LIFT	660	BROOM GP	768
CYLINDER GP-MULTIPURPOSE		BUCKET AR-GENERAL PURPOSE	774
BUKT	662	BUCKET AR-MULTIPURPOSE	775
CYLINDER GP-TELESCOPING	664	BUCKET AS	777
CYLINDER GP-TILT	665	BUCKET AS-LIGHT MATERIAL	778
FITTING GP-HYDRAULIC	669	BUCKET GP-GENERAL PURPOSE	781
HYDRAULIC AR	670	BUCKET GP-GRAPPLE	784
		BUCKET GP-LIGHT MATERIAL	787
		BUCKET GP-MATERIAL HANDLING	790

TABLE OF CONTENTS

NAME	PAGE	NAME	PAGE
BUCKET GP-MULTIPURPOSE	792	HEATER GP-CAB	927
BULLDOZER AS	794	HORN GP-ELECTRIC	936
CARRIAGE AR-FORK	796	INSTALLATION GP-RADIO	937
CARRIAGE AS-FORK	797	KIT-DOOR	938
CARRIAGE GP	798	KIT-SEAT SUSPENSION	940
CARRIAGE GP-FORK	803	KNOB GP-REAR WINDOW	942
CARRIAGE GP-ROTATING	812	LINES GP-AIR CONDITIONER	943
CARRIAGE GP-SIDESHIFT	820	LINES GP-HEATER & AIR COND	947
CLAMP AS-MULTIPURPOSE		MIRROR GP	954
BUCKET	821	MIRROR GP-REAR VIEW	956
COUPLER & MTG AR-HYDRAULIC	822	MONITOR & MOUNTING GP	961
COUPLER & MTG AR-MANUAL	826	MOUNTING GP-CAB	962
COUPLER & MTG GP-QUICK	827	PANEL GP-INSTRUMENT	963
COUPLER AR-HYDRAULIC	828	PEDAL GP-GOVERNOR	966
COUPLER AR-QUICK	829	PLUG GP-CAB	967
COUPLER GP-QUICK	838	SCREEN GP-SUN	969
EDGE GP-CUTTING	842	SEAT & MOUNTING GP	970
FORK AR	846	SEAT BELT GP	975
FORK AS	847	SEAT GP	977
FORK AS-BLOCK	850	TANK GP-WINDOW WASHER	984
FORK AS-PALLET	851	TRIM GP-CAB	986
FORK GP	854	VISOR GP-CAB	990
FORK GP-PALLET	863	WINDOW GP-CAB	991
GUARD GP-BUCKET	866	WIPER GP-UPPER	994
HANDLER AR-BALE	867	WIPER GP-WINDOW	995
HOOK GP-LIFTING	868		
HOPPER GP	871	SERVICE EQUIPMENT AND	
KIT-FORK EXTENSION	873	SUPPLIES	998
KIT-TOOTH	874	BRACKET GP-TRANSPORT	998
MOTOR & MTG GP-AUGER	875	CHART GP-LIFT/LOAD EXTENSION	999
PLATFORM AR-ACCESS	877	CHOCK GP-WHEEL	1000
PLATFORM GP-ACCESS	880	FILM GP	1001
OPERATOR STATION	881	LOCK GP-VANDALISM	1023
AIR CONDITIONER & MOUNTING		PLATE & FILM GP	1024
GP	881	PLATE GP-IDENTIFICATION	1031
AIR CONDITIONER AR	887		
AIR CONDITIONER GP	888	PART NUMBER INDEX	B1
ANGLE-INDICATOR	889		
ARMREST GP	890		
CAB AR	892		
CAB GP	894		
CONDENSER GP-REFRIGERANT	896		
CONTROL GP-JOYSTICK	898		
COVER GP-ACCESS	899		
COVER GP-CAB	904		
DISPLAY AR-MONITOR	907		
DOOR GP-CAB	908		
ENCLOSURE GP-CAB	912		
FLOOR MAT GP	919		
GUARD GP-FRONT WINDOW	920		
GUARD GP-ROOF	921		
HEADLINER GP-CAB	922		
HEATER & AIR CONDITIONER GP	924		
HEATER & MTG GP-CAB	925		
HEATER AR-CAB	926		

GENERAL INFORMATION

1. MACHINE IDENTIFICATION

Cat machines are identified by Product Identification Numbers (PIN). Some components included in a machine may be identified by Serial Numbers (S/N). Typical components that will be serialized include engines, transmissions, bulldozers, and rippers. The machine and engine are further identified by arrangement numbers and in some cases modification numbers. These numbers are shown on the product identification plate(s) and on the master plate in the operator's compartment.

Cat dealers need all of these numbers to determine accurate parts identification.

Effective First Quarter 2001 the Cat Product Identification Number (PIN) changed from 8 to 17 characters. In an effort to provide uniform equipment identification, Caterpillar and other construction equipment manufacturers are moving to comply with the latest version of the product identification numbering standard. Non-road machine PINs are defined by ISO 10261. The new PIN format will apply to all Cat machines and generator sets. The PIN plates and frame marking will display the 17 character PIN. The new format will look like the following:

CAT 0789BG 6SL12345

The diagram shows the PIN format: *CAT 0789BG 6SL12345*. A horizontal line is drawn under the first four characters: C, A, T, and 0. Below this line, four circles containing the numbers 1, 2, 3, and 4 are positioned. Vertical lines connect the top of each circle to the corresponding character in the PIN above: 1 to C, 2 to A, 3 to T, and 4 to 0.

Where:

1. Caterpillar's World Manufacturing Code (characters 1-3)
2. Machine Descriptor (characters 4-8)
3. Check Character (character 9)
4. Machine Indicator Section (MIS) or Product Sequence Number (characters 10-17). These were previously referred to as the Serial Number.

Machines and generator sets produced before First Quarter 2001 will maintain their 8 character PIN format.

Components such as engines, transmissions, axles, etc. and work tools will continue to use an 8 character Serial Number (S/N).

2. ORDERING PARTS

WARNING

When replacement parts are required for this product Caterpillar recommends using Caterpillar replacement parts or parts with equivalent specifications including, but not limited to, physical dimensions, type, strength and material.

Failure to heed this warning can lead to premature failures, product damage, personal injury or death.

Quality Cat replacement parts are available from Cat dealers throughout the world. Their parts inventories are up to date and include all parts normally required to protect your investment in Cat machines. Dealers may offer repair kits or remanufactured parts to allow selection of the most effective repair alternative for a particular situation. When ordering parts, your order should specify the quantity, part number, part name, and the serial number/product identification number of the machine for which the parts are needed.

3. PARTS MANUAL ORGANIZATION

Product information in this manual is presented as "information elements" that represent all of the components for the specific model. Engine Arrangement and Seat Group are examples of information elements. The information elements are organized alphabetically by part name and secondarily by part number within each major section of the manual.

4. TABLE OF CONTENTS

A table of contents (TOC) is found at the beginning of the manual. The TOC lists each section of the manual with a complete list of all information elements organized as they appear in the manual. Page numbers are provided for quick reference to detailed parts identification illustrations and serviceable consist lists.

5. MAINTENANCE PARTS INDEX

The Maintenance Parts Index, located near the beginning of the manual, references most frequently used maintenance part numbers, providing description, quantity, usage and page number. This information is organized alphabetically by part description.

GENERAL INFORMATION

6. INDEX

The index located near the front of the manual is an alphabetical listing of all information elements included in the manual. Page numbers are provided for quick reference to detailed parts identification illustrations and serviceable consist lists.

7. PART NUMBER INDEX

A numerical index listing all part numbers and the corresponding page number(s) appears at the back of the manual.

8. CAPTIONS

Captions located at the beginning of each information element identify the part number and part name along with additional descriptive information. PIN and S/N information found in each caption should be used to select correct information for a specific machine. Field replacement options, identification of optional attachment components, and where used ("part of") information is also provided.

The first line of a caption is shown in larger type font to indicate the beginning of an information element. Captions for additional pages that may be required to illustrate an information element will be shown in standard type font and will include the term (contd.).

9. NON-SERVICED PARTS

In some instances it is necessary to display non-serviced parts that are a link to a lower level serviceable consist lists. These non-serviced part numbers are shown in italic type indicating that they are not available.

10. PARTS LIST REFERENCE NUMBERS

Numbers shown in the Ref No column correspond to numbers used in the associated graphic(s). An alphabetic suffix may be added to a reference number to identify lower level consist items. Numbers shown in the Graphic Ref column refer to the graphic number identifier displayed in the lower left corner of each illustration. The Graphic Ref number may be used in combination with the item Ref No to determine the correct part number. There may be intentional omission of a Ref No in a consist list as information is updated to reflect the latest serviceable part numbers.

11. INDENTED PART NAMES

When a part name is indented in a parts list, it is part of (included in) the group or assembly under which it is indented.

12. ILLUSTRATION REFERENCE LETTERS

When necessary, illustrations contain reference letters (A, B, C etc.) that are intended to track lines and harnesses from one point to another. They are also used to show where to reconnect illustrations that have been separated.

13. ABBREVIATIONS AND SYMBOLS

O.D. – Outside Diameter
I.D. – Inside Diameter
A – Not Part Of This Group
B – Use As Required
C – Change From Previous Type
D – Order By The Meter
E – Order By The Centimeter
F – Not Shown
G – Order By The Inch
I – Refer To Hydraulic Information System
M – Metric Part
R – Remfg Part May Be Available
Y – Separate Illustration
Z – Not Serviced Separately

14. DESCRIPTION OF TYPE CHANGES

Type - A type is defined as any configuration change that requires an additional Information Element for an Arrangement, Group, or Assembly. If serial number breaks for types are not available, a type # (Type 1, Type 2, etc.) will be displayed in the caption. These "type" changes are identified with a "C" note (change from previous type) in the Parts List. Only the "types" that apply to this Parts Manual will be included. Additional types may exist causing "C" notes to appear on an Information Element when no other types are shown.

15.<END>

This symbol indicates the end of an information element.

NOTE:

Continuing improvement and advancement of product design may cause changes to your machine which may not be included in this publication. Whenever a question arises regarding your Cat product or this publication, please consult your Cat dealer for the latest available information.

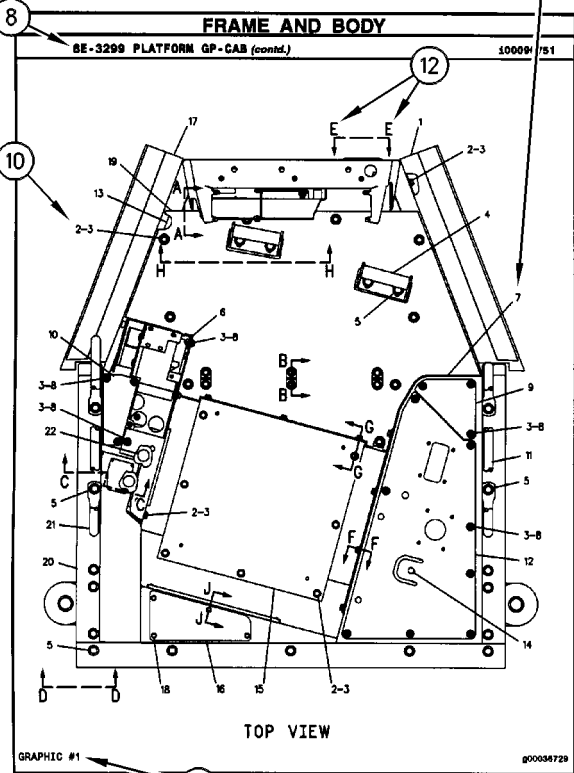
GENERAL INFORMATION

8 FRAME AND BODY							1
8E-3299 PLATFORM GP-CAB							100090751
SINCS-7283							100090751
NOTE	REF ID	GRAPHIC REF	PART NUMBER	QTY	PART NAME	SEE PAGE	
			3T-2853	1	PLATE AS		
			8E-2082	25	BOLT (3/8-18X.750IN)		
			8E-1078	41	WASHER-HAND (2MM THK)		
			8E-1069	2	SUPPORT AS FOOT		
			8E-2229	19	BOLT (1/2-13X1IN)		
			8E-2229	19	WASHER-HAND (4MM THK)		
			8E-8199	1	COVER AS-L1		
			8E-8278	5	NUT-WELD (3/8-16 THD)		
			1P-8189	1	CLIP		
			7E-2411	4	COVER		
			8E-8289	18	SCREW-HEAD (3/8-18X.875IN)		
			8E-8474	1	COVER		
			8E-8972	1	GASKET		
			8E-8249	1	COVER		
			8E-8289	1	GASKET		
			3T-2825	1	HANDHOLD		
			8E-8878	1	COVER AS		
			8E-8278	5	NUT-WELD (3/8-16 THD)		
			8E-8278	1	GASKET		
			7T-0131	1	FLOORPLATE AS		
			1P-0748	4	NUT-WELD (1/2-13 THD)		
			7E-8087	1	PLUG-BUTTON		
			7T-0130	1	PLATE AS		
			8E-8278	5	NUT-WELD (3/8-16 THD)		
			7T-8088	1	COVER		
			7T-8279	1	GASKET		
			3T-2881	1	PLATE AS		
			8E-8284	4	BOLT (1/4-20X.825IN)		
			8E-8284	4	BOLT (1/4-20X.825IN)		
			8E-8284	4	WASHER-HAND (2MM THK)		
			8E-8284	1	FLOOR MAT		
			8E-8848	1	MODULE AS-OPERATOR		
			3T-2824	1	HANDHOLD		
			8E-8871	2	PLUG		
			8E-8284	4	BOLT (1/4-20X.825IN)		
			8E-8284	4	WASHER-HAND (2MM THK)		
			8E-2082	17	BOLT (3/8-18X.750IN)		
			8E-1078	21	WASHER-HAND (2MM THK)		
			7T-0136	1	SEAL		
			7E-8278	2	BOLT (3/4-10X6IN)		
			7E-8282	2	WASHER-HAND (2MM THK)		
			3T-2826	2	PLATE AS		
			3T-2826	1	PLATE AS		
			7E-8282	6	SPACER		
			3T-2821	1	SEAL		
			7E-8277	1	GASKET		
			7E-8218	1	COVER AS		
			2E-8276	2	WASHER		
			8E-8282	2	SCREW-KNOBBED		
			8E-8429	1	COVER		
			8E-8987	1	COVER		
			8E-2021	3	SCREW-SOCKET HEAD		
			8E-8144	3	MOUNTING		
			8E-8287	2	PLATE		
			7E-8280	2	BOLT (7/8-9X6IN)		
			7E-8272	2	WASHER-HAND		
			8E-8284	4	BOLT (3/8-18X1.0IN)		
			3T-2828	1	COVER		

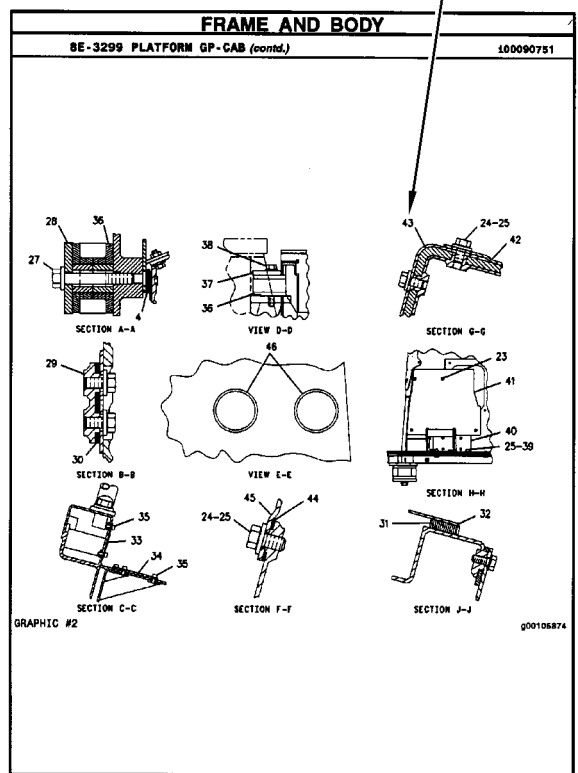
12 FRAME AND BODY 1 of 4 SELP470-01

8E-3299 PLATFORM GP-CAB (contd.)							100090751
NOTE	REF ID	GRAPHIC REF	PART NUMBER	QTY	PART NAME	SEE PAGE	
			8E-2516	1	COVER		
			7T-0134	1	PLATE		
			7T-0138	1	GASKET		
			7E-8224	1	GASKET		
			7E-8723	1	COVER		
			8E-1959	2	PLUG-BUTTON		
M. METRIC PART							

SELP470-01 2 of 4 FRAME AND BODY 13



14 FRAME AND BODY 3 of 4 SELP470-01



SELP470-01 4 of 4 FRAME AND BODY 15

REPAIR ALTERNATIVES

REMANUFACTURED COMPONENTS

As an option when making repairs consider Cat Remanufactured Components. Components that are available through the Cat Remanufactured Program are identified three ways in the parts book:

- with the letter R in the note field of the parts list
- with an R* at the beginning of the first line of the caption
- with an *R at the end of the first line of the caption

Typical components included in the Remanufacturing Program include:

ALTERNATORS
CONNECTING RODS
CRANKSHAFTS - UNDERSIZE
CRANKSHAFTS - UPGRADE TO NEW
CYLINDER HEADS
ELECTRONIC CONTROL MODULES (ECM)
ELECTRONIC SENSORS
FUEL INJECTORS
FUEL NOZZLES
FUEL PUMPS
GOVERNORS
OIL PUMPS
PISTONS
SHORT BLOCKS
STARTERS
TURBOCHARGERS - COMPLETE
TURBOCHARGER CARTRIDGES
WATER PUMPS

Cat Remanufactured engines for many engine arrangements are also available.

SUPPLEMENTAL COOLANT ADDITIVES

CUSTOMER BENEFITS:

Protects against cavitation, foam, erosion, corrosion, and scale buildup in cooling systems.

- Provides measured coolant conditioner.

DESCRIPTION:

Additives deplete from the coolant with normal operation. For this reason, Supplemental Coolant Additives (SCA) must be added to all heavy duty coolants at regular intervals. In addition, when not using a fully formulated, pre-charged antifreeze, like Cat DEAC, an initial charge of SCA must be added to the cooling system. The amount of SCA added to the system is dependent on the capacity of the system.

The SCA for initial fill is provided as a liquid. SCA's for maintenance intervals are available in liquid form and as a spin-on element. (No Spin-on available for 3600 Family of Engines)

NOTE:

The amount of SCA added at initial fill is not the same as the amount added at maintenance intervals.

The coolant additive elements can be used with any ethylene or propylene glycol type antifreeze which meets ASTM D4985 or ASTM D5345 Specifications.

NOTE:

For use with standard heavy duty coolant only, not for use with Extended Life Coolant.

PARTS NEEDED:

Cooling System Capacity		Liquid SCA at Initial Fill	Liquid SCA at Maintenance*	Spin-on SCA Maintenance Element*
Liters	Gallons			
22-30	(6-8)	3P-2044 (1)	6V-3542 (1)	111-2370 (1)
30-38	(8-10)	3P-2044 (1) 6V-3542 (1)	111-2372 (1)	111-2369 (1)
38-49	(10-13)	3P-2044 (1) 8T-1589 (1)	111-2372 (1)	111-2369 (1)
49-64	(13-17)	3P-2044 (2)	8T-1589 (1)	9N-3368 (1)
64-83	(17-22)	3P-2044 (2) 8T-1589 (1)	111-2372 (1) 6V-3542 (1)	111-2371 (1)
83-114	(22-30)	3P-2044 (3) 8T-1589 (1)	3P-2044 (1)	9N-3718 (1)
114-163	(30-43)	3P-2044 (5)	3P-2044 (1) 6V-3542 (1)	111-2371 (2)
163-242	(43-64)	3P-2044 (8)	3P-2044 (2)	9N-3718 (2)

* Normal maintenance period is 250 hrs. See your Operation and Maintenance Manual for complete coolant maintenance instructions.

() Indicates quantity required.

MAINTENANCE PARTS

DESCRIPTION	PART NUMBER	QTY	WHERE USED	PAGE
AIR INLET AND EXHAUST SYSTEM				
FILTER AS (DIESEL EXHAUST FLUID)	461-9113	1	MANIFOLD GP-DEF	251
	481-3374	1	PUMP GP-DIESEL EXHAUST FLUID	261
FILTER AS-DIESEL PARTICULATE	464-8795	1	FILTER GP-DIESEL PARTICULATE	237
GASKET-EXHAUST MANIFOLD	298-4570	1	MANIFOLD GP-EXHAUST	254
BASIC ENGINE				
BELT-SERPENTINE	286-7845	1	DRIVE GP-FAN	85
	380-2622	1	DRIVE GP-FAN	88
BELT-SERPENTINE (AIR CONDITIONER)	365-2985	1	BELT TENSIONER GP	21
BELT-SERPENTINE (FAN DRIVE)	286-7845	1	DRIVE GP-FAN	87
BREATHER AS (FRONT HOUSING)	386-2778	1	HOUSING GP-FRONT	104
CAP AS-ENGINE OIL FILLER	369-3869	1	COVER GP-VALVE MECHANISM	29
CAP AS-FILLER (ENGINE OIL)	359-1310	1	COVER GP-VALVE MECHANISM	33
GASKET (VALVE COVER)	392-9472	1	COVER GP-VALVE MECHANISM	30
		1	COVER GP-VALVE MECHANISM	31
	464-8216	1	COVER GP-VALVE MECHANISM	32
PLUG-DRAIN (ENGINE OIL)	7C-0351	1	DRAIN GP-ENGINE OIL	79
		1	DRAIN GP-ENGINE OIL	80
COOLING SYSTEM				
CAP AS-COOLANT TANK (RADIATOR)	251-3227	1	TANK GP-COOLANT	221
GASKET-WATER REGULATOR	281-8744	1	CONNECTION GP-WATER	176
KEY (FAN HUB)	450-4786	1	FAN & MOTOR GP	188
REGULATOR AS-WATER TEMPERATURE	497-3998	1	CONNECTION GP-WATER	173
REGULATOR AS-WATER TEMPERATURE (INCLUDES CONNECTOR)	417-7782	1	CONNECTION GP-WATER	176
ELECTRICAL AND STARTING SYSTEM				
BATTERY	459-9625	2	BATTERY GP	329
BATTERY AS (12-VOLT) (WET)	175-4390	1	BATTERY GP	328
CAP AS-FILLER (7/8-9-THD)	123-1373	6	BATTERY GP	328
FUSE (10-AMPERE)	113-8490	1	BOARD AS-CIRCUIT	330
		8	WIRING GP-CAB	438
		1	WIRING GP-CAB	438
	9W-1442	3	BOARD AS-CIRCUIT	330
		1	WIRING GP-CAB	438
FUSE (15-AMPERE)	9W-1441	6	WIRING GP-CAB	438
FUSE (15-AMPERE) (FRAME)	9W-1441	1	CONTROL GP-ELECTRONIC	336
FUSE (150-AMPERE) (GLOW PLUGS)	478-5135	1	CONTROL GP-ELECTRONIC	336
FUSE (200-AMPERE) (ALTERNATOR)	478-5136	1	CONTROL GP-ELECTRONIC	336
FUSE (25-AMPERE) (CAB)	113-8493	1	CONTROL GP-ELECTRONIC	336
FUSE (25-AMPERE) (IGNITION)	113-8493	1	CONTROL GP-ELECTRONIC	336
FUSE (30-AMPERE)	8T-9636	1	BOARD AS-CIRCUIT	330
FUSE (30-AMPERE) (AIR CONDITIONER, HEATER FAN)	8T-9636	1	CONTROL GP-ELECTRONIC	336

MAINTENANCE PARTS

DESCRIPTION	PART NUMBER	QTY	WHERE USED	PAGE
FUSE (30-AMPERE) (CAB)	8T-9636	1	CONTROL GP-ELECTRONIC	336
FUSE (30-AMPERE) (ECM)	8T-9636	1	CONTROL GP-ELECTRONIC	336
FUSE (30-AMPERE) (STARTER)	8T-9636	1	CONTROL GP-ELECTRONIC	336
FUSE (5-AMPERE)	141-2759	5	BOARD AS-CIRCUIT	330
		1	WIRING GP-CAB	438
FUSE (80-AMPERE) (CAB)	478-5142	1	CONTROL GP-ELECTRONIC	336
FUSE (80-AMPERE) (FRONT FRAME)	478-5142	1	CONTROL GP-ELECTRONIC	336
FUSE (80-AMPERE) (REAR FRAME)	478-5142	1	CONTROL GP-ELECTRONIC	336
FUSE AS (POWER MODULE)	481-1051	1	WIRING GP-ENGINE	451
GLOW PLUG	469-1359	4	STARTING AID GP	422
GLOW PLUG (12-VOLT)	452-3112	4	STARTING AID GP	421
		4	STARTING AID GP	423
KEY (BATTERY DISCONNECT)	8H-5306	1	SWITCH GP-DISCONNECT	428
LAMP	480-7030	2	LAMP GP-ROADING	375
LAMP (12-VOLT, 21-WATT) (AMBER)	226-4560	1	LAMP GP-HEAD & SIGNAL	370
		1	LAMP GP-HEAD & SIGNAL	371
		1	LAMP GP-HEAD & SIGNAL	372
		1	LAMP GP-HEAD & SIGNAL	373
LAMP (12-VOLT, 5-WATT) (CLEAR)	226-4561	1	LAMP GP-HEAD & SIGNAL	370
		1	LAMP GP-HEAD & SIGNAL	371
		1	LAMP GP-HEAD & SIGNAL	372
		1	LAMP GP-HEAD & SIGNAL	373
LAMP (12-VOLT, 55-WATT) (BEACON)	323-5644	1	LIGHTING GP-WARNING	395
LAMP (12-VOLT)	473-9371	1	WIRING GP-ENGINE	451
LAMP (12-VOLT) (HEADLIGHT)	305-2108	1	LAMP GP-FRONT	368
		1	LAMP GP-FRONT	369
LAMP (12-VOLT) (INDICATOR LIGHT)	323-5649	1	LAMP GP-REAR	374
		1	LIGHTING GP-FRONT	385
		1	LIGHTING GP-FRONT	387
LAMP (12-VOLT) (LED)	473-9371	1	WIRING GP-ENGINE	455
LAMP (12-VOLT) (LOW BEAM)	305-2107	1	LAMP GP-FRONT	368
		1	LAMP GP-FRONT	369
LAMP (12-VOLT) (TAIL LIGHTS)	323-5648	1	LAMP GP-REAR	374
		1	LIGHTING GP-FRONT	385
		1	LIGHTING GP-FRONT	387
LAMP (12-VOLT) (TURN SIGNAL)	305-2109	1	LAMP GP-FRONT	368
		1	LAMP GP-FRONT	369
		1	LAMP GP-REAR	374
LAMP (50-WATT)	323-5646	1	LIGHTING GP-BOOM	380
		1	LIGHTING GP-FLOOD	381
		1	LIGHTING GP-ROADING	389
LAMP AS (12-VOLT, 55-WATT)	317-3270	1	LIGHTING GP-WARNING	395
LAMP AS (50-WATT) (WORK LIGHT)	312-3332	2	LIGHTING GP-BOOM	380
		4	LIGHTING GP-FLOOD	381
		4	LIGHTING GP-ROADING	389
LAMP AS (SIDE, LH)	333-8792	1	LIGHTING GP-FRONT	385

MAINTENANCE PARTS

DESCRIPTION	PART NUMBER	QTY	WHERE USED	PAGE
		1	LIGHTING GP-FRONT	387
LAMP AS (SIDE, RH)	333-8793	1	LIGHTING GP-FRONT	385
		1	LIGHTING GP-FRONT	387
LAMP-HEAD (12-VOLT, 60/55-WATT) (CLEAR)	9W-3324	1	LAMP GP-HEAD & SIGNAL	370
		1	LAMP GP-HEAD & SIGNAL	371
		1	LAMP GP-HEAD & SIGNAL	372
		1	LAMP GP-HEAD & SIGNAL	373
PLUG-GLOW	375-1424	1	STARTING AID GP	422
FUEL SYSTEM				
CAP (VENTED)	548-1091	1	TANK & MTG GP-FUEL	321
ELEMENT-WATER SEPARATOR	311-3901	1	FILTER GP-WATER SEP & FUEL	292
	479-4133	1	FILTER GP-WATER SEP & FUEL	294
FILTER AS-WATER SEP & FUEL	439-5037	1	FILTER GP-FUEL	285
FILTER ELEMENT-FUEL	360-8960	1	FILTER GP-FUEL	279
FILTER GP-PRIMARY FUEL	393-5525	1	FILTER GP-PRIMARY FUEL	290
FILTER-FUEL (IN-LINE)	384-8512	1	LINES GP-FUEL	304
HYDRAULIC SYSTEM				
CAP AS-FILLER (LOCKABLE)	142-8937	1	TANK & MTG GP-HYDRAULIC	724
FILTER (BREATHING)	473-9271	1	TANK GP-HYDRAULIC	725
FILTER (HYDRAULIC OIL)	481-6649	1	TANK GP-HYDRAULIC	725
KEY	450-4786	1	MOTOR & MTG GP-HYDRAULIC FAN	717
LUBRICATION SYSTEM				
CAP AS-OIL FILLER (ENGINE)	130-9888	1	FILLER GP-ENGINE OIL	149
		1	FILLER GP-ENGINE OIL	152
	369-3867	1	FILLER GP-ENGINE OIL	149
FILTER AS-ENGINE OIL	7W-2326	1	FILTER GP-ENGINE OIL	153
		1	FILTER GP-ENGINE OIL	154
FILTER AS-OIL (ENGINE OIL)	441-6852	1	FILTER GP-ENGINE OIL	155
FILTER ELEMENT-BREATHING (CRANKCASE)	481-3598	1	FUMES DISPOSAL GP	159
OPERATOR STATION				
BELT	477-3325	1	AIR CONDITIONER & MOUNTING GP	883
BLADE-WIPER	459-2709	1	WIPER GP-WINDOW	997
	459-2710	1	WIPER GP-WINDOW	997
FILTER (HVAC) (RECIRCULATION)	473-2651	1	AIR CONDITIONER GP	888
		1	HEATER & MTG GP-CAB	925
FILTER-AIR (FRESH AIR)	528-8853	1	AIR CONDITIONER GP	888
		1	HEATER & MTG GP-CAB	925
LAMP (DOME)	474-9787	1	HEADLINER GP-CAB	923
		1	INSTALLATION GP-RADIO	937
		1	TRIM GP-CAB	988
MOTOR-WIPER	459-9780	1	WIPER GP-UPPER	994
		1	WIPER GP-WINDOW	996

MAINTENANCE PARTS

DESCRIPTION	PART NUMBER	QTY	WHERE USED	PAGE
POWER TRAIN				
BREATHER	385-3598	1	AXLE GP-FRONT	470
	9G-5127	1	CASE & PARTS GP-PLANETARY	485
BREATHER (TRANSMISSION)	9G-5127	1	CASE GP-TRANSMISSION	496
BREATHER AS	461-7838	1	CASE GP-TRANSMISSION	495
BREATHER AS (TRANSFER CASE)	461-7838	1	CASE GP-TRANSFER	491
FILTER-TRANSMISSION (HYDRAULIC)	471-7003	1	CASE & PARTS GP-PLANETARY	485
		1	CASE GP-TRANSMISSION	496
PLUG-DRAIN (MAGNETIC)	9X-2230	1	CASE GP-TRANSFER	491
		1	CASE GP-TRANSMISSION	492
		1	CASE GP-TRANSMISSION	495
		1	CASE GP-TRANSMISSION	501
STRAINER AS (SUCTION)	334-7523	1	CASE & PARTS GP-PLANETARY	487
		1	CASE GP-TRANSMISSION	498
	334-7562	1	CASE & PARTS GP-PLANETARY	487
		1	CASE GP-TRANSMISSION	498

INDEX

NAME	PAGE	NAME	PAGE
A			
ACCUMULATOR GP-BRAKE	620	BOOM GP-TRUSS.....	764
AIR CLEANER GP	222		765
	223		766
AIR CLEANER GP-AIR	223	BOOM GP-INNER.....	752
AIR COMPRESSOR GP (SUSPENSION SEAT)	940	BOOM GP-OUTER.....	751
AIR CONDITIONER & MOUNTING GP.....	881	BOOM GP-WITH WINCH.....	749
	883	BOX & MOUNTING GP-TOOL-TOOL BOX.....	578
	886	BRACKET GP.....	307
AIR CONDITIONER AR.....	887	BRACKET GP-MOUNTING	277
AIR CONDITIONER GP.....	888		580
ALARM GP	323		581
ALTERNATOR GP-CHARGING	324	BRACKET GP-MOUNTING (FIXED).....	890
	325	BRACKET GP-MOUNTING-ARMREST	22
	326	BRACKET GP-MOUNTING-BOOM	579
	327	BRACKET GP-TRANSPORT-FORKS.....	998
ANGLE-INDICATOR.....	889	BRAKE AR-TRAILER	621
ARM GP-MATERIAL HANDLING.....	756	BRAKE GP-HYDRAULIC	622
ARMREST GP	890	BRAKE GP-PARKING.....	624
ARMREST GP-ADJUSTABLE.....	890	BRAKE GP-SERVICE	625
AXLE & MOUNTING GP-FRONT.....	460	BREATHER	470
	461		485
AXLE & MOUNTING GP-REAR	459	BREATHER (TRANSMISSION).....	496
AXLE AR-PARKING BRAKE	462	BREATHER AS.....	495
AXLE GP-FRONT.....	463	BREATHER AS (FRONT HOUSING).....	104
	470	BREATHER AS (TRANSFER CASE).....	491
AXLE GP-REAR.....	476	BRIDGE GP-VALVE	145
B			
BASE GP-OIL FILTER.....	484	BROOM GP.....	768
BATTERY.....	329	BRUSH GP-BOOM	753
BATTERY AS (12-VOLT) (WET).....	328	BUCKET AR-GENERAL PURPOSE	774
BATTERY GP.....	328	BUCKET AR-MULTIPURPOSE.....	775
BATTERY GP-COLD START.....	329		776
BELT	883	BUCKET AS	777
BELT TENSIONER GP.....	19	BUCKET AS-LIGHT MATERIAL.....	778
	20		779
BELT TENSIONER GP-WITH AIR			780
CONDITIONER	21	BUCKET GP-GENERAL PURPOSE	781
BELT-SERPENTINE.....	85		782
	88	BUCKET GP-GENERAL PURPOSE-DIRT	783
BELT-SERPENTINE (AIR CONDITIONER).....	21	BUCKET GP-GRAPPLE.....	784
BELT-SERPENTINE (FAN DRIVE).....	87		786
BIT GP-AUGER	757	BUCKET GP-LIGHT MATERIAL.....	787
	758		788
	759		789
	760	BUCKET GP-MATERIAL HANDLING	790
	761		791
	762	BUCKET GP-MULTIPURPOSE.....	792
	763		793
BLADE-WIPER	997	BULLDOZER AS	794
BOARD AS-CIRCUIT.....	330		795
BOOM AR	746	C	
	747	CAB AR	892
BOOM GP	748		893
		CAB GP	894
		CAMERA & MOUNTING GP	331
			332

INDEX

NAME	PAGE	NAME	PAGE
CAMSHAFT GP	24	CONNECTION GP-WATER.....	173
	25		174
	26		175
	27		176
CAP (VENTED).....	321		177
CAP AS-COOLANT TANK (RADIATOR).....	221		178
CAP AS-ENGINE OIL FILLER.....	29	CONTROL AR-AUXILIARY	643
CAP AS-FILLER (7/8-9-THD)	328	CONTROL GP-ELECTRONIC	333
CAP AS-FILLER (ENGINE OIL).....	33		334
CAP AS-FILLER (LOCKABLE).....	724		335
CAP AS-OIL FILLER (ENGINE).....	149		336
CAP AS-OIL FILLER (ENGINE).....	152		338
CARRIAGE AR-FORK.....	796	CONTROL GP-ELECTRONIC (LOAD MANAGEMENT INDICATOR SYSTEM).....	338
CARRIAGE AS-FORK.....	797	CONTROL GP-JOYSTICK.....	898
CARRIAGE GP.....	800	CONTROL GP-PARKING BRAKE.....	622
	801	CONTROL GP-TRANSMISSION HYD	509
	802		510
CARRIAGE GP-FORK.....	804	COOLER & MTG GP-EXHAUST (NRS)	224
	805	COOLER GP-ENGINE OIL	179
	807		180
	809		181
	810		182
	811		183
CARRIAGE GP-FORK-SIDESHIFT	803		184
CARRIAGE GP-ROTATING.....	816	COOLER GP-FUEL.....	219
	818	COOLER GP-HYDRAULIC OIL	644
CARRIAGE GP-ROTATING-STANDARD.....	814	COUNTERWEIGHT GP	582
CARRIAGE GP-ROTATING-WIDE, 4/5 TINE....	812	COUPLER & MTG AR-HYDRAULIC.....	822
CARRIAGE GP-SIDESHIFT.....	820		823
CARRIAGE GP-TILT.....	798		824
	799		825
CARRIER GP-FORK	812	COUPLER & MTG AR-MANUAL.....	826
	814	COUPLER & MTG GP-QUICK.....	827
CASE & PARTS GP-PLANETARY	485	COUPLER AR-HYDRAULIC	828
	487	COUPLER AR-QUICK.....	829
CASE GP-TRANSFER	491		830
CASE GP-TRANSMISSION.....	492		836
	496		837
	498	COUPLER AR-QUICK-MERLO.....	832
	501	COUPLER AR-QUICK-VOLVO.....	834
	503	COUPLER GP-QUICK.....	838
CASE GP-TRANSMISSION-FRONT.....	495		839
CASE GP-TRANSMISSION-REAR	494		840
CHART GP-LIFT/LOAD EXTENSION-METRIC ..	999	COUPLER GP-QUICK-MANITOU	841
CHASSIS AR.....	1	COVER GP	583
CHOCK GP-WHEEL	1000	COVER GP (DASH, LOWER)	986
CLAMP AS-MULTIPURPOSE BUCKET	821	COVER GP-ACCESS	585
CLUTCH & GEAR GP.....	505	COVER GP-ACCESS (AUGER).....	989
	507	COVER GP-ACCESS (EXTENSION)	989
COMMON AR.....	2	COVER GP-ACCESS-BOOM	902
CONDENSER GP-REFRIGERANT-CAB	896	COVER GP-ACCESS-CAB ROOF	899
CONFIGURATION AR.....	2	COVER GP-ACCESS-FRAME	900
	3	COVER GP-ACCESS-REAR.....	584
	4	COVER GP-ACCESS-REAR AUXILIARY HYDRAULICS	903
CONNECTING ROD GP	122	COVER GP-ACCESS-TRAILER BRAKE.....	901
CONNECTION GP-FUEL	278	COVER GP-CAB	904
CONNECTION GP-INLET	226		905
			961
		COVER GP-CAB-ROOF.....	905

INDEX

NAME	PAGE	NAME	PAGE
COVER GP-CONSOLE (DASH).....	986	CYLINDER HEAD GP.....	70
COVER GP-ENGINE OIL COOLER.....	185		72
COVER GP-VALVE MECHANISM.....	28		73
	29		74
	30		75
	31		76
	32		77
	33		78
COVER GP-FRONT	583		
CRANKSHAFT AS.....	34		
	35		
CRANKSHAFT GP.....	36	D	
	38	DIFFERENTIAL GP.....	512
	39	DISPLAY AR-MONITOR.....	907
	40	DISPLAY GP-MONITOR.....	961
	42	DOOR GP-CAB	908
	43		911
	44	DRAIN GP-ENGINE OIL	79
	46		80
CYLINDER & MTG GP-CARRIAGE-FORK.....	645		81
CYLINDER & MTG GP-CARRIAGE- ROTATING.....	646	DRIVE GP-AUXILIARY	82
CYLINDER & MTG GP-COMPENSATING	647		83
CYLINDER & MTG GP-LIFT.....	648		84
CYLINDER & MTG GP-TELESCOPING	649	DRIVE GP-FAN	85
CYLINDER & MTG GP-TILT.....	650		86
CYLINDER BLOCK AS.....	48		87
	49		88
CYLINDER BLOCK GP	51	E	
	52	EDGE GP-CUTTING	842
	54		843
	55		844
	56		845
	57	ELBOW GP-AIR INLET	226
CYLINDER BLOCK GP-SHORT.....	59		227
	60	ELECTRICAL GP-DEF	257
	61		339
	62	ELECTRONICS GP-ENGINE.....	262
CYLINDER GP-CARRIAGE.....	652	ELEMENT-WATER SEPARATOR	292
CYLINDER GP-CARRIAGE (ROTATE).....	646		294
CYLINDER GP-CARRIAGE-SIDESHIFT.....	651	ENCLOSURE GP-CAB	912
CYLINDER GP-COMPENSATING	653	ENCLOSURE GP-CAB-CAB	914
CYLINDER GP-COUPLER.....	656	ENCLOSURE GP-CAB-CHASSIS	916
CYLINDER GP-COUPLER-LOCKING	655		918
CYLINDER GP-FORK.....	657	ENCLOSURE GP-ENGINE	586
CYLINDER GP-HYDRAULIC.....	658		588
CYLINDER GP-LIFT	660	ENGINE AR.....	7
CYLINDER GP-MULTIPURPOSE BUKT	662	ENGINE AR-COMPLETE.....	8
CYLINDER GP-TELESCOPING	664		9
CYLINDER GP-TILT	667	ENGINE AR-PRIMARY.....	10
CYLINDER GP-TILT-CARRIAGE.....	665		12
CYLINDER HEAD AS.....	63		14
	64		16
	65	EXHAUST GP.....	228
	66		229
	68	EXHAUST GP-FLEXIBLE.....	231
	69	EXTENSION GP-EXHAUST.....	232
		EXTENSION GP-FAN	186
			187

INDEX

NAME	PAGE	NAME	PAGE
F			
FAN & MOTOR GP	188	FILM-IDENTIFICATION (OIL FILL, READ OMM).....	29
FAN GP	190		149
FAN GP-SUCTION.....	192	FILM-IDENTIFICATION (TIRE PRESSURE).....	534
FASTENER GP.....	529	FILM-INFORMATION (100-DB).....	1007
	530	FILM-INFORMATION (3.0-BAR).....	533
	531	FILM-INFORMATION (5.25 BAR).....	542
	532		577
	533	FILM-INFORMATION (LOAD CAPACITY).....	749
	534	FILM-INFORMATION (MADE IN USA).....	749
	535		807
	536	FILM-INFORMATION (REAR WINDOW).....	1021
	537	FILM-INFORMATION (TIRE PRESSURE).....	529
	577		530
FASTENER GP-CEM	234		531
FENDER & MOUNTING GP.....	590		532
FENDER GP.....	591		535
FILLER GP-ENGINE OIL.....	149	FILM-INSTRUCTION (LOAD CAPACITY, READ OMM).....	756
	150	FILM-WARNING	875
	151	FILM-WARNING (CRUSH HAZARD, STAY BACK).....	775
	152		793
FILM GP.....	1001		867
	1002	FILM-WARNING (CRUSH HAZARD).....	867
	1003	FILM-WARNING (CYLINDER LOCK).....	1007
	1004		1011
	1005		1014
	1006		1025
	1007	FILM-WARNING (DO NOT SPRAY, READ OMM).....	1005
	1011		1006
	1014	FILM-WARNING (HIGH PRESSURE).....	749
	1017		807
	1021	FILM-WARNING (NO TOWING).....	749
	1022	FILM-WARNING (PINCH POINT).....	807
	1023	FILM-WARNING (ROTATING).....	749
FILM GP-SENSING.....	1019	FILM-WARNING (STAY CLEAR OF SWING AREA).....	1007
	1020		1011
FILM-DANGER	875		1014
FILM-IDENTIFICATION (12V, CAT).....	273		1025
	274	FILM-WARNING (UNIVERSAL WARNING).....	1005
FILM-IDENTIFICATION (AIR CONDITIONER REFRIGERANT)	881		1006
	883		1024
FILM-IDENTIFICATION (BOOM ANGLE).....	754	FILTER (BREATHER).....	725
FILM-IDENTIFICATION (CAT).....	1001	FILTER (HVAC) (RECIRCULATION).....	888
	1002		925
	1003	FILTER (HYDRAULIC OIL).....	725
	1004	FILTER AS (DIESEL EXHAUST FLUID).....	251
FILM-IDENTIFICATION (ECU)	396		261
FILM-IDENTIFICATION (EMERGENCY EXIT) ...	942	FILTER AS-DIESEL PARTICULATE	237
FILM-IDENTIFICATION (FILTER).....	156	FILTER AS-ENGINE OIL.....	153
FILM-IDENTIFICATION (HVAC)	398		154
	964	FILTER AS-OIL (ENGINE OIL)	155
FILM-IDENTIFICATION (IGNITION SWITCH)....	398	FILTER AS-WATER SEP & FUEL	285
	964	FILTER ELEMENT-BREATH	
FILM-IDENTIFICATION (JOYSTICK).....	898	(CRANKCASE)	159
FILM-IDENTIFICATION (LANYARD ATTACH) ...	880	FILTER ELEMENT-FUEL.....	279
FILM-IDENTIFICATION (MANUAL)	880		

INDEX

NAME	PAGE	NAME	PAGE
FILTER GP-DIESEL PARTICULATE.....	235	FUSE (15-AMPERE) (FRAME).....	336
	236	FUSE (150-AMPERE) (GLOW PLUGS).....	336
	237	FUSE (200-AMPERE) (ALTERNATOR).....	336
FILTER GP-ENGINE OIL.....	153	FUSE (25-AMPERE) (CAB).....	336
	154	FUSE (25-AMPERE) (IGNITION).....	336
	155	FUSE (30-AMPERE).....	330
FILTER GP-FUEL.....	279	FUSE (30-AMPERE) (AIR CONDITIONER, HEATER FAN).....	336
	280	FUSE (30-AMPERE) (CAB).....	336
	281	FUSE (30-AMPERE) (ECM).....	336
	282	FUSE (30-AMPERE) (STARTER).....	336
	283	FUSE (5-AMPERE).....	330
	285		438
	286	FUSE (80-AMPERE) (CAB).....	336
	287	FUSE (80-AMPERE) (FRONT FRAME).....	336
	288	FUSE (80-AMPERE) (REAR FRAME).....	336
FILTER GP-FUMES DISPOSAL.....	156	FUSE AS (POWER MODULE).....	451
FILTER GP-OIL.....	725		
FILTER GP-PRIMARY FUEL.....	289		
	290		
	291		
FILTER GP-WATER SEP & FUEL.....	292		
	293		
	294		
FILTER-AIR (FRESH AIR).....	888		
	925		
FILTER-FUEL (IN-LINE).....	304		
FILTER-TRANSMISSION (HYDRAULIC).....	485		
	496		
FITTING GP-HYDRAULIC.....	669		
FLOOR MAT GP.....	919		
FLYWHEEL GP.....	89		
	90		
	91		
FORK AR.....	846		
FORK AS.....	847		
	848		
	849		
FORK AS-BLOCK.....	850		
FORK AS-PALLET.....	851		
	852		
	853		
FORK GP.....	854		
	855		
	856		
	857		
	858		
	859		
	860		
FORK GP-PALLET.....	863		
	864		
	865		
FORK GP-GRAB.....	861		
FRAME GP-LOADER.....	592		
FUMES DISPOSAL GP.....	157		
	158		
	159		
	161		
FUSE (10-AMPERE).....	330		
	438		
FUSE (15-AMPERE).....	438		

G	
GASKET (VALVE COVER).....	30
	31
	32
GASKET-EXHAUST MANIFOLD.....	254
GASKET-WATER REGULATOR.....	176
GAUGE (TILT ANGLE).....	889
	1025
GAUGE AS-OIL LEVEL (DIPSTICK).....	487
	498
GAUGE AS-OIL LEVEL (DIPSTICK) (ENGINE).....	162
GAUGE GP-CLUSTER.....	398
GAUGE GP-OIL LEVEL (DIPSTICK).....	163
	164
GAUGE GP-OIL LEVEL (DIPSTICK) (ENGINE).....	162
	163
	164
GAUGE GP-OIL LEVEL (DIPSTICK)-ENGINE...	162
GEAR & CASE GP-TRANSFER.....	513
	515
	516
GEAR GP-BEVEL.....	476
GEAR GP-IDLER.....	518
GEAR GP-TRANSFER.....	519
GLOW PLUG.....	422
GLOW PLUG (12-VOLT).....	421
	423
GUARD GP-BUCKET-FRONT.....	866
GUARD GP-FRONT WINDOW.....	920
GUARD GP-ROOF.....	921

H	
HANDLE GP-DOOR.....	908
HANDLER AR-BALE.....	867
HARNES AS-BRAKE.....	6
	458

INDEX

NAME	PAGE	NAME	PAGE
HARNESS AS-CAB	340	HITCH GP	597
	341		598
	437		599
HARNESS AS-CHASSIS	342	HITCH GP-TOWING	604
HARNESS AS-CONTROL	342		605
	343		606
HARNESS AS-ENGINE	344		607
	345		608
	347		609
	348		611
	455	HITCH GP-TOWING-HYDRAULIC	610
HARNESS AS-FRONT	436	HITCH GP-HYDRAULIC	602
HARNESS AS-FRONT-FRAME	349	HITCH GP-RELEASE CABLE	601
HARNESS AS-HEATER	357	HITCH GP-RETRIEVAL	600
HARNESS AS-HEATER & AIR COND	349	HOOD GP-ENGINE	613
HARNESS AS-HEATER & AIR COND (MAIN)	437	HOOK GP-LIFTING	868
HARNESS AS-LIGHTING	350		869
	351		870
HARNESS AS-LIGHTING (FRONT, LH)	385	HOPPER GP	871
	387	HORN GP-ELECTRIC	936
HARNESS AS-LIGHTING (FRONT, RH)	385	HOUSING GP-FLYWHEEL	92
	387		93
HARNESS AS-REAR-FRAME	352		94
HARNESS AS-SENSOR	400		95
HARNESS AS-SENSOR (REVERSE)	405	HOUSING GP-FRONT	96
HARNESS AS-STARTING AID	422		98
HARNESS AS-SWITCH	973		99
	974		101
HARNESS AS-WIRING	353		103
	446		104
HARNESS AS-WIRING-LIGHT	352	HYDRAULIC AR	670
HEADLINER GP-CAB	922	HYDRAULIC AR-AUXILIARY	670
	923		
	937		
HEATER & AIR CONDITIONER GP-CAB	924	I	
HEATER & MTG GP-CAB	925	INDICATOR (CUTOFF)	222
HEATER AR-CAB	926		223
HEATER GP-BLOCK	354	INDICATOR GP-BOOM ANGLE	754
	355	INJECTOR & MTG GP-DEF	339
	356	INJECTOR GP-FUEL	295
	357		296
HEATER GP-CAB	927		297
	929		298
	935		299
HEATER GP-CAB-EVAPORATOR	934	INSTALLATION AR-COMMUNICATION-PL641, 3.4L	362
HEATER GP-CAB-HEATER, AIR CONDITIONER	931	INSTALLATION AR-COMMUNICATION-PL641, 4.4L	362
HEATER GP-JACKET WATER	358	INSTALLATION AR-COMMUNICATION-PL641, A/C, 3.4L	362
	359	INSTALLATION AR-COMMUNICATION-PL641, A/C, 4.4L	362
	360	INSTALLATION AR-COMMUNICATION-PL641, A/C, LESSER REGULATED COUNTRIES	363
	361	INSTALLATION AR-COMMUNICATION-PL641, LESSER REGULATED COUNTRIES	363
HITCH AR	593	INSTALLATION AR-ENGINE	17
	594		18
	595	INSTALLATION AR-LOAD MGT IND	364
	596		
HITCH AR-HYDRAULIC	596		
HITCH AR-RETRIEVAL	595		

INDEX

NAME	PAGE	NAME	PAGE
INSTALLATION AR-MACHINE-RIDE CONTROL . . .	5	LAMP AS (50-WATT) (WORK LIGHT)	380
INSTALLATION GP-COMMUNICATION	365		381
	366		389
INSTALLATION GP-RADIO	937	LAMP AS (SIDE, LH)	385
INSTALLATION GP-RIDE CONTROL	671		387
INSTALLATION GP-WARNING BEACON	367	LAMP AS (SIDE, RH)	385
			387
		LAMP GP (LH)	368
		LAMP GP (RH)	368
		LAMP GP (STOP, TAIL, TURN, BACKUP, LH)	374
		LAMP GP (STOP, TAIL, TURN, BACKUP, RH)	374
		LAMP GP-FRONT	368
			369
			382
			383
			384
		LAMP GP-HEAD & SIGNAL-FRONT, LH	371
		LAMP GP-HEAD & SIGNAL-FRONT, RH	370
		LAMP GP-HEAD & SIGNAL-LH	373
		LAMP GP-HEAD & SIGNAL-RH	372
		LAMP GP-REAR	374
		LAMP GP-ROADING-LICENSE PLATE	375
		LAMP GP-WARNING BEACON (12-VOLT, AMBER)	395
		LAMP-HEAD (12-VOLT, 60/55-WATT) (CLEAR)	370
			371
			372
			373
		LATCH AS	908
		LEVER GP-TILT	755
		LIFTING GP-ENGINE	107
			108
			109
			110
		LIGHTING AR-ROADING	378
		LIGHTING AR-ROADING-AIR CONDITIONER	377
		LIGHTING AR-ROADING-WITH AIR CONDITIONER	379
		LIGHTING AR-ROADING-WITHOUT AIR CONDITIONER	376
		LIGHTING GP-BOOM	380
		LIGHTING GP-FLOOD	381
		LIGHTING GP-FRONT	385
			387
		LIGHTING GP-FRONT (LH)	369
		LIGHTING GP-FRONT (RH)	369
		LIGHTING GP-FRONT-WORK LIGHT	382
			383
			384
		LIGHTING GP-ROADING	389
			390
			391
			392
			393
		LIGHTING GP-WARNING	394
		LIGHTING GP-WARNING-BEACON	395
		LINE AS-FUEL	283

INDEX

NAME	PAGE	NAME	PAGE
PEDAL & MOUNTING GP-BRAKE	630	PUMP GP-FUEL INJECTION	311
PEDAL GP-BRAKE	630		312
PEDAL GP-GOVERNOR	966		313
PEDAL GP-GOVERNOR-ACCELERATOR	966		315
PIN GP-HITCH	614		316
PIPE GP-FLEXIBLE EXHAUST	260	PUMP GP-FUEL TRANSFER	317
PISTON & ROD GP	122	PUMP GP-GEAR	721
	124		723
	125	PUMP GP-PISTON (HYDRAULIC)	719
	127	PUMP GP-TRANSMISSION	521
PLATE & FILM GP	1024	PUMP GP-WATER	204
	1025		205
	1028		206
PLATE & MTG GP-FRAME	617		207
PLATE & MTG GP-HITCH	616		208
	618		
PLATE & MTG GP-REAR	615		
PLATE GP-IDENTIFICATION	62		
	1031		
PLATFORM AR-ACCESS	877		
	878		
	879		
PLATFORM GP-ACCESS	880		
PLUG GP-CAB	967		
PLUG GP-ENGINE	128		
	129		
	130		
	131		
PLUG GP-FRONT HOUSING	133		
PLUG GP-FRONT HOUSING-ENGINE OIL FILLER	132		
PLUG GP-OIL FILTER MOUNTING	167		
	168		
PLUG GP-WATER LINES	202		
	203		
PLUG-DRAIN (ENGINE OIL)	79		
	80		
PLUG-DRAIN (MAGNETIC)	491		
	492		
	495		
	501		
PLUG-GLOW	422		
PULLEY GP-AUXILIARY DRIVE	134		
PULLEY GP-CRANKSHAFT	135		
	136		
	137		
	138		
PUMP & MOUNTING GP	719		
PUMP & MTG GP-HYDRAULIC	720		
PUMP & MTG GP-HYDRAULIC FAN	723		
PUMP & MTG GP-HYDRAULIC FAN-FAN PUMP	721		
PUMP GP-DIESEL EXHAUST FLUID	261		
	262		
	263		
PUMP GP-ENGINE OIL	170		
	171		
	172		
PUMP GP-ENGINE OIL-ENGINE	169		

R	
RADIATOR & HYD OIL COOLER GP	209
	211
	212
	213
RADIATOR & MOUNTING GP	213
	215
	217
	219
RAIL GP-FUEL	318
	319
RECEPTACLE GP-ELECTRICAL	339
REGULATOR AS-WATER TEMPERATURE	173
REGULATOR AS-WATER TEMPERATURE (INCLUDES CONNECTOR)	176
RELAY (12-VOLT, 200-AMPERE)	451
RELAY (12-VOLT, 200-AMPERE) (GLOW PLUG)	455
RELAY AS (12 VDC)	438
RELAY AS (12-VOLT) (HORN)	330
RELAY AS (30-AMPERE)	336
RELAY AS (70-AMPERE)	336
ROCKER ARM GP	139
	140
	141
	142
	144
	145
	146
	147
	148

S	
SCREEN GP-SUN	969
SEAL (FRONT)	43
SEAL (REAR)	43
SEAL GP-AIR INLET	264
SEAT & MOUNTING GP	970
	971

INDEX

NAME	PAGE	NAME	PAGE
SEAT & MOUNTING GP-AIR SUSPENSION ...	972	SENSOR GP-LIQUID LEVEL	416
	973	SENSOR GP-LIQUID LEVEL (WATER IN	
	974	FUEL)	285
SEAT BELT GP-2 IN	975	SENSOR GP-LIQUID LEVEL (WATER IN	
SEAT BELT GP-3 IN	976	FUEL)	294
SEAT GP	977	SENSOR GP-OBJECT DETECTION	400
	978	SENSOR GP-OBJECT DETECTION	
	980	(REVERSE)	405
	982	SENSOR GP-PRESSURE	417
	983	SENSOR GP-PRESSURE (ENGINE OIL)	410
SEAT GP-SUSPENSION	973		411
	974	SENSOR GP-PRESSURE (INLET MANIFOLD	
SENDER AS-FUEL LEVEL	322	AIR)	410
SENSOR	414	SENSOR GP-PRESSURE (INTAKE AIR)	411
	465	SENSOR GP-PRESSURE (INTAKE MANIFOLD	
	472	AIR)	411
	477	SENSOR GP-PRESSURE (NRS INLET)	411
SENSOR (AMBIENT AIR TEMP)	413	SENSOR GP-PRESSURE (NRS OUTLET)	411
SENSOR (AXLE LOCK)	404	SENSOR GP-SPEED	410
SENSOR (BOOM ANGLE)	401	SENSOR GP-SPEED (PRIMARY, TIMING)	411
SENSOR (CAMSHAFT)	414	SENSOR GP-SPEED (SECONDARY,	
SENSOR (FUEL RAIL PRESSURE)	319	TIMING)	411
SENSOR (HVAC) (THERMOSTAT)	931	SENSOR GP-SPEED (TRANSMISSION)	485
SENSOR (PRESSURE)	414		496
SENSOR & MOUNTING GP	403	SENSOR GP-TEMPERATURE	7
	404		418
SENSOR & MOUNTING GP (AXLE LOCK)	2		419
	3		420
	4	SENSOR GP-TEMPERATURE (ENGINE	
SENSOR & MOUNTING GP (BOOM ANGLE) ..	747	COOLANT)	410
SENSOR & MOUNTING GP (RETRACT)	747	SENSOR GP-TEMPERATURE (INLET AIR)	15
SENSOR & MOUNTING GP-BOOM ANGLE	401	SENSOR GP-TEMPERATURE	
SENSOR & MOUNTING GP-HITCH	400	(TRANSMISSION)	568
SENSOR & MOUNTING GP-REVERSE	405	SENSOR-NITROGEN OXIDE (UPSTREAM)	408
SENSOR & MTG GP-PRESSURE	406	SENSOR-PRESSURE (ENGINE)	406
SENSOR AS (PROXIMITY)	403		671
SENSOR AS-AMMONIA	408	SENSOR-SPEED	414
SENSOR AS-AMMONIA (EXHAUST GAS)	409	SENSOR-TEMPERATURE	217
SENSOR AS-LIQUID LEVEL (FUEL, WATER			245
SEPARATOR)	292		360
SENSOR AS-NITROGEN OXIDE			414
(DOWNSTREAM)	408		418
SENSOR AS-NITROGEN OXIDE (ENGINE			420
OUTPUT)	409		510
SENSOR AS-NITROGEN OXIDE (EXHAUST PIPE			731
OUT)	409	SENSOR-TEMPERATURE (AIR CLEANER)	244
SENSOR AS-TEMPERATURE	237	SENSOR-TEMPERATURE (AMBIENT AIR)	361
SENSOR AS-TEMPERATURE (DOC INLET)	408	SENSOR-TEMPERATURE (AMBIENT)	414
SENSOR AS-TEMPERATURE (EXHAUST		SENSOR-TEMPERATURE (COOLANT)	219
GAS)	339		411
SENSOR AS-TEMPERATURE (NOX REDUCTION		SENSOR-TEMPERATURE (FUEL	
SYSTEM)	411	TEMPERATURE)	313
SENSOR AS-TEMPERATURE (SCR INLET)	408	SENSOR-TEMPERATURE (FUEL)	281
SENSOR GP	407	SENSOR-TEMPERATURE (HYDRAULIC OIL)	725
	408	SENSOR-TEMPERATURE (INTAKE MANIFOLD	
SENSOR GP-COMBUSTION	409	AIR)	411
SENSOR GP-ENGINE	15	SHAFT GP-DRIVE	522
	410	SHAFT GP-IDLER	487
	411		498
	413	SHAFT GP-INPUT	523
	414		525

INDEX

NAME	PAGE	NAME	PAGE
SHAFT GP-OUTPUT.....	527	SWITCH AS-ROCKER (HVAC) (RECIRCULATION)	886
SHIM GP-AXLE INSTALLATION	528		925
SOFTWARE GP-ENGINE (DEF CONTROL)	262	SWITCH AS-ROCKER (LOADER).....	398
SOFTWARE GP-MACHINE.....	907		964
SOLENOID.....	227	SWITCH AS-ROCKER (OVERRIDE).....	398
SOLENOID AS.....	510		964
	574	SWITCH AS-ROCKER (REAR WORKLIGHT) ...	376
	575		377
	733		378
SPRING AS-GAS.....	890		379
STARTING AID GP.....	421	SWITCH AS-ROCKER (ROADING).....	398
	422		964
	423	SWITCH AS-ROCKER (STEERING MODE)....	398
STARTING MOTOR GP-ELECTRIC	424		964
	425	SWITCH AS-SPEED	431
	426	SWITCH AS-WIPER (REAR WIPER).....	997
STEERING COLUMN GP	640	SWITCH AS-WIPER (REAR)	996
STEERING GP-HYDRAULIC.....	641	SWITCH GP-DISCONNECT-BATTERY	428
STEP GP.....	619	SWITCH GP-LIGHT.....	427
STRAINER AS (SUCTION).....	487	SWITCH GP-REVERSING FAN.....	429
STRAINER AS (SUCTION).....	498	SWITCH GP-ROCKER	376
STRAP GP.....	908		378
SUPPORT GP-FILTER.....	307		379
SWITCH (HORN) (BUTTON)	936		430
SWITCH (OIL PRESSURE).....	414	SWITCH GP-STABILIZER	672
SWITCH & MTG GP-SIGNAL-BRAKE.....	427		674
SWITCH AS.....	427	SWITCH GP-TRANSMISSION	432
SWITCH AS (ON/OFF).....	886		433
SWITCH AS (USB CHARGER)	398	SWITCH GP-TRANSMISSION-WIPER.....	431
	964	SWITCH GP-WIPER	434
SWITCH AS-AIR CONDITIONER (ROTARY)....	886	SWITCH-IGNITION.....	398
	925		964
SWITCH AS-DISCONNECT (BOOM)	699	SWITCH-LIGHT.....	378
SWITCH AS-INDICATOR (BOOM)	406		379
	671	SWITCH-OIL PRESSURE (OIL PRESSURE)....	725
SWITCH AS-MULTIFUNCTION (HD LIGHT, TURN SIG, WDO WIPER).....	431	SWITCH-PRESSURE.....	622
	434		
SWITCH AS-ROCKER	395		
SWITCH AS-ROCKER (AUXILIARY CONTROL).....	398	T	
	964	TANK & MTG GP-DEF	265
SWITCH AS-ROCKER (AUXILIARY, DECOMPRESSION).....	398	TANK & MTG GP-FUEL	321
	964	TANK & MTG GP-HYDRAULIC.....	724
SWITCH AS-ROCKER (BOOM WORKLIGHTS).....	376	TANK GP-COOLANT.....	221
	377	TANK GP-DIESEL EXHAUST FLUID.....	265
SWITCH AS-ROCKER (DRIVING LIGHT).....	398	TANK GP-FUEL	322
	964	TANK GP-HYDRAULIC.....	725
SWITCH AS-ROCKER (FOG LIGHT).....	398	TANK GP-WINDOW WASHER.....	984
	964	TIRE & RIM AR.....	529
SWITCH AS-ROCKER (FRONT WORKLIGHT)	376		530
	377		531
	378		532
	379		533
SWITCH AS-ROCKER (HAZARD).....	398		534
	964	TIRE & RIM AR-SOLID.....	535
			536
			537

INDEX

NAME	PAGE	NAME	PAGE
TIRE & RIM GP.....	540	VALVE GP-CONTROL	731
	541		732
	542	VALVE GP-COOLANT CONTROL.....	7
	544		15
	545		274
	546	VALVE GP-COOLANT CONTROL-DEF	
	549	TEMPERATURE	273
	550	VALVE GP-COUNTERBALANCE.....	664
	557	VALVE GP-COUNTERBALANCE (RELIEF).....	667
	558	VALVE GP-COUNTERBALANCE	
	577	(TELESCOPING).....	697
TIRE & RIM GP (LH).....	537	VALVE GP-DIVERTER	733
TIRE & RIM GP (RH)	537		734
TIRE & RIM GP-LH	548		735
	552	VALVE GP-EXHAUST GAS (NRS).....	275
	554	VALVE GP-FAN REVERSING-FAN	736
	555	VALVE GP-MAIN CONTROL	738
TIRE & RIM GP-RH.....	538	VALVE GP-PRIORITY (FLOW DIVIDER)	729
	539	VALVE GP-PRIORITY-FLOW DIVIDER.....	741
	543	VALVE GP-RELIEF	510
	547		743
	551	VALVE GP-RELIEF (CONVERTER)	509
	553	VALVE GP-RELIEF (PRESSURE	
	556	REGULATOR)	509
TORQUE CONVERTER GP	559	VALVE GP-RIDE CONTROL (BOOM FLOAT)...	699
	561	VALVE GP-SOLENOID	732
	563	VALVE GP-SOLENOID (MODULATING).....	509
TRAILER AR	6		510
TRANSMISSION AR	565	VALVE GP-SOLENOID & RELIEF-FAN	744
	566	VALVE GP-SOLENOID-MODULATING	574
	567		575
	568	VALVE GP-STEERING	642
TRANSMISSION AR-POWER SHIFT	569	VALVE GP-TIRE.....	576
	571	VISOR GP-CAB	990
	572		
TRIM GP-CAB.....	986		
	988		
TRIM GP-CAB-SIDE.....	989		
TUBE & MTG GP-DEF BLEND.....	266		
TURBOCHARGER GP	267		
	268		
	269		
	270		
		V	
VALVE & MOUNTING GP (NRS).....	272	WHEEL & TIRE AR	577
VALVE & MTG GP-BRAKE.....	632	WINDOW GP-CAB.....	991
	634		992
	635	WIPER GP-UPPER.....	994
VALVE & MTG GP-MAIN CONTROL.....	727	WIPER GP-WINDOW-FRONT	995
VALVE & MTG GP-PRIORITY.....	729	WIPER GP-WINDOW-REAR.....	997
VALVE AS-RELIEF	738	WIPER GP-WINDOW-ROOF	996
VALVE AS-RELIEF (MAIN CONTROL)	738	WIRING GP-BOOM.....	435
VALVE GP-BRAKE CONTROL (TRAILER			436
BRAKE).....	634	WIRING GP-CAB	438
VALVE GP-CHECK	634	WIRING GP-CAB-HEATER.....	437
	732	WIRING GP-CHASSIS	440
	736	WIRING GP-CONTROL	442
VALVE GP-CHECK (HYDRAULIC FAN OIL)....	736		443
			444
		WIRING GP-ENGINE	445
			446
			448
			449
			450
			451
			455
		WIRING GP-TRAILER.....	458

MEMORANDA

MACHINE ARRANGEMENT

517-9883 CHASSIS AR

S/N: TD61-UP

PART OF 518-0042 COMMON AR

SMCS-7000

i07043963

NOTE	PART NUMBER	QTY	PART NAME						SEE PAGE
			1	2	3	4	5	6 (PRODUCT LEVEL)	
Y	495-7754	1	ALARM GP (REVERSE)						323
Y	513-0902	1	BRUSH GP						753
Y	501-5070	1	COVER GP-ACCESS (BOOM)						902
Y	516-1393	1	ENCLOSURE GP-CAB						912
Y	516-1438	1	ENCLOSURE GP-CAB						916
Y	513-4185	1	FILM GP						1017
Y	513-9440	1	FRAME GP-LOADER						592
Y	499-0186	1	HORN GP-ELECTRIC						936
Y	496-8301	1	MIRROR GP-REAR VIEW						958
Y	471-6019	1	MOUNTING GP-CAB						962
Y	505-0884	1	STEP GP						619
Y	513-9451	1	TANK & MTG GP-FUEL						321
Y	515-1888	1	WIRING GP-CHASSIS						440

Y - SEPARATE ILLUSTRATION

<END>

517-9885 CHASSIS AR

S/N: TD71-UP

PART OF 518-0044 COMMON AR

SMCS-7000

i06907213

NOTE	PART NUMBER	QTY	PART NAME						SEE PAGE
			1	2	3	4	5	6 (PRODUCT LEVEL)	
Y	495-7754	1	ALARM GP (REVERSE)						323
Y	513-0902	1	BRUSH GP						753
Y	501-5070	1	COVER GP-ACCESS (BOOM)						902
Y	516-1437	1	ENCLOSURE GP-CAB (CAB)						914
Y	516-1439	1	ENCLOSURE GP-CAB (CHASSIS)						918
Y	513-4185	1	FILM GP						1017
Y	520-6928	1	FILM GP (AGRICULTURE HANDLER)						1022
Y	513-9440	1	FRAME GP-LOADER						592
Y	499-0186	1	HORN GP-ELECTRIC						936
Y	496-8301	1	MIRROR GP-REAR VIEW						958
Y	471-6019	1	MOUNTING GP-CAB						962
Y	505-0884	1	STEP GP						619
Y	513-9451	1	TANK & MTG GP-FUEL						321
Y	515-1888	1	WIRING GP-CHASSIS						440
	5P-8500	1	KEY						

Y - SEPARATE ILLUSTRATION

<END>

MACHINE ARRANGEMENT

518-0042 COMMON AR

S/N: TD61-UP

SMCS-7000

i07043960

NOTE	PART NUMBER	QTY	PART NAME						SEE PAGE
			1	2	3	4	5	6 (PRODUCT LEVEL)	
Y	517-9881	1	BOOM AR						747
Y	517-9883	1	CHASSIS AR						1
Y	518-0019	1	HYDRAULIC AR						670
Y - SEPARATE ILLUSTRATION									
<END>									

518-0044 COMMON AR

S/N: TD71-UP

SMCS-7000

i06907211

NOTE	PART NUMBER	QTY	PART NAME						SEE PAGE
			1	2	3	4	5	6 (PRODUCT LEVEL)	
Y	517-9881	1	BOOM AR						747
Y	517-9885	1	CHASSIS AR						1
Y	518-0019	1	HYDRAULIC AR						670
Y - SEPARATE ILLUSTRATION									
<END>									

522-5800 CONFIGURATION AR

S/N: TD61-UP

ITALY

AN ATTACHMENT

SMCS-0645, 1433, 7405, 7431, 7557

i07046002

NOTE	PART NUMBER	QTY	PART NAME						SEE PAGE
			1	2	3	4	5	6 (PRODUCT LEVEL)	
Y	501-7261	1	FILM GP						1007
Y	519-3823	1	FILM GP (SENSING)						1021
Y	496-8309	1	SENSOR & MOUNTING GP (AXLE LOCK)						404
Y - SEPARATE ILLUSTRATION									
<END>									

522-5801 CONFIGURATION AR

S/N: TD61-UP

GERMANY

AN ATTACHMENT

SMCS-0645, 1433, 7405, 7431, 7557

i07046013

NOTE	PART NUMBER	QTY	PART NAME						SEE PAGE
			1	2	3	4	5	6 (PRODUCT LEVEL)	
Y	501-7261	1	FILM GP						1007
Y	519-3823	1	FILM GP (SENSING)						1021
Y	496-8309	1	SENSOR & MOUNTING GP (AXLE LOCK)						404
Y - SEPARATE ILLUSTRATION									
<END>									

MACHINE ARRANGEMENT

522-5802 CONFIGURATION AR

S/N: TD61-UP
FRANCE
AN ATTACHMENT

SMCS-0645, 1433, 7405, 7431, 7557

i07046011

NOTE	PART NUMBER	QTY	PART NAME 1 2 3 4 5 6 (PRODUCT LEVEL)	SEE PAGE
Y	501-7261	1	FILM GP	1007
Y	519-3823	1	FILM GP (SENSING)	1021
Y	496-8309	1	SENSOR & MOUNTING GP (AXLE LOCK)	404
Y - SEPARATE ILLUSTRATION				
<END>				

522-5803 CONFIGURATION AR

S/N: TD61-UP
UNITED KINGDOM
AN ATTACHMENT

SMCS-0645, 1433, 7405, 7431, 7557

i07046018

NOTE	PART NUMBER	QTY	PART NAME 1 2 3 4 5 6 (PRODUCT LEVEL)	SEE PAGE
Y	501-7261	1	FILM GP	1007
Y	519-3823	1	FILM GP (SENSING)	1021
Y	496-8309	1	SENSOR & MOUNTING GP (AXLE LOCK)	404
Y - SEPARATE ILLUSTRATION				
<END>				

522-5804 CONFIGURATION AR

S/N: TD61-UP
EUROPE
AN ATTACHMENT

SMCS-0645, 1433, 7405, 7431, 7557

i07046020

NOTE	PART NUMBER	QTY	PART NAME 1 2 3 4 5 6 (PRODUCT LEVEL)	SEE PAGE
Y	501-7261	1	FILM GP	1007
Y	519-3823	1	FILM GP (SENSING)	1021
Y	496-8309	1	SENSOR & MOUNTING GP (AXLE LOCK)	404
Y - SEPARATE ILLUSTRATION				
<END>				

522-6038 CONFIGURATION AR

S/N: TD71-UP
AN ATTACHMENT

SMCS-0645, 1433, 7405, 7431, 7557

i07195868

NOTE	PART NUMBER	QTY	PART NAME 1 2 3 4 5 6 (PRODUCT LEVEL)	SEE PAGE
Y	538-1164	1	CHART GP-LIFT/LOAD EXTENSION (METRIC)	999
Y	501-7262	1	FILM GP	1011
Y	519-3823	1	FILM GP (SENSING)	1021
Y	496-8309	1	SENSOR & MOUNTING GP (AXLE LOCK)	404
Y - SEPARATE ILLUSTRATION				
<END>				

MACHINE ARRANGEMENT

522-6039 CONFIGURATION AR

S/N: TD71-UP
AN ATTACHMENT

SMCS-0645, 1433, 7405, 7431, 7557

i07195871

NOTE	PART NUMBER	QTY	PART NAME						SEE PAGE
			1	2	3	4	5	6 (PRODUCT LEVEL)	
Y	538-1164	1	CHART GP-LIFT/LOAD EXTENSION						999
Y	501-7262	1	FILM GP						1011
Y	519-3823	1	FILM GP (SENSING)						1021
Y	496-8309	1	SENSOR & MOUNTING GP (AXLE LOCK)						404
Y - SEPARATE ILLUSTRATION									
<END>									

522-6040 CONFIGURATION AR

S/N: TD71-UP
AN ATTACHMENT

SMCS-0645, 1433, 7405, 7431, 7557

i07195873

NOTE	PART NUMBER	QTY	PART NAME						SEE PAGE
			1	2	3	4	5	6 (PRODUCT LEVEL)	
Y	538-1164	1	CHART GP-LIFT/LOAD EXTENSION						999
Y	501-7262	1	FILM GP						1011
Y	519-3823	1	FILM GP (SENSING)						1021
Y	496-8309	1	SENSOR & MOUNTING GP (AXLE LOCK)						404
Y - SEPARATE ILLUSTRATION									
<END>									

522-6041 CONFIGURATION AR

S/N: TD71-UP
AN ATTACHMENT

SMCS-0645, 1433, 7405, 7431, 7557

i07195875

NOTE	PART NUMBER	QTY	PART NAME						SEE PAGE
			1	2	3	4	5	6 (PRODUCT LEVEL)	
Y	538-1164	1	CHART GP-LIFT/LOAD EXTENSION						999
Y	501-7264	1	FILM GP						1014
Y	519-3823	1	FILM GP (SENSING) (REVERSE)						1021
Y	496-8309	1	SENSOR & MOUNTING GP (AXLE LOCK)						404
Y - SEPARATE ILLUSTRATION									
<END>									

522-6042 CONFIGURATION AR

S/N: TD71-UP
AN ATTACHMENT

SMCS-0645, 1433, 7405, 7431, 7557

i07213649

NOTE	PART NUMBER	QTY	PART NAME						SEE PAGE
			1	2	3	4	5	6 (PRODUCT LEVEL)	
Y	519-3823	1	FILM GP (SENSING)						1021
Y	492-5091	1	INDICATOR GP-BOOM ANGLE						754
Y	501-7263	1	PLATE & FILM GP						1025
Y	496-8309	1	SENSOR & MOUNTING GP (AXLE LOCK)						404
Y - SEPARATE ILLUSTRATION									
<END>									

MACHINE ARRANGEMENT

520-7784 INSTALLATION AR-MACHINE-RIDE CONTROL

S/N: TD61-UP; TD71-UP

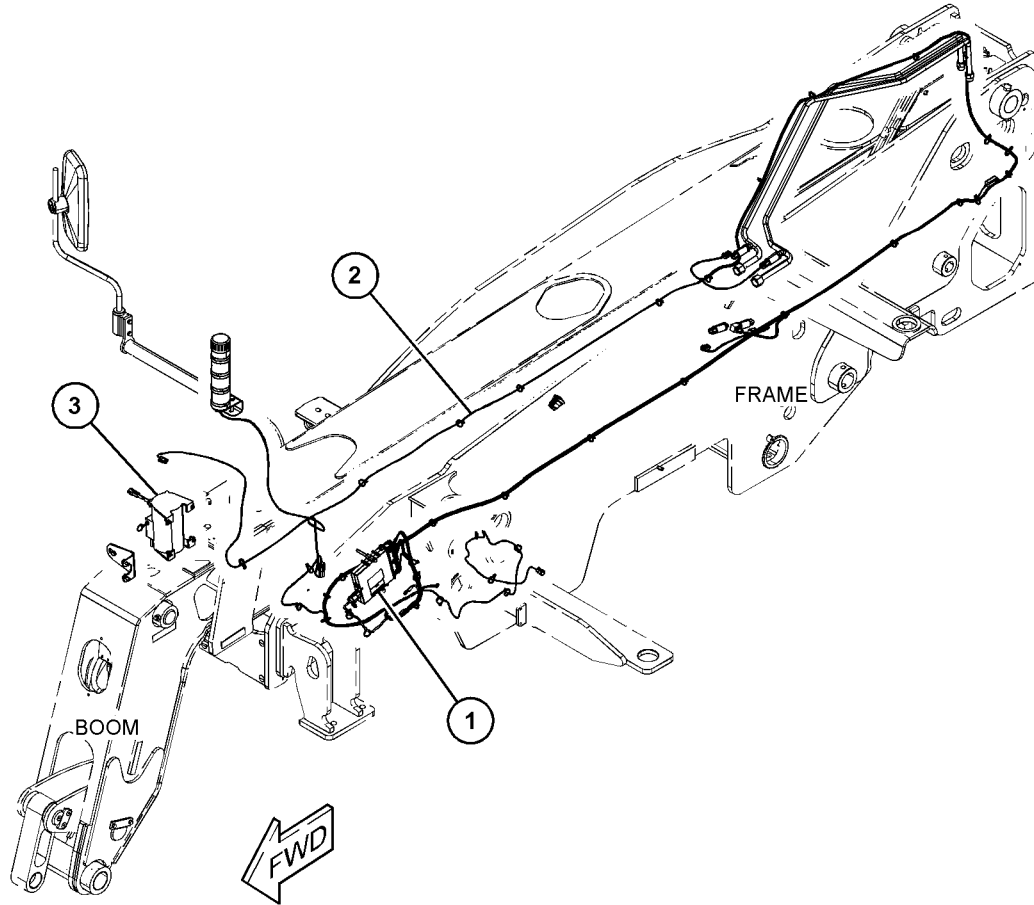
AN ATTACHMENT

SMCS-7000

i06893342

NOTE	REF NO	GRAPHIC REF	PART NUMBER	QTY	PART NAME						SEE PAGE
					1	2	3	4	5	6 (PRODUCT LEVEL)	
Y	1	1	496-8312	1	CONTROL GP-ELECTRONIC						338
Y	2	1	496-8318	1	WIRING GP-BOOM (LOAD MANAGEMENT INDICATOR SYSTEM)						435
Y	3	1	520-7768	1	INSTALLATION GP-RIDE CONTROL						671

Y - SEPARATE ILLUSTRATION



GRAPHIC #1

<END>

g06160471

MACHINE ARRANGEMENT

506-7647 TRAILER AR

S/N: TD61-UP; TD71-UP
AN ATTACHMENT

SMCS-6331

i06613306

NOTE	PART NUMBER	QTY	PART NAME						SEE PAGE
			1	2	3	4	5	6 (PRODUCT LEVEL)	
Y	497-9628	1	COVER GP-ACCESS						900

Y - SEPARATE ILLUSTRATION

<END>

506-7655 TRAILER AR

S/N: TD61-UP
AN ATTACHMENT

SMCS-6331

i06613293

NOTE	PART NUMBER	QTY	PART NAME						SEE PAGE
			1	2	3	4	5	6 (PRODUCT LEVEL)	
Y	497-9630	1	COVER GP-ACCESS (TRAILER)						901
Y	501-2452	1	LINES GP-TRAILER (STEERING COLUMN)						712
Y	501-2456	1	VALVE & MTG GP-BRAKE (MAIN CONTROL VALVE)						632
Y	501-7471	1	VALVE & MTG GP-BRAKE (DYNAMIC BRAKE)						635
Y	496-8310	1	WIRING GP-TRAILER						458

Y - SEPARATE ILLUSTRATION

<END>

521-6813 TRAILER AR

S/N: TD61-UP; TD71-UP
AN ATTACHMENT

SMCS-6331

i06893929

NOTE	PART NUMBER	QTY	PART NAME						SEE PAGE
			1	2	3	4	5	6 (PRODUCT LEVEL)	
Y	497-9628	1	COVER GP-ACCESS						900
	492-4869	1	HARNES AS-BRAKE						
	8T-8737	1	PLUG-SEAL						
	9W-0852	5	PIN-CONNECTOR (14-GA TO 16-GA)						
	334-5873	1	TERMINAL (6-PIN)						
	362-6352	14	RECEPTACLE AS-CONNECTOR (1-PIN)						

Y - SEPARATE ILLUSTRATION

<END>

ENGINE ARRANGEMENT

466-2883 ENGINE AR

S/N: JKT1-UP

SMCS-1000

i07177472

NOTE	PART NUMBER	QTY	PART NAME						SEE PAGE
			1	2	3	4	5	6 (PRODUCT LEVEL)	
Y	449-5064	1	CYLINDER BLOCK GP-SHORT						60
Y	384-4902	1	CYLINDER HEAD GP (SHORT)						73
Y	464-2308	1	ENGINE AR-PRIMARY						14
Y	399-1209	1	MODULE AR-DIESEL EXHAUST FLUID						258
Y	373-7250	1	PIPE GP-FLEXIBLE EXHAUST						260
Y	377-9847	1	SENSOR GP-TEMPERATURE						418
Y	425-6359	1	VALVE GP-COOLANT CONTROL						273

Y - SEPARATE ILLUSTRATION

<END>

467-8282 ENGINE AR

S/N: W231-UP

SMCS-1000

i07177565

NOTE	PART NUMBER	QTY	PART NAME						SEE PAGE
			1	2	3	4	5	6 (PRODUCT LEVEL)	
Y	452-7366	1	CYLINDER BLOCK GP-SHORT						61
Y	452-7394	1	CYLINDER HEAD GP (SHORT)						77
Y	463-8820	1	ENGINE AR-PRIMARY						10

Y - SEPARATE ILLUSTRATION

<END>

467-8302 ENGINE AR

S/N: W231-UP

SMCS-1000

i07177564

NOTE	PART NUMBER	QTY	PART NAME						SEE PAGE
			1	2	3	4	5	6 (PRODUCT LEVEL)	
Y	452-7366	1	CYLINDER BLOCK GP-SHORT						61
Y	452-7394	1	CYLINDER HEAD GP (SHORT)						77
Y	463-8910	1	ENGINE AR-PRIMARY						12

Y - SEPARATE ILLUSTRATION

<END>

ENGINE ARRANGEMENT

518-5877 ENGINE AR-COMPLETE

S/N: TD61-UP
AN ATTACHMENT

SMCS-1000

i07196497

NOTE	PART NUMBER	QTY	PART NAME						SEE PAGE
			1	2	3	4	5	6 (PRODUCT LEVEL)	
Y	499-4950	1	COOLER GP-HYDRAULIC OIL						644
Y	474-5150	1	DRAIN GP-ENGINE OIL						81
Y	500-4356	1	ENCLOSURE GP-ENGINE						588
Y	497-9592	1	FAN & MOTOR GP						188
Y	518-5880	1	INSTALLATION AR-ENGINE						17
Y	513-5772	1	LINES GP-AIR						245
Y	496-3423	1	LINES GP-COOLANT (ENGINE)						193
Y	515-9553	1	LINES GP-COOLANT (TRANSMISSION)						201
Y	503-6870	1	LINES GP-FUEL						304
Y	497-9599	1	LINES GP-HYDRAULIC FAN						694
Y	499-5297	1	MOUNTING GP-ENGINE						114
Y	496-3417	1	PUMP & MTG GP-HYDRAULIC FAN						721
Y	501-0765	1	SWITCH GP-REVERSING FAN						429
Y	518-5883	1	TRANSMISSION AR						568

Y - SEPARATE ILLUSTRATION

<END>

518-6040 ENGINE AR-COMPLETE

S/N: TD71-UP
AN ATTACHMENT

SMCS-1000

i07176279

NOTE	PART NUMBER	QTY	PART NAME						SEE PAGE
			1	2	3	4	5	6 (PRODUCT LEVEL)	
Y	474-5150	1	DRAIN GP-ENGINE OIL						81
Y	500-3072	1	ENCLOSURE GP-ENGINE						586
Y	497-9592	1	FAN & MOTOR GP						188
Y	518-5954	1	INSTALLATION AR-ENGINE						17
Y	513-4184	1	LINES GP-AIR (CHARGE AIR COOLER)						244
Y	501-2998	1	LINES GP-COOLANT						197
Y	503-4909	1	LINES GP-FUEL						302
Y	497-9597	1	LINES GP-HYDRAULIC FAN						692
Y	515-9554	1	LINES GP-HYDRAULIC OIL COOLER						696
Y	486-7983	1	MOUNTING GP-ENGINE						113
Y	496-3425	1	PUMP & MTG GP-HYDRAULIC FAN						723
Y	501-0765	1	SWITCH GP-REVERSING FAN						429
Y	518-5884	1	TRANSMISSION AR						568

Y - SEPARATE ILLUSTRATION

<END>

ENGINE ARRANGEMENT

518-6042 ENGINE AR-COMPLETE

S/N: TD71-UP
AN ATTACHMENT

SMCS-1000

i07176291

NOTE	PART NUMBER	QTY	PART NAME						SEE PAGE
			1	2	3	4	5	6 (PRODUCT LEVEL)	
Y	499-4950	1	COOLER GP-HYDRAULIC OIL						644
Y	474-5150	1	DRAIN GP-ENGINE OIL						81
Y	500-4356	1	ENCLOSURE GP-ENGINE						588
Y	497-9592	1	FAN & MOTOR GP						188
Y	518-5955	1	INSTALLATION AR-ENGINE						18
Y	513-4184	1	LINES GP-AIR (CHARGE AIR COOLER)						244
Y	501-2998	1	LINES GP-COOLANT						197
Y	515-9553	1	LINES GP-COOLANT (TRANSMISSION)						201
Y	503-4909	1	LINES GP-FUEL						302
Y	497-9599	1	LINES GP-HYDRAULIC FAN						694
Y	486-7983	1	MOUNTING GP-ENGINE						113
Y	496-3417	1	PUMP & MTG GP-HYDRAULIC FAN						721
Y	501-0765	1	SWITCH GP-REVERSING FAN						429
Y	505-5341	1	TRANSMISSION AR						568
Y - SEPARATE ILLUSTRATION									

<END>

518-6043 ENGINE AR-COMPLETE

S/N: TD71-UP
AN ATTACHMENT

SMCS-1000

i07176284

NOTE	PART NUMBER	QTY	PART NAME						SEE PAGE
			1	2	3	4	5	6 (PRODUCT LEVEL)	
Y	474-5150	1	DRAIN GP-ENGINE OIL						81
Y	500-3072	1	ENCLOSURE GP-ENGINE						586
Y	474-4959	1	FAN GP-SUCTION						192
Y	518-5956	1	INSTALLATION AR-ENGINE						18
Y	513-6542	1	LINES GP-AIR						247
Y	497-9623	1	LINES GP-COOLANT (RADIATOR)						195
Y	513-6555	1	LINES GP-COOLANT (TRANSMISSION)						199
Y	503-4909	1	LINES GP-FUEL						302
Y	486-7983	1	MOUNTING GP-ENGINE						113
Y	518-5884	1	TRANSMISSION AR						568

Y - SEPARATE ILLUSTRATION

<END>

ENGINE ARRANGEMENT

463-8820 ENGINE AR-PRIMARY

S/N: W231-UP

75 BRAKE KW (101 BHP) AT 2200 RPM

OPTIONAL FIELD REPLACEMENT ORDER 452-7386-PAGE: 62, 452-7397-PAGE: 78

PART OF 467-8282 ENGINE AR

ALSO AN ATTACHMENT

SMCS-1000

i07026796

NOTE	PART NUMBER	QTY	PART NAME						SEE PAGE
			1	2	3	4	5	6 (PRODUCT LEVEL)	
Y	425-8162	1	ALTERNATOR GP-CHARGING						327
Y	418-7425	1	BELT TENSIONER GP						20
Y	435-7778	1	CAMSHAFT GP						25
Y	416-1867	1	CONNECTION GP-WATER						176
Y	415-5534	1	CONTROL GP-ELECTRONIC						333
Y	418-7659	1	COOLER GP-ENGINE OIL						184
Y	418-6381	1	COVER GP-VALVE MECHANISM						31
Y	510-5297	1	CRANKSHAFT GP						44
Y	415-3299	1	CYLINDER BLOCK GP						54
Y	415-5520	1	CYLINDER HEAD GP						75
Y	419-8538	1	DRAIN GP-ENGINE OIL						80
Y	432-1856	1	DRIVE GP-FAN						88
Y	416-9543	1	ELBOW GP-AIR INLET						226
Y	420-0291	1	EXTENSION GP-FAN						187
Y	416-1070	1	FILLER GP-ENGINE OIL						151
Y	416-1042	1	FILM GP						1003
Y	416-8716	1	FILM GP (ALTERNATOR)						1004
Y	417-4284	1	FILM GP						1005
Y	417-3394	1	FILTER GP-ENGINE OIL						154
Y	421-3853	1	FILTER GP-FUEL						283
Y	441-1215	1	FILTER GP-FUEL						286
Y	453-7163	1	FILTER GP-FUEL						288
Y	423-1270	1	FLYWHEEL GP						91
Y	433-5258	1	FUMES DISPOSAL GP						158
Y	441-9155	1	GAUGE GP-OIL LEVEL (DIPSTICK)						164
Y	431-7048	1	HOUSING GP-FLYWHEEL						95
Y	415-7115	1	HOUSING GP-FRONT						99
Y	415-5522	1	INJECTOR GP-FUEL						296
Y	415-7948	1	JET GP-PISTON COOLING						106
Y	417-3463	1	LIFTING GP-ENGINE						109
Y	416-9552	1	MANIFOLD GP-EXHAUST						254
Y	415-7949	1	MOUNTING GP-CONTROL						397
Y	416-8775	1	MOUNTING GP-EXHAUST						259
Y	423-1280	1	PAN GP-OIL						121
Y	415-5519	1	PISTON & ROD GP						125
Y	417-4286	1	PLUG GP-ENGINE						130
Y	446-2236	1	PLUG GP-ENGINE						131
Y	417-3401	1	PLUG GP-FRONT HOUSING						133
Y	417-4190	1	PLUG GP-OIL FILTER MOUNTING						168
Y	426-3230	1	PULLEY GP-CRANKSHAFT						138
Y	508-3673	1	PUMP GP-ENGINE OIL						172
Y	415-5523	1	PUMP GP-FUEL INJECTION						312
Y	416-1864	1	PUMP GP-WATER						208
Y	415-5527	1	RAIL GP-FUEL						319
Y	415-7947	1	ROCKER ARM GP						145

ENGINE ARRANGEMENT

463-8820 ENGINE AR-PRIMARY (contd.)

i07026796

NOTE	PART NUMBER	QTY	PART NAME						SEE PAGE
			1	2	3	4	5	6 (PRODUCT LEVEL)	
Y	425-9760	1	SENSOR GP-ENGINE						410
Y	430-5204	1	SENSOR GP-TEMPERATURE						419
Y	417-3453	1	STARTING AID GP						421
Y	425-9174	1	STARTING MOTOR GP-ELECTRIC						426
Y	432-6628	1	TURBOCHARGER GP						268
Y	417-4227	1	WIRING GP-ENGINE						445
	524-2576	1	ELECTRONICS GP-ENGINE						

PLEASE USE THE GASKET KIT LINK IN SIS OR
CONTACT YOUR LOCAL DEALER FOR THE LATEST GASKET
KIT INFORMATION

Y - SEPARATE ILLUSTRATION

<END>

ENGINE ARRANGEMENT

463-8910 ENGINE AR-PRIMARY

S/N: W231-UP

75 BRAKE KW (100 BHP) AT 2200 RPM

OPTIONAL FIELD REPLACEMENT ORDER 452-7397-PAGE: 78, 452-7386-PAGE: 62

PART OF 467-8302 ENGINE AR

SMCS-1000

i07026818

NOTE	PART NUMBER	QTY	PART NAME						SEE PAGE
			1	2	3	4	5	6 (PRODUCT LEVEL)	
Y	425-8162	1	ALTERNATOR GP-CHARGING						327
Y	418-7425	1	BELT TENSIONER GP						20
Y	435-7778	1	CAMSHAFT GP						25
Y	416-1867	1	CONNECTION GP-WATER						176
Y	415-5534	1	CONTROL GP-ELECTRONIC						333
Y	418-7659	1	COOLER GP-ENGINE OIL						184
Y	415-7105	1	COVER GP-VALVE MECHANISM						30
Y	433-6323	1	CRANKSHAFT GP						42
			-OR-						
Y	510-5297	1	CRANKSHAFT GP						44
Y	415-3299	1	CYLINDER BLOCK GP						54
Y	415-5520	1	CYLINDER HEAD GP						75
Y	419-8538	1	DRAIN GP-ENGINE OIL						80
Y	416-1043	1	DRIVE GP-FAN						87
Y	416-9543	1	ELBOW GP-AIR INLET						226
Y	432-0065	1	FILLER GP-ENGINE OIL						152
Y	416-1042	1	FILM GP						1003
Y	416-8716	1	FILM GP (ALTERNATOR)						1004
Y	417-4284	1	FILM GP						1005
Y	417-3394	1	FILTER GP-ENGINE OIL						154
Y	421-3853	1	FILTER GP-FUEL						283
Y	441-1215	1	FILTER GP-FUEL						286
Y	453-7163	1	FILTER GP-FUEL						288
Y	423-1270	1	FLYWHEEL GP						91
Y	433-5258	1	FUMES DISPOSAL GP						158
Y	441-9154	1	GAUGE GP-OIL LEVEL (DIPSTICK) (ENGINE)						163
Y	431-7048	1	HOUSING GP-FLYWHEEL						95
Y	415-7116	1	HOUSING GP-FRONT						101
Y	416-8722	1	HOUSING GP-FRONT						103
Y	415-5522	1	INJECTOR GP-FUEL						296
Y	415-7948	1	JET GP-PISTON COOLING						106
Y	417-3463	1	LIFTING GP-ENGINE						109
Y	416-9552	1	MANIFOLD GP-EXHAUST						254
Y	415-7949	1	MOUNTING GP-CONTROL						397
Y	416-8775	1	MOUNTING GP-EXHAUST						259
Y	416-1051	1	PAN GP-OIL						120
Y	415-5519	1	PISTON & ROD GP						125
Y	417-4286	1	PLUG GP-ENGINE						130
Y	446-2236	1	PLUG GP-ENGINE						131
Y	417-4190	1	PLUG GP-OIL FILTER MOUNTING						168
Y	416-1089	1	PULLEY GP-CRANKSHAFT						137
Y	508-3673	1	PUMP GP-ENGINE OIL						172
Y	415-5523	1	PUMP GP-FUEL INJECTION						312
Y	416-1864	1	PUMP GP-WATER						208
Y	415-5527	1	RAIL GP-FUEL						319
Y	415-7947	1	ROCKER ARM GP						145

ENGINE ARRANGEMENT

463-8910 ENGINE AR-PRIMARY (contd.)

i07026818

NOTE	PART NUMBER	QTY	PART NAME						SEE PAGE
			1	2	3	4	5	6 (PRODUCT LEVEL)	
Y	425-9760	1	SENSOR GP-ENGINE						410
Y	430-5204	1	SENSOR GP-TEMPERATURE						419
Y	417-3453	1	STARTING AID GP						421
Y	425-9174	1	STARTING MOTOR GP-ELECTRIC						426
Y	432-6628	1	TURBOCHARGER GP						268
Y	492-2945	1	WIRING GP-ENGINE						449
	524-2574	1	ELECTRONICS GP-ENGINE						

PLEASE USE THE GASKET KIT LINK IN SIS OR
CONTACT YOUR LOCAL DEALER FOR THE LATEST GASKET
KIT INFORMATION

Y - SEPARATE ILLUSTRATION

<END>

ENGINE ARRANGEMENT

464-2308 ENGINE AR-PRIMARY

S/N: JKT1-UP

93 BRAKE KW (124 BHP) AT 2200 RPM

OPTIONAL FIELD REPLACEMENT ORDER 384-4906-PAGE: 74, 449-5062-PAGE: 59

PART OF 466-2883 ENGINE AR

SMCS-1000

i07162356

NOTE	PART NUMBER	QTY	PART NAME						SEE PAGE
			1	2	3	4	5	6 (PRODUCT LEVEL)	
Y	350-1459	1	ALTERNATOR GP-CHARGING						324
Y	356-7282	1	FUMES DISPOSAL GP						157
Y	339-5858	1	CAMSHAFT GP						24
Y	332-4634	1	CONNECTION GP-WATER						173
Y	433-4674	1	CONTROL GP-ELECTRONIC						334
Y	356-7409	1	COOLER & MTG GP-EXHAUST (NRS)						224
Y	356-7156	1	COOLER GP-ENGINE OIL						181
Y	355-5048	1	COVER GP-VALVE MECHANISM						28
Y	346-4197	1	CRANKSHAFT GP						38
Y	355-3530	1	CYLINDER BLOCK GP						52
Y	355-7044	1	CYLINDER HEAD GP						70
Y	332-4667	1	DRAIN GP-ENGINE OIL						79
Y	329-8428	1	DRIVE GP-AUXILIARY						82
Y	339-2997	1	DRIVE GP-FAN						85
Y	459-3633	1	ELBOW GP-AIR INLET						227
Y	355-5592	1	FASTENER GP-CEM						234
Y	329-8098	1	FILM GP (STARTING MOTOR)						1001
Y	329-8409	1	FILM GP (ALTERNATOR)						1002
Y	447-1044	1	FILM GP						1006
Y	329-8386	1	FILTER GP-ENGINE OIL						153
Y	361-1224	1	FILTER GP-FUEL						280
Y	360-7817	1	FILTER GP-FUMES DISPOSAL						156
Y	361-1562	1	FILTER GP-PRIMARY FUEL						289
Y	329-7900	1	FLYWHEEL GP						89
Y	338-9479	1	GAUGE GP-OIL LEVEL (DIPSTICK) (ENGINE)						162
Y	433-4677	1	WIRING GP-ENGINE						446
Y	329-7884	1	HOUSING GP-FLYWHEEL						92
Y	329-8421	1	HOUSING GP-FRONT						96
Y	392-1368	1	INJECTOR GP-FUEL						295
Y	330-9652	1	JET GP-PISTON COOLING						105
Y	350-1044	1	LIFTING GP-ENGINE						107
Y	398-8198	1	LINES GP-FUEL FILTER						307
Y	356-1124	1	MANIFOLD GP-EXHAUST						252
Y	473-0267	1	EXHAUST GP						228
Y	329-7945	1	PAN GP-OIL						117
Y	373-7250	1	PIPE GP-FLEXIBLE EXHAUST						260
Y	392-1366	1	PISTON & ROD GP						122
Y	329-8482	1	PLUG GP-ENGINE (HEATER, LINES)						128
Y	337-8032	1	PLUG GP-ENGINE						129
Y	347-6547	1	PLUG GP-FRONT HOUSING						132
Y	329-8473	1	PLUG GP-OIL FILTER MOUNTING						167
Y	350-6268	1	BELT TENSIONER GP						19
Y	329-7997	1	PULLEY GP-CRANKSHAFT						135
Y	329-8435	1	PUMP GP-ENGINE OIL						169
Y	419-0677	1	PUMP GP-FUEL INJECTION						313
Y	333-7914	1	PUMP GP-WATER						204

ENGINE ARRANGEMENT

464-2308 ENGINE AR-PRIMARY (contd.)

i07162356

NOTE	PART NUMBER	QTY	PART NAME						SEE PAGE
			1	2	3	4	5	6 (PRODUCT LEVEL)	
Y	361-2883	1	RAIL GP-FUEL						318
Y	351-9797	1	ROCKER ARM GP						142
Y	428-8196	1	SENSOR GP-COMBUSTION						409
Y	433-4681	1	SENSOR GP-ENGINE						411
Y	377-9847	1	SENSOR GP-TEMPERATURE (INLET AIR)						418
Y	465-3619	1	STARTING AID GP						423
Y	329-7919	1	STARTING MOTOR GP-ELECTRIC						424
Y	425-9719	1	TURBOCHARGER GP						267
Y	425-6359	1	VALVE GP-COOLANT CONTROL						273
	465-8913	1	ELECTRONICS GP-ENGINE						

Y - SEPARATE ILLUSTRATION

<END>

ENGINE ARRANGEMENT

465-2880 ENGINE AR-PRIMARY

S/N: CJ41-UP

83 BRAKE KW (111 BHP) AT 2200 RPM

SMCS - 1000

i06997362

NOTE	PART NUMBER	QTY	PART NAME						SEE PAGE
			1	2	3	4	5	6 (PRODUCT LEVEL)	
Y	350-1486	1	ALTERNATOR GP-CHARGING						325
Y	441-9678	1	CAMSHAFT GP						26
Y	441-9785	1	CONNECTION GP-WATER						177
Y	441-9720	1	CONTROL GP-ELECTRONIC						335
Y	350-1054	1	COOLER GP-ENGINE OIL						179
Y	441-9739	1	COVER GP-VALVE MECHANISM						32
Y	350-3746	1	CRANKSHAFT GP						39
Y	350-3745	1	CYLINDER BLOCK GP						51
Y	441-9675	1	CYLINDER HEAD GP						76
Y	355-4951	1	DRIVE GP-AUXILIARY						83
Y	350-0644	1	DRIVE GP-FAN						86
Y	452-1488	1	TUBE & MTG GP-DEF BLEND						266
Y	442-2325	1	EXHAUST GP-FLEXIBLE						231
Y	350-1474	1	EXTENSION GP-FAN						186
Y	377-5991	1	FILLER GP-ENGINE OIL						150
Y	442-0486	1	FILTER GP-DIESEL PARTICULATE						235
Y	442-1585	1	FILTER GP-DIESEL PARTICULATE						236
Y	418-3402	1	FILTER GP-ENGINE OIL						155
Y	418-3788	1	FILTER GP-FUEL						282
Y	366-9821	1	FILTER GP-PRIMARY FUEL						290
Y	349-9649	1	FLYWHEEL GP						90
Y	451-8483	1	FUMES DISPOSAL GP						161
Y	349-7415	1	HOUSING GP-FLYWHEEL						93
Y	377-6012	1	HOUSING GP-FRONT						98
Y	441-9679	1	INJECTOR GP-FUEL						298
Y	350-1826	1	LIFTING GP-ENGINE						108
Y	372-8164	1	LINES GP-FUEL FILTER						306
Y	350-1802	1	MANIFOLD GP-INLET						255
Y	350-5188	1	PAN GP-OIL						118
Y	441-9673	1	PISTON & ROD GP						127
Y	443-1143	1	PLATE & FILM GP						1024
Y	350-1959	1	PLUG GP-WATER LINES						202
Y	350-1117	1	PULLEY GP-AUXILIARY DRIVE						134
Y	350-1102	1	PULLEY GP-CRANKSHAFT						136
Y	350-1569	1	PUMP GP-ENGINE OIL						170
Y	441-9680	1	PUMP GP-FUEL INJECTION						315
Y	350-5644	1	PUMP GP-WATER						205
Y	441-9676	1	ROCKER ARM GP						146
Y	441-9798	1	SENSOR GP (CLEAN EMISSIONS MODULE)						407
Y	441-9700	1	SENSOR GP-ENGINE						413
Y	443-0630	1	STARTING AID GP						422
Y	350-0562	1	STARTING MOTOR GP-ELECTRIC						425
Y	441-9792	1	TURBOCHARGER GP						269
Y	442-2287	1	VALVE GP-COOLANT CONTROL						274
Y	443-0632	1	WIRING GP-ENGINE						448
	504-3282	1	ELECTRONICS GP-ENGINE						

ENGINE ARRANGEMENT

465-2880 ENGINE AR-PRIMARY (contd.)

i06997362

NOTE	PART NUMBER	QTY	PART NAME						SEE PAGE
			1	2	3	4	5	6 (PRODUCT LEVEL)	
	444-7262	1	ELECTRONICS GP-ENGINE						
	447-1847	1	ELECTRONICS GP-ENGINE						

Y - SEPARATE ILLUSTRATION

<END>

518-5880 INSTALLATION AR-ENGINE

S/N: TD61-UP

PART OF 518-5877 ENGINE AR-COMPLETE
AN ATTACHMENT

SMCS-1000

i07012431

NOTE	PART NUMBER	QTY	PART NAME						SEE PAGE
			1	2	3	4	5	6 (PRODUCT LEVEL)	
Y	500-3159	1	AIR CLEANER GP						223
Y	500-3104	1	EXTENSION GP-EXHAUST						232
Y	500-3139	1	LINES GP-AIR						242
Y	500-3153	1	LINES GP-RETURN (MAIN CONTROL VALVE)						709
Y	500-3157	1	LINES GP-RETURN (TANK)						711
Y	500-3142	1	MOUNTING GP-ENGINE						116
Y	515-9726	1	RADIATOR & MOUNTING GP						219
Y	532-7513	1	SEAL GP-AIR INLET						264
Y	500-3138	1	TANK & MTG GP-DEF						265
Y	495-9896	1	TANK GP-COOLANT						221
Y	516-1391	1	WIRING GP-ENGINE						451

Y - SEPARATE ILLUSTRATION

<END>

518-5954 INSTALLATION AR-ENGINE

S/N: TD71-UP

PART OF 518-6040 ENGINE AR-COMPLETE
AN ATTACHMENT

SMCS-1000

i06906365

NOTE	PART NUMBER	QTY	PART NAME						SEE PAGE
			1	2	3	4	5	6 (PRODUCT LEVEL)	
Y	499-9420	1	AIR CLEANER GP						222
Y	497-9617	1	EXHAUST GP						229
Y	499-9429	1	LINES GP-AIR						238
Y	500-1123	1	LINES GP-RETURN (HYDRAULIC TANK)						706
Y	500-1125	1	LINES GP-RETURN (MAIN CONTROL VALVE)						707
Y	500-1296	1	MOUNTING GP-ENGINE						115
Y	515-9703	1	RADIATOR & MOUNTING GP						217
Y	495-9896	1	TANK GP-COOLANT						221
Y	516-1392	1	WIRING GP-ENGINE						455

Y - SEPARATE ILLUSTRATION

<END>

ENGINE ARRANGEMENT

518-5955 INSTALLATION AR-ENGINE

S/N: TD71-UP

PART OF 518-6042 ENGINE AR-COMPLETE
AN ATTACHMENT

SMCS-1000

i07012432

NOTE	PART NUMBER	QTY	PART NAME						SEE PAGE
			1	2	3	4	5	6 (PRODUCT LEVEL)	
Y	500-3159	1	AIR CLEANER GP						223
Y	497-9617	1	EXHAUST GP						229
Y	500-3068	1	LINES GP-AIR						241
Y	500-3153	1	LINES GP-RETURN (MAIN CONTROL VALVE)						709
Y	500-3157	1	LINES GP-RETURN (TANK)						711
Y	500-1296	1	MOUNTING GP-ENGINE						115
Y	515-9726	1	RADIATOR & MOUNTING GP						219
Y	532-7513	1	SEAL GP-AIR INLET						264
Y	495-9896	1	TANK GP-COOLANT						221
Y	516-1392	1	WIRING GP-ENGINE						455

Y - SEPARATE ILLUSTRATION

<END>

518-5956 INSTALLATION AR-ENGINE

S/N: TD71-UP

PART OF 518-6043 ENGINE AR-COMPLETE
AN ATTACHMENT

SMCS-1000

i07195207

NOTE	PART NUMBER	QTY	PART NAME						SEE PAGE
			1	2	3	4	5	6 (PRODUCT LEVEL)	
Y	499-9420	1	AIR CLEANER GP						222
Y	497-9617	1	EXHAUST GP						229
Y	500-1294	1	LINES GP-AIR						240
Y	500-1296	1	MOUNTING GP-ENGINE						115
Y	515-8961	1	RADIATOR & MOUNTING GP						215
Y	532-7513	1	SEAL GP-AIR INLET						264
Y	495-9896	1	TANK GP-COOLANT (SURGE)						221
Y	516-1392	1	WIRING GP-ENGINE						455

Y - SEPARATE ILLUSTRATION

<END>

BASIC ENGINE

350-6268 BELT TENSIONER GP

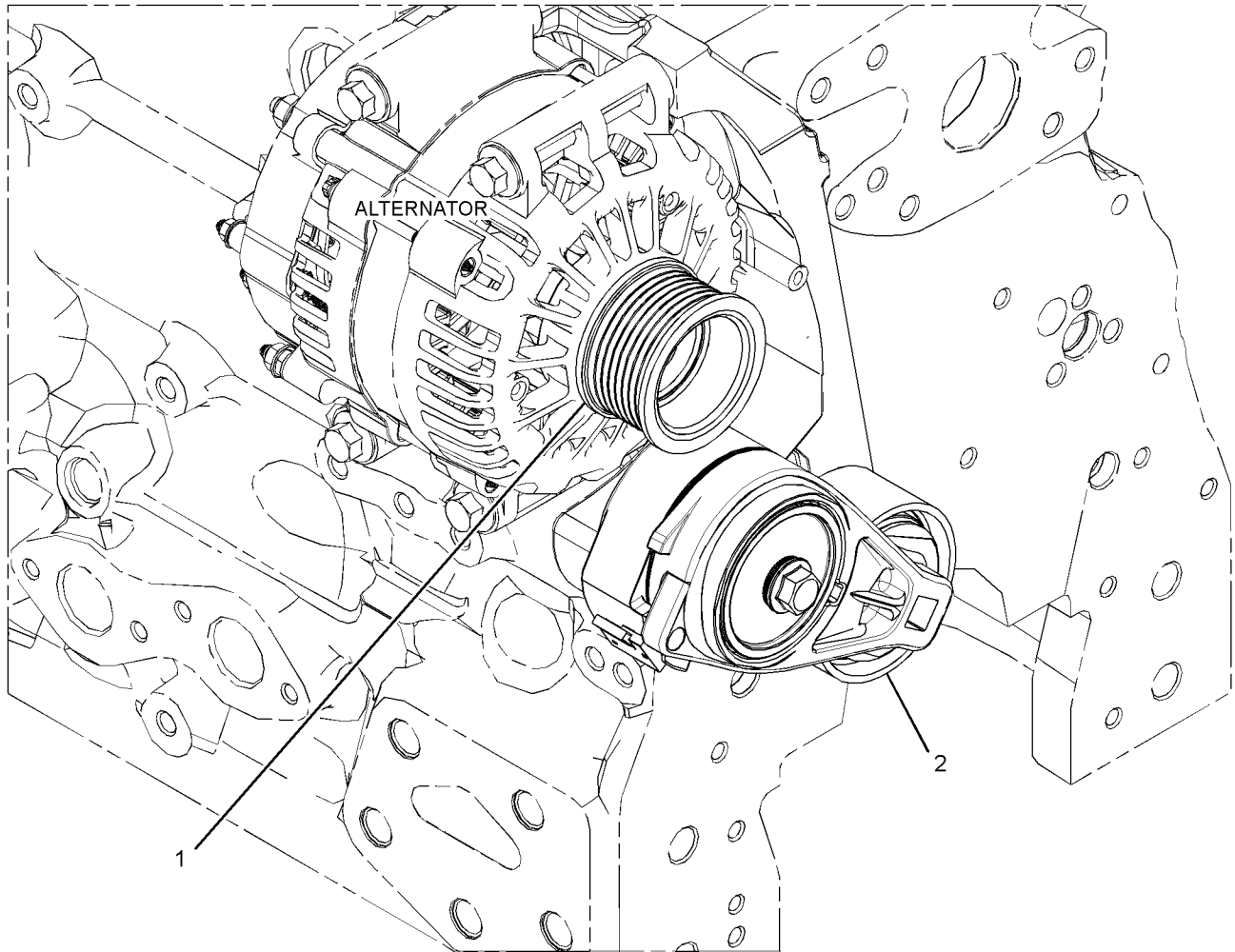
S/N: JKT1-UP

PART OF 464-2308 ENGINE AR-PRIMARY

SMCS-1357, 1358, 1397

i05966813

NOTE	REF NO	GRAPHIC REF	PART NUMBER	QTY	PART NAME						SEE PAGE
					1	2	3	4	5	6 (PRODUCT LEVEL)	
	1	1	321-6131	1	PULLEY (8-GROOVE)						
	2	1	377-9082	1	BELT TENSIONER						



GRAPHIC #1

<END>

g02736725

BASIC ENGINE

418-7425 BELT TENSIONER GP

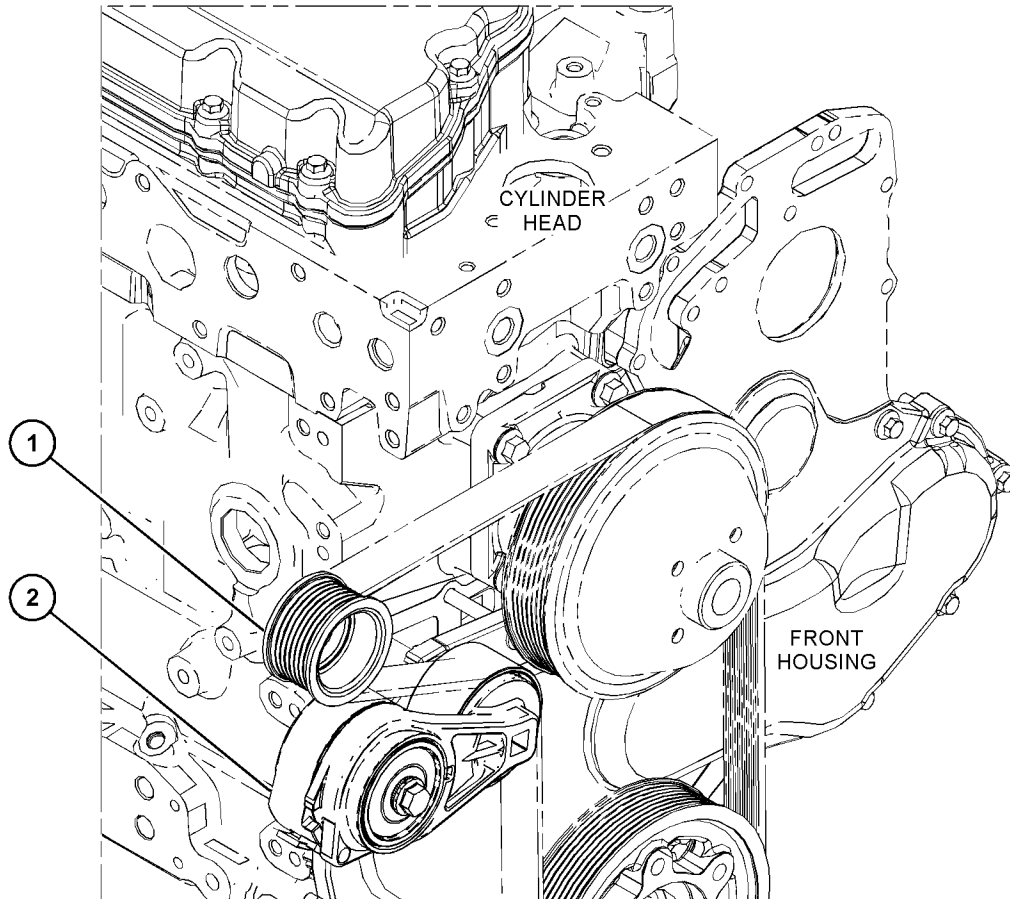
S/N: W231-UP

PART OF 463-8820, 463-8910 ENGINE AR-PRIMARY
ALSO AN ATTACHMENT

SMCS-1357, 1358, 1397

i06134104

NOTE	REF NO	GRAPHIC REF	PART NUMBER	QTY	PART NAME						SEE PAGE
					1	2	3	4	5	6 (PRODUCT LEVEL)	
1	1	1	321-6131	1	PULLEY (8-GROOVE)						
2	1	1	377-9082	1	BELT TENSIONER						



GRAPHIC #1

<END>

g03817856

BASIC ENGINE

450-0003 BELT TENSIONER GP-WITH AIR CONDITIONER

S/N: TD61-UP; TD71-UP

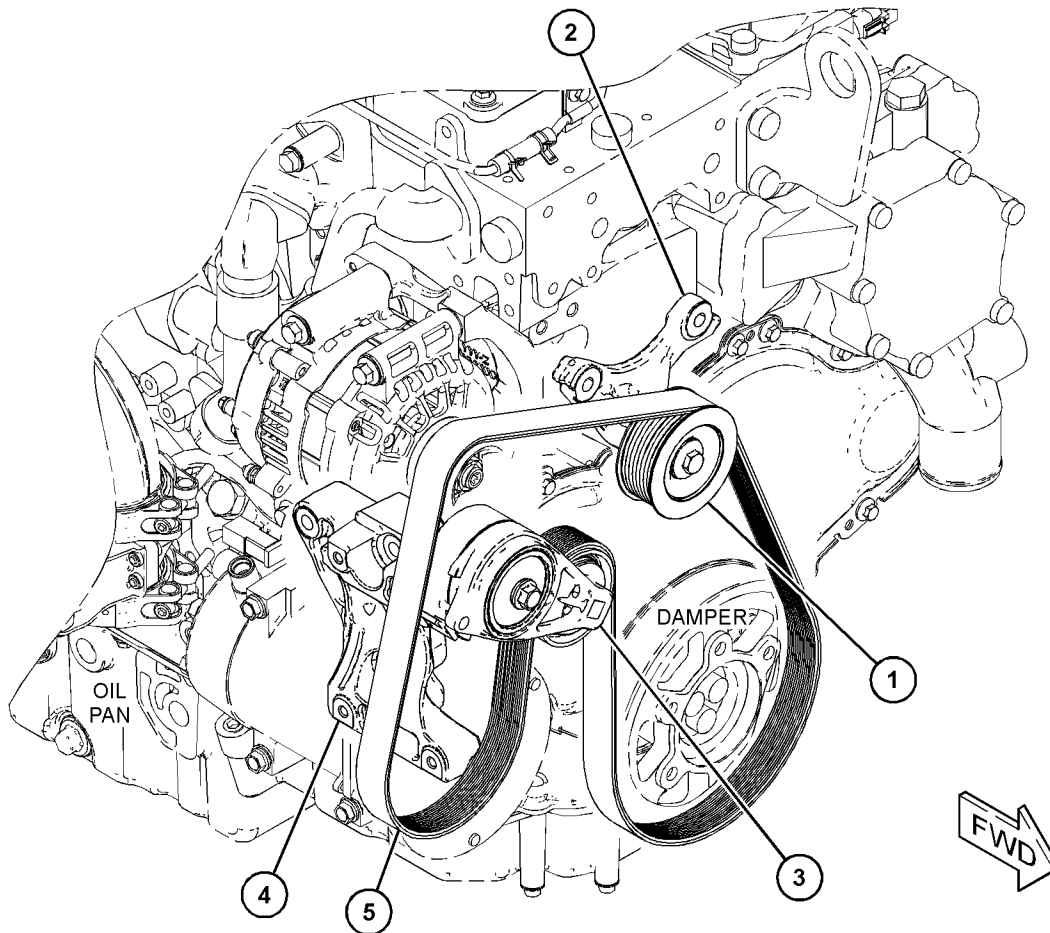
PART OF 501-0753 AIR CONDITIONER & MOUNTING GP
AN ATTACHMENT

SMCS-1357, 1358, 1397

i05921431

NOTE	REF NO	GRAPHIC REF	PART NUMBER	QTY	PART NAME						SEE PAGE
					1	2	3	4	5	6 (PRODUCT LEVEL)	
	1	1	377-9255	1	PULLEY AS (8-GROOVE)						
M		1	423-7576	1	BOLT (M10X1.5X50-MM)						
	2	1	336-1294	1	BRACKET						
	3	1	369-1255	1	TENSIONER						
	4	1	330-1725	1	BRACKET AS						
		1	161-9820	2	PIN						
	5	1	365-2985	1	BELT-SERPENTINE (AIR CONDITIONER)						

M - METRIC PART



GRAPHIC #1

<END>

g03663294

BASIC ENGINE

495-4802 BRACKET GP-MOUNTING-ARMREST

S/N: TD61-UP; TD71-UP
PART OF 495-6206 ARMREST GP
AN ATTACHMENT

SMCS-0635, 1153, 1262, 1263, 1317, 1375, 7174

i06708099

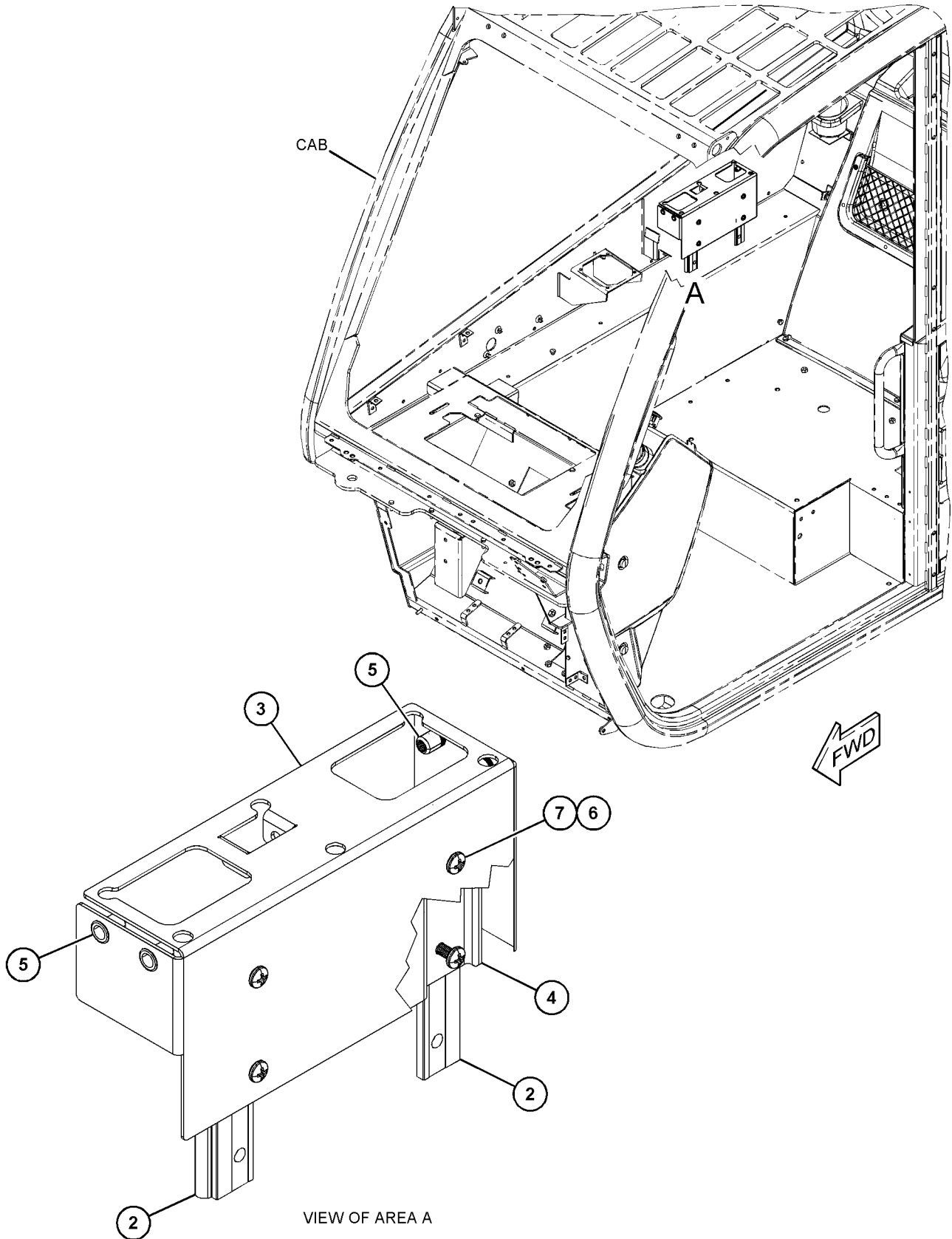
NOTE	REF NO	GRAPHIC REF	PART NUMBER	QTY	PART NAME						SEE PAGE
					1	2	3	4	5	6	
	1	1	495-6228	4	SCREW-DRIVE (M6X1X25-MM)						
	2	1	495-4803	2	RAIL						
	3	1	495-4804	1	BRACKET						
	4	1	495-4805	1	PLATE						
M	5	1	495-4806	4	NUT (M6X1-THD)						
	6	1	303-4779	4	LOCKNUT (M6X1-THD)						

M - METRIC PART

BASIC ENGINE

495-4802 BRACKET GP-MOUNTING (contd.)

106708099



GRAPHIC #1

<END>

g06090430

BASIC ENGINE

339-5858 CAMSHAFT GP

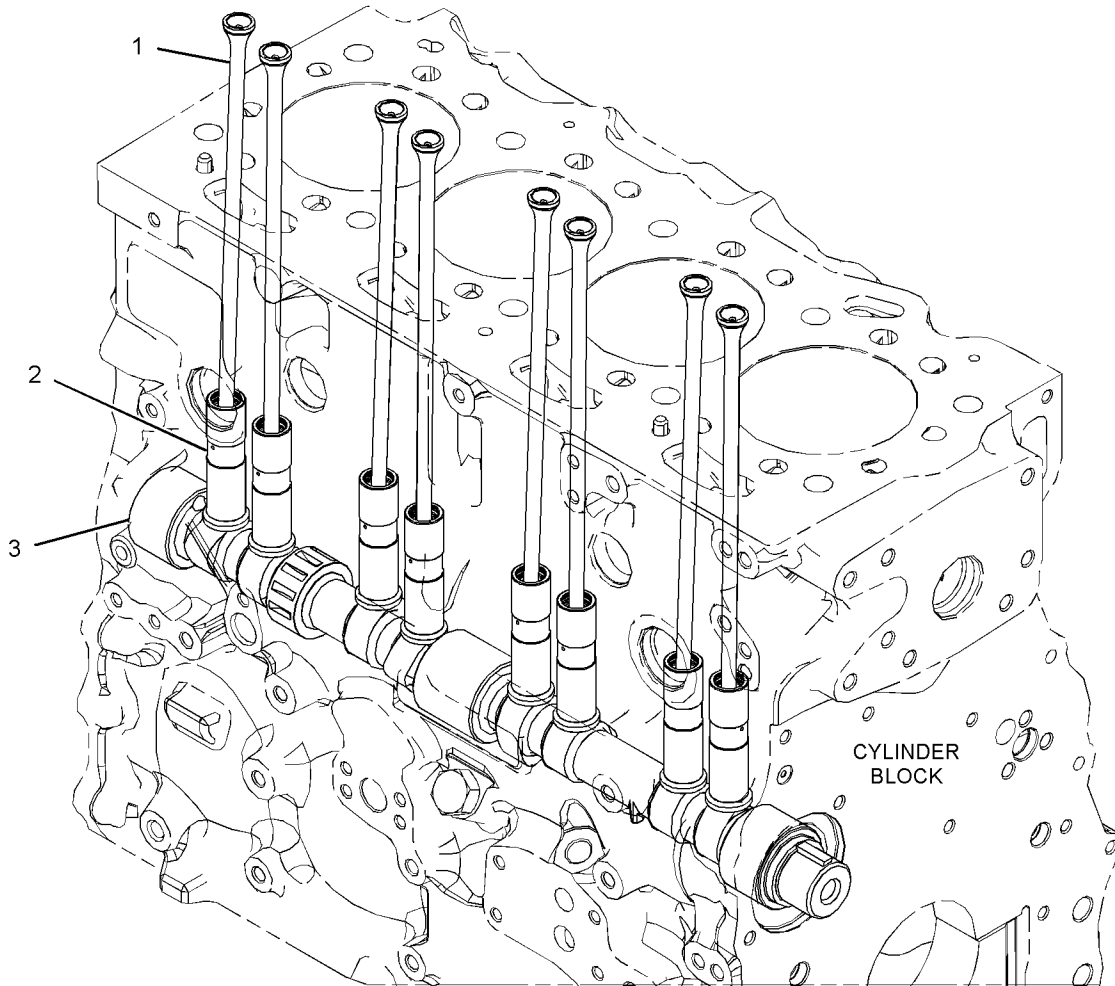
S/N: JKT1-UP

PART OF 464-2308 ENGINE AR-PRIMARY

SMCS-1210

i04630461

NOTE	REF NO	GRAPHIC REF	PART NUMBER	QTY	PART NAME						SEE PAGE
					1	2	3	4	5	6 (PRODUCT LEVEL)	
	1	1	319-8426	8	PUSHROD						
	2	1	385-4313	8	TAPPET						
	3	1	363-3890	1	CAMSHAFT GP						
		1	1B-8736	1	KEY-WOODRUFF						



GRAPHIC #1

<END>

g02773480

BASIC ENGINE

435-7778 CAMSHAFT GP

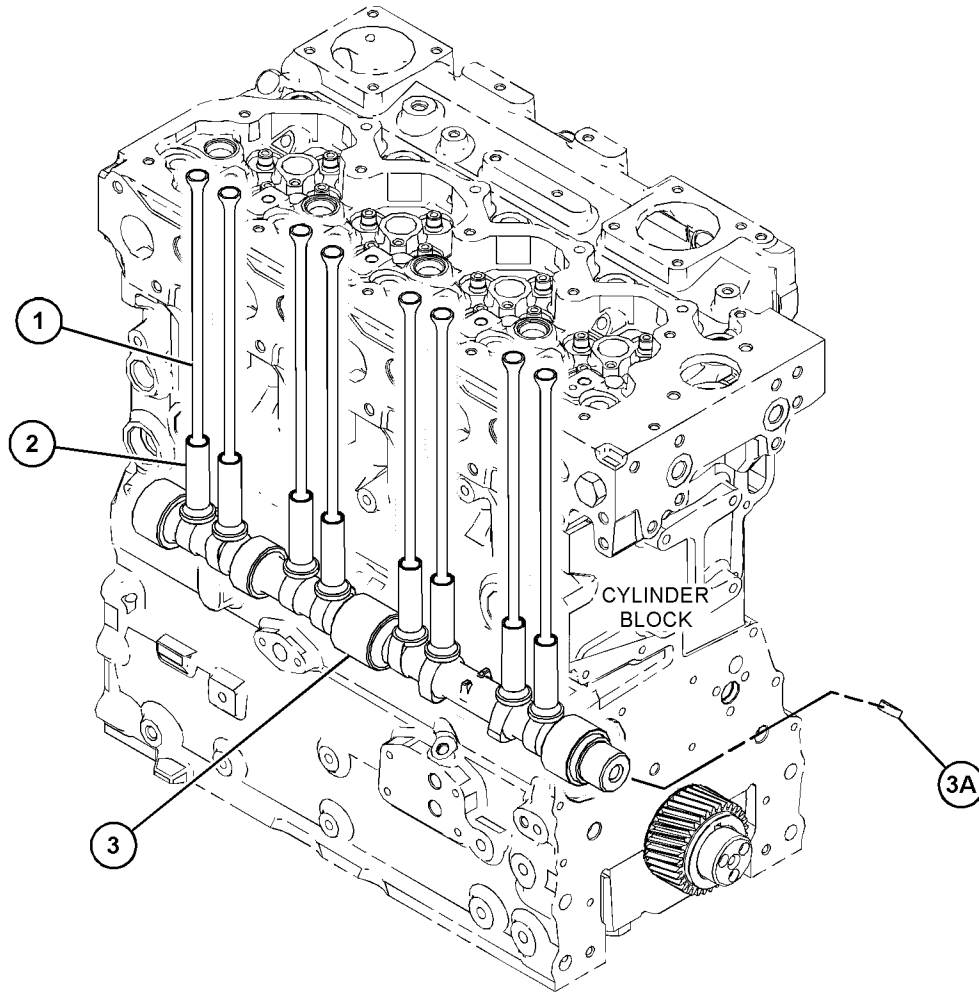
S/N: W231-UP

PART OF 463-8820, 463-8910 ENGINE AR-PRIMARY
ALSO AN ATTACHMENT

SMCS-1210

i06134091

NOTE	REF NO	GRAPHIC REF	PART NUMBER	QTY	PART NAME						SEE PAGE
					1	2	3	4	5	6 (PRODUCT LEVEL)	
	1	1	278-5126	8	PUSHROD						
	2	1	315-3384	8	TAPPET						
	3	1	454-0683	1	CAMSHAFT GP						
	3A	1	067-6135	1	KEY-WOODRUFF						



GRAPHIC #1

<END>

g03811367

BASIC ENGINE

441-9678 CAMSHAFT GP

S/N: CJ41-UP

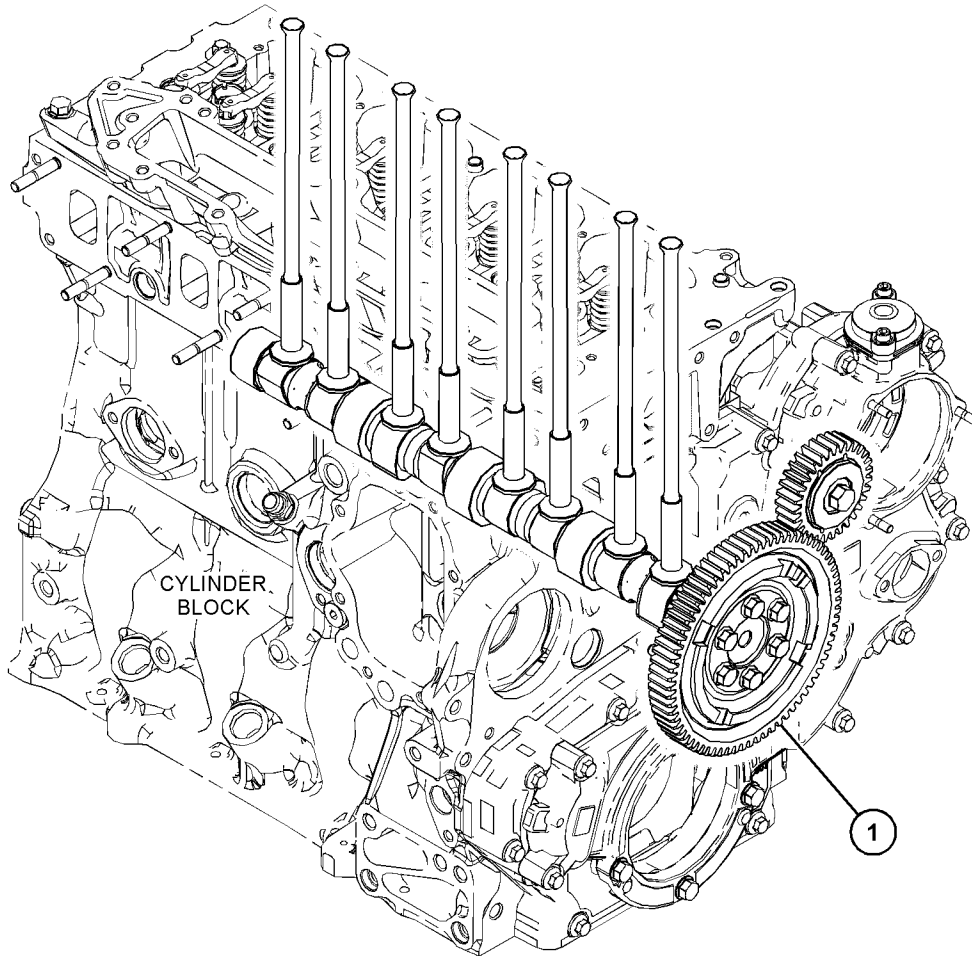
PART OF 465-2880 ENGINE AR-PRIMARY

SMCS-1210

i06252165

NOTE	REF NO	GRAPHIC REF	PART NUMBER	QTY	PART NAME						SEE PAGE
					1	2	3	4	5	6 (PRODUCT LEVEL)	
Y	1	1	446-1405	1	CAMSHAFT GP						27

Y - SEPARATE ILLUSTRATION



GRAPHIC #1

<END>

g03825266

BASIC ENGINE

446-1405 CAMSHAFT GP

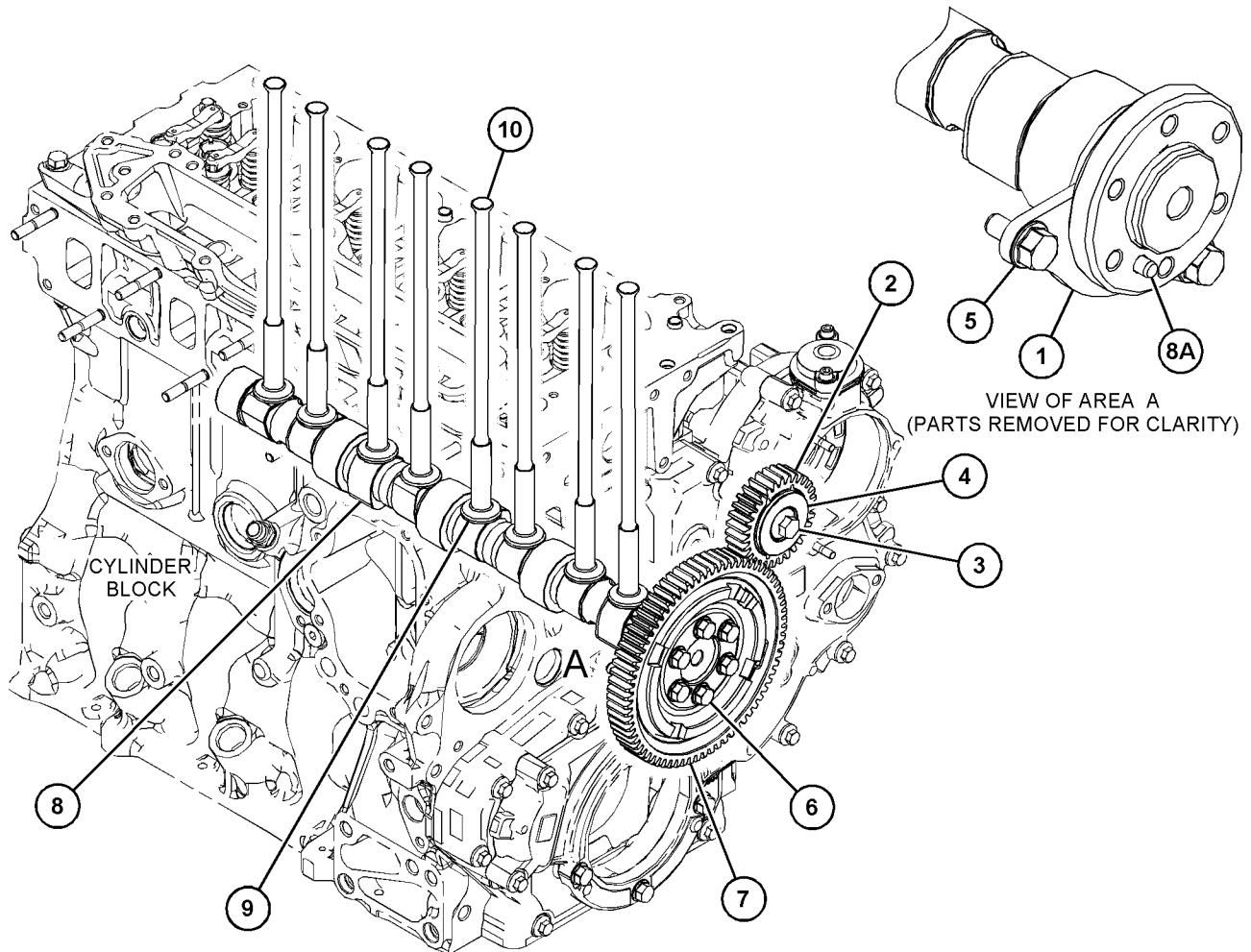
S/N: CJ41-UP

PART OF 441-9678 CAMSHAFT GP

SMCS-1210

i06252175

NOTE	REF NO	GRAPHIC REF	PART NUMBER	QTY	PART NAME						SEE PAGE
					1	2	3	4	5	6	
	1	1	383-1333	1	YOKE						
	2	1	383-1335	1	GEAR						
	3	1	385-1649	1	BOLT (M10X1.5X50-MM)						
	4	1	385-9077	1	PIN						
	5	1	389-1863	2	BOLT-SPECIAL						
	6	1	389-1874	6	BOLT-SPECIAL						
	7	1	423-0030	1	GEAR						
	8	1	463-8773	1	CAMSHAFT AS						
	8A	1	381-3515	1	DOWEL						
	9	1	463-8775	8	TAPPET						
	10	1	463-8776	8	PUSHROD						



GRAPHIC #1

<END>

g03827991

BASIC ENGINE

355-5048 COVER GP-VALVE MECHANISM

S/N: JKT1-UP

PART OF 464-2308 ENGINE AR-PRIMARY

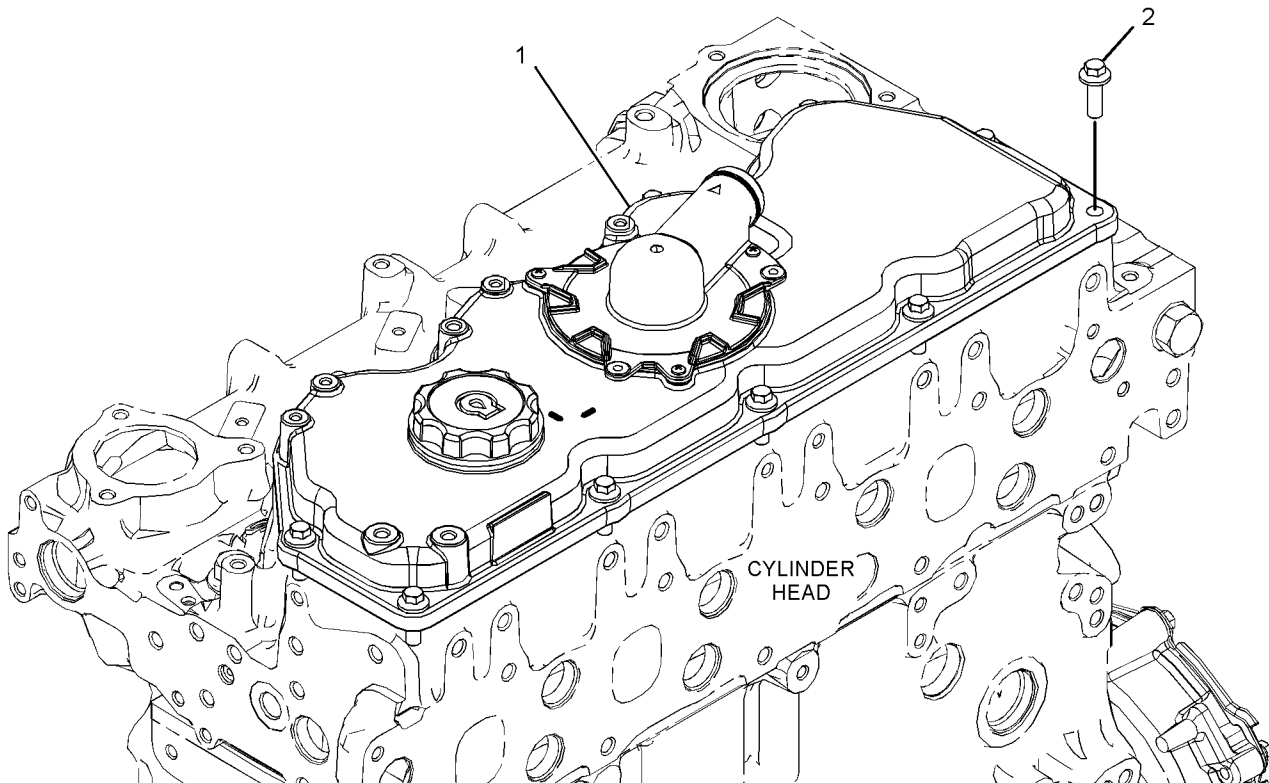
SMCS-1107, 1120

i05668070

NOTE	REF NO	GRAPHIC REF	PART NUMBER	QTY	PART NAME						SEE PAGE
					1	2	3	4	5	6	
Y	1	1	446-7562	1	COVER GP-VALVE MECHANISM						33
M	2	1	6I-0260	11	BOLT (M8X1.25X25-MM)						

M - METRIC PART

Y - SEPARATE ILLUSTRATION



GRAPHIC #1

<END>

g02784297

BASIC ENGINE

392-9460 COVER GP-VALVE MECHANISM

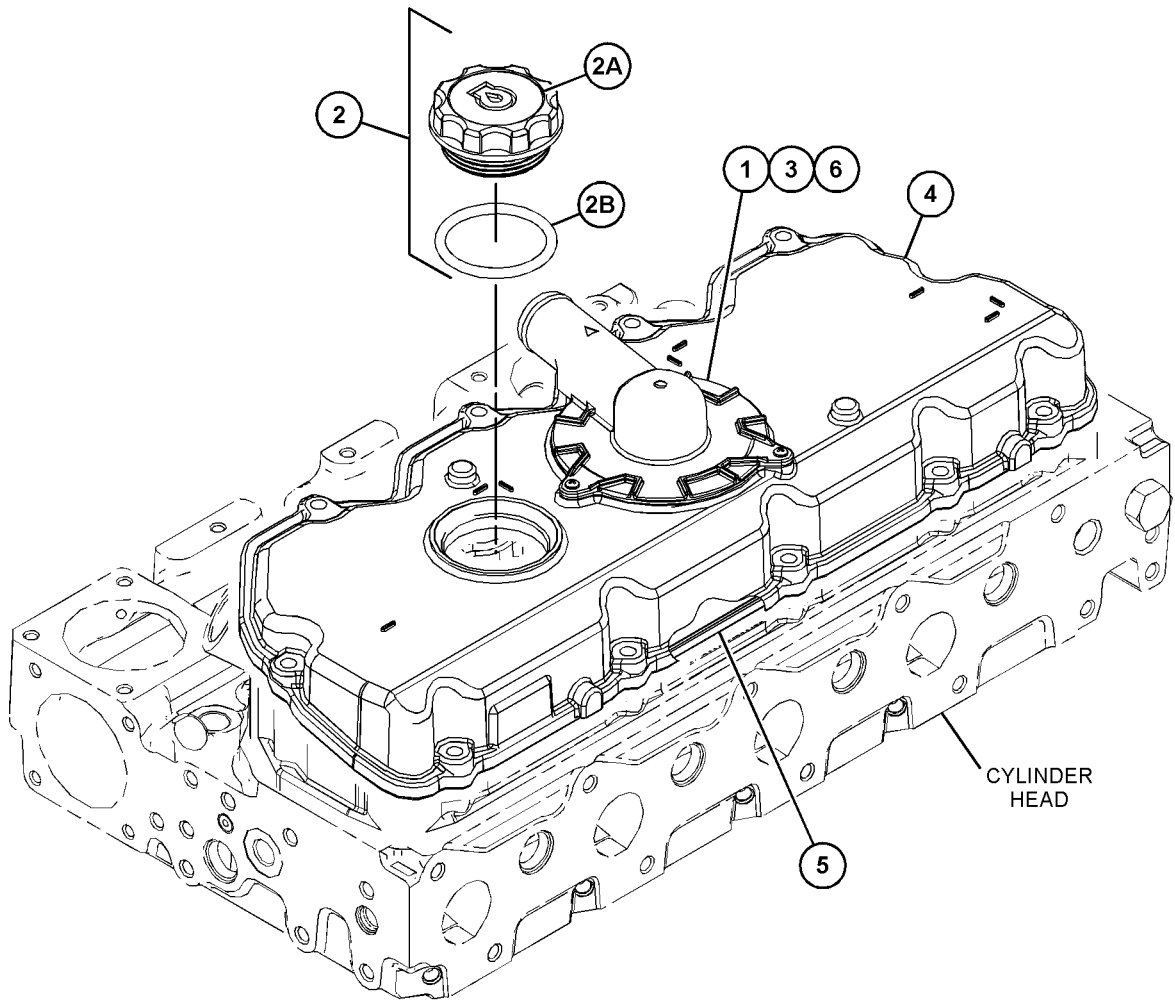
S/N: W231-UP

PART OF 418-6381 COVER GP-VALVE MECHANISM
ALSO AN ATTACHMENT

SMCS-1107, 1120

i07189793

NOTE	REF NO	GRAPHIC REF	PART NUMBER	QTY	PART NAME						SEE PAGE
					1	2	3	4	5	6 (PRODUCT LEVEL)	
	1	1	195-9245	3	SCREW (M4X0.7X10-MM)						
	2	1	369-3869	1	CAP AS-ENGINE OIL FILLER						
	2A	1	357-0147	1	FILM-IDENTIFICATION (OIL FILL, READ OMM)						
	2B	1	124-0506	1	SEAL						
	3	1	380-9615	1	BREATHER (VALVE MECHANISM)						
	4	1	392-9459	1	COVER-VALVE MECHANISM						
	5	1	474-0599	1	SEAL						
	6	1	326-7289	1	SEAL-O-RING						



GRAPHIC #1

<END>

g06243640

BASIC ENGINE

415-7105 COVER GP-VALVE MECHANISM

S/N: W231-UP

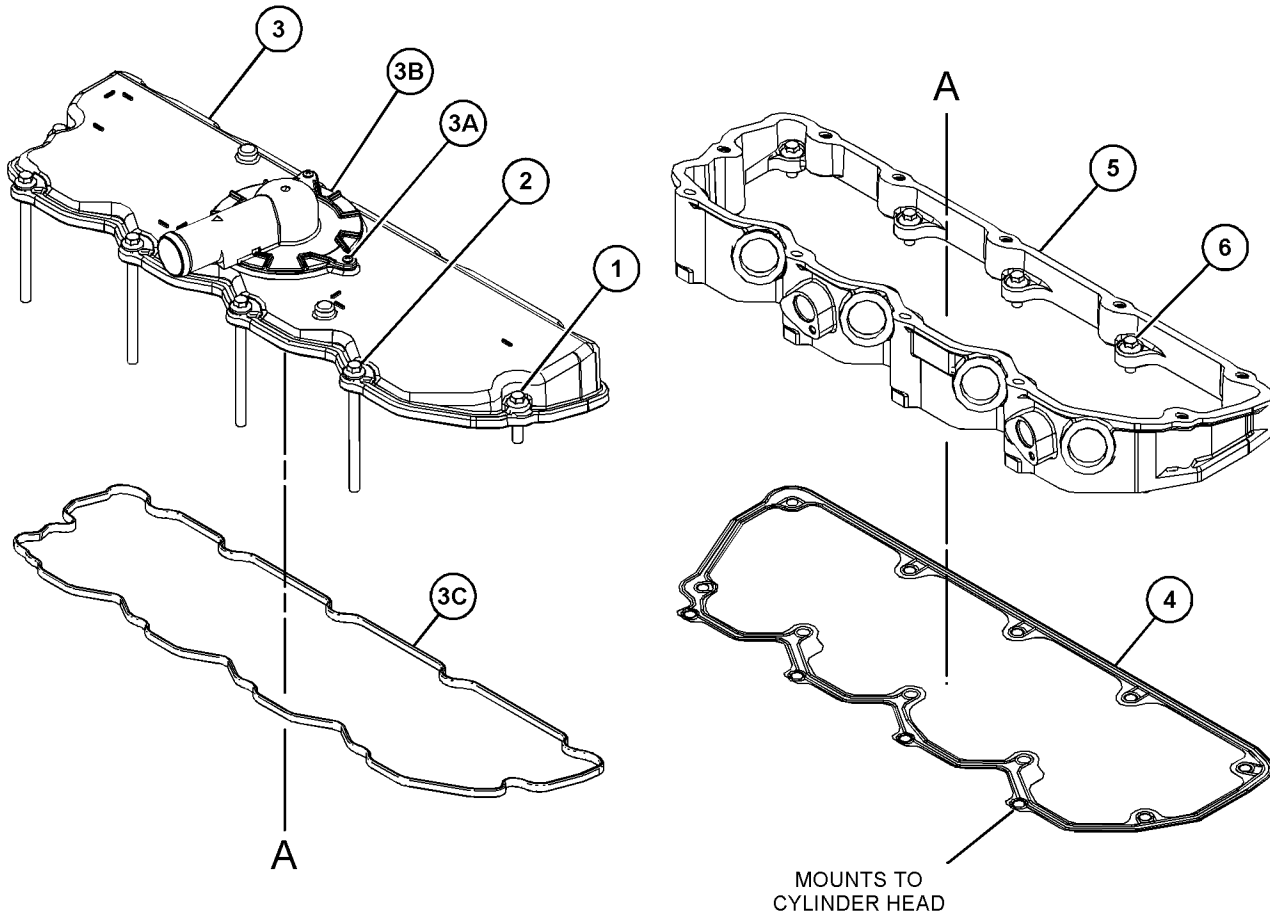
PART OF 463-8910 ENGINE AR-PRIMARY

SMCS-1107, 1120

i07213652

NOTE	REF NO	GRAPHIC REF	PART NUMBER	QTY	PART NAME						SEE PAGE
					1	2	3	4	5	6	
M	1	1	101-3895	7	BOLT (M8X1.25X35-MM)						
M	2	1	103-5705	4	BOLT (M8X1.25X110-MM)						
	3	1	392-9458	1	COVER GP-VALVE MECHANISM						
	3A	1	195-9245	3	SCREW (M4X0.7X10-MM)						
	3B	1	380-9615	1	BREATHER (VALVE MECHANISM)						
	3C	1	392-9471	1	SEAL						
	4	1	392-9472	1	GASKET (VALVE COVER)						
	5	1	455-6923	1	COVER-BASE						
M	6	1	6I-0217	10	BOLT (M8X1.25X20-MM)						

M - METRIC PART



GRAPHIC #1

<END>

g03814998

BASIC ENGINE

418-6381 COVER GP-VALVE MECHANISM

S/N: W231-UP

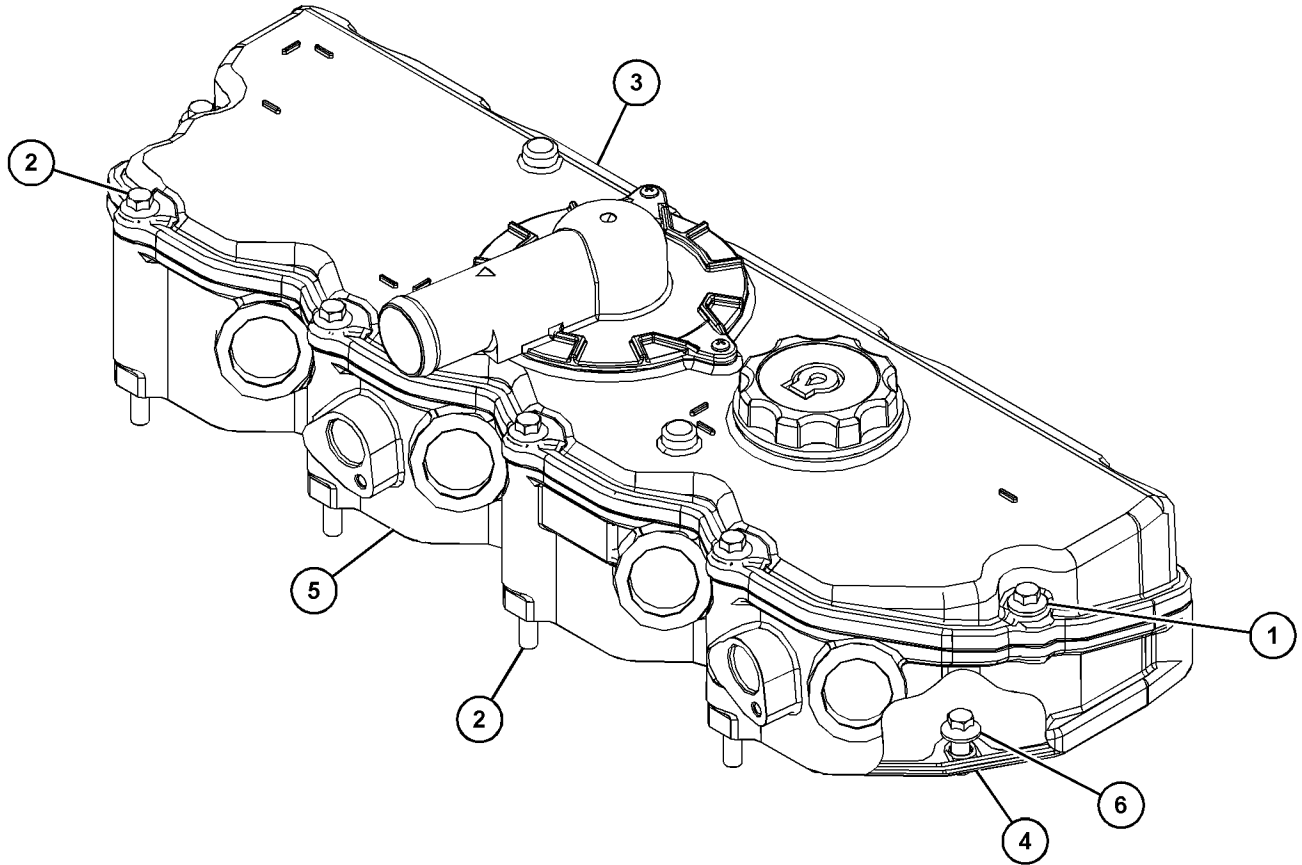
PART OF 463-8820 ENGINE AR-PRIMARY
ALSO AN ATTACHMENT

SMCS-1107, 1120

i06170654

NOTE	REF NO	GRAPHIC REF	PART NUMBER	QTY	PART NAME						SEE PAGE
					1	2	3	4	5	6 (PRODUCT LEVEL)	
M	1	1	101-3895	7	BOLT (M8X1.25X35-MM)						
M	2	1	103-5705	4	BOLT (M8X1.25X110-MM)						
Y	3	1	392-9460	1	COVER GP-VALVE MECHANISM						29
	4	1	392-9472	1	GASKET (VALVE COVER)						
	5	1	455-6923	1	COVER-BASE						
M	6	1	6I-0217	10	BOLT (M8X1.25X20-MM)						

M - METRIC PART
Y - SEPARATE ILLUSTRATION



GRAPHIC #1

<END>

g03828465

BASIC ENGINE

441-9739 COVER GP-VALVE MECHANISM

S/N: CJ41-UP

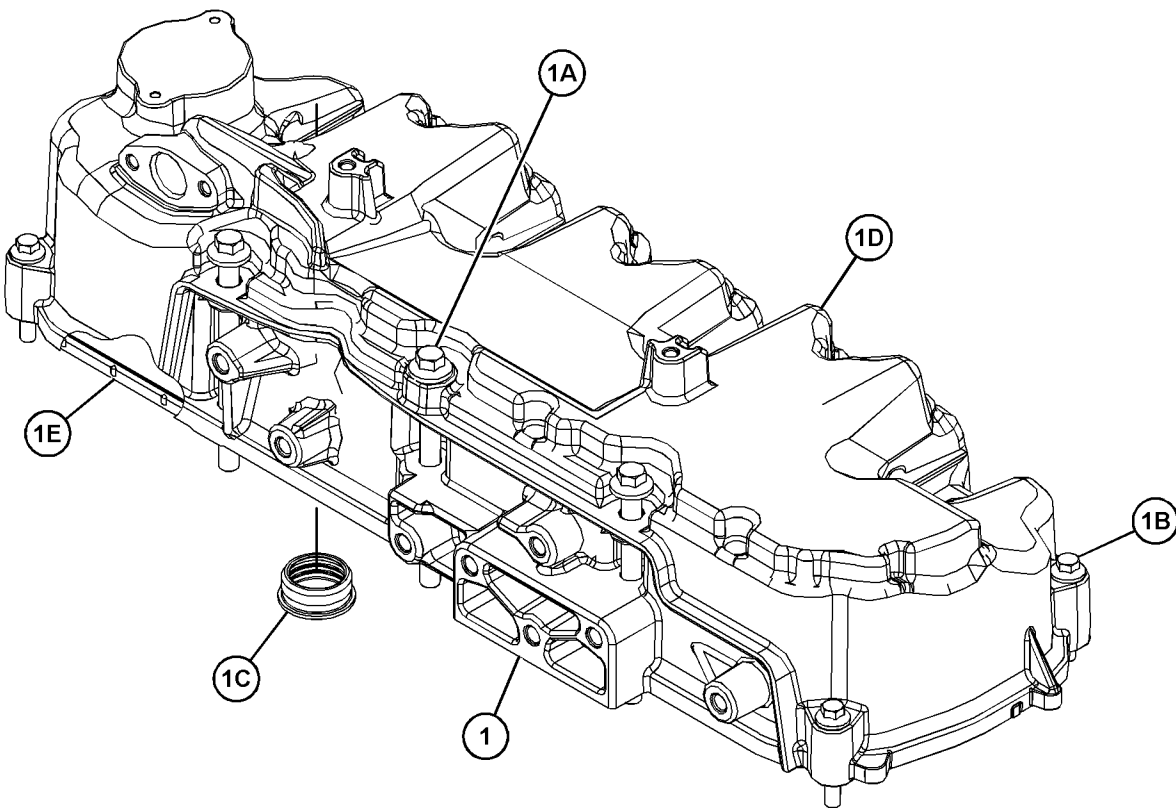
PART OF 465-2880 ENGINE AR-PRIMARY

SMCS-1107, 1120

i06252191

NOTE	REF NO	GRAPHIC REF	PART NUMBER	QTY	PART NAME						SEE PAGE
					1	2	3	4	5	6 (PRODUCT LEVEL)	
	1	1	464-1147	1	COVER AS						
M	1A	1	6I-4709	3	BOLT (M8X1.25X100-MM)						
	1B	1	243-3811	7	BOLT-FLANGE HEAD						
	1C	1	464-8101	4	BUSHING						
	1D	1	464-8160	1	COVER AS						
	1E	1	464-8216	1	GASKET (VALVE COVER)						

M - METRIC PART



GRAPHIC #1

<END>

g03825684

BASIC ENGINE

446-7562 COVER GP-VALVE MECHANISM

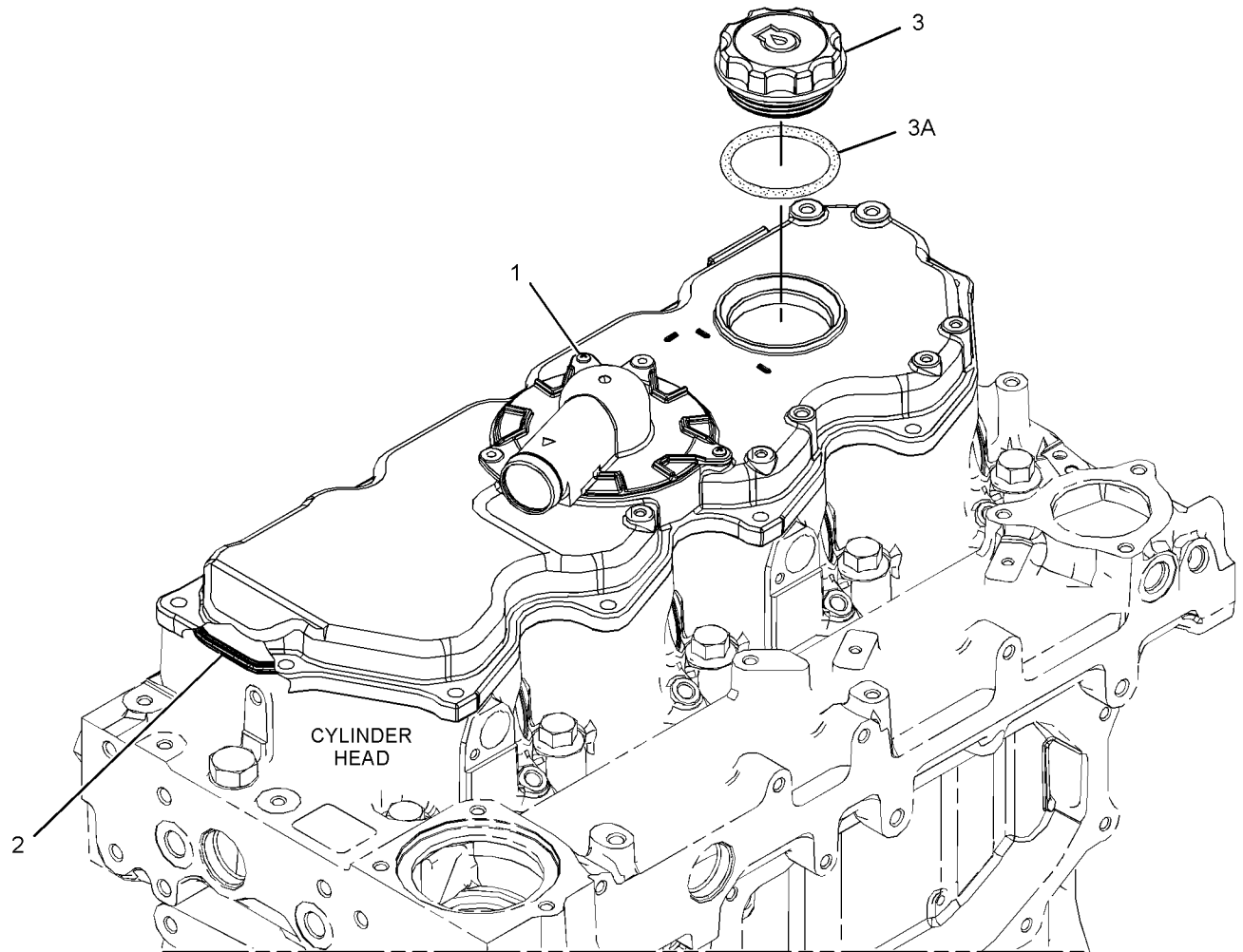
S/N: JKT1-UP

PART OF 355-5048 COVER GP-VALVE MECHANISM

SMCS-1107, 1120

i05668131

NOTE	REF NO	GRAPHIC REF	PART NUMBER	QTY	PART NAME						SEE PAGE
					1	2	3	4	5	6 (PRODUCT LEVEL)	
	1	1	195-9245	3	SCREW (M4X0.7X10-MM)						
	2	1	333-8052	1	SEAL (VALVE COVER)						
	3	1	359-1310	1	CAP AS-FILLER (ENGINE OIL)						
	3A	1	124-0506	1	SEAL						



GRAPHIC #1

<END>

g03618216

BASIC ENGINE

466-8480 CRANKSHAFT AS

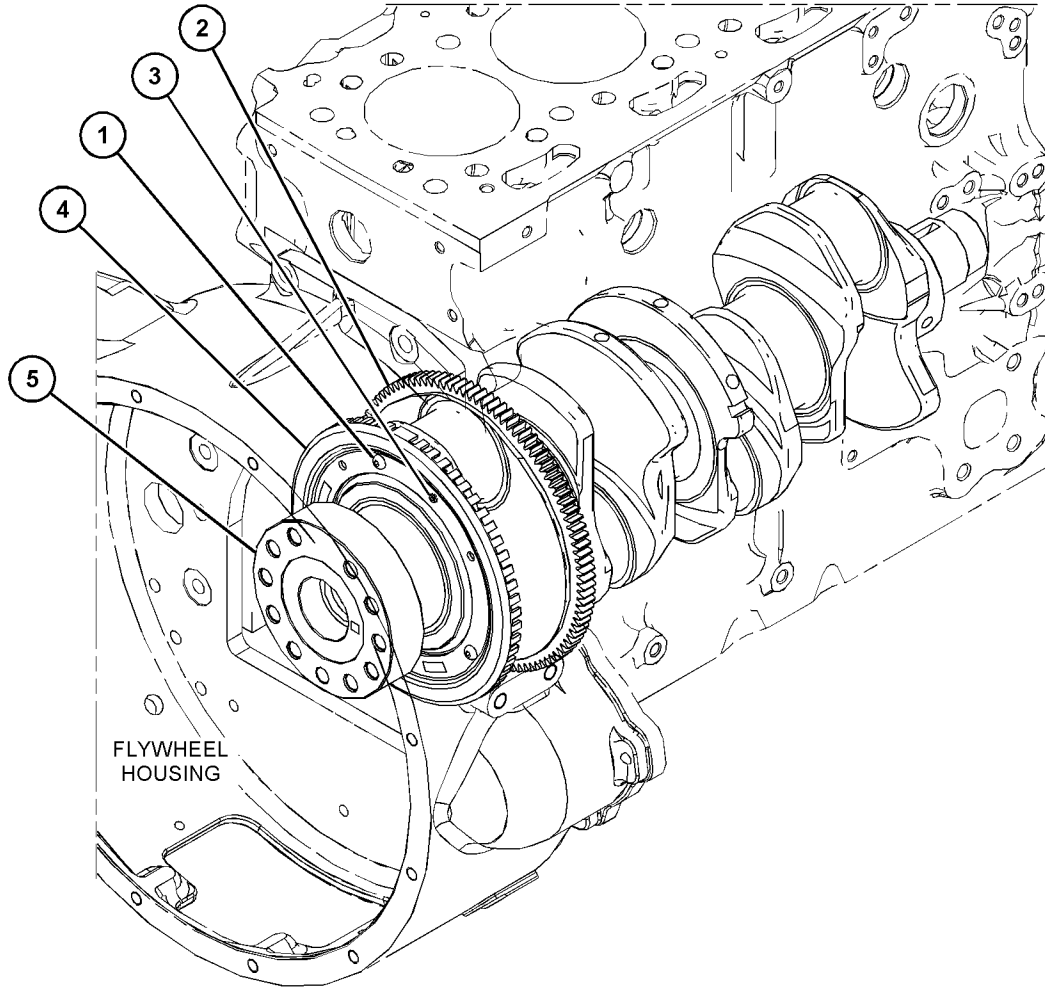
S/N: JKT1-UP

PART OF 364-5843 CRANKSHAFT GP

SMCS-1202, 1204, 1232

i06113639

NOTE	REF NO	GRAPHIC REF	PART NUMBER	QTY	PART NAME						SEE PAGE
					1	2	3	4	5	6 (PRODUCT LEVEL)	
	1	1	276-7394	3	SCREW (M6X1XX12-MM)						
	2	1	332-0137	1	GEAR-CRANKSHAFT (106-TEETH)						
	3	1	339-8780	1	DOWEL						
	4	1	376-4078	1	DISC-TIMING						
	5	1	466-4921	1	CRANKSHAFT						



GRAPHIC #1

<END>

g03817605

BASIC ENGINE

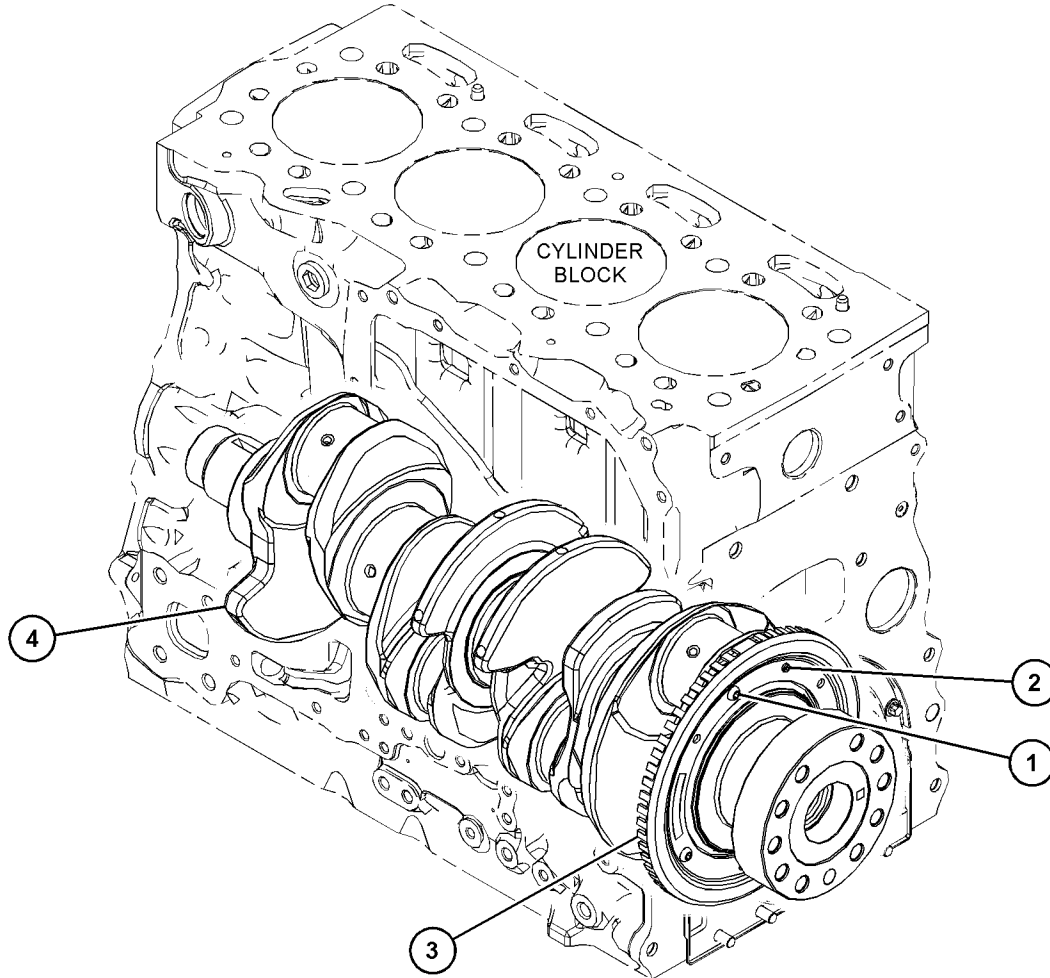
491-5234 CRANKSHAFT AS

S/N: CJ41-UP; TD61-UP; JKT1-UP
PART OF 346-4197 CRANKSHAFT GP
ALSO AN ATTACHMENT

SMCS-1202, 1204, 1232

i06560330

NOTE	REF NO	GRAPHIC REF	PART NUMBER	QTY	PART NAME						SEE PAGE
					1	2	3	4	5	6 (PRODUCT LEVEL)	
1	1	1	276-7394	3	SCREW (M6X1XX12-MM)						
2	1	1	339-8780	1	DOWEL						
3	1	1	376-4078	1	DISC-TIMING						
4	1	1	472-0209	1	CRANKSHAFT						



GRAPHIC #1

<END>

g03814016

BASIC ENGINE

346-4197 CRANKSHAFT GP

S/N: JKT1-UP

PART OF 464-2308 ENGINE AR-PRIMARY

SMCS-1202

i06995833

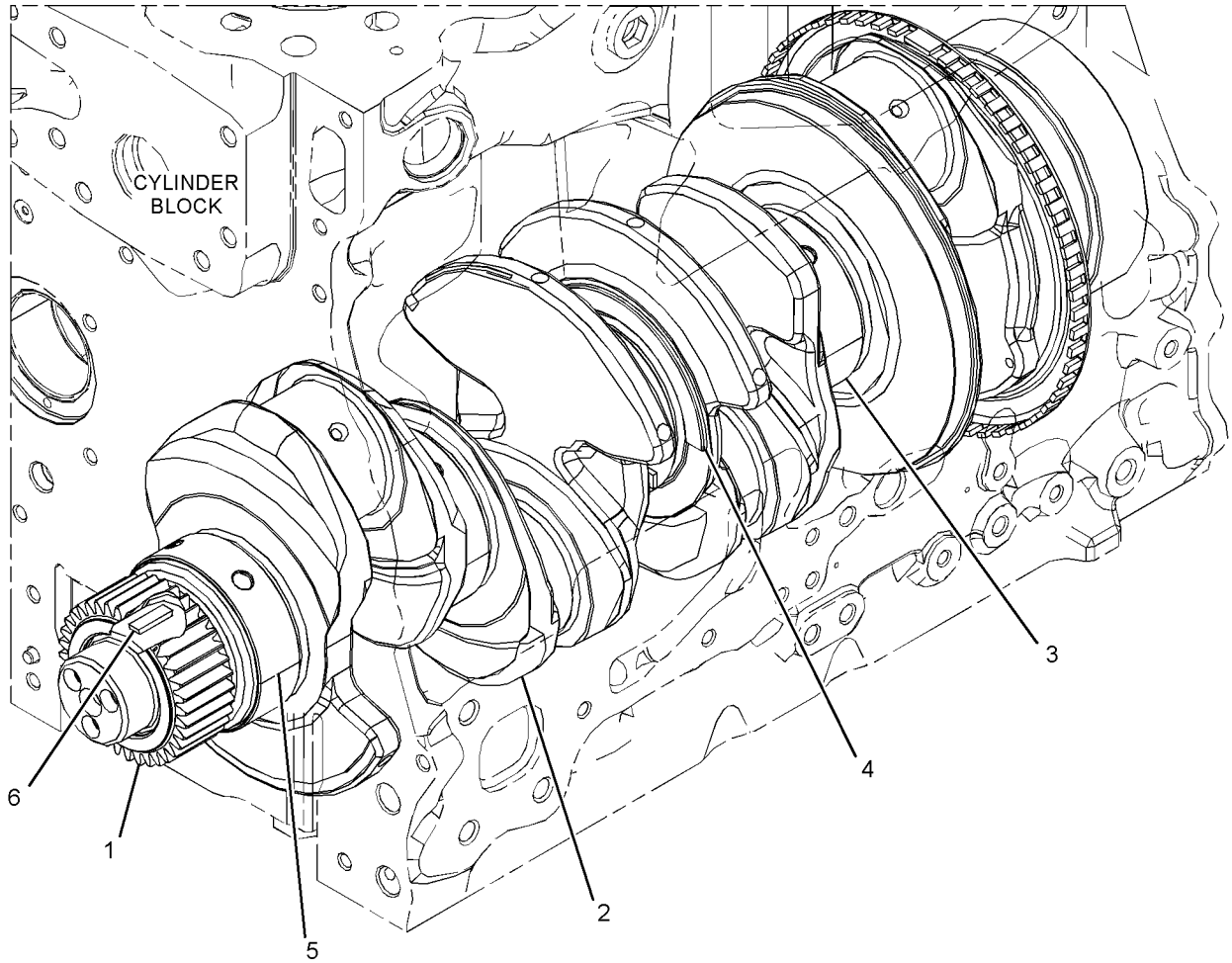
NOTE	REF NO	GRAPHIC REF	PART NUMBER	QTY	PART NAME						SEE PAGE
					1	2	3	4	5	6	
	1	1	338-1402	1	GEAR-CRANKSHAFT (36-TEETH)						
Y	2	1	491-5234	1	CRANKSHAFT AS						35
C	3	1	470-8171	5	BEARING-CRANKSHAFT (STANDARD-LOWER)						
J	4	1	363-0559	2	WASHER-THRUST						
CN	5	1	470-8101	5	BEARING-CRANKSHAFT (STANDARD-UPPER)						
	6	1	067-6135	1	KEY-WOODRUFF						
					AVAILABLE REPAIR KIT(S) :						
N			518-5431	1	KIT-BEARING (CRANKSHAFT)						
					(INCLUDES BEARINGS)						
AB			518-5432		KIT-BEARING (0.254-MM US)						
					(INCLUDES BEARINGS)						
AB			518-5433		KIT-BEARING (0.508-MM US)						
					(INCLUDES BEARINGS)						
AB			518-5436		KIT-BEARING (0.762-MM US)						
					(INCLUDES BEARINGS)						
J			364-5145	1	KIT-WASHER (STANDARD) (CRANKSHAFT)						
					(INCLUDES THRUST WASHERS)						
AB			448-4227		KIT-WASHER (0.20-MM US)						
					(INCLUDES THRUST WASHERS)						

A - NOT PART OF THIS GROUP
 B - USE AS REQUIRED
 C - CHANGE FROM PREVIOUS TYPE
 J - KIT MARKED J SERVICES PART(S) MARKED J
 N - KIT MARKED N SERVICES PART(S) MARKED N
 Y - SEPARATE ILLUSTRATION

BASIC ENGINE

346-4197 CRANKSHAFT GP (contd.)

106995833



GRAPHIC #1

<END>

g03326057

BASIC ENGINE

346-4197 CRANKSHAFT GP

S/N: CJ41-UP; TD61-UP

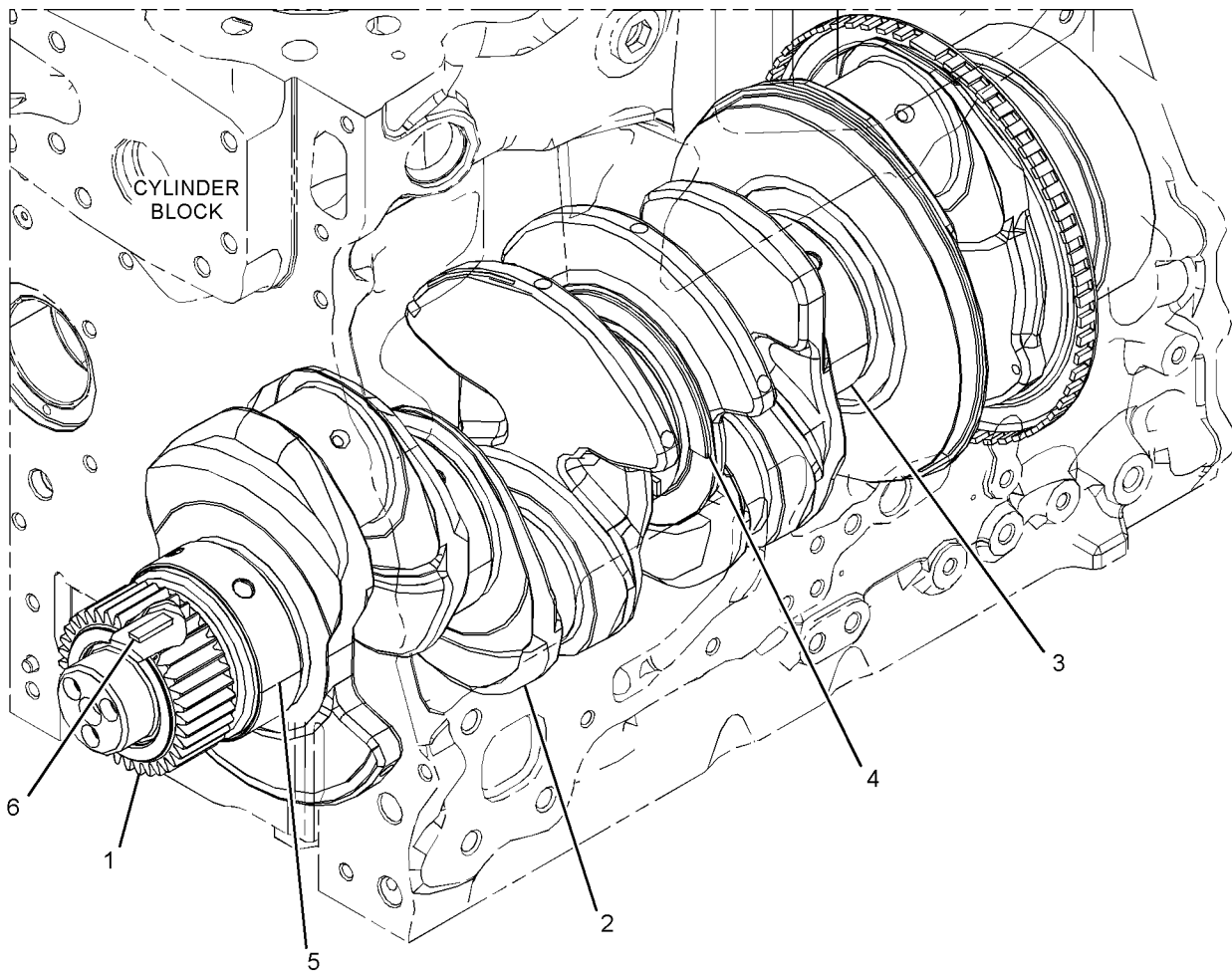
AN ATTACHMENT

SMCS-1202

i06560383

NOTE	REF NO	GRAPHIC REF	PART NUMBER	QTY	PART NAME						SEE PAGE
					1	2	3	4	5	6 (PRODUCT LEVEL)	
	1	1	338-1402	1	GEAR-CRANKSHAFT (36-TEETH)						
CY	2	1	491-5234	1	CRANKSHAFT AS						35
L	3	1	317-5486	5	BEARING						
J	4	1	363-0559	2	WASHER-THRUST						
L	5	1	317-5485	5	BEARING						
	6	1	1B-8736	1	KEY-WOODRUFF						
AVAILABLE REPAIR KIT(S) :											
L			360-3988	1	KIT-BEARING (STANDARD) (CRANKSHAFT MAIN BEARING)						
					(INCLUDES BEARINGS)						
J			364-5145	1	KIT-WASHER (STANDARD) (CRANKSHAFT)						
					(INCLUDES WASHERS)						

C - CHANGE FROM PREVIOUS TYPE
 J - KIT MARKED J SERVICES PART(S) MARKED J
 L - KIT MARKED L SERVICES KIT MARKED L
 Y - SEPARATE ILLUSTRATION



GRAPHIC #1

<END>

g03326057

BASIC ENGINE

350-3746 CRANKSHAFT GP

S/N: CJ41-UP

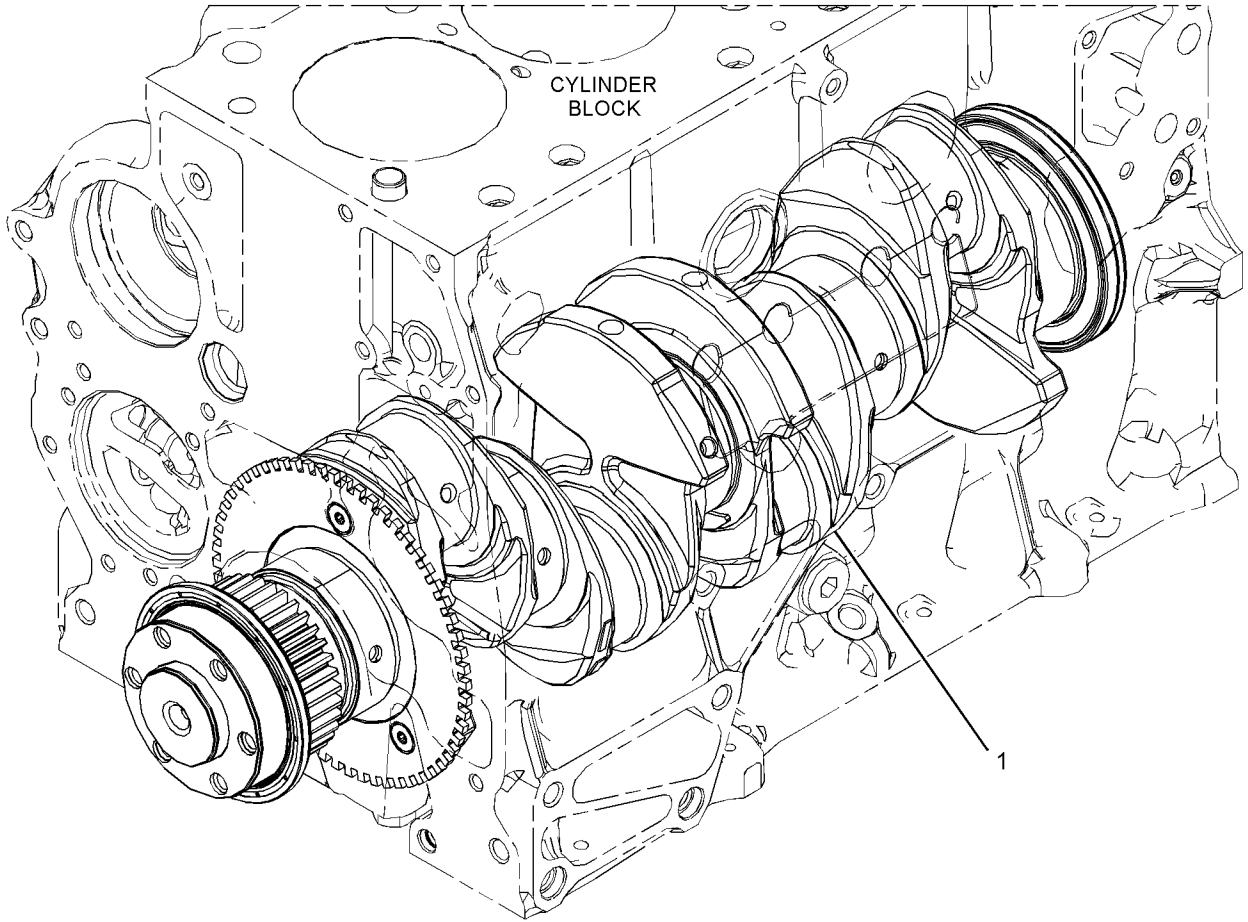
PART OF 465-2880 ENGINE AR-PRIMARY

SMCS-1202

i06190715

NOTE	REF NO	GRAPHIC REF	PART NUMBER	QTY	PART NAME						SEE PAGE
					1	2	3	4	5	6 (PRODUCT LEVEL)	
CY	1	1	459-8174	1	CRANKSHAFT GP						43

C - CHANGE FROM PREVIOUS TYPE
Y - SEPARATE ILLUSTRATION



GRAPHIC #1

<END>

g02884156

BASIC ENGINE

364-5843 CRANKSHAFT GP

S/N: JKT1-UP

AXIAL PTO & BALANCER

PART OF 449-5062 CYLINDER BLOCK GP-SHORT

SMCS-1202

i06078807

NOTE	REF NO	GRAPHIC REF	PART NUMBER	QTY	PART NAME						SEE PAGE
					1	2	3	4	5	6 (PRODUCT LEVEL)	
	1	1	067-6135	1	KEY-WOODRUFF						
LP	2	1	317-5485	5	BEARING						
LP	3	1	317-5486	5	BEARING						
	4	1	338-1402	1	GEAR-CRANKSHAFT (36-TEETH)						
	5	1	342-6508	1	SHIM (0.1-MM THK)						
J	6	1	363-0559	2	WASHER-THRUST						
CY	7	1	466-8480	1	CRANKSHAFT AS						34

AVAILABLE REPAIR KIT(S) :

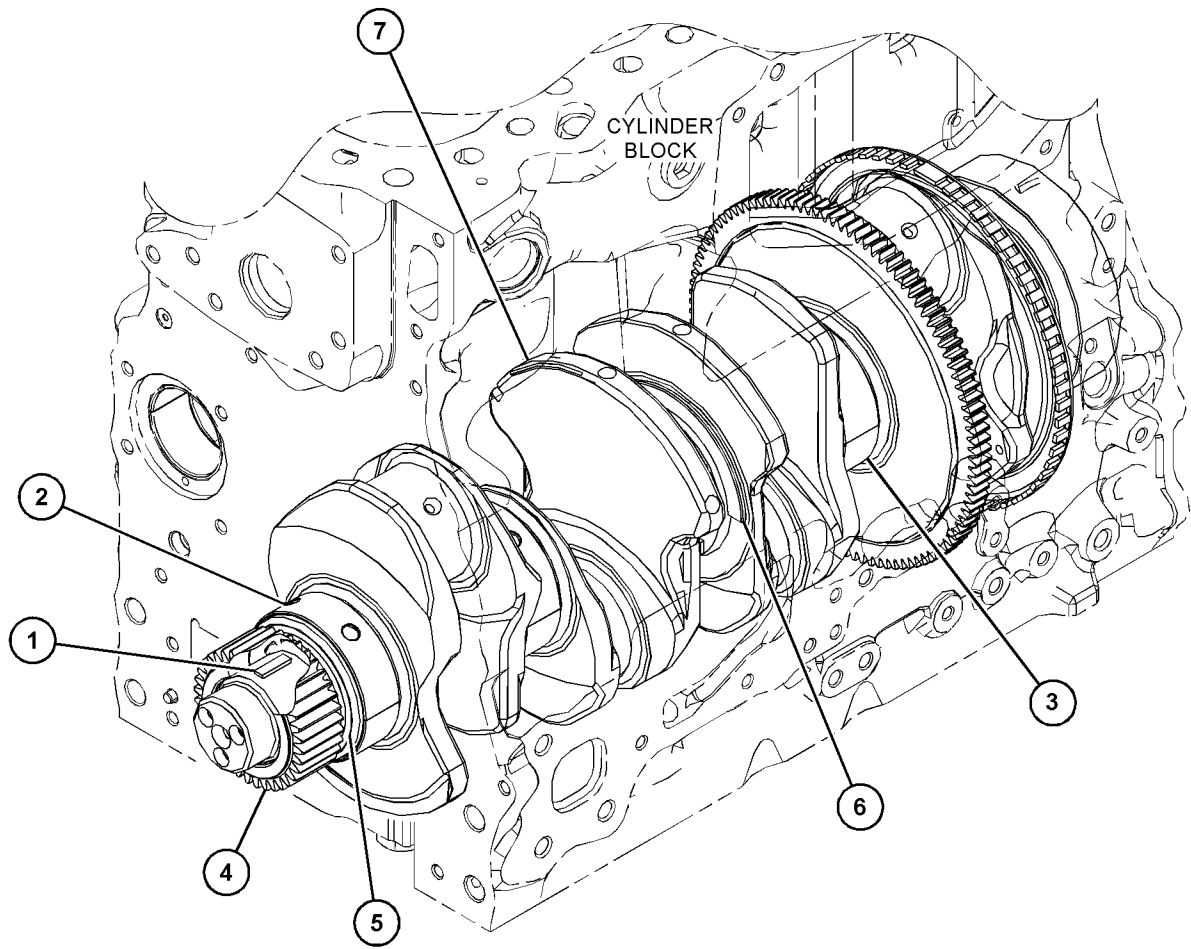
L	360-1978	1	KIT-BEARING (STANDARD) (CRANKSHAFT) (INCLUDES BEARINGS)						
P	360-3988		KIT-BEARING (STANDARD) (CRANKSHAFT MAIN BEARING) (INCLUDES BEARINGS)						
J	364-5145		KIT-WASHER (STANDARD) (CRANKSHAFT) (INCLUDES WASHERS)						

C - CHANGE FROM PREVIOUS TYPE
 J - KIT MARKED J SERVICES PART(S) MARKED J
 L - KIT MARKED L SERVICES PART(S) MARKED L
 P - KIT MARKED P SERVICES PART(S) MARKED P
 Y - SEPARATE ILLUSTRATION

BASIC ENGINE

364-5843 CRANKSHAFT GP (contd.)

106078807



GRAPHIC #1

<END>

g03669820

BASIC ENGINE

433-6323 CRANKSHAFT GP

S/N: W231-UP; TD71-UP

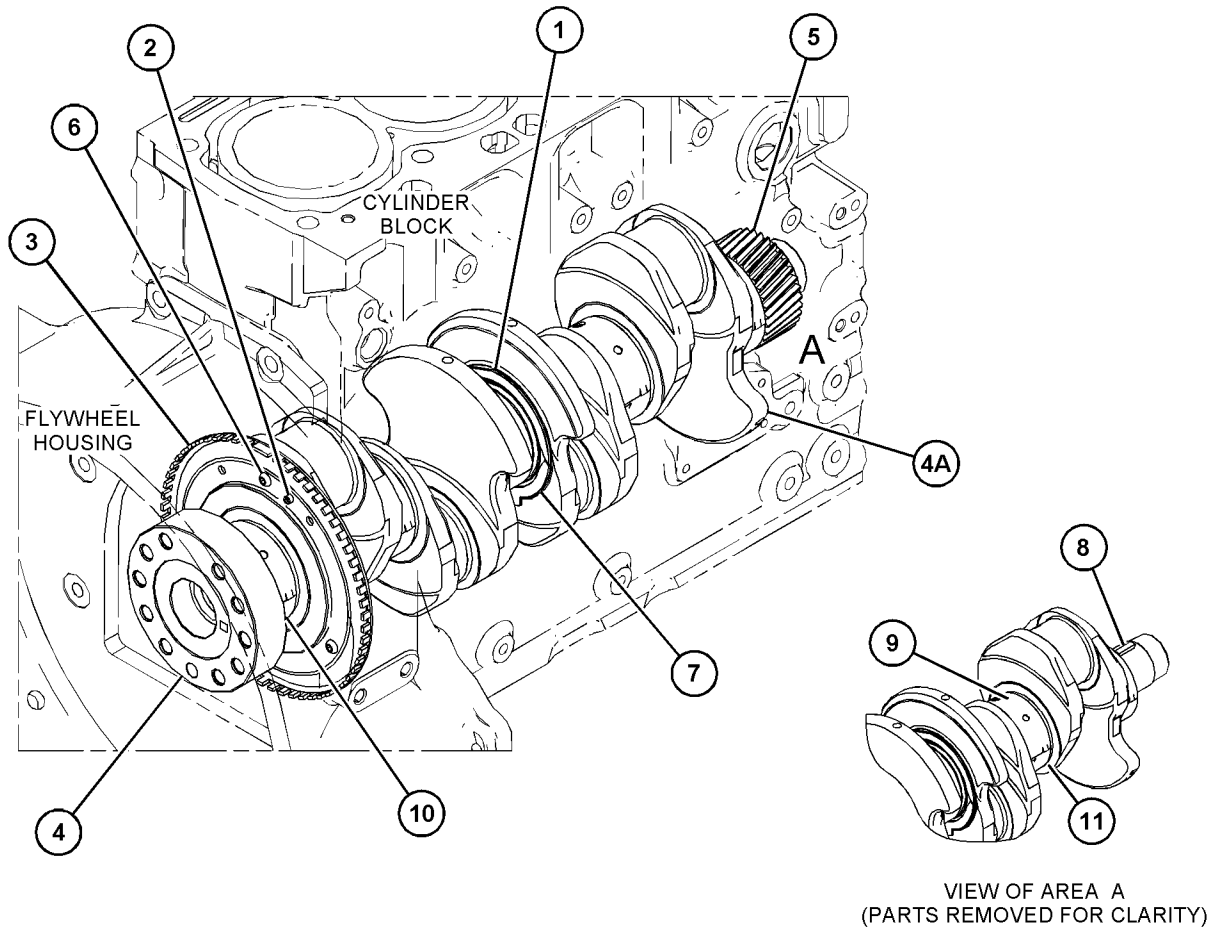
PART OF 452-7386 CYLINDER BLOCK GP-SHORT

SMCS-1202

i06938020

NOTE	REF NO	GRAPHIC REF	PART NUMBER	QTY	PART NAME						SEE PAGE
					1	2	3	4	5	6	
C	1	1	470-7995	2	PLATE-THRUST (STANDARD)						
	2	1	339-8780	1	DOWEL						
	3	1	341-4028	1	RING-TIMING						
	4	1	475-8373	1	CRANKSHAFT GP						
	4A	1	455-3693	1	CRANKSHAFT						
	5	1	216-8314	1	GEAR-CRANKSHAFT (34-TEETH)						
	6	1	276-7394	3	SCREW (M6X1XX12-MM)						
C	7	1	470-8021	2	PLATE-THRUST (STANDARD)						
	8	1	067-6135	1	KEY-WOODRUFF (CRANKSHAFT)						
C	9	1	470-7971	1	BEARING						
C	10	1	470-8023	4	BEARING						
C	11	1	470-8031	5	BEARING						

C - CHANGE FROM PREVIOUS TYPE



GRAPHIC #1

<END>

g06195720

BASIC ENGINE

459-8174 CRANKSHAFT GP

S/N: CJ41-UP

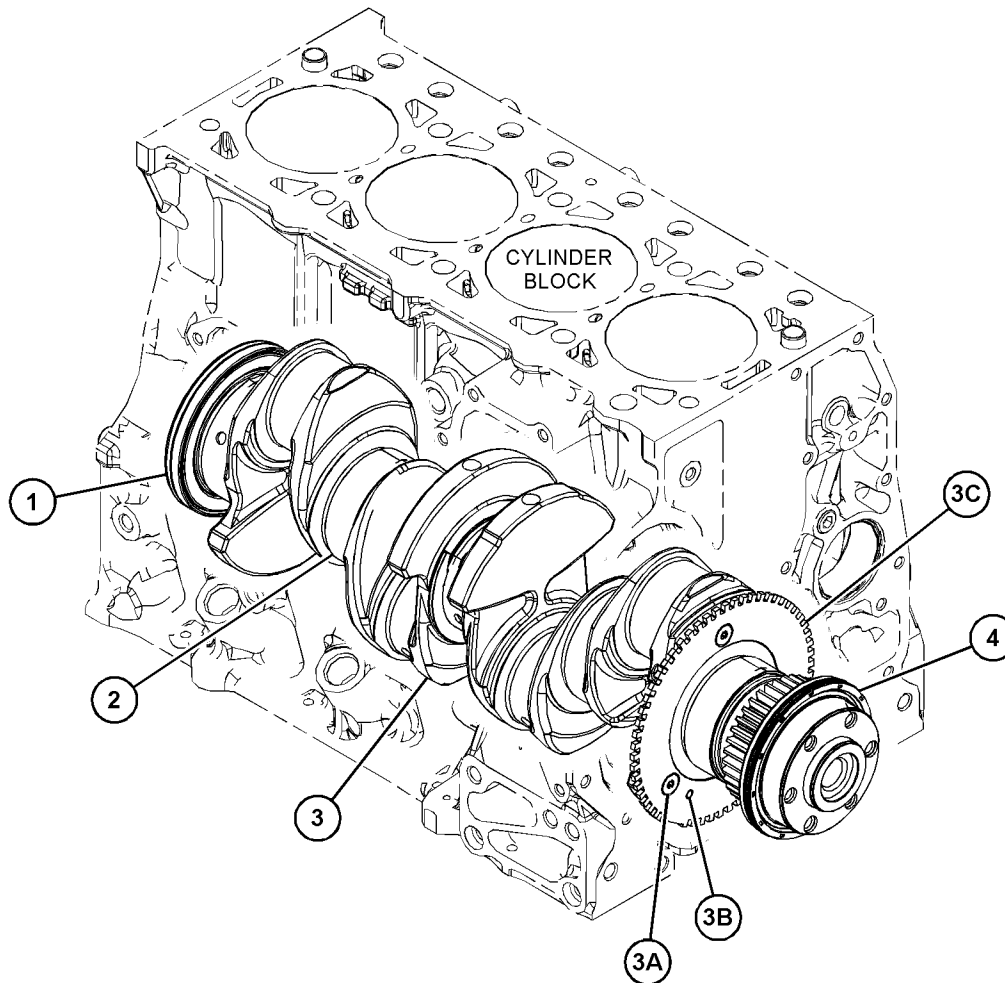
PART OF 350-3746 CRANKSHAFT GP

SMCS-1202

i05950679

NOTE	REF NO	GRAPHIC REF	PART NUMBER	QTY	PART NAME						SEE PAGE
					1	2	3	4	5	6	
	1	1	385-9063	1	SEAL (REAR)						
	2	1	390-3066	1	BEARING SET-MAIN (STANDARD)						
AB			390-3076		BEARING SET-MAIN (0.25-MM US)						
AB			390-3077		BEARING SET-MAIN (0.51-MM US)						
	3	1	454-5820	1	CRANKSHAFT GP						
	3A	1	381-3513	3	BOLT						
	3B	1	381-3514	1	DOWEL						
	3C	1	385-9059	1	GEAR-CRANKSHAFT						
	4	1	460-2323	1	SEAL (FRONT)						

A - NOT PART OF THIS GROUP
B - USE AS REQUIRED



GRAPHIC #1

<END>

g03737955

BASIC ENGINE

510-5297 CRANKSHAFT GP

S/N: W231-UP

PART OF 463-8910 ENGINE AR-PRIMARY

SMCS-1202

i06909629

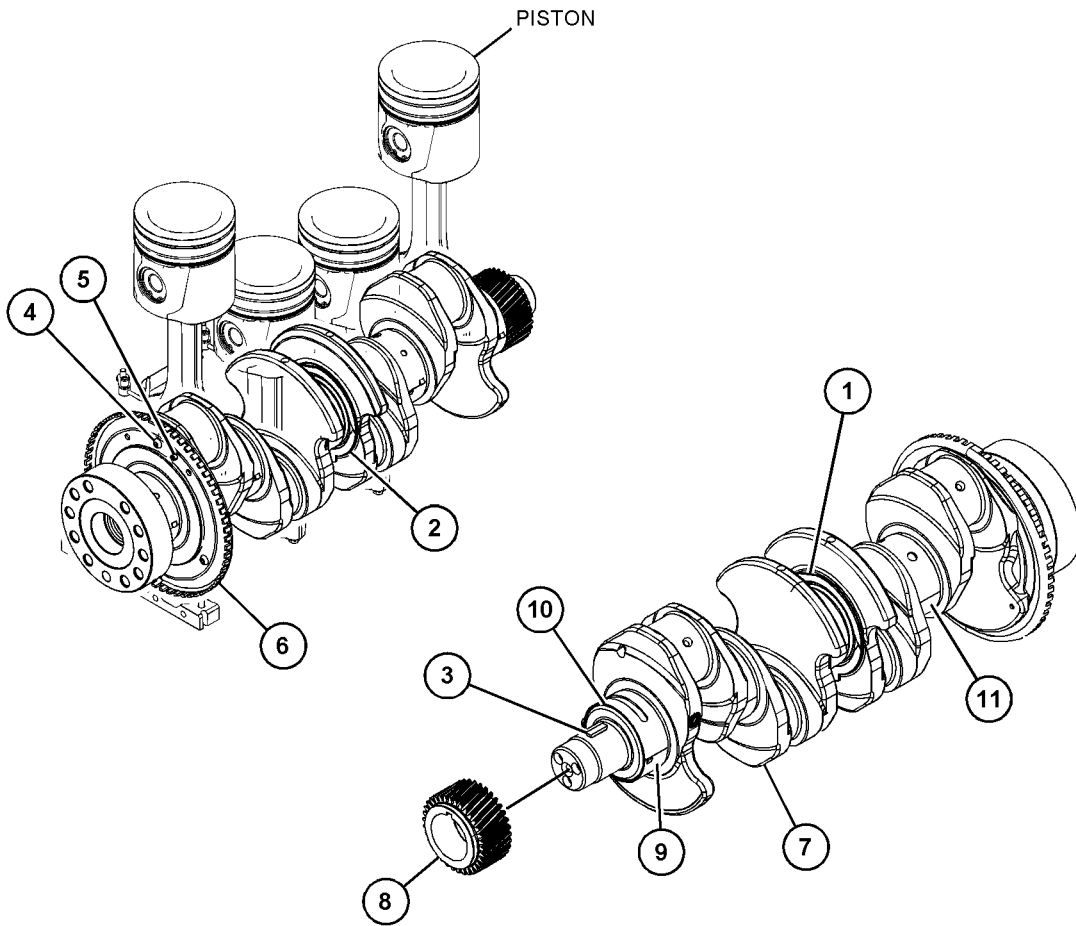
NOTE	REF NO	GRAPHIC REF	PART NUMBER	QTY	PART NAME						SEE PAGE
					1	2	3	4	5	6	
P	1	1	032-9090	2	WASHER-THRUST (STANDARD-UPPER)						
P	2	1	032-9091	2	WASHER-THRUST (STANDARD-LOWER)						
	3	1	067-6135	1	KEY-WOODRUFF						
	4	1	276-7394	3	SCREW (M6X1XX12-MM)						
	5	1	339-8780	1	DOWEL						
	6	1	341-4028	1	RING-TIMING						
	7	1	448-2620	1	CRANKSHAFT AS						
	8	1	216-8314	1	GEAR-CRANKSHAFT (34-TEETH)						
N	9	1	417-5749	5	BEARING						
N	10	1	317-5487	1	BEARING						
N	11	1	334-9333	4	BEARING						
					AVAILABLE REPAIR KIT(S) :						
N			353-7423	1	KIT-BEARING (MAIN)						
					(INCLUDES BEARINGS)						
AB			353-7424		KIT-BEARING (0.25-MM US)						
					(INCLUDES BEARINGS)						
AB			353-7425		KIT-BEARING (0.50-MM US)						
					(INCLUDES BEARINGS)						
AB			353-7426		KIT-BEARING (0.75-MM US)						
					(INCLUDES BEARINGS)						
P			247-2717	1	KIT-THRUST WASHER						

A - NOT PART OF THIS GROUP
 B - USE AS REQUIRED
 N - KIT MARKED N SERVICES PART(S) MARKED N
 P - KIT MARKED P SERVICES PART(S) MARKED P

BASIC ENGINE

510-5297 CRANKSHAFT GP (contd.)

106909629



GRAPHIC #1

<END>

g06157281

BASIC ENGINE

510-5297 CRANKSHAFT GP

S/N: W231-UP

PART OF 463-8820, 463-8910 ENGINE AR-PRIMARY
ALSO AN ATTACHMENT

SMCS-1202

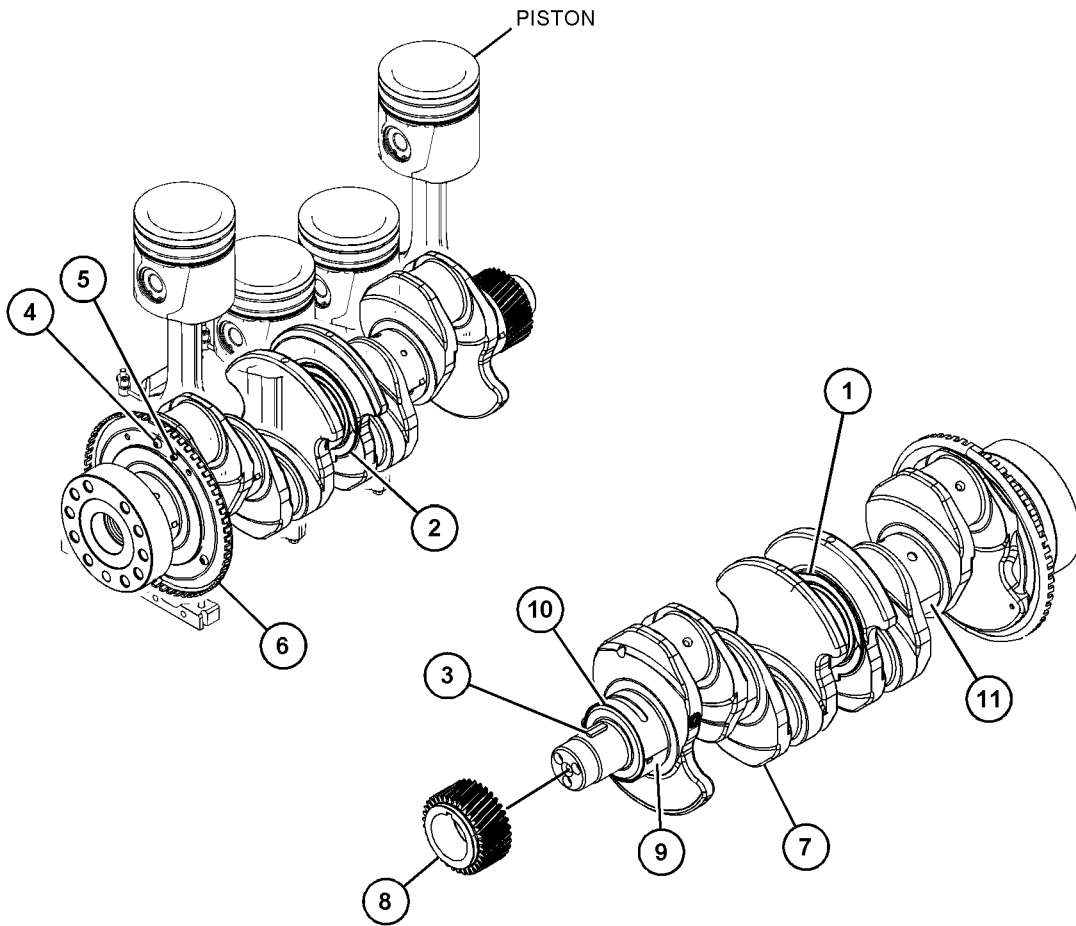
i07143177

NOTE	REF NO	GRAPHIC REF	PART NUMBER	QTY	PART NAME						SEE PAGE
					1	2	3	4	5	6 (PRODUCT LEVEL)	
CJ	1	1	470-7995	2	PLATE-THRUST (STANDARD) (UPPER)						
CJ	2	1	470-8021	2	PLATE-THRUST (STANDARD) (LOWER)						
	3	1	067-6135	1	KEY-WOODRUFF						
	4	1	276-7394	3	SCREW (M6X1XX12-MM)						
	5	1	339-8780	1	DOWEL						
	6	1	341-4028	1	RING-TIMING						
	7	1	448-2620	1	CRANKSHAFT AS						
	8	1	216-8314	1	GEAR-CRANKSHAFT (34-TEETH)						
N	9	1	470-8031	5	BEARING						
N	10	1	470-7971	1	BEARING						
	11	1	470-8023	4	BEARING						
					AVAILABLE REPAIR KIT(S):						
N			518-5437	1	KIT-BEARING (CRANKSHAFT)						
					(INCLUDES BEARINGS)						
AB			518-5440		KIT-BEARING (0.254-MM US)						
					(INCLUDES BEARINGS)						
AB			518-5441		KIT-BEARING (0.50-MM US)						
					(INCLUDES BEARINGS)						
AB			518-5885		KIT-BEARING (0.75-MM US)						
					(INCLUDES BEARINGS)						
J			518-5891	1	PLATE-THRUST (STANDARD) (CRANKSHAFT)						
					(INCLUDES THRUST WASHERS)						
AB			518-5892		PLATE-THRUST (0.191-MM US)						
					(INCLUDES THRUST WASHERS)						
AB			518-5893		PLATE-THRUST (STANDARD, 0.191-MM US)						
					(INCLUDES THRUST WASHERS)						
<p>A - NOT PART OF THIS GROUP B - USE AS REQUIRED C - CHANGE FROM PREVIOUS TYPE J - KIT MARKED J SERVICES PART(S) MARKED J N - KIT MARKED N SERVICES PART(S) MARKED N</p>											

BASIC ENGINE

510-5297 CRANKSHAFT GP (contd.)

107143177



GRAPHIC #1

<END>

g06157281

BASIC ENGINE

351-8228 CYLINDER BLOCK AS

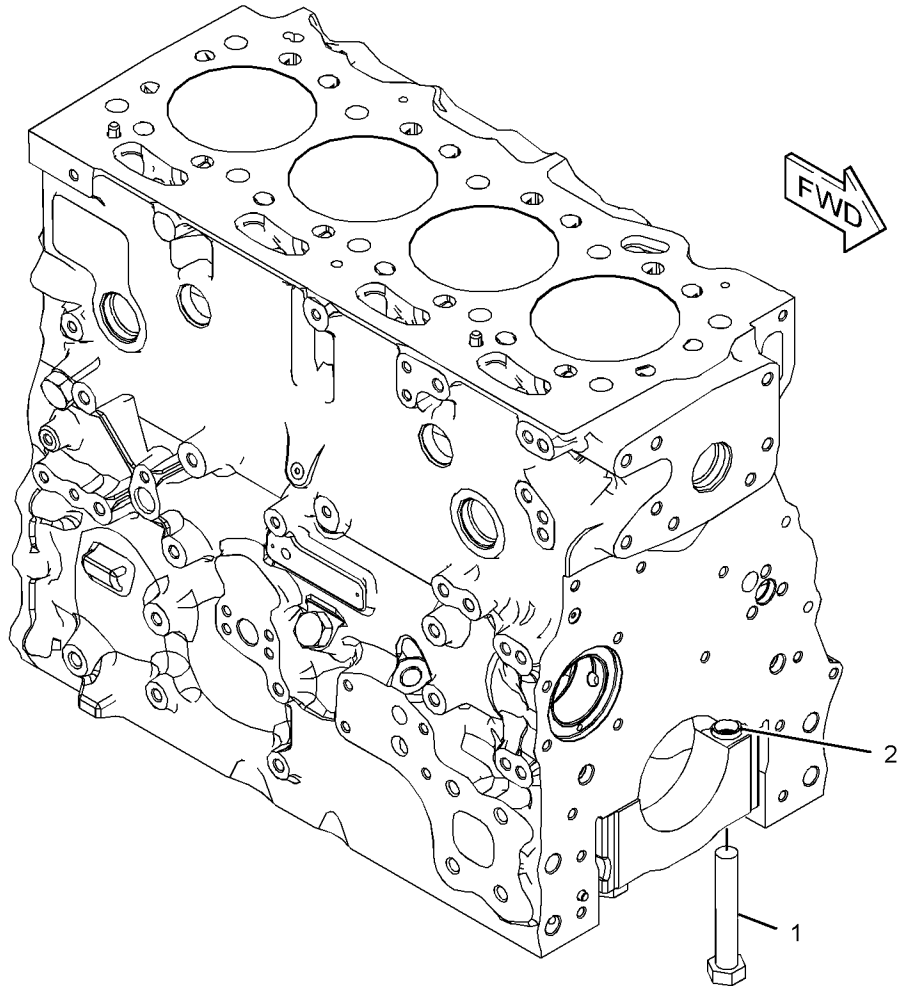
S/N: JKT1-UP

PART OF 351-8229 CYLINDER BLOCK AS

SMCS-1201

i04683491

NOTE	REF NO	GRAPHIC REF	PART NUMBER	QTY	PART NAME						SEE PAGE
					1	2	3	4	5	6 (PRODUCT LEVEL)	
1	1	1	0S-2353	10	BOLT (5/8-18X3.75-IN)						
2	1	1	067-6002	10	DOWEL						



GRAPHIC #1

<END>

g02698636

BASIC ENGINE

351-8229 CYLINDER BLOCK AS

S/N: JKT1-UP

PART OF 355-3530 CYLINDER BLOCK GP

SMCS-1201

i04683489

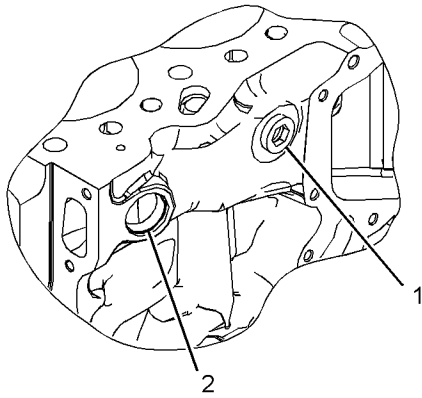
NOTE	REF NO	GRAPHIC REF	PART NUMBER	QTY	PART NAME						SEE PAGE
					1	2	3	4	5	6	
	1	1	067-6006	1	PLUG						
	2	1	067-6043	3	PLUG-SIDE						
	3	1	185-0884	2	DOWEL						
	4	1	232-7597	4	PLUG						
	5	1	232-7599	1	PLUG						
	6	1	331-6835	3	PLUG-SEAL						
	7	1	232-7596	1	PLUG						
Y	8	1	351-8228	1	CYLINDER BLOCK AS						48

Y - SEPARATE ILLUSTRATION

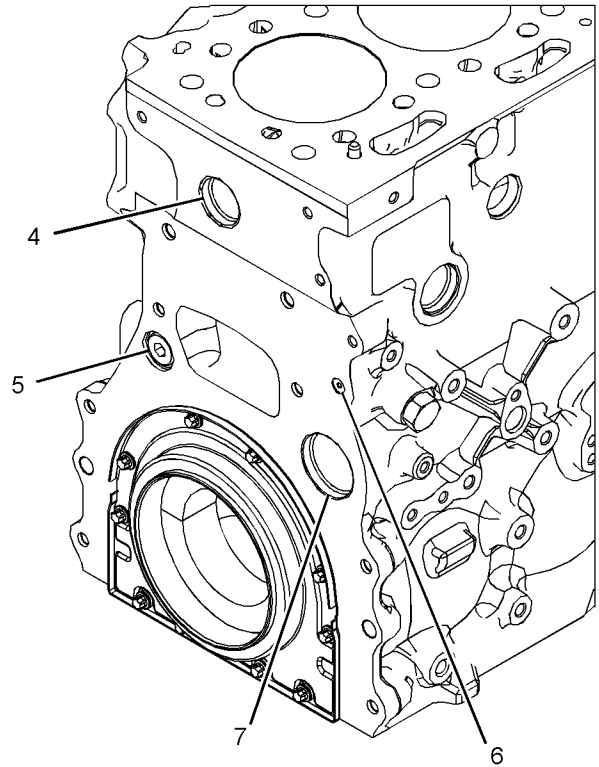
BASIC ENGINE

351-8229 CYLINDER BLOCK AS (contd.)

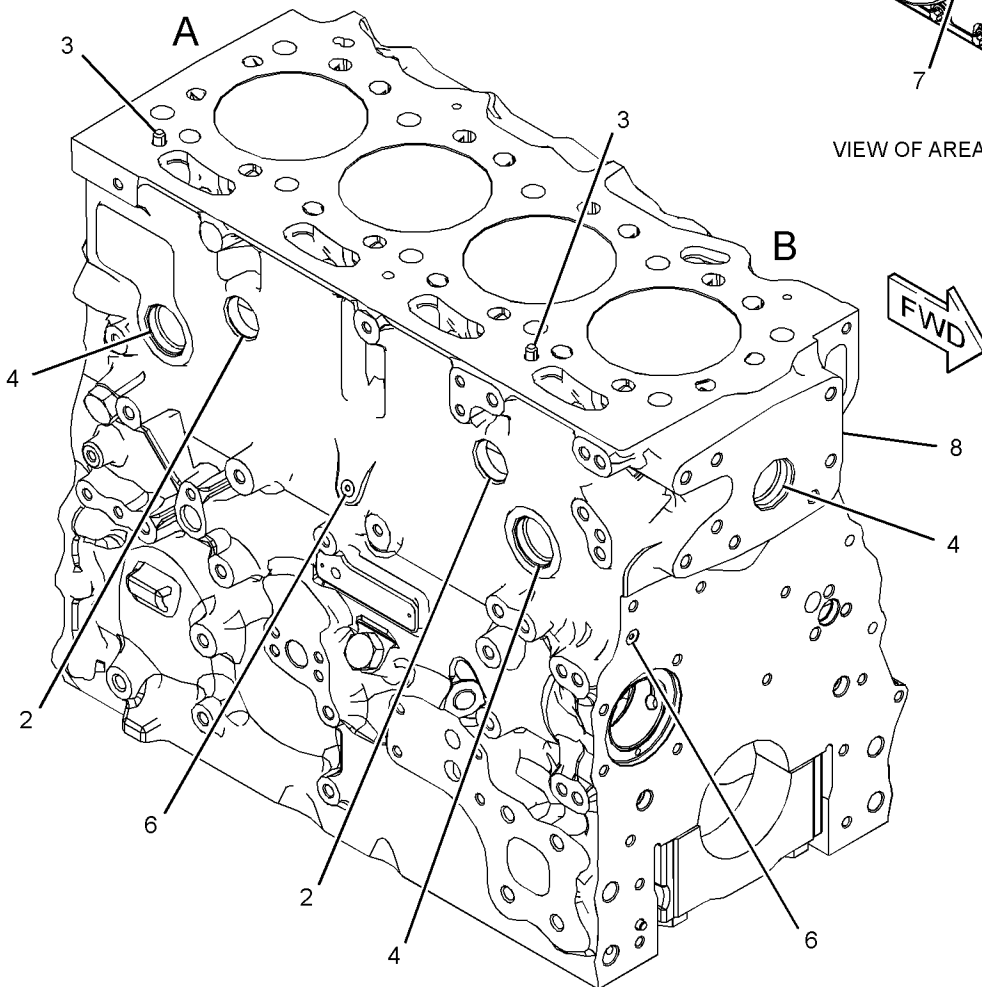
i04683489



VIEW OF AREA B



VIEW OF AREA A



GRAPHIC #1

<END>

g02698596

BASIC ENGINE

350-3745 CYLINDER BLOCK GP

S/N: CJ41-UP

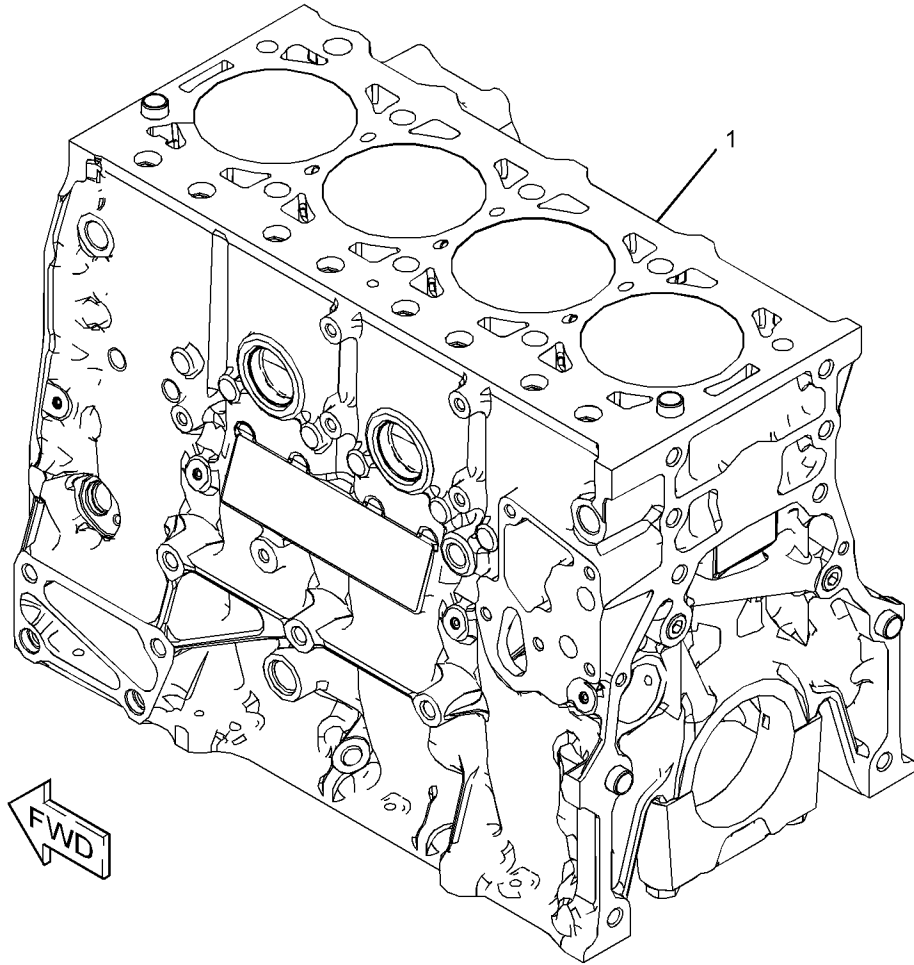
PART OF 465-2880 ENGINE AR-PRIMARY

SMCS-1201

i05951129

NOTE	REF NO	GRAPHIC REF	PART NUMBER	QTY	PART NAME						SEE PAGE
					1	2	3	4	5	6 (PRODUCT LEVEL)	
CY	1	1	464-1143	1	CYLINDER BLOCK GP						56

C - CHANGE FROM PREVIOUS TYPE
Y - SEPARATE ILLUSTRATION



GRAPHIC #1

<END>

g02885556

BASIC ENGINE

355-3530 CYLINDER BLOCK GP

S/N: JKT1-UP

PART OF 449-5062 CYLINDER BLOCK GP-SHORT, 464-2308 ENGINE AR-PRIMARY

SMCS-1201

i04584388

NOTE	REF NO	GRAPHIC REF	PART NUMBER	QTY	PART NAME						SEE PAGE
					1	2	3	4	5	6 (PRODUCT LEVEL)	
	1	1	199-9751	1	SEAL-O-RING						
M	2	1	209-9219	10	BOLT (M8X1.25X16-MM)						
	3	1	232-1322	2	PLUG						
	4	1	276-5604	1	DOWEL						
	5	1	276-5603	1	SEAL-O-RING						
Y	6	1	351-8229	1	CYLINDER BLOCK AS						49
	7	1	232-7449	1	HOUSING AS						

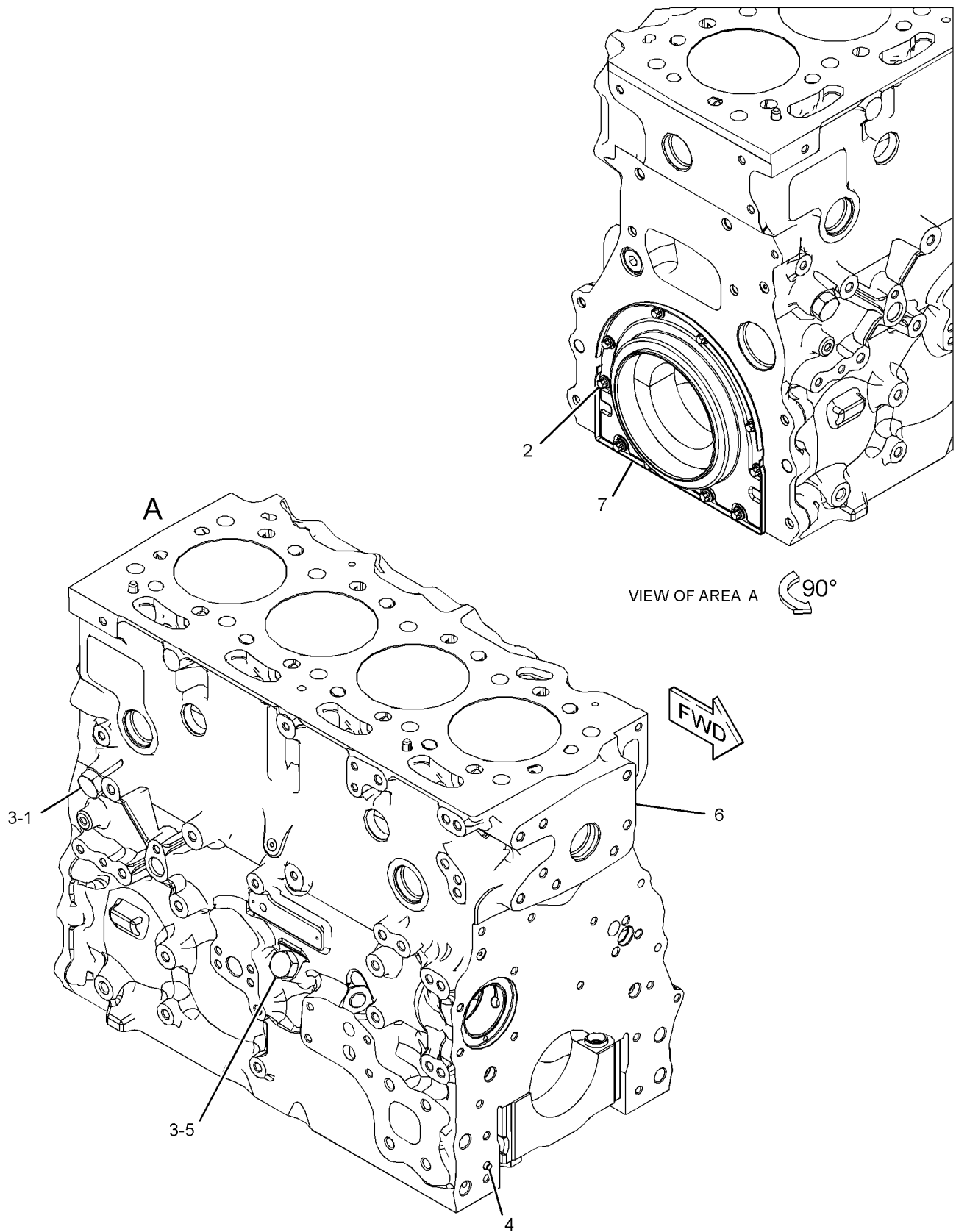
M - METRIC PART

Y - SEPARATE ILLUSTRATION

BASIC ENGINE

355-3530 CYLINDER BLOCK GP (contd.)

i04584388



GRAPHIC #1

<END>

g02681756

BASIC ENGINE

415-3299 CYLINDER BLOCK GP

S/N: W231-UP; TD71-UP

PART OF 452-7386 CYLINDER BLOCK GP-SHORT, 463-8820, 463-8910 ENGINE AR-PRIMARY
ALSO AN ATTACHMENT

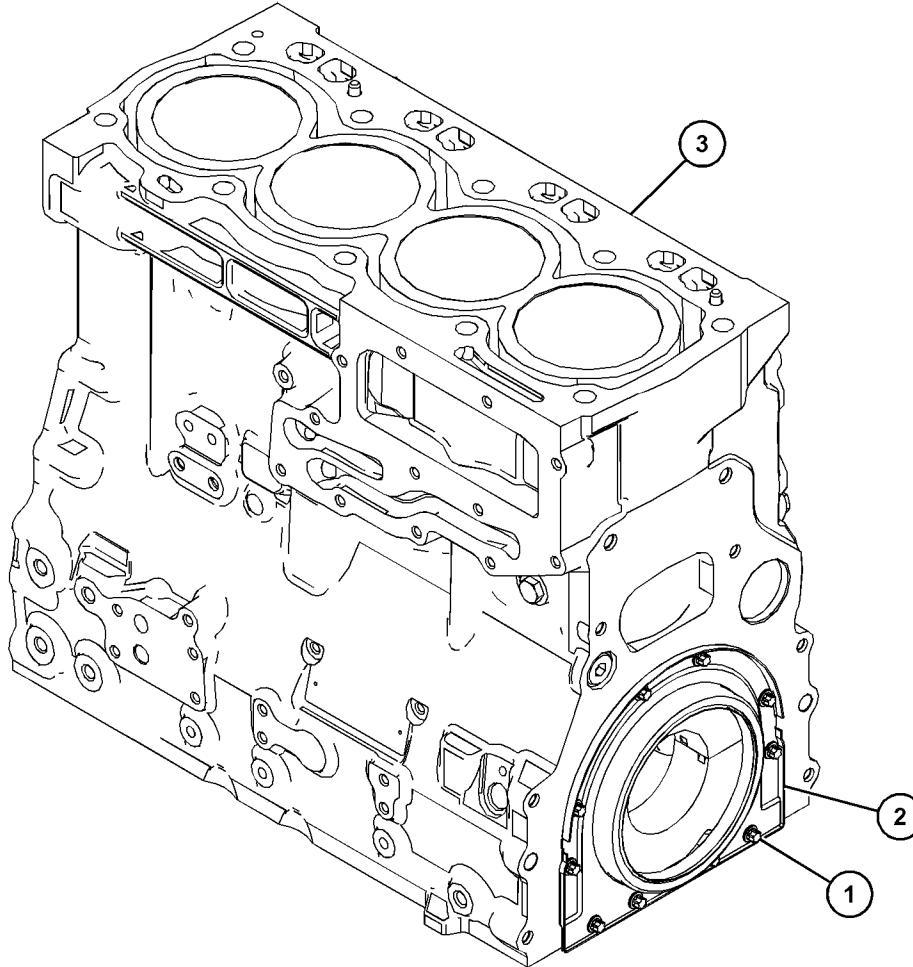
SMCS-1201

i06170664

NOTE	REF NO	GRAPHIC REF	PART NUMBER	QTY	PART NAME						SEE PAGE
					1	2	3	4	5	6 (PRODUCT LEVEL)	
M	1	1	209-9219	10	BOLT (M8X1.25X16-MM)						
	2	1	232-7449	1	HOUSING AS						
Y	3	1	451-7736	1	CYLINDER BLOCK GP						55

M - METRIC PART

Y - SEPARATE ILLUSTRATION



GRAPHIC #1

<END>

g03813084

BASIC ENGINE

451-7736 CYLINDER BLOCK GP

S/N: W231-UP; TD71-UP

PART OF 415-3299 CYLINDER BLOCK GP

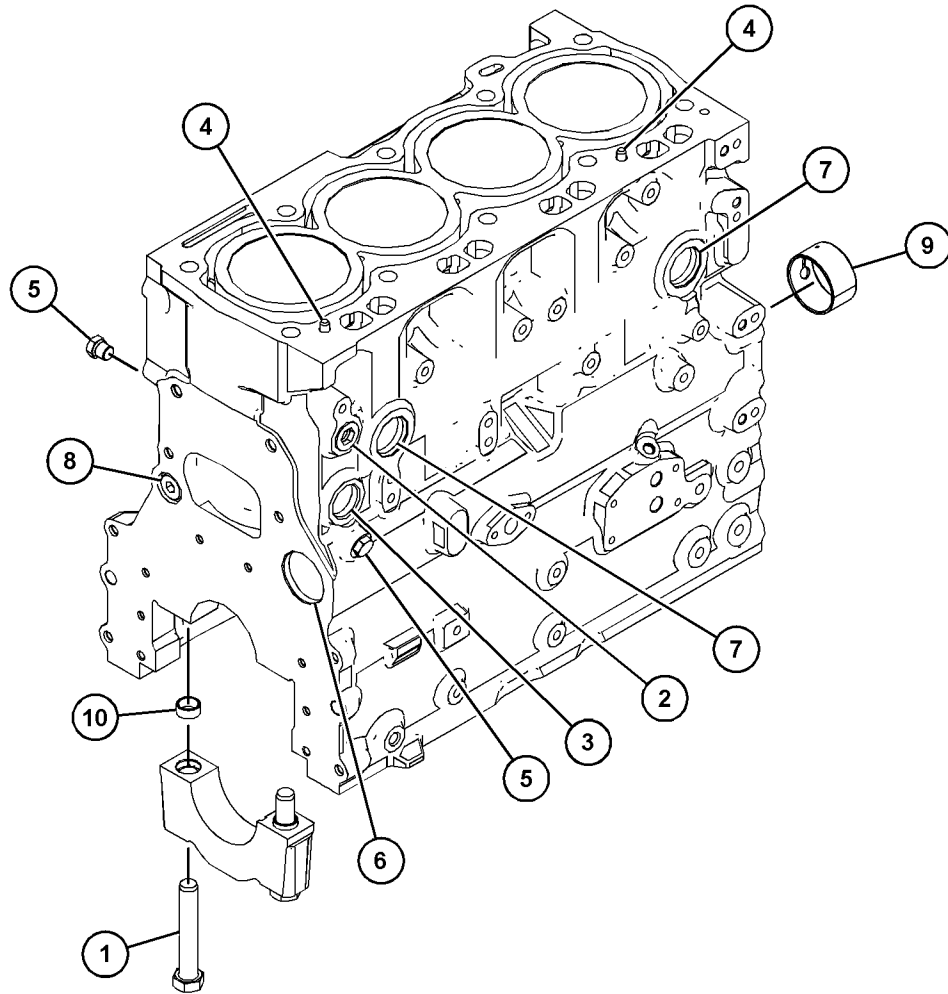
ALSO AN ATTACHMENT

SMCS-1201

i06914865

NOTE	REF NO	GRAPHIC REF	PART NUMBER	QTY	PART NAME						SEE PAGE
					1	2	3	4	5	6	
	1	1	035-8068	10	BOLT (5/8-18X3.75-IN)						
	2	1	067-6006	1	PLUG (CYLINDER BLOCK)						
	3	1	067-6043	1	PLUG-SIDE						
	4	1	185-0884	2	DOWEL						
	5	1	225-8858	2	PLUG						
	6	1	232-7596	1	PLUG						
	7	1	232-7597	2	PLUG						
	8	1	232-7599	1	PLUG						
	9	1	366-8853	1	BEARING						
	10	1	067-6002	10	DOWEL						

PARTS SHOWN IN GRAPHIC(S) WITHOUT A REFERENCE NUMBER ARE NOT SERVICED SEPARATELY



GRAPHIC #1

<END>

g03811216

BASIC ENGINE

464-1143 CYLINDER BLOCK GP

S/N: CJ41-UP

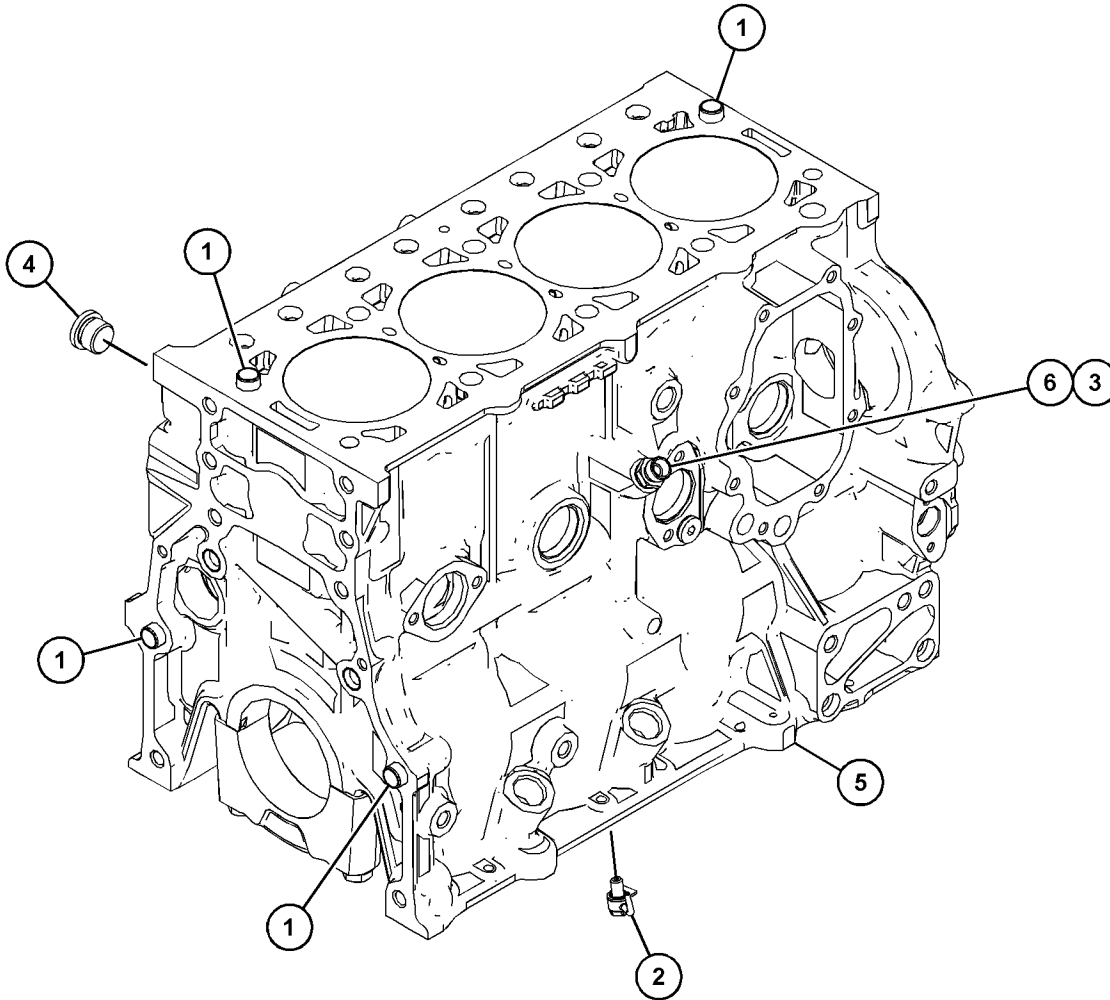
PART OF 350-3745 CYLINDER BLOCK GP

SMCS-1201

i06556083

NOTE	REF NO	GRAPHIC REF	PART NUMBER	QTY	PART NAME						SEE PAGE
					1	2	3	4	5	6 (PRODUCT LEVEL)	
	1	1	379-3142	4	DOWEL						
	2	1	379-3158	4	NOZZLE AS (PISTON COOLING)						
	3	1	379-3163	1	WASHER						
	4	1	379-3164	1	PLUG						
Y	5	1	491-7329	1	CYLINDER BLOCK GP						57
	6	1	464-6417	1	ADAPTER						

Y - SEPARATE ILLUSTRATION



GRAPHIC #1

<END>

g03739227

BASIC ENGINE

491-7329 CYLINDER BLOCK GP

S/N: CJ41-UP

PART OF 464-1143 CYLINDER BLOCK GP

SMCS-1201

i06556179

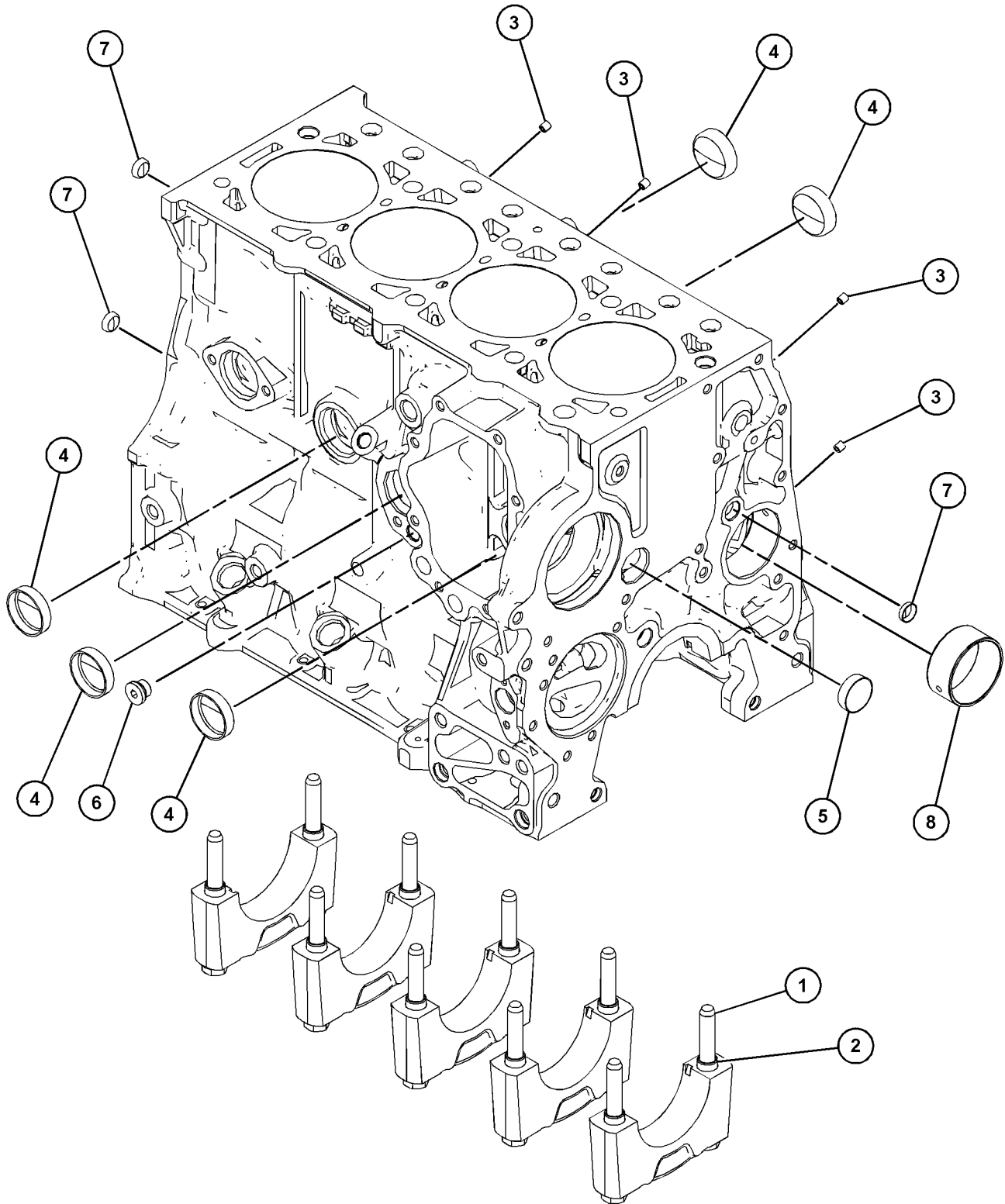
NOTE	REF NO	GRAPHIC REF	PART NUMBER	QTY	PART NAME						SEE PAGE
					1	2	3	4	5	6	
	1	1	379-3141	10	BOLT						
	2	1	379-3142	10	DOWEL						
	3	1	379-3144	4	PLUG						
	4	1	379-3145	5	PLUG						
	5	1	379-3146	1	PLUG						
	6	1	379-3147	1	PLUG						
	7	1	390-0320	3	PLUG						
	8	1	464-6447	1	BEARING						

PARTS SHOWN IN GRAPHIC(S) WITHOUT A REFERENCE NUMBER ARE NOT SERVICED SEPARATELY

BASIC ENGINE

491-7329 CYLINDER BLOCK GP (contd.)

i06556179



GRAPHIC #1

<END>

g06033120

BASIC ENGINE

449-5062 CYLINDER BLOCK GP-SHORT

S/N: JKT1-UP

PART OF 449-5064 CYLINDER BLOCK GP-SHORT

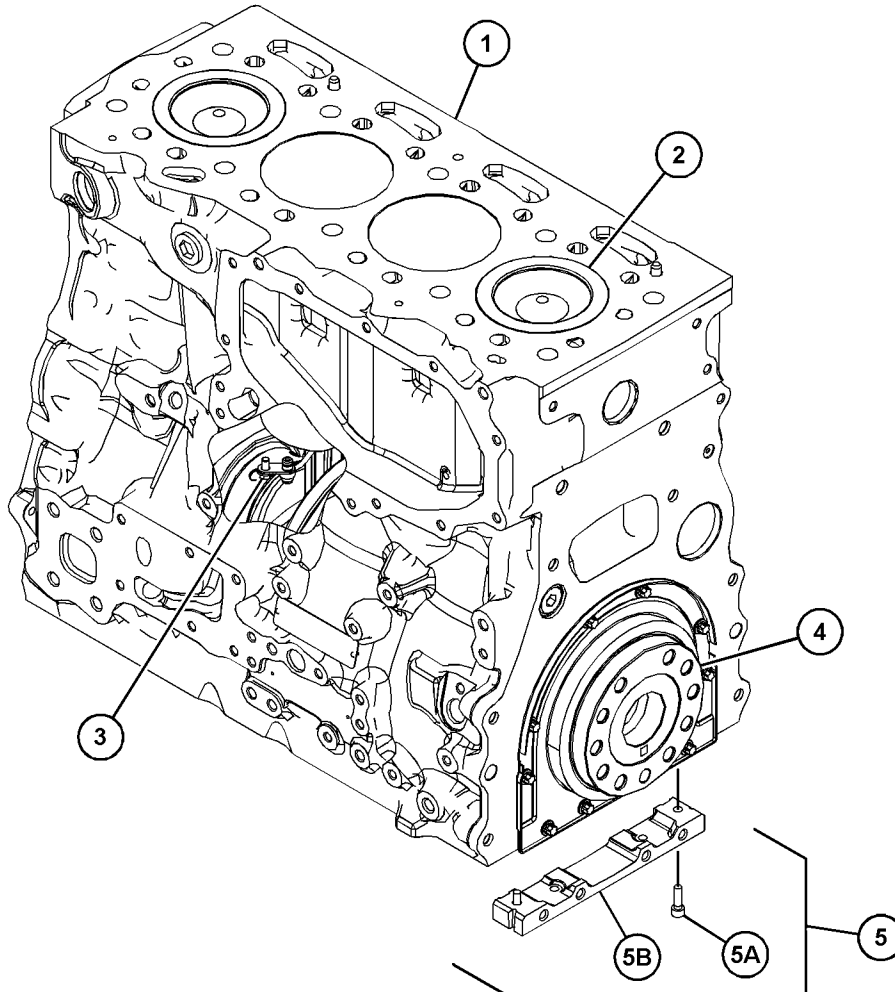
SMCS-1200, 1201

i05943583

NOTE	REF NO	GRAPHIC REF	PART NUMBER	QTY	PART NAME						SEE PAGE
					1	2	3	4	5	6 (PRODUCT LEVEL)	
Y	1	1	355-3530	1	CYLINDER BLOCK GP						52
Y	2	1	392-1366	1	PISTON & ROD GP						122
Y	3	1	330-9652	1	JET GP-PISTON COOLING						105
Y	4	1	364-5843	1	CRANKSHAFT GP						40
	5	1	446-0181	1	PAN GP-OIL						
M	5A	1	8T-0269	2	BOLT-SOCKET HEAD (M6X1X20-MM)						
	5B	1	329-5230	1	BRIDGE-CYLINDER SUPPORT						

M - METRIC PART

Y - SEPARATE ILLUSTRATION



GRAPHIC #1

<END>

g03664090

BASIC ENGINE

449-5064 CYLINDER BLOCK GP-SHORT

S/N: JKT1-UP

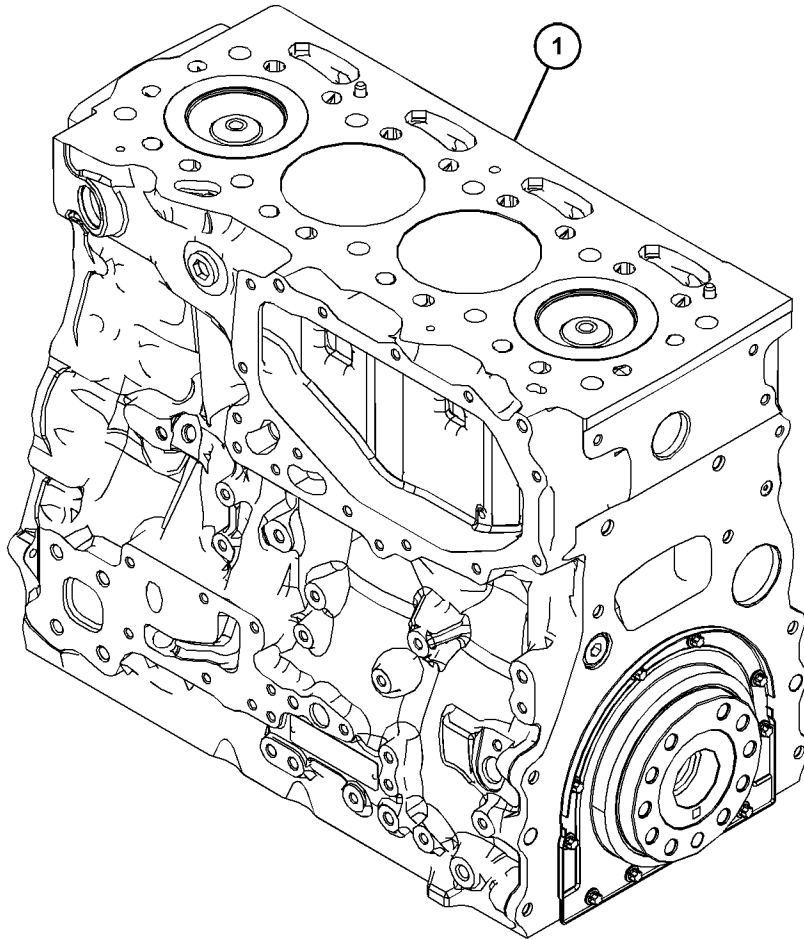
PART OF 466-2883 ENGINE AR

SMCS-1200, 1201

i07195350

NOTE	REF NO	GRAPHIC REF	PART NUMBER	QTY	PART NAME						SEE PAGE
					1	2	3	4	5	6 (PRODUCT LEVEL)	
Y	1	1	449-5062	1	CYLINDER BLOCK GP-SHORT						59

Y - SEPARATE ILLUSTRATION



GRAPHIC #1

<END>

g03737923

BASIC ENGINE

452-7366 CYLINDER BLOCK GP-SHORT

S/N: W231-UP

PART OF 467-8282, 467-8302 ENGINE AR

SMCS-1200, 1201

i07197127

NOTE	PART NUMBER	QTY	PART NAME						SEE PAGE
			1	2	3	4	5	6 (PRODUCT LEVEL)	
Y	452-7386	1	CYLINDER BLOCK GP-SHORT						62

Y - SEPARATE ILLUSTRATION

<END>

BASIC ENGINE

452-7386 CYLINDER BLOCK GP-SHORT

S/N: W231-UP; TD71-UP

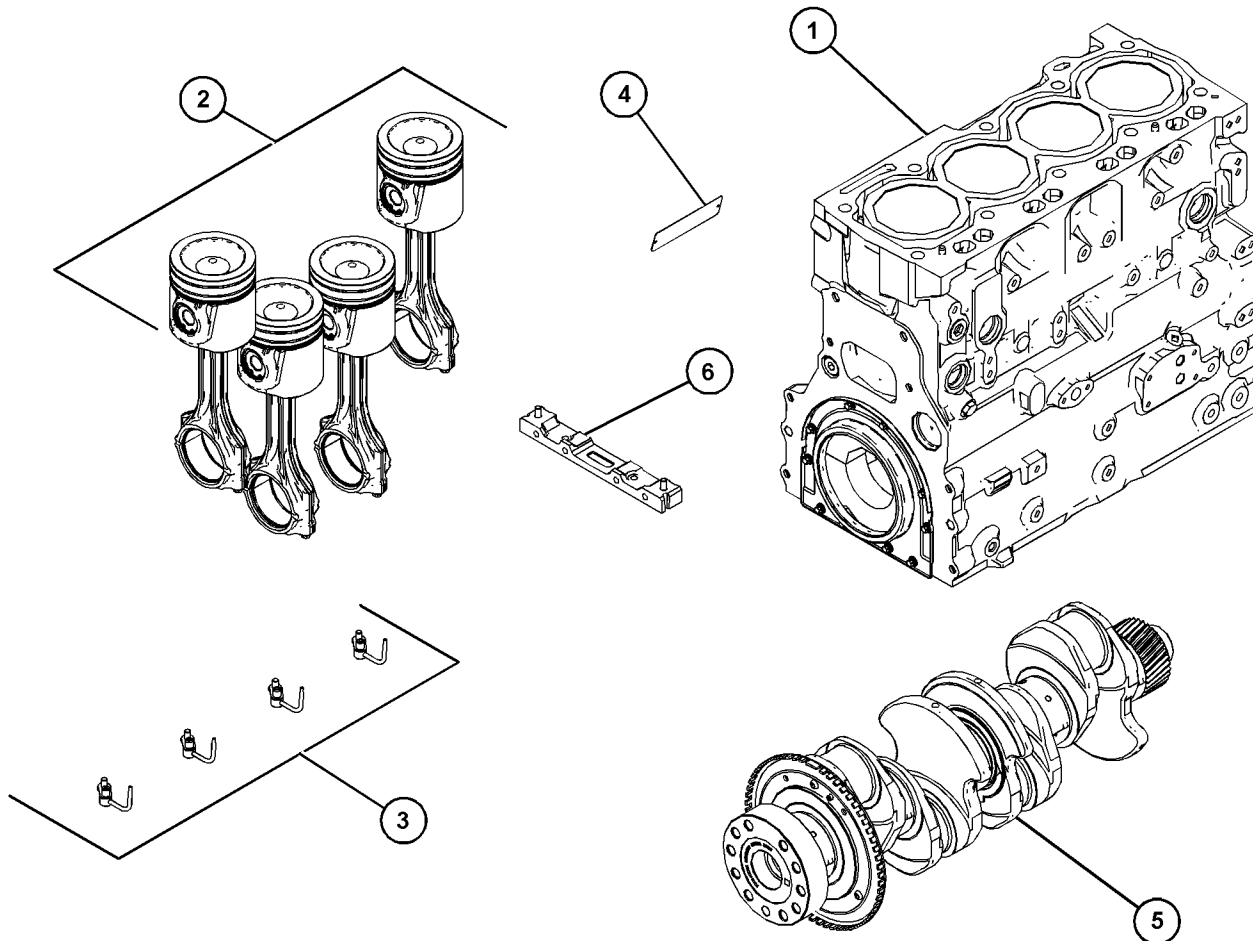
FIELD REPLACEMENT FOR 463-8910-PAGE: 12: FOR 463-8820-PAGE: 10
PART OF 452-7366 CYLINDER BLOCK GP-SHORT

SMCS-1200, 1201

i06675690

NOTE	REF NO	GRAPHIC REF	PART NUMBER	QTY	PART NAME						SEE PAGE
					1	2	3	4	5	6 (PRODUCT LEVEL)	
Y	1	1	415-3299	1	CYLINDER BLOCK GP						54
Y	2	1	415-5518	1	PISTON & ROD GP						124
Y	3	1	415-7948	1	JET GP-PISTON COOLING						106
	4	1	415-9833	1	PLATE GP-IDENTIFICATION						
		1	332-0905	2	RIVET-DRIVE						
		1	350-8959	1	PLATE-SERIAL NUMBER						
Y	5	1	433-6323	1	CRANKSHAFT GP						42
	6	1	460-6528	1	PAN GP-OIL						
M		1	8T-0269	2	BOLT-SOCKET HEAD (M6X1X20-MM)						
		1	230-8094	1	BRIDGE						

M - METRIC PART
Y - SEPARATE ILLUSTRATION



GRAPHIC #1

<END>

g06100496

BASIC ENGINE

353-9607 CYLINDER HEAD AS

S/N: JKT1-UP

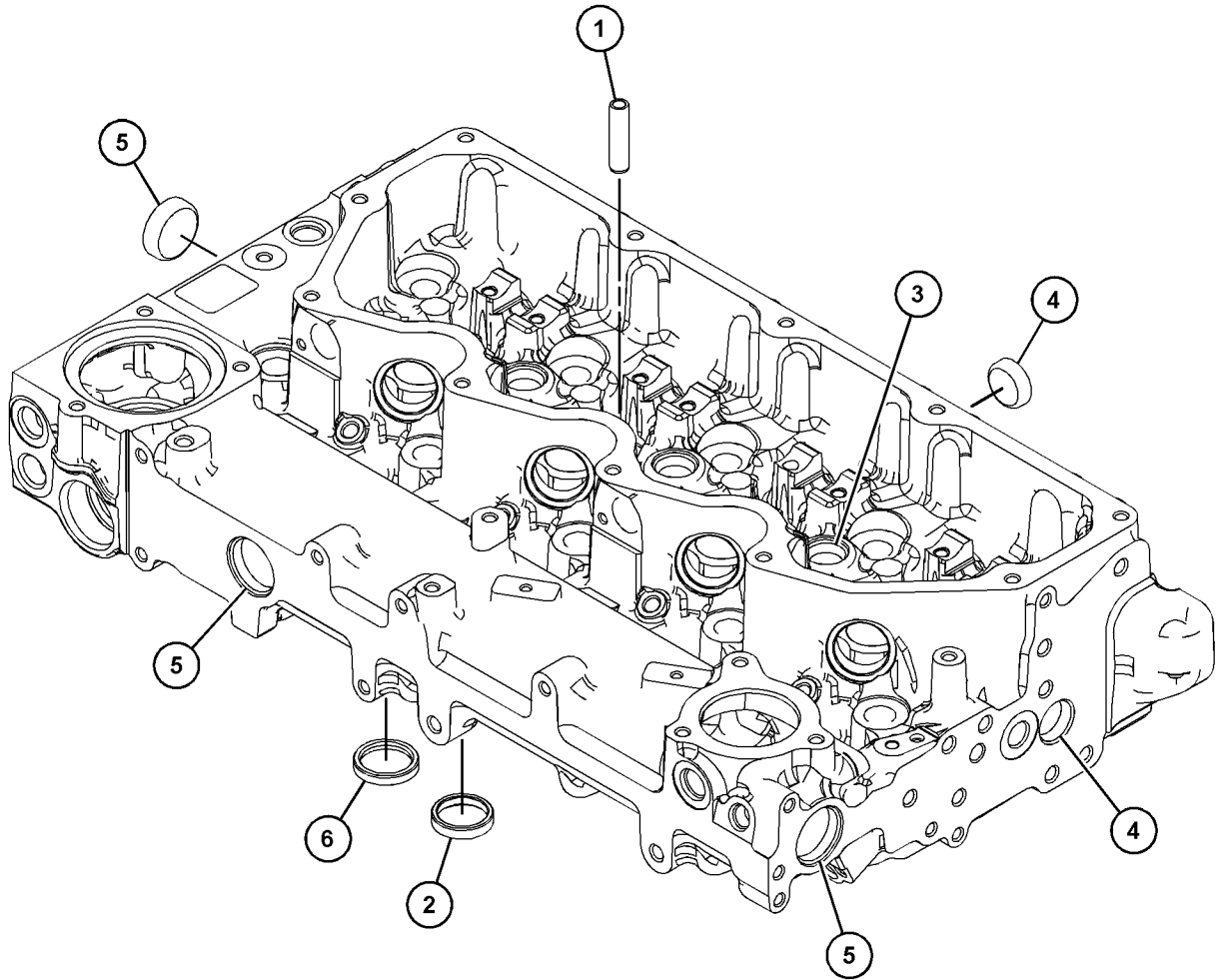
HIGH POWER

PART OF 384-4082 CYLINDER HEAD GP

SMCS-1100, 1101

i06187390

NOTE	REF NO	GRAPHIC REF	PART NUMBER	QTY	PART NAME						SEE PAGE
					1	2	3	4	5	6 (PRODUCT LEVEL)	
	1	1	356-9640	16	GUIDE-VALVE						
	2	1	343-5964	8	INSERT-VALVE SEAT (EXHAUST)						
	3	1	276-8117	4	PLUG-CORE						
	4	1	188-5102	9	PLUG						
	5	1	298-4528	3	PLUG-CORE						
	6	1	322-4120	8	INSERT-VALVE SEAT (INLET)						



GRAPHIC #1

<END>

g03841876

BASIC ENGINE

353-9662 CYLINDER HEAD AS

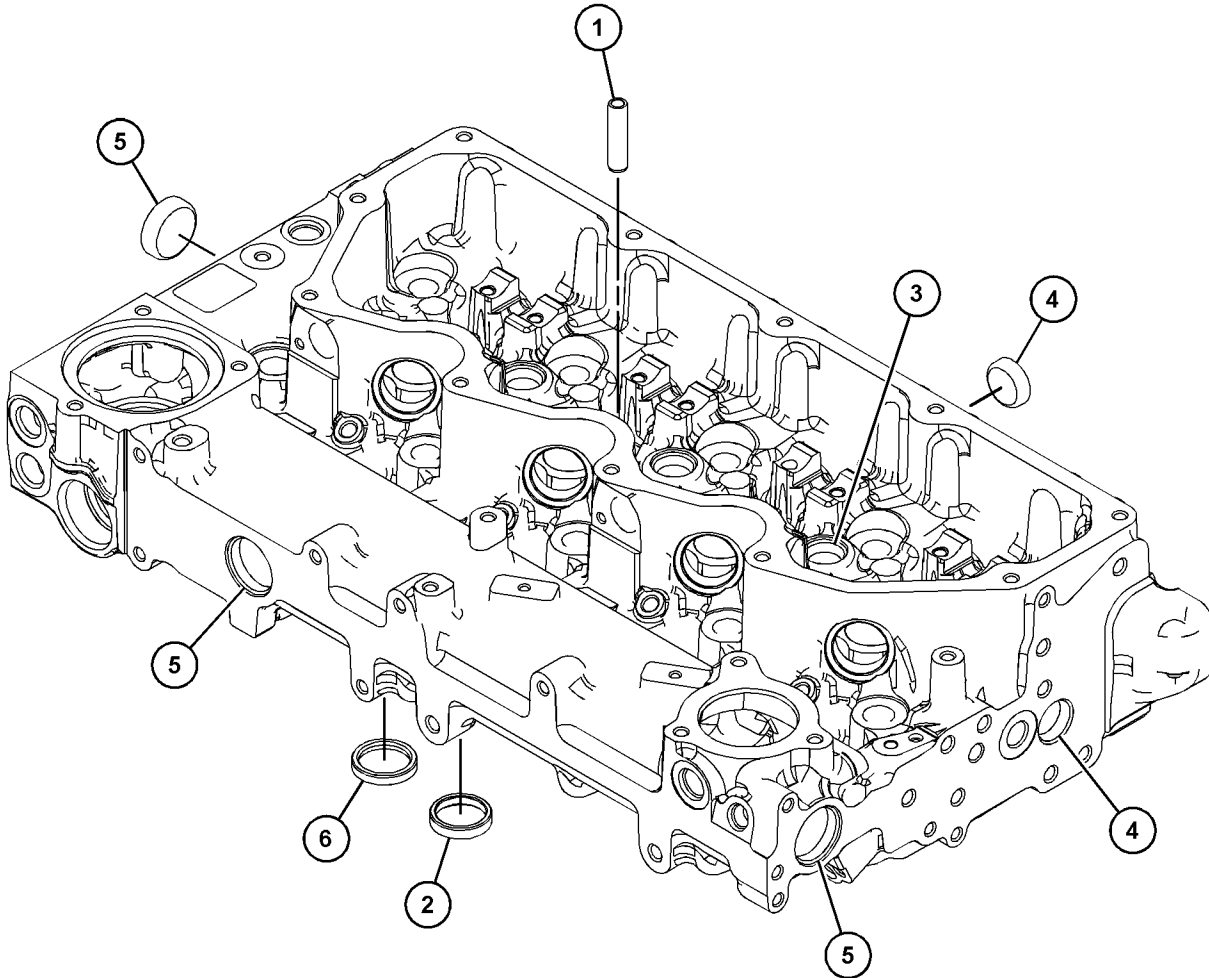
S/N: JKT1-UP

PART OF 355-7044 CYLINDER HEAD GP

SMCS-1100, 1101

i06660878

NOTE	REF NO	GRAPHIC REF	PART NUMBER	QTY	PART NAME						SEE PAGE
					1	2	3	4	5	6 (PRODUCT LEVEL)	
	1	1	356-9640	16	GUIDE-VALVE						
	2	1	343-5964	8	INSERT-VALVE SEAT (EXHAUST)						
	3	1	276-8117	4	PLUG-CORE						
	4	1	188-5102	9	PLUG						
	5	1	298-4528	3	PLUG-CORE						
	6	1	322-4120	8	INSERT-VALVE SEAT (INLET)						



GRAPHIC #1

<END>

g03841876

BASIC ENGINE

397-1559 CYLINDER HEAD AS

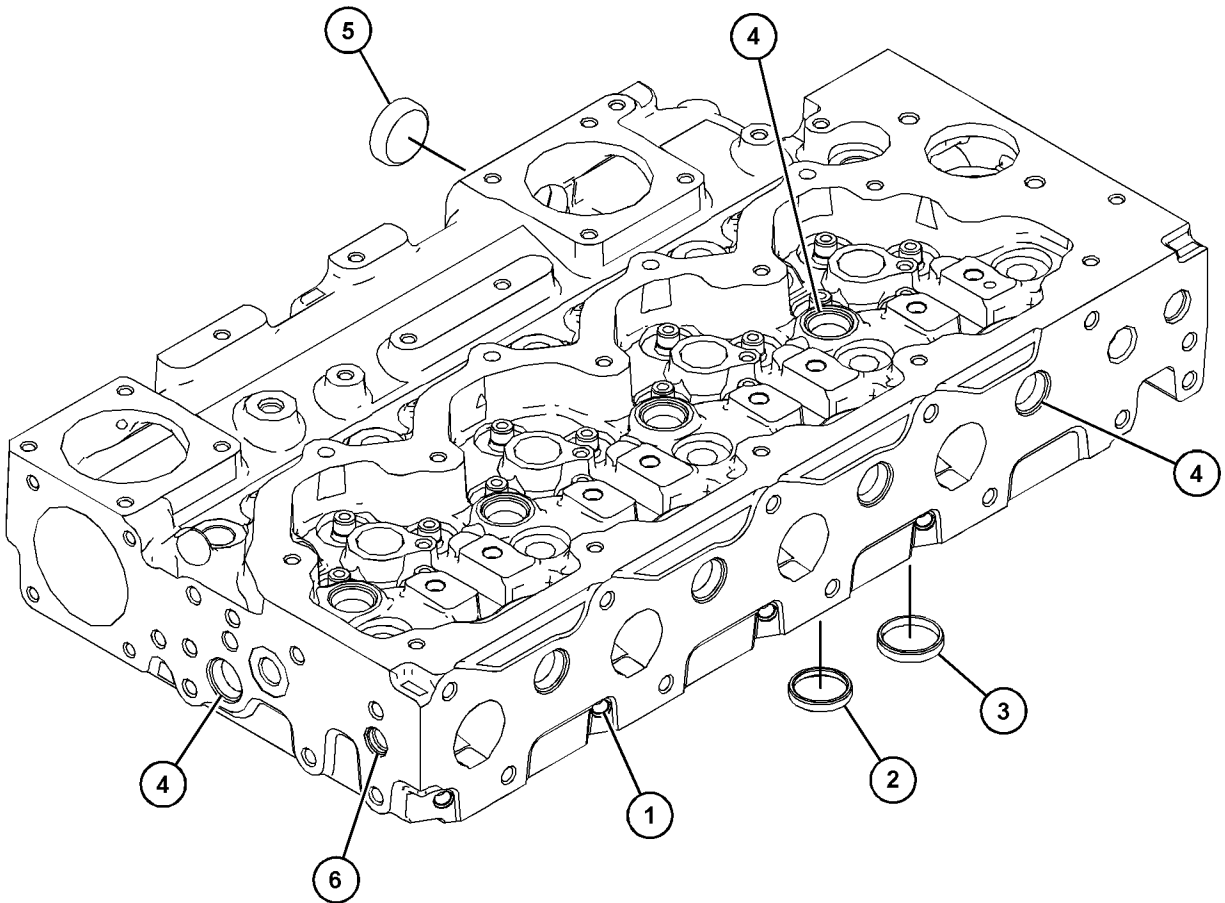
S/N: W231-UP; TD71-UP

PART OF 460-7780 CYLINDER HEAD AS, 415-5520 CYLINDER HEAD GP
ALSO AN ATTACHMENT

SMCS-1100, 1101

i06156134

NOTE	REF NO	GRAPHIC REF	PART NUMBER	QTY	PART NAME						SEE PAGE
					1	2	3	4	5	6 (PRODUCT LEVEL)	
	1	1	276-8116	4	PLUG-CORE						
	2	1	377-0400	8	INSERT-VALVE SEAT (EXHAUST)						
	3	1	377-0399	8	INSERT-VALVE SEAT (INTAKE)						
	4	1	276-8117	9	PLUG-CORE						
	5	1	298-4528	1	PLUG-CORE						
	6	1	298-4527	1	PLUG-CORE						



GRAPHIC #1

<END>

g03813035

BASIC ENGINE

445-9440 CYLINDER HEAD AS

S/N: CJ41-UP

PART OF 441-9675 CYLINDER HEAD GP

SMCS-1100, 1101

i06259164

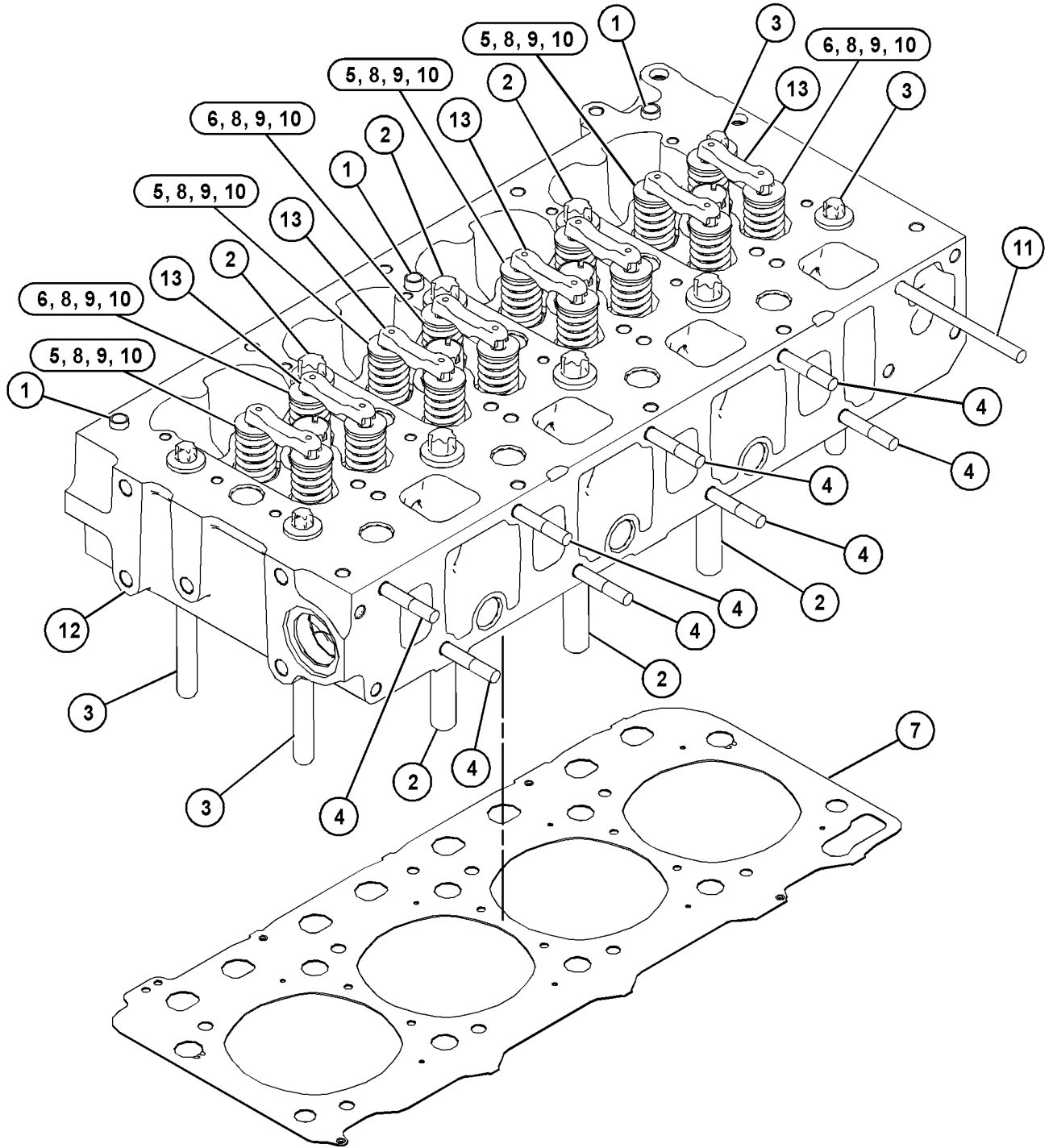
NOTE	REF NO	GRAPHIC REF	PART NUMBER	QTY	PART NAME						SEE PAGE
					1	2	3	4	5	6 (PRODUCT LEVEL)	
	1	1	381-3510	3	DOWEL						
	2	1	383-0799	6	STUD						
	3	1	387-7747	4	STUD						
	4	1	390-0319	8	STUD						
	5	1	463-7717	8	VALVE (EXHAUST)						
	6	1	463-7718	8	VALVE (INLET)						
	7	1	463-7726	1	GASKET (1.05-MM THK)						
					-OR-						
		1	485-9160	1	GASKET (0.95-MM THK)						
	8	1	463-7727	16	SPRING						
	9	1	463-7731	16	CAP						
	10	1	463-7732	16	CAP						
	11	1	463-7733	1	STUD						
Y	12	1	463-7738	1	CYLINDER HEAD AS						69
	13	1	463-7736	8	ARM (ROCKER)						

Y - SEPARATE ILLUSTRATION

BASIC ENGINE

445-9440 CYLINDER HEAD AS (contd.)

i06259164



GRAPHIC #1

<END>

g03826630

BASIC ENGINE

460-7780 CYLINDER HEAD AS

S/N: W231-UP; TD71-UP

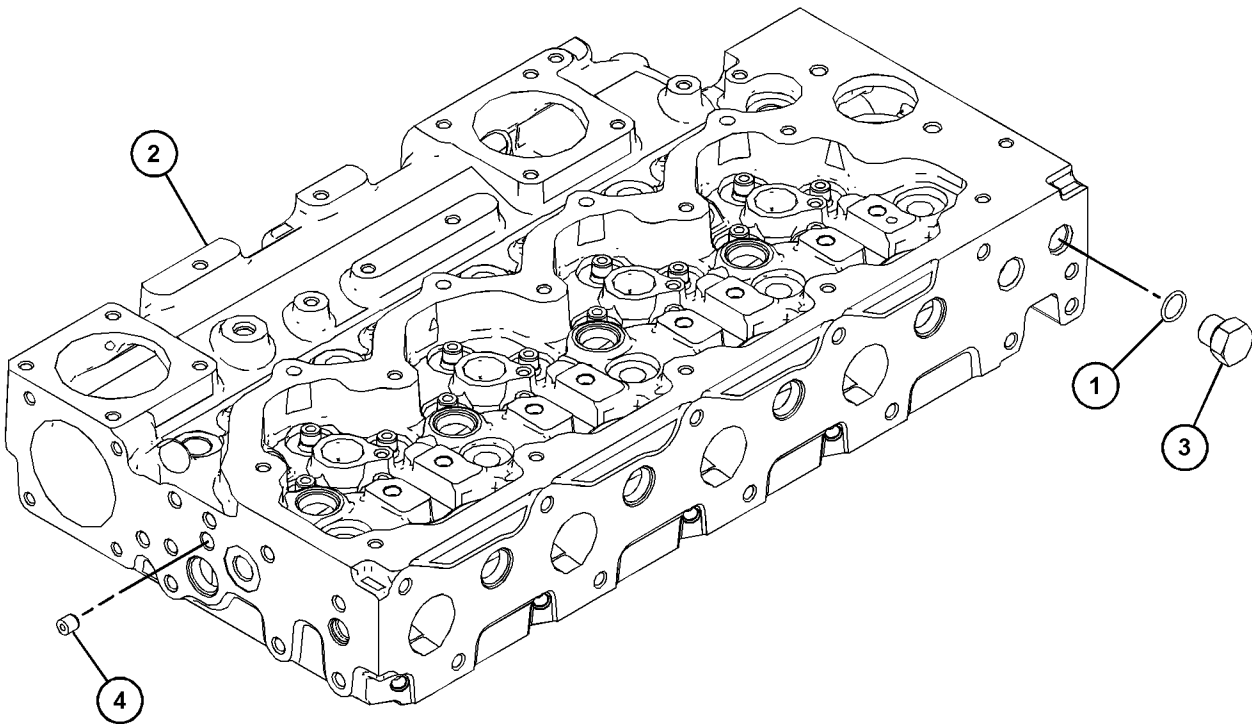
PART OF 452-7397 CYLINDER HEAD GP

SMCS-1100, 1101

i07075228

NOTE	REF NO	GRAPHIC REF	PART NUMBER	QTY	PART NAME						SEE PAGE
					1	2	3	4	5	6 (PRODUCT LEVEL)	
	1	1	199-9751	1	SEAL - O - RING						
Y	2	1	397-1559	1	CYLINDER HEAD AS						65
	3	1	232-1322	1	PLUG (BLANKING)						
	4	1	295-6661	1	PLUG						

Y - SEPARATE ILLUSTRATION



GRAPHIC #1

<END>

g06110937

BASIC ENGINE

463-7738 CYLINDER HEAD AS

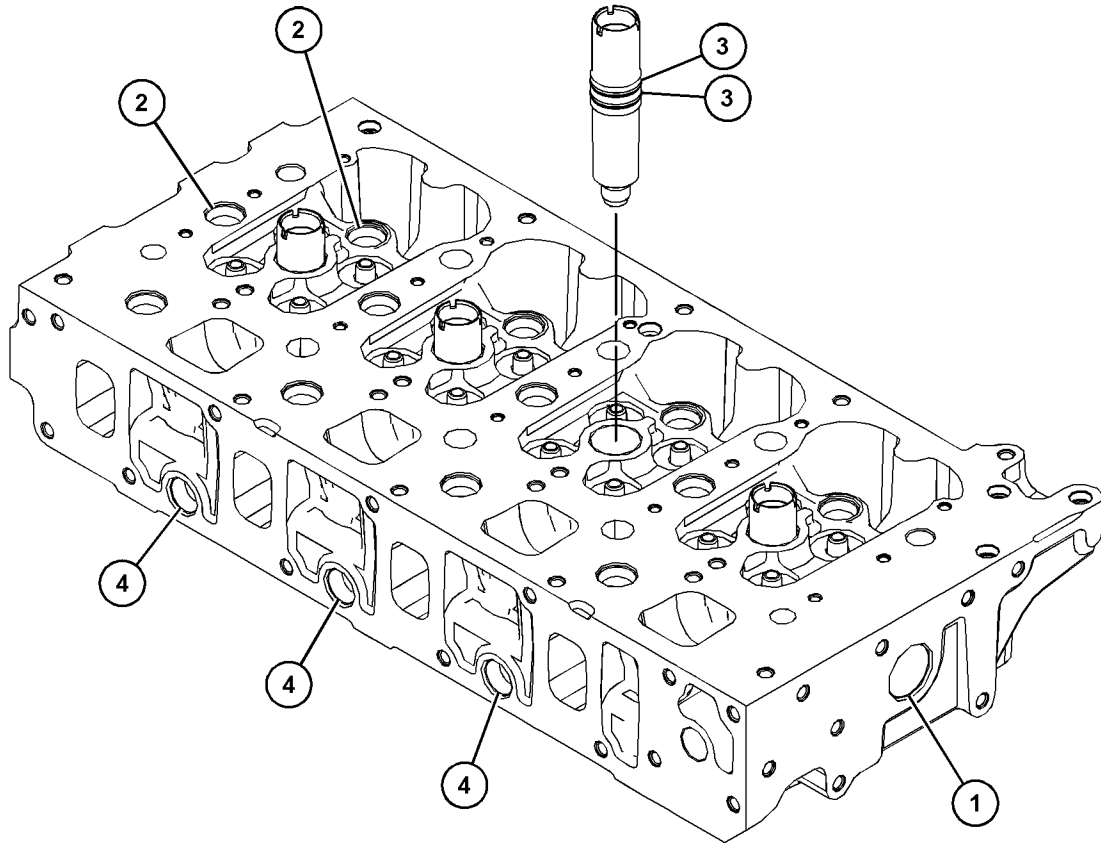
S/N: CJ41-UP

PART OF 445-9440 CYLINDER HEAD AS

SMCS-1100, 1101

i06145756

NOTE	REF NO	GRAPHIC REF	PART NUMBER	QTY	PART NAME						SEE PAGE
					1	2	3	4	5	6 (PRODUCT LEVEL)	
	1	1	379-3146	1	PLUG						
	2	1	381-3504	12	PLUG						
	3	1	463-7715	8	SEAL						
	4	1	463-7737	3	PLUG						



GRAPHIC #1

<END>

g03827856

BASIC ENGINE

355-7044 CYLINDER HEAD GP

S/N: JKT1-UP

PART OF 464-2308 ENGINE AR-PRIMARY

SMCS-1100

i06937890

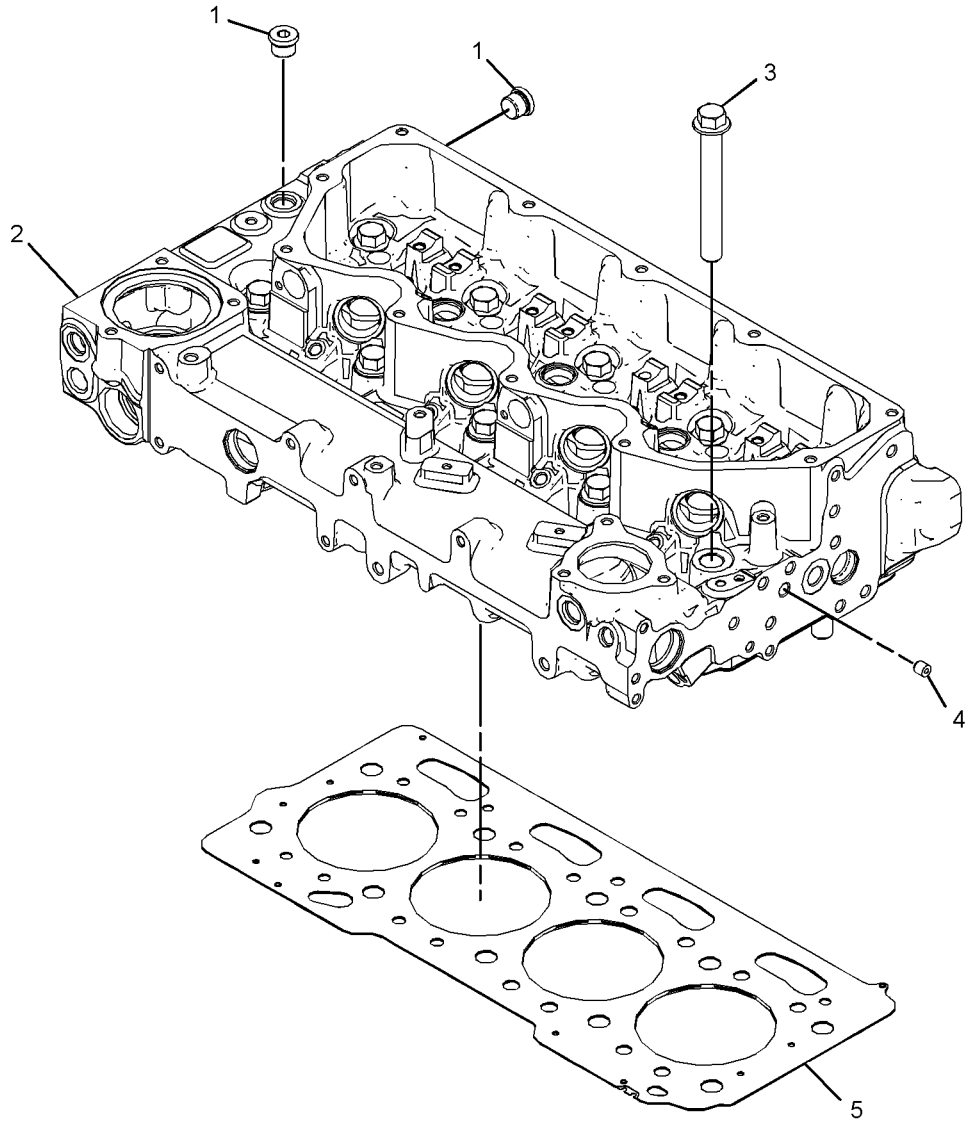
NOTE	REF NO	GRAPHIC REF	PART NUMBER	QTY	PART NAME	SEE PAGE
					1 2 3 4 5 6 (PRODUCT LEVEL)	
C	1	1	470-4925	2	PLUG	
Y	2	1	353-9662	1	CYLINDER HEAD AS	64
	3	1	276-8134	10	BOLT-SPECIAL (CYLINDER HEAD)	
	4	1	295-6661	1	PLUG	
	5	1	390-0341	1	GASKET-CYLINDER HEAD	
B		1	370-6891	1	GASKET-CYLINDER HEAD	
B		1	370-6892	1	GASKET-CYLINDER HEAD	

B - USE AS REQUIRED
 C - CHANGE FROM PREVIOUS TYPE
 Y - SEPARATE ILLUSTRATION

BASIC ENGINE

355-7044 CYLINDER HEAD GP (contd.)

106937890



GRAPHIC #1

<END>

g06187872

BASIC ENGINE

384-4082 CYLINDER HEAD GP

S/N: JKT1-UP

SHORT HEAD

PART OF 384-4906 CYLINDER HEAD GP

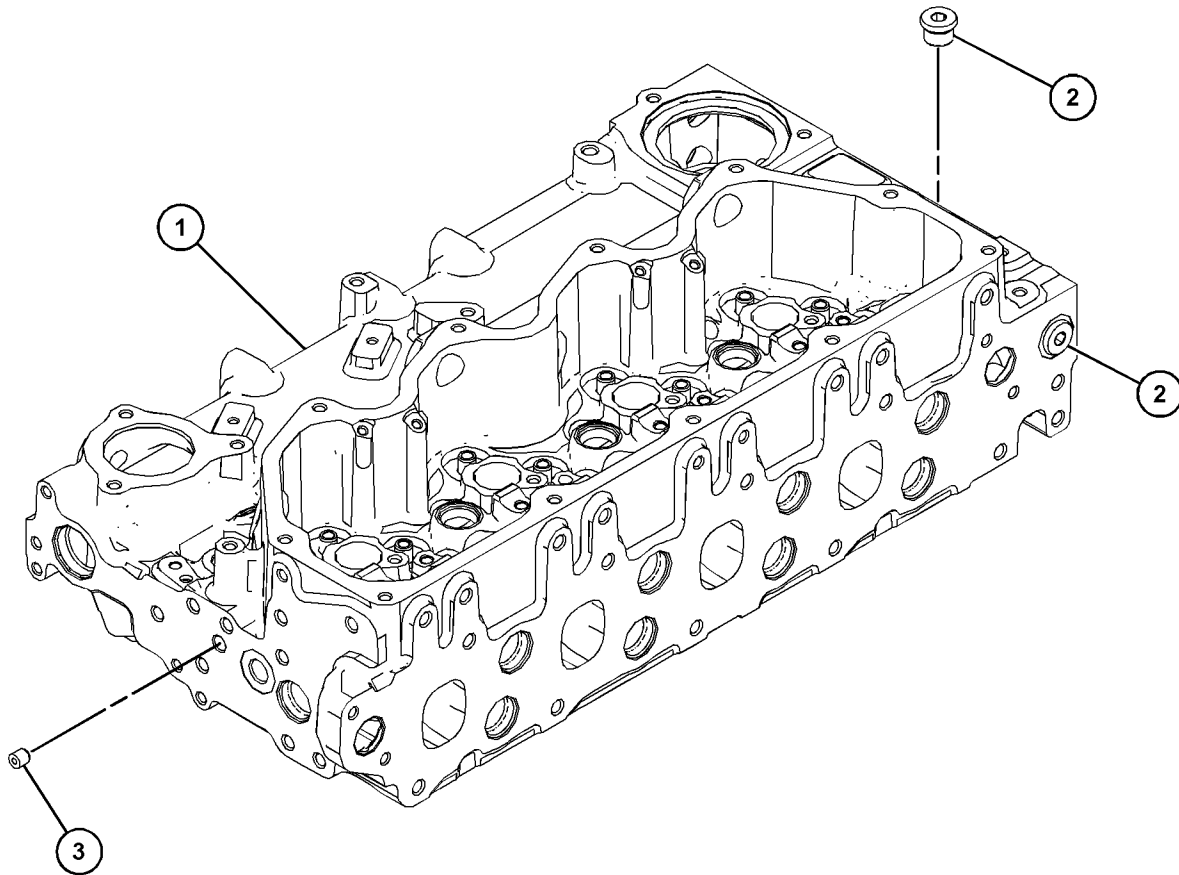
SMCS-1100

i06937905

NOTE	REF NO	GRAPHIC REF	PART NUMBER	QTY	PART NAME						SEE PAGE
					1	2	3	4	5	6 (PRODUCT LEVEL)	
Y	1	1	353-9607	1	CYLINDER HEAD AS						63
C	2	1	470-4925	2	PLUG						
	3	1	295-6661	1	PLUG						

C - CHANGE FROM PREVIOUS TYPE

Y - SEPARATE ILLUSTRATION



GRAPHIC #1

<END>

g06187743

BASIC ENGINE

384-4902 CYLINDER HEAD GP

S/N: JKT1-UP

FIELD REPLACEMENT FOR 464-2308—PAGE: 14

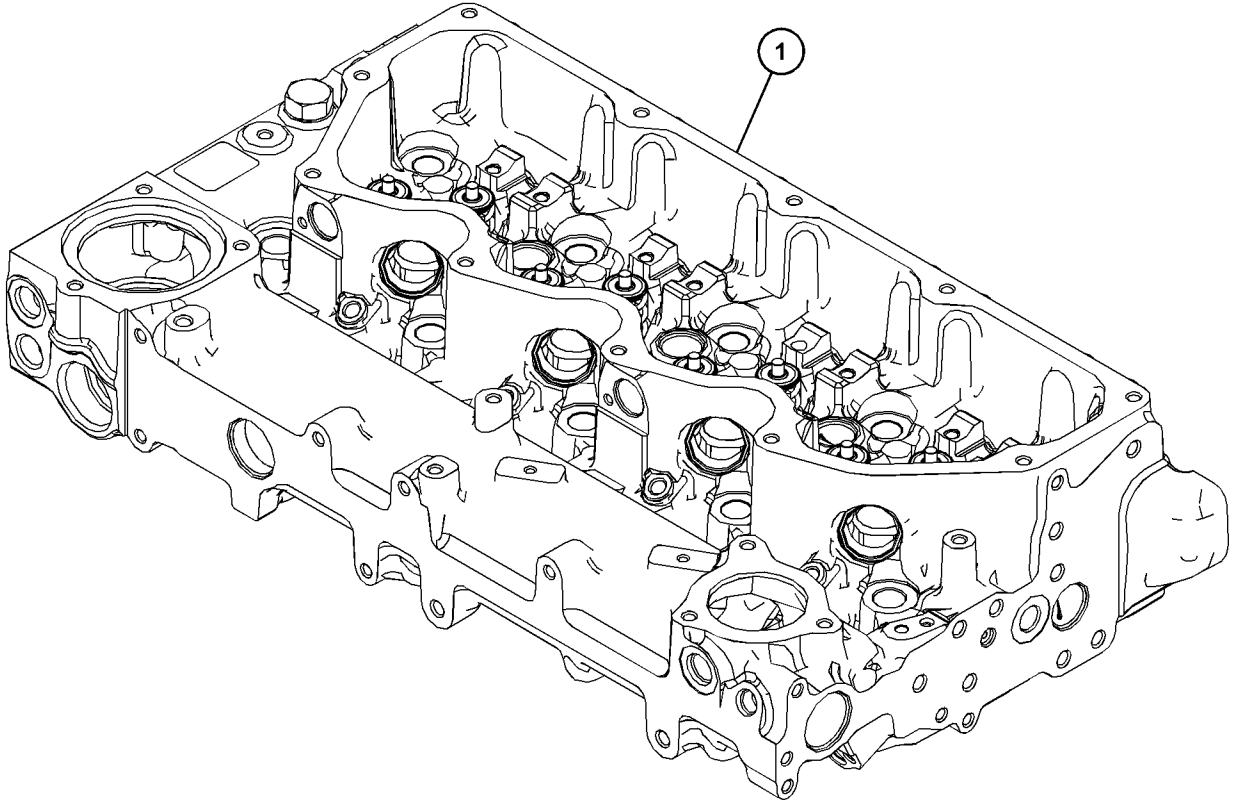
PART OF 466-2883 ENGINE AR

SMCS-1100

i05943762

NOTE	REF NO	GRAPHIC REF	PART NUMBER	QTY	PART NAME						SEE PAGE
					1	2	3	4	5	6 (PRODUCT LEVEL)	
Y	1	1	384-4906	1	CYLINDER HEAD GP (SHORT)						74

Y - SEPARATE ILLUSTRATION



GRAPHIC #1

<END>

g03664199

BASIC ENGINE

384-4906 CYLINDER HEAD GP

S/N: JKT1-UP

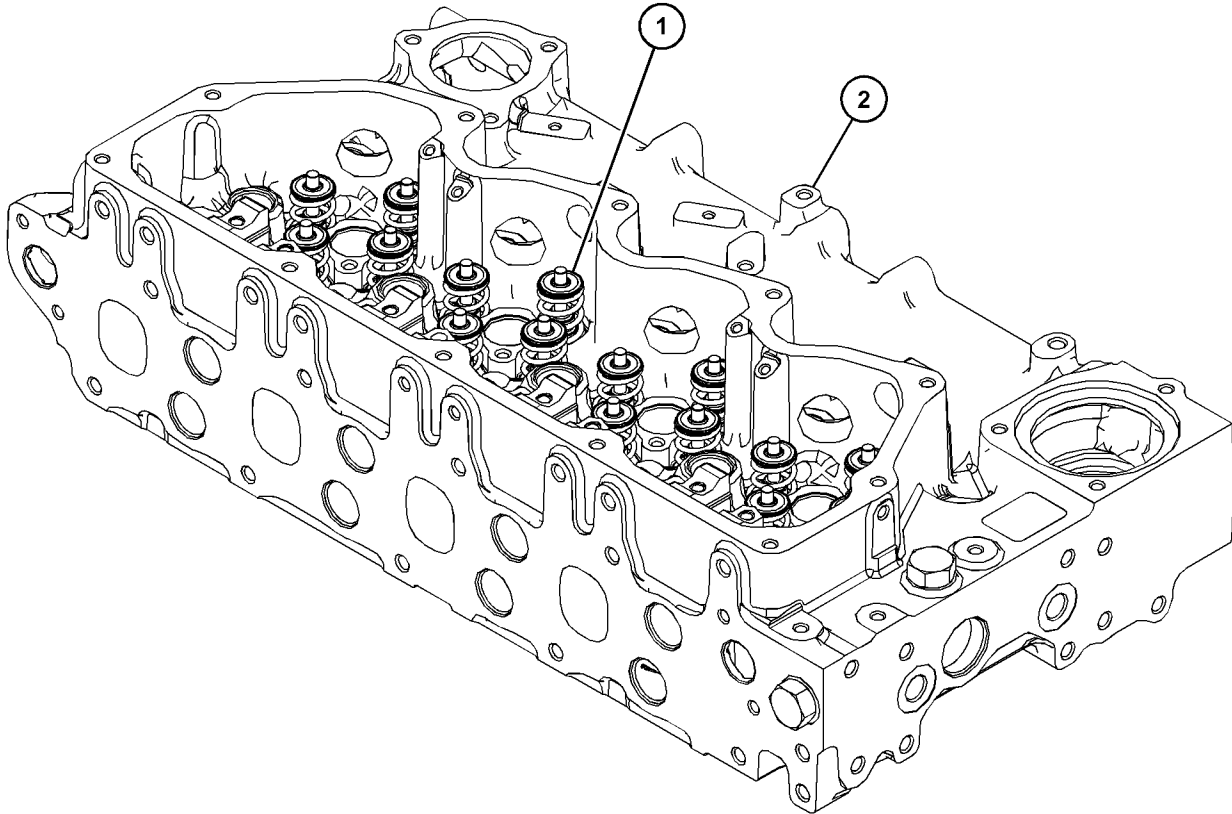
PART OF 384-4902 CYLINDER HEAD GP

SMCS-1100

i05775627

NOTE	REF NO	GRAPHIC REF	PART NUMBER	QTY	PART NAME	SEE PAGE
					1 2 3 4 5 6 (PRODUCT LEVEL)	
Y	1	1	384-4080	1	ROCKER ARM GP	144
Y	2	1	384-4082	1	CYLINDER HEAD GP	72

Y - SEPARATE ILLUSTRATION



GRAPHIC #1

<END>

g03664206

BASIC ENGINE

415-5520 CYLINDER HEAD GP

S/N: W231-UP

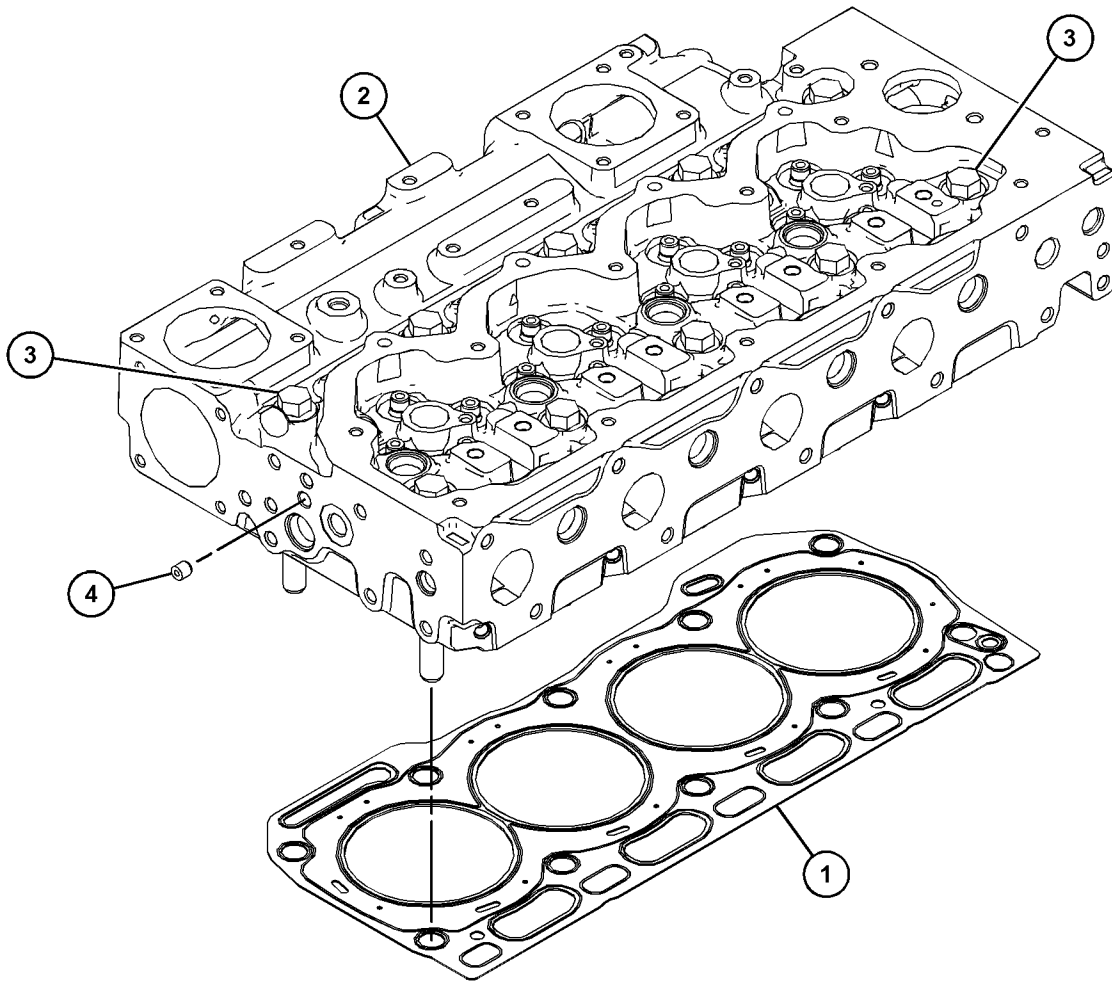
PART OF 463-8820, 463-8910 ENGINE AR-PRIMARY
ALSO AN ATTACHMENT

SMCS-1100

i06149428

NOTE	REF NO	GRAPHIC REF	PART NUMBER	QTY	PART NAME						SEE PAGE
					1	2	3	4	5	6 (PRODUCT LEVEL)	
	1	1	310-8520	1	GASKET-CYLINDER HEAD						
Y	2	1	397-1559	1	CYLINDER HEAD AS						65
	3	1	225-5501	10	BOLT (M15X1.5X137-MM)						
	4	1	295-6661	1	PLUG						
F			369-3707	1	GASKET-CYLINDER HEAD						

F - NOT SHOWN
Y - SEPARATE ILLUSTRATION



GRAPHIC #1

<END>

g03828609

BASIC ENGINE

441-9675 CYLINDER HEAD GP

S/N: CJ41-UP

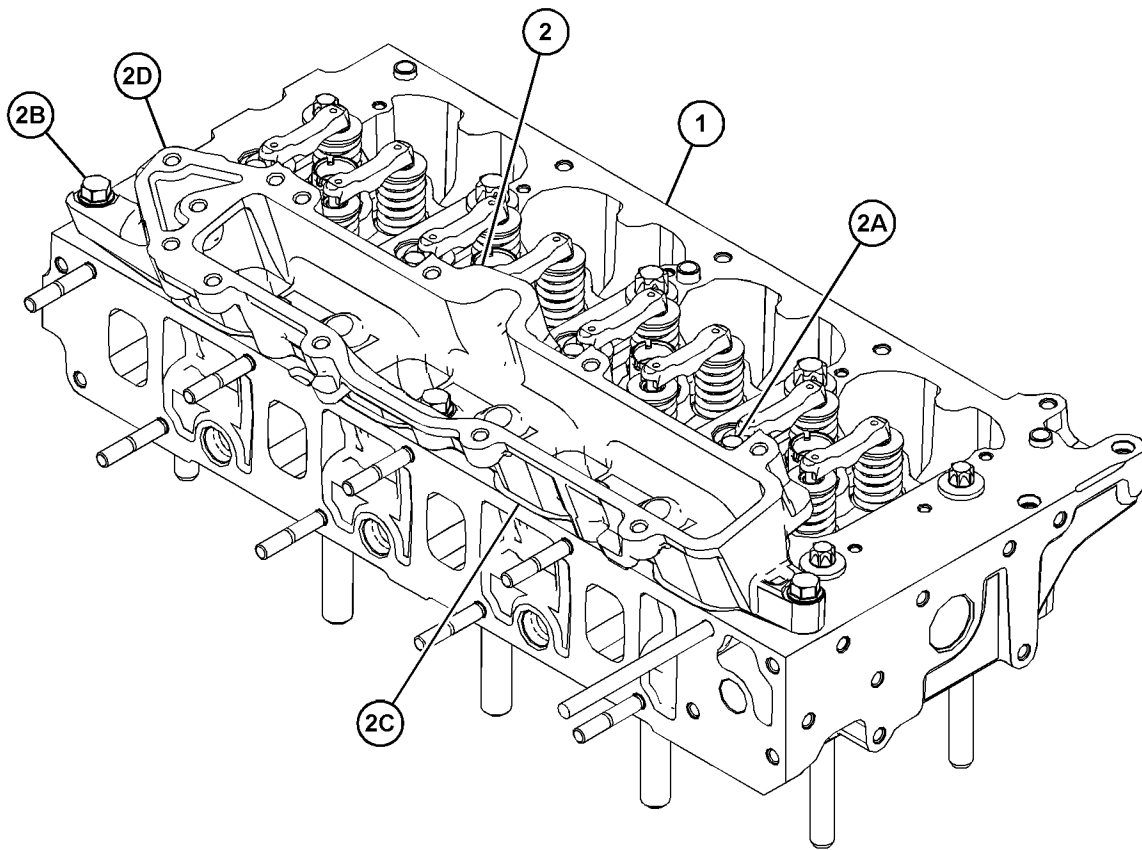
PART OF 465-2880 ENGINE AR-PRIMARY

SMCS-1100

i06252192

NOTE	REF NO	GRAPHIC REF	PART NUMBER	QTY	PART NAME						SEE PAGE
					1	2	3	4	5	6 (PRODUCT LEVEL)	
Y	1	1	445-9440	1	CYLINDER HEAD AS						66
	2	1	445-9442	1	ADAPTER AS						
M	2A	1	6I-0455	4	BOLT (M8X1.25X55-MM)						
	2B	1	389-1920	5	BOLT						
	2C	1	463-7776	1	GASKET						
	2D	1	463-7831	1	ADAPTER						

M - METRIC PART
Y - SEPARATE ILLUSTRATION



GRAPHIC #1

<END>

g03825215

BASIC ENGINE

452-7394 CYLINDER HEAD GP

S/N: W231-UP

PART OF 467-8282, 467-8302 ENGINE AR

SMCS-1100

i07197129

NOTE	PART NUMBER	QTY	PART NAME						SEE PAGE
			1	2	3	4	5	6 (PRODUCT LEVEL)	
Y	452-7397	1	CYLINDER HEAD GP						78

Y - SEPARATE ILLUSTRATION

<END>

BASIC ENGINE

452-7397 CYLINDER HEAD GP

S/N: W231-UP; TD71-UP

FIELD REPLACEMENT FOR 463-8910—PAGE: 12: FOR 463-8820—PAGE: 10

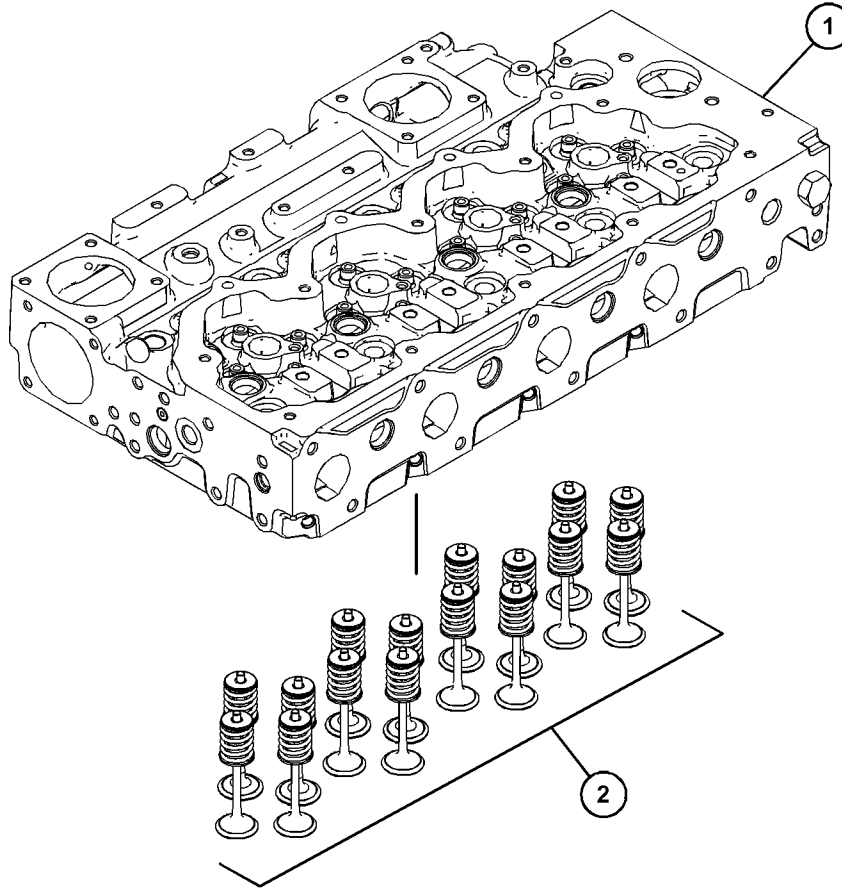
PART OF 452-7394 CYLINDER HEAD GP

SMCS-1100

i07075177

NOTE	REF NO	GRAPHIC REF	PART NUMBER	QTY	PART NAME						SEE PAGE
					1	2	3	4	5	6 (PRODUCT LEVEL)	
Y	1	1	460-7780	1	CYLINDER HEAD AS						68
Y	2	1	460-7781	1	ROCKER ARM GP						148

Y - SEPARATE ILLUSTRATION



GRAPHIC #1

<END>

g06116995

BASIC ENGINE

332-4667 DRAIN GP-ENGINE OIL

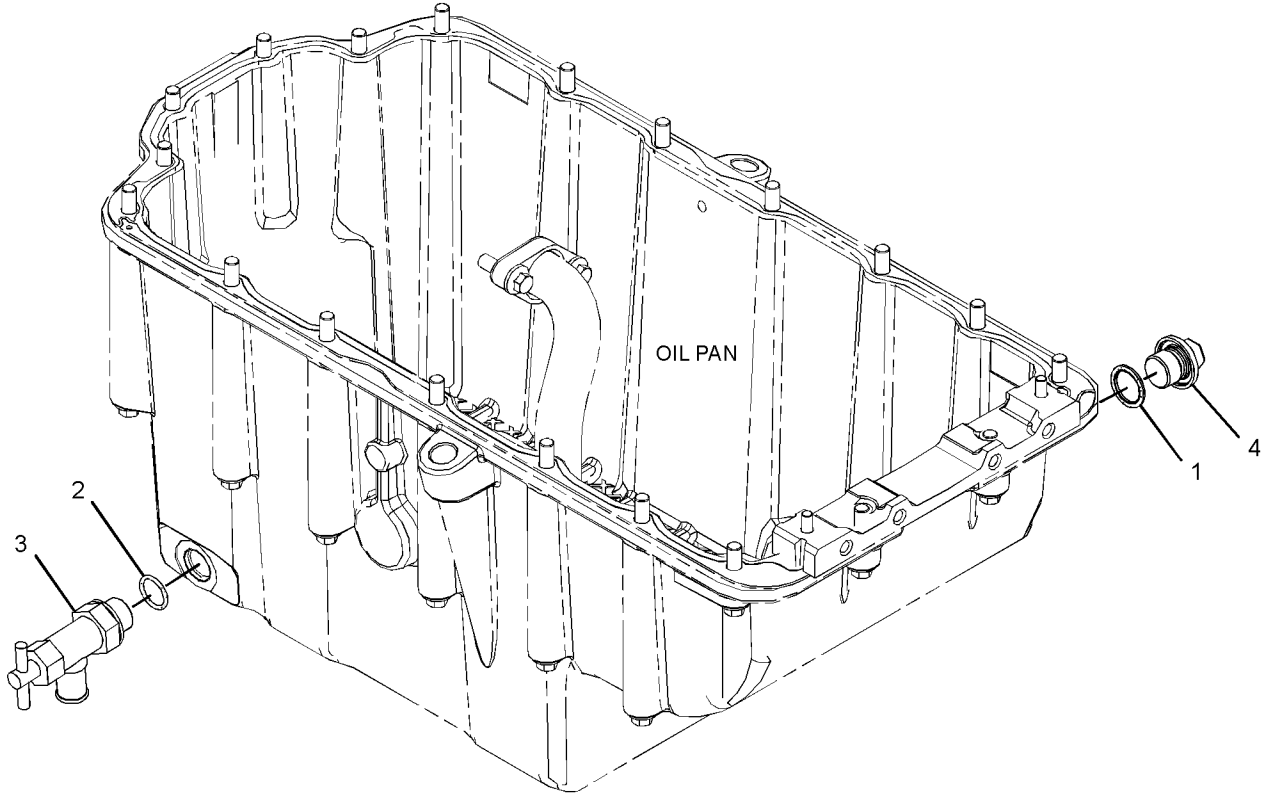
S/N: JKT1-UP

PART OF 464-2308 ENGINE AR-PRIMARY

SMCS-1302

i04596275

NOTE	REF NO	GRAPHIC REF	PART NUMBER	QTY	PART NAME						SEE PAGE
					1	2	3	4	5	6 (PRODUCT LEVEL)	
	1	1	335-7585	1	SEAL						
	2	1	3K-0360	1	SEAL-O-RING						
	3	1	6V-7238	1	VALVE-SHUTOFF						
	4	1	7C-0351	1	PLUG-DRAIN (ENGINE OIL)						



GRAPHIC #1

<END>

g02757979

BASIC ENGINE

419-8538 DRAIN GP-ENGINE OIL

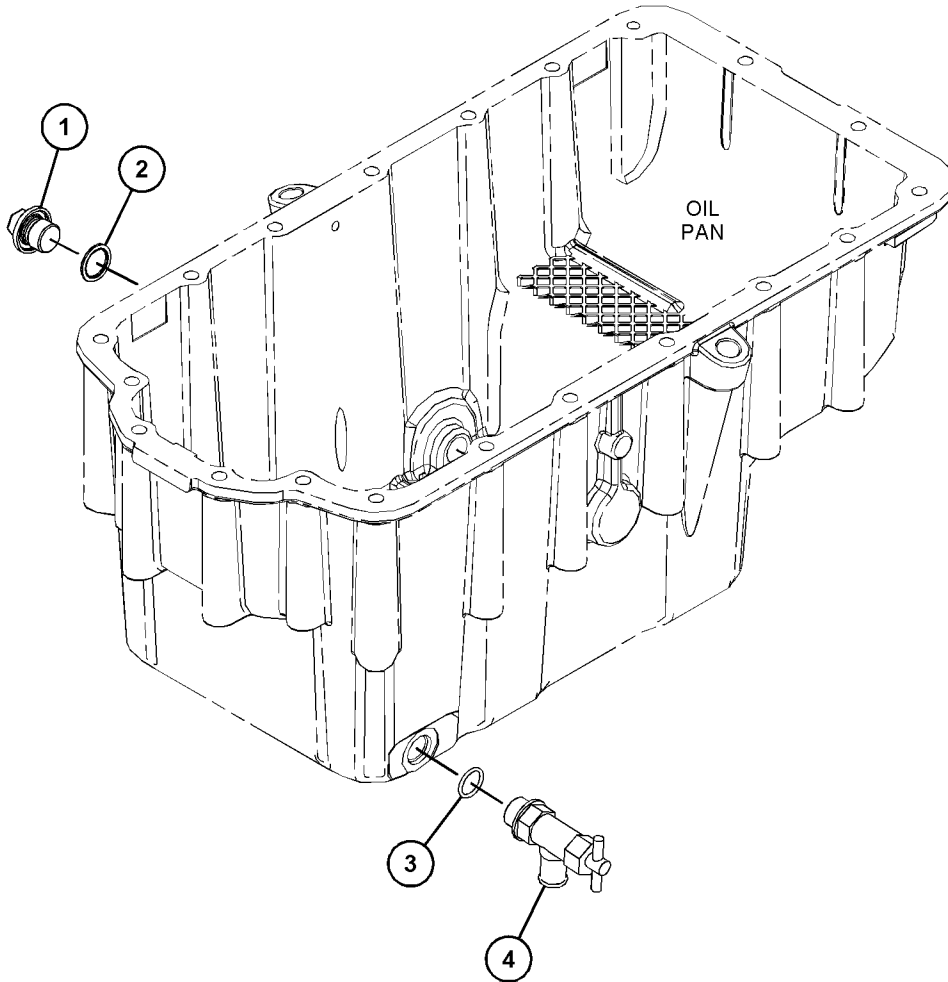
S/N: W231-UP

PART OF 463-8820, 463-8910 ENGINE AR-PRIMARY
ALSO AN ATTACHMENT

SMCS-1302

i06124051

NOTE	REF NO	GRAPHIC REF	PART NUMBER	QTY	PART NAME						SEE PAGE
					1	2	3	4	5	6 (PRODUCT LEVEL)	
	1	1	7C-0351	1	PLUG-DRAIN (ENGINE OIL)						
	2	1	335-7585	1	SEAL						
	3	1	3K-0360	1	SEAL-O-RING						
	4	1	6V-7238	1	VALVE-SHUTOFF						



GRAPHIC #1

<END>

g03821648

BASIC ENGINE

474-5150 DRAIN GP-ENGINE OIL

S/N: TD61-UP; TD71-UP

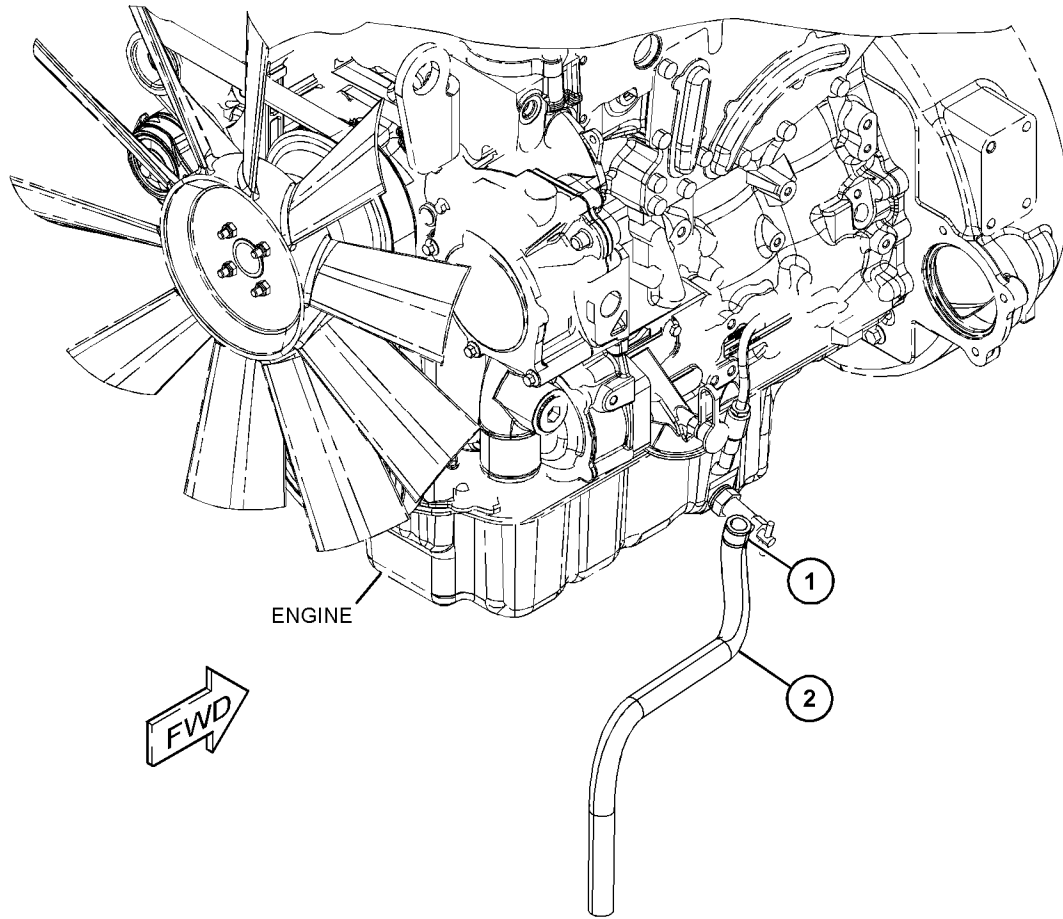
PART OF 518-5877, 518-6040, 518-6042, 518-6043 ENGINE AR-COMplete
AN ATTACHMENT

SMCS-1302

i06789179

NOTE	REF NO	GRAPHIC REF	PART NUMBER	QTY	PART NAME						SEE PAGE
					1	2	3	4	5	6 (PRODUCT LEVEL)	
	1	1	309-2982	1	CLAMP						
E	2	1	281-8751		HOSE (50-CM)						

E - ORDER BY THE CENTIMETER



GRAPHIC #1

<END>

g03832013

BASIC ENGINE

329-8428 DRIVE GP-AUXILIARY

S/N: JKT1-UP

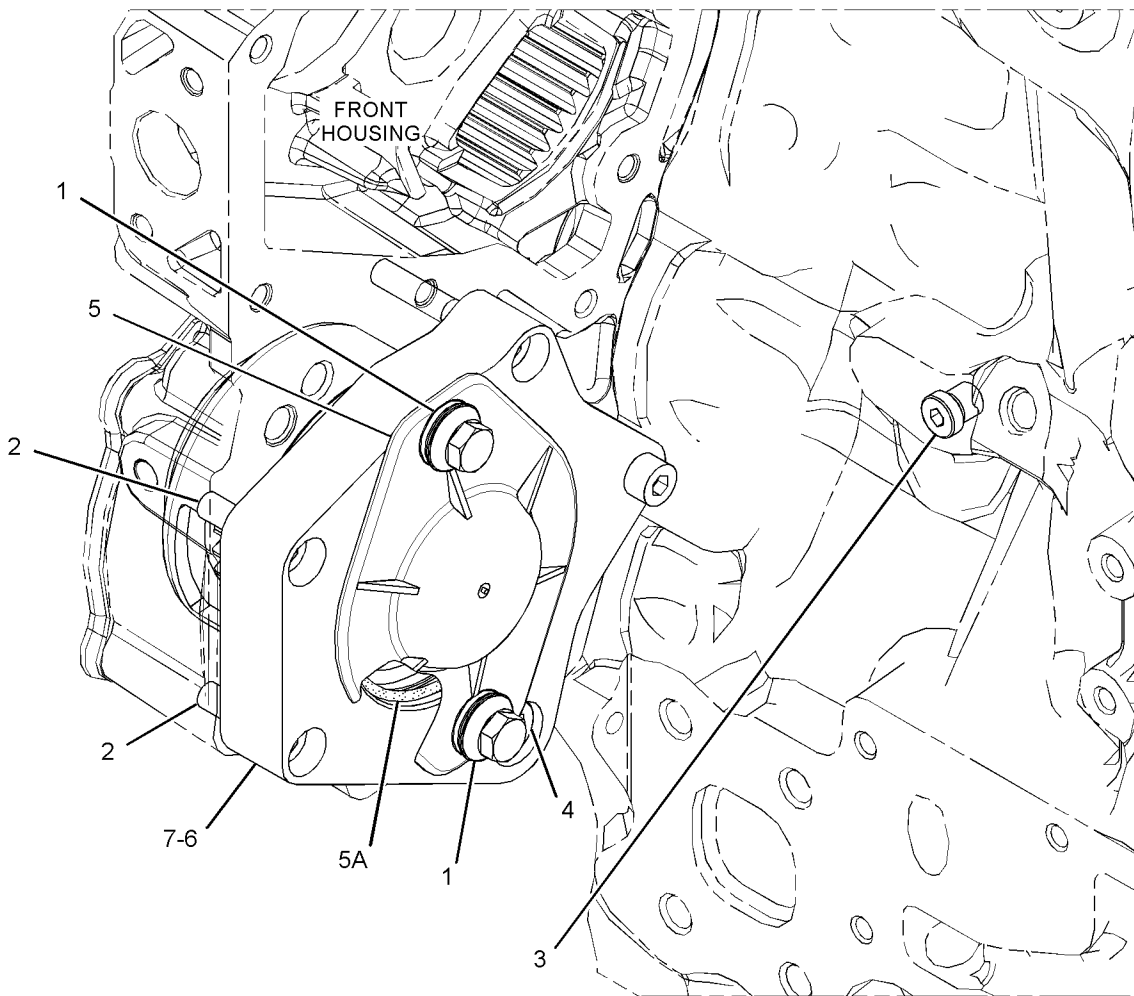
PART OF 464-2308 ENGINE AR-PRIMARY

SMCS-1207, 3108

i05725331

NOTE	REF NO	GRAPHIC REF	PART NUMBER	QTY	PART NAME						SEE PAGE
					1	2	3	4	5	6 (PRODUCT LEVEL)	
M	1	1	100-4830	2	BOLT (M10X1.5X20-MM)						
	2	1	126-3212	2	BOLT (M8X1.25X25-MM)						
	3	1	277-4223	1	PLUG						
	4	1	331-3797	1	BOLT						
	5	1	198-8262	1	COVER AS						
	5A	1	198-8263	1	SEAL-O-RING						
	6	1	330-1714	1	GASKET						
	7	1	363-0171	1	ADAPTER GP						

M - METRIC PART



GRAPHIC #1

<END>

g02718023

BASIC ENGINE

355-4951 DRIVE GP-AUXILIARY

S/N: CJ41-UP

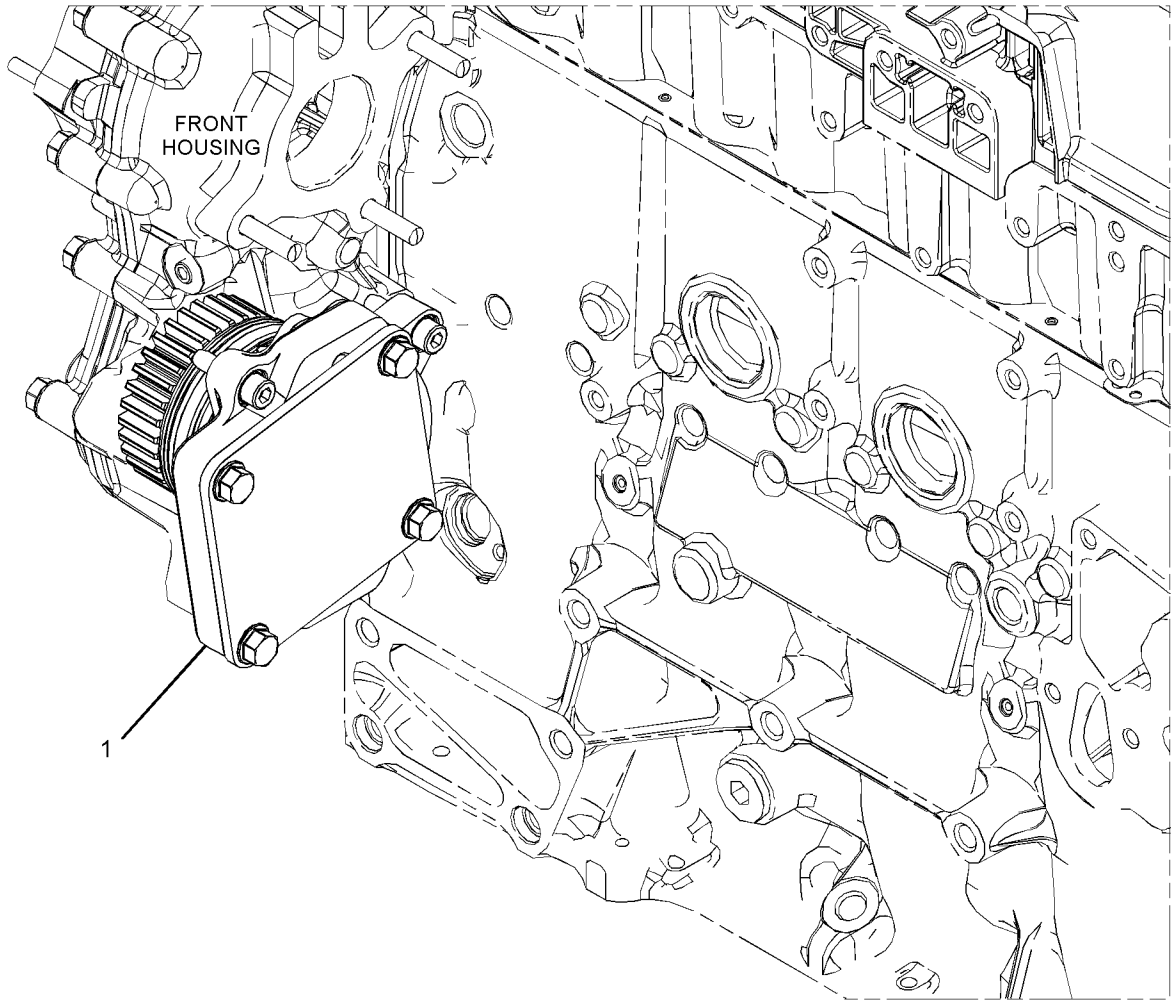
PART OF 465-2880 ENGINE AR-PRIMARY

SMCS-1207, 3108

i06605456

NOTE	REF NO	GRAPHIC REF	PART NUMBER	QTY	PART NAME						SEE PAGE
					1	2	3	4	5	6 (PRODUCT LEVEL)	
Y	1	1	362-0555	1	DRIVE GP-AUXILIARY						84

Y - SEPARATE ILLUSTRATION



GRAPHIC #1

<END>

g02923536

BASIC ENGINE

362-0555 DRIVE GP-AUXILIARY

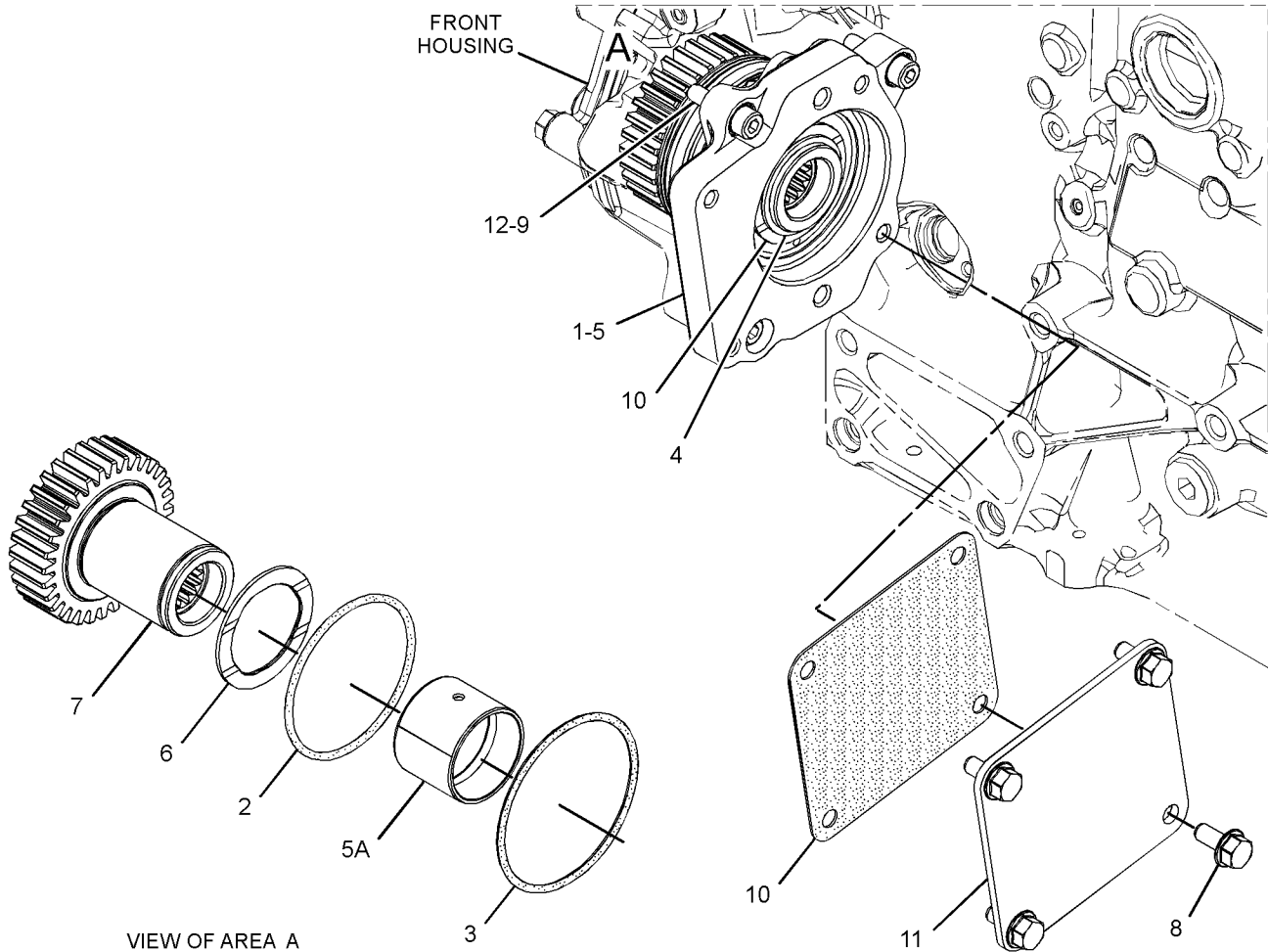
S/N: CJ41-UP

PART OF 355-4951 DRIVE GP-AUXILIARY

SMCS-1207, 3108

i06815606

NOTE	REF NO	GRAPHIC REF	PART NUMBER	QTY	PART NAME						SEE PAGE
					1	2	3	4	5	6 (PRODUCT LEVEL)	
	1	1	372-0494	1	DRIVE						
	2	1	387-7707	1	SEAL						
	3	1	387-7713	1	SEAL						
	4	1	393-0301	1	RING						
	5	1	434-6401	1	HOUSING AS						
	5A	1	390-2388	1	BUSHING						
	6	1	389-2864	2	WASHER						
	7	1	387-9154	1	GEAR						
	8	1	389-1863	4	BOLT-SPECIAL						
	9	1	389-2858	3	WASHER						
	10	1	387-9136	1	GASKET						
	11	1	387-9130	1	COVER						
	12	1	387-7717	3	BOLT						



VIEW OF AREA A
(PARTS REMOVED FOR CLARITY)

GRAPHIC #1

<END>

g03401457

BASIC ENGINE

339-2997 DRIVE GP-FAN

S/N: JKT1-UP

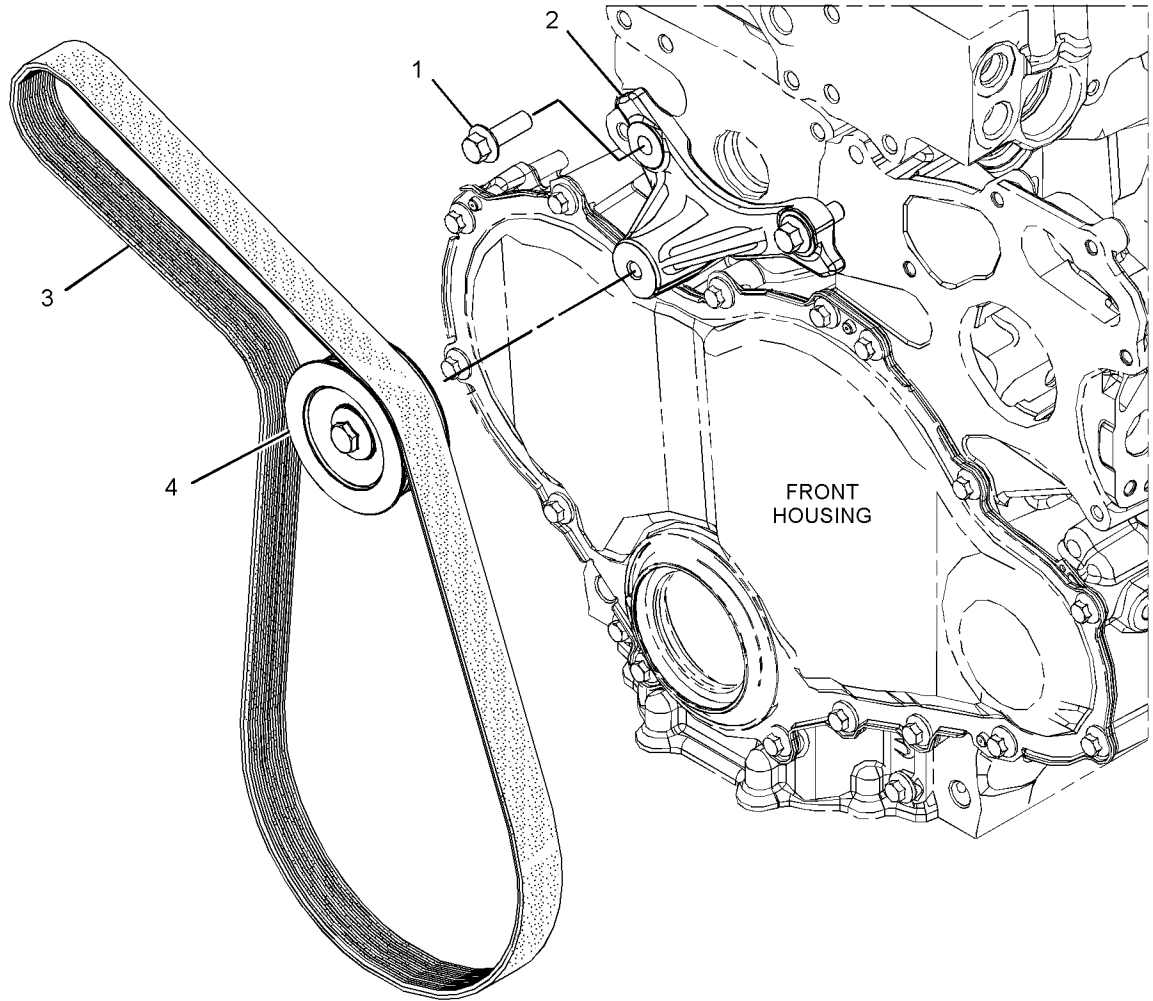
PART OF 464-2308 ENGINE AR-PRIMARY

SMCS-1359

i07162361

NOTE	REF NO	GRAPHIC REF	PART NUMBER	QTY	PART NAME						SEE PAGE
					1	2	3	4	5	6 (PRODUCT LEVEL)	
M	1	1	6I-0593	2	BOLT (M10X1.5X30-MM)						
	2	1	336-1294	1	BRACKET						
	3	1	286-7845	1	BELT-SERPENTINE						
	4	1	377-9255	1	PULLEY AS (8-GROOVE)						

M - METRIC PART



GRAPHIC #1

<END>

g02926476

BASIC ENGINE

350-0644 DRIVE GP-FAN

S/N: CJ41-UP

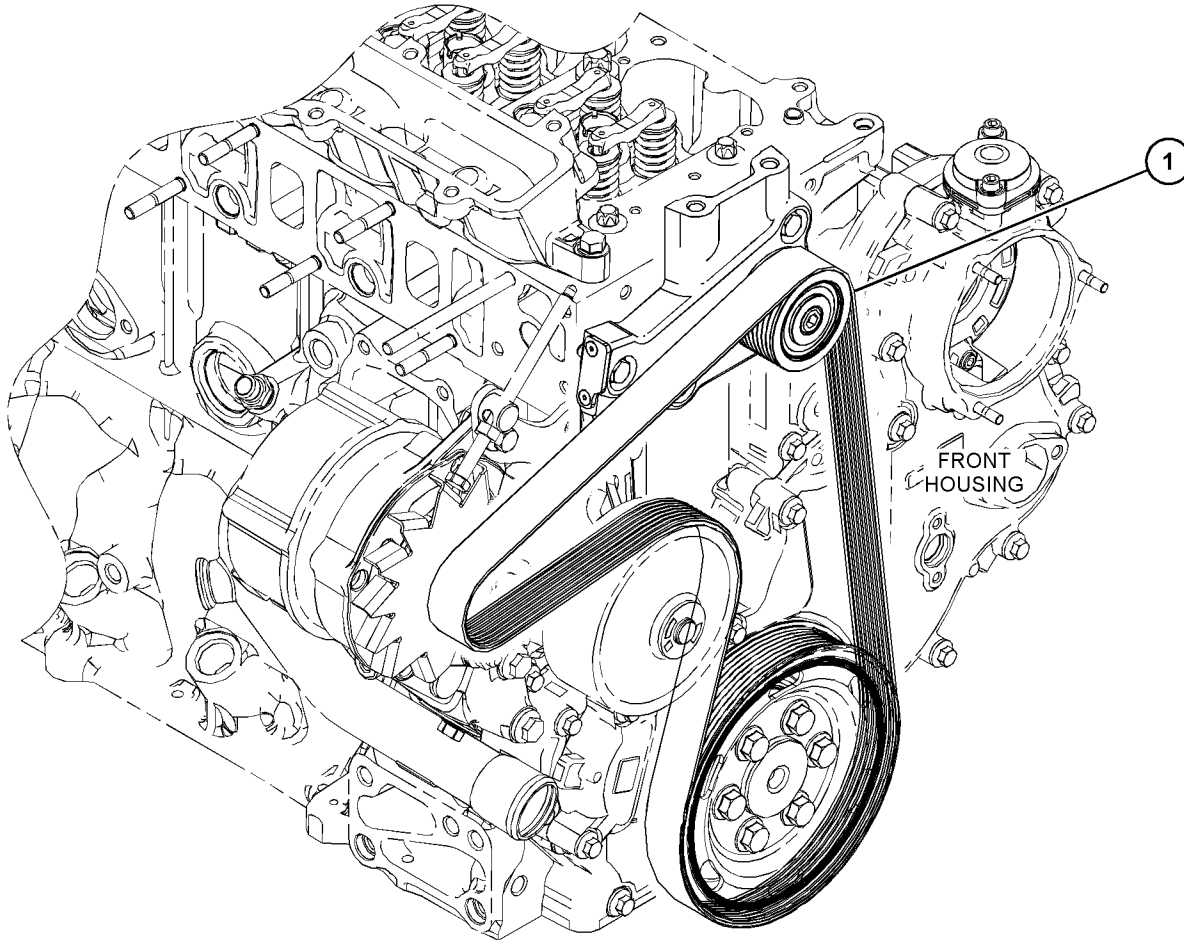
PART OF 465-2880 ENGINE AR-PRIMARY

SMCS-1359

i06605449

NOTE	REF NO	GRAPHIC REF	PART NUMBER	QTY	PART NAME						SEE PAGE
					1	2	3	4	5	6 (PRODUCT LEVEL)	
Y	1	1	437-9758	1	MOUNTING GP-BELT TENSIONER						112

Y - SEPARATE ILLUSTRATION



GRAPHIC #1

<END>

g03827918

BASIC ENGINE

416-1043 DRIVE GP-FAN

S/N: W231-UP

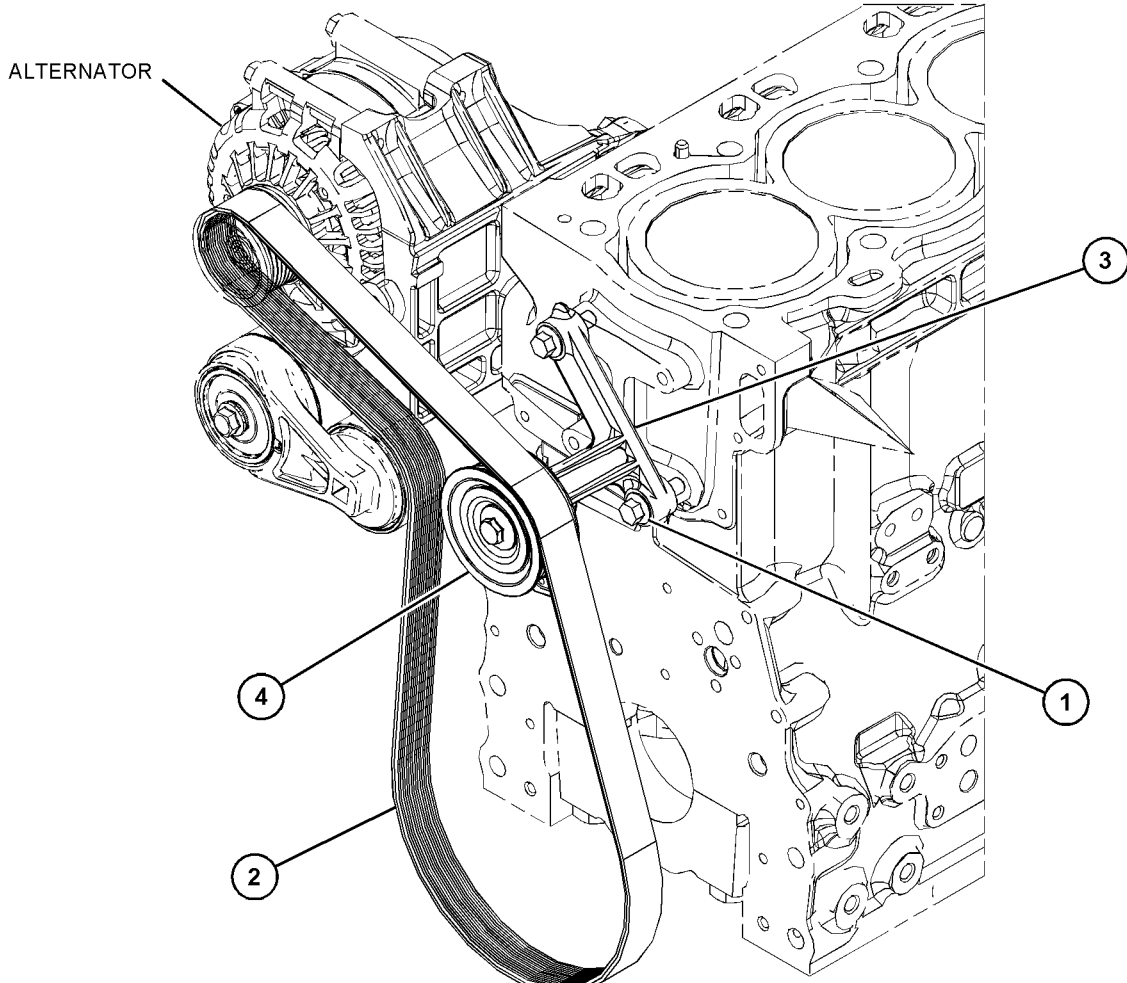
PART OF 463-8910 ENGINE AR-PRIMARY

SMCS-1359

i06621171

NOTE	REF NO	GRAPHIC REF	PART NUMBER	QTY	PART NAME						SEE PAGE
					1	2	3	4	5	6 (PRODUCT LEVEL)	
M	1	1	111-0859	2	BOLT (M10X1.5X35-MM)						
	2	1	286-7845	1	BELT-SERPENTINE (FAN DRIVE)						
	3	1	371-8298	1	BRACKET						
	4	1	377-9255	1	PULLEY AS (8-GROOVE)						
M	1	1	423-7576	1	BOLT (M10X1.5X50-MM)						

M - METRIC PART



GRAPHIC #1

<END>

g06023287

BASIC ENGINE

432-1856 DRIVE GP-FAN

S/N: W231-UP

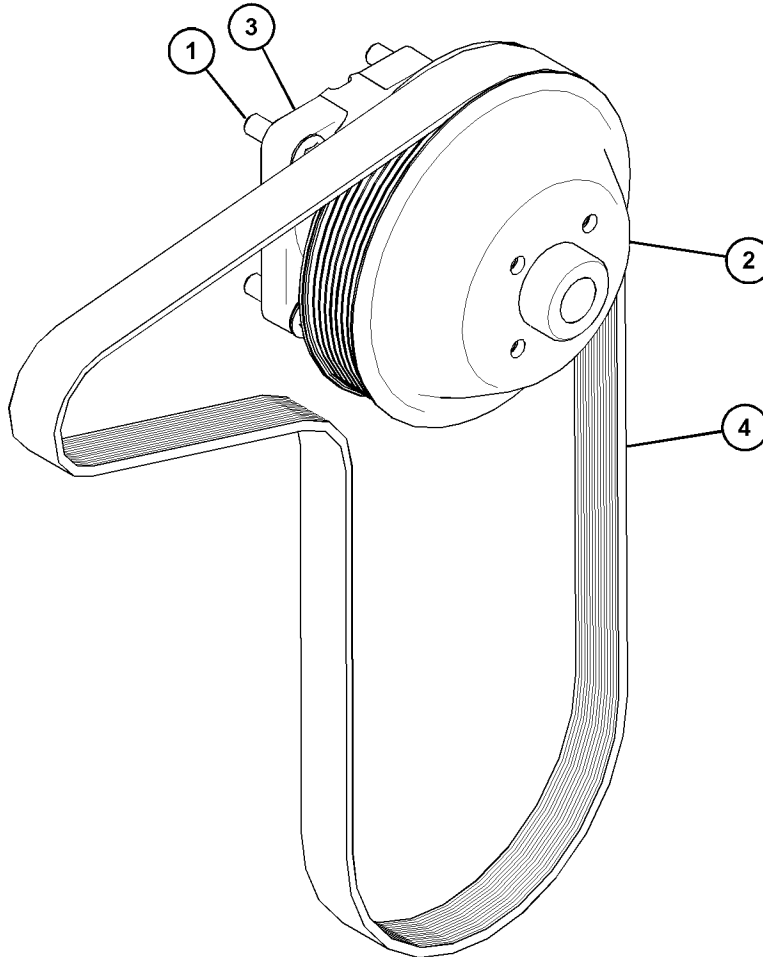
PART OF 463-8820 ENGINE AR-PRIMARY
ALSO AN ATTACHMENT

SMCS-1359

i06909632

NOTE	REF NO	GRAPHIC REF	PART NUMBER	QTY	PART NAME						SEE PAGE
					1	2	3	4	5	6 (PRODUCT LEVEL)	
M	1	1	111-0859	4	BOLT (M10X1.5X35-MM)						
	2	1	283-4148	1	PULLEY (8-GROOVE)						
	3	1	289-8336	1	HOUSING AS						
	4	1	380-2622	1	BELT-SERPENTINE						

M - METRIC PART



GRAPHIC #1

<END>

g06111292

BASIC ENGINE

329-7900 FLYWHEEL GP

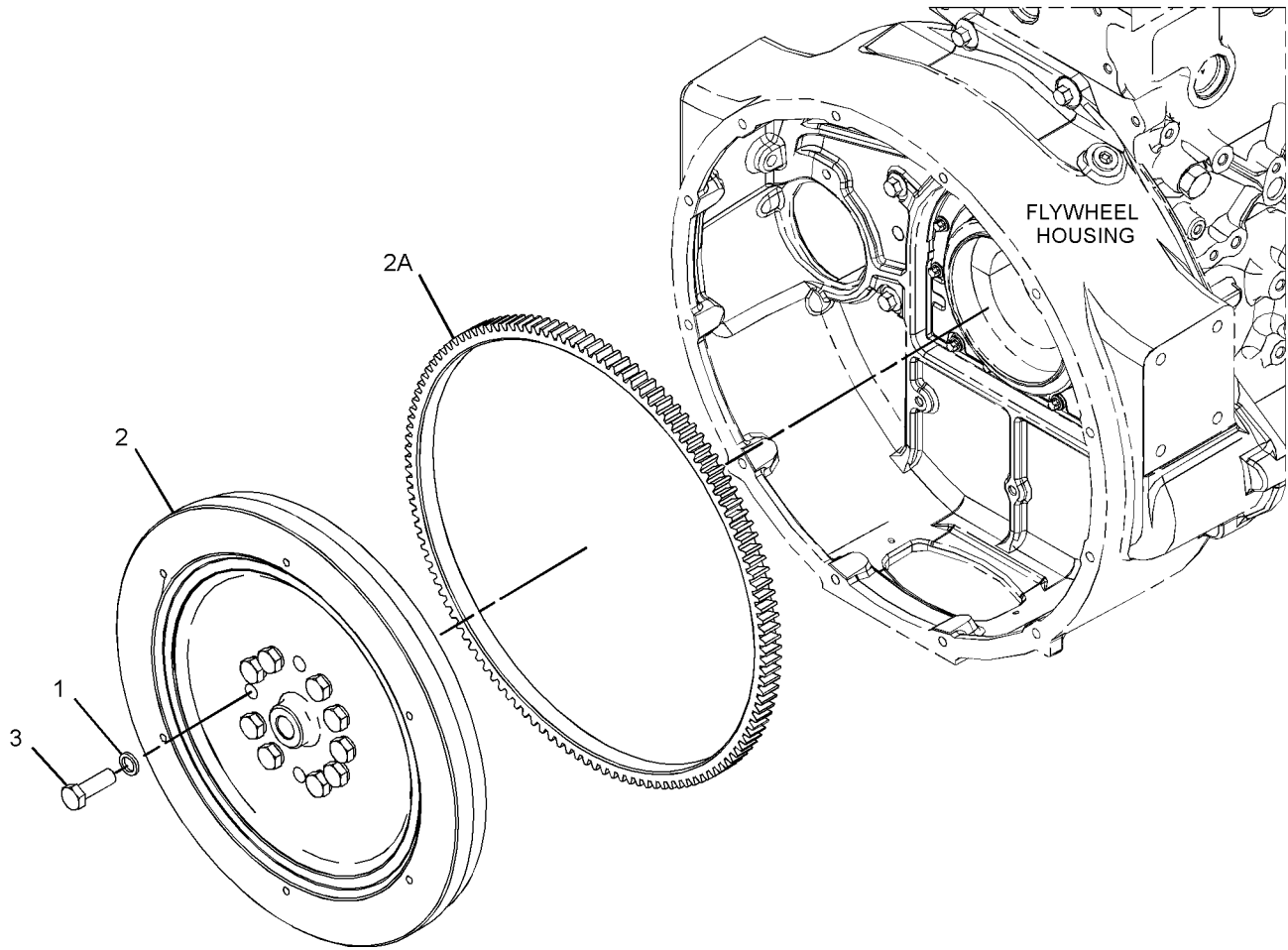
S/N: JKT1-UP

PART OF 464-2308 ENGINE AR-PRIMARY

SMCS-1156

i05725390

NOTE	REF NO	GRAPHIC REF	PART NUMBER	QTY	PART NAME						SEE PAGE
					1	2	3	4	5	6 (PRODUCT LEVEL)	
	1	1	145-4911	10	WASHER						
	2	1	243-4278	1	FLYWHEEL AS						
	2A	1	033-7687	1	RING-STARTING MOTOR (126-TEETH)						
	3	1	0S-1603	10	BOLT (1/2-20X1.5-IN)						



GRAPHIC #1

<END>

g02854537

BASIC ENGINE

349-9649 FLYWHEEL GP

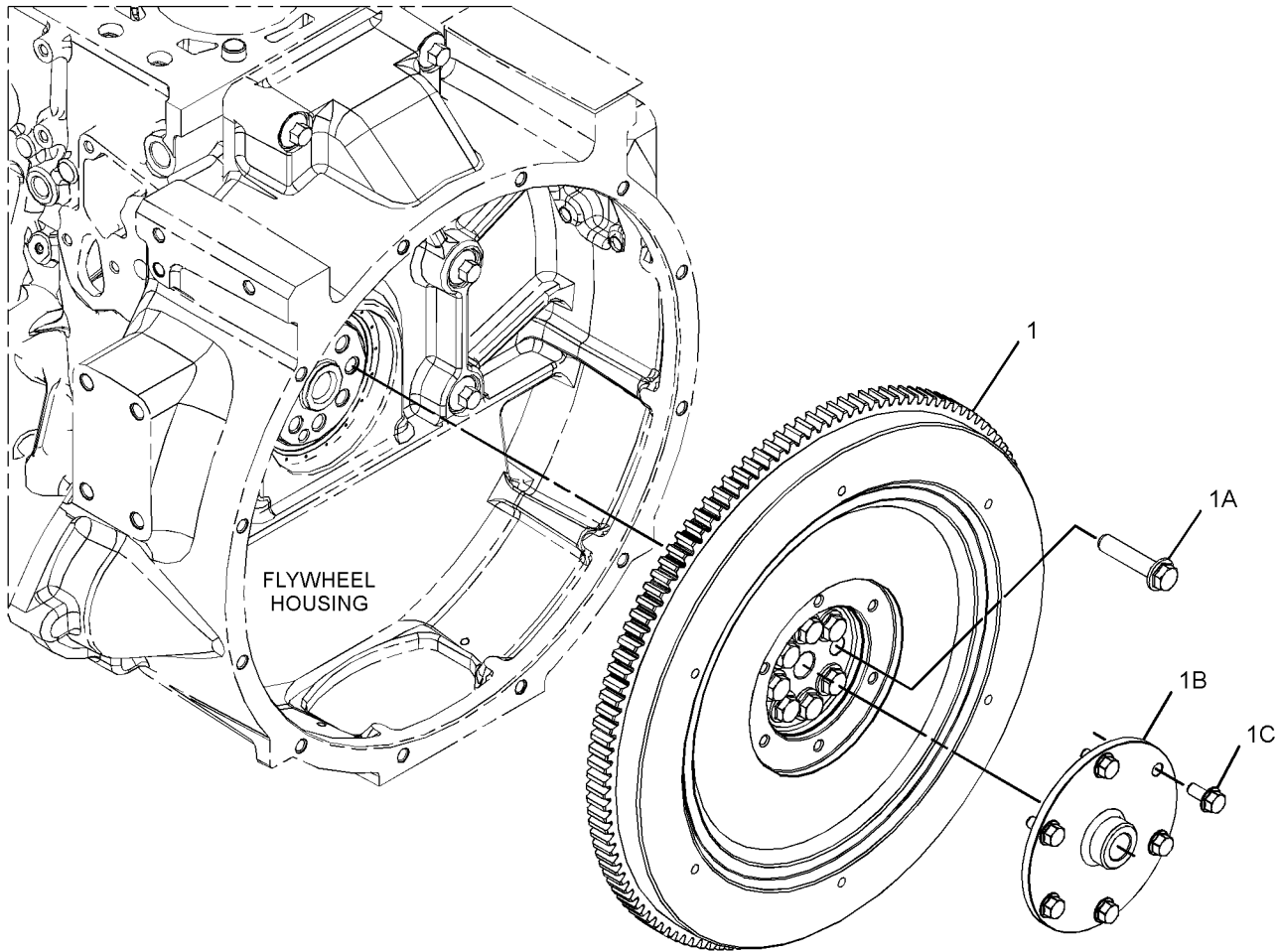
S/N: CJ41-UP

PART OF 465-2880 ENGINE AR-PRIMARY

SMCS-1156

i05722230

NOTE	REF NO	GRAPHIC REF	PART NUMBER	QTY	PART NAME						SEE PAGE
					1	2	3	4	5	6 (PRODUCT LEVEL)	
	1	1	369-3795	1	FLYWHEEL AS						
	1A	1	381-3940	8	BOLT						
	1B	1	388-7602	1	FLANGE						
	1C	1	389-1863	6	BOLT-SPECIAL						
		1	375-8190	1	FLYWHEEL						



GRAPHIC #1

<END>

g03044136

BASIC ENGINE

423-1270 FLYWHEEL GP

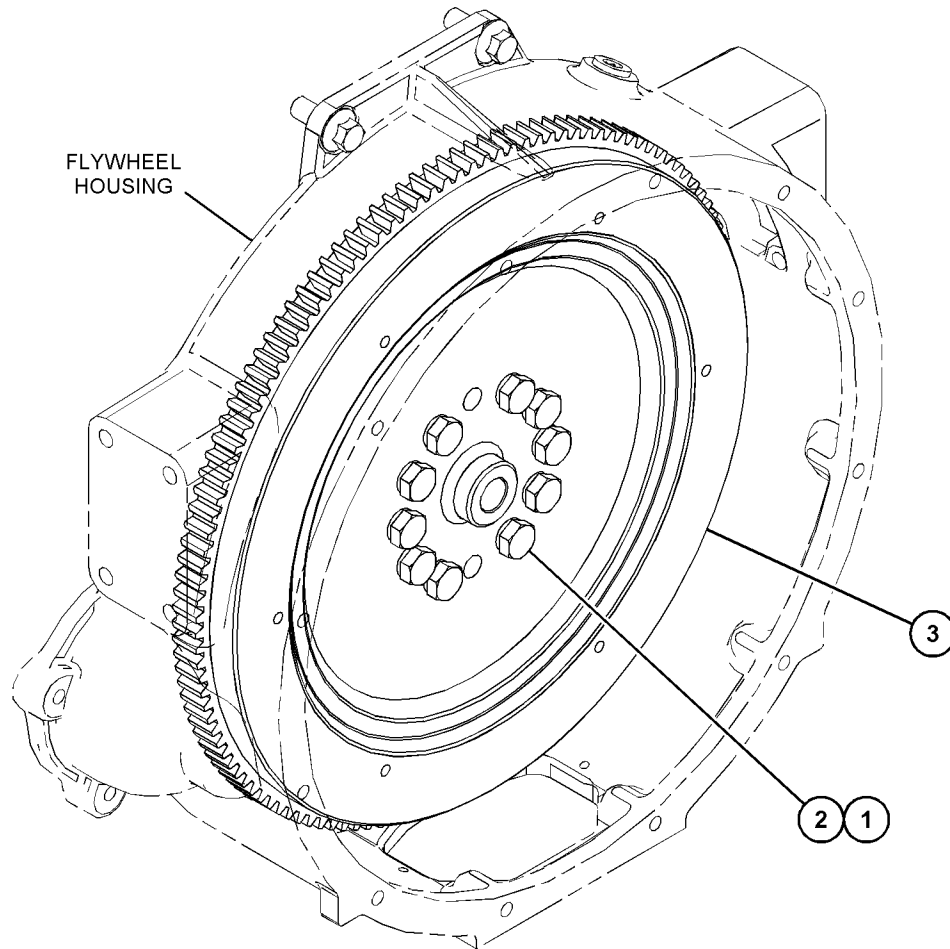
S/N: W231-UP

PART OF 463-8820, 463-8910 ENGINE AR-PRIMARY
ALSO AN ATTACHMENT

SMCS-1156

i06139720

NOTE	REF NO	GRAPHIC REF	PART NUMBER	QTY	PART NAME						SEE PAGE
					1	2	3	4	5	6 (PRODUCT LEVEL)	
	1	1	145-4911	10	WASHER						
	2	1	0S-1603	10	BOLT (1/2-20X1.5-IN)						
	3	1	243-4278	1	FLYWHEEL AS						
		1	033-7687	1	RING-STARTING MOTOR (126-TEETH)						



GRAPHIC #1

<END>

g03824308

BASIC ENGINE

329-7884 HOUSING GP-FLYWHEEL

S/N: JKT1-UP

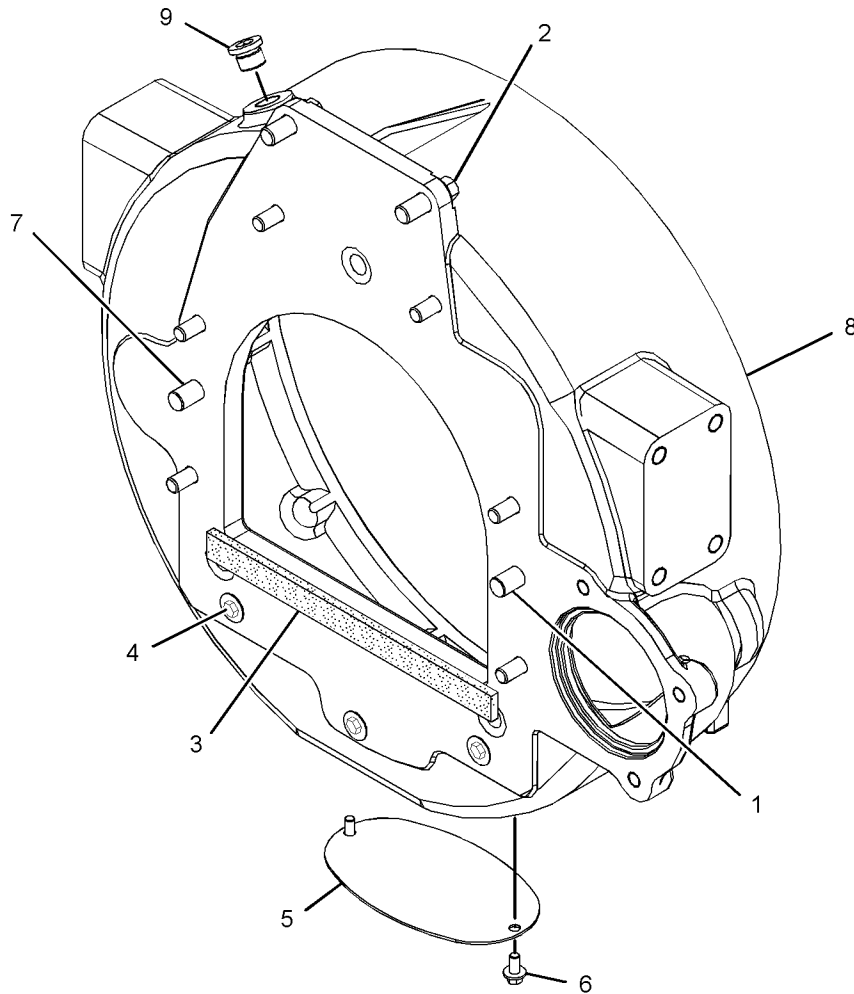
PART OF 464-2308 ENGINE AR-PRIMARY

SMCS-1157

i05725396

NOTE	REF NO	GRAPHIC REF	PART NUMBER	QTY	PART NAME						SEE PAGE
					1	2	3	4	5	6 (PRODUCT LEVEL)	
M	1	1	121-0883	6	BOLT (M10X1.5X30-MM)						
M	2	1	6I-0423	2	BOLT (M12X1.75X30-MM)						
	3	1	7W-4642	1	SHIELD-DUST						
M	4	1	6I-4200	3	BOLT (M10X1.5X16-MM)						
	5	1	321-5595	1	PLATE						
M	6	1	6I-0631	2	BOLT (M6X1X12-MM)						
	7	1	287-8597	2	DOWEL						
	8	1	321-5594	1	HOUSING-FLYWHEEL						
	9	1	375-9272	1	PLUG						

M - METRIC PART



GRAPHIC #1

<END>

g02894351

BASIC ENGINE

349-7415 HOUSING GP-FLYWHEEL

S/N: CJ41-UP

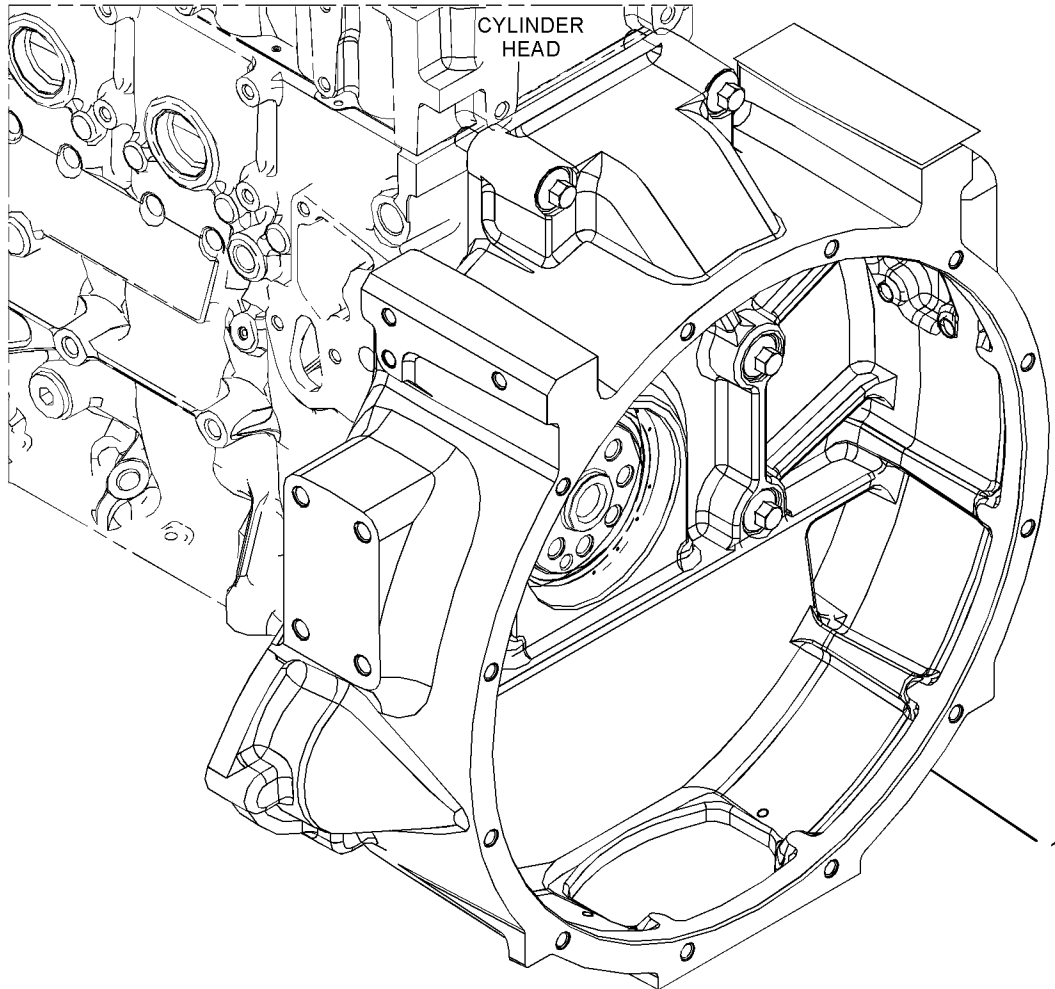
PART OF 465-2880 ENGINE AR-PRIMARY

SMCS-1157

i05722309

NOTE	REF NO	GRAPHIC REF	PART NUMBER	QTY	PART NAME						SEE PAGE
					1	2	3	4	5	6 (PRODUCT LEVEL)	
Y	1	1	369-3793	1	HOUSING GP-FLYWHEEL						94

Y - SEPARATE ILLUSTRATION



GRAPHIC #1

<END>

g02878738

BASIC ENGINE

369-3793 HOUSING GP-FLYWHEEL

S/N: CJ41-UP

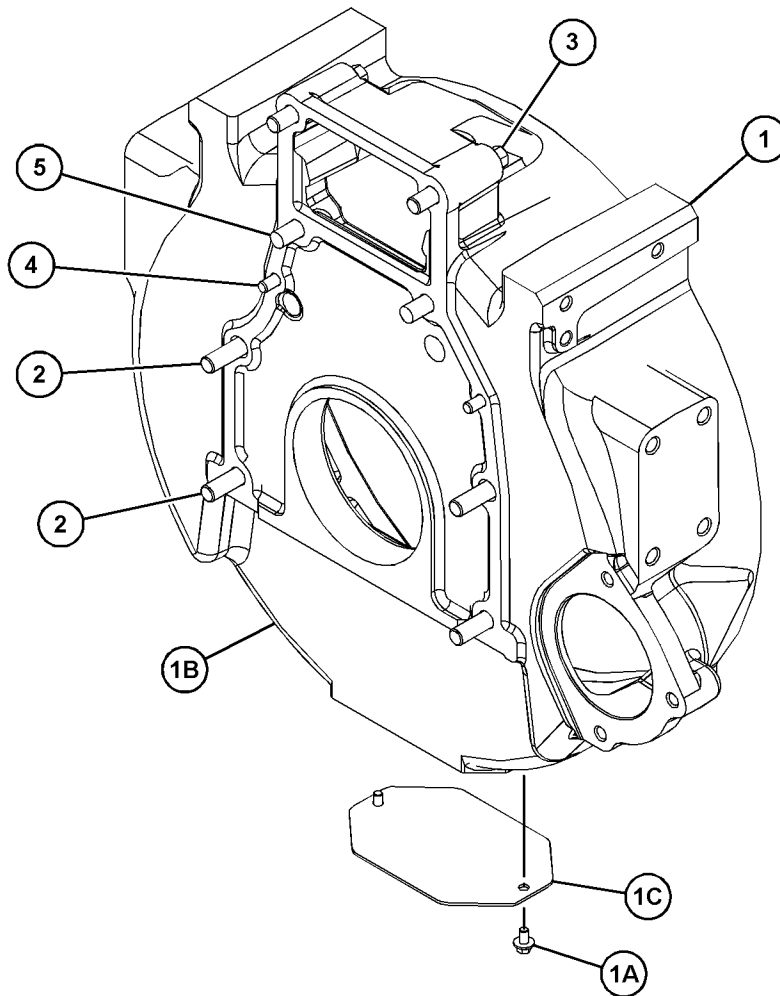
PART OF 349-7415 HOUSING GP-FLYWHEEL

SMCS-1157

i05773216

NOTE	REF NO	GRAPHIC REF	PART NUMBER	QTY	PART NAME						SEE PAGE
					1	2	3	4	5	6 (PRODUCT LEVEL)	
	1	1	441-1161	1	HOUSING AS-FLYWHEEL						
M	1A	1	100-4841	2	BOLT (M6X1X10-MM)						
	1B	1	375-8223	1	HOUSING						
	1C	1	379-3314	1	COVER						
	2	1	291-4146	4	BOLT						
	3	1	331-7316	2	BOLT (M12X1.75X70-MM)						
	4	1	389-1920	2	BOLT						
	5	1	385-1649	2	BOLT (M10X1.5X50-MM)						

M - METRIC PART



GRAPHIC #1

<END>

g03648158

BASIC ENGINE

431-7048 HOUSING GP-FLYWHEEL

S/N: W231-UP

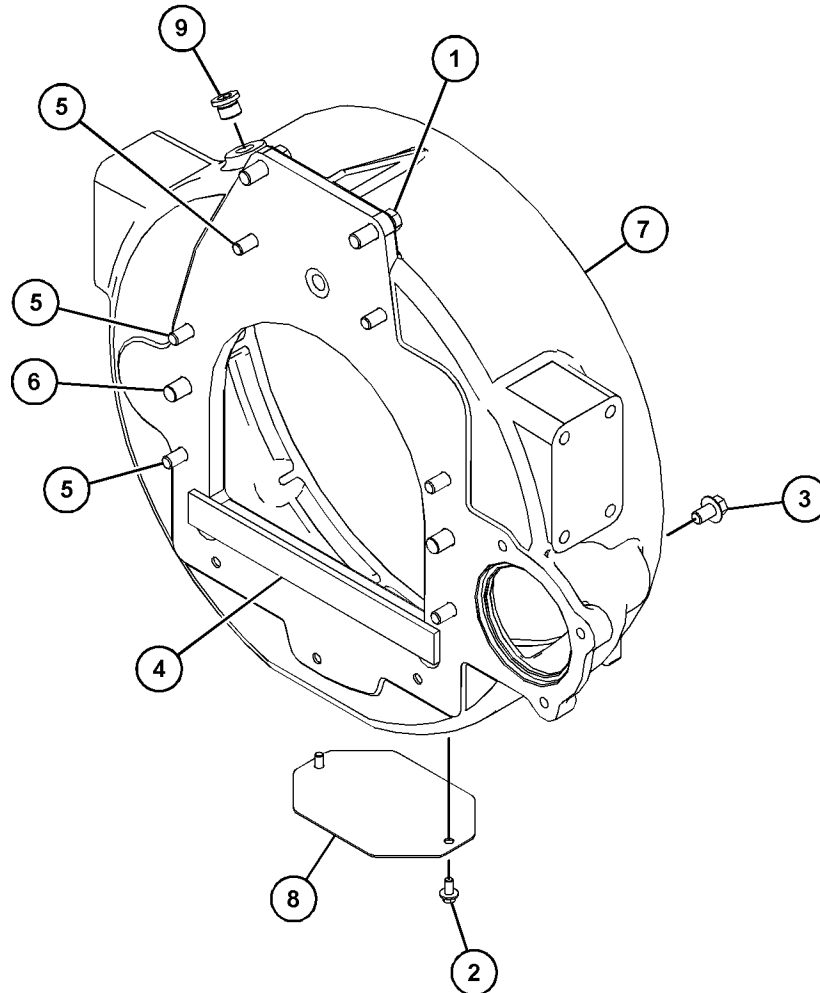
PART OF 463-8820, 463-8910 ENGINE AR-PRIMARY
ALSO AN ATTACHMENT

SMCS-1157

i06151657

NOTE	REF NO	GRAPHIC REF	PART NUMBER	QTY	PART NAME						SEE PAGE
					1	2	3	4	5	6	
M	1	1	6I-0423	2	BOLT (M12X1.75X30-MM)						
M	2	1	6I-0631	2	BOLT (M6X1X12-MM)						
M	3	1	6I-4200	3	BOLT (M10X1.5X16-MM)						
	4	1	393-4006	1	GASKET						
M	5	1	121-0883	6	BOLT (M10X1.5X30-MM)						
	6	1	287-8597	2	DOWEL						
	7	1	321-5594	1	HOUSING-FLYWHEEL						
	8	1	321-5595	1	PLATE						
	9	1	375-9272	1	PLUG						

M - METRIC PART



GRAPHIC #1

<END>

g03833688

BASIC ENGINE

329-8421 HOUSING GP-FRONT

S/N: JKT1-UP

PART OF 464-2308 ENGINE AR-PRIMARY

SMCS-1151, 1162

i06995891

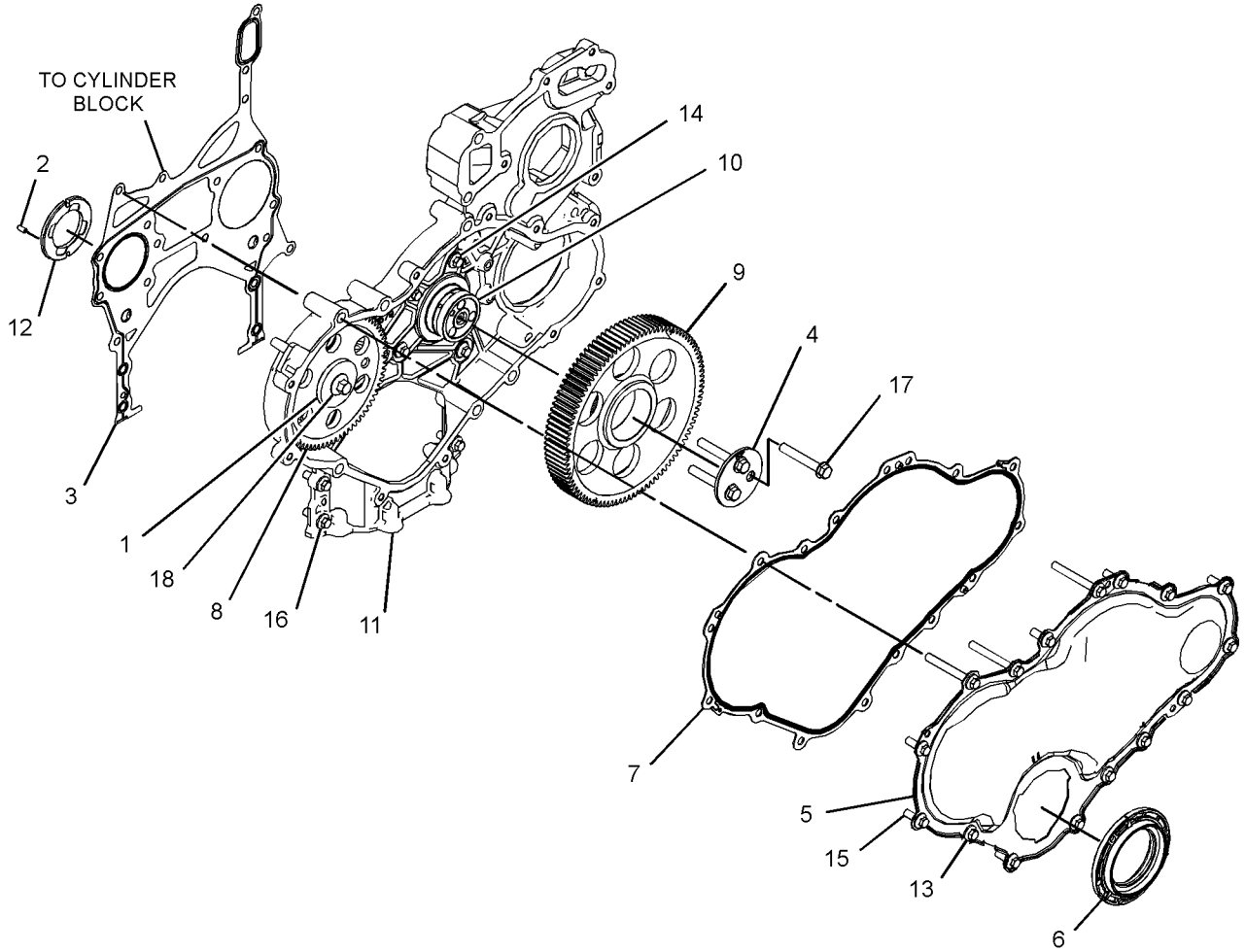
NOTE	REF NO	GRAPHIC REF	PART NUMBER	QTY	PART NAME						SEE PAGE
					1	2	3	4	5	6 (PRODUCT LEVEL)	
	1	1	133-1011	1	WASHER						
	2	1	067-6179	1	DOWEL						
	3	1	319-9361	1	GASKET						
	4	1	325-4374	1	PLATE-THRUST						
	5	1	371-8057	1	COVER-FRONT						
	6	1	371-8062	1	SEAL						
	7	1	335-5330	1	GASKET						
	8	1	340-0571	1	GEAR (72-TEETH)						
	9	1	342-1306	1	IDLER AS (97-TEETH)						
	10	1	419-0423	1	HUB-IDLER GEAR						
	11	1	502-3579	1	CASE-GEAR						
	12	1	232-3666	1	WASHER-THRUST						
M	13	1	100-3751	6	BOLT (M8X1.25X65-MM)						
M	14	1	101-3895	2	BOLT (M8X1.25X35-MM)						
M	15	1	6I-0217	17	BOLT (M8X1.25X20-MM)						
M	16	1	6I-0645	3	BOLT (M8X1.25X25-MM)						
M	17	1	6I-0789	3	BOLT (M10X1.5X60-MM)						
M	18	1	7C-4616	1	BOLT (M12X1.75X45-MM)						

M - METRIC PART

BASIC ENGINE

329-8421 HOUSING GP-FRONT (contd.)

106995891



GRAPHIC #1

<END>

g06193275

BASIC ENGINE

377-6012 HOUSING GP-FRONT

S/N: CJ41-UP

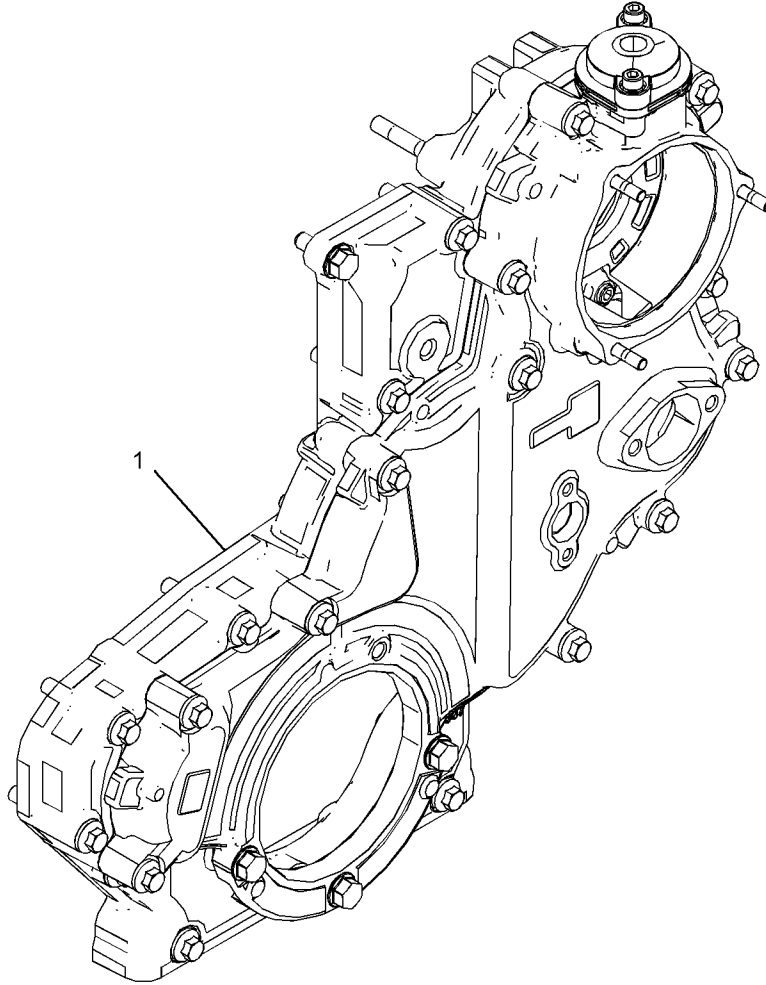
PART OF 465-2880 ENGINE AR-PRIMARY

SMCS-1151, 1162

i05984438

NOTE	REF NO	GRAPHIC REF	PART NUMBER	QTY	PART NAME						SEE PAGE
					1	2	3	4	5	6 (PRODUCT LEVEL)	
Y	1	1	444-6164	1	HOUSING GP-FRONT						104

Y - SEPARATE ILLUSTRATION



GRAPHIC #1

<END>

g03676260

BASIC ENGINE

415-7115 HOUSING GP-FRONT

S/N: W231-UP

PART OF 463-8820 ENGINE AR-PRIMARY
ALSO AN ATTACHMENT

SMCS-1151, 1162

i06853031

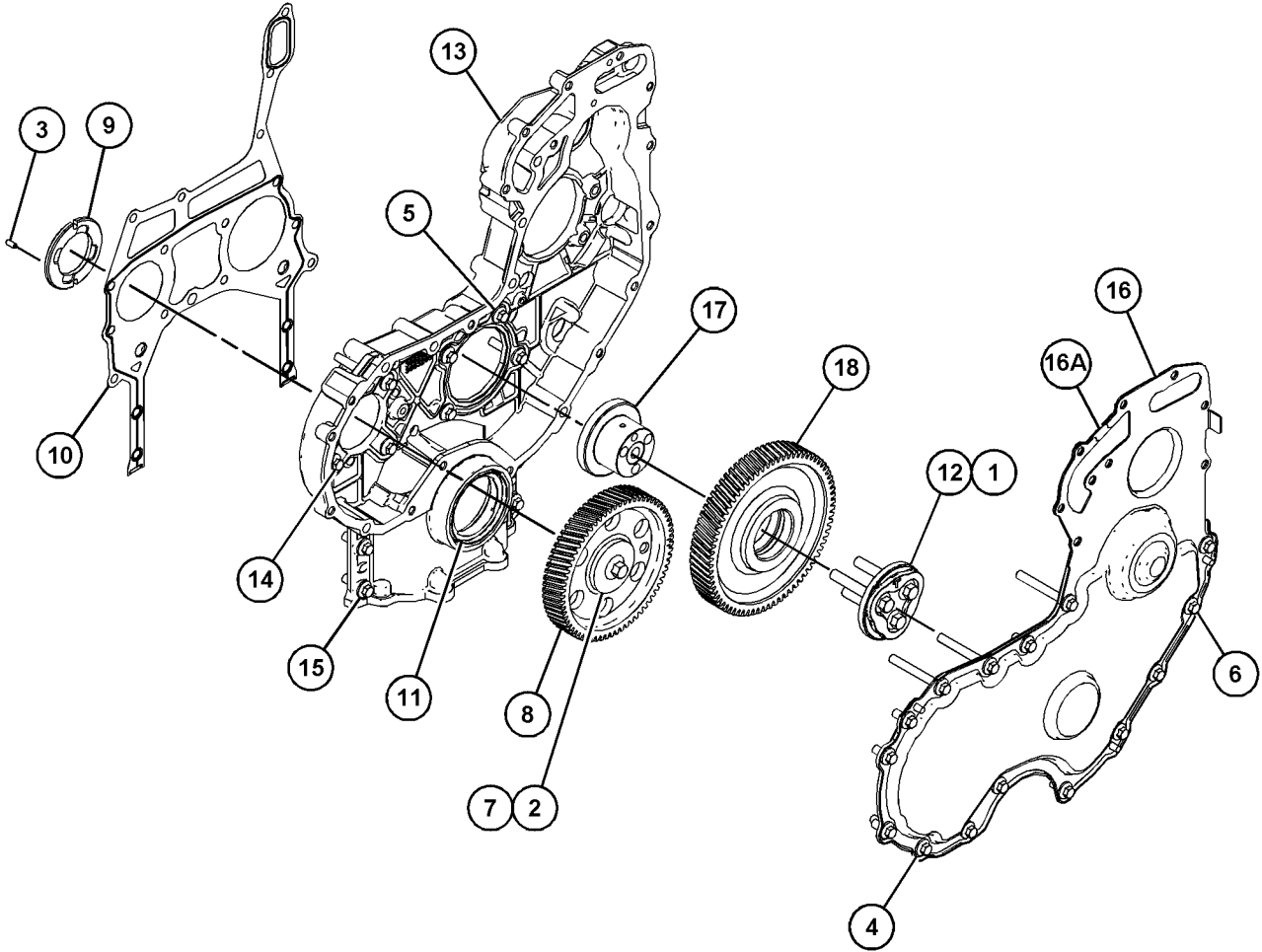
NOTE	REF NO	GRAPHIC REF	PART NUMBER	QTY	PART NAME						SEE PAGE
					1	2	3	4	5	6 (PRODUCT LEVEL)	
M	1	1	6I-0650	3	BOLT (M10X1.5X65-MM)						
M	2	1	7C-4616	1	BOLT (M12X1.75X45-MM)						
	3	1	067-6179	1	DOWEL						
M	4	1	100-3751	5	BOLT (M8X1.25X65-MM)						
M	5	1	101-3895	2	BOLT (M8X1.25X35-MM)						
M	6	1	124-3815	10	BOLT (M8X1.25X16-MM)						
	7	1	133-1011	1	WASHER						
	8	1	425-7103	1	GEAR (68-TEETH)						
	9	1	232-3666	1	WASHER-THRUST						
	10	1	277-3012	1	GASKET-COVER						
	11	1	277-3013	1	SEAL						
	12	1	346-0408	1	PLATE						
	13	1	398-3296	1	CASE-GEAR						
M	14	1	6I-0217	6	BOLT (M8X1.25X20-MM)						
M	15	1	6I-0645	4	BOLT (M8X1.25X25-MM)						
	16	1	232-3657	1	COVER AS-FRONT						
	16A	1	225-8287	1	GASKET						
	17	1	324-0444	1	HUB-IDLER GEAR						
	18	1	346-0407	1	GEAR-IDLER						

M - METRIC PART

BASIC ENGINE

415-7115 HOUSING GP-FRONT (contd.)

i06853031



GRAPHIC #1

<END>

g03816202

BASIC ENGINE

415-7116 HOUSING GP-FRONT

S/N: W231-UP

PART OF 463-8910 ENGINE AR-PRIMARY

SMCS-1151, 1162

i06852998

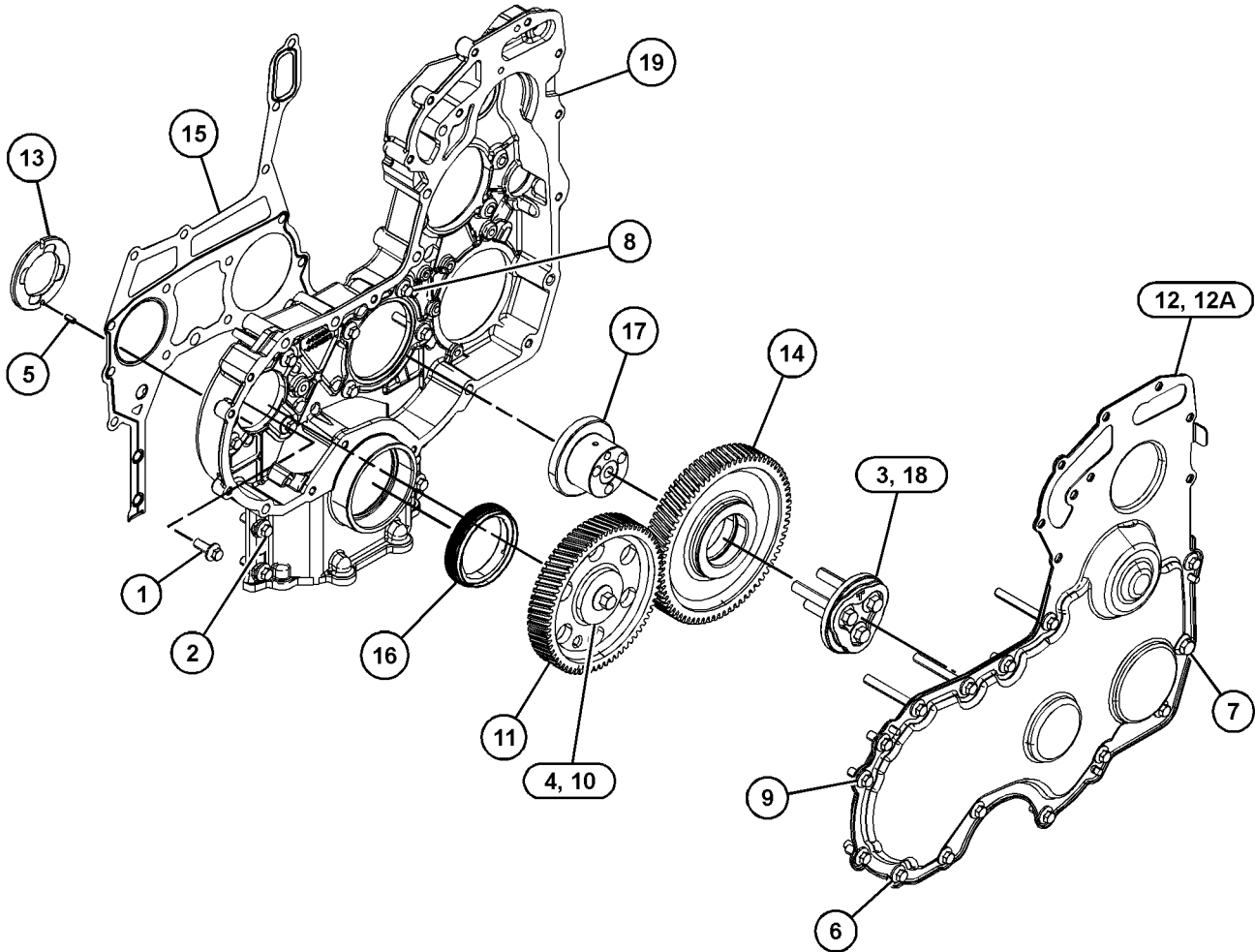
NOTE	REF NO	GRAPHIC REF	PART NUMBER	QTY	PART NAME						SEE PAGE
					1	2	3	4	5	6 (PRODUCT LEVEL)	
M	1	1	6I-0217	6	BOLT (M8X1.25X20-MM)						
M	2	1	6I-0645	4	BOLT (M8X1.25X25-MM)						
M	3	1	6I-0650	3	BOLT (M10X1.5X65-MM)						
M	4	1	7C-4616	1	BOLT (M12X1.75X45-MM)						
	5	1	067-6179	1	DOWEL						
M	6	1	100-3751	5	BOLT (M8X1.25X65-MM)						
M	7	1	100-4830	1	BOLT (M10X1.5X20-MM)						
M	8	1	101-3895	2	BOLT (M8X1.25X35-MM)						
M	9	1	124-3815	9	BOLT (M8X1.25X16-MM)						
	10	1	133-1011	1	WASHER						
	11	1	425-7103	1	GEAR (68-TEETH)						
	12	1	226-8767	1	COVER AS-FRONT						
	12A	1	226-8766	1	GASKET-COVER						
	13	1	232-3666	1	WASHER-THRUST						
	14	1	251-4336	1	GEAR AS-IDLER (73-TEETH)						
	15	1	277-3012	1	GASKET-COVER						
	16	1	277-3013	1	SEAL						
	17	1	324-0444	1	HUB-IDLER GEAR						
	18	1	346-0408	1	PLATE						
	19	1	443-9253	1	CASE-GEAR						

M - METRIC PART

BASIC ENGINE

415-7116 HOUSING GP-FRONT (contd.)

i06852998



GRAPHIC #1

<END>

g03831930

BASIC ENGINE

416-8722 HOUSING GP-FRONT

S/N: W231-UP

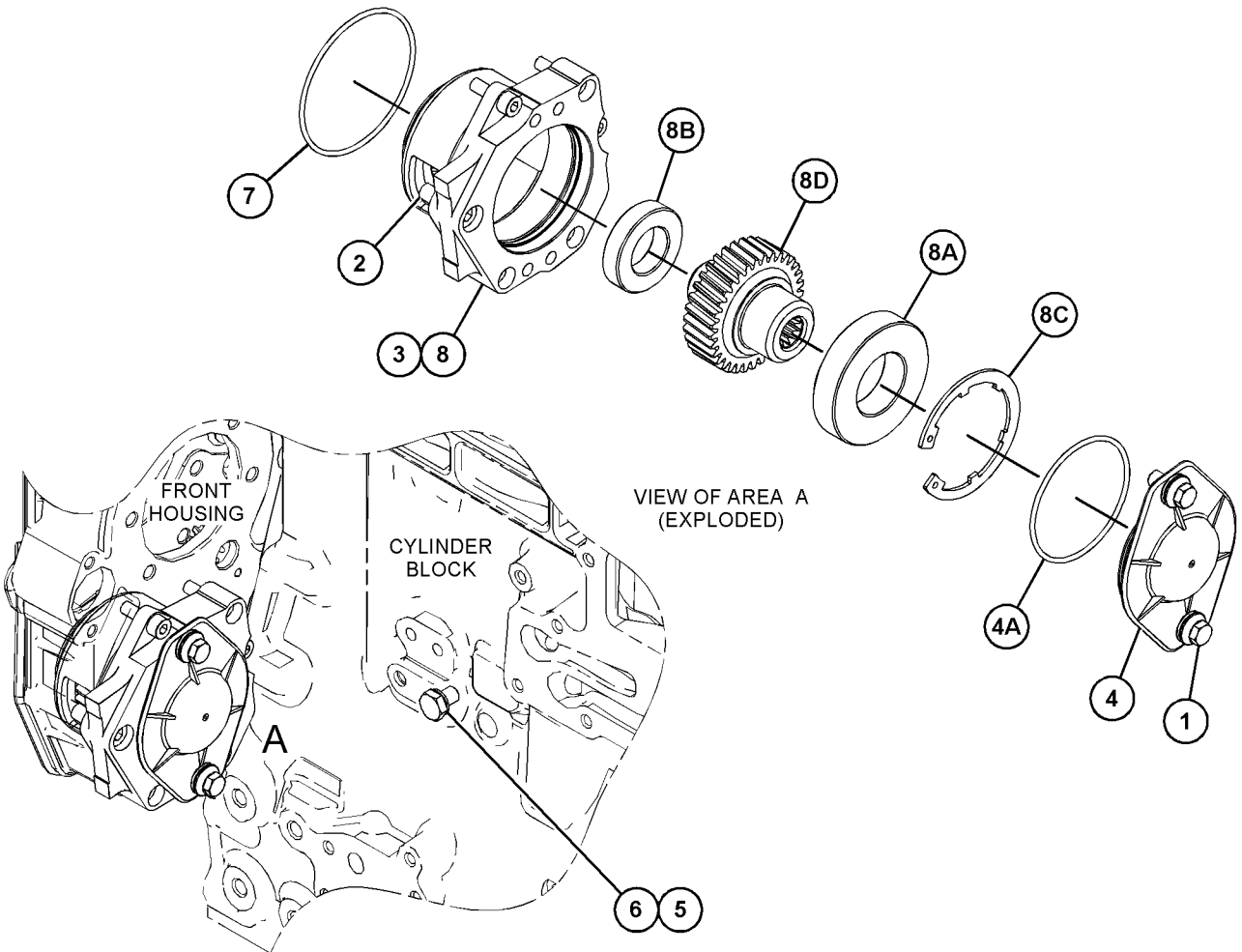
PART OF 463-8910 ENGINE AR-PRIMARY

SMCS-1151, 1162

i06621186

NOTE	REF NO	GRAPHIC REF	PART NUMBER	QTY	PART NAME						SEE PAGE
					1	2	3	4	5	6 (PRODUCT LEVEL)	
M	1	1	100-4830	2	BOLT (M10X1.5X20-MM)						
M	2	1	102-2078	1	BOLT (M10X1.5X25-MM)						
	3	1	126-3212	5	BOLT (M8X1.25X25-MM)						
	4	1	198-8262	1	COVER AS						
	4A	1	198-8263	1	SEAL-O-RING						
	5	1	214-3203	1	WASHER (SEALING)						
M	6	1	6I-0646	1	BOLT (M10X1.5X14-MM)						
	7	1	102-2073	1	SEAL-O-RING						
	8	1	235-1063	1	ADAPTER AS						
	8A	1	6H-3957	1	BALL BEARING						
	8B	1	102-2075	1	BEARING						
	8C	1	102-2076	1	CLIP						
	8D	1	235-1061	1	GEAR (33-TEETH)						

M - METRIC PART



GRAPHIC #1

<END>

g03881057

BASIC ENGINE

444-6164 HOUSING GP-FRONT

S/N: CJ41-UP

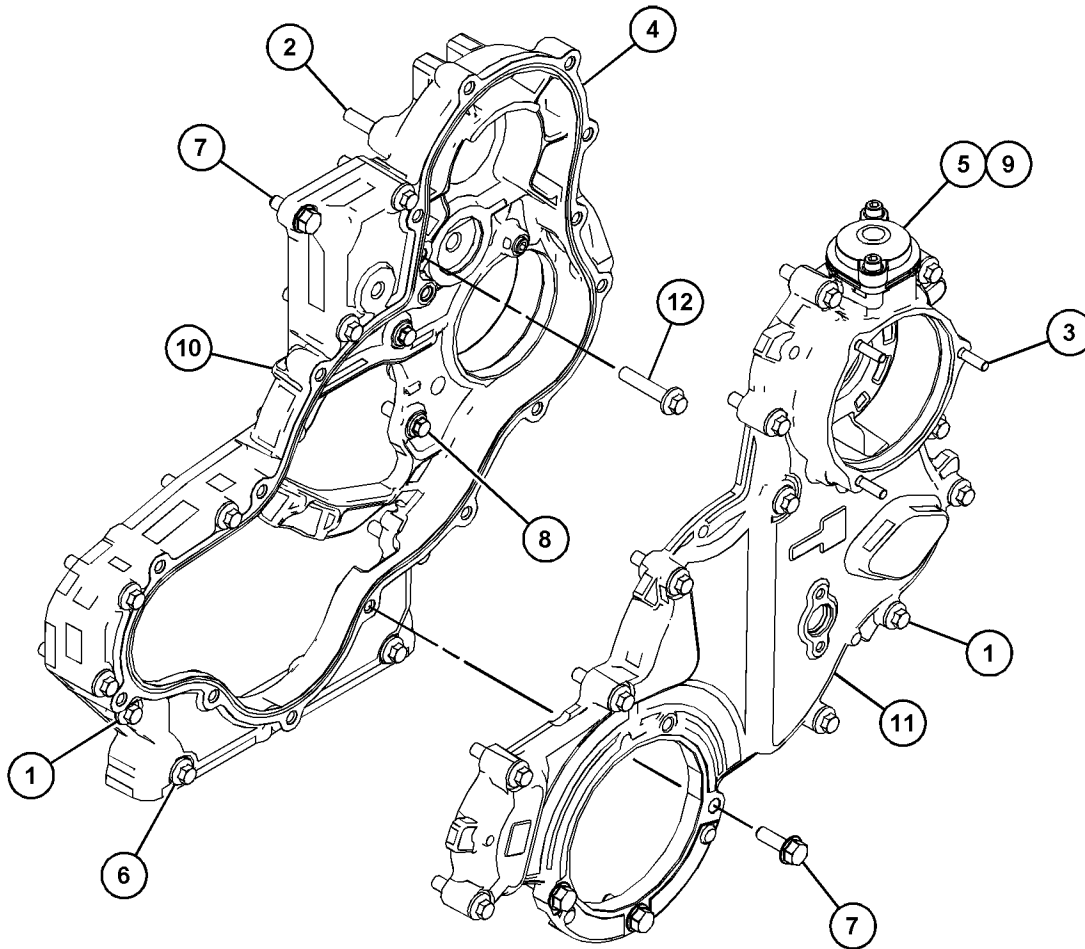
PART OF 377-6012 HOUSING GP-FRONT

SMCS-1151, 1162

i05984437

NOTE	REF NO	GRAPHIC REF	PART NUMBER	QTY	PART NAME						SEE PAGE
					1	2	3	4	5	6 (PRODUCT LEVEL)	
M	1	1	101-3895	15	BOLT (M8X1.25X35-MM)						
	2	1	205-3686	3	STUD (M8X1.25X52-MM)						
	3	1	331-6839	3	STUD (M6X1X29-MM)						
	4	1	386-2777	1	GASKET						
	5	1	386-2778	1	BREATHER AS (FRONT HOUSING)						
	6	1	388-2068	7	BOLT						
	7	1	389-2868	4	BOLT-SPECIAL						
	8	1	389-2872	3	SCREW						
	9	1	390-2405	2	SCREW						
	10	1	439-1624	1	HOUSING AS						
		1	381-3510	2	DOWEL						
		1	386-1921	2	PLUG						
		1	386-1922	1	PLUG						
	11	1	444-7241	1	HOUSING						
M	12	1	6I-1090	1	BOLT (M8X1.25X40-MM)						

M - METRIC PART



GRAPHIC #1

<END>

g03787164

BASIC ENGINE

330-9652 JET GP-PISTON COOLING

S/N: JKT1-UP

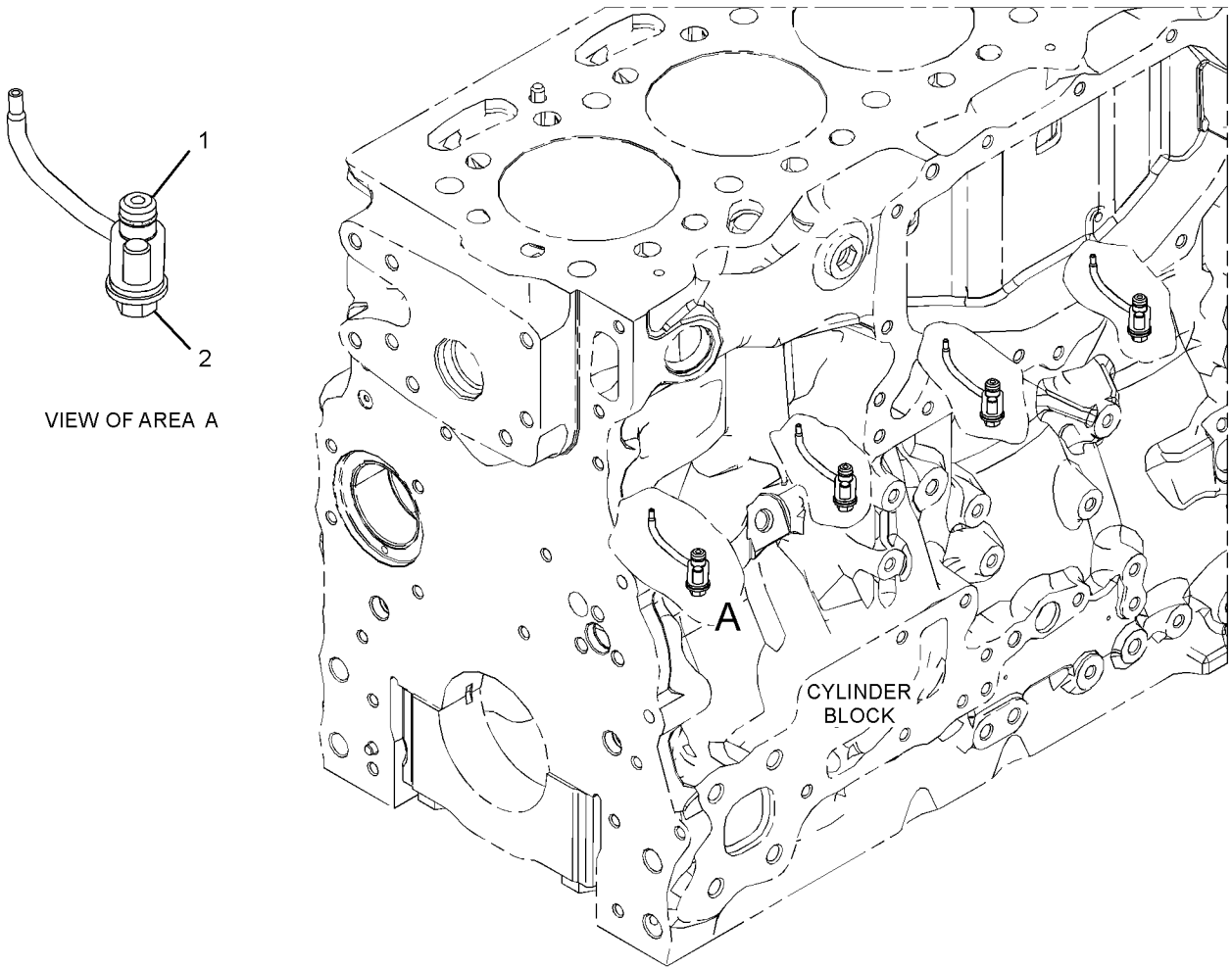
PART OF 449-5062 CYLINDER BLOCK GP-SHORT, 464-2308 ENGINE AR-PRIMARY

SMCS-1331

i04630544

NOTE	REF NO	GRAPHIC REF	PART NUMBER	QTY	PART NAME						SEE PAGE
					1	2	3	4	5	6 (PRODUCT LEVEL)	
	1	1	329-3796	4	TUBE AS-OIL JET						
M	2	1	100-4841	4	BOLT (M6X1X10-MM)						

M - METRIC PART



GRAPHIC #1

<END>

g02693540

BASIC ENGINE

415-7948 JET GP-PISTON COOLING

S/N: W231-UP; TD71-UP

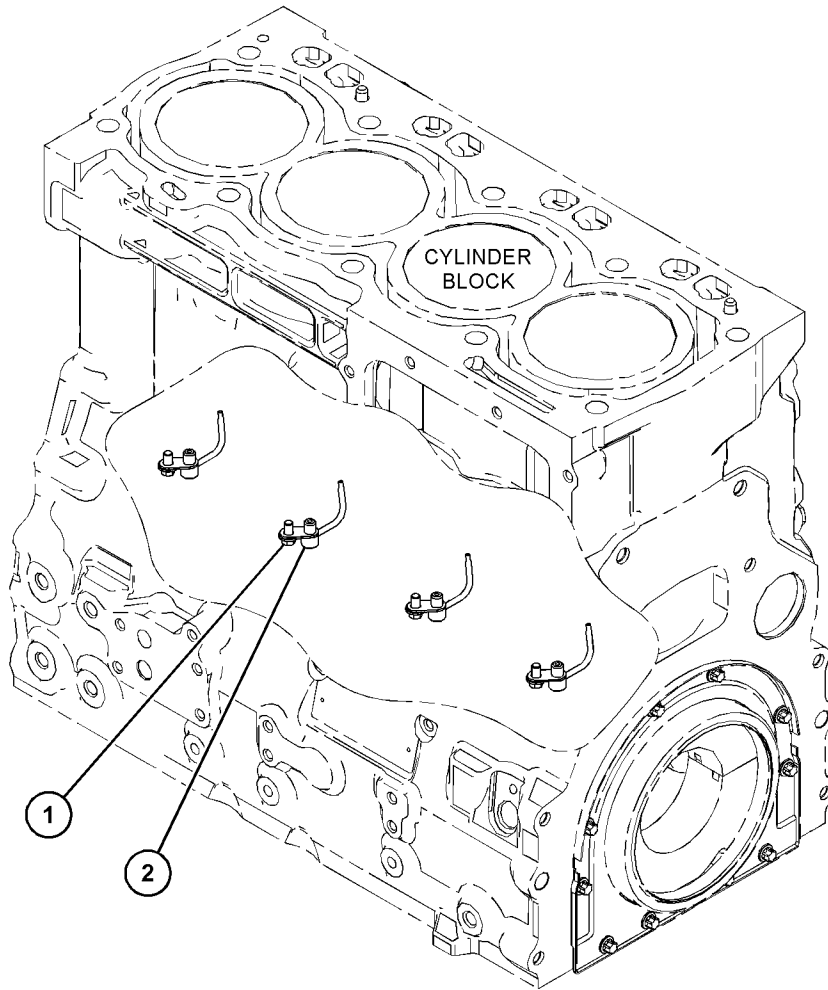
PART OF 452-7386 CYLINDER BLOCK GP-SHORT, 463-8820, 463-8910 ENGINE AR-PRIMARY
ALSO AN ATTACHMENT

SMCS-1331

i06120073

NOTE	REF NO	GRAPHIC REF	PART NUMBER	QTY	PART NAME						SEE PAGE
					1	2	3	4	5	6	
M	1	1	100-4841	4	BOLT (M6X1X10-MM)						
	2	1	276-5605	4	JET AS-PISTON COOLING						

M - METRIC PART



GRAPHIC #1

<END>

g03813693

BASIC ENGINE

350-1044 LIFTING GP-ENGINE

S/N: JKT1-UP

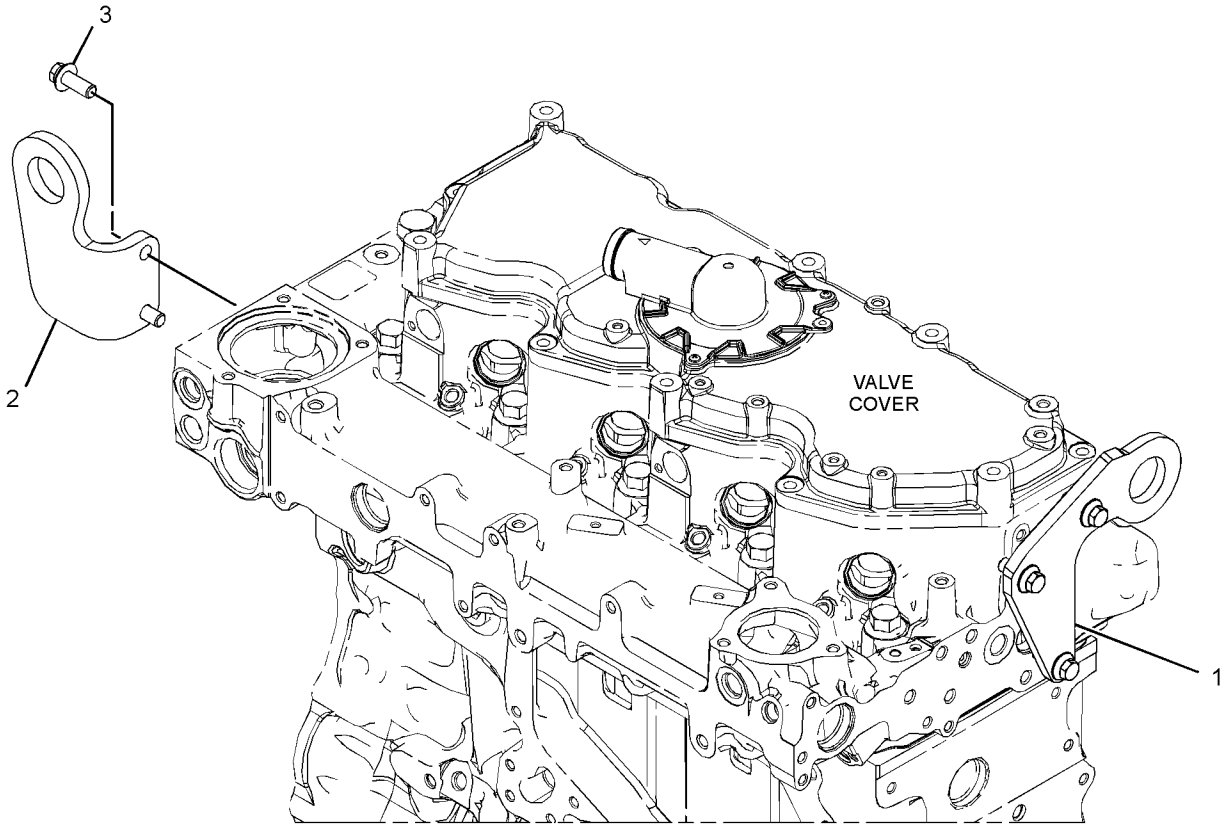
PART OF 464-2308 ENGINE AR-PRIMARY

SMCS-1122

i04630546

NOTE	REF NO	GRAPHIC REF	PART NUMBER	QTY	PART NAME						SEE PAGE
					1	2	3	4	5	6 (PRODUCT LEVEL)	
	1	1	348-2822	1	BRACKET-LIFT						
	2	1	358-8132	1	BRACKET-LIFT						
M	3	1	6I-0654	5	BOLT (M10X1.5X25-MM)						

M - METRIC PART



GRAPHIC #1

<END>

g02677336

BASIC ENGINE

350-1826 LIFTING GP-ENGINE

S/N: CJ41-UP

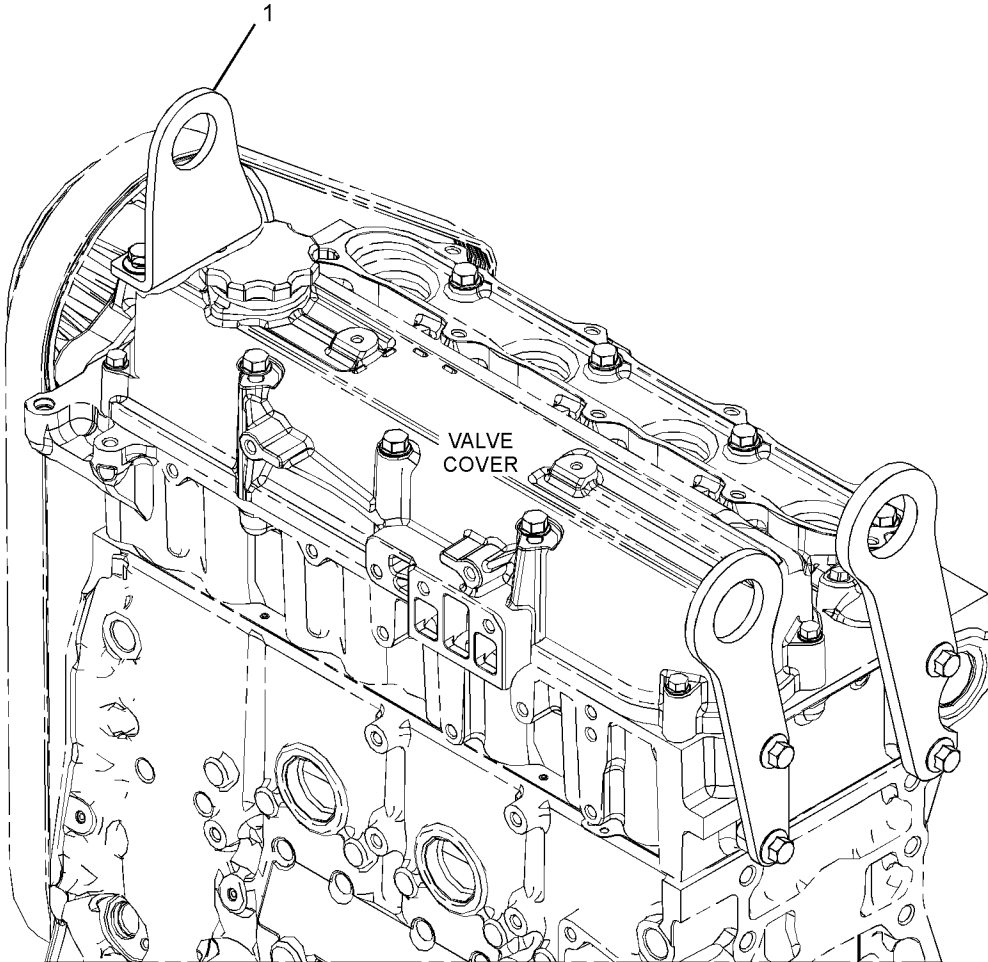
PART OF 465-2880 ENGINE AR-PRIMARY

SMCS-1122

i05936433

NOTE	REF NO	GRAPHIC REF	PART NUMBER	QTY	PART NAME						SEE PAGE
					1	2	3	4	5	6 (PRODUCT LEVEL)	
Y	1	1	428-7127	1	LIFTING GP-ENGINE						110

Y - SEPARATE ILLUSTRATION



GRAPHIC #1

<END>

g02876337

BASIC ENGINE

417-3463 LIFTING GP-ENGINE

S/N: W231-UP

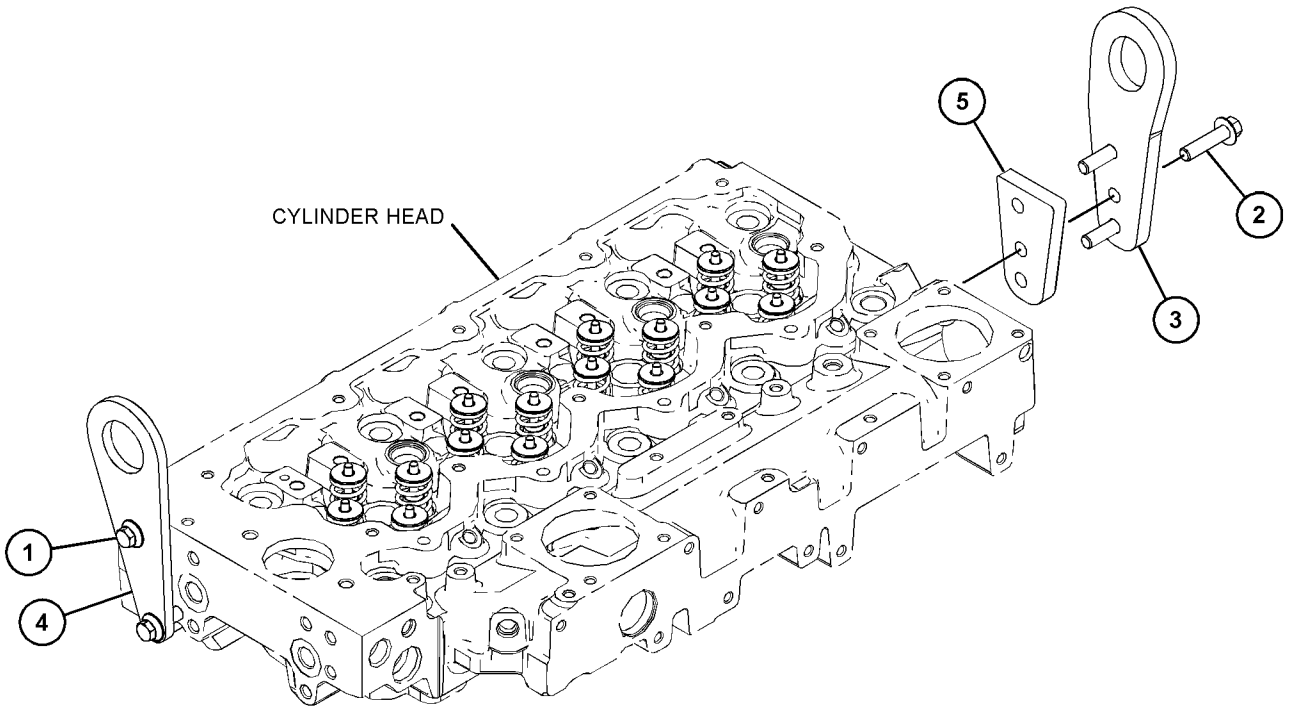
PART OF 463-8820, 463-8910 ENGINE AR-PRIMARY
ALSO AN ATTACHMENT

SMCS-1122

i06146769

NOTE	REF NO	GRAPHIC REF	PART NUMBER	QTY	PART NAME						SEE PAGE
					1	2	3	4	5	6 (PRODUCT LEVEL)	
M	1	1	6I-0654	2	BOLT (M10X1.5X25-MM)						
M	2	1	123-2899	3	BOLT (M10X1.5X40-MM)						
	3	1	421-5383	1	BRACKET-LIFTING						
	4	1	279-9651	1	PLATE-LIFTING						
	5	1	326-0477	1	SPACER						

M - METRIC PART



GRAPHIC #1

<END>

g03826134

BASIC ENGINE

428-7127 LIFTING GP-ENGINE

S/N: CJ41-UP

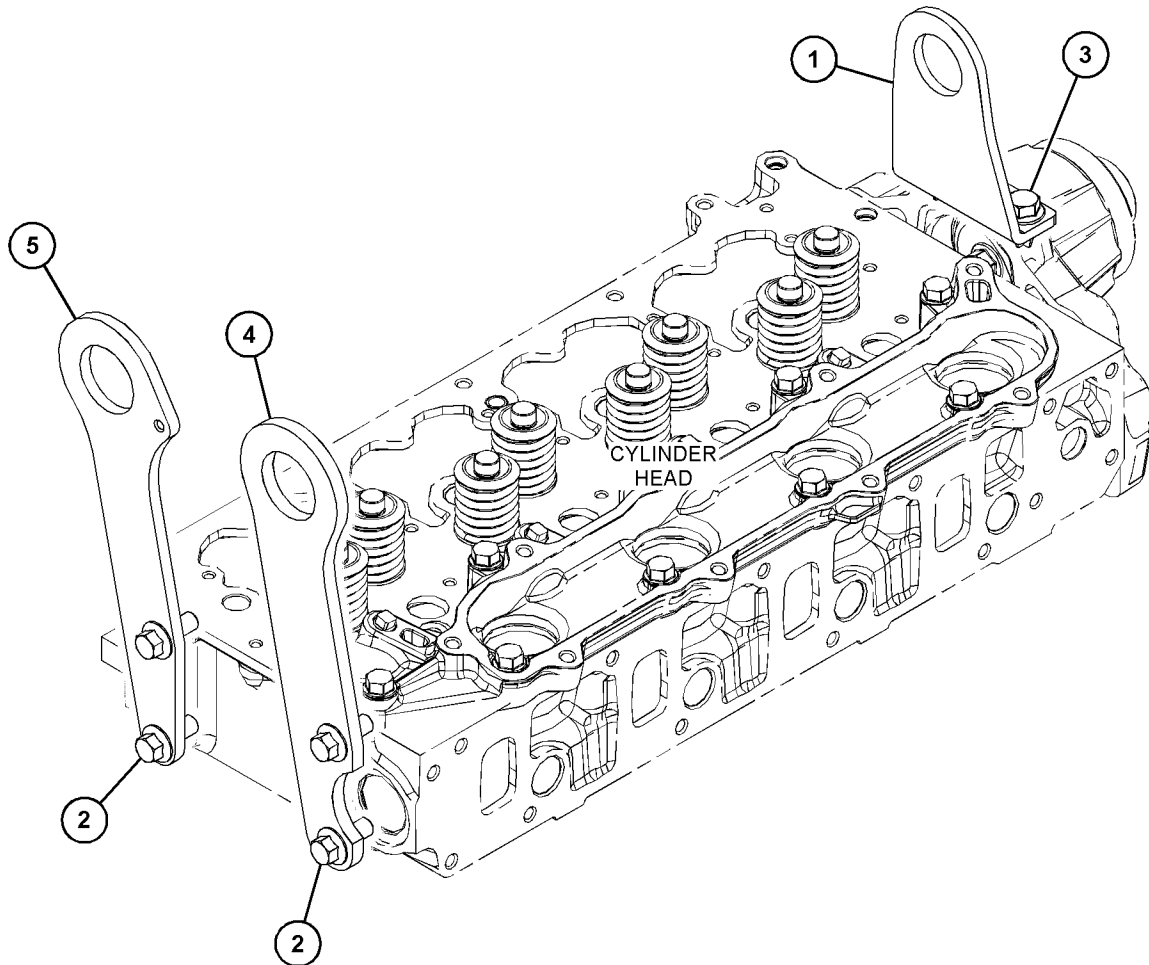
PART OF 350-1826 LIFTING GP-ENGINE

SMCS-1122

i05936447

NOTE	REF NO	GRAPHIC REF	PART NUMBER	QTY	PART NAME						SEE PAGE
					1	2	3	4	5	6	
	1	1	387-9162	1	BRACKET						
M	2	1	390-5138	4	BOLT-FLANGE HEAD (M10X1.5X25-MM)						
	3	1	391-5559	2	BOLT-SPECIAL						
	4	1	428-7171	1	BRACKET						
	5	1	428-7183	1	BRACKET						

M - METRIC PART



GRAPHIC #1

<END>

g03739038

BASIC ENGINE

349-4716 MECHANISM GP-FUEL PUMP & VALVE

S/N: JKT1-UP

PART OF 351-9797 ROCKER ARM GP

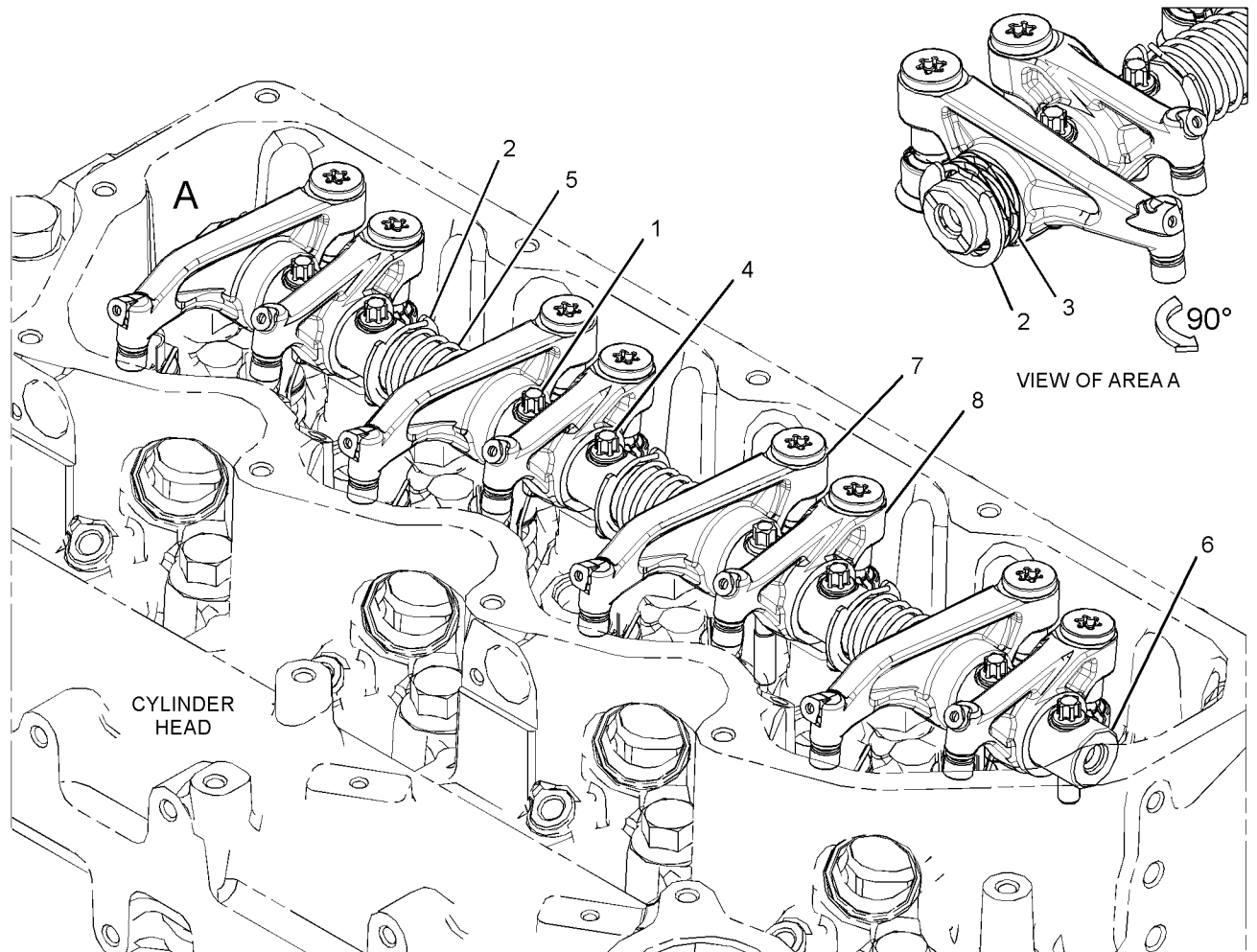
SMCS-1102, 1120, 1121, 1123, 1208, 1209, 1281, 1298

i06567540

NOTE	REF NO	GRAPHIC REF	PART NUMBER	QTY	PART NAME						SEE PAGE
					1	2	3	4	5	6 (PRODUCT LEVEL)	
M	1	1	8T-9535	1	BOLT-SOCKET HEAD (M8X1.25X60-MM)						
	2	1	276-9201	4	CLIP						
	3	1	276-9207	1	SPRING-SHAFT						
	4	1	322-4110	7	BOLT-TORQUE HEAD						
	5	1	338-9595	3	SPRING-SHAFT						
	6	1	349-4729	1	SHAFT AS						
		1	276-9200	2	PLUG-SHAFT END						
Y	7	1	349-4732	4	ROCKER ARM GP (INLET)						140
Y	8	1	349-4733	4	ROCKER ARM GP (EXHAUST)						141

M - METRIC PART

Y - SEPARATE ILLUSTRATION



GRAPHIC #1

<END>

g02711522

BASIC ENGINE

437-9758 MOUNTING GP-BELT TENSIONER

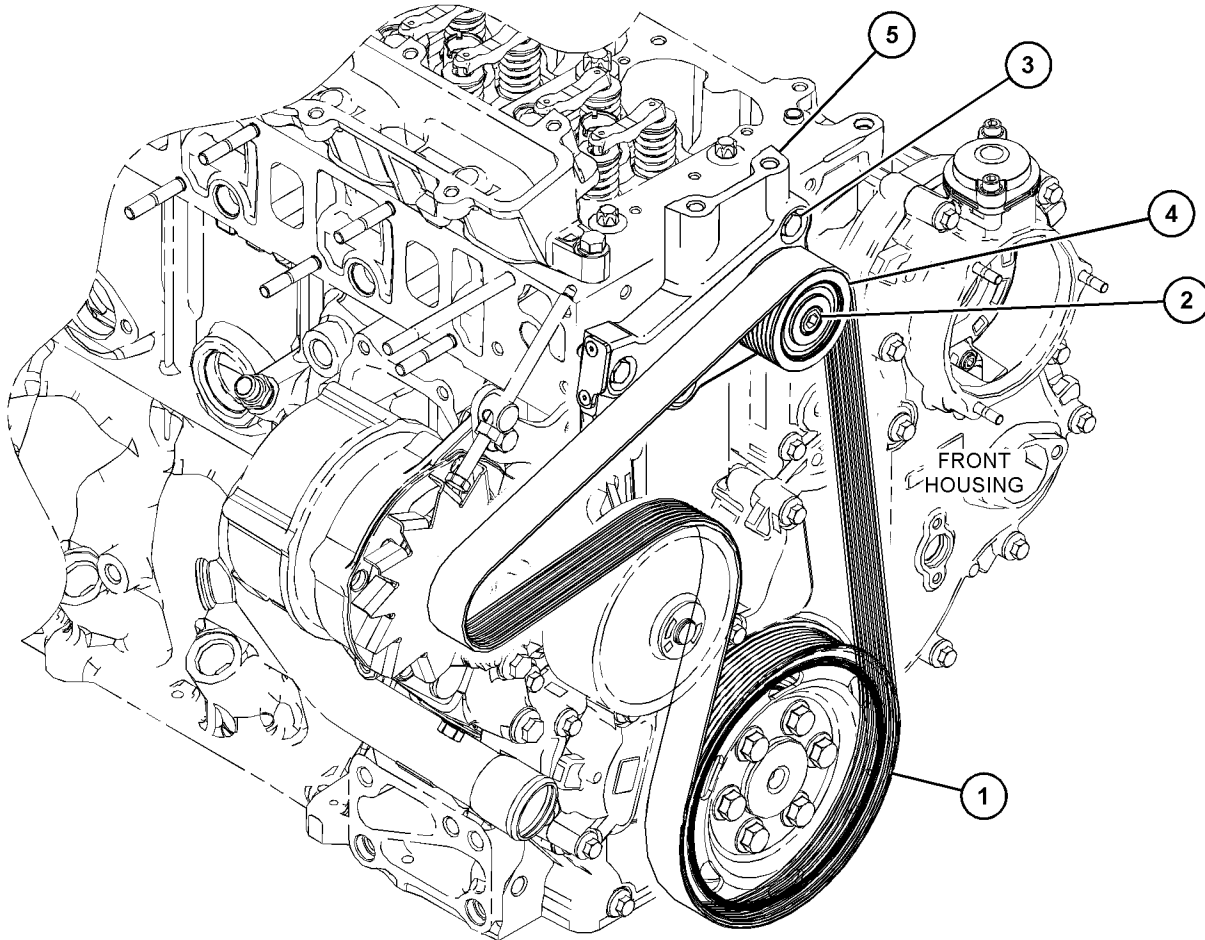
S/N: CJ41-UP

PART OF 350-0644 DRIVE GP-FAN

SMCS-1358

i06815602

NOTE	REF NO	GRAPHIC REF	PART NUMBER	QTY	PART NAME						SEE PAGE
					1	2	3	4	5	6 (PRODUCT LEVEL)	
	1	1	422-0655	1	BELT						
	2	1	388-6986	1	SCREW-SPECIAL						
	3	1	389-2868	4	BOLT-SPECIAL						
	4	1	390-8959	1	PULLEY						
	5	1	435-9905	1	SUPPORT AS						



GRAPHIC #1

<END>

g03827878

BASIC ENGINE

486-7983 MOUNTING GP-ENGINE

S/N: TD71-UP

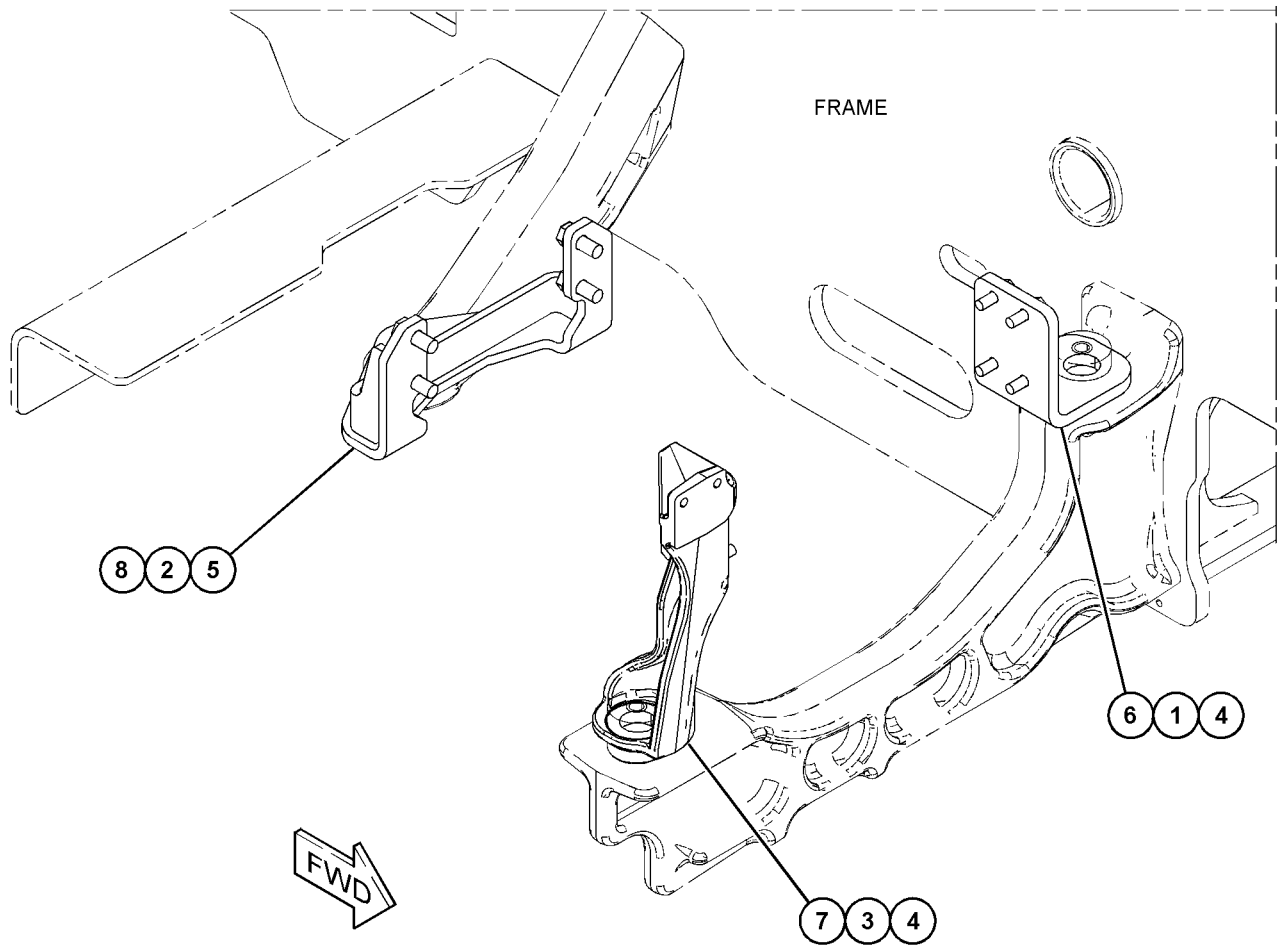
PART OF 518-6040, 518-6042, 518-6043 ENGINE AR-COMplete
AN ATTACHMENT

SMCS-1152, 1153, 1154

i06898676

NOTE	REF NO	GRAPHIC REF	PART NUMBER	QTY	PART NAME						SEE PAGE
					1	2	3	4	5	6 (PRODUCT LEVEL)	
M	1	1	8T-4183	4	BOLT (M12X1.75X40-MM)						
M	2	1	7X-2553	4	BOLT (M16X2X40-MM)						
M	3	1	165-7019	4	BOLT (M12X1.75X45-MM)						
	4	1	8T-4223	8	WASHER-HARD (13.5X25.5X3-MM THK)						
	5	1	312-3345	4	WASHER (17X28X3-MM THK)						
	6	1	477-6069	1	PLATE						
	7	1	477-6070	1	BRACKET						
	8	1	478-2120	1	BRACKET AS						

M - METRIC PART



GRAPHIC #1

<END>

g06067191

BASIC ENGINE

499-5297 MOUNTING GP-ENGINE

S/N: TD61-UP

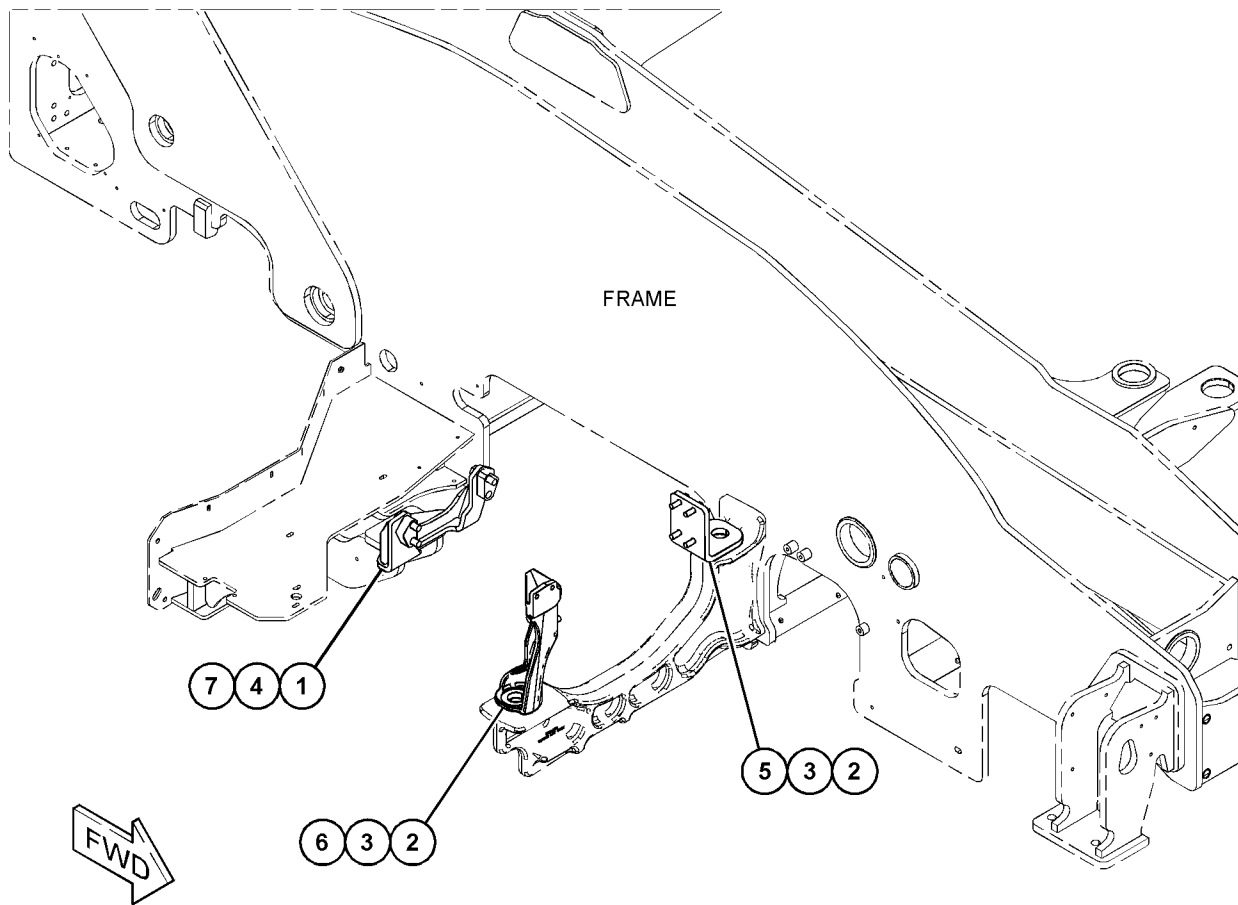
PART OF 518-5877 ENGINE AR-COMplete
AN ATTACHMENT

SMCS-1152, 1153, 1154

i06601112

NOTE	REF NO	GRAPHIC REF	PART NUMBER	QTY	PART NAME						SEE PAGE
					1	2	3	4	5	6 (PRODUCT LEVEL)	
M	1	1	6V-3303	3	BOLT (M16X2X60-MM)						
M	2	1	165-7019	8	BOLT (M12X1.75X45-MM)						
	3	1	8T-4223	8	WASHER-HARD (13.5X25.5X3-MM THK)						
	4	1	9X-8257	3	WASHER (17.5X30X3.5-MM THK)						
	5	1	477-6069	1	PLATE						
	6	1	477-6070	1	BRACKET						
	7	1	499-5296	1	BRACKET AS						

M - METRIC PART



GRAPHIC #1

<END>

g06048193

BASIC ENGINE

500-1296 MOUNTING GP-ENGINE

S/N: TD71-UP

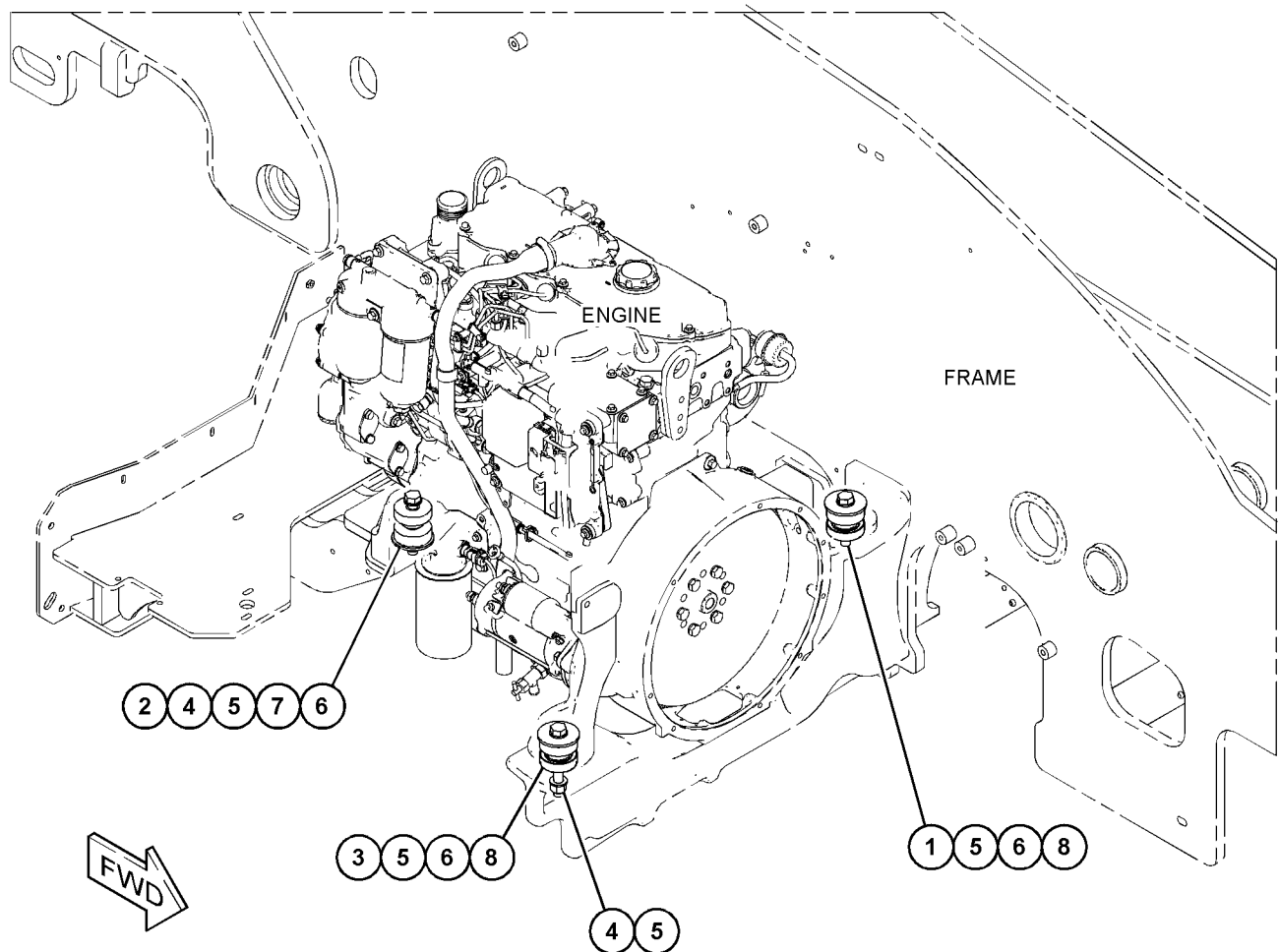
PART OF 518-5954, 518-5955, 518-5956 INSTALLATION AR-ENGINE
AN ATTACHMENT

SMCS-1152, 1153, 1154

i06603088

NOTE	REF NO	GRAPHIC REF	PART NUMBER	QTY	PART NAME						SEE PAGE
					1	2	3	4	5	6 (PRODUCT LEVEL)	
M	1	1	170-8555	1	BOLT (M16X2X90-MM)						
M	2	1	8T-4173	1	BOLT (M16X2X110-MM)						
M	3	1	477-7924	1	BOLT (M16X2X130-MM)						
M	4	1	459-8912	2	NUT (M16X2-THD)						
	5	1	9X-8257	5	WASHER (17.5X30X3.5-MM THK)						
	6	1	437-7653	3	WASHER (16.7X71.4X4.5-MM THK)						
	7	1	473-2080	1	MOUNT						
	8	1	484-1800	2	MOUNT						

M - METRIC PART



GRAPHIC #1

<END>

g06108094

BASIC ENGINE

500-3142 MOUNTING GP-ENGINE

S/N: TD61-UP

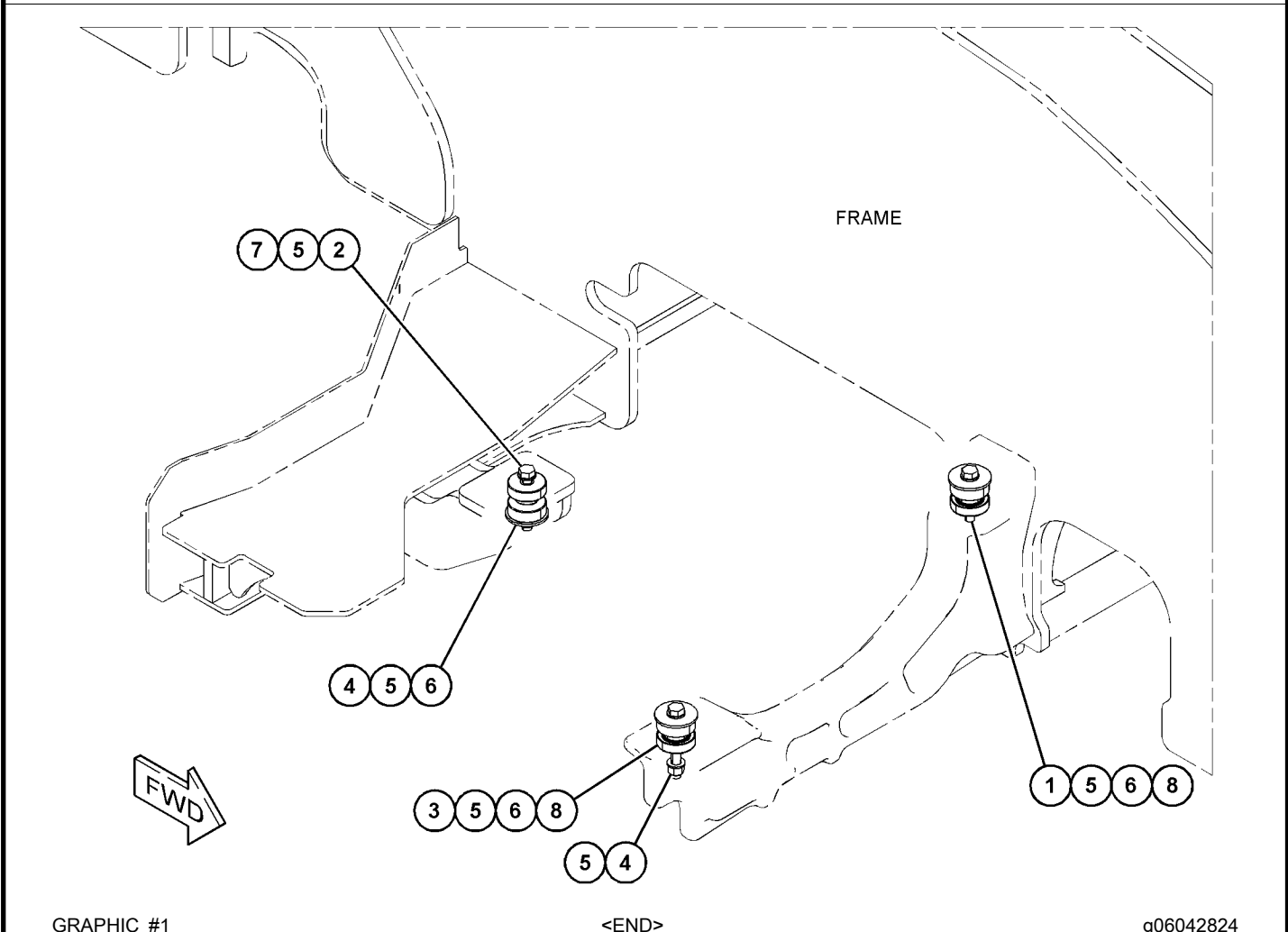
PART OF 518-5880 INSTALLATION AR-ENGINE
AN ATTACHMENT

SMCS-1152, 1153, 1154

i06601121

NOTE	REF NO	GRAPHIC REF	PART NUMBER	QTY	PART NAME						SEE PAGE
					1	2	3	4	5	6 (PRODUCT LEVEL)	
M	1	1	170-8555	1	BOLT (M16X2X90-MM)						
M	2	1	8T-4173	1	BOLT (M16X2X110-MM)						
M	3	1	477-7924	1	BOLT (M16X2X130-MM)						
M	4	1	459-8912	2	NUT (M16X2-THD)						
	5	1	9X-8257	5	WASHER (17.5X30X3.5-MM THK)						
	6	1	437-7653	3	WASHER (16.7X71.4X4.5-MM THK)						
	7	1	500-3143	1	MOUNT AS						
	8	1	484-1800	2	MOUNT						

M - METRIC PART



GRAPHIC #1

g06042824

BASIC ENGINE

329-7945 PAN GP-OIL

S/N: JKT1-UP

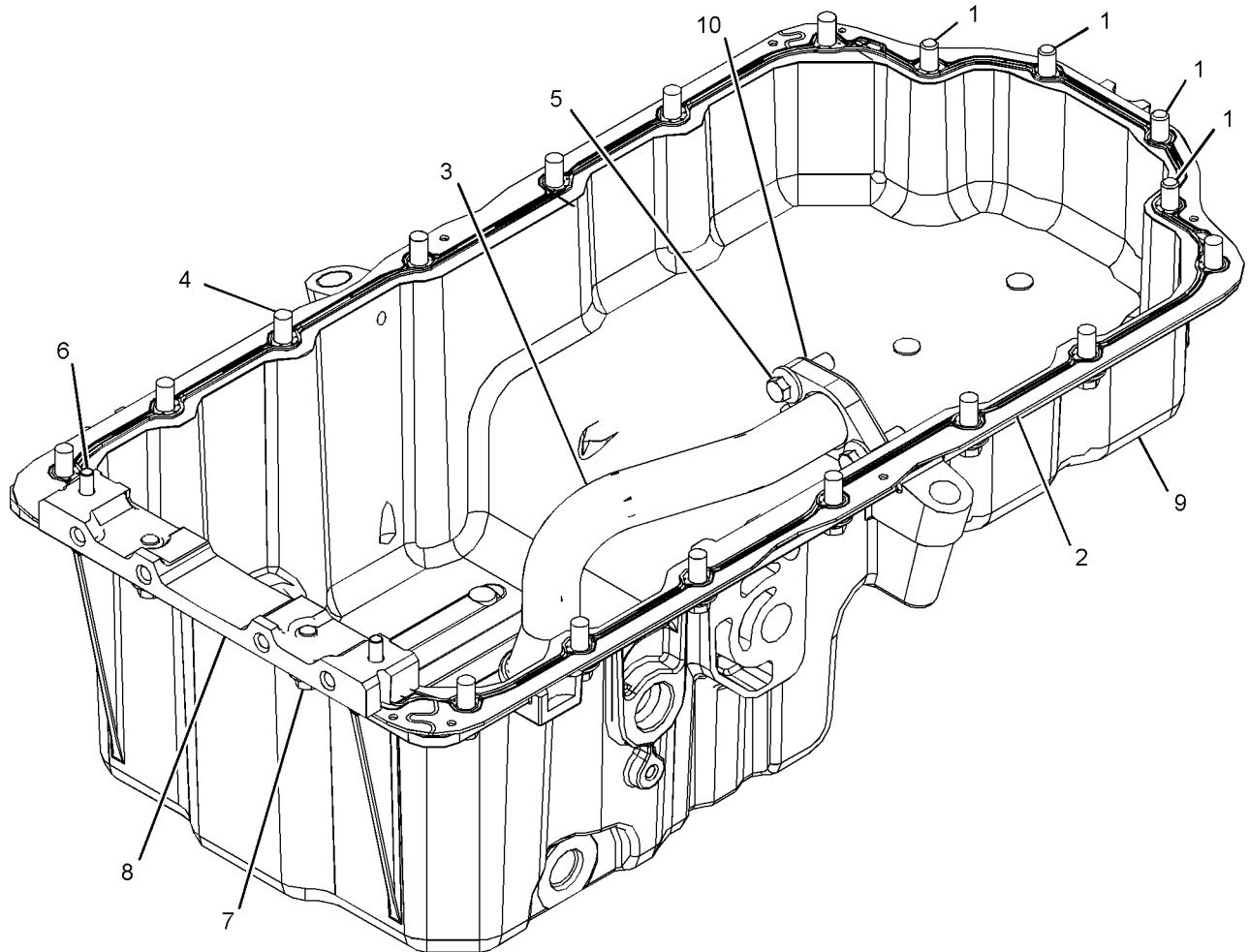
PART OF 464-2308 ENGINE AR-PRIMARY

SMCS-1302

i06709354

NOTE	REF NO	GRAPHIC REF	PART NUMBER	QTY	PART NAME						SEE PAGE
					1	2	3	4	5	6	
M	1	1	101-3771	4	BOLT (M8X1.25X85-MM)						
	2	1	471-2882	1	GASKET						
	3	1	225-6041	1	TUBE						
M	4	1	6I-0217	14	BOLT (M8X1.25X20-MM)						
M	5	1	6I-0260	2	BOLT (M8X1.25X25-MM)						
M	6	1	8T-0269	2	BOLT-SOCKET HEAD (M6X1X20-MM)						
M	7	1	6I-0572	2	BOLT (M8X1.25X20-MM)						
	8	1	329-5230	1	BRIDGE-CYLINDER SUPPORT						
	9	1	480-4406	1	PAN						
	10	1	067-6213	1	GASKET						

M - METRIC PART



GRAPHIC #1

<END>

g06035887

BASIC ENGINE

350-5188 PAN GP-OIL

S/N: CJ41-UP

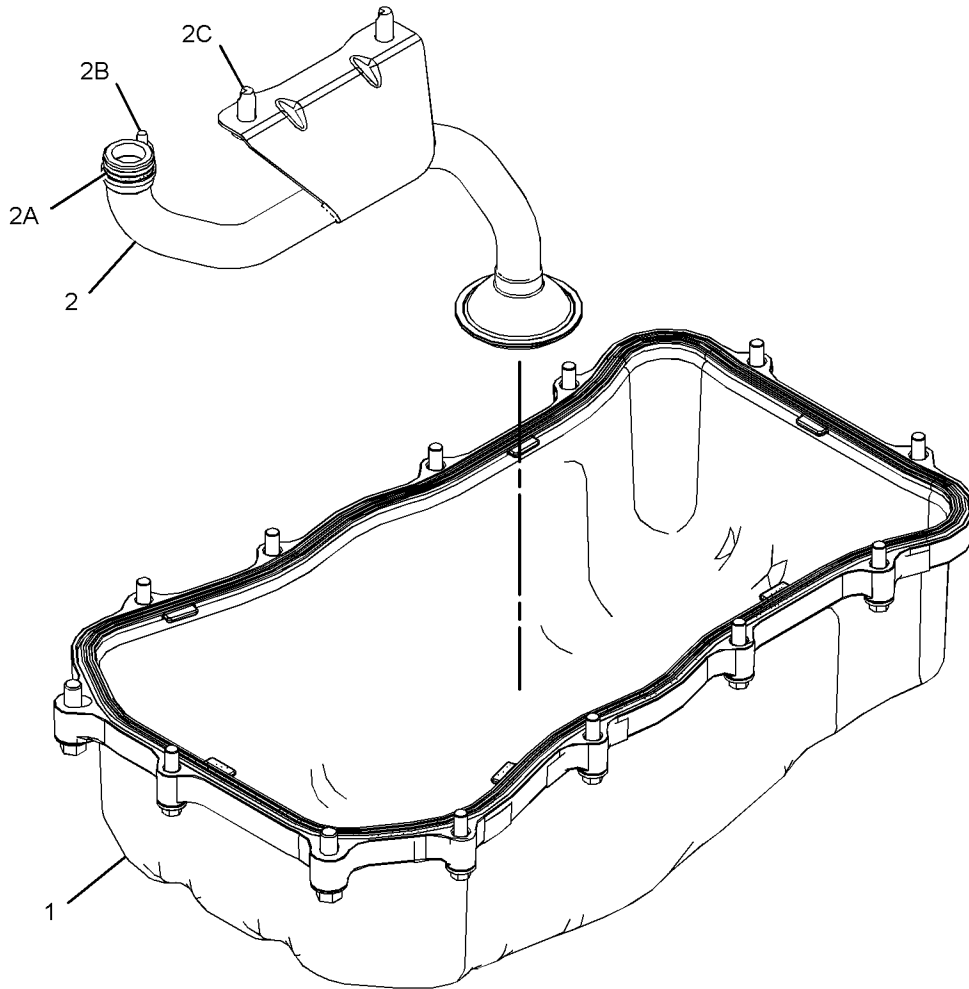
PART OF 465-2880 ENGINE AR-PRIMARY

SMCS-1302

i06881664

NOTE	REF NO	GRAPHIC REF	PART NUMBER	QTY	PART NAME						SEE PAGE
					1	2	3	4	5	6 (PRODUCT LEVEL)	
Y	1	1	361-7866	1	PAN GP-OIL						119
	2	1	361-7867	1	STRAINER AS						
	2A	1	387-7711	1	SEAL						
	2B	1	387-9123	1	SCREW						
	2C	1	391-5559	2	BOLT-SPECIAL						
		1	387-9134	1	STRAINER						

Y - SEPARATE ILLUSTRATION



GRAPHIC #1

<END>

g02880487

BASIC ENGINE

361-7866 PAN GP-OIL

S/N: CJ41-UP

PART OF 350-5188 PAN GP-OIL

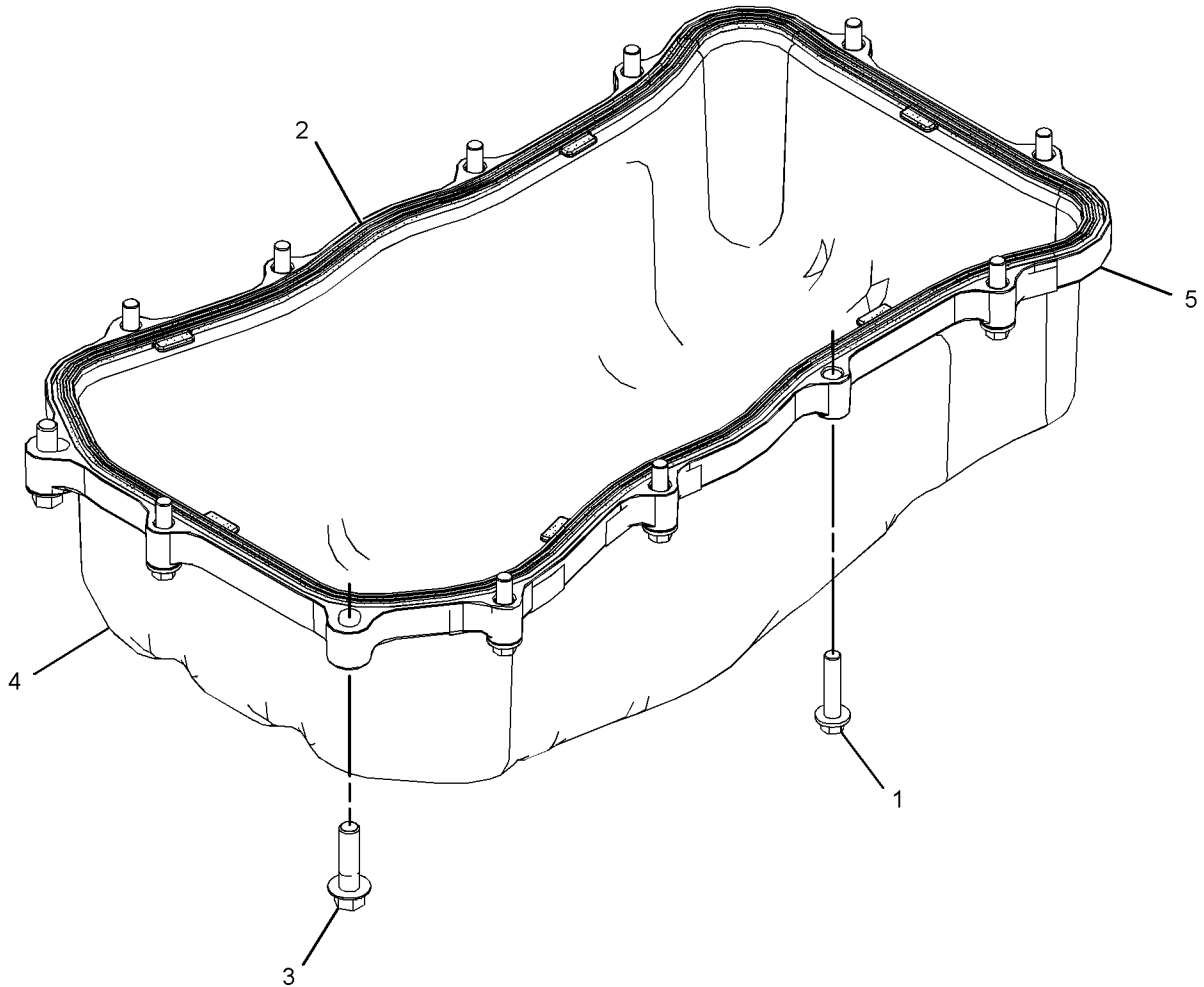
SMCS-1302

i06876514

NOTE	REF NO	GRAPHIC REF	PART NUMBER	QTY	PART NAME						SEE PAGE
					1	2	3	4	5	6 (PRODUCT LEVEL)	
M	1	1	101-3895	11	BOLT (M8X1.25X35-MM)						
	2	1	363-9725	1	GASKET-SUMP						
M	3	1	111-0859	2	BOLT (M10X1.5X35-MM)						
C	4	1	511-7127	1	PAN GP-OIL						
	5	1	379-3111	1	SPACER						

C - CHANGE FROM PREVIOUS TYPE

M - METRIC PART



GRAPHIC #1

<END>

g03412102

BASIC ENGINE

416-1051 PAN GP-OIL

S/N: W231-UP

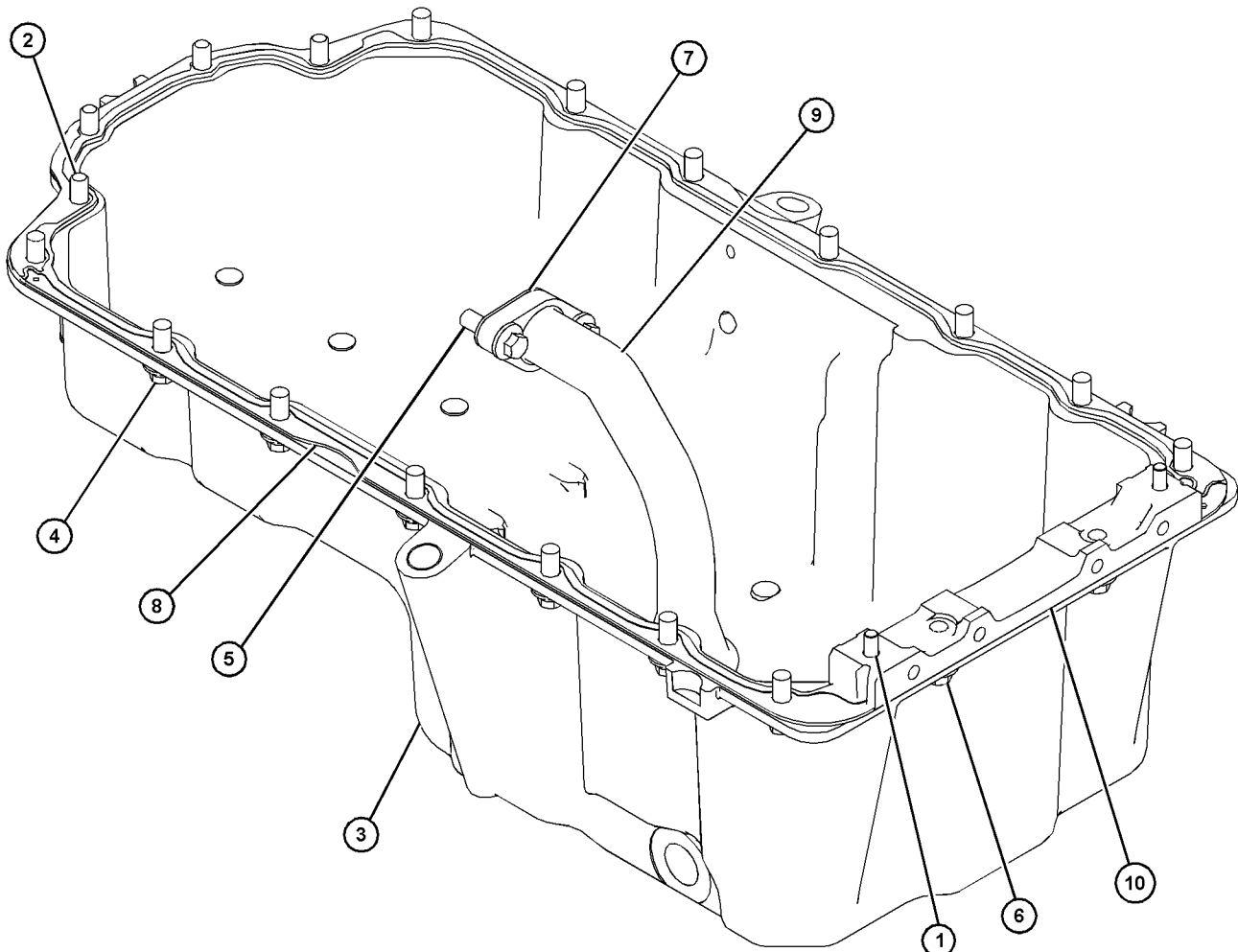
PART OF 463-8910 ENGINE AR-PRIMARY

SMCS-1302

i07176529

NOTE	REF NO	GRAPHIC REF	PART NUMBER	QTY	PART NAME						SEE PAGE
					1	2	3	4	5	6 (PRODUCT LEVEL)	
M	1	1	6I-0363	2	BOLT (M6X1X20-MM)						
M	2	1	101-3771	4	BOLT (M8X1.25X85-MM)						
	3	1	480-4406	1	PAN						
M	4	1	6I-0217	12	BOLT (M8X1.25X20-MM)						
M	5	1	6I-0260	2	BOLT (M8X1.25X25-MM)						
M	6	1	6I-0572	4	BOLT (M8X1.25X20-MM)						
	7	1	067-6213	1	GASKET						
	8	1	471-2882	1	GASKET						
	9	1	225-6041	1	TUBE						
	10	1	230-8094	1	BRIDGE						

M - METRIC PART



GRAPHIC #1

<END>

g03841817

BASIC ENGINE

423-1280 PAN GP-OIL

S/N: W231-UP

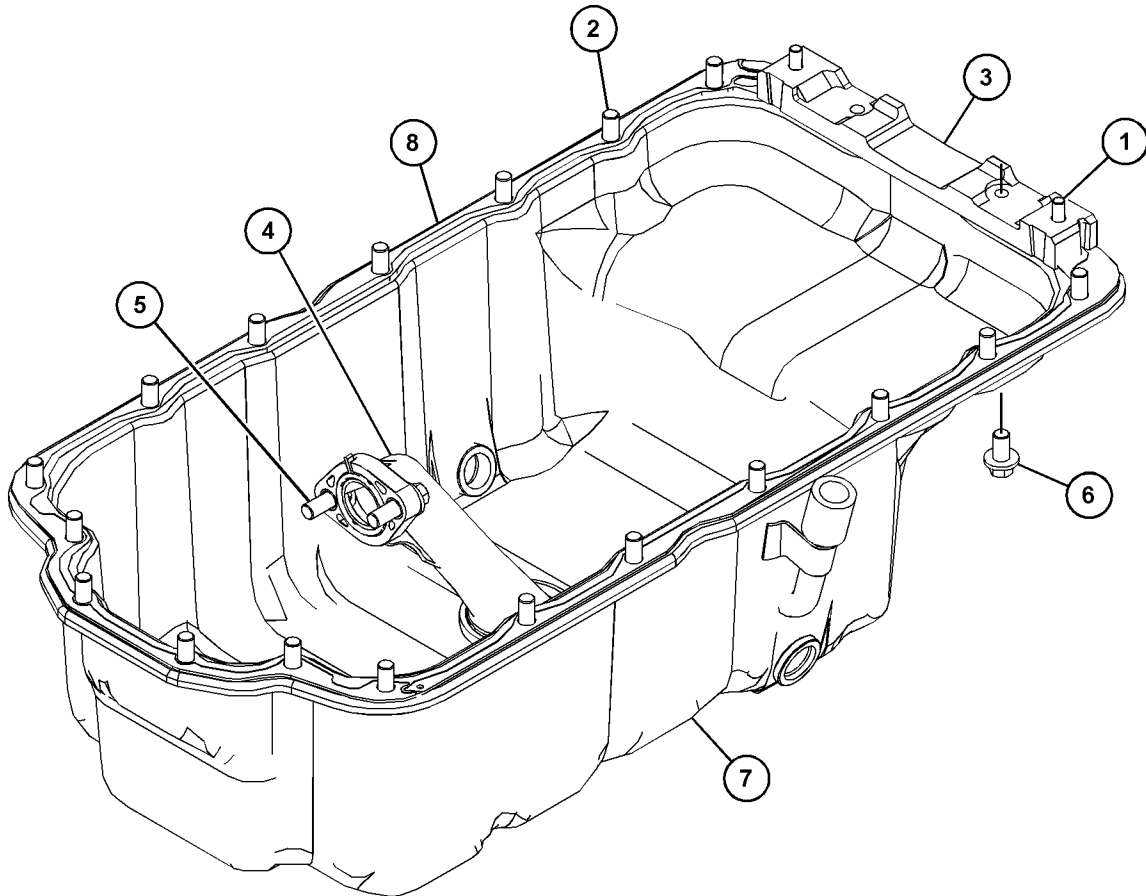
PART OF 463-8820 ENGINE AR-PRIMARY
ALSO AN ATTACHMENT

SMCS-1302

i06647108

NOTE	REF NO	GRAPHIC REF	PART NUMBER	QTY	PART NAME						SEE PAGE
					1	2	3	4	5	6	
M	1	1	8T-0269	2	BOLT-SOCKET HEAD (M6X1X20-MM)						
M	2	1	124-3815	18	BOLT (M8X1.25X16-MM)						
	3	1	230-8094	1	BRIDGE						
	4	1	373-9785	1	PIPE						
M	5	1	6I-0260	2	BOLT (M8X1.25X25-MM)						
M	6	1	6I-4072	2	BOLT (M8X1.25X14-MM)						
	7	1	214-3281	1	PAN-OIL						
	8	1	471-2882	1	GASKET						

M - METRIC PART



GRAPHIC #1

<END>

g03822836

BASIC ENGINE

392-1366 PISTON & ROD GP

S/N: JKT1-UP

PART OF 449-5062 CYLINDER BLOCK GP-SHORT, 464-2308 ENGINE AR-PRIMARY

SMCS-1225

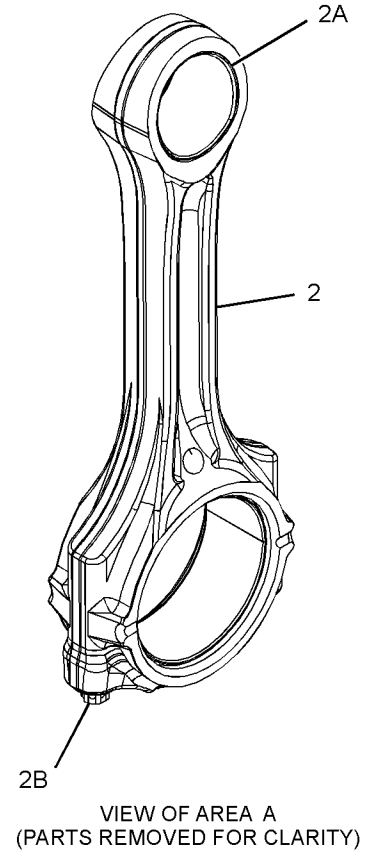
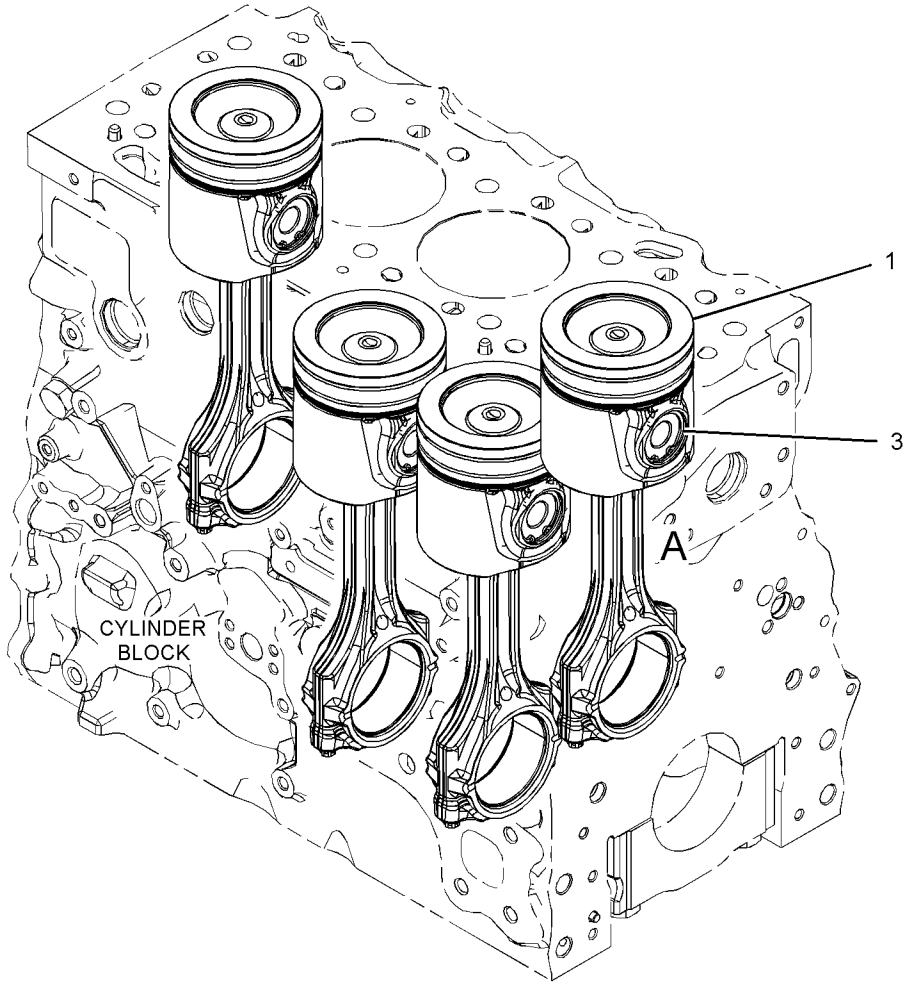
i06671538

NOTE	REF NO	GRAPHIC REF	PART NUMBER	QTY	PART NAME						SEE PAGE
					1	2	3	4	5	6 (PRODUCT LEVEL)	
CL	1	1	493-3286	4	PISTON GP						
	2	1	333-5465	4	CONNECTING ROD GP						
					(EACH INCLUDES)						
	2A	1	276-7478	1	BUSHING						
	2B	1	323-9312	2	BOLT (M10X1X50-MM)						
	3	1	124-3536	8	RING-RETAINING						
					AVAILABLE REPAIR KIT(S):						
B			360-3986	1	KIT-BEARING (CONNECTING ROD) (STANDARD)						
					(INCLUDES BEARINGS)						
AB			468-7762	1	KIT-BEARING (0.254-MM US)						
					(INCLUDES BEARINGS)						
AB			468-7769	1	KIT-BEARING (0.508-MM US)						
					(INCLUDES BEARINGS)						
AB			468-7770	1	KIT-BEARING (0.762-MM US)						
					(INCLUDES BEARINGS)						
ABL			421-7760	1	KIT-PISTON (0.5-MM OS)						
					(INCLUDES PISTON, PIN, & RINGS)						
ABL			421-7763	1	KIT-PISTON (1-MM OS)						
					(INCLUDES PISTON, PIN, & RINGS)						
BL			464-0959	1	KIT-PISTON (STANDARD)						
					(INCLUDES PISTON, PIN, & RINGS)						
<p>A - NOT PART OF THIS GROUP B - USE AS REQUIRED C - CHANGE FROM PREVIOUS TYPE L - KIT MARKED L SERVICES PART(S) MARKED L</p>											

BASIC ENGINE

392-1366 PISTON & ROD GP (contd.)

106671538



GRAPHIC #1

<END>

g03620881

BASIC ENGINE

415-5518 PISTON & ROD GP

S/N: W231-UP; TD71-UP

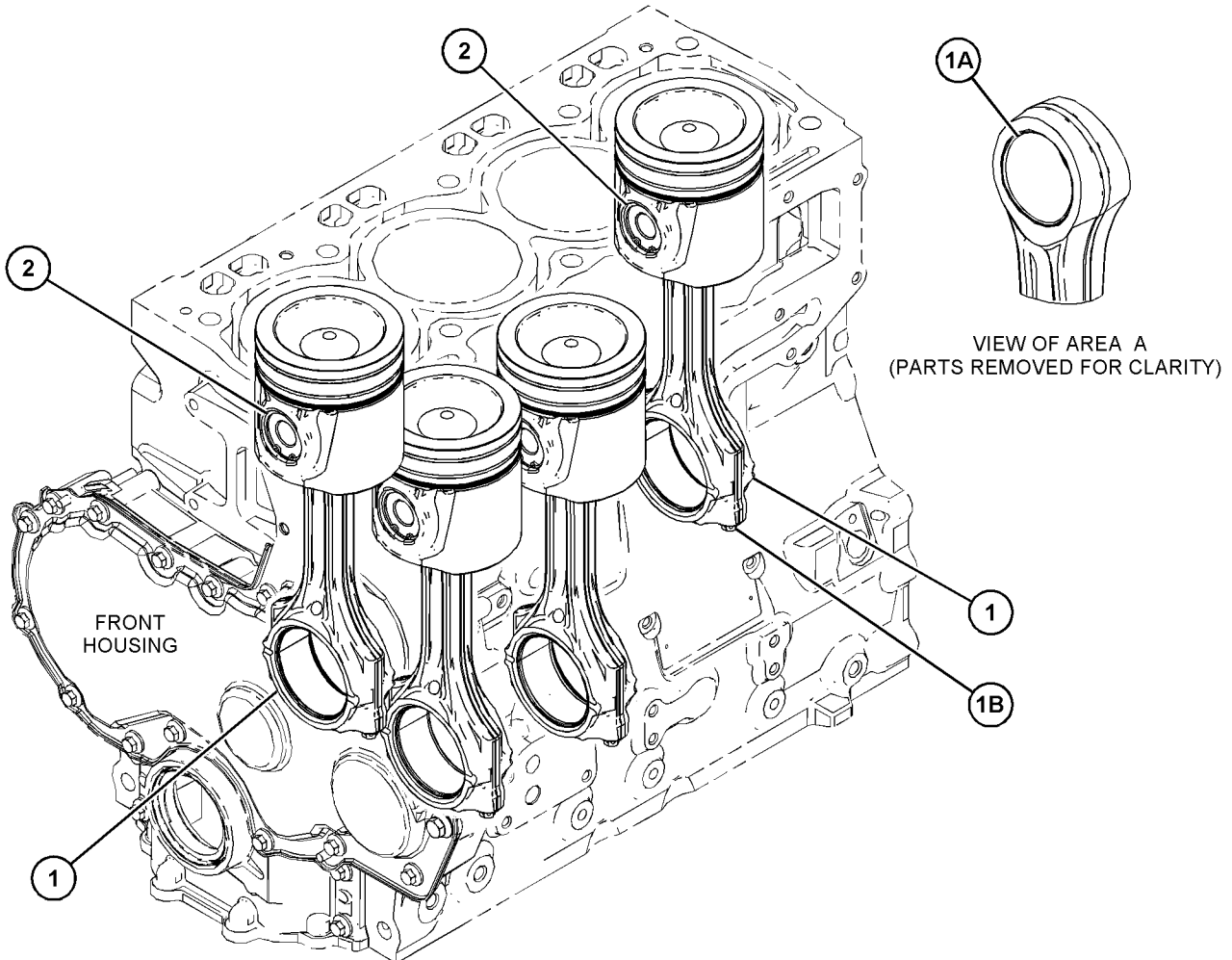
PART OF 452-7386 CYLINDER BLOCK GP-SHORT

SMCS-1225

i06138442

NOTE	REF NO	GRAPHIC REF	PART NUMBER	QTY	PART NAME						SEE PAGE
					1	2	3	4	5	6	
	1	1	359-0719	4	ROD AS-CONNECTING (LENGTH R)						
					(EACH INCLUDES)						
	1A	1	225-5438	1	BUSHING						
	1B	1	323-9312	2	BOLT (M10X1X50-MM)						
	2	1	124-3536	8	RING-RETAINING						
AVAILABLE REPAIR KIT(S):											
B			360-3986	1	KIT-BEARING (CONNECTING ROD)						
					(INCLUDES BEARINGS)						
B			443-9543	1	KIT-RING (PISTON)						
					(INCLUDES RINGS)						
B			380-2065	1	KIT-PISTON RING (0.5-MM OS)						
					(INCLUDES RINGS)						
B			466-4849	1	KIT-PISTON RING (1-MM OS) (PISTON)						
					(INCLUDES RINGS)						
B			447-5251		KIT-PISTON (STANDARD)						
					(INCLUDES PISTON, PIN & RINGS)						

B - USE AS REQUIRED



GRAPHIC #1

<END>

g03814933

BASIC ENGINE

415-5519 PISTON & ROD GP

S/N: W231-UP

PART OF 463-8820, 463-8910 ENGINE AR-PRIMARY
ALSO AN ATTACHMENT

SMCS-1225

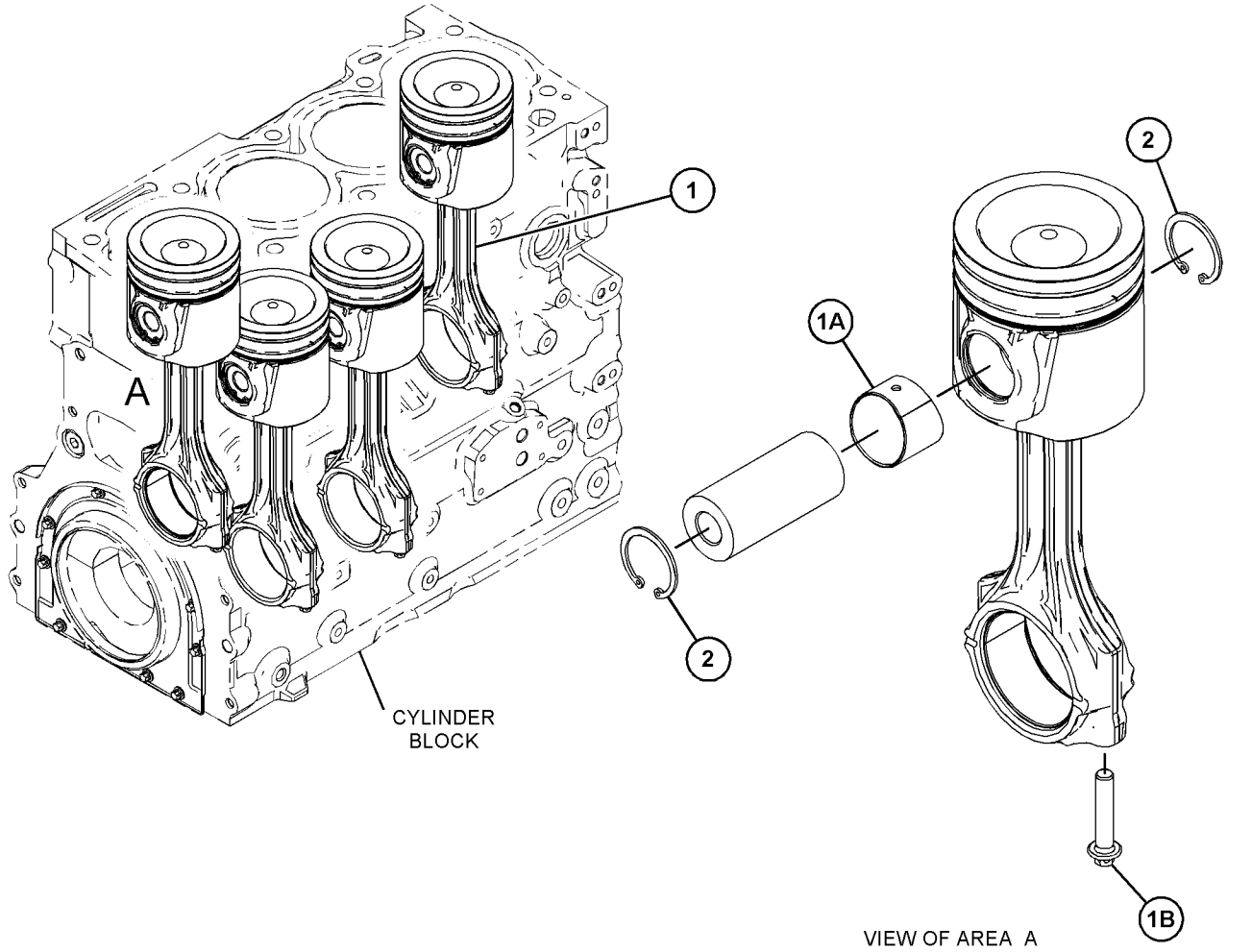
i06781892

NOTE	REF NO	GRAPHIC REF	PART NUMBER	QTY	PART NAME						SEE PAGE
					1	2	3	4	5	6 (PRODUCT LEVEL)	
	1	1	359-0719	4	ROD AS-CONNECTING (LENGTH R)						
					(EACH INCLUDES)						
	1A	1	225-5438	1	BUSHING						
	1B	1	323-9312	2	BOLT (M10X1X50-MM)						
	2	1	124-3536	8	RING-RETAINING						
PARTS SHOWN IN GRAPHIC(S) WITHOUT A REFERENCE NUMBER ARE NOT SERVICED SEPARATELY											
AVAILABLE REPAIR KIT(S):											
B			360-3986	1	KIT-BEARING (CONNECTING ROD) (STANDARD)						
					(INCLUDES BEARING)						
B			468-7762	1	KIT-BEARING (0.254-MM US)						
					(INCLUDES BEARING)						
B			468-7769	1	KIT-BEARING (0.508-MM US)						
					(INCLUDES BEARING)						
B			468-7770	1	KIT-BEARING (0.762-MM US)						
					(INCLUDES BEARING)						
B			443-9543	1	KIT-RING (STANDARD)						
					(INCLUDES RINGS)						
B			380-2065	1	KIT-PISTON RING (0.5-MM OS)						
					(INCLUDES RINGS)						
B			466-4849	1	KIT-PISTON RING (1-MM OS) (PISTON)						
					(INCLUDES RINGS)						
B			447-5252	1	KIT-PISTON (STANDARD)						
					(INCLUDES PISTON, PIN, & RINGS)						
B			447-5249	1	KIT-PISTON (0.5-MM OS)						
					(INCLUDES PISTON, PIN, & RINGS)						
B			447-5250	1	KIT-PISTON (1-MM OS)						
					(INCLUDES PISTON, PIN, & RINGS)						
B - USE AS REQUIRED											

BASIC ENGINE

415-5519 PISTON & ROD GP (contd.)

i06781892



GRAPHIC #1

<END>

VIEW OF AREA A

g03826302

BASIC ENGINE

441-9673 PISTON & ROD GP

S/N: CJ41-UP

PART OF 465-2880 ENGINE AR-PRIMARY

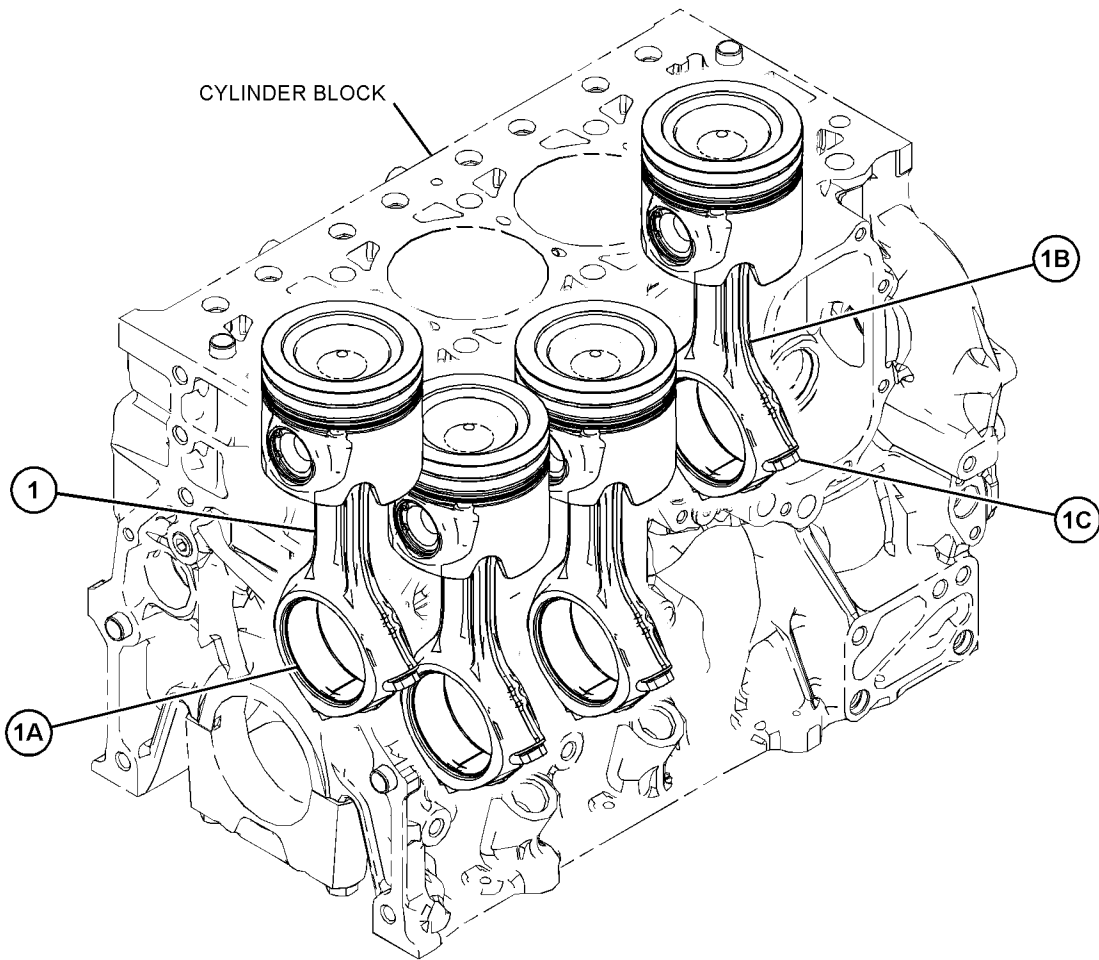
SMCS-1225

i06252212

NOTE	REF NO	GRAPHIC REF	PART NUMBER	QTY	PART NAME						SEE PAGE
					1	2	3	4	5	6 (PRODUCT LEVEL)	
	1	1	393-7738	1	ROD AS-CONNECTING						
	1A	1	390-2401	4	BEARING-CONNECTING ROD						
AB		1	390-2402		BEARING-CONNECTING ROD (0.254-MM US)						
AB		1	390-2403		BEARING-CONNECTING ROD (0.508-MM US)						
	1B	1	390-2404	4	ROD AS-CONNECTING						
					(EACH INCLUDES)						
	1C	1	386-6247	2	SCREW						

A - NOT PART OF THIS GROUP

B - USE AS REQUIRED



GRAPHIC #1

<END>

g03827541

BASIC ENGINE

329-8482 PLUG GP-ENGINE

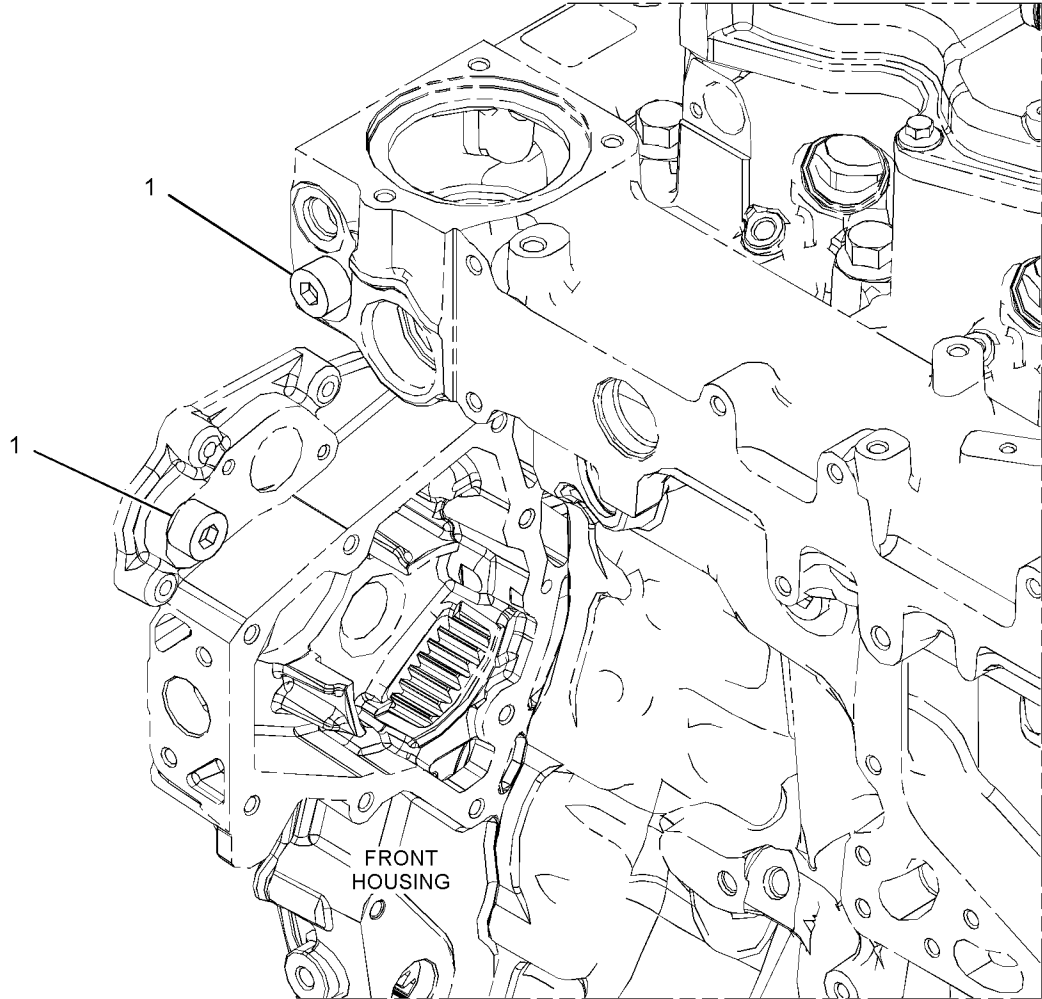
S/N: JKT1-UP

PART OF 464-2308 ENGINE AR-PRIMARY

SMCS-1000

i04630572

NOTE	REF NO	GRAPHIC REF	PART NUMBER	QTY	PART NAME						SEE PAGE
					1	2	3	4	5	6 (PRODUCT LEVEL)	
	1	1	067-6823	2	PLUG						



GRAPHIC #1

<END>

g02713169

BASIC ENGINE

337-8032 PLUG GP-ENGINE

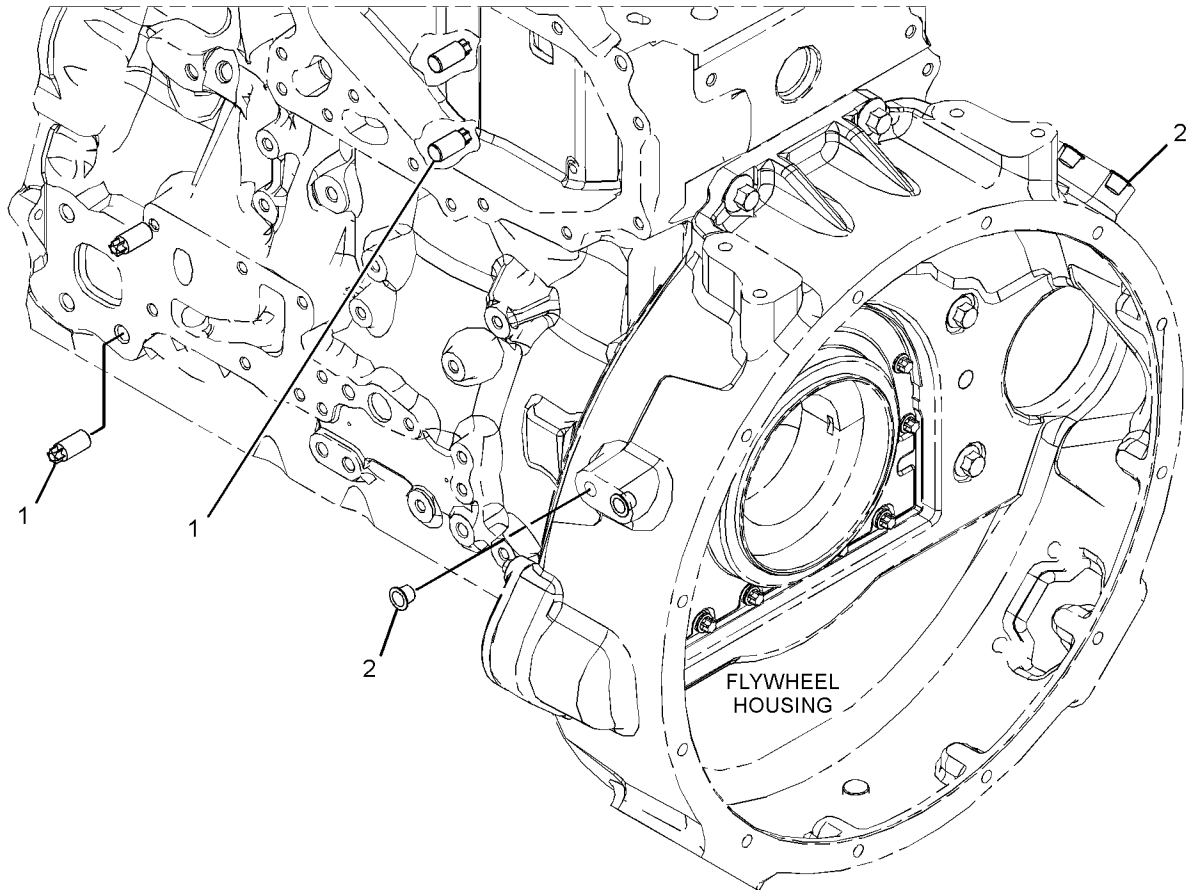
S/N: JKT1-UP

PART OF 464-2308 ENGINE AR-PRIMARY

SMCS-1000

i05727449

NOTE	REF NO	GRAPHIC REF	PART NUMBER	QTY	PART NAME						SEE PAGE
					1	2	3	4	5	6 (PRODUCT LEVEL)	
1	1	1	233-9436	4	PLUG						
2	1	1	6H-3616	4	PLUG-PROTECTION						



GRAPHIC #1

<END>

g02854496

BASIC ENGINE

417-4286 PLUG GP-ENGINE

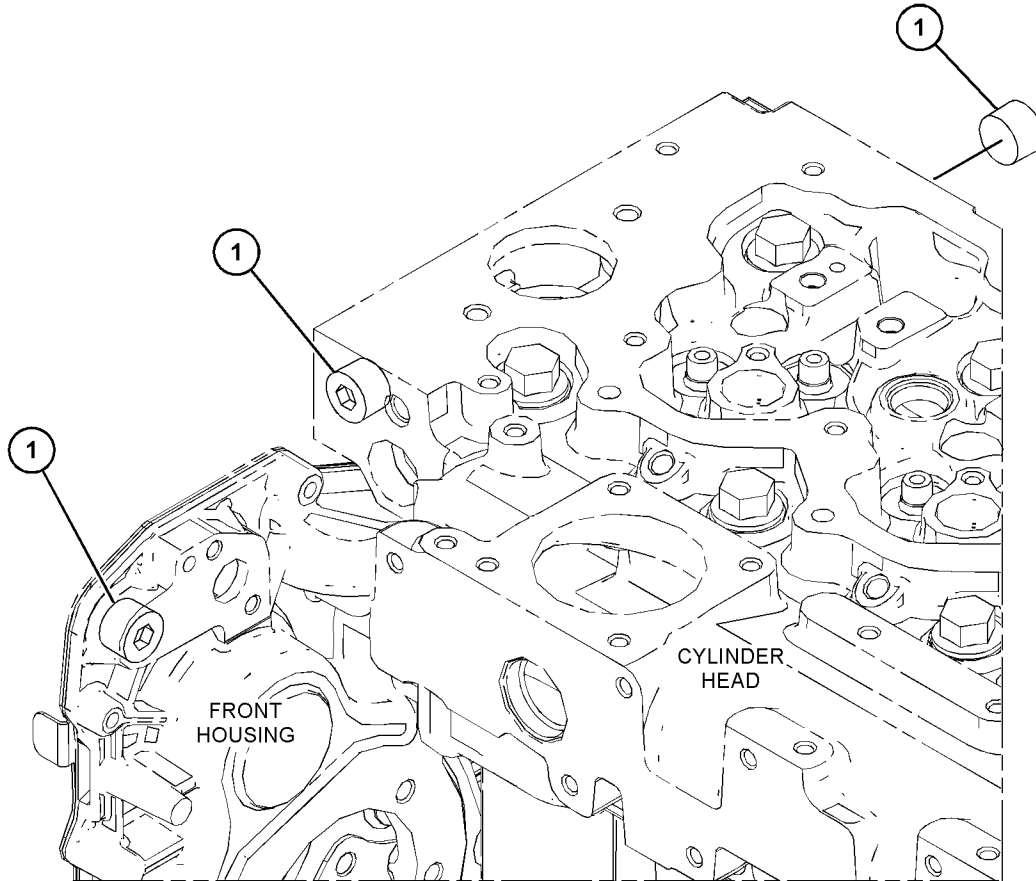
S/N: W231-UP

PART OF 463-8820, 463-8910 ENGINE AR-PRIMARY
ALSO AN ATTACHMENT

SMCS-1000

i06134086

NOTE	REF NO	GRAPHIC REF	PART NUMBER	QTY	PART NAME						SEE PAGE	
					1	2	3	4	5	6		(PRODUCT LEVEL)
	1	1	067-6823	3	PLUG							



GRAPHIC #1

<END>

g03815206

BASIC ENGINE

446-2236 PLUG GP-ENGINE

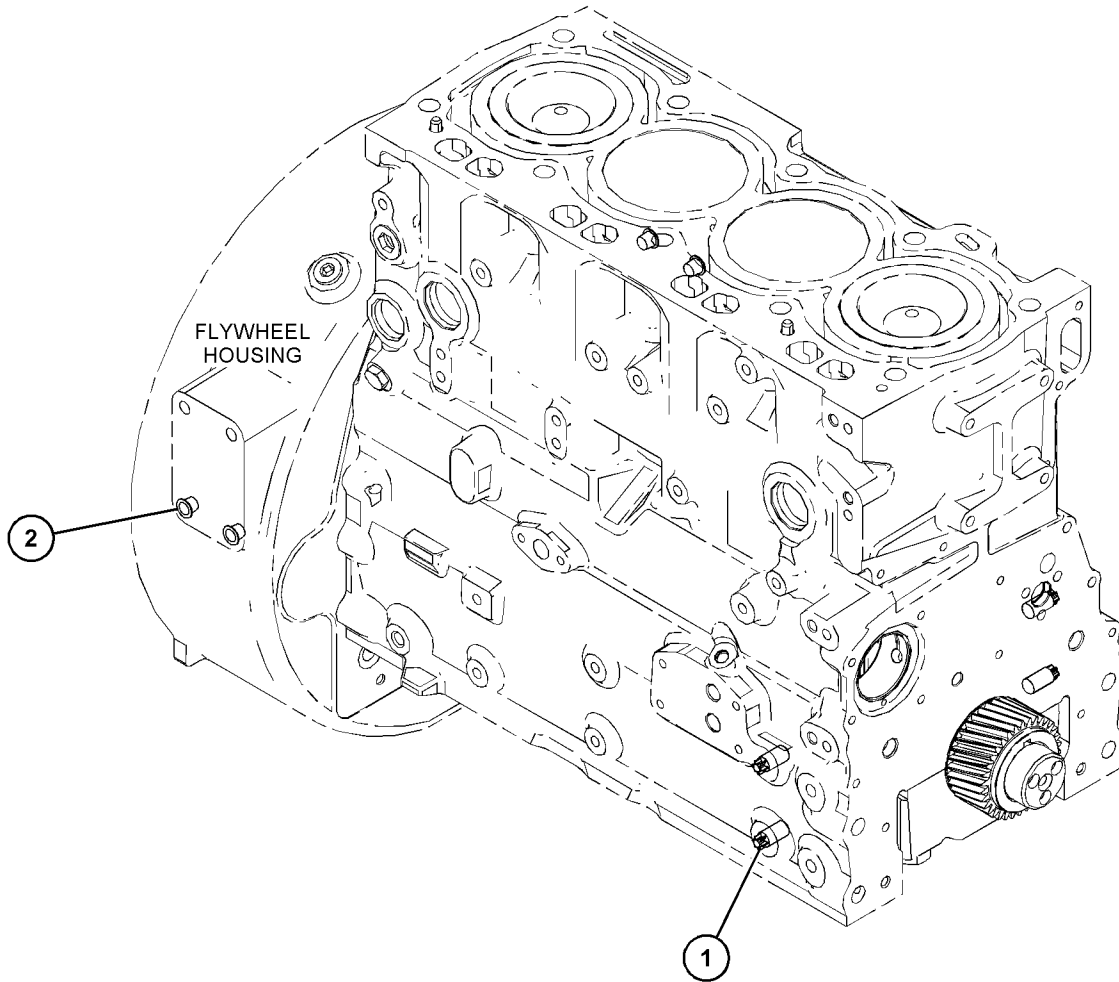
S/N: W231-UP

PART OF 463-8820, 463-8910 ENGINE AR-PRIMARY
ALSO AN ATTACHMENT

SMCS-1000

i06155141

NOTE	REF NO	GRAPHIC REF	PART NUMBER	QTY	PART NAME						SEE PAGE
					1	2	3	4	5	6 (PRODUCT LEVEL)	
	1	1	233-9436	4	PLUG						
	2	1	6H-3616	4	PLUG-PROTECTION						



GRAPHIC #1

<END>

g03830685

BASIC ENGINE

347-6547 PLUG GP-FRONT HOUSING-ENGINE OIL FILLER

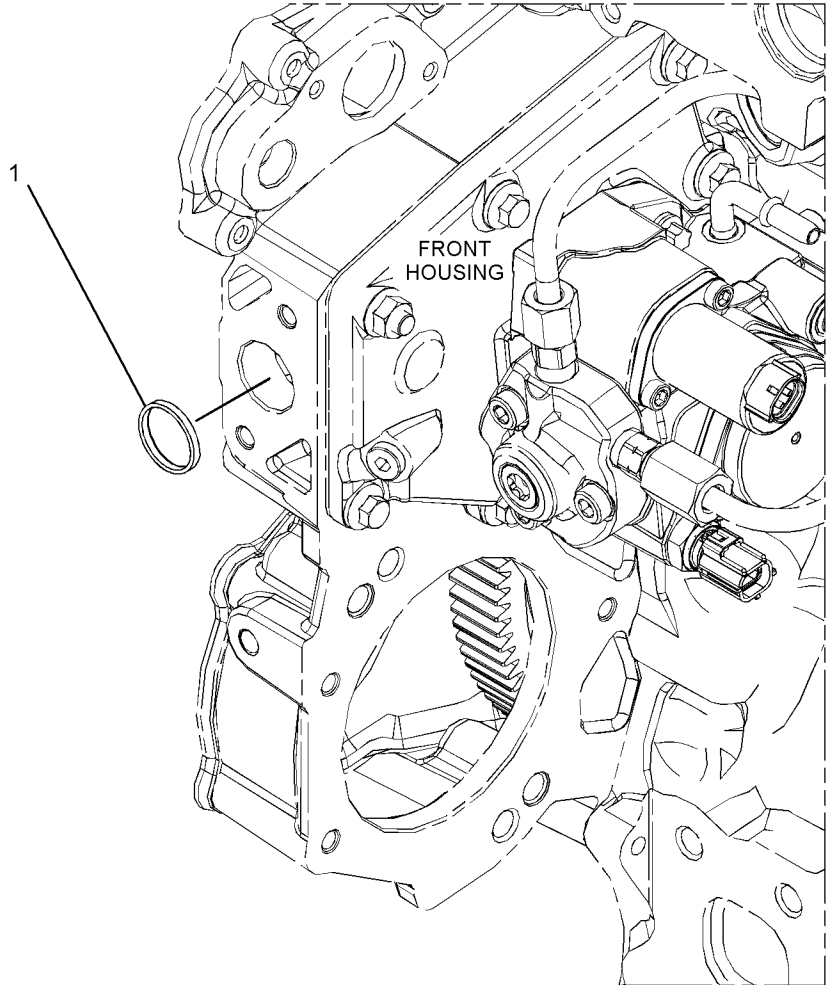
S/N: JKT1-UP

PART OF 464-2308 ENGINE AR-PRIMARY

SMCS-1151, 1162

i05727289

NOTE	REF NO	GRAPHIC REF	PART NUMBER	QTY	PART NAME						SEE PAGE
					1	2	3	4	5	6 (PRODUCT LEVEL)	
	1	1	225-6524	1	PLUG-CUP						



GRAPHIC #1

<END>

g02896458

BASIC ENGINE

417-3401 PLUG GP-FRONT HOUSING

S/N: W231-UP

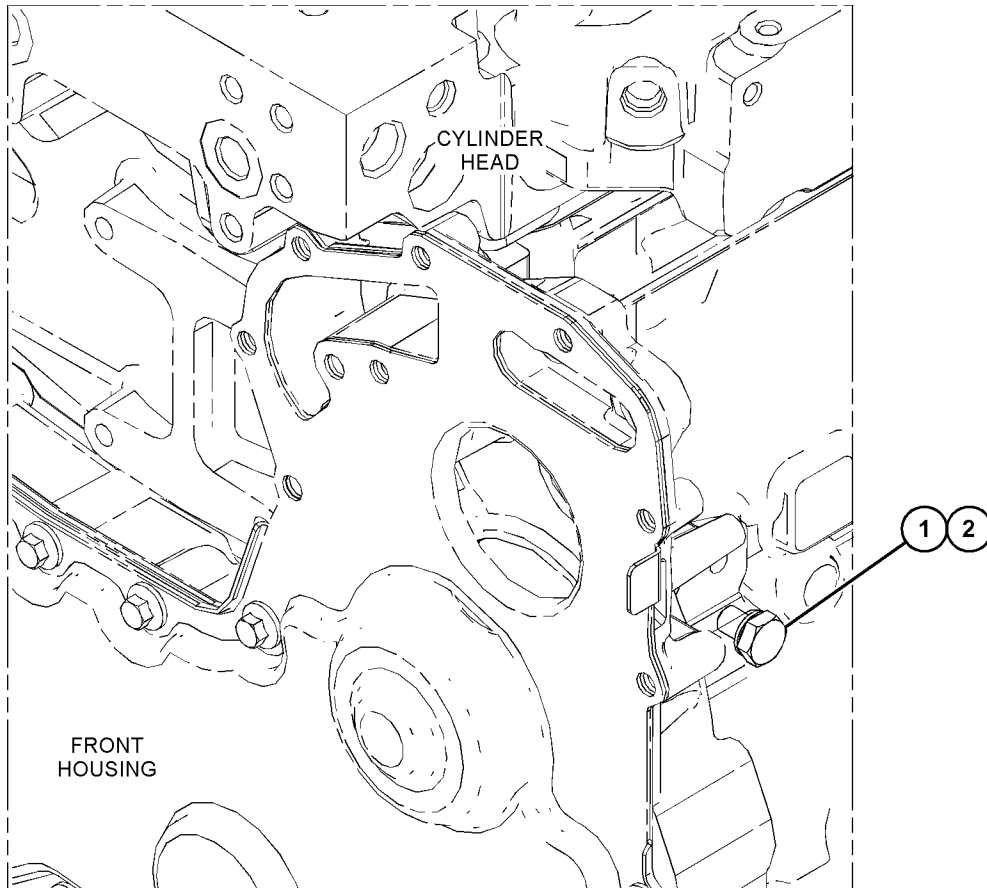
PART OF 463-8820 ENGINE AR-PRIMARY
ALSO AN ATTACHMENT

SMCS-1151, 1162

i06151999

NOTE	REF NO	GRAPHIC REF	PART NUMBER	QTY	PART NAME						SEE PAGE
					1	2	3	4	5	6 (PRODUCT LEVEL)	
	1	1	214-3203	1	WASHER (SEALING)						
M	2	1	6I-0646	1	BOLT (M10X1.5X14-MM)						

M - METRIC PART



GRAPHIC #1

<END>

g03816258

BASIC ENGINE

350-1117 PULLEY GP-AUXILIARY DRIVE

S/N: CJ41-UP

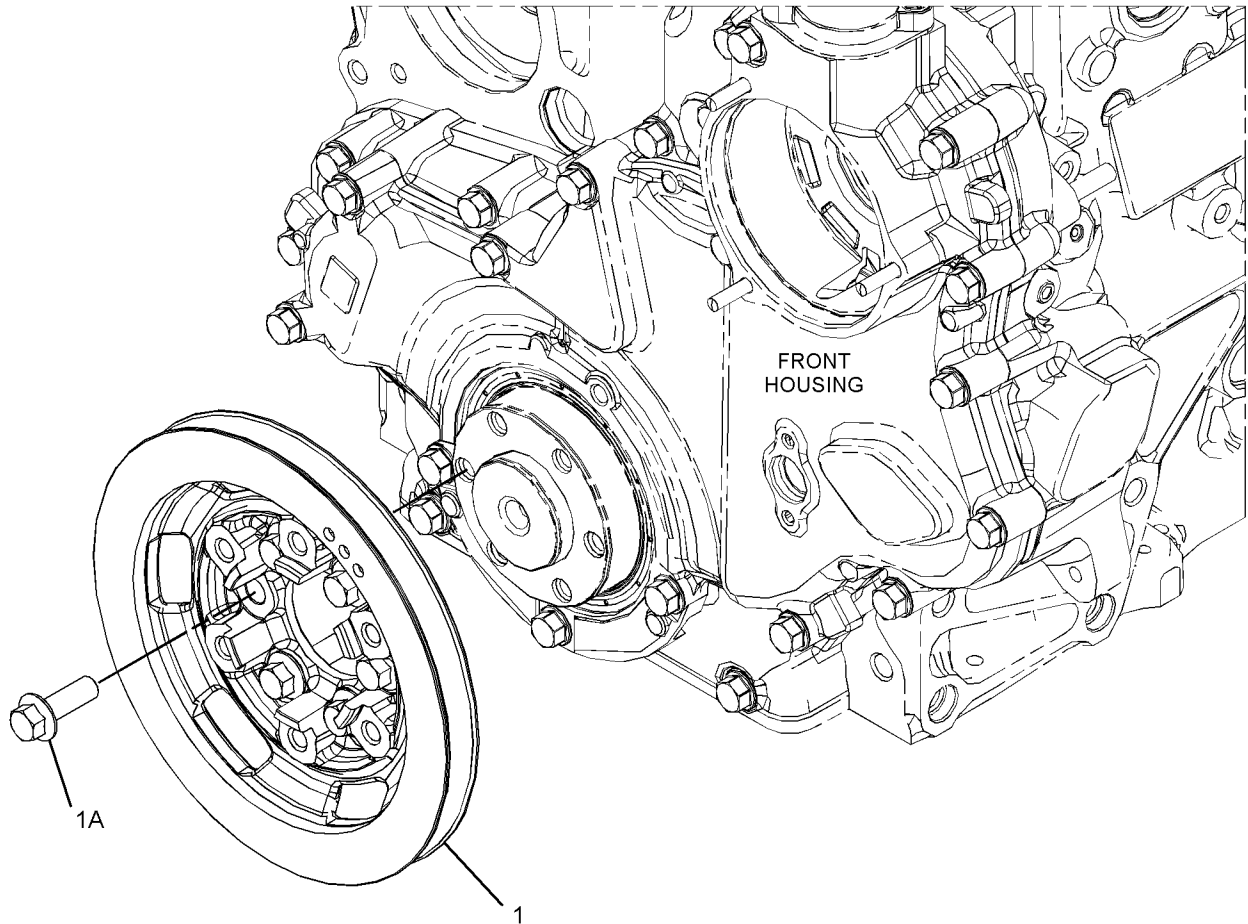
PART OF 465-2880 ENGINE AR-PRIMARY

SMCS-1205

i05722355

NOTE	REF NO	GRAPHIC REF	PART NUMBER	QTY	PART NAME						SEE PAGE
					1	2	3	4	5	6 (PRODUCT LEVEL)	
	1	1	379-2999	1	PULLEY AS						
M	1A	1	121-0883	6	BOLT (M10X1.5X30-MM)						
		1	385-1451	1	PULLEY						

M - METRIC PART



GRAPHIC #1

<END>

g03043058

BASIC ENGINE

329-7997 PULLEY GP-CRANKSHAFT

S/N: JKT1-UP

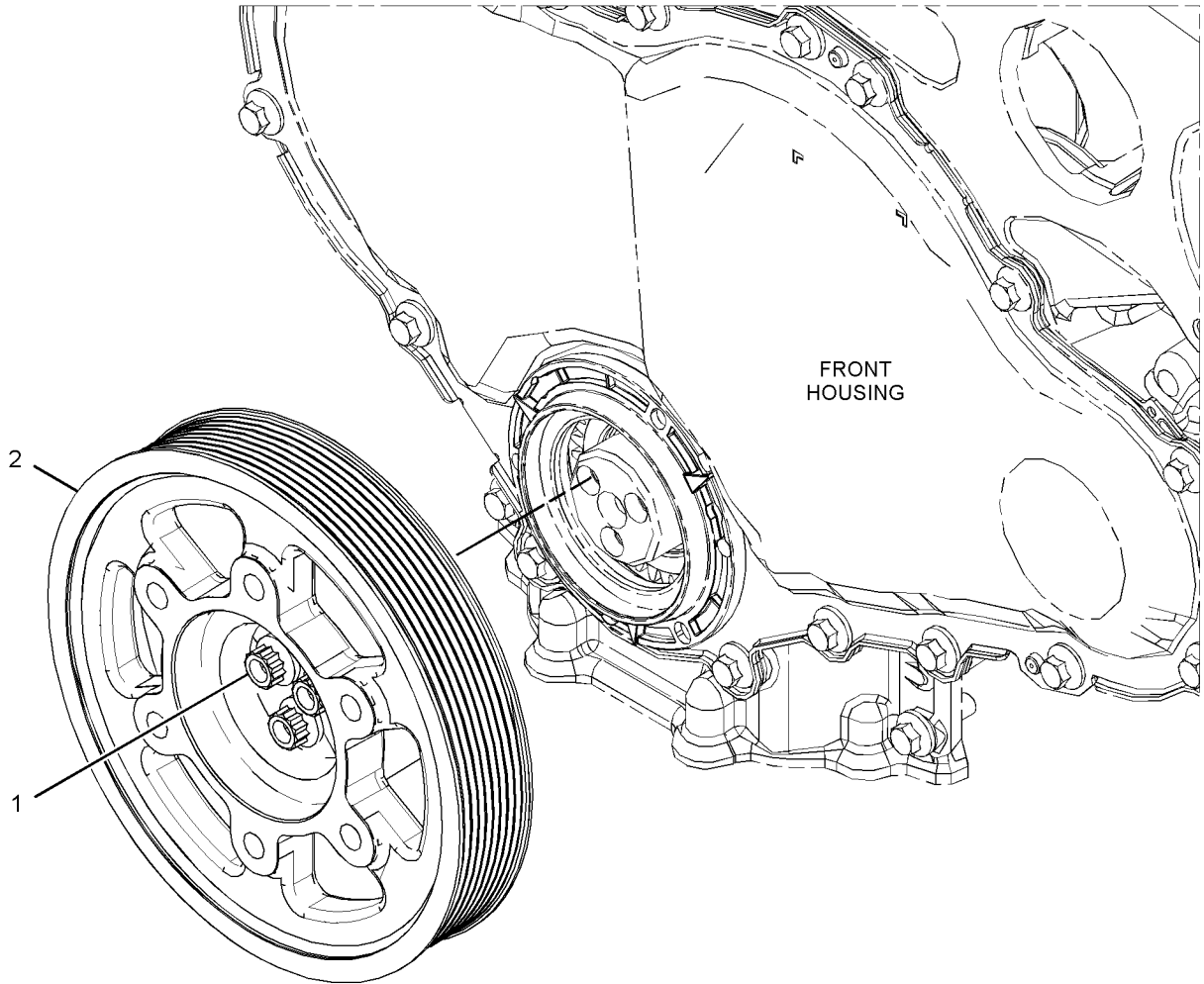
8-GROOVE

PART OF 464-2308 ENGINE AR-PRIMARY

SMCS-1205

i04553381

NOTE	REF NO	GRAPHIC REF	PART NUMBER	QTY	PART NAME						SEE PAGE
					1	2	3	4	5	6 (PRODUCT LEVEL)	
1	1	1	334-9334	3	BOLT						
2	1	1	335-8270	1	PULLEY (8-GROOVE)						



GRAPHIC #1

<END>

g02715045

BASIC ENGINE

350-1102 PULLEY GP-CRANKSHAFT

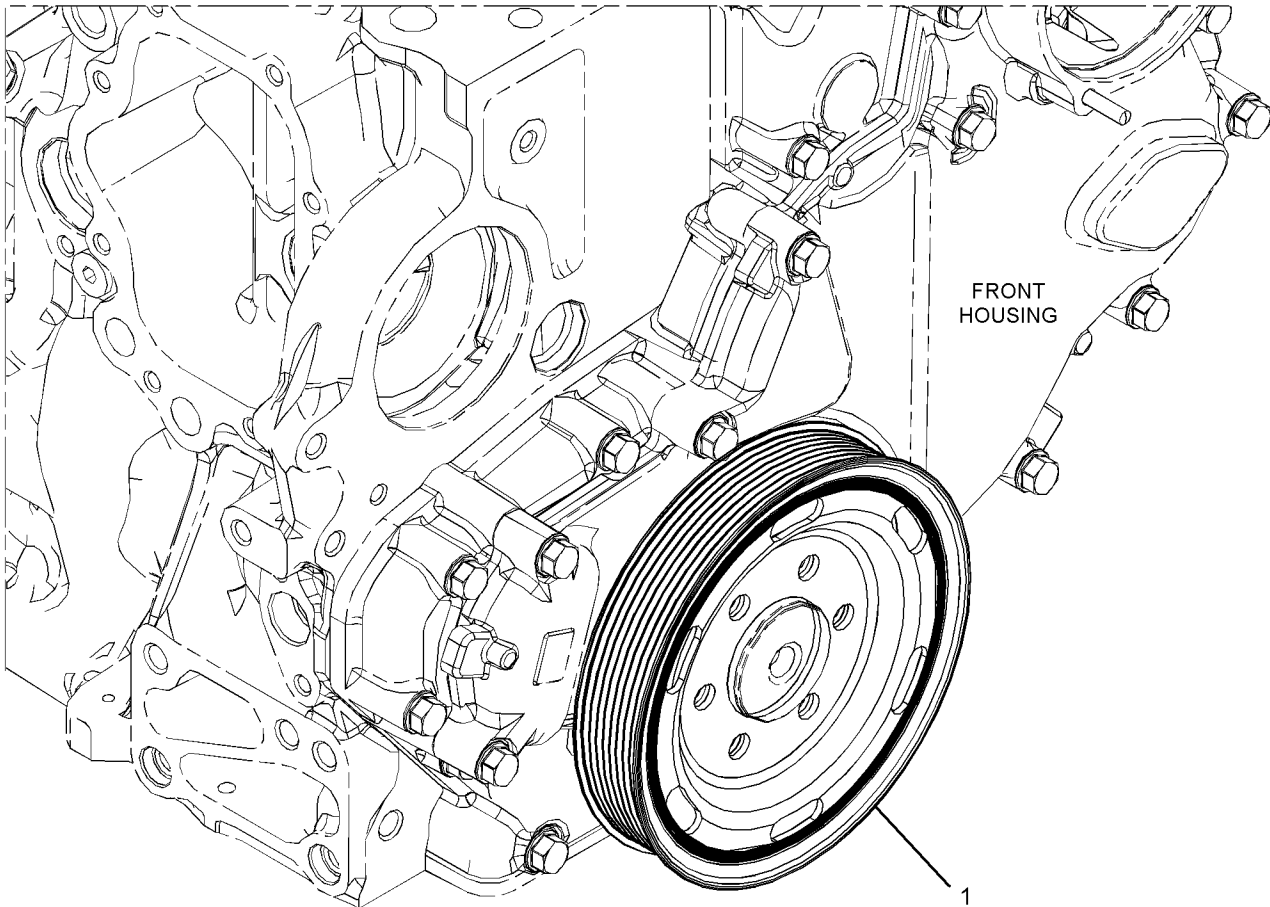
S/N: CJ41-UP

PART OF 465-2880 ENGINE AR-PRIMARY

SMCS-1205

i05722356

NOTE	REF NO	GRAPHIC REF	PART NUMBER	QTY	PART NAME						SEE PAGE
					1	2	3	4	5	6 (PRODUCT LEVEL)	
	1	1	360-8847	1	PULLEY AS-CRANKSHAFT						
		1	382-9620	1	PULLEY						



GRAPHIC #1

<END>

g02878516

BASIC ENGINE

416-1089 PULLEY GP-CRANKSHAFT

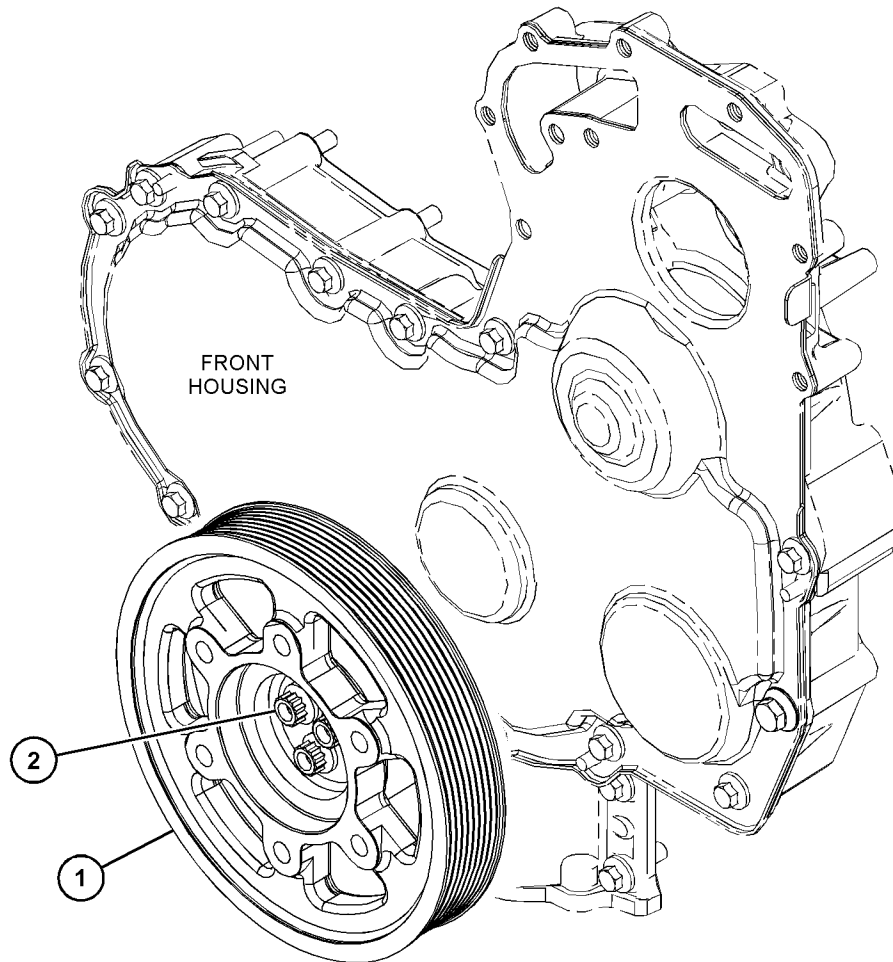
S/N: W231-UP

PART OF 463-8910 ENGINE AR-PRIMARY

SMCS-1205

i06146777

NOTE	REF NO	GRAPHIC REF	PART NUMBER	QTY	PART NAME						SEE PAGE
					1	2	3	4	5	6 (PRODUCT LEVEL)	
	1	1	335-8270	1	PULLEY (8-GROOVE)						
	2	1	334-9334	3	BOLT						



GRAPHIC #1

<END>

g03822867

BASIC ENGINE

426-3230 PULLEY GP-CRANKSHAFT

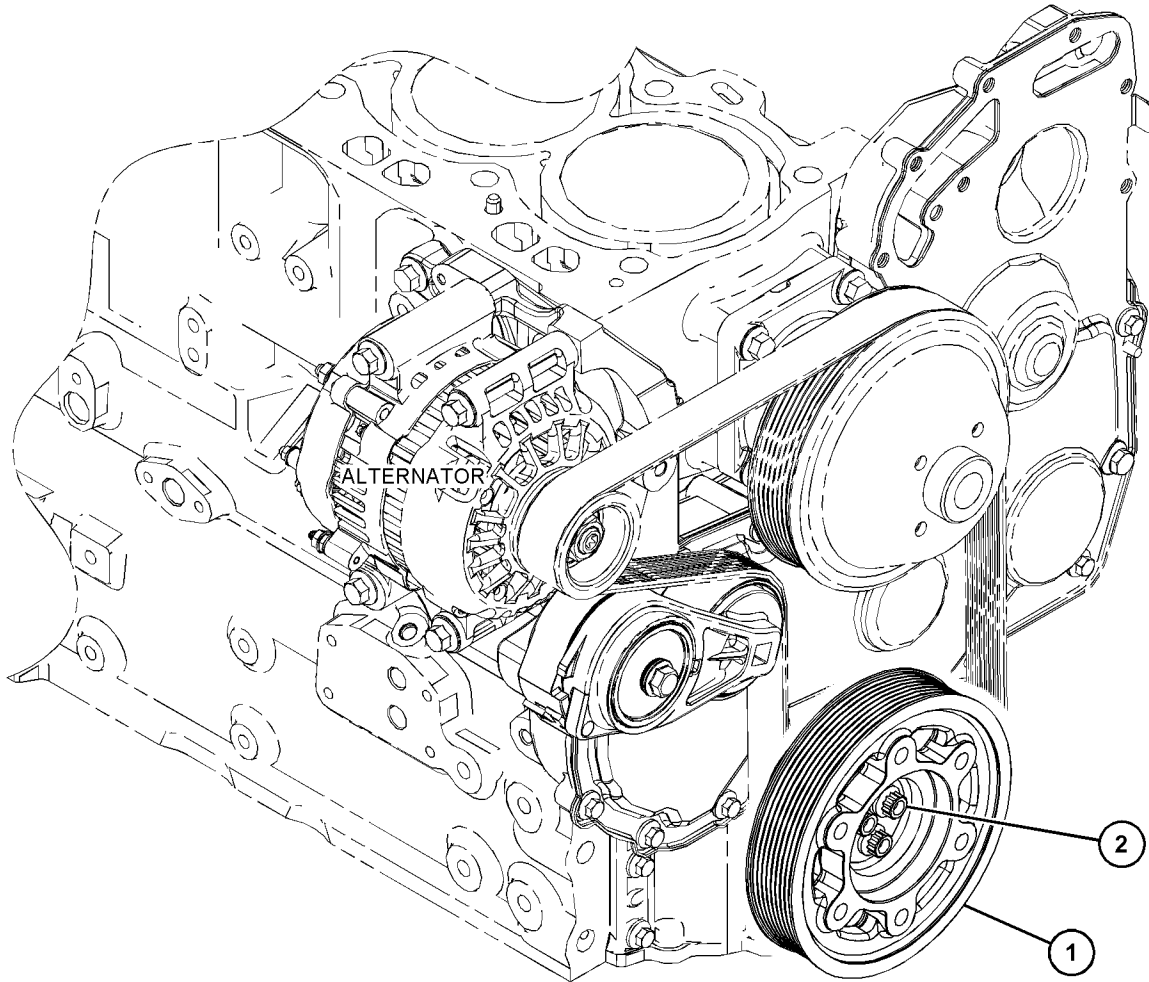
S/N: W231-UP

PART OF 463-8820 ENGINE AR-PRIMARY
ALSO AN ATTACHMENT

SMCS-1205

i06909634

NOTE	REF NO	GRAPHIC REF	PART NUMBER	QTY	PART NAME						SEE PAGE
					1	2	3	4	5	6 (PRODUCT LEVEL)	
1	1	1	335-8269	1	PULLEY						
2	1	1	334-9334	3	BOLT						



GRAPHIC #1

<END>

g03812396

BASIC ENGINE

298-4533 ROCKER ARM GP

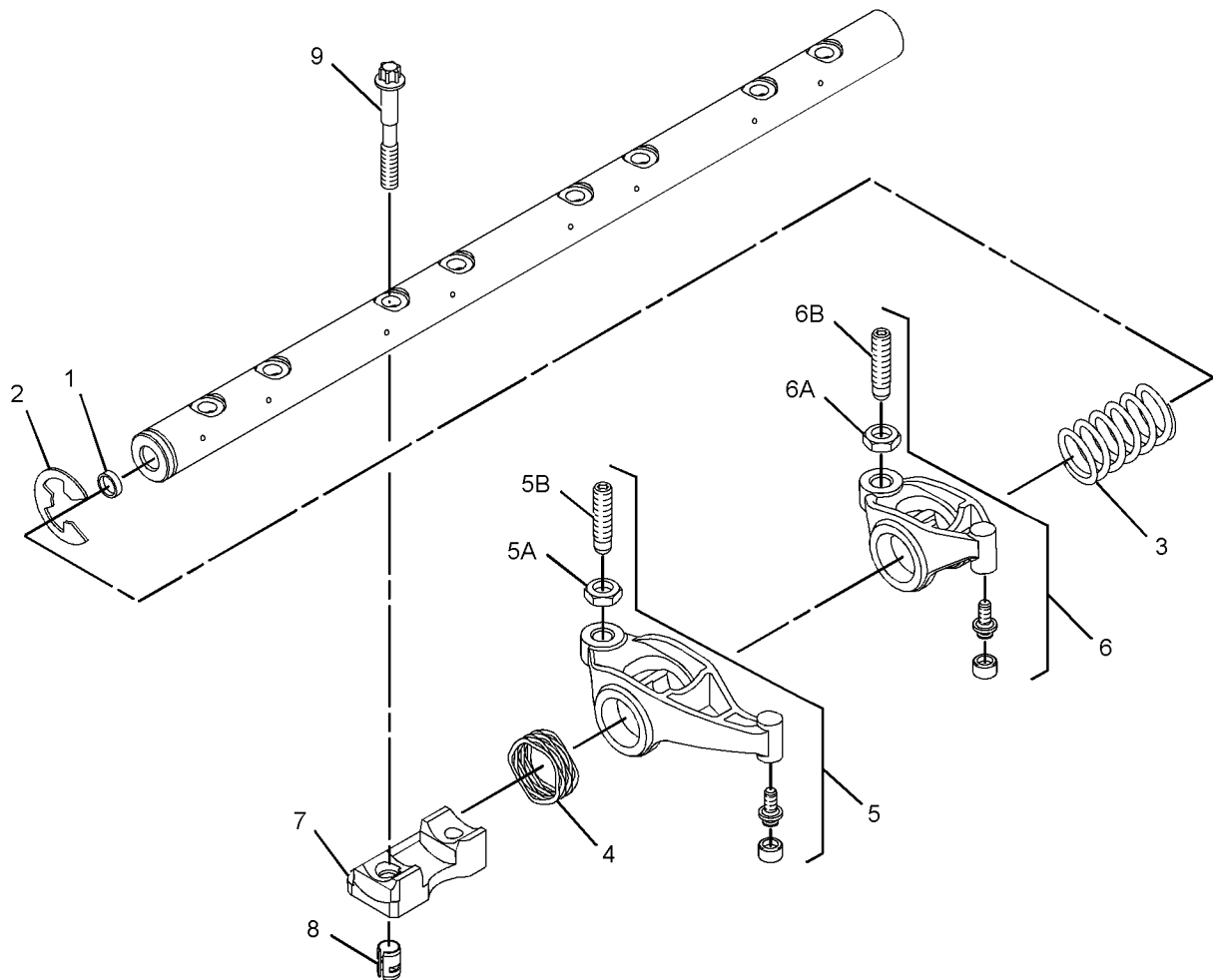
S/N: W231-UP

PART OF 415-7947 ROCKER ARM GP
ALSO AN ATTACHMENT

SMCS-1102, 1123

i03866203

NOTE	REF NO	GRAPHIC REF	PART NUMBER	QTY	PART NAME						SEE PAGE
					1	2	3	4	5	6	
	1	1	276-9200	2	PLUG-SHAFT END						
	2	1	276-9201	1	CLIP						
	3	1	276-9206	3	SPRING-SHAFT						
	4	1	276-9207	1	SPRING-SHAFT						
	5	1	278-5111	4	ROCKER ARM AS						
	5A	1	276-9230	1	NUT						
	5B	1	278-5113	1	SCREW-ADJUSTING (TORX)						
	6	1	278-5112	4	ROCKER ARM AS						
	6A	1	276-9230	1	NUT						
	6B	1	278-5113	1	SCREW-ADJUSTING (TORX)						
	7	1	280-1912	4	BRACKET						
	8	1	280-1913	4	RETAINER						
	9	1	280-1914	8	BOLT (M8X1.25X55-MM)						



GRAPHIC #1

<END>

g01532745

BASIC ENGINE

349-4732 ROCKER ARM GP

S/N: JKT1-UP

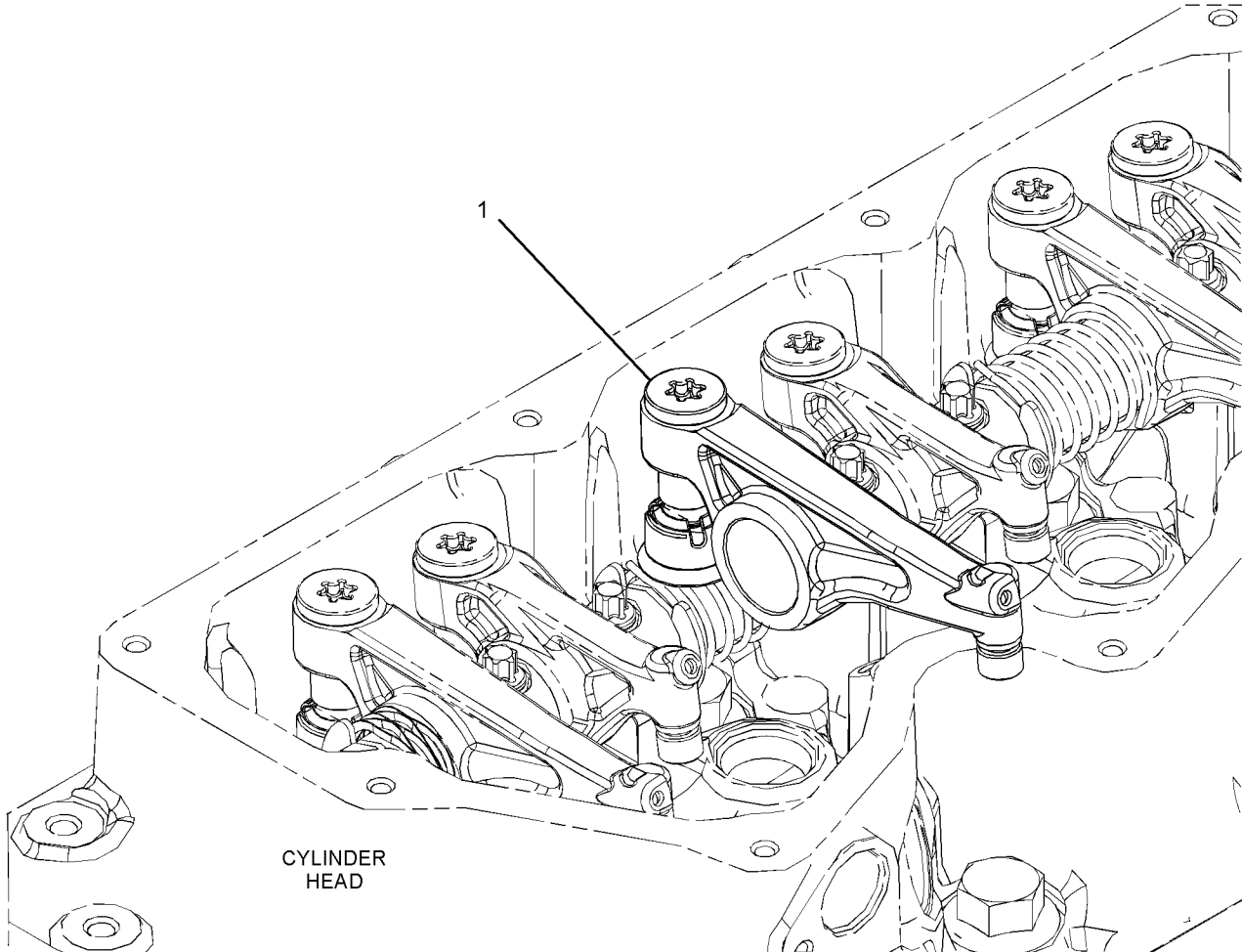
INTAKE

PART OF 349-4716 MECHANISM GP-FUEL PUMP & VALVE

SMCS-1102, 1123

i05065861

NOTE	REF NO	GRAPHIC REF	PART NUMBER	QTY	PART NAME						SEE PAGE
					1	2	3	4	5	6 (PRODUCT LEVEL)	
	1	1	346-4772	1	INSERT - THREADED						



GRAPHIC #1

<END>

g03233437

BASIC ENGINE

349-4733 ROCKER ARM GP

S/N: JKT1-UP

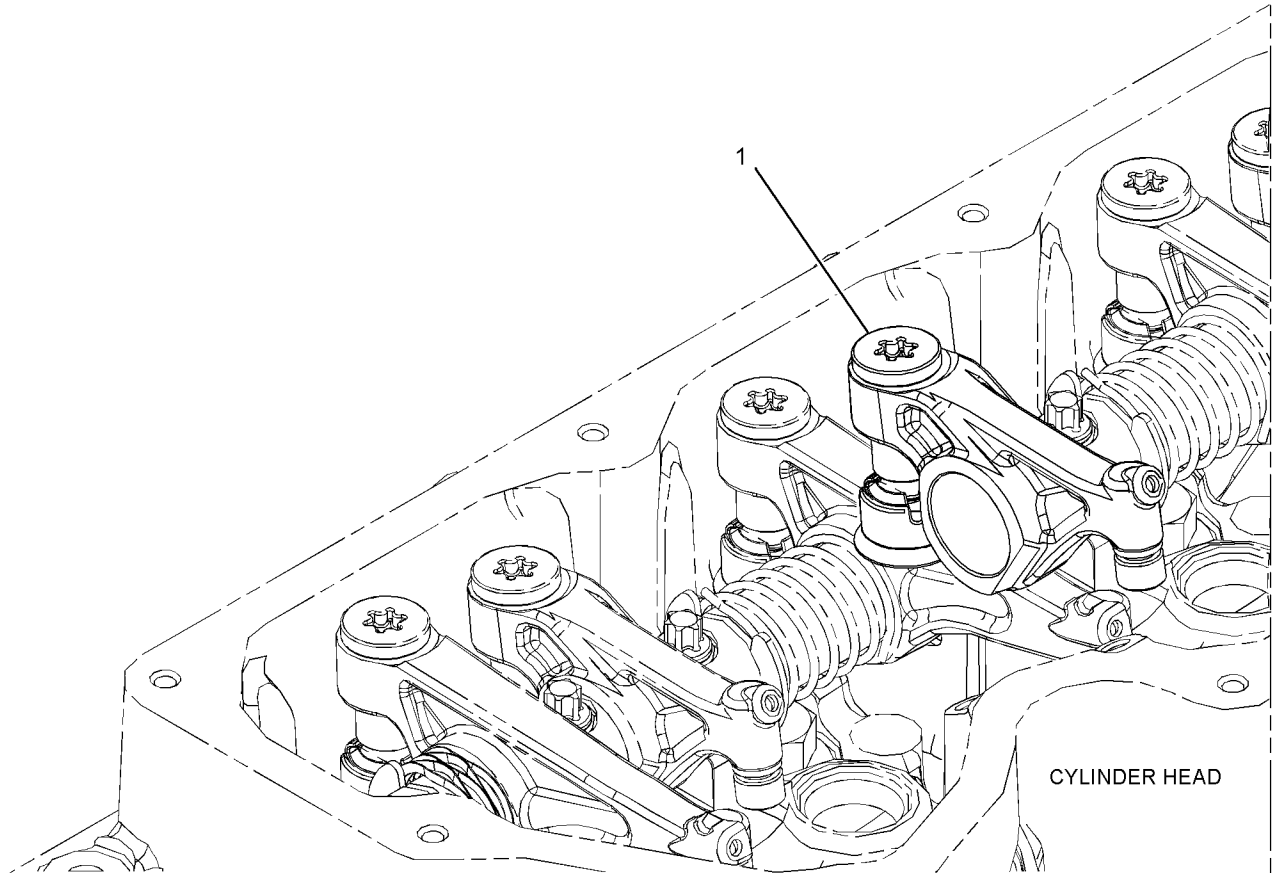
EXHAUST

PART OF 349-4716 MECHANISM GP-FUEL PUMP & VALVE

SMCS-1102, 1123

i05066062

NOTE	REF NO	GRAPHIC REF	PART NUMBER	QTY	PART NAME						SEE PAGE
					1	2	3	4	5	6 (PRODUCT LEVEL)	
	1	1	346-4772	1	INSERT - THREADED						



GRAPHIC #1

<END>

g03233439

BASIC ENGINE

351-9797 ROCKER ARM GP

S/N: JKT1-UP

PART OF 464-2308 ENGINE AR-PRIMARY

SMCS-1102, 1123

i06536530

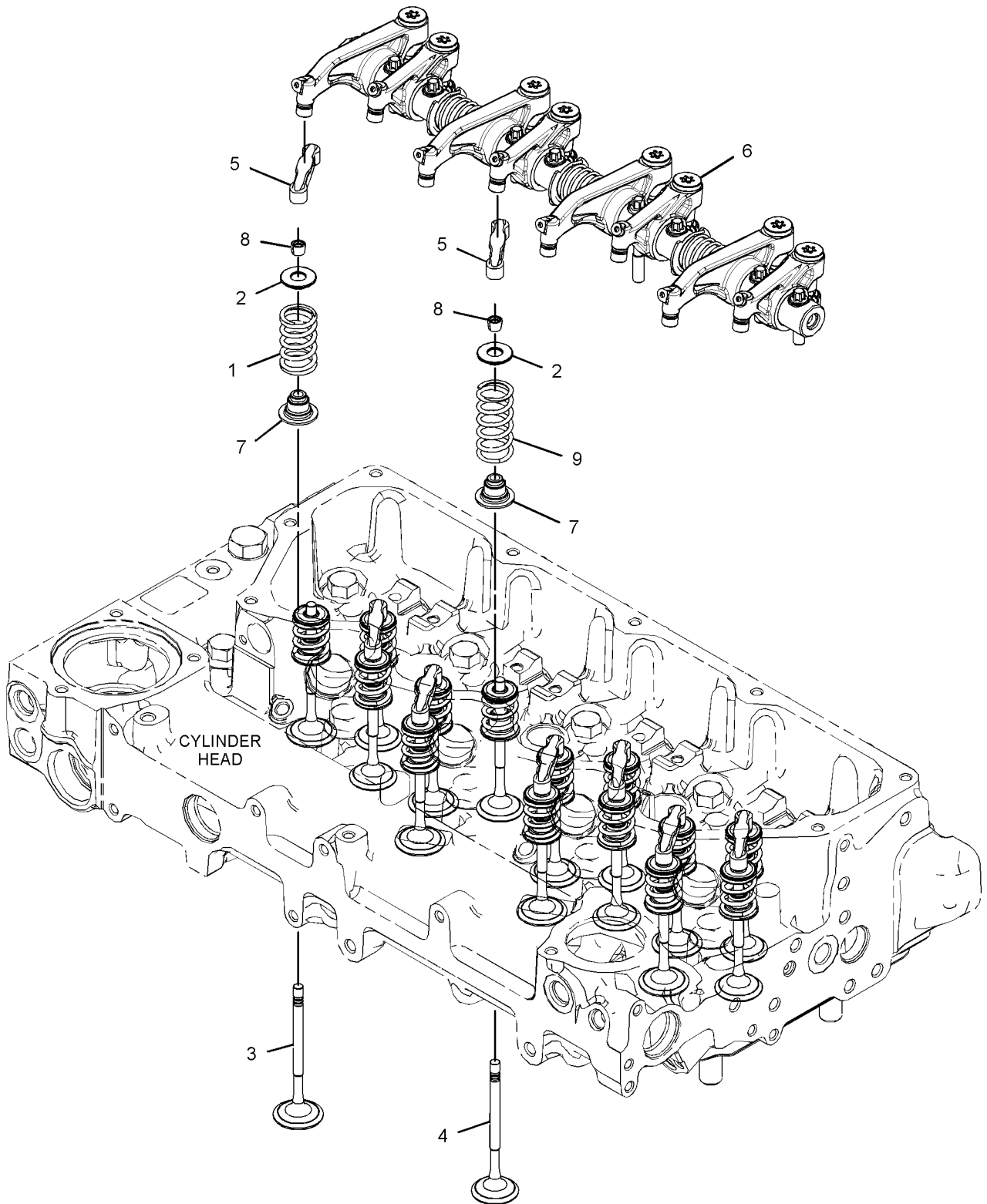
NOTE	REF NO	GRAPHIC REF	PART NUMBER	QTY	PART NAME						SEE PAGE
					1	2	3	4	5	6 (PRODUCT LEVEL)	
	1	1	436-0525	8	SPRING-VALVE						
	2	1	336-5439	16	RETAINER-VALVE SPRING						
	3	1	336-5446	8	VALVE-INLET						
	4	1	336-5447	8	VALVE-EXHAUST						
	5	1	346-4712	8	BRIDGE-VALVE						
Y	6	1	349-4716	1	MECHANISM GP-FUEL PUMP & VALVE						111
	7	1	387-9503	16	SEAL-VALVE STEM						
	8	1	152-9860	32	RETAINER						
	9	1	436-0523	8	SPRING-VALVE						
					AVAILABLE REPAIR KIT(S):						
			440-8443	1	KIT-CYLINDER HEAD REPAIR						
					(INCLUDES RETAINERS)						

Y - SEPARATE ILLUSTRATION

BASIC ENGINE

351-9797 ROCKER ARM GP (contd.)

106536530



GRAPHIC #1

<END>

g03677152

BASIC ENGINE

384-4080 ROCKER ARM GP

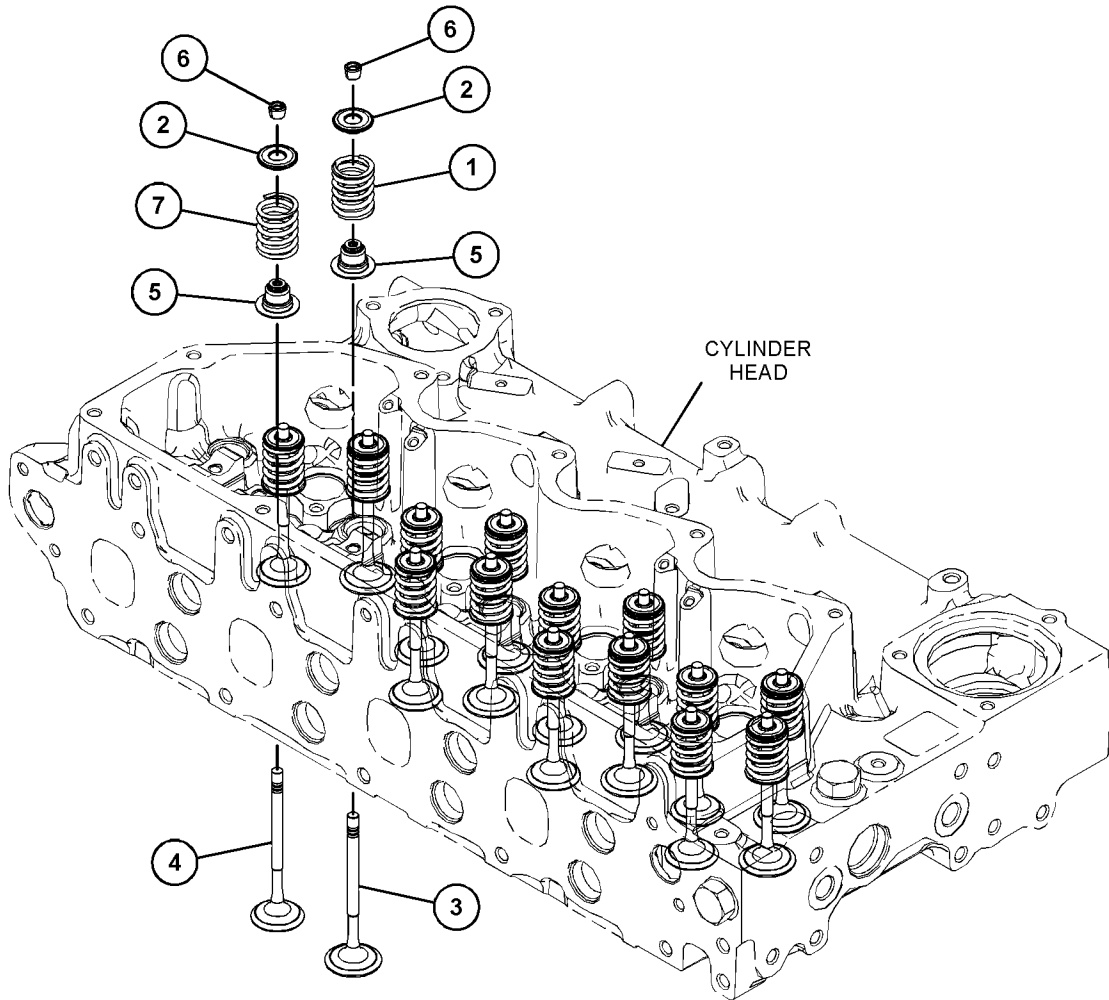
S/N: JKT1-UP

PART OF 384-4906 CYLINDER HEAD GP

SMCS-1102, 1123

i06052740

NOTE	REF NO	GRAPHIC REF	PART NUMBER	QTY	PART NAME						SEE PAGE
					1	2	3	4	5	6 (PRODUCT LEVEL)	
	1	1	436-0525	8	SPRING - VALVE						
	2	1	336-5439	16	RETAINER - VALVE SPRING						
	3	1	336-5446	8	VALVE - INLET						
	4	1	336-5447	8	VALVE - EXHAUST						
	5	1	387-9503	16	SEAL - VALVE STEM						
	6	1	152-9860	32	RETAINER						
	7	1	436-0523	8	SPRING - VALVE						



GRAPHIC #1

<END>

g03664338

BASIC ENGINE

415-7947 ROCKER ARM GP

S/N: W231-UP

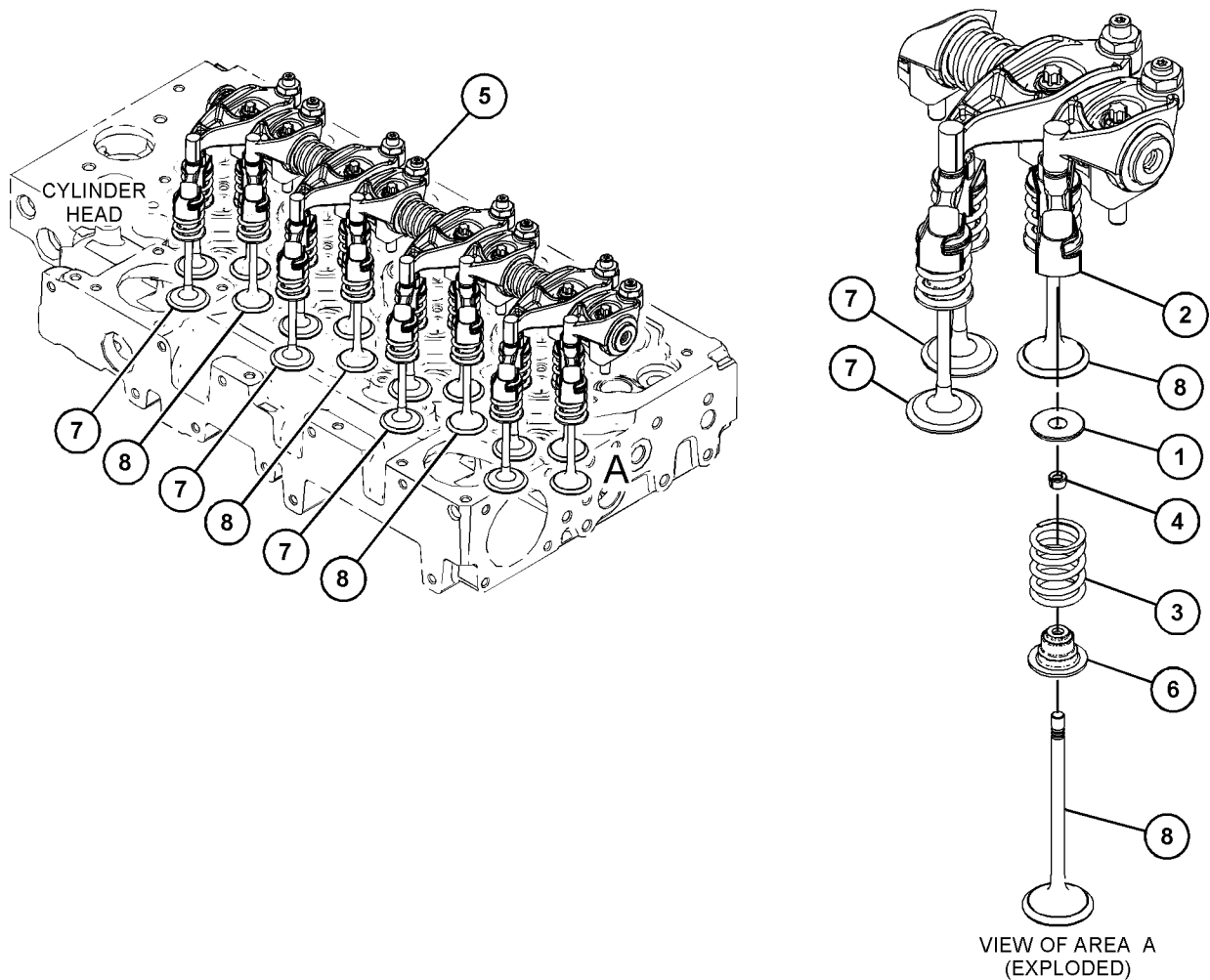
PART OF 463-8820, 463-8910 ENGINE AR-PRIMARY
ALSO AN ATTACHMENT

SMCS-1102, 1123

i06138510

NOTE	REF NO	GRAPHIC REF	PART NUMBER	QTY	PART NAME						SEE PAGE
					1	2	3	4	5	6 (PRODUCT LEVEL)	
	1	1	276-8133	16	CAP - VALVE						
	2	1	346-4709	8	BRIDGE GP - VALVE						
	3	1	436-0524	16	SPRING - VALVE						
	4	1	276-8123	32	RETAINER						
Y	5	1	298-4533	1	ROCKER ARM GP						139
	6	1	299-5511	16	SEAL - VALVE STEM						
	7	1	309-6678	8	VALVE - INLET						
	8	1	339-9637	8	VALVE - EXHAUST						

Y - SEPARATE ILLUSTRATION



GRAPHIC #1

<END>

g03815520

BASIC ENGINE

441-9676 ROCKER ARM GP

S/N: CJ41-UP

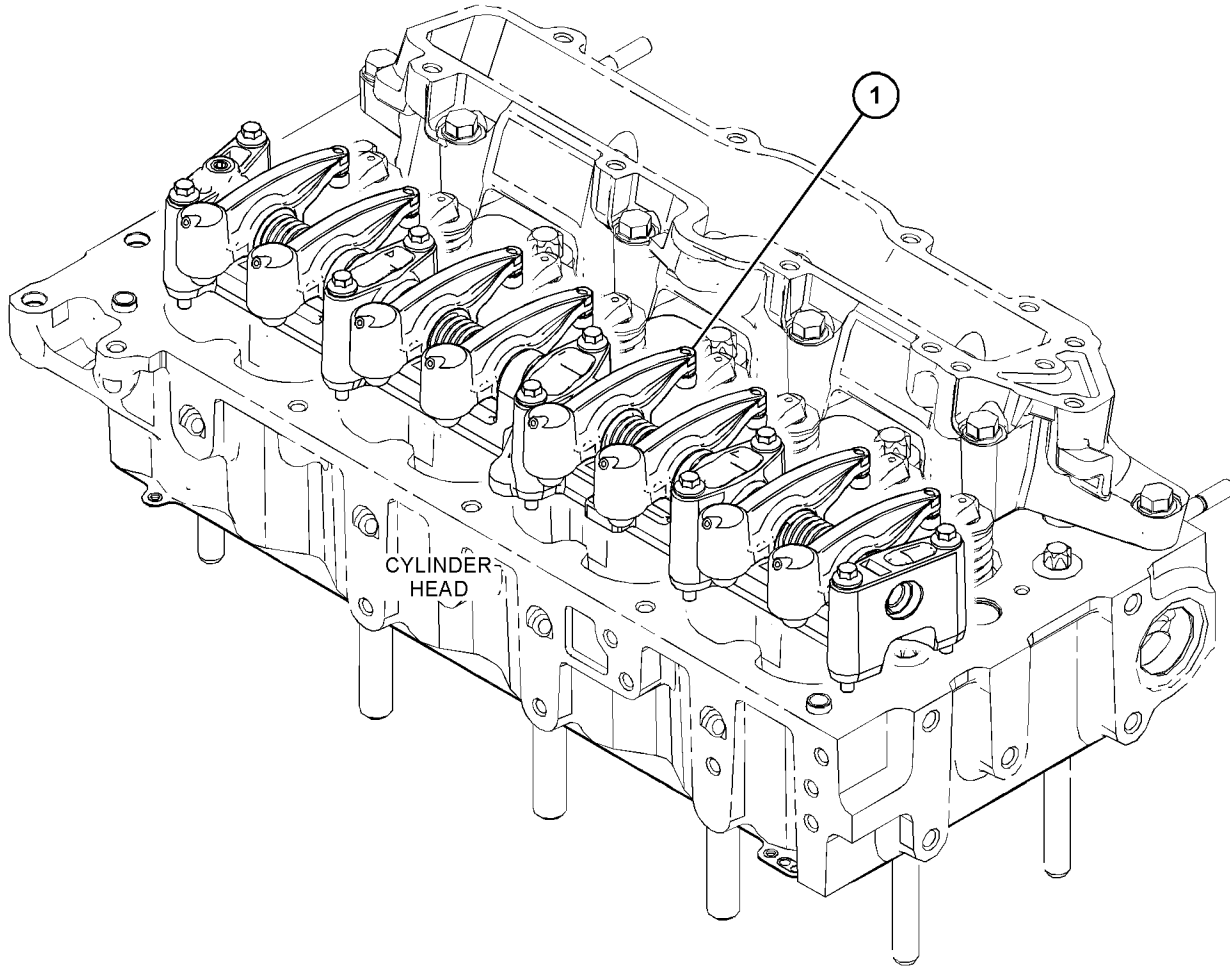
PART OF 465-2880 ENGINE AR-PRIMARY

SMCS-1102, 1123

i06252229

NOTE	REF NO	GRAPHIC REF	PART NUMBER	QTY	PART NAME						SEE PAGE
					1	2	3	4	5	6 (PRODUCT LEVEL)	
Y	1	1	446-4785	1	ROCKER ARM GP						147

Y - SEPARATE ILLUSTRATION



GRAPHIC #1

<END>

g03825239

BASIC ENGINE

446-4785 ROCKER ARM GP

S/N: CJ41-UP

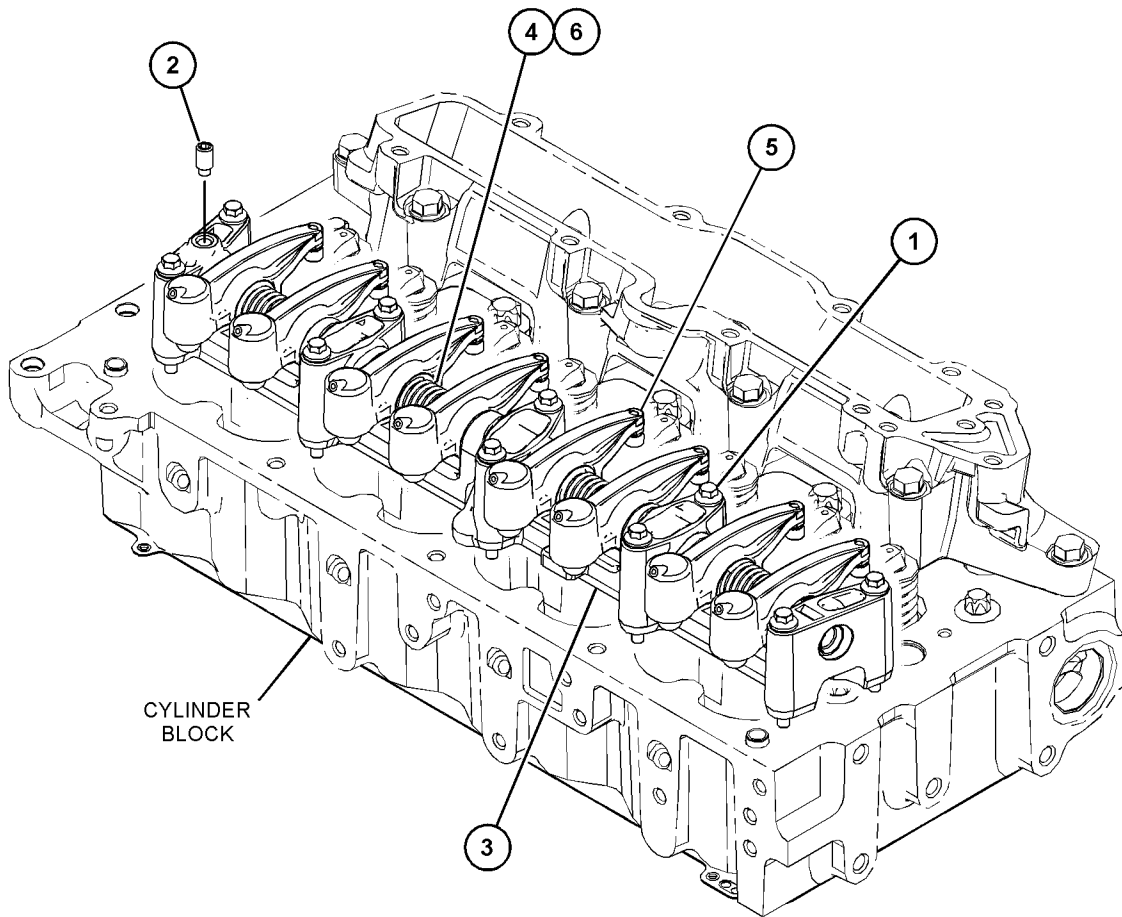
PART OF 441-9676 ROCKER ARM GP

SMCS-1102, 1123

i06145428

NOTE	REF NO	GRAPHIC REF	PART NUMBER	QTY	PART NAME						SEE PAGE
					1	2	3	4	5	6 (PRODUCT LEVEL)	
M	1	1	204-7464	10	BOLT-FLANGE HEAD (M6X1X60-MM) (ROCKER ARM)						
	2	1	386-2062	1	SCREW						
	3	1	463-7837	1	BRACKET						
	4	1	463-7876	1	SHAFT AS						
		1	386-2061	2	PLUG						
	5	1	463-8750	8	ARM AS (ROCKER ARM)						
	6	1	463-8751	4	SPRING						

M - METRIC PART



GRAPHIC #1

<END>

g03782342

BASIC ENGINE

460-7781 ROCKER ARM GP

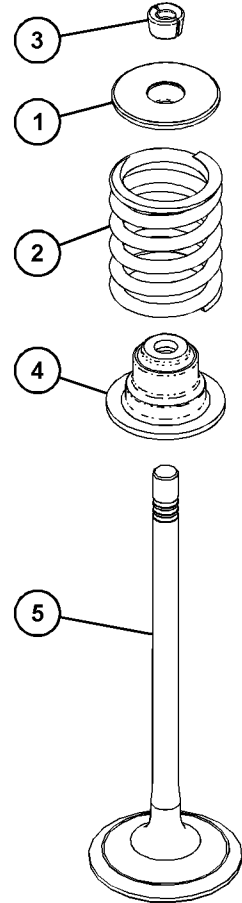
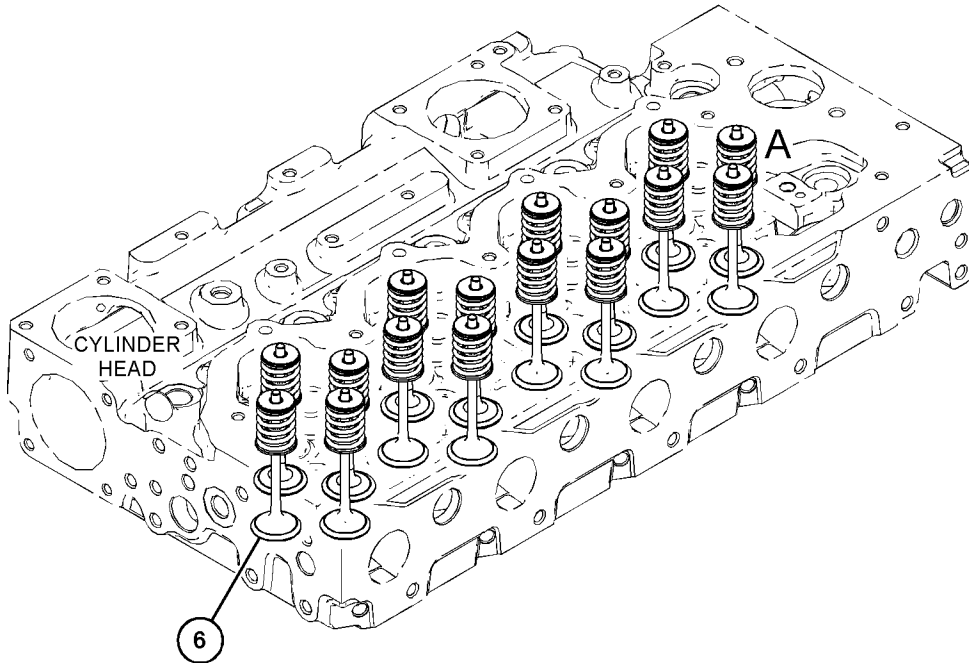
S/N: W231-UP; TD71-UP

PART OF 452-7397 CYLINDER HEAD GP

SMCS-1102, 1123

i07075563

NOTE	REF NO	GRAPHIC REF	PART NUMBER	QTY	PART NAME						SEE PAGE
					1	2	3	4	5	6 (PRODUCT LEVEL)	
	1	1	276-8133	16	CAP - VALVE						
	2	1	436-0524	16	SPRING - VALVE						
	3	1	276-8123	32	RETAINER						
	4	1	299-5511	16	SEAL - VALVE STEM						
	5	1	309-6678	8	VALVE - INLET						
	6	1	339-9637	8	VALVE - EXHAUST						



VIEW OF AREA A
(EXPLODED)
g06123274

GRAPHIC #1

<END>

LUBRICATION SYSTEM

373-0282 FILLER GP-ENGINE OIL

S/N: CJ41-UP

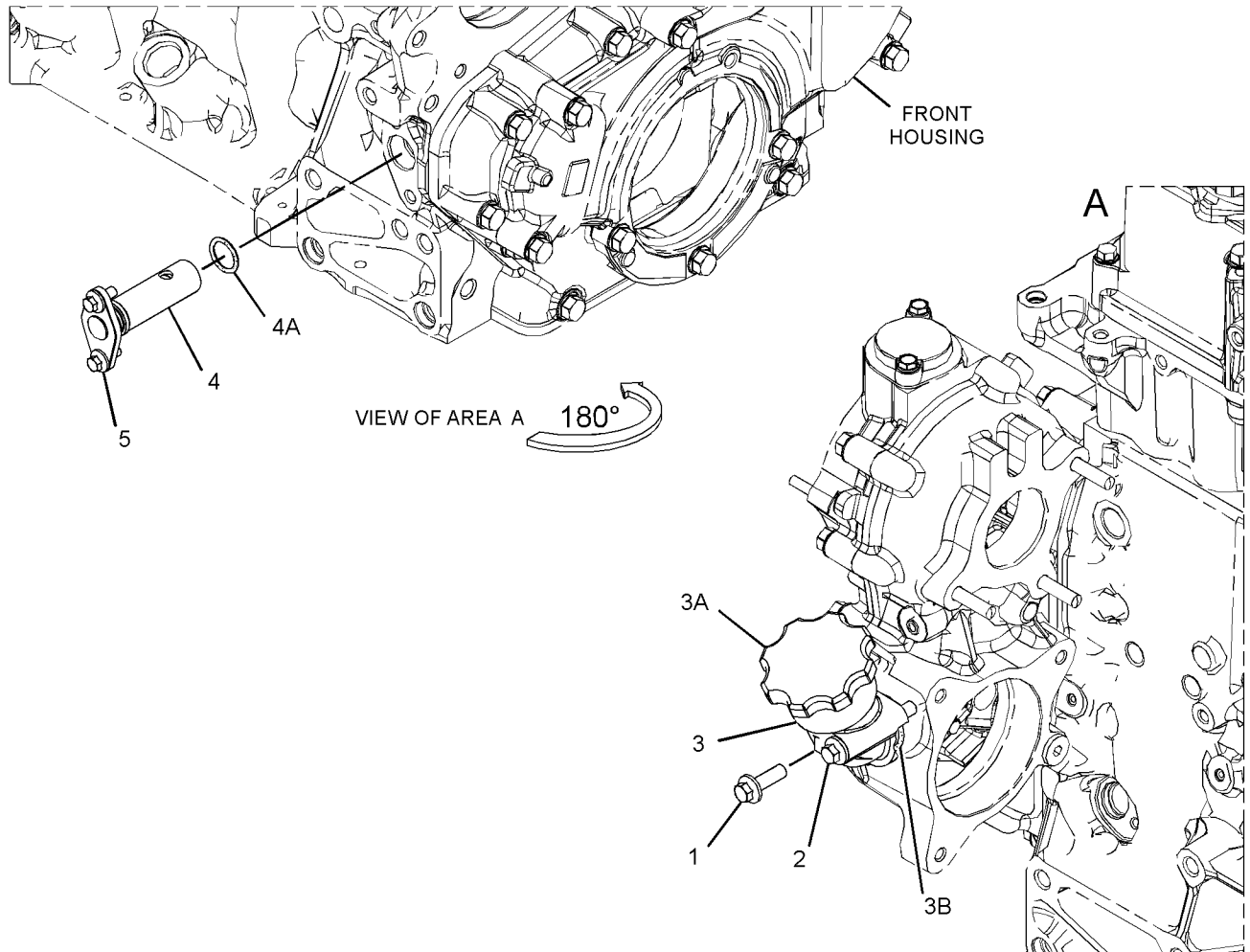
PART OF 377-5991 FILLER GP-ENGINE OIL

SMCS-1316

i05979642

NOTE	REF NO	GRAPHIC REF	PART NUMBER	QTY	PART NAME						SEE PAGE
					1	2	3	4	5	6 (PRODUCT LEVEL)	
M	1	1	6I-0260	1	BOLT (M8X1.25X25-MM)						
M	2	1	6I-4374	1	BOLT (M8X1.25X60-MM)						
	3	1	321-2383	1	FILLER AS						
	3A	1	130-9888	1	CAP AS-OIL FILLER (ENGINE)						
	3B	1	306-2337	1	SEAL-O-RING						
	4	1	465-0250	1	VALVE AS						
	4A	1	386-1911	1	SEAL						
M	5	1	6I-0846	2	BOLT (M6X1X14-MM)						
F			369-3867	1	CAP AS-OIL FILLER (ENGINE)						
		1	357-0147	1	FILM-IDENTIFICATION (OIL FILL, READ OMM)						

F - NOT SHOWN
M - METRIC PART



GRAPHIC #1

<END>

g03384988

LUBRICATION SYSTEM

377-5991 FILLER GP-ENGINE OIL

S/N: CJ41-UP

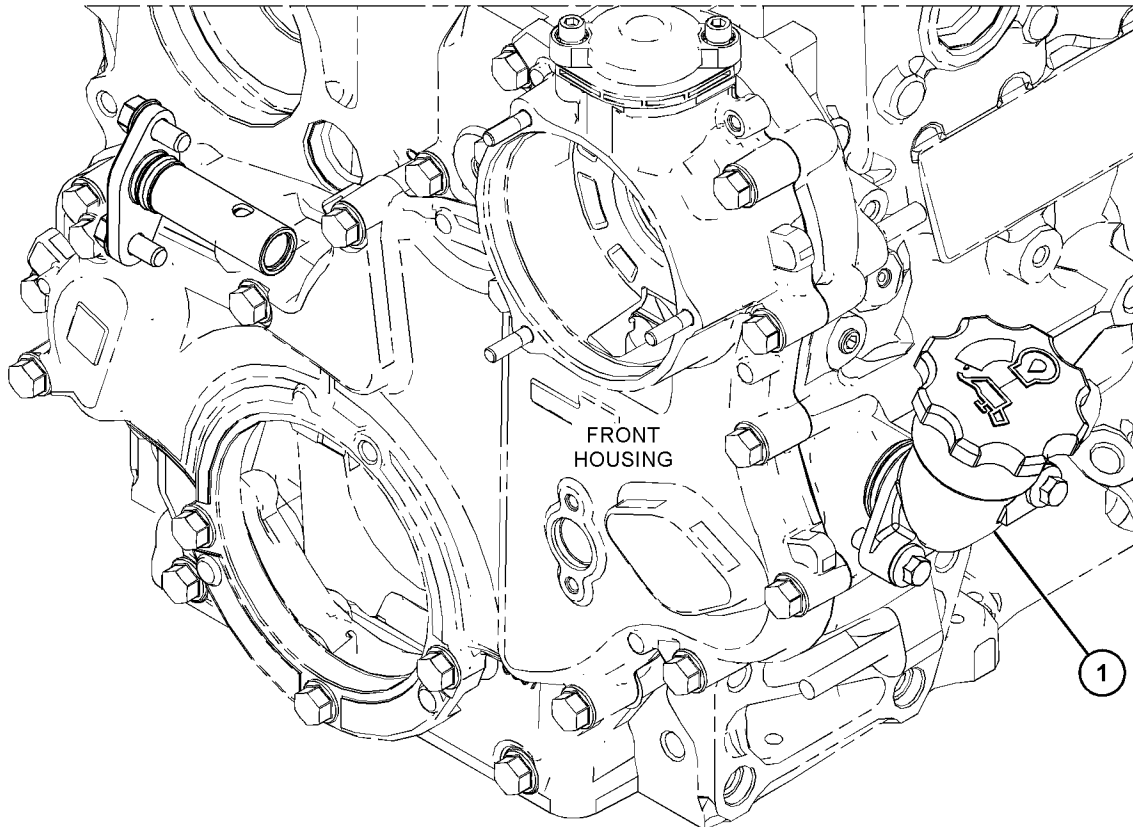
PART OF 465-2880 ENGINE AR-PRIMARY

SMCS-1316

i05963873

NOTE	REF NO	GRAPHIC REF	PART NUMBER	QTY	PART NAME						SEE PAGE
					1	2	3	4	5	6 (PRODUCT LEVEL)	
Y	1	1	373-0282	1	FILLER GP-ENGINE OIL						149

Y - SEPARATE ILLUSTRATION



GRAPHIC #1

<END>

g03521779

LUBRICATION SYSTEM

416-1070 FILLER GP-ENGINE OIL

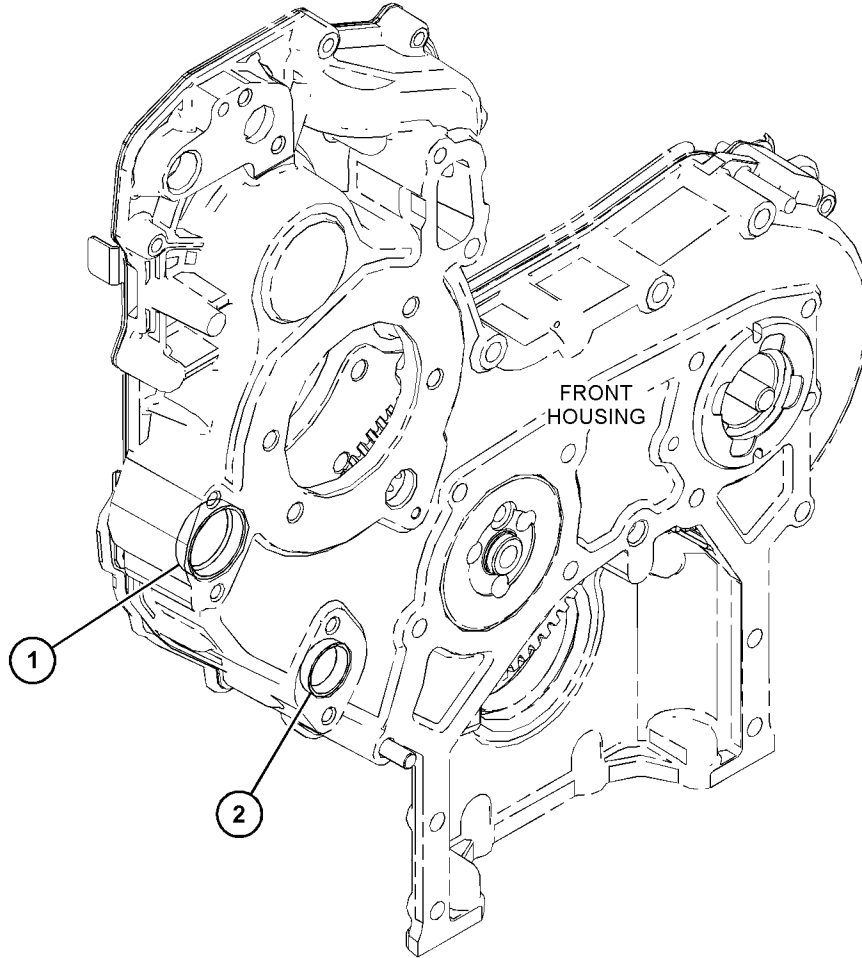
S/N: W231-UP

PART OF 463-8820 ENGINE AR-PRIMARY
ALSO AN ATTACHMENT

SMCS-1316

i06149430

NOTE	REF NO	GRAPHIC REF	PART NUMBER	QTY	PART NAME						SEE PAGE
					1	2	3	4	5	6 (PRODUCT LEVEL)	
	1	1	225-6522	1	PLUG-CUP						
	2	1	225-6524	1	PLUG-CUP						



GRAPHIC #1

<END>

g03828691

LUBRICATION SYSTEM

432-0065 FILLER GP-ENGINE OIL

S/N: W231-UP

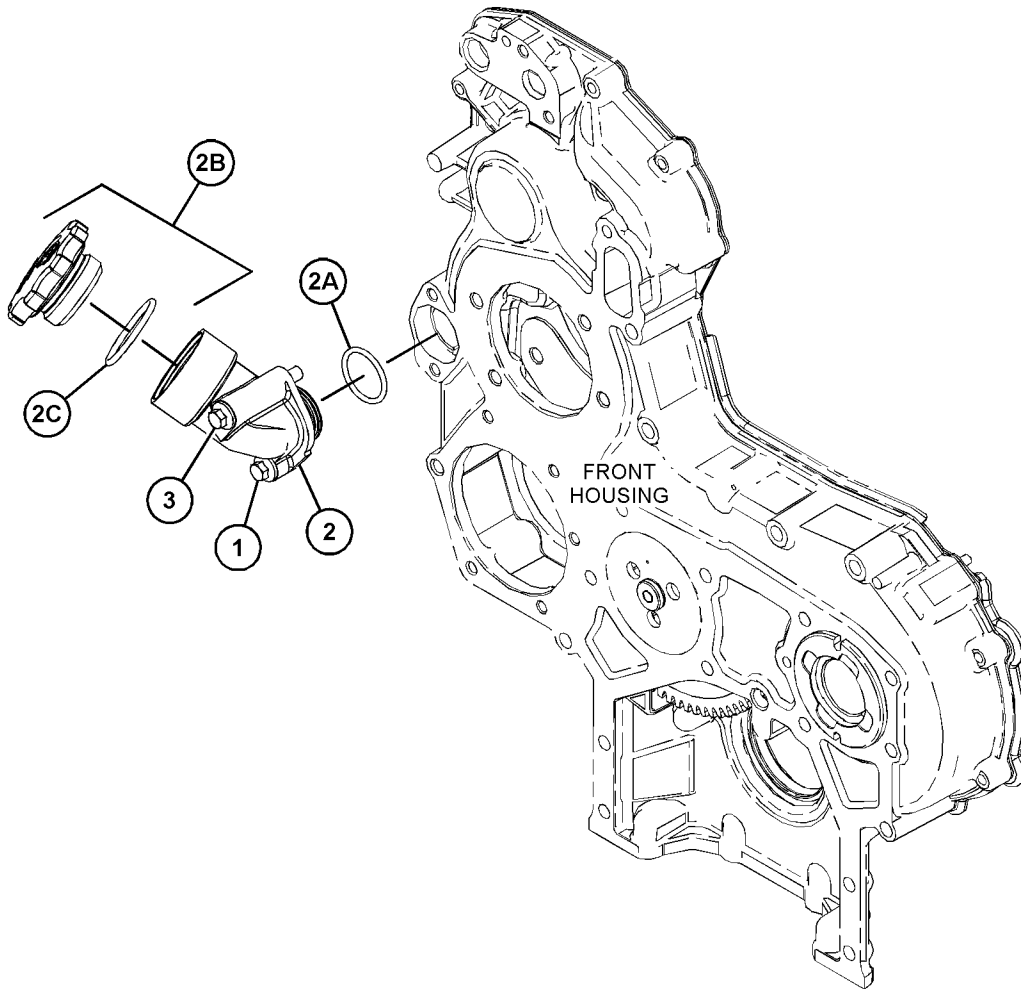
PART OF 463-8910 ENGINE AR-PRIMARY

SMCS-1316

i06621176

NOTE	REF NO	GRAPHIC REF	PART NUMBER	QTY	PART NAME						SEE PAGE
					1	2	3	4	5	6 (PRODUCT LEVEL)	
M	1	1	6I-0254	1	BOLT (M8X1.25X30-MM)						
	2	1	321-2383	1	FILLER AS						
	2A	1	306-2337	1	SEAL-O-RING						
	2B	1	130-9888	1	CAP AS-OIL FILLER (ENGINE)						
	2C	1	113-1504	1	SEAL-O-RING						
M	3	1	6I-4374	1	BOLT (M8X1.25X60-MM)						

M - METRIC PART



GRAPHIC #1

<END>

g03812334

LUBRICATION SYSTEM

329-8386 FILTER GP-ENGINE OIL

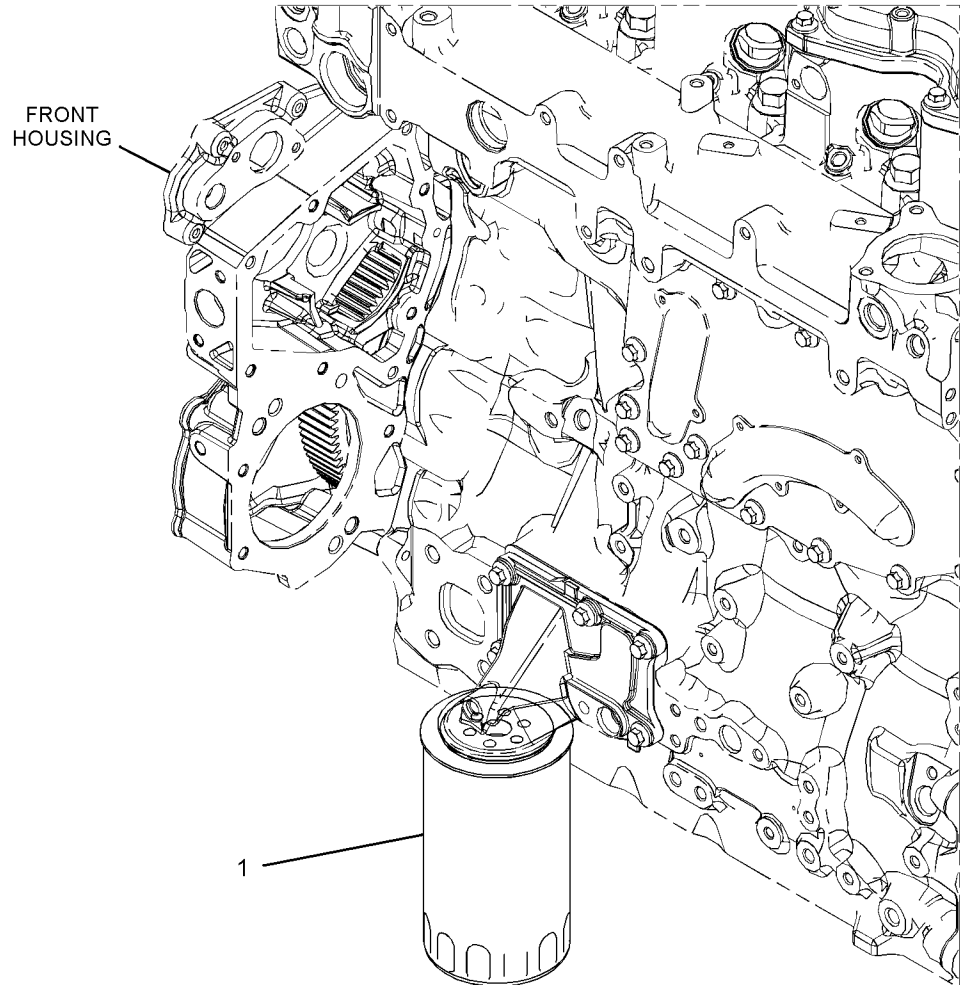
S/N: JKT1-UP

PART OF 464-2308 ENGINE AR-PRIMARY

SMCS-1306, 1308

i05725355

NOTE	REF NO	GRAPHIC REF	PART NUMBER	QTY	PART NAME						SEE PAGE
					1	2	3	4	5	6 (PRODUCT LEVEL)	
	1	1	7W-2326	1	FILTER AS-ENGINE OIL						



GRAPHIC #1

<END>

g02713207

LUBRICATION SYSTEM

417-3394 FILTER GP-ENGINE OIL

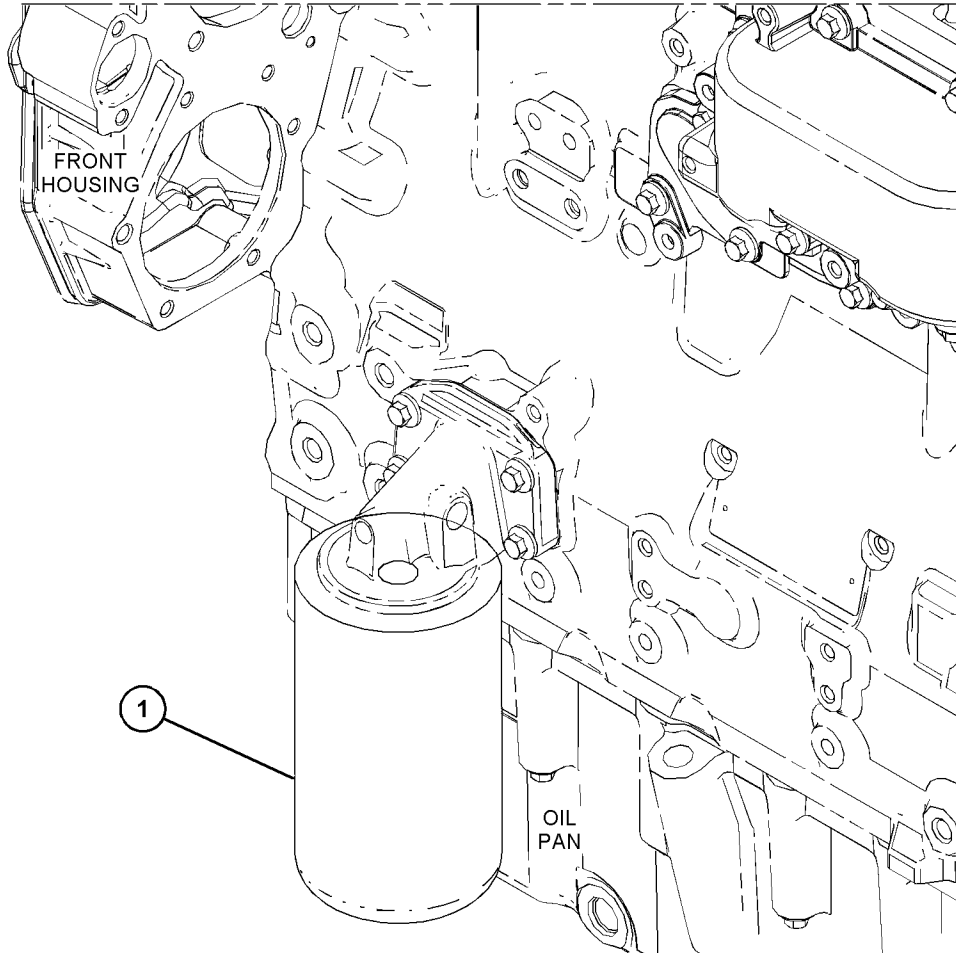
S/N: W231-UP

PART OF 463-8820, 463-8910 ENGINE AR-PRIMARY
ALSO AN ATTACHMENT

SMCS-1306, 1308

i06151992

NOTE	REF NO	GRAPHIC REF	PART NUMBER	QTY	PART NAME						SEE PAGE
					1	2	3	4	5	6 (PRODUCT LEVEL)	
	1	1	7W-2326	1	FILTER AS-ENGINE OIL						



GRAPHIC #1

<END>

g03817298

LUBRICATION SYSTEM

418-3402 FILTER GP-ENGINE OIL

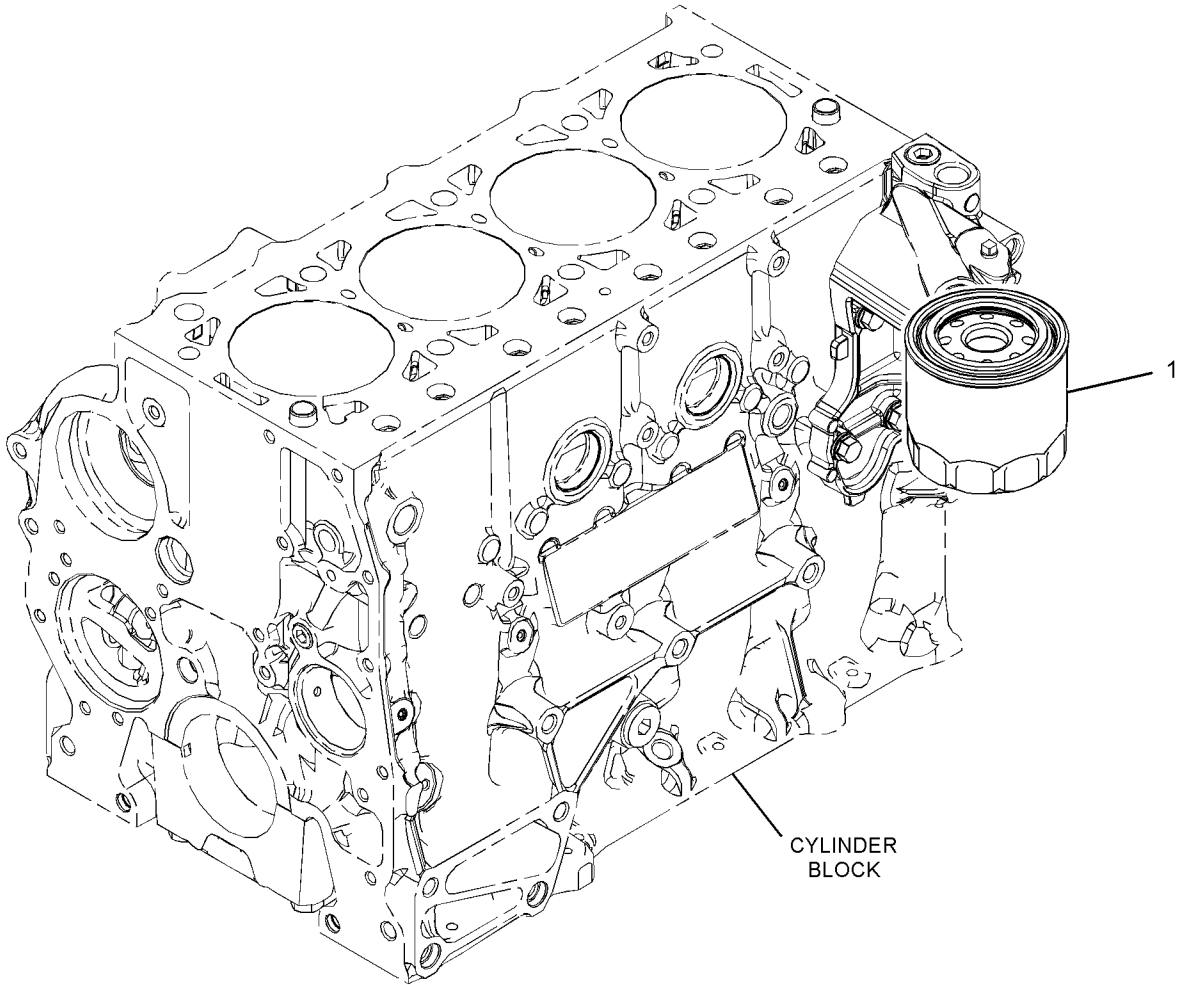
S/N: CJ41-UP

PART OF 465-2880 ENGINE AR-PRIMARY

SMCS-1306, 1308

i05722196

NOTE	REF NO	GRAPHIC REF	PART NUMBER	QTY	PART NAME						SEE PAGE
					1	2	3	4	5	6 (PRODUCT LEVEL)	
	1	1	441-6852	1	FILTER AS-OIL (ENGINE OIL)						



GRAPHIC #1

<END>

g03358504

LUBRICATION SYSTEM

360-7817 FILTER GP-FUMES DISPOSAL

S/N: JKT1-UP

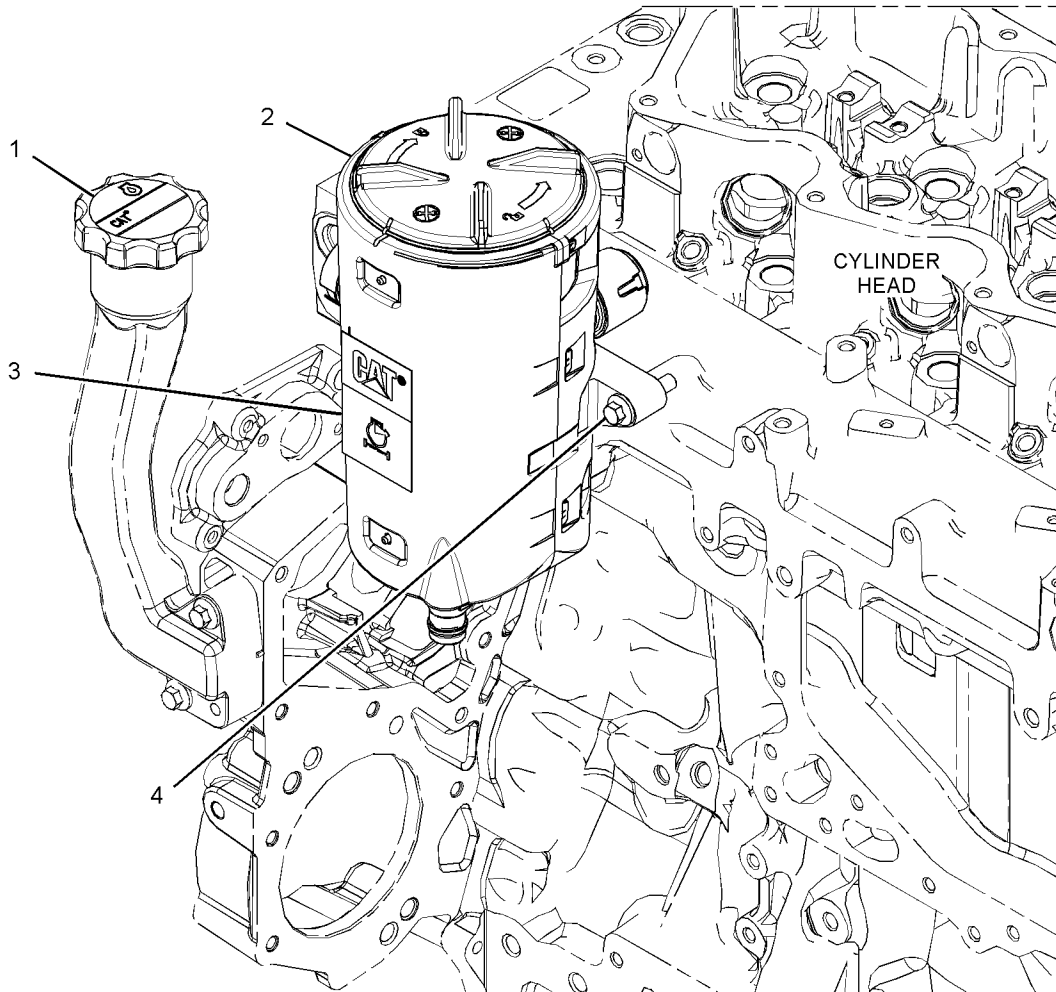
PART OF 464-2308 ENGINE AR-PRIMARY

SMCS-1074, 1317

i06060616

NOTE	REF NO	GRAPHIC REF	PART NUMBER	QTY	PART NAME						SEE PAGE
					1	2	3	4	5	6 (PRODUCT LEVEL)	
	1	1	357-0147	1	FILM-IDENTIFICATION (OIL FILL, READ OMM)						
J	2	1	357-3355	1	FILTER AS-FUMES DISPOSAL						
J		1	339-1048	1	KIT-BREATHER (FUMES DISPOSAL)						
J		1	362-2915	1	SEAL						
J	3	1	361-1777	1	FILM-IDENTIFICATION (FILTER)						
M	4	1	101-3895	3	BOLT (M8X1.25X35-MM)						
AVAILABLE REPAIR KIT(S):											
J			361-1758	1	KIT-FILTER (COMPLETE)						
(INCLUDES FILTER HOUSING, HEAD AS, VALVE AS, ELEMENT AS, SEAL & FILM) (NOTE: FILTER REPLACEMENT ELEMENT IS AVAILABLE SEPARATELY)											

J - KIT MARKED J SERVICES PART(S) MARKED J
M - METRIC PART



GRAPHIC #1

<END>

g02715965

LUBRICATION SYSTEM

356-7282 FUMES DISPOSAL GP

S/N: JKT1-UP

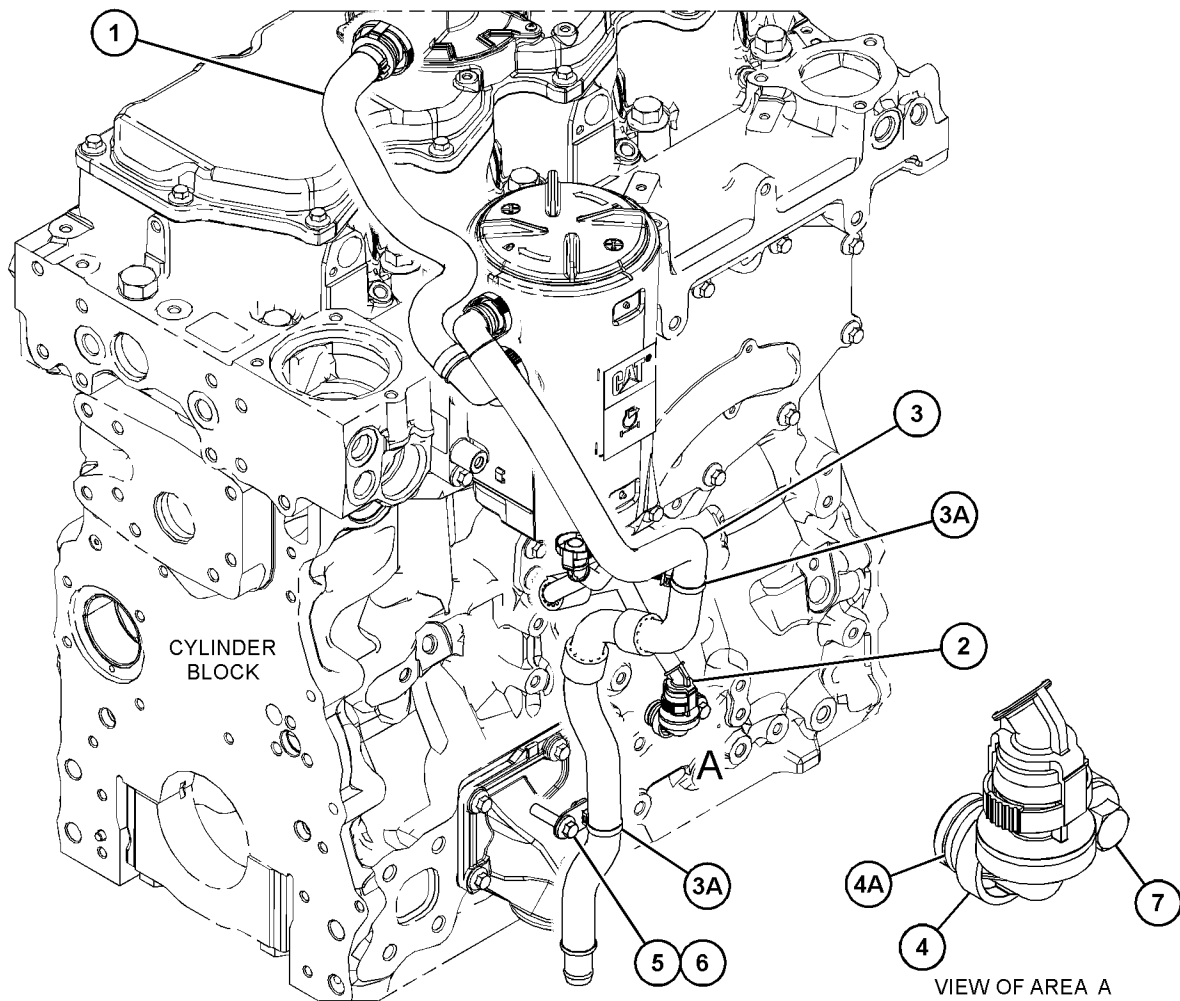
PART OF 464-2308 ENGINE AR-PRIMARY

SMCS-1317

i06062214

NOTE	REF NO	GRAPHIC REF	PART NUMBER	QTY	PART NAME						SEE PAGE
					1	2	3	4	5	6	
	1	1	347-9981	1	PIPE-BREATHER (INLET)						
	2	1	448-5787	1	PIPE (BREATHER TO DRAIN)						
	3	1	356-4590	1	PIPE-BREATHER (VENT)						
	3A	1	316-9351	2	MOUNTING-CABLE TIE						
	4	1	356-8338	1	VALVE AS						
	4A	1	3E-6749	1	SEAL-O-RING						
	5	1	360-5696	1	BRACKET AS						
M	6	1	156-6964	1	BOLT (M8X1.25X30-MM)						
M	7	1	6I-0572	1	BOLT (M8X1.25X20-MM)						

M - METRIC PART



GRAPHIC #1

g03799883

LUBRICATION SYSTEM

433-5258 FUMES DISPOSAL GP

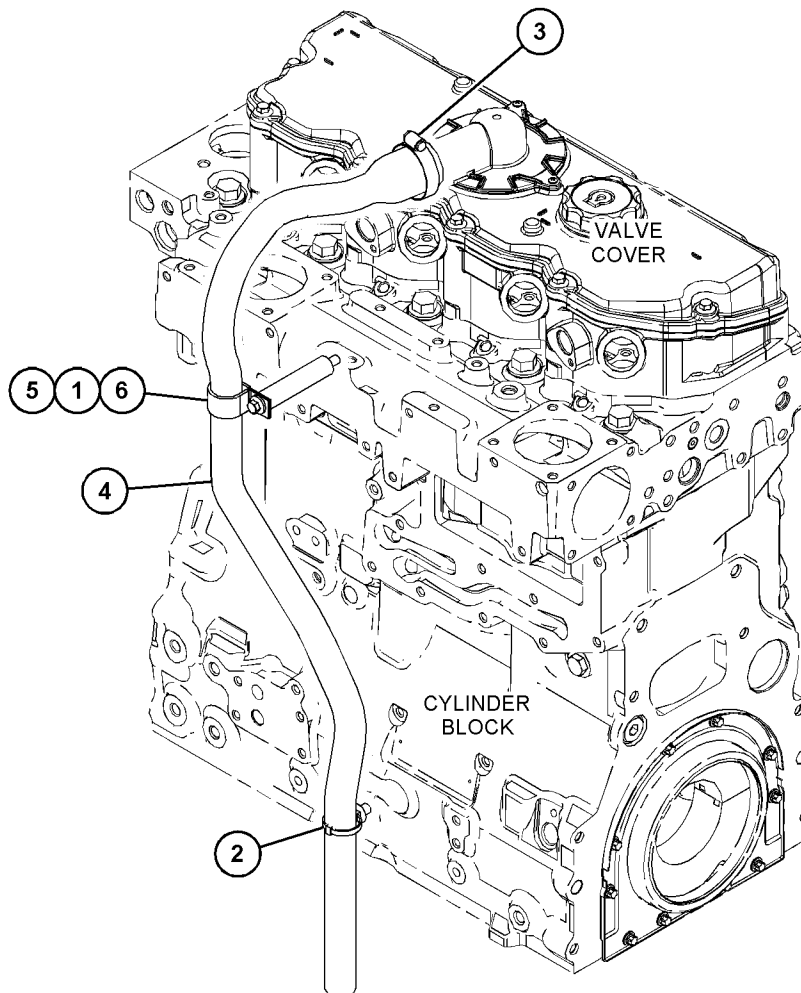
S/N: W231-UP

PART OF 463-8820, 463-8910 ENGINE AR-PRIMARY
ALSO AN ATTACHMENT

SMCS-1317

i06119719

NOTE	REF NO	GRAPHIC REF	PART NUMBER	QTY	PART NAME						SEE PAGE
					1	2	3	4	5	6 (PRODUCT LEVEL)	
	1	1	127-3361	1	BOLT (M8X1.25X95-MM)						
	2	1	316-9351	1	MOUNTING-CABLE TIE						
	3	1	363-5813	1	CLAMP-HOSE						
	4	1	433-1900	1	HOSE						
	5	1	433-2688	1	PILLAR						
	6	1	067-3045	1	CLIP (LOOP)						



GRAPHIC #1

<END>

g03811633

LUBRICATION SYSTEM

449-2730 FUMES DISPOSAL GP

S/N: CJ41-UP

PART OF 451-8483 FUMES DISPOSAL GP

SMCS-1317

i07152440

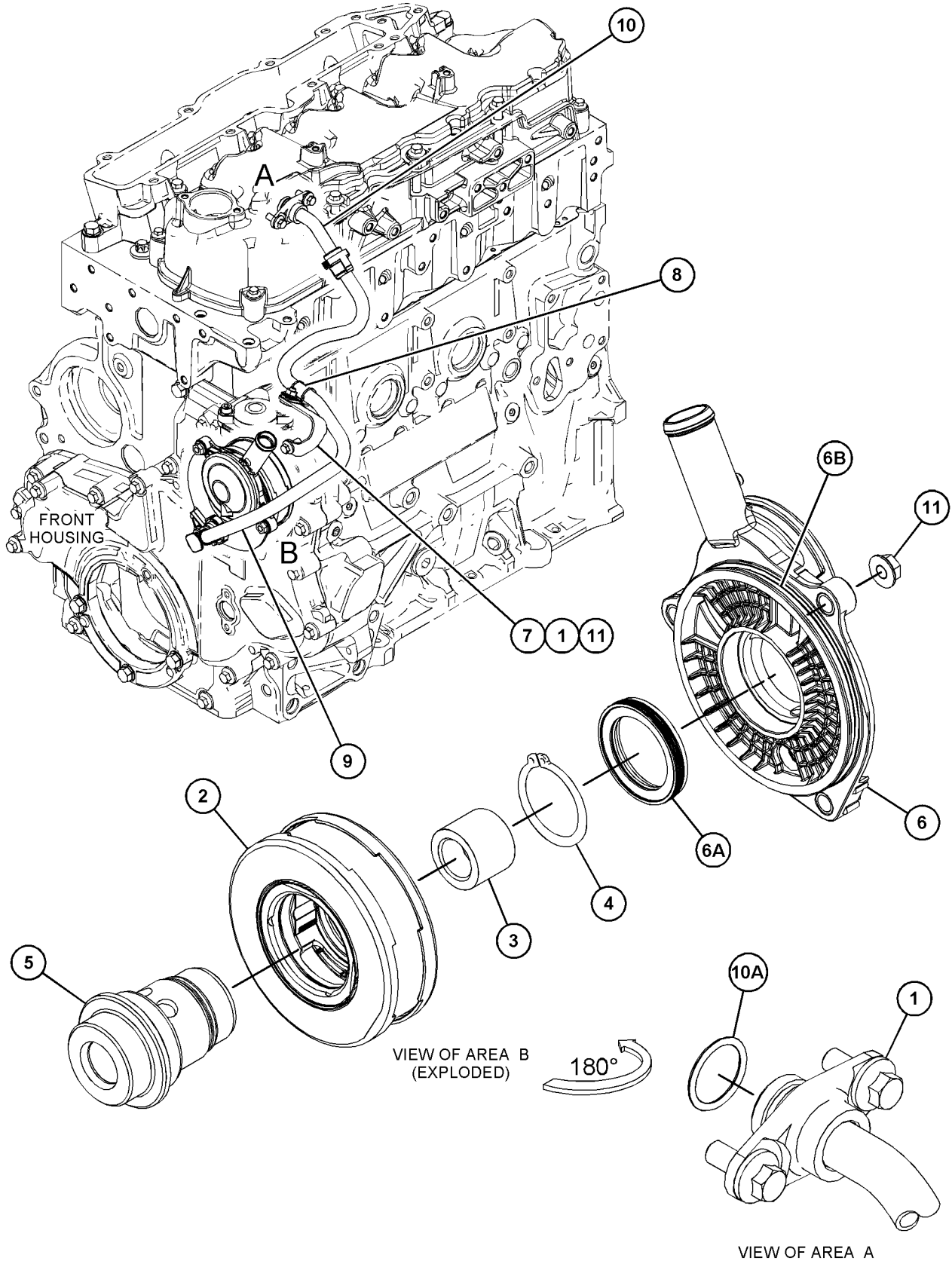
NOTE	REF NO	GRAPHIC REF	PART NUMBER	QTY	PART NAME						SEE PAGE
					1	2	3	4	5	6 (PRODUCT LEVEL)	
M	1	1	6I-0846	3	BOLT (M6X1X14-MM)						
	2	1	481-3598	1	FILTER ELEMENT-BREATHER (CRANKCASE)						
	3	1	379-3066	1	BUSHING						
	4	1	381-3938	1	SPRING						
	5	1	422-0638	1	SHAFT						
	6	1	422-0642	1	COVER AS						
	6A	1	379-3061	1	SEAL						
	6B	1	379-3064	1	SEAL-O-RING						
	7	1	422-0643	1	BRACKET AS						
	8	1	422-9961	1	CLIP						
	9	1	504-1913	1	PIPE AS						
	10	1	463-6995	1	PIPE AS						
	10A	1	463-6993	1	SEAL						
	11	1	6I-0918	4	NUT						

M - METRIC PART

LUBRICATION SYSTEM

449-2730 FUMES DISPOSAL GP (contd.)

i07152440



GRAPHIC #1

<END>

g03826956

LUBRICATION SYSTEM

451-8483 FUMES DISPOSAL GP

S/N: CJ41-UP

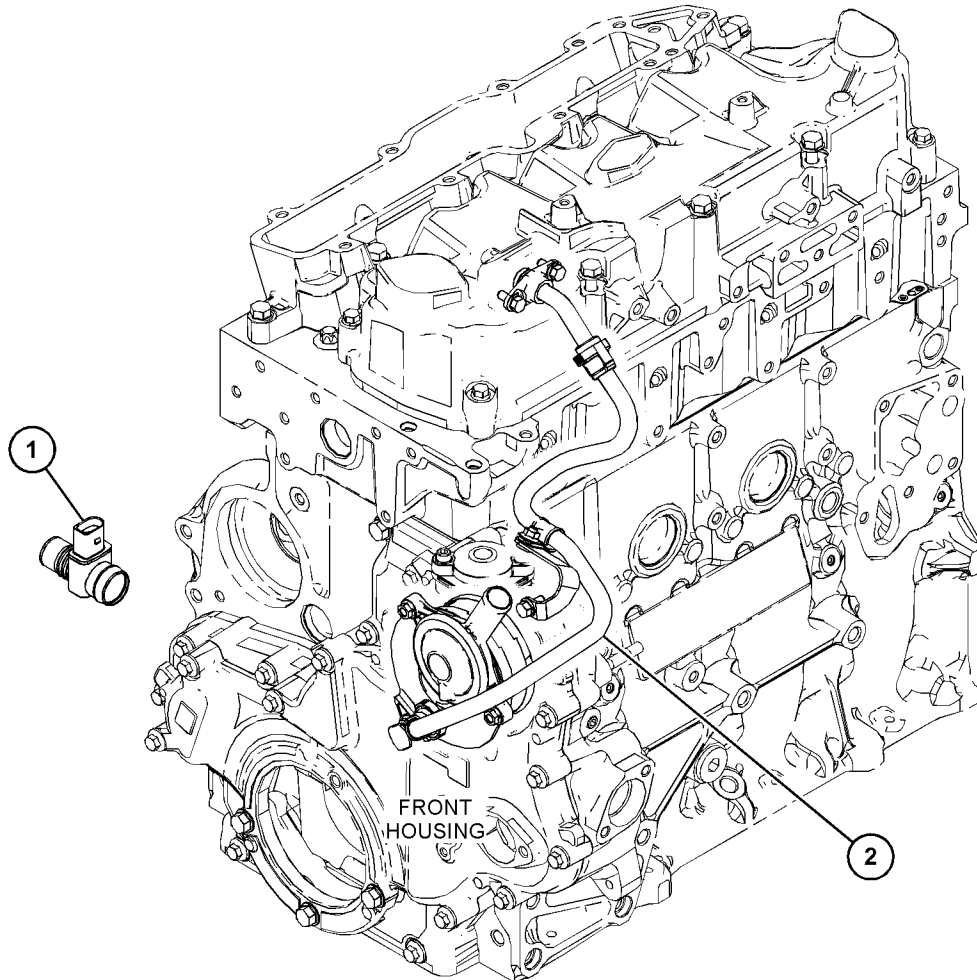
PART OF 465-2880 ENGINE AR-PRIMARY

SMCS-1317

i06252161

NOTE	REF NO	GRAPHIC REF	PART NUMBER	QTY	PART NAME						SEE PAGE
					1	2	3	4	5	6 (PRODUCT LEVEL)	
	1	1	376-1398	1	CONNECTION						
Y	2	1	449-2730	1	FUMES DISPOSAL GP						159

Y - SEPARATE ILLUSTRATION



GRAPHIC #1

<END>

g03879482

LUBRICATION SYSTEM

338-9479 GAUGE GP-OIL LEVEL (DIPSTICK)-ENGINE

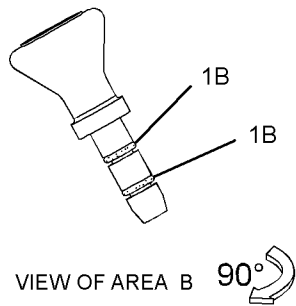
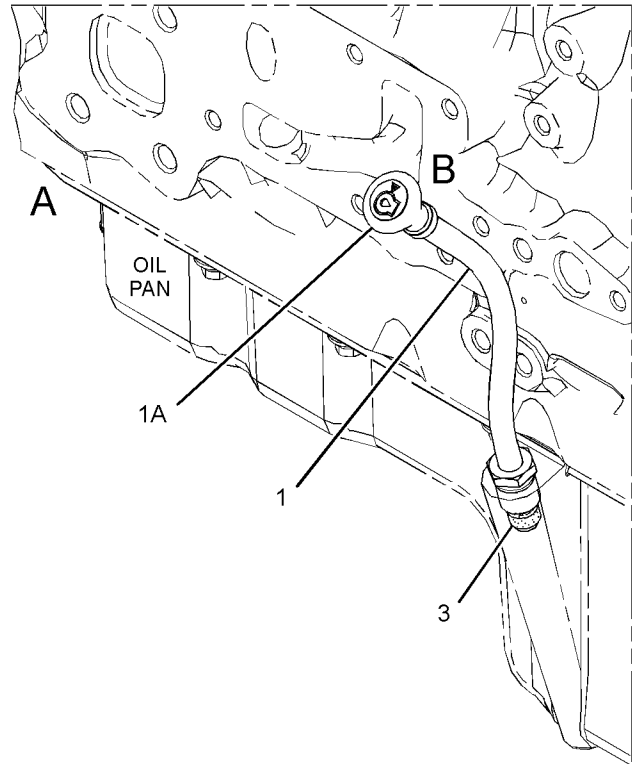
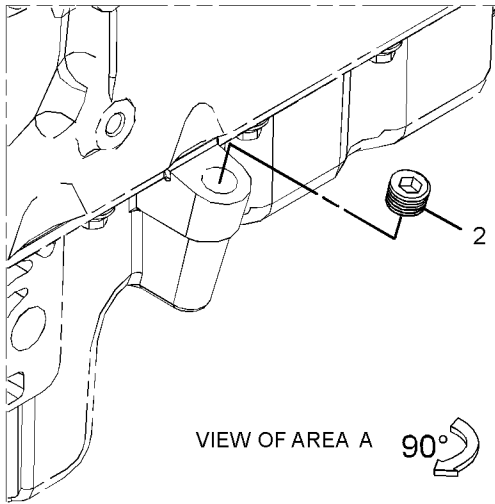
S/N: JKT1-UP

PART OF 464-2308 ENGINE AR-PRIMARY

SMCS-1326

i06605488

NOTE	REF NO	GRAPHIC REF	PART NUMBER	QTY	PART NAME						SEE PAGE
					1	2	3	4	5	6 (PRODUCT LEVEL)	
	1	1	351-2100	1	GAUGE GP-OIL LEVEL (DIPSTICK) (ENGINE)						
	1A	1	351-2099	1	GAUGE AS-OIL LEVEL (DIPSTICK) (ENGINE)						
	1B	1	275-9891	2	SEAL-O-RING						
	2	1	6I-0289	1	PLUG						
	3	1	6I-1497	1	SEAL						



GRAPHIC #1

<END>

g02913977

LUBRICATION SYSTEM

441-9154 GAUGE GP-OIL LEVEL (DIPSTICK)

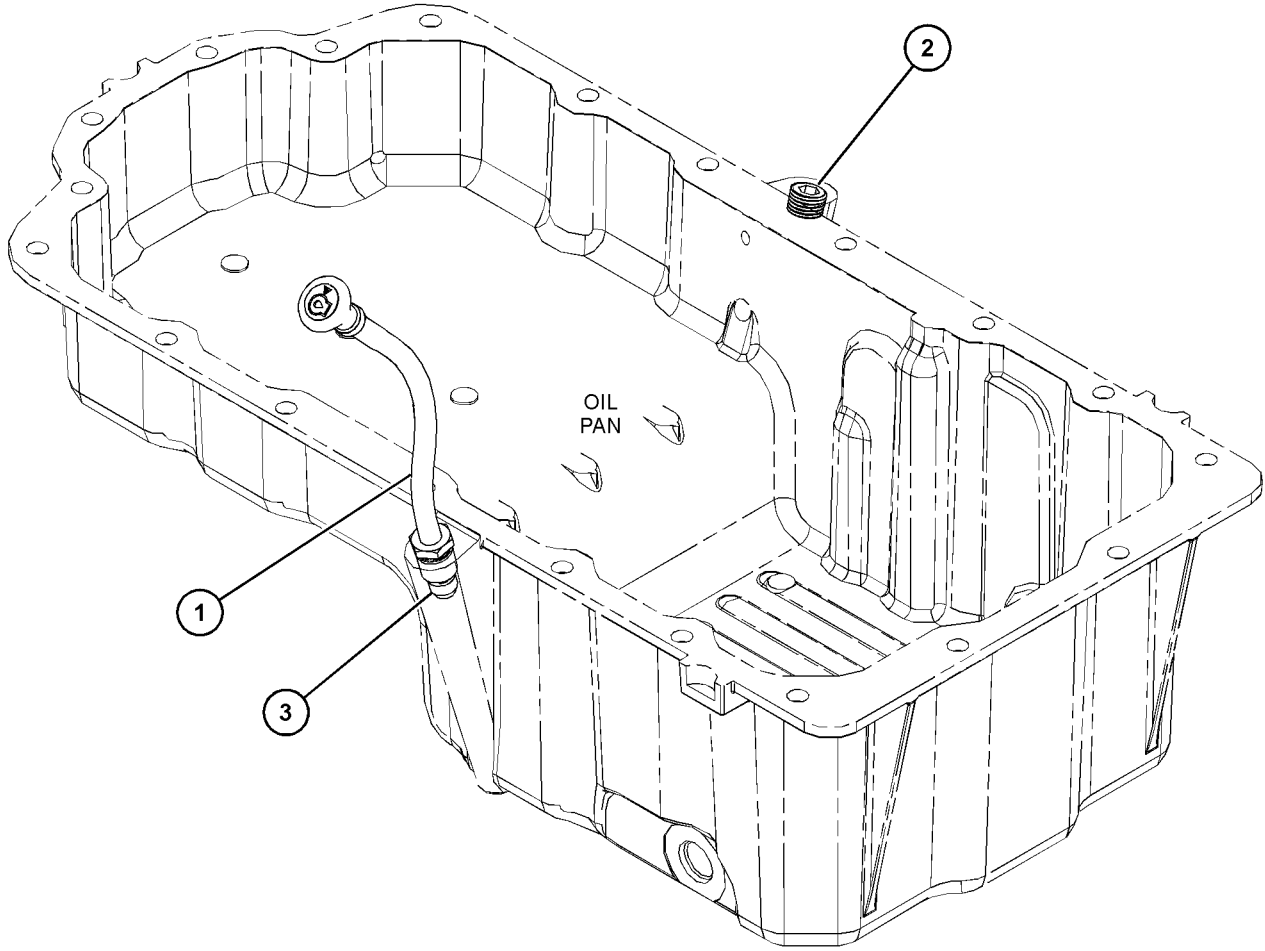
S/N: W231-UP

PART OF 463-8910 ENGINE AR-PRIMARY

SMCS-1326

i06621178

NOTE	REF NO	GRAPHIC REF	PART NUMBER	QTY	PART NAME						SEE PAGE
					1	2	3	4	5	6 (PRODUCT LEVEL)	
	1	1	351-2100	1	GAUGE GP-OIL LEVEL (DIPSTICK) (ENGINE)						
		1	228-7089	1	SEAL-O-RING						
		1	275-9891	2	SEAL-O-RING						
2		1	6I-0289	1	PLUG						
3		1	6I-1497	1	SEAL						



GRAPHIC #1

<END>

g06002473

LUBRICATION SYSTEM

441-9155 GAUGE GP-OIL LEVEL (DIPSTICK)

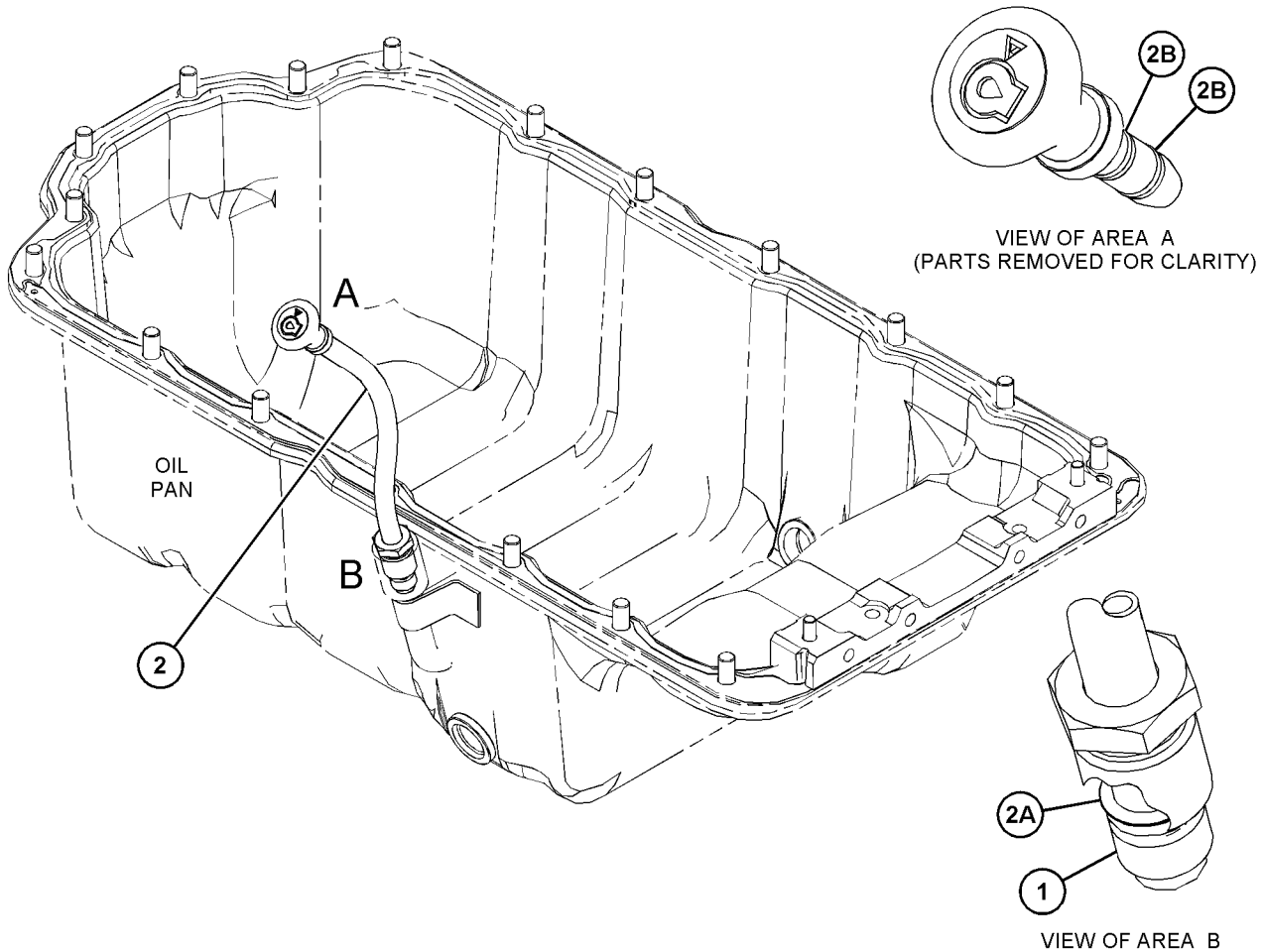
S/N: W231-UP

PART OF 463-8820 ENGINE AR-PRIMARY
ALSO AN ATTACHMENT

SMCS-1326

i06149438

NOTE	REF NO	GRAPHIC REF	PART NUMBER	QTY	PART NAME						SEE PAGE
					1	2	3	4	5	6 (PRODUCT LEVEL)	
	1	1	6I-1497	1	SEAL						
	2	1	351-2098	1	GAUGE GP-OIL LEVEL (DIPSTICK) (ENGINE)						
	2A	1	228-7089	1	SEAL-O-RING						
	2B	1	275-9891	2	SEAL-O-RING						



GRAPHIC #1

<END>

g03828495

LUBRICATION SYSTEM

502-2907 LINES GP-TURBOCHARGER OIL

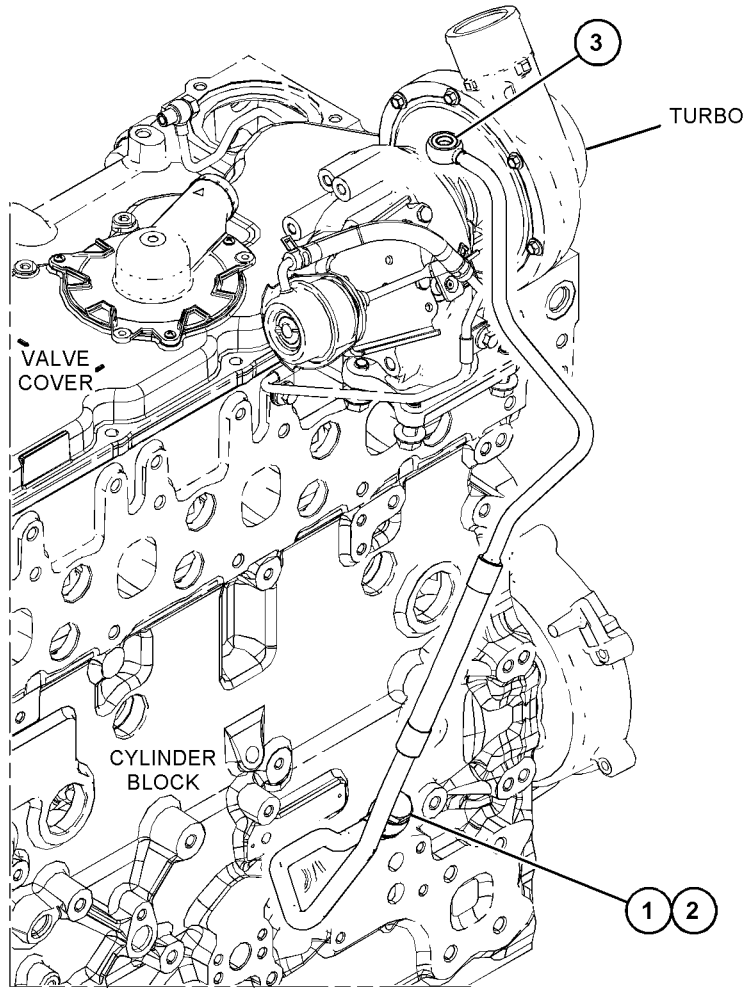
S/N: JKT1-UP

PART OF 356-1124 MANIFOLD GP-EXHAUST

SMCS-1052, 1307

i06838747

NOTE	REF NO	GRAPHIC REF	PART NUMBER	QTY	PART NAME						SEE PAGE
					1	2	3	4	5	6 (PRODUCT LEVEL)	
1	1	1	348-8082	1	BOLT (BANJO)						
2	1	1	348-8608	2	WASHER						
3	1	1	8L-2777	2	SEAL-O-RING						



GRAPHIC #1

<END>

g06142079

LUBRICATION SYSTEM

464-8169 MOUNTING GP-ENGINE OIL FILTER

S/N: CJ41-UP

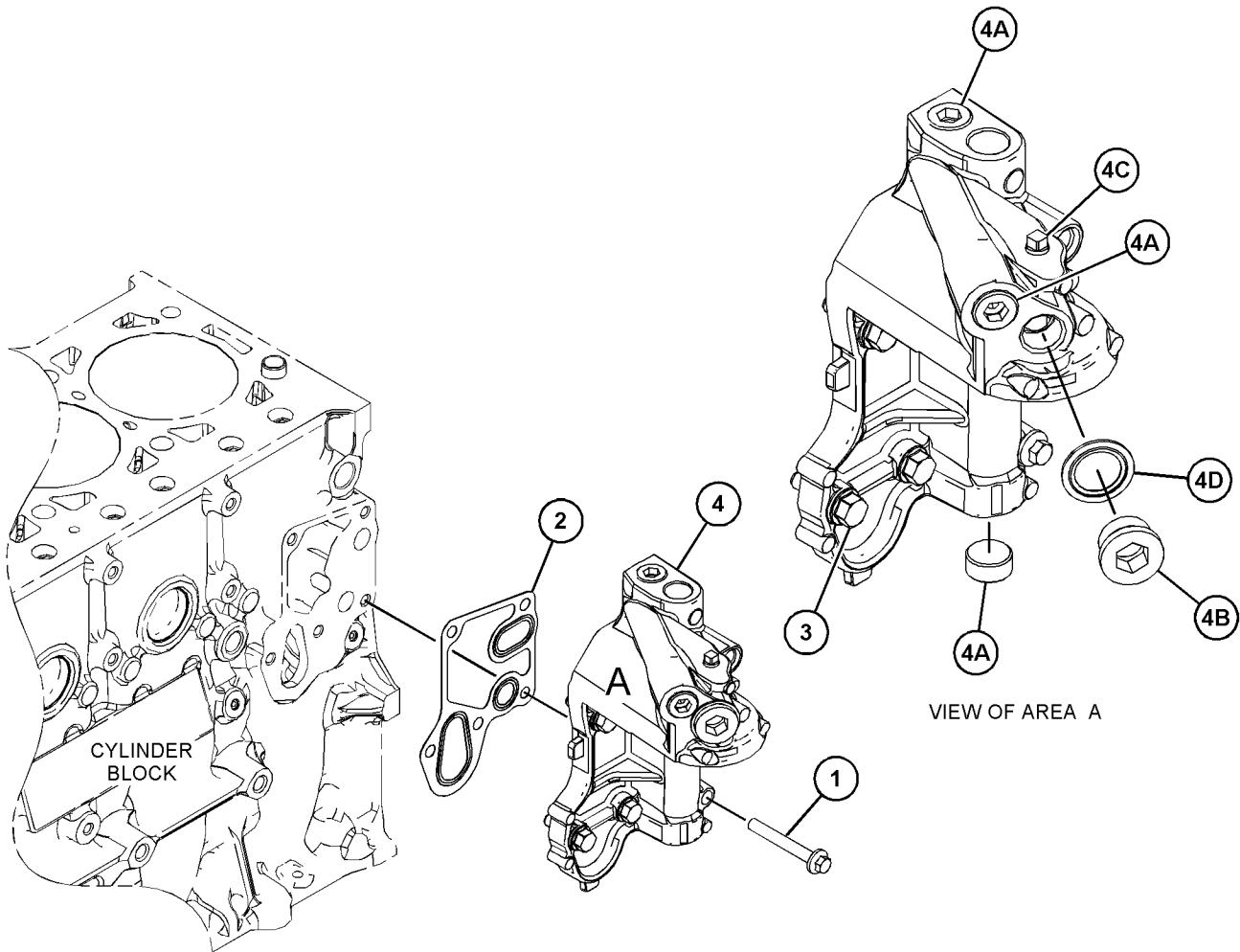
PART OF 350-1054 COOLER GP-ENGINE OIL

SMCS-1306, 1308

i05951032

NOTE	REF NO	GRAPHIC REF	PART NUMBER	QTY	PART NAME						SEE PAGE
					1	2	3	4	5	6 (PRODUCT LEVEL)	
M	1	1	6I-4374	2	BOLT (M8X1.25X60-MM)						
	2	1	388-7604	1	GASKET						
	3	1	389-1920	3	BOLT						
	4	1	392-2042	1	HEADER AS (OIL FILTER)						
	4A	1	390-0324	3	PLUG						
	4B	1	390-3117	1	PLUG						
	4C	1	390-3118	1	PLUG						
	4D	1	419-8726	1	WASHER						

M - METRIC PART



GRAPHIC #1

<END>

g03738941

LUBRICATION SYSTEM

329-8473 PLUG GP-OIL FILTER MOUNTING

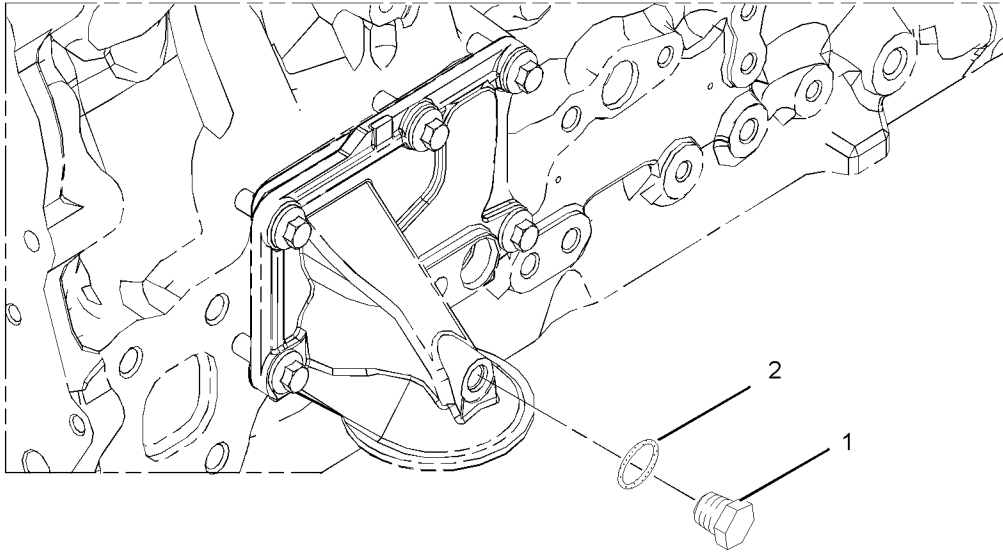
S/N: JKT1-UP

PART OF 464-2308 ENGINE AR-PRIMARY

SMCS-1306

i05727311

NOTE	REF NO	GRAPHIC REF	PART NUMBER	QTY	PART NAME						SEE PAGE
					1	2	3	4	5	6 (PRODUCT LEVEL)	
	1	1	225-7941	1	PLUG						
	2	1	330-5898	1	SEAL-O-RING						



GRAPHIC #1

<END>

g02736196

LUBRICATION SYSTEM

417-4190 PLUG GP-OIL FILTER MOUNTING

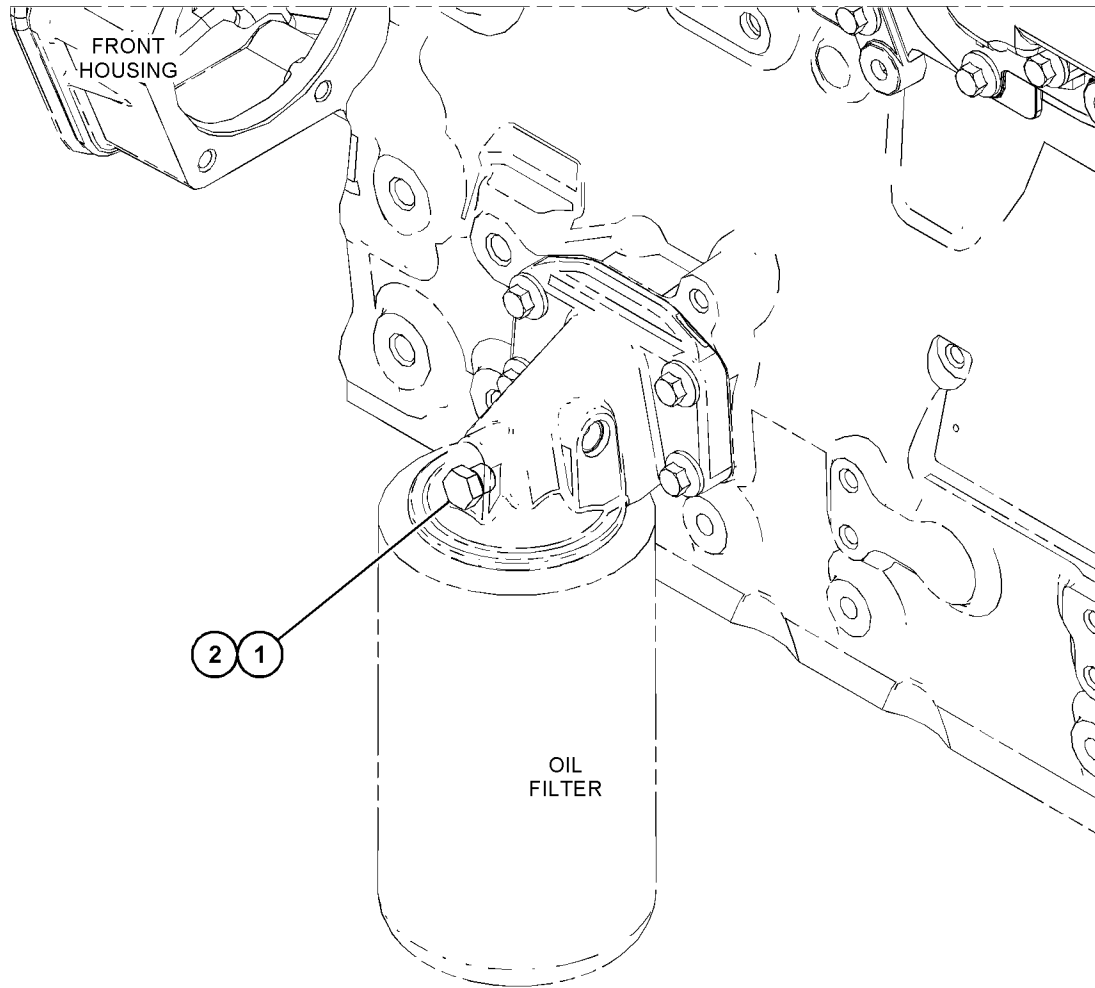
S/N: W231-UP

PART OF 463-8820, 463-8910 ENGINE AR-PRIMARY
ALSO AN ATTACHMENT

SMCS-1306

i06138453

NOTE	REF NO	GRAPHIC REF	PART NUMBER	QTY	PART NAME						SEE PAGE
					1	2	3	4	5	6 (PRODUCT LEVEL)	
1	1	1	225-7941	1	PLUG						
2	1	1	330-5898	1	SEAL-O-RING						



GRAPHIC #1

<END>

g03815199

LUBRICATION SYSTEM

329-8435 PUMP GP-ENGINE OIL-ENGINE

S/N: JKT1-UP

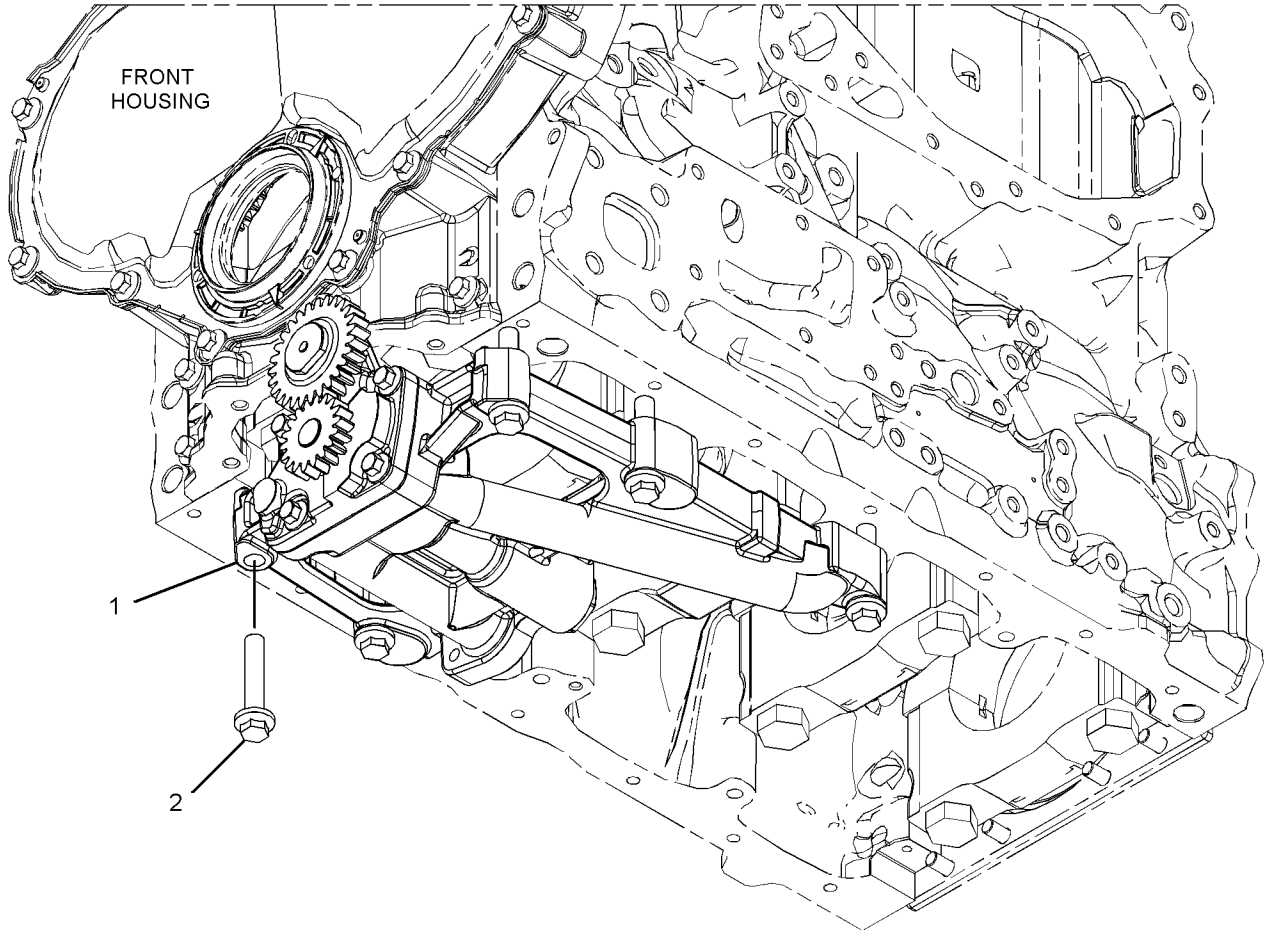
PART OF 464-2308 ENGINE AR-PRIMARY

SMCS-1304, 1315

i05822865

NOTE	REF NO	GRAPHIC REF	PART NUMBER	QTY	PART NAME						SEE PAGE
					1	2	3	4	5	6 (PRODUCT LEVEL)	
	1	1	447-8576	1	PUMP AS-OIL						
M	2	1	100-4461	5	BOLT (M10X1.5X50-MM)						

M - METRIC PART



GRAPHIC #1

<END>

g03688512

LUBRICATION SYSTEM

350-1569 PUMP GP-ENGINE OIL

S/N: CJ41-UP

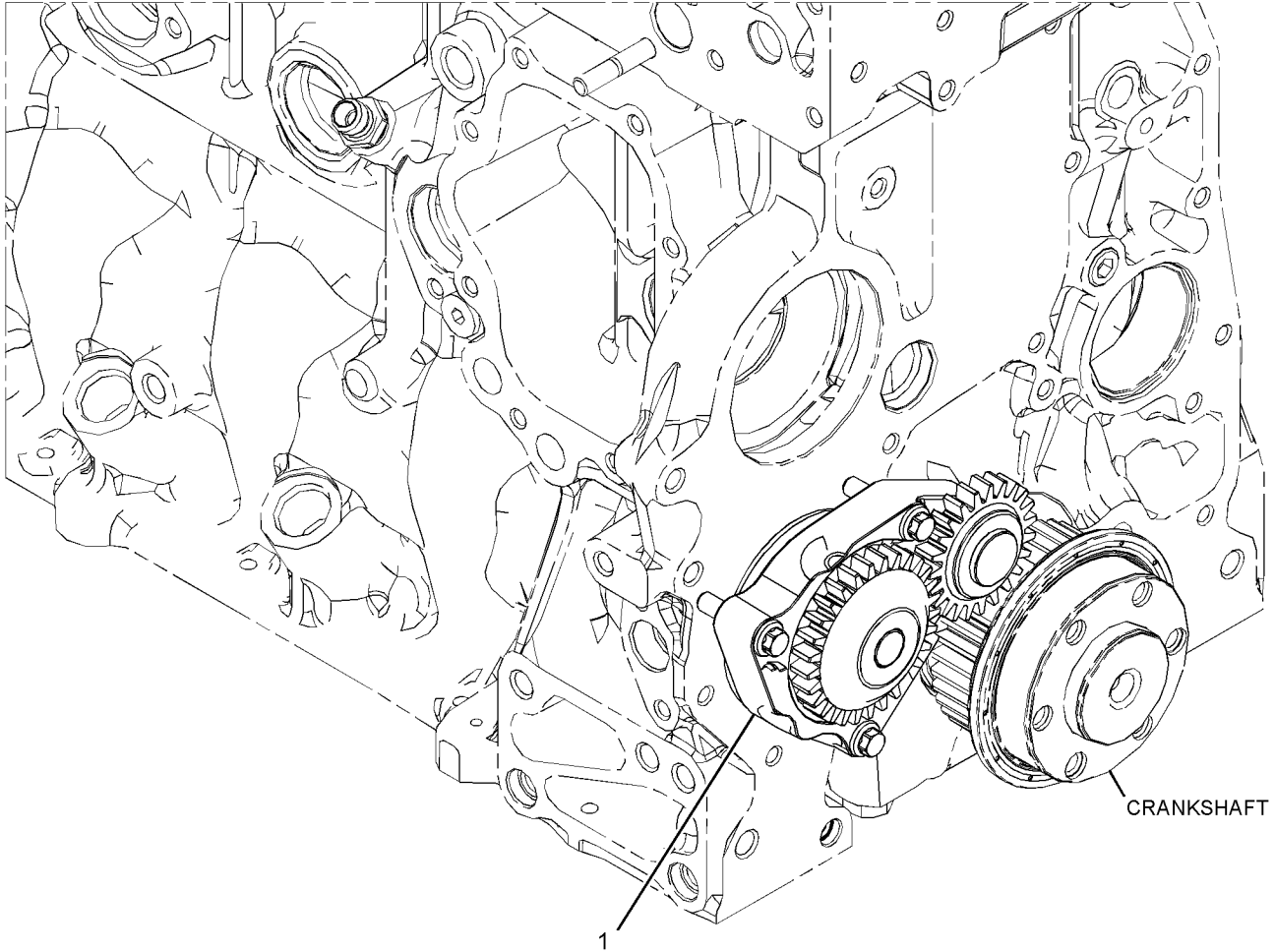
PART OF 465-2880 ENGINE AR-PRIMARY

SMCS-1304, 1315

i05722360

NOTE	REF NO	GRAPHIC REF	PART NUMBER	QTY	PART NAME						SEE PAGE
					1	2	3	4	5	6 (PRODUCT LEVEL)	
Y	1	1	372-4967	1	PUMP GP-ENGINE OIL						171

Y - SEPARATE ILLUSTRATION



GRAPHIC #1

<END>

g02879038

LUBRICATION SYSTEM

372-4967 PUMP GP-ENGINE OIL

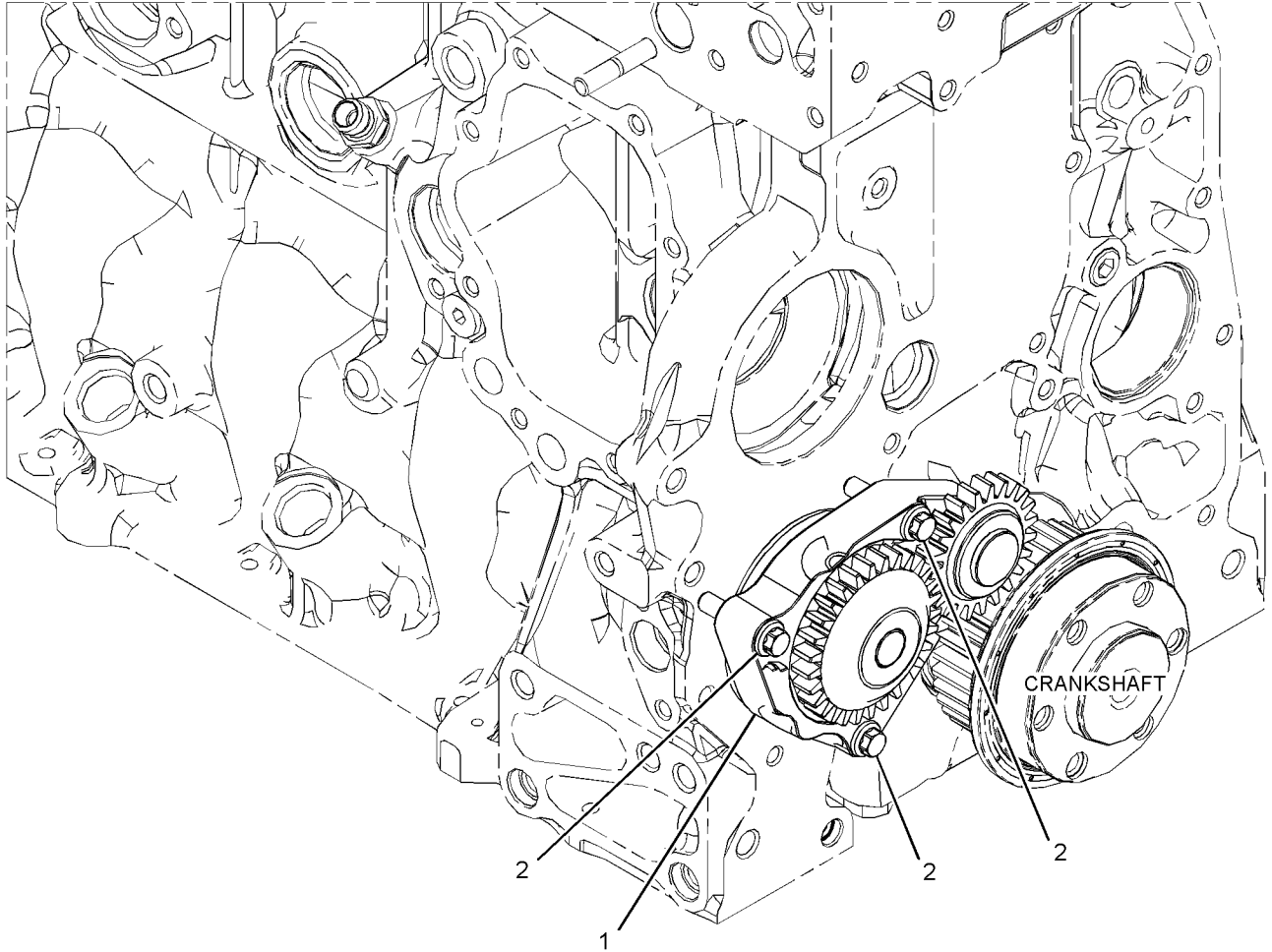
S/N: CJ41-UP

PART OF 350-1569 PUMP GP-ENGINE OIL

SMCS-1304, 1315

i05773241

NOTE	REF NO	GRAPHIC REF	PART NUMBER	QTY	PART NAME						SEE PAGE
					1	2	3	4	5	6 (PRODUCT LEVEL)	
	1	1	387-9152	1	PUMP AS-ENGINE OIL						
	2	1	389-2870	3	SCREW						



GRAPHIC #1

<END>

g02879040

LUBRICATION SYSTEM

508-3673 PUMP GP-ENGINE OIL

S/N: W231-UP

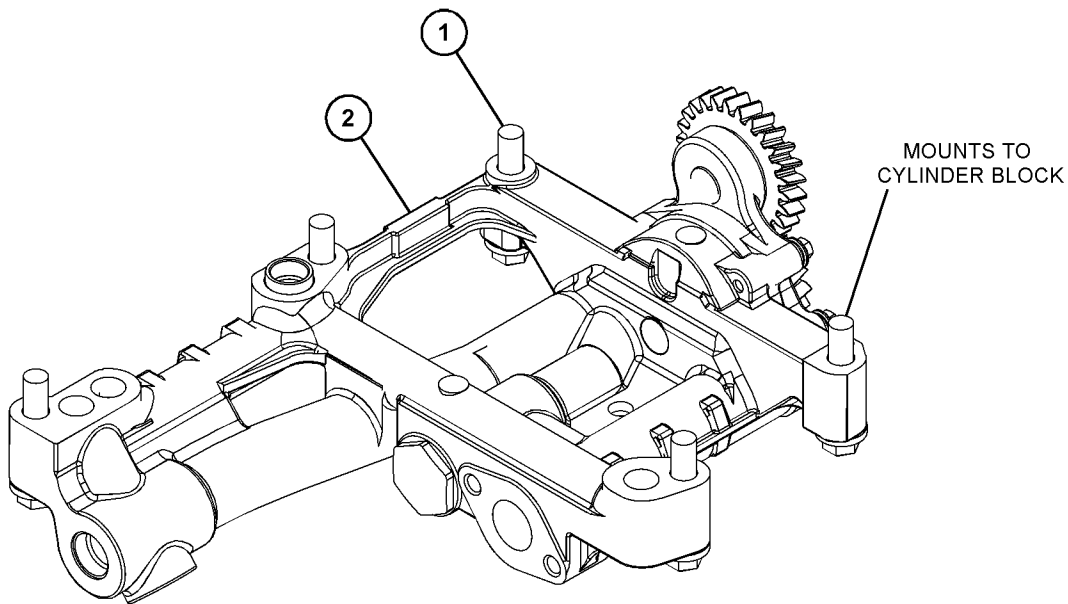
PART OF 463-8820, 463-8910 ENGINE AR-PRIMARY
ALSO AN ATTACHMENT

SMCS-1304, 1315

i06909639

NOTE	REF NO	GRAPHIC REF	PART NUMBER	QTY	PART NAME						SEE PAGE
					1	2	3	4	5	6 (PRODUCT LEVEL)	
M	1	1	100-4461	5	BOLT (M10X1.5X50-MM)						
	2	1	420-0471	1	PUMP AS-ENGINE OIL						

M - METRIC PART



GRAPHIC #1

<END>

g06152360

COOLING SYSTEM

332-4634 CONNECTION GP-WATER

S/N: JKT1-UP

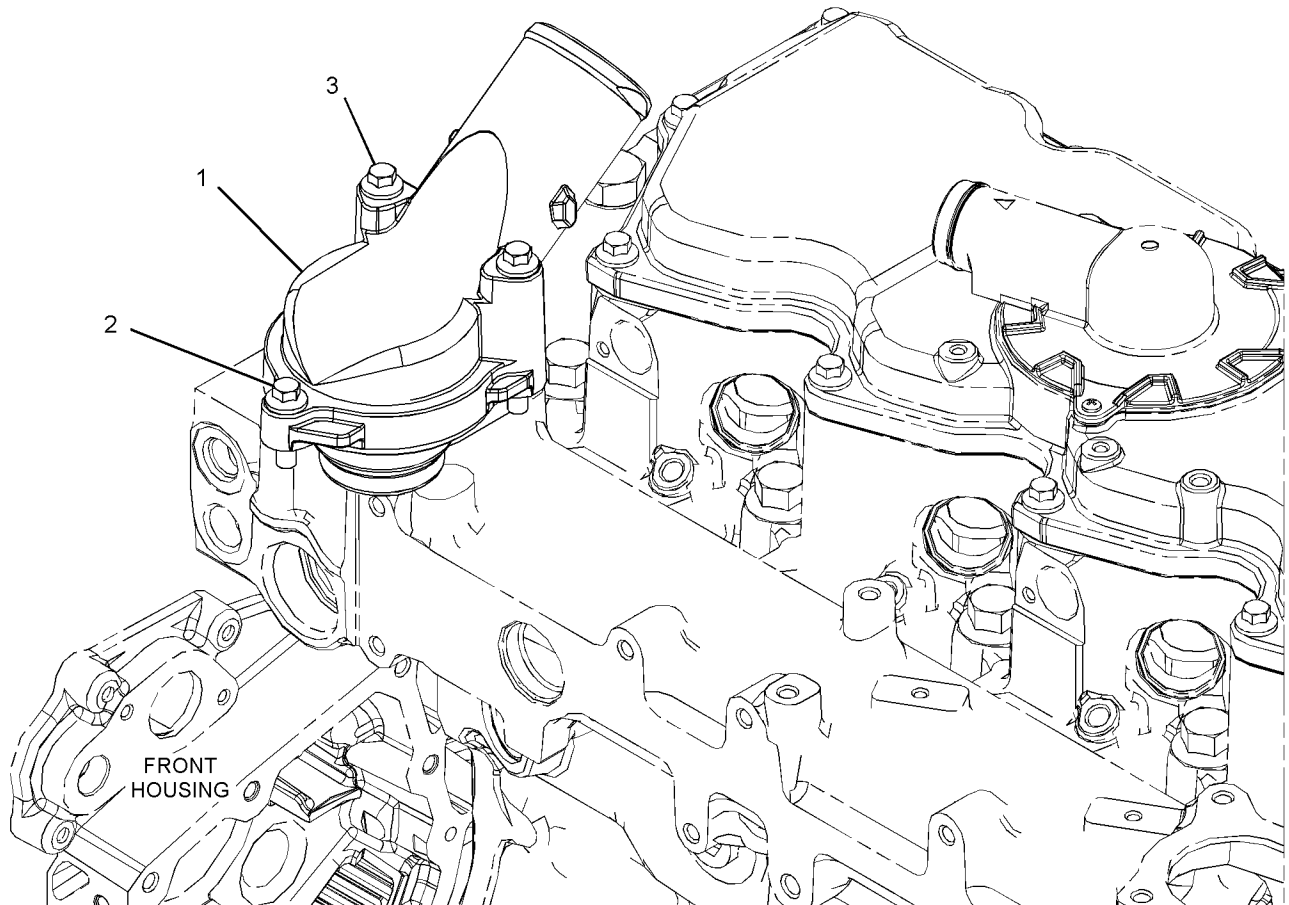
PART OF 464-2308 ENGINE AR-PRIMARY

SMCS-1380

i06747241

NOTE	REF NO	GRAPHIC REF	PART NUMBER	QTY	PART NAME						SEE PAGE
					1	2	3	4	5	6 (PRODUCT LEVEL)	
	1	1	497-3998	1	REGULATOR AS-WATER TEMPERATURE						
M	2	1	6I-0254	1	BOLT (M8X1.25X30-MM)						
M	3	1	6I-0839	2	BOLT (M8X1.25X70-MM)						

M - METRIC PART



GRAPHIC #1

<END>

g02758376

COOLING SYSTEM

349-2761 CONNECTION GP-WATER

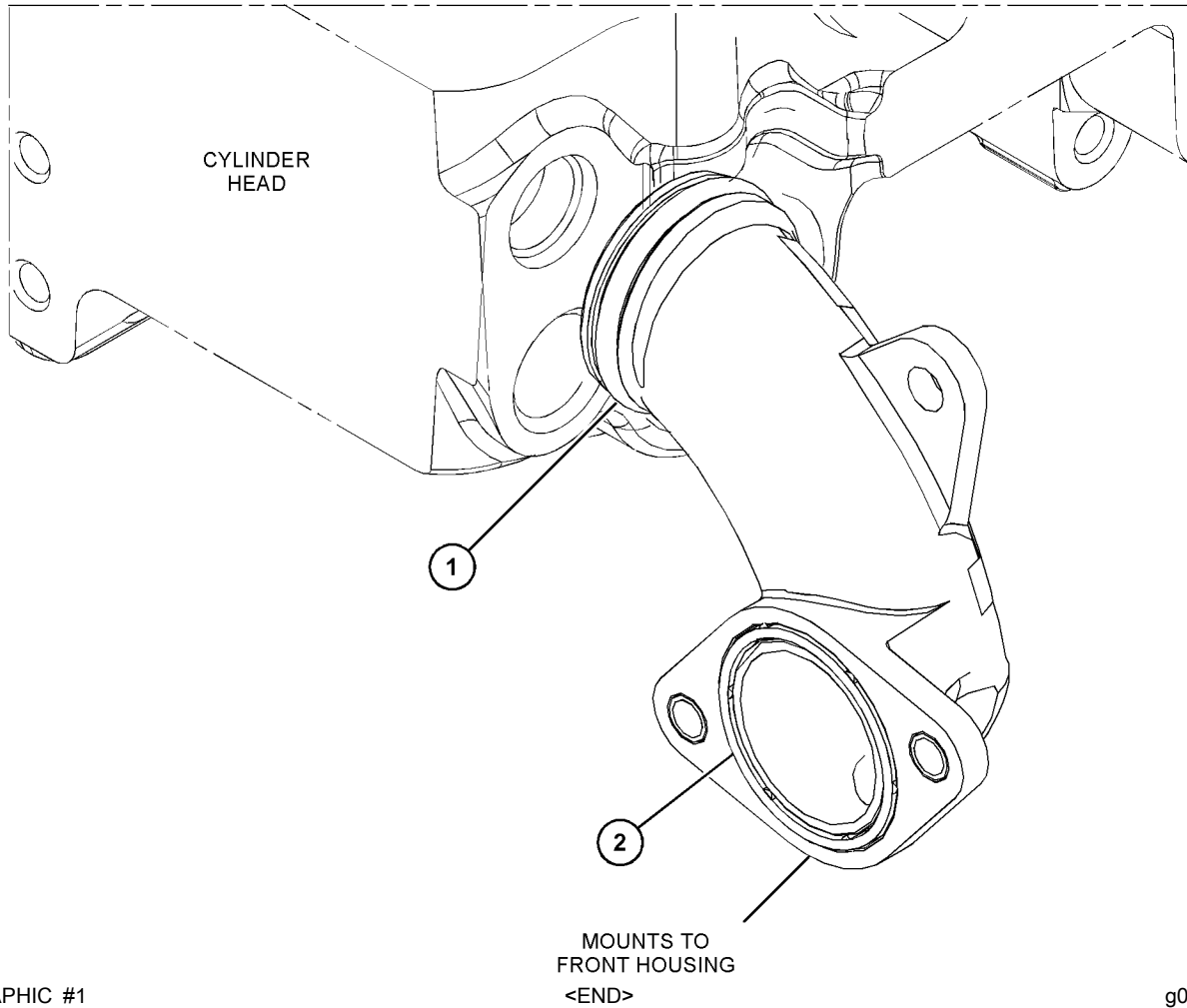
S/N: JKT1-UP

PART OF 333-7914 PUMP GP-WATER

SMCS-1380

i05503680

NOTE	REF NO	GRAPHIC REF	PART NUMBER	QTY	PART NAME						SEE PAGE
					1	2	3	4	5	6 (PRODUCT LEVEL)	
1	1	1	344-7219	1	SEAL						
2	1	1	357-8722	1	GASKET						



GRAPHIC #1

g03485323

COOLING SYSTEM

367-6788 CONNECTION GP-WATER

S/N: CJ41-UP

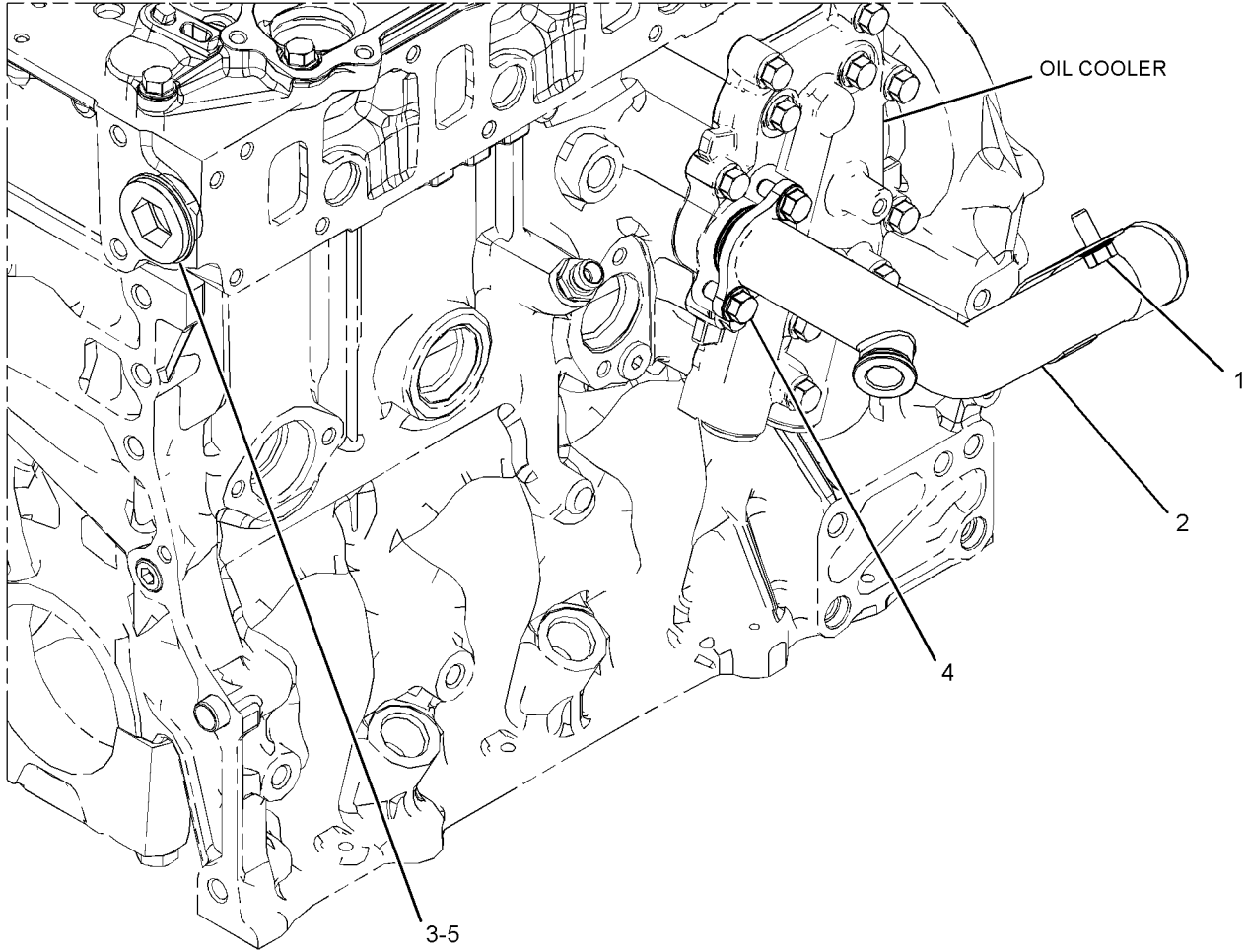
PART OF 350-5644 PUMP GP-WATER

SMCS-1380

i06252243

NOTE	REF NO	GRAPHIC REF	PART NUMBER	QTY	PART NAME						SEE PAGE
					1	2	3	4	5	6 (PRODUCT LEVEL)	
M	1	1	100-4458	1	BOLT (M8X1.25X14-MM)						
	2	1	386-1927	1	PIPE						
	3	1	387-7732	1	PLUG						
	4	1	389-1863	2	BOLT-SPECIAL						
	5	1	389-2865	1	WASHER						

M - METRIC PART



GRAPHIC #1

<END>

g03614576

COOLING SYSTEM

416-1867 CONNECTION GP-WATER

S/N: W231-UP

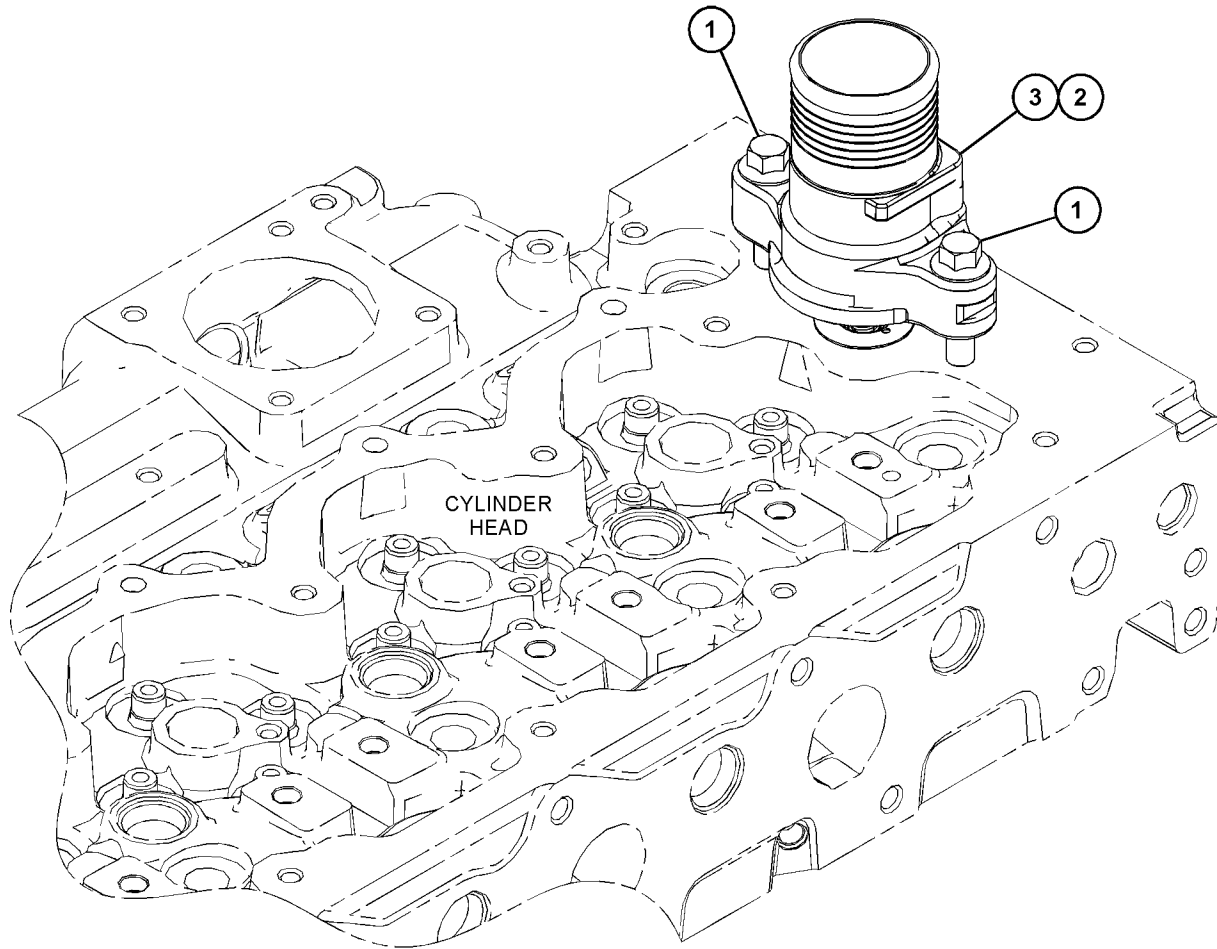
PART OF 463-8820, 463-8910 ENGINE AR-PRIMARY
ALSO AN ATTACHMENT

SMCS-1380

i06134094

NOTE	REF NO	GRAPHIC REF	PART NUMBER	QTY	PART NAME						SEE PAGE
					1	2	3	4	5	6 (PRODUCT LEVEL)	
M	1	1	123-2899	2	BOLT (M10X1.5X40-MM)						
	2	1	281-8744	1	GASKET-WATER REGULATOR						
	3	1	417-7782	1	REGULATOR AS-WATER TEMPERATURE (INCLUDES CONNECTOR)						

M - METRIC PART



GRAPHIC #1

<END>

g03818151

COOLING SYSTEM

441-9785 CONNECTION GP-WATER

S/N: CJ41-UP

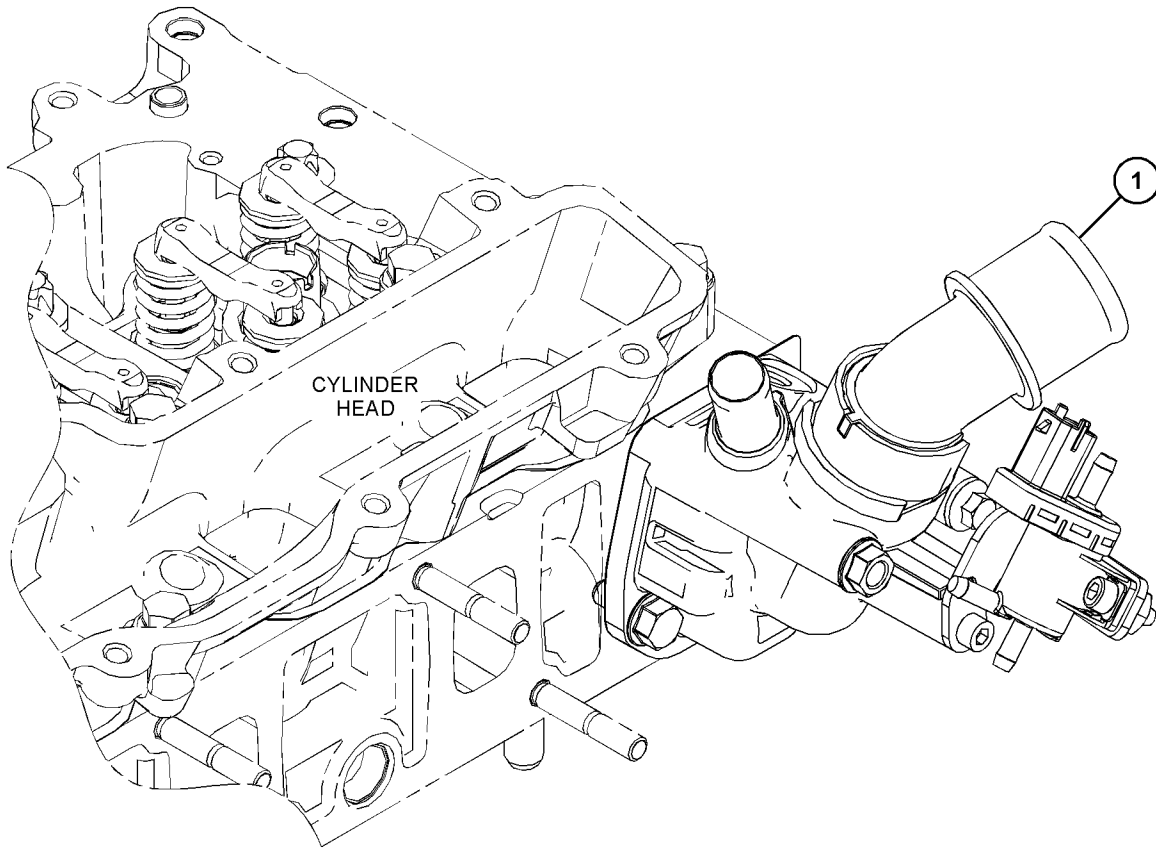
PART OF 465-2880 ENGINE AR-PRIMARY

SMCS-1380

i06258471

NOTE	REF NO	GRAPHIC REF	PART NUMBER	QTY	PART NAME						SEE PAGE
					1	2	3	4	5	6 (PRODUCT LEVEL)	
CY	1	1	481-4382	1	CONNECTION GP-WATER						178

C - CHANGE FROM PREVIOUS TYPE
Y - SEPARATE ILLUSTRATION



GRAPHIC #1

<END>

g03825833

COOLING SYSTEM

481-4382 CONNECTION GP-WATER

S/N: CJ41-UP

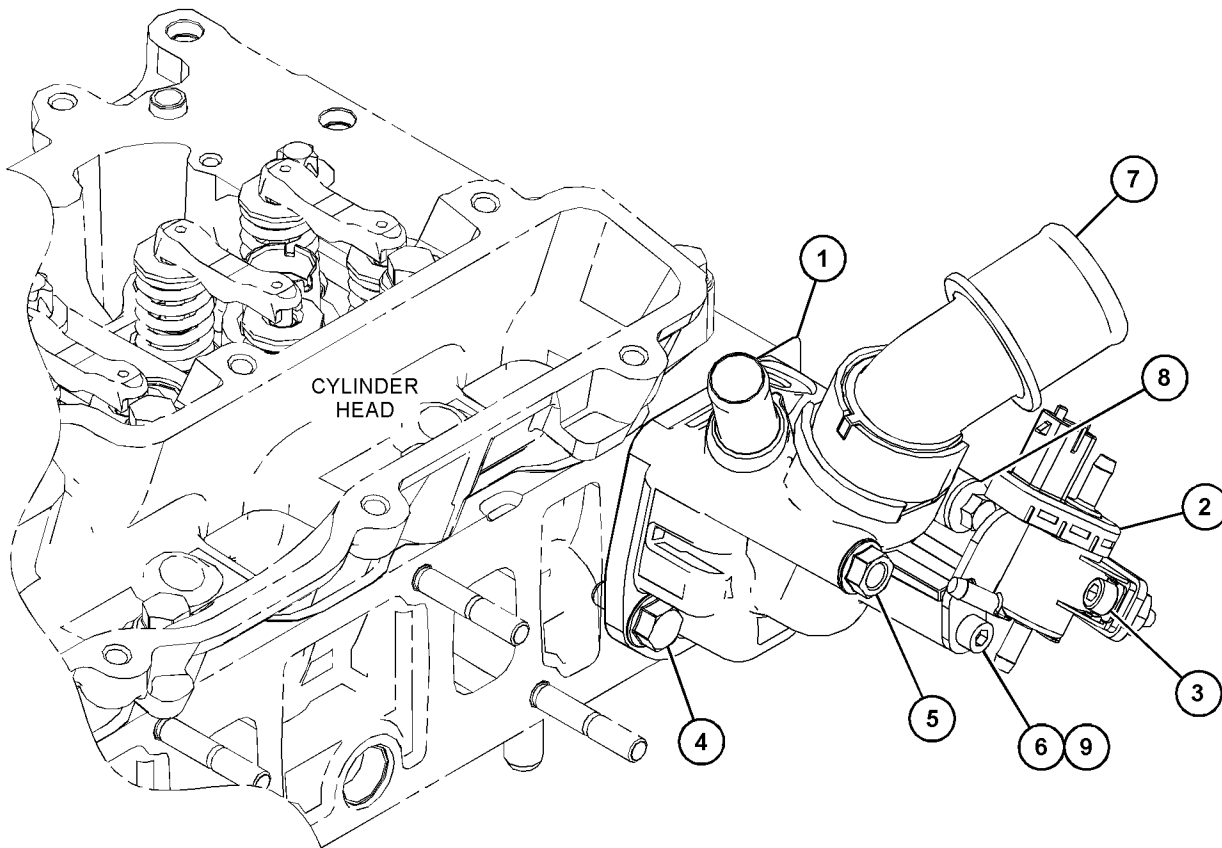
PART OF 441-9785 CONNECTION GP-WATER

SMCS-1380

i06258497

NOTE	REF NO	GRAPHIC REF	PART NUMBER	QTY	PART NAME						SEE PAGE
					1	2	3	4	5	6 (PRODUCT LEVEL)	
	1	1	385-1422	1	GASKET						
	2	1	385-9082	1	ACTUATOR (WASTEGATE)						
	3	1	385-9087	2	SCREW						
	4	1	389-1874	2	BOLT-SPECIAL						
M	5	1	178-3336	1	NUT-HEX FLANGE (M8X1.25-THD)						
	6	1	428-8163	1	BRACKET AS						
	7	1	481-4381	1	REGULATOR-TEMPERATURE						
M	8	1	6I-4709	1	BOLT (M8X1.25X100-MM)						
M	9	1	6V-5683	1	BOLT (M6X1X16-MM)						

M - METRIC PART



GRAPHIC #1

<END>

g03825720

COOLING SYSTEM

350-1054 COOLER GP-ENGINE OIL

S/N: CJ41-UP

PART OF 465-2880 ENGINE AR-PRIMARY

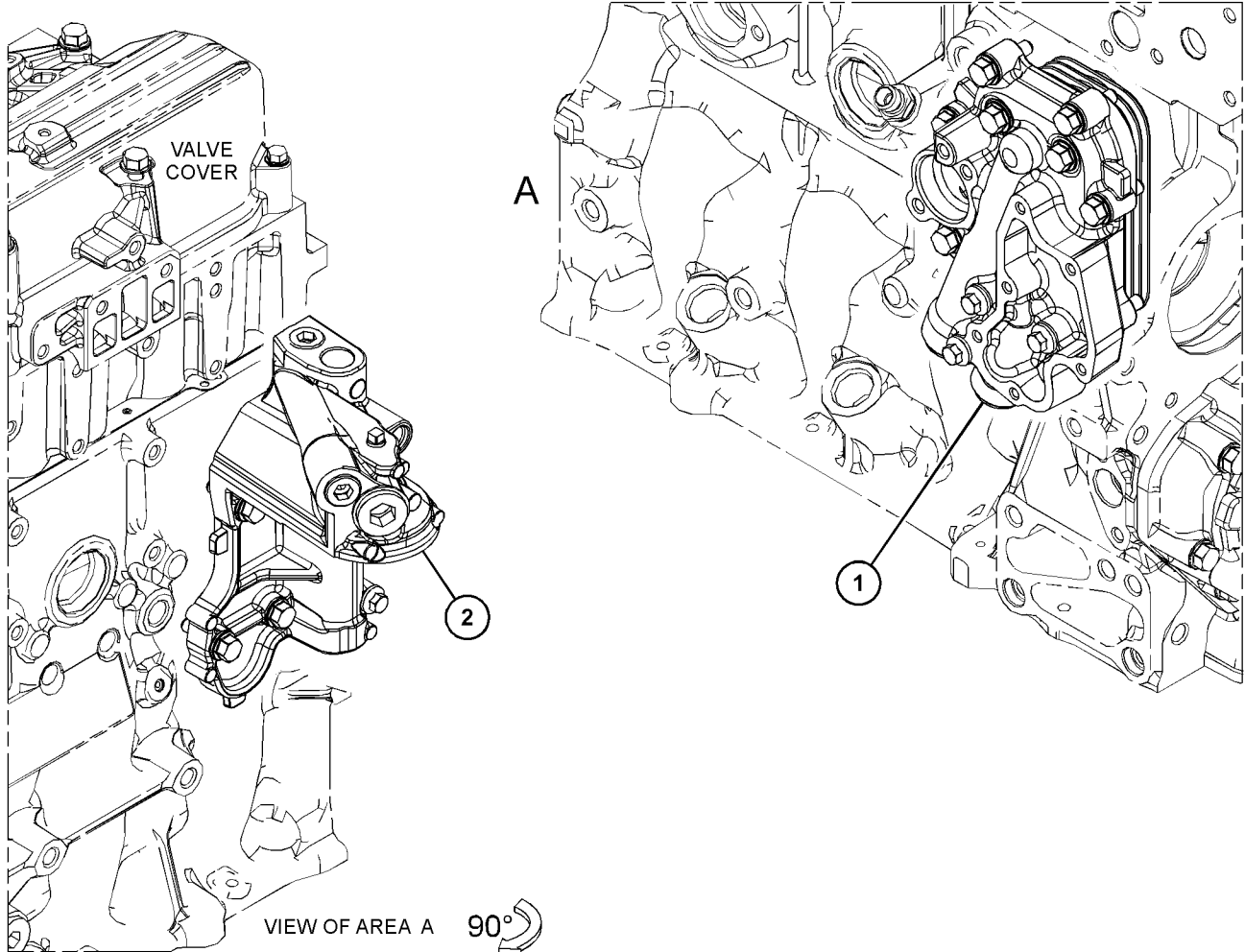
SMCS-1378

i05950811

NOTE	REF NO	GRAPHIC REF	PART NUMBER	QTY	PART NAME	SEE PAGE
					1 2 3 4 5 6 (PRODUCT LEVEL)	
Y	1	1	392-0563	1	COOLER GP-ENGINE OIL	182
CY	2	1	464-8169	1	MOUNTING GP-ENGINE OIL FILTER	166

C - CHANGE FROM PREVIOUS TYPE

Y - SEPARATE ILLUSTRATION



GRAPHIC #1

<END>

g03737745

COOLING SYSTEM

353-7717 COOLER GP-ENGINE OIL

S/N: W231-UP

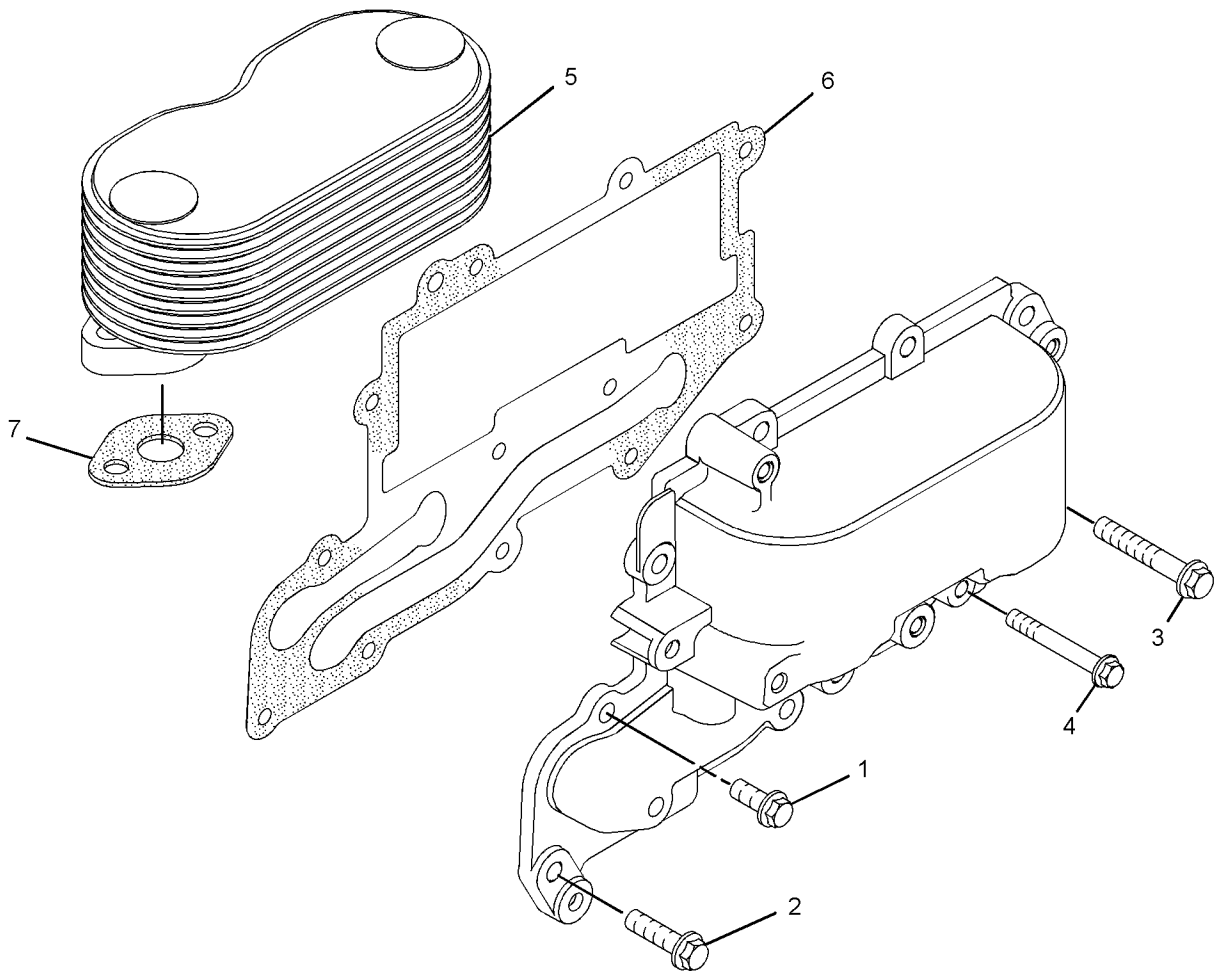
PART OF 418-7659 COOLER GP-ENGINE OIL
ALSO AN ATTACHMENT

SMCS-1378

i04003848

NOTE	REF NO	GRAPHIC REF	PART NUMBER	QTY	PART NAME						SEE PAGE
					1	2	3	4	5	6	
M	1	1	6I-0217	2	BOLT (M8X1.25X20-MM)						
M	2	1	6I-0260	7	BOLT (M8X1.25X25-MM)						
M	3	1	6I-1090	1	BOLT (M8X1.25X40-MM)						
M	4	1	100-3751	2	BOLT (M8X1.25X65-MM)						
	5	1	298-4558	1	COOLER-OIL						
	6	1	353-7715	1	GASKET						
	7	1	298-4560	2	GASKET						

M - METRIC PART



GRAPHIC #1

<END>

g02196064

COOLING SYSTEM

356-7156 COOLER GP-ENGINE OIL

S/N: JKT1-UP

PART OF 464-2308 ENGINE AR-PRIMARY

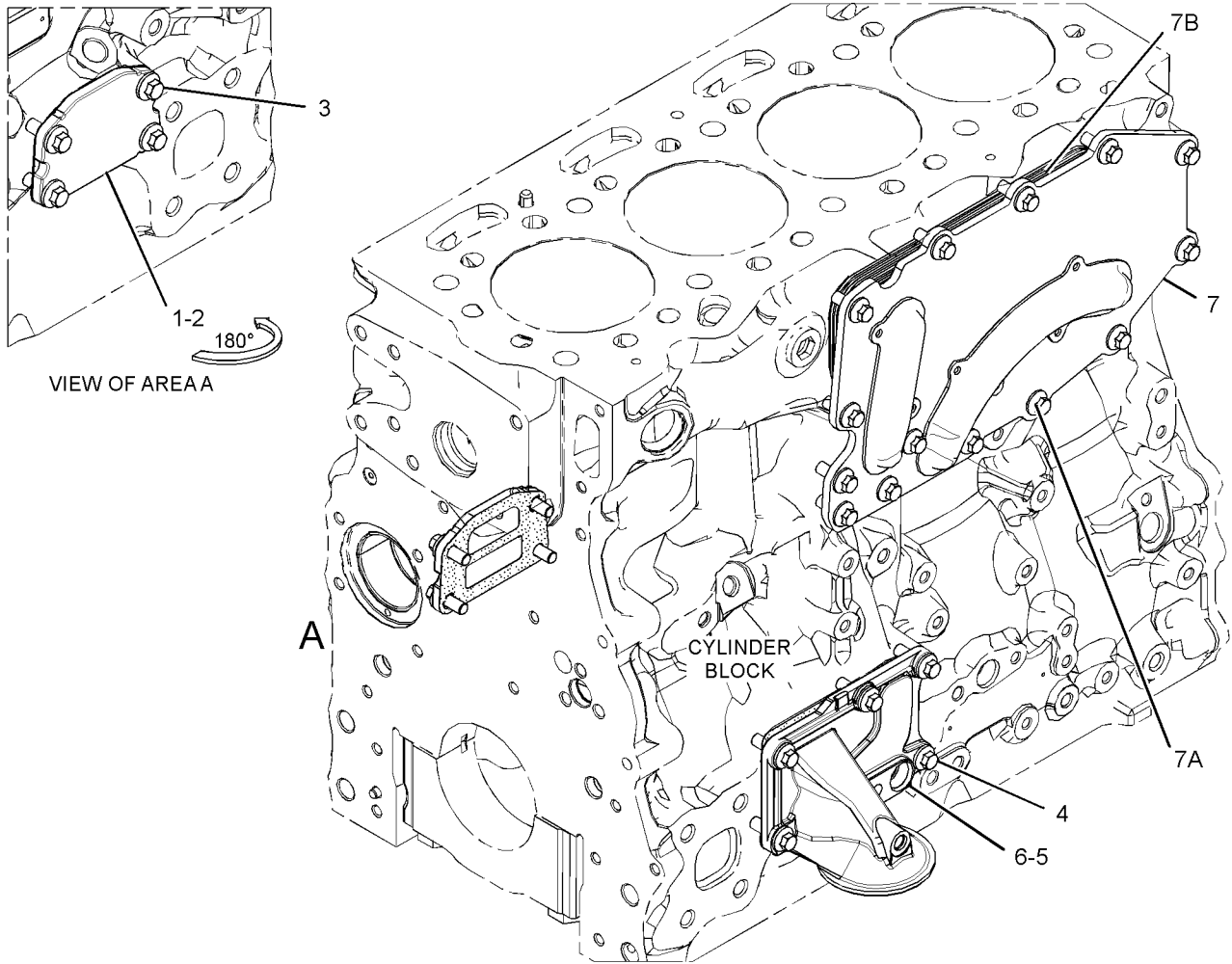
SMCS-1378

i05983224

NOTE	REF NO	GRAPHIC REF	PART NUMBER	QTY	PART NAME						SEE PAGE
					1	2	3	4	5	6 (PRODUCT LEVEL)	
	1	1	225-7944	1	GASKET						
	2	1	232-3751	1	PLATE						
M	3	1	6I-0572	4	BOLT (M8X1.25X20-MM)						
M	4	1	6I-0645	5	BOLT (M8X1.25X25-MM)						
	5	1	330-9847	1	GASKET						
Y	6	1	352-7822	1	BASE GP-OIL FILTER						484
	7	1	361-1225	1	COOLER GP-ENGINE OIL						
M	7A	1	6I-0217	14	BOLT (M8X1.25X20-MM)						
	7B	1	361-0841	1	GASKET						

M - METRIC PART

Y - SEPARATE ILLUSTRATION



GRAPHIC #1

g02753659

COOLING SYSTEM

392-0563 COOLER GP-ENGINE OIL

S/N: CJ41-UP

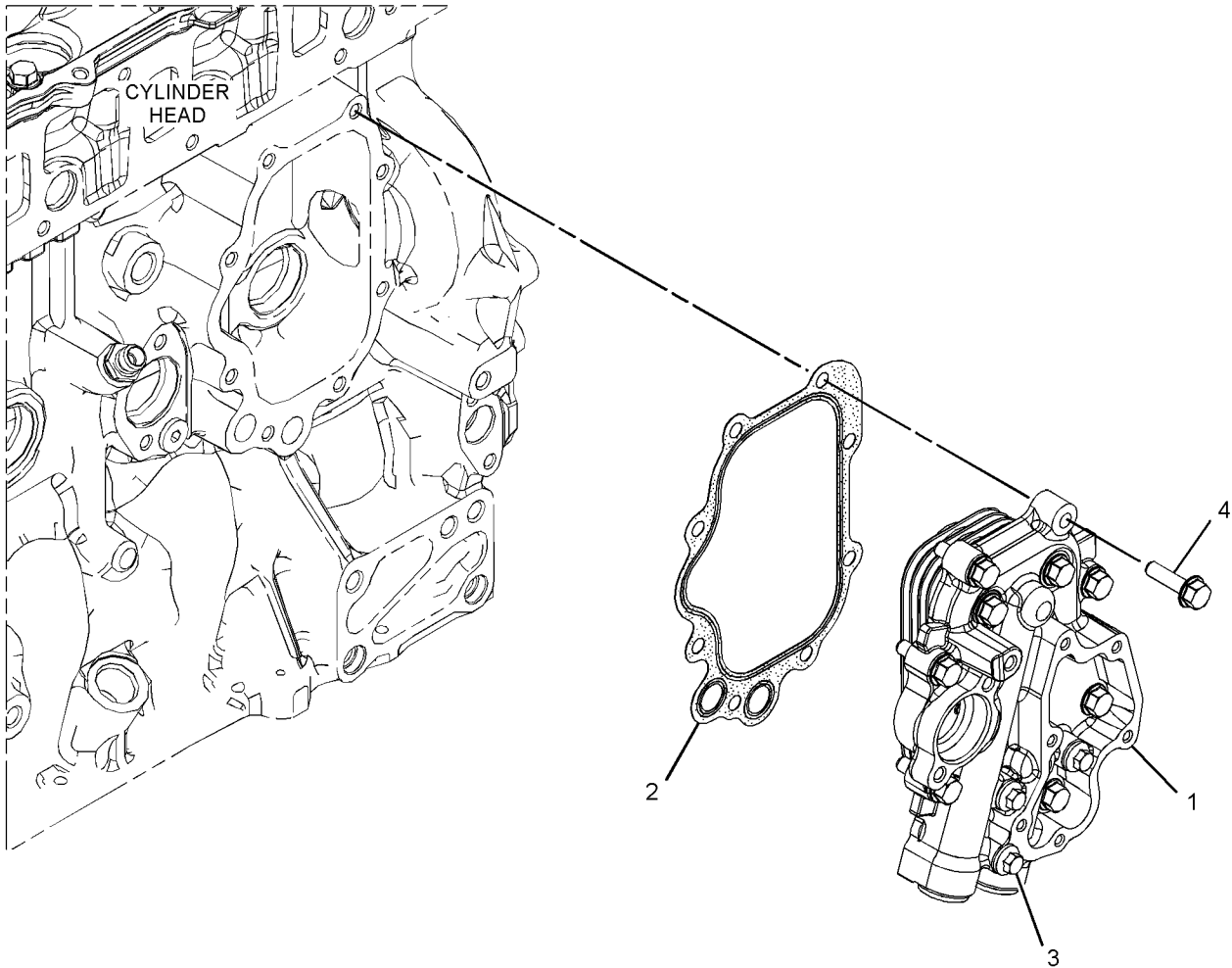
PART OF 350-1054 COOLER GP-ENGINE OIL

SMCS-1378

i05773165

NOTE	REF NO	GRAPHIC REF	PART NUMBER	QTY	PART NAME						SEE PAGE
					1	2	3	4	5	6 (PRODUCT LEVEL)	
Y	1	1	392-2045	1	COOLER GP-ENGINE OIL						183
	2	1	386-6451	1	GASKET						
	3	1	388-2068	1	BOLT						
	4	1	389-1920	7	BOLT						

Y - SEPARATE ILLUSTRATION



GRAPHIC #1

<END>

g03412257

COOLING SYSTEM

392-2045 COOLER GP-ENGINE OIL

S/N: CJ41-UP

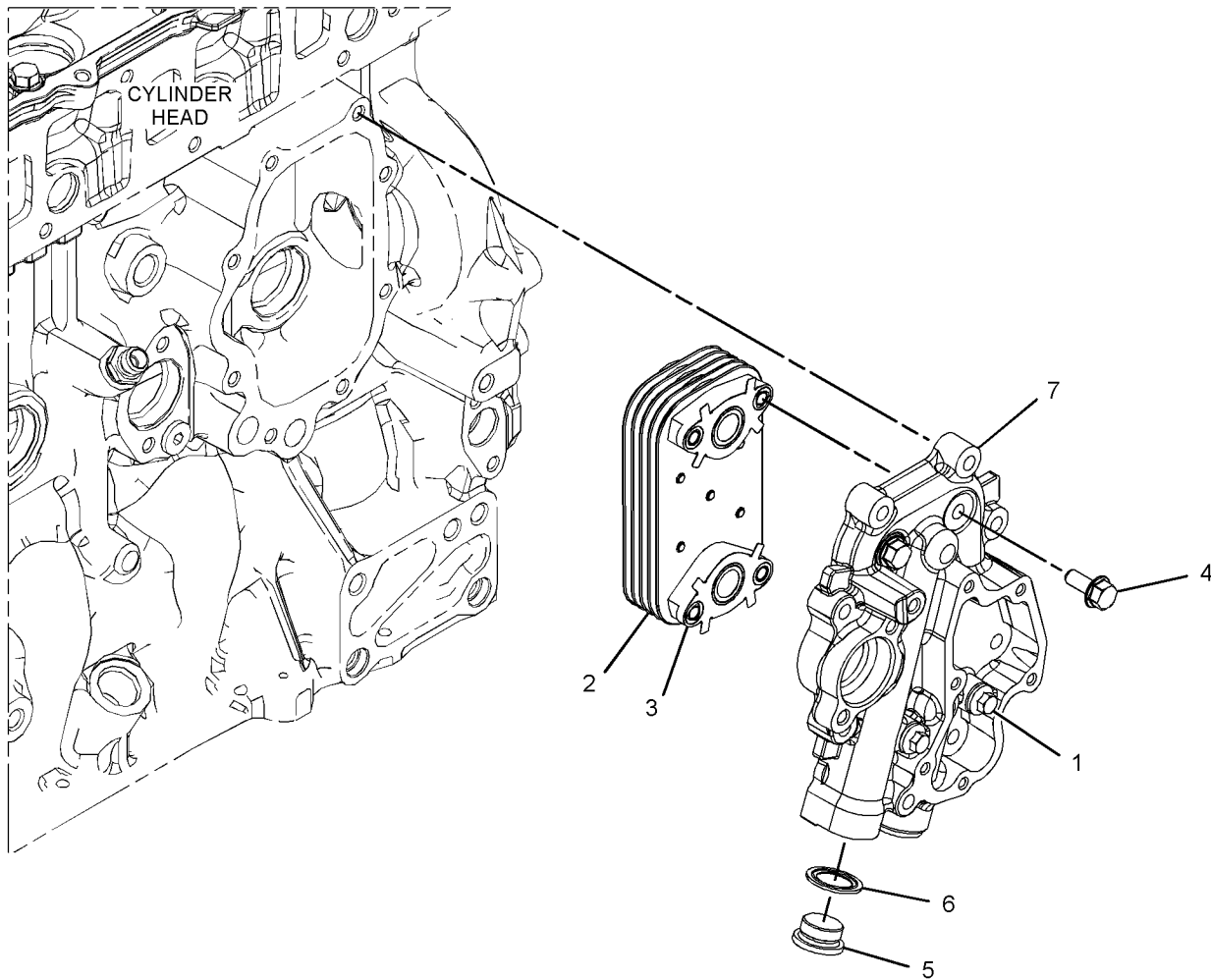
PART OF 392-0563 COOLER GP-ENGINE OIL

SMCS-1378

i05773211

NOTE	REF NO	GRAPHIC REF	PART NUMBER	QTY	PART NAME						SEE PAGE
					1	2	3	4	5	6 (PRODUCT LEVEL)	
M	1	1	101-3895	2	BOLT (M8X1.25X35-MM)						
	2	1	386-6507	1	COOLER						
	3	1	388-0519	2	GASKET						
	4	1	389-1874	2	BOLT -SPECIAL						
	5	1	390-0321	2	PLUG						
	6	1	390-3130	2	SEAL						
	7	1	392-2047	1	HOUSING						

M - METRIC PART



GRAPHIC #1

<END>

g03412440

COOLING SYSTEM

418-7659 COOLER GP-ENGINE OIL

S/N: W231-UP

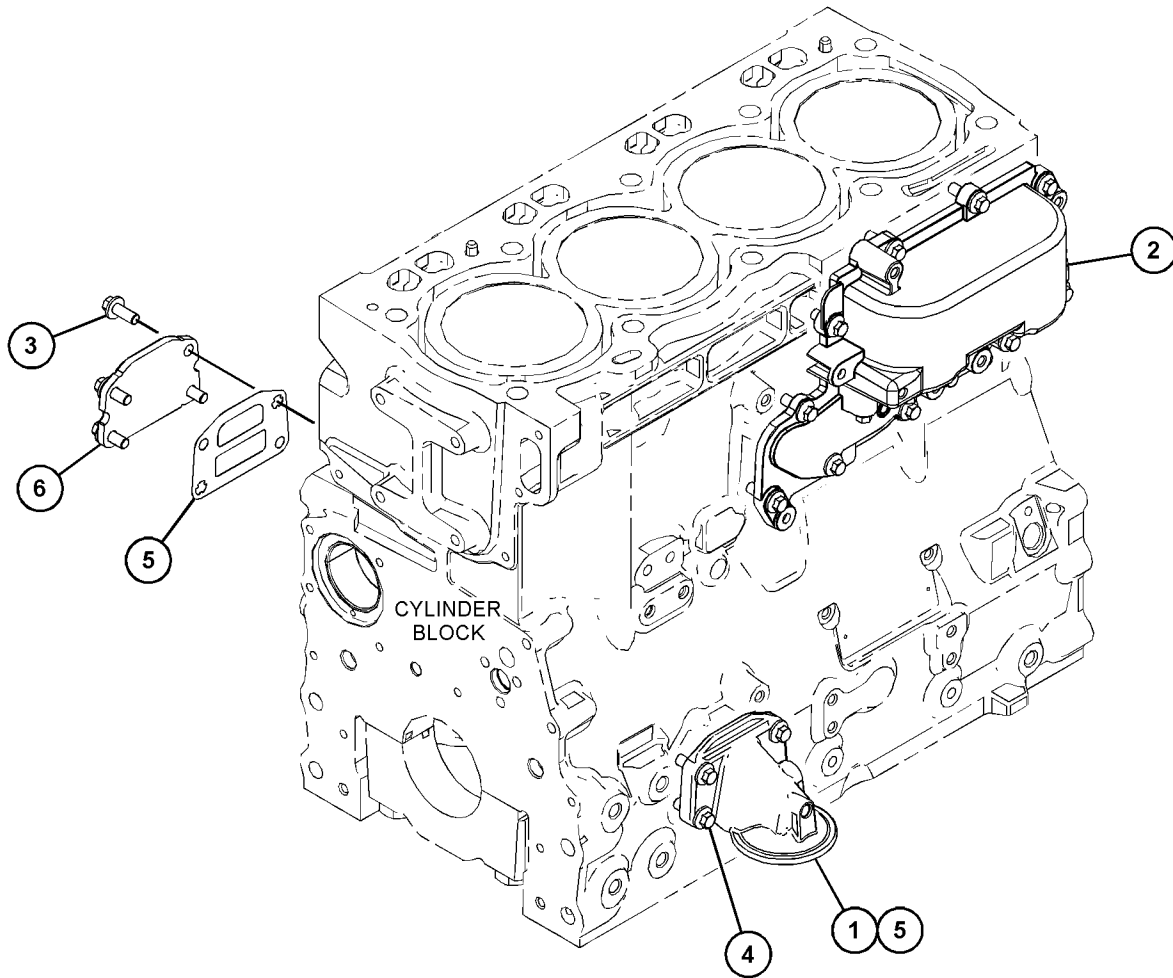
PART OF 463-8820, 463-8910 ENGINE AR-PRIMARY
ALSO AN ATTACHMENT

SMCS-1378

i06124016

NOTE	REF NO	GRAPHIC REF	PART NUMBER	QTY	PART NAME						SEE PAGE
					1	2	3	4	5	6 (PRODUCT LEVEL)	
	1	1	249-0974	1	HEAD AS-OIL FILTER						
Y	2	1	353-7717	1	COOLER GP-ENGINE OIL						180
M	3	1	6I-0572	4	BOLT (M8X1.25X20-MM)						
M	4	1	6I-0645	4	BOLT (M8X1.25X25-MM)						
	5	1	225-7944	2	GASKET (ENGINE OIL FILTER BASE)						
	6	1	232-3751	1	PLATE (BLANKING)						

M - METRIC PART
Y - SEPARATE ILLUSTRATION



GRAPHIC #1

<END>

g03821671

COOLING SYSTEM

435-5729 COVER GP-ENGINE OIL COOLER

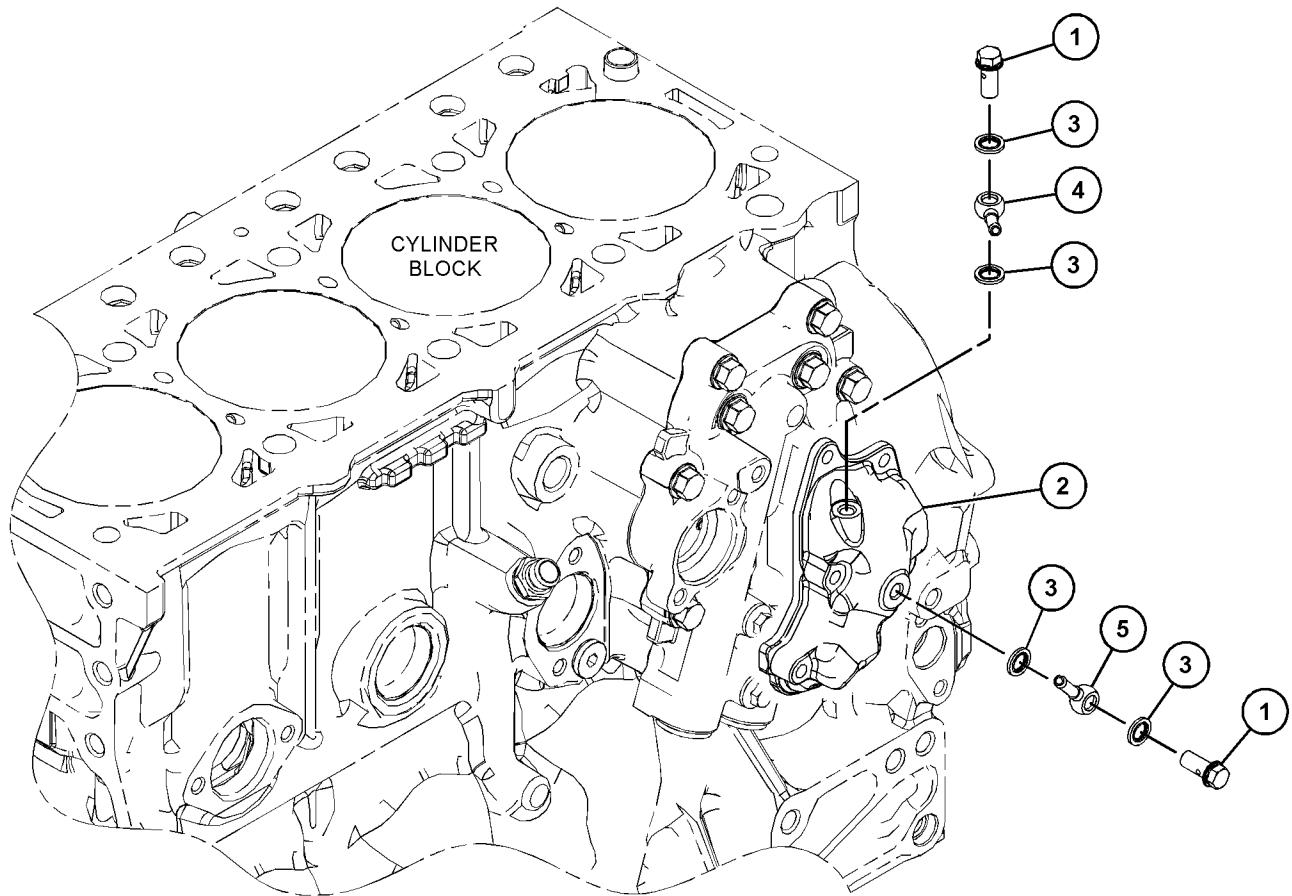
S/N: CJ41-UP

PART OF 464-1175 TURBOCHARGER GP

SMCS-1378

i06068719

NOTE	REF NO	GRAPHIC REF	PART NUMBER	QTY	PART NAME						SEE PAGE
					1	2	3	4	5	6 (PRODUCT LEVEL)	
	1	1	390-2386	2	BOLT						
	2	1	392-0744	1	COVER						
	3	1	392-2147	4	WASHER						
	4	1	435-5842	1	CONNECTOR						
	5	1	435-5844	1	CONNECTOR						



GRAPHIC #1

<END>

g03799949

COOLING SYSTEM

350-1474 EXTENSION GP-FAN

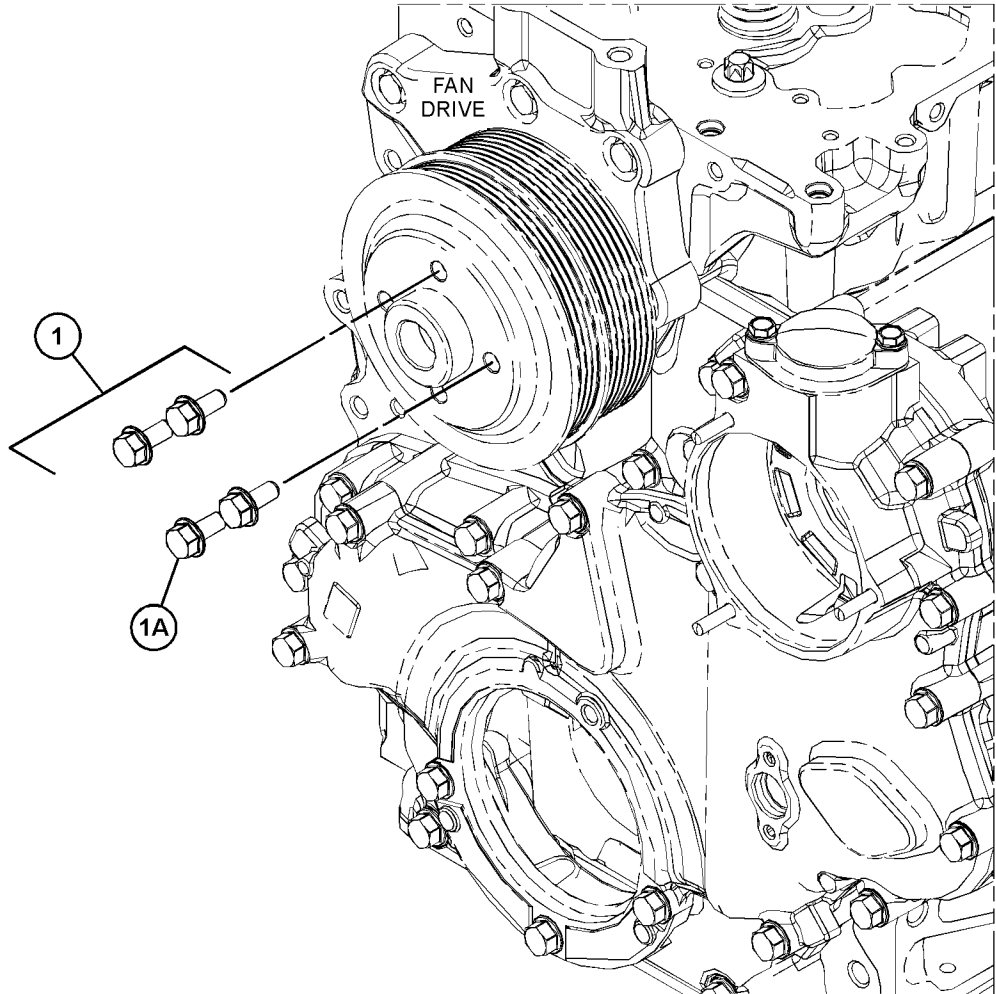
S/N: CJ41-UP

PART OF 465-2880 ENGINE AR-PRIMARY

SMCS-1356

i05963868

NOTE	REF NO	GRAPHIC REF	PART NUMBER	QTY	PART NAME						SEE PAGE
					1	2	3	4	5	6 (PRODUCT LEVEL)	
	1	1	423-8220	1	FASTENER GP-FAN						
	1A	1	389-1863	4	BOLT-SPECIAL						



GRAPHIC #1

<END>

g03676112

COOLING SYSTEM

420-0291 EXTENSION GP-FAN

S/N: W231-UP

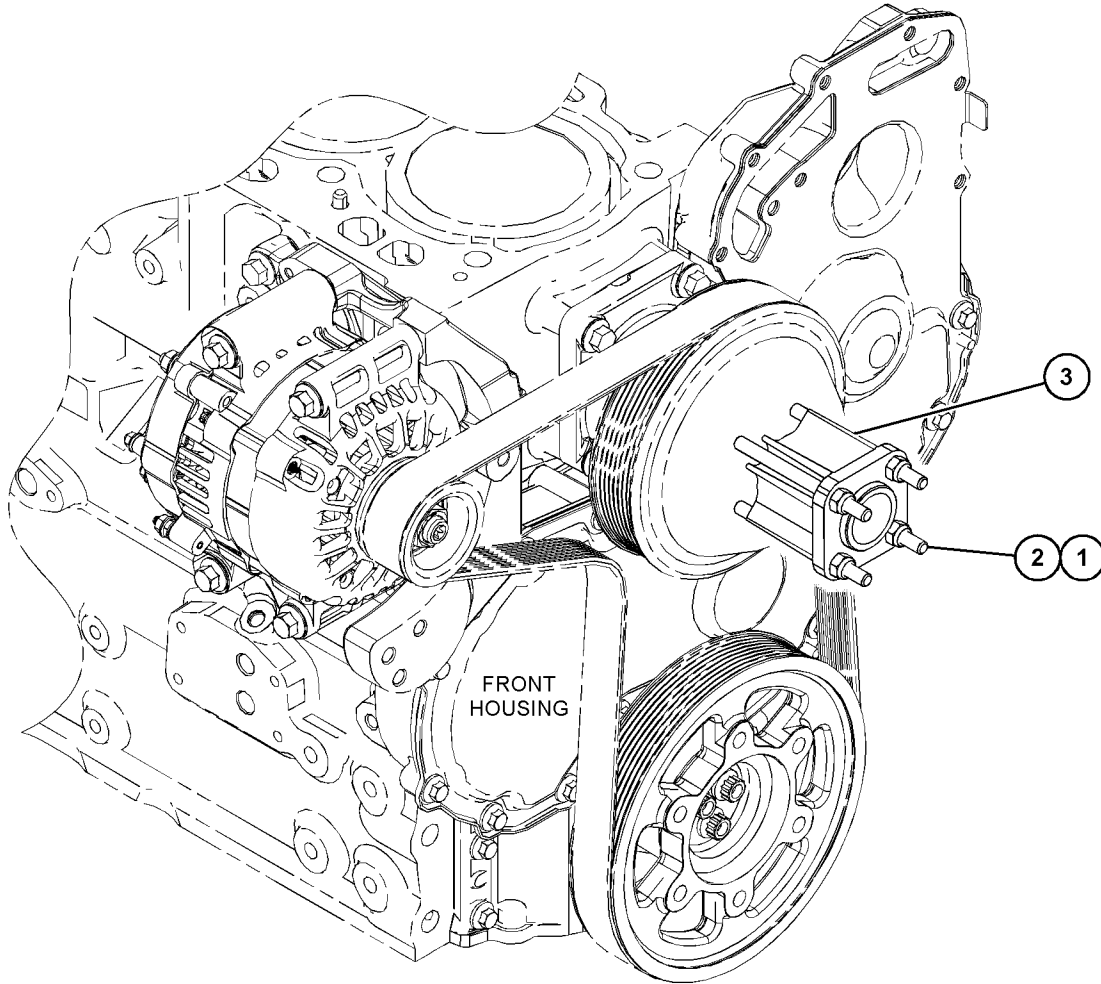
PART OF 463-8820 ENGINE AR-PRIMARY
ALSO AN ATTACHMENT

SMCS-1356

i06120005

NOTE	REF NO	GRAPHIC REF	PART NUMBER	QTY	PART NAME						SEE PAGE
					1	2	3	4	5	6 (PRODUCT LEVEL)	
M	1	1	6V-9189	4	LOCKNUT (M8X1.25-THD)						
	2	1	135-6362	4	STUD						
	3	1	135-6363	1	EXTENSION-FAN						

M - METRIC PART



GRAPHIC #1

<END>

g03812994

COOLING SYSTEM

497-9592 FAN & MOTOR GP

S/N: TD61-UP; TD71-UP

PART OF 518-5877, 518-6040, 518-6042 ENGINE AR-COMplete
AN ATTACHMENT

SMCS-1356, 1360, 1386, 5057

i06601105

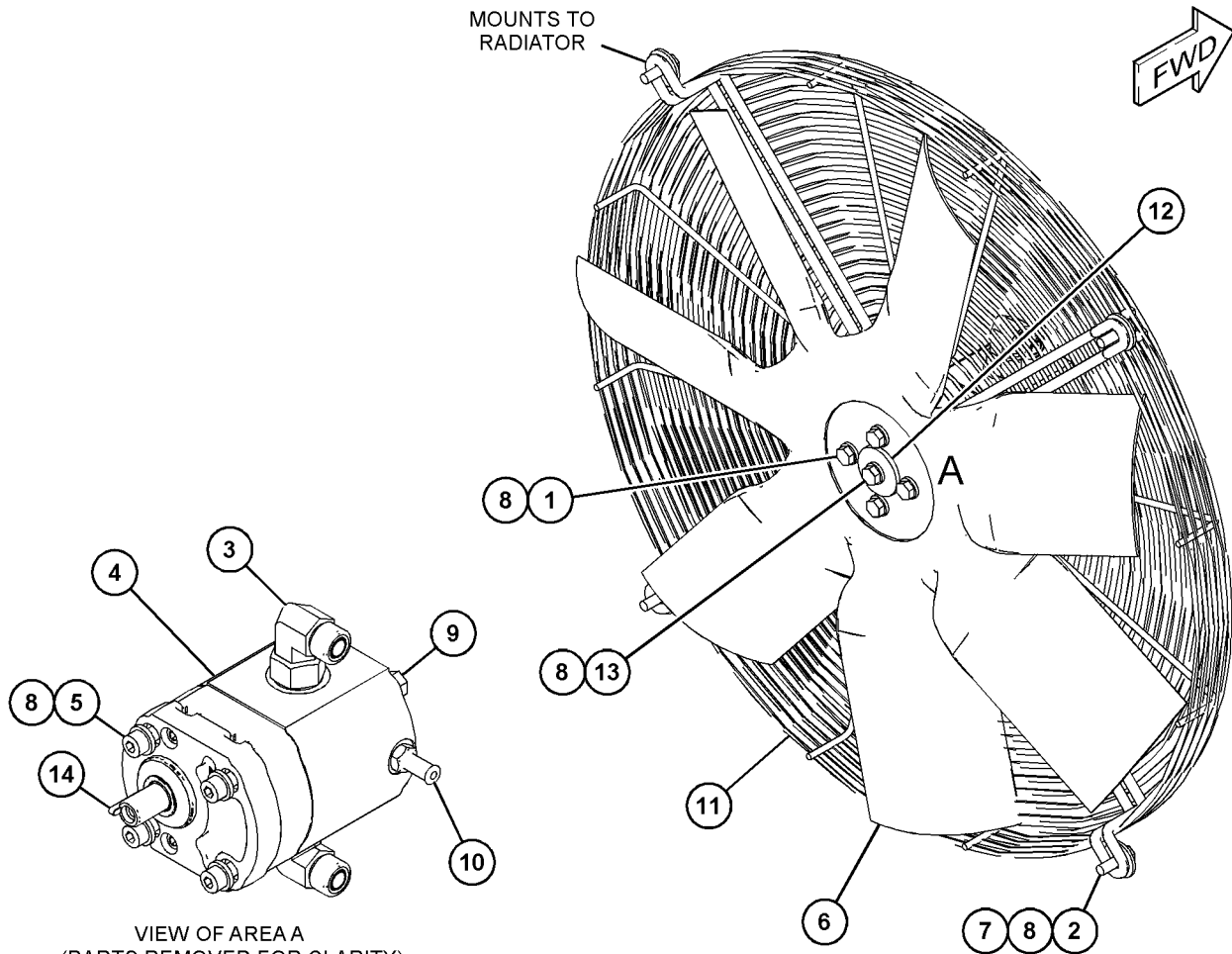
NOTE	REF NO	GRAPHIC REF	PART NUMBER	QTY	PART NAME						SEE PAGE
					1	2	3	4	5	6 (PRODUCT LEVEL)	
M	1	1	8T-4189	4	BOLT (M8X1.25X20-MM)						
M	2	1	8T-4908	4	BOLT (M8X1.25X25-MM)						
	3	1	298-0475	2	FITTING-ADAPTER						
J	4	1	497-9596	1	MOTOR GP-GEAR (COOLING FAN)						
	5	1	396-1025	4	BOLT-SOCKET HEAD						
	6	1	497-9595	1	FAN						
	7	1	116-8517	4	WASHER (10.5X30X2.5-MM THK)						
	8	1	5M-2894	13	WASHER-HARD (10.2X18.5X2.5-MM THK)						
	9	1	495-7633	4	NUT-HEX FLANGE						
	10	1	316-1999	1	ADAPTER						
	11	1	497-9594	1	GUARD AS-FAN						
	12	1	497-9593	1	HUB-ADAPTER						
M	13	1	8T-5093	1	BOLT-LOCKING (M8X1.25X25-MM)						
	14	1	450-4786	1	KEY (FAN HUB)						
					AVAILABLE REPAIR KIT(S):						
J			499-3351	1	KIT-SEAL						
					(INCLUDES SEALS, BUSH HOLDER, ANTIEXTRUSION RING & SHAFT SEAL)						

J - KIT MARKED J SERVICES PART(S) MARKED J
M - METRIC PART

COOLING SYSTEM

497-9592 FAN & MOTOR GP (contd.)

106601105



GRAPHIC #1

<END>

g06096415

COOLING SYSTEM

499-5286 FAN GP

S/N: TD61-UP; TD71-UP

**PART OF 499-4950 COOLER GP-HYDRAULIC OIL
AN ATTACHMENT**

SMCS-1356

i06601115

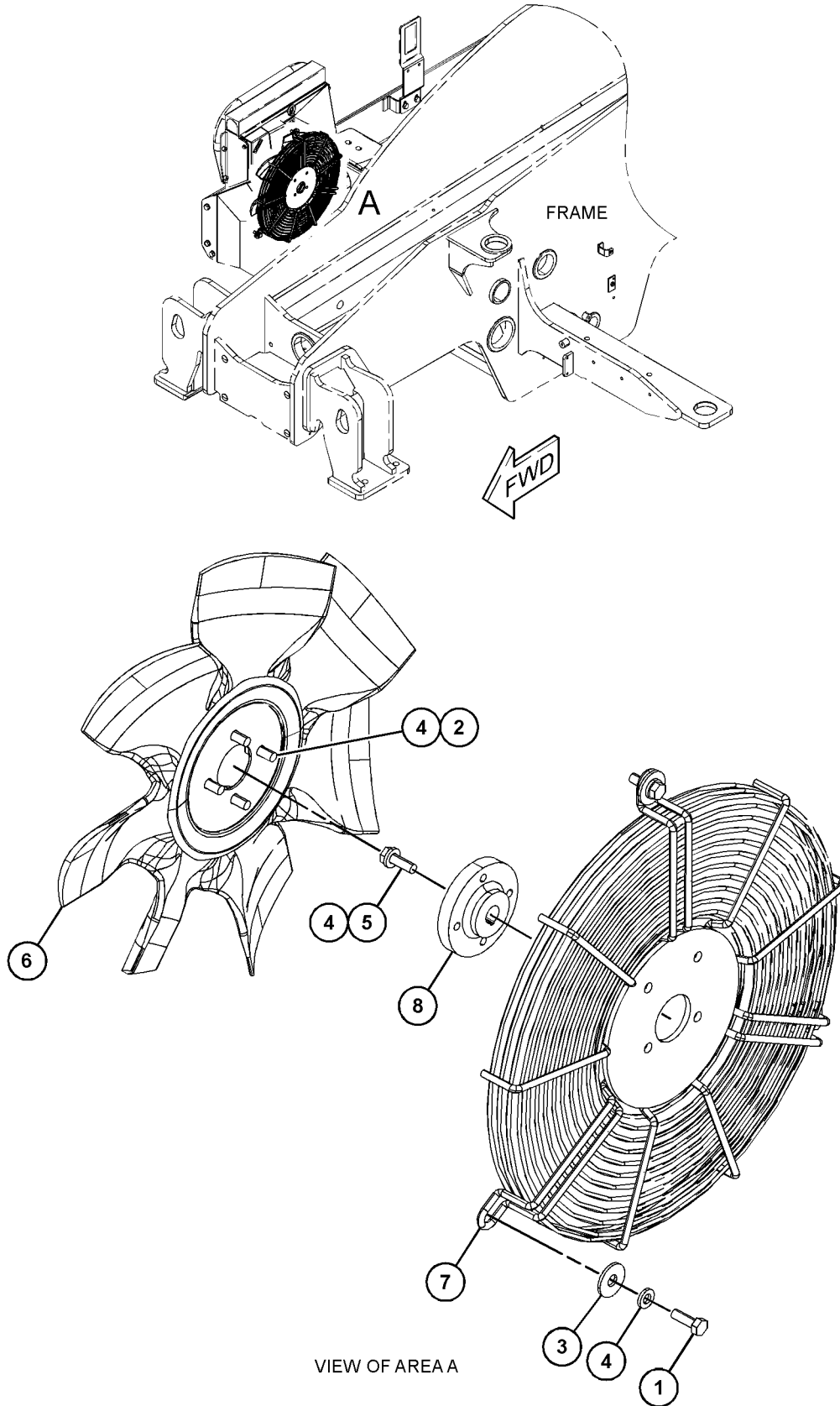
NOTE	REF NO	GRAPHIC REF	PART NUMBER	QTY	PART NAME						SEE PAGE
					1	2	3	4	5	6 (PRODUCT LEVEL)	
M	1	1	8T-4908	3	BOLT (M8X1.25X25-MM)						
M	2	1	8T-4189	4	BOLT (M8X1.25X20-MM)						
	3	1	116-8517	3	WASHER (10.5X30X2.5-MM THK)						
	4	1	5M-2894	8	WASHER-HARD (10.2X18.5X2.5-MM THK)						
M	5	1	8T-5093	1	BOLT-LOCKING (M8X1.25X25-MM)						
	6	1	499-5287	1	FAN						
	7	1	499-5288	1	GUARD AS-FAN						
	8	1	497-9593	1	HUB-ADAPTER						

M - METRIC PART

COOLING SYSTEM

499-5286 FAN GP (contd.)

106601115



GRAPHIC #1

<END>

g06048849

COOLING SYSTEM

474-4959 FAN GP-SUCTION

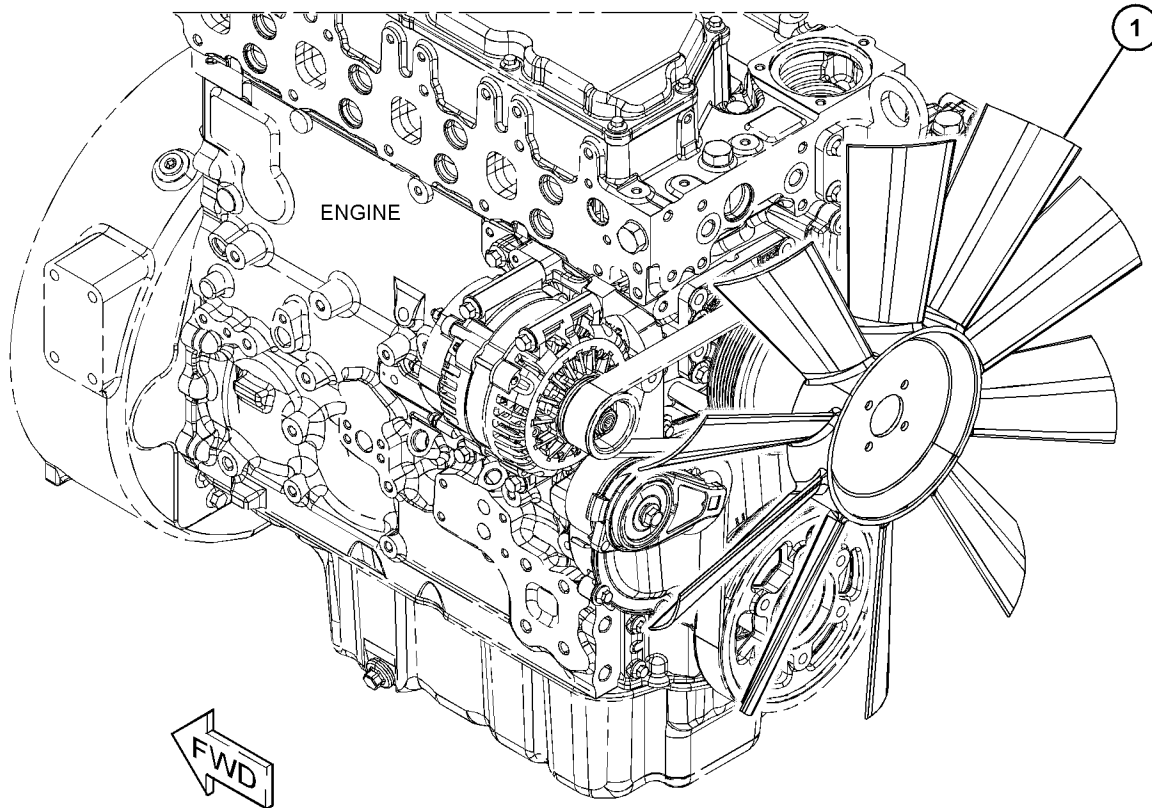
S/N: TD71-UP

PART OF 518-6043 ENGINE AR-COMPLETE
AN ATTACHMENT

SMCS-1356

i06091230

NOTE	REF NO	GRAPHIC REF	PART NUMBER	QTY	PART NAME						SEE PAGE
					1	2	3	4	5	6 (PRODUCT LEVEL)	
	1	1	389-3465	1	FAN AS (10-BLADES)						



GRAPHIC #1

<END>

g03812309

COOLING SYSTEM

496-3423 LINES GP-COOLANT

S/N: TD61-UP

PART OF 518-5877 ENGINE AR-COMPLETE

AN ATTACHMENT

SMCS-1380

i06928750

NOTE	REF NO	GRAPHIC REF	PART NUMBER	QTY	PART NAME						SEE PAGE
					1	2	3	4	5	6 (PRODUCT LEVEL)	
	1	1	496-3418	1	HOSE						
M	2	1	8T-4908	2	BOLT (M8X1.25X25-MM)						
M	3	1	8T-4137	1	BOLT (M10X1.5X20-MM)						
	4	1	7K-1181	2	STRAP-CABLE						
	5	1	8T-4224	2	WASHER-HARD (8.8X16X2-MM THK)						
	6	1	8T-4121	1	WASHER-HARD (11X21X2.5-MM THK)						
	7	1	336-7700	4	CLAMP						
	8	1	450-5251	5	CLAMP-SPRING						
	9	1	268-5612	4	CLAMP						
	10	1	317-5987	1	CLIP						
	11	1	478-6916	1	ADAPTER-STRAIGHT						
	12	1	451-9869	2	CLAMP						
	13	1	425-9258	2	HOSE						
	14	1	478-5153	2	ADAPTER						
E	15	1	326-1178		HOSE (60-CM)						
	16	1	477-0692	1	ADAPTER-TEE						
	17	1	496-3421	1	HOSE						
	18	1	496-3420	1	HOSE						
	19	1	184-7211	2	CLIP						
E	20	1	8I-1362		HOSE (8-CM)						
E	20A	1	8I-1362		HOSE (123-CM)						
E	21	1	9X-2133		HOSE (37-CM)						
	22	1	4K-8864	1	CLIP						
	23	1	464-1334	1	PLUG						
	24	1	309-3997	1	WASHER (8.4X25X2-MM THK)						
	25	1	298-7387	1	LOCKWASHER						
M	26	1	8T-4200	1	BOLT (M8X1.25X16-MM)						
	27	1	330-8103	1	CLAMP-HOSE						
	28	1	496-3419	1	FITTING						
	29	1	317-7012	2	CLAMP-BAND						

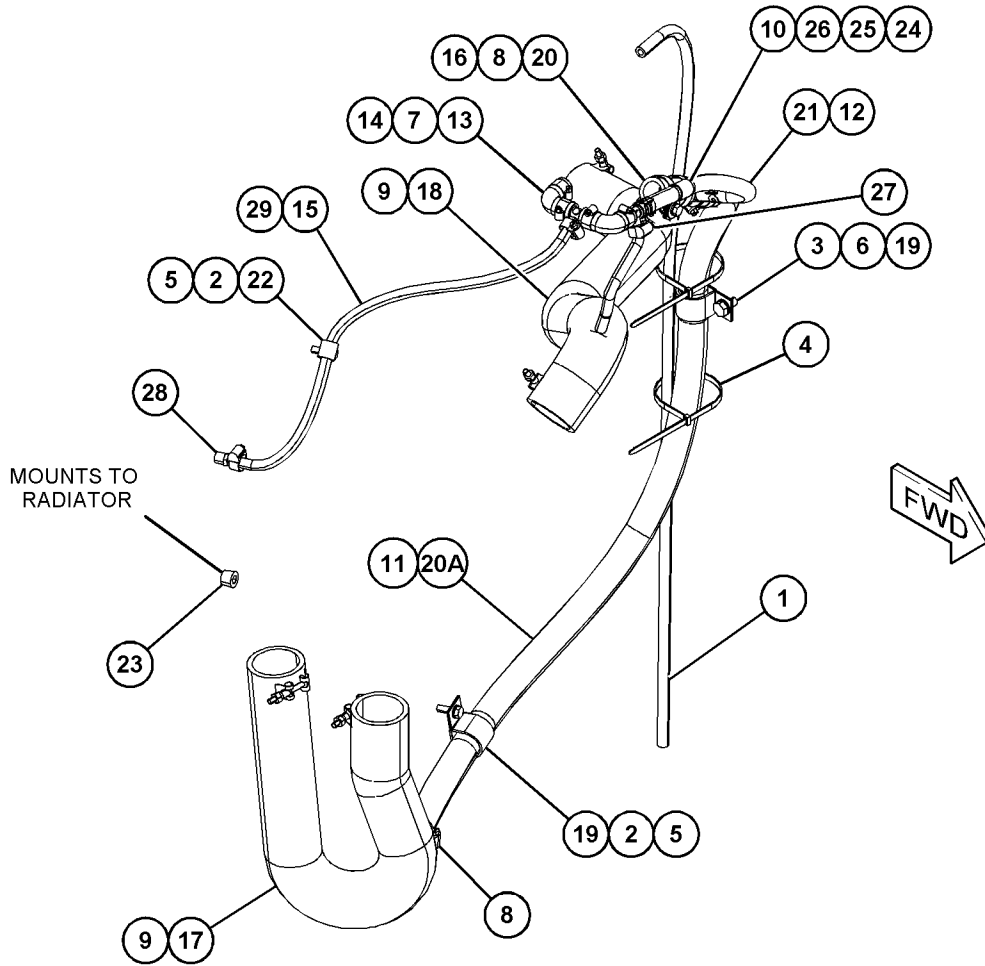
E - ORDER BY THE CENTIMETER

M - METRIC PART

COOLING SYSTEM

496-3423 LINES GP-COOLANT (contd.)

i06928750



GRAPHIC #1

<END>

g06171922

COOLING SYSTEM

497-9623 LINES GP-COOLANT

S/N: TD71-UP

PART OF 518-6043 ENGINE AR-COMPLETE

AN ATTACHMENT

SMCS-1380

i06906413

NOTE	REF NO	GRAPHIC REF	PART NUMBER	QTY	PART NAME						SEE PAGE
					1	2	3	4	5	6 (PRODUCT LEVEL)	
E	1	1	8I-1362		HOSE (8-CM)						
E	1A	1	8I-1362		HOSE (107-CM)						
M	2	1	5C-9553	1	BOLT (M6X1X16-MM)						
M	3	1	8T-4137	1	BOLT (M10X1.5X20-MM)						
	4	1	309-3997	1	WASHER (8.4X25X2-MM THK)						
	5	1	8T-4121	1	WASHER-HARD (11X21X2.5-MM THK)						
	6	1	334-1073	2	CLAMP						
	7	1	095-1390	4	CLAMP-HOSE						
	8	1	323-7265	3	CLAMP						
	9	1	309-4001	1	CLAMP						
	10	1	317-5987	1	CLIP						
	11	1	451-9869	2	CLAMP						
	12	1	425-9258	1	HOSE						
	13	1	478-5153	1	ADAPTER						
	14	1	477-0693	1	ELBOW						
	15	1	477-0692	1	ADAPTER-TEE						
	16	1	477-0695	1	HOSE						
	17	1	477-0696	1	HOSE						
	18	1	184-7211	1	CLIP						
E	19	1	326-1178		HOSE (37-CM)						
E	21	1	9X-2133		HOSE (49-CM)						
	22	1	298-7387	1	LOCKWASHER						
	23	1	330-8103	2	CLAMP-HOSE						
E	24	1	495-4683		HOSE (122-CM)						

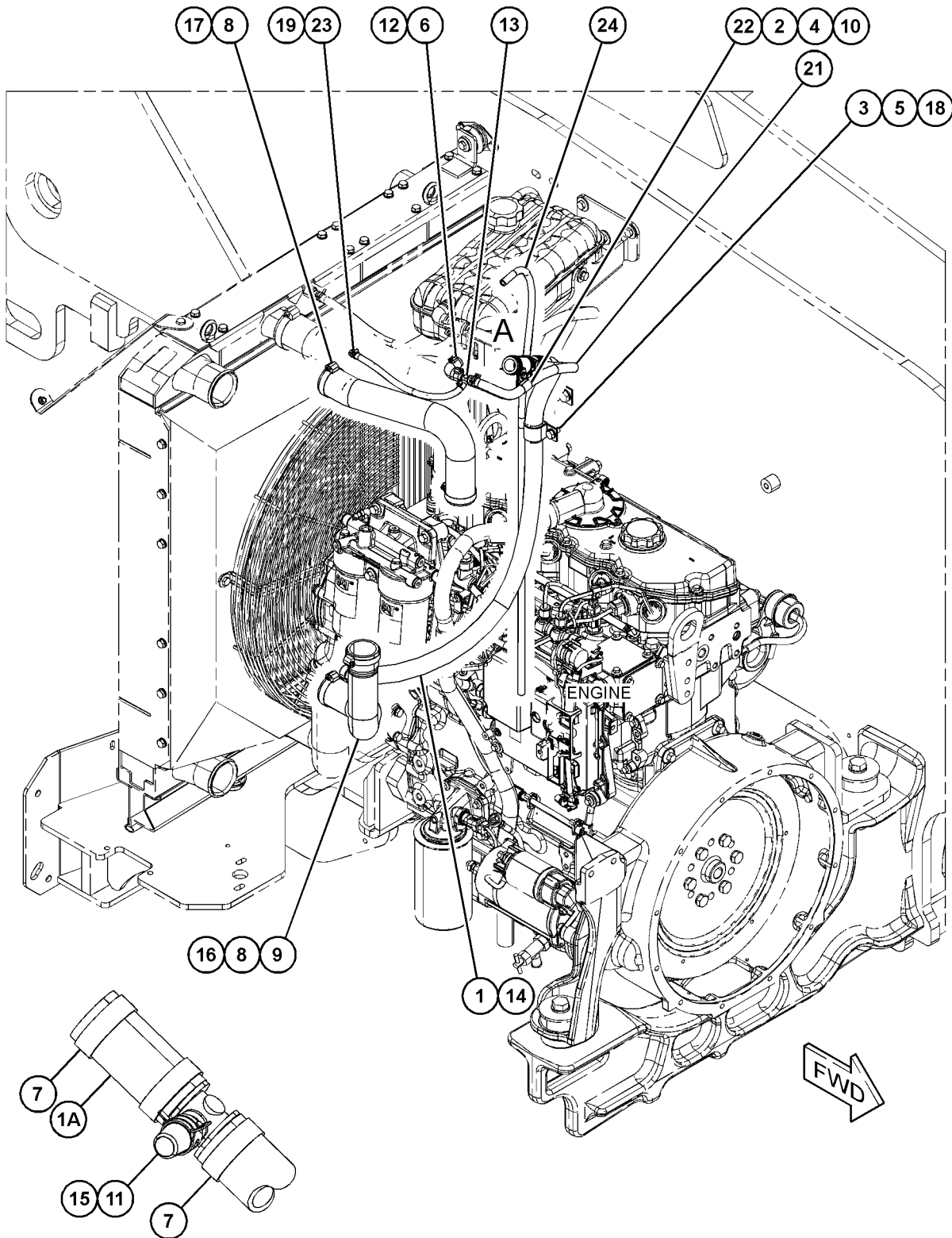
E - ORDER BY THE CENTIMETER

M - METRIC PART

COOLING SYSTEM

497-9623 LINES GP-COOLANT (contd.)

i06906413



VIEW OF AREA A
(PARTS REMOVED FOR CLARITY)



GRAPHIC #1

<END>

g06165404

COOLING SYSTEM

501-2998 LINES GP-COOLANT

S/N: TD71-UP

PART OF 518-6040, 518-6042 ENGINE AR-COMPLETE
AN ATTACHMENT

SMCS-1380

i06928723

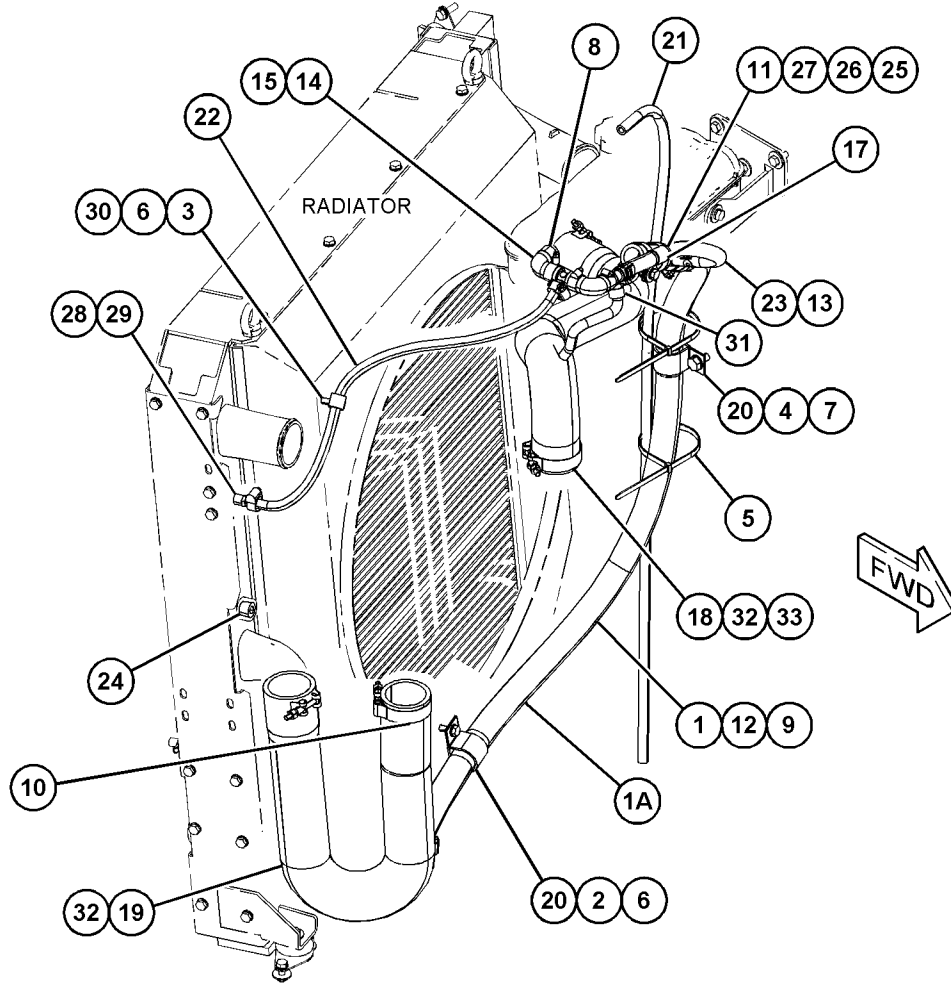
NOTE	REF NO	GRAPHIC REF	PART NUMBER	QTY	PART NAME						SEE PAGE
					1	2	3	4	5	6 (PRODUCT LEVEL)	
E	1	1	8I-1362		HOSE (8-CM)						
E	1A	1	8I-1362		HOSE (123-CM)						
M	2	1	8T-4189	1	BOLT (M8X1.25X20-MM)						
M	3	1	8T-4908	1	BOLT (M8X1.25X25-MM)						
M	4	1	8T-4137	1	BOLT (M10X1.5X20-MM)						
	5	1	7K-1181	2	STRAP-CABLE						
	6	1	8T-4224	2	WASHER-HARD (8.8X16X2-MM THK)						
	7	1	8T-4121	1	WASHER-HARD (11X21X2.5-MM THK)						
	8	1	336-7700	4	CLAMP						
	9	1	450-5251	5	CLAMP-SPRING						
	10	1	457-1255	1	CLAMP						
	11	1	317-5987	1	CLIP						
	12	1	478-6916	1	ADAPTER-STRAIGHT						
	13	1	451-9869	2	CLAMP						
	14	1	425-9258	2	HOSE						
	15	1	478-5153	2	ADAPTER						
	17	1	477-0692	1	ADAPTER-TEE						
	18	1	501-2999	1	HOSE						
	19	1	501-3000	1	HOSE						
	20	1	184-7211	2	CLIP						
	21	1	496-3418	1	HOSE						
E	22	1	326-1178		HOSE (60-CM)						
E	23	1	9X-2133		HOSE (37-CM)						
	24	1	464-1334	1	PLUG						
	25	1	298-7387	1	LOCKWASHER						
M	26	1	8T-4200	1	BOLT (M8X1.25X16-MM)						
	27	1	309-3997	1	WASHER (8.4X25X2-MM THK)						
	28	1	317-7012	2	CLAMP-BAND						
	29	1	496-3419	1	FITTING						
	30	1	4K-8864	1	CLIP						
	31	1	330-8103	1	CLAMP-HOSE						
	32	1	461-9739	2	CLAMP						
	33	1	484-1744	1	CLAMP						

E - ORDER BY THE CENTIMETER
M - METRIC PART

COOLING SYSTEM

501-2998 LINES GP-COOLANT (contd.)

i06928723



GRAPHIC #1

<END>

g06172446

COOLING SYSTEM

513-6555 LINES GP-COOLANT

S/N: TD71-UP

PART OF 518-6043 ENGINE AR-COMPLETE

AN ATTACHMENT

SMCS-1380

i06906389

NOTE	REF NO	GRAPHIC REF	PART NUMBER	QTY	PART NAME						SEE PAGE
					1	2	3	4	5	6 (PRODUCT LEVEL)	
I	1	1	499-7320	1	HOSE AS						
I	2	1	499-7319	1	HOSE AS						
I	3	1	499-7323	1	HOSE AS						
I	4	1	499-7358	1	HOSE AS						
M	5	1	8T-4189	1	BOLT (M8X1.25X20-MM)						
I	6	1	499-7322	1	HOSE AS						
	7	1	500-2507	1	HOSE AS						
	8	1	298-0468	1	FITTING-ADAPTER						
	9	1	500-2096	1	ADAPTER-O-RING						
	10	1	298-0476	1	FITTING-ADAPTER						
	11	1	303-4759	2	FITTING						
	12	1	499-8477	1	TUBE AS						
	13	1	499-9419	1	TUBE AS						
	14	1	495-1408	1	VALVE AS-CHECK						
M	15	1	8T-4136	2	BOLT (M10X1.5X25-MM)						
	16	1	116-8517	2	WASHER (10.5X30X2.5-MM THK)						
	17	1	5K-9090	3	SEAL-O-RING						
	18	1	6V-8400	2	SEAL-O-RING						
	19	1	3S-2093	1	STRAP-CABLE						
	20	1	4P-7581	1	CLIP (LADDER)						
	21	1	8T-4224	1	WASHER-HARD (8.8X16X2-MM THK)						

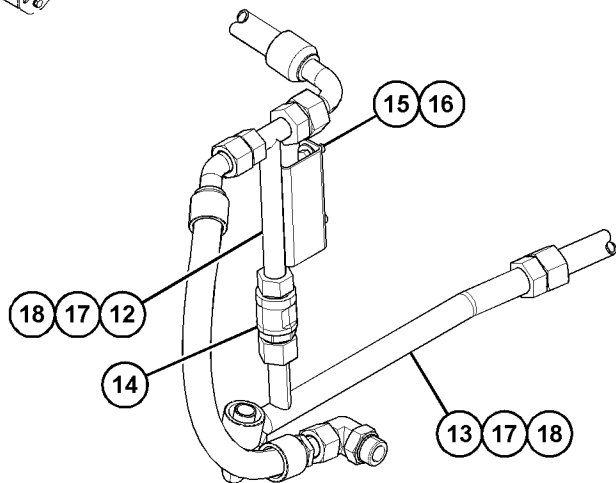
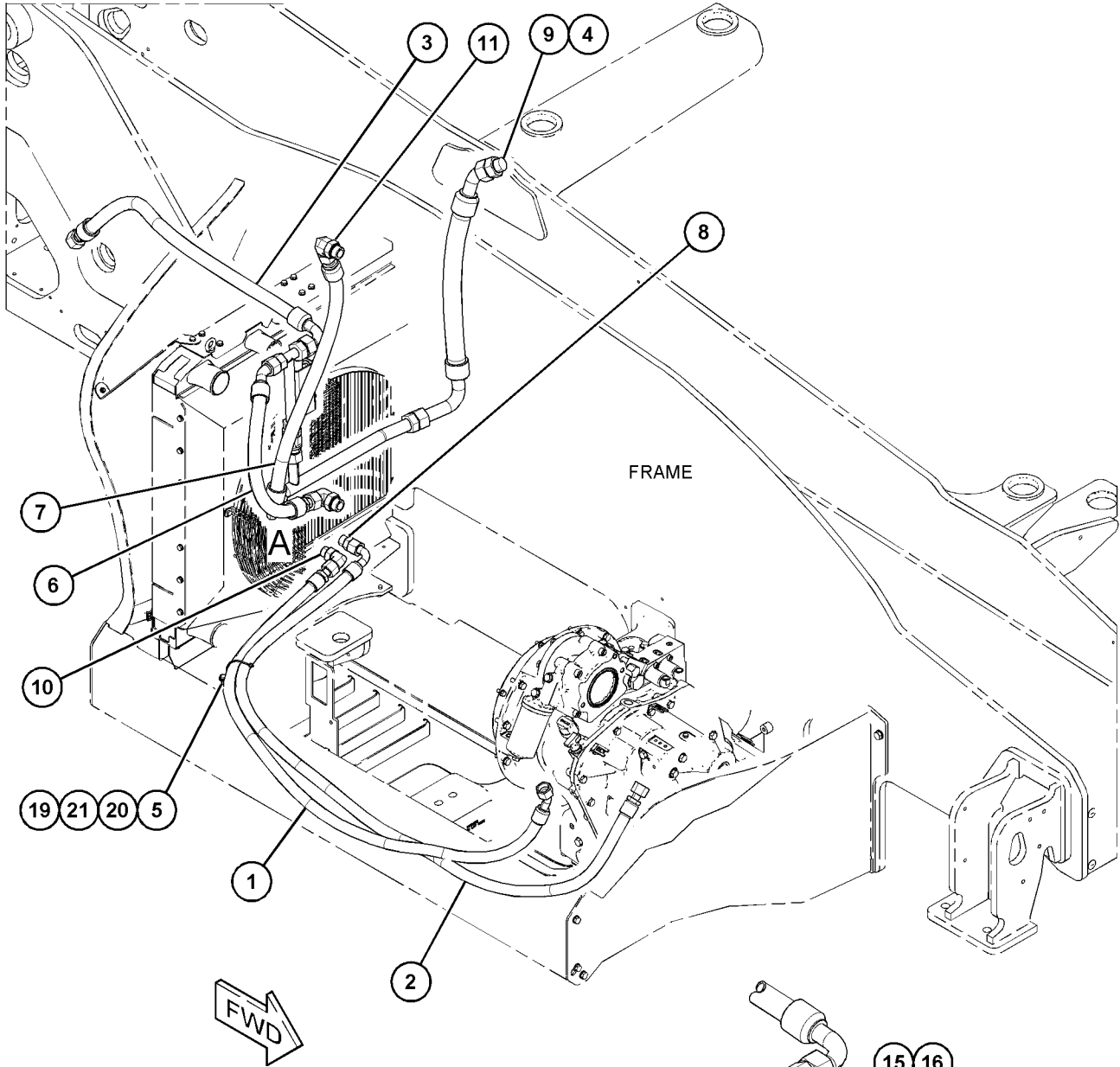
I - REFER TO HYDRAULIC INFORMATION SYSTEM

M - METRIC PART

COOLING SYSTEM

513-6555 LINES GP-COOLANT (contd.)

i06906389



VIEW OF AREA A
(PARTS REMOVED FOR CLARITY)

GRAPHIC #1

<END>

g06165995

COOLING SYSTEM

515-9553 LINES GP-COOLANT

S/N: TD61-UP; TD71-UP

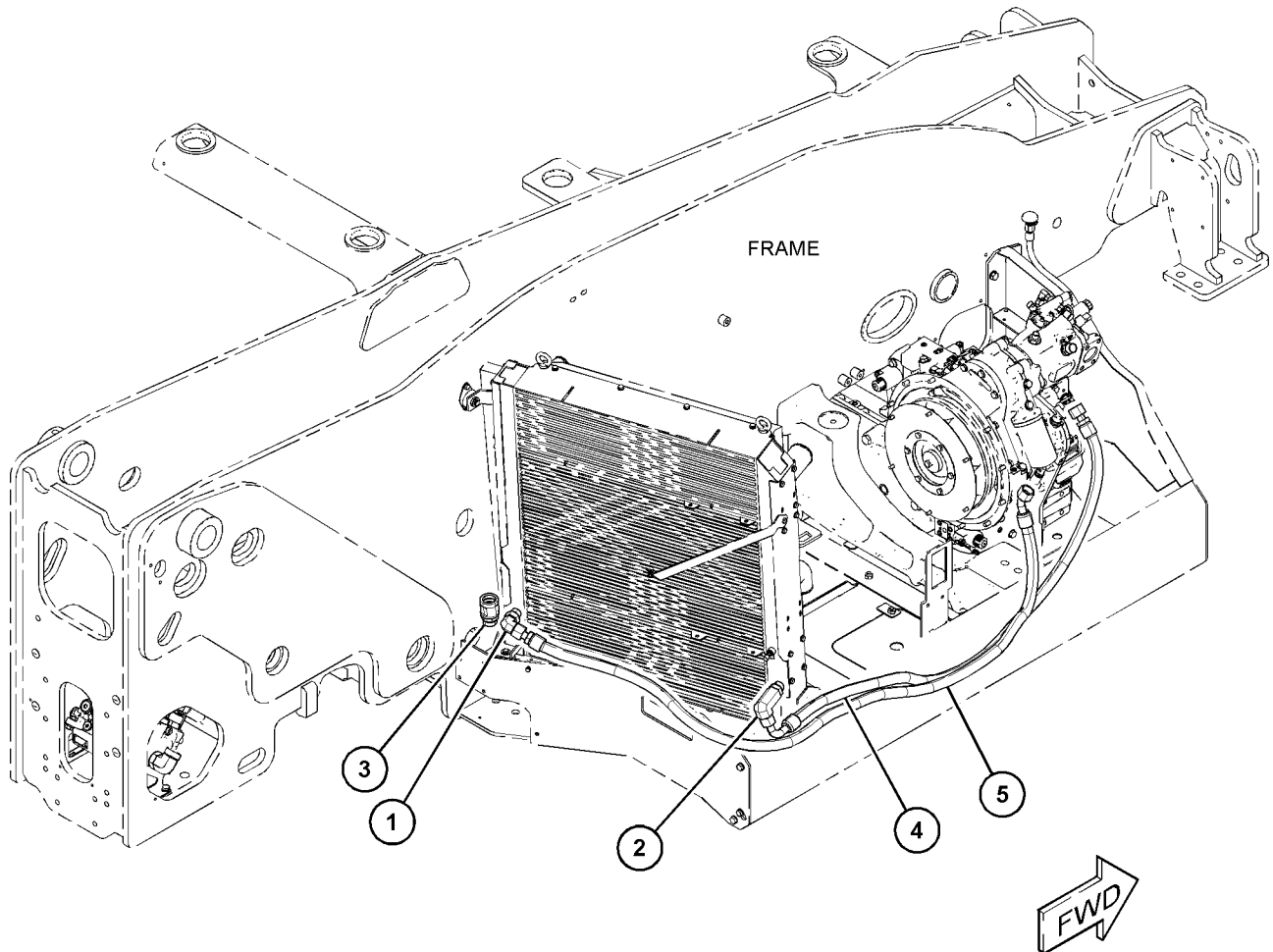
PART OF 518-5877, 518-6042 ENGINE AR-COMplete
AN ATTACHMENT

SMCS-1380

i06893875

NOTE	REF NO	GRAPHIC REF	PART NUMBER	QTY	PART NAME						SEE PAGE
					1	2	3	4	5	6 (PRODUCT LEVEL)	
	1	1	298-0476	1	FITTING-ADAPTER						
	2	1	298-0491	1	FITTING						
	3	1	495-1408	1	VALVE AS-CHECK						
I	4	1	499-4258	1	HOSE AS						
I	5	1	499-4260	1	HOSE AS						

I - REFER TO HYDRAULIC INFORMATION SYSTEM



GRAPHIC #1

<END>

g06163993

COOLING SYSTEM

350-1959 PLUG GP-WATER LINES

S/N: CJ41-UP

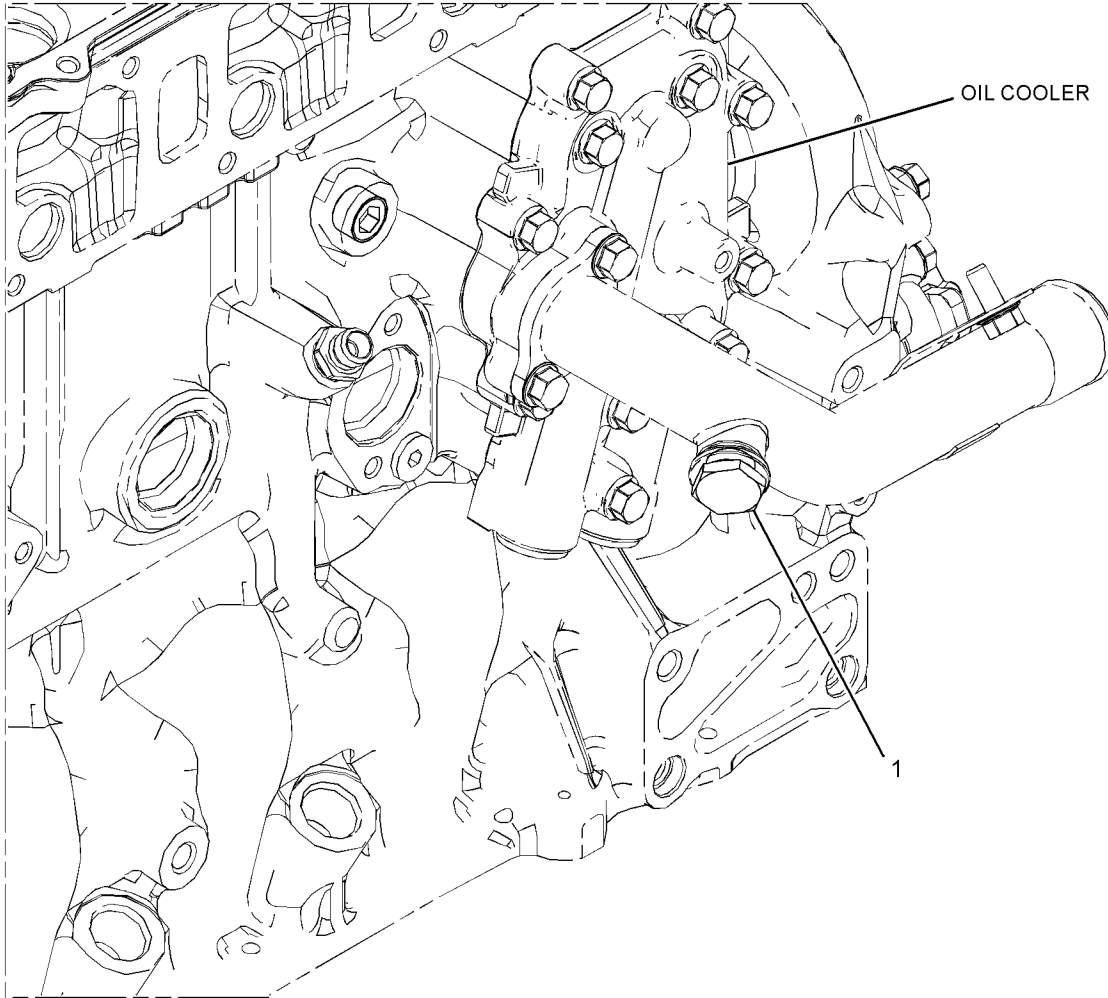
PART OF 465-2880 ENGINE AR-PRIMARY

SMCS-1380, 1393

i05722351

NOTE	REF NO	GRAPHIC REF	PART NUMBER	QTY	PART NAME						SEE PAGE
					1	2	3	4	5	6 (PRODUCT LEVEL)	
Y	1	1	374-6765	1	PLUG GP-WATER LINES						203

Y - SEPARATE ILLUSTRATION



GRAPHIC #1

<END>

g02879057

COOLING SYSTEM

374-6765 PLUG GP-WATER LINES

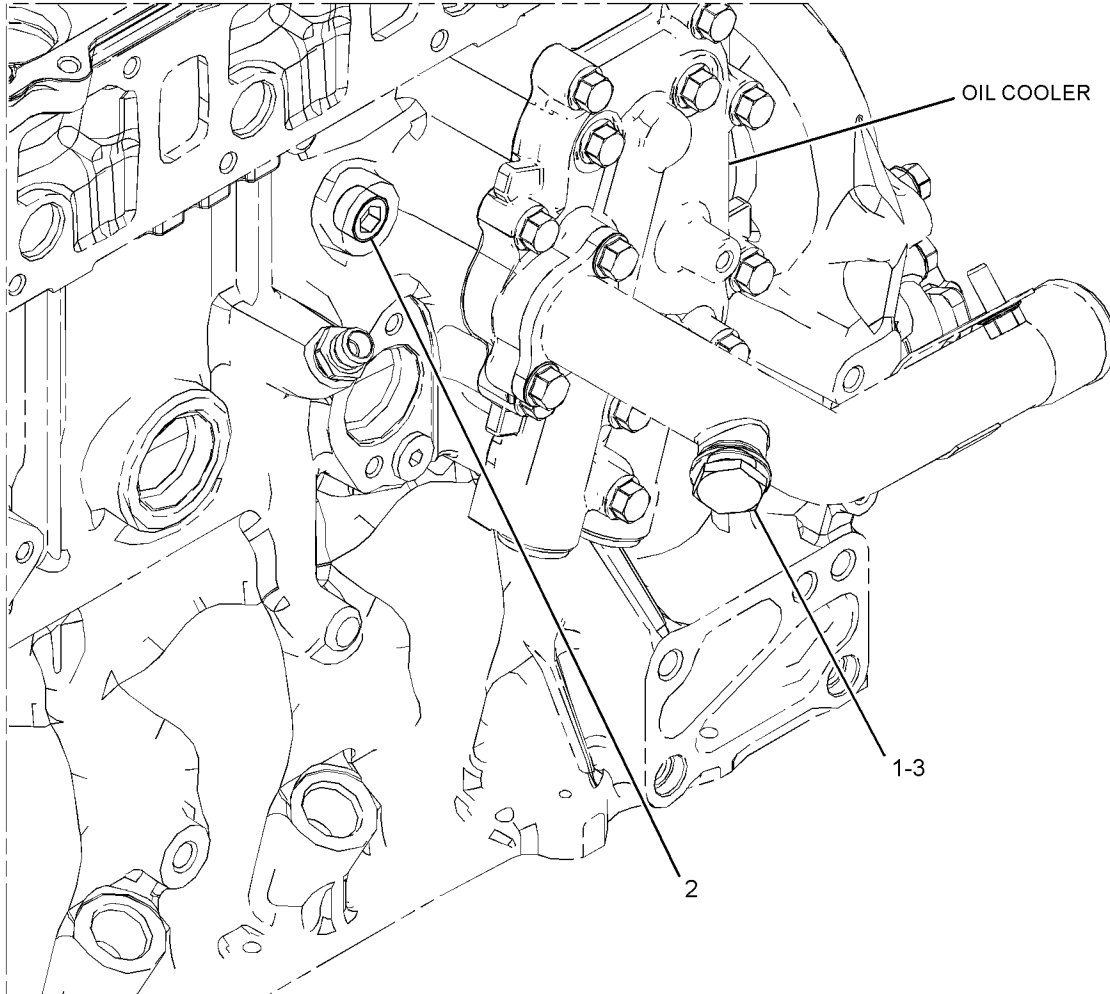
S/N: CJ41-UP

PART OF 350-1959 PLUG GP-WATER LINES

SMCS-1380, 1393

i05773239

NOTE	REF NO	GRAPHIC REF	PART NUMBER	QTY	PART NAME						SEE PAGE
					1	2	3	4	5	6 (PRODUCT LEVEL)	
	1	1	387-7727	1	PLUG						
	2	1	456-1357	1	PLUG						
	3	1	389-2856	1	WASHER						



GRAPHIC #1

<END>

g02881402

COOLING SYSTEM

333-7914 PUMP GP-WATER

S/N: JKT1-UP

PART OF 464-2308 ENGINE AR-PRIMARY

SMCS-1361

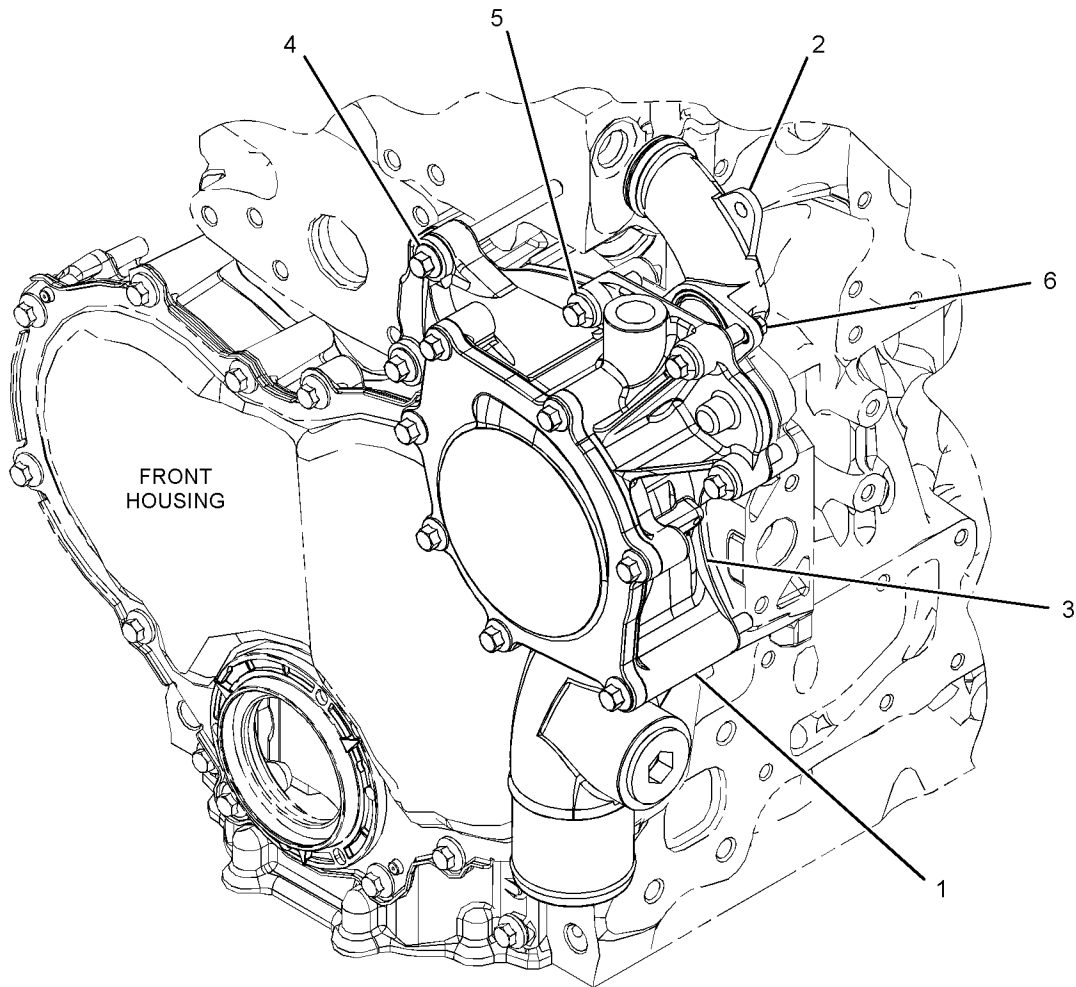
i05813298

NOTE	REF NO	GRAPHIC REF	PART NUMBER	QTY	PART NAME						SEE PAGE
					1	2	3	4	5	6 (PRODUCT LEVEL)	
JY	1	1	380-1659	1	PUMP GP-WATER						207
Y	2	1	349-2761	1	CONNECTION GP-WATER (BYPASS)						174
J	3	1	353-8578	1	GASKET						
M	4	1	101-3771	4	BOLT (M8X1.25X85-MM)						
M	5	1	101-3895	3	BOLT (M8X1.25X35-MM)						
M	6	1	106-8916	2	BOLT (M6X16-MM)						

AVAILABLE REPAIR KIT(S) :

J	397-5684	1	KIT-PUMP (INCLUDES GASKET & PUMP)							
---	-----------------	---	--------------------------------------	--	--	--	--	--	--	--

J - KIT MARKED J SERVICES PART(S) MARKED J
M - METRIC PART
Y - SEPARATE ILLUSTRATION



GRAPHIC #1

<END>

g03680776

COOLING SYSTEM

350-5644 PUMP GP-WATER

S/N: CJ41-UP

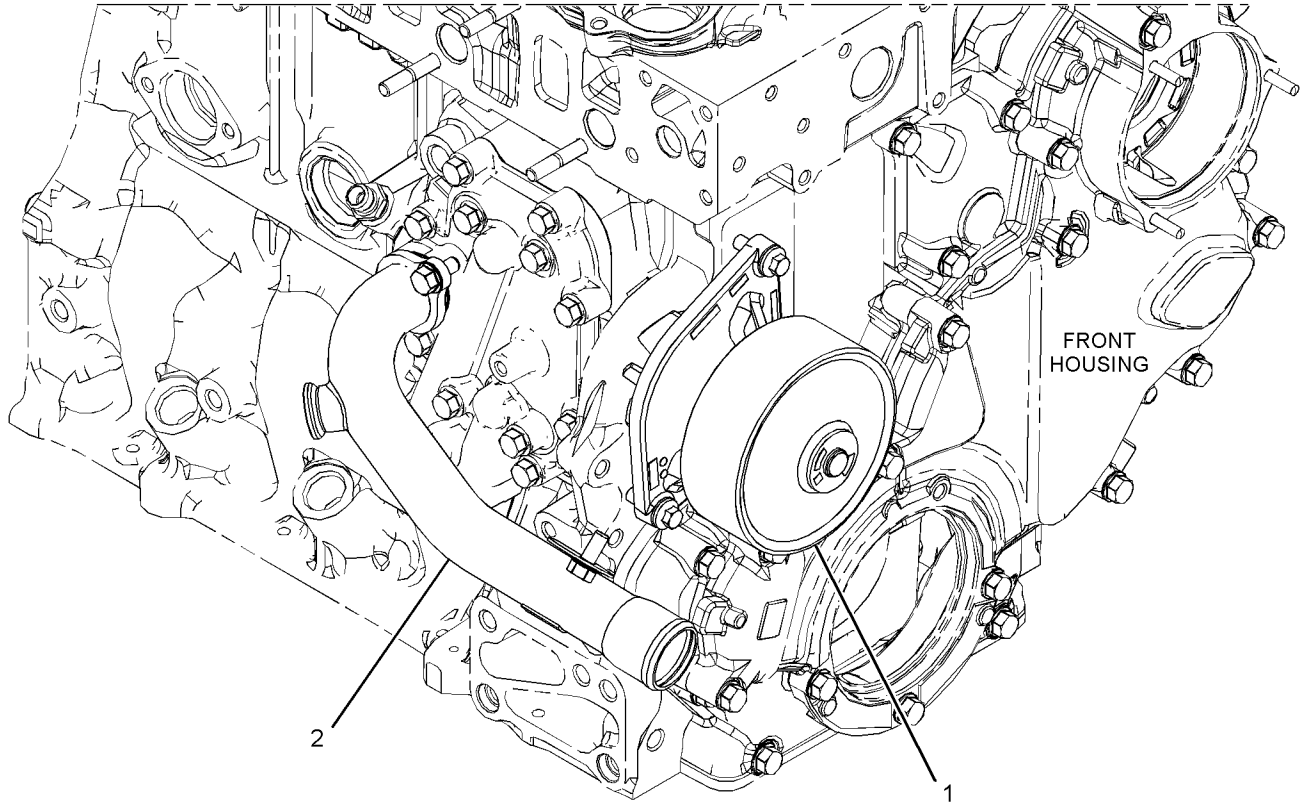
PART OF 465-2880 ENGINE AR-PRIMARY

SMCS-1361

i06252222

NOTE	REF NO	GRAPHIC REF	PART NUMBER	QTY	PART NAME						SEE PAGE
					1	2	3	4	5	6 (PRODUCT LEVEL)	
Y	1	1	367-6033	1	PUMP GP-WATER						206
Y	2	1	367-6788	1	CONNECTION GP-WATER						175

Y - SEPARATE ILLUSTRATION



GRAPHIC #1

<END>

g02880663

COOLING SYSTEM

367-6033 PUMP GP-WATER

S/N: CJ41-UP

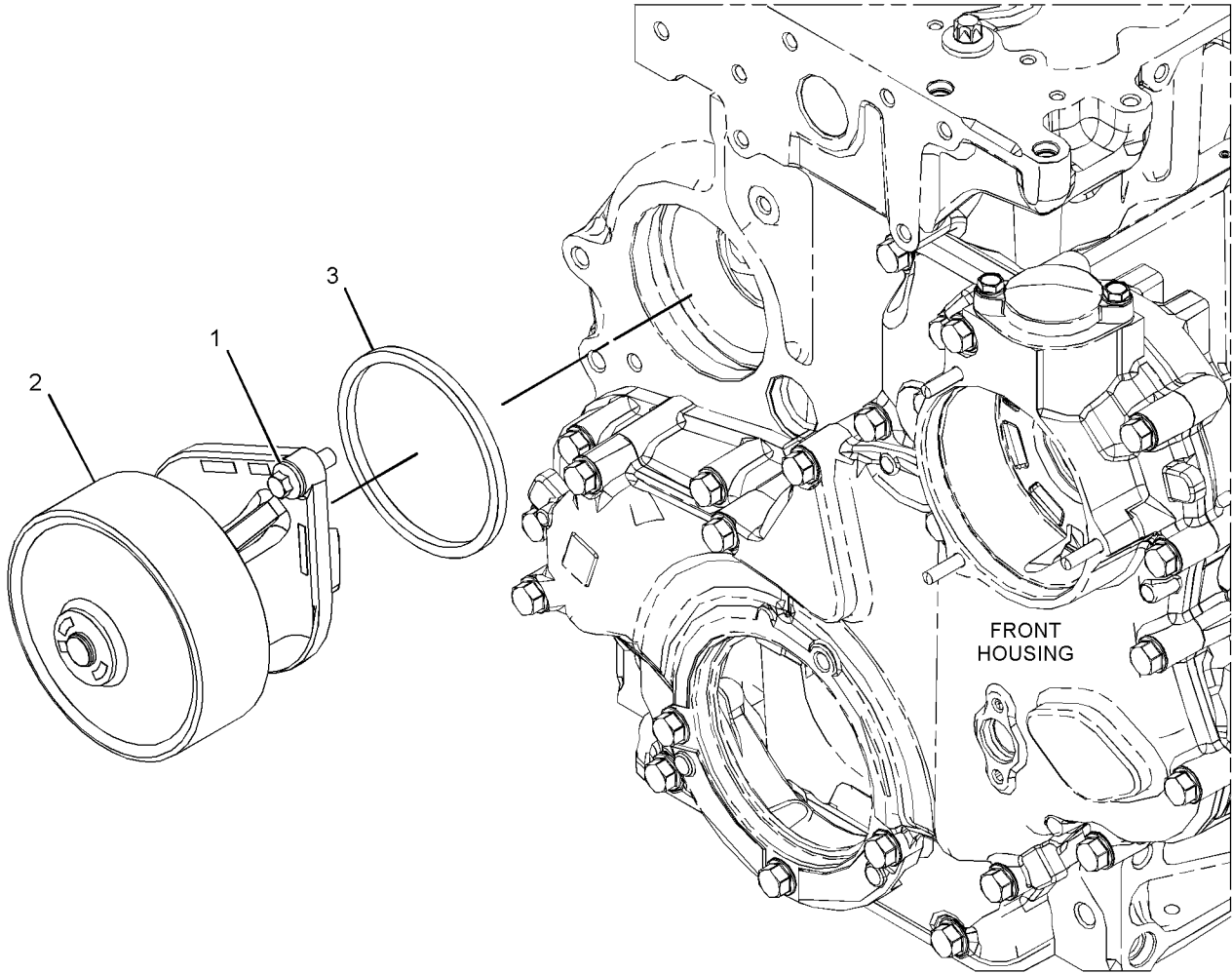
PART OF 350-5644 PUMP GP-WATER

SMCS-1361

i06259816

NOTE	REF NO	GRAPHIC REF	PART NUMBER	QTY	PART NAME						SEE PAGE
					1	2	3	4	5	6 (PRODUCT LEVEL)	
M	1	1	6I-0260	2	BOLT (M8X1.25X25-MM)						
	2	1	477-5624	1	PUMP						
	3	1	389-2863	1	WASHER						

M - METRIC PART



GRAPHIC #1

<END>

g02880577

COOLING SYSTEM

380-1659 PUMP GP-WATER

S/N: JKT1-UP

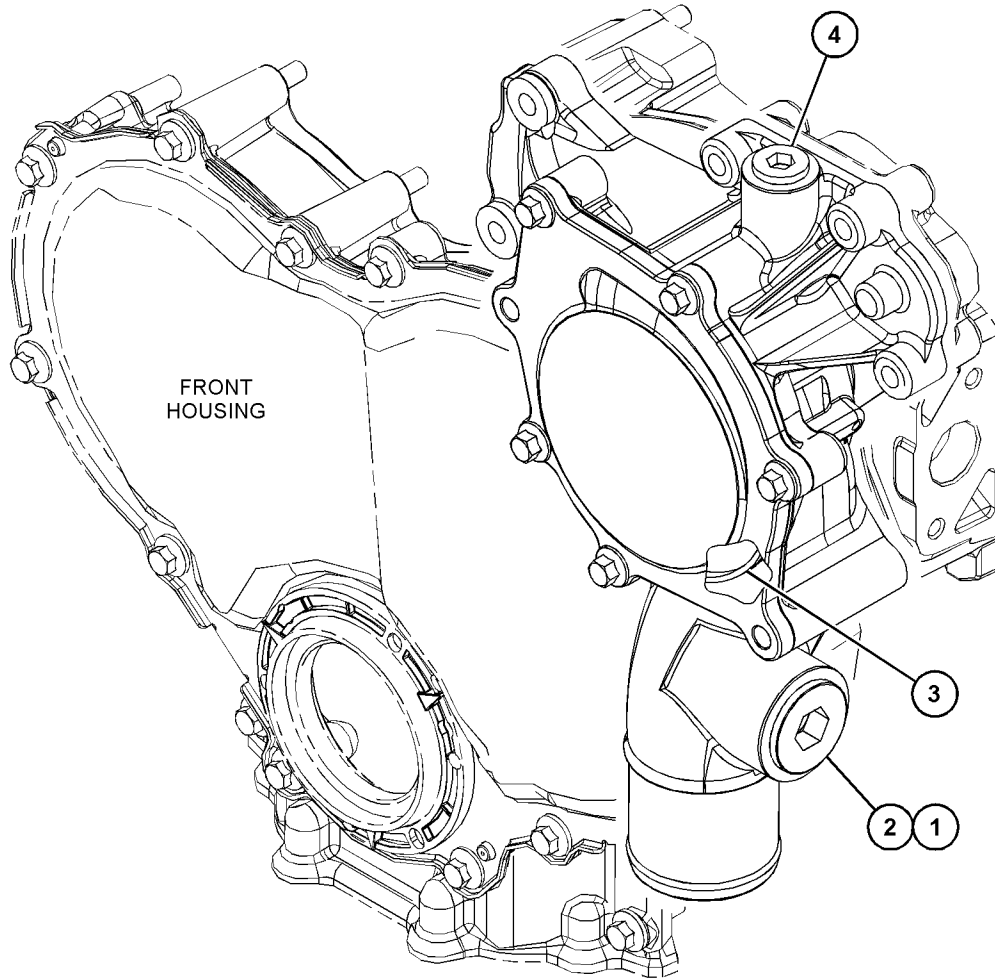
MID FLOW 12-MM SHAFT

PART OF 333-7914 PUMP GP-WATER

SMCS-1361

i06240414

NOTE	REF NO	GRAPHIC REF	PART NUMBER	QTY	PART NAME						SEE PAGE
					1	2	3	4	5	6 (PRODUCT LEVEL)	
	1	1	388-7652	1	SEAL						
	2	1	388-7644	1	PLUG						
	3	1	388-7649	1	GASKET						
	4	1	388-7651	1	PLUG						



GRAPHIC #1

<END>

g03868505

COOLING SYSTEM

416-1864 PUMP GP-WATER

S/N: W231-UP

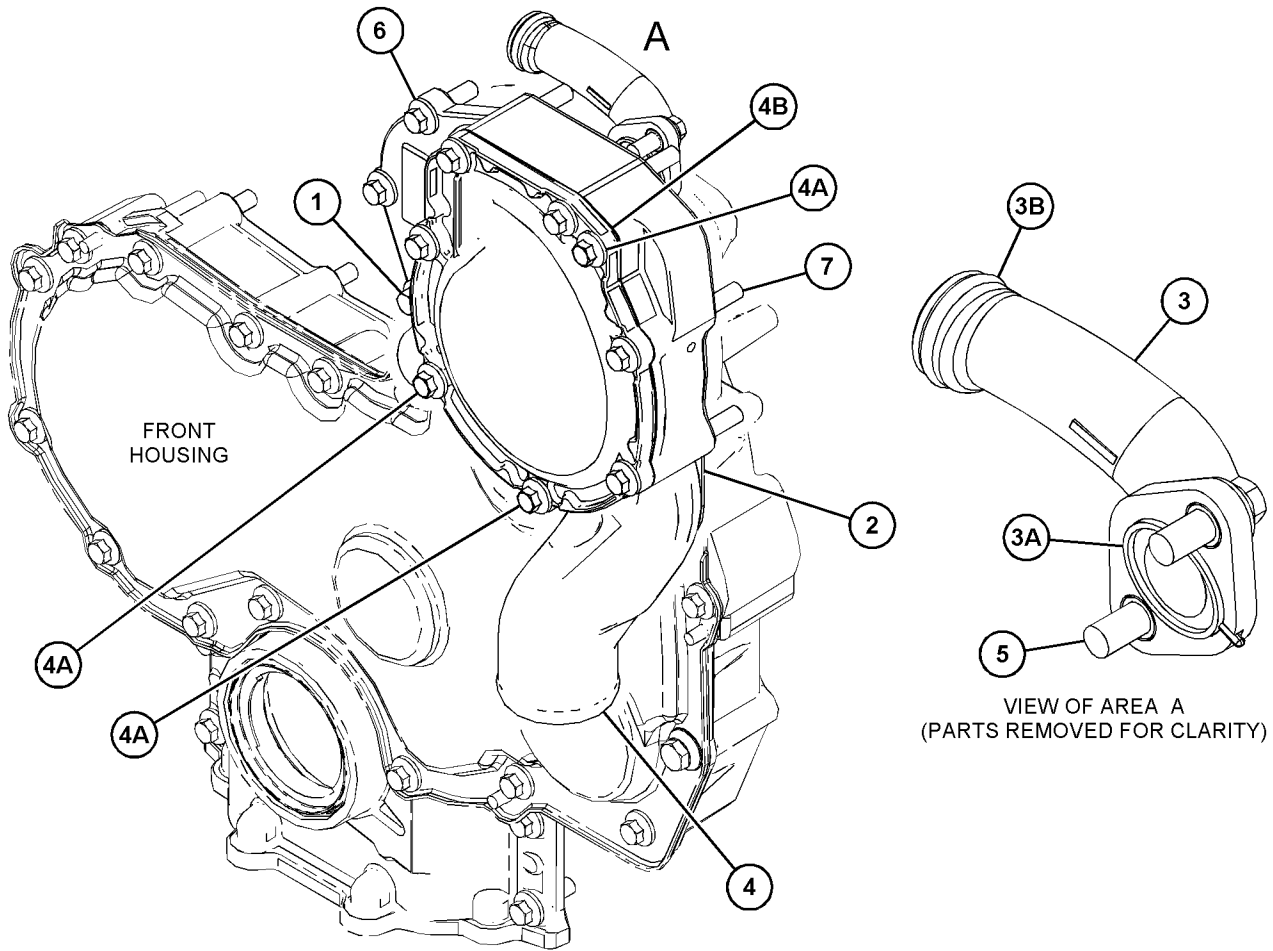
PART OF 463-8820, 463-8910 ENGINE AR-PRIMARY
ALSO AN ATTACHMENT

SMCS-1361

i06797683

NOTE	REF NO	GRAPHIC REF	PART NUMBER	QTY	PART NAME						SEE PAGE
					1	2	3	4	5	6 (PRODUCT LEVEL)	
M	1	1	113-8129	2	BOLT (M8X1.25X75-MM)						
J	2	1	225-8019	1	GASKET						
	3	1	277-2925	1	CONNECTION AS						
	3A	1	277-2923	1	GASKET						
	3B	1	225-7738	1	SEAL-O-RING						
CJ	4	1	485-4894	1	PUMP GP-WATER						
	4A	1	278-3242	3	BOLT-FLANGE HEAD (M8X1.25X18-MM)						
	4B	1	374-4419	1	GASKET						
M	5	1	6I-0217	2	BOLT (M8X1.25X20-MM)						
M	6	1	6I-0254	2	BOLT (M8X1.25X30-MM)						
M	7	1	6I-0839	5	BOLT (M8X1.25X70-MM)						
					AVAILABLE REPAIR KIT(S) :						
CJ			485-4895	1	PUMP GP-WATER						
					(INCLUDES WATER PUMP GP & GASKET)						

C - CHANGE FROM PREVIOUS TYPE
J - KIT MARKED J SERVICES PART(S) MARKED J
M - METRIC PART



GRAPHIC #1

<END>

g06120580

COOLING SYSTEM

500-0768 RADIATOR & HYD OIL COOLER GP

S/N: TD71-UP

PART OF 515-9703 RADIATOR & MOUNTING GP
AN ATTACHMENT

SMCS-1351, 1353, 1374, 1382

i06750408

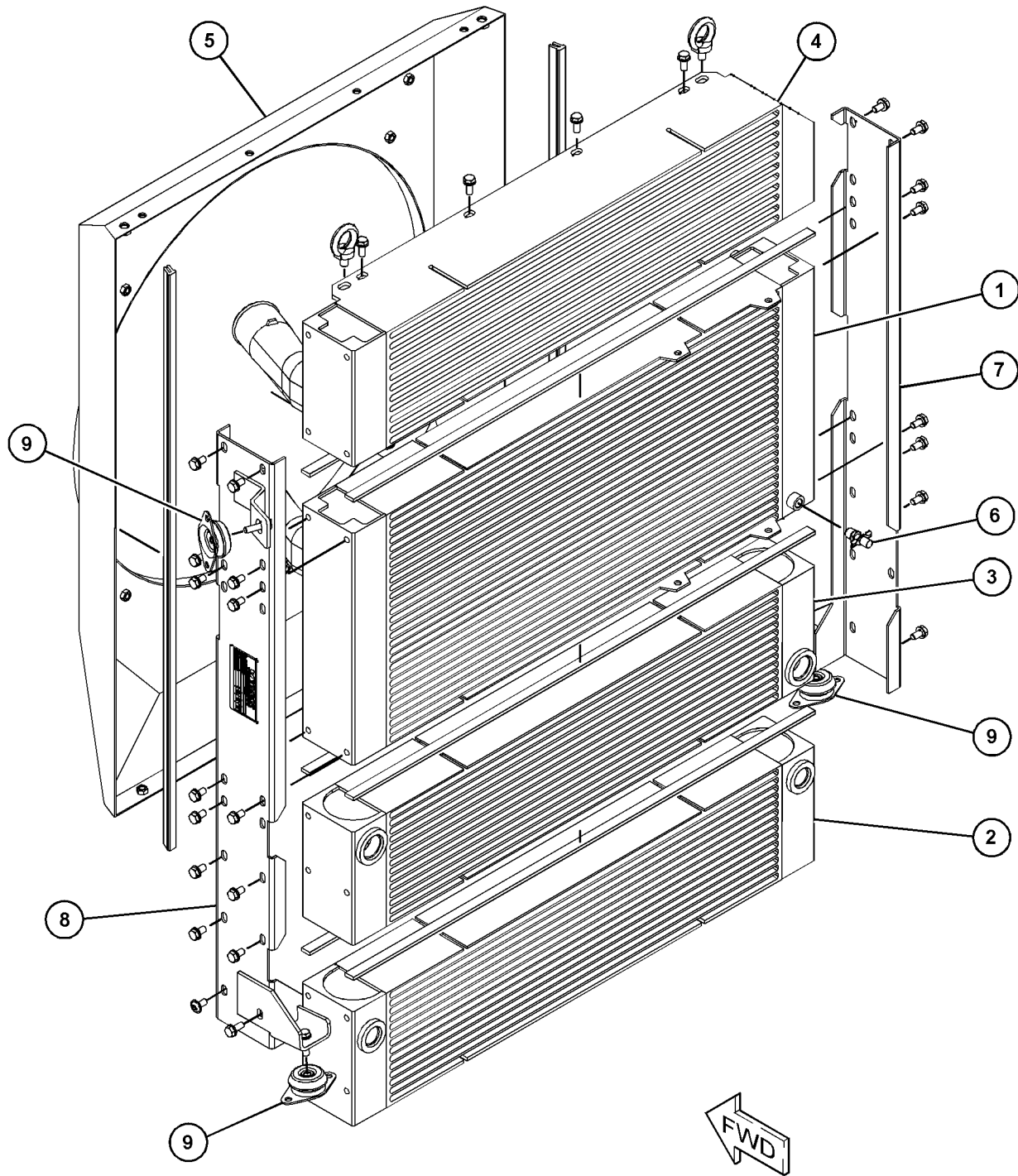
NOTE	REF NO	GRAPHIC REF	PART NUMBER	QTY	PART NAME						SEE PAGE
					1	2	3	4	5	6 (PRODUCT LEVEL)	
	1	1	510-8406	1	COOLER						
	2	1	510-8407	1	COOLER						
	3	1	510-8408	1	COOLER						
	4	1	510-8409	1	COOLER						
	5	1	510-8403	1	SHROUD						
	6	1	458-8403	1	VALVE AS-DRAIN						
	7	1	510-8404	1	BRACKET						
	8	1	510-8405	1	BRACKET						
	9	1	500-0786	3	MOUNT						

PARTS SHOWN IN GRAPHIC(S) WITHOUT A REFERENCE NUMBER ARE NOT SERVICED SEPARATELY

COOLING SYSTEM

500-0768 RADIATOR & HYD OIL COOLER GP (contd.)

i06750408



GRAPHIC #1

<END>

g06105429

COOLING SYSTEM

500-3067 RADIATOR & HYD OIL COOLER GP

S/N: TD71-UP

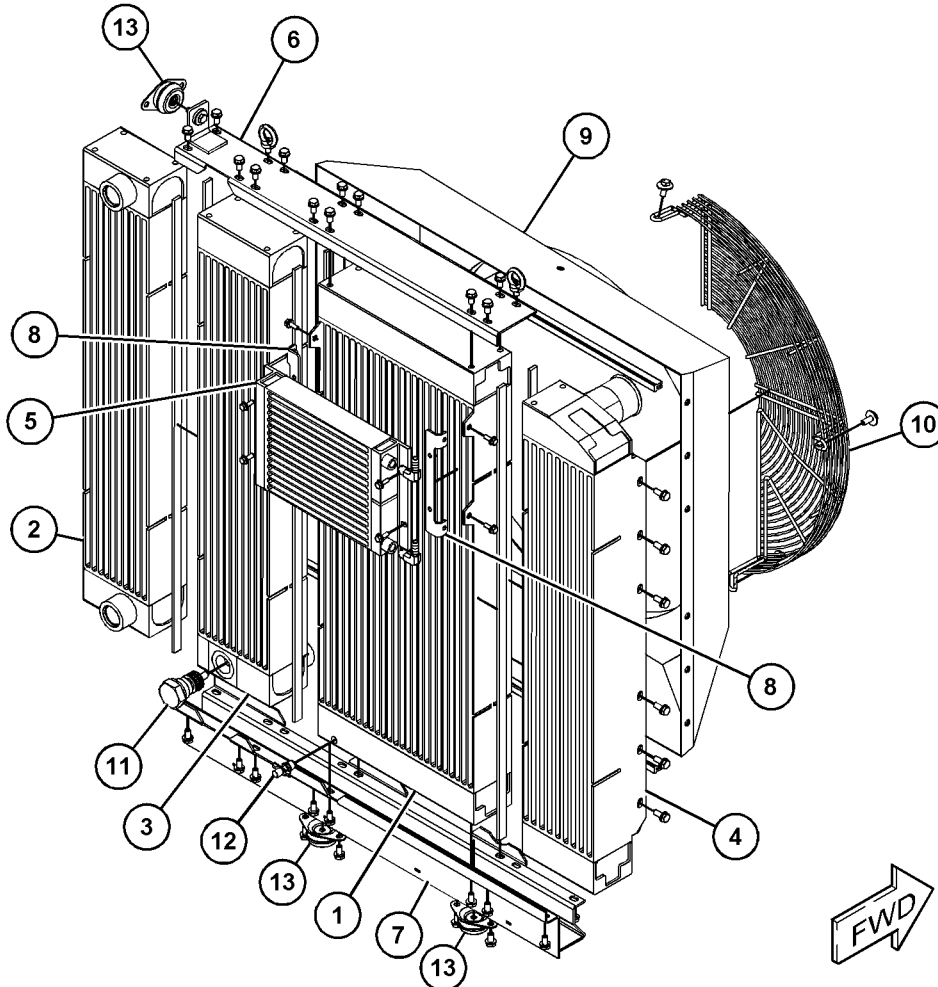
PART OF 515-8961 RADIATOR & MOUNTING GP
AN ATTACHMENT

SMCS-1351, 1353, 1374, 1382

i06906406

NOTE	REF NO	GRAPHIC REF	PART NUMBER	QTY	PART NAME						SEE PAGE
					1	2	3	4	5	6 (PRODUCT LEVEL)	
	1	1	510-8410	1	COOLER						
	2	1	510-8411	1	COOLER						
	3	1	510-8412	1	COOLER						
	4	1	510-8413	1	COOLER						
	5	1	510-8414	1	COOLER						
	6	1	510-8415	1	BRACKET						
	7	1	510-8416	1	BRACKET						
	8	1	510-8417	2	BRACKET						
	9	1	510-8432	1	SHROUD						
	10	1	458-8404	1	GUARD-FAN						
	11	1	510-8419	1	VALVE-BYPASS						
	12	1	458-8403	1	VALVE AS-DRAIN						
	13	1	500-0786	3	MOUNT						

PARTS SHOWN IN GRAPHIC(S) WITHOUT A REFERENCE NUMBER ARE NOT SERVICED SEPARATELY



GRAPHIC #1

<END>

g06165180

COOLING SYSTEM

500-3149 RADIATOR & HYD OIL COOLER GP

S/N: TD61-UP; TD71-UP

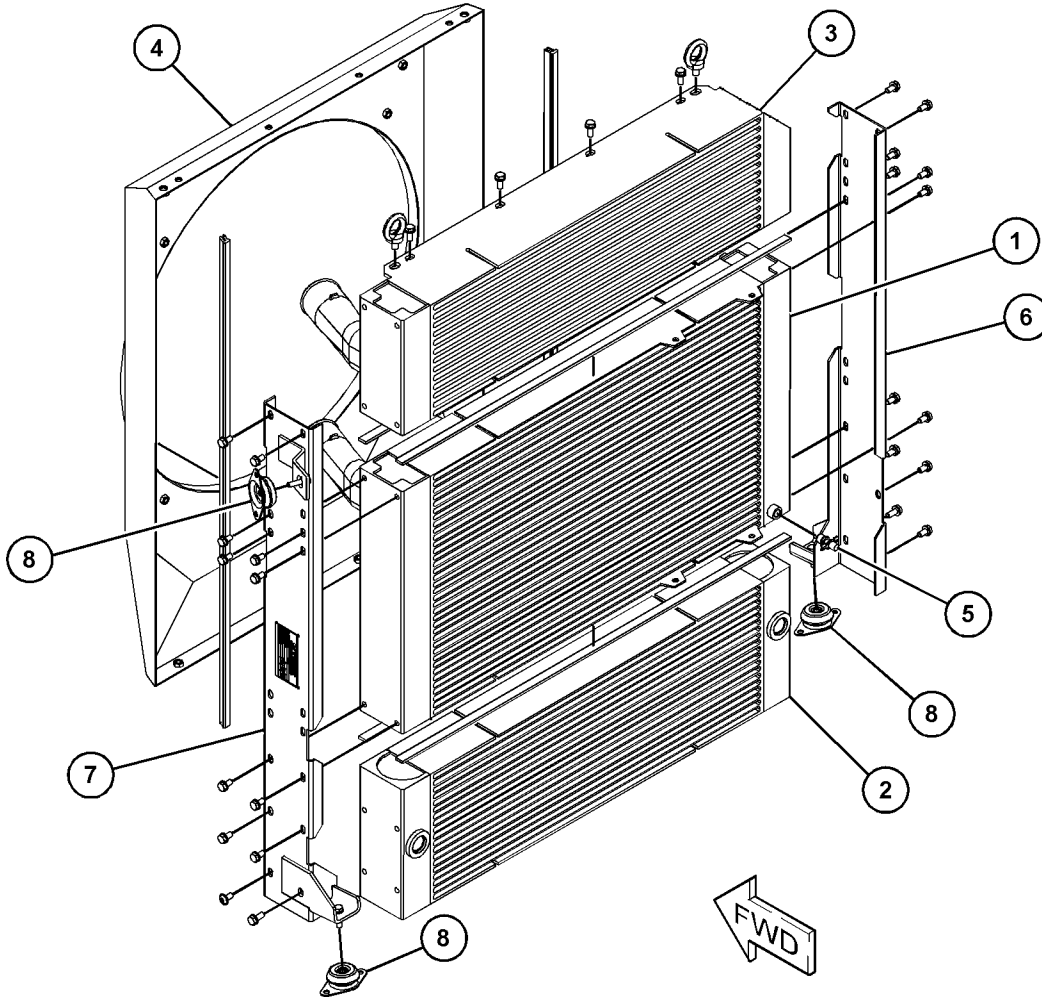
PART OF 515-9726 RADIATOR & MOUNTING GP
AN ATTACHMENT

SMCS-1351, 1353, 1374, 1382

i06826185

NOTE	REF NO	GRAPHIC REF	PART NUMBER	QTY	PART NAME						SEE PAGE
					1	2	3	4	5	6 (PRODUCT LEVEL)	
	1	1	510-8400	1	COOLER						
	2	1	510-8401	1	COOLER						
	3	1	510-8402	1	COOLER						
	4	1	510-8403	1	SHROUD						
	5	1	458-8403	1	VALVE AS-DRAIN						
	6	1	510-8404	1	BRACKET						
	7	1	510-8405	1	BRACKET						
	8	1	500-0786	3	MOUNT						

PARTS SHOWN IN GRAPHIC(S) WITHOUT A REFERENCE NUMBER ARE NOT SERVICED SEPARATELY



GRAPHIC #1

<END>

g06131723

COOLING SYSTEM

499-4946 RADIATOR & MOUNTING GP

S/N: TD61-UP; TD71-UP

PART OF 499-4950 COOLER GP-HYDRAULIC OIL
AN ATTACHMENT

SMCS-1353

i06601116

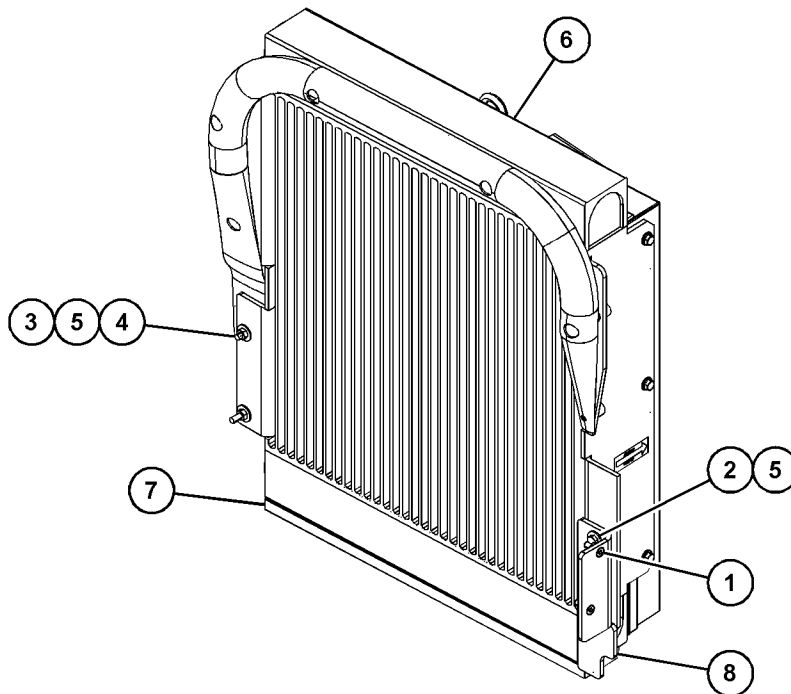
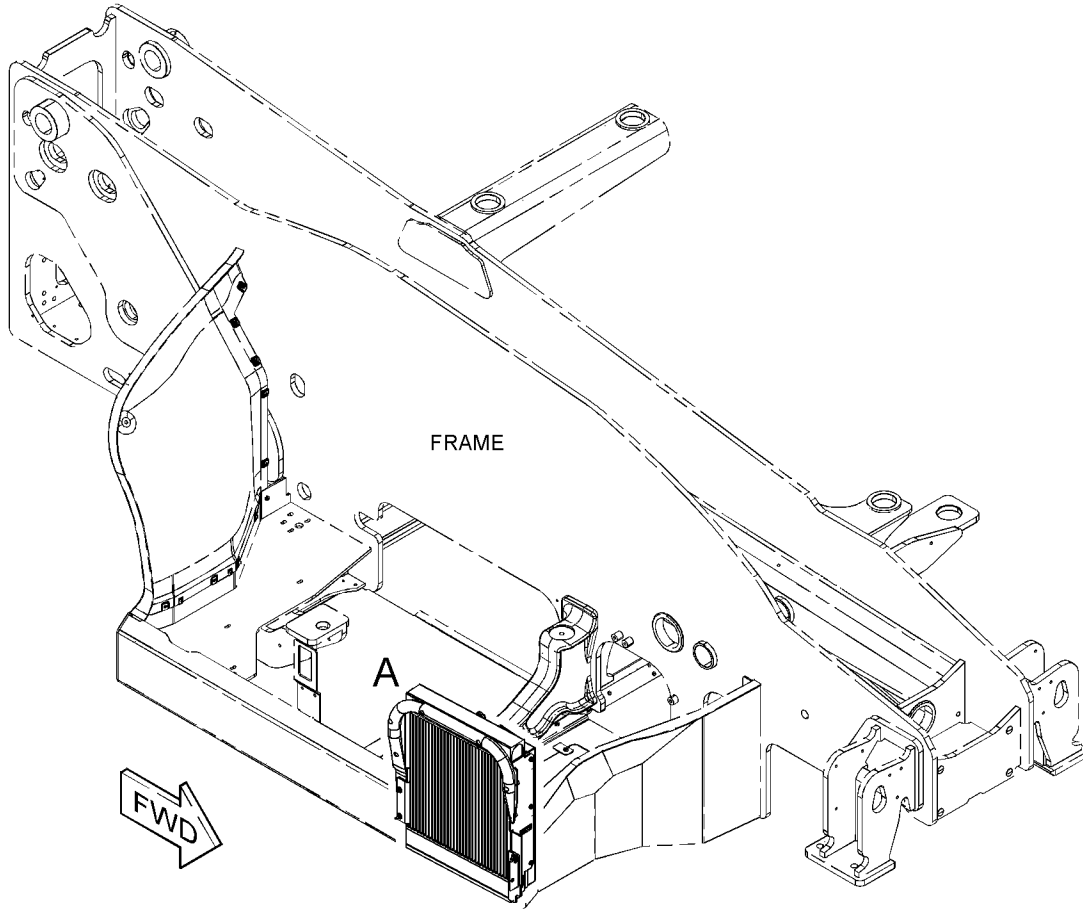
NOTE	REF NO	GRAPHIC REF	PART NUMBER	QTY	PART NAME						SEE PAGE
					1	2	3	4	5	6 (PRODUCT LEVEL)	
M	1	1	112-2095	2	SCREW-HEX SOCKET (M6X1X16.7-MM)						
M	2	1	8T-4138	2	BOLT (M6X1X20-MM)						
M	3	1	6V-7357	2	BOLT (M6X1X25-MM)						
M	4	1	5C-2890	4	NUT (M6X1-THD)						
	5	1	5W-1417	8	WASHER (6.4X18X1.6-MM THK)						
	6	1	499-4947	1	RADIATOR & HYD OIL COOLER GP						
	7	1	499-4948	1	SEAL						
	8	1	499-4949	1	BRACKET AS						

M - METRIC PART

COOLING SYSTEM

499-4946 RADIATOR & MOUNTING GP (contd.)

i06601116



VIEW OF AREA A

GRAPHIC #1

<END>

g06041866

COOLING SYSTEM

515-8961 RADIATOR & MOUNTING GP

S/N: TD71-UP

PART OF 518-5956 INSTALLATION AR-ENGINE

AN ATTACHMENT

SMCS-1353

i06906404

NOTE	REF NO	GRAPHIC REF	PART NUMBER	QTY	PART NAME						SEE PAGE
					1	2	3	4	5	6 (PRODUCT LEVEL)	
M	1	1	8T-4970	4	BOLT (M6X1X14-MM)						
M	2	1	5C-9553	1	BOLT (M6X1X16-MM)						
M	3	1	8T-4908	2	BOLT (M8X1.25X25-MM)						
M	4	1	8T-7547	2	BOLT (M8X1.25X30-MM)						
M	5	1	8T-4137	2	BOLT (M10X1.5X20-MM)						
M	6	1	5C-2890	1	NUT (M6X1-THD)						
	7	1	8T-4205	5	WASHER-HARD (7.2X14.5X2-MM THK)						
	8	1	5W-1417	1	WASHER (6.4X18X1.6-MM THK)						
	9	1	8T-4224	2	WASHER-HARD (8.8X16X2-MM THK)						
	10	1	309-3997	2	WASHER (8.4X25X2-MM THK)						
	11	1	8T-4121	2	WASHER-HARD (11X21X2.5-MM THK)						
Y	12	1	500-3067	1	RADIATOR & HYD OIL COOLER GP						211
	13	1	499-7135	1	SEAL						
	14	1	499-7136	1	PLATE						
	15	1	499-7137	1	PLATE						
	16	1	499-7138	1	PLATE AS						
	17	1	499-7139	1	SEAL						
E	18	1	196-5486		SEAL (80-CM)						
E	18A	1	196-5486		SEAL (23-CM)						
	19	1	499-8468	1	SEAL						
	20	1	499-8474	1	PLATE						
	21	1	499-8469	1	SEAL						
	22	1	499-8470	1	SEAL						
	23	1	499-8471	1	SEAL						
	24	1	499-8472	1	SEAL						
	25	1	499-8473	1	SEAL						

E - ORDER BY THE CENTIMETER

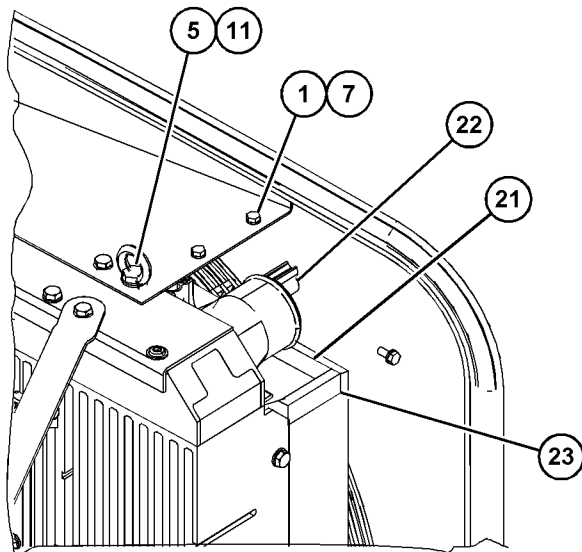
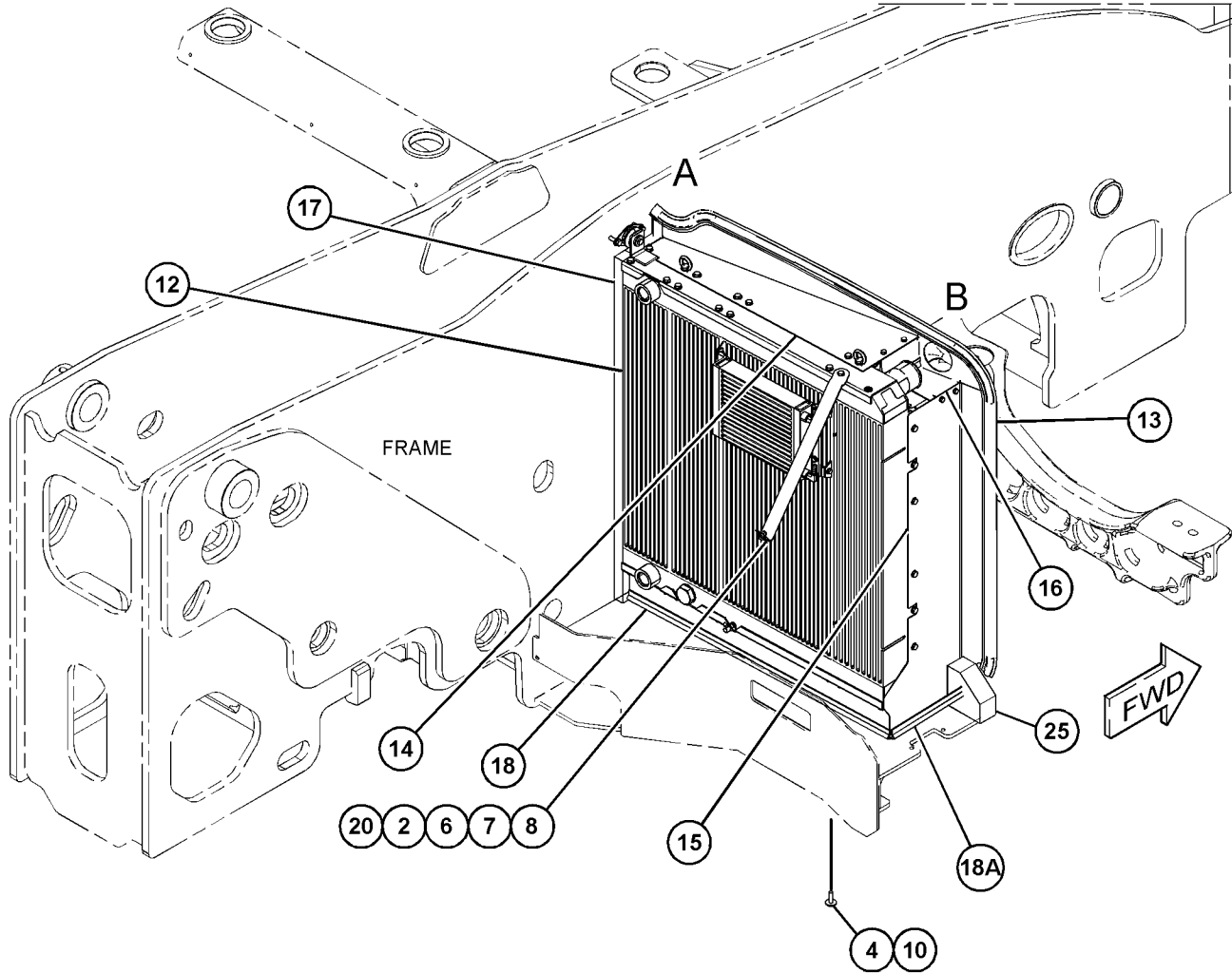
M - METRIC PART

Y - SEPARATE ILLUSTRATION

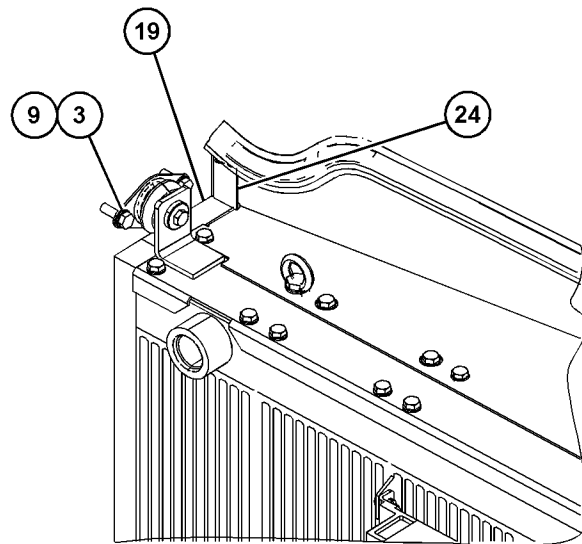
COOLING SYSTEM

515-8961 RADIATOR & MOUNTING GP (contd.)

i06906404



VIEW OF AREA B
(PARTS REMOVED FOR CLARITY)



VIEW OF AREA A

GRAPHIC #1

<END>

g06165043

COOLING SYSTEM

515-9703 RADIATOR & MOUNTING GP

S/N: TD71-UP

PART OF 518-5954 INSTALLATION AR-ENGINE

AN ATTACHMENT

SMCS-1353

i06893860

NOTE	REF NO	GRAPHIC REF	PART NUMBER	QTY	PART NAME						SEE PAGE
					1	2	3	4	5	6 (PRODUCT LEVEL)	
M	1	1	096-5866	2	BOLT (M8X1.25X75-MM)						
M	2	1	8T-4970	2	BOLT (M6X1X14-MM)						
M	3	1	5C-9553	1	BOLT (M6X1X16-MM)						
M	4	1	8T-4189	2	BOLT (M8X1.25X20-MM)						
M	5	1	8T-4908	6	BOLT (M8X1.25X25-MM)						
M	6	1	8T-7547	1	BOLT (M8X1.25X30-MM)						
M	7	1	8T-4137	2	BOLT (M10X1.5X20-MM)						
	8	1	298-0464	2	FITTING-ADAPTER						
	9	1	298-0475	1	FITTING-ADAPTER						
	10	1	300-6096	1	FITTING						
	11	1	337-9647	1	PLUG						
M	12	1	5C-2890	1	NUT (M6X1-THD)						
M	13	1	5C-7261	4	NUT (M8X1.25-THD)						
	14	1	7X-0632	1	WASHER-HARD (11X36X6-MM THK)						
	15	1	8T-4205	3	WASHER-HARD (7.2X14.5X2-MM THK)						
	16	1	5W-1417	1	WASHER (6.4X18X1.6-MM THK)						
	17	1	8T-4224	10	WASHER-HARD (8.8X16X2-MM THK)						
	18	1	309-3997	4	WASHER (8.4X25X2-MM THK)						
	19	1	8T-4121	2	WASHER-HARD (11X21X2.5-MM THK)						
	20	1	<i>164-5567</i>	1	COUPLER AS-QUICK DISCONNECT (MALE)						
		1	6V-3965	1	FITTING (QUICK DISCONNECT)						
		1	214-7568	1	SEAL-O-RING						
	21	1	6V-0852	1	CAP-DUST						
	22	1	8T-7524	1	SEAL-O-RING						
	23	1	256-6454	1	SENSOR-TEMPERATURE						
	24	1	397-4750	1	SEAL						
Y	25	1	500-0768	1	RADIATOR & HYD OIL COOLER GP						209
	26	1	500-0769	1	PLATE AS						
	27	1	499-7135	1	SEAL						
	28	1	500-0770	1	SEAL						
	29	1	500-0771	1	SEAL						
	30	1	500-0772	1	SEAL						
	31	1	500-0773	1	COOLER AS-FUEL						
	32	1	500-0775	1	PLATE AS						
	33	1	500-0781	1	PLATE						
	34	1	500-0786	1	MOUNT						
	35	1	499-8472	1	SEAL						
	36	1	499-8473	1	SEAL						
	37	1	504-1315	1	VALVE GP-SOLENOID & RELIEF						
	38	1	500-0952	1	PLATE						
	39	1	498-5771	1	STRAP						

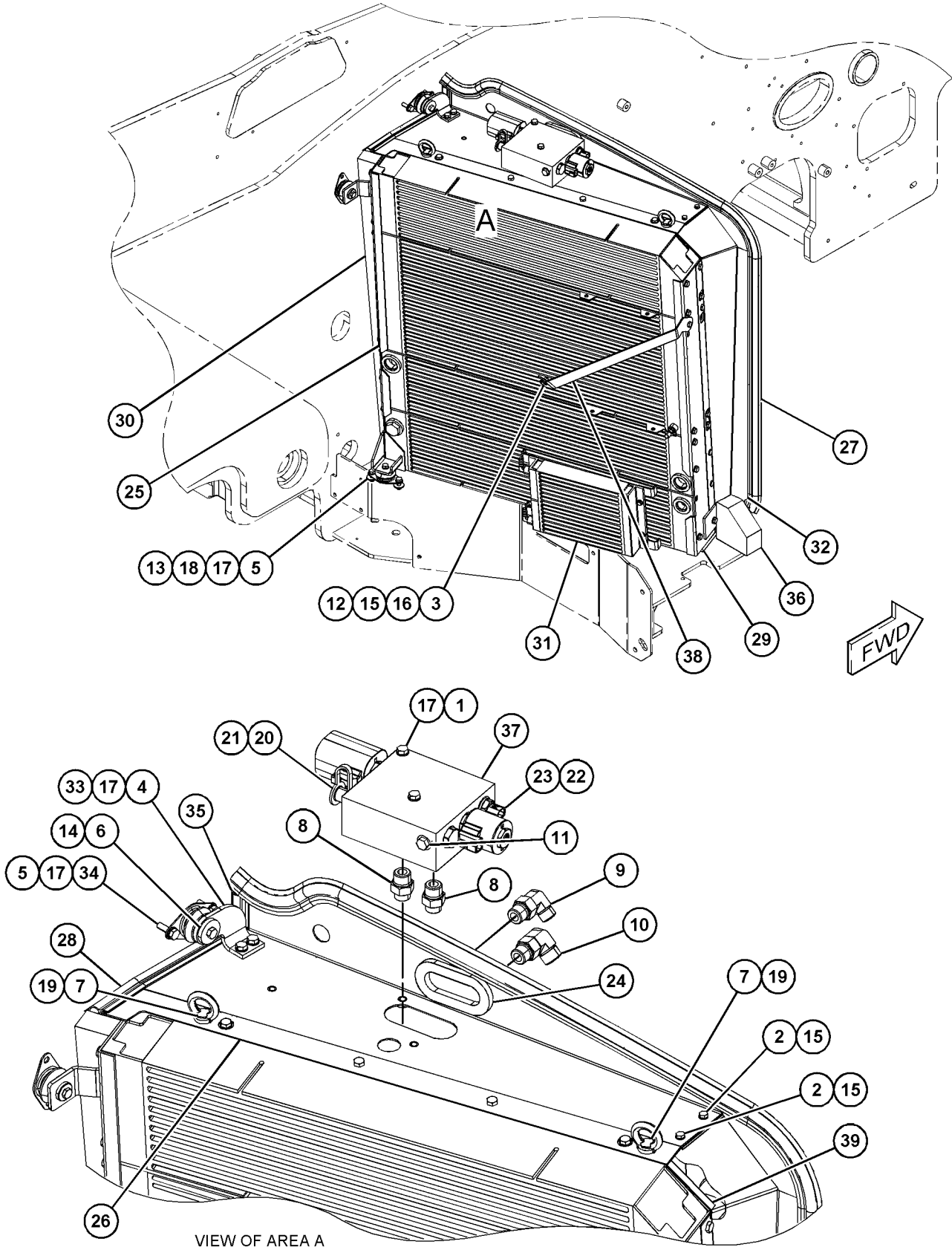
M - METRIC PART

Y - SEPARATE ILLUSTRATION

COOLING SYSTEM

515-9703 RADIATOR & MOUNTING GP (contd.)

i06893860



GRAPHIC #1

<END>

g06162020

COOLING SYSTEM

515-9726 RADIATOR & MOUNTING GP

S/N: TD61-UP; TD71-UP

PART OF 518-5880, 518-5955 INSTALLATION AR-ENGINE
AN ATTACHMENT

SMCS-1353

i06893918

NOTE	REF NO	GRAPHIC REF	PART NUMBER	QTY	PART NAME						SEE PAGE
					1	2	3	4	5	6 (PRODUCT LEVEL)	
M	1	1	096-5866	2	BOLT (M8X1.25X75-MM)						
M	2	1	8T-4970	2	BOLT (M6X1X14-MM)						
M	3	1	5C-9553	5	BOLT (M6X1X16-MM)						
M	4	1	8T-4189	2	BOLT (M8X1.25X20-MM)						
M	5	1	8T-4908	11	BOLT (M8X1.25X25-MM)						
M	6	1	8T-7547	1	BOLT (M8X1.25X30-MM)						
M	7	1	8T-4137	2	BOLT (M10X1.5X20-MM)						
	8	1	298-0464	2	FITTING-ADAPTER						
	9	1	298-0475	1	FITTING-ADAPTER						
	10	1	300-6096	1	FITTING						
M	11	1	5C-2890	1	NUT (M6X1-THD)						
M	12	1	5C-7261	4	NUT (M8X1.25-THD)						
	13	1	7X-0632	1	WASHER-HARD (11X36X6-MM THK)						
	14	1	8T-4205	3	WASHER-HARD (7.2X14.5X2-MM THK)						
	15	1	5W-1417	1	WASHER (6.4X18X1.6-MM THK)						
	16	1	8T-4224	12	WASHER-HARD (8.8X16X2-MM THK)						
	17	1	309-3997	7	WASHER (8.4X25X2-MM THK)						
	18	1	8T-4121	2	WASHER-HARD (11X21X2.5-MM THK)						
	19	1	<i>164-5567</i>	1	COUPLER AS-QUICK DISCONNECT (MALE)						
		1	6V-3965	1	FITTING (QUICK DISCONNECT)						
		1	214-7568	1	SEAL-O-RING						
	20	1	6V-0852	1	CAP-DUST						
	21	1	256-6454	1	SENSOR-TEMPERATURE (COOLANT)						
	22	1	397-4750	1	SEAL						
Y	23	1	500-3149	1	RADIATOR & HYD OIL COOLER GP						212
	24	1	500-0769	1	PLATE AS						
	25	1	499-7135	1	SEAL						
	26	1	500-0770	1	SEAL						
	27	1	500-0771	1	SEAL						
	28	1	500-0772	1	SEAL						
	29	1	500-3151	1	COOLER GP-FUEL						
		1	510-8414	1	COOLER						
		1	510-8420	2	BRACKET						
	30	1	500-0775	1	PLATE AS						
	31	1	500-0781	1	PLATE						
	32	1	500-0786	1	MOUNT						
	33	1	499-8472	1	SEAL						
	34	1	499-8473	1	SEAL						
Y	35	1	504-1315	1	VALVE GP-SOLENOID & RELIEF (FAN)						744
	36	1	500-0952	1	PLATE						
	37	1	498-5771	1	STRAP						

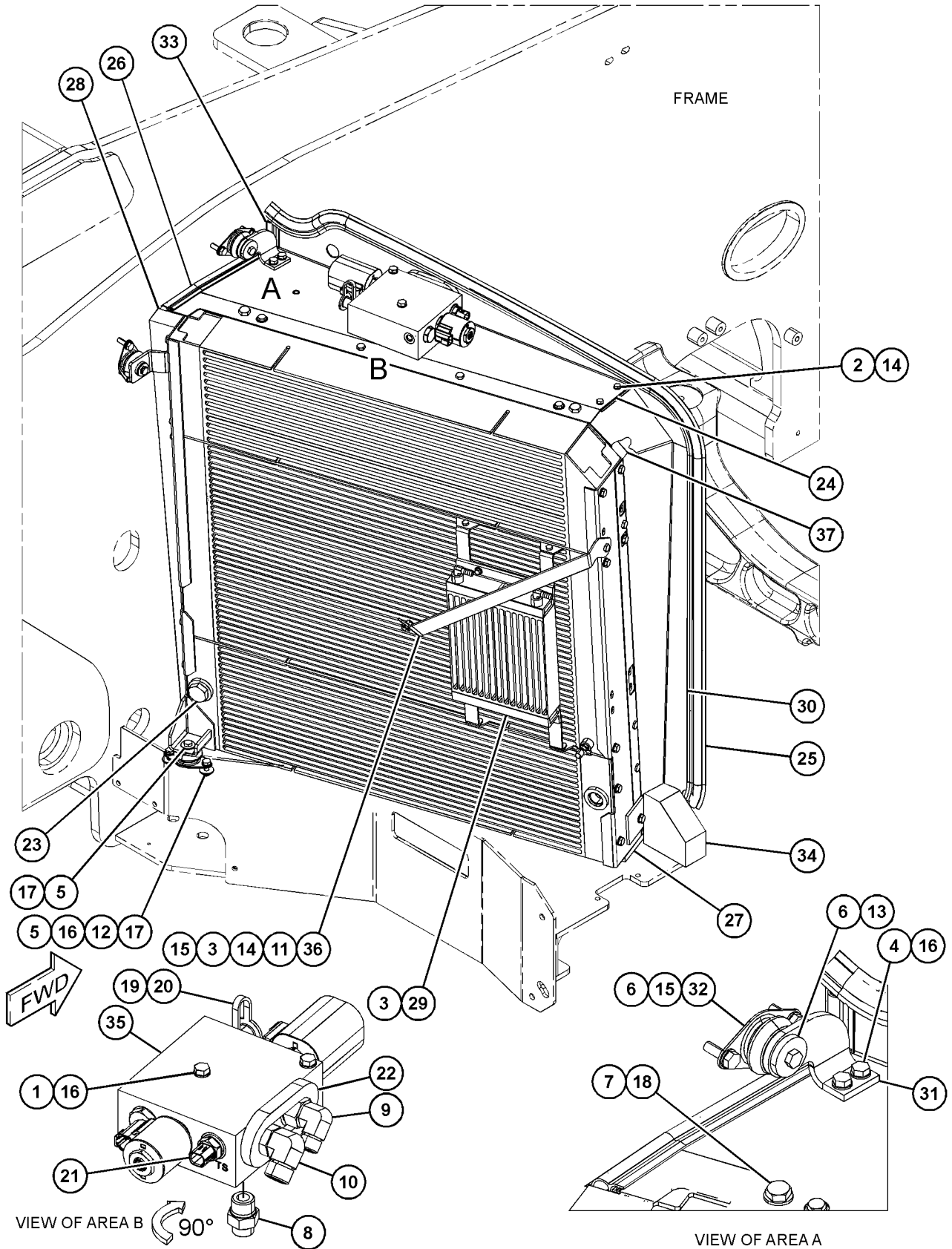
M - METRIC PART

Y - SEPARATE ILLUSTRATION

COOLING SYSTEM

515-9726 RADIATOR & MOUNTING GP (contd.)

i06893918



GRAPHIC #1

<END>

g06180817

COOLING SYSTEM

495-9896 TANK GP-COOLANT

S/N: TD61-UP; TD71-UP

4.3-LITER (1.1-US GAL)

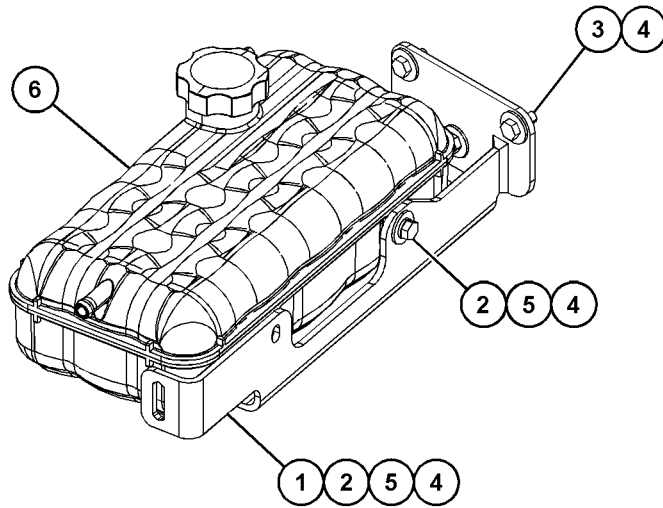
PART OF 518-5880, 518-5954, 518-5955, 518-5956 INSTALLATION AR-ENGINE
AN ATTACHMENT

SMCS-1354, 1377

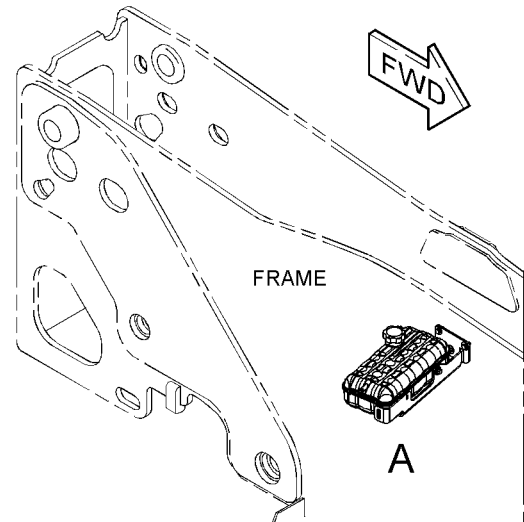
i06823053

NOTE	REF NO	GRAPHIC REF	PART NUMBER	QTY	PART NAME						SEE PAGE
					1	2	3	4	5	6 (PRODUCT LEVEL)	
	1	1	485-1681	1	BRACKET AS						
M	2	1	8T-4200	3	BOLT (M8X1.25X16-MM)						
M	3	1	8T-4189	3	BOLT (M8X1.25X20-MM)						
	4	1	309-3997	6	WASHER (8.4X25X2-MM THK)						
	5	1	298-7387	3	LOCKWASHER						
	6	1	247-1385	1	TANK GP-COOLANT						
		1	251-3227	1	CAP AS-COOLANT TANK (RADIATOR)						

M - METRIC PART



VIEW OF AREA A



GRAPHIC #1

<END>

g06131105

AIR INLET AND EXHAUST SYSTEM

499-9420 AIR CLEANER GP

S/N: TD71-UP

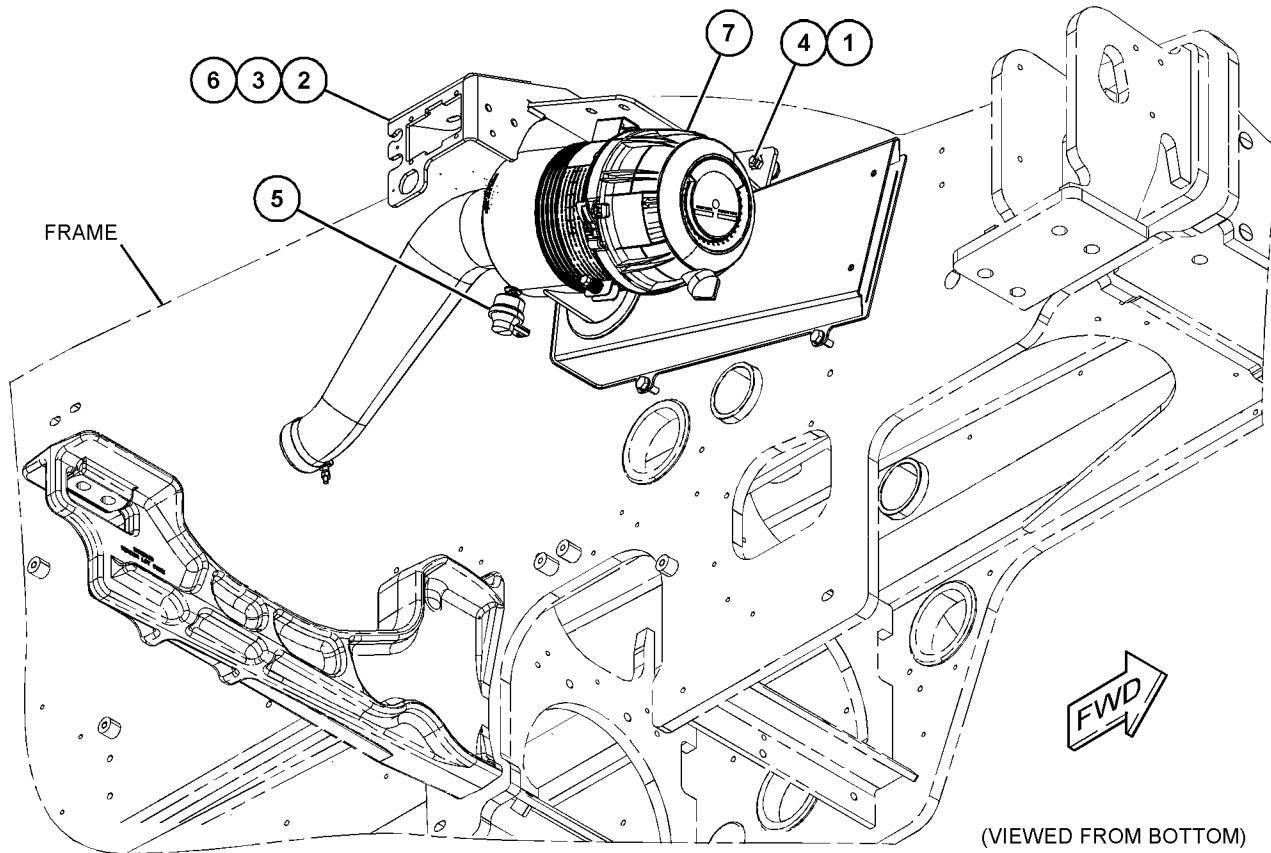
PART OF 518-5954, 518-5956 INSTALLATION AR-ENGINE
AN ATTACHMENT

SMCS-1051, 1054

i06603095

NOTE	REF NO	GRAPHIC REF	PART NUMBER	QTY	PART NAME						SEE PAGE
					1	2	3	4	5	6 (PRODUCT LEVEL)	
M	1	1	8T-4186	3	BOLT (M10X1.5X40-MM)						
M	2	1	8T-4189	2	BOLT (M8X1.25X20-MM)						
	3	1	309-3997	2	WASHER (8.4X25X2-MM THK)						
	4	1	116-8517	3	WASHER (10.5X30X2.5-MM THK)						
	5	1	477-0663	1	INDICATOR (CUTOFF)						
	6	1	499-9421	1	BRACKET AS						
	7	1	473-1346	1	AIR CLEANER GP						
		1	472-1148	1	ELEMENT (SECONDARY)						
		1	472-1149	1	ELEMENT (PRIMARY)						
		1	474-9465	1	COVER						
		1	474-9466	1	BRACKET AS						

M - METRIC PART



GRAPHIC #1

<END>

g06045204

AIR INLET AND EXHAUST SYSTEM

500-3159 AIR CLEANER GP-AIR

S/N: TD61-UP; TD71-UP

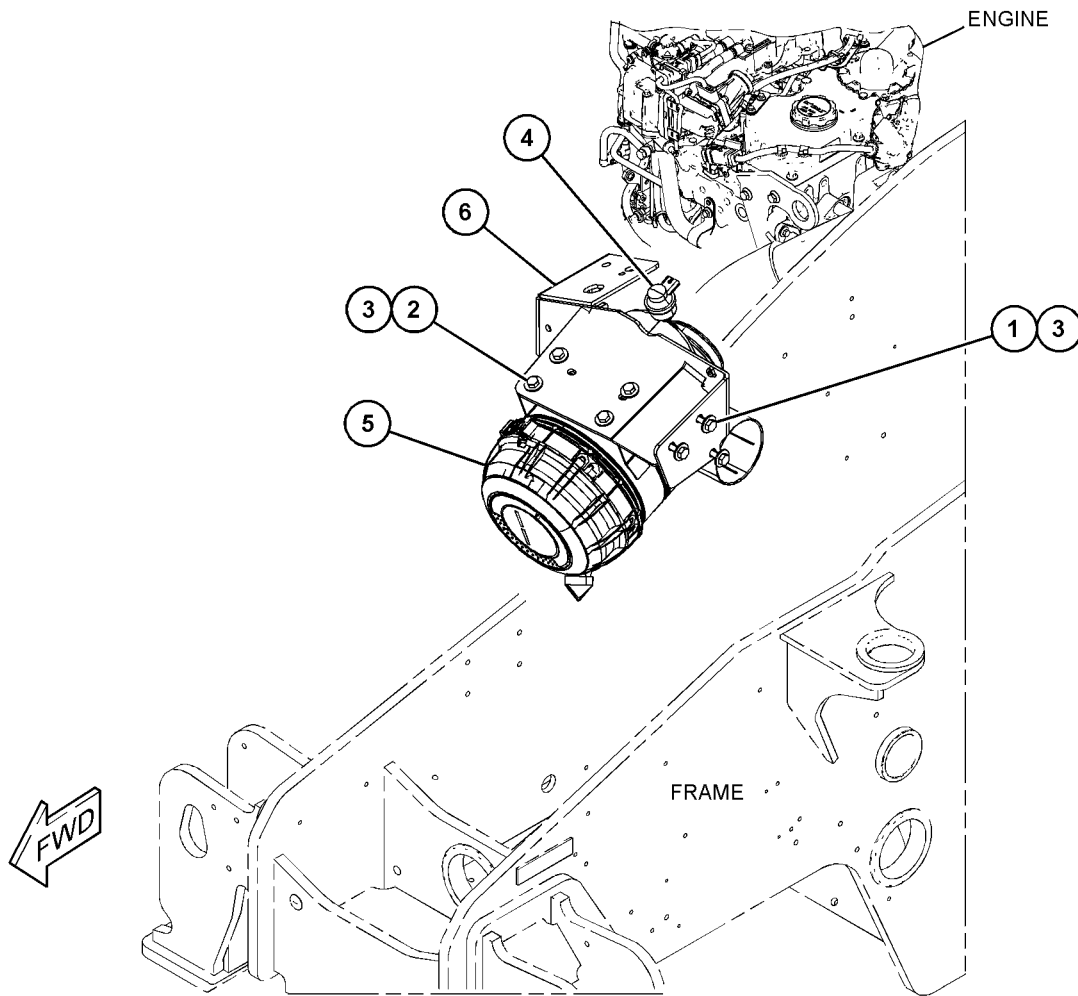
PART OF 518-5880, 518-5955 INSTALLATION AR-ENGINE
AN ATTACHMENT

SMCS-1051, 1054

i06601128

NOTE	REF NO	GRAPHIC REF	PART NUMBER	QTY	PART NAME						SEE PAGE
					1	2	3	4	5	6 (PRODUCT LEVEL)	
M	1	1	8T-4186	3	BOLT (M10X1.5X40-MM)						
M	2	1	8T-4137	4	BOLT (M10X1.5X20-MM)						
	3	1	116-8517	7	WASHER (10.5X30X2.5-MM THK)						
	4	1	477-0663	1	INDICATOR (CUTOFF)						
	5	1	473-1347	1	AIR CLEANER GP						
		1	473-1344	1	ELEMENT (SECONDARY)						
		1	473-1345	1	ELEMENT (PRIMARY)						
		1	474-3360	1	COVER						
		1	474-3386	2	BRACKET AS						
	6	1	500-3160	1	BRACKET AS						

M - METRIC PART



GRAPHIC #1

<END>

g06042860

AIR INLET AND EXHAUST SYSTEM

356-7409 COOLER & MTG GP-EXHAUST (NRS)

S/N: JKT1-UP

PART OF 464-2308 ENGINE AR-PRIMARY

SMCS-1061, 1087, 108C

i06238233

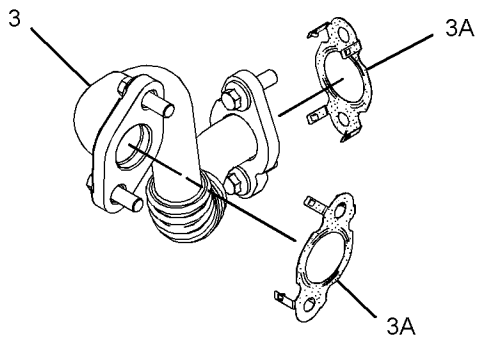
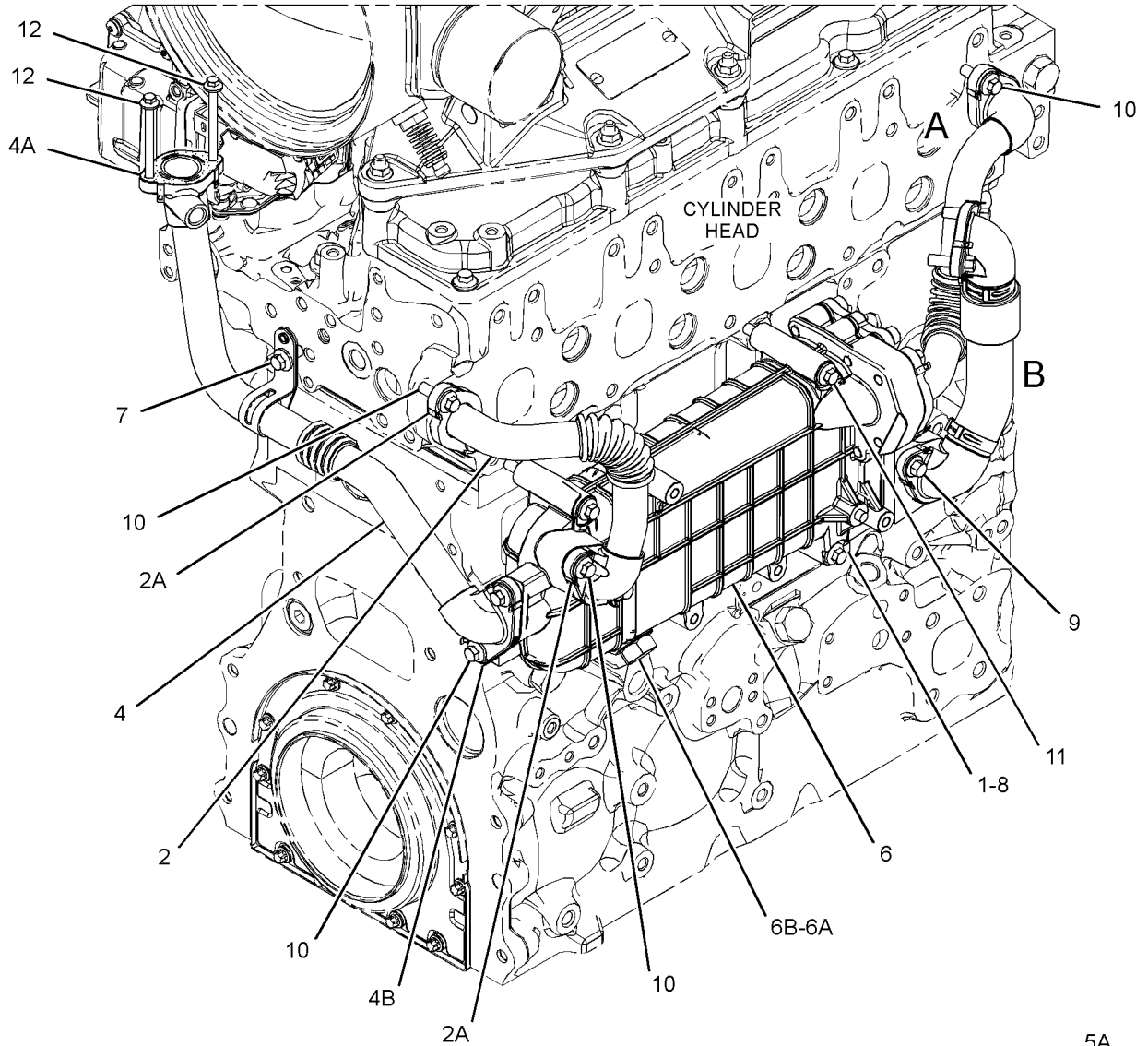
NOTE	REF NO	GRAPHIC REF	PART NUMBER	QTY	PART NAME						SEE PAGE
					1	2	3	4	5	6 (PRODUCT LEVEL)	
	1	1	232-1322	1	PLUG						
	2	1	357-7345	1	PIPE						
	2A	1	360-4066	2	GASKET						
	3	1	357-7346	1	PIPE						
	3A	1	360-4066	2	GASKET						
	4	1	357-7350	1	PIPE						
	4A	1	360-4064	1	GASKET						
	4B	1	360-4065	1	GASKET						
	5	1	371-3354	1	PIPE						
	5A	1	360-4063	2	GASKET						
	6	1	374-6307	1	COOLER						
	6A	1	199-9751	1	SEAL-O-RING						
	6B	1	232-1322	1	PLUG						
M	7	1	124-3815	1	BOLT (M8X1.25X16-MM)						
	8	1	199-9751	1	SEAL-O-RING						
	9	1	375-0351	4	BOLT-SPECIAL						
M	10	1	6I-0260	10	BOLT (M8X1.25X25-MM)						
M	11	1	6I-0293	3	BOLT (M8X1.25X80-MM)						
	12	1	6I-4068	2	BOLT (M6X1X75-MM)						

M - METRIC PART

AIR INLET AND EXHAUST SYSTEM

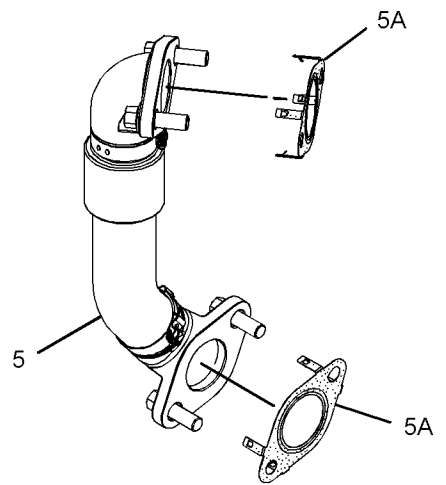
356-7409 COOLER & MTG GP-EXHAUST (NRS) (contd.)

106238233



VIEW OF AREA A
(PARTS REMOVED FOR CLARITY)

GRAPHIC #1



VIEW OF AREA B
(PARTS REMOVED FOR CLARITY)

g02663019

<END>

AIR INLET AND EXHAUST SYSTEM

416-9543 ELBOW GP-AIR INLET

S/N: W231-UP

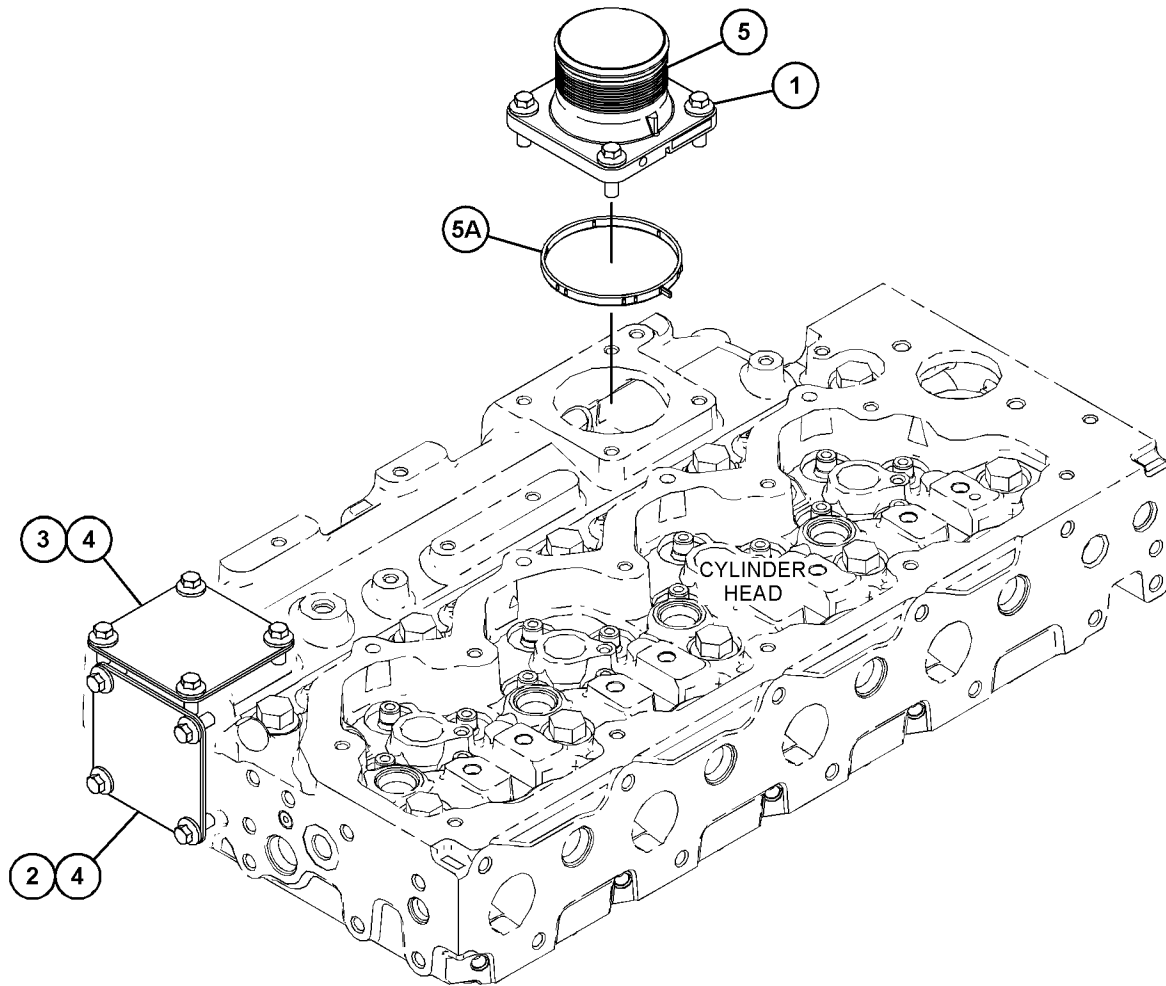
PART OF 463-8820, 463-8910 ENGINE AR-PRIMARY
ALSO AN ATTACHMENT

SMCS-1087

i06174912

NOTE	REF NO	GRAPHIC REF	PART NUMBER	QTY	PART NAME						SEE PAGE
					1	2	3	4	5	6 (PRODUCT LEVEL)	
M	1	1	6I-0260	4	BOLT (M8X1.25X25-MM)						
M	2	1	111-8222	4	BOLT (M8X16-MM)						
M	3	1	124-3815	4	BOLT (M8X1.25X16-MM)						
	4	1	185-6627	2	PLATE						
	5	1	419-3740	1	CONNECTION GP-INLET						
	5A	1	238-8288	1	GASKET-INLET						

M - METRIC PART



GRAPHIC #1

<END>

g03822801

AIR INLET AND EXHAUST SYSTEM

459-3633 ELBOW GP-AIR INLET

S/N: JKT1-UP

12-VOLT

PART OF 464-2308 ENGINE AR-PRIMARY

SMCS-1087

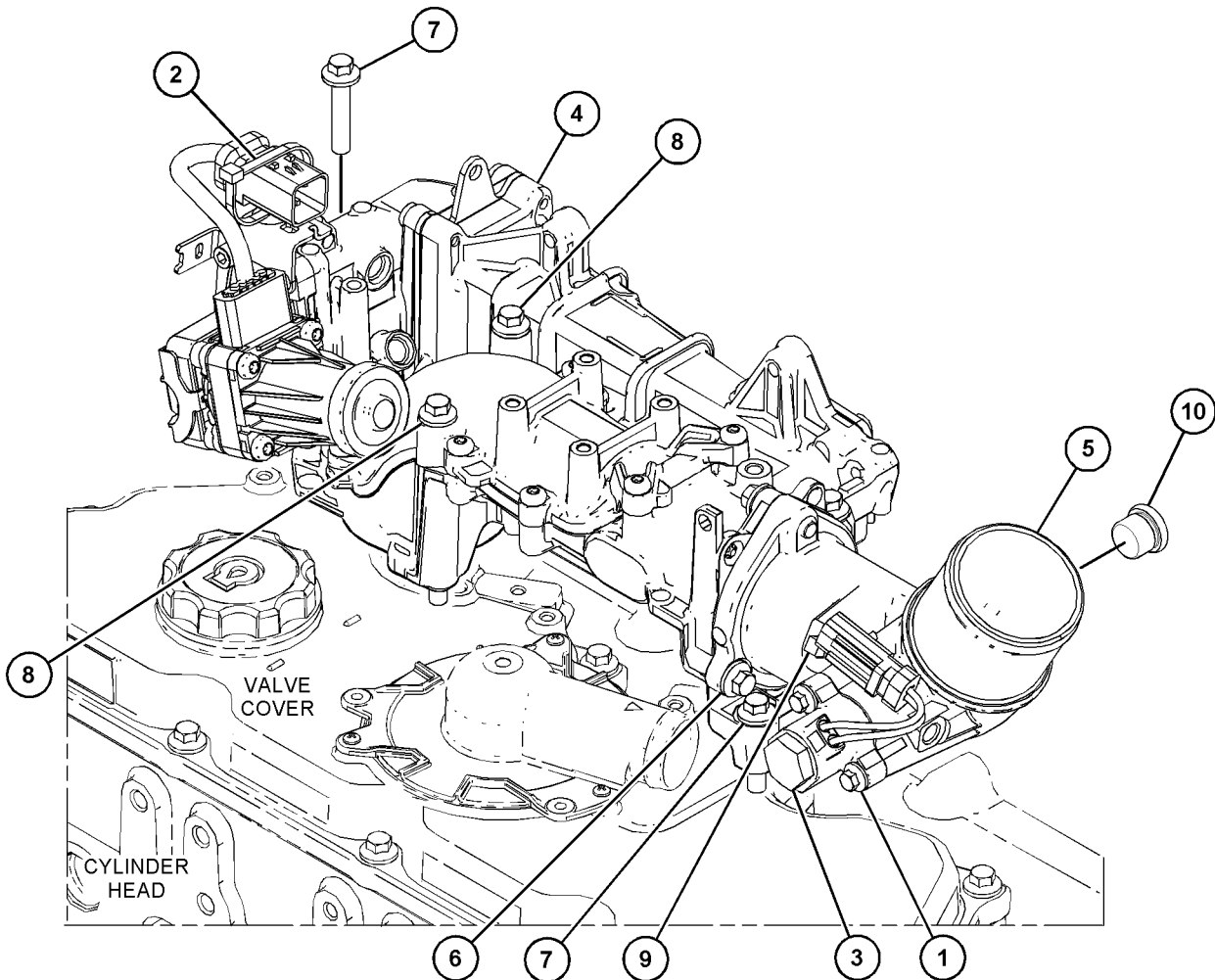
i06845958

NOTE	REF NO	GRAPHIC REF	PART NUMBER	QTY	PART NAME						SEE PAGE
					1	2	3	4	5	6 (PRODUCT LEVEL)	
M	1	1	6I-0917	2	BOLT (M6X1X25-MM)						
	2	1	316-9351	1	MOUNTING-CABLE TIE						
	3	1	369-1658	1	SOLENOID						
CY	4	1	466-7874	1	VALVE & MOUNTING GP (NRS)						272
	5	1	434-0513	1	PIPE						
M	6	1	6I-0254	3	BOLT (M8X1.25X30-MM)						
M	7	1	6I-1090	2	BOLT (M8X1.25X40-MM)						
M	8	1,1	6I-4709	3	BOLT (M8X1.25X100-MM)						
	9	1	035-8063	1	PLUG						
	10	1	470-4925	1	PLUG						

C - CHANGE FROM PREVIOUS TYPE

M - METRIC PART

Y - SEPARATE ILLUSTRATION



GRAPHIC #1

<END>

g06138874

AIR INLET AND EXHAUST SYSTEM

473-0267 EXHAUST GP

S/N: JKT1-UP

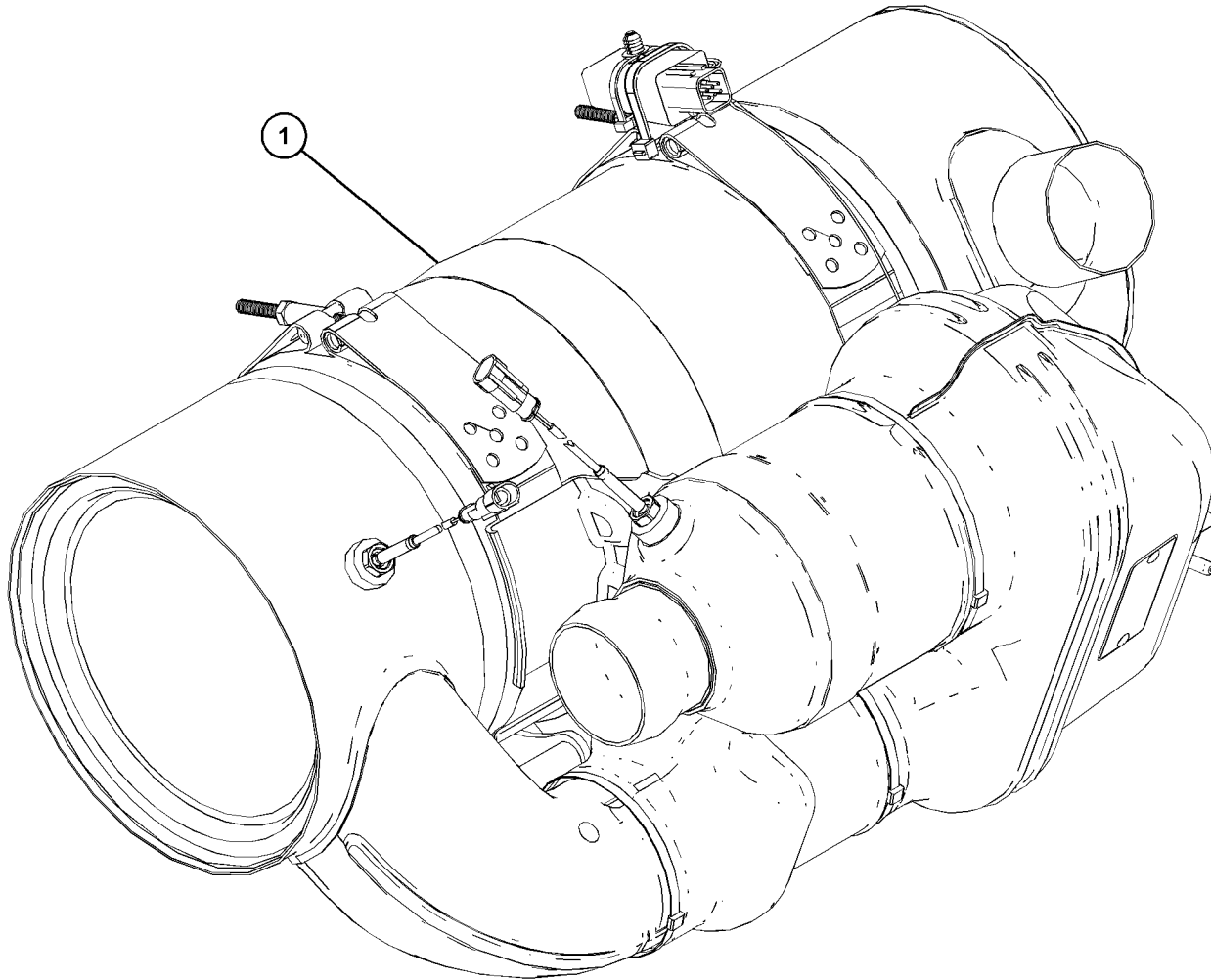
PART OF 464-2308 ENGINE AR-PRIMARY

SMCS-1061, 1062

i07162306

NOTE	REF NO	GRAPHIC REF	PART NUMBER	QTY	PART NAME						SEE PAGE
					1	2	3	4	5	6 (PRODUCT LEVEL)	
Y	1	1	479-6503	1	MODULE AR-CLEAN EMISSIONS						257

Y - SEPARATE ILLUSTRATION



GRAPHIC #1

<END>

g06158572

AIR INLET AND EXHAUST SYSTEM

497-9617 EXHAUST GP

S/N: TD71-UP

PART OF 518-5954, 518-5955, 518-5956 INSTALLATION AR-ENGINE
AN ATTACHMENT

SMCS-1061, 1062

i06823051

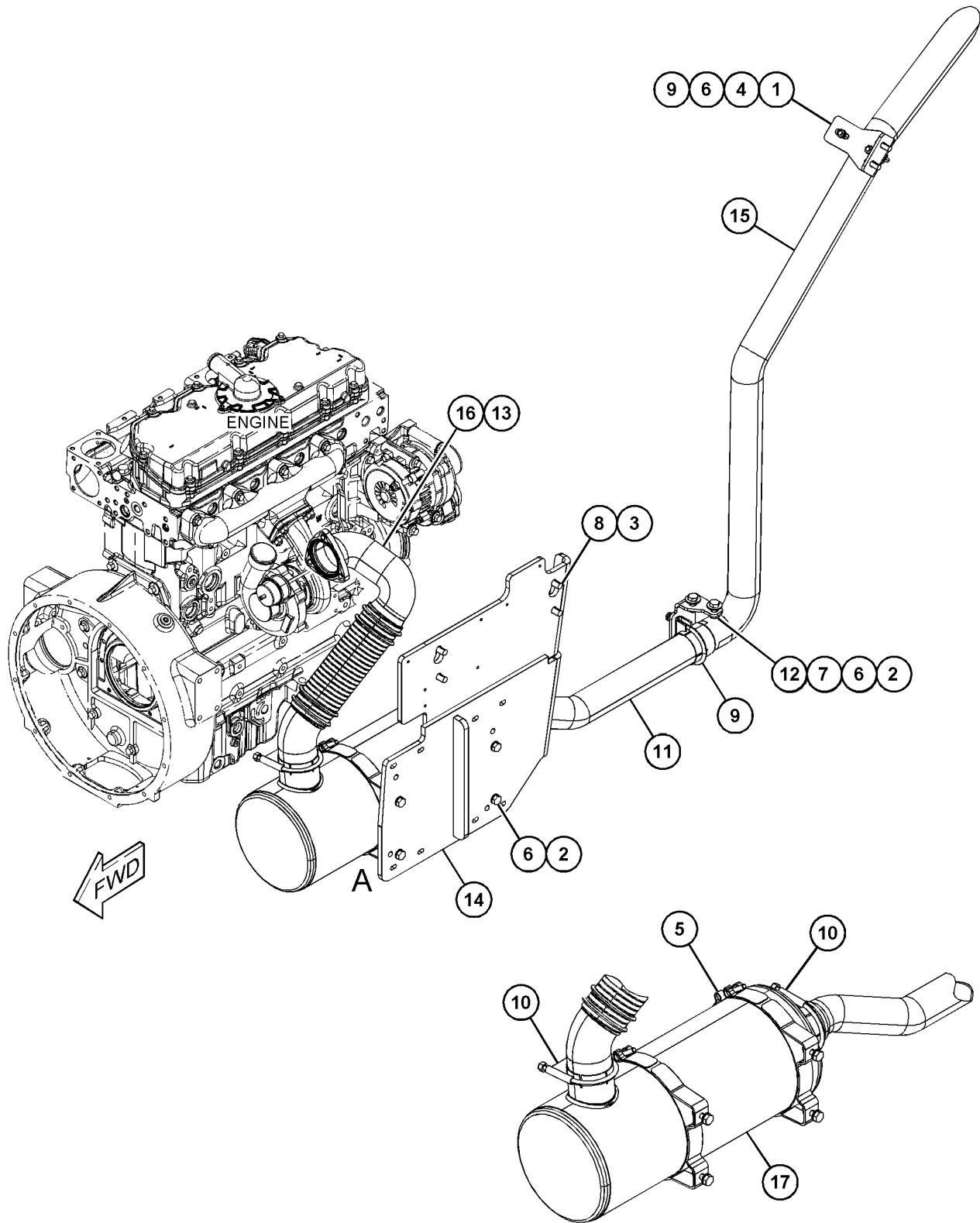
NOTE	REF NO	GRAPHIC REF	PART NUMBER	QTY	PART NAME						SEE PAGE
					1	2	3	4	5	6 (PRODUCT LEVEL)	
	1	1	476-5236	2	CLAMP AS						
M	2	1	8T-4195	6	BOLT (M10X1.5X30-MM)						
M	3	1	8T-4139	4	BOLT (M12X1.75X30-MM)						
M	4	1	8T-4136	2	BOLT (M10X1.5X25-MM)						
	5	1	497-9620	2	BRACKET						
	6	1	8T-4121	10	WASHER-HARD (11X21X2.5-MM THK)						
	7	1	116-8517	2	WASHER (10.5X30X2.5-MM THK)						
	8	1	8T-4223	4	WASHER-HARD (13.5X25.5X3-MM THK)						
	9	1	331-4387	2	CLAMP						
	10	1	298-0530	2	CLAMP-MUFFLER						
	11	1	497-9621	1	TUBE						
	12	1	497-9622	1	BRACKET AS						
	13	1	225-8530	2	GASKET						
	14	1	515-9723	1	BRACKET AS						
	15	1	497-9619	1	TUBE						
	16	1	519-1668	1	TUBE AS						
	17	1	476-5235	1	MUFFLER AS						

M - METRIC PART

AIR INLET AND EXHAUST SYSTEM

497-9617 EXHAUST GP (contd.)

i06823051



VIEW OF AREA A
(PARTS REMOVED FOR CLARITY)

GRAPHIC #1

<END>

g06129755

AIR INLET AND EXHAUST SYSTEM

442-2325 EXHAUST GP-FLEXIBLE

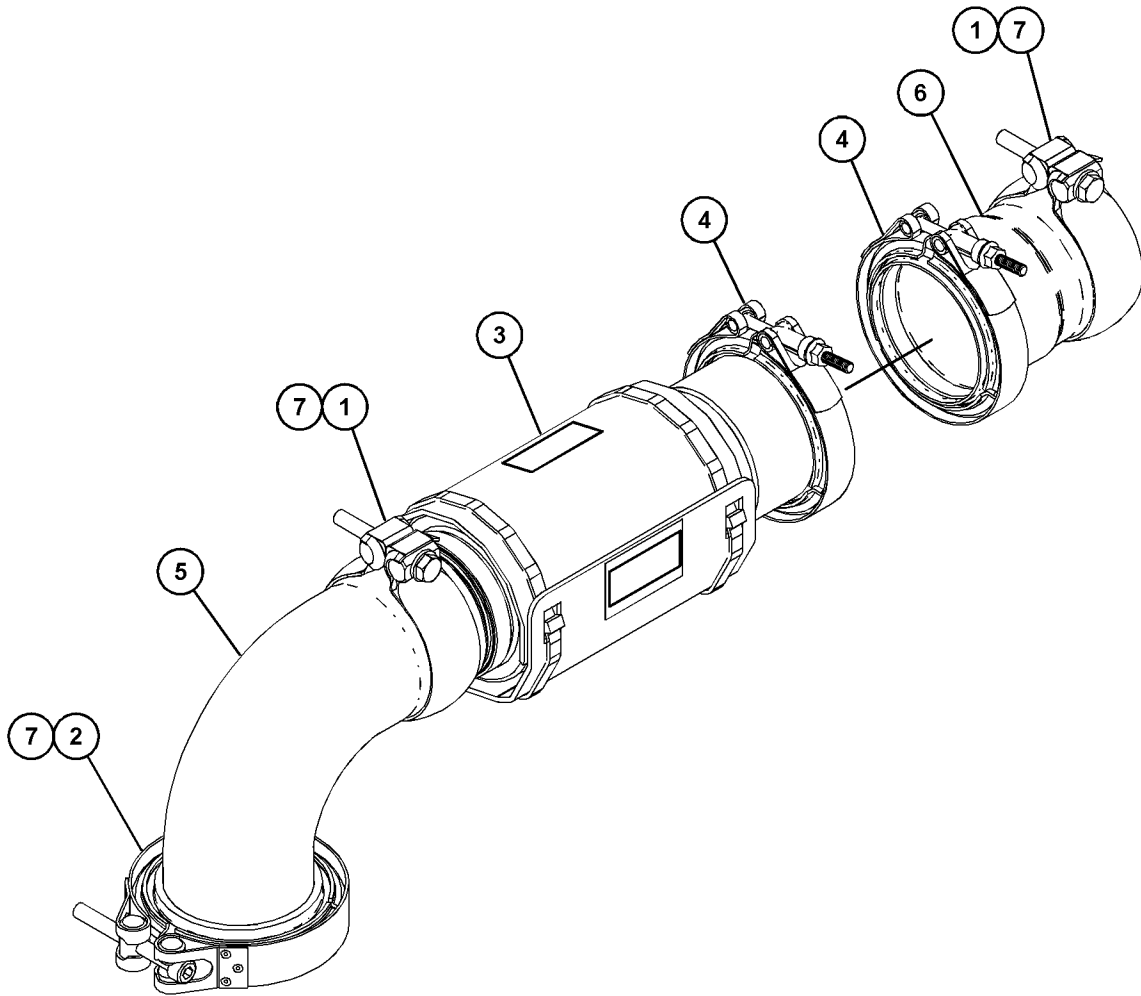
S/N: CJ41-UP

PART OF 465-2880 ENGINE AR-PRIMARY

SMCS-1061

i06252291

NOTE	REF NO	GRAPHIC REF	PART NUMBER	QTY	PART NAME						SEE PAGE
					1	2	3	4	5	6	
	1	1	359-5885	2	CLAMP AS						
	2	1	367-2071	1	CLAMP						
	3	1	447-3888	1	BELLOWS AS						
	4	1	451-4751	2	CLAMP AS						
	5	1	459-6647	1	ADAPTER AS						
	6	1	459-6656	1	TUBE - EXHAUST						
	7	1	470-0924	1	GASKET AS						



GRAPHIC #1

<END>

g03817816

AIR INLET AND EXHAUST SYSTEM

500-3104 EXTENSION GP-EXHAUST

S/N: TD61-UP

PART OF 518-5880 INSTALLATION AR-ENGINE
AN ATTACHMENT

SMCS-1061

i06948958

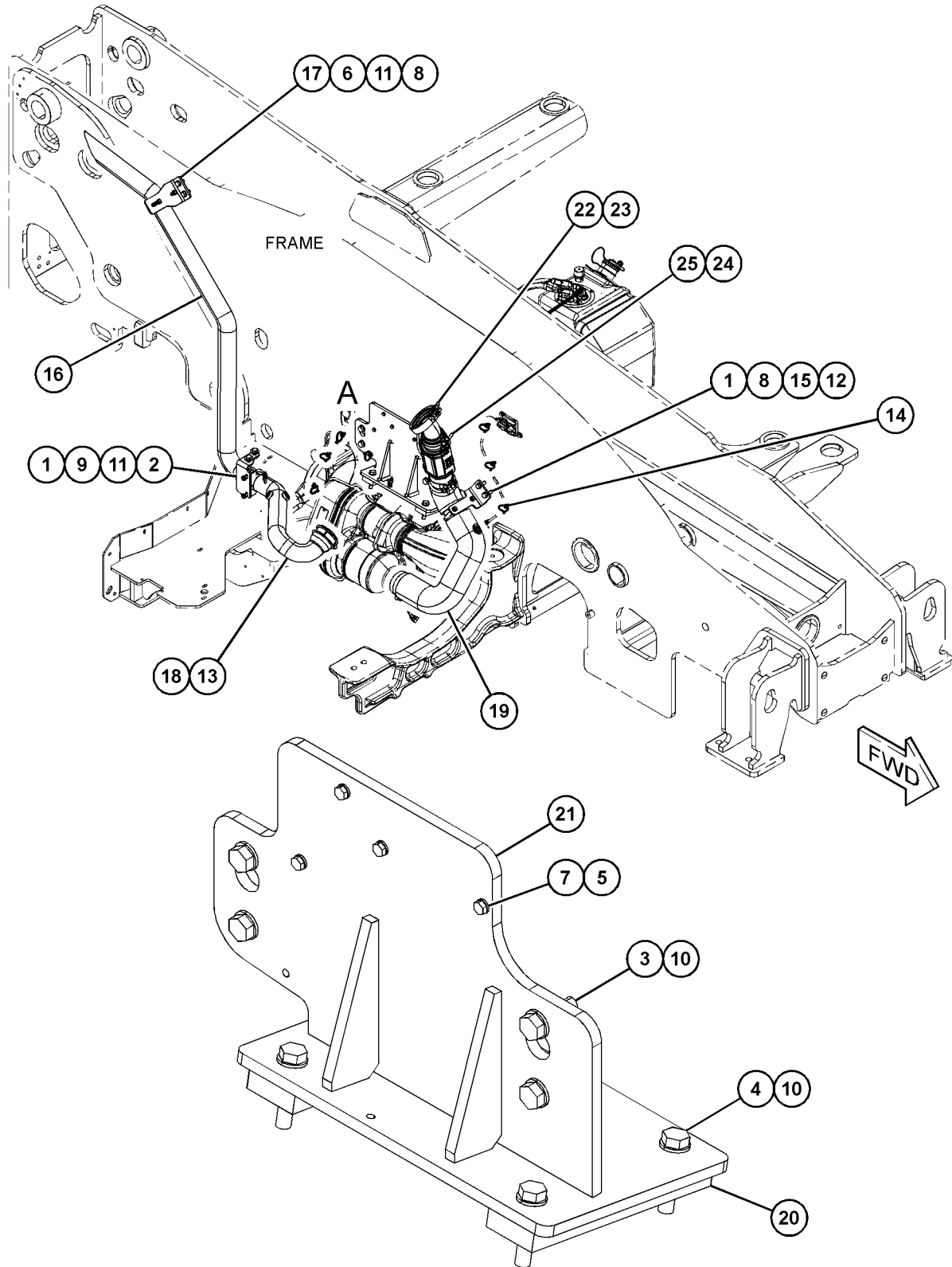
NOTE	REF NO	GRAPHIC REF	PART NUMBER	QTY	PART NAME						SEE PAGE
					1	2	3	4	5	6 (PRODUCT LEVEL)	
M	1	1	8T-4195	4	BOLT (M10X1.5X30-MM)						
	2	1	497-9622	1	BRACKET AS						
M	3	1	8T-4183	4	BOLT (M12X1.75X40-MM)						
M	4	1	8T-4910	4	BOLT (M12X1.75X60-MM)						
M	5	1	8T-4970	4	BOLT (M6X1X14-MM)						
M	6	1	8T-4136	2	BOLT (M10X1.5X25-MM)						
	7	1	8T-4205	4	WASHER-HARD (7.2X14.5X2-MM THK)						
	8	1	8T-4121	4	WASHER-HARD (11X21X2.5-MM THK)						
	9	1	116-8517	2	WASHER (10.5X30X2.5-MM THK)						
	10	1	8T-4223	8	WASHER-HARD (13.5X25.5X3-MM THK)						
	11	1	331-4387	2	CLAMP						
	12	1	298-0530	1	CLAMP-MUFFLER						
	13	1	298-1758	1	CLAMP-PIPE						
	14	1	455-3027	9	TIE-CABLE						
	15	1	500-3311	1	PLATE						
	16	1	497-9619	1	TUBE						
	17	1	497-9620	1	BRACKET						
	18	1	500-3135	1	TUBE AS						
	19	1	500-3136	1	TUBE AS						
	20	1	500-3137	2	PLATE-SPACER						
	21	1	500-3310	1	BRACKET AS						
	22	1	359-5885	2	CLAMP AS						
	23	1	367-2071	1	CLAMP						
	24	1	383-4141	1	ADAPTER AS-EXHAUST						
	25	1	362-9401	1	BELLOWS AS						
		1	034-1432	2	STRAP-CABLE						
		1	337-7304	1	CLAMP-BAND						

M - METRIC PART

AIR INLET AND EXHAUST SYSTEM

500-3104 EXTENSION GP-EXHAUST (contd.)

106948958



VIEW OF AREA A
(PARTS REMOVED FOR CLARITY)

GRAPHIC #1

<END>

g06187284

AIR INLET AND EXHAUST SYSTEM

355-5592 FASTENER GP-CEM

S/N: JKT1-UP

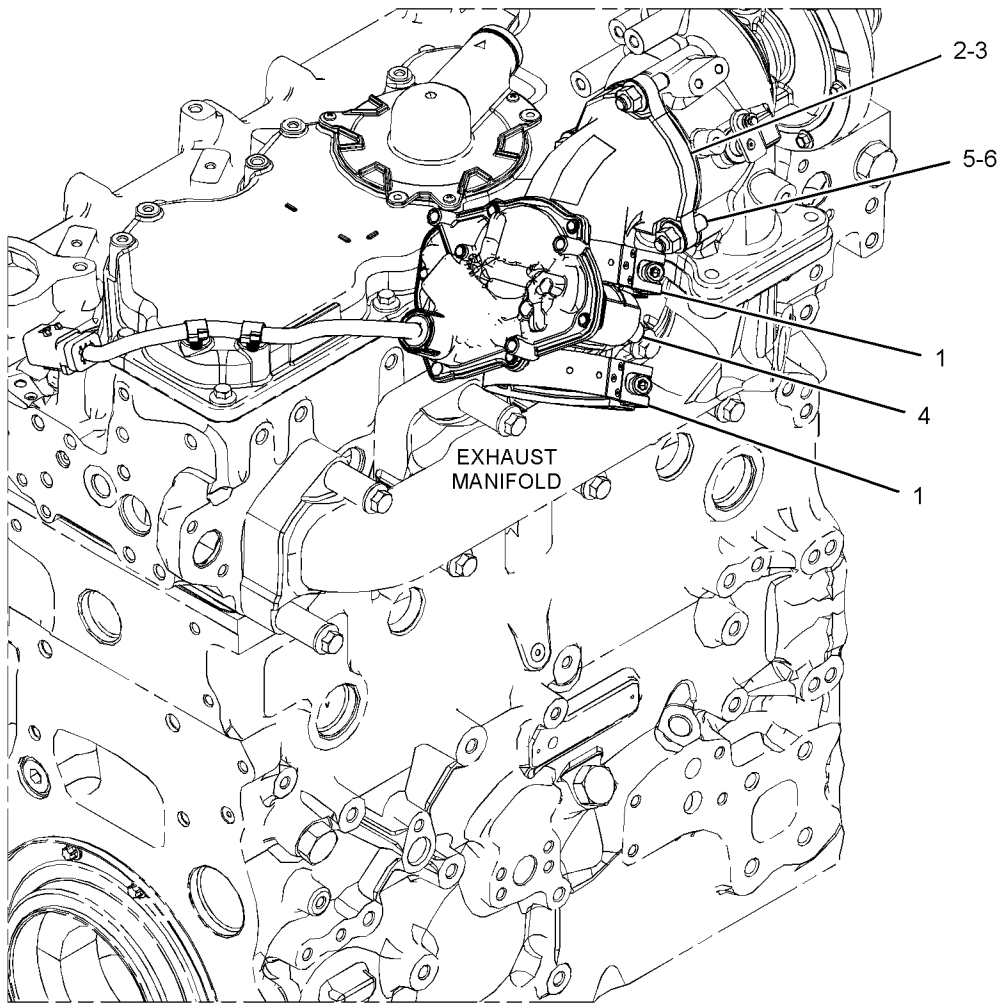
PART OF 464-2308 ENGINE AR-PRIMARY

SMCS-7553

i04630475

NOTE	REF NO	GRAPHIC REF	PART NUMBER	QTY	PART NAME						SEE PAGE
					1	2	3	4	5	6 (PRODUCT LEVEL)	
	1	1	343-5908	2	CLAMP-V BAND						
	2	1	346-6185	1	GASKET						
	3	1	356-8242	1	ELBOW GP						
	4	1	362-9021	1	VALVE-EXHAUST BACK PRESSURE						
	5	1	147-5553	3	STUD						
M	6	1	6I-0563	3	NUT (M10X1.5-THD)						

M - METRIC PART



GRAPHIC #1

<END>

g02789633

AIR INLET AND EXHAUST SYSTEM

442-0486 FILTER GP-DIESEL PARTICULATE

S/N: CJ41-UP

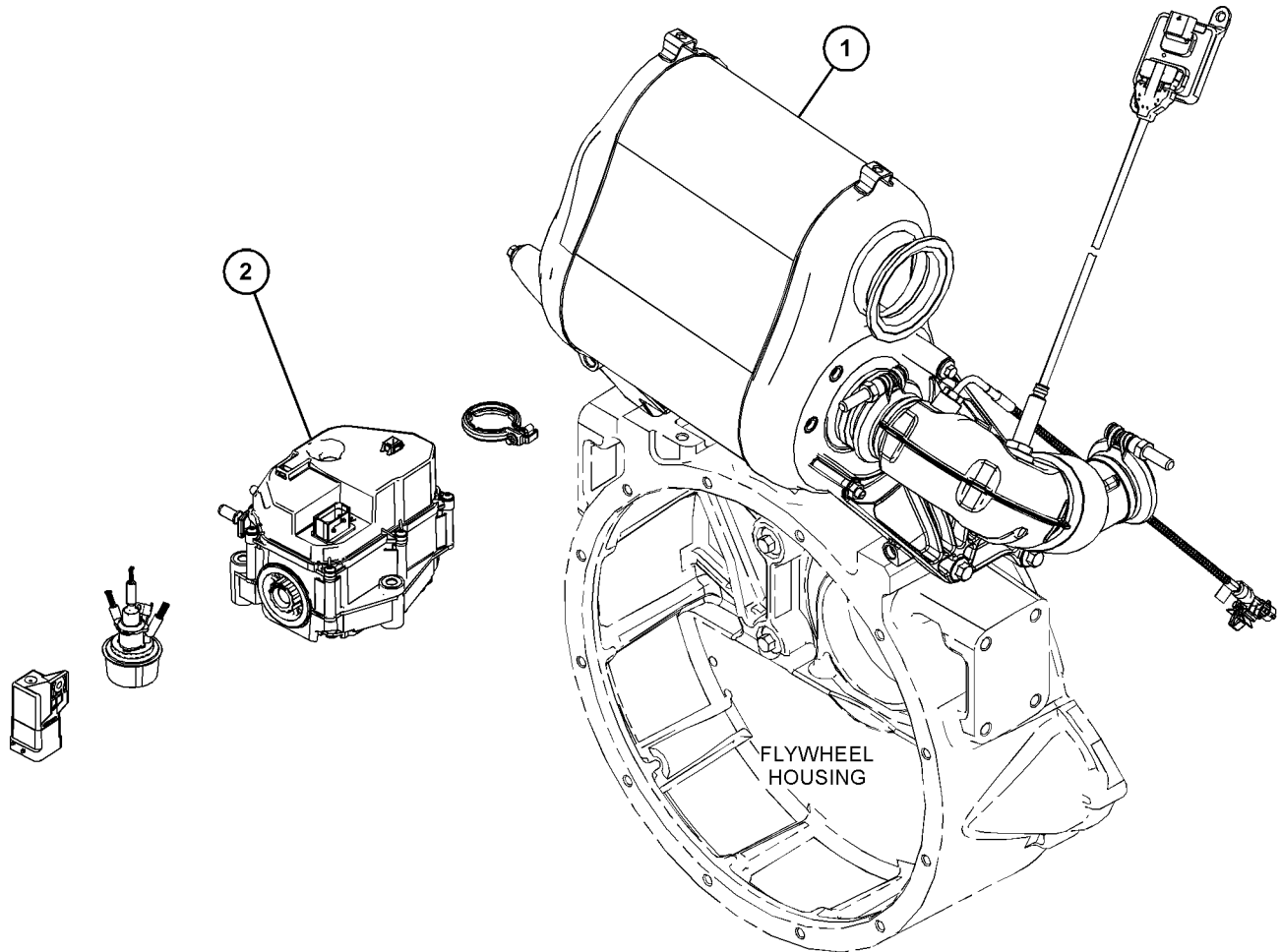
PART OF 465-2880 ENGINE AR-PRIMARY

SMCS-108F, 1091

i06277234

NOTE	REF NO	GRAPHIC REF	PART NUMBER	QTY	PART NAME						SEE PAGE
					1	2	3	4	5	6 (PRODUCT LEVEL)	
Y	1	1	464-2121	1	FILTER GP-DIESEL PARTICULATE						237
CY	2	1	470-9781	1	PUMP GP-DIESEL EXHAUST FLUID						263

C - CHANGE FROM PREVIOUS TYPE
Y - SEPARATE ILLUSTRATION



GRAPHIC #1

<END>

g06079836

AIR INLET AND EXHAUST SYSTEM

442-1585 FILTER GP-DIESEL PARTICULATE

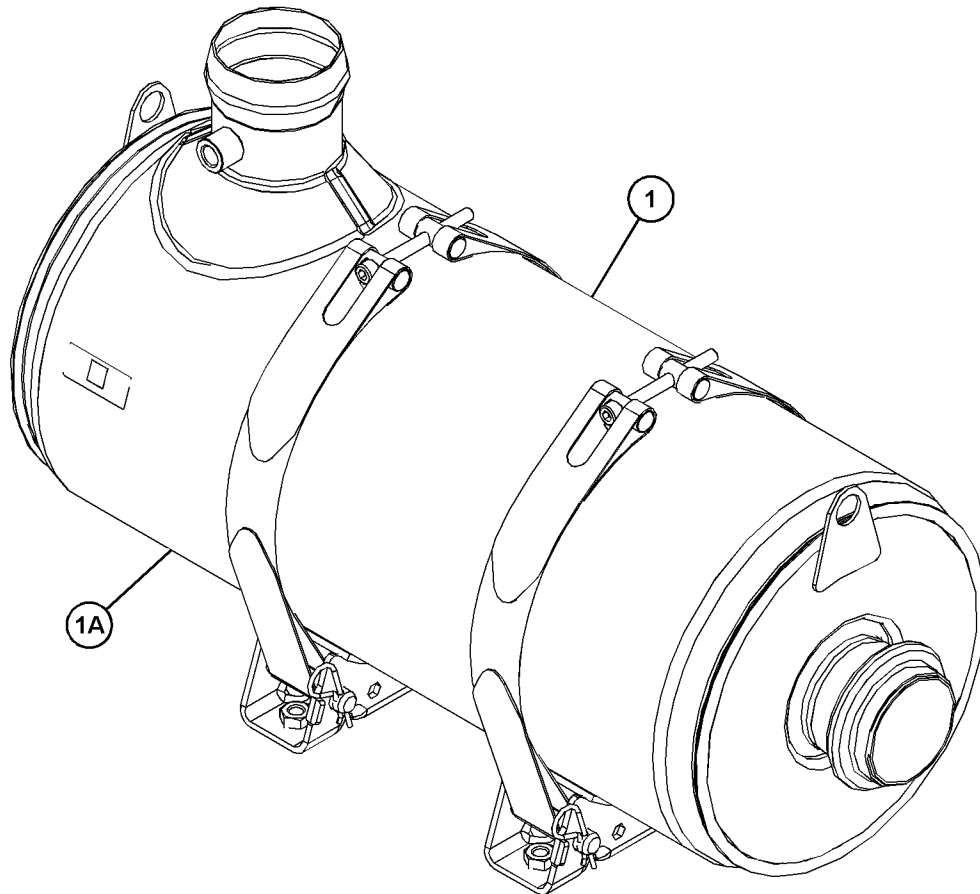
S/N: CJ41-UP

PART OF 465-2880 ENGINE AR-PRIMARY

SMCS-108F, 1091

i06252194

NOTE	REF NO	GRAPHIC REF	PART NUMBER	QTY	PART NAME						SEE PAGE
					1	2	3	4	5	6 (PRODUCT LEVEL)	
	1	1	467-1399	1	FILTER GP-DIESEL PARTICULATE						
	1A	1	467-1400	1	FILTER GP-DIESEL PARTICULATE						



GRAPHIC #1

<END>

g03828010

AIR INLET AND EXHAUST SYSTEM

464-2121 FILTER GP-DIESEL PARTICULATE

S/N: CJ41-UP

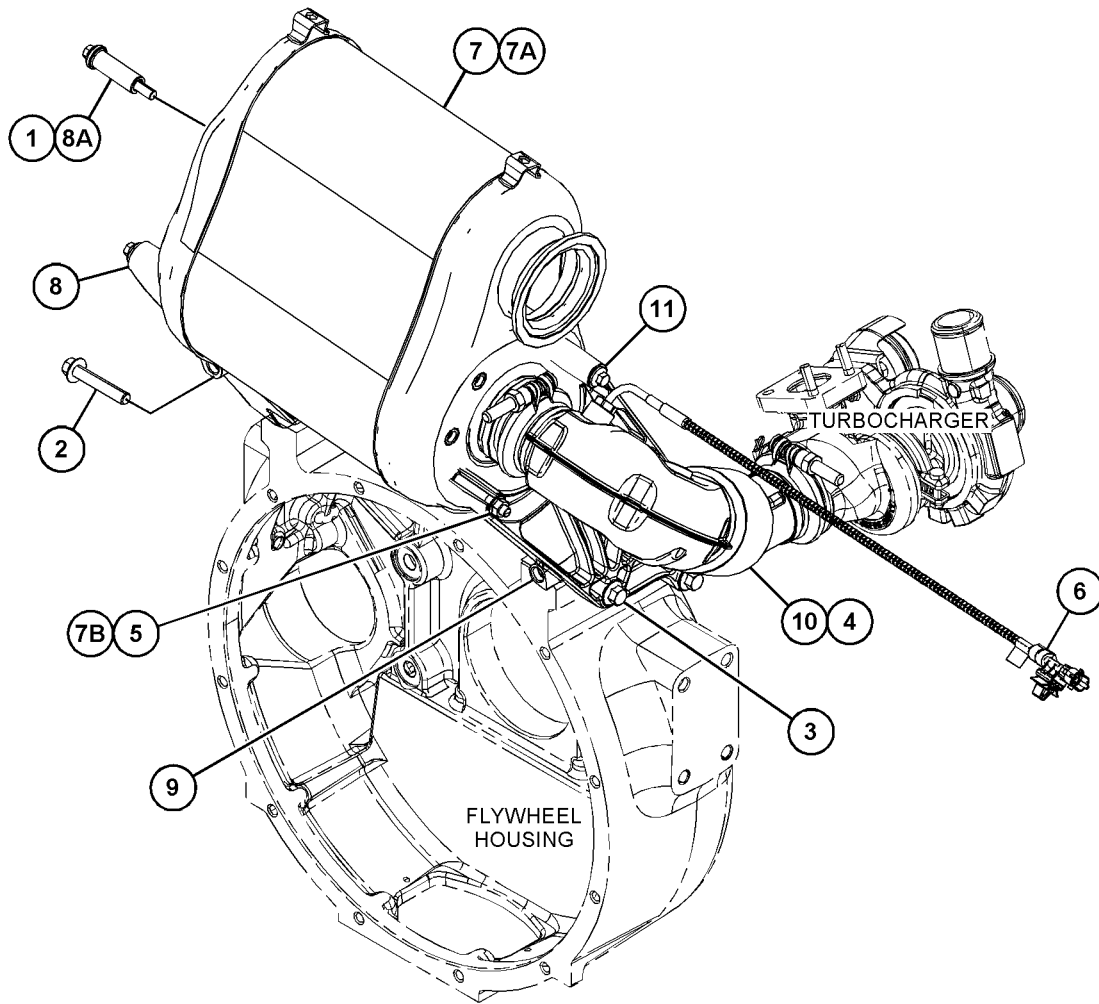
PART OF 442-0486 FILTER GP-DIESEL PARTICULATE

SMCS-108F, 1091

i06839549

NOTE	REF NO	GRAPHIC REF	PART NUMBER	QTY	PART NAME						SEE PAGE
					1	2	3	4	5	6 (PRODUCT LEVEL)	
M	1	1	100-3751	3	BOLT (M8X1.25X65-MM)						
M	2	1	101-7178	3	BOLT (M10X1.5X55-MM)						
M	3	1	123-2899	3	BOLT (M10X1.5X40-MM)						
	4	1	387-9343	2	CLIP						
	5	1	394-8799	1	NUT-SPECIAL						
	6	1	450-7214	1	SENSOR AS-TEMPERATURE						
	7	1	464-8795	1	FILTER AS-DIESEL PARTICULATE						
	7A	1	463-9169	1	CATALYST AS						
	7B	1	464-8891	1	STUD						
	8	1	464-8797	1	BRACKET AS						
	8A	1	464-8806	3	BUSHING						
	9	1	464-8829	1	BRACKET						
	10	1	464-8973	1	PIPE AS						
M	11	1	6I-0455	2	BOLT (M8X1.25X55-MM)						

M - METRIC PART



GRAPHIC #1

<END>

g06137039

AIR INLET AND EXHAUST SYSTEM

499-9429 LINES GP-AIR

S/N: TD71-UP

PART OF 518-5954 INSTALLATION AR-ENGINE
AN ATTACHMENT

SMCS-1071

i06907155

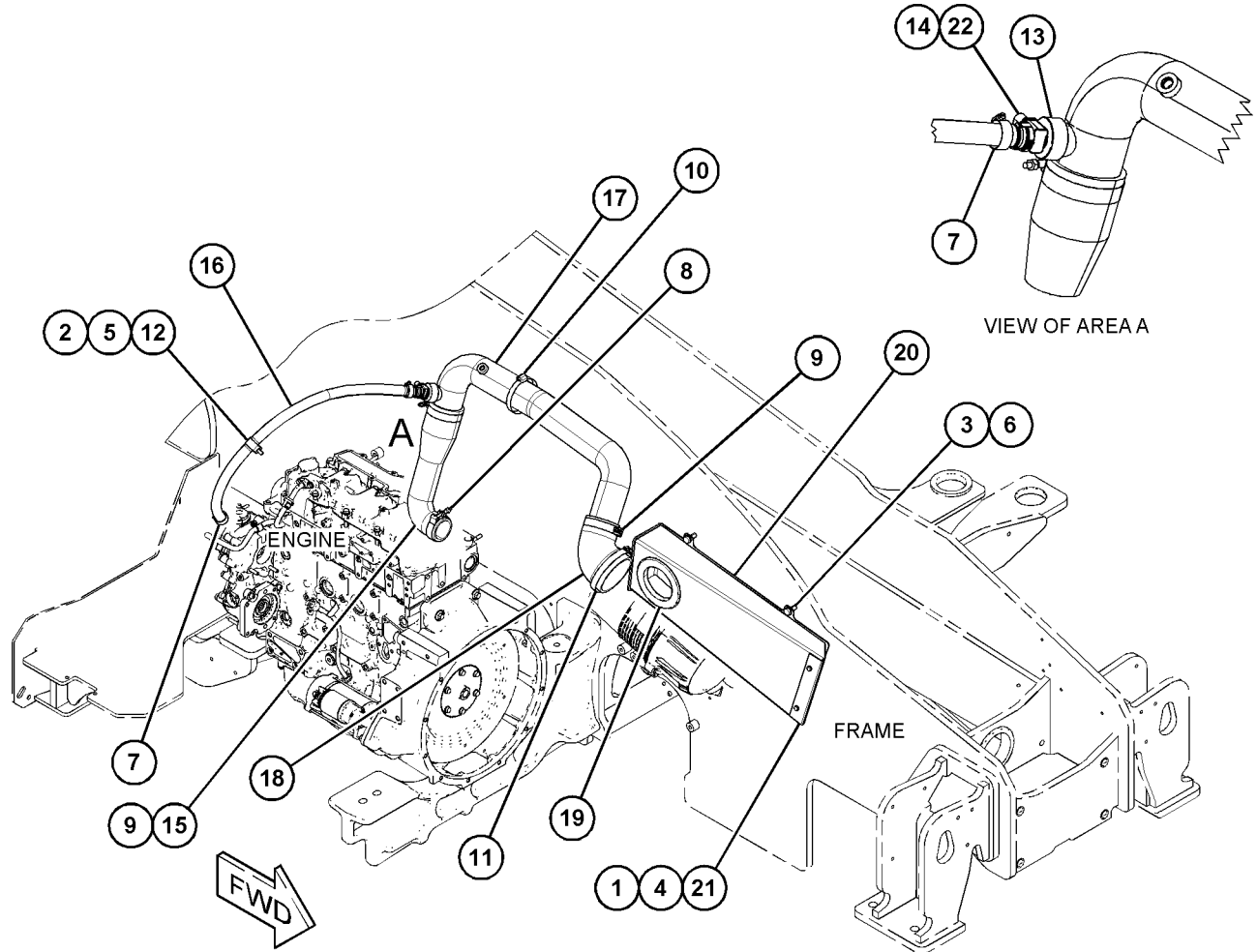
NOTE	REF NO	GRAPHIC REF	PART NUMBER	QTY	PART NAME						SEE PAGE
					1	2	3	4	5	6 (PRODUCT LEVEL)	
M	1	1	5C-9553	2	BOLT (M6X1X16-MM)						
M	2	1	8T-4189	1	BOLT (M8X1.25X20-MM)						
M	3	1	8T-4136	4	BOLT (M10X1.5X25-MM)						
	4	1	8T-4205	2	WASHER-HARD (7.2X14.5X2-MM THK)						
	5	1	8T-4224	1	WASHER-HARD (8.8X16X2-MM THK)						
	6	1	8T-4121	4	WASHER-HARD (11X21X2.5-MM THK)						
	7	1	303-8599	2	CLAMP						
	8	1	457-1255	1	CLAMP						
	9	1	309-4002	2	CLAMP						
	10	1	3E-7404	1	CLAMP-HOSE						
	11	1	332-7540	1	CLAMP						
	12	1	7C-4354	1	CLIP						
	13	1	398-2009	1	GROMMET						
	14	1	444-6962	1	ADAPTER						
	15	1	476-6644	1	HOSE						
	16	1	476-6640	1	HOSE						
	17	1	499-9432	1	TUBE AS						
	18	1	499-9433	1	HOSE						
	19	1	481-4436	1	GROMMET						
	20	1	499-9434	1	PLATE AS						
	21	1	499-9435	1	PLATE						
	22	1	376-1398	1	CONNECTION						

M - METRIC PART

AIR INLET AND EXHAUST SYSTEM

499-9429 LINES GP-AIR (contd.)

i06907155



GRAPHIC #1

<END>

g06165549

AIR INLET AND EXHAUST SYSTEM

500-1294 LINES GP-AIR

S/N: TD71-UP

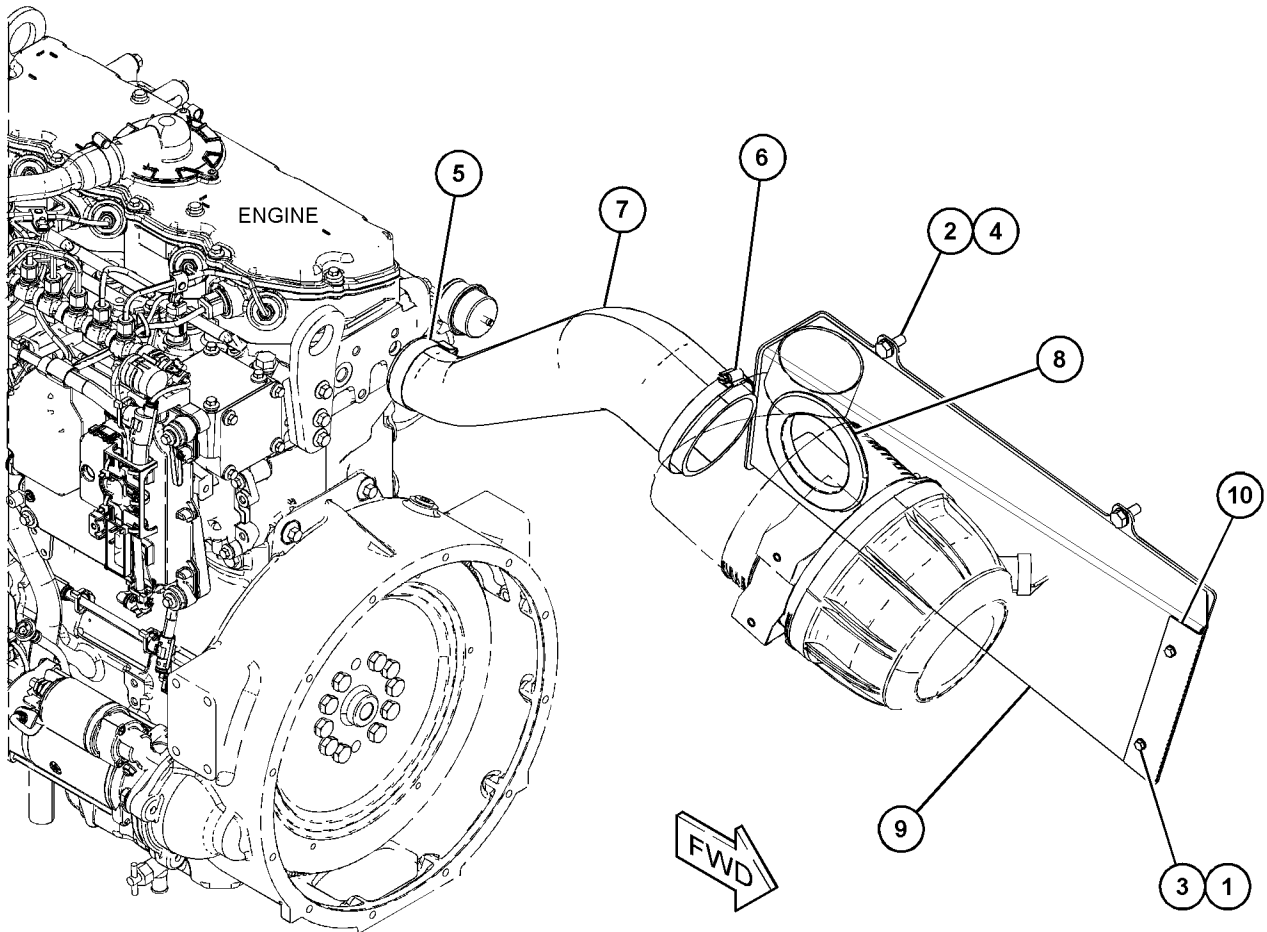
PART OF 518-5956 INSTALLATION AR-ENGINE
AN ATTACHMENT

SMCS-1071

i06603092

NOTE	REF NO	GRAPHIC REF	PART NUMBER	QTY	PART NAME						SEE PAGE
					1	2	3	4	5	6 (PRODUCT LEVEL)	
M	1	1	5C-9553	2	BOLT (M6X1X16-MM)						
M	2	1	8T-4136	4	BOLT (M10X1.5X25-MM)						
	3	1	8T-4205	2	WASHER-HARD (7.2X14.5X2-MM THK)						
	4	1	8T-4121	4	WASHER-HARD (11X21X2.5-MM THK)						
	5	1	457-9914	1	CLAMP						
	6	1	332-7540	1	CLAMP						
	7	1	500-1295	1	HOSE						
	8	1	481-4436	1	GROMMET						
	9	1	499-9434	1	PLATE AS						
	10	1	499-9435	1	PLATE						

M - METRIC PART



GRAPHIC #1

<END>

g06045268

AIR INLET AND EXHAUST SYSTEM

500-3068 LINES GP-AIR

S/N: TD71-UP

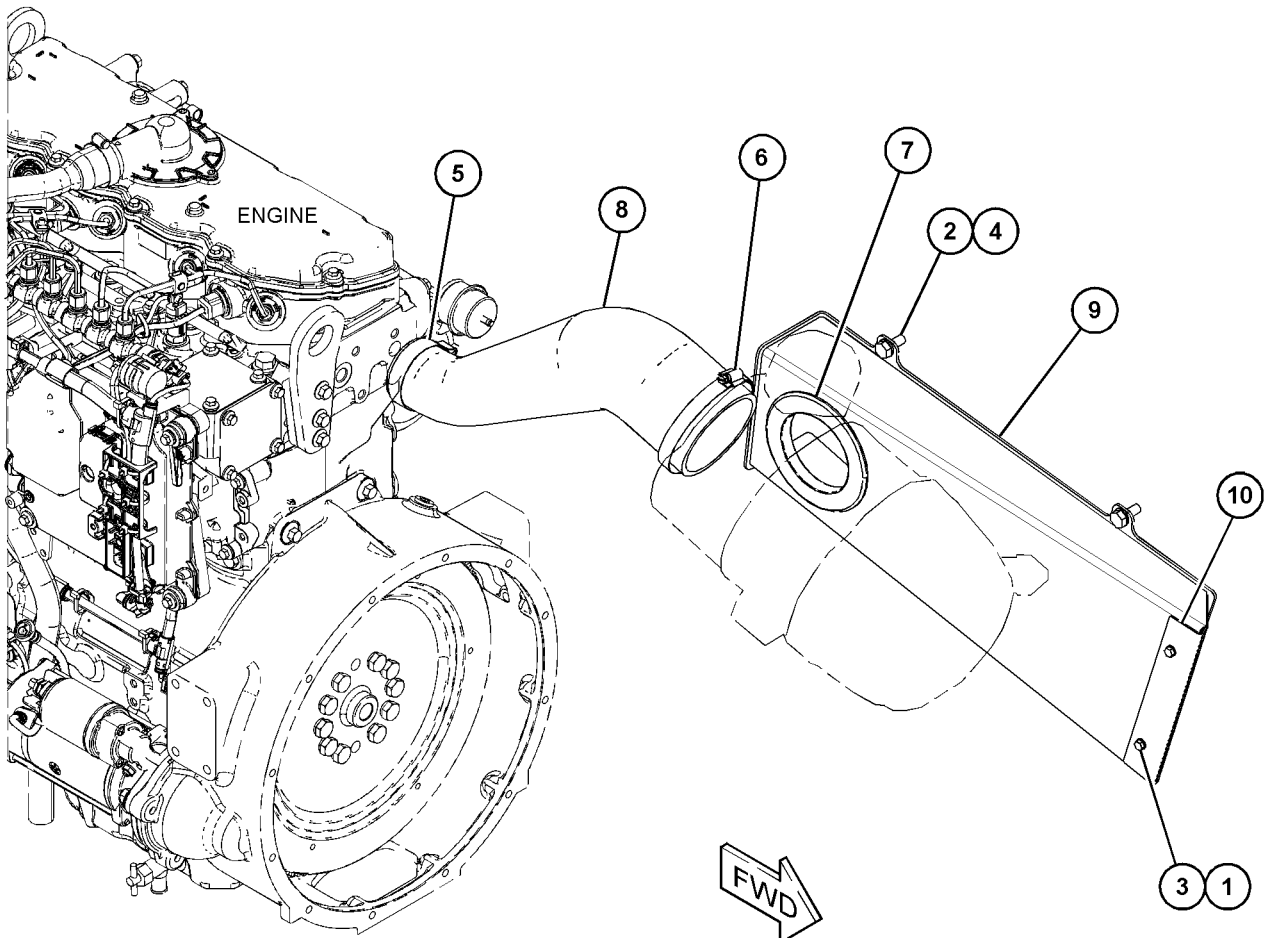
PART OF 518-5955 INSTALLATION AR-ENGINE
AN ATTACHMENT

SMCS-1071

i06603100

NOTE	REF NO	GRAPHIC REF	PART NUMBER	QTY	PART NAME						SEE PAGE
					1	2	3	4	5	6	
M	1	1	5C-9553	2	BOLT (M6X1X16-MM)						
M	2	1	8T-4136	4	BOLT (M10X1.5X25-MM)						
	3	1	8T-4205	2	WASHER-HARD (7.2X14.5X2-MM THK)						
	4	1	8T-4121	4	WASHER-HARD (11X21X2.5-MM THK)						
	5	1	457-9914	1	CLAMP						
	6	1	332-7540	1	CLAMP						
	7	1	482-8491	1	GROMMET						
	8	1	502-1188	1	HOSE						
	9	1	499-9434	1	PLATE AS						
	10	1	499-9435	1	PLATE						

M - METRIC PART



GRAPHIC #1

<END>

g06049966

AIR INLET AND EXHAUST SYSTEM

500-3139 LINES GP-AIR

S/N: TD61-UP

PART OF 518-5880 INSTALLATION AR-ENGINE
AN ATTACHMENT

SMCS-1071

i06601122

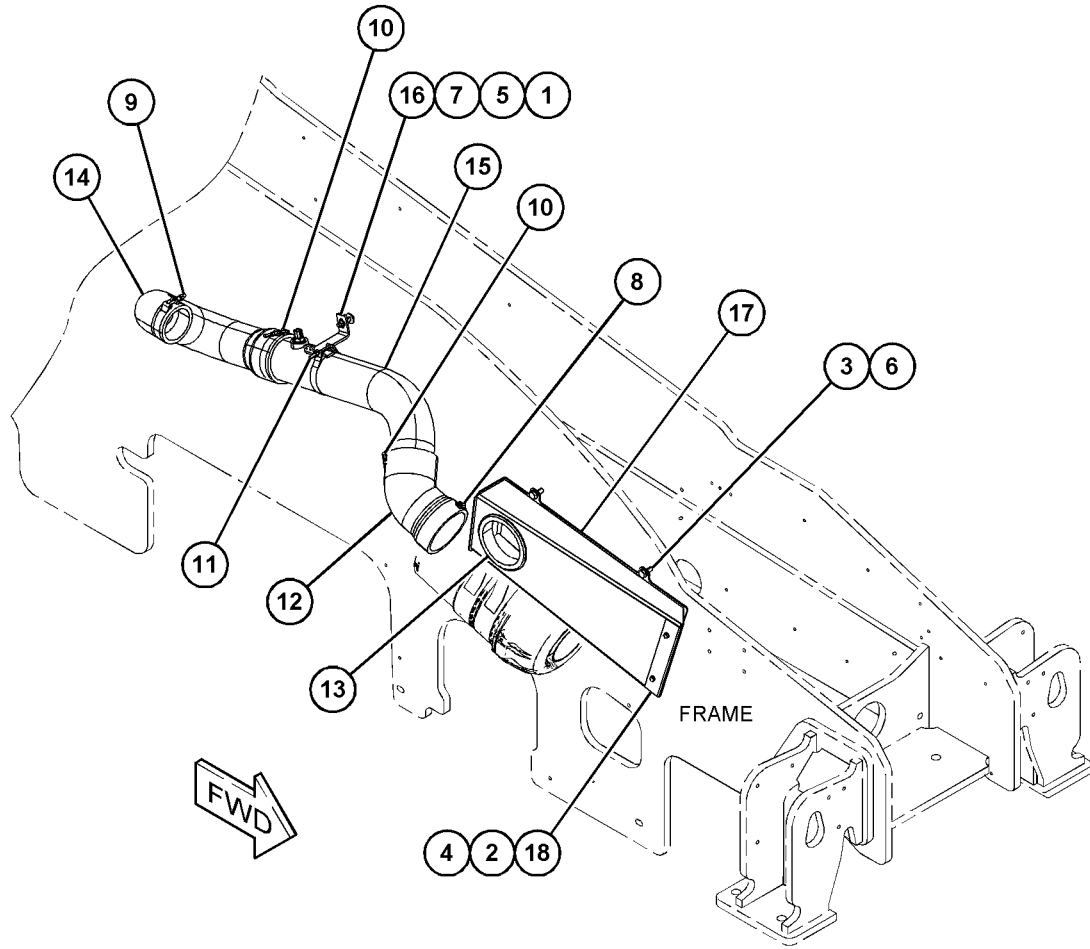
NOTE	REF NO	GRAPHIC REF	PART NUMBER	QTY	PART NAME						SEE PAGE
					1	2	3	4	5	6 (PRODUCT LEVEL)	
M	1	1	9X-2480	1	BOLT (M6X1X45-MM)						
M	2	1	5C-9553	2	BOLT (M6X1X16-MM)						
M	3	1	8T-4136	4	BOLT (M10X1.5X25-MM)						
	4	1	8T-4205	2	WASHER-HARD (7.2X14.5X2-MM THK)						
	5	1	309-3997	1	WASHER (8.4X25X2-MM THK)						
	6	1	8T-4121	4	WASHER-HARD (11X21X2.5-MM THK)						
M	7	1	178-3336	1	NUT-HEX FLANGE (M8X1.25-THD)						
	8	1	332-7540	1	CLAMP						
	9	1	464-6623	1	CLAMP						
	10	1	464-1268	2	CLAMP						
	11	1	303-5002	1	CLAMP-BAND						
	12	1	474-4048	1	HOSE						
	13	1	482-8491	1	GROMMET						
	14	1	474-4050	1	HOSE						
	15	1	500-3140	1	TUBE AS						
	16	1	500-3141	1	PLATE						
	17	1	499-9434	1	PLATE AS						
	18	1	499-9435	1	PLATE						

M - METRIC PART

AIR INLET AND EXHAUST SYSTEM

500-3139 LINES GP-AIR (contd.)

106601122



GRAPHIC #1

<END>

g06044685

AIR INLET AND EXHAUST SYSTEM

513-4184 LINES GP-AIR-CHARGE AIR COOLER

S/N: TD71-UP

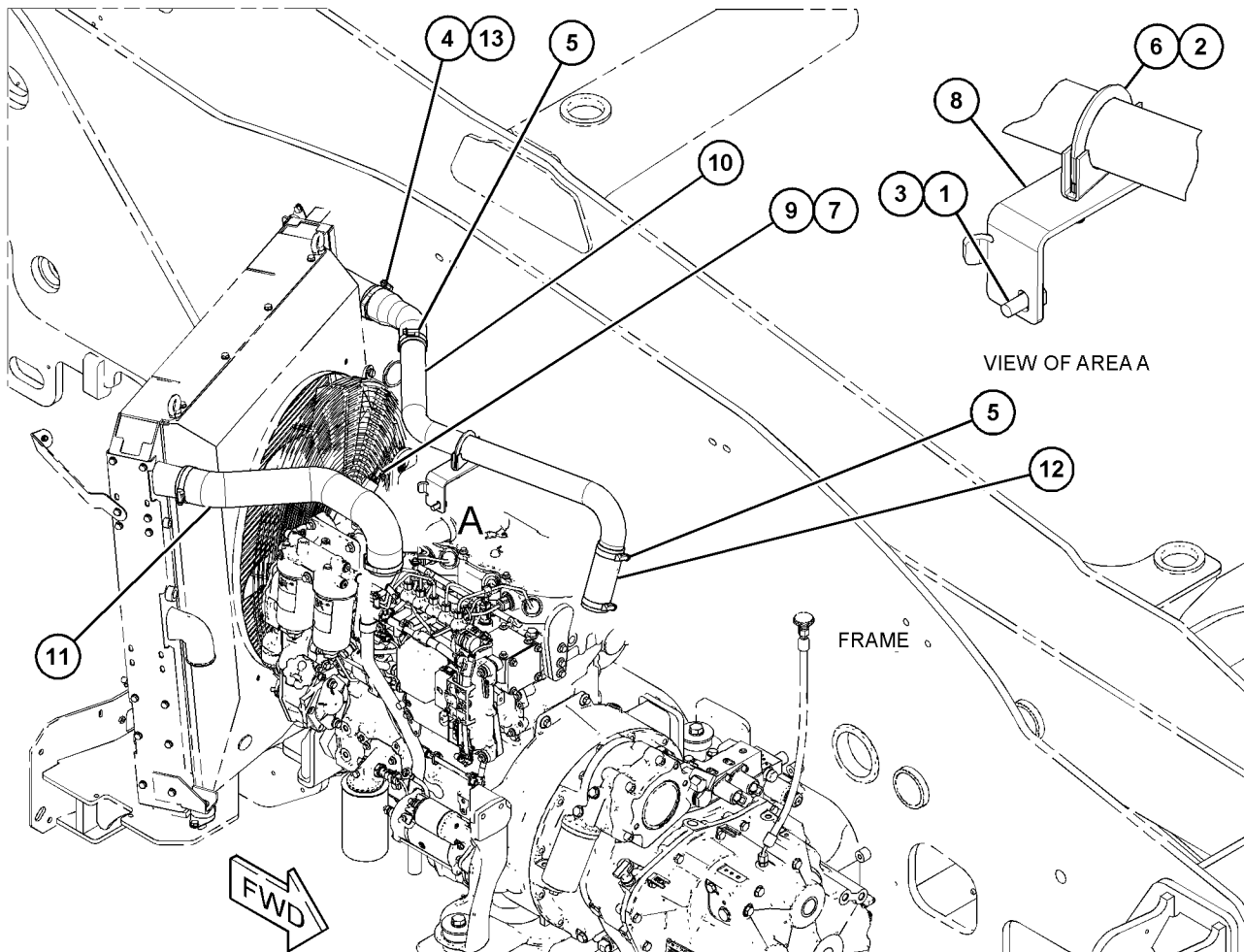
PART OF 518-6040, 518-6042 ENGINE AR-COMPLETE
AN ATTACHMENT

SMCS-1071

i06895402

NOTE	REF NO	GRAPHIC REF	PART NUMBER	QTY	PART NAME						SEE PAGE
					1	2	3	4	5	6 (PRODUCT LEVEL)	
M	1	1	8T-4136	1	BOLT (M10X1.5X25-MM)						
	2	1	8T-4224	2	WASHER-HARD (8.8X16X2-MM THK)						
	3	1	8T-4121	1	WASHER-HARD (11X21X2.5-MM THK)						
	4	1	513-2327	3	CLAMP-HOSE						
	5	1	513-2328	3	CLAMP-HOSE						
	6	1	500-1288	1	CLAMP AS						
	7	1	8T-7524	1	SEAL-O-RING						
	8	1	500-1293	1	BRACKET						
	9	1	256-6454	1	SENSOR-TEMPERATURE (AIR CLEANER)						
	10	1	500-1289	1	TUBE						
	11	1	500-1290	1	HOSE						
	12	1	500-1291	1	HOSE						
	13	1	500-1292	1	HOSE						

M - METRIC PART



GRAPHIC #1

<END>

g06163522

AIR INLET AND EXHAUST SYSTEM

513-5772 LINES GP-AIR-CHARGE AIR COOLER

S/N: TD61-UP

PART OF 518-5877 ENGINE AR-COMPLETE
AN ATTACHMENT

SMCS-1071

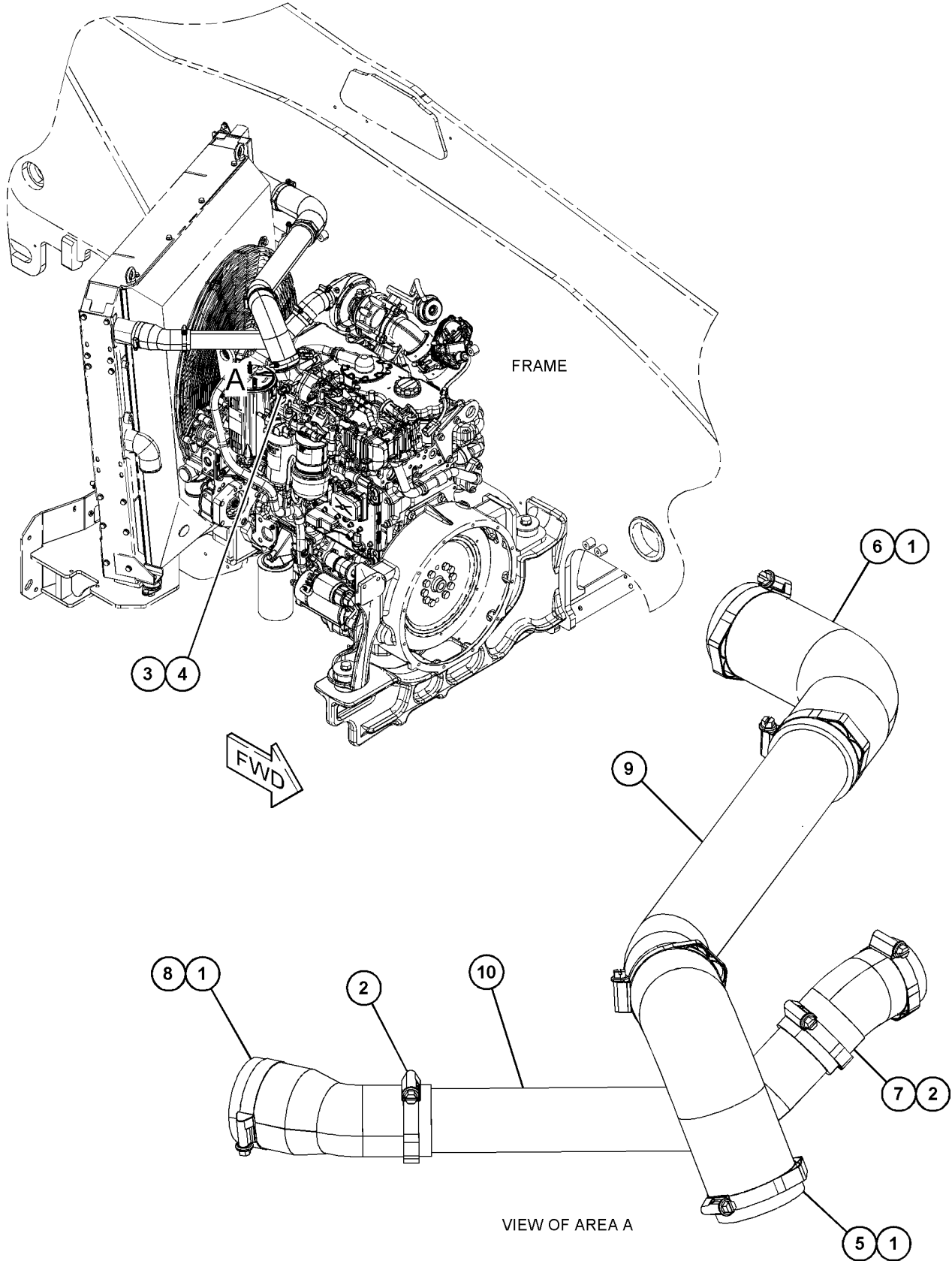
i06893871

NOTE	REF NO	GRAPHIC REF	PART NUMBER	QTY	PART NAME						SEE PAGE
					1	2	3	4	5	6 (PRODUCT LEVEL)	
	1	1	513-2327	5	CLAMP-HOSE						
	2	1	513-2328	3	CLAMP-HOSE						
	3	1	8T-7524	1	SEAL-O-RING						
	4	1	256-6454	1	SENSOR-TEMPERATURE						
	5	1	499-5294	1	HOSE						
	6	1	499-5293	1	HOSE						
	7	1	499-5292	1	HOSE						
	8	1	499-5291	1	HOSE						
	9	1	499-5290	1	TUBE						
	10	1	499-5289	1	TUBE						

AIR INLET AND EXHAUST SYSTEM

513-5772 LINES GP-AIR (contd.)

i06893871



GRAPHIC #1

<END>

g06161926

AIR INLET AND EXHAUST SYSTEM

513-6542 LINES GP-AIR

S/N: TD71-UP

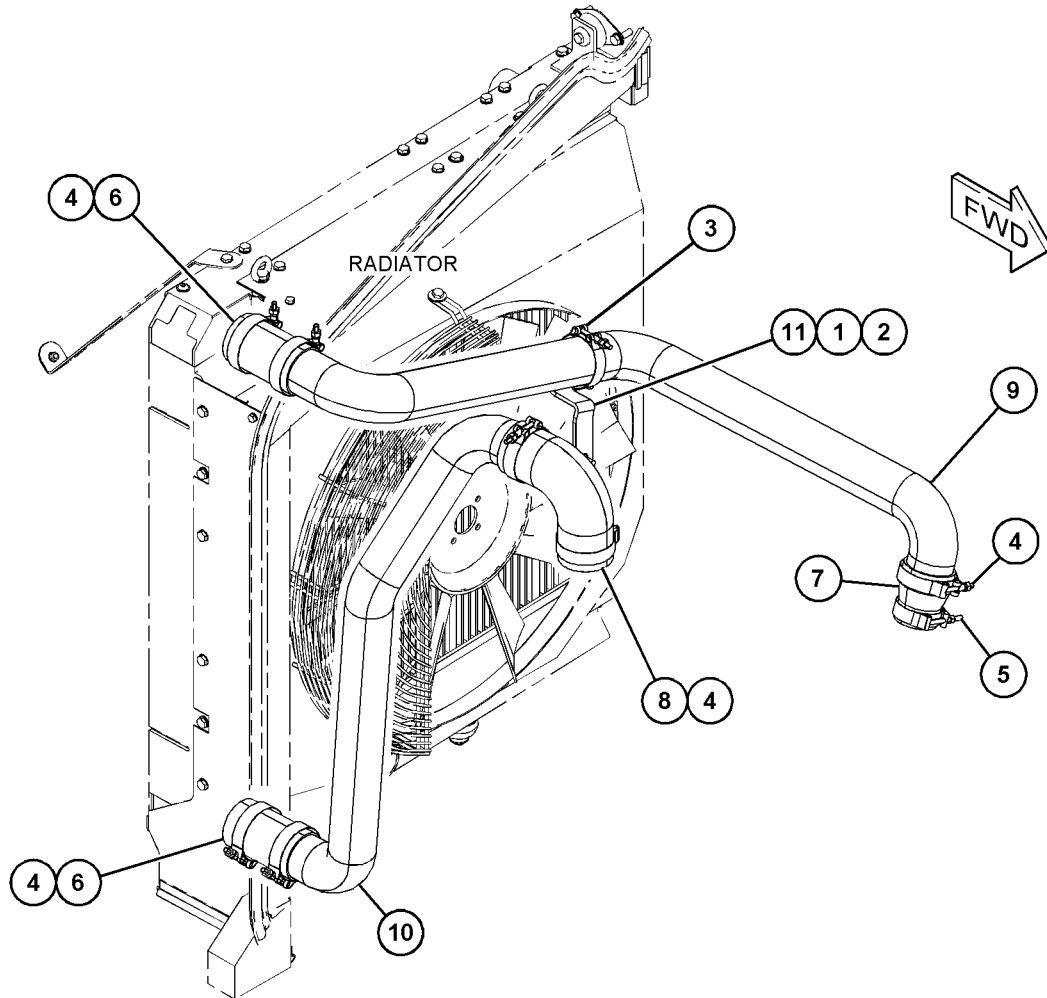
PART OF 518-6043 ENGINE AR-COMplete
AN ATTACHMENT

SMCS-1071

i06906411

NOTE	REF NO	GRAPHIC REF	PART NUMBER	QTY	PART NAME						SEE PAGE
					1	2	3	4	5	6 (PRODUCT LEVEL)	
M	1	1	8T-4137	2	BOLT (M10X1.5X20-MM)						
	2	1	8T-4121	2	WASHER-HARD (11X21X2.5-MM THK)						
	3	1	268-5612	1	CLAMP						
	4	1	457-9914	7	CLAMP						
	5	1	298-7884	1	CLAMP-BAND						
	6	1	425-5274	2	HOSE						
	7	1	390-6784	1	COUPLING						
	8	1	389-3448	1	ELBOW-PIPE						
	9	1	500-2299	1	TUBE						
	10	1	500-2300	1	TUBE						
	11	1	500-2301	1	BRACKET						

M - METRIC PART



GRAPHIC #1

<END>

g06165841

AIR INLET AND EXHAUST SYSTEM

496-3412 LINES GP-DIESEL EXHAUST FLUID

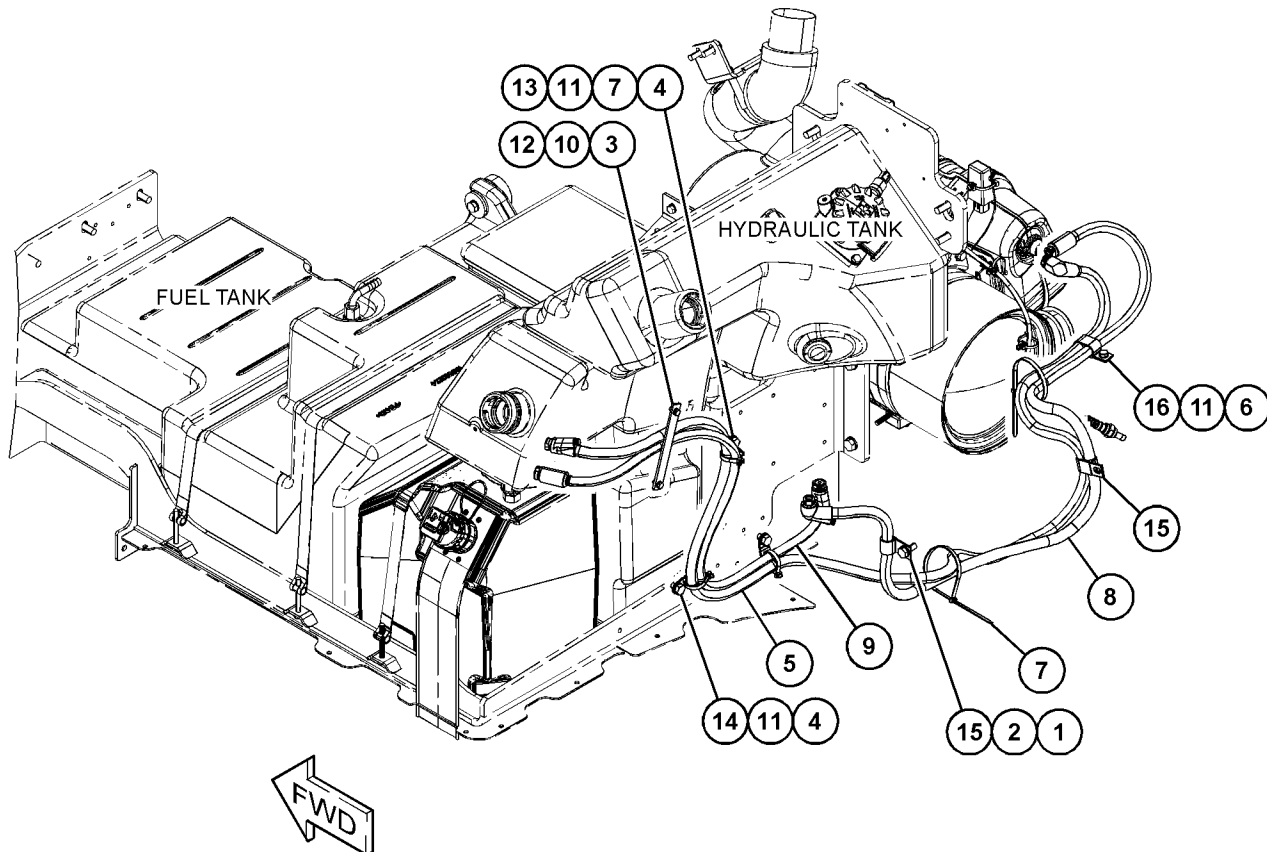
S/N: TD61-UP
PART OF 500-3138 TANK & MTG GP-DEF
AN ATTACHMENT

SMCS-108K, 1091

i07003509

NOTE	REF NO	GRAPHIC REF	PART NUMBER	QTY	PART NAME						SEE PAGE
					1	2	3	4	5	6 (PRODUCT LEVEL)	
M	1	1	8T-4199	1	BOLT (M8X1.25X12-MM)						
	2	1	8T-4224	1	WASHER-HARD (8.8X16X2-MM THK)						
M	3	1	8T-4970	2	BOLT (M6X1X14-MM)						
M	4	1	328-9688	3	SCREW (M10X1.5X14-MM)						
	5	1	496-3408	1	HOSE AS						
M	6	1	8T-4136	1	BOLT (M10X1.5X25-MM)						
	7	1	7K-1181	5	STRAP-CABLE						
	8	1	518-7574	1	HOSE AS						
	9	1	518-7551	1	HOSE AS						
	10	1	474-9810	1	PLATE						
	11	1	8T-4121	4	WASHER-HARD (11X21X2.5-MM THK)						
	12	1	303-4787	2	WASHER (6.1X11.8X1.6-MM THK)						
	13	1	132-5789	1	CLIP (LADDER)						
	14	1	4P-7581	2	CLIP (LADDER)						
	15	1	5K-8451	2	CLIP						
	16	1	4D-7735	1	CLIP						

M - METRIC PART



GRAPHIC #1

<END>

g06205543

AIR INLET AND EXHAUST SYSTEM

356-4035 LINES GP-TURBOCHARGER AIR

S/N: JKT1-UP

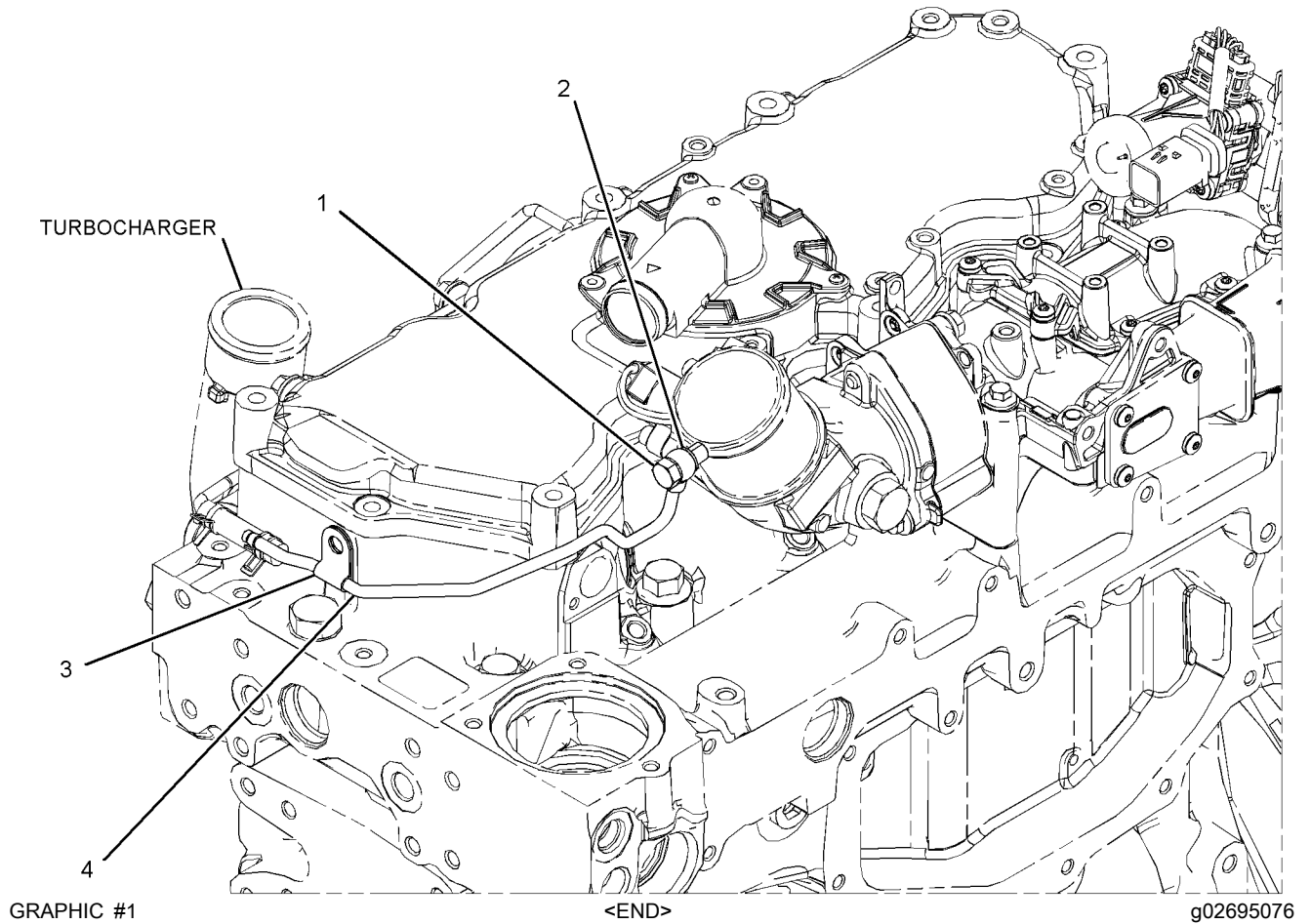
TO ACTUATOR

PART OF 425-9719 TURBOCHARGER GP

SMCS-1052, 1071

i04631422

NOTE	REF NO	GRAPHIC REF	PART NUMBER	QTY	PART NAME						SEE PAGE
					1	2	3	4	5	6 (PRODUCT LEVEL)	
	1	1	225-8524	1	BOLT-SPECIAL						
	2	1	225-8526	2	WASHER (10.4X13.75X1.37-MM THK)						
	3	1	335-8611	1	CLIP						
	4	1	356-4036	1	TUBE AS-TURBOCHARGER						



AIR INLET AND EXHAUST SYSTEM

425-9824 LINES GP-TURBOCHARGER AIR

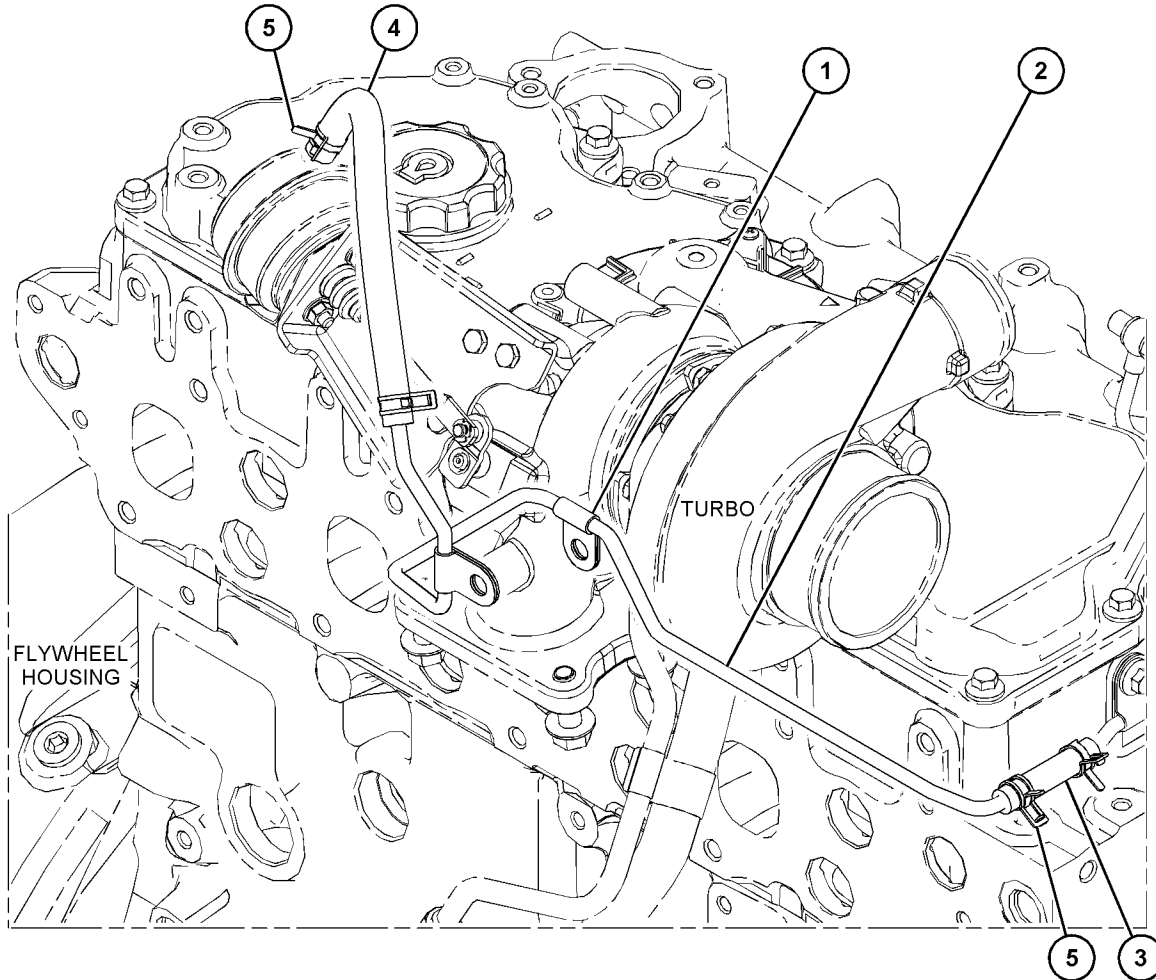
S/N: JKT1-UP

PART OF 425-9719 TURBOCHARGER GP

SMCS-1052, 1071

i05943751

NOTE	REF NO	GRAPHIC REF	PART NUMBER	QTY	PART NAME						SEE PAGE
					1	2	3	4	5	6 (PRODUCT LEVEL)	
1	1	1	335-8611	2	CLIP						
2	1	1	356-4042	1	PIPE						
3	1	1	422-7716	1	HOSE						
4	1	1	426-0441	1	HOSE						
5	1	1	107-2348	4	CLIP						



GRAPHIC #1

<END>

g03705310

AIR INLET AND EXHAUST SYSTEM

462-3219 MANIFOLD GP-DEF

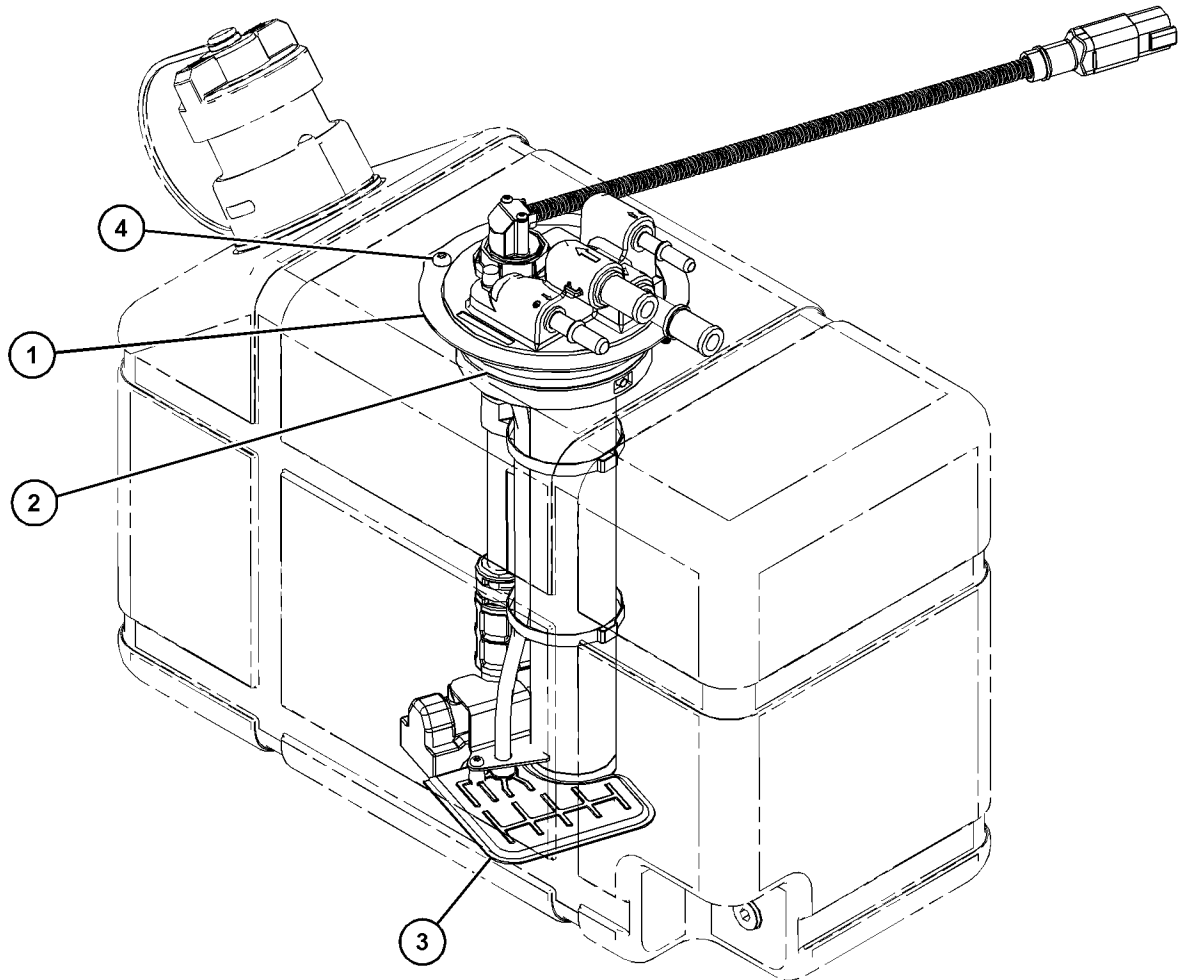
S/N: JKT1-UP

PART OF 399-1209 MODULE AR-DIESEL EXHAUST FLUID

SMCS-108K, 3206

i06943048

NOTE	REF NO	GRAPHIC REF	PART NUMBER	QTY	PART NAME						SEE PAGE
					1	2	3	4	5	6 (PRODUCT LEVEL)	
	1	1	461-9107	1	CLAMP						
	2	1	461-9110	1	SEAL						
	3	1	461-9113	1	FILTER AS (DIESEL EXHAUST FLUID)						
	4	1	461-9115	2	SCREW (10-32X0.5-IN)						



GRAPHIC #1

<END>

g03841311

AIR INLET AND EXHAUST SYSTEM

356-1124 MANIFOLD GP-EXHAUST

S/N: JKT1-UP

PART OF 464-2308 ENGINE AR-PRIMARY

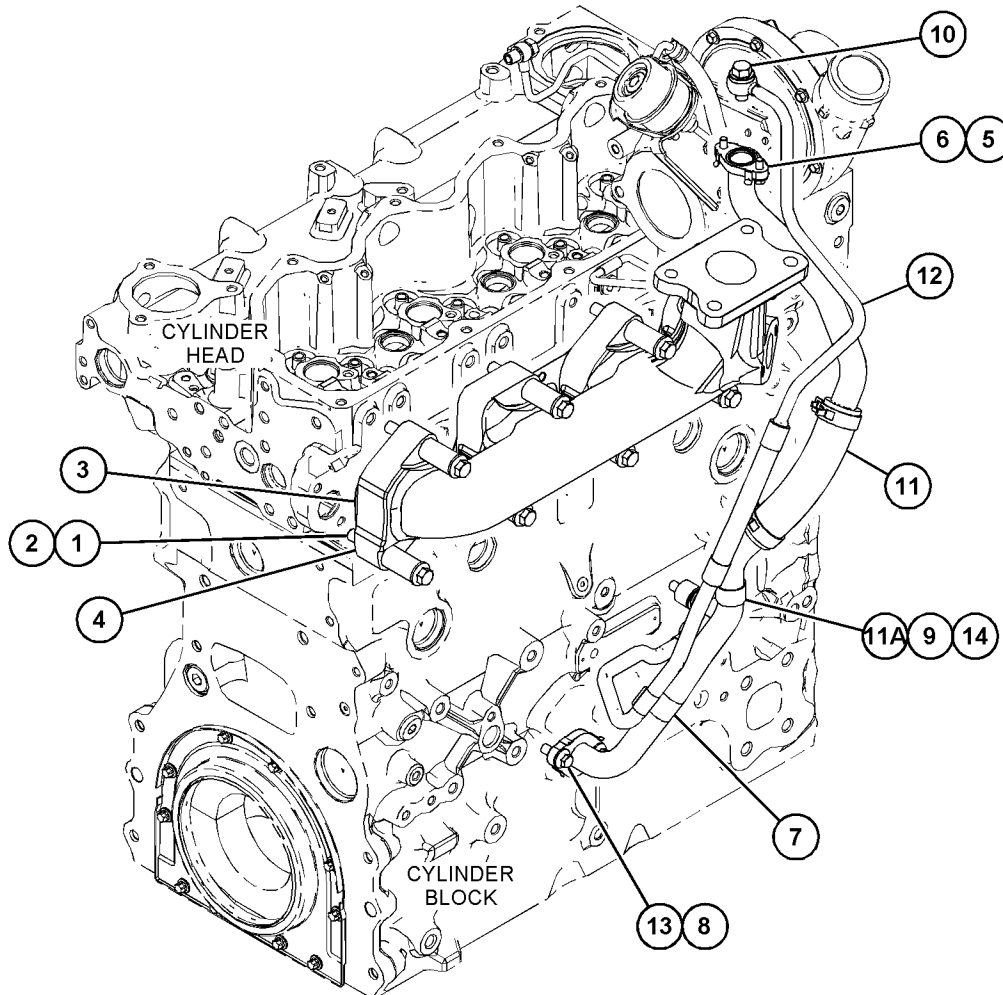
SMCS-1059

i06983487

NOTE	REF NO	GRAPHIC REF	PART NUMBER	QTY	PART NAME						SEE PAGE
					1	2	3	4	5	6	
	1	1	238-8292	8	BOLT-FLANGE HEAD						
	2	1	286-7851	8	SPACER						
	3	1	349-1835	1	GASKET						
	4	1	355-2495	1	MANIFOLD (EXHAUST)						
M	5	1	106-8916	2	BOLT (M6X16-MM)						
	6	1	357-0617	1	GASKET						
	7	1	357-0646	1	CLIP						
	8	1	358-7592	1	GASKET						
	9	1	383-6037	1	SPACER						
	10	1	457-8672	1	BOLT						
	11	1	487-2925	1	LINE AS-OIL						
	11A	1	359-4462	1	CLIP						
Y	12	1	502-2907	1	LINES GP-TURBOCHARGER OIL						165
M	13	1	6I-0217	2	BOLT (M8X1.25X20-MM)						
M	14	1	6I-0254	1	BOLT (M8X1.25X30-MM)						

M - METRIC PART

Y - SEPARATE ILLUSTRATION



GRAPHIC #1

<END>

g06165900

AIR INLET AND EXHAUST SYSTEM

381-3502 MANIFOLD GP-EXHAUST

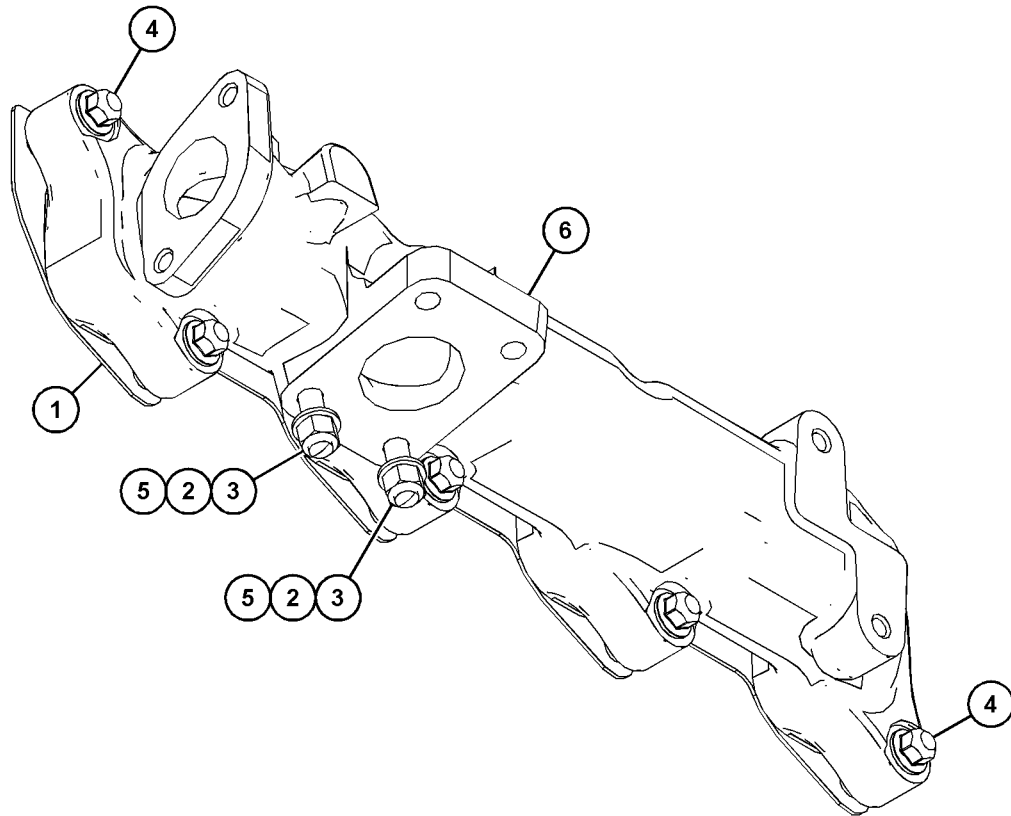
S/N: CJ41-UP

PART OF 441-9792 TURBOCHARGER GP

SMCS-1059

i06970220

NOTE	REF NO	GRAPHIC REF	PART NUMBER	QTY	PART NAME						SEE PAGE
					1	2	3	4	5	6 (PRODUCT LEVEL)	
	1	1	387-7702	1	GASKET						
	2	1	387-7725	2	STUD						
	3	1	389-1934	2	NUT						
	4	1	389-1935	8	NUT						
	5	1	499-8543	2	WASHER						
	6	1	511-5393	1	MANIFOLD-EXHAUST						



GRAPHIC #1

<END>

g06194625

AIR INLET AND EXHAUST SYSTEM

416-9552 MANIFOLD GP-EXHAUST

S/N: W231-UP

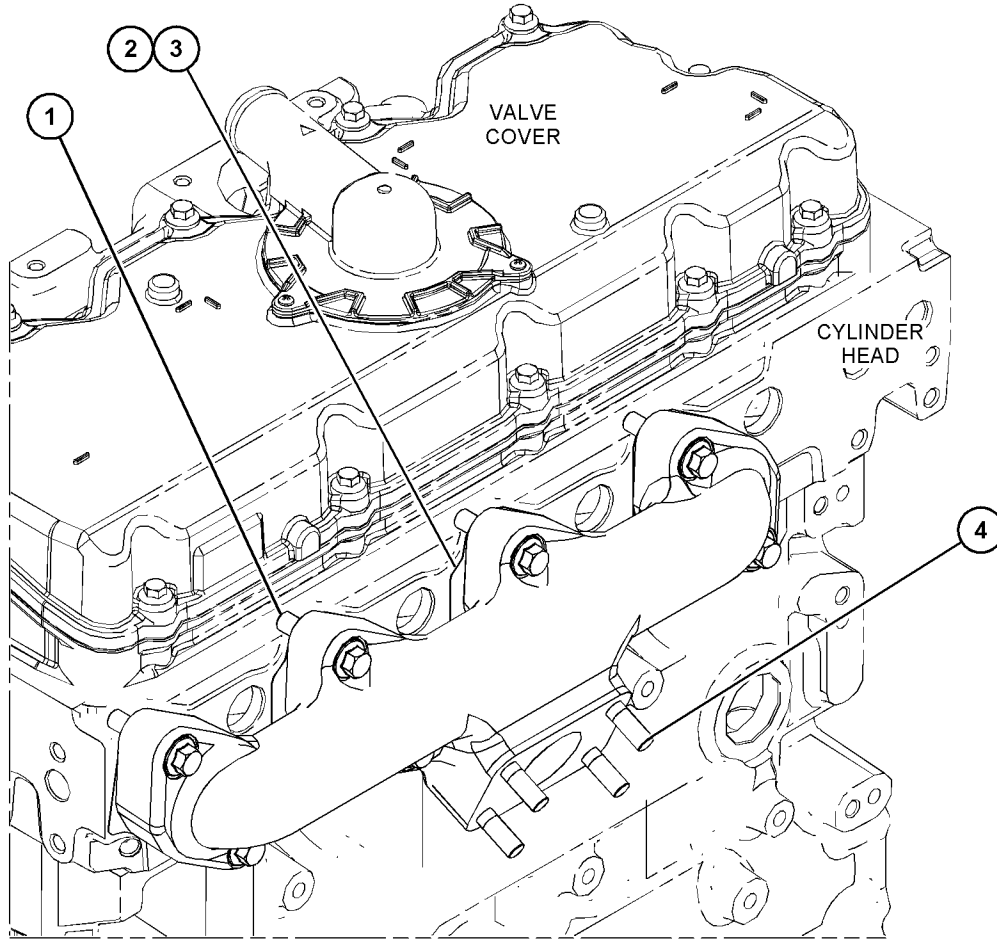
PART OF 463-8820, 463-8910 ENGINE AR-PRIMARY
ALSO AN ATTACHMENT

SMCS-1059

i06138400

NOTE	REF NO	GRAPHIC REF	PART NUMBER	QTY	PART NAME						SEE PAGE
					1	2	3	4	5	6 (PRODUCT LEVEL)	
M	1	1	278-0361	8	BOLT (M10X1.5X45-MM)						
	2	1	298-4570	1	GASKET-EXHAUST MANIFOLD						
	3	1	301-8256	1	MANIFOLD-EXHAUST						
	4	1	361-7519	4	ROD-THREADED						

M - METRIC PART



GRAPHIC #1

<END>

g03817296

AIR INLET AND EXHAUST SYSTEM

350-1802 MANIFOLD GP-INLET

S/N: CJ41-UP

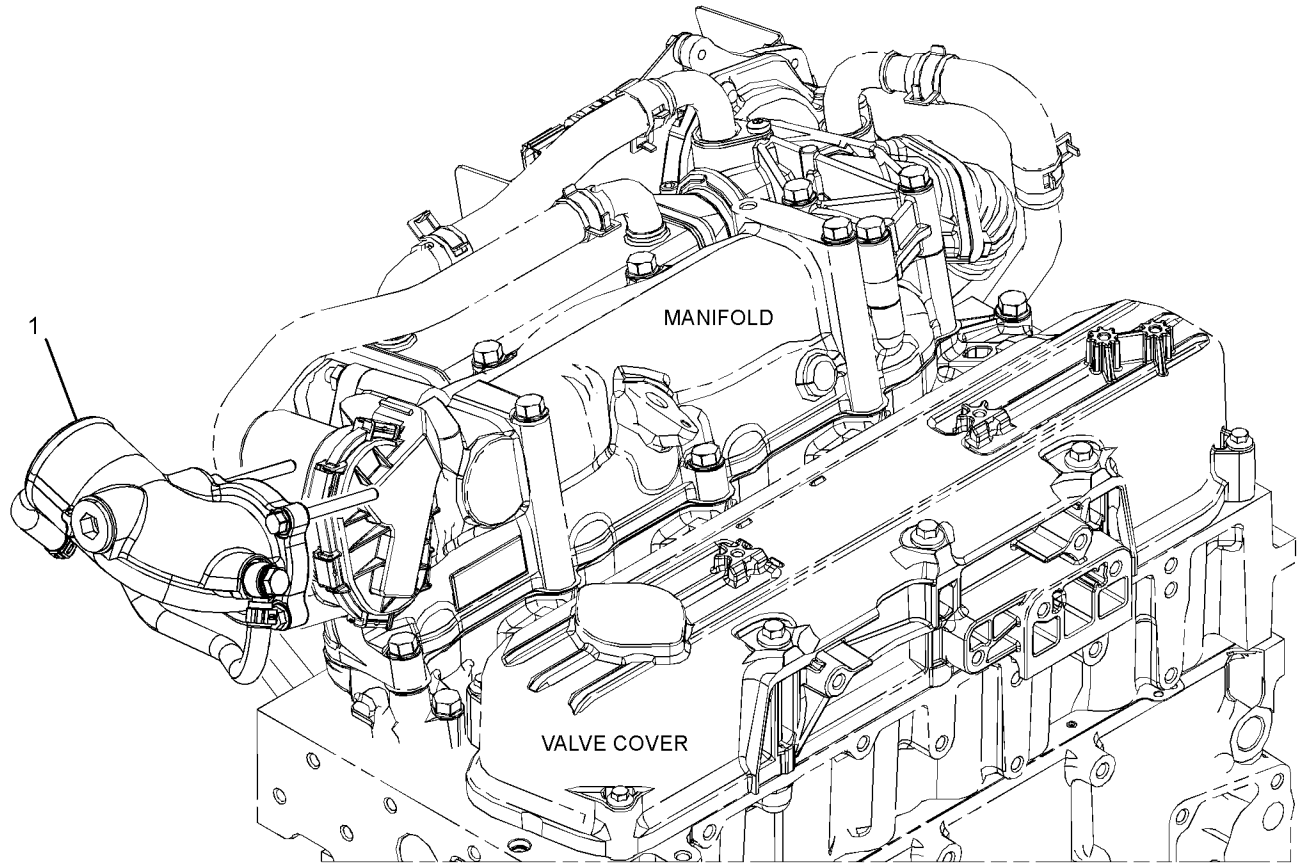
PART OF 465-2880 ENGINE AR-PRIMARY

SMCS-1058

i06605455

NOTE	REF NO	GRAPHIC REF	PART NUMBER	QTY	PART NAME						SEE PAGE
					1	2	3	4	5	6 (PRODUCT LEVEL)	
Y	1	1	432-1689	1	MANIFOLD GP-INLET						256

Y - SEPARATE ILLUSTRATION



GRAPHIC #1

<END>

g03547748

AIR INLET AND EXHAUST SYSTEM

432-1689 MANIFOLD GP-INLET

S/N: CJ41-UP

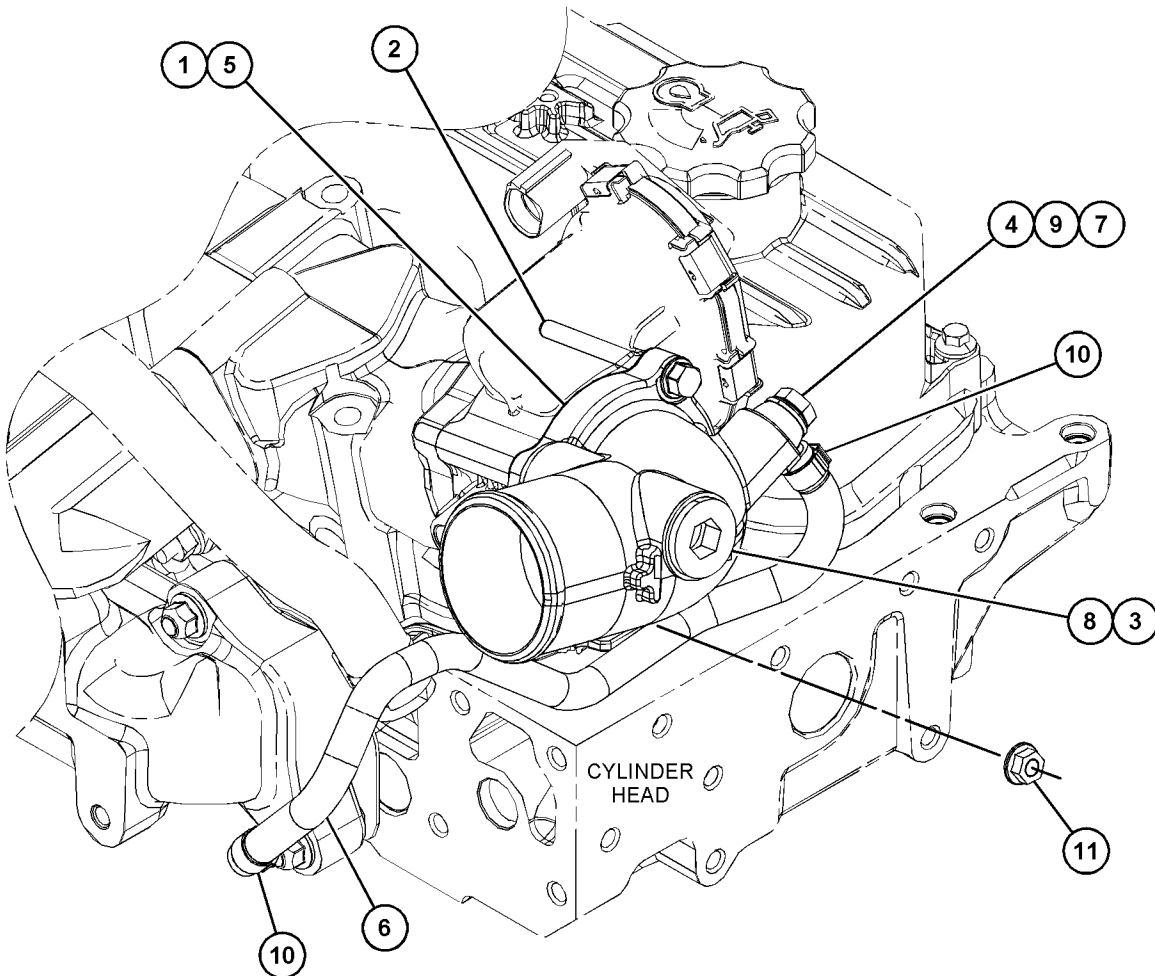
PART OF 350-1802 MANIFOLD GP-INLET

SMCS-1058

i06815608

NOTE	REF NO	GRAPHIC REF	PART NUMBER	QTY	PART NAME						SEE PAGE
					1	2	3	4	5	6 (PRODUCT LEVEL)	
	1	1	386-2783	1	GASKET						
	2	1	389-2867	2	BOLT						
	3	1	390-3130	1	SEAL						
	4	1	428-8158	1	CONNECTOR						
	5	1	428-8210	1	ELBOW						
	6	1	428-8227	1	PIPE						
	7	1	428-8230	2	SEAL						
	8	1	428-8232	1	PLUG						
	9	1	428-8237	1	BOLT						
	10	1	489-0637	2	CLIP						
M	11	1	099-6418	2	NUT (M6X1-THD)						

M - METRIC PART



GRAPHIC #1

<END>

g03685406

AIR INLET AND EXHAUST SYSTEM

479-6503 MODULE AR-CLEAN EMISSIONS

S/N: JKT1-UP

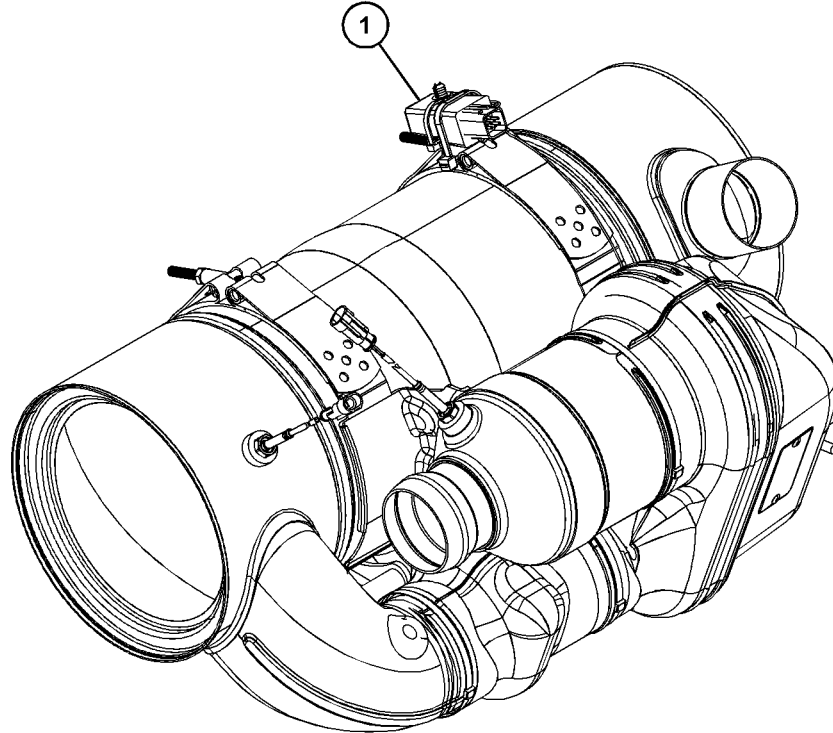
PART OF 473-0267 EXHAUST GP

SMCS-1050, 108D

i07162348

NOTE	REF NO	GRAPHIC REF	PART NUMBER	QTY	PART NAME						SEE PAGE
					1	2	3	4	5	6 (PRODUCT LEVEL)	
Y	1	1	479-9470	1	ELECTRICAL GP-DEF						339

Y - SEPARATE ILLUSTRATION



GRAPHIC #1

<END>

g06143648

AIR INLET AND EXHAUST SYSTEM

399-1209 MODULE AR-DIESEL EXHAUST FLUID

S/N: JKT1-UP

TANK

PART OF 466-2883 ENGINE AR

SMCS-108H, 108K

i06747208

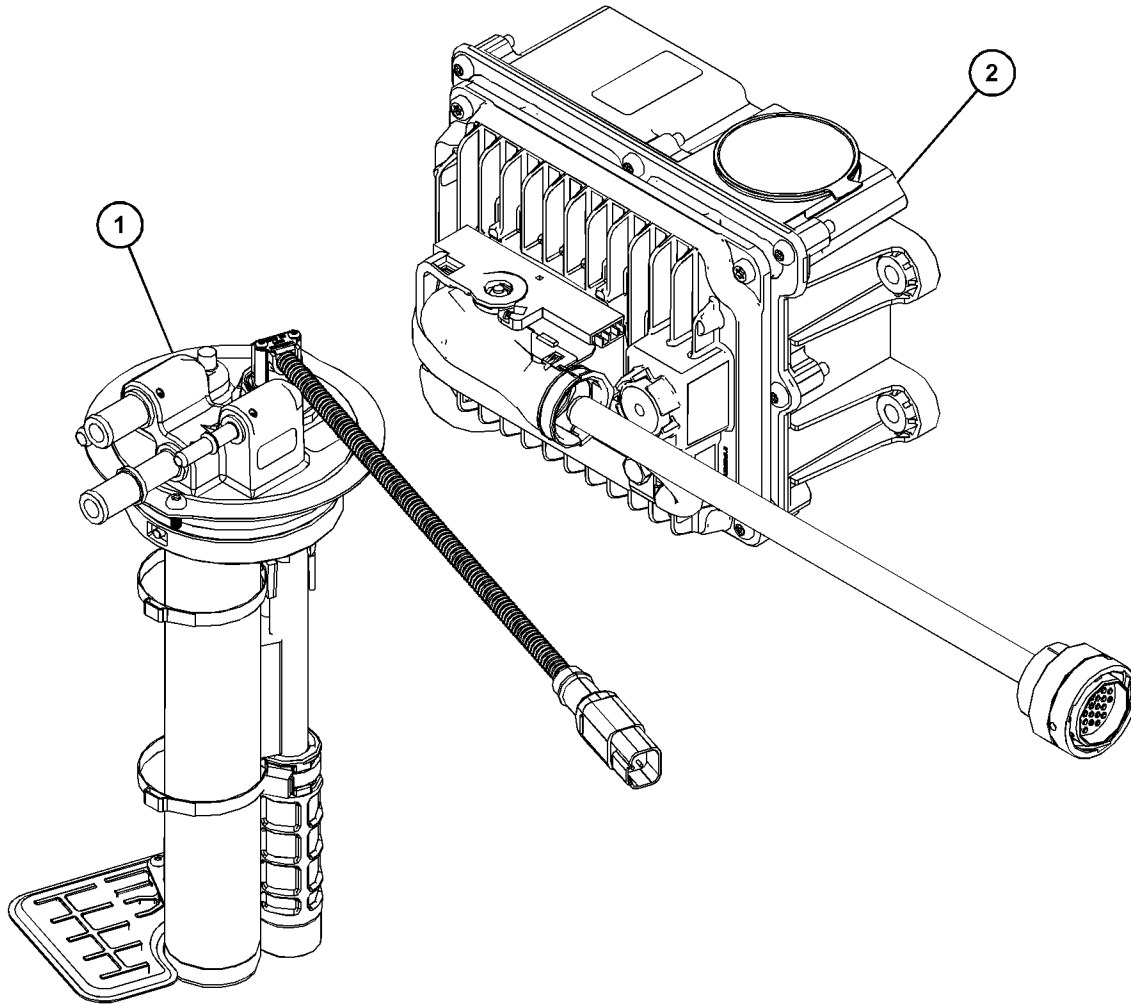
NOTE	REF NO	GRAPHIC REF	PART NUMBER	QTY	PART NAME						SEE PAGE
					1	2	3	4	5	6 (PRODUCT LEVEL)	
CY	1	1	462-3219	1	MANIFOLD GP-DEF						251
CY	2	1	466-8285	1	PUMP GP-DIESEL EXHAUST FLUID						262

AVAILABLE GASKET KIT(S) :

473-2944 1 KIT-EXHAUST PARTS

(INCLUDES CAPS & PLUGS)

C - CHANGE FROM PREVIOUS TYPE
Y - SEPARATE ILLUSTRATION



GRAPHIC #1

<END>

g06011231

AIR INLET AND EXHAUST SYSTEM

416-8775 MOUNTING GP-EXHAUST

S/N: W231-UP

HARDWARE

PART OF 463-8820, 463-8910 ENGINE AR-PRIMARY

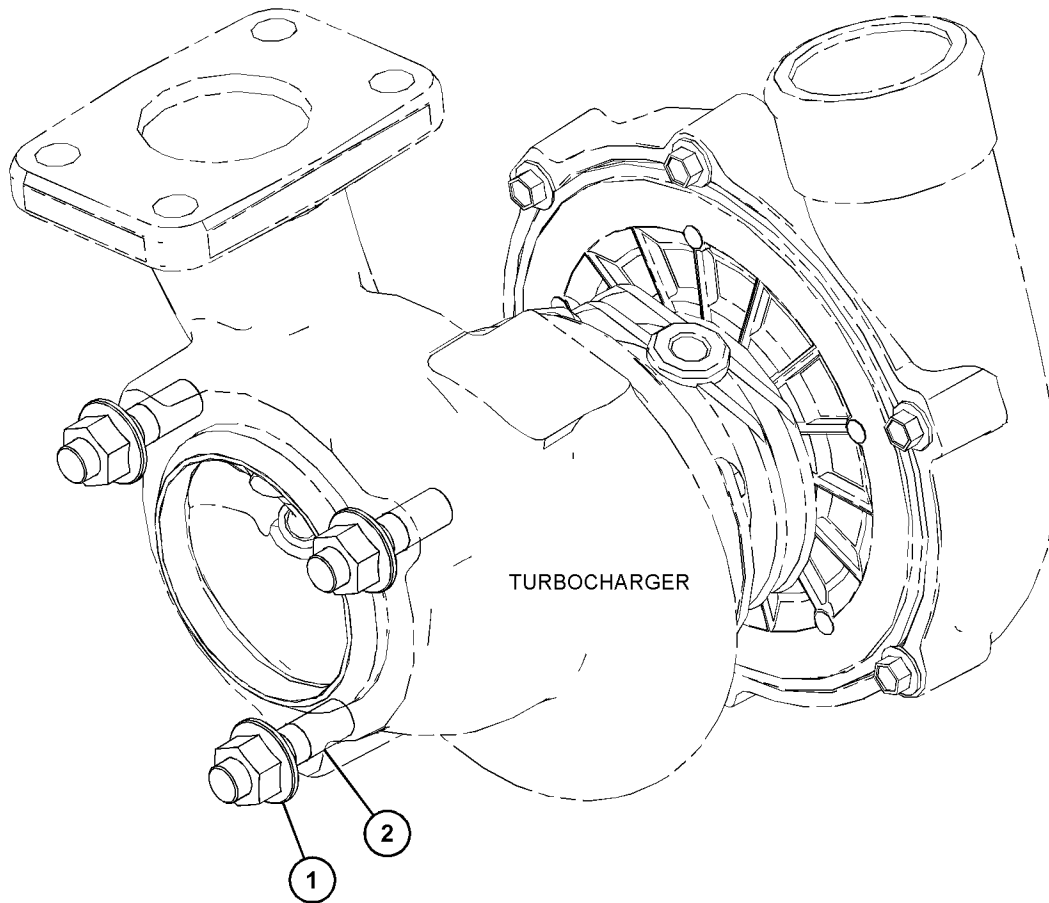
ALSO AN ATTACHMENT

SMCS-1061

i06146793

NOTE	REF NO	GRAPHIC REF	PART NUMBER	QTY	PART NAME						SEE PAGE
					1	2	3	4	5	6 (PRODUCT LEVEL)	
M	1	1	6I-0563	3	NUT (M10X1.5-THD)						
	2	1	361-7519	3	ROD-THREADED						

M - METRIC PART



GRAPHIC #1

<END>

g03828783

AIR INLET AND EXHAUST SYSTEM

373-7250 PIPE GP-FLEXIBLE EXHAUST

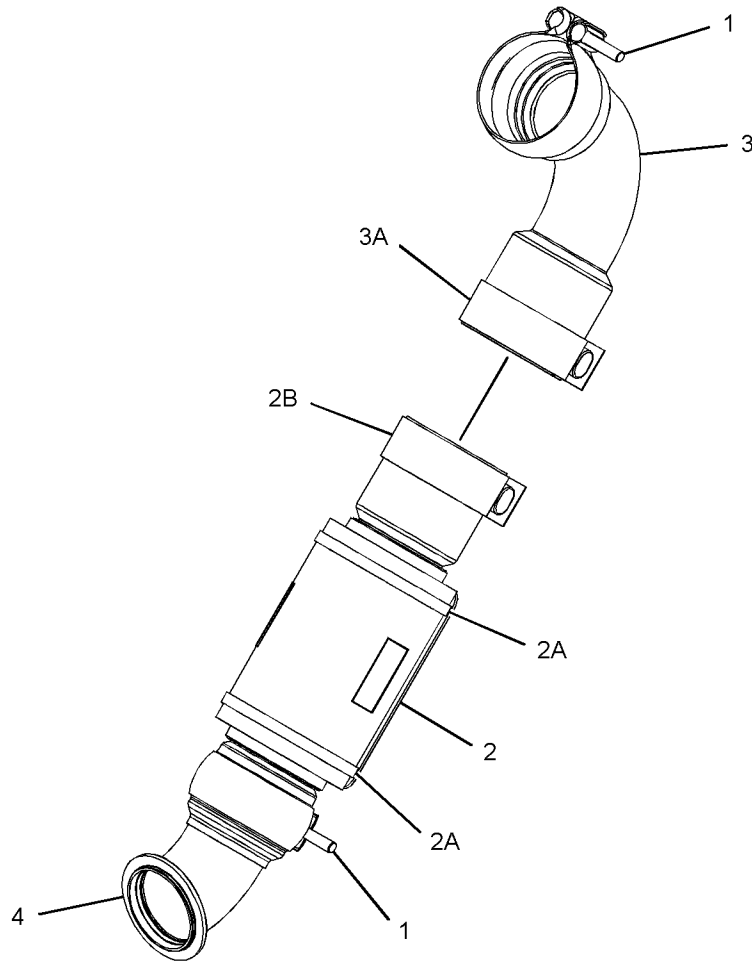
S/N: JKT1-UP

PART OF 466-2883 ENGINE AR

SMCS-1061

i06113698

NOTE	REF NO	GRAPHIC REF	PART NUMBER	QTY	PART NAME						SEE PAGE
					1	2	3	4	5	6 (PRODUCT LEVEL)	
	1	1	359-5885	2	CLAMP AS						
	2	1	362-9401	1	BELLOWS AS						
	2A	1	034-1432	2	STRAP-CABLE						
	2B	1	360-1731	1	CLAMP-BAND						
	3	1	363-8035	1	TUBE AS-EXHAUST						
	3A	1	360-1731	1	CLAMP-BAND						
	4	1	383-4141	1	ADAPTER AS-EXHAUST						



GRAPHIC #1

<END>

g03620217

AIR INLET AND EXHAUST SYSTEM

450-8101 PUMP GP-DIESEL EXHAUST FLUID

S/N: CJ41-UP

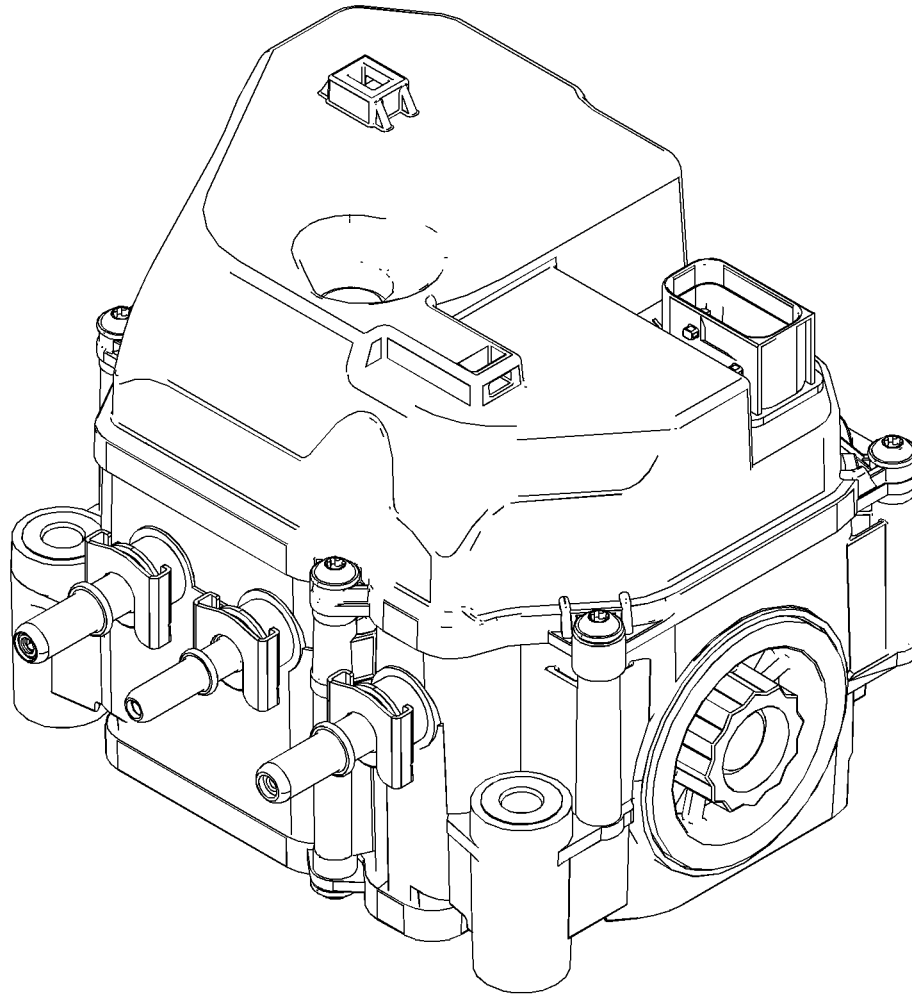
PART OF 470-9781 PUMP GP-DIESEL EXHAUST FLUID

SMCS-108J

i06928197

NOTE	REF NO	GRAPHIC REF	PART NUMBER	QTY	PART NAME						SEE PAGE
					1	2	3	4	5	6 (PRODUCT LEVEL)	
F		1	481-3374	1	FILTER AS (DIESEL EXHAUST FLUID)						
F		1	481-3375	1	CAP (DIESEL EXHAUST FLUID)						
F		1	484-9787	1	CONNECTOR AS						
F		1	484-9788	1	CONNECTOR AS						
F		1	484-9789	1	CONNECTOR AS						
F		1	484-9790	1	COVER AS						

F - NOT SHOWN



GRAPHIC #1

<END>

g06011785

AIR INLET AND EXHAUST SYSTEM

466-8285 PUMP GP-DIESEL EXHAUST FLUID

S/N: JKT1-UP

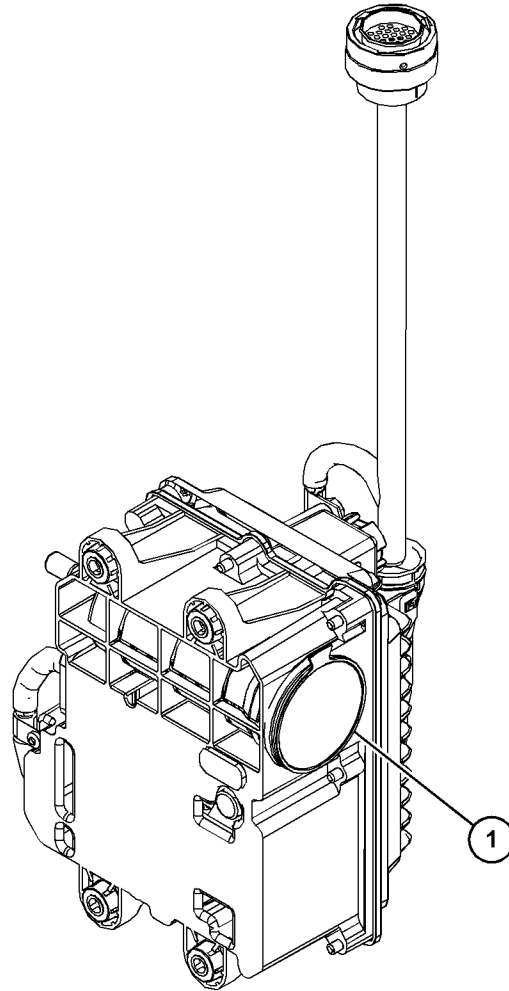
PART OF 399-1209 MODULE AR-DIESEL EXHAUST FLUID

SMCS-108J

i06916281

NOTE	REF NO	GRAPHIC REF	PART NUMBER	QTY	PART NAME						SEE PAGE
					1	2	3	4	5	6 (PRODUCT LEVEL)	
	1	1	466-8288	1	FILTER GP-DIESEL EXHAUST FLUID (PUMP)						
F		1	457-7727	1	ELECTRONICS GP-ENGINE						
		1	457-7728	1	SOFTWARE GP-ENGINE (DEF CONTROL)						

F - NOT SHOWN



GRAPHIC #1

<END>

g03785216

AIR INLET AND EXHAUST SYSTEM

470-9781 PUMP GP-DIESEL EXHAUST FLUID

S/N: CJ41-UP

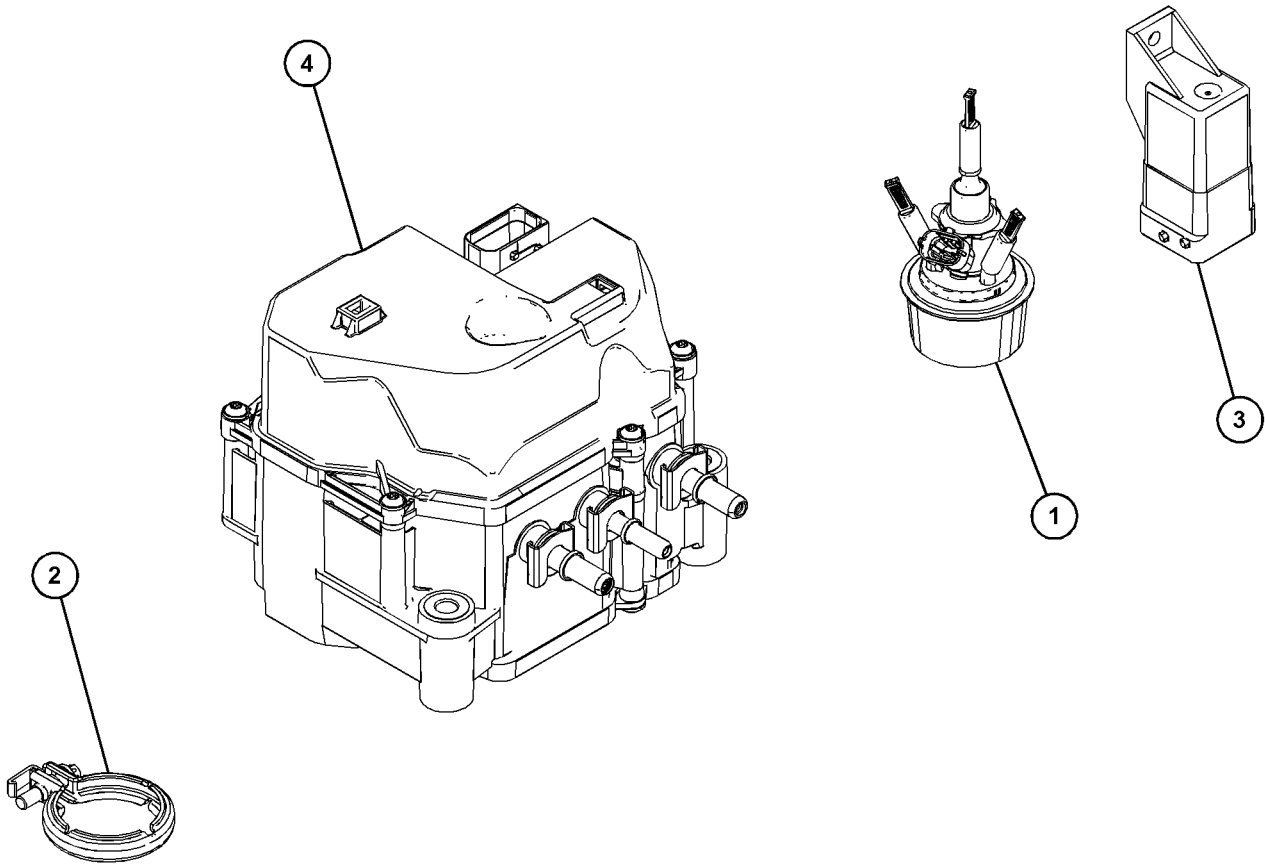
PART OF 442-0486 FILTER GP-DIESEL PARTICULATE

SMCS-108J

i06983683

NOTE	REF NO	GRAPHIC REF	PART NUMBER	QTY	PART NAME						SEE PAGE
					1	2	3	4	5	6 (PRODUCT LEVEL)	
J	1	1	451-0188	1	MODULE AS						
	2	1	470-9832	1	CLAMP AS						
	3	1	451-0189	1	CONTROLLER						
Y	4	1	450-8101	1	PUMP GP-DIESEL EXHAUST FLUID						261
AVAILABLE REPAIR KIT(S) :											
J			499-4850	1	KIT-CAP						
			499-4849	1	KIT-CLAMP						

J - KIT MARKED J SERVICES PART(S) MARKED J
 Y - SEPARATE ILLUSTRATION



GRAPHIC #1

<END>

g06009008

AIR INLET AND EXHAUST SYSTEM

532-7513 SEAL GP-AIR INLET

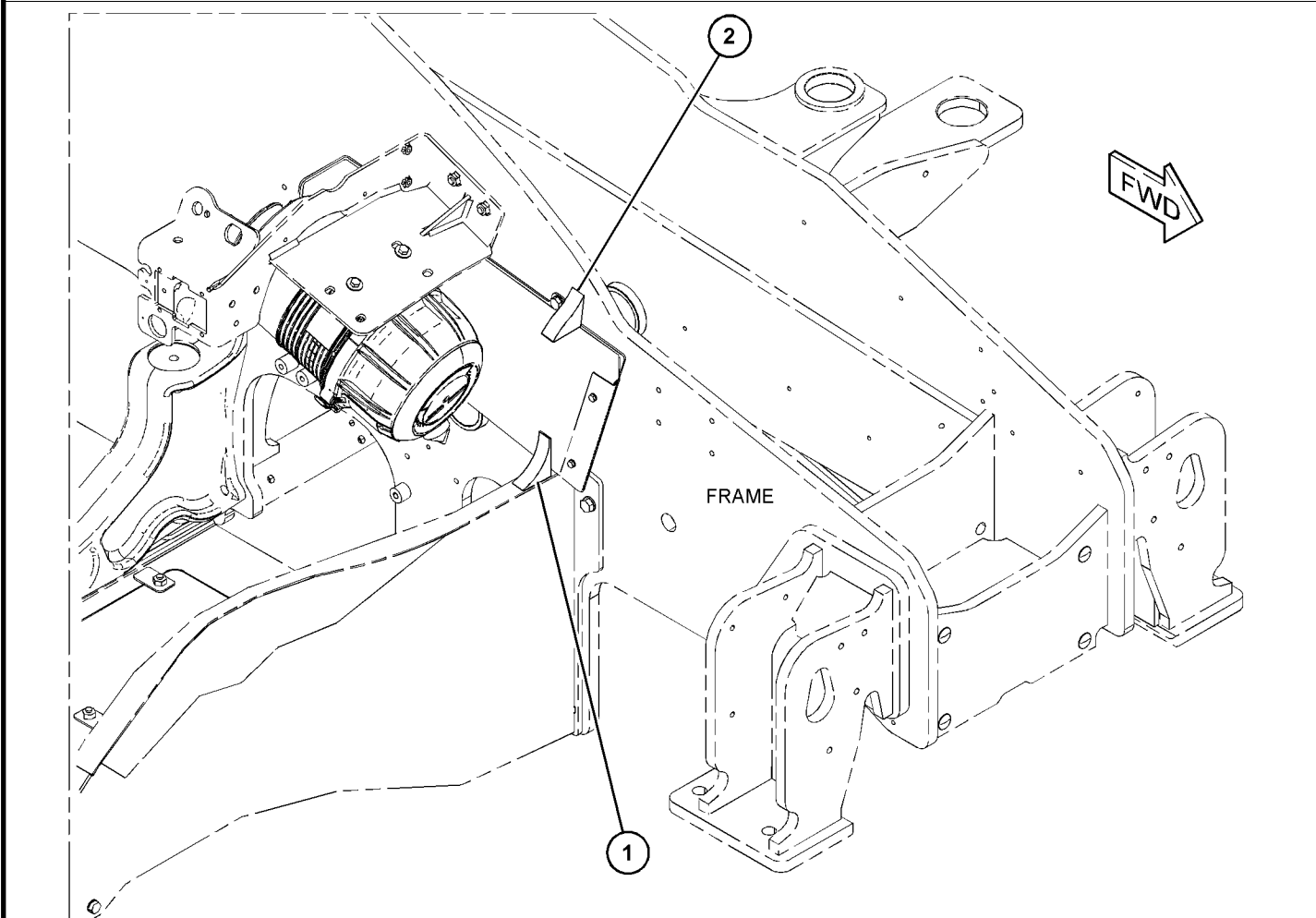
S/N: TD61-UP; TD71-UP

PART OF 518-5880, 518-5955, 518-5956 INSTALLATION AR-ENGINE
AN ATTACHMENT

SMCS-7555

i06999993

NOTE	REF NO	GRAPHIC REF	PART NUMBER	QTY	PART NAME						SEE PAGE
					1	2	3	4	5	6 (PRODUCT LEVEL)	
1	1	1	532-7514	1	SEAL (AIR INTAKE)						
2	1	1	532-7515	1	SEAL (AIR INTAKE)						



GRAPHIC #1

<END>

g06207100

AIR INLET AND EXHAUST SYSTEM

500-3138 TANK & MTG GP-DEF

S/N: TD61-UP

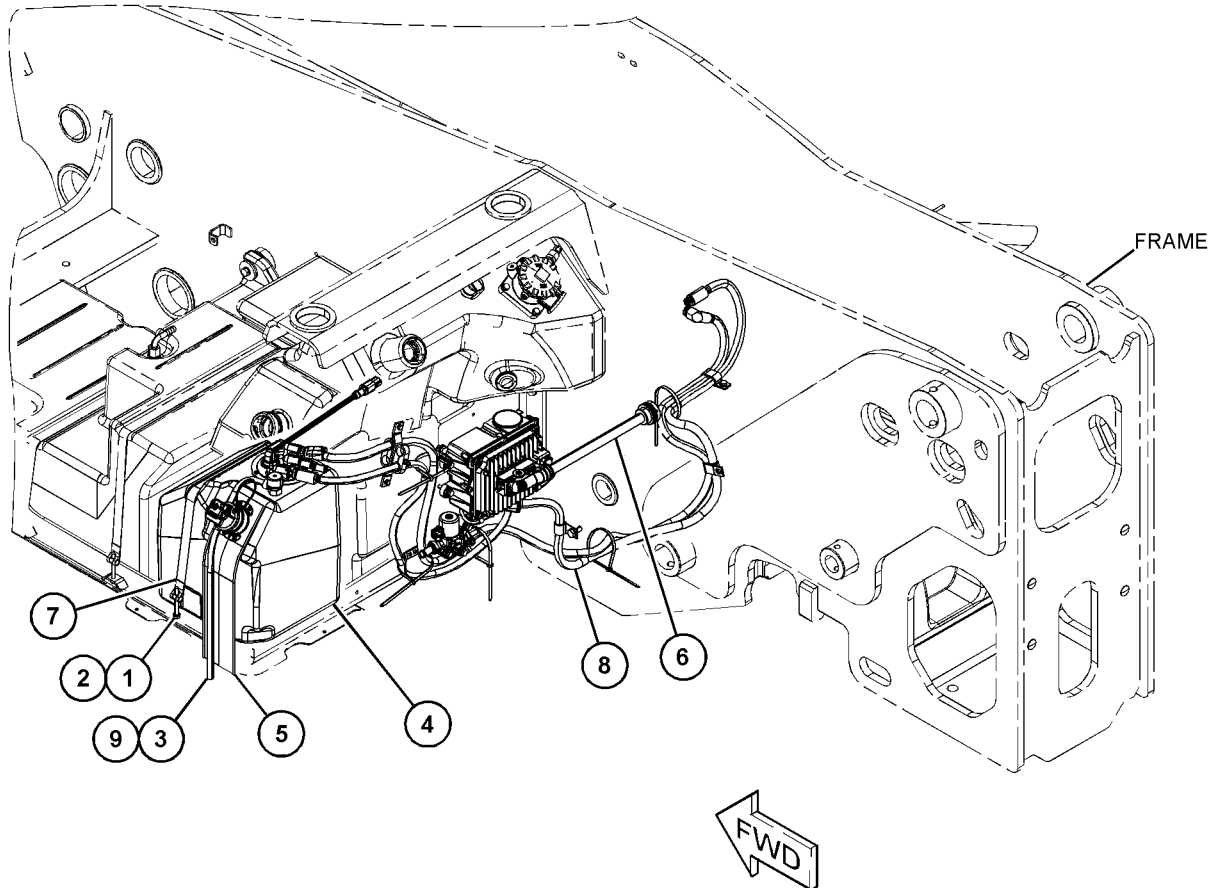
PART OF 518-5880 INSTALLATION AR-ENGINE
AN ATTACHMENT

SMCS-108T

i06601123

NOTE	REF NO	GRAPHIC REF	PART NUMBER	QTY	PART NAME						SEE PAGE
					1	2	3	4	5	6	
M	1	1	6V-9804	1	BOLT (M8X1.25X75-MM)						
	2	1	8T-4224	1	WASHER-HARD (8.8X16X2-MM THK)						
	3	1	330-8103	1	CLAMP-HOSE						
	4	1	474-9848	1	TANK GP-DIESEL EXHAUST FLUID						
		1	454-9427	1	MANIFOLD-DIESEL EXHAUST FLUID						
		1	474-9851	1	CAP AS (DEF TANK)						
		1	492-5709	1	VALVE-BREATHER (TANK)						
	5	1	474-9758	1	SLEEVE						
	6	1	497-9602	1	MOUNTING GP-DEF TANK						
M		1	7X-2537	4	BOLT (M8X1.25X35-MM)						
		1	8T-4224	7	WASHER-HARD (8.8X16X2-MM THK)						
M		1	8T-6869	3	BOLT (M8X1.25X60-MM)						
	7	1	474-9760	1	STRAP AS						
Y	8	1	496-3412	1	LINES GP-DIESEL EXHAUST FLUID						248
E	9	1	326-1178		HOSE (60-CM)						

E - ORDER BY THE CENTIMETER
M - METRIC PART
Y - SEPARATE ILLUSTRATION



GRAPHIC #1

<END>

g06043489

AIR INLET AND EXHAUST SYSTEM

452-1488 TUBE & MTG GP-DEF BLEND

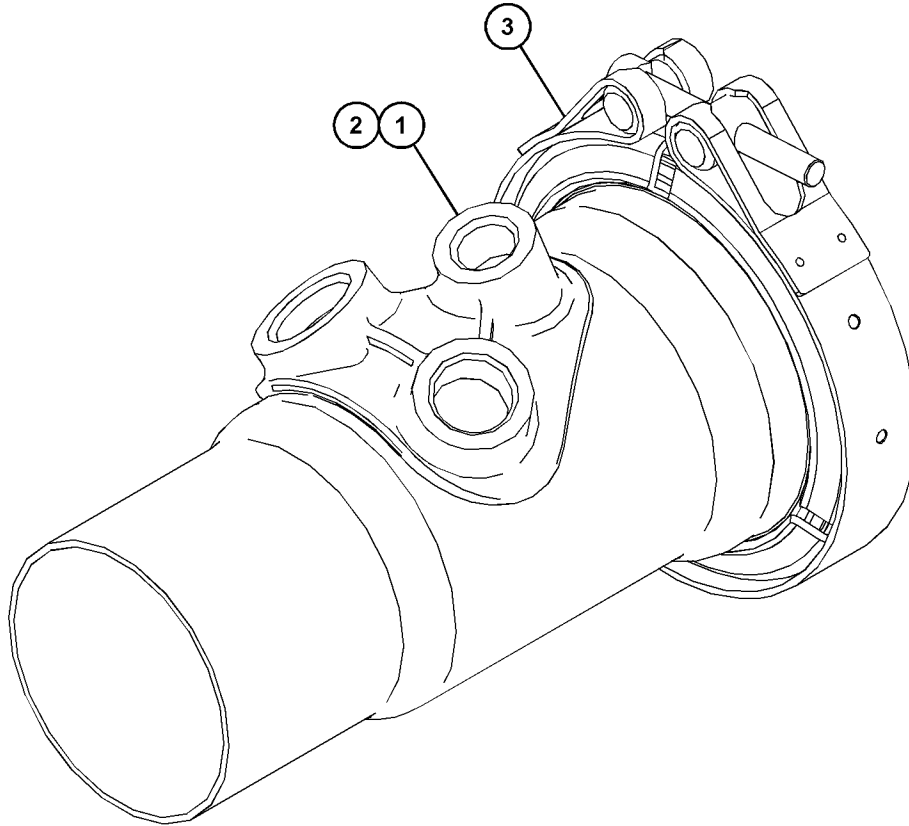
S/N: CJ41-UP

PART OF 465-2880 ENGINE AR-PRIMARY

SMCS-1050, 108K

i06252300

NOTE	REF NO	GRAPHIC REF	PART NUMBER	QTY	PART NAME						SEE PAGE
					1	2	3	4	5	6	
	1	1	477-5625	1	TUBE AS						
	2	1	454-6981	1	GASKET						
	3	1	454-6988	1	CLAMP						



GRAPHIC #1

<END>

g03868933

AIR INLET AND EXHAUST SYSTEM

425-9719 TURBOCHARGER GP

S/N: JKT1-UP

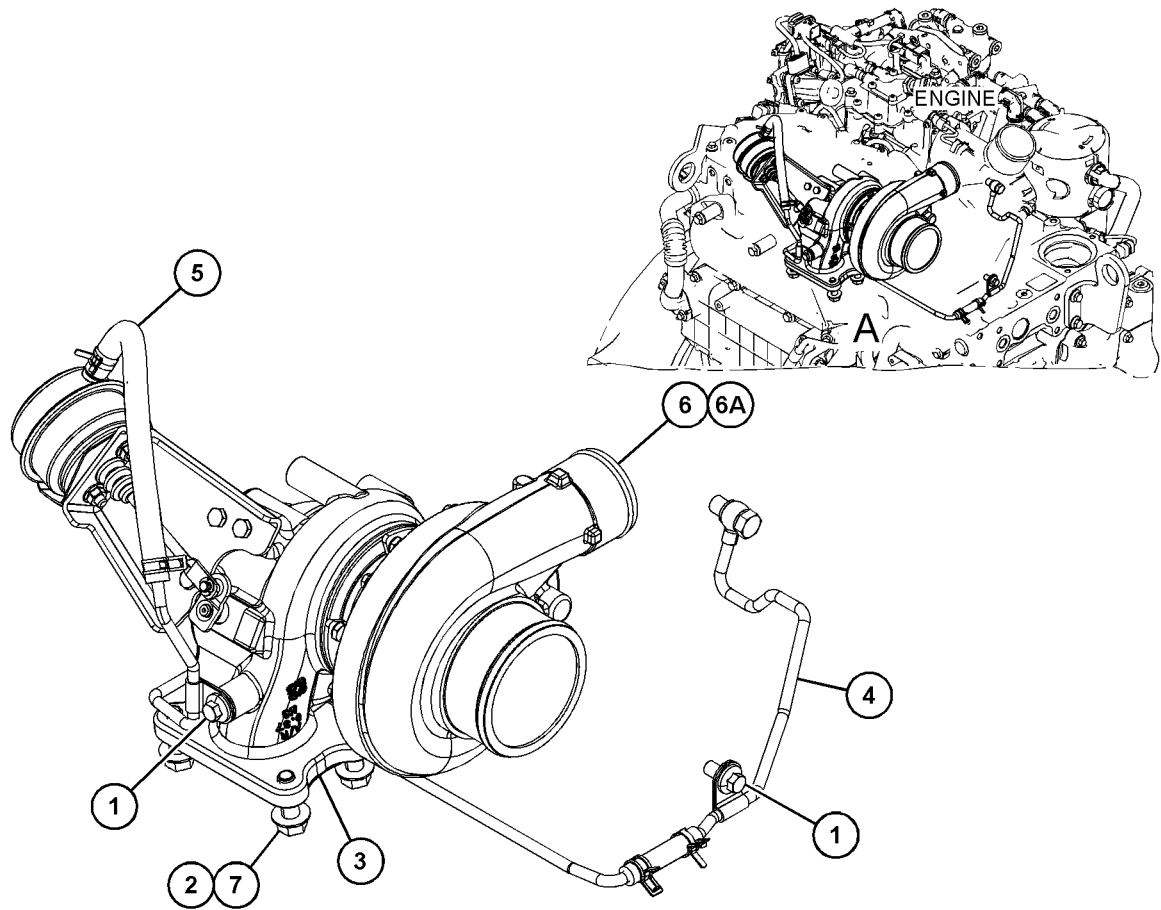
PART OF 464-2308 ENGINE AR-PRIMARY

SMCS-1052, 1053

i07012292

NOTE	REF NO	GRAPHIC REF	PART NUMBER	QTY	PART NAME						SEE PAGE
					1	2	3	4	5	6 (PRODUCT LEVEL)	
M	1	1	124-3815	3	BOLT (M8X1.25X16-MM)						
	2	1	147-5553	4	STUD						
	3	1	345-6605	1	GASKET						
Y	4	1	356-4035	1	LINES GP-TURBOCHARGER AIR (WASTEGATE)						249
Y	5	1	425-9824	1	LINES GP-TURBOCHARGER AIR						250
	6	1	450-1871	1	TURBOCHARGER AS						
	6A	1	487-8468	1	RING						
M	7	1	6I-0563	4	NUT (M10X1.5-THD)						

M - METRIC PART
Y - SEPARATE ILLUSTRATION



VIEW OF AREA A

GRAPHIC #1

<END>

g06207092

AIR INLET AND EXHAUST SYSTEM

432-6628 TURBOCHARGER GP

S/N: W231-UP

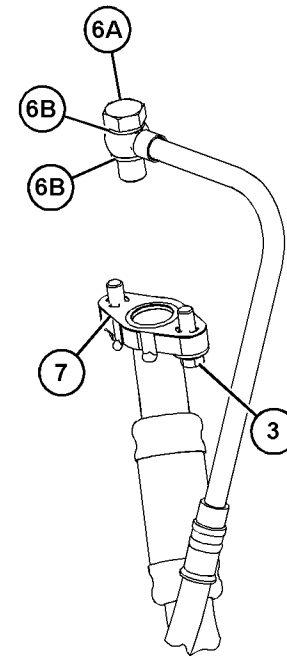
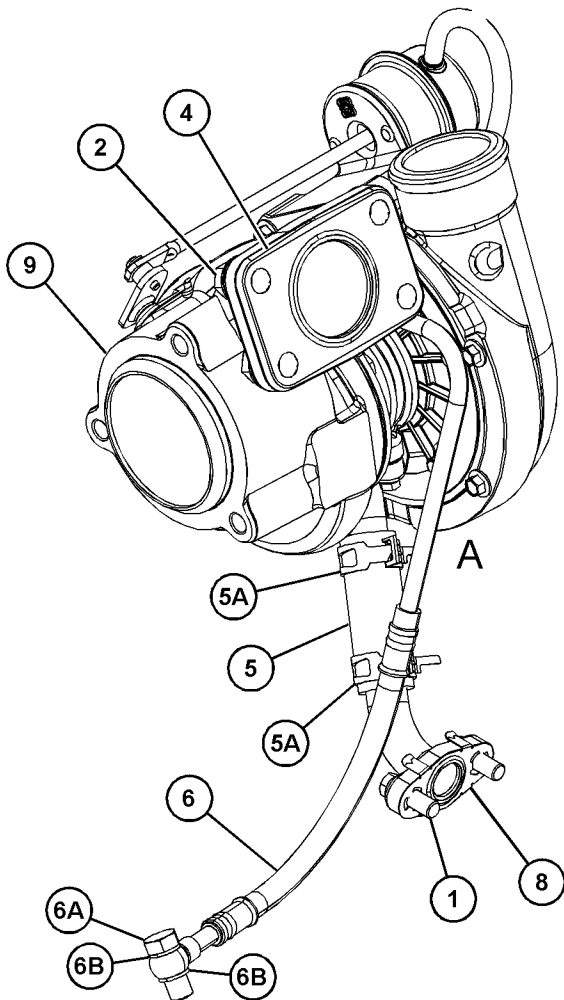
PART OF 463-8820, 463-8910 ENGINE AR-PRIMARY
ALSO AN ATTACHMENT

SMCS-1052, 1053

i06947958

NOTE	REF NO	GRAPHIC REF	PART NUMBER	QTY	PART NAME						SEE PAGE
					1	2	3	4	5	6 (PRODUCT LEVEL)	
M	1	1	6I-0217	2	BOLT (M8X1.25X20-MM)						
M	2	1	6I-0563	4	NUT (M10X1.5-THD)						
M	3	1	106-8916	2	BOLT (M6X16-MM)						
	4	1	194-5390	1	GASKET-MANIFOLD						
	5	1	507-5019	1	LINE AS-OIL						
	5A	1	269-3086		CLAMP-BAND						
	6	1	301-8255	1	TUBE AS						
	6A	1	225-8524	2	BOLT-SPECIAL						
	6B	1	225-8526	4	WASHER (10.4X13.75X1.37-MM THK)						
	7	1	353-3477	1	GASKET-TURBOCHARGER						
	8	1	353-3478	1	GASKET-TURBOCHARGER						
	9	1	488-1825	1	TURBOCHARGER						
		1	487-8468	1	RING						
		1	487-8469	1	HOSE						
		1	487-8470	2	CLIP						

M - METRIC PART



VIEW OF AREA A
(PARTS REMOVED FOR CLARITY)

GRAPHIC #1

<END>

g06205219

AIR INLET AND EXHAUST SYSTEM

441-9792 TURBOCHARGER GP

S/N: CJ41-UP

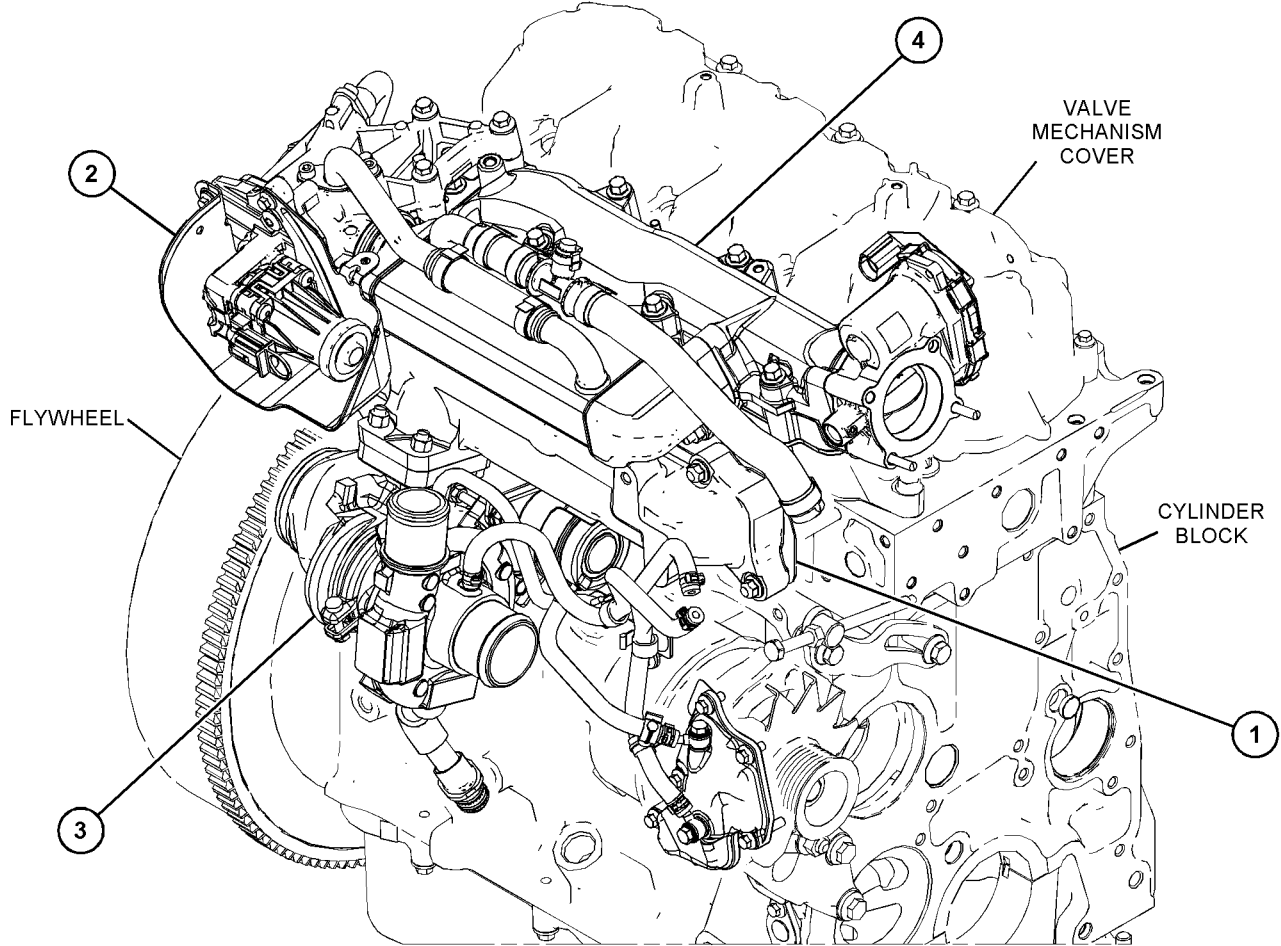
PART OF 465-2880 ENGINE AR-PRIMARY

SMCS-1052, 1053

i06944124

NOTE	REF NO	GRAPHIC REF	PART NUMBER	QTY	PART NAME						SEE PAGE
					1	2	3	4	5	6 (PRODUCT LEVEL)	
CY	1	1	381-3502	1	MANIFOLD GP-EXHAUST						253
Y	2	1	449-1083	1	VALVE GP-EXHAUST GAS (NRS)						275
Y	3	1	464-1175	1	TURBOCHARGER GP						270
Y	4	1	464-3548	1	MANIFOLD GP-CONTROL						716

C - CHANGE FROM PREVIOUS TYPE
Y - SEPARATE ILLUSTRATION



GRAPHIC #1

<END>

g06205095

AIR INLET AND EXHAUST SYSTEM

464-1175 TURBOCHARGER GP

S/N: CJ41-UP

PART OF 441-9792 TURBOCHARGER GP

SMCS-1052, 1053

i06692987

NOTE	REF NO	GRAPHIC REF	PART NUMBER	QTY	PART NAME						SEE PAGE
					1	2	3	4	5	6 (PRODUCT LEVEL)	
M	1	1	6I-0846	3	BOLT (M6X1X14-MM)						
M	2	1	112-7704	3	BOLT (M6X1X30-MM)						
M	3	1	124-3815	1	BOLT (M8X1.25X16-MM)						
	4	1	386-6368	1	GASKET						
	5	1	387-7697	1	GASKET (EXHAUST MANIFOLD)						
	6	1	387-8113	1	TUBE AS						
		1	386-1911	2	SEAL						
	7	1	389-1934	2	NUT						
	8	1	390-2468	1	GASKET						
	9	1	428-8151	1	PIPE						
	10	1	428-8153	1	PIPE						
	11	1	428-8168	1	BRACKET AS						
	11A	1	390-2397	2	CLIP						
	12	1	489-0637	6	CLIP						
Y	13	1	435-5729	1	COVER GP-ENGINE OIL COOLER						185
	14	1	462-6745	2	WASHER						
	15	1	465-3458	1	TURBOCHARGER AS						
	16	1	465-3473	1	LINE AS						
	17	1	465-3480	1	BOLT						
	18	1	465-3481	1	PIPE						
	19	1	465-3482	1	CLIP AS						
M	20	1	6V-5683	2	BOLT (M6X1X16-MM)						

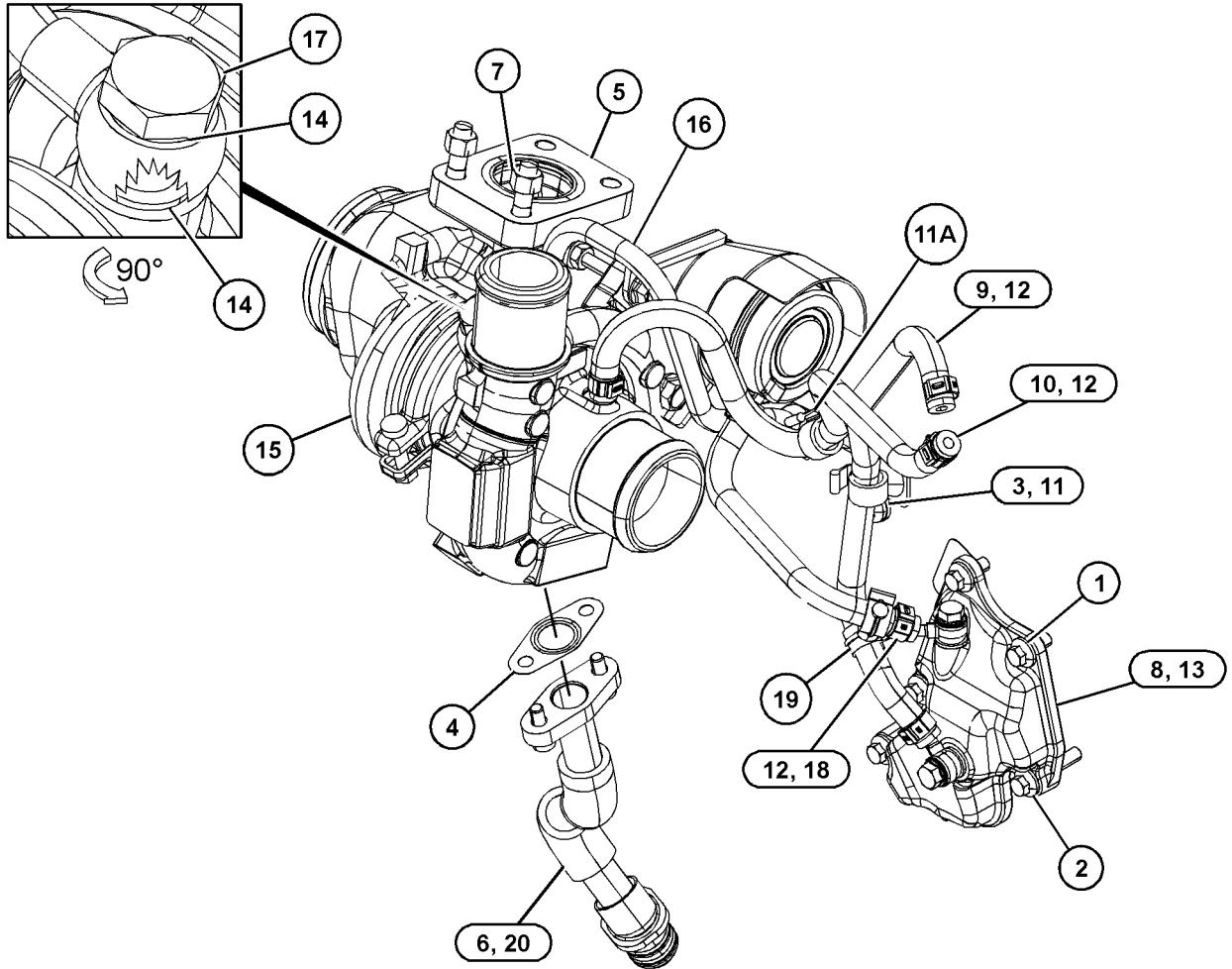
M - METRIC PART

Y - SEPARATE ILLUSTRATION

AIR INLET AND EXHAUST SYSTEM

464-1175 TURBOCHARGER GP (contd.)

i06692987



GRAPHIC #1

<END>

g03827463

AIR INLET AND EXHAUST SYSTEM

466-7874 VALVE & MOUNTING GP (NRS)

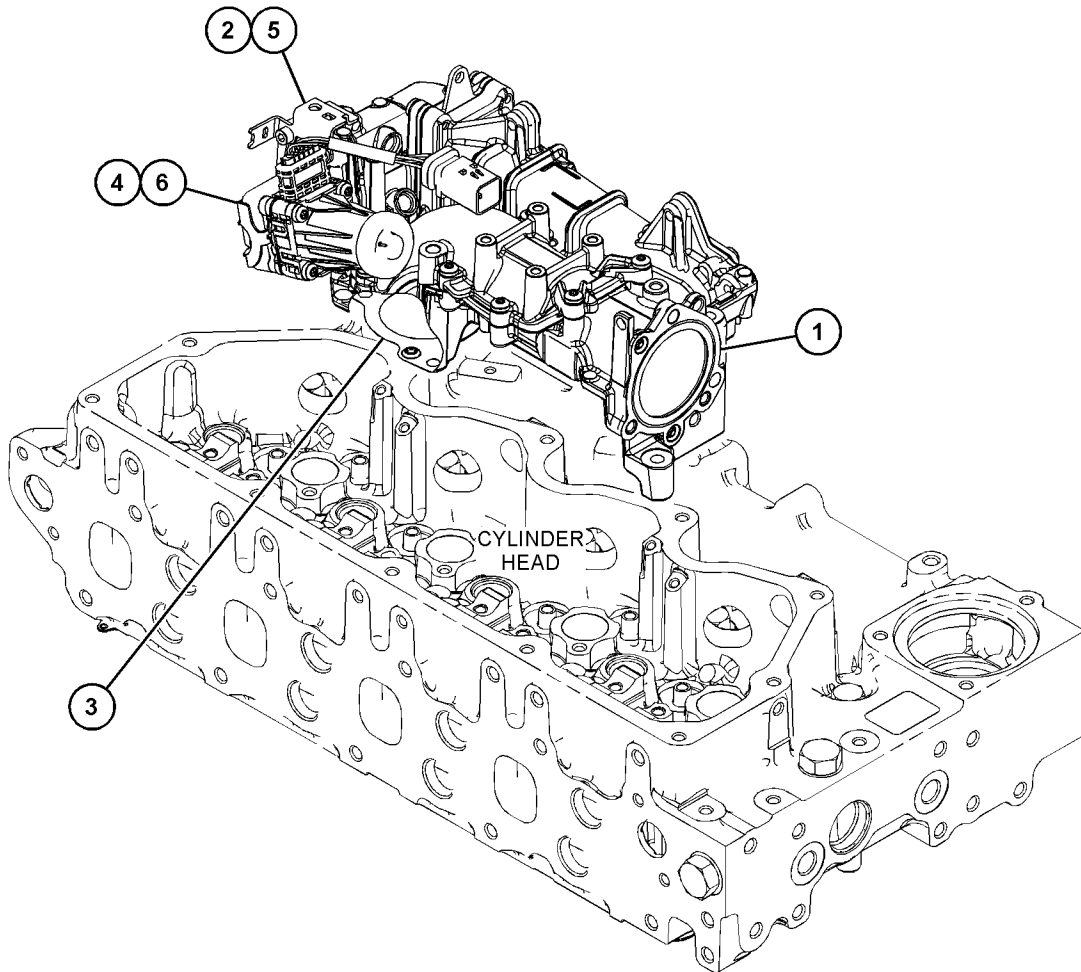
S/N: JKT1-UP

PART OF 459-3633 ELBOW GP-AIR INLET

SMCS-1050, 108N

i06271153

NOTE	REF NO	GRAPHIC REF	PART NUMBER	QTY	PART NAME						SEE PAGE
					1	2	3	4	5	6 (PRODUCT LEVEL)	
	1	1	346-9507	1	GASKET						
	2	1	153-0983	4	BOLT (M6X1X25-MM)						
	3	1	332-7624	1	GASKET						
	4	1	345-0835	1	GASKET						
	5	1	348-9331	1	BRACKET						
	6	1	466-7876	1	VALVE						



GRAPHIC #1

<END>

g03678981

AIR INLET AND EXHAUST SYSTEM

425-6359 VALVE GP-COOLANT CONTROL-DEF TEMPERATURE

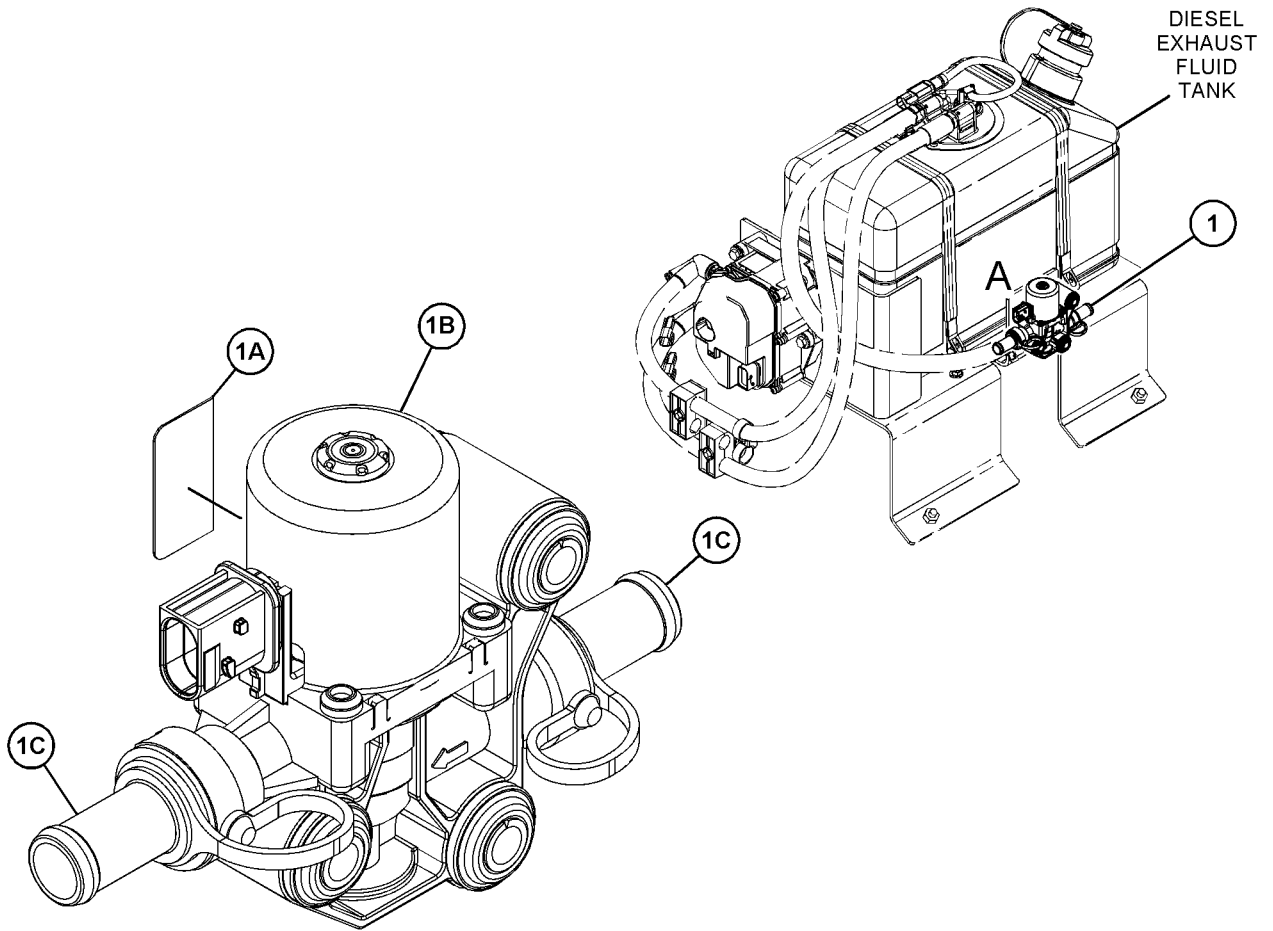
S/N: JKT1-UP

PART OF 466-2883 ENGINE AR

SMCS-5479

i07060109

NOTE	REF NO	GRAPHIC REF	PART NUMBER	QTY	PART NAME						SEE PAGE
					1	2	3	4	5	6 (PRODUCT LEVEL)	
	1	1	526-8387	1	VALVE AS-EXHAUST						
	1A	1	498-2822	1	FILM-IDENTIFICATION (12V, CAT)						
	1B	1	526-8388	1	VALVE AS-EXHAUST						
	1C	1	526-8391	2	CONNECTOR AS						



VIEW OF AREA A

GRAPHIC #1

<END>

g06222116

AIR INLET AND EXHAUST SYSTEM

442-2287 VALVE GP-COOLANT CONTROL

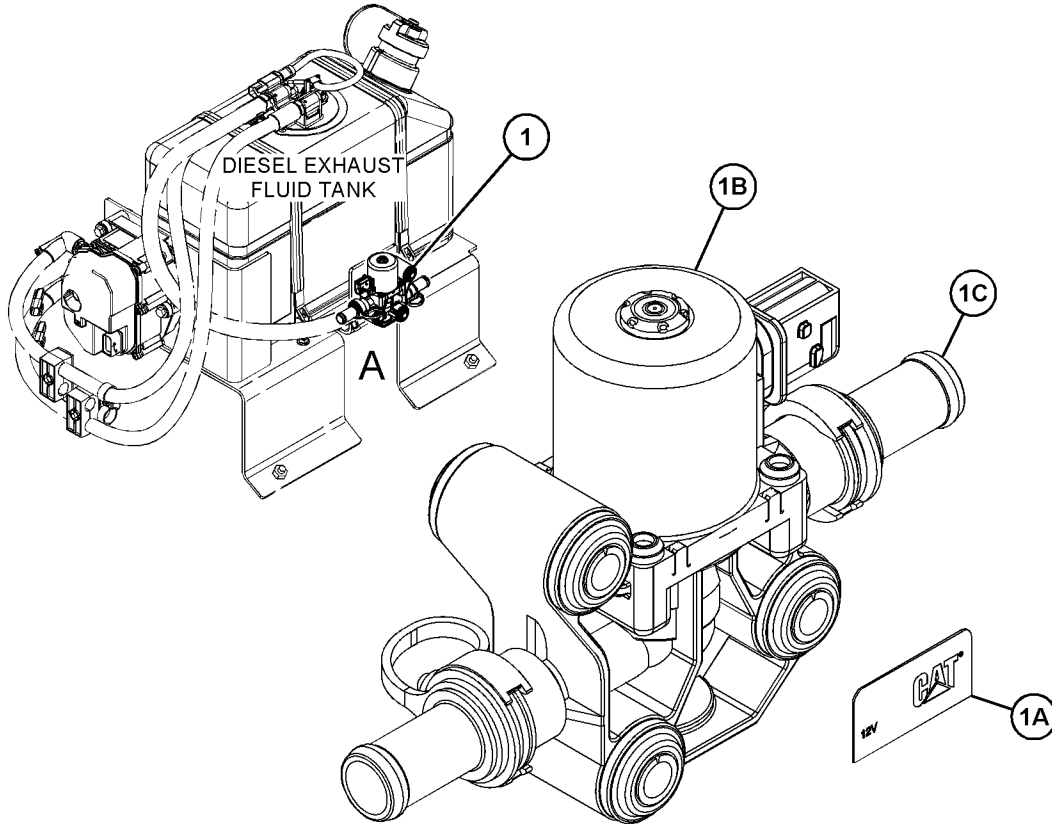
S/N: CJ41-UP

PART OF 465-2880 ENGINE AR-PRIMARY

SMCS-5479

i07155709

NOTE	REF NO	GRAPHIC REF	PART NUMBER	QTY	PART NAME						SEE PAGE
					1	2	3	4	5	6 (PRODUCT LEVEL)	
	1	1	526-8387	1	VALVE AS-EXHAUST						
	1A	1	498-2822	1	FILM-IDENTIFICATION (12V, CAT)						
	1B	1	526-8388	1	VALVE AS-EXHAUST						
	1C	1	526-8391	2	CONNECTOR AS						



VIEW OF AREA A

GRAPHIC #1

<END>

g06244730

AIR INLET AND EXHAUST SYSTEM

449-1083 VALVE GP-EXHAUST GAS (NRS)

S/N: CJ41-UP

PART OF 441-9792 TURBOCHARGER GP

SMCS-3139, 5137, 5479

i06995811

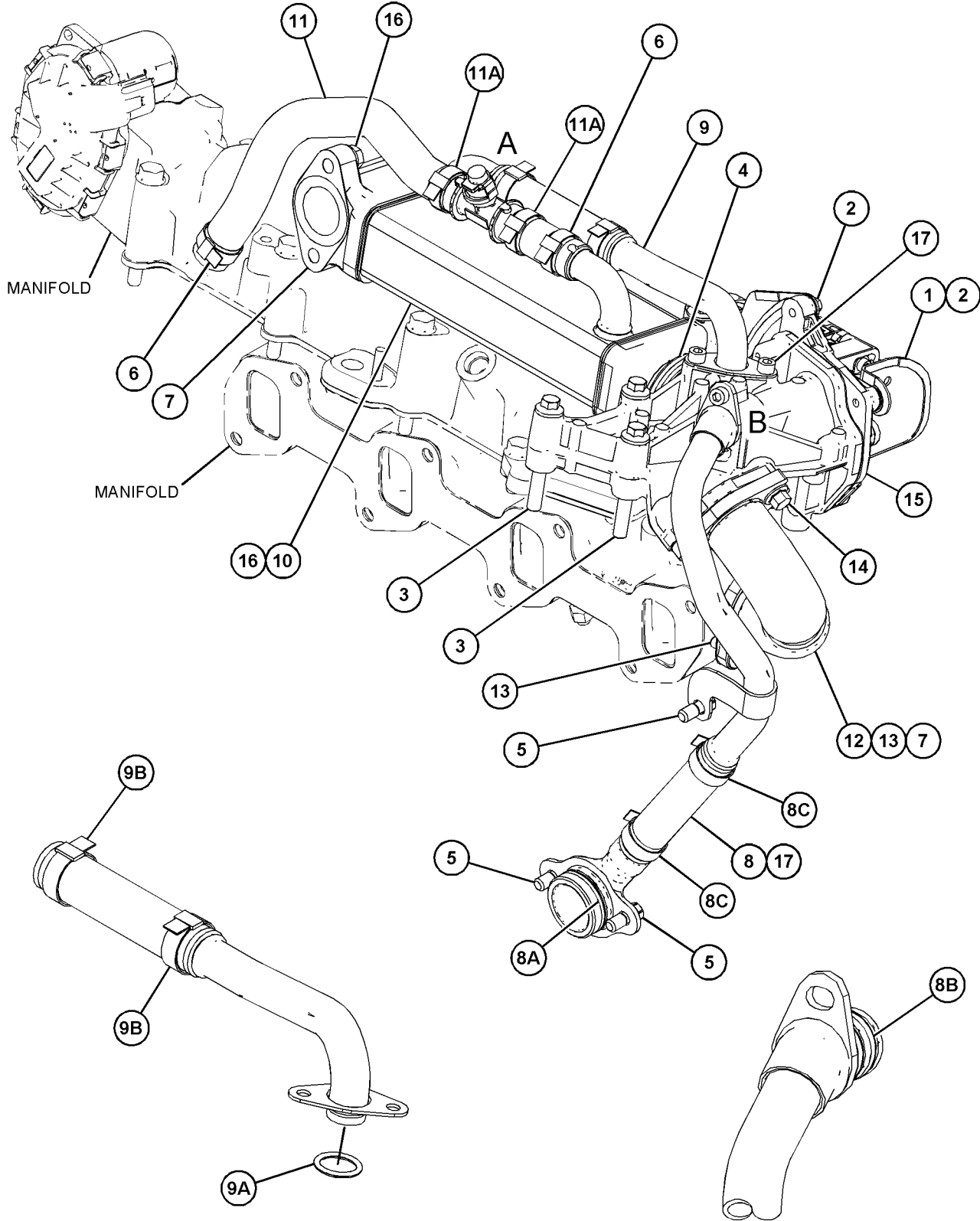
NOTE	REF NO	GRAPHIC REF	PART NUMBER	QTY	PART NAME						SEE PAGE
					1	2	3	4	5	6 (PRODUCT LEVEL)	
	1	1	390-3119	1	SHIELD						
M	2	1	6I-0846	3	BOLT (M6X1X14-MM)						
M	3	1	100-3751	3	BOLT (M8X1.25X65-MM)						
	4	1	386-2068	1	CLIP						
	5	1	389-2875	3	SCREW (SPECIAL)						
	6	1	390-2396	3	CLIP						
	7	1	515-0077	3	GASKET (EXHAUST MANIFOLD)						
	8	1	390-3292	1	TUBE AS						
	8A	1	386-1910	1	SEAL						
	8B	1	386-1911	2	SEAL						
	8C	1	390-2396	2	CLIP						
	9	1	390-3298	1	TUBE AS						
	9A	1	386-1911	1	SEAL						
	9B	1	390-2396	2	CLIP						
	10	1	487-5857	1	COOLER AS						
	11	1	417-9196	1	PIPE						
	11A	1	390-2396	2	CLIP						
	12	1	423-3785	1	PIPE						
	13	1	432-8596	2	BOLT-SPECIAL						
	14	1	463-8911	2	BOLT						
	15	1	463-8913	1	VALVE AS						
M	16	1	178-3336	2	NUT-HEX FLANGE (M8X1.25-THD)						
M	17	1	6V-5683	3	BOLT (M6X1X16-MM)						

M - METRIC PART

AIR INLET AND EXHAUST SYSTEM

449-1083 VALVE GP-EXHAUST GAS (NRS) (contd.)

i06995811



VIEW OF AREA A
(PARTS REMOVED FOR CLARITY)

VIEW OF AREA B
(PARTS REMOVED FOR CLARITY)

GRAPHIC #1

<END>

g06204328

FUEL SYSTEM

375-1397 BRACKET GP-MOUNTING

S/N: CJ41-UP

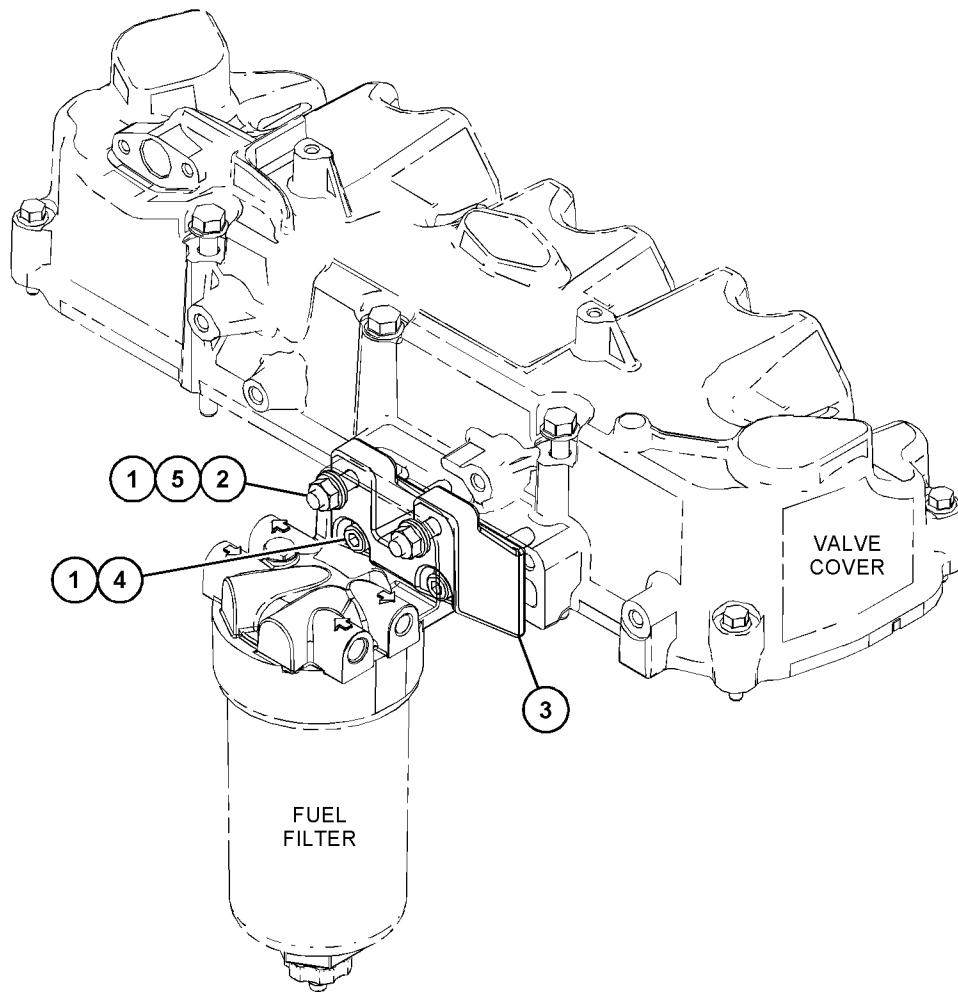
PART OF 372-8164 LINES GP-FUEL FILTER

SMCS-1261, 1702

i06252234

NOTE	REF NO	GRAPHIC REF	PART NUMBER	QTY	PART NAME						SEE PAGE
					1	2	3	4	5	6 (PRODUCT LEVEL)	
	1	1	7W-2632	4	WASHER (8.5X16.8X1.6-MM THK)						
	2	1	390-0313	2	STUD						
	3	1	417-8427	1	BRACKET						
	4	1	417-8452	2	SCREW						
M	5	1	178-3336	2	NUT-HEX FLANGE (M8X1.25-THD)						
					AVAILABLE REPAIR KIT(S):						
			388-1289	1	KIT-FUEL SYSTEM PARTS						
					(INCLUDES CAPS)						

M - METRIC PART



GRAPHIC #1

<END>

g03833252

FUEL SYSTEM

361-7347 CONNECTION GP-FUEL

S/N: JKT1-UP

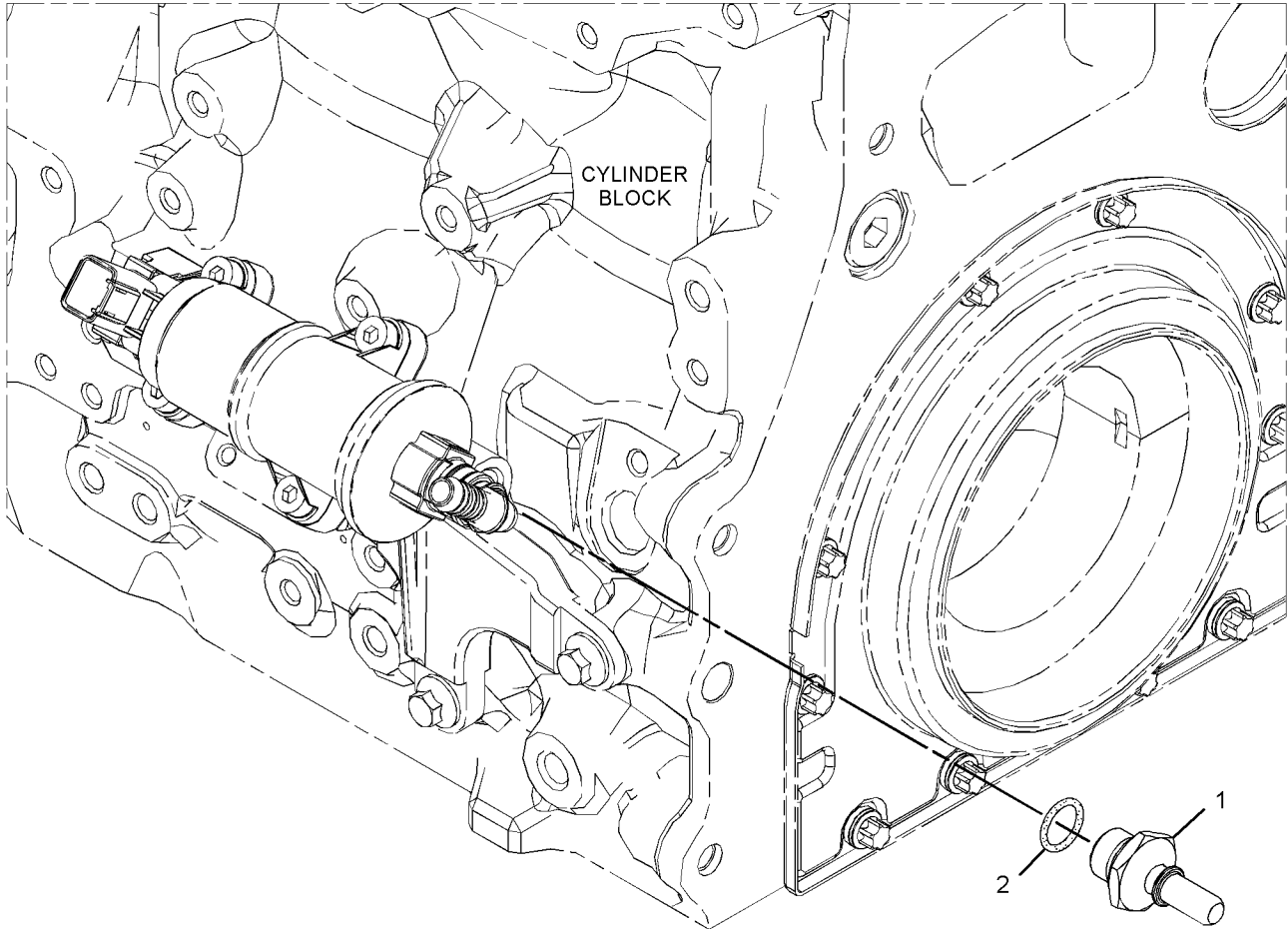
9.49 SAE, M16

PART OF 446-5393 PUMP GP-FUEL TRANSFER

SMCS-1250, 1274

i04758101

NOTE	REF NO	GRAPHIC REF	PART NUMBER	QTY	PART NAME						SEE PAGE
					1	2	3	4	5	6 (PRODUCT LEVEL)	
1	1	1	361-7346	1	CONNECTION						
2	1	1	228-7102	1	SEAL-O-RING						



GRAPHIC #1

<END>

g02716582

FUEL SYSTEM

360-8958 FILTER GP-FUEL

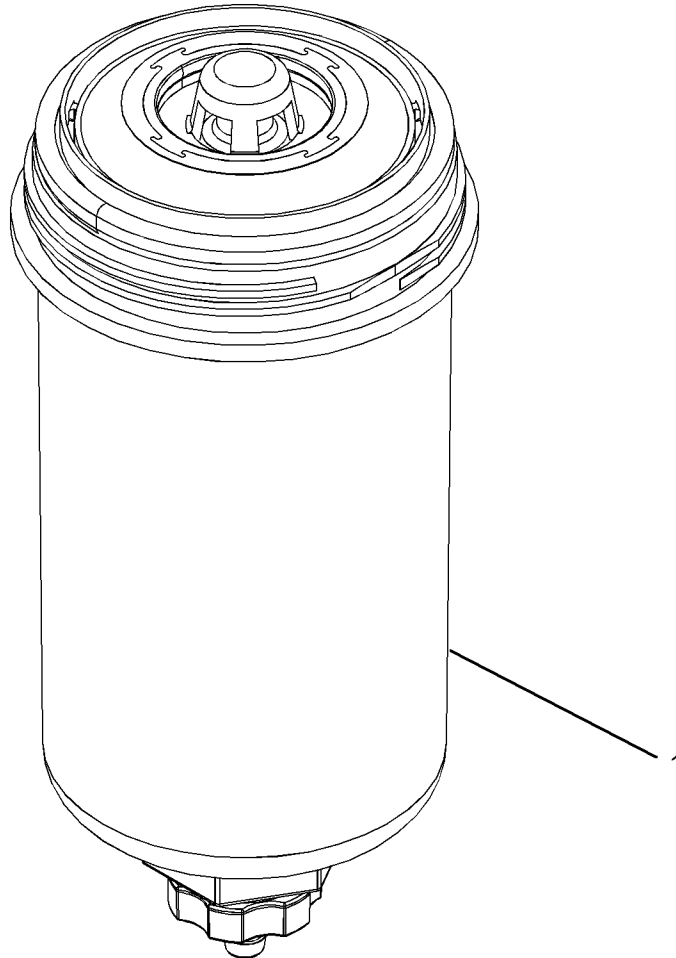
S/N: W231-UP; CJ41-UP; JKT1-UP

PART OF 367-9085, 452-8547 FILTER GP-FUEL, 452-0344 FILTER GP-WATER SEP & FUEL
ALSO AN ATTACHMENT

SMCS-1261

i06791624

NOTE	REF NO	GRAPHIC REF	PART NUMBER	QTY	PART NAME						SEE PAGE
					1	2	3	4	5	6 (PRODUCT LEVEL)	
	1	1	360-8960	1	FILTER ELEMENT-FUEL						
					AVAILABLE REPAIR KIT(S):						
			362-5412	1	KIT-DRAIN (FUEL FILTER)						
					(INCLUDES DRAIN, KNOB, & SEALS)						
			370-8376	1	KIT-FUEL SYSTEM PARTS						



GRAPHIC #1

<END>

g03173178

FUEL SYSTEM

361-1224 FILTER GP-FUEL

S/N: JKT1-UP

PART OF 464-2308 ENGINE AR-PRIMARY

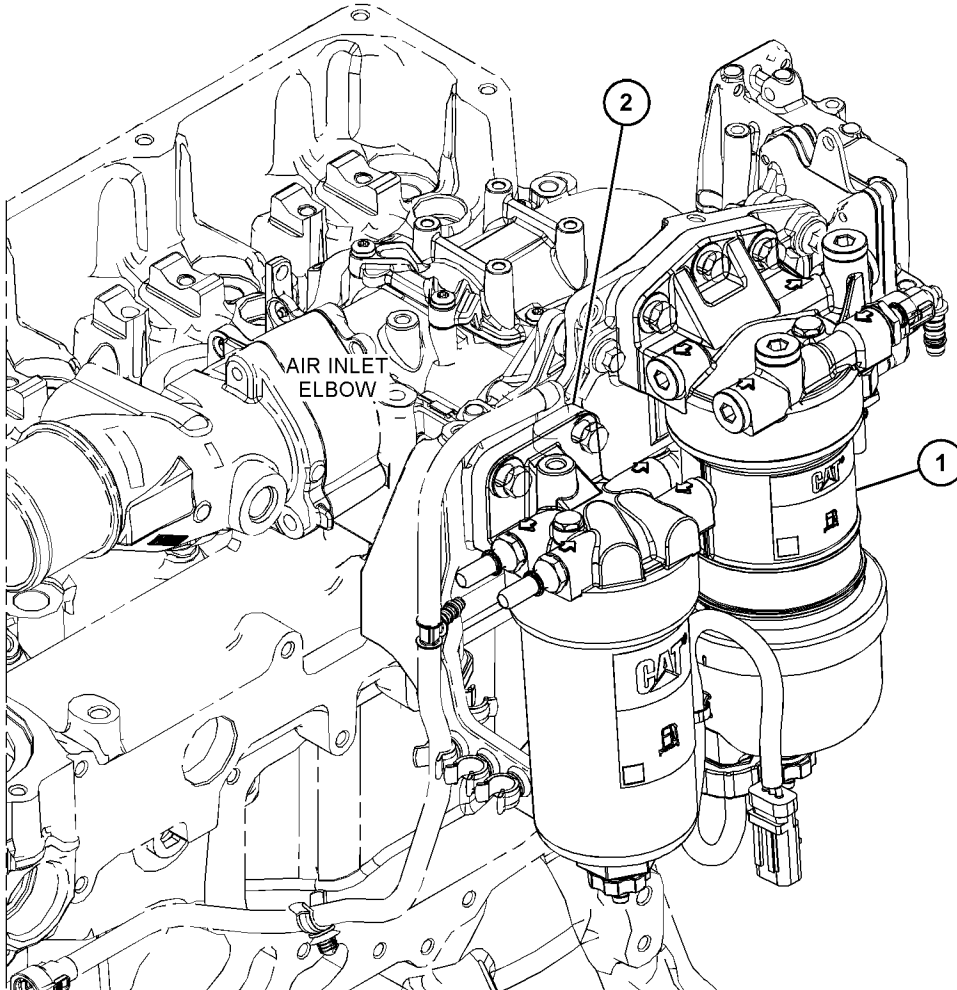
SMCS-1261

i07080579

NOTE	REF NO	GRAPHIC REF	PART NUMBER	QTY	PART NAME						SEE PAGE
					1	2	3	4	5	6 (PRODUCT LEVEL)	
CY	1	1	483-1002	1	FILTER GP-WATER SEP & FUEL						294
Y	2	1	452-0344	1	FILTER GP-WATER SEP & FUEL						293

C - CHANGE FROM PREVIOUS TYPE

Y - SEPARATE ILLUSTRATION



GRAPHIC #1

<END>

g03707913

FUEL SYSTEM

367-9085 FILTER GP-FUEL

S/N: CJ41-UP

PART OF 418-3788 FILTER GP-FUEL

SMCS-1261

i06745935

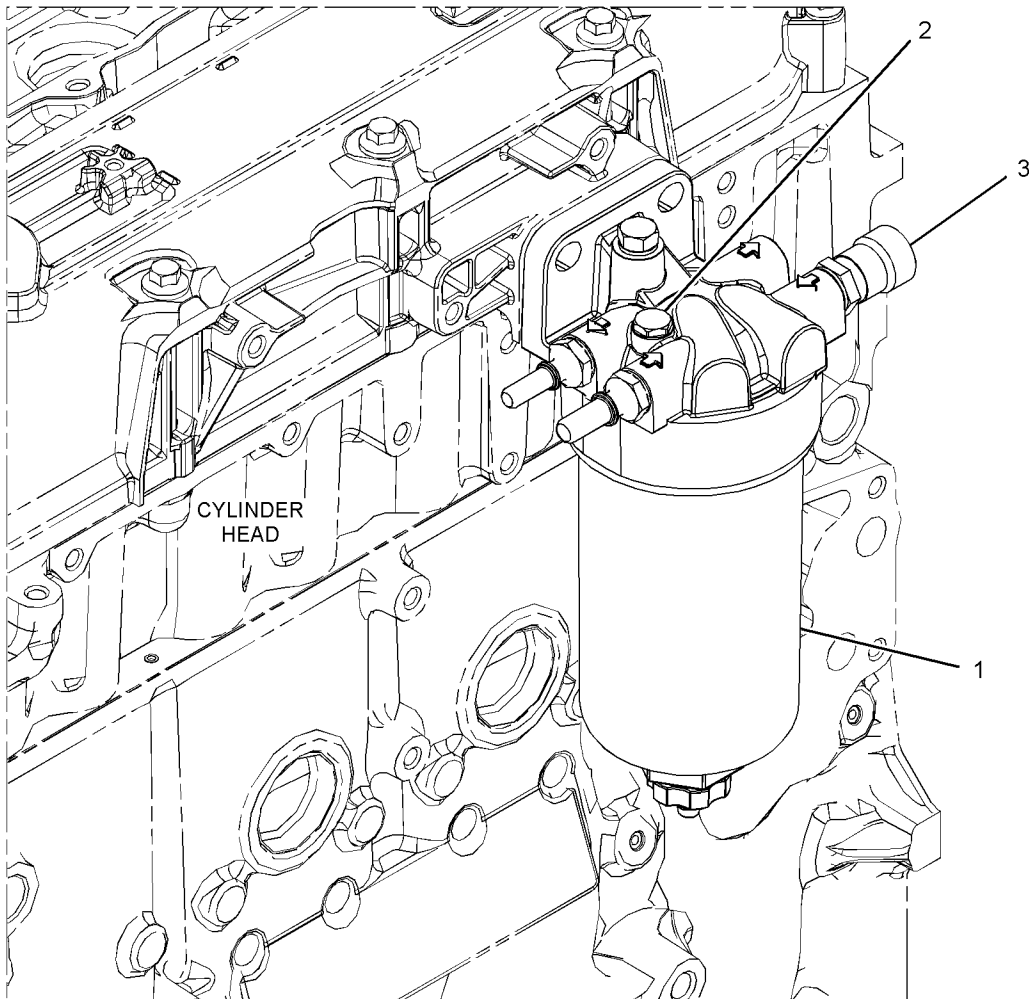
NOTE	REF NO	GRAPHIC REF	PART NUMBER	QTY	PART NAME						SEE PAGE
					1	2	3	4	5	6 (PRODUCT LEVEL)	
Y	1	1	360-8958	1	FILTER GP-FUEL						279
	2	1	362-9689	1	SCREW-SPECIAL						
	3	1	373-9526	1	SENSOR-TEMPERATURE (FUEL)						

AVAILABLE REPAIR KIT(S):

362-5412 1 KIT-DRAIN

(INCLUDES DRAIN, KNOB, & SEALS)

Y - SEPARATE ILLUSTRATION



GRAPHIC #1

<END>

g02939197

FUEL SYSTEM

418-3788 FILTER GP-FUEL

S/N: CJ41-UP

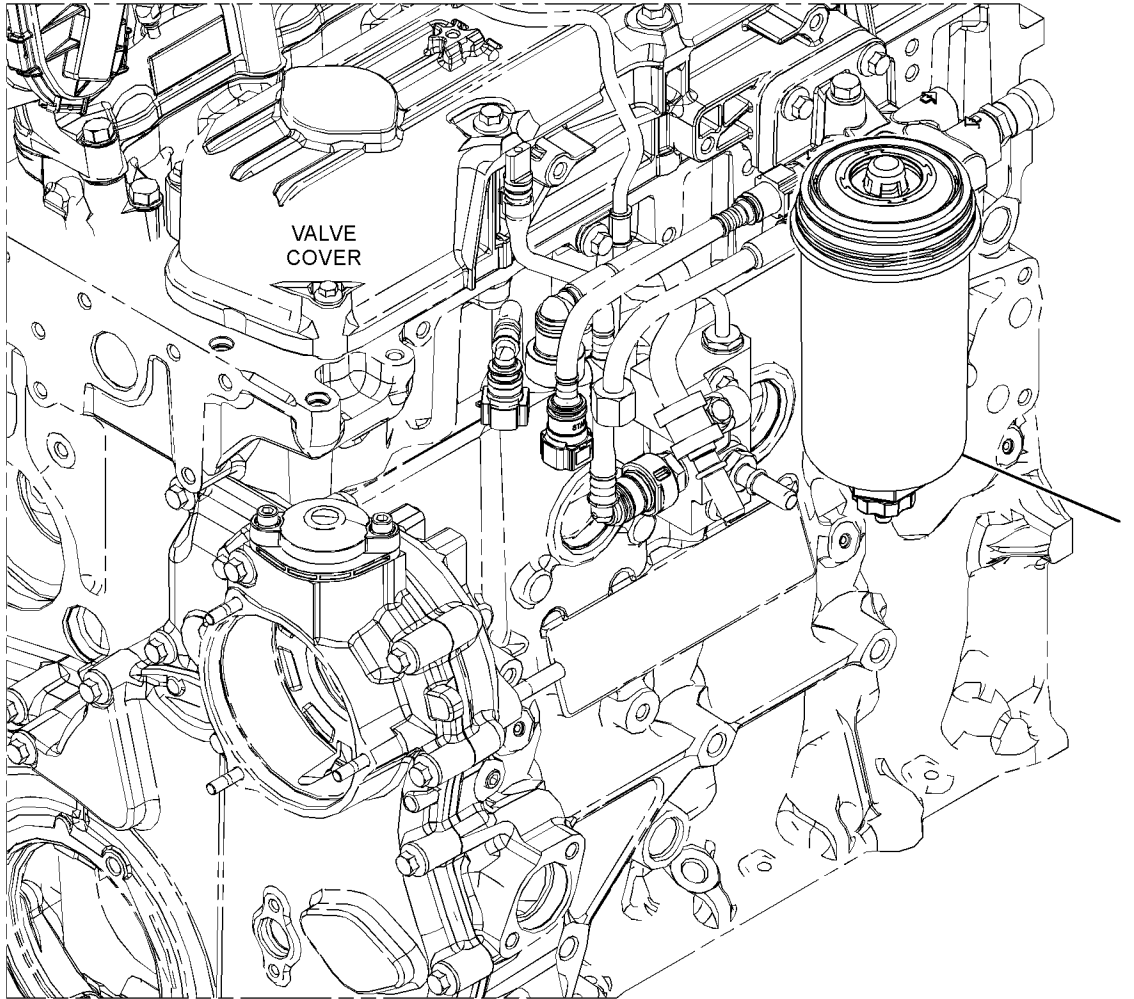
PART OF 465-2880 ENGINE AR-PRIMARY

SMCS-1261

i06745975

NOTE	REF NO	GRAPHIC REF	PART NUMBER	QTY	PART NAME						SEE PAGE
					1	2	3	4	5	6 (PRODUCT LEVEL)	
Y	1	1	367-9085	1	FILTER GP-FUEL						281

Y - SEPARATE ILLUSTRATION



GRAPHIC #1

<END>

g03334746

FUEL SYSTEM

421-3853 FILTER GP-FUEL

S/N: W231-UP

PART OF 463-8820, 463-8910 ENGINE AR-PRIMARY
ALSO AN ATTACHMENT

SMCS-1261

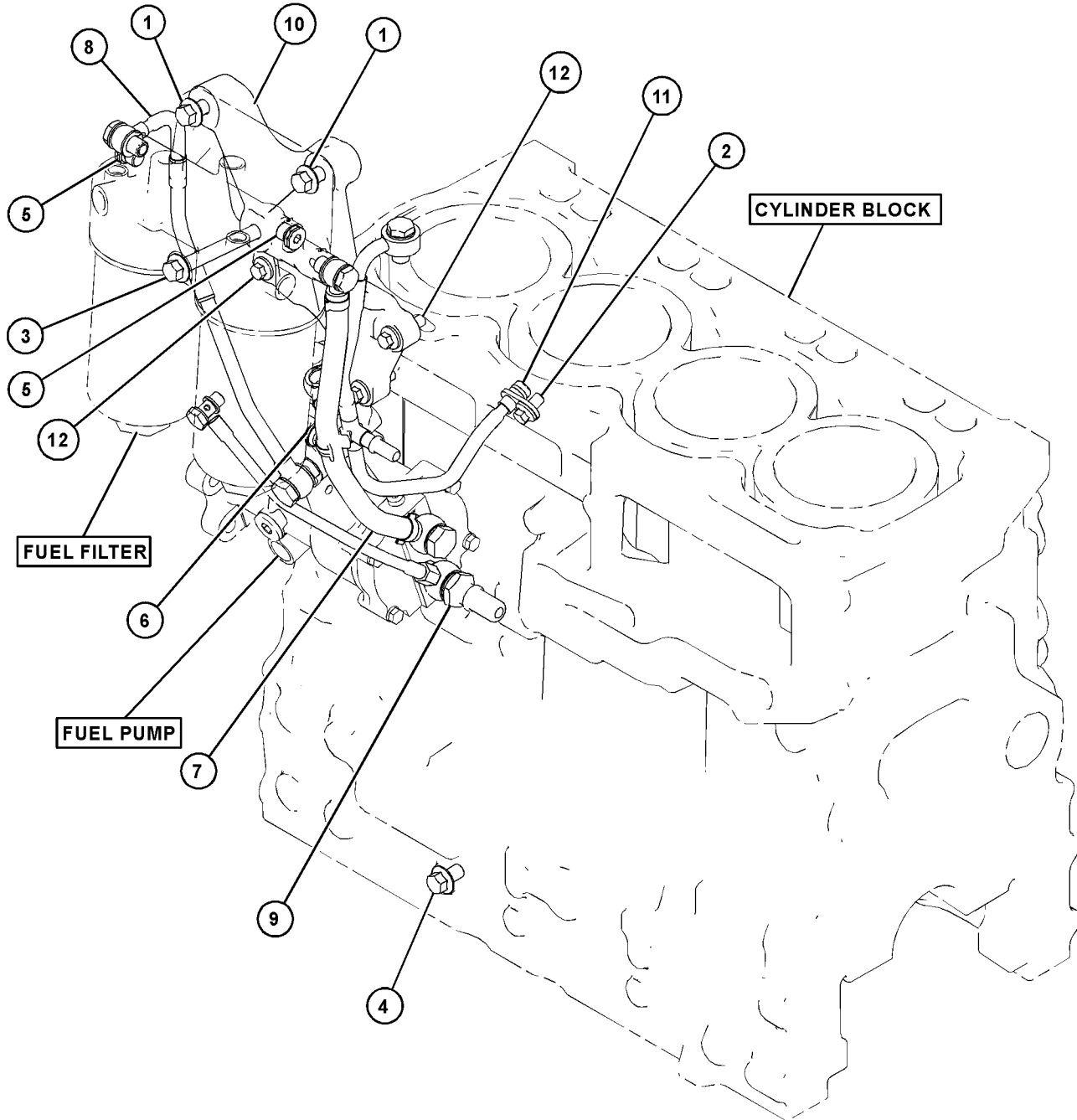
i07213653

NOTE	REF NO	GRAPHIC REF	PART NUMBER	QTY	PART NAME						SEE PAGE
					1	2	3	4	5	6 (PRODUCT LEVEL)	
M	1	1	6I-0593	2	BOLT (M10X1.5X30-MM)						
M	2	1	100-4458	1	BOLT (M8X1.25X14-MM)						
M	3	1	164-7468	1	BOLT (M10X1.5X95-MM)						
M	4	1	293-1875	1	BOLT (M10X1.5X16-MM)						
	5	1	330-9723	2	PLUG AS						
					(EACH INCLUDES)						
		1	228-7100	1	SEAL-O-RING						
		1	241-6157	1	PLUG						
	6	1	342-3782	1	CLIP-PIPE						
Y	7	1	396-2103	1	LINES GP-FUEL						301
	8	1	396-2421	1	LINE AS-FUEL						
		1	348-0495	2	WASHER						
M		1	277-9938	1	BOLT-SPECIAL (BANJO)						
		1	286-2890	2	WASHER						
		1	295-4670	1	BOLT-SPECIAL (BANJO)						
	9	1	433-1316	1	LINES GP-FUEL						
		1	246-4361	2	WASHER (10.5X14X1.5-MM THK)						
		1	247-4928	2	WASHER (16.5X20.5X1.6-MM THK)						
		1	385-1398	1	CONNECTION-FUEL						
		1	386-1864	1	BOLT-BANJO						
	10	1	454-9914	1	BRACKET-FILTER						
	11	1	456-1364	1	LINE AS-FUEL						
		1	277-4993	1	SEAL-O-RING						
		1	286-2890	2	WASHER						
		1	295-4670	1	BOLT-SPECIAL (BANJO)						
M	12	1	6I-0254	3	BOLT (M8X1.25X30-MM)						
M - METRIC PART											
Y - SEPARATE ILLUSTRATION											

FUEL SYSTEM

421-3853 FILTER GP-FUEL (contd.)

i07213653



GRAPHIC #1

<END>

g03823887

FUEL SYSTEM

438-7763 FILTER GP-FUEL

S/N: W231-UP

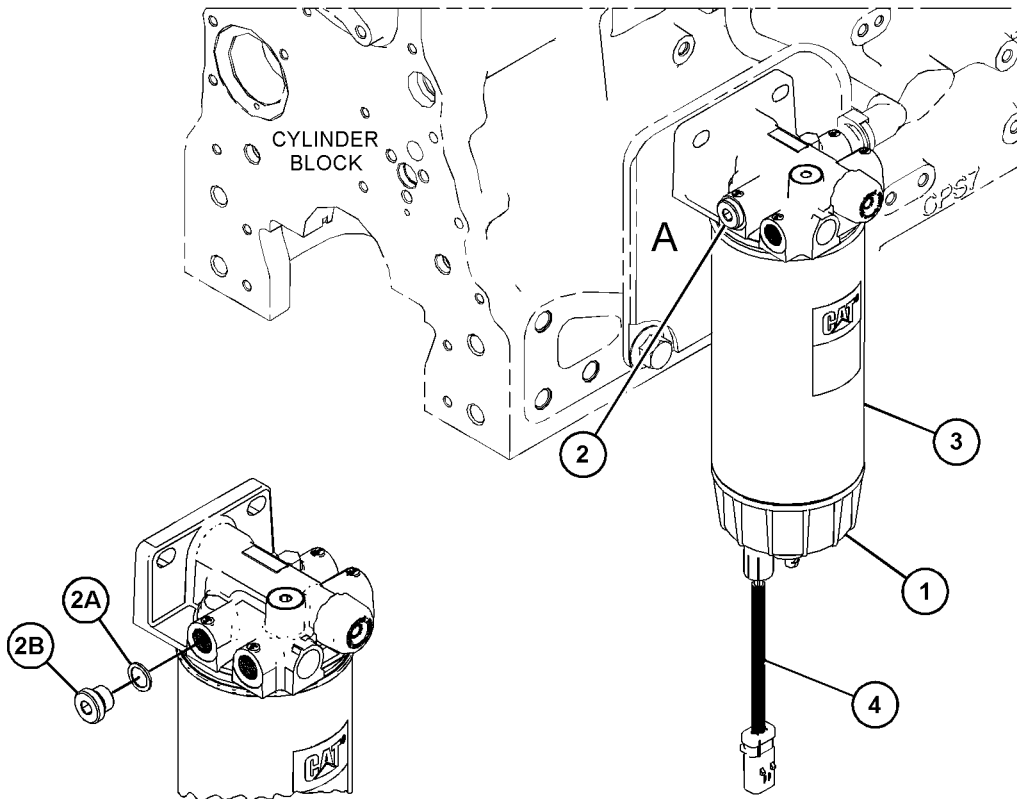
PART OF 441-1215 FILTER GP-FUEL

ALSO AN ATTACHMENT

SMCS-1261

i07104147

NOTE	REF NO	GRAPHIC REF	PART NUMBER	QTY	PART NAME						SEE PAGE
					1	2	3	4	5	6 (PRODUCT LEVEL)	
	1	1	439-5040	1	BOWL AS						
	2	1	192-9207	1	PLUG AS						
	2A	1	126-9093	1	SEAL						
	2B	1	439-1841	1	PLUG						
	3	1	439-5037	1	FILTER AS-WATER SEP & FUEL						
	4	1	439-5039	1	SENSOR GP-LIQUID LEVEL (WATER IN FUEL)						



VIEW OF AREA A

GRAPHIC #1

<END>

g06217269

FUEL SYSTEM

441-1215 FILTER GP-FUEL

S/N: W231-UP

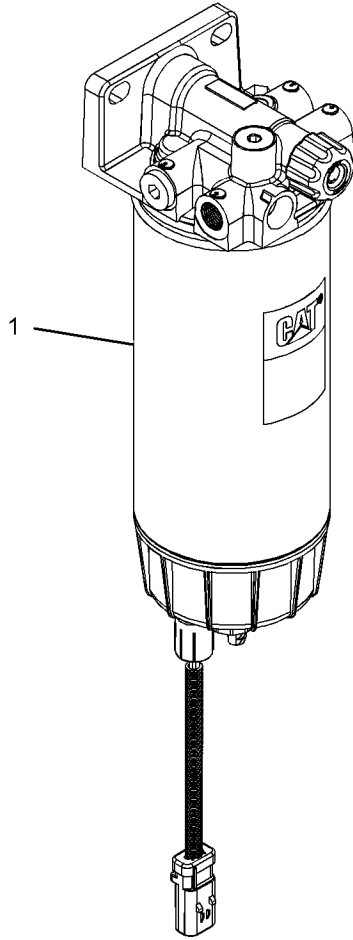
PART OF 463-8820, 463-8910 ENGINE AR-PRIMARY
ALSO AN ATTACHMENT

SMCS-1261

i06174925

NOTE	REF NO	GRAPHIC REF	PART NUMBER	QTY	PART NAME						SEE PAGE
					1	2	3	4	5	6 (PRODUCT LEVEL)	
Y	1	1	438-7763	1	FILTER GP-FUEL						285

Y - SEPARATE ILLUSTRATION



GRAPHIC #1

<END>

g03535423

FUEL SYSTEM

452-8547 FILTER GP-FUEL

S/N: W231-UP

PART OF 453-7163 FILTER GP-FUEL
ALSO AN ATTACHMENT

SMCS-1261

i06156141

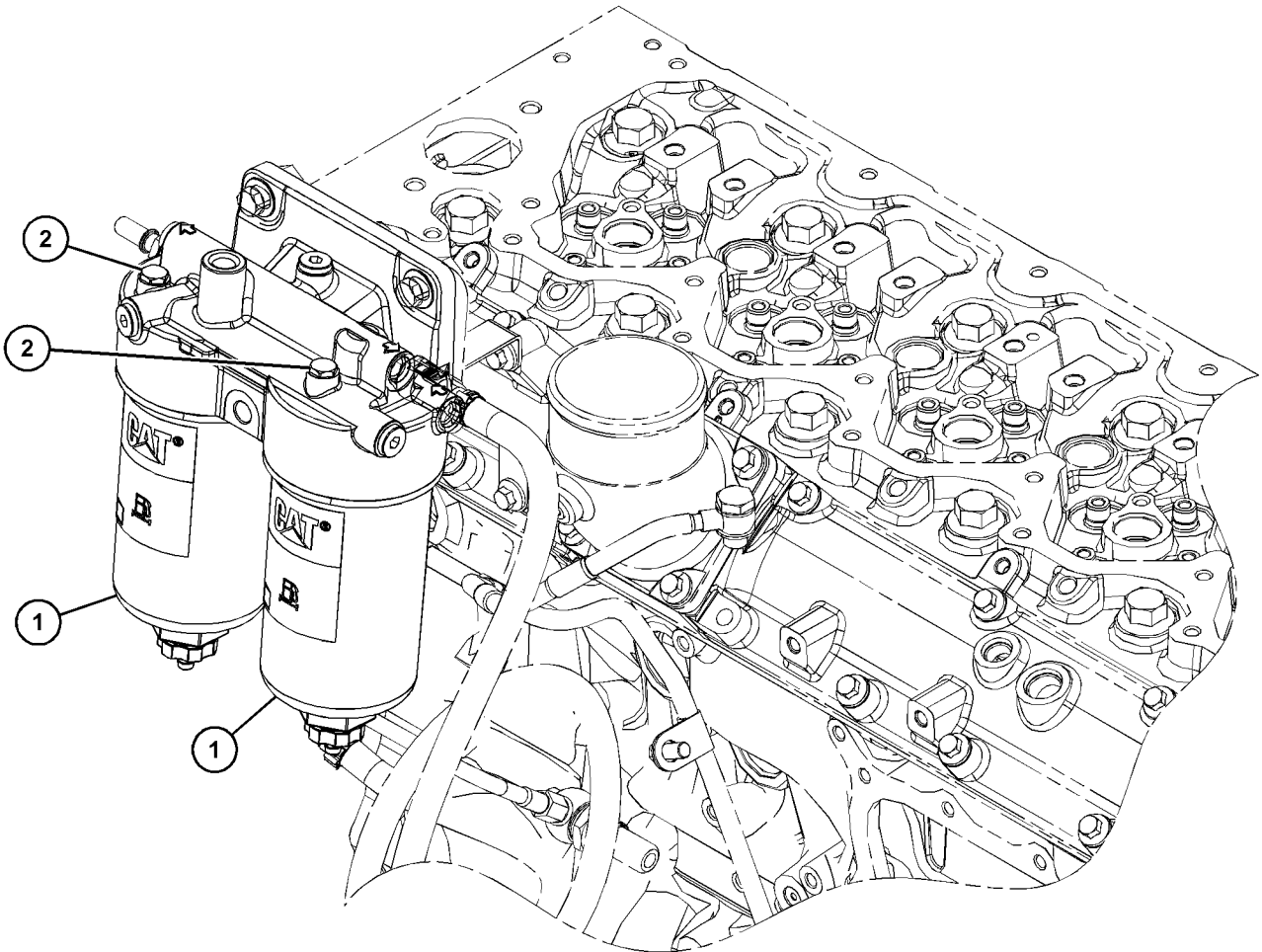
NOTE	REF NO	GRAPHIC REF	PART NUMBER	QTY	PART NAME						SEE PAGE
					1	2	3	4	5	6 (PRODUCT LEVEL)	
Y	1	1	360-8958	2	FILTER GP-FUEL						279
	2	1	362-9689	2	SCREW-SPECIAL						

AVAILABLE REPAIR KIT(S):

362-5412 2 KIT-DRAIN

(EACH KIT INCLUDES DRAIN, KNOB & SEAL)

Y - SEPARATE ILLUSTRATION



GRAPHIC #1

<END>

g03701881

FUEL SYSTEM

453-7163 FILTER GP-FUEL

S/N: W231-UP

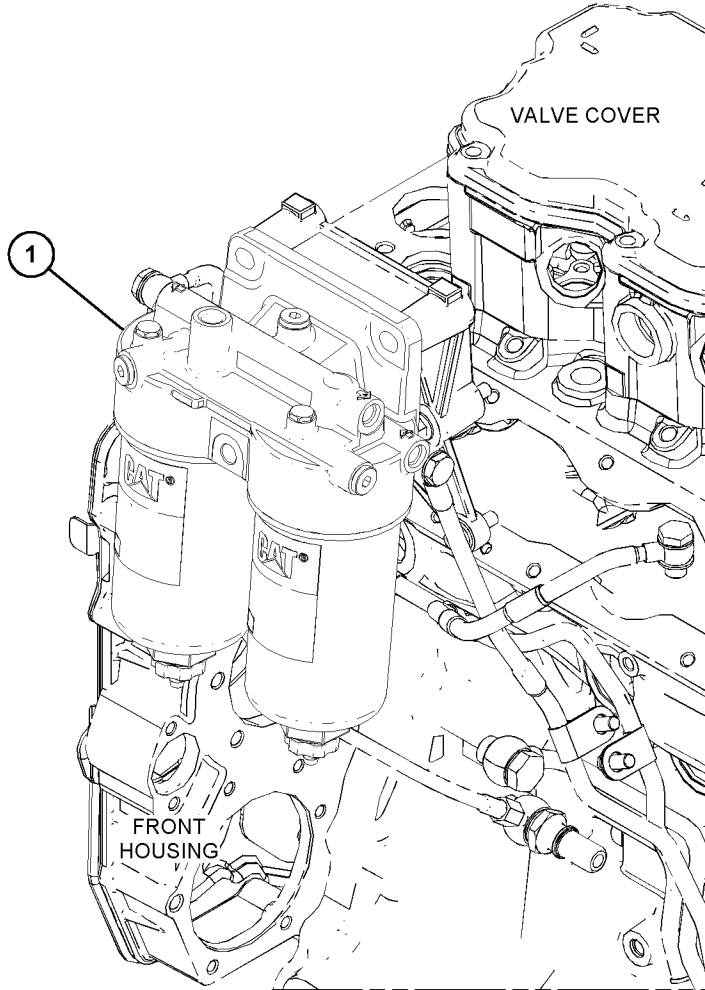
PART OF 463-8820, 463-8910 ENGINE AR-PRIMARY
ALSO AN ATTACHMENT

SMCS-1261

i06120045

NOTE	REF NO	GRAPHIC REF	PART NUMBER	QTY	PART NAME						SEE PAGE
					1	2	3	4	5	6 (PRODUCT LEVEL)	
Y	1	1	452-8547	1	FILTER GP-FUEL						287

Y - SEPARATE ILLUSTRATION



GRAPHIC #1

<END>

g03695817

FUEL SYSTEM

361-1562 FILTER GP-PRIMARY FUEL

S/N: JKT1-UP

PART OF 464-2308 ENGINE AR-PRIMARY

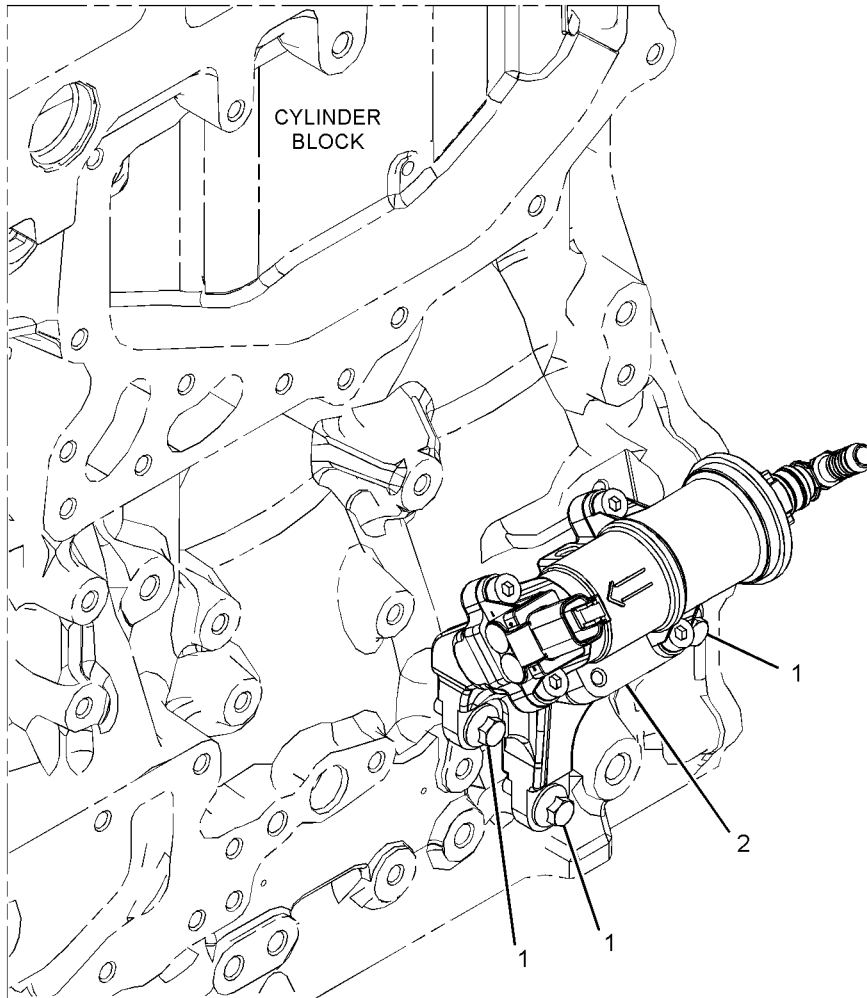
SMCS-1260, 1261

i07074286

NOTE	REF NO	GRAPHIC REF	PART NUMBER	QTY	PART NAME						SEE PAGE
					1	2	3	4	5	6 (PRODUCT LEVEL)	
M	1	1	6I-0217	3	BOLT (M8X1.25X20-MM)						
Y	2	1	446-5393	1	PUMP GP-FUEL TRANSFER						317

M - METRIC PART

Y - SEPARATE ILLUSTRATION



GRAPHIC #1

<END>

g06214736

FUEL SYSTEM

366-9821 FILTER GP-PRIMARY FUEL

S/N: CJ41-UP

PART OF 465-2880 ENGINE AR-PRIMARY

SMCS-1260, 1261

i05722210

NOTE	PART NUMBER	QTY	PART NAME						SEE PAGE
			1	2	3	4	5	6 (PRODUCT LEVEL)	
Y	393-5525	1	FILTER GP-PRIMARY FUEL						291

Y - SEPARATE ILLUSTRATION

<END>

FUEL SYSTEM

393-5525 FILTER GP-PRIMARY FUEL

S/N: CJ41-UP

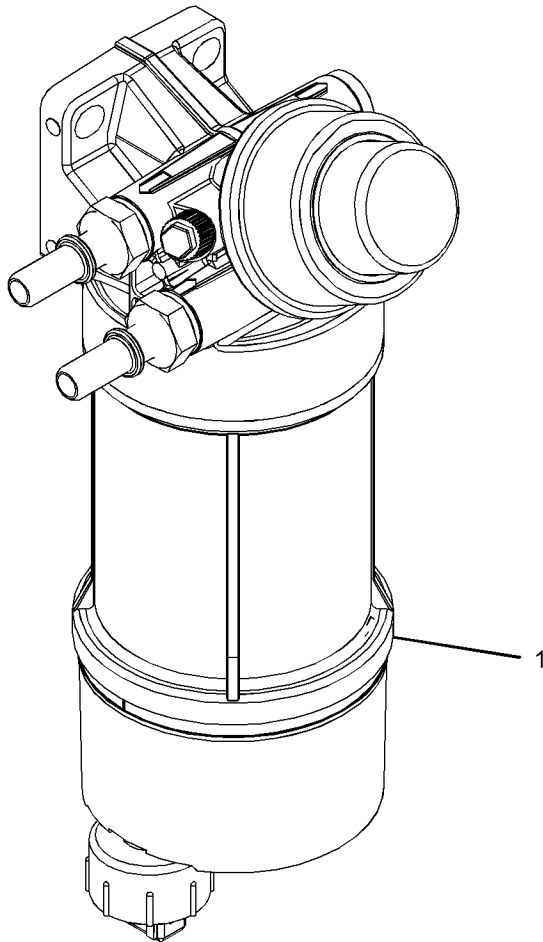
PART OF 366-9821 FILTER GP-PRIMARY FUEL

SMCS-1260, 1261

i05773221

NOTE	REF NO	GRAPHIC REF	PART NUMBER	QTY	PART NAME						SEE PAGE
					1	2	3	4	5	6 (PRODUCT LEVEL)	
Y	1	1	369-6035	1	FILTER GP-WATER SEP & FUEL						292
					AVAILABLE REPAIR KIT(S):						
			388-1289	1	KIT-FUEL SYSTEM PARTS						
					(INCLUDES CAPS)						

Y - SEPARATE ILLUSTRATION



GRAPHIC #1

<END>

g02885956

FUEL SYSTEM

369-6035 FILTER GP-WATER SEP & FUEL

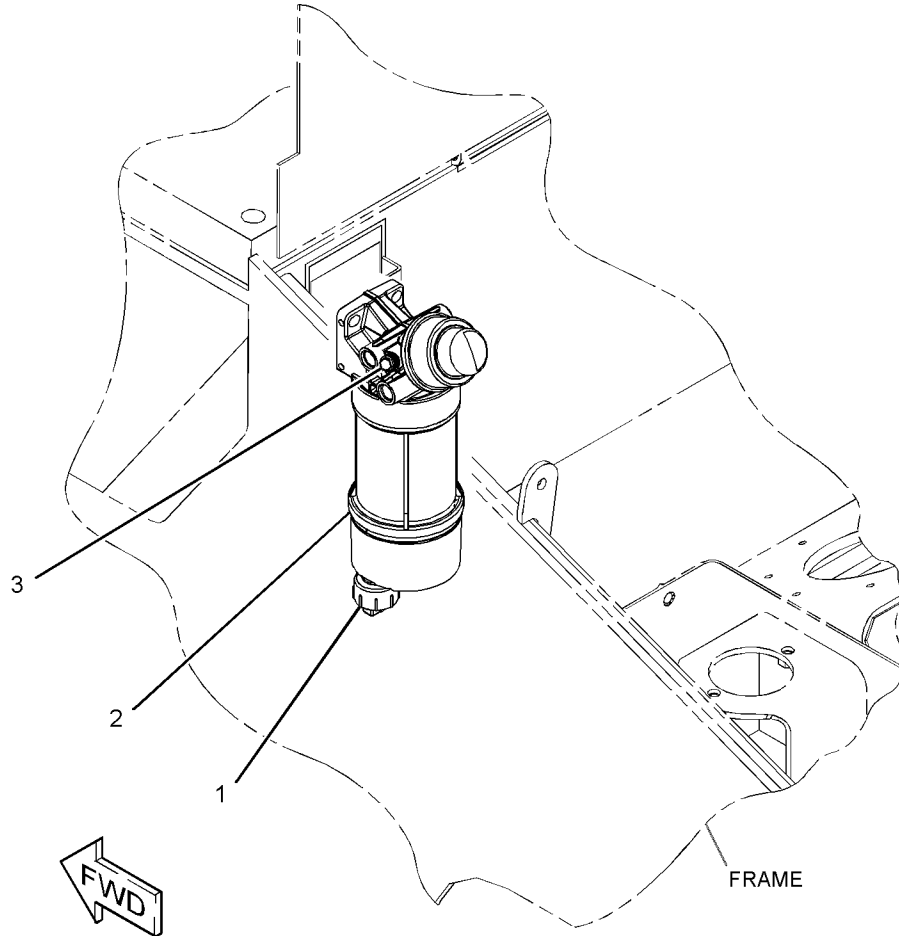
S/N: CJ41-UP

PART OF 393-5525 FILTER GP-PRIMARY FUEL

SMCS-1260, 1261, 1263

i05773223

NOTE	REF NO	GRAPHIC REF	PART NUMBER	QTY	PART NAME						SEE PAGE
					1	2	3	4	5	6 (PRODUCT LEVEL)	
	1	1	291-6570	1	SENSOR AS-LIQUID LEVEL (FUEL, WATER SEPARATOR)						
	2	1	311-3903	1	FILTER GP-WATER SEP & FUEL						
		1	311-3901	1	ELEMENT-WATER SEPARATOR						
		1	317-2236	1	PLUG-THREADED						
3		1	362-8205	1	SCREW-SPECIAL						



GRAPHIC #1

g02797480

FUEL SYSTEM

452-0344 FILTER GP-WATER SEP & FUEL

S/N: JKT1-UP

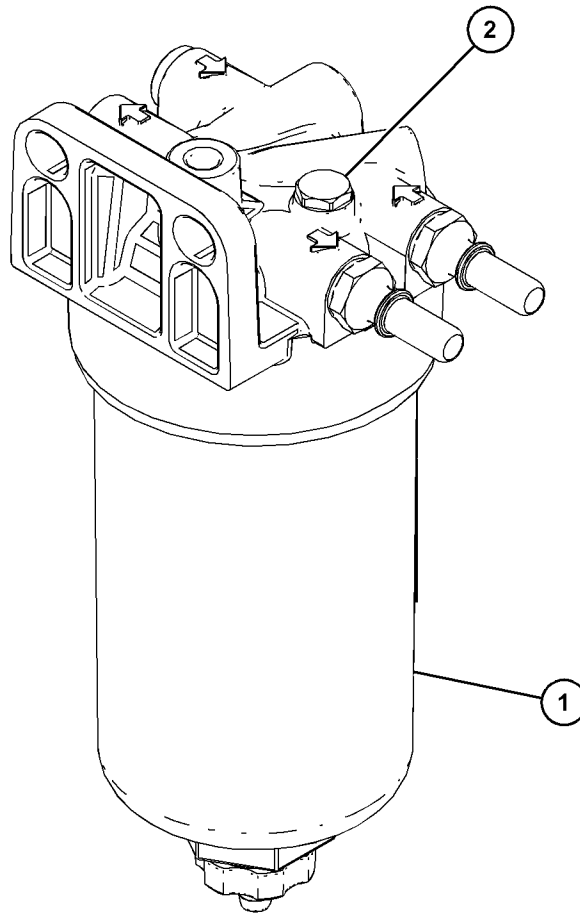
PART OF 361-1224 FILTER GP-FUEL

SMCS-1260, 1261, 1263

i06792140

NOTE	REF NO	GRAPHIC REF	PART NUMBER	QTY	PART NAME						SEE PAGE	
					1	2	3	4	5	6 (PRODUCT LEVEL)		
Y	1	1	360-8958	1	FILTER GP-FUEL						279	
	2	1	362-9689	1	SCREW-SPECIAL							
					AVAILABLE REPAIR KIT(S) :							
					362-5412	1	KIT-DRAIN					
					(KIT INCLUDES DRAIN, KNOB, & SEALS)							
					370-8376	1	KIT-FUEL SYSTEM PARTS					

Y - SEPARATE ILLUSTRATION



GRAPHIC #1

<END>

g03703283

FUEL SYSTEM

483-1002 FILTER GP-WATER SEP & FUEL

S/N: JKT1-UP

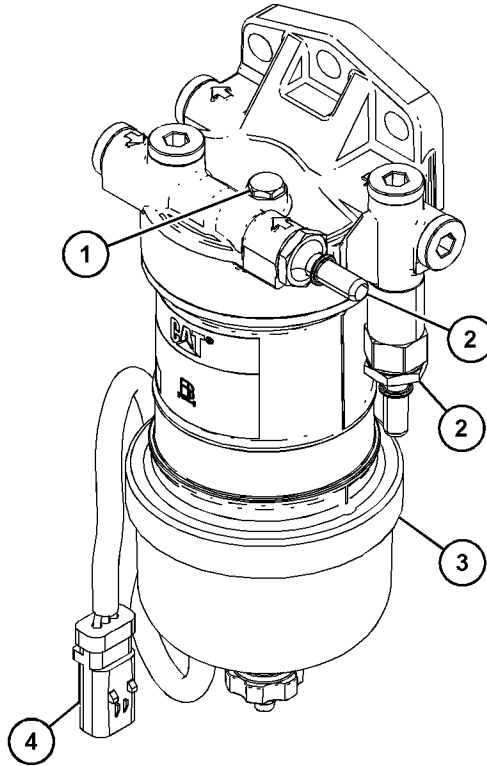
PART OF 361-1224 FILTER GP-FUEL

SMCS-1260, 1261, 1263

i07045218

NOTE	REF NO	GRAPHIC REF	PART NUMBER	QTY	PART NAME						SEE PAGE
					1	2	3	4	5	6 (PRODUCT LEVEL)	
	1	1	362-9689	1	SCREW-SPECIAL						
	2	1	367-6363	2	CONNECTOR-HOSE						
J	3	1	479-4137	1	FILTER GP-WATER SEP & FUEL						
		1	479-4133	1	ELEMENT-WATER SEPARATOR						
		1	479-7459	1	FILM-IDENTIFICATION						
Y	4	1	423-6434	1	SENSOR GP-LIQUID LEVEL (WATER IN FUEL)						416
AVAILABLE REPAIR KIT(S):											
J			362-5412	1	KIT-DRAIN						

J - KIT MARKED J SERVICES PART(S) MARKED J
 Y - SEPARATE ILLUSTRATION



GRAPHIC #1

<END>

g06091175

FUEL SYSTEM

392-1368 INJECTOR GP-FUEL

S/N: JKT1-UP

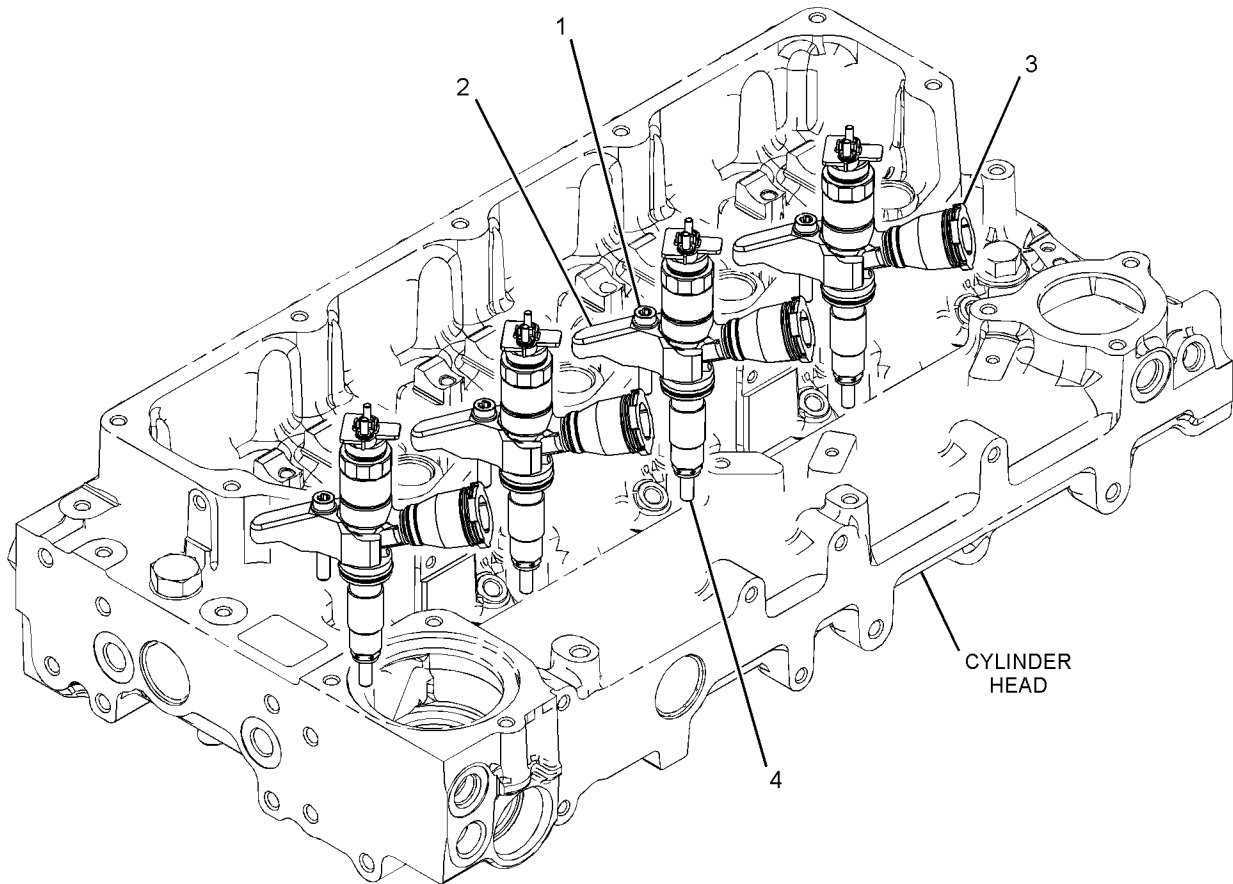
PART OF 464-2308 ENGINE AR-PRIMARY

SMCS-1251, 1290

i05951607

NOTE	REF NO	GRAPHIC REF	PART NUMBER	QTY	PART NAME						SEE PAGE
					1	2	3	4	5	6 (PRODUCT LEVEL)	
	1	1	278-5170	4	BOLT						
	2	1	320-7149	4	CLAMP-INJECTOR						
	3	1	341-8536	4	SEAL						
Y	4	1	418-3229	4	INJECTOR GP-FUEL						297

Y - SEPARATE ILLUSTRATION



GRAPHIC #1

<END>

g03621399

FUEL SYSTEM

415-5522 INJECTOR GP-FUEL

S/N: W231-UP

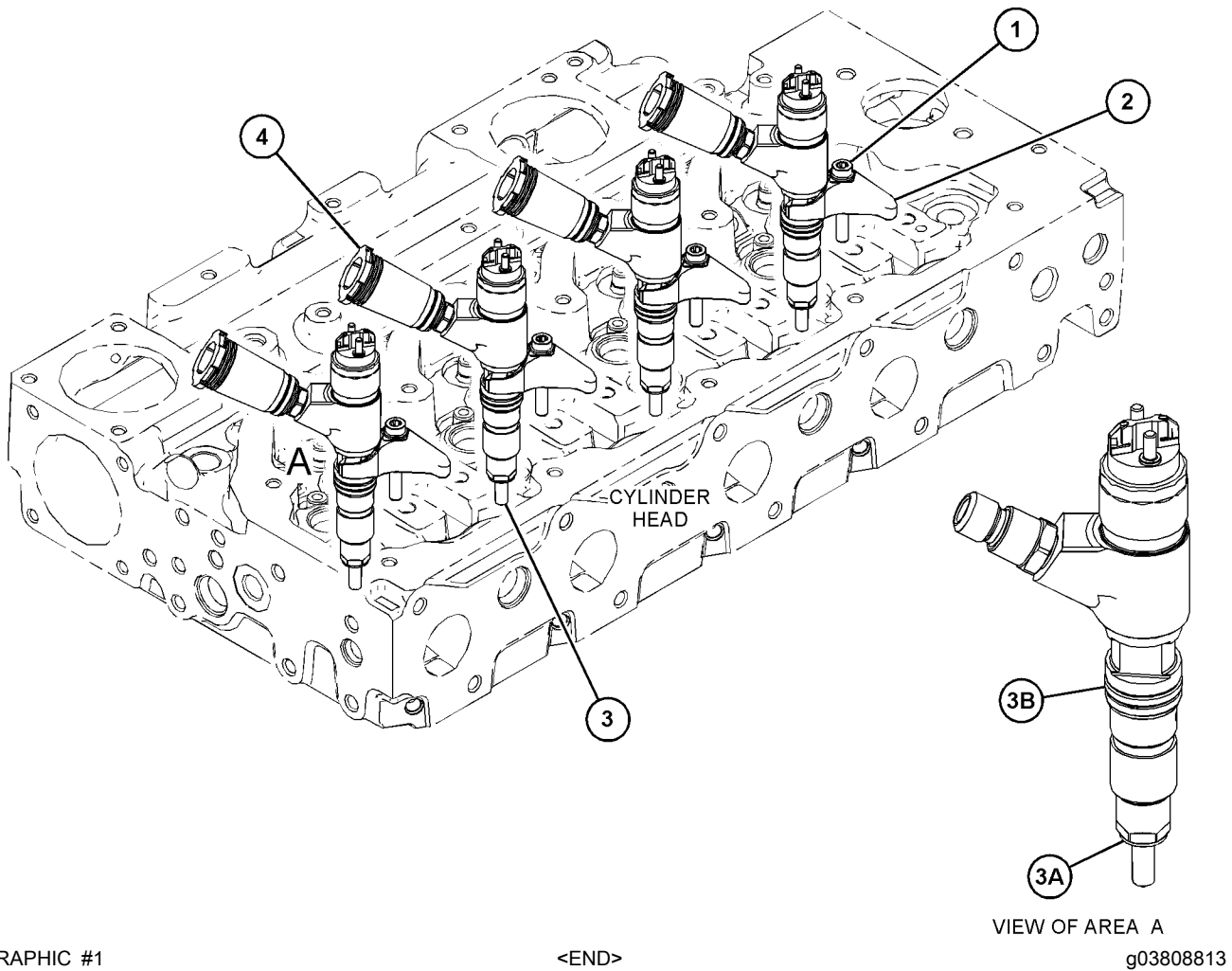
PART OF 463-8820, 463-8910 ENGINE AR-PRIMARY
ALSO AN ATTACHMENT

SMCS-1251, 1290

i06919729

NOTE	REF NO	GRAPHIC REF	PART NUMBER	QTY	PART NAME						SEE PAGE
					1	2	3	4	5	6	
	1	1	278-5170	4	BOLT						
	2	1	369-7799	4	CLAMP - INJECTOR						
	3	1	449-3315	4	INJECTOR GP-FUEL						
					(EACH INCLUDES)						
	3A	1	376-6403	1	WASHER - SEALING						
	3B	1	376-6405	1	SEAL - O-RING						
	C	4	517-8243	4	SLEEVE - INJECTOR						

C - CHANGE FROM PREVIOUS TYPE



GRAPHIC #1

<END>

g03808813

FUEL SYSTEM

418-3229 INJECTOR GP-FUEL

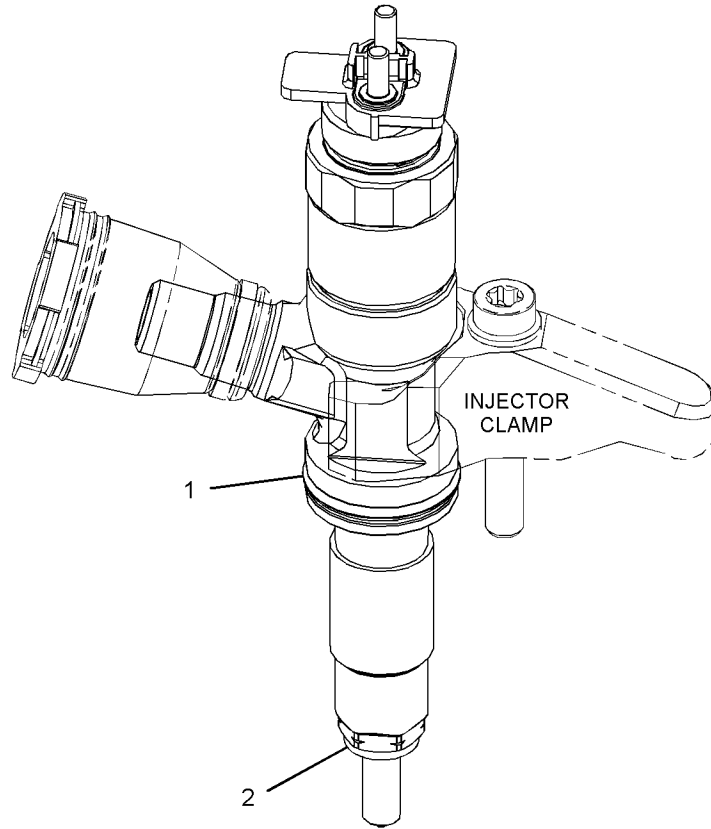
S/N: JKT1-UP

PART OF 392-1368 INJECTOR GP-FUEL

SMCS-1251, 1290

i05951613

NOTE	REF NO	GRAPHIC REF	PART NUMBER	QTY	PART NAME						SEE PAGE
					1	2	3	4	5	6 (PRODUCT LEVEL)	
	1	1	320-8616	1	SEAL - O - RING						
	2	1	320-8617	1	WASHER						



GRAPHIC #1

<END>

g03631584

FUEL SYSTEM

441-9679 INJECTOR GP-FUEL

S/N: CJ41-UP

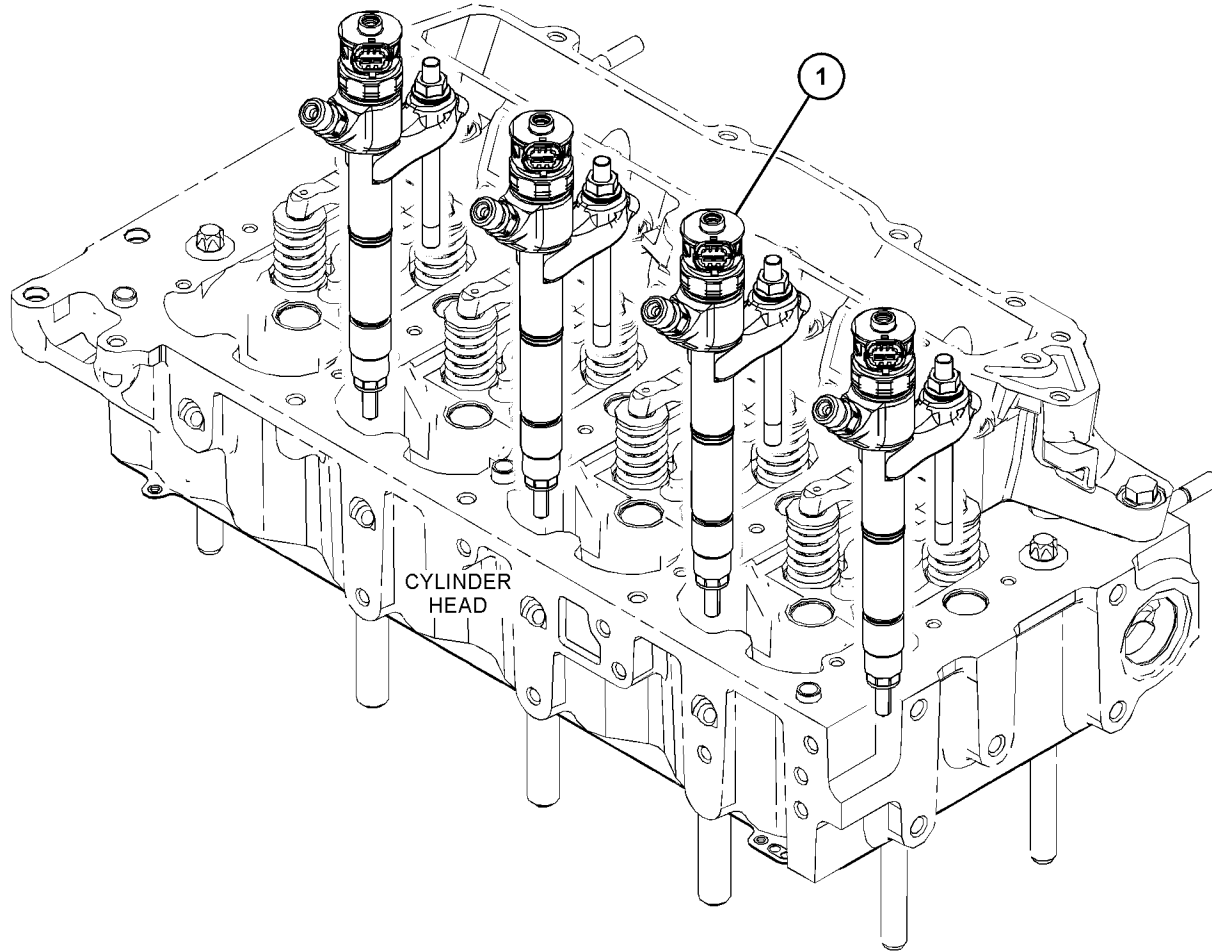
PART OF 465-2880 ENGINE AR-PRIMARY

SMCS-1251, 1290

i06252198

NOTE	REF NO	GRAPHIC REF	PART NUMBER	QTY	PART NAME						SEE PAGE
					1	2	3	4	5	6 (PRODUCT LEVEL)	
Y	1	1	464-1152	1	INJECTOR GP-FUEL						299

Y - SEPARATE ILLUSTRATION



GRAPHIC #1

<END>

g03825290

FUEL SYSTEM

464-1152 INJECTOR GP-FUEL

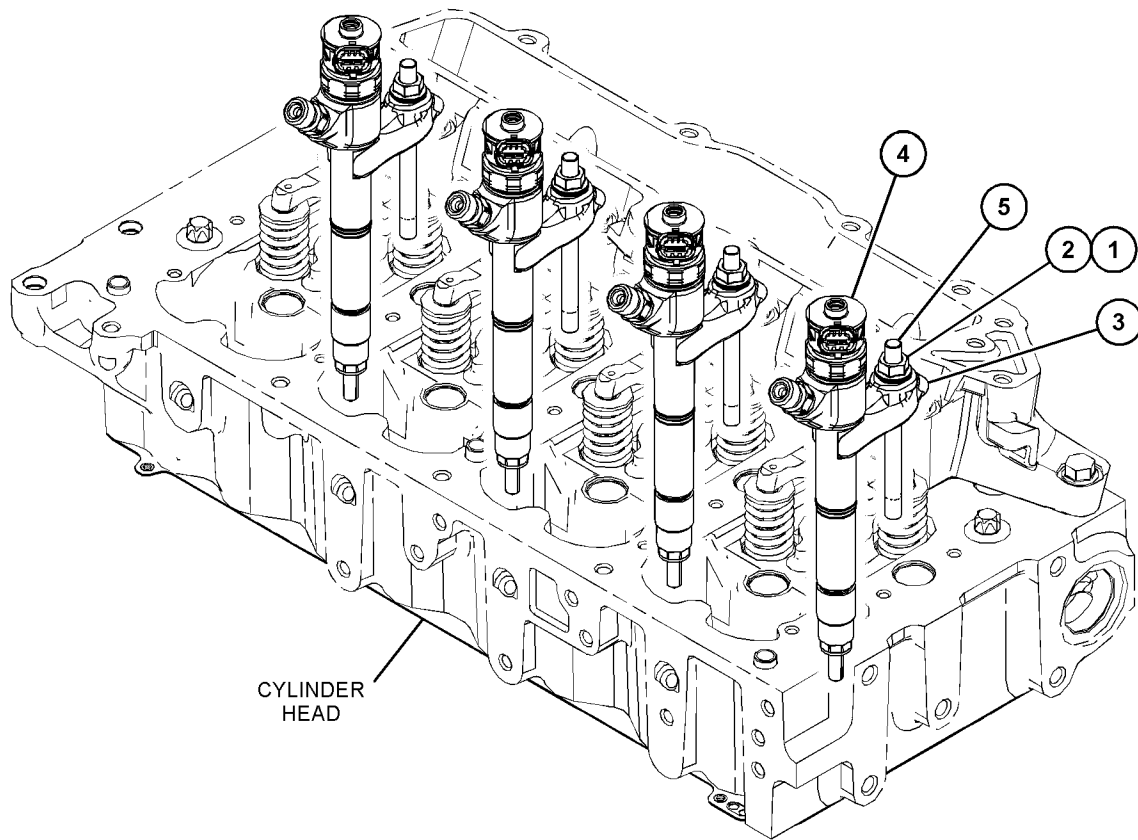
S/N: CJ41-UP

PART OF 441-9679 INJECTOR GP-FUEL

SMCS-1251, 1290

i06252204

NOTE	REF NO	GRAPHIC REF	PART NUMBER	QTY	PART NAME						SEE PAGE
					1	2	3	4	5	6 (PRODUCT LEVEL)	
	1	1	389-2862	4	WASHER - SPECIAL						
	2	1	394-8799	4	NUT - SPECIAL						
	3	1	463-8811	4	BRACKET						
	4	1	463-8812	4	INJECTOR AS						
	5	1	463-8816	4	STUD						



GRAPHIC #1

<END>

g03827826

FUEL SYSTEM

377-9003 LINES GP-FUEL

S/N: CJ41-UP

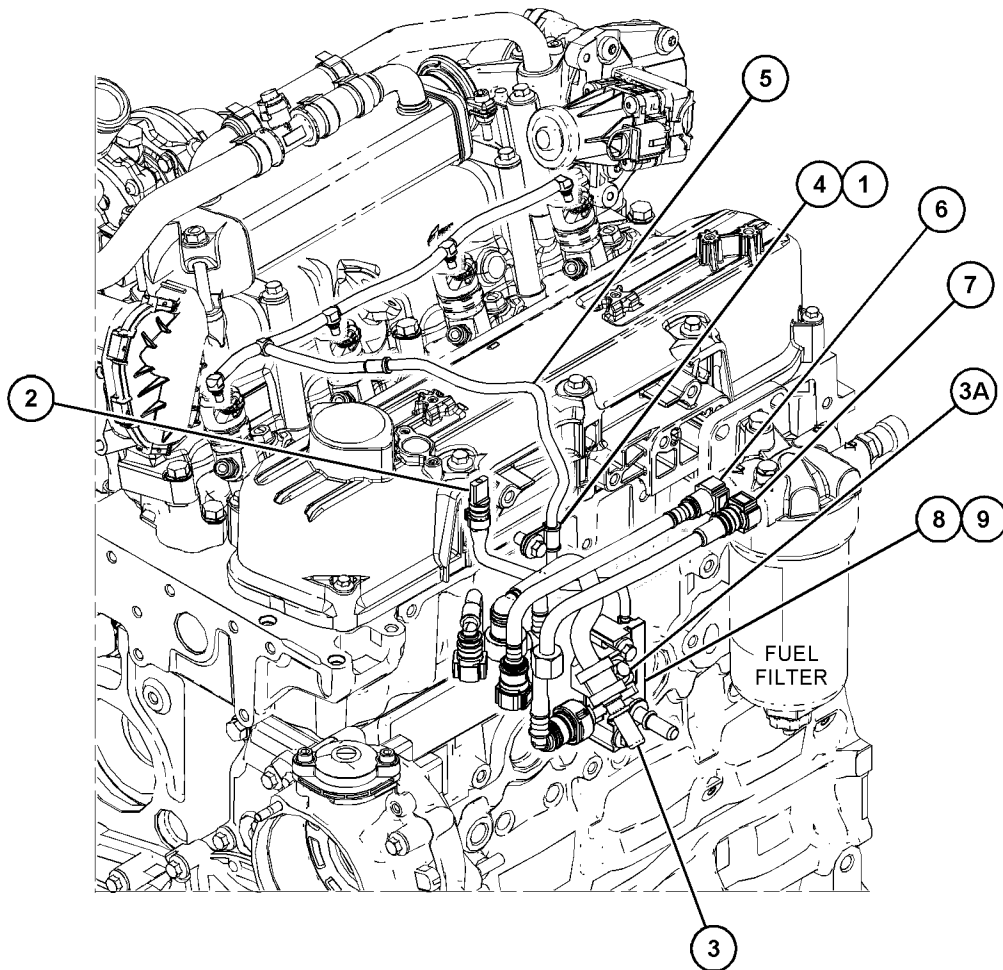
PART OF 372-8164 LINES GP-FUEL FILTER

SMCS-1274

i06252242

NOTE	REF NO	GRAPHIC REF	PART NUMBER	QTY	PART NAME						SEE PAGE
					1	2	3	4	5	6 (PRODUCT LEVEL)	
M	1	1	100-4458	1	BOLT (M8X1.25X14-MM)						
	2	1	388-1200	1	LINE AS-FUEL						
	3	1	388-1201	1	LINE AS-FUEL						
M	3A	1	100-4458	1	BOLT (M8X1.25X14-MM)						
	4	1	390-0347	1	CLIP						
	5	1	390-2594	1	TUBE						
	6	1	391-2085	1	PIPE AS						
	7	1	391-2094	1	PIPE AS						
	8	1	463-8792	1	SOCKET						
M	9	1	6I-1090	2	BOLT (M8X1.25X40-MM)						

M - METRIC PART



GRAPHIC #1

<END>

g03817301

FUEL SYSTEM

396-2103 LINES GP-FUEL

S/N: W231-UP

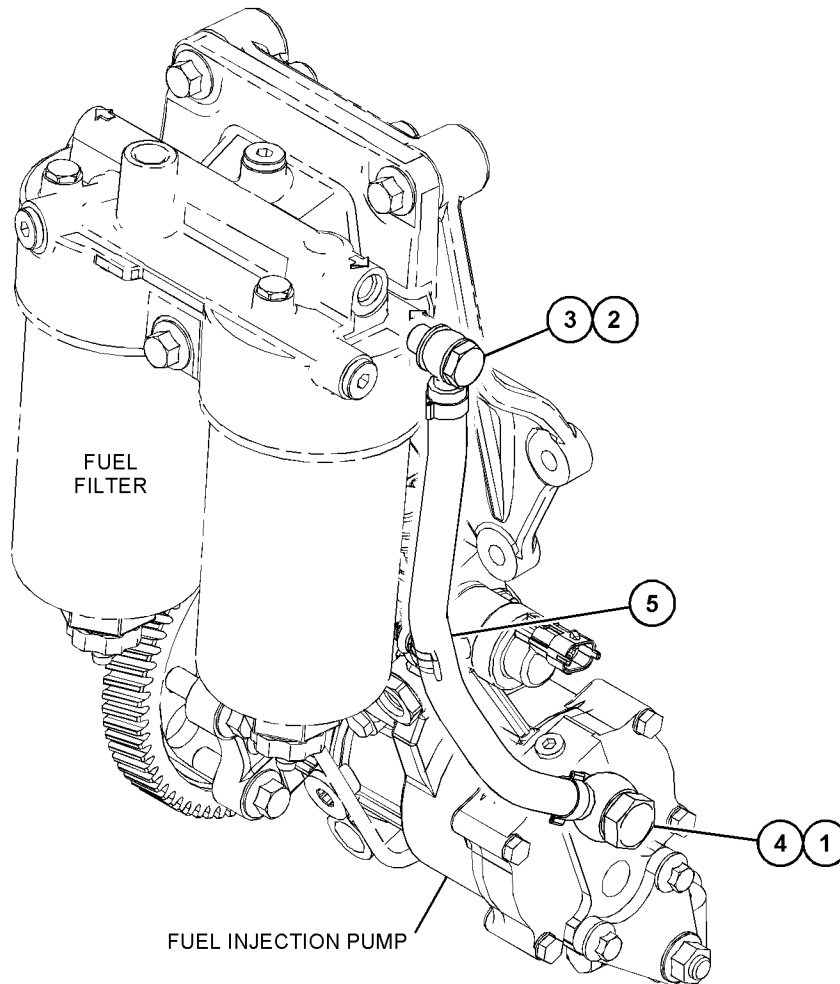
PART OF 421-3853 FILTER GP-FUEL
ALSO AN ATTACHMENT

SMCS-1274

i06140284

NOTE	REF NO	GRAPHIC REF	PART NUMBER	QTY	PART NAME						SEE PAGE
					1	2	3	4	5	6 (PRODUCT LEVEL)	
	1	1	247-4928	2	WASHER (16.5X20.5X1.6-MM THK)						
	2	1	286-2890	2	WASHER						
	3	1	295-4670	1	BOLT-SPECIAL (BANJO)						
M	4	1	386-2737	1	BOLT-BANJO (M16X1.5X27-MM)						
	5	1	396-2102	1	LINE AS-FUEL						
E		1	347-8645		HOSE (28-CM)						

E - ORDER BY THE CENTIMETER
M - METRIC PART



GRAPHIC #1

<END>

g03824380

FUEL SYSTEM

503-4909 LINES GP-FUEL

S/N: TD71-UP

PART OF 518-6040, 518-6042, 518-6043 ENGINE AR-COMPLETE
AN ATTACHMENT

SMCS-1274

i06603083

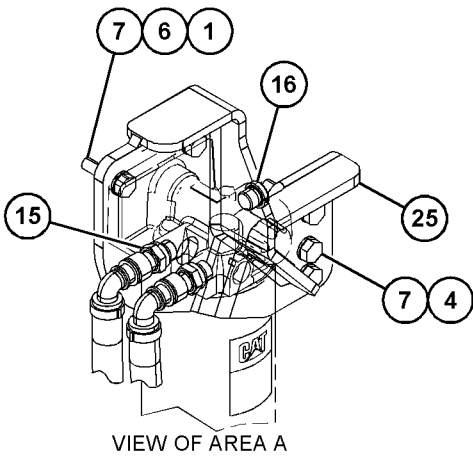
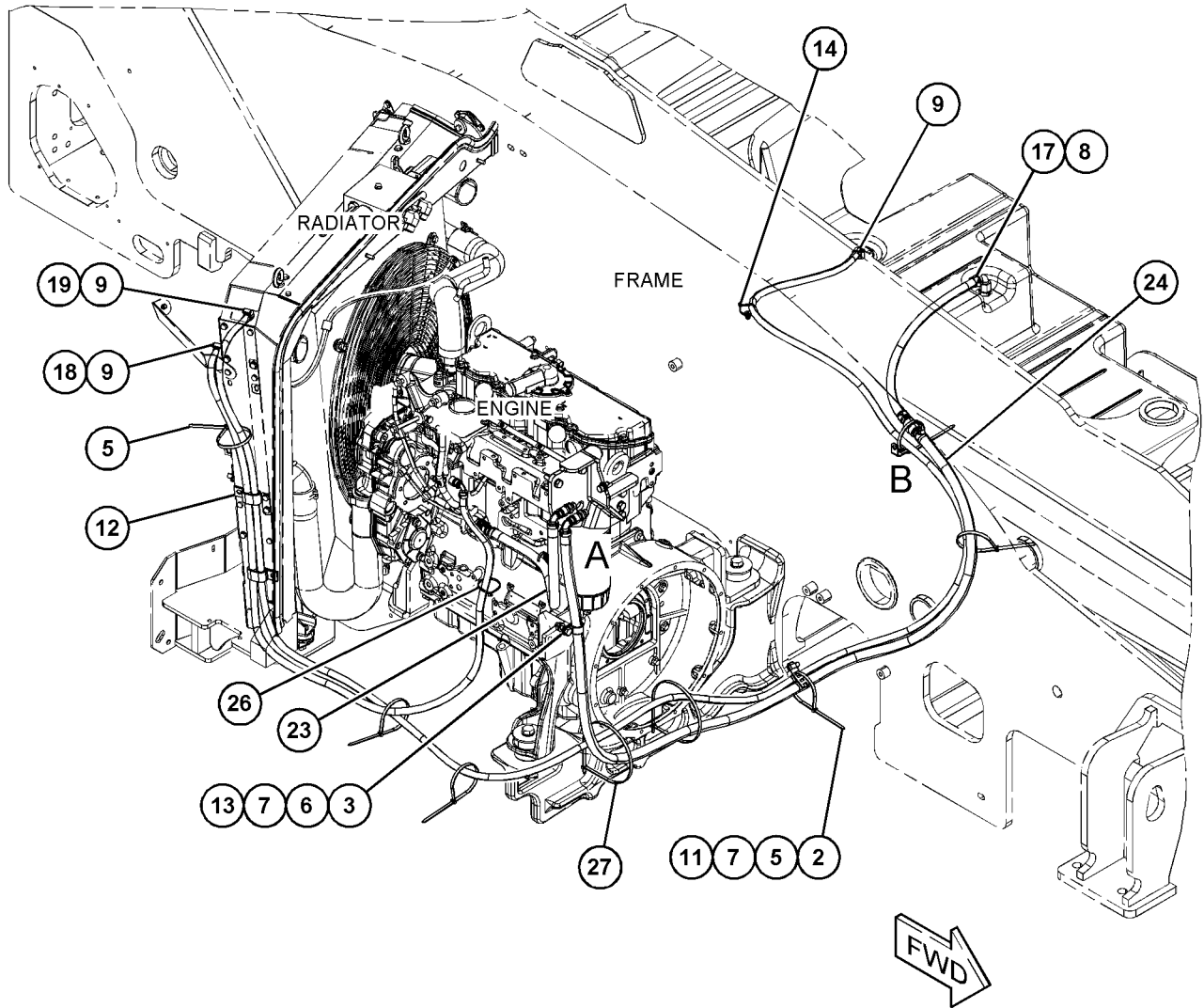
NOTE	REF NO	GRAPHIC REF	PART NUMBER	QTY	PART NAME						SEE PAGE
					1	2	3	4	5	6 (PRODUCT LEVEL)	
M	1	1	8T-4186	2	BOLT (M10X1.5X40-MM)						
M	2	1	8T-4136	1	BOLT (M10X1.5X25-MM)						
M	3	1	8T-4196	1	BOLT (M10X1.5X35-MM)						
M	4	1	8T-4185	3	BOLT (M10X1.5X50-MM)						
	5	1	7K-1181	6	STRAP-CABLE						
M	6	1	8T-4133	3	NUT (M10X1.5-THD)						
	7	1	8T-4121	10	WASHER-HARD (11X21X2.5-MM THK)						
	8	1	331-3890	2	CLAMP						
	9	1	330-8103	3	CLAMP-HOSE						
	10	1	132-5789	1	CLIP (LADDER)						
	11	1	4P-7581	1	CLIP (LADDER)						
	12	1	100-4336	2	CLIP						
	13	1	327-5534	1	CLIP						
	14	1	455-3027	2	TIE-CABLE						
	15	1	473-8713	2	COUPLING						
	16	1	473-8714	1	PLUG						
E	17	1	133-7442		HOSE (50-CM)						
	18	1	503-4910	1	HOSE AS						
E	19	1	103-2529		HOSE (439-CM)						
	20	1	503-4911	1	UNION						
	21	1	030-8491	1	CONNECTOR						
	22	1	9M-4814	1	CONNECTOR-HOSE						
	23	1	503-4913	1	HOSE AS						
	24	1	503-4914	1	HOSE AS						
	25	1	503-4915	1	PLATE AS						
	26	1	3S-2093	1	STRAP-CABLE						
	27	1	034-1432	2	STRAP-CABLE						
	28	1	303-8599	1	CLAMP						

E - ORDER BY THE CENTIMETER
M - METRIC PART

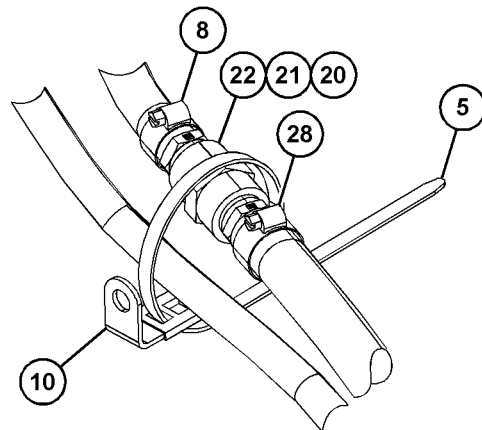
FUEL SYSTEM

503-4909 LINES GP-FUEL (contd.)

106603083



GRAPHIC #1



VIEW OF AREA B

<END>

g06093129

FUEL SYSTEM

503-6870 LINES GP-FUEL

S/N: TD61-UP

PART OF 518-5877 ENGINE AR-COMPLETE
AN ATTACHMENT

SMCS-1274

i06948957

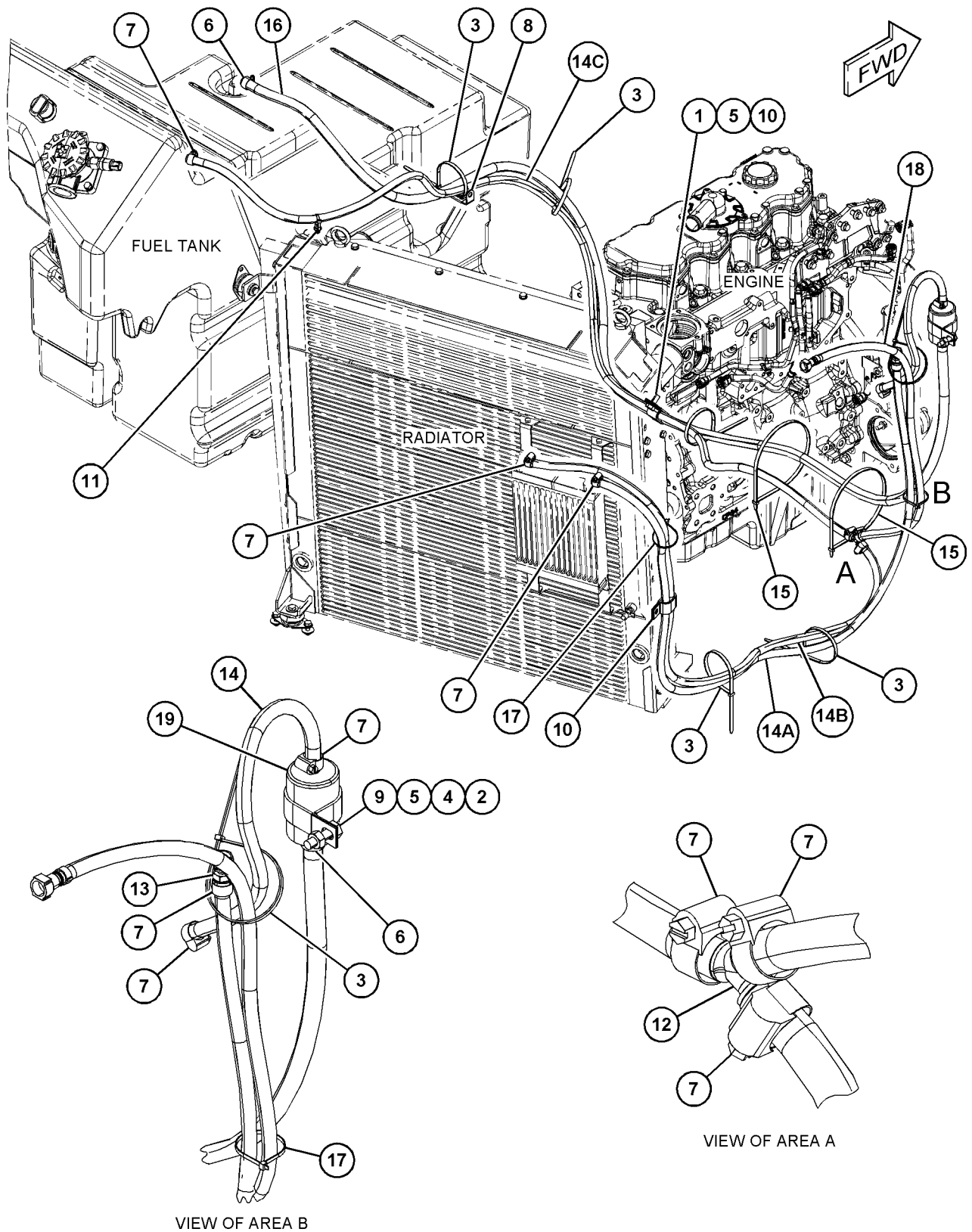
NOTE	REF NO	GRAPHIC REF	PART NUMBER	QTY	PART NAME						SEE PAGE
					1	2	3	4	5	6 (PRODUCT LEVEL)	
M	1	1	8T-4136	1	BOLT (M10X1.5X25-MM)						
M	2	1	8T-4196	1	BOLT (M10X1.5X35-MM)						
	3	1	7K-1181	6	STRAP-CABLE						
M	4	1	8T-4133	1	NUT (M10X1.5-THD)						
	5	1	8T-4121	2	WASHER-HARD (11X21X2.5-MM THK)						
	6	1	334-1073	2	CLAMP						
	7	1	330-8103	9	CLAMP-HOSE						
	8	1	132-5789	1	CLIP (LADDER)						
	9	1	5P-4325	1	CLIP						
	10	1	100-4336	2	CLIP						
	11	1	455-3027	1	TIE-CABLE						
	12	1	503-6871	1	ADAPTER						
	13	1	503-6872	1	ADAPTER AS						
E	14	1	103-2529		HOSE (54-CM)						
E	14A	1	103-2529		HOSE (194-CM)						
E	14B	1	103-2529		HOSE (173-CM)						
E	14C	1	103-2529		HOSE (252-CM)						
	15	1	034-1432	2	STRAP-CABLE						
E	16	1	133-7442		HOSE (266-CM)						
	17	1	3S-2093	2	STRAP-CABLE						
	18	1	503-6874	1	HOSE AS						
	19	1	384-8512	1	FILTER-FUEL (IN-LINE)						

E - ORDER BY THE CENTIMETER
M - METRIC PART

FUEL SYSTEM

503-6870 LINES GP-FUEL (contd.)

i06948957



GRAPHIC #1

<END>

g06187307

FUEL SYSTEM

372-8164 LINES GP-FUEL FILTER

S/N: CJ41-UP

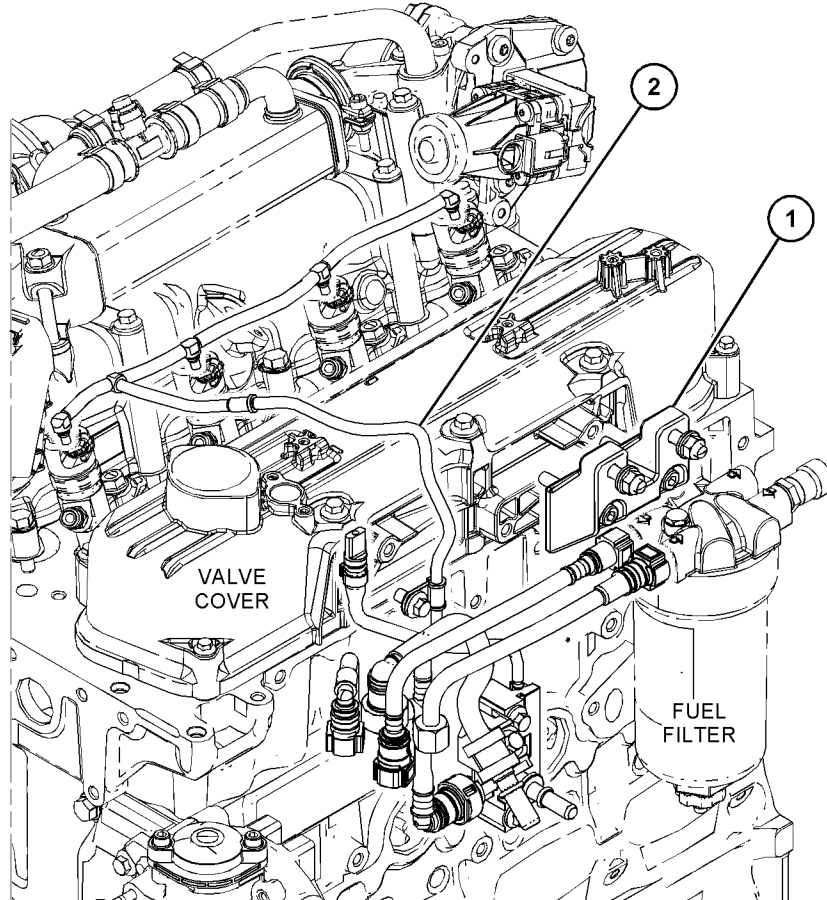
PART OF 465-2880 ENGINE AR-PRIMARY

SMCS-1261, 1274

i06252207

NOTE	REF NO	GRAPHIC REF	PART NUMBER	QTY	PART NAME						SEE PAGE
					1	2	3	4	5	6 (PRODUCT LEVEL)	
Y	1	1	375-1397	1	BRACKET GP-MOUNTING						277
Y	2	1	377-9003	1	LINES GP-FUEL						300

Y - SEPARATE ILLUSTRATION



GRAPHIC #1

<END>

g03817300

FUEL SYSTEM

398-8198 LINES GP-FUEL FILTER

S/N: JKT1-UP

PART OF 464-2308 ENGINE AR-PRIMARY

SMCS-1261, 1274

i06113737

NOTE	REF NO	GRAPHIC REF	PART NUMBER	QTY	PART NAME						SEE PAGE
					1	2	3	4	5	6 (PRODUCT LEVEL)	
M	1	1	6I-0631	3	BOLT (M6X1X12-MM)						
M	2	1	6I-0654	5	BOLT (M10X1.5X25-MM)						
M	3	1	6I-0846	1	BOLT (M6X1X14-MM)						
M	4	1	100-4458	1	BOLT (M8X1.25X14-MM)						
M	5	1	101-3895	3	BOLT (M8X1.25X35-MM)						
	6	1	101-3917	2	WASHER (10.5X21X2-MM THK)						
M	7	1	124-3815	1	BOLT (M8X1.25X16-MM)						
	8	1	347-3429	1	CLIP-PIPE						
	9	1	357-9545	2	CLIP-PIPE						
	10	1	360-5450	1	LINE AS-FUEL						
	11	1	360-5695	1	LINE AS-FUEL						
	11A	1	246-4361	2	WASHER (10.5X14X1.5-MM THK)						
	11B	1	341-3566	1	BOLT						
	12	1	361-6344	1	SUPPORT GP-FILTER						
	13	1	361-7402	1	LINE AS-FUEL						
	14	1	371-5658	1	BRACKET GP						
	14A	1	347-3429	1	CLIP-PIPE						
	15	1	376-6895	1	LINES GP-FUEL						
	15A	1	228-7089	1	SEAL-O-RING						
	15B	1	277-4993	1	SEAL-O-RING						
	16	1	383-6121	1	LINE AS-FUEL						
	17	1	383-6123	1	LINE AS-FUEL						
	18	1	447-1936	1	BRACKET AS						
	19	1	434-7061	1	BRACKET AS-FUEL LINES						
M	20	1	6I-1090	2	BOLT (M8X1.25X40-MM)						
M	21	1	6I-0260	1	BOLT (M8X1.25X25-MM)						

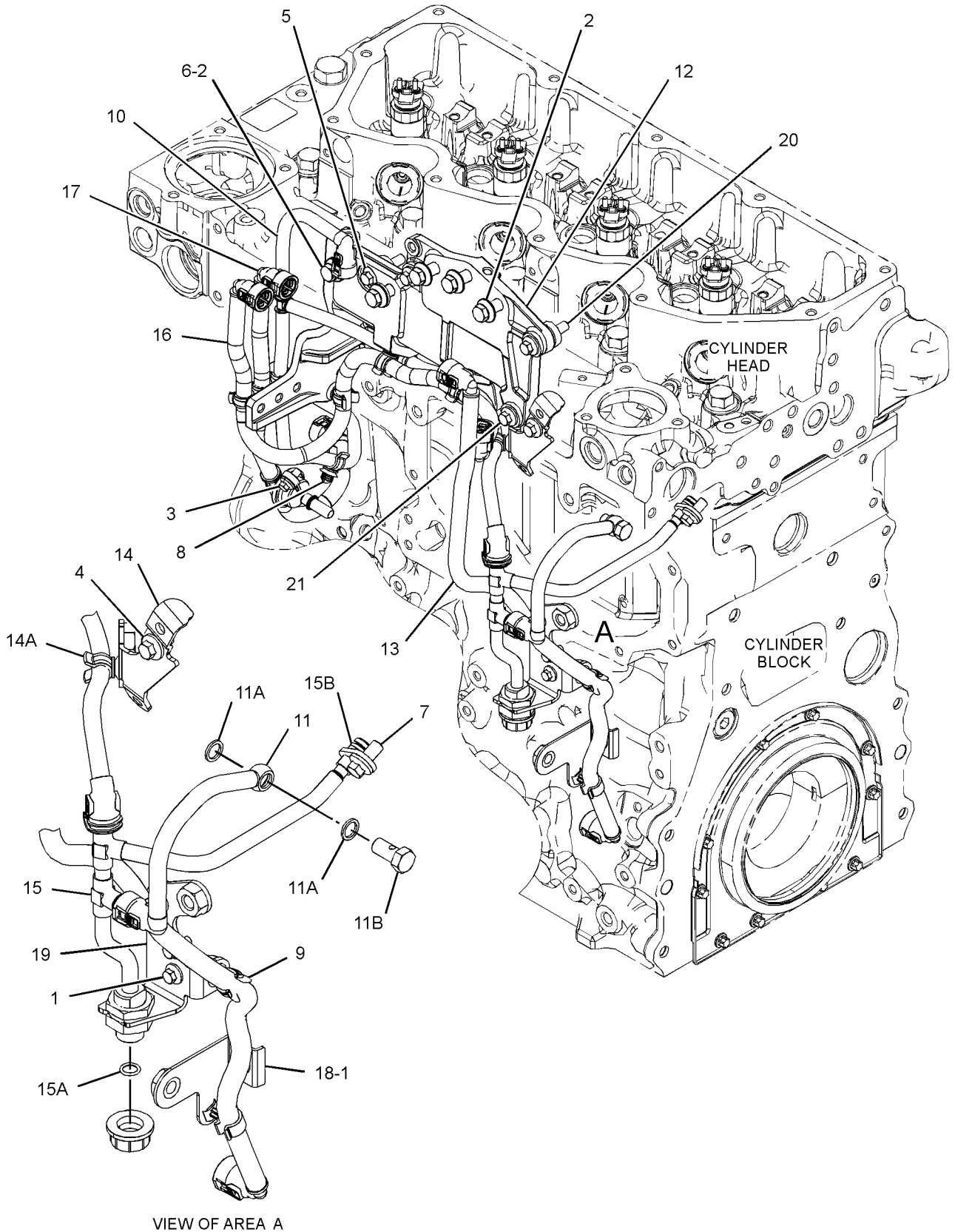
PARTS SHOWN IN GRAPHIC(S) WITHOUT A REFERENCE NUMBER ARE NOT SERVICED SEPARATELY

M - METRIC PART

FUEL SYSTEM

398-8198 LINES GP-FUEL FILTER (contd.)

i06113737



GRAPHIC #1

<END>

g03624341

FUEL SYSTEM

360-9061 LINES GP-FUEL INJECTION-INJECTORS 1 & 3

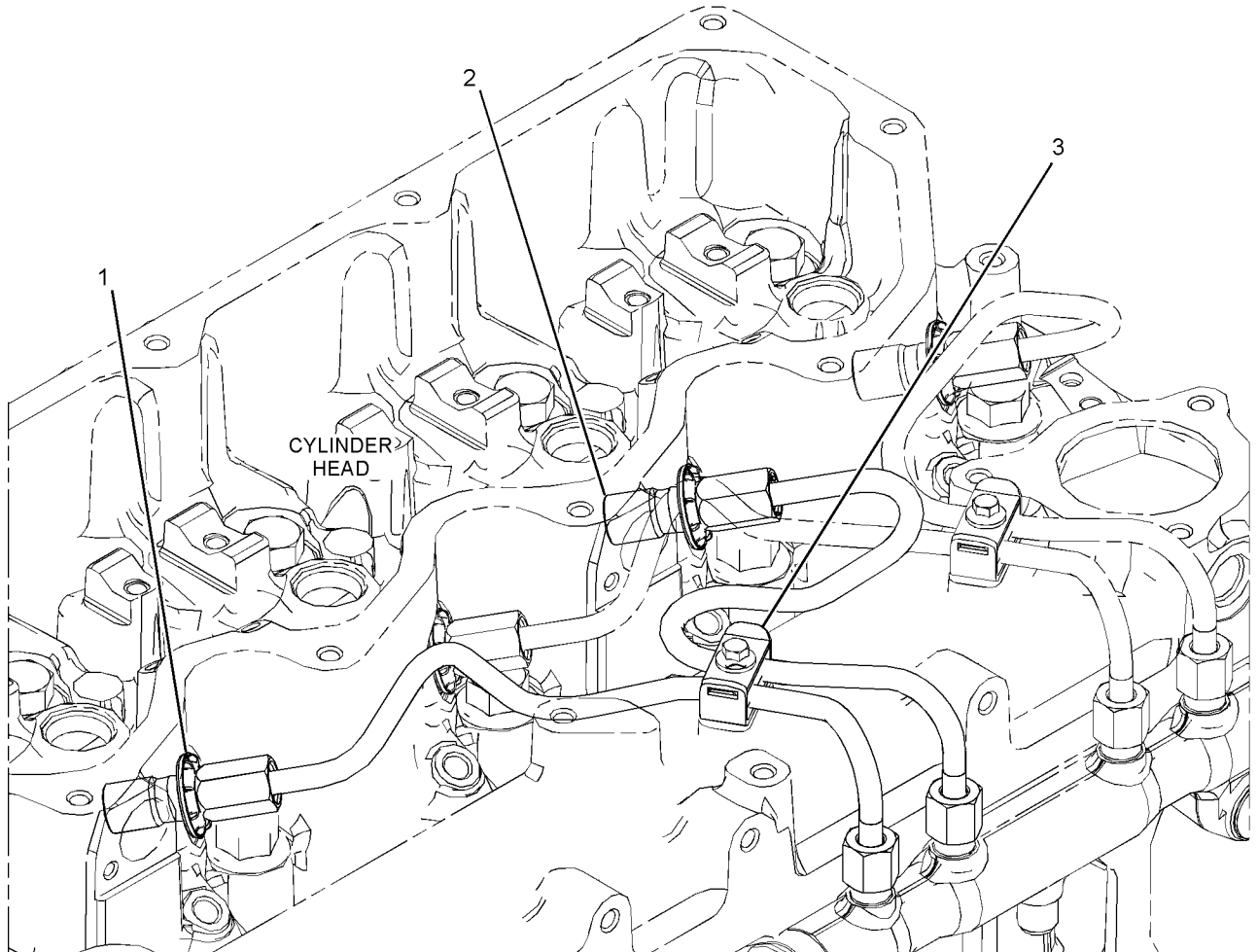
S/N: JKT1-UP

PART OF 361-2883 RAIL GP-FUEL

SMCS-1252, 1254

i04590037

NOTE	REF NO	GRAPHIC REF	PART NUMBER	QTY	PART NAME						SEE PAGE
					1	2	3	4	5	6 (PRODUCT LEVEL)	
	1	1	360-9027	1	LINE AS-FUEL						
	2	1	360-9030	1	LINE AS-FUEL						
	3	1	360-9034	1	CLIP-PIPE						



GRAPHIC #1

<END>

g02717978

FUEL SYSTEM

360-9062 LINES GP-FUEL INJECTION-INJECTORS 2 & 4

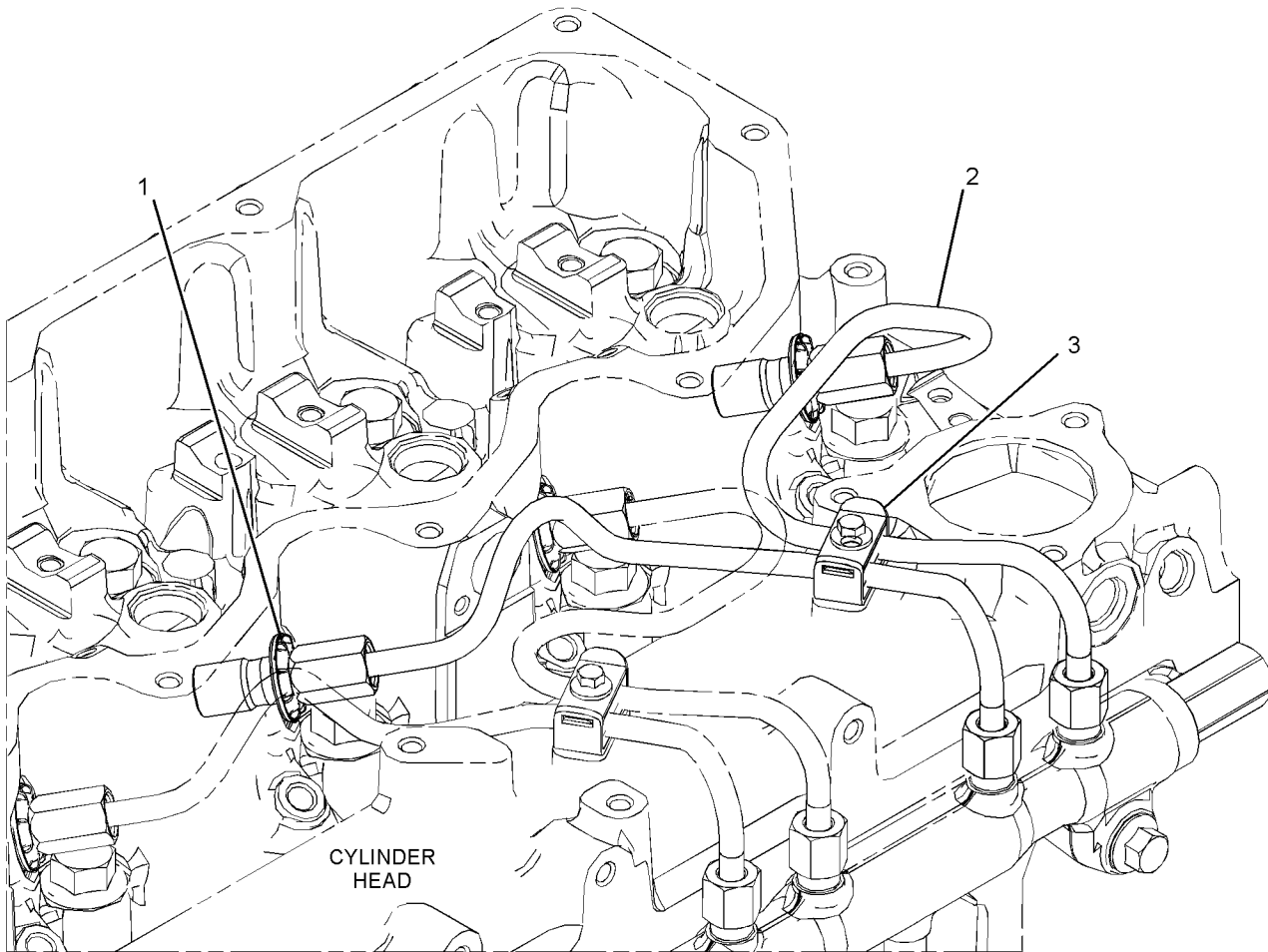
S/N: JKT1-UP

PART OF 361-2883 RAIL GP-FUEL

SMCS-1252, 1254

i04590051

NOTE	REF NO	GRAPHIC REF	PART NUMBER	QTY	PART NAME						SEE PAGE
					1	2	3	4	5	6 (PRODUCT LEVEL)	
	1	1	360-9028	1	LINE AS-FUEL						
	2	1	360-9031	1	LINE AS-FUEL						
	3	1	360-9034	1	CLIP-PIPE						



GRAPHIC #1

<END>

g02717956

FUEL SYSTEM

375-2647 PUMP GP-FUEL INJECTION*R

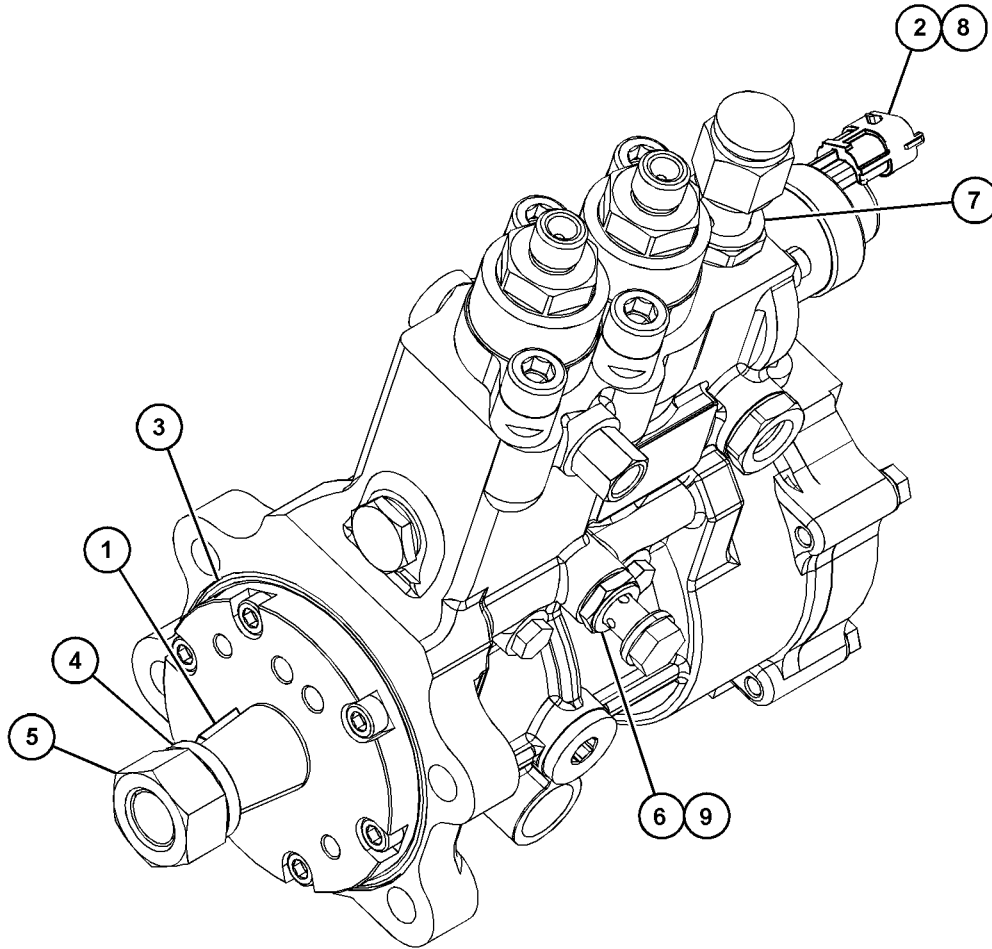
S/N: W231-UP

PART OF 415-5523 PUMP GP-FUEL INJECTION
ALSO AN ATTACHMENT

SMCS-1251, 1290

i06969751

NOTE	REF NO	GRAPHIC REF	PART NUMBER	QTY	PART NAME						SEE PAGE
					1	2	3	4	5	6 (PRODUCT LEVEL)	
	1	1	386-3819	1	KEY - SHAFT						
	2	1	375-8254	1	VALVE						
	3	1	376-6409	1	SEAL						
	4	1	376-6410	1	RETAINER - WASHER						
	5	1	376-6411	1	NUT - SHAFT						
	6	1	386-2971	2	WASHER						
	7	1	386-2976	2	WASHER						
	8	1	453-0790	3	BOLT						
	9	1	454-5109	1	BOLT - BANJO						



GRAPHIC #1

<END>

g06182840

FUEL SYSTEM

415-5523 PUMP GP-FUEL INJECTION

S/N: W231-UP

PART OF 463-8820, 463-8910 ENGINE AR-PRIMARY
ALSO AN ATTACHMENT

SMCS-1251, 1290

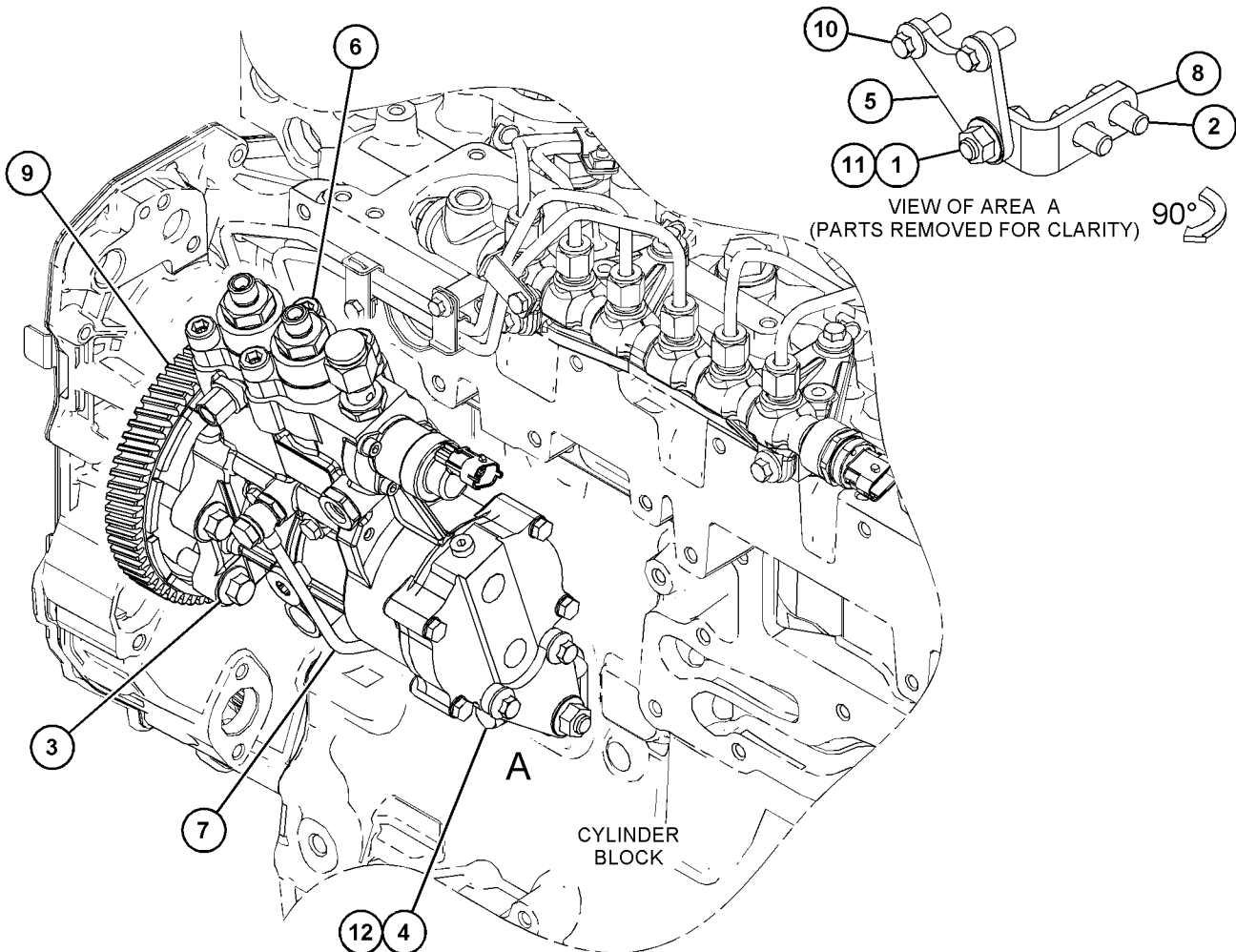
i06952351

NOTE	REF NO	GRAPHIC REF	PART NUMBER	QTY	PART NAME						SEE PAGE
					1	2	3	4	5	6 (PRODUCT LEVEL)	
M	1	1	6I-0654	1	BOLT (M10X1.5X25-MM)						
M	2	1	100-4830	2	BOLT (M10X1.5X20-MM)						
M	3	1	286-0123	4	BOLT (M10X1.5X35-MM THK)						
	4	1	346-0006	1	BOLT-SPECIAL						
	5	1	371-2691	1	BRACKET						
YR	6	1	375-2647	1	PUMP GP-FUEL INJECTION						311
	7	1	445-9016	1	LINE AS-OIL						
	8	1	449-3333	1	BRACKET						
	9	1	500-3055	1	GEAR-FUEL PUMP						
M	10	1	6I-0217	2	BOLT (M8X1.25X20-MM)						
M	11	1	175-7141	1	NUT-HEX FLANGE (M10X1.5-THD)						
	12	1	346-0007	2	WASHER						

M - METRIC PART

R - REMANUFACTURED PART MAY BE AVAILABLE

Y - SEPARATE ILLUSTRATION



GRAPHIC #1

<END>

g03808909

FUEL SYSTEM

419-0677 PUMP GP-FUEL INJECTION

S/N: JKT1-UP

12-VOLT

PART OF 464-2308 ENGINE AR-PRIMARY

SMCS-1251, 1290

i05983250

NOTE	REF NO	GRAPHIC REF	PART NUMBER	QTY	PART NAME						SEE PAGE
					1	2	3	4	5	6 (PRODUCT LEVEL)	
	1	1	5W-1437	2	LOCKWASHER						
	2	1	100-3752	2	STUD (M8X1.25X30-MM)						
M	3	1	111-3422	1	NUT (M14X1.5-THD)						
	4	1	185-7149	4	BOLT						
	5	1	277-4223	1	PLUG						
	6	1	328-7837	1	GEAR (36-TEETH)						
	7	1	330-3036	1	GASKET						
M	8	1	331-6841	2	BOLT (M8X1.25X30-MM)						
	9	1	347-2165	1	PLATE-ADAPTER						
R	10	1	370-8363	1	PUMP AS						
	10A	1	337-3905	1	SENSOR-TEMPERATURE (FUEL TEMPERATURE)						
	10B	1	358-2583	1	VALVE (12-VOLT)						
	11	1	420-1641	1	LINE AS-FUEL						
M	12	1	178-3336	2	NUT-HEX FLANGE (M8X1.25-THD)						
M	13	1	6I-0645	2	BOLT (M8X1.25X25-MM)						
M	14	1	6I-4072	2	BOLT (M8X1.25X14-MM)						
	15	1	111-3423	1	WASHER						
	16	1	6V-8676	1	SEAL-O-RING						

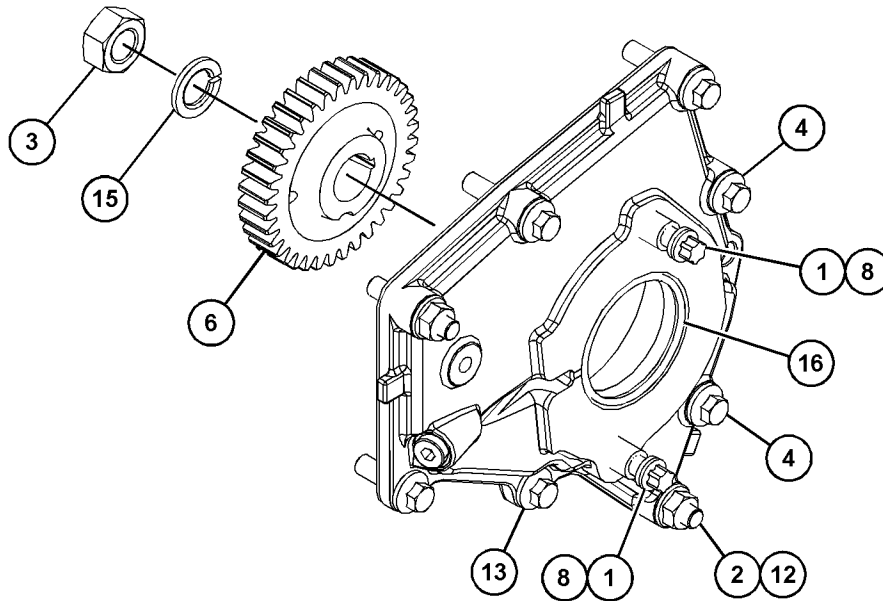
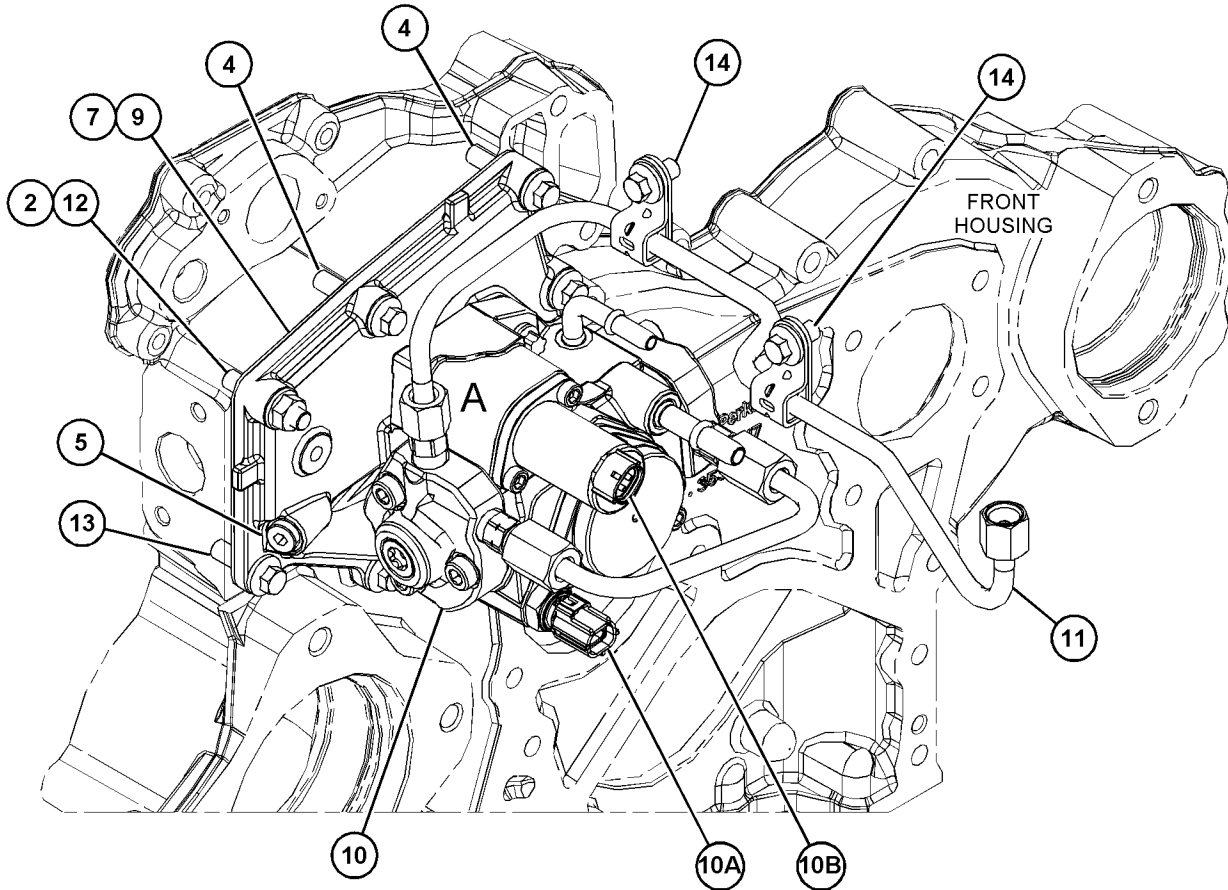
M - METRIC PART

R - REMANUFACTURED PART MAY BE AVAILABLE

FUEL SYSTEM

419-0677 PUMP GP-FUEL INJECTION (contd.)

i05983250



VIEW OF AREA A
(PARTS REMOVED FOR CLARITY)

GRAPHIC #1

<END>

g03653828

FUEL SYSTEM

441-9680 PUMP GP-FUEL INJECTION

S/N: CJ41-UP

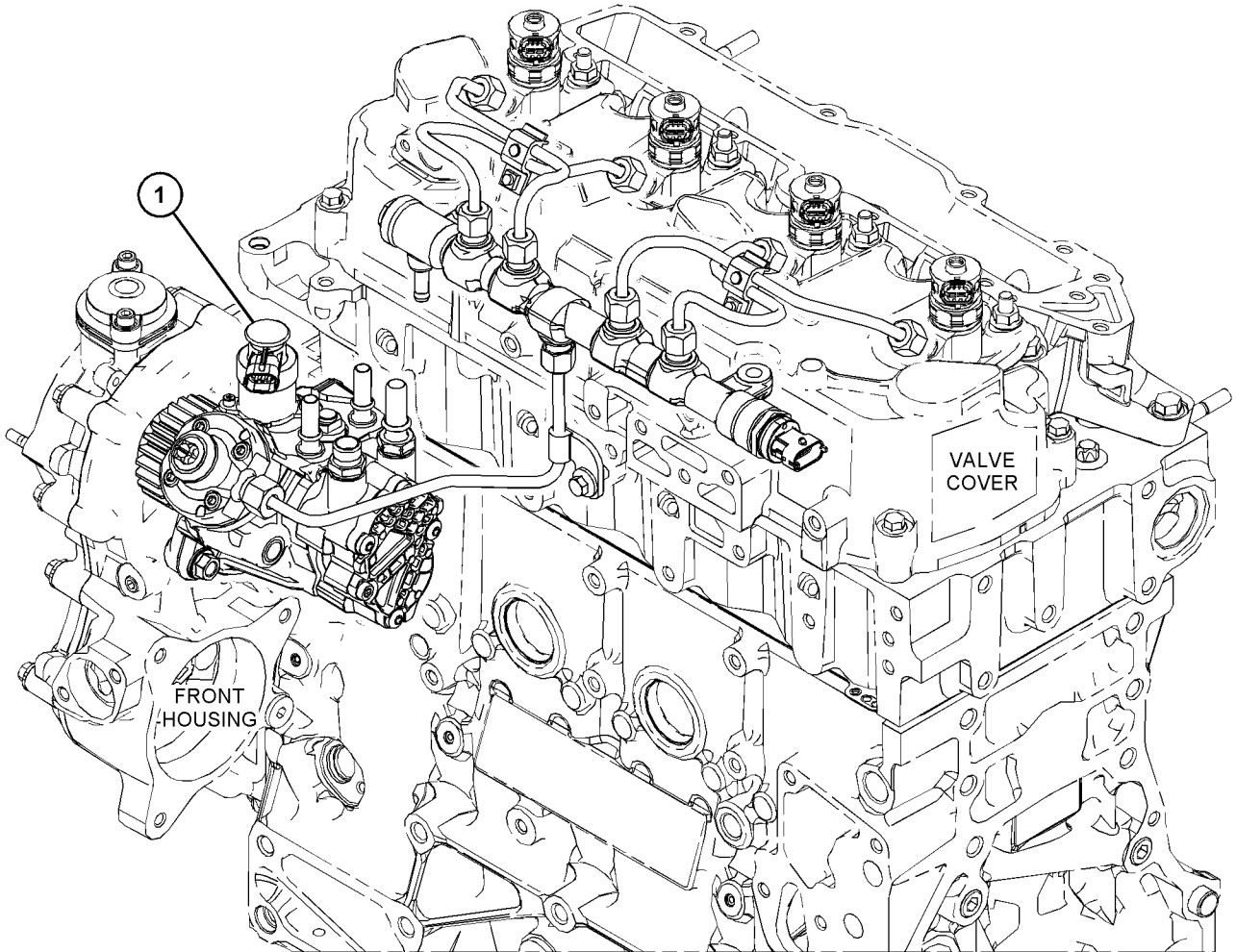
PART OF 465-2880 ENGINE AR-PRIMARY

SMCS-1251, 1290

i06252219

NOTE	REF NO	GRAPHIC REF	PART NUMBER	QTY	PART NAME						SEE PAGE
					1	2	3	4	5	6 (PRODUCT LEVEL)	
Y	1	1	464-1169	1	PUMP GP-FUEL INJECTION						316

Y - SEPARATE ILLUSTRATION



GRAPHIC #1

<END>

g03825330

FUEL SYSTEM

464-1169 PUMP GP-FUEL INJECTION

S/N: CJ41-UP

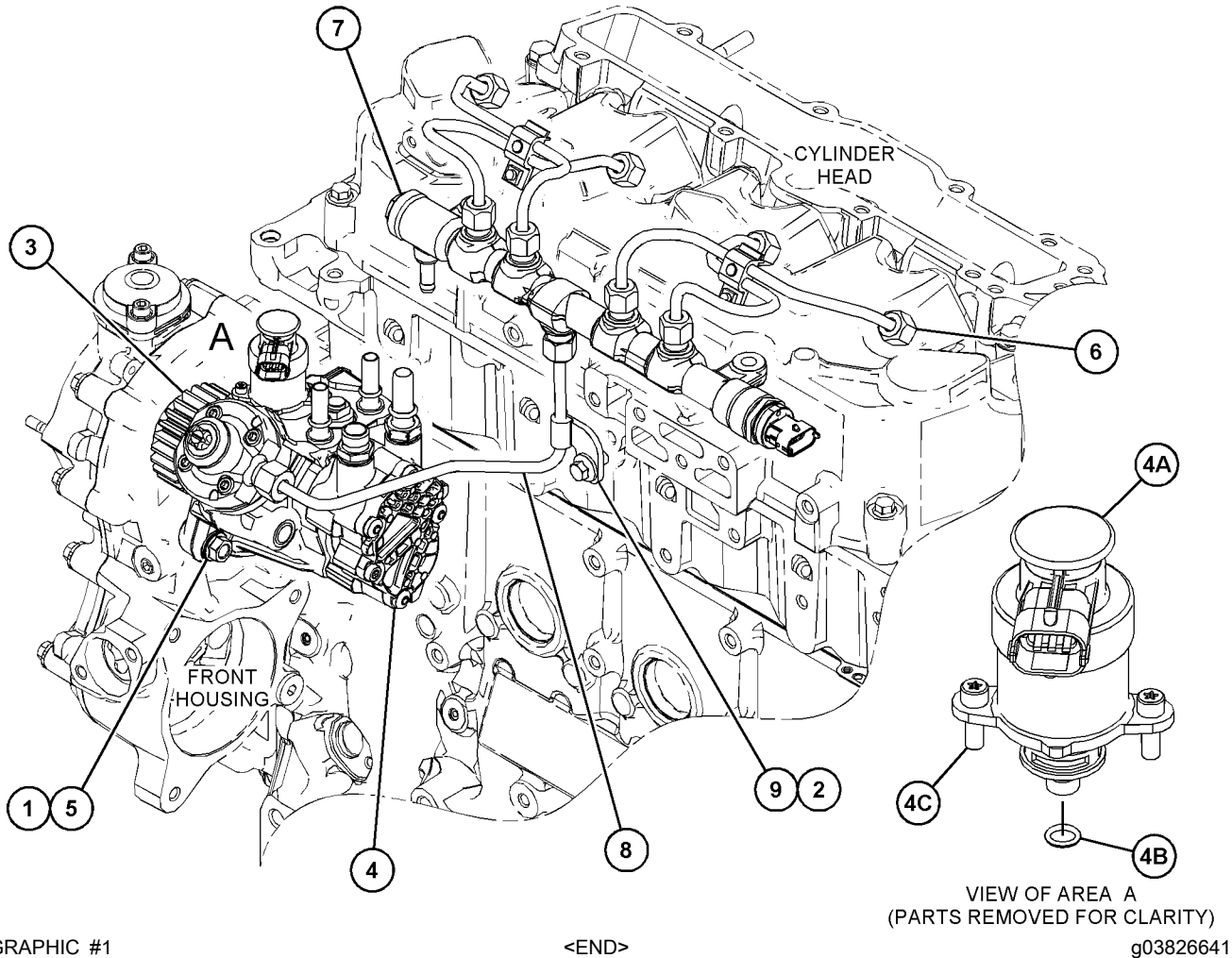
PART OF 441-9680 PUMP GP-FUEL INJECTION

SMCS-1251, 1290

i06252232

NOTE	REF NO	GRAPHIC REF	PART NUMBER	QTY	PART NAME						SEE PAGE
					1	2	3	4	5	6 (PRODUCT LEVEL)	
	1	1	7W-2632	3	WASHER (8.5X16.8X1.6-MM THK)						
M	2	1	100-4458	1	BOLT (M8X1.25X14-MM)						
	3	1	386-2096	1	GEAR						
	4	1	390-3122	1	PUMP AS-FUEL INJECTION						
	4A	1	452-8698	1	CONTROL						
	4B	1	452-8769	1	SEAL						
	4C	1	452-9198	2	SCREW						
	5	1	394-8799	3	NUT-SPECIAL						
	6	1	464-9702	1	LINES GP-FUEL INJECTION						
	7	1	464-9707	1	RAIL AS						
	8	1	464-9735	1	LINE AS						
	9	1	464-9741	1	BRACKET AS						

M - METRIC PART



FUEL SYSTEM

446-5393 PUMP GP-FUEL TRANSFER

S/N: JKT1-UP

PART OF 361-1562 FILTER GP-PRIMARY FUEL

SMCS-1256

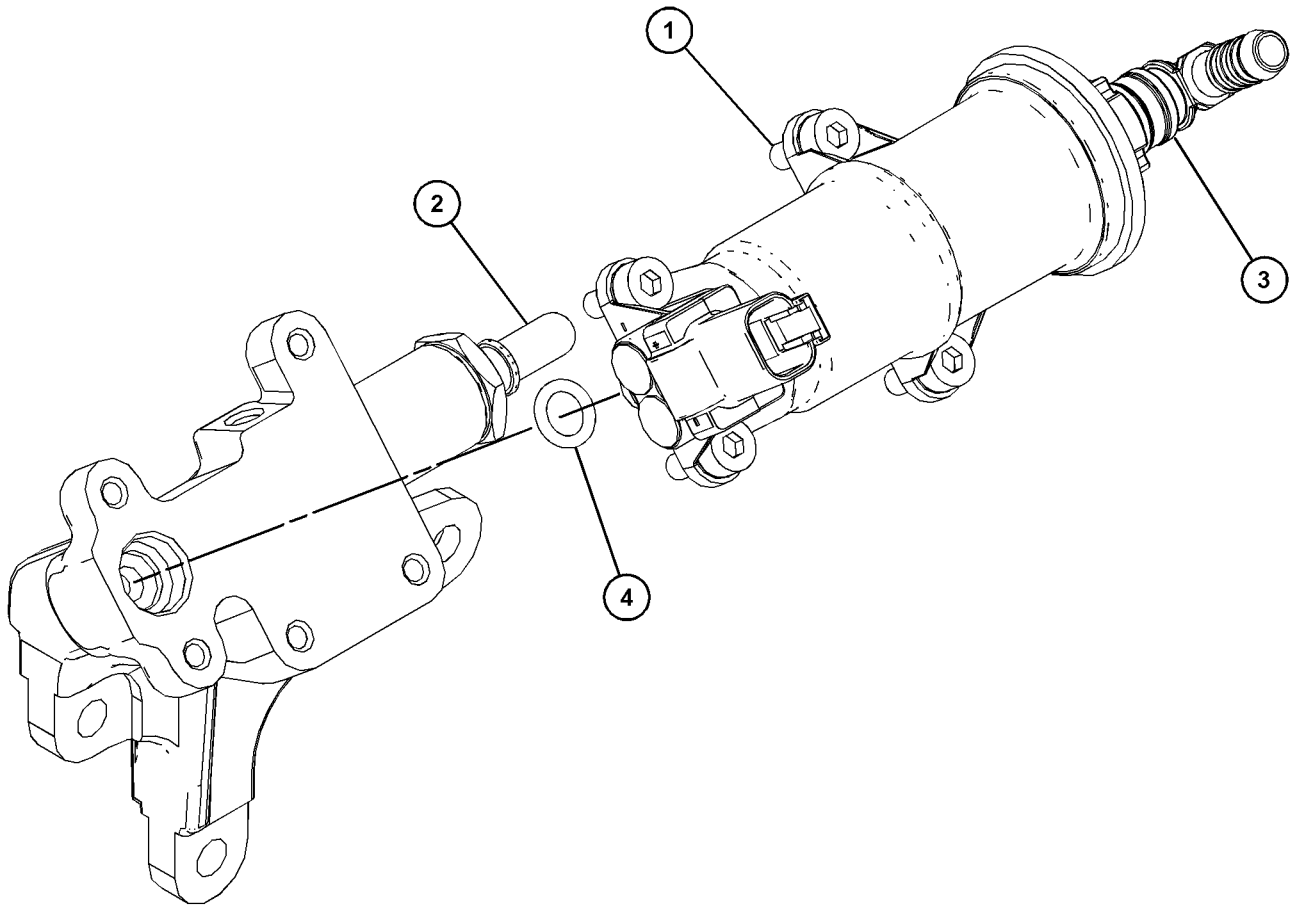
i06991604

NOTE	REF NO	GRAPHIC REF	PART NUMBER	QTY	PART NAME						SEE PAGE
					1	2	3	4	5	6 (PRODUCT LEVEL)	
M	1	1	262-1618	4	BOLT-SOCKET HEAD (M6X1X16-MM)						
Y	2	1	361-7347	1	CONNECTION GP-FUEL						278
	3	1	355-0632	1	CONNECTOR-SPECIAL						
C	4	1	526-4589	1	SEAL						

C - CHANGE FROM PREVIOUS TYPE

M - METRIC PART

Y - SEPARATE ILLUSTRATION



GRAPHIC #1

<END>

g06069258

FUEL SYSTEM

361-2883 RAIL GP-FUEL

S/N: JKT1-UP

PART OF 464-2308 ENGINE AR-PRIMARY

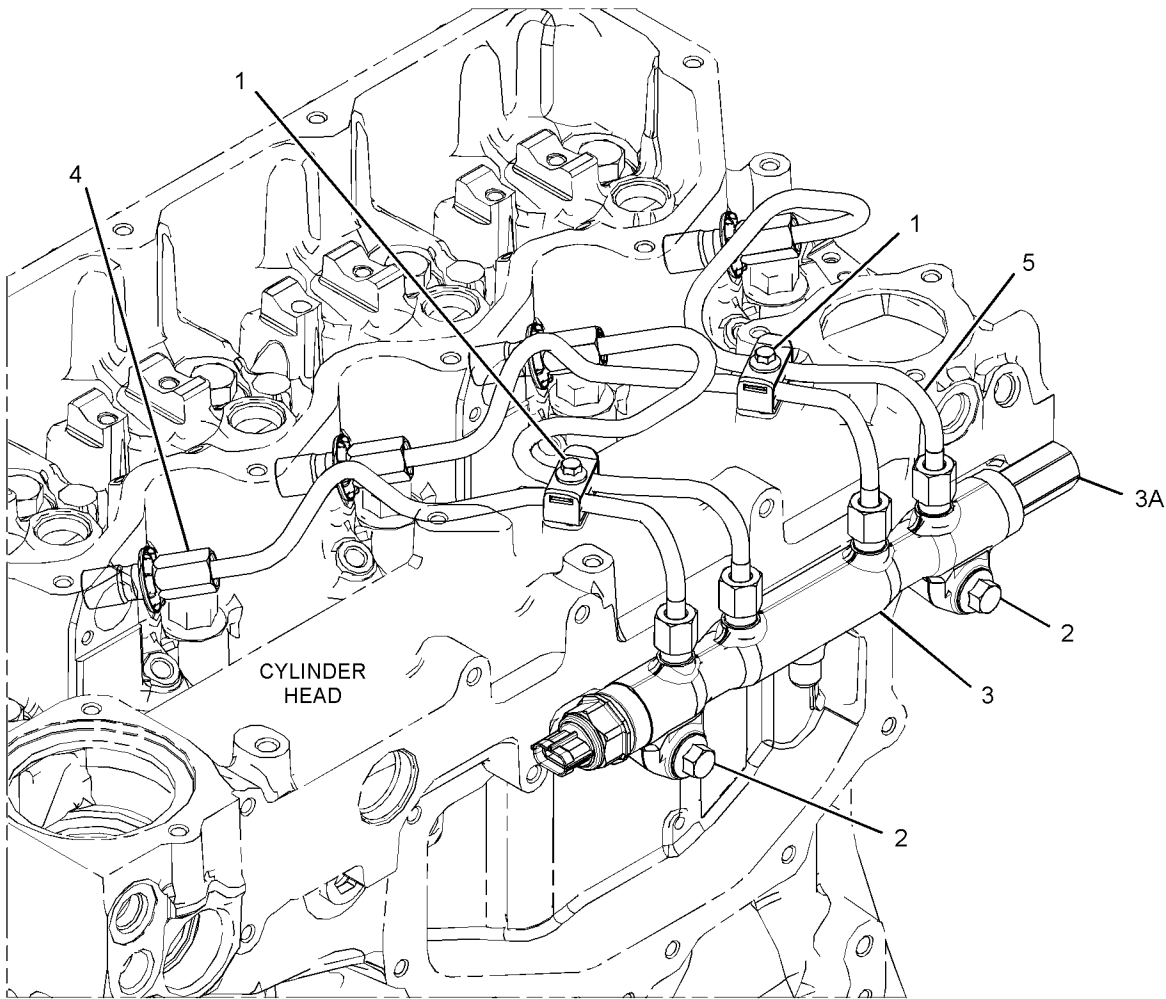
SMCS-127A, 1288

i04588850

NOTE	REF NO	GRAPHIC REF	PART NUMBER	QTY	PART NAME						SEE PAGE
					1	2	3	4	5	6 (PRODUCT LEVEL)	
M	1	1	6I-0917	2	BOLT (M6X1X25-MM)						
M	2	1	101-7178	2	BOLT (M10X1.5X55-MM)						
	3	1	345-4153	1	RAIL GP-FUEL						
	3A	1	334-7232	1	VALVE						
Y	4	1	360-9061	1	LINES GP-FUEL INJECTION (INJECTORS 1 & 3)						309
Y	5	1	360-9062	1	LINES GP-FUEL INJECTION (INJECTORS 2 & 4)						310

M - METRIC PART

Y - SEPARATE ILLUSTRATION



GRAPHIC #1

<END>

g02717938

FUEL SYSTEM

415-5527 RAIL GP-FUEL

S/N: W231-UP

PART OF 463-8820, 463-8910 ENGINE AR-PRIMARY
ALSO AN ATTACHMENT

SMCS-127A, 1288

i06138506

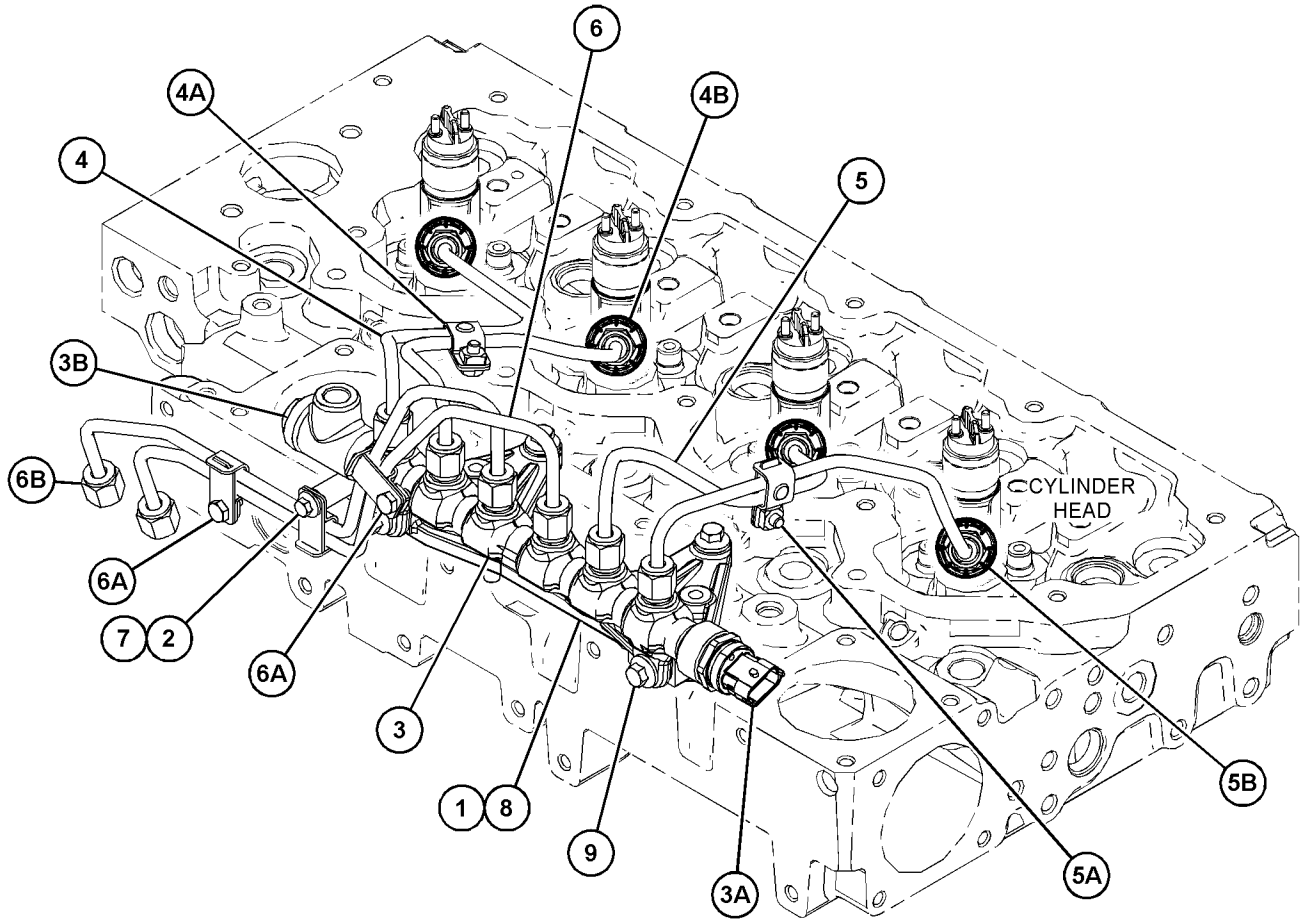
NOTE	REF NO	GRAPHIC REF	PART NUMBER	QTY	PART NAME						SEE PAGE
					1	2	3	4	5	6 (PRODUCT LEVEL)	
M	1	1	101-3895	2	BOLT (M8X1.25X35-MM)						
M	2	1	178-2510	1	BOLT (M6X1X45-MM)						
	3	1	396-2052	1	RAIL AS-FUEL						
	3A	1	375-6988	1	SENSOR (FUEL RAIL PRESSURE)						
	3B	1	398-6226	1	VALVE (FUEL RAIL PRESSURE)						
	4	1	<i>396-2602</i>	1	LINE AS-FUEL						
	4A	1	397-6836	1	CLAMP AS						
		1	396-2606	1	LINE-FUEL						
	4B	1	396-2607	1	LINE-FUEL						
	5	1	<i>396-2603</i>	1	LINE AS-FUEL						
	5A	1	397-6836	1	CLAMP AS						
		1	396-2608	1	LINE-FUEL						
	5B	1	396-2609	1	LINE-FUEL						
	6	1	<i>396-2604</i>	1	LINE AS-FUEL						
	6A	1	397-6836	2	CLAMP AS						
	6B	1	396-2610	1	LINE-FUEL						
		1	396-2611	1	LINE-FUEL						
	7	1	398-7219	1	PILLAR						
	8	1	399-8470	1	BRACKET						
M	9	1	6I-0260	4	BOLT (M8X1.25X25-MM)						
					AVAILABLE REPAIR KIT(S):						
			463-8336	1	KIT-CLIP						
					(INCLUDES PLATE, BRACKET & INSERT)						

M - METRIC PART

FUEL SYSTEM

415-5527 RAIL GP-FUEL (contd.)

106138506



GRAPHIC #1

<END>

g03815915

FUEL SYSTEM

513-9451 TANK & MTG GP-FUEL

S/N: TD61-UP; TD71-UP

148-LITER (39.1-US GAL)

PART OF 517-9883, 517-9885 CHASSIS AR

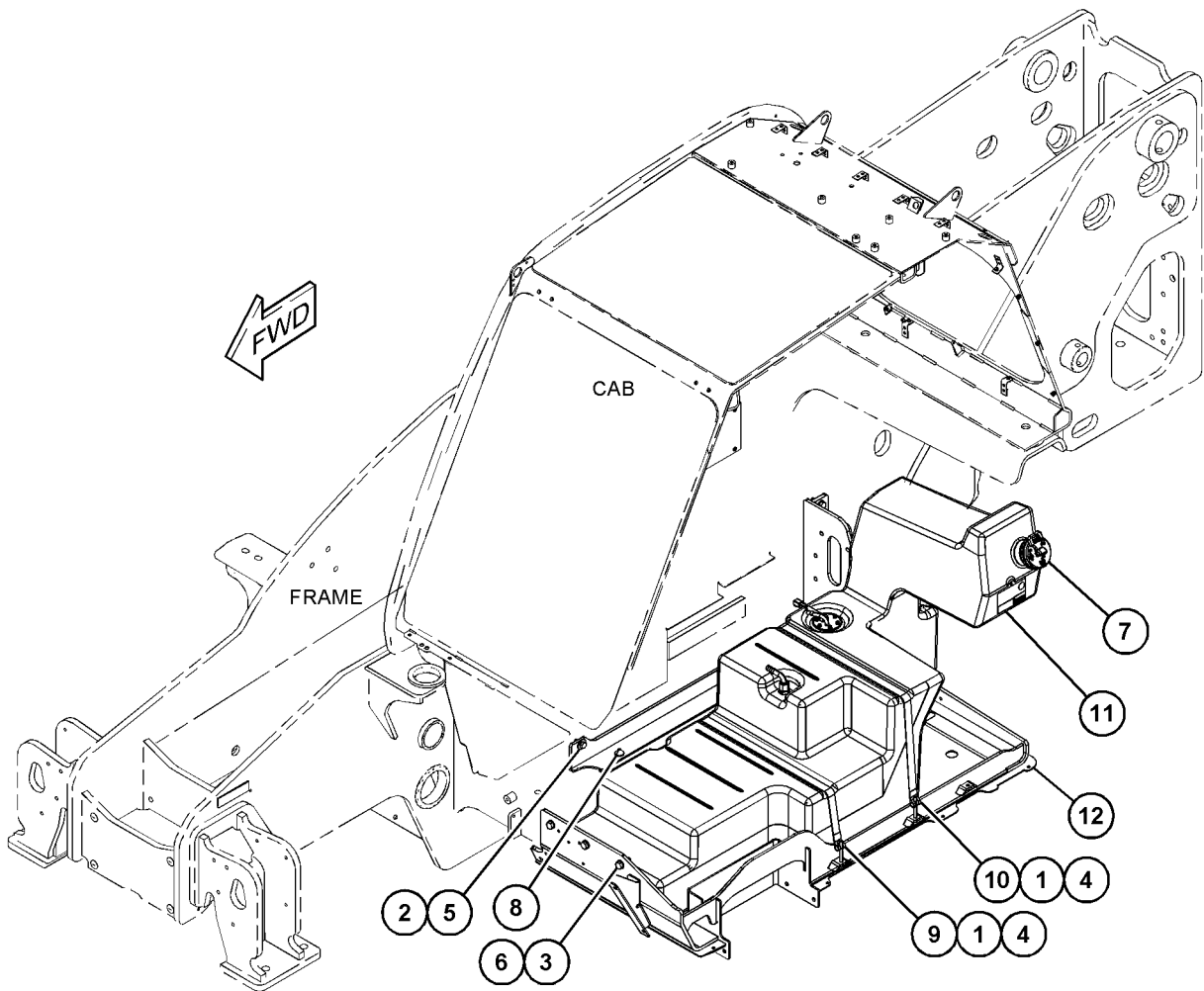
SMCS-1273

i07175294

NOTE	REF NO	GRAPHIC REF	PART NUMBER	QTY	PART NAME						SEE PAGE
					1	2	3	4	5	6 (PRODUCT LEVEL)	
M	1	1	6V-9804	2	BOLT (M8X1.25X75-MM)						
M	2	1	8T-4136	1	BOLT (M10X1.5X25-MM)						
M	3	1	8T-4956	6	BOLT (M12X1.75X35-MM)						
	4	1	8T-4224	2	WASHER-HARD (8.8X16X2-MM THK)						
	5	1	116-8517	1	WASHER (10.5X30X2.5-MM THK)						
	6	1	8T-4223	6	WASHER-HARD (13.5X25.5X3-MM THK)						
	7	1	548-1091	1	CAP (VENTED)						
	8	1	472-5352	4	MOUNT						
	9	1	477-2357	1	STRAP AS						
	10	1	477-2358	1	STRAP AS						
Y	11	1	490-8043	1	TANK GP-FUEL						322
	12	1	499-0185	1	PLATE AS						

M - METRIC PART

Y - SEPARATE ILLUSTRATION



GRAPHIC #1

<END>

g06244441

FUEL SYSTEM

490-8043 TANK GP-FUEL

S/N: TD61-UP; TD71-UP

148-LITER (39-US GAL)

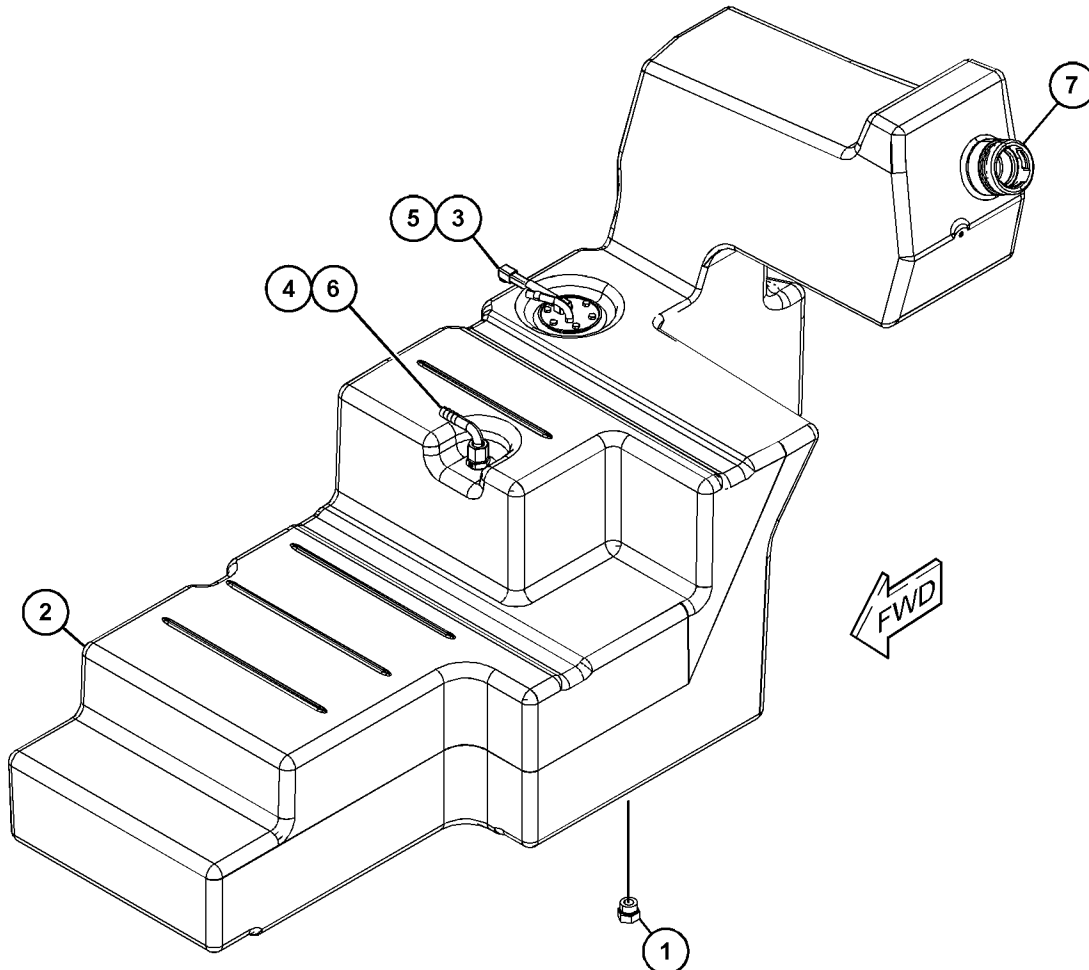
PART OF 513-9451 TANK & MTG GP-FUEL

SMCS-1273

i06603111

NOTE	REF NO	GRAPHIC REF	PART NUMBER	QTY	PART NAME						SEE PAGE
					1	2	3	4	5	6	
	1	1	148-8410	1	PLUG AS						
		1	2M-9780	1	SEAL-O-RING						
		1	9S-4190	1	PLUG-O-RING (7/8-14-THD)						
	2	1	490-1203	1	TANK AS-FUEL						
	3	1	477-1863	1	SENDER AS-FUEL LEVEL						
	4	1	477-1868	1	TUBE AS						
M	5	1	8T-0325	6	BOLT (M5X0.8X14-MM)						
	6	1	477-1872	1	ELBOW						
	7	1	385-5360	1	ADAPTER-FUEL CAP						

M - METRIC PART



GRAPHIC #1

<END>

g06049234

ELECTRICAL AND STARTING SYSTEM

495-7754 ALARM GP

S/N: TD61-UP; TD71-UP

REVERSE

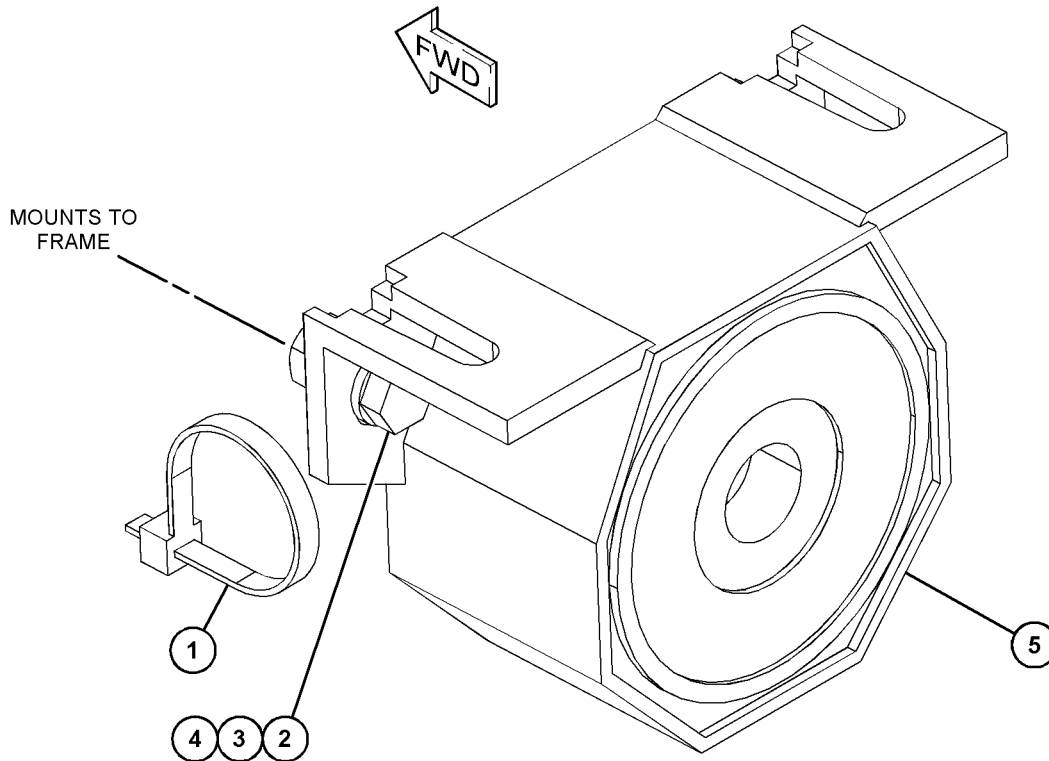
PART OF 517-9883, 517-9885 CHASSIS AR

SMCS-7400, 7402, 7407

i06591315

NOTE	REF NO	GRAPHIC REF	PART NUMBER	QTY	PART NAME						SEE PAGE
					1	2	3	4	5	6 (PRODUCT LEVEL)	
	1	1	3S-2093	1	STRAP-CABLE						
M	2	1	5C-9553	2	BOLT (M6X1X16-MM)						
M	3	1	5C-2890	2	NUT (M6X1-THD)						
	4	1	8T-4205	4	WASHER-HARD (7.2X14.5X2-MM THK)						
	5	1	325-7701	1	ALARM-BACK UP						

M - METRIC PART



GRAPHIC #1

<END>

g06039506

ELECTRICAL AND STARTING SYSTEM

350-1459 ALTERNATOR GP-CHARGING

S/N: JKT1-UP

PART OF 464-2308 ENGINE AR-PRIMARY

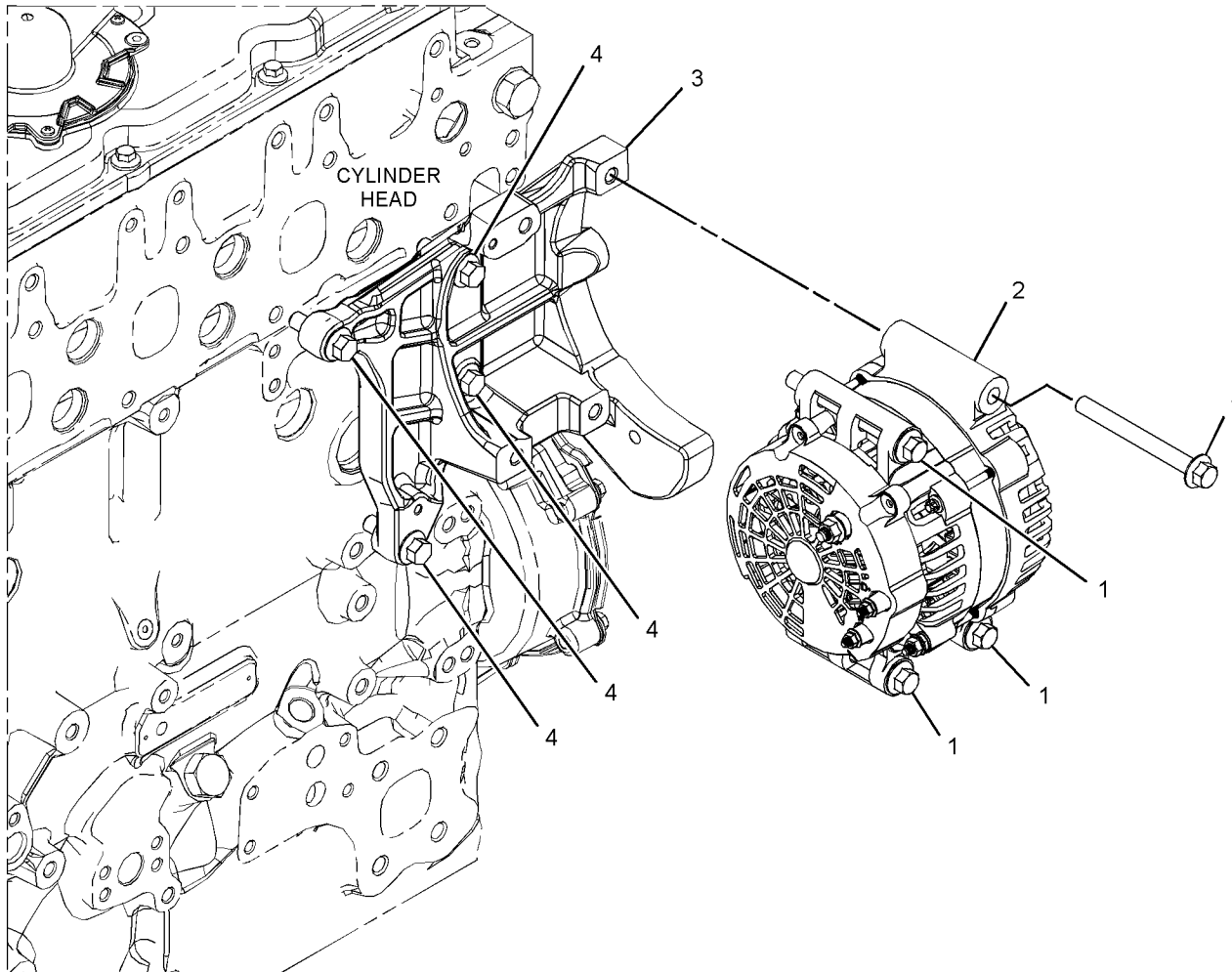
SMCS-1405

i04630453

NOTE	REF NO	GRAPHIC REF	PART NUMBER	QTY	PART NAME						SEE PAGE
					1	2	3	4	5	6 (PRODUCT LEVEL)	
M	1	1	164-7468	4	BOLT (M10X1.5X95-MM)						
R	2	1	321-8927	1	ALTERNATOR (12-VOLT, 150-AMPERE)						
	3	1	321-8952	1	BRACKET AS						
		1	161-9820	2	PIN						
M	4	1	111-0859	4	BOLT (M10X1.5X35-MM)						

M - METRIC PART

R - REMANUFACTURED PART MAY BE AVAILABLE



GRAPHIC #1

<END>

g02784199

ELECTRICAL AND STARTING SYSTEM

350-1486 ALTERNATOR GP-CHARGING

S/N: CJ41-UP

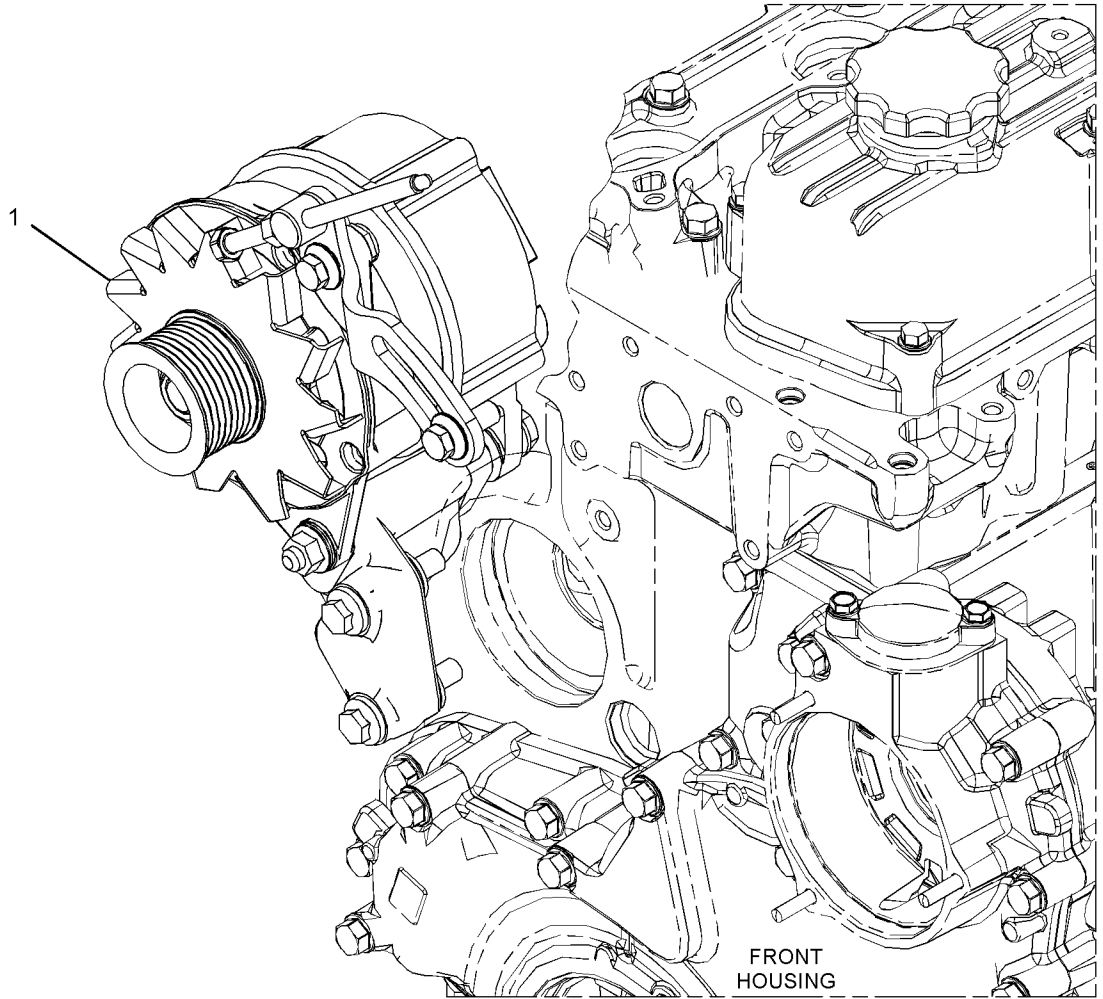
PART OF 465-2880 ENGINE AR-PRIMARY

SMCS-1405

i05722395

NOTE	REF NO	GRAPHIC REF	PART NUMBER	QTY	PART NAME						SEE PAGE
					1	2	3	4	5	6 (PRODUCT LEVEL)	
Y	1	1	361-7141	1	ALTERNATOR GP-CHARGING						326

Y - SEPARATE ILLUSTRATION



GRAPHIC #1

<END>

g02886616

ELECTRICAL AND STARTING SYSTEM

361-7141 ALTERNATOR GP-CHARGING

S/N: CJ41-UP

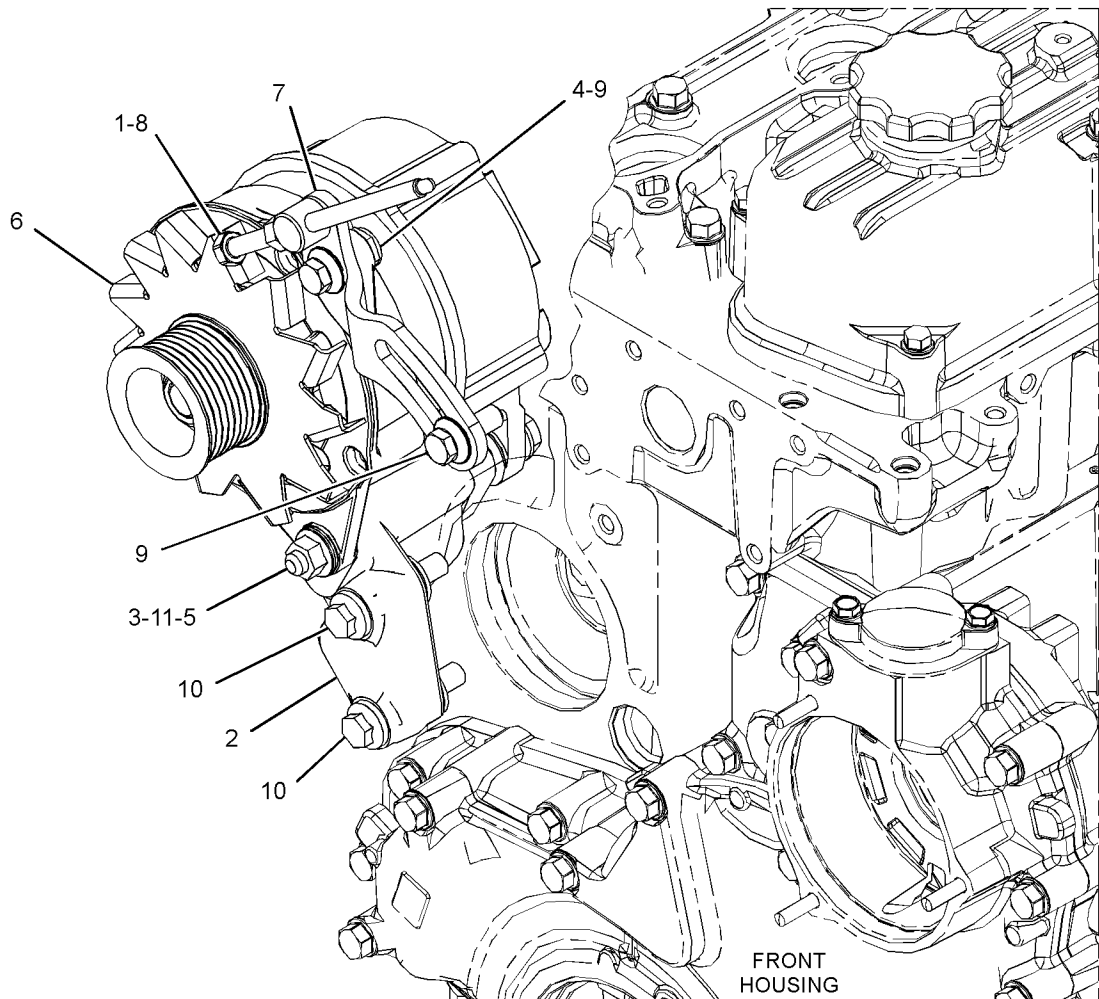
PART OF 350-1486 ALTERNATOR GP-CHARGING

SMCS-1405

i05773242

NOTE	REF NO	GRAPHIC REF	PART NUMBER	QTY	PART NAME						SEE PAGE
					1	2	3	4	5	6 (PRODUCT LEVEL)	
	1	1	152-6578	1	NUT						
	2	1	385-9093	1	BRACKET						
	3	1	389-2722	1	BOLT						
	4	1	389-2854	1	NUT						
	5	1	389-2857	2	WASHER						
	6	1	390-2384	1	ALTERNATOR						
	7	1	390-2387	1	TENSIONER						
	8	1	393-0383	1	BOLT						
M	9	1	6I-0654	2	BOLT (M10X1.5X25-MM)						
M	10	1	100-4461	2	BOLT (M10X1.5X50-MM)						
M	11	1	6I-0594	1	NUT (M10X1.5-THD)						

M - METRIC PART



GRAPHIC #1

<END>

g02886597

ELECTRICAL AND STARTING SYSTEM

425-8162 ALTERNATOR GP-CHARGING

S/N: W231-UP

PART OF 463-8820, 463-8910 ENGINE AR-PRIMARY
ALSO AN ATTACHMENT

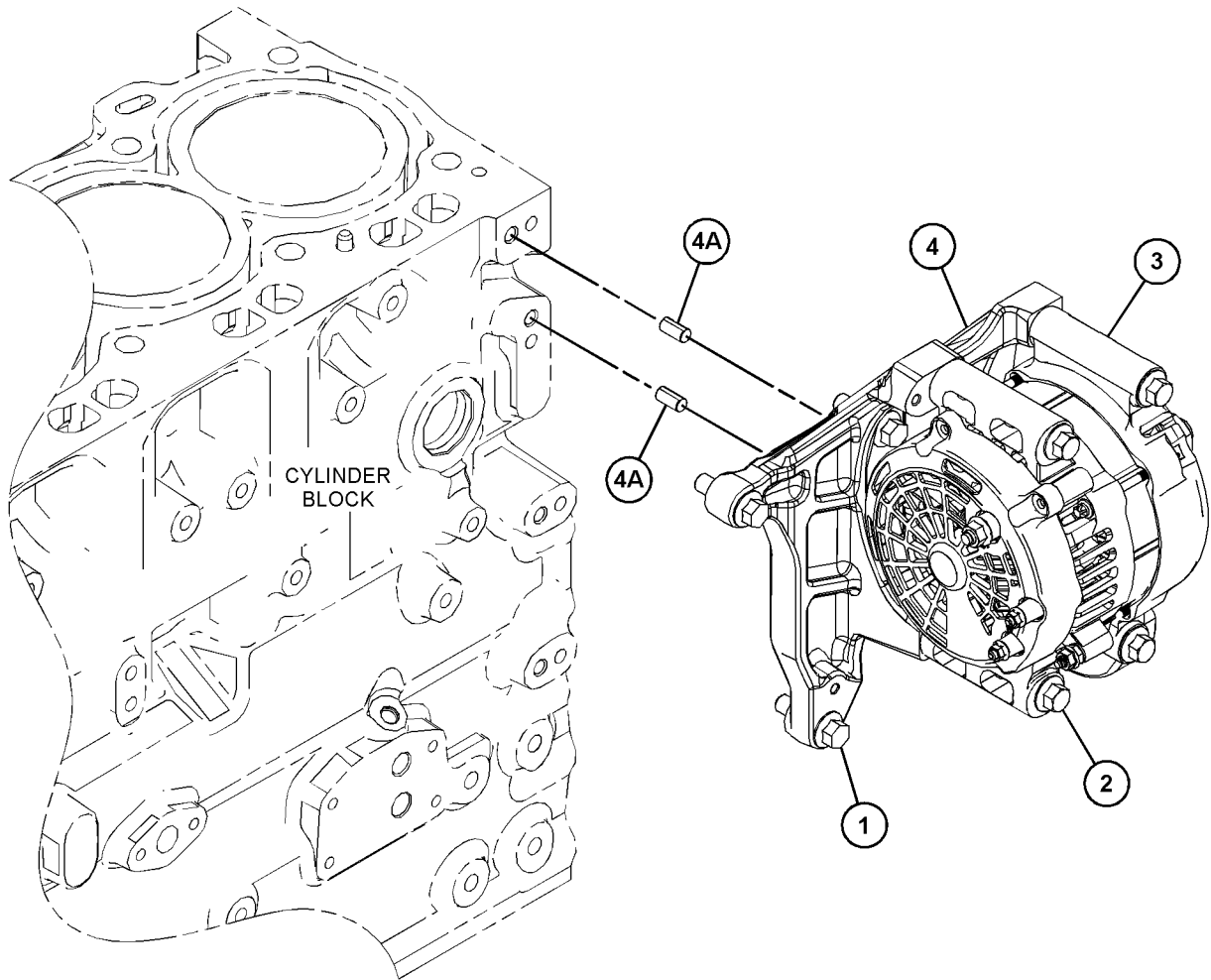
SMCS-1405

i06146718

NOTE	REF NO	GRAPHIC REF	PART NUMBER	QTY	PART NAME						SEE PAGE
					1	2	3	4	5	6 (PRODUCT LEVEL)	
M	1	1	111-0859	4	BOLT (M10X1.5X35-MM)						
M	2	1	164-7468	4	BOLT (M10X1.5X95-MM)						
R	3	1	321-8928	1	ALTERNATOR (12-VOLT, 120-AMPERE)						
	4	1	321-8952	1	BRACKET AS						
	4A	1	161-9820	2	PIN						

M - METRIC PART

R - REMANUFACTURED PART MAY BE AVAILABLE



GRAPHIC #1

<END>

g03814818

ELECTRICAL AND STARTING SYSTEM

513-4292 BATTERY GP

S/N: TD61-UP; TD71-UP

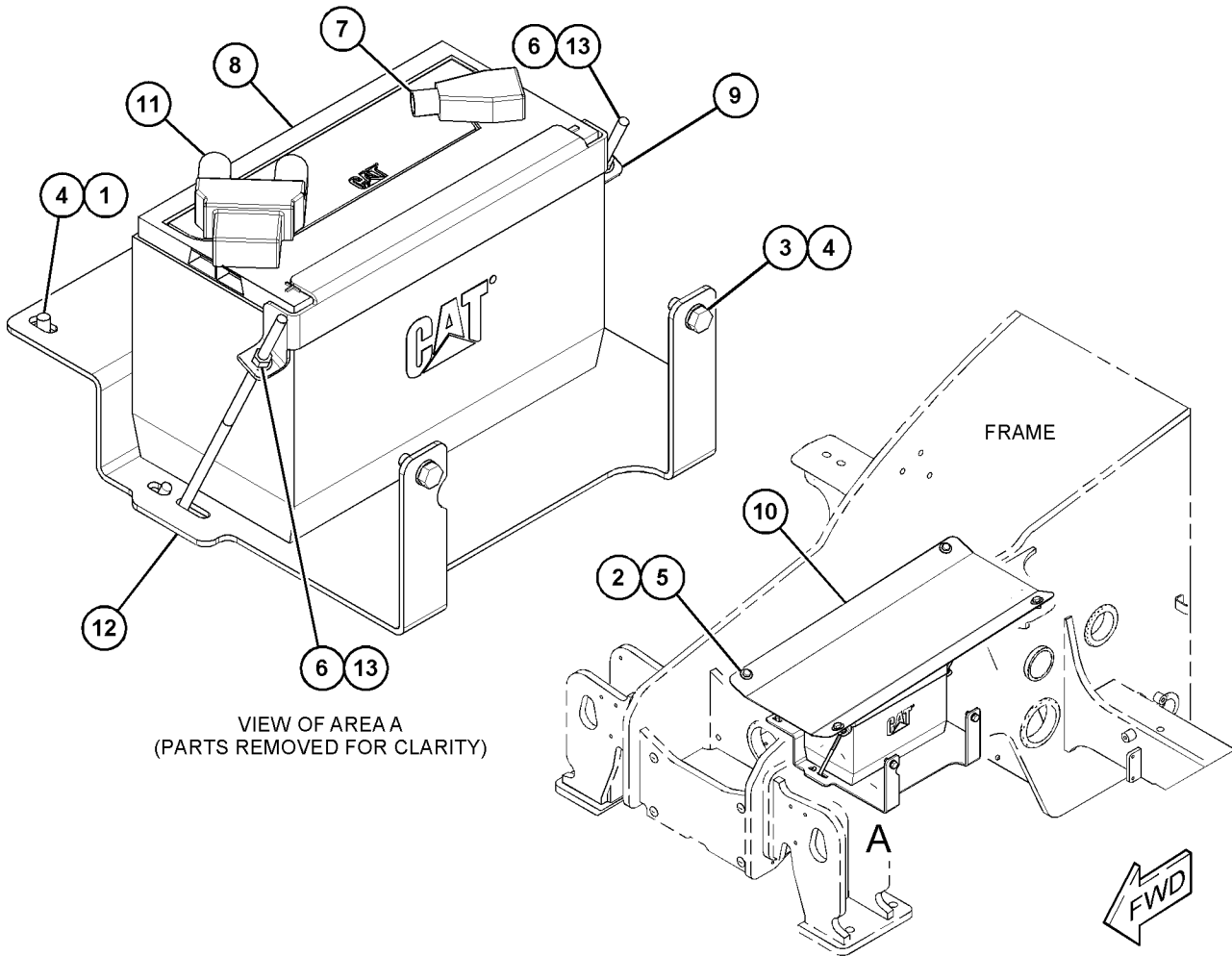
AN ATTACHMENT

SMCS-1401

i06893237

NOTE	REF NO	GRAPHIC REF	PART NUMBER	QTY	PART NAME						SEE PAGE
					1	2	3	4	5	6 (PRODUCT LEVEL)	
M	1	1	328-9688	2	SCREW (M10X1.5X14-MM)						
M	2	1	8T-4137	4	BOLT (M10X1.5X20-MM)						
M	3	1	8T-4136	2	BOLT (M10X1.5X25-MM)						
	4	1	8T-4121	4	WASHER-HARD (11X21X2.5-MM THK)						
	5	1	116-8517	4	WASHER (10.5X30X2.5-MM THK)						
M	6	1	178-3336	2	NUT-HEX FLANGE (M8X1.25-THD)						
	7	1	495-4704	1	COVER-TERMINAL						
	8	1	175-4390	1	BATTERY AS (12-VOLT) (WET)						
		1	123-1373	6	CAP AS-FILLER (7/8-9-THD)						
	9	1	416-8113	1	PLATE-BATTERY						
	10	1	499-7307	1	PLATE						
	11	1	513-4293	1	INSULATOR						
	12	1	499-0258	1	PLATE						
M	13	1	473-8964	2	BOLT-SPECIAL (M8X1.25-THD)						

M - METRIC PART



GRAPHIC #1

<END>

g06164103

ELECTRICAL AND STARTING SYSTEM

513-4299 BATTERY GP-COLD START

S/N: TD61-UP; TD71-UP

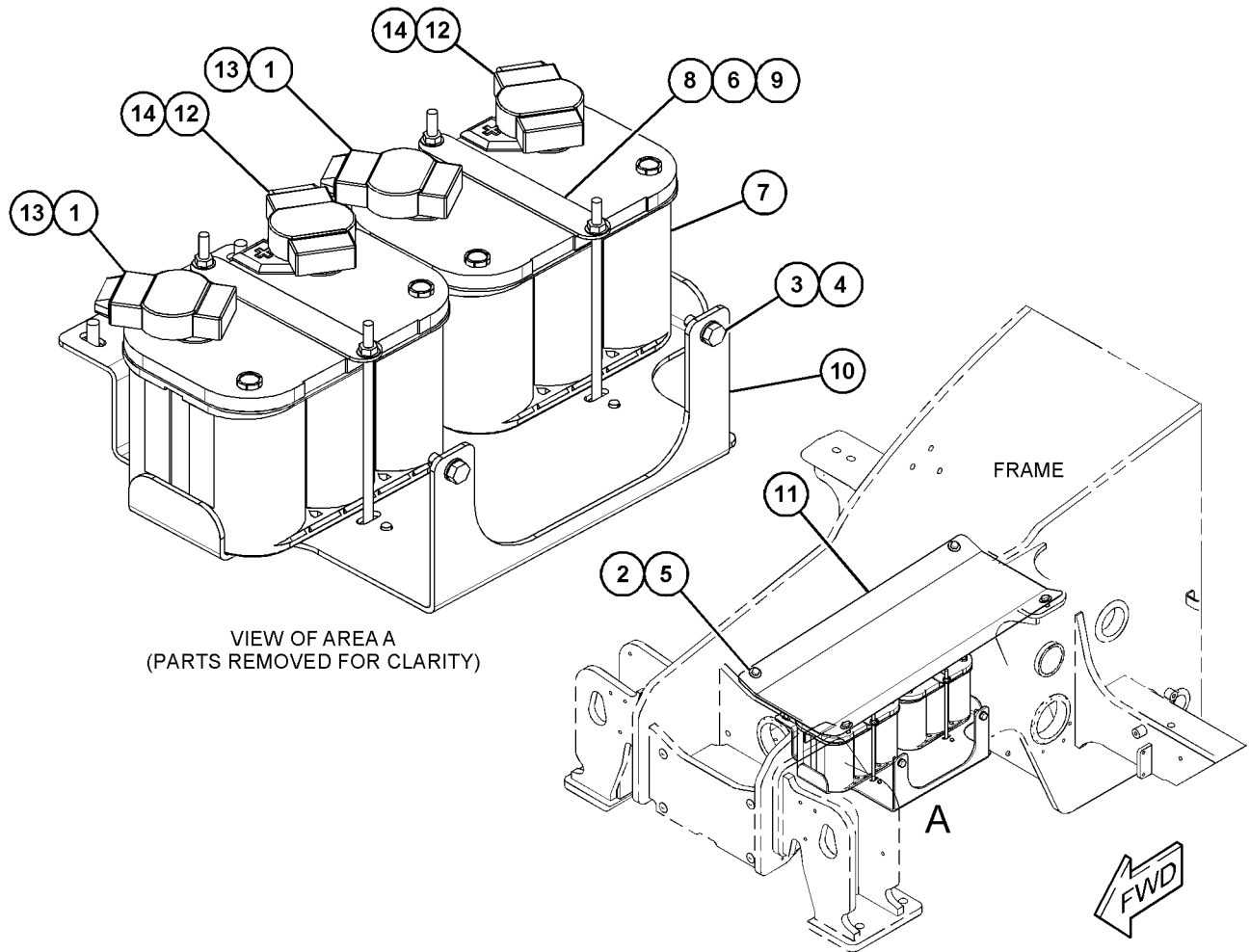
AN ATTACHMENT

SMCS-1401

i06893239

NOTE	REF NO	GRAPHIC REF	PART NUMBER	QTY	PART NAME						SEE PAGE
					1	2	3	4	5	6 (PRODUCT LEVEL)	
	1	1	513-4297	2	BOOT						
M	2	1	8T-4137	4	BOLT (M10X1.5X20-MM)						
M	3	1	8T-4136	4	BOLT (M10X1.5X25-MM)						
	4	1	8T-4121	4	WASHER-HARD (11X21X2.5-MM THK)						
	5	1	116-8517	4	WASHER (10.5X30X2.5-MM THK)						
M	6	1	178-3336	4	NUT-HEX FLANGE (M8X1.25-THD)						
	7	1	459-9625	2	BATTERY						
	8	1	499-0260	2	PLATE						
	9	1	499-0261	4	ROD						
	10	1	499-0262	1	PLATE						
	11	1	499-7307	1	PLATE						
	12	1	513-4298	2	INSULATOR						
	13	1	445-0847	2	CLAMP-CABLE						
	14	1	445-0848	2	CLAMP-CABLE						

M - METRIC PART



GRAPHIC #1

<END>

g06164067

ELECTRICAL AND STARTING SYSTEM

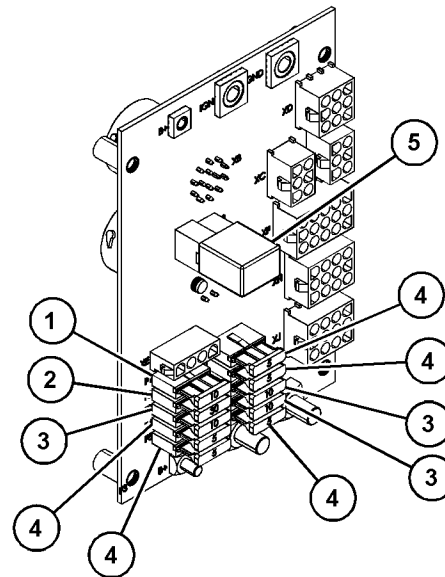
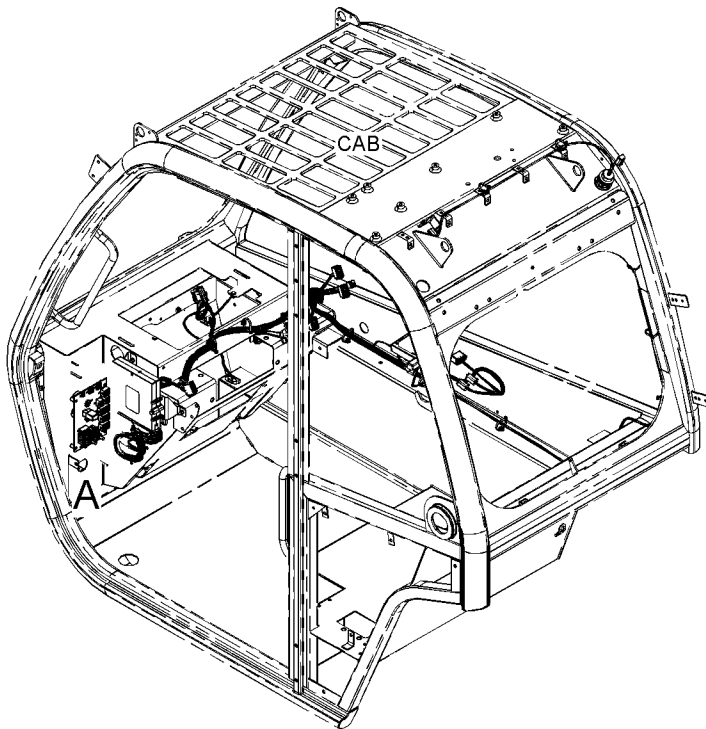
474-4149 BOARD AS-CIRCUIT

S/N: TD61-UP; TD71-UP
PART OF 493-1110 WIRING GP-CAB
AN ATTACHMENT

SMCS-1418

i06080179

NOTE	REF NO	GRAPHIC REF	PART NUMBER	QTY	PART NAME						SEE PAGE
					1	2	3	4	5	6 (PRODUCT LEVEL)	
	1	1	113-8490	1	FUSE (10-AMPERE)						
	2	1	8T-9636	1	FUSE (30-AMPERE)						
	3	1	9W-1442	3	FUSE (10-AMPERE)						
	4	1	141-2759	5	FUSE (5-AMPERE)						
	5	1	478-5125	1	RELAY AS (12-VOLT) (HORN)						



VIEW OF AREA A

GRAPHIC #1

<END>

g03821484

ELECTRICAL AND STARTING SYSTEM

499-5902 CAMERA & MOUNTING GP

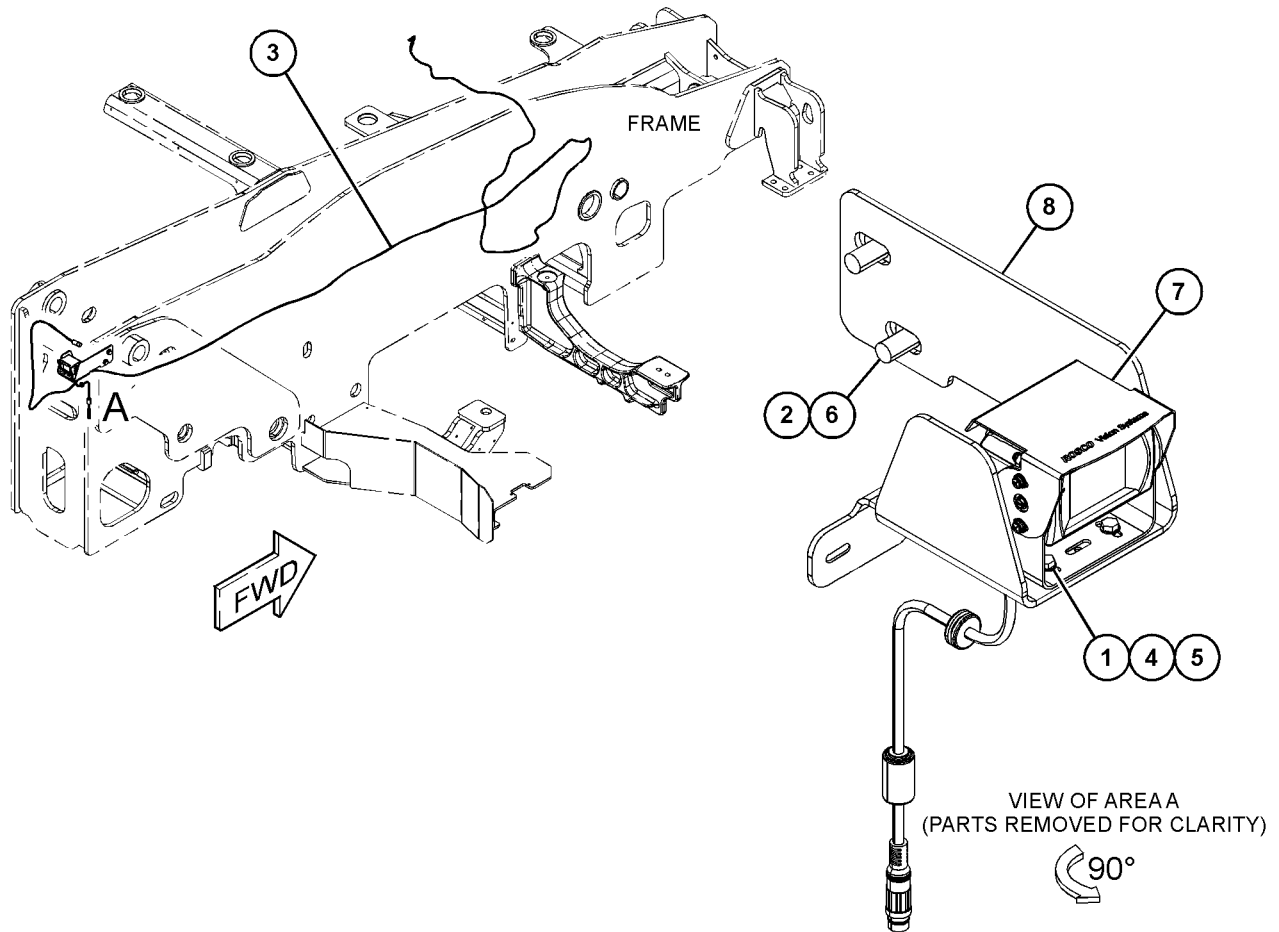
S/N: TD61-UP; TD71-UP
FOR USE WITH 474-6061-PAGE: 961
AN ATTACHMENT

SMCS-7348

i07037552

NOTE	REF NO	GRAPHIC REF	PART NUMBER	QTY	PART NAME						SEE PAGE
					1	2	3	4	5	6	
M	1	1	170-5632	2	BOLT (M4X0.7X16-MM)						
M	2	1	8T-4137	2	BOLT (M10X1.5X20-MM)						
	3	1	499-5904	1	CABLE						
M	4	1	5C-8312	2	NUT (M4X0.7-THD)						
	5	1	5W-5038	4	WASHER (4.3X9X0.8-MM THK)						
	6	1	8T-4121	2	WASHER-HARD (11X21X2.5-MM THK)						
	7	1	474-9802	1	CAMERA						
	8	1	499-5900	1	BRACKET						

M - METRIC PART



GRAPHIC #1

<END>

g06204725

ELECTRICAL AND STARTING SYSTEM

528-2072 CAMERA & MOUNTING GP

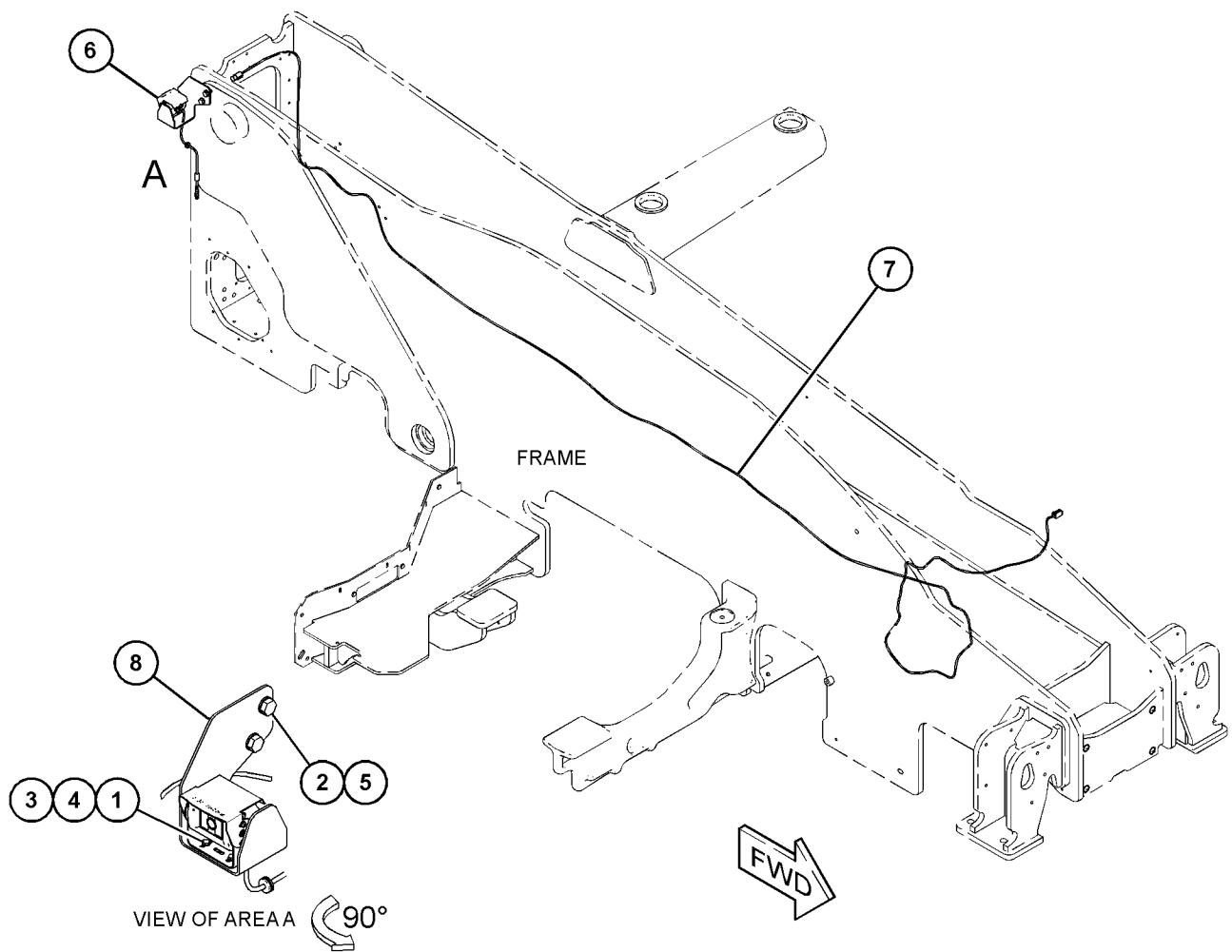
S/N: TD61-UP; TD71-UP
 FOR USE WITH 474-6061-PAGE: 961
 AN ATTACHMENT

SMCS-7348

i07043346

NOTE	REF NO	GRAPHIC REF	PART NUMBER	QTY	PART NAME						SEE PAGE
					1	2	3	4	5	6	
M	1	1	170-5632	2	BOLT (M4X0.7X16-MM)						
M	2	1	264-3627	2	BOLT (M10X1.5X20-MM)						
M	3	1	5C-8312	2	NUT (M4X0.7-THD)						
	4	1	5W-5038	4	WASHER (4.3X9X0.8-MM THK)						
	5	1	8T-4121	2	WASHER-HARD (11X21X2.5-MM THK)						
	6	1	474-9802	1	CAMERA						
	7	1	499-5904	1	CABLE						
	8	1	539-3063	1	BRACKET						

M - METRIC PART



GRAPHIC #1

<END>

g06207257

ELECTRICAL AND STARTING SYSTEM

415-5534 CONTROL GP-ELECTRONIC

S/N: W231-UP

PART OF 463-8820, 463-8910 ENGINE AR-PRIMARY
ALSO AN ATTACHMENT

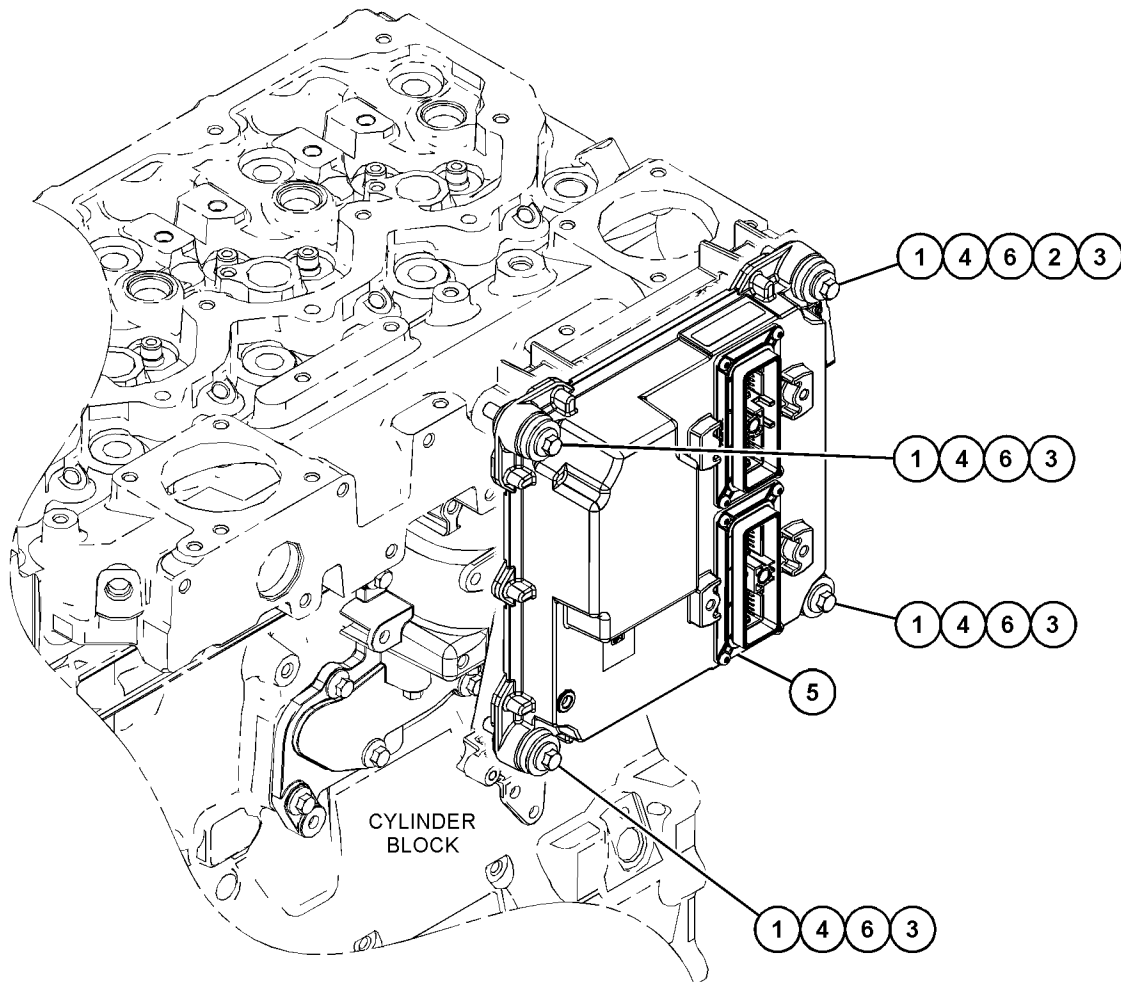
SMCS-1901, 1902, 3168, 7490

i06181533

NOTE	REF NO	GRAPHIC REF	PART NUMBER	QTY	PART NAME						SEE PAGE
					1	2	3	4	5	6 (PRODUCT LEVEL)	
M	1	1	6I-0456	4	BOLT (M8X1.25X45-MM)						
	2	1	7W-2632	1	WASHER (8.5X16.8X1.6-MM THK)						
	3	1	217-0099	4	SPACER (8.2X25X2-MM THK)						
	4	1	278-5203	4	SPACER						
R	5	1	374-2640	1	CONTROL GP-UNPROGRAMMED						
	6	1	300-6714	8	MOUNT						

M - METRIC PART

R - REMANUFACTURED PART MAY BE AVAILABLE



GRAPHIC #1

<END>

g03824323

ELECTRICAL AND STARTING SYSTEM

433-4674 CONTROL GP-ELECTRONIC

S/N: JKT1-UP

PART OF 464-2308 ENGINE AR-PRIMARY

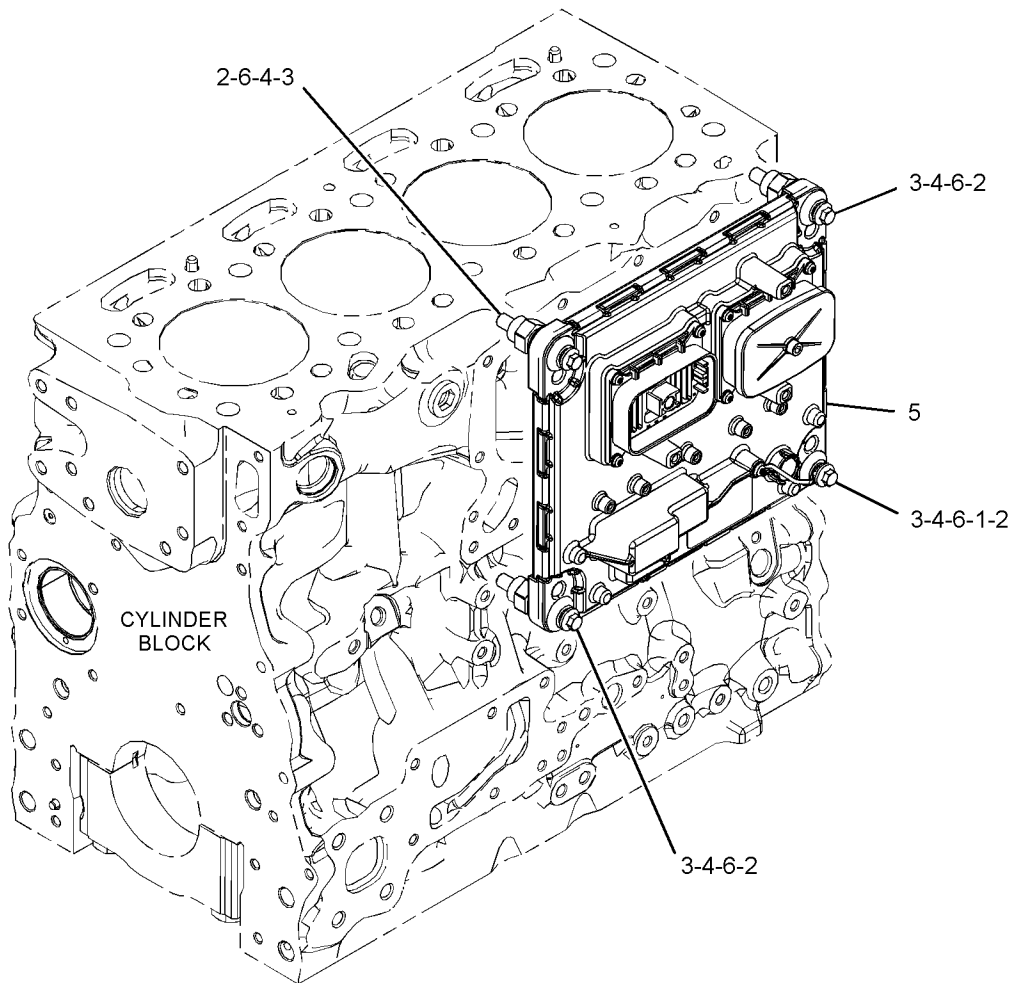
SMCS-1901, 1902, 3168, 7490

i05984890

NOTE	REF NO	GRAPHIC REF	PART NUMBER	QTY	PART NAME						SEE PAGE
					1	2	3	4	5	6 (PRODUCT LEVEL)	
	1	1	7W-2632	1	WASHER (8.5X16.8X1.6-MM THK)						
	2	1	278-5203	4	SPACER						
	3	1	332-9700	4	SPACER-SPECIAL						
	4	1	300-6714	8	MOUNT						
R	5	1	458-7273	1	CONTROL GP-ELECTRONIC						
M	6	1	6I-0456	4	BOLT (M8X1.25X45-MM)						

M - METRIC PART

R - REMANUFACTURED PART MAY BE AVAILABLE



GRAPHIC #1

<END>

g03629136

ELECTRICAL AND STARTING SYSTEM

441-9720 CONTROL GP-ELECTRONIC

S/N: CJ41-UP

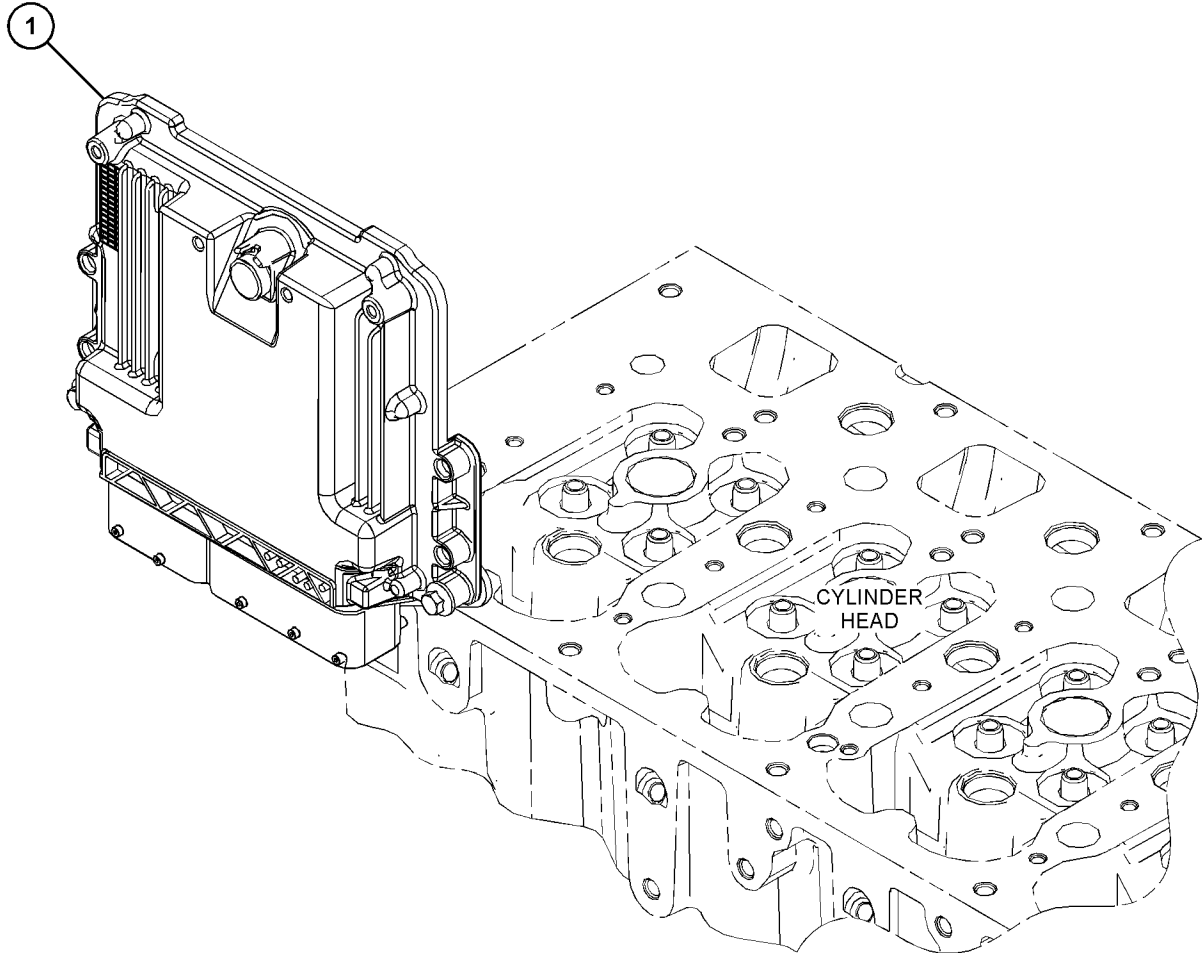
PART OF 465-2880 ENGINE AR-PRIMARY

SMCS-1901, 1902, 3168, 7490

i06252182

NOTE	REF NO	GRAPHIC REF	PART NUMBER	QTY	PART NAME						SEE PAGE
					1	2	3	4	5	6 (PRODUCT LEVEL)	
Y	1	1	464-3477	1	MODULE & MTG GP-CONTROL						396

Y - SEPARATE ILLUSTRATION



GRAPHIC #1

<END>

g03817500

ELECTRICAL AND STARTING SYSTEM

474-9674 CONTROL GP-ELECTRONIC

S/N: TD61-UP; TD71-UP

PART OF 516-1391, 516-1392 WIRING GP-ENGINE
AN ATTACHMENT

SMCS-1901, 1902, 3168, 7490

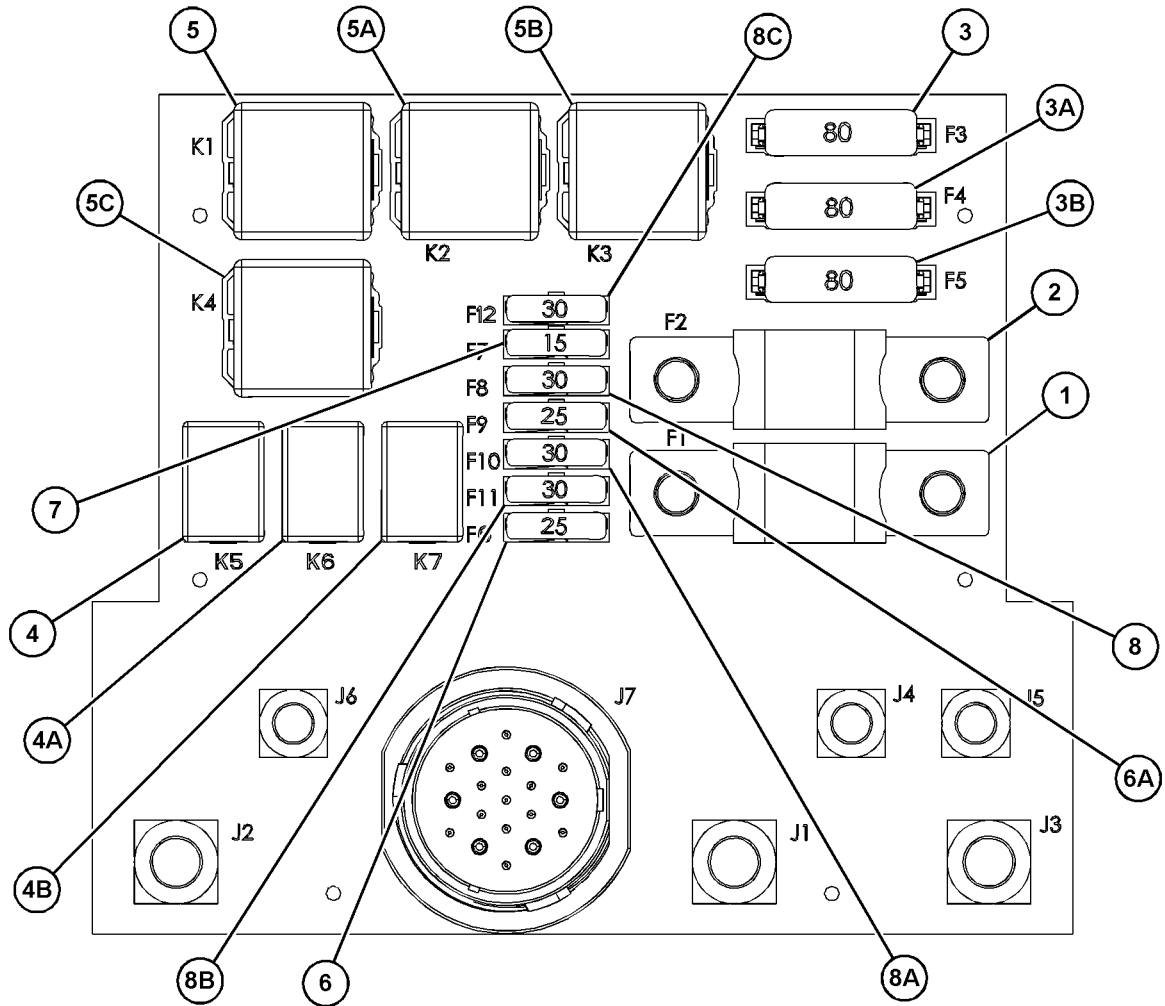
i06181537

NOTE	REF NO	GRAPHIC REF	PART NUMBER	QTY	PART NAME						SEE PAGE
					1	2	3	4	5	6 (PRODUCT LEVEL)	
	1	1	478-5135	1	FUSE (150-AMPERE) (GLOW PLUGS)						
	2	1	478-5136	1	FUSE (200-AMPERE) (ALTERNATOR)						
	3	1	478-5142	1	FUSE (80-AMPERE) (FRONT FRAME)						
	3A	1	478-5142	1	FUSE (80-AMPERE) (REAR FRAME)						
	3B	1	478-5142	1	FUSE (80-AMPERE) (CAB)						
	4	1	478-5144	1	RELAY AS (30-AMPERE)						
	4A	1	478-5144	1	RELAY AS (30-AMPERE)						
	4B	1	478-5144	1	RELAY AS (30-AMPERE)						
	5	1	478-5143	1	RELAY AS (70-AMPERE)						
	5A	1	478-5143	1	RELAY AS (70-AMPERE)						
	5B	1	478-5143	1	RELAY AS (70-AMPERE)						
	5C	1	478-5143	1	RELAY AS (70-AMPERE)						
	6	1	113-8493	1	FUSE (25-AMPERE) (IGNITION)						
	6A	1	113-8493	1	FUSE (25-AMPERE) (CAB)						
	7	1	9W-1441	1	FUSE (15-AMPERE) (FRAME)						
	8	1	8T-9636	1	FUSE (30-AMPERE) (ECM)						
	8A	1	8T-9636	1	FUSE (30-AMPERE) (AIR CONDITIONER, HEATER FAN)						
	8B	1	8T-9636	1	FUSE (30-AMPERE) (STARTER)						
	8C	1	8T-9636	1	FUSE (30-AMPERE) (CAB)						

ELECTRICAL AND STARTING SYSTEM

474-9674 CONTROL GP-ELECTRONIC (contd.)

i06181537



GRAPHIC #1

<END>

g03822674

ELECTRICAL AND STARTING SYSTEM

496-8312 CONTROL GP-ELECTRONIC

S/N: TD61-UP; TD71-UP

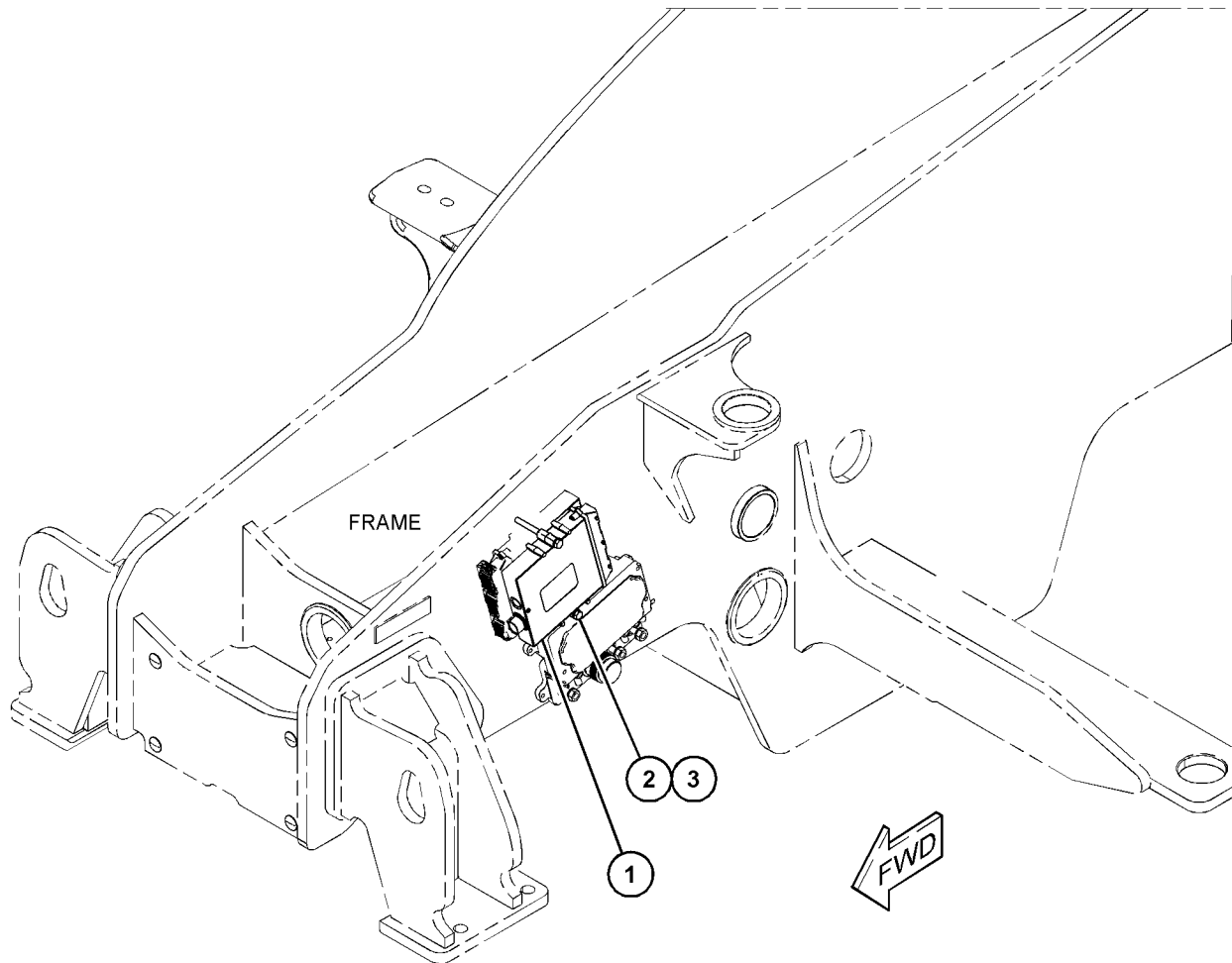
PART OF 496-8311 INSTALLATION AR-LOAD MGT IND, 520-7784 INSTALLATION AR-MACHINE
AN ATTACHMENT

SMCS-1901, 1902, 3168, 7490

i06788462

NOTE	REF NO	GRAPHIC REF	PART NUMBER	QTY	PART NAME						SEE PAGE
					1	2	3	4	5	6 (PRODUCT LEVEL)	
	1	1	477-2457	1	CONTROL GP-ELECTRONIC (LOAD MANAGEMENT INDICATOR SYSTEM)						
M	2	1	8T-4177	2	BOLT (M8X1.25X90-MM)						
	3	1	8T-4224	2	WASHER-HARD (8.8X16X2-MM THK)						

M - METRIC PART



GRAPHIC #1

<END>

g06118728

ELECTRICAL AND STARTING SYSTEM

479-9470 ELECTRICAL GP-DEF

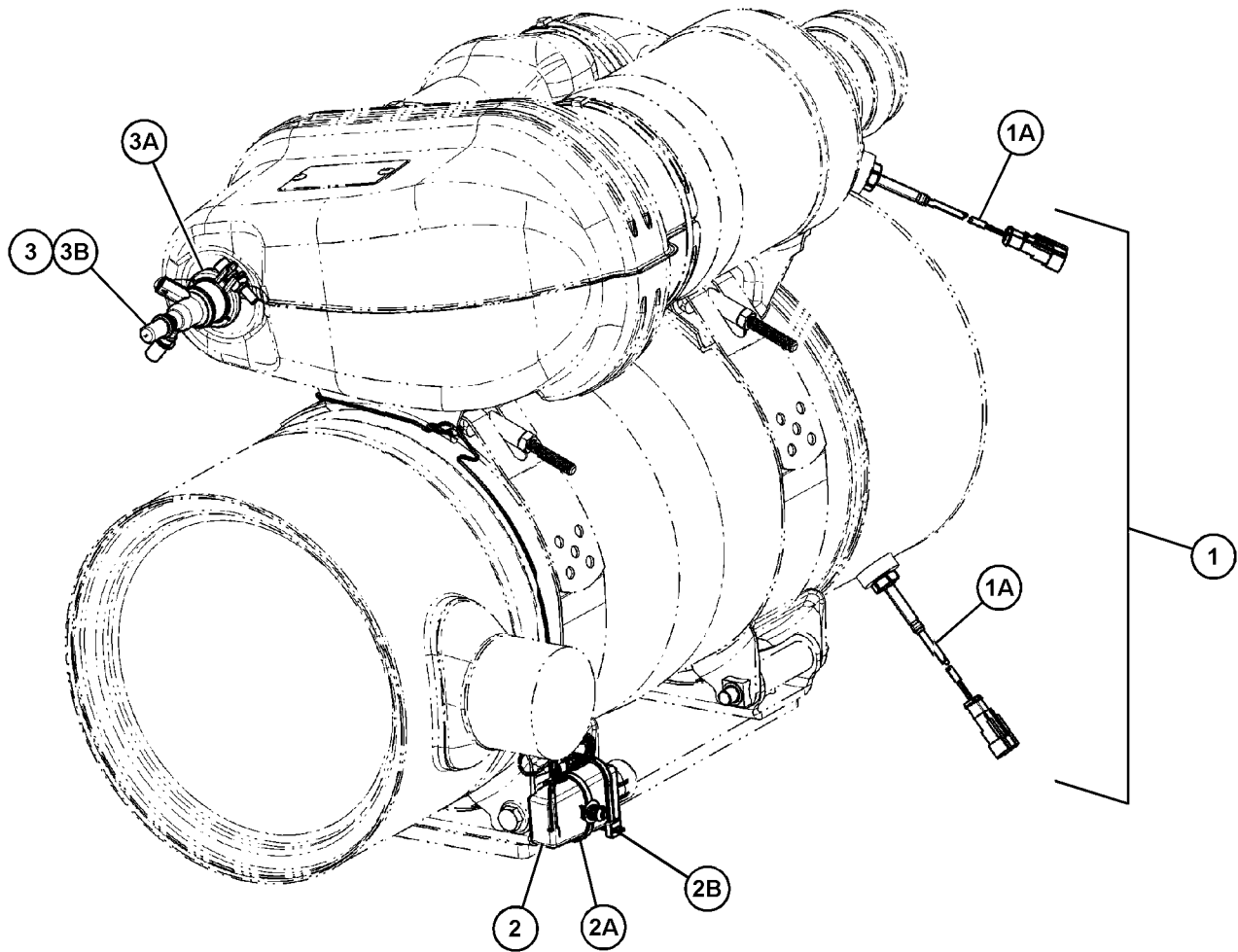
S/N: JKT1-UP

PART OF 479-6503 MODULE AR-CLEAN EMISSIONS

SMCS-108K, 1400, 1408

i06815284

NOTE	REF NO	GRAPHIC REF	PART NUMBER	QTY	PART NAME						SEE PAGE
					1	2	3	4	5	6 (PRODUCT LEVEL)	
	1	1	446-1264	1	SENSOR AS-TEMPERATURE (EXHAUST GAS)						
	1A	1	435-4932	2	SENSOR AS-TEMPERATURE (EXHAUST GAS)						
	2	1	454-8293	1	RECEPTACLE GP-ELECTRICAL						
	2A	1	316-9351	1	MOUNTING-CABLE TIE						
	2B	1	326-4516	1	TIE-CABLE						
	3	1	471-6029	1	INJECTOR & MTG GP-DEF						
	3A	1	446-1273	1	CLAMP AS						
	3B	1	479-2647	1	GASKET						



GRAPHIC #1

<END>

g06141567

ELECTRICAL AND STARTING SYSTEM

477-0021 HARNESS AS-CAB

S/N: TD61-UP; TD71-UP

CAB

PART OF 493-1110 WIRING GP-CAB
AN ATTACHMENT

SMCS-1408

i06591353

NOTE	PART NUMBER	QTY	PART NAME						SEE PAGE
			1	2	3	4	5	6 (PRODUCT LEVEL)	
	9W-0852	1	PIN-CONNECTOR (14-GA TO 16-GA)						
	9X-3401	3	PIN-CONNECTOR (16-GA TO 18-GA)						
	8T-8737	13	PLUG-SEAL						
	323-7236	1	RECEPTACLE (2-PIN)						
	303-4970	2	SOCKET-CONNECTOR (16-GA TO 20-GA)						

<END>

ELECTRICAL AND STARTING SYSTEM

493-1111 HARNESS AS-CAB

S/N: TD61-UP; TD71-UP

PART OF 493-1110 WIRING GP-CAB
AN ATTACHMENT

SMCS-1408

i06669042

NOTE	PART NUMBER	QTY	PART NAME						SEE PAGE
			1	2	3	4	5	6 (PRODUCT LEVEL)	
	334-5876	4	CONNECTOR AS						
	362-8011	1	CONNECTOR (10-PIN)						
	362-8013	24	CONNECTOR (10-PIN)						
	362-8041	1	CONNECTOR (6-PIN)						
	459-3500	1	CONNECTOR (3-PIN)						
	460-2707	2	CONNECTOR (12-PIN)						
	460-4116	1	CONNECTOR (3-PIN)						
	493-5720	1	CONNECTOR (10-PIN)						
	506-3892	1	CONNECTOR (4-PIN)						
	506-3893	1	CONNECTOR (4-PIN)						
	506-3894	1	CONNECTOR						
	213-8351	1	CONNECTOR AS						
	213-8351	1	CONNECTOR AS						
	5W-4957	3	HOUSING						
	196-7729	1	HOUSING						
	155-2260	2	KIT-CONNECTING PLUG (3-PIN)						
			(EACH INCLUDES PLUG AS & WEDGES)						
	9X-3401	12	PIN-CONNECTOR (16-GA TO 18-GA)						
	303-4969	15	PIN-CONNECTOR (16-GA TO 20-GA)						
	334-5870	3	PLUG (4-PIN)						
	334-5872	1	PLUG (6-PIN)						
	334-5874	1	PLUG (8-PIN)						
	362-6742	1	PLUG AS-CONNECTOR (6-PIN)						
	458-7526	3	PLUG AS-CONNECTOR (6-PIN)						
	217-5888	2	PLUG AS-CONNECTOR (3-PIN)						
	234-1857	1	PLUG-CONNECTOR (9-PIN)						
	234-1858	4	PLUG-CONNECTOR (12-PIN)						
	8T-8737	27	PLUG-SEAL						
	362-3821	13	PLUG-SEAL						
	104-7622	1	RECEPTACLE						
	323-7236	1	RECEPTACLE (2-PIN)						
	362-6352	2	RECEPTACLE AS-CONNECTOR (1-PIN)						
	362-6353	4	RECEPTACLE AS-CONNECTOR (1-PIN)						
	362-8040	1	RECEPTACLE AS-CONNECTOR (6-PIN)						
	423-0594	4	RECEPTACLE AS-CONNECTOR (15-PIN)						
	325-9568	1	RECEPTACLE-CONNECTOR (9-PIN)						
	128-5016	8	SEAL-CABLE						
	356-2911	2	SOCKET-CONNECTOR (16-GA TO 20-GA)						
	303-4970	58	SOCKET-CONNECTOR (16-GA TO 20-GA)						
	122-4401	147	TERMINAL						
	125-2627	2	TERMINAL						
	305-5502	6	TERMINAL (18-GA)						
	334-5871	1	TERMINAL (2-PIN)						
	368-9616	13	TERMINAL						
	390-0057	8	TERMINAL						
	459-3499	2	TERMINAL						
	478-7684	7	TERMINAL						

ELECTRICAL AND STARTING SYSTEM

493-1111 HARNESS AS-CAB (contd.)

i06669042

NOTE	PART NUMBER	QTY	PART NAME						SEE PAGE
			1	2	3	4	5	6 (PRODUCT LEVEL)	
	493-5721	7	TERMINAL						
	493-5892	2	TERMINAL						
	506-3898	3	TERMINAL						
<END>									

496-8319 HARNESS AS-CHASSIS

S/N: TD61-UP; TD71-UP

PART OF 496-8318 WIRING GP-BOOM
AN ATTACHMENT

SMCS-1408

i06897800

NOTE	PART NUMBER	QTY	PART NAME						SEE PAGE
			1	2	3	4	5	6 (PRODUCT LEVEL)	
	460-4116	1	CONNECTOR (3-PIN)						
	303-4969	4	PIN-CONNECTOR (16-GA TO 20-GA)						
	334-5870	1	PLUG (4-PIN)						
	8T-8737	5	PLUG-SEAL						
	356-2911	2	SOCKET-CONNECTOR (16-GA TO 20-GA)						
	303-4970	19	SOCKET-CONNECTOR (16-GA TO 20-GA)						
	9W-0844	4	SOCKET-CONNECTOR (14-GA TO 16-GA)						
	334-5873	1	TERMINAL (6-PIN)						
	334-5879	2	TERMINAL						
<END>									

501-0349 HARNESS AS-CONTROL

S/N: TD71-UP

PART OF 524-8429 WIRING GP-CONTROL
AN ATTACHMENT

SMCS-1408

i06895474

NOTE	PART NUMBER	QTY	PART NAME						SEE PAGE
			1	2	3	4	5	6 (PRODUCT LEVEL)	
	356-2911	6	SOCKET-CONNECTOR (16-GA TO 20-GA)						
	9X-3401	6	PIN-CONNECTOR (16-GA TO 18-GA)						
	334-5874	1	PLUG (8-PIN)						
	157-3584	1	PLUG-CONNECTOR (9-PIN)						
	8T-8737	18	PLUG-SEAL						
	303-4969	6	PIN-CONNECTOR (16-GA TO 20-GA)						
	303-4970	19	SOCKET-CONNECTOR (16-GA TO 20-GA)						
<END>									

ELECTRICAL AND STARTING SYSTEM

501-0350 HARNESS AS-CONTROL

S/N: TD61-UP

PART OF 524-8430 WIRING GP-CONTROL
AN ATTACHMENT

SMCS-1408

i06857068

NOTE	PART NUMBER	QTY	PART NAME						SEE PAGE
			1	2	3	4	5	6 (PRODUCT LEVEL)	
	9X-3401	8	PIN-CONNECTOR (16-GA TO 18-GA)						
	303-4969	6	PIN-CONNECTOR (16-GA TO 20-GA)						
	334-5874	1	PLUG (8-PIN)						
	157-3584	1	PLUG-CONNECTOR (9-PIN)						
	8T-8737	20	PLUG-SEAL						
	356-2911	8	SOCKET-CONNECTOR (16-GA TO 20-GA)						
	8T-8730	19	SOCKET-CONNECTOR (16-GA TO 18-GA)						
<END>									

ELECTRICAL AND STARTING SYSTEM

432-5917 HARNESS AS-ENGINE

S/N: JKT1-UP

PART OF 433-4677 WIRING GP-ENGINE

SMCS-1403, 1408

i06132927

NOTE	PART NUMBER	QTY	PART NAME 1 2 3 4 5 6 (PRODUCT LEVEL)	SEE PAGE
	8C-6354	1	CAP-RECEPTACLE (ET CONNECTOR)	
E	292-2896		CONDUIT (26-CM)	
	398-3671	1	COVER	
	155-2271	4	KIT-CONNECTING PLUG (4-PIN)	
			(EACH INCLUDES PLUG AS, WEDGE & INTERFACE SEAL)	
	316-9351	26	MOUNTING-CABLE TIE	
	9X-3401	6	PIN-CONNECTOR (16-GA TO 18-GA)	
			-OR-	
	126-1767	6	PIN-CONNECTOR (14-GA TO 16-GA)	
	230-4011	2	PLUG AS-CONNECTOR (2-PIN)	
			(EACH INCLUDES)	
	455-0704	1	SEAL-CONNECTOR	
	238-8245	1	PLUG AS-CONNECTOR (2-PIN)	
	455-0704	1	SEAL-CONNECTOR	
	239-7352	1	PLUG AS-CONNECTOR (6-PIN)	
	455-0707	1	SEAL-CONNECTOR	
	<i>281-3133</i>	1	PLUG AS-CONNECTOR (6-PIN)	
	455-0707	1	SEAL-CONNECTOR	
	281-8801	1	PLUG AS-CONNECTOR (2-PIN)	
	455-0704	1	SEAL-CONNECTOR	
	281-8803	1	PLUG AS-CONNECTOR (3-PIN)	
	455-0705	1	SEAL-CONNECTOR	
	281-8804	3	PLUG AS-CONNECTOR (3-PIN)	
			(EACH INCLUDES)	
	455-0705	1	SEAL-CONNECTOR	
	374-8332	1	PLUG AS-CONNECTOR	
	435-5221	1	KIT-BOLT (CONNECTOR)	
	435-5222	1	SEAL	
	8T-8737	12	PLUG-SEAL	
	270-1784	1	RECEPTACLE	
	169-0705	39	SEAL	
	8T-8730	8	SOCKET-CONNECTOR (16-GA TO 18-GA)	
	9X-3402	30	SOCKET-CONNECTOR (16-GA TO 18-GA)	
			-OR-	
	126-1768	30	SOCKET-CONNECTOR (14-GA TO 16-GA)	
	344-1686	7	SOCKET-CONNECTOR (18-GA)	
	394-9569	40	SOCKET-CONNECTOR (16-GA TO 18-GA)	
	217-9039	5	STRAP-CABLE	
	365-5772	1	WIRE AS	
	091-7473	2	SPLICE-WIRE	
	365-5773	1	WIRE AS	
	091-7473	2	SPLICE-WIRE	
	365-5774	1	WIRE AS	
	091-7473	3	SPLICE-WIRE	
E - ORDER BY THE CENTIMETER				
<END>				

ELECTRICAL AND STARTING SYSTEM

500-2295 HARNESS AS-ENGINE

S/N: TD71-UP

PART OF 516-1392 WIRING GP-ENGINE
AN ATTACHMENT

SMCS-1403, 1408

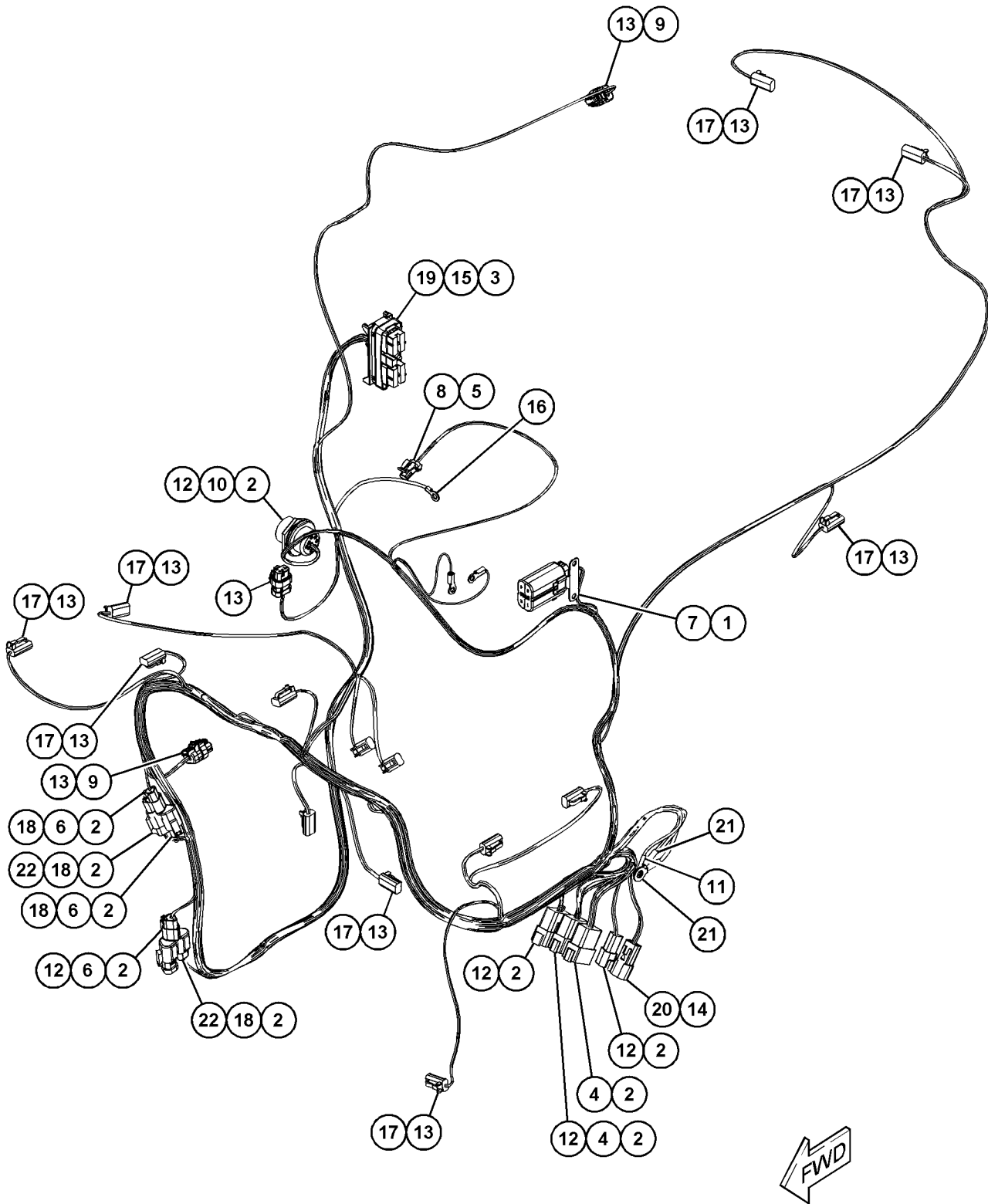
i06707133

NOTE	REF NO	GRAPHIC REF	PART NUMBER	QTY	PART NAME						SEE PAGE
					1	2	3	4	5	6 (PRODUCT LEVEL)	
	1	1	7R-2751	4	PLUG-CONNECTOR (1-PIN)						
	2	1	8T-8737	22	PLUG-SEAL						
	3	1	9X-1056	46	TERMINAL-RECEPTACLE (14-GA TO 16-GA)						
	4	1	102-8801	2	KIT-RECEPTACLE (12-PIN)						
					(EACH INCLUDES RECEPTACLE AS & WEDGE)						
	5	1	116-6159	2	SOCKET-TERMINAL						
	6	1	155-2260	3	KIT-CONNECTING PLUG (3-PIN)						
					(EACH INCLUDES PLUG AS, WEDGES & INTERFACE SEAL)						
	7	1	196-2385	1	KIT-CONNECTING PLUG (8-PIN)						
					(INCLUDES PLUG AS, LOCK CONNECTOR & TERMINAL ASSEMBLIES)						
	8	1	205-9362	1	PLUG AS						
	9	1	230-4011	2	PLUG AS-CONNECTOR (2-PIN)						
					(EACH INCLUDES)						
		1	455-0704	1	SEAL-CONNECTOR						
	10	1	265-4123	1	RECEPTACLE AS-CONNECTOR (9-PIN)						
	11	1	299-0320	2	TERMINAL (14-GA TO 16-GA)						
	12	1	303-4969	33	PIN-CONNECTOR (16-GA TO 20-GA)						
	13	1	303-4970	35	SOCKET-CONNECTOR (16-GA TO 20-GA)						
	14	1	303-4971	4	PIN-CONNECTOR (12-GA TO 14-GA)						
	15	1	305-2095	1	PLUG						
	16	1	334-5867	2	TERMINAL-RING						
	17	1	334-5871	14	TERMINAL (2-PIN)						
	18	1	356-2911	8	SOCKET-CONNECTOR (16-GA TO 20-GA)						
	19	1	368-3140	18	SOCKET-CONNECTOR						
	20	1	371-8537	1	KIT-RECEPTACLE (4-PIN)						
					(INCLUDES RECEPTACLE AS & WEDGE)						
	21	1	456-1570	5	RING-TERMINAL						
	22	1	460-4116	2	CONNECTOR (3-PIN)						

ELECTRICAL AND STARTING SYSTEM

500-2295 HARNESS AS-ENGINE (contd.)

i06707133



GRAPHIC #1

<END>

g06102342

ELECTRICAL AND STARTING SYSTEM

500-3150 HARNESS AS-ENGINE

S/N: TD61-UP

PART OF 516-1391 WIRING GP-ENGINE
AN ATTACHMENT

SMCS-1403, 1408

i06811741

NOTE	PART NUMBER	QTY	PART NAME 1 2 3 4 5 6 (PRODUCT LEVEL)	SEE PAGE
	460-4116	1	CONNECTOR (3-PIN)	
	122-4382	1	CONNECTOR-RECEPTACLE (10-PIN)	
	155-2260	1	KIT-CONNECTING PLUG (3-PIN)	
			(INCLUDES PLUG AS, WEDGE, & INTERFACE SEAL)	
	102-8801	2	KIT-RECEPTACLE (12-PIN)	
	371-8537	1	KIT-RECEPTACLE (4-PIN)	
			(EACH RECEPTACLE KIT INCLUDES RECEPTACLE AS & WEDGE)	
	9X-3401	4	PIN-CONNECTOR (16-GA TO 18-GA)	
	303-4969	39	PIN-CONNECTOR (16-GA TO 20-GA)	
	303-4971	4	PIN-CONNECTOR (12-GA TO 14-GA)	
	334-5874	1	PLUG (8-PIN)	
	205-9362	1	PLUG AS	
	230-4011	3	PLUG AS-CONNECTOR (2-PIN)	
			(EACH INCLUDES)	
	455-0704	1	SEAL-CONNECTOR	
	230-5008	1	PLUG AS-CONNECTOR (4-PIN)	
	455-0706	1	SEAL-CONNECTOR	
	374-8331	1	PLUG AS-CONNECTOR (86-PIN)	
	435-5221	1	KIT-BOLT (CONNECTOR)	
	435-5222	1	SEAL	
	7R-2751	37	PLUG-CONNECTOR (1-PIN)	
	8T-8737	19	PLUG-SEAL	
	265-4123	1	RECEPTACLE AS-CONNECTOR (9-PIN)	
	456-1570	2	RING-TERMINAL	
	169-0705	55	SEAL	
	128-5016	6	SEAL-CABLE	
	299-0348	3	SEAL-CABLE	
	7R-2750	6	SEAL-CONNECTOR	
	356-2911	12	SOCKET-CONNECTOR (16-GA TO 20-GA)	
	322-4838	25	SOCKET-CONNECTOR (16-GA TO 18-GA)	
	303-4970	47	SOCKET-CONNECTOR (16-GA TO 20-GA)	
	116-6159	2	SOCKET-TERMINAL	
	334-5871	15	TERMINAL (2-PIN)	
	202-0313	8	TERMINAL AS (18-GA)	
			(EACH INCLUDES)	
	128-5016	1	SEAL-CABLE	
	202-0315	6	TERMINAL AS (12-GA)	
			(EACH INCLUDES)	
	128-4123	1	SEAL-CABLE	
	334-5864	4	TERMINAL-RING	
	334-5867	2	TERMINAL-RING	
			<END>	

ELECTRICAL AND STARTING SYSTEM

500-3152 HARNESS AS-ENGINE

S/N: TD61-UP

PART OF 516-1391 WIRING GP-ENGINE
AN ATTACHMENT

SMCS-1403, 1408

i06811740

NOTE	PART NUMBER	QTY	PART NAME 1 2 3 4 5 6 (PRODUCT LEVEL)	SEE PAGE
	362-4935	1	CONNECTOR (2-PIN)	
	460-2707	1	CONNECTOR (12-PIN)	
	460-4116	1	CONNECTOR (3-PIN)	
	155-2271	1	KIT-CONNECTING PLUG (4-PIN)	
	155-2260	1	KIT-CONNECTING PLUG (3-PIN)	
			(EACH PLUG KIT INCLUDES PLUG AS, WEDGE, & INTERFACE SEAL)	
	281-8811	1	PLUG AS-CONNECTOR (6-PIN)	
	455-0707	1	SEAL-CONNECTOR	
	8T-8737	19	PLUG-SEAL	
	456-1570	2	RING-TERMINAL	
	395-9551	2	SEAL	
	299-0348	1	SEAL-CABLE	
	303-4970	20	SOCKET-CONNECTOR (16-GA TO 20-GA)	
	356-2911	55	SOCKET-CONNECTOR (16-GA TO 20-GA)	
	334-5871	3	TERMINAL (2-PIN)	
			<END>	

ELECTRICAL AND STARTING SYSTEM

499-0182 HARNESS AS-FRONT-FRAME

S/N: TD61-UP; TD71-UP

PART OF 515-1888 WIRING GP-CHASSIS

SMCS-1408

i06624636

NOTE	PART NUMBER	QTY	PART NAME						SEE PAGE
			1	2	3	4	5	6 (PRODUCT LEVEL)	
	460-2707	4	CONNECTOR (12-PIN)						
	460-4116	3	CONNECTOR (3-PIN)						
	155-2260	3	KIT-CONNECTING PLUG (3-PIN)						
			(INCLUDES PLUG AS, WEDGE, & INTERFACE SEAL)						
	102-8801	1	KIT-RECEPTACLE (12-PIN)						
			(INCLUDES RECEPTACLE AS & WEDGE)						
	9X-3401	1	PIN-CONNECTOR (16-GA TO 18-GA)						
	303-4969	12	PIN-CONNECTOR (16-GA TO 20-GA)						
	334-5872	3	PLUG (6-PIN)						
	334-5874	1	PLUG (8-PIN)						
	274-8267	4	PLUG (4-GA)						
	247-8195	1	PLUG AS						
	197-7261	1	PLUG AS-CONNECTOR (19-PIN)						
	230-4011	1	PLUG AS-CONNECTOR (2-PIN)						
	8T-8737	37	PLUG-SEAL						
	456-1570	7	RING-TERMINAL						
	356-2911	6	SOCKET-CONNECTOR (16-GA TO 20-GA)						
	7T-0094	2	SOCKET-CONNECTOR (12-GA TO 14-GA)						
	322-4838	3	SOCKET-CONNECTOR (16-GA TO 18-GA)						
	303-4970	82	SOCKET-CONNECTOR (16-GA TO 20-GA)						
	334-5871	7	TERMINAL (2-PIN)						
	334-5879	6	TERMINAL						
			<END>						

474-4112 HARNESS AS-HEATER & AIR COND

S/N: TD61-UP; TD71-UP

PART OF 501-0753, 514-4876 AIR CONDITIONER & MOUNTING GP
AN ATTACHMENT

SMCS-1408

i06702620

NOTE	PART NUMBER	QTY	PART NAME						SEE PAGE
			1	2	3	4	5	6 (PRODUCT LEVEL)	
	362-4935	1	CONNECTOR (2-PIN)						
	362-6360	2	CONNECTOR (2-PIN)						
	9W-0852	4	PIN-CONNECTOR (14-GA TO 16-GA)						
	303-4969	2	PIN-CONNECTOR (16-GA TO 20-GA)						
	7R-2750	4	SEAL-CONNECTOR						
	267-9572	4	SOCKET-CONNECTION (18-GA)						
	334-5873	1	TERMINAL (6-PIN)						
			<END>						

ELECTRICAL AND STARTING SYSTEM

477-1801 HARNESS AS-LIGHTING

S/N: TD61-UP

PART OF 515-0962, 515-0966 LIGHTING GP-FRONT
AN ATTACHMENT

SMCS-1408

i06895624

NOTE	PART NUMBER	QTY	PART NAME						SEE PAGE
			1	2	3	4	5	6 (PRODUCT LEVEL)	
	9W-0852	5	PIN-CONNECTOR (14-GA TO 16-GA)						
	334-5872	1	PLUG (6-PIN)						
	8T-8737	2	PLUG-SEAL						
	334-5873	1	TERMINAL (6-PIN)						
	9W-0844	5	SOCKET-CONNECTOR (14-GA TO 16-GA)						
<END>									

ELECTRICAL AND STARTING SYSTEM

495-3047 HARNESS AS-LIGHTING

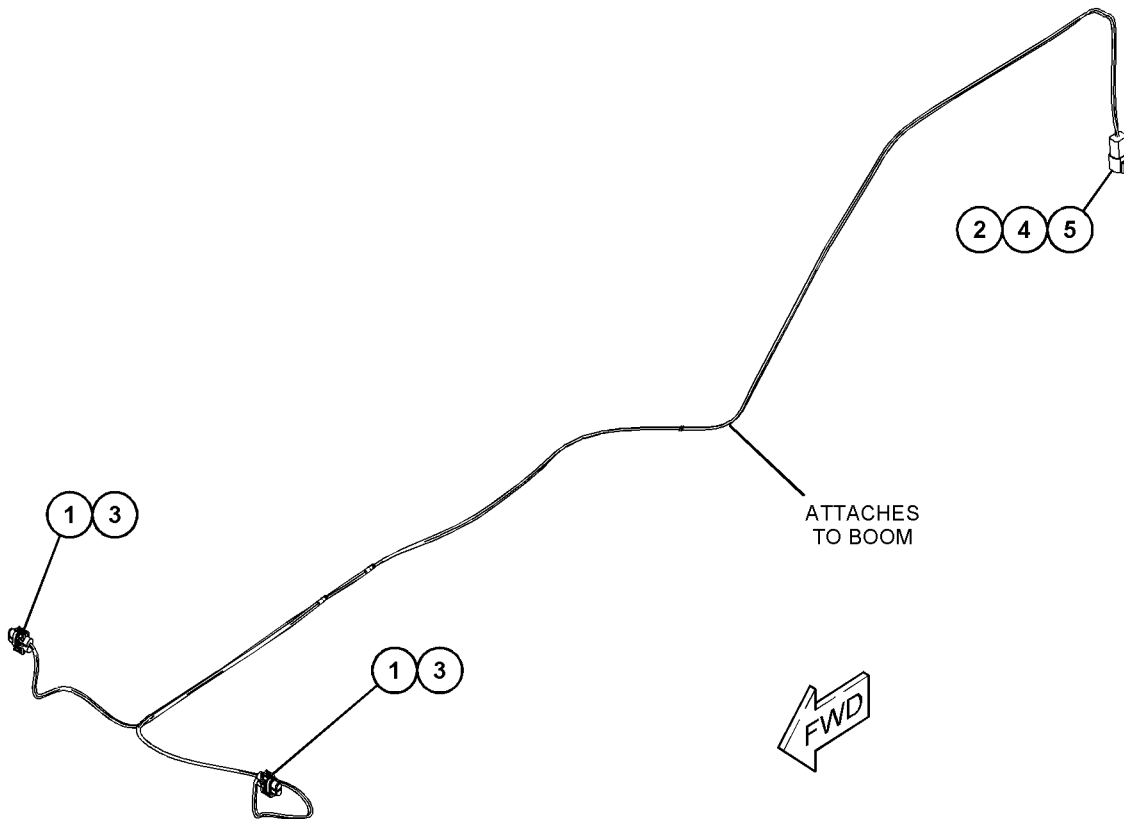
S/N: TD61-UP; TD71-UP

PART OF 495-2278 LIGHTING GP-BOOM, 503-7090 LIGHTING GP-FRONT
AN ATTACHMENT

SMCS-1408

i06635892

NOTE	REF NO	GRAPHIC REF	PART NUMBER	QTY	PART NAME						SEE PAGE
					1	2	3	4	5	6 (PRODUCT LEVEL)	
	1	1	334-5876	2	CONNECTOR AS						
	2	1	323-7237	1	RECEPTACLE (4-PIN)						
	3	1	357-6165	4	CONNECTOR (3-PIN)						
	4	1	303-4969	2	PIN-CONNECTOR (16-GA TO 20-GA)						
	5	1	8T-8737	2	PLUG-SEAL						



GRAPHIC #1

<END>

g06056923

ELECTRICAL AND STARTING SYSTEM

499-0183 HARNESS AS-REAR-FRAME

S/N: TD61-UP; TD71-UP

PART OF 515-1888 WIRING GP-CHASSIS

SMCS-1408

i06624635

NOTE	PART NUMBER	QTY	PART NAME 1 2 3 4 5 6 (PRODUCT LEVEL)	SEE PAGE
	362-6360	1	CONNECTOR (2-PIN)	
	460-2707	1	CONNECTOR (12-PIN)	
	460-4116	1	CONNECTOR (3-PIN)	
	102-8801	1	KIT-RECEPTACLE (12-PIN) (INCLUDES RECEPTACLE AS & WEDGE)	
	5E-9295	2	PIN-CONNECTOR (6-GA)	
	9W-0852	1	PIN-CONNECTOR (14-GA TO 16-GA)	
	303-4969	10	PIN-CONNECTOR (16-GA TO 20-GA)	
	334-5870	3	PLUG (4-PIN)	
	334-5872	2	PLUG (6-PIN)	
	334-5875	1	PLUG	
	247-8195	1	PLUG AS	
	217-5888	2	PLUG AS-CONNECTOR (3-PIN)	
	8T-8737	18	PLUG-SEAL	
	203-8977	1	RECEPTACLE AS (6-PIN)	
	159-9496	1	LOCKWASHER	
	203-9007	1	NUT (1-1/2-18-THD)	
	203-9000	1	PLUG AS (6-PIN)	
	203-8999	2	SEAL	
	203-9001	2	SLEEVE	
	456-1570	2	RING-TERMINAL	
	210-8314	6	SEAL	
	128-5016	2	SEAL-CABLE	
	303-4970	53	SOCKET-CONNECTOR (16-GA TO 20-GA)	
	322-4838	3	SOCKET-CONNECTOR (16-GA TO 18-GA)	
	334-5871	16	TERMINAL (2-PIN)	
	384-3682	12	TERMINAL	
<END>				

361-7856 HARNESS AS-WIRING-LIGHT

S/N: TD61-UP; TD71-UP

PART OF 496-8320 INSTALLATION GP-WARNING BEACON
AN ATTACHMENT

SMCS-1408

i06841123

NOTE	PART NUMBER	QTY	PART NAME 1 2 3 4 5 6 (PRODUCT LEVEL)	SEE PAGE
	323-7237	1	RECEPTACLE (4-PIN)	
<END>				

ELECTRICAL AND STARTING SYSTEM

448-0757 HARNESS AS-WIRING

S/N: W231-UP

PART OF 417-4227, 492-2945 WIRING GP-ENGINE
ALSO AN ATTACHMENT

SMCS-1408

i06548455

NOTE	PART NUMBER	QTY	PART NAME 1 2 3 4 5 6 (PRODUCT LEVEL)	SEE PAGE
E	292-2896		CONDUIT (109-CM)	
	8C-6354	1	CAP-RECEPTACLE (ET CONNECTOR)	
	245-1044	2	LOCK-CONNECTOR	
	206-1345	4	STRAP-CABLE	
	316-9351	5	MOUNTING-CABLE TIE	
	9X-3401	6	PIN-CONNECTOR (16-GA TO 18-GA)	
			-OR-	
	126-1767	6	PIN-CONNECTOR (14-GA TO 16-GA)	
	155-2271	4	KIT-CONNECTING PLUG (4-PIN)	
			(EACH INCLUDES PLUG AS, WEDGE & INTERFACE SEAL)	
	230-4011	2	PLUG AS-CONNECTOR (2-PIN)	
			(EACH INCLUDES)	
	455-0704	1	SEAL-CONNECTOR	
	245-1043	1	PLUG GP-CONNECTOR (64-PIN)	
M	267-7207	1	BOLT-SPECIAL (M6X1-THD)	
	267-7208	1	RING-RETAINING	
	274-4990	1	SEAL	
	281-8804	2	PLUG AS-CONNECTOR (3-PIN)	
			(EACH INCLUDES)	
	455-0705	1	SEAL-CONNECTOR	
	245-1048	33	PLUG-CONNECTOR (1-PIN)	
	8T-8737	3	PLUG-SEAL	
	270-1784	1	RECEPTACLE	
	185-1860	5	SEAL-WIRE	
	267-9572	32	SOCKET-CONNECTION (18-GA)	
	344-1686	4	SOCKET-CONNECTOR (18-GA)	
	217-9039	8	STRAP-CABLE	
E	125-7874		TUBE-HEAT SHRINK (5.72-MM DIA) (10-CM)	

E - ORDER BY THE CENTIMETER
M - METRIC PART

<END>

ELECTRICAL AND STARTING SYSTEM

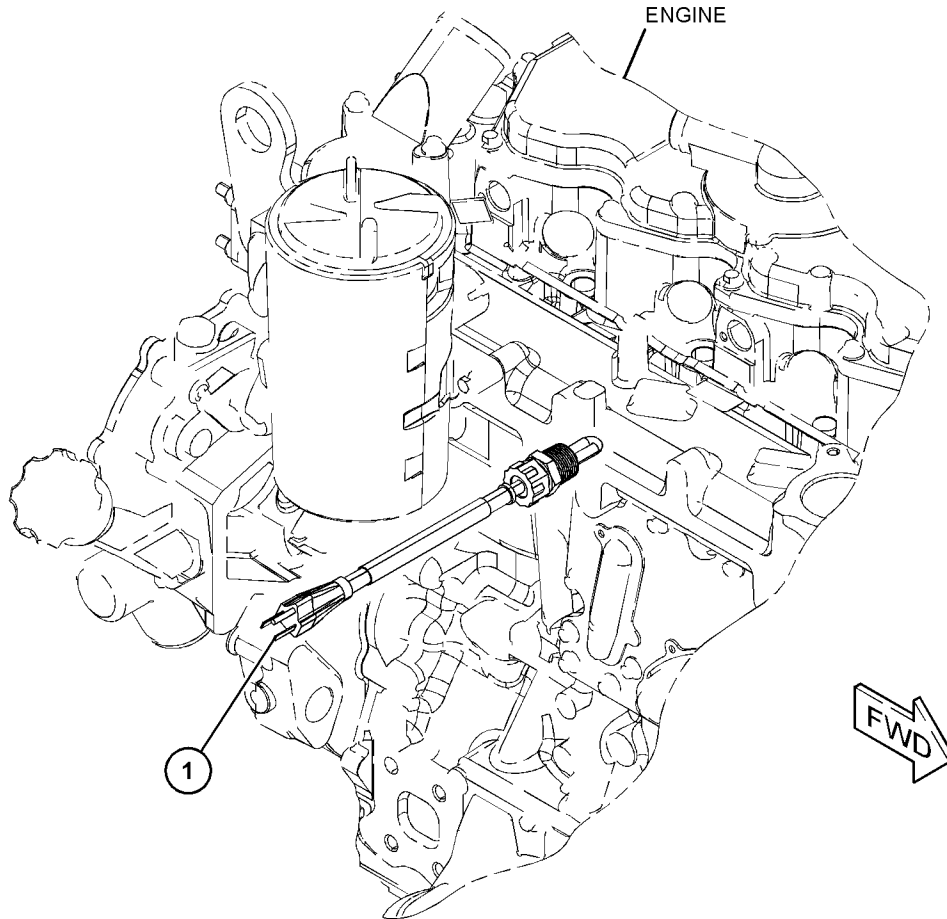
389-3543 HEATER GP-BLOCK

S/N: TD61-UP
120-VOLT, 600-WATT
AN ATTACHMENT

SMCS-1383

i05838915

NOTE	REF NO	GRAPHIC REF	PART NUMBER	QTY	PART NAME						SEE PAGE
					1	2	3	4	5	6 (PRODUCT LEVEL)	
	1	1	384-2284	1	HEATER-JACKET WATER (120-VOLT)						



GRAPHIC #1

<END>

g03658796

ELECTRICAL AND STARTING SYSTEM

437-1994 HEATER GP-BLOCK

S/N: TD61-UP

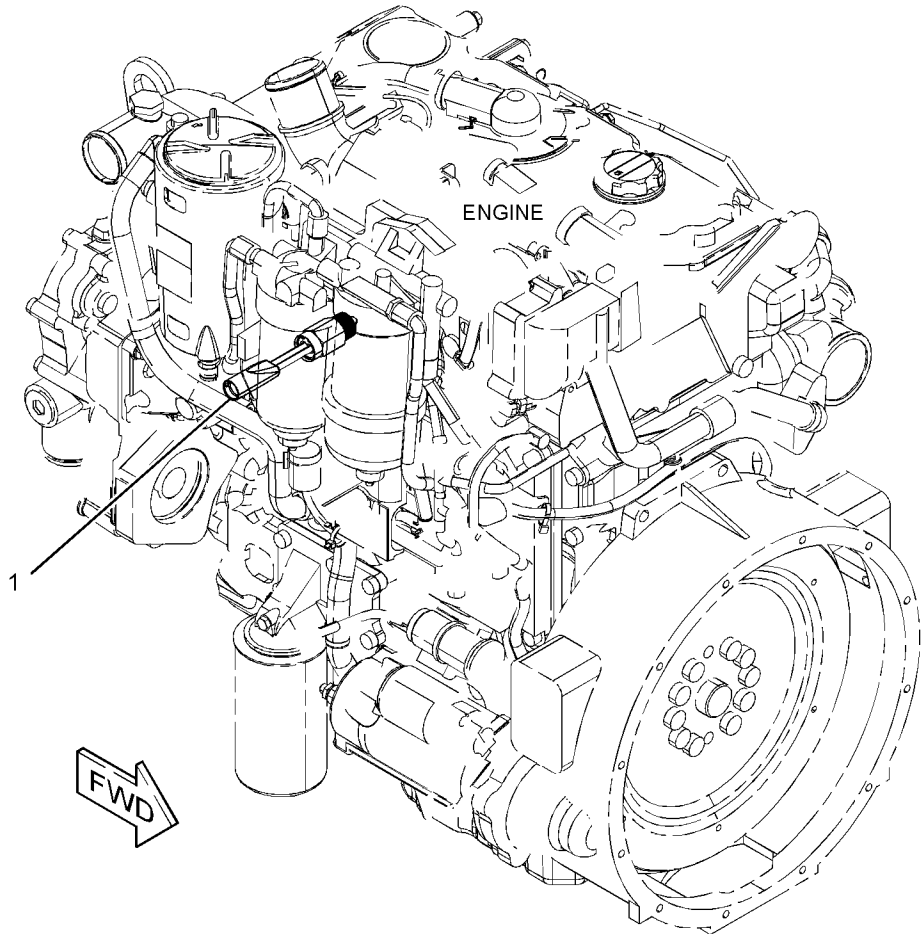
230-VOLT

AN ATTACHMENT

SMCS-1383

i05838913

NOTE	REF NO	GRAPHIC REF	PART NUMBER	QTY	PART NAME						SEE PAGE
					1	2	3	4	5	6 (PRODUCT LEVEL)	
	1	1	437-2042	1	BLOCK						



GRAPHIC #1

<END>

g03641019

ELECTRICAL AND STARTING SYSTEM

437-4176 HEATER GP-BLOCK

S/N: TD61-UP

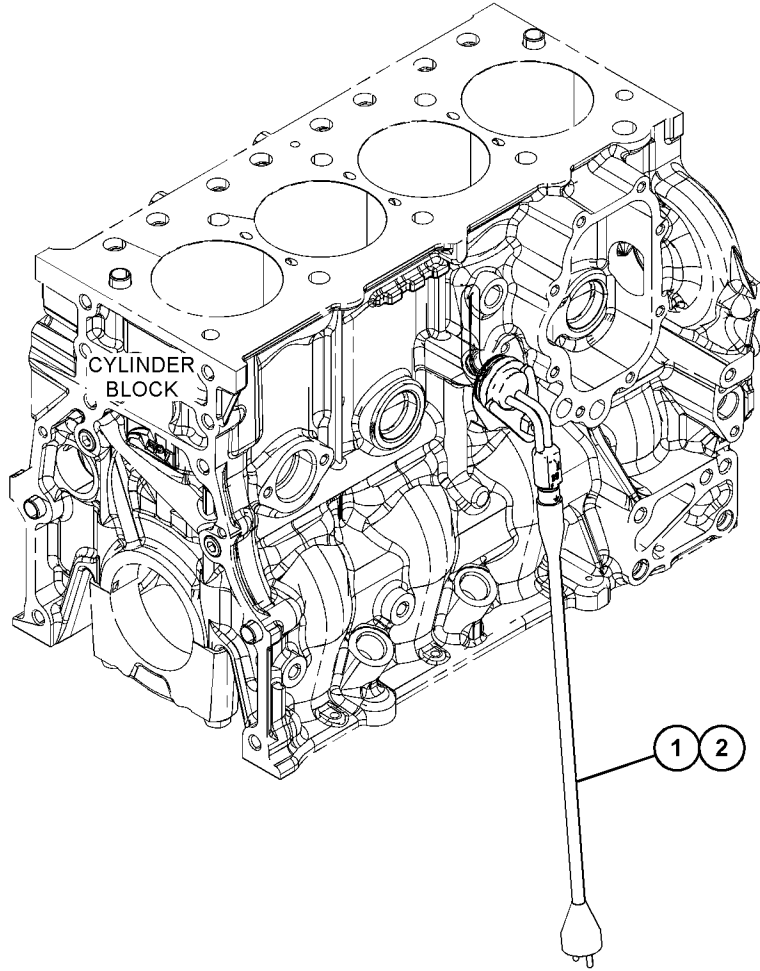
230-VOLT

AN ATTACHMENT

SMCS-1383

i05838543

NOTE	REF NO	GRAPHIC REF	PART NUMBER	QTY	PART NAME						SEE PAGE
					1	2	3	4	5	6 (PRODUCT LEVEL)	
1	1	1	437-4177	1	HEATER AS-JACKET WATER						
2	1	1	437-4178	1	CABLE AS						



GRAPHIC #1

<END>

g0366009

ELECTRICAL AND STARTING SYSTEM

453-7296 HEATER GP-BLOCK

S/N: TD61-UP
AN ATTACHMENT

SMCS-1383

i05691691

NOTE	PART NUMBER	QTY	PART NAME						SEE PAGE
			1	2	3	4	5	6 (PRODUCT LEVEL)	
	399-1368	1	HARNES AS-HEATER						
	399-1355	1	HEATER AS						
<END>									

ELECTRICAL AND STARTING SYSTEM

219-3270 HEATER GP-JACKET WATER

S/N: TD71-UP

240 VOLT-1000 WATT

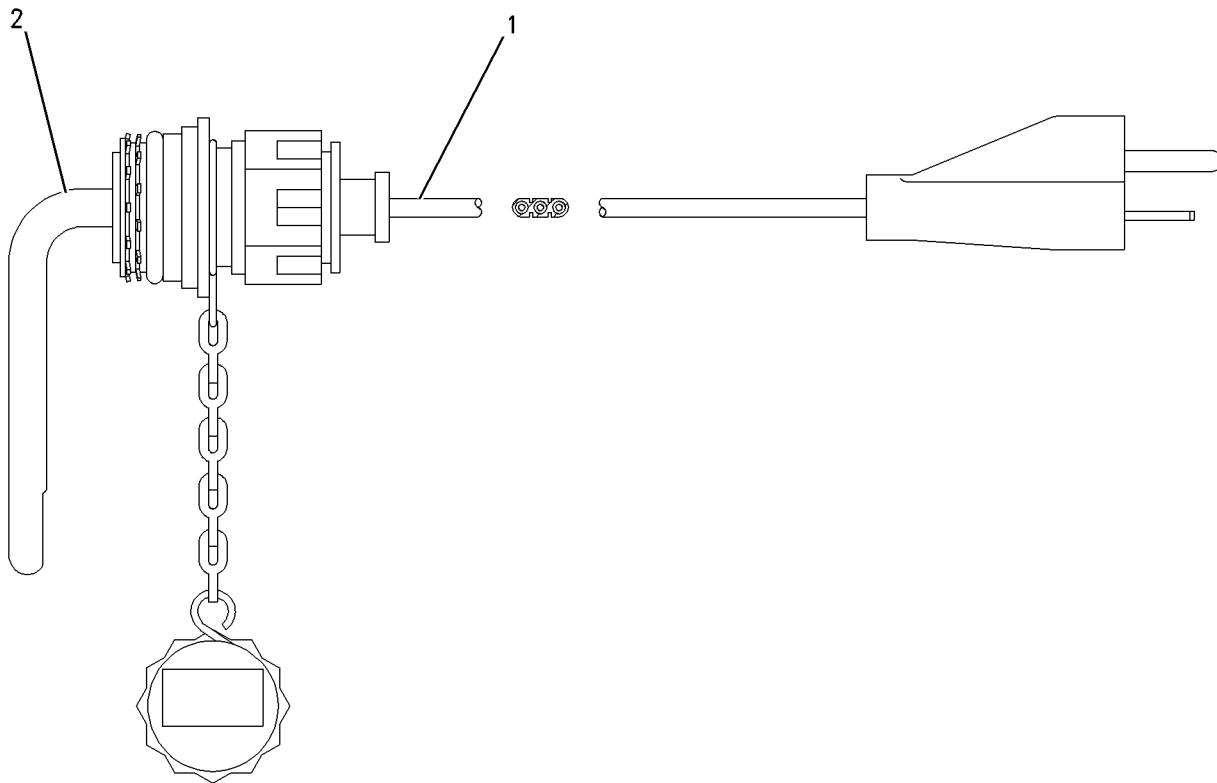
PART OF 505-9433 HEATER GP-JACKET WATER

AN ATTACHMENT

SMCS-1383

i07213654

NOTE	REF NO	GRAPHIC REF	PART NUMBER	QTY	PART NAME						SEE PAGE
					1	2	3	4	5	6 (PRODUCT LEVEL)	
	1	1	127-8609	1	CORD AS-HEATER ELEMENT (240-VOLT, 15-AMPERE)						
	2	1	219-3271	1	ELEMENT AS-JACKET WATER HEATER (240-VOLT, 1000-WATT)						
		1	133-3413	1	KIT-SEAL (WATER JACKET) (INCLUDES SEAL, SPACER & RINGS)						
		1	133-6517	1	CAP AS-DUST						



GRAPHIC #1

<END>

g00849189

ELECTRICAL AND STARTING SYSTEM

219-3272 HEATER GP-JACKET WATER

S/N: TD71-UP

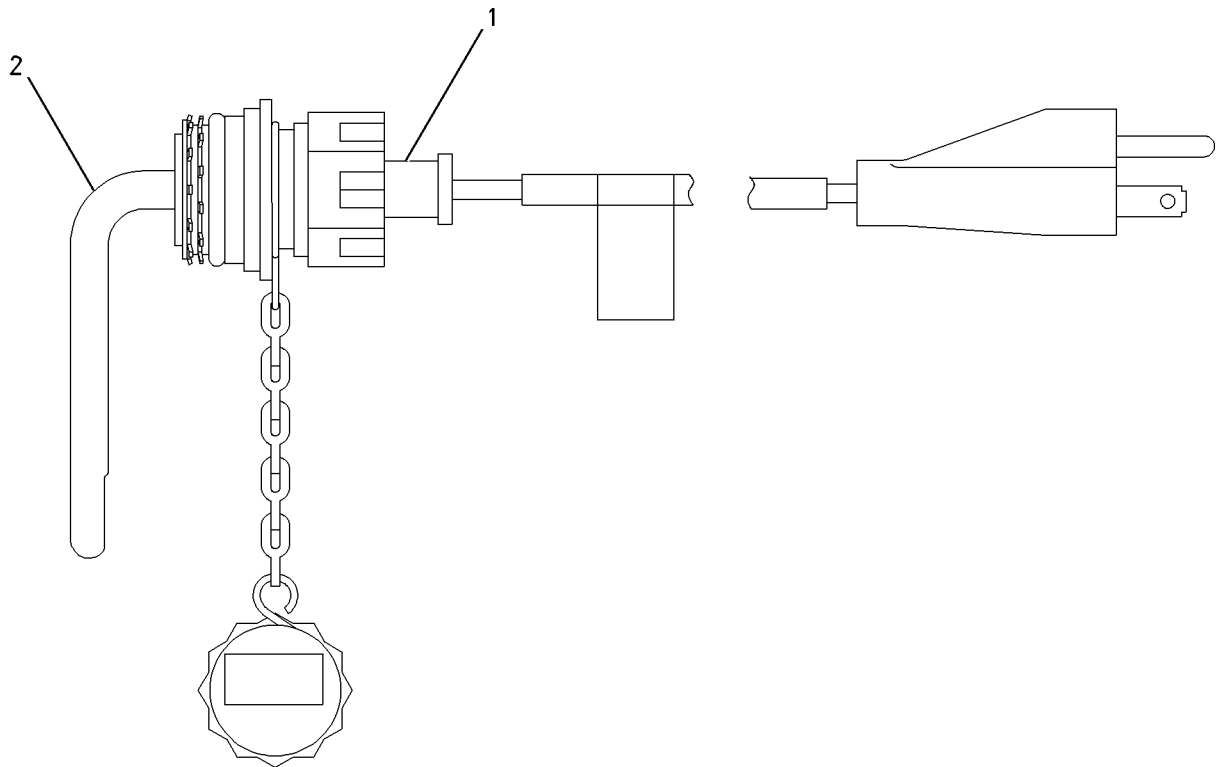
120 VOLT-1000 WATT

PART OF 505-9579 HEATER GP-JACKET WATER
AN ATTACHMENT

SMCS-1383

i02394617

NOTE	REF NO	GRAPHIC REF	PART NUMBER	QTY	PART NAME						SEE PAGE
					1	2	3	4	5	6 (PRODUCT LEVEL)	
	1	1	7X-6312	1	CORD AS-HEATER ELEMENT (120-VOLT, 15-AMPERE)						
	2	1	219-3273	1	ELEMENT AS-JACKET WATER HEATER (120-VOLT, 1000-WATT)						
		1	133-3413	1	KIT-SEAL (WATER JACKET) (INCLUDES SEAL, SPACER & RINGS)						
		1	133-6517	1	CAP AS-DUST						



GRAPHIC #1

<END>

g00890341

ELECTRICAL AND STARTING SYSTEM

505-9433 HEATER GP-JACKET WATER

S/N: TD71-UP

CANNOT BE USED WITH 437-1994-PAGE: 355, 389-3543-PAGE: 354, 453-7296-PAGE: 357,
505-9579-PAGE: 361
AN ATTACHMENT

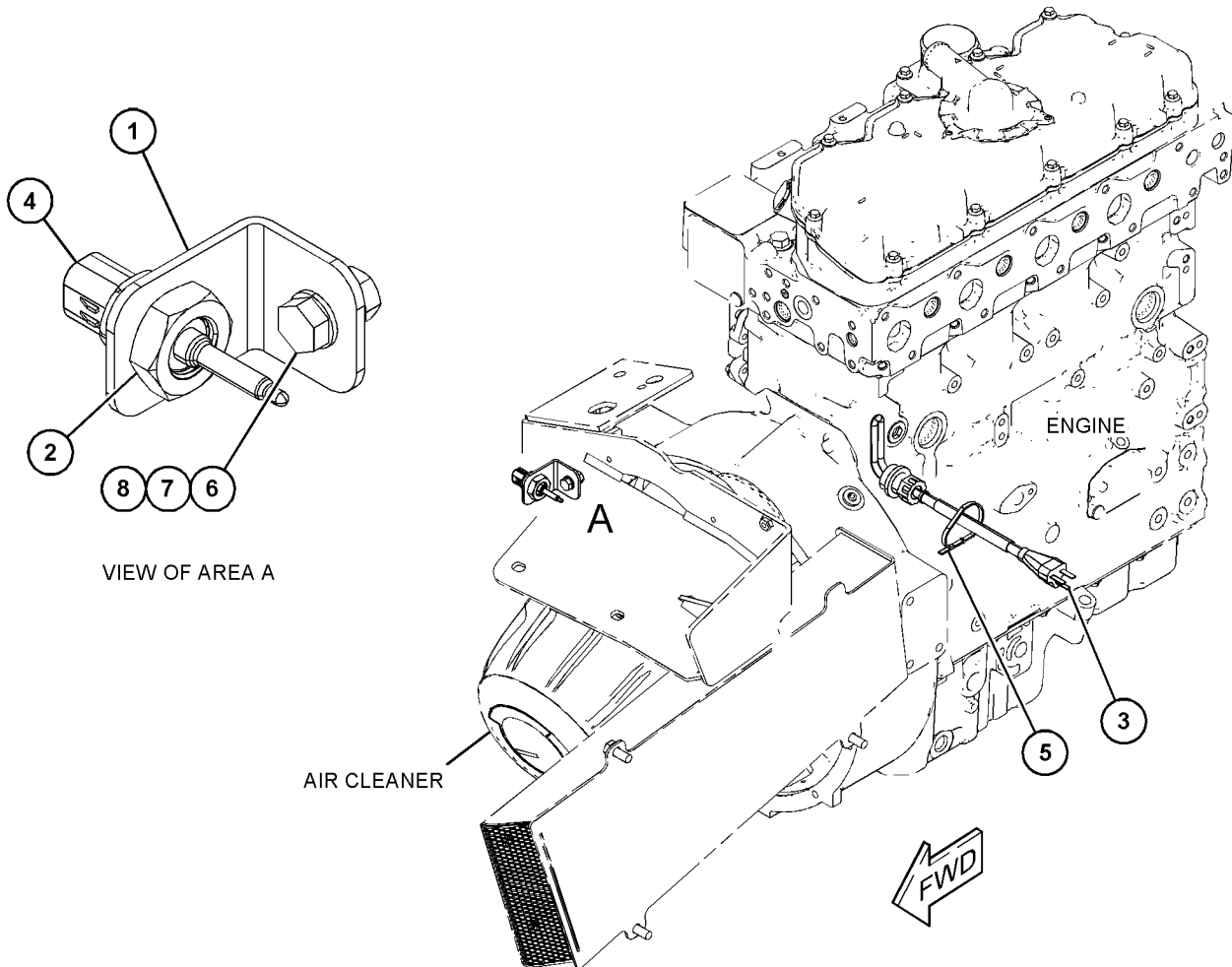
SMCS-1383

i06602091

NOTE	REF NO	GRAPHIC REF	PART NUMBER	QTY	PART NAME						SEE PAGE
					1	2	3	4	5	6	
	1	1	481-8596	1	BRACKET (SENSOR)						
M	2	1	505-9432	1	NUT (M18X1.5-THD)						
Y	3	1	<i>219-3270</i>	1	HEATER GP-JACKET WATER						358
	4	1	256-6454	1	SENSOR-TEMPERATURE						
	5	1	9X-6772	1	STRAP-CABLE						
M	6	1	8T-4189	1	BOLT (M8X1.25X20-MM)						
M	7	1	344-5674	1	NUT (M8X1.25-THD)						
	8	1	8T-4224	1	WASHER-HARD (8.8X16X2-MM THK)						

M - METRIC PART

Y - SEPARATE ILLUSTRATION



GRAPHIC #1

<END>

g06045461

ELECTRICAL AND STARTING SYSTEM

505-9579 HEATER GP-JACKET WATER

S/N: TD71-UP

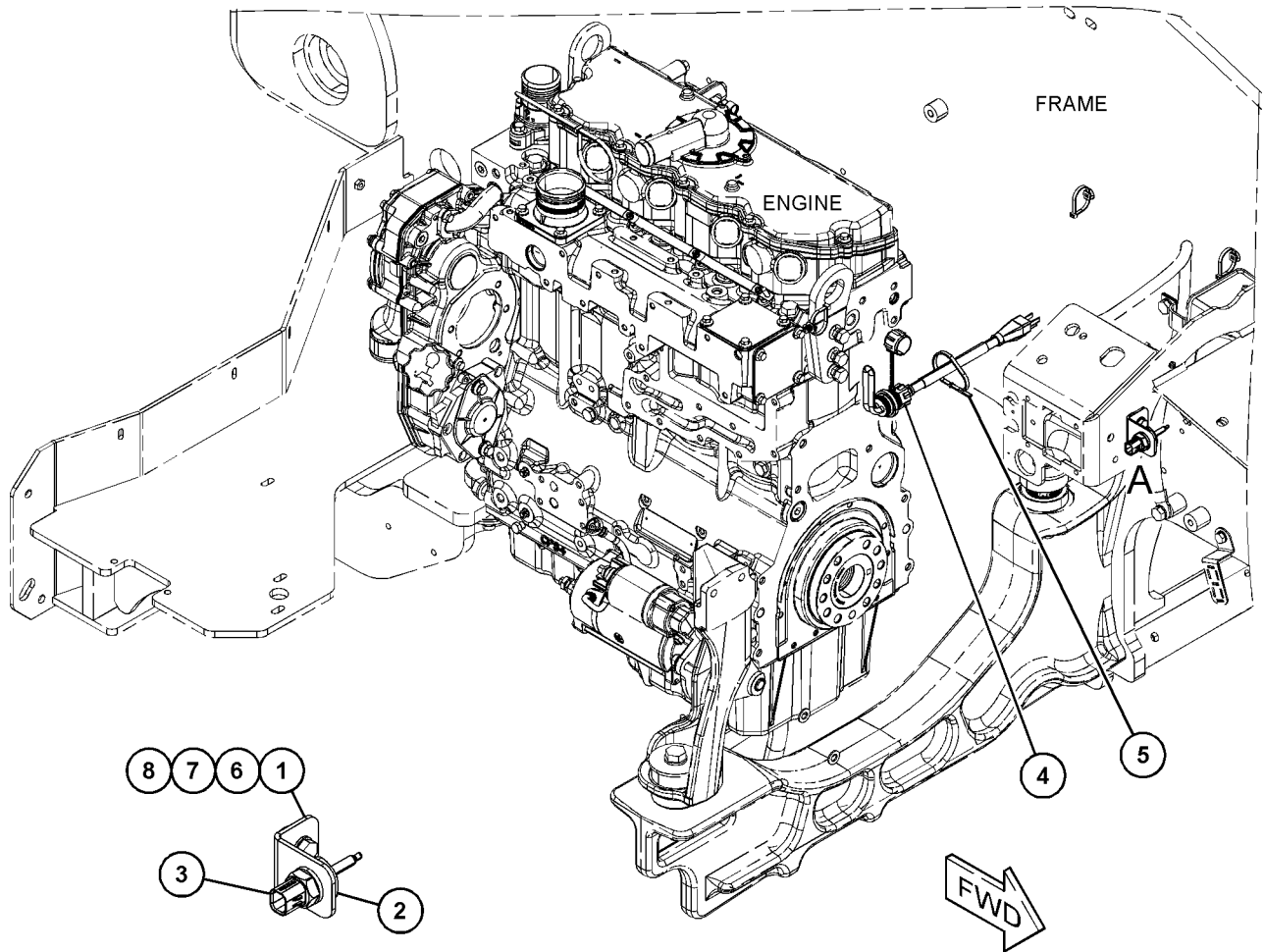
CANNOT BE USED WITH 437-4176-PAGE: 356, 389-3543-PAGE: 354, 453-7296-PAGE: 357,
505-9433-PAGE: 360
AN ATTACHMENT

SMCS-1383

i06602090

NOTE	REF NO	GRAPHIC REF	PART NUMBER	QTY	PART NAME						SEE PAGE
					1	2	3	4	5	6 (PRODUCT LEVEL)	
	1	1	8T-4224	2	WASHER-HARD (8.8X16X2-MM THK)						
M	2	1	505-9432	1	NUT (M18X1.5-THD)						
	3	1	256-6454	1	SENSOR-TEMPERATURE (AMBIENT AIR)						
Y	4	1	219-3272	1	HEATER GP-JACKET WATER						359
	5	1	9X-6772	1	STRAP-CABLE						
	6	1	481-8596	1	BRACKET (SENSOR)						
M	7	1	8T-4189	1	BOLT (M8X1.25X20-MM)						
M	8	1	5C-7261	1	NUT (M8X1.25-THD)						

M - METRIC PART
Y - SEPARATE ILLUSTRATION



GRAPHIC #1

VIEW OF AREA A

<END>

g06043526

ELECTRICAL AND STARTING SYSTEM

523-8303 INSTALLATION AR-COMMUNICATION-PL641, A/C, 3.4L

S/N: TD61-UP
AN ATTACHMENT

SMCS-5267, 7606

i06895457

NOTE	PART NUMBER	QTY	PART NAME						SEE PAGE
			1	2	3	4	5	6 (PRODUCT LEVEL)	
Y	501-0359	1	INSTALLATION GP-COMMUNICATION						365
Y	524-8430	1	WIRING GP-CONTROL						444
Y - SEPARATE ILLUSTRATION									
<END>									

523-8304 INSTALLATION AR-COMMUNICATION-PL641, A/C, 4.4L

S/N: TD61-UP
AN ATTACHMENT

SMCS-5267, 7606

i06895460

NOTE	PART NUMBER	QTY	PART NAME						SEE PAGE
			1	2	3	4	5	6 (PRODUCT LEVEL)	
Y	501-0359	1	INSTALLATION GP-COMMUNICATION						365
Y	524-8428	1	WIRING GP-CONTROL						442
Y - SEPARATE ILLUSTRATION									
<END>									

523-8305 INSTALLATION AR-COMMUNICATION-PL641, 3.4L

S/N: TD61-UP
AN ATTACHMENT

SMCS-5267, 7606

i06895467

NOTE	PART NUMBER	QTY	PART NAME						SEE PAGE
			1	2	3	4	5	6 (PRODUCT LEVEL)	
Y	501-0360	1	INSTALLATION GP-COMMUNICATION						366
Y	524-8430	1	WIRING GP-CONTROL						444
Y - SEPARATE ILLUSTRATION									
<END>									

523-8306 INSTALLATION AR-COMMUNICATION-PL641, 4.4L

S/N: TD61-UP
AN ATTACHMENT

SMCS-5267, 7606

i06893201

NOTE	PART NUMBER	QTY	PART NAME						SEE PAGE
			1	2	3	4	5	6 (PRODUCT LEVEL)	
Y	501-0360	1	INSTALLATION GP-COMMUNICATION						366
Y	524-8428	1	WIRING GP-CONTROL						442
Y - SEPARATE ILLUSTRATION									
<END>									

ELECTRICAL AND STARTING SYSTEM

523-8307 INSTALLATION AR-COMMUNICATION-PL641, A/C, LESSER REGULATED COUNTRIES S/N: TD71-UP AN ATTACHMENT

SMCS-5267, 7606

i06895471

NOTE	PART NUMBER	QTY	PART NAME						SEE PAGE
			1	2	3	4	5	6 (PRODUCT LEVEL)	
Y	501-0359	1	INSTALLATION GP-COMMUNICATION						365
Y	524-8429	1	WIRING GP-CONTROL						443

Y - SEPARATE ILLUSTRATION

<END>

523-8308 INSTALLATION AR-COMMUNICATION-PL641, LESSER REGULATED COUNTRIES S/N: TD71-UP AN ATTACHMENT

SMCS-5267, 7606

i06895476

NOTE	PART NUMBER	QTY	PART NAME						SEE PAGE
			1	2	3	4	5	6 (PRODUCT LEVEL)	
Y	501-0360	1	INSTALLATION GP-COMMUNICATION						366
Y	524-8429	1	WIRING GP-CONTROL						443

Y - SEPARATE ILLUSTRATION

<END>

ELECTRICAL AND STARTING SYSTEM

496-8311 INSTALLATION AR-LOAD MGT IND

S/N: TD61-UP; TD71-UP

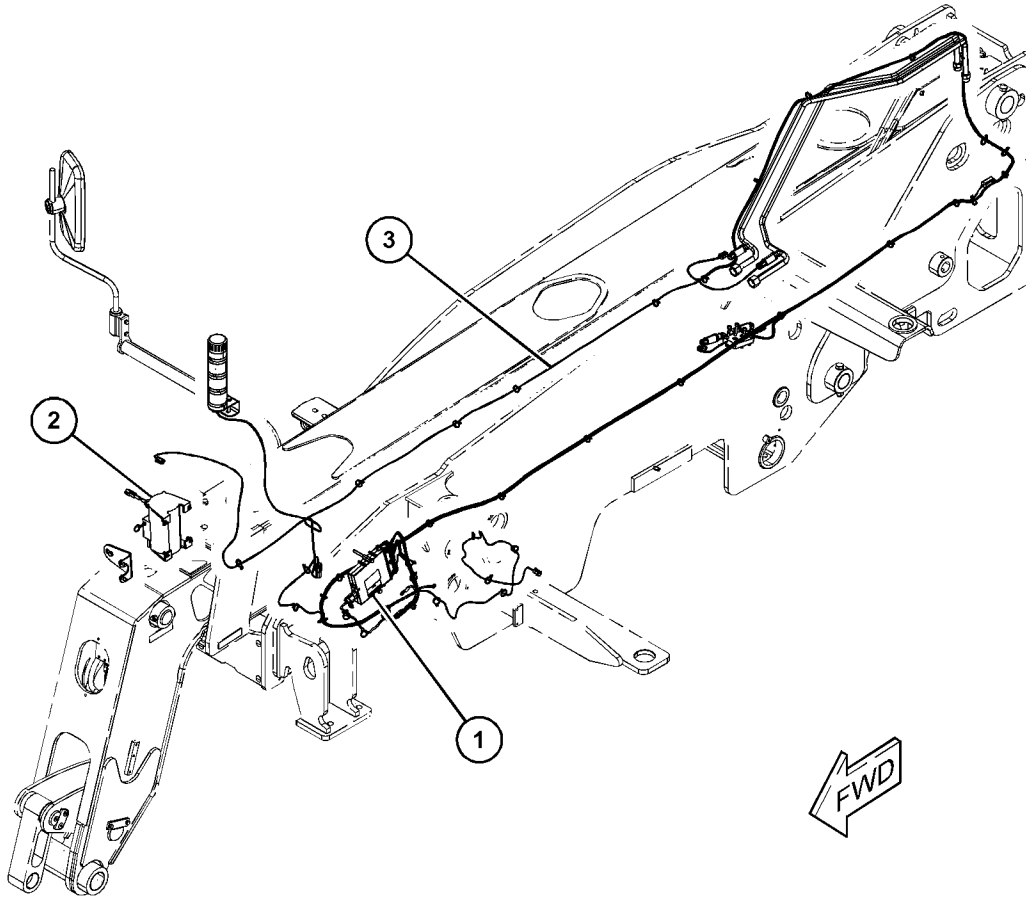
AN ATTACHMENT

SMCS-7856

i06889512

NOTE	REF NO	GRAPHIC REF	PART NUMBER	QTY	PART NAME						SEE PAGE
					1	2	3	4	5	6 (PRODUCT LEVEL)	
Y	1	1	496-8312	1	CONTROL GP-ELECTRONIC						338
Y	2	1	496-8313	1	SENSOR & MTG GP-PRESSURE						406
Y	3	1	496-8318	1	WIRING GP-BOOM (LOAD MANAGEMENT INDICATOR SYSTEM)						435

Y - SEPARATE ILLUSTRATION



GRAPHIC #1

<END>

g06160389

ELECTRICAL AND STARTING SYSTEM

501-0359 INSTALLATION GP-COMMUNICATION

S/N: TD61-UP; TD71-UP

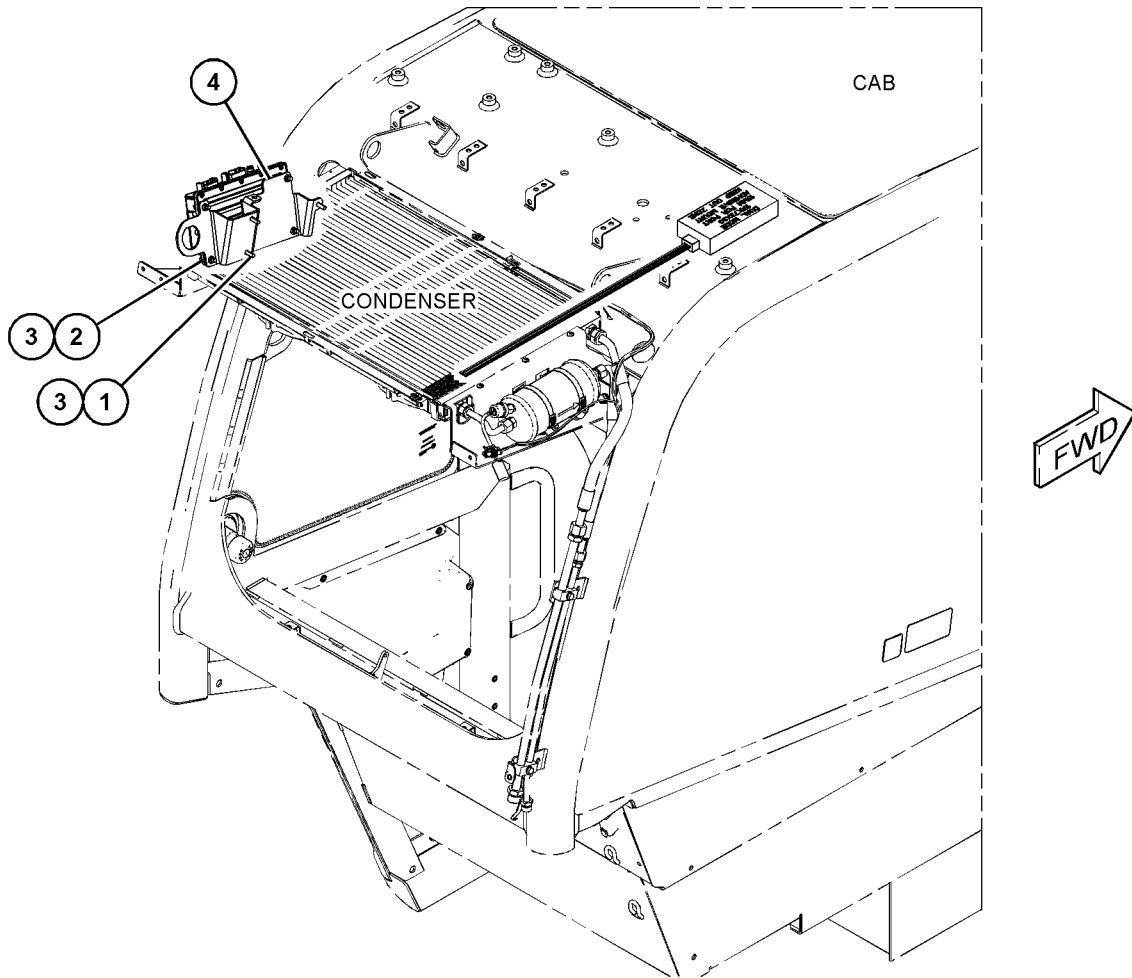
PART OF 523-8303, 523-8304, 523-8307 INSTALLATION AR-COMMUNICATION
AN ATTACHMENT

SMCS-1408, 7602, 7606, 7620

i06893944

NOTE	REF NO	GRAPHIC REF	PART NUMBER	QTY	PART NAME						SEE PAGE
					1	2	3	4	5	6 (PRODUCT LEVEL)	
M	1	1	8T-4138	3	BOLT (M6X1X20-MM)						
M	2	1	6V-7357	4	BOLT (M6X1X25-MM)						
	3	1	8T-4205	7	WASHER-HARD (7.2X14.5X2-MM THK)						
	4	1	518-1351	1	BRACKET AS						

M - METRIC PART



GRAPHIC #1

<END>

g06132425

ELECTRICAL AND STARTING SYSTEM

501-0360 INSTALLATION GP-COMMUNICATION

S/N: TD61-UP; TD71-UP

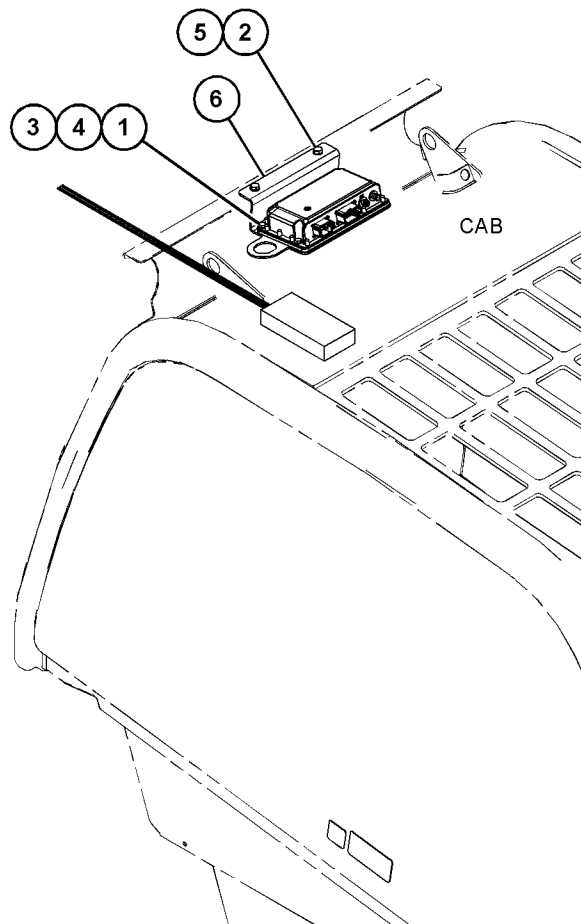
PART OF 523-8305, 523-8306, 523-8308 INSTALLATION AR-COMMUNICATION
AN ATTACHMENT

SMCS-1408, 7602, 7606, 7620

i06575667

NOTE	REF NO	GRAPHIC REF	PART NUMBER	QTY	PART NAME						SEE PAGE
					1	2	3	4	5	6 (PRODUCT LEVEL)	
M	1	1	8T-4138	4	BOLT (M6X1X20-MM)						
M	2	1	8T-4200	2	BOLT (M8X1.25X16-MM)						
M	3	1	344-5673	4	NUT (M6X1-THD)						
	4	1	8T-4205	4	WASHER-HARD (7.2X14.5X2-MM THK)						
	5	1	8T-4224	2	WASHER-HARD (8.8X16X2-MM THK)						
	6	1	501-0361	1	BRACKET AS						

M - METRIC PART



GRAPHIC #1

<END>

g06049223

ELECTRICAL AND STARTING SYSTEM

496-8320 INSTALLATION GP-WARNING BEACON

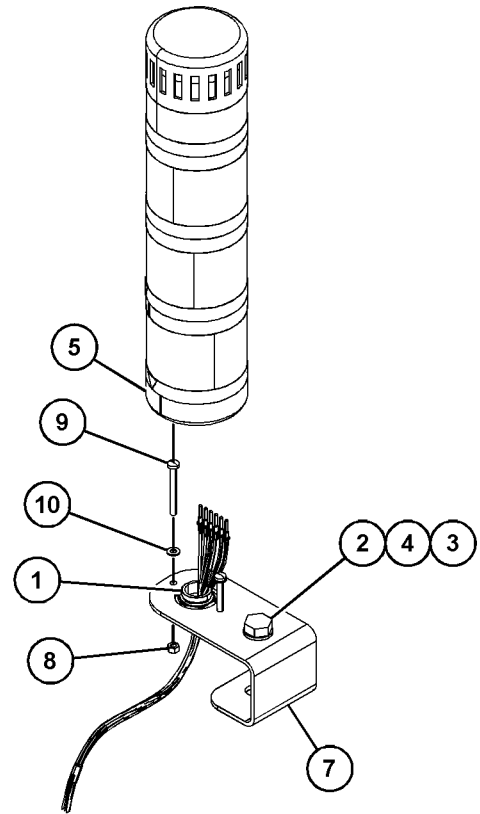
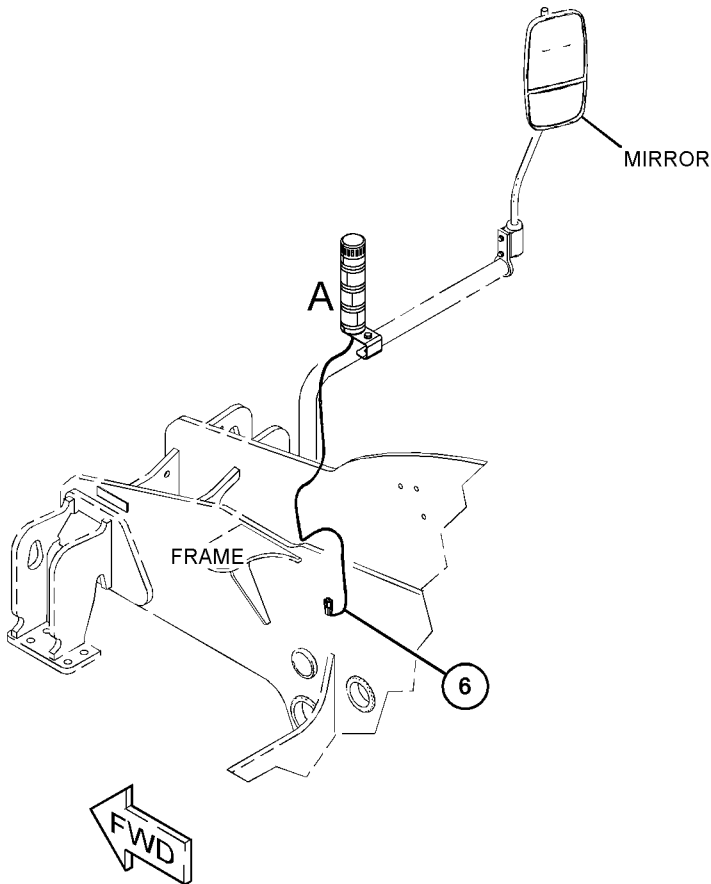
S/N: TD61-UP; TD71-UP
PART OF 496-8318 WIRING GP-BOOM
AN ATTACHMENT

SMCS-1408, 1429, 1431, 7553

i06604876

NOTE	REF NO	GRAPHIC REF	PART NUMBER	QTY	PART NAME						SEE PAGE
					1	2	3	4	5	6 (PRODUCT LEVEL)	
	1	1	453-2214	1	SEAL						
M	2	1	8T-5005	1	BOLT (M10X1.5X70-MM)						
M	3	1	8T-4133	1	NUT (M10X1.5-THD)						
	4	1	8T-4121	2	WASHER-HARD (11X21X2.5-MM THK)						
Y	5	1	432-4133	1	LIGHTING GP-WARNING						394
Y	6	1	361-7856	1	HARNESS AS-WIRING (LIGHT)						352
	7	1	496-8321	1	BRACKET						
M	8	1	178-9983	2	LOCKNUT (M4X0.7-THD)						
	9	1	332-3058	2	SCREW (M4X40-MM)						
	10	1	5W-5038	4	WASHER (4.3X9X0.8-MM THK)						

M - METRIC PART
Y - SEPARATE ILLUSTRATION



VIEW OF AREA A
(EXPLODED)

GRAPHIC #1

<END>

g06045587

ELECTRICAL AND STARTING SYSTEM

515-0961 LAMP GP-FRONT

S/N: TD71-UP

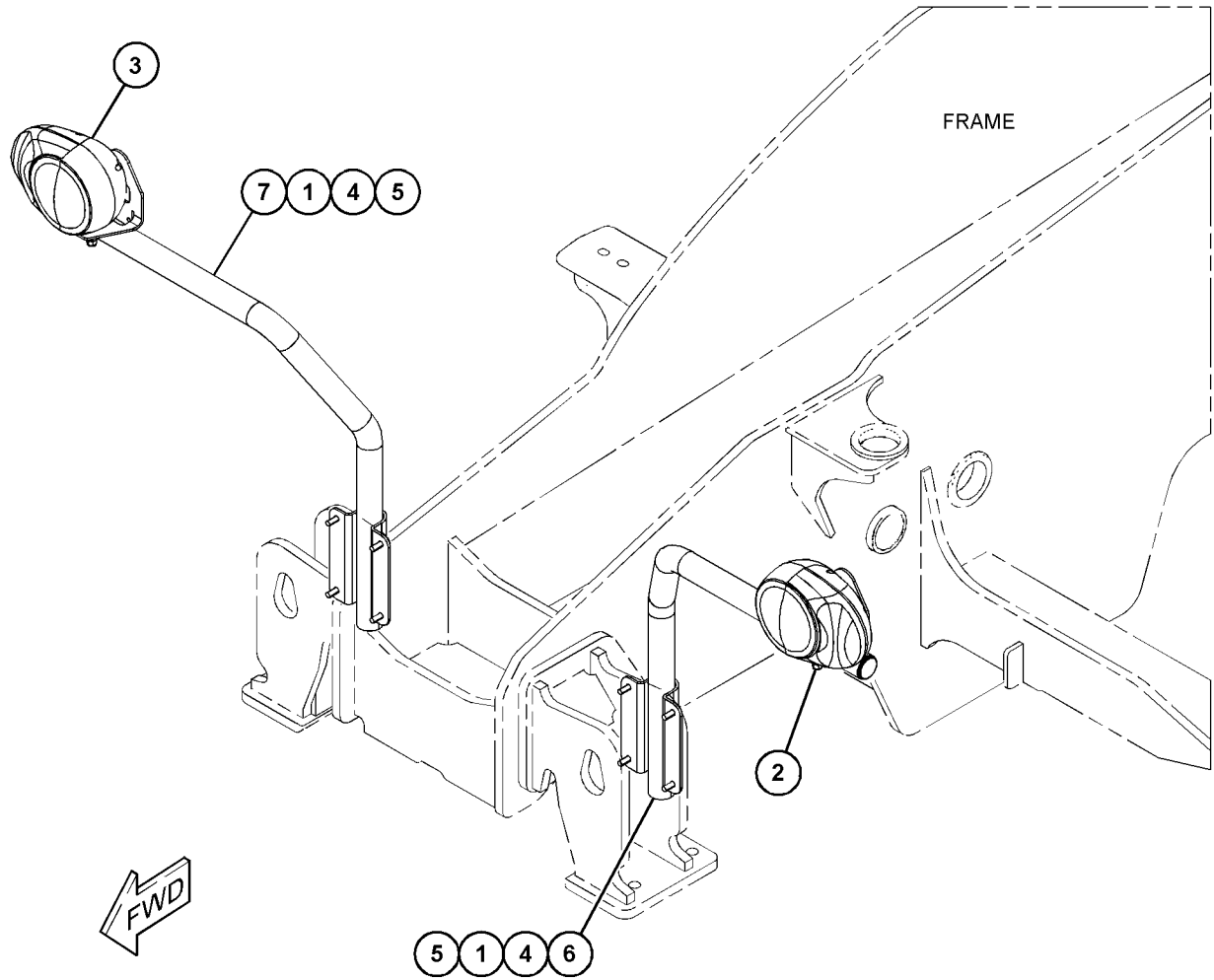
PART OF 515-0968 LIGHTING GP-ROADING
AN ATTACHMENT

SMCS-1429

i07213655

NOTE	REF NO	GRAPHIC REF	PART NUMBER	QTY	PART NAME						SEE PAGE
					1	2	3	4	5	6	
M	1	1	8T-4195	8	BOLT (M10X1.5X30-MM)						
	2	1	303-4955	1	LAMP GP (LH)						
	3	1	303-4956	1	LAMP GP (RH)						
(EACH LAMP GP INCLUDES)											
		1	305-2107	1	LAMP (12-VOLT) (LOW BEAM)						
		1	305-2108	1	LAMP (12-VOLT) (HEADLIGHT)						
		1	305-2109	1	LAMP (12-VOLT) (TURN SIGNAL)						
	4	1	8T-4121	8	WASHER-HARD (11X21X2.5-MM THK)						
	5	1	314-5567	2	PLUG						
	6	1	501-4953	1	BRACKET AS						
	7	1	501-5075	1	BRACKET AS						

M - METRIC PART



GRAPHIC #1

<END>

g06162165

ELECTRICAL AND STARTING SYSTEM

515-0972 LAMP GP-FRONT

S/N: TD71-UP

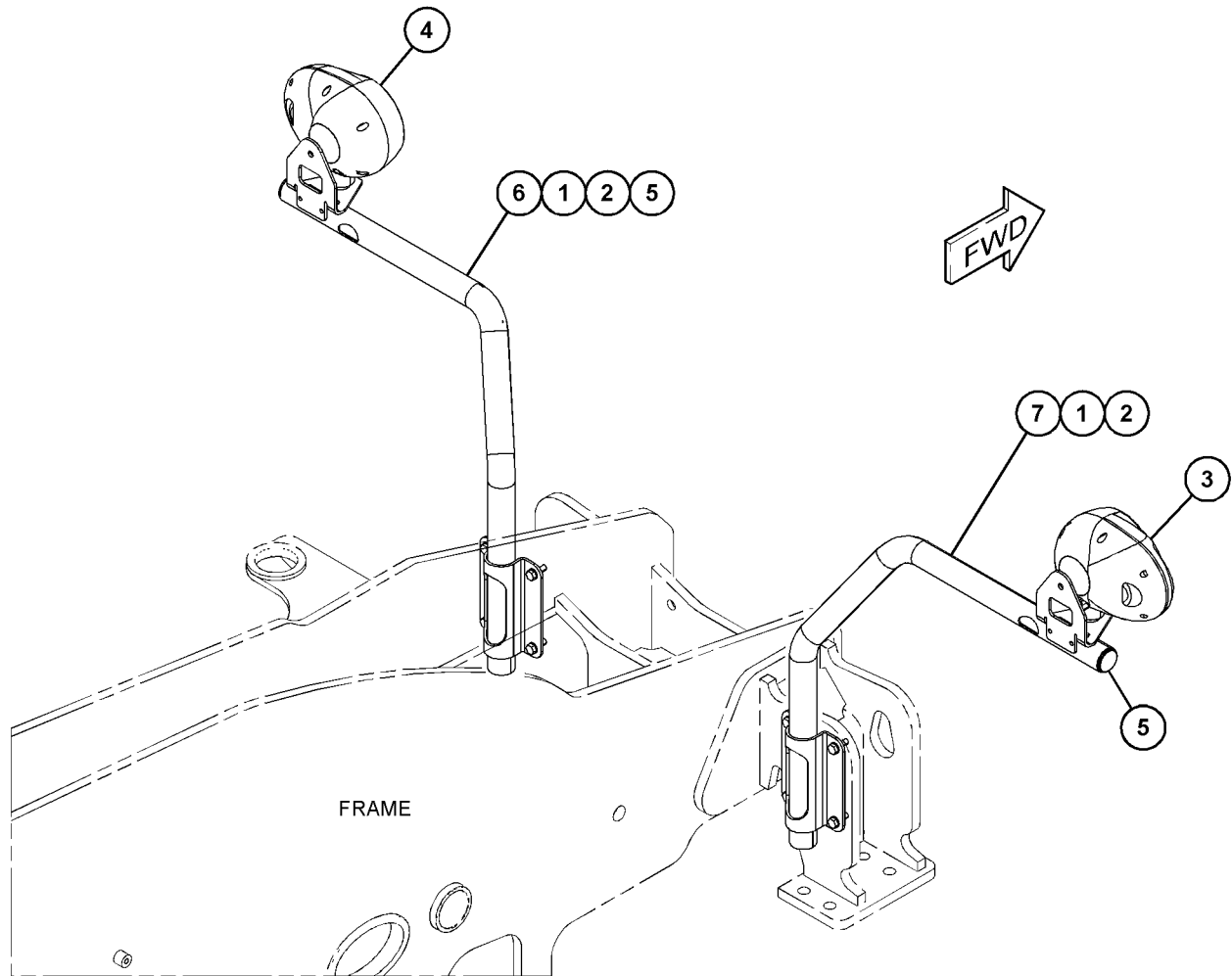
PART OF 515-0971 LIGHTING GP-ROADING
AN ATTACHMENT

SMCS-1429

i06895623

NOTE	REF NO	GRAPHIC REF	PART NUMBER	QTY	PART NAME						SEE PAGE
					1	2	3	4	5	6 (PRODUCT LEVEL)	
M	1	1	8T-4195	8	BOLT (M10X1.5X30-MM)						
	2	1	8T-4121	8	WASHER-HARD (11X21X2.5-MM THK)						
	3	1	316-7999	1	LIGHTING GP-FRONT (RH)						
		1	305-2107	1	LAMP (12-VOLT) (LOW BEAM)						
		1	305-2108	1	LAMP (12-VOLT) (HEADLIGHT)						
		1	305-2109	1	LAMP (12-VOLT) (TURN SIGNAL)						
	4	1	316-8000	1	LIGHTING GP-FRONT (LH)						
		1	305-2107	1	LAMP (12-VOLT) (LOW BEAM)						
		1	305-2108	1	LAMP (12-VOLT) (HEADLIGHT)						
		1	305-2109	1	LAMP (12-VOLT) (TURN SIGNAL)						
	5	1	314-5567	2	PLUG						
	6	1	501-4953	1	BRACKET AS						
	7	1	501-5075	1	BRACKET AS						

M - METRIC PART



GRAPHIC #1

<END>

g06159816

ELECTRICAL AND STARTING SYSTEM

195-0189 LAMP GP-HEAD & SIGNAL-FRONT, RH

S/N: TD61-UP

12-VOLT

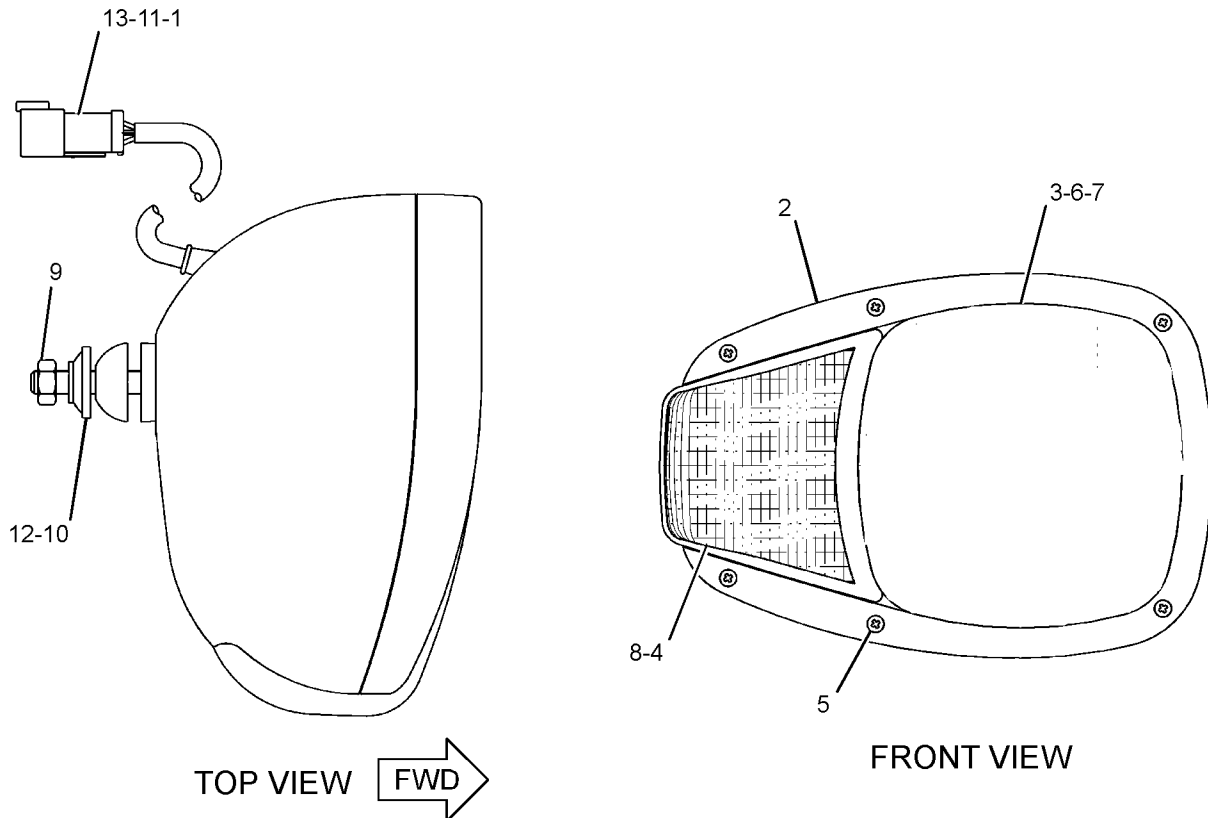
PART OF 515-0966 LIGHTING GP-FRONT
AN ATTACHMENT

SMCS-1429, 1430

i06584211

NOTE	REF NO	GRAPHIC REF	PART NUMBER	QTY	PART NAME						SEE PAGE
					1	2	3	4	5	6 (PRODUCT LEVEL)	
	1	1	8T-8737	1	PLUG-SEAL						
	2	1	228-6054	1	BEZEL						
	3	1	444-6523	1	LENS AS (HEADLIGHT)						
	4	1	228-6052	1	LENS AS (TURN SIGNAL)						
	5	1	228-6056	6	SCREW (4-32X1.26-IN)						
	6	1	9W-3324	1	LAMP-HEAD (12-VOLT, 60/55-WATT) (CLEAR)						
	7	1	226-4561	1	LAMP (12-VOLT, 5-WATT) (CLEAR)						
	8	1	226-4560	1	LAMP (12-VOLT, 21-WATT) (AMBER)						
M	9	1	8T-0389	1	LOCKNUT (M10X1.5-THD)						
	10	1	473-8155	2	SPACER (SPHERICAL)						
	11	1	8T-8729	5	PIN-CONNECTOR (16-GA TO 18-GA)						
	12	1	473-8156	2	WASHER (SPHERICAL)						
	13	1	102-8805	1	KIT-RECEPTACLE (6-PIN)						
(INCLUDES RECEPTACLE AS & WEDGE)											

M - METRIC PART



GRAPHIC #1

<END>

g03840936

ELECTRICAL AND STARTING SYSTEM

195-0190 LAMP GP-HEAD & SIGNAL-FRONT, LH

S/N: TD61-UP

12-VOLT

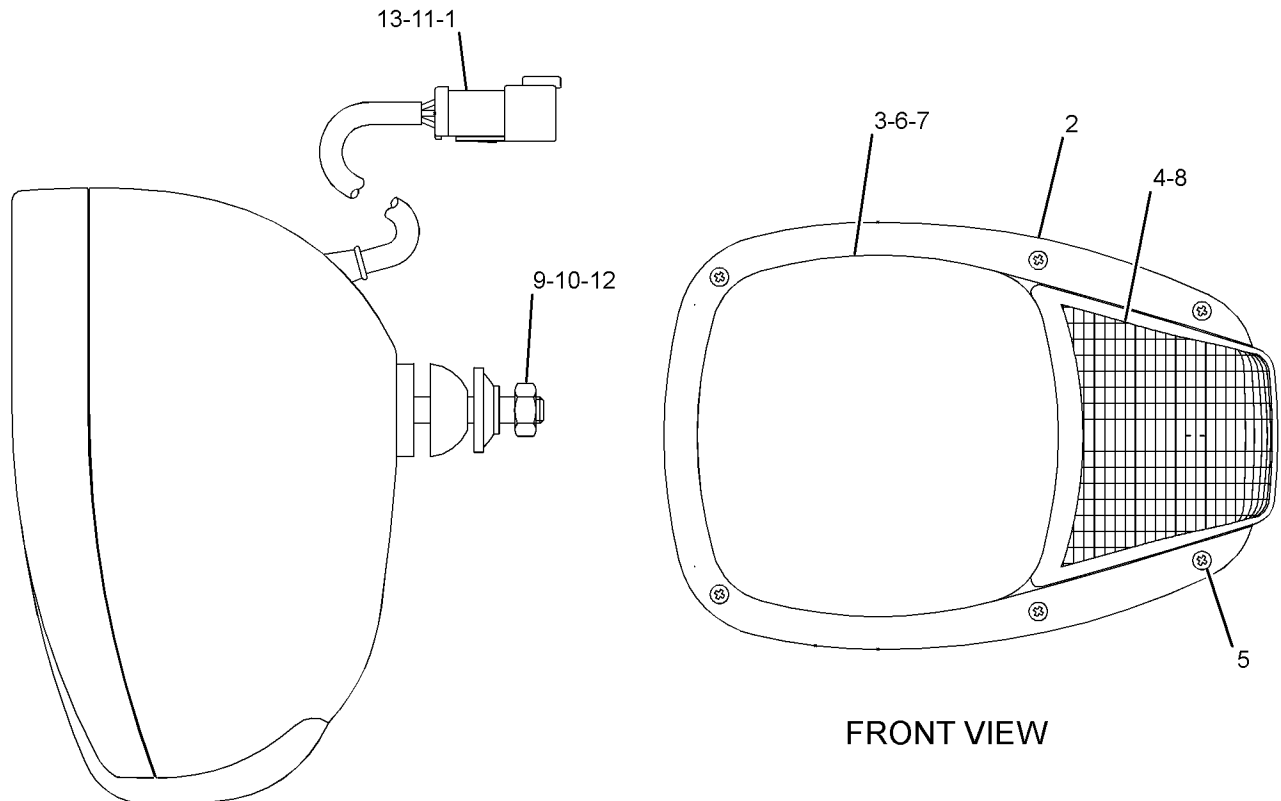
PART OF 515-0966 LIGHTING GP-FRONT
AN ATTACHMENT

SMCS-1429, 1430

i06584217

NOTE	REF NO	GRAPHIC REF	PART NUMBER	QTY	PART NAME						SEE PAGE
					1	2	3	4	5	6 (PRODUCT LEVEL)	
	1	1	8T-8737	1	PLUG-SEAL						
	2	1	228-6054	1	BEZEL						
	3	1	444-6523	1	LENS AS (HEADLIGHT)						
	4	1	228-6052	1	LENS AS (TURN SIGNAL)						
	5	1	228-6056	6	SCREW (4-32X1.26-IN)						
	6	1	9W-3324	1	LAMP-HEAD (12-VOLT, 60/55-WATT) (CLEAR)						
	7	1	226-4561	1	LAMP (12-VOLT, 5-WATT) (CLEAR)						
	8	1	226-4560	1	LAMP (12-VOLT, 21-WATT) (AMBER)						
M	9	1	8T-0389	1	LOCKNUT (M10X1.5-THD)						
	10	1	473-8155	2	SPACER (SPHERICAL)						
	11	1	8T-8729	5	PIN-CONNECTOR (16-GA TO 18-GA)						
	12	1	473-8156	2	WASHER (SPHERICAL)						
	13	1	102-8805	1	KIT-RECEPTACLE (6-PIN)						
(INCLUDES RECEPTACLE AS & WEDGE)											

M - METRIC PART



TOP VIEW



FRONT VIEW

GRAPHIC #1

<END>

g03820987

ELECTRICAL AND STARTING SYSTEM

195-0191 LAMP GP-HEAD & SIGNAL-RH

S/N: TD61-UP

12-VOLT

PART OF 515-0962 LIGHTING GP-FRONT
AN ATTACHMENT

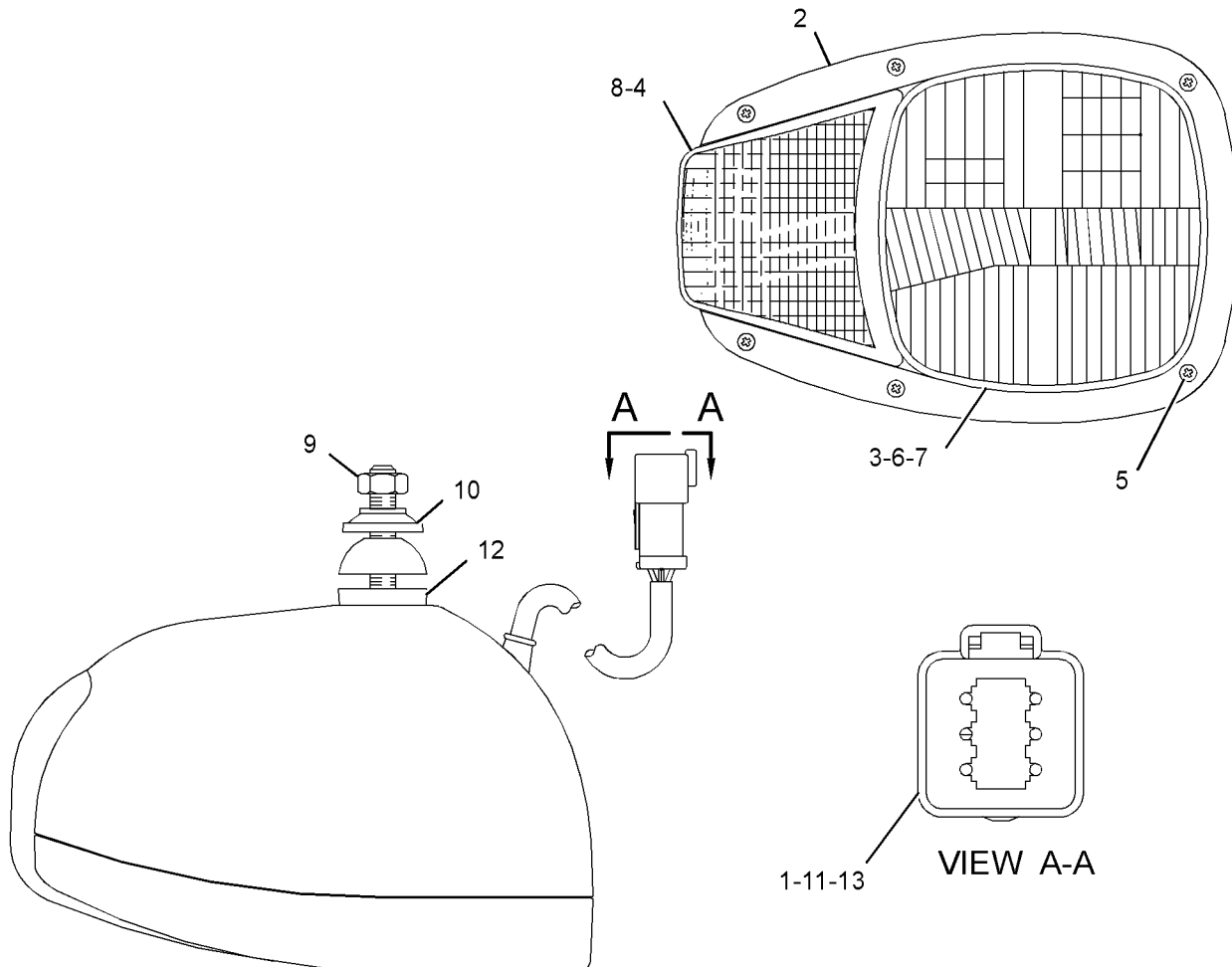
SMCS-1429, 1430

i06580065

NOTE	REF NO	GRAPHIC REF	PART NUMBER	QTY	PART NAME						SEE PAGE
					1	2	3	4	5	6 (PRODUCT LEVEL)	
	1	1	8T-8737	1	PLUG-SEAL						
	2	1	228-6054	1	BEZEL						
	3	1	444-6523	1	LENS AS (HEADLIGHT)						
	4	1	228-6052	1	LENS AS (TURN SIGNAL)						
	5	1	228-6056	6	SCREW (4-32X1.26-IN)						
	6	1	9W-3324	1	LAMP-HEAD (12-VOLT, 60/55-WATT) (CLEAR)						
	7	1	226-4561	1	LAMP (12-VOLT, 5-WATT) (CLEAR)						
	8	1	226-4560	1	LAMP (12-VOLT, 21-WATT) (AMBER)						
M	9	1	8T-0389	1	LOCKNUT (M10X1.5-THD)						
	10	1	473-8155	2	SPACER (SPHERICAL)						
	11	1	8T-8729	5	PIN-CONNECTOR (16-GA TO 18-GA)						
	12	1	473-8156	2	WASHER (SPHERICAL)						
	13	1	102-8805	1	KIT-RECEPTACLE (6-PIN)						

(INCLUDES RECEPTACLE AS & WEDGE)

M - METRIC PART



GRAPHIC #1

<END>

g03840935

ELECTRICAL AND STARTING SYSTEM

195-0192 LAMP GP-HEAD & SIGNAL-LH

S/N: TD61-UP

12-VOLT

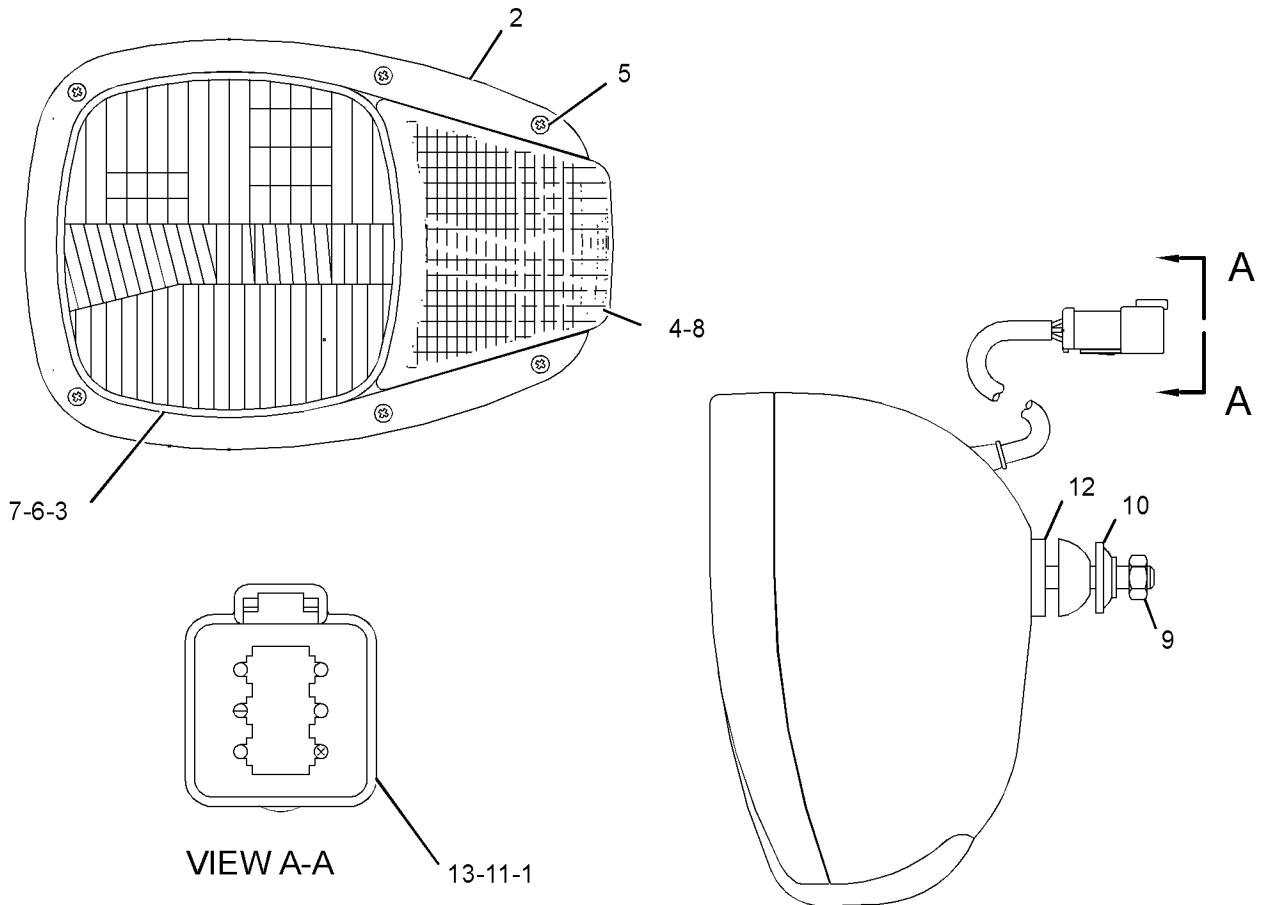
PART OF 515-0962 LIGHTING GP-FRONT
AN ATTACHMENT

SMCS-1429, 1430

i06580066

NOTE	REF NO	GRAPHIC REF	PART NUMBER	QTY	PART NAME						SEE PAGE
					1	2	3	4	5	6 (PRODUCT LEVEL)	
	1	1	8T-8737	1	PLUG-SEAL						
	2	1	228-6054	1	BEZEL						
	3	1	444-6523	1	LENS AS (HEADLIGHT)						
	4	1	228-6052	1	LENS AS (TURN SIGNAL)						
	5	1	228-6056	6	SCREW (4-32X1.26-IN)						
	6	1	9W-3324	1	LAMP-HEAD (12-VOLT, 60/55-WATT) (CLEAR)						
	7	1	226-4561	1	LAMP (12-VOLT, 5-WATT) (CLEAR)						
	8	1	226-4560	1	LAMP (12-VOLT, 21-WATT) (AMBER)						
M	9	1	8T-0389	1	LOCKNUT (M10X1.5-THD)						
	10	1	473-8155	1	SPACER (SPHERICAL)						
	11	1	8T-8729	5	PIN-CONNECTOR (16-GA TO 18-GA)						
	12	1	473-8156	2	WASHER (SPHERICAL)						
	13	1	102-8805	1	KIT-RECEPTACLE (6-PIN)						
					(INCLUDES RECEPTACLE AS & WEDGE)						

M - METRIC PART



GRAPHIC #1

<END>

g03840925

ELECTRICAL AND STARTING SYSTEM

515-0964 LAMP GP-REAR

S/N: TD61-UP; TD71-UP

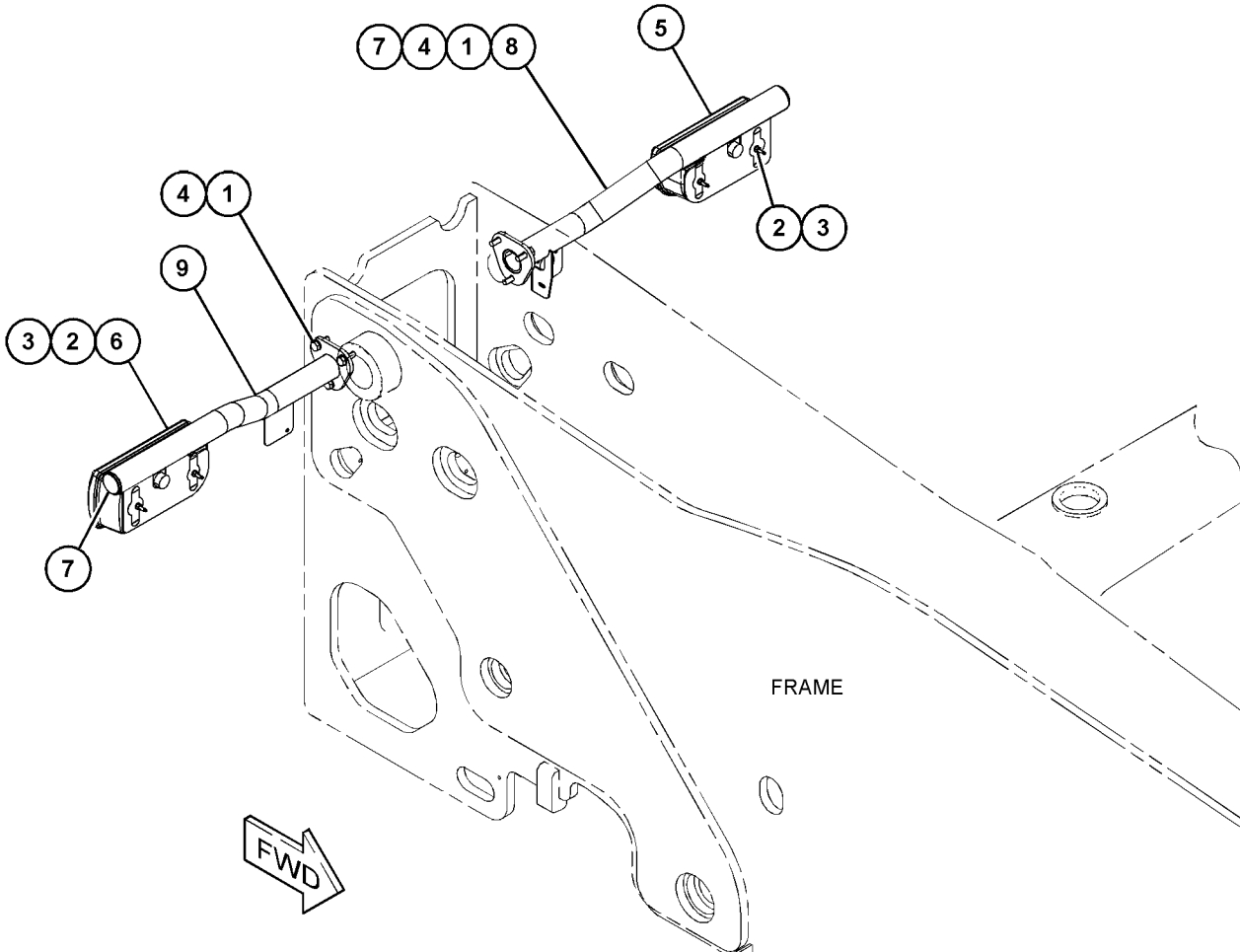
PART OF 515-0963, 515-0967, 515-0968, 515-0971 LIGHTING GP-ROADING
AN ATTACHMENT

SMCS-1429, 1432

i06895455

NOTE	REF NO	GRAPHIC REF	PART NUMBER	QTY	PART NAME						SEE PAGE
					1	2	3	4	5	6 (PRODUCT LEVEL)	
M	1	1	8T-4195	6	BOLT (M10X1.5X30-MM)						
M	2	1	5C-2890	4	NUT (M6X1-THD)						
	3	1	8T-4205	4	WASHER-HARD (7.2X14.5X2-MM THK)						
	4	1	8T-4121	6	WASHER-HARD (11X21X2.5-MM THK)						
	5	1	316-8038	1	LAMP GP (STOP, TAIL, TURN, BACKUP, LH)						
		1	305-2109	1	LAMP (12-VOLT) (TURN SIGNAL)						
		1	323-5648	1	LAMP (12-VOLT) (TAIL LIGHTS)						
		1	323-5649	1	LAMP (12-VOLT) (INDICATOR LIGHT)						
	6	1	316-8039	1	LAMP GP (STOP, TAIL, TURN, BACKUP, RH)						
		1	305-2109	1	LAMP (12-VOLT) (TURN SIGNAL)						
		1	323-5648	1	LAMP (12-VOLT) (TAIL LIGHTS)						
		1	323-5649	1	LAMP (12-VOLT) (INDICATOR LIGHT)						
	7	1	314-5567	2	PLUG						
	8	1	515-0969	1	BRACKET AS						
	9	1	515-0970	1	BRACKET AS						

M - METRIC PART



GRAPHIC #1

<END>

g06159449

ELECTRICAL AND STARTING SYSTEM

480-7044 LAMP GP-ROADING-LICENSE PLATE

S/N: TD61-UP; TD71-UP

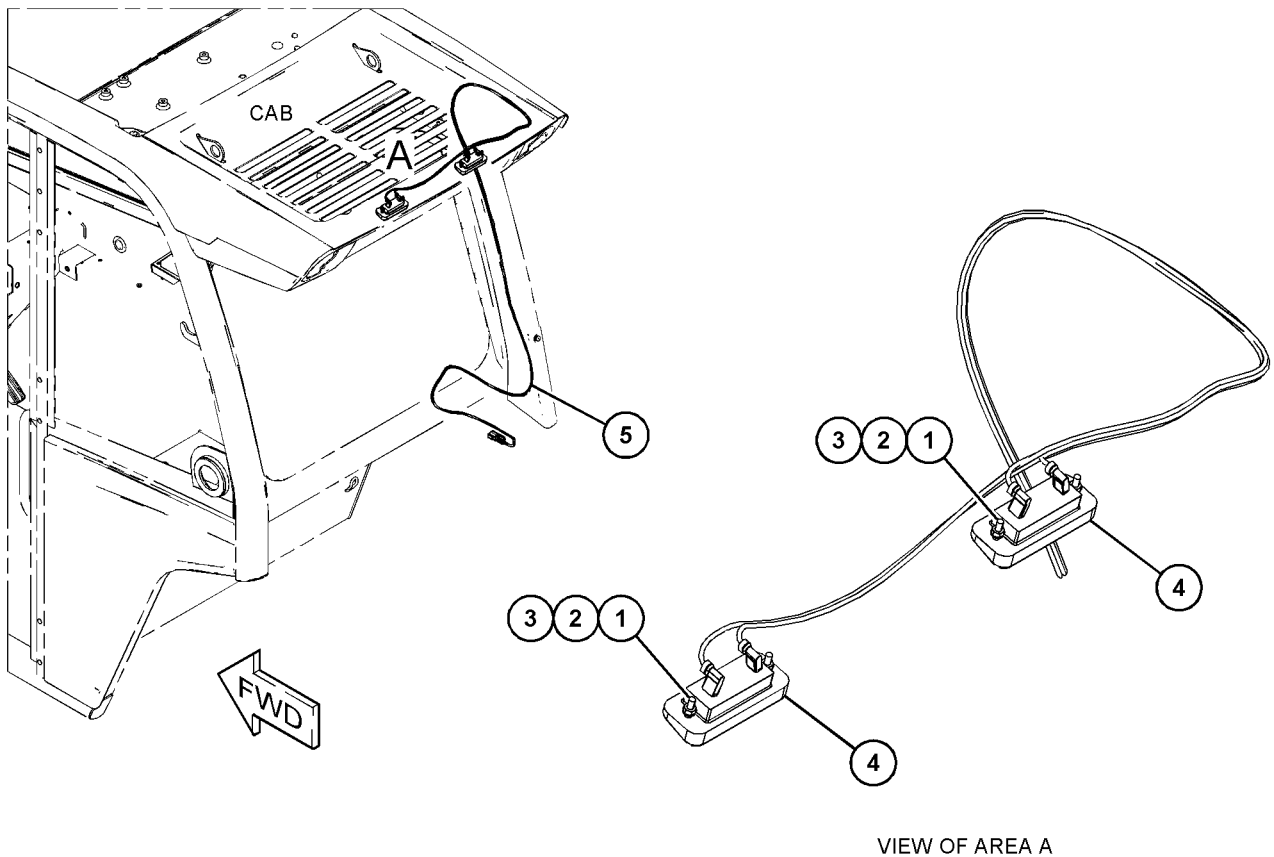
PART OF 515-0963, 515-0967, 515-0968, 515-0971 LIGHTING GP-ROADING
AN ATTACHMENT

SMCS-1429, 1430

i06586895

NOTE	REF NO	GRAPHIC REF	PART NUMBER	QTY	PART NAME						SEE PAGE
					1	2	3	4	5	6 (PRODUCT LEVEL)	
M	1	1	8T-4647	4	SCREW-MACHINE (M4X0.7X20-MM)						
M	2	1	5C-8312	1	NUT (M4X0.7-THD)						
	3	1	473-9270	4	WASHER-SPRING						
	4	1	480-7030	2	LAMP						
	5	1	480-7035	1	HARNESS AS-LIGHTING						
		1	9W-0852	2	PIN-CONNECTOR (14-GA TO 16-GA)						
		1	323-7236	1	RECEPTACLE (2-PIN)						

M - METRIC PART



GRAPHIC #1

<END>

g06092469

ELECTRICAL AND STARTING SYSTEM

495-3014 LIGHTING AR-ROADING-WITHOUT AIR CONDITIONER

S/N: TD61-UP; TD71-UP

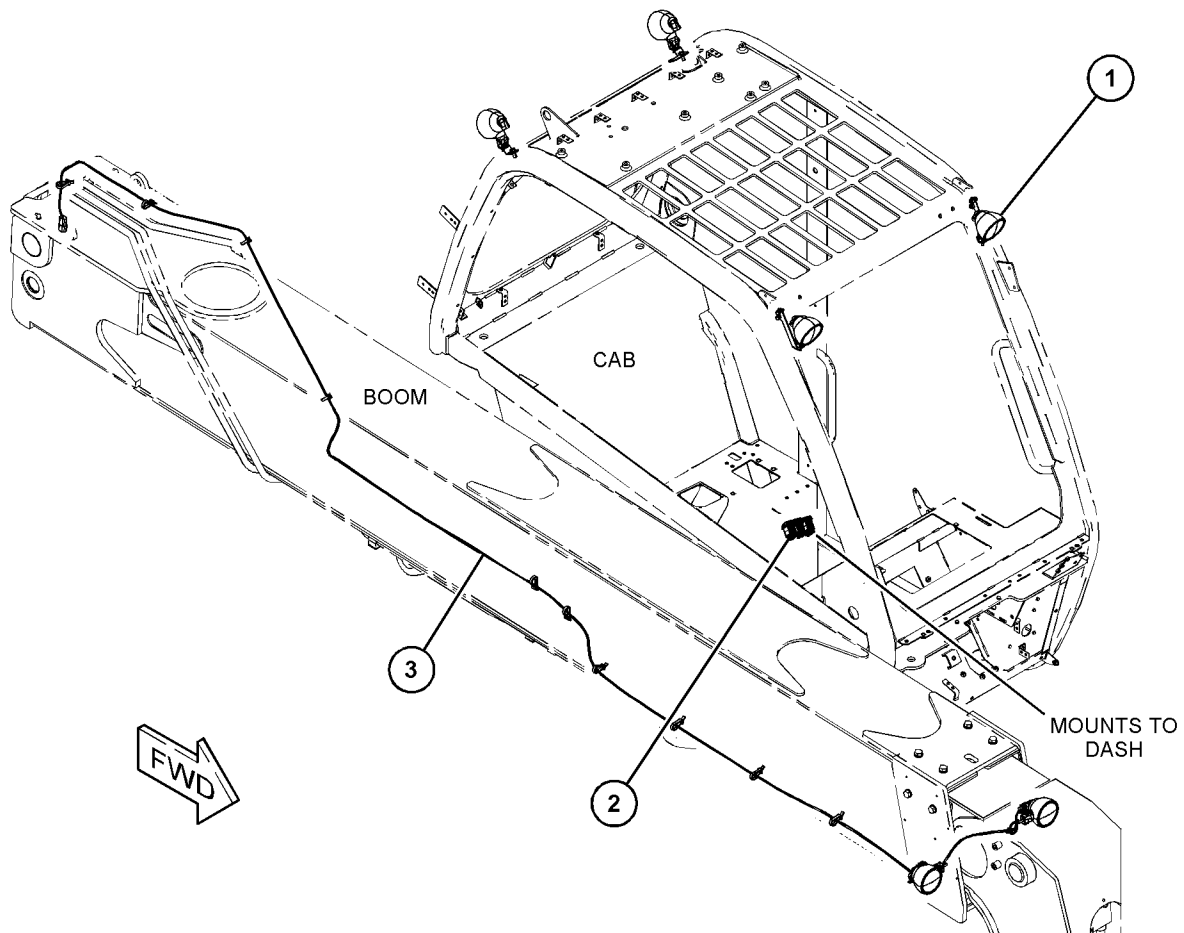
AN ATTACHMENT

SMCS-1408, 1429

i06601103

NOTE	REF NO	GRAPHIC REF	PART NUMBER	QTY	PART NAME						SEE PAGE
					1	2	3	4	5	6 (PRODUCT LEVEL)	
Y	1	1	473-7750	1	LIGHTING GP-FLOOD						381
		2	503-7086	1	SWITCH GP-ROCKER						
		1	501-7278	1	SWITCH AS-ROCKER (BOOM WORKLIGHTS)						
		1	503-7087	1	SWITCH AS-ROCKER (FRONT WORKLIGHT)						
		1	503-7088	1	SWITCH AS-ROCKER (REAR WORKLIGHT)						
Y	3	1	495-2278	1	LIGHTING GP-BOOM						380

Y - SEPARATE ILLUSTRATION



GRAPHIC #1

<END>

g06112703

ELECTRICAL AND STARTING SYSTEM

495-3015 LIGHTING AR-ROADING-AIR CONDITIONER

S/N: TD61-UP; TD71-UP

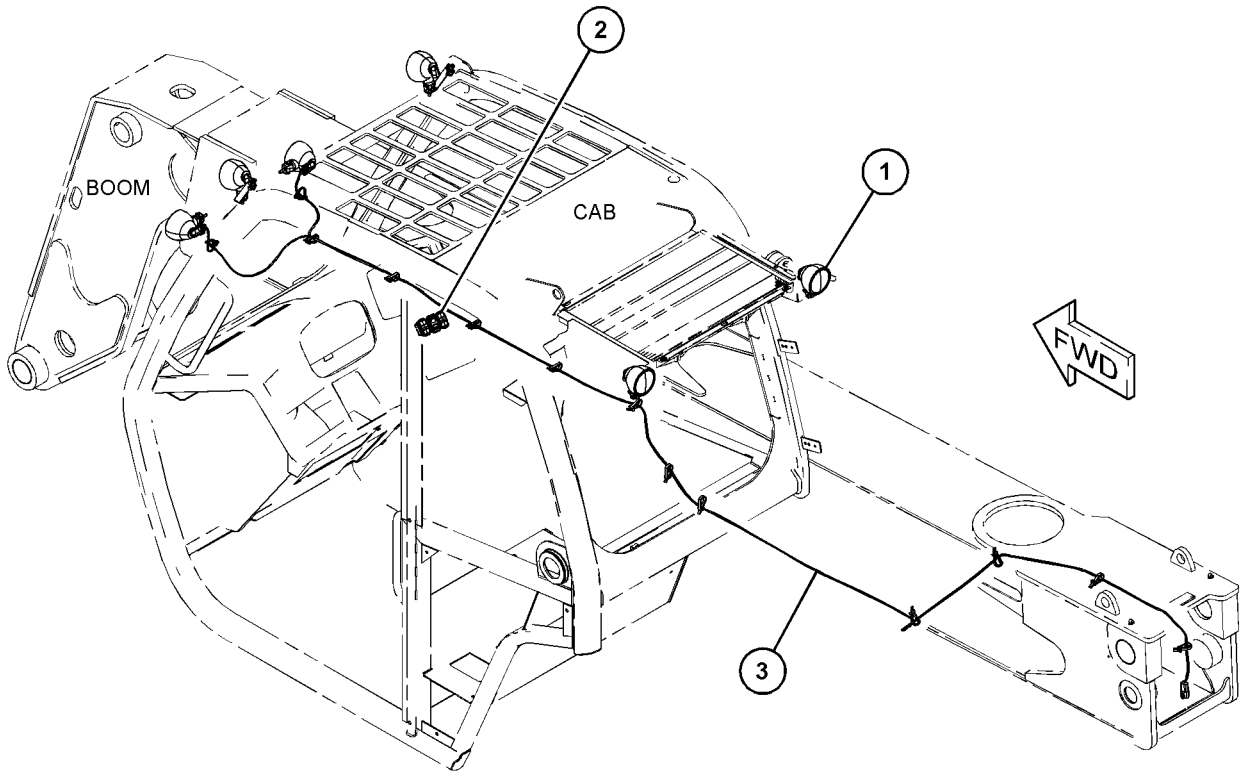
AN ATTACHMENT

SMCS-1408, 1429

i06601102

NOTE	REF NO	GRAPHIC REF	PART NUMBER	QTY	PART NAME						SEE PAGE
					1	2	3	4	5	6 (PRODUCT LEVEL)	
Y	1	1	473-7632	1	LIGHTING GP-ROADING (WITH AIR CONDITIONER)						389
	2	1	495-3013	1	SWITCH GP-ROCKER						
		1	501-7278	1	SWITCH AS-ROCKER (BOOM WORKLIGHTS)						
		1	503-7087	1	SWITCH AS-ROCKER (FRONT WORKLIGHT)						
		1	503-7088	1	SWITCH AS-ROCKER (REAR WORKLIGHT)						
Y	3	1	495-2278	1	LIGHTING GP-BOOM (WORK LIGHT)						380

Y - SEPARATE ILLUSTRATION



GRAPHIC #1

<END>

g06057315

ELECTRICAL AND STARTING SYSTEM

515-1885 LIGHTING AR-ROADING

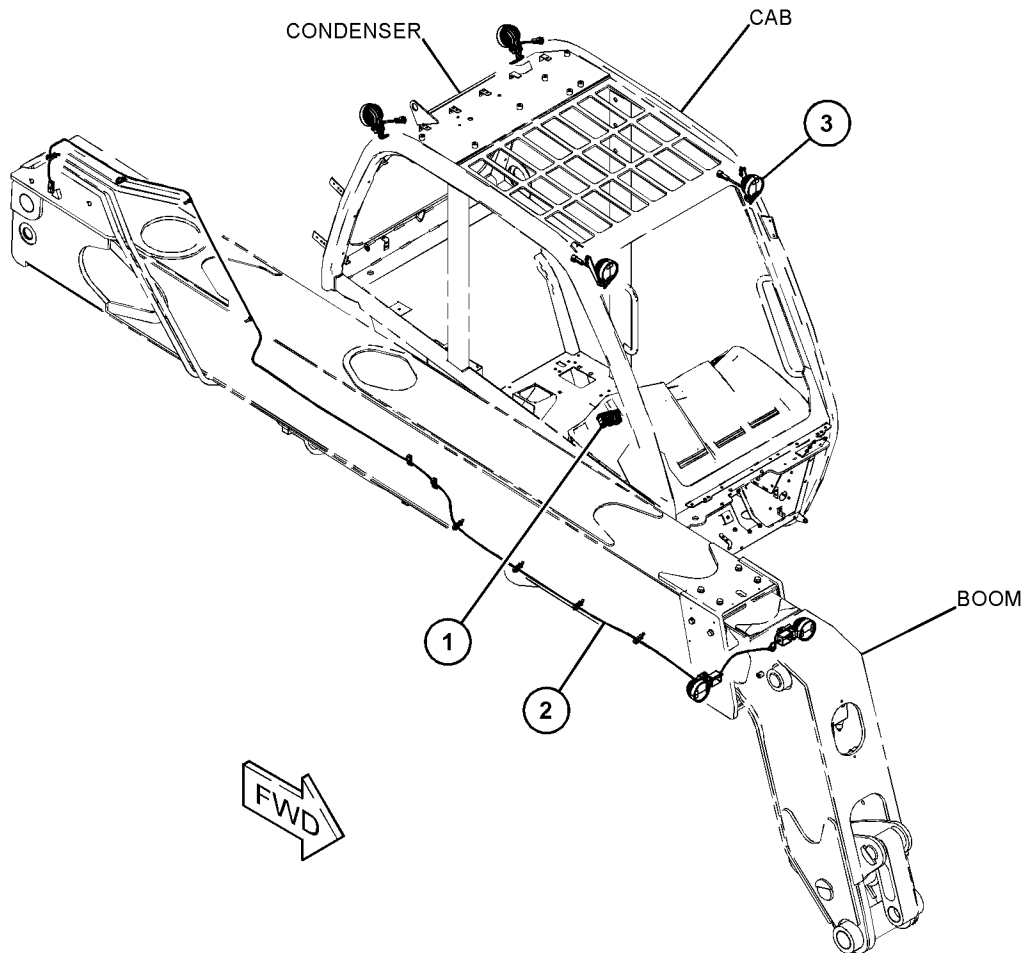
S/N: TD61-UP; TD71-UP
AN ATTACHMENT

SMCS-1408, 1429

i06893248

NOTE	REF NO	GRAPHIC REF	PART NUMBER	QTY	PART NAME						SEE PAGE
					1	2	3	4	5	6 (PRODUCT LEVEL)	
	1	1	503-7086	1	SWITCH GP-ROCKER						
		1	503-7087	1	SWITCH AS-ROCKER (FRONT WORKLIGHT)						
		1	503-7088	1	SWITCH AS-ROCKER (REAR WORKLIGHT)						
		1	506-9153	1	SWITCH-LIGHT						
Y	2	1	503-7090	1	LIGHTING GP-FRONT (BOOM)						382
Y	3	1	503-7093	1	LIGHTING GP-FRONT (WITHOUT AIR CONDITIONER)						383

Y - SEPARATE ILLUSTRATION



GRAPHIC #1

<END>

g06158868

ELECTRICAL AND STARTING SYSTEM

515-1886 LIGHTING AR-ROADING-WITH AIR CONDITIONER

S/N: TD61-UP; TD71-UP

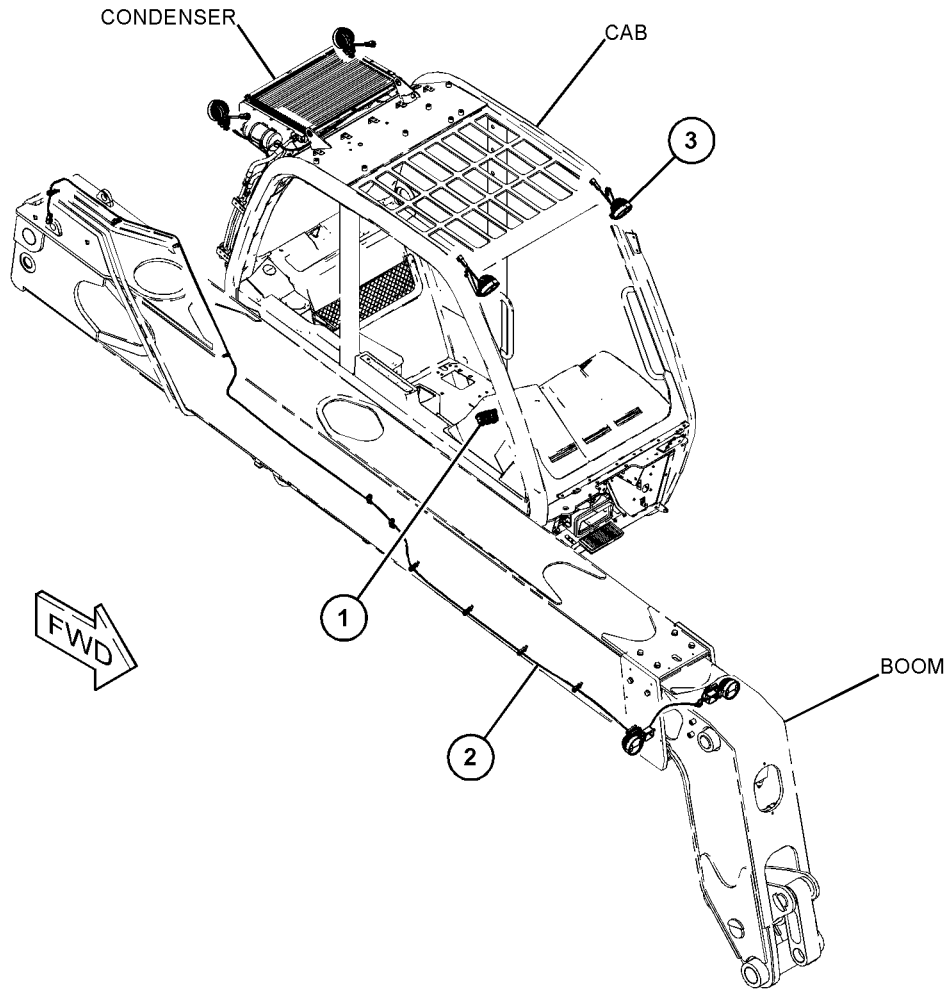
AN ATTACHMENT

SMCS-1408, 1429

i06893253

NOTE	REF NO	GRAPHIC REF	PART NUMBER	QTY	PART NAME						SEE PAGE
					1	2	3	4	5	6 (PRODUCT LEVEL)	
	1	1	503-7086	1	SWITCH GP-ROCKER						
		1	503-7087	1	SWITCH AS-ROCKER (FRONT WORKLIGHT)						
		1	503-7088	1	SWITCH AS-ROCKER (REAR WORKLIGHT)						
		1	506-9153	1	SWITCH-LIGHT						
Y	2	1	503-7090	1	LIGHTING GP-FRONT (BOOM)						382
Y	3	1	503-7260	1	LIGHTING GP-FRONT (AIR CONDITIONER)						384

Y - SEPARATE ILLUSTRATION



GRAPHIC #1

<END>

g06158861

ELECTRICAL AND STARTING SYSTEM

495-2278 LIGHTING GP-BOOM

S/N: TD61-UP; TD71-UP

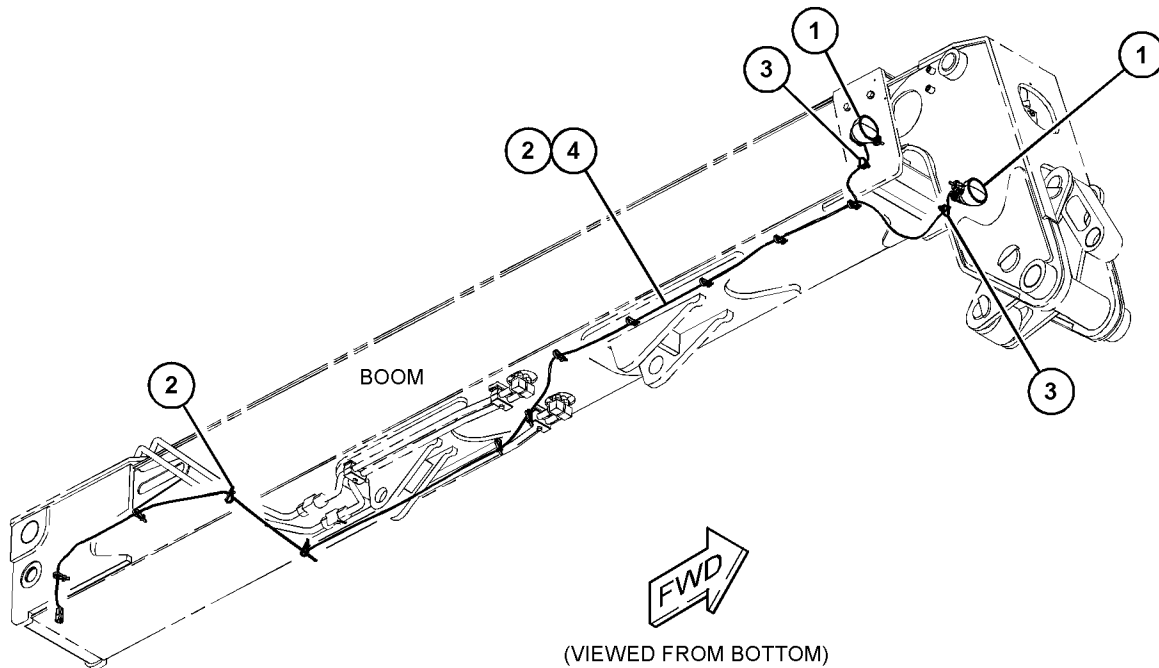
PART OF 495-3014, 495-3015 LIGHTING AR-ROADING
AN ATTACHMENT

SMCS-1434

i06602087

NOTE	REF NO	GRAPHIC REF	PART NUMBER	QTY	PART NAME						SEE PAGE
					1	2	3	4	5	6	
	1	1	312-3332	2	LAMP AS (50-WATT) (WORK LIGHT)						
					(EACH INCLUDES)						
		1	323-5646	1	LAMP (50-WATT)						
	2	1	7K-1181	11	STRAP-CABLE						
	3	1	455-3027	2	TIE-CABLE						
Y	4	1	495-3047	1	HARNESS AS-LIGHTING						351

Y - SEPARATE ILLUSTRATION



GRAPHIC #1

<END>

g06044662

ELECTRICAL AND STARTING SYSTEM

473-7750 LIGHTING GP-FLOOD

S/N: TD61-UP; TD71-UP

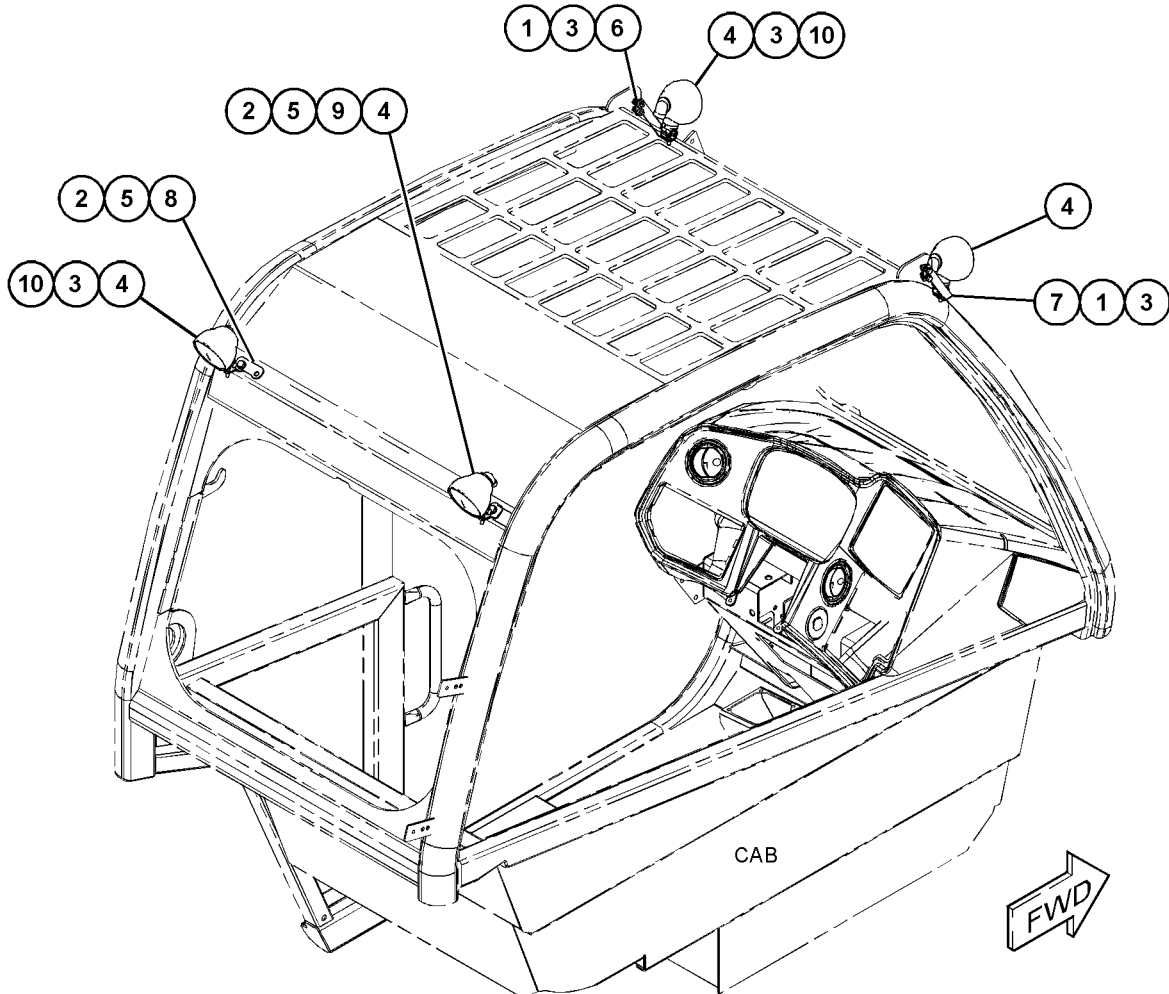
PART OF 495-3014 LIGHTING AR-ROADING
AN ATTACHMENT

SMCS-1434

i06830070

NOTE	REF NO	GRAPHIC REF	PART NUMBER	QTY	PART NAME						SEE PAGE
					1	2	3	4	5	6 (PRODUCT LEVEL)	
M	1	1	8T-4138	4	BOLT (M6X1X20-MM)						
M	2	1	8T-4189	2	BOLT (M8X1.25X20-MM)						
	3	1	8T-4205	8	WASHER-HARD (7.2X14.5X2-MM THK)						
	4	1	312-3332	4	LAMP AS (50-WATT) (WORK LIGHT)						
					(EACH INCLUDES)						
		1	323-5646	1	LAMP (50-WATT)						
	5	1	8T-4224	2	WASHER-HARD (8.8X16X2-MM THK)						
	6	1	473-7634	1	BRACKET AS						
	7	1	473-7633	1	BRACKET AS						
	8	1	495-8722	1	BRACKET AS						
	9	1	495-8723	1	BRACKET AS						
M	10	1	5C-2890	4	NUT (M6X1-THD)						

M - METRIC PART



GRAPHIC #1

<END>

g06133417

ELECTRICAL AND STARTING SYSTEM

503-7090 LIGHTING GP-FRONT-WORK LIGHT

S/N: TD61-UP; TD71-UP

BOOM

PART OF 515-1885, 515-1886 LIGHTING AR-ROADING
AN ATTACHMENT

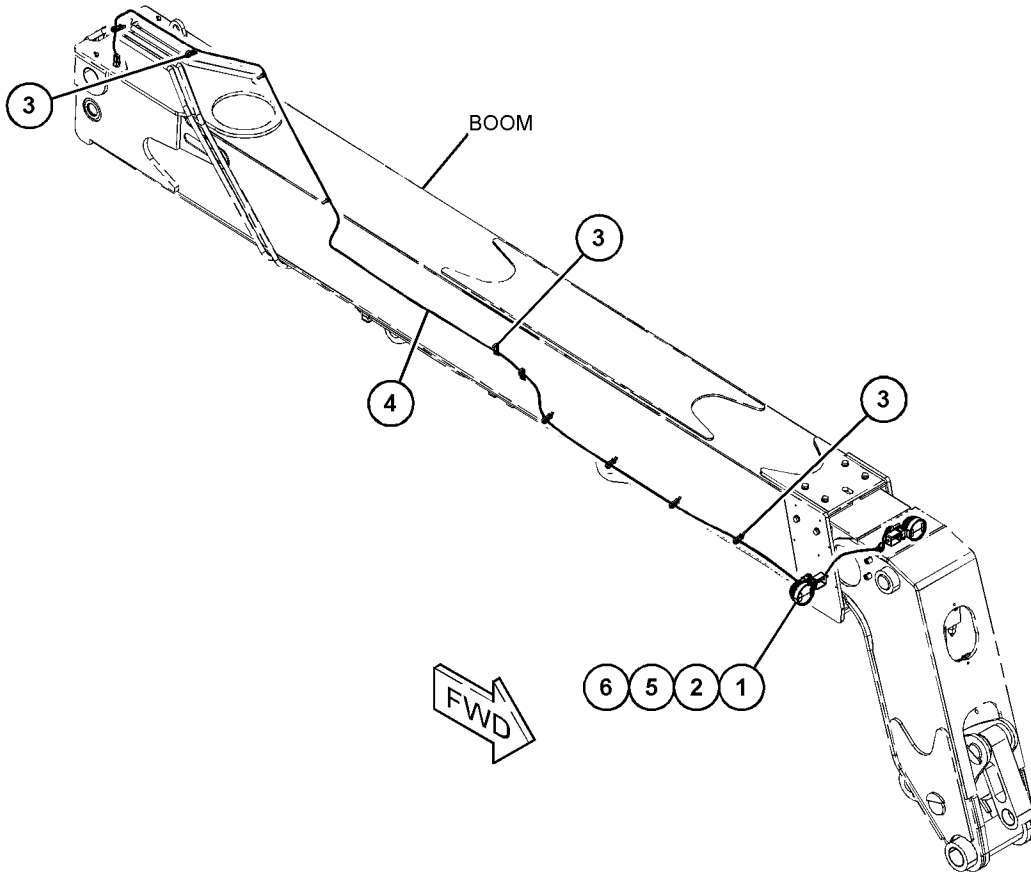
SMCS-1429, 1434

i06788489

NOTE	REF NO	GRAPHIC REF	PART NUMBER	QTY	PART NAME						SEE PAGE
					1	2	3	4	5	6 (PRODUCT LEVEL)	
M	1	1	8T-4138	2	BOLT (M6X1X20-MM)						
	2	1	455-3027	2	TIE-CABLE						
	3	1	7K-1181	11	STRAP-CABLE						
Y	4	1	495-3047	1	HARNESS AS-LIGHTING						351
	5	1	503-7089	2	BRACKET						
	6	1	503-7262	2	LAMP GP-FRONT						

M - METRIC PART

Y - SEPARATE ILLUSTRATION



GRAPHIC #1

<END>

g06118049

ELECTRICAL AND STARTING SYSTEM

503-7093 LIGHTING GP-FRONT-WORK LIGHT

S/N: TD61-UP; TD71-UP

WITHOUT AIR CONDITIONER

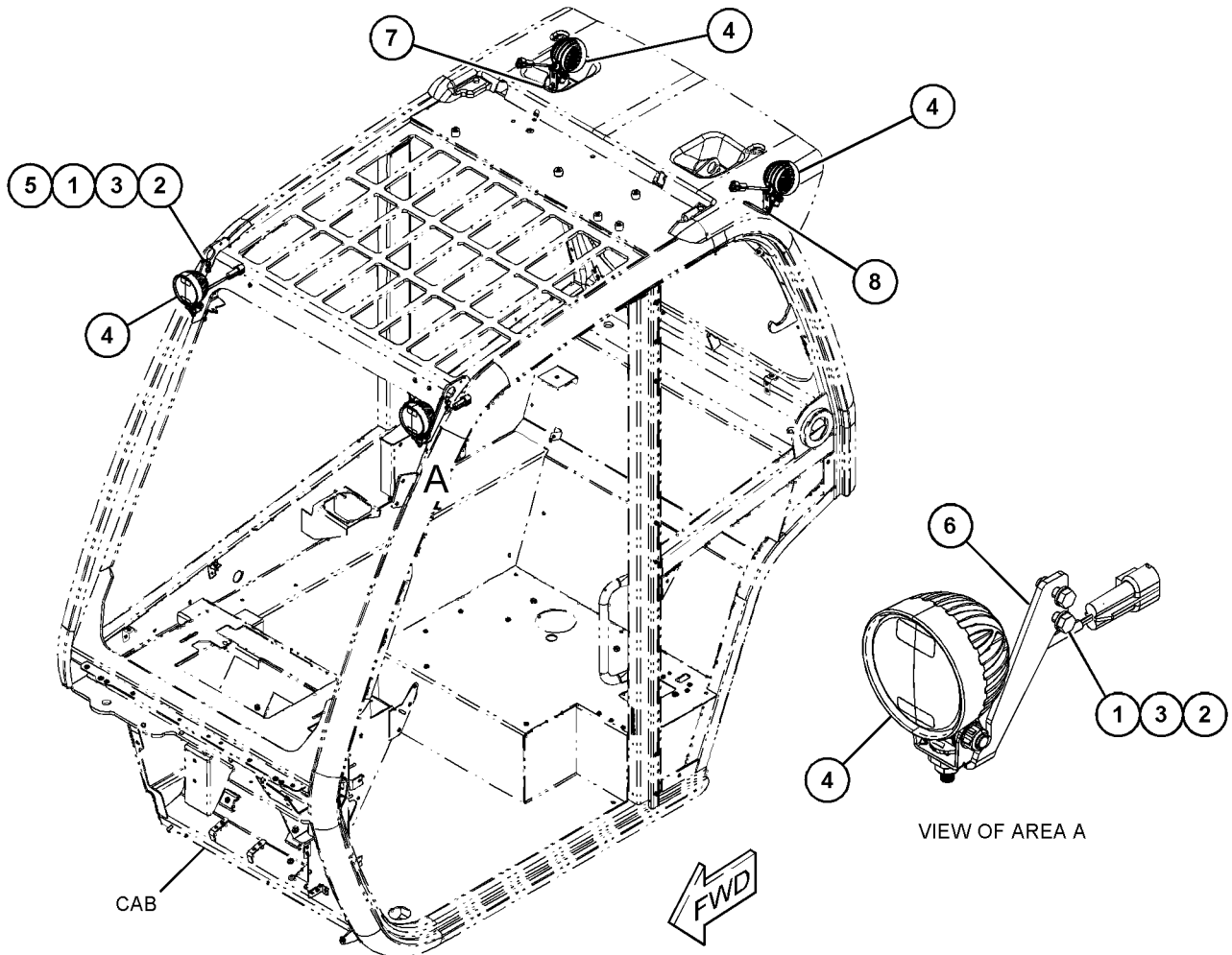
PART OF 515-1885 LIGHTING AR-ROADING
AN ATTACHMENT

SMCS-1429, 1434

i06788482

NOTE	REF NO	GRAPHIC REF	PART NUMBER	QTY	PART NAME						SEE PAGE
					1	2	3	4	5	6 (PRODUCT LEVEL)	
M	1	1	8T-4138	4	BOLT (M6X1X20-MM)						
M	2	1	5C-2890	4	NUT (M6X1-THD)						
	3	1	8T-4205	8	WASHER-HARD (7.2X14.5X2-MM THK)						
	4	1	503-7262	4	LAMP GP-FRONT						
	5	1	503-7267	1	PLATE						
	6	1	503-7268	1	PLATE						
	7	1	503-7091	1	PLATE						
	8	1	503-7092	1	PLATE						

M - METRIC PART



GRAPHIC #1

<END>

g06116893

ELECTRICAL AND STARTING SYSTEM

503-7260 LIGHTING GP-FRONT-WORK LIGHT

S/N: TD61-UP; TD71-UP

AIR CONDITIONER

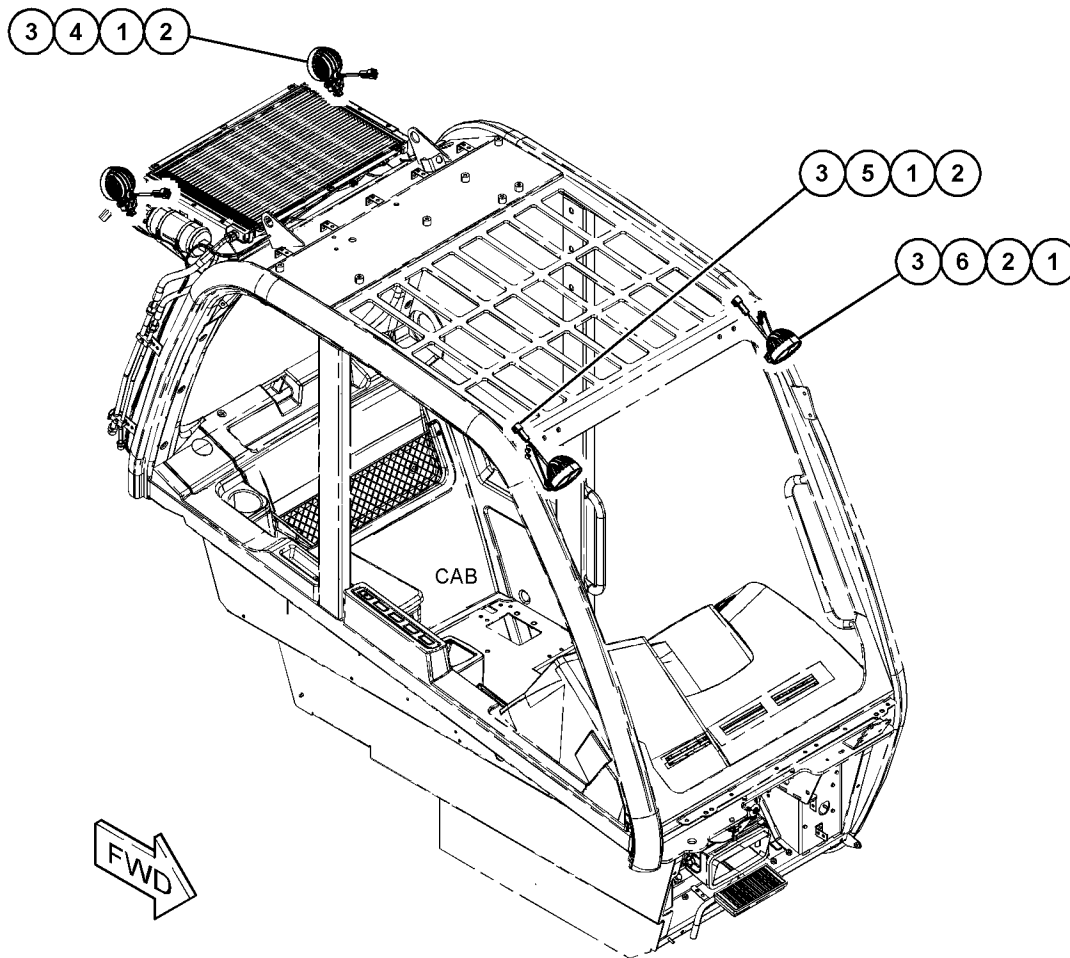
PART OF 515-1886 LIGHTING AR-ROADING
AN ATTACHMENT

SMCS-1429, 1434

i06788474

NOTE	REF NO	GRAPHIC REF	PART NUMBER	QTY	PART NAME						SEE PAGE
					1	2	3	4	5	6 (PRODUCT LEVEL)	
M	1	1	8T-4138	6	BOLT (M6X1X20-MM)						
M	2	1	347-4584	6	NUT (M6X1-THD)						
	3	1	503-7262	4	LAMP GP-FRONT						
	4	1	503-7266	2	BRACKET						
	5	1	503-7267	1	PLATE						
	6	1	503-7268	1	PLATE						

M - METRIC PART



GRAPHIC #1

<END>

g06116105

ELECTRICAL AND STARTING SYSTEM

515-0962 LIGHTING GP-FRONT

S/N: TD61-UP

PART OF 515-0963 LIGHTING GP-ROADING
AN ATTACHMENT

SMCS-1429, 1434

i06895475

NOTE	REF NO	GRAPHIC REF	PART NUMBER	QTY	PART NAME						SEE PAGE
					1	2	3	4	5	6 (PRODUCT LEVEL)	
M	1	1	8T-4971	2	BOLT (M6X1X30-MM)						
M	2	1	8T-4956	3	BOLT (M12X1.75X35-MM)						
M	3	1	8T-4184	4	BOLT (M12X1.75X45-MM)						
M	4	1	6V-7357	2	BOLT (M6X1X25-MM)						
M	5	1	179-4324	4	LOCKNUT (M5X0.8-THD)						
	6	1	309-3996	4	WASHER (5.3X12.5X5-MM THK)						
	7	1	8T-4205	4	WASHER-HARD (7.2X14.5X2-MM THK)						
	8	1	8T-4223	7	WASHER-HARD (13.5X25.5X3-MM THK)						
Y	9	1	148-2270	1	PIN GP-HITCH						614
Y	10	1	195-0191	1	LAMP GP-HEAD & SIGNAL (RH)						372
Y	11	1	195-0192	1	LAMP GP-HEAD & SIGNAL (LH)						373
	12	1	333-8792	1	LAMP AS (SIDE, LH)						
		1	323-5648	1	LAMP (12-VOLT) (TAIL LIGHTS)						
		1	323-5649	1	LAMP (12-VOLT) (INDICATOR LIGHT)						
		1	512-1201	1	LENS						
	13	1	333-8793	1	LAMP AS (SIDE, RH)						
		1	323-5648	1	LAMP (12-VOLT) (TAIL LIGHTS)						
		1	323-5649	1	LAMP (12-VOLT) (INDICATOR LIGHT)						
		1	512-1201	1	LENS						
Y	14	1	477-1801	1	HARNESS AS-LIGHTING (FRONT, LH)						350
Y	14A	1	477-1801	1	HARNESS AS-LIGHTING (FRONT, RH)						350
	15	1	495-3415	1	BRACKET AS						
	16	1	501-0761	1	BRACKET AS						
	17	1	495-3416	1	BRACKET AS						
	18	1	515-0965	1	BRACKET AS						
	19	1	504-1306	1	BRACKET						

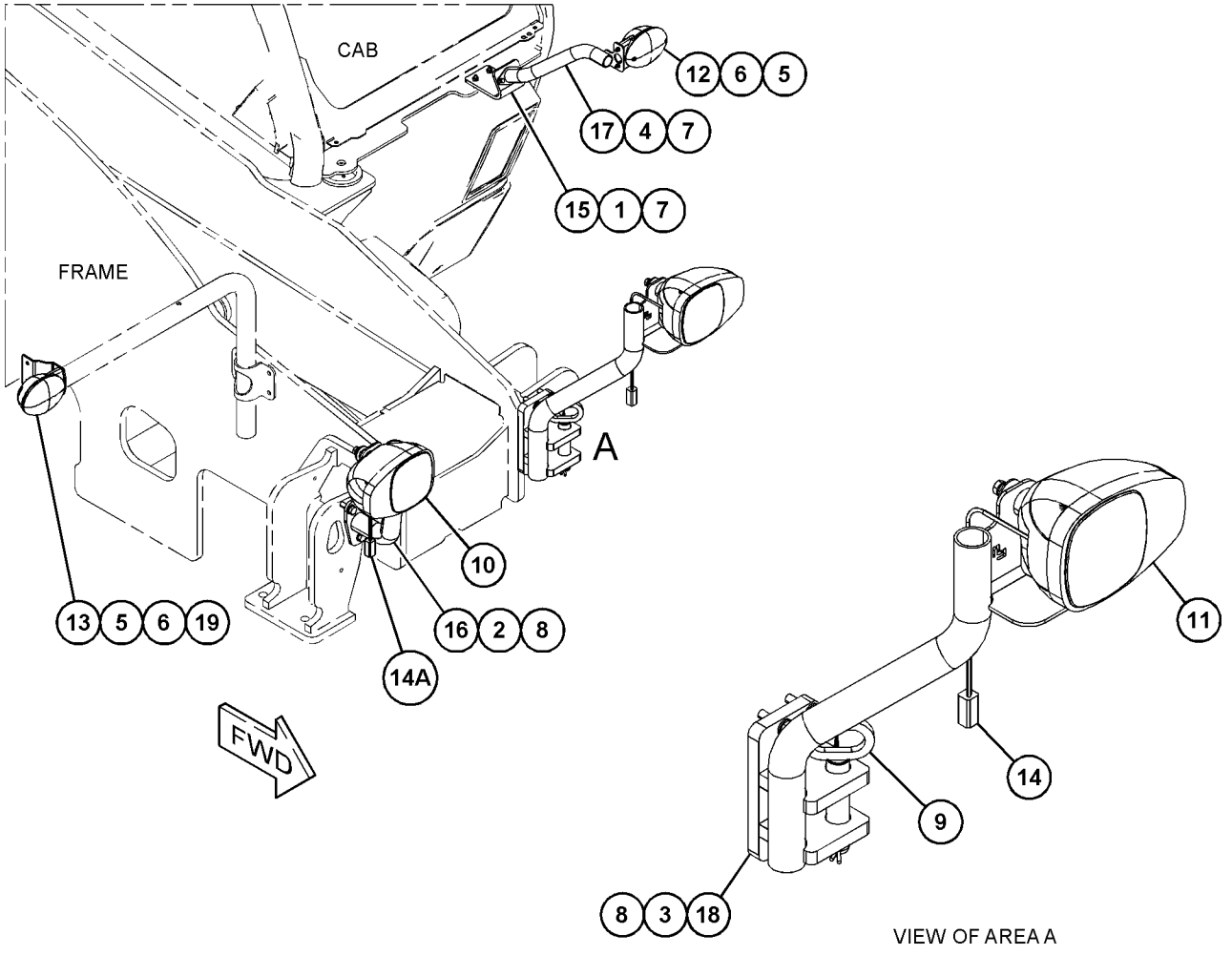
M - METRIC PART

Y - SEPARATE ILLUSTRATION

ELECTRICAL AND STARTING SYSTEM

515-0962 LIGHTING GP-FRONT (contd.)

i06895475



GRAPHIC #1

<END>

VIEW OF AREA A

g06159938

ELECTRICAL AND STARTING SYSTEM

515-0966 LIGHTING GP-FRONT

S/N: TD61-UP

PART OF 515-0967 LIGHTING GP-ROADING
AN ATTACHMENT

SMCS-1429, 1434

i06895456

NOTE	REF NO	GRAPHIC REF	PART NUMBER	QTY	PART NAME						SEE PAGE
					1	2	3	4	5	6 (PRODUCT LEVEL)	
M	1	1	8T-4971	2	BOLT (M6X1X30-MM)						
M	2	1	8T-4956	3	BOLT (M12X1.75X35-MM)						
M	3	1	8T-4184	4	BOLT (M12X1.75X45-MM)						
M	4	1	6V-7357	2	BOLT (M6X1X25-MM)						
M	5	1	179-4324	4	LOCKNUT (M5X0.8-THD)						
	6	1	309-3996	4	WASHER (5.3X12.5X5-MM THK)						
	7	1	8T-4205	4	WASHER-HARD (7.2X14.5X2-MM THK)						
	8	1	8T-4223	7	WASHER-HARD (13.5X25.5X3-MM THK)						
Y	9	1	<i>148-2270</i>	1	PIN GP-HITCH						614
Y	10	1	195-0189	1	LAMP GP-HEAD & SIGNAL (FRONT, RH)						370
Y	11	1	195-0190	1	LAMP GP-HEAD & SIGNAL (FRONT, LH)						371
	12	1	333-8792	1	LAMP AS (SIDE, LH)						
		1	323-5648	1	LAMP (12-VOLT) (TAIL LIGHTS)						
		1	323-5649	1	LAMP (12-VOLT) (INDICATOR LIGHT)						
		1	512-1201	1	LENS						
	13	1	333-8793	1	LAMP AS (SIDE, RH)						
		1	323-5648	1	LAMP (12-VOLT) (TAIL LIGHTS)						
		1	323-5649	1	LAMP (12-VOLT) (INDICATOR LIGHT)						
		1	512-1201	1	LENS						
Y	14	1	477-1801	1	HARNESS AS-LIGHTING (FRONT, LH)						350
Y	14A	1	477-1801	1	HARNESS AS-LIGHTING (FRONT, RH)						350
	15	1	495-3415	1	BRACKET AS						
	16	1	501-0761	1	BRACKET AS						
	17	1	495-3416	1	BRACKET AS						
	18	1	515-0965	1	BRACKET AS						
	19	1	504-1306	1	BRACKET						

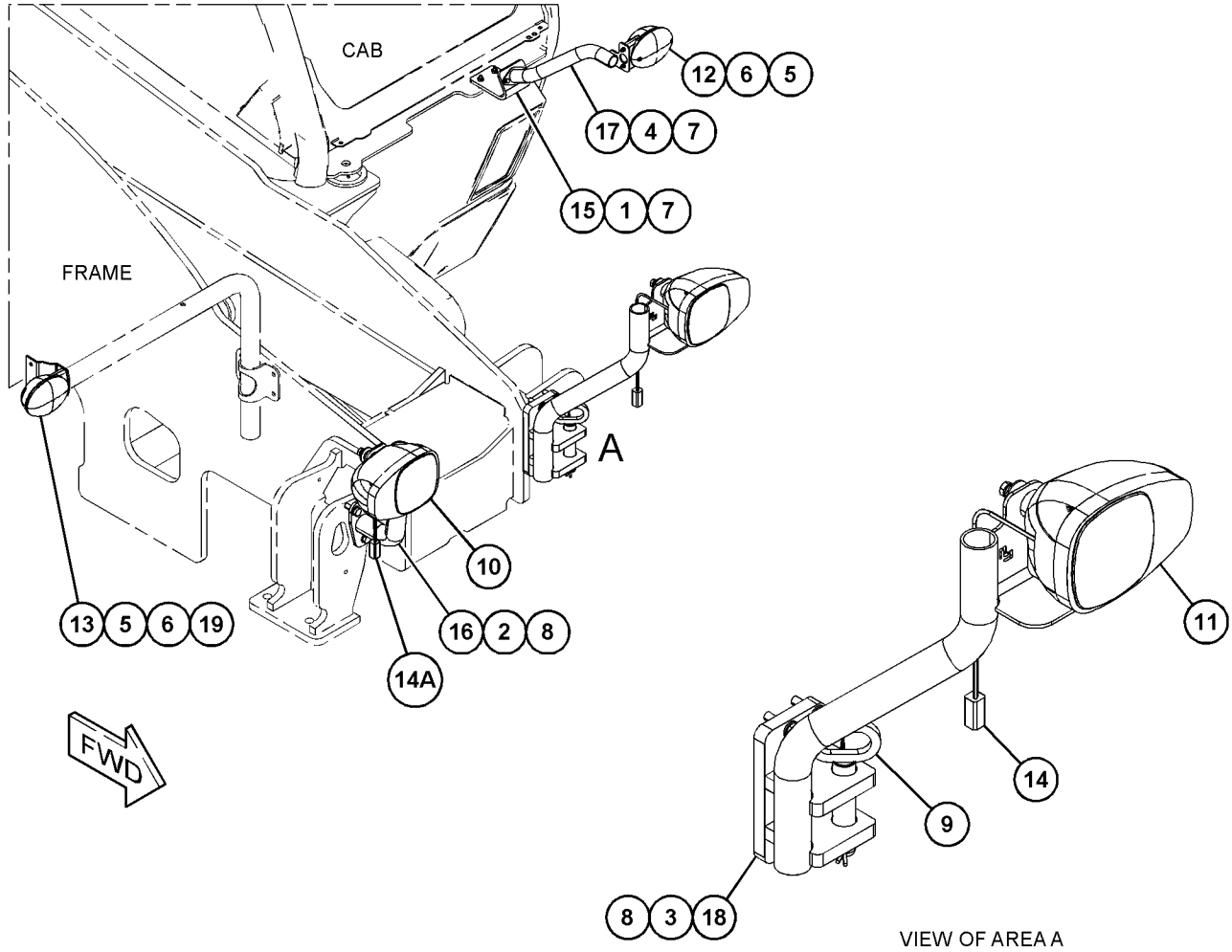
M - METRIC PART

Y - SEPARATE ILLUSTRATION

ELECTRICAL AND STARTING SYSTEM

515-0966 LIGHTING GP-FRONT (contd.)

i06895456



GRAPHIC #1

<END>

VIEW OF AREA A

g06159784

ELECTRICAL AND STARTING SYSTEM

473-7632 LIGHTING GP-ROADING

S/N: TD61-UP; TD71-UP

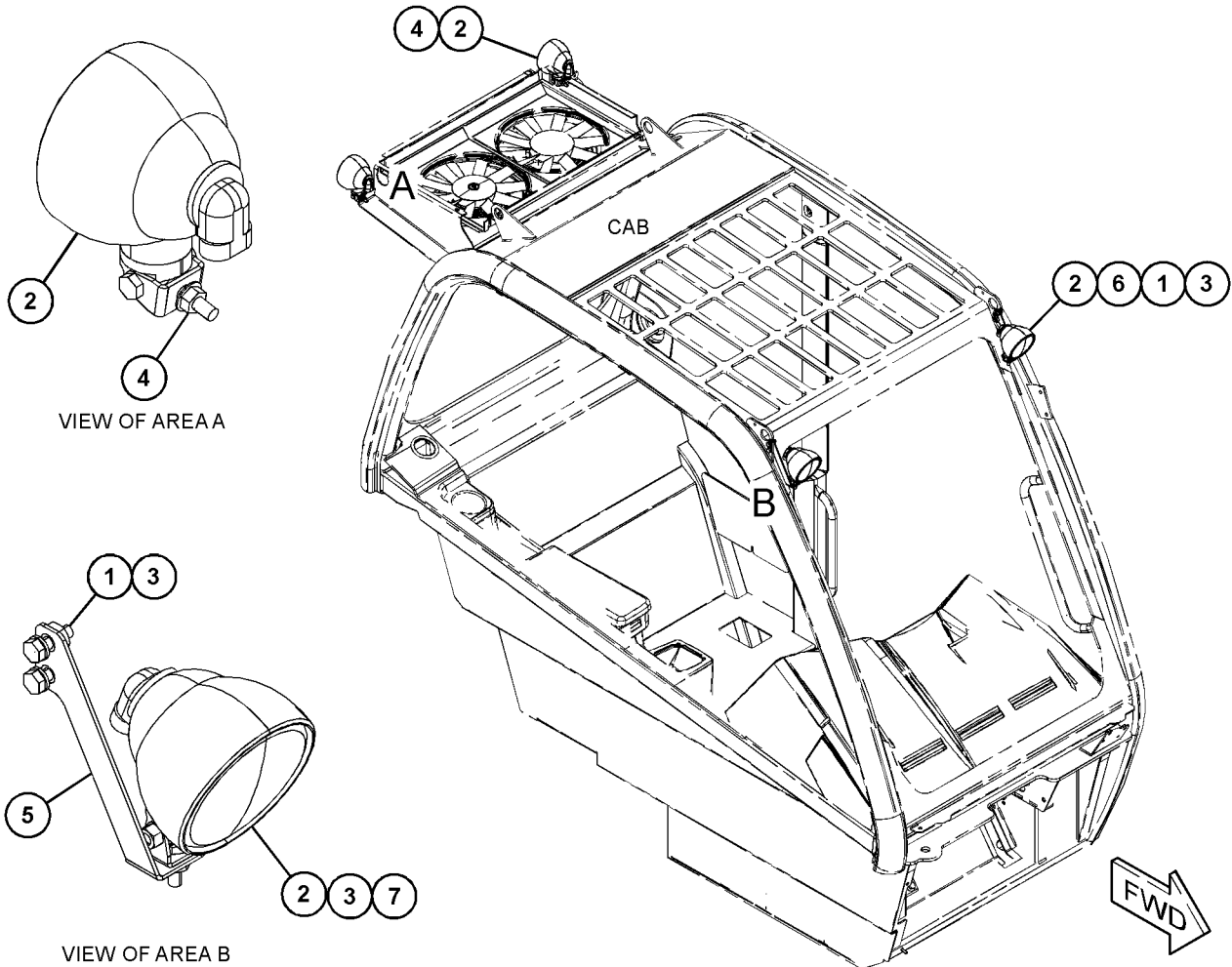
PART OF 495-3015 LIGHTING AR-ROADING
AN ATTACHMENT

SMCS-1429

i06830792

NOTE	REF NO	GRAPHIC REF	PART NUMBER	QTY	PART NAME						SEE PAGE
					1	2	3	4	5	6	
M	1	1	8T-4138	4	BOLT (M6X1X20-MM)						
	2	1	312-3332	4	LAMP AS (50-WATT) (WORK LIGHT)						
					(EACH INCLUDES)						
		1	323-5646	1	LAMP (50-WATT)						
	3	1	8T-4205	6	WASHER-HARD (7.2X14.5X2-MM THK)						
M	4	1	347-4584	2	NUT (M6X1-THD)						
	5	1	473-7633	1	BRACKET AS						
	6	1	473-7634	1	BRACKET AS						
M	7	1	5C-2890	2	NUT (M6X1-THD)						

M - METRIC PART



GRAPHIC #1

<END>

g06133458

ELECTRICAL AND STARTING SYSTEM

515-0963 LIGHTING GP-ROADING

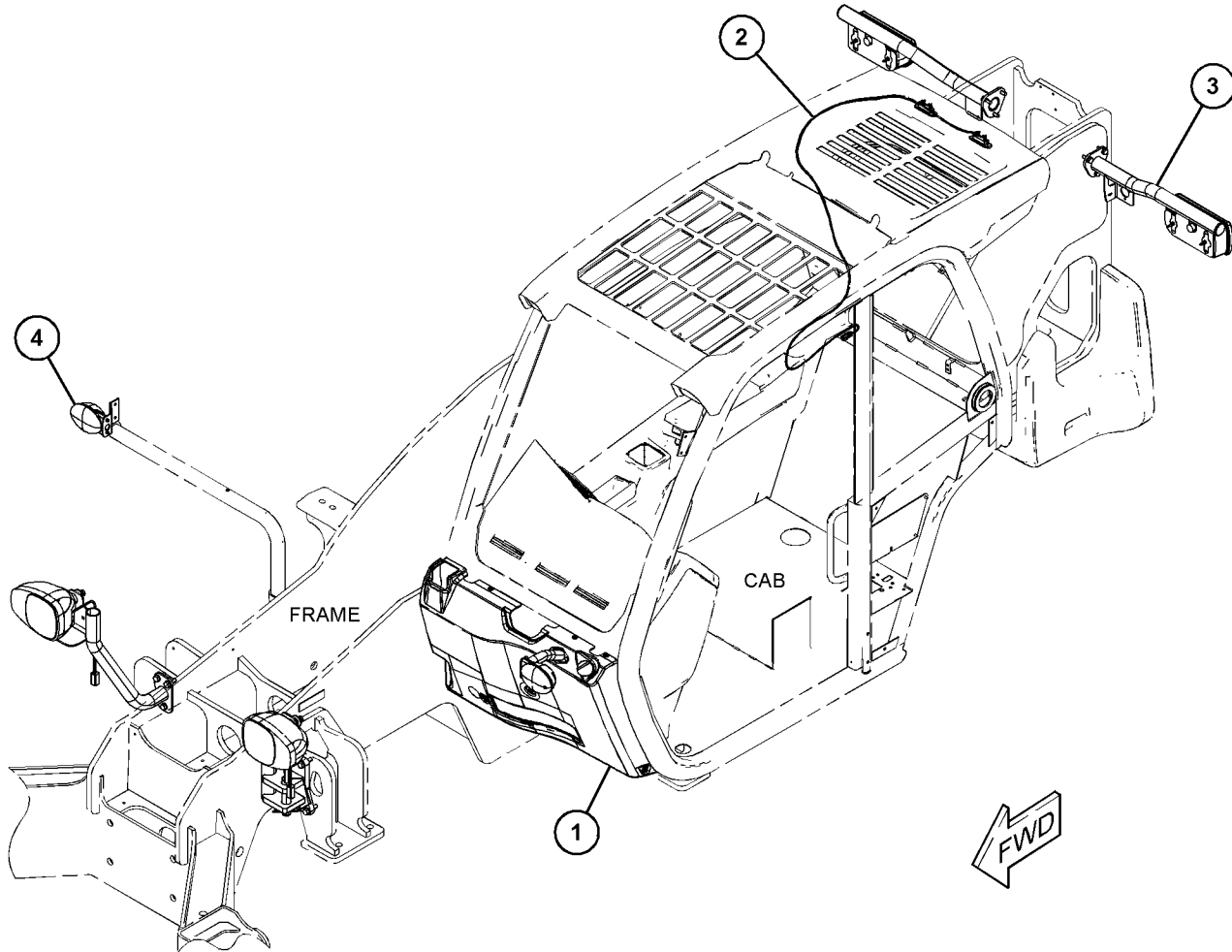
S/N: TD61-UP
AN ATTACHMENT

SMCS-1429

i06893242

NOTE	REF NO	GRAPHIC REF	PART NUMBER	QTY	PART NAME	SEE PAGE
					1 2 3 4 5 6 (PRODUCT LEVEL)	
Y	1	1	496-8305	1	COVER GP-ACCESS	585
Y	2	1	480-7044	1	LAMP GP-ROADING (LICENSE PLATE)	375
Y	3	1	515-0964	1	LAMP GP-REAR	374
Y	4	1	515-0962	1	LIGHTING GP-FRONT	385

Y - SEPARATE ILLUSTRATION



GRAPHIC #1

<END>

g06159837

ELECTRICAL AND STARTING SYSTEM

515-0967 LIGHTING GP-ROADING

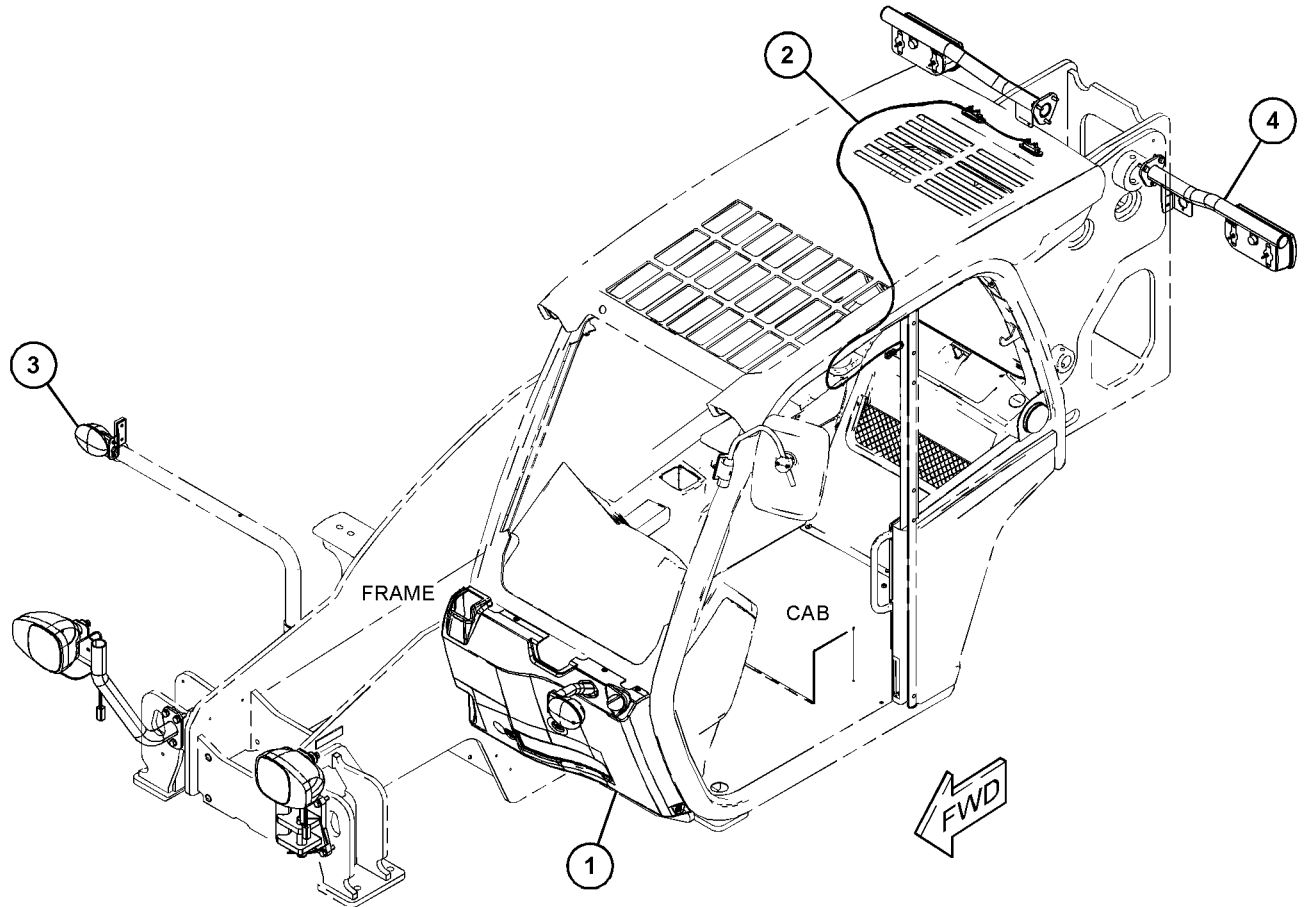
S/N: TD61-UP
AN ATTACHMENT

SMCS-1429

i06893244

NOTE	REF NO	GRAPHIC REF	PART NUMBER	QTY	PART NAME						SEE PAGE
					1	2	3	4	5	6 (PRODUCT LEVEL)	
Y	1	1	496-8305	1	COVER GP-ACCESS (FRONT)						585
Y	2	1	480-7044	1	LAMP GP-ROADING (LICENSE PLATE)						375
Y	3	1	515-0966	1	LIGHTING GP-FRONT						387
Y	4	1	515-0964	1	LAMP GP-REAR						374

Y - SEPARATE ILLUSTRATION



GRAPHIC #1

<END>

g06161082

ELECTRICAL AND STARTING SYSTEM

515-0968 LIGHTING GP-ROADING

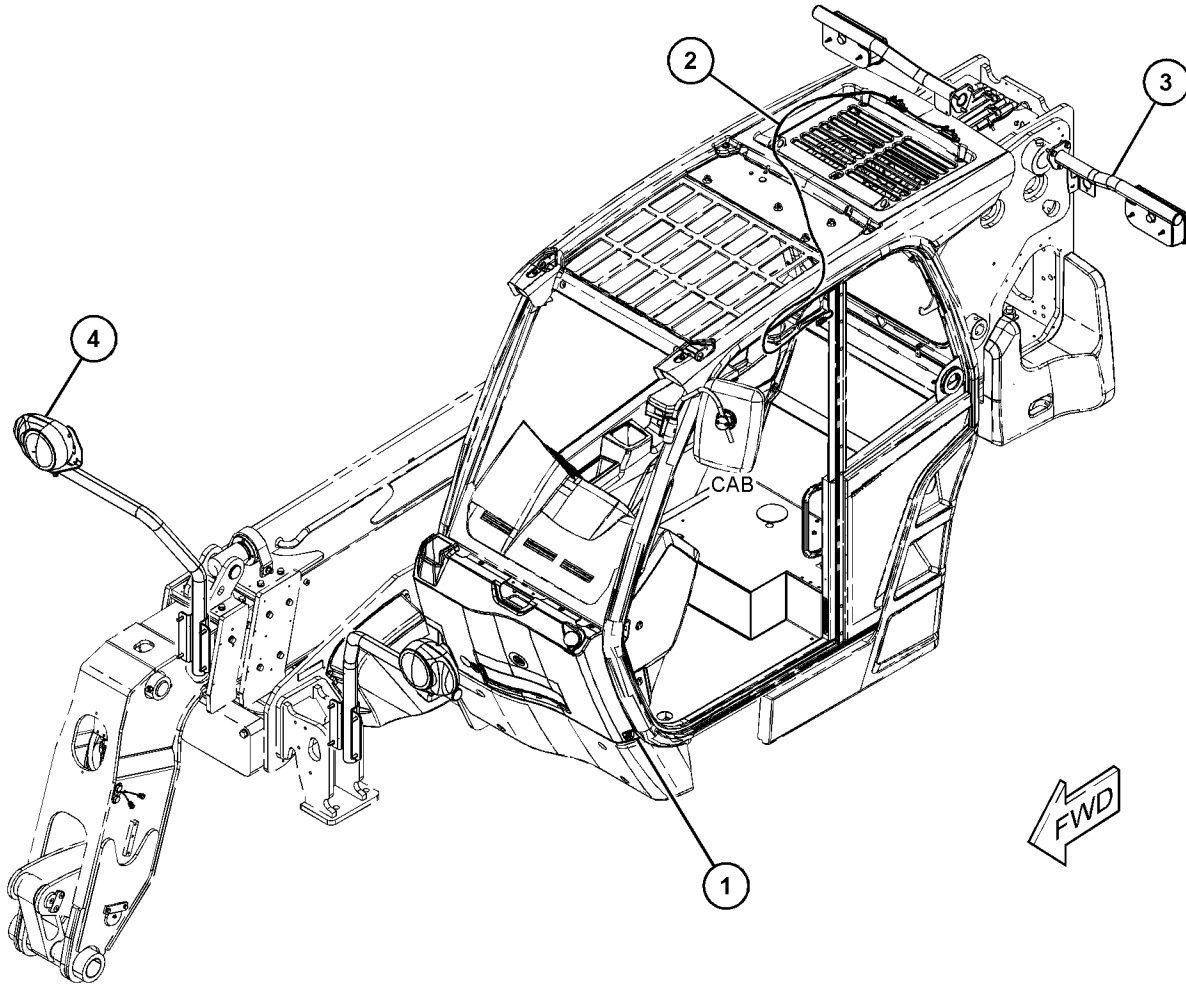
S/N: TD71-UP
AN ATTACHMENT

SMCS-1429

i06893245

NOTE	REF NO	GRAPHIC REF	PART NUMBER	QTY	PART NAME						SEE PAGE
					1	2	3	4	5	6 (PRODUCT LEVEL)	
Y	1	1	496-8305	1	COVER GP-ACCESS (FRONT)						585
Y	2	1	480-7044	1	LAMP GP-ROADING (LICENSE PLATE)						375
Y	3	1	515-0964	1	LAMP GP-REAR						374
Y	4	1	515-0961	1	LAMP GP-FRONT						368

Y - SEPARATE ILLUSTRATION



GRAPHIC #1

<END>

g06163687

ELECTRICAL AND STARTING SYSTEM

515-0971 LIGHTING GP-ROADING

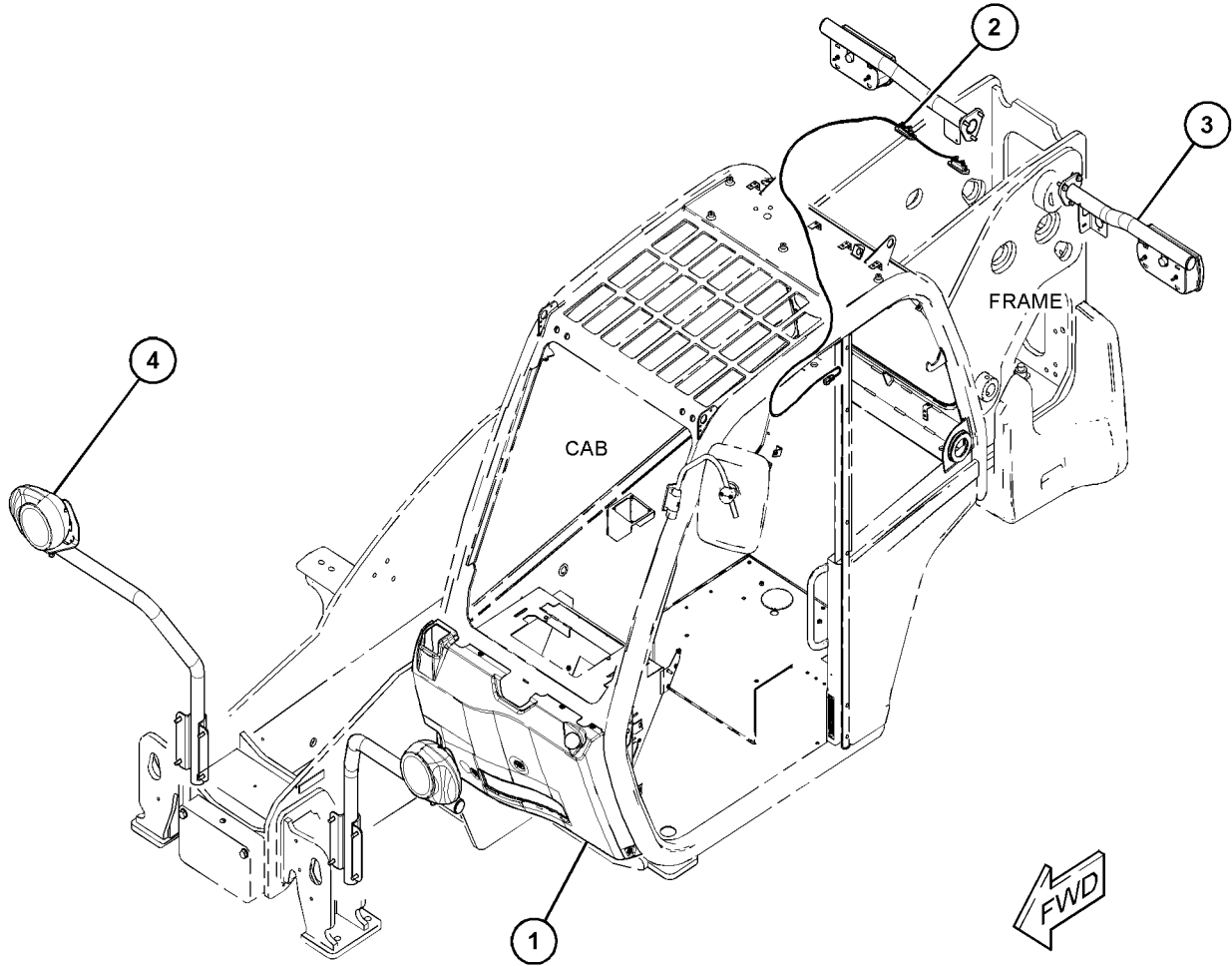
S/N: TD71-UP
AN ATTACHMENT

SMCS-1429

i06893247

NOTE	REF NO	GRAPHIC REF	PART NUMBER	QTY	PART NAME						SEE PAGE
					1	2	3	4	5	6 (PRODUCT LEVEL)	
Y	1	1	472-2275	1	COVER GP-CAB						904
Y	2	1	480-7044	1	LAMP GP-ROADING (LICENSE PLATE)						375
Y	3	1	515-0964	1	LAMP GP-REAR						374
Y	4	1	515-0972	1	LAMP GP-FRONT						369

Y - SEPARATE ILLUSTRATION



GRAPHIC #1

<END>

g06165713

ELECTRICAL AND STARTING SYSTEM

432-4133 LIGHTING GP-WARNING

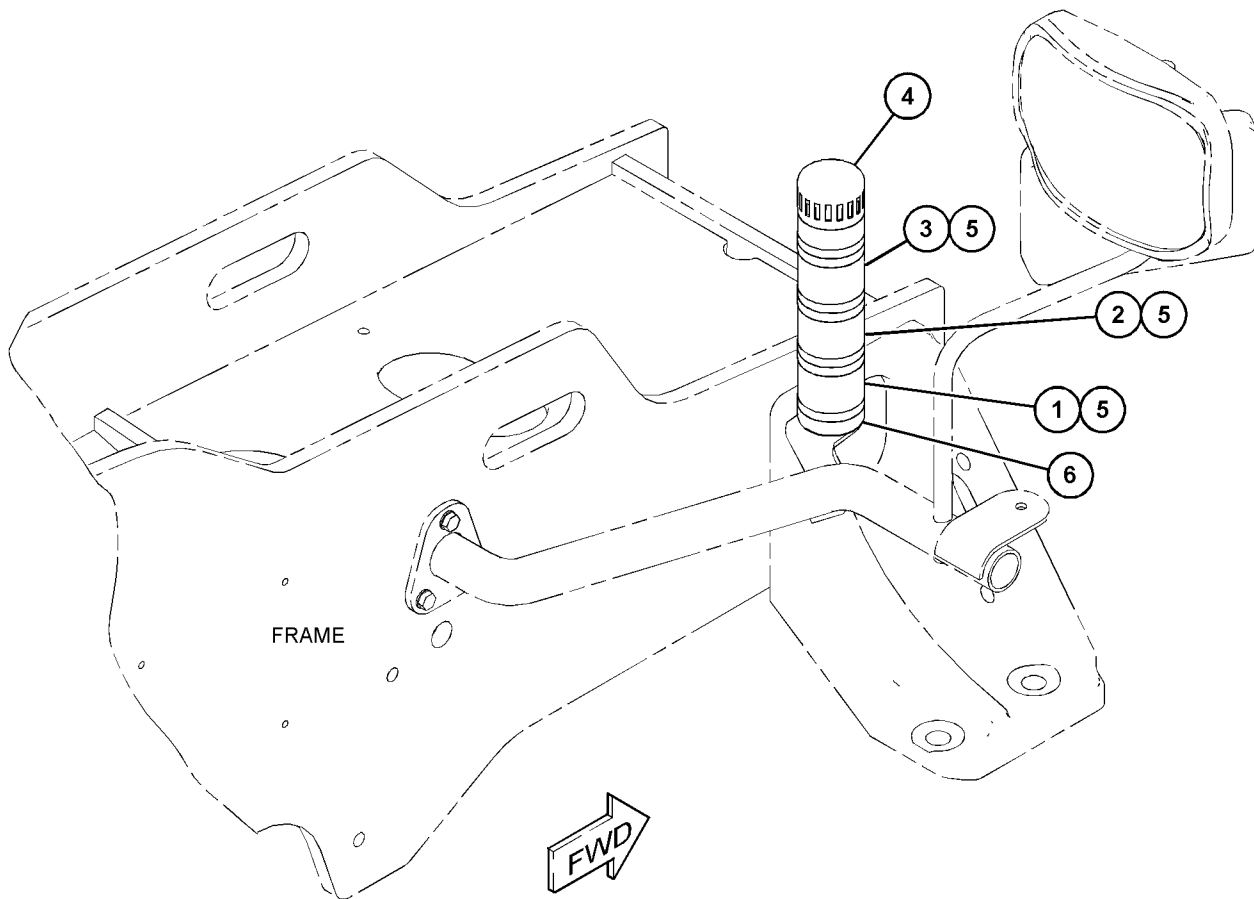
S/N: TD61-UP; TD71-UP

PART OF 496-8320 INSTALLATION GP-WARNING BEACON
AN ATTACHMENT

SMCS-1429, 1431

i05782403

NOTE	REF NO	GRAPHIC REF	PART NUMBER	QTY	PART NAME						SEE PAGE
					1	2	3	4	5	6 (PRODUCT LEVEL)	
1		1	432-4134	1	LAMP (12-VOLT, 7-WATT) (GREEN)						
2		1	432-4135	1	LAMP (12-VOLT, 7-WATT) (YELLOW)						
3		1	432-4136	1	LAMP (12-VOLT, 7-WATT) (RED)						
4		1	432-4137	1	ALARM						
5		1	432-4138	3	LAMP (12-VOLT, 5-WATT)						
6		1	432-4139	1	TERMINAL						



GRAPHIC #1

<END>

g03668628

ELECTRICAL AND STARTING SYSTEM

495-7659 LIGHTING GP-WARNING-BEACON

S/N: TD61-UP; TD71-UP

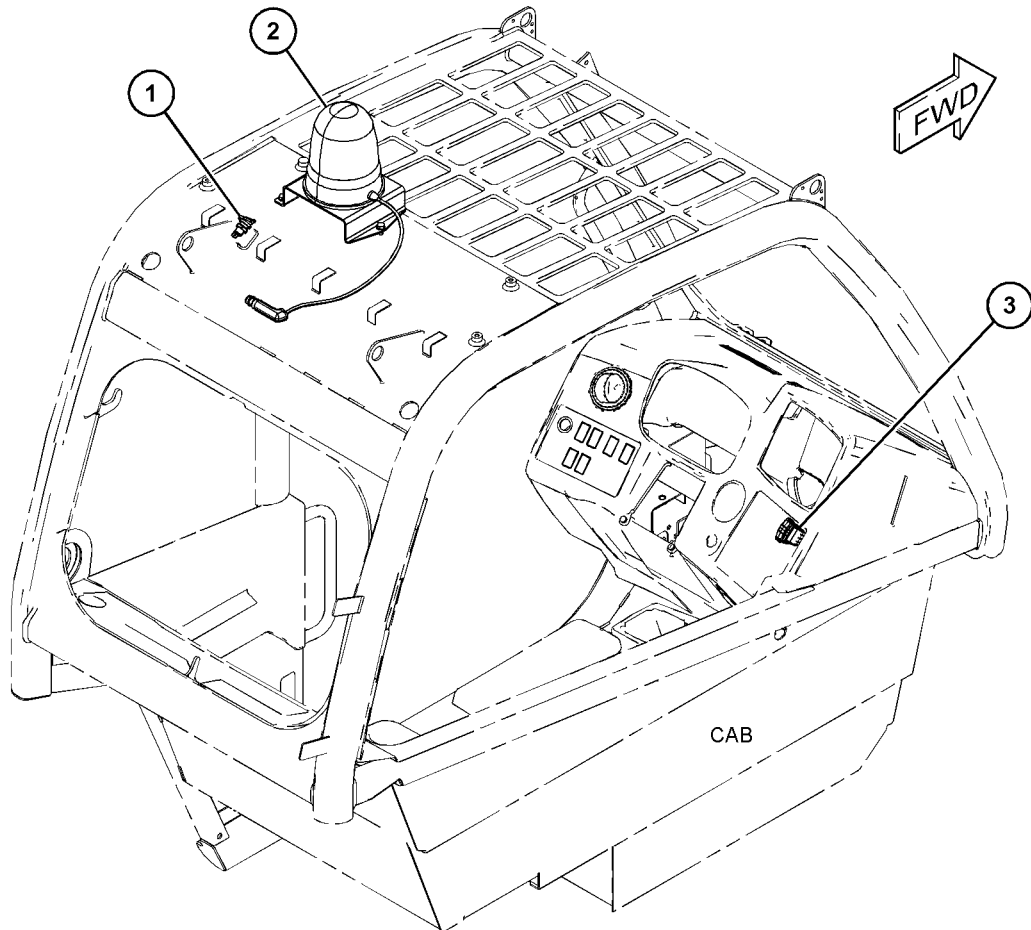
AN ATTACHMENT

SMCS-1429, 1431

i06586877

NOTE	REF NO	GRAPHIC REF	PART NUMBER	QTY	PART NAME						SEE PAGE
					1	2	3	4	5	6 (PRODUCT LEVEL)	
	1	1	317-6379	1	RECEPTACLE AS-POWER						
	2	1	472-7843	1	LAMP GP-WARNING BEACON (12-VOLT, AMBER)						
M		1	8T-4200	3	BOLT (M8X1.25X16-MM)						
		1	8T-4224	3	WASHER-HARD (8.8X16X2-MM THK)						
		1	317-3270	1	LAMP AS (12-VOLT, 55-WATT)						
		1	323-5644	1	LAMP (12-VOLT, 55-WATT) (BEACON)						
		1	472-7844	1	BRACKET						
	3	1	495-7692	1	SWITCH AS-ROCKER						

M - METRIC PART



GRAPHIC #1

<END>

g06037270

ELECTRICAL AND STARTING SYSTEM

464-3477 MODULE & MTG GP-CONTROL

S/N: CJ41-UP

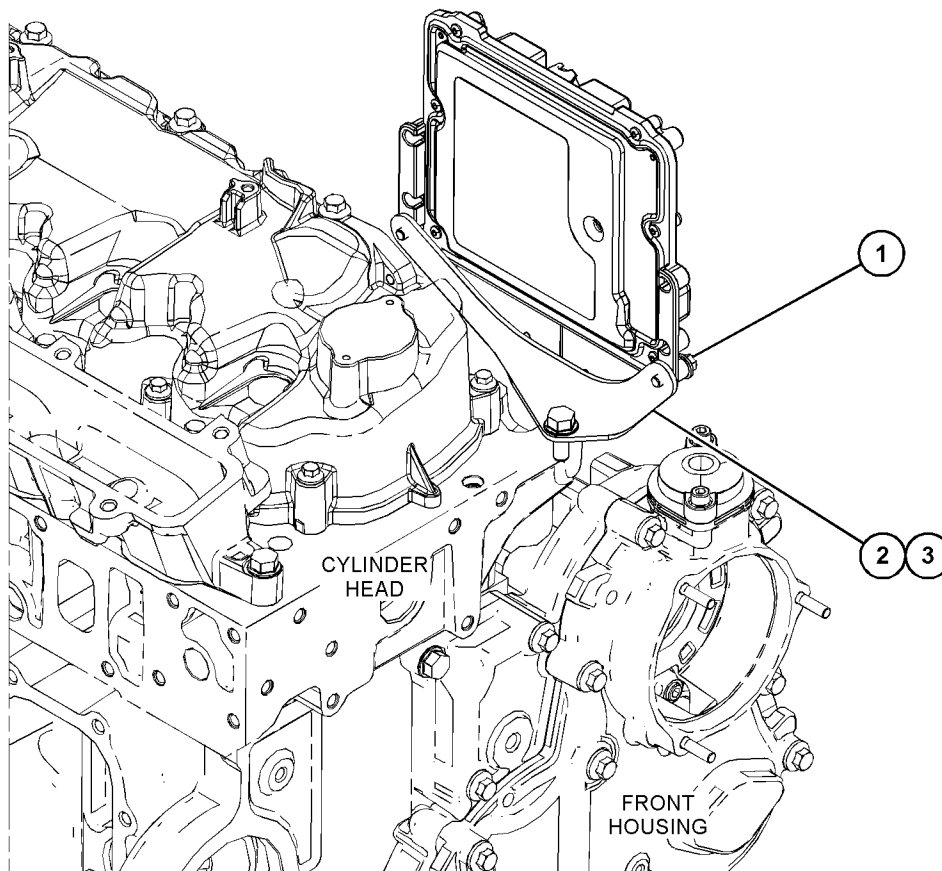
PART OF 441-9720 CONTROL GP-ELECTRONIC

SMCS-1900, 1901, 7610

i06252187

NOTE	REF NO	GRAPHIC REF	PART NUMBER	QTY	PART NAME						SEE PAGE
					1	2	3	4	5	6 (PRODUCT LEVEL)	
MR	1	1	100-4838	2	BOLT (M6X1X20-MM)						
	2	1	386-1919	1	BRACKET						
	3	1	389-1874	1	BOLT-SPECIAL						
F			470-8027	1	MODULE AS-CONTROL						
			465-0307	1	CONTROLLER						
			475-6698	1	FILM-IDENTIFICATION (ECU)						

F - NOT SHOWN
M - METRIC PART
R - REMANUFACTURED PART MAY BE AVAILABLE



GRAPHIC #1

<END>

g03820786

ELECTRICAL AND STARTING SYSTEM

415-7949 MOUNTING GP-CONTROL

S/N: W231-UP

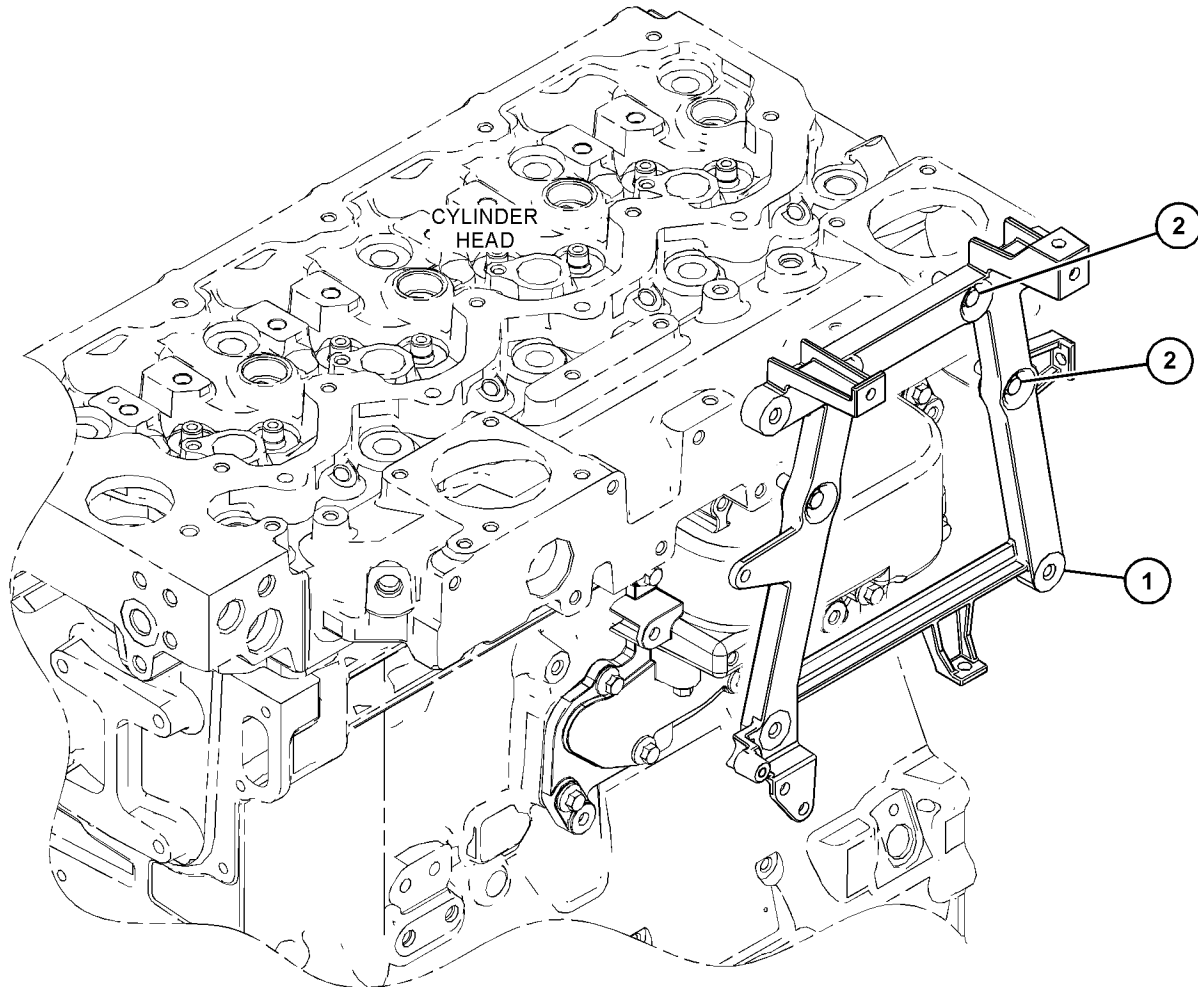
PART OF 463-8820, 463-8910 ENGINE AR-PRIMARY
ALSO AN ATTACHMENT

SMCS-1901

i06138417

NOTE	REF NO	GRAPHIC REF	PART NUMBER	QTY	PART NAME						SEE PAGE
					1	2	3	4	5	6 (PRODUCT LEVEL)	
	1	1	425-9955	1	BRACKET						
M	2	1	6I-0572	4	BOLT (M8X1.25X20-MM)						

M - METRIC PART



GRAPHIC #1

<END>

g03818841

ELECTRICAL AND STARTING SYSTEM

495-4594 PANEL GP-SWITCH

S/N: TD61-UP
PART OF 517-9179 CAB AR
AN ATTACHMENT

SMCS-1408, 7451

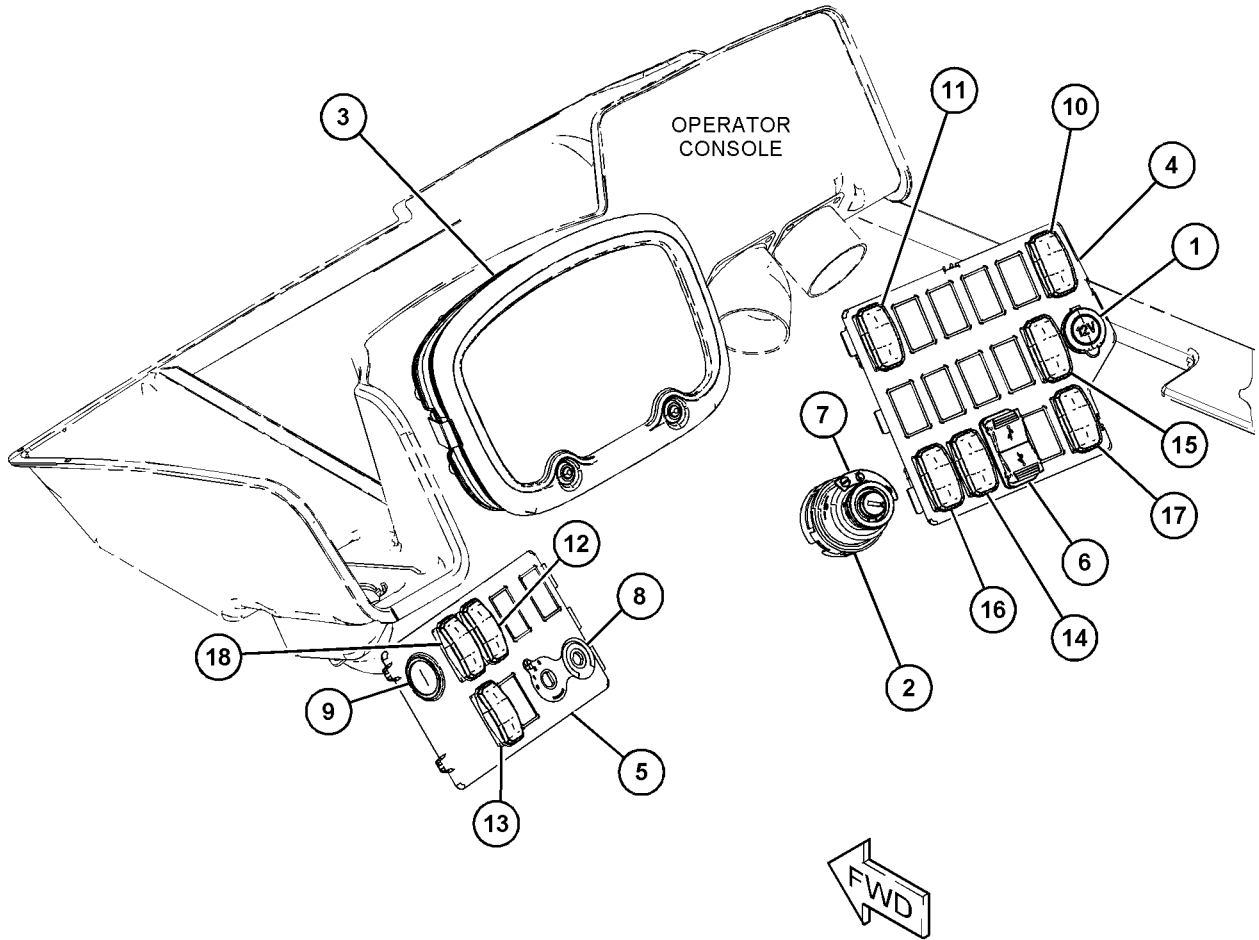
i07003476

NOTE	REF NO	GRAPHIC REF	PART NUMBER	QTY	PART NAME						SEE PAGE
					1	2	3	4	5	6 (PRODUCT LEVEL)	
	1	1	323-5605	1	RECEPTACLE-POWER						
	2	1	325-4927	1	SWITCH-IGNITION						
	3	1	473-4953	1	GAUGE GP-CLUSTER						
	4	1	535-6691	1	PANEL AS-SWITCH (RH)						
		1	473-4956	1	PANEL-SWITCH (RH)						
		1	474-6092	7	CLIP						
5		1	<i>535-6692</i>	1	PANEL AS-SWITCH (LH)						
		1	473-4957	1	PANEL-SWITCH (LH)						
		1	474-6092	4	CLIP						
6		1	495-4595	1	SWITCH AS (USB CHARGER)						
7		1	497-5476	1	FILM-IDENTIFICATION (IGNITION SWITCH)						
8		1	484-1477	1	FILM-IDENTIFICATION (HVAC)						
9		1	495-4596	1	PLUG						
10		1	495-4597	1	SWITCH AS-ROCKER (HAZARD)						
11		1	495-4598	1	SWITCH AS-ROCKER (FOG LIGHT)						
12		1	495-4599	1	SWITCH AS-ROCKER (AUXILIARY CONTROL)						
13		1	495-4600	1	SWITCH AS-ROCKER (OVERRIDE)						
14		1	495-4601	1	SWITCH AS-ROCKER (ROADING)						
15		1	495-4602	1	SWITCH AS-ROCKER (AUXILIARY, DECOMPRESSION)						
16		1	495-4603	1	SWITCH AS-ROCKER (STEERING MODE)						
17		1	495-4604	1	SWITCH AS-ROCKER (DRIVING LIGHT)						
18		1	495-4605	1	SWITCH AS-ROCKER (LOADER)						

ELECTRICAL AND STARTING SYSTEM

495-4594 PANEL GP-SWITCH (contd.)

i07003476



GRAPHIC #1

<END>

g06103969

ELECTRICAL AND STARTING SYSTEM

492-5086 SENSOR & MOUNTING GP-HITCH

S/N: TD61-UP; TD71-UP

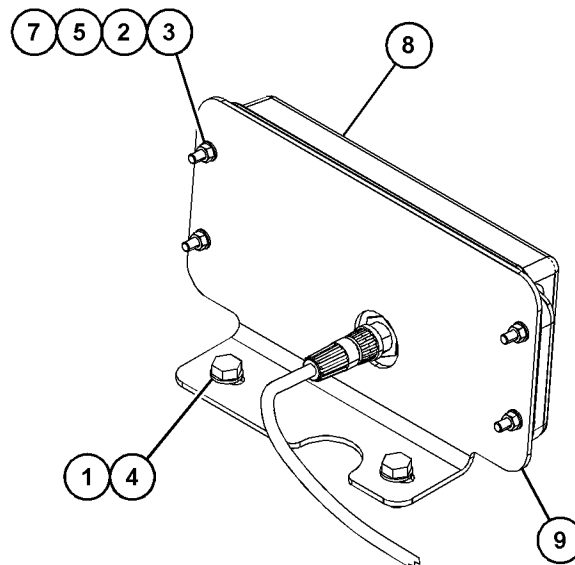
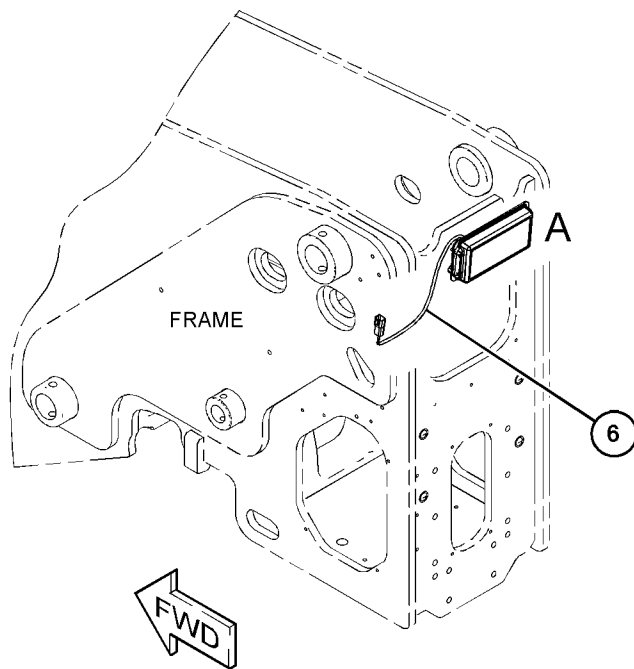
CANNOT BE USED WITH 497-9632-PAGE: 405
AN ATTACHMENT

SMCS-1408, 1439, 1906, 1907, 1912, 1917, 191N, 1923,
1924, 430S, 7400

i06586862

NOTE	REF NO	GRAPHIC REF	PART NUMBER	QTY	PART NAME						SEE PAGE
					1	2	3	4	5	6 (PRODUCT LEVEL)	
M	1	1	8T-4189	2	BOLT (M8X1.25X20-MM)						
M	2	1	303-4777	4	NUT (M5X0.8-THD)						
	3	1	309-3996	4	WASHER (5.3X12.5X5-MM THK)						
	4	1	8T-4224	2	WASHER-HARD (8.8X16X2-MM THK)						
M	5	1	096-5969	4	BOLT-SOCKET HEAD (M5X0.8X25-MM)						
	6	1	488-9824	1	HARNESS AS-SENSOR						
		1	303-4969	4	PIN-CONNECTOR (16-GA TO 20-GA)						
		1	323-7237	1	RECEPTACLE (4-PIN)						
	7	1	473-9386	4	WASHER (8.4X18X1.5-MM THK)						
	8	1	473-7701	1	SENSOR GP-OBJECT DETECTION						
	9	1	492-4992	1	BRACKET						

M - METRIC PART



VIEW OF AREA A

GRAPHIC #1

<END>

g06049102

ELECTRICAL AND STARTING SYSTEM

495-8471 SENSOR & MOUNTING GP-BOOM ANGLE

S/N: TD61-UP; TD71-UP
PART OF 517-9881 BOOM AR

SMCS-1408, 1439, 1906, 1907, 1912, 1917, 191N, 1923,
1924, 430S, 7400

i06603202

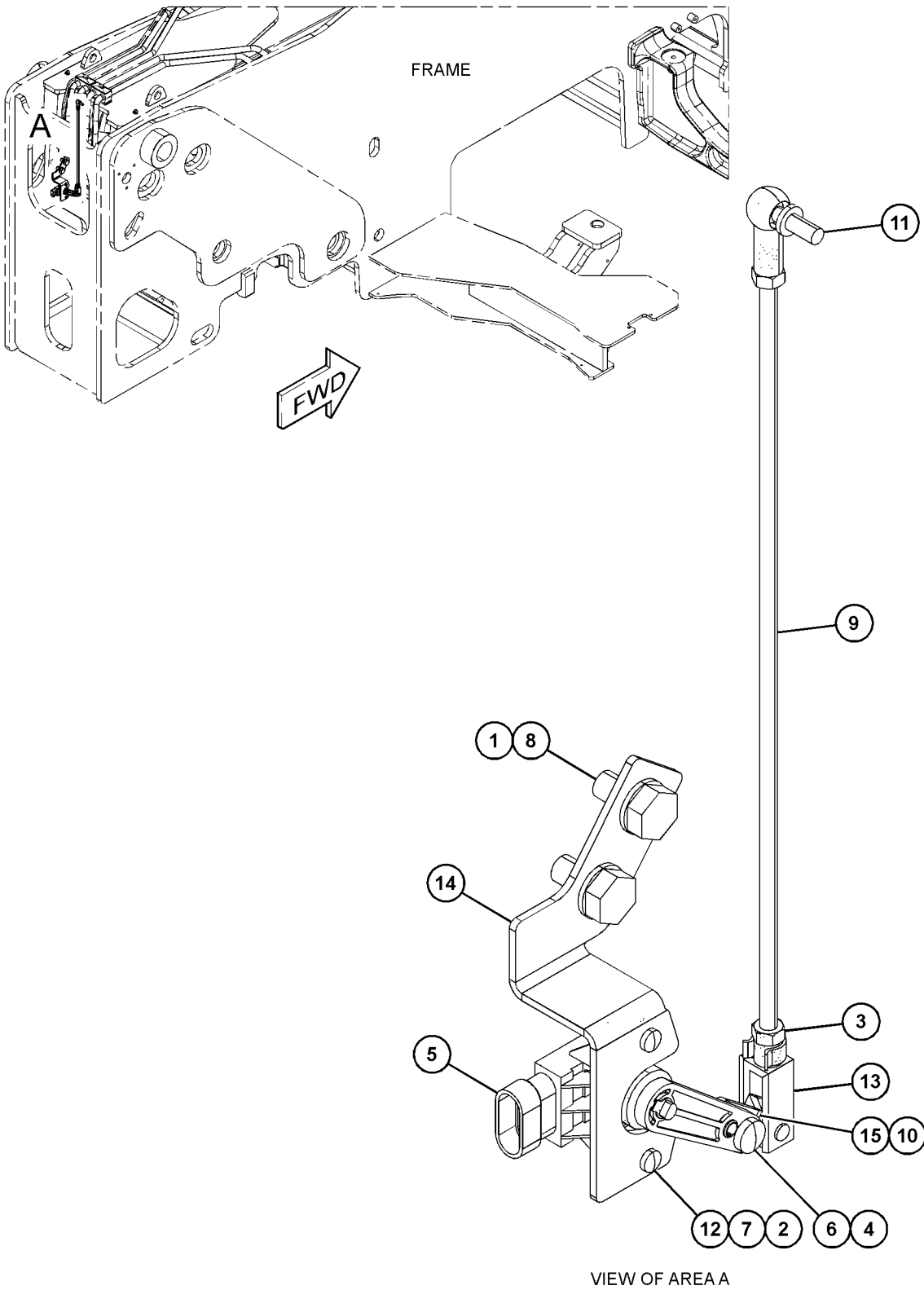
NOTE	REF NO	GRAPHIC REF	PART NUMBER	QTY	PART NAME						SEE PAGE
					1	2	3	4	5	6 (PRODUCT LEVEL)	
M	1	1	8T-4137	2	BOLT (M10X1.5X20-MM)						
M	2	1	178-9983	2	LOCKNUT (M4X0.7-THD)						
M	3	1	5C-2890	2	NUT (M6X1-THD)						
	4	1	303-4779	1	LOCKNUT (M6X1-THD)						
	5	1	329-3638	1	SENSOR (BOOM ANGLE)						
M	6	1	095-0742	1	SCREW-MACHINE (M6X1X16-MM)						
	7	1	5W-5038	2	WASHER (4.3X9X0.8-MM THK)						
	8	1	8T-4121	2	WASHER-HARD (11X21X2.5-MM THK)						
	9	1	495-8474	1	ROD						
	10	1	331-1571	1	PIN-ROLL						
	11	1	331-1572	1	BALL JOINT						
	12	1	281-1784	2	SCREW-PAN HEAD (M4X0.7X16-MM)						
	13	1	454-4678	1	CLEVIS						
	14	1	495-8472	1	BRACKET						
	15	1	495-8473	1	LINK						

M - METRIC PART

ELECTRICAL AND STARTING SYSTEM

495-8471 SENSOR & MOUNTING GP (contd.)

i06603202



GRAPHIC #1

<END>

g06049532

ELECTRICAL AND STARTING SYSTEM

496-8307 SENSOR & MOUNTING GP

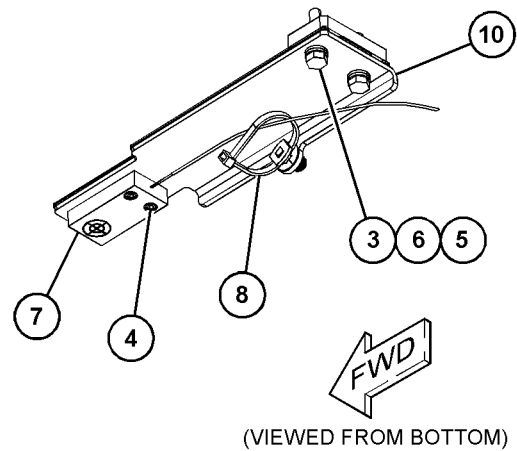
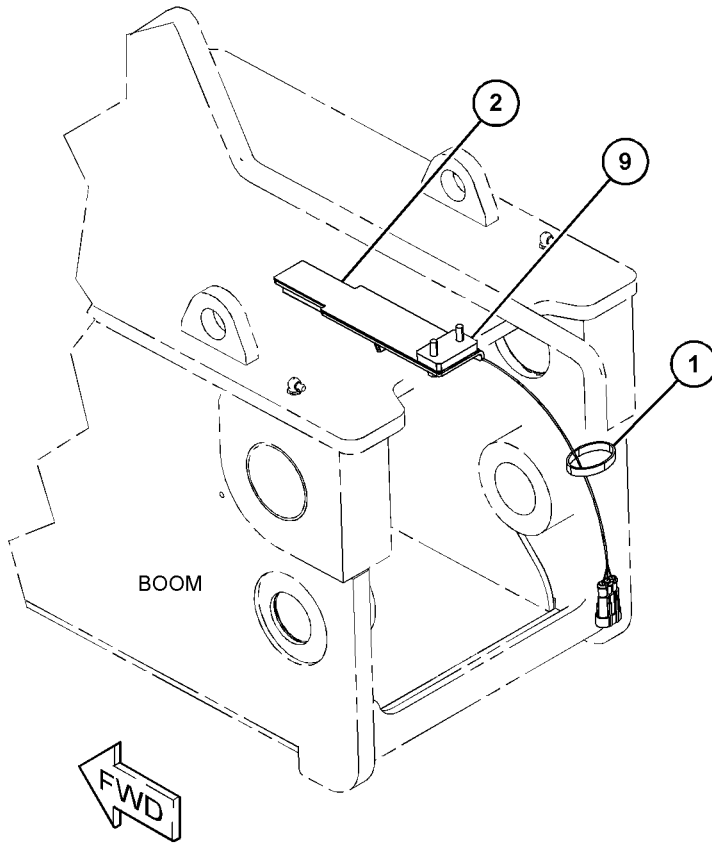
S/N: TD61-UP; TD71-UP
PART OF 517-9881 BOOM AR

SMCS-1408, 1439, 1906, 1907, 1912, 1917, 191N, 1923,
1924, 430S, 7400

i06834550

NOTE	REF NO	GRAPHIC REF	PART NUMBER	QTY	PART NAME						SEE PAGE
					1	2	3	4	5	6 (PRODUCT LEVEL)	
	1	1	7K-1181	1	STRAP-CABLE						
B	2	1	492-2133	1	SHIM						
M	3	1	8T-4971	2	BOLT (M6X1X30-MM)						
	4	1	454-4171	2	SCREW						
	5	1	8T-4205	2	WASHER-HARD (7.2X14.5X2-MM THK)						
	6	1	303-4787	2	WASHER (6.1X11.8X1.6-MM THK)						
	7	1	378-9703	1	SENSOR AS (PROXIMITY)						
	8	1	455-3027	1	TIE-CABLE						
	9	1	496-8308	1	PLATE						
	10	1	522-4418	1	BRACKET						

B - USE AS REQUIRED
M - METRIC PART



GRAPHIC #1

<END>

g06043970

ELECTRICAL AND STARTING SYSTEM

496-8309 SENSOR & MOUNTING GP

S/N: TD61-UP; TD71-UP

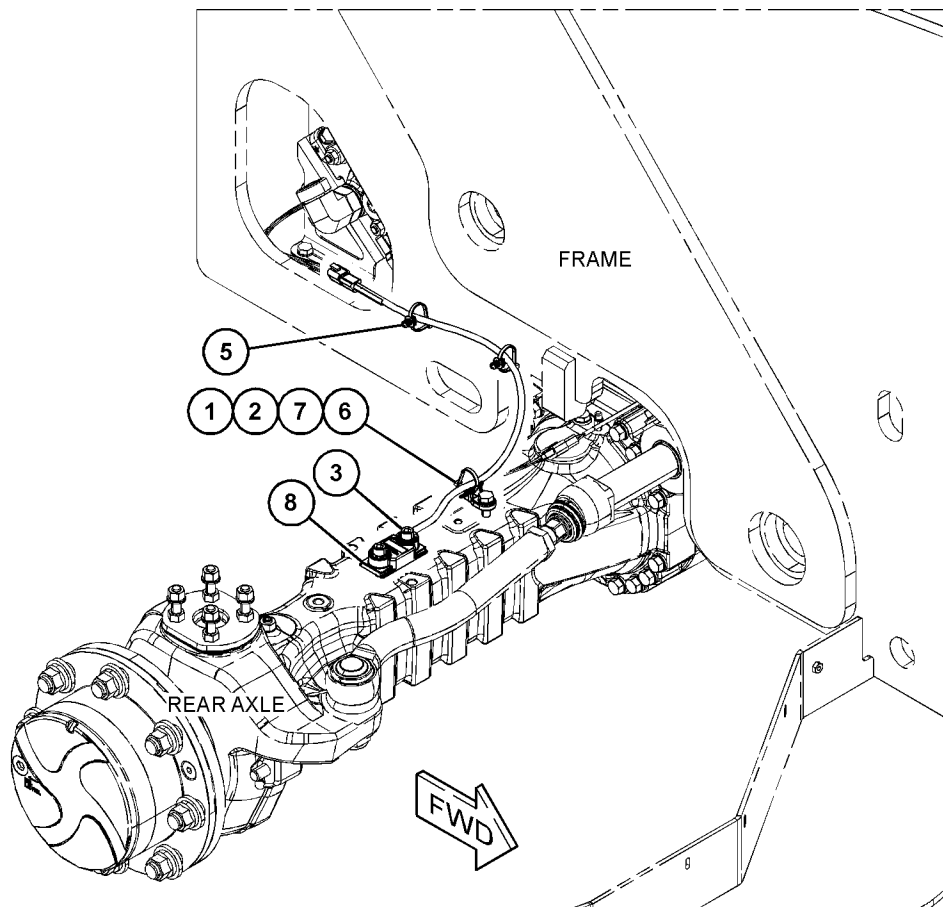
PART OF 522-5800, 522-5801, 522-5802, 522-5803, 522-5804, 522-6038, 522-6039, 522-6040, 522-6041, 522-6042 CONFIGURATION AR
AN ATTACHMENT

SMCS-1408, 1439, 1906, 1907, 1912, 1917, 191N, 1923,
1924, 430S, 7400

i06645734

NOTE	REF NO	GRAPHIC REF	PART NUMBER	QTY	PART NAME						SEE PAGE
					1	2	3	4	5	6 (PRODUCT LEVEL)	
M	1	1	8T-4136	1	BOLT (M10X1.5X25-MM)						
	2	1	8T-4121	1	WASHER-HARD (11X21X2.5-MM THK)						
M	3	1	105-3478	2	BOLT-SOCKET HEAD (M10X1.5X35-MM)						
	5	1	455-3027	2	TIE-CABLE						
	6	1	473-8975	1	MOUNT						
	7	1	206-1345	1	STRAP-CABLE						
	8	1	452-7079	1	SENSOR (AXLE LOCK)						

M - METRIC PART



GRAPHIC #1

<END>

g06065480

ELECTRICAL AND STARTING SYSTEM

497-9632 SENSOR & MOUNTING GP-REVERSE

S/N: TD61-UP; TD71-UP

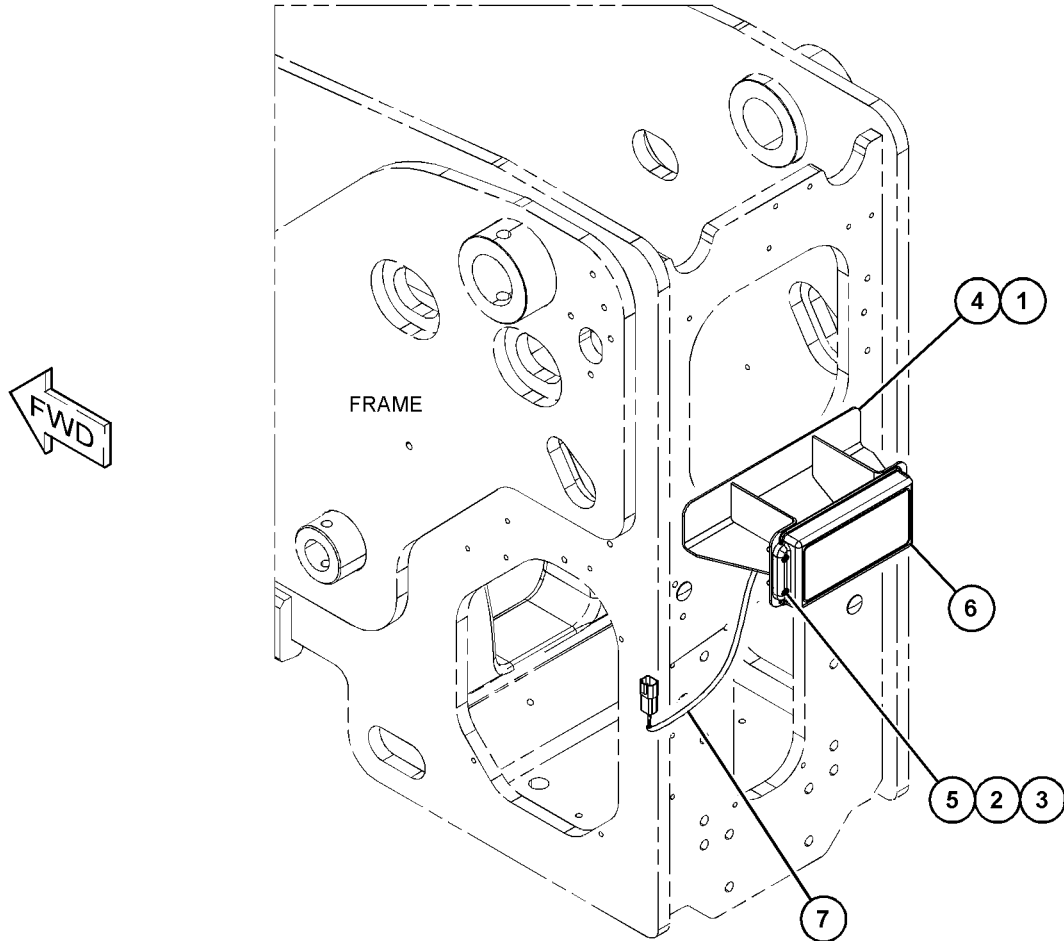
**CANNOT BE USED WITH HYDRAULIC TOW HITCH
AN ATTACHMENT**

**SMCS-1408, 1439, 1906, 1907, 1912, 1917, 191N, 1923,
1924, 430S, 7400**

i07047603

NOTE	REF NO	GRAPHIC REF	PART NUMBER	QTY	PART NAME						SEE PAGE
					1	2	3	4	5	6 (PRODUCT LEVEL)	
	1	1	473-9386	4	WASHER (8.4X18X1.5-MM THK)						
M	2	1	5C-2874	4	NUT (M5X0.8-THD)						
	3	1	8T-0328	4	WASHER-HARD (5.5X10X1-MM THK)						
	4	1	497-9633	1	BRACKET AS						
M	5	1	096-5969	4	BOLT-SOCKET HEAD (M5X0.8X25-MM)						
	6	1	473-7701	1	SENSOR GP-OBJECT DETECTION (REVERSE)						
	7	1	488-9824	1	HARNESS AS-SENSOR (REVERSE)						
		1	303-4969	4	PIN-CONNECTOR (16-GA TO 20-GA)						
		1	323-7237	1	RECEPTACLE (4-PIN)						

M - METRIC PART



GRAPHIC #1

<END>

g06209346

ELECTRICAL AND STARTING SYSTEM

496-8313 SENSOR & MTG GP-PRESSURE

S/N: TD61-UP; TD71-UP

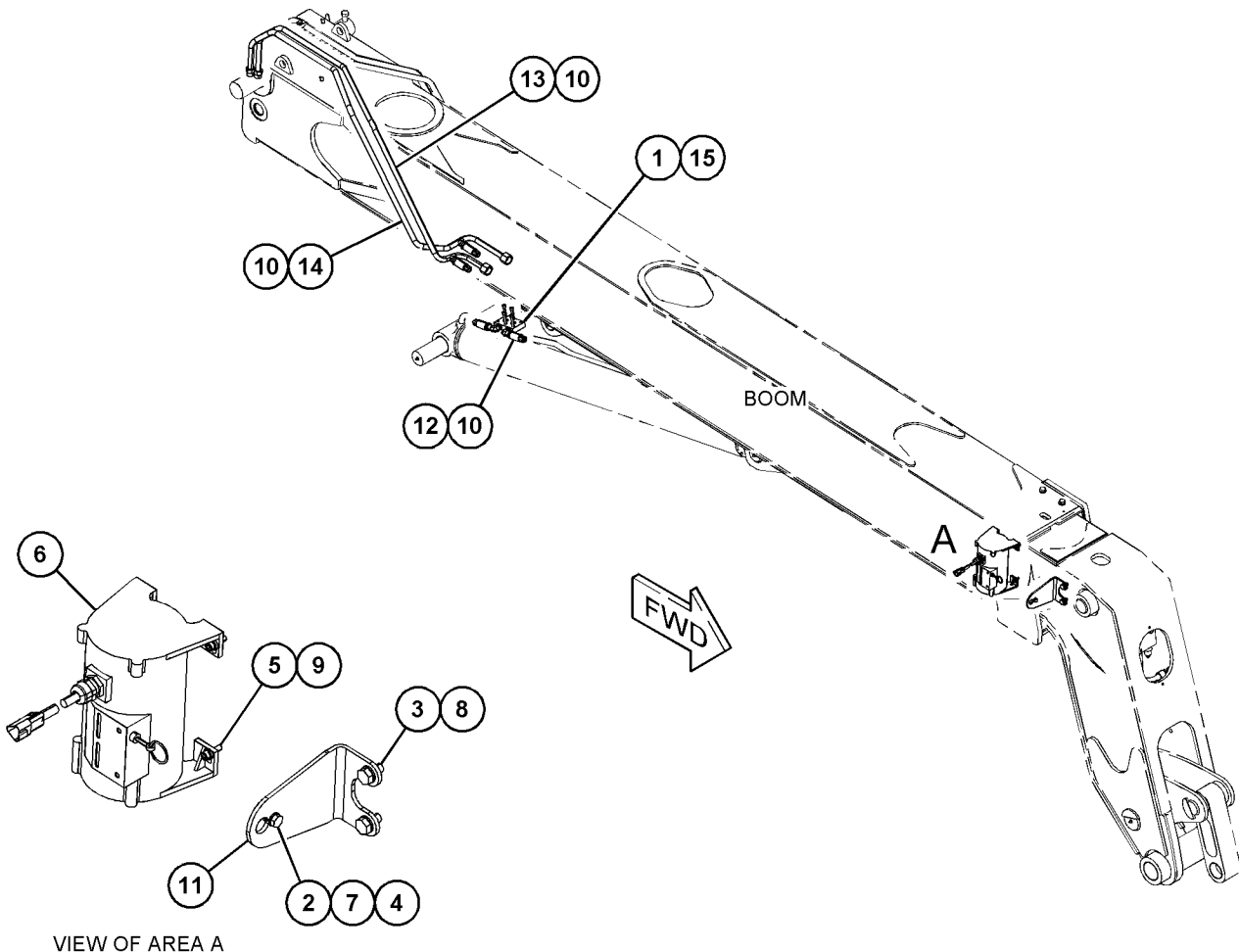
PART OF 496-8311 INSTALLATION AR-LOAD MGT IND
AN ATTACHMENT

SMCS-1408, 1439, 1916, 1917, 1923, 1924, 1925, 5095

i06889517

NOTE	REF NO	GRAPHIC REF	PART NUMBER	QTY	PART NAME						SEE PAGE
					1	2	3	4	5	6 (PRODUCT LEVEL)	
	1	1	361-4910	1	MANIFOLD						
M	2	1	8T-4200	1	BOLT (M8X1.25X16-MM)						
M	3	1	8T-4137	2	BOLT (M10X1.5X20-MM)						
M	4	1	5C-7261	1	NUT (M8X1.25-THD)						
M	5	1	105-3487	4	BOLT-SOCKET HEAD (M6X1X20-MM)						
	6	1	503-1689	1	SWITCH AS-INDICATOR (BOOM)						
	7	1	8T-4224	2	WASHER-HARD (8.8X16X2-MM THK)						
	8	1	8T-4121	2	WASHER-HARD (11X21X2.5-MM THK)						
	9	1	477-0655	4	WASHER (7.3X13.6X4-MM THK)						
	10	1	477-0968	4	SENSOR-PRESSURE (ENGINE)						
	11	1	496-8314	1	BRACKET						
	12	1	496-8315	2	ELBOW AS						
	13	1	496-8316	1	TUBE AS						
	14	1	496-8317	1	TUBE AS						
M	15	1	7I-8935	4	BOLT-SOCKET HEAD (M8X1.25X75-MM)						

M - METRIC PART



GRAPHIC #1

<END>

g06164530

ELECTRICAL AND STARTING SYSTEM

441-9798 SENSOR GP

S/N: CJ41-UP

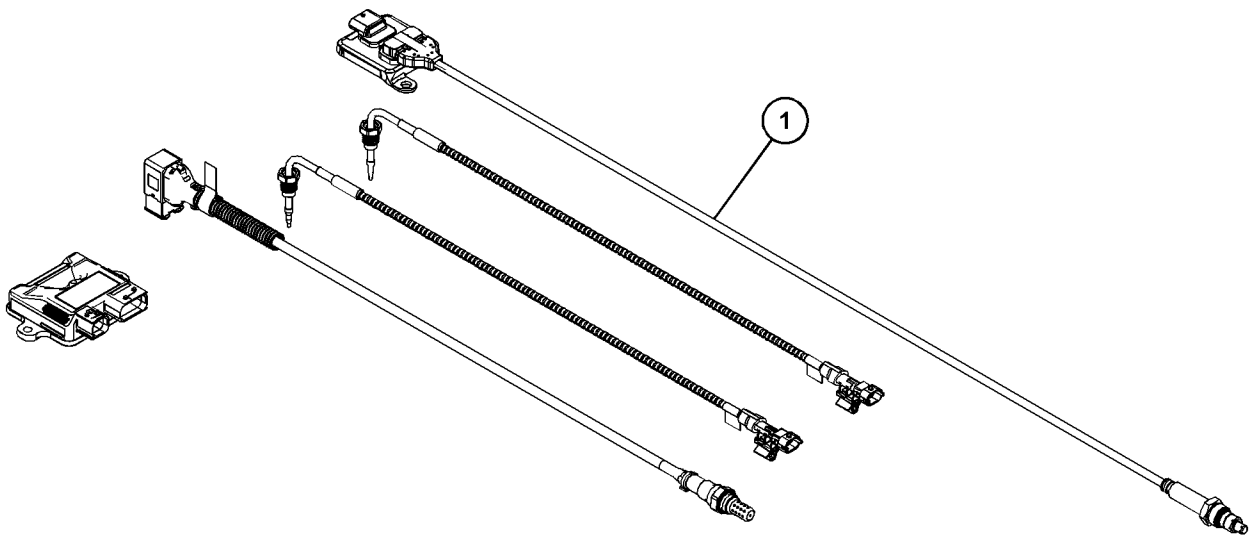
PART OF 465-2880 ENGINE AR-PRIMARY

SMCS-1408, 1901

i06252244

NOTE	REF NO	GRAPHIC REF	PART NUMBER	QTY	PART NAME						SEE PAGE
					1	2	3	4	5	6 (PRODUCT LEVEL)	
Y	1	1	465-8761	1	SENSOR GP (CLEAN EMISSIONS MODULE) (EXHAUST TEMPERATURE)						408

Y - SEPARATE ILLUSTRATION



GRAPHIC #1

<END>

g03817431

ELECTRICAL AND STARTING SYSTEM

465-8761 SENSOR GP

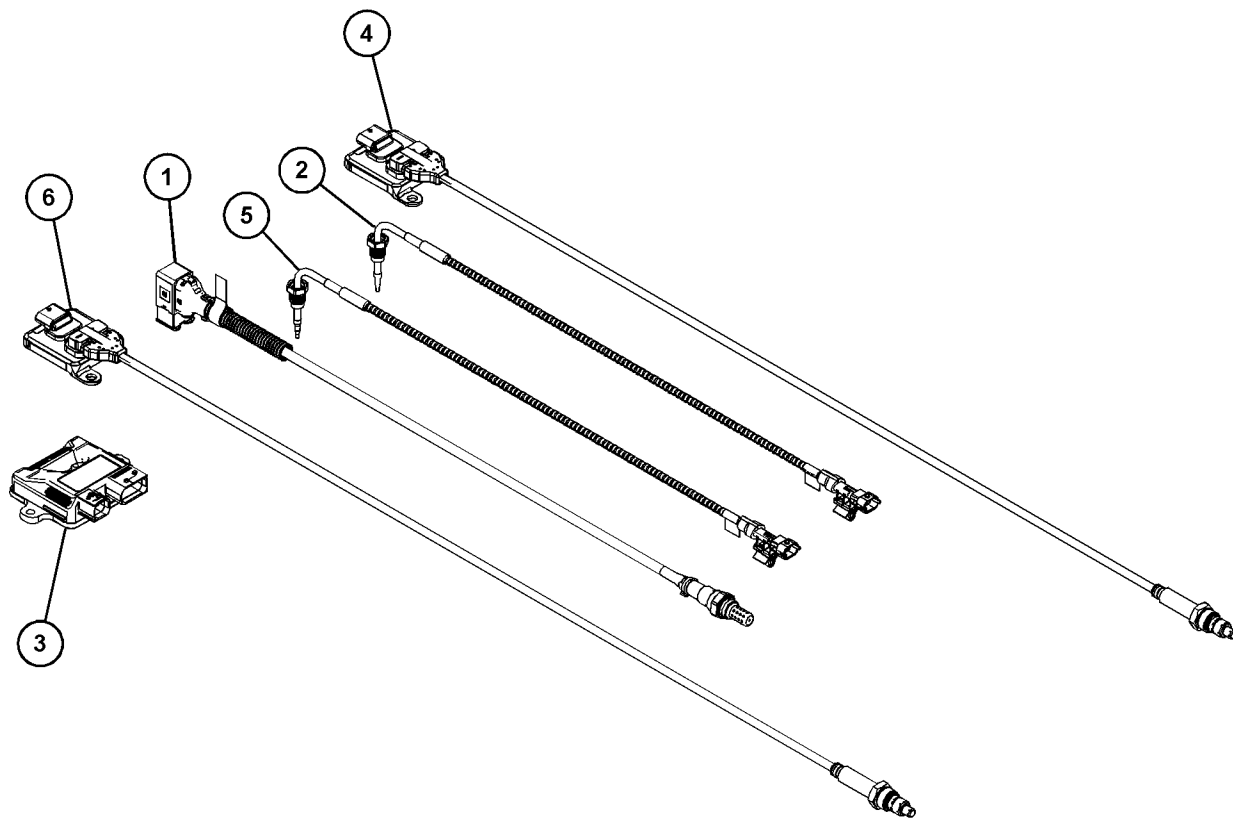
S/N: CJ41-UP

PART OF 441-9798 SENSOR GP

SMCS-1408, 1901

i07155919

NOTE	REF NO	GRAPHIC REF	PART NUMBER	QTY	PART NAME						SEE PAGE
					1	2	3	4	5	6 (PRODUCT LEVEL)	
	1	1	450-7212	1	SENSOR AS-AMMONIA						
	2	1	450-7214	1	SENSOR AS-TEMPERATURE (SCR INLET)						
	3	1	450-7215	1	CONTROLLER AS						
	4	1	461-5511	1	SENSOR AS-NITROGEN OXIDE (DOWNSTREAM)						
	5	1	461-5573	1	SENSOR AS-TEMPERATURE (DOC INLET)						
	6	1	461-5585	1	SENSOR-NITROGEN OXIDE (UPSTREAM)						



GRAPHIC #1

<END>

g06139512

ELECTRICAL AND STARTING SYSTEM

428-8196 SENSOR GP-COMBUSTION

S/N: JKT1-UP

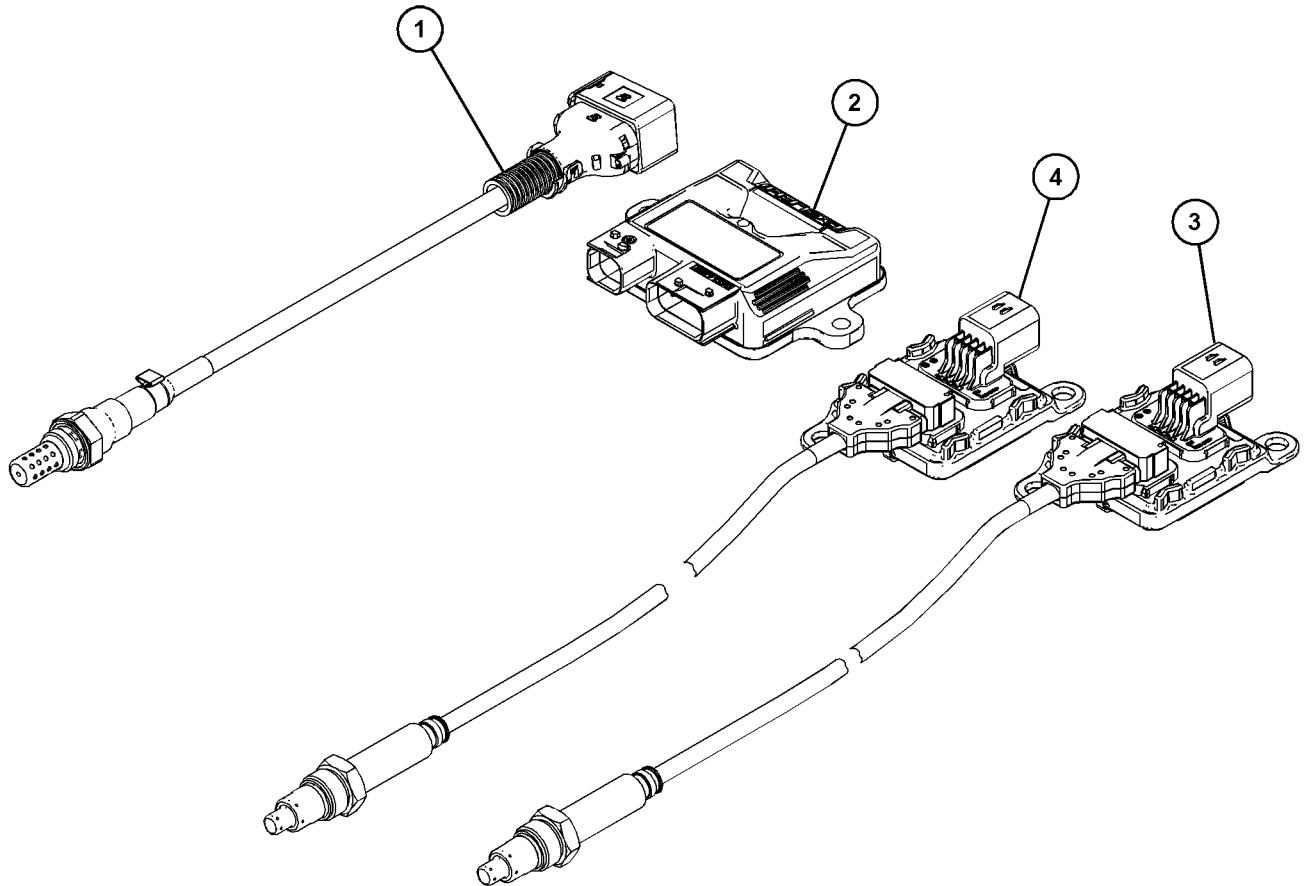
SENSOR

PART OF 464-2308 ENGINE AR-PRIMARY

SMCS-1563

i06243789

NOTE	REF NO	GRAPHIC REF	PART NUMBER	QTY	PART NAME						SEE PAGE
					1	2	3	4	5	6 (PRODUCT LEVEL)	
	1	1	421-7786	1	SENSOR AS-AMMONIA (EXHAUST GAS)						
	2	1	421-7787	1	CONTROLLER AS						
	3	1	441-5129	1	SENSOR AS-NITROGEN OXIDE (ENGINE OUTPUT)						
	4	1	441-5130	1	SENSOR AS-NITROGEN OXIDE (EXHAUST PIPE OUT)						



GRAPHIC #1

<END>

g06011263

ELECTRICAL AND STARTING SYSTEM

425-9760 SENSOR GP-ENGINE

S/N: W231-UP

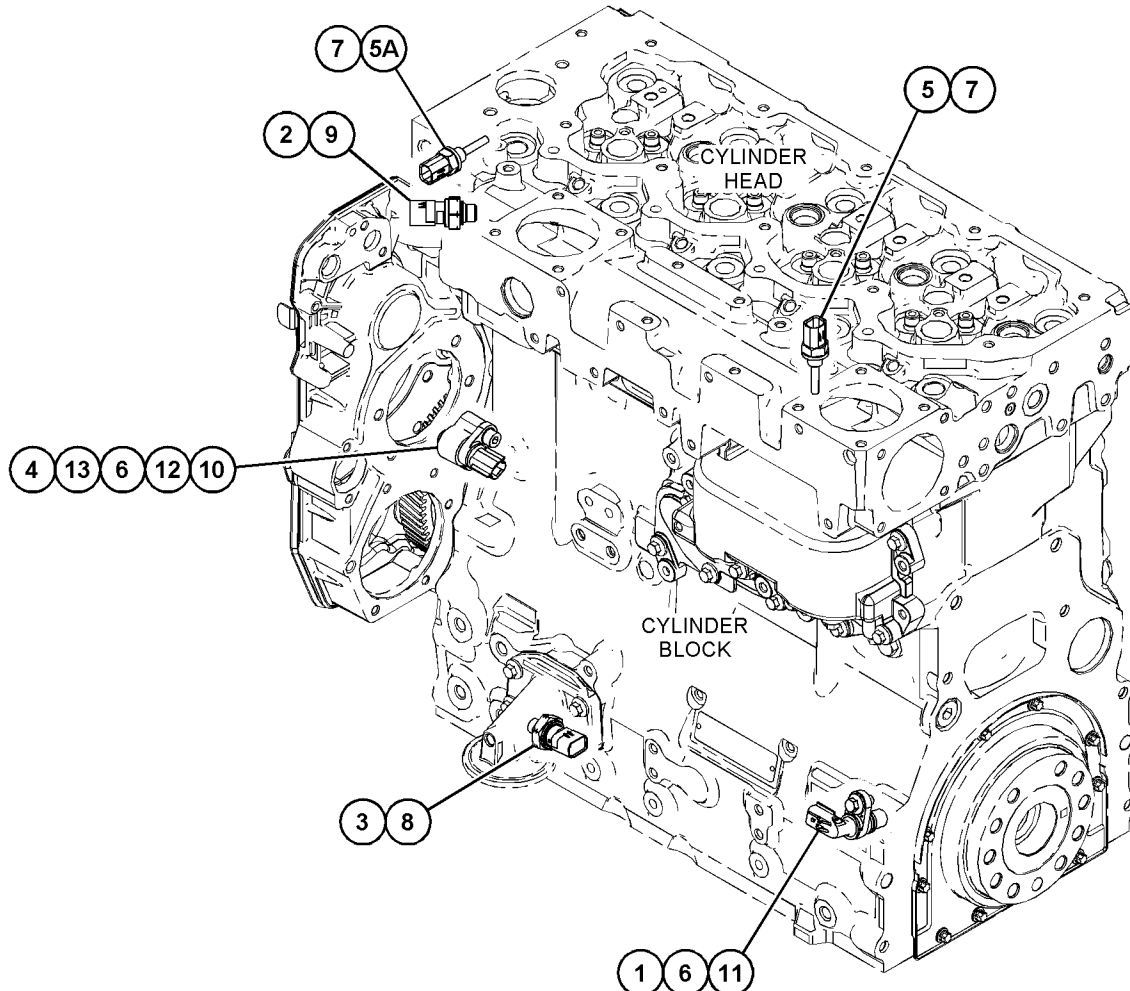
PART OF 463-8820, 463-8910 ENGINE AR-PRIMARY
ALSO AN ATTACHMENT

SMCS-1439

i06120205

NOTE	REF NO	GRAPHIC REF	PART NUMBER	QTY	PART NAME						SEE PAGE
					1	2	3	4	5	6	
M	1	1	124-3815	1	BOLT (M8X1.25X16-MM)						
	2	1	199-9252	1	SEAL-O-RING						
	3	1	199-9267	1	SEAL-O-RING						
	4	1	206-1826	1	BOLT						
	5	1	238-0112	1	SENSOR GP-TEMPERATURE (ENGINE COOLANT)						
	5A	1	238-0112	1	SENSOR GP-TEMPERATURE (ENGINE COOLANT)						
	6	1	274-1639	2	SEAL						
	7	1	278-5226	2	SEAL-O-RING						
	8	1	320-3060	1	SENSOR GP-PRESSURE (ENGINE OIL)						
	9	1	320-3062	1	SENSOR GP-PRESSURE (INLET MANIFOLD AIR)						
	10	1	384-3887	1	SENSOR GP-SPEED						
	11	1	384-3888	1	SENSOR GP-SPEED						
	12	1	425-9111	1	ADAPTER						
M	13	1	8T-1158	1	BOLT-SOCKET HEAD (M8X1.25X20-MM)						

M - METRIC PART



GRAPHIC #1

<END>

g03814927

ELECTRICAL AND STARTING SYSTEM

433-4681 SENSOR GP-ENGINE

S/N: JKT1-UP

PART OF 464-2308 ENGINE AR-PRIMARY

SMCS-1439

i07213657

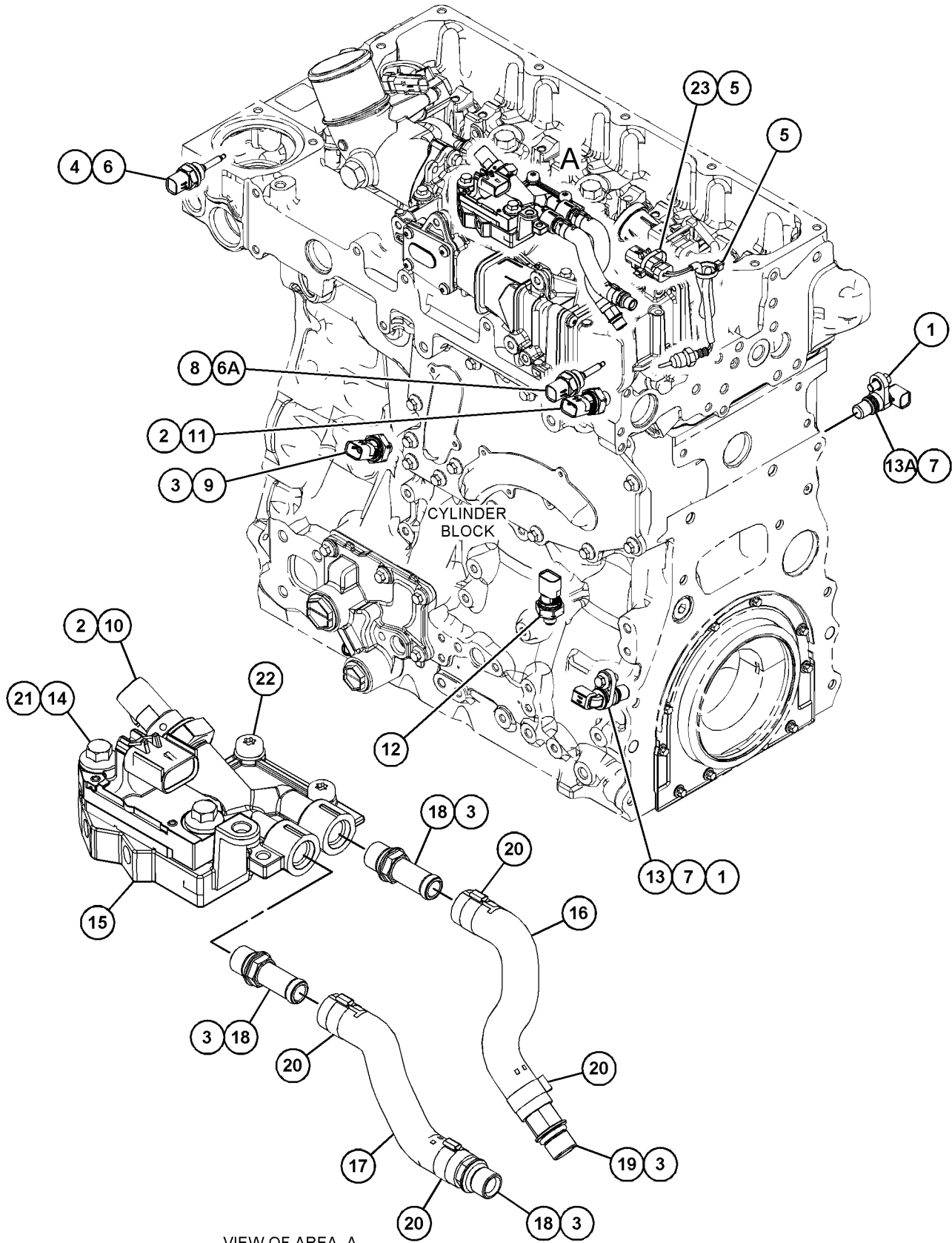
NOTE	REF NO	GRAPHIC REF	PART NUMBER	QTY	PART NAME						SEE PAGE
					1	2	3	4	5	6 (PRODUCT LEVEL)	
M	1	1	124-3815	2	BOLT (M8X1.25X16-MM)						
	2	1	199-9252	2	SEAL-O-RING						
	3	1	199-9267	5	SEAL-O-RING						
	4	1	199-9751	1	SEAL-O-RING						
	5	1	217-9039	2	STRAP-CABLE						
	6	1	256-6454	1	SENSOR-TEMPERATURE (COOLANT)						
	6A	1	256-6454	1	SENSOR-TEMPERATURE (INTAKE MANIFOLD AIR)						
	7	1	274-1639	2	SEAL						
	8	1	276-5603	1	SEAL-O-RING						
	9	1	320-3060	1	SENSOR GP-PRESSURE (ENGINE OIL)						
	10	1	320-3061	1	SENSOR GP-PRESSURE (NRS INLET)						
	11	1	320-3062	1	SENSOR GP-PRESSURE (INTAKE MANIFOLD AIR)						
	12	1	320-3063	1	SENSOR GP-PRESSURE (INTAKE AIR)						
	13	1	238-0120	1	SENSOR GP-SPEED (PRIMARY, TIMING)						
	13A	1	238-0120	1	SENSOR GP-SPEED (SECONDARY, TIMING)						
Y	14	1	385-1174	1	SENSOR GP-PRESSURE (NRS OUTLET)						417
	15	1	432-1403	1	MANIFOLD AS						
J	16	1	<i>466-2880</i>	1	HOSE						
L	17	1	<i>466-2881</i>	1	HOSE						
	18	1	453-6510	3	UNION						
	19	1	453-6997	1	UNION						
	20	1	454-8813	4	CLAMP						
M	21	1	6I-0254	2	BOLT (M8X1.25X30-MM)						
M	22	1	301-7012	4	SCREW-PAN HEAD (M6X1X20-MM)						
	23	1	339-8822	1	SENSOR AS-TEMPERATURE (NOX REDUCTION SYSTEM)						
		1	281-8802	1	RECEPTACLE AS-CONNECTOR (2-PIN)						
AVAILABLE REPAIR KIT(S):											
J			454-3966	1	KIT-HOSE						
L			454-3970	1	KIT-HOSE						

J - KIT MARKED J SERVICES PART(S) MARKED J
 L - KIT MARKED L SERVICES PART(S) MARKED L
 M - METRIC PART
 Y - SEPARATE ILLUSTRATION

ELECTRICAL AND STARTING SYSTEM

433-4681 SENSOR GP-ENGINE (contd.)

i07213657



GRAPHIC #1

<END>

g03848882

ELECTRICAL AND STARTING SYSTEM

441-9700 SENSOR GP-ENGINE

S/N: CJ41-UP

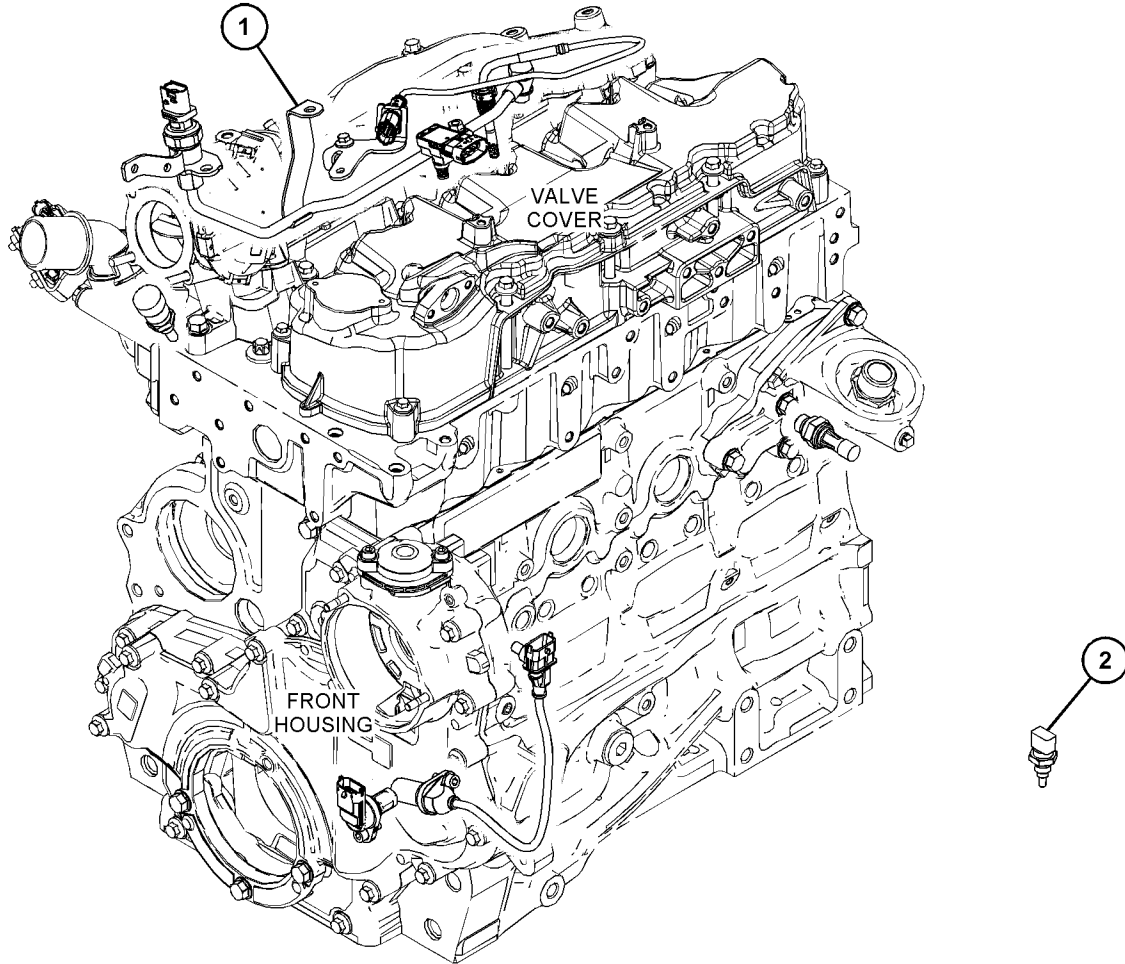
PART OF 465-2880 ENGINE AR-PRIMARY

SMCS-1439

i06252245

NOTE	REF NO	GRAPHIC REF	PART NUMBER	QTY	PART NAME						SEE PAGE
					1	2	3	4	5	6 (PRODUCT LEVEL)	
Y	1	1	464-3491	1	SENSOR GP-ENGINE						414
	2	1	399-8728	1	SENSOR (AMBIENT AIR TEMP)						

Y - SEPARATE ILLUSTRATION



GRAPHIC #1

<END>

g03825990

ELECTRICAL AND STARTING SYSTEM

464-3491 SENSOR GP-ENGINE

S/N: CJ41-UP

PART OF 441-9700 SENSOR GP-ENGINE

SMCS-1439

i06252249

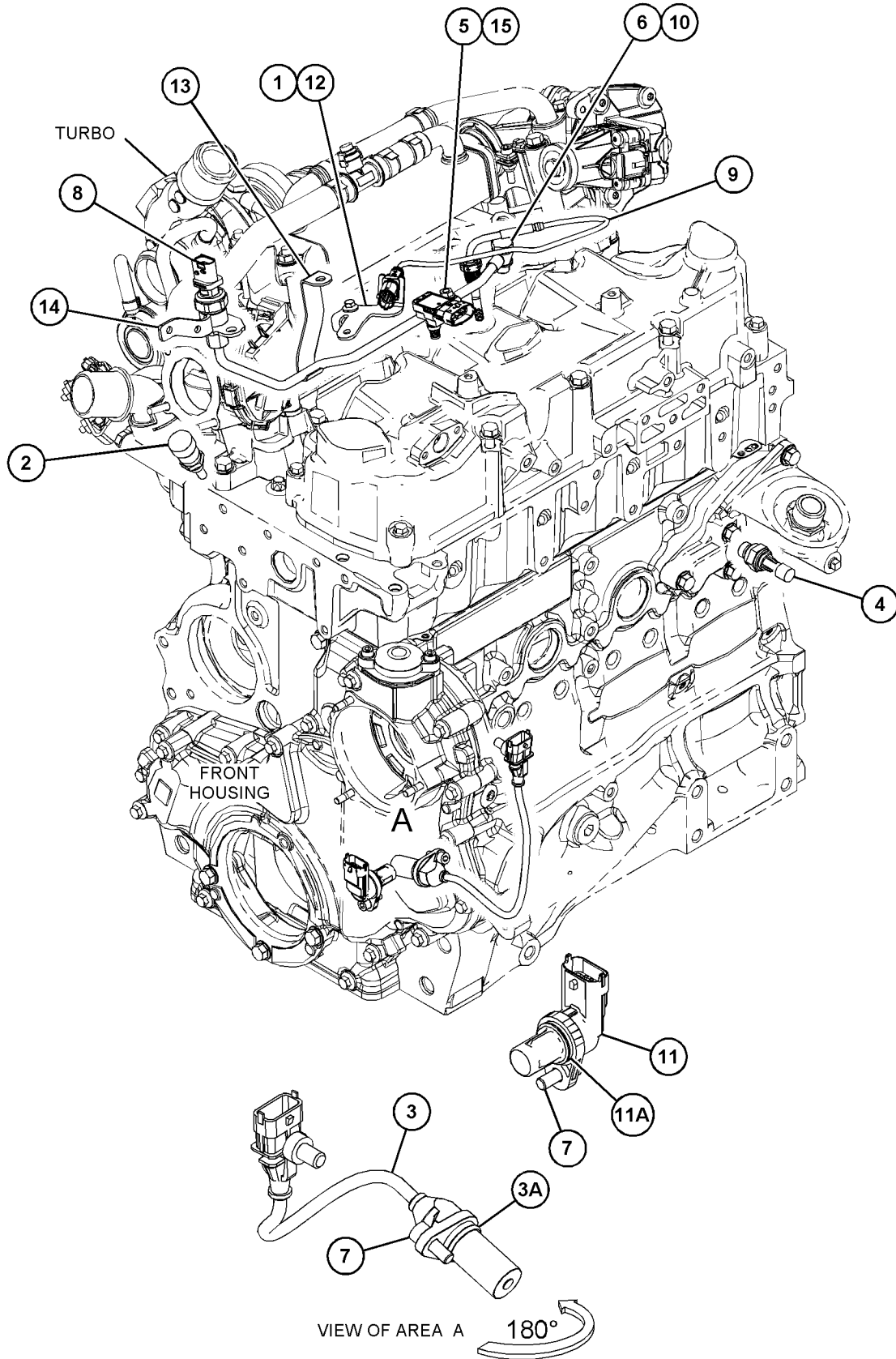
NOTE	REF NO	GRAPHIC REF	PART NUMBER	QTY	PART NAME						SEE PAGE
					1	2	3	4	5	6 (PRODUCT LEVEL)	
M	1	1	6I-0631	1	BOLT (M6X1X12-MM)						
	2	1	373-9526	1	SENSOR-TEMPERATURE (AMBIENT)						
	3	1	386-0153	1	SENSOR-SPEED						
	3A	1	387-7709	1	SEAL						
	4	1	386-0154	1	SWITCH (OIL PRESSURE)						
	5	1	386-0163	1	SENSOR						
	6	1	386-0164	1	SCREW						
	7	1	386-0166	2	SCREW						
	8	1	386-6508	1	SENSOR (PRESSURE)						
	9	1	386-6510	1	SENSOR-TEMPERATURE						
	10	1	393-0900	2	WASHER						
	11	1	435-5717	1	SENSOR (CAMSHAFT)						
	11A	1	392-6032	1	SEAL						
	12	1	465-1034	1	BRACKET						
	13	1	465-1037	1	PIPE AS						
	14	1	465-1038	1	BRACKET AS						
M	15	1	099-6418	1	NUT (M6X1-THD)						

M - METRIC PART

ELECTRICAL AND STARTING SYSTEM

464-3491 SENSOR GP-ENGINE (contd.)

106252249



GRAPHIC #1

<END>

g03825947

ELECTRICAL AND STARTING SYSTEM

423-6434 SENSOR GP-LIQUID LEVEL

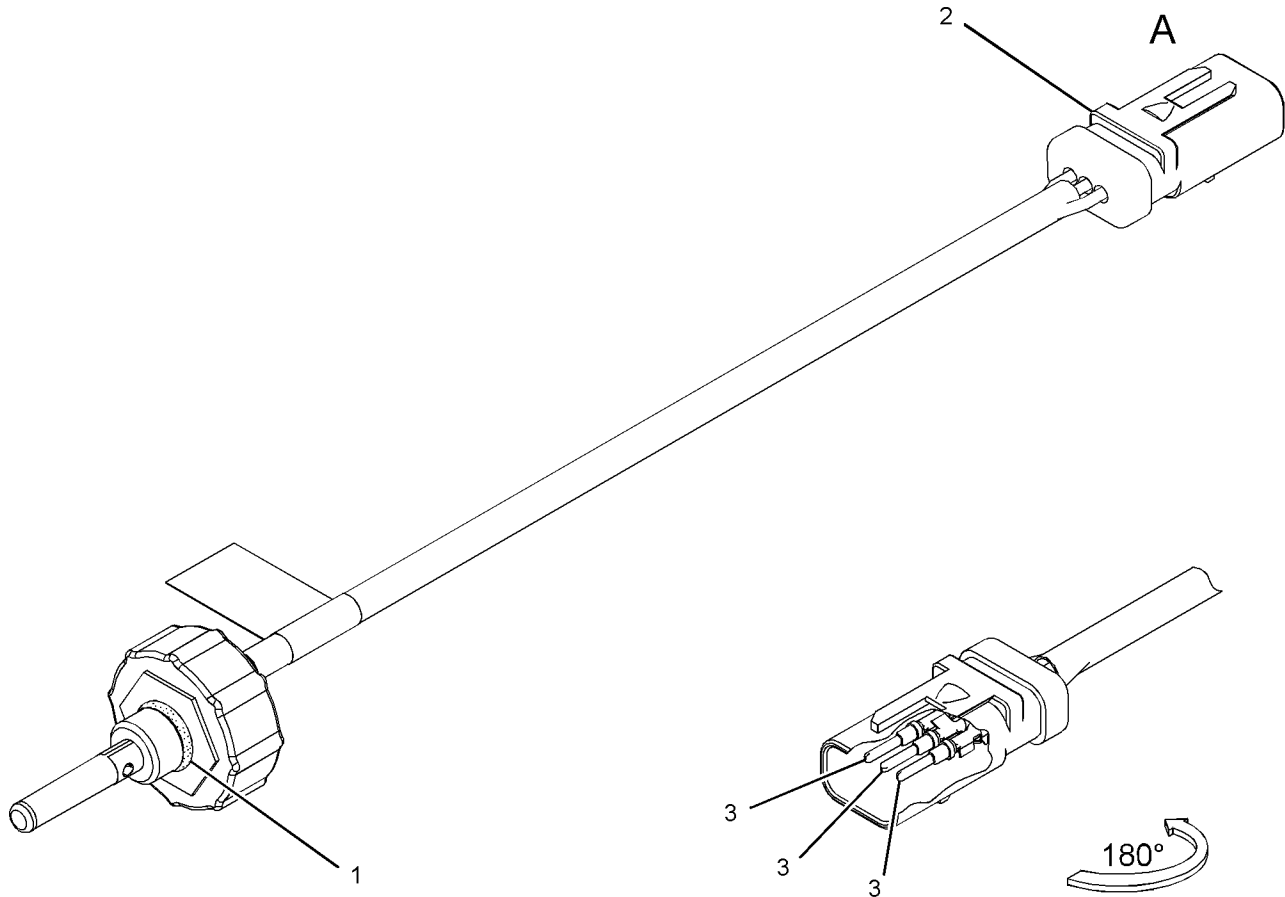
S/N: JKT1-UP

PART OF 483-1002 FILTER GP-WATER SEP & FUEL

SMCS-1439, 7422

i06059531

NOTE	REF NO	GRAPHIC REF	PART NUMBER	QTY	PART NAME						SEE PAGE
					1	2	3	4	5	6 (PRODUCT LEVEL)	
	1	1	214-7568	1	SEAL-O-RING						
	2	1	281-8805	1	RECEPTACLE AS-CONNECTOR						
	3	1	9X-3401	3	PIN-CONNECTOR (16-GA TO 18-GA)						



VIEW OF AREA A

GRAPHIC #1

<END>

g02423836

ELECTRICAL AND STARTING SYSTEM

385-1174 SENSOR GP-PRESSURE

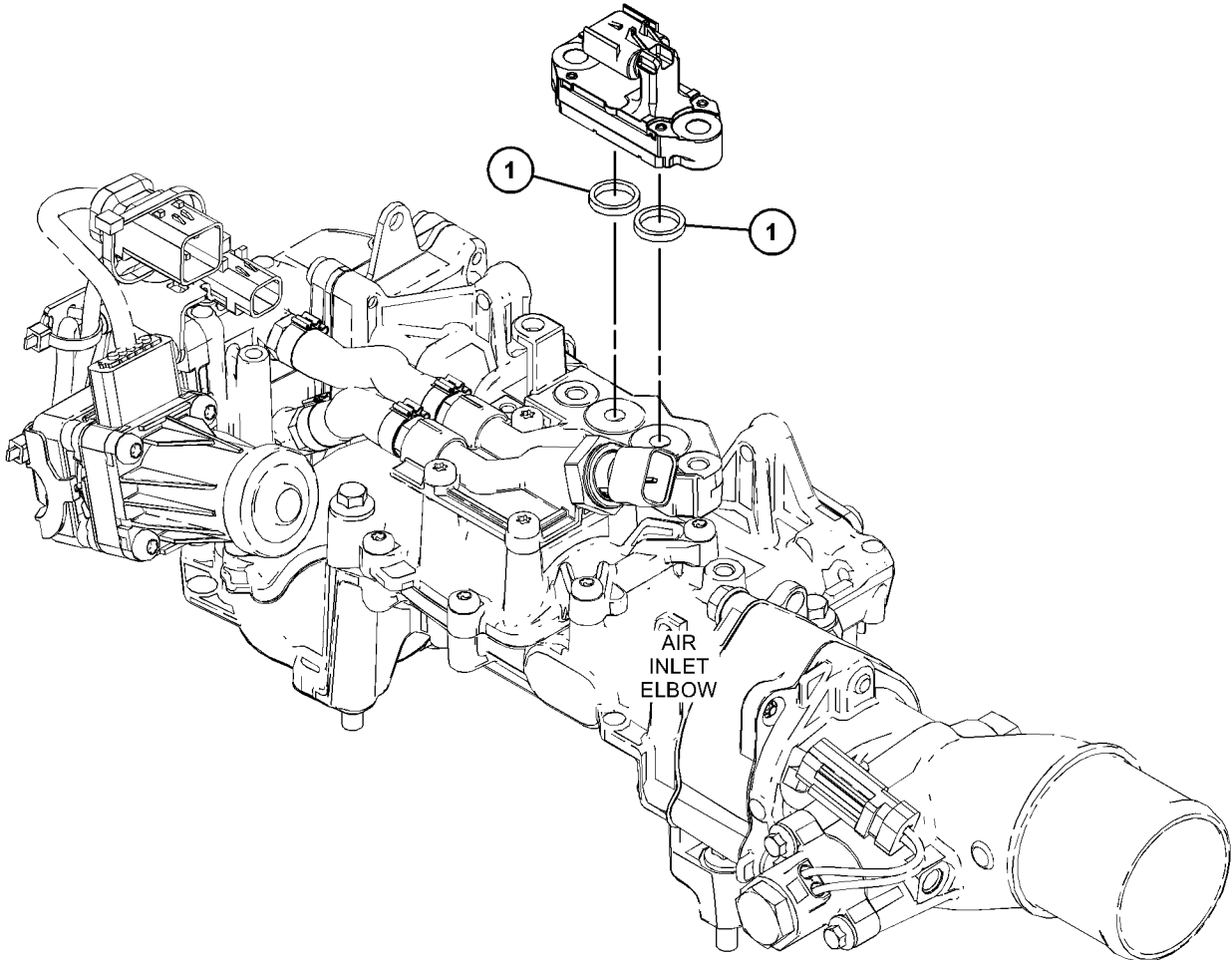
S/N: JKT1-UP

PART OF 433-4681 SENSOR GP-ENGINE

SMCS-1408

i07052884

NOTE	REF NO	GRAPHIC REF	PART NUMBER	QTY	PART NAME						SEE PAGE
					1	2	3	4	5	6 (PRODUCT LEVEL)	
	1	1	341-0643	2	SEAL-RECTANGULAR						



GRAPHIC #1

<END>

g03804963

ELECTRICAL AND STARTING SYSTEM

377-9847 SENSOR GP-TEMPERATURE

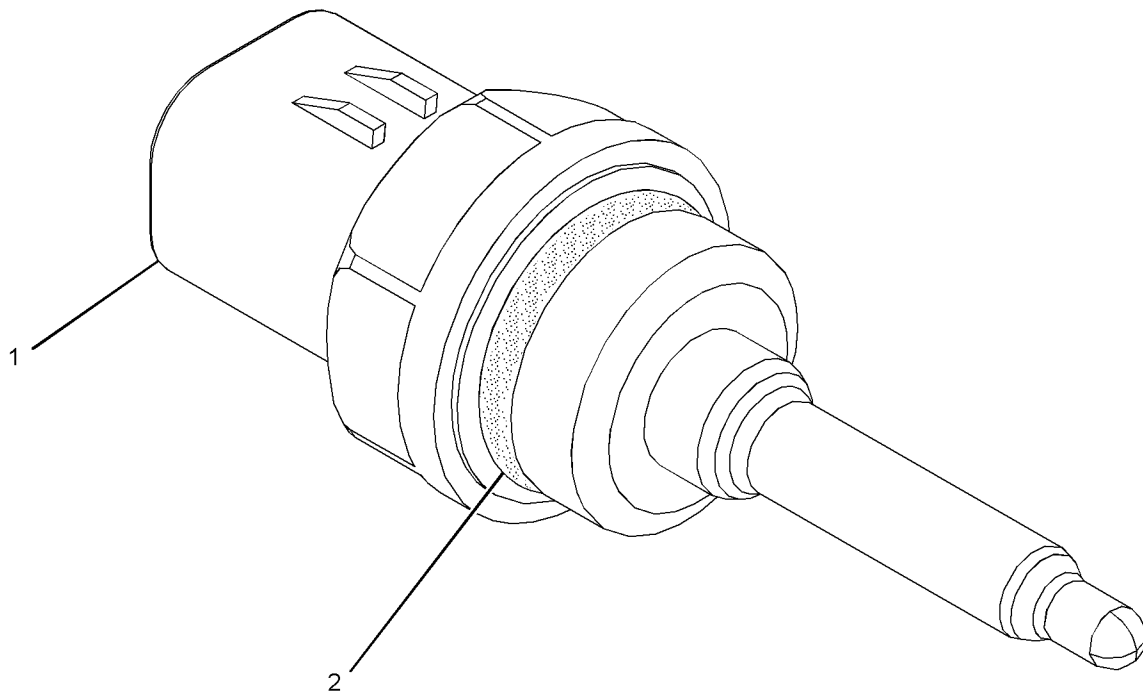
S/N: JKT1-UP

PART OF 466-2883 ENGINE AR

SMCS-1906, 1919, 1921, 1922, 1928, 1929, 301T, 3290,
429T, 509T, 7400

i05033144

NOTE	REF NO	GRAPHIC REF	PART NUMBER	QTY	PART NAME						SEE PAGE
					1	2	3	4	5	6 (PRODUCT LEVEL)	
	1	1	256-6454	1	SENSOR - TEMPERATURE						
	2	1	228-7103	1	SEAL - O-RING						



GRAPHIC #1

<END>

g02731844

ELECTRICAL AND STARTING SYSTEM

430-5204 SENSOR GP-TEMPERATURE

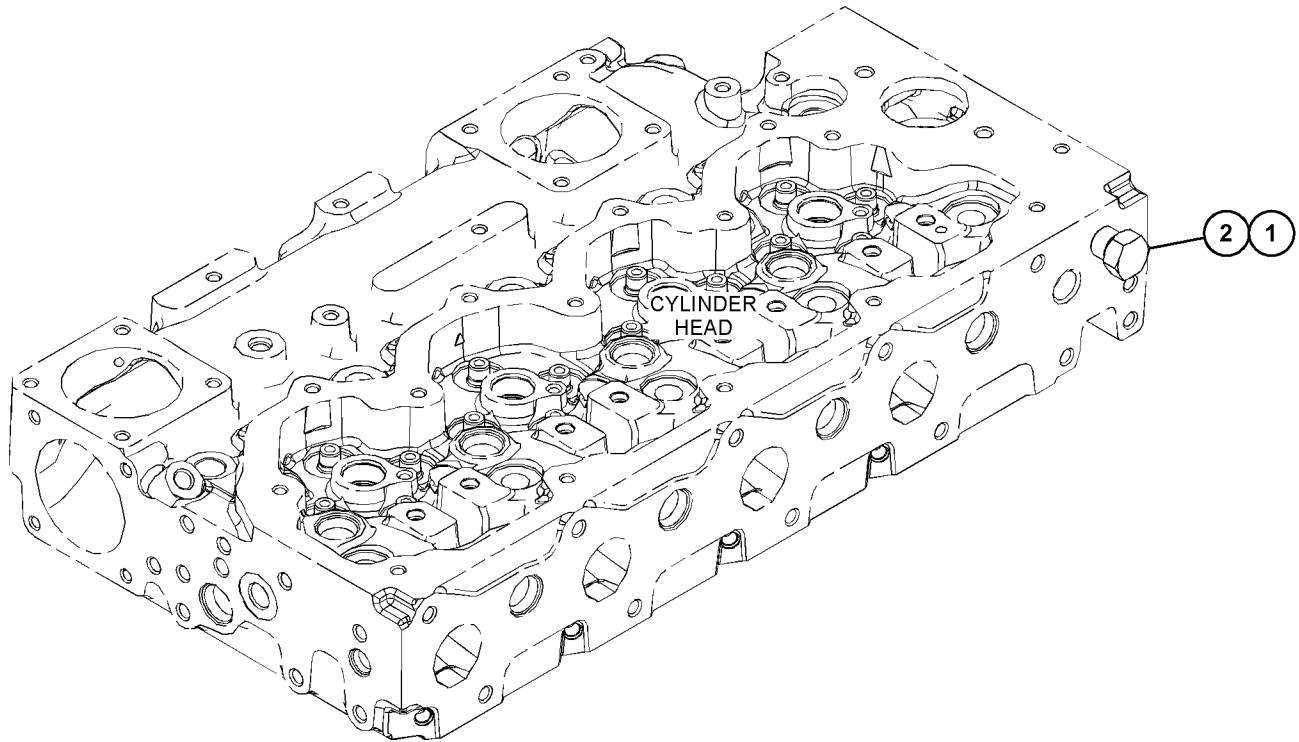
S/N: W231-UP

PART OF 463-8820, 463-8910 ENGINE AR-PRIMARY
ALSO AN ATTACHMENT

SMCS-1906, 1919, 1921, 1922, 1928, 1929, 301T, 3290,
429T, 509T, 7400

i06120206

NOTE	REF NO	GRAPHIC REF	PART NUMBER	QTY	PART NAME						SEE PAGE
					1	2	3	4	5	6 (PRODUCT LEVEL)	
	1	1	199-9751	1	SEAL-O-RING						
	2	1	232-1322	1	PLUG						



GRAPHIC #1

<END>

g03812299

ELECTRICAL AND STARTING SYSTEM

500-3084 SENSOR GP-TEMPERATURE

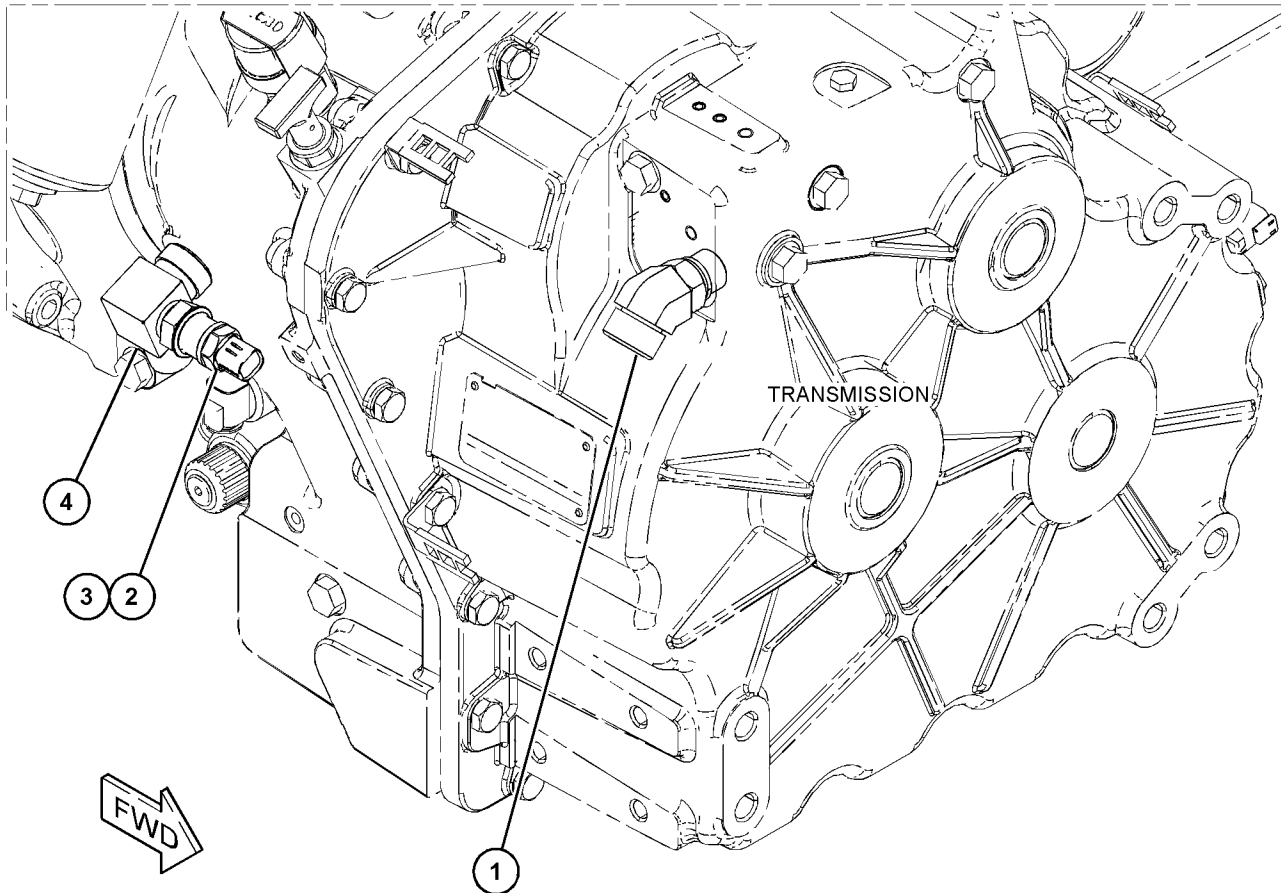
S/N: TD71-UP

PART OF 505-5341, 518-5884 TRANSMISSION AR
AN ATTACHMENT

SMCS-1906, 1919, 1921, 1922, 1928, 1929, 301T, 3290,
429T, 509T, 7400

i06601136

NOTE	REF NO	GRAPHIC REF	PART NUMBER	QTY	PART NAME						SEE PAGE
					1	2	3	4	5	6 (PRODUCT LEVEL)	
	1	1	464-3819	1	ADAPTER - ELBOW						
	2	1	8T-7524	1	SEAL - O-RING						
	3	1	256-6454	1	SENSOR - TEMPERATURE						
	4	1	500-3085	1	ADAPTER AS-TEE						



GRAPHIC #1

<END>

g06050618

ELECTRICAL AND STARTING SYSTEM

417-3453 STARTING AID GP

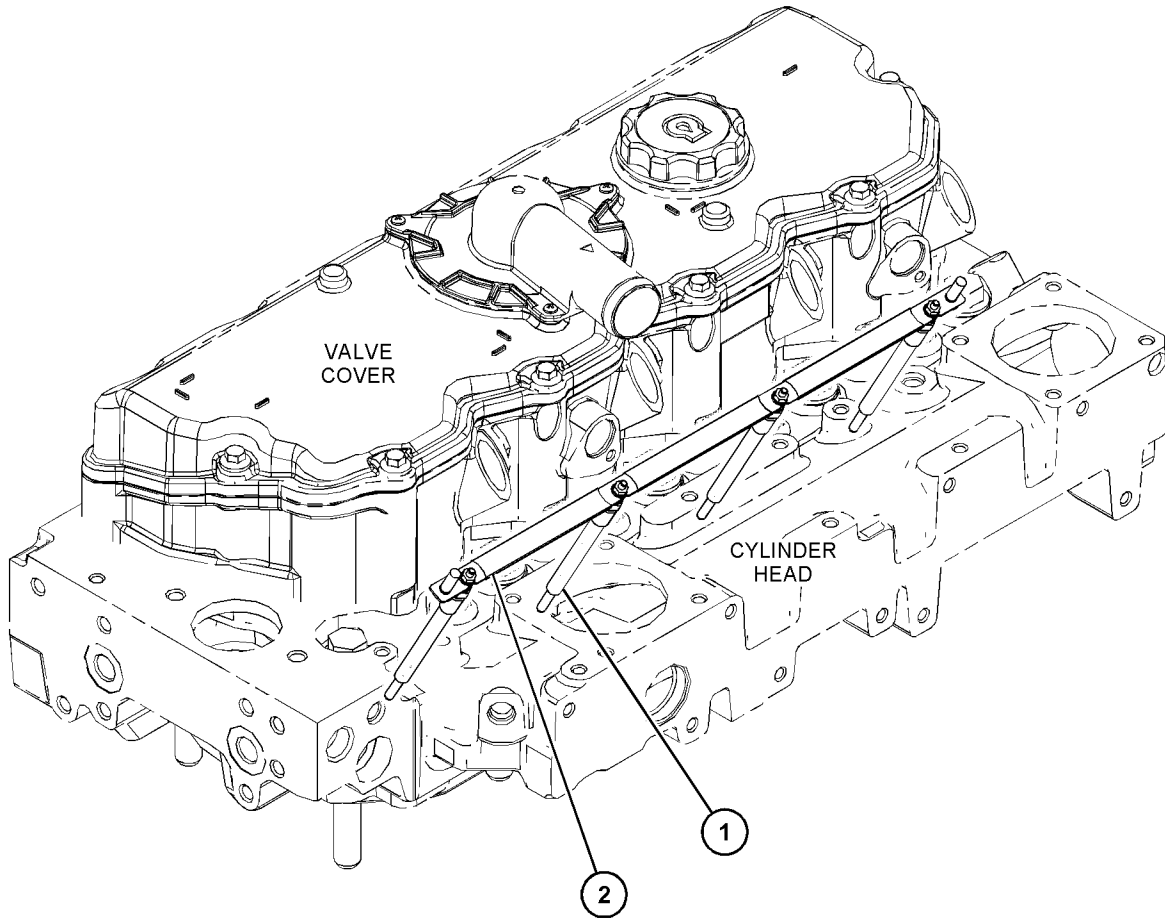
S/N: W231-UP

PART OF 463-8820, 463-8910 ENGINE AR-PRIMARY
ALSO AN ATTACHMENT

SMCS-1090

i06138511

NOTE	REF NO	GRAPHIC REF	PART NUMBER	QTY	PART NAME						SEE PAGE
					1	2	3	4	5	6 (PRODUCT LEVEL)	
	1	1	452-3112	4	GLOW PLUG (12-VOLT)						
	2	1	368-3147	1	BUS BAR AS						



GRAPHIC #1

<END>

g03817299

ELECTRICAL AND STARTING SYSTEM

443-0630 STARTING AID GP

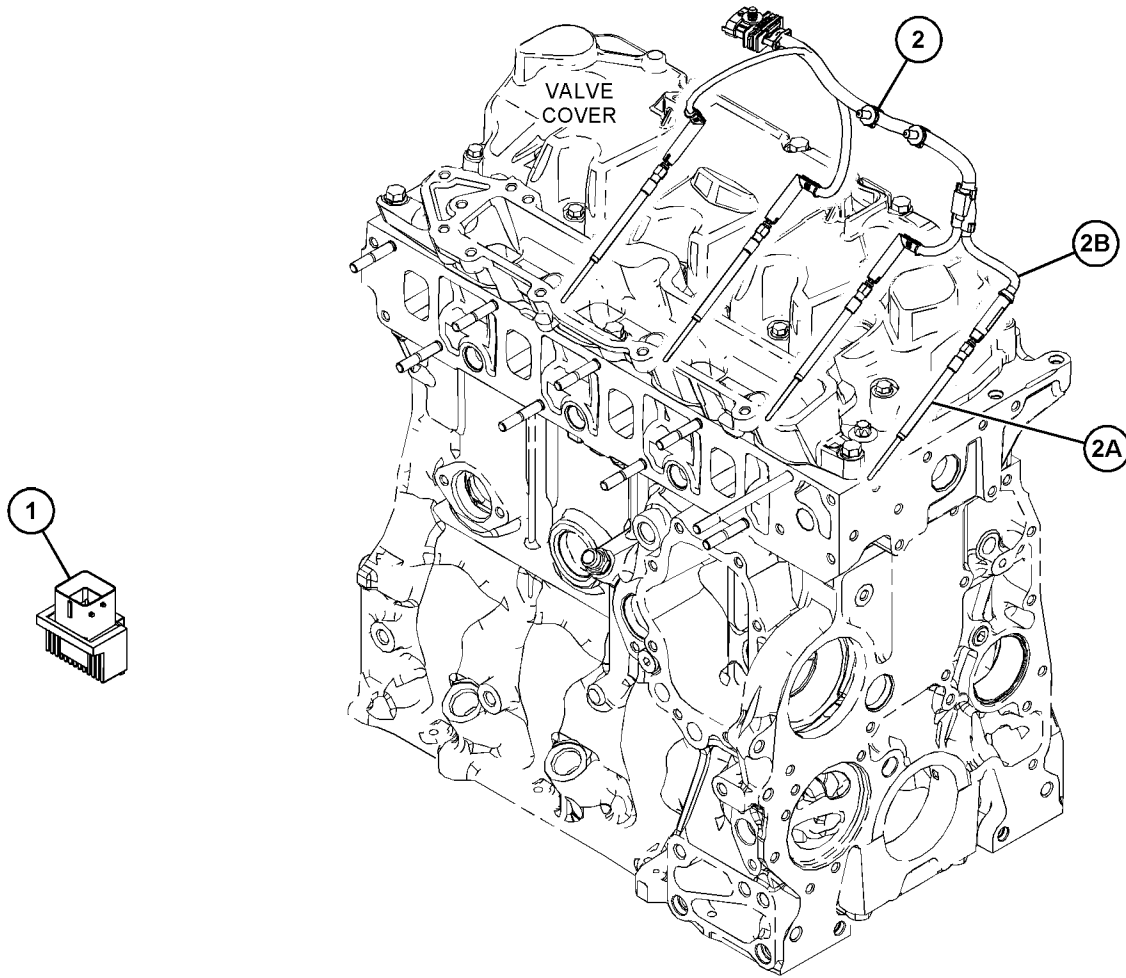
S/N: CJ41-UP

PART OF 465-2880 ENGINE AR-PRIMARY

SMCS-1090

i06252251

NOTE	REF NO	GRAPHIC REF	PART NUMBER	QTY	PART NAME						SEE PAGE
					1	2	3	4	5	6 (PRODUCT LEVEL)	
	1	1	375-1424	1	PLUG-GLOW						
	2	1	464-8225	1	GLOW PLUG AS						
	2A	1	469-1359	4	GLOW PLUG						
	2B	1	465-4973	1	HARNES AS-STARTING AID						



GRAPHIC #1

<END>

g03826619

ELECTRICAL AND STARTING SYSTEM

465-3619 STARTING AID GP

S/N: JKT1-UP

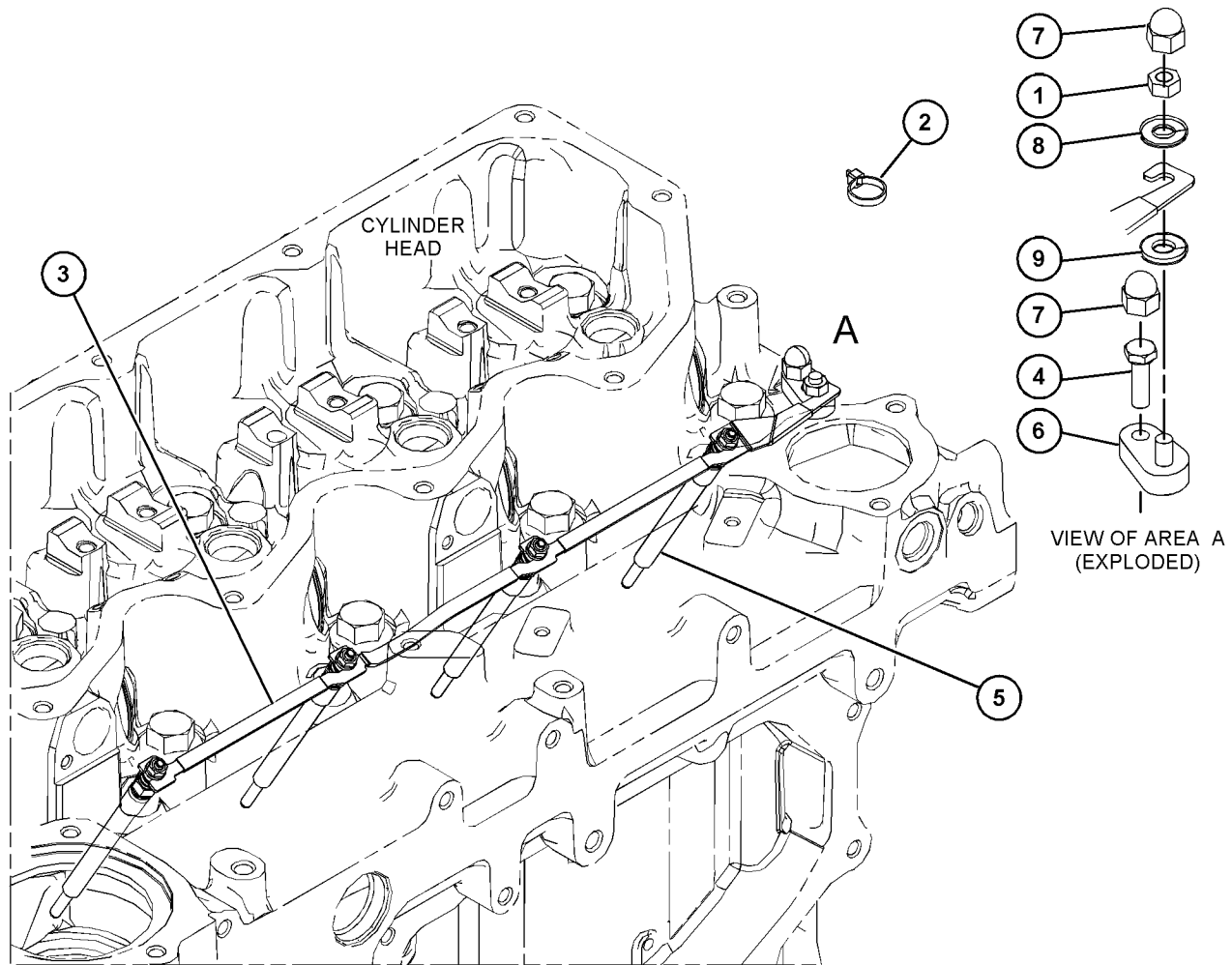
PART OF 464-2308 ENGINE AR-PRIMARY

SMCS-1090

i06692668

NOTE	REF NO	GRAPHIC REF	PART NUMBER	QTY	PART NAME						SEE PAGE
					1	2	3	4	5	6	
M	1	1	5C-2890	1	NUT (M6X1-THD)						
	2	1	217-9039	1	STRAP-CABLE						
	3	1	344-4775	1	CONNECTION AS						
M	4	1	215-3790	1	BOLT (M6X1X20-MM)						
	5	1	452-3112	4	GLOW PLUG (12-VOLT)						
	6	1	275-2428	1	INSULATOR						
	7	1	277-4409	2	CAP						
	8	1	067-6070	1	WASHER						

M - METRIC PART



GRAPHIC #1

<END>

g03878607

ELECTRICAL AND STARTING SYSTEM

329-7919 STARTING MOTOR GP-ELECTRIC

S/N: JKT1-UP

PART OF 464-2308 ENGINE AR-PRIMARY

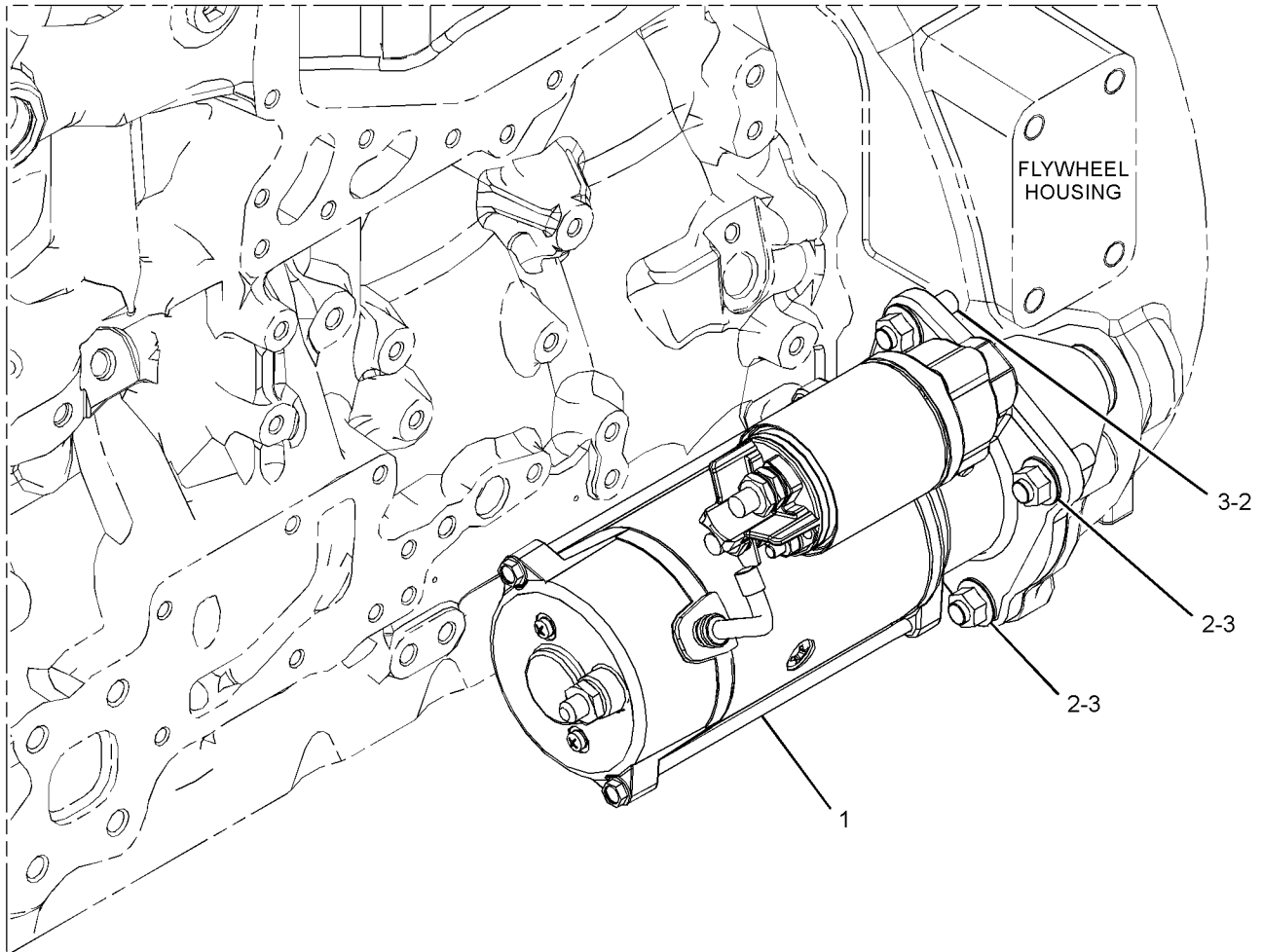
SMCS-1453

i04591185

NOTE	REF NO	GRAPHIC REF	PART NUMBER	QTY	PART NAME						SEE PAGE
					1	2	3	4	5	6 (PRODUCT LEVEL)	
R	1	1	331-7010	1	STARTING MOTOR-ELECTRIC (12-VOLT, 4-KW)						
M	2	1	6I-0594	3	NUT (M10X1.5-THD)						
	3	1	6I-4012	3	STUD						

M - METRIC PART

R - REMANUFACTURED PART MAY BE AVAILABLE



GRAPHIC #1

<END>

g02751077

ELECTRICAL AND STARTING SYSTEM

350-0562 STARTING MOTOR GP-ELECTRIC

S/N: CJ41-UP

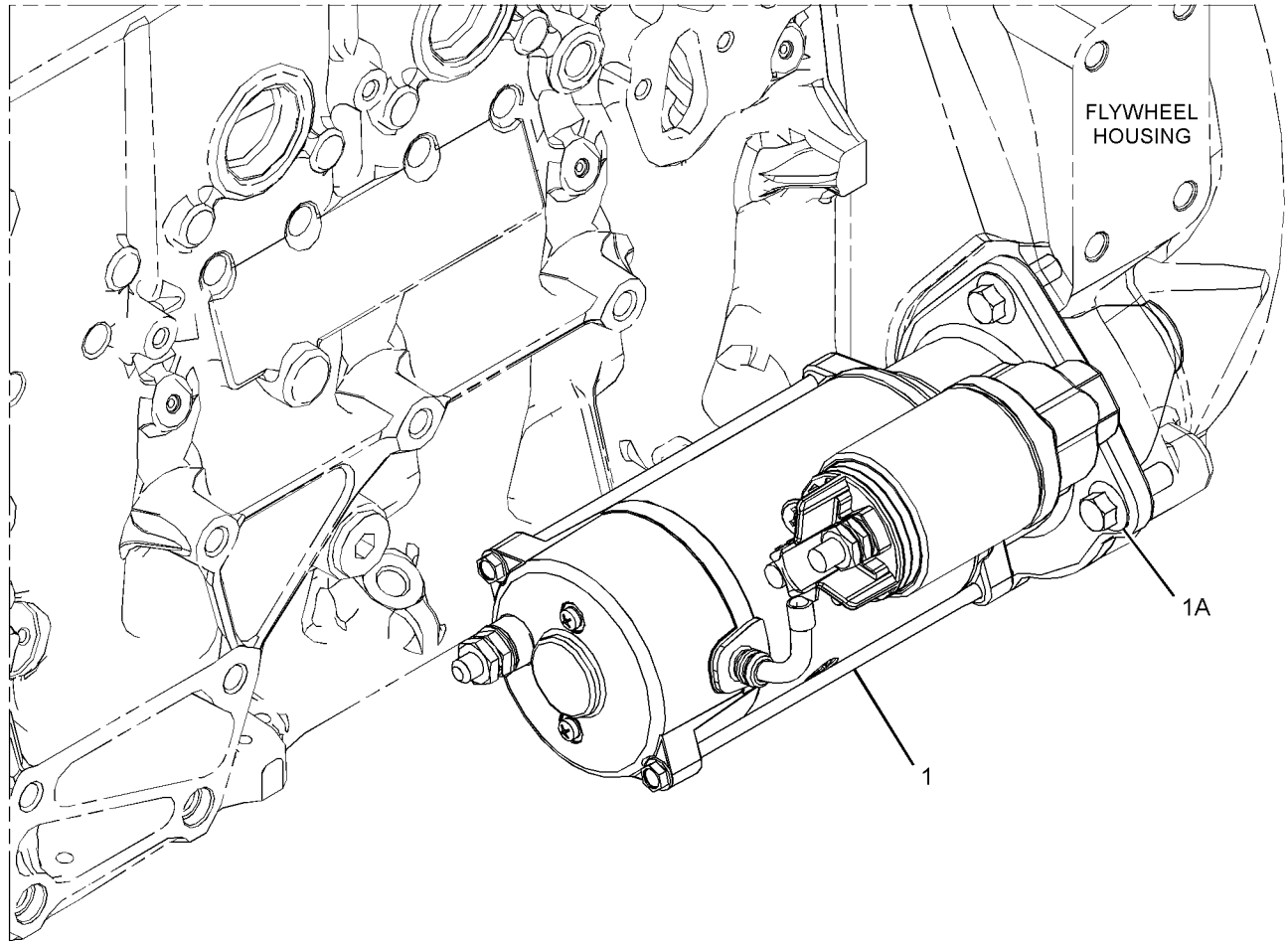
PART OF 465-2880 ENGINE AR-PRIMARY

SMCS-1453

i05722390

NOTE	REF NO	GRAPHIC REF	PART NUMBER	QTY	PART NAME						SEE PAGE
					1	2	3	4	5	6 (PRODUCT LEVEL)	
	1	1	361-7883	1	STARTING MOTOR AS						
M	1A	1	121-0883	3	BOLT (M10X1.5X30-MM)						
		1	390-3144	1	STARTING MOTOR AS						

M - METRIC PART



GRAPHIC #1

<END>

g02888129

ELECTRICAL AND STARTING SYSTEM

425-9174 STARTING MOTOR GP-ELECTRIC

S/N: W231-UP

PART OF 463-8820, 463-8910 ENGINE AR-PRIMARY
ALSO AN ATTACHMENT

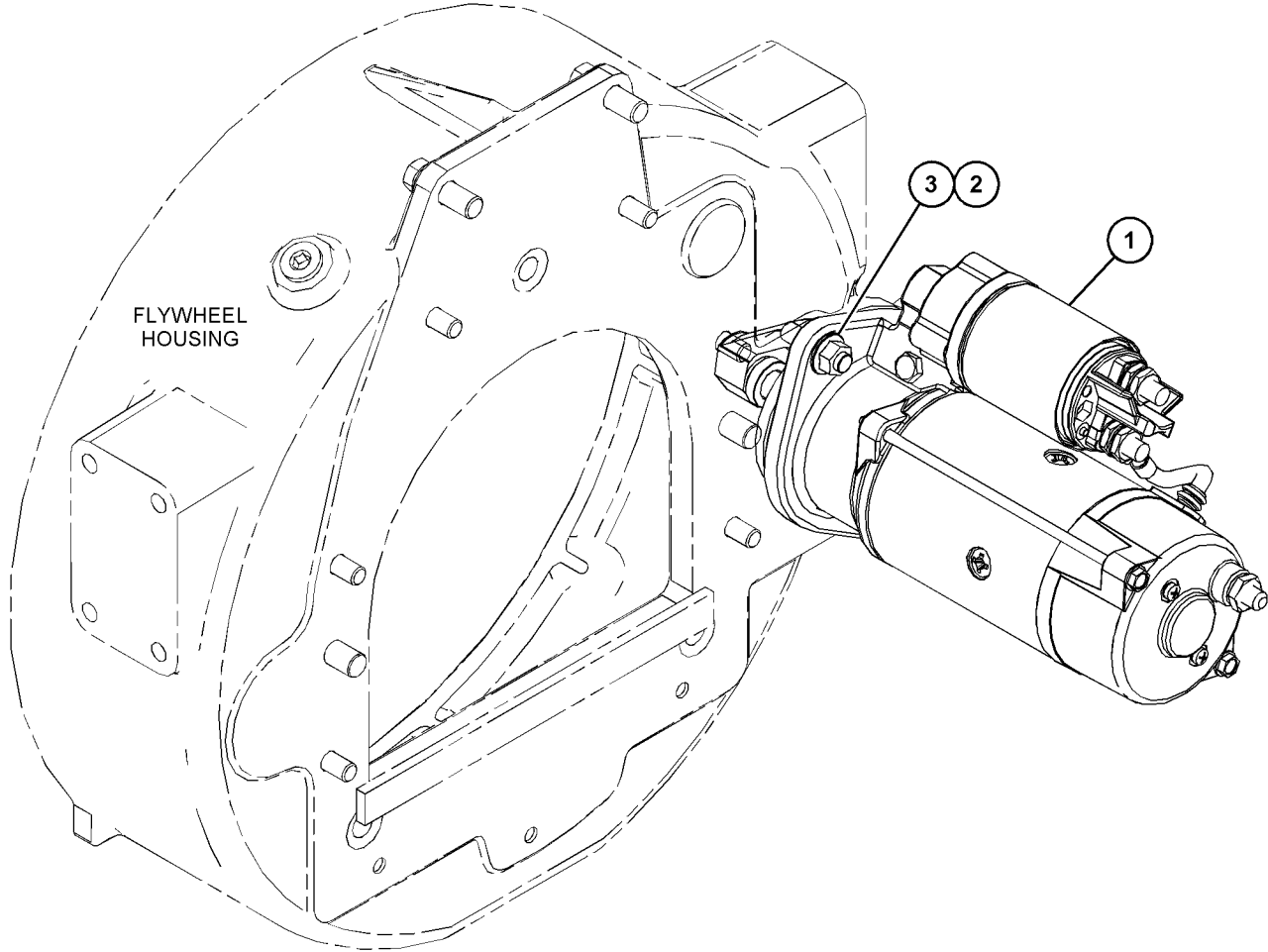
SMCS-1453

i06146782

NOTE	REF NO	GRAPHIC REF	PART NUMBER	QTY	PART NAME						SEE PAGE
					1	2	3	4	5	6 (PRODUCT LEVEL)	
R	1	1	331-7010	1	STARTING MOTOR-ELECTRIC (12-VOLT, 4-KW)						
M	2	1	175-7141	3	NUT-HEX FLANGE (M10X1.5-THD)						
	3	1	6I-4012	3	STUD						

M - METRIC PART

R - REMANUFACTURED PART MAY BE AVAILABLE



GRAPHIC #1

<END>

g03822779

ELECTRICAL AND STARTING SYSTEM

505-7629 SWITCH & MTG GP-SIGNAL-BRAKE

S/N: TD61-UP; TD71-UP

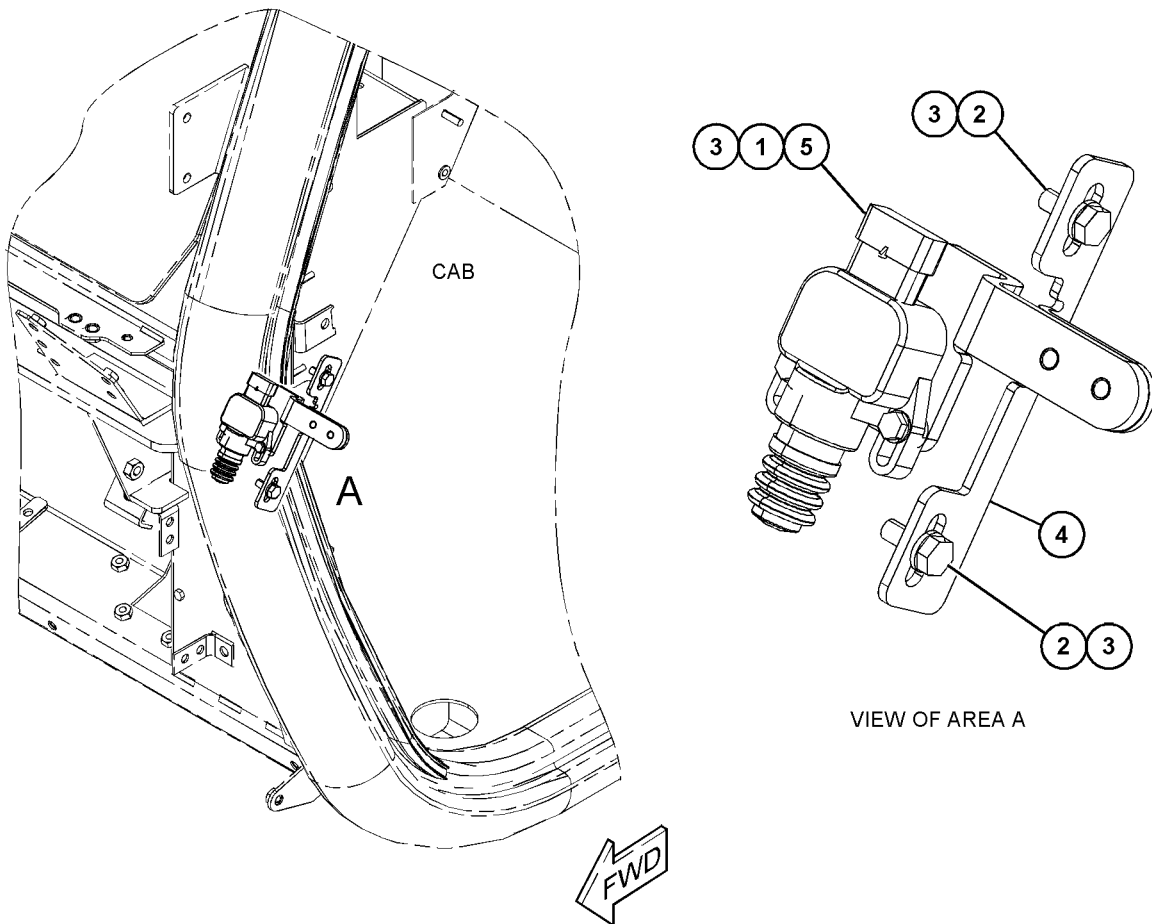
PART OF 505-7484 PEDAL & MOUNTING GP-BRAKE
AN ATTACHMENT

SMCS-1430, 7332

i06811721

NOTE	REF NO	GRAPHIC REF	PART NUMBER	QTY	PART NAME						SEE PAGE
					1	2	3	4	5	6 (PRODUCT LEVEL)	
M	1	1	312-3282	2	SCREW (M6X1.0X10-MM)						
M	2	1	5C-9553	4	BOLT (M6X1X16-MM)						
	3	1	8T-4205	2	WASHER-HARD (7.2X14.5X2-MM THK)						
	4	1	505-7678	2	PLATE-SWITCH						
	5	1	505-8342	2	SWITCH GP-LIGHT						
					(EACH INCLUDES)						
		1	5W-5038	2	WASHER (4.3X9X0.8-MM THK)						
M		1	170-5632	2	BOLT (M4X0.7X16-MM)						
		1	317-8726	1	SWITCH AS						
		1	505-8341	1	PLATE						

M - METRIC PART



GRAPHIC #1

<END>

g06134351

ELECTRICAL AND STARTING SYSTEM

7N-0718 SWITCH GP-DISCONNECT-BATTERY

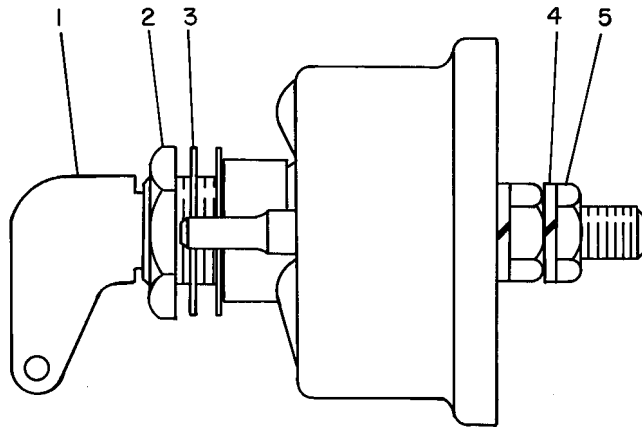
S/N: TD61-UP; TD71-UP

PART OF 516-1391, 516-1392 WIRING GP-ENGINE
AN ATTACHMENT

SMCS-1411

i02544993

NOTE	REF NO	GRAPHIC REF	PART NUMBER	QTY	PART NAME						SEE PAGE
					1	2	3	4	5	6 (PRODUCT LEVEL)	
	1	1	8H-5306	1	KEY (BATTERY DISCONNECT)						
	2	1	8H-5303	1	NUT (3/4-16-THD)						
	3	1	2H-3922	2	LOCKWASHER						
	4	1	9F-5644	2	LOCKWASHER						
	5	1	6F-7045	2	NUT-FULL (3/8-24-THD)						



GRAPHIC #1

<END>

g00084912

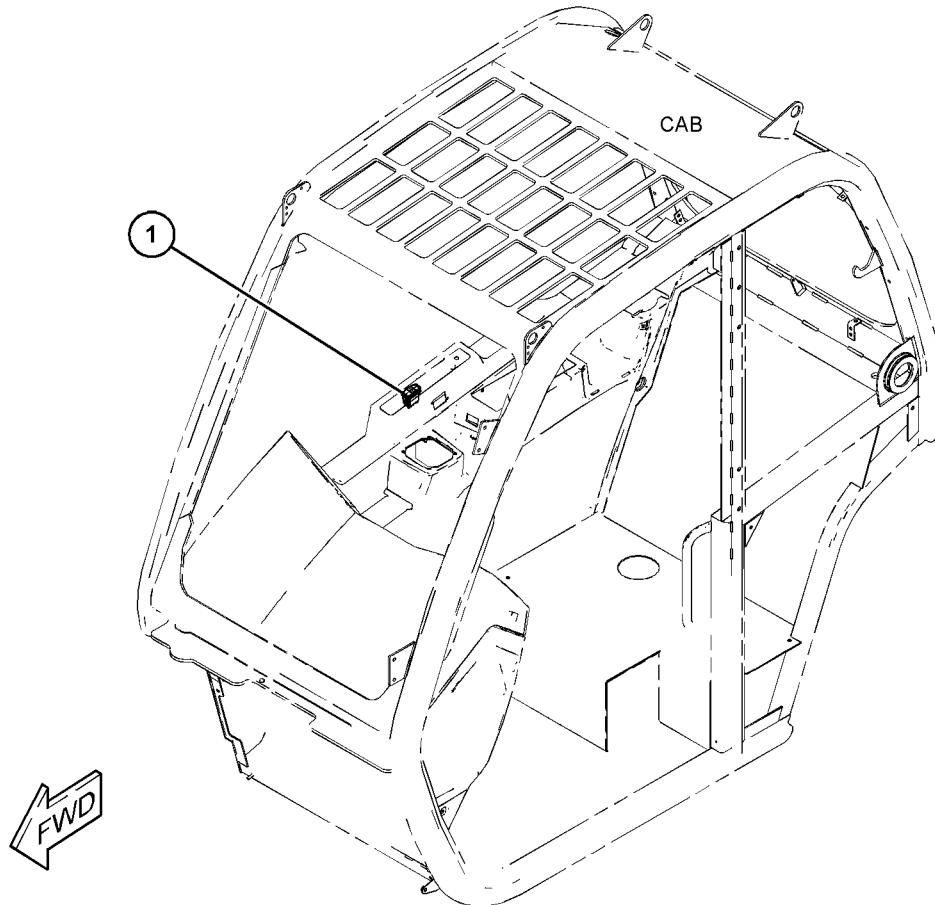
ELECTRICAL AND STARTING SYSTEM

501-0765 SWITCH GP-REVERSING FAN S/N: TD61-UP; TD71-UP PART OF 518-5877, 518-6040, 518-6042 ENGINE AR-COMplete AN ATTACHMENT

SMCS-7332

i06601090

NOTE	REF NO	GRAPHIC REF	PART NUMBER	QTY	PART NAME						SEE PAGE
					1	2	3	4	5	6 (PRODUCT LEVEL)	
	1	1	501-0766	1	SWITCH AS						



GRAPHIC #1

<END>

g06041854

ELECTRICAL AND STARTING SYSTEM

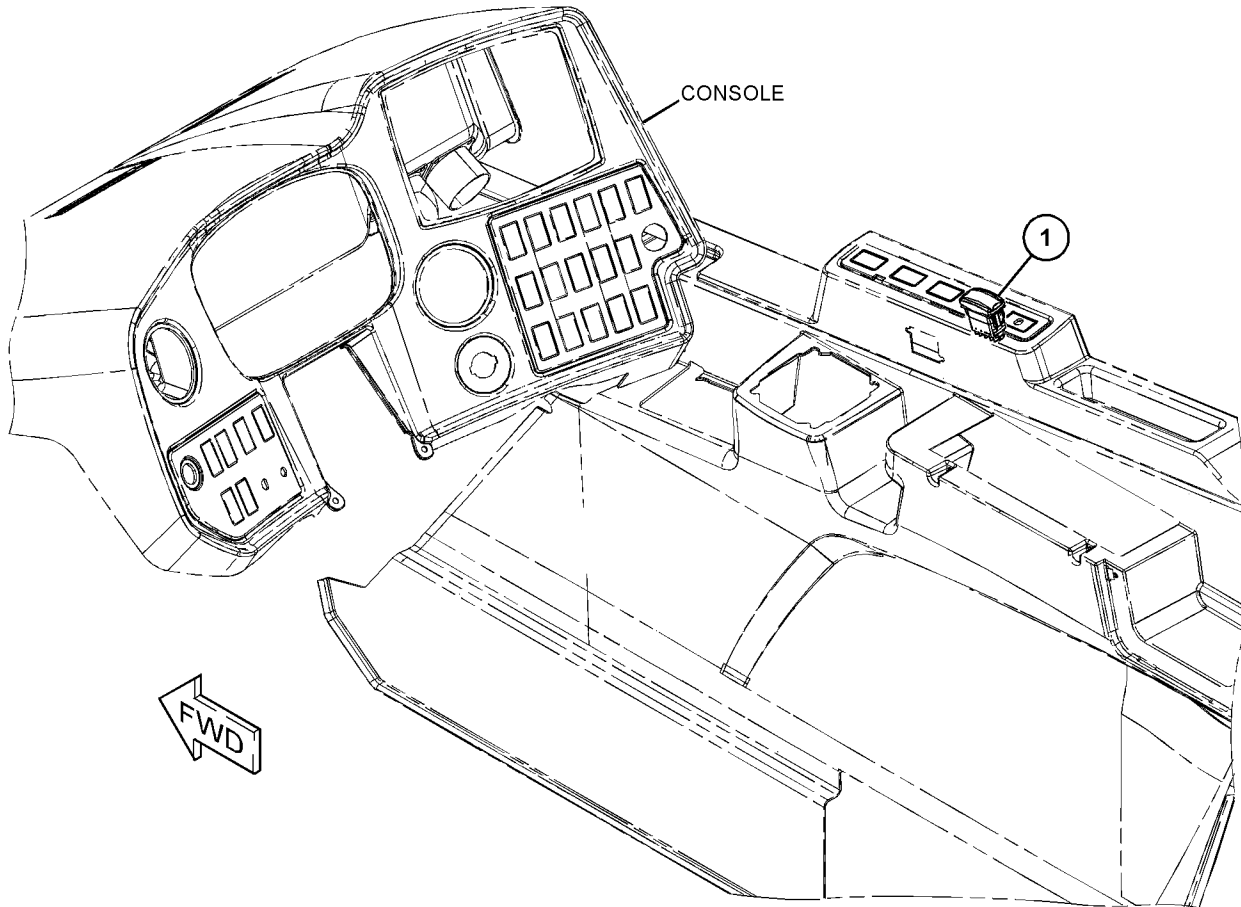
497-6972 SWITCH GP-ROCKER

S/N: TD61-UP; TD71-UP
PART OF 517-9179, 517-9180 CAB AR
AN ATTACHMENT

SMCS-1435

i06591346

NOTE	REF NO	GRAPHIC REF	PART NUMBER	QTY	PART NAME						SEE PAGE
					1	2	3	4	5	6 (PRODUCT LEVEL)	
	1	1	497-6973	1	SWITCH AS-ROCKER (ENGINE SPEED)						



GRAPHIC #1

<END>

g06040634

ELECTRICAL AND STARTING SYSTEM

492-4839 SWITCH GP-TRANSMISSION-WIPER

S/N: TD61-UP; TD71-UP

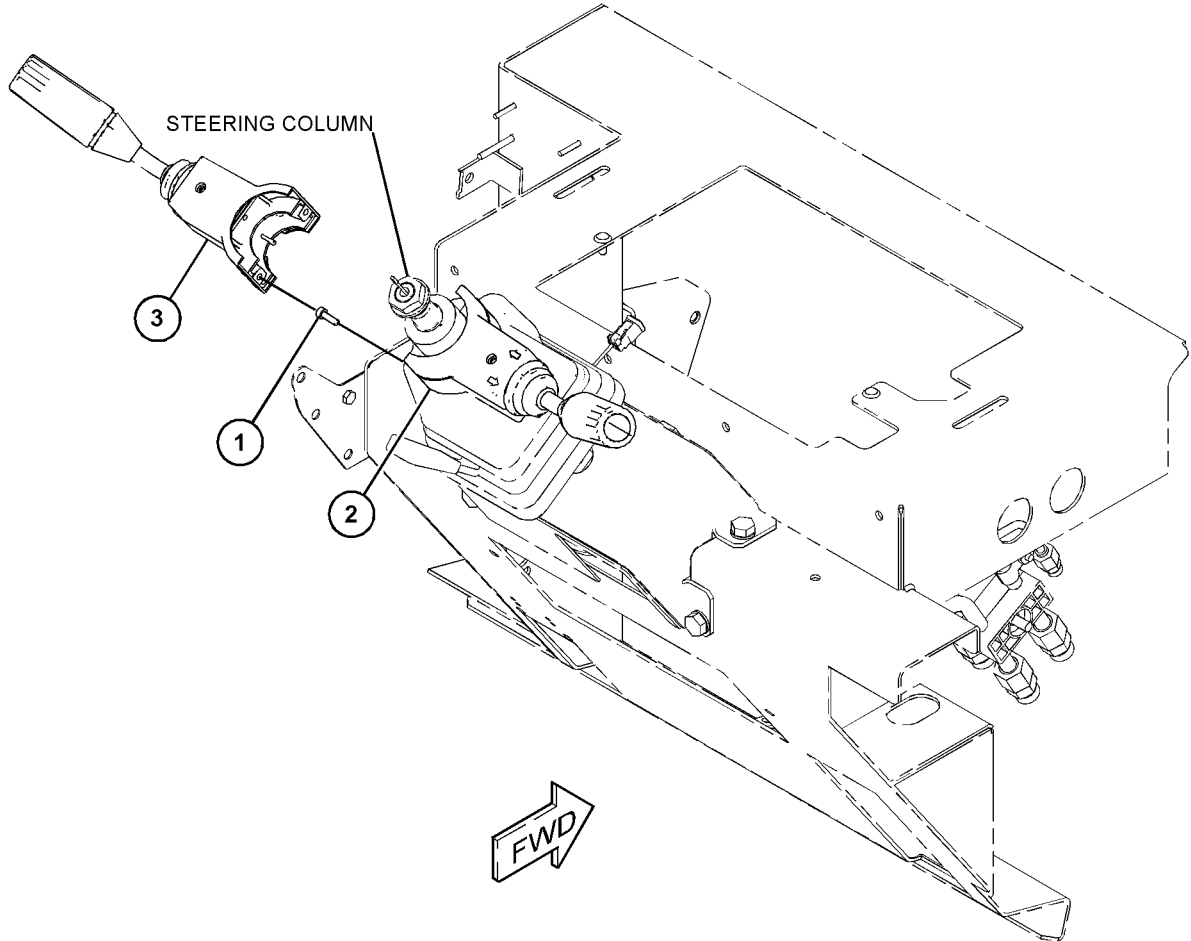
AN ATTACHMENT

SMCS-1611, 3065

i06586860

NOTE	REF NO	GRAPHIC REF	PART NUMBER	QTY	PART NAME						SEE PAGE
					1	2	3	4	5	6 (PRODUCT LEVEL)	
M	1	1	105-3480	2	BOLT-SOCKET HEAD (M5X0.8X16-MM)						
	2	1	472-7833	1	SWITCH AS-MULTIFUNCTION (HD LIGHT, TURN SIG, WDO WIPER)						
	3	1	477-3267	1	SWITCH AS-SPEED						

M - METRIC PART



GRAPHIC #1

<END>

g06037900

ELECTRICAL AND STARTING SYSTEM

500-4363 SWITCH GP-TRANSMISSION

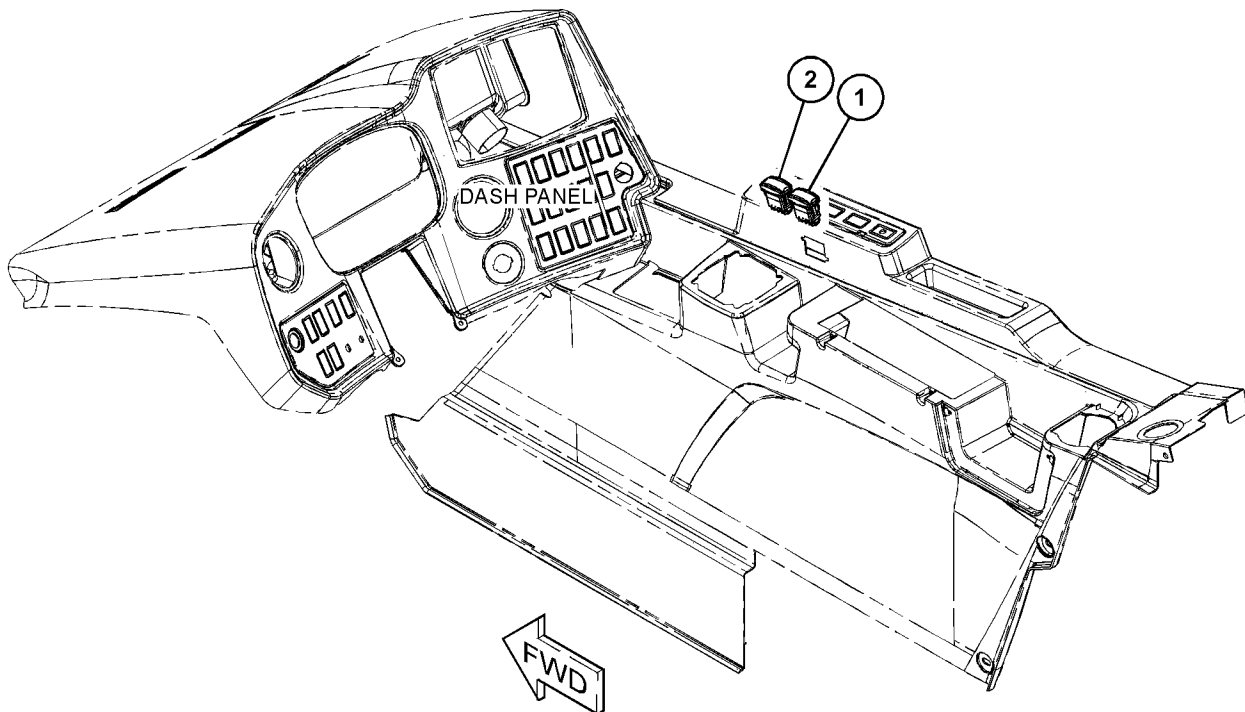
S/N: TD61-UP

PART OF 518-5883 TRANSMISSION AR
AN ATTACHMENT

SMCS-1611, 3065

i06601131

NOTE	REF NO	GRAPHIC REF	PART NUMBER	QTY	PART NAME						SEE PAGE
					1	2	3	4	5	6 (PRODUCT LEVEL)	
	1	1	500-4364	1	SWITCH AS-ROCKER (LOCKUP TORQUE CONVERTER)						
	2	1	500-4366	1	SWITCH AS-ROCKER (AUTOMATIC, MANUAL)						



GRAPHIC #1

<END>

g06041813

ELECTRICAL AND STARTING SYSTEM

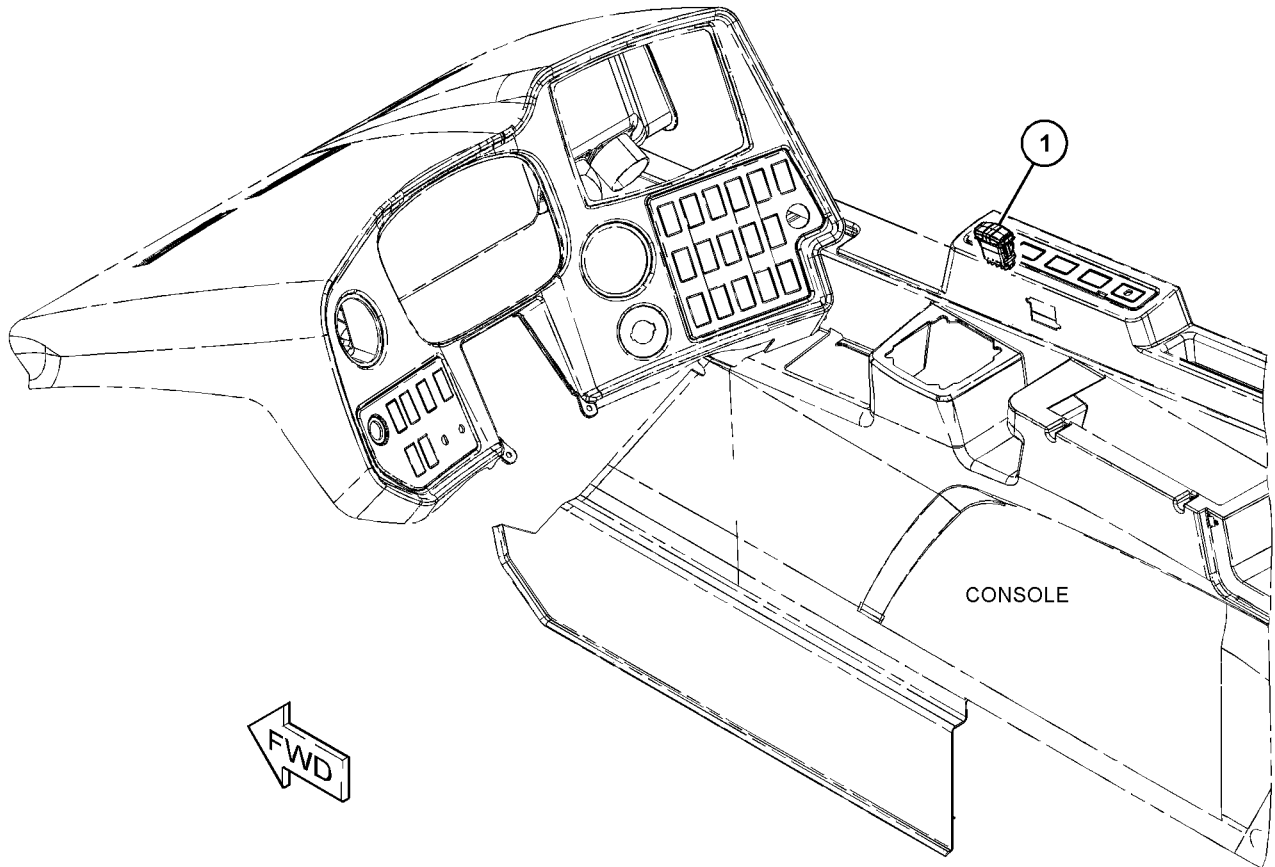
520-7778 SWITCH GP-TRANSMISSION

S/N: TD61-UP; TD71-UP
PART OF 517-9179, 517-9180 CAB AR
AN ATTACHMENT

SMCS-1611, 3065

i06811212

NOTE	REF NO	GRAPHIC REF	PART NUMBER	QTY	PART NAME						SEE PAGE
					1	2	3	4	5	6 (PRODUCT LEVEL)	
	1	1	520-7783	1	SWITCH (CLUTCH CONTROL)						



GRAPHIC #1

<END>

g06126515

ELECTRICAL AND STARTING SYSTEM

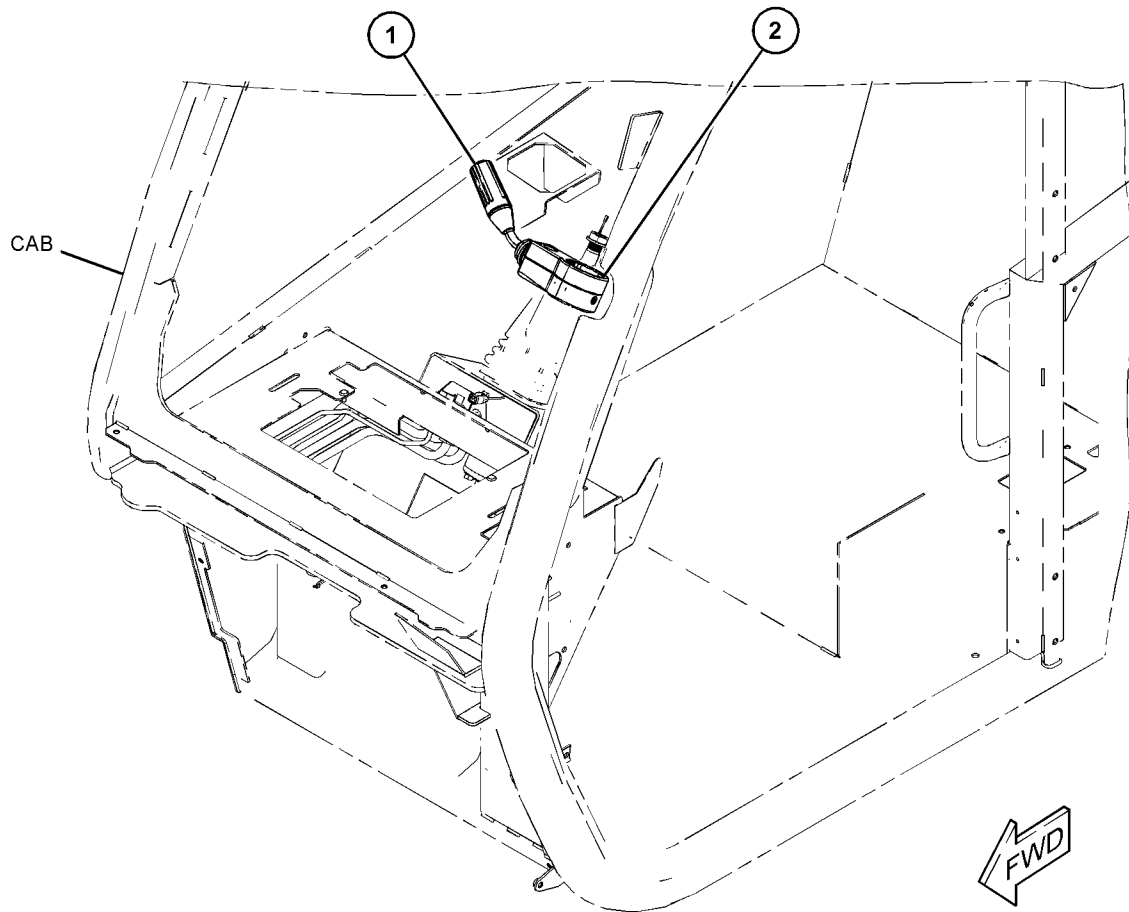
492-3940 SWITCH GP-WIPER

S/N: TD61-UP; TD71-UP
FOR USE WITH ENCLOSED CAB
AN ATTACHMENT

SMCS-7305, 7332

i06586859

NOTE	REF NO	GRAPHIC REF	PART NUMBER	QTY	PART NAME						SEE PAGE
					1	2	3	4	5	6 (PRODUCT LEVEL)	
	1	1	472-7833	1	SWITCH AS-MULTIFUNCTION (HD LIGHT, TURN SIG, WDO WIPER)						
	2	1	459-3693	1	CLAMP						



GRAPHIC #1

<END>

g06039946

ELECTRICAL AND STARTING SYSTEM

496-8318 WIRING GP-BOOM

S/N: TD61-UP; TD71-UP

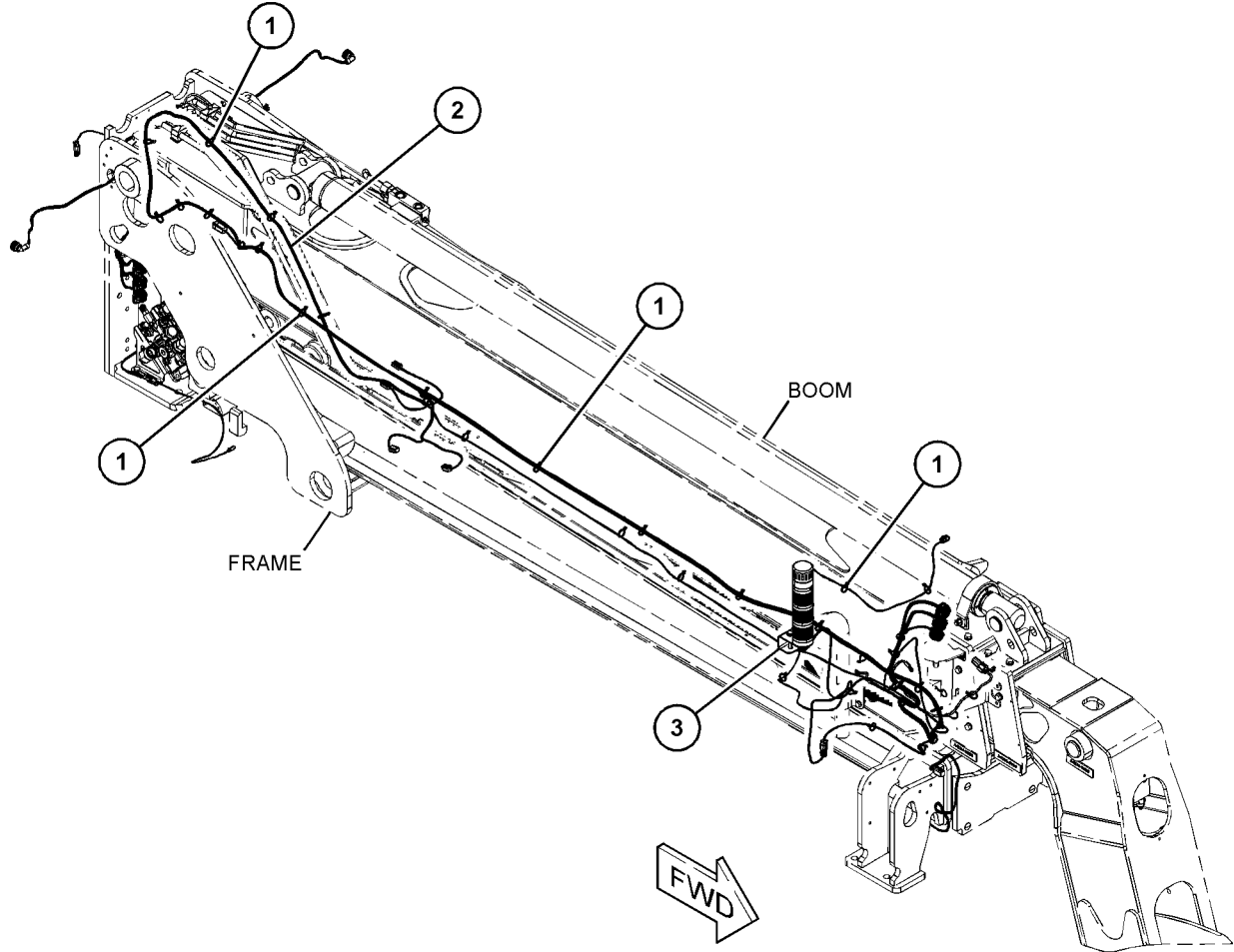
PART OF 496-8311 INSTALLATION AR-LOAD MGT IND, 520-7784 INSTALLATION AR-MACHINE
AN ATTACHMENT

SMCS-1408

i06736221

NOTE	REF NO	GRAPHIC REF	PART NUMBER	QTY	PART NAME						SEE PAGE
					1	2	3	4	5	6 (PRODUCT LEVEL)	
	1	1	3S-2093	38	STRAP-CABLE						
Y	2	1	496-8319	1	HARNESS AS-CHASSIS						342
Y	3	1	496-8320	1	INSTALLATION GP-WARNING BEACON						367

Y - SEPARATE ILLUSTRATION



GRAPHIC #1

<END>

g06103168

ELECTRICAL AND STARTING SYSTEM

513-4355 WIRING GP-BOOM

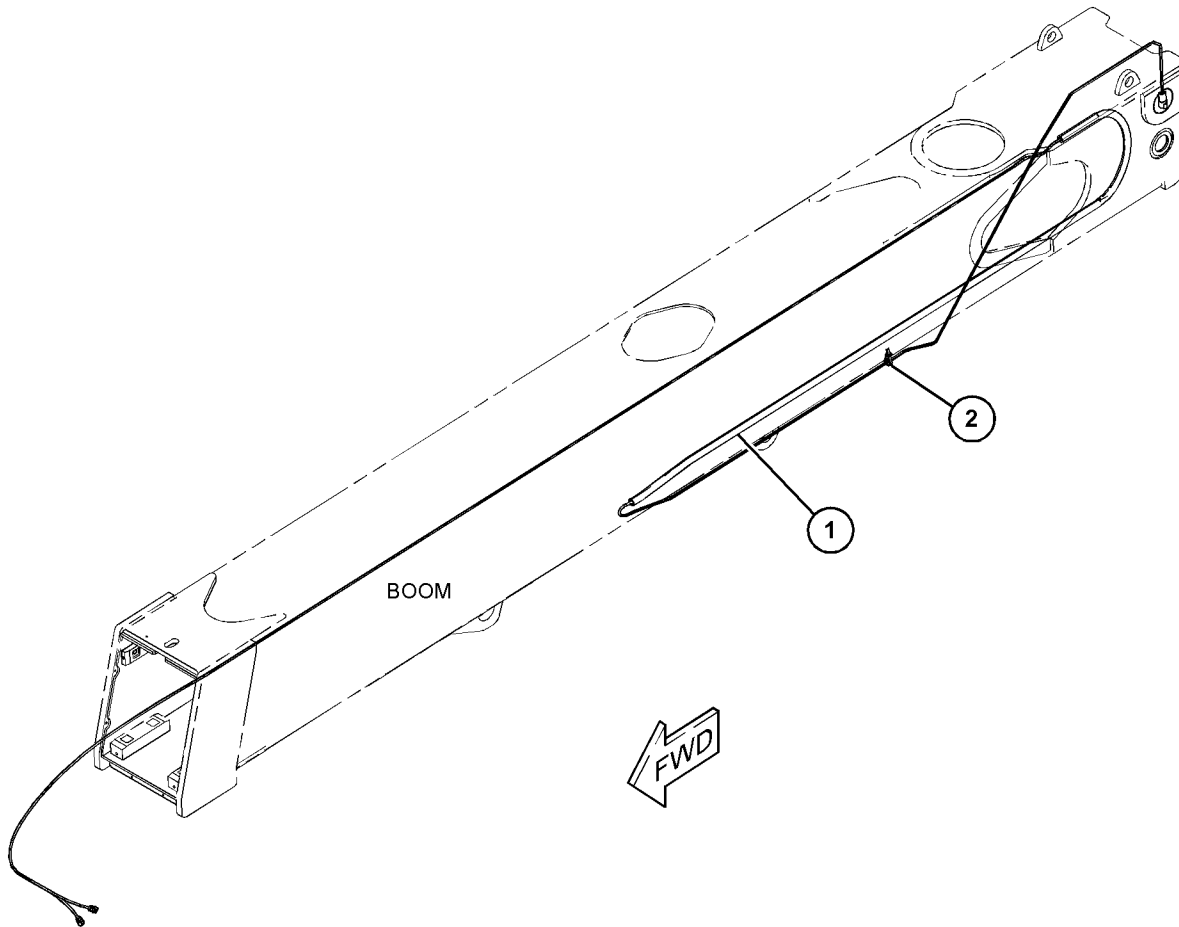
S/N: TD61-UP; TD71-UP
PART OF 517-9881 BOOM AR

SMCS-1408

i06907165

NOTE	REF NO	GRAPHIC REF	PART NUMBER	QTY	PART NAME						SEE PAGE
					1	2	3	4	5	6 (PRODUCT LEVEL)	
	1	1	513-4357	1	HARNESS AS-FRONT						
		1	323-7237	1	RECEPTACLE (4-PIN)						
		1	334-5871	5	TERMINAL (2-PIN)						
		1	460-4116	4	CONNECTOR (3-PIN)						
B	2	1	7K-1181	1	STRAP-CABLE						

B - USE AS REQUIRED



GRAPHIC #1

<END>

g06165060

ELECTRICAL AND STARTING SYSTEM

492-2937 WIRING GP-CAB-HEATER

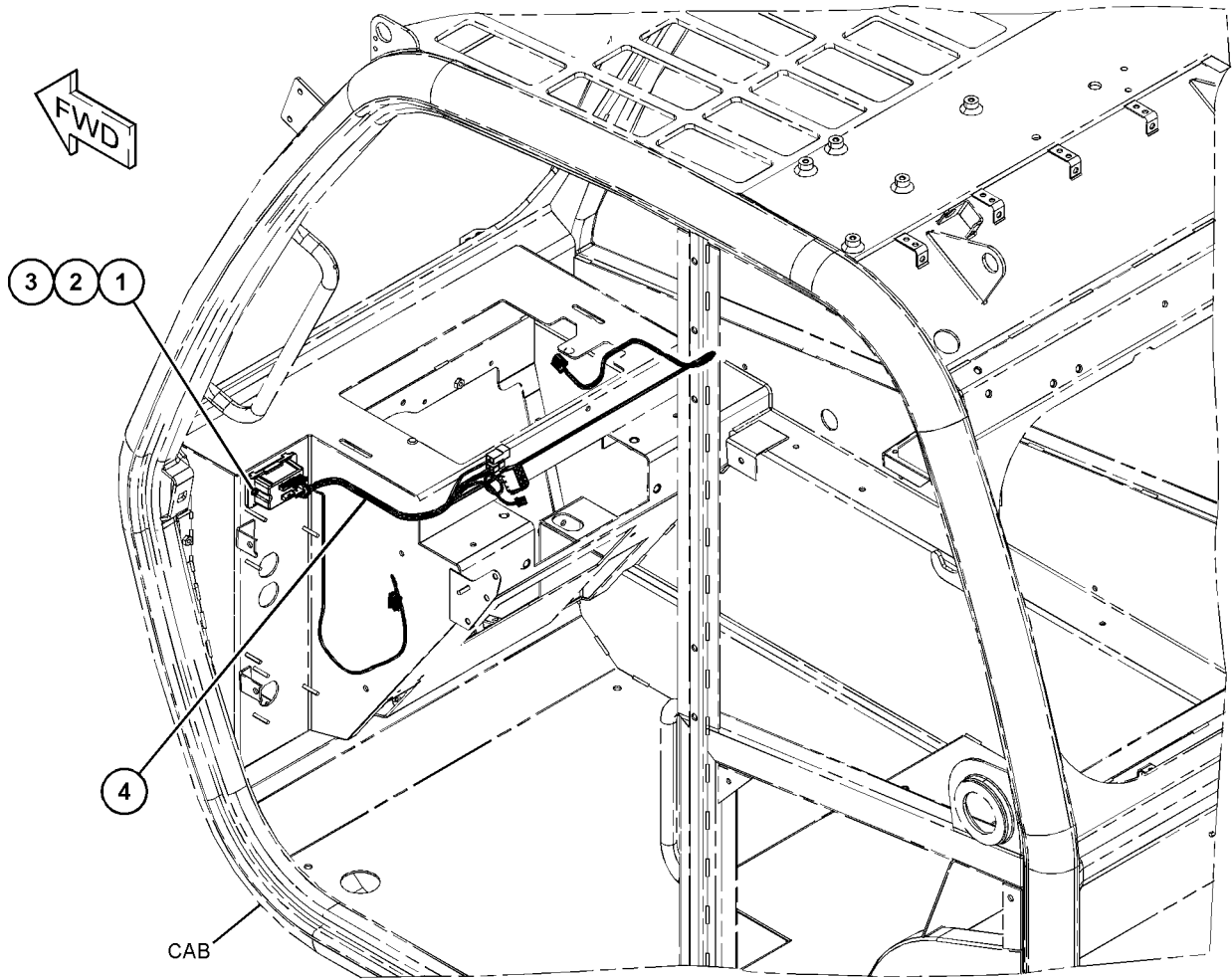
S/N: TD61-UP; TD71-UP
PART OF 517-9179, 517-9180 CAB AR
AN ATTACHMENT

SMCS-1408

i06591351

NOTE	REF NO	GRAPHIC REF	PART NUMBER	QTY	PART NAME						SEE PAGE
					1	2	3	4	5	6 (PRODUCT LEVEL)	
M	1	1	5C-8312	2	NUT (M4X0.7-THD)						
	2	1	5W-5038	2	WASHER (4.3X9X0.8-MM THK)						
	3	1	473-9270	2	WASHER-SPRING						
	4	1	492-2944	1	HARNESS AS-CAB						
		1	473-2087	1	ACTUATOR						
		1	473-8717	1	HARNESS AS-HEATER & AIR COND (MAIN)						

M - METRIC PART



GRAPHIC #1

<END>

g06090132

ELECTRICAL AND STARTING SYSTEM

493-1110 WIRING GP-CAB

S/N: TD61-UP; TD71-UP
PART OF 517-9179, 517-9180 CAB AR
AN ATTACHMENT

SMCS-1408

i06591352

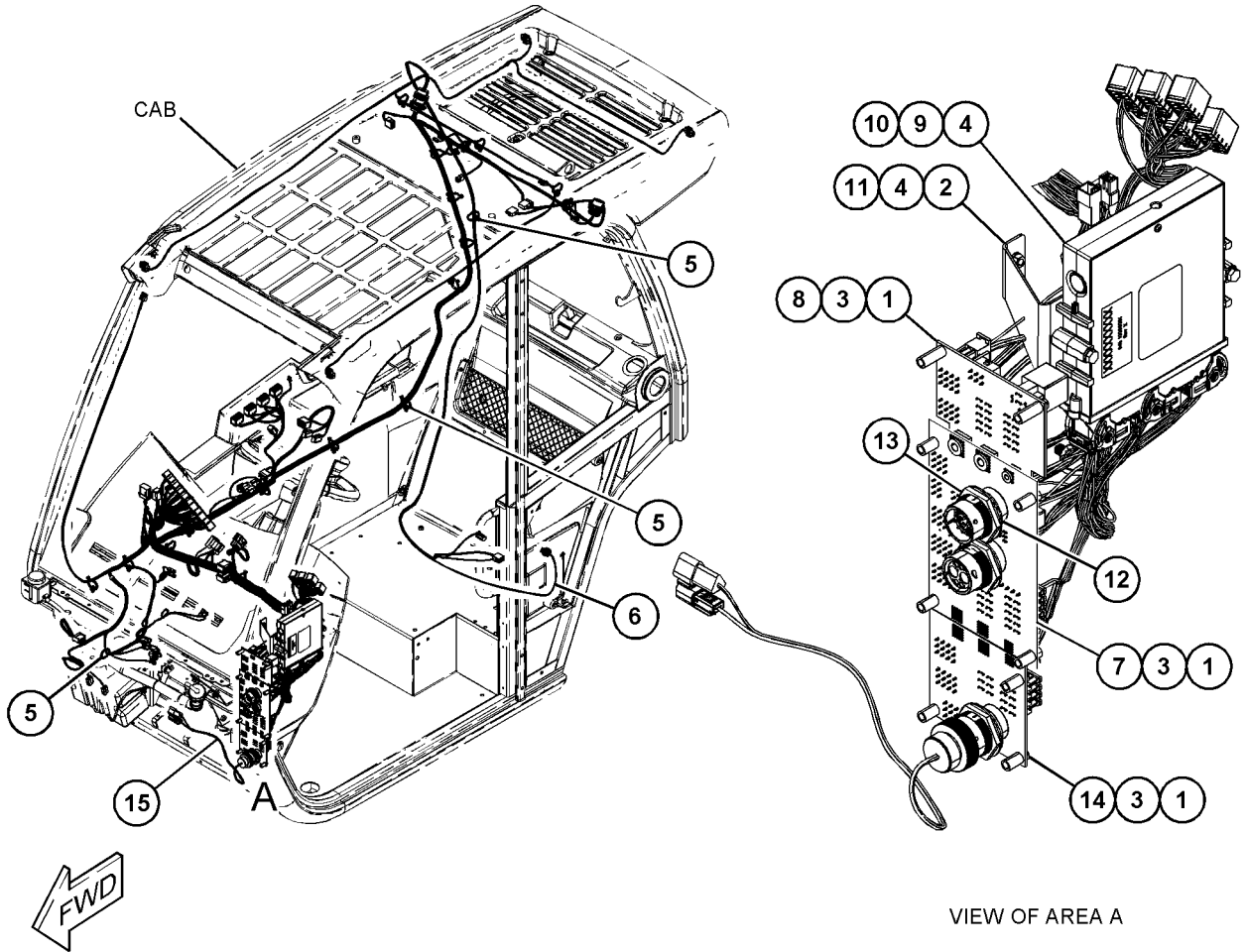
NOTE	REF NO	GRAPHIC REF	PART NUMBER	QTY	PART NAME						SEE PAGE
					1	2	3	4	5	6 (PRODUCT LEVEL)	
M	1	1	303-4777	7	NUT (M5X0.8-THD)						
M	2	1	5C-2890	2	NUT (M6X1-THD)						
	3	1	474-4148	7	WASHER (5.2X10X1-MM THK)						
	4	1	8T-4205	4	WASHER-HARD (7.2X14.5X2-MM THK)						
	5	1	455-3027	23	TIE-CABLE						
Y	6	1	493-1111	1	HARNESS AS-CAB (MAIN)						341
Y	7	1	474-4149	1	BOARD AS-CIRCUIT (CAB POWER CENTER, MAIN)						330
	8	1	474-4891	1	BOARD AS-CIRCUIT (CAB POWER CENTER, OPTION 1)						
		1	9W-1442	1	FUSE (10-AMPERE)						
		1	113-8490	8	FUSE (10-AMPERE)						
		1	141-2759	1	FUSE (5-AMPERE)						
		1	478-5127	1	RELAY AS (12 VDC)						
	9	1	473-0008	1	CONTROLLER						
M	10	1	7X-2534	2	BOLT (M6X1X50-MM)						
	11	1	473-0009	1	BRACKET AS						
	12	1	159-9496	5	LOCKWASHER						
	13	1	159-9495	5	NUT (1-1/2-18-THD)						
	14	1	474-6067	1	BOARD AS-CIRCUIT (CAB POWER CENTER, OPTION 2)						
		1	9W-1441	6	FUSE (15-AMPERE)						
		1	113-8490	1	FUSE (10-AMPERE)						
Y	15	1	477-0021	1	HARNESS AS-CAB (AUXILIARY, CAMERA)						340

M - METRIC PART
Y - SEPARATE ILLUSTRATION

ELECTRICAL AND STARTING SYSTEM

493-1110 WIRING GP-CAB (contd.)

i06591352



GRAPHIC #1

<END>

g06115688

ELECTRICAL AND STARTING SYSTEM

515-1888 WIRING GP-CHASSIS

S/N: TD61-UP; TD71-UP

PART OF 517-9883, 517-9885 CHASSIS AR

SMCS-1408

i06906439

NOTE	REF NO	GRAPHIC REF	PART NUMBER	QTY	PART NAME						SEE PAGE
					1	2	3	4	5	6 (PRODUCT LEVEL)	
M	1	1	8T-4137	1	BOLT (M10X1.5X20-MM)						
M	2	1	8T-4136	3	BOLT (M10X1.5X25-MM)						
M	3	1	5C-2890	1	NUT (M6X1-THD)						
	4	1	5W-1417	1	WASHER (6.4X18X1.6-MM THK)						
	5	1	8T-4121	4	WASHER-HARD (11X21X2.5-MM THK)						
	6	1	132-5789	1	CLIP (LADDER)						
	7	1	206-2423	1	SADDLE						
	8	1	3S-2093	8	STRAP-CABLE						
	9	1	8I-4641	1	STRAP-GROUND						
	10	1	455-3027	56	TIE-CABLE						
Y	11	1	499-0182	1	HARNESS AS-FRONT						349
Y	12	1	499-0183	1	HARNESS AS-REAR						352

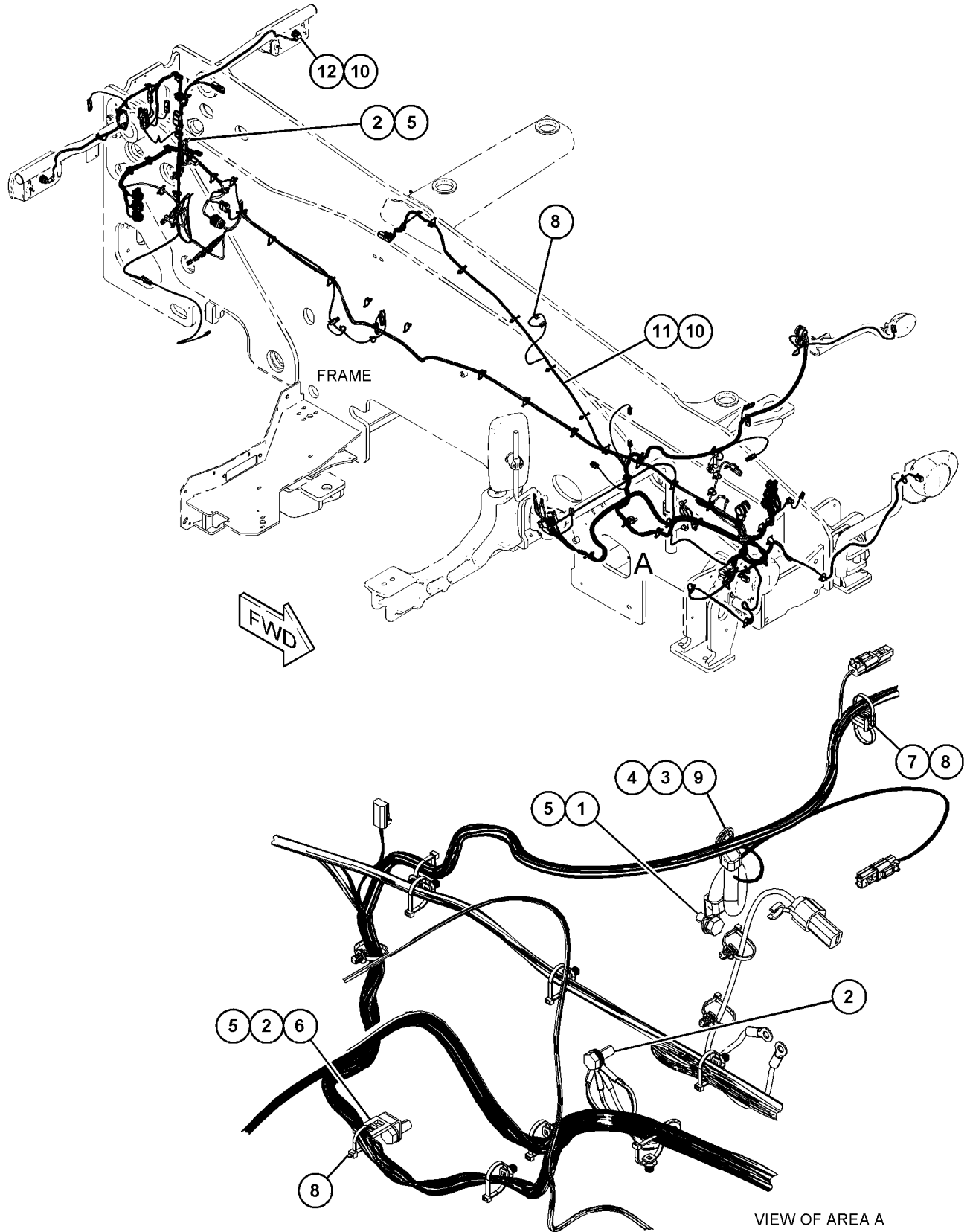
M - METRIC PART

Y - SEPARATE ILLUSTRATION

ELECTRICAL AND STARTING SYSTEM

515-1888 WIRING GP-CHASSIS (contd.)

106906439



GRAPHIC #1

<END>

g06165842

ELECTRICAL AND STARTING SYSTEM

524-8428 WIRING GP-CONTROL

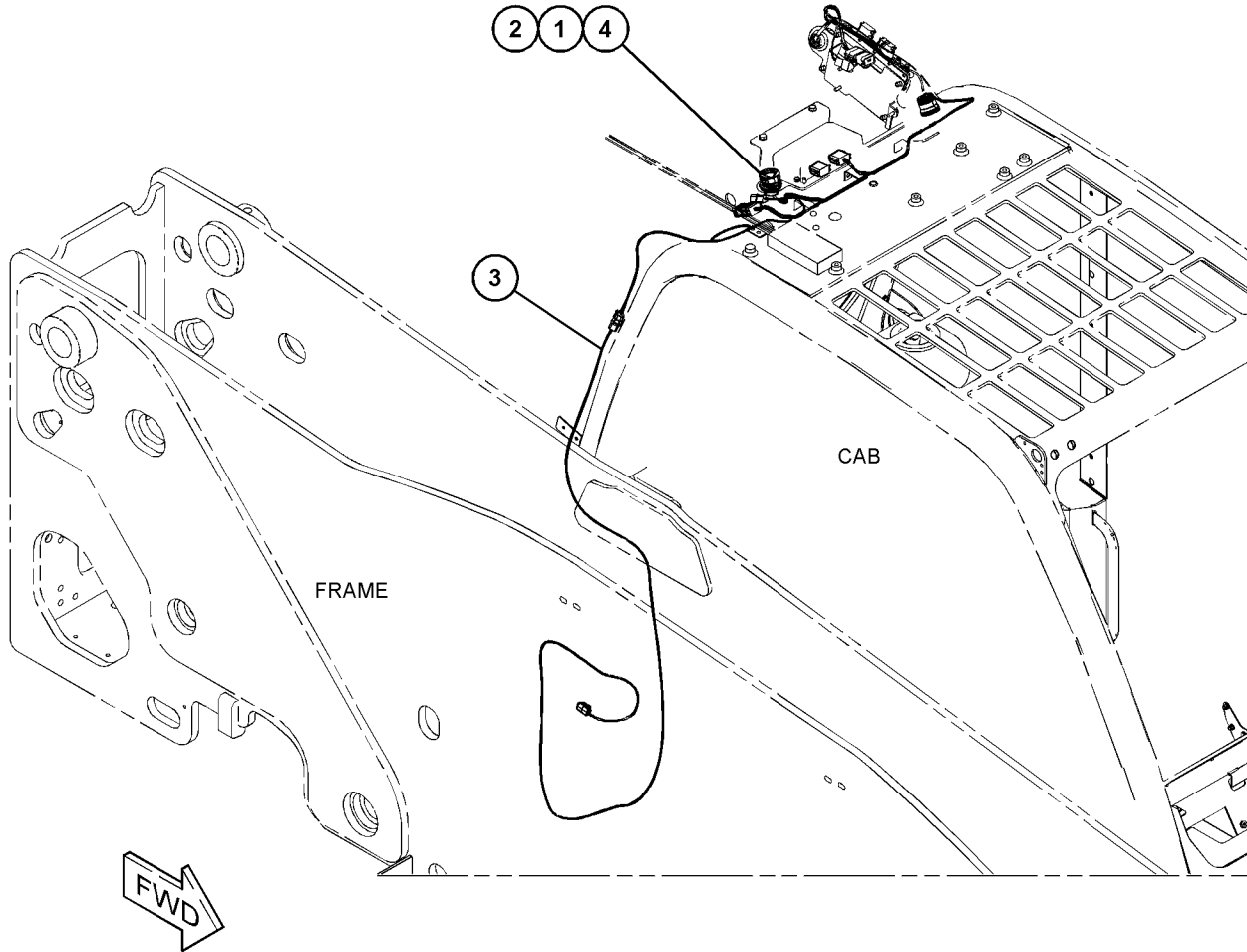
S/N: TD61-UP

PART OF 523-8304, 523-8306 INSTALLATION AR-COMMUNICATION
AN ATTACHMENT

SMCS-1408

i06893204

NOTE	REF NO	GRAPHIC REF	PART NUMBER	QTY	PART NAME						SEE PAGE
					1	2	3	4	5	6 (PRODUCT LEVEL)	
1	1	1	159-9496	1	LOCKWASHER						
2	1	1	159-9495	1	NUT (1-1/2-18-THD)						
3	1	1	501-0348	1	HARNESS AS-CONTROL						
4	1	1	501-1119	1	CAP-DUST						



GRAPHIC #1

<END>

g06162653

ELECTRICAL AND STARTING SYSTEM

524-8429 WIRING GP-CONTROL

S/N: TD71-UP

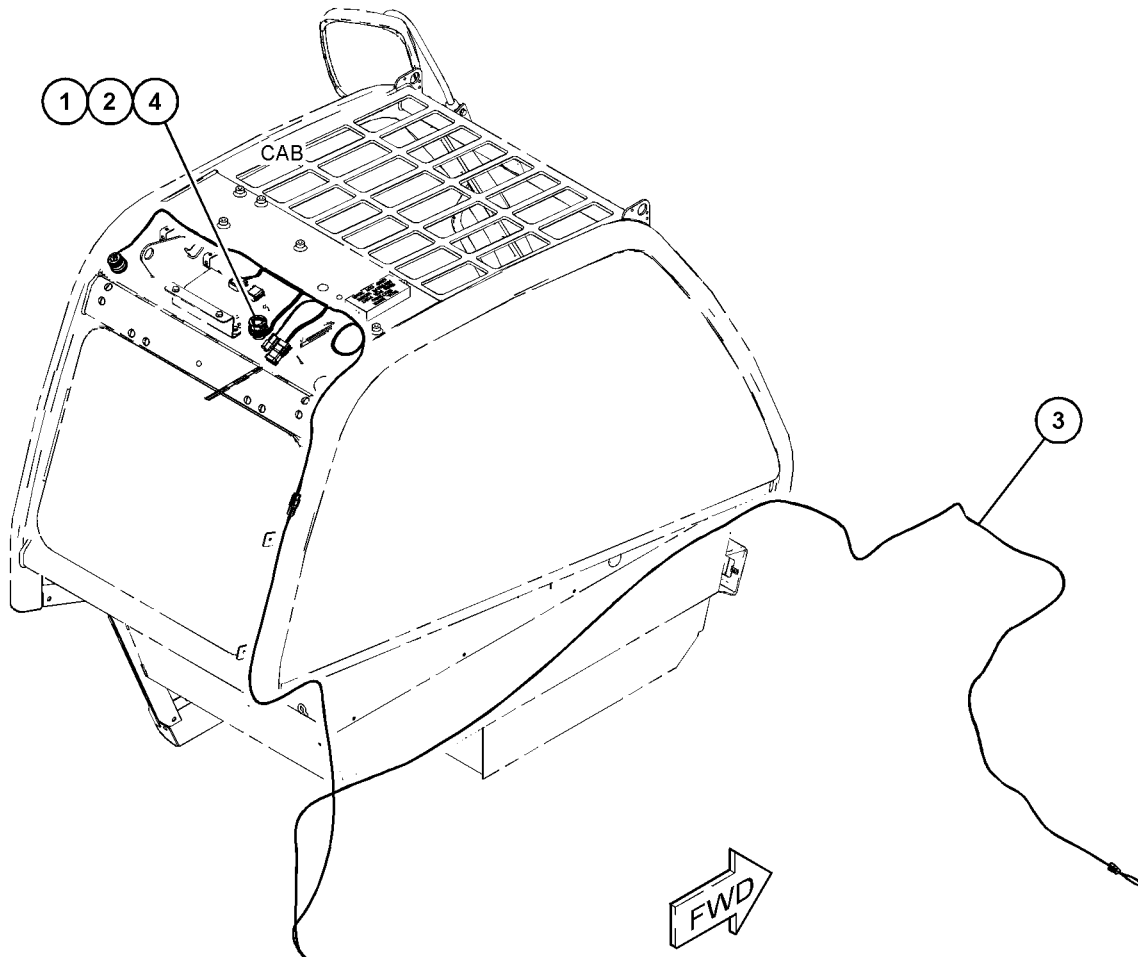
PART OF 523-8307, 523-8308 INSTALLATION AR-COMMUNICATION
AN ATTACHMENT

SMCS-1408

i06895472

NOTE	REF NO	GRAPHIC REF	PART NUMBER	QTY	PART NAME						SEE PAGE
					1	2	3	4	5	6 (PRODUCT LEVEL)	
	1	1	159-9496	1	LOCKWASHER						
	2	1	159-9495	1	NUT (1-1/2-18-THD)						
Y	3	1	501-0349	1	HARNESS AS-CONTROL						342
	4	1	501-1119	1	CAP-DUST						

Y - SEPARATE ILLUSTRATION



GRAPHIC #1

<END>

g06163298

ELECTRICAL AND STARTING SYSTEM

524-8430 WIRING GP-CONTROL

S/N: TD61-UP

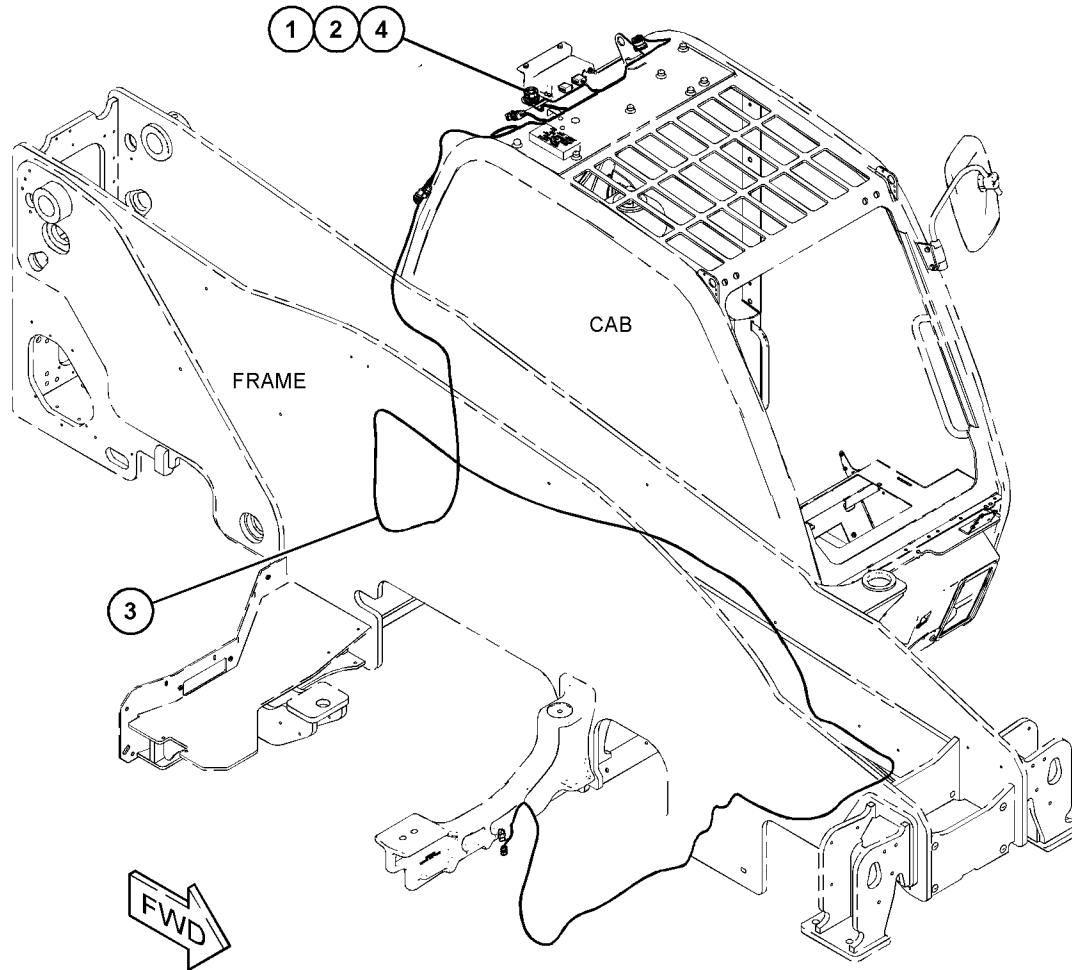
PART OF 523-8303, 523-8305 INSTALLATION AR-COMMUNICATION
AN ATTACHMENT

SMCS-1408

i06895459

NOTE	REF NO	GRAPHIC REF	PART NUMBER	QTY	PART NAME						SEE PAGE
					1	2	3	4	5	6 (PRODUCT LEVEL)	
	1	1	159-9496	1	LOCKWASHER						
	2	1	159-9495	1	NUT (1-1/2-18-THD)						
Y	3	1	501-0350	1	HARNESS AS-CONTROL						343
	4	1	501-1119	1	CAP-DUST						

Y - SEPARATE ILLUSTRATION



GRAPHIC #1

<END>

g06164077

ELECTRICAL AND STARTING SYSTEM

417-4227 WIRING GP-ENGINE

S/N: W231-UP

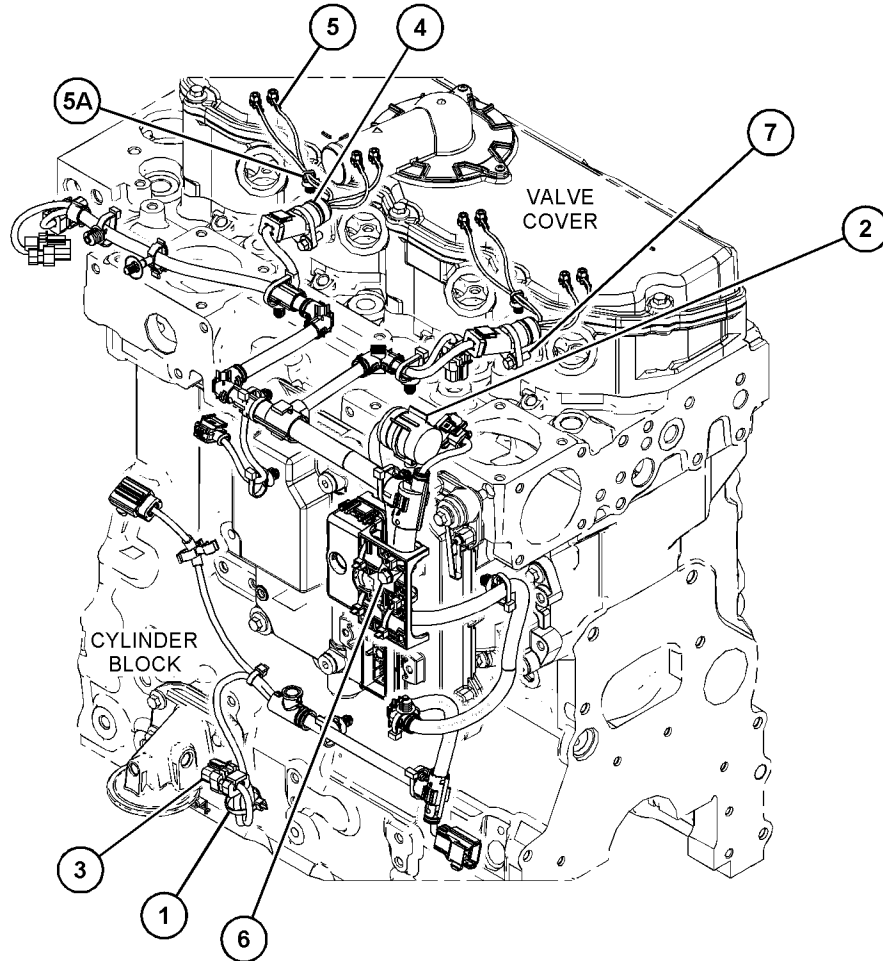
PART OF 463-8820 ENGINE AR-PRIMARY
ALSO AN ATTACHMENT

SMCS-1000, 1408

i06138519

NOTE	REF NO	GRAPHIC REF	PART NUMBER	QTY	PART NAME						SEE PAGE
					1	2	3	4	5	6 (PRODUCT LEVEL)	
	1	1	217-9039	1	STRAP-CABLE						
	2	1	236-5539	1	CLIP						
Y	3	1	448-0757	1	HARNESS AS-WIRING						353
	4	1	323-7347	2	SEAL-O-RING						
	5	1	458-3745	2	HARNESS AS-PLATFORM						
					(EACH INCLUDES)						
	5A	1	332-7865	1	TIE-CABLE						
M	6	1	232-1693	1	BOLT-FLANGE HEAD (M6X1X35-MM)						
M	7	1	254-3633	2	BOLT-FLANGE HEAD (M6X1X16-MM, SELF LOCKING)						

M - METRIC PART
Y - SEPARATE ILLUSTRATION



GRAPHIC #1

<END>

g03818522

ELECTRICAL AND STARTING SYSTEM

433-4677 WIRING GP-ENGINE

S/N: JKT1-UP

PART OF 464-2308 ENGINE AR-PRIMARY

SMCS-1000, 1408

i06113752

NOTE	REF NO	GRAPHIC REF	PART NUMBER	QTY	PART NAME						SEE PAGE
					1	2	3	4	5	6 (PRODUCT LEVEL)	
M	1	1	6I-0631	2	BOLT (M6X1X12-MM)						
M	2	1	6I-0846	4	BOLT (M6X1X14-MM)						
	3	1	236-5539	1	CLIP						
	4	1	359-6302	1	BRACKET						
	5	1	360-8054	1	BRACKET						
	6	1	361-3488	1	BRACKET AS						
	7	1	362-5031	1	BRACKET						
	8	1	367-6803	2	HARNES AS-WIRING						
					(EACH INCLUDES)						
		1	323-7347	1	SEAL-O-RING						
		1	332-7865	2	TIE-CABLE						
	9	1	381-9267	1	BRACKET						
	10	1	430-9520	1	BRACKET AS						
Y	11	1	432-5917	1	HARNES AS-ENGINE						344
M	12	1	6I-0572	1	BOLT (M8X1.25X20-MM)						
M	13	1	232-1693	1	BOLT-FLANGE HEAD (M6X1X35-MM)						
M	14	1	254-3633	2	BOLT-FLANGE HEAD (M6X1X16-MM, SELF LOCKING)						

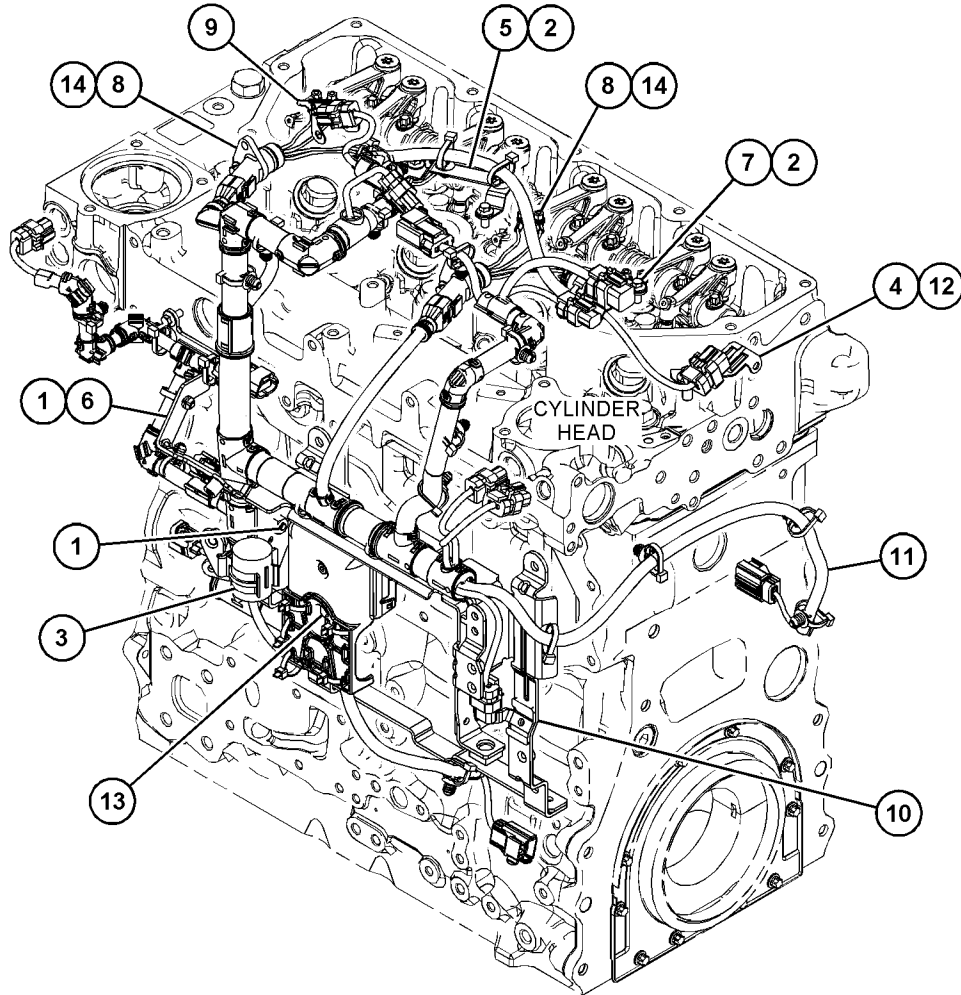
M - METRIC PART

Y - SEPARATE ILLUSTRATION

ELECTRICAL AND STARTING SYSTEM

433-4677 WIRING GP-ENGINE (contd.)

106113752



GRAPHIC #1

<END>

g03698167

ELECTRICAL AND STARTING SYSTEM

443-0632 WIRING GP-ENGINE

S/N: CJ41-UP

PART OF 465-2880 ENGINE AR-PRIMARY

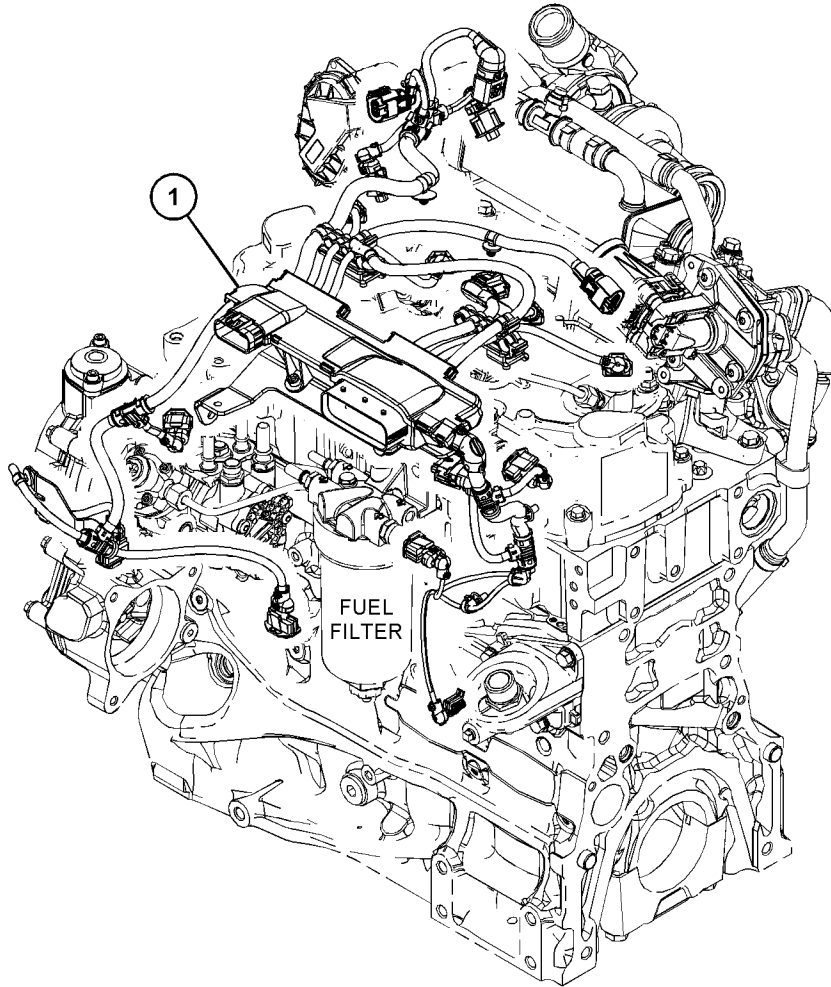
SMCS-1000, 1408

i06945163

NOTE	REF NO	GRAPHIC REF	PART NUMBER	QTY	PART NAME						SEE PAGE
					1	2	3	4	5	6 (PRODUCT LEVEL)	
CY	1	1	511-5488	1	WIRING GP-ENGINE						450

C - CHANGE FROM PREVIOUS TYPE

Y - SEPARATE ILLUSTRATION



GRAPHIC #1

<END>

g06179076

ELECTRICAL AND STARTING SYSTEM

492-2945 WIRING GP-ENGINE

S/N: W231-UP

PART OF 463-8910 ENGINE AR-PRIMARY

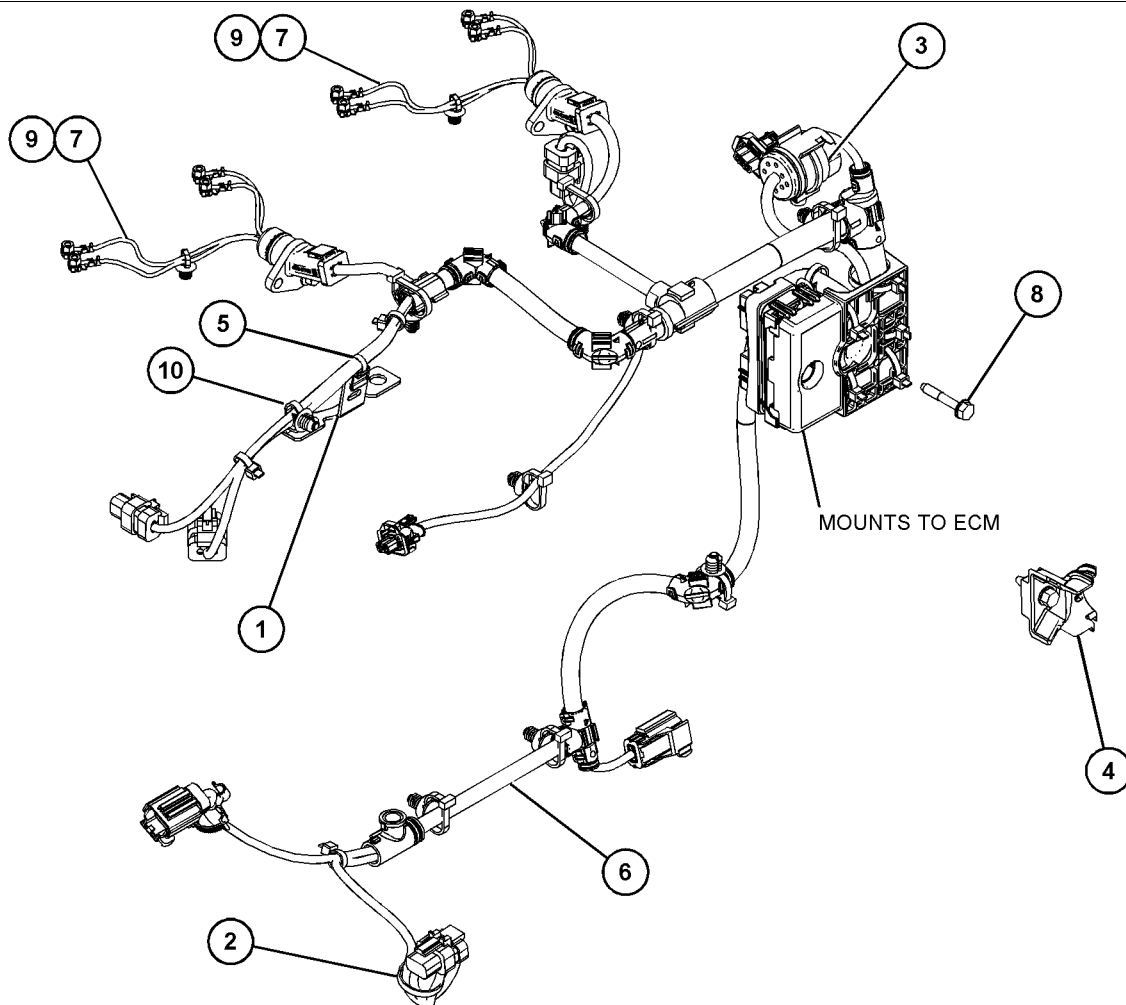
SMCS-1000, 1408

i06621499

NOTE	REF NO	GRAPHIC REF	PART NUMBER	QTY	PART NAME						SEE PAGE
					1	2	3	4	5	6 (PRODUCT LEVEL)	
	1	1	487-6726	1	BRACKET						
	2	1	217-9039	1	STRAP-CABLE						
	3	1	236-5539	1	CLIP						
	4	1	268-6677	1	BRACKET AS						
M		1	260-3939	1	SCREW-HEX HEAD (M6X1X25-MM)						
	5	1	396-5615	1	MOUNT						
Y	6	1	448-0757	1	HARNESS AS-WIRING (POWER)						353
	7	1	458-3745	2	HARNESS AS-PLATFORM						
					(EACH INCLUDES)						
		1	323-7347	4	SEAL-O-RING						
		1	332-7865	1	TIE-CABLE						
M	8	1	232-1693	1	BOLT-FLANGE HEAD (M6X1X35-MM)						
M	9	1	254-3633	2	BOLT-FLANGE HEAD (M6X1X16-MM, SELF LOCKING)						
	10	1	316-9351	1	MOUNTING-CABLE TIE						

M - METRIC PART

Y - SEPARATE ILLUSTRATION



GRAPHIC #1

<END>

g06077692

ELECTRICAL AND STARTING SYSTEM

511-5488 WIRING GP-ENGINE

S/N: CJ41-UP

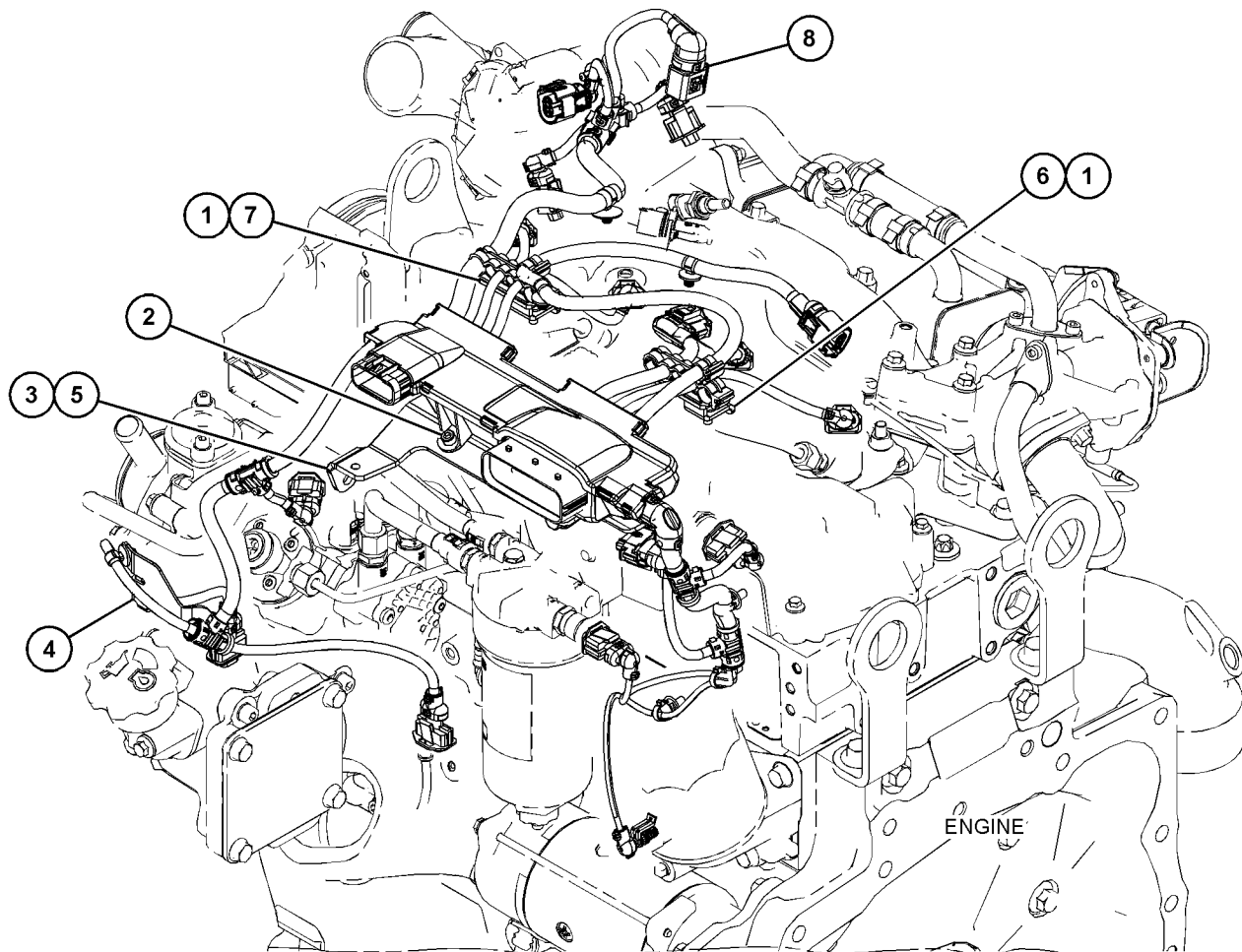
PART OF 443-0632 WIRING GP-ENGINE

SMCS-1000, 1408

i06946852

NOTE	REF NO	GRAPHIC REF	PART NUMBER	QTY	PART NAME						SEE PAGE
					1	2	3	4	5	6	
M	1	1	6I-0846	2	BOLT (M6X1X14-MM)						
	2	1	386-3036	1	SCREW						
	3	1	389-1874	3	BOLT-SPECIAL						
	4	1	419-8715	1	BRACKET						
	5	1	463-8785	1	BRACKET AS						
	6	1	463-8787	1	BRACKET						
	7	1	463-8791	1	BRACKET						
	8	1	511-5487	1	HARNES AS-ENGINE						

M - METRIC PART



GRAPHIC #1

<END>

g06179068

ELECTRICAL AND STARTING SYSTEM

516-1391 WIRING GP-ENGINE

S/N: TD61-UP

PART OF 518-5880 INSTALLATION AR-ENGINE
AN ATTACHMENT

SMCS-1000, 1408

i06893916

NOTE	REF NO	GRAPHIC REF	PART NUMBER	QTY	PART NAME						SEE PAGE
					1	2	3	4	5	6 (PRODUCT LEVEL)	
M	1	2	8T-4138	2	BOLT (M6X1X20-MM)						
M	2	1	8T-4971	4	BOLT (M6X1X30-MM)						
M	3	2	7X-2534	1	BOLT (M6X1X50-MM)						
M	4	1	8T-6912	4	BOLT (M8X1.25X50-MM)						
M	5	2	8T-4189	3	BOLT (M8X1.25X20-MM)						
M	6	2	8T-4137	4	BOLT (M10X1.5X20-MM)						
M	7	2	8T-4136	5	BOLT (M10X1.5X25-MM)						
	8	2	7K-1181	12	STRAP-CABLE						
M	9	1	309-9184	1	LOCKNUT (M8X1.25-THD)						
M	10	2	494-8824	1	BOLT-SOCKET HEAD (M2.5X0.45X8-MM)						
M	11	2	455-2256	5	BOLT-SOCKET HEAD (M5X0.8X20-MM)						
	12	2	8T-4205	1	WASHER-HARD (7.2X14.5X2-MM THK)						
	13	1,2	8T-4224	8	WASHER-HARD (8.8X16X2-MM THK)						
	14	2	8T-4121	9	WASHER-HARD (11X21X2.5-MM THK)						
	15	2	304-2604	5	WASHER (3.1X6.2X0.8-IN THK)						
	16	1,2	303-4787	5	WASHER (6.1X11.8X1.6-MM THK)						
	17	2	477-0655	2	WASHER (7.3X13.6X4-MM THK)						
	18	2	464-1257	1	CLIP						
	19	2	132-5789	6	CLIP (LADDER)						
	20	1,2	3S-2093	20	STRAP-CABLE						
Y	21	2	7N-0718	1	SWITCH GP-DISCONNECT (BATTERY)						428
	22	1	9X-7345	1	GROMMET						
	23	1,2	4P-7428	2	CLIP (LADDER)						
	24	2	100-4336	1	CLIP						
	25	2	459-8801	1	RELAY (12-VOLT, 200-AMPERE)						
	26	2	481-1051	1	FUSE AS (POWER MODULE)						
	27	1,2	455-3027	28	TIE-CABLE						
Y	28	1	474-9674	1	CONTROL GP-ELECTRONIC (POWER DISTRIBUTION)						336
	29	1	473-8975	1	MOUNT						
	30	2	473-9371	1	LAMP (12-VOLT)						
	31	1	499-4251	1	CABLE (2-GA, RED)						
	32	1	500-2294	1	CABLE (2-GA, RED)						
	33	1	499-4249	1	CABLE						
	34	2	499-4248	1	CABLE						
	35	1	499-4247	1	CABLE						
	36	1	499-4241	1	CABLE						
	37	1	499-4242	1	CABLE						
	38	1	499-4243	1	CABLE						
	39	2	500-2296	1	CABLE (2-GA, RED)						
Y	40	1	500-3150	1	HARNESS AS-ENGINE (CAT)						347
Y	41	1	500-3152	1	HARNESS AS-ENGINE (CHASSIS)						348
	42	2	500-2297	1	CABLE						
	43	2	494-9551	1	PLATE						
	44	2	481-7718	1	BRACKET AS						
	45	2	483-6606	1	TERMINAL						
	46	2	484-1801	2	PLATE						

ELECTRICAL AND STARTING SYSTEM

516-1391 WIRING GP-ENGINE (contd.)

i06893916

NOTE	REF NO	GRAPHIC REF	PART NUMBER	QTY	PART NAME						SEE PAGE
					1	2	3	4	5	6 (PRODUCT LEVEL)	
	47	1	499-4240	1	CABLE						
	48	2	499-4234	3	BRACKET						
	49	1	516-1396	1	CONTROL GP-ELECTRONIC (REAR FRAME)						
	50	1	516-1397	1	CONTROL GP-ELECTRONIC (FRONT FRAME)						

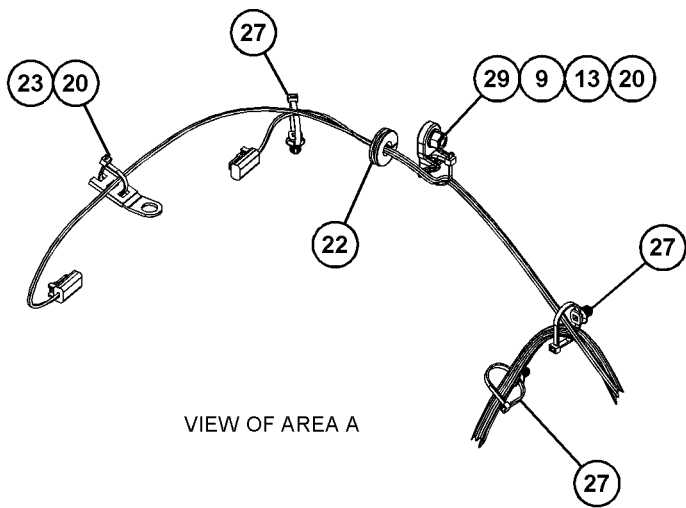
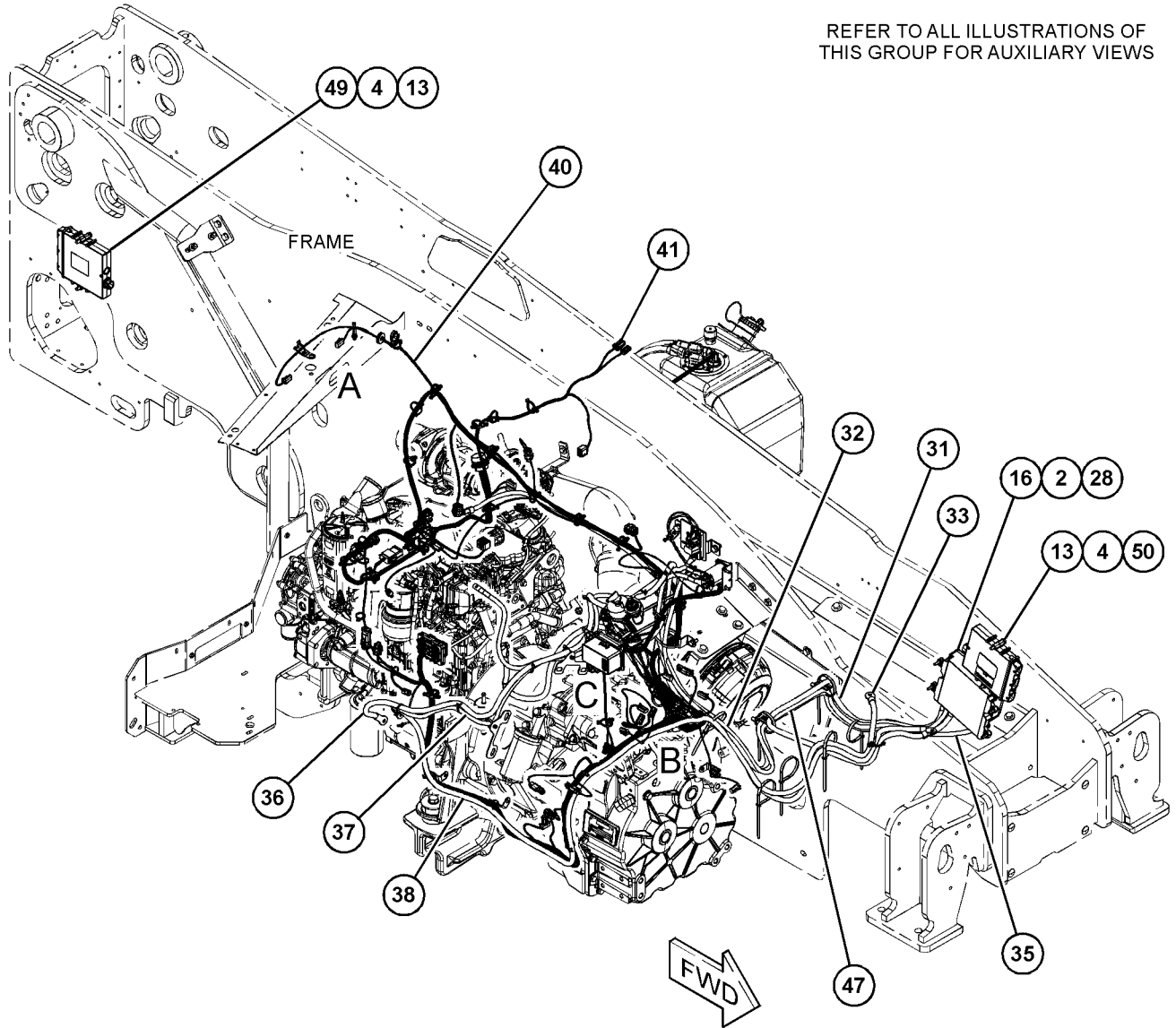
M - METRIC PART
Y - SEPARATE ILLUSTRATION

ELECTRICAL AND STARTING SYSTEM

516-1391 WIRING GP-ENGINE (contd.)

106893916

REFER TO ALL ILLUSTRATIONS OF THIS GROUP FOR AUXILIARY VIEWS



VIEW OF AREA A

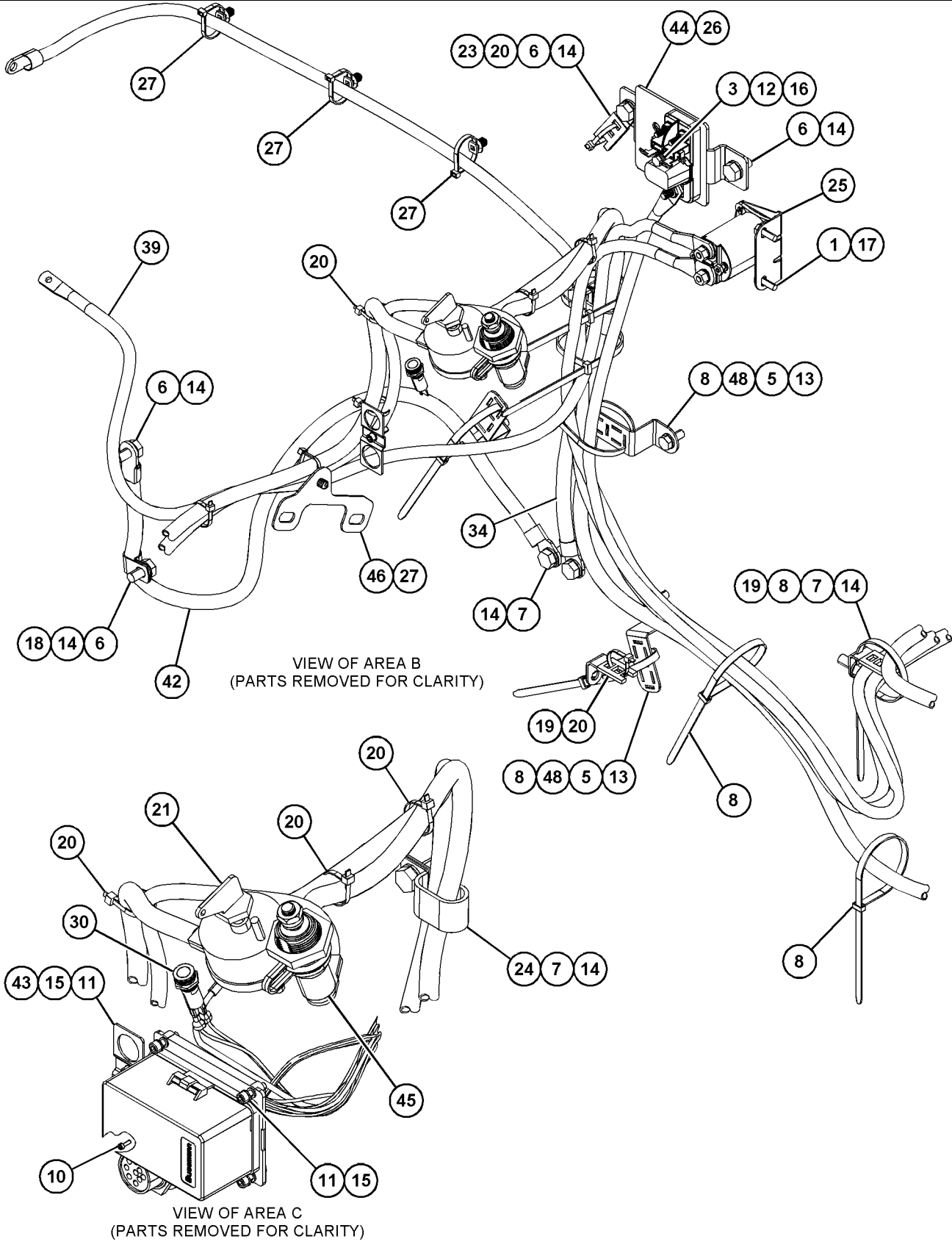
GRAPHIC #1

g06165344

ELECTRICAL AND STARTING SYSTEM

516-1391 WIRING GP-ENGINE (contd.)

i06893916



GRAPHIC #2

<END>

g06165345

ELECTRICAL AND STARTING SYSTEM

516-1392 WIRING GP-ENGINE

S/N: TD71-UP

PART OF 518-5954, 518-5955, 518-5956 INSTALLATION AR-ENGINE
AN ATTACHMENT

SMCS-1000, 1408

i06895427

NOTE	REF NO	GRAPHIC REF	PART NUMBER	QTY	PART NAME						SEE PAGE
					1	2	3	4	5	6 (PRODUCT LEVEL)	
M	1	2	8T-4138	2	BOLT (M6X1X20-MM)						
M	2	1	8T-4971	4	BOLT (M6X1X30-MM)						
M	3	1	8T-6912	4	BOLT (M8X1.25X50-MM)						
M	4	2	8T-4189	2	BOLT (M8X1.25X20-MM)						
M	5	2	8T-4137	2	BOLT (M10X1.5X20-MM)						
M	6	2	8T-4136	4	BOLT (M10X1.5X25-MM)						
M	7	1	3T-0852	1	LOCKNUT (M8X1.25-THD)						
M	8	2	494-8824	1	BOLT-SOCKET HEAD (M2.5X0.45X8-MM)						
M	9	2	455-2256	1	BOLT-SOCKET HEAD (M5X0.8X20-MM)						
	10	1,2	8T-4224	7	WASHER-HARD (8.8X16X2-MM THK)						
	11	2	8T-4121	6	WASHER-HARD (11X21X2.5-MM THK)						
	12	2	304-2604	1	WASHER (3.1X6.2X0.8-IN THK)						
	13	1	303-4787	4	WASHER (6.1X11.8X1.6-MM THK)						
	14	2	477-0655	2	WASHER (7.3X13.6X4-MM THK)						
	15	2	464-1257	1	CLIP						
	16	2	132-5789	2	CLIP (LADDER)						
Y	17	2	7N-0718	1	SWITCH GP-DISCONNECT (BATTERY)						428
	18	1	4P-7428	1	CLIP (LADDER)						
	19	2	100-4336	1	CLIP						
	20	2	459-8801	1	RELAY (12-VOLT, 200-AMPERE) (GLOW PLUG)						
	21	2	500-2293	4	CLIP						
	22	1,2	455-3027	12	TIE-CABLE						
Y	23	1	474-9674	1	CONTROL GP-ELECTRONIC (POWER DISTRIBUTION)						336
	24	1	473-8975	1	MOUNT						
	25	2	473-9371	1	LAMP (12-VOLT) (LED)						
	26	1	499-4251	1	CABLE (2-GA, RED)						
	27	1	500-2294	1	CABLE (2-GA, RED)						
	28	1	499-4249	1	CABLE						
	29	2	499-4248	1	CABLE						
	30	1	499-4247	1	CABLE						
	31	1	499-4241	1	CABLE						
	32	1	499-4243	1	CABLE						
Y	33	1	500-2295	1	HARNESS AS-ENGINE						345
	34	2	494-9551	1	PLATE						
	35	2	483-6606	1	TERMINAL						
	36	2	484-1801	2	PLATE						
	37	2	499-4234	2	BRACKET						
	38	1	516-1396	1	CONTROL GP-ELECTRONIC (REAR FRAME)						
	39	1	516-1397	1	CONTROL GP-ELECTRONIC (FRONT FRAME)						
	40	1,2	3S-2093	23	STRAP-CABLE						
	41	1	9X-7345	1	GROMMET						
	42	1	499-4242	1	CABLE						
	43	2	500-2296	1	CABLE (2-GA, RED)						
	44	2	500-2297	1	CABLE						
	45	1,2	7K-1181	12	STRAP-CABLE						

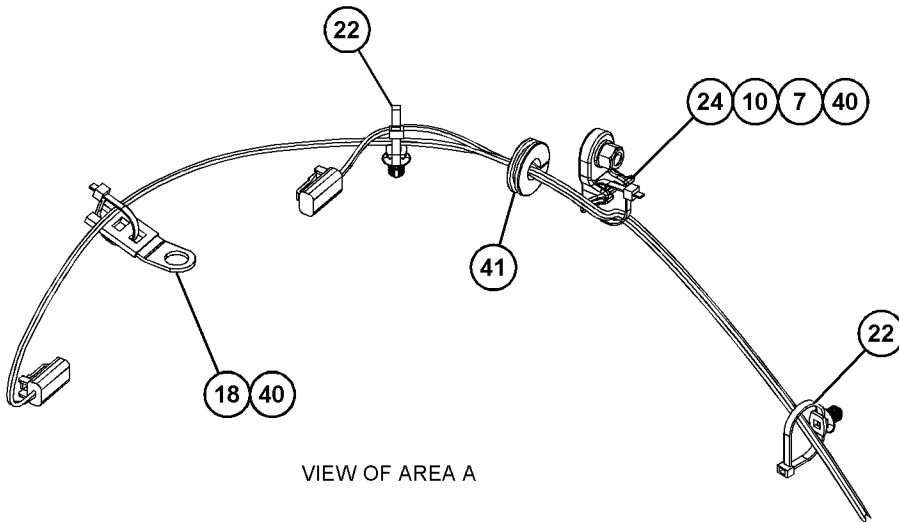
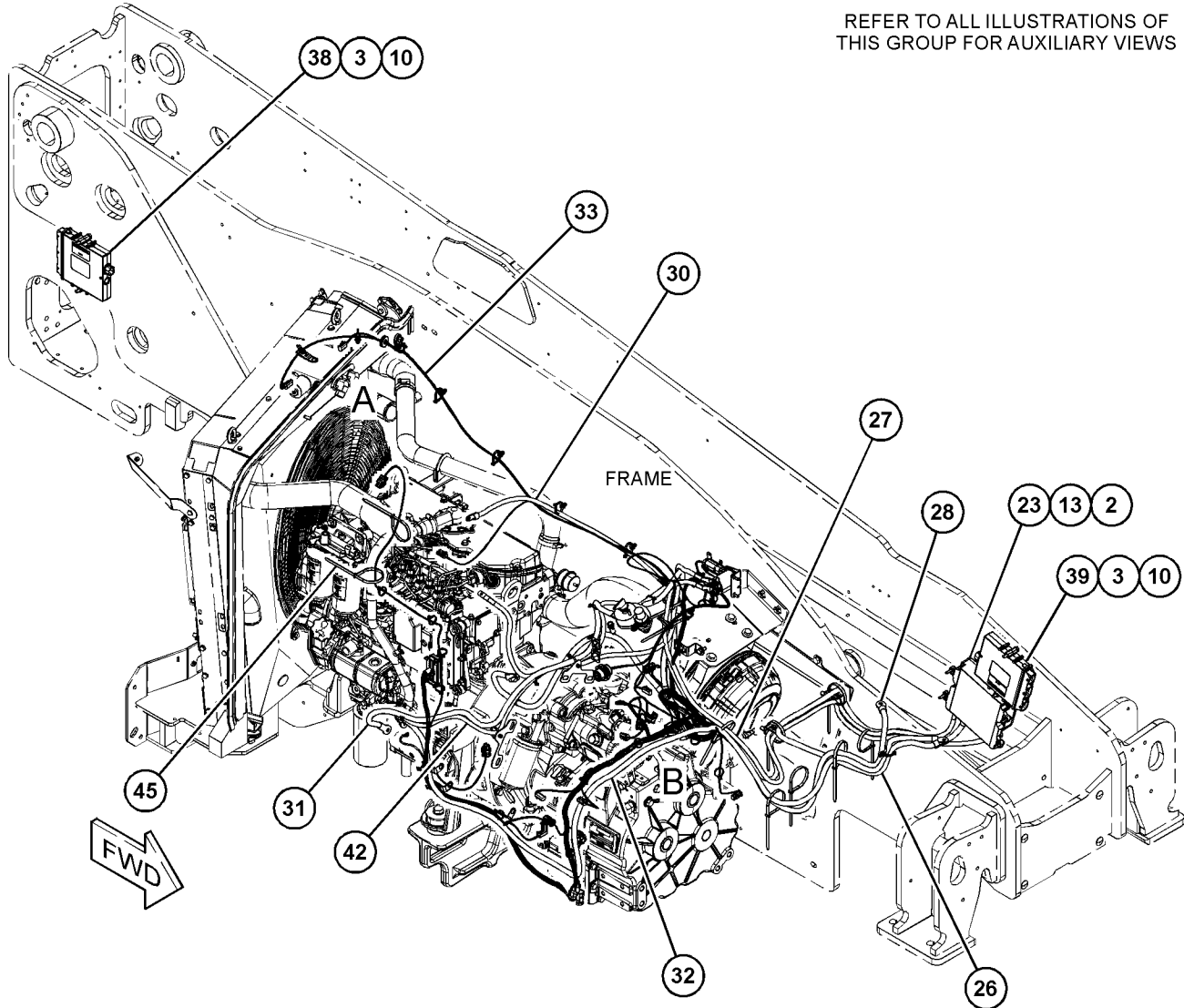
M - METRIC PART
Y - SEPARATE ILLUSTRATION

ELECTRICAL AND STARTING SYSTEM

516-1392 WIRING GP-ENGINE (contd.)

i06895427

REFER TO ALL ILLUSTRATIONS OF THIS GROUP FOR AUXILIARY VIEWS



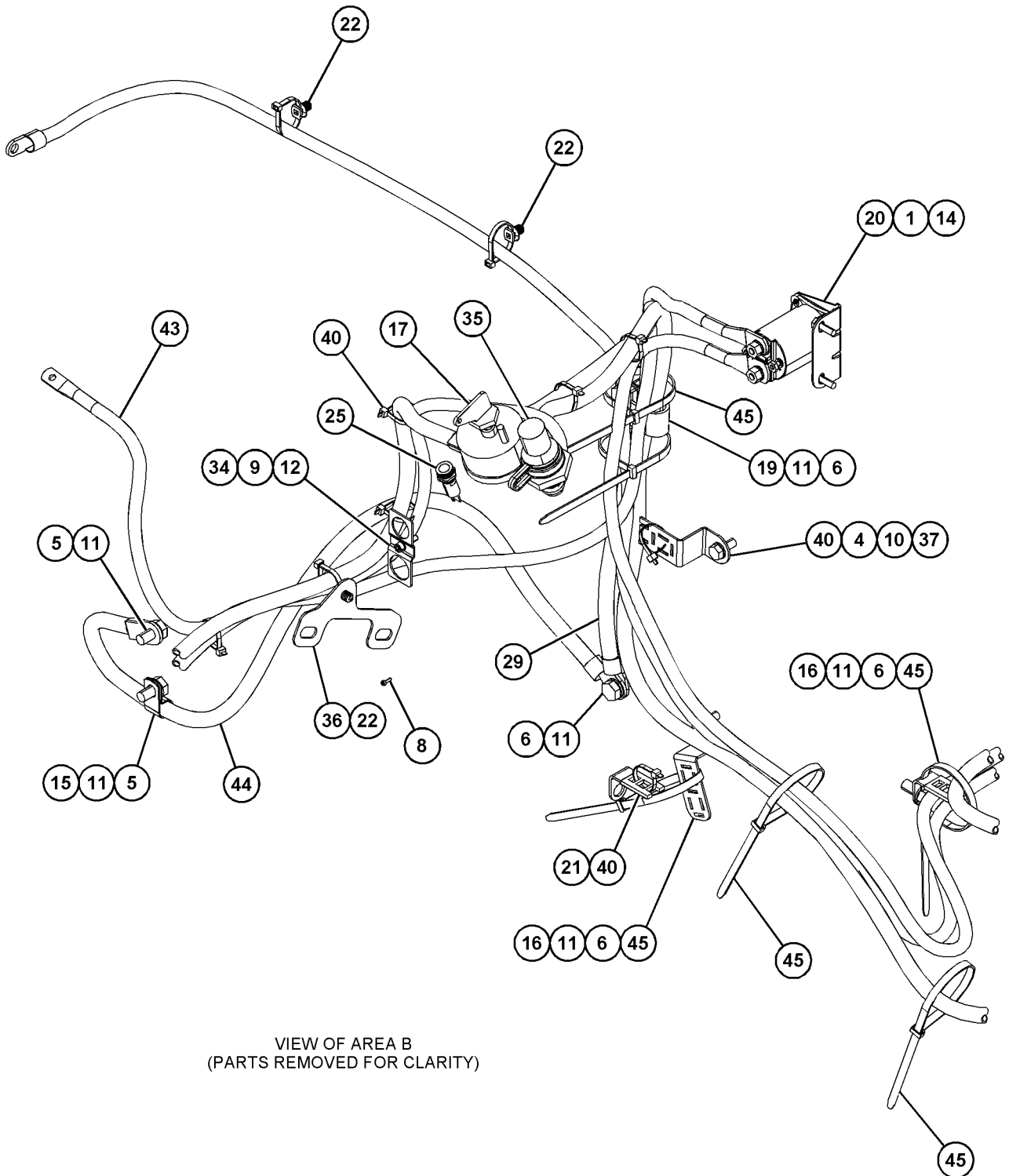
GRAPHIC #1

g06164726

ELECTRICAL AND STARTING SYSTEM

516-1392 WIRING GP-ENGINE (contd.)

i06895427



GRAPHIC #2

<END>

g06164727

ELECTRICAL AND STARTING SYSTEM

496-8310 WIRING GP-TRAILER

S/N: TD61-UP; TD71-UP

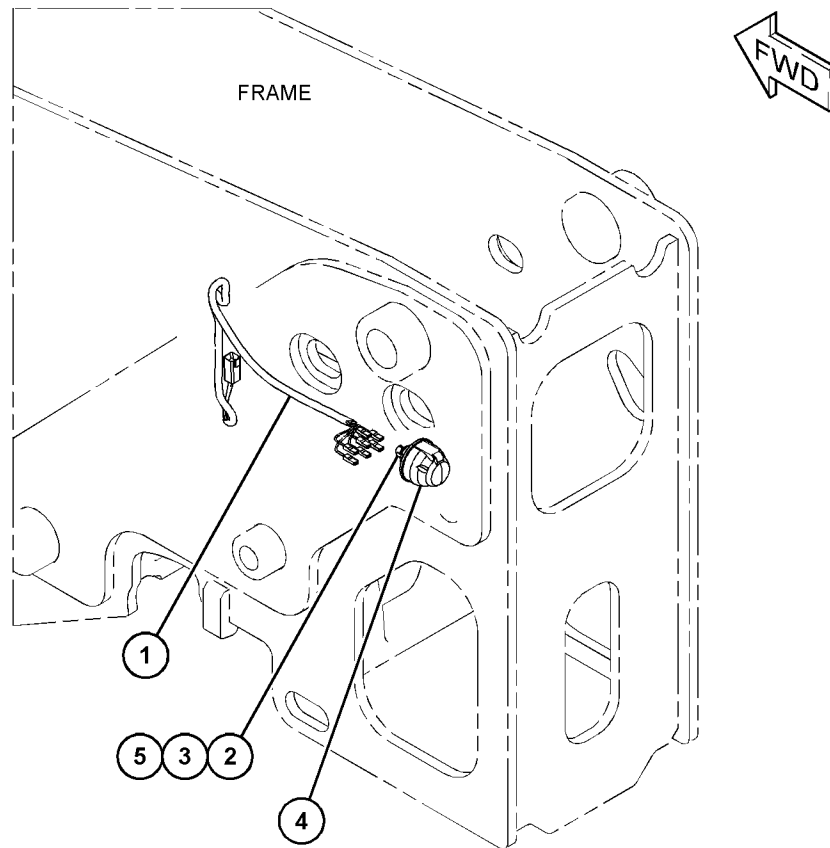
PART OF 506-7652 BRAKE AR-TRAILER, 506-7655 TRAILER AR
AN ATTACHMENT

SMCS-1408

i06613298

NOTE	REF NO	GRAPHIC REF	PART NUMBER	QTY	PART NAME						SEE PAGE
					1	2	3	4	5	6 (PRODUCT LEVEL)	
	1	1	492-4869	1	HARNESS AS-BRAKE						
		1	8T-8737	1	PLUG-SEAL						
		1	9W-0852	5	PIN-CONNECTOR (14-GA TO 16-GA)						
		1	334-5873	1	TERMINAL (6-PIN)						
		1	362-6352	14	RECEPTACLE AS-CONNECTOR (1-PIN)						
M	2	1	303-4777	3	NUT (M5X0.8-THD)						
	3	1	309-3992	3	SCREW						
	4	1	329-3645	1	CONNECTOR (7-PIN)						
	5	1	309-3996	3	WASHER (5.3X12.5X5-MM THK)						

M - METRIC PART



GRAPHIC #1

<END>

g06051446

POWER TRAIN

514-4631 AXLE & MOUNTING GP-REAR

S/N: TD61-UP; TD71-UP

PART OF 517-9299, 517-9300 AXLE AR
AN ATTACHMENT

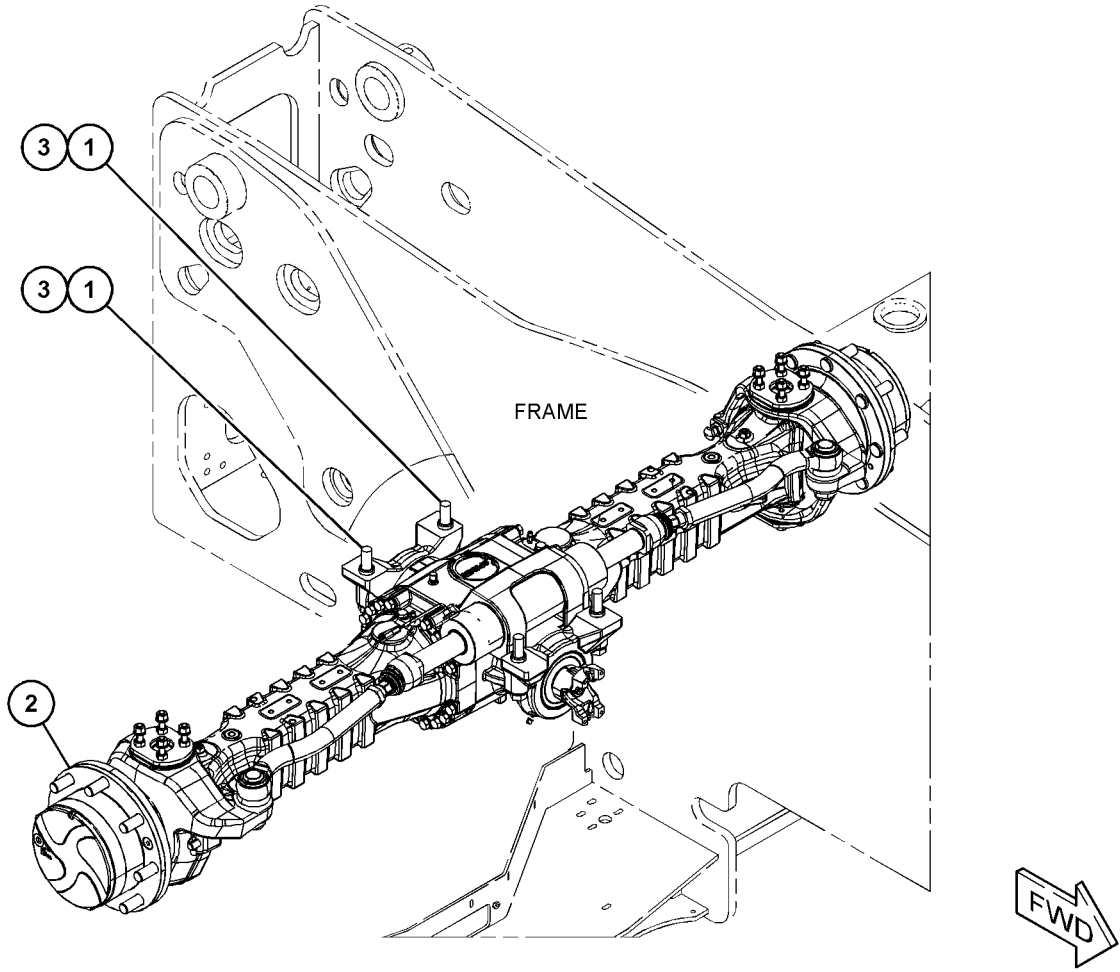
SMCS-3013

i06893273

NOTE	REF NO	GRAPHIC REF	PART NUMBER	QTY	PART NAME						SEE PAGE
					1	2	3	4	5	6 (PRODUCT LEVEL)	
M	1	1	7X-2532	4	BOLT (M20X2.5X130-MM)						
Y	2	1	485-1677	1	AXLE GP-REAR						476
	3	1	499-8656	4	WASHER (21X37X4-MM THK)						

M - METRIC PART

Y - SEPARATE ILLUSTRATION



GRAPHIC #1

<END>

g06158632

POWER TRAIN

514-4632 AXLE & MOUNTING GP-FRONT

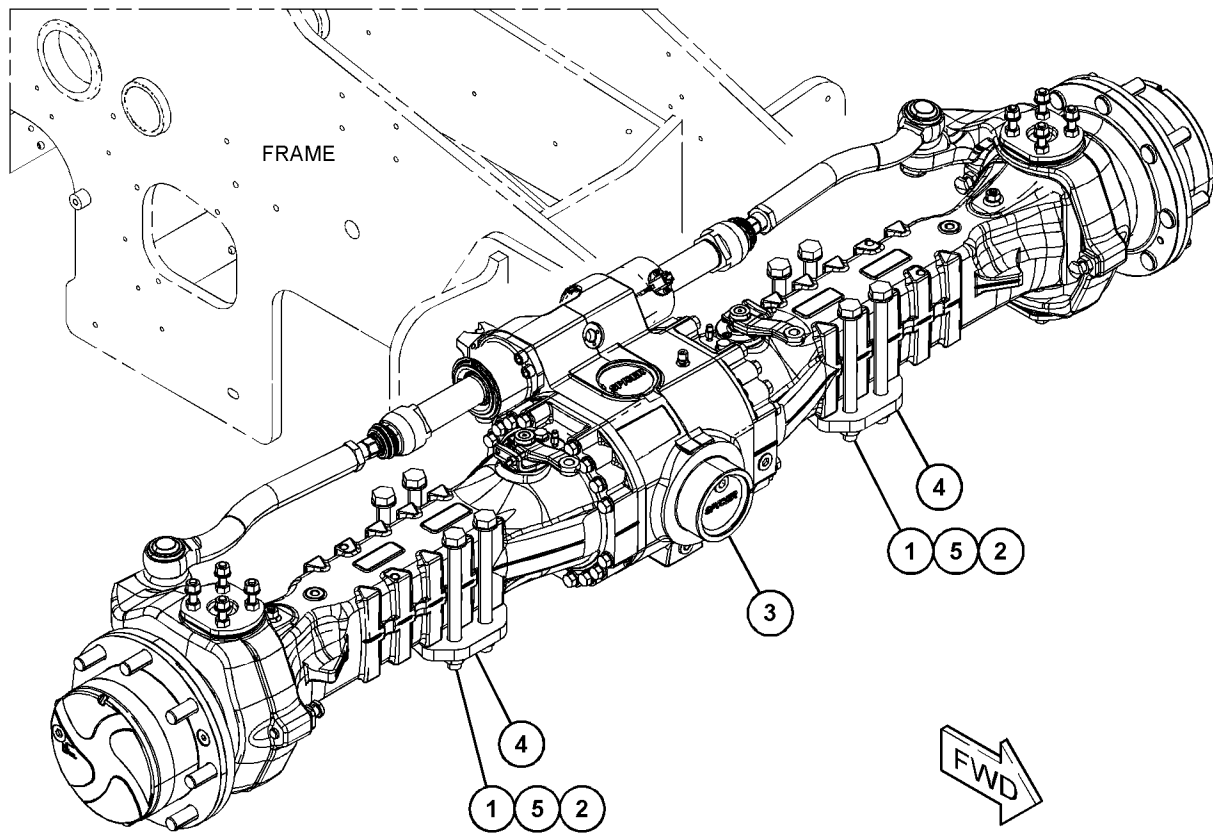
S/N: TD61-UP; TD71-UP
PART OF 517-9299 AXLE AR
AN ATTACHMENT

SMCS-3013

i06893274

NOTE	REF NO	GRAPHIC REF	PART NUMBER	QTY	PART NAME						SEE PAGE
					1	2	3	4	5	6 (PRODUCT LEVEL)	
M	1	1	4I-6766	8	BOLT (M20X2.5X230-MM)						
M	2	1	6V-7742	8	NUT-FULL (M20X2.5-THD)						
Y	3	1	499-7312	1	AXLE GP-FRONT						463
	4	1	499-7342	2	PLATE						
	5	1	499-8656	16	WASHER (21X37X4-MM THK)						

M - METRIC PART
Y - SEPARATE ILLUSTRATION



GRAPHIC #1

<END>

g06158581

POWER TRAIN

514-4633 AXLE & MOUNTING GP-FRONT

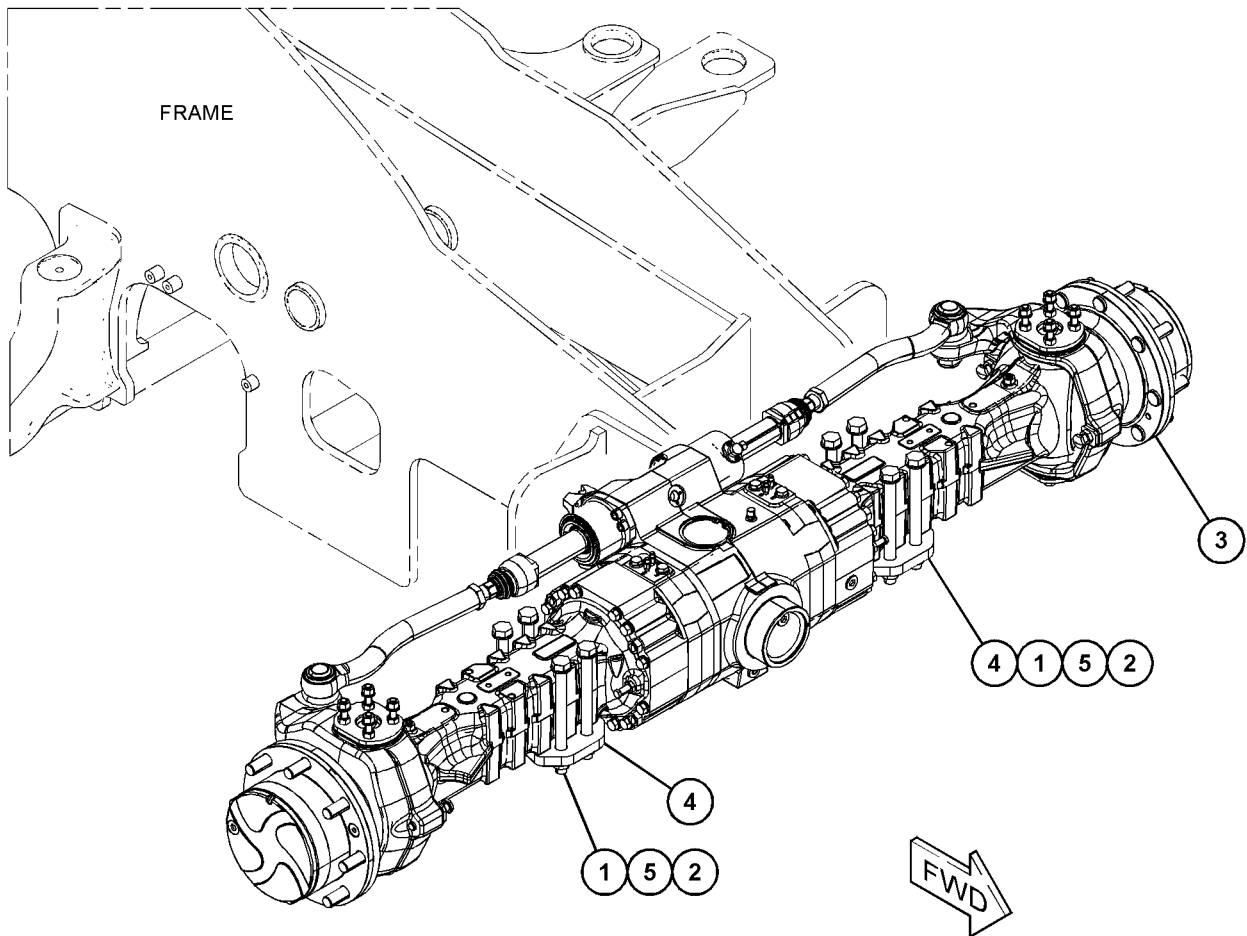
S/N: TD61-UP; TD71-UP
PART OF 517-9300 AXLE AR
AN ATTACHMENT

SMCS-3013

i06893334

NOTE	REF NO	GRAPHIC REF	PART NUMBER	QTY	PART NAME						SEE PAGE
					1	2	3	4	5	6 (PRODUCT LEVEL)	
M	1	1	4I-6766	8	BOLT (M20X2.5X230-MM)						
M	2	1	6V-7742	8	NUT-FULL (M20X2.5-THD)						
Y	3	1	499-8465	1	AXLE GP-FRONT						470
	4	1	499-7342	2	PLATE						
	5	1	499-8656	16	WASHER (21X37X4-MM THK)						

M - METRIC PART
Y - SEPARATE ILLUSTRATION



GRAPHIC #1

<END>

g06159464

POWER TRAIN

517-9299 AXLE AR-PARKING BRAKE

S/N: TD61-UP; TD71-UP
AN ATTACHMENT

SMCS-3013

i06893271

NOTE	PART NUMBER	QTY	PART NAME						SEE PAGE
			1	2	3	4	5	6 (PRODUCT LEVEL)	
Y	514-4631	1	AXLE & MOUNTING GP (REAR)						459
Y	514-4632	1	AXLE & MOUNTING GP (FRONT)						460
Y	514-4634	1	BRAKE GP-PARKING						624
Y	520-7773	1	BRAKE GP-SERVICE						625
Y	503-1702	1	SHIM GP-AXLE INSTALLATION						528

Y - SEPARATE ILLUSTRATION

<END>

517-9300 AXLE AR-PARKING BRAKE

S/N: TD61-UP; TD71-UP
AN ATTACHMENT

SMCS-3013

i06893327

NOTE	PART NUMBER	QTY	PART NAME						SEE PAGE
			1	2	3	4	5	6 (PRODUCT LEVEL)	
Y	513-5770	1	ACCUMULATOR GP-BRAKE						620
Y	514-4631	1	AXLE & MOUNTING GP (REAR)						459
Y	514-4633	1	AXLE & MOUNTING GP (FRONT)						461
Y	505-0902	1	BRAKE GP-HYDRAULIC						622
Y	495-9881	1	LINES GP-BRAKE						626
Y	495-9804	1	LINES GP-RETURN						705
Y	503-1702	1	SHIM GP-AXLE INSTALLATION						528

Y - SEPARATE ILLUSTRATION

<END>

POWER TRAIN

499-7312 AXLE GP-FRONT

S/N: TD61-UP; TD71-UP

PART OF 514-4632 AXLE & MOUNTING GP
AN ATTACHMENT

SMCS-3020

i06907236

NOTE	REF NO	GRAPHIC REF	PART NUMBER	QTY	PART NAME						SEE PAGE
					1	2	3	4	5	6 (PRODUCT LEVEL)	
	1	2,3	298-1799	5	SEAL-O-RING						
	2	2	385-3595	1	COVER						
	3	2	498-1005	1	HOUSING						
	4	2	385-3597	1	PLUG						
	5	2	299-7134	1	VENT						
	6	2,3	299-7170	5	PLUG						
	7	2,3	304-2241	3	PLUG						
	8	2	299-0821	1	CLIP						
M	9	2	498-0999	1	NUT (M20X1.5-THD)						
	10	2	458-5992	1	FLANGE						
	11	2	459-0425	1	SEAL						
	12	2	304-3222	4	BOLT						
	13	2	298-1802	1	SEAL-O-RING						
	14	2	298-1803	1	NUT-RING						
	15	2	298-1808	1	SPACER						
	16	2	298-1804	1	SHIM						
	17	2	298-1805	1	SHIM						
	18	2	298-1806	1	SHIM						
	19	2	298-1807	1	SHIM						
	20	2	385-3608	1	SHIM (0.3-MM THK)						
	21	2	385-3609	1	SHIM (0.4-MM THK)						
	22	2	385-3606	1	SHIM (0.2-MM THK)						
	23	2	385-3607	1	SHIM (0.3-MM THK)						
	24	2	298-1811	1	SHIM						
	25	2	298-1812	1	SHIM						
	26	2	304-2603	2	BEARING						
	27	2	498-2943	1	KIT-BEVEL GEAR (INCLUDES PARTS MARKED "J" IN GRAPHIC)						
	28	2	304-3232	2	BOLT						
	29	2	498-1002	2	BEARING AS						
	30	2	298-1865	12	BOLT						
	31	2	298-1813	2	NUT-RING						
	32	2	390-7746	1	KIT-DIFFERENTIAL (INCLUDES RETAINING RING, BEVEL GEARS, PINS, FRICTION WASHERS & HOUSING)						
	33	3	298-1853	2	NUT						
	34	3	458-5997	2	BOLT						
	35	3	505-3926	2	CASE-AXLE						
M	36	3	385-3620	32	BOLT (M16X1.5X100-MM)						
	37	3	458-6016	2	SHIM (0.15-MM THK)						
	38	3	458-6017	2	SHIM (0.2-MM THK)						
	39	3	458-6018	2	SHIM (0.5-MM THK)						
	40	3	299-0236	2	BEARING GP-AXLE (EACH INCLUDES)						
		3	298-1877	1	SEAL-O-RING						
40A		3	299-0235	1	BEARING						
		3	299-0520	1	SEAL						

POWER TRAIN

499-7312 AXLE GP-FRONT (contd.)

i06907236

NOTE	REF NO	GRAPHIC REF	PART NUMBER	QTY	PART NAME						SEE PAGE
					1	2	3	4	5	6 (PRODUCT LEVEL)	
		3	299-0821	1	CLIP						
41		3	299-0827	2	CLIP						
42		3	498-2945	2	SHAFT						
44		3	322-0641	2	BUSHING						
45		3	458-6851	12	BOLT						
46		3	458-6003	2	COVER						
47		3,4	299-7103	6	PLUG						
48		3	298-1857	2	FITTING-GREASE						
49		3	458-6004	2	PIVOT PIN						
50		3	458-6005	2	PIVOT PIN						
51		3	458-6006	4	SEAL						
52		3	458-6007	2	BUSHING						
53		3	458-6009	2	SEAL						
54		3	386-0145	8	GEAR AS						
					(EACH INCLUDES)						
54A		3	299-0207	4	BEARING						
54B		3	299-0206	4	GEAR-PLANETARY						
57		3	179-2801	2	SEAL						
58		3	322-0640	4	BEARING						
59		3	179-8593	16	STUD						
60		3	498-2947	2	HUB						
67		3	498-2948	2	KIT-CARRIER						
					(EACH INCLUDES)						
67A		3	299-0205	2	CLIP						
67B		3	503-1968	1	GEAR-PLANETARY						
					(ALSO INCLUDES BEARINGS & PLANETARY GEAR)						
68		3	298-8300	4	BOLT						
70		3	513-2421	16	STUD						
71		3	298-1825	16	NUT						
75		3	458-6092	1	KIT-CASE						
76		3	458-6093	1	KIT-CASE						
					(EACH CASE INCLUDES)						
76A		3	8I-3860	1	BUSHING-THRUST						
77		3	458-6015	2	PLATE						
78		3	305-5426	4	KIT-BOLT						
					(EACH INCLUDES)						
78A		3	298-1863	1	BOLT						
78B		3	298-7868		NUT						
79		3	458-6094	2	KIT-RING GEAR						
79A		3	298-8195	1	GEAR-RING						
79B		3	458-6014	1	GEAR						
79C		3	298-8194	1	CLIP						
80		3	458-6091	2	FITTING-GREASE						
81		3	459-3345	8	STUD						
83		3	526-2655	8	NUT						
84		4	459-0424	1	LEVER						
85		4	298-7873	2	BOLT						
87		4	458-6095	6	BOLT						
88		4	458-6096	2	SEAL-O-RING						
89		4	507-0387	2	BUSHING						
90		4	458-6098	2	BOLT						

POWER TRAIN

499-7312 AXLE GP-FRONT (contd.)

i06907236

NOTE	REF NO	GRAPHIC REF	PART NUMBER	QTY	PART NAME						SEE PAGE
					1	2	3	4	5	6 (PRODUCT LEVEL)	
	91	4	458-6099	2	NUT						
	92	4	458-6100	2	SEAL-O-RING						
	93	4	8Q-2143	2	LEVER						
	94	4	458-6132	2	WASHER						
M	95	4	097-5154	2	BOLT (M8X1X18-MM)						
	96	4	459-3348	10	DISC-BRAKE						
M	97	4	350-8573	6	BOLT (M14X34-MM)						
	100	4	458-6153	2	DOWEL						
	101	4	458-6136	1	LEVER						
	102	4	385-3639	6	SPRING						
	105	4	298-8191	8	DISC-BRAKE						
	106	4	<i>513-9576</i>	1	KIT-PISTON						
		4	8Q-2150	2	PUSHER						
		4	513-9565	3	SPRING						
		4	477-1687	1	SEAL						
		4	459-3347	1	SEAL-O-RING						
		4	458-6138	1	PISTON						
	107	4	514-0659	1	KIT-PISTON						
	108	4	458-6141	2	SEAL-O-RING						
	109	4	298-1878	2	KIT-FASTENER						
	110	4	298-1800	4	BOLT						
	111	4	498-2950	1	SENSOR						
M	112	4	458-6143	2	BOLT (M5X0.8X10-MM)						
	113	4	498-2951	1	CYLINDER						
	114	4	498-2952	1	TIE ROD AS						
	115	4	498-2954	1	TIE ROD AS						
	116	4	459-3350	1	KIT-SEAL						

PARTS SHOWN IN GRAPHIC(S) WITHOUT A REFERENCE NUMBER ARE NOT SERVICED SEPARATELY

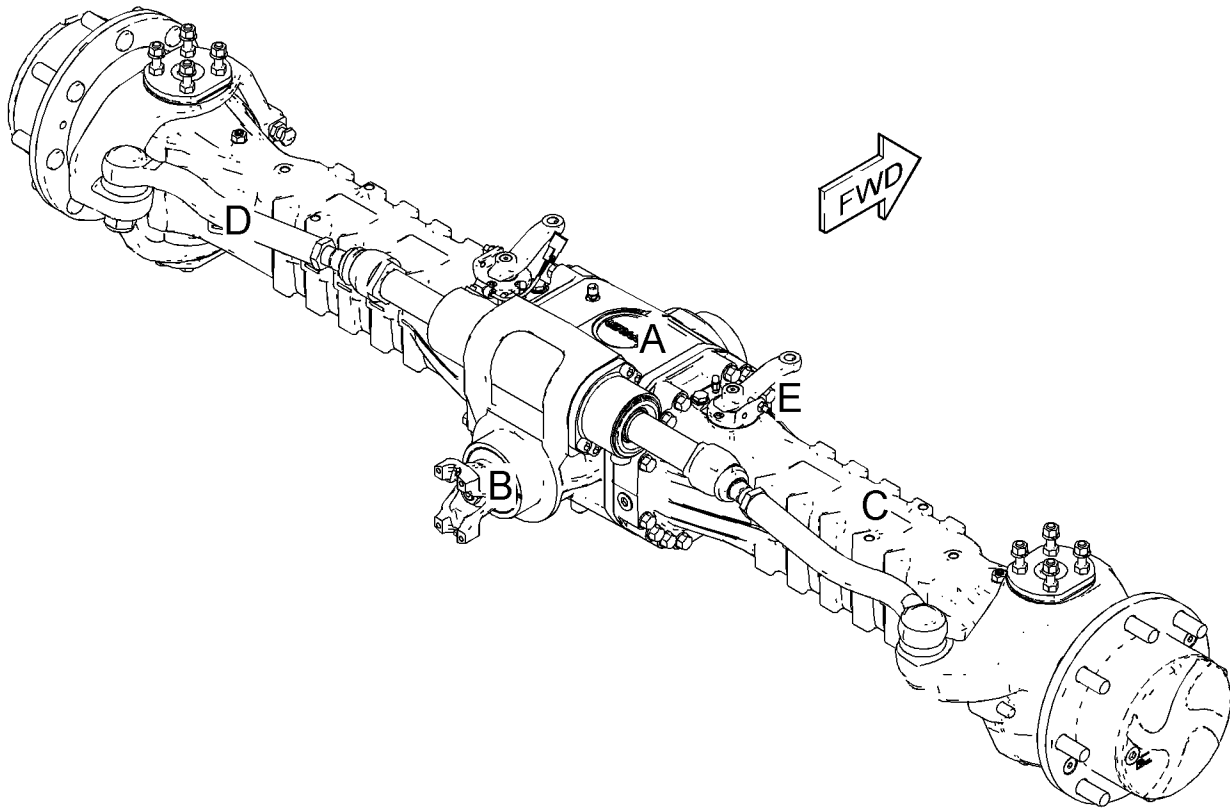
M - METRIC PART

POWER TRAIN

499-7312 AXLE GP-FRONT (contd.)

i06907236

REFER TO ALL ILLUSTRATIONS OF THIS GROUP FOR AUXILIARY VIEWS



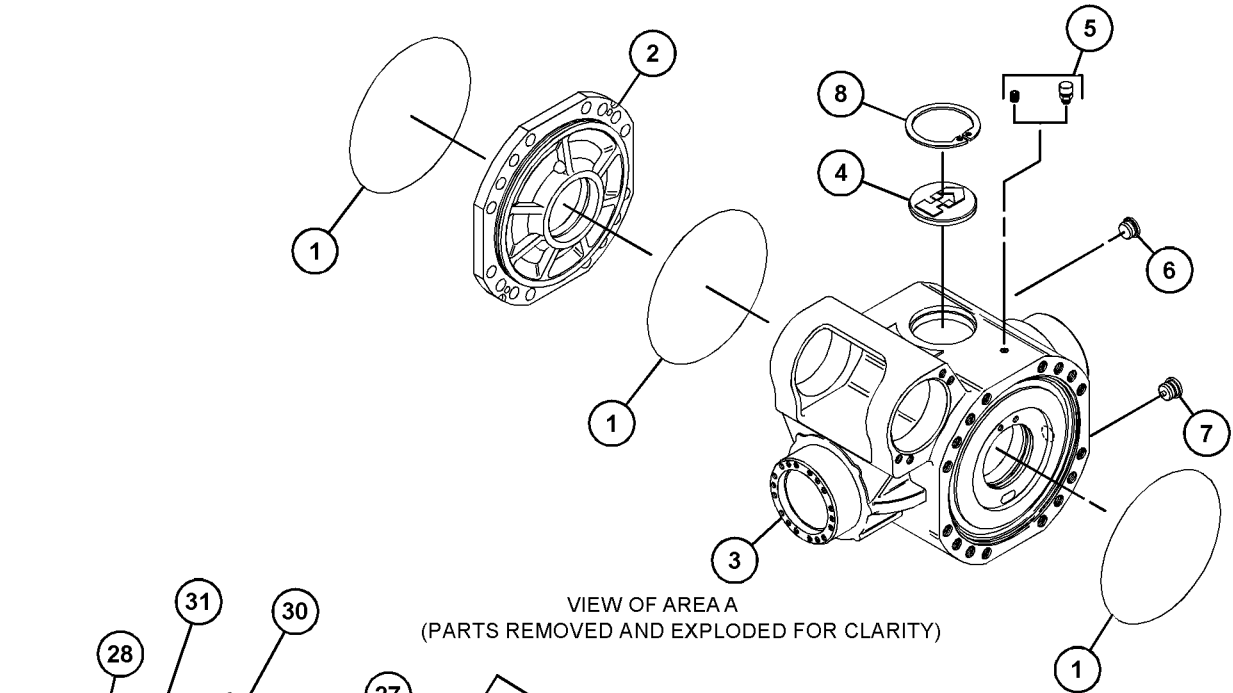
GRAPHIC #1

g06121375

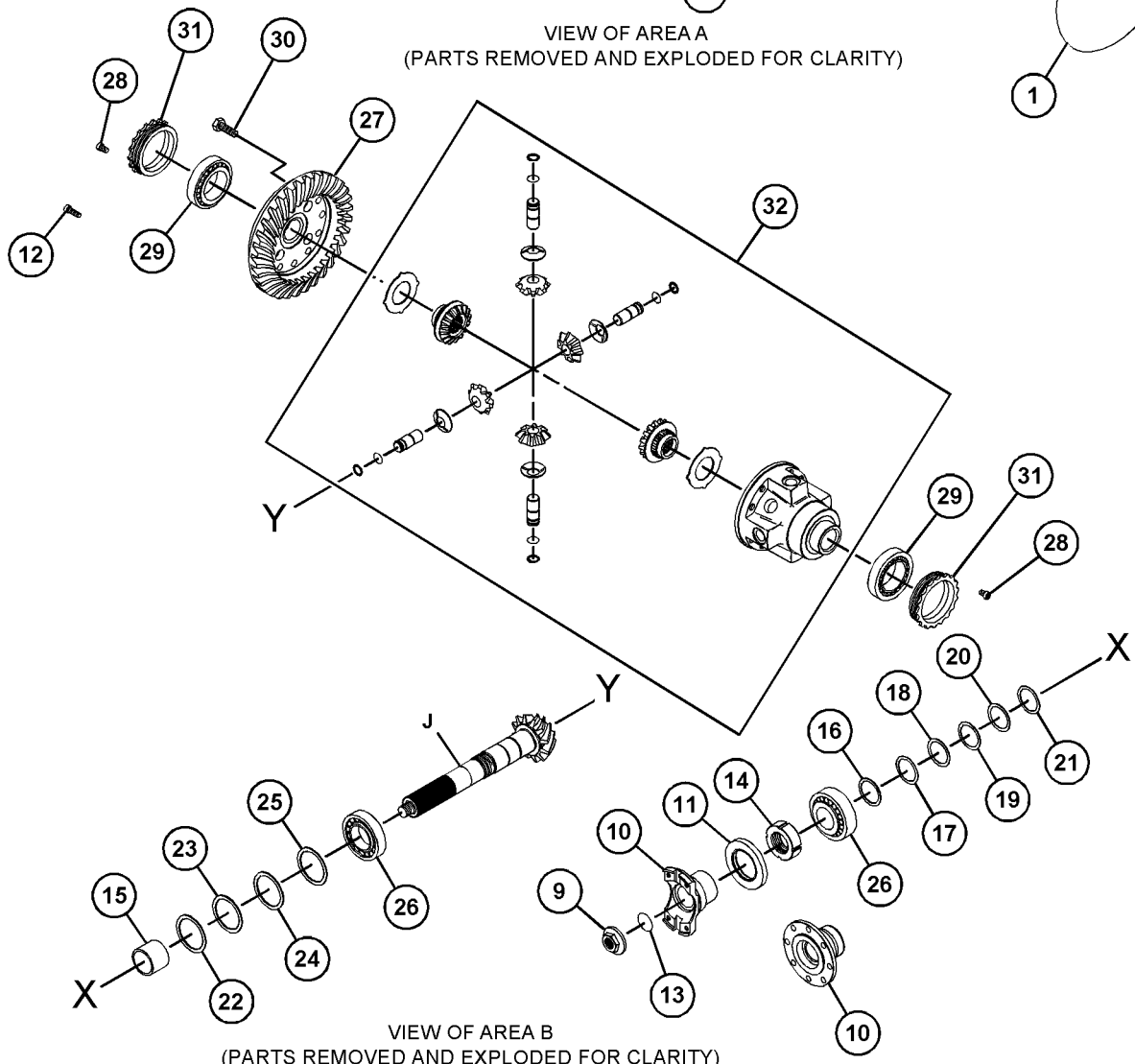
POWER TRAIN

499-7312 AXLE GP-FRONT (contd.)

i06907236



VIEW OF AREA A
(PARTS REMOVED AND EXPLODED FOR CLARITY)



VIEW OF AREA B
(PARTS REMOVED AND EXPLODED FOR CLARITY)

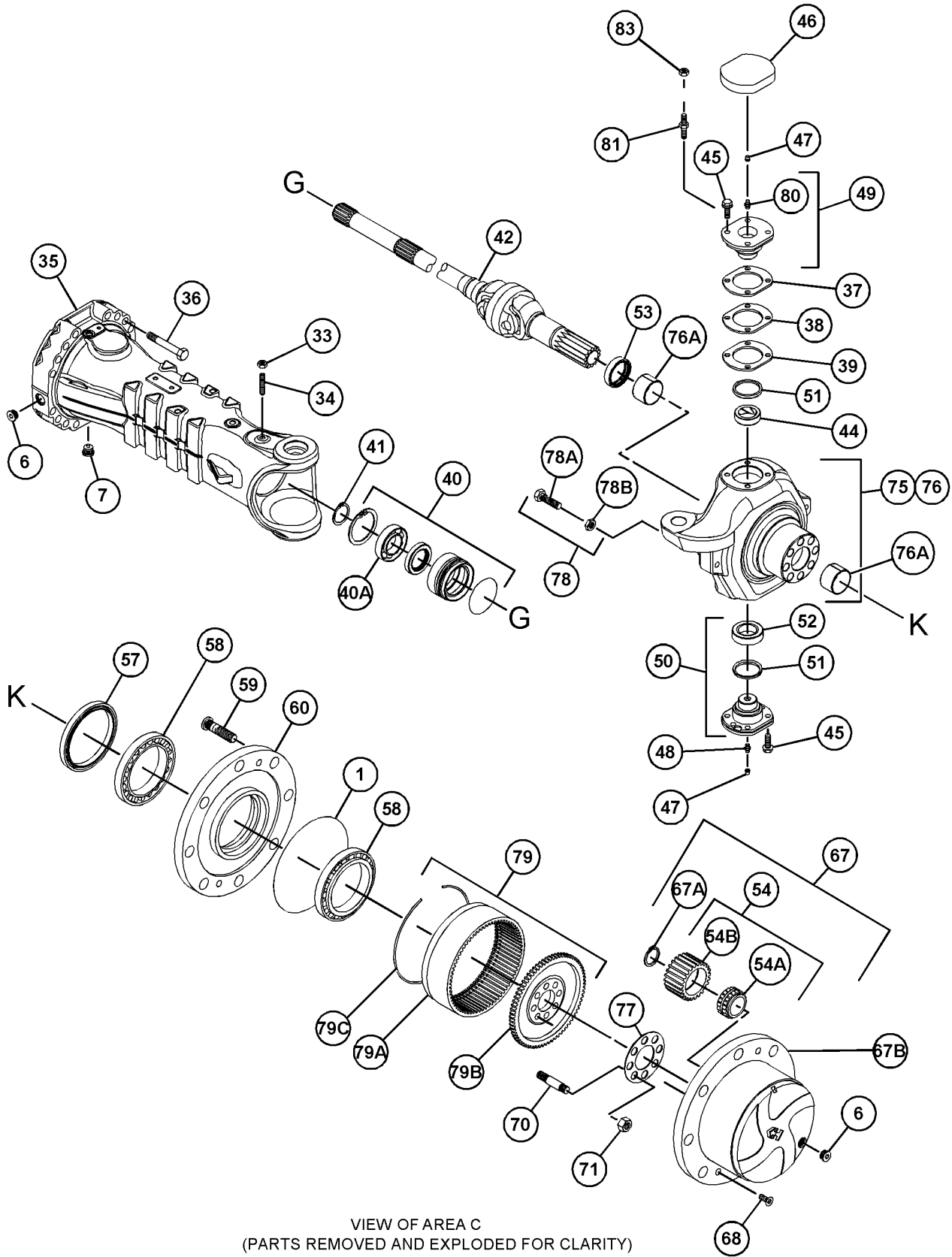
GRAPHIC #2

g06121376

POWER TRAIN

499-7312 AXLE GP-FRONT (contd.)

i06907236



VIEW OF AREA C
(PARTS REMOVED AND EXPLODED FOR CLARITY)

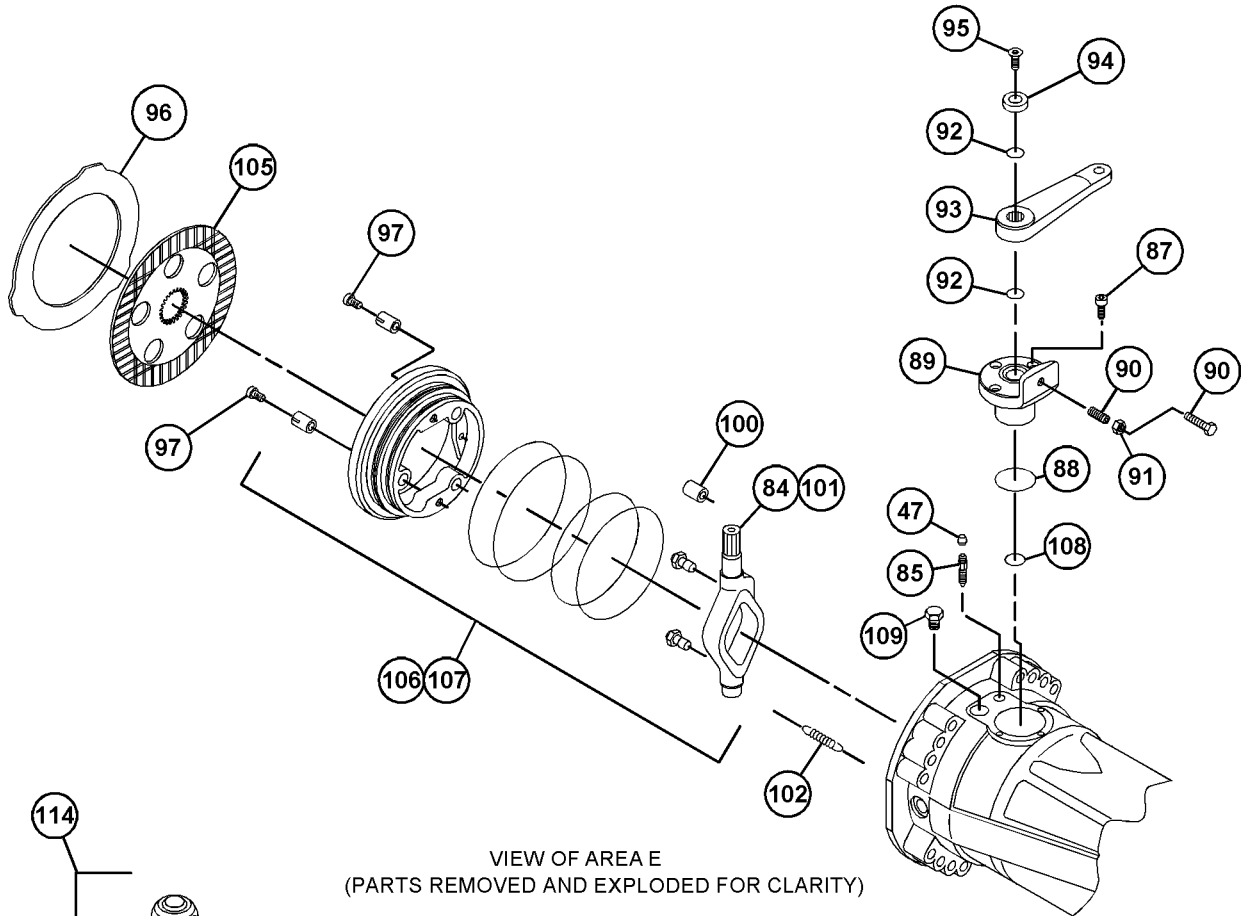
GRAPHIC #3

g06166006

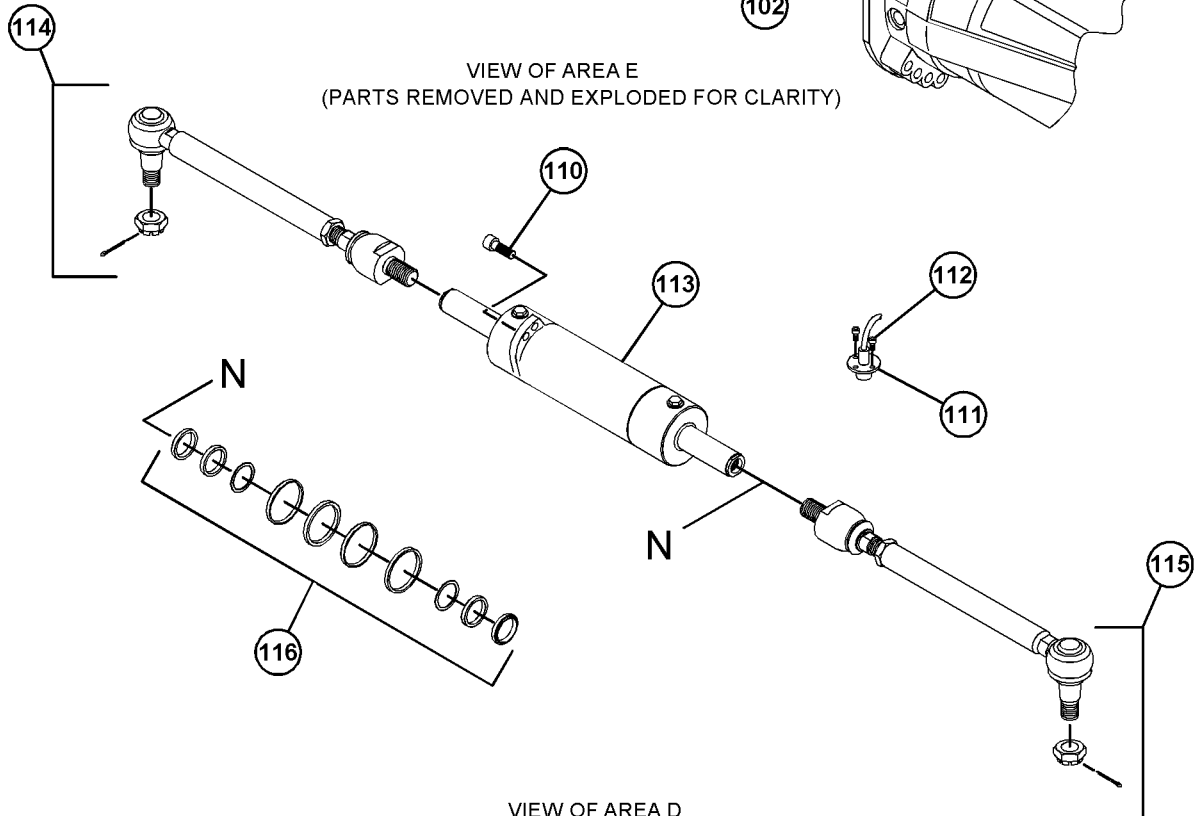
POWER TRAIN

499-7312 AXLE GP-FRONT (contd.)

i06907236



VIEW OF AREA E
(PARTS REMOVED AND EXPLODED FOR CLARITY)



VIEW OF AREA D
(PARTS REMOVED AND EXPLODED FOR CLARITY)

GRAPHIC #4

<END>

g06121547

POWER TRAIN

499-8465 AXLE GP-FRONT

S/N: TD61-UP; TD71-UP

PART OF 514-4633 AXLE & MOUNTING GP
AN ATTACHMENT

SMCS-3020

i07048588

NOTE	REF NO	GRAPHIC REF	PART NUMBER	QTY	PART NAME						SEE PAGE
					1	2	3	4	5	6 (PRODUCT LEVEL)	
	1	1	298-1799	5	SEAL-O-RING						
	2	1	458-6157	1	COVER						
	3	1	498-1005	1	HOUSING						
	4	1	385-3597	1	PLUG						
	5	1	385-3598	1	BREATHER						
	6	1	299-7170	5	PLUG						
	7	1	304-2241	3	PLUG						
	8	1	299-0821	1	CLIP						
M	9	3	498-0999	1	NUT (M20X1.5-THD)						
	10	3	458-5992	1	FLANGE						
					(INCLUDES PARTS MARKED "X" IN GRAPHIC)						
	11	3	459-0425	1	SEAL						
	12	2	304-3222	4	BOLT						
	13	3	298-1802	1	SEAL-O-RING						
	14	3	298-1803	1	NUT-RING						
	15	3	298-1808	1	SPACER						
	16	3	298-1804	1	SHIM						
	17	3	298-1805	1	SHIM						
	18	3	298-1806	1	SHIM						
	19	3	298-1807	1	SHIM						
	20	3	385-3608	1	SHIM (0.3-MM THK)						
	21	3	385-3609	1	SHIM (0.4-MM THK)						
	22	3	385-3606	1	SHIM (0.2-MM THK)						
	23	3	385-3607	1	SHIM (0.3-MM THK)						
	24	3	298-1811	1	SHIM						
	25	3	298-1812	1	SHIM						
	26	3	304-2603	2	BEARING						
	27	2	498-2943	1	KIT-BEVEL GEAR						
					(INCLUDES PARTS MARKED "K" IN GRAPHIC)						
	28	2	304-3232	2	BOLT						
	29	2	498-1002	2	BEARING AS						
	30	2	298-1865	12	BOLT						
	31	2	298-1813	2	NUT-RING						
	32	2	390-7746	1	KIT-DIFFERENTIAL						
					(INCLUDES RETAINING RING, BEVEL GEARS, PINS, FRICTION WASHERS, & HOUSING)						
	33	1	298-1853	2	NUT						
	34	1	458-5997	2	BOLT						
	35	1	498-2944	2	CASE						
M	36	1	475-1216	24	BOLT (M16X21-MM)						
	37	1	304-3231	8	WASHER						
	38	1	299-0236	2	BEARING GP-AXLE						
					(EACH INCLUDES)						
		1	298-1877	1	SEAL-O-RING						
		1	299-0235	1	BEARING						
		1	299-0520	1	SEAL						
		1	299-0821	1	CLIP						

POWER TRAIN

499-8465 AXLE GP-FRONT (contd.)

i07048588

NOTE	REF	GRAPHIC	PART NUMBER	QTY	PART NAME						SEE PAGE
	NO	REF			1	2	3	4	5	6 (PRODUCT LEVEL)	
	39	1	299-0827	2	CLIP						
	40	1	498-2945	2	SHAFT						
	41	1,2	8I-3860	2	BUSHING-THRUST						
	42	2	322-0641	2	BUSHING						
	43	2	458-6851	24	BOLT						
	44	2	458-6003	2	COVER						
	45	2	299-7103	6	PLUG						
	46	2	298-1857	4	FITTING-GREASE						
	47	2	458-6004	2	PIVOT PIN						
	48	2	458-6005	2	PIVOT PIN						
	49	2	458-6006	4	SEAL						
	50	2	458-6007	2	BUSHING						
	51	1	458-6009	2	SEAL						
	54	1	179-2801	2	SEAL						
	55	1	322-0640	4	BEARING						
	56	1	179-8593	16	STUD						
	57	1	498-2947	2	HUB						
	59	1	298-8300	4	BOLT						
	60	1	513-2421	16	STUD						
	61	1	298-1825	16	NUT						
	62	1	298-1863	4	BOLT						
	63	1	298-7868	4	NUT						
	64	1	458-6015	2	PLATE						
	65	2	459-3345	8	STUD						
	66	2	526-2655	8	NUT						
	68	2	458-6016	2	SHIM						
	69	2	458-6017	2	SHIM						
	70	2	458-6018	2	SHIM						
	71	2	458-6091	2	FITTING-GREASE						
	72	1	<i>498-2948</i>	2	KIT-CARRIER						
					(EACH INCLUDES)						
		1	299-0205	2	CLIP						
		1	299-0206	4	GEAR-PLANETARY						
		1	299-0207	4	BEARING						
		1	503-1968	1	GEAR-PLANETARY						
	73	1	458-6846	8	STUD						
	74	1	298-1854	8	NUT						
	75	2	458-6092	1	KIT-CASE						
	75A	2	8I-3860	1	BUSHING-THRUST						
	76	2	458-6093	1	KIT-CASE						
	76A	2	8I-3860	1	BUSHING-THRUST						
	77	1	<i>305-5426</i>	4	KIT-BOLT						
					(EACH INCLUDES)						
		1	298-1863	1	BOLT						
		1	298-7868	1	NUT						
	78	1	458-6094	2	KIT-RING GEAR						
					(EACH INCLUDES)						
		1	298-8194	1	CLIP						
		1	298-8195	1	GEAR-RING						
		1	458-6014	1	GEAR						
	79	1	386-0145	8	GEAR AS						

POWER TRAIN

499-8465 **AXLE GP-FRONT** (contd.)

i07048588

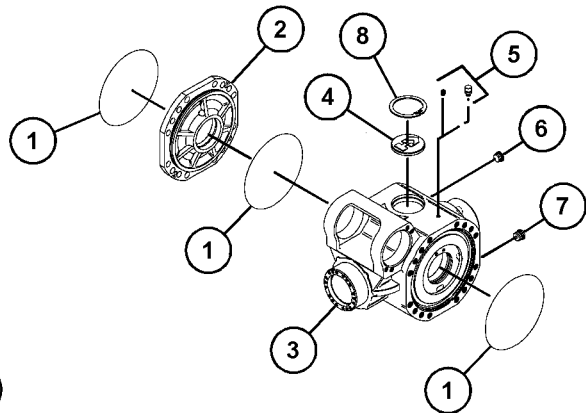
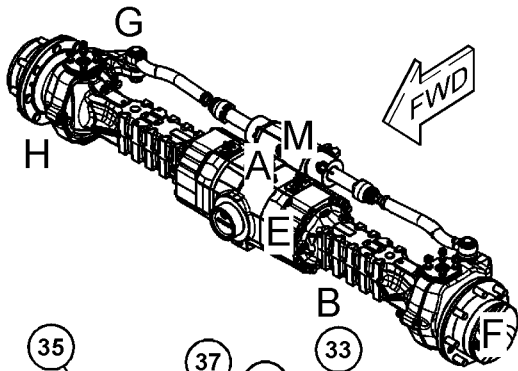
NOTE	REF	GRAPHIC	PART NUMBER	QTY	PART NAME						SEE PAGE
	NO	REF			1	2	3	4	5	6 (PRODUCT LEVEL)	
					(EACH INCLUDES)						
		1	299-0206	4	GEAR-PLANETARY						
	79A	1	299-0207	4	BEARING						
	80	2	458-6852	1	SPACER						
	81	2	298-8186	4	SPRING						
	82	2	298-8187	2	PISTON						
	83	2	298-1816	2	SEAL-O-RING						
	84	2	477-1687	4	SEAL						
	85	2	458-6854	2	COVER						
	86	2	498-2949	2	SEAL						
	87	2	298-8188	2	PISTON						
	88	2	298-8189	2	DISC-BRAKE						
	89	2	299-0240	6	SPRING						
M	90	2	399-1143	6	BOLT (M8X46-MM)						
	91	2	298-8191	8	DISC-BRAKE						
	92	2	459-3348	8	DISC-BRAKE						
	93	2	298-1819	2	SPACER						
M	94	2	399-1147	4	BOLT (M12X122.5-MM)						
	95	2	298-7430	6	BOLT						
	96	2	513-9565	6	SPRING						
	97	2	298-7867	4	NUT						
	98	2	298-7870	4	LOCKWASHER						
	99	2	298-7873	4	BOLT						
	101	2	298-1820	2	SHIM						
	102	2	298-1821	2	SHIM						
	103	2	298-1822	2	SHIM						
	104	2	298-1878	4	KIT-FASTENER						
	105	3	298-1800	4	BOLT						
	106	3	498-2950	1	SENSOR						
M	107	3	458-6143	2	BOLT (M5X0.8X10-MM)						
	108	3	498-2951	1	CYLINDER						
	109	3	498-2952	1	TIE ROD AS						
	110	3	498-2954	1	TIE ROD AS						
	111	3	459-3350	1	KIT-SEAL						

M - METRIC PART

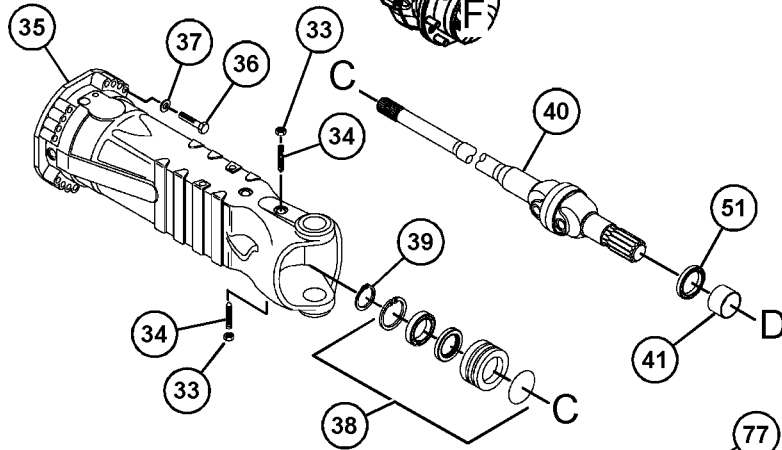
POWER TRAIN

499-8465 AXLE GP-FRONT (contd.)

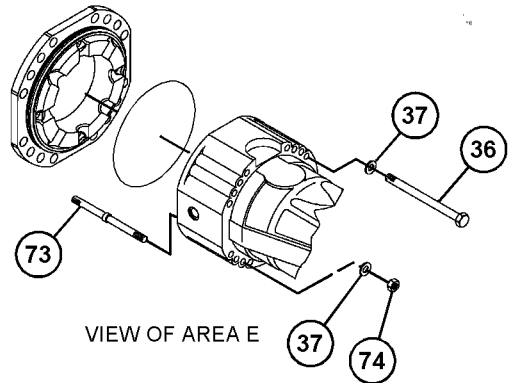
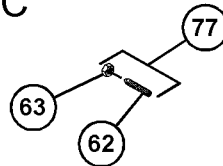
i07048588



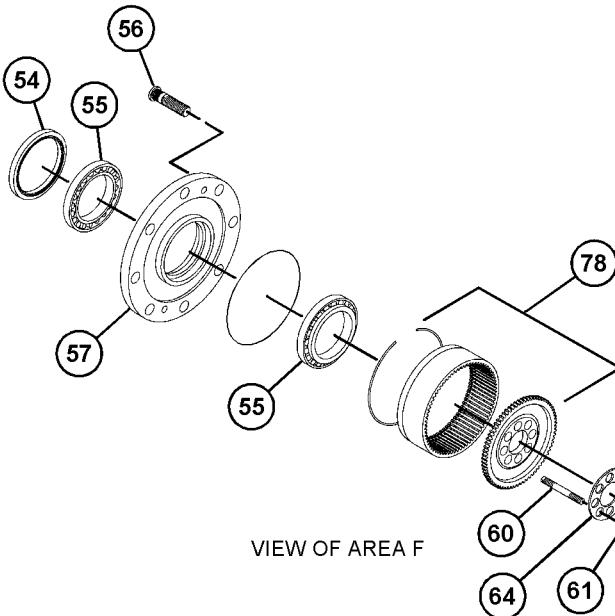
VIEW OF AREA A



VIEW OF AREA B



VIEW OF AREA E



VIEW OF AREA F

REFER TO ALL ILLUSTRATIONS OF THIS GROUP FOR AUXILIARY VIEWS

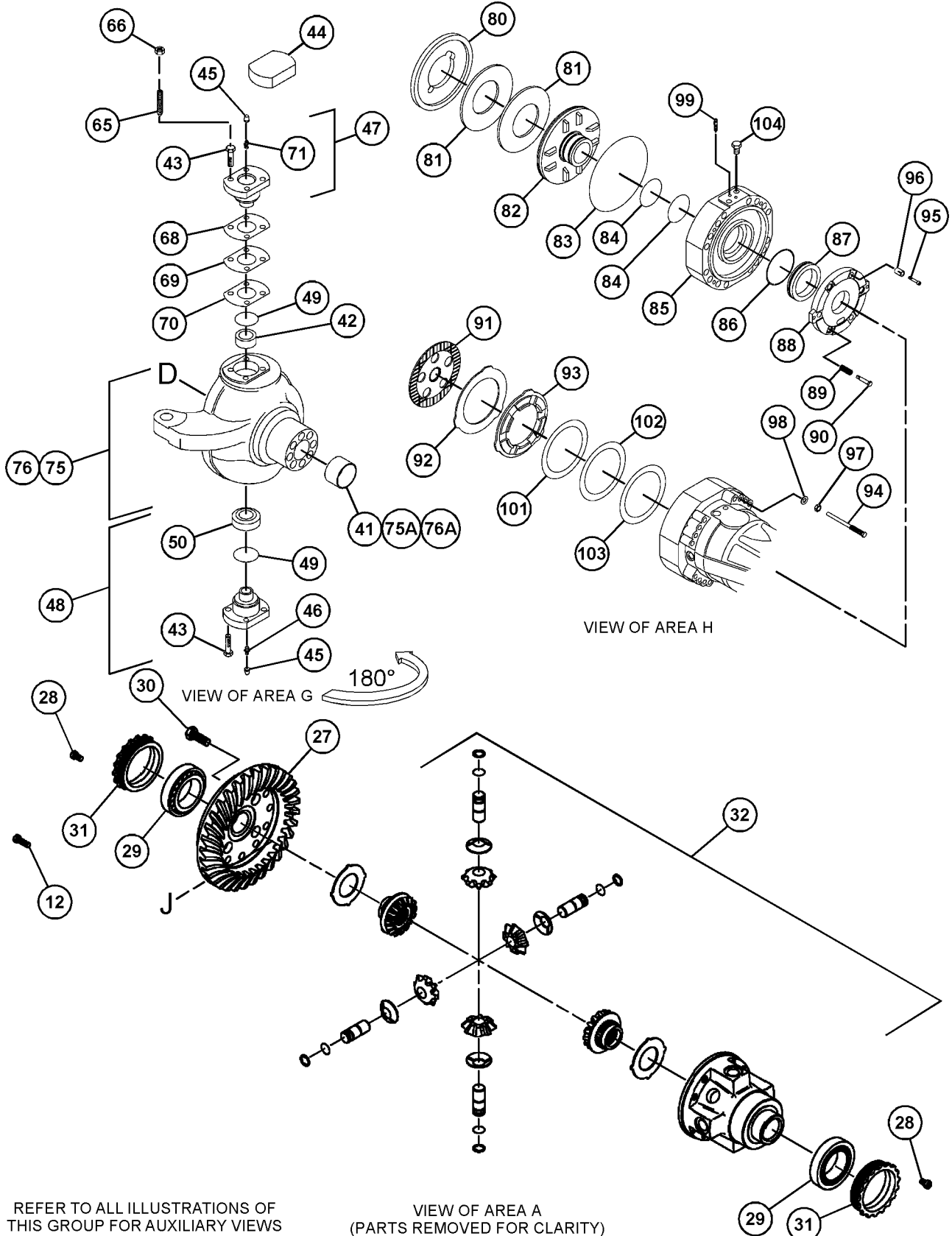
GRAPHIC #1

g06116870

POWER TRAIN

499-8465 AXLE GP-FRONT (contd.)

i07048588



REFER TO ALL ILLUSTRATIONS OF THIS GROUP FOR AUXILIARY VIEWS

VIEW OF AREA A (PARTS REMOVED FOR CLARITY)

GRAPHIC #2

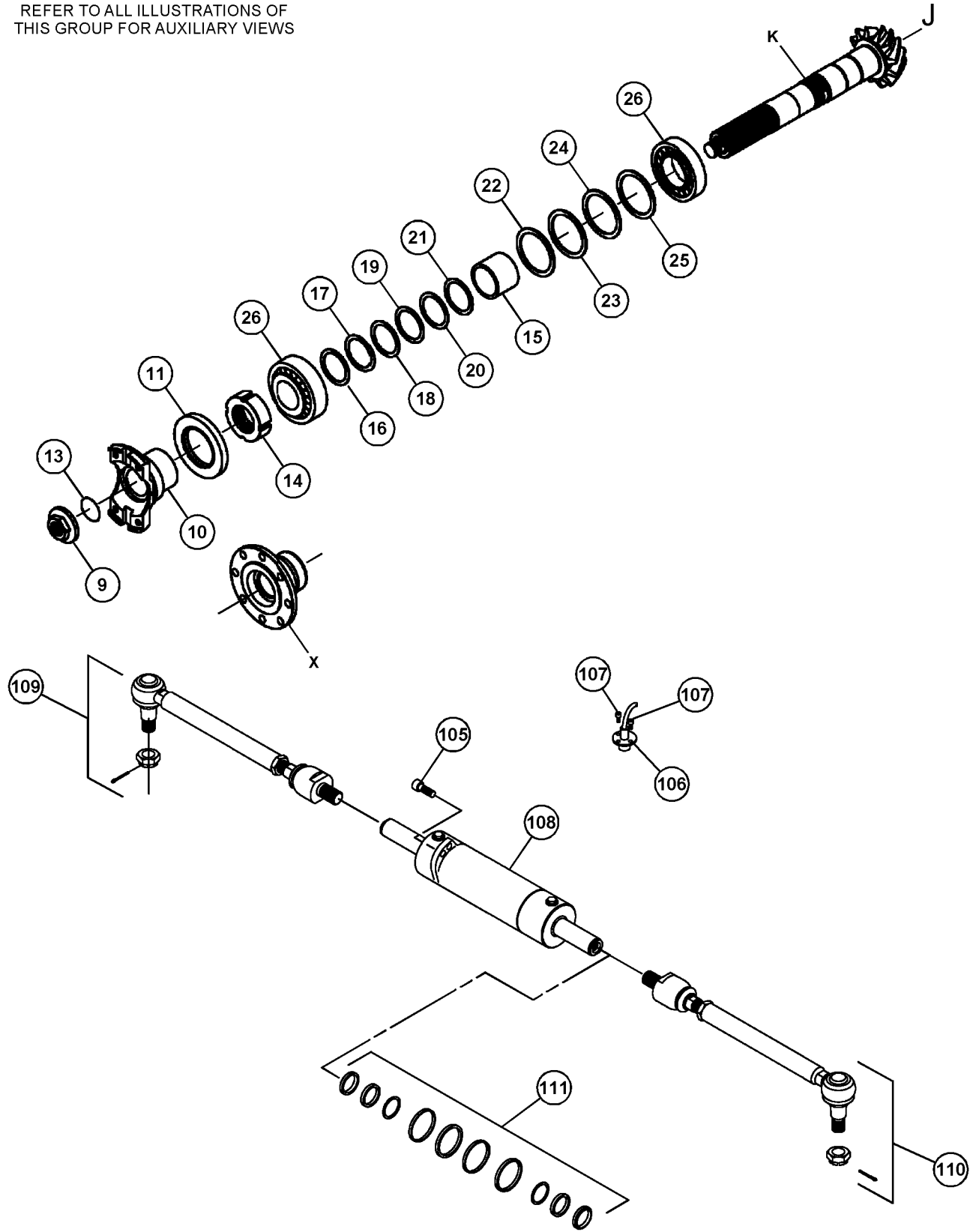
g06164035

POWER TRAIN

499-8465 AXLE GP-FRONT (contd.)

i07048588

REFER TO ALL ILLUSTRATIONS OF THIS GROUP FOR AUXILIARY VIEWS



VIEW OF AREA M

<END>

GRAPHIC #3

g06116873

POWER TRAIN

485-1677 AXLE GP-REAR

S/N: TD61-UP; TD71-UP

PART OF 514-4631 AXLE & MOUNTING GP
AN ATTACHMENT

SMCS-3020

i06826608

NOTE	REF NO	GRAPHIC REF	PART NUMBER	QTY	PART NAME						SEE PAGE
					1	2	3	4	5	6 (PRODUCT LEVEL)	
	1	1,3	298-1799	5	SEAL-O-RING						
	2	1	385-3595	1	COVER						
	3	1	498-1005	1	HOUSING						
	4	1	385-3597	1	PLUG						
	5	1	299-7134	1	VENT						
	6	1,3	299-7170	5	PLUG						
	7	1,3	304-2241	3	PLUG						
	8	1	299-0821	1	CLIP						
	9	4	298-1802	1	SEAL-O-RING						
	10	4	390-7681	1	GEAR GP-BEVEL						
					(INCLUDES PARTS MARKED "J" IN GRAPHIC)						
	11	4	498-1002	2	BEARING AS						
	12	4	298-1813	2	NUT-RING						
	13	4	304-3222	4	BOLT						
	14	4	304-3232	2	BOLT						
	15	4	298-1865	12	BOLT						
	16	4	304-2603	2	BEARING						
	17	4	298-1808	1	SPACER						
	18	4	298-1803	1	NUT-RING						
	19	4	459-0425	1	SEAL						
	20	4	458-5992	1	FLANGE						
M	21	4	498-0999	1	NUT (M20X1.5-THD)						
Y	22	4	350-8571	1	DIFFERENTIAL GP						512
	23	3	298-1853	2	NUT						
	24	3	458-5997	2	BOLT						
	25	3	503-1970	2	CASE						
M	26	3	385-3620	24	BOLT (M16X1.5X100-MM)						
	27	3	458-6016	2	SHIM (0.15-MM THK)						
	28	3	458-6017	2	SHIM (0.2-MM THK)						
	29	3	458-6018	2	SHIM (0.5-MM THK)						
	30	3	299-0236	2	BEARING GP-AXLE						
					(EACH INCLUDES)						
		3	298-1877	1	SEAL-O-RING						
	30A	3	299-0235	1	BEARING						
		3	299-0520	1	SEAL						
		3	299-0821	1	CLIP						
	31	3	299-0827	2	CLIP						
	32	3	470-7719	2	UNIVERSAL JOINT						
	33	3	8I-3860	2	BUSHING-THRUST						
	34	3	322-0641	2	BUSHING						
	35	3	458-6851	24	BOLT						
	36	3	458-6003	2	COVER						
	37	2,3	299-7103	4	PLUG						
	38	3	298-1857	4	FITTING-GREASE						
	39	3	458-6004	2	PIVOT PIN						
	40	3	458-6005	2	PIVOT PIN						
	41	3	458-6006	4	SEAL						

POWER TRAIN

485-1677 AXLE GP-REAR (contd.)

106826608

NOTE	REF	GRAPHIC	PART NUMBER	QTY	PART NAME						SEE PAGE
	NO	REF			1	2	3	4	5	6 (PRODUCT LEVEL)	
	42	3	458-6007	2	BUSHING						
	43	3	458-6092	1	KIT-CASE						
	44	3	458-6009	2	SEAL						
	45	3	386-0145	8	GEAR AS						
					(EACH INCLUDES)						
	45A	3	299-0207	4	BEARING						
		3	299-0206	4	GEAR-PLANETARY						
	48	3	458-6093	1	KIT-CASE						
	49	3	179-2801	2	SEAL						
	50	3	322-0640	4	BEARING						
	51	3	179-8593	2	STUD						
	52	3	498-2947	2	HUB						
	54	3	<i>498-2948</i>	2	KIT-CARRIER						
					(EACH INCLUDES)						
		3	299-0205	2	CLIP						
		3	299-0206	4	GEAR-PLANETARY						
		3	503-1968	1	GEAR-PLANETARY						
	55	3	298-8300	4	BOLT						
	56	3	513-2421	16	STUD						
	57	3	298-1825	16	NUT						
	58	3	458-6015	2	PLATE						
	59	3	<i>305-5426</i>	4	KIT-BOLT						
					(EACH INCLUDES)						
		3	298-1863	1	BOLT						
		3	298-7868	1	NUT						
	60	3	458-6094	2	KIT-RING GEAR						
					(EACH INCLUDES)						
		3	298-8194	1	CLIP						
		3	298-8195	1	GEAR-RING						
		3	458-6014	1	GEAR						
	61	3	458-6091	2	FITTING-GREASE						
	62	3	459-3345	8	STUD						
	64	3	298-8295	8	NUT						
	65	2	298-8191	6	DISC-BRAKE						
M	66	2	350-8573	6	BOLT (M14X34-MM)						
	67	2	385-3639	6	SPRING						
	68	2	298-1878	2	KIT-FASTENER						
	69	2	459-3348	8	DISC-BRAKE						
	70	2	298-7873	2	BOLT						
	72	2	350-2524	2	BOLT-SPECIAL						
	73	2	<i>513-9564</i>	2	KIT-PISTON						
					(EACH INCLUDES)						
		2	513-9565	3	SPRING						
		2	458-6154	1	PISTON						
		2	459-3346	1	SEAL-O-RING						
		2	459-3347	1	SEAL-O-RING						
	74	5	298-1800	4	BOLT						
	75	5	498-2950	1	SENSOR						
M	76	5	458-6143	2	BOLT (M5X0.8X10-MM)						
	77	5	498-2951	1	CYLINDER						
	78	5	498-2952	1	TIE ROD AS						

POWER TRAIN

485-1677 **AXLE GP-REAR** (contd.)

i06826608

NOTE	REF NO	GRAPHIC REF	PART NUMBER	QTY	PART NAME						SEE PAGE
					1	2	3	4	5	6 (PRODUCT LEVEL)	
	79	5	498-2954	1	TIE ROD AS						
	80	5	459-3350	1	KIT-SEAL						
	81	2	498-0992	2	KIT-SUPPORT						
					(EACH INCLUDES)						
		2	298-1857	1	FITTING-GREASE						
	81A	2	299-0196	1	BUSHING-THRUST						
	81B	2	299-0197	2	BUSHING						
		2	299-7103	1	PLUG						

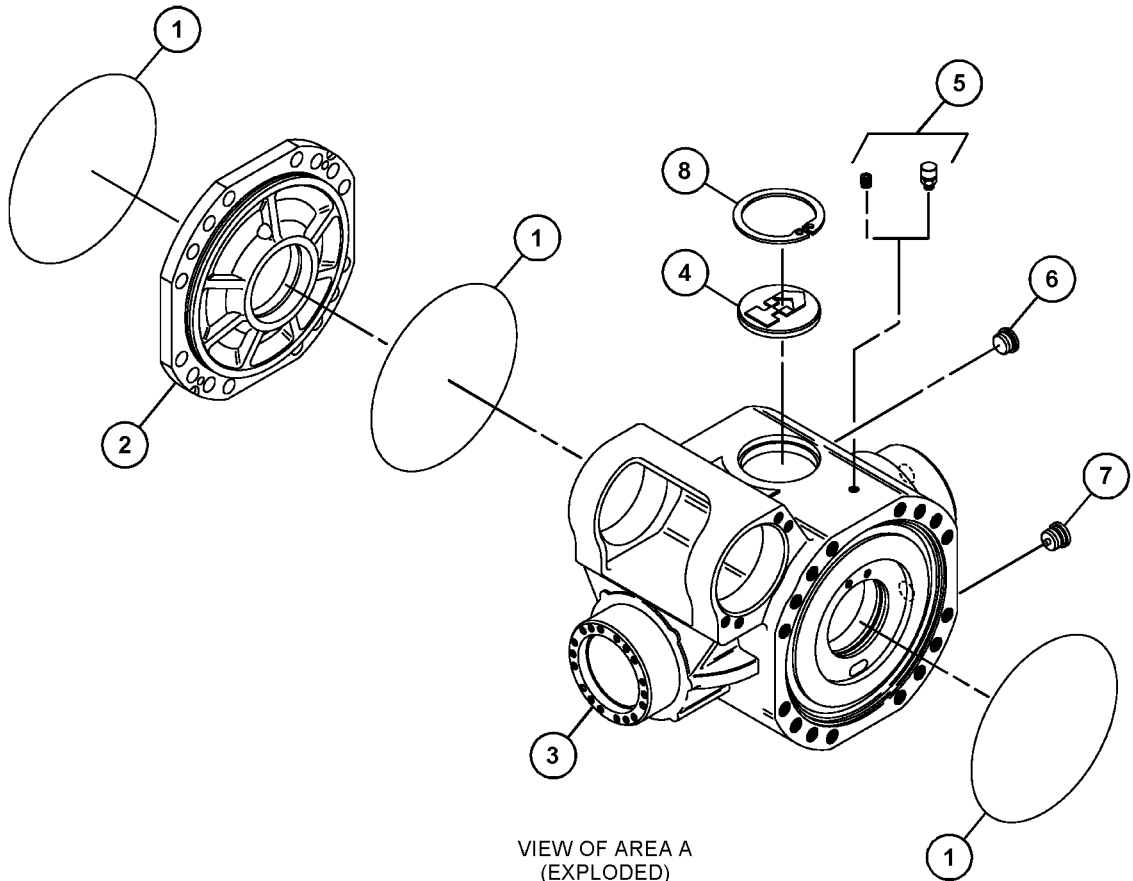
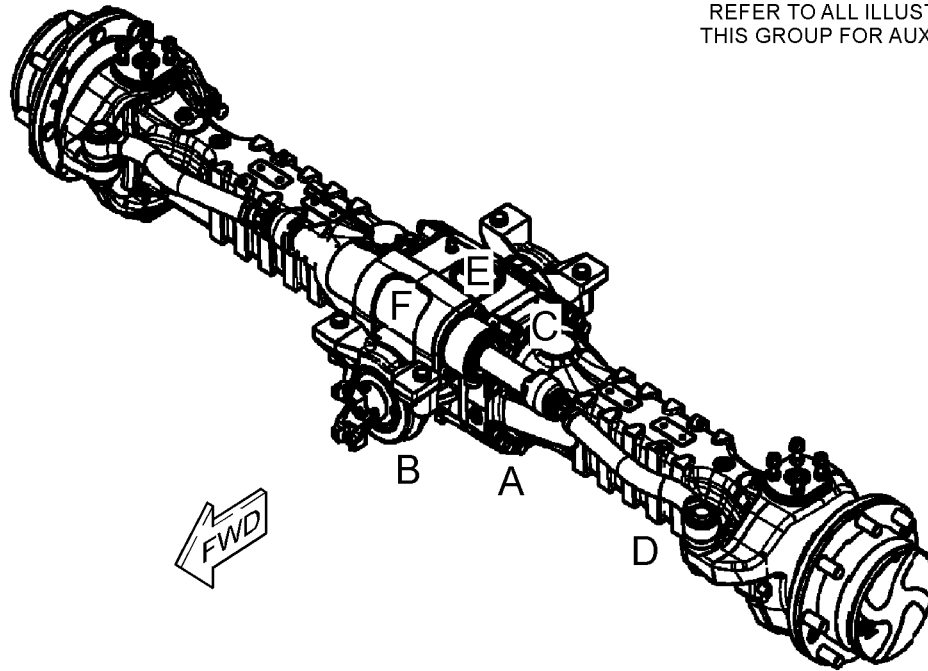
M - METRIC PART
Y - SEPARATE ILLUSTRATION

POWER TRAIN

485-1677 AXLE GP-REAR (contd.)

106826608

REFER TO ALL ILLUSTRATIONS OF THIS GROUP FOR AUXILIARY VIEWS



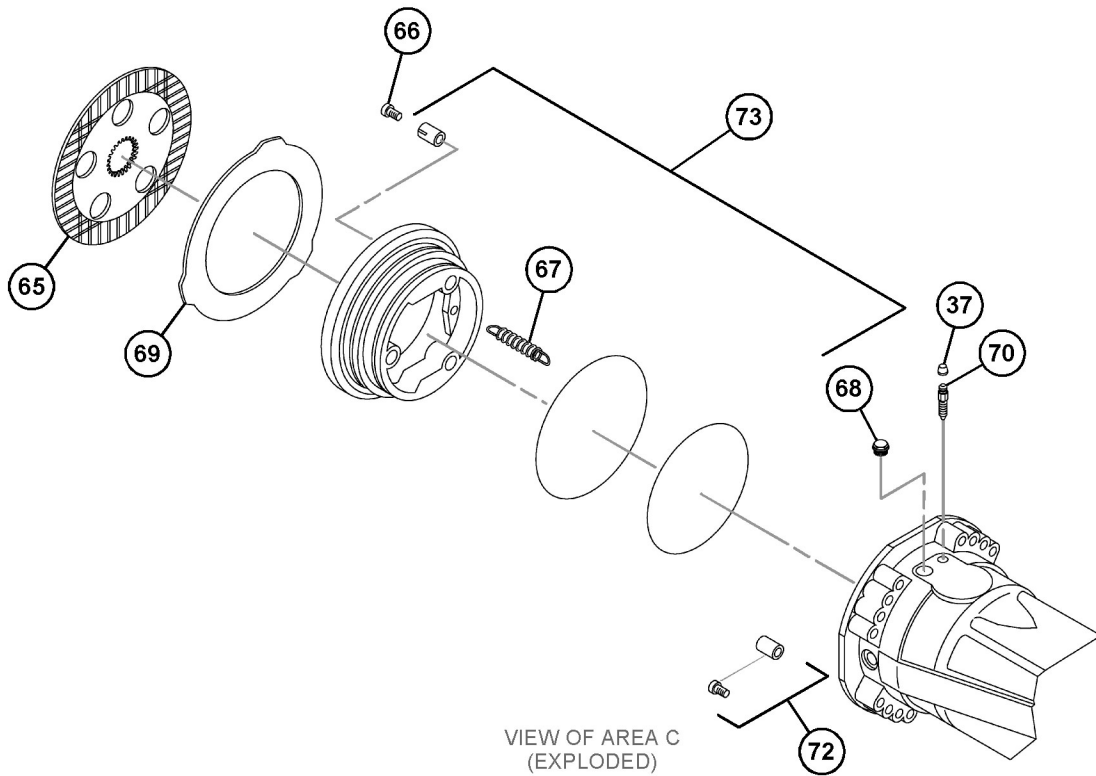
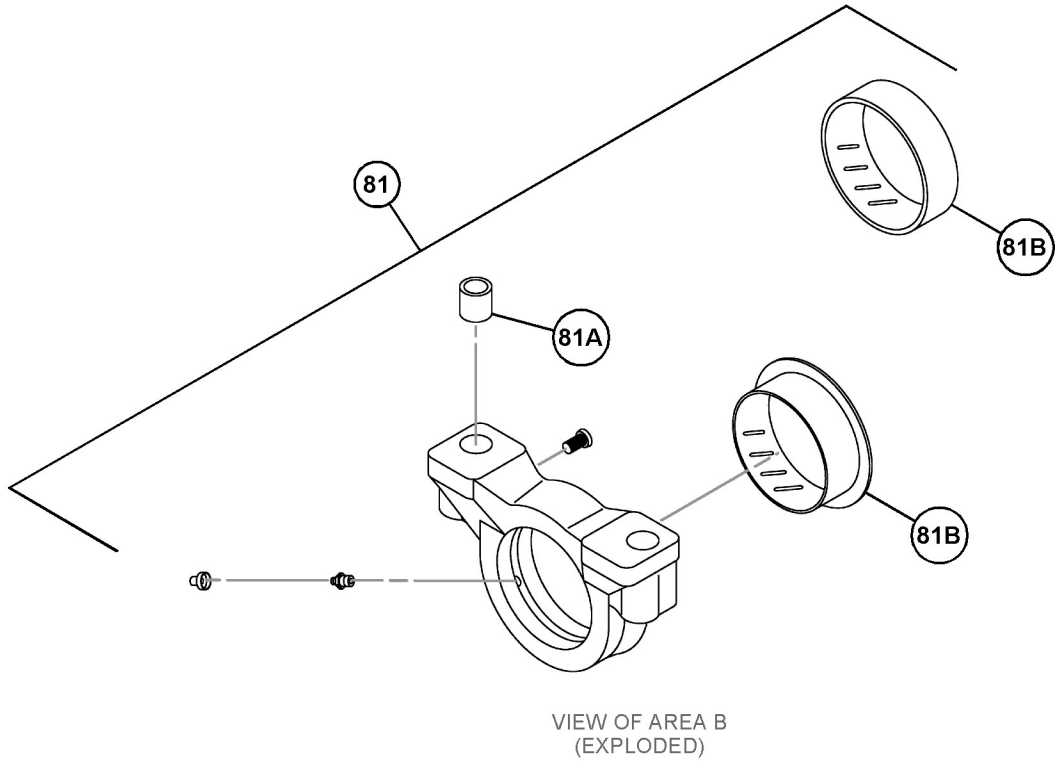
GRAPHIC #1

g06098470

POWER TRAIN

485 - 1677 AXLE GP-REAR (contd.)

i06826608



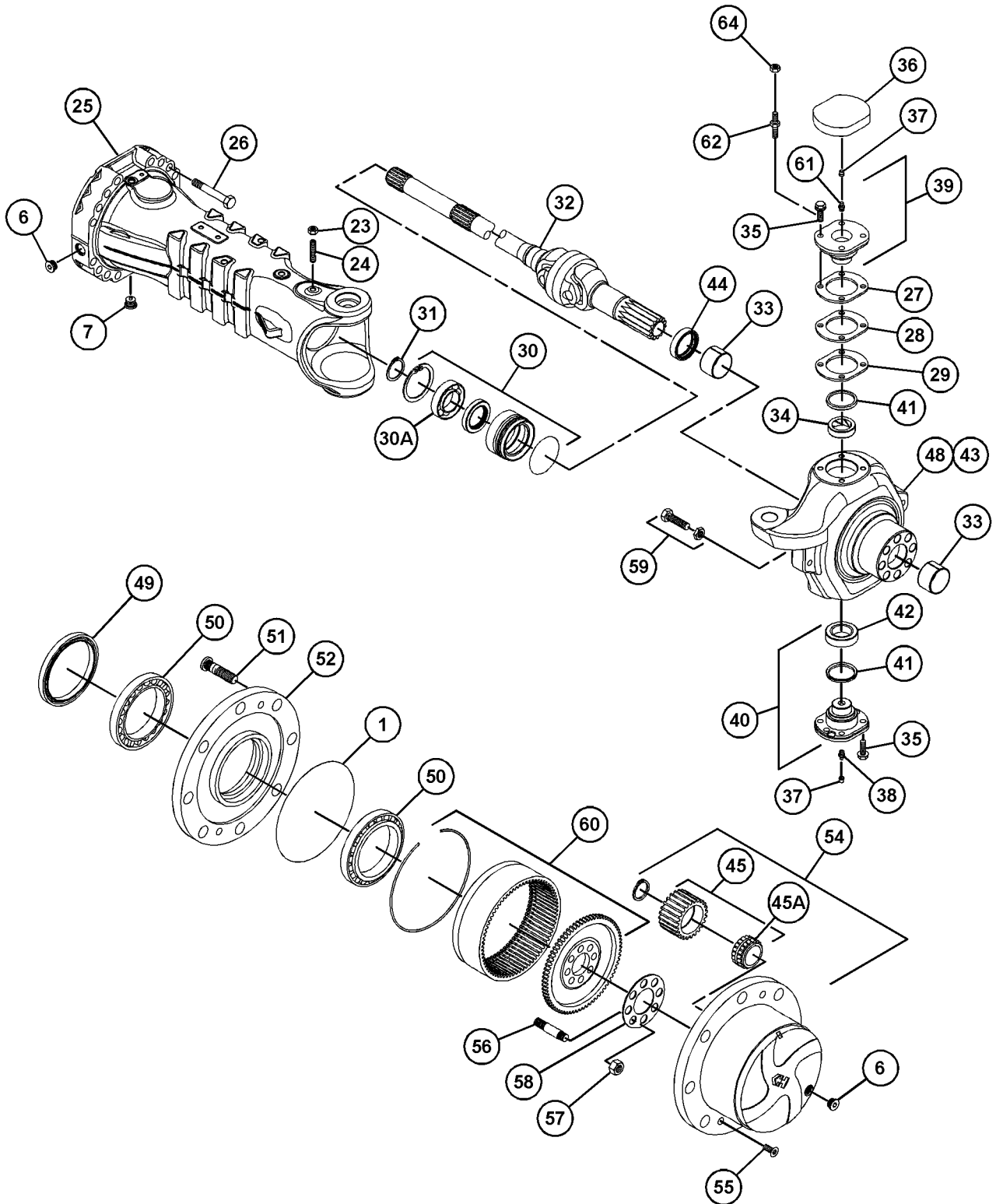
GRAPHIC #2

g06098472

POWER TRAIN

485-1677 AXLE GP-REAR (contd.)

i06826608



VIEW OF AREA D
(EXPLODED)

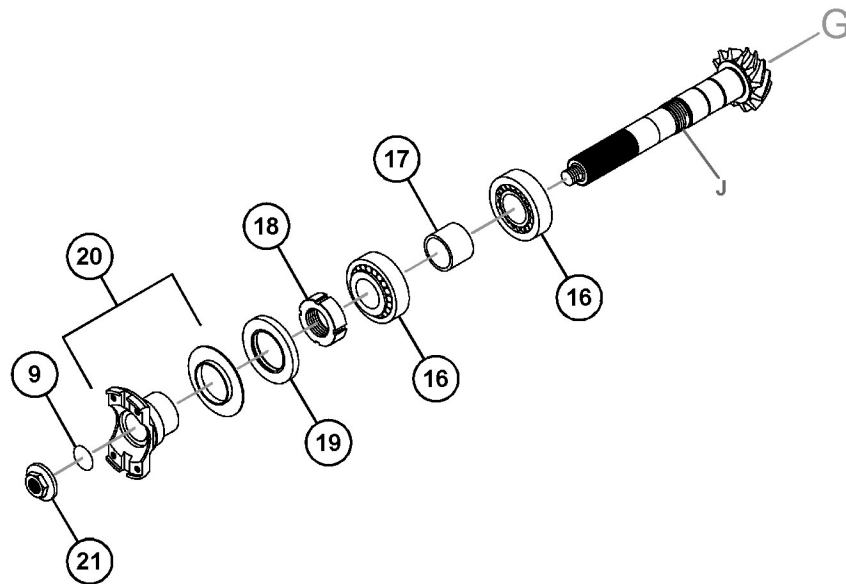
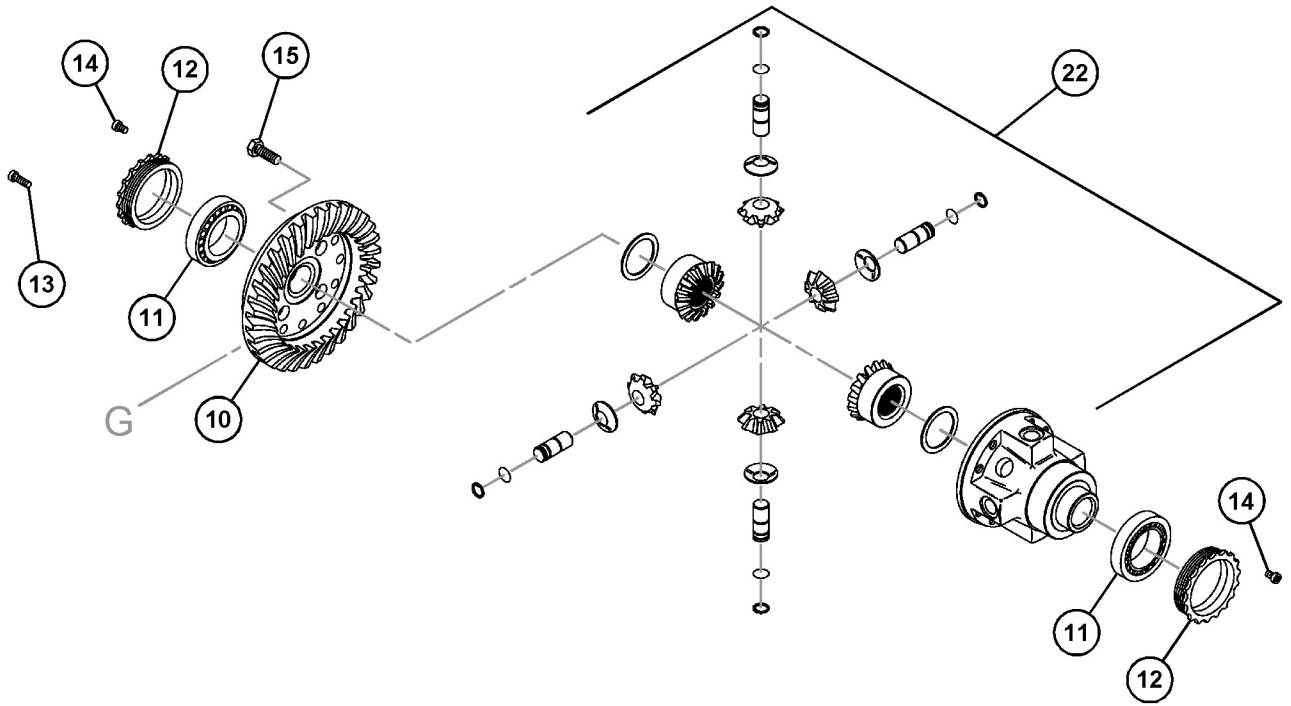
GRAPHIC #3

g06131467

POWER TRAIN

485-1677 AXLE GP-REAR (contd.)

i06826608



VIEW OF AREA E
(CASE REMOVED FOR CLARITY)

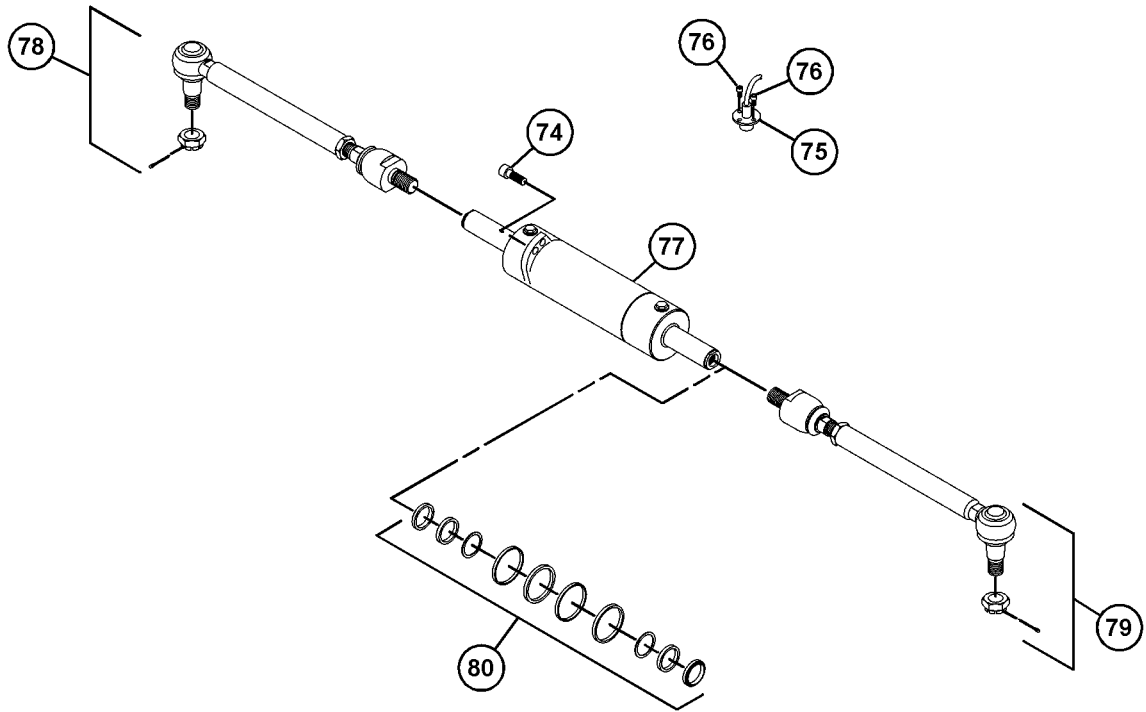
GRAPHIC #4

g06098484

POWER TRAIN

485-1677 AXLE GP-REAR (contd.)

106826608



VIEW OF AREA F
(EXPLODED)

GRAPHIC #5

<END>

g06098524

POWER TRAIN

352-7822 BASE GP-OIL FILTER

S/N: JKT1-UP

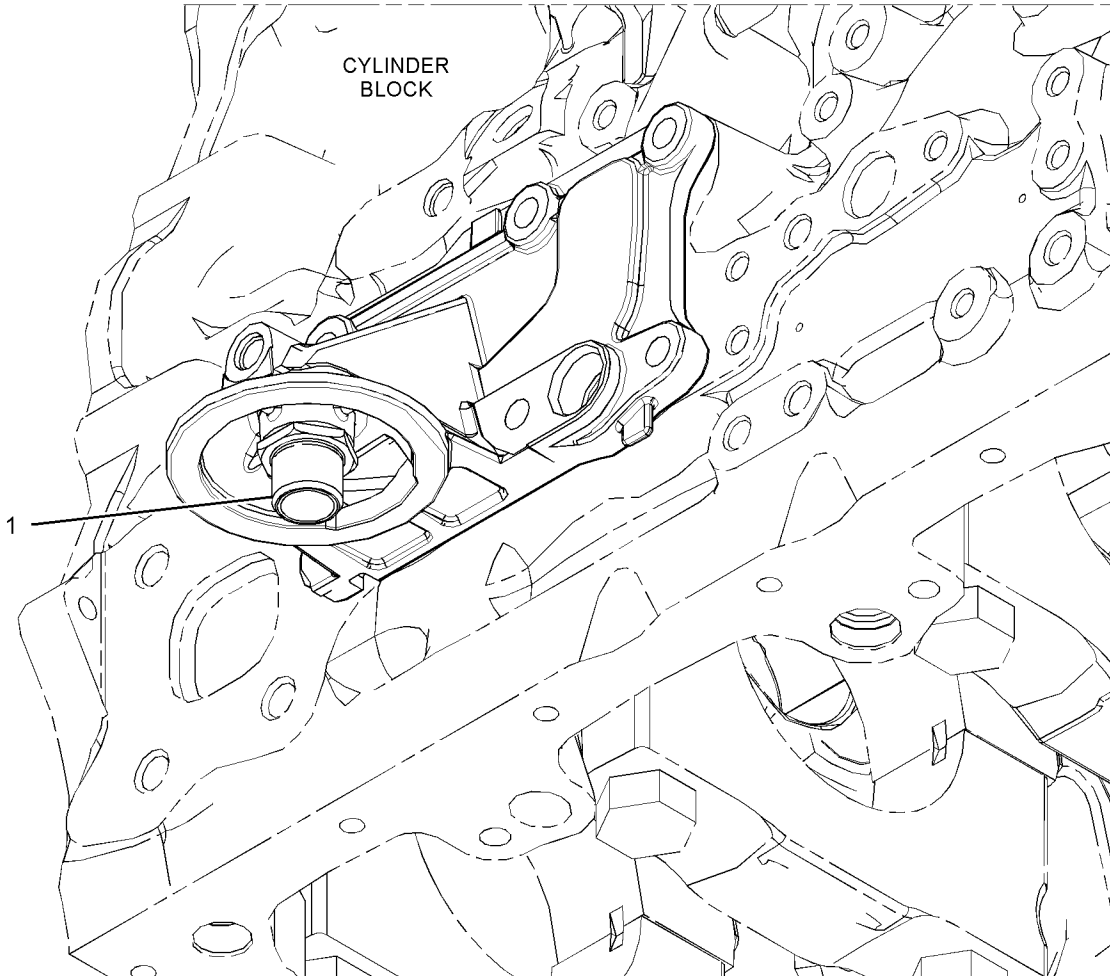
LHS, VERTICALLY DOWN

PART OF 356-7156 COOLER GP-ENGINE OIL

SMCS-3004, 3067

i04631454

NOTE	REF NO	GRAPHIC REF	PART NUMBER	QTY	PART NAME						SEE PAGE
					1	2	3	4	5	6 (PRODUCT LEVEL)	
	1	1	118-9145	1	CONNECTOR						



GRAPHIC #1

<END>

g02718822

POWER TRAIN

482-1134 CASE & PARTS GP-PLANETARY

S/N: BK21-UP; SD31-UP; H5E1-UP; H5F1-UP
 PART OF 460-9943, 482-2978, 526-0654 TRANSMISSION AR-POWER SHIFT
 AN ATTACHMENT

SMCS-3030, 3064, 3160

i06893942

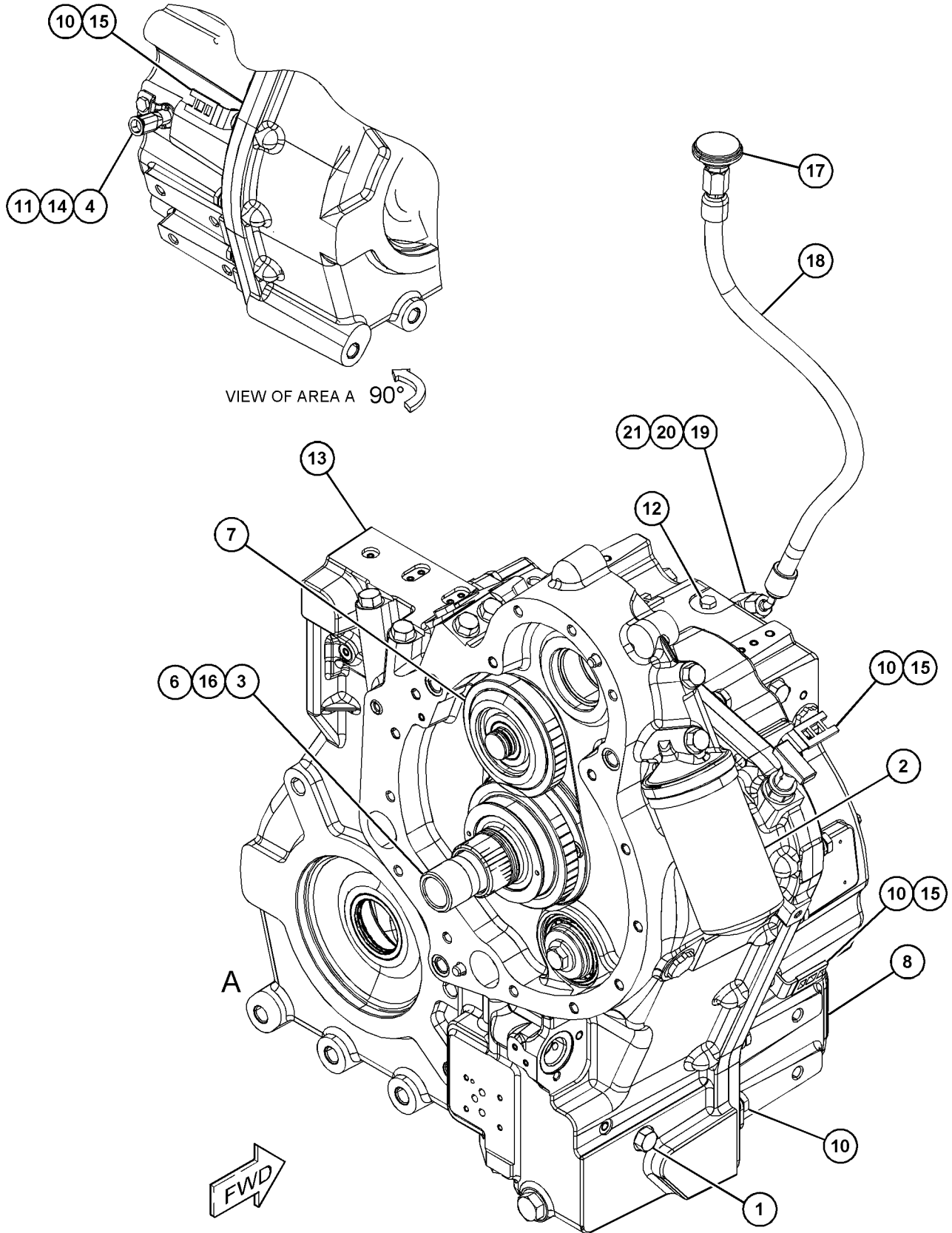
NOTE	REF NO	GRAPHIC REF	PART NUMBER	QTY	PART NAME						SEE PAGE
					1	2	3	4	5	6 (PRODUCT LEVEL)	
	1	1	334-5131	1	PLUG AS						
		1	3J-1907	1	SEAL-O-RING						
		1	9S-4191	1	PLUG (9/16-18-THD)						
	2	1	471-7003	1	FILTER-TRANSMISSION (HYDRAULIC)						
	3	1	178-8169	2	WASHER-THRUST (71X93X2-MM THK)						
	4	1	191-8303	1	SENSOR GP-SPEED (TRANSMISSION)						
		1	137-6645	1	PAD-CONNECTOR						
	6	1	334-7402	1	GEAR AS						
Y	7	1	334-7404	1	GEAR GP-IDLER						518
Y	8	1	512-1678	1	CASE GP-TRANSMISSION (REAR)						503
M	10	1	6V-5842	20	BOLT (M10X1.5X40-MM)						
M	11	1	6V-5215	1	BOLT (M8X1.25X16-MM)						
	12	1	5M-6213	1	PLUG-PIPE						
Y	13	1	482-1135	1	CASE & PARTS GP-PLANETARY						487
	14	1	117-1385	1	SEAL-O-RING						
	15	1	132-5789	5	CLIP (LADDER)						
	16	1	195-7657	1	SEAL-O-RING						
	17	1	9G-5127	1	BREATHER						
I	18	1	459-7275	1	HOSE AS						
	19	1	3J-7354	1	SEAL-O-RING						
	20	1	4J-5477	1	SEAL-O-RING						
	21	1	6V-8628	1	ELBOW						

I - REFER TO HYDRAULIC INFORMATION SYSTEM
 M - METRIC PART
 Y - SEPARATE ILLUSTRATION

POWER TRAIN

482-1134 CASE & PARTS GP-PLANETARY (contd.)

i06893942



GRAPHIC #1

<END>

g06166658

POWER TRAIN

482-1135 CASE & PARTS GP-PLANETARY

S/N: BK21-UP; SD31-UP; H5E1-UP; H5F1-UP
PART OF 482-1134 CASE & PARTS GP-PLANETARY
AN ATTACHMENT

SMCS-3030, 3064, 3160

i06738189

NOTE	REF NO	GRAPHIC REF	PART NUMBER	QTY	PART NAME						SEE PAGE
					1	2	3	4	5	6 (PRODUCT LEVEL)	
	1	2	8T-1580	1	CUP-BEARING						
	2	2	005-0469	3	CUP-BEARING						
	3	2	005-0471	1	CONE-BEARING						
	4	1,2	120-9762	4	SEAL-O-RING						
	5	2	123-8910	1	CUP-TAPERED ROLLER						
	6	1	334-3562	3	SEAL-O-RING						
	7	2	334-6641	1	CUP-BEARING						
	8	2	334-6649	1	WASHER (13X29X3-MM THK)						
M	9	2	6V-8097	1	BOLT (M12X1.75X30-MM)						
Y	10	2	334-7500	1	CASE GP-TRANSMISSION (FRONT)						492
	11	2	334-5841	1	HOUSING						
	12	2	466-4938	1	SEAL-LIP TYPE						
	13	1	334-7443	1	BEARING-NEEDLE						
	14	2	<i>334-7562</i>	1	STRAINER AS (SUCTION)						
		2	334-3570	2	SEAL-O-RING						
		2	334-7523	1	STRAINER AS (SUCTION)						
	15	2	7T-3195	1	WASHER (12.3X47X6.35-MM THK)						
M	16	1	238-7563	5	BOLT (M8X1.25X20-MM)						
M	17	2	238-7564	3	SCREW-HEX SOCKET (M8X1.25X16-MM)						
	18	2	334-3553	1	WASHER (27X35X2.38-MM THK)						
	19	2	<i>334-6846</i>	1	SHAFT GP-IDLER						
	19A	2	005-0471	1	CONE-BEARING						
		2	334-6658	1	GEAR (28-TEETH)						
	20	2	334-7438	1	REACTOR AS						
		2	238-6532	2	PIN						
	21	2	334-7505	1	GAUGE AS-OIL LEVEL (DIPSTICK)						
	22	2	<i>334-7560</i>	1	TUBE AS-OIL GAUGE						
		2	8L-2786	1	SEAL-O-RING						
		2	334-7503	1	TUBE-DIPSTICK						
B	23	2	334-7625	1	SPACER (35.2X42X15.11-MM THK)						
B		2	399-1164	1	SPACER (35.2X42X15.29-MM THK)						
B		2	334-7583	1	SPACER (35.2X42X14.87-MM THK)						
B		2	399-1166	1	SPACER (35.2X42X15.32-MM THK)						
B		2	334-7627	1	SPACER (35.2X42X15.14-MM THK)						
B		2	334-7629	1	SPACER-BEARING (35.2X42X15.17-MM THK)						
B		2	334-7638	1	SPACER (35.2X42X15.20-MM THK)						
B		2	334-7603	1	SPACER (35.2X42X14.90-MM THK)						
B		2	334-7604	1	SPACER (35.2X42X14.93-MM THK)						
B		2	334-7605	1	SPACER (35.2X42X14.96-MM THK)						
B		2	334-7608	1	SPACER (35.2X42X14.99-MM THK)						
B		2	334-7611	1	SPACER (35.2X42X15.02-MM THK)						
B		2	334-7615	1	SPACER (35.2X42X15.05-MM THK)						
B		2	334-7624	1	SPACER (35.2X42X15.08-MM THK)						
B		2	334-7649	1	SPACER (35.2X42X15.23-MM THK)						
B		2	399-1167	1	SPACER (35.2X42X15.35-MM THK)						

POWER TRAIN

482-1135 CASE & PARTS GP-PLANETARY (contd.)

i06738189

NOTE	REF NO	GRAPHIC REF	PART NUMBER	QTY	PART NAME						SEE PAGE
					1	2	3	4	5	6 (PRODUCT LEVEL)	
B		2	399-1168	1	SPACER (35.2X42X15.38-MM THK)						
B		2	399-1528	1	SPACER (35.2X42X15.26-MM THK)						

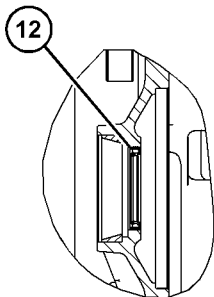
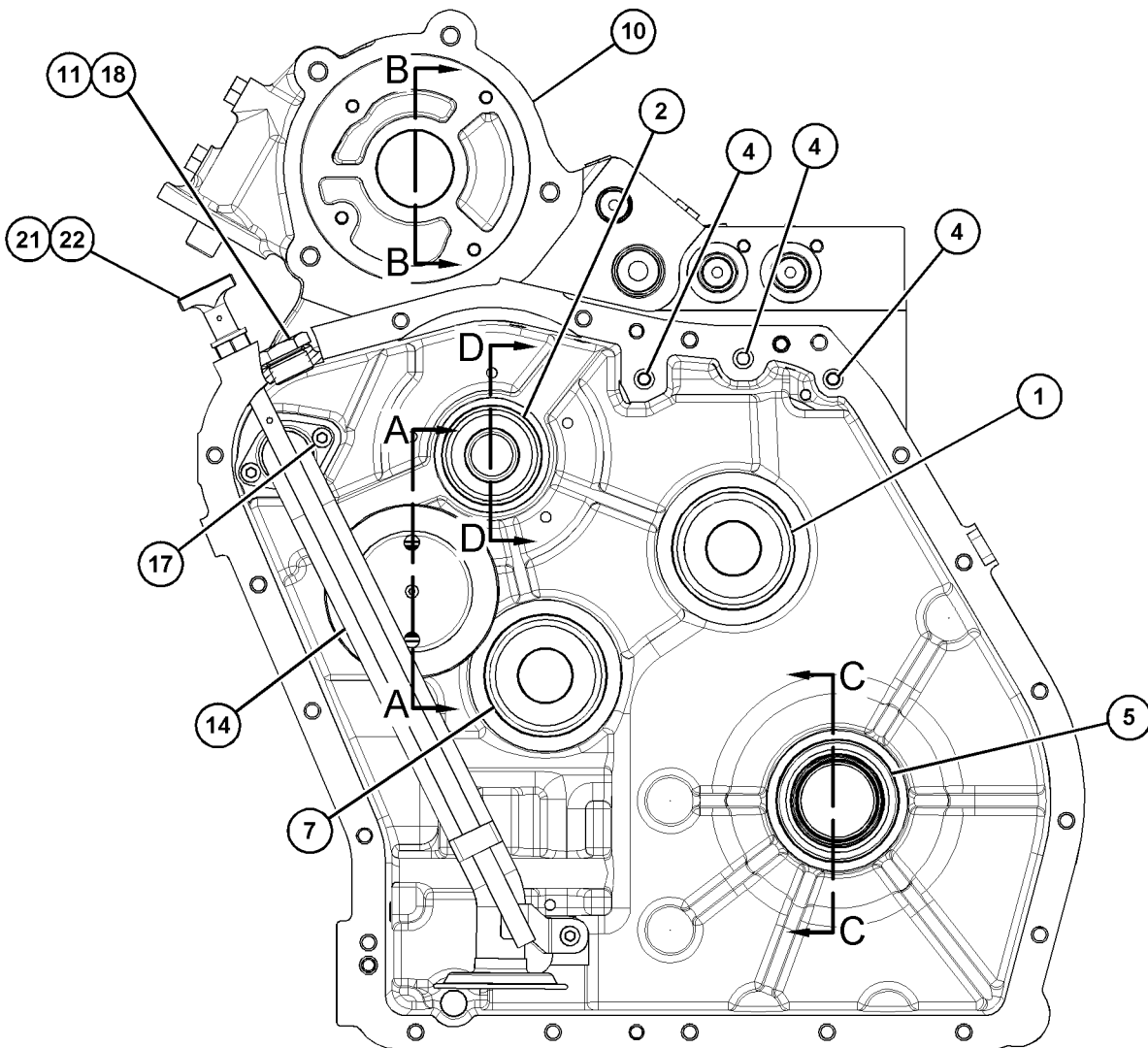
B - USE AS REQUIRED
M - METRIC PART
Y - SEPARATE ILLUSTRATION

POWER TRAIN

482-1135 CASE & PARTS GP-PLANETARY (contd.)

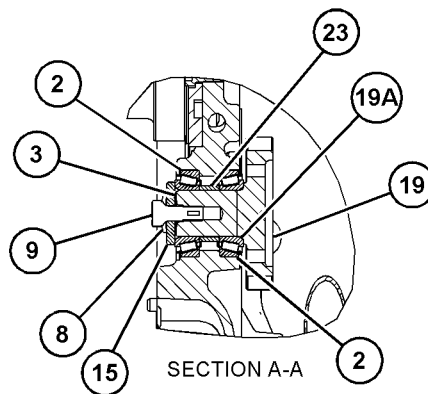
106738189

REFER TO ALL ILLUSTRATIONS OF THIS GROUP FOR AUXILIARY VIEWS

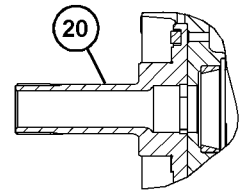


SECTION C-C

GRAPHIC #1



SECTION A-A



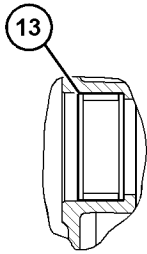
SECTION D-D

g06086008

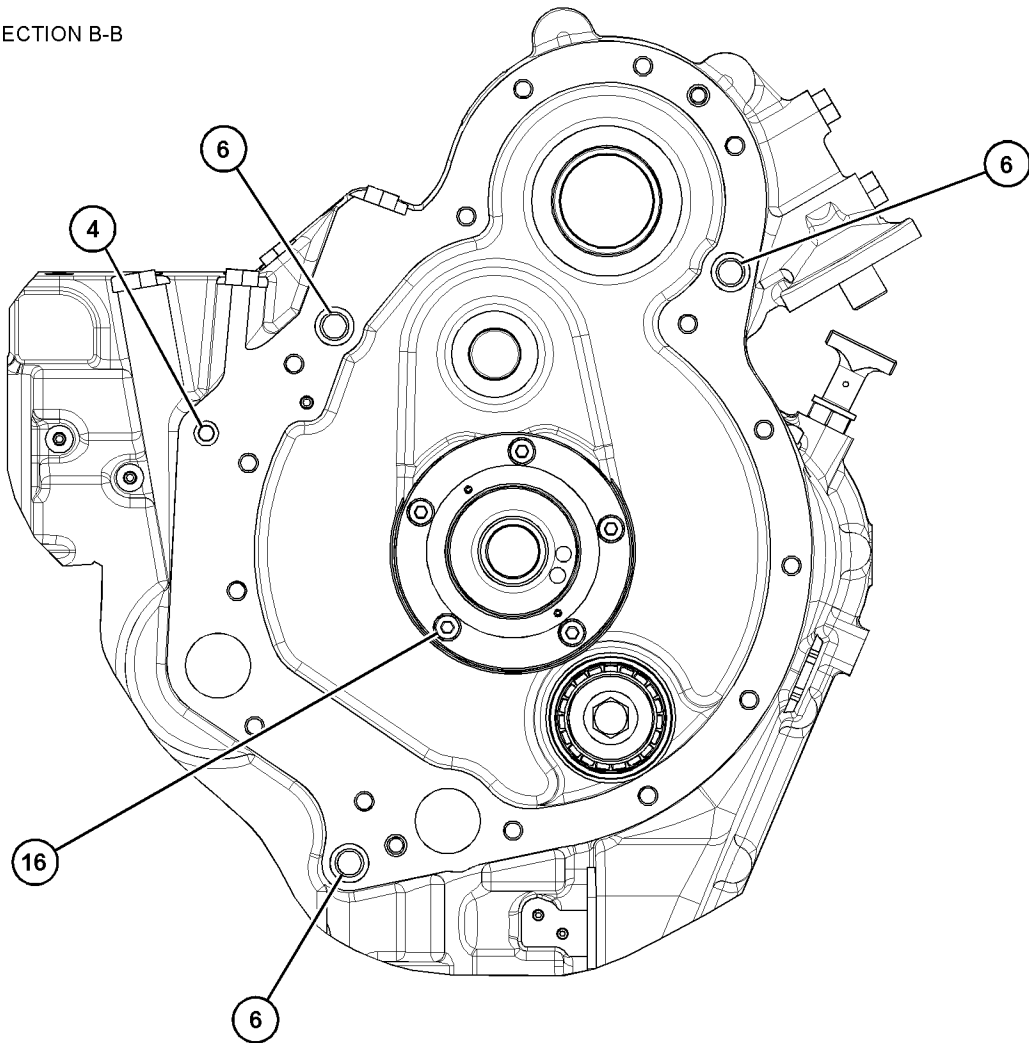
POWER TRAIN

482-1135 CASE & PARTS GP-PLANETARY (contd.)

i06738189



SECTION B-B



GRAPHIC #2

<END>

g06086009

POWER TRAIN

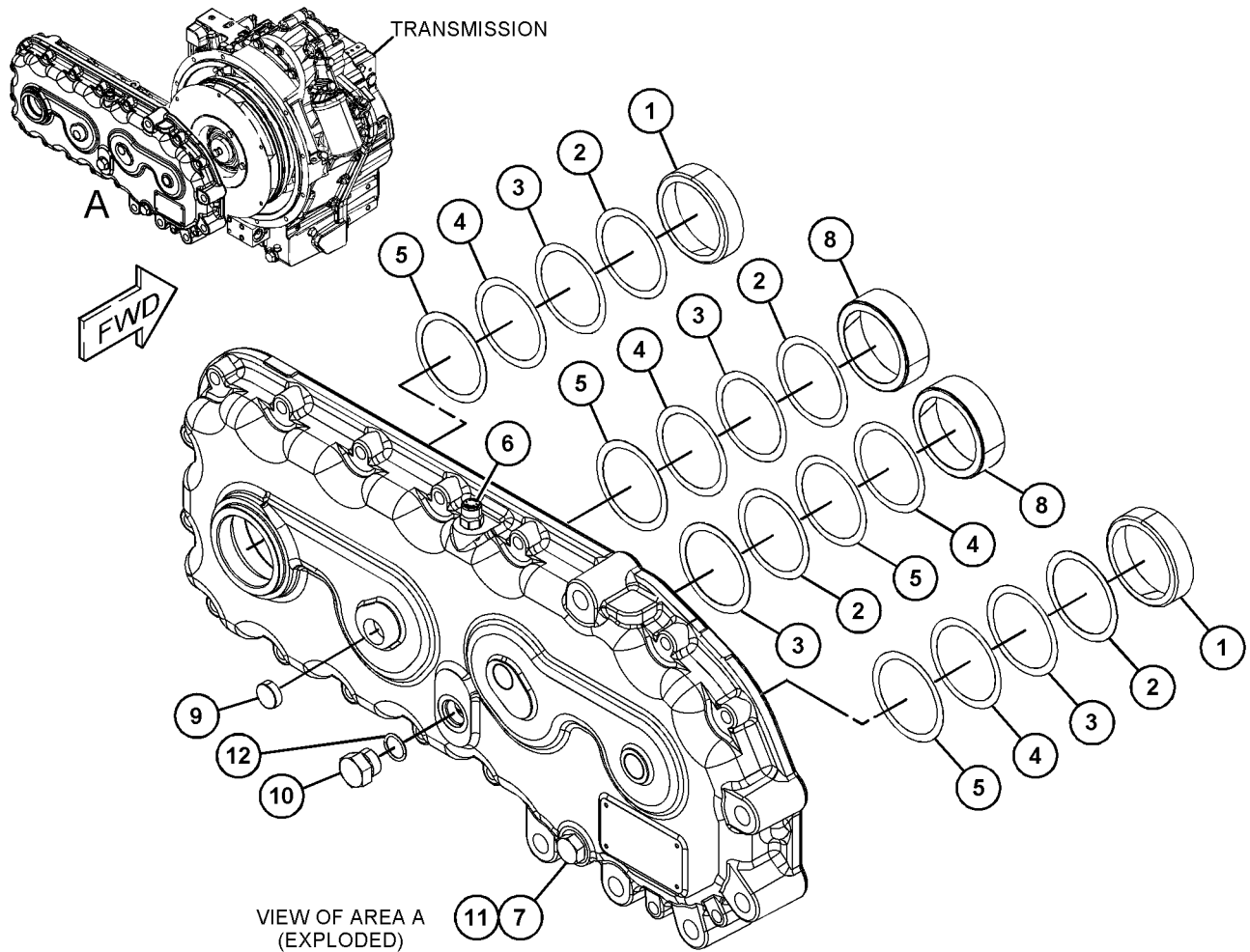
464-5019 CASE GP-TRANSFER

S/N: SD31-UP; HA51-UP; H5E1-UP
 PART OF 460-9945, 526-0637 GEAR & CASE GP-TRANSFER
 AN ATTACHMENT

SMCS-3159

i06709042

NOTE	REF NO	GRAPHIC REF	PART NUMBER	QTY	PART NAME						SEE PAGE
					1	2	3	4	5	6	
	1	1	8T-1580	2	CUP-BEARING						
	2	1	6T-9163	4	SHIM (0.599-MM THK)						
	3	1	6T-9164	4	SHIM (0.178-MM THK)						
	4	1	6T-9165	4	SHIM (0.076-MM THK)						
	5	1	6T-9166	4	SHIM (0.051-MM THK)						
	6	1	461-7838	1	BREATHER AS (TRANSFER CASE)						
	7	1	9X-2230	1	PLUG-DRAIN (MAGNETIC)						
	8	1	123-8908	2	CUP-TAPERED ROLLER						
	9	1	334-7485	3	CAP-PROTECTION						
	10	1	9S-4190	1	PLUG-O-RING (7/8-14-THD)						
	11	1	3K-0360	1	SEAL-O-RING						
	12	1	6V-4589	1	SEAL-O-RING						



GRAPHIC #1

<END>

g06082187

POWER TRAIN

334-7500 CASE GP-TRANSMISSION

S/N: BK21-UP; SD31-UP; H5E1-UP; H5F1-UP
 PART OF 482-1135 CASE & PARTS GP-PLANETARY
 AN ATTACHMENT

SMCS-3064

i05996211

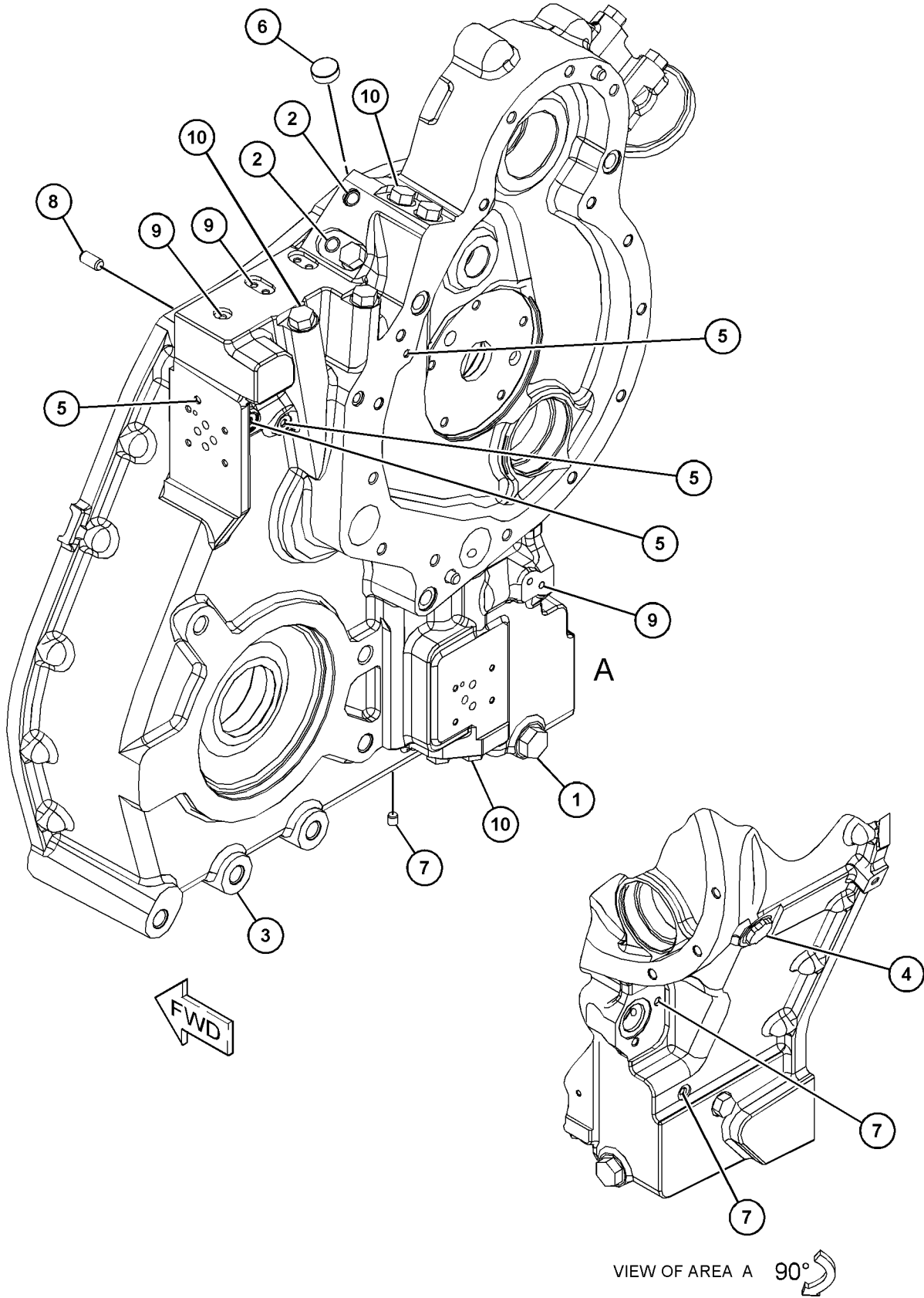
NOTE	REF NO	GRAPHIC REF	PART NUMBER	QTY	PART NAME						SEE PAGE
					1	2	3	4	5	6 (PRODUCT LEVEL)	
	1	1	9X-2230	1	PLUG-DRAIN (MAGNETIC)						
	2	1	122-3652	2	PLUG						
	3	1	<i>334-7693</i>	1	CASE AS-TRANSMISSION (FRONT)						
		1	342-3830	1	ADAPTER						
	4	1	334-3059	1	PLUG						
	5	1	334-4963	4	PLUG						
	6	1	334-7485	1	CAP-PROTECTION						
	7	1	334-4979	3	PLUG						
	8	1	8T-5353	4	DOWEL						
	9	1	123-2920	7	PLUG						
	10	1	<i>334-5131</i>	10	PLUG AS						
					(EACH INCLUDES)						
		1	3J-1907	1	SEAL-O-RING						
		1	9S-4191	1	PLUG (9/16-18-THD)						
F			433-7466	1	CASE AS-FRONT						
			123-2920	7	PLUG						
			334-4963	4	PLUG						
			334-4979	3	PLUG						
			342-3830	1	ADAPTER						

F - NOT SHOWN

POWER TRAIN

334-7500 CASE GP-TRANSMISSION (contd.)

105996211



GRAPHIC #1

<END>

g0377600

POWER TRAIN

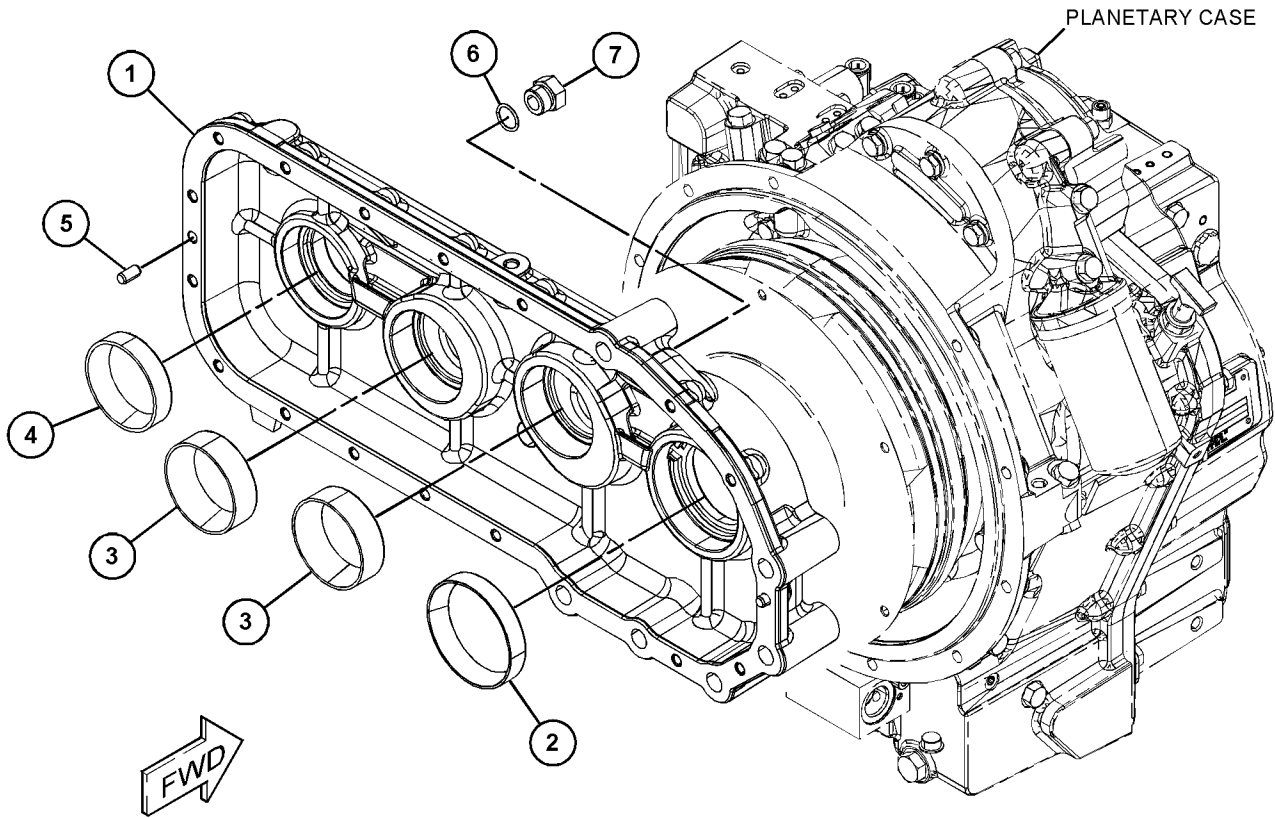
459-8309 CASE GP-TRANSMISSION-REAR

S/N: BK21-UP; H5F1-UP
PART OF 459-8308 GEAR GP-TRANSFER
AN ATTACHMENT

SMCS-3064

i06624631

NOTE	REF NO	GRAPHIC REF	PART NUMBER	QTY	PART NAME						SEE PAGE
					1	2	3	4	5	6	
	1	1	459-8310	1	CASE-TRANSFER						
	2	1	334-7441	1	CUP-TAPERED ROLLER						
	3	1	123-8908	2	CUP-TAPERED ROLLER						
	4	1	8T-1580	1	CUP-BEARING						
	5	1	8T-5353	2	DOWEL						
	6	1	6V-4589	1	SEAL-O-RING						
	7	1	9S-4190	1	PLUG-O-RING (7/8-14-THD)						



GRAPHIC #1

<END>

g06059600

POWER TRAIN

464-5020 CASE GP-TRANSMISSION-FRONT

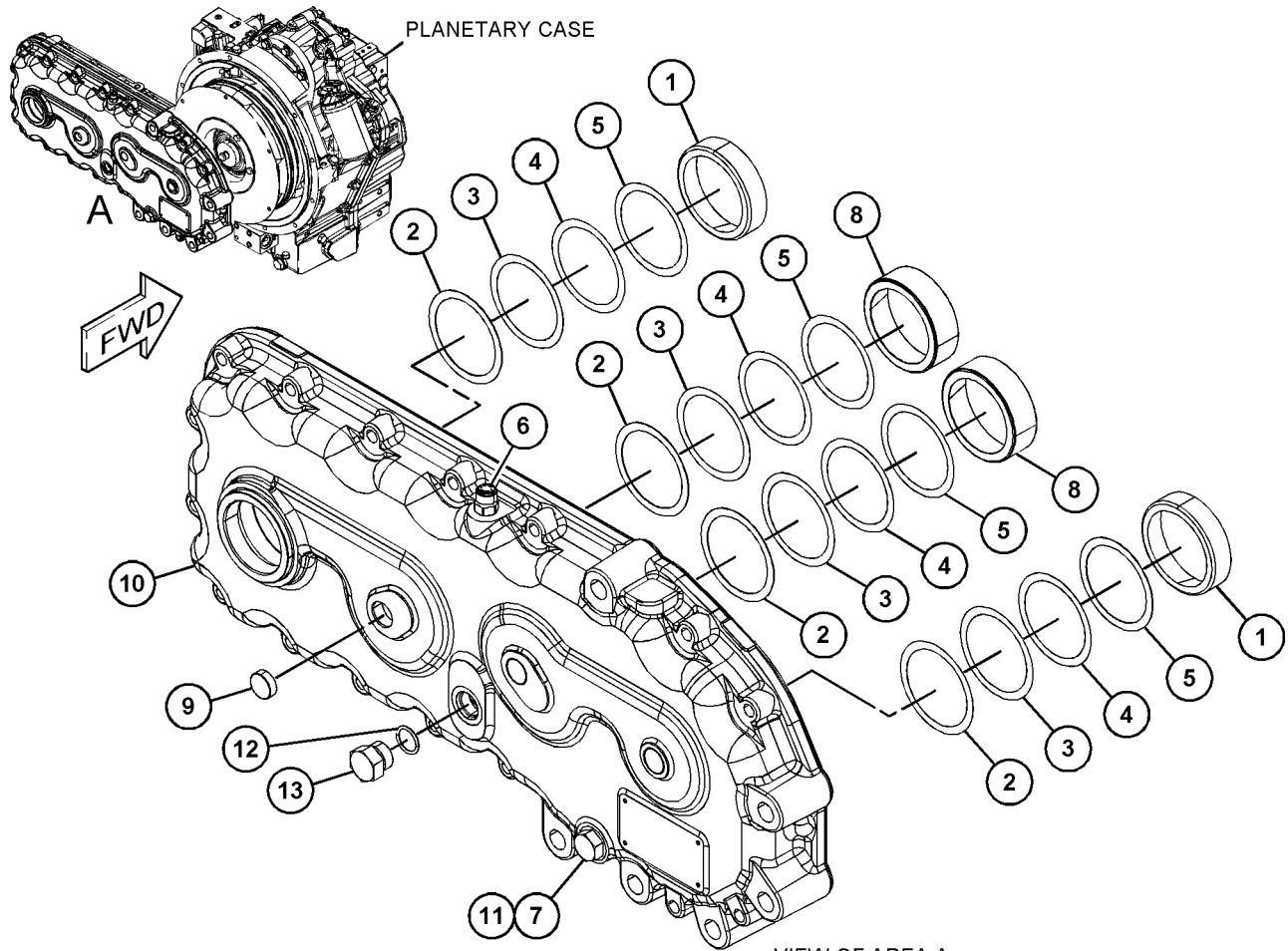
S/N: BK21-UP; H5F1-UP

PART OF 459-8308 GEAR GP-TRANSFER
AN ATTACHMENT

SMCS-3064

i06624632

NOTE	REF NO	GRAPHIC REF	PART NUMBER	QTY	PART NAME						SEE PAGE
					1	2	3	4	5	6 (PRODUCT LEVEL)	
	1	1	8T-1580	2	CUP-BEARING						
	2	1	6T-9163	4	SHIM (0.599-MM THK)						
	3	1	6T-9164	4	SHIM (0.178-MM THK)						
	4	1	6T-9165	4	SHIM (0.076-MM THK)						
	5	1	6T-9166	4	SHIM (0.051-MM THK)						
	6	1	461-7838	1	BREATHER AS						
	7	1	9X-2230	1	PLUG-DRAIN (MAGNETIC)						
	8	1	123-8908	2	CUP-TAPERED ROLLER						
	9	1	334-7485	3	CAP-PROTECTION						
	10	1	378-9817	1	CASE-TRANSFER GEAR						
	11	1	3K-0360	1	SEAL-O-RING						
	12	1	6V-4589	1	SEAL-O-RING						
	13	1	9S-4190	1	PLUG-O-RING (7/8-14-THD)						



GRAPHIC #1

<END>

g06059652

POWER TRAIN

468-0122 CASE GP-TRANSMISSION

S/N: HA51-UP

PART OF 468-0145 TRANSMISSION AR-POWER SHIFT
AN ATTACHMENT

SMCS-3064

i06624637

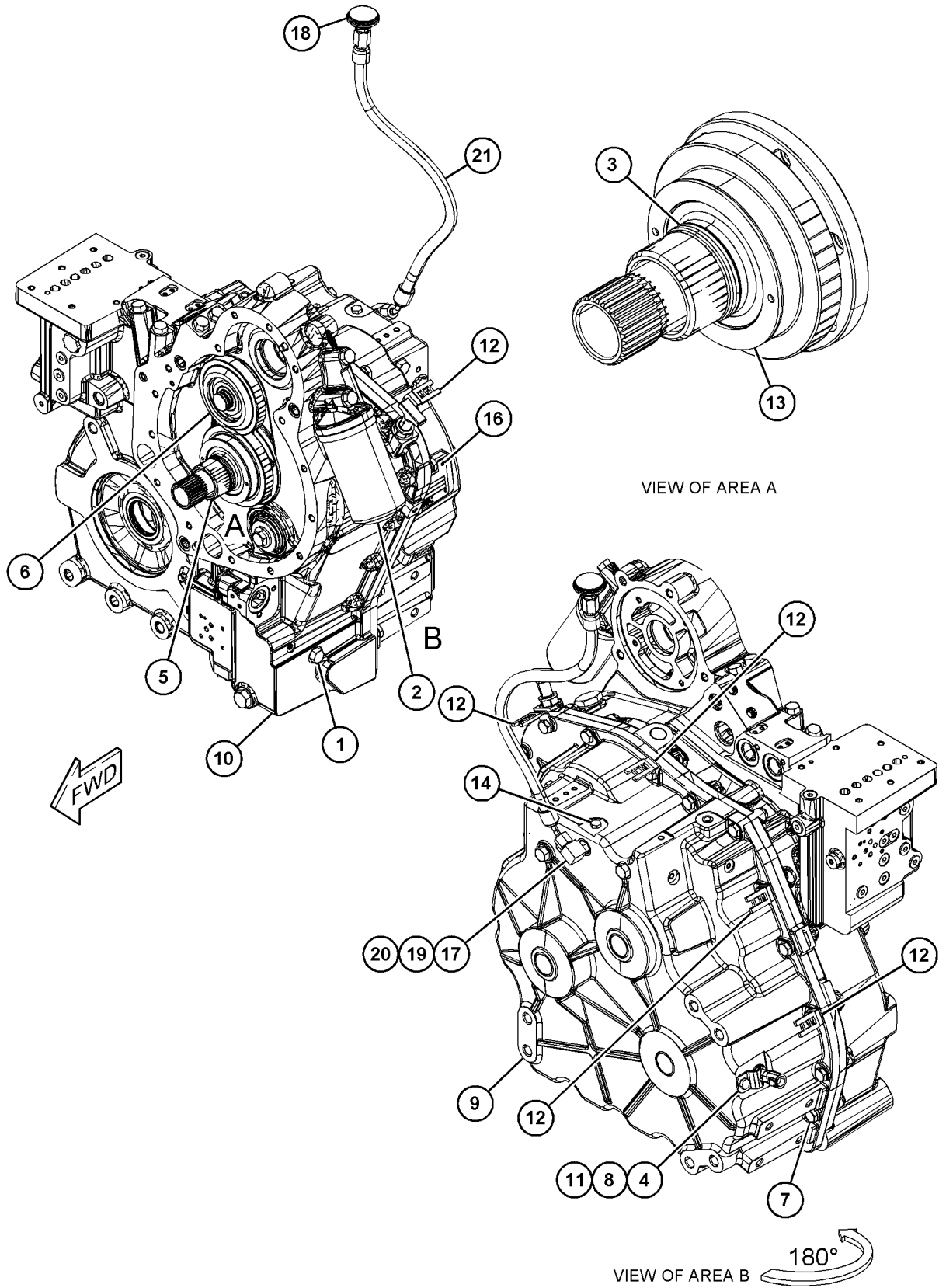
NOTE	REF NO	GRAPHIC REF	PART NUMBER	QTY	PART NAME						SEE PAGE
					1	2	3	4	5	6 (PRODUCT LEVEL)	
	1	1	334-5131	1	PLUG AS						
		1	3J-1907	1	SEAL-O-RING						
		1	9S-4191	1	PLUG (9/16-18-THD)						
	2	1	471-7003	1	FILTER-TRANSMISSION (HYDRAULIC)						
	3	1	178-8169	2	WASHER-THRUST (71X93X2-MM THK)						
	4	1	191-8303	1	SENSOR GP-SPEED (TRANSMISSION)						
		1	137-6645	1	PAD-CONNECTOR						
	5	1	334-7402	1	GEAR AS						
Y	6	1	334-7404	1	GEAR GP-IDLER						518
M	7	1	6V-5842	20	BOLT (M10X1.5X40-MM)						
M	8	1	6V-5215	1	BOLT (M8X1.25X16-MM)						
Y	9	1	512-1678	1	CASE GP-TRANSMISSION (REAR)						503
Y	10	1	468-0127	1	CASE GP-TRANSMISSION						498
	11	1	117-1385	1	SEAL-O-RING						
	12	1	132-5789	5	CLIP (LADDER)						
	13	1	195-7657	1	SEAL-O-RING						
	14	1	5M-6213	1	PLUG-PIPE						
	16	1	336-5469	4	RIVET						
	17	1	3J-7354	1	SEAL-O-RING						
	18	1	9G-5127	1	BREATHER (TRANSMISSION)						
	19	1	4J-5477	1	SEAL-O-RING						
	20	1	6V-8628	1	ELBOW						
I	21	1	459-7275	1	HOSE AS						

I - REFER TO HYDRAULIC INFORMATION SYSTEM
M - METRIC PART
Y - SEPARATE ILLUSTRATION

POWER TRAIN

468-0122 CASE GP-TRANSMISSION (contd.)

i06624637



GRAPHIC #1

<END>

g06126827

POWER TRAIN

468-0127 CASE GP-TRANSMISSION

S/N: HA51-UP

PART OF 468-0122 CASE GP-TRANSMISSION
AN ATTACHMENT

SMCS-3064

i06724558

NOTE	REF NO	GRAPHIC REF	PART NUMBER	QTY	PART NAME						SEE PAGE
					1	2	3	4	5	6 (PRODUCT LEVEL)	
	1	2	8T-1580	1	CUP-BEARING (TAPERED ROLLER)						
	2	1,2	005-0469	2	CUP-BEARING (TAPERED ROLLER)						
	3	1	005-0471	1	CONE-BEARING (TAPERED ROLLER)						
	4	1,2	120-9762	4	SEAL-O-RING						
	5	2	123-8910	1	CUP-TAPERED ROLLER						
	6	1	334-3562	3	SEAL-O-RING						
	7	2	334-6641	1	CUP-BEARING						
	8	1	334-6649	1	WASHER (13X29X3-MM THK)						
	9	1	123-8906	1	CUP-TAPERED ROLLER						
B	10	2	399-1164	1	SPACER (35.2X42X15.29-MM THK)						
B		2	334-7583	1	SPACER (35.2X42X14.87-MM THK)						
B		2	334-7625	1	SPACER (35.2X42X15.11-MM THK)						
B		2	334-7627	1	SPACER (35.2X42X15.14-MM THK)						
B		2	334-7629	1	SPACER-BEARING (35.2X42X15.17-MM THK)						
B		2	334-7638	1	SPACER (35.2X42X15.20-MM THK)						
B		2	334-7603	1	SPACER (35.2X42X14.90-MM THK)						
B		2	334-7604	1	SPACER (35.2X42X14.93-MM THK)						
B		2	334-7605	1	SPACER (35.2X42X14.96-MM THK)						
B		2	334-7608	1	SPACER (35.2X42X14.99-MM THK)						
B		2	334-7611	1	SPACER (35.2X42X15.02-MM THK)						
B		2	334-7615	1	SPACER (35.2X42X15.05-MM THK)						
B		2	334-7624	1	SPACER (35.2X42X15.08-MM THK)						
B		2	334-7649	1	SPACER (35.2X42X15.23-MM THK)						
B		2	399-1528	1	SPACER (35.2X42X15.26-MM THK)						
B		2	399-1166	1	SPACER (35.2X42X15.32-MM THK)						
B		2	399-1167	1	SPACER (35.2X42X15.35-MM THK)						
	12	2	466-4938	1	SEAL-LIP TYPE						
	13	2	334-7443	1	BEARING-NEEDLE						
	15	1	7T-3195	1	WASHER (12.3X47X6.35-MM THK)						
M	17	2	238-7564	3	SCREW-HEX SOCKET (M8X1.25X16-MM)						
	18	2	334-3553	1	WASHER (27X35X2.38-MM THK)						
	19	2	334-6846	1	SHAFT GP-IDLER						
		2	005-0471	1	CONE-BEARING						
		2	334-6658	1	GEAR (28-TEETH)						
		2	399-1168	1	SPACER (35.2X42X15.38-MM THK)						
	21	2	334-7505	1	GAUGE AS-OIL LEVEL (DIPSTICK)						
	22	2	334-7560	1	TUBE AS-OIL GAUGE						
		2	8L-2786	1	SEAL-O-RING						
		2	334-7503	1	TUBE-DIPSTICK						
	23	2	334-7562	1	STRAINER AS (SUCTION)						
		2	334-3570	2	SEAL-O-RING						
		2	334-7523	1	STRAINER AS (SUCTION)						
	24	2	334-5841	1	HOUSING						
M	25	1	6V-8097	1	BOLT (M12X1.75X30-MM)						
M	26	1	8T-8442	7	BOLT-SOCKET HEAD (M6X1X30-MM)						
	27	1	468-0130	1	REACTOR AS						

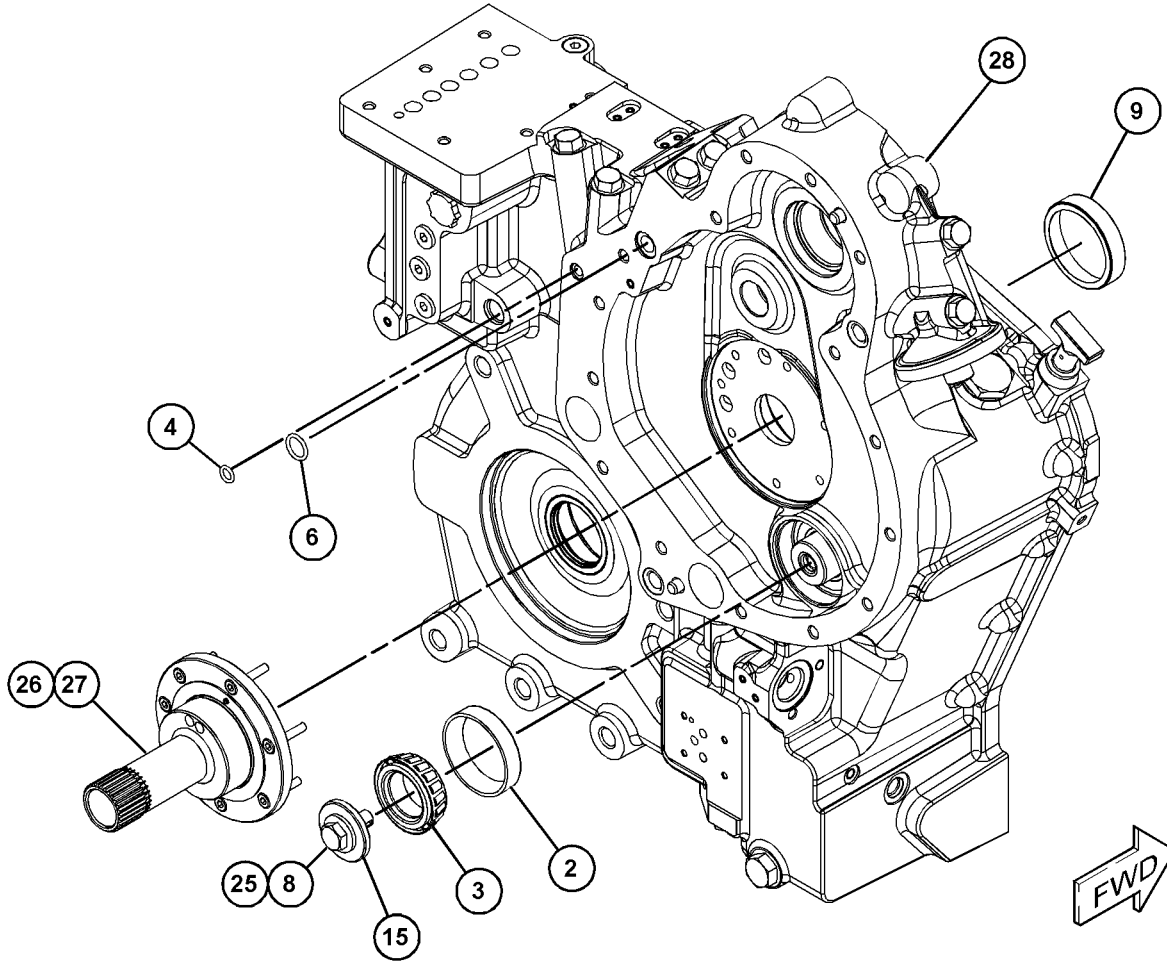
POWER TRAIN

468-0127 CASE GP-TRANSMISSION (contd.)

106724558

NOTE	REF NO	GRAPHIC REF	PART NUMBER	QTY	PART NAME						SEE PAGE
					1	2	3	4	5	6 (PRODUCT LEVEL)	
		1	238-6532	2	PIN						
Y	28	1	468-0128	1	CASE GP-TRANSMISSION						501

B - USE AS REQUIRED
M - METRIC PART
Y - SEPARATE ILLUSTRATION



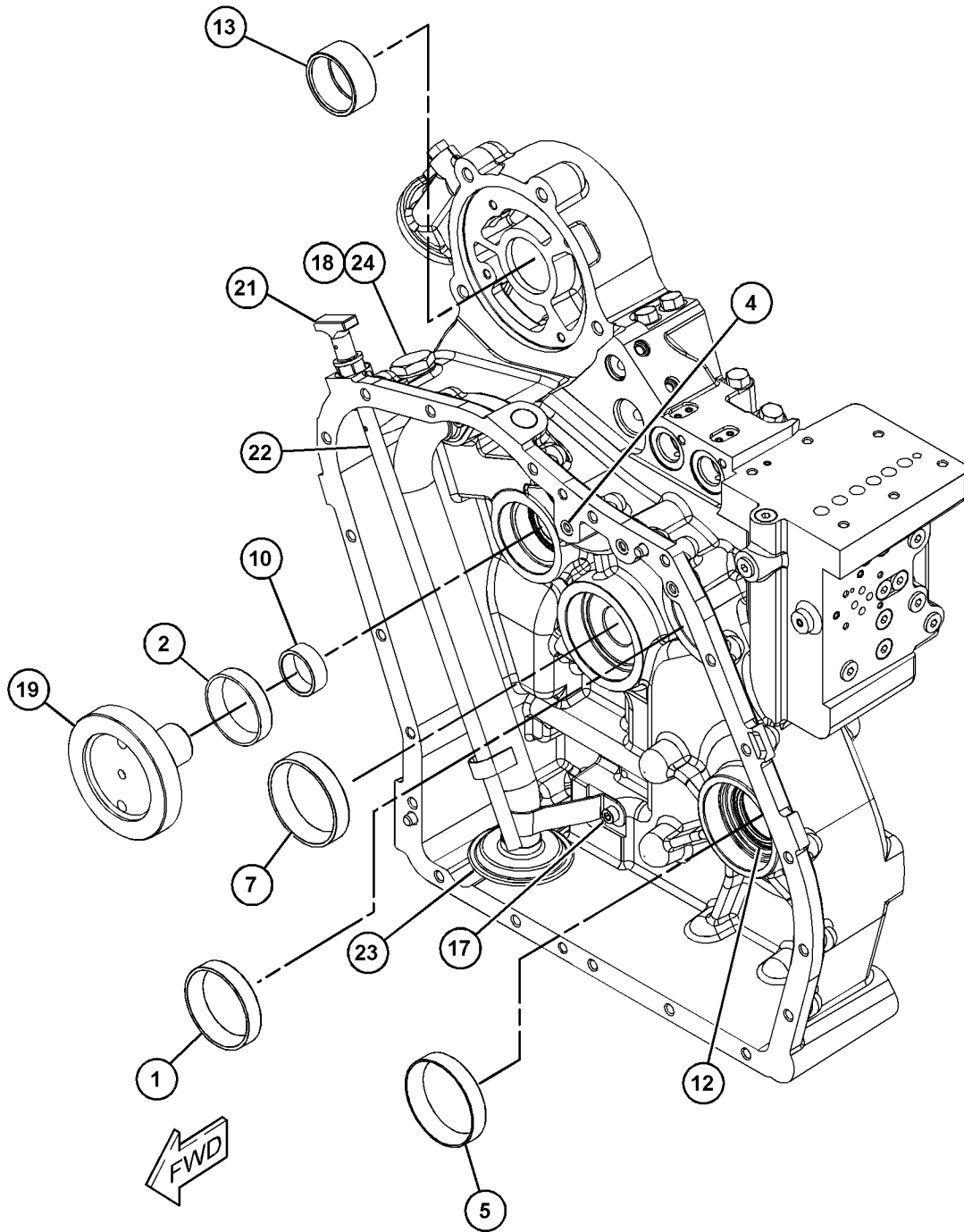
GRAPHIC #1

g06104533

POWER TRAIN

468-0127 CASE GP-TRANSMISSION (contd.)

i06724558



GRAPHIC #2

<END>

g06104534

POWER TRAIN

468-0128 CASE GP-TRANSMISSION

S/N: HA51-UP

PART OF 468-0127 CASE GP-TRANSMISSION
AN ATTACHMENT

SMCS-3064

i06749001

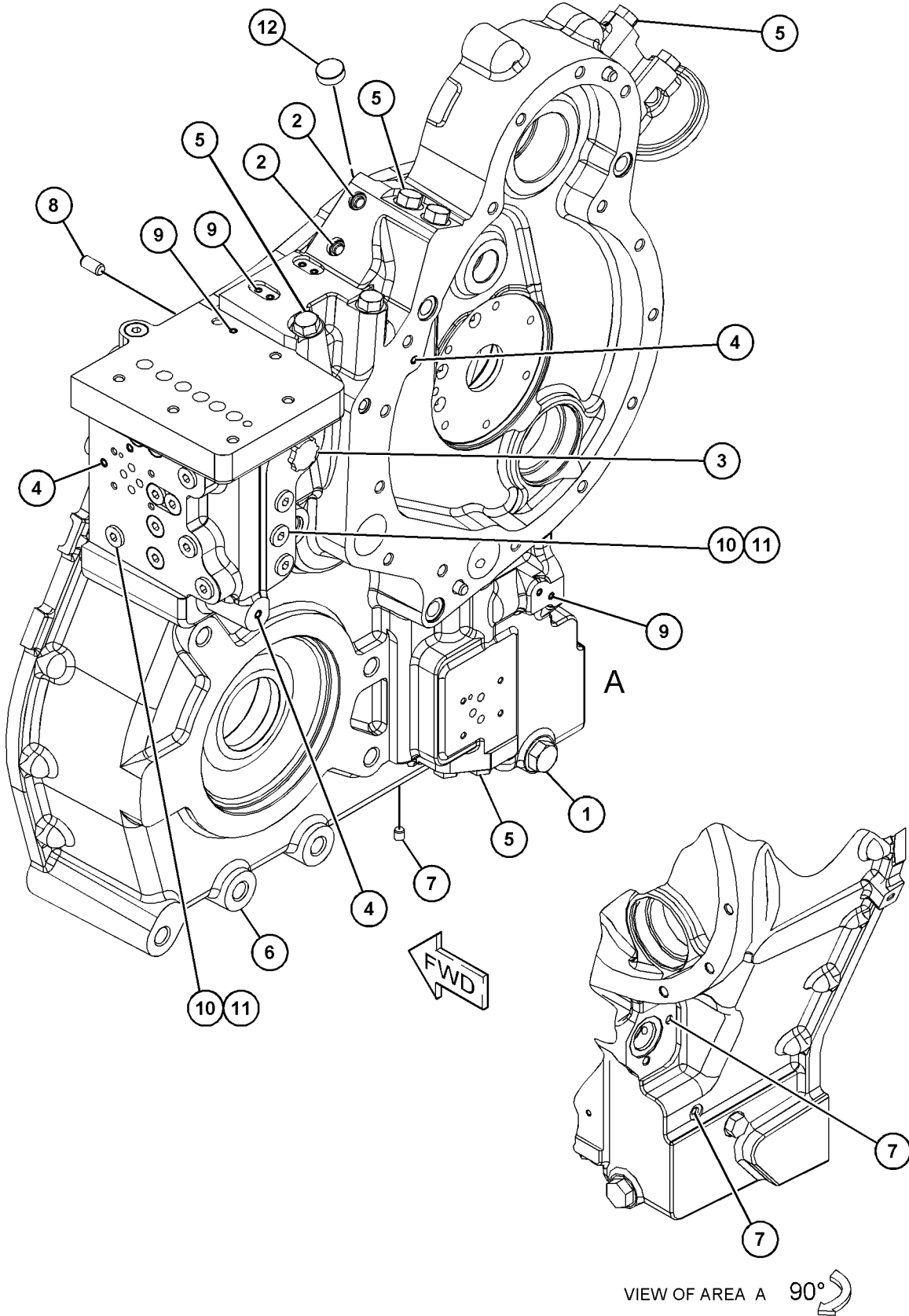
NOTE	REF NO	GRAPHIC REF	PART NUMBER	QTY	PART NAME						SEE PAGE
					1	2	3	4	5	6 (PRODUCT LEVEL)	
	1	1	9X-2230	1	PLUG-DRAIN (MAGNETIC)						
	2	1	122-3652	2	PLUG						
	3	1	334-3059	1	PLUG						
	4	1	334-4963	5	PLUG						
	5	1	<i>334-5131</i>	8	PLUG AS						
					(EACH INCLUDES)						
		1	3J-1907	1	SEAL-O-RING						
		1	9S-4191	1	PLUG (9/16-18-THD)						
6		1	<i>468-0141</i>	1	CASE AS-FRONT						
		1	342-3830	1	ADAPTER						
7		1	334-4979	3	PLUG						
8		1	8T-5353	4	DOWEL						
9		1	123-2920	7	PLUG						
10		1	3J-1907	15	SEAL-O-RING						
11		1	9S-8004	15	PLUG (9/16-18-THD)						
12		1	334-7485	1	CAP-PROTECTION						
A		1	468-0149	1	CASE AS-FRONT						
A		1	123-2920	7	PLUG						
A		1	334-4963	5	PLUG						
A		1	334-4979	3	PLUG						
A		1	342-3830	1	ADAPTER						

A - NOT PART OF THIS GROUP

POWER TRAIN

468-0128 CASE GP-TRANSMISSION (contd.)

i06749001



GRAPHIC #1

<END>

g06106569

POWER TRAIN

512-1678 CASE GP-TRANSMISSION

S/N: BK21-UP; SD31-UP; HA51-UP; H5E1-UP; H5F1-UP

PART OF 482-1134 CASE & PARTS GP-PLANETARY, 468-0122 CASE GP-TRANSMISSION
AN ATTACHMENT

SMCS-3064

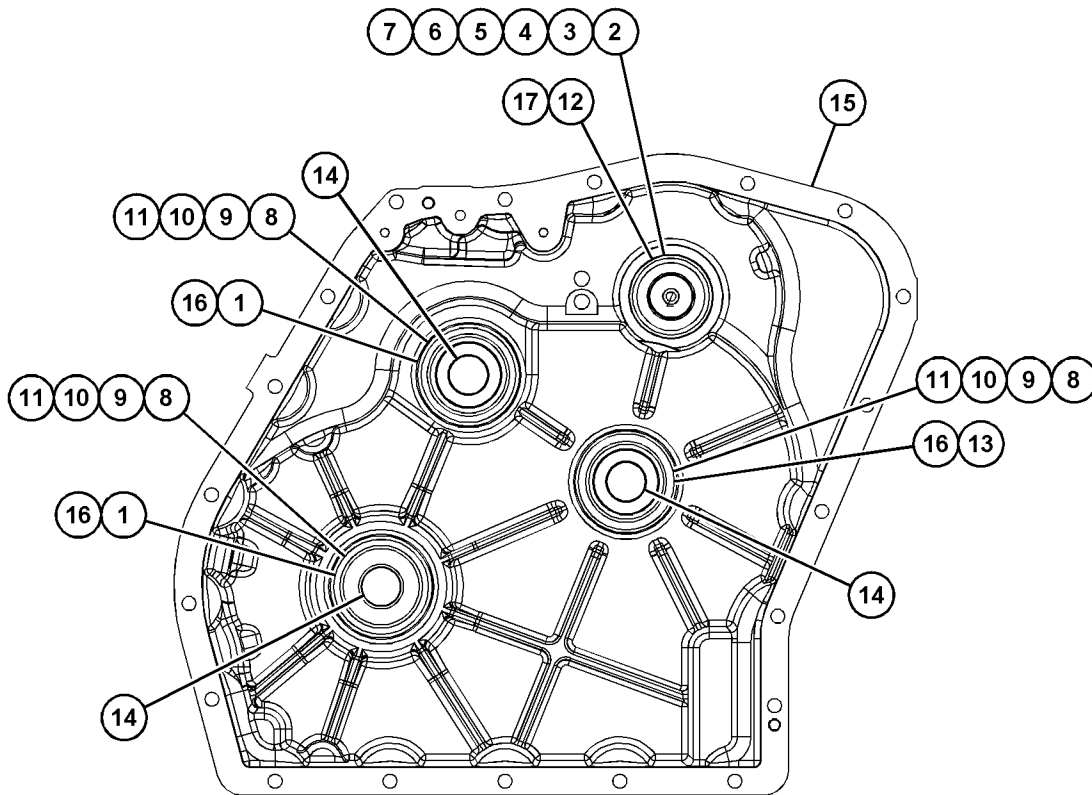
i06724557

NOTE	REF NO	GRAPHIC REF	PART NUMBER	QTY	PART NAME						SEE PAGE
					1	2	3	4	5	6 (PRODUCT LEVEL)	
	1	1	8T-1580	2	CUP-BEARING						
	2	1	6T-9142	1	SHIM (0.508-MM THK)						
	3	1	6T-9143	1	SHIM (0.381-MM THK)						
	4	1	6T-9144	1	SHIM (0.051-MM THK)						
	5	1	6T-9145	1	SHIM (0.178-MM THK)						
	6	1	6T-9146	1	SHIM (0.127-MM THK)						
	7	1	6T-9147	1	SHIM (0.076-MM THK)						
	8	1	6T-9163	3	SHIM (0.599-MM THK)						
	9	1	6T-9164	3	SHIM (0.178-MM THK)						
	10	1	6T-9165	3	SHIM (0.076-MM THK)						
	11	1	6T-9166	3	SHIM (0.051-MM THK)						
	12	1	005-0469	1	CUP-BEARING						
	13	1	123-8908	1	CUP-TAPERED ROLLER						
	14	1	147-0232	3	PLUG						
	15	1	<i>512-1677</i>	1	CASE AS-REAR						
		1	334-3059	1	PLUG						
		1	<i>334-5131</i>	4	PLUG AS						
					(EACH INCLUDES)						
		1	3J-1907	1	SEAL-O-RING						
		1	9S-4191	1	PLUG (9/16-18-THD)						
		1	512-1676	1	CASE AS-TRANSMISSION (REAR)						
		1	334-4963	4	PLUG						
		1	334-4979	4	PLUG						
	16	1	334-7682	3	SPACER (66X78.25X0.6-MM THK)						
	17	1	334-7684	1	SPACER (56.9X63.25X0.6-MM THK)						

POWER TRAIN

512-1678 CASE GP-TRANSMISSION (contd.)

i06724557



REAR VIEW

(INSIDE CASE)

GRAPHIC #1

<END>

g06084097

POWER TRAIN

334-7532 CLUTCH & GEAR GP

S/N: BK21-UP; SD31-UP; HA51-UP; H5E1-UP; H5F1-UP

PART OF 460-9943, 468-0145, 482-2978, 526-0654 TRANSMISSION AR-POWER SHIFT
AN ATTACHMENT

SMCS-3061, 3155

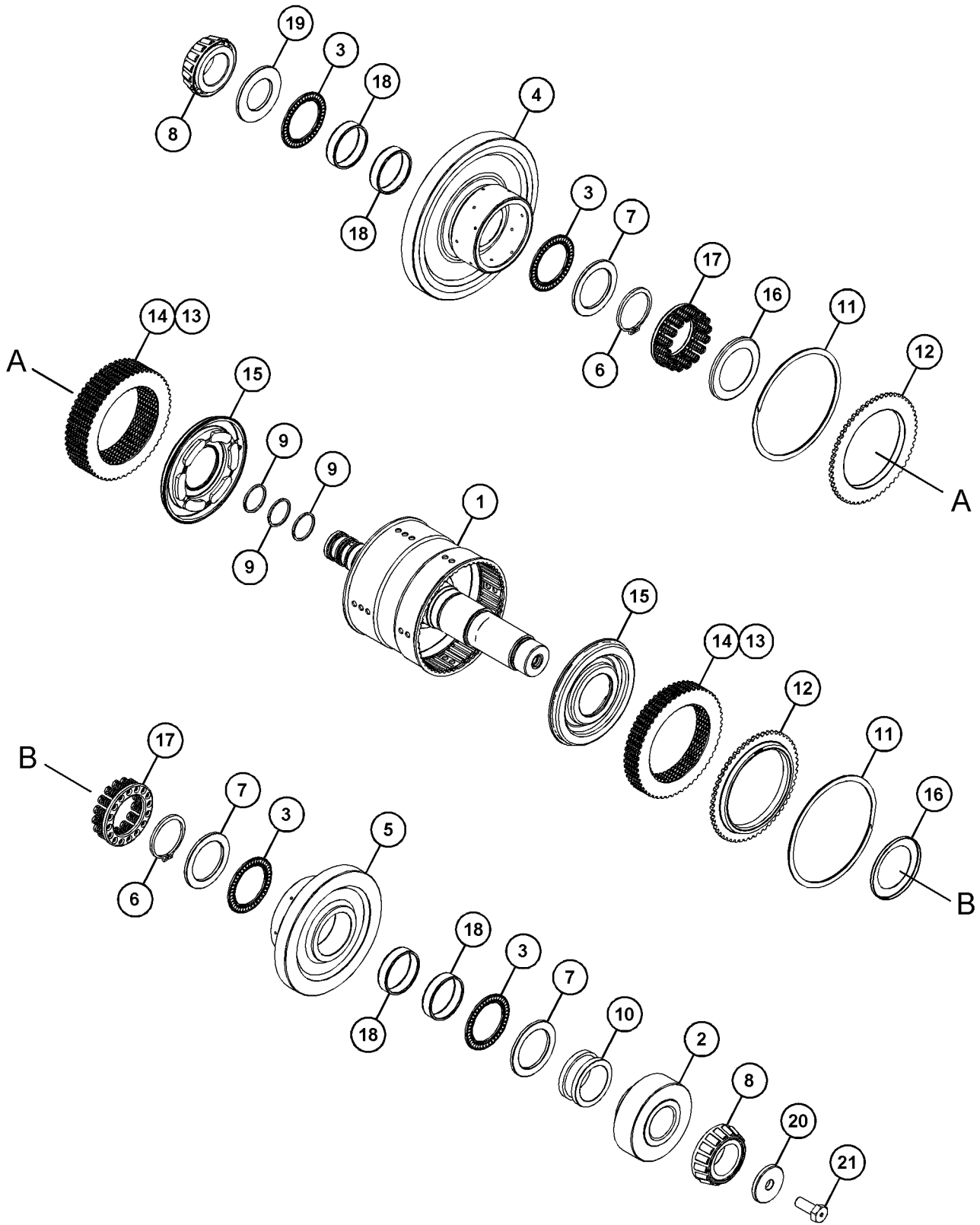
i05751189

NOTE	REF NO	GRAPHIC REF	PART NUMBER	QTY	PART NAME						SEE PAGE
					1	2	3	4	5	6 (PRODUCT LEVEL)	
	1	1	334-7395	1	SHAFT AS						
		1	123-2920	2	PLUG						
		1	334-7452	1	PLUG						
		1	334-7564	1	PLUG-ORIFICE						
2		1	334-7417	1	GEAR						
3		1	172-5317	4	BEARING-SPECIAL						
4		1	334-6676	1	GEAR (53-TEETH)						
5		1	334-7416	1	GEAR (45-TEETH)						
6		1	6V-8757	2	RING-RETAINING						
7		1	121-2500	3	WASHER-THRUST (50X70X4-MM THK)						
8		1	8T-1581	2	BEARING-TAPERED ROLLER						
9		1	6Y-1192	3	RING-SEAL						
10		1	334-7449	1	SPACER						
11		1	9U-8875	2	RING-RETAINING						
12		1	334-7659	2	PLATE-END						
13		1	6Y-7929	13	DISC-FRICTION						
14		1	274-4553	15	DISC-CLUTCH						
15		1	294-9810	2	PISTON						
16		1	294-9812	2	RETAINER-SPRING						
17		1	147-0238	2	SPRING AS						
18		1	334-7444	4	BEARING-NEEDLE						
19		1	121-0694	1	WASHER-THRUST (40X70X4-MM THK)						
20		1	7T-3195	1	WASHER (12.3X47X6.35-MM THK)						
21		1	378-9763	1	BOLT-SPECIAL						

POWER TRAIN

334-7532 CLUTCH & GEAR GP (contd.)

i05751189



GRAPHIC #1

<END>

g03655324

POWER TRAIN

392-3996 CLUTCH & GEAR GP

S/N: BK21-UP; SD31-UP; HA51-UP; H5E1-UP; H5F1-UP
 PART OF 460-9943, 468-0145, 482-2978, 526-0654 TRANSMISSION AR-POWER SHIFT
 AN ATTACHMENT

SMCS-3061, 3155

i05751209

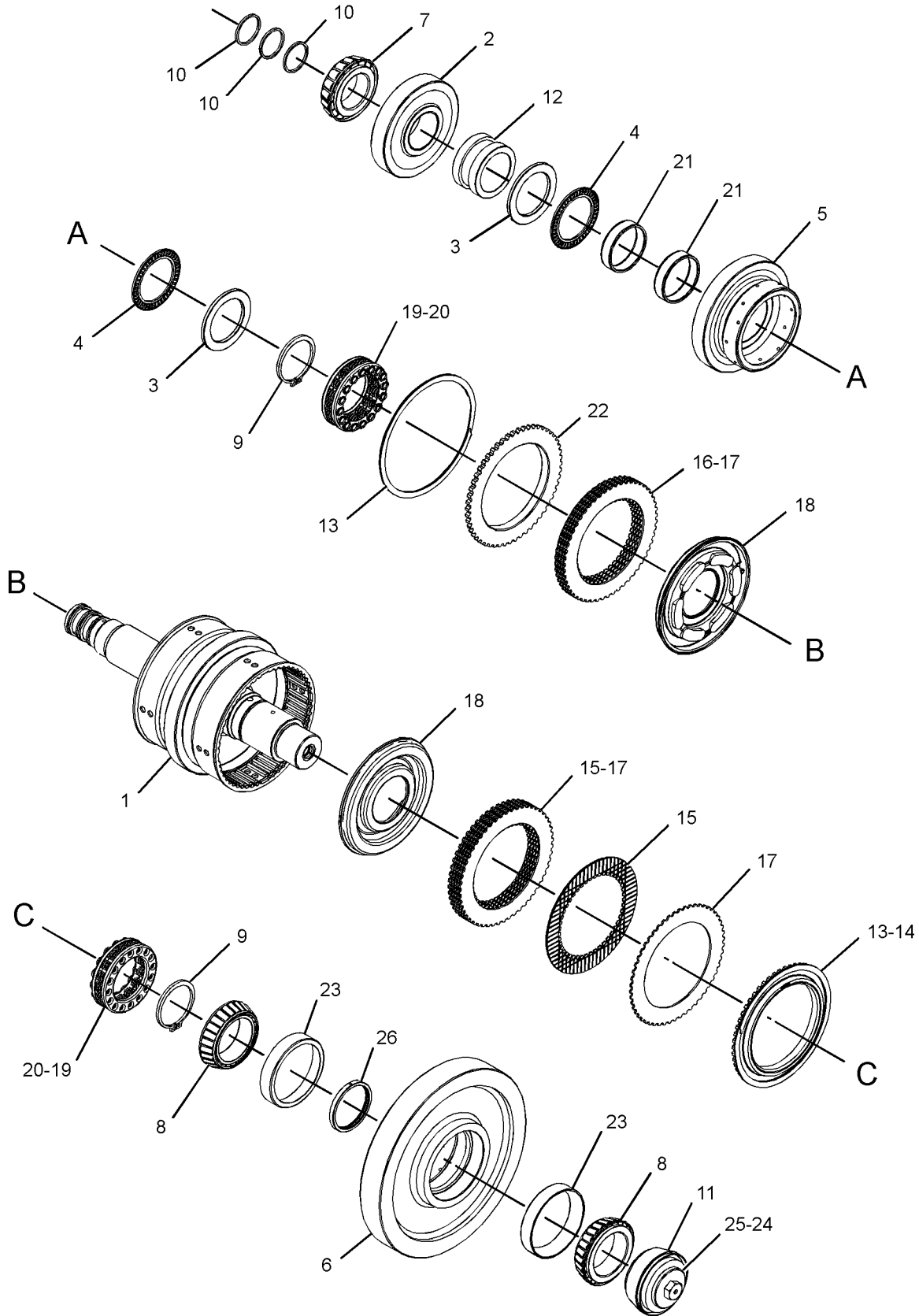
NOTE	REF NO	GRAPHIC REF	PART NUMBER	QTY	PART NAME						SEE PAGE
					1	2	3	4	5	6 (PRODUCT LEVEL)	
	1	1	334-7399	1	SHAFT AS						
		1	334-4979	2	PLUG						
		1	334-7452	1	PLUG						
	2	1	334-6668	1	GEAR (27-TEETH)						
	3	1	121-2500	2	WASHER-THRUST (50X70X4-MM THK)						
	4	1	172-5317	2	BEARING-SPECIAL						
	5	1	334-7407	1	GEAR (36-TEETH)						
	6	1	334-7415	1	GEAR (56-TEETH)						
	7	1	334-6623	1	CONE-BEARING						
	8	1	123-8909	2	CONE-BEARING						
	9	1	6V-8757	2	RING-RETAINING						
	10	1	6Y-1192	3	RING-SEAL						
	11	1	123-8907	1	CONE-BEARING						
	12	1	334-7448	1	SPACER						
	13	1	9U-8875	2	RING-RETAINING						
	14	1	334-7659	1	PLATE-END						
	15	1	6Y-7929	5	DISC-FRICTION						
	16	1	313-5544	4	DISC-FRICTION						
	17	1	274-4553	10	DISC-CLUTCH						
	18	1	294-9810	2	PISTON						
	19	1	294-9812	2	RETAINER-SPRING						
	20	1	147-0238	2	SPRING AS						
	21	1	334-7444	2	BEARING-NEEDLE						
	22	1	378-9766	1	PLATE-RETAINER						
	23	1	123-8910	2	CUP-TAPERED ROLLER						
	24	1	7T-3195	1	WASHER (12.3X47X6.35-MM THK)						
	25	1	378-9763	1	BOLT-SPECIAL						
B	26	1	334-7566	1	SPACER-SPECIAL						
B			334-7568	1	SPACER-SPECIAL						
B			334-7572	1	SPACER-SPECIAL						
B			334-7573	1	SPACER-SPECIAL						
B			334-7574	1	SPACER-SPECIAL						
B			334-7576	1	SPACER-SPECIAL						
B			334-7577	1	SPACER-SPECIAL						
B			334-7578	1	SPACER-SPECIAL						
B			334-7579	1	SPACER-SPECIAL						
B			334-7581	1	SPACER-SPECIAL						
B			381-3316	1	SPACER-SPECIAL						
B			381-3317	1	SPACER-SPECIAL						
B			334-7582	1	SPACER-SPECIAL						
B			418-9987	1	SPACER-SPECIAL						
B			418-9988	1	SPACER-SPECIAL						

B - USE AS REQUIRED

POWER TRAIN

392-3996 CLUTCH & GEAR GP (contd.)

105751209



GRAPHIC #1

<END>

g03660437

POWER TRAIN

418-7411 CONTROL GP-TRANSMISSION HYD

S/N: BK21-UP; SD31-UP; H5E1-UP; H5F1-UP

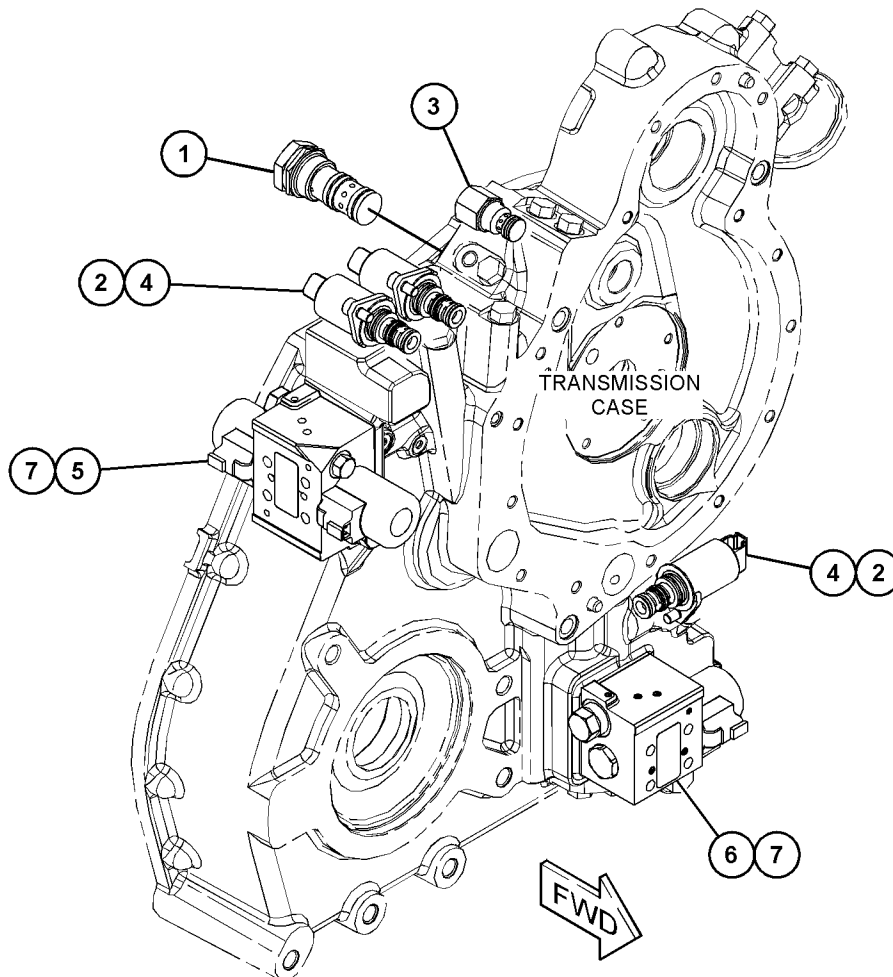
PART OF 460-9943, 482-2978, 526-0654 TRANSMISSION AR-POWER SHIFT
AN ATTACHMENT

SMCS-3073, 3167

i07213658

NOTE	REF NO	GRAPHIC REF	PART NUMBER	QTY	PART NAME						SEE PAGE
					1	2	3	4	5	6	
Y	1	1	147-0209	1	VALVE GP-RELIEF (PRESSURE REGULATOR)						743
M	2	1	238-7564	3	SCREW-HEX SOCKET (M8X1.25X16-MM)						
	3	1	330-3037	1	VALVE GP-RELIEF (CONVERTER)						
		1	6V-4589	1	SEAL-O-RING						
		1	8L-2746	1	SEAL-O-RING						
	4	1	334-7531	3	VALVE AS-SOLENOID (TRANSMISSION)						
Y	5	1	391-9654	1	VALVE GP-SOLENOID (MODULATING)						574
Y	6	1	399-5410	1	VALVE GP-SOLENOID (MODULATING)						575
M	7	1	449-8810	8	BOLT (M5X0.8X30-MM)						

M - METRIC PART
Y - SEPARATE ILLUSTRATION



GRAPHIC #1

<END>

g03661505

POWER TRAIN

468-0120 CONTROL GP-TRANSMISSION HYD

S/N: HA51-UP

PART OF 468-0145 TRANSMISSION AR-POWER SHIFT
AN ATTACHMENT

SMCS-3073, 3167

i06624638

NOTE	REF NO	GRAPHIC REF	PART NUMBER	QTY	PART NAME						SEE PAGE
					1	2	3	4	5	6 (PRODUCT LEVEL)	
	1	1	5E-8771	1	SEAL-O-RING						
Y	2	1	147-0209	1	VALVE GP-RELIEF						743
	3	1	256-6454	1	SENSOR-TEMPERATURE						
	4	1	334-7531	3	VALVE AS-SOLENOID						
Y	5	1	391-9654	1	VALVE GP-SOLENOID (MODULATING)						574
Y	6	1	399-5410	1	VALVE GP-SOLENOID (MODULATING)						575
M	7	1	9X-6615	8	BOLT (M5X0.8X30-MM)						
	8	1	474-8225	1	VALVE & MTG GP-RELIEF						
		1	274-4559	1	COIL AS (12-VOLT)						
		1	286-0867	1	SOLENOID AS						
		1	6V-8399	1	SEAL-O-RING						
		1	274-4560	1	NUT-SELF LOCKING						
		1	<i>398-5596</i>	1	PLUG AS						
		1	238-5080	1	SEAL-O-RING						
		1	360-3680	1	PLUG						
		1	<i>460-9958</i>	1	VALVE GP-RELIEF						
		1	6V-9178	1	SEAL-O-RING						
		1	7X-4744	1	SEAL-O-RING						
		1	106-9586	1	SEAL-O-RING						
	9	1	484-9576	1	VALVE GP-RELIEF						
		1	6V-4589	1	SEAL-O-RING						
		1	8L-2746	1	SEAL-O-RING						
	10	1	228-7103	1	SEAL-O-RING						
M	11	1	238-7564	3	SCREW-HEX SOCKET (M8X1.25X16-MM)						
M	12	1	289-9555	6	BOLT-SOCKET HEAD (M8X1.25X30-MM)						
	13	1	8T-4224	6	WASHER-HARD (8.8X16X2-MM THK)						

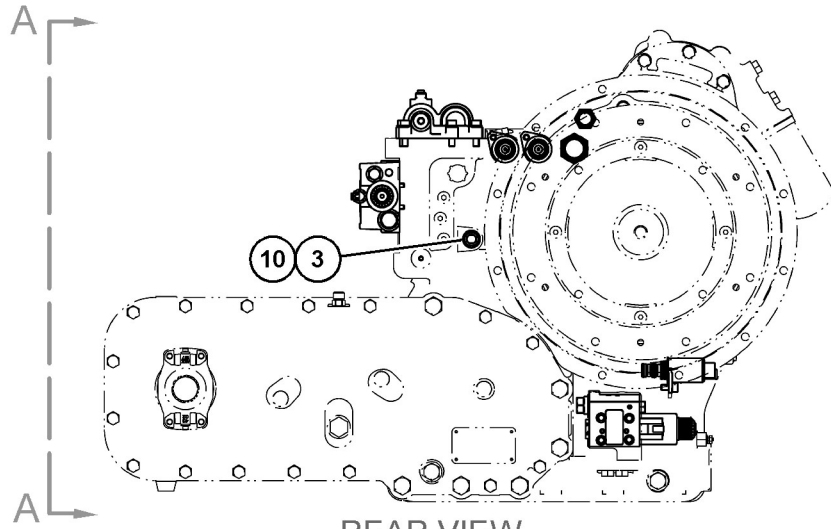
M - METRIC PART

Y - SEPARATE ILLUSTRATION

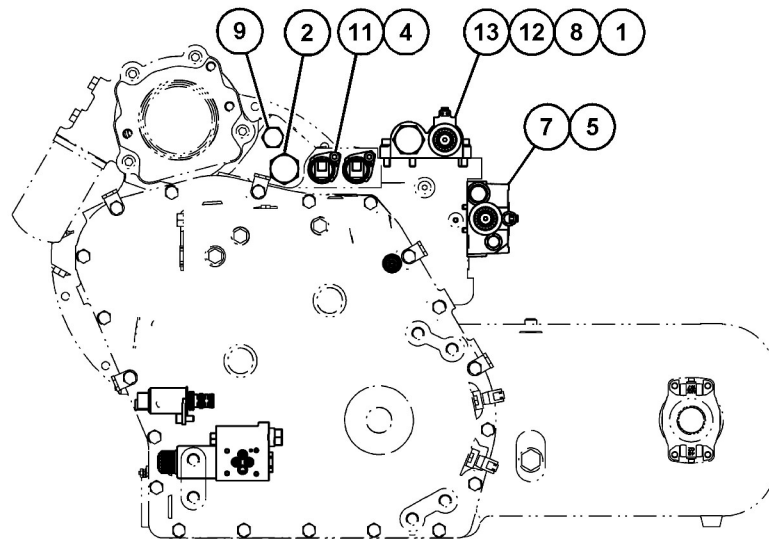
POWER TRAIN

468-0120 CONTROL GP-TRANSMISSION HYD (contd.)

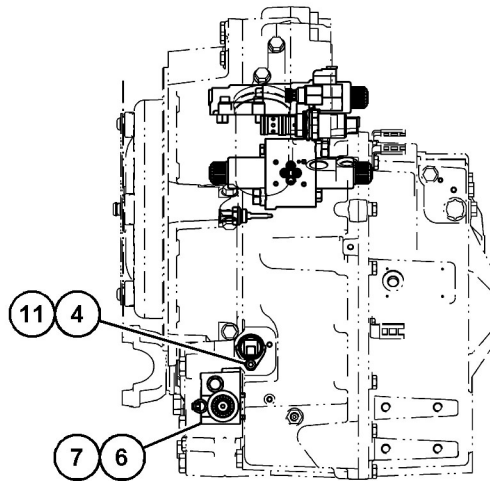
106624638



REAR VIEW



FRONT VIEW



VIEW A-A

<END>

GRAPHIC #1

g06097971

POWER TRAIN

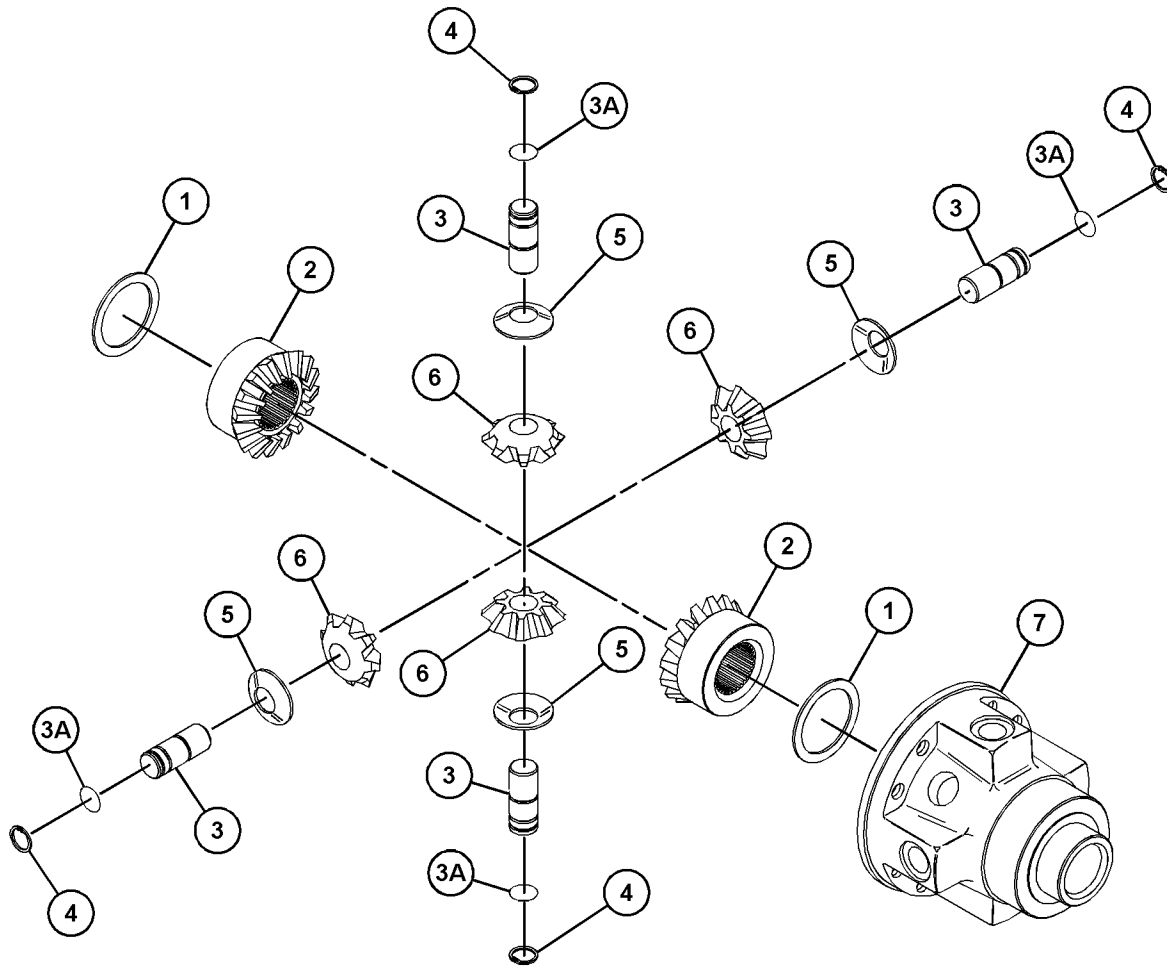
350-8571 DIFFERENTIAL GP

S/N: TD61-UP; TD71-UP
PART OF 485-1677 AXLE GP-REAR
AN ATTACHMENT

SMCS-3258

i06642612

NOTE	REF NO	GRAPHIC REF	PART NUMBER	QTY	PART NAME						SEE PAGE
					1	2	3	4	5	6	
	1	1	304-3223	2	WASHER						
	2	1	458-6148	2	GEAR						
	3	1	299-0789	4	KIT-PIN						
(EACH INCLUDES)											
	3A	1	304-3221	1	CLIP						
	4	1	304-3220	4	CLIP						
	5	1	298-1814	4	WASHER-FRICTION						
	6	1	458-6149	4	PINION-DIFFERENTIAL						
	7	1	304-4582	1	CARRIER AS-DIFFERENTIAL						



GRAPHIC #1

<END>

g06086866

POWER TRAIN

460-9945 GEAR & CASE GP-TRANSFER

S/N: SD31-UP; HA51-UP; H5E1-UP
 PART OF 460-9943, 468-0145 TRANSMISSION AR-POWER SHIFT
 AN ATTACHMENT

SMCS-3159

i06883746

NOTE	REF NO	GRAPHIC REF	PART NUMBER	QTY	PART NAME						SEE PAGE
					1	2	3	4	5	6 (PRODUCT LEVEL)	
Y	1	1	461-1160	1	GEAR & CASE GP-TRANSFER						515
	2	1	334-7459	1	SEAL-LIP TYPE						
	3	1	466-4938	2	SEAL-LIP TYPE						
	4	1	460-9946	1	GEAR AS						
	4A	1	8T-1581	1	BEARING-TAPERED ROLLER						
	4B	1	334-7440	1	BEARING-ROLLER						
		1	460-8951	1	GEAR-INPUT (35-TEETH)						
	5	1	460-9947	1	GEAR AS-IDLER						
	5A	1	123-8907	2	CONE-BEARING						
		1	460-8952	1	GEAR-IDLER (37-TEETH)						
	6	1	460-9948	1	GEAR AS-IDLER						
	6A	1	123-8907	2	CONE-BEARING						
		1	460-8953	1	GEAR-IDLER (35-TEETH)						
	7	1	460-9949	1	SHAFT AS-OUTPUT						
	7A	1	8T-1581	2	BEARING-TAPERED ROLLER						
		1	6V-8757	2	RING-RETAINING						
		1	334-7418	1	SHAFT						
		1	460-8954	1	GEAR-OUTPUT (32-TEETH)						
Y	8	1	464-5019	1	CASE GP-TRANSFER						491
	9	1	122-1883	2	SPACER (38X45X5-MM THK)						
	10	1	334-7525	2	YOKE AS						
	11	1	5P-8066	2	SEAL-O-RING						
	12	1	7T-3195	2	WASHER (12.3X47X6.35-MM THK)						
M	13	1	6V-8097	2	BOLT (M12X1.75X30-MM)						
M	14	1	160-8742	14	BOLT (M10X1.5X55-MM)						
M	15	1	6V-5815	2	BOLT (M10X1.5X75-MM)						
M	16	1	6V-8154	6	BOLT (M16X2X150-MM)						

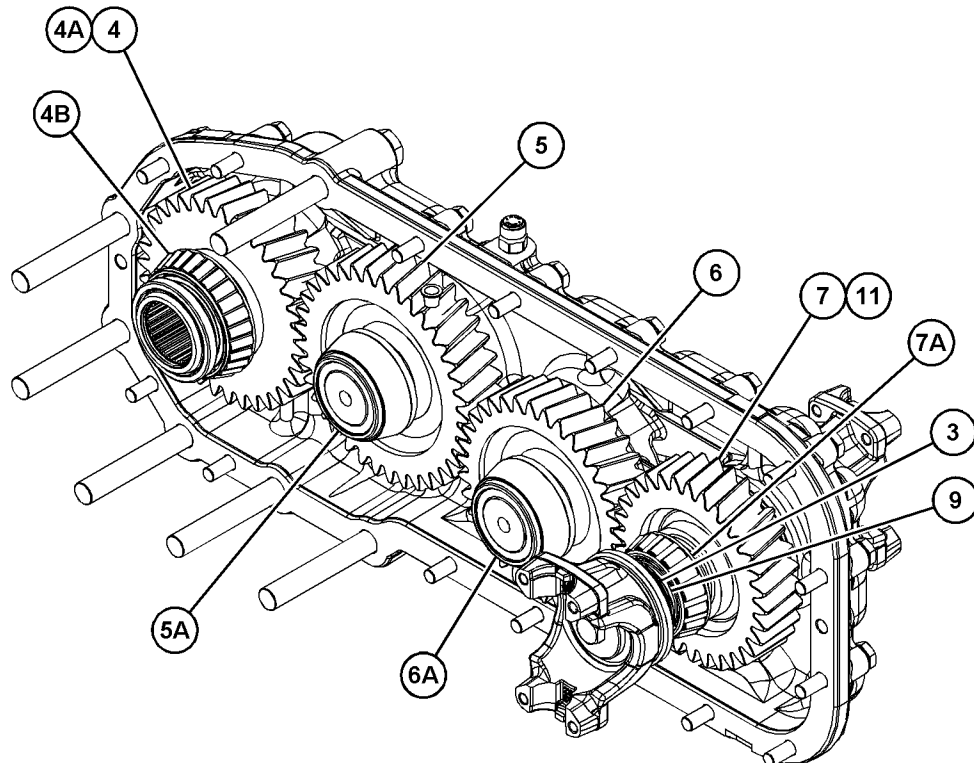
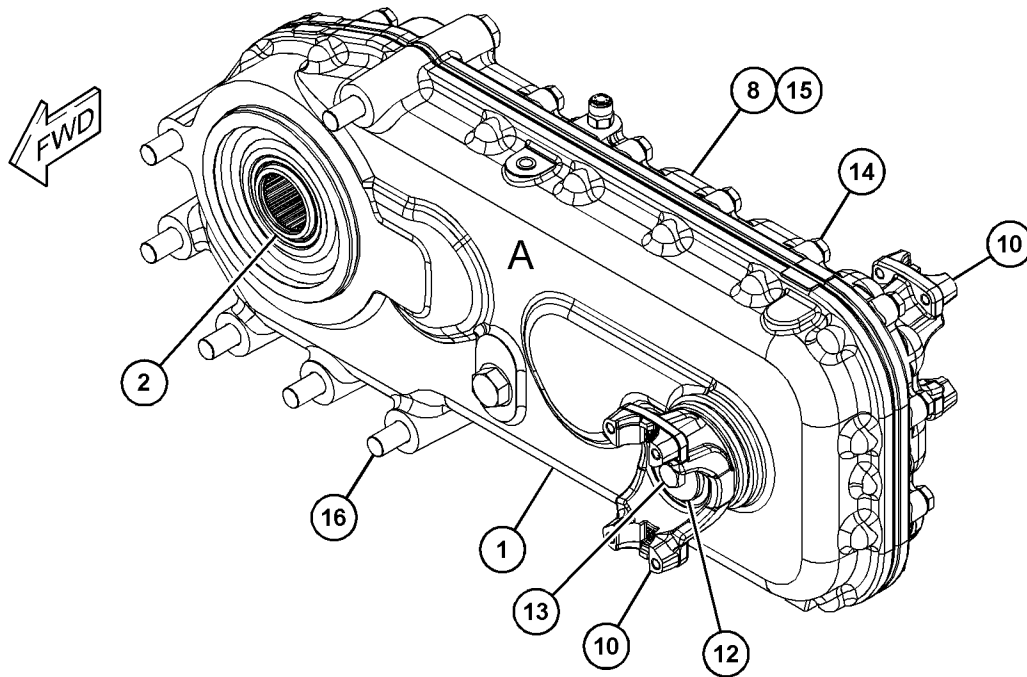
M - METRIC PART

Y - SEPARATE ILLUSTRATION

POWER TRAIN

460-9945 GEAR & CASE GP-TRANSFER (contd.)

i06883746



VIEW OF AREA A
(PARTS REMOVED FOR CLARITY)

GRAPHIC #1

<END>

g06086992

POWER TRAIN

461-1160 GEAR & CASE GP-TRANSFER

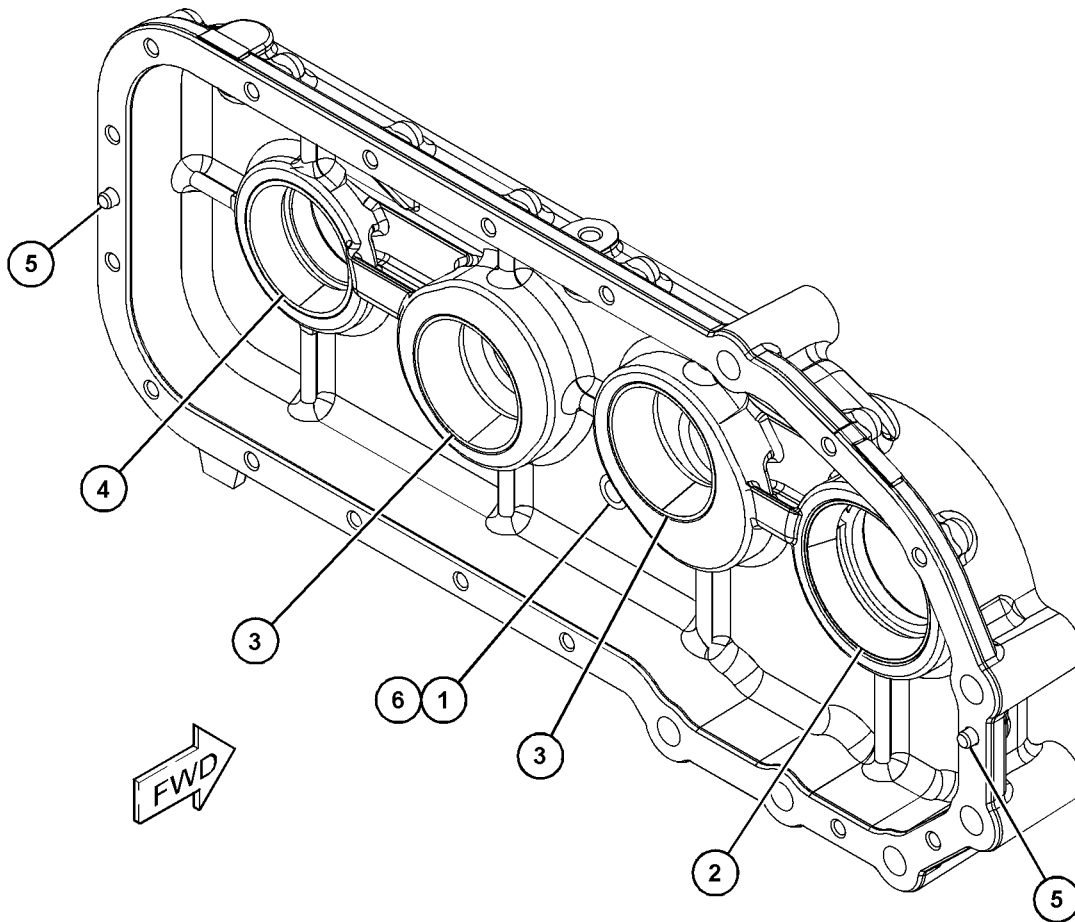
S/N: SD31-UP; HA51-UP; H5E1-UP

PART OF 460-9945, 526-0637 GEAR & CASE GP-TRANSFER
AN ATTACHMENT

SMCS-3159

i06709043

NOTE	REF NO	GRAPHIC REF	PART NUMBER	QTY	PART NAME						SEE PAGE
					1	2	3	4	5	6	
	1	1	9S-4190	1	PLUG-O-RING (7/8-14-THD)						
	2	1	334-7441	1	CUP-TAPERED ROLLER						
	3	1	123-8908	2	CUP-TAPERED ROLLER						
	4	1	8T-1580	1	CUP-BEARING (TAPERED ROLLER)						
	5	1	8T-5353	2	DOWEL						
	6	1	6V-4589	1	SEAL-O-RING						



GRAPHIC #1

<END>

g06082192

POWER TRAIN

526-0637 GEAR & CASE GP-TRANSFER

S/N: SD31-UP; H5E1-UP

PART OF 460-9943 TRANSMISSION AR-POWER SHIFT
AN ATTACHMENT

SMCS-3159

i06938270

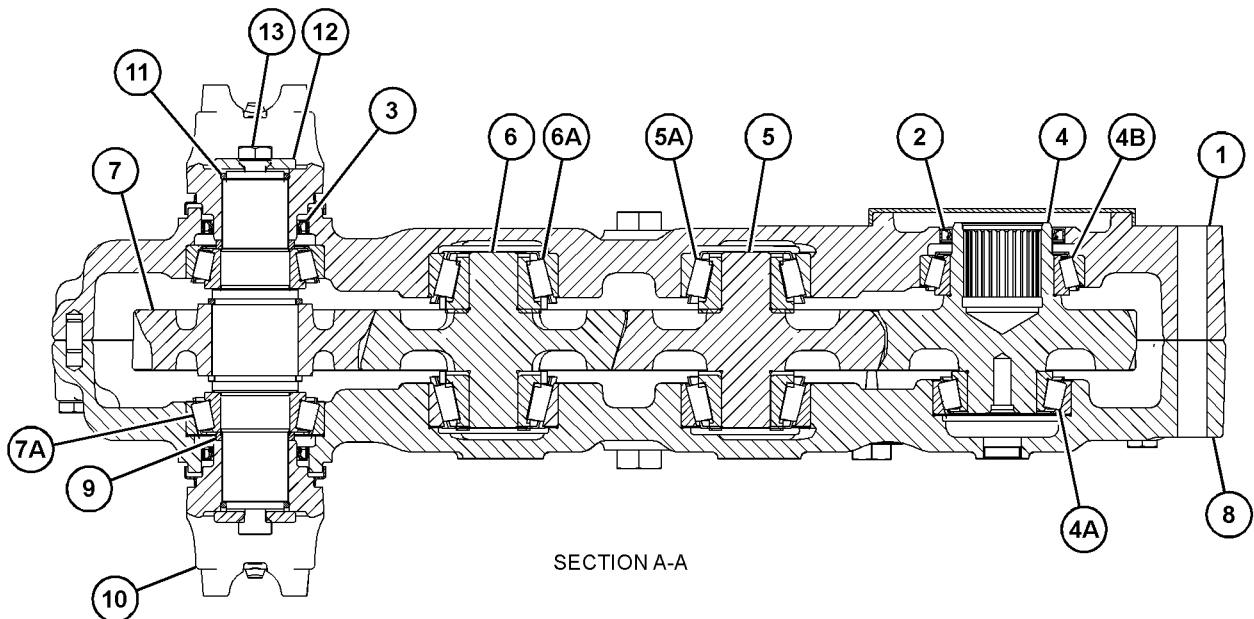
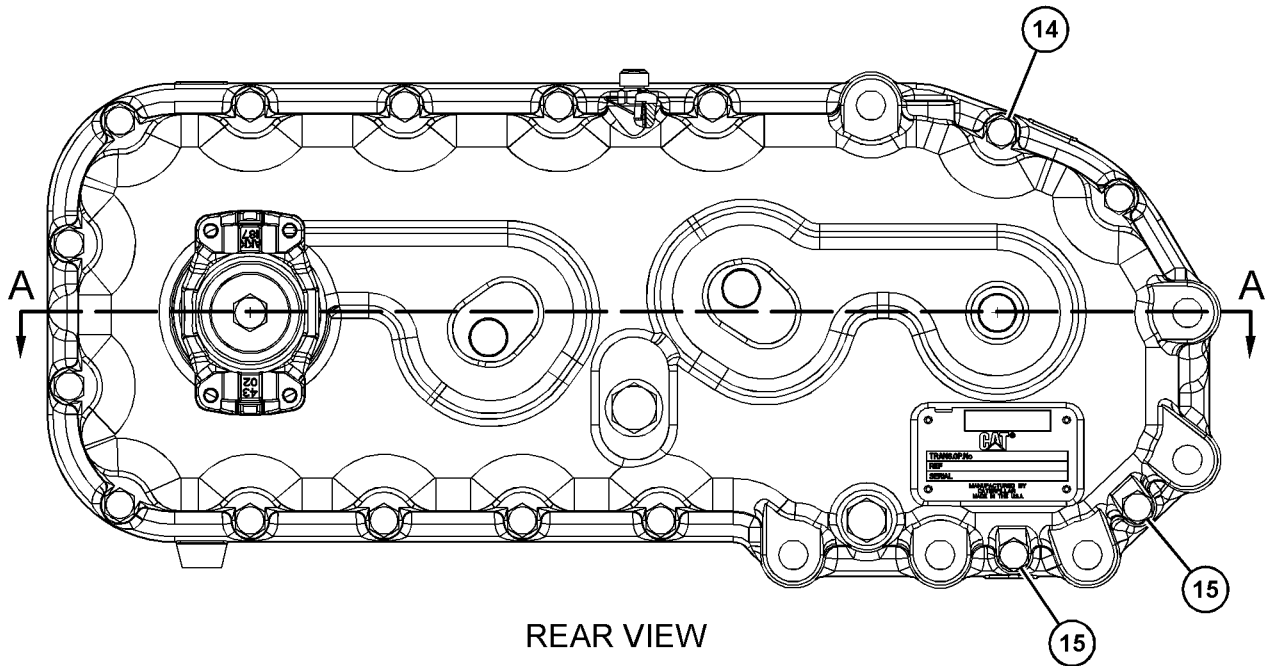
NOTE	REF NO	GRAPHIC REF	PART NUMBER	QTY	PART NAME	SEE PAGE
					1 2 3 4 5 6 (PRODUCT LEVEL)	
Y	1	1	461-1160	1	GEAR & CASE GP-TRANSFER (REAR)	515
	2	1	334-7459	1	SEAL-LIP TYPE	
	3	1	466-4938	2	SEAL-LIP TYPE	
	4	1	460-9946	1	GEAR AS	
	4A	1	8T-1581	1	BEARING-TAPERED ROLLER	
	4B	1	334-7440	1	BEARING-ROLLER	
		1	460-8951	1	GEAR-INPUT	
	5	1	460-9947	1	GEAR AS-IDLER	
	5A	1	123-8907	2	CONE-BEARING	
		1	460-8952	1	GEAR-IDLER	
	6	1	460-9948	1	GEAR AS-IDLER	
	6A	1	123-8907	2	CONE-BEARING	
		1	460-8953	1	GEAR-IDLER	
	7	1	460-9949	1	SHAFT AS-OUTPUT	
		1	6V-8757	2	RING-RETAINING	
	7A	1	8T-1581	2	BEARING-TAPERED ROLLER	
		1	334-7418	1	SHAFT	
		1	460-8954	1	GEAR-OUTPUT	
Y	8	1	464-5019	1	CASE GP-TRANSFER (FRONT)	491
	9	1	122-1883	2	SPACER (38X45X5-MM THK)	
	10	1	334-7525	2	YOKE AS	
	11	1	5P-8066	2	SEAL-O-RING	
	12	1	7T-3195	2	WASHER (12.3X47X6.35-MM THK)	
M	13	1	6V-8097	2	BOLT (M12X1.75X30-MM)	
M	14	1	160-8742	14	BOLT (M10X1.5X55-MM)	
M	15	1	6V-5815	2	BOLT (M10X1.5X75-MM)	

M - METRIC PART
Y - SEPARATE ILLUSTRATION

POWER TRAIN

526-0637 GEAR & CASE GP-TRANSFER (contd.)

i06938270



GRAPHIC #1

<END>

g06177318

POWER TRAIN

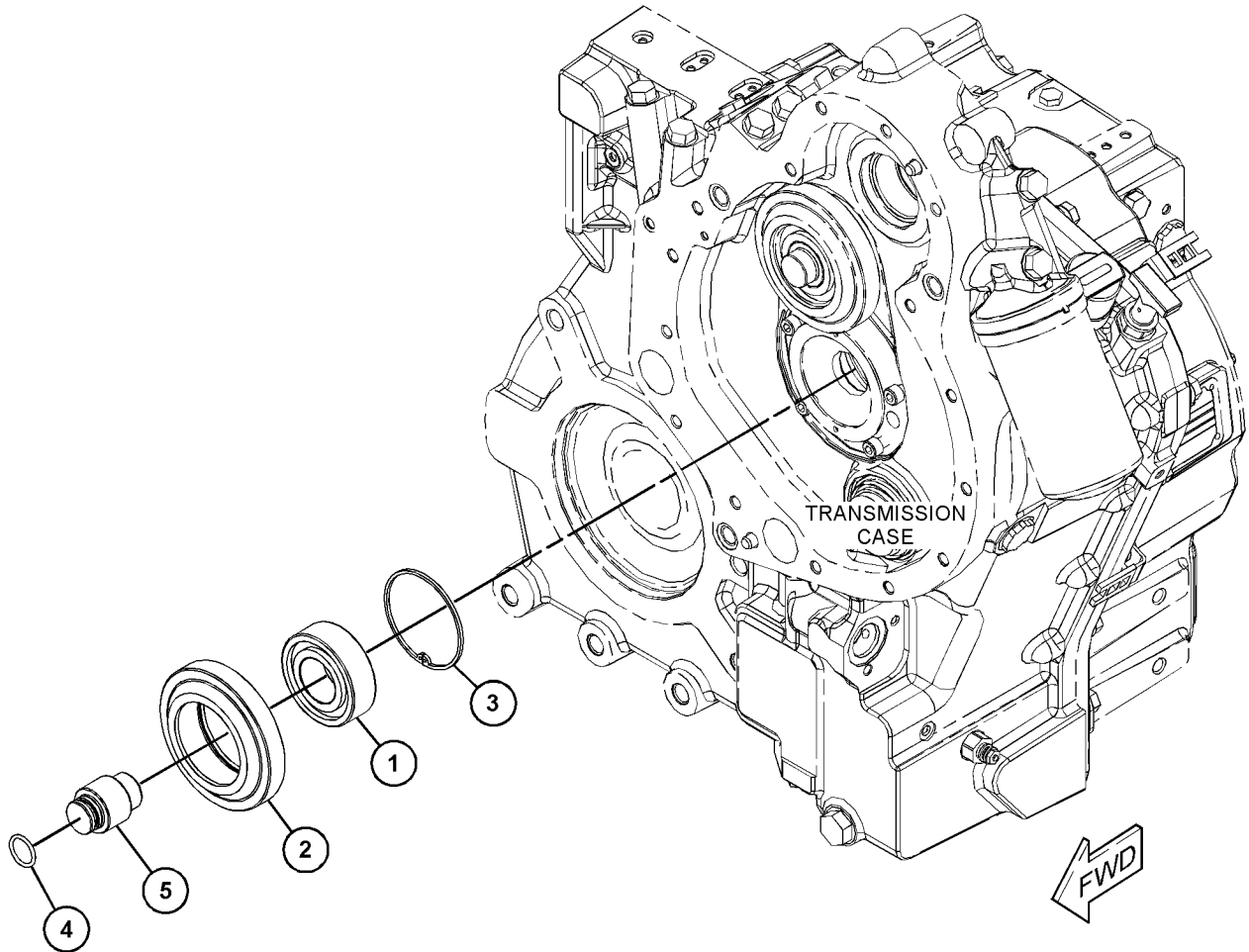
334-7404 GEAR GP-IDLER

S/N: BK21-UP; SD31-UP; HA51-UP; H5E1-UP; H5F1-UP
 PART OF 482-1134 CASE & PARTS GP-PLANETARY, 468-0122 CASE GP-TRANSMISSION
 AN ATTACHMENT

SMCS-1234

i05771331

NOTE	REF NO	GRAPHIC REF	PART NUMBER	QTY	PART NAME						SEE PAGE
					1	2	3	4	5	6 (PRODUCT LEVEL)	
	1	1	209-3768	1	BEARING AS-ROLLER						
	2	1	334-6764	1	GEAR (34-TEETH)						
	3	1	334-4921	1	RING-RETAINING						
	4	1	334-3567	1	SEAL-O-RING						
	5	1	334-6849	1	SHAFT						



GRAPHIC #1

<END>

g03671209

POWER TRAIN

459-8308 GEAR GP-TRANSFER

S/N: BK21-UP; H5F1-UP

PART OF 482-2978 TRANSMISSION AR-POWER SHIFT
AN ATTACHMENT

SMCS-3159

i06603098

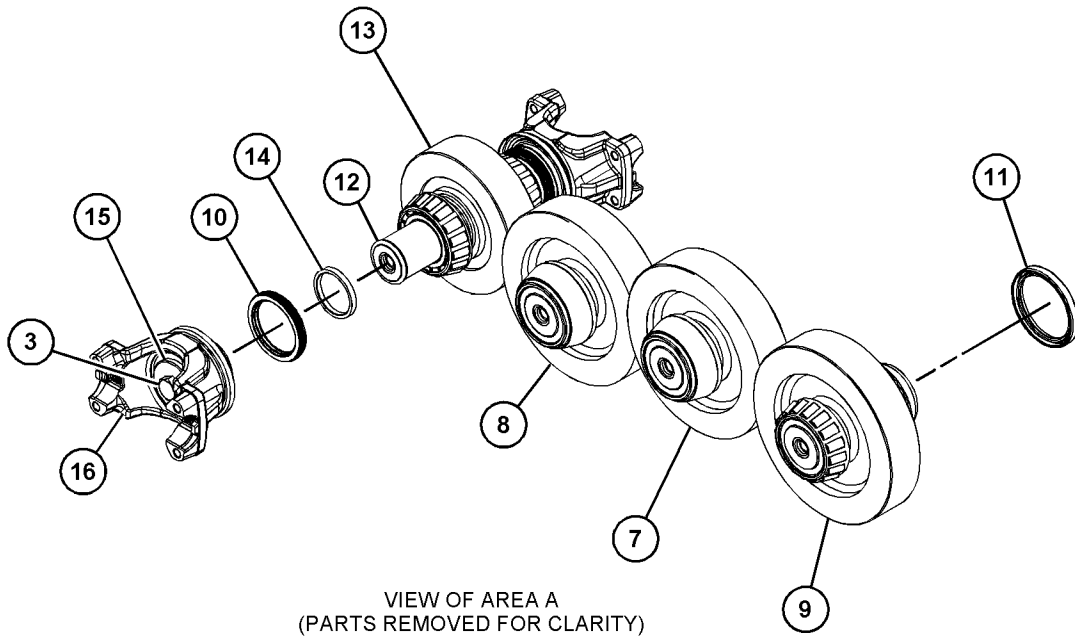
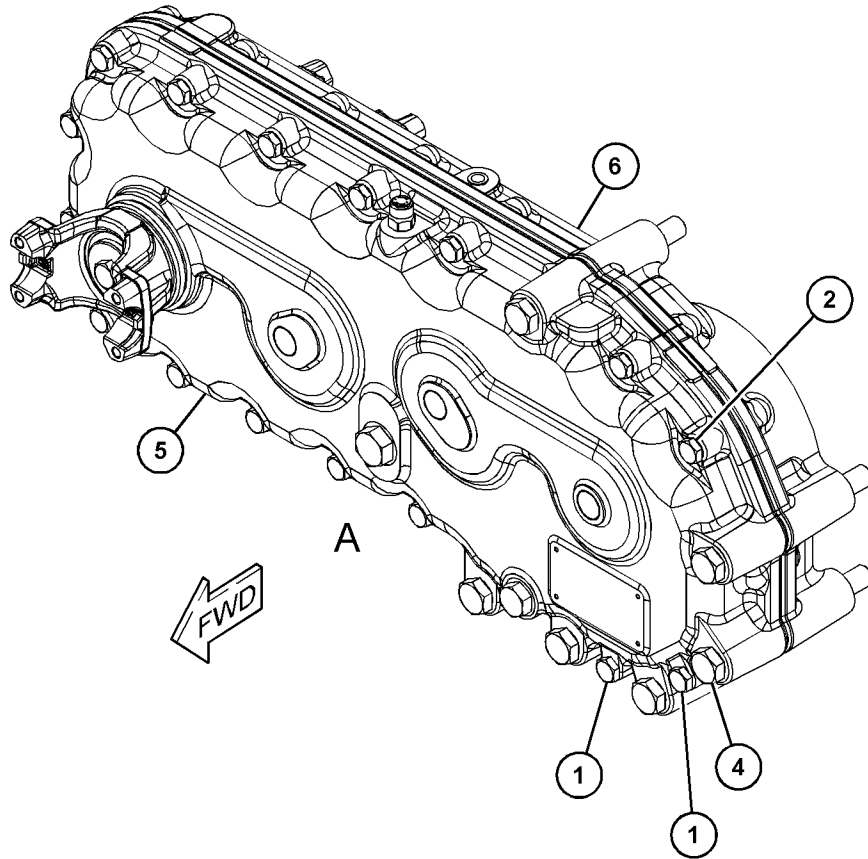
NOTE	REF NO	GRAPHIC REF	PART NUMBER	QTY	PART NAME						SEE PAGE
					1	2	3	4	5	6 (PRODUCT LEVEL)	
M	1	1	6V-5815	2	BOLT (M10X1.5X75-MM)						
M	2	1	160-8742	14	BOLT (M10X1.5X55-MM)						
M	3	1	6V-8097	2	BOLT (M12X1.75X30-MM)						
M	4	1	6V-8154	6	BOLT (M16X2X150-MM)						
Y	5	1	464-5020	1	CASE GP-TRANSMISSION (TRANSFER)						495
Y	6	1	459-8309	1	CASE GP-TRANSMISSION (TRANSFER)						494
	7	1	334-7427	1	GEAR AS-IDLER (LH)						
	8	1	334-7428	1	GEAR AS-IDLER (RH)						
					(EACH GEAR AS-IDLER INCLUDES)						
		1	123-8907		CONE-BEARING						
	9	1	378-9815	1	GEAR AS-TRANSFER (INPUT)						
		1	8T-1581	1	BEARING-TAPERED ROLLER						
		1	334-7440	1	BEARING-ROLLER						
	10	1	466-4938	2	SEAL-LIP TYPE						
	11	1	334-7459	1	SEAL-LIP TYPE						
	12	1	5P-8066	2	SEAL-O-RING						
	13	1	378-9816	1	SHAFT AS-OUTPUT (LH)						
		1	6V-8757	2	RING-RETAINING						
		1	8T-1581	2	BEARING-TAPERED ROLLER						
		1	334-7418	1	SHAFT						
		1	378-9814	1	GEAR-OUTPUT (29-TEETH)						
	14	1	122-1883	2	SPACER (38X45X5-MM THK)						
	15	1	7T-3195	2	WASHER (12.3X47X6.35-MM THK)						
	16	1	334-7525	2	YOKE AS						

M - METRIC PART
Y - SEPARATE ILLUSTRATION

POWER TRAIN

459-8308 GEAR GP-TRANSFER (contd.)

i06603098



GRAPHIC #1

<END>

g06060872

POWER TRAIN

418-7407 PUMP GP-TRANSMISSION

S/N: BK21-UP; SD31-UP; HA51-UP; H5E1-UP; H5F1-UP

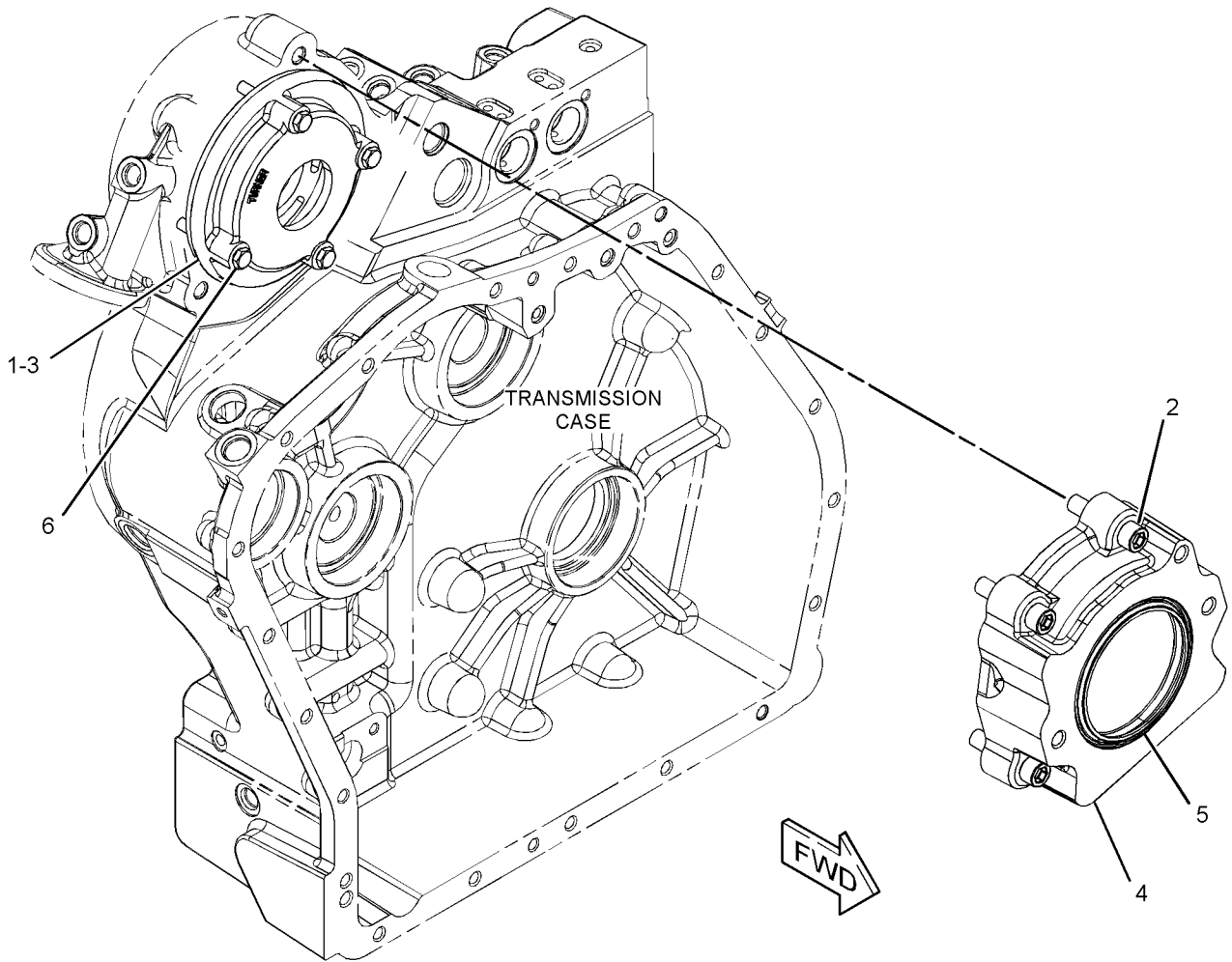
PART OF 460-9943, 468-0145, 482-2978, 526-0654 TRANSMISSION AR-POWER SHIFT
AN ATTACHMENT

SMCS-3066

i05752280

NOTE	REF NO	GRAPHIC REF	PART NUMBER	QTY	PART NAME						SEE PAGE
					1	2	3	4	5	6 (PRODUCT LEVEL)	
	1	1	334-3575	1	SEAL-O-RING						
	2	1	334-4206	4	BOLT (M12X1.75X50-MM)						
	3	1	334-7450	1	PUMP						
	4	1	334-7439	1	HOUSING-PUMP						
	5	1	334-7558	1	PLUG						
M	6	1	449-8814	4	BOLT (M8X1.25X55-MM)						

M - METRIC PART



GRAPHIC #1

<END>

g03660636

POWER TRAIN

496-6524 SHAFT GP-DRIVE

S/N: TD61-UP; TD71-UP

PART OF 505-5341, 518-5883, 518-5884 TRANSMISSION AR
AN ATTACHMENT

SMCS-3253

i06601135

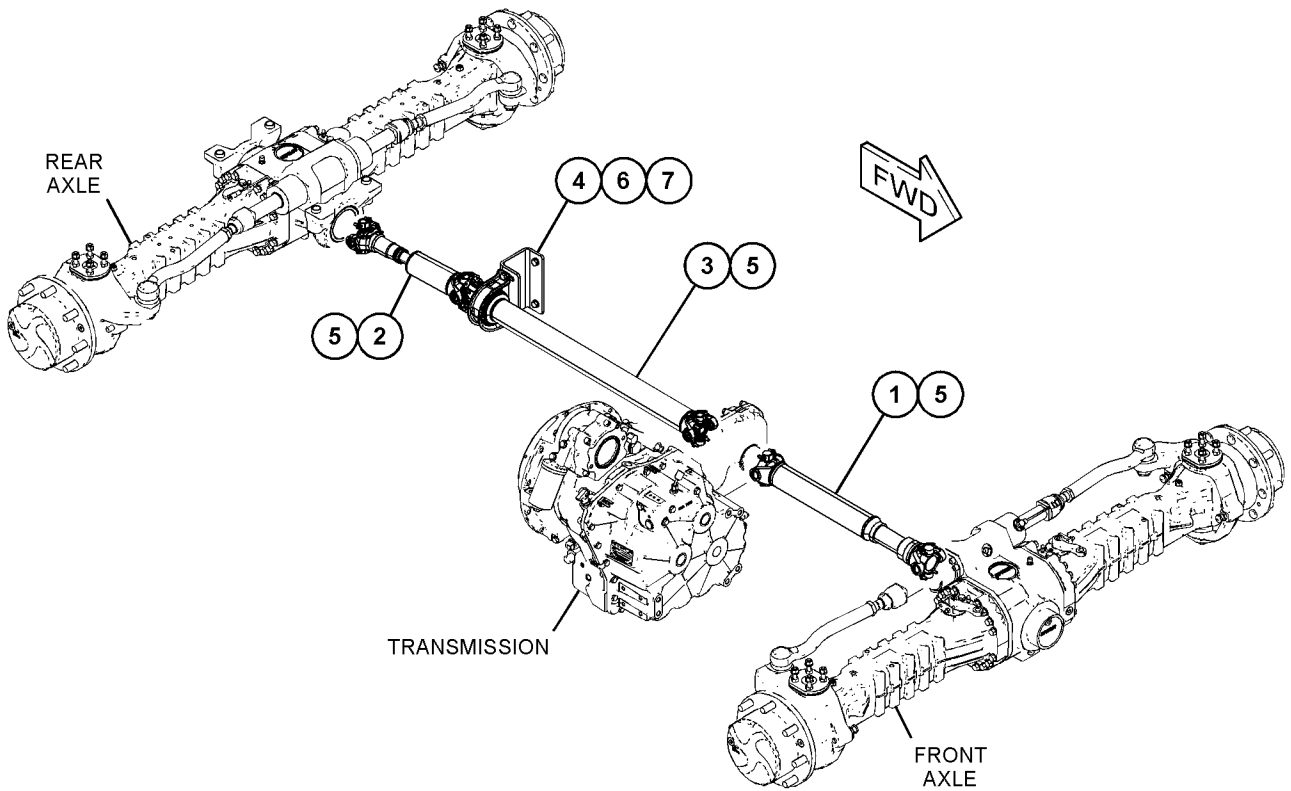
NOTE	REF NO	GRAPHIC REF	PART NUMBER	QTY	PART NAME						SEE PAGE
					1	2	3	4	5	6	
J	1	1	496-6525	1	SHAFT AS-DRIVE						
L	2	1	496-6526	1	SHAFT AS-DRIVE						
N	3	1	496-6527	1	SHAFT AS-DRIVE						
	4	1	496-6528	1	SUPPORT AS						
	5	1	327-6739	10	FASTENER						
M	6	1	8T-4139	4	BOLT (M12X1.75X30-MM)						
	7	1	8T-4223	4	WASHER-HARD (13.5X25.5X3-MM THK)						

AVAILABLE REPAIR KIT(S) :

JLN		392-6301	1	KIT-SPIDER & BEARING
-----	--	-----------------	---	----------------------

(INCLUDES SNAP RINGS, BEARING ASSEMBLIES & UNIVERSAL JOINT)

J - KIT MARKED J SERVICES PART(S) MARKED J
L - KIT MARKED L SERVICES PART(S) MARKED L
M - METRIC PART
N - KIT MARKED N SERVICES PART(S) MARKED N



GRAPHIC #1

<END>

g06053958

POWER TRAIN

334-7556 SHAFT GP-INPUT

S/N: BK21-UP; SD31-UP; H5E1-UP; H5F1-UP

PART OF 460-9943, 482-2978, 526-0654 TRANSMISSION AR-POWER SHIFT

AN ATTACHMENT

SMCS-3063

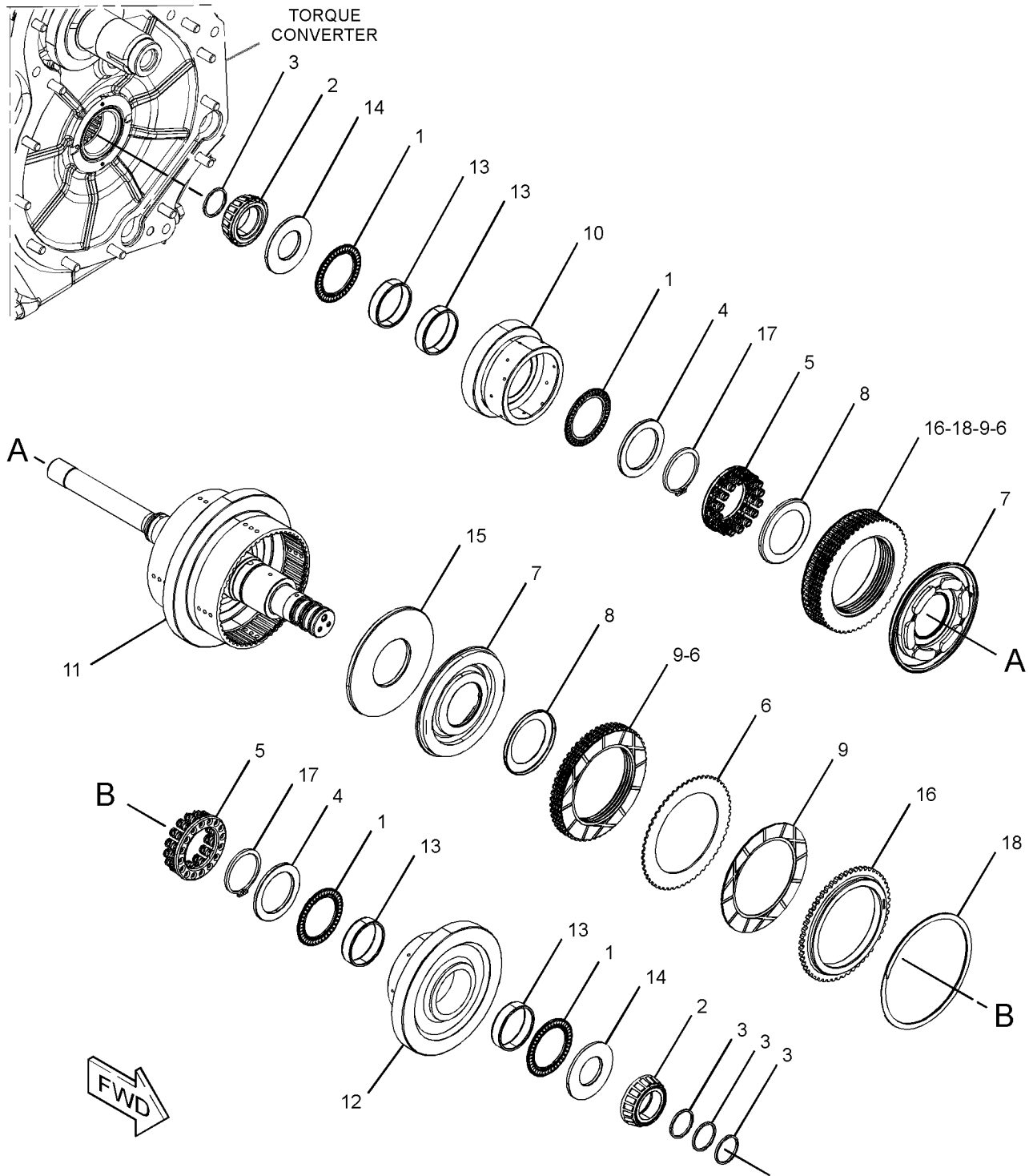
i06831771

NOTE	REF NO	GRAPHIC REF	PART NUMBER	QTY	PART NAME						SEE PAGE
					1	2	3	4	5	6 (PRODUCT LEVEL)	
	1	1	172-5317	4	BEARING-SPECIAL						
	2	1	005-0471	2	CONE-BEARING						
	3	1	6Y-1192	4	RING-SEAL						
	4	1	121-2500	2	WASHER-THRUST (50X70X4-MM THK)						
	5	1	147-0238	2	SPRING AS						
	6	1	274-4553	10	DISC-CLUTCH						
	7	1	294-9810	2	PISTON						
	8	1	294-9812	2	RETAINER-SPRING						
	9	1	313-5544	10	DISC-FRICTION						
	10	1	334-6652	1	GEAR (27-TEETH)						
	11	1	334-6859	1	SHAFT AS						
		1	123-2920	2	PLUG						
		1	334-7563	1	PLUG-ORIFICE						
	12	1	334-7416	1	GEAR (45-TEETH)						
	13	1	334-7444	4	BEARING-NEEDLE						
	14	1	334-7453	2	WASHER-THRUST (35.26X70X4-MM THK)						
	15	1	334-7486	1	SPACER (57.35X133.15X6.00-MM THK)						
	16	1	378-9766	2	PLATE-RETAINER						
	17	1	6V-8757	2	RING-RETAINING						
	18	1	9U-8875	2	RING-RETAINING						

POWER TRAIN

334-7556 SHAFT GP-INPUT (contd.)

i06831771



GRAPHIC #1

<END>

g03655694

POWER TRAIN

468-0119 SHAFT GP-INPUT

S/N: HA51-UP

PART OF 468-0145 TRANSMISSION AR-POWER SHIFT
AN ATTACHMENT

SMCS-3063

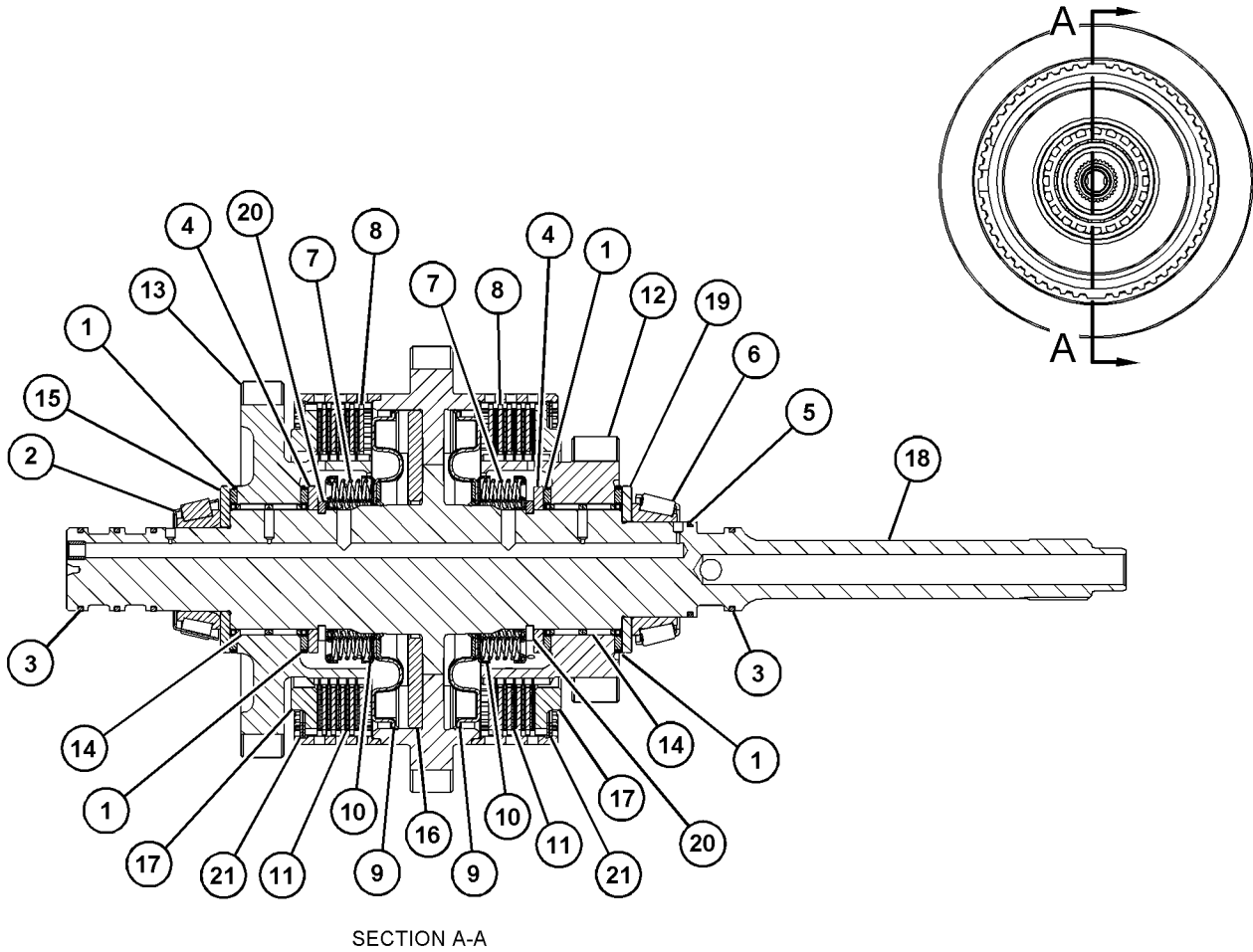
i06624634

NOTE	REF NO	GRAPHIC REF	PART NUMBER	QTY	PART NAME						SEE PAGE
					1	2	3	4	5	6 (PRODUCT LEVEL)	
	1	1	172-5317	4	BEARING-SPECIAL						
	2	1	005-0471	1	CONE-BEARING						
	3	1	6Y-1192	4	RING-SEAL						
	4	1	121-2500	2	WASHER-THRUST (50X70X4-MM THK)						
	5	1	122-1886	1	RING-SEAL						
	6	1	123-8905	1	CONE-BEARING						
	7	1	147-0238	2	SPRING AS						
	8	1	274-4553	10	DISC-CLUTCH						
	9	1	294-9810	2	PISTON						
	10	1	294-9812	2	RETAINER-SPRING						
	11	1	313-5544	10	DISC-FRICTION						
	12	1	334-6652	1	GEAR (27-TEETH)						
	13	1	334-7416	1	GEAR (45-TEETH)						
	14	1	334-7444	4	BEARING-NEEDLE						
	15	1	334-7453	1	WASHER-THRUST (35.26X70X4-MM THK)						
	16	1	334-7486	1	SPACER (57.35X133.15X6.00-MM THK)						
	17	1	378-9766	2	PLATE-RETAINER						
	18	1	468-0118	1	SHAFT AS						
		1	123-2920	2	PLUG						
		1	334-7563	1	PLUG-ORIFICE						
	19	1	468-0143	1	WASHER-THRUST						
	20	1	6V-8757	2	RING-RETAINING						
	21	1	9U-8875	2	RING-RETAINING						

POWER TRAIN

468-0119 SHAFT GP-INPUT (contd.)

i06624634



SECTION A-A

GRAPHIC #1

<END>

g06087488

POWER TRAIN

334-7541 SHAFT GP-OUTPUT

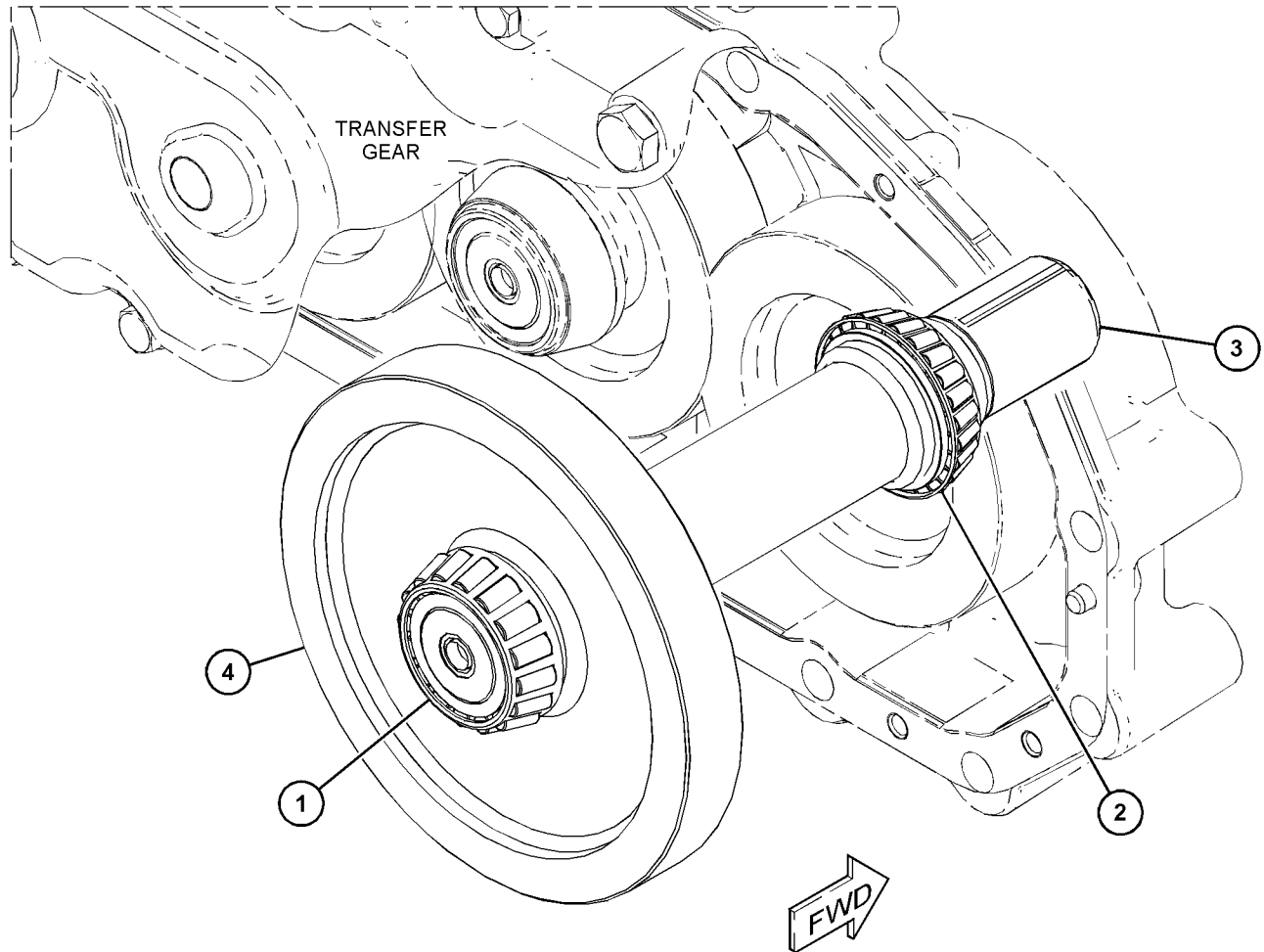
S/N: BK21-UP; SD31-UP; HA51-UP; H5E1-UP; H5F1-UP

PART OF 460-9943, 468-0145, 482-2978, 526-0654 TRANSMISSION AR-POWER SHIFT
AN ATTACHMENT

SMCS-3063

i05759877

NOTE	REF NO	GRAPHIC REF	PART NUMBER	QTY	PART NAME						SEE PAGE
					1	2	3	4	5	6 (PRODUCT LEVEL)	
	1	1	8T-1581	1	BEARING-TAPERED ROLLER						
	2	1	123-8909	1	CONE-BEARING						
	3	1	334-6678	1	GEAR (56-TEETH)						
	4	1	334-6837	1	SHAFT (OUTPUT)						



GRAPHIC #1

<END>

g03659587

POWER TRAIN

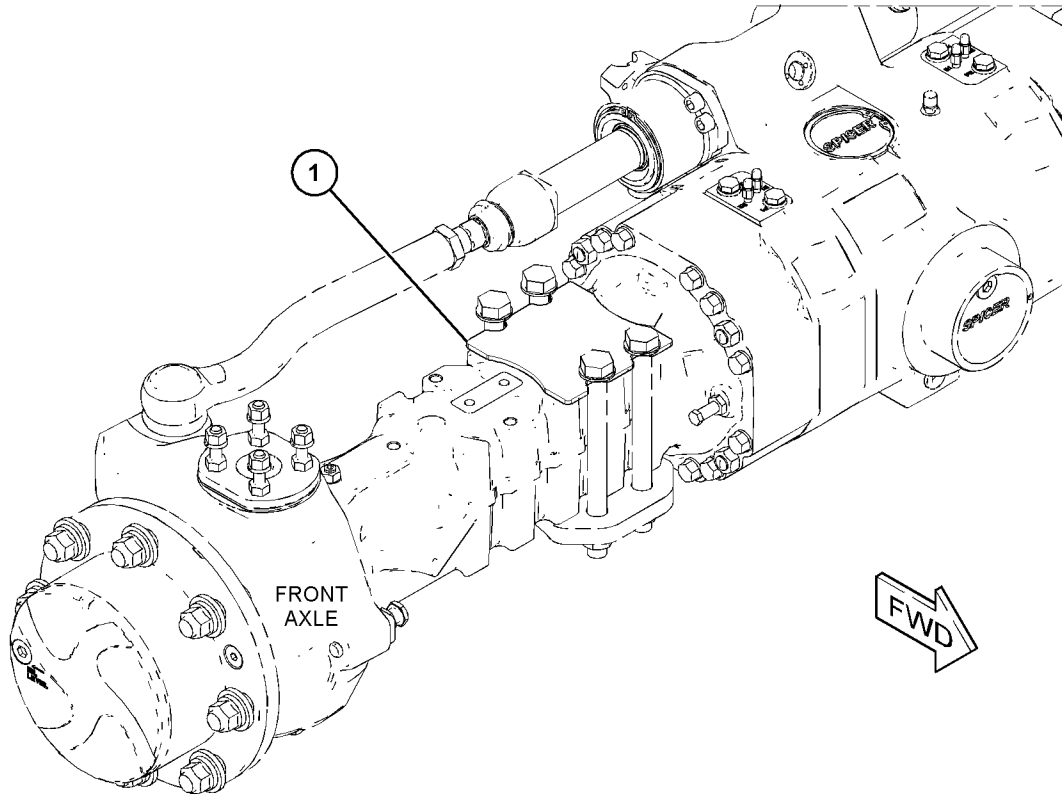
503-1702 SHIM GP-AXLE INSTALLATION

S/N: TD61-UP; TD71-UP
PART OF 517-9299, 517-9300 AXLE AR
AN ATTACHMENT

SMCS-3282

i06893325

NOTE	REF NO	GRAPHIC REF	PART NUMBER	QTY	PART NAME						SEE PAGE
					1	2	3	4	5	6 (PRODUCT LEVEL)	
	1	1	503-1703	1	PLATE						



GRAPHIC #1

<END>

g06163133

POWER TRAIN

512-4763 TIRE & RIM AR

S/N: TD61-UP; TD71-UP

AN ATTACHMENT

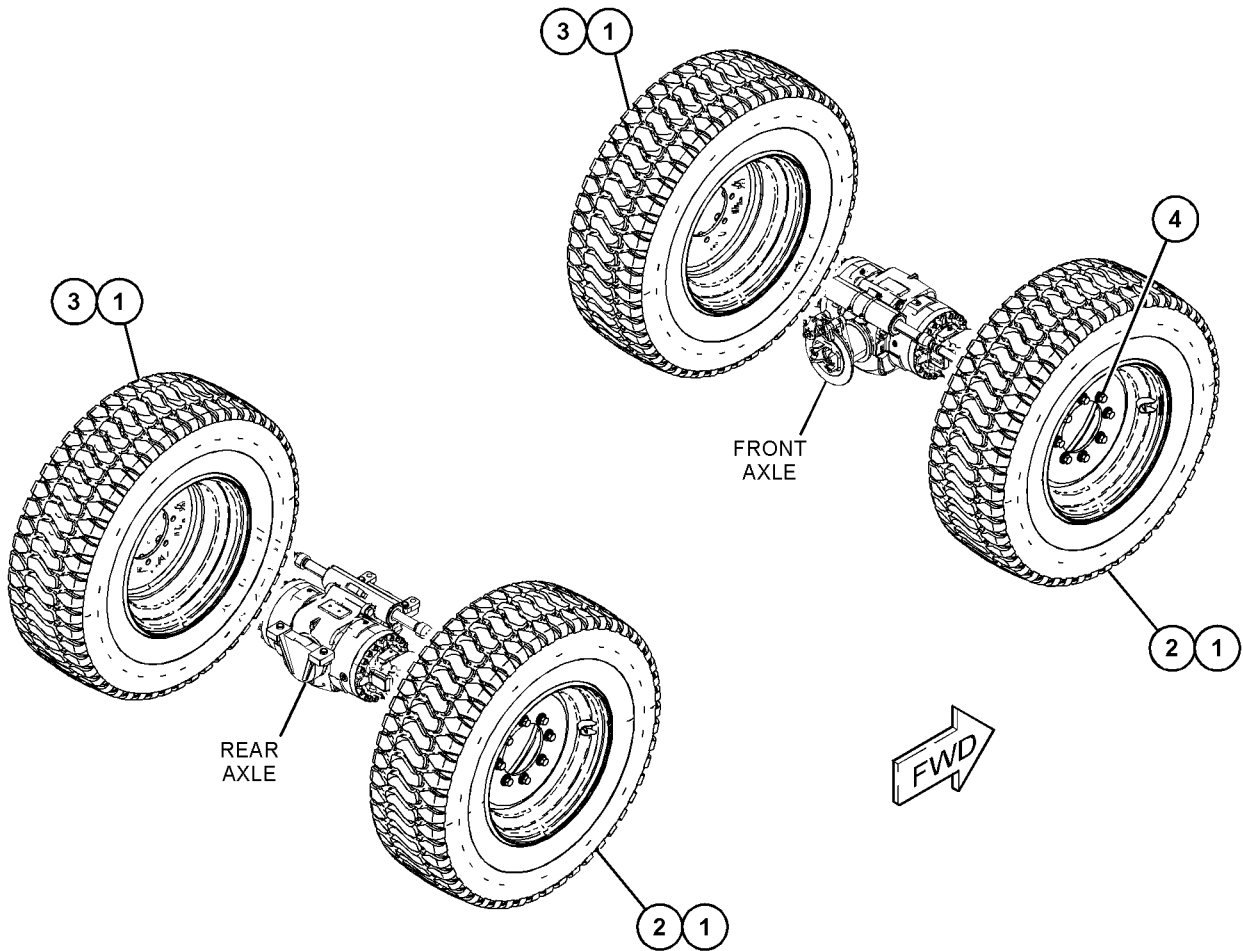
SMCS-4202, 4203, 4209

i06907149

NOTE	REF NO	GRAPHIC REF	PART NUMBER	QTY	PART NAME						SEE PAGE
					1	2	3	4	5	6 (PRODUCT LEVEL)	
	1	1	348-9442	4	FILM-INFORMATION (TIRE PRESSURE)						
Y	2	1	526-0580	2	TIRE & RIM GP (RH)						544
Y	3	1	526-0581	2	TIRE & RIM GP (LH)						545
	4	1	486-8069	1	FASTENER GP						
M		1	5W-1386	32	NUT (M22X1.5-THD)						
		1	351-7528	32	WASHER (22.5X46X6-MM THK)						

M - METRIC PART

Y - SEPARATE ILLUSTRATION



GRAPHIC #1

<END>

g06115851

POWER TRAIN

512-4764 TIRE & RIM AR

S/N: TD61-UP; TD71-UP

(15X24)

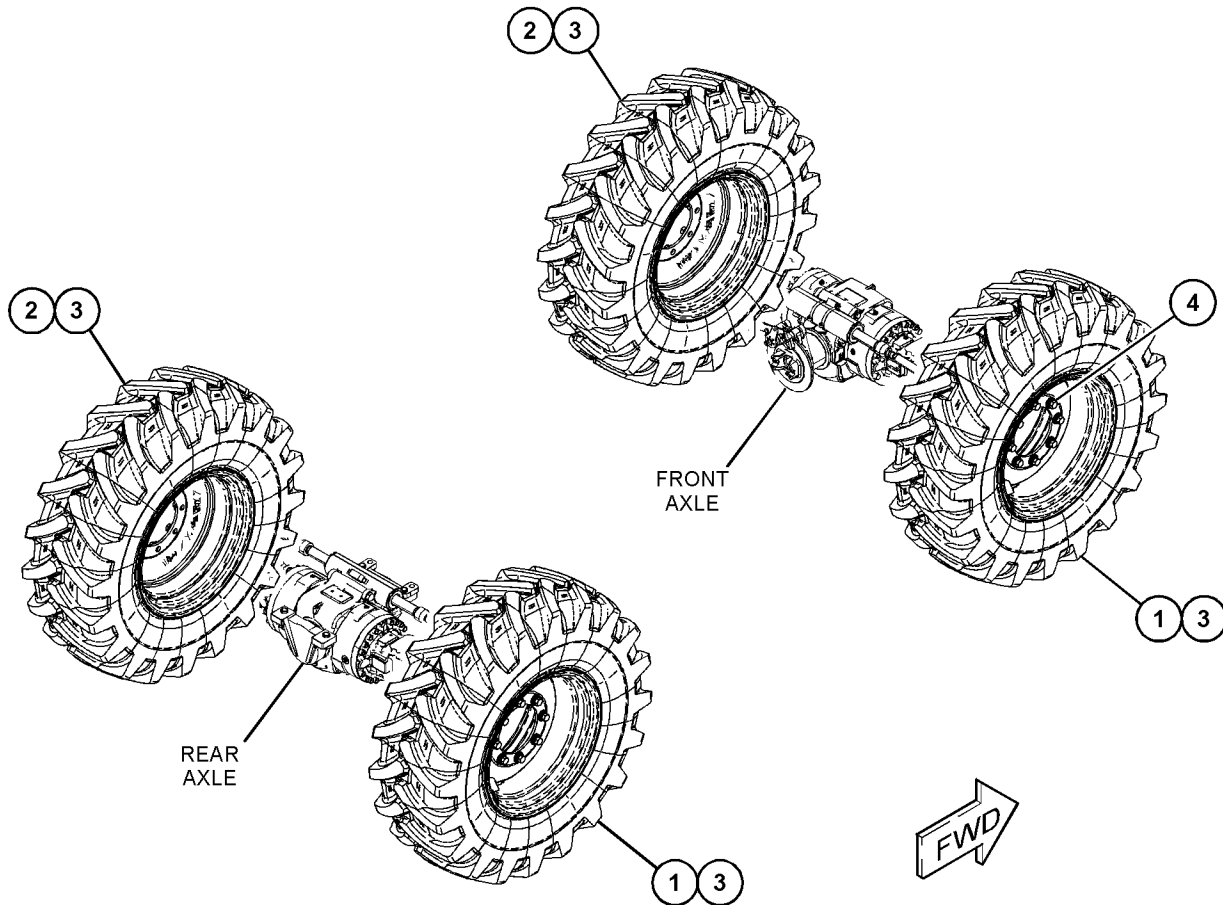
AN ATTACHMENT

SMCS-4202, 4203, 4209

i06928724

NOTE	REF NO	GRAPHIC REF	PART NUMBER	QTY	PART NAME						SEE PAGE
					1	2	3	4	5	6 (PRODUCT LEVEL)	
Y	1	1	526-9593	2	TIRE & RIM GP (RH)						558
Y	2	1	526-9592	2	TIRE & RIM GP (LH)						557
	3	1	348-9442	4	FILM-INFORMATION (TIRE PRESSURE)						
	4	1	486-8069	1	FASTENER GP						
M		1	5W-1386	32	NUT (M22X1.5-THD)						
		1	351-7528	32	WASHER (22.5X46X6-MM THK)						

M - METRIC PART
Y - SEPARATE ILLUSTRATION



GRAPHIC #1

<END>

g06115794

POWER TRAIN

512-4765 TIRE & RIM AR

S/N: TD61-UP; TD71-UP

(15X24)

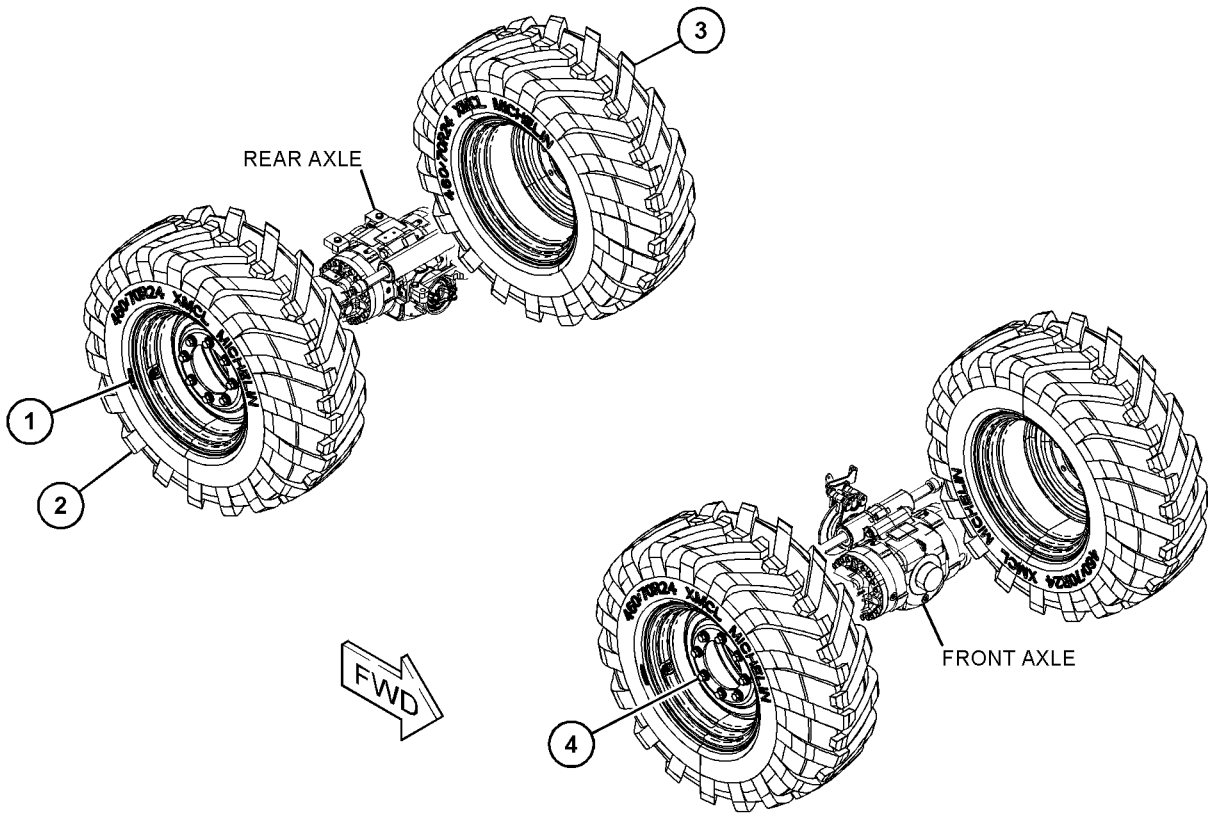
AN ATTACHMENT

SMCS-4202, 4203, 4209

i06928737

NOTE	REF NO	GRAPHIC REF	PART NUMBER	QTY	PART NAME						SEE PAGE
					1	2	3	4	5	6 (PRODUCT LEVEL)	
	1	1	348-9444	4	FILM-INFORMATION (TIRE PRESSURE)						
Y	2	1	526-5728	2	TIRE & RIM GP (RH)						549
Y	3	1	526-6911	2	TIRE & RIM GP (LH)						550
	4	1	486-8069	1	FASTENER GP						
M		1	5W-1386	32	NUT (M22X1.5-THD)						
		1	351-7528	32	WASHER (22.5X46X6-MM THK)						

M - METRIC PART
Y - SEPARATE ILLUSTRATION



GRAPHIC #1

<END>

g06119645

POWER TRAIN

512-4766 TIRE & RIM AR

S/N: TD61-UP; TD71-UP

(15X24)

AN ATTACHMENT

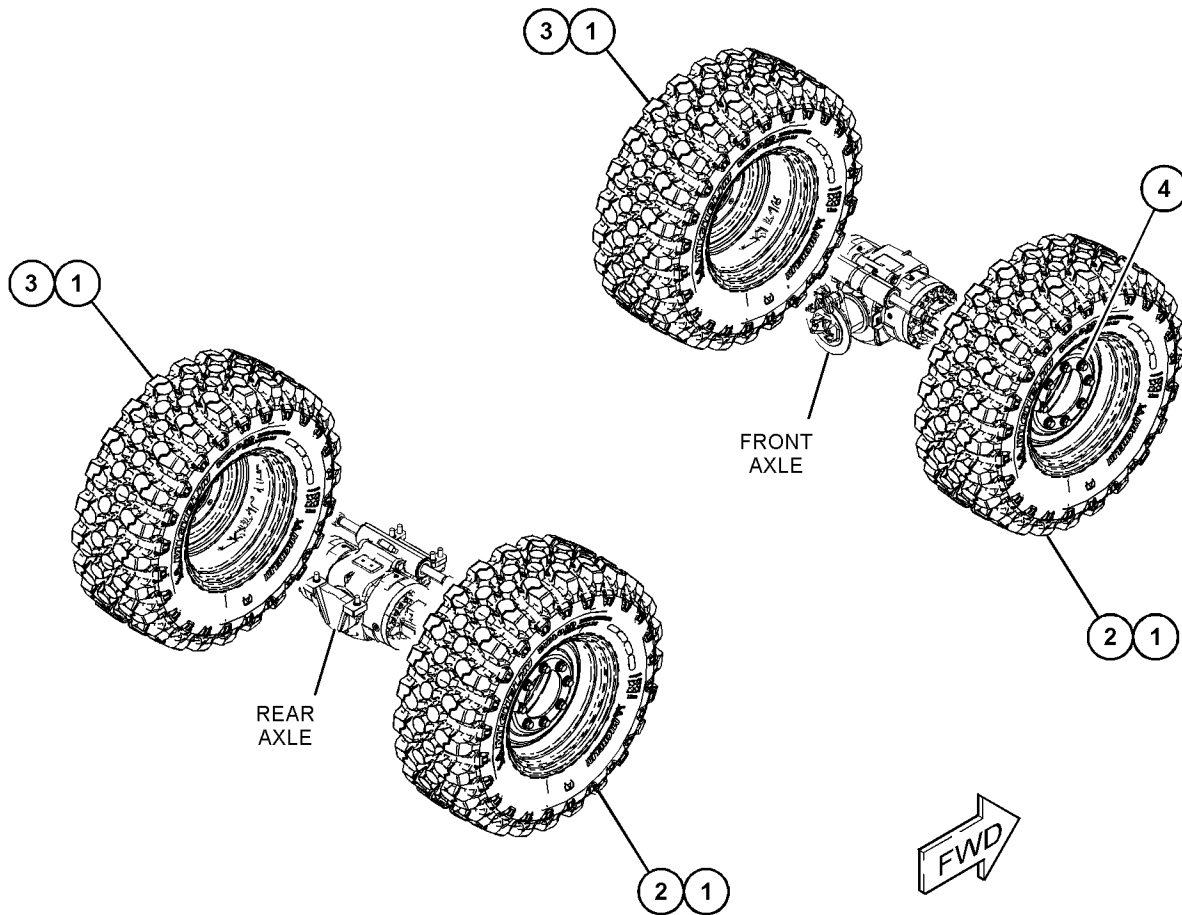
SMCS-4202, 4203, 4209

i06927856

NOTE	REF NO	GRAPHIC REF	PART NUMBER	QTY	PART NAME						SEE PAGE
					1	2	3	4	5	6 (PRODUCT LEVEL)	
	1	1	348-9444	4	FILM-INFORMATION (TIRE PRESSURE)						
Y	2	1	526-5726	2	TIRE & RIM GP (RH)						547
Y	3	1	526-5727	2	TIRE & RIM GP (LH)						548
	4	1	486-8069	1	FASTENER GP						
M		1	5W-1386	32	NUT (M22X1.5-THD)						
		1	351-7528	32	WASHER (22.5X46X6-MM THK)						

M - METRIC PART

Y - SEPARATE ILLUSTRATION



GRAPHIC #1

<END>

g06115772

POWER TRAIN

512-4767 TIRE & RIM AR

S/N: TD61-UP; TD71-UP

(15X24)

AN ATTACHMENT

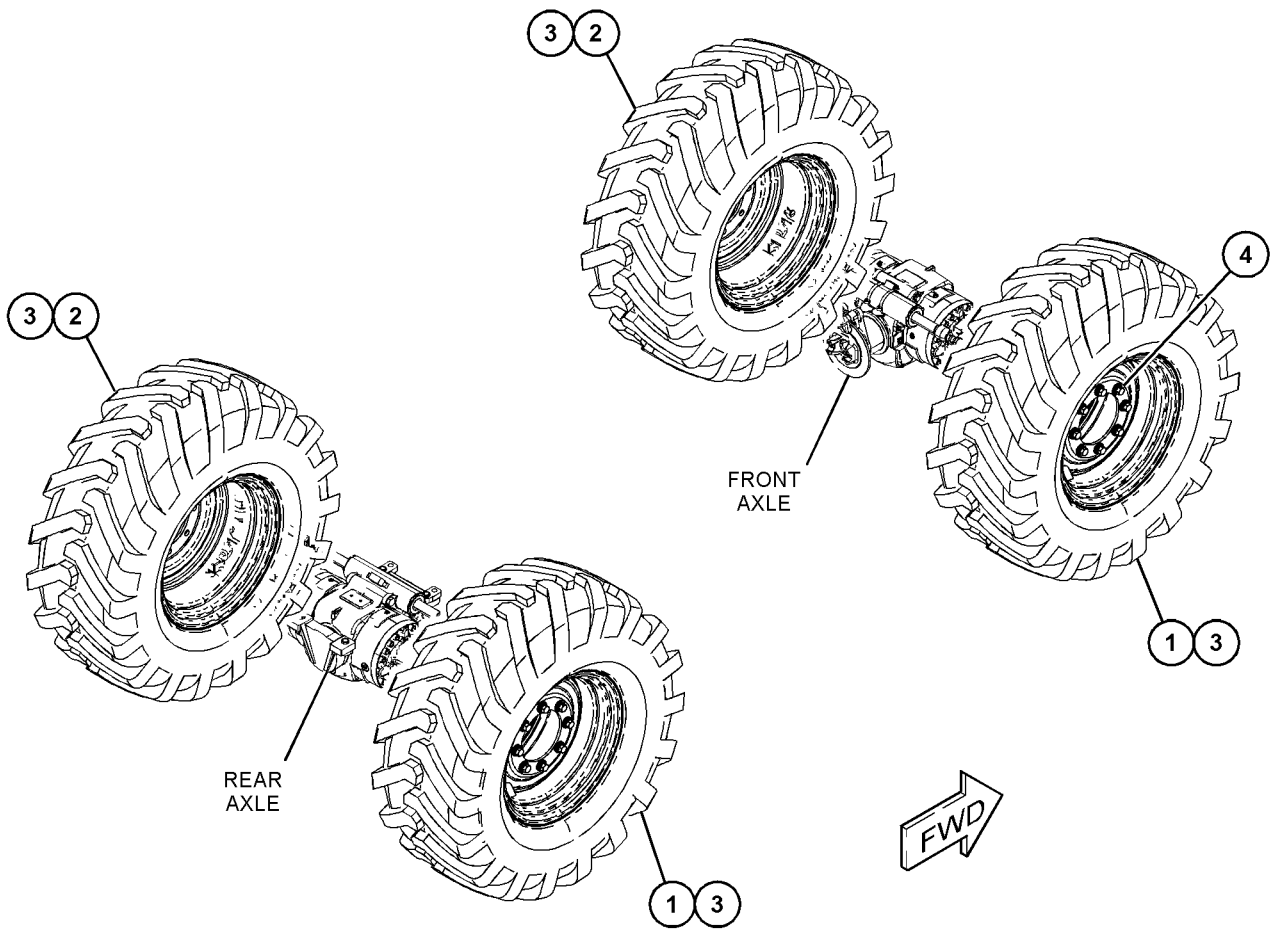
SMCS-4202, 4203, 4209

i06928746

NOTE	REF NO	GRAPHIC REF	PART NUMBER	QTY	PART NAME						SEE PAGE
					1	2	3	4	5	6 (PRODUCT LEVEL)	
Y	1	1	526-6913	2	TIRE & RIM GP (RH)						551
Y	2	1	526-6914	2	TIRE & RIM GP (LH)						552
	3	1	453-6390	4	FILM-INFORMATION (3.0-BAR)						
	4	1	486-8069	1	FASTENER GP						
M		1	5W-1386	32	NUT (M22X1.5-THD)						
		1	351-7528	32	WASHER (22.5X46X6-MM THK)						

M - METRIC PART

Y - SEPARATE ILLUSTRATION



GRAPHIC #1

<END>

g06115778

POWER TRAIN

512-4768 TIRE & RIM AR

S/N: TD61-UP; TD71-UP

(15X24)

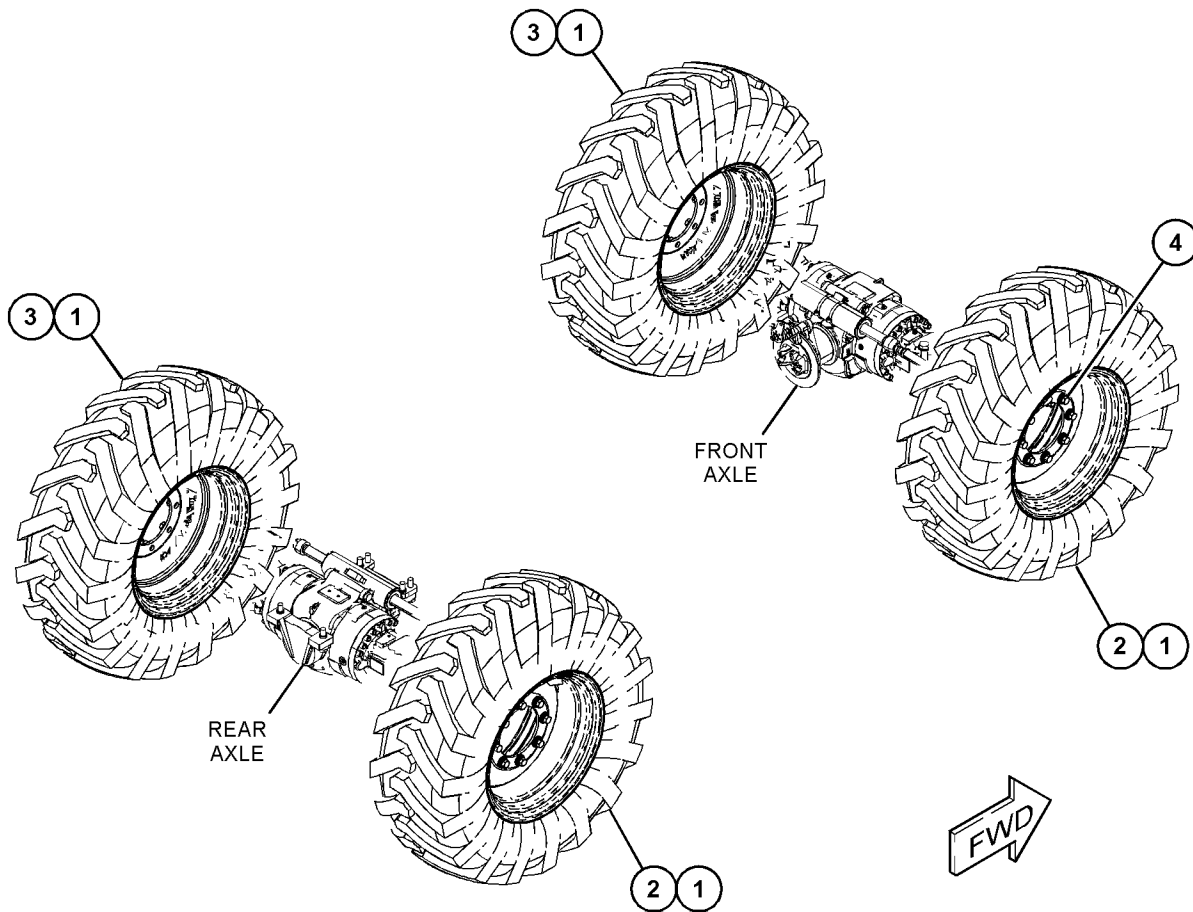
AN ATTACHMENT

SMCS-4202, 4203, 4209

i06927775

NOTE	REF NO	GRAPHIC REF	PART NUMBER	QTY	PART NAME						SEE PAGE
					1	2	3	4	5	6 (PRODUCT LEVEL)	
	1	1	453-6476	4	FILM-IDENTIFICATION (TIRE PRESSURE)						
Y	2	1	526-7162	2	TIRE & RIM GP (RH)						553
Y	3	1	526-7163	2	TIRE & RIM GP (LH)						554
	4	1	486-8069	1	FASTENER GP						
M		1	5W-1386	32	NUT (M22X1.5-THD)						
		1	351-7528	32	WASHER (22.5X46X6-MM THK)						

M - METRIC PART
Y - SEPARATE ILLUSTRATION



GRAPHIC #1

<END>

g06115789

POWER TRAIN

512-4769 TIRE & RIM AR

S/N: TD61-UP; TD71-UP

(14X24)

AN ATTACHMENT

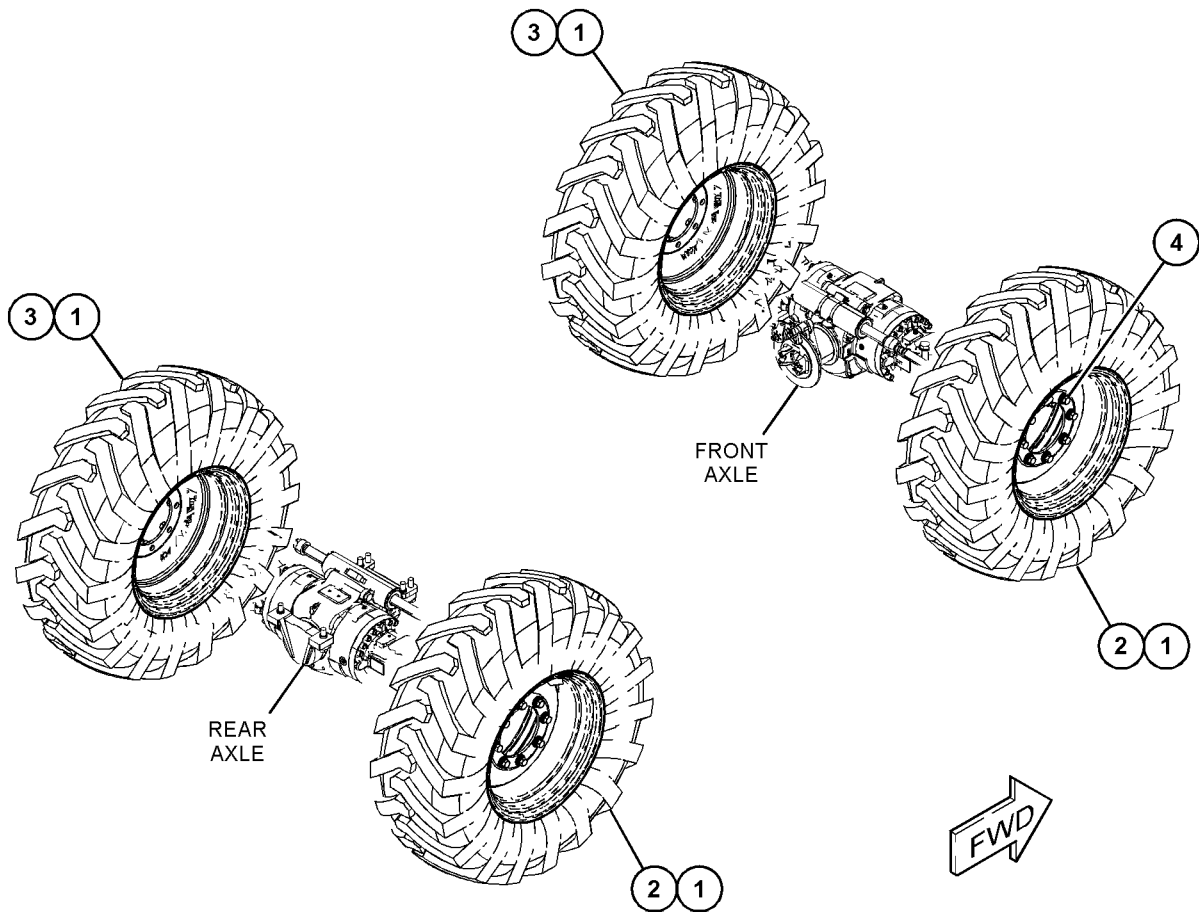
SMCS-4202, 4203, 4209

i06927859

NOTE	REF NO	GRAPHIC REF	PART NUMBER	QTY	PART NAME						SEE PAGE
					1	2	3	4	5	6 (PRODUCT LEVEL)	
	1	1	348-9444	4	FILM-INFORMATION (TIRE PRESSURE)						
Y	2	1	526-9591	2	TIRE & RIM GP (RH)						556
Y	3	1	526-9589	2	TIRE & RIM GP (LH)						555
	4	1	486-8069	1	FASTENER GP						
M		1	5W-1386	32	NUT (M22X1.5-THD)						
		1	351-7528	32	WASHER (22.5X46X6-MM THK)						

M - METRIC PART

Y - SEPARATE ILLUSTRATION



GRAPHIC #1

<END>

g06115792

POWER TRAIN

512-4770 TIRE & RIM AR

S/N: TD61-UP; TD71-UP

(28X11)

AN ATTACHMENT

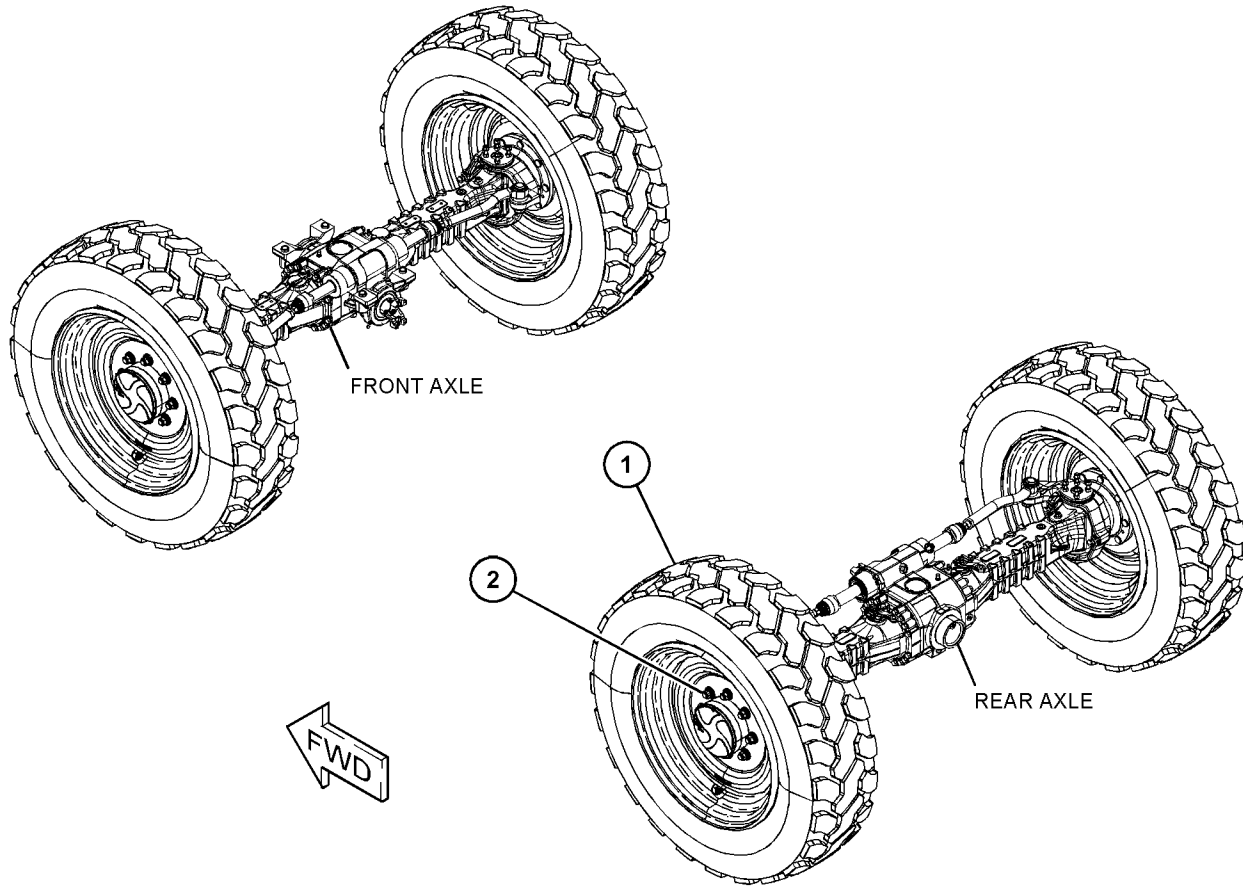
SMCS-4202, 4203, 4209

i06740204

NOTE	REF NO	GRAPHIC REF	PART NUMBER	QTY	PART NAME						SEE PAGE
					1	2	3	4	5	6 (PRODUCT LEVEL)	
Y	1	1	496-8247	4	TIRE & RIM GP						542
	2	1	486-8069	1	FASTENER GP						
M		1	5W-1386	32	NUT (M22X1.5-THD)						
		1	351-7528	32	WASHER (22.5X46X6-MM THK)						

M - METRIC PART

Y - SEPARATE ILLUSTRATION



GRAPHIC #1

<END>

g06115605

POWER TRAIN

512-4771 TIRE & RIM AR-SOLID

S/N: TD61-UP; TD71-UP

(13X24)

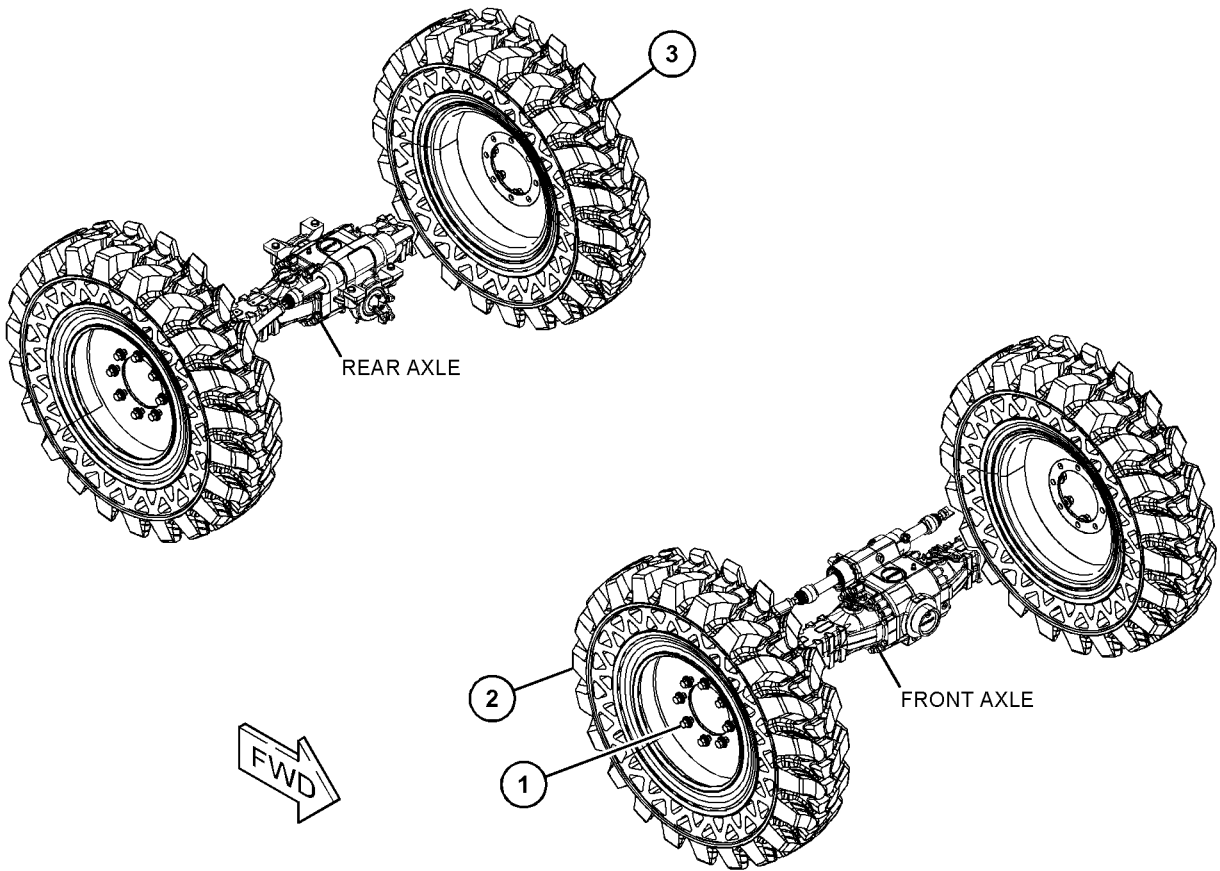
AN ATTACHMENT

SMCS-4202, 4203, 4209

i06740203

NOTE	REF NO	GRAPHIC REF	PART NUMBER	QTY	PART NAME						SEE PAGE
					1	2	3	4	5	6 (PRODUCT LEVEL)	
	1	1	486-8069	1	FASTENER GP						
M		1	5W-1386	32	NUT (M22X1.5-THD)						
		1	351-7528	32	WASHER (22.5X46X6-MM THK)						
	2	1	496-8249	2	TIRE & RIM GP (RH)						
	3	1	496-8250	2	TIRE & RIM GP (LH)						

M - METRIC PART



GRAPHIC #1

<END>

g06117573

POWER TRAIN

323-7381 TIRE & RIM GP-RH

S/N: TD71-UP

14X24

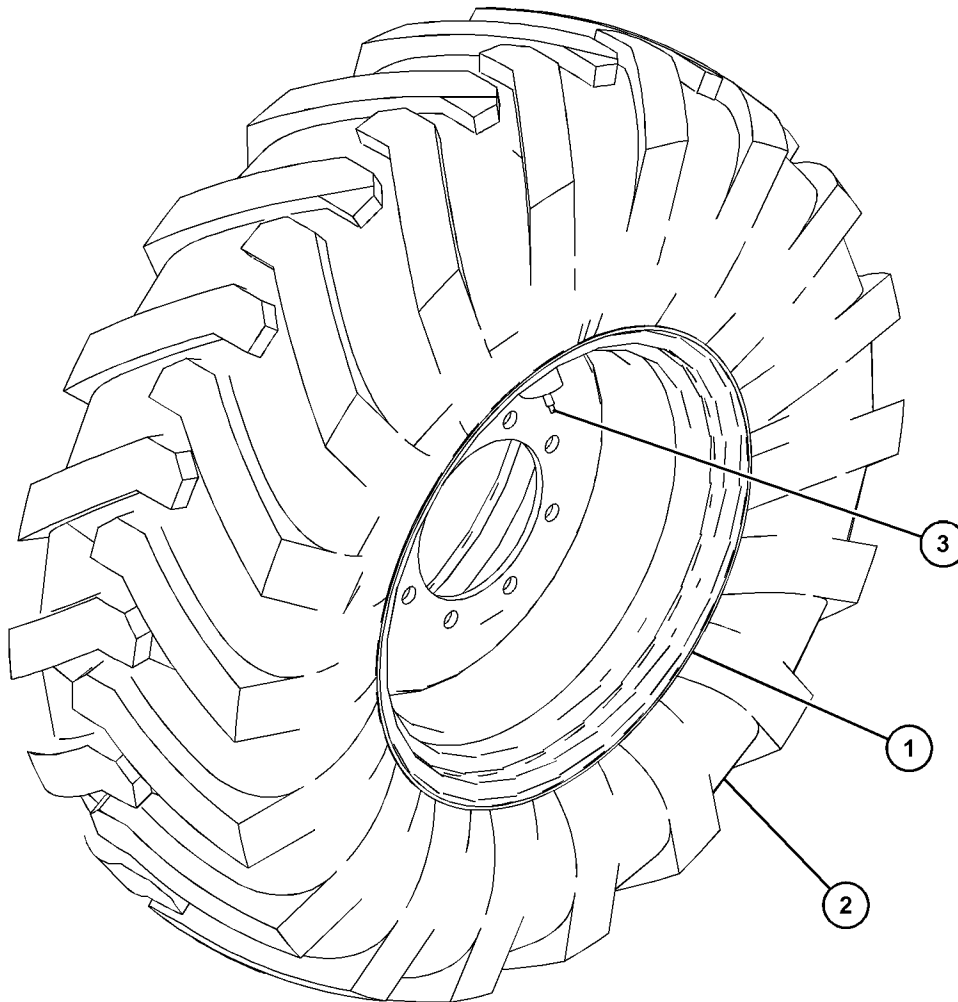
AN ATTACHMENT

SMCS-4202

i05690269

NOTE	REF NO	GRAPHIC REF	PART NUMBER	QTY	PART NAME						SEE PAGE
					1	2	3	4	5	6 (PRODUCT LEVEL)	
	1	1	311-8219	1	RIM AS						
	2	1	453-7110	1	TIRE (400/80-24)						
Y	3	1	6D-0337	1	VALVE GP-TIRE (BASIC)						576

Y - SEPARATE ILLUSTRATION



GRAPHIC #1

<END>

g03656849

POWER TRAIN

323-7401 TIRE & RIM GP-RH

S/N: TD71-UP

15X24

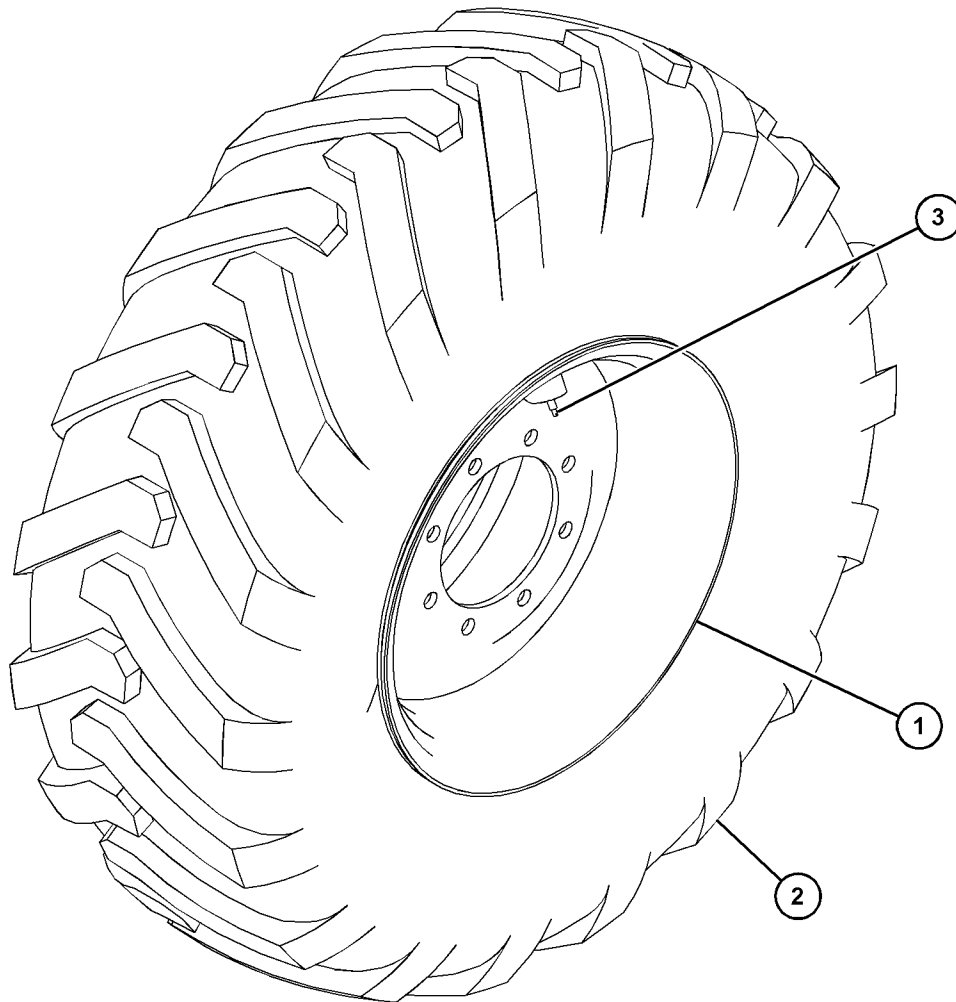
AN ATTACHMENT

SMCS-4202

i07213662

NOTE	REF NO	GRAPHIC REF	PART NUMBER	QTY	PART NAME						SEE PAGE
					1	2	3	4	5	6 (PRODUCT LEVEL)	
	1	1	311-8219	1	RIM AS						
	2	1	453-7117	1	TIRE (440/80-R24)						
Y	3	1	6D-0337	1	VALVE GP-TIRE (BASIC)						576

Y - SEPARATE ILLUSTRATION



GRAPHIC #1

<END>

g03656867

POWER TRAIN

478-8923 TIRE & RIM GP

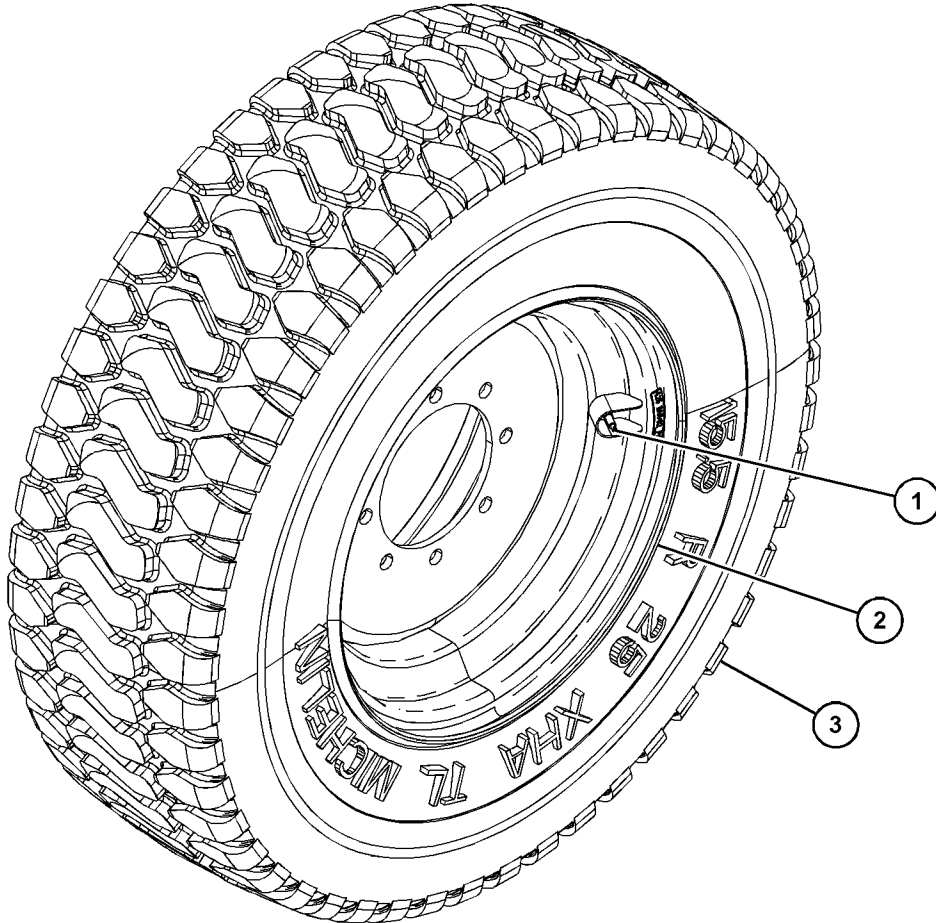
S/N: TD71-UP
AN ATTACHMENT

SMCS-4202

i06788443

NOTE	REF NO	GRAPHIC REF	PART NUMBER	QTY	PART NAME	SEE PAGE
					1 2 3 4 5 6 (PRODUCT LEVEL)	
Y	1	1	6D-0337	1	VALVE GP-TIRE (BASIC)	576
	2	1	311-8221	1	RIM AS	
	3	1	478-8887	1	TIRE (15.5-R25)	

Y - SEPARATE ILLUSTRATION



GRAPHIC #1

<END>

g06116172

POWER TRAIN

496-8243 TIRE & RIM GP

S/N: TD71-UP

(15X24)

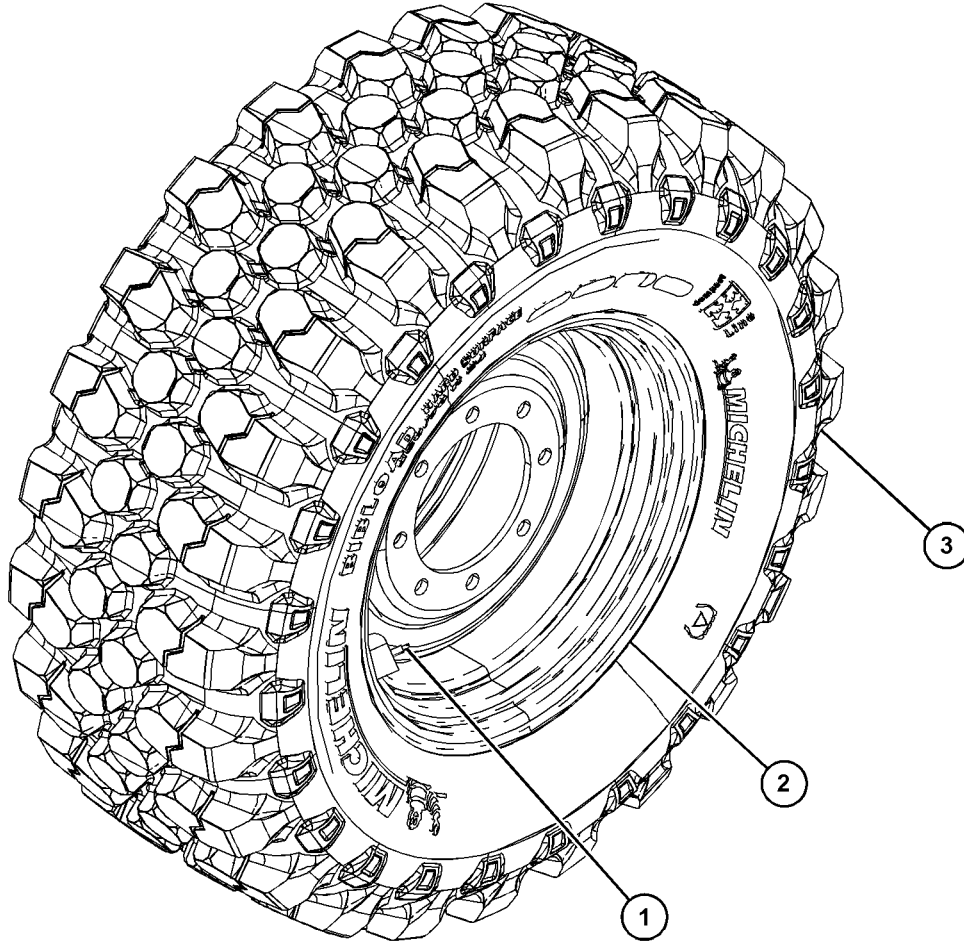
AN ATTACHMENT

SMCS-4202

i06790165

NOTE	REF NO	GRAPHIC REF	PART NUMBER	QTY	PART NAME						SEE PAGE
					1	2	3	4	5	6 (PRODUCT LEVEL)	
Y	1	1	6D-0337	1	VALVE GP-TIRE (BASIC)						576
	2	1	311-8220	1	RIM AS						
	3	1	496-8245	1	TIRE (460/70-R24)						

Y - SEPARATE ILLUSTRATION



GRAPHIC #1

<END>

g06124993

POWER TRAIN

496-8247 TIRE & RIM GP

S/N: TD61-UP; TD71-UP

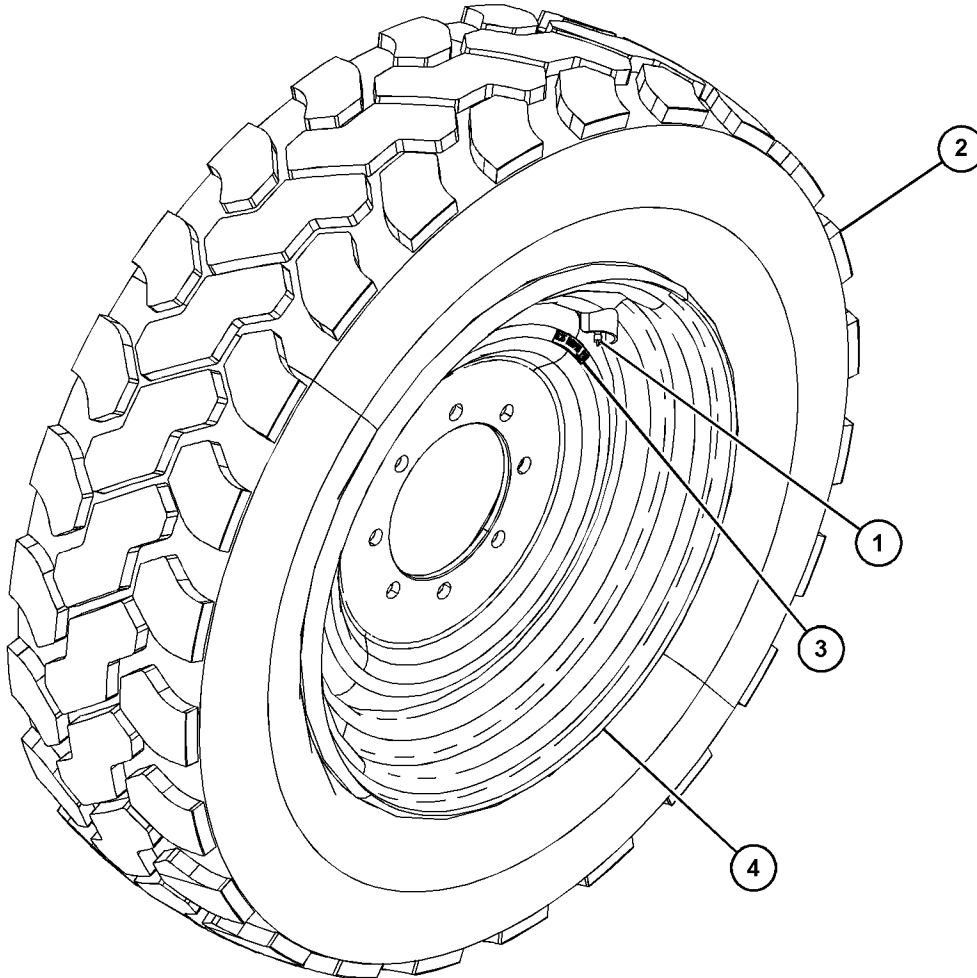
(28X11)

PART OF 512-4770 TIRE & RIM AR
AN ATTACHMENT

SMCS-4202

i06790170

NOTE	REF NO	GRAPHIC REF	PART NUMBER	QTY	PART NAME						SEE PAGE
					1	2	3	4	5	6 (PRODUCT LEVEL)	
1	1	1	298-7311	1	VALVE-TIRE						
2	1	1	459-8921	1	TIRE (370/75-28)						
3	1	1	348-9443	1	FILM-INFORMATION (5.25 BAR)						
4	1	1	496-8248	1	RIM AS						



GRAPHIC #1

<END>

g06128890

POWER TRAIN

496-8249 TIRE & RIM GP-RH

S/N: TD61-UP; TD71-UP

(13X24)

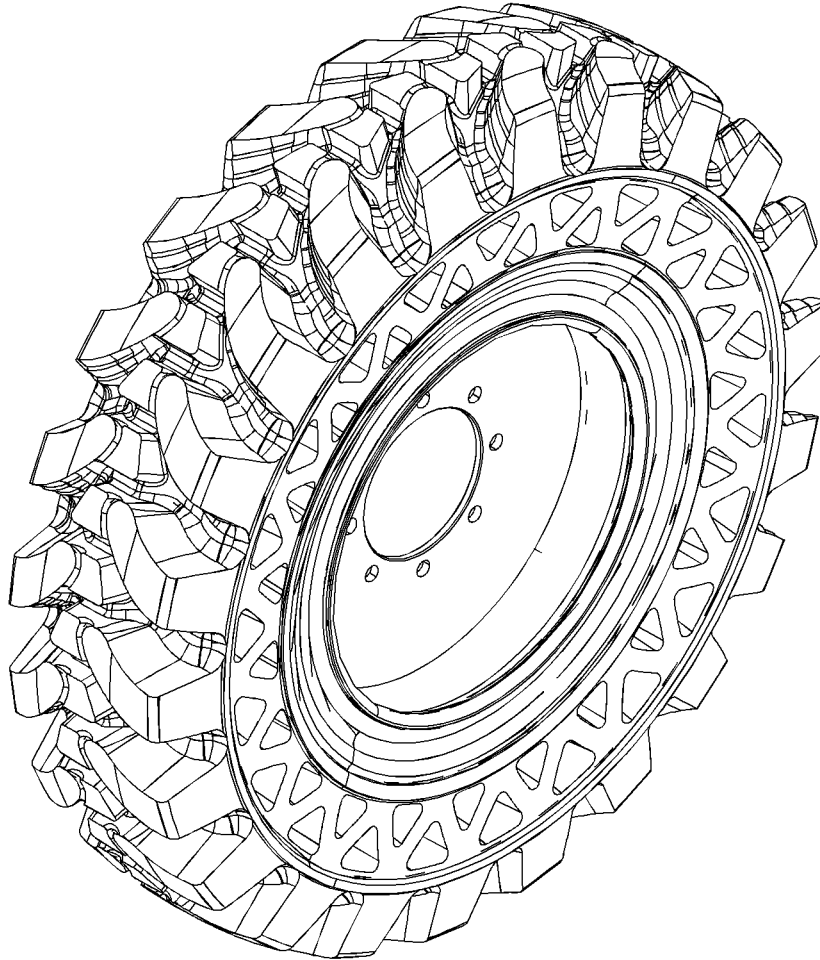
AN ATTACHMENT

SMCS-4202

i06889508

NOTE	REF NO	GRAPHIC REF	PART NUMBER	QTY	PART NAME	SEE PAGE
					1 2 3 4 5 6 (PRODUCT LEVEL)	

(NO BREAKDOWN OF SERVICEABLE PARTS AVAILABLE AT TIME OF PUBLICATION)



GRAPHIC #1

<END>

g06158190

POWER TRAIN

526-0580 TIRE & RIM GP

S/N: TD61-UP; TD71-UP

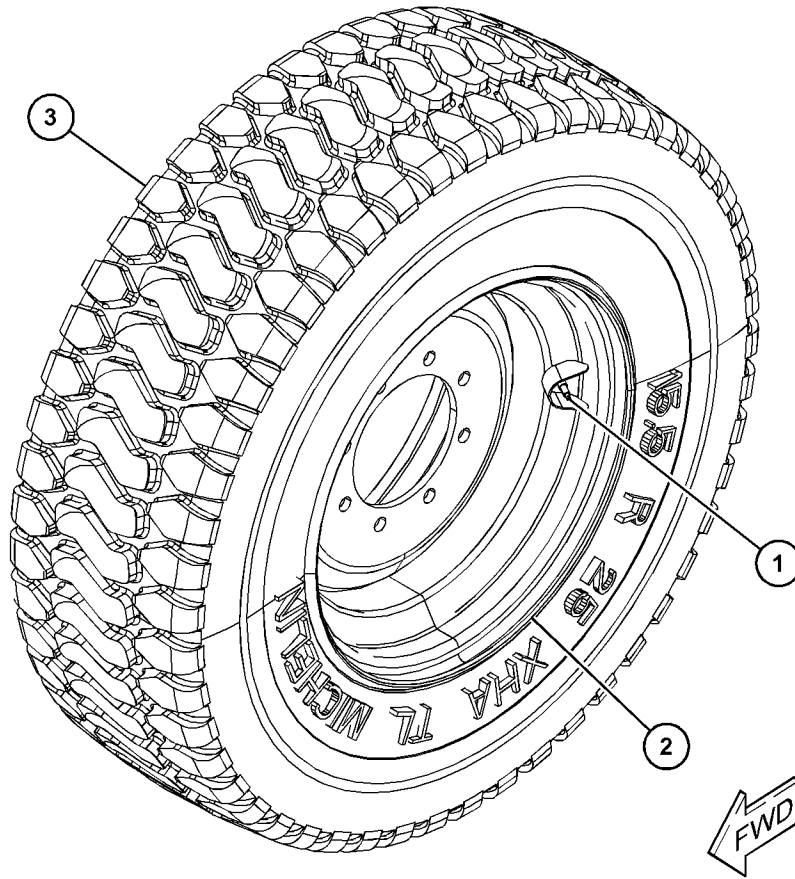
12/1.3 X 25

PART OF 512-4763 TIRE & RIM AR
AN ATTACHMENT

SMCS-4202

i06907154

NOTE	REF NO	GRAPHIC REF	PART NUMBER	QTY	PART NAME						SEE PAGE
					1	2	3	4	5	6 (PRODUCT LEVEL)	
	1	1	6D-0337	1	VALVE GP-TIRE (BASIC)						
	2	1	311-8221	1	RIM AS						
	3	1	478-8887	1	TIRE (15.5-R25)						



GRAPHIC #1

<END>

g06164516

POWER TRAIN

526-0581 TIRE & RIM GP

S/N: TD61-UP; TD71-UP

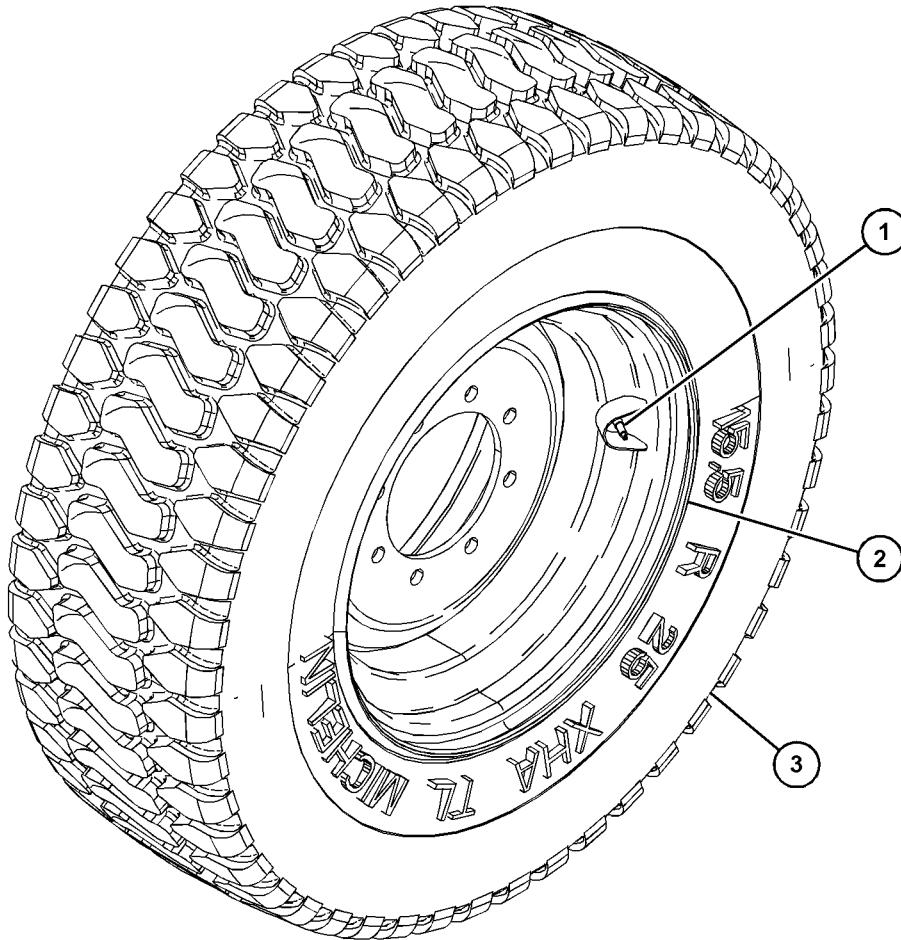
12/1.3 X 25

PART OF 512-4763 TIRE & RIM AR
AN ATTACHMENT

SMCS-4202

i06907151

NOTE	REF NO	GRAPHIC REF	PART NUMBER	QTY	PART NAME						SEE PAGE
					1	2	3	4	5	6 (PRODUCT LEVEL)	
1	1	1	6D-0337	1	VALVE GP-TIRE (BASIC)						
2	1	1	311-8221	1	RIM AS						
3	1	1	478-8887	1	TIRE (15.5-R25)						



GRAPHIC #1

<END>

g06165402

POWER TRAIN

526-4259 TIRE & RIM GP

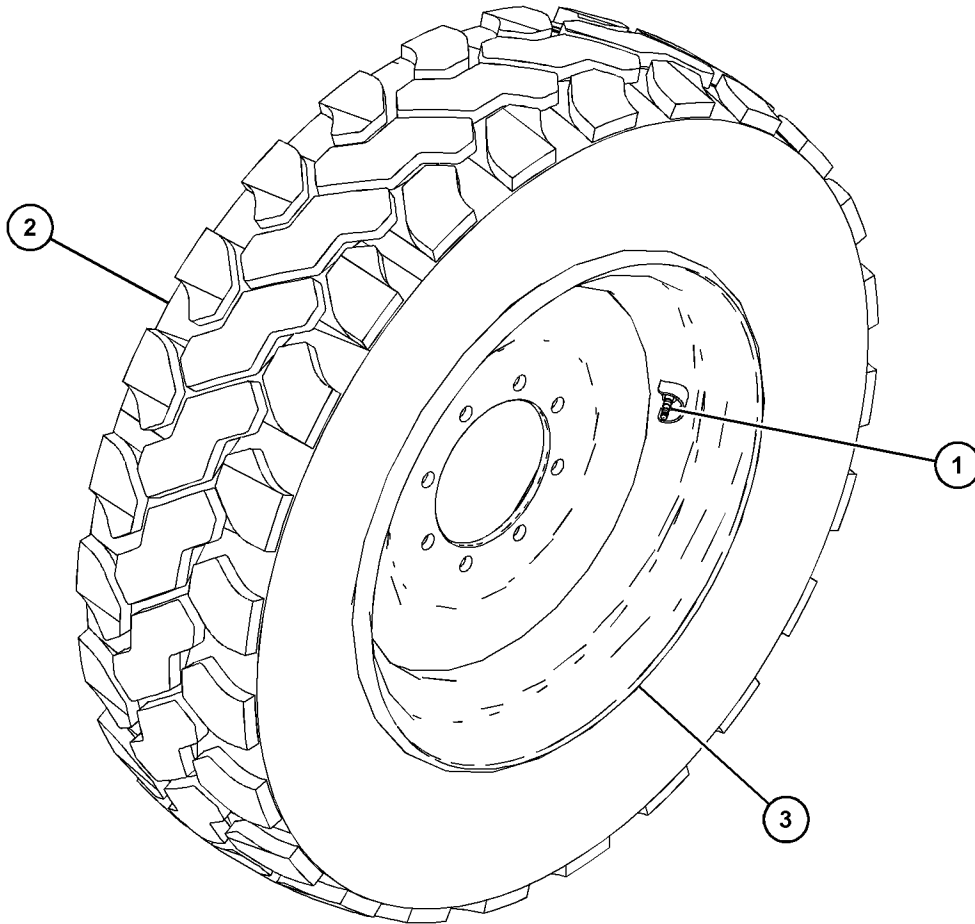
S/N: TD61-UP; TD71-UP
PART OF 526-4258 WHEEL & TIRE AR
AN ATTACHMENT

SMCS-4202

i06910611

NOTE	REF NO	GRAPHIC REF	PART NUMBER	QTY	PART NAME						SEE PAGE
					1	2	3	4	5	6 (PRODUCT LEVEL)	
Y	1	1	6D-0337	1	VALVE GP-TIRE (BASIC)						576
	2	1	459-8921	1	TIRE (370/75-28)						
	3	1	496-8248	1	RIM AS						

Y - SEPARATE ILLUSTRATION



GRAPHIC #1

<END>

g06165296

POWER TRAIN

526-5726 TIRE & RIM GP-RH

S/N: TD61-UP; TD71-UP

15X24

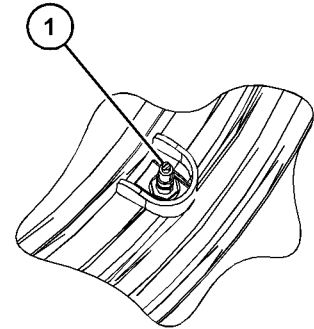
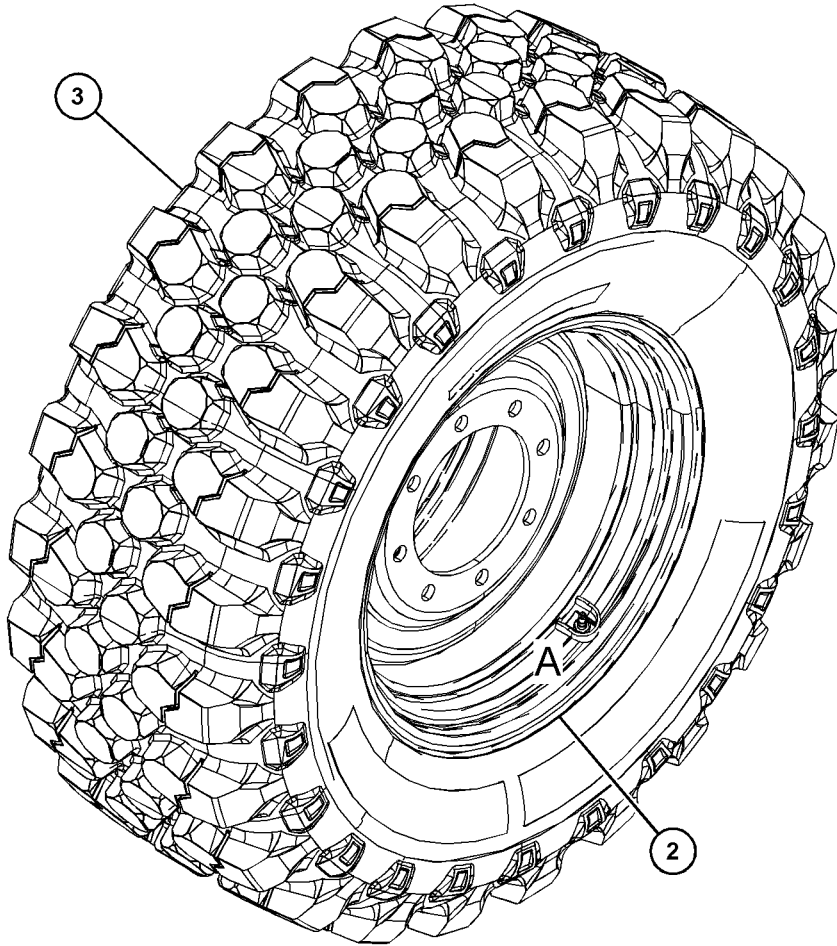
PART OF 512-4766 TIRE & RIM AR
AN ATTACHMENT

SMCS-4202

i06927796

NOTE	REF NO	GRAPHIC REF	PART NUMBER	QTY	PART NAME						SEE PAGE
					1	2	3	4	5	6 (PRODUCT LEVEL)	
Y	1	1	6D-0337	1	VALVE GP-TIRE (BASIC)						576
	2	1	311-8220	1	RIM AS						
	3	1	496-8245	1	TIRE (460/70-R24)						

Y - SEPARATE ILLUSTRATION



VIEW OF AREA A

GRAPHIC #1

<END>

g06171600

POWER TRAIN

526-5727 TIRE & RIM GP-LH

S/N: TD61-UP; TD71-UP

15X24

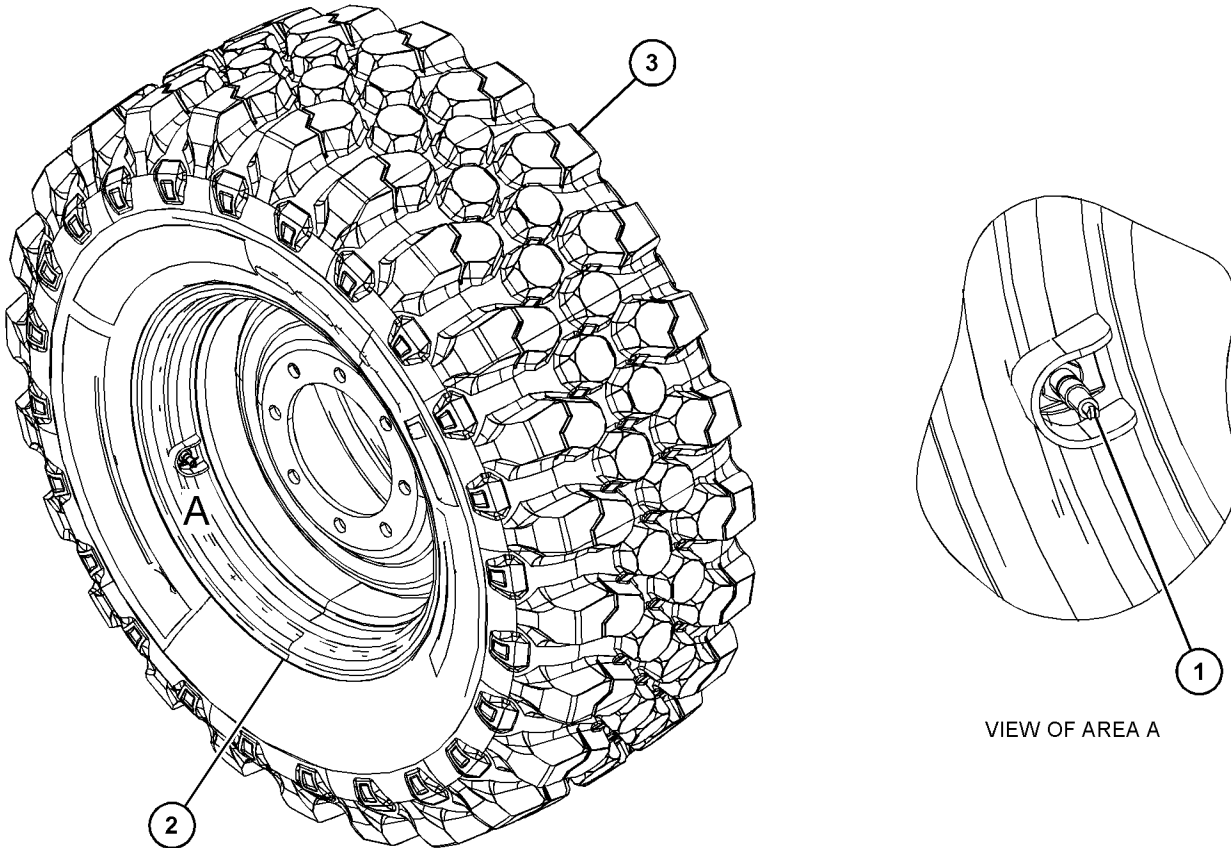
PART OF 512-4766 TIRE & RIM AR
AN ATTACHMENT

SMCS-4202

i06927792

NOTE	REF NO	GRAPHIC REF	PART NUMBER	QTY	PART NAME						SEE PAGE
					1	2	3	4	5	6 (PRODUCT LEVEL)	
Y	1	1	6D-0337	1	VALVE GP-TIRE (BASIC)						576
	2	1	311-8220	1	RIM AS						
	3	1	496-8245	1	TIRE (460/70-R24)						

Y - SEPARATE ILLUSTRATION



GRAPHIC #1

<END>

g06171589

POWER TRAIN

526-5728 TIRE & RIM GP

S/N: TD61-UP; TD71-UP

15X24

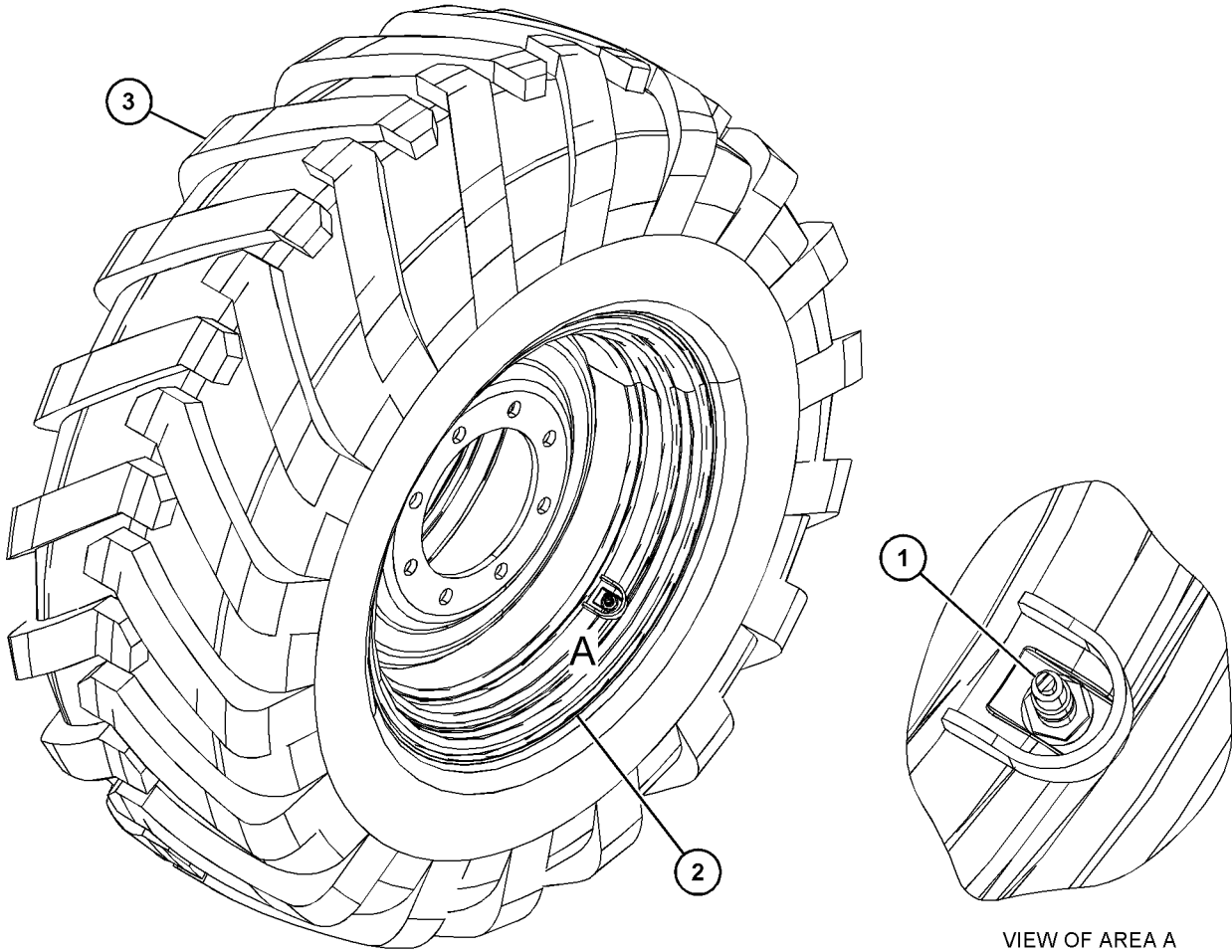
PART OF 512-4765 TIRE & RIM AR
AN ATTACHMENT

SMCS-4202

i06928739

NOTE	REF NO	GRAPHIC REF	PART NUMBER	QTY	PART NAME						SEE PAGE
					1	2	3	4	5	6 (PRODUCT LEVEL)	
Y	1	1	6D-0337	1	VALVE GP-TIRE (BASIC)						576
	2	1	311-8220	1	RIM AS						
	3	1	316-9551	1	TIRE (460/70-R24)						

Y - SEPARATE ILLUSTRATION



GRAPHIC #1

<END>

g06171565

POWER TRAIN

526-6911 TIRE & RIM GP

S/N: TD61-UP; TD71-UP

15X24

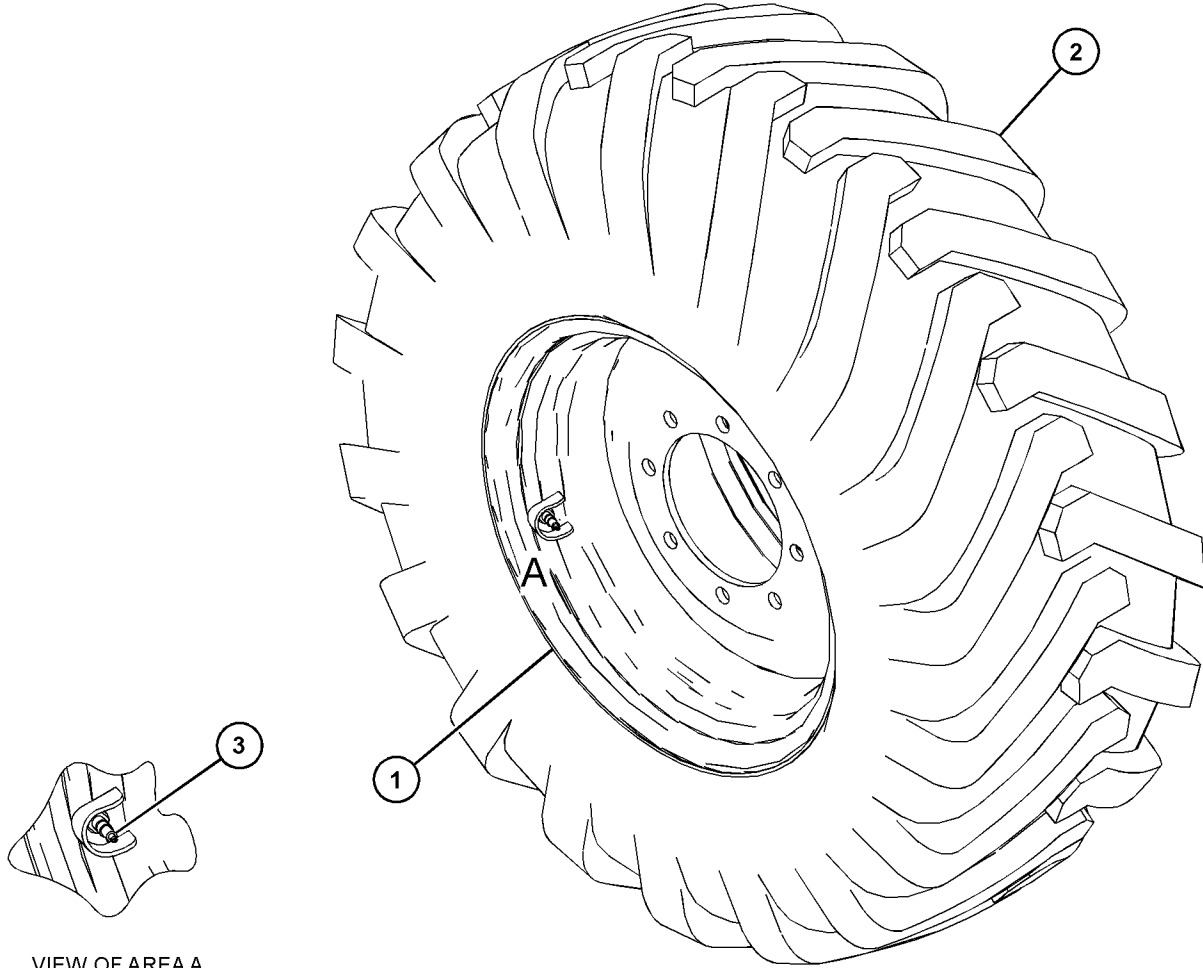
PART OF 512-4765 TIRE & RIM AR
AN ATTACHMENT

SMCS-4202

i06928741

NOTE	REF NO	GRAPHIC REF	PART NUMBER	QTY	PART NAME						SEE PAGE
					1	2	3	4	5	6 (PRODUCT LEVEL)	
	1	1	311-8220	1	RIM AS						
	2	1	316-9551	1	TIRE (460/70-R24)						
Y	3	1	6D-0337	1	VALVE GP-TIRE (BASIC)						576

Y - SEPARATE ILLUSTRATION



VIEW OF AREA A

GRAPHIC #1

<END>

g06171611

POWER TRAIN

526-6913 TIRE & RIM GP-RH

S/N: TD61-UP; TD71-UP

15X24

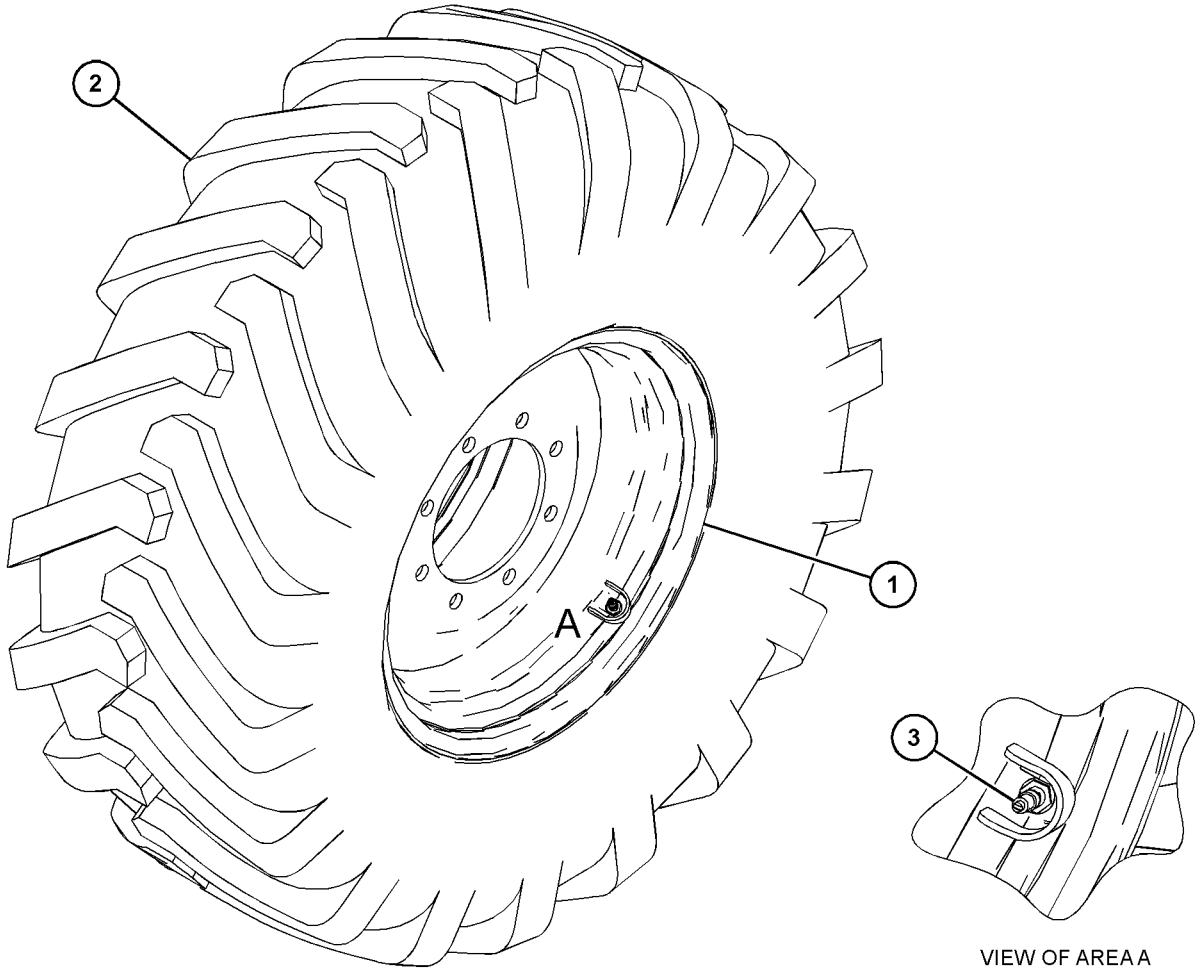
PART OF 512-4767 TIRE & RIM AR
AN ATTACHMENT

SMCS-4202

i07213663

NOTE	REF NO	GRAPHIC REF	PART NUMBER	QTY	PART NAME						SEE PAGE
					1	2	3	4	5	6 (PRODUCT LEVEL)	
	1	1	311-8220	1	RIM AS						
	2	1	316-9552	1	TIRE (500/70-R24)						
Y	3	1	6D-0337	1	VALVE GP-TIRE (BASIC)						576

Y - SEPARATE ILLUSTRATION



GRAPHIC #1

<END>

g06172033

POWER TRAIN

526-6914 TIRE & RIM GP-LH

S/N: TD61-UP; TD71-UP

15X24

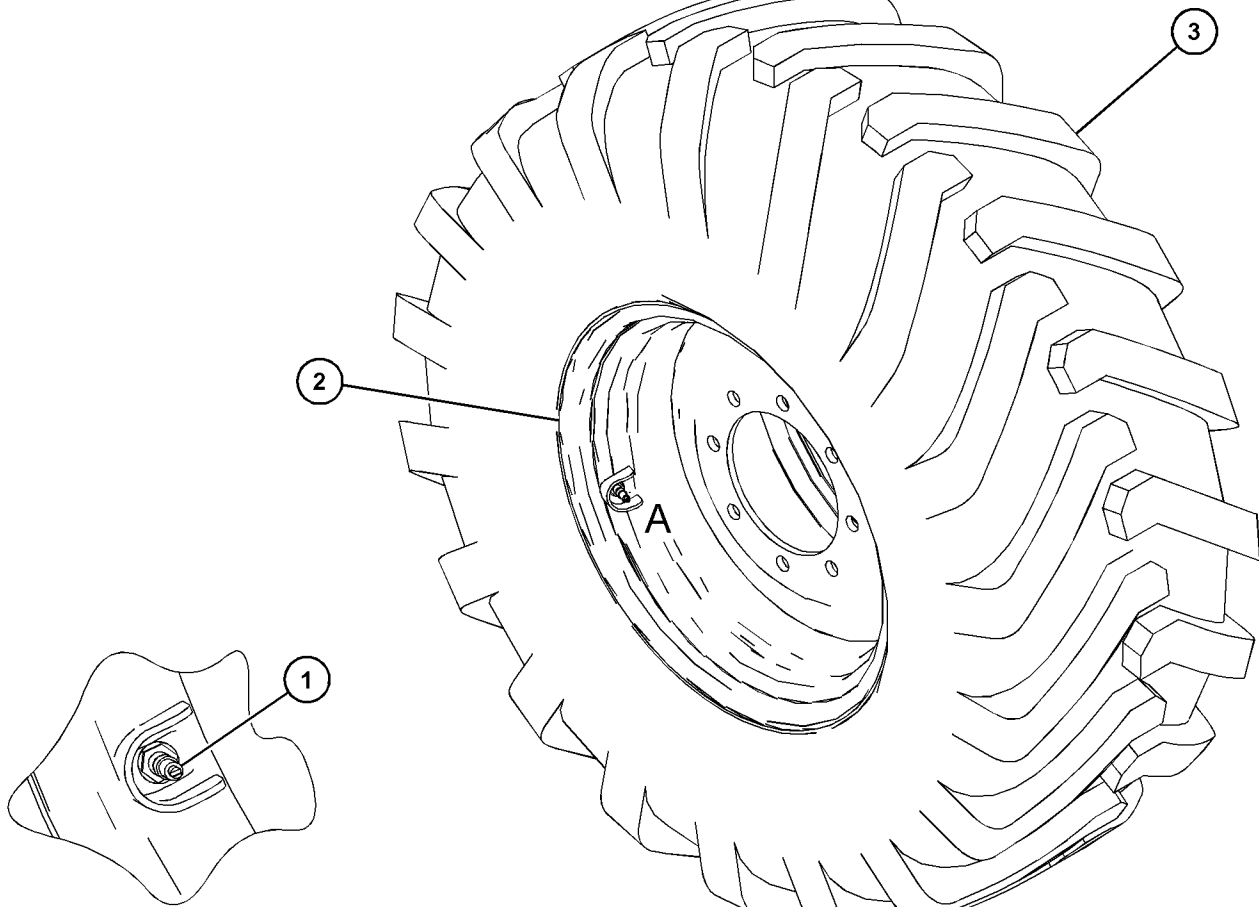
PART OF 512-4767 TIRE & RIM AR
AN ATTACHMENT

SMCS-4202

i07213664

NOTE	REF NO	GRAPHIC REF	PART NUMBER	QTY	PART NAME						SEE PAGE
					1	2	3	4	5	6 (PRODUCT LEVEL)	
Y	1	1	6D-0337	1	VALVE GP-TIRE (BASIC)						576
	2	1	311-8220	1	RIM AS						
	3	1	316-9552	1	TIRE (500/70-R24)						

Y - SEPARATE ILLUSTRATION



VIEW OF AREA A

GRAPHIC #1

<END>

g06172014

POWER TRAIN

526-7162 TIRE & RIM GP-RH

S/N: TD61-UP; TD71-UP

15X24

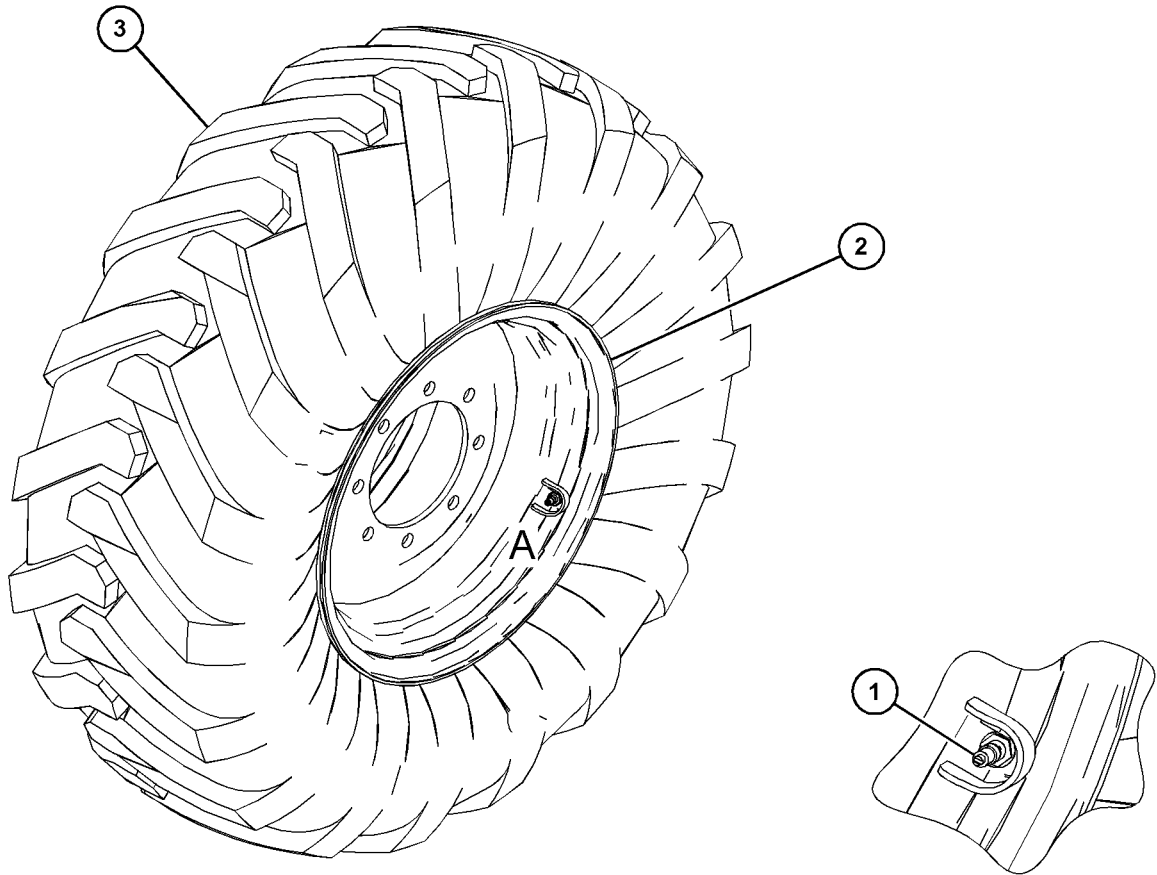
PART OF 512-4768 TIRE & RIM AR
AN ATTACHMENT

SMCS-4202

i06927773

NOTE	REF NO	GRAPHIC REF	PART NUMBER	QTY	PART NAME						SEE PAGE
					1	2	3	4	5	6 (PRODUCT LEVEL)	
Y	1	1	6D-0337	1	VALVE GP-TIRE (BASIC)						576
	2	1	311-8220	1	RIM AS						
	3	1	453-7117	1	TIRE (440/80-R24)						

Y - SEPARATE ILLUSTRATION



GRAPHIC #1

<END>

VIEW OF AREA A

g06171512

POWER TRAIN

526-7163 TIRE & RIM GP-LH

S/N: TD61-UP; TD71-UP

15X24

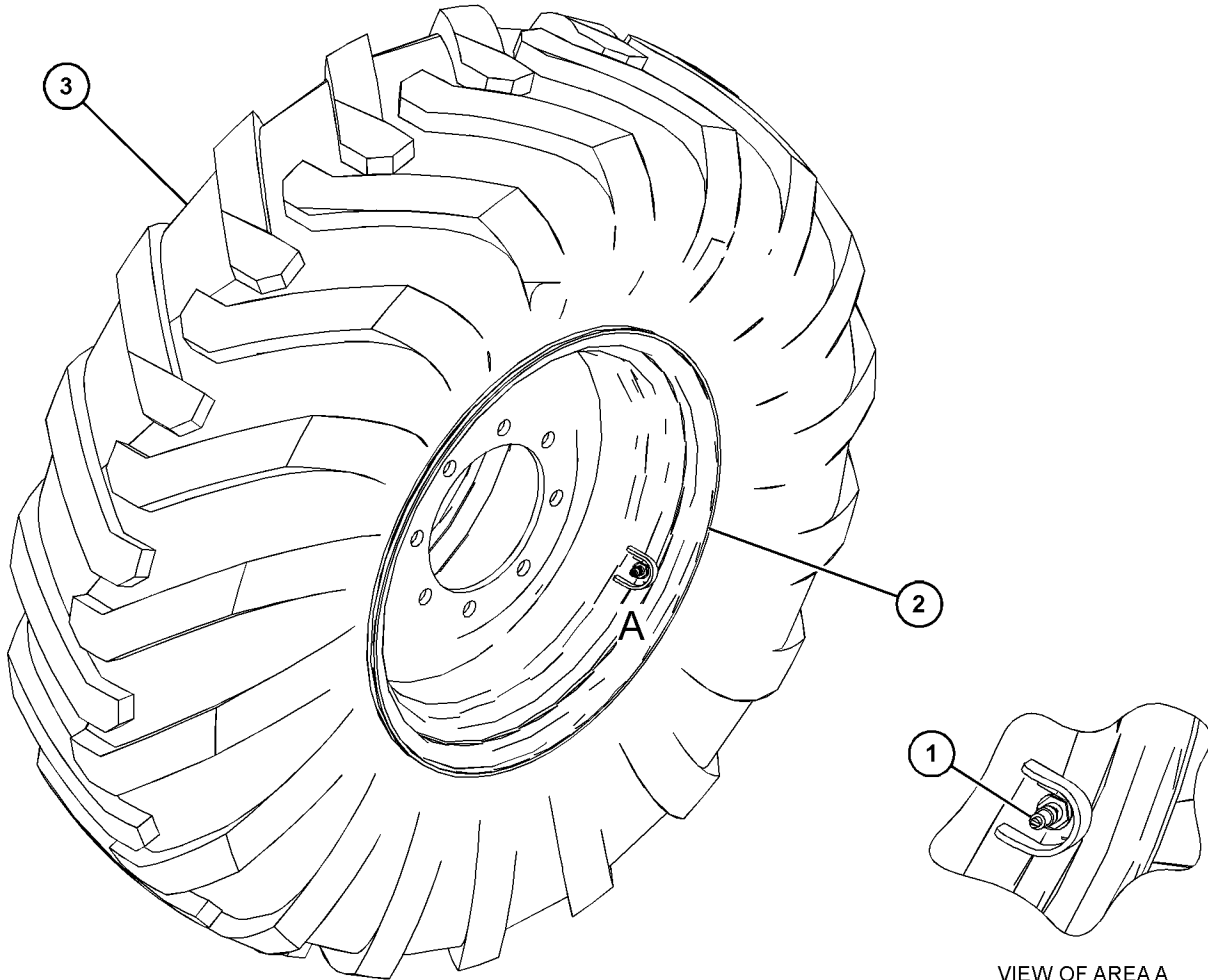
PART OF 512-4768 TIRE & RIM AR
AN ATTACHMENT

SMCS-4202

i06927768

NOTE	REF NO	GRAPHIC REF	PART NUMBER	QTY	PART NAME						SEE PAGE
					1	2	3	4	5	6 (PRODUCT LEVEL)	
Y	1	1	6D-0337	1	VALVE GP-TIRE (BASIC)						576
	2	1	311-8220	1	RIM AS						
	3	1	453-7117	1	TIRE (440/80-R24)						

Y - SEPARATE ILLUSTRATION



GRAPHIC #1

<END>

g06171524

POWER TRAIN

526-9589 TIRE & RIM GP-LH

S/N: TD61-UP; TD71-UP

14X24

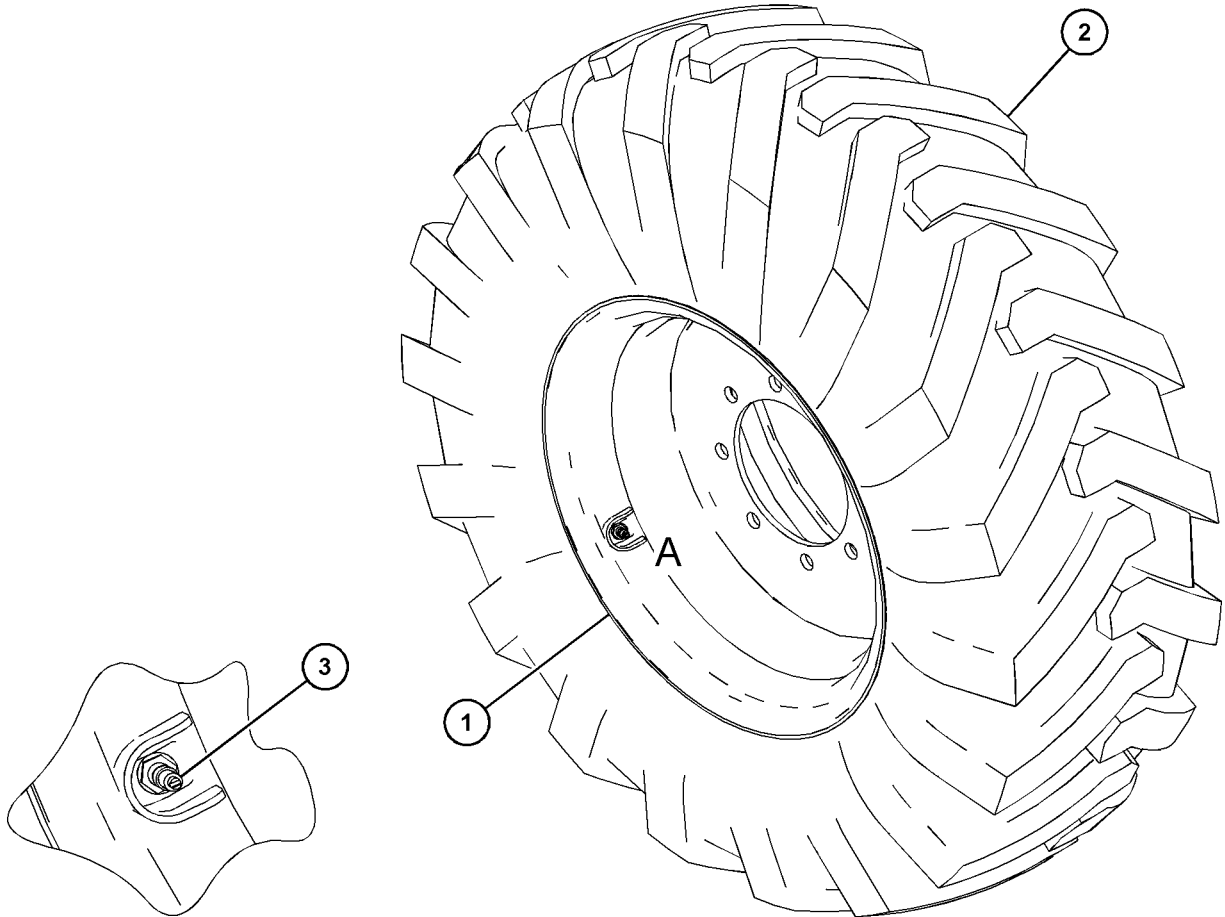
PART OF 512-4769 TIRE & RIM AR
AN ATTACHMENT

SMCS-4202

i06927804

NOTE	REF NO	GRAPHIC REF	PART NUMBER	QTY	PART NAME						SEE PAGE
					1	2	3	4	5	6 (PRODUCT LEVEL)	
	1	1	311-8219	1	RIM AS						
	2	1	453-7110	1	TIRE (400/80-24)						
Y	3	1	6D-0337	1	VALVE GP-TIRE (BASIC)						576

Y - SEPARATE ILLUSTRATION



VIEW OF AREA A

GRAPHIC #1

<END>

g06171540

POWER TRAIN

526-9591 TIRE & RIM GP-RH

S/N: TD61-UP; TD71-UP

14X24

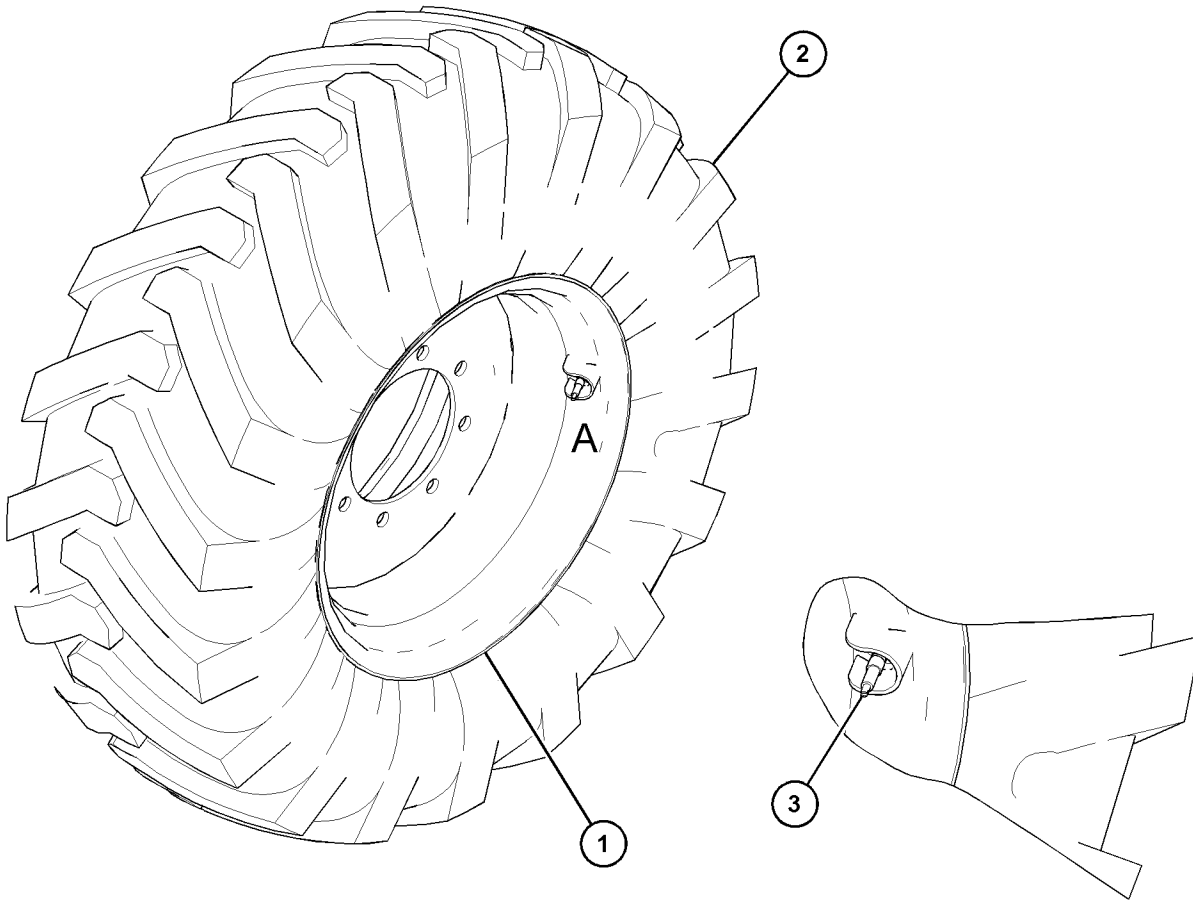
PART OF 512-4769 TIRE & RIM AR
AN ATTACHMENT

SMCS-4202

i07213665

NOTE	REF NO	GRAPHIC REF	PART NUMBER	QTY	PART NAME						SEE PAGE
					1	2	3	4	5	6 (PRODUCT LEVEL)	
	1	1	311-8219	1	RIM AS						
	2	1	453-7110	1	TIRE (400/80-24)						
Y	3	1	6D-0337	1	VALVE GP-TIRE (BASIC)						576

Y - SEPARATE ILLUSTRATION



VIEW OF AREA A

GRAPHIC #1

<END>

g06171880

POWER TRAIN

526-9592 TIRE & RIM GP

S/N: TD61-UP; TD71-UP

14X24

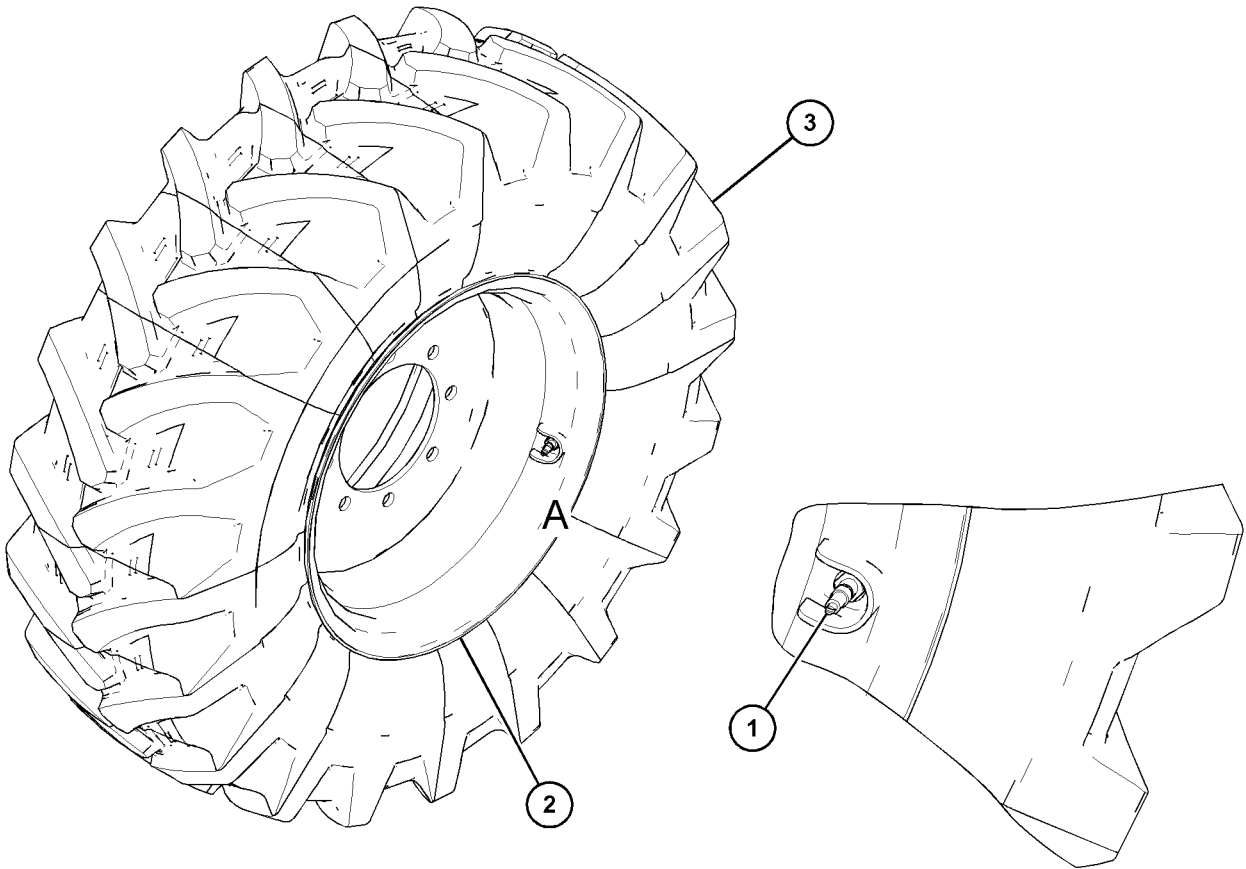
PART OF 512-4764 TIRE & RIM AR
AN ATTACHMENT

SMCS-4202

i06928726

NOTE	REF NO	GRAPHIC REF	PART NUMBER	QTY	PART NAME						SEE PAGE
					1	2	3	4	5	6 (PRODUCT LEVEL)	
Y	1	1	6D-0337	1	VALVE GP-TIRE (BASIC)						576
	2	1	311-8219	1	RIM AS						
	3	1	524-8951	1	TIRE (15.5/80-24)						

Y - SEPARATE ILLUSTRATION



VIEW OF AREA A

GRAPHIC #1

<END>

g06171876

POWER TRAIN

526-9593 TIRE & RIM GP

S/N: TD61-UP; TD71-UP

14X24

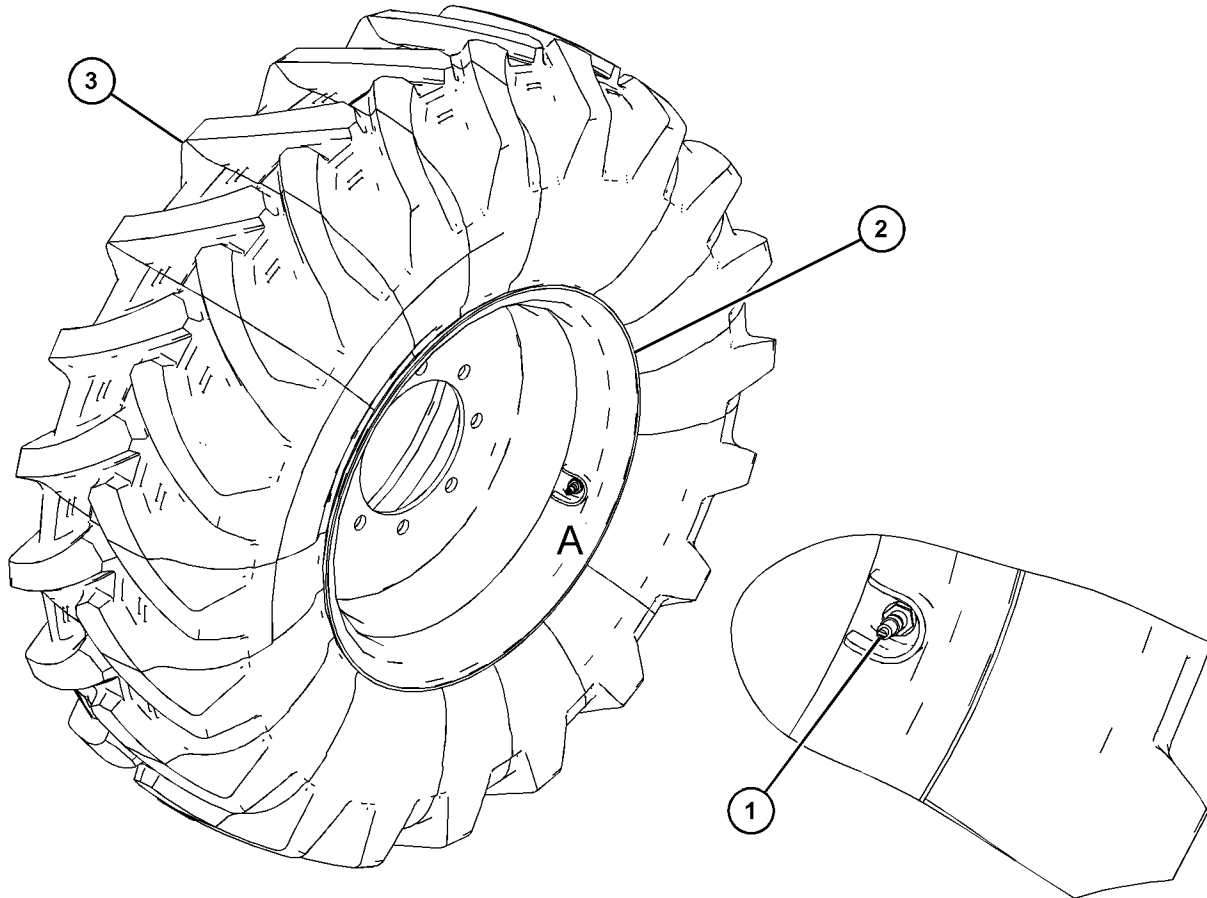
PART OF 512-4764 TIRE & RIM AR
AN ATTACHMENT

SMCS-4202

i06928736

NOTE	REF NO	GRAPHIC REF	PART NUMBER	QTY	PART NAME						SEE PAGE
					1	2	3	4	5	6 (PRODUCT LEVEL)	
Y	1	1	6D-0337	1	VALVE GP-TIRE (BASIC)						576
	2	1	311-8219	1	RIM AS						
	3	1	524-8951	1	TIRE (15.5/80-24)						

Y - SEPARATE ILLUSTRATION



VIEW OF AREA A

GRAPHIC #1

<END>

g06171510

POWER TRAIN

453-9534 TORQUE CONVERTER GP

S/N: BK21-UP; H5F1-UP

PART OF 482-2978 TRANSMISSION AR-POWER SHIFT
AN ATTACHMENT

SMCS-3101

i06056819

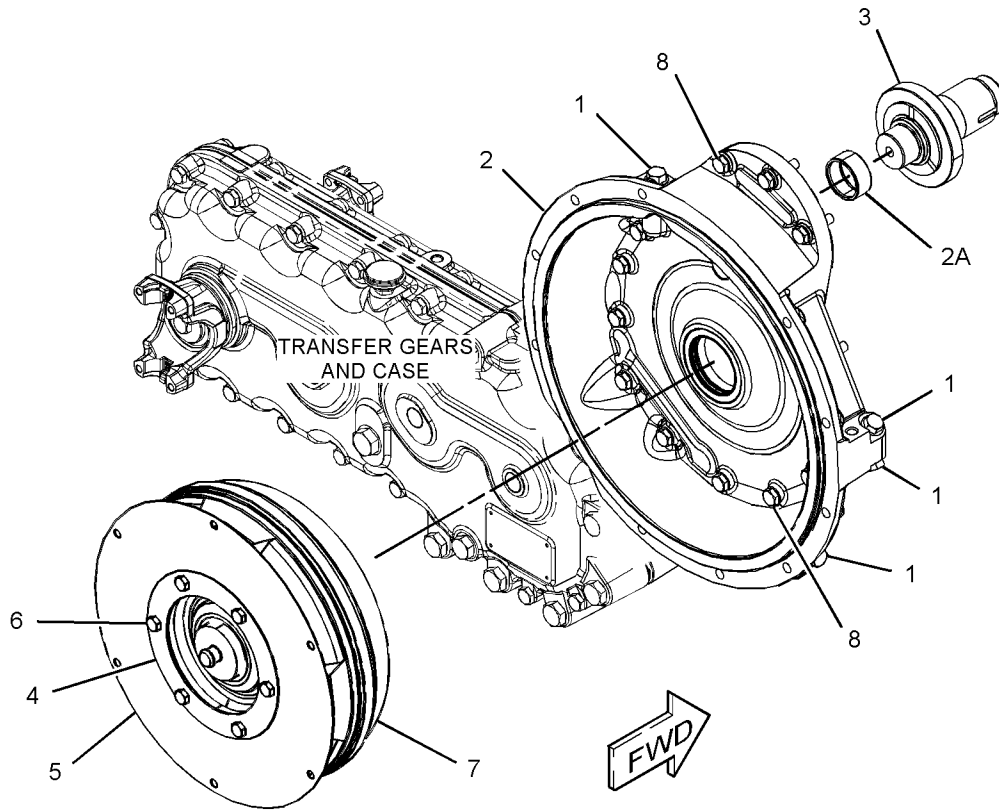
NOTE	REF NO	GRAPHIC REF	PART NUMBER	QTY	PART NAME						SEE PAGE
					1	2	3	4	5	6	
	1	1	334-5131	7	PLUG AS						
					(EACH INCLUDES)						
		1	3J-1907	1	SEAL-O-RING						
		1	9S-4191	1	PLUG (9/16-18-THD)						
	2	1	334-7502	1	TORQUE CONVERTER GP						
	2A	1	334-7442	1	BEARING-NEEDLE						
		1	178-8164	1	SEAL-OIL						
		1	238-6532	2	PIN						
		1	334-7492	1	CONVERTER AS						
	3	1	334-7524	1	SHAFT AS						
		1	8C-3982	2	RING-RETAINING						
		1	8E-8313	2	DISC-THRUST						
		1	430-5748	1	GEAR (34-TEETH)						
	4	1	334-7526	1	PLATE-CONVERTER REINFORCEMENT						
	5	1	334-7527	1	PLATE-CONVERTER DRIVE						
	6	1	334-7559	6	SETSCREW						
	7	1	469-3523	1	TORQUE CONVERTER						
M	8	1	6V-5842	15	BOLT (M10X1.5X40-MM)						

M - METRIC PART

POWER TRAIN

453-9534 TORQUE CONVERTER GP (contd.)

i06056819



GRAPHIC #1

<END>

g03653823

POWER TRAIN

453-9535 TORQUE CONVERTER GP

S/N: SD31-UP; H5E1-UP

PART OF 460-9943, 526-0654 TRANSMISSION AR-POWER SHIFT
AN ATTACHMENT

SMCS-3101

i06056818

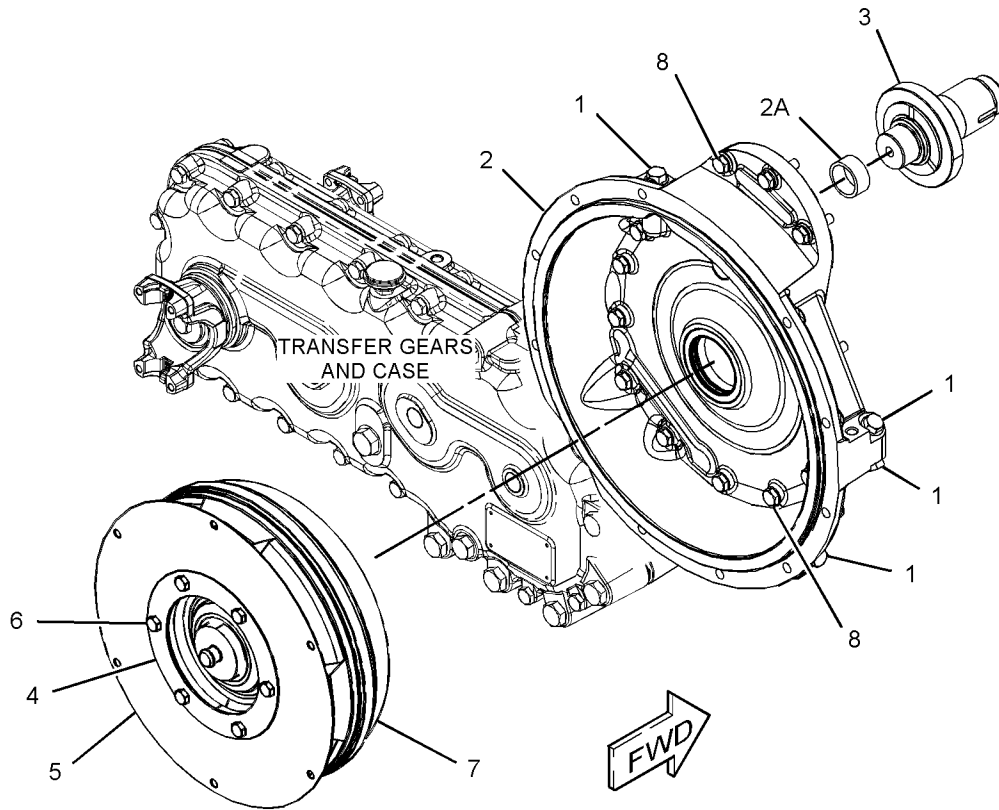
NOTE	REF NO	GRAPHIC REF	PART NUMBER	QTY	PART NAME						SEE PAGE
					1	2	3	4	5	6 (PRODUCT LEVEL)	
	1	1	334-5131	7	PLUG AS						
					(EACH INCLUDES)						
		1	3J-1907	1	SEAL-O-RING						
		1	9S-4191	1	PLUG (9/16-18-THD)						
	2	1	334-7502	1	TORQUE CONVERTER GP						
		1	178-8164	1	SEAL-OIL						
		1	238-6532	2	PIN						
	2A	1	334-7442	1	BEARING-NEEDLE						
		1	334-7492	1	CONVERTER AS						
	3	1	334-7524	1	SHAFT AS						
		1	8C-3982	2	RING-RETAINING						
		1	8E-8313	2	DISC-THRUST						
		1	430-5748	1	GEAR (34-TEETH)						
	4	1	334-7526	1	PLATE-CONVERTER REINFORCEMENT						
	5	1	334-7527	1	PLATE-CONVERTER DRIVE						
	6	1	334-7559	6	SETSCREW						
	7	1	469-3524	1	TORQUE CONVERTER						
M	8	1	6V-5842	15	BOLT (M10X1.5X40-MM)						

M - METRIC PART

POWER TRAIN

453-9535 TORQUE CONVERTER GP (contd.)

i06056818



GRAPHIC #1

<END>

g03675153

POWER TRAIN

468-0123 TORQUE CONVERTER GP

S/N: HA51-UP

PART OF 468-0145 TRANSMISSION AR-POWER SHIFT
AN ATTACHMENT

SMCS-3101

i06624633

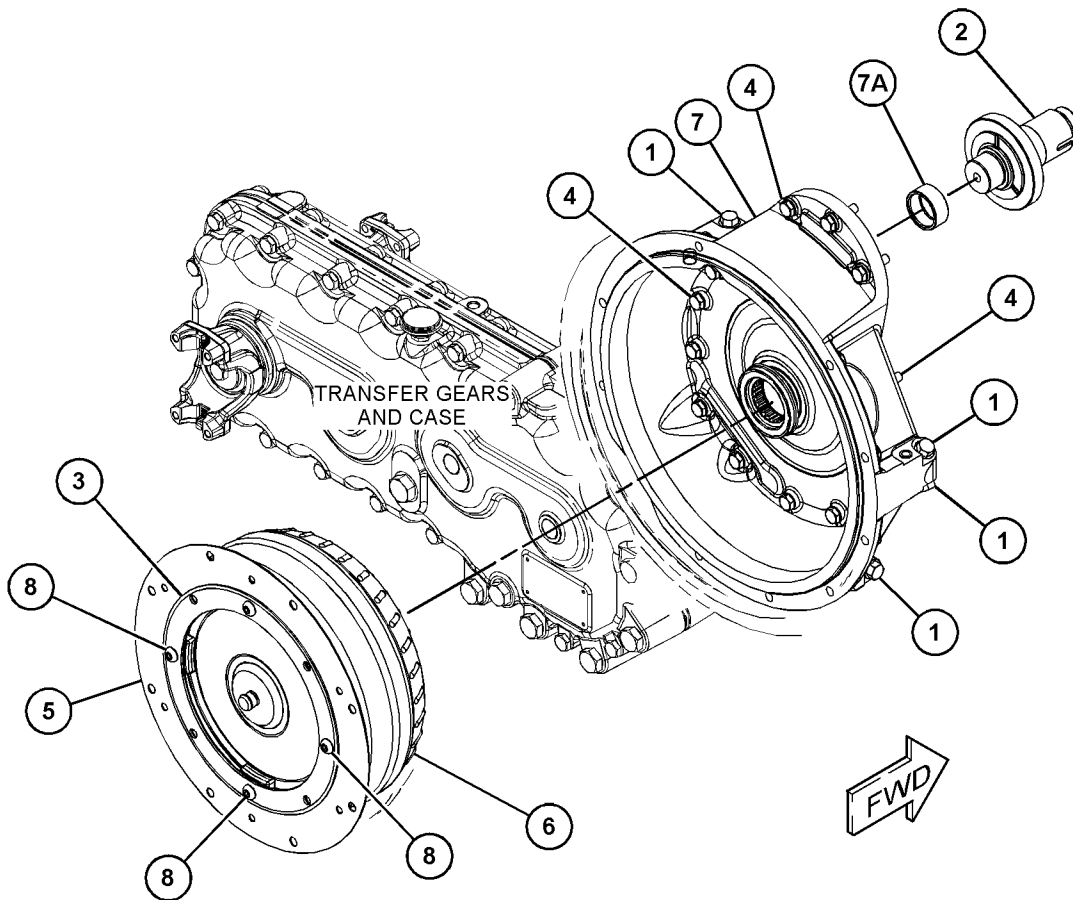
NOTE	REF NO	GRAPHIC REF	PART NUMBER	QTY	PART NAME						SEE PAGE
					1	2	3	4	5	6 (PRODUCT LEVEL)	
	1	1	334-5131	7	PLUG AS						
					(EACH INCLUDES)						
		1	3J-1907	1	SEAL-O-RING						
		1	9S-4191	1	PLUG (9/16-18-THD)						
	2	1	334-7524	1	SHAFT AS						
		1	8C-3982	2	RING-RETAINING						
		1	8E-8313	2	DISC-THRUST						
		1	430-5748	1	GEAR (34-TEETH)						
	3	1	388-0731	1	PLATE-CONVERTER						
M	4	1	6V-5842	15	BOLT (M10X1.5X40-MM)						
	5	1	460-9956	1	PLATE-DRIVE						
	6	1	468-0114	1	TORQUE CONVERTER AS						
	7	1	468-0132	1	TORQUE CONVERTER GP						
	7A	1	6V-5264	1	BEARING						
		1	178-8164	1	SEAL-OIL						
		1	238-6532	2	PIN						
		1	468-0133	1	TORQUE CONVERTER AS						
M	8	1	302-1606	4	SCREW (M10X1.5X16-MM)						

M - METRIC PART

POWER TRAIN

468-0123 TORQUE CONVERTER GP (contd.)

i06624633



GRAPHIC #1

<END>

g06142196

POWER TRAIN

500-4353 TRANSMISSION AR

S/N: TD71-UP

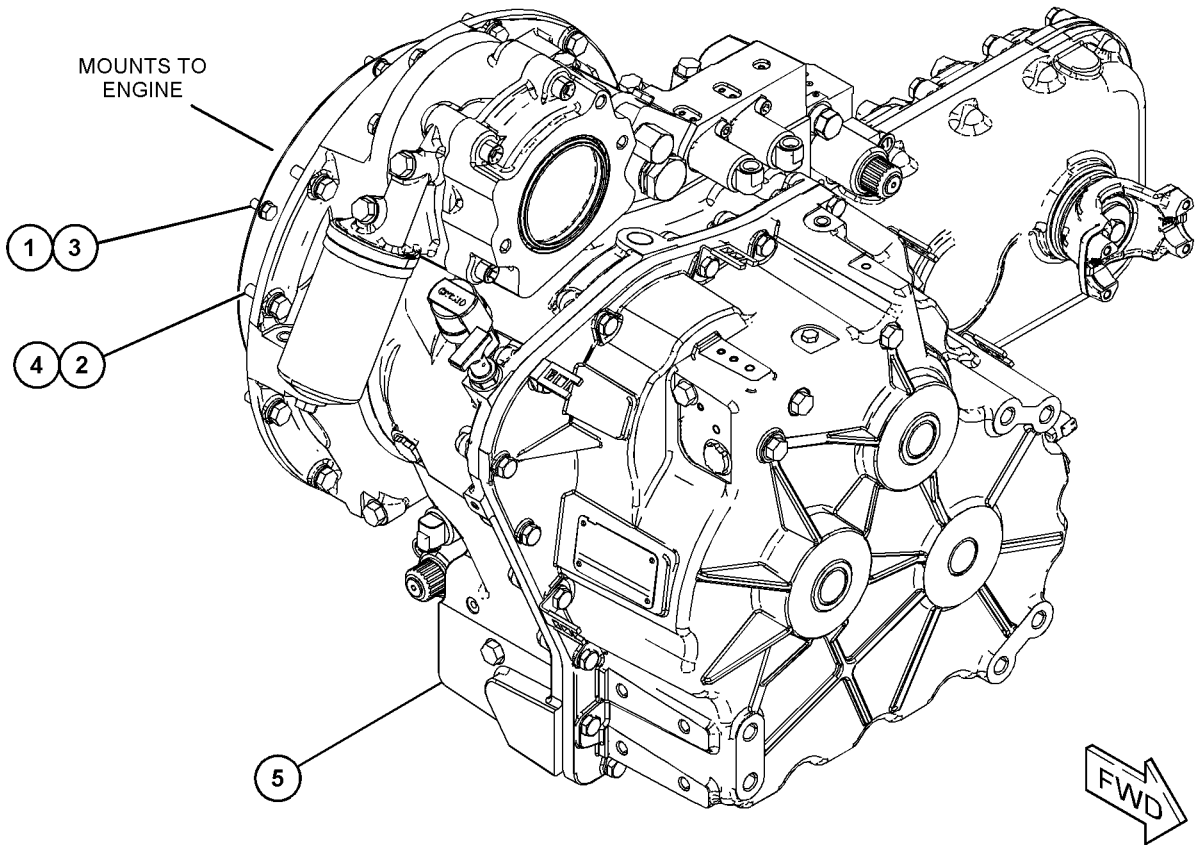
PART OF 518-5884 TRANSMISSION AR
AN ATTACHMENT

SMCS-3030

i06603086

NOTE	REF NO	GRAPHIC REF	PART NUMBER	QTY	PART NAME						SEE PAGE
					1	2	3	4	5	6 (PRODUCT LEVEL)	
	1	1	297-7015	6	BOLT (5/16-18X2-IN)						
M	2	1	8T-4196	10	BOLT (M10X1.5X35-MM)						
	3	1	8T-4224	6	WASHER-HARD (8.8X16X2-MM THK)						
	4	1	8T-4121	10	WASHER-HARD (11X21X2.5-MM THK)						
Y	5	1	482-2978	1	TRANSMISSION AR-POWER SHIFT						571

M - METRIC PART
Y - SEPARATE ILLUSTRATION



GRAPHIC #1

<END>

g06049081

POWER TRAIN

500-4362 TRANSMISSION AR

S/N: TD71-UP

PART OF 505-5341 TRANSMISSION AR
AN ATTACHMENT

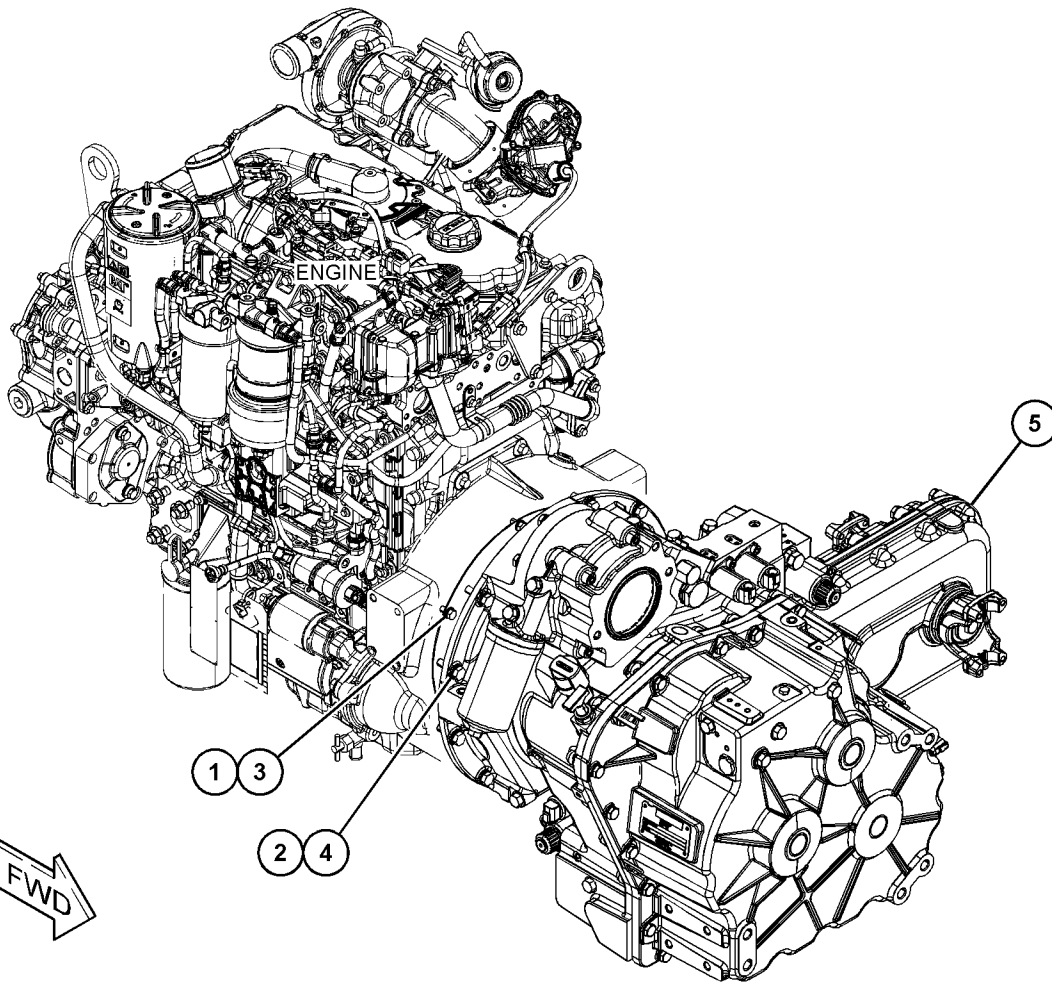
SMCS-3030

i06601137

NOTE	REF NO	GRAPHIC REF	PART NUMBER	QTY	PART NAME						SEE PAGE
					1	2	3	4	5	6 (PRODUCT LEVEL)	
	1	1	297-7015	6	BOLT (5/16-18X2-IN)						
M	2	1	8T-4196	10	BOLT (M10X1.5X35-MM)						
	3	1	8T-4224	6	WASHER-HARD (8.8X16X2-MM THK)						
	4	1	8T-4121	10	WASHER-HARD (11X21X2.5-MM THK)						
Y	5	1	460-9943	1	TRANSMISSION AR-POWER SHIFT						569

M - METRIC PART

Y - SEPARATE ILLUSTRATION



GRAPHIC #1

<END>

g06040748

POWER TRAIN

500-4368 TRANSMISSION AR

S/N: TD61-UP

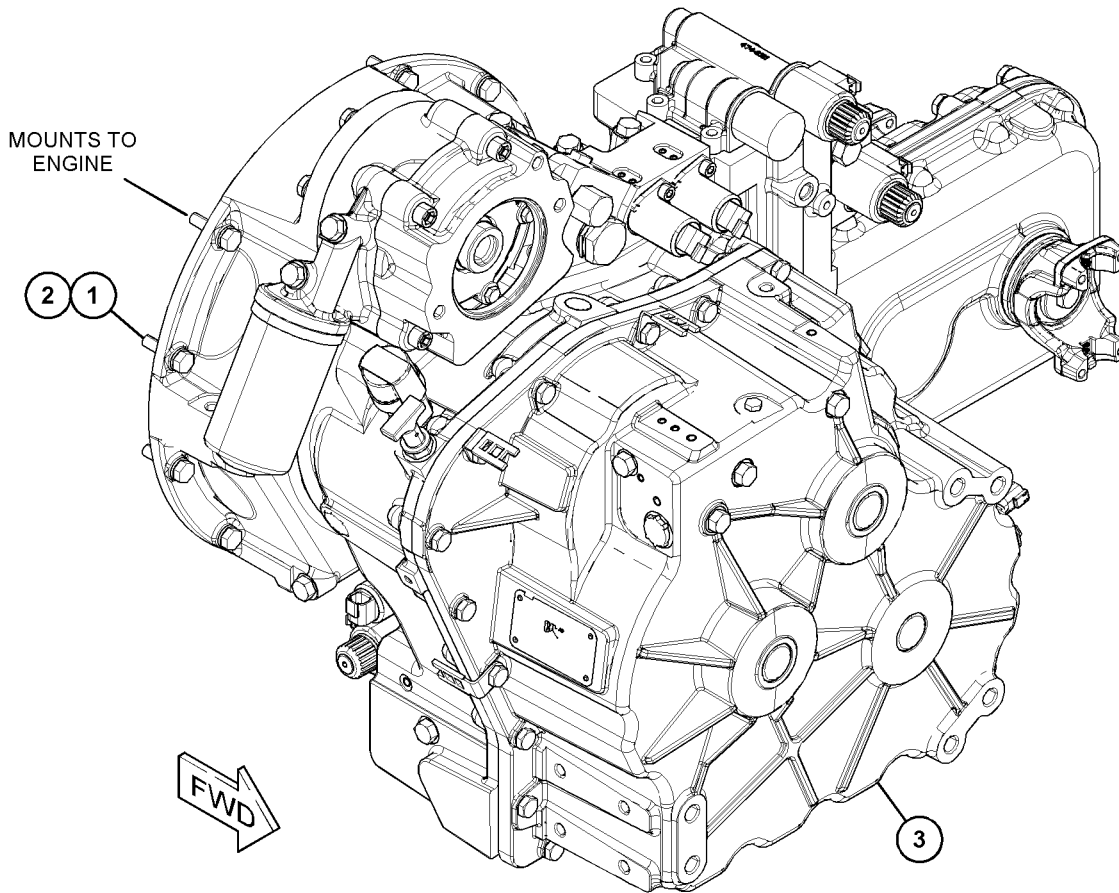
PART OF 518-5883 TRANSMISSION AR
AN ATTACHMENT

SMCS-3030

i06601132

NOTE	REF NO	GRAPHIC REF	PART NUMBER	QTY	PART NAME						SEE PAGE
					1	2	3	4	5	6 (PRODUCT LEVEL)	
M	1	1	8T-4186	10	BOLT (M10X1.5X40-MM)						
	2	1	8T-4121	10	WASHER-HARD (11X21X2.5-MM THK)						
Y	3	1	468-0145	1	TRANSMISSION AR-POWER SHIFT						571

M - METRIC PART
Y - SEPARATE ILLUSTRATION



GRAPHIC #1

<END>

g06049216

POWER TRAIN

505-5341 TRANSMISSION AR

S/N: TD71-UP

PART OF 518-6042 ENGINE AR-COMPLETE
AN ATTACHMENT

SMCS-3030

i06601139

NOTE	PART NUMBER	QTY	PART NAME						SEE PAGE
			1	2	3	4	5	6 (PRODUCT LEVEL)	
Y	500-3084	1	SENSOR GP-TEMPERATURE (TRANSMISSION)						420
Y	496-6524	1	SHAFT GP-DRIVE						522
Y	500-4362	1	TRANSMISSION AR						566

Y - SEPARATE ILLUSTRATION

<END>

518-5883 TRANSMISSION AR

S/N: TD61-UP

PART OF 518-5877 ENGINE AR-COMPLETE
AN ATTACHMENT

SMCS-3030

i07191651

NOTE	PART NUMBER	QTY	PART NAME						SEE PAGE
			1	2	3	4	5	6 (PRODUCT LEVEL)	
Y	500-4367	1	FITTING GP-HYDRAULIC (TRANSMISSION)						669
Y	496-6524	1	SHAFT GP-DRIVE						522
Y	500-4363	1	SWITCH GP-TRANSMISSION						432
Y	500-4368	1	TRANSMISSION AR						567

Y - SEPARATE ILLUSTRATION

<END>

518-5884 TRANSMISSION AR

S/N: TD71-UP

PART OF 518-6040, 518-6043 ENGINE AR-COMPLETE
AN ATTACHMENT

SMCS-3030

i06895404

NOTE	PART NUMBER	QTY	PART NAME						SEE PAGE
			1	2	3	4	5	6 (PRODUCT LEVEL)	
Y	500-3084	1	SENSOR GP-TEMPERATURE (TRANSMISSION)						420
Y	496-6524	1	SHAFT GP-DRIVE						522
Y	500-4353	1	TRANSMISSION AR						565

Y - SEPARATE ILLUSTRATION

<END>

POWER TRAIN

460-9943 TRANSMISSION AR-POWER SHIFT

S/N: SD31-UP; H5E1-UP
 PART OF 500-4362 TRANSMISSION AR
 AN ATTACHMENT

SMCS-3030

i06938268

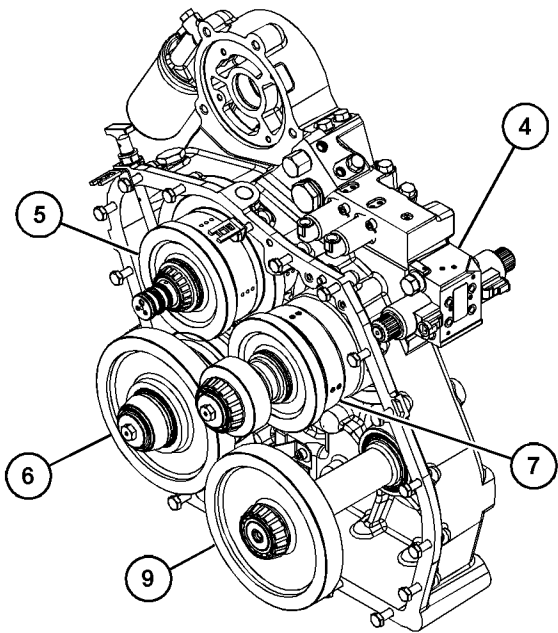
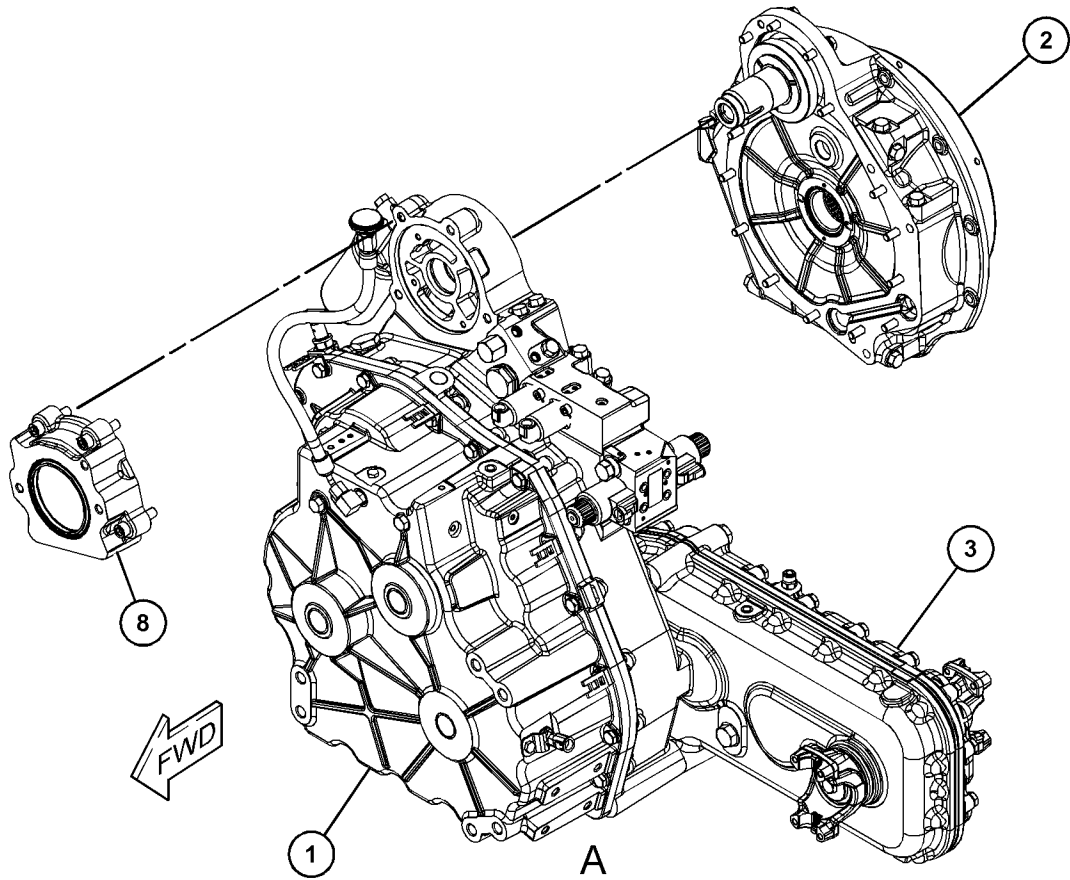
NOTE	REF NO	GRAPHIC REF	PART NUMBER	QTY	PART NAME						SEE PAGE
					1	2	3	4	5	6 (PRODUCT LEVEL)	
Y	1	1	482-1134	1	CASE & PARTS GP-PLANETARY						485
Y	2	1	453-9535	1	TORQUE CONVERTER GP						561
Y	3	1	460-9945	1	GEAR & CASE GP-TRANSFER						513
Y	4	1	418-7411	1	CONTROL GP-TRANSMISSION HYD						509
Y	5	1	334-7556	1	SHAFT GP-INPUT						523
Y	6	1	392-3996	1	CLUTCH & GEAR GP (FORWARD HIGH, 3RD)						507
Y	7	1	334-7532	1	CLUTCH & GEAR GP (1ST, 2ND)						505
Y	8	1	418-7407	1	PUMP GP-TRANSMISSION						521
Y	9	1	334-7541	1	SHAFT GP-OUTPUT						527
FY		1	526-0637	1	GEAR & CASE GP-TRANSFER						516
FY		1	526-0654	1	TRANSMISSION AR-POWER SHIFT						572

F - NOT SHOWN
 Y - SEPARATE ILLUSTRATION

POWER TRAIN

460-9943 TRANSMISSION AR-POWER SHIFT (contd.)

106938268



VIEW OF AREA A
(PARTS REMOVED FOR CLARITY)

GRAPHIC #1

<END>

g06179757

POWER TRAIN

468-0145 TRANSMISSION AR-POWER SHIFT

S/N: HA51-UP

PART OF 500-4368 TRANSMISSION AR
AN ATTACHMENT AND FIELD INSTALLATION

SMCS-3030

i06601134

NOTE	PART NUMBER	QTY	PART NAME						SEE PAGE
			1	2	3	4	5	6 (PRODUCT LEVEL)	
Y	468-0122	1	CASE GP-TRANSMISSION						496
Y	334-7532	1	CLUTCH & GEAR GP (1ST, 2ND)						505
Y	392-3996	1	CLUTCH & GEAR GP (FORWARD HIGH, 3RD)						507
Y	468-0120	1	CONTROL GP-TRANSMISSION HYD						510
Y	460-9945	1	GEAR & CASE GP-TRANSFER						513
Y	418-7407	1	PUMP GP-TRANSMISSION						521
Y	468-0119	1	SHAFT GP-INPUT						525
Y	334-7541	1	SHAFT GP-OUTPUT						527
Y	468-0123	1	TORQUE CONVERTER GP						563

Y - SEPARATE ILLUSTRATION

<END>

482-2978 TRANSMISSION AR-POWER SHIFT

S/N: BK21-UP; H5F1-UP

PART OF 500-4353 TRANSMISSION AR
AN ATTACHMENT

SMCS-3030

i06603087

NOTE	PART NUMBER	QTY	PART NAME						SEE PAGE
			1	2	3	4	5	6 (PRODUCT LEVEL)	
Y	482-1134	1	CASE & PARTS GP-PLANETARY						485
Y	334-7532	1	CLUTCH & GEAR GP (1ST, 2ND)						505
Y	392-3996	1	CLUTCH & GEAR GP (FORWARD HIGH, 3RD)						507
Y	418-7411	1	CONTROL GP-TRANSMISSION HYD						509
Y	459-8308	1	GEAR GP-TRANSFER						519
Y	418-7407	1	PUMP GP-TRANSMISSION						521
Y	334-7556	1	SHAFT GP-INPUT						523
Y	334-7541	1	SHAFT GP-OUTPUT						527
Y	453-9534	1	TORQUE CONVERTER GP						559

Y - SEPARATE ILLUSTRATION

<END>

POWER TRAIN

526-0654 TRANSMISSION AR-POWER SHIFT

S/N: SD31-UP; H5E1-UP

PART OF 460-9943 TRANSMISSION AR-POWER SHIFT
AN ATTACHMENT

SMCS-3030

i06938272

NOTE	REF NO	GRAPHIC REF	PART NUMBER	QTY	PART NAME						SEE PAGE
					1	2	3	4	5	6 (PRODUCT LEVEL)	
Y	1	1	482-1134	1	CASE & PARTS GP-PLANETARY						485
Y	2	1	453-9535	1	TORQUE CONVERTER GP						561
Y	3	1	418-7411	1	CONTROL GP-TRANSMISSION HYD						509
Y	4	1	334-7556	1	SHAFT GP-INPUT						523
Y	5	1	392-3996	1	CLUTCH & GEAR GP (FORWARD HIGH, 3RD)						507
Y	6	1	334-7532	1	CLUTCH & GEAR GP (1ST, 2ND)						505
Y	7	1	418-7407	1	PUMP GP-TRANSMISSION						521
Y	8	1	334-7541	1	SHAFT GP-OUTPUT						527

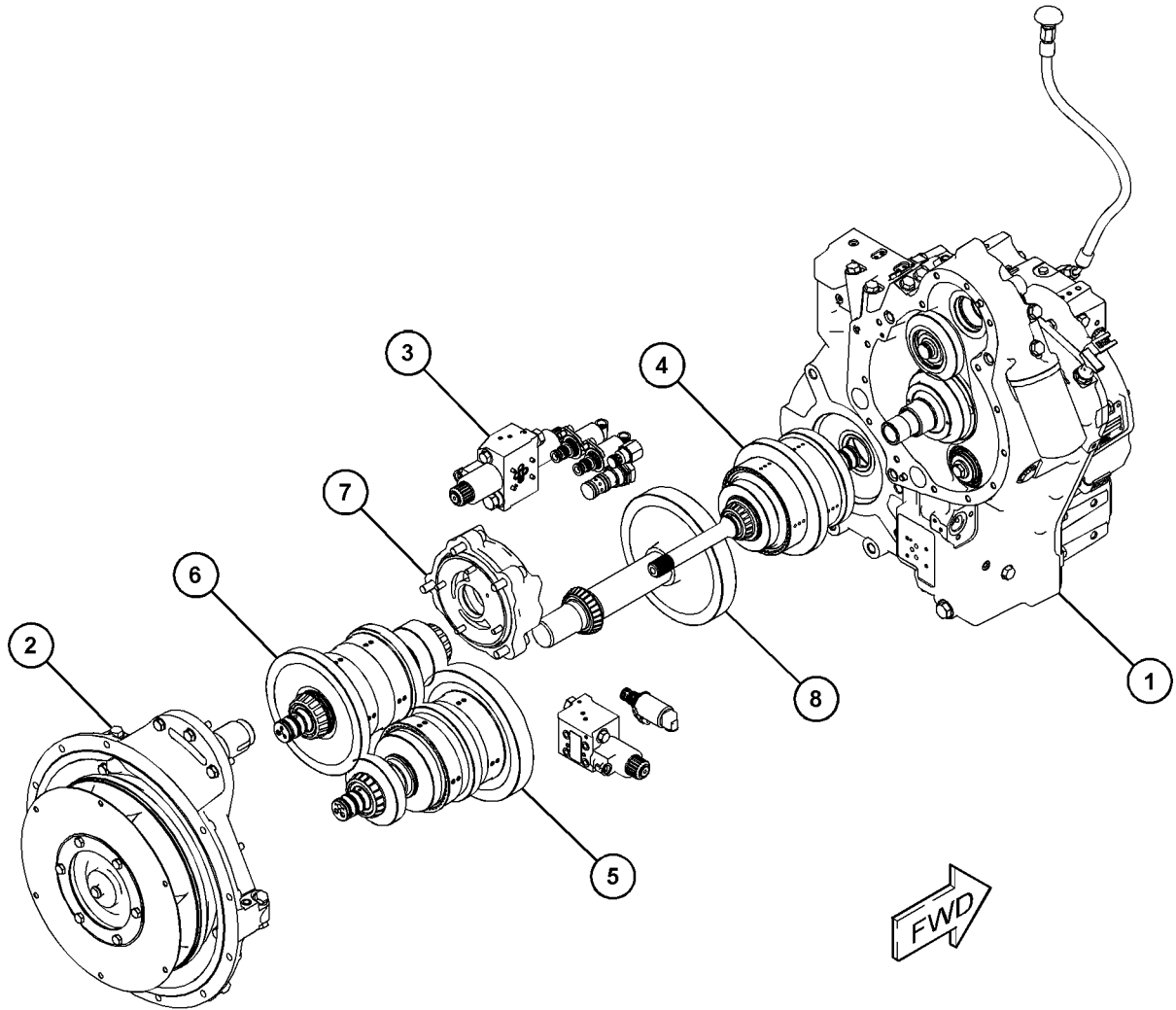
PARTS SHOWN IN GRAPHIC(S) WITHOUT A REFERENCE NUMBER ARE NOT SERVICED SEPARATELY

Y - SEPARATE ILLUSTRATION

POWER TRAIN

526-0654 TRANSMISSION AR-POWER SHIFT (contd.)

i06938272



GRAPHIC #1

<END>

g06177271

POWER TRAIN

391-9654 VALVE GP-SOLENOID-MODULATING

S/N: BK21-UP; SD31-UP; HA51-UP; H5E1-UP; H5F1-UP

12-VDC

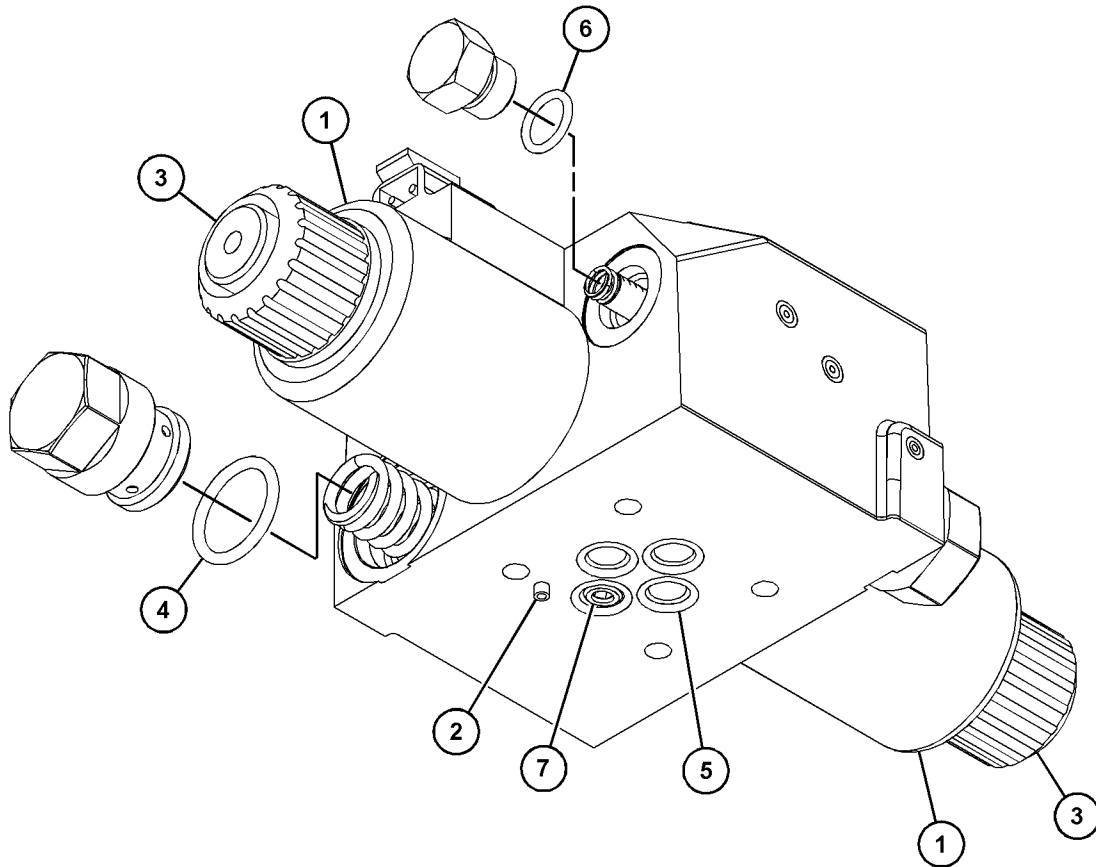
PART OF 418-7411, 468-0120 CONTROL GP-TRANSMISSION HYD
AN ATTACHMENT

SMCS-3174, 5051, 5479

i05751229

NOTE	REF NO	GRAPHIC REF	PART NUMBER	QTY	PART NAME						SEE PAGE
					1	2	3	4	5	6	
	1	1	274-4559	2	COIL AS (12-VOLT)						
	2	1	8L-6565	1	PIN-SPRING						
	3	1	286-0867	2	SOLENOID AS						
					(EACH INCLUDES)						
		1	6V-8399	1	SEAL-O-RING						
		1	274-4560	1	NUT-SELF LOCKING						
	4	1	336-7526	2	SEAL-O-RING						
	5	1	388-8350	4	SEAL-O-RING						
	6	1	336-7529	2	SEAL-O-RING						
	7	1	391-8781	1	PLUG-ORIFICE						

PARTS SHOWN IN GRAPHIC(S) WITHOUT A REFERENCE NUMBER ARE NOT SERVICED SEPARATELY



GRAPHIC #1

<END>

g03667724

POWER TRAIN

399-5410 VALVE GP-SOLENOID-MODULATING

S/N: BK21-UP; SD31-UP; HA51-UP; H5E1-UP; H5F1-UP

12-VDC

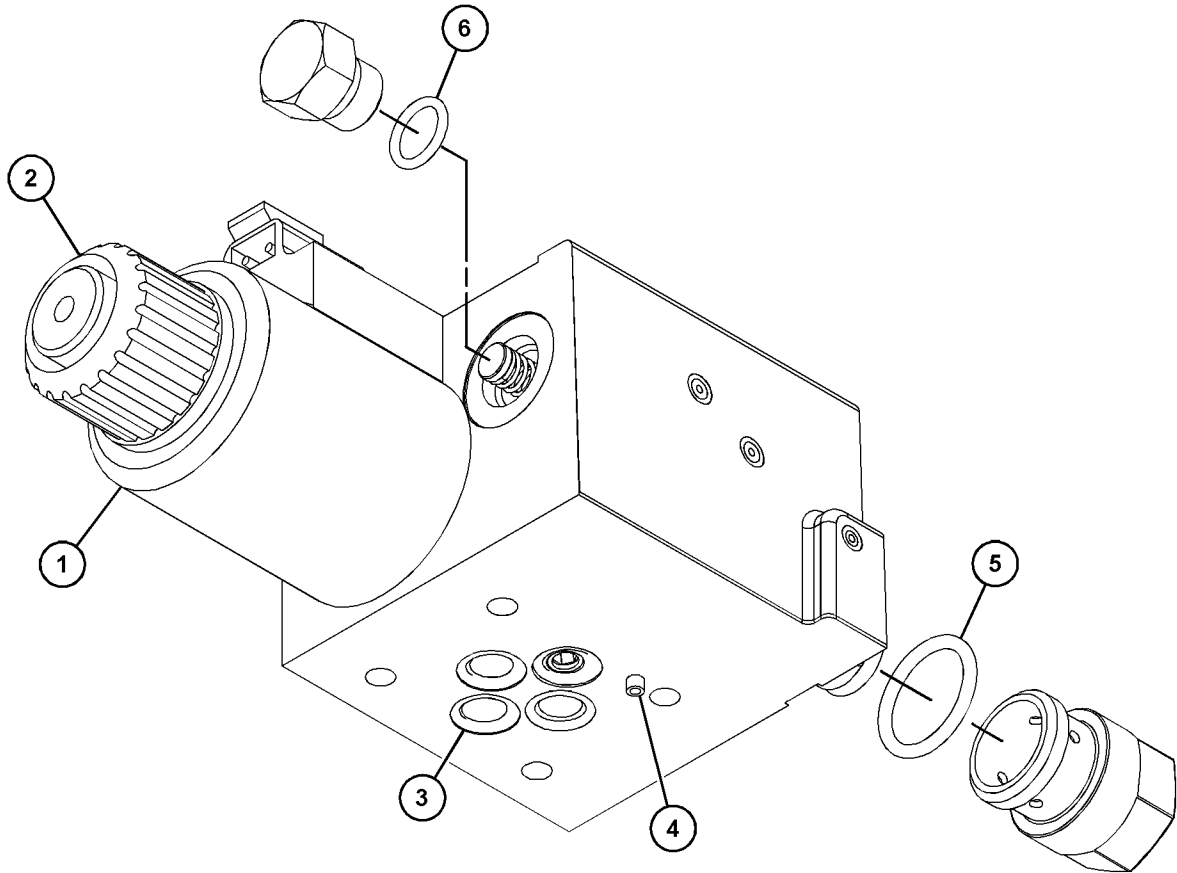
PART OF 418-7411, 468-0120 CONTROL GP-TRANSMISSION HYD
AN ATTACHMENT

SMCS-3174, 5051, 5479

i05751232

NOTE	REF NO	GRAPHIC REF	PART NUMBER	QTY	PART NAME						SEE PAGE
					1	2	3	4	5	6 (PRODUCT LEVEL)	
	1	1	274-4559	1	COIL AS (12-VOLT)						
	2	1	286-0867	1	SOLENOID AS						
		1	6V-8399	1	SEAL-O-RING						
		1	274-4560	1	NUT-SELF LOCKING						
3	1		388-8350	4	SEAL-O-RING						
4	1		8L-6565	1	PIN-SPRING						
5	1		336-7526	1	SEAL-O-RING						
6	1		336-7529	1	SEAL-O-RING						

PARTS SHOWN IN GRAPHIC(S) WITHOUT A REFERENCE NUMBER ARE NOT SERVICED SEPARATELY



GRAPHIC #1

<END>

g03667783

POWER TRAIN

6D-0337 VALVE GP-TIRE

S/N: TD61-UP; TD71-UP

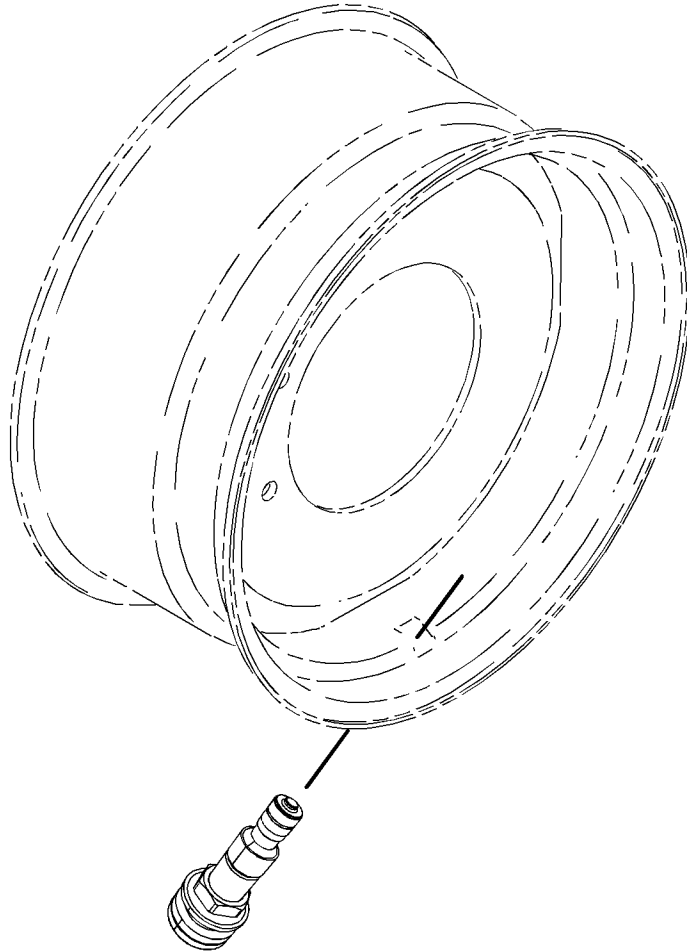
PART OF 323-7381, 323-7401, 478-8923, 496-8243, 526-4259, 526-5726, 526-5727, 526-5728, 526-6911, 526-6913, 526-6914, 526-7162, 526-7163, 526-9589, 526-9591, 526-9592, 526-9593 TIRE & RIM GP
AN ATTACHMENT

SMCS-4203, 4209

i05600611

NOTE	REF NO	GRAPHIC REF	PART NUMBER	QTY	PART NAME						SEE PAGE
					1	2	3	4	5	6 (PRODUCT LEVEL)	

(NO SERVICED PARTS)



GRAPHIC #1

<END>

g02718908

POWER TRAIN

526-4258 WHEEL & TIRE AR

S/N: TD61-UP; TD71-UP

AN ATTACHMENT

SMCS-4200, 4201, 4202, 4203, 4208, 4209

i06907160

NOTE	PART NUMBER	QTY	PART NAME						SEE PAGE
			1	2	3	4	5	6 (PRODUCT LEVEL)	
Y	526-4259	4	TIRE & RIM GP						546
	486-8069	1	FASTENER GP						
M	5W-1386	32	NUT (M22X1.5-THD)						
	351-7528	32	WASHER (22.5X46X6-MM THK)						
	348-9443	4	FILM-INFORMATION (5.25 BAR)						

M - METRIC PART

Y - SEPARATE ILLUSTRATION

<END>

FRAME AND BODY

541-9094 BOX & MOUNTING GP-TOOL-TOOL BOX

S/N: TD61-UP; TD71-UP

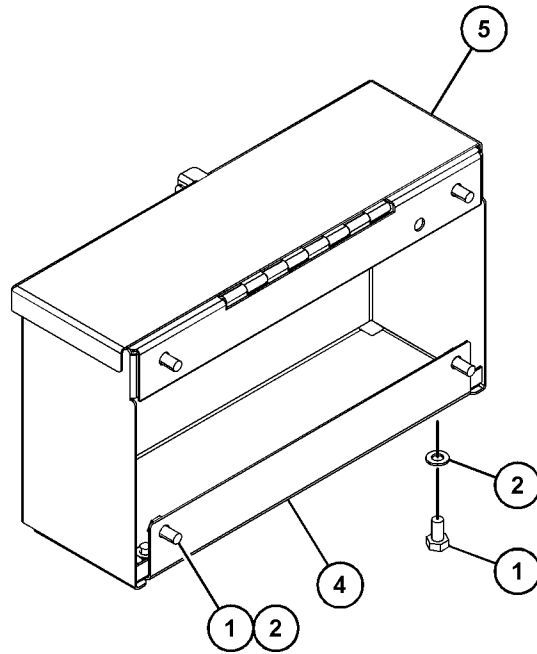
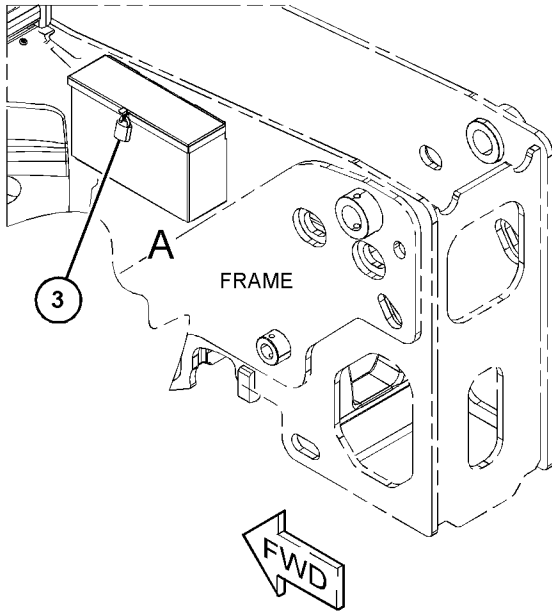
AN ATTACHMENT

SMCS-7259

i07163198

NOTE	REF NO	GRAPHIC REF	PART NUMBER	QTY	PART NAME						SEE PAGE
					1	2	3	4	5	6 (PRODUCT LEVEL)	
M	1	1	264-3627	6	BOLT (M10X1.5X20-MM)						
	2	1	8T-4121	6	WASHER-HARD (11X21X2.5-MM THK)						
	3	1	246-2641	1	PADLOCK GP						
		1	5P-8500	1	KEY						
	4	1	477-0027	1	BRACKET						
	5	1	485-5329	1	TOOL						

M - METRIC PART



VIEW OF AREA A 90°

GRAPHIC #1

<END>

g06241514

FRAME AND BODY

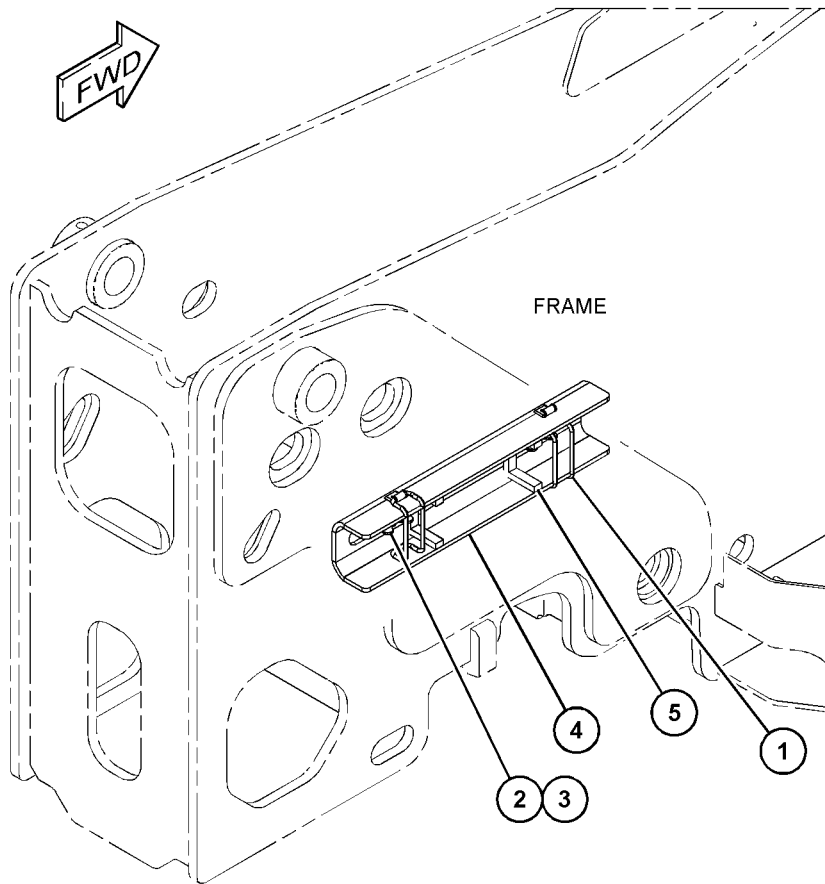
492-5088 BRACKET GP-MOUNTING-BOOM

S/N: TD61-UP; TD71-UP
 NOT FOR NACD REGION
 AN ATTACHMENT

SMCS-1429

i06586863

NOTE	REF NO	GRAPHIC REF	PART NUMBER	QTY	PART NAME						SEE PAGE
					1	2	3	4	5	6 (PRODUCT LEVEL)	
	1	1	329-3624	2	SEAL-O-RING						
	2	1	492-5067	2	NUT-WING						
	3	1	266-5360	2	WASHER (13X37X3-MM THK)						
	4	1	492-5068	1	BRACKET AS						
	5	1	492-5089	2	SEAL						



GRAPHIC #1

<END>

g06039858

FRAME AND BODY

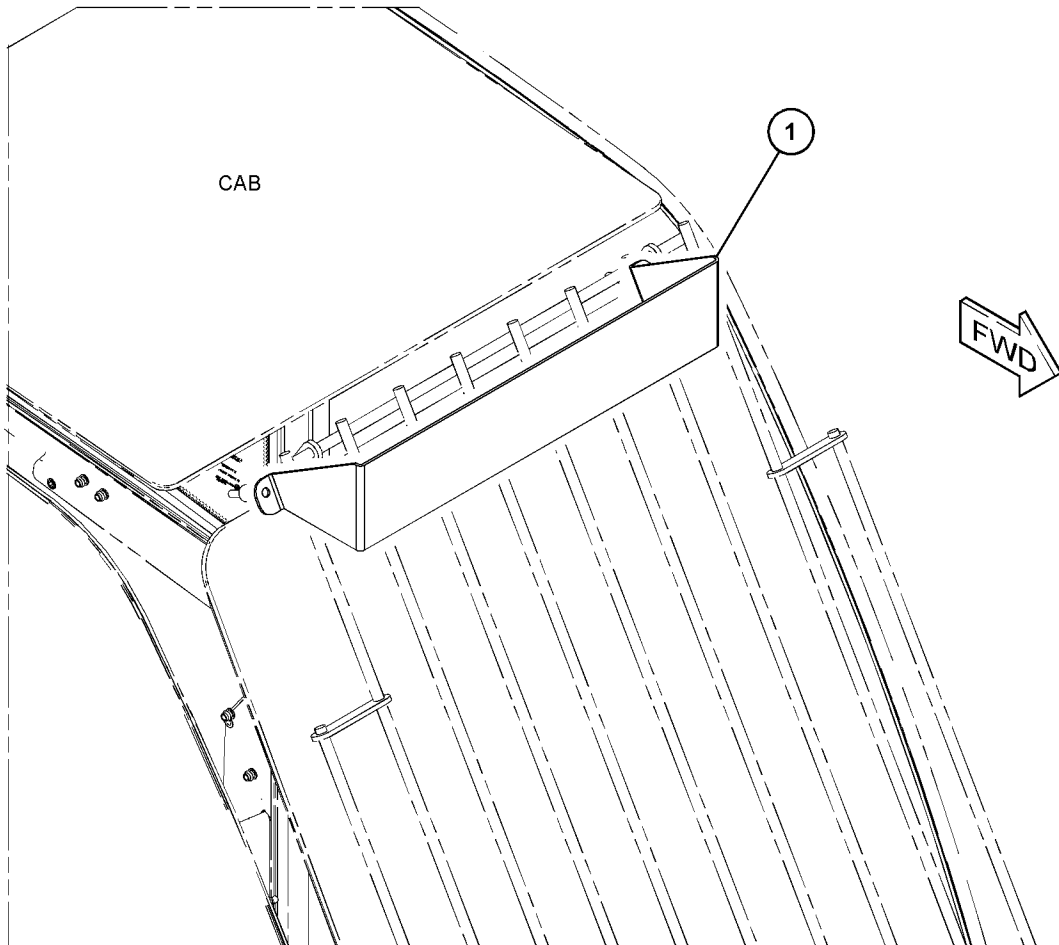
518-2673 BRACKET GP-MOUNTING

S/N: TD61-UP; TD71-UP
FOR USE WITH CAB SCREEN, ROOF GUARD
AN ATTACHMENT

SMCS-1429

i06809292

NOTE	REF NO	GRAPHIC REF	PART NUMBER	QTY	PART NAME						SEE PAGE
					1	2	3	4	5	6 (PRODUCT LEVEL)	
	1	1	518-2671	1	BRACKET						



GRAPHIC #1

<END>

g06125747

FRAME AND BODY

518-2674 BRACKET GP-MOUNTING

S/N: TD61-UP; TD71-UP

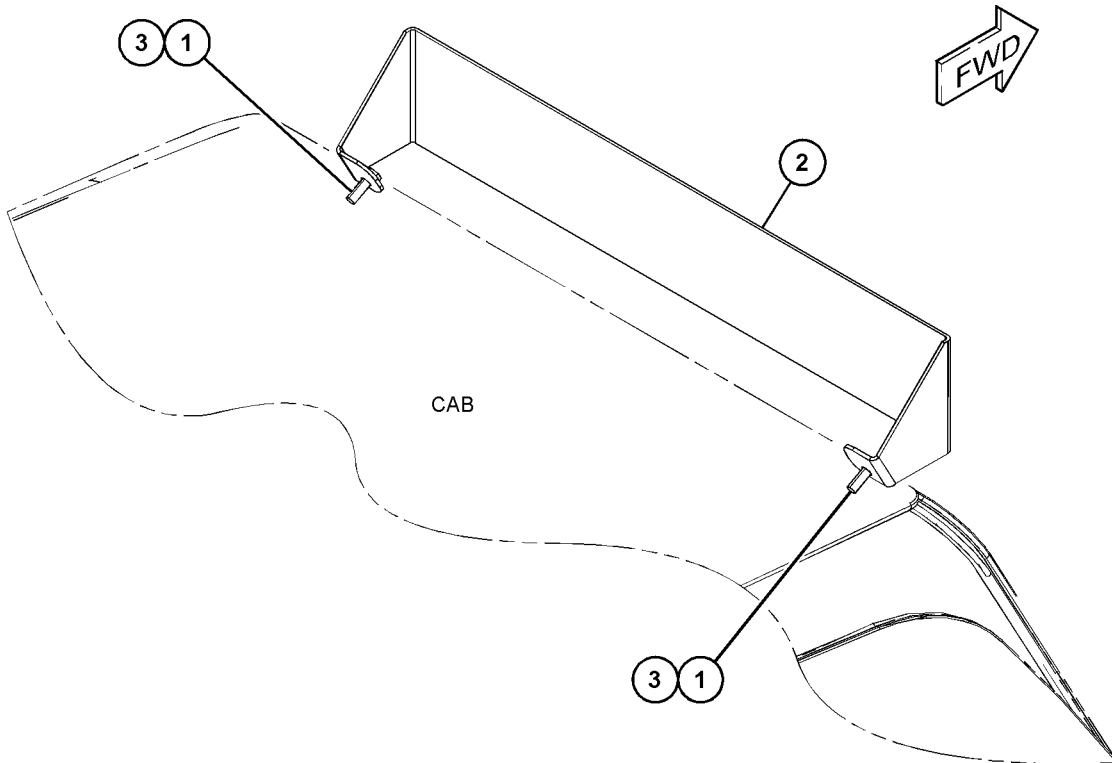
**CANNOT BE USED WITH CAB SCREEN GUARD, ROOF GUARD
AN ATTACHMENT**

SMCS-1429

i06809349

NOTE	REF NO	GRAPHIC REF	PART NUMBER	QTY	PART NAME						SEE PAGE
					1	2	3	4	5	6 (PRODUCT LEVEL)	
M	1	1	8T-4908	2	BOLT (M8X1.25X25-MM)						
	2	1	518-2672	1	BRACKET						
	3	1	8T-4224	2	WASHER-HARD (8.8X16X2-MM THK)						

M - METRIC PART



GRAPHIC #1

<END>

g06125533

FRAME AND BODY

505-0886 COUNTERWEIGHT GP

S/N: TD71-UP

60-KG (132.2-LB)

PART OF 495-2470, 495-2471, 495-2472, 495-2473, 495-2474, 495-2475, 495-2476 HITCH
AR

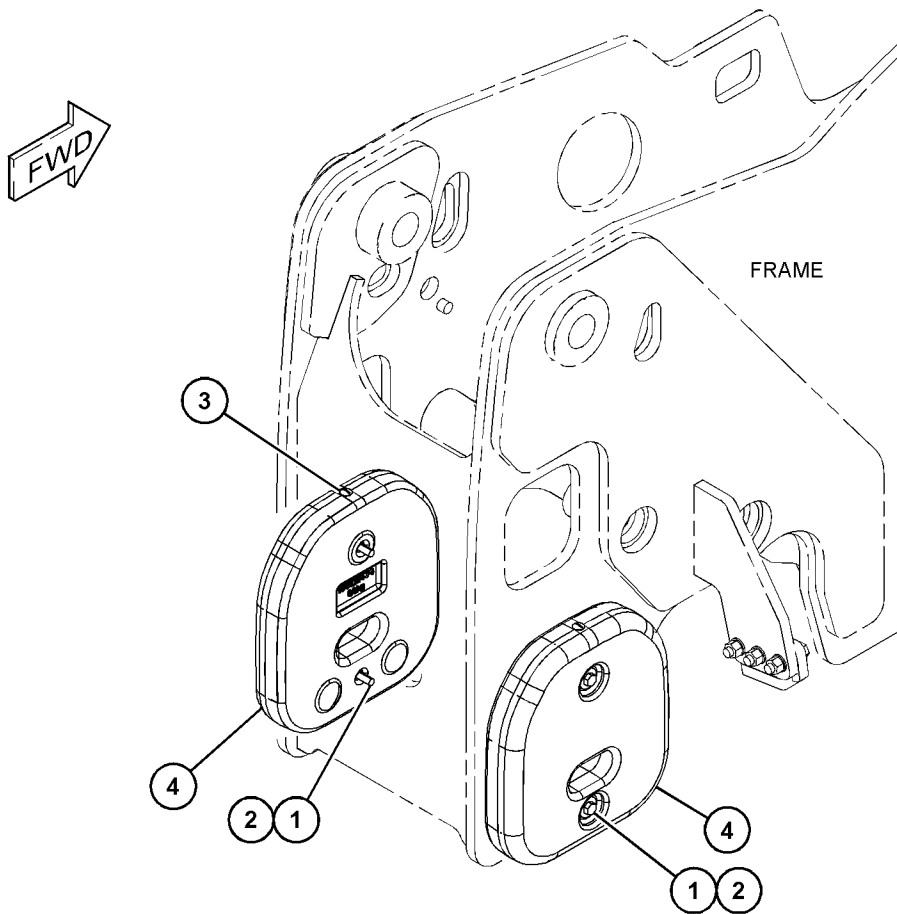
AN ATTACHMENT

SMCS-7056

i06603310

NOTE	REF NO	GRAPHIC REF	PART NUMBER	QTY	PART NAME						SEE PAGE
					1	2	3	4	5	6 (PRODUCT LEVEL)	
M	1	1	8T-6868	4	BOLT (M12X1.75X80-MM)						
	2	1	266-5360	4	WASHER (13X37X3-MM THK)						
	3	1	495-6218	2	SCREW						
	4	1	505-0887	2	COUNTERWEIGHT						

M - METRIC PART



GRAPHIC #1

<END>

g06044056

FRAME AND BODY

474-9856 COVER GP-FRONT

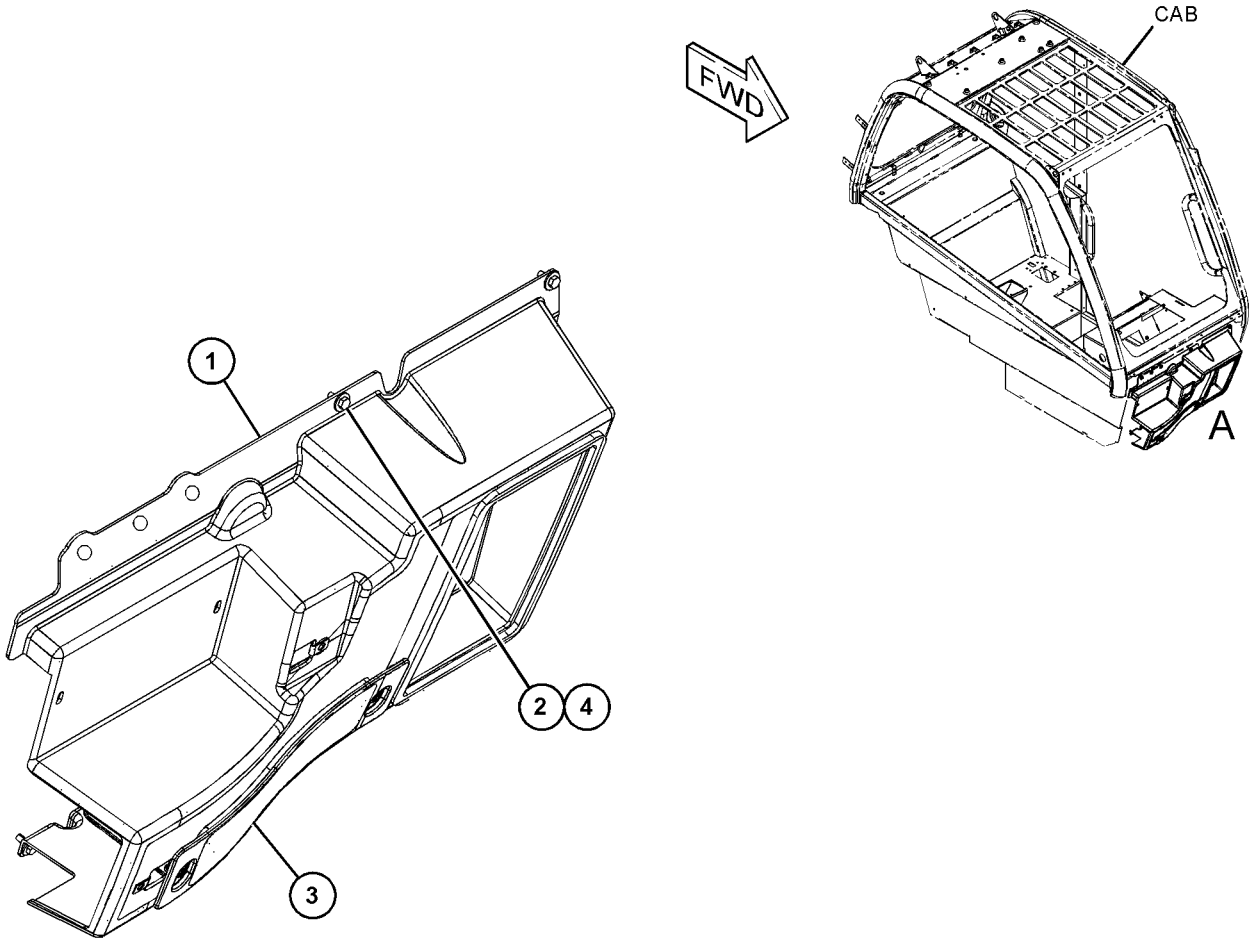
S/N: TD61-UP; TD71-UP
PART OF 495-6202 TRIM GP-CAB
AN ATTACHMENT

SMCS-7150, 7158, 726A, 795C

i06850978

NOTE	REF NO	GRAPHIC REF	PART NUMBER	QTY	PART NAME						SEE PAGE
					1	2	3	4	5	6 (PRODUCT LEVEL)	
	1	1	474-9864	1	COVER GP						
M		1	341-7590	2	NUT (M6X1-THD)						
		1	474-9865	1	SEAL						
		1	474-9866	1	SEAL						
		1	474-9867	2	NUT						
CM	2	1	5C-9553	7	BOLT (M6X1X16-MM)						
	3	1	474-9861	1	PANEL AS						
		1	473-6973	2	SCREW-SPECIAL						
		1	473-6976	2	CLIP-RETAINING						
		1	474-9863	1	CLIP						
	4	1	5W-1417	7	WASHER (6.4X18X1.6-MM THK)						

C - CHANGE FROM PREVIOUS TYPE
M - METRIC PART



VIEW OF AREA A

GRAPHIC #1

<END>

g06144845

FRAME AND BODY

492-4867 COVER GP-ACCESS-REAR

S/N: TD71-UP

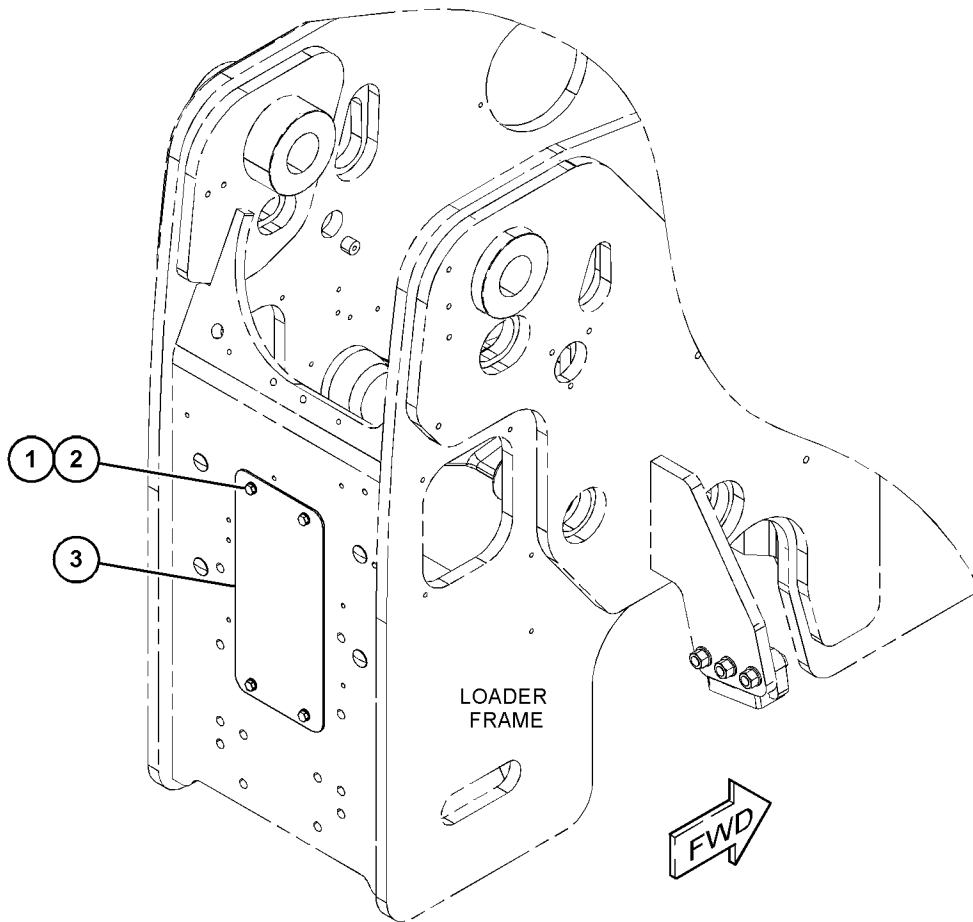
PART OF 495-2470, 495-2471, 495-2472, 495-2473, 495-2474, 495-2475, 495-2476 HITCH
AR
AN ATTACHMENT

SMCS-726A

i06586866

NOTE	REF NO	GRAPHIC REF	PART NUMBER	QTY	PART NAME						SEE PAGE
					1	2	3	4	5	6 (PRODUCT LEVEL)	
M	1	1	8T-4189	2	BOLT (M8X1.25X20-MM)						
	2	1	8T-4224	2	WASHER-HARD (8.8X16X2-MM THK)						
	3	1	492-5074	1	PLATE						

M - METRIC PART



GRAPHIC #1

<END>

g06037463

FRAME AND BODY

496-8305 COVER GP-ACCESS

S/N: TD61-UP; TD71-UP

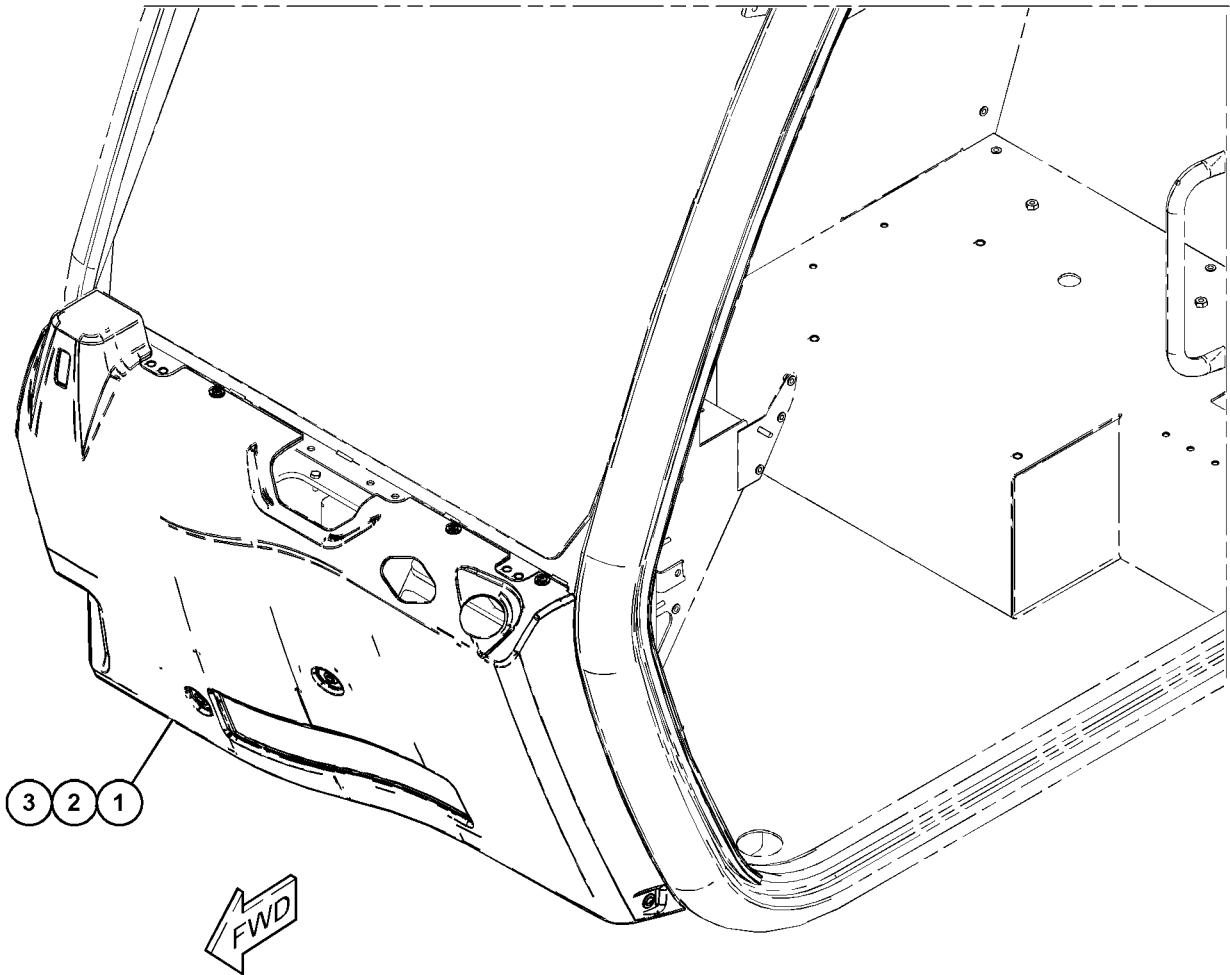
PART OF 515-0963, 515-0967, 515-0968 LIGHTING GP-ROADING
AN ATTACHMENT

SMCS-726A

i06823054

NOTE	REF NO	GRAPHIC REF	PART NUMBER	QTY	PART NAME						SEE PAGE
					1	2	3	4	5	6 (PRODUCT LEVEL)	
	1	1	496-8306	1	COVER						
	2	1	5W-1417	6	WASHER (6.4X18X1.6-MM THK)						
M	3	1	166-3777	6	SCREW-BUTTON HEAD (M6X1X28-MM)						

M - METRIC PART



GRAPHIC #1

<END>

g06048878

FRAME AND BODY

500-3072 ENCLOSURE GP-ENGINE

S/N: TD71-UP

PART OF 518-6040, 518-6043 ENGINE AR-COMplete
AN ATTACHMENT

SMCS-7263

i07181240

NOTE	REF NO	GRAPHIC REF	PART NUMBER	QTY	PART NAME						SEE PAGE
					1	2	3	4	5	6 (PRODUCT LEVEL)	
M	1	1	8T-4138	13	BOLT (M6X1X20-MM)						
M	2	1	8T-4195	2	BOLT (M10X1.5X30-MM)						
M	3	1	8T-4137	9	BOLT (M10X1.5X20-MM)						
M	4	1	8T-4136	9	BOLT (M10X1.5X25-MM)						
M	5	1	8T-4139	2	BOLT (M12X1.75X30-MM)						
M	6	1	165-7019	2	BOLT (M12X1.75X45-MM)						
	7	1	8T-4205	4	WASHER-HARD (7.2X14.5X2-MM THK)						
	8	1	8T-4121	20	WASHER-HARD (11X21X2.5-MM THK)						
	9	1	8T-4223	4	WASHER-HARD (13.5X25.5X3-MM THK)						
M	10	1	500-3073	4	BOLT-FLANGE (M10X1.5X20-MM)						
M	11	1	341-7590	9	NUT (M6X1-THD)						
	12	1	459-7674	1	PLATE						
	13	1	500-3074	1	PLATE (REAR EXHAUST)						
	14	1	500-3075	1	COVER						
	15	1	495-6347	2	BRACE						
	16	1	500-3076	2	SPACER (11X16X6-MM THK)						
	17	1	500-3077	1	SEAL						
Y	18	1	500-3069	1	HOOD GP-ENGINE						613
	19	1	500-3078	1	PLATE AS						
	20	1	500-3079	1	PLATE						
	21	1	500-3080	1	PLATE						
	22	1	500-3081	1	PLATE AS						
	23	1	500-3082	1	PLATE (COVER)						
	24	1	500-3083	1	PLATE AS						
	25	1	539-2408	1	PLATE						
M	26	1	388-4063	2	SCREW (M6X16-MM)						
	27	1	5Y-2425	9	WASHER (6.5X17.5X1.5-MM THK)						

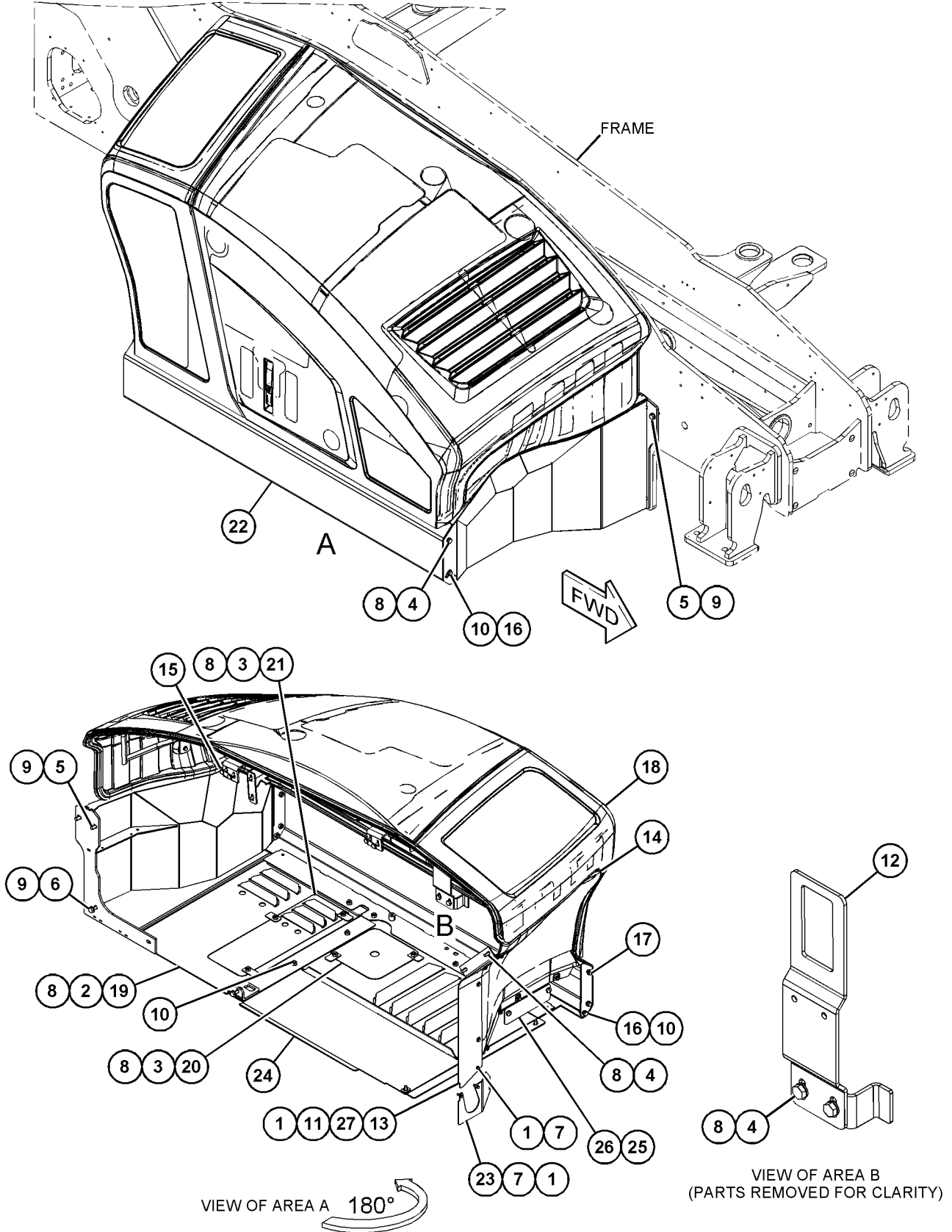
M - METRIC PART

Y - SEPARATE ILLUSTRATION

FRAME AND BODY

500-3072 ENCLOSURE GP-ENGINE (contd.)

i07181240



GRAPHIC #1

<END>

g06245015

FRAME AND BODY

500-4356 ENCLOSURE GP-ENGINE

S/N: TD61-UP; TD71-UP

PART OF 518-5877, 518-6042 ENGINE AR-COMplete
AN ATTACHMENT

SMCS-7263

i07081250

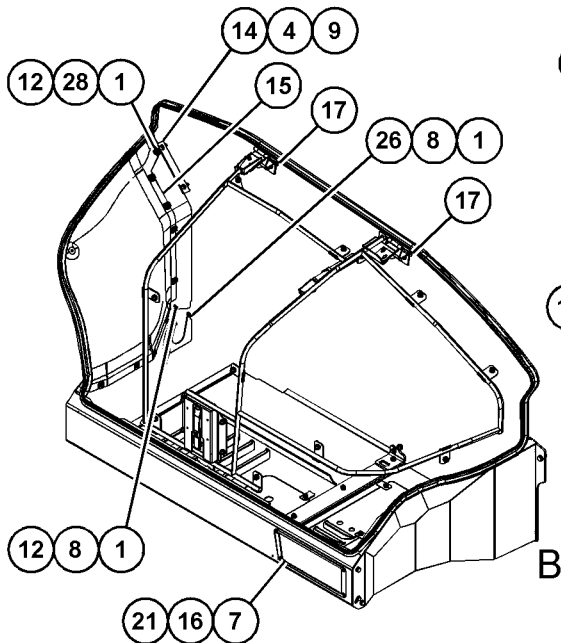
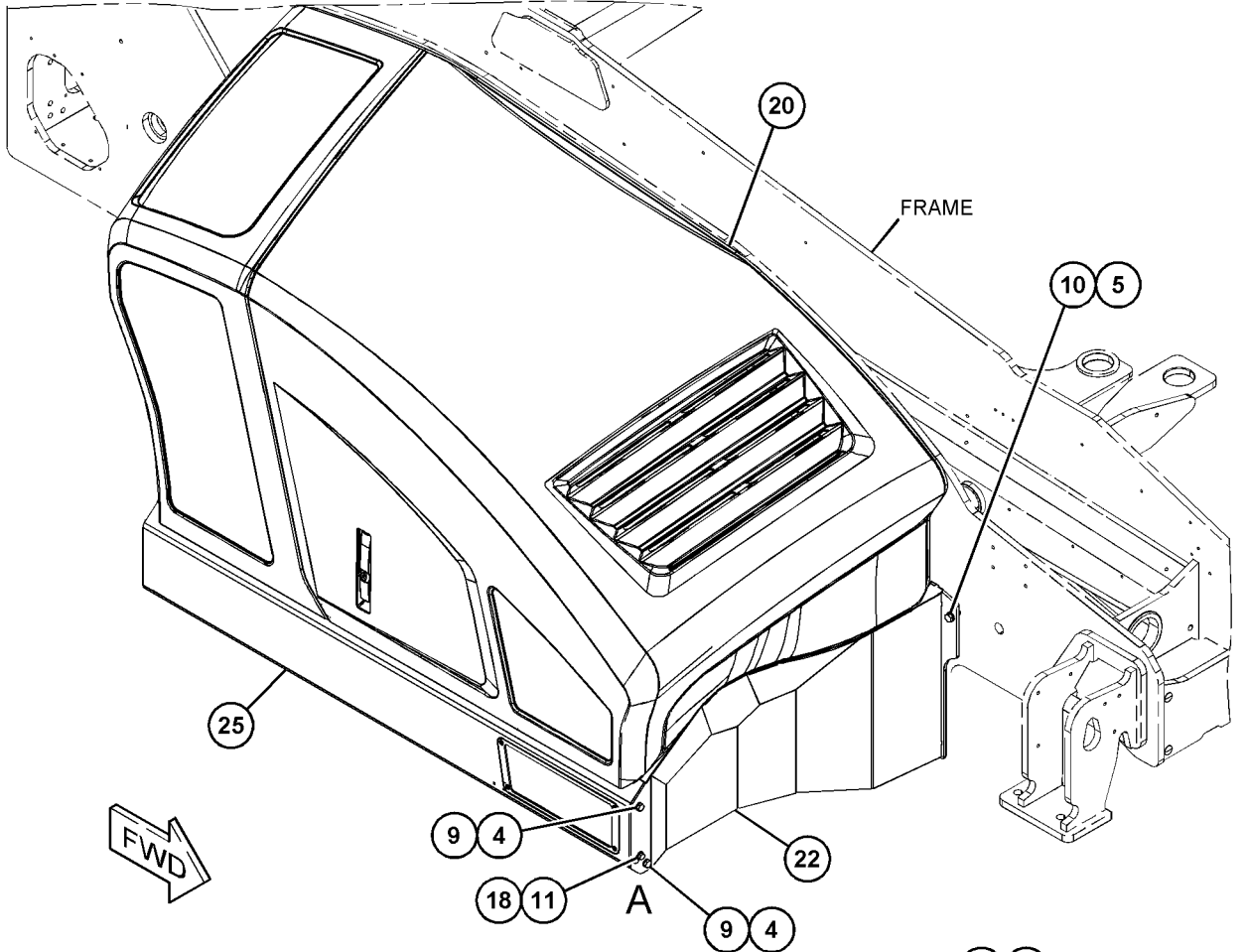
NOTE	REF NO	GRAPHIC REF	PART NUMBER	QTY	PART NAME						SEE PAGE
					1	2	3	4	5	6 (PRODUCT LEVEL)	
M	1	1	8T-4138	13	BOLT (M6X1X20-MM)						
M	2	1	8T-4195	2	BOLT (M10X1.5X30-MM)						
M	3	1	8T-4137	10	BOLT (M10X1.5X20-MM)						
M	4	1	8T-4136	8	BOLT (M10X1.5X25-MM)						
M	5	1	8T-4139	2	BOLT (M12X1.75X30-MM)						
M	6	1	165-7019	2	BOLT (M12X1.75X45-MM)						
M	7	1	5C-7423	4	SCREW (M6X1X16-MM)						
	8	1	8T-4205	4	WASHER-HARD (7.2X14.5X2-MM THK)						
	9	1	8T-4121	20	WASHER-HARD (11X21X2.5-MM THK)						
	10	1	8T-4223	4	WASHER-HARD (13.5X25.5X3-MM THK)						
M	11	1	500-3073	4	BOLT-FLANGE (M10X1.5X20-MM)						
M	12	1	341-7590	9	NUT (M6X1-THD)						
	13	1	459-7674	1	PLATE						
	14	1	500-3074	1	PLATE (REAR EXHAUST)						
	15	1	500-3075	1	COVER						
	16	1	500-4357	1	PLATE						
	17	1	495-6347	2	BRACE						
	18	1	500-3076	2	SPACER (11X16X6-MM THK)						
	19	1	500-3077	1	SEAL						
Y	20	1	<i>500-3069</i>	1	HOOD GP-ENGINE						613
	21	1	500-4359	1	PLATE						
	22	1	500-3078	1	PLATE AS						
	23	1	500-3079	1	PLATE						
	24	1	500-3080	1	PLATE						
	25	1	500-4360	1	PLATE AS						
	26	1	500-3082	1	PLATE (COVER)						
	27	1	500-3083	1	PLATE AS						
	28	1	5W-1417	9	WASHER (6.4X18X1.6-MM THK)						

M - METRIC PART
Y - SEPARATE ILLUSTRATION

FRAME AND BODY

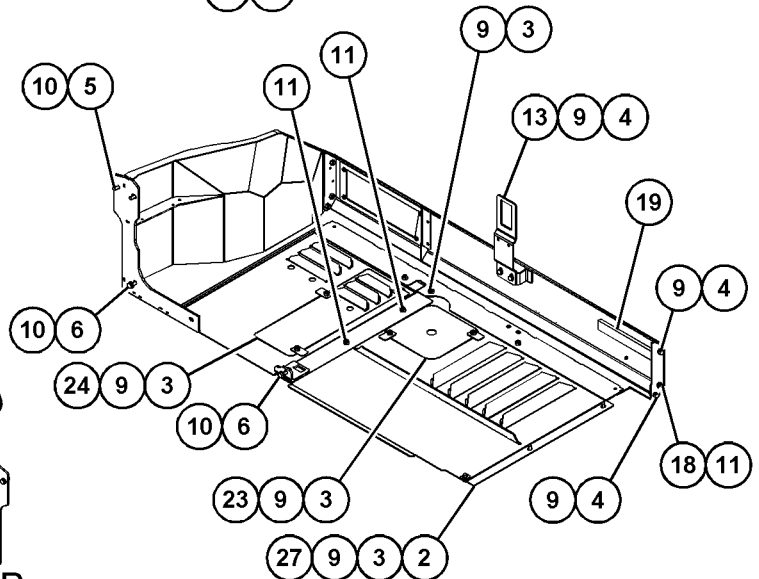
500-4356 ENCLOSURE GP-ENGINE (contd.)

i07081250



VIEW OF AREA A
(PARTS REMOVED FOR CLARITY)

GRAPHIC #1



VIEW OF AREA B
(PARTS REMOVED FOR CLARITY) 180°

<END>

g06226541

FRAME AND BODY

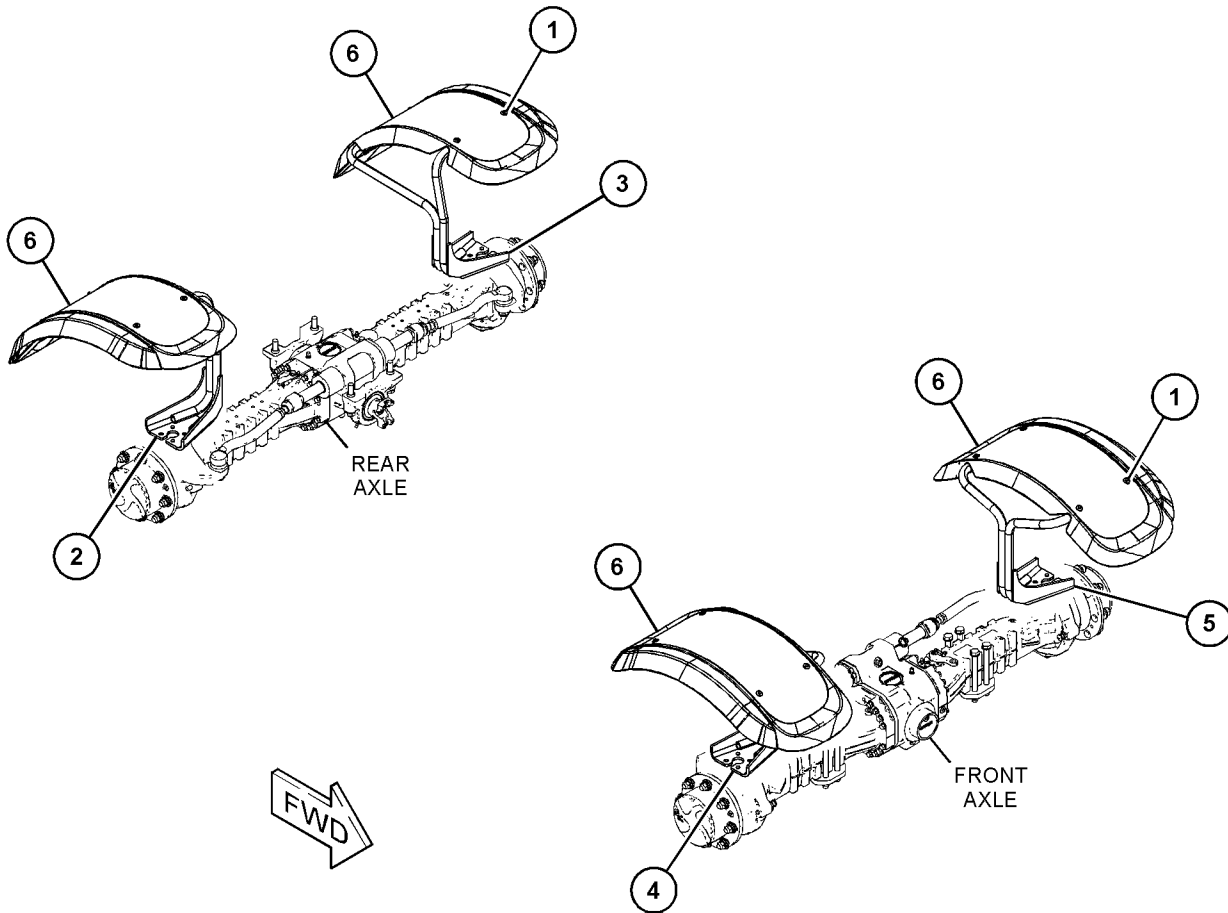
514-4640 FENDER & MOUNTING GP

S/N: TD61-UP; TD71-UP
AN ATTACHMENT

SMCS-7252

i06893241

NOTE	REF NO	GRAPHIC REF	PART NUMBER	QTY	PART NAME						SEE PAGE
					1	2	3	4	5	6 (PRODUCT LEVEL)	
	1	1	474-7179	16	SCREW-SPECIAL						
	2	1	500-9600	1	BRACKET AS (REAR, RH)						
	3	1	500-9601	1	BRACKET AS (REAR, LH)						
	4	1	500-9602	1	BRACKET AS (FRONT, RH)						
	5	1	500-9603	1	BRACKET AS (FRONT, LH)						
	6	1	514-4642	4	FENDER GP						
					(EACH INCLUDES)						
		1	5W-1405	5	WASHER (4.3X12X1-MM THK)						
		1	500-9605	1	EXTENSION-FENDER						
		1	500-9606	1	FENDER						
		1	506-1894	5	SCREW (M4X20-MM)						



GRAPHIC #1

<END>

g06158856

FRAME AND BODY

514-4638 FENDER GP

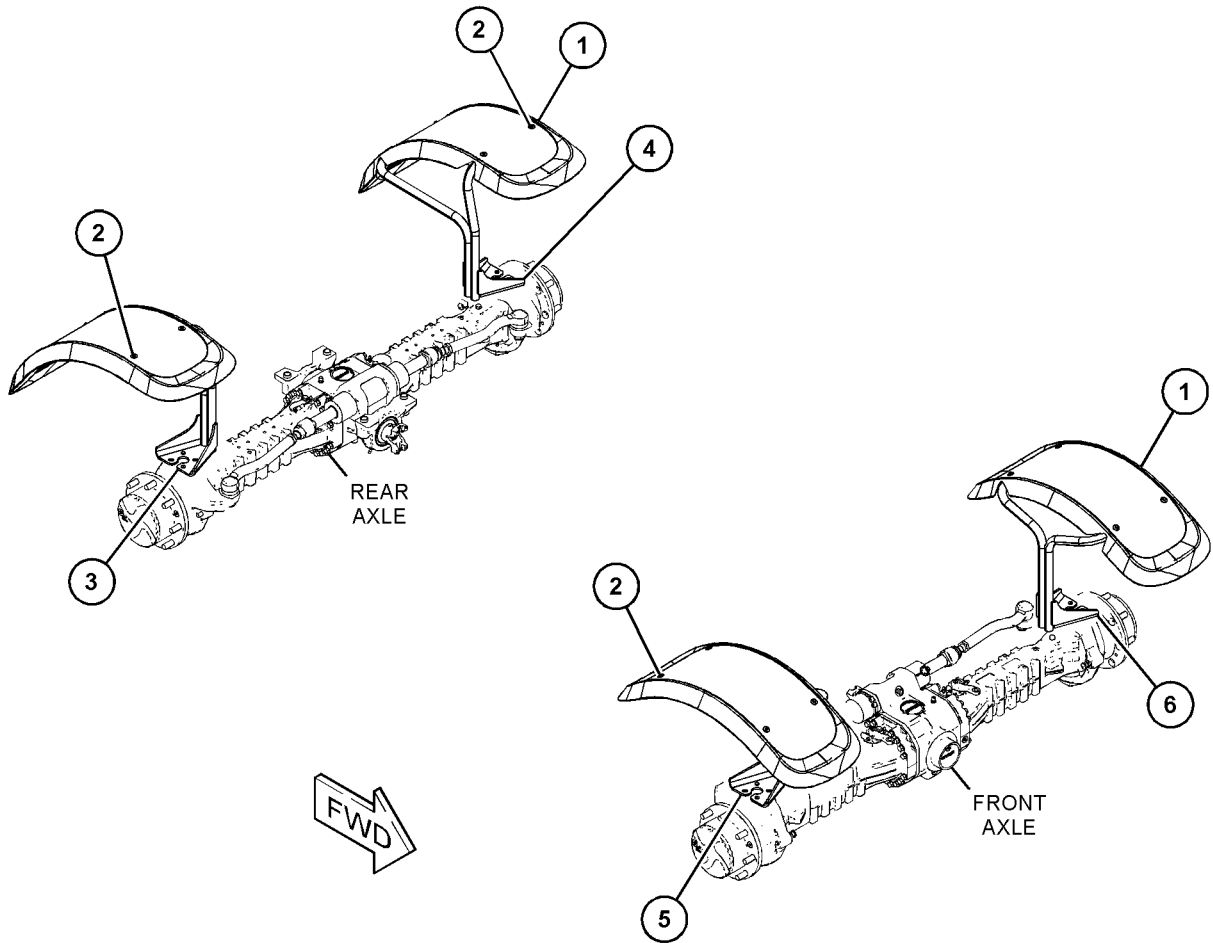
S/N: TD61-UP; TD71-UP

AN ATTACHMENT

SMCS-7252

i06893240

NOTE	REF NO	GRAPHIC REF	PART NUMBER	QTY	PART NAME						SEE PAGE
					1	2	3	4	5	6 (PRODUCT LEVEL)	
	1	1	474-7178	4	FENDER						
	2	1	474-7179	16	SCREW-SPECIAL						
	3	1	500-9502	1	BRACKET AS (REAR, RH)						
	4	1	500-9503	1	BRACKET AS (REAR, LH)						
	5	1	500-9504	1	BRACKET AS (FENDER)						
	6	1	514-4639	1	BRACKET AS						



GRAPHIC #1

<END>

g06158850

FRAME AND BODY

513-9440 FRAME GP-LOADER

S/N: TD61-UP; TD71-UP

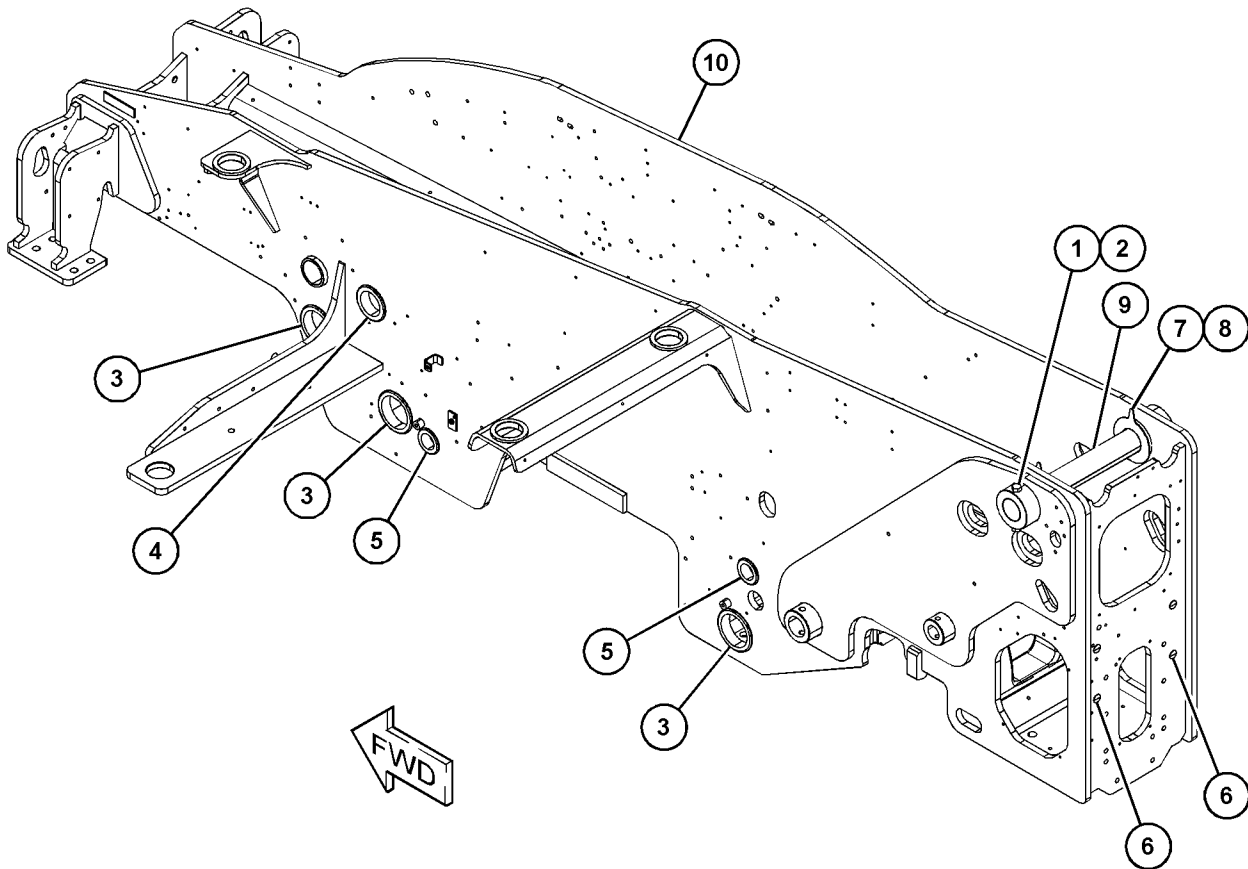
PART OF 517-9883, 517-9885 CHASSIS AR

SMCS - 7054

i07192241

NOTE	REF NO	GRAPHIC REF	PART NUMBER	QTY	PART NAME						SEE PAGE
					1	2	3	4	5	6 (PRODUCT LEVEL)	
M	1	1	459-8891	1	BOLT (M16X2X140-MM)						
M	2	1	459-8912	1	NUT (M16X2-THD)						
	3	1	149-6549	4	GROMMET						
	4	1	106-3887	1	GROMMET						
	5	1	133-4409	2	GROMMET						
	6	1	329-3606	8	PLUG						
	7	1	459-6913	4	SHIM (1-MM THK)						
	8	1	459-6912	2	SHIM (1-MM THK)						
	9	1	499-3144	1	PIN						
	10	1	499-7304	1	FRAME AS						

M - METRIC PART



GRAPHIC #1

<END>

g06165623

FRAME AND BODY

495-2470 HITCH AR

S/N: TD71-UP

NOT FOR USE WITH ITALIAN MARKET
AN ATTACHMENT

SMCS-7100

i06735376

NOTE	PART NUMBER	QTY	PART NAME						SEE PAGE
			1	2	3	4	5	6 (PRODUCT LEVEL)	
Y	505-0886	1	COUNTERWEIGHT GP						582
Y	492-4867	1	COVER GP-ACCESS (REAR)						584
Y	493-1118	1	HITCH GP						600

Y - SEPARATE ILLUSTRATION

<END>

495-2471 HITCH AR

S/N: TD71-UP

NOT FOR USE WITH ITALIAN MARKET
AN ATTACHMENT

SMCS-7100

i06735371

NOTE	PART NUMBER	QTY	PART NAME						SEE PAGE
			1	2	3	4	5	6 (PRODUCT LEVEL)	
Y	505-0886	1	COUNTERWEIGHT GP						582
Y	492-4867	1	COVER GP-ACCESS (REAR)						584
Y	493-1119	1	HITCH GP-TOWING						604

Y - SEPARATE ILLUSTRATION

<END>

495-2472 HITCH AR

S/N: TD71-UP

ITALIAN MARKET ONLY
AN ATTACHMENT

SMCS-7100

i06735373

NOTE	PART NUMBER	QTY	PART NAME						SEE PAGE
			1	2	3	4	5	6 (PRODUCT LEVEL)	
Y	505-0886	1	COUNTERWEIGHT GP						582
Y	492-4867	1	COVER GP-ACCESS (REAR)						584
Y	493-1121	1	HITCH GP-TOWING						605

Y - SEPARATE ILLUSTRATION

<END>

495-2473 HITCH AR

S/N: TD71-UP

AN ATTACHMENT

SMCS-7100

i06735168

NOTE	PART NUMBER	QTY	PART NAME						SEE PAGE
			1	2	3	4	5	6 (PRODUCT LEVEL)	
Y	505-0886	1	COUNTERWEIGHT GP						582
Y	492-4867	1	COVER GP-ACCESS (REAR)						584
Y	493-1123	1	HITCH GP-TOWING						606

Y - SEPARATE ILLUSTRATION

<END>

FRAME AND BODY

495-2474 HITCH AR

S/N: TD71-UP
ITALIAN MARKET ONLY
AN ATTACHMENT

SMCS-7100

i06735372

NOTE	PART NUMBER	QTY	PART NAME						SEE PAGE
			1	2	3	4	5	6 (PRODUCT LEVEL)	
Y	505-0886	1	COUNTERWEIGHT GP						582
Y	492-4867	1	COVER GP-ACCESS (REAR)						584
Y	493-1292	1	HITCH GP-TOWING						609

Y - SEPARATE ILLUSTRATION

<END>

495-2475 HITCH AR

S/N: TD71-UP
NOT FOR USE IN ITALIAN MARKET
AN ATTACHMENT

SMCS-7100

i06735374

NOTE	PART NUMBER	QTY	PART NAME						SEE PAGE
			1	2	3	4	5	6 (PRODUCT LEVEL)	
Y	505-0886	1	COUNTERWEIGHT GP						582
Y	492-4867	1	COVER GP-ACCESS (REAR)						584
Y	493-1124	1	HITCH GP-TOWING						607

Y - SEPARATE ILLUSTRATION

<END>

495-2476 HITCH AR

S/N: TD71-UP
NOT FOR USE WITH ITALIAN MARKET
AN ATTACHMENT

SMCS-7100

i06735375

NOTE	PART NUMBER	QTY	PART NAME						SEE PAGE
			1	2	3	4	5	6 (PRODUCT LEVEL)	
Y	505-0886	1	COUNTERWEIGHT GP						582
Y	492-4867	1	COVER GP-ACCESS (REAR)						584
Y	493-1126	1	HITCH GP-TOWING						608

Y - SEPARATE ILLUSTRATION

<END>

506-7530 HITCH AR

S/N: TD61-UP; TD71-UP
AN ATTACHMENT

SMCS-7100

i06608821

NOTE	PART NUMBER	QTY	PART NAME						SEE PAGE
			1	2	3	4	5	6 (PRODUCT LEVEL)	
Y	501-7473	1	PLATE & MTG GP (FRAME, REAR)						615

Y - SEPARATE ILLUSTRATION

<END>

FRAME AND BODY

506-7531 HITCH AR-RETRIEVAL

S/N: TD61-UP; TD71-UP
AN ATTACHMENT

SMCS-7100

i07053030

NOTE	PART NUMBER	QTY	PART NAME						SEE PAGE
			1	2	3	4	5	6 (PRODUCT LEVEL)	
Y	493-1118	1	HITCH GP						600
Y	501-7473	1	PLATE & MTG GP (FRAME, REAR)						615
Y	539-4494	1	PLATE & MTG GP (HITCH)						618

Y - SEPARATE ILLUSTRATION

<END>

506-7532 HITCH AR

S/N: TD61-UP; TD71-UP
NOT AVAILABLE IN THE ITALIAN MARKET
AN ATTACHMENT

SMCS-7100

i07053034

NOTE	PART NUMBER	QTY	PART NAME						SEE PAGE
			1	2	3	4	5	6 (PRODUCT LEVEL)	
Y	493-1119	1	HITCH GP-TOWING						604
Y	501-7473	1	PLATE & MTG GP (FRAME, REAR)						615
Y	539-4494	1	PLATE & MTG GP (HITCH)						618

Y - SEPARATE ILLUSTRATION

<END>

506-7533 HITCH AR

S/N: TD61-UP; TD71-UP
NOT AVAILABLE IN THE ITALIAN MARKET
AN ATTACHMENT

SMCS-7100

i07053032

NOTE	PART NUMBER	QTY	PART NAME						SEE PAGE
			1	2	3	4	5	6 (PRODUCT LEVEL)	
Y	493-1121	1	HITCH GP-TOWING						605
Y	501-7473	1	PLATE & MTG GP (FRAME, REAR)						615
Y	539-4494	1	PLATE & MTG GP (HITCH)						618

Y - SEPARATE ILLUSTRATION

<END>

506-7534 HITCH AR

S/N: TD61-UP
AN ATTACHMENT

SMCS-7100

i06606823

NOTE	PART NUMBER	QTY	PART NAME						SEE PAGE
			1	2	3	4	5	6 (PRODUCT LEVEL)	
Y	501-7473	1	PLATE & MTG GP (FRAME, REAR)						615
Y	493-1123	1	HITCH GP-TOWING						606

Y - SEPARATE ILLUSTRATION

<END>

FRAME AND BODY

506-7535 HITCH AR

S/N: TD61-UP
AN ATTACHMENT

SMCS-7100

i06606821

NOTE	PART NUMBER	QTY	PART NAME						SEE PAGE
			1	2	3	4	5	6 (PRODUCT LEVEL)	
Y	501-7473	1	PLATE & MTG GP (FRAME, REAR)						615
Y	493-1292	1	HITCH GP-TOWING						609

Y - SEPARATE ILLUSTRATION

<END>

506-7536 HITCH AR

S/N: TD61-UP; TD71-UP
NOT AVAILABLE IN THE ITALIAN MARKET
AN ATTACHMENT

SMCS-7100

i07090264

NOTE	PART NUMBER	QTY	PART NAME						SEE PAGE
			1	2	3	4	5	6 (PRODUCT LEVEL)	
Y	493-1124	1	HITCH GP-TOWING						607
Y	501-7473	1	PLATE & MTG GP (FRAME, REAR)						615
Y	539-4494	1	PLATE & MTG GP (HITCH)						618

Y - SEPARATE ILLUSTRATION

<END>

506-7537 HITCH AR

S/N: TD61-UP; TD71-UP
NOT AVAILABLE IN THE ITALIAN MARKET
AN ATTACHMENT

SMCS-7100

i07048663

NOTE	PART NUMBER	QTY	PART NAME						SEE PAGE
			1	2	3	4	5	6 (PRODUCT LEVEL)	
Y	493-1126	1	HITCH GP-TOWING						608
Y	501-7473	1	PLATE & MTG GP (FRAME, REAR)						615
Y	539-4494	1	PLATE & MTG GP (HITCH)						618

Y - SEPARATE ILLUSTRATION

<END>

506-7538 HITCH AR-HYDRAULIC

S/N: TD61-UP; TD71-UP
AN ATTACHMENT

SMCS-7100

i07090267

NOTE	PART NUMBER	QTY	PART NAME						SEE PAGE
			1	2	3	4	5	6 (PRODUCT LEVEL)	
Y	501-7467	1	HITCH GP-TOWING (REAR)						610
Y	501-7474	1	PLATE & MTG GP (HITCH)						616
Y	539-4494	1	PLATE & MTG GP (HITCH)						618

Y - SEPARATE ILLUSTRATION

<END>

FRAME AND BODY

322-5944 HITCH GP

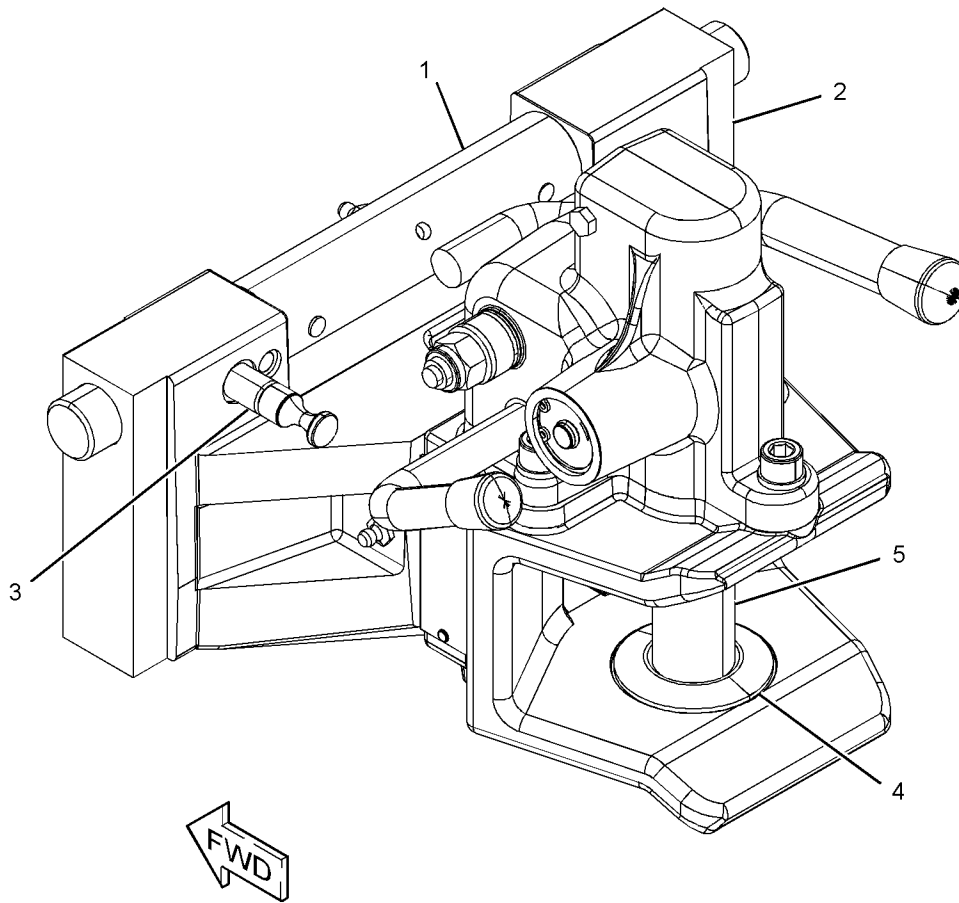
S/N: TD61-UP; TD71-UP

PART OF 493-1119, 493-1124 HITCH GP-TOWING
AN ATTACHMENT

SMCS-7100

i06145582

NOTE	REF NO	GRAPHIC REF	PART NUMBER	QTY	PART NAME						SEE PAGE
					1	2	3	4	5	6 (PRODUCT LEVEL)	
	1	1	348-8510	1	KIT-LEVER						
(INCLUDES PINS, INTERNAL SPRING, FITTING & HANDLE)											
	2	1	348-8512	1	HITCH AS						
	3	1	348-8513	1	PIN-PIVOT						
	4	1	348-8514	1	BUSHING						
	5	1	348-8515	1	PIN						



GRAPHIC #1

<END>

g03660982

FRAME AND BODY

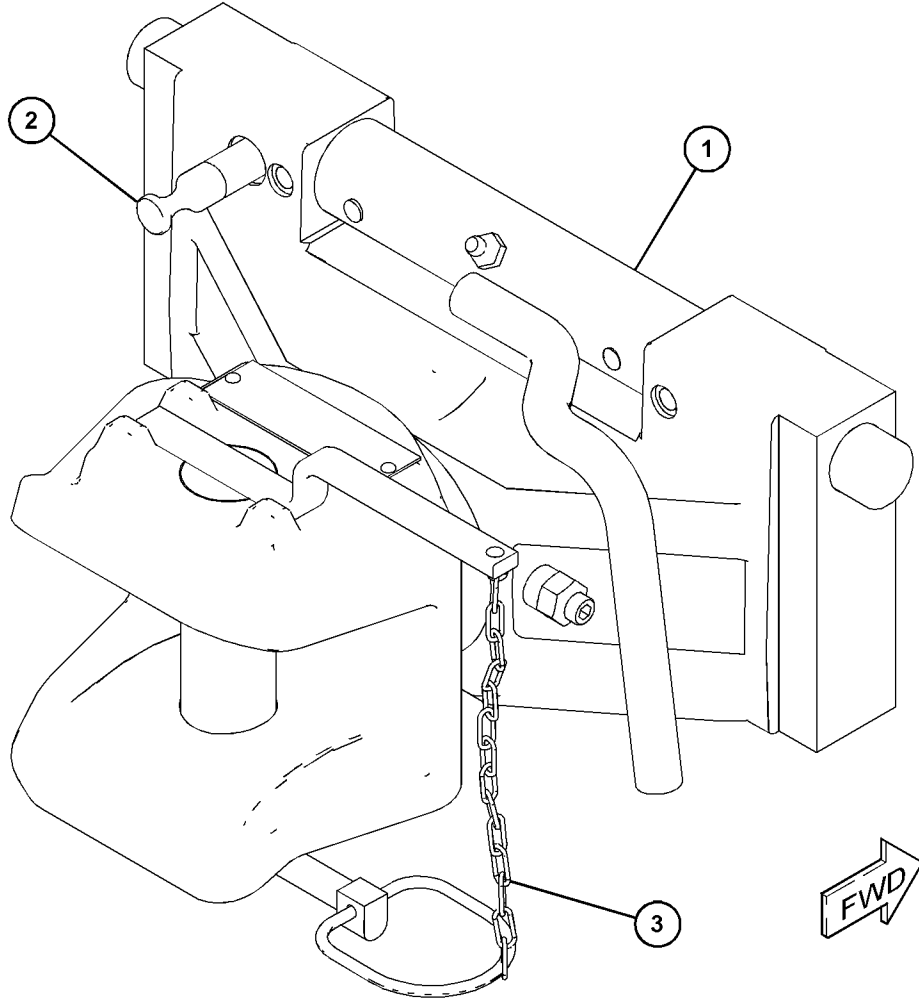
322-5945 HITCH GP

S/N: TD61-UP; TD71-UP
PART OF 493-1121 HITCH GP-TOWING
AN ATTACHMENT

SMCS-7100

i05755799

NOTE	REF NO	GRAPHIC REF	PART NUMBER	QTY	PART NAME						SEE PAGE
					1	2	3	4	5	6 (PRODUCT LEVEL)	
	1	1	348-8510	1	KIT-LEVER						
(INCLUDES PINS, INTERNAL SPRING, FITTING & HANDLE)											
	2	1	348-8513	1	PIN-PIVOT						
	3	1	348-8516	1	PIN						



GRAPHIC #1

<END>

g03657874

FRAME AND BODY

322-5947 HITCH GP

S/N: TD61-UP; TD71-UP

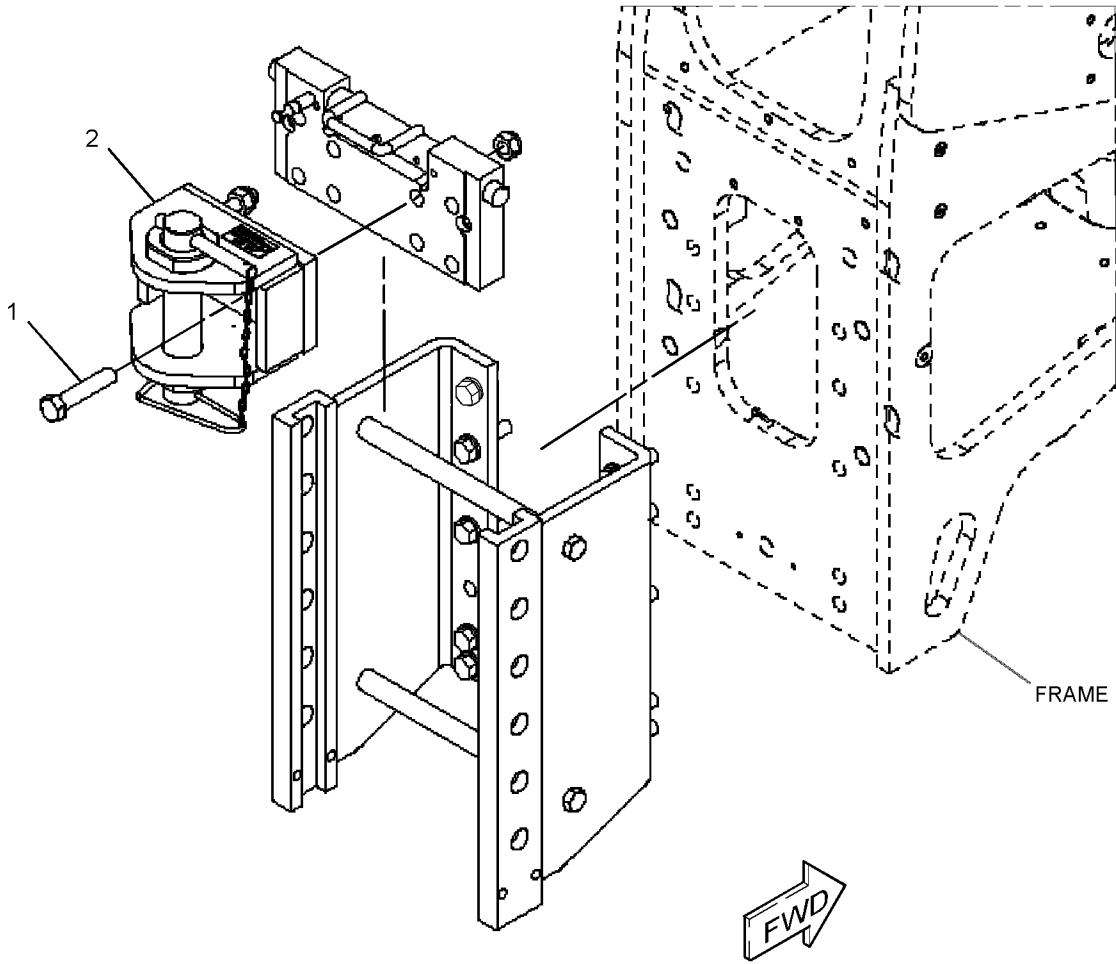
PART OF 493-1292 HITCH GP-TOWING
AN ATTACHMENT

SMCS-7100

i05755286

NOTE	REF NO	GRAPHIC REF	PART NUMBER	QTY	PART NAME						SEE PAGE
					1	2	3	4	5	6 (PRODUCT LEVEL)	
	1	1	348-8517	4	BOLT						
	2	1	348-8518	4	KIT-MOUNTING						

(INCLUDES LOCKNUTS, SCREWS & WASHERS)



GRAPHIC #1

<END>

g03680957

FRAME AND BODY

493-1118 HITCH GP-RETRIEVAL

S/N: TD61-UP; TD71-UP

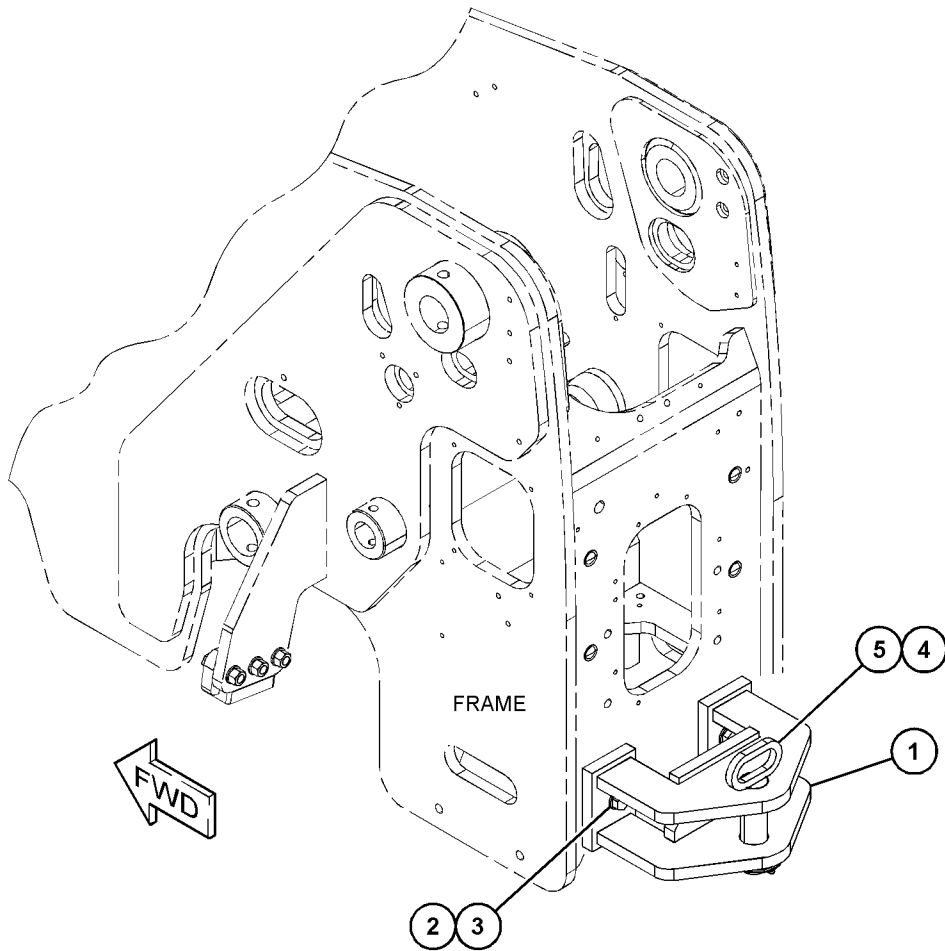
PART OF 495-2470, 506-7531 HITCH AR
AN ATTACHMENT

SMCS-7100

i06590575

NOTE	REF NO	GRAPHIC REF	PART NUMBER	QTY	PART NAME						SEE PAGE
					1	2	3	4	5	6 (PRODUCT LEVEL)	
	1	1	335-4870	1	HITCH AS						
M	2	1	8T-4193	2	BOLT (M16X2X50-MM)						
	3	1	333-5572	2	WASHER (18.2X33.2X3.9-MM THK)						
	4	1	174-2844	1	PIN						
	5	1	211-9462	1	PIN AS						

M - METRIC PART



GRAPHIC #1

<END>

g06039524

FRAME AND BODY

501-7455 HITCH GP-RELEASE CABLE

S/N: TD61-UP; TD71-UP

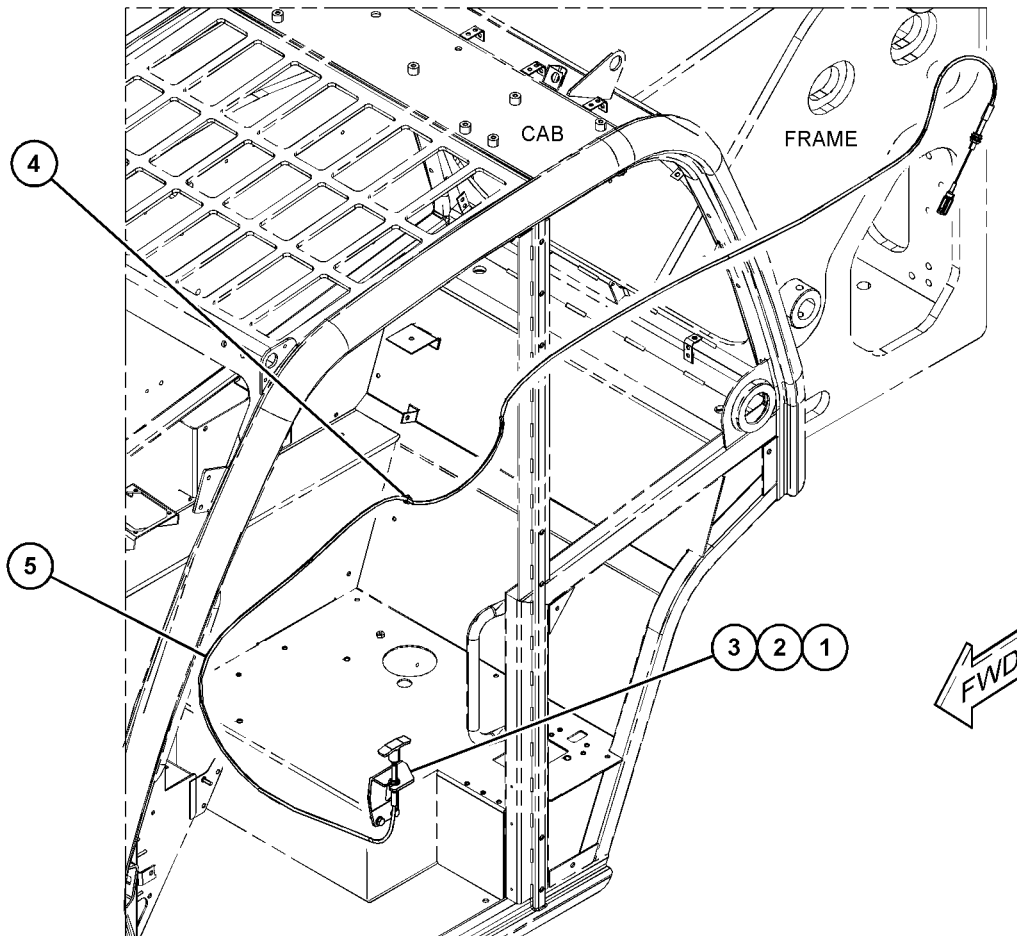
PART OF 501-7467 HITCH GP-TOWING
AN ATTACHMENT

SMCS-7100

i06610960

NOTE	REF NO	GRAPHIC REF	PART NUMBER	QTY	PART NAME						SEE PAGE
					1	2	3	4	5	6 (PRODUCT LEVEL)	
M	1	1	8T-4189	2	BOLT (M8X1.25X20-MM)						
	2	1	8T-4224	2	WASHER-HARD (8.8X16X2-MM THK)						
	3	1	501-7457	1	BRACKET AS						
	4	1	455-3027	1	TIE-CABLE						
	5	1	501-7458	1	CABLE						

M - METRIC PART



GRAPHIC #1

<END>

g06092555

FRAME AND BODY

501-7460 HITCH GP-HYDRAULIC

S/N: TD61-UP; TD71-UP

PART OF 501-8492 HITCH GP-TOWING
AN ATTACHMENT

SMCS-7100

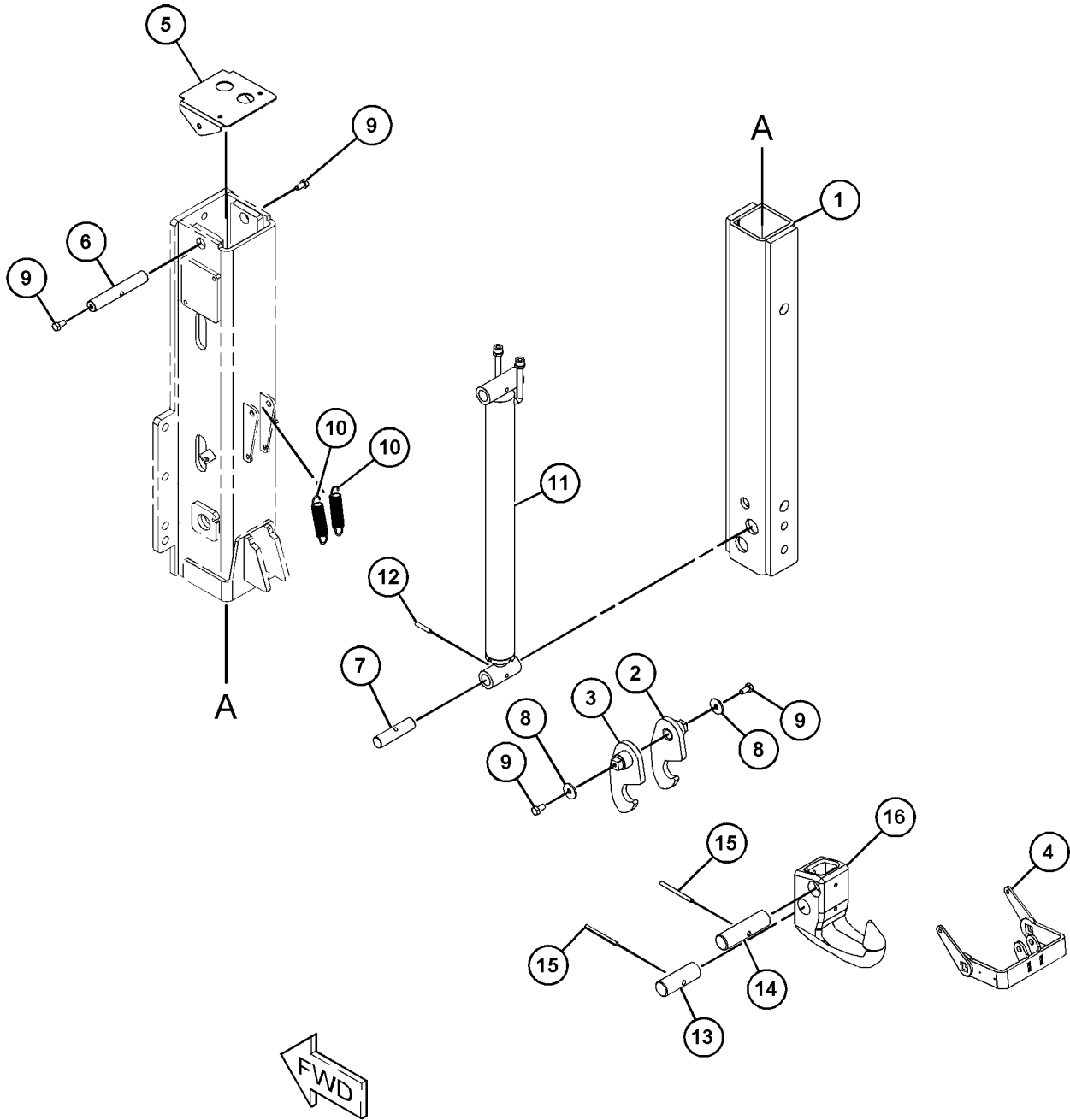
i06810930

NOTE	REF NO	GRAPHIC REF	PART NUMBER	QTY	PART NAME						SEE PAGE
					1	2	3	4	5	6 (PRODUCT LEVEL)	
	1	1	509-7186	1	BODY						
	2	1	509-7187	1	LOCK						
	3	1	509-7188	1	LOCK						
	4	1	509-7189	1	BRACKET						
	5	1	509-7190	1	PLATE-COVER						
	6	1	509-7191	1	PIN						
	7	1	509-7192	1	PIN						
	8	1	509-7193	2	WASHER						
	9	1	509-7194	4	BOLT-HEAD						
	10	1	509-7195	2	SPRING						
	11	1	509-7196	1	CYLINDER						
	12	1	509-7197	1	PIN						
	13	1	509-7198	1	PIN						
	14	1	509-7199	1	PIN						
	15	1	509-7200	1	PIN						
	16	1	509-7201	1	HOOK						

FRAME AND BODY

501-7460 HITCH GP (contd.)

i06810930



GRAPHIC #1

<END>

g06127191

FRAME AND BODY

493-1119 HITCH GP-TOWING

S/N: TD61-UP; TD71-UP

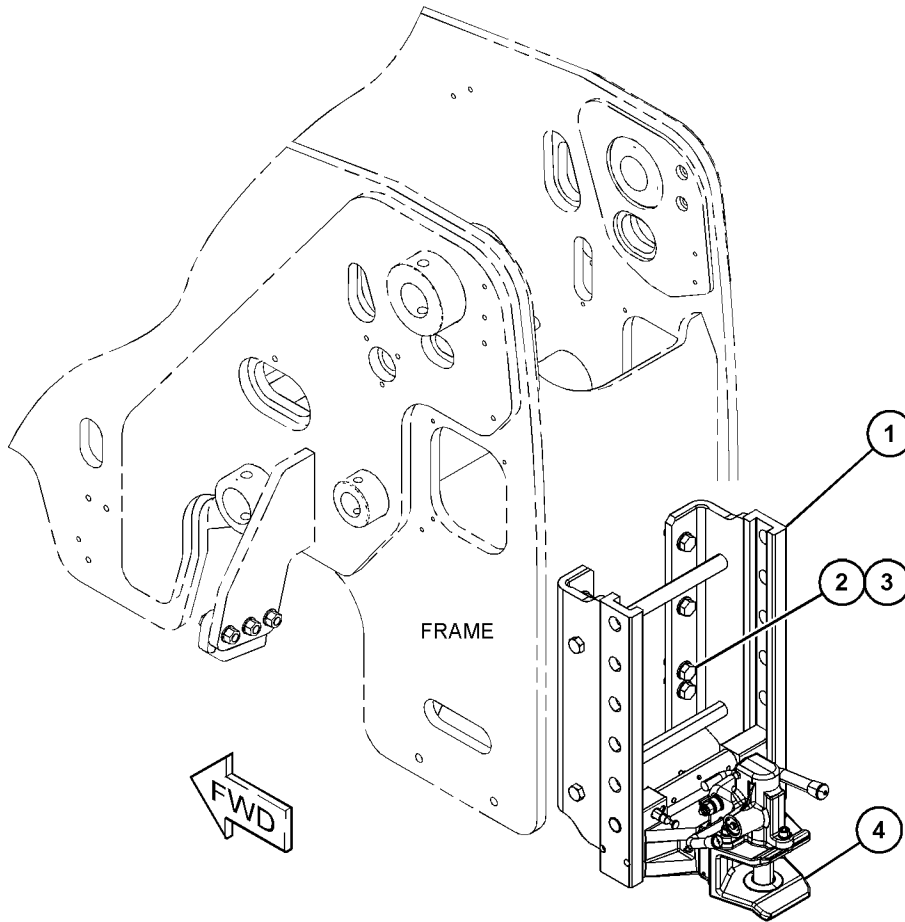
PART OF 495-2471, 506-7532 HITCH AR
AN ATTACHMENT

SMCS-7100, 7103

i06735368

NOTE	REF NO	GRAPHIC REF	PART NUMBER	QTY	PART NAME						SEE PAGE
					1	2	3	4	5	6 (PRODUCT LEVEL)	
	1	1	493-1120	1	BRACKET AS						
M	2	1	7X-2553	8	BOLT (M16X2X40-MM)						
	3	1	9X-8257	8	WASHER (17.5X30X3.5-MM THK)						
Y	4	1	322-5944	1	HITCH GP (AUTO HITCH)						597

M - METRIC PART
Y - SEPARATE ILLUSTRATION



GRAPHIC #1

<END>

g06037826

FRAME AND BODY

493-1121 HITCH GP-TOWING

S/N: TD61-UP; TD71-UP

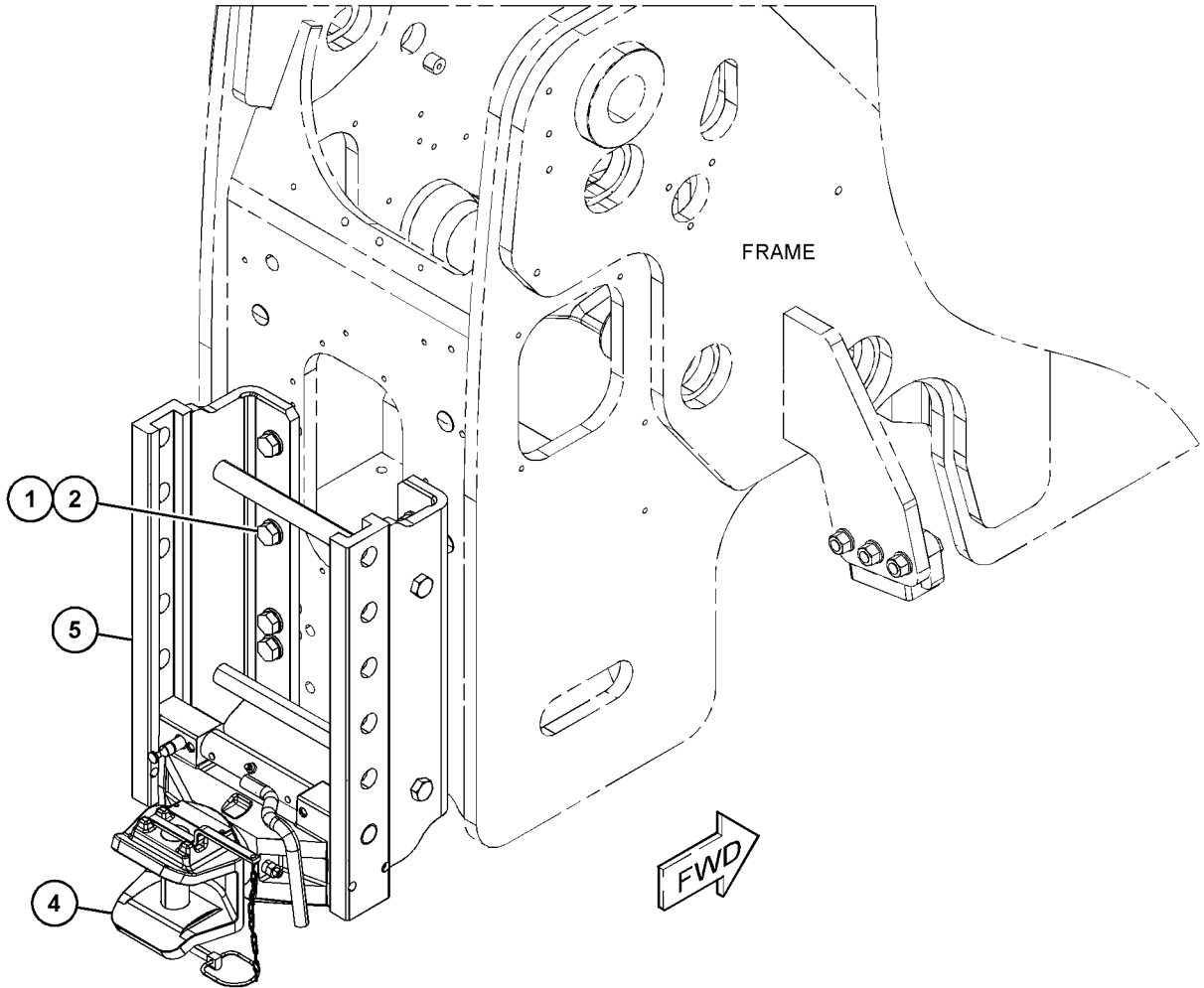
PART OF 495-2472, 506-7533 HITCH AR
AN ATTACHMENT

SMCS-7100, 7103

i06709010

NOTE	REF NO	GRAPHIC REF	PART NUMBER	QTY	PART NAME						SEE PAGE
					1	2	3	4	5	6 (PRODUCT LEVEL)	
M	1	1	7X-2553	8	BOLT (M16X2X40-MM)						
	2	1	9X-8257	8	WASHER (17.5X30X3.5-MM THK)						
Y	4	1	322-5945	1	HITCH GP (TOWING)						598
	5	1	493-1120	1	BRACKET AS						

M - METRIC PART
Y - SEPARATE ILLUSTRATION



GRAPHIC #1

<END>

g06037052

FRAME AND BODY

493-1123 HITCH GP-TOWING

S/N: TD61-UP; TD71-UP

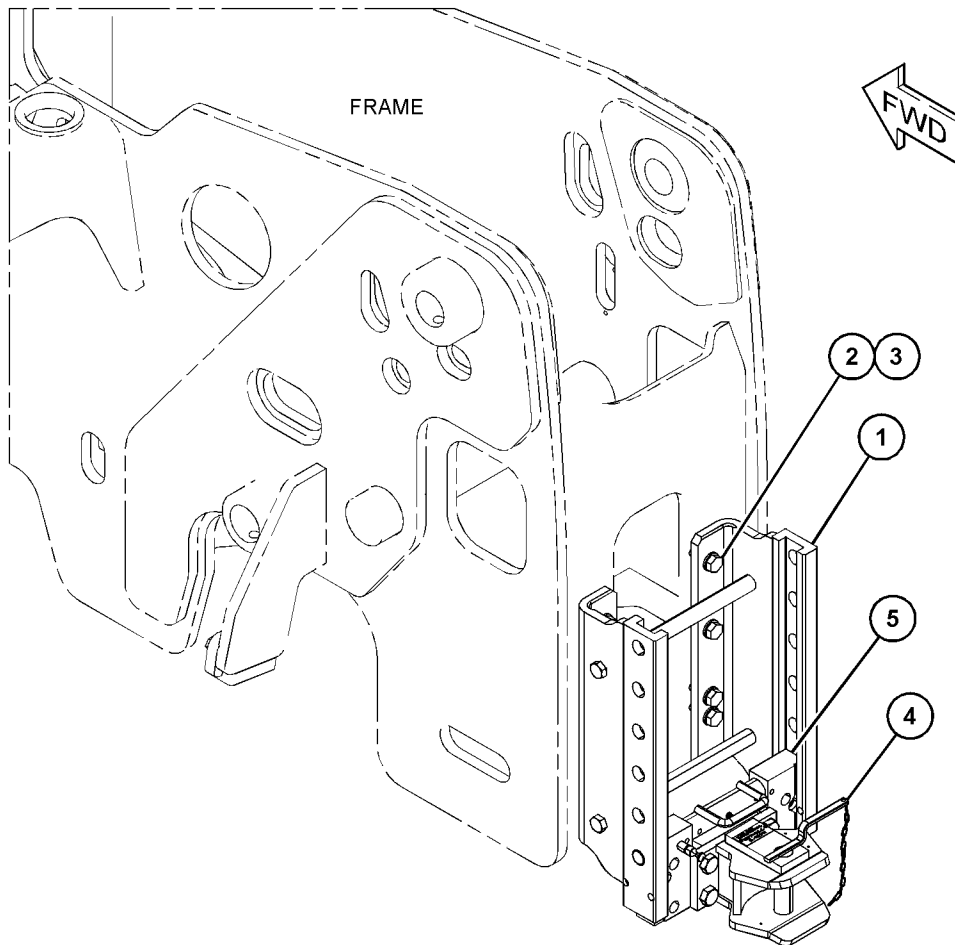
PART OF 495-2473, 506-7534 HITCH AR
AN ATTACHMENT

SMCS-7100, 7103

i06709012

NOTE	REF NO	GRAPHIC REF	PART NUMBER	QTY	PART NAME						SEE PAGE
					1	2	3	4	5	6 (PRODUCT LEVEL)	
	1	1	493-1120	1	BRACKET AS						
M	2	1	7X-2553	8	BOLT (M16X2X40-MM)						
	3	1	9X-8257	8	WASHER (17.5X30X3.5-MM THK)						
	4	1	322-5946	1	HITCH						
	5	1	322-5951	1	ADAPTER						

M - METRIC PART



GRAPHIC #1

<END>

g06037268

FRAME AND BODY

493-1124 HITCH GP-TOWING

S/N: TD61-UP; TD71-UP

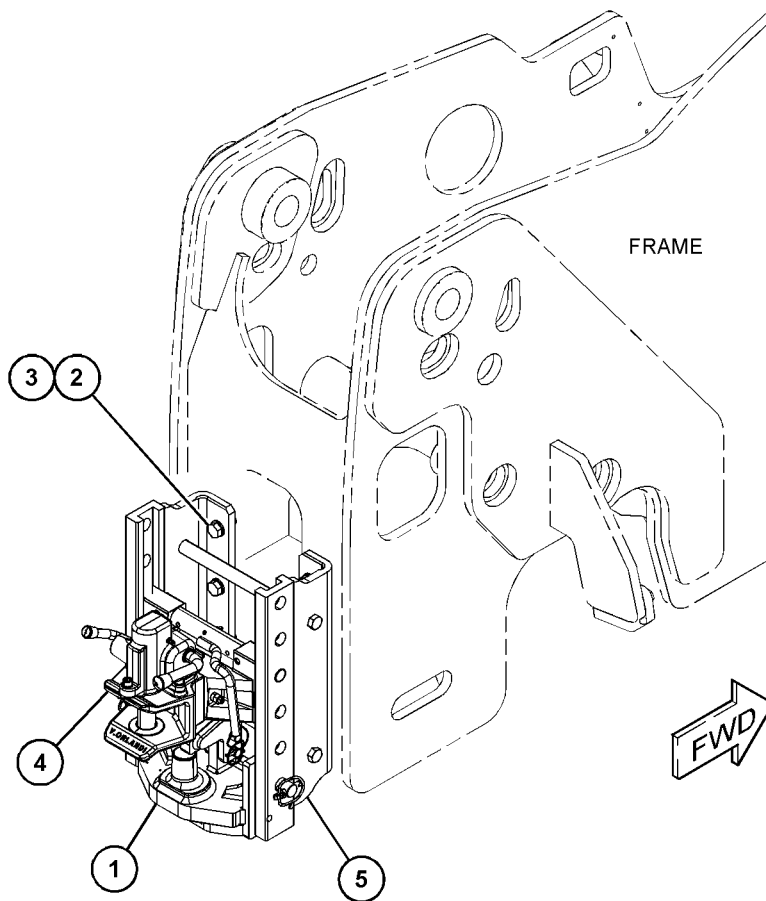
PART OF 495-2475, 506-7536 HITCH AR
AN ATTACHMENT

SMCS-7100, 7103

i06735369

NOTE	REF NO	GRAPHIC REF	PART NUMBER	QTY	PART NAME						SEE PAGE
					1	2	3	4	5	6 (PRODUCT LEVEL)	
	1	1	493-1125	1	HITCH GP						
M	2	1	7X-2553	8	BOLT (M16X2X40-MM)						
	3	1	9X-8257	8	WASHER (17.5X30X3.5-MM THK)						
Y	4	1	322-5944	1	HITCH GP (AUTO HITCH)						597
	5	1	493-1120	1	BRACKET AS						

M - METRIC PART
Y - SEPARATE ILLUSTRATION



GRAPHIC #1

<END>

g06038744

FRAME AND BODY

493-1126 HITCH GP-TOWING

S/N: TD61-UP; TD71-UP

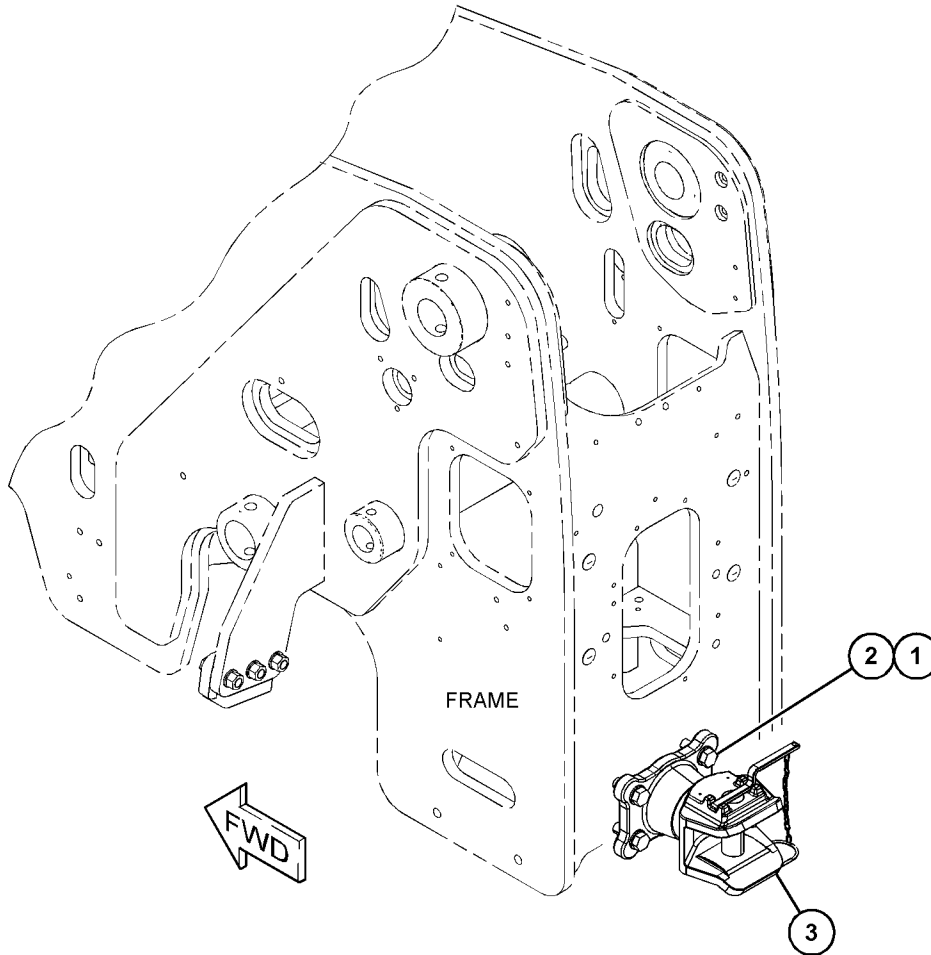
PART OF 495-2476, 506-7537 HITCH AR
AN ATTACHMENT

SMCS-7100, 7103

i06709011

NOTE	REF NO	GRAPHIC REF	PART NUMBER	QTY	PART NAME						SEE PAGE
					1	2	3	4	5	6 (PRODUCT LEVEL)	
	1	1	9X-8257	4	WASHER (17.5X30X3.5-MM THK)						
M	2	1	303-8559	4	SCREW (M16X2X45-MM)						
	3	1	345-7560	1	HITCH AS						

M - METRIC PART



GRAPHIC #1

<END>

g06039474

FRAME AND BODY

493-1292 HITCH GP-TOWING

S/N: TD61-UP; TD71-UP

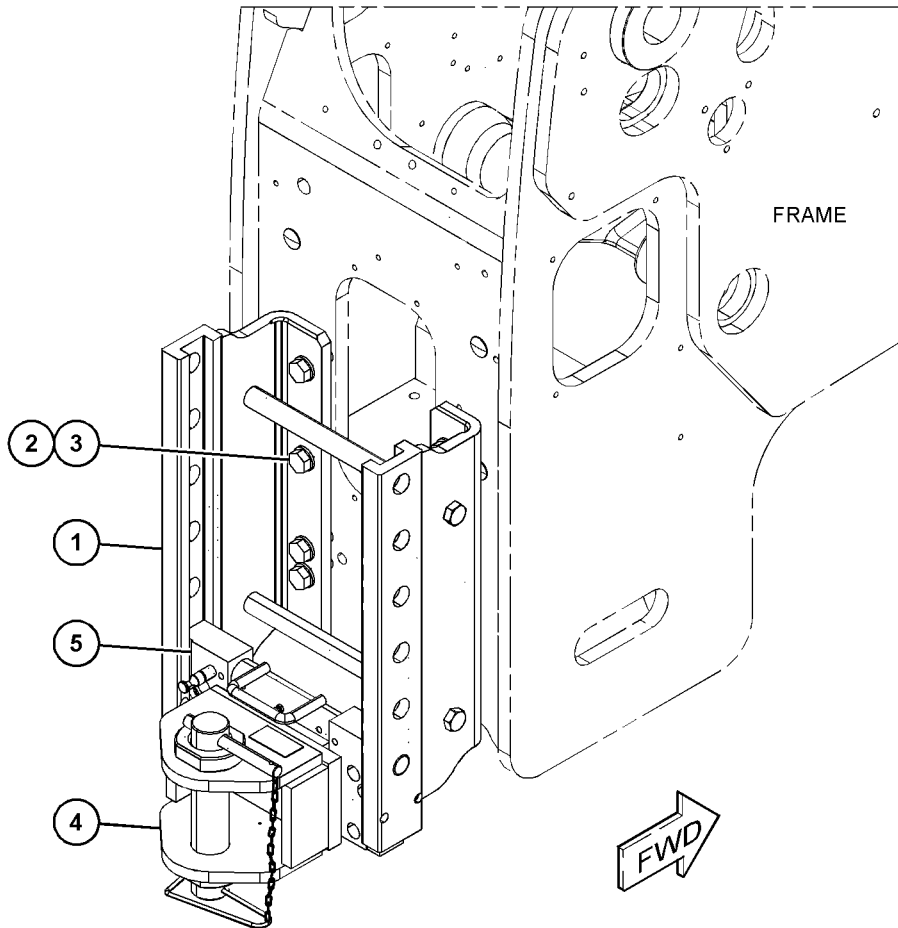
PART OF 495-2474, 506-7535 HITCH AR
AN ATTACHMENT

SMCS-7100, 7103

i06735370

NOTE	REF NO	GRAPHIC REF	PART NUMBER	QTY	PART NAME						SEE PAGE
					1	2	3	4	5	6 (PRODUCT LEVEL)	
	1	1	493-1120	1	BRACKET AS						
M	2	1	7X-2553	8	BOLT (M16X2X40-MM)						
	3	1	9X-8257	8	WASHER (17.5X30X3.5-MM THK)						
Y	4	1	322-5947	1	HITCH GP						599
	5	1	322-5951	1	ADAPTER						

M - METRIC PART
Y - SEPARATE ILLUSTRATION



GRAPHIC #1

<END>

g06037653

FRAME AND BODY

501-7467 HITCH GP-TOWING-HYDRAULIC

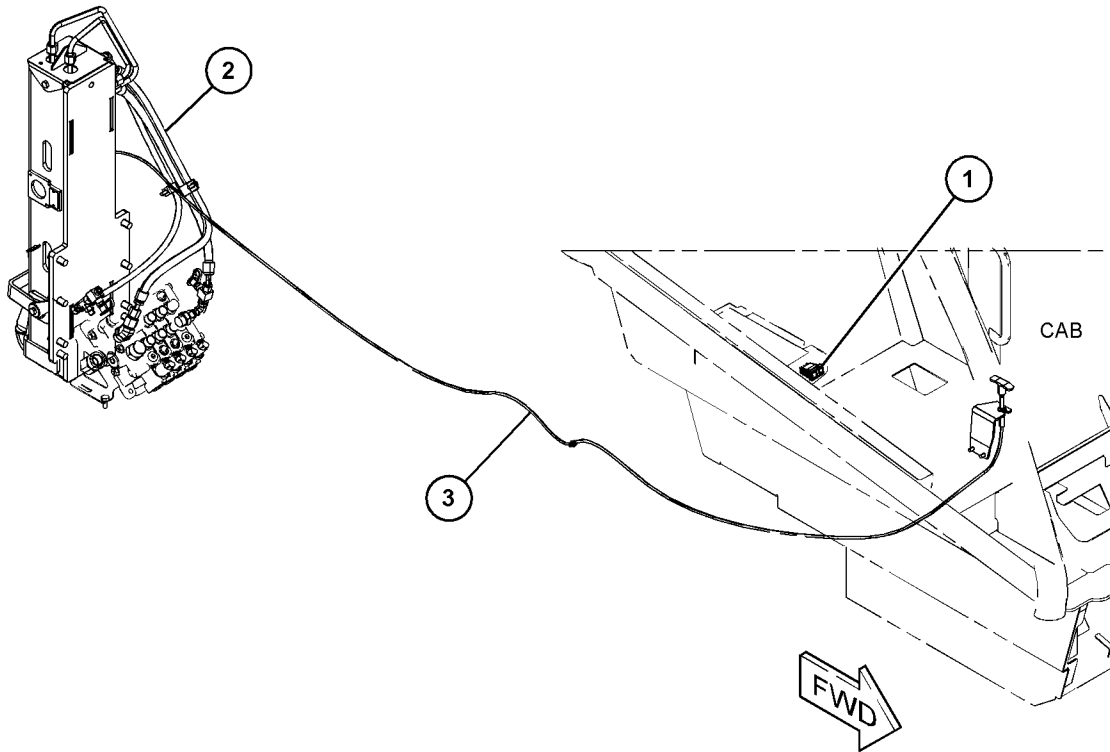
S/N: TD61-UP; TD71-UP
PART OF 506-7538 HITCH AR
AN ATTACHMENT

SMCS-7100, 7103

i06606817

NOTE	REF NO	GRAPHIC REF	PART NUMBER	QTY	PART NAME						SEE PAGE
					1	2	3	4	5	6 (PRODUCT LEVEL)	
	1	1	501-9264	1	SWITCH AS-ROCKER (HITCH MOVEMENT)						
Y	2	1	501-8492	1	HITCH GP-TOWING						611
Y	3	1	501-7455	1	HITCH GP (RELEASE CABLE)						601

Y - SEPARATE ILLUSTRATION



GRAPHIC #1

<END>

g06046076

FRAME AND BODY

501-8492 HITCH GP-TOWING

S/N: TD61-UP; TD71-UP
PART OF 501-7467 HITCH GP-TOWING
AN ATTACHMENT

SMCS-7100, 7103

i07000747

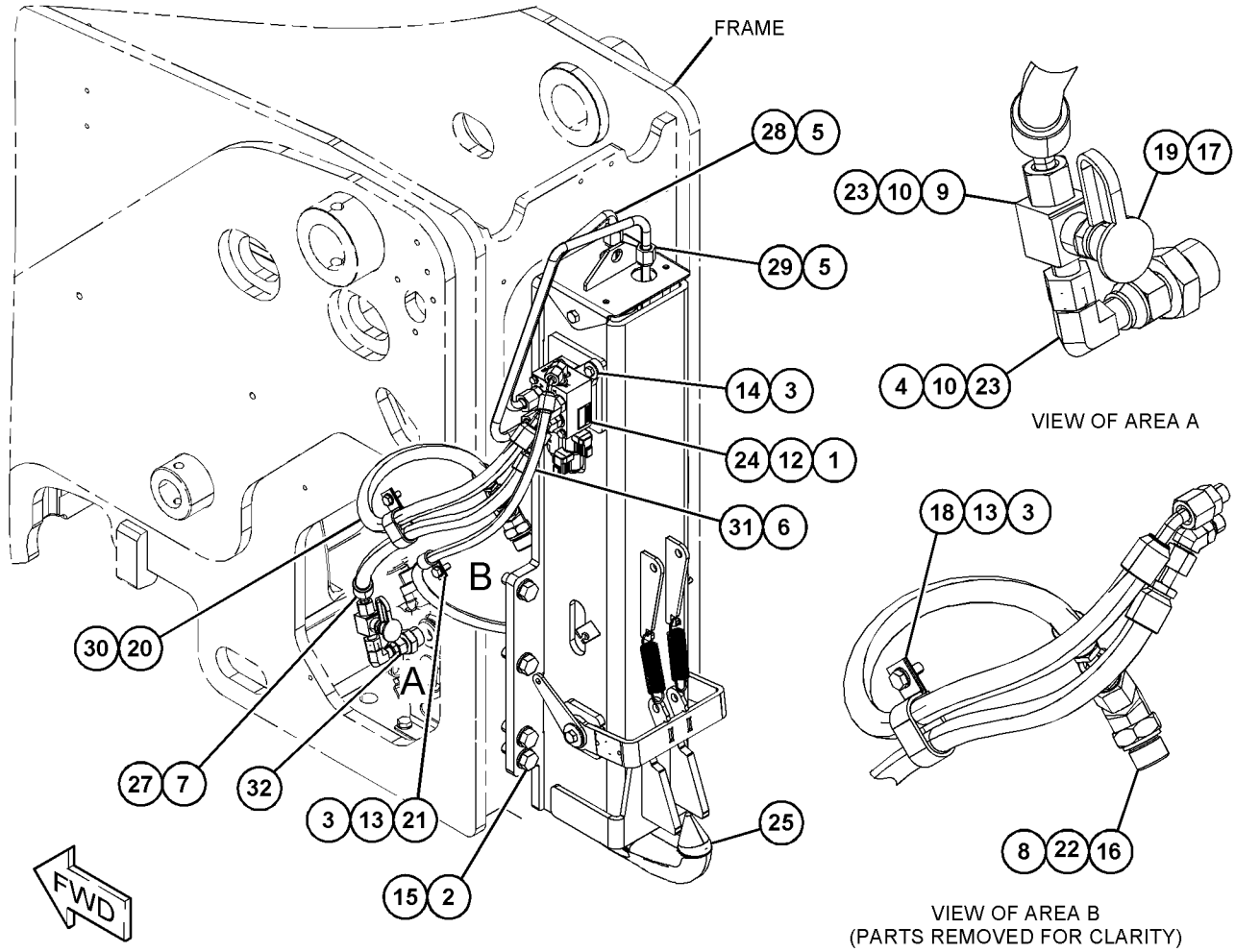
NOTE	REF NO	GRAPHIC REF	PART NUMBER	QTY	PART NAME						SEE PAGE
					1	2	3	4	5	6 (PRODUCT LEVEL)	
M	1	1	7X-2535	2	BOLT (M6X1X60-MM)						
M	2	1	7X-2553	8	BOLT (M16X2X40-MM)						
M	3	1	8T-4189	4	BOLT (M8X1.25X20-MM)						
	4	1	309-6362	1	REDUCER						
	5	1	473-8956	3	ADAPTER						
	6	1	463-5618	1	ADAPTER-ELBOW						
	7	1	303-4760	1	FITTING						
	8	1	309-6350	1	CONNECTOR						
	9	1	298-0493	1	FITTING-ADAPTER						
	10	1	298-0507	2	ADAPTER-SWIVEL						
	12	1	8T-4205	2	WASHER-HARD (7.2X14.5X2-MM THK)						
	13	1	8T-4224	2	WASHER-HARD (8.8X16X2-MM THK)						
	14	1	309-3997	2	WASHER (8.4X25X2-MM THK)						
	15	1	9X-8257	8	WASHER (17.5X30X3.5-MM THK)						
	16	1	418-6370	1	NUT (1-14-THD)						
	17	1	<i>164-5567</i>	2	COUPLER AS-QUICK DISCONNECT (MALE)						
					(EACH INCLUDES)						
		1	6V-3965	1	FITTING (QUICK DISCONNECT)						
		1	214-7568	1	SEAL-O-RING						
	18	1	6D-1641	1	CLIP						
	19	1	6V-0852	2	CAP-DUST						
	20	1	6V-8398	1	SEAL-O-RING						
	21	1	9M-8406	1	CLIP (LOOP)						
	22	1	6V-8939	1	REDUCER-O-RING						
	23	1	8T-8902	2	ADAPTER-TEE						
Y	24	1	501-7459	1	VALVE GP-CONTROL						732
Y	25	1	501-7460	1	HITCH GP						602
	27	1	501-7462	1	HOSE AS						
	28	1	501-7463	1	TUBE AS						
	29	1	501-7464	1	TUBE AS						
	30	1	501-7465	1	HOSE AS						
	31	1	501-7466	1	HOSE AS						
	32	1	330-8325	1	ADAPTER						

M - METRIC PART
Y - SEPARATE ILLUSTRATION

FRAME AND BODY

501-8492 HITCH GP-TOWING (contd.)

i07000747



GRAPHIC #1

<END>

g06207488

FRAME AND BODY

500-3069 HOOD GP-ENGINE

S/N: TD61-UP; TD71-UP

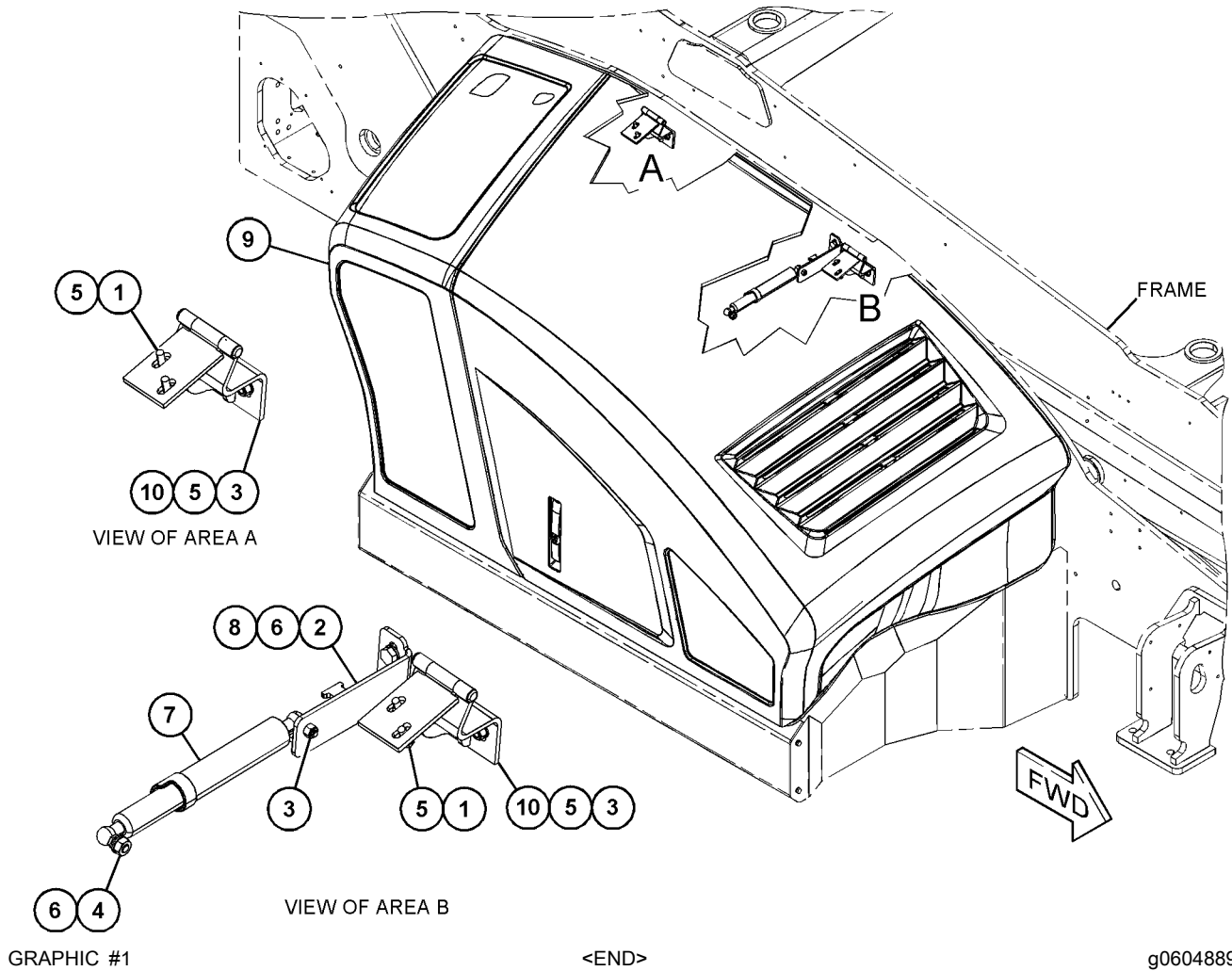
PART OF 500-3072, 500-4356 ENCLOSURE GP-ENGINE
AN ATTACHMENT

SMCS-7251

i06601119

NOTE	REF NO	GRAPHIC REF	PART NUMBER	QTY	PART NAME						SEE PAGE
					1	2	3	4	5	6 (PRODUCT LEVEL)	
M	1	1	8T-4189	4	BOLT (M8X1.25X20-MM)						
M	2	1	8T-4137	2	BOLT (M10X1.5X20-MM)						
M	3	1	309-9184	5	LOCKNUT (M8X1.25-THD)						
M	4	1	8T-4133	1	NUT (M10X1.5-THD)						
	5	1	8T-4224	8	WASHER-HARD (8.8X16X2-MM THK)						
	6	1	8T-4121	3	WASHER-HARD (11X21X2.5-MM THK)						
	7	1	459-8867	1	SPRING						
	8	1	500-3070	1	BRACKET AS						
	9	1	500-3071	1	HOOD AS						
	10	1	495-7648	2	HINGE AS						

M - METRIC PART



FRAME AND BODY

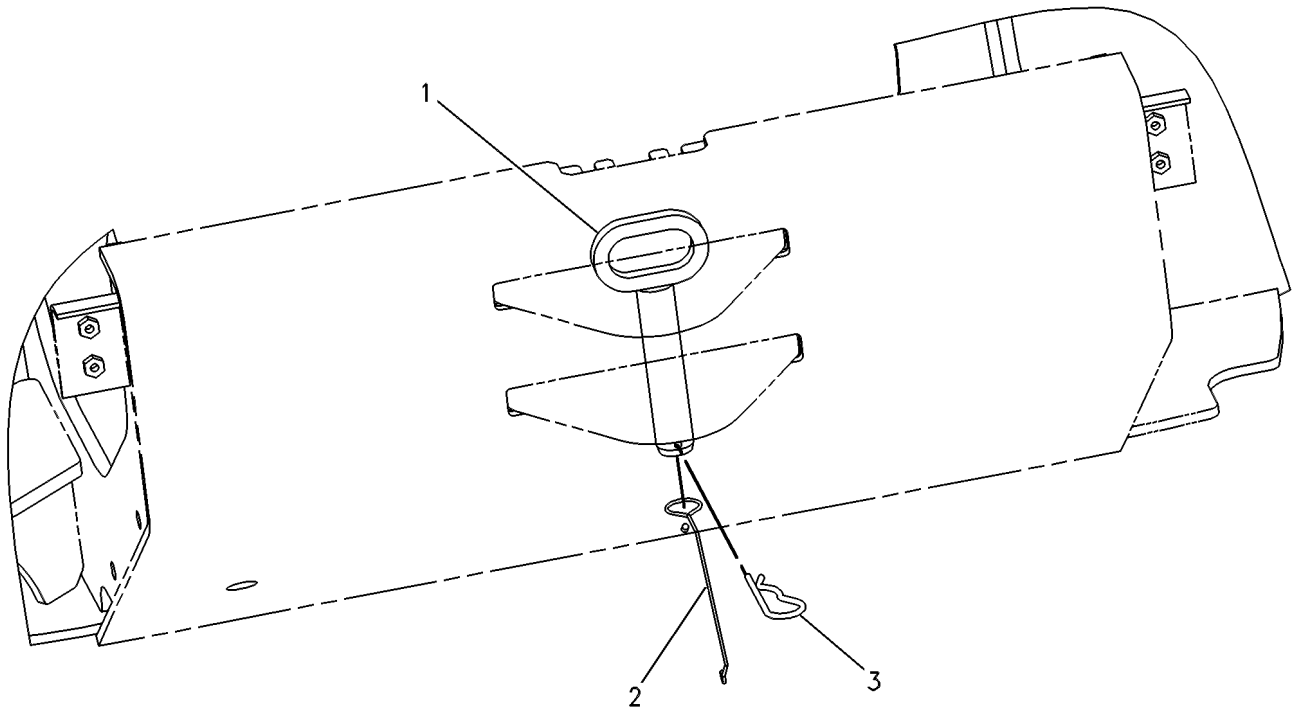
148-2270 PIN GP-HITCH

S/N: TD61-UP
 PART OF 515-0962, 515-0966 LIGHTING GP-FRONT
 AN ATTACHMENT

SMCS-7100, 7116

i01252597

NOTE	REF NO	GRAPHIC REF	PART NUMBER	QTY	PART NAME						SEE PAGE
					1	2	3	4	5	6 (PRODUCT LEVEL)	
	1	1	137-9775	1	PIN AS						
	2	1	154-4378	1	CABLE AS						
	3	1	5P-8837	1	LOCK PIN						



GRAPHIC #1

<END>

g00390212

FRAME AND BODY

501-7473 PLATE & MTG GP-REAR

S/N: TD61-UP; TD71-UP

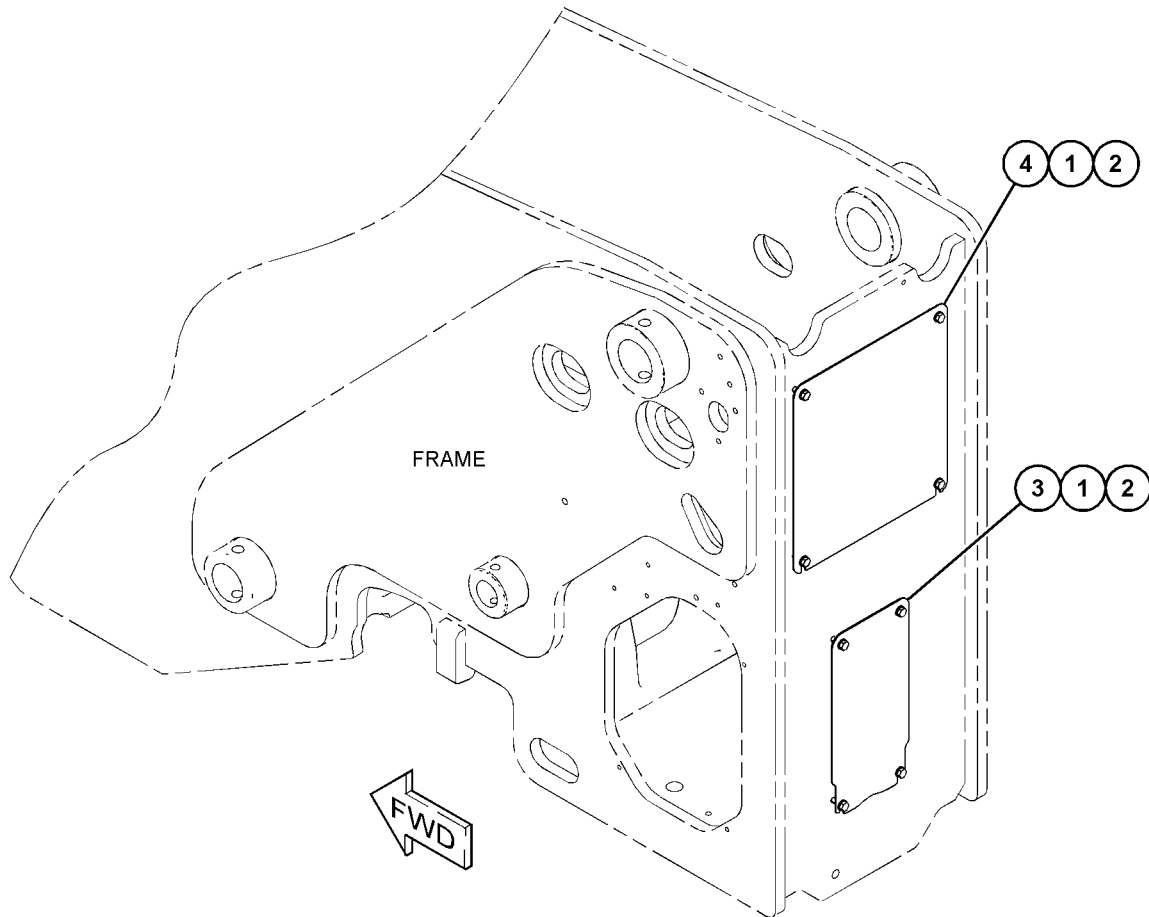
PART OF 506-7530, 506-7531, 506-7532, 506-7533, 506-7534, 506-7535, 506-7536, 506-7537 HITCH AN ATTACHMENT

SMCS-7050, 795C

i06608820

NOTE	REF NO	GRAPHIC REF	PART NUMBER	QTY	PART NAME						SEE PAGE
					1	2	3	4	5	6 (PRODUCT LEVEL)	
M	1	1	8T-4189	8	BOLT (M8X1.25X20-MM)						
	2	1	8T-4224	8	WASHER-HARD (8.8X16X2-MM THK)						
	3	1	499-7299	1	PLATE-COVER						
	4	1	499-7300	1	PLATE-COVER						

M - METRIC PART



GRAPHIC #1

<END>

g06045350

FRAME AND BODY

501-7474 PLATE & MTG GP-HITCH

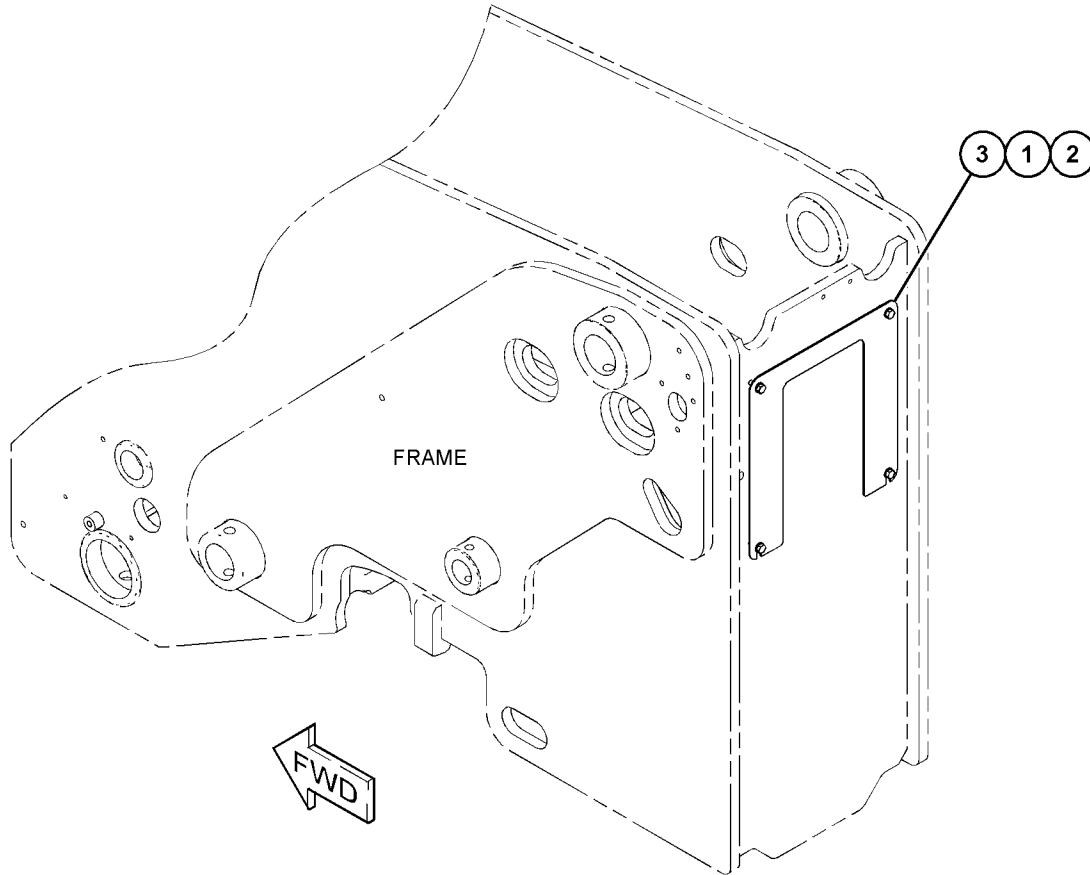
S/N: TD61-UP; TD71-UP
PART OF 506-7538 HITCH AR
AN ATTACHMENT

SMCS-7050, 795C

i06606818

NOTE	REF NO	GRAPHIC REF	PART NUMBER	QTY	PART NAME						SEE PAGE
					1	2	3	4	5	6 (PRODUCT LEVEL)	
M	1	1	8T-4189	4	BOLT (M8X1.25X20-MM)						
	2	1	8T-4224	4	WASHER-HARD (8.8X16X2-MM THK)						
	3	1	501-7475	1	PLATE						

M - METRIC PART



GRAPHIC #1

<END>

g06045346

FRAME AND BODY

501-7476 PLATE & MTG GP-FRAME

S/N: TD61-UP; TD71-UP

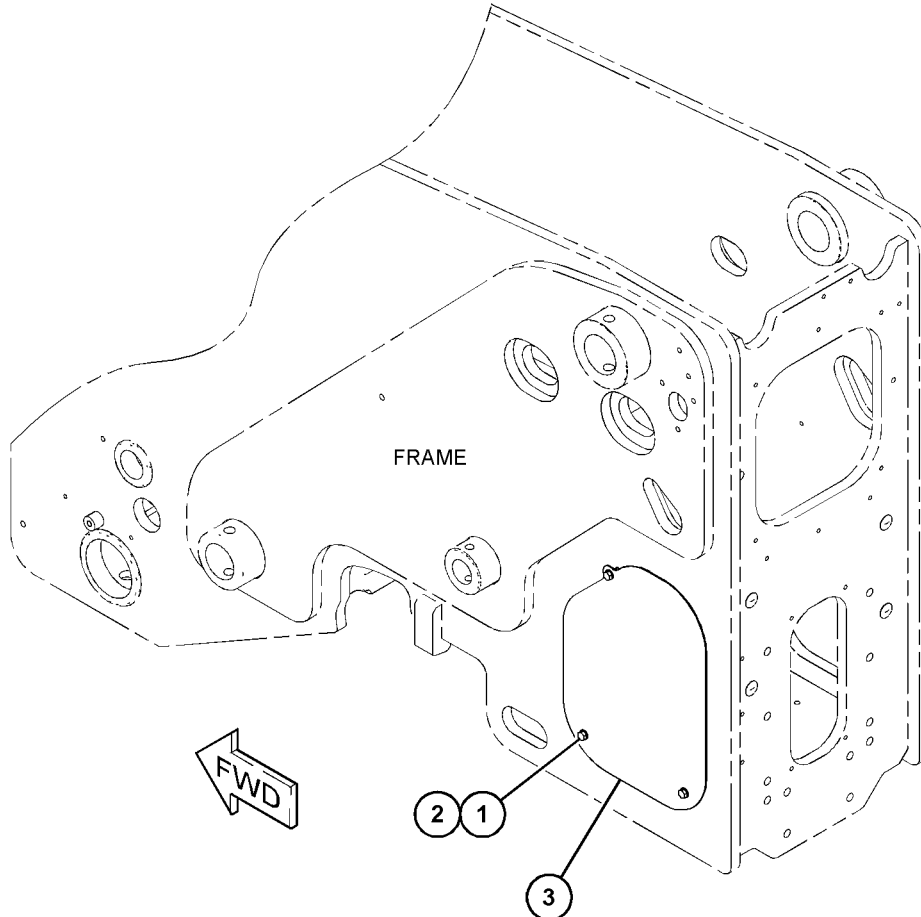
PART OF 506-3317 CONTROL AR-AUXILIARY
AN ATTACHMENT

SMCS-7050, 795C

i06608809

NOTE	REF NO	GRAPHIC REF	PART NUMBER	QTY	PART NAME						SEE PAGE
					1	2	3	4	5	6 (PRODUCT LEVEL)	
M	1	1	8T-4189	3	BOLT (M8X1.25X20-MM)						
	2	1	8T-4224	3	WASHER-HARD (8.8X16X2-MM THK)						
	3	1	499-7298	1	PLATE						

M - METRIC PART



GRAPHIC #1

<END>

g06045344

FRAME AND BODY

539-4494 PLATE & MTG GP-HITCH

S/N: TD61-UP; TD71-UP

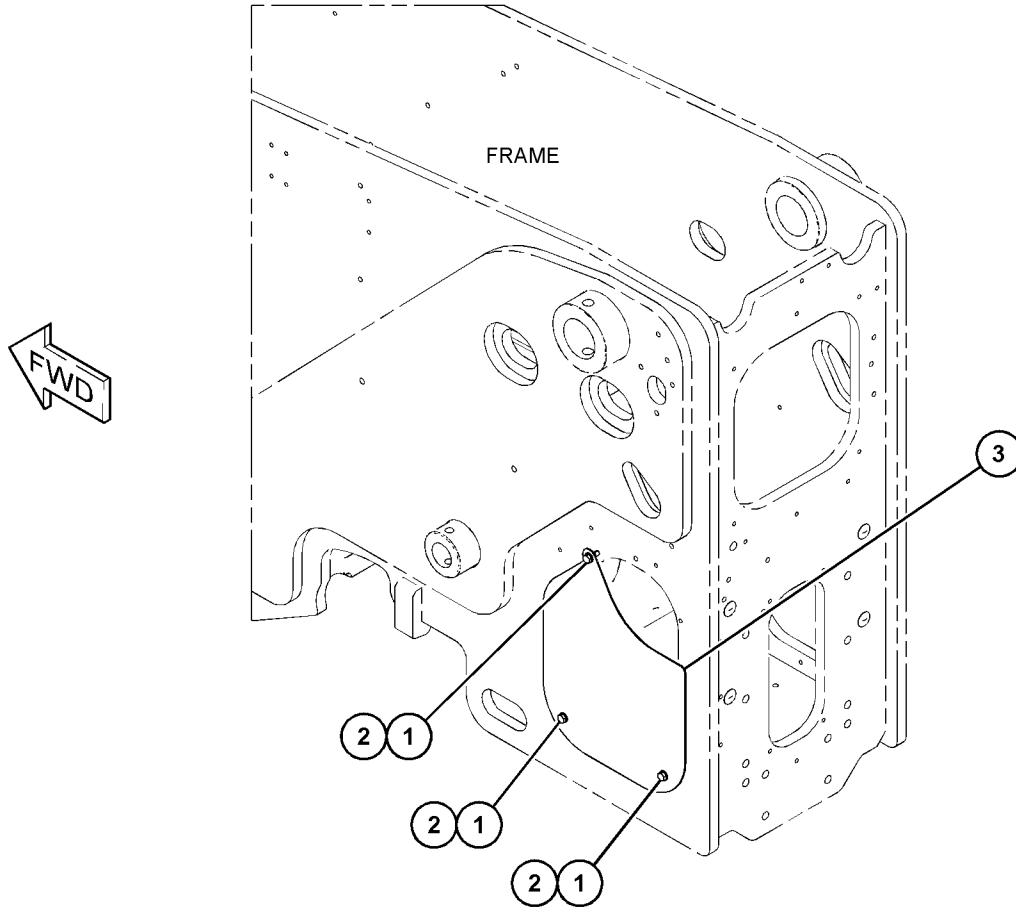
PART OF 506-7531, 506-7532, 506-7533, 506-7536, 506-7537, 506-7538 HITCH AR
AN ATTACHMENT

SMCS-7050, 795C

i07048667

NOTE	REF NO	GRAPHIC REF	PART NUMBER	QTY	PART NAME						SEE PAGE
					1	2	3	4	5	6 (PRODUCT LEVEL)	
M	1	1	8T-4189	3	BOLT (M8X1.25X20-MM)						
	2	1	8T-4224	3	WASHER-HARD (8.8X16X2-MM THK)						
	3	1	539-4427	1	PLATE-COVER						

M - METRIC PART



GRAPHIC #1

<END>

g06211479

FRAME AND BODY

505-0884 STEP GP

S/N: TD61-UP; TD71-UP

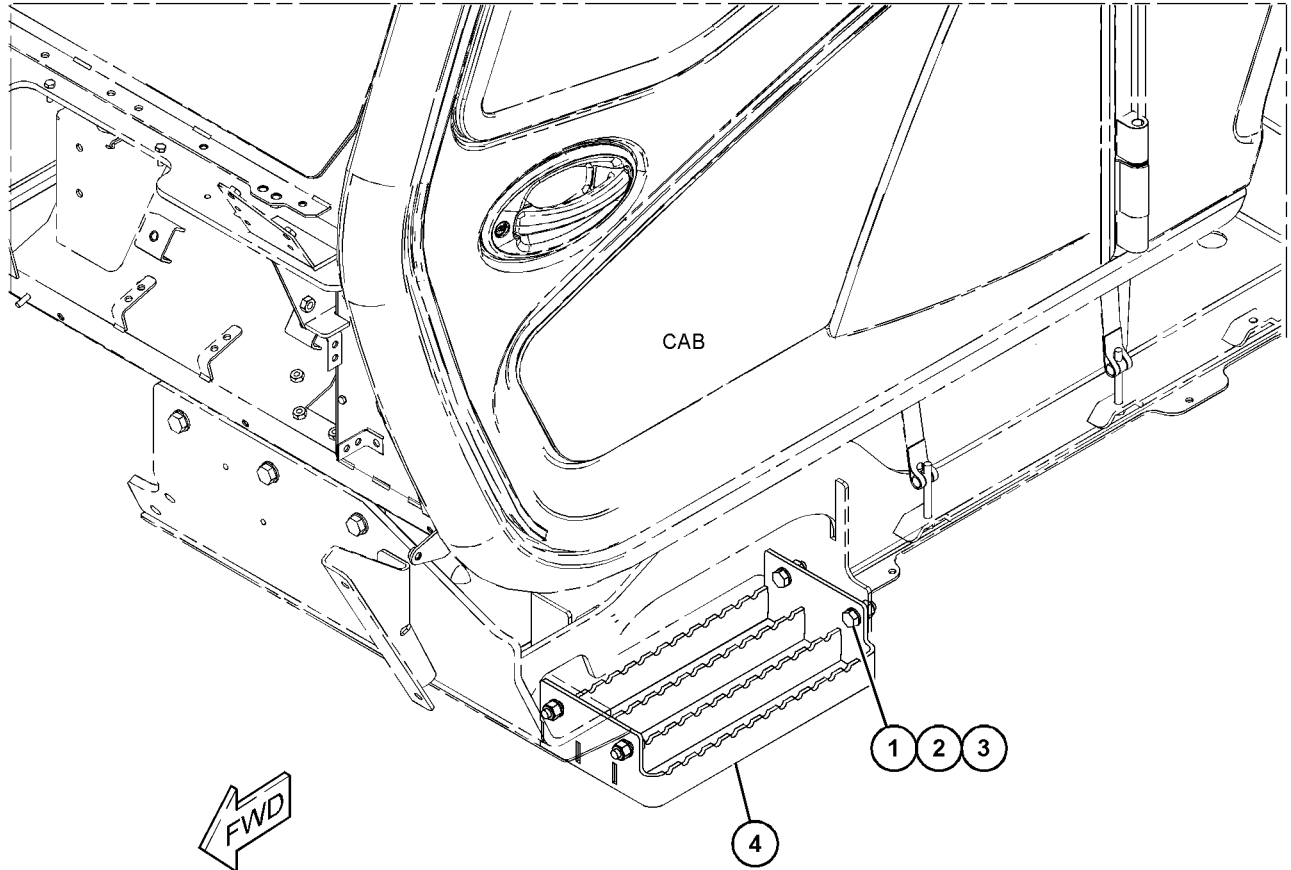
PART OF 517-9883, 517-9885 CHASSIS AR

SMCS-7254

i06603137

NOTE	REF NO	GRAPHIC REF	PART NUMBER	QTY	PART NAME						SEE PAGE
					1	2	3	4	5	6 (PRODUCT LEVEL)	
M	1	1	8T-4195	4	BOLT (M10X1.5X30-MM)						
M	2	1	8T-0389	4	LOCKNUT (M10X1.5-THD)						
	3	1	8T-4121	8	WASHER-HARD (11X21X2.5-MM THK)						
	4	1	505-0885	1	STEP AS						

M - METRIC PART



GRAPHIC #1

<END>

g06045043

BRAKING SYSTEM

513-5770 ACCUMULATOR GP-BRAKE

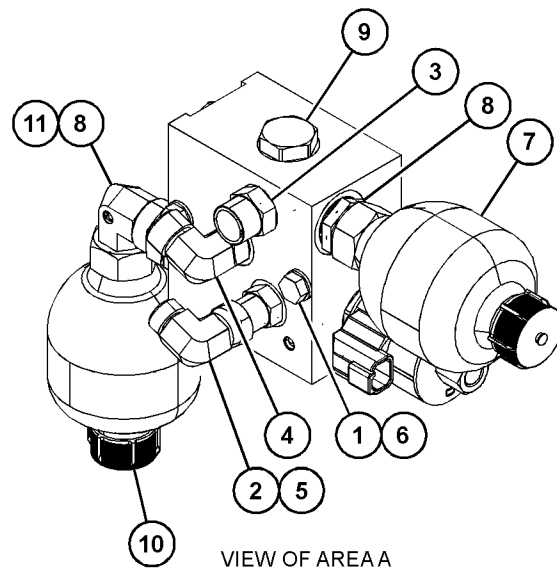
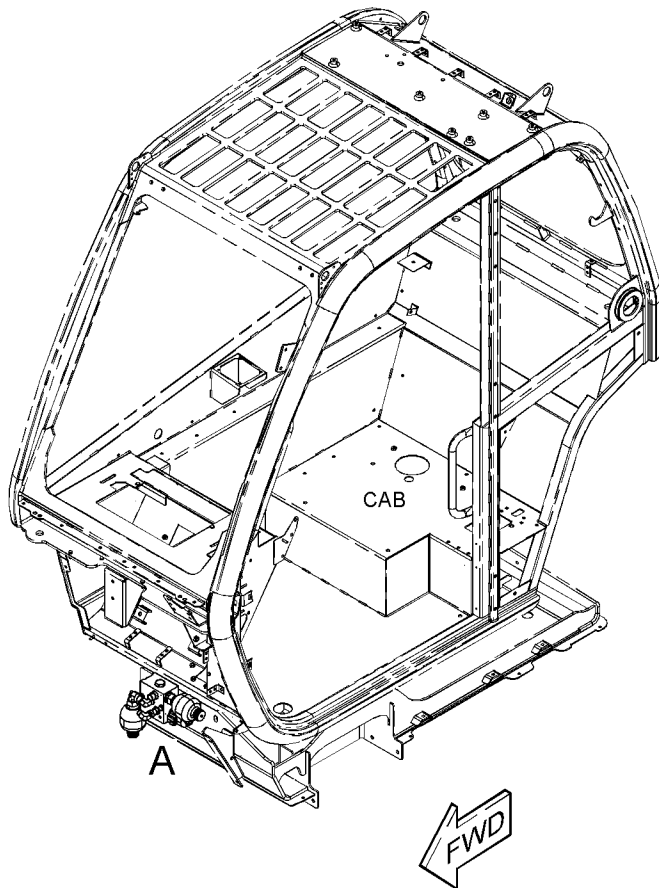
S/N: TD61-UP; TD71-UP
PART OF 517-9300 AXLE AR
AN ATTACHMENT

SMCS-4263, 4264, 4293, 5077

i06893330

NOTE	REF NO	GRAPHIC REF	PART NUMBER	QTY	PART NAME						SEE PAGE
					1	2	3	4	5	6 (PRODUCT LEVEL)	
M	1	1	8T-6870	2	BOLT (M8X1.25X70-MM)						
	2	1	298-7358	1	FITTING-ADAPTER						
	3	1	473-8956	1	ADAPTER						
	4	1	303-4755	1	FITTING						
	5	1	298-0507	1	ADAPTER-SWIVEL						
	6	1	8T-4224	2	WASHER-HARD (8.8X16X2-MM THK)						
	7	1	462-5368	1	ACCUMULATOR						
	8	1	470-4390	2	ADAPTER						
	9	1	513-5767	1	MANIFOLD AS-VALVE						
	10	1	513-5768	1	ACCUMULATOR GP-BRAKE						
	11	1	513-5769	1	ELBOW						

M - METRIC PART



GRAPHIC #1

<END>

g06160804

BRAKING SYSTEM

506-7649 BRAKE AR-TRAILER

S/N: TD61-UP; TD71-UP
NOT AVAILABLE IN THE ITALIAN MARKET
AN ATTACHMENT

SMCS-4250

i06613302

NOTE	PART NUMBER	QTY	PART NAME						SEE PAGE
			1	2	3	4	5	6 (PRODUCT LEVEL)	
Y	497-9630	1	COVER GP-ACCESS (TRAILER)						901
Y	501-7468	1	LINES GP-TRAILER						714
Y	501-7470	1	VALVE & MTG GP-BRAKE (TRAILER BRAKE)						634
Y	501-7471	1	VALVE & MTG GP-BRAKE (DYNAMIC BRAKE)						635

Y - SEPARATE ILLUSTRATION

<END>

506-7651 BRAKE AR-TRAILER

S/N: TD61-UP
FOR USE IN THE ITALIAN MARKET
AN ATTACHMENT

SMCS-4250

i06613297

NOTE	PART NUMBER	QTY	PART NAME						SEE PAGE
			1	2	3	4	5	6 (PRODUCT LEVEL)	
Y	497-9630	1	COVER GP-ACCESS (TRAILER)						901
Y	501-2452	1	LINES GP-TRAILER (STEERING COLUMN)						712
Y	501-2456	1	VALVE & MTG GP-BRAKE (MAIN CONTROL VALVE)						632
Y	501-7471	1	VALVE & MTG GP-BRAKE (DYNAMIC BRAKE)						635

Y - SEPARATE ILLUSTRATION

<END>

506-7652 BRAKE AR-TRAILER

S/N: TD61-UP; TD71-UP
NOT AVAILABLE IN THE ITALIAN MARKET
AN ATTACHMENT

SMCS-4250

i06613294

NOTE	PART NUMBER	QTY	PART NAME						SEE PAGE
			1	2	3	4	5	6 (PRODUCT LEVEL)	
Y	497-9630	1	COVER GP-ACCESS (TRAILER)						901
Y	501-7468	1	LINES GP-TRAILER (STEERING COLUMN)						714
Y	501-7470	1	VALVE & MTG GP-BRAKE (TRAILER BRAKE)						634
Y	501-7471	1	VALVE & MTG GP-BRAKE (DYNAMIC BRAKE)						635
Y	496-8310	1	WIRING GP-TRAILER						458

Y - SEPARATE ILLUSTRATION

<END>

BRAKING SYSTEM

505-0902 BRAKE GP-HYDRAULIC

S/N: TD61-UP; TD71-UP
PART OF 517-9300 AXLE AR
AN ATTACHMENT

SMCS-4257, 4265

i06735167

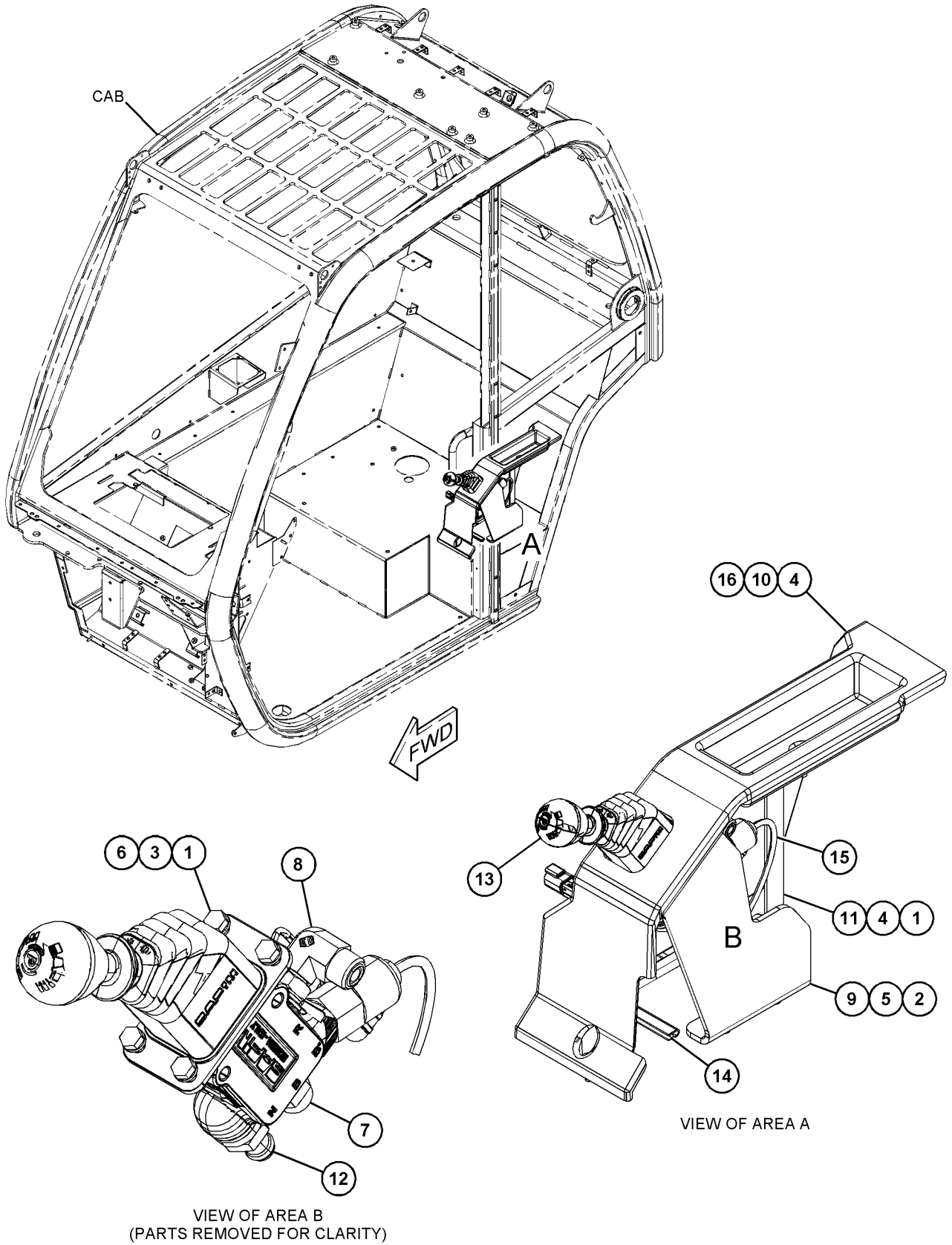
NOTE	REF NO	GRAPHIC REF	PART NUMBER	QTY	PART NAME						SEE PAGE
					1	2	3	4	5	6 (PRODUCT LEVEL)	
M	1	1	5C-9553	5	BOLT (M6X1X16-MM)						
M	2	1	8T-4137	2	BOLT (M10X1.5X20-MM)						
M	3	1	5C-2890	4	NUT (M6X1-THD)						
	4	1	8T-4205	3	WASHER-HARD (7.2X14.5X2-MM THK)						
	5	1	8T-4121	2	WASHER-HARD (11X21X2.5-MM THK)						
	6	1	303-4787	4	WASHER (6.1X11.8X1.6-MM THK)						
	7	1	326-9028	1	ADAPTER						
	8	1	504-5534	1	ADAPTER						
	9	1	497-8542	1	BRACKET						
	10	1	497-8539	1	COVER-BRAKE						
	11	1	497-8541	1	BRACKET AS						
	12	1	504-5535	1	ADAPTER						
	13	1	317-8720	1	CONTROL GP-PARKING BRAKE						
	14	1	505-1112	1	SEAL						
	15	1	505-0905	1	SWITCH-PRESSURE						
M	16	1	473-6822	2	SCREW (M6X1X20-MM)						

M - METRIC PART

BRAKING SYSTEM

505-0902 BRAKE GP-HYDRAULIC (contd.)

106735167



GRAPHIC #1

<END>

g06053082

BRAKING SYSTEM

514-4634 BRAKE GP-PARKING

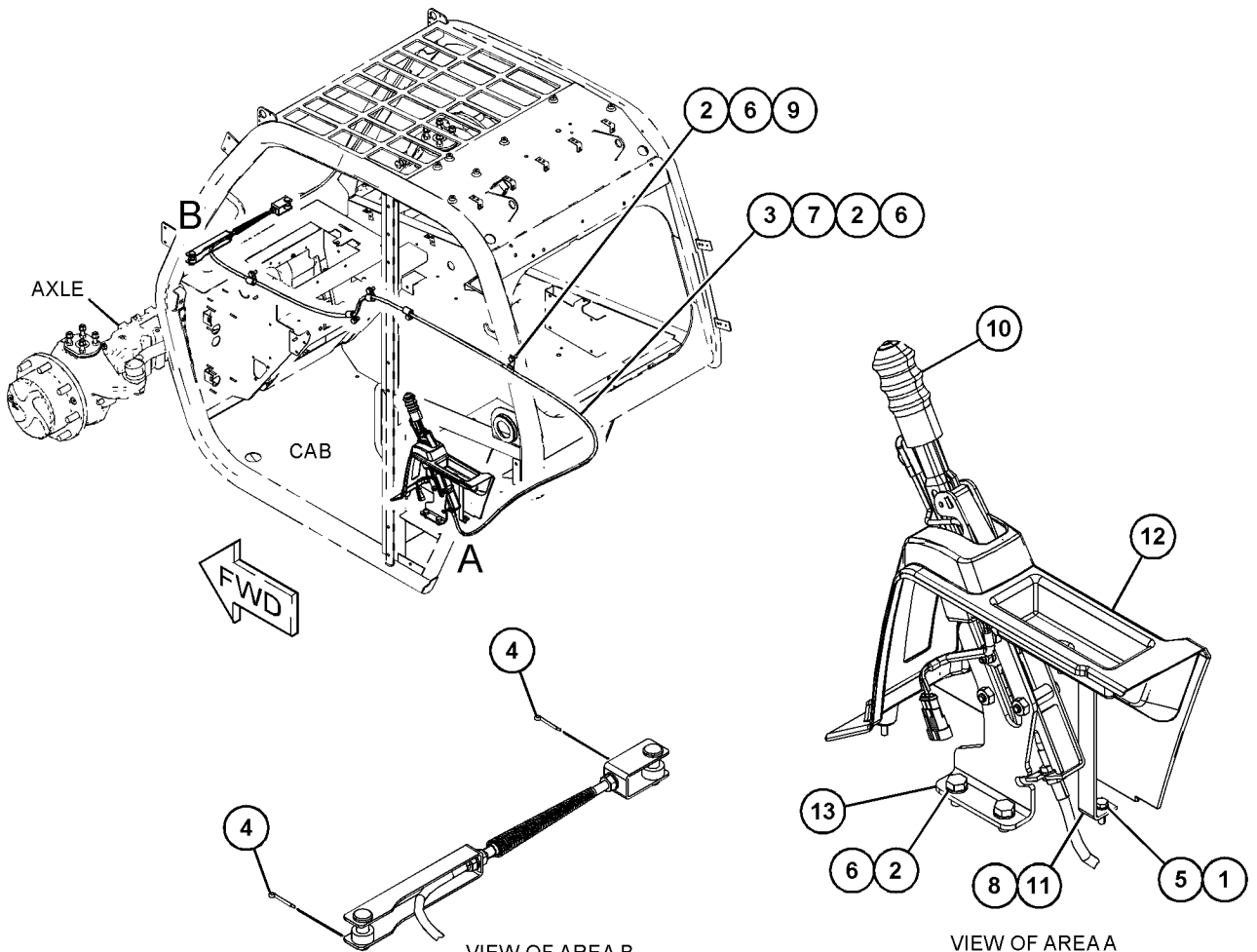
S/N: TD61-UP; TD71-UP
PART OF 517-9299 AXLE AR
AN ATTACHMENT

SMCS-4267

i06811051

NOTE	REF NO	GRAPHIC REF	PART NUMBER	QTY	PART NAME						SEE PAGE
					1	2	3	4	5	6 (PRODUCT LEVEL)	
M	1	1	8T-4138	1	BOLT (M6X1X20-MM)						
M	2	1	8T-4137	7	BOLT (M10X1.5X20-MM)						
	3	1	519-0945	1	CABLE AS						
	4	1	323-7223	2	PIN-COTTER						
	5	1	8T-4205	3	WASHER-HARD (7.2X14.5X2-MM THK)						
	6	1	8T-4121	7	WASHER-HARD (11X21X2.5-MM THK)						
	7	1	175-7739	4	CLAMP						
M	8	1	473-6822	2	SCREW (M6X1X20-MM)						
	9	1	514-4637	1	CLIP						
	10	1	514-4636	1	LEVER AS						
	11	1	497-8541	1	BRACKET AS						
	12	1	499-7169	1	COVER-BRAKE						
	13	1	514-4635	1	BRACKET AS						

M - METRIC PART



GRAPHIC #1

VIEW OF AREA B
<END>

VIEW OF AREA A

g06131228

BRAKING SYSTEM

520-7773 BRAKE GP-SERVICE

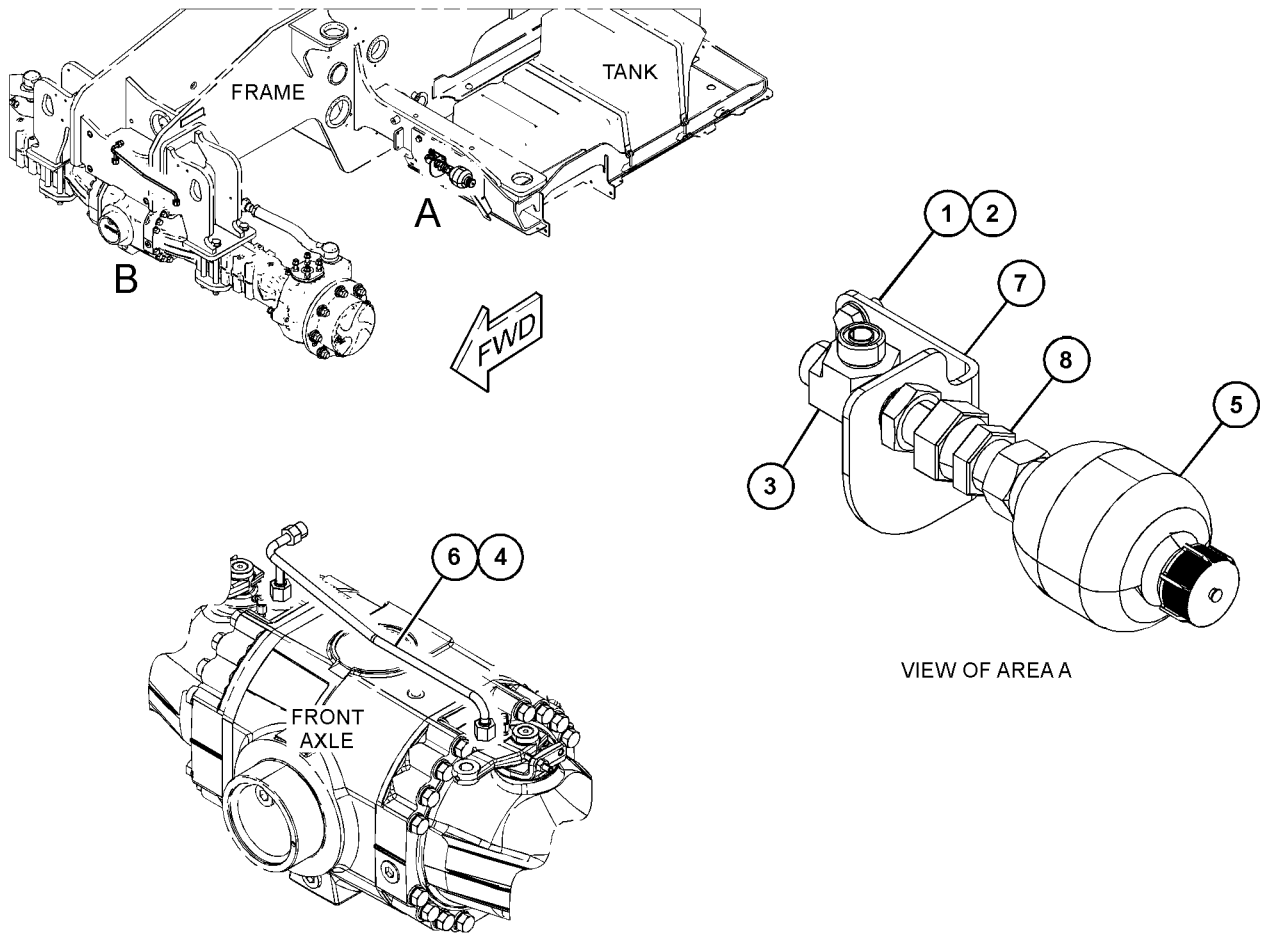
S/N: TD61-UP; TD71-UP
PART OF 517-9299 AXLE AR
AN ATTACHMENT

SMCS-4251

i06893277

NOTE	REF NO	GRAPHIC REF	PART NUMBER	QTY	PART NAME						SEE PAGE
					1	2	3	4	5	6	
M	1	1	7X-2536	2	BOLT (M8X1.25X14-MM)						
	2	1	8T-4224	2	WASHER-HARD (8.8X16X2-MM THK)						
	3	1	502-0663	1	ADAPTER AS						
		1	6V-8398	1	SEAL-O-RING						
		1	6V-9169	1	NUT (13/16-16-THD)						
		1	8T-6895	1	TEE-UNION						
	4	1	6V-8397	1	SEAL-O-RING						
	5	1	462-5368	1	ACCUMULATOR						
	6	1	499-0191	1	TUBE AS						
	7	1	502-0661	1	BRACKET						
	8	1	502-0662	1	ADAPTER						

M - METRIC PART



VIEW OF AREA B

VIEW OF AREA A

GRAPHIC #1

<END>

g06160207

BRAKING SYSTEM

495-9881 LINES GP-BRAKE

S/N: TD61-UP; TD71-UP
 PART OF 517-9300 AXLE AR
 AN ATTACHMENT

SMCS-4257

i06826611

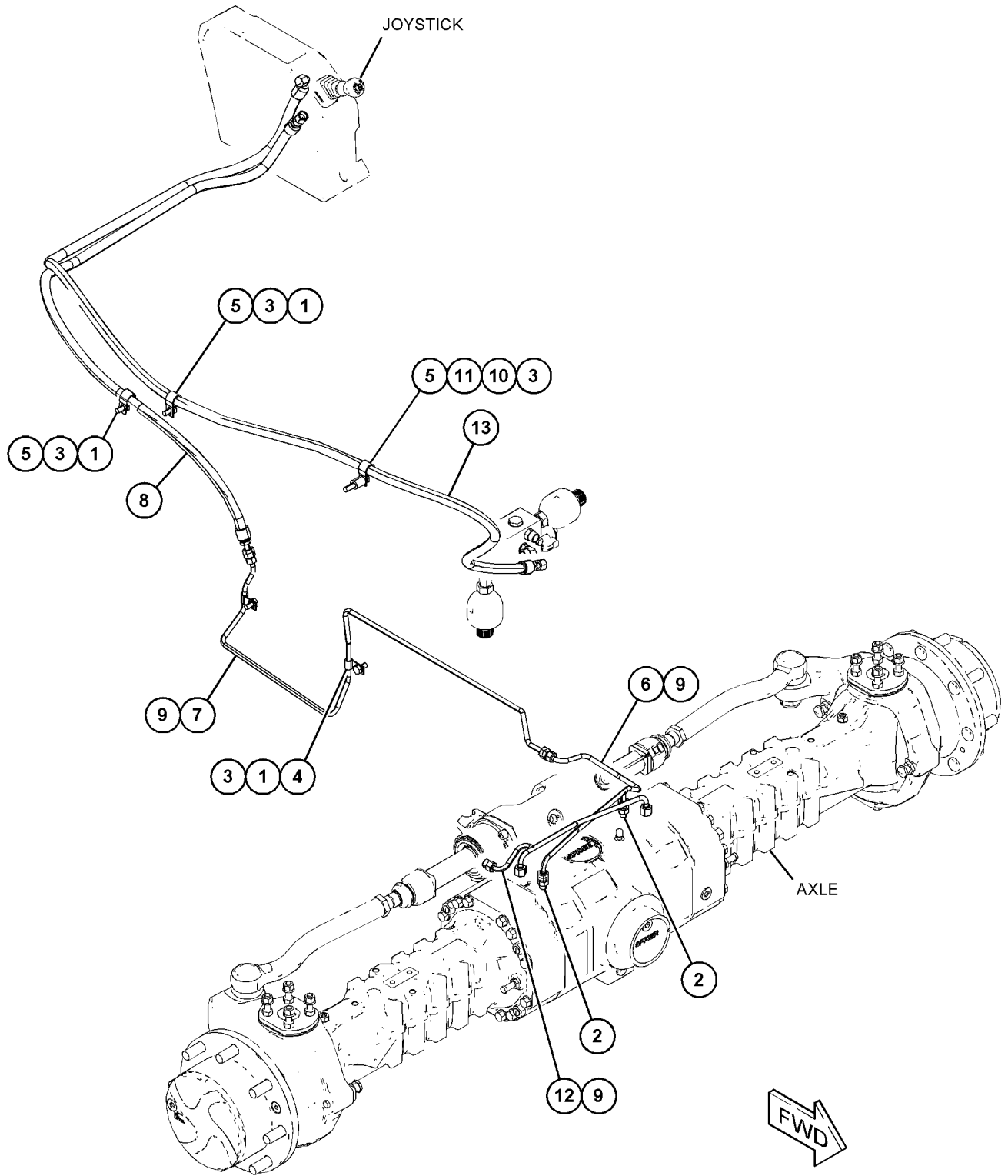
NOTE	REF NO	GRAPHIC REF	PART NUMBER	QTY	PART NAME						SEE PAGE
					1	2	3	4	5	6 (PRODUCT LEVEL)	
M	1	1	8T-4137	4	BOLT (M10X1.5X20-MM)						
	2	1	298-1610	2	FITTING						
	3	1	8T-4121	3	WASHER-HARD (11X21X2.5-MM THK)						
	4	1	6V-3265	2	CLIP						
	5	1	1S-0994	3	CLIP (LOOP)						
	6	1	495-9882	1	TUBE AS						
	7	1	521-7497	1	TUBE AS						
I	8	1	521-7498	1	HOSE AS						
	9	1	6V-8397	2	SEAL-O-RING						
M	10	1	085-8091	1	BOLT (M10X1.5X55-MM)						
	11	1	495-1404	1	SPACER (10.5X20X25-MM THK)						
	12	1	495-9807	1	TUBE AS						
I	13	1	521-7499	1	HOSE AS						

I - REFER TO HYDRAULIC INFORMATION SYSTEM
 M - METRIC PART

BRAKING SYSTEM

495-9881 LINES GP-BRAKE (contd.)

106826611



GRAPHIC #1

<END>

g06137977

BRAKING SYSTEM

499-0189 LINES GP-BRAKE

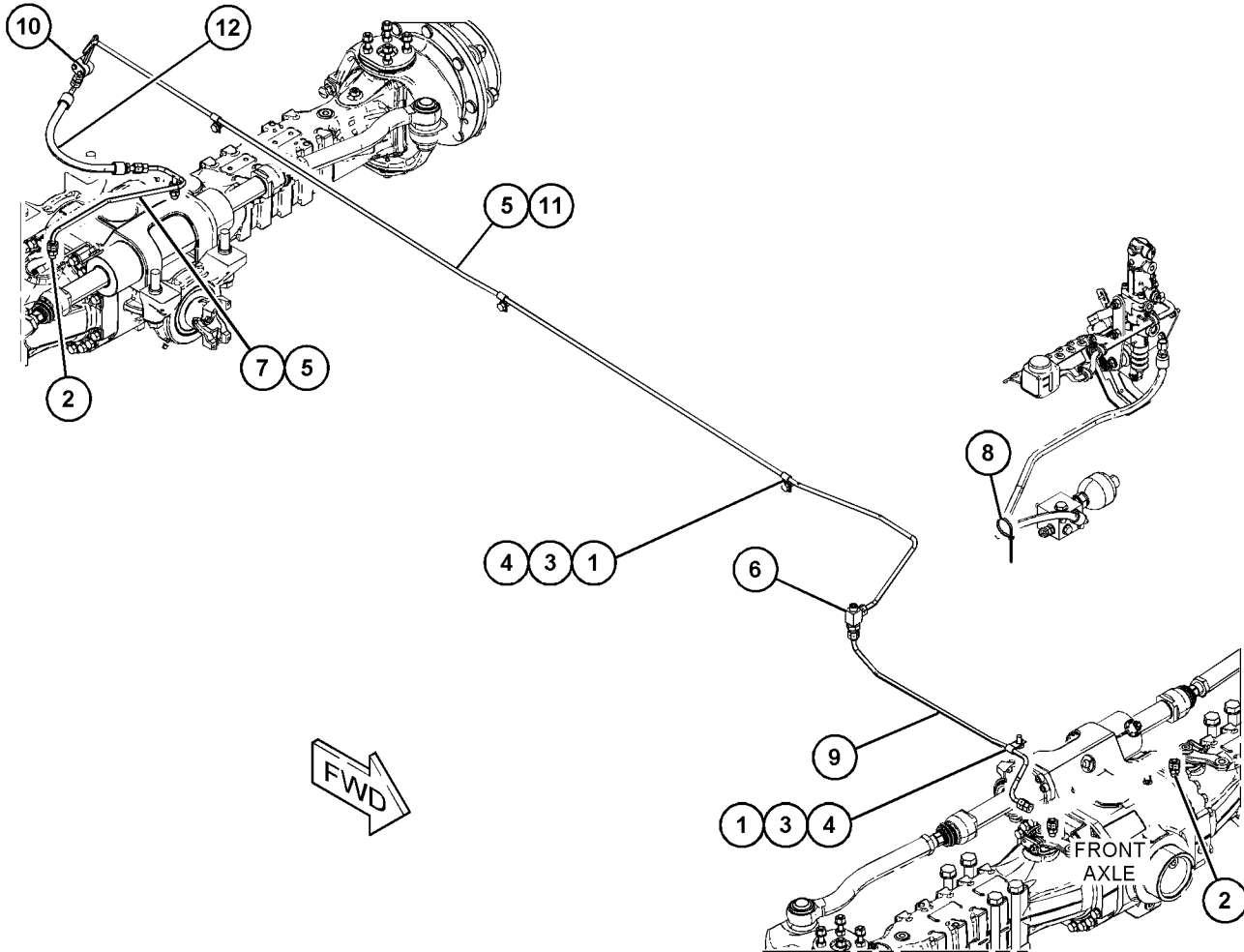
S/N: TD61-UP; TD71-UP
PART OF 518-0019 HYDRAULIC AR

SMCS-4257

i06826187

NOTE	REF NO	GRAPHIC REF	PART NUMBER	QTY	PART NAME						SEE PAGE
					1	2	3	4	5	6 (PRODUCT LEVEL)	
M	1	1	8T-4137	4	BOLT (M10X1.5X20-MM)						
	2	1	298-1610	4	FITTING						
	3	1	8T-4121	4	WASHER-HARD (11X21X2.5-MM THK)						
	4	1	6V-3265	4	CLIP						
	5	1	6V-8397	2	SEAL-O-RING						
	6	1	7X-0820	1	TEE						
	7	1	499-0190	1	TUBE AS						
	8	1	342-3862	1	STRIP						
	9	1	499-0192	1	TUBE AS						
	10	1	499-2332	1	CLAMP AS						
	11	1	506-3306	1	PIPE AS						
I	12	1	498-9357	1	HOSE AS						

I - REFER TO HYDRAULIC INFORMATION SYSTEM
M - METRIC PART



GRAPHIC #1

<END>

g06131417

BRAKING SYSTEM

502-0664 LINES GP-BRAKE

S/N: TD61-UP; TD71-UP

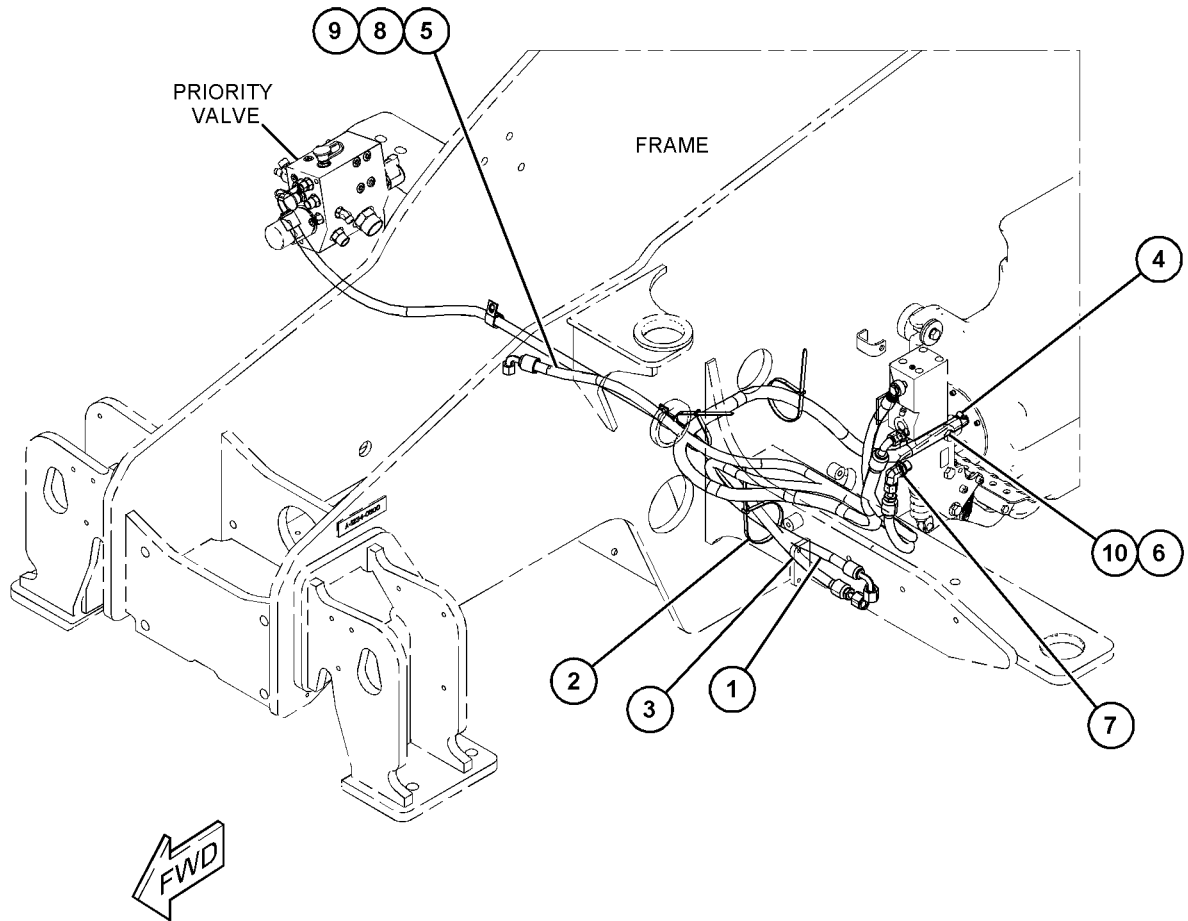
PART OF 518-0019 HYDRAULIC AR

SMCS-4257

i06826610

NOTE	REF NO	GRAPHIC REF	PART NUMBER	QTY	PART NAME						SEE PAGE
					1	2	3	4	5	6	
I	1	1	502-0314	1	HOSE AS						
	2	1	7K-1181	3	STRAP-CABLE						
I	3	1	502-0313	1	HOSE AS						
	4	1	309-2982	1	CLAMP						
	5	1	502-0376	1	HOSE AS						
	6	1	473-8503	1	ADAPTER						
	7	1	477-4116	1	ELBOW						
	8	1	296-5747	2	WASHER-COPPER (12X16X1.5-MM THK)						
	9	1	477-4117	1	BOLT (M12X1.5X24-MM)						
	10	1	502-0312	1	HOSE AS						

I - REFER TO HYDRAULIC INFORMATION SYSTEM
M - METRIC PART



GRAPHIC #1

<END>

g06131409

BRAKING SYSTEM

505-7484 PEDAL & MOUNTING GP-BRAKE

S/N: TD61-UP; TD71-UP
PART OF 517-9179, 517-9180 CAB AR
AN ATTACHMENT

SMCS-4269

i06826607

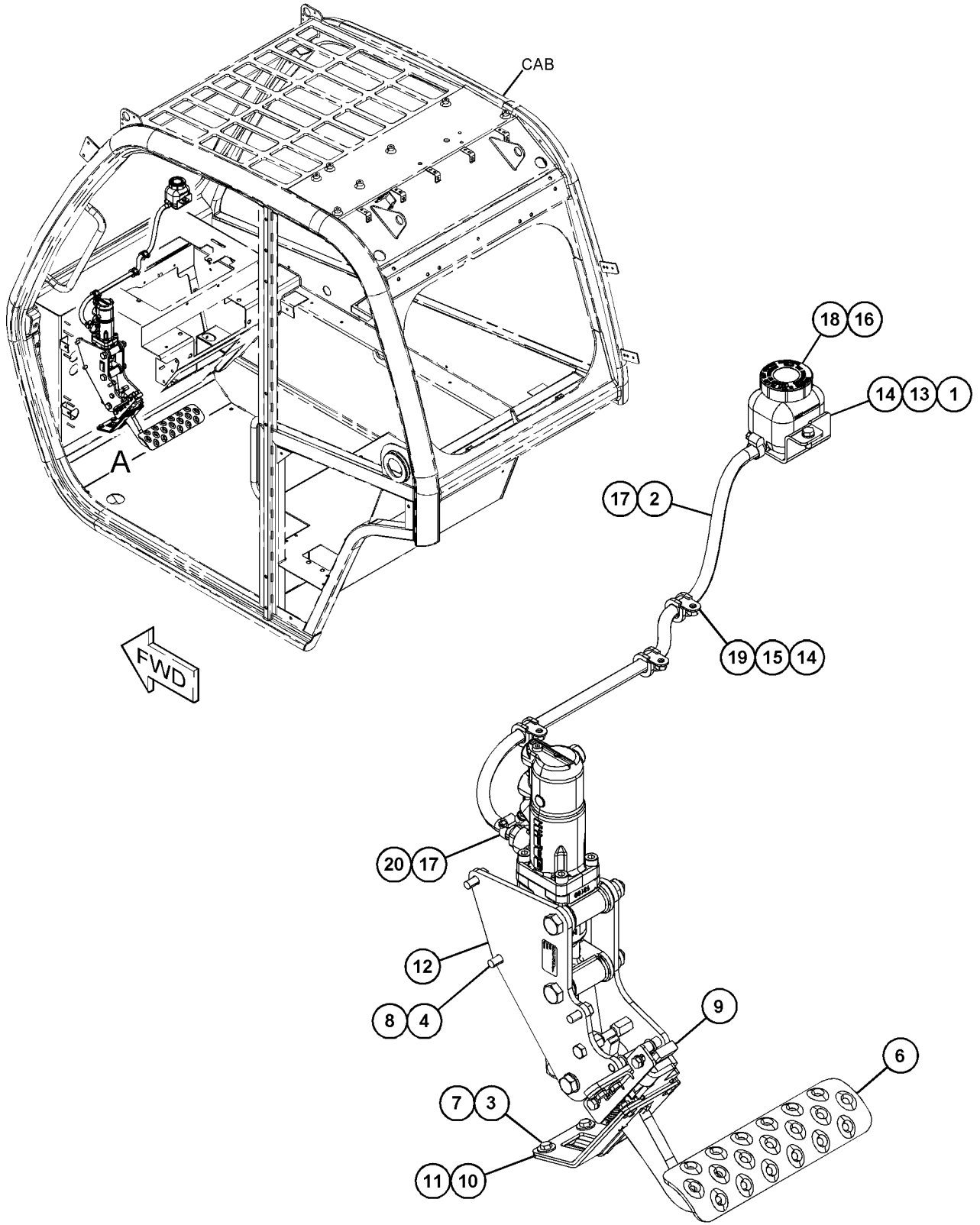
NOTE	REF NO	GRAPHIC REF	PART NUMBER	QTY	PART NAME						SEE PAGE
					1	2	3	4	5	6	
	1	1	474-6097	1	BRACKET						
	2	1	493-8976	1	HOSE						
M	3	1	312-3282	4	SCREW (M6X1.0X10-MM)						
M	4	1	8T-4189	3	BOLT (M8X1.25X20-MM)						
	6	1	491-0615	1	PEDAL AS-BRAKE						
M		1	8T-7547	2	BOLT (M8X1.25X30-MM)						
M		1	3T-0852	2	LOCKNUT (M8X1.25-THD)						
	7	1	5W-1417	4	WASHER (6.4X18X1.6-MM THK)						
	8	1	8T-4224	3	WASHER-HARD (8.8X16X2-MM THK)						
Y	9	1	505-7629	1	SWITCH & MTG GP-SIGNAL (BRAKE)						427
	10	1	474-6095	1	SEAL						
	11	1	474-6096	1	PLATE (BRAKE PEDAL)						
	12	1	505-7485	1	PEDAL GP-BRAKE						
		1	458-8885	1	COVER						
		1	458-8886	1	SPRING						
		1	483-3923	1	CYLINDER						
M	13	1	5C-9553	1	BOLT (M6X1X16-MM)						
	14	1	8T-4205	4	WASHER-HARD (7.2X14.5X2-MM THK)						
M	15	1	5C-2890	3	NUT (M6X1-THD)						
	16	1	477-0667	1	RETAINER						
	17	1	333-0736	2	CLAMP						
	18	1	521-5502	1	RESERVOIR						
	19	1	474-6053	3	CLIP						
	20	1	474-6058	1	ADAPTER						

M - METRIC PART
Y - SEPARATE ILLUSTRATION

BRAKING SYSTEM

505-7484 PEDAL & MOUNTING GP-BRAKE (contd.)

i06826607



VIEW OF AREA A

GRAPHIC #1

<END>

g06136516

BRAKING SYSTEM

501-2456 VALVE & MTG GP-BRAKE

S/N: TD61-UP

PART OF 506-7651 BRAKE AR-TRAILER, 506-7655 TRAILER AR
AN ATTACHMENT

SMCS-4262, 4265, 4282

i07000705

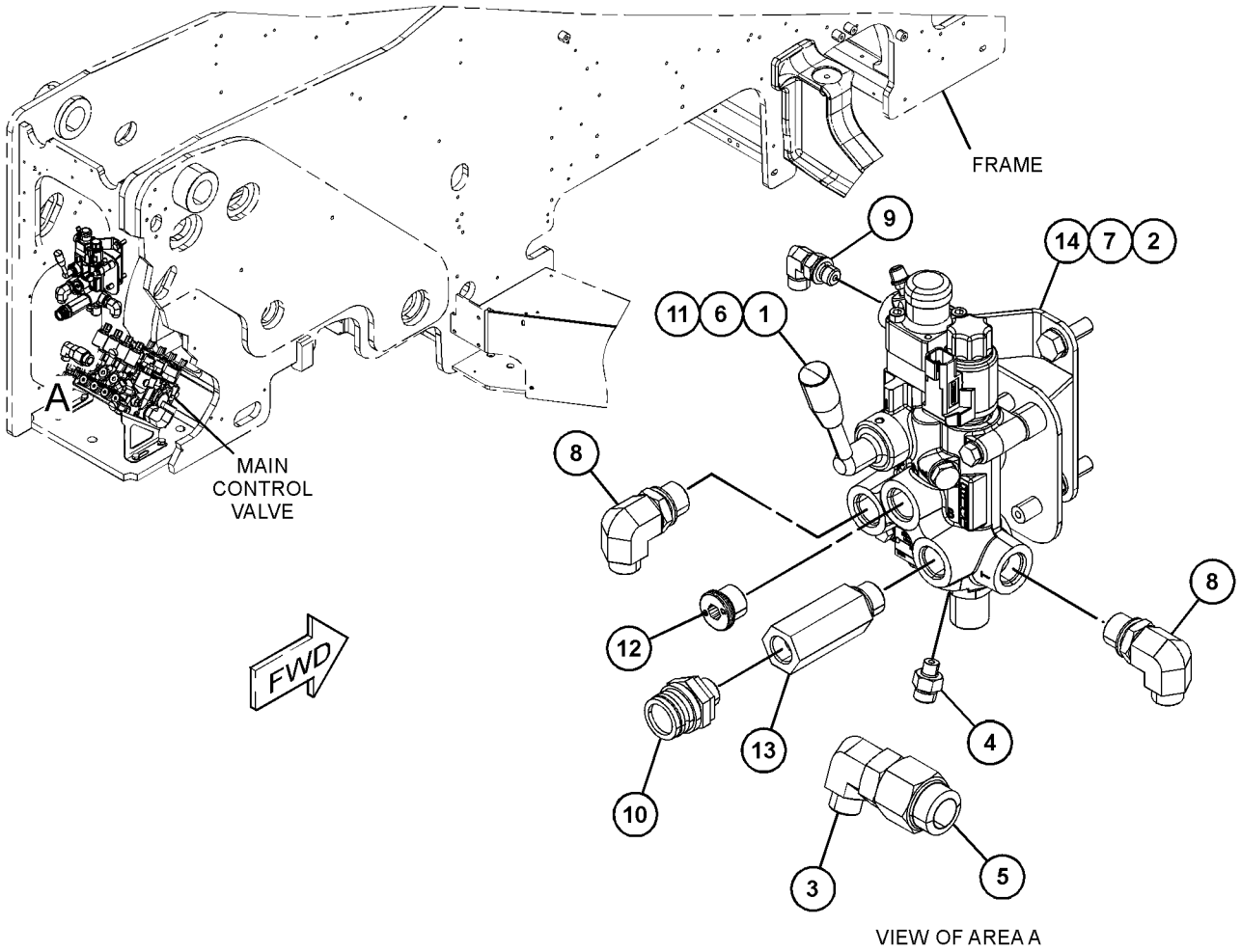
NOTE	REF NO	GRAPHIC REF	PART NUMBER	QTY	PART NAME						SEE PAGE
					1	2	3	4	5	6 (PRODUCT LEVEL)	
M	1	1	8T-7329	2	BOLT (M8X1.25X55-MM)						
M	2	1	8T-4195	2	BOLT (M10X1.5X30-MM)						
	3	1	303-4756	1	FITTING						
	4	1	309-6344	1	CONNECTOR						
	5	1	501-2457	1	ADAPTER-STR						
	6	1	8T-4224	4	WASHER-HARD (8.8X16X2-MM THK)						
	7	1	8T-4121	2	WASHER-HARD (11X21X2.5-MM THK)						
	8	1	<i>377-9560</i>	2	ELBOW AS						
					(EACH INCLUDES)						
		1	6V-7970	1	SEAL-O-RING						
		1	6V-8398	1	SEAL-O-RING						
		1	379-4372	1	ADAPTER-ELBOW						
	9	1	309-2986	1	FITTING						
	10	1	219-4562	1	FITTING						
	11	1	528-8260	1	VALVE GP-BRAKE						
	12	1	<i>330-9726</i>	1	PLUG AS						
		1	227-0136	1	PLUG						
		1	228-7105	1	SEAL-O-RING						
	13	1	425-2264	1	ADAPTER						
	14	1	501-2458	1	BRACKET AS						

M - METRIC PART

BRAKING SYSTEM

501-2456 VALVE & MTG GP-BRAKE (contd.)

i07000705



GRAPHIC #1

<END>

g06205397

BRAKING SYSTEM

501-7470 VALVE & MTG GP-BRAKE

S/N: TD61-UP; TD71-UP

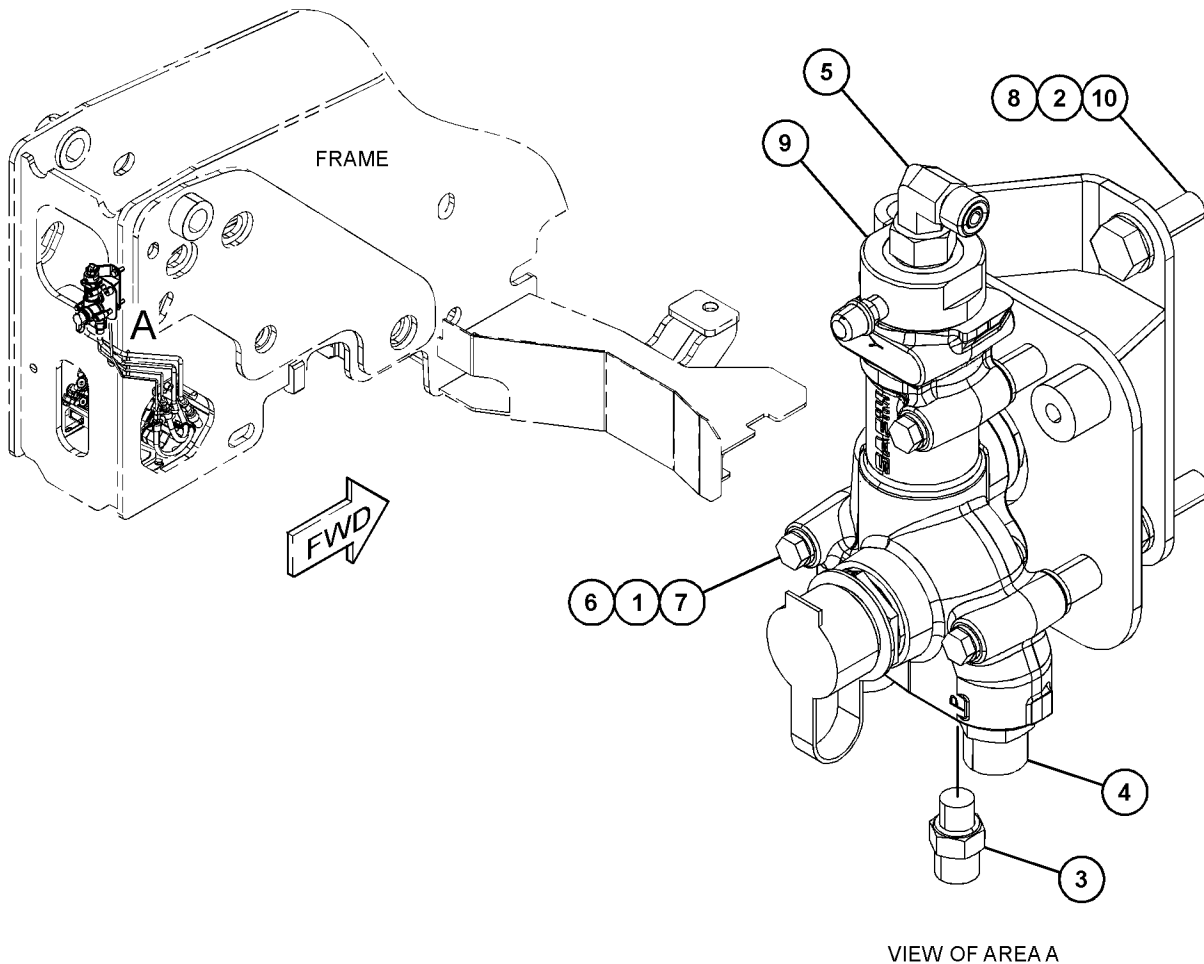
PART OF 506-7649, 506-7652 BRAKE AR-TRAILER
AN ATTACHMENT

SMCS-4262, 4265, 4282

i06809425

NOTE	REF NO	GRAPHIC REF	PART NUMBER	QTY	PART NAME						SEE PAGE
					1	2	3	4	5	6 (PRODUCT LEVEL)	
M	1	1	7X-2534	3	BOLT (M6X1X50-MM)						
M	2	1	8T-4195	2	BOLT (M10X1.5X30-MM)						
	3	1	508-2599	1	VALVE GP-CHECK						
	4	1	298-0463	2	FITTING-ADAPTER						
	5	1	298-0472	1	FITTING-ADAPTER						
	6	1	8T-4205	3	WASHER-HARD (7.2X14.5X2-MM THK)						
	7	1	8T-4224	3	WASHER-HARD (8.8X16X2-MM THK)						
	8	1	8T-4121	2	WASHER-HARD (11X21X2.5-MM THK)						
	9	1	508-2600	1	VALVE GP-BRAKE CONTROL (TRAILER BRAKE)						
	10	1	501-2458	1	BRACKET AS						

M - METRIC PART



GRAPHIC #1

<END>

g06048934

BRAKING SYSTEM

501-7471 VALVE & MTG GP-BRAKE

S/N: TD61-UP; TD71-UP

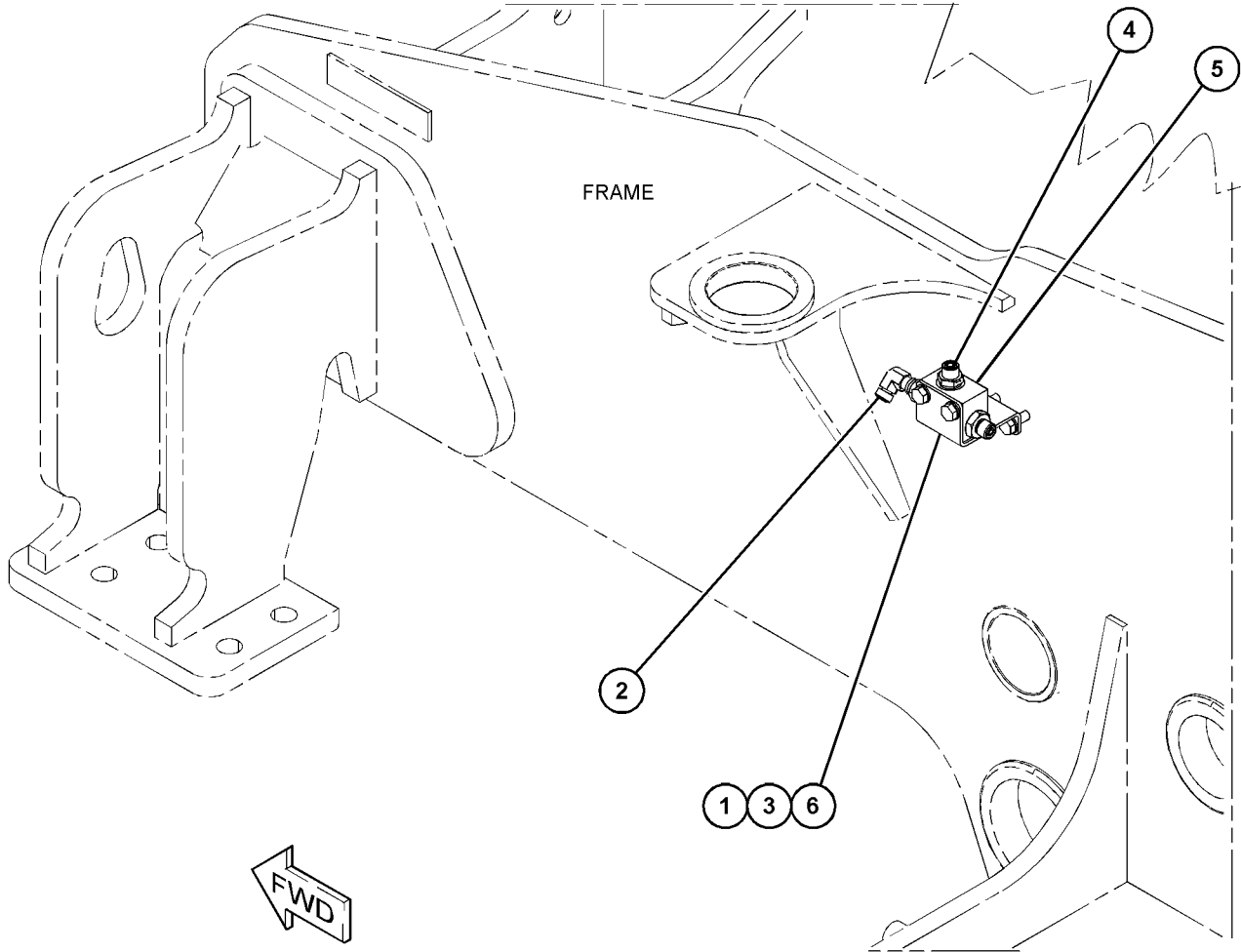
PART OF 506-7649, 506-7651, 506-7652 BRAKE AR-TRAILER, 506-7655 TRAILER AR
AN ATTACHMENT

SMCS-4262, 4265, 4282

i06613300

NOTE	REF NO	GRAPHIC REF	PART NUMBER	QTY	PART NAME						SEE PAGE
					1	2	3	4	5	6 (PRODUCT LEVEL)	
M	1	1	8T-4189	4	BOLT (M8X1.25X20-MM)						
	2	1	328-9691	1	ELBOW						
	3	1	8T-4224	4	WASHER-HARD (8.8X16X2-MM THK)						
	4	1	<i>170-5121</i>	1	ADAPTER AS						
		1	4J-5477	1	SEAL-O-RING						
		1	162-6816	1	SEAL						
		1	377-9597	1	ADAPTER						
	5	1	437-7007	1	VALVE-HYDRAULIC						
	6	1	501-7472	1	PLATE						

M - METRIC PART



GRAPHIC #1

<END>

g06051710

STEERING SYSTEM

499-0187 LINES GP-STEERING

S/N: TD61-UP; TD71-UP
PART OF 518-0019 HYDRAULIC AR

SMCS-4304

i06603153

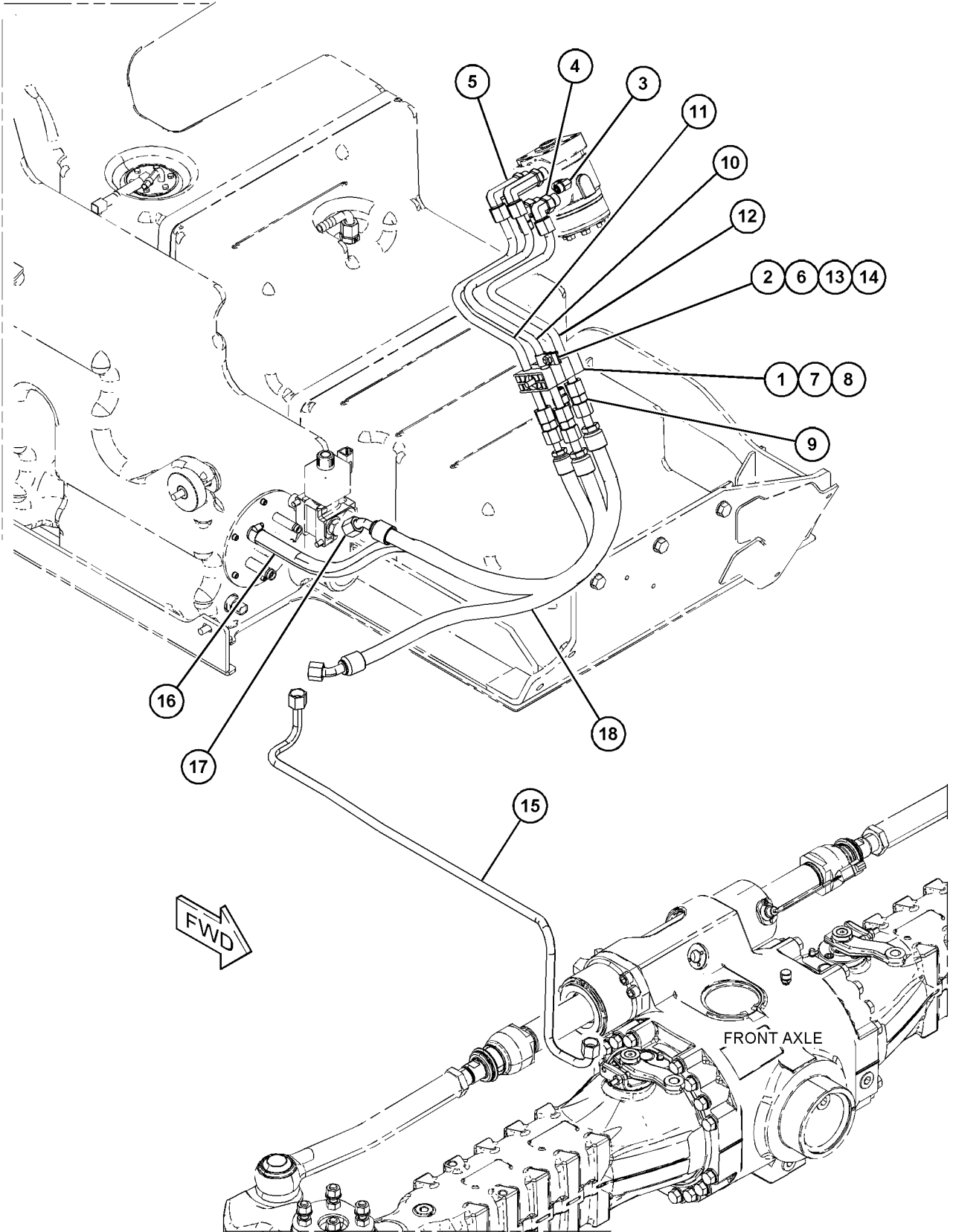
NOTE	REF NO	GRAPHIC REF	PART NUMBER	QTY	PART NAME						SEE PAGE
					1	2	3	4	5	6 (PRODUCT LEVEL)	
M	1	1	8T-3647	1	BOLT (M8X1.25X80-MM)						
M	2	1	5C-9553	1	BOLT (M6X1X16-MM)						
	3	1	298-0471	1	FITTING-ADAPTER						
	4	1	298-0474	2	FITTING-ADAPTER						
	5	1	298-0490	2	FITTING-ELBOW						
	6	1	5W-1417	1	WASHER (6.4X18X1.6-MM THK)						
	7	1	8T-4224	1	WASHER-HARD (8.8X16X2-MM THK)						
	8	1	204-7274	4	CLAMP						
	9	1	164-5572	4	UNION AS						
					(EACH INCLUDES)						
		1	6V-8398	2	SEAL-O-RING						
		1	6V-8731	1	UNION						
	10	1	473-7236	1	TUBE AS						
	11	1	473-7237	1	TUBE AS						
	12	1	473-7238	1	TUBE AS						
	13	1	473-1595	1	BRACKET AS						
	14	1	473-1597	1	BRACKET						
	15	1	499-0188	1	TUBE AS						
	16	1	499-0089	1	HOSE AS						
I	17	1	499-0079	1	HOSE AS						
I	18	1	499-0080	1	HOSE AS						

I - REFER TO HYDRAULIC INFORMATION SYSTEM
M - METRIC PART

STEERING SYSTEM

499-0187 LINES GP-STEERING (contd.)

i06603153



GRAPHIC #1

<END>

g06051830

STEERING SYSTEM

501-2459 LINES GP-STEERING

S/N: TD61-UP; TD71-UP
PART OF 518-0019 HYDRAULIC AR

SMCS-4304

i06603149

NOTE	REF NO	GRAPHIC REF	PART NUMBER	QTY	PART NAME						SEE PAGE
					1	2	3	4	5	6 (PRODUCT LEVEL)	
M	1	1	7X-2537	2	BOLT (M8X1.25X35-MM)						
	2	1	298-0463	6	FITTING-ADAPTER						
	3	1	298-0474	2	FITTING-ADAPTER						
	4	1	473-2656	2	ADAPTER						
M	5	1	3T-0849	4	BOLT-SOCKET HEAD (M6X1X25-MM)						
	6	1	8T-4224	2	WASHER-HARD (8.8X16X2-MM THK)						
	7	1	299-6644	2	PLATE						
	8	1	6V-8398	2	SEAL-O-RING						
	9	1	337-6264	2	CLAMP AS						
	10	1	<i>150-3067</i>	1	UNION AS						
		1	4J-5477	2	SEAL-O-RING						
		1	6V-8729	1	UNION						
	11	1	472-7846	1	TUBE AS						
	12	1	472-7847	1	TUBE AS						
	13	1	501-2460	1	TUBE AS						
I	14	1	501-0772	2	HOSE AS						
	15	1	501-2461	1	TUBE AS						
	16	1	501-2462	1	TUBE AS						
I	17	1	501-0773	1	HOSE AS						
	18	1	298-7438	2	CLAMP						

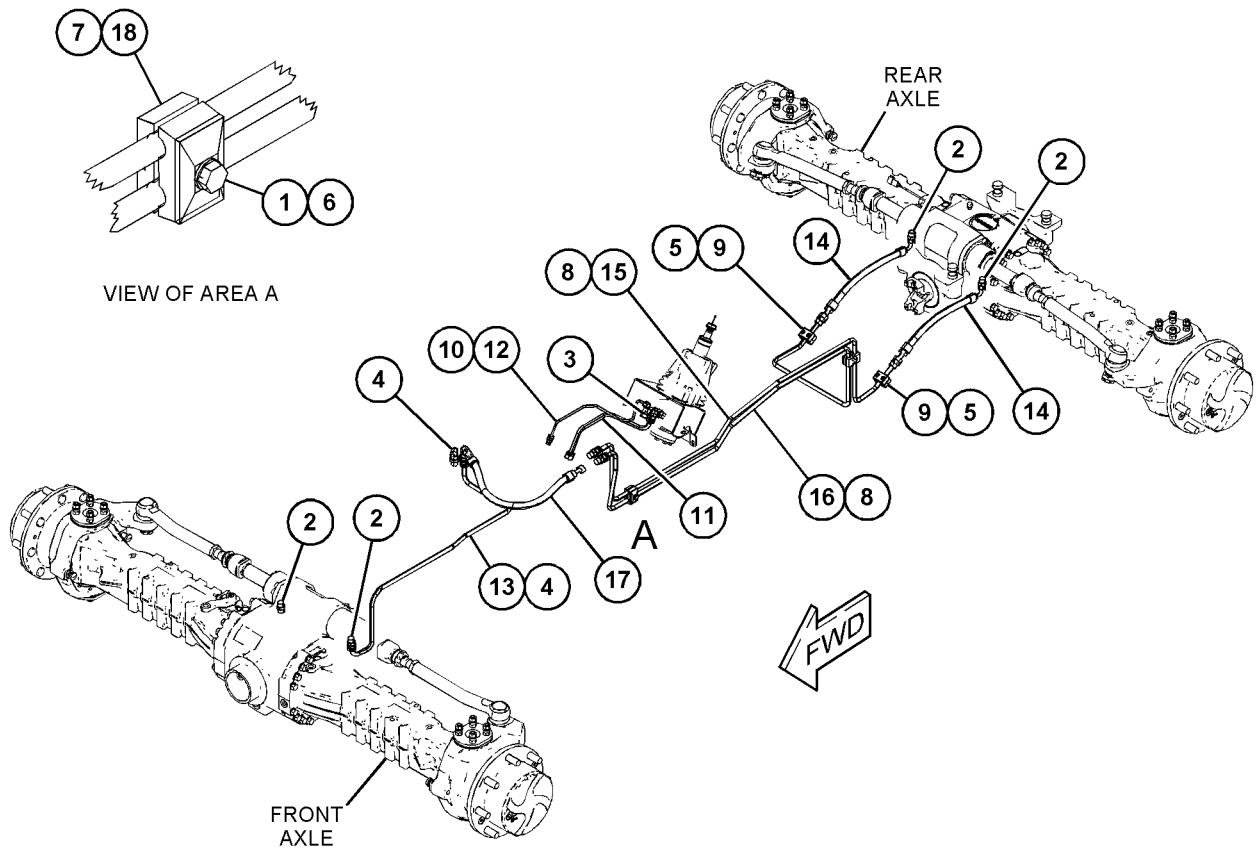
I - REFER TO HYDRAULIC INFORMATION SYSTEM

M - METRIC PART

STEERING SYSTEM

501-2459 LINES GP-STEERING (contd.)

i06603149



GRAPHIC #1

<END>

g06046068

STEERING SYSTEM

486-4419 STEERING COLUMN GP

S/N: TD61-UP; TD71-UP

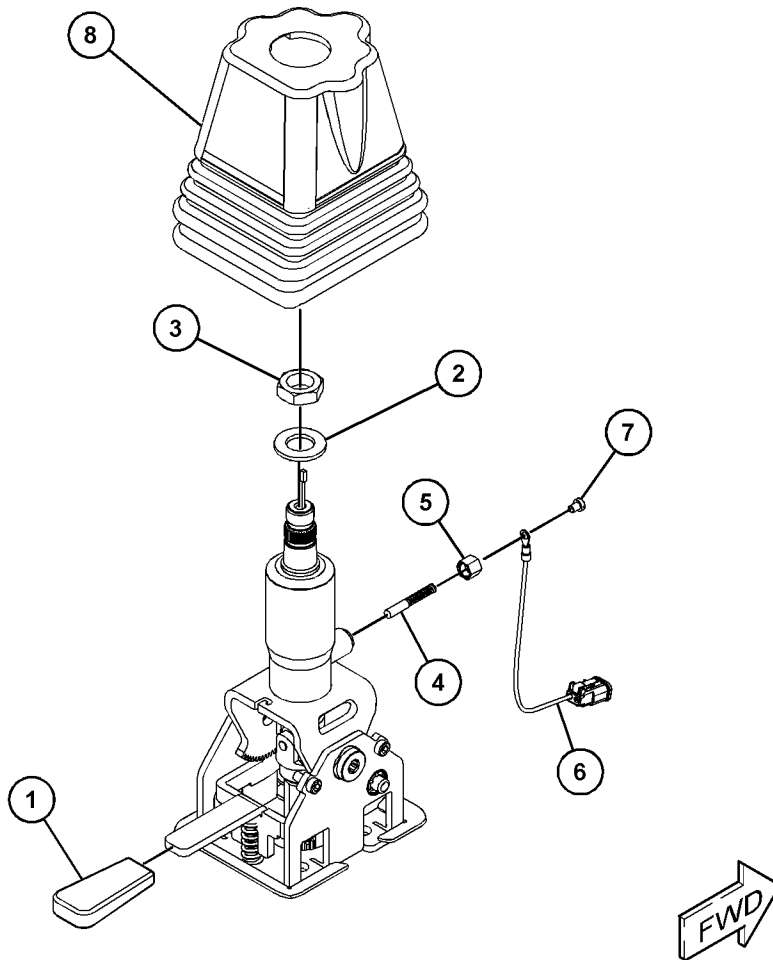
PART OF 486-4417 STEERING GP-HYDRAULIC
AN ATTACHMENT

SMCS-4338

i06591342

NOTE	REF NO	GRAPHIC REF	PART NUMBER	QTY	PART NAME						SEE PAGE
					1	2	3	4	5	6	
	1	1	480-6174	1	KNOB						
M	2	1	480-5398	1	WASHER (34X3-MM THK)						
M	3	1	480-5397	1	NUT (M18X2.5-THD)						
	4	1	480-5399	1	CONTACT						
	5	1	480-5400	1	CAP						
	6	1	480-5401	1	CABLE						
	7	1	480-7425	1	SCREW						
	8	1	480-9044	1	BOOT						

M - METRIC PART



GRAPHIC #1

<END>

g06086744

STEERING SYSTEM

486-4417 STEERING GP-HYDRAULIC

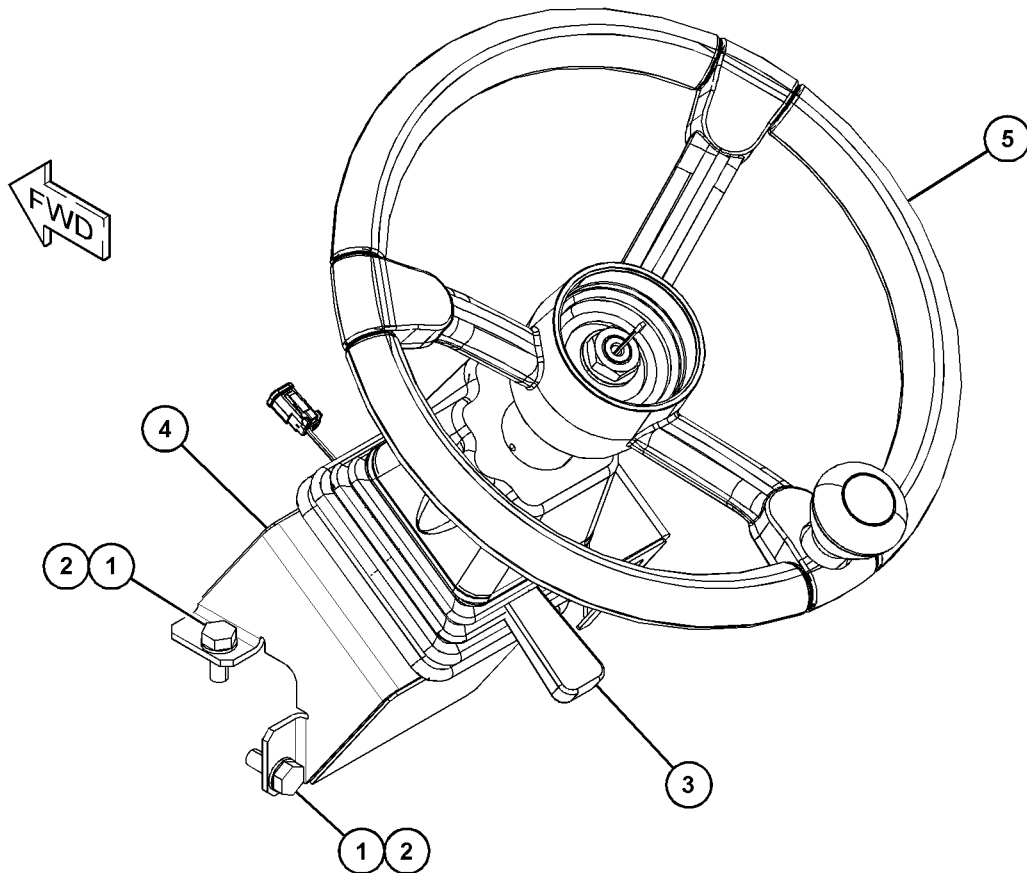
S/N: TD61-UP; TD71-UP
PART OF 517-9179, 517-9180 CAB AR
AN ATTACHMENT

SMCS-4300, 4312

i06591343

NOTE	REF NO	GRAPHIC REF	PART NUMBER	QTY	PART NAME						SEE PAGE
					1	2	3	4	5	6 (PRODUCT LEVEL)	
M	1	1	8T-4136	8	BOLT (M10X1.5X25-MM)						
	2	1	8T-4121	8	WASHER-HARD (11X21X2.5-MM THK)						
Y	3	1	486-4419	1	STEERING COLUMN GP						640
	4	1	473-1593	1	PLATE AS (STEERING COLUMN)						
	5	1	481-3658	1	WHEEL AS						
		1	481-3653	1	STEERING WHEEL						
		1	481-3654	1	SPINNER AS						
M		1	344-5674	1	NUT (M8X1.25-THD)						

M - METRIC PART
Y - SEPARATE ILLUSTRATION



GRAPHIC #1

<END>

g06055240

STEERING SYSTEM

513-0917 VALVE GP-STEERING

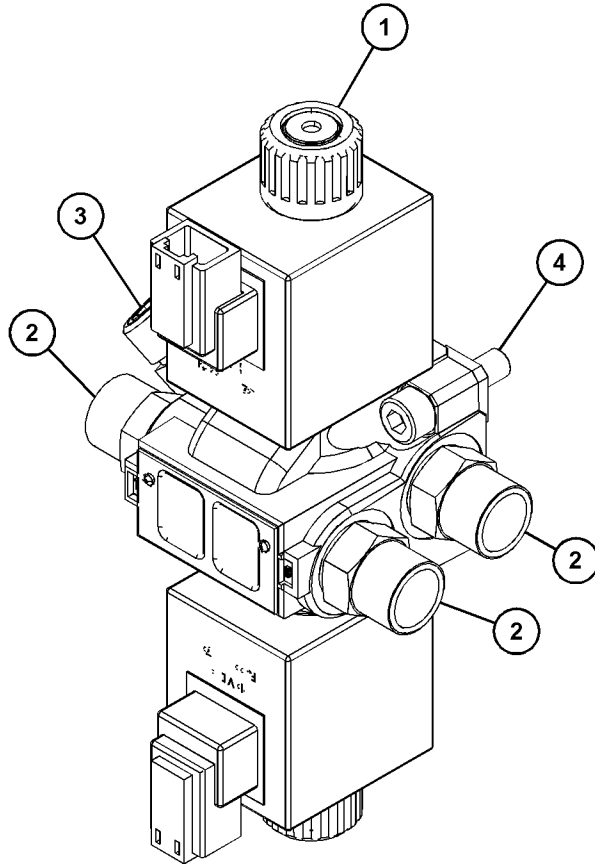
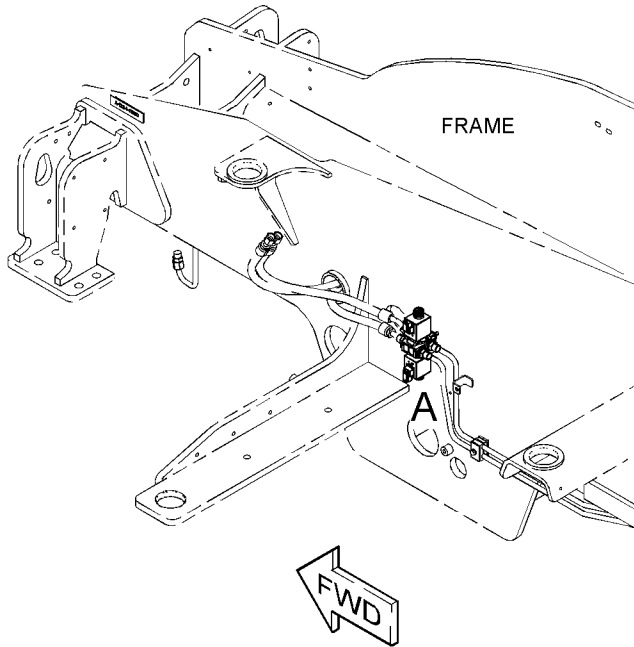
S/N: TD61-UP; TD71-UP
PART OF 518-0019 HYDRAULIC AR

SMCS-4307

i06904720

NOTE	REF NO	GRAPHIC REF	PART NUMBER	QTY	PART NAME						SEE PAGE
					1	2	3	4	5	6 (PRODUCT LEVEL)	
	1	1	448-4869	1	VALVE GP-STEERING						
		1	484-1870	2	COIL						
		1	319-7671	2	KIT-SEAL (STEERING VALVE)						
	2	1	298-0463	3	FITTING-ADAPTER						
	3	1	298-0487	1	FITTING-ADAPTER						
M	4	1	6V-5192	2	BOLT-SOCKET HEAD (M8X1.25X30-MM)						

M - METRIC PART



VIEW OF AREA A

GRAPHIC #1

<END>

g06165159

HYDRAULIC SYSTEM

506-3317 CONTROL AR-AUXILIARY

S/N: TD61-UP; TD71-UP

AN ATTACHMENT

SMCS-5051

i06608808

NOTE	PART NUMBER	QTY	PART NAME						SEE PAGE
			1	2	3	4	5	6 (PRODUCT LEVEL)	
Y	501-7476	1	PLATE & MTG GP (FRAME)						617

Y - SEPARATE ILLUSTRATION

<END>

506-3319 CONTROL AR-AUXILIARY

S/N: TD61-UP; TD71-UP

AN ATTACHMENT

SMCS-5051

i06608814

NOTE	PART NUMBER	QTY	PART NAME						SEE PAGE
			1	2	3	4	5	6 (PRODUCT LEVEL)	
Y	501-7477	1	COVER GP-ACCESS (AUXILIARY)						903
Y	497-9605	1	LINES GP-AUXILIARY HYDRAULIC						672

Y - SEPARATE ILLUSTRATION

<END>

HYDRAULIC SYSTEM

499-4950 COOLER GP-HYDRAULIC OIL

S/N: TD61-UP; TD71-UP

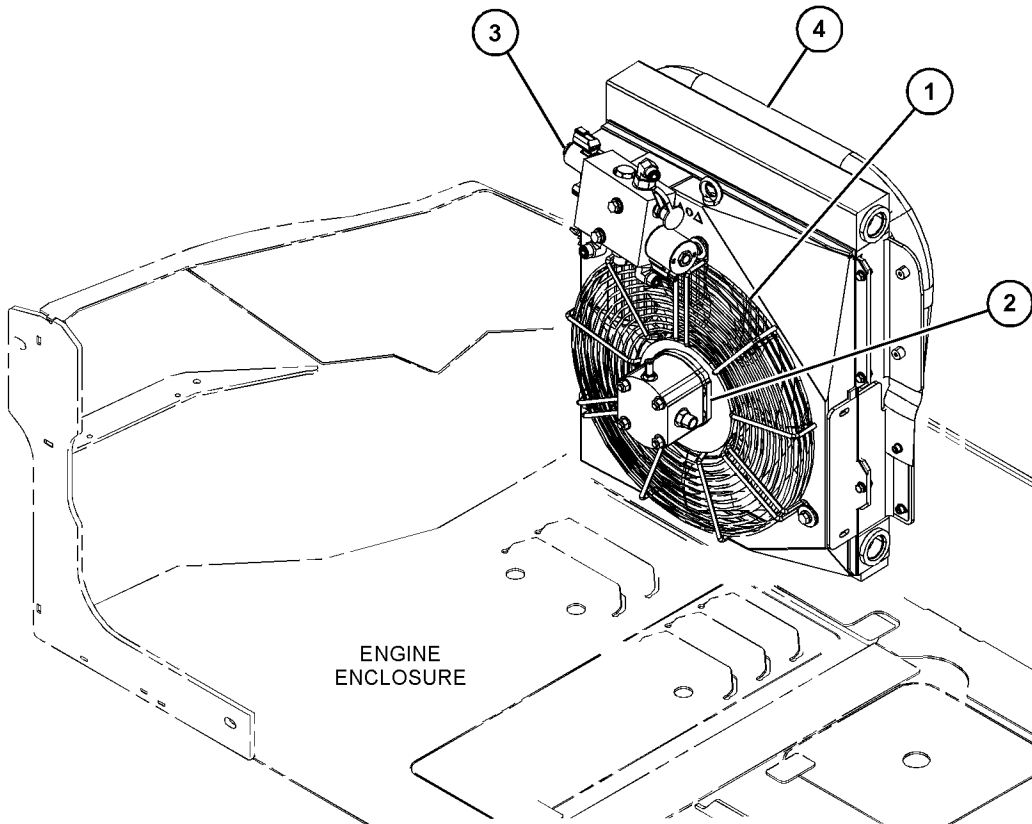
PART OF 518-5877, 518-6042 ENGINE AR-COMPLETE
AN ATTACHMENT

SMCS-1374

i06603234

NOTE	REF NO	GRAPHIC REF	PART NUMBER	QTY	PART NAME						SEE PAGE
					1	2	3	4	5	6 (PRODUCT LEVEL)	
Y	1	1	499-5286	1	FAN GP						190
Y	2	1	499-4942	1	MOTOR & MTG GP-HYDRAULIC FAN						717
Y	3	1	499-4944	1	VALVE GP-CONTROL						731
Y	4	1	499-4946	1	RADIATOR & MOUNTING GP						213

Y - SEPARATE ILLUSTRATION



GRAPHIC #1

<END>

g06043972

HYDRAULIC SYSTEM

224-5083 CYLINDER & MTG GP-CARRIAGE-FORK

S/N: TD61-UP; TD71-UP

76.2-MM(3-IN) BORE X 300-MM(11.8-IN) STROKE

PART OF 222-6210 CARRIAGE GP-FORK

AN ATTACHMENT

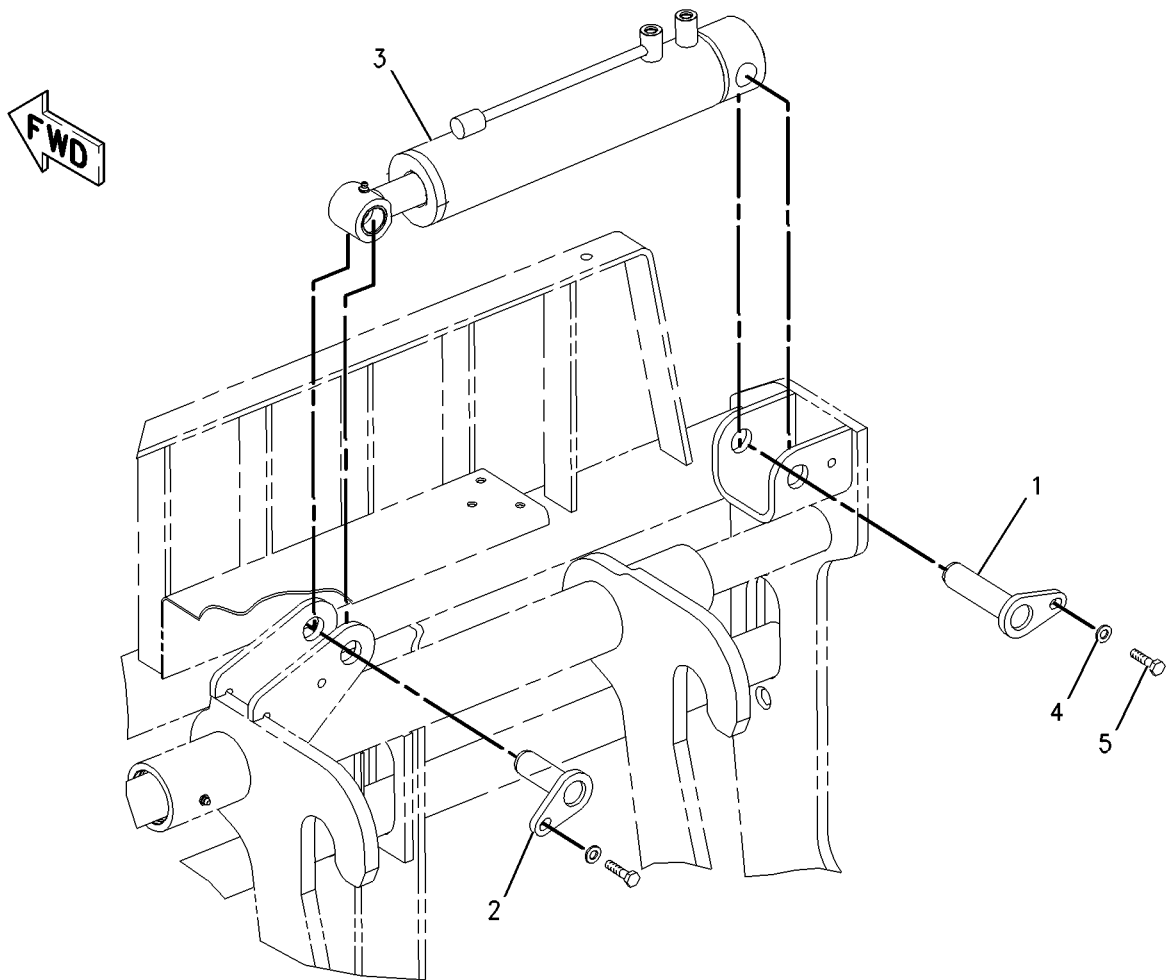
SMCS-5804

i05838920

NOTE	REF NO	GRAPHIC REF	PART NUMBER	QTY	PART NAME						SEE PAGE
					1	2	3	4	5	6 (PRODUCT LEVEL)	
	1	1	224-5084	1	PIN AS						
	2	1	224-5087	1	PIN AS						
Y	3	1	224-5091	1	CYLINDER GP-CARRIAGE (SIDESHIFT)						651
	4	1	8T-4121	2	WASHER-HARD (11X21X2.5-MM THK)						
M	5	1	8T-4186	2	BOLT (M10X1.5X40-MM)						

M - METRIC PART

Y - SEPARATE ILLUSTRATION



GRAPHIC #1

<END>

g00929393

HYDRAULIC SYSTEM

235-2662 CYLINDER & MTG GP-CARRIAGE-ROTATING

S/N: TD61-UP; TD71-UP

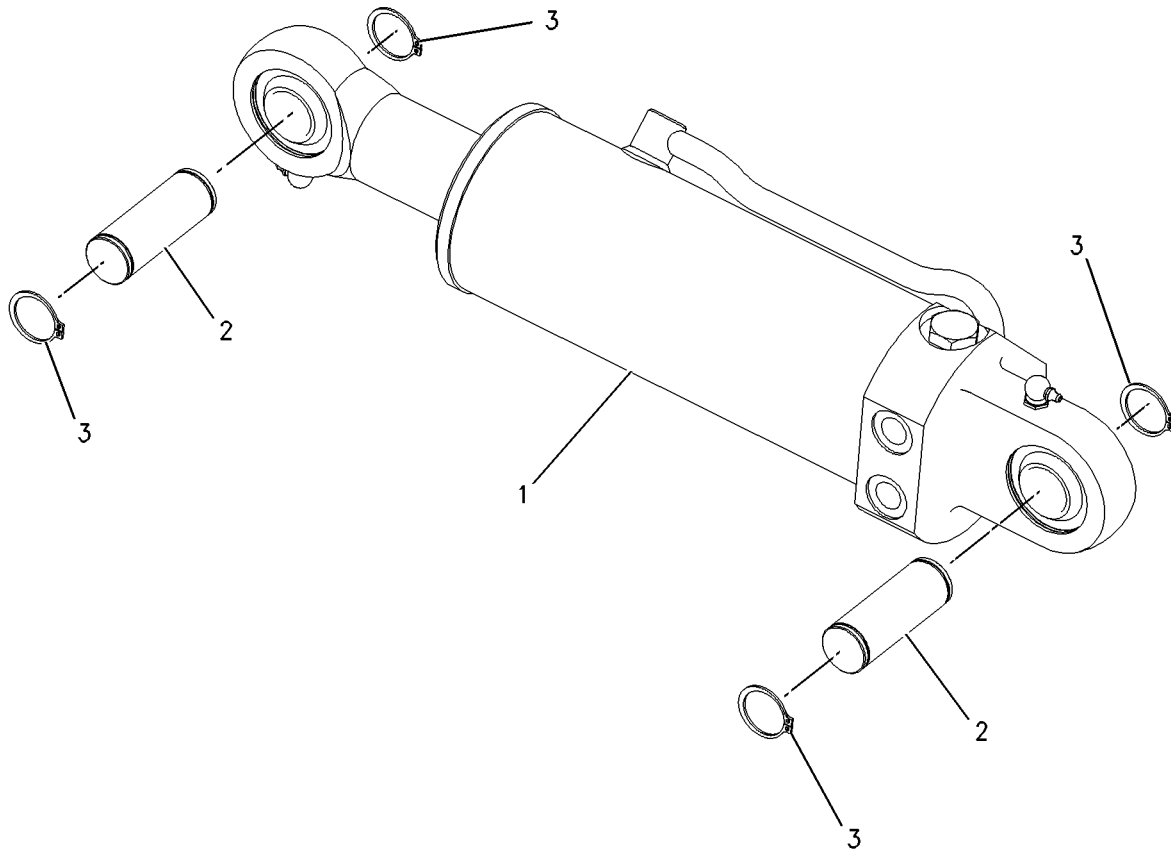
80-MM(3.1-IN) BORE X 123-MM(4.8-IN) STROKE

PART OF 227-5748, 231-3229 CARRIAGE GP-ROTATING
AN ATTACHMENT

SMCS-5804

i05840624

NOTE	REF NO	GRAPHIC REF	PART NUMBER	QTY	PART NAME						SEE PAGE
					1	2	3	4	5	6	
J	1	1	160-0064	1	CYLINDER GP-CARRIAGE (ROTATE)						
	2	1	160-4658	2	PIN						
	3	1	6V-8754	4	RING-RETAINING						
					AVAILABLE REPAIR KIT(S):						
J			8Q-6229	1	KIT-SEAL						
					(INCLUDES SEAL, LOCK RING, RING-GUIDE, O-RING SEALS, BACKUP RING, PISTON SEAL, SCREW & WIPER)						
J - KIT MARKED J SERVICES PART(S) MARKED J											



GRAPHIC #1

<END>

g01001931

HYDRAULIC SYSTEM

513-9442 CYLINDER & MTG GP-COMPENSATING

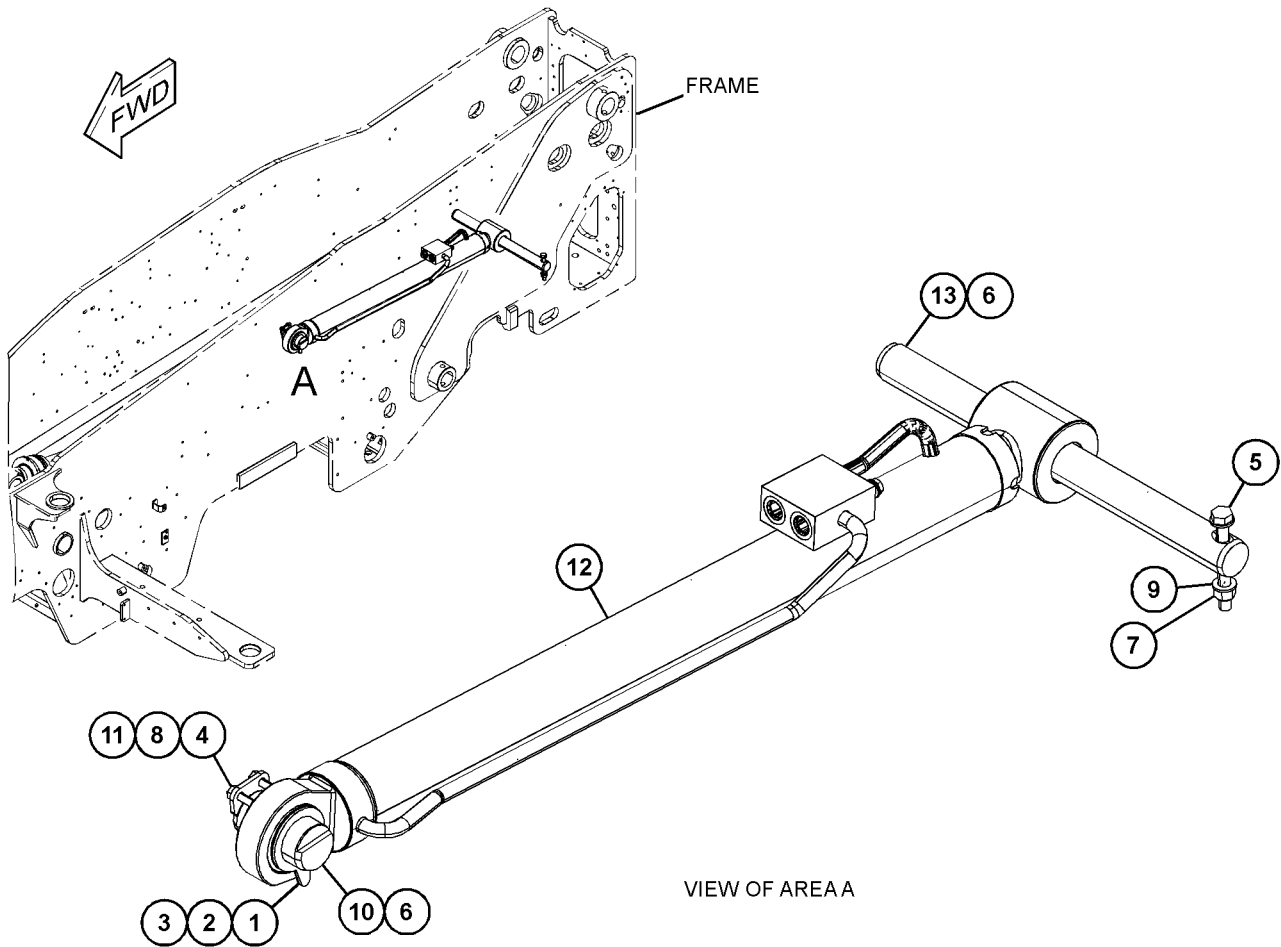
S/N: TD61-UP; TD71-UP
PART OF 518-0019 HYDRAULIC AR

SMCS-5086, 5816, 6460

i06904692

NOTE	REF NO	GRAPHIC REF	PART NUMBER	QTY	PART NAME						SEE PAGE
					1	2	3	4	5	6 (PRODUCT LEVEL)	
B	1	1	494-3707	1	SHIM (1-MM THK)						
B	2	1	494-3708	1	SHIM (2-MM THK)						
B	3	1	494-3709	1	SHIM (3-MM THK)						
M	4	1	8T-4908	2	BOLT (M8X1.25X25-MM)						
M	5	1	474-2467	1	BOLT (M12X1.75X110-MM)						
	6	1	437-0940	2	FITTING						
M	7	1	309-9185	1	LOCKNUT (M12X1.75-THD)						
	8	1	8T-4224	2	WASHER-HARD (8.8X16X2-MM THK)						
	9	1	8T-4223	2	WASHER-HARD (13.5X25.5X3-MM THK)						
	10	1	494-2035	1	PIN						
	11	1	494-2037	1	PLATE						
Y	12	1	513-9444	1	CYLINDER GP-COMPENSATING						653
	13	1	499-0265	1	PIN						

B - USE AS REQUIRED
M - METRIC PART
Y - SEPARATE ILLUSTRATION



GRAPHIC #1

<END>

g06165246

HYDRAULIC SYSTEM

513-9446 CYLINDER & MTG GP-LIFT

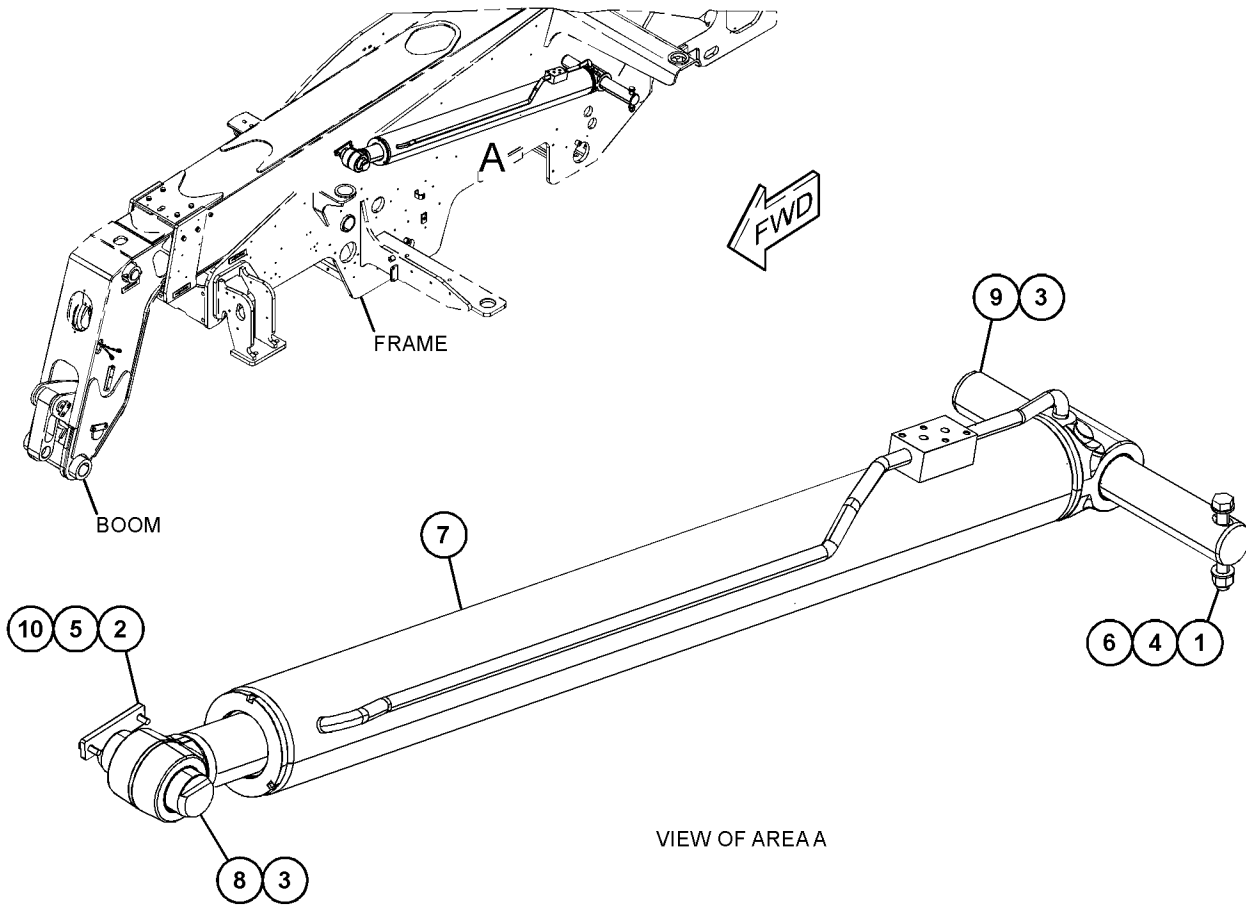
S/N: TD61-UP; TD71-UP
PART OF 518-0019 HYDRAULIC AR

SMCS-5102

i06904711

NOTE	REF NO	GRAPHIC REF	PART NUMBER	QTY	PART NAME						SEE PAGE
					1	2	3	4	5	6 (PRODUCT LEVEL)	
M	1	1	477-7924	1	BOLT (M16X2X130-MM)						
M	2	1	8T-4908	2	BOLT (M8X1.25X25-MM)						
	3	1	437-0940	2	FITTING						
M	4	1	459-8912	1	NUT (M16X2-THD)						
	5	1	8T-4224	2	WASHER-HARD (8.8X16X2-MM THK)						
	6	1	9X-8257	2	WASHER (17.5X30X3.5-MM THK)						
Y	7	1	499-0267	1	CYLINDER GP-LIFT						660
	8	1	494-1910	1	PIN						
	9	1	499-0268	1	PIN						
	10	1	494-1912	1	PLATE						

M - METRIC PART
Y - SEPARATE ILLUSTRATION



GRAPHIC #1

<END>

g06165301

HYDRAULIC SYSTEM

515-5865 CYLINDER & MTG GP-TELESCOPING

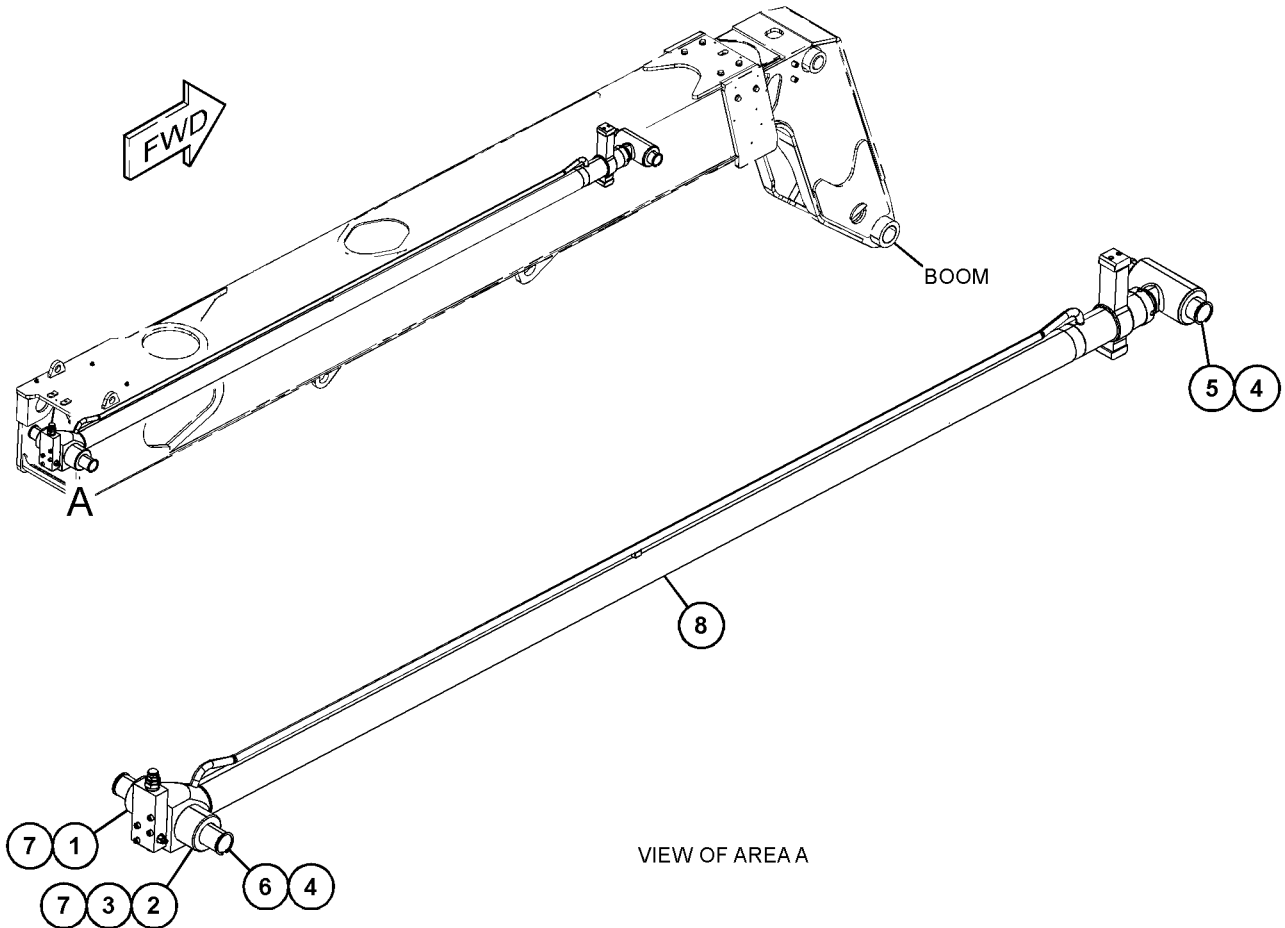
S/N: TD61-UP; TD71-UP
PART OF 517-9881 BOOM AR

SMCS-5486

i06906363

NOTE	REF NO	GRAPHIC REF	PART NUMBER	QTY	PART NAME						SEE PAGE
					1	2	3	4	5	6	
B	1	1	459-6914	1	SHIM (3-MM THK)						
B	2	1	459-6915	1	SHIM (2-MM THK)						
B	3	1	459-6916	1	SHIM (1-MM THK)						
	4	1	323-7222	4	RING						
	5	1	515-5771	1	PIN						
	6	1	515-5772	1	PIN						
	7	1	515-5773	2	SPACER (52X90X62.5-MM THK)						
Y	8	1	515-5866	1	CYLINDER GP-TELESCOPING						664

B - USE AS REQUIRED
Y - SEPARATE ILLUSTRATION



GRAPHIC #1

<END>

g06165353

HYDRAULIC SYSTEM

515-5765 CYLINDER & MTG GP-TILT

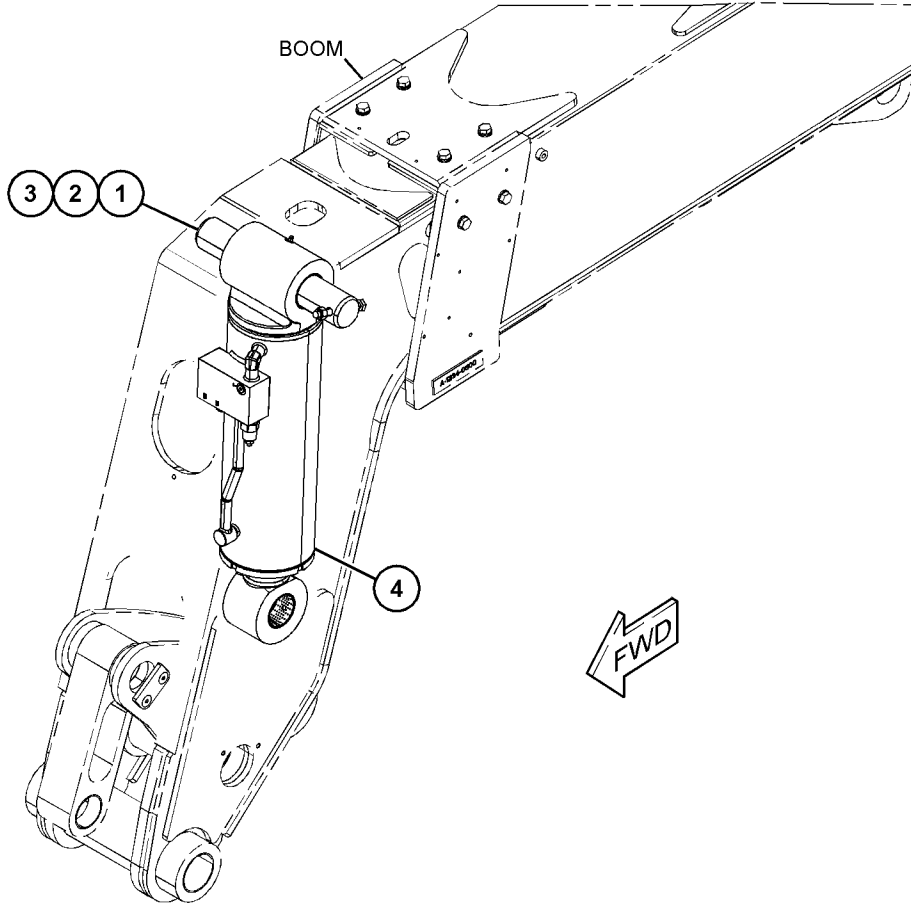
S/N: TD61-UP; TD71-UP
PART OF 517-9881 BOOM AR

SMCS-5104, 5823

i06895493

NOTE	REF NO	GRAPHIC REF	PART NUMBER	QTY	PART NAME						SEE PAGE
					1	2	3	4	5	6 (PRODUCT LEVEL)	
M	1	1	482-4975	1	BOLT (M12X1.75X110-MM)						
M	2	1	309-9185	1	LOCKNUT (M12X1.75-THD)						
	3	1	515-5764	1	PIN						
Y	4	1	515-5766	1	CYLINDER GP-TILT						667

M - METRIC PART
Y - SEPARATE ILLUSTRATION



GRAPHIC #1

<END>

g06160819

HYDRAULIC SYSTEM

224-5091 CYLINDER GP-CARRIAGE-SIDESHIFT

S/N: TD61-UP; TD71-UP

76.2-MM (3-IN) BORE X 300-MM (11.81-IN) STROKE

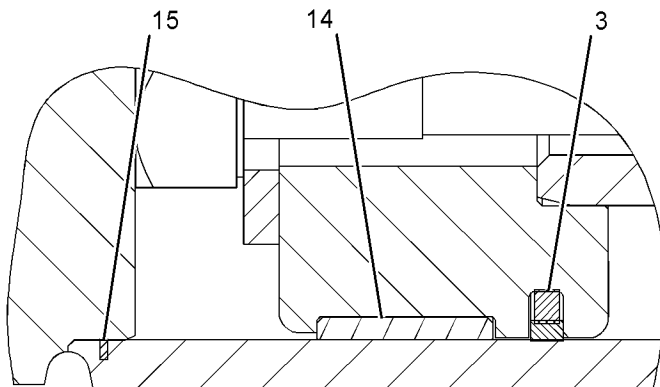
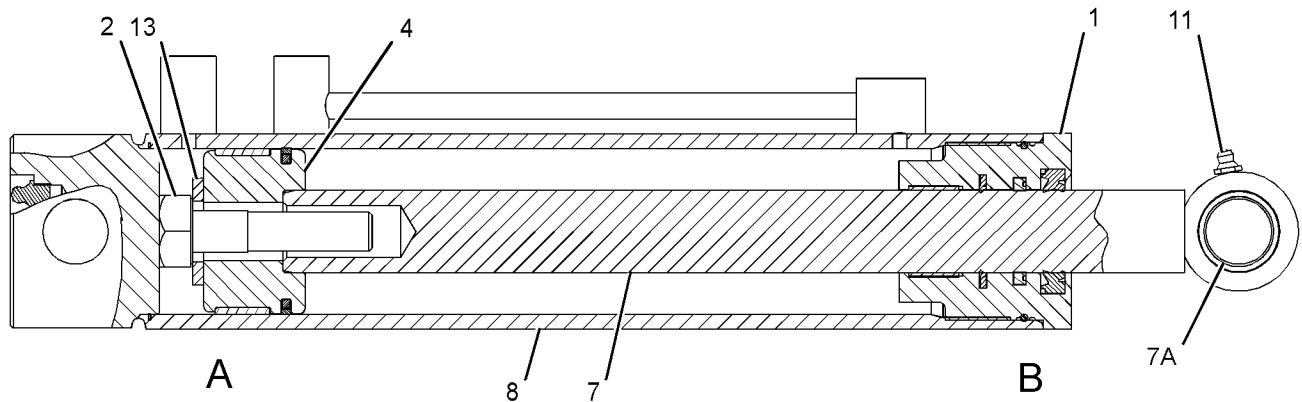
PART OF 224-5083 CYLINDER & MTG GP-CARRIAGE

AN ATTACHMENT

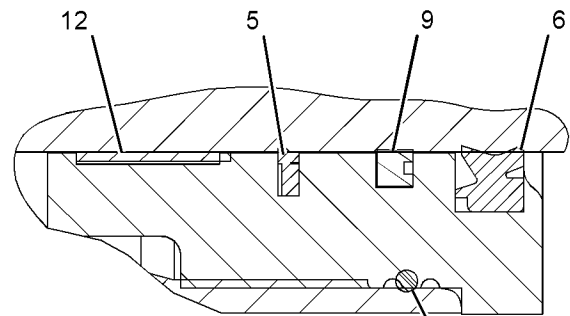
SMCS-5804

i05838584

NOTE	REF NO	GRAPHIC REF	PART NUMBER	QTY	PART NAME						SEE PAGE
					1	2	3	4	5	6 (PRODUCT LEVEL)	
	1	1	6E-0122	1	HEAD						
	2	1	6F-7037	1	BOLT (1-14X3.25-IN)						
	3	1	6J-1972	1	SEAL AS						
	4	1	9T-2212	1	PISTON						
	5	1	167-2186	1	SEAL AS-BUFFER						
	6	1	226-8202	1	SEAL-WIPER						
	7	1	224-5311	1	ROD AS						
	7A	1	9T-4007	2	BEARING						
	8	1	224-5312	1	CYLINDER AS						
	9	1	167-2294	1	SEAL-U-CUP						
	10	1	1H-7339	1	SEAL-O-RING						
	11	1	3B-8489	2	FITTING-GREASE (1/8-27 PTF)						
	12	1	4T-6780	1	RING-WEAR						
	13	1	5P-8250	1	WASHER (28X49X5-MM THK)						
	14	1	6J-5733	1	RING-WEAR						
	15	1	8J-2574	1	RING-BACKUP						



VIEW OF AREA A



VIEW OF AREA B

GRAPHIC #1

<END>

g03693239

HYDRAULIC SYSTEM

362-2120 CYLINDER GP-CARRIAGE

S/N: TD61-UP

PART OF 474-0141 CARRIAGE GP-FORK
AN ATTACHMENT

SMCS-5804

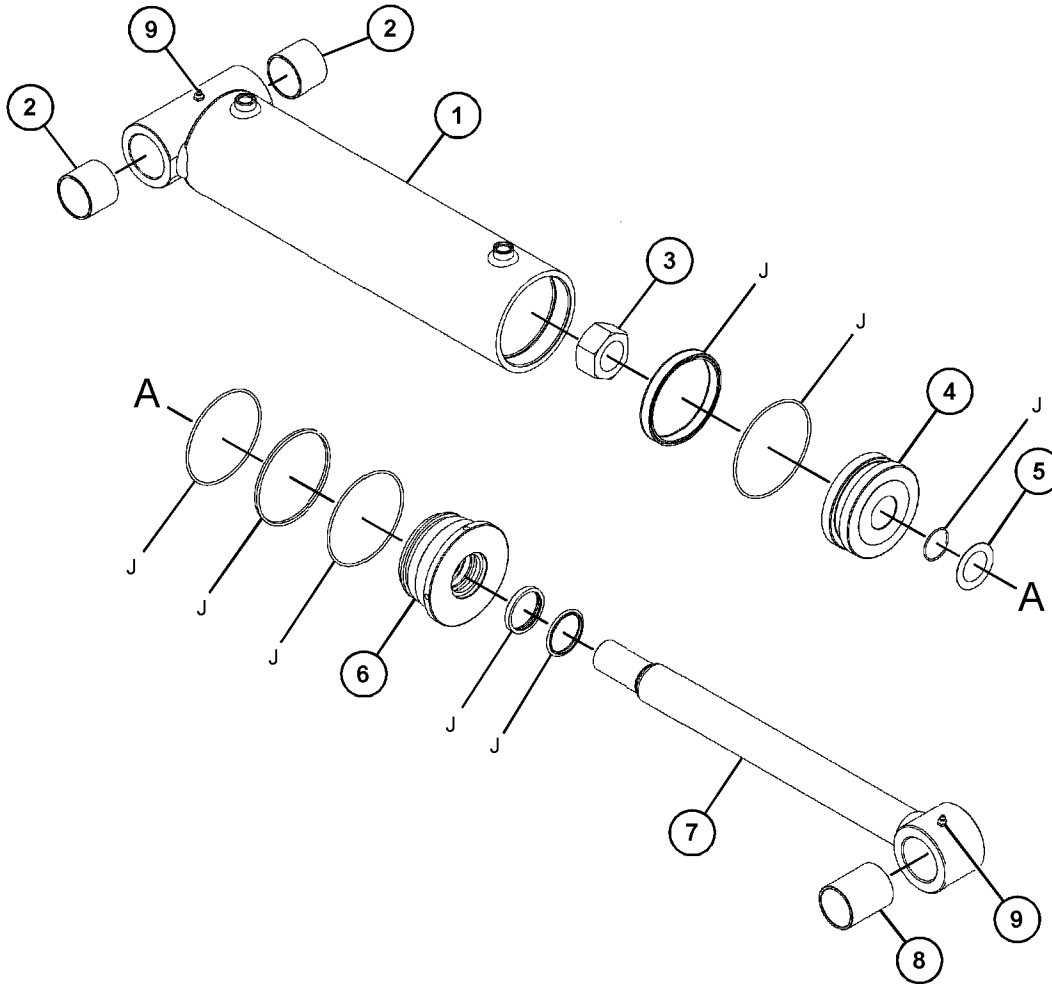
i06264053

NOTE	REF NO	GRAPHIC REF	PART NUMBER	QTY	PART NAME						SEE PAGE
					1	2	3	4	5	6	
	1	1	362-2121	1	TUBE						
	2	1	327-6312	2	BUSHING						
	3	1	327-6307	1	NUT						
	4	1	327-5313	1	KIT-SEAL (TRAVEL MOTOR)						
	5	1	327-6308	1	SPACER (3.2X3.8X0.25-MM THK)						
	6	1	327-6310	1	GLAND						
	7	1	327-6309	1	ROD AS						
	8	1	327-6311	1	BUSHING						
	9	1	327-6331	2	FITTING-GREASE						

AVAILABLE REPAIR KIT(S):

327-6314 1 KIT-SEAL

(INCLUDES PARTS MARKED J IN THE GRAPHIC)



GRAPHIC #1

<END>

g03886579

HYDRAULIC SYSTEM

513-9444 CYLINDER GP-COMPENSATING

S/N: TD61-UP; TD71-UP

PART OF 513-9442 CYLINDER & MTG GP-COMPENSATING

SMCS-5816

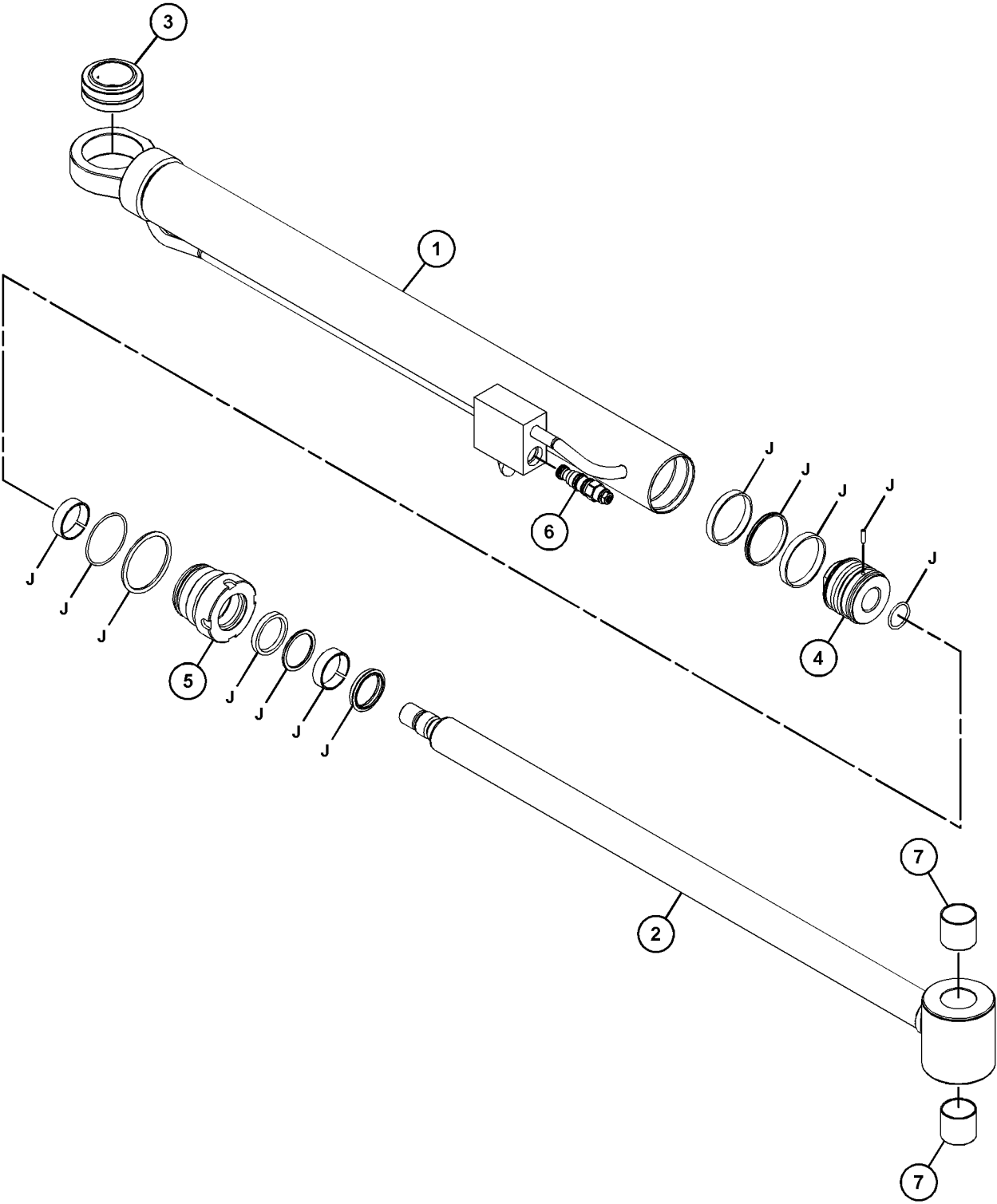
i06904703

NOTE	REF NO	GRAPHIC REF	PART NUMBER	QTY	PART NAME	SEE PAGE
					1 2 3 4 5 6 (PRODUCT LEVEL)	
	1	1	522-0711	1	BARREL	
	2	1	510-7837	1	ROD	
	3	1	510-7714	1	BEARING	
	4	1	522-0723	1	PISTON	
	5	1	522-0724	1	RETAINER	
	6	1	510-7708	1	VALVE-COMPENSATOR	
	7	1	510-7710	2	BEARING	
(INCLUDES PARTS MARKED "J" IN GRAPHIC)						
AVAILABLE REPAIR KIT(S):						
			522-0782	1	KIT-SEAL	
(INCLUDES PARTS MARKED J IN THE GRAPHIC)						

HYDRAULIC SYSTEM

513-9444 CYLINDER GP-COMPENSATING (contd.)

i06904703



GRAPHIC #1

<END>

g06165293

HYDRAULIC SYSTEM

367-6694 CYLINDER GP-COUPLER-LOCKING

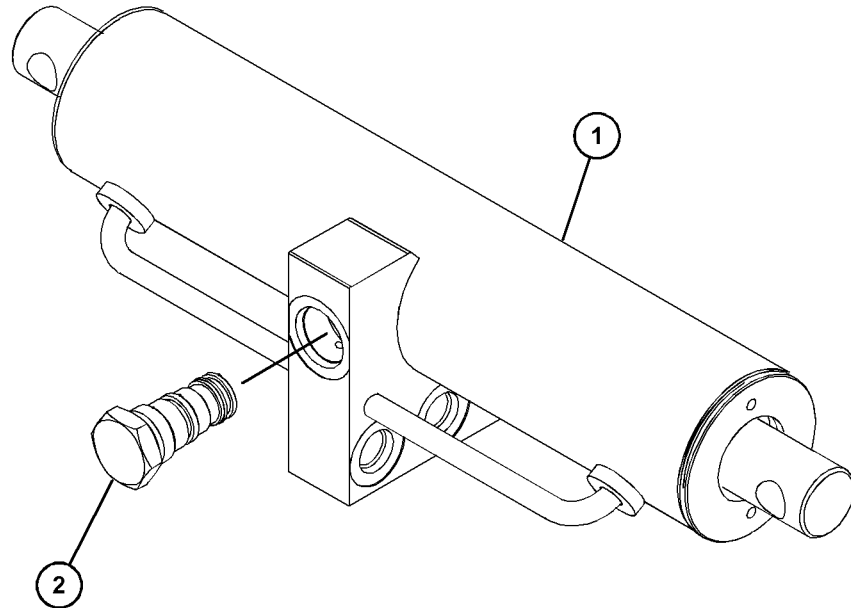
S/N: TD61-UP; TD71-UP
 50-MM (2-IN) BORE X 81.5-MM (3.2-IN) STROKE
 PART OF 500-4374 COUPLER GP-QUICK
 AN ATTACHMENT

SMCS-5133

i06252680

NOTE	REF NO	GRAPHIC REF	PART NUMBER	QTY	PART NAME						SEE PAGE
					1	2	3	4	5	6 (PRODUCT LEVEL)	
Y	1	1	460-2115	1	CYLINDER GP-COUPLER						656
	2	1	460-2117	1	VALVE-CHECK						

Y - SEPARATE ILLUSTRATION



GRAPHIC #1

<END>

g06107901

HYDRAULIC SYSTEM

460-2115 CYLINDER GP-COUPLER

S/N: TD61-UP; TD71-UP

50-MM (2-IN) BORE X 81.5-MM (3.2-IN) STROKE

PART OF 367-6694 CYLINDER GP-COUPLER

AN ATTACHMENT

SMCS-5133

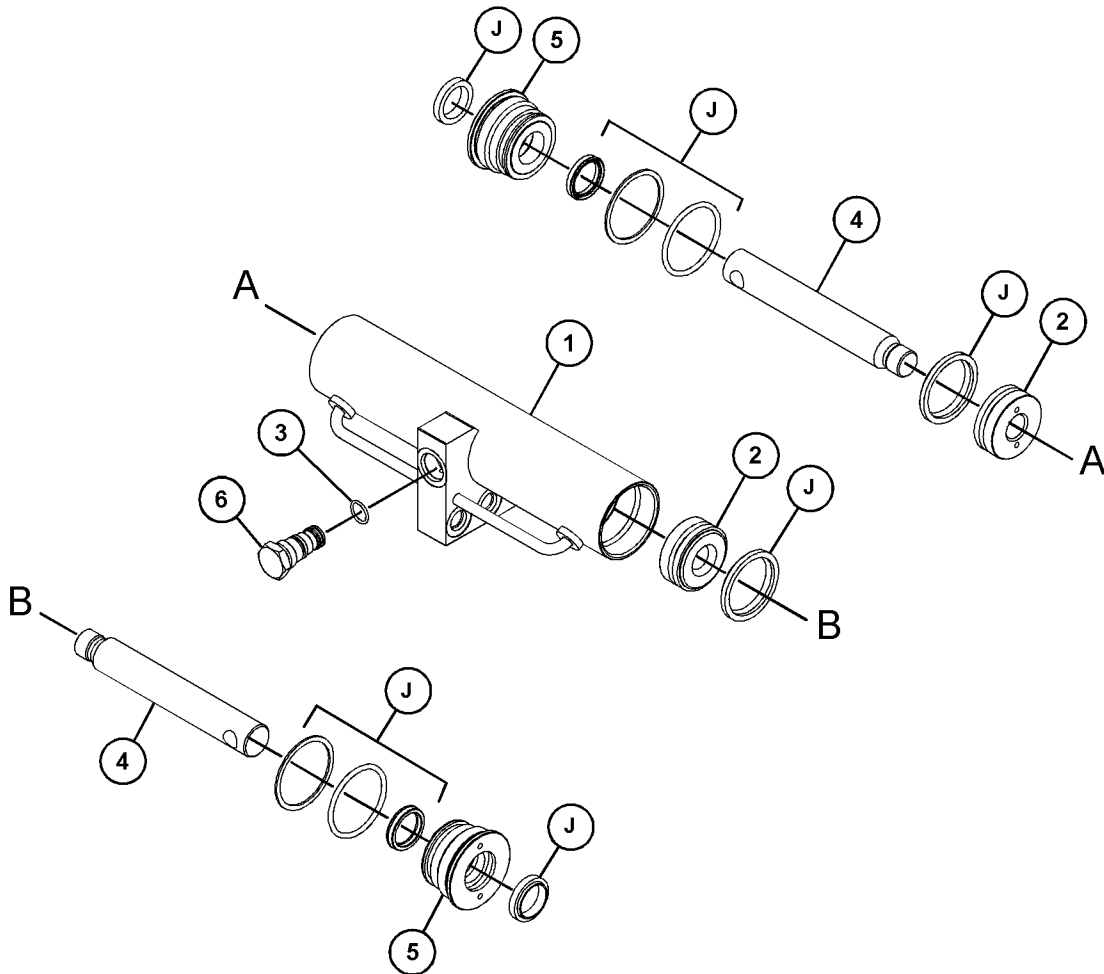
i06708960

NOTE	REF NO	GRAPHIC REF	PART NUMBER	QTY	PART NAME						SEE PAGE
					1	2	3	4	5	6 (PRODUCT LEVEL)	
	1	1	422-0893	1	BODY						
	2	1	422-0894	2	PISTON						
	3	1	299-0285	1	KIT-SEAL						
	4	1	422-0895	2	ROD						
	5	1	422-0896	2	SEAL						
	6	1	299-0308	1	VALVE-CHECK						

AVAILABLE REPAIR KIT(S) :

422-0897 1 KIT-SEAL

(INCLUDES PISTON SEAL, O-RING, BACK UP-RING, ROD SEAL, WIPER SEAL & PARTS MARKED 'J' IN THE GRAPHIC)



GRAPHIC #1

<END>

g06084860

HYDRAULIC SYSTEM

475-9070 CYLINDER GP-FORK

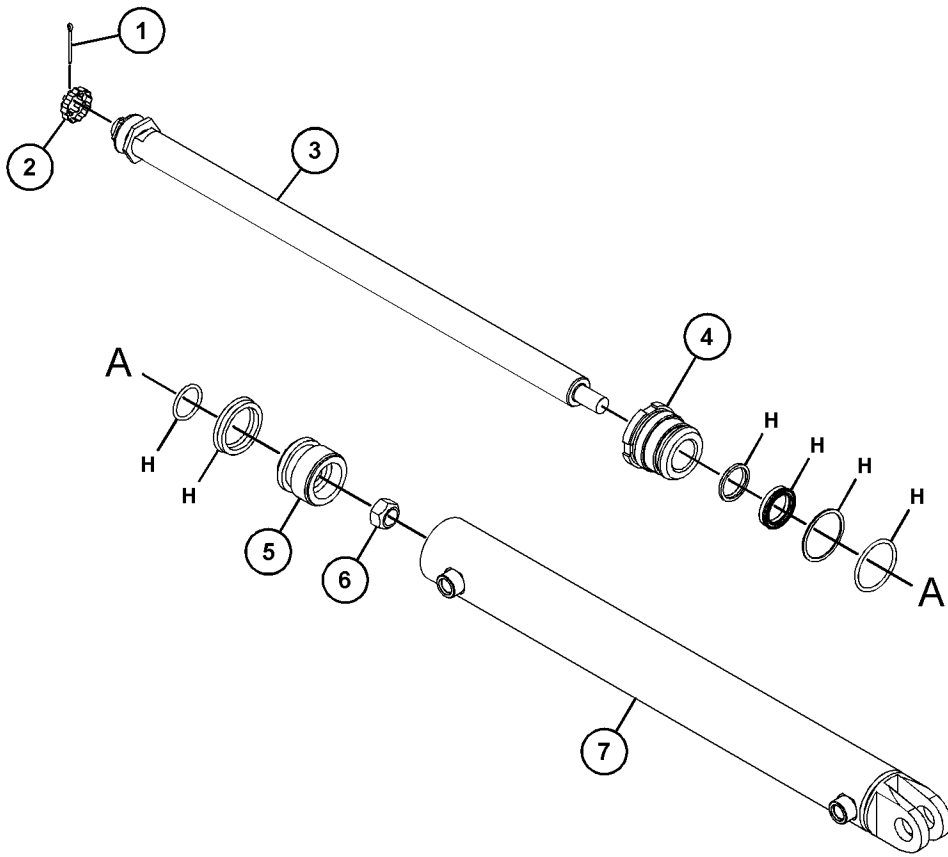
S/N: TD61-UP

PART OF 397-6838 CARRIAGE GP-FORK
AN ATTACHMENT

SMCS-5807

i06111558

NOTE	REF NO	GRAPHIC REF	PART NUMBER	QTY	PART NAME						SEE PAGE
					1	2	3	4	5	6	
	1	1	417-9882	1	PIN-COTTER						
	2	1	417-9883	1	RETAINER						
	3	1	417-9884	1	ROD						
	4	1	417-9885	1	SEAL						
	5	1	417-9886	1	PISTON						
	6	1	417-9887	1	NUT						
	7	1	417-9888	1	BARREL						
					AVAILABLE REPAIR KIT(S):						
					417-9889	1	KIT-SEAL				
(INCLUDES PARTS MARKED "H" IN THE GRAPHIC)											



GRAPHIC #1

<END>

g03824347

HYDRAULIC SYSTEM

484-7195 CYLINDER GP-HYDRAULIC

S/N: TD61-UP

PART OF 474-0142 BUCKET GP-GRAPPLE
AN ATTACHMENT

SMCS-5362, 5816

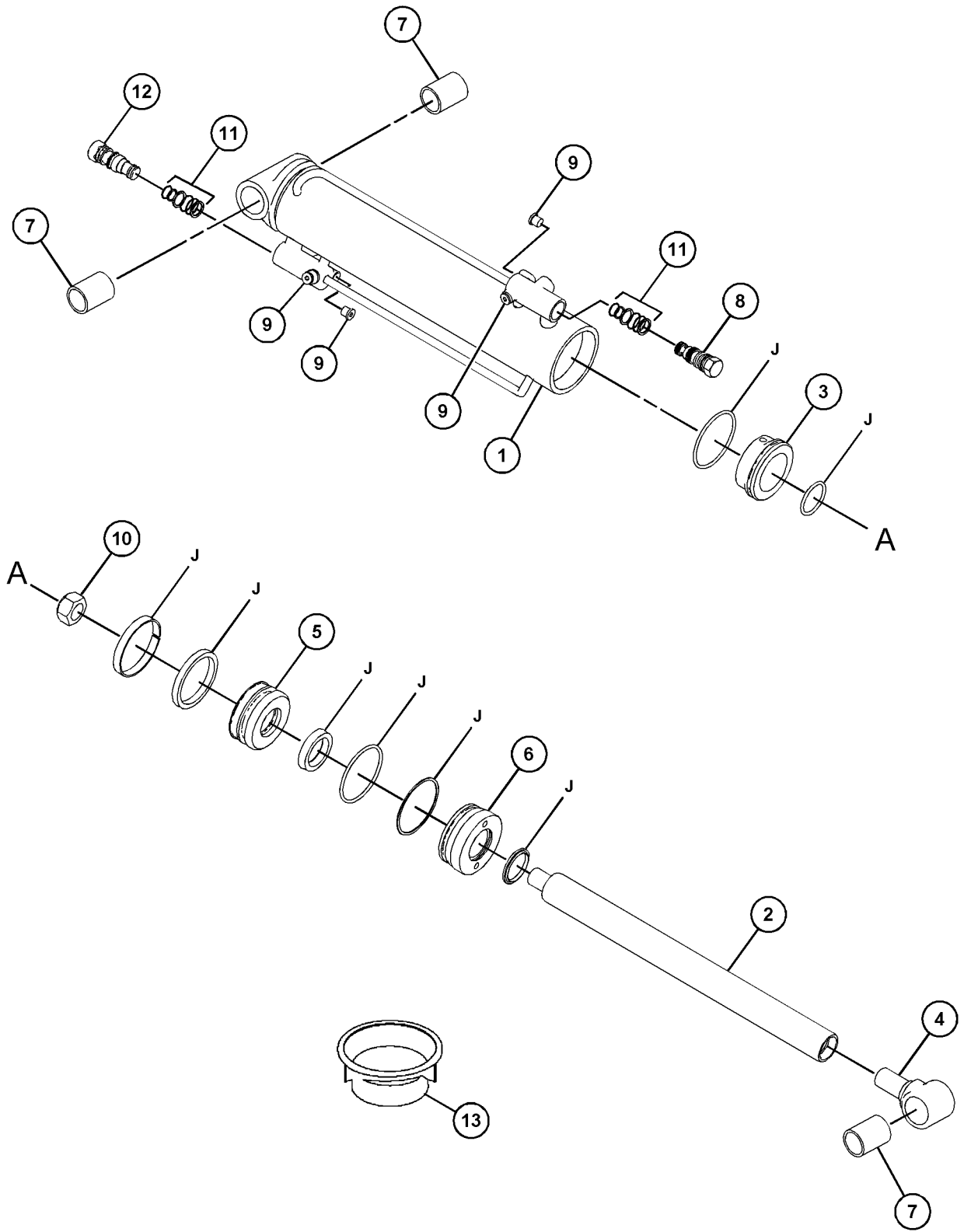
i06239915

NOTE	REF NO	GRAPHIC REF	PART NUMBER	QTY	PART NAME						SEE PAGE
					1	2	3	4	5	6 (PRODUCT LEVEL)	
	1	1	484-7179	1	BARREL AS						
	2	1	484-7180	1	ROD AS						
	3	1	484-7181	1	SPACER						
	4	1	484-7182	1	ROD END						
	5	1	484-7183	1	PISTON						
	6	1	484-7184	1	RETAINER						
	7	1	484-7185	1	BUSHING						
	8	1	484-7186	3	VALVE AS-CHECK (OUTLET)						
	9	1	417-9872	1	PLUG						
	10	1	484-7187	1	NUT						
	11	1	462-7347	1	KIT-SEAL						
	12	1	484-7188	2	VALVE (INLET)						
	13	1	484-7952	1	SEAL						
					AVAILABLE REPAIR KIT(S):						
J			484-7189	1	KIT-SEAL						
J - KIT MARKED J SERVICES PART MARKED J IN THE GRAPHICS											

HYDRAULIC SYSTEM

484-7195 CYLINDER GP-HYDRAULIC (contd.)

106239915



GRAPHIC #1

<END>

g03884632

HYDRAULIC SYSTEM

499-0267 CYLINDER GP-LIFT

S/N: TD61-UP; TD71-UP

PART OF 513-9446 CYLINDER & MTG GP-LIFT

SMCS-5102

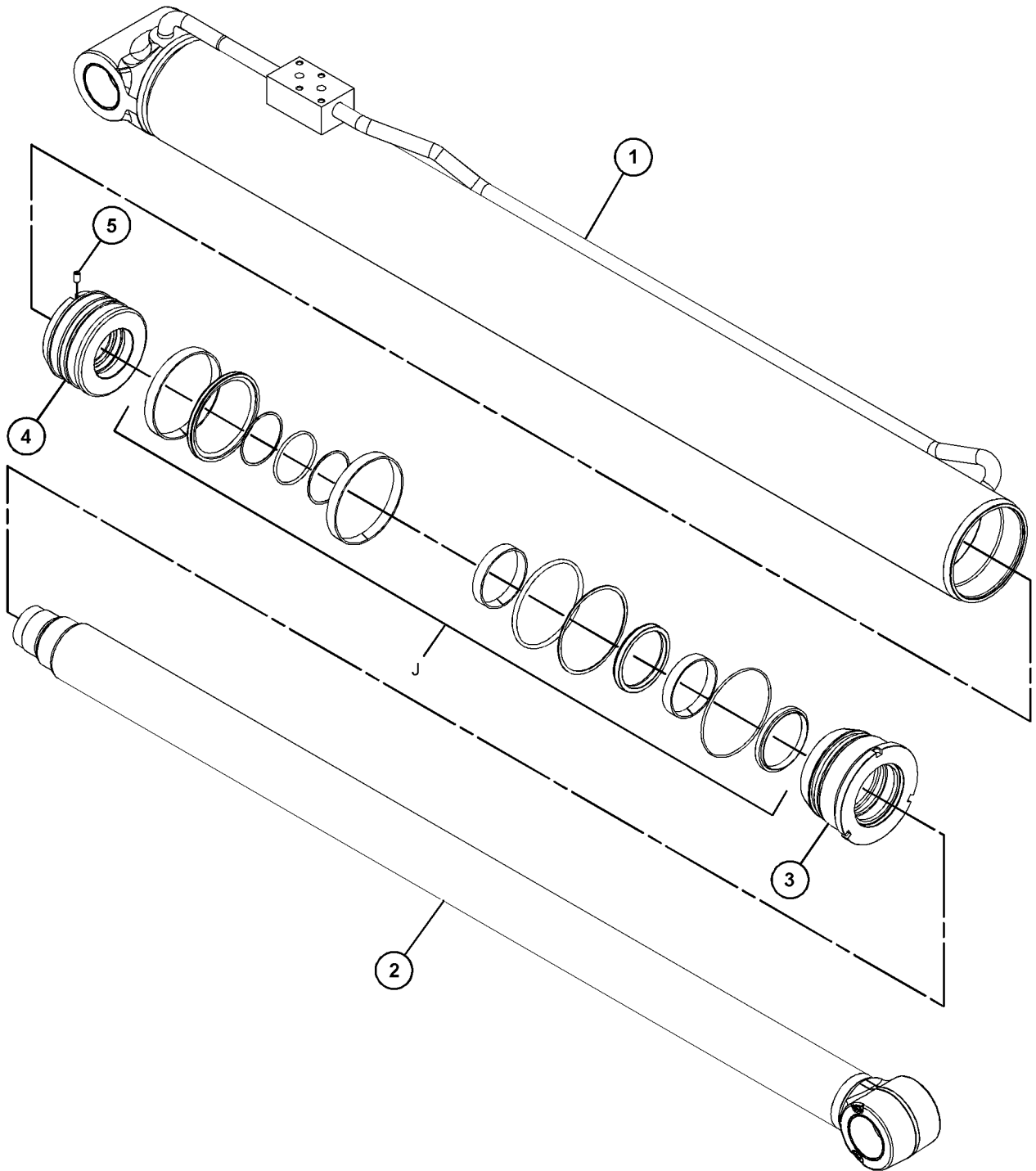
i06603132

NOTE	REF NO	GRAPHIC REF	PART NUMBER	QTY	PART NAME						SEE PAGE
					1	2	3	4	5	6 (PRODUCT LEVEL)	
	1	1	498-8992	1	BARREL AS						
	2	1	498-8993	1	ROD AS						
	3	1	498-8994	1	ROD-GUIDE						
	4	1	498-8990	1	PISTON						
M	5	1	316-8073	1	SCREW (M8X16-MM)						
					AVAILABLE REPLACEMENT PART(S):						
				498-8999	1	KIT-SEAL					
(INCLUDES SEALS & ALSO INCLUDES PARTS MARKED 'J' IN THE GRAPHIC)											
M - METRIC PART											

HYDRAULIC SYSTEM

499-0267 CYLINDER GP-LIFT (contd.)

106603132



GRAPHIC #1

<END>

g06055782

HYDRAULIC SYSTEM

185-1839 CYLINDER GP-MULTIPURPOSE BUKT

S/N: TD61-UP; TD71-UP

76.2-MM (2.99-IN) BORE X 262-MM (10.31-IN) STROKE

PART OF 163-4284 BUCKET AR-MULTIPURPOSE

AN ATTACHMENT

SMCS-5498

i05870146

NOTE	REF NO	GRAPHIC REF	PART NUMBER	QTY	PART NAME						SEE PAGE
					1	2	3	4	5	6 (PRODUCT LEVEL)	
	1	1	6E-0122	1	HEAD						
	2	1	9T-2212	1	PISTON						
R	3	1	9T-4008	1	ROD AS						
	3A	1	9T-4007	2	BEARING						
R	4	1	9T-4009	1	CYLINDER AS						
J	5	1	167-2186	1	SEAL AS-BUFFER						
J	6	1	167-2294	1	SEAL-U-CUP						
J	7	1	1H-7339	1	SEAL-O-RING						
J	8	1	226-8202	1	SEAL-WIPER						
J	9	1	4T-6780	1	RING-WEAR						
	10	1	5P-8250	1	WASHER (28X49X5-MM THK)						
	11	1	6F-7037	1	BOLT (1-14X3.25-IN)						
J	12	1	6J-1972	1	SEAL AS						
J	13	1	6J-5733	1	RING-WEAR						
J	14	1	8J-2574	1	RING-BACKUP						

AVAILABLE REPAIR KIT(S):

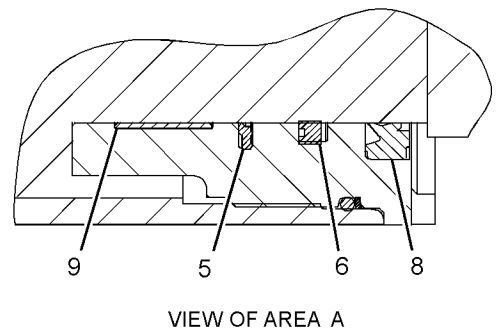
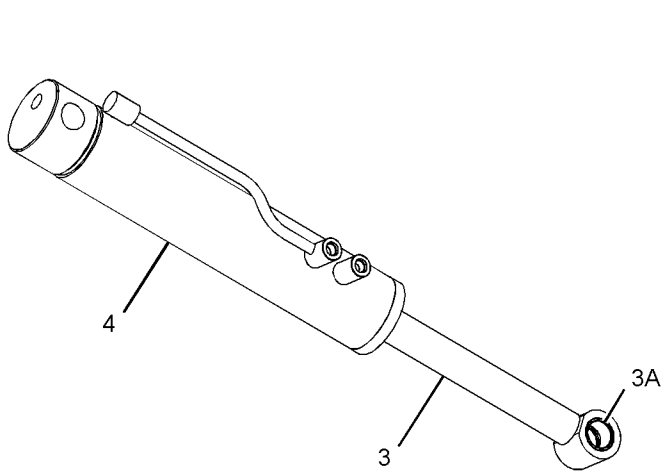
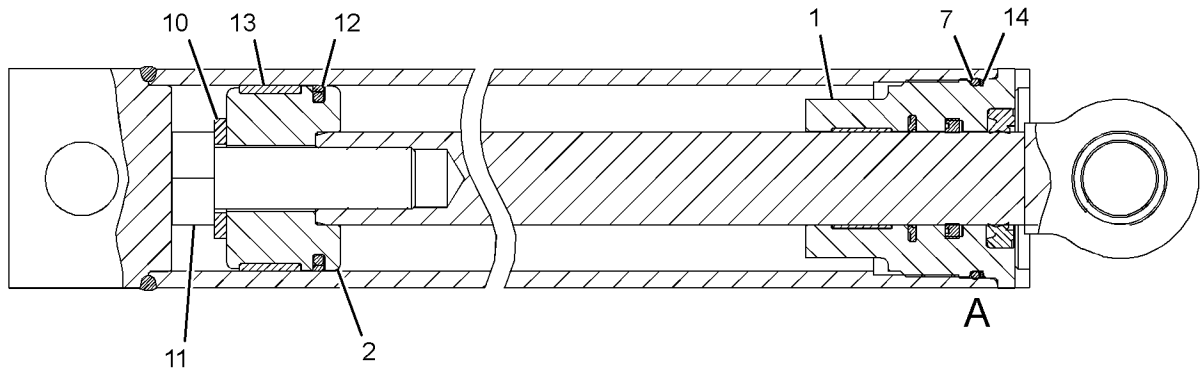
J			235-0354	1	KIT-SEAL (HYDRAULIC CYLINDER)						
					(ALSO INCLUDES BACKUP RING)						

J - KIT MARKED J SERVICES PART(S) MARKED J
R - REMANUFACTURED PART MAY BE AVAILABLE

HYDRAULIC SYSTEM

185-1839 CYLINDER GP-MULTIPURPOSE BUKT (contd.)

i05870146



GRAPHIC #1

<END>

g01166193

HYDRAULIC SYSTEM

515-5866 CYLINDER GP-TELESCOPING

S/N: TD61-UP; TD71-UP

PART OF 515-5865 CYLINDER & MTG GP-TELESCOPING

SMCS-5486

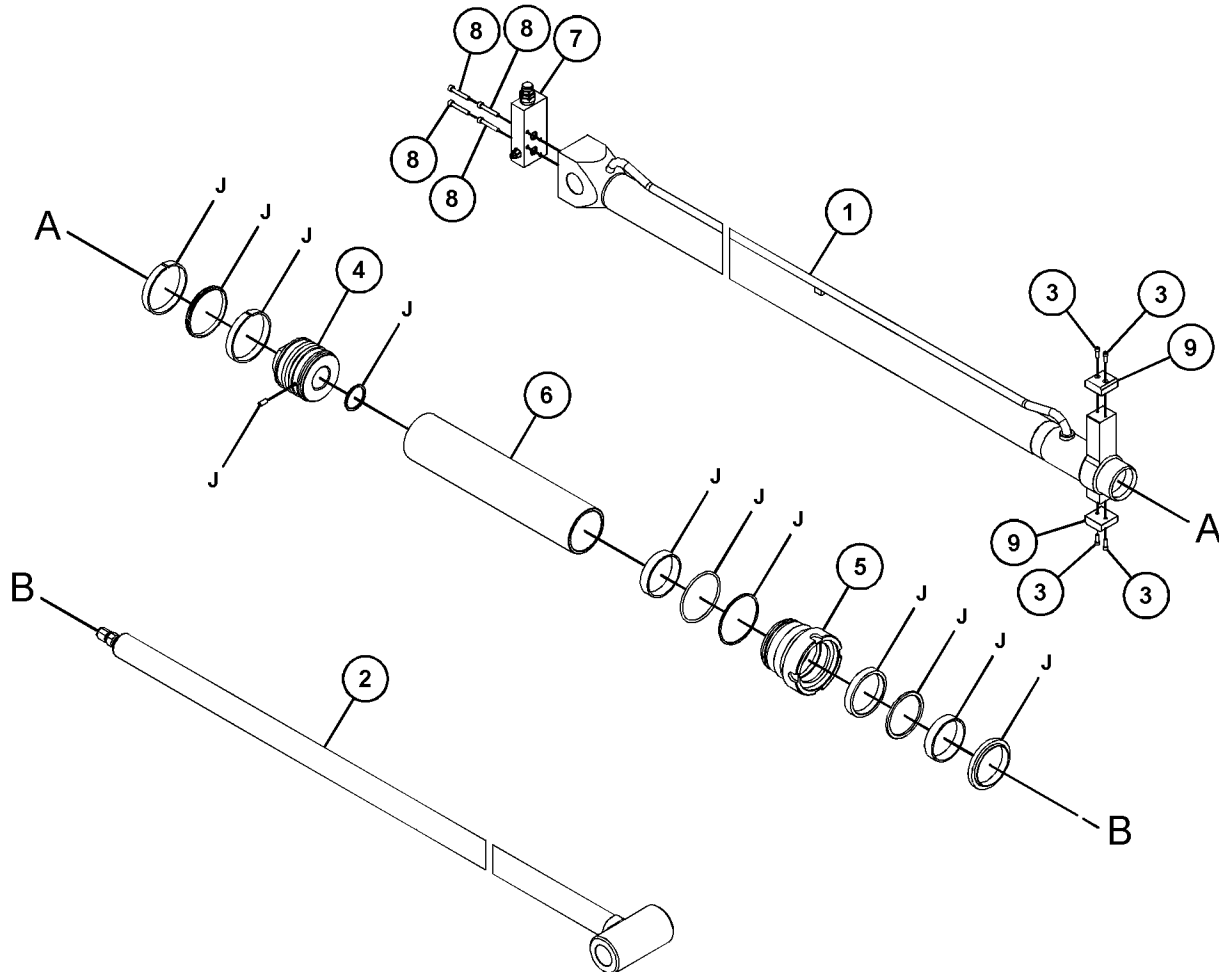
i06906464

NOTE	REF NO	GRAPHIC REF	PART NUMBER	QTY	PART NAME						SEE PAGE
					1	2	3	4	5	6	
	1	1	525-7703	1	SHELL						
	2	1	525-7704	1	ROD						
	3	1	525-7710	4	BOLT						
	4	1	522-0723	1	PISTON						
	5	1	525-7706	1	RETAINER						
	6	1	525-7707	1	SPACER						
	7	1	492-4896	1	VALVE GP-COUNTERBALANCE						
	8	1	525-7708	4	BOLT						
	9	1	525-7709	1	PAD						

AVAILABLE REPAIR KIT(S) :

525-7705 1 KIT-SEAL

(INCLUDES PARTS MARKED J IN THE GRAPHIC)



GRAPHIC #1

<END>

g06164560

HYDRAULIC SYSTEM

466-8312 CYLINDER GP-TILT-CARRIAGE

S/N: TD61-UP

90-MM (3.5-IN) BORE X 114-MM (4.5-IN) STROKE
 PART OF 375-6292, 375-6293 CARRIAGE GP-ROTATING
 AN ATTACHMENT

SMCS-5104

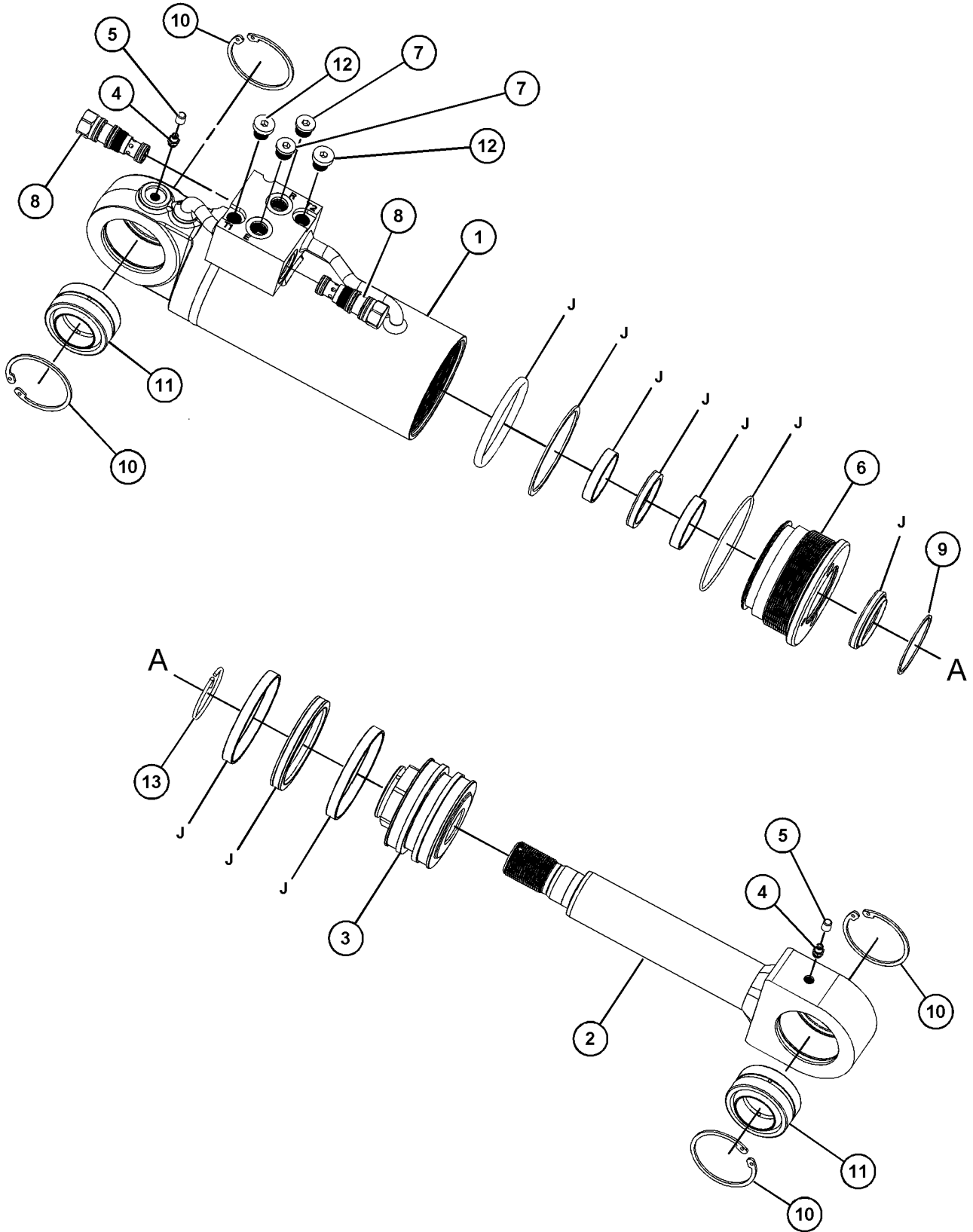
i06567609

NOTE	REF NO	GRAPHIC REF	PART NUMBER	QTY	PART NAME						SEE PAGE
					1	2	3	4	5	6 (PRODUCT LEVEL)	
	1	1	477-1410	1	BARREL AS						
	2	1	477-1413	1	ROD AS						
	3	1	477-1415	1	PISTON-HEAD						
	4	1	461-3100	2	FITTING-GREASE						
	5	1	476-0031	2	PLUG						
	6	1	477-1417	1	GLAND						
	7	1	476-0104	2	PLUG						
	8	1	477-1419	2	VALVE-CHECK						
	9	1	456-0493	1	RING-SNAP						
	10	1	477-1420	4	RETAINER						
	11	1	474-1421	2	BEARING						
	12	1	458-0536	2	PLUG						
	13	1	477-1422	1	RING-LOCK						
					AVAILABLE REPAIR KIT(S) :						
			477-1495	1	KIT-SEAL						
					(INCLUDES BEARING RINGS, RUBBER SEAL, RUBBER RINGS, & ALSO PARTS MARKED J IN THE GRAPHICS)						

HYDRAULIC SYSTEM

466-8312 CYLINDER GP-TILT (contd.)

106567609



GRAPHIC #1

<END>

g06128146

HYDRAULIC SYSTEM

515-5766 CYLINDER GP-TILT

S/N: TD61-UP; TD71-UP

140-MM (5.5-IN) BORE X 313-MM (12.3-IN) STROKE

PART OF 515-5765 CYLINDER & MTG GP-TILT

SMCS-5104

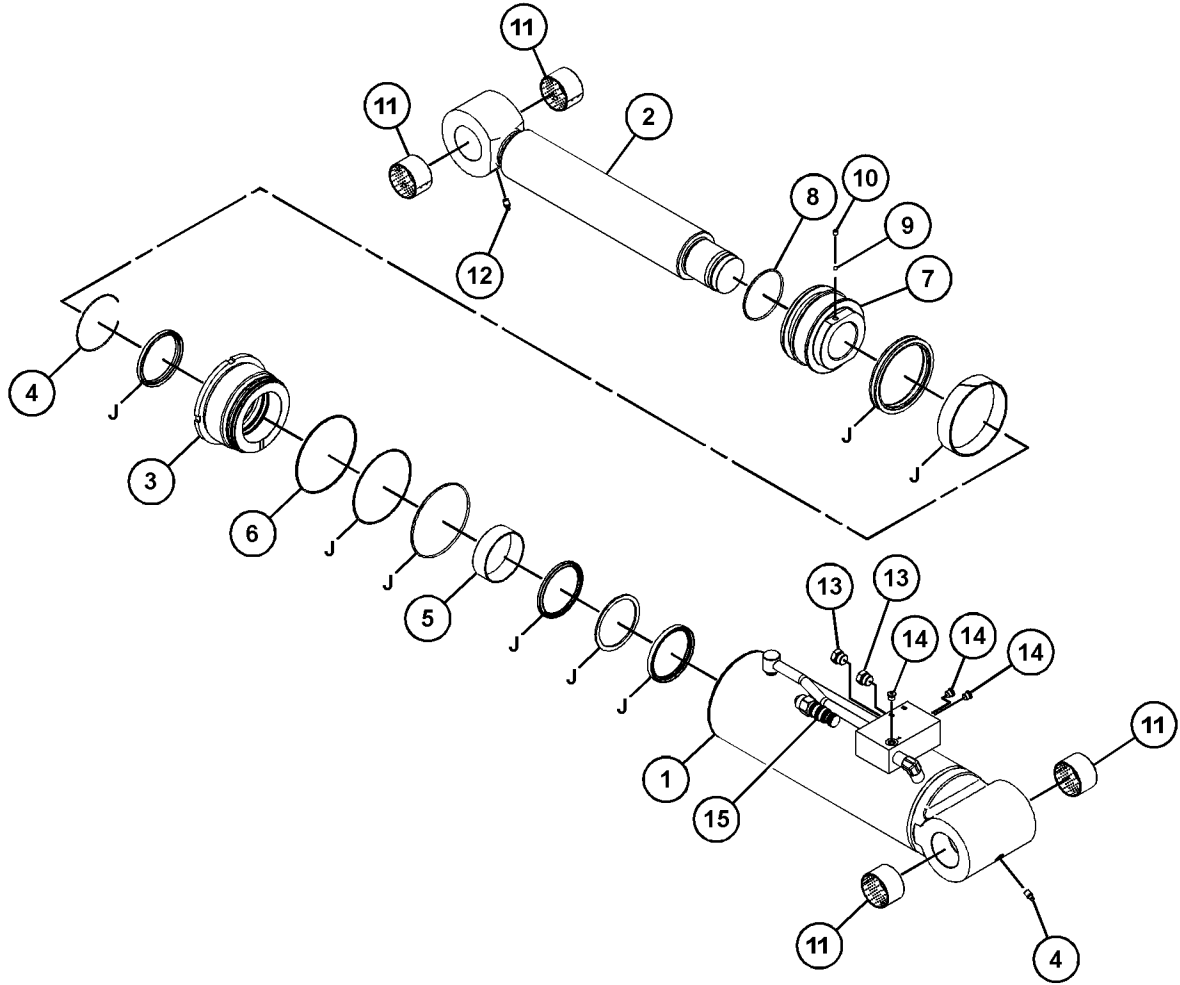
i06895494

NOTE	REF NO	GRAPHIC REF	PART NUMBER	QTY	PART NAME						SEE PAGE
					1	2	3	4	5	6 (PRODUCT LEVEL)	
	1	1	522-1430	1	TUBE						
	2	1	522-1431	1	ROD						
	3	1	521-9023	1	GLAND						
	4	1	510-6869	1	RING-RETAINING						
	5	1	510-6870	1	BEARING						
	6	1	522-1432	1	SEAL-O-RING						
	7	1	522-1433	1	PISTON						
	8	1	522-1434	1	SEAL-O-RING						
	9	1	510-6619	1	BALL						
	10	1	510-8126	1	SCREW-SET						
	11	1	484-6062	4	BEARING						
	12	1	478-6580	2	FITTING-GREASE						
	13	1	484-6065	2	PLUG AS						
	14	1	250-1477	3	PLUG						
	15	1	479-5684	1	VALVE GP-COUNTERBALANCE (RELIEF)						
					(INCLUDES PARTS MARKED "J" IN GRAPHIC)						
					AVAILABLE REPAIR KIT(S):						
			522-1446	1	KIT-SEAL						
					(INCLUDES PARTS MARKED J IN GRAPHIC(S))						

HYDRAULIC SYSTEM

515-5766 CYLINDER GP-TILT (contd.)

i06895494



GRAPHIC #1

<END>

g06163905

HYDRAULIC SYSTEM

500-4367 FITTING GP-HYDRAULIC

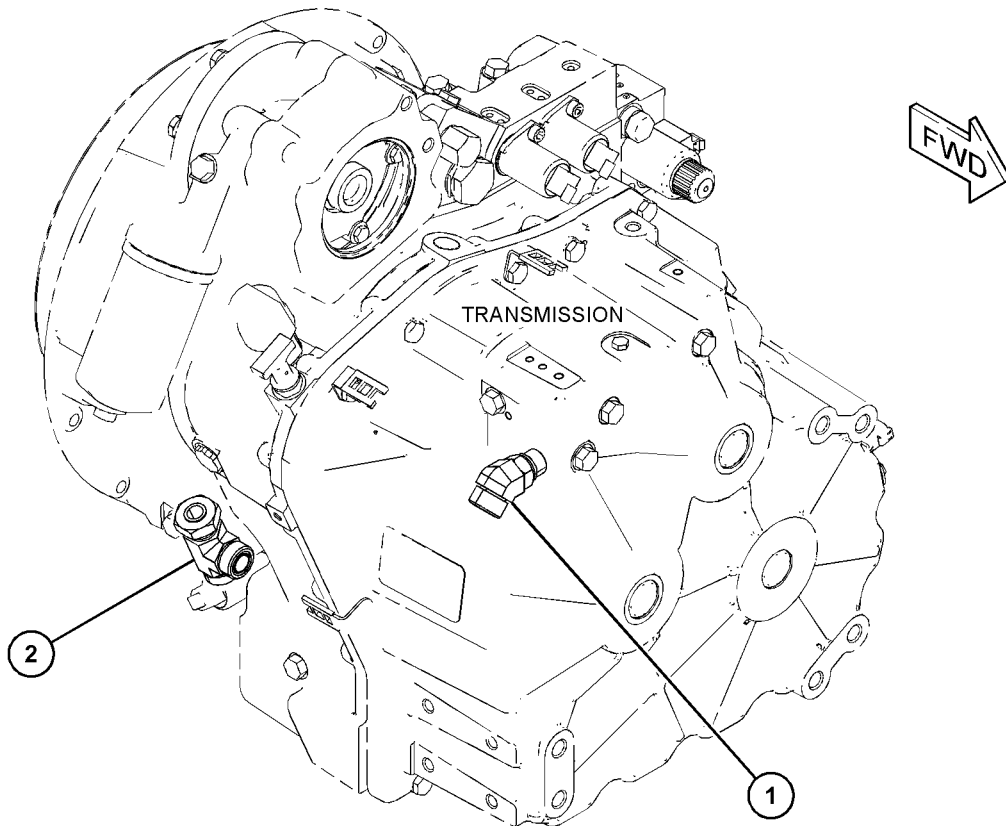
S/N: TD61-UP

PART OF 518-5883 TRANSMISSION AR
AN ATTACHMENT

SMCS-5057

i06601133

NOTE	REF NO	GRAPHIC REF	PART NUMBER	QTY	PART NAME						SEE PAGE
					1	2	3	4	5	6 (PRODUCT LEVEL)	
1	1	1	464-3819	1	ADAPTER-ELBOW						
2	1	1	317-5982	1	ADAPTER						



GRAPHIC #1

<END>

g06044169

HYDRAULIC SYSTEM

518-0019 HYDRAULIC AR

S/N: TD61-UP; TD71-UP

PART OF 518-0042, 518-0044 COMMON AR

SMCS-5050, 5051

i06907143

NOTE	PART NUMBER	QTY	PART NAME						SEE PAGE
			1	2	3	4	5	6 (PRODUCT LEVEL)	
Y	513-9442	1	CYLINDER & MTG GP-COMPENSATING						647
Y	513-9446	1	CYLINDER & MTG GP-LIFT						648
Y	513-4354	1	LINES GP-BOOM						676
Y	499-0189	1	LINES GP-BRAKE (AXLE, FRONT, REAR)						628
Y	502-0664	1	LINES GP-BRAKE						629
Y	502-0369	1	LINES GP-PUMP						703
Y	499-0187	1	LINES GP-STEERING (FRONT AXLE)						636
Y	501-2459	1	LINES GP-STEERING (TILT COLUMN)						638
Y	495-8986	1	PUMP & MTG GP-HYDRAULIC						720
Y	513-9452	1	TANK & MTG GP-HYDRAULIC						724
Y	495-9795	1	VALVE & MTG GP-MAIN CONTROL						727
Y	495-9793	1	VALVE & MTG GP-PRIORITY						729
Y	513-0917	1	VALVE GP-STEERING						642

Y - SEPARATE ILLUSTRATION

<END>

506-3318 HYDRAULIC AR-AUXILIARY

S/N: TD61-UP; TD71-UP

CANNOT BE USED WITH 506-3317-PAGE: 643

AN ATTACHMENT

SMCS-5050, 5051, 5057

i06608812

NOTE	PART NUMBER	QTY	PART NAME						SEE PAGE
			1	2	3	4	5	6 (PRODUCT LEVEL)	
Y	501-7477	1	COVER GP-ACCESS (AUXILIARY)						903
Y	501-2996	1	LINES GP-AUXILIARY HYDRAULIC						674

Y - SEPARATE ILLUSTRATION

<END>

HYDRAULIC SYSTEM

520-7768 INSTALLATION GP-RIDE CONTROL

S/N: TD61-UP; TD71-UP

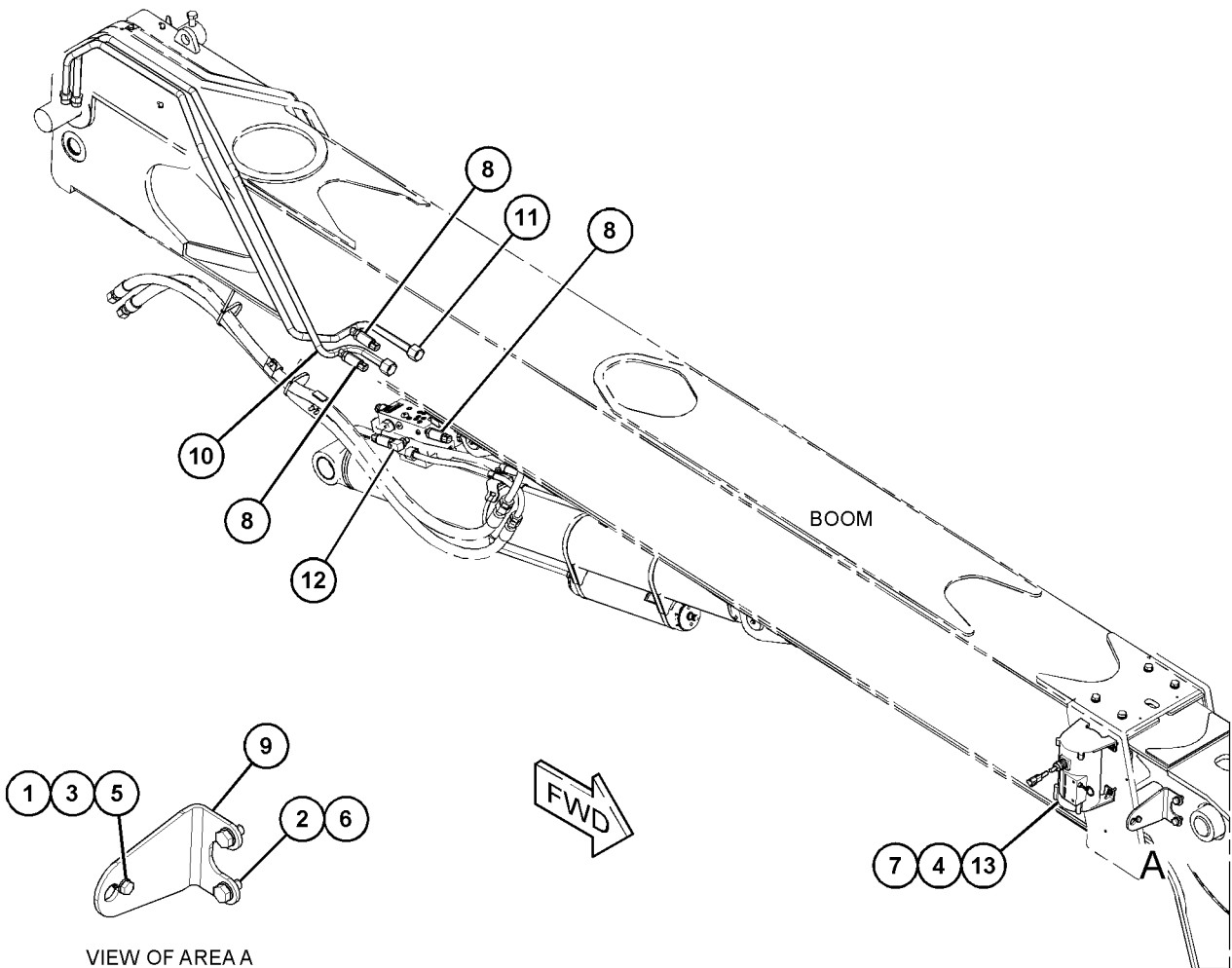
PART OF 520-7784 INSTALLATION AR-MACHINE
AN ATTACHMENT

SMCS-1408, 5004, 5057, 5077

i06893361

NOTE	REF NO	GRAPHIC REF	PART NUMBER	QTY	PART NAME						SEE PAGE
					1	2	3	4	5	6 (PRODUCT LEVEL)	
M	1	1	8T-4200	1	BOLT (M8X1.25X16-MM)						
M	2	1	8T-4137	2	BOLT (M10X1.5X20-MM)						
M	3	1	344-5674	1	NUT (M8X1.25-THD)						
M	4	1	105-3487	4	BOLT-SOCKET HEAD (M6X1X20-MM)						
	5	1	8T-4224	2	WASHER-HARD (8.8X16X2-MM THK)						
	6	1	8T-4121	2	WASHER-HARD (11X21X2.5-MM THK)						
	7	1	477-0655	4	WASHER (7.3X13.6X4-MM THK)						
	8	1	477-0968	4	SENSOR-PRESSURE (ENGINE)						
	9	1	496-8314	1	BRACKET						
	10	1	496-8316	1	TUBE AS						
	11	1	496-8317	1	TUBE AS						
	12	1	503-1688	1	ELBOW AS						
	13	1	503-1689	1	SWITCH AS-INDICATOR (BOOM)						

M - METRIC PART



VIEW OF AREA A
GRAPHIC #1

<END>

g06164056

HYDRAULIC SYSTEM

497-9605 LINES GP-AUXILIARY HYDRAULIC-REAR

S/N: TD61-UP; TD71-UP

PART OF 506-3319 CONTROL AR-AUXILIARY
AN ATTACHMENT

SMCS-5057

i06907186

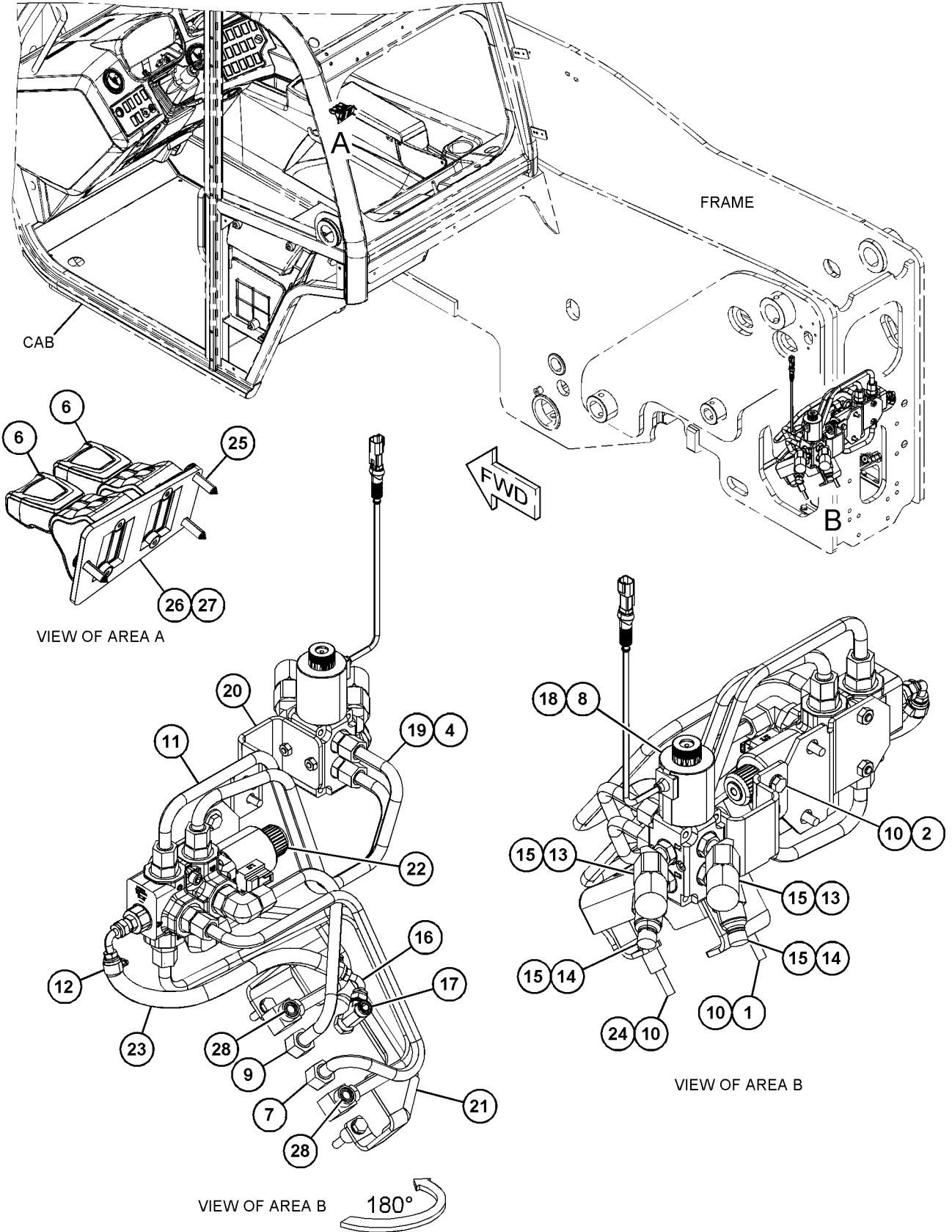
NOTE	REF NO	GRAPHIC REF	PART NUMBER	QTY	PART NAME						SEE PAGE
					1	2	3	4	5	6 (PRODUCT LEVEL)	
M	1	1	8T-4186	1	BOLT (M10X1.5X40-MM)						
M	2	1	8T-4136	2	BOLT (M10X1.5X25-MM)						
	4	1	298-0466	2	FITTING-ADAPTER						
	6	1	473-4952	2	SWITCH GP-STABILIZER						
	7	1	497-9959	1	TUBE AS						
M	8	1	6V-8213	2	BOLT-SOCKET HEAD (M8X1.25X70-MM)						
	9	1	497-9958	1	TUBE AS						
	10	1	8T-4121	4	WASHER-HARD (11X21X2.5-MM THK)						
	11	1	519-1733	1	PIPE AS						
	12	1	331-3890	2	CLAMP						
	13	1	153-2994	2	COUPLING (FEMALE)						
	14	1	153-2995	2	COUPLING (MALE)						
	15	1	219-6331	4	ELBOW AS						
					(EACH INCLUDES)						
		1	2M-9780	2	SEAL-O-RING						
		1	210-0066	1	ELBOW						
	16	1	314-5545	1	FITTING-ELBOW						
	17	1	497-9606	1	ADAPTER AS-TEE						
JP	18	1	343-7928	1	VALVE AS (QUICK COUPLER)						
		1	319-7658	1	COIL						
	19	1	519-1732	1	PIPE AS						
	20	1	519-1735	1	BRACKET AS						
	21	1	497-9955	1	TUBE AS						
Y	22	1	497-9603	1	VALVE GP-DIVERTER						735
G	23	1	423-1983		HOSE (15-IN)						
M	24	1	260-6673	1	BOLT (M10X1.5X65-MM)						
M	25	1	211-1389	3	SCREW (M4X19-MM)						
	26	1	524-1805	1	PLATE						
	27	1	524-4689	4	SCREW-FLAT HEAD						
	28	1	7J-9108	2	SEAL-O-RING						
					AVAILABLE REPAIR KIT(S):						
P			450-0307	1	KIT-RETAINER						
					(INCLUDES O-RINGS & NUT)						
J			518-6720	1	KIT-SEAL						
					(INCLUDE O-RINGS)						

G - ORDER BY THE INCH
 J - KIT MARKED J SERVICES PART(S) MARKED J
 M - METRIC PART
 P - KIT MARKED P SERVICES PART(S) MARKED P
 Y - SEPARATE ILLUSTRATION

HYDRAULIC SYSTEM

497-9605 LINES GP-AUXILIARY HYDRAULIC (contd.)

i06907186



GRAPHIC #1

<END>

g06165370

HYDRAULIC SYSTEM

501-2996 LINES GP-AUXILIARY HYDRAULIC-REAR

S/N: TD61-UP; TD71-UP

PART OF 506-3318 HYDRAULIC AR-AUXILIARY
AN ATTACHMENT

SMCS-5057

i06907187

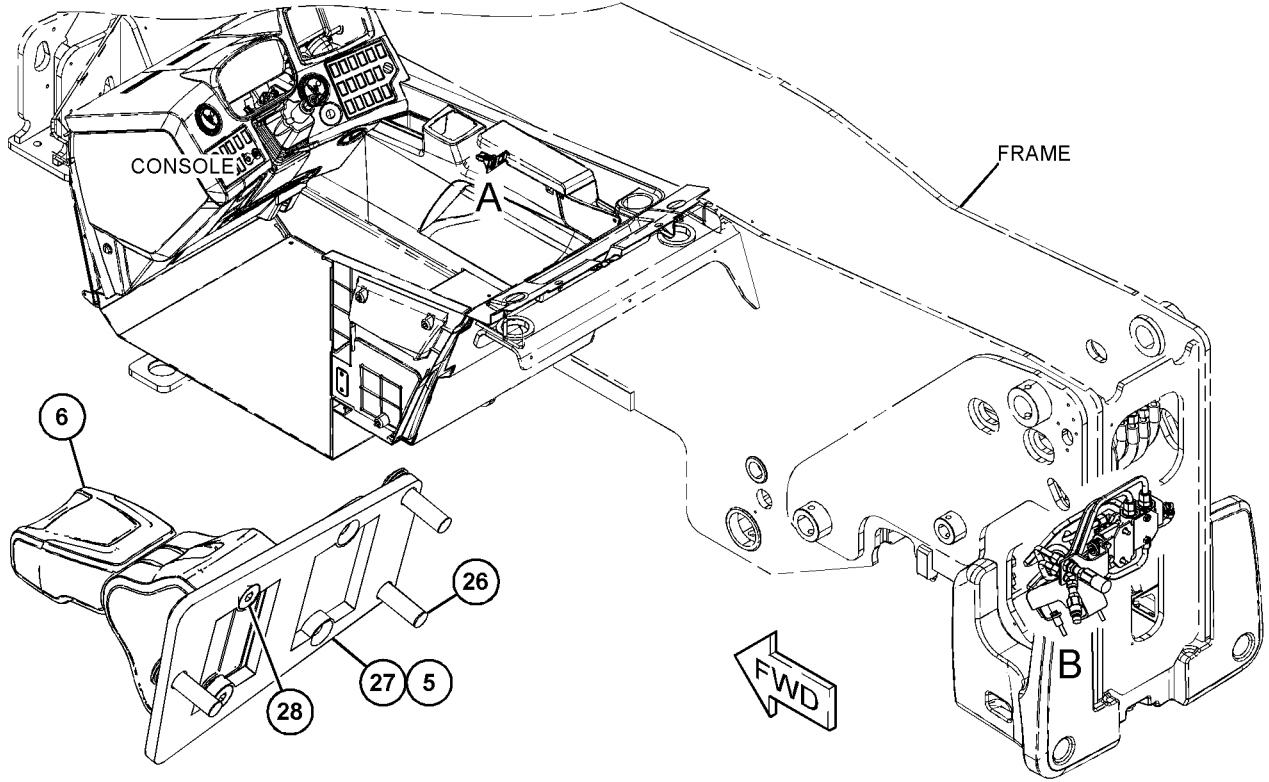
NOTE	REF NO	GRAPHIC REF	PART NUMBER	QTY	PART NAME						SEE PAGE
					1	2	3	4	5	6 (PRODUCT LEVEL)	
M	1	1	8T-4186	1	BOLT (M10X1.5X40-MM)						
M	2	1	8T-4136	2	BOLT (M10X1.5X25-MM)						
	5	1	519-1737	1	COVER						
	6	1	473-4952	1	SWITCH GP-STABILIZER						
	7	1	298-0503	1	ADAPTER-STRAIGHT						
	8	1	298-0414	2	FITTING-STRAIGHT						
	9	1	8T-4121	4	WASHER-HARD (11X21X2.5-MM THK)						
G	10	1	423-1983		HOSE (15-IN)						
	11	1	331-3890	2	CLAMP						
	12	1	497-9959	1	TUBE AS						
	13	1	153-2994	1	COUPLING (FEMALE)						
	14	1	153-2995	1	COUPLING (MALE)						
	15	1	314-5545	1	FITTING-ELBOW						
	16	1	497-9606	1	ADAPTER AS-TEE						
	17	1	519-1736	1	ELBOW						
	18	1	497-9958	1	TUBE AS						
	19	1	519-1734	1	BRACKET AS						
	20	1	519-1733	1	PIPE AS						
	21	1	519-1732	1	PIPE AS						
	22	1	497-9955	1	TUBE AS						
Y	23	1	497-9603	1	VALVE GP-DIVERTER						735
M	24	1	260-6673	1	BOLT (M10X1.5X65-MM)						
	25	1	7J-9108	2	SEAL-O-RING						
M	26	1	211-1389	3	SCREW (M4X19-MM)						
	27	1	524-1805	1	PLATE						
	28	1	524-4689	2	SCREW-FLAT HEAD						

G - ORDER BY THE INCH
M - METRIC PART
Y - SEPARATE ILLUSTRATION

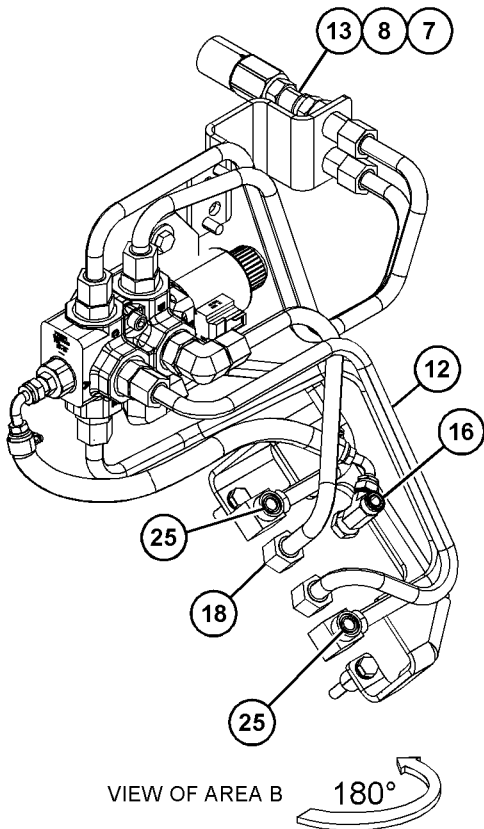
HYDRAULIC SYSTEM

501-2996 LINES GP-AUXILIARY HYDRAULIC (contd.)

i06907187

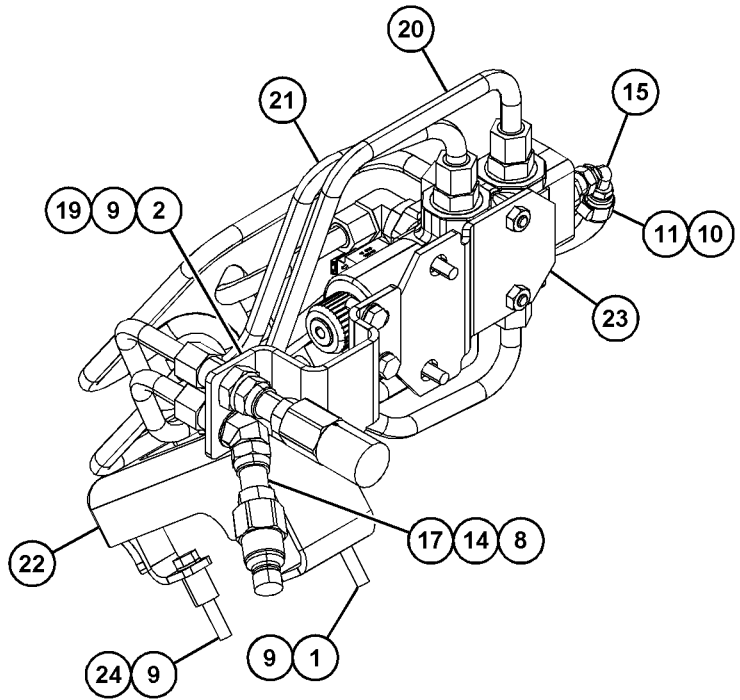


VIEW OF AREA A



VIEW OF AREA B

180°



VIEW OF AREA B

GRAPHIC #1

<END>

g06164765

HYDRAULIC SYSTEM

513-4354 LINES GP-BOOM

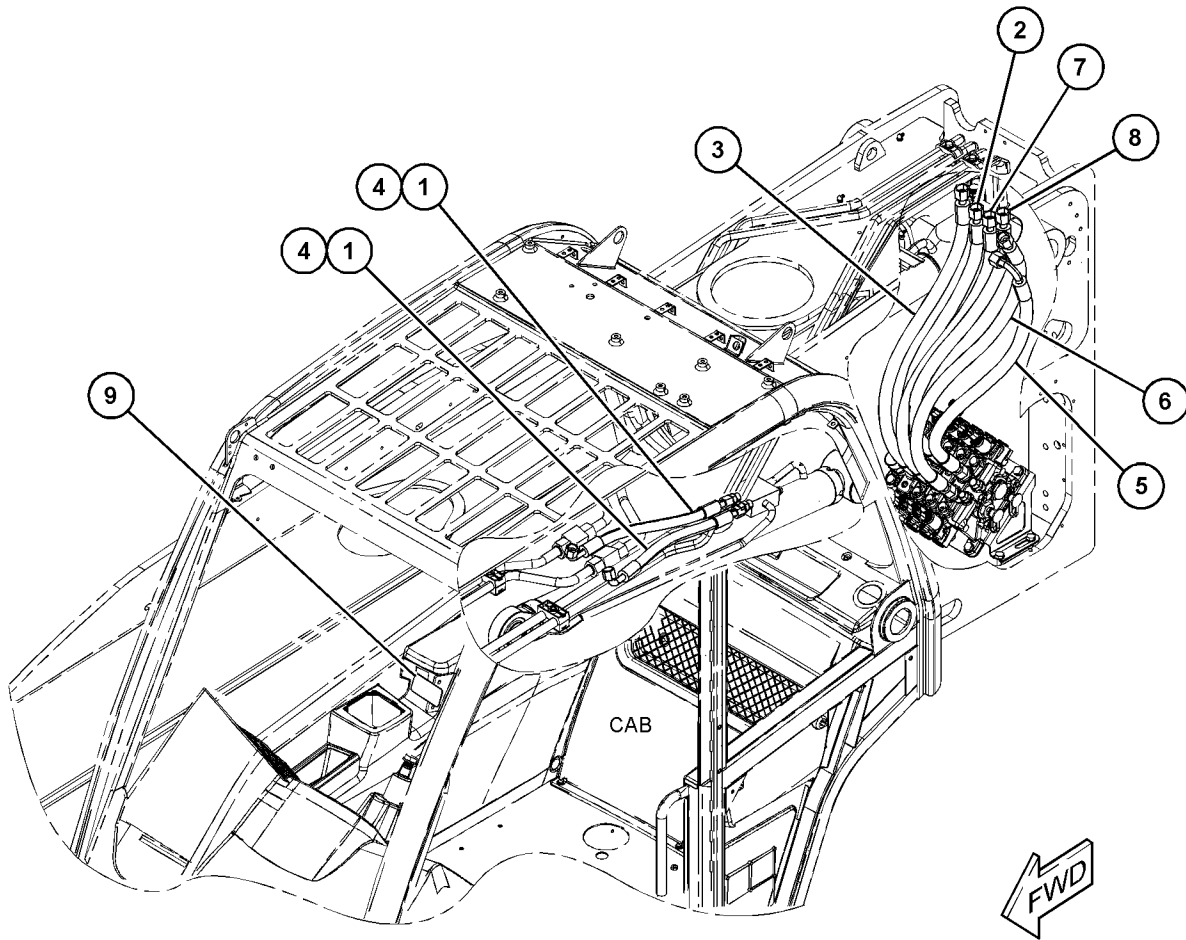
S/N: TD61-UP; TD71-UP
PART OF 518-0019 HYDRAULIC AR

SMCS-5057, 5456

i06904712

NOTE	REF NO	GRAPHIC REF	PART NUMBER	QTY	PART NAME						SEE PAGE
					1	2	3	4	5	6 (PRODUCT LEVEL)	
	1	1	298-0463	2	FITTING-ADAPTER						
I	2	1	513-0881	1	HOSE AS						
I	3	1	513-3878	1	HOSE AS						
I	4	1	495-8489	2	HOSE AS						
I	5	1	513-3879	1	HOSE AS						
I	6	1	513-3880	1	HOSE AS						
I	7	1	513-3881	1	HOSE AS						
I	8	1	513-3882	1	HOSE AS						
	9	1	483-5158	1	COVER						

I - REFER TO HYDRAULIC INFORMATION SYSTEM



GRAPHIC #1

<END>

g06164415

HYDRAULIC SYSTEM

515-2729 LINES GP-BOOM

S/N: TD61-UP; TD71-UP
PART OF 515-2728 BOOM AR

SMCS-5057, 5456

i06906449

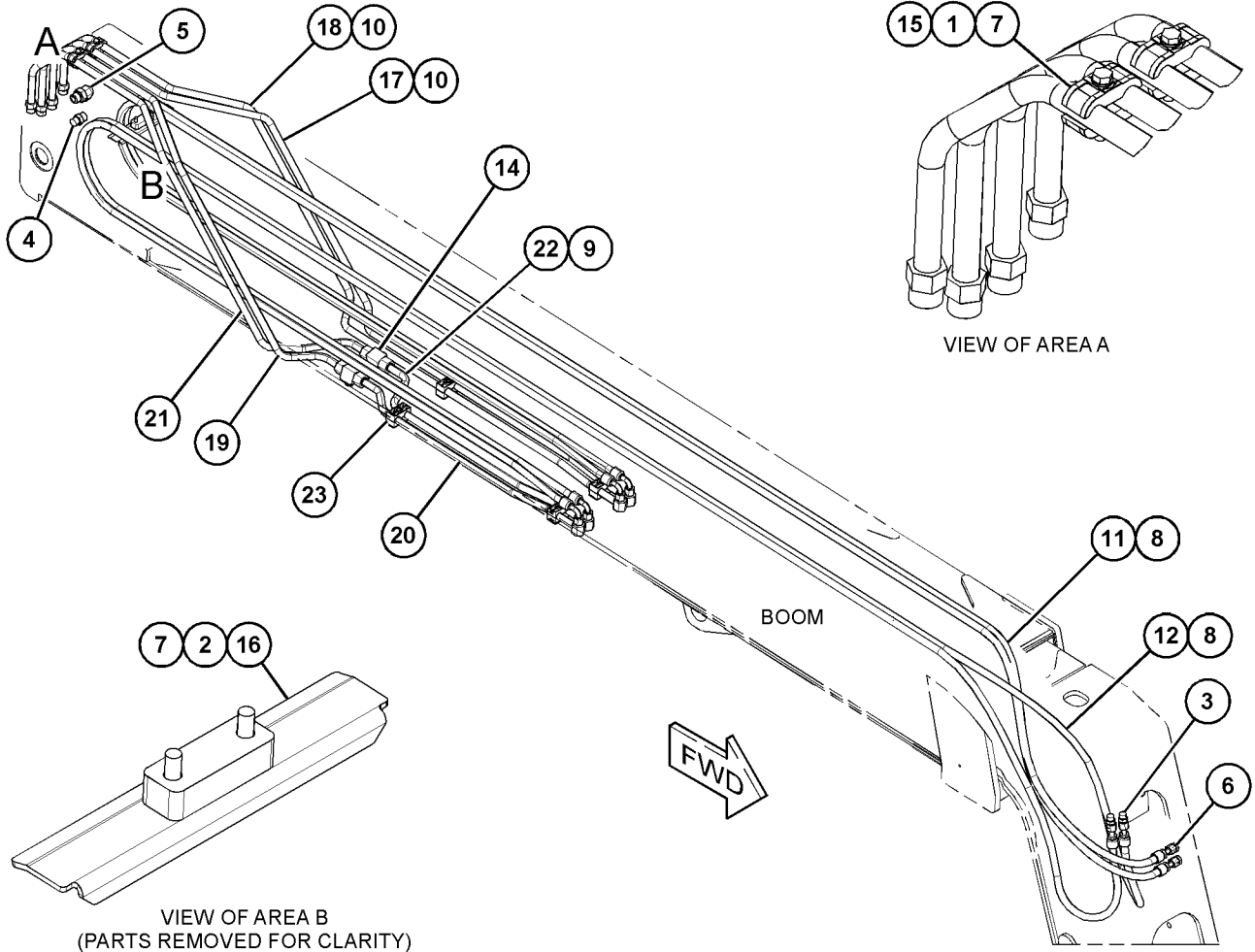
NOTE	REF NO	GRAPHIC REF	PART NUMBER	QTY	PART NAME						SEE PAGE
					1	2	3	4	5	6 (PRODUCT LEVEL)	
M	1	1	8T-7329	2	BOLT (M8X1.25X55-MM)						
M	2	1	7X-2537	2	BOLT (M8X1.25X35-MM)						
	3	1	298-0463	2	FITTING-ADAPTER						
	4	1	298-0466	1	FITTING-ADAPTER						
	5	1	323-5622	1	ELBOW						
	6	1	150-3072	2	PLUG AS						
					(EACH INCLUDES)						
		1	6V-8398	1	SEAL-O-RING						
		1	6V-9509	1	PLUG (13/16-16-THD)						
	7	1	8T-4224	4	WASHER-HARD (8.8X16X2-MM THK)						
	8	1	6V-8398	6	SEAL-O-RING						
	9	1	6V-9746	4	SEAL-O-RING						
	10	1	7J-9108	4	SEAL-O-RING						
	11	1	513-5780	1	HOSE AS						
	12	1	513-5779	1	HOSE AS						
	14	1	495-8381	2	ADAPTER-TEE						
	15	1	513-3297	2	CLAMP						
	16	1	513-3285	1	CLAMP AS						
	17	1	515-2730	1	TUBE AS						
	18	1	515-2731	1	TUBE AS						
	19	1	515-2732	1	TUBE AS						
	20	1	515-2733	1	TUBE AS						
	21	1	515-2742	1	TUBE AS						
	22	1	515-2743	1	TUBE AS						
	23	1	202-8285	4	CLAMP						

M - METRIC PART

HYDRAULIC SYSTEM

515-2729 LINES GP-BOOM (contd.)

i06906449



GRAPHIC #1

<END>

g06165306

HYDRAULIC SYSTEM

188-6161 LINES GP-CONNECTING-MULTIPURPOSE BUCKET
S/N: TD61-UP; TD71-UP
PART OF 163-4265 BUCKET AR-MULTIPURPOSE, 486-0141 BUCKET GP-MULTIPURPOSE
AN ATTACHMENT

SMCS-5057

i07162676

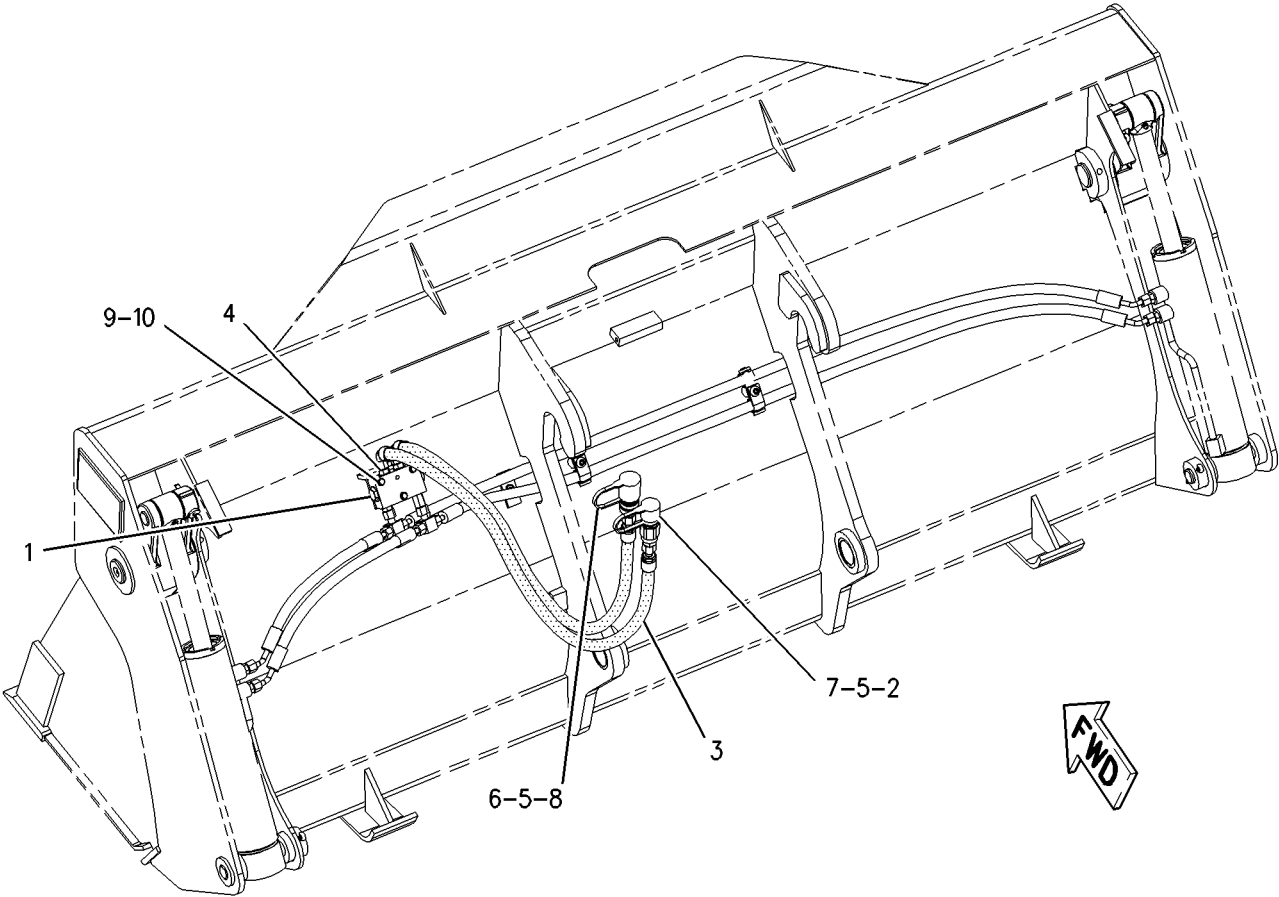
NOTE	REF NO	GRAPHIC REF	PART NUMBER	QTY	PART NAME						SEE PAGE
					1	2	3	4	5	6 (PRODUCT LEVEL)	
	1	1	8I-3959	1	VALVE-CHECK						
	2	1	421-6171	1	COUPLER AS-QUICK DISCONNECT (MALE)						
I	3	1	189-3650	2	HOSE AS						
	4	1	<i>148-8336</i>	2	CONNECTOR AS						
					(EACH INCLUDES)						
		1	6V-8636	1	CONNECTOR						
		1	3J-1907	1	SEAL-O-RING						
		1	6V-8397	1	SEAL-O-RING						
	5	1	<i>148-8345</i>	2	CONNECTOR AS						
					(EACH INCLUDES)						
		1	6V-8638	1	CONNECTOR						
		1	2M-9780	1	SEAL-O-RING						
		1	6V-8398	1	SEAL-O-RING						
	6	1	152-5717	1	CAP-DUST						
	7	1	152-5718	1	CAP-DUST						
	8	1	153-2994	1	COUPLING (FEMALE)						
M	9	1	8C-8451	3	BOLT (M6X1X40-MM)						
	10	1	8T-4205	3	WASHER-HARD (7.2X14.5X2-MM THK)						

I - REFER TO HYDRAULIC INFORMATION SYSTEM
M - METRIC PART

HYDRAULIC SYSTEM

188-6161 LINES GP-CONNECTING (contd.)

i07162676



GRAPHIC #1

<END>

g00939131

HYDRAULIC SYSTEM

224-5092 LINES GP-CONNECTING-FORK

S/N: TD61-UP; TD71-UP

PART OF 222-6210 CARRIAGE GP-FORK
AN ATTACHMENT

SMCS-5057

i01885394

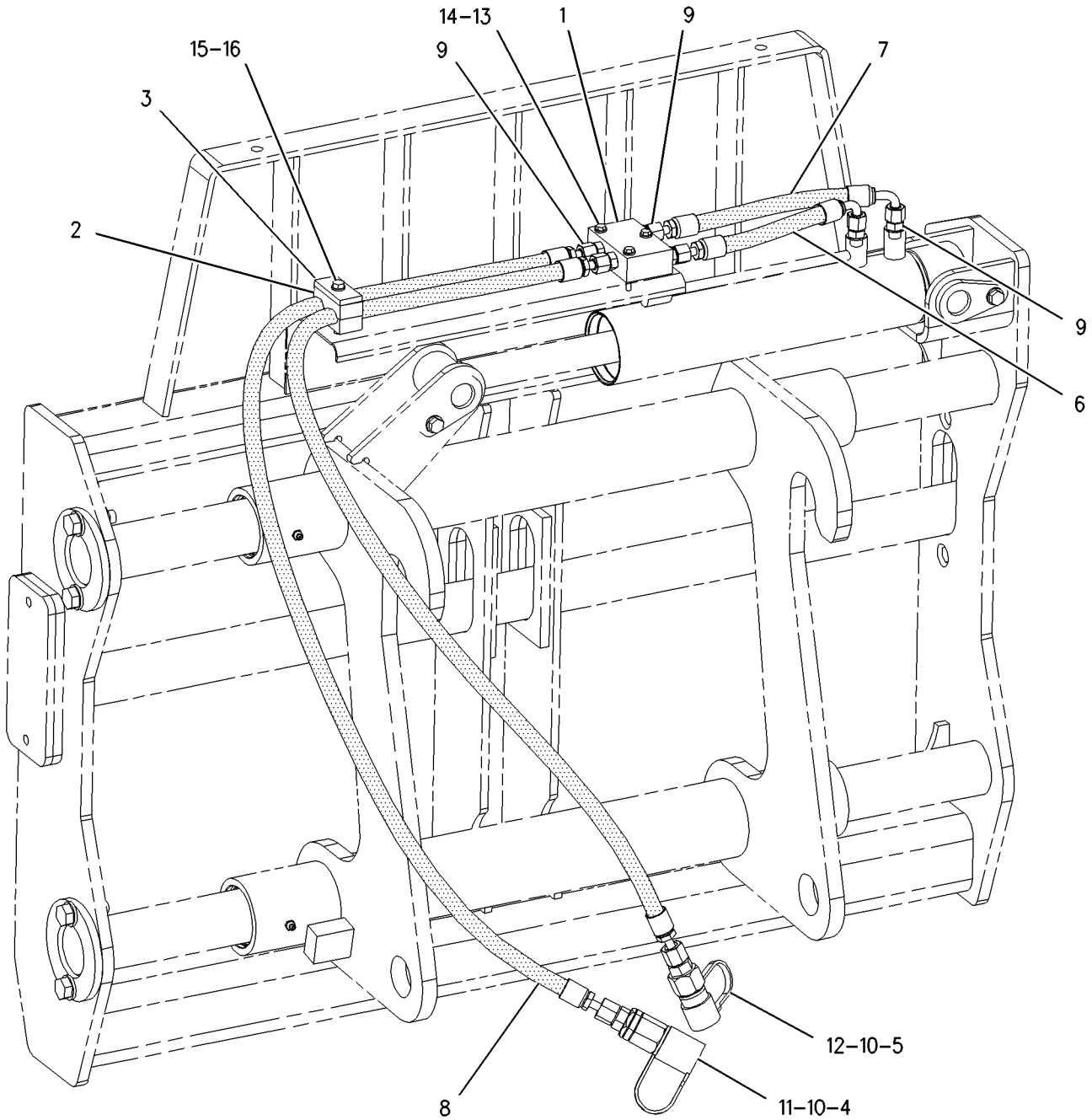
NOTE	REF NO	GRAPHIC REF	PART NUMBER	QTY	PART NAME						SEE PAGE
					1	2	3	4	5	6 (PRODUCT LEVEL)	
	1	1	8I-3959	1	VALVE-CHECK						
	2	1	9V-6588	2	CLAMP						
	3	1	102-8705	1	PLATE (TOP)						
	4	1	153-2994	1	COUPLING (FEMALE)						
	5	1	153-2995	1	COUPLING (MALE)						
I	6	1	224-5093	1	HOSE AS						
I	7	1	224-5094	1	HOSE AS						
I	8	1	228-9502	2	HOSE AS						
	9	1	<i>148-8336</i>	6	CONNECTOR AS						
					(EACH INCLUDES)						
		1	3J-1907	1	SEAL-O-RING						
		1	6V-8397	1	SEAL-O-RING						
		1	6V-8636	1	CONNECTOR						
	10	1	<i>148-8345</i>	2	CONNECTOR AS						
					(EACH INCLUDES)						
		1	2M-9780	1	SEAL-O-RING						
		1	6V-8398	1	SEAL-O-RING						
		1	6V-8638	1	CONNECTOR						
	11	1	152-5717	1	CAP-DUST						
	12	1	152-5718	1	CAP-DUST						
M	13	1	7X-2534	3	BOLT (M6X1X50-MM)						
	14	1	8T-4205	3	WASHER-HARD (7.2X14.5X2-MM THK)						
	15	1	8T-4224	1	WASHER-HARD (8.8X16X2-MM THK)						
M	16	1	8T-6869	1	BOLT (M8X1.25X60-MM)						

I - REFER TO HYDRAULIC INFORMATION SYSTEM
M - METRIC PART

HYDRAULIC SYSTEM

224-5092 LINES GP-CONNECTING (contd.)

i01885394



GRAPHIC #1

<END>

g00927770

HYDRAULIC SYSTEM

492-3922 LINES GP-COUPLER

S/N: TD61-UP; TD71-UP

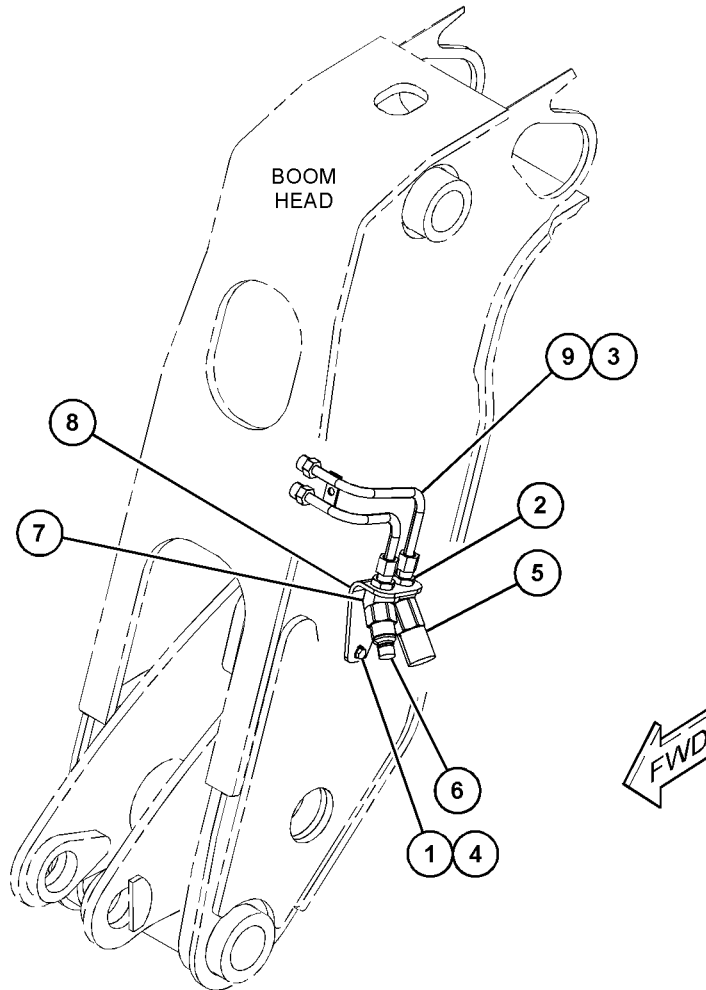
AN ATTACHMENT

SMCS-5057, 5133

i06586858

NOTE	REF NO	GRAPHIC REF	PART NUMBER	QTY	PART NAME						SEE PAGE
					1	2	3	4	5	6 (PRODUCT LEVEL)	
M	1	1	8T-4189	2	BOLT (M8X1.25X20-MM)						
	2	1	330-4258	2	LOCKNUT (13/16-16-THD)						
	3	1	6V-8398	2	SEAL-O-RING						
	4	1	5M-2894	2	WASHER-HARD (10.2X18.5X2.5-MM THK)						
	5	1	153-2994	1	COUPLING (FEMALE)						
	6	1	153-2995	1	COUPLING (MALE)						
	7	1	330-4773	2	ADAPTER AS						
					(EACH INCLUDES)						
		1	6V-8398	1	SEAL-O-RING						
		1	2M-9780	1	SEAL-O-RING						
		1	232-7724	1	ELBOW						
	8	1	492-3923	1	PLATE						
	9	1	492-3924	1	TUBE AS						

M - METRIC PART



GRAPHIC #1

<END>

g06039888

HYDRAULIC SYSTEM

492-3925 LINES GP-COUPLER-COUPLER

S/N: TD61-UP; TD71-UP

AN ATTACHMENT

SMCS-5057, 5133

i06586857

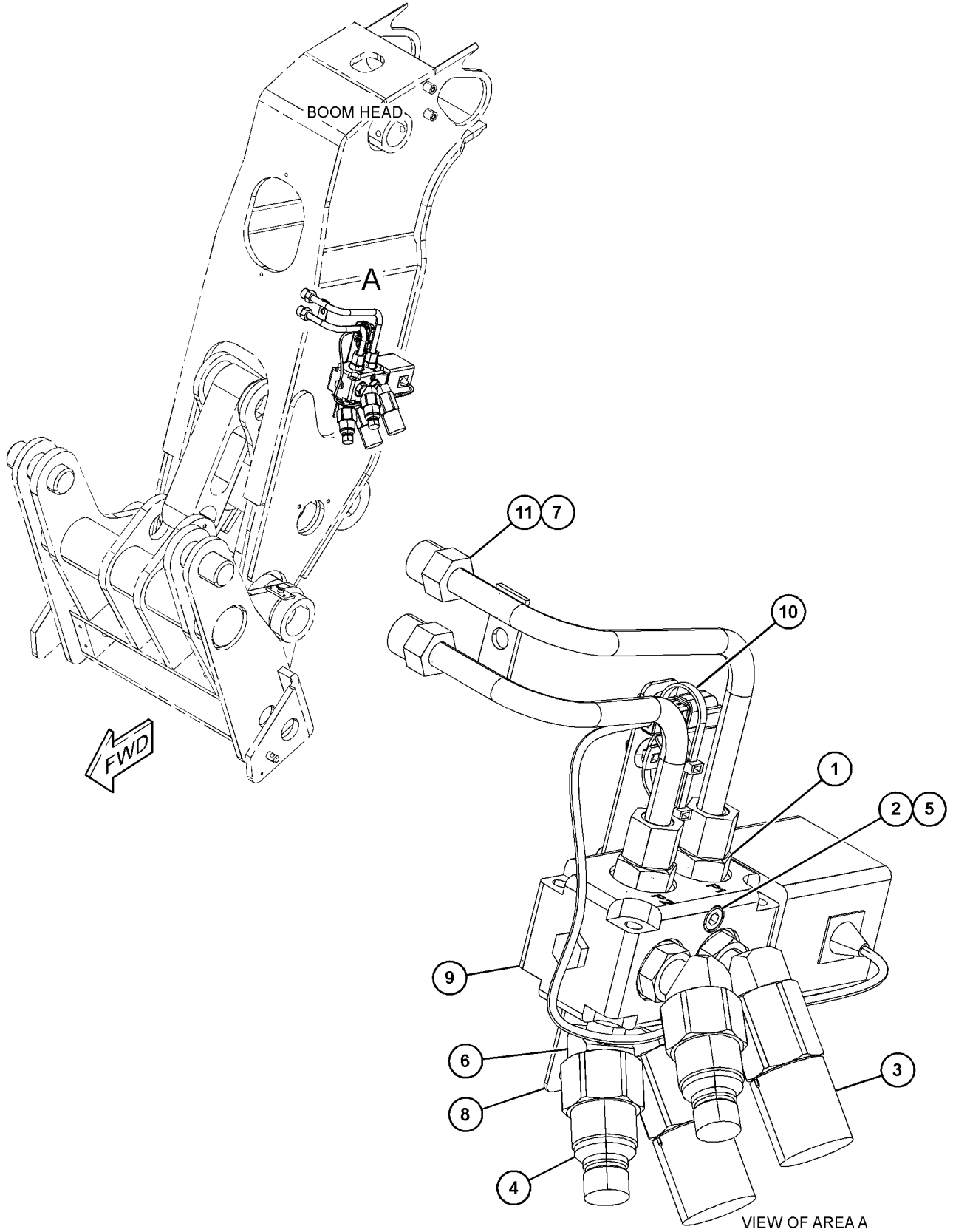
NOTE	REF NO	GRAPHIC REF	PART NUMBER	QTY	PART NAME						SEE PAGE
					1	2	3	4	5	6 (PRODUCT LEVEL)	
	1	1	298-0464	2	FITTING-ADAPTER						
M	2	1	6V-8213	2	BOLT-SOCKET HEAD (M8X1.25X70-MM)						
	3	1	153-2994	2	COUPLING (FEMALE)						
	4	1	153-2995	2	COUPLING (MALE)						
	5	1	211-9032	2	WASHER-HARD (8.8X13X2-MM THK)						
	6	1	219-6331	4	ELBOW AS						
					(EACH INCLUDES)						
		1	2M-9780	2	SEAL-O-RING						
		1	210-0066	1	ELBOW						
	7	1	6V-8398	2	SEAL-O-RING						
	8	1	347-1645	1	PLATE						
	9	1	343-7928	1	VALVE AS						
	10	1	455-3027	2	TIE-CABLE						
	11	1	492-3924	1	TUBE AS						

M - METRIC PART

HYDRAULIC SYSTEM

492-3925 LINES GP-COUPLER (contd.)

106586857



GRAPHIC #1

<END>

g06037500

HYDRAULIC SYSTEM

495-7651 LINES GP-COUPLER

S/N: TD61-UP; TD71-UP
AN ATTACHMENT

SMCS-5057, 5133

i06591317

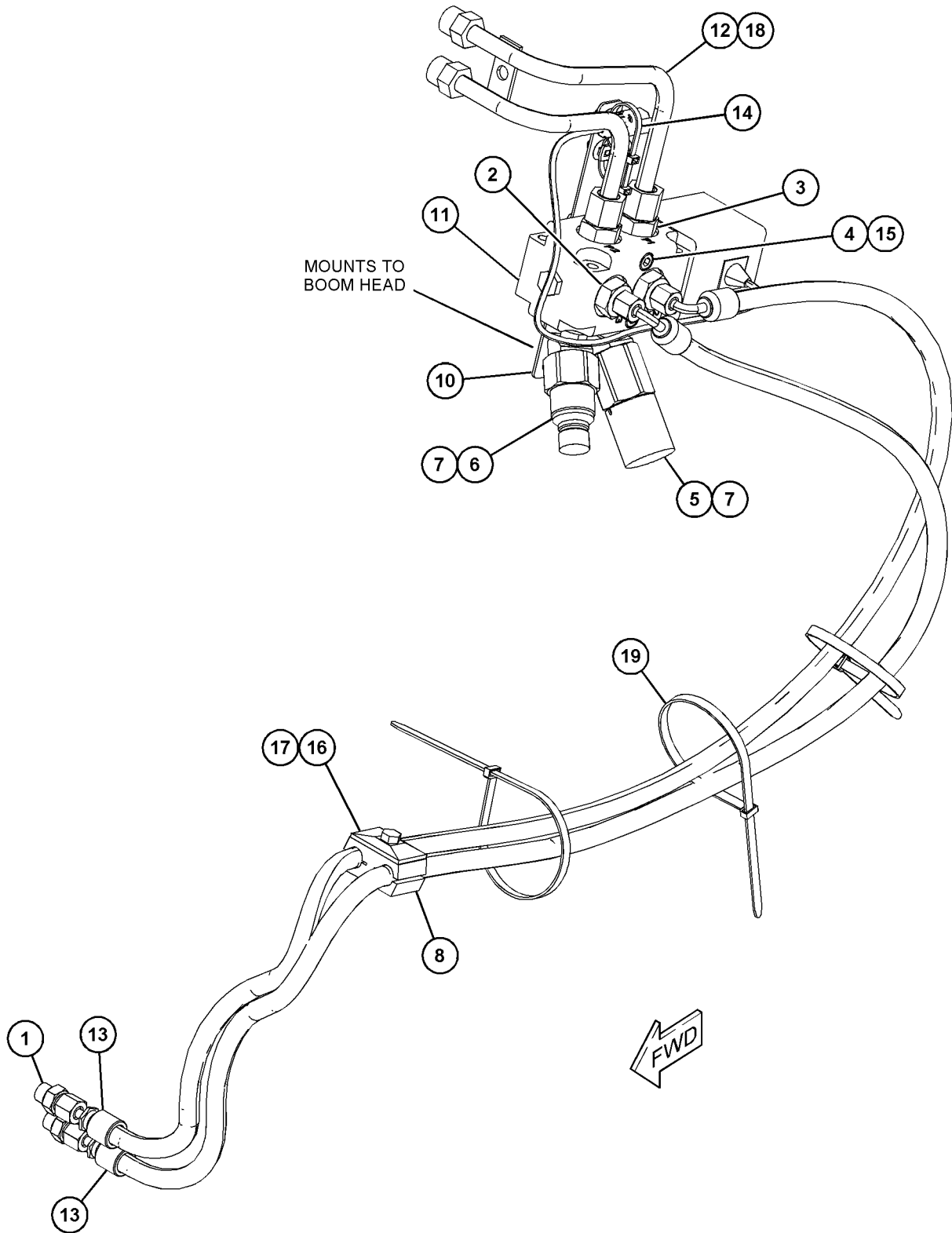
NOTE	REF NO	GRAPHIC REF	PART NUMBER	QTY	PART NAME						SEE PAGE
					1	2	3	4	5	6 (PRODUCT LEVEL)	
	1	1	298-7356	2	FITTING-ADAPTER						
	2	1	495-7653	2	TEE AS						
	3	1	298-0464	2	FITTING-ADAPTER						
M	4	1	6V-8213	2	BOLT-SOCKET HEAD (M8X1.25X70-MM)						
	5	1	153-2994	1	COUPLING (FEMALE)						
	6	1	153-2995	1	COUPLING (MALE)						
	7	1	<i>219-6331</i>	2	ELBOW AS						
					(EACH INCLUDES)						
		1	2M-9780	2	SEAL-O-RING						
		1	210-0066	1	ELBOW						
	8	1	<i>495-8706</i>	1	CLAMP AS						
		1	206-6410	2	CLAMP-HALF						
	10	1	347-1645	1	PLATE						
	11	1	343-7928	1	VALVE AS						
	12	1	492-3924	1	TUBE AS						
I	13	1	495-7600	2	HOSE AS						
	14	1	455-3027	2	TIE-CABLE						
	15	1	211-9032	2	WASHER-HARD (8.8X13X2-MM THK)						
	16	1	299-6644	1	PLATE						
	17	1	305-2110	1	SCREW (3/8-24X1.75-IN)						
	18	1	6V-8398	2	SEAL-O-RING						
	19	1	7K-1181	3	STRAP-CABLE						

I - REFER TO HYDRAULIC INFORMATION SYSTEM
M - METRIC PART

HYDRAULIC SYSTEM

495-7651 LINES GP-COUPLER (contd.)

i06591317



GRAPHIC #1

<END>

g06049601

HYDRAULIC SYSTEM

495-7652 LINES GP-COUPLER

S/N: TD61-UP; TD71-UP

AN ATTACHMENT

SMCS-5057, 5133

i06591318

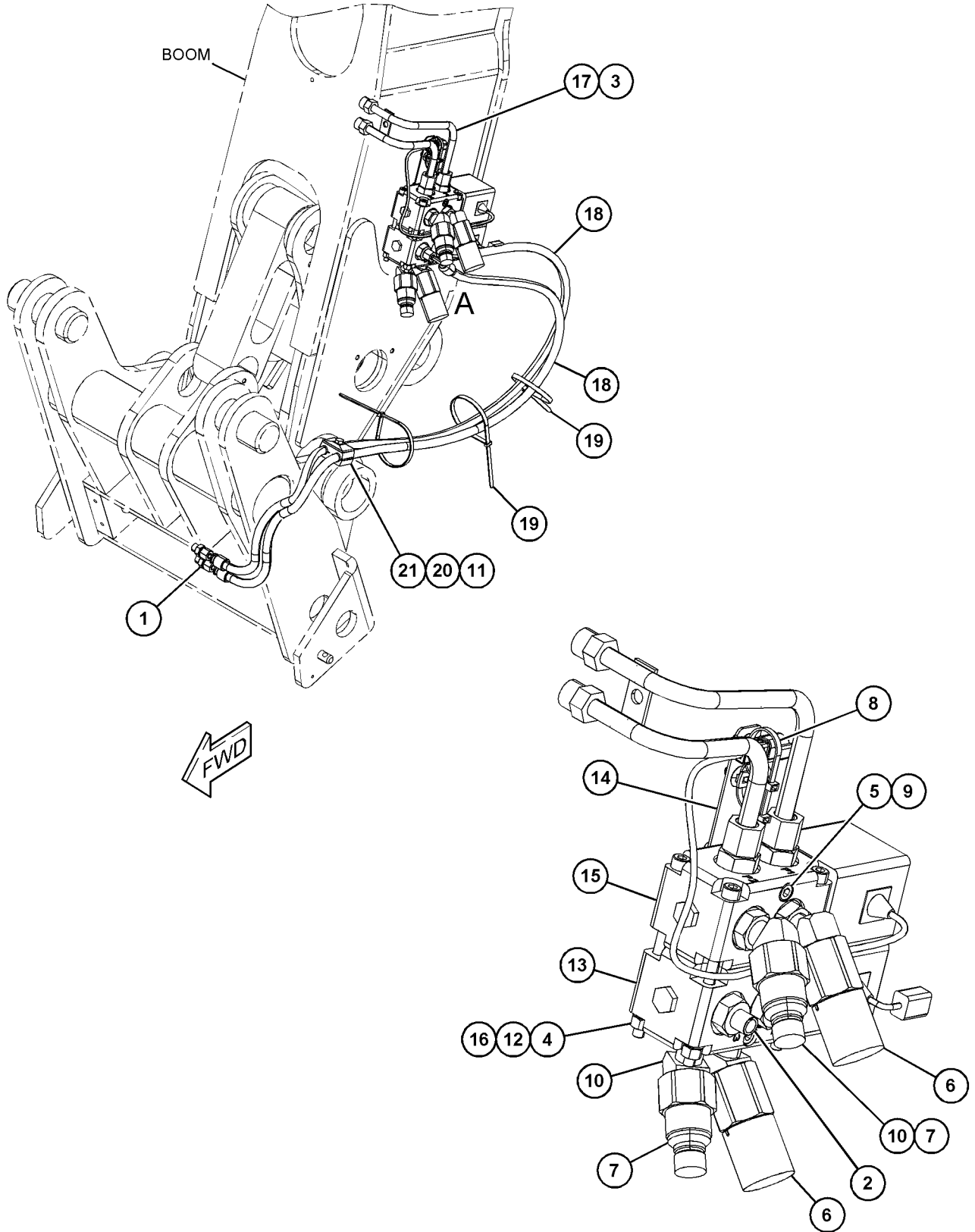
NOTE	REF NO	GRAPHIC REF	PART NUMBER	QTY	PART NAME						SEE PAGE
					1	2	3	4	5	6 (PRODUCT LEVEL)	
	1	1	298-7356	2	FITTING-ADAPTER						
	2	1	495-7653	2	TEE AS						
	3	1	298-0464	2	FITTING-ADAPTER						
M	4	1	309-9184	4	LOCKNUT (M8X1.25-THD)						
M	5	1	6V-8213	2	BOLT-SOCKET HEAD (M8X1.25X70-MM)						
	6	1	153-2994	2	COUPLING (FEMALE)						
	7	1	153-2995	2	COUPLING (MALE)						
	8	1	455-3027	2	TIE-CABLE						
	9	1	211-9032	2	WASHER-HARD (8.8X13X2-MM THK)						
	10	1	219-6331	4	ELBOW AS						
					(EACH INCLUDES)						
		1	2M-9780	2	SEAL-O-RING						
		1	210-0066	1	ELBOW						
	11	1	206-6410	1	CLAMP-HALF						
	12	1	298-7387	4	LOCKWASHER						
Y	13	1	226-6494	1	VALVE GP-DIVERter (QUICK COUPLER)						733
	14	1	347-1645	1	PLATE						
	15	1	343-7928	1	VALVE AS (QUICK COUPLER)						
M	16	1	3E-8006	4	BOLT (M8X1.25X130-MM)						
	17	1	492-3924	1	TUBE AS						
I	18	1	495-7600	2	HOSE AS						
	19	1	7K-1181	3	STRAP-CABLE						
	20	1	299-6644	1	PLATE						
	21	1	305-2110	1	SCREW (3/8-24X1.75-IN)						

I - REFER TO HYDRAULIC INFORMATION SYSTEM
M - METRIC PART
Y - SEPARATE ILLUSTRATION

HYDRAULIC SYSTEM

495-7652 LINES GP-COUPLER (contd.)

106591318



GRAPHIC #1

<END>

VIEW OF AREA A

g06093883

HYDRAULIC SYSTEM

235-2663 LINES GP-HYDRAULIC-ROTATING CARRIAGE

S/N: TD61-UP; TD71-UP

PART OF 227-5748, 231-3229 CARRIAGE GP-ROTATING
AN ATTACHMENT

SMCS-5057

i01906819

NOTE	REF NO	GRAPHIC REF	PART NUMBER	QTY	PART NAME						SEE PAGE
					1	2	3	4	5	6 (PRODUCT LEVEL)	
	1	1	153-2994	1	COUPLING (FEMALE)						
	2	1	153-2995	1	COUPLING (MALE)						
I	3	1	234-1457	2	HOSE AS						
	4	1	<i>148-8319</i>	2	CONNECTOR AS						
					(EACH INCLUDES)						
		1	2M-9780	1	SEAL-O-RING						
		1	6V-8397	1	SEAL-O-RING						
		1	6V-8715	1	CONNECTOR						
	5	1	<i>156-3691</i>	2	ADAPTER AS						
					(EACH INCLUDES)						
		1	3J-1907	1	SEAL-O-RING						
		1	4J-5477	1	SEAL-O-RING						
		1	081-6352	1	ADAPTER						
	6	1	8T-4121	4	WASHER-HARD (11X21X2.5-MM THK)						
M	7	1	8T-4133	2	NUT (M10X1.5-THD)						
M	8	1	8T-4186	2	BOLT (M10X1.5X40-MM)						
	9	1	9R-1004	4	CLIP (TAB)						
	10	1	9R-1005	4	CLIP (SLOT)						

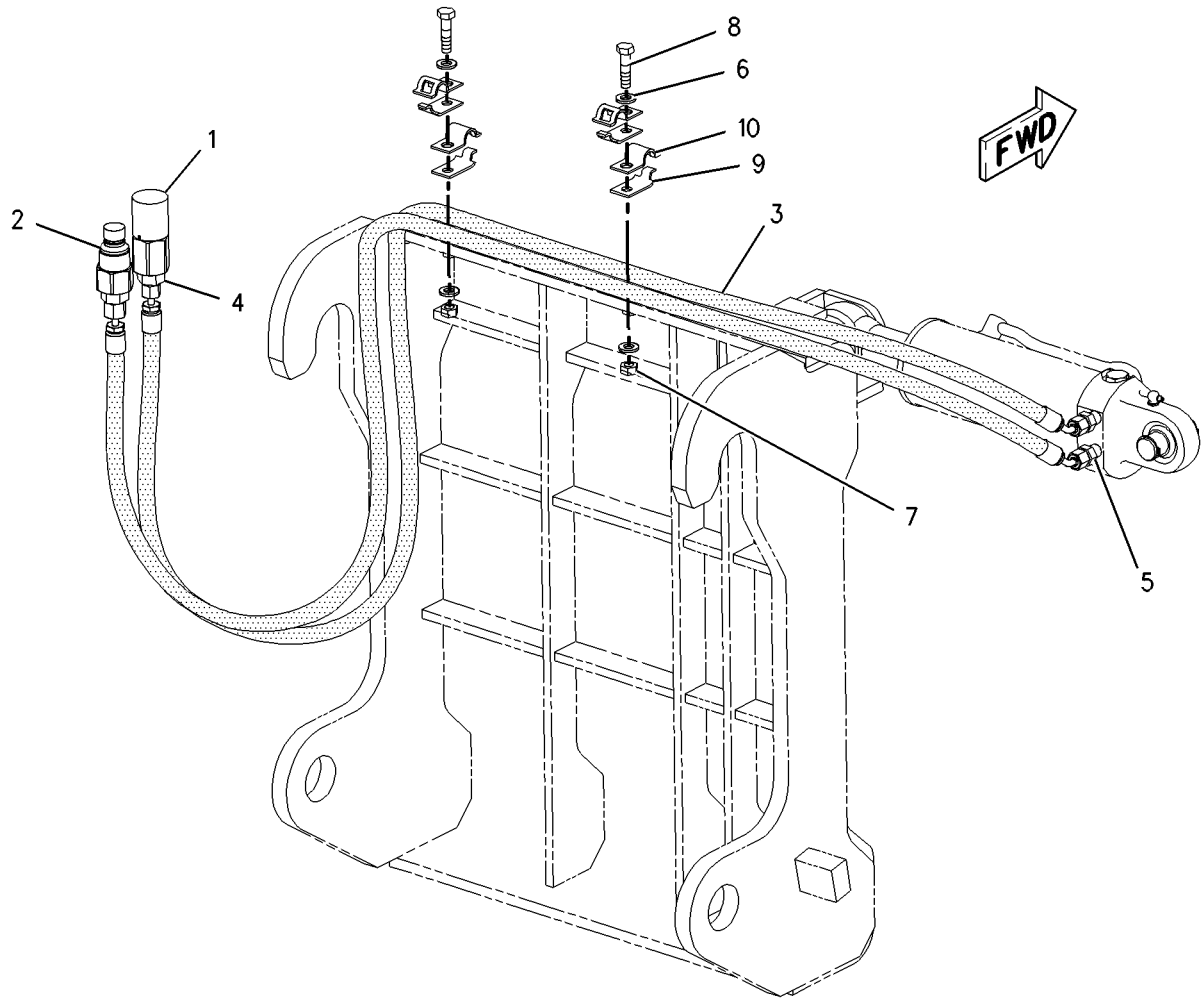
I - REFER TO HYDRAULIC INFORMATION SYSTEM

M - METRIC PART

HYDRAULIC SYSTEM

235-2663 LINES GP-HYDRAULIC (contd.)

i01906819



GRAPHIC #1

<END>

g00993585

HYDRAULIC SYSTEM

497-9597 LINES GP-HYDRAULIC FAN

S/N: TD71-UP

PART OF 518-6040 ENGINE AR-COMPLETE
AN ATTACHMENT

SMCS-5057

i06603078

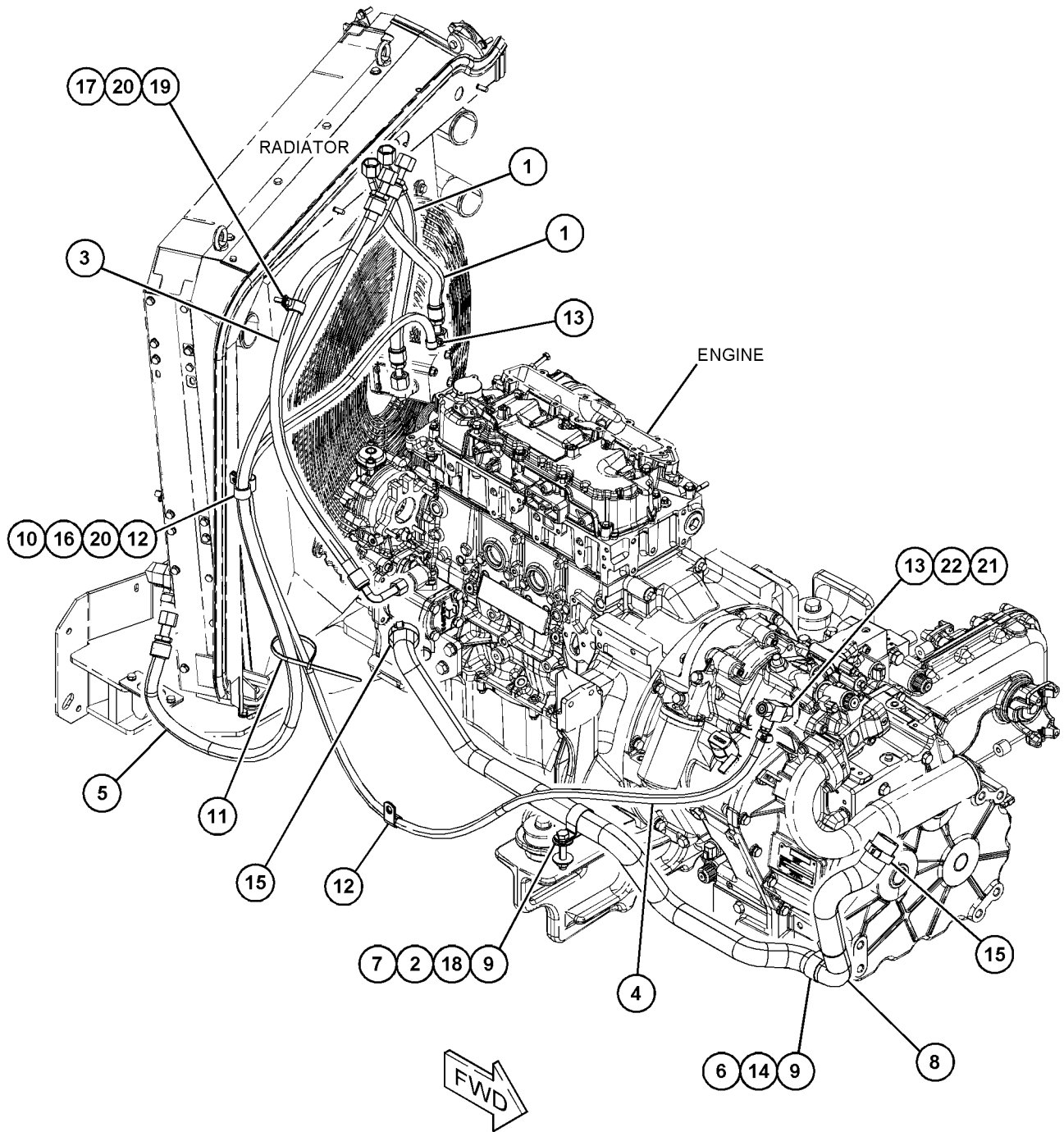
NOTE	REF NO	GRAPHIC REF	PART NUMBER	QTY	PART NAME						SEE PAGE
					1	2	3	4	5	6 (PRODUCT LEVEL)	
I	1	1	497-9821	2	HOSE AS						
	2	1	266-5360	2	WASHER (13X37X3-MM THK)						
I	3	1	497-9822	1	HOSE AS						
G	4	1	423-1982		HOSE (91.7-IN)						
I	5	1	497-9823	1	HOSE AS						
	6	1	8T-4223	1	WASHER-HARD (13.5X25.5X3-MM THK)						
M	7	1	309-9185	1	LOCKNUT (M12X1.75-THD)						
	8	1	497-9598	1	HOSE						
	9	1	298-7242	2	CLIP						
M	10	1	309-9184	1	LOCKNUT (M8X1.25-THD)						
	11	1	7K-1181	1	STRAP-CABLE						
	12	1	317-5987	2	CLIP						
	13	1	330-8103	2	CLAMP-HOSE						
M	14	1	8T-4192	1	BOLT (M12X1.75X25-MM)						
	15	1	5P-2230	2	CLAMP-HOSE						
	16	1	9X-8250	1	CLIP						
	17	1	327-5534	1	CLIP						
M	18	1	8T-4648	1	BOLT (M12X1.75X70-MM)						
M	19	1	8T-4908	1	BOLT (M8X1.25X25-MM)						
	20	1	8T-4224	1	WASHER-HARD (8.8X16X2-MM THK)						
	21	1	7X-0872	1	TEE-SWIVEL						
	22	1	474-8989	1	ADAPTER						

G - ORDER BY THE INCH
I - REFER TO HYDRAULIC INFORMATION SYSTEM
M - METRIC PART

HYDRAULIC SYSTEM

497-9597 LINES GP-HYDRAULIC FAN (contd.)

i06603078



GRAPHIC #1

<END>

g06102607

HYDRAULIC SYSTEM

497-9599 LINES GP-HYDRAULIC FAN

S/N: TD61-UP; TD71-UP

PART OF 518-5877, 518-6042 ENGINE AR-COMPLETE
AN ATTACHMENT

SMCS-5057

i06601111

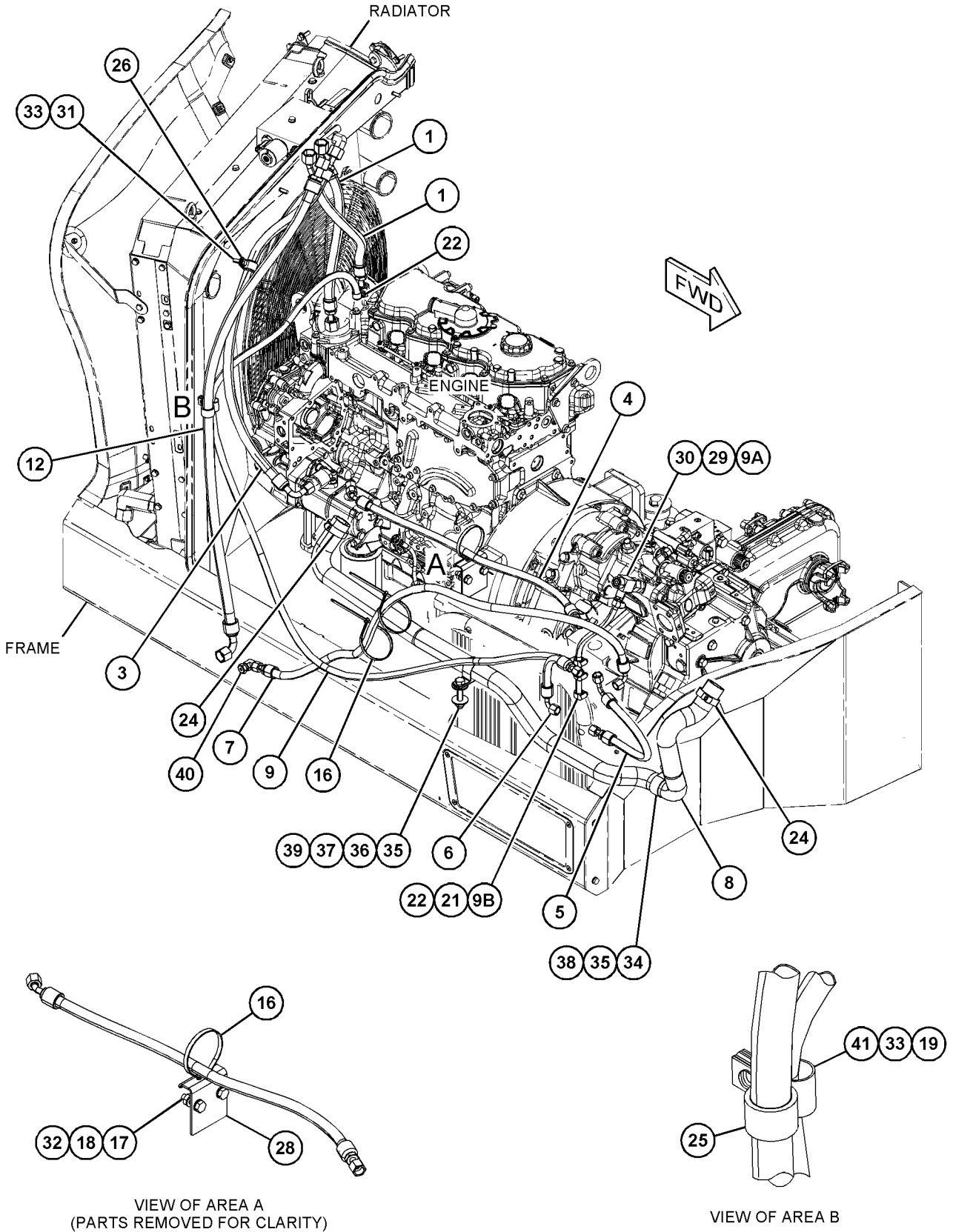
NOTE	REF NO	GRAPHIC REF	PART NUMBER	QTY	PART NAME						SEE PAGE
					1	2	3	4	5	6 (PRODUCT LEVEL)	
I	1	1	497-9821	2	HOSE AS						
I	3	1	497-9822	1	HOSE AS						
I	4	1	497-9824	1	HOSE AS						
I	5	1	497-9825	1	HOSE AS						
I	6	1	497-9826	1	HOSE AS						
I	7	1	497-9827	1	HOSE AS						
	8	1	497-9600	1	HOSE						
G	9	1	423-1982	1	HOSE (92-IN)						
G	9A	1	423-1982	1	HOSE (3-IN)						
G	9B	1	423-1982	1	HOSE (11-IN)						
I	12	1	497-9828	1	HOSE AS						
	16	1	7K-1181	3	STRAP-CABLE						
M	17	1	8T-4133	2	NUT (M10X1.5-THD)						
	18	1	8T-4121	4	WASHER-HARD (11X21X2.5-MM THK)						
	19	1	317-5987	1	CLIP						
	21	1	187-5086	1	TEE						
	22	1	330-8103	6	CLAMP-HOSE						
	24	1	5P-2230	2	CLAMP-HOSE						
	25	1	9X-8250	1	CLIP						
	26	1	327-5534	1	CLIP						
	28	1	497-9601	1	BRACKET						
	29	1	7X-0872	1	TEE-SWIVEL						
	30	1	474-8989	1	ADAPTER						
M	31	1	8T-4908	1	BOLT (M8X1.25X25-MM)						
M	32	1	8T-4196	2	BOLT (M10X1.5X35-MM)						
	33	1	8T-4224	2	WASHER-HARD (8.8X16X2-MM THK)						
M	34	1	8T-4139	1	BOLT (M12X1.75X30-MM)						
	35	1	298-7242	2	CLIP						
M	36	1	8T-4648	1	BOLT (M12X1.75X70-MM)						
	37	1	266-5360	2	WASHER (13X37X3-MM THK)						
	38	1	8T-4223	1	WASHER-HARD (13.5X25.5X3-MM THK)						
M	39	1	309-9185	1	LOCKNUT (M12X1.75-THD)						
	40	1	298-0507	1	ADAPTER-SWIVEL						
M	41	1	309-9184	1	LOCKNUT (M8X1.25-THD)						

G - ORDER BY THE INCH
I - REFER TO HYDRAULIC INFORMATION SYSTEM
M - METRIC PART

HYDRAULIC SYSTEM

497-9599 LINES GP-HYDRAULIC FAN (contd.)

i06601111



GRAPHIC #1

<END>

g06048825

HYDRAULIC SYSTEM

515-9554 LINES GP-HYDRAULIC OIL COOLER

S/N: TD71-UP

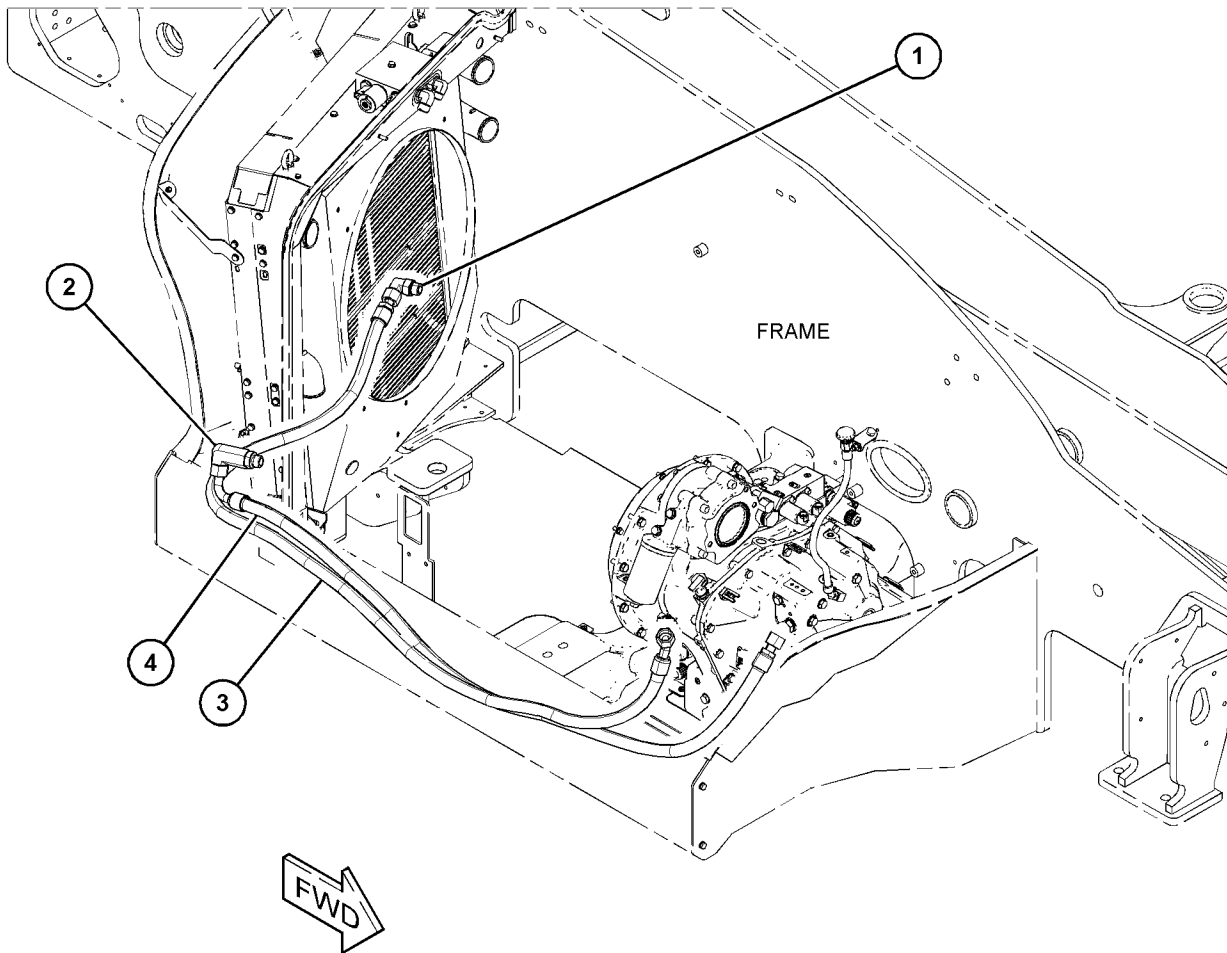
PART OF 518-6040 ENGINE AR-COMplete
AN ATTACHMENT

SMCS-1374, 5057

i06893854

NOTE	REF NO	GRAPHIC REF	PART NUMBER	QTY	PART NAME						SEE PAGE
					1	2	3	4	5	6 (PRODUCT LEVEL)	
	1	1	298-0476	1	FITTING-ADAPTER						
	2	1	298-0491	1	FITTING						
I	3	1	499-4258	1	HOSE AS						
I	4	1	499-4260	1	HOSE AS						

I - REFER TO HYDRAULIC INFORMATION SYSTEM



GRAPHIC #1

<END>

g06163501

HYDRAULIC SYSTEM

497-9608 LINES GP-LIFT CYLINDER

S/N: TD61-UP; TD71-UP

AN ATTACHMENT

SMCS-5057, 5102, 5303

i06897802

NOTE	REF NO	GRAPHIC REF	PART NUMBER	QTY	PART NAME						SEE PAGE
					1	2	3	4	5	6 (PRODUCT LEVEL)	
M	1	1	3E-8025	4	BOLT-SOCKET HEAD (M8X1.25X50-MM)						
	2	1	300-6096	1	FITTING						
	3	1	298-0476	1	FITTING-ADAPTER						
	4	1	8T-4224	5	WASHER-HARD (8.8X16X2-MM THK)						
	5	1	492-4896	1	VALVE GP-COUNTERBALANCE (TELESCOPING)						
I	6	1	497-9829	1	HOSE AS						
I	7	1	497-9830	1	HOSE AS						
M	8	1	8T-4189	1	BOLT (M8X1.25X20-MM)						
M	9	1	328-9688	1	SCREW (M10X1.5X14-MM)						
	10	1	7K-1181	2	STRAP-CABLE						
M	11	1	136-4184	2	BOLT-SOCKET HEAD (M8X1.25X40-MM)						
	12	1	8T-4121	1	WASHER-HARD (11X21X2.5-MM THK)						
	13	1	492-4851	1	CLAMP						
	14	1	4D-7388	1	CLIP (LOOP)						
	15	1	492-4927	2	CLIP						
	16	1	492-4858	1	BRACKET AS						
	17	1	497-9609	1	TUBE AS						
	18	1	497-9610	1	TUBE AS						
	19	1	497-9611	1	BRACKET AS						
	20	1	6V-9746	1	SEAL-O-RING						
	21	1	7J-9108	1	SEAL-O-RING						
	22	1	340-4934	1	CLIP						

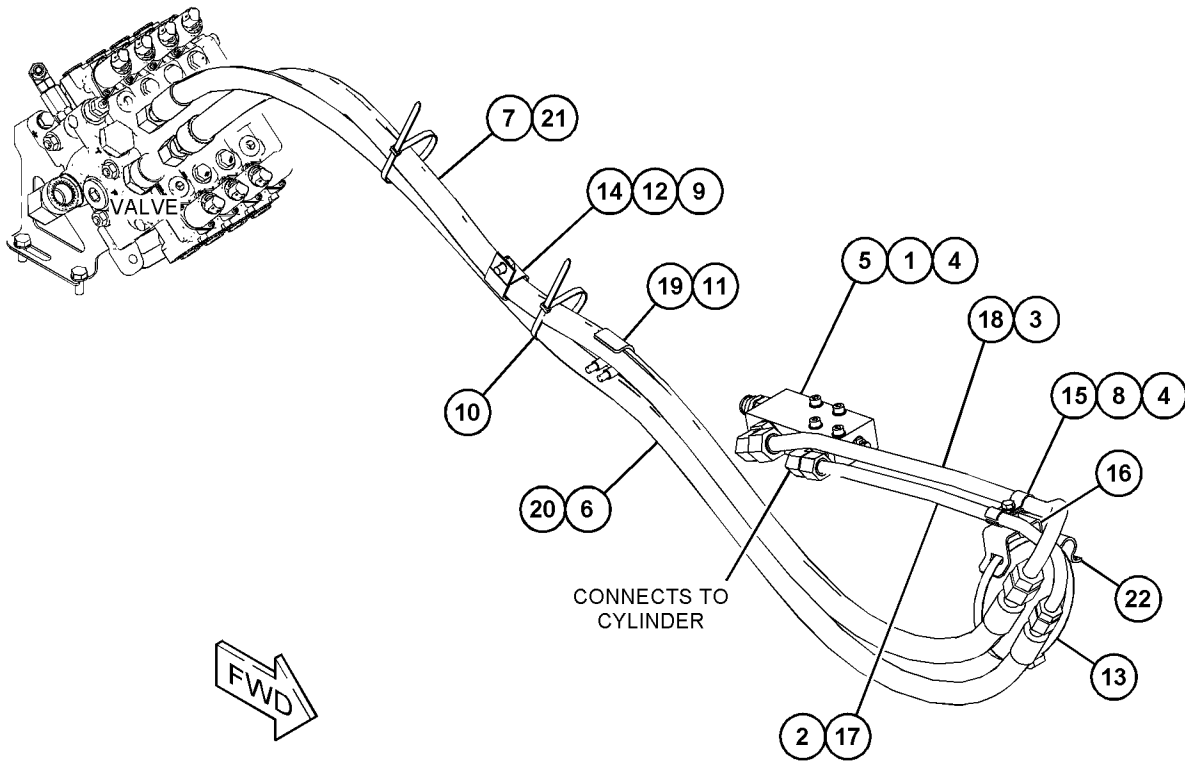
I - REFER TO HYDRAULIC INFORMATION SYSTEM

M - METRIC PART

HYDRAULIC SYSTEM

497-9608 LINES GP-LIFT CYLINDER (contd.)

i06897802



GRAPHIC #1

<END>

g06166108

HYDRAULIC SYSTEM

497-9612 LINES GP-LIFT CYLINDER-RIDE CONTROL

S/N: TD61-UP; TD71-UP

AN ATTACHMENT

SMCS-5057, 5102, 5303

i06907158

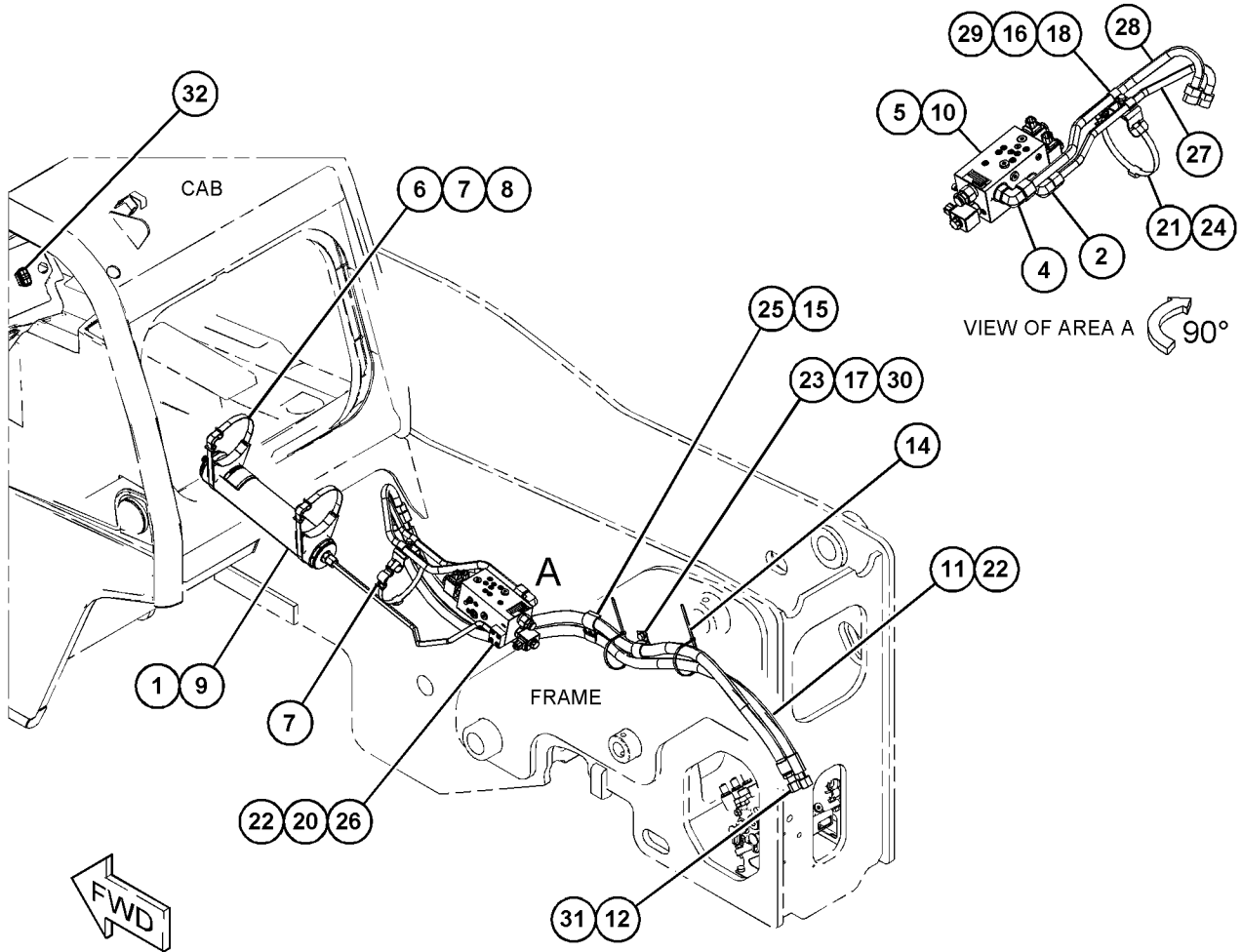
NOTE	REF NO	GRAPHIC REF	PART NUMBER	QTY	PART NAME						SEE PAGE
					1	2	3	4	5	6 (PRODUCT LEVEL)	
	1	1	523-5678	1	VALVE-CHECK						
	2	1	323-5622	1	ELBOW						
	4	1	298-0476	1	FITTING-ADAPTER						
M	5	1	8T-2394	4	BOLT-SOCKET HEAD (M8X1.25X90-MM)						
	6	1	340-4933	2	CLIP						
	7	1	340-4934	3	CLIP						
	8	1	506-5127	2	BUMPER						
	9	1	340-2293	1	PISTON						
HJ	10	1	523-5702	1	VALVE GP-RIDE CONTROL (BOOM FLOAT)						
		1	340-5927	3	COIL (12-VOLT)						
I	11	1	497-9829	1	HOSE AS						
I	12	1	497-9830	1	HOSE AS						
	14	1	7K-1181	2	STRAP-CABLE						
M	15	1	136-4184	2	BOLT-SOCKET HEAD (M8X1.25X40-MM)						
	16	1	8T-4224	1	WASHER-HARD (8.8X16X2-MM THK)						
	17	1	8T-4121	1	WASHER-HARD (11X21X2.5-MM THK)						
	18	1	492-4927	2	CLIP						
M	20	1	8T-1158	4	BOLT-SOCKET HEAD (M8X1.25X20-MM)						
	21	1	492-4851	1	CLAMP						
	22	1	7J-9108	2	SEAL-O-RING						
	23	1	4D-7388	1	CLIP						
	24	1	492-4858	1	BRACKET AS						
	25	1	497-9611	1	BRACKET AS						
	26	1	506-5128	1	TUBE AS						
	27	1	497-9615	1	TUBE AS						
	28	1	497-9616	1	TUBE AS						
M	29	1	8T-4189	1	BOLT (M8X1.25X20-MM)						
M	30	1	328-9688	1	SCREW (M10X1.5X14-MM)						
	31	1	6V-9746	1	SEAL-O-RING						
	32	1	506-5129	1	SWITCH AS-DISCONNECT (BOOM)						
AVAILABLE REPAIR KIT(S) :											
J			518-0703	1	KIT-SEAL						
H			518-0627	1	KIT-SEAL						
(EACH SEAL KIT INCLUDES O-RING SEALS)											

H - KIT MARKED H SERVICES PART(S) MARKED H
 I - REFER TO HYDRAULIC INFORMATION SYSTEM
 J - KIT MARKED J SERVICES PART(S) MARKED J
 M - METRIC PART

HYDRAULIC SYSTEM

497-9612 LINES GP-LIFT CYLINDER (contd.)

i06907158



GRAPHIC #1

<END>

g06165754

HYDRAULIC SYSTEM

227-6676 LINES GP-MULTIPURPOSE BUCKET

S/N: TD61-UP; TD71-UP

PART OF 163-4284 BUCKET AR-MULTIPURPOSE
AN ATTACHMENT

SMCS-5057

i01956544

NOTE	REF NO	GRAPHIC REF	PART NUMBER	QTY	PART NAME						SEE PAGE
					1	2	3	4	5	6 (PRODUCT LEVEL)	
I	1	1	227-2000	1	HOSE AS						
I	2	1	227-2001	1	HOSE AS						
I	3	1	227-2002	1	HOSE AS						
I	4	1	227-2004	1	HOSE AS						
	5	1	<i>148-8336</i>	4	CONNECTOR AS						
					(EACH INCLUDES)						
		1	3J-1907	1	SEAL-O-RING						
		1	6V-8397	1	SEAL-O-RING						
		1	6V-8636	1	CONNECTOR						
	6	1	<i>148-8338</i>	1	CONNECTOR AS						
		1	3J-1907	1	SEAL-O-RING						
		1	6V-8397	1	SEAL-O-RING						
		1	8T-0075	1	CONNECTOR						
	7	1	<i>148-8434</i>	2	TEE AS						
					(EACH INCLUDES)						
		1	6V-8397	2	SEAL-O-RING						
		1	6V-9843	1	TEE						
	8	1	<i>155-7327</i>	1	CONNECTOR AS						
		1	3J-1907	1	SEAL-O-RING						
		1	5H-8853	1	SEAL-O-RING						
		1	6V-8636	1	CONNECTOR						
	9	1	8T-1891	4	CLIP (SLOT)						
	10	1	8T-1892	4	CLIP (TAB)						
M	11	1	9X-2040	2	SCREW-TRUSS HEAD (M10X1.5X25-MM)						

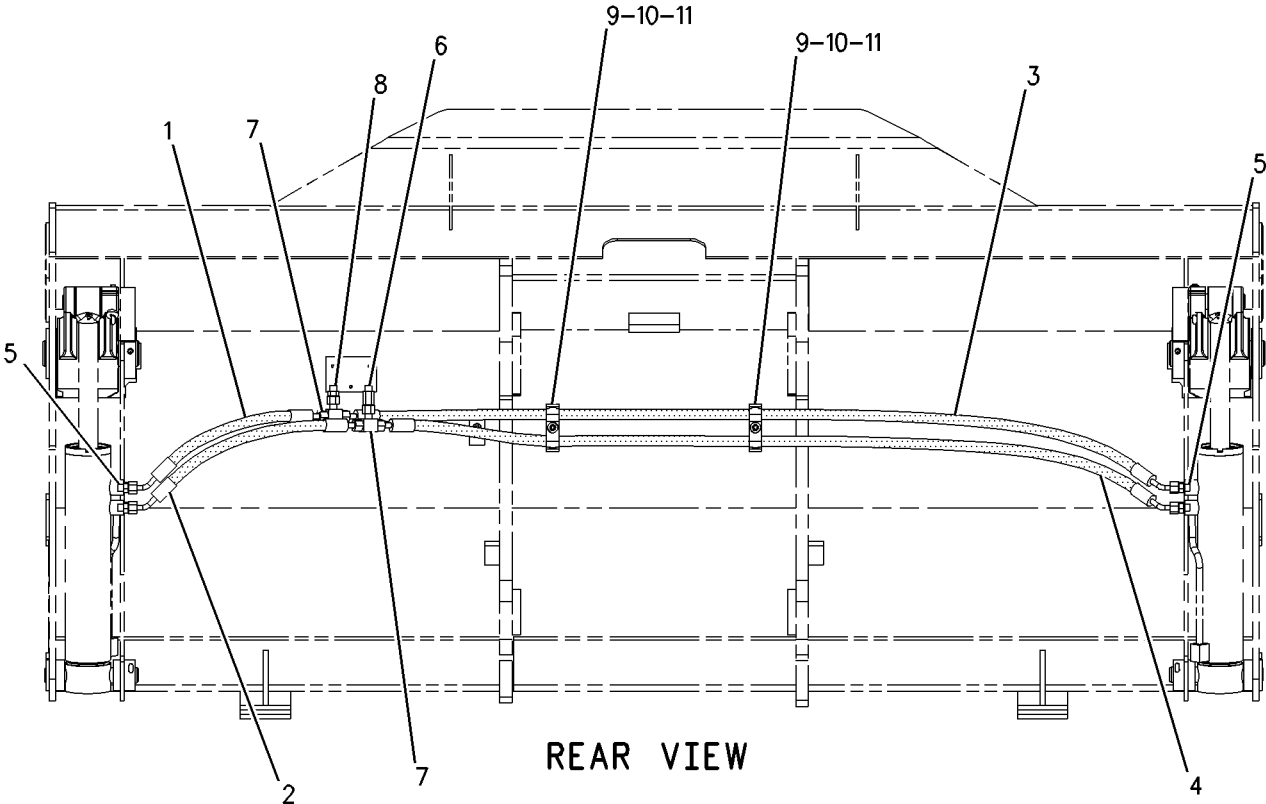
I - REFER TO HYDRAULIC INFORMATION SYSTEM

M - METRIC PART

HYDRAULIC SYSTEM

227-6676 LINES GP-MULTIPURPOSE BUCKET (contd.)

i01956544



GRAPHIC #1

<END>

g00939353

HYDRAULIC SYSTEM

502-0369 LINES GP-PUMP

S/N: TD61-UP; TD71-UP

PART OF 518-0019 HYDRAULIC AR

SMCS-5057

i06603147

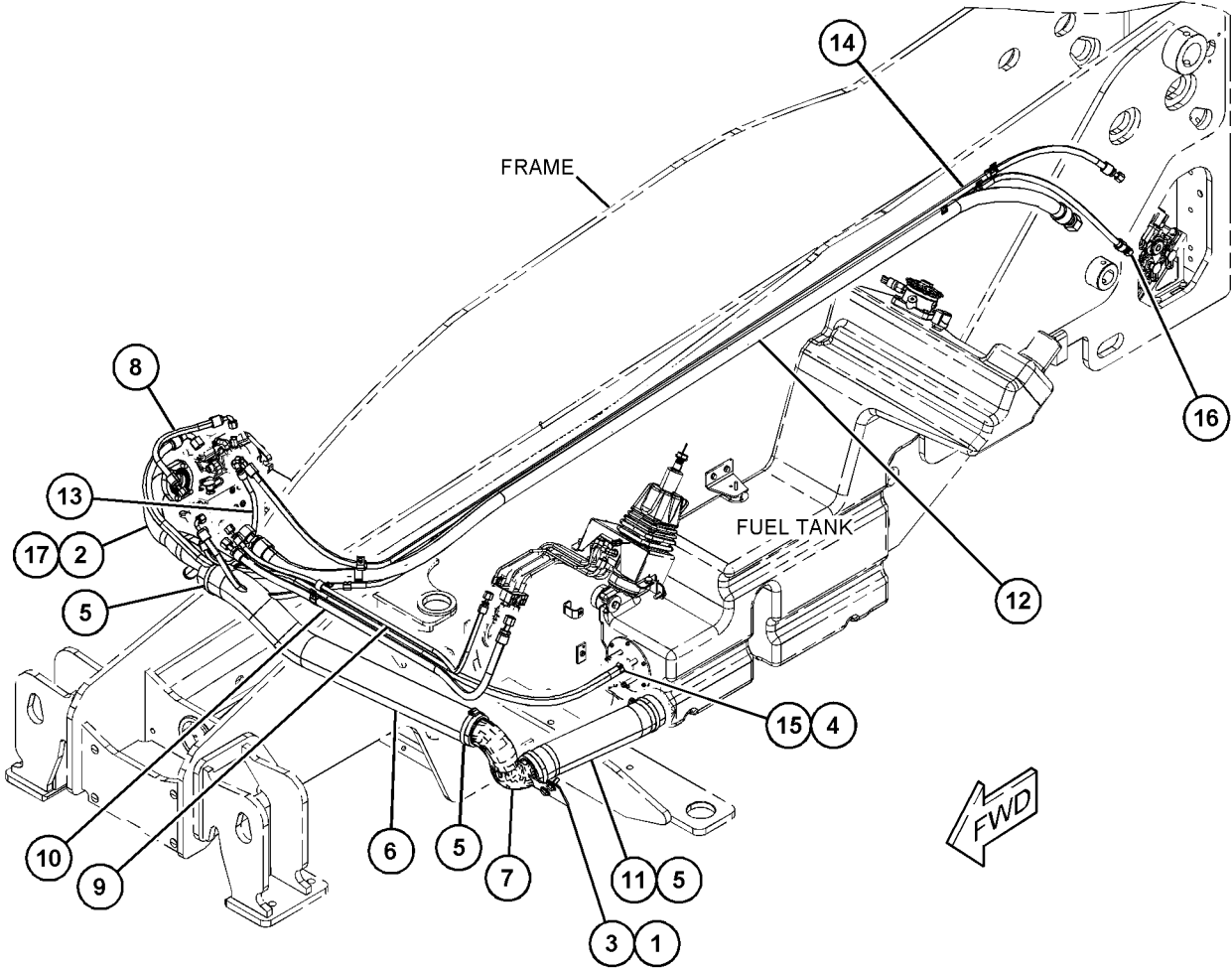
NOTE	REF NO	GRAPHIC REF	PART NUMBER	QTY	PART NAME						SEE PAGE
					1	2	3	4	5	6 (PRODUCT LEVEL)	
M	1	1	8T-4195	2	BOLT (M10X1.5X30-MM)						
	2	1	357-6217	1	KIT-FLANGE						
	3	1	116-8517	2	WASHER (10.5X30X2.5-MM THK)						
	4	1	331-3890	1	CLAMP						
	5	1	502-0379	4	CLAMP AS						
	6	1	502-0400	1	HOSE						
	7	1	502-0401	1	TUBE AS						
I	8	1	502-0301	1	HOSE AS						
I	9	1	502-0304	1	HOSE AS						
I	10	1	502-0305	1	HOSE AS						
	11	1	502-0403	1	HOSE						
I	12	1	502-0306	1	HOSE AS						
I	13	1	502-0307	1	HOSE AS						
I	14	1	502-0308	1	HOSE AS						
	15	1	502-0309	1	HOSE AS						
I	16	1	502-0311	1	HOSE AS						
	17	1	502-0375	1	TUBE AS						

I - REFER TO HYDRAULIC INFORMATION SYSTEM
M - METRIC PART

HYDRAULIC SYSTEM

502-0369 LINES GP-PUMP (contd.)

i06603147



GRAPHIC #1

<END>

g06059225

HYDRAULIC SYSTEM

495-9804 LINES GP-RETURN

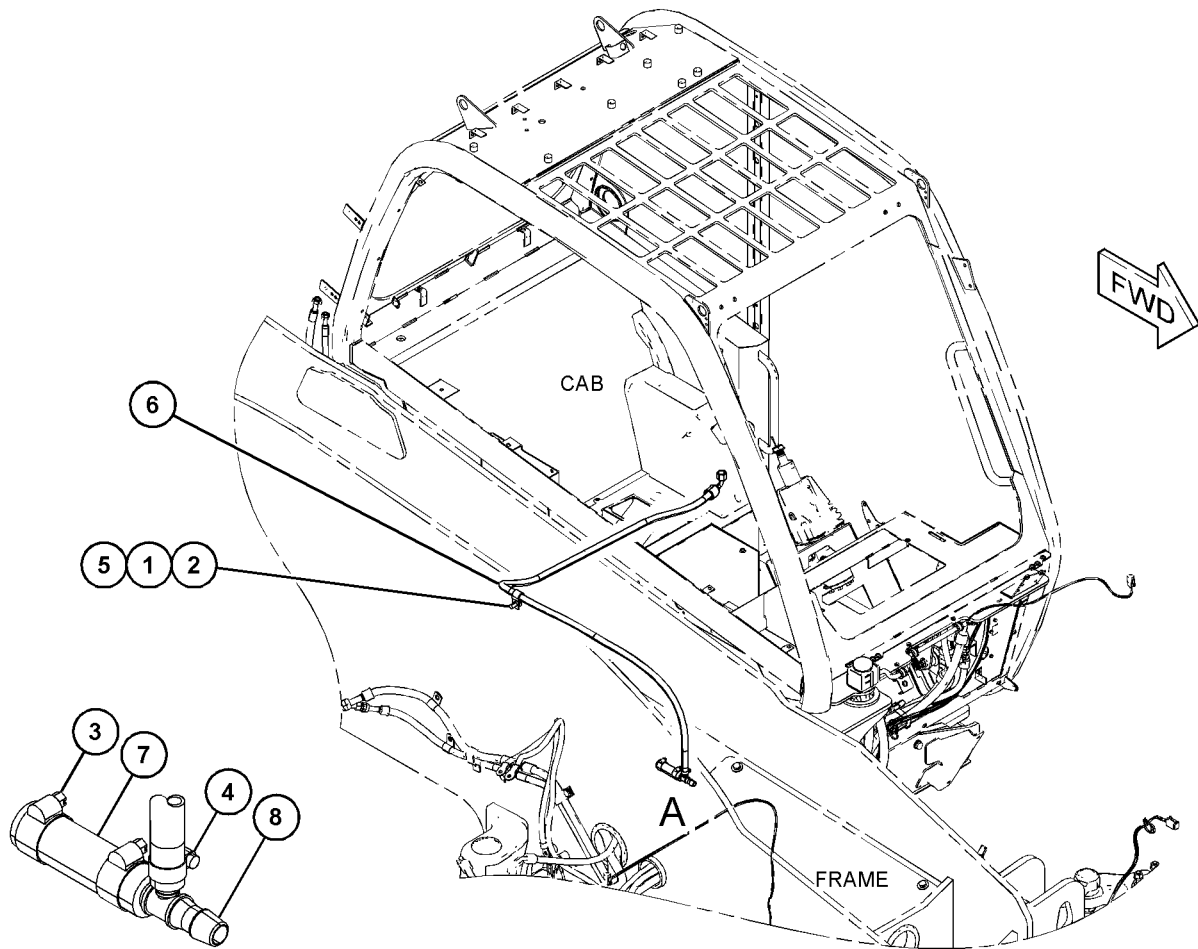
S/N: TD61-UP; TD71-UP
PART OF 517-9300 AXLE AR
AN ATTACHMENT

SMCS-5057

i06601148

NOTE	REF NO	GRAPHIC REF	PART NUMBER	QTY	PART NAME						SEE PAGE
					1	2	3	4	5	6 (PRODUCT LEVEL)	
M	1	1	8T-4137	1	BOLT (M10X1.5X20-MM)						
	2	1	8T-4121	1	WASHER-HARD (11X21X2.5-MM THK)						
	3	1	309-2982	2	CLAMP						
	4	1	1P-4278	1	CLAMP-HOSE						
	5	1	9M-8406	1	CLIP (LOOP)						
	6	1	495-9759	1	HOSE AS						
G	7	1	423-1983		HOSE (3.14-IN)						
	8	1	495-9805	1	TEE						

G - ORDER BY THE INCH
M - METRIC PART



VIEW OF AREA A

GRAPHIC #1

<END>

g06041143

HYDRAULIC SYSTEM

500-1123 LINES GP-RETURN

S/N: TD71-UP

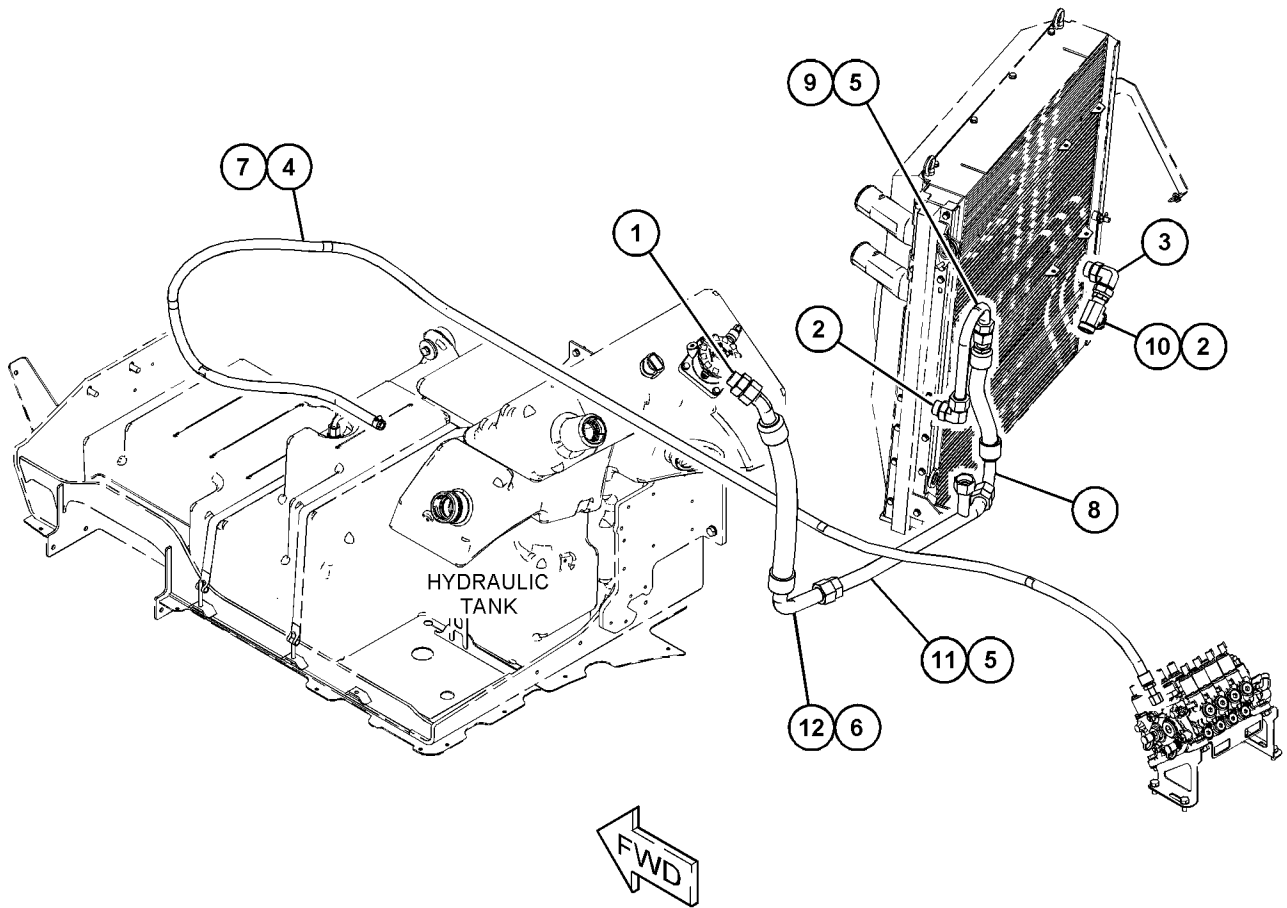
PART OF 518-5954 INSTALLATION AR-ENGINE
AN ATTACHMENT

SMCS-5057

i06603096

NOTE	REF NO	GRAPHIC REF	PART NUMBER	QTY	PART NAME						SEE PAGE
					1	2	3	4	5	6 (PRODUCT LEVEL)	
	1	1	500-2096	1	ADAPTER-O-RING						
	2	1	303-4759	2	FITTING						
	3	1	303-4762	1	FITTING						
	4	1	309-2982	1	CLAMP						
	5	1	5K-9090	2	SEAL-O-RING						
	6	1	6V-8400	1	SEAL-O-RING						
	7	1	499-7321	1	HOSE AS						
	8	1	499-7362	1	HOSE AS						
	9	1	500-1124	1	TUBE AS						
	10	1	499-0273	1	ADAPTER-REDUCER						
	11	1	499-9419	1	TUBE AS						
I	12	1	499-7358	1	HOSE AS						

I - REFER TO HYDRAULIC INFORMATION SYSTEM



GRAPHIC #1

<END>

g06052697

HYDRAULIC SYSTEM

500-1125 LINES GP-RETURN

S/N: TD71-UP

PART OF 518-5954 INSTALLATION AR-ENGINE
AN ATTACHMENT

SMCS-5057

i06603089

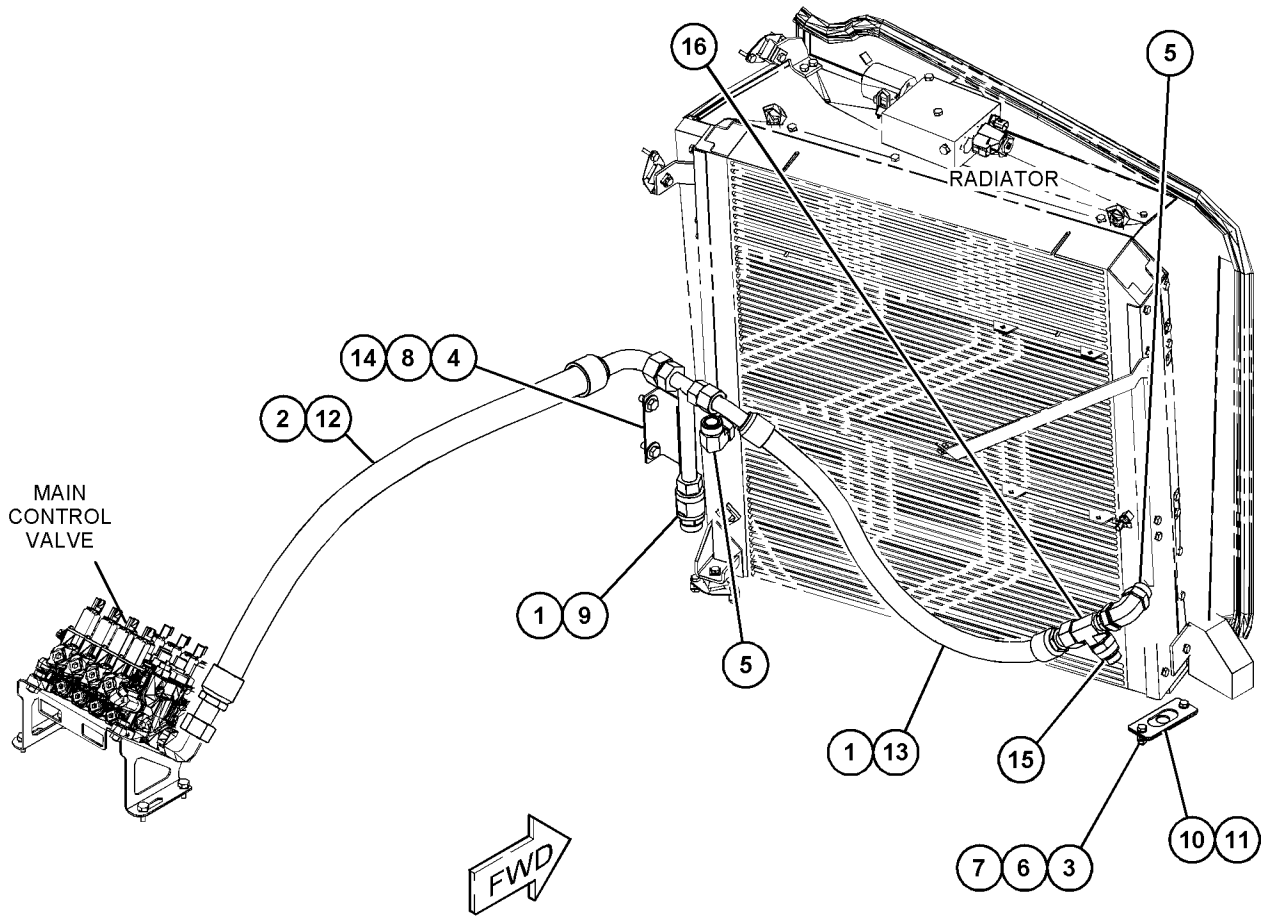
NOTE	REF NO	GRAPHIC REF	PART NUMBER	QTY	PART NAME						SEE PAGE
					1	2	3	4	5	6 (PRODUCT LEVEL)	
	1	1	5K-9090	2	SEAL-O-RING						
	2	1	6V-8400	1	SEAL-O-RING						
M	3	1	8T-7547	2	BOLT (M8X1.25X30-MM)						
M	4	1	8T-4136	2	BOLT (M10X1.5X25-MM)						
	5	1	303-4759	2	FITTING						
M	6	1	5C-7261	2	NUT (M8X1.25-THD)						
	7	1	8T-4224	4	WASHER-HARD (8.8X16X2-MM THK)						
	8	1	116-8517	2	WASHER (10.5X30X2.5-MM THK)						
	9	1	495-1408	1	VALVE AS-CHECK						
	10	1	500-1126	1	PLATE						
	11	1	500-1127	1	GASKET						
	12	1	499-7363	1	HOSE AS						
I	13	1	499-7364	1	HOSE AS						
	14	1	499-8477	1	TUBE AS						
	15	1	499-0273	1	ADAPTER-REDUCER						
	16	1	303-4762	1	FITTING						

I - REFER TO HYDRAULIC INFORMATION SYSTEM
M - METRIC PART

HYDRAULIC SYSTEM

500-1125 LINES GP-RETURN (contd.)

i06603089



GRAPHIC #1

<END>

g06045211

HYDRAULIC SYSTEM

500-3153 LINES GP-RETURN

S/N: TD61-UP; TD71-UP

PART OF 518-5880, 518-5955 INSTALLATION AR-ENGINE
AN ATTACHMENT

SMCS-5057

i06601130

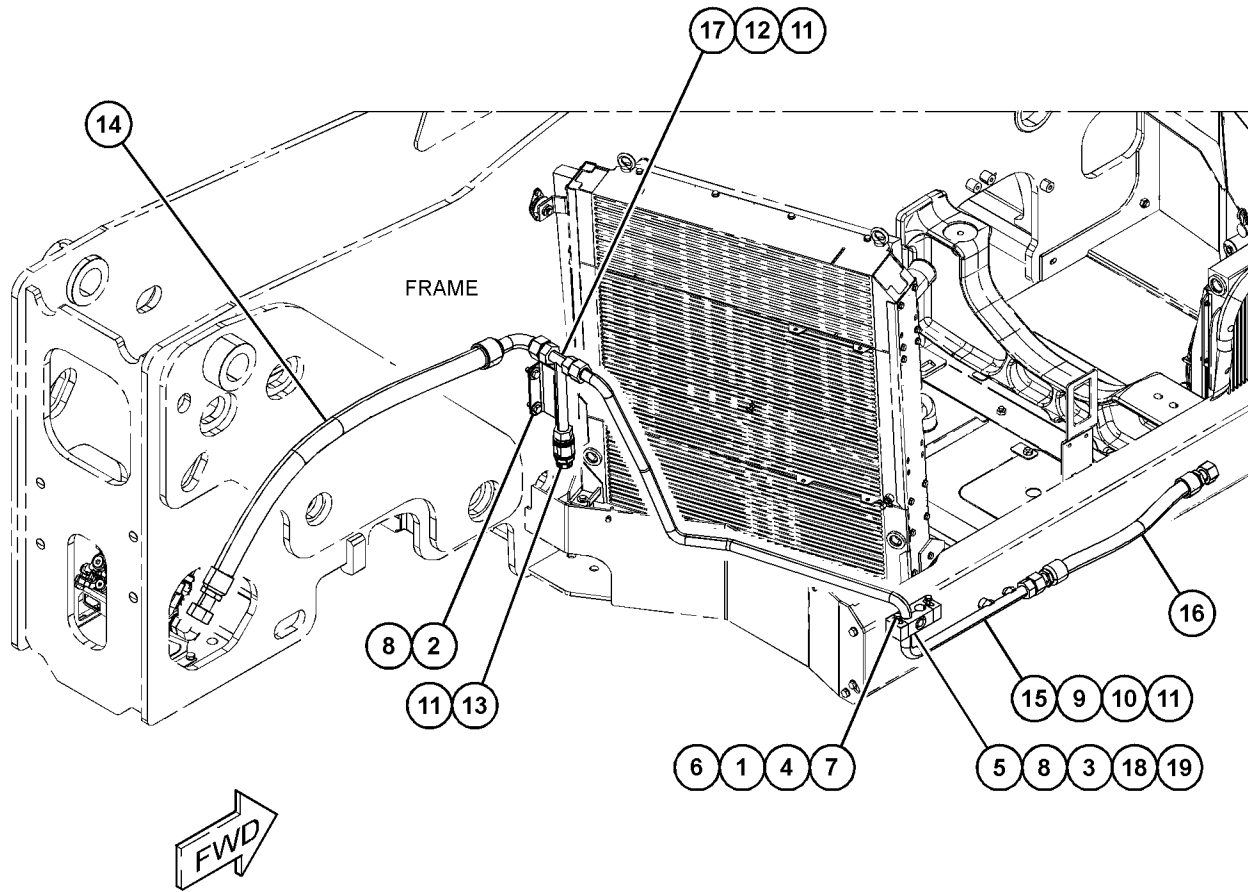
NOTE	REF NO	GRAPHIC REF	PART NUMBER	QTY	PART NAME						SEE PAGE
					1	2	3	4	5	6 (PRODUCT LEVEL)	
M	1	1	8T-6869	2	BOLT (M8X1.25X60-MM)						
M	2	1	8T-4136	2	BOLT (M10X1.5X25-MM)						
M	3	1	8T-4185	1	BOLT (M10X1.5X50-MM)						
M	4	1	5C-7261	2	NUT (M8X1.25-THD)						
M	5	1	8T-4133	1	NUT (M10X1.5-THD)						
	6	1	8T-4224	2	WASHER-HARD (8.8X16X2-MM THK)						
	7	1	309-3997	2	WASHER (8.4X25X2-MM THK)						
	8	1	116-8517	3	WASHER (10.5X30X2.5-MM THK)						
	9	1	6V-8397	1	SEAL-O-RING						
	10	1	7J-9108	1	SEAL-O-RING						
	11	1	5K-9090	3	SEAL-O-RING						
	12	1	6V-8400	1	SEAL-O-RING						
	13	1	495-1408	1	VALVE AS-CHECK						
	14	1	499-7363	1	HOSE AS						
	15	1	500-3154	1	TUBE AS						
I	16	1	500-1095	1	HOSE AS						
	17	1	499-8477	1	TUBE AS						
	18	1	500-3155	1	CLAMP-HALF						
	19	1	500-3156	1	CLAMP-HALF						

I - REFER TO HYDRAULIC INFORMATION SYSTEM
M - METRIC PART

HYDRAULIC SYSTEM

500-3153 LINES GP-RETURN (contd.)

i06601130



GRAPHIC #1

<END>

g06097367

HYDRAULIC SYSTEM

500-3157 LINES GP-RETURN

S/N: TD61-UP; TD71-UP

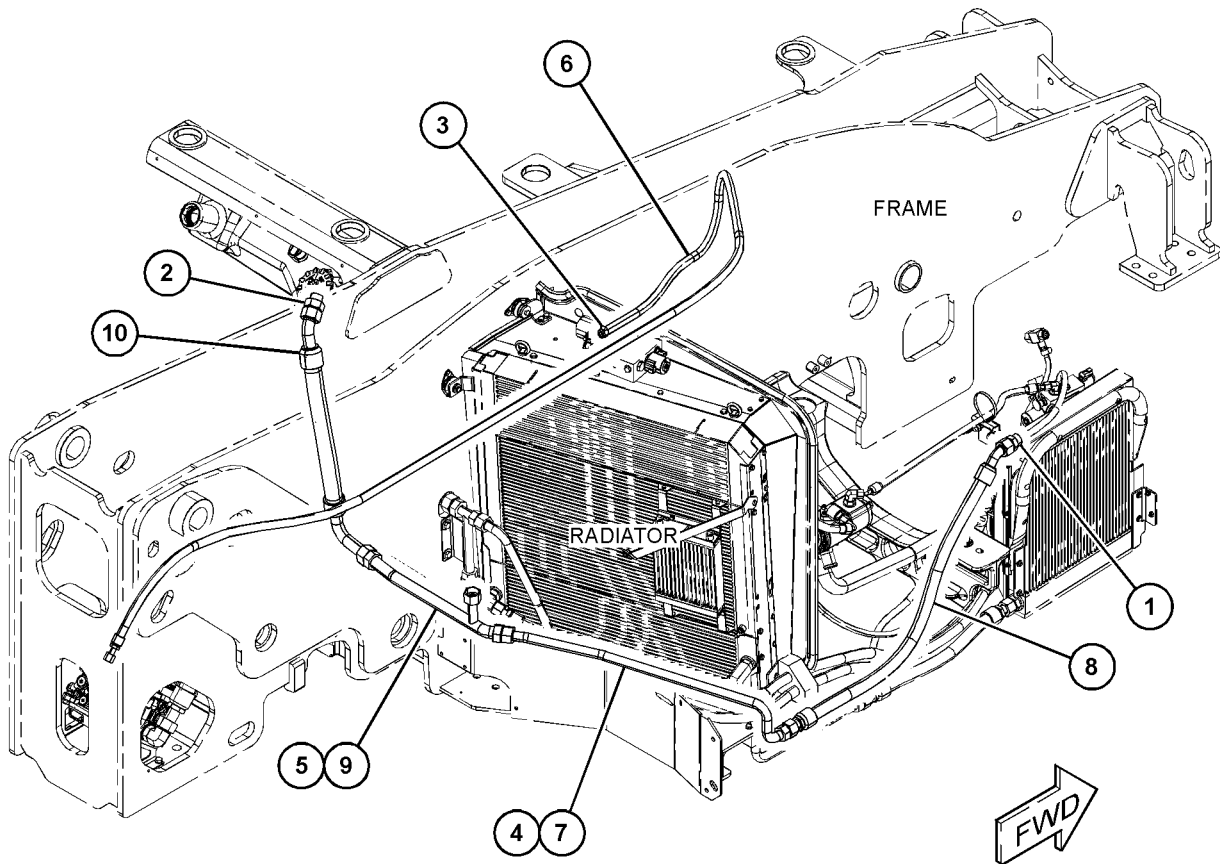
PART OF 518-5880, 518-5955 INSTALLATION AR-ENGINE
AN ATTACHMENT

SMCS-5057

i06601127

NOTE	REF NO	GRAPHIC REF	PART NUMBER	QTY	PART NAME						SEE PAGE
					1	2	3	4	5	6 (PRODUCT LEVEL)	
	1	1	298-0470	1	FITTING-ADAPTER						
	2	1	500-2096	1	ADAPTER-O-RING						
	3	1	309-2982	1	CLAMP						
	4	1	5K-9090	2	SEAL-O-RING						
	5	1	6V-8400	1	SEAL-O-RING						
	6	1	499-7321	1	HOSE AS						
	7	1	500-3158	1	TUBE AS						
I	8	1	500-1096	1	HOSE AS						
	9	1	499-9419	1	TUBE AS						
I	10	1	499-7358	1	HOSE AS						

I - REFER TO HYDRAULIC INFORMATION SYSTEM



GRAPHIC #1

<END>

g06040797

HYDRAULIC SYSTEM

501-2452 LINES GP-TRAILER

S/N: TD61-UP

PART OF 506-7651 BRAKE AR-TRAILER, 506-7655 TRAILER AR
AN ATTACHMENT

SMCS-5057

i06613295

NOTE	REF NO	GRAPHIC REF	PART NUMBER	QTY	PART NAME						SEE PAGE
					1	2	3	4	5	6 (PRODUCT LEVEL)	
M	1	1	7X-0818	1	BOLT (M8X1.25X45-MM)						
M	2	1	501-2453	1	BOLT (M10X1.5X22-MM)						
M	3	1	8T-4136	1	BOLT (M10X1.5X25-MM)						
M	4	1	8T-4195	3	BOLT (M10X1.5X30-MM)						
	5	1	7K-1181	1	STRAP-CABLE						
	6	1	309-6355	1	TEE						
	7	1	298-0496	1	FITTING-ADAPTER						
M	8	1	8T-4133	2	NUT (M10X1.5-THD)						
	9	1	309-3997	1	WASHER (8.4X25X2-MM THK)						
	10	1	8T-4121	4	WASHER-HARD (11X21X2.5-MM THK)						
	11	1	5K-8451	1	CLIP						
	12	1	9X-8250	1	CLIP						
	13	1	501-2454	1	PLATE-CLAMP						
I	14	1	501-0767	1	HOSE AS						
I	15	1	501-0768	1	HOSE AS						
I	16	1	501-0769	1	HOSE AS						
	17	1	501-2455	1	TUBE AS						
I	18	1	501-0770	1	HOSE AS						
I	19	1	501-0771	1	HOSE AS						

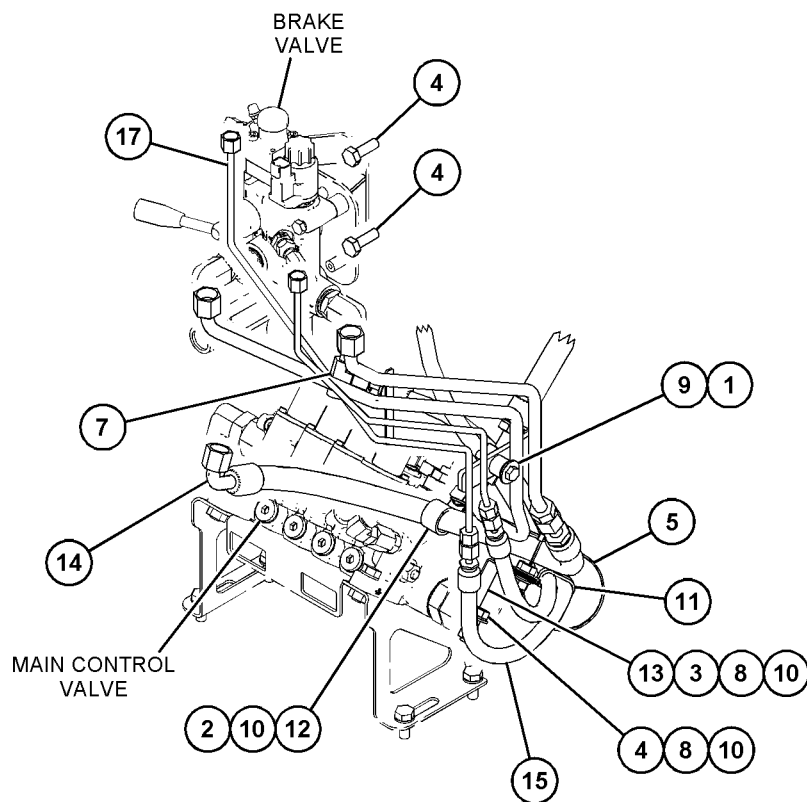
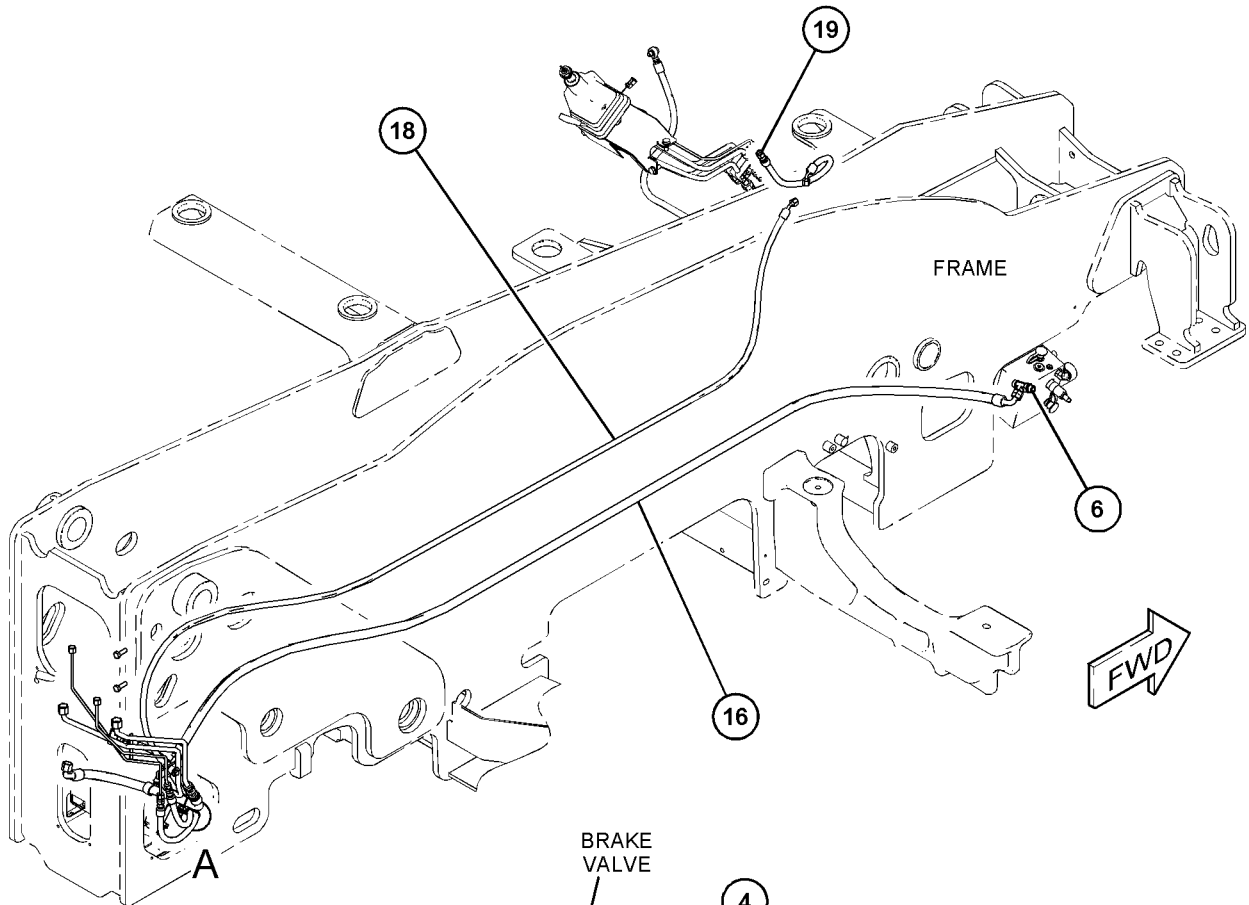
I - REFER TO HYDRAULIC INFORMATION SYSTEM

M - METRIC PART

HYDRAULIC SYSTEM

501-2452 LINES GP-TRAILER (contd.)

106613295



GRAPHIC #1

VIEW OF AREA A
<END>

g06140434

HYDRAULIC SYSTEM

501-7468 LINES GP-TRAILER

S/N: TD61-UP; TD71-UP

PART OF 506-7649, 506-7652 BRAKE AR-TRAILER
AN ATTACHMENT

SMCS-5057

i06613303

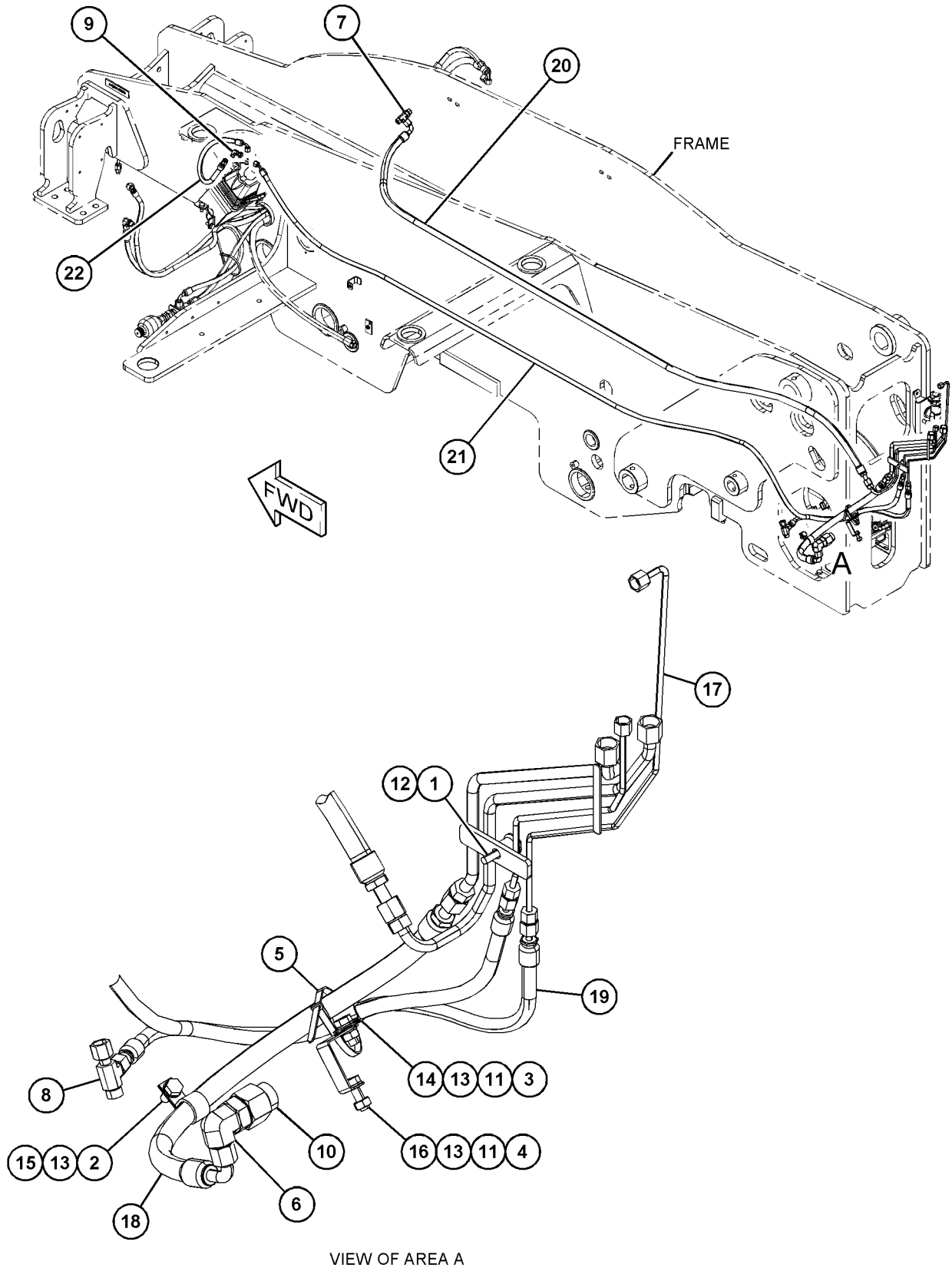
NOTE	REF NO	GRAPHIC REF	PART NUMBER	QTY	PART NAME						SEE PAGE
					1	2	3	4	5	6 (PRODUCT LEVEL)	
M	1	1	7X-0818	1	BOLT (M8X1.25X45-MM)						
M	2	1	501-2453	1	BOLT (M10X1.5X22-MM)						
M	3	1	8T-4136	1	BOLT (M10X1.5X25-MM)						
M	4	1	8T-4195	1	BOLT (M10X1.5X30-MM)						
	5	1	7K-1181	1	STRAP-CABLE						
	6	1	303-4756	1	FITTING						
	7	1	309-6355	1	TEE						
	8	1	298-0496	1	FITTING-ADAPTER						
	9	1	328-9691	1	ELBOW						
	10	1	501-2457	1	ADAPTER-STR						
M	11	1	8T-4133	2	NUT (M10X1.5-THD)						
	12	1	309-3997	1	WASHER (8.4X25X2-MM THK)						
	13	1	8T-4121	4	WASHER-HARD (11X21X2.5-MM THK)						
	14	1	5K-8451	1	CLIP						
	15	1	9X-8250	1	CLIP						
	16	1	501-2454	1	PLATE-CLAMP						
	17	1	501-7469	1	TUBE AS						
I	18	1	501-0767	1	HOSE AS						
I	19	1	501-0768	1	HOSE AS						
I	20	1	501-0769	1	HOSE AS						
I	21	1	501-0770	1	HOSE AS						
I	22	1	501-0771	1	HOSE AS						

I - REFER TO HYDRAULIC INFORMATION SYSTEM
M - METRIC PART

HYDRAULIC SYSTEM

501-7468 LINES GP-TRAILER (contd.)

106613303



GRAPHIC #1

<END>

g06093922

HYDRAULIC SYSTEM

464-3548 MANIFOLD GP-CONTROL

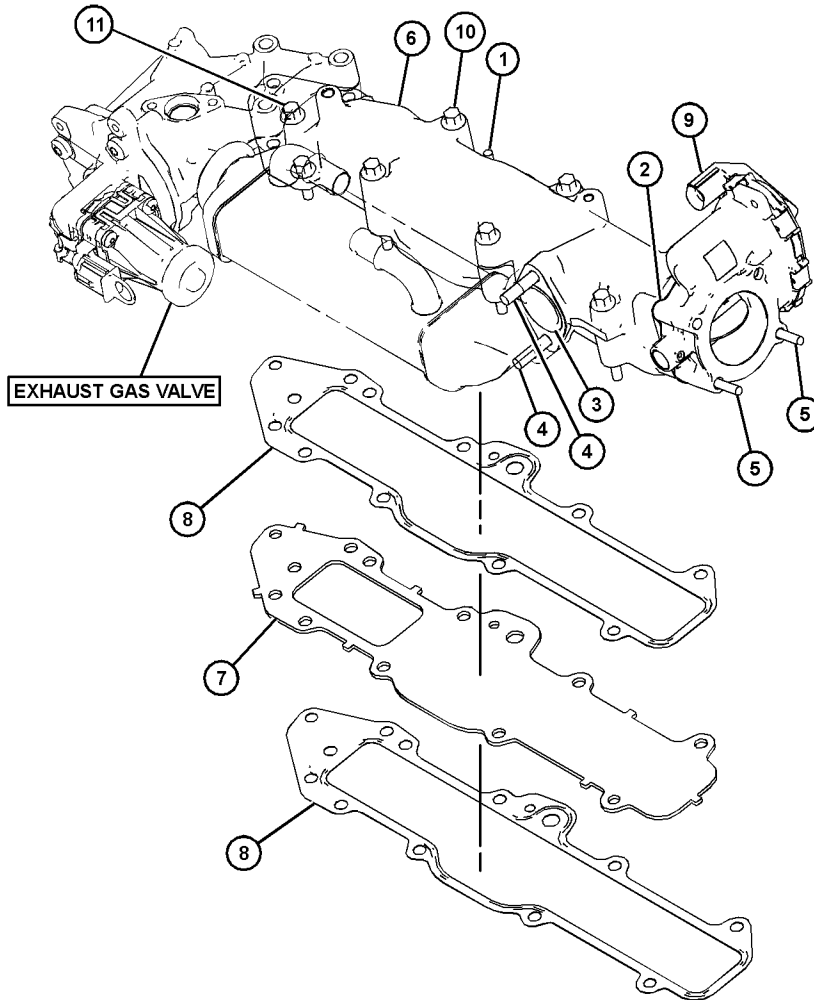
S/N: CJ41-UP

PART OF 441-9792 TURBOCHARGER GP

SMCS-3206, 5051, 5264, 5479

i06937935

NOTE	REF NO	GRAPHIC REF	PART NUMBER	QTY	PART NAME						SEE PAGE
					1	2	3	4	5	6 (PRODUCT LEVEL)	
	1	1	331-6839	1	STUD (M6X1X29-MM)						
	2	1	386-2783	1	GASKET						
	3	1	386-2911	1	PIPE						
	4	1	390-0316	2	STUD						
	5	1	393-7228	2	STUD						
	6	1	464-9128	1	MANIFOLD AS						
	7	1	464-9136	1	SPACER						
	8	1	464-9137	2	GASKET						
	9	1	504-8890	1	HOUSING AS						
	10	1	464-9140	6	BOLT						
	11	1	465-1167	3	BOLT						



GRAPHIC #1

<END>

g03836460

HYDRAULIC SYSTEM

499-4942 MOTOR & MTG GP-HYDRAULIC FAN

S/N: TD61-UP; TD71-UP

PART OF 499-4950 COOLER GP-HYDRAULIC OIL

AN ATTACHMENT

SMCS-1386, 5061

i06601117

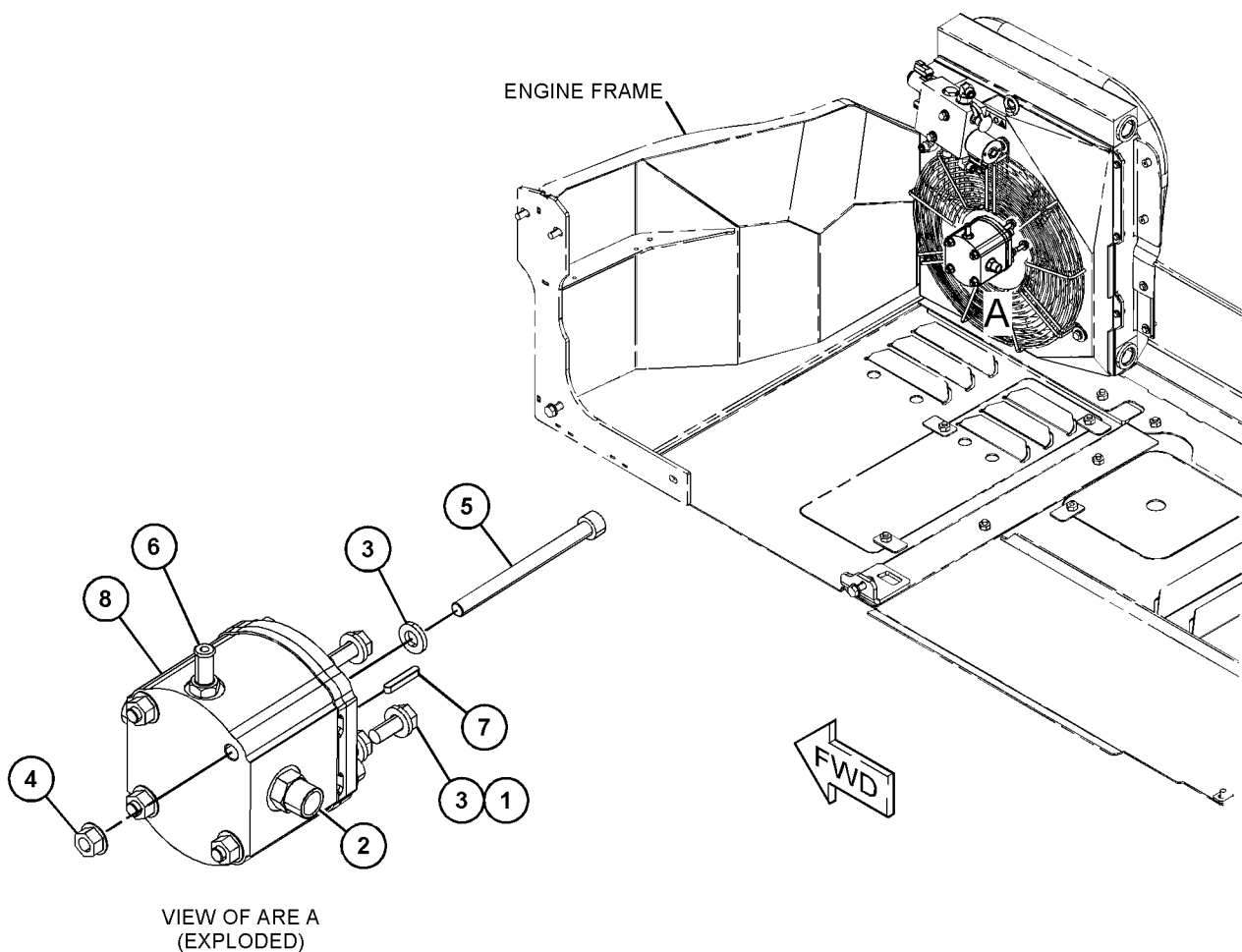
NOTE	REF NO	GRAPHIC REF	PART NUMBER	QTY	PART NAME						SEE PAGE
					1	2	3	4	5	6 (PRODUCT LEVEL)	
M	1	1	8T-4189	4	BOLT (M8X1.25X20-MM)						
	2	1	298-7358	2	FITTING-ADAPTER						
	3	1	5M-2894	8	WASHER-HARD (10.2X18.5X2.5-MM THK)						
	4	1	495-7633	4	NUT-HEX FLANGE						
M	5	1	8T-4776	4	BOLT-SOCKET HEAD (M8X1.25X100-MM)						
	6	1	316-1999	1	ADAPTER						
	7	1	450-4786	1	KEY						
J	8	1	499-4943	1	MOTOR GP-FAN						

AVAILABLE REPAIR KIT(S) :

J			477-0901	1	KIT-SEAL (INCLUDES BEARINGS, O-RING, SEALS & BACK UP RING)					
---	--	--	-----------------	---	---	--	--	--	--	--

J - KIT MARKED J SERVICES PART(S) MARKED J

M - METRIC PART



GRAPHIC #1

<END>

g06049288

HYDRAULIC SYSTEM

9R-4668 MOUNTING GP-CYLINDER-MULTIPURPOSE BUCKET

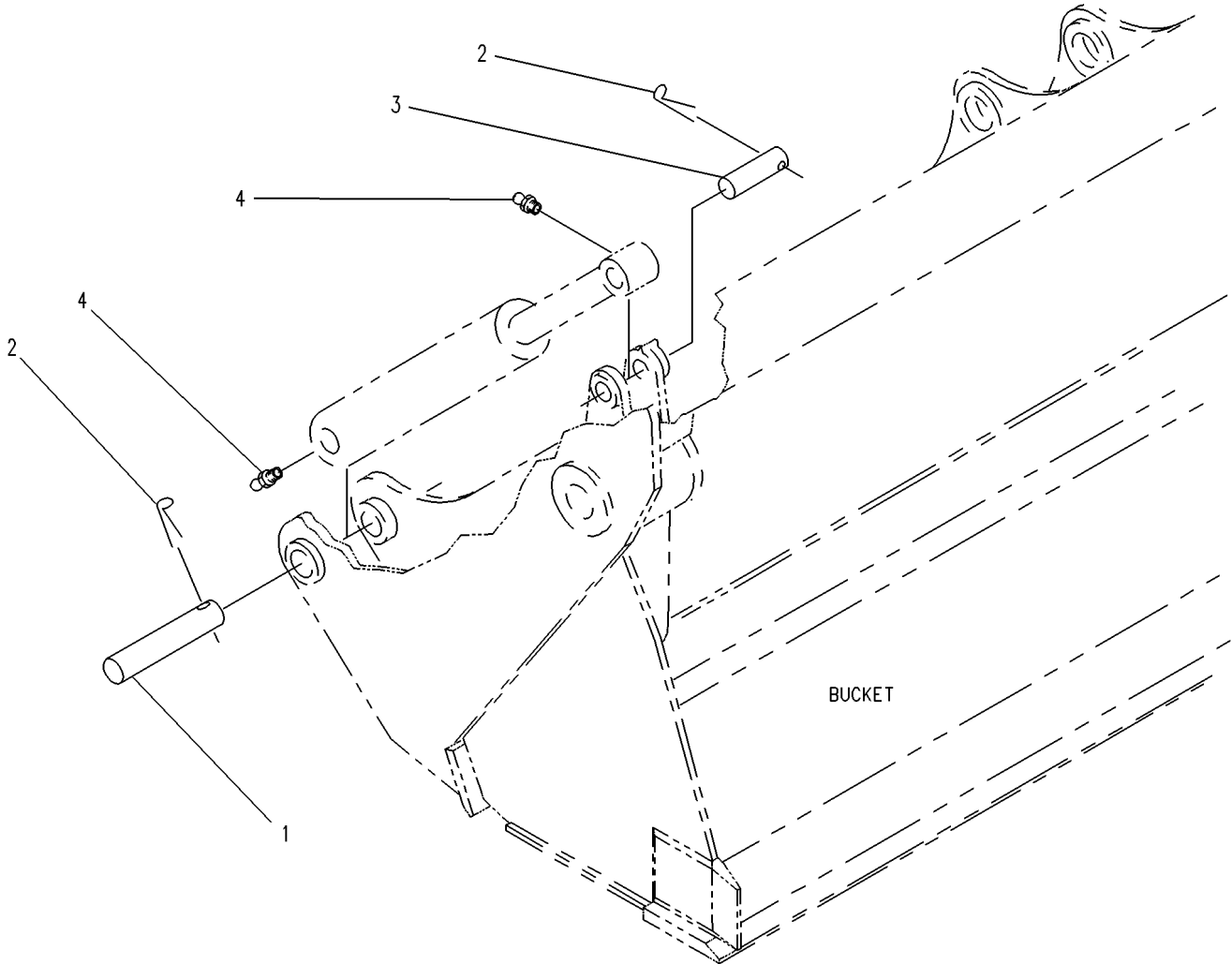
S/N: TD61-UP; TD71-UP

PART OF 163-4284 BUCKET AR-MULTIPURPOSE
AN ATTACHMENT

SMCS-5498, 7562

i00528574

NOTE	REF NO	GRAPHIC REF	PART NUMBER	QTY	PART NAME						SEE PAGE
					1	2	3	4	5	6	
1	1	1	9R-4677	2	PIN						
2	1	1	3B-5317	4	PIN-COTTER						
3	1	1	9R-4678	2	PIN						
4	1	1	3B-8489	4	FITTING-GREASE (1/8-27 PTF)						



GRAPHIC #1

<END>

g00219196

HYDRAULIC SYSTEM

495-8985 PUMP & MOUNTING GP

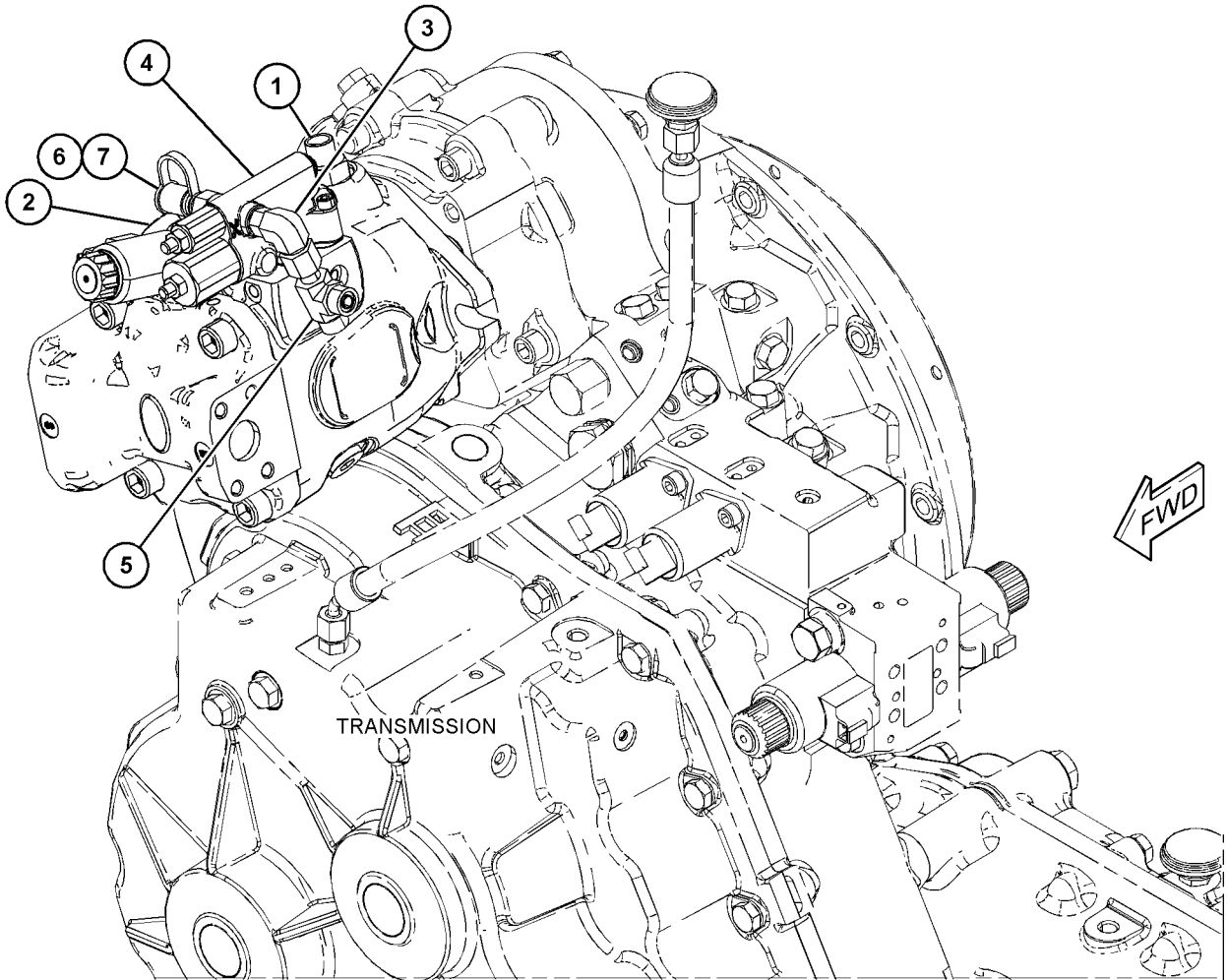
S/N: TD61-UP; TD71-UP

PART OF 495-8986 PUMP & MTG GP-HYDRAULIC

SMCS-5057, 5070, 5073, 5084

i06603156

NOTE	REF NO	GRAPHIC REF	PART NUMBER	QTY	PART NAME						SEE PAGE
					1	2	3	4	5	6 (PRODUCT LEVEL)	
	1	1	330-8325	1	ADAPTER						
	2	1	298-0466	1	FITTING-ADAPTER						
	3	1	463-5618	1	ADAPTER-ELBOW						
	4	1	495-8984	1	PUMP GP-PISTON (HYDRAULIC)						
	5	1	298-0496	1	FITTING-ADAPTER						
	6	1	417-2855	1	PLUG-DUST						
	7	1	312-3348	1	FITTING						



GRAPHIC #1

<END>

g06049051

HYDRAULIC SYSTEM

495-8986 PUMP & MTG GP-HYDRAULIC

S/N: TD61-UP; TD71-UP
PART OF 518-0019 HYDRAULIC AR

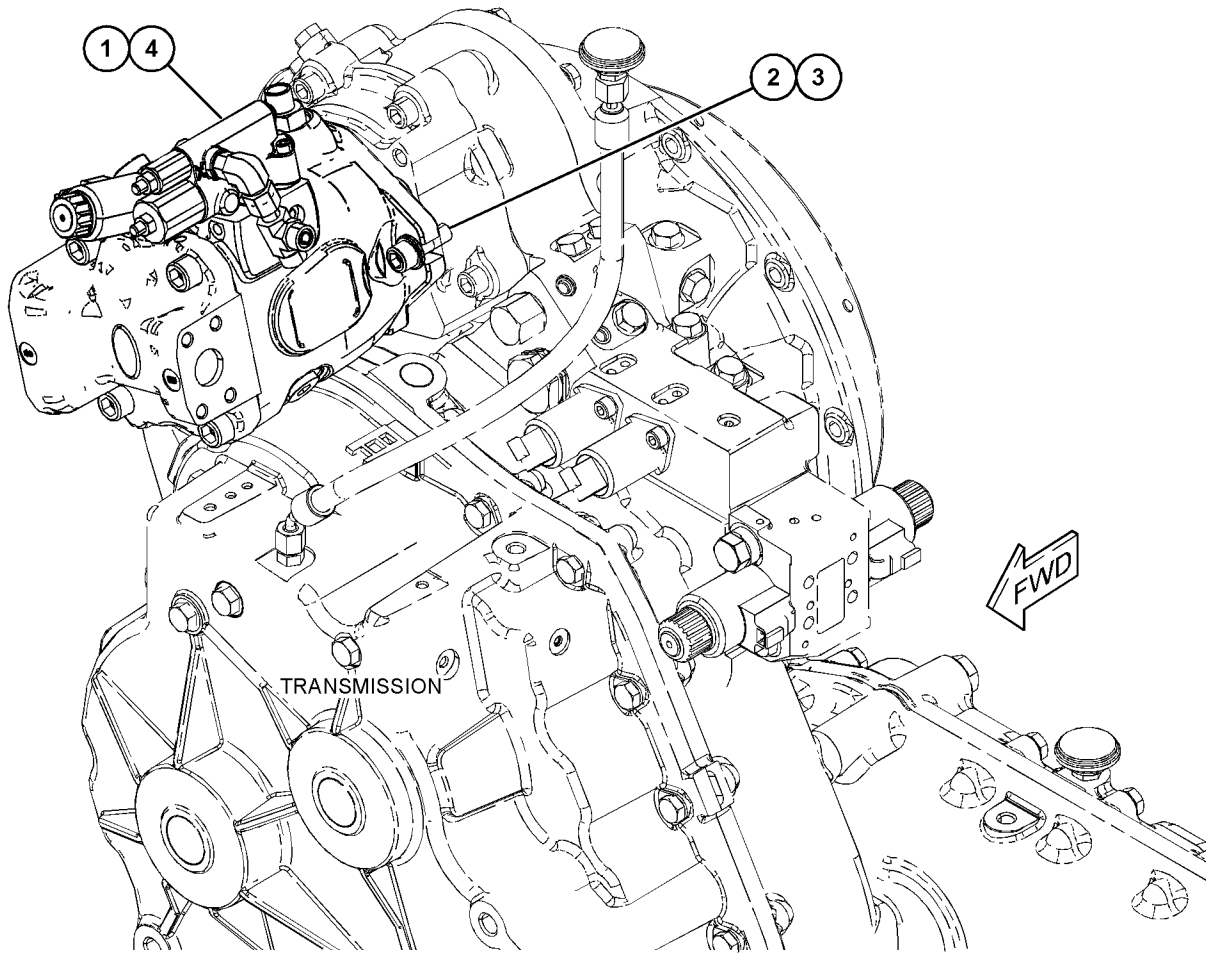
SMCS-5070

i06603139

NOTE	REF NO	GRAPHIC REF	PART NUMBER	QTY	PART NAME						SEE PAGE
					1	2	3	4	5	6 (PRODUCT LEVEL)	
Y	1	1	495-8985	1	PUMP & MOUNTING GP						719
M	2	1	6V-8200	2	BOLT-SOCKET HEAD (M12X1.75X35-MM)						
	3	1	348-1612	2	WASHER (13X24X3-MM THK)						
	4	1	2H-3934	1	SEAL-O-RING						

M - METRIC PART

Y - SEPARATE ILLUSTRATION



GRAPHIC #1

<END>

g06049030

HYDRAULIC SYSTEM

496-3417 PUMP & MTG GP-HYDRAULIC FAN-FAN PUMP

S/N: TD61-UP; TD71-UP

PART OF 518-5877, 518-6042 ENGINE AR-COMPLETE
AN ATTACHMENT

SMCS-1387

i06601114

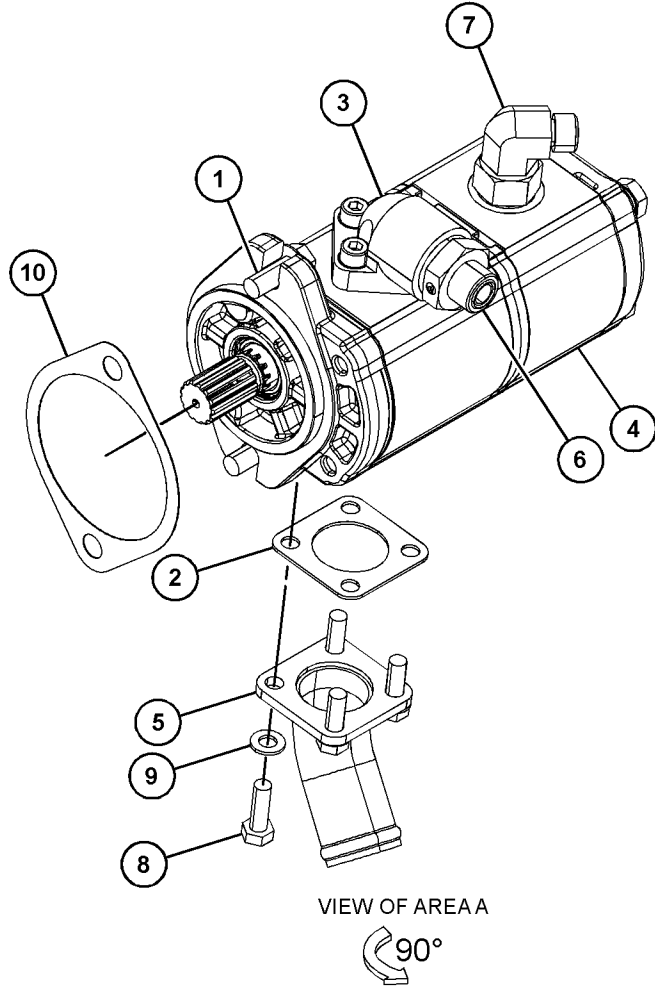
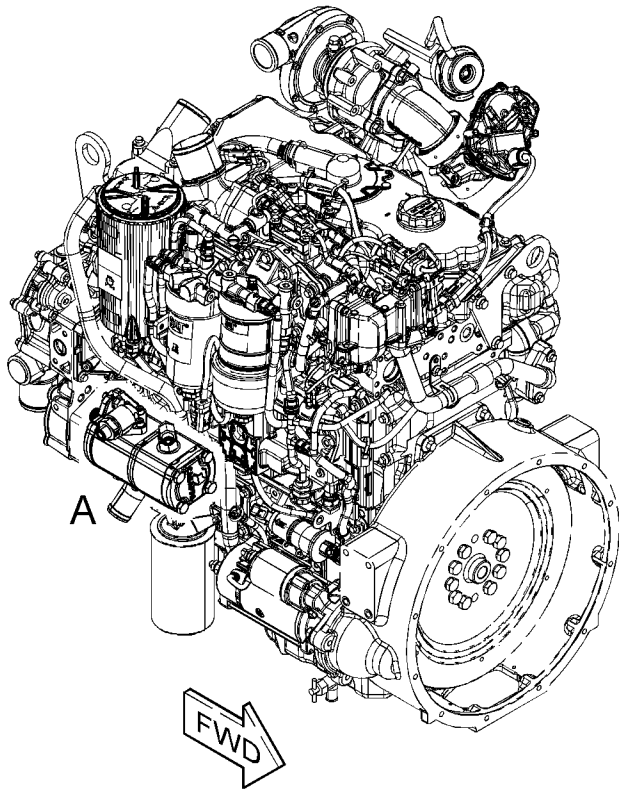
NOTE	REF NO	GRAPHIC REF	PART NUMBER	QTY	PART NAME						SEE PAGE
					1	2	3	4	5	6 (PRODUCT LEVEL)	
M	1	1	449-6115	2	BOLT (M10X1.5X25-MM)						
	2	1	496-3413	1	GASKET						
	3	1	493-1296	1	ELBOW AS						
J	4	1	497-3854	1	PUMP GP-GEAR						
	5	1	496-3414	1	PIPE AS						
	6	1	<i>441-9195</i>	1	ADAPTER AS						
		1	228-7090	1	SEAL-O-RING						
		1	451-0357	1	ADAPTER						
		1	451-2764	1	SEAL						
	7	1	299-0471	1	FITTING-ADAPTER						
M	8	1	8T-4908	4	BOLT (M8X1.25X25-MM)						
	9	1	8T-4224	4	WASHER-HARD (8.8X16X2-MM THK)						
	10	1	496-3416	1	GASKET						
					AVAILABLE REPLACEMENT PART(S):						
J			503-1114	1	KIT-SEAL						
					(INCLUDES SEALS, SHAFT SEALS & ANTIEXTRUSION)						

J - KIT MARKED J SERVICES PART(S) MARKED J
M - METRIC PART

HYDRAULIC SYSTEM

496-3417 PUMP & MTG GP-HYDRAULIC FAN (contd.)

i06601114



GRAPHIC #1

<END>

g06041192

HYDRAULIC SYSTEM

496-3425 PUMP & MTG GP-HYDRAULIC FAN

S/N: TD71-UP

PART OF 518-6040 ENGINE AR-COMPLETE

AN ATTACHMENT

SMCS-1387

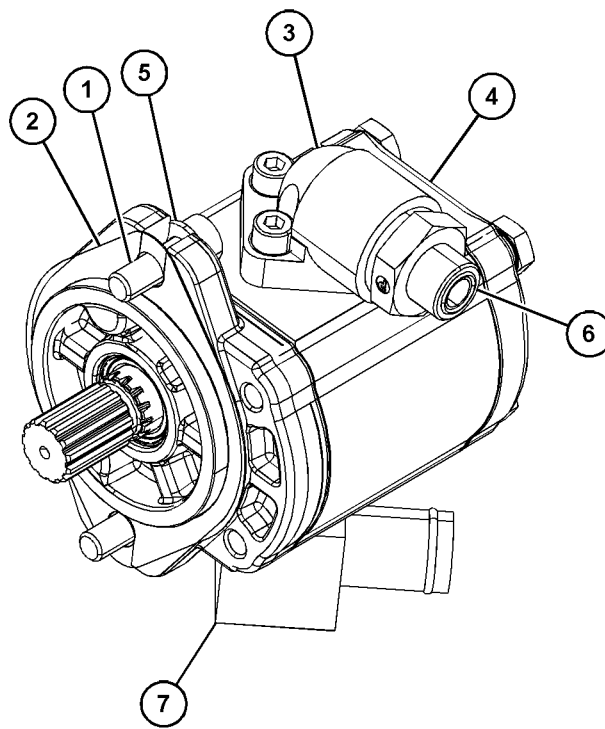
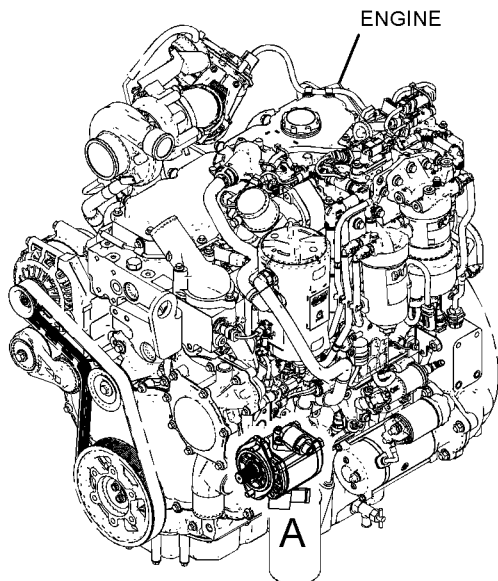
i06603077

NOTE	REF NO	GRAPHIC REF	PART NUMBER	QTY	PART NAME						SEE PAGE
					1	2	3	4	5	6 (PRODUCT LEVEL)	
M	1	1	9X-6032	2	BOLT-SOCKET HEAD (M10X1.5X30-MM)						
	2	1	496-3416	1	GASKET						
	3	1	493-1296	1	ELBOW AS						
J	4	1	496-3424	1	PUMP GP-GEAR						
	5	1	8T-4121	2	WASHER-HARD (11X21X2.5-MM THK)						
	6	1	441-9195	1	ADAPTER AS						
		1	228-7090	1	SEAL-O-RING						
		1	451-0357	1	ADAPTER						
		1	451-2764	1	SEAL						
	7	1	444-0274	1	FITTING-ADAPTER						

AVAILABLE REPAIR KIT(S) :

J			503-1113	1	KIT-SEAL						
(INCLUDES SEALS, STANDARD SEAL, SHAFT SEAL, BACKUP WASHER, ANTI-EXTRUSIONS)											

J - KIT MARKED J SERVICES PART(S) MARKED J
M - METRIC PART



VIEW OF AREA A

GRAPHIC #1

<END>

g06099712

HYDRAULIC SYSTEM

513-9452 TANK & MTG GP-HYDRAULIC

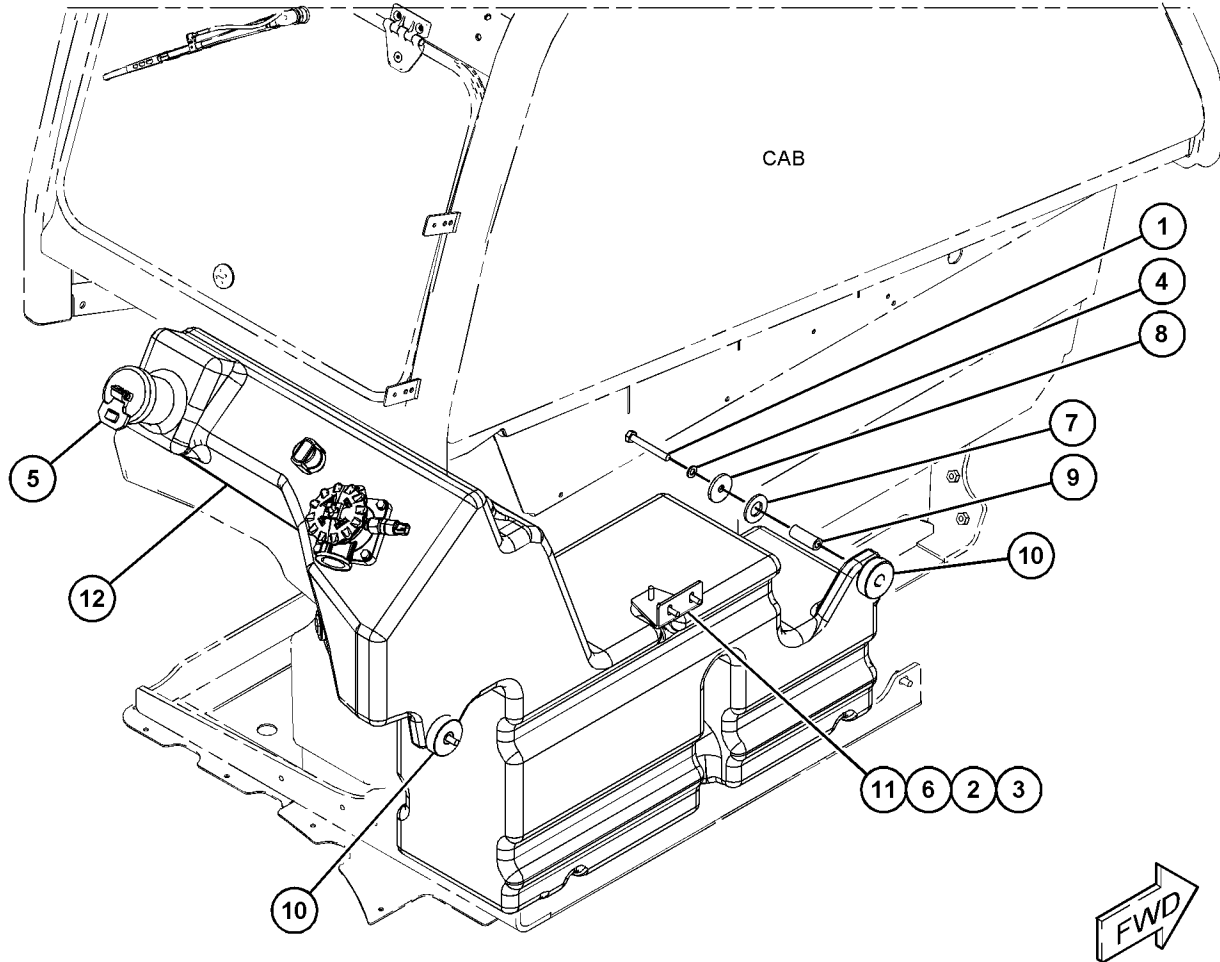
S/N: TD61-UP; TD71-UP
PART OF 518-0019 HYDRAULIC AR

SMCS-5056

i06904686

NOTE	REF NO	GRAPHIC REF	PART NUMBER	QTY	PART NAME						SEE PAGE
					1	2	3	4	5	6 (PRODUCT LEVEL)	
M	1	1	8T-4172	2	BOLT (M10X1.5X80-MM)						
M	2	1	8T-4908	2	BOLT (M8X1.25X25-MM)						
	3	1	8T-4224	2	WASHER-HARD (8.8X16X2-MM THK)						
	4	1	8T-4121	2	WASHER-HARD (11X21X2.5-MM THK)						
	5	1	142-8937	1	CAP AS-FILLER (LOCKABLE)						
	6	1	4E-1384	1	BUMPER-CONICAL						
	7	1	473-7652	2	WASHER (25X48X4-MM THK)						
	8	1	473-7653	2	WASHER (12X48X5-MM THK)						
	9	1	501-7256	2	SPACER (12X20X53-MM THK)						
	10	1	501-7257	2	WASHER (22X65X20-MM THK)						
	11	1	495-2268	1	BRACKET						
Y	12	1	501-7258	1	TANK GP-HYDRAULIC						725

M - METRIC PART
Y - SEPARATE ILLUSTRATION



GRAPHIC #1

<END>

g06165606

HYDRAULIC SYSTEM

501-7258 TANK GP-HYDRAULIC

S/N: TD61-UP; TD71-UP

20-LITER (5.2-US GAL)

PART OF 513-9452 TANK & MTG GP-HYDRAULIC

SMCS-5056

i06826605

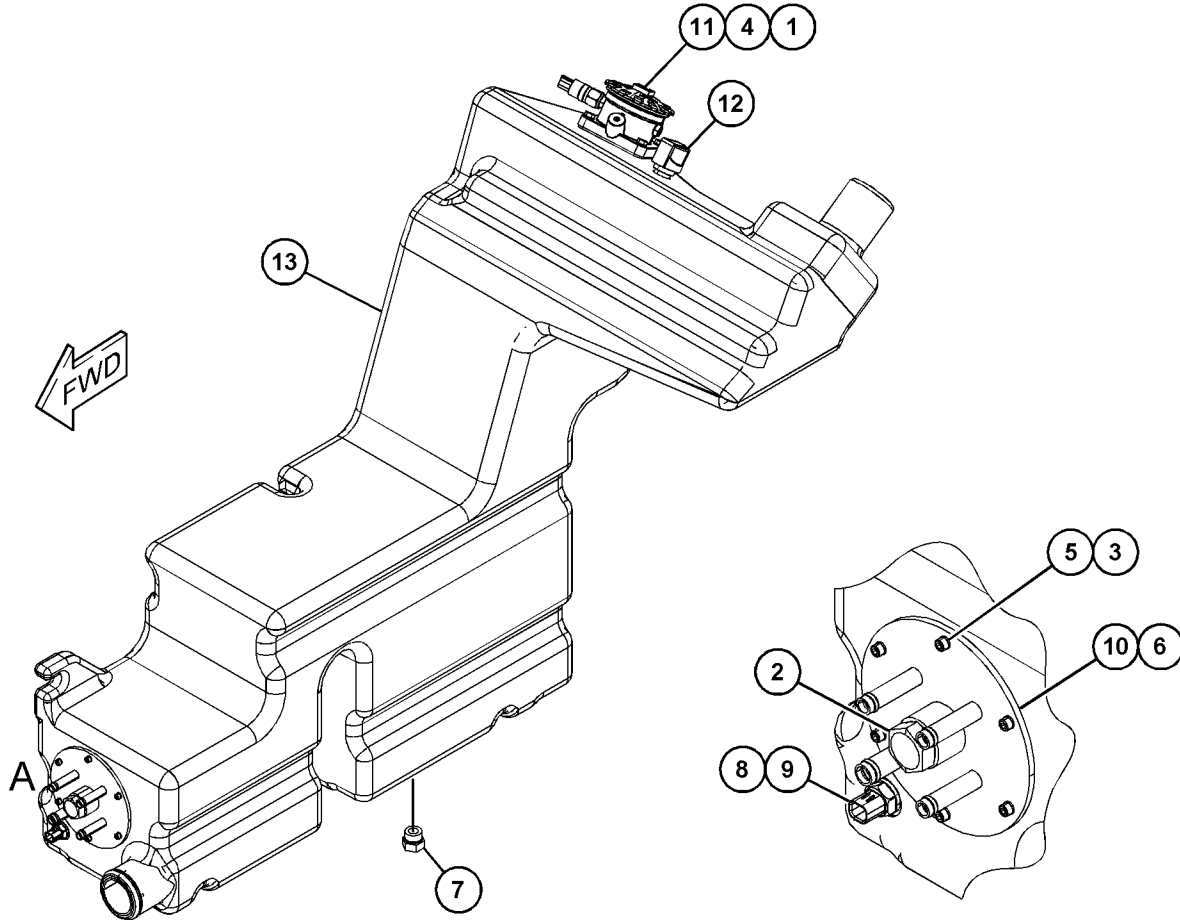
NOTE	REF NO	GRAPHIC REF	PART NUMBER	QTY	PART NAME						SEE PAGE
					1	2	3	4	5	6 (PRODUCT LEVEL)	
M	1	1	8T-7547	4	BOLT (M8X1.25X30-MM)						
	2	1	148-8408	1	PLUG AS						
		1	3D-2824	1	SEAL-O-RING						
		1	9S-4183	1	PLUG (1-1/16-12-THD)						
M	3	1	10S-3480	6	BOLT-SOCKET HEAD (M5X0.8X16-MM)						
	4	1	8T-4224	4	WASHER-HARD (8.8X16X2-MM THK)						
	5	1	304-2604	6	WASHER (3.1X6.2X0.8-IN THK)						
	6	1	132-3056	1	SEAL-O-RING						
	7	1	328-9686	1	PLUG						
	8	1	8T-7524	1	SEAL-O-RING						
	9	1	256-6454	1	SENSOR-TEMPERATURE (HYDRAULIC OIL)						
	10	1	501-7259	1	MANIFOLD AS						
J	11	1	477-4113	1	FILTER GP-OIL						
		1	481-6648	1	SWITCH-OIL PRESSURE (OIL PRESSURE)						
		1	482-0957	1	PIPE						
		1	481-6649	1	FILTER (HYDRAULIC OIL)						
		1	481-6650	1	COVER AS-FILTER						
	12	1	473-9271	1	FILTER (BREATHING)						
	13	1	477-5535	1	TANK AS-HYDRAULIC						
					AVAILABLE REPAIR KIT(S):						
J			512-6176	1	KIT-SEAL						
					(INCLUDES O-RING, GASKET & SEAL)						

J - KIT MARKED J SERVICES PART(S) MARKED J
M - METRIC PART

HYDRAULIC SYSTEM

501-7258 TANK GP-HYDRAULIC (contd.)

i06826605



GRAPHIC #1

<END>

VIEW OF AREA A

g06095814

HYDRAULIC SYSTEM

495-9795 VALVE & MTG GP-MAIN CONTROL

S/N: TD61-UP; TD71-UP
PART OF 518-0019 HYDRAULIC AR

SMCS-5051

i06897801

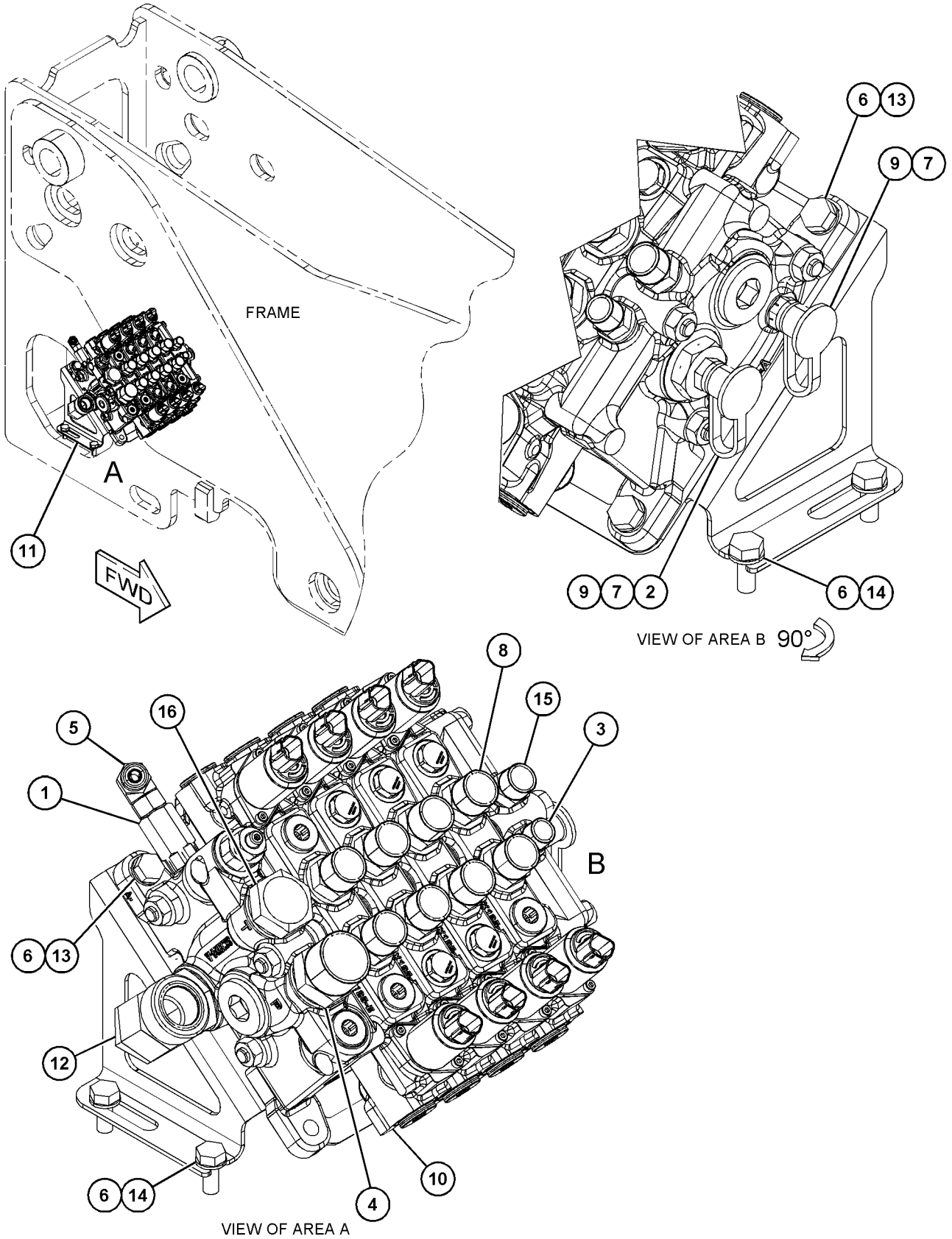
NOTE	REF NO	GRAPHIC REF	PART NUMBER	QTY	PART NAME						SEE PAGE
					1	2	3	4	5	6 (PRODUCT LEVEL)	
	1	1	523-4877	1	VALVE AS-CHECK (THROTTLE)						
	2	1	506-3313	1	ADAPTER-PIPE						
	3	1	298-7358	1	FITTING-ADAPTER						
	4	1	464-6221	1	ADAPTER						
	5	1	298-0473	1	FITTING-ADAPTER						
	6	1	8T-4121	7	WASHER-HARD (11X21X2.5-MM THK)						
	7	1	6V-0852	2	CAP-DUST						
	8	1	298-0466	8	FITTING-ADAPTER						
	9	1	<i>164-5567</i>	2	COUPLER AS-QUICK DISCONNECT (MALE)						
					(EACH INCLUDES)						
		1	6V-3965	1	FITTING (QUICK DISCONNECT)						
		1	214-7568	1	SEAL-O-RING						
Y	10	1	495-8855	1	VALVE GP-MAIN CONTROL						738
	11	1	495-8856	1	BRACKET AS						
	12	1	<i>148-8373</i>	1	ELBOW AS						
		1	6V-8400	1	SEAL-O-RING						
		1	7M-8485	1	SEAL-O-RING						
		1	8C-3364	1	ELBOW						
M	13	1	8T-4195	3	BOLT (M10X1.5X30-MM)						
M	14	1	8T-4136	4	BOLT (M10X1.5X25-MM)						
	15	1	473-8956	1	ADAPTER						
	16	1	<i>442-3478</i>	1	PLUG AS						
		1	9S-4181	1	PLUG (1-5/16-12-THD)						
		1	238-5084	1	SEAL-O-RING						

M - METRIC PART
Y - SEPARATE ILLUSTRATION

HYDRAULIC SYSTEM

495-9795 VALVE & MTG GP-MAIN CONTROL (contd.)

i06897801



GRAPHIC #1

<END>

g06134168

HYDRAULIC SYSTEM

495-9793 VALVE & MTG GP-PRIORITY

S/N: TD61-UP; TD71-UP

PART OF 518-0019 HYDRAULIC AR

SMCS-4320, 5137

i06811697

NOTE	REF NO	GRAPHIC REF	PART NUMBER	QTY	PART NAME						SEE PAGE
					1	2	3	4	5	6 (PRODUCT LEVEL)	
	1	1	298-7358	2	FITTING-ADAPTER						
	2	1	298-0463	1	FITTING-ADAPTER						
	3	1	298-0470	1	FITTING-ADAPTER						
	4	1	303-4760	1	FITTING						
M	5	1	105-3479	4	BOLT-SOCKET HEAD (M10X1.5X90-MM)						
	6	1	495-8853	1	VALVE-CHECK						
Y	7	1	495-8854	1	VALVE GP-PRIORITY (FLOW DIVIDER)						741
	8	1	317-6373	1	ADAPTER						
	9	1	<i>164-5567</i>	3	COUPLER AS-QUICK DISCONNECT (MALE)						
					(EACH INCLUDES)						
		1	6V-3965	1	FITTING (QUICK DISCONNECT)						
		1	214-7568	1	SEAL-O-RING						
	10	1	6V-0852	3	CAP-DUST						

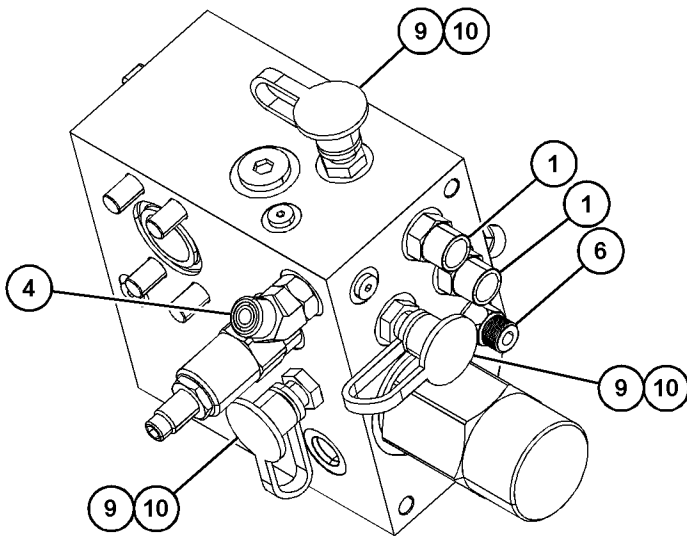
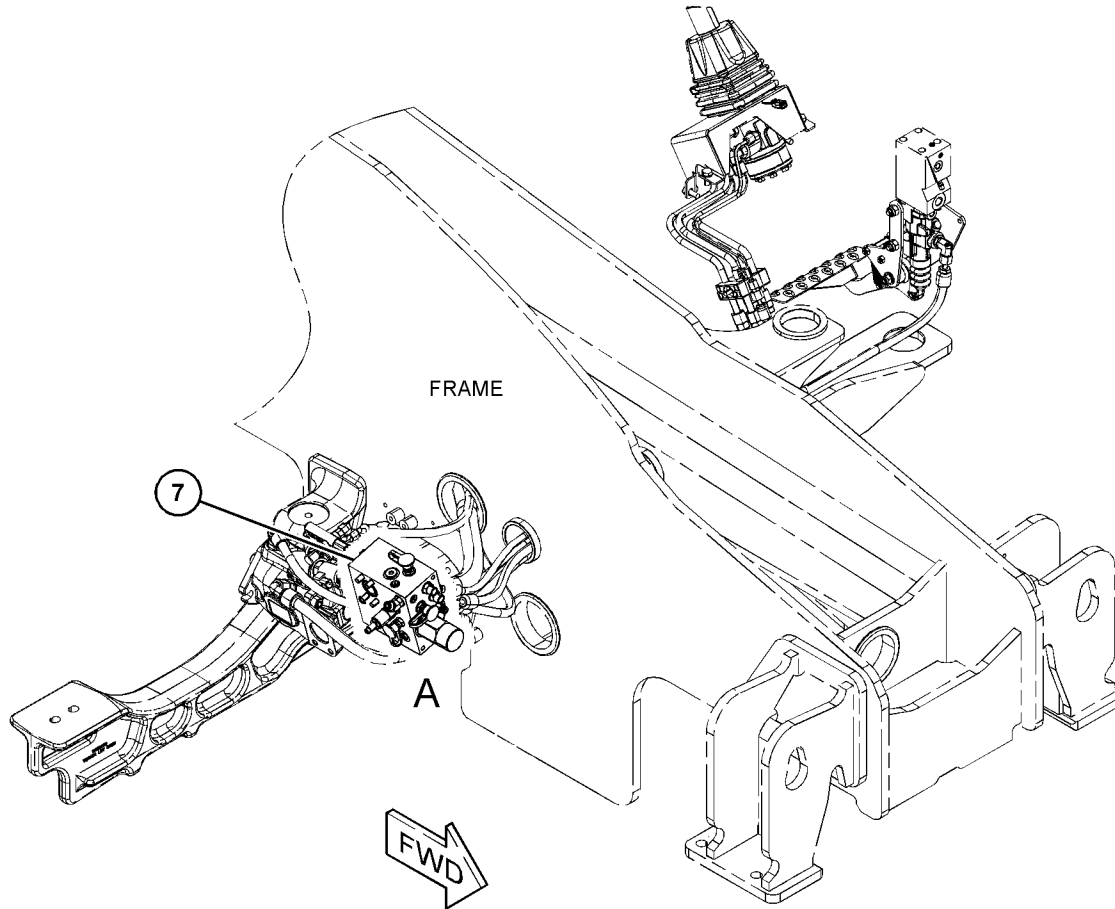
M - METRIC PART

Y - SEPARATE ILLUSTRATION

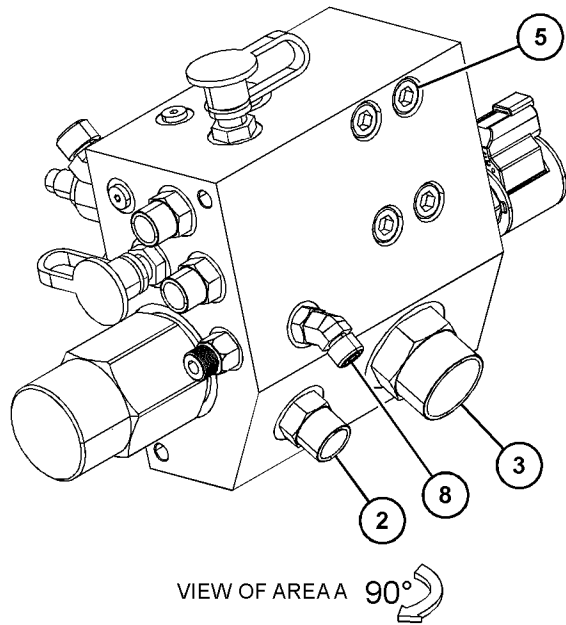
HYDRAULIC SYSTEM

495-9793 VALVE & MTG GP-PRIORITY (contd.)

i06811697



VIEW OF AREA A



VIEW OF AREA A 90°

GRAPHIC #1

<END>

g06048789

HYDRAULIC SYSTEM

499-4944 VALVE GP-CONTROL

S/N: TD61-UP; TD71-UP

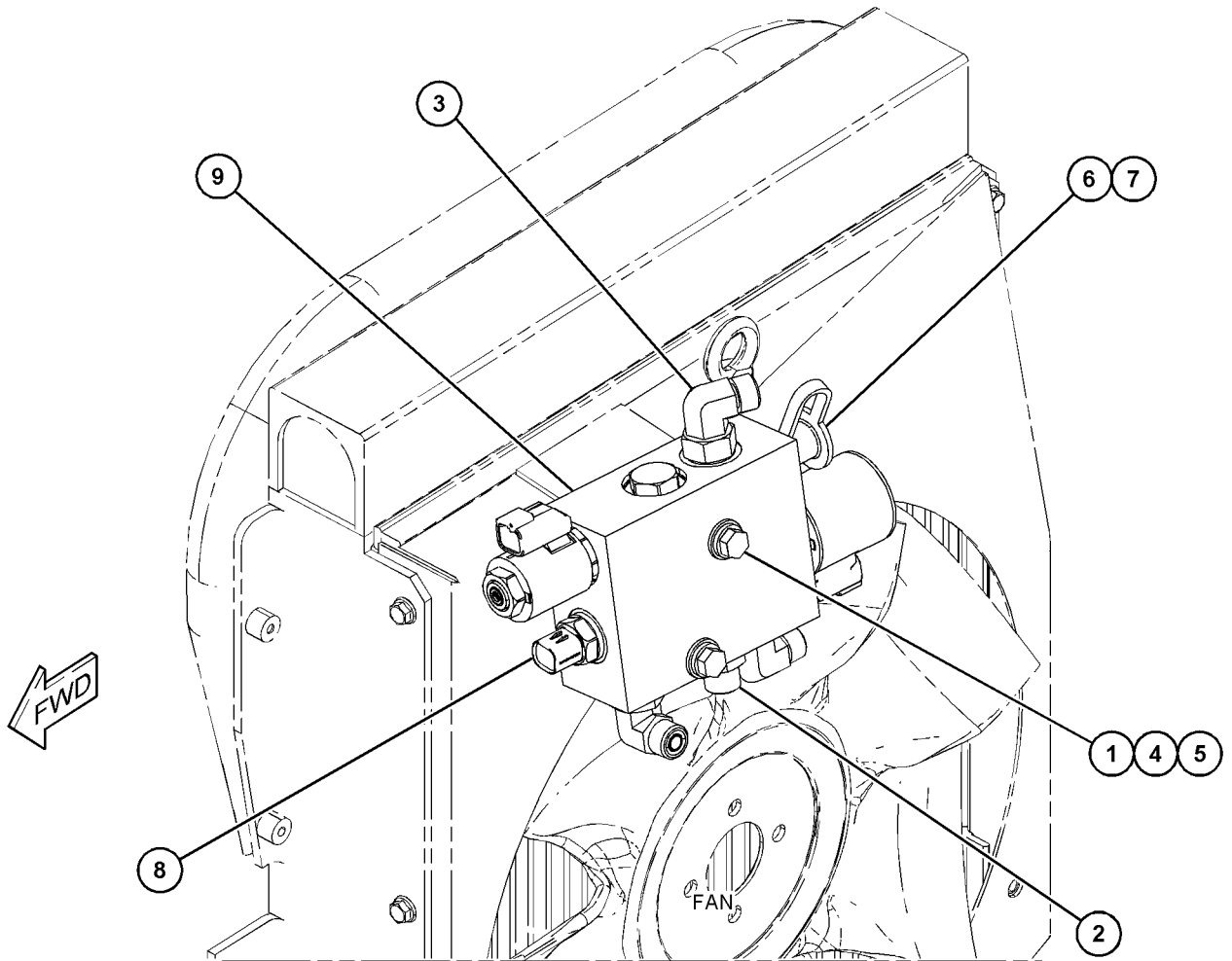
PART OF 499-4950 COOLER GP-HYDRAULIC OIL
AN ATTACHMENT

SMCS-5051

i06804738

NOTE	REF NO	GRAPHIC REF	PART NUMBER	QTY	PART NAME						SEE PAGE
					1	2	3	4	5	6 (PRODUCT LEVEL)	
M	1	1	285-9066	2	BOLT (M8X1.25X65-MM)						
	2	1	298-0462	1	FITTING-ADAPTER						
	3	1	303-4754	3	FITTING-ADAPTER						
	4	1	8T-4121	2	WASHER-HARD (11X21X2.5-MM THK)						
	5	1	5M-2894	2	WASHER-HARD (10.2X18.5X2.5-MM THK)						
	6	1	164-5567	1	COUPLER AS-QUICK DISCONNECT (MALE)						
		1	6V-3965	1	FITTING (QUICK DISCONNECT)						
		1	214-7568	1	SEAL-O-RING						
	7	1	6V-0852	1	CAP-DUST						
	8	1	256-6454	1	SENSOR-TEMPERATURE						
Y	9	1	499-4945	1	VALVE GP-FAN REVERSING (FAN)						736

M - METRIC PART
Y - SEPARATE ILLUSTRATION



GRAPHIC #1

<END>

g06048352

HYDRAULIC SYSTEM

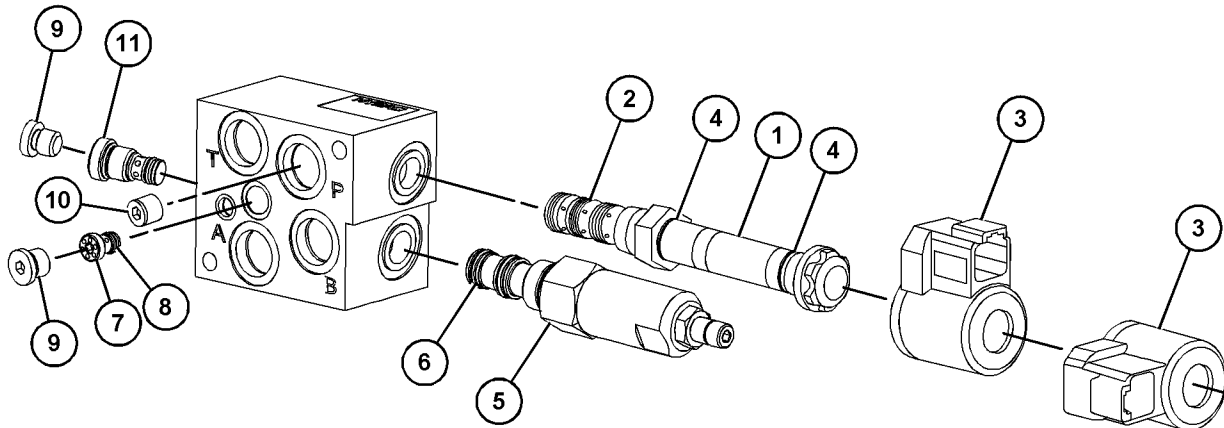
501-7459 VALVE GP-CONTROL

S/N: TD61-UP; TD71-UP
PART OF 501-8492 HITCH GP-TOWING
AN ATTACHMENT

SMCS-5051

i06621650

NOTE	REF NO	GRAPHIC REF	PART NUMBER	QTY	PART NAME						SEE PAGE
					1	2	3	4	5	6	
	1	1	497-9903	1	VALVE GP-SOLENOID						
	2	1	497-9662	1	KIT-SEAL (INCLUDES O-RINGS & SUPPORT RINGS)						
	3	1	497-9663	2	COIL						
	4	1	497-9965	1	COIL AS						
	5	1	497-9966	1	VALVE AS-RELIEF						
	6	1	497-9666	1	KIT-SEAL (INCLUDES O-RINGS & SUPPORT RINGS)						
	7	1	497-9967	1	VALVE GP-CHECK						
	8	1	497-9906	1	SEAL						
	9	1	497-9833	2	PLUG						
	10	1	497-9908	1	ORIFICE						
J	11	1	485-2934	1	VALVE AS-SHUTTLE						
					AVAILABLE REPAIR KIT(S):						
J			485-2943	1	KIT-SEAL (INCLUDES O-RING SEALS)						
J - KIT MARKED J SERVICES PART(S) MARKED J											



GRAPHIC #1

<END>

g06051250

HYDRAULIC SYSTEM

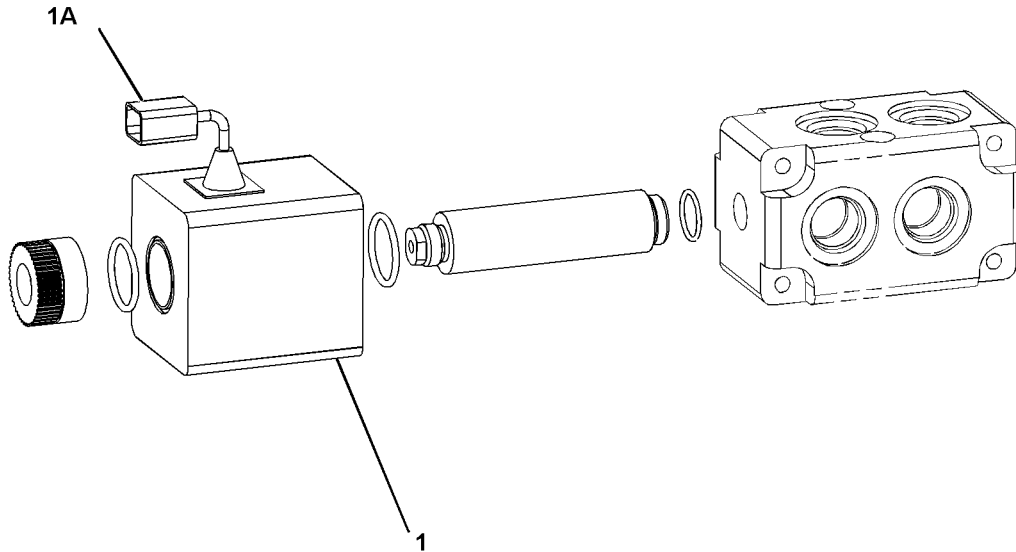
226-6494 VALVE GP-DIVERTER

S/N: TD61-UP; TD71-UP
 PART OF 495-7652 LINES GP-COUPLER
 AN ATTACHMENT

SMCS-5066

i06568202

NOTE	REF NO	GRAPHIC REF	PART NUMBER	QTY	PART NAME						SEE PAGE
					1	2	3	4	5	6 (PRODUCT LEVEL)	
	1	1	212-3350	1	SOLENOID AS						
	1A	1	102-8802	1	KIT-RECEPTACLE (2-PIN)						
					(INCLUDES RECEPTACLE AS & WEDGE)						
		1	8T-8729	2	PIN-CONNECTOR (16-GA TO 18-GA)						



GRAPHIC #1

<END>

g06095190

HYDRAULIC SYSTEM

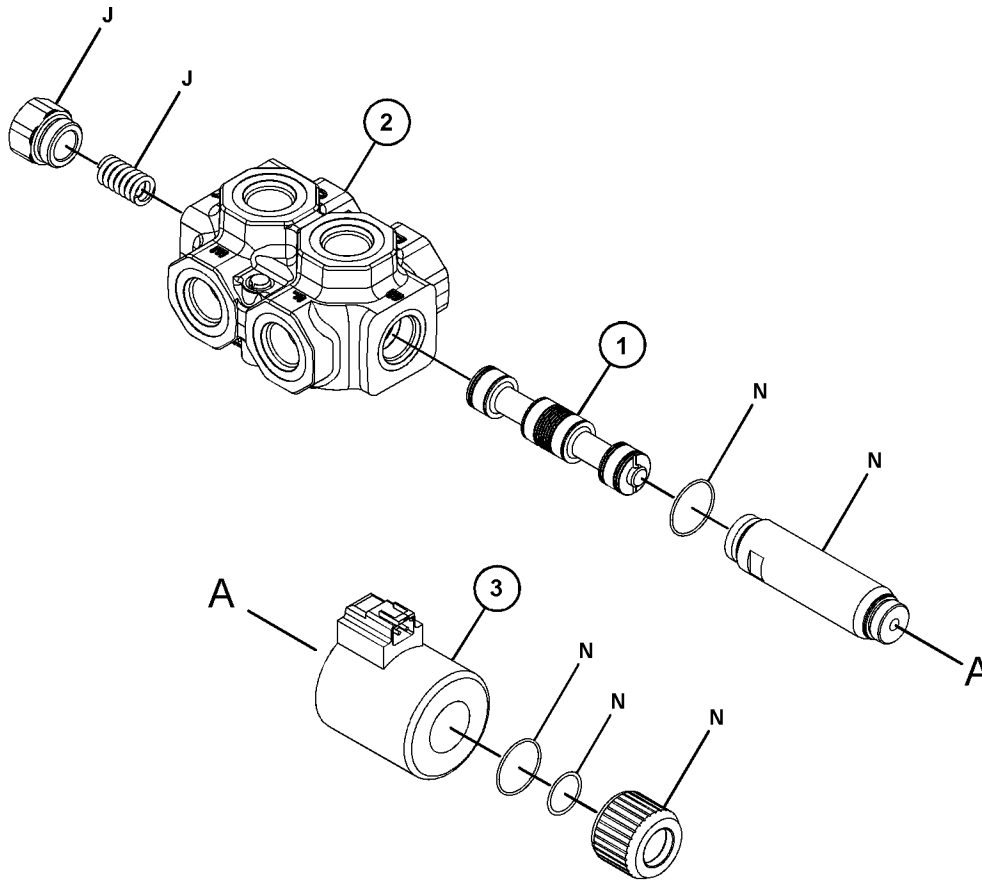
495-7583 VALVE GP-DIVERTER

S/N: TD61-UP; TD71-UP
PART OF 497-9603 VALVE GP-DIVERTER
AN ATTACHMENT

SMCS-5066

i06693944

NOTE	REF NO	GRAPHIC REF	PART NUMBER	QTY	PART NAME						SEE PAGE
					1	2	3	4	5	6 (PRODUCT LEVEL)	
	1	1	511-5835	1	SPOOL						
	2	1	511-5836	1	BODY-DIVERTER						
	3	1	511-5837	1	COIL						
AVAILABLE REPAIR KIT(S):											
			511-5864	1	KIT-DRAIN						
(INCLUDES PLUG, SPRING & INCLUDES PARTS MARKED 'J' IN THE GRAPHIC)											
			511-5865	1	KIT-TUBE						
(INCLUDES O-RINGS , PLUG, TUBE & ALSO INCLUDES PARTS MARKED 'N' IN THE GRAPHIC)											



GRAPHIC #1

<END>

g06122227

HYDRAULIC SYSTEM

497-9603 VALVE GP-DIVERTER

S/N: TD61-UP; TD71-UP

PART OF 497-9605, 501-2996 LINES GP-AUXILIARY HYDRAULIC
AN ATTACHMENT

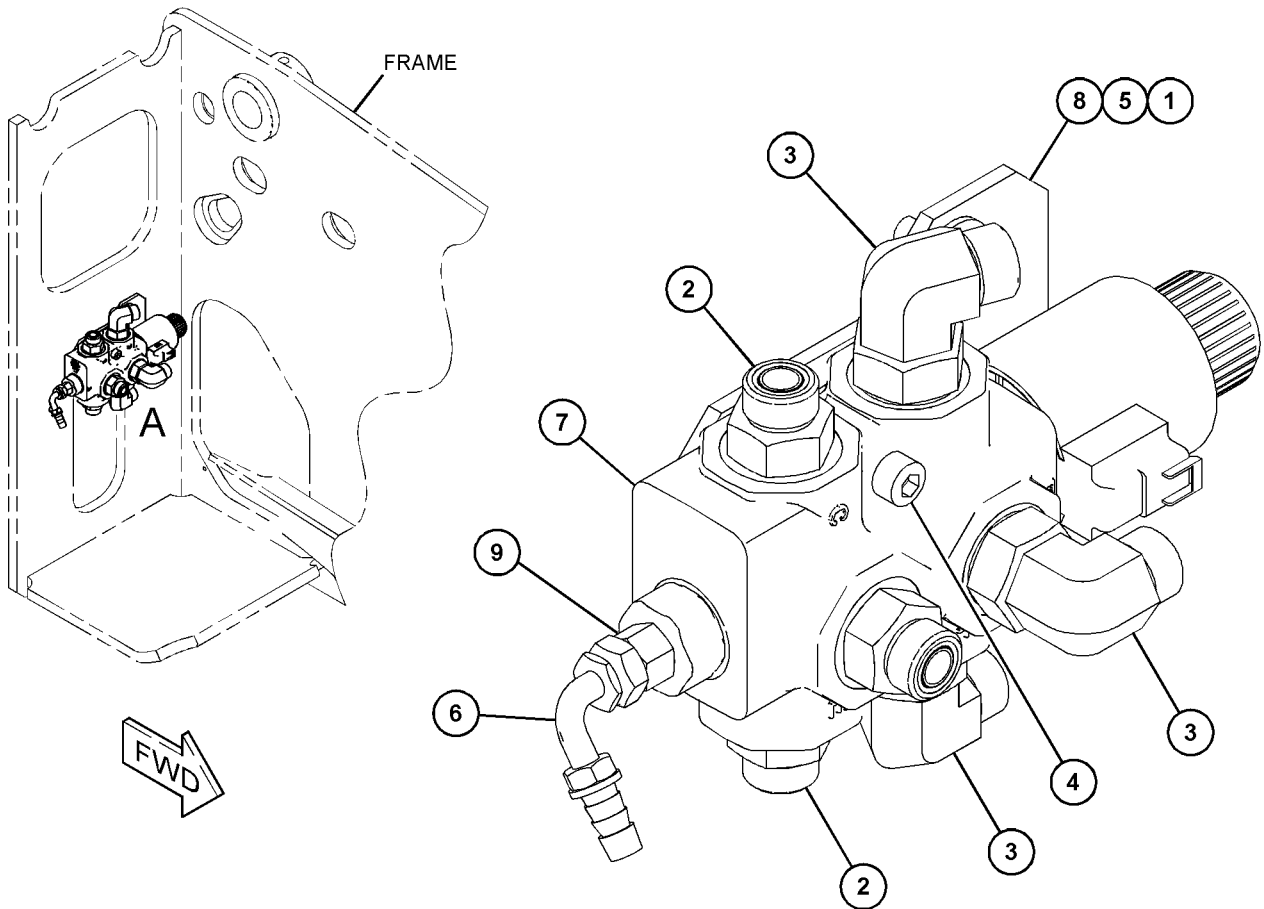
SMCS-5066

i06811713

NOTE	REF NO	GRAPHIC REF	PART NUMBER	QTY	PART NAME						SEE PAGE
					1	2	3	4	5	6	
M	1	1	8T-4136	2	BOLT (M10X1.5X25-MM)						
	2	1	309-2963	4	CONNECTOR						
	3	1	323-5622	2	ELBOW						
M	4	1	365-7861	2	BOLT-SOCKET HEAD (M10X1.5X65-MM)						
	5	1	116-8517	2	WASHER (10.5X30X2.5-MM THK)						
	6	1	314-5545	1	FITTING-ELBOW						
Y	7	1	495-7583	1	VALVE GP-DIVERTER (HIGH FLOW)						734
	8	1	519-1731	1	BRACKET AS						
	9	1	298-7357	1	FITTING-ADAPTER						

M - METRIC PART

Y - SEPARATE ILLUSTRATION



GRAPHIC #1

<END>

VIEW OF AREA A

g06125057

HYDRAULIC SYSTEM

499-4945 VALVE GP-FAN REVERSING-FAN

S/N: TD61-UP; TD71-UP
 PART OF 499-4944 VALVE GP-CONTROL
 AN ATTACHMENT

SMCS-138R, 5051

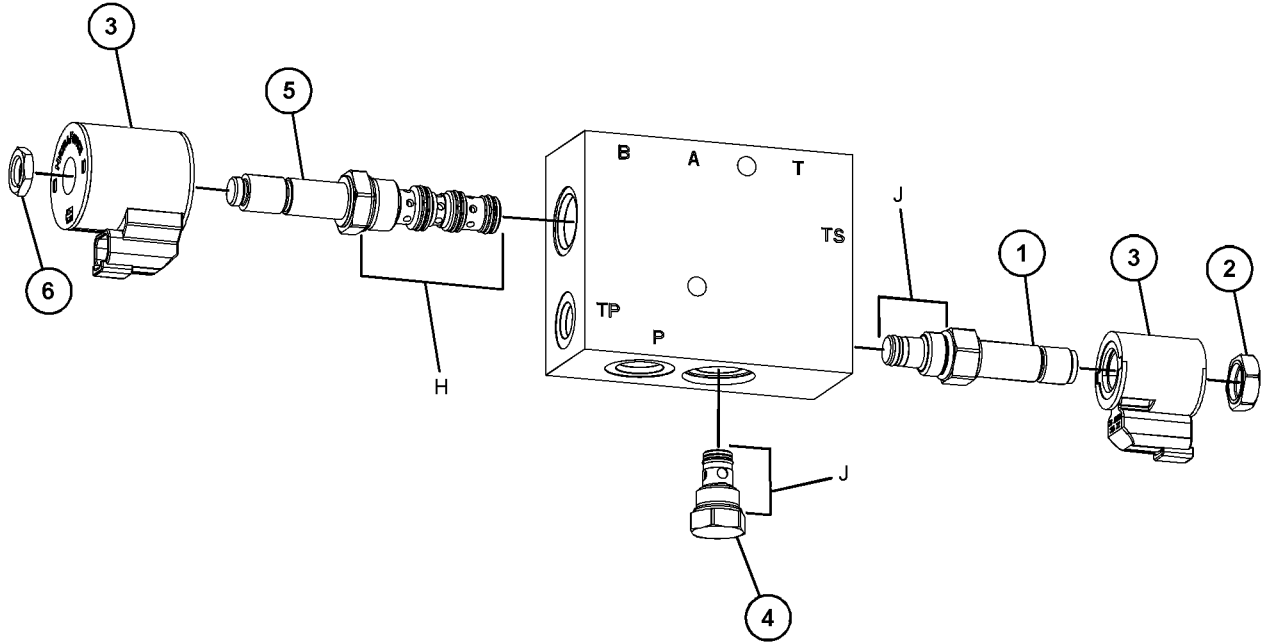
i06804739

NOTE	REF NO	GRAPHIC REF	PART NUMBER	QTY	PART NAME						SEE PAGE
					1	2	3	4	5	6 (PRODUCT LEVEL)	
	1	1	511-7802	1	VALVE						
	2	1	511-7803	1	NUT						
	3	1	155-2270	2	KIT-CONNECTING PLUG (2-PIN)						
					(EACH INCLUDES PLUG AS, WEDGE, & INTERFACE SEAL)						
N	4	1	177-3868	1	VALVE GP-CHECK (HYDRAULIC FAN OIL)						
		1	3K-0360	1	SEAL-O-RING						
	5	1	511-7804	1	VALVE-SOLENOID (FAN)						
	6	1	511-7697	1	NUT						
PARTS SHOWN IN GRAPHIC(S) WITHOUT A REFERENCE NUMBER ARE NOT SERVICED SEPARATELY											
AVAILABLE REPAIR KIT(S):											
			341-7110	2	KIT-SEAL						
(INCLUDES PARTS MARKED "J" IN THE GRAPHIC)											
			120-9054	1	KIT-SEAL						
(INCLUDES PARTS MARKED "H" IN THE GRAPHIC)											
N			120-9051	1	KIT-SEAL (CHECK VALVE)						
(INCLUDES O-RINGS & RING RETAINER)											
N - KIT MARKED N SERVICES PART(S) MARKED N											

HYDRAULIC SYSTEM

499-4945 VALVE GP-FAN REVERSING (contd.)

i06804739



GRAPHIC #1

<END>

g06132533

HYDRAULIC SYSTEM

495-8855 VALVE GP-MAIN CONTROL

S/N: TD61-UP; TD71-UP

PART OF 495-9795 VALVE & MTG GP-MAIN CONTROL

SMCS-5051

i06907157

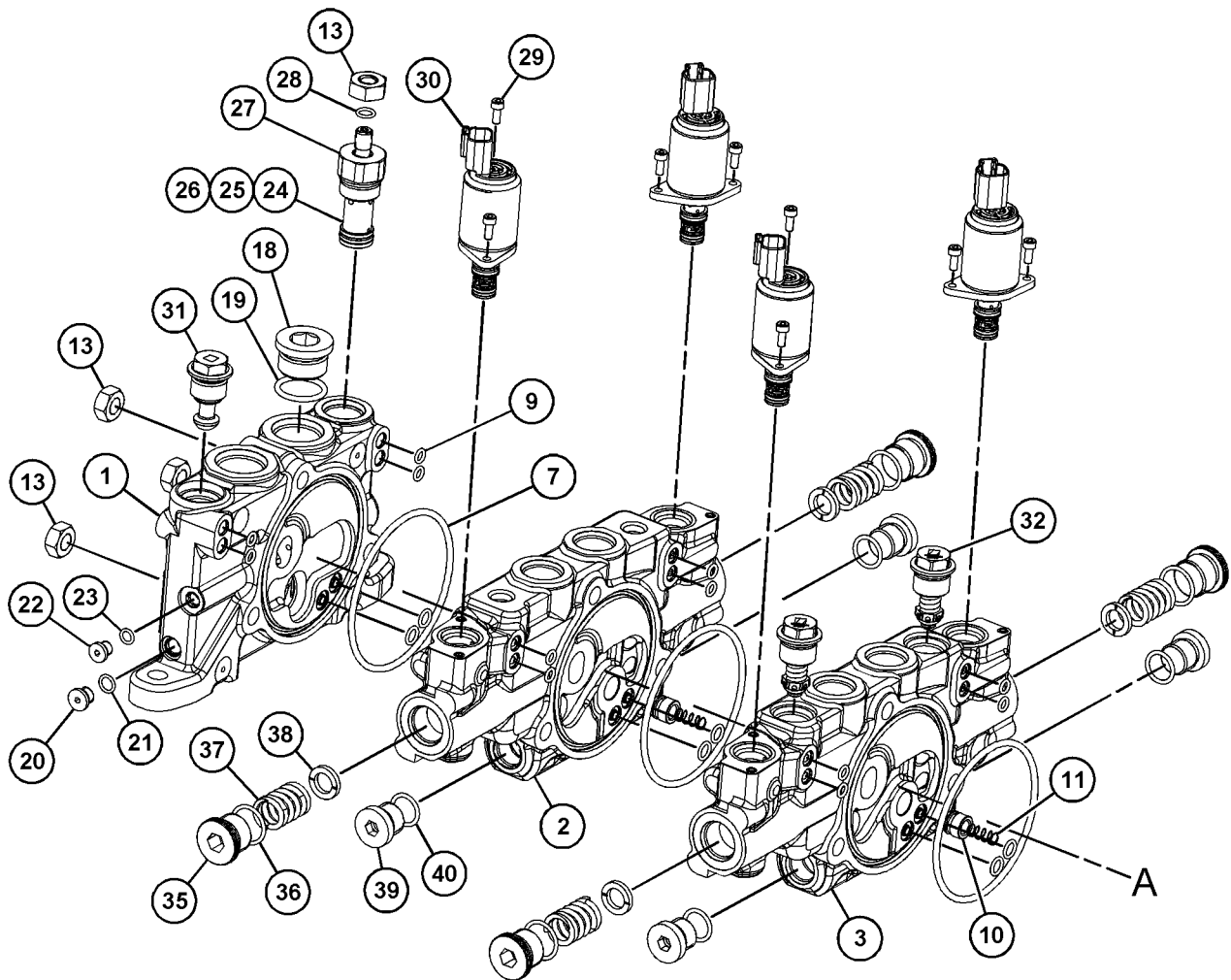
NOTE	REF NO	GRAPHIC REF	PART NUMBER	QTY	PART NAME						SEE PAGE
					1	2	3	4	5	6 (PRODUCT LEVEL)	
	1	1	507-6922	1	VALVE AS-INLET						
	2	1	507-6923	1	VALVE AS-CONTROL (LIFT)						
	3	1	507-6925	1	VALVE AS-CONTROL (TILT)						
	4	2	507-6975	1	VALVE AS-CONTROL (AUXILIARY)						
	5	2	507-6976	1	VALVE AS-CONTROL (TELE)						
	6	2	507-6979	1	VALVE AS-CONTROL (OUTLET)						
	7	1	479-7282	5	SEAL-O-RING						
	8	2	507-6981	10	SEAL-O-RING						
	9	1,2	507-6982	20	SEAL-O-RING						
	10	1,2	479-7786	4	VALVE-POPPET (MAIN CONTROL)						
	11	1,2	479-7285	4	SPRING						
	12	2	479-7010	3	TIE ROD						
	13	1,2	479-7011	6	NUT						
	14	2	507-7130	1	PLUG						
	15	2	507-7131	1	SEAL-O-RING						
	16	2	507-7132	1	PLUG						
	17	2	7M-8485	1	SEAL-O-RING						
	18	1	479-7281	1	PLUG						
	19	1	479-7280	1	SEAL-O-RING						
	20	1	507-7158	1	PLUG						
	21	1	479-7015	1	SEAL-O-RING						
	22	1	479-7014	1	PLUG						
	23	1	479-7013	1	SEAL-O-RING						
	24	1	479-7278	1	SEAL-O-RING						
	25	1	479-7277	1	RING-BACKUP						
	26	1	479-7276	1	SEAL-O-RING						
	27	1	507-7179	1	DRAIN AS						
	28	1	479-7292	1	SEAL-O-RING						
	29	1,2	507-7255	16	BOLT-SOCKET HEAD						
	30	1,2	507-7282	8	VALVE AS-CONTROL (EXTEND, RETRACT)						
	31	1,2	479-7279	2	PLUG AS						
	32	1	336-3689	2	VALVE-RELIEF						
	33	2	507-7348	2	VALVE AS-RELIEF						
	34	2	507-7349	1	VALVE AS-RELIEF (MAIN CONTROL)						
	35	1,2	507-8147	8	PLUG AS						
	36	1,2	507-7398	8	SEAL-O-RING						
	37	1,2	479-7289	8	SPRING						
	38	1,2	507-7399	8	SPRING-SEAT						
	39	1,2	507-7400	8	PLUG AS						
	40	1,2	507-7401	8	SEAL-O-RING						

HYDRAULIC SYSTEM

495-8855 VALVE GP-MAIN CONTROL (contd.)

106907157

REFER TO ALL ILLUSTRATIONS OF THIS GROUP FOR AUXILIARY VIEWS



GRAPHIC #1

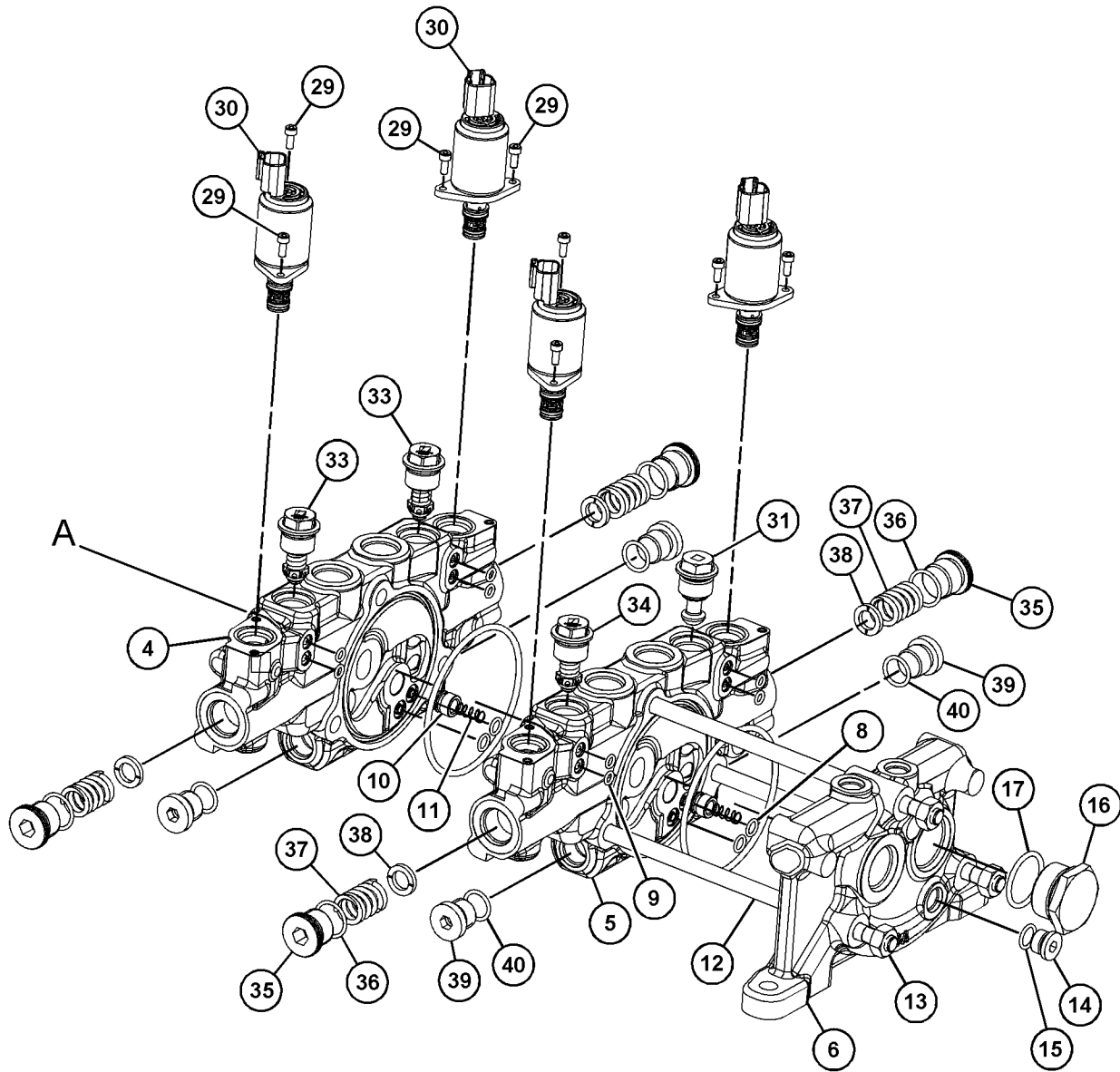
g06164954

HYDRAULIC SYSTEM

495-8855 VALVE GP-MAIN CONTROL (contd.)

i06907157

REFER TO ALL ILLUSTRATIONS OF THIS GROUP FOR AUXILIARY VIEWS



GRAPHIC #2

<END>

g06164955

HYDRAULIC SYSTEM

495-8854 VALVE GP-PRIORITY-FLOW DIVIDER

S/N: TD61-UP; TD71-UP

PART OF 495-9793 VALVE & MTG GP-PRIORITY

SMCS-4320, 506P, 5137

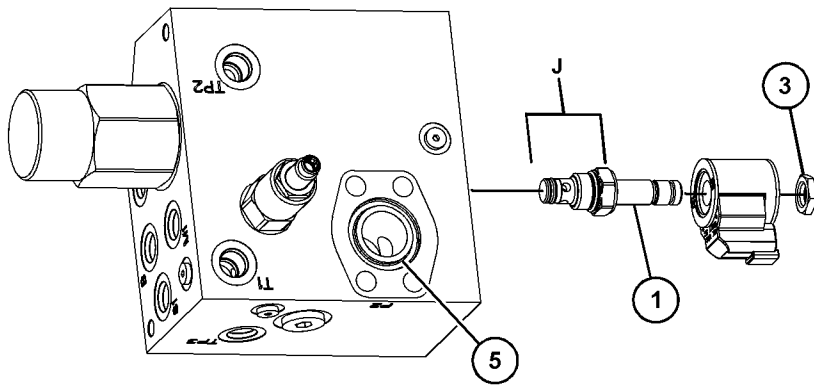
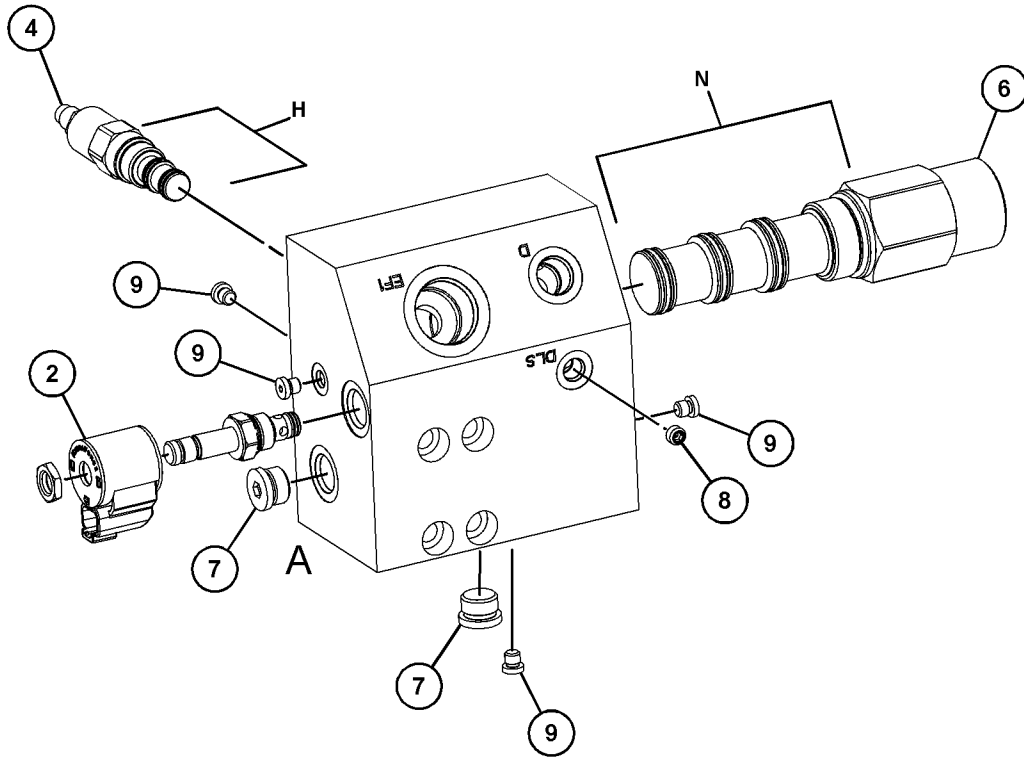
i06811696

NOTE	REF NO	GRAPHIC REF	PART NUMBER	QTY	PART NAME						SEE PAGE
					1	2	3	4	5	6 (PRODUCT LEVEL)	
	1	1	134-8626	1	VALVE-SOLENOID (RIDE CONTROL)						
	2	1	349-8256	1	COIL						
	3	1	511-7697	1	NUT						
	4	1	511-7698	1	REDUCER						
	5	1	511-7701	1	SEAL-O-RING						
	6	1	511-7699	1	COMPENSATOR						
	7	1	511-7700	2	PLUG						
	8	1	478-6612	1	PLUG						
	9	1	478-6615	4	PLUG						
					AVAILABLE REPAIR KIT(S) :						
			341-7110	1	KIT-SEAL						
					(INCLUDES PARTS MARKED "J" IN THE GRAPHIC)						
			264-5726	1	KIT-SEAL						
					(INCLUDES PARTS MARKED "H" IN THE GRAPHIC)						
			478-6898	1	KIT-SEAL						
					(INCLUDES PARTS MARKED "N" IN THE GRAPHIC)						

HYDRAULIC SYSTEM

495-8854 VALVE GP-PRIORITY (contd.)

i06811696



VIEW OF AREA A 180°

GRAPHIC #1

<END>

g06126423

HYDRAULIC SYSTEM

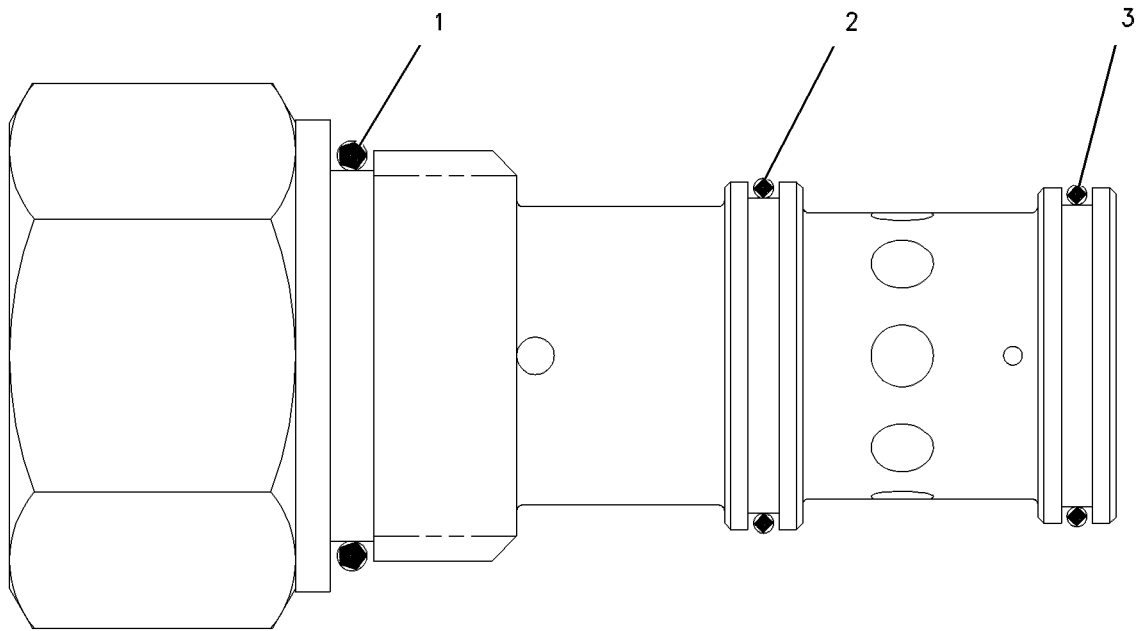
147-0209 VALVE GP-RELIEF

S/N: BK21-UP; SD31-UP; HA51-UP; H5E1-UP; H5F1-UP
 PART OF 418-7411, 468-0120 CONTROL GP-TRANSMISSION HYD
 AN ATTACHMENT

SMCS-5069, 5117

i05121850

NOTE	REF NO	GRAPHIC REF	PART NUMBER	QTY	PART NAME						SEE PAGE
					1	2	3	4	5	6 (PRODUCT LEVEL)	
1	1	1	7X-4744	1	SEAL -O-RING						
2	1	1	6V-9178	1	SEAL -O-RING						
3	1	1	106-9586	1	SEAL -O-RING						



GRAPHIC #1

<END>

g00304718

HYDRAULIC SYSTEM

504-1315 VALVE GP-SOLENOID & RELIEF-FAN

S/N: TD61-UP; TD71-UP

PART OF 515-9726 RADIATOR & MOUNTING GP
AN ATTACHMENT

SMCS-5479, 5571

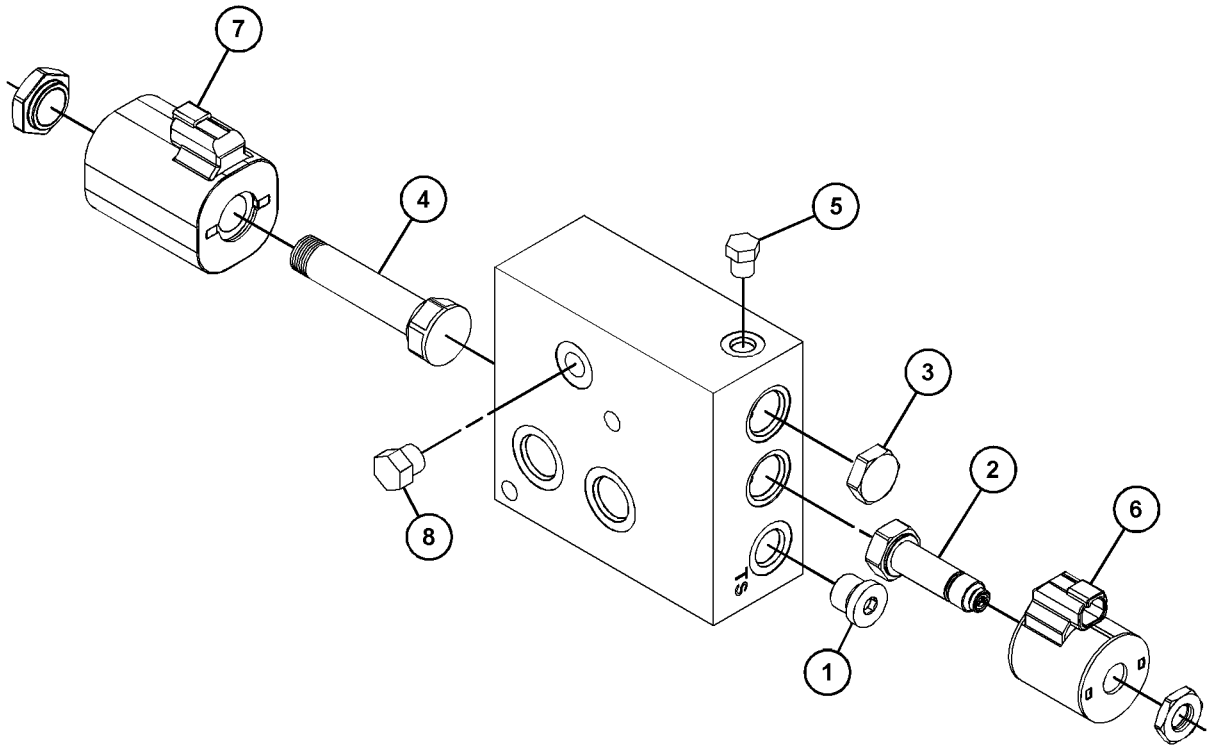
i06907175

NOTE	REF NO	GRAPHIC REF	PART NUMBER	QTY	PART NAME						SEE PAGE
					1	2	3	4	5	6	
	1	1	526-7378	1	PLUG						
	2	1	526-7387	1	VALVE-RELIEF						
	3	1	511-8398	1	VALVE-CHECK						
	4	1	511-8394	1	VALVE-SOLENOID						
	5	1	250-1477	1	PLUG						
	6	1	526-7389	1	COIL						
	7	1	511-8395	1	COIL						
	8	1	497-3881	1	FITTING-ADAPTER						
					PARTS SHOWN IN GRAPHIC(S) WITHOUT A REFERENCE NUMBER ARE NOT SERVICED SEPARATELY						
					AVAILABLE REPAIR KIT(S):						
			511-8399	1	KIT-SEAL (CONTROL VALVE)						
					(INCLUDES O-RING & BACKUP RING)						
			166-0321	1	KIT-SEAL (CONTROL VALVE)						
					(INCLUDES O-RING SEALS & BACKUP RINGS)						
			141-0888	1	KIT-SEAL (RIDE CONTROL)						
					(INCLUDES O-RING SEALS & BACKUP RING)						

HYDRAULIC SYSTEM

504-1315 VALVE GP-SOLENOID & RELIEF (contd.)

i06907175



GRAPHIC #1

<END>

g06165292

IMPLEMENTS

515-2728 BOOM AR

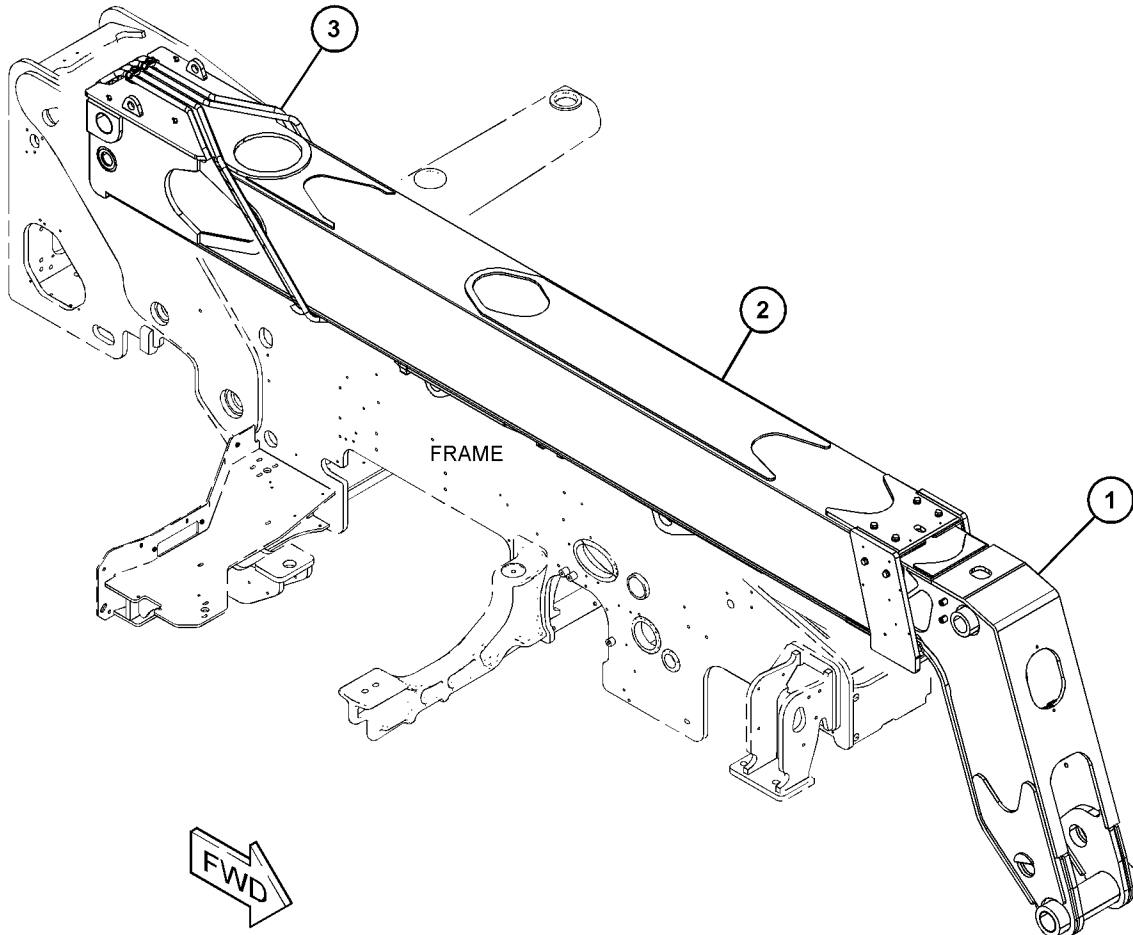
S/N: TD61-UP; TD71-UP
PART OF 517-9881 BOOM AR

SMCS-6501

i06906364

NOTE	REF NO	GRAPHIC REF	PART NUMBER	QTY	PART NAME						SEE PAGE
					1	2	3	4	5	6 (PRODUCT LEVEL)	
Y	1	1	513-4360	1	BOOM GP (INNER)						752
Y	2	1	513-4358	1	BOOM GP (OUTER)						751
Y	3	1	515-2729	1	LINES GP-BOOM						677

Y - SEPARATE ILLUSTRATION



GRAPHIC #1

<END>

g06164555

IMPLEMENTS

517-9881 BOOM AR

S/N: TD61-UP; TD71-UP

PART OF 518-0042, 518-0044 COMMON AR

SMCS-6501

i06907212

NOTE	PART NUMBER	QTY	PART NAME						SEE PAGE
			1	2	3	4	5	6 (PRODUCT LEVEL)	
Y	515-2728	1	BOOM AR						746
Y	515-5865	1	CYLINDER & MTG GP-TELESCOPING						649
Y	515-5765	1	CYLINDER & MTG GP-TILT						650
Y	515-1960	1	LEVER GP-TILT						755
Y	495-8471	1	SENSOR & MOUNTING GP (BOOM ANGLE)						401
Y	496-8307	1	SENSOR & MOUNTING GP (RETRACT)						403
Y	513-4355	1	WIRING GP-BOOM						436

Y - SEPARATE ILLUSTRATION

<END>

IMPLEMENTS

474-0144 BOOM GP

S/N: TD61-UP; TD71-UP

(12-IN)

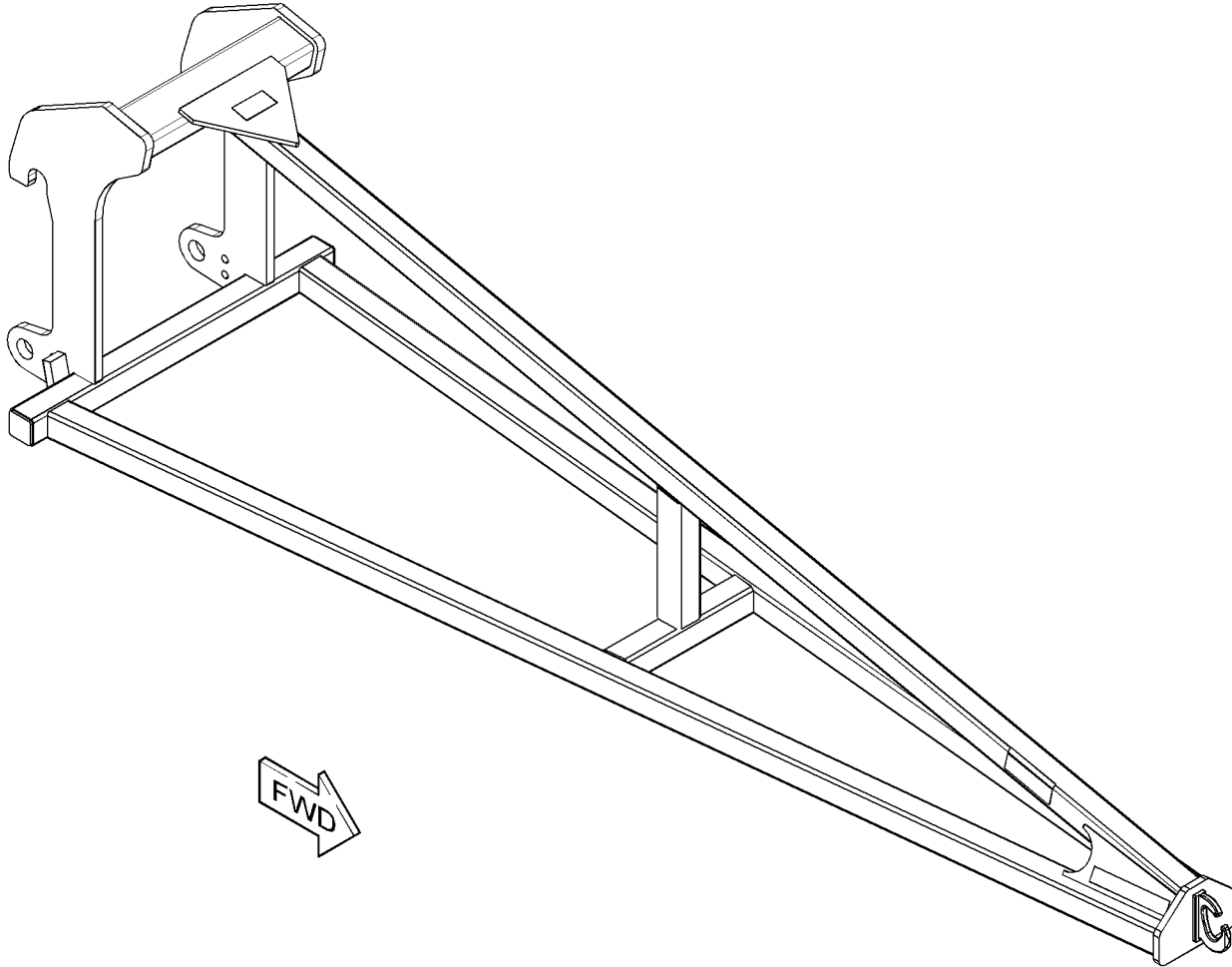
AN ATTACHMENT

SMCS-6501

i06883776

NOTE	REF NO	GRAPHIC REF	PART NUMBER	QTY	PART NAME	SEE PAGE
					1 2 3 4 5 6 (PRODUCT LEVEL)	

(NO SERVICED PARTS)



GRAPHIC #1

<END>

g03873186

IMPLEMENTS

474-0147 BOOM GP-WITH WINCH

S/N: TD61-UP; TD71-UP
(12-FT), AVAILABLE IN NACD REGION ONLY
AN ATTACHMENT

SMCS-6501

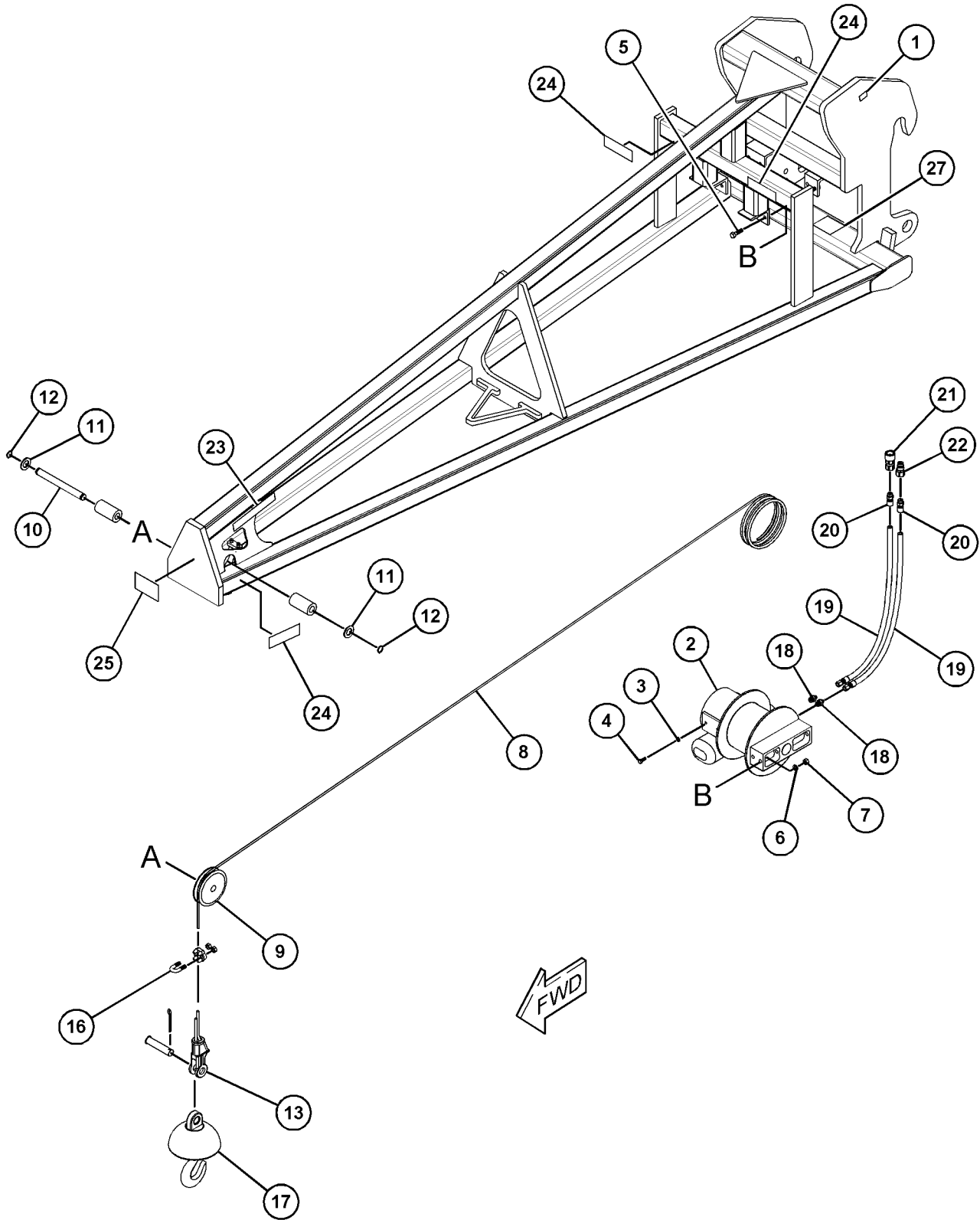
i06948947

NOTE	REF NO	GRAPHIC REF	PART NUMBER	QTY	PART NAME						SEE PAGE
					1	2	3	4	5	6 (PRODUCT LEVEL)	
	1	1	362-2106	1	FILM-INFORMATION (MADE IN USA)						
	2	1	490-6358	1	WINCH						
	3	1	327-6330	4	LOCKWASHER						
	4	1	327-6285	4	SCREW (0.375-INCH THD)						
	5	1	490-6359	2	BOLT						
	6	1	327-6329	2	LOCKWASHER						
	7	1	490-6360	2	NUT						
	8	1	490-6361	1	CABLE						
	9	1	490-6362	1	PULLEY						
	10	1	490-6363	1	PIN						
	11	1	490-6364	2	WASHER						
	12	1	490-6365	2	RING						
	13	1	490-6366	1	SOCKET						
	16	1	490-6367	1	CLAMP						
	17	1	490-6368	1	BALL-SWIVEL						
	18	1	339-8047	2	CONNECTOR						
	19	1	490-6369	2	HOSE						
	20	1	362-2111	2	CONNECTOR						
	21	1	300-6078	1	COUPLING (FEMALE)						
	22	1	300-6079	1	COUPLING (MALE)						
	23	1	490-6371	2	FILM-INFORMATION (LOAD CAPACITY)						
	24	1	490-6372	4	FILM-WARNING (ROTATING)						
	25	1	490-6373	1	FILM-WARNING (NO TOWING)						
	27	1	327-6325	1	FILM-WARNING (HIGH PRESSURE)						

IMPLEMENTS

474-0147 BOOM GP (contd.)

i06948947



GRAPHIC #1

<END>

g03885319

IMPLEMENTS

513-4358 BOOM GP-OUTER

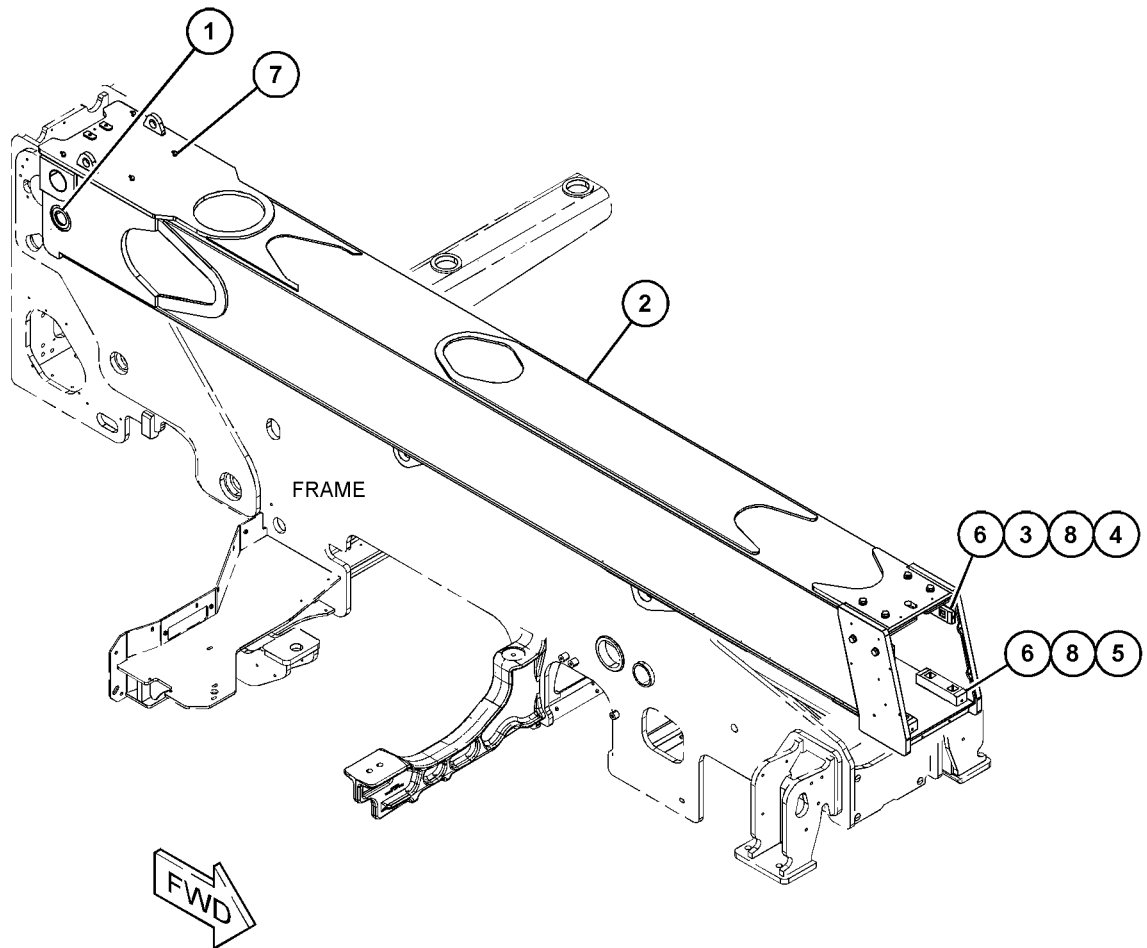
S/N: TD61-UP; TD71-UP
PART OF 515-2728 BOOM AR

SMCS-6501

i06906447

NOTE	REF NO	GRAPHIC REF	PART NUMBER	QTY	PART NAME						SEE PAGE
					1	2	3	4	5	6 (PRODUCT LEVEL)	
	1	1	318-7351	2	BEARING						
	2	1	513-4359	1	BOOM AS						
B	3	1	459-1953	1	SHIM (1-MM THK)						
	4	1	459-1954	4	PAD AS						
	5	1	499-2172	2	PAD AS						
B	6	1	7X-0622	1	WASHER (13X24X2.5-MM THK)						
	7	1	5W-3656	4	FITTING-GREASE						
M	8	1	459-3673	12	BOLT (M12X1.75X40-MM)						

B - USE AS REQUIRED
M - METRIC PART



GRAPHIC #1

<END>

g06164948

IMPLEMENTS

513-4360 BOOM GP-INNER

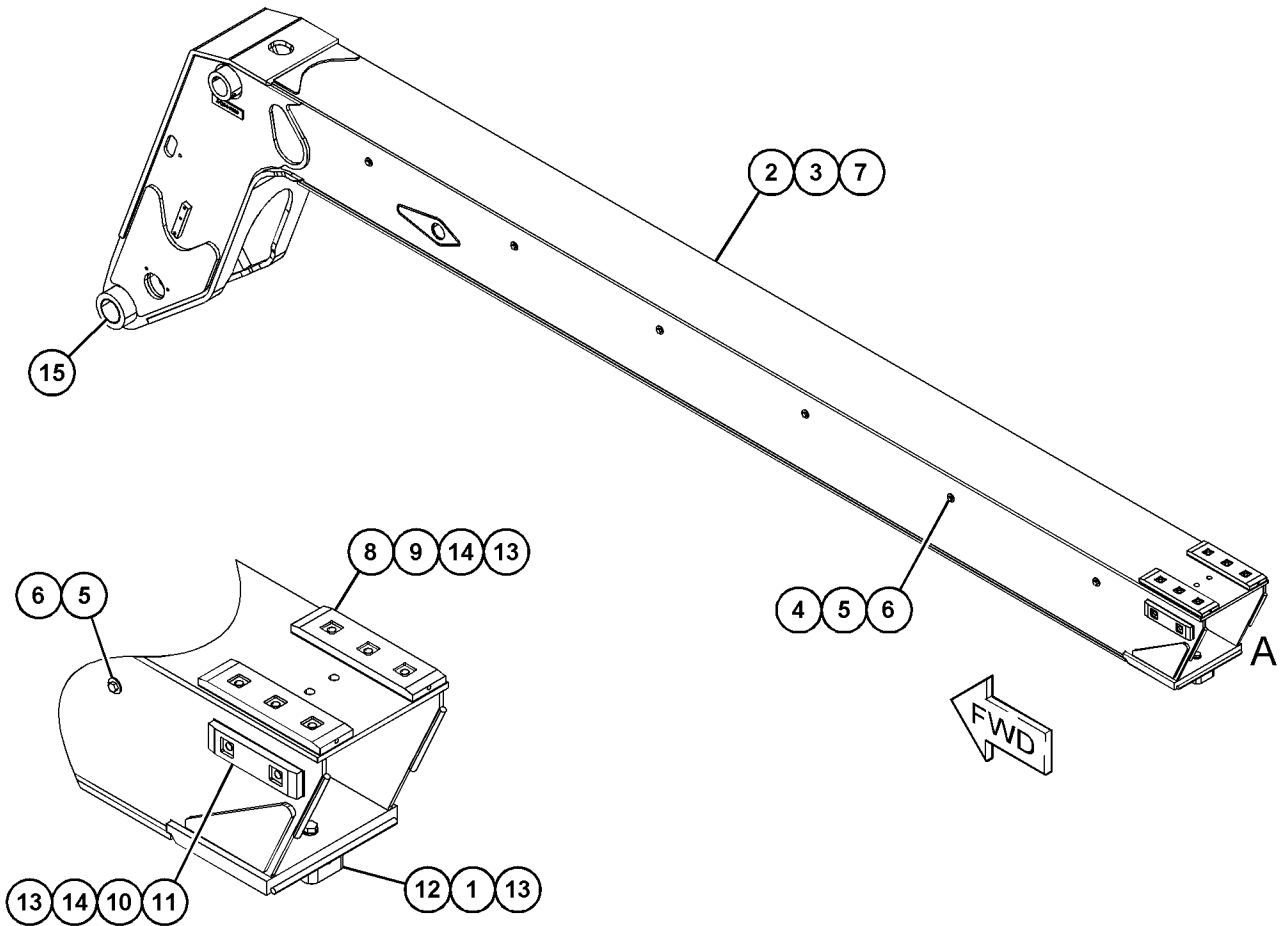
S/N: TD61-UP; TD71-UP
PART OF 515-2728 BOOM AR

SMCS-6501

i06906451

NOTE	REF NO	GRAPHIC REF	PART NUMBER	QTY	PART NAME						SEE PAGE
					1	2	3	4	5	6 (PRODUCT LEVEL)	
M	1	1	8T-4183	2	BOLT (M12X1.75X40-MM)						
	2	1	513-4361	1	BOOM AS						
	3	1	495-7762	1	SUPPORT AS						
	4	1	495-8379	1	SUPPORT AS						
	5	1	309-3997	12	WASHER (8.4X25X2-MM THK)						
M	6	1	8T-4908	12	BOLT (M8X1.25X25-MM)						
	7	1	437-0940	1	FITTING						
	8	1	513-3276	2	PAD AS-WEAR						
B	9	1	513-3277	1	SHIM (1.5-MM THK)						
B	10	1	459-1953	1	SHIM (1-MM THK)						
	11	1	459-1954	2	PAD AS						
	12	1	513-3278	1	PAD AS-WEAR						
B	13	1	7X-0622	1	WASHER (13X24X2.5-MM THK)						
M	14	1	8T-4192	10	BOLT (M12X1.75X25-MM)						
	15	1	318-7351	2	BEARING						

B - USE AS REQUIRED
M - METRIC PART



VIEW OF AREA A

GRAPHIC #1

<END>

g06165249

IMPLEMENTS

513-0902 BRUSH GP-BOOM

S/N: TD61-UP; TD71-UP

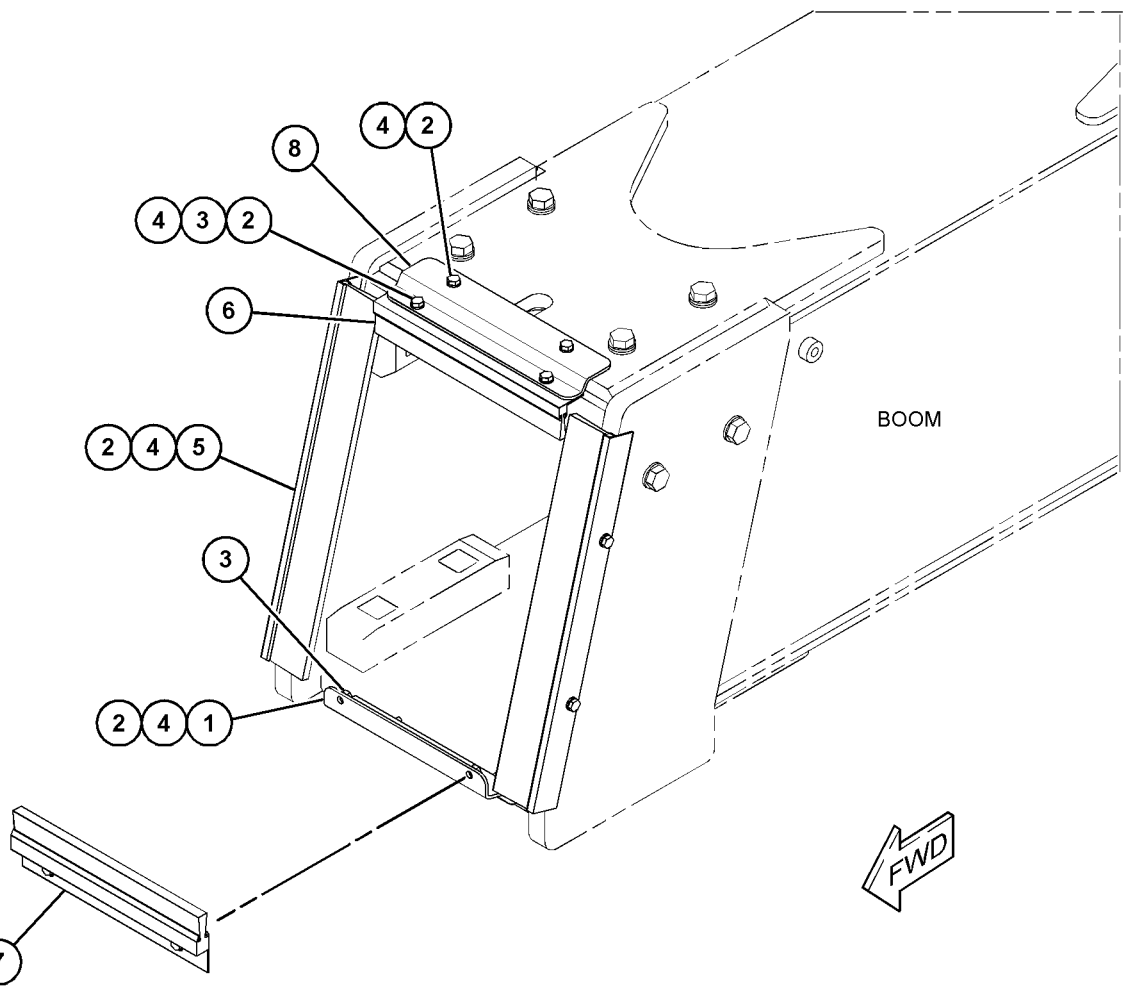
PART OF 517-9883, 517-9885 CHASSIS AR

SMCS-7158

i06907121

NOTE	REF NO	GRAPHIC REF	PART NUMBER	QTY	PART NAME						SEE PAGE
					1	2	3	4	5	6 (PRODUCT LEVEL)	
	1	1	513-0906	1	BRACKET						
M	2	1	5C-9553	12	BOLT (M6X1X16-MM)						
M	3	1	5C-2890	4	NUT (M6X1-THD)						
	4	1	8T-4205	16	WASHER-HARD (7.2X14.5X2-MM THK)						
	5	1	497-9578	2	BRUSH						
	6	1	513-0903	1	BRUSH						
	7	1	513-0904	1	BRUSH						
	8	1	513-0905	1	BRACKET						

M - METRIC PART



GRAPHIC #1

<END>

g06164945

IMPLEMENTS

492-5091 INDICATOR GP-BOOM ANGLE

S/N: TD71-UP

FOR USE IN AUSTRALIA AND NEW ZEALAND ONLY

PART OF 522-6042 CONFIGURATION AR

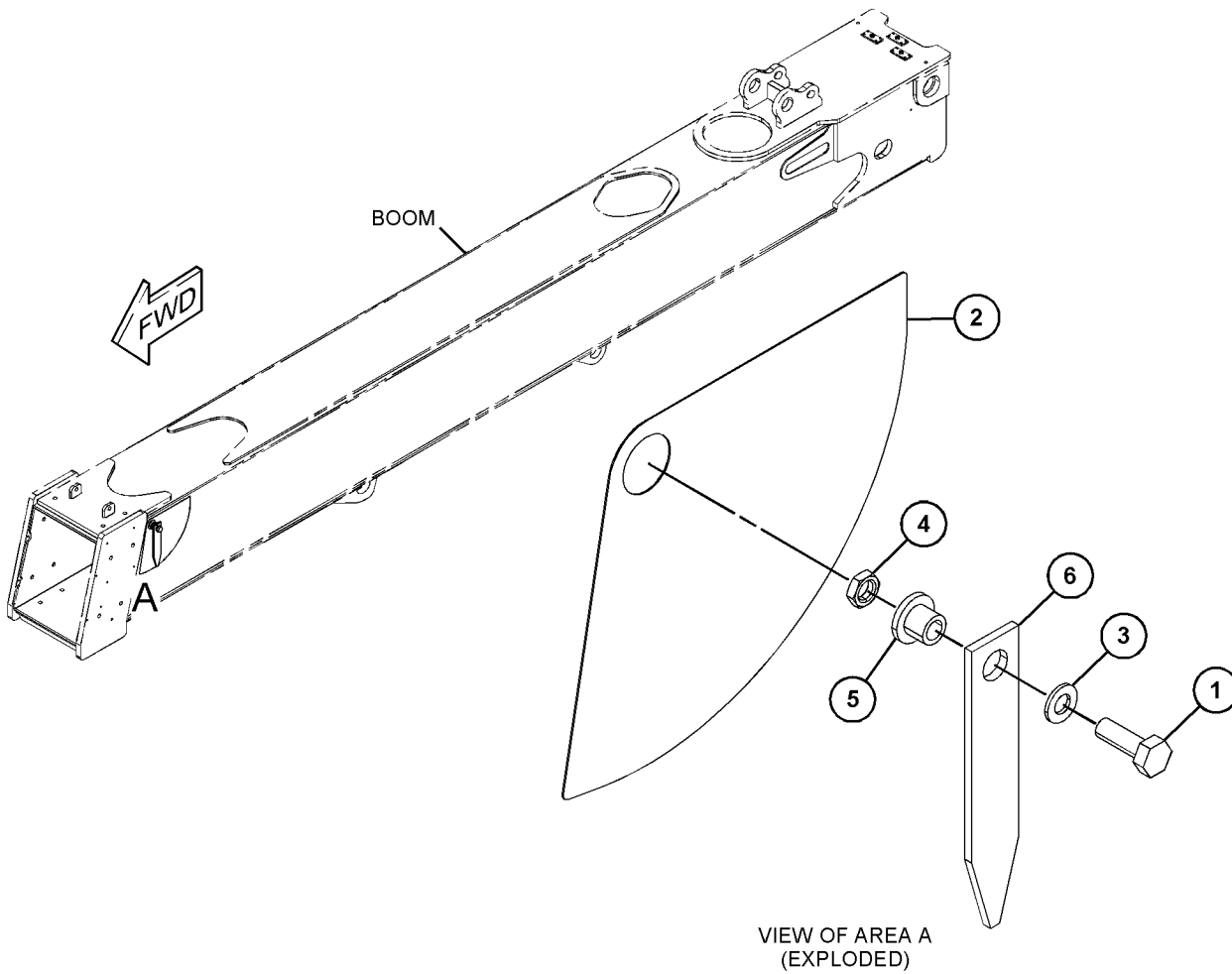
AN ATTACHMENT

SMCS-7858

i06591321

NOTE	REF NO	GRAPHIC REF	PART NUMBER	QTY	PART NAME						SEE PAGE
					1	2	3	4	5	6 (PRODUCT LEVEL)	
M	1	1	8T-4195	1	BOLT (M10X1.5X30-MM)						
	2	1	298-0576	1	FILM-IDENTIFICATION (BOOM ANGLE)						
	3	1	8T-4121	1	WASHER-HARD (11X21X2.5-MM THK)						
	4	1	492-5069	1	NUT-HEX						
	5	1	471-6032	1	BUSHING						
	6	1	320-7883	1	POINTER						

M - METRIC PART



GRAPHIC #1

<END>

g06040913

IMPLEMENTS

515-1960 LEVER GP-TILT

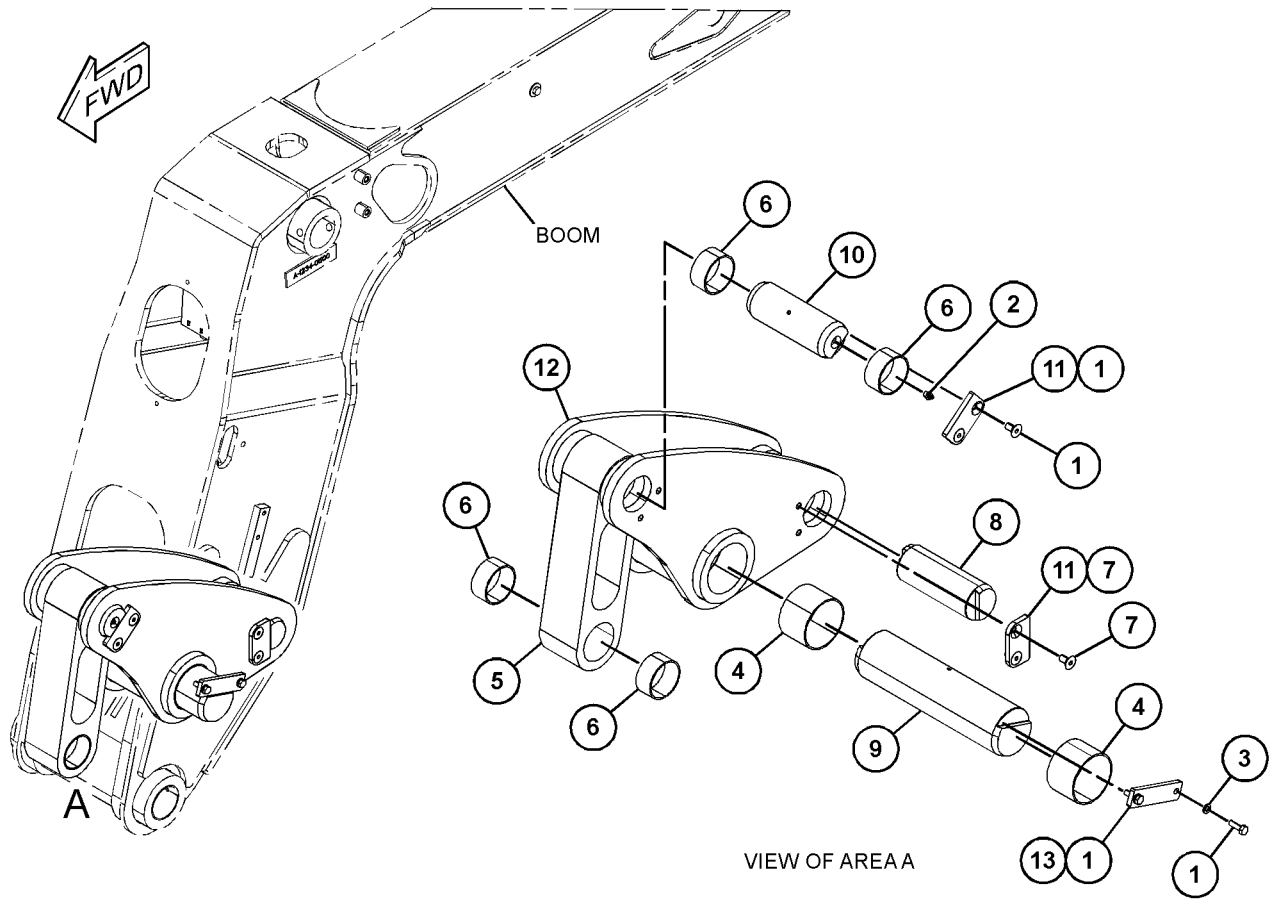
S/N: TD61-UP; TD71-UP
PART OF 517-9881 BOOM AR

SMCS-6116

i06895487

NOTE	REF NO	GRAPHIC REF	PART NUMBER	QTY	PART NAME						SEE PAGE
					1	2	3	4	5	6	
M	1	1	8T-4908	2	BOLT (M8X1.25X25-MM)						
	2	1	437-0940	2	FITTING						
	3	1	298-7387	2	LOCKWASHER						
	4	1	318-7355	2	BEARING						
	5	1	315-3638	1	LINK						
	6	1	329-3613	4	BEARING						
M	7	1	127-2909	4	SCREW-FLAT HEAD (M10X1.5X20-MM)						
	8	1	494-9793	1	PIN						
	9	1	494-9794	1	PIN						
	10	1	494-9795	1	PIN						
	11	1	494-9797	2	PLATE						
	12	1	510-1175	1	LEVER AS						
	13	1	494-1912	1	PLATE						

M - METRIC PART



GRAPHIC #1

<END>

g06160830

WORK TOOLS

229-9714 ARM GP-MATERIAL HANDLING

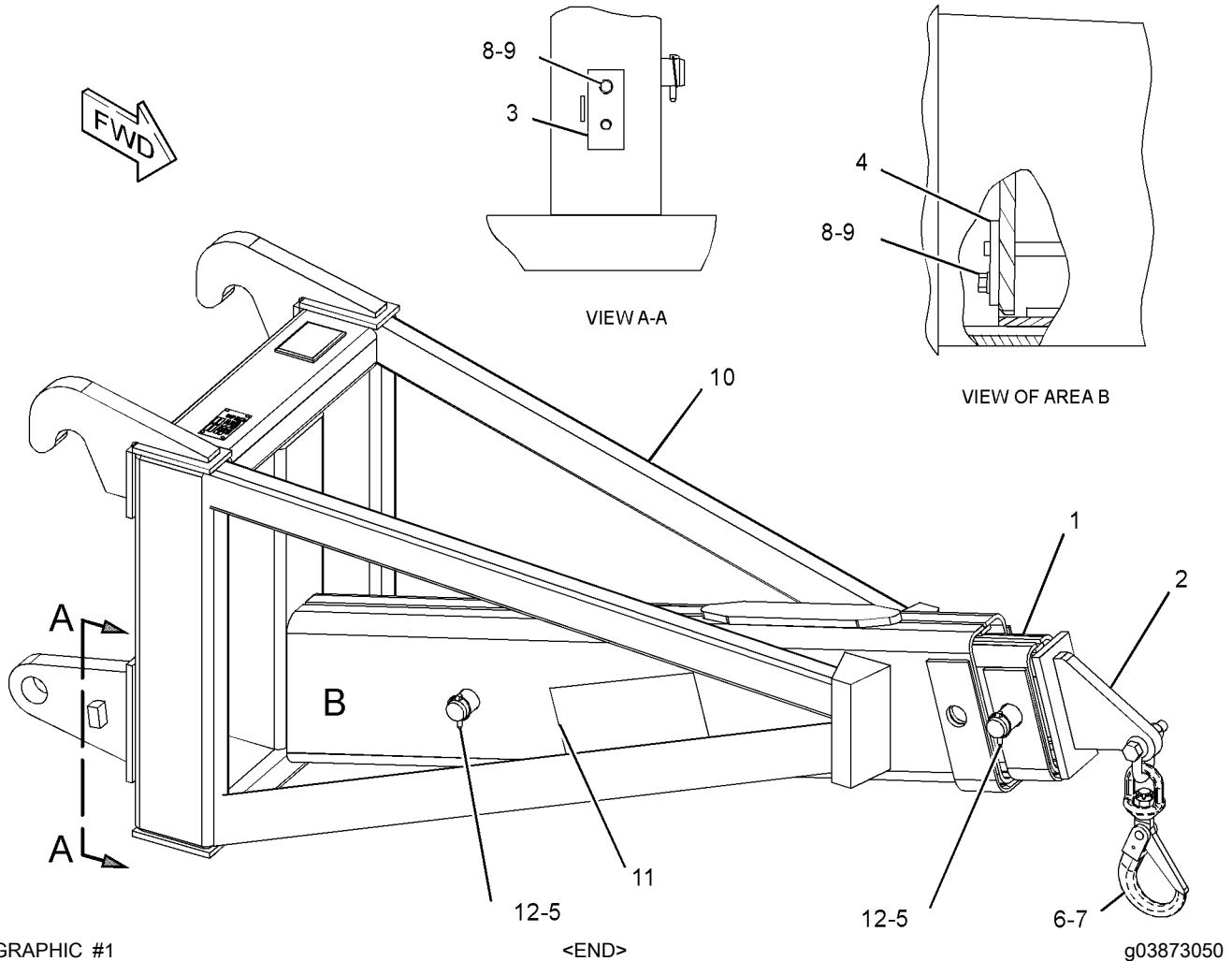
S/N: TD61-UP; TD71-UP

AN ATTACHMENT

SMCS-6542

i06249037

NOTE	REF NO	GRAPHIC REF	PART NUMBER	QTY	PART NAME						SEE PAGE
					1	2	3	4	5	6 (PRODUCT LEVEL)	
	1	1	6W-5652	1	EXTENSION AS (MIDDLE)						
	2	1	6W-5656	1	EXTENSION AS (OUTER)						
	3	1	6W-5678	1	RETAINER AS						
	4	1	6W-5679	1	RETAINER AS						
(EACH RETAINER AS INCLUDES)											
		1	6W-5677	1	ROD						
	5	1	8D-3791	2	PIN						
	6	1	9V-2714	1	HOOK						
	7	1	9V-2715	1	SHACKLE AS						
	8	1	5M-3062	2	BOLT (3/8-16X0.75-IN)						
	9	1	8T-4896	2	WASHER-HARD (10.2X18.5X2.5-MM THK)						
	10	1	229-9715	1	BASE AS						
	11	1	233-2944	2	FILM-INSTRUCTION (LOAD CAPACITY, READ OMM)						
	12	1	5G-2373	2	PIN						



WORK TOOLS

513-5013 BIT GP-AUGER

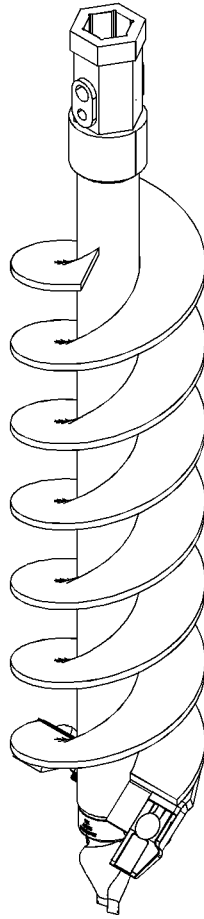
S/N: TD61-UP; TD71-UP
FOR USE WITH 491-9892-PAGE: 875
AN ATTACHMENT

SMCS-6828, 6830

i06842751

NOTE	REF NO	GRAPHIC REF	PART NUMBER	QTY	PART NAME						SEE PAGE
					1	2	3	4	5	6 (PRODUCT LEVEL)	

(NO BREAKDOWN OF SERVICEABLE PARTS AVAILABLE AT TIME OF PUBLICATION)



GRAPHIC #1

<END>

g06138285

WORK TOOLS

513-5014 BIT GP-AUGER

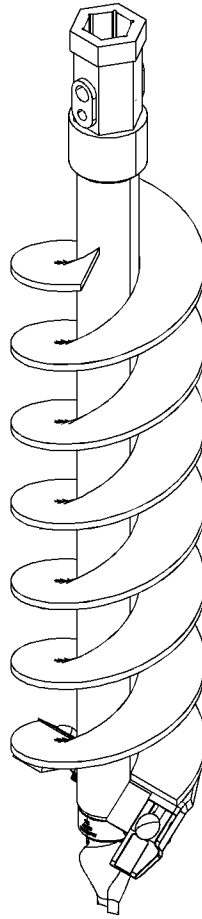
S/N: TD61-UP; TD71-UP
FOR USE WITH 491-9892-PAGE: 875
AN ATTACHMENT

SMCS-6828, 6830

i06842752

NOTE	REF NO	GRAPHIC REF	PART NUMBER	QTY	PART NAME						SEE PAGE
					1	2	3	4	5	6 (PRODUCT LEVEL)	

(NO BREAKDOWN OF SERVICEABLE PARTS AVAILABLE AT TIME OF PUBLICATION)



GRAPHIC #1

<END>

g06138292

WORK TOOLS

513-5015 BIT GP-AUGER

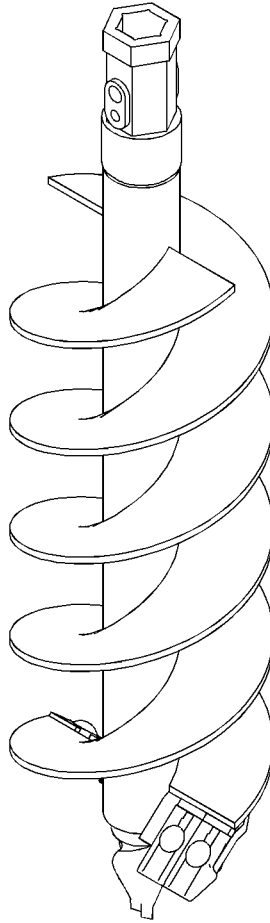
S/N: TD61-UP; TD71-UP
FOR USE WITH 491-9892-PAGE: 875
AN ATTACHMENT

SMCS-6828, 6830

i06842753

NOTE	REF NO	GRAPHIC REF	PART NUMBER	QTY	PART NAME						SEE PAGE
					1	2	3	4	5	6 (PRODUCT LEVEL)	

(NO BREAKDOWN OF SERVICEABLE PARTS AVAILABLE AT TIME OF PUBLICATION)



GRAPHIC #1

<END>

g06140841

WORK TOOLS

513-5016 BIT GP-AUGER

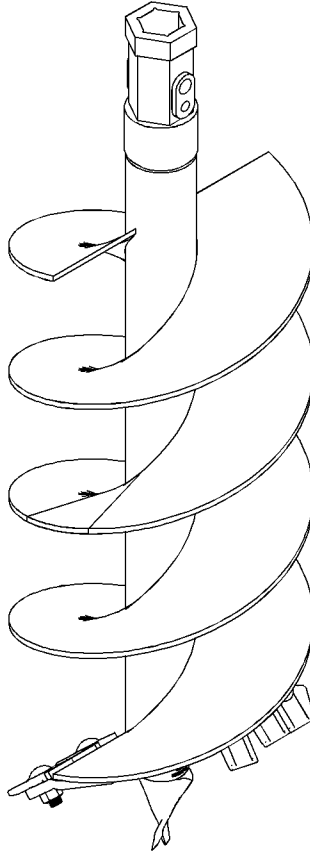
S/N: TD61-UP; TD71-UP
FOR USE WITH 491-9892-PAGE: 875
AN ATTACHMENT

SMCS-6828, 6830

i06842754

NOTE	REF NO	GRAPHIC REF	PART NUMBER	QTY	PART NAME	SEE PAGE
------	--------	-------------	-------------	-----	-----------	----------

(NO BREAKDOWN OF SERVICEABLE PARTS AVAILABLE AT TIME OF PUBLICATION)



GRAPHIC #1

<END>

g06140441

WORK TOOLS

513-5017 BIT GP-AUGER

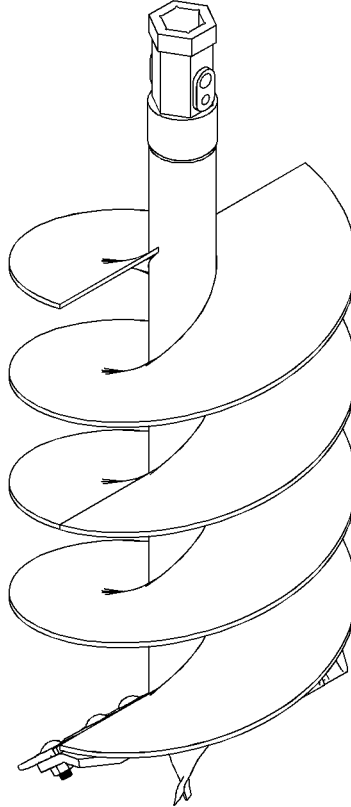
S/N: TD61-UP; TD71-UP
FOR USE WITH 491-9892-PAGE: 875
AN ATTACHMENT

SMCS-6828, 6830

i06842755

NOTE	REF NO	GRAPHIC REF	PART NUMBER	QTY	PART NAME	SEE PAGE
------	--------	-------------	-------------	-----	-----------	----------

(NO BREAKDOWN OF SERVICEABLE PARTS AVAILABLE AT TIME OF PUBLICATION)



GRAPHIC #1

<END>

g06140442

WORK TOOLS

513-5018 BIT GP-AUGER

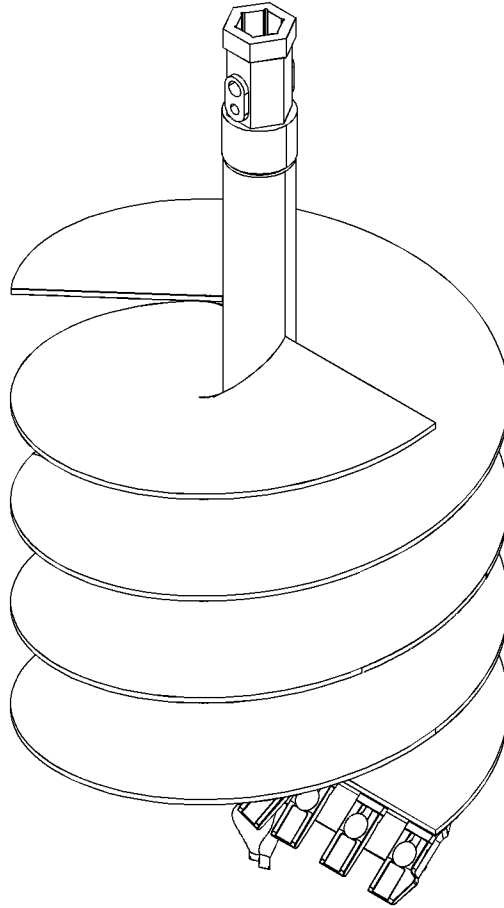
S/N: TD61-UP; TD71-UP
FOR USE WITH 491-9892-PAGE: 875
AN ATTACHMENT

SMCS-6828, 6830

i06842756

NOTE	REF NO	GRAPHIC REF	PART NUMBER	QTY	PART NAME	SEE PAGE
------	--------	-------------	-------------	-----	-----------	----------

(NO BREAKDOWN OF SERVICEABLE PARTS AVAILABLE AT TIME OF PUBLICATION)



GRAPHIC #1

<END>

g06138289

WORK TOOLS

513-5019 BIT GP-AUGER

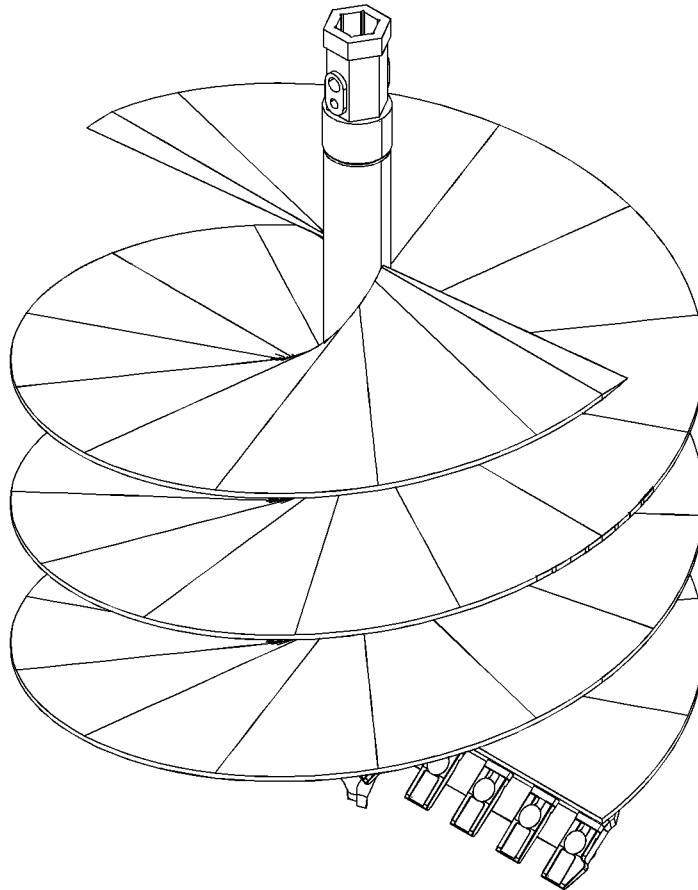
S/N: TD61-UP; TD71-UP
FOR USE WITH 491-9892-PAGE: 875
AN ATTACHMENT

SMCS-6828, 6830

i06842757

NOTE	REF NO	GRAPHIC REF	PART NUMBER	QTY	PART NAME	SEE PAGE
------	--------	-------------	-------------	-----	-----------	----------

(NO BREAKDOWN OF SERVICEABLE PARTS AVAILABLE AT TIME OF PUBLICATION)



GRAPHIC #1

<END>

g06138350

WORK TOOLS

169-3945 BOOM GP-TRUSS

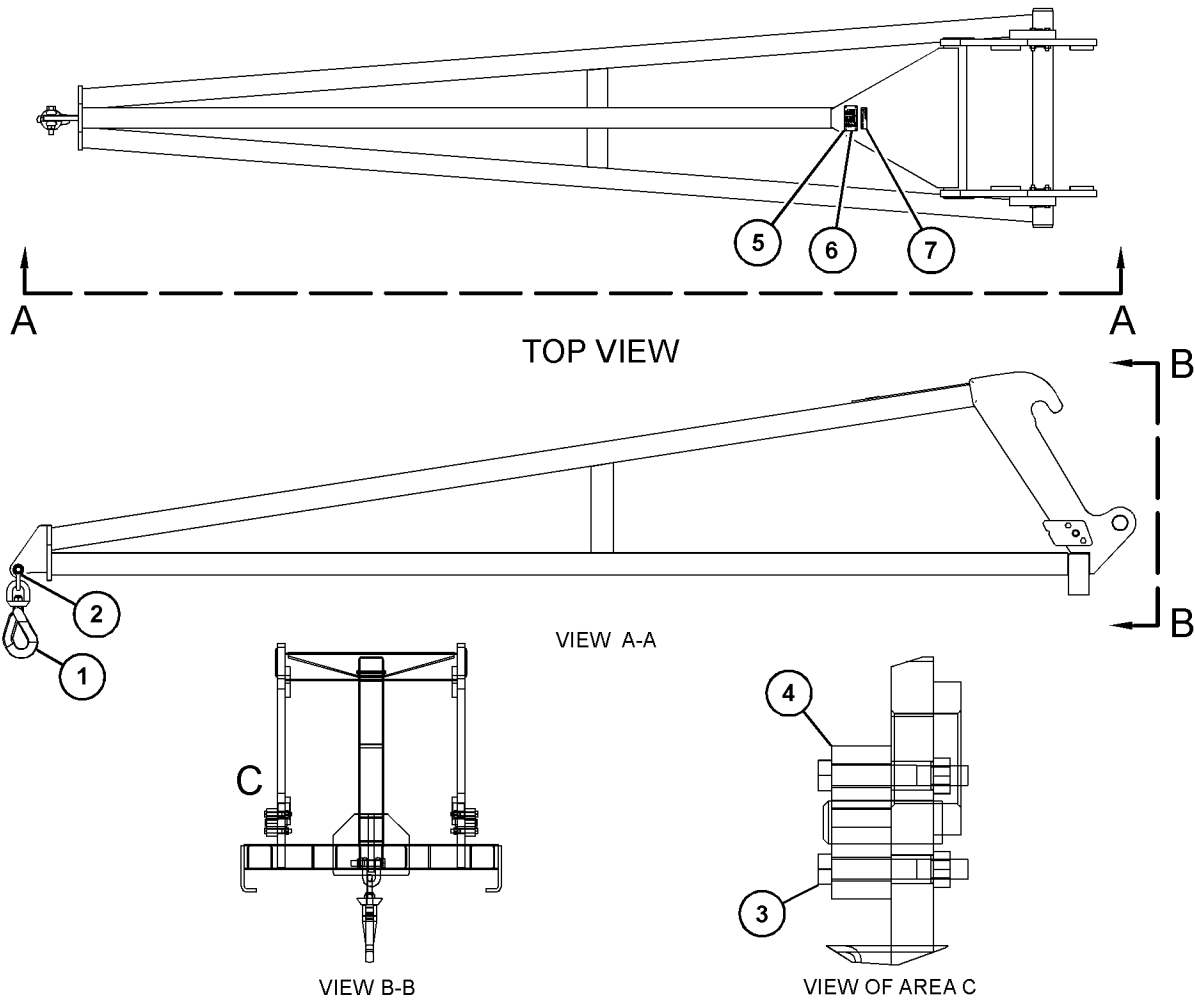
S/N: TD61-UP; TD71-UP
PART OF 456-0473 BOOM GP-TRUSS
AN ATTACHMENT

SMCS-6501

i05743136

NOTE	REF NO	GRAPHIC REF	PART NUMBER	QTY	PART NAME						SEE PAGE
					1	2	3	4	5	6	
	1	1	9V-2714	1	HOOK						
	2	1	9V-2715	1	SHACKLE AS						
M	3	1	8T-6868	4	BOLT (M12X1.75X80-MM)						
	4	1	169-3943	2	BLOCK						
	5	1	168-8389	4	TACK (METAL)						
	6	1	180-3516	1	PLATE-IDENTIFICATION (MATERIAL HANDLING)						
	7	1	354-7356	1	PLATE-CERTIFICATION						

M - METRIC PART



GRAPHIC #1

<END>

g03652692

WORK TOOLS

456-0473 BOOM GP-TRUSS

S/N: TD61-UP; TD71-UP

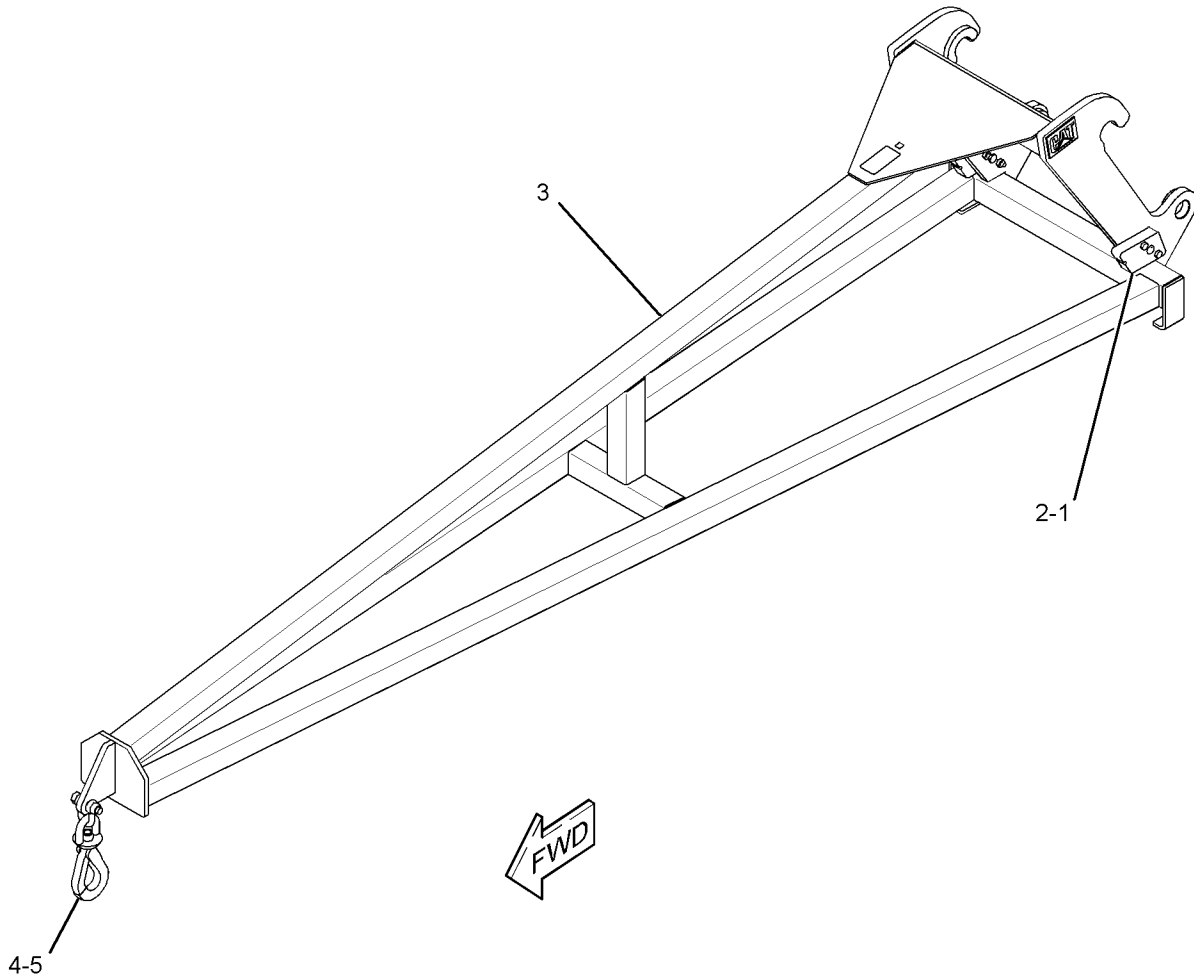
AN ATTACHMENT

SMCS-6501

i05685349

NOTE	REF NO	GRAPHIC REF	PART NUMBER	QTY	PART NAME						SEE PAGE
					1	2	3	4	5	6 (PRODUCT LEVEL)	
M	1	1	8T-6868	4	BOLT (M12X1.75X80-MM)						
	2	1	169-3943	2	BLOCK						
Y	3	1	169-3945	1	BOOM GP-TRUSS						764
	4	1	9V-2714	1	HOOK						
	5	1	9V-2715	1	SHACKLE AS						

M - METRIC PART
Y - SEPARATE ILLUSTRATION



GRAPHIC #1

<END>

g03641822

WORK TOOLS

479-0239 BOOM GP-TRUSS

S/N: TD61-UP; TD71-UP

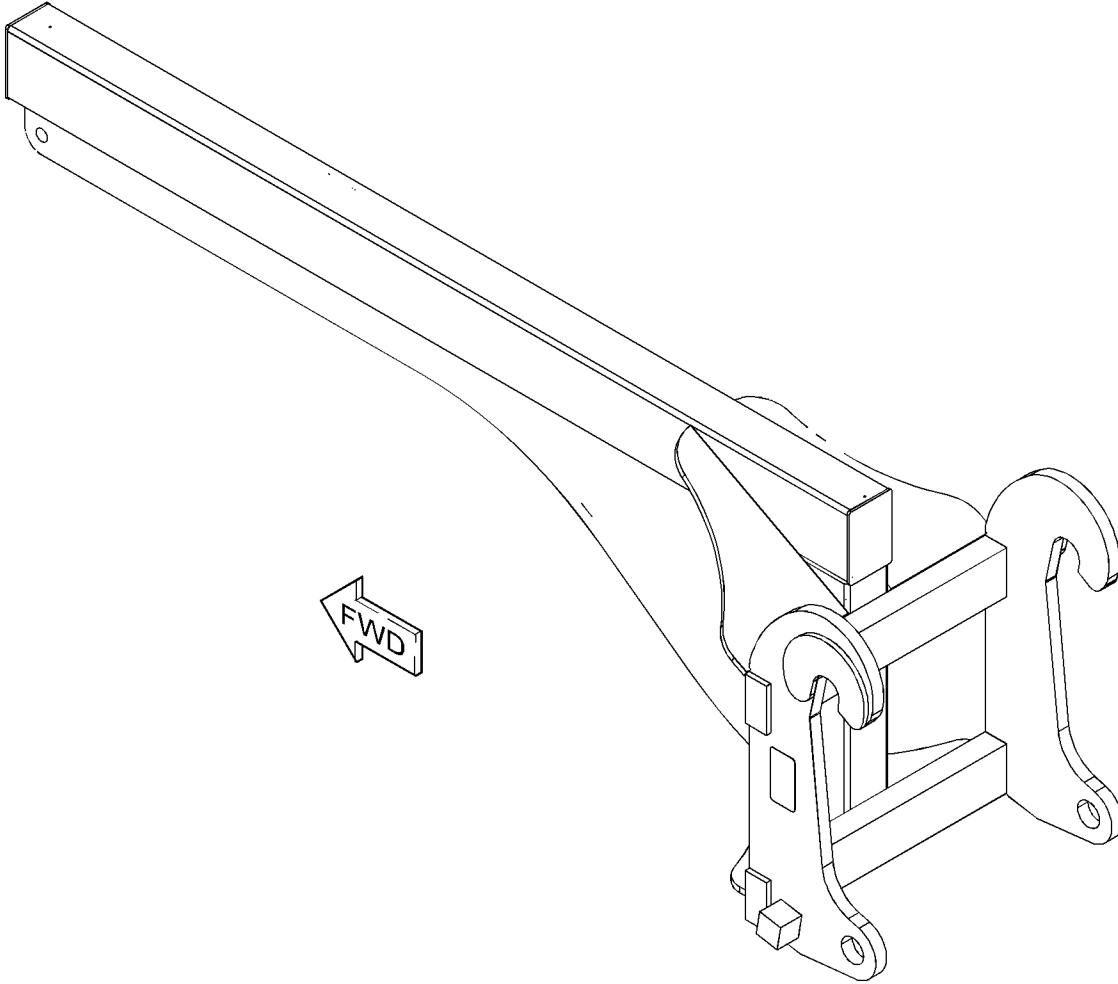
AN ATTACHMENT

SMCS-6501

i06836833

NOTE	REF NO	GRAPHIC REF	PART NUMBER	QTY	PART NAME	SEE PAGE
------	--------	-------------	-------------	-----	-----------	----------

1 2 3 4 5 6 (PRODUCT LEVEL)
(NO BREAKDOWN OF SERVICEABLE PARTS AVAILABLE AT TIME OF PUBLICATION)



GRAPHIC #1

<END>

g06137515

WORK TOOLS

491-9893 BOOM GP-TRUSS

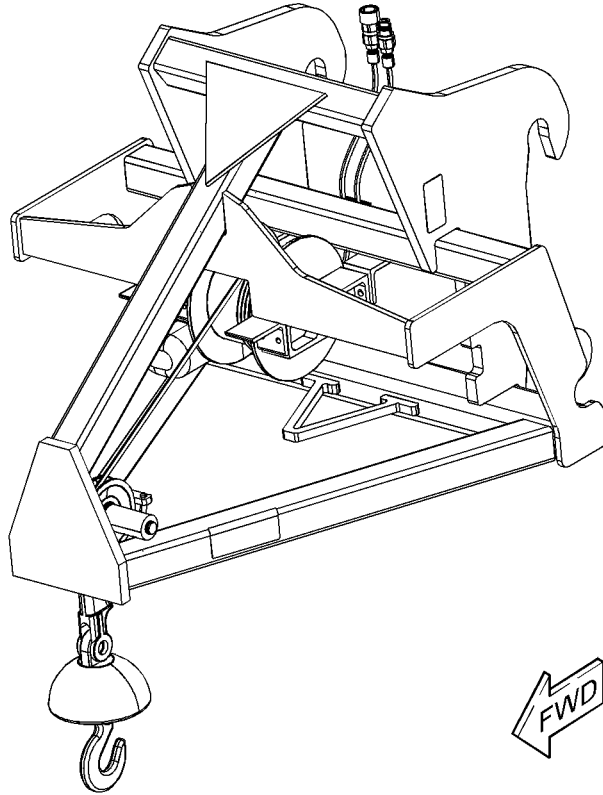
S/N: TD61-UP; TD71-UP
FOR USE IN NACD REGION ONLY
AN ATTACHMENT

SMCS-6501

i06836911

NOTE	REF NO	GRAPHIC REF	PART NUMBER	QTY	PART NAME	SEE PAGE
					1 2 3 4 5 6 (PRODUCT LEVEL)	

(NO BREAKDOWN OF SERVICEABLE PARTS AVAILABLE
AT TIME OF PUBLICATION)



GRAPHIC #1

<END>

g06137561

WORK TOOLS

486-0528 BROOM GP

S/N: TD61-UP; TD71-UP

AN ATTACHMENT

SMCS-6335

i06927678

NOTE	REF NO	GRAPHIC REF	PART NUMBER	QTY	PART NAME						SEE PAGE
					1	2	3	4	5	6 (PRODUCT LEVEL)	
	1	2	528-4804	1	PLATE						
	2	1	528-4805	2	ADAPTER						
	3	1	528-4806	1	CYLINDER						
	4	1	153-2994	1	COUPLING (FEMALE)						
	5	1	153-2995	1	COUPLING (MALE)						
	6	4	528-3194	1	KIT-BROOM JACK (INCLUDES SCREW, BOLTS, SPRING WASHERS, WASHERS & BRUSHES)						
	7	1	528-4807	2	STRAP						
	8	2	528-3858	1	KIT-BROOM FLOAT GUIDE (INCLUDES FLOAT BRACKET, BOLTS, WASHERS & FLOAT POINTER)						
	9	1	528-4808	2	STOP						
	10	1	528-4809	1	PIVOT						
	11	1	528-4810	1	PIVOT						
	12	1	528-4811	1	GUARD-SIDE						
	13	3	528-4812	1	GUARD						
	14	4	528-4813	1	CORE-BRUSH						
	15	3	528-3866	1	KIT-VALVE (INCLUDES OVERTHROW CONTROL VALVE, ADAPTERS & CAP HEADS)						
					AVAILABLE REPAIR KIT(S):						
			528-3015	1	KIT-BRUSH (INCLUDES PARTS MARKED J IN THE GRAPHICS)						
			528-3023	2	KIT-BEARING (INCLUDES PARTS MARKED H IN THE GRAPHICS)						
			528-3024	1	KIT-HOPPER ARM (INCLUDES PARTS MARKED P IN THE GRAPHICS)						
			528-3027	1	KIT-BROOM JACK (INCLUDES PARTS MARKED N IN THE GRAPHICS)						
			528-3191	1	KIT-MOTOR (INCLUDES PARTS MARKED L IN THE GRAPHICS)						
			528-3702	1	KIT-BEARING (INCLUDES PARTS MARKED HP IN THE GRAPHICS)						
			528-3710	1	KIT-BROOM RAM MOUNT (INCLUDES PARTS MARKED S IN THE GRAPHICS)						
			528-3722	1	KIT-PLATE (INCLUDES PARTS MARKED T IN THE GRAPHICS)						
			528-3741	2	KIT-BRUSH (INCLUDES PARTS MARKED U IN THE GRAPHICS)						
			528-3751	2	KIT-BROOM FRONT RUBBER (INCLUDES PARTS MARKED V IN THE GRAPHICS)						
			528-3806	4	KIT-BEARING (INCLUDES PARTS MARKED X IN THE GRAPHICS)						
			528-3807	1	KIT-COVER (INCLUDES PARTS MARKED W IN THE GRAPHICS)						
			528-3812	2	KIT-STOP (INCLUDES PARTS MARKED HJ IN THE GRAPHICS)						
			528-3859	1	KIT-COVER (INCLUDES PARTS MARKED HN IN THE GRAPHICS)						

WORK TOOLS

486-0528 **BROOM GP** (contd.)

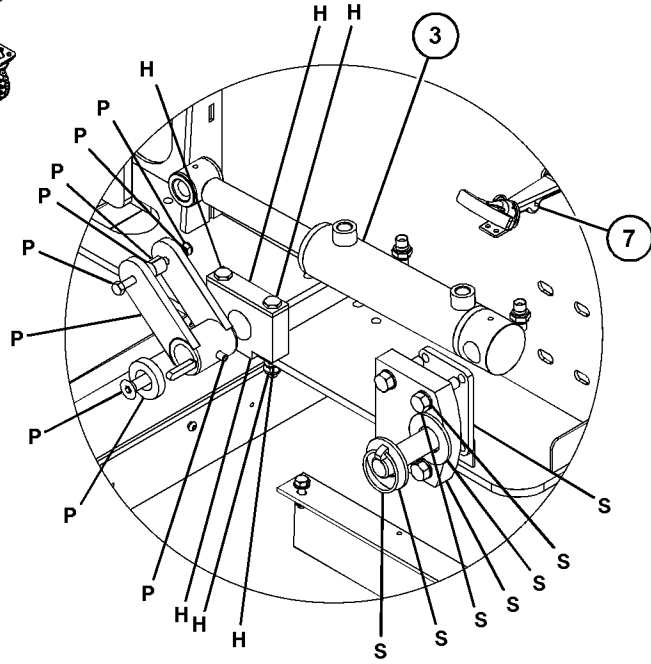
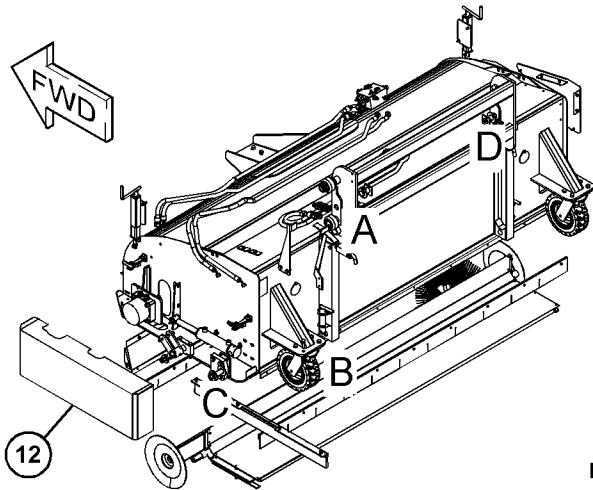
i06927678

NOTE	REF NO	GRAPHIC REF	PART NUMBER	QTY	PART NAME						SEE PAGE
					1	2	3	4	5	6 (PRODUCT LEVEL)	
			528-4293	1	KIT-HOPPER						
					(INCLUDES PARTS MARKED HL IN THE GRAPHICS)						
			528-4296	2	KIT-BROOM PIVOT PIN						
					(INCLUDES PARTS MARKED HS IN THE GRAPHICS)						
			528-4544	3	KIT-WHEEL						
					(INCLUDES PARTS MARKED HT IN THE GRAPHICS)						

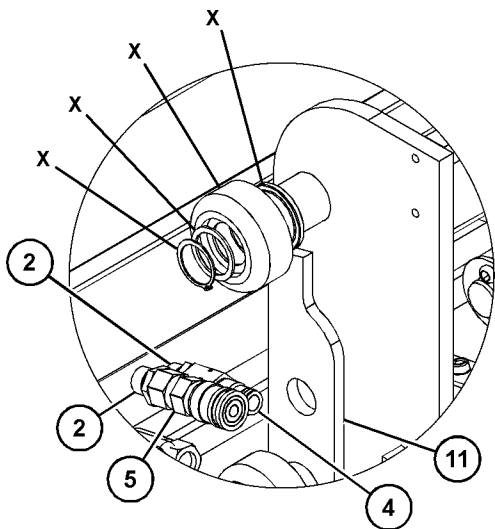
WORK TOOLS

486-0528 BROOM GP (contd.)

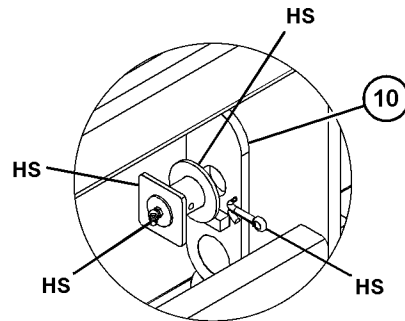
i06927678



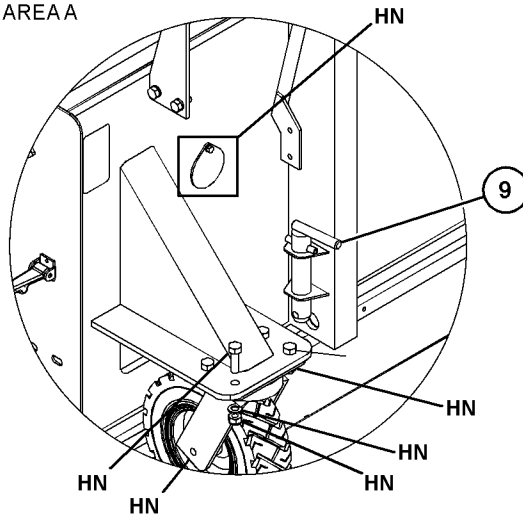
VIEW OF AREA C



VIEW OF AREA A



VIEW OF AREA D



VIEW OF AREA B

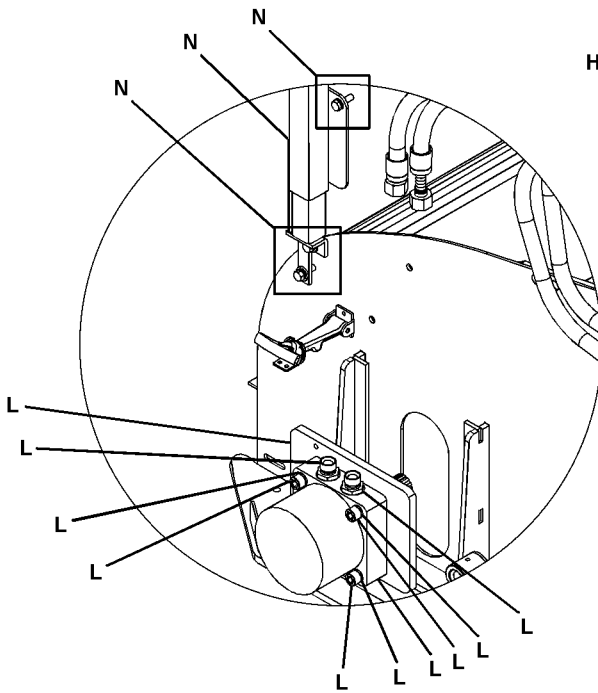
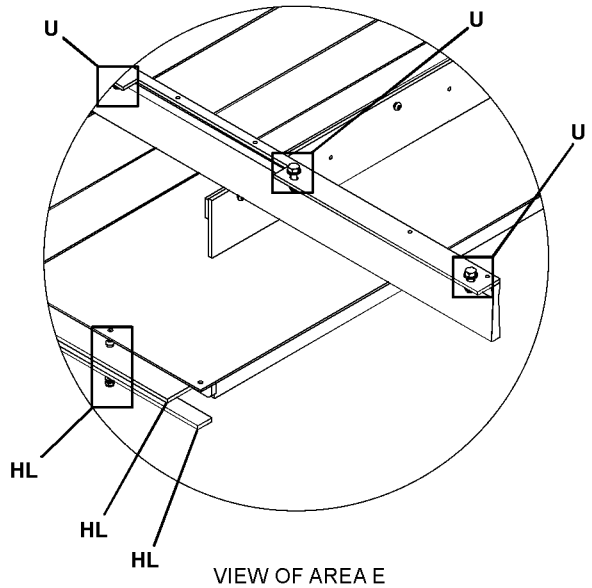
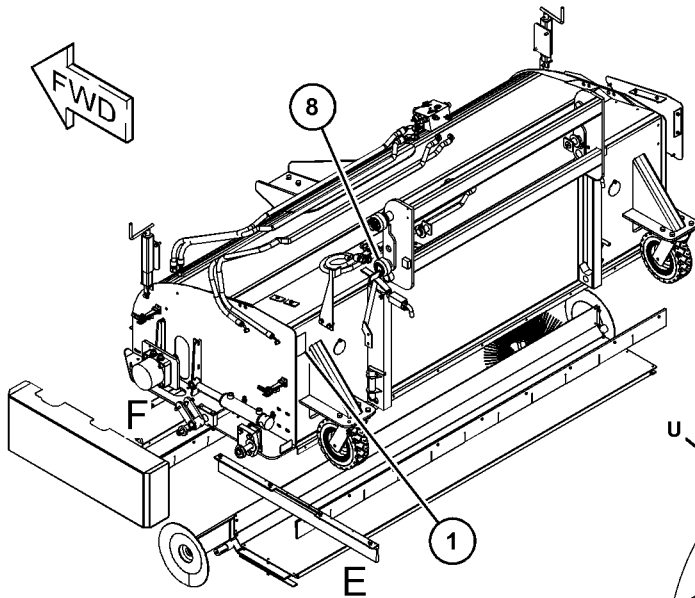
GRAPHIC #1

g06172886

WORK TOOLS

486-0528 BROOM GP (contd.)

i06927678



VIEW OF AREA F

VIEW OF AREA E

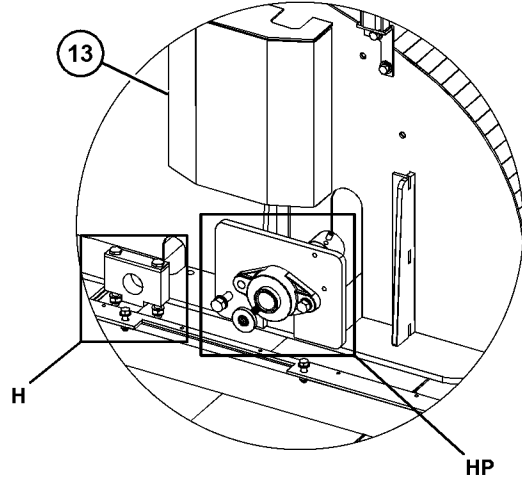
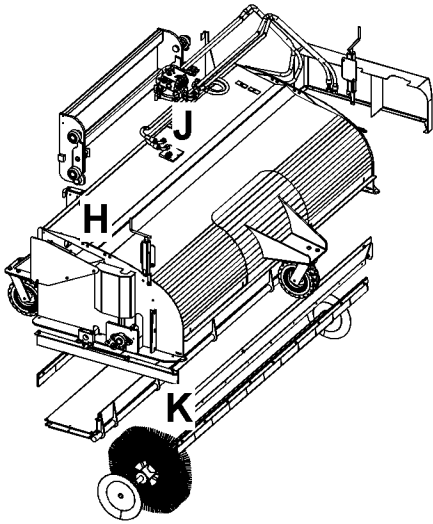
GRAPHIC #2

g06172887

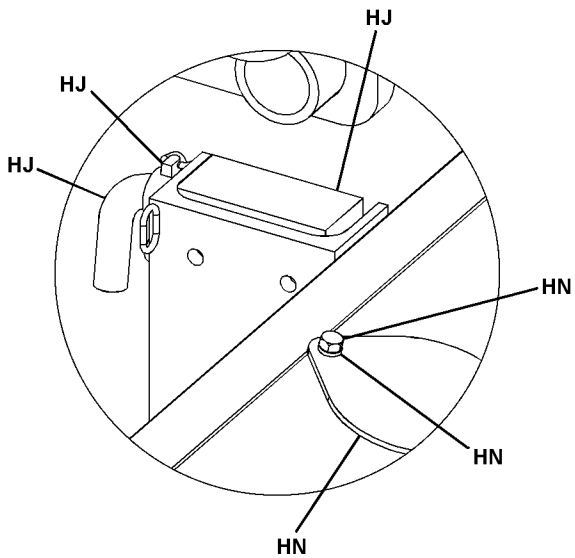
WORK TOOLS

486-0528 BROOM GP (contd.)

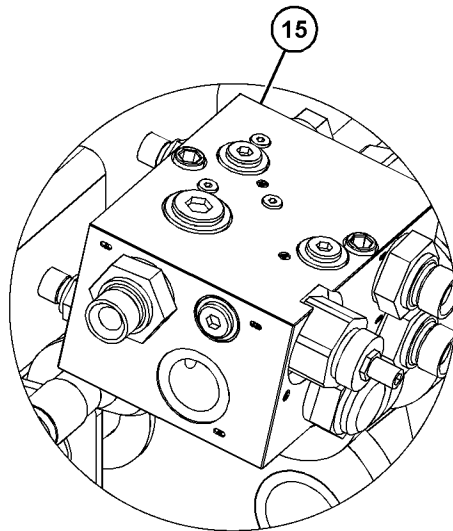
i06927678



VIEW OF AREA J



VIEW OF AREA H



VIEW OF AREA K

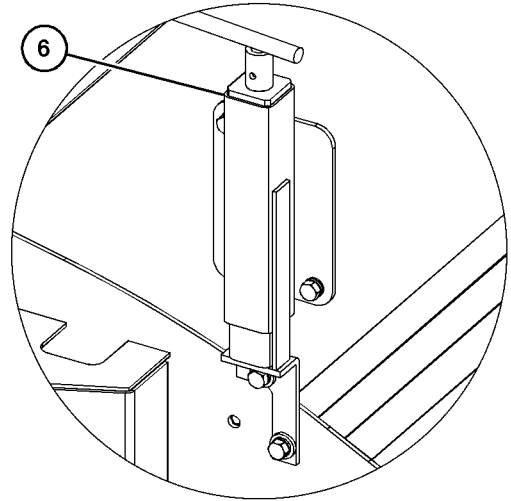
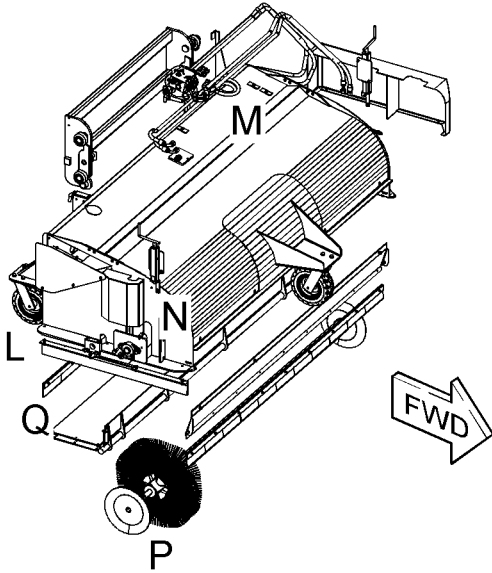
GRAPHIC #3

g06172889

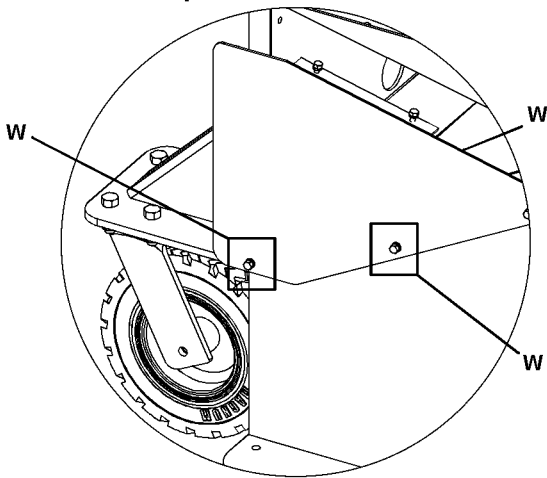
WORK TOOLS

486-0528 BROOM GP (contd.)

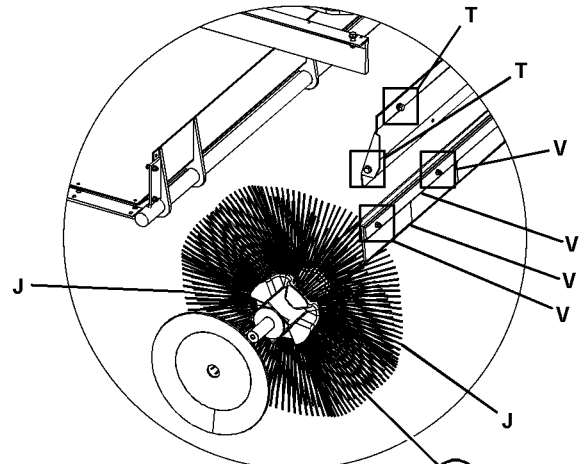
i06927678



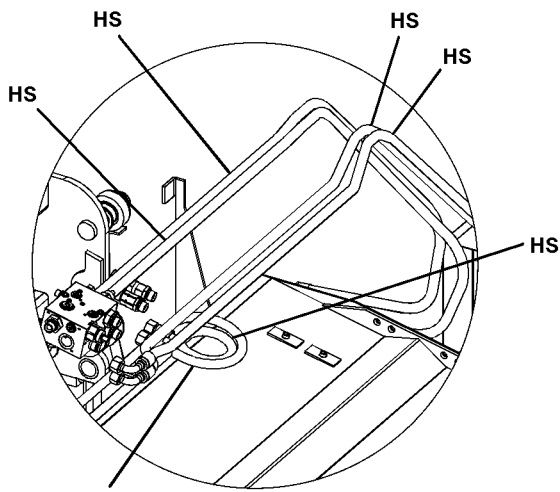
VIEW OF AREA N



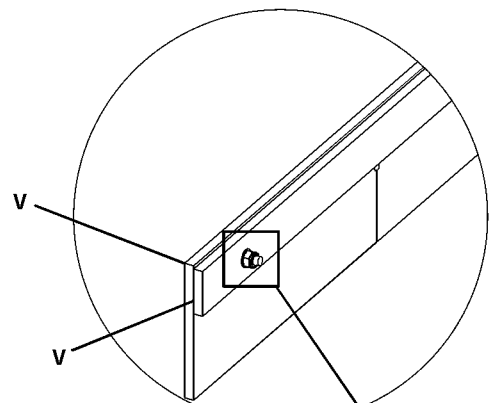
VIEW OF AREA L



VIEW OF AREA P



VIEW OF AREA M



VIEW OF AREA Q

GRAPHIC #4

<END>

g06172891

WORK TOOLS

163-4261 BUCKET AR-GENERAL PURPOSE

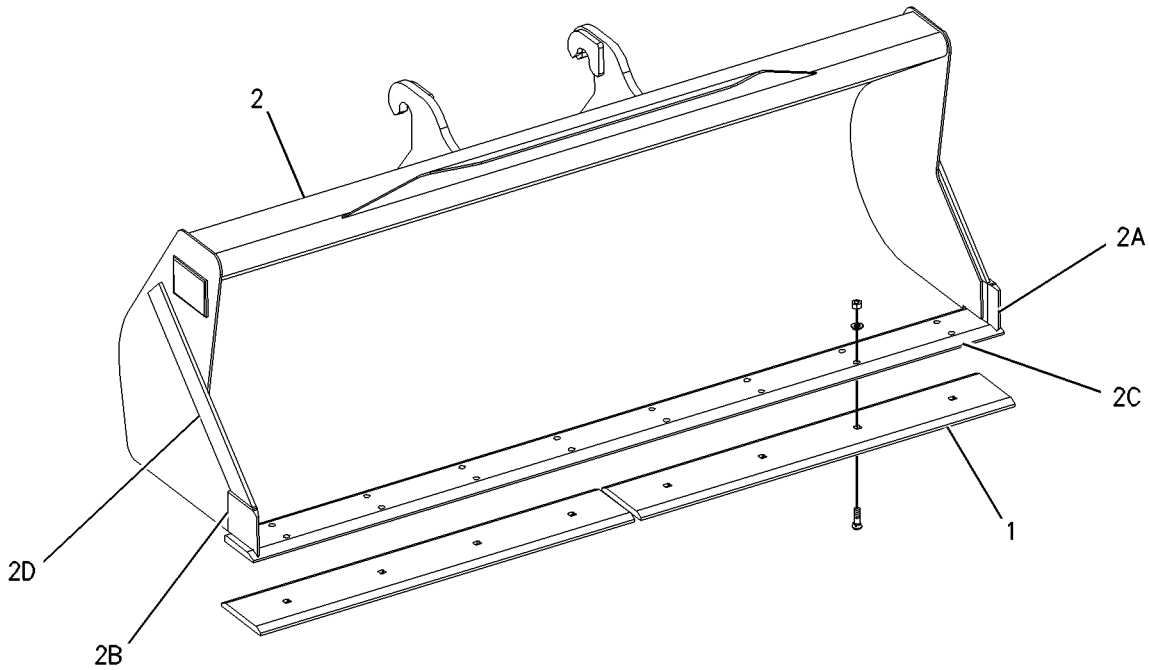
S/N: TD71-UP
 1-CU M (1.3-CU YD) CAPACITY
 AN ATTACHMENT

SMCS-6101

i01667413

NOTE	REF NO	GRAPHIC REF	PART NUMBER	QTY	PART NAME						SEE PAGE
					1	2	3	4	5	6 (PRODUCT LEVEL)	
Y	1	1	9R-5320	1	EDGE GP-CUTTING						845
	2	1	187-7395	1	BUCKET AS						
	2A	1	9R-5205	1	EDGE (LH)						
	2B	1	9R-5206	1	EDGE (RH)						
	2C	1	9R-5313	1	EDGE						
	2D	1	9R-5832	2	EDGE						

Y - SEPARATE ILLUSTRATION



GRAPHIC #1

<END>

g00861181

WORK TOOLS

163-4265 BUCKET AR-MULTIPURPOSE

S/N: TD71-UP

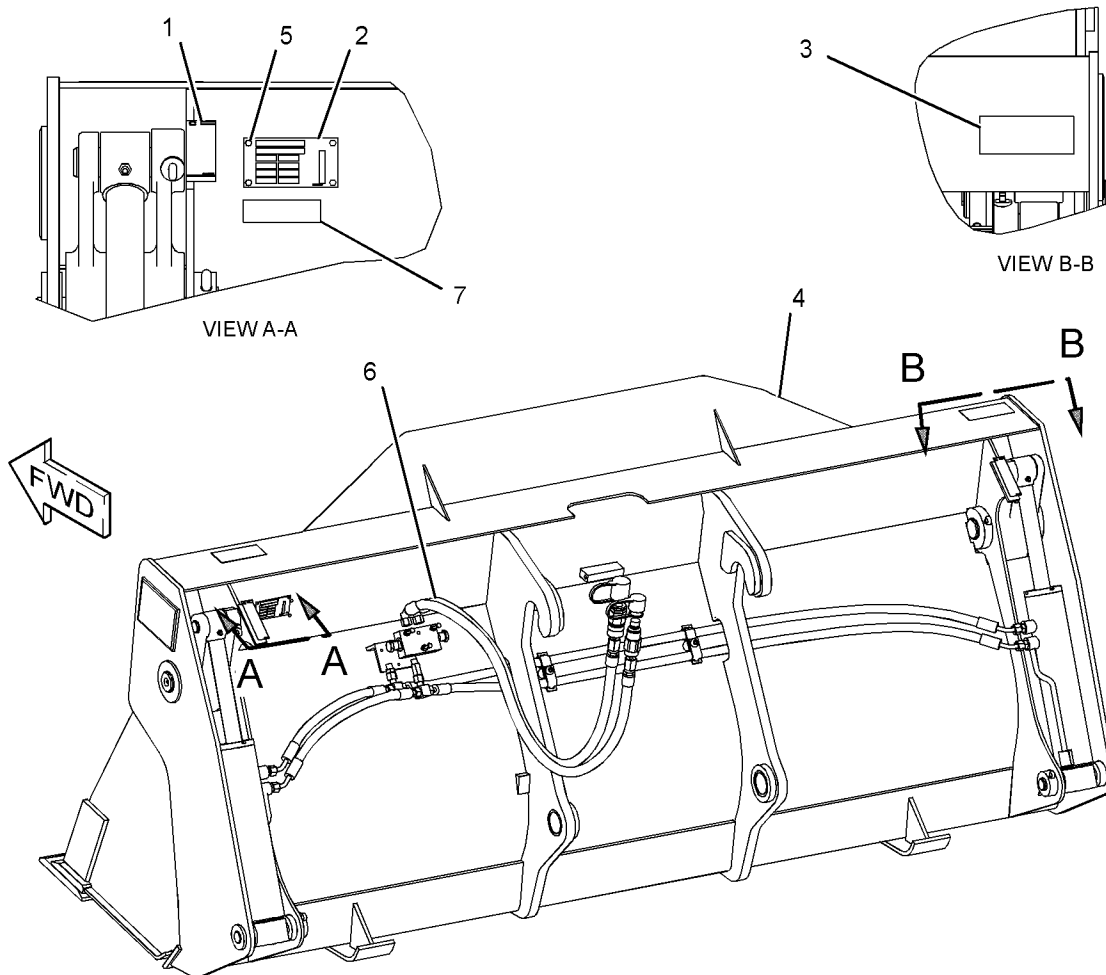
1.03-CU M (1.35-CU YD) CAPACITY
AN ATTACHMENT

SMCS-6104

i05685569

NOTE	REF NO	GRAPHIC REF	PART NUMBER	QTY	PART NAME						SEE PAGE
					1	2	3	4	5	6	
	1	1	106-9387	2	FILM-IDENTIFICATION (BUCKET LEVEL)						
	2	1	154-2704	1	PLATE-INSTRUCTION (BUCKET SPECIFICATIONS)						
	3	1	159-8038	2	FILM-WARNING (CRUSH HAZARD, STAY BACK)						
Y	4	1	163-4284	1	BUCKET AR-MULTIPURPOSE						776
	5	1	168-8389	4	TACK (METAL)						
Y	6	1	188-6161	1	LINES GP-CONNECTING (MULTIPURPOSE BUCKET)						679
	7	1	354-7356	1	PLATE-CERTIFICATION						

Y - SEPARATE ILLUSTRATION



GRAPHIC #1

<END>

g03612056

WORK TOOLS

163-4284 BUCKET AR-MULTIPURPOSE

S/N: TD61-UP; TD71-UP

1.03-CU M (1.35-CU YD) CAPACITY

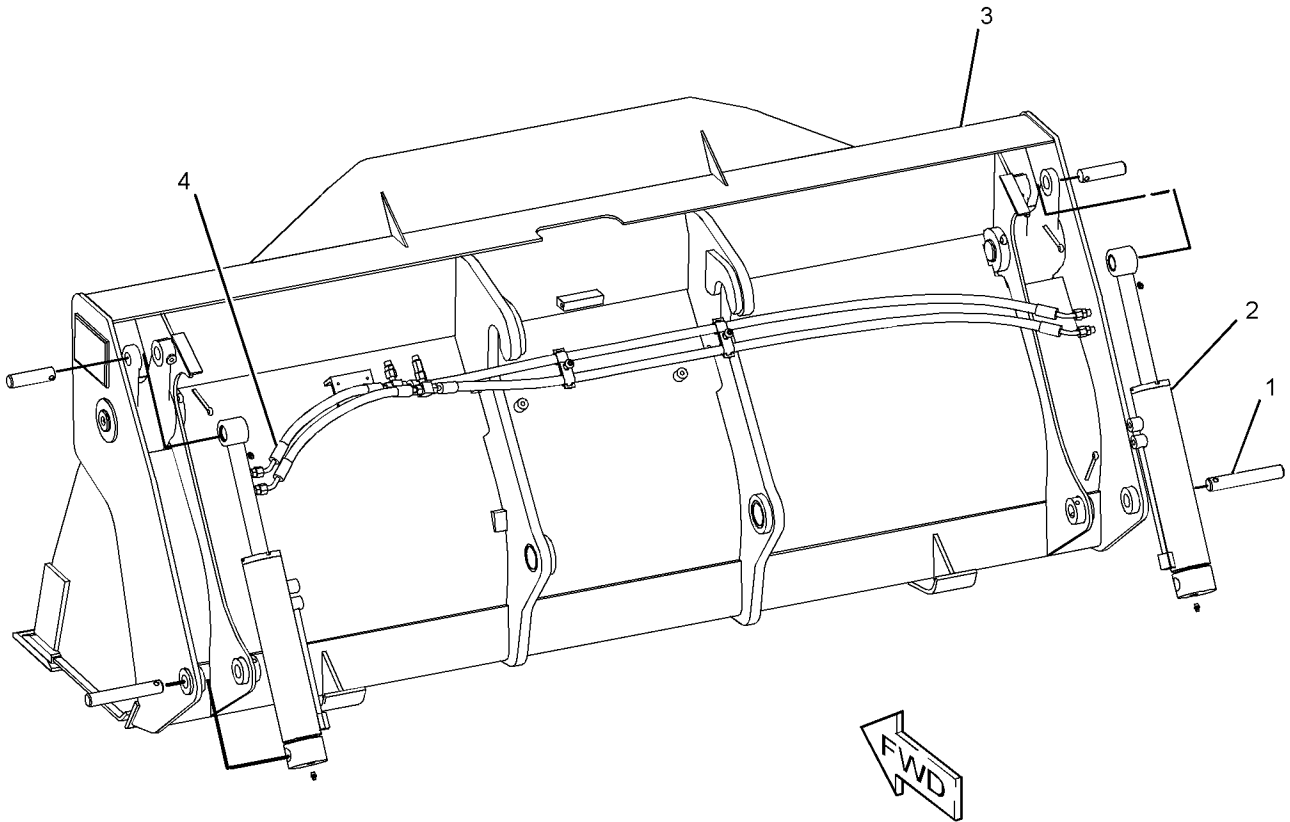
PART OF 163-4265 BUCKET AR-MULTIPURPOSE, 486-0141 BUCKET GP-MULTIPURPOSE
AN ATTACHMENT

SMCS-6104

i05869995

NOTE	REF NO	GRAPHIC REF	PART NUMBER	QTY	PART NAME						SEE PAGE
					1	2	3	4	5	6 (PRODUCT LEVEL)	
Y	1	1	9R-4668	1	MOUNTING GP-CYLINDER (MULTIPURPOSE BUCKET)						718
Y	2	1	185-1839	2	CYLINDER GP-MULTIPURPOSE BUKT						662
Y	3	1	163-4286	1	BUCKET GP-MULTIPURPOSE						792
Y	4	1	227-6676	1	LINES GP-MULTIPURPOSE BUCKET						701

Y - SEPARATE ILLUSTRATION



GRAPHIC #1

<END>

g03705451

WORK TOOLS

176-1031 BUCKET AS

S/N: TD61-UP

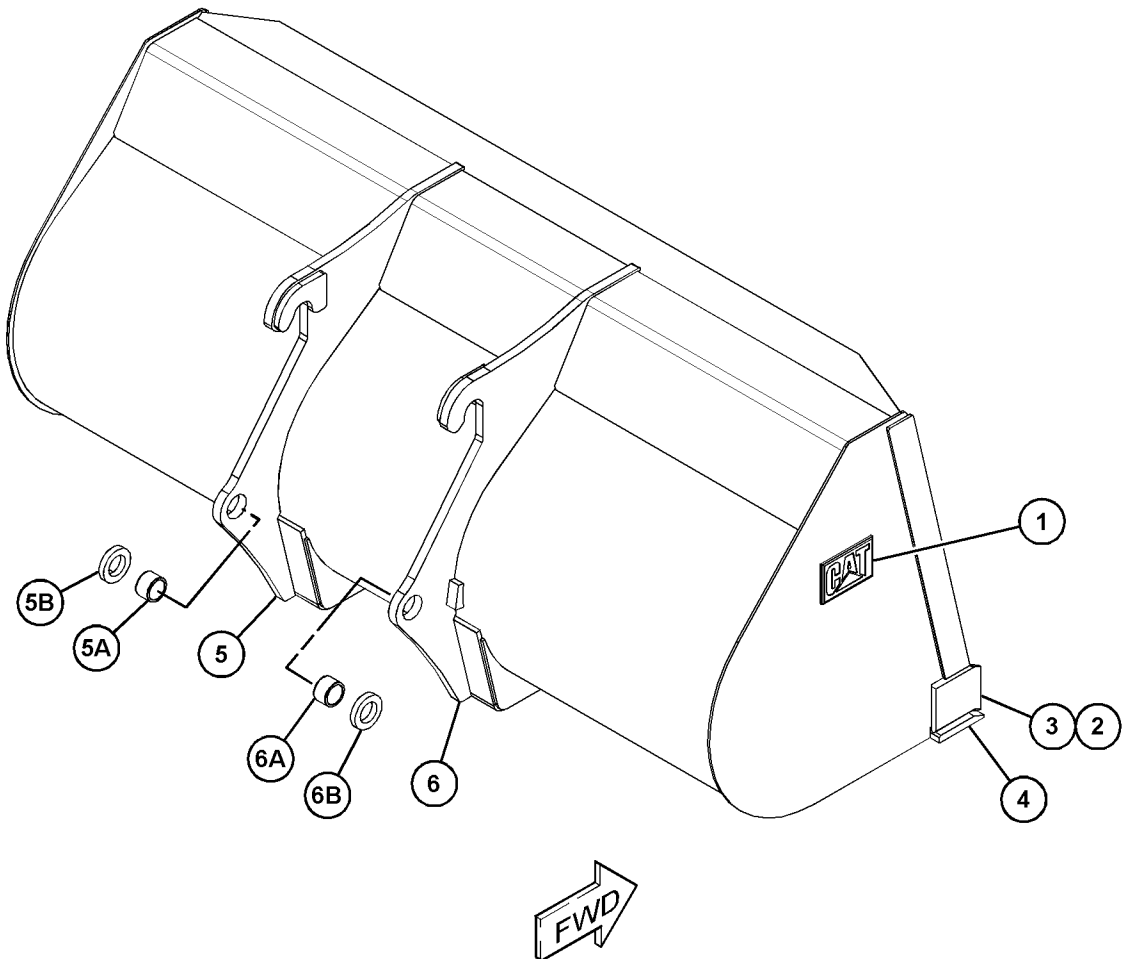
1.5-CU M (1.96-CU YD) CAPACITY

PART OF 456-0507 BUCKET GP-MATERIAL HANDLING
AN ATTACHMENT

SMCS-6001, 6101, 6803, 6805, 6822

i05685693

NOTE	REF NO	GRAPHIC REF	PART NUMBER	QTY	PART NAME						SEE PAGE
					1	2	3	4	5	6 (PRODUCT LEVEL)	
1	1	1	2C-9259	2	PLATE-IDENTIFICATION (CAT)						
2	1	1	9R-5205	1	EDGE (LH)						
3	1	1	9R-5206	1	EDGE (RH)						
4	1	1	9R-5313	1	EDGE						
5	1	1	177-3350	1	PLATE AS (LH)						
5A	1	1	6K-4076	1	BUSHING						
5B	1	1	9R-4649	1	BOSS						
6	1	1	177-3351	1	PLATE AS (RH)						
6A	1	1	6K-4076	1	BUSHING						
6B	1	1	9R-4649	1	BOSS						



GRAPHIC #1

<END>

g03662236

WORK TOOLS

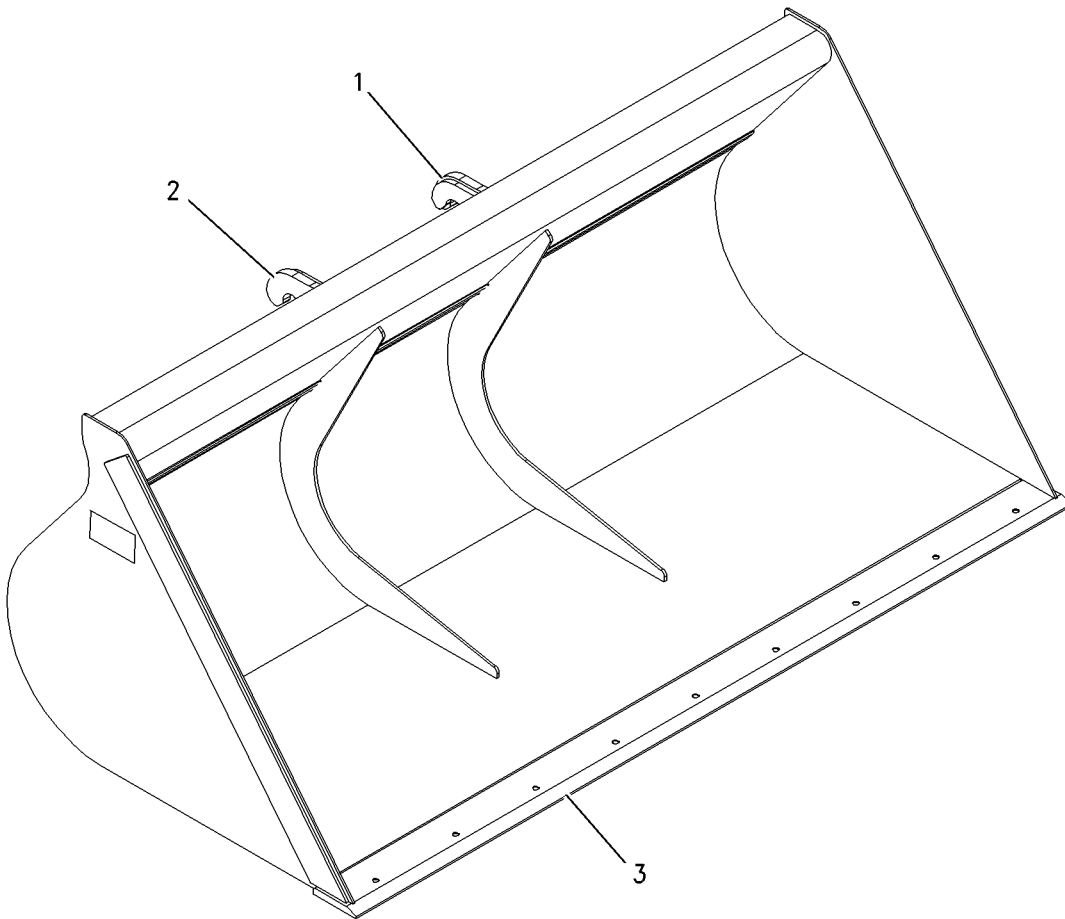
223-8912 BUCKET AS-LIGHT MATERIAL

S/N: TD61-UP; TD71-UP
 3-CU M (3.9-CU YD) CAPACITY
 PART OF 220-4761 BUCKET GP-LIGHT MATERIAL
 AN ATTACHMENT

SMCS-6103

i01827994

NOTE	REF NO	GRAPHIC REF	PART NUMBER	QTY	PART NAME						SEE PAGE
					1	2	3	4	5	6 (PRODUCT LEVEL)	
	1	1	178-0123	1	PLATE AS (LH)						
		1	6K-4076	1	BUSHING						
	2	1	178-0124	1	PLATE AS (RH)						
		1	6K-4076	1	BUSHING						
	3	1	223-8913	1	EDGE-CUTTING						



GRAPHIC #1

<END>

g00932387

WORK TOOLS

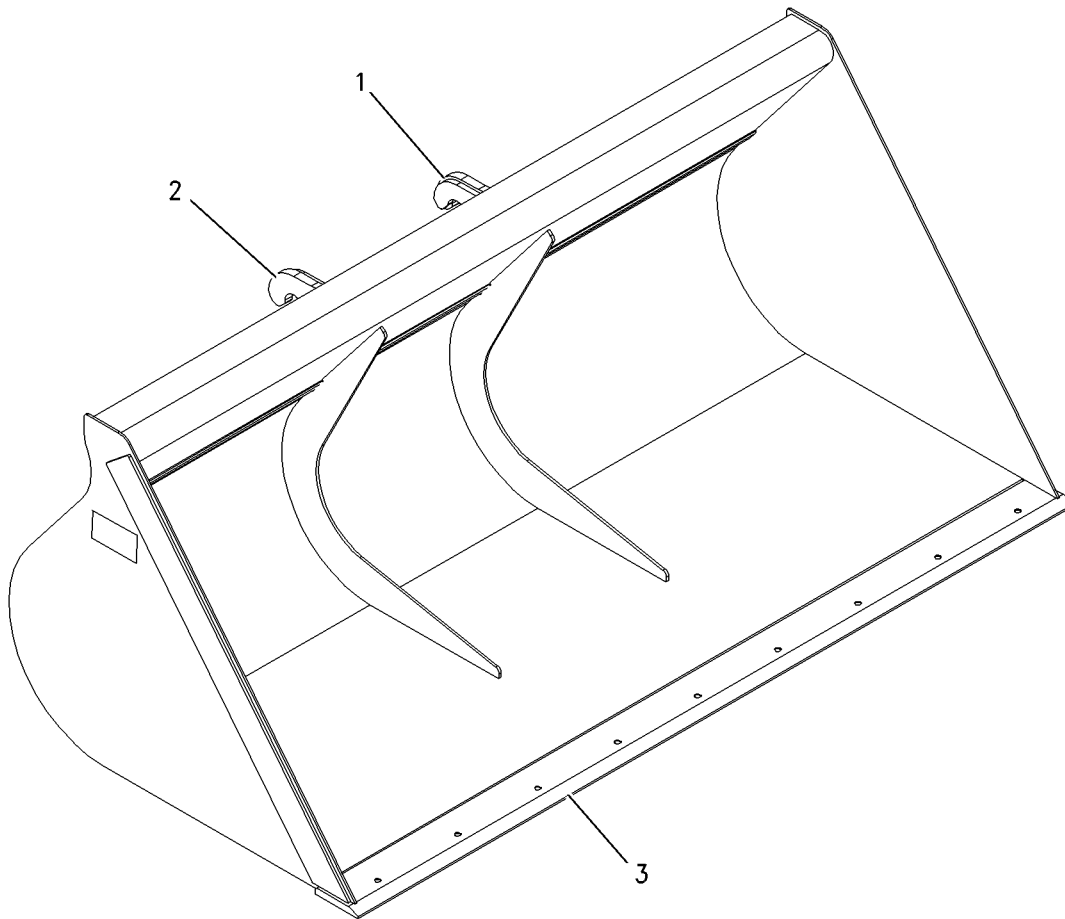
223-8922 BUCKET AS-LIGHT MATERIAL

S/N: TD61-UP; TD71-UP
 2.5 CU M (3.3 CU YD) CAPACITY
 PART OF 220-4760 BUCKET GP-LIGHT MATERIAL
 AN ATTACHMENT

SMCS-6103

i01827996

NOTE	REF NO	GRAPHIC REF	PART NUMBER	QTY	PART NAME						SEE PAGE
					1	2	3	4	5	6 (PRODUCT LEVEL)	
	1	1	178-0121	1	PLATE AS (LH)						
		1	6K-4076	1	BUSHING						
	2	1	178-0122	1	PLATE AS (RH)						
		1	6K-4076	1	BUSHING						
	3	1	224-6212	1	EDGE-CUTTING						



GRAPHIC #1

<END>

g00932387

WORK TOOLS

224-6211 BUCKET AS-LIGHT MATERIAL

S/N: TD61-UP; TD71-UP

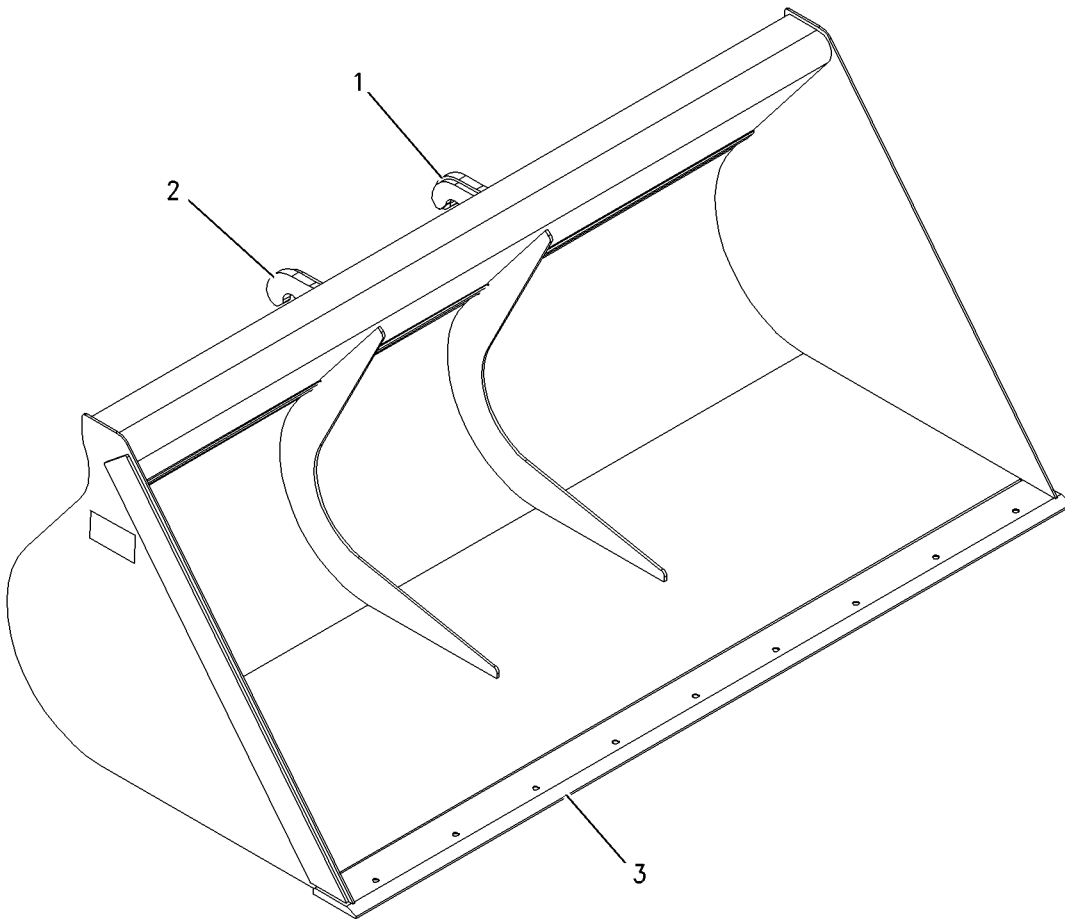
2.0 CU M (2.6 CU YD) CAPACITY

PART OF 220-4759 BUCKET GP-LIGHT MATERIAL
AN ATTACHMENT

SMCS-6103

i01827981

NOTE	REF NO	GRAPHIC REF	PART NUMBER	QTY	PART NAME						SEE PAGE
					1	2	3	4	5	6 (PRODUCT LEVEL)	
	1	1	178-0119	1	PLATE AS (LH)						
		1	6K-4076	1	BUSHING						
	2	1	178-0120	1	PLATE AS (RH)						
		1	6K-4076	1	BUSHING						
	3	1	224-6212	1	EDGE-CUTTING						



GRAPHIC #1

<END>

g00932387

WORK TOOLS

456-0498 BUCKET GP-GENERAL PURPOSE

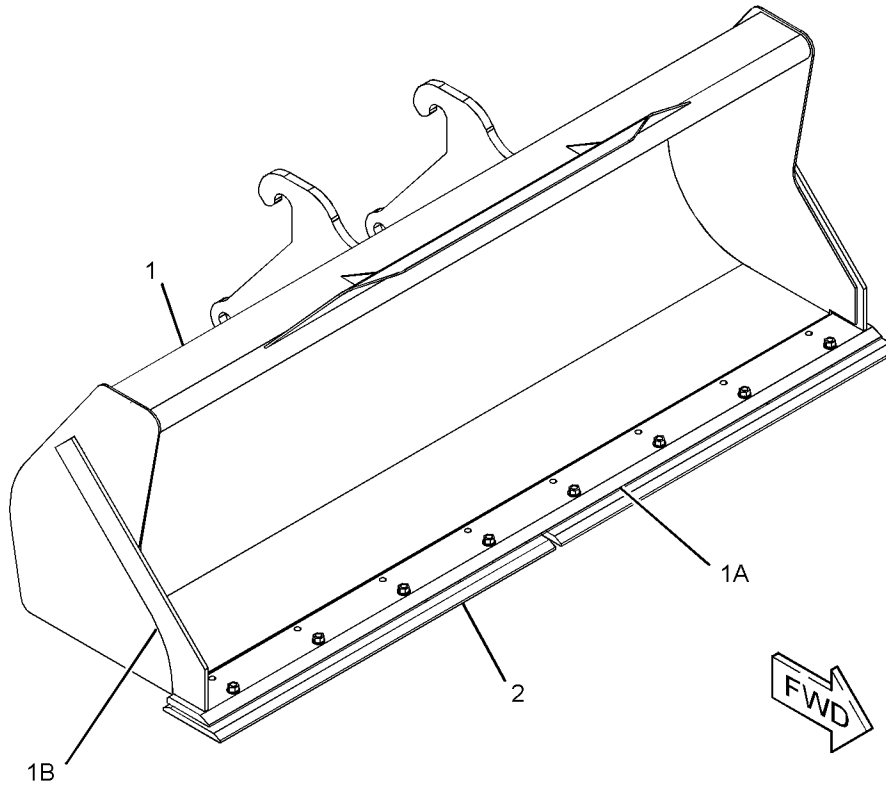
S/N: TD61-UP
AN ATTACHMENT

SMCS-6101

i05685730

NOTE	REF NO	GRAPHIC REF	PART NUMBER	QTY	PART NAME						SEE PAGE
					1	2	3	4	5	6 (PRODUCT LEVEL)	
	1	1	187-7395	1	BUCKET AS						
	1A	1	9R-5313	1	EDGE						
	1B	1	230-7001	2	EDGE						
Y	2	1	456-0492	1	EDGE GP-CUTTING						844

Y - SEPARATE ILLUSTRATION



GRAPHIC #1

<END>

g03621217

WORK TOOLS

474-2534 BUCKET GP-GENERAL PURPOSE

S/N: TD61-UP; TD71-UP

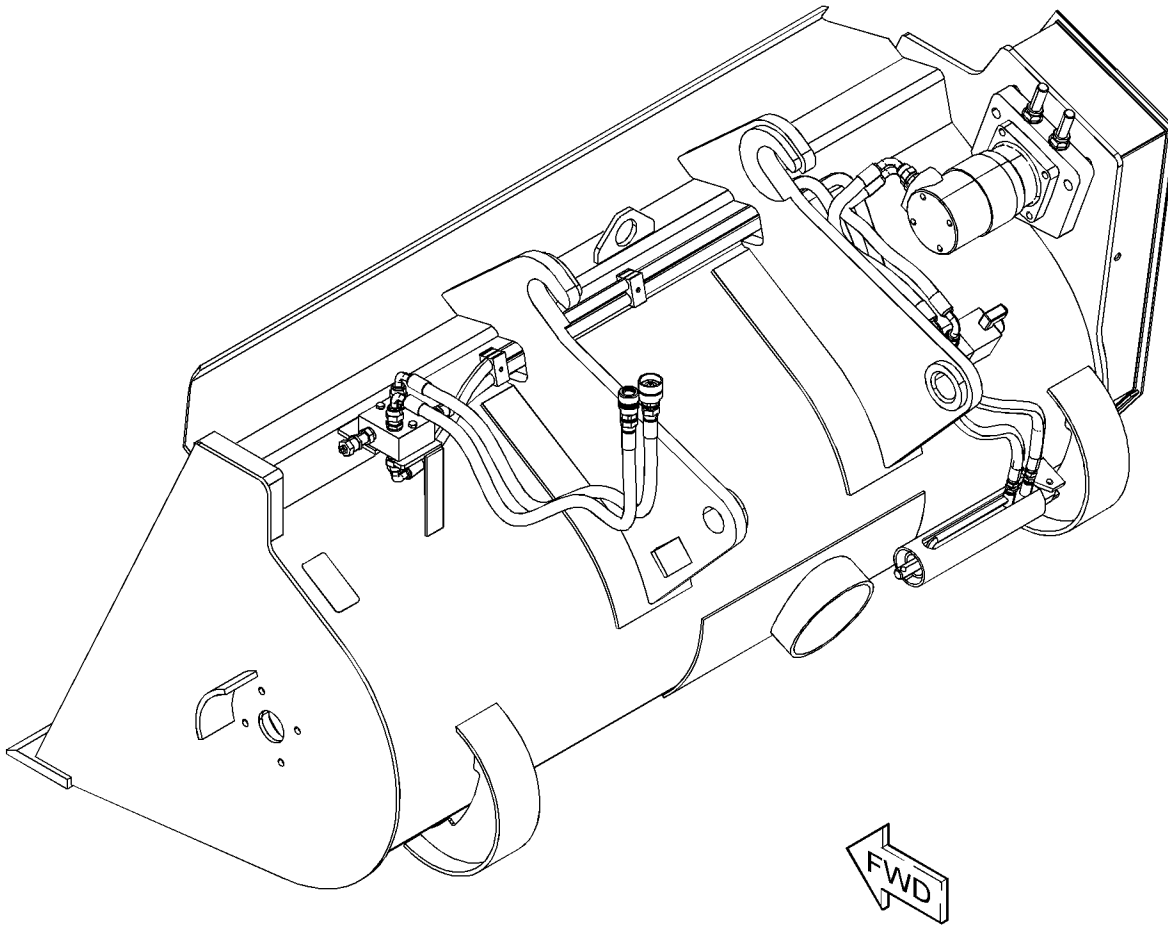
1785-MM (70.2-IN) WIDE X 0.5-CU M (0.6-CU YD) CAPACITY, NOT FOR USE IN NACD REGION
AN ATTACHMENT

SMCS-6101

i06836817

NOTE	REF NO	GRAPHIC REF	PART NUMBER	QTY	PART NAME	SEE PAGE
------	--------	-------------	-------------	-----	-----------	----------

(NO BREAKDOWN OF SERVICEABLE PARTS AVAILABLE AT TIME OF PUBLICATION)



GRAPHIC #1

<END>

g06137613

WORK TOOLS

474-2537 BUCKET GP-GENERAL PURPOSE-DIRT

S/N: TD61-UP; TD71-UP

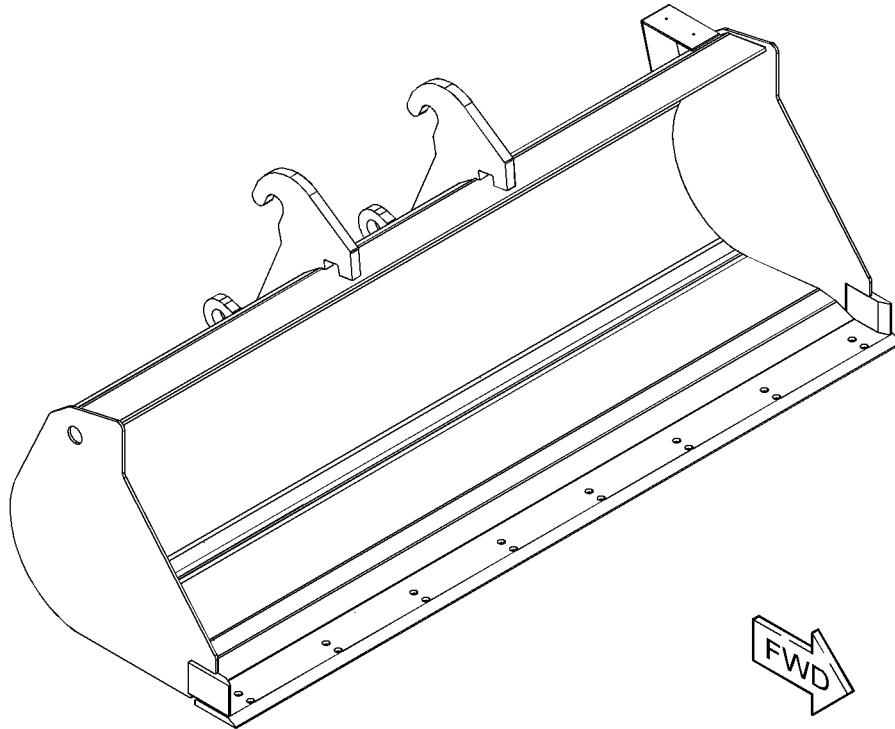
2450-MM (96.4-IN) WIDE X1-CU M (1.3-CU YD) CAPACITY
AN ATTACHMENT

SMCS-6101

i06836816

NOTE	REF NO	GRAPHIC REF	PART NUMBER	QTY	PART NAME	SEE PAGE
------	--------	-------------	-------------	-----	-----------	----------

1 2 3 4 5 6 (PRODUCT LEVEL)
(NO BREAKDOWN OF SERVICEABLE PARTS AVAILABLE AT TIME OF PUBLICATION)



GRAPHIC #1

<END>

g06137430

WORK TOOLS

474-0142 BUCKET GP-GRAPPLE

S/N: TD61-UP
1.3-CU M(1.7-CU YD)
AN ATTACHMENT

SMCS-6704

i06239851

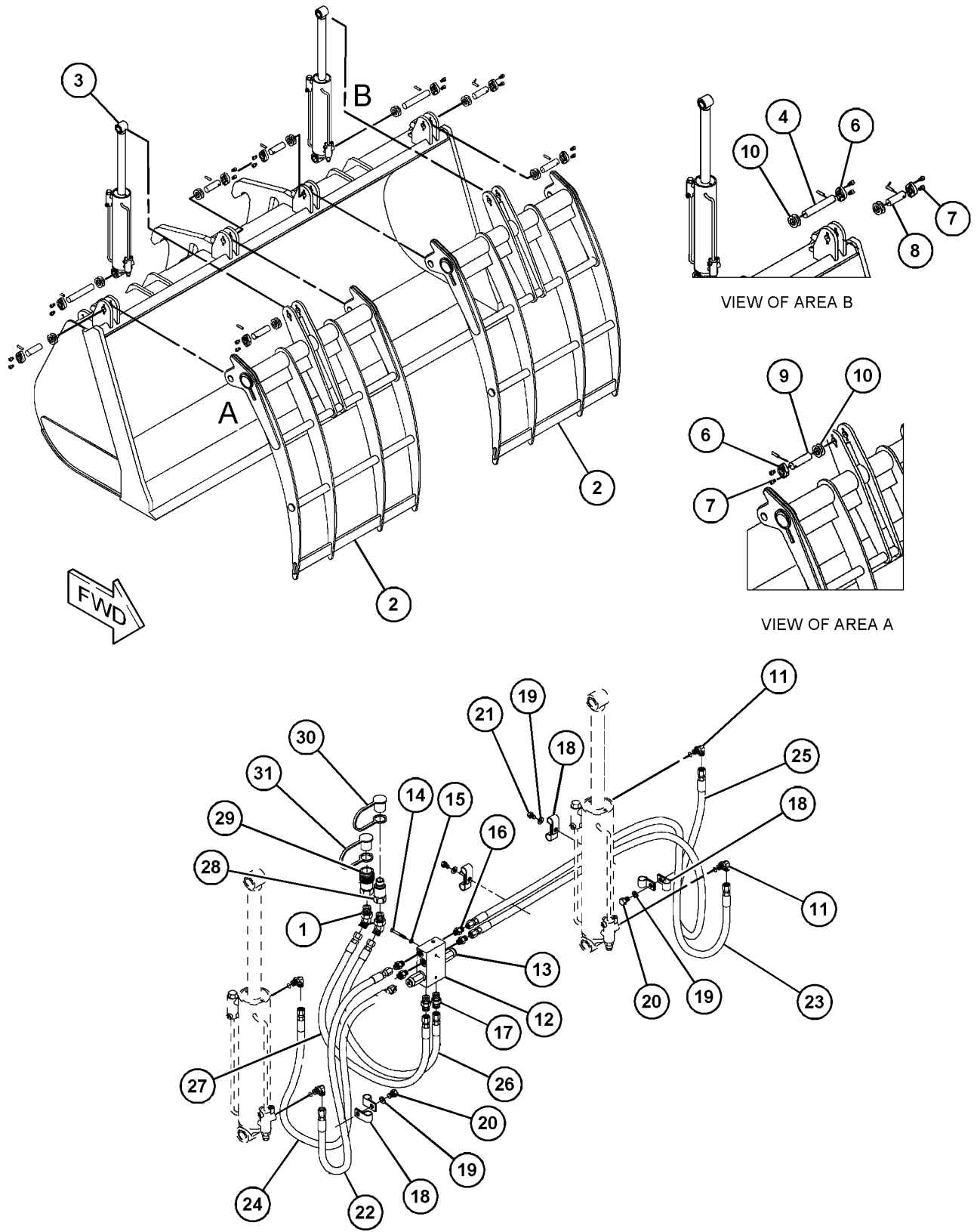
NOTE	REF NO	GRAPHIC REF	PART NUMBER	QTY	PART NAME						SEE PAGE
					1	2	3	4	5	6 (PRODUCT LEVEL)	
	1	1	484-7178	2	ELBOW						
	2	1	484-7147	2	PLATE AS						
Y	3	1	484-7195	2	CYLINDER GP-HYDRAULIC						658
	4	1	484-7150	2	PIN						
	5	1	484-7153	8	PIN						
	6	1	484-7154	8	RETAINER						
	7	1	484-7155	16	BOLT						
	8	1	484-7156	2	PIN						
	9	1	484-7157	4	PIN						
	10	1	484-7158	32	SHIM						
	11	1	417-9866	4	ADAPTER						
	12	1	484-7159	1	MANIFOLD						
	13	1	484-7160	2	CARTRIDGE						
	14	1	484-7161	2	BOLT						
	15	1	484-7162	2	WASHER						
	16	1	417-9873	4	ADAPTER						
	17	1	484-7163	2	ADAPTER						
	18	1	484-7164	8	CLAMP						
	19	1	484-7165	4	WASHER						
	20	1	484-7170	2	BOLT						
	21	1	484-7171	2	BOLT						
	22	1	484-7172	1	HOSE AS						
	23	1	484-7173	1	HOSE AS						
	24	1	484-7174	1	HOSE AS						
	25	1	484-7175	1	HOSE AS						
	26	1	484-7176	1	HOSE AS						
	27	1	484-7177	1	HOSE AS						
	28	1	300-6078	1	COUPLING (FEMALE)						
	29	1	300-6079	1	COUPLING (MALE)						
	30	1	340-5953	1	CAP-DUST						
	31	1	340-5954	1	CAP-DUST						

Y - SEPARATE ILLUSTRATION

WORK TOOLS

474-0142 BUCKET GP-GRAPPLE (contd.)

i06239851



GRAPHIC #1

<END>

g03887123

WORK TOOLS

509-4664 BUCKET GP-GRAPPLE

S/N: TD61-UP; TD71-UP

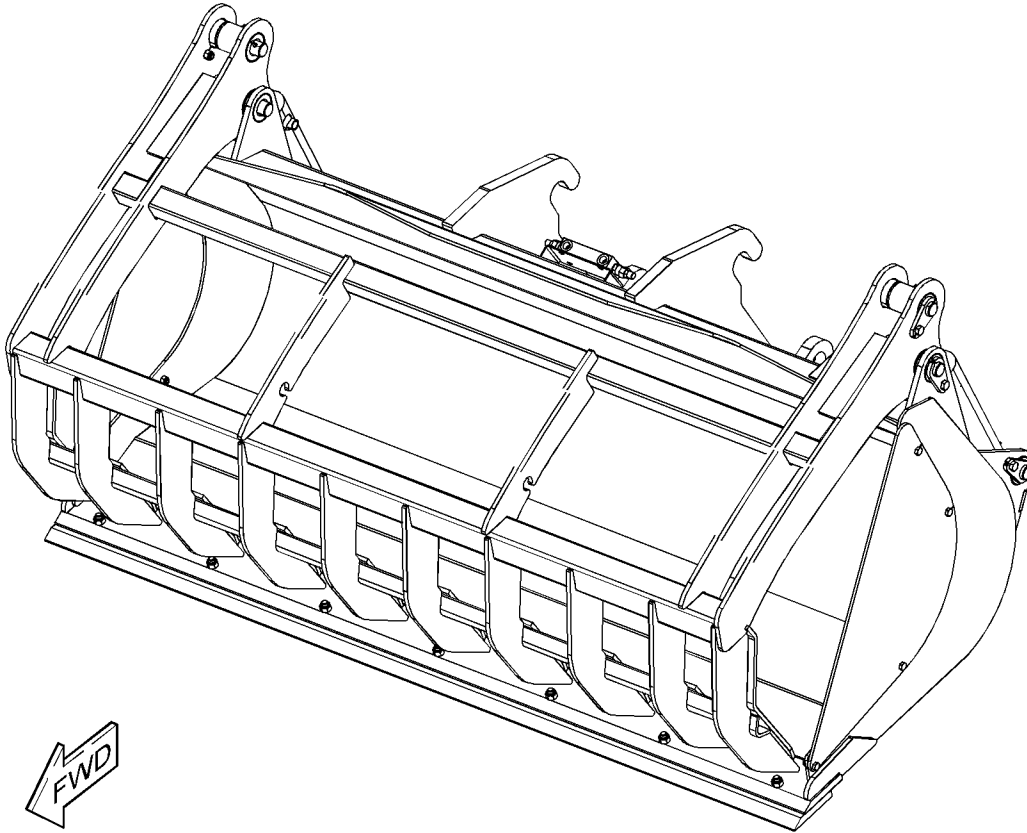
1870-MM (73.6-IN) WIDE X 1.5-CU M (1.9-CU YD) CAPACITY
AN ATTACHMENT

SMCS-6704

i06836939

NOTE	REF NO	GRAPHIC REF	PART NUMBER	QTY	PART NAME	SEE PAGE
					1 2 3 4 5 6 (PRODUCT LEVEL)	

(NO BREAKDOWN OF SERVICEABLE PARTS AVAILABLE
AT TIME OF PUBLICATION)



GRAPHIC #1

<END>

g06136889

WORK TOOLS

220-4759 BUCKET GP-LIGHT MATERIAL

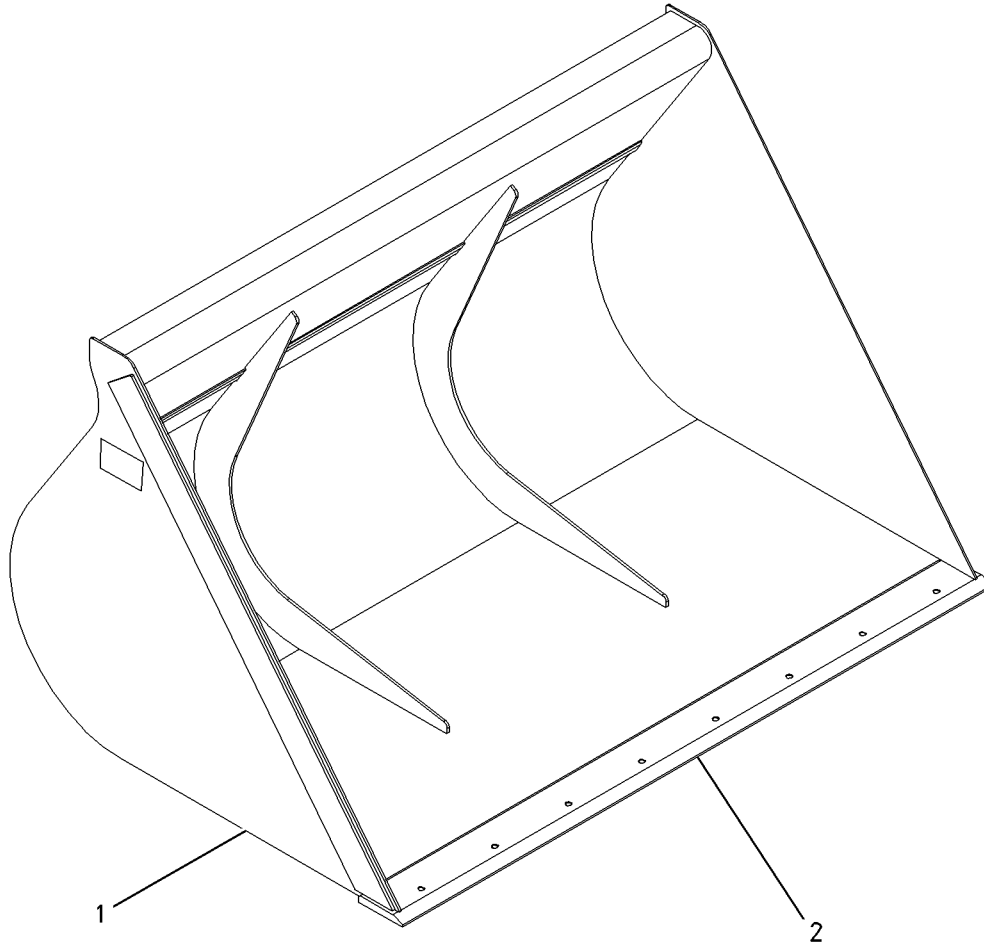
S/N: TD61-UP; TD71-UP
 2.0 CU M (2.6 CU YD)CAPACITY
 AN ATTACHMENT

SMCS-6103

i01821505

NOTE	REF NO	GRAPHIC REF	PART NUMBER	QTY	PART NAME						SEE PAGE
					1	2	3	4	5	6 (PRODUCT LEVEL)	
Y	1	1	224-6211	1	BUCKET AS-LIGHT MATERIAL						780
Y	2	1	224-6526	1	EDGE GP-CUTTING						843

Y - SEPARATE ILLUSTRATION



GRAPHIC #1

<END>

g00930019

WORK TOOLS

220-4760 BUCKET GP-LIGHT MATERIAL

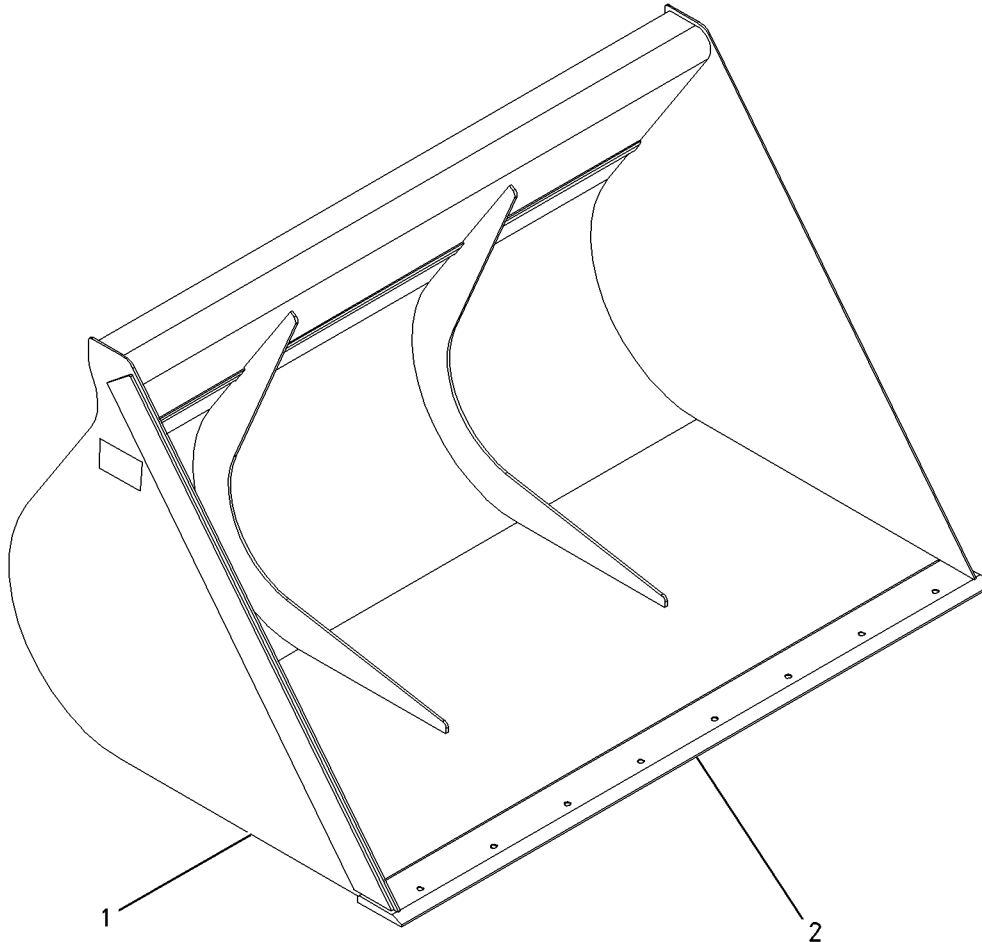
S/N: TD61-UP; TD71-UP
 2.5 CU M (3.3 CU YD)CAPACITY
 AN ATTACHMENT

SMCS-6103

i01821500

NOTE	REF NO	GRAPHIC REF	PART NUMBER	QTY	PART NAME						SEE PAGE
					1	2	3	4	5	6 (PRODUCT LEVEL)	
Y	1	1	223-8922	1	BUCKET AS-LIGHT MATERIAL						779
Y	2	1	224-6526	1	EDGE GP-CUTTING						843

Y - SEPARATE ILLUSTRATION



GRAPHIC #1

<END>

g00930017

WORK TOOLS

220-4761 BUCKET GP-LIGHT MATERIAL

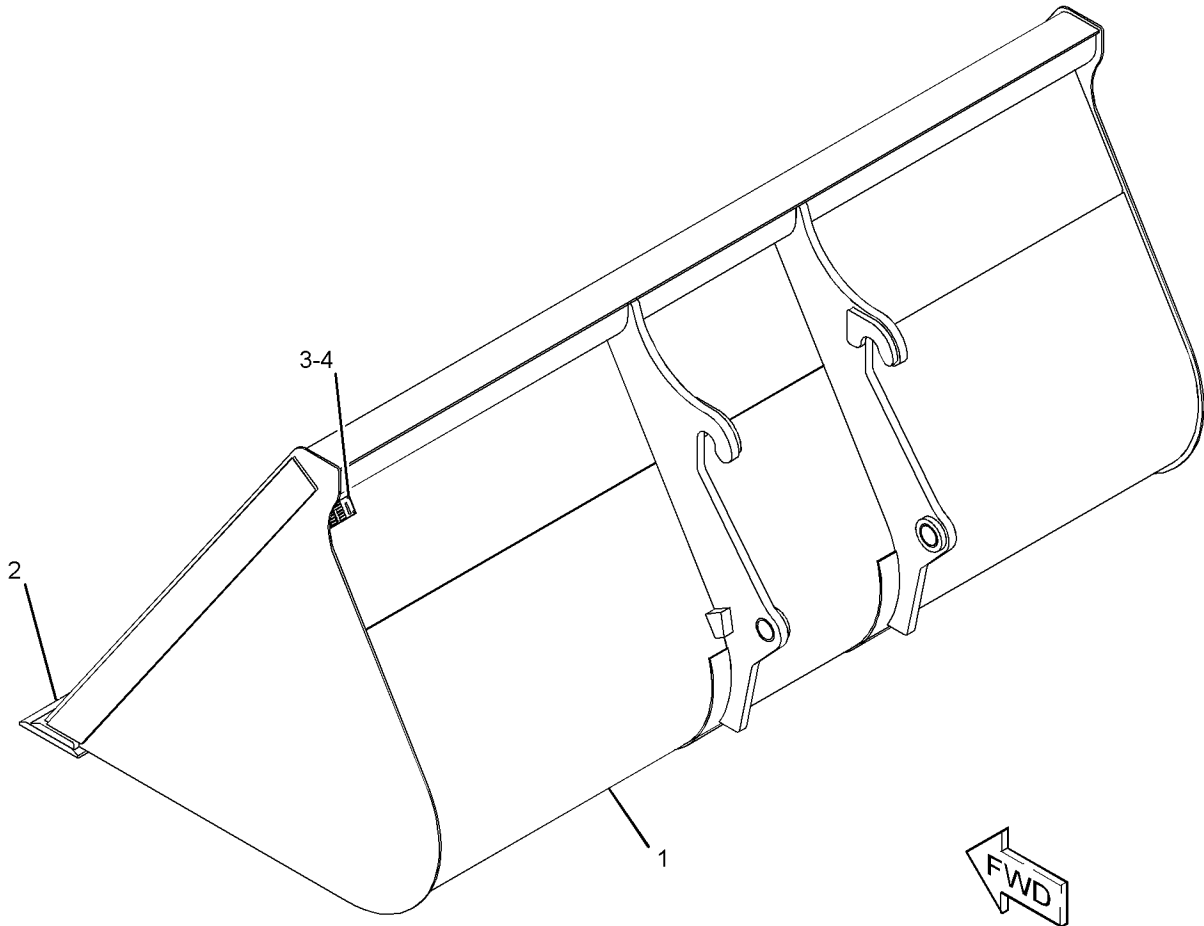
S/N: TD61-UP; TD71-UP
 3.0 CU M (3.9 CU YD) CAPACITY. GRAIN
 AN ATTACHMENT

SMCS-6103

i05685629

NOTE	REF NO	GRAPHIC REF	PART NUMBER	QTY	PART NAME						SEE PAGE
					1	2	3	4	5	6 (PRODUCT LEVEL)	
Y	1	1	223-8912	1	BUCKET AS-LIGHT MATERIAL						778
Y	2	1	223-8914	1	EDGE GP-CUTTING						842
	3	1	154-2704	1	PLATE-INSTRUCTION (BUCKET SPECIFICATIONS)						
	4	1	168-8389	4	TACK (METAL)						

Y - SEPARATE ILLUSTRATION



GRAPHIC #1

<END>

g03648318

WORK TOOLS

186-5838 BUCKET GP-MATERIAL HANDLING

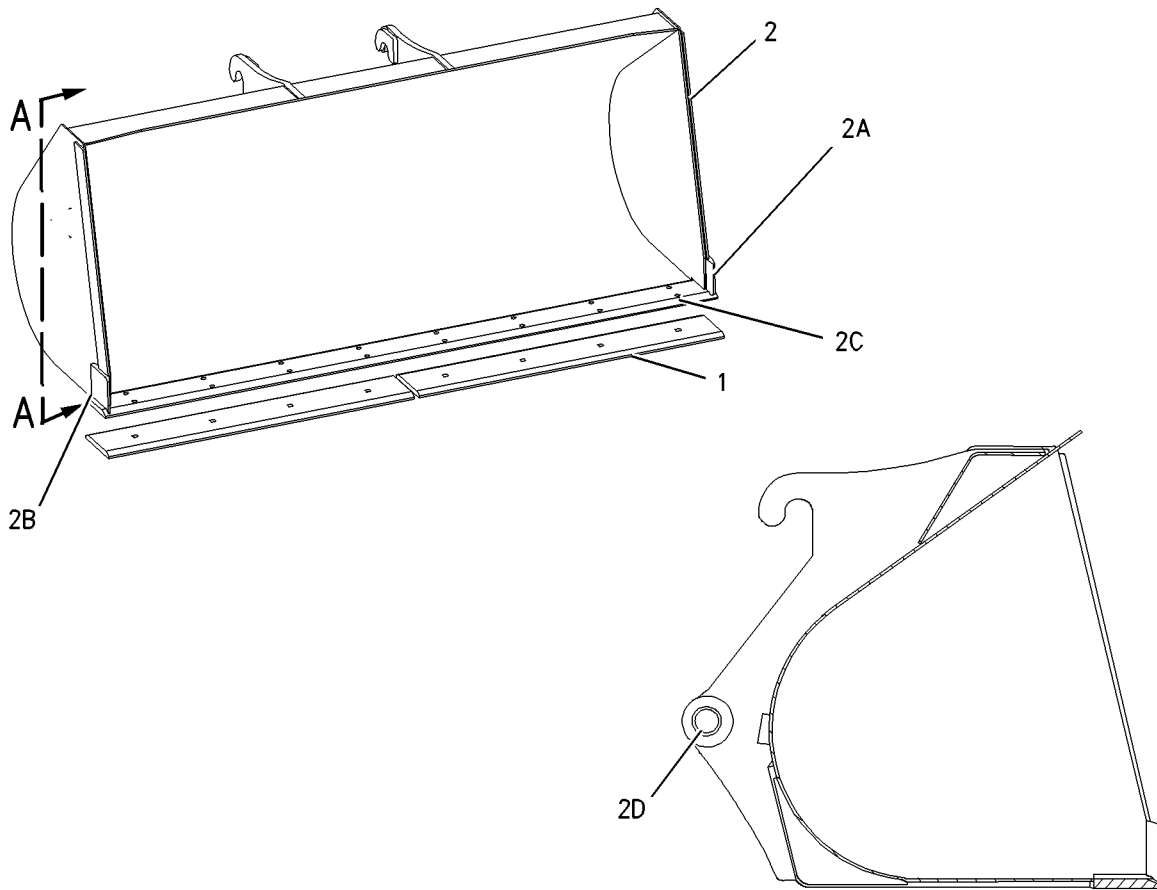
S/N: TD61-UP; TD71-UP
 1.5 CU M (1.96 CU YD) CAPACITY
 AN ATTACHMENT

SMCS-6123

i01667565

NOTE	REF NO	GRAPHIC REF	PART NUMBER	QTY	PART NAME						SEE PAGE
					1	2	3	4	5	6 (PRODUCT LEVEL)	
Y	1	1	9R-5320	2	EDGE GP-CUTTING						845
	2	1	176-1031	1	BUCKET AS						
	2A	1	9R-5205	1	EDGE (LH)						
	2B	1	9R-5206	1	EDGE (RH)						
	2C	1	9R-5313	1	EDGE						
	2D	1	6K-4076	2	BUSHING						

Y - SEPARATE ILLUSTRATION



VIEW A-A

GRAPHIC #1

<END>

g00821806

WORK TOOLS

456-0507 BUCKET GP-MATERIAL HANDLING

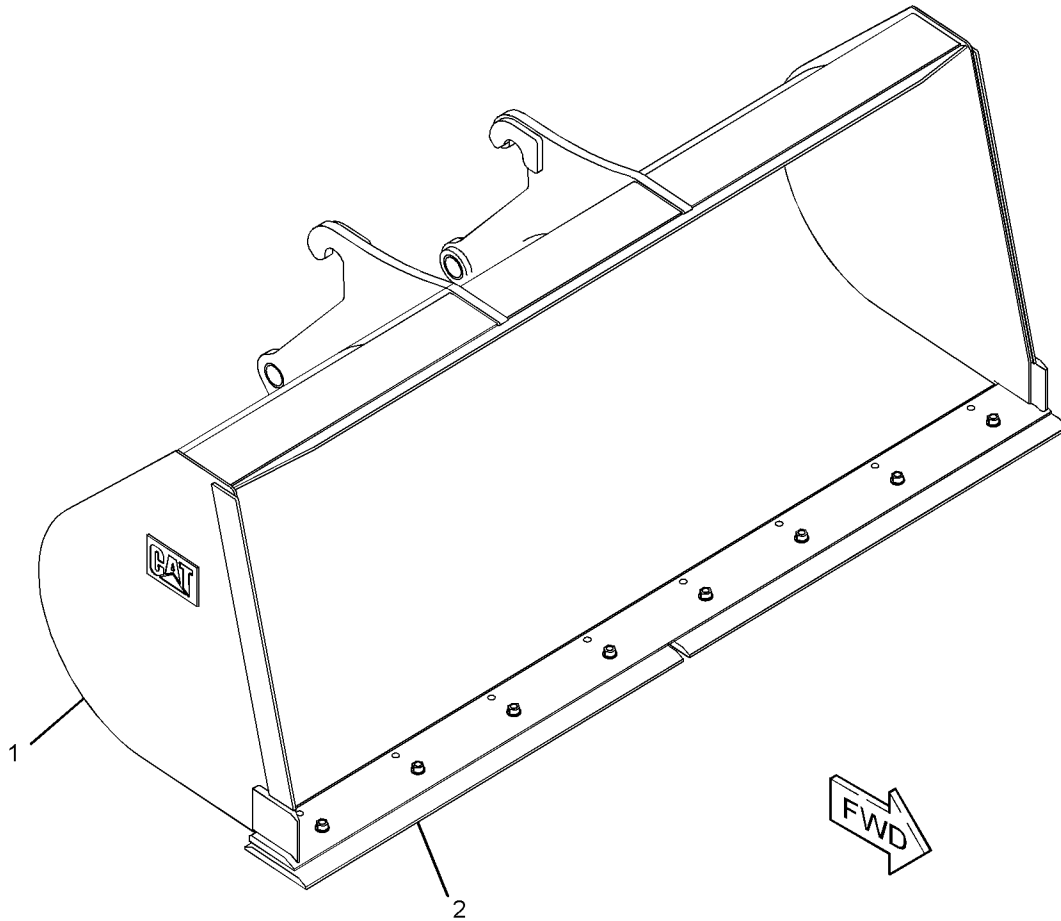
S/N: TD61-UP
AN ATTACHMENT

SMCS-6123

i05685670

NOTE	REF NO	GRAPHIC REF	PART NUMBER	QTY	PART NAME						SEE PAGE
					1	2	3	4	5	6 (PRODUCT LEVEL)	
Y	1	1	176-1031	1	BUCKET AS						777
Y	2	1	456-0492	1	EDGE GP-CUTTING						844

Y - SEPARATE ILLUSTRATION



GRAPHIC #1

<END>

g03643825

WORK TOOLS

163-4286 BUCKET GP-MULTIPURPOSE

S/N: TD61-UP; TD71-UP

1.03 CU M (1.35 CU YD) CAPACITY

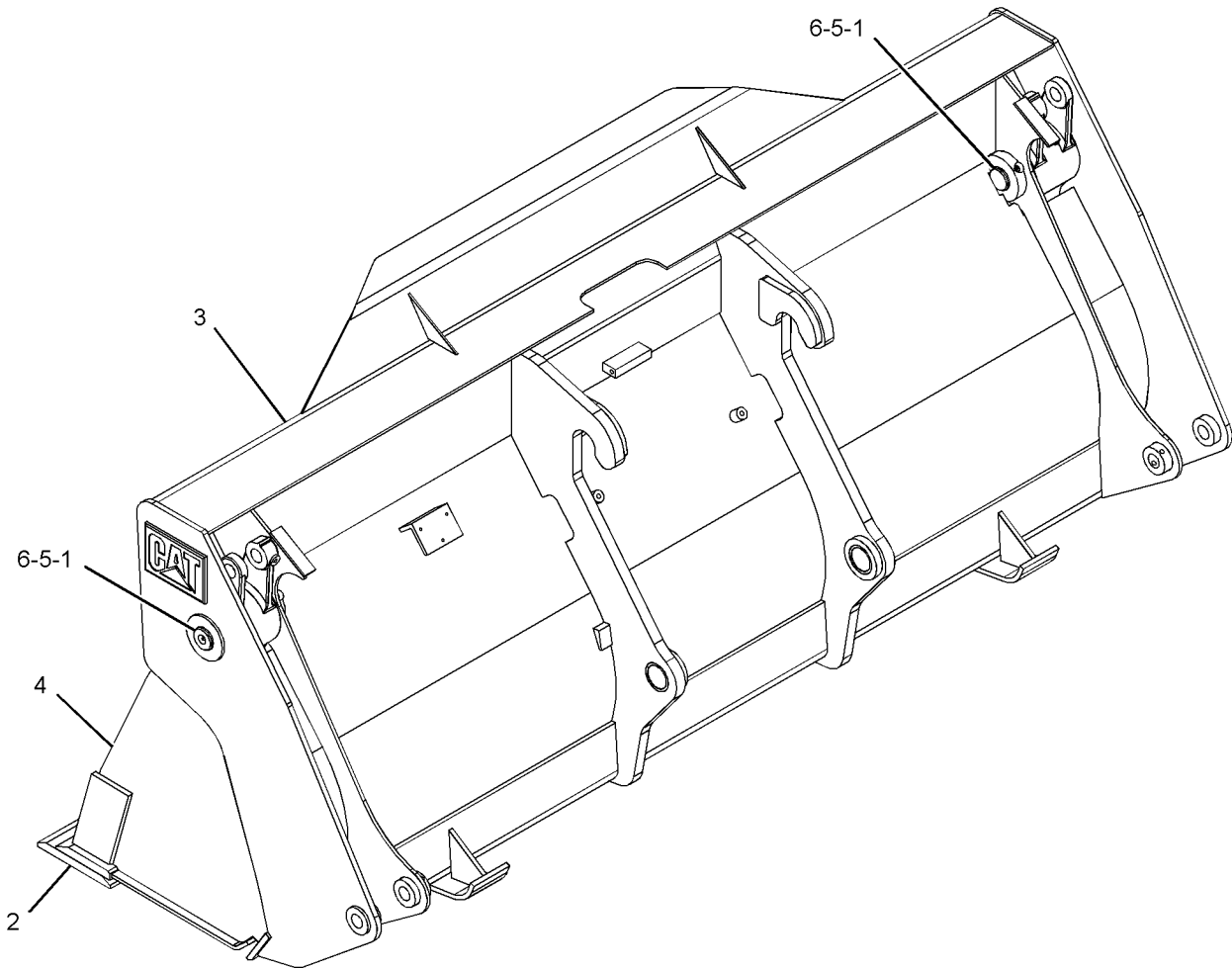
PART OF 163-4284 BUCKET AR-MULTIPURPOSE
AN ATTACHMENT

SMCS-6104

i02658710

NOTE	REF NO	GRAPHIC REF	PART NUMBER	QTY	PART NAME						SEE PAGE
					1	2	3	4	5	6 (PRODUCT LEVEL)	
	1	1	9R-4676	2	PIN						
Y	2	1	<i>9R-5320</i>	1	EDGE GP-CUTTING						845
Y	3	1	163-4289	1	BULLDOZER AS (MULTIPURPOSE BUCKET)						795
Y	4	1	252-9051	1	CLAMP AS-MULTIPURPOSE BUCKET						821
	5	1	3B-8489	2	FITTING-GREASE (1/8-27 PTF)						
	6	1	4J-1888	2	PIN-COTTER						

Y - SEPARATE ILLUSTRATION



GRAPHIC #1

<END>

g01336773

WORK TOOLS

486-0141 BUCKET GP-MULTIPURPOSE

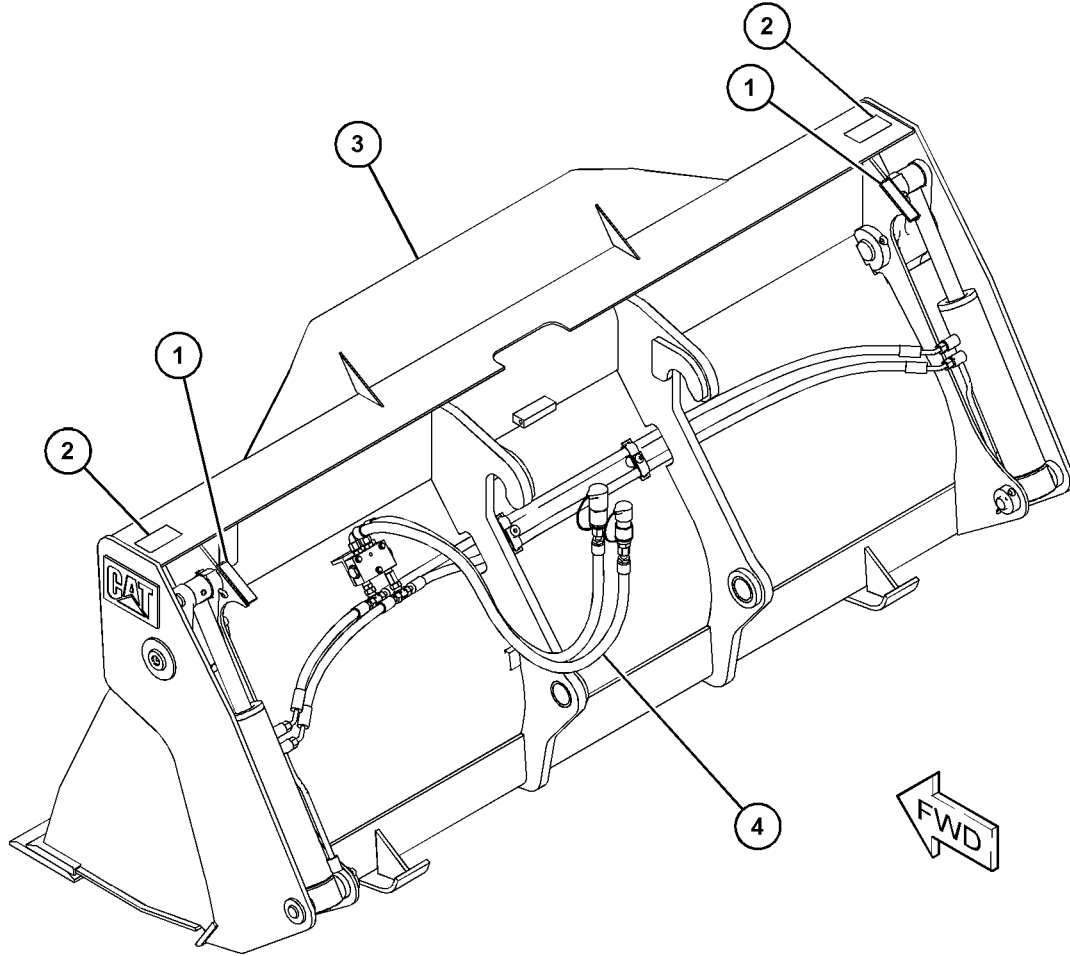
S/N: TD61-UP
AN ATTACHMENT

SMCS-6104

i06997692

NOTE	REF NO	GRAPHIC REF	PART NUMBER	QTY	PART NAME						SEE PAGE
					1	2	3	4	5	6 (PRODUCT LEVEL)	
	1	1	106-9387	2	FILM-IDENTIFICATION (BUCKET LEVEL)						
	2	1	159-8038	2	FILM-WARNING (CRUSH HAZARD, STAY BACK)						
Y	3	1	163-4284	1	BUCKET AR-MULTIPURPOSE						776
Y	4	1	188-6161	1	LINES GP-CONNECTING (MULTIPURPOSE BUCKET)						679

Y - SEPARATE ILLUSTRATION



GRAPHIC #1

<END>

g06193369

WORK TOOLS

118-1974 BULLDOZER AS

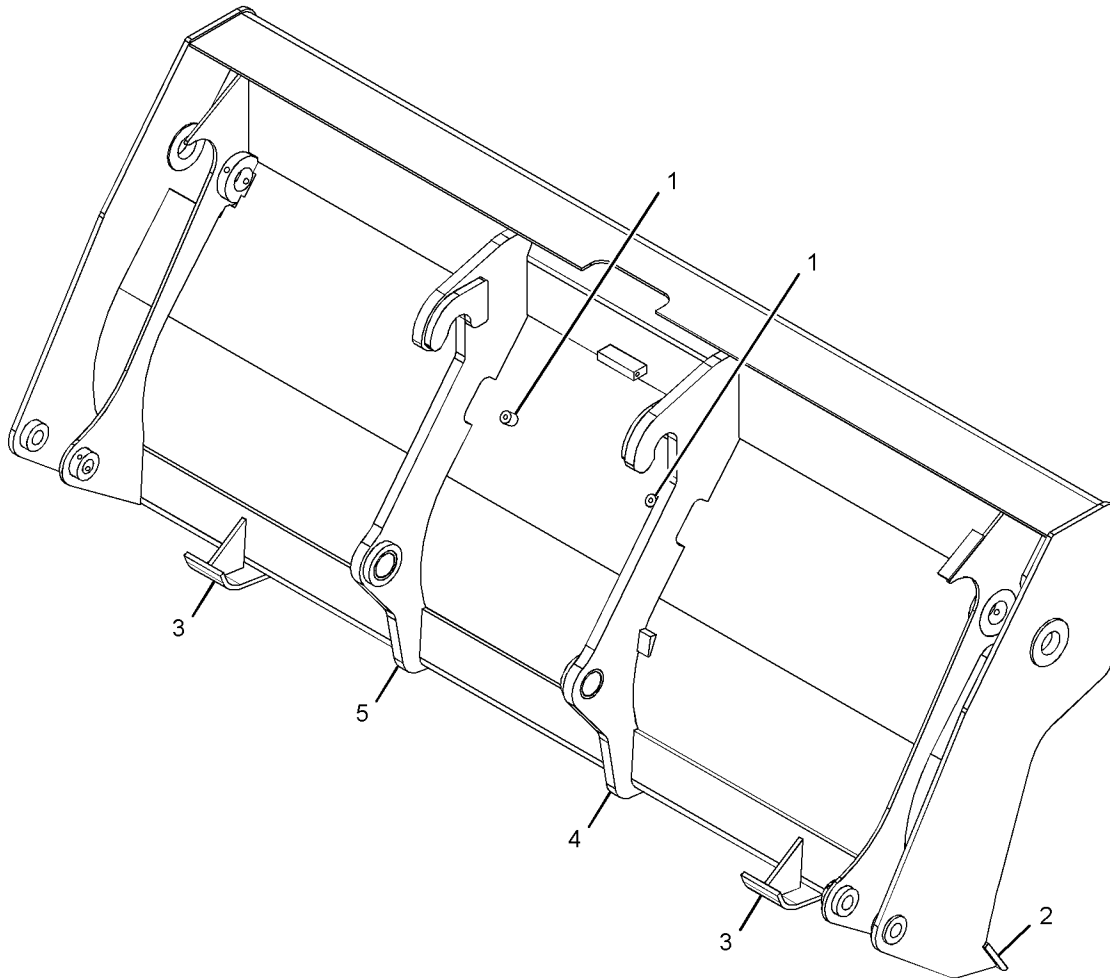
S/N: TD61-UP; TD71-UP
 1.03-CU M (1.35-CU YD)
 PART OF 163-4289 BULLDOZER AS
 AN ATTACHMENT

SMCS-6050, 6514

i05006829

NOTE	REF NO	GRAPHIC REF	PART NUMBER	QTY	PART NAME						SEE PAGE
					1	2	3	4	5	6 (PRODUCT LEVEL)	
M	1	1	9R-5271	2	BOSS (M10X1.5X25-MM)						
	2	1	9R-5786	1	EDGE						
	3	1	112-1775	2	PLATE AS						
	4	1	<i>118-1979</i>	1	PLATE AS (RH)						
		1	6K-4076	1	BUSHING						
		1	9R-4649	1	BOSS						
	5	1	<i>118-1980</i>	1	PLATE AS (LH)						
		1	6K-4076	1	BUSHING						
		1	9R-4649	1	BOSS						

M - METRIC PART



GRAPHIC #1

<END>

g01336816

WORK TOOLS

163-4289 BULLDOZER AS

S/N: TD61-UP; TD71-UP

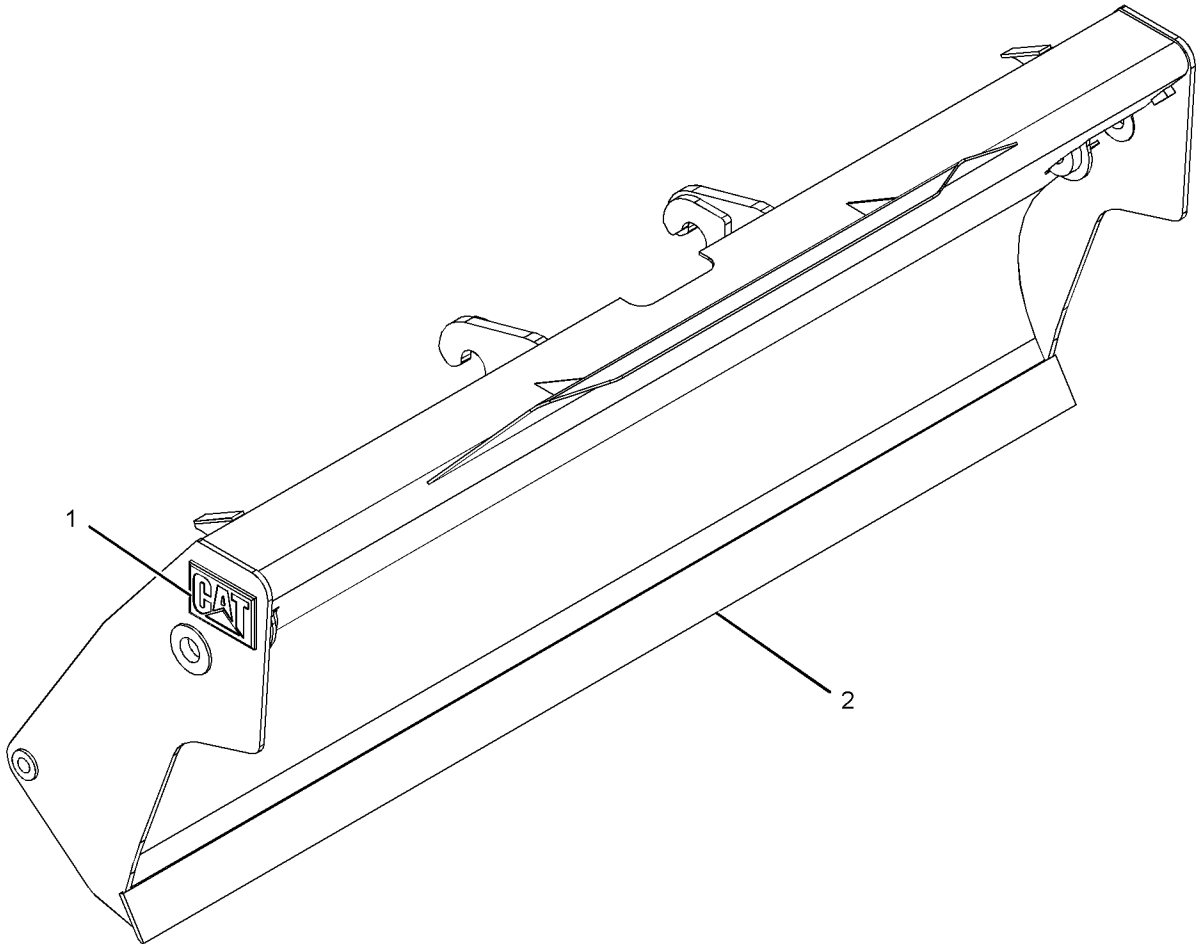
PART OF 163-4286 BUCKET GP-MULTIPURPOSE
AN ATTACHMENT

SMCS-6050, 6514

i02659826

NOTE	REF NO	GRAPHIC REF	PART NUMBER	QTY	PART NAME						SEE PAGE
					1	2	3	4	5	6 (PRODUCT LEVEL)	
	1	1	2C-9259	2	PLATE-IDENTIFICATION (CAT)						
Y	2	1	118-1974	1	BULLDOZER AS (MULTIPURPOSE BUCKET)						794

Y - SEPARATE ILLUSTRATION



GRAPHIC #1

<END>

g01336813

WORK TOOLS

487-0690 CARRIAGE AR-FORK

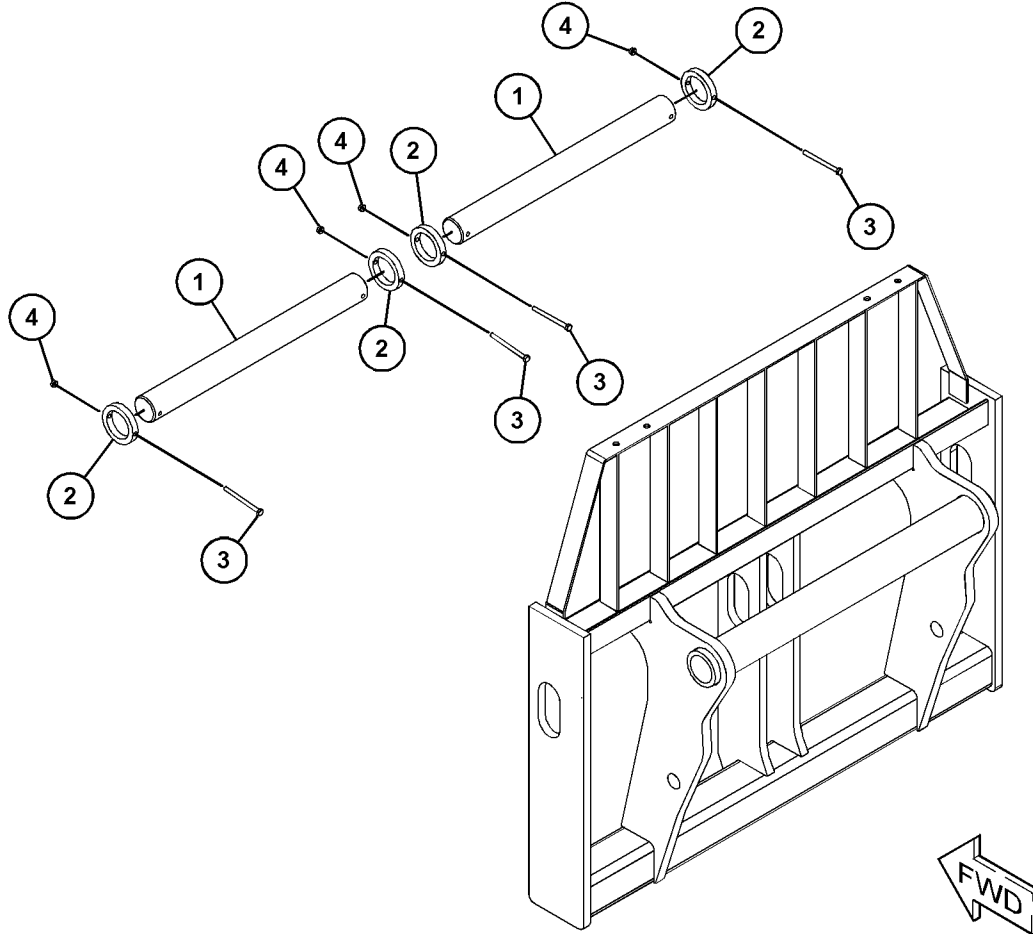
S/N: TD61-UP
AN ATTACHMENT

SMCS-6402

i06948925

NOTE	REF NO	GRAPHIC REF	PART NUMBER	QTY	PART NAME						SEE PAGE
					1	2	3	4	5	6	
	1	1	309-9192	2	SHAFT						
	2	1	457-5842	4	COLLAR						
M	3	1	7X-2538	4	BOLT (M8X1.25X100-MM)						
M	4	1	3T-0852	4	LOCKNUT (M8X1.25-THD)						

M - METRIC PART



GRAPHIC #1

<END>

g06179803

WORK TOOLS

326-1997 CARRIAGE AS-FORK

S/N: TD61-UP; TD71-UP

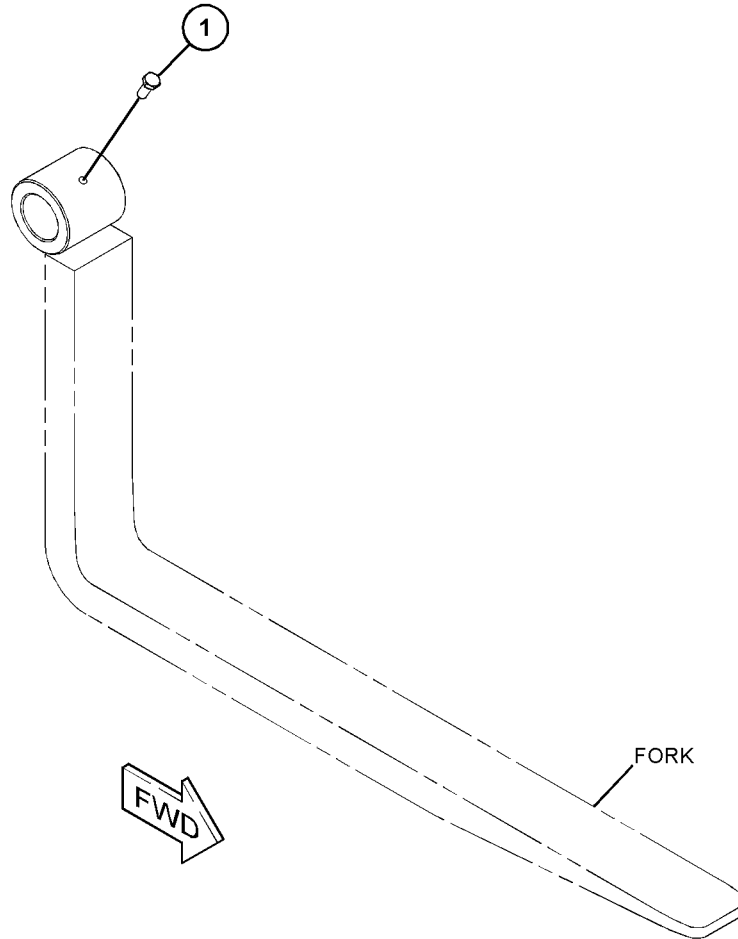
AN ATTACHMENT

SMCS-6402

i06702553

NOTE	REF NO	GRAPHIC REF	PART NUMBER	QTY	PART NAME						SEE PAGE
					1	2	3	4	5	6 (PRODUCT LEVEL)	
M	1	1	6V-3668	1	BOLT (M12X1.75X30-MM)						

M - METRIC PART



GRAPHIC #1

<END>

g06085037

WORK TOOLS

301-9757 CARRIAGE GP-TILT

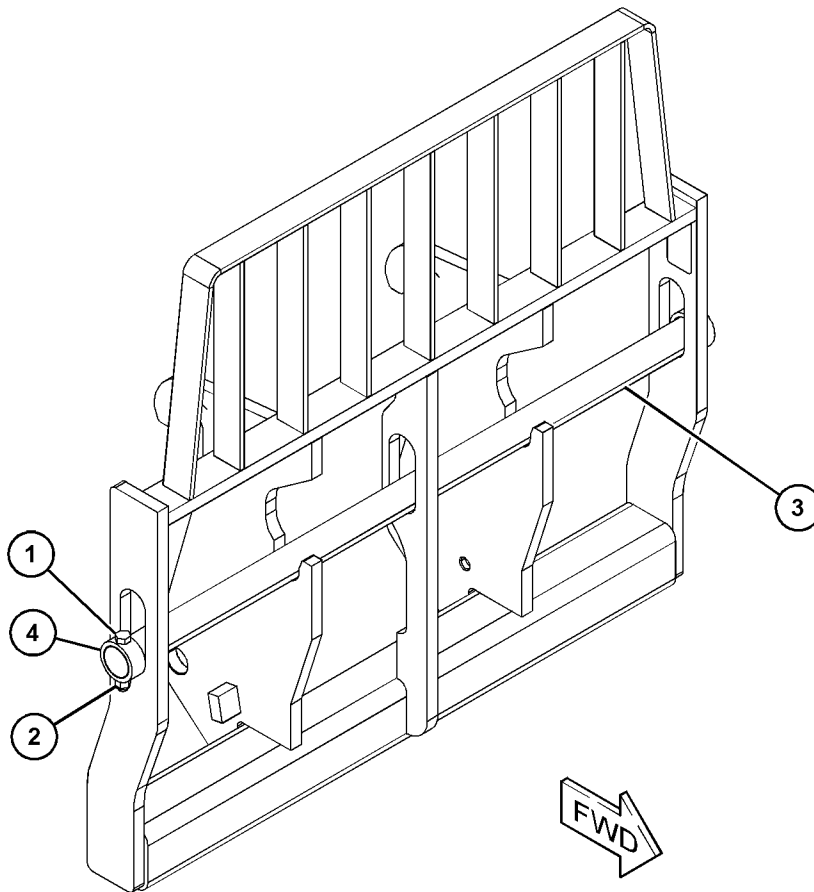
S/N: TD61-UP

1270-MM (50-INCH), FOR USE IN NACD REGION ONLY
AN ATTACHMENT

SMCS-6402, 6409

i05757129

NOTE	REF NO	GRAPHIC REF	PART NUMBER	QTY	PART NAME						SEE PAGE
					1	2	3	4	5	6 (PRODUCT LEVEL)	
1	1	1	303-4741	2	SCREW (5/8-11X4-IN)						
2	1	1	303-4782	2	NUT (0.63-11-THD)						
3	1	1	303-4957	1	PIN						
4	1	1	303-4988	2	COLLAR						



GRAPHIC #1

<END>

g03665648

WORK TOOLS

301-9758 CARRIAGE GP-TILT

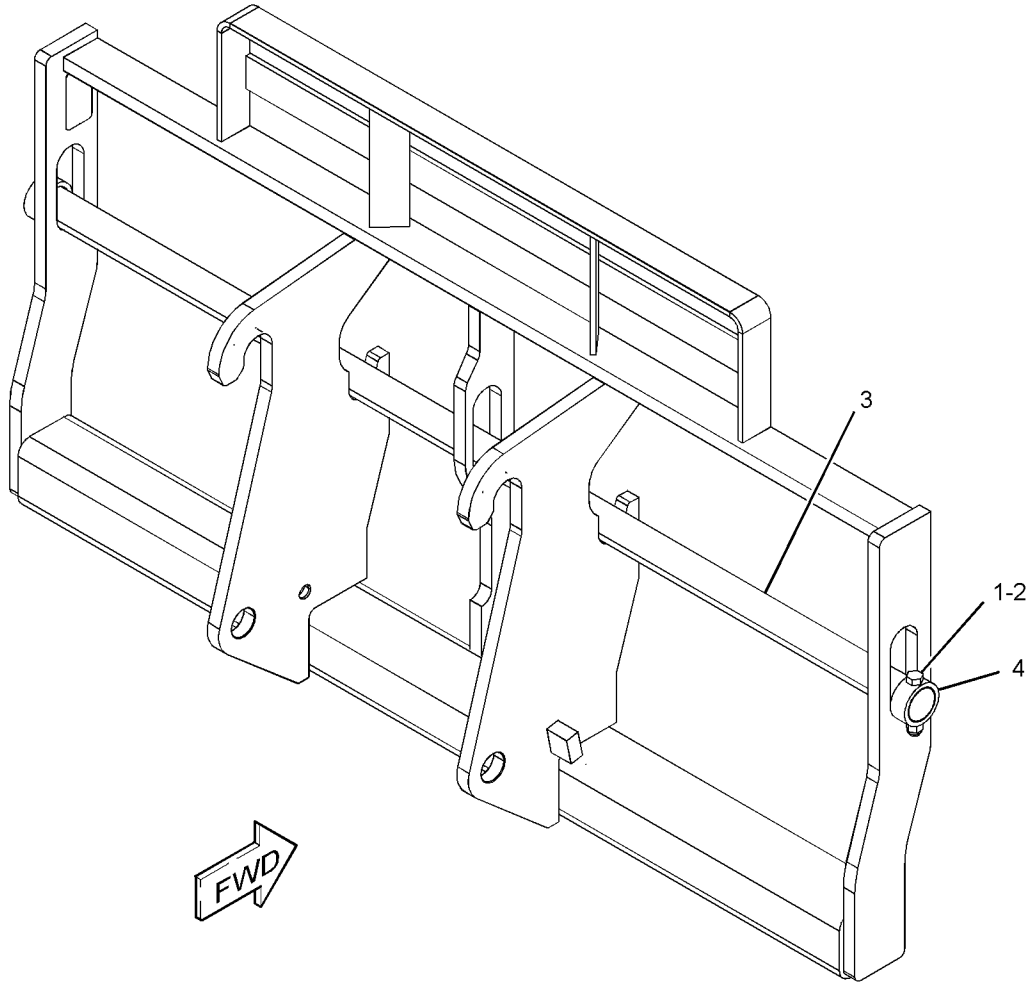
S/N: TD61-UP

1829-MM (72-INCH), FOR USE IN NACD ONLY
AN ATTACHMENT

SMCS-6402, 6409

i05757130

NOTE	REF NO	GRAPHIC REF	PART NUMBER	QTY	PART NAME						SEE PAGE
					1	2	3	4	5	6 (PRODUCT LEVEL)	
	1	1	303-4741	2	SCREW (5/8-11X4-IN)						
	2	1	303-4782	2	NUT (0.63-11-THD)						
	3	1	303-4958	1	PIN						
	4	1	303-4988	2	COLLAR						



GRAPHIC #1

<END>

g03658975

WORK TOOLS

474-0135 CARRIAGE GP

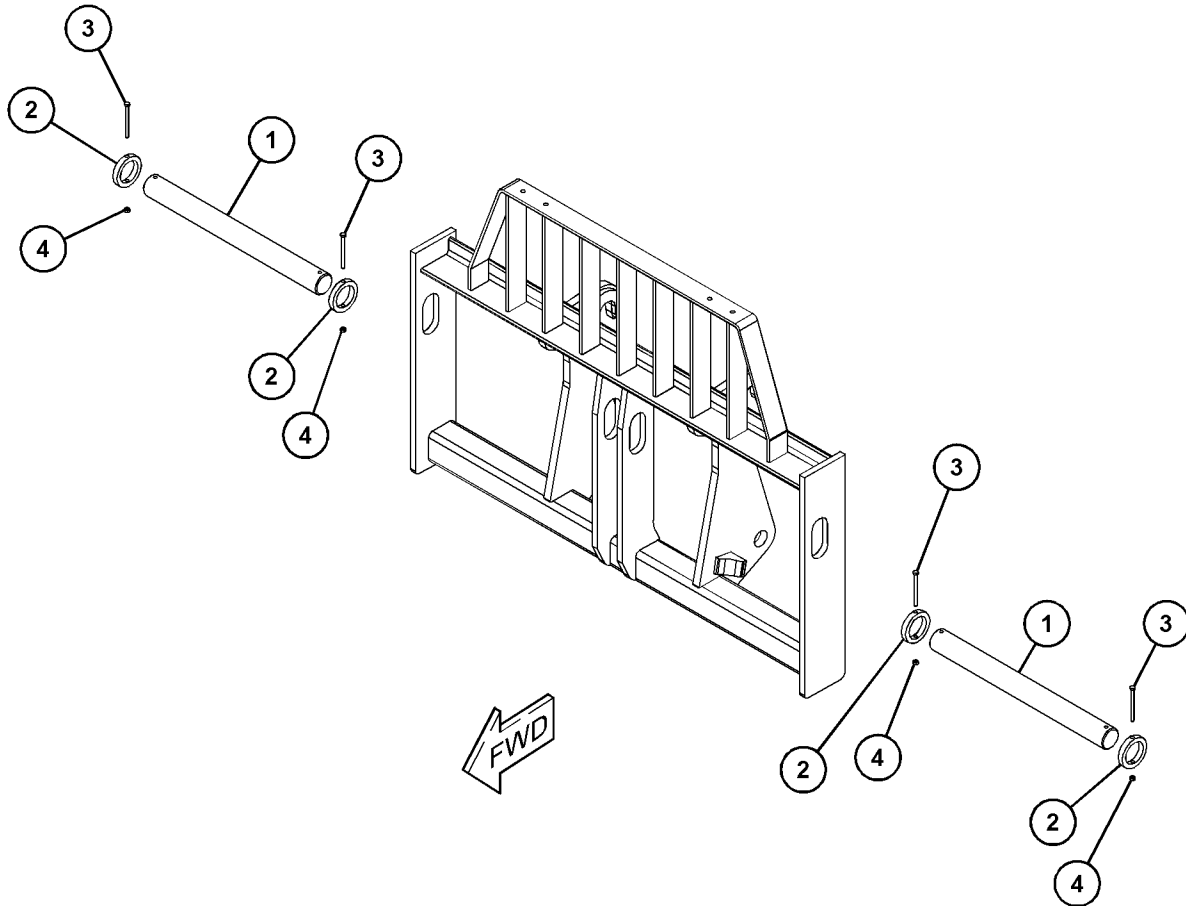
S/N: TD61-UP; TD71-UP

NOT FOR USE IN NACD
AN ATTACHMENT

SMCS-6402, 6409

i07032189

NOTE	REF NO	GRAPHIC REF	PART NUMBER	QTY	PART NAME						SEE PAGE
					1	2	3	4	5	6 (PRODUCT LEVEL)	
1		1	527-7879	2	PIN						
2		1	527-7880	4	BLOCK-PIN						
3		1	527-7881	4	BOLT						
4		1	527-7882	4	LOCKNUT						



GRAPHIC #1

<END>

g06204882

WORK TOOLS

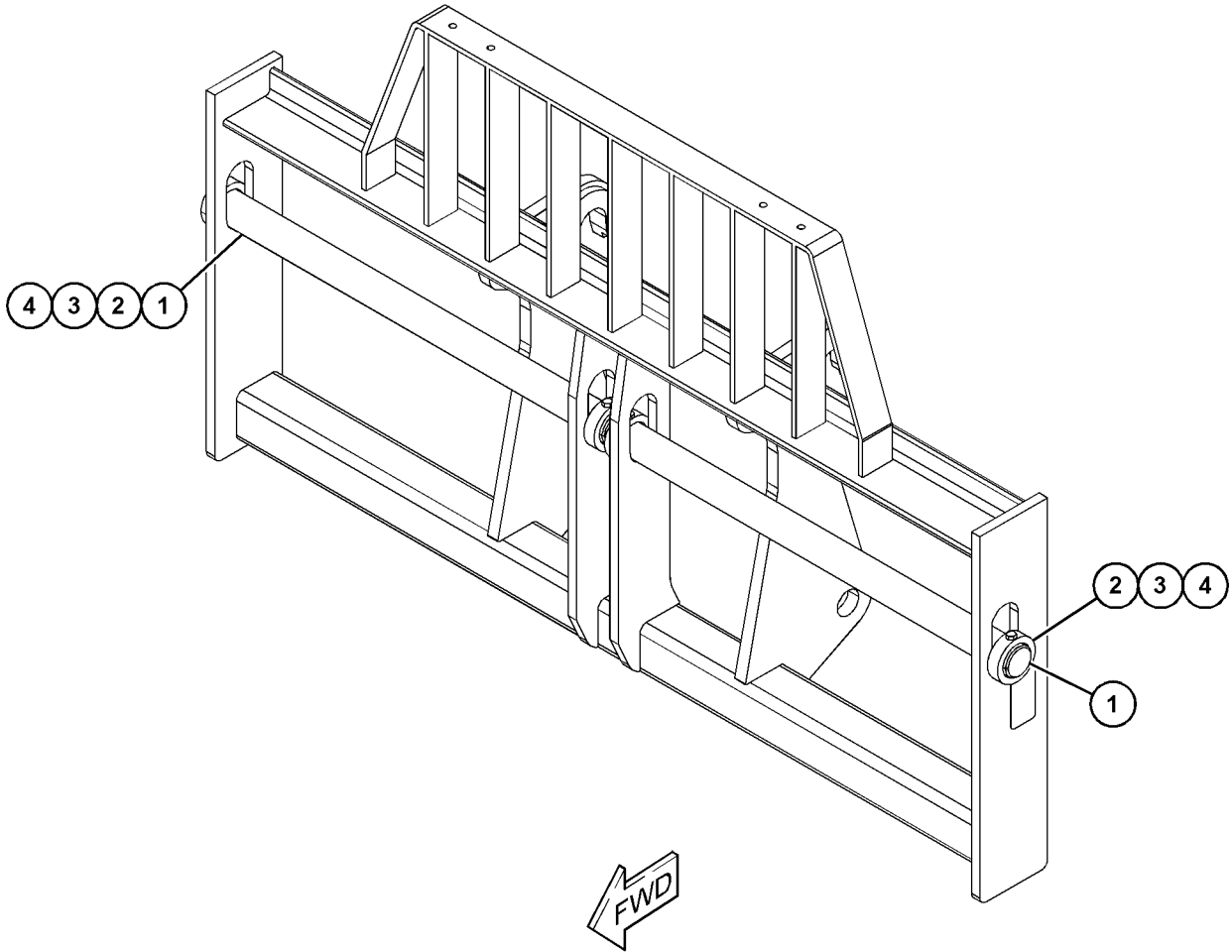
474-0136 CARRIAGE GP

S/N: TD61-UP; TD71-UP
CAN NOT BE USED IN NACD
AN ATTACHMENT

SMCS-6402, 6409

i07032179

NOTE	REF NO	GRAPHIC REF	PART NUMBER	QTY	PART NAME						SEE PAGE
					1	2	3	4	5	6 (PRODUCT LEVEL)	
	1	1	527-7883	2	PIN						
	2	1	527-7880	4	BLOCK-PIN						
	3	1	527-7881	4	BOLT						
	4	1	527-7882	4	LOCKNUT						



GRAPHIC #1

<END>

g06206597

WORK TOOLS

517-6817 CARRIAGE GP

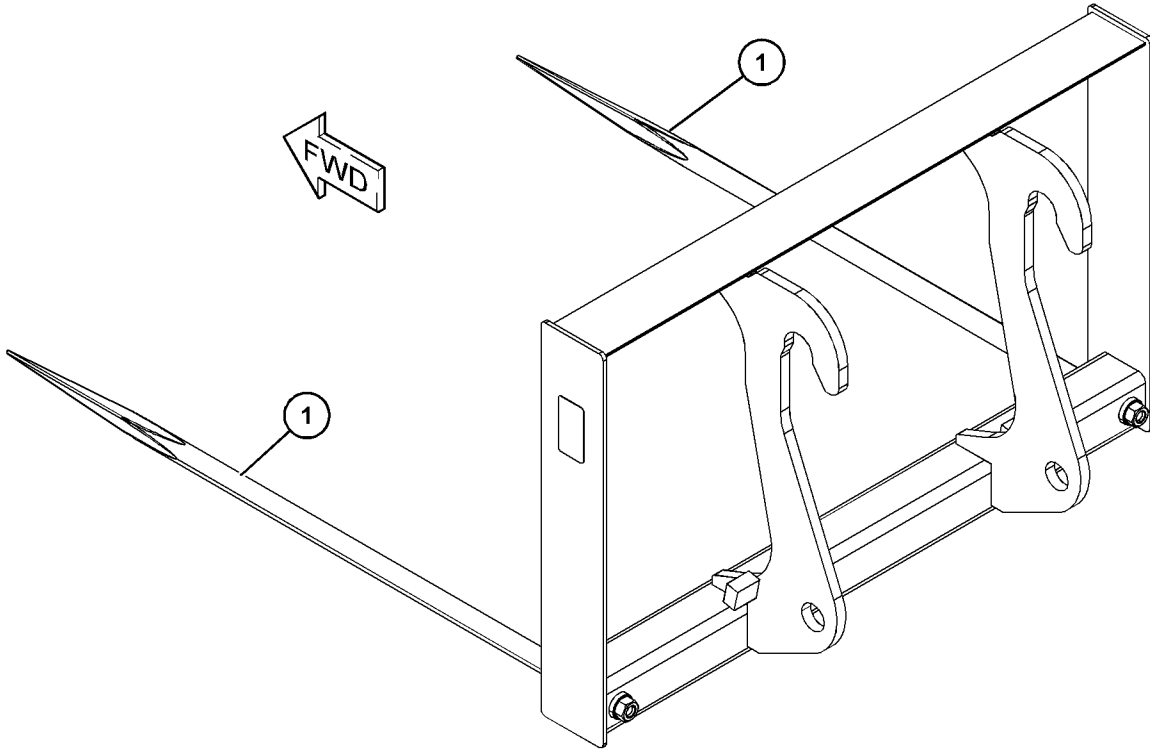
S/N: TD61-UP; TD71-UP

AN ATTACHMENT

SMCS-6402, 6409

i06907164

NOTE	REF NO	GRAPHIC REF	PART NUMBER	QTY	PART NAME						SEE PAGE
					1	2	3	4	5	6 (PRODUCT LEVEL)	
	1	1	525-9189	2	KIT-BAIL TINE						
(EACH INCLUDES TINE & NUT)											



GRAPHIC #1

<END>

g06163097

WORK TOOLS

222-6210 CARRIAGE GP-FORK-SIDESHIFT

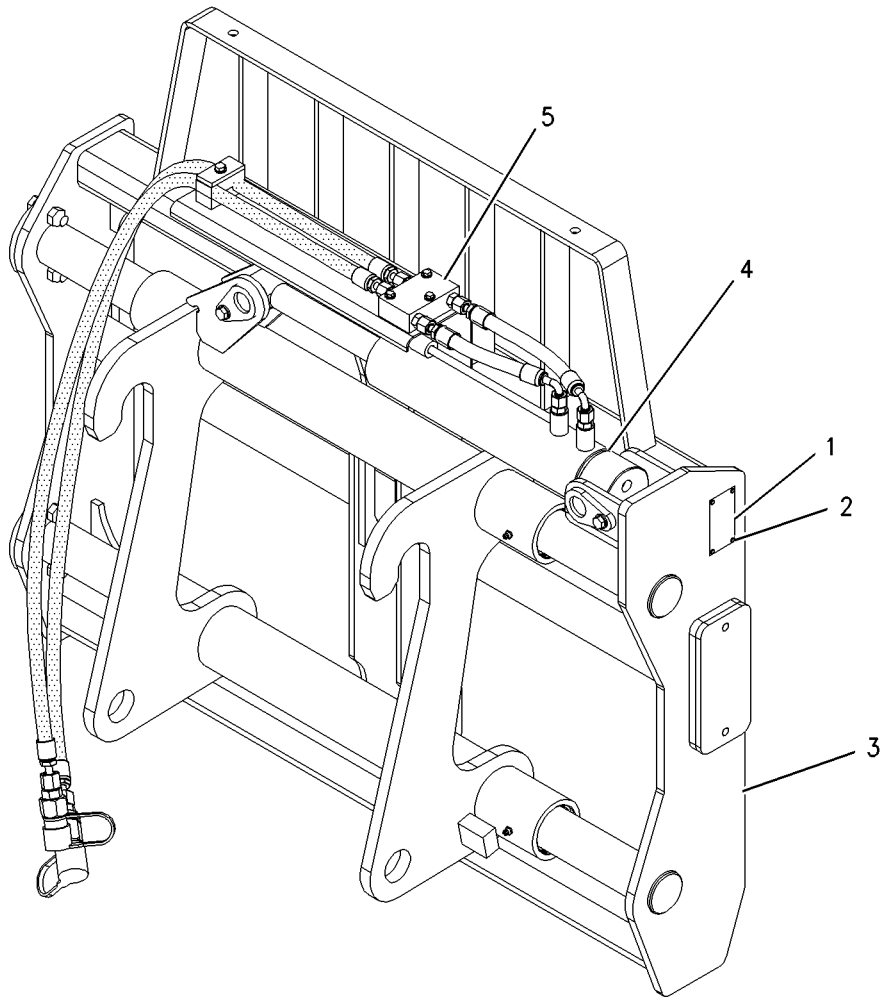
S/N: TD61-UP; TD71-UP
 NOR FOR USE WITH NACD REGION
 AN ATTACHMENT

SMCS-6402

i02545721

NOTE	REF NO	GRAPHIC REF	PART NUMBER	QTY	PART NAME						SEE PAGE
					1	2	3	4	5	6 (PRODUCT LEVEL)	
	1	1	157-4835	1	PLATE-INSTRUCTION (LOAD CAPACITY)						
	2	1	168-8389	4	TACK (METAL)						
Y	3	1	224-5065	1	CARRIAGE GP-SIDESHIFT						820
Y	4	1	224-5083	1	CYLINDER & MTG GP-CARRIAGE (FORK)						645
Y	5	1	224-5092	1	LINES GP-CONNECTING (FORK)						681

Y - SEPARATE ILLUSTRATION



GRAPHIC #1

<END>

g00926619

WORK TOOLS

326-2013 CARRIAGE GP-FORK

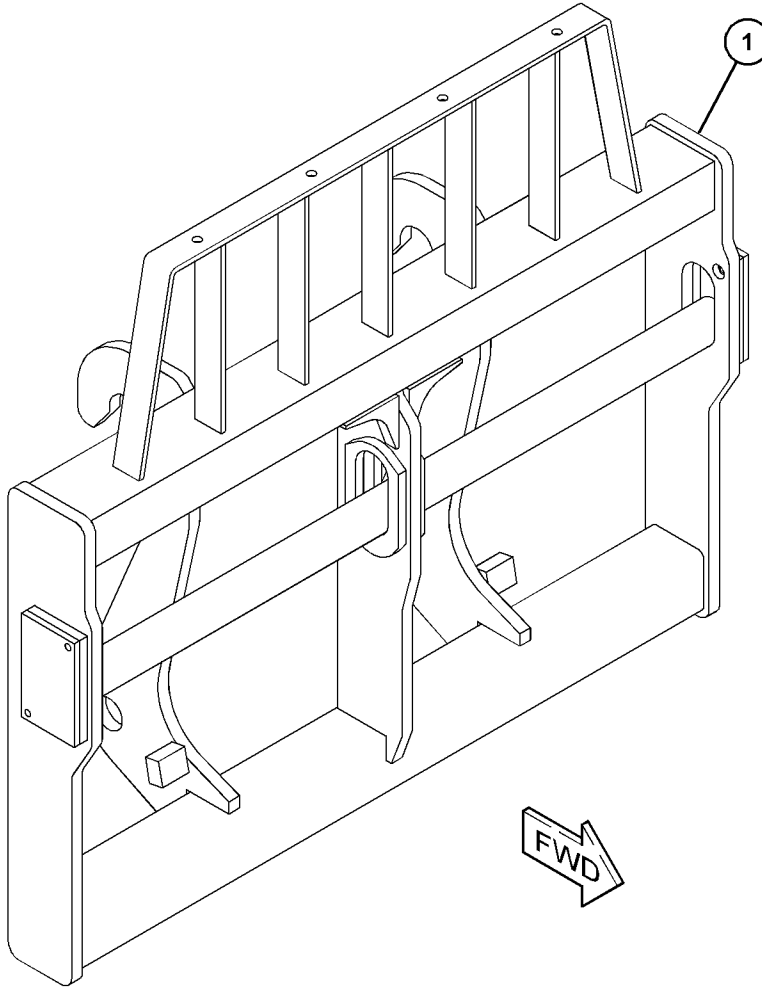
S/N: TD61-UP; TD71-UP

NOT FOR USE IN NACD
AN ATTACHMENT

SMCS-6402

i06258159

NOTE	REF NO	GRAPHIC REF	PART NUMBER	QTY	PART NAME						SEE PAGE
					1	2	3	4	5	6 (PRODUCT LEVEL)	
	1	1	326-1999	1	CARRIAGE AS-FORK						



GRAPHIC #1

<END>

g03877215

WORK TOOLS

397-6838 CARRIAGE GP-FORK

S/N: TD61-UP
NACD REGION ONLY
AN ATTACHMENT

SMCS-6402

i06117928

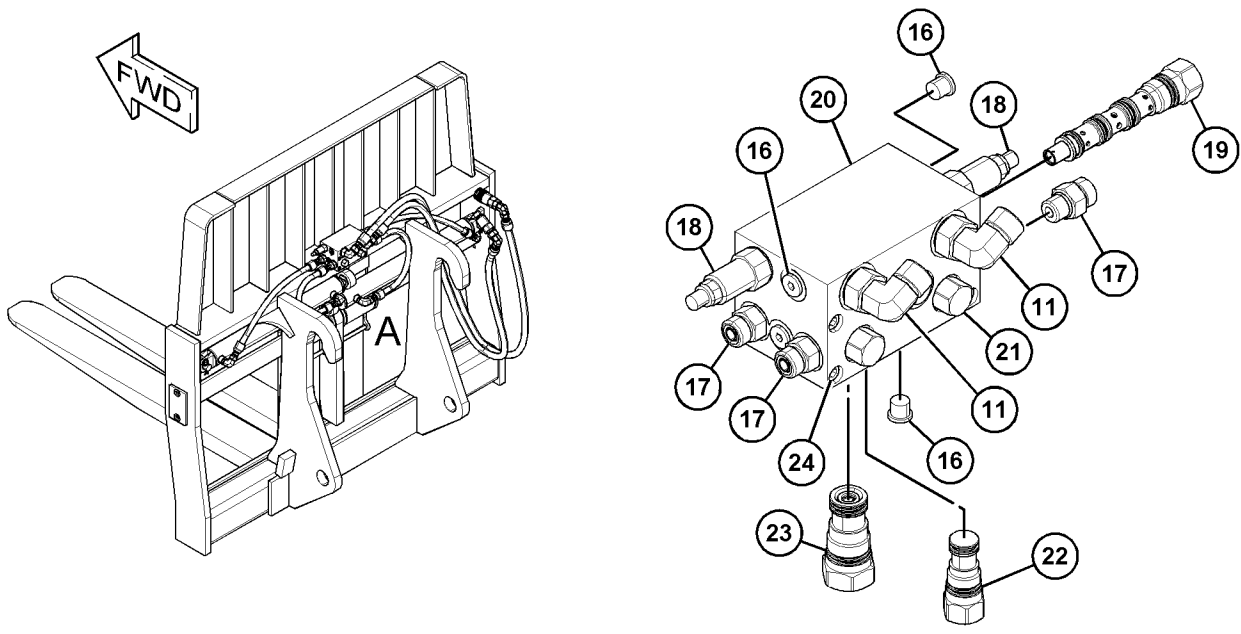
NOTE	REF NO	GRAPHIC REF	PART NUMBER	QTY	PART NAME	SEE PAGE
					1 2 3 4 5 6 (PRODUCT LEVEL)	
	1	1	417-9861	4	BOLT	
	2	1	417-9862	2	PLATE-RETAINER	
	3	1	417-9863	2	PIN	
	4	1	417-9864	2	PIN-COTTER	
Y	5	1	475-9070	1	CYLINDER GP-FORK	657
	6	1	417-9865	1	SHAFT	
	7	1	417-9866	4	ADAPTER	
	8	1	417-9867	2	HOSE AS	
	9	1	417-9868	2	HOSE AS	
	10	1	417-9869	2	HOSE AS	
	11	1	417-9870	2	ADAPTER	
	13	1	417-9871	2	ADAPTER	
	14	1	300-6078	1	COUPLING (FEMALE)	
	15	1	300-6079	1	COUPLING (MALE)	
	16	1	417-9872	6	PLUG	
	17	1	417-9873	4	ADAPTER	
	18	1	417-9874	2	CARTRIDGE	
	19	1	417-9875	1	CARTRIDGE	
	20	1	417-9876	1	VALVE	
	21	1	417-9877	2	CARTRIDGE	
	22	1	417-9878	1	CARTRIDGE	
	23	1	417-9879	1	CARTRIDGE	
	24	1	417-9880	3	BOLT	
	25	1	479-9423	1	CARRIER	
	26	1	479-9424	1	CARRIER	
	27	1	479-9425	1	HOSE AS	
	28	1	479-9426	1	HOSE AS	

Y - SEPARATE ILLUSTRATION

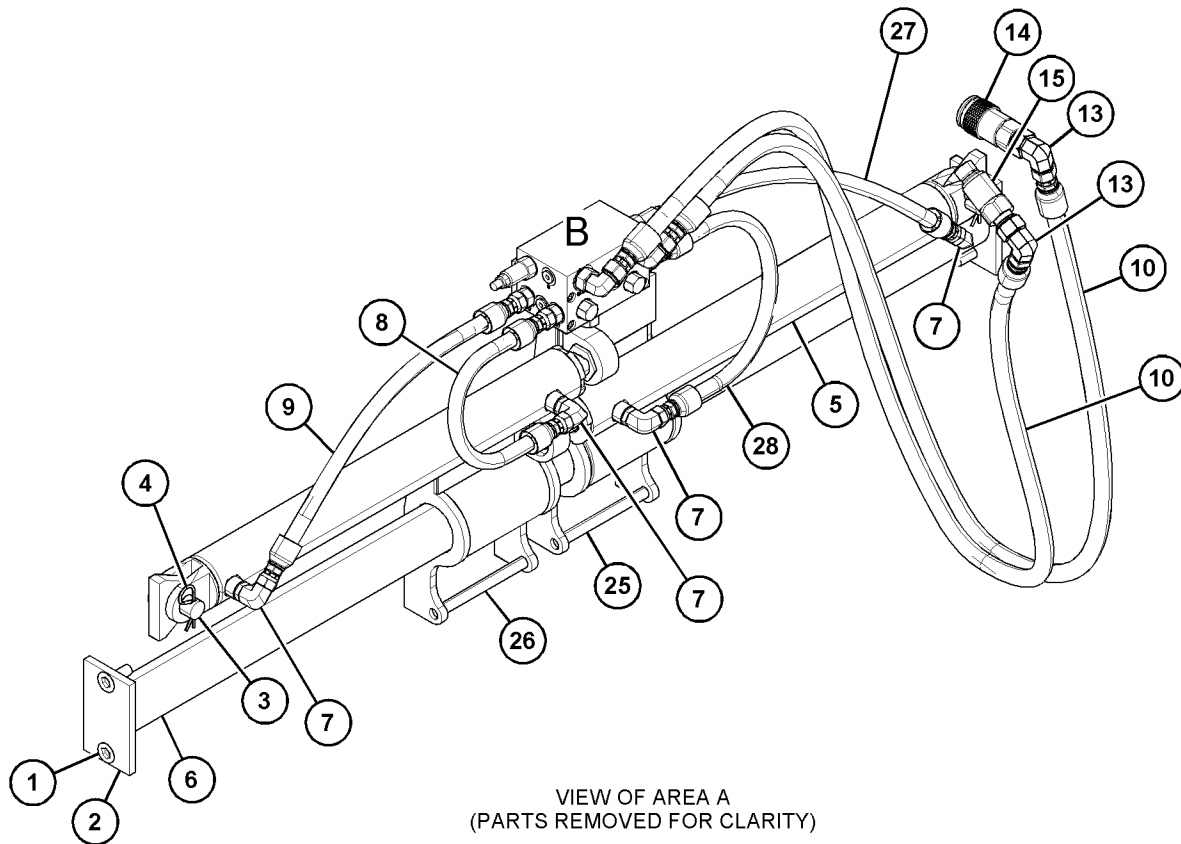
WORK TOOLS

397-6838 CARRIAGE GP-FORK (contd.)

i06117928



VIEW OF AREA B
(PARTS REMOVED FOR CLARITY)



VIEW OF AREA A
(PARTS REMOVED FOR CLARITY)

GRAPHIC #1

<END>

g03826093

WORK TOOLS

474-0141 CARRIAGE GP-FORK

S/N: TD61-UP
(48-IN), NACD REGION ONLY
AN ATTACHMENT

SMCS-6402

i06808195

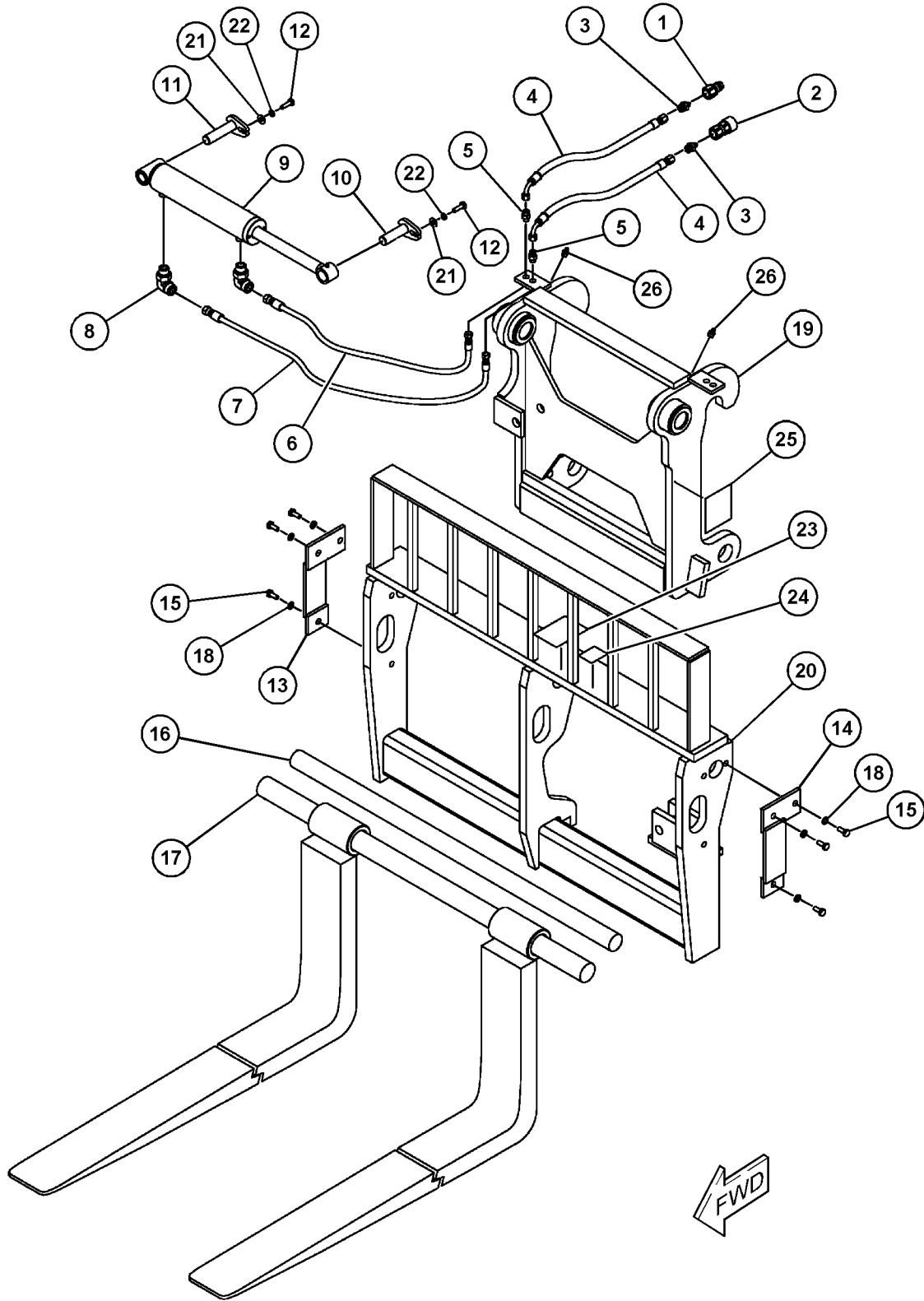
NOTE	REF NO	GRAPHIC REF	PART NUMBER	QTY	PART NAME	SEE PAGE
					1 2 3 4 5 6 (PRODUCT LEVEL)	
	1	1	300-6079	1	COUPLING (MALE)	
	2	1	300-6078	1	COUPLING (FEMALE)	
	3	1	362-2111	2	CONNECTOR	
	4	1	362-2119	2	HOSE AS	
	5	1	362-2104	2	CONNECTOR	
	6	1	362-2118	1	HOSE AS	
	7	1	362-2117	1	HOSE AS	
	8	1	327-6333	2	ELBOW	
Y	9	1	362-2120	1	CYLINDER GP-CARRIAGE	652
	10	1	362-2121	1	TUBE	
	11	1	362-2122	1	PIN	
M	12	1	362-2108	2	BOLT (5/16-24X1-IN)	
	13	1	362-2116	1	PIN	
	14	1	362-2114	1	RETAINER-PLATE	
M	15	1	362-2100	6	BOLT (1/2-13X1.5-IN)	
	16	1	362-2115	1	PIN	
	17	1	327-6277	1	PIN-FORK	
	18	1	327-6329	6	LOCKWASHER	
	19	1	362-2112	1	FRAME-REAR	
C	20	1	362-2113	1	FRAME-FRONT	
	21	1	362-2103	2	WASHER (8X15X2-MM THK)	
	22	1	362-2102	2	LOCKWASHER	
	23	1	327-6325	1	FILM-WARNING (HIGH PRESSURE)	
	24	1	362-2106	1	FILM-INFORMATION (MADE IN USA)	
	25	1	327-6328	2	FILM-WARNING (PINCH POINT)	
	26	1	362-2107	2	FITTING-GREASE	

C - CHANGE FROM PREVIOUS TYPE
M - METRIC PART
Y - SEPARATE ILLUSTRATION

WORK TOOLS

474-0141 CARRIAGE GP-FORK (contd.)

i06808195



GRAPHIC #1

<END>

g03887169

WORK TOOLS

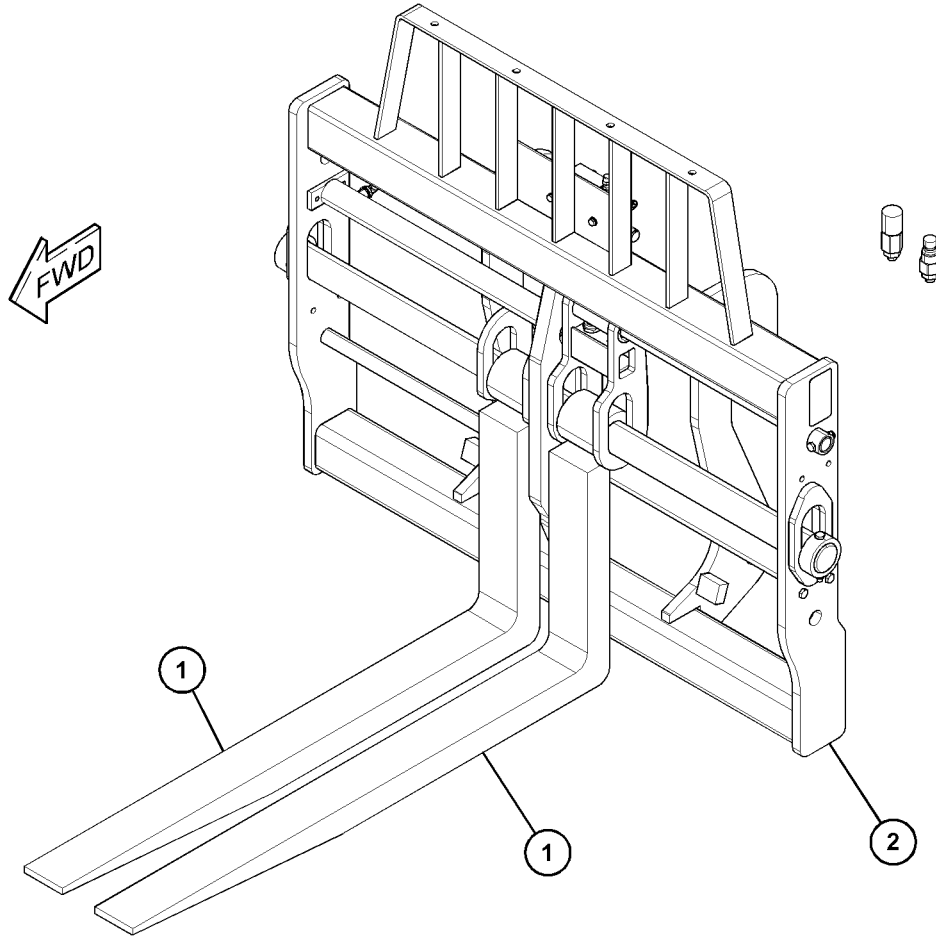
479-0237 CARRIAGE GP-FORK

S/N: TD61-UP; TD71-UP
CAN NOT BE USED IN NACD
AN ATTACHMENT

SMCS-6402

i06642643

NOTE	REF NO	GRAPHIC REF	PART NUMBER	QTY	PART NAME						SEE PAGE
					1	2	3	4	5	6 (PRODUCT LEVEL)	
	1	1	326-1998	2	FORK GP						
	2	1	484-6067	1	CARRIAGE GP-FORK						



GRAPHIC #1

<END>

g06086792

WORK TOOLS

486-0527 CARRIAGE GP-FORK

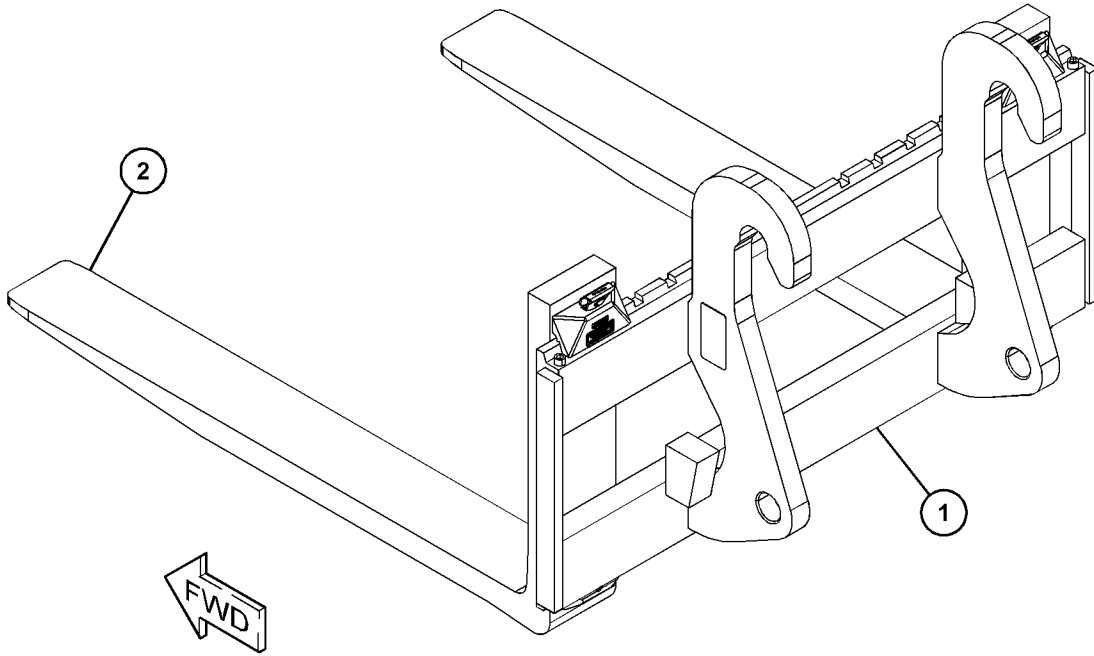
S/N: TD61-UP; TD71-UP

AN ATTACHMENT

SMCS-6402

i06642642

NOTE	REF NO	GRAPHIC REF	PART NUMBER	QTY	PART NAME						SEE PAGE
					1	2	3	4	5	6	
	1	1	505-8348	1	CARRIAGE AS						
	2	1	505-8350	2	FORK						



GRAPHIC #1

<END>

g06090423

WORK TOOLS

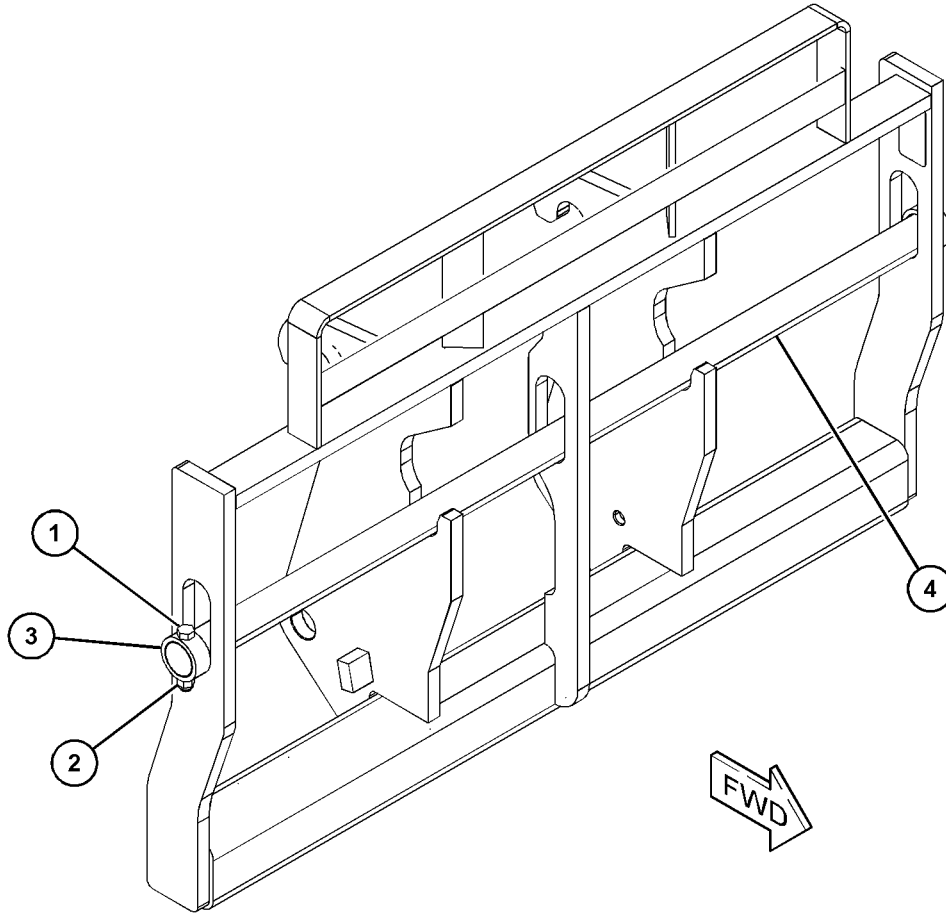
500-4475 CARRIAGE GP-FORK

S/N: TD61-UP
FOR USE IN NACD ONLY
AN ATTACHMENT

SMCS-6402

i06736228

NOTE	REF NO	GRAPHIC REF	PART NUMBER	QTY	PART NAME						SEE PAGE
					1	2	3	4	5	6 (PRODUCT LEVEL)	
	1	1	303-4741	2	SCREW (5/8-11X4-IN)						
	2	1	303-4782	2	NUT (0.63-11-THD)						
	3	1	303-4988	2	COLLAR						
	4	1	476-5228	1	PIN						



GRAPHIC #1

<END>

g06102223

WORK TOOLS

227-5748 CARRIAGE GP-ROTATING-WIDE, 4/5 TINE

S/N: TD61-UP; TD71-UP

AN ATTACHMENT

SMCS-6408, 6409

i02545733

NOTE	REF NO	GRAPHIC REF	PART NUMBER	QTY	PART NAME						SEE PAGE
					1	2	3	4	5	6 (PRODUCT LEVEL)	
	1	1	8T-1114	1	BEARING						
	2	1	157-4835	1	PLATE-INSTRUCTION (LOAD CAPACITY)						
	3	1	160-4129	1	SHAFT						
	4	1	160-4659	2	SPACER (50.25X57X43.5-MM THK)						
	5	1	163-3101	2	PLATE						
	6	1	163-6283	2	SHAFT						
	7	1	168-8389	4	TACK (METAL)						
	8	1	227-5749	1	CARRIER GP-FORK						
		1	227-5751	1	PLATE AS						
		1	227-5754	1	PLATE AS						
		1	231-9308	1	BRACKET AS						
	9	1	227-5756	1	CARRIAGE AS						
Y	10	1	235-2662	1	CYLINDER & MTG GP-CARRIAGE (ROTATING)						646
Y	11	1	235-2663	1	LINES GP-HYDRAULIC (ROTATING CARRIAGE)						690
	12	1	3B-8488	1	FITTING-GREASE (1/8-27 PTF)						
	13	1	6V-8757	2	RING-RETAINING						
	14	1	8T-0707	2	RING-RETAINING (INTERNAL)						
M	15	1	8T-4192	4	BOLT (M12X1.75X25-MM)						
	16	1	8T-4223	4	WASHER-HARD (13.5X25.5X3-MM THK)						

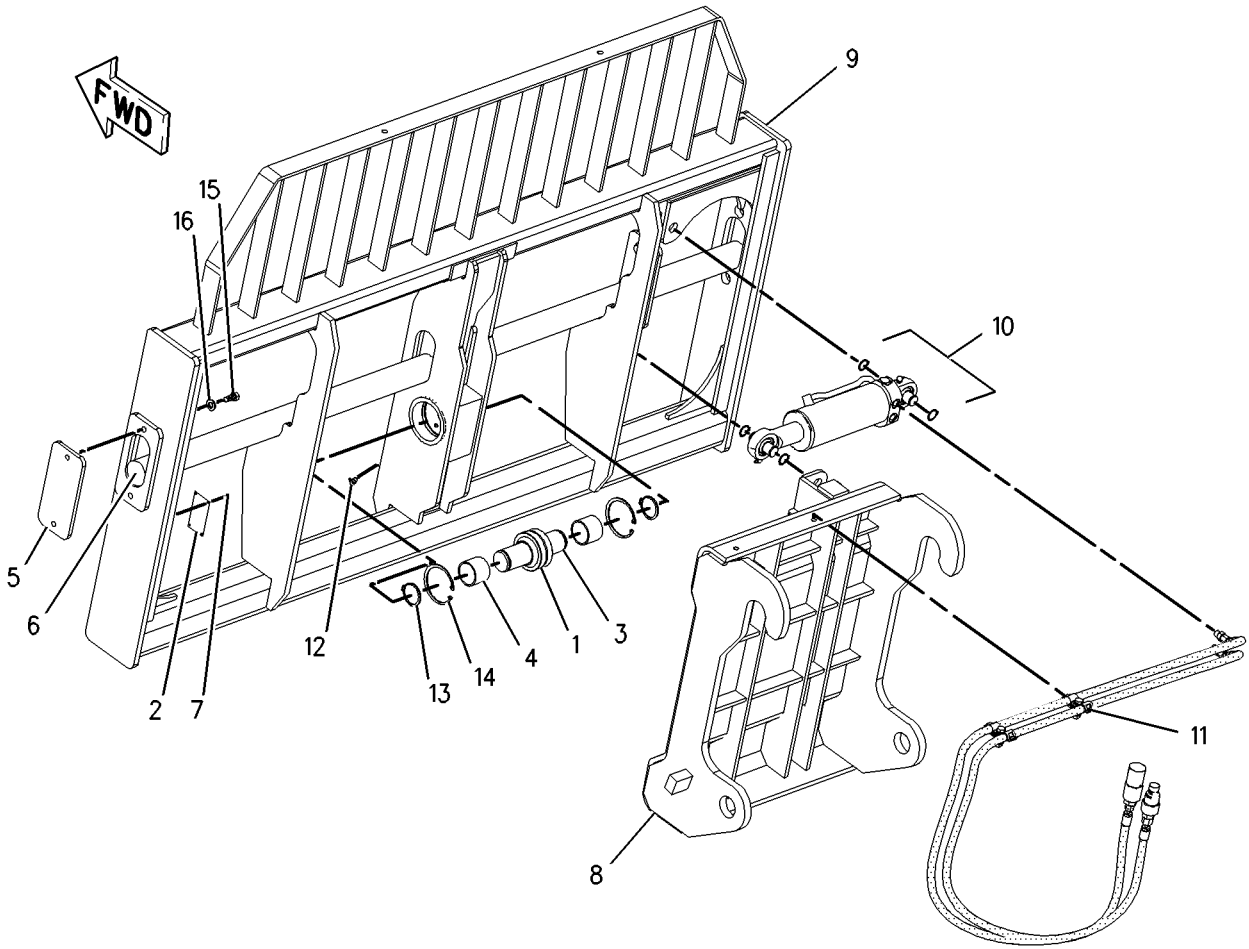
M - METRIC PART

Y - SEPARATE ILLUSTRATION

WORK TOOLS

227-5748 CARRIAGE GP-ROTATING (contd.)

102545733



GRAPHIC #1

<END>

g00993765

WORK TOOLS

231-3229 CARRIAGE GP-ROTATING-STANDARD

S/N: TD61-UP; TD71-UP

NOT FOR NACD REGION

AN ATTACHMENT

SMCS-6408, 6409

i02449798

NOTE	REF NO	GRAPHIC REF	PART NUMBER	QTY	PART NAME						SEE PAGE
					1	2	3	4	5	6 (PRODUCT LEVEL)	
	1	1	8T-1114	1	BEARING						
	2	1	157-4835	1	PLATE-INSTRUCTION (LOAD CAPACITY)						
	3	1	160-4129	1	SHAFT						
	4	1	160-4657	1	SHAFT						
	5	1	160-4659	2	SPACER (50.25X57X43.5-MM THK)						
	6	1	163-3101	2	PLATE						
	7	1	168-8389	4	TACK (METAL)						
	8	1	227-5749	1	CARRIER GP-FORK						
	9	1	231-3230	1	CARRIAGE AS						
Y	10	1	235-2662	1	CYLINDER & MTG GP-CARRIAGE (ROTATING)						646
Y	11	1	235-2663	1	LINES GP-HYDRAULIC (ROTATING CARRIAGE)						690
	12	1	3B-8488	1	FITTING-GREASE (1/8-27 PTF)						
	13	1	6V-8757	2	RING-RETAINING						
	14	1	8T-0707	2	RING-RETAINING (INTERNAL)						
M	15	1	8T-4192	4	BOLT (M12X1.75X25-MM)						
	16	1	8T-4223	4	WASHER-HARD (13.5X25.5X3-MM THK)						

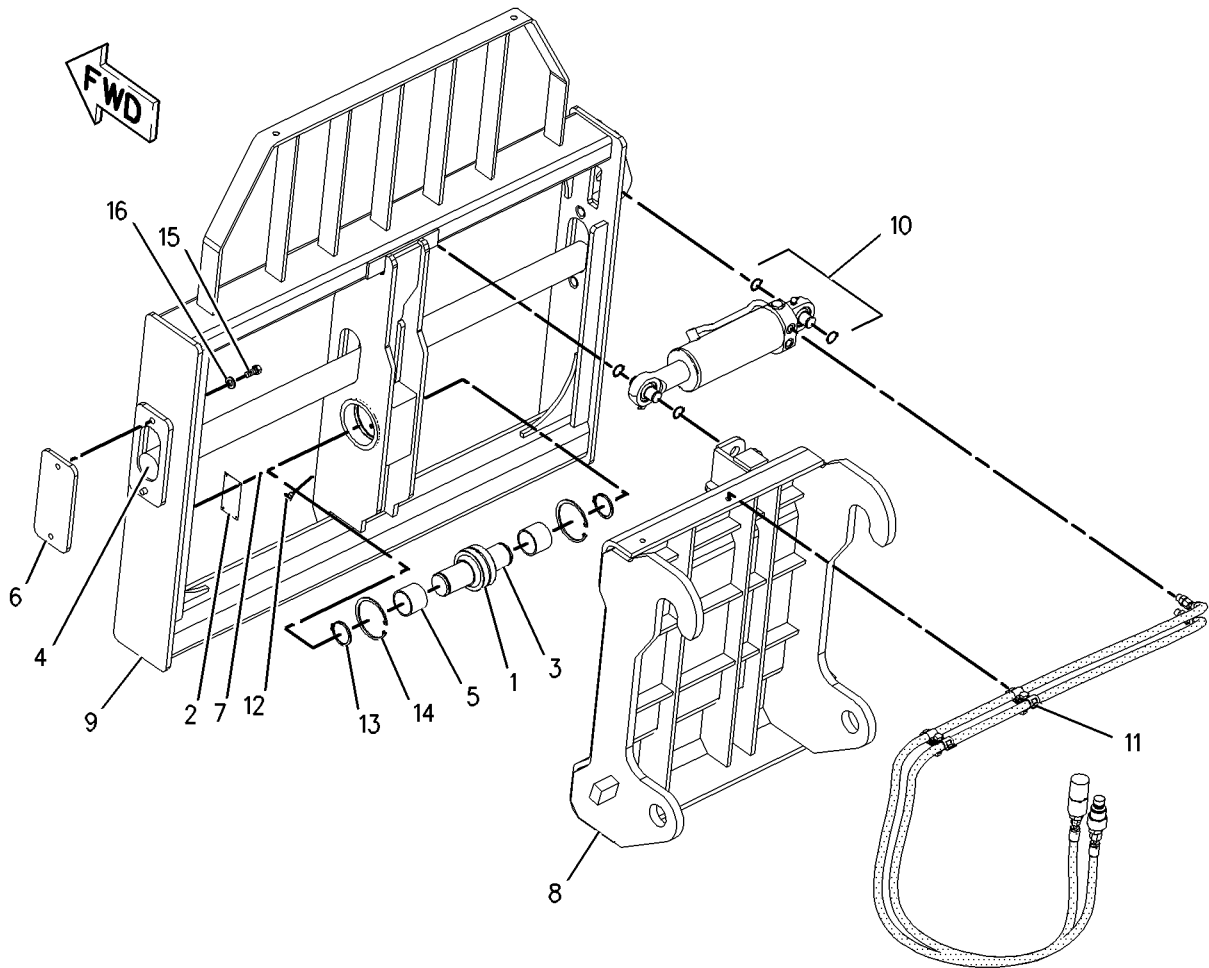
M - METRIC PART

Y - SEPARATE ILLUSTRATION

WORK TOOLS

231-3229 CARRIAGE GP-ROTATING (contd.)

102449798



GRAPHIC #1

<END>

g00993735

WORK TOOLS

375-6292 CARRIAGE GP-ROTATING

S/N: TD61-UP
FOR USE IN NACD REGION
AN ATTACHMENT

SMCS-6408, 6409

i07090244

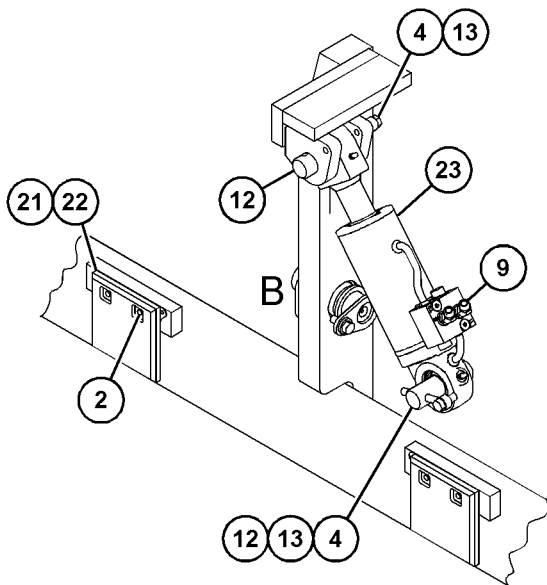
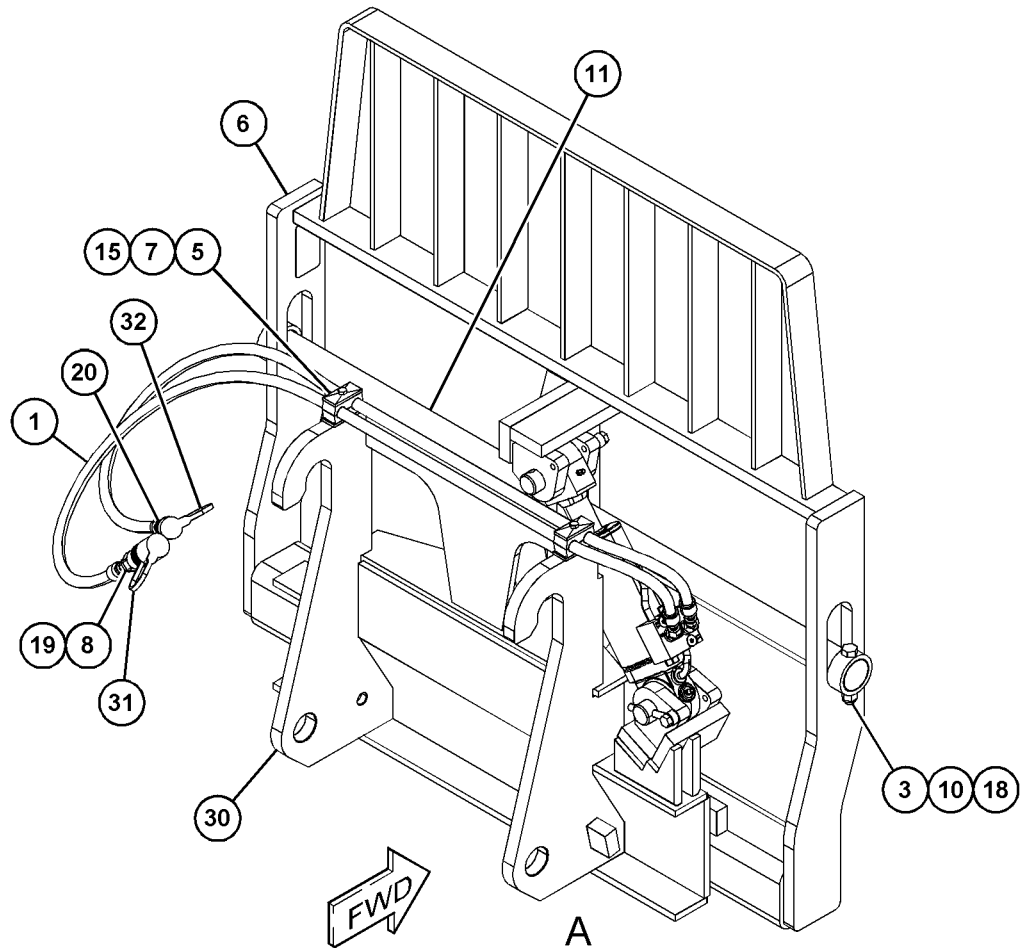
NOTE	REF NO	GRAPHIC REF	PART NUMBER	QTY	PART NAME						SEE PAGE
					1	2	3	4	5	6 (PRODUCT LEVEL)	
I	1	1	375-6294	2	HOSE AS						
	2	1	297-7033	4	BOLT (3/8-16X1.5-IN)						
	3	1	303-4741	2	SCREW (5/8-11X4-IN)						
	4	1	297-7077	3	SCREW (0.5-13X1.25-IN)						
M	5	1	7X-0818	2	BOLT (M8X1.25X45-MM)						
	6	1	309-4320	1	CARRIAGE AS						
	7	1	102-8705	2	PLATE (TOP)						
	8	1	330-8325	2	ADAPTER						
	9	1	303-4760	2	FITTING						
	10	1	303-4782	2	NUT (0.63-11-THD)						
	11	1	303-4957	1	PIN						
	12	1	309-4322	2	PIN						
	13	1	309-4323	2	ROD						
	14	1	298-7392	1	WASHER-HARD (0.5X1.1X0.19-MM THK)						
	15	1	456-3152	2	CLAMP						
	16	1	375-0099	6	SCREW (3/8-16X1.25-IN)						
	17	1	298-1612	1	FITTING						
	18	1	303-4988	2	COLLAR						
	19	1	300-6078	1	COUPLING (FEMALE)						
	20	1	300-6079	1	COUPLING (MALE)						
	21	1	309-4311	2	PAD AS						
	22	1	309-4312	4	SHIM (0.06-MM THK)						
Y	23	1	466-8312	1	CYLINDER GP-TILT (CARRIAGE)						665
	24	1	309-4318	1	BEARING						
	25	1	339-4396	1	PIN-PIVOT						
	26	1	339-4397	2	SPACER (2.1X2.5X0.250-MM THK)						
	28	1	374-7352	1	SHIM (0.25-MM THK)						
	29	1	374-7353	1	PLATE						
	30	1	375-2016	1	COUPLER AS						
	31	1	340-5953	1	CAP-DUST						
	32	1	340-5954	1	CAP-DUST						

I - REFER TO HYDRAULIC INFORMATION SYSTEM
M - METRIC PART
Y - SEPARATE ILLUSTRATION

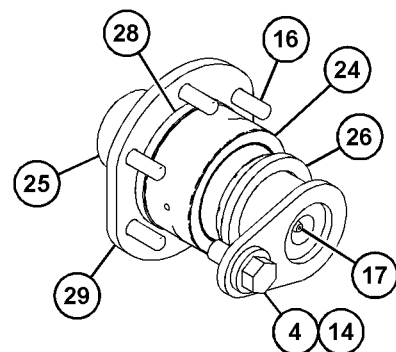
WORK TOOLS

375-6292 CARRIAGE GP-ROTATING (contd.)

i07090244



VIEW OF AREA A
(PARTS REMOVED FOR CLARITY)



VIEW OF AREA B
(PARTS REMOVED FOR CLARITY)

GRAPHIC #1

<END>

g06222205

WORK TOOLS

375-6293 CARRIAGE GP-ROTATING

S/N: TD61-UP
FOR USE IN NACD ONLY
AN ATTACHMENT

SMCS-6408, 6409

i07090245

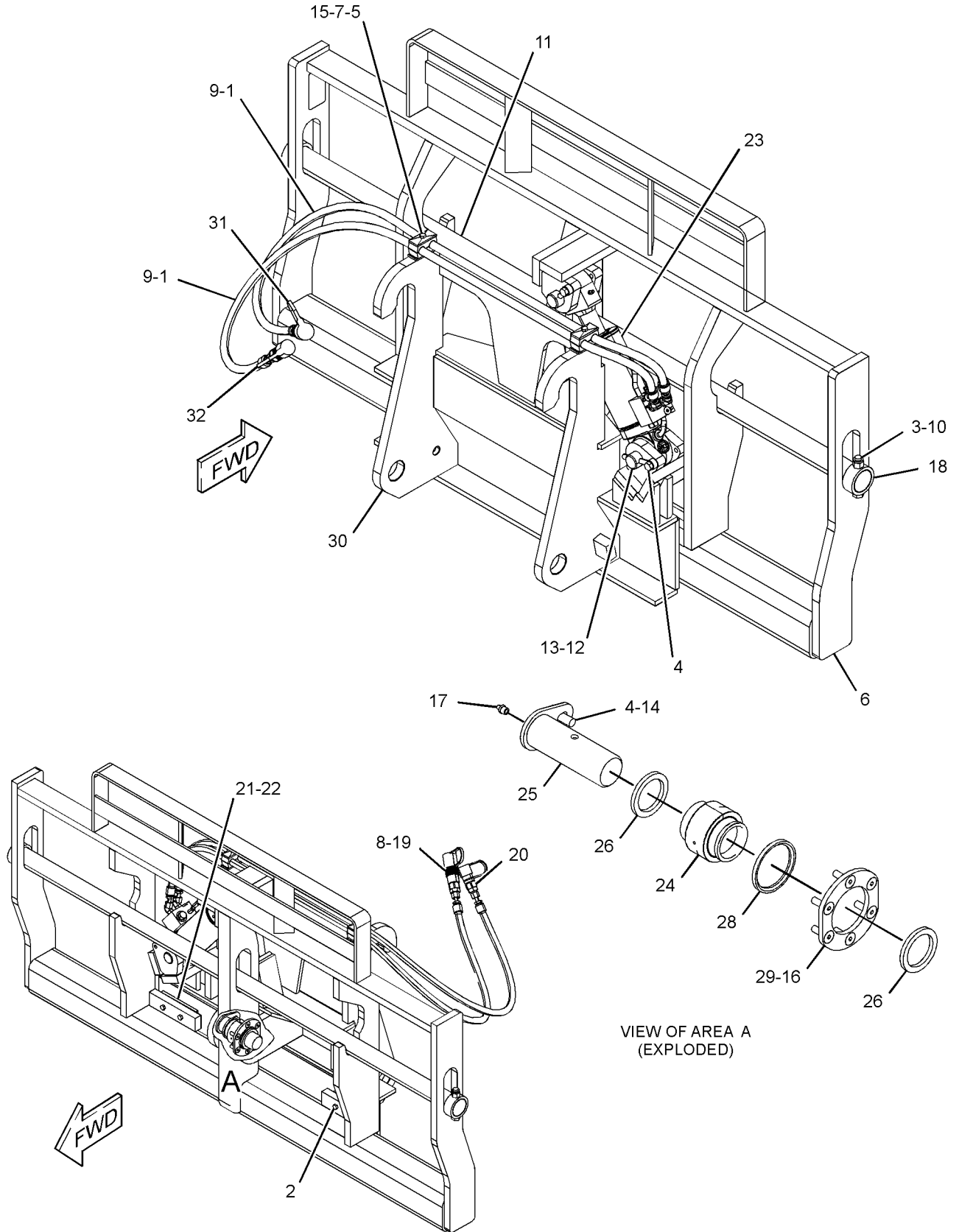
NOTE	REF NO	GRAPHIC REF	PART NUMBER	QTY	PART NAME						SEE PAGE
					1	2	3	4	5	6 (PRODUCT LEVEL)	
I	1	1	375-6294	2	HOSE AS						
	2	1	297-7033	4	BOLT (3/8-16X1.5-IN)						
	3	1	303-4741	2	SCREW (5/8-11X4-IN)						
	4	1	297-7077	3	SCREW (0.5-13X1.25-IN)						
M	5	1	7X-0818	2	BOLT (M8X1.25X45-MM)						
	6	1	309-4321	1	CARRIAGE AS (72-INCH, SIDE TILT)						
	7	1	102-8705	2	PLATE (TOP)						
	8	1	330-8325	2	ADAPTER						
	9	1	303-4760	2	FITTING						
	10	1	303-4782	2	NUT (0.63-11-THD)						
	11	1	303-4958	1	PIN						
	12	1	309-4322	2	PIN						
	13	1	309-4323	2	ROD						
	14	1	3B-4506	1	LOCKWASHER						
	15	1	456-3152	2	CLAMP						
	16	1	375-0099	6	SCREW (3/8-16X1.25-IN)						
	17	1	298-1612	1	FITTING						
	18	1	303-4988	2	COLLAR						
	19	1	300-6078	1	COUPLING (FEMALE)						
	20	1	300-6079	1	COUPLING (MALE)						
	21	1	309-4311	2	PAD AS						
	22	1	309-4312	2	SHIM (0.06-MM THK)						
Y	23	1	466-8312	1	CYLINDER GP-TILT						665
	24	1	309-4318	1	BEARING						
	25	1	339-4396	1	PIN-PIVOT						
	26	1	339-4397	2	SPACER (2.1X2.5X0.250-MM THK)						
	28	1	374-7352	1	SHIM (0.25-MM THK)						
	29	1	374-7353	1	PLATE						
	30	1	375-2016	1	COUPLER AS						
	31	1	340-5953	1	CAP-DUST						
	32	1	340-5954	1	CAP-DUST						

I - REFER TO HYDRAULIC INFORMATION SYSTEM
M - METRIC PART
Y - SEPARATE ILLUSTRATION

WORK TOOLS

375-6293 CARRIAGE GP-ROTATING (contd.)

i07090245



GRAPHIC #1

<END>

g06222591

WORK TOOLS

224-5065 CARRIAGE GP-SIDESHIFT

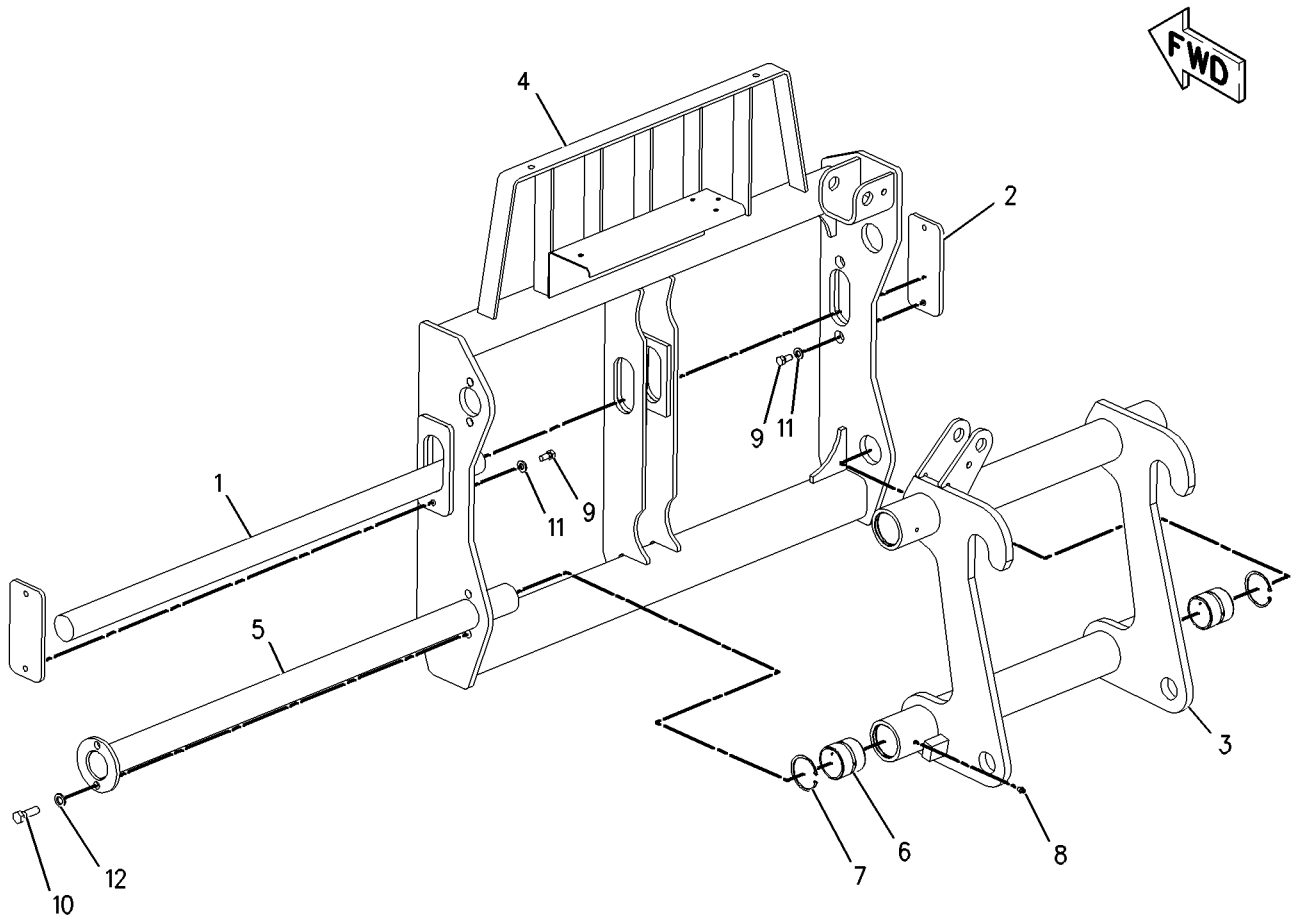
S/N: TD61-UP; TD71-UP
PART OF 222-6210 CARRIAGE GP-FORK
AN ATTACHMENT

SMCS-6425

i01851487

NOTE	REF NO	GRAPHIC REF	PART NUMBER	QTY	PART NAME						SEE PAGE
					1	2	3	4	5	6	
	1	1	160-4657	1	SHAFT						
	2	1	163-3101	2	PLATE						
	3	1	224-5066	1	CARRIER AS						
	4	1	224-5072	1	CARRIAGE AS						
	5	1	224-5079	2	GUIDE AS						
	6	1	224-5082	4	BUSHING						
	7	1	2R-1236	4	RING-RETAINING (LOCK, INTERNAL)						
	8	1	3B-8489	4	FITTING-GREASE (1/8-27 PTF)						
M	9	1	8T-4192	4	BOLT (M12X1.75X25-MM)						
M	10	1	8T-4193	4	BOLT (M16X2X50-MM)						
	11	1	8T-4223	4	WASHER-HARD (13.5X25.5X3-MM THK)						
	12	1	9X-8257	4	WASHER (17.5X30X3.5-MM THK)						

M - METRIC PART



GRAPHIC #1

<END>

g00929371

WORK TOOLS

252-9051 CLAMP AS-MULTIPURPOSE BUCKET

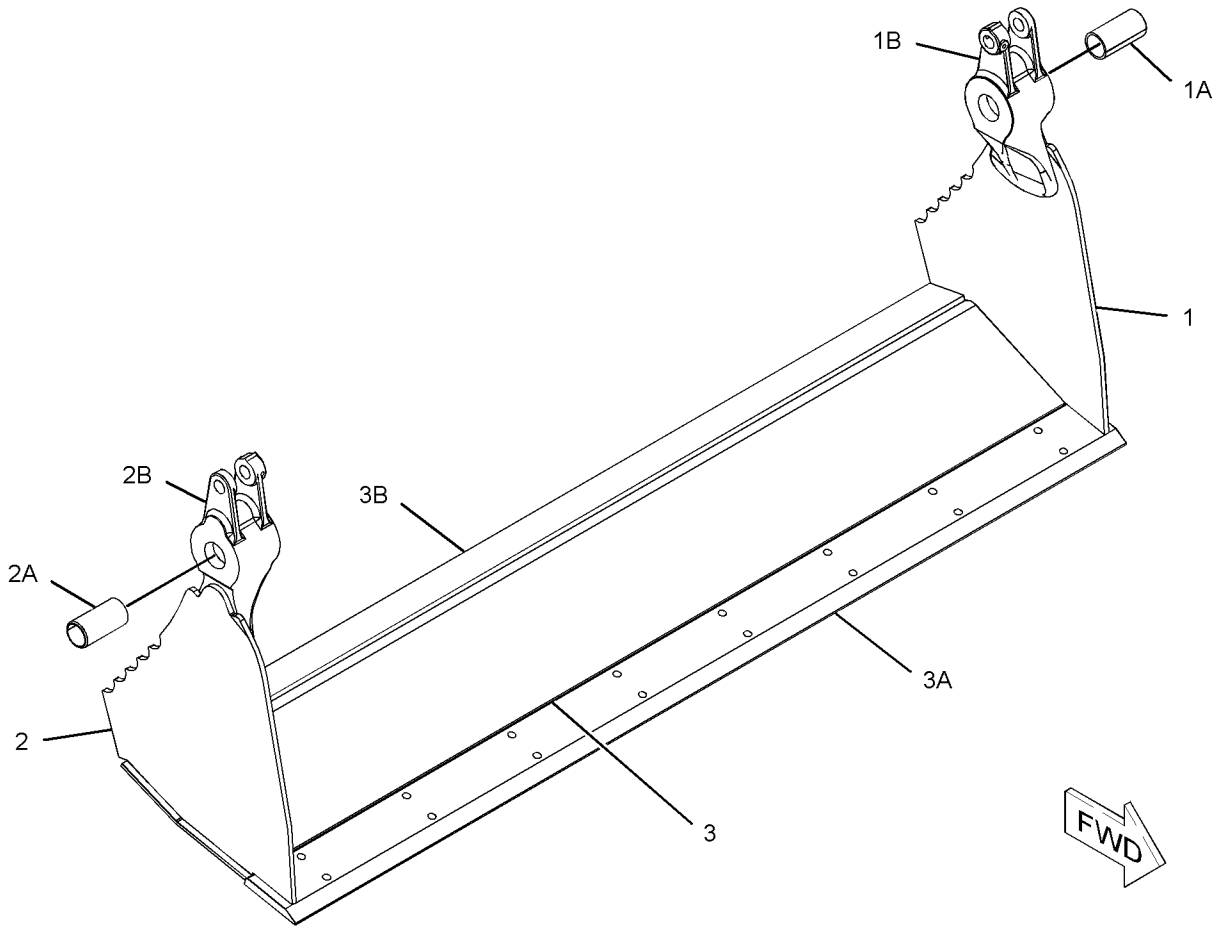
S/N: TD61-UP; TD71-UP

PART OF 163-4286 BUCKET GP-MULTIPURPOSE
AN ATTACHMENT

SMCS-6104

i05408581

NOTE	REF NO	GRAPHIC REF	PART NUMBER	QTY	PART NAME						SEE PAGE
					1	2	3	4	5	6 (PRODUCT LEVEL)	
	1	1	443-3644	1	PLATE AS (LH)						
	1A	1	9R-4675	1	BUSHING-TERMINAL						
	1B	1	9R-5294	1	HINGE						
	2	1	443-3645	1	PLATE AS (RH)						
	2A	1	9R-4675	1	BUSHING-TERMINAL						
	2B	1	9R-5294	1	HINGE						
	3	1	441-7483	1	PLATE AS						
	3A	1	9R-5313	1	EDGE						
	3B	1	252-9088	1	EDGE						



GRAPHIC #1

<END>

g03416066

WORK TOOLS

529-6465 COUPLER & MTG AR-HYDRAULIC

S/N: TD61-UP; TD71-UP

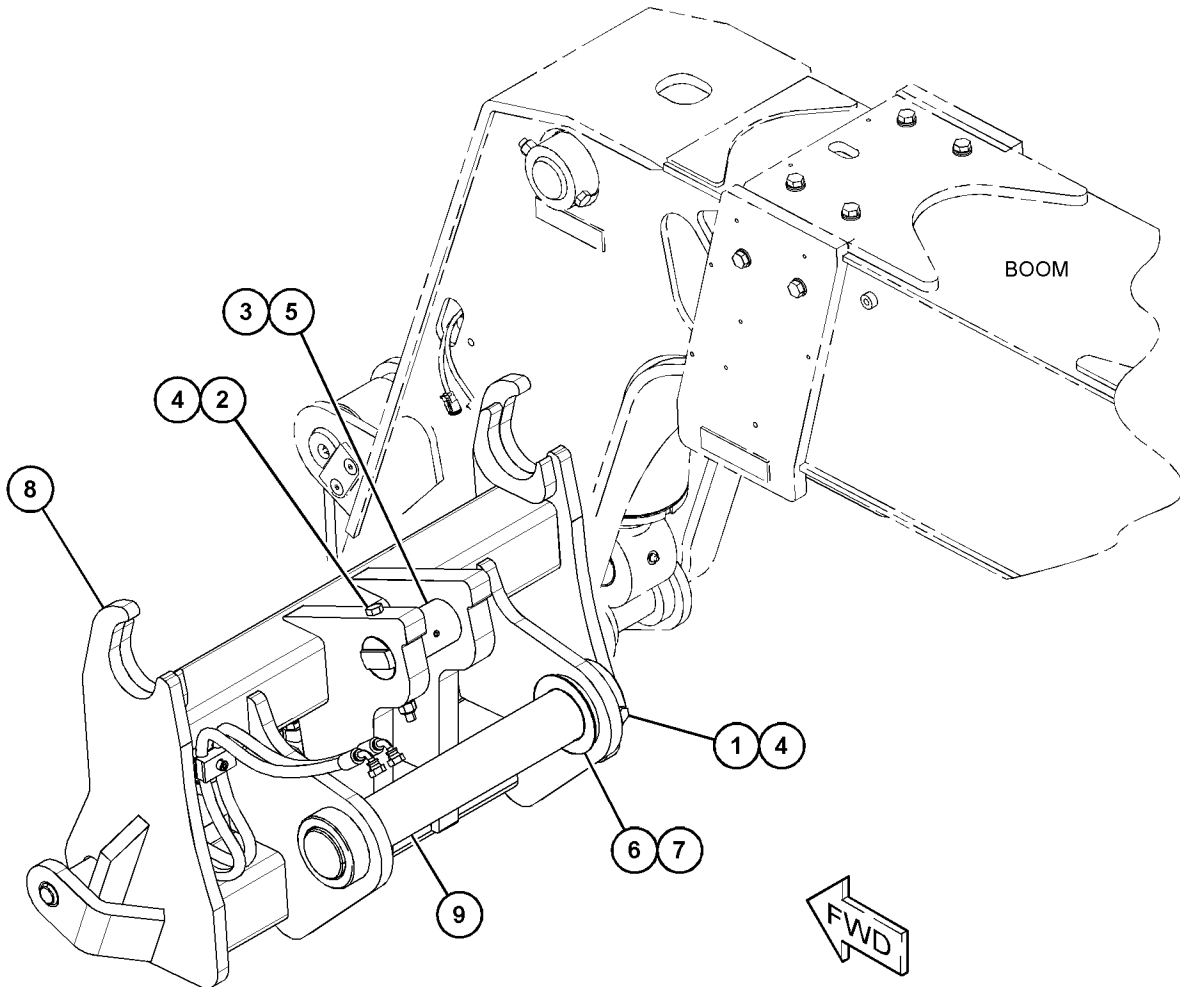
AN ATTACHMENT

SMCS-6129

i07046057

NOTE	REF NO	GRAPHIC REF	PART NUMBER	QTY	PART NAME						SEE PAGE
					1	2	3	4	5	6	
M	1	1	8T-5041	1	BOLT (M12X1.75X120-MM)						
M	2	1	8T-5092	1	BOLT (M12X1.75X150-MM)						
	3	1	437-0940	1	FITTING						
M	4	1	309-9185	2	LOCKNUT (M12X1.75-THD)						
	5	1	495-3020	1	PIN						
B	6	1	316-5553	1	WASHER (72X110X0.5-MM THK)						
B	7	1	316-5554	1	WASHER (72X110X1-MM THK)						
Y	8	1	<i>517-4332</i>	1	COUPLER AR-QUICK (HYDRAULIC)						830
	9	1	500-4373	1	PIN						

B - USE AS REQUIRED
M - METRIC PART
Y - SEPARATE ILLUSTRATION



GRAPHIC #1

<END>

g06208080

WORK TOOLS

529-6466 COUPLER & MTG AR-HYDRAULIC

S/N: TD61-UP; TD71-UP

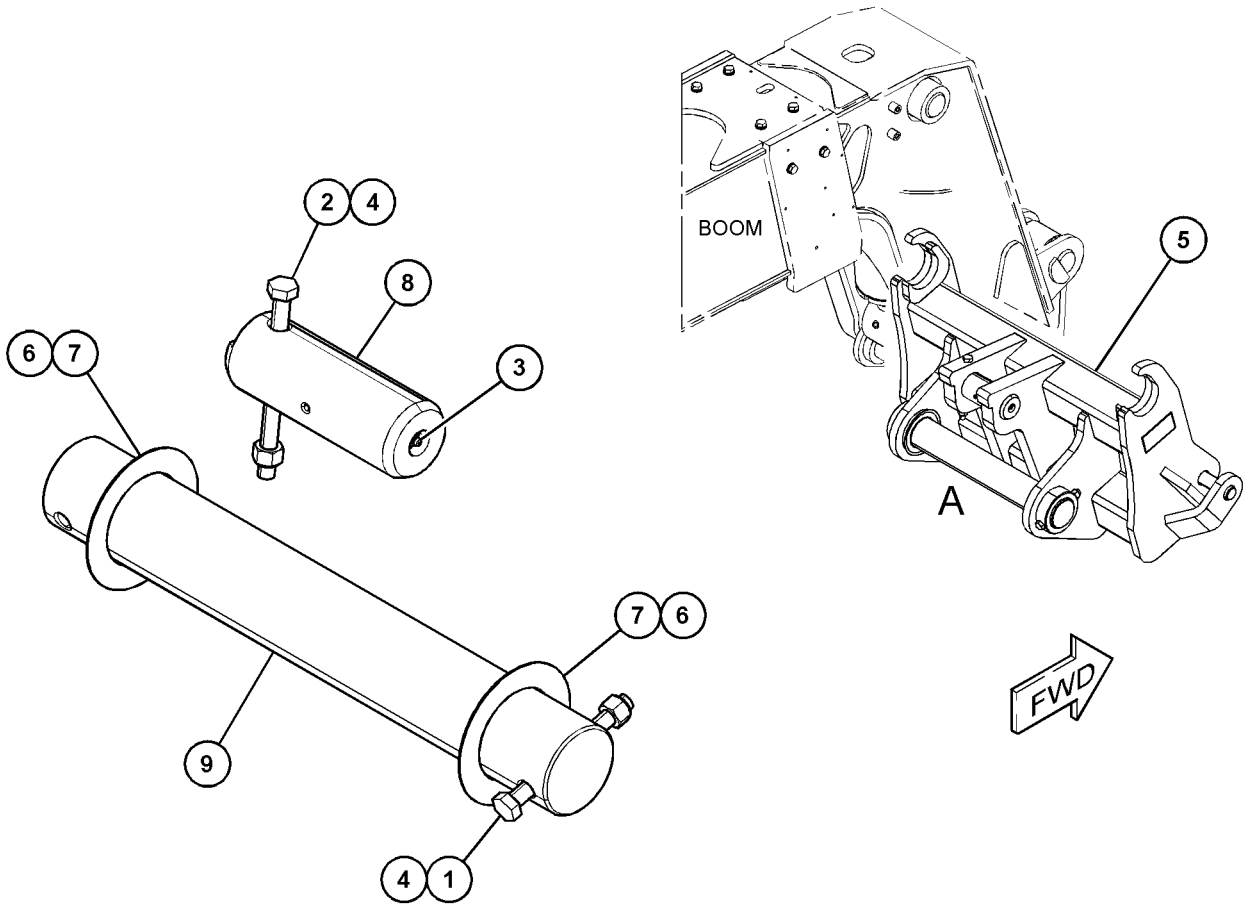
AN ATTACHMENT

SMCS-6129

i07046060

NOTE	REF NO	GRAPHIC REF	PART NUMBER	QTY	PART NAME						SEE PAGE
					1	2	3	4	5	6 (PRODUCT LEVEL)	
M	1	1	8T-5041	1	BOLT (M12X1.75X120-MM)						
M	2	1	8T-5092	1	BOLT (M12X1.75X150-MM)						
	3	1	437-0940	1	FITTING						
M	4	1	309-9185	2	LOCKNUT (M12X1.75-THD)						
Y	5	1	517-4329	1	COUPLER GP-QUICK (MANITOU)						841
B	6	1	316-5553	1	WASHER (72X110X0.5-MM THK)						
B	7	1	316-5554	1	WASHER (72X110X1-MM THK)						
	8	1	495-3020	1	PIN						
	9	1	500-4373	1	PIN						

B - USE AS REQUIRED
M - METRIC PART
Y - SEPARATE ILLUSTRATION



VIEW OF AREA A
(PARTS REMOVED FOR CLARITY)

GRAPHIC #1

<END>

g06208096

WORK TOOLS

540-6609 COUPLER & MTG AR-HYDRAULIC

S/N: TD61-UP; TD71-UP

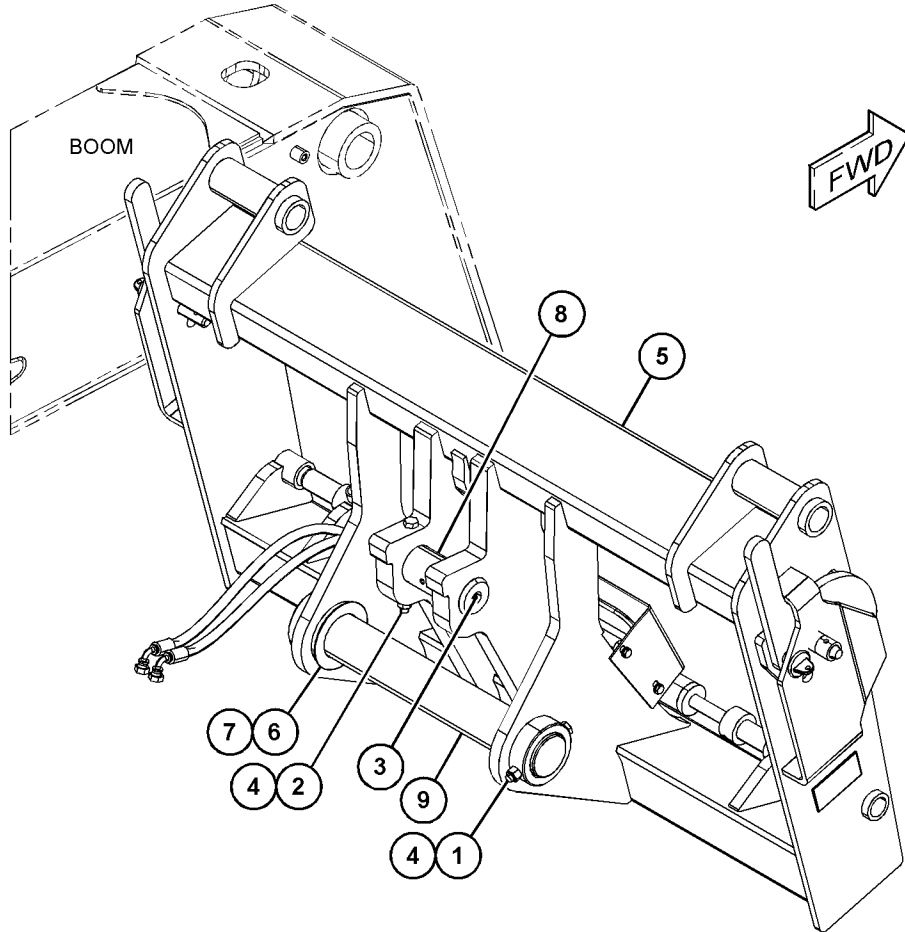
AN ATTACHMENT

SMCS-6129

i07108612

NOTE	REF NO	GRAPHIC REF	PART NUMBER	QTY	PART NAME						SEE PAGE
					1	2	3	4	5	6 (PRODUCT LEVEL)	
M	1	1	8T-5041	1	BOLT (M12X1.75X120-MM)						
M	2	1	8T-5092	1	BOLT (M12X1.75X150-MM)						
	3	1	437-0940	1	FITTING						
M	4	1	309-9185	2	LOCKNUT (M12X1.75-THD)						
	5	1	517-4334	1	COUPLER AR-HYDRAULIC						
B	6	1	316-5553	1	WASHER (72X110X0.5-MM THK)						
B	7	1	316-5554	1	WASHER (72X110X1-MM THK)						
	8	1	495-3020	1	PIN						
	9	1	500-4373	1	PIN						

B - USE AS REQUIRED
M - METRIC PART



GRAPHIC #1

<END>

g06227885

WORK TOOLS

540-6685 COUPLER & MTG AR-HYDRAULIC

S/N: TD61-UP; TD71-UP

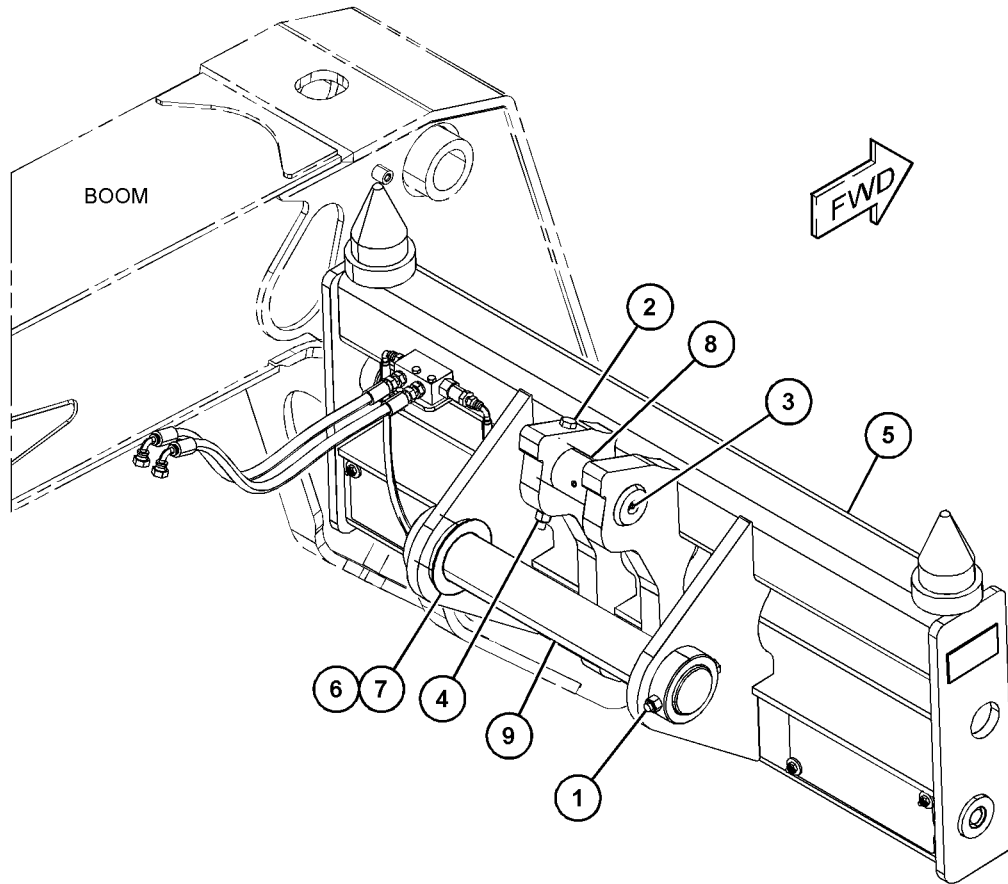
AN ATTACHMENT

SMCS-6129

i07108614

NOTE	REF NO	GRAPHIC REF	PART NUMBER	QTY	PART NAME						SEE PAGE
					1	2	3	4	5	6	
M	1	1	8T-5041	1	BOLT (M12X1.75X120-MM)						
M	2	1	8T-5092	1	BOLT (M12X1.75X150-MM)						
	3	1	437-0940	1	FITTING						
M	4	1	309-9185	2	LOCKNUT (M12X1.75-THD)						
	5	1	517-4335	1	COUPLER AS-HYDRAULIC						
B	6	1	316-5553	1	WASHER (72X110X0.5-MM THK)						
B	7	1	316-5554	1	WASHER (72X110X1-MM THK)						
	8	1	495-3020	1	PIN						
	9	1	500-4373	1	PIN						

B - USE AS REQUIRED
M - METRIC PART



GRAPHIC #1

<END>

g06227876

WORK TOOLS

540-6562 COUPLER & MTG AR-MANUAL

S/N: TD61-UP; TD71-UP

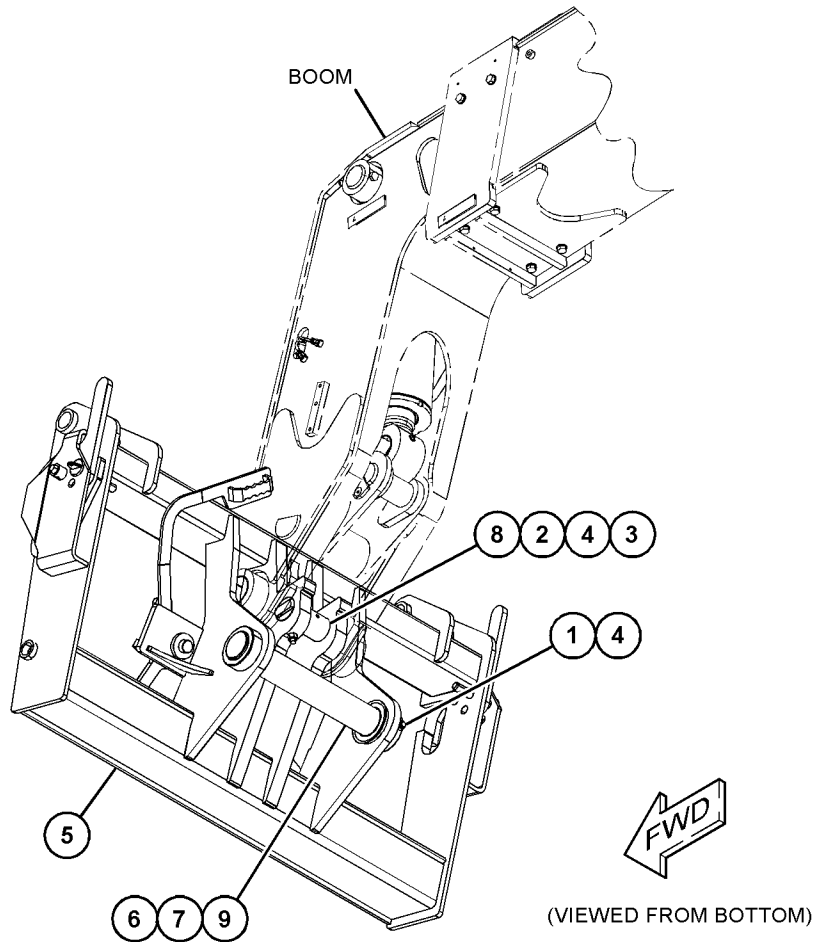
AN ATTACHMENT

SMCS-6129

i07163209

NOTE	REF NO	GRAPHIC REF	PART NUMBER	QTY	PART NAME						SEE PAGE
					1	2	3	4	5	6	
M	1	1	8T-5041	1	BOLT (M12X1.75X120-MM)						
M	2	1	8T-5092	1	BOLT (M12X1.75X150-MM)						
	3	1	437-0940	1	FITTING						
M	4	1	309-9185	2	LOCKNUT (M12X1.75-THD)						
	5	1	517-4330	1	COUPLER GP-QUICK						
	6	1	316-5553	1	WASHER (72X110X0.5-MM THK)						
	7	1	316-5554	1	WASHER (72X110X1-MM THK)						
	8	1	495-3020	1	PIN						
	9	1	500-4373	1	PIN						

M - METRIC PART



GRAPHIC #1

<END>

g06254141

WORK TOOLS

501-0751 COUPLER & MTG GP-QUICK

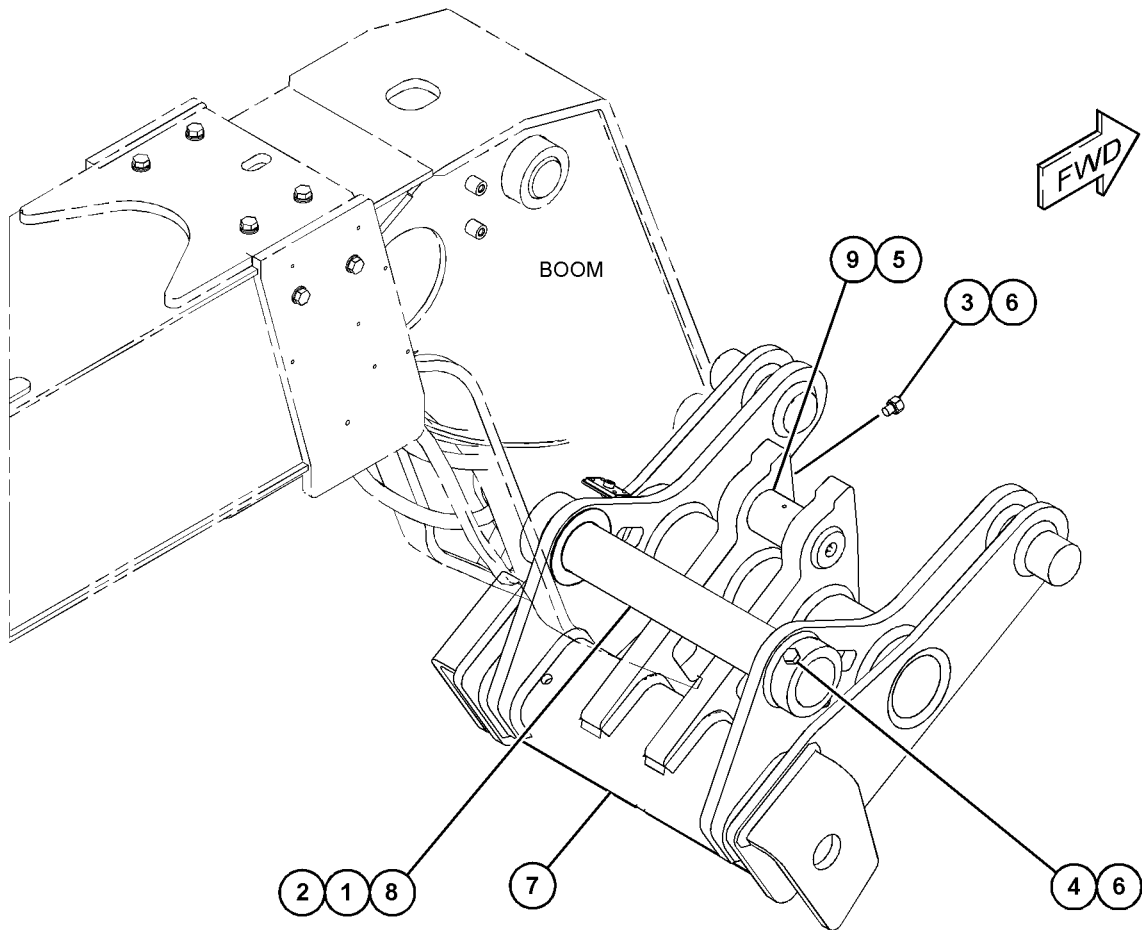
S/N: TD61-UP; TD71-UP
PART OF 506-3031 COUPLER AR-QUICK
AN ATTACHMENT

SMCS-6129

i06826188

NOTE	REF NO	GRAPHIC REF	PART NUMBER	QTY	PART NAME						SEE PAGE
					1	2	3	4	5	6 (PRODUCT LEVEL)	
B	1	1	316-5553	1	WASHER (72X110X0.5-MM THK)						
B	2	1	316-5554	1	WASHER (72X110X1-MM THK)						
M	3	1	8T-5092	1	BOLT (M12X1.75X150-MM)						
M	4	1	500-4371	1	BOLT (M12X1.75X120-MM)						
	5	1	323-5623	1	FITTING						
M	6	1	309-9185	2	LOCKNUT (M12X1.75-THD)						
Y	7	1	500-4374	1	COUPLER GP-QUICK						840
	8	1	500-4373	1	PIN						
	9	1	495-3020	1	PIN						

B - USE AS REQUIRED
M - METRIC PART
Y - SEPARATE ILLUSTRATION



GRAPHIC #1

<END>

g06121984

WORK TOOLS

540-8046 COUPLER AR-HYDRAULIC

S/N: TD61-UP; TD71-UP

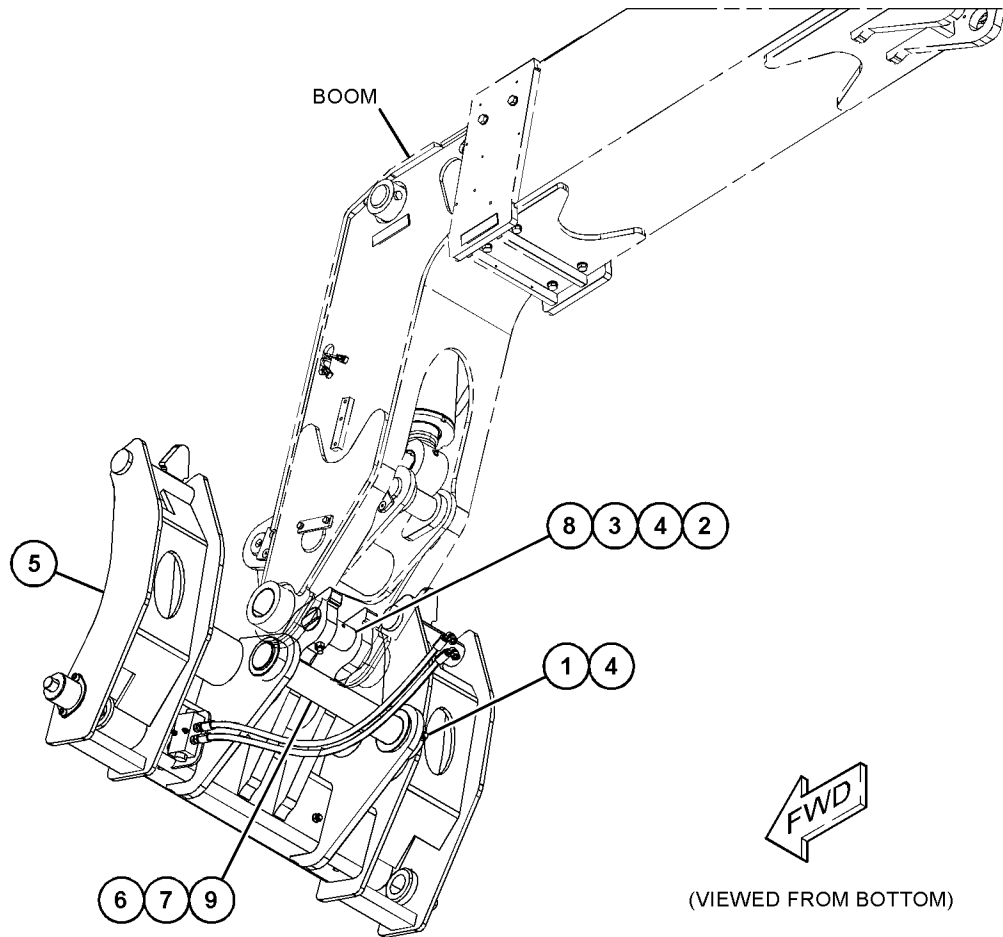
AN ATTACHMENT

SMCS-6129

i07163210

NOTE	REF NO	GRAPHIC REF	PART NUMBER	QTY	PART NAME						SEE PAGE
					1	2	3	4	5	6 (PRODUCT LEVEL)	
M	1	1	8T-5041	1	BOLT (M12X1.75X120-MM)						
M	2	1	8T-5092	1	BOLT (M12X1.75X150-MM)						
	3	1	437-0940	1	FITTING						
M	4	1	309-9185	2	LOCKNUT (M12X1.75-THD)						
Y	5	1	517-4336	1	COUPLER AR-QUICK (VOLVO)						834
B	6	1	316-5553	1	WASHER (72X110X0.5-MM THK)						
B	7	1	316-5554	1	WASHER (72X110X1-MM THK)						
	8	1	495-3020	1	PIN						
	9	1	500-4373	1	PIN						

B - USE AS REQUIRED
M - METRIC PART
Y - SEPARATE ILLUSTRATION



GRAPHIC #1

<END>

g06254150

WORK TOOLS

506-3031 COUPLER AR-QUICK

S/N: TD61-UP; TD71-UP
FOR USE WITH 506-3030
AN ATTACHMENT

SMCS-6129

i07163263

NOTE	PART NUMBER	QTY	PART NAME						SEE PAGE
			1	2	3	4	5	6 (PRODUCT LEVEL)	
Y	501-0751	1	COUPLER & MTG GP-QUICK						827
Y - SEPARATE ILLUSTRATION									

<END>

WORK TOOLS

517-4332 COUPLER AR-QUICK

S/N: TD61-UP; TD71-UP

PART OF 529-6465 COUPLER & MTG AR-HYDRAULIC
AN ATTACHMENT

SMCS-6129

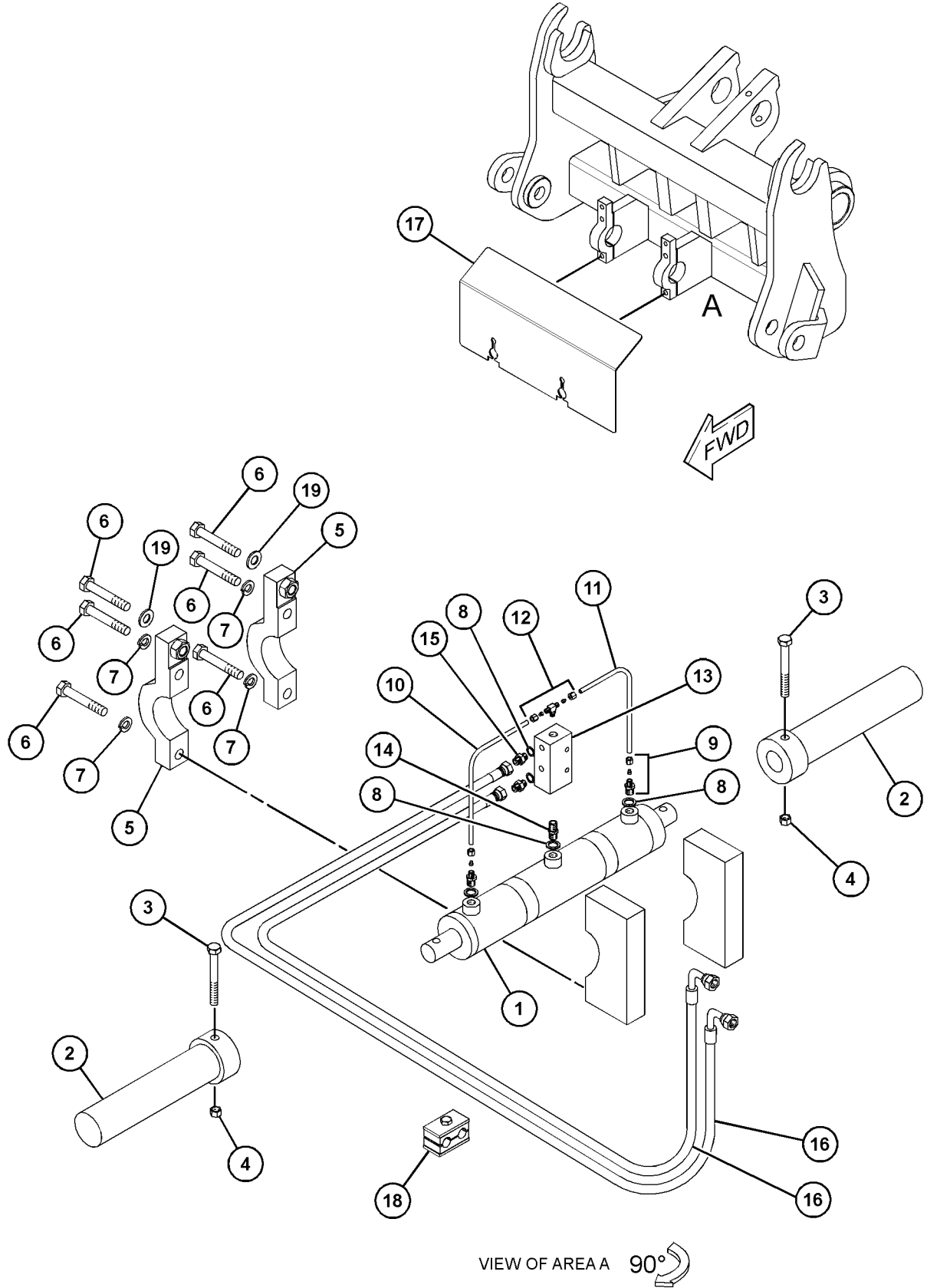
i07105710

NOTE	REF NO	GRAPHIC REF	PART NUMBER	QTY	PART NAME	SEE PAGE
					1 2 3 4 5 6 (PRODUCT LEVEL)	
J	1	1	333-9849	1	CYLINDER AS-COUPLER	
	2	1	333-9850	2	PIN	
	3	1	333-9852	2	BOLT	
	4	1	333-9774	2	NUT	
	5	1	527-7884	2	CLAMP	
	6	1	333-9855	6	BOLT	
	7	1	333-9856	4	WASHER	
	8	1	333-9860	5	SEAL	
	9	1	527-7885	2	LINK	
	10	1	527-7886	1	PIPE	
	11	1	527-7887	1	PIPE	
	12	1	527-7888	1	LINK	
	13	1	334-0453	1	BLOCK-VALVE	
	14	1	333-9857	1	LINK	
	15	1	334-0451	2	LINK	
	16	1	333-9866	2	PIPE	
	17	1	527-7889	1	CARRIER	
	18	1	333-9864	1	CLAMP	
	19	1	527-7890	2	WASHER	
					AVAILABLE REPAIR KIT(S) :	
J			362-2148	1	KIT-SEAL	
					(INCLUDES O-RINGS, RINGS, ROD SEAL, ROD WIPERS & SEALS)	
J - KIT MARKED J SERVICES PART(S) MARKED J						

WORK TOOLS

517-4332 COUPLER AR-QUICK (contd.)

i07105710



GRAPHIC #1

<END>

g06207224

WORK TOOLS

517-4333 COUPLER AR-QUICK-MERLO

S/N: TD61-UP; TD71-UP
 PART OF 529-8470 COUPLER AR-QUICK
 AN ATTACHMENT

SMCS-6129

i07046040

NOTE	REF NO	GRAPHIC REF	PART NUMBER	QTY	PART NAME	SEE PAGE
					1 2 3 4 5 6 (PRODUCT LEVEL)	
	1	1	527-7891	1	CYLINDER	
	2	1	527-7892	1	PIN	
	3	1	527-7893	2	BOLT	
	4	1	527-7894	1	PIN	
	5	1	334-0453	1	BLOCK-VALVE	
	6	1	527-7895	2	BOLT	
	7	1	527-7896	2	WASHER (11X11X1.5-MM THK)	
M	8	1	333-9770	2	NUT (M6-THD)	
	9	1	527-7897	1	PIPE	
	10	1	527-7898	1	PIPE	
	11	1	527-7899	2	GASKET	
	12	1	527-7900	2	LINK	
	13	1	333-9860	2	SEAL	
	14	1	334-0451	2	LINK	
	15	1	527-7901	2	PIPE-FLEXIBLE	
	16	1	527-7902	2	LINK	

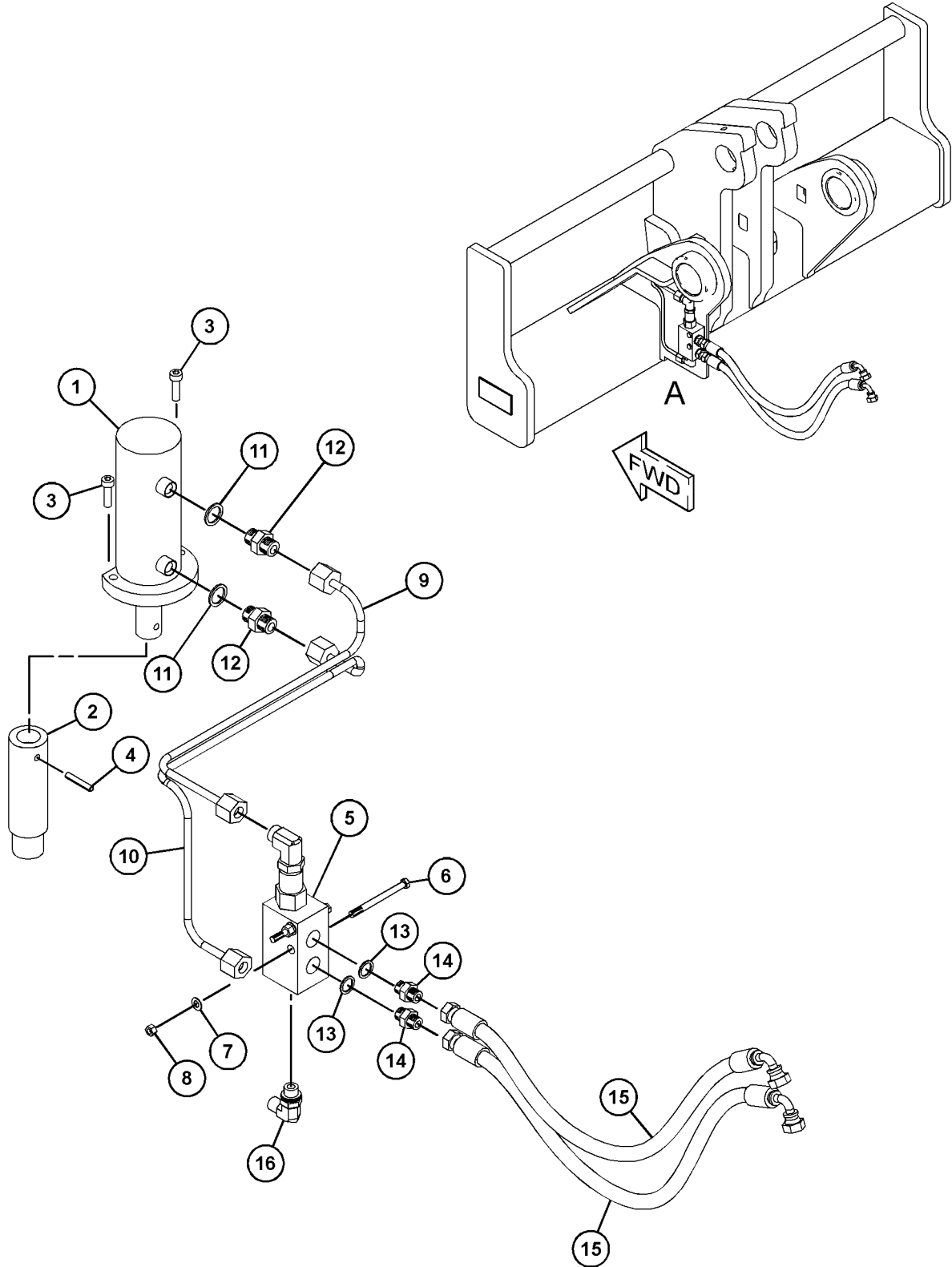
PARTS SHOWN IN GRAPHIC(S) WITHOUT A REFERENCE NUMBER ARE NOT SERVICED SEPARATELY

M - METRIC PART

WORK TOOLS

517-4333 COUPLER AR-QUICK (contd.)

i07046040



VIEW OF AREA A
(PARTS REMOVED FOR CLARITY)

GRAPHIC #1

<END>

g06208074

WORK TOOLS

517-4336 COUPLER AR-QUICK-VOLVO

S/N: TD61-UP; TD71-UP

PART OF 540-8046 COUPLER AR-HYDRAULIC
AN ATTACHMENT

SMCS-6129

i07046042

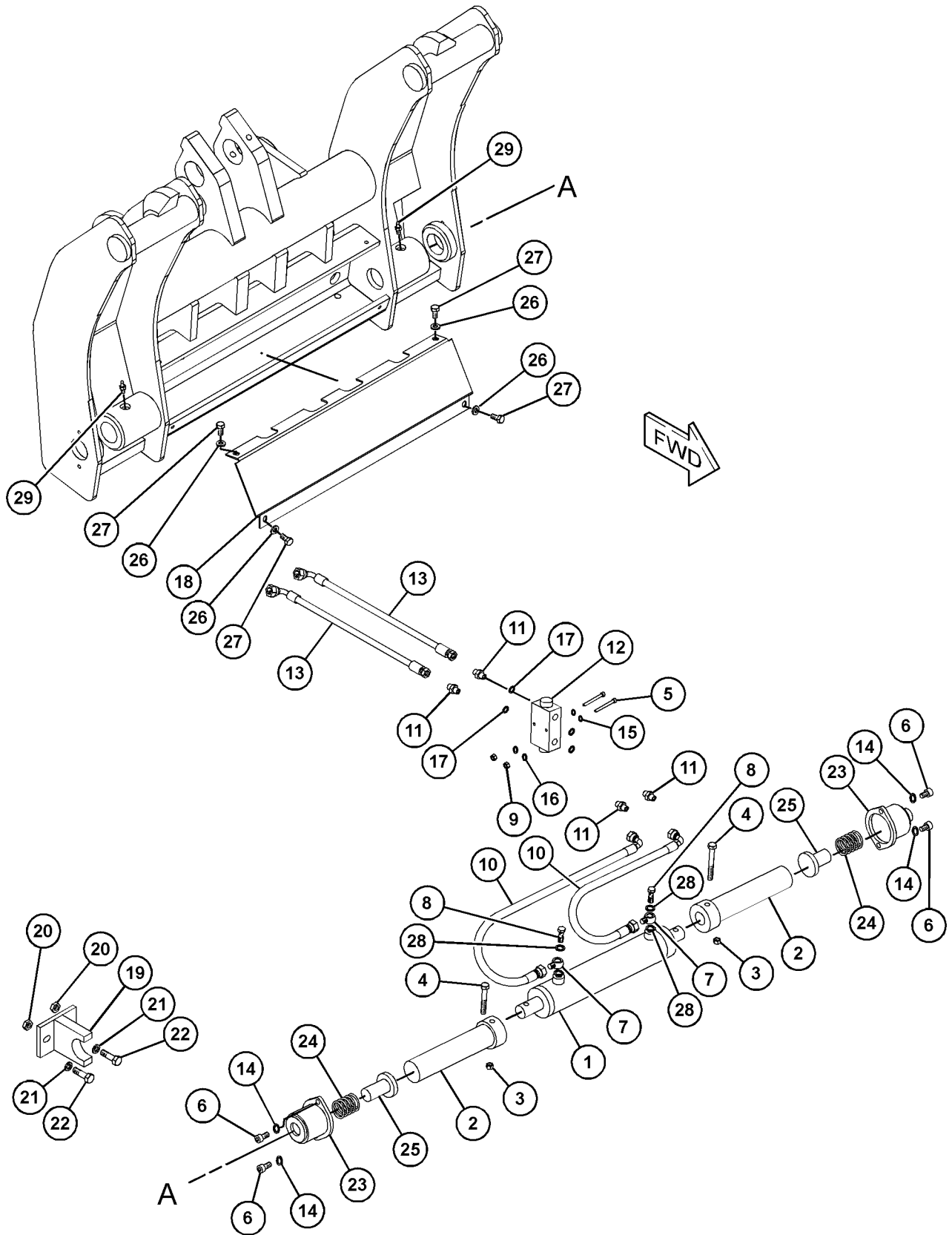
NOTE	REF NO	GRAPHIC REF	PART NUMBER	QTY	PART NAME	SEE PAGE
					1 2 3 4 5 6 (PRODUCT LEVEL)	
	1	1	527-7903	1	CYLINDER	
	2	1	527-7904	2	PIN	
	3	1	333-9774	2	NUT	
	4	1	527-7905	2	BOLT	
	5	1	334-0456	2	BOLT	
	6	1	527-7906	4	BOLT	
	7	1	527-7907	2	LINK	
	8	1	527-7908	2	BOLT	
M	9	1	333-9770	2	NUT (M6-THD)	
	10	1	527-7909	2	PIPE-FLEXIBLE	
	11	1	527-7910	4	LINK	
	12	1	362-3768	1	VALVE	
	13	1	527-7901	2	PIPE-FLEXIBLE	
	14	1	333-9776	4	WASHER	
	15	1	527-7896	2	WASHER (11X11X1.5-MM THK)	
	16	1	527-7913	2	WASHER	
	17	1	362-3765	4	SEAL-O-RING	
	18	1	527-7914	1	CARRIER	
	19	1	527-7915	1	BRACKET	
	20	1	527-7882	2	LOCKNUT	
	21	1	527-7917	2	WASHER	
	22	1	527-7918	2	BOLT	
	23	1	527-7919	2	COVER-INDICATOR	
	24	1	527-7920	2	SPRING	
	25	1	527-7921	2	PIN	
	26	1	527-7890	4	WASHER	
	27	1	527-7923	4	BOLT	
	28	1	333-9860	4	SEAL	
	29	1	362-3760	2	FITTING-GREASE	

M - METRIC PART

WORK TOOLS

517-4336 COUPLER AR-QUICK (contd.)

i07046042



GRAPHIC #1

<END>

g06208423

WORK TOOLS

517-6763 COUPLER AR-QUICK

S/N: TD61-UP; TD71-UP
FOR USE WITH 506-3031-PAGE: 829
AN ATTACHMENT

SMCS-6129

i07163213

NOTE	PART NUMBER	QTY	PART NAME 1 2 3 4 5 6 (PRODUCT LEVEL)	SEE PAGE
Y	500-4370	1	COUPLER GP-QUICK	839
Y - SEPARATE ILLUSTRATION				

<END>

WORK TOOLS

529-8470 COUPLER AR-QUICK

S/N: TD61-UP; TD71-UP

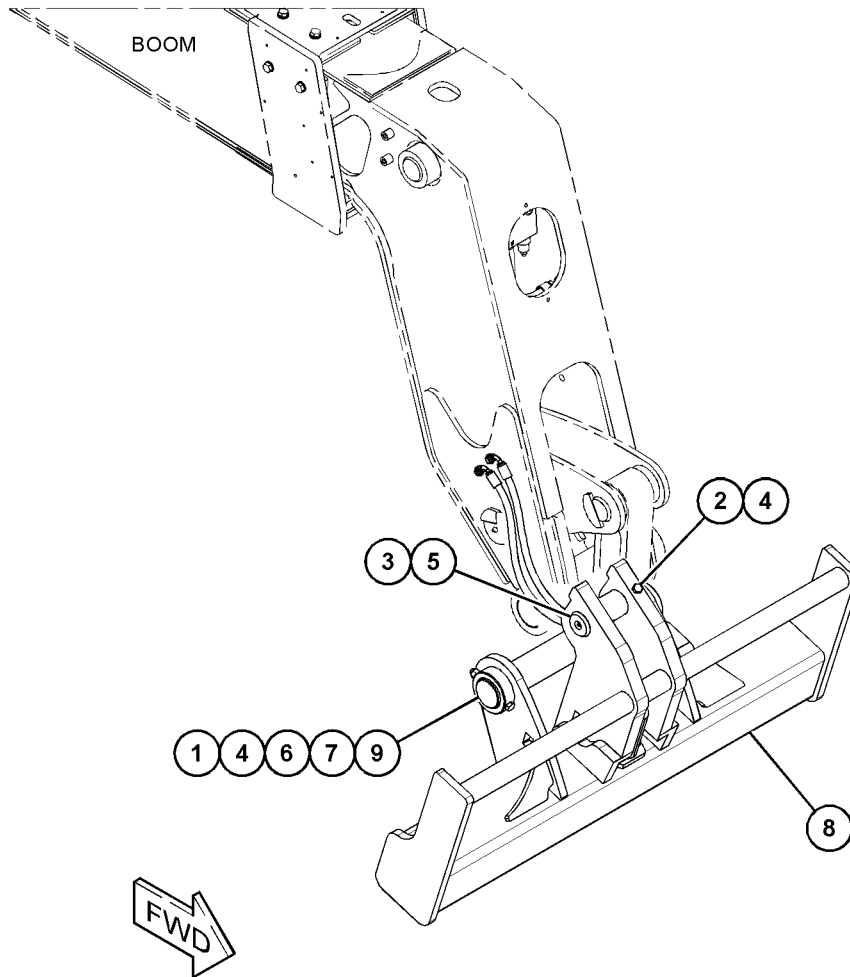
AN ATTACHMENT

SMCS-6129

i07046059

NOTE	REF NO	GRAPHIC REF	PART NUMBER	QTY	PART NAME						SEE PAGE
					1	2	3	4	5	6 (PRODUCT LEVEL)	
M	1	1	8T-5041	1	BOLT (M12X1.75X120-MM)						
M	2	1	8T-5092	1	BOLT (M12X1.75X150-MM)						
	3	1	437-0940	1	FITTING						
BM	4	1	309-9185	2	LOCKNUT (M12X1.75-THD)						
	5	1	495-3020	1	PIN						
B	6	1	316-5553	1	WASHER (72X110X0.5-MM THK)						
B	7	1	316-5554	1	WASHER (72X110X1-MM THK)						
Y	8	1	<i>517-4333</i>	1	COUPLER AR-QUICK (MERLO)						832
	9	1	500-4373	1	PIN						

B - USE AS REQUIRED
M - METRIC PART
Y - SEPARATE ILLUSTRATION



GRAPHIC #1

<END>

g06208092

WORK TOOLS

500-4369 COUPLER GP-QUICK

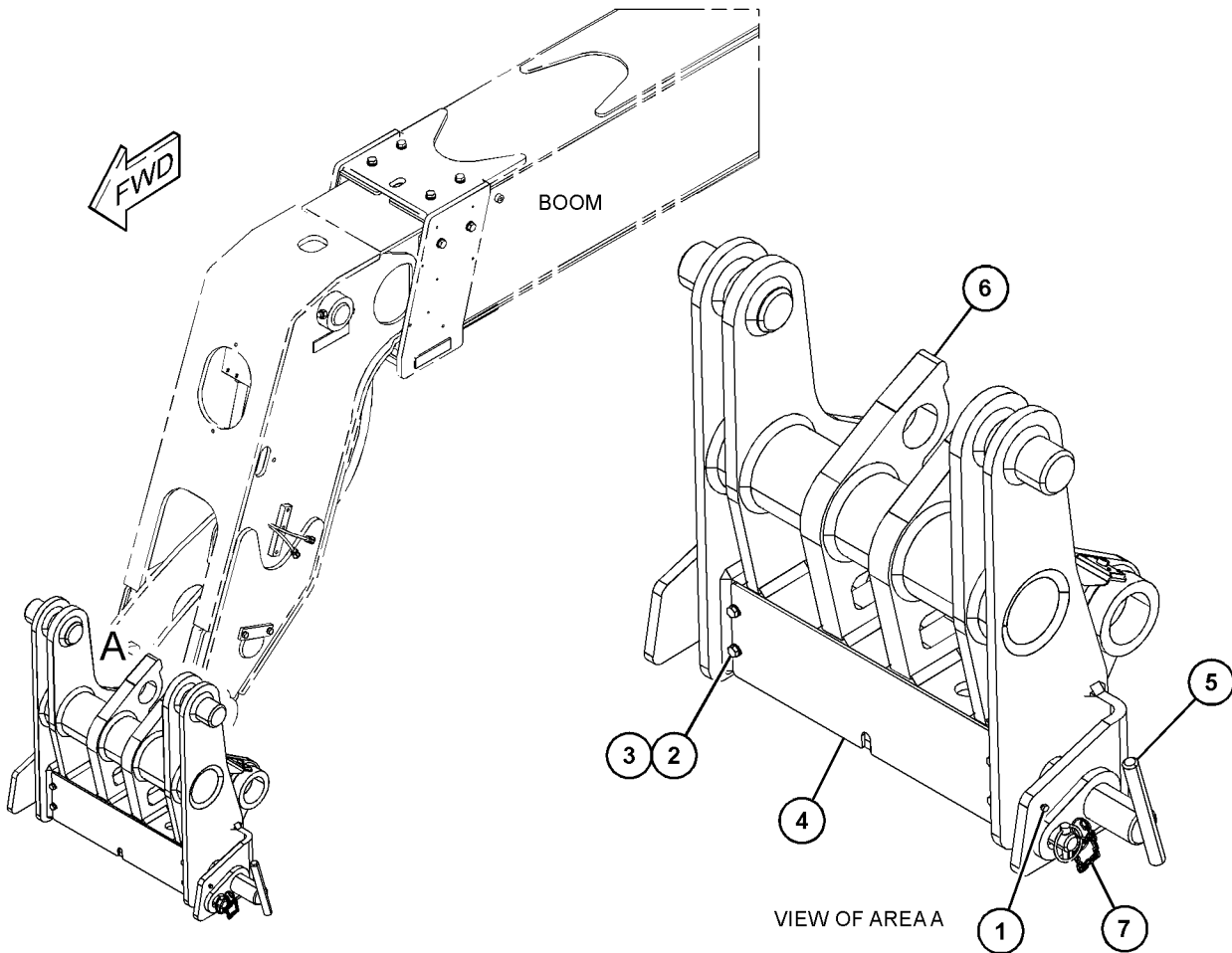
S/N: TD61-UP; TD71-UP
PART OF 500-4370 COUPLER GP-QUICK
AN ATTACHMENT

SMCS-6129

i06822902

NOTE	REF NO	GRAPHIC REF	PART NUMBER	QTY	PART NAME						SEE PAGE
					1	2	3	4	5	6 (PRODUCT LEVEL)	
M	1	1	8T-0325	1	BOLT (M5X0.8X14-MM)						
M	2	1	8T-4200	4	BOLT (M8X1.25X16-MM)						
	3	1	8T-4224	4	WASHER-HARD (8.8X16X2-MM THK)						
	4	1	495-3016	1	PLATE						
	5	1	473-6297	1	PIN AS						
	6	1	500-4375	1	COUPLER AS						
	7	1	459-6115	1	CHAIN AS						

M - METRIC PART



GRAPHIC #1

<END>

g06130483

WORK TOOLS

500-4370 COUPLER GP-QUICK

S/N: TD61-UP; TD71-UP

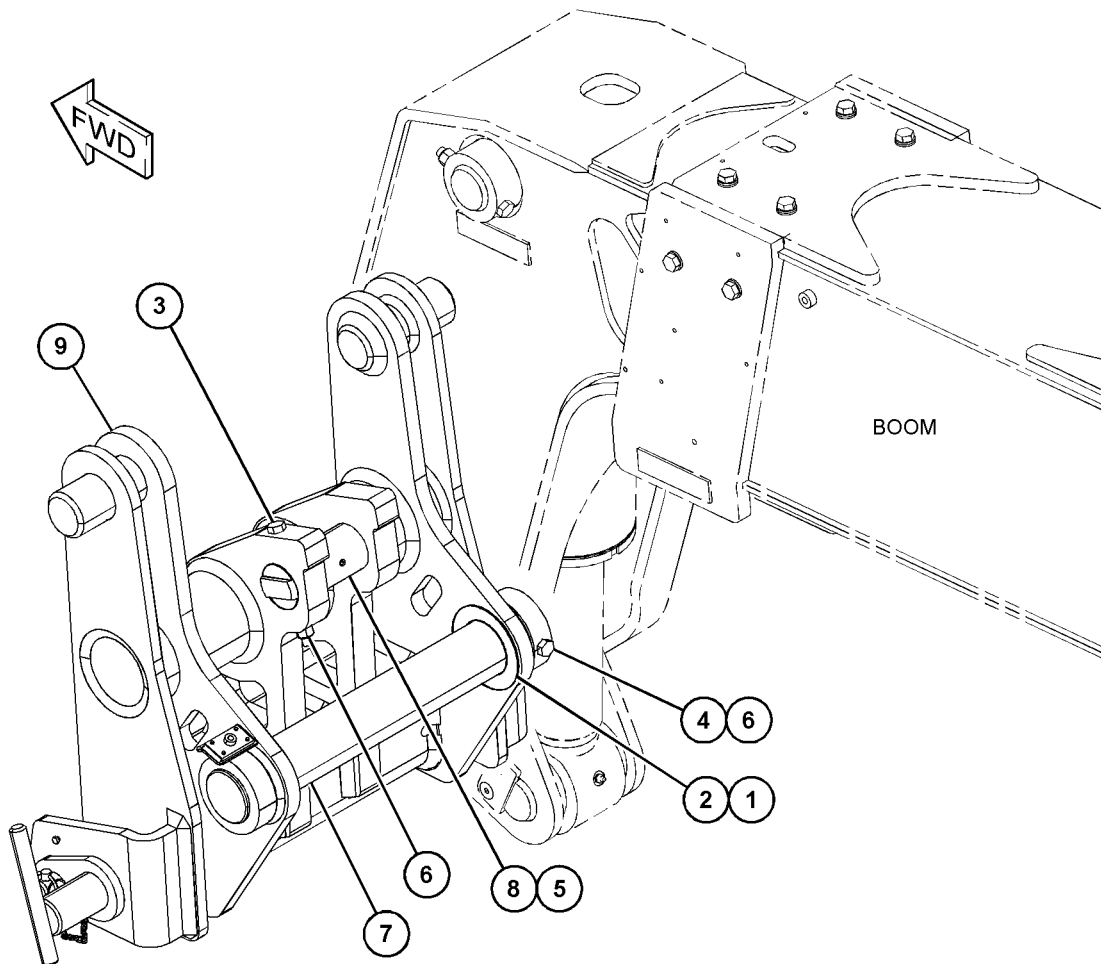
PART OF 517-6763 COUPLER AR-QUICK
AN ATTACHMENT

SMCS-6129

i06818935

NOTE	REF NO	GRAPHIC REF	PART NUMBER	QTY	PART NAME						SEE PAGE
					1	2	3	4	5	6	
B	1	1	316-5553	1	WASHER (72X110X0.5-MM THK)						
B	2	1	316-5554	1	WASHER (72X110X1-MM THK)						
M	3	1	8T-5092	1	BOLT (M12X1.75X150-MM)						
M	4	1	500-4371	1	BOLT (M12X1.75X120-MM)						
	5	1	323-5612	1	CLIP						
M	6	1	309-9185	2	LOCKNUT (M12X1.75-THD)						
	7	1	500-4373	1	PIN						
	8	1	495-3020	1	PIN						
Y	9	1	500-4369	1	COUPLER GP-QUICK						838

B - USE AS REQUIRED
M - METRIC PART
Y - SEPARATE ILLUSTRATION



GRAPHIC #1

<END>

g06130492

WORK TOOLS

500-4374 COUPLER GP-QUICK

S/N: TD61-UP; TD71-UP

PART OF 501-0751 COUPLER & MTG GP-QUICK
AN ATTACHMENT

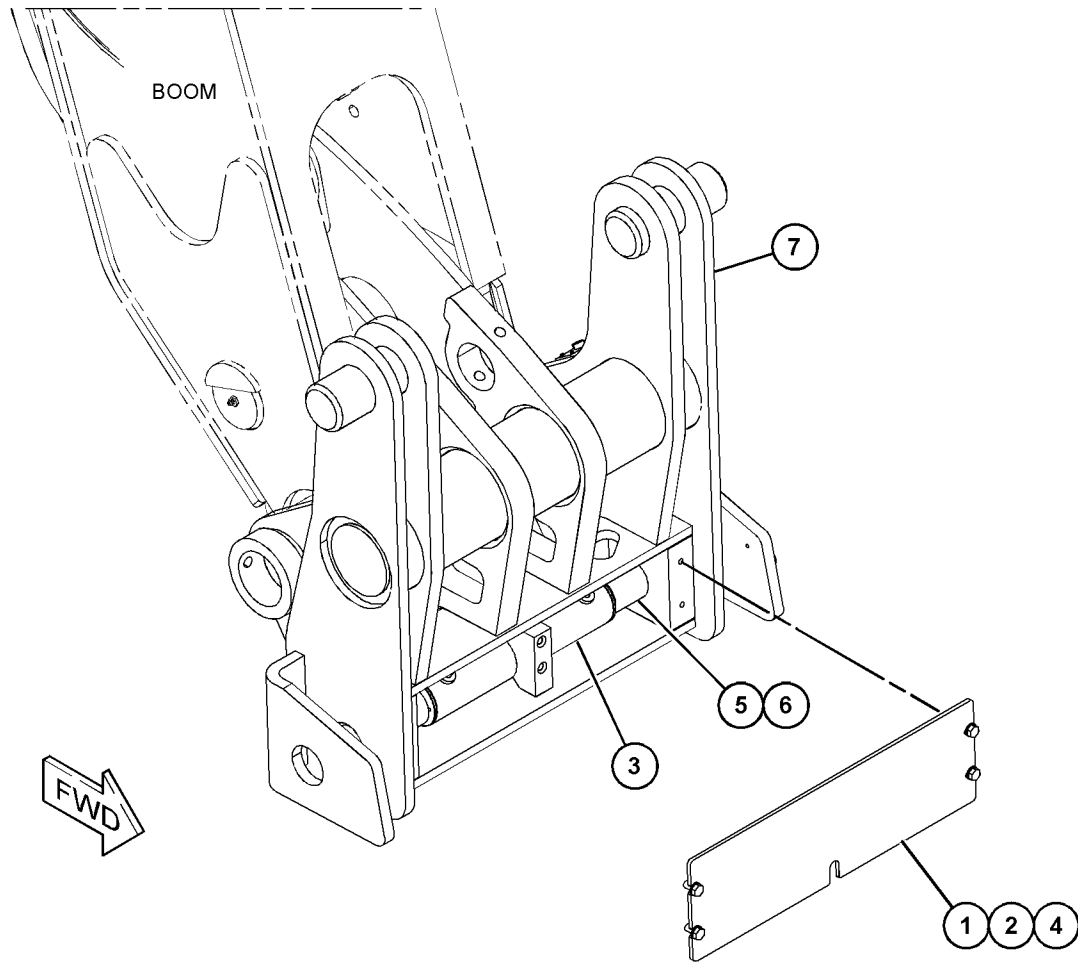
SMCS-6129

i06624657

NOTE	REF NO	GRAPHIC REF	PART NUMBER	QTY	PART NAME						SEE PAGE
					1	2	3	4	5	6 (PRODUCT LEVEL)	
M	1	1	8T-4200	4	BOLT (M8X1.25X16-MM)						
	2	1	8T-4224	4	WASHER-HARD (8.8X16X2-MM THK)						
Y	3	1	367-6694	1	CYLINDER GP-COUPLER (LOCKING)						655
	4	1	495-3016	1	PLATE						
	5	1	495-3017	2	ROD						
	6	1	477-5548	2	PIN-GROOVED						
	7	1	500-4375	1	COUPLER AS						

M - METRIC PART

Y - SEPARATE ILLUSTRATION



GRAPHIC #1

<END>

g06058961

WORK TOOLS

517-4329 COUPLER GP-QUICK-MANITOU

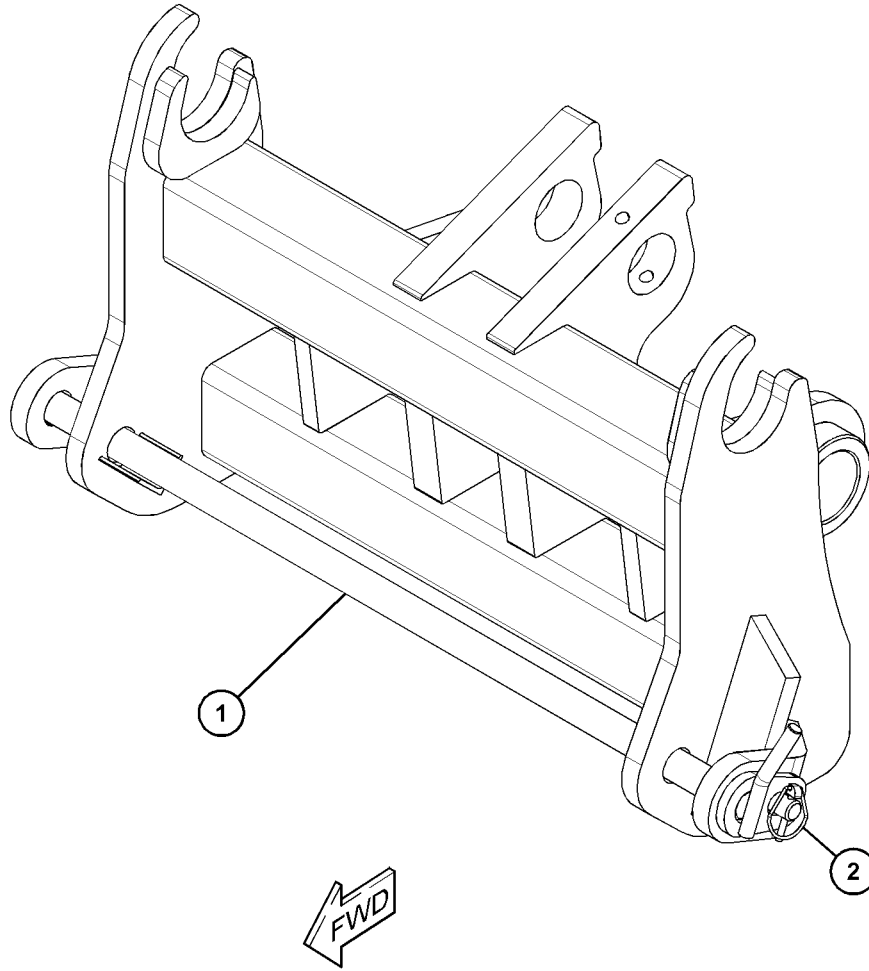
S/N: TD61-UP; TD71-UP

PART OF 529-6466 COUPLER & MTG AR-HYDRAULIC
AN ATTACHMENT

SMCS-6129

i07046024

NOTE	REF NO	GRAPHIC REF	PART NUMBER	QTY	PART NAME						SEE PAGE
					1	2	3	4	5	6 (PRODUCT LEVEL)	
1	1	1	335-2233	1	PIN						
2	1	1	335-2234	1	PIN						



GRAPHIC #1

<END>

g06208078

WORK TOOLS

223-8914 EDGE GP-CUTTING

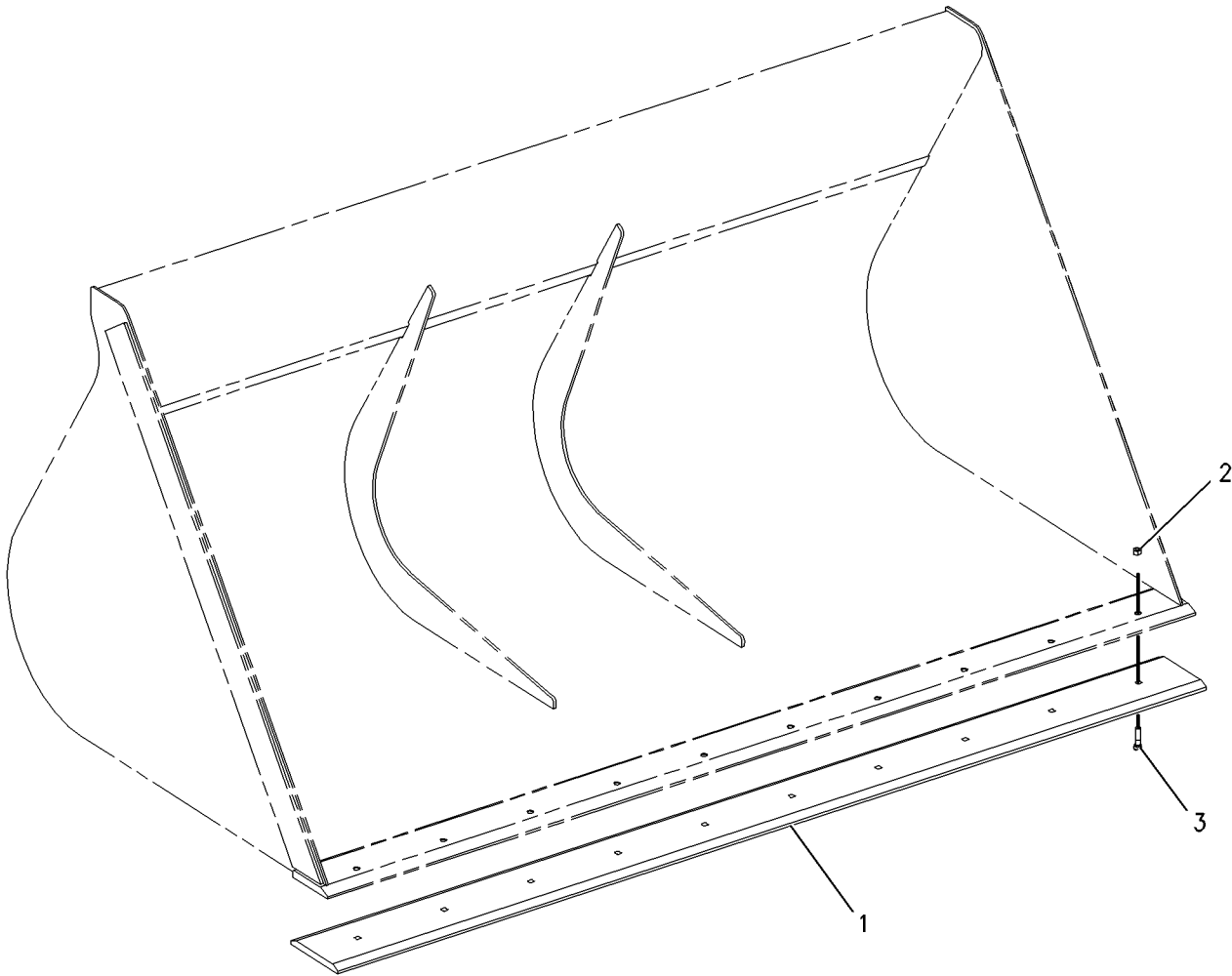
S/N: TD61-UP; TD71-UP

PART OF 220-4761 BUCKET GP-LIGHT MATERIAL
AN ATTACHMENT

SMCS-6801

i01901228

NOTE	REF NO	GRAPHIC REF	PART NUMBER	QTY	PART NAME						SEE PAGE
					1	2	3	4	5	6 (PRODUCT LEVEL)	
	1	1	206-9480	1	EDGE-CUTTING						
	2	1	4K-0367	10	NUT-FULL (5/8-11-THD)						
	3	1	4F-3654	10	BOLT-PLOW (5/8-11X2-IN)						



GRAPHIC #1

<END>

g00989296

WORK TOOLS

224-6526 EDGE GP-CUTTING

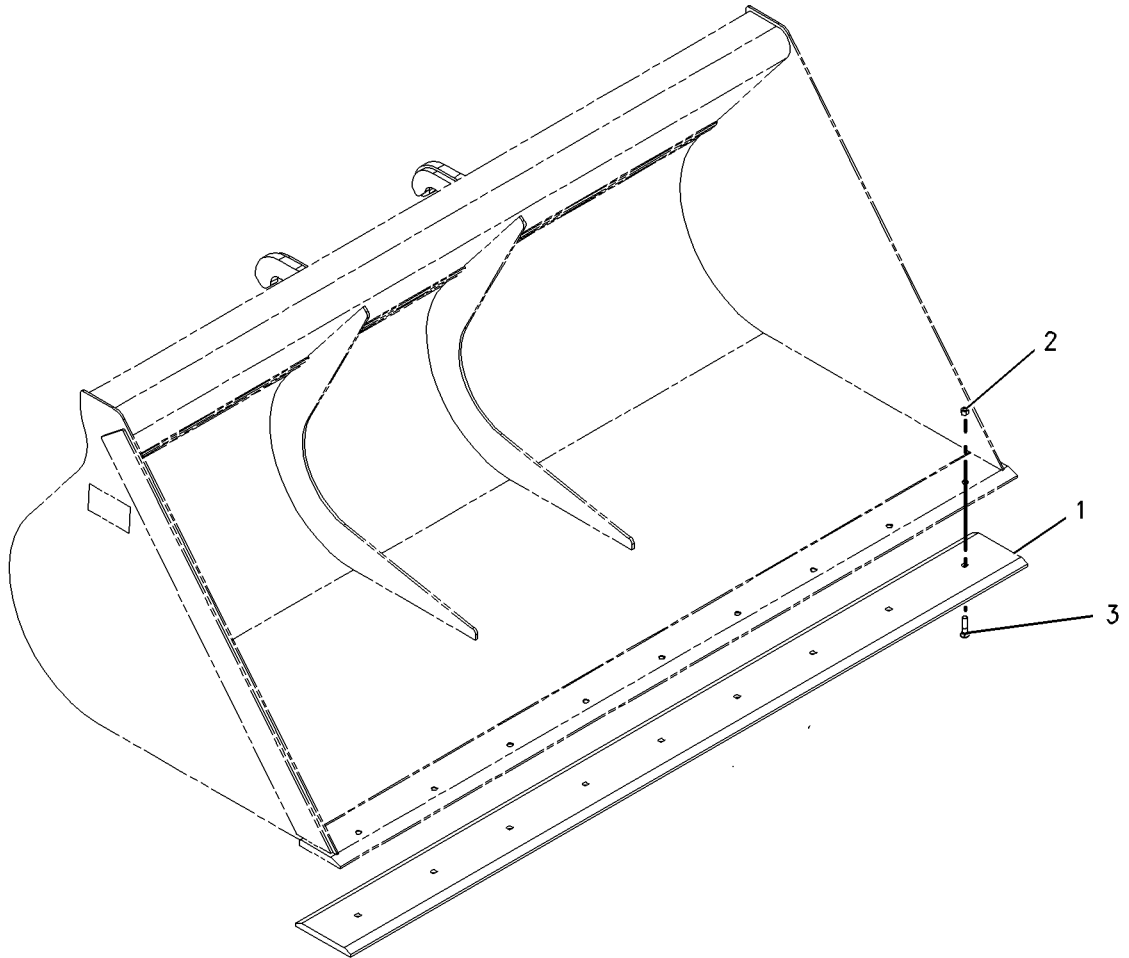
S/N: TD61-UP; TD71-UP

PART OF 220-4759, 220-4760 BUCKET GP-LIGHT MATERIAL
AN ATTACHMENT

SMCS-6801

i01901204

NOTE	REF NO	GRAPHIC REF	PART NUMBER	QTY	PART NAME						SEE PAGE
					1	2	3	4	5	6 (PRODUCT LEVEL)	
	1	1	224-6213	1	EDGE-CUTTING						
	2	1	4K-0367	9	NUT-FULL (5/8-11-THD)						
	3	1	4F-3654	9	BOLT-PLOW (5/8-11X2-IN)						



GRAPHIC #1

<END>

g00989300

WORK TOOLS

456-0492 EDGE GP-CUTTING

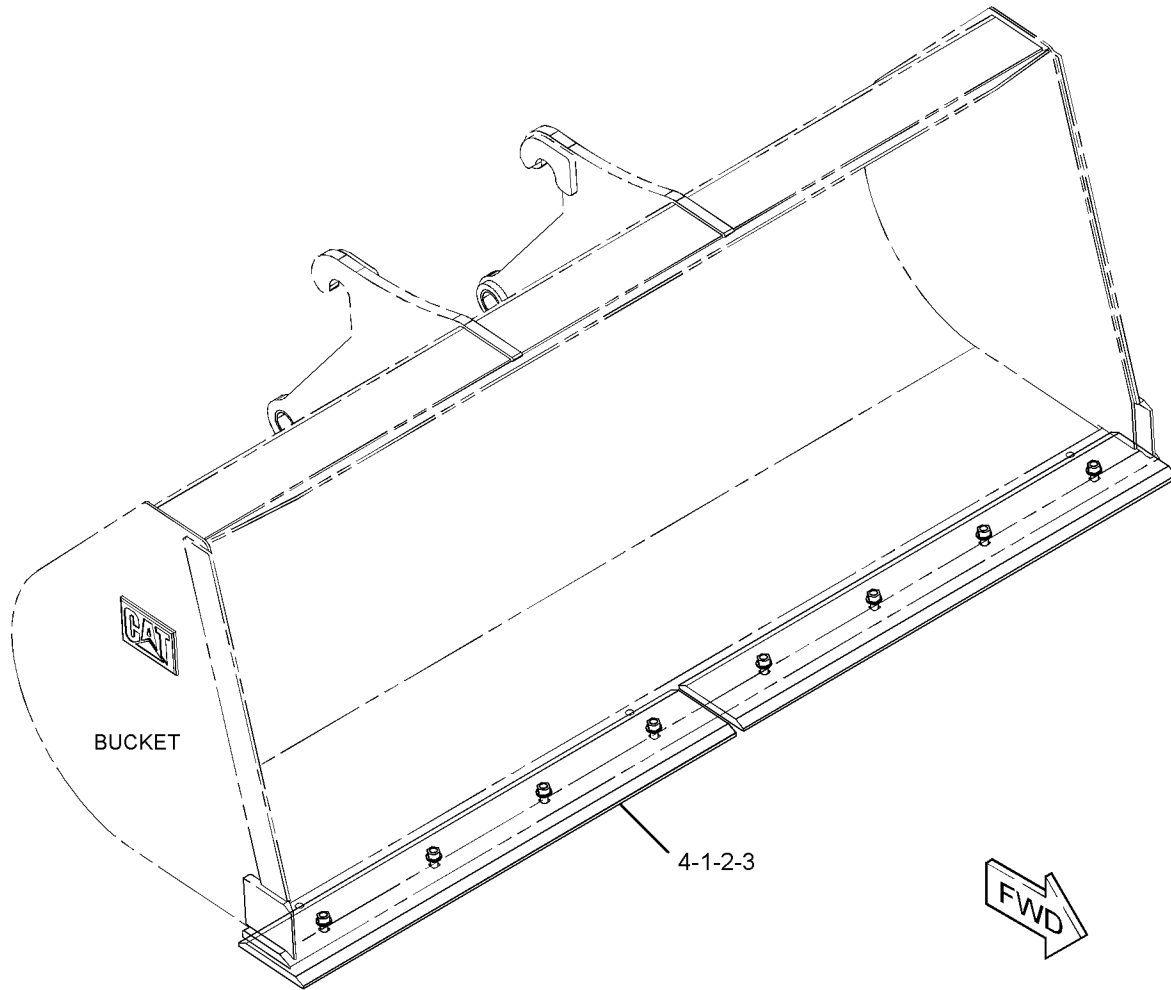
S/N: TD61-UP

PART OF 456-0498 BUCKET GP-GENERAL PURPOSE, 456-0507 BUCKET GP-MATERIAL HANDLING
AN ATTACHMENT

SMCS-6801

i05685709

NOTE	REF NO	GRAPHIC REF	PART NUMBER	QTY	PART NAME						SEE PAGE
					1	2	3	4	5	6 (PRODUCT LEVEL)	
1	1	1	3F-5108	8	BOLT-PLOW (5/8-11X2.25-IN)						
2	1	1	4K-0367	8	NUT-FULL (5/8-11-THD)						
3	1	1	8T-4122	8	WASHER-HARD (17X32X3.5-MM THK)						
4	1	1	456-0494	2	PLATE						



GRAPHIC #1

<END>

g03644408

WORK TOOLS

9R-5320 EDGE GP-CUTTING

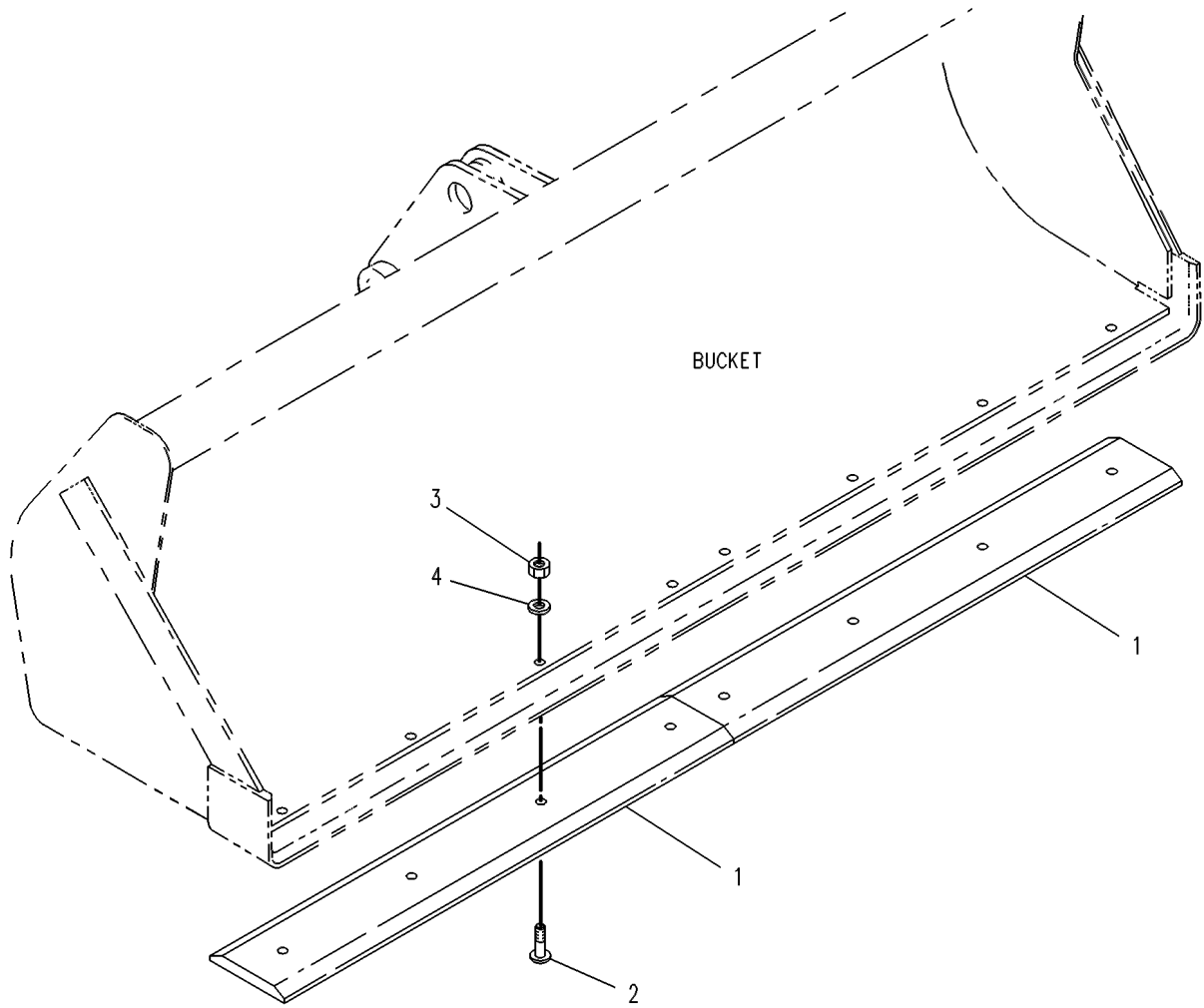
S/N: TD61-UP; TD71-UP

**PART OF 163-4261 BUCKET AR-GENERAL PURPOSE, 186-5838 BUCKET GP-MATERIAL HANDLING,
163-4286 BUCKET GP-MULTIPURPOSE
AN ATTACHMENT**

SMCS-6801

i05742930

NOTE	REF NO	GRAPHIC REF	PART NUMBER	QTY	PART NAME						SEE PAGE
					1	2	3	4	5	6 (PRODUCT LEVEL)	
	1	1	118-7110	2	EDGE-CUTTING						
	2	1	3F-5108	8	BOLT-PLOW (5/8-11X2.25-IN)						
	3	1	4K-0367	8	NUT-FULL (5/8-11-THD)						
	4	1	8T-4122	8	WASHER-HARD (17X32X3.5-MM THK)						



GRAPHIC #1

<END>

g00131376

WORK TOOLS

346-2975 FORK AR

S/N: TD61-UP; TD71-UP

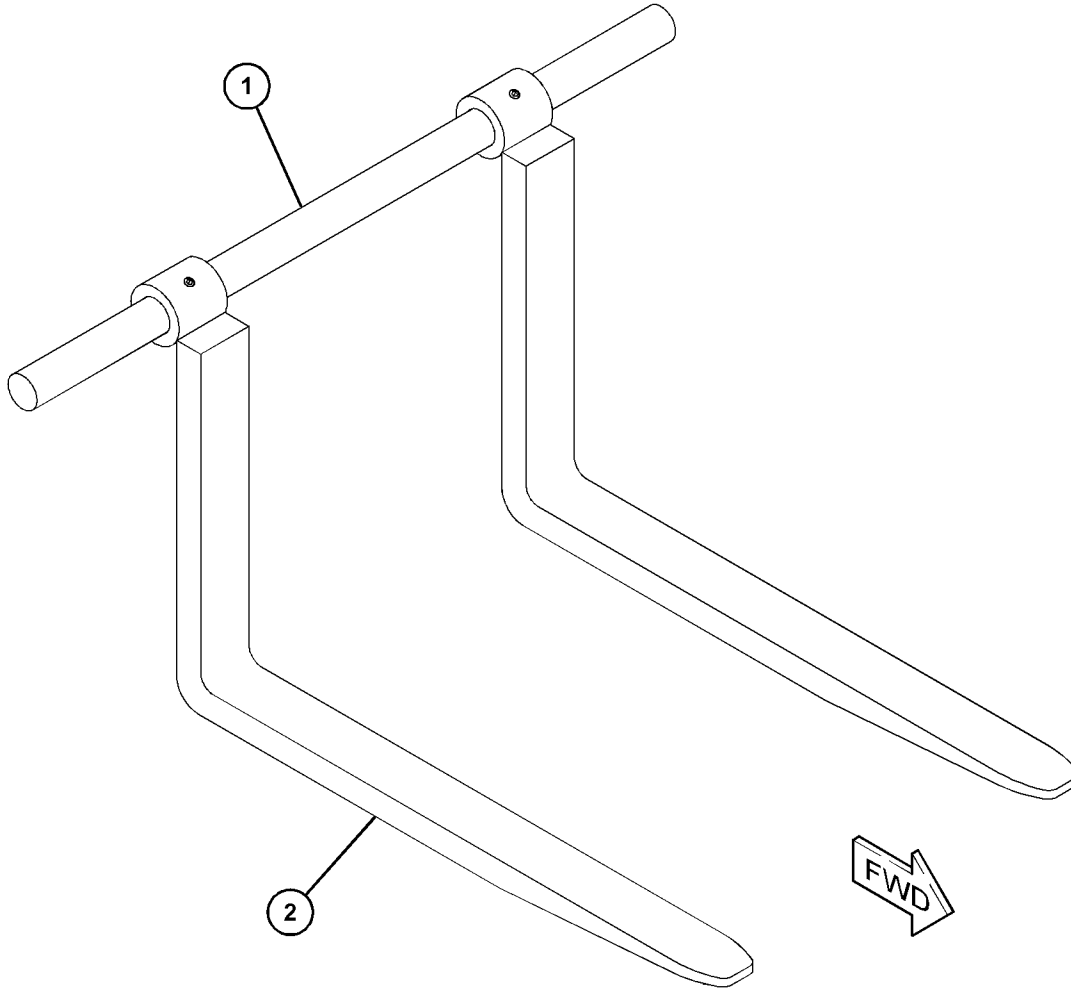
AN ATTACHMENT

SMCS-6405

i05823433

NOTE	REF NO	GRAPHIC REF	PART NUMBER	QTY	PART NAME						SEE PAGE
					1	2	3	4	5	6 (PRODUCT LEVEL)	
	1	1	346-2973	1	BAR						
Y	2	1	346-2974	2	FORK GP						855

Y - SEPARATE ILLUSTRATION



GRAPHIC #1

<END>

g03688500

WORK TOOLS

301-9756 FORK AS

S/N: TD61-UP

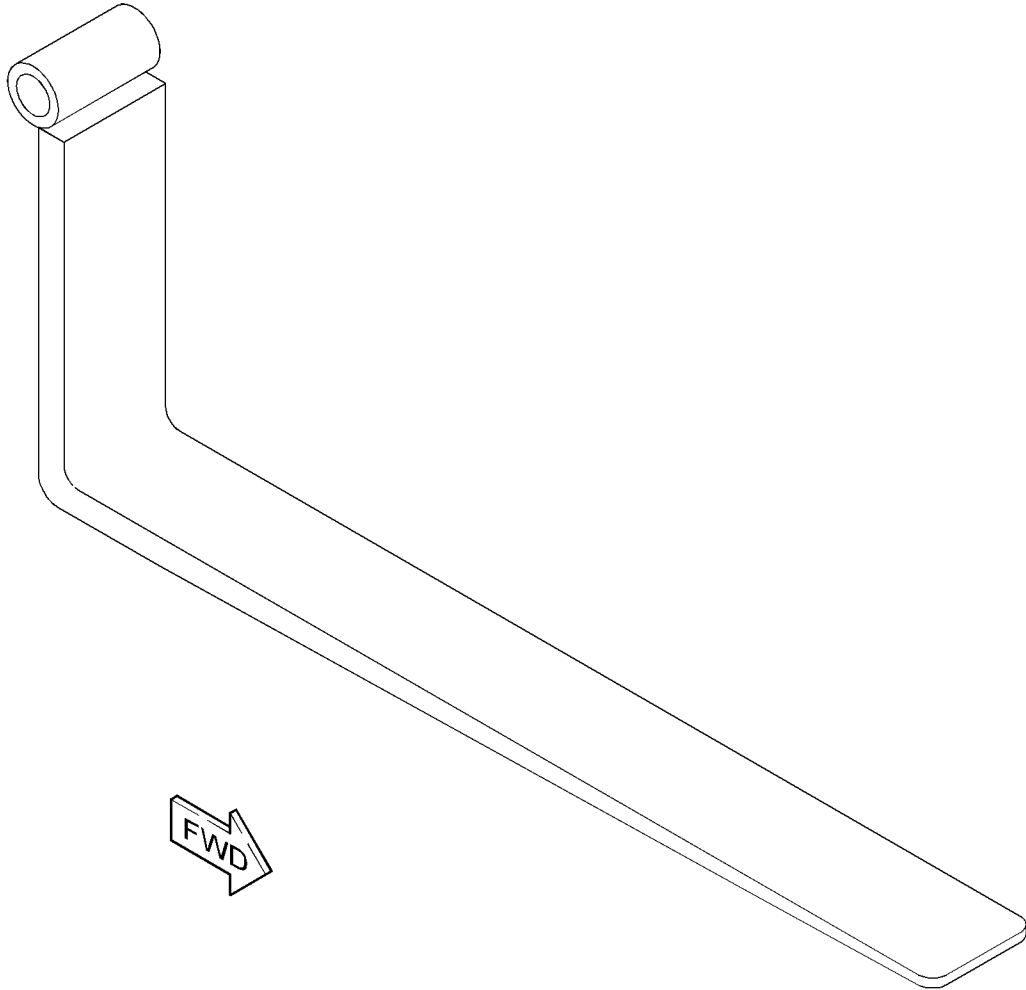
180-MM (7-IN) X 45-MM (1.8-IN) X 1540-MM (61-IN), FOR USE IN NACD REGION
AN ATTACHMENT

SMCS-6405

i06883805

NOTE	REF NO	GRAPHIC REF	PART NUMBER	QTY	PART NAME	SEE PAGE
					1 2 3 4 5 6 (PRODUCT LEVEL)	

(NO SERVICED PARTS)



GRAPHIC #1

<END>

g03756997

WORK TOOLS

311-2854 FORK AS

S/N: TD61-UP

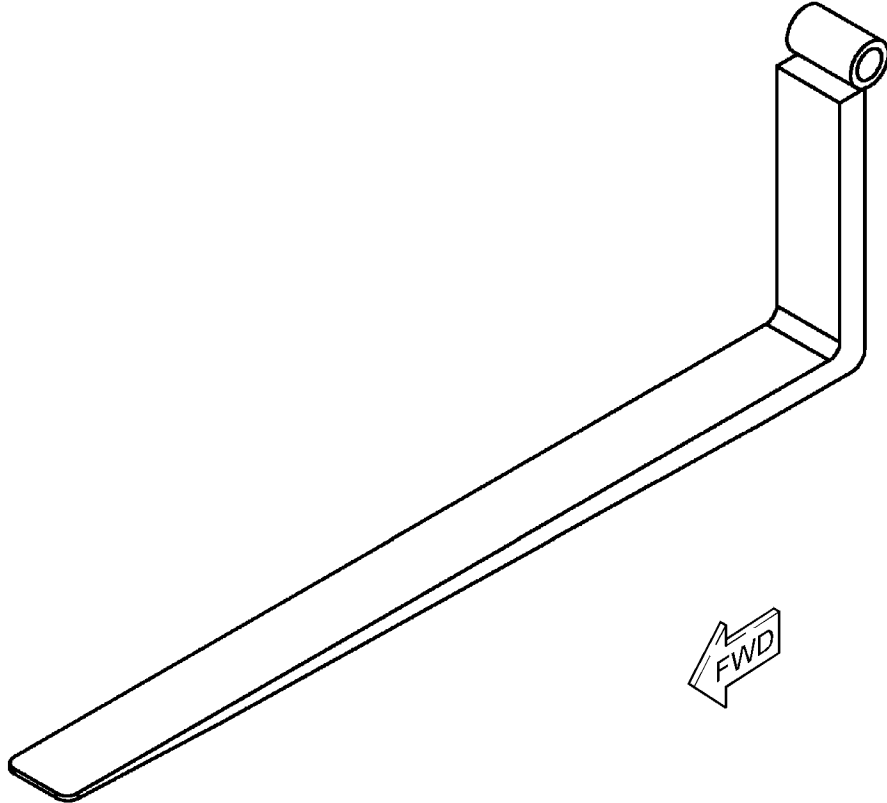
150-MM (5.9-IN) X 50-MM (2-IN) X 1830-MM (72-IN), FOR USE IN NACD ONLY
AN ATTACHMENT

SMCS-6405

i06885235

NOTE	REF NO	GRAPHIC REF	PART NUMBER	QTY	PART NAME	SEE PAGE
					1 2 3 4 5 6 (PRODUCT LEVEL)	

(NO SERVICED PARTS)



GRAPHIC #1

<END>

g03745694

WORK TOOLS

323-5737 FORK AS

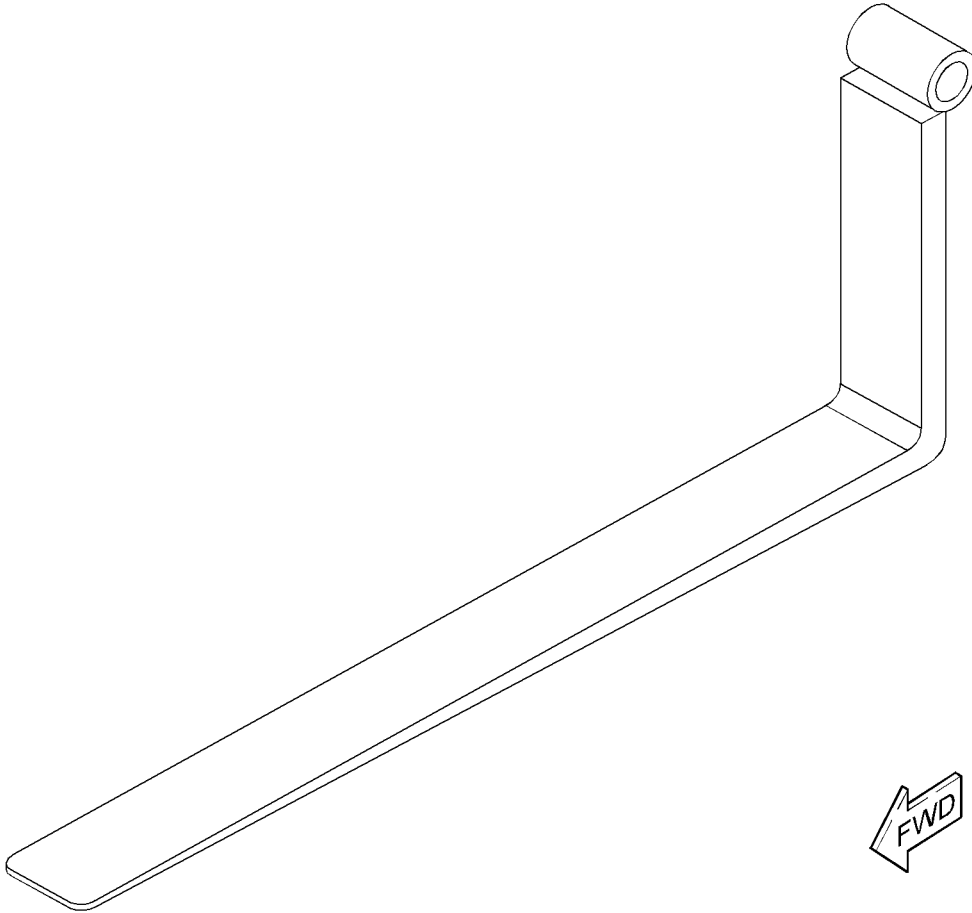
S/N: TD61-UP
1540-MM (60.6-IN)
AN ATTACHMENT

SMCS-6405

i06836824

NOTE	REF NO	GRAPHIC REF	PART NUMBER	QTY	PART NAME	SEE PAGE
------	--------	-------------	-------------	-----	-----------	----------

(NO BREAKDOWN OF SERVICEABLE PARTS AVAILABLE AT TIME OF PUBLICATION)



GRAPHIC #1

<END>

g06139547

WORK TOOLS

301-9752 FORK AS-BLOCK

S/N: TD61-UP

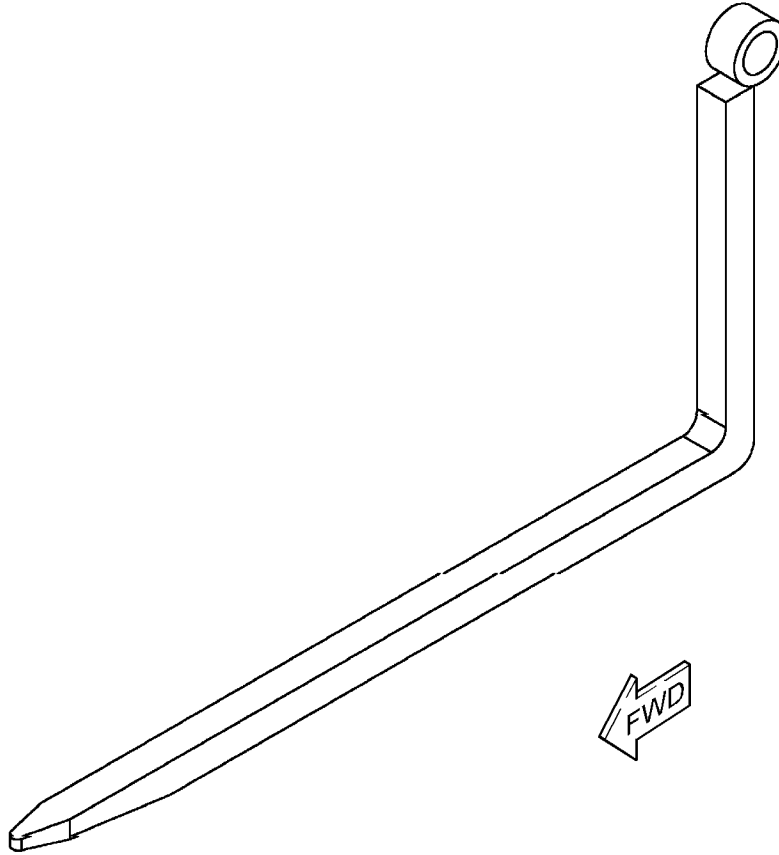
50-MM (2-IN) X 50-MM (2-IN) X 1220-MM (48-IN), FOR USE IN NACD REGION
AN ATTACHMENT

SMCS-6405

i06885239

NOTE	REF NO	GRAPHIC REF	PART NUMBER	QTY	PART NAME	SEE PAGE
					1 2 3 4 5 6 (PRODUCT LEVEL)	

(NO SERVICED PARTS)



GRAPHIC #1

<END>

g03745652

WORK TOOLS

301-9753 FORK AS-PALLET

S/N: TD61-UP

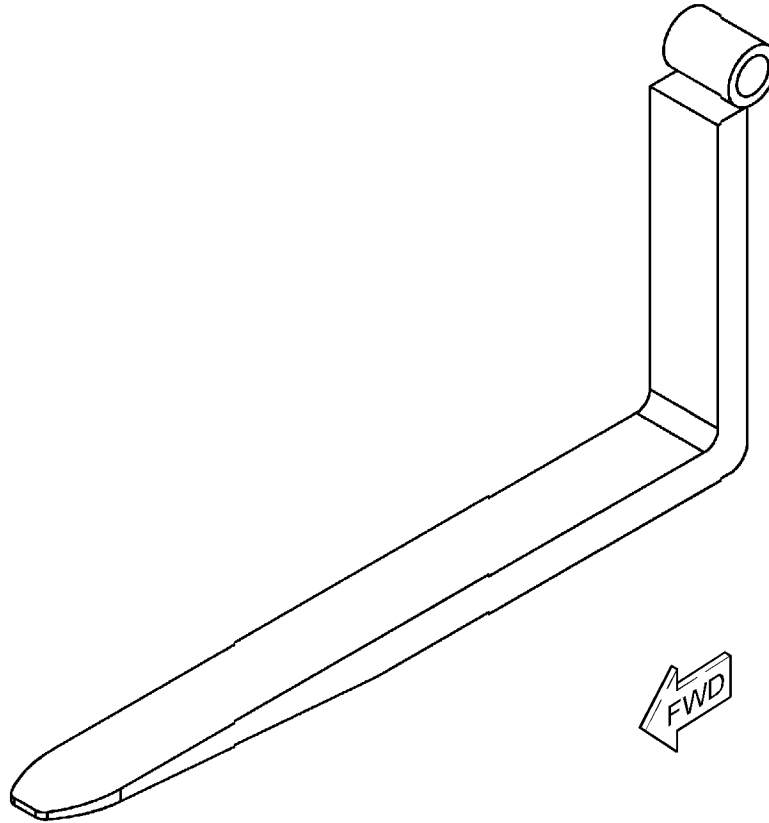
125-MM (4.9-IN) X 60-MM (2.4-IN) X 1220-MM (48-IN), FOR USE IN NACD REGION ONLY
AN ATTACHMENT

SMCS-6136, 6405

i06885241

NOTE	REF NO	GRAPHIC REF	PART NUMBER	QTY	PART NAME	SEE PAGE
------	--------	-------------	-------------	-----	-----------	----------

(NO SERVICED PARTS)



GRAPHIC #1

<END>

g03745664

WORK TOOLS

301-9754 FORK AS-PALLET

S/N: TD61-UP

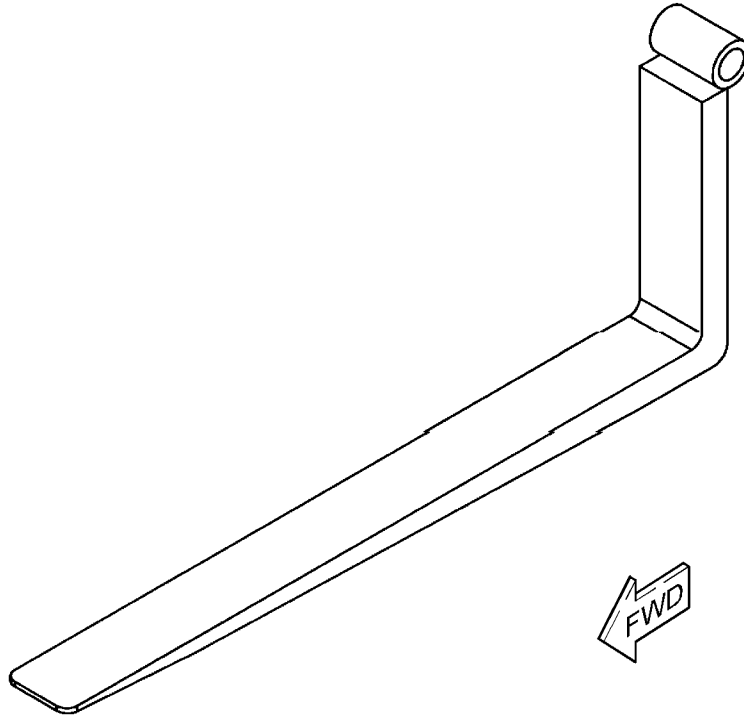
150-MM (5.9-IN) X 60-MM (2.4-IN) X 1524-MM (60-IN), FOR USE IN NACD REGION ONLY
AN ATTACHMENT

SMCS-6136, 6405

i06885246

NOTE	REF NO	GRAPHIC REF	PART NUMBER	QTY	PART NAME	SEE PAGE
------	--------	-------------	-------------	-----	-----------	----------

1 2 3 4 5 6 (PRODUCT LEVEL)
(NO SERVICED PARTS)



GRAPHIC #1

<END>

g03745642

WORK TOOLS

301-9755 FORK AS-PALLET

S/N: TD61-UP

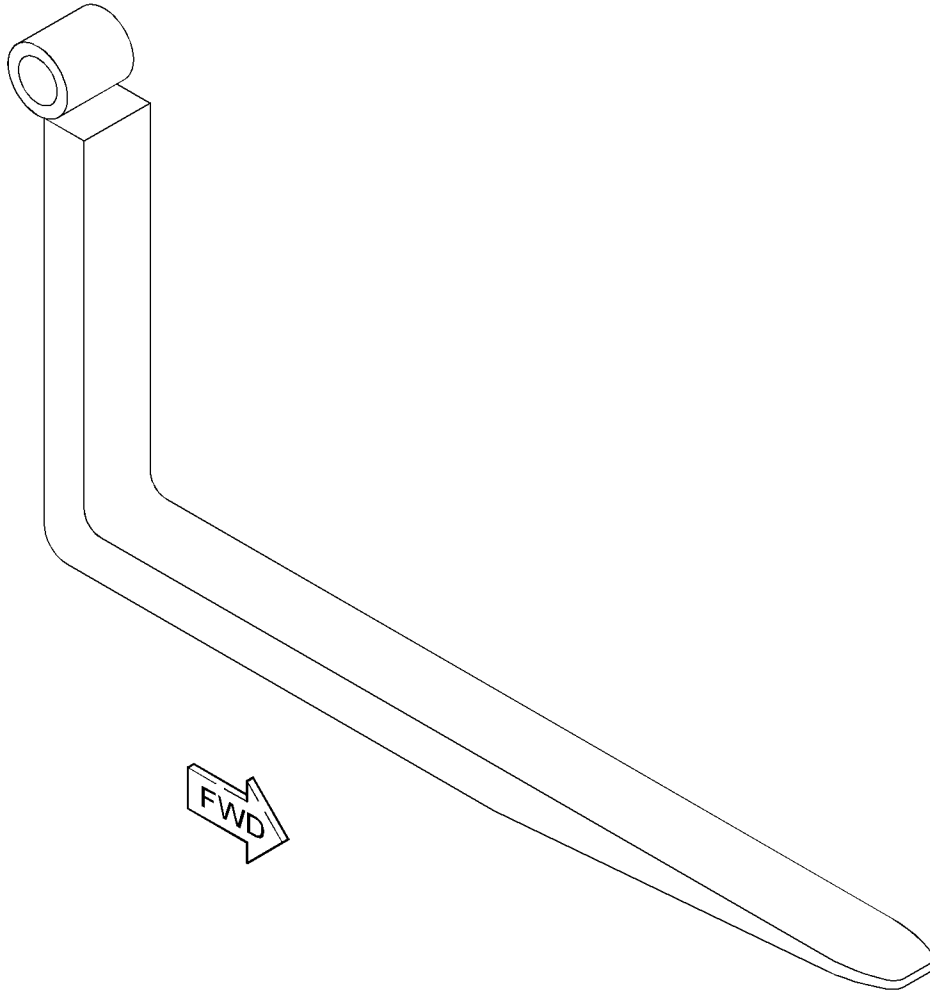
100-MM (3.9-IN) X 60-MM (2.4-IN) X 1220-MM (48-IN), FOR USE IN NACD REGION
AN ATTACHMENT

SMCS-6136, 6405

i05992169

NOTE	REF NO	GRAPHIC REF	PART NUMBER	QTY	PART NAME	SEE PAGE
------	--------	-------------	-------------	-----	-----------	----------

(NO BREAKDOWN OF SERVICEABLE PARTS AVAILABLE
AT TIME OF PUBLICATION)



GRAPHIC #1

<END>

g03757036

WORK TOOLS

326-1998 FORK GP

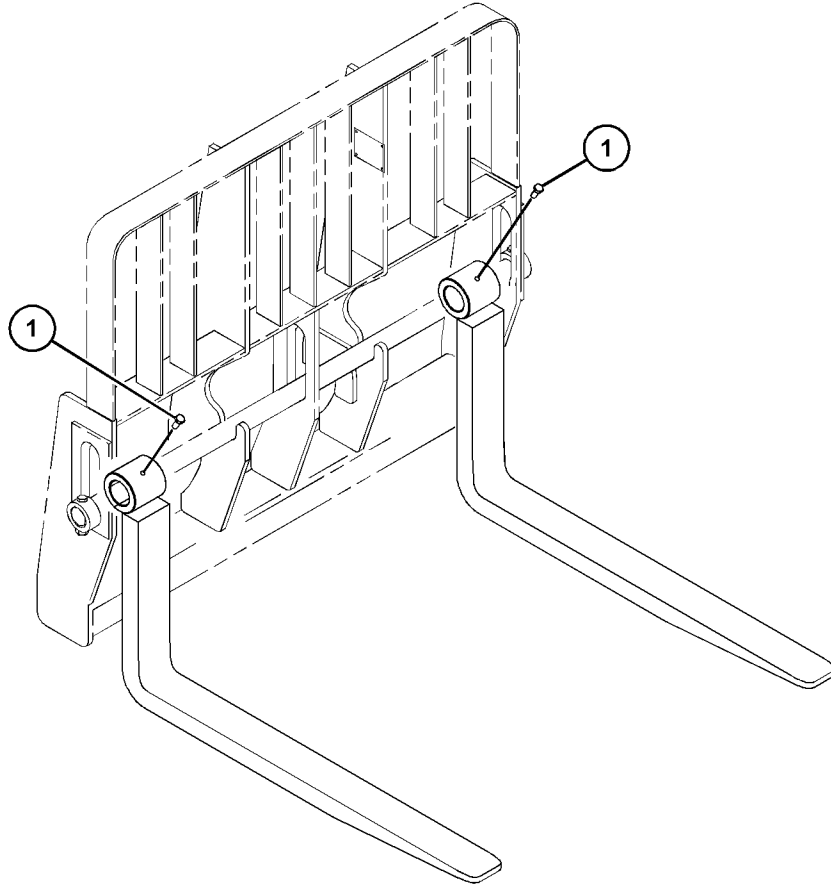
S/N: TD61-UP; TD71-UP

AN ATTACHMENT

SMCS-6405

i06907168

NOTE	REF NO	GRAPHIC REF	PART NUMBER	QTY	PART NAME						SEE PAGE
					1	2	3	4	5	6 (PRODUCT LEVEL)	
	1	1	524-3872	2	SCREW						



GRAPHIC #1

<END>

g06164625

WORK TOOLS

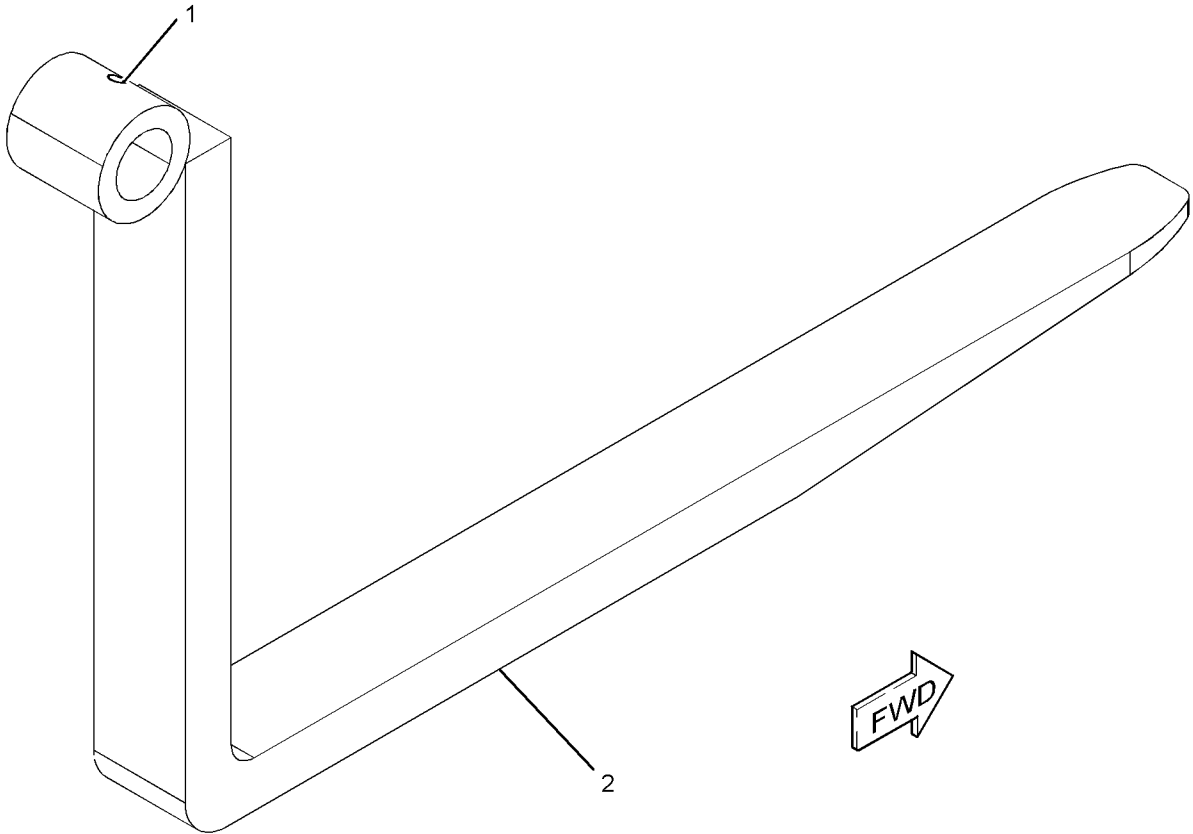
346-2974 FORK GP

S/N: TD61-UP; TD71-UP
PART OF 346-2975 FORK AR
AN ATTACHMENT

SMCS-6405

i06635994

NOTE	REF NO	GRAPHIC REF	PART NUMBER	QTY	PART NAME						SEE PAGE
					1	2	3	4	5	6 (PRODUCT LEVEL)	
	1	1	477-1675	1	SCREW						
	2	1	346-2972	1	FORK AS						



GRAPHIC #1

<END>

g03692654

WORK TOOLS

364-5356 FORK GP

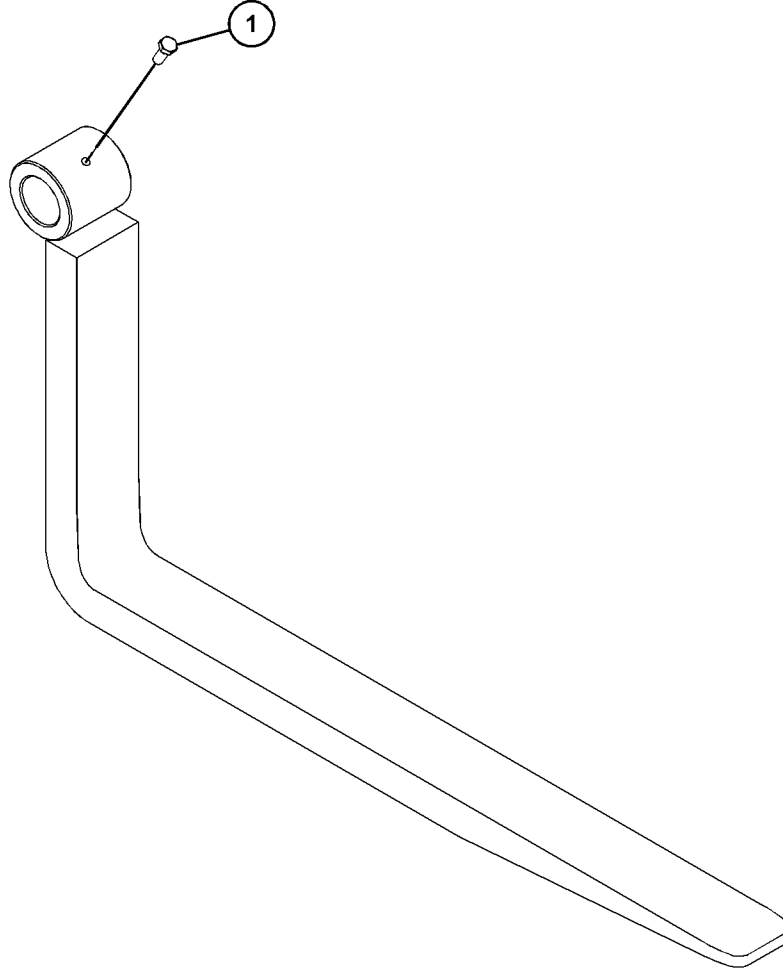
S/N: TD61-UP; TD71-UP
4000-KG, CAN NOT BE USED IN NACD
AN ATTACHMENT

SMCS-6405

i06809395

NOTE	REF NO	GRAPHIC REF	PART NUMBER	QTY	PART NAME						SEE PAGE
					1	2	3	4	5	6 (PRODUCT LEVEL)	
M	1	1	510-5662	1	BOLT (M16X2X30-MM)						

M - METRIC PART



GRAPHIC #1

<END>

g06126600

WORK TOOLS

456-0454 FORK GP

S/N: TD61-UP; TD71-UP

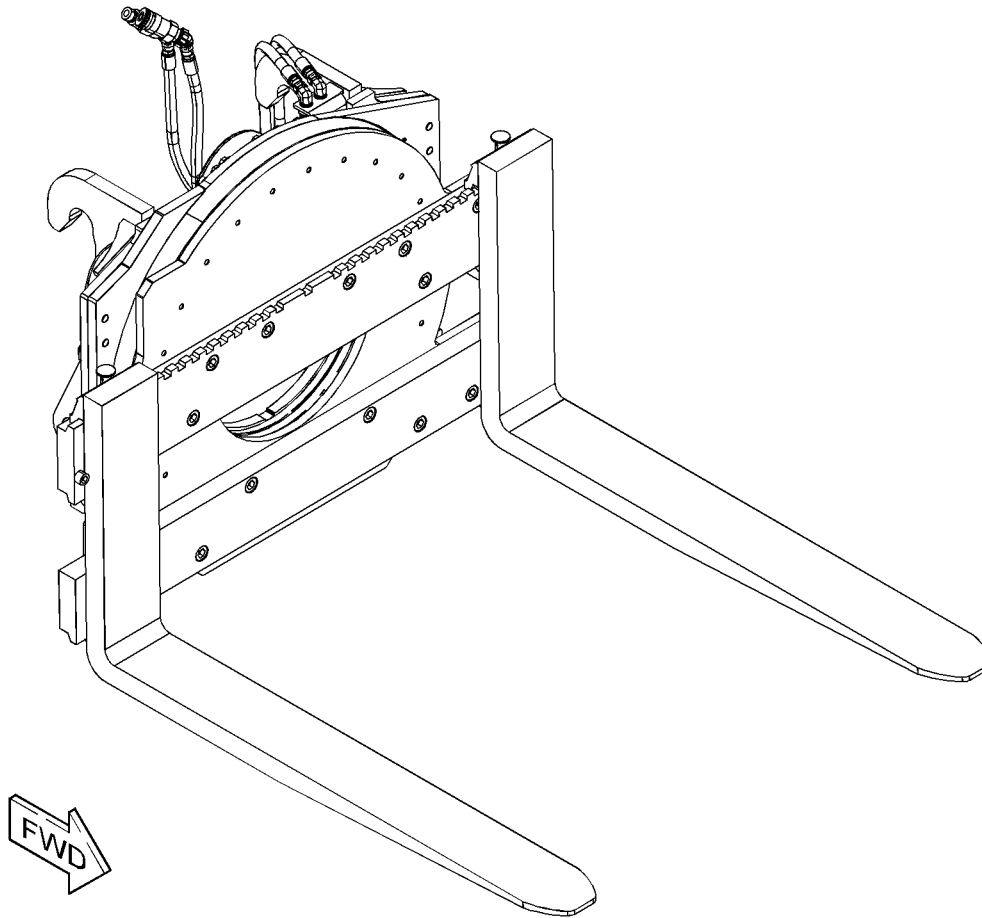
AN ATTACHMENT

SMCS-6405

i07210847

NOTE	REF NO	GRAPHIC REF	PART NUMBER	QTY	PART NAME	SEE PAGE
------	--------	-------------	-------------	-----	-----------	----------

(NO SERVICED PARTS)



GRAPHIC #1

<END>

g06252829

WORK TOOLS

463-1675 FORK GP

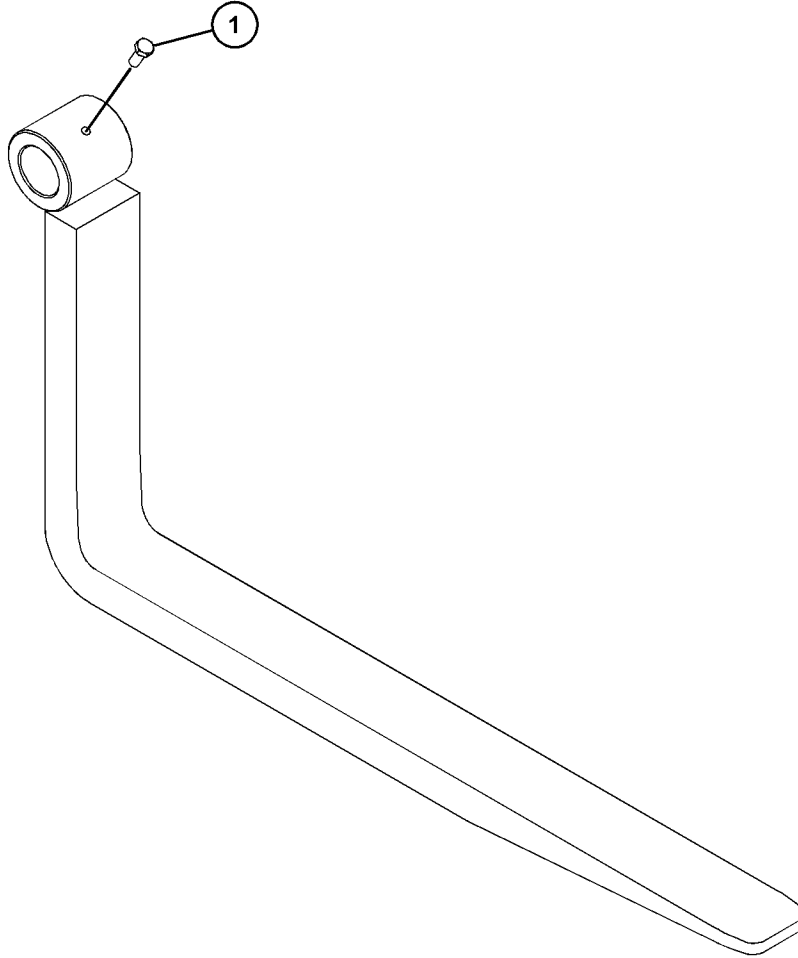
S/N: TD61-UP; TD71-UP
NOT FOR USE IN NACD REGION
AN ATTACHMENT

SMCS-6405

i06736229

NOTE	REF NO	GRAPHIC REF	PART NUMBER	QTY	PART NAME						SEE PAGE
					1	2	3	4	5	6 (PRODUCT LEVEL)	
M	1	1	6V-3668	1	BOLT (M12X1.75X30-MM)						

M - METRIC PART



GRAPHIC #1

<END>

g06114235

WORK TOOLS

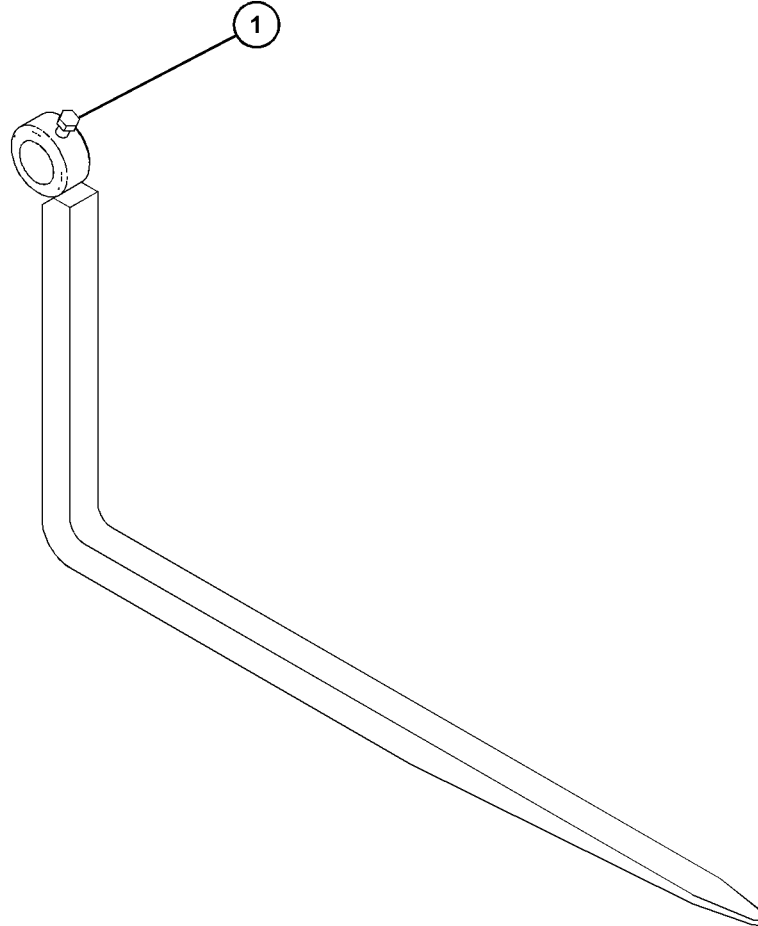
485-7240 FORK GP

S/N: TD61-UP; TD71-UP
NOT FOR USE IN NACD REGION
AN ATTACHMENT

SMCS-6405

i06735315

NOTE	REF NO	GRAPHIC REF	PART NUMBER	QTY	PART NAME						SEE PAGE
					1	2	3	4	5	6 (PRODUCT LEVEL)	
	1	1	2L-1701	1	BOLT (5/8-18X1.5-IN)						



GRAPHIC #1

<END>

g06114391

WORK TOOLS

497-6985 FORK GP

S/N: TD61-UP; TD71-UP

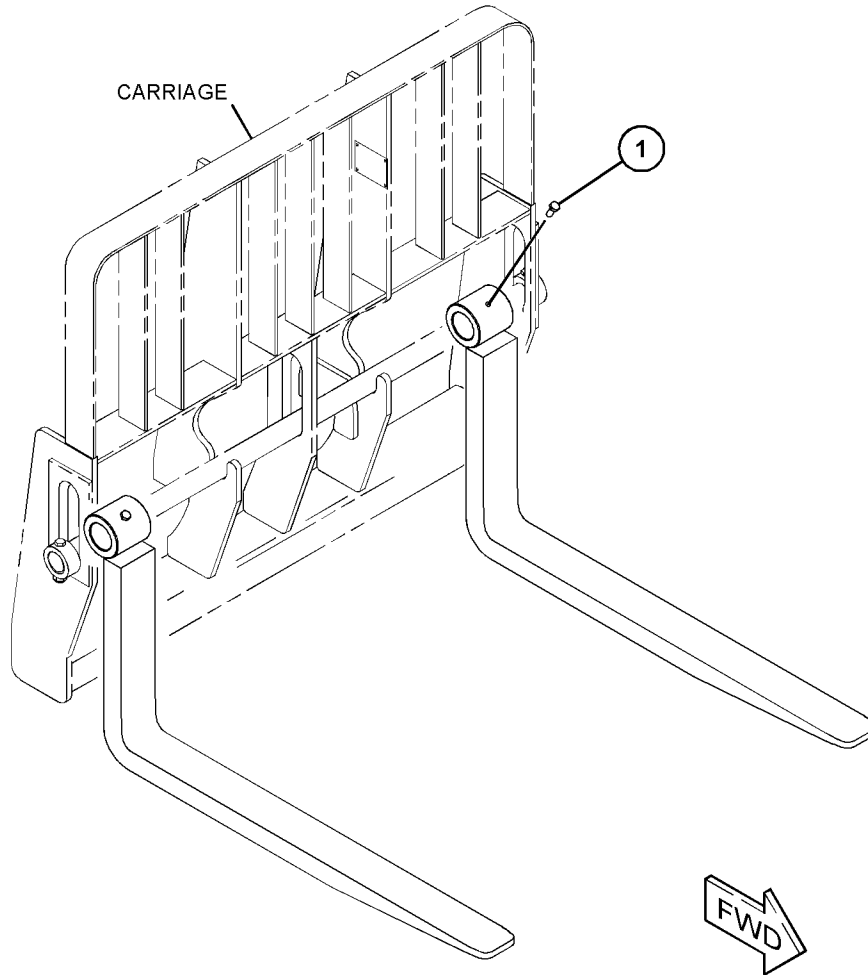
40-MM (1.6-IN) X 150-MM (6-IN) X 1540-MM (60.6-IN)
AN ATTACHMENT

SMCS-6405

i06889523

NOTE	REF NO	GRAPHIC REF	PART NUMBER	QTY	PART NAME						SEE PAGE
					1	2	3	4	5	6 (PRODUCT LEVEL)	
M	1	1	510-5662	1	BOLT (M16X2X30-MM)						

M - METRIC PART



GRAPHIC #1

<END>

g06158562

WORK TOOLS

509-4662 FORK GP-GRAB

S/N: TD61-UP; TD71-UP

2450-MM (96.5-IN)

AN ATTACHMENT

SMCS-6405

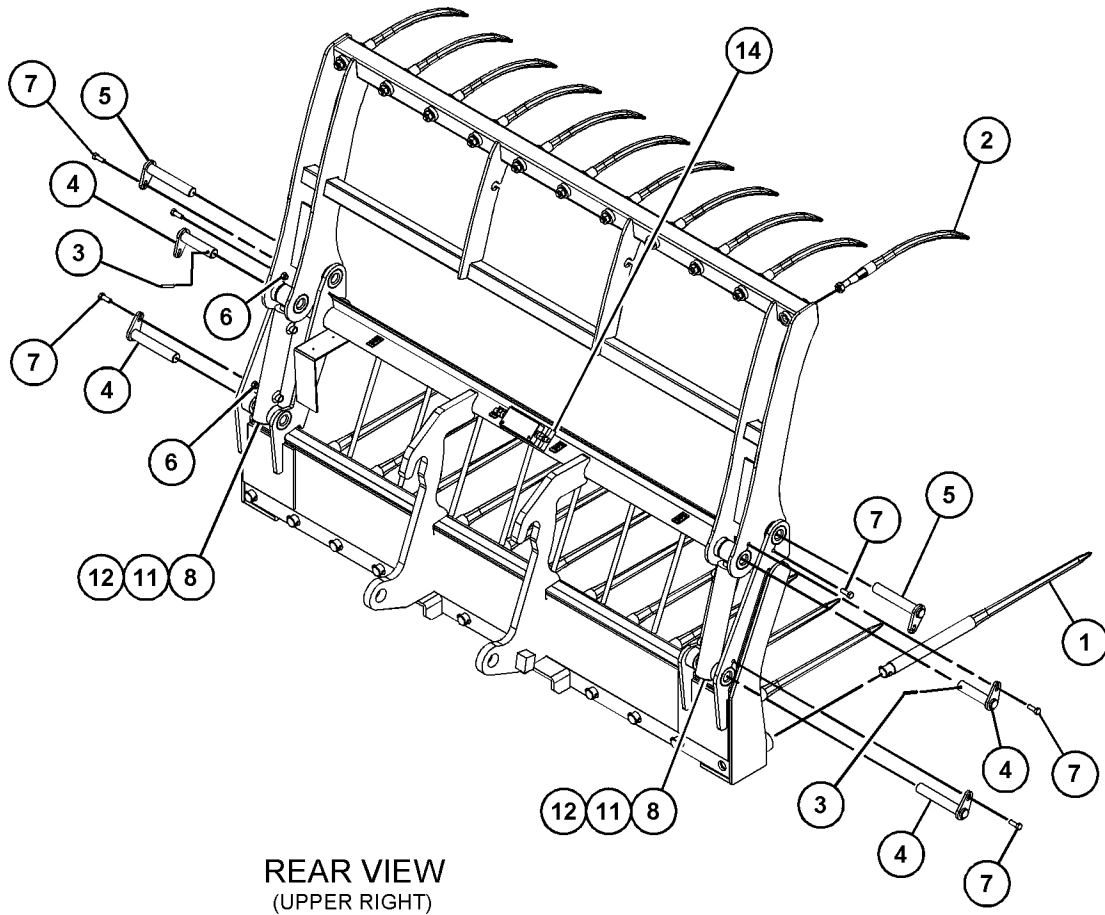
i07175293

NOTE	REF NO	GRAPHIC REF	PART NUMBER	QTY	PART NAME						SEE PAGE
					1	2	3	4	5	6 (PRODUCT LEVEL)	
	1	1	512-8037	12	PLATE AS						
	2	1	545-6982	11	PLATE AS						
	3	1	512-6795	2	PIN AS						
	4	1	512-6796	4	PIN AS						
	5	1	512-6802	2	PIN-ROLL						
	6	1	512-6800	6	NUT						
	7	1	512-6801	6	SCREW						
	8	1	512-6797	2	CYLINDER AS						
	9	1	545-7587	2	HOSE						
	10	1	545-7591	2	HOSE						
	11	1	512-6798	10	RETAINER-RING						
	12	1	512-6799	6	FITTING						
	13	1	512-6793	1	VALVE						
	14	1	545-7596	1	SUPPORT						

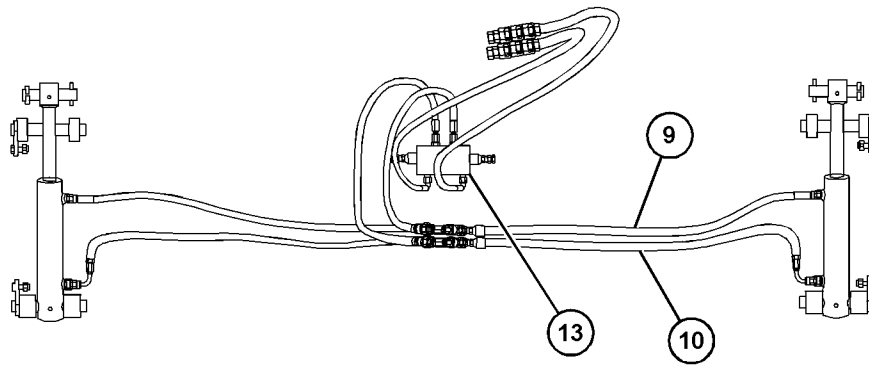
WORK TOOLS

509-4662 FORK GP (contd.)

i07175293



REAR VIEW
(UPPER RIGHT)



REAR VIEW
(PARTS REMOVED FOR CLARITY)

GRAPHIC #1

<END>

g06245028

WORK TOOLS

252-1456 FORK GP-PALLET

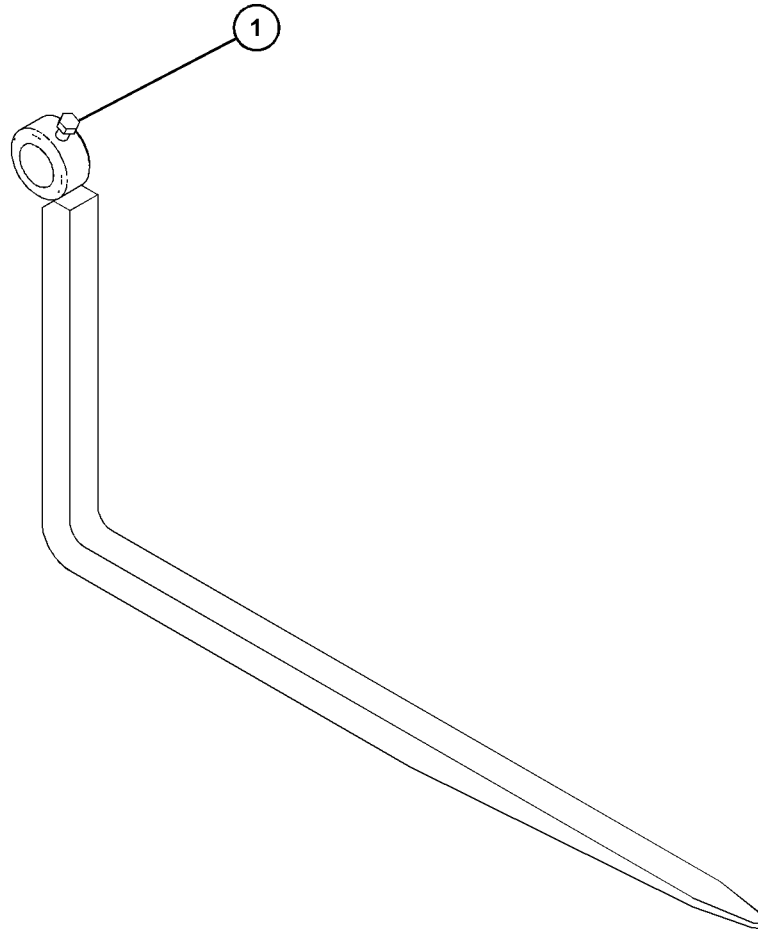
S/N: TD61-UP; TD71-UP

100-MM (3.9-IN) X 50-MM (2-IN) X 1525-MM (60-IN), NOT FOR USE IN NACD REGION AND AUSTRALIA.
AN ATTACHMENT

SMCS-6136

i06885249

NOTE	REF NO	GRAPHIC REF	PART NUMBER	QTY	PART NAME						SEE PAGE
					1	2	3	4	5	6 (PRODUCT LEVEL)	
	1	1	2L-1701	1	BOLT (5/8-18X1.5-IN)						



GRAPHIC #1

<END>

g06114391

WORK TOOLS

397-6114 FORK GP-PALLET

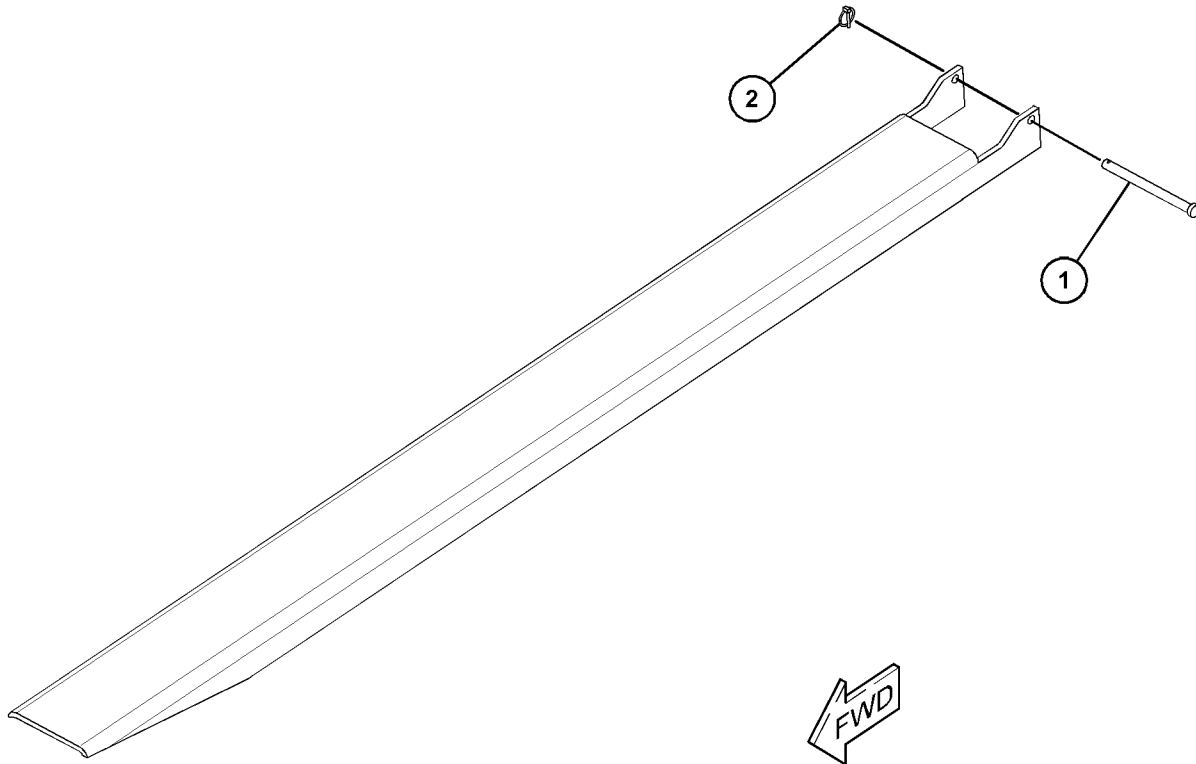
S/N: TD61-UP
AN ATTACHMENT

SMCS-6136

i06836822

NOTE	REF NO	GRAPHIC REF	PART NUMBER	QTY	PART NAME						SEE PAGE
					1	2	3	4	5	6 (PRODUCT LEVEL)	
	1	1	491-2597	1	PIN						
	2	1	491-2599	1	CLIP						

PARTS SHOWN IN GRAPHIC(S) WITHOUT A REFERENCE NUMBER ARE NOT SERVICED SEPARATELY



GRAPHIC #1

<END>

g06139581

WORK TOOLS

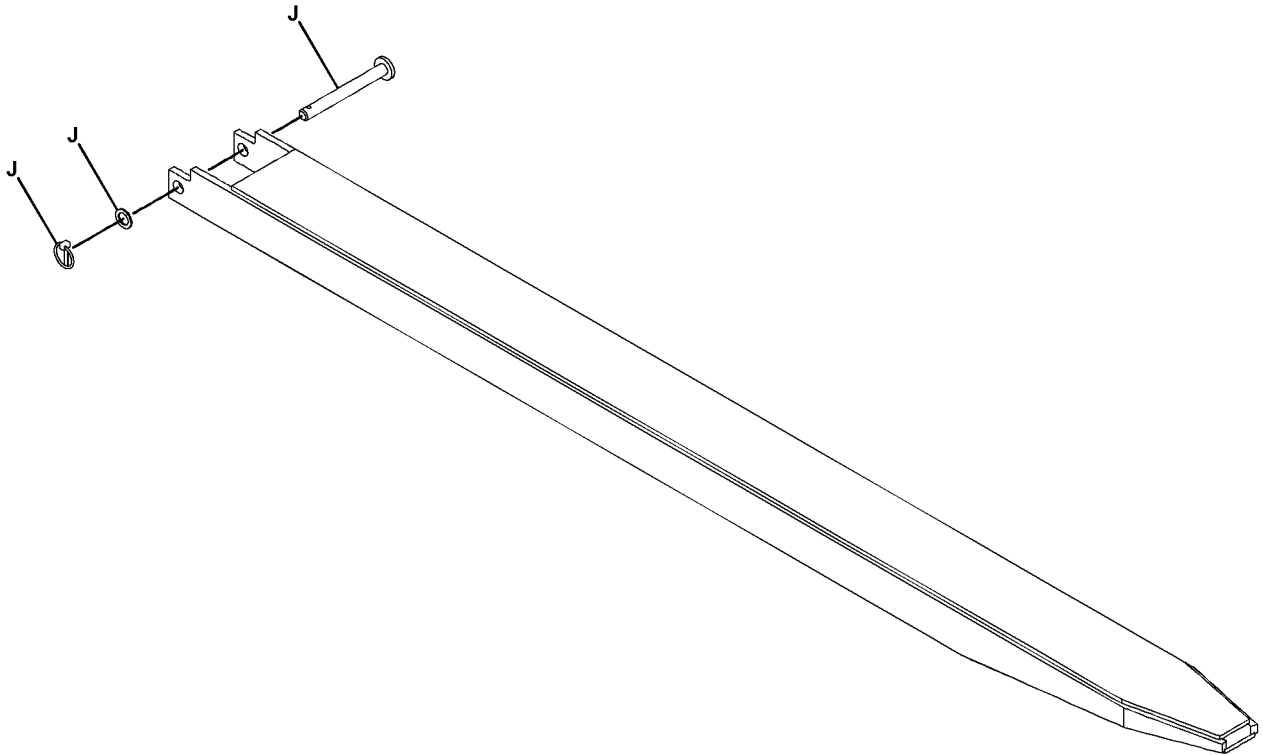
485-7238 FORK GP-PALLET

S/N: TD61-UP; TD71-UP
NOT FOR USE IN NACD REGION
AN ATTACHMENT

SMCS-6136

i06836835

NOTE	REF NO	GRAPHIC REF	PART NUMBER	QTY	PART NAME						SEE PAGE
					1	2	3	4	5	6 (PRODUCT LEVEL)	
					AVAILABLE REPAIR KIT(S) :						
			509-8143	1	KIT-PIN						
					(INCLUDES PARTS MARKED "J" IN THE GRAPHIC)						



GRAPHIC #1

<END>

g06147711

WORK TOOLS

204-5261 GUARD GP-BUCKET-FRONT

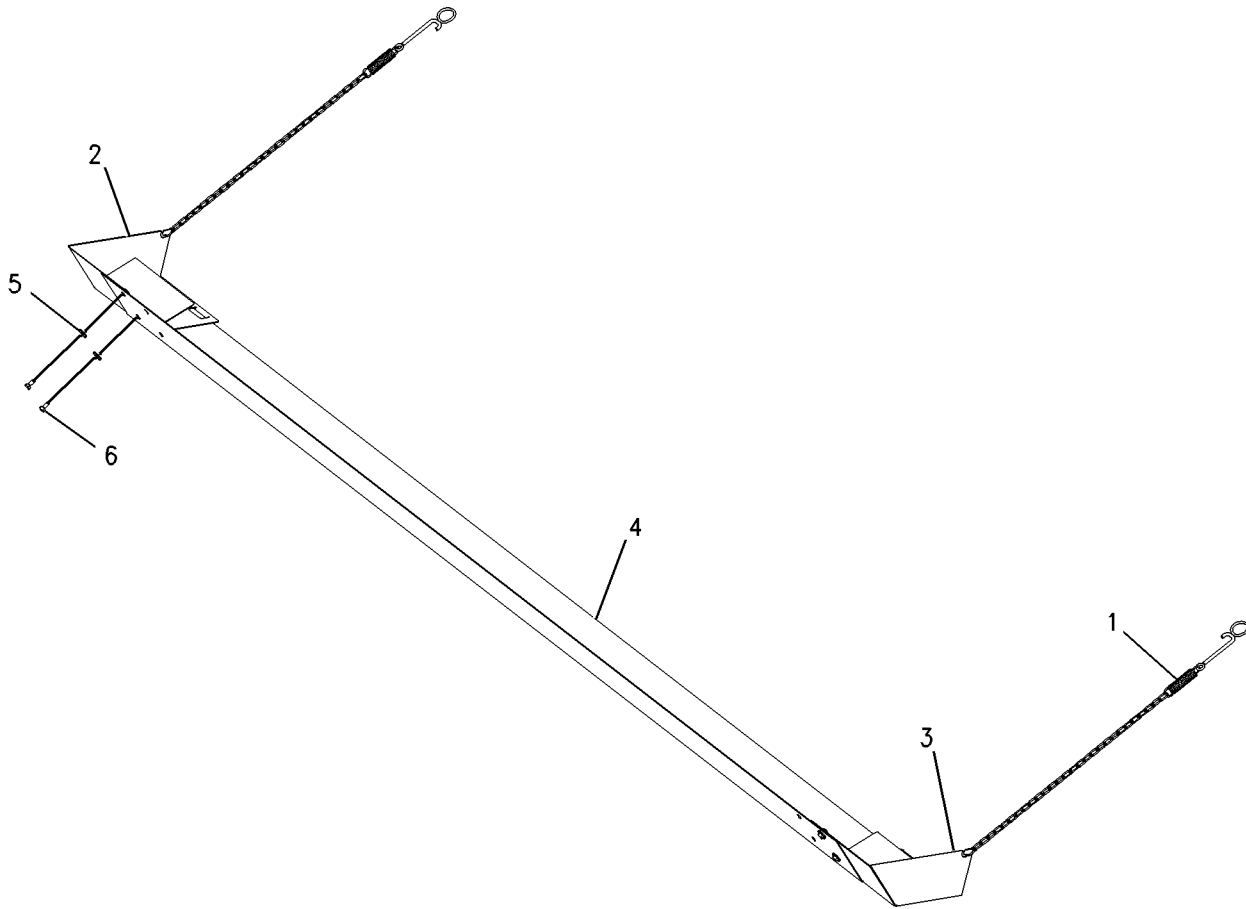
S/N: TD61-UP; TD71-UP
AN ATTACHMENT

SMCS-6001, 6800, 6805

i01618702

NOTE	REF NO	GRAPHIC REF	PART NUMBER	QTY	PART NAME						SEE PAGE
					1	2	3	4	5	6 (PRODUCT LEVEL)	
	1	1	101-4411	2	RETAINER AS						
					(EACH INCLUDES)						
		1	101-4412	1	CHAIN						
		1	101-4413	1	SPRING						
		1	101-4414	1	HOOK AS						
	2	1	204-5258	1	PLATE AS						
	3	1	204-5259	1	PLATE AS						
	4	1	204-5260	1	PLATE						
	5	1	5P-4115	4	WASHER-HARD (7.2X19X2-MM THK)						
M	6	1	8T-4171	4	BOLT (M6X1X12-MM)						

M - METRIC PART



GRAPHIC #1

<END>

g00837989

WORK TOOLS

483-9533 HANDLER AR-BALE

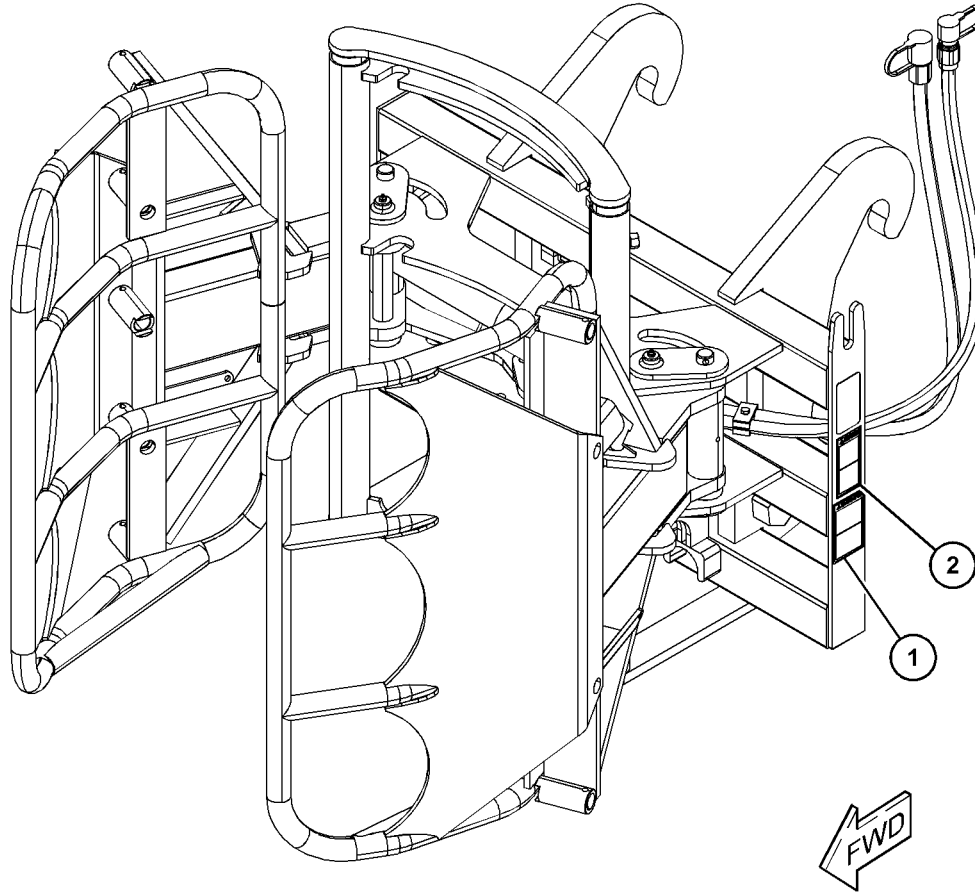
S/N: TD61-UP; TD71-UP

AN ATTACHMENT

SMCS-6703

i06735316

NOTE	REF NO	GRAPHIC REF	PART NUMBER	QTY	PART NAME						SEE PAGE
					1	2	3	4	5	6 (PRODUCT LEVEL)	
1	1	1	159-8035	1	FILM-WARNING (CRUSH HAZARD, STAY BACK)						
2	1	1	164-9989	1	FILM-WARNING (CRUSH HAZARD)						



GRAPHIC #1

<END>

g06104944

WORK TOOLS

309-9182 HOOK GP-LIFTING

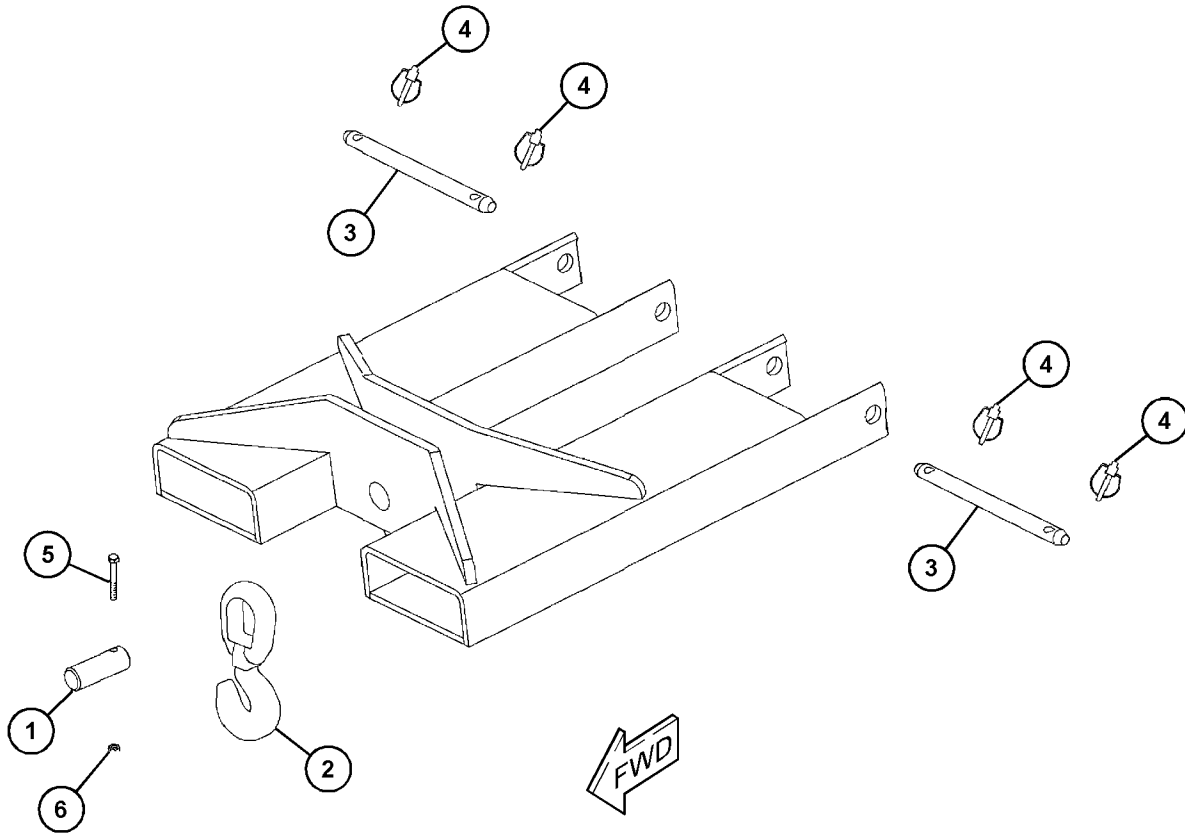
S/N: TD61-UP; TD71-UP
 NOT AVAILABLE IN NACD REGION
 AN ATTACHMENT

SMCS-6459

i06735317

NOTE	REF NO	GRAPHIC REF	PART NUMBER	QTY	PART NAME						SEE PAGE
					1	2	3	4	5	6 (PRODUCT LEVEL)	
	1	1	513-7375	1	PIN						
	2	1	513-7376	1	HOOK						
	3	1	513-7370	2	PIN						
	4	1	513-7371	4	RETAINER-RING						
	5	1	513-7379	1	BOLT						
	6	1	513-7380	1	NUT						

PARTS SHOWN IN GRAPHIC(S) WITHOUT A REFERENCE NUMBER ARE NOT SERVICED SEPARATELY



GRAPHIC #1

<END>

g06099429

WORK TOOLS

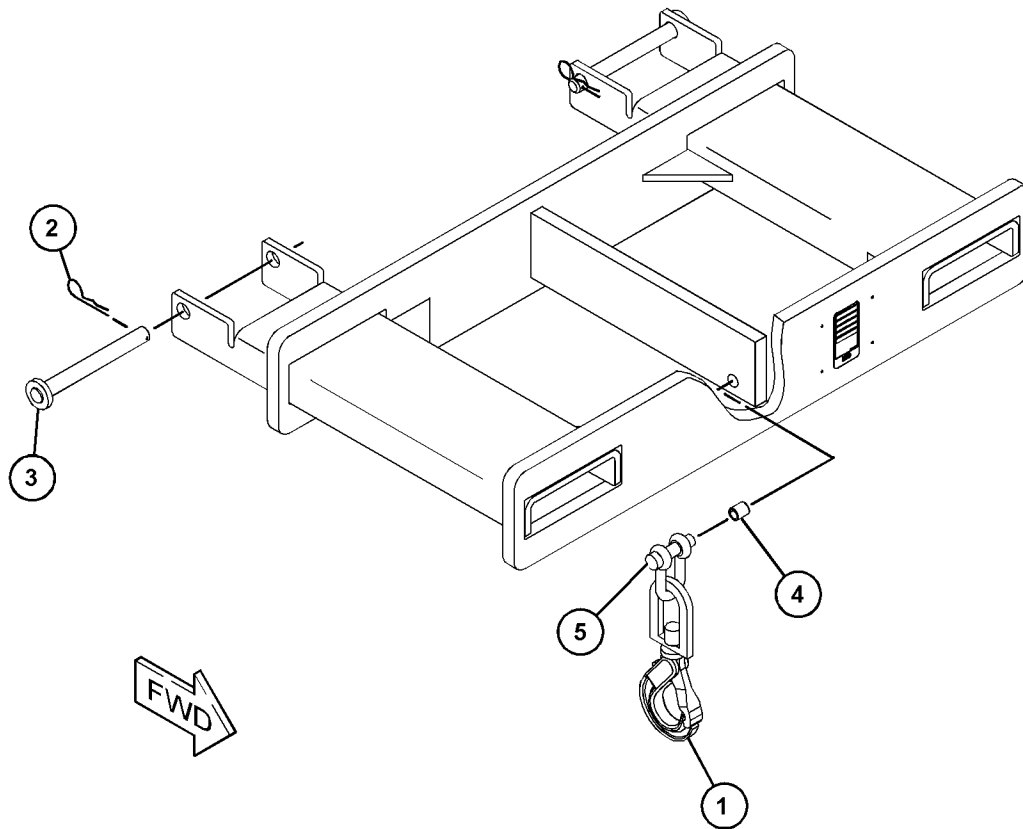
321-0556 HOOK GP-LIFTING

S/N: TD61-UP
FOR USE IN NACD REGION
AN ATTACHMENT

SMCS-6459

i06115735

NOTE	REF NO	GRAPHIC REF	PART NUMBER	QTY	PART NAME						SEE PAGE
					1	2	3	4	5	6 (PRODUCT LEVEL)	
	1	1	327-6335	1	HOOK						
	2	1	327-6317	2	PIN-COTTER						
	3	1	327-6271	2	PIN						
	4	1	327-6272	1	BUSHING						
	5	1	327-6318	1	SHACKLE						



GRAPHIC #1

<END>

g03821330

WORK TOOLS

456-0465 HOOK GP-LIFTING

S/N: TD61-UP; TD71-UP

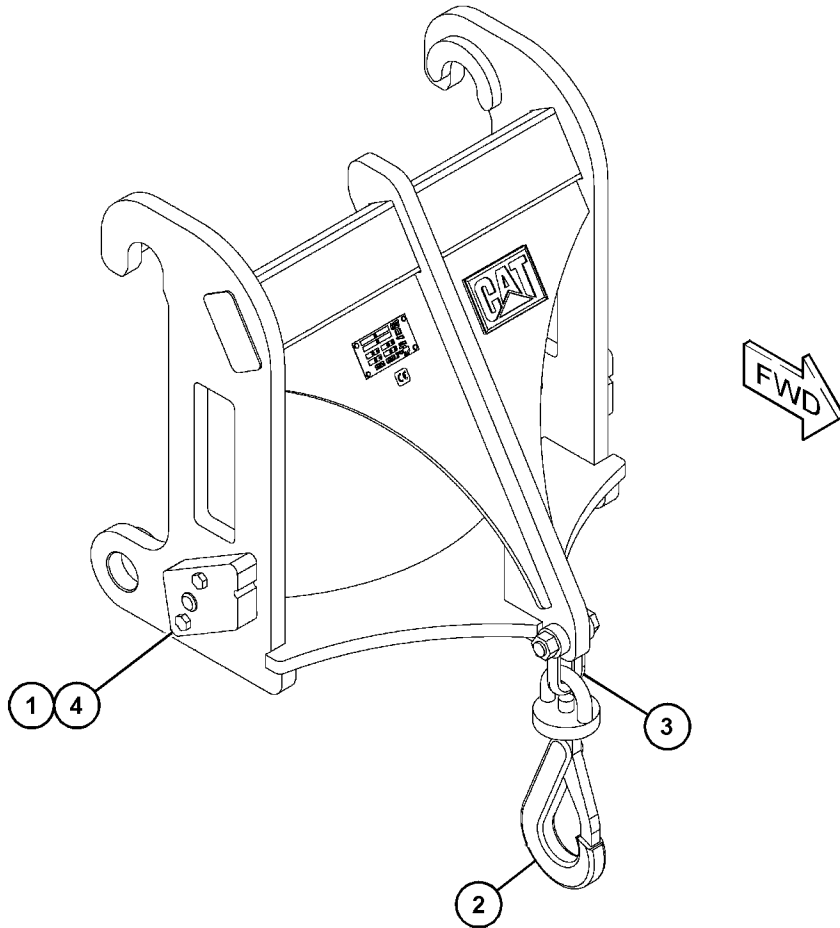
AN ATTACHMENT

SMCS-6459

i06218489

NOTE	REF NO	GRAPHIC REF	PART NUMBER	QTY	PART NAME						SEE PAGE
					1	2	3	4	5	6 (PRODUCT LEVEL)	
	1	1	169-3943	2	BLOCK						
	2	1	180-7826	1	HOOK						
	3	1	180-7827	1	CLEVIS						
M	4	1	8T-6868	4	BOLT (M12X1.75X80-MM)						

M - METRIC PART



GRAPHIC #1

<END>

g03884782

WORK TOOLS

486-0529 HOPPER GP

S/N: TD61-UP; TD71-UP
FOR USE IN NACD REGION ONLY
AN ATTACHMENT

SMCS-6639

i06836838

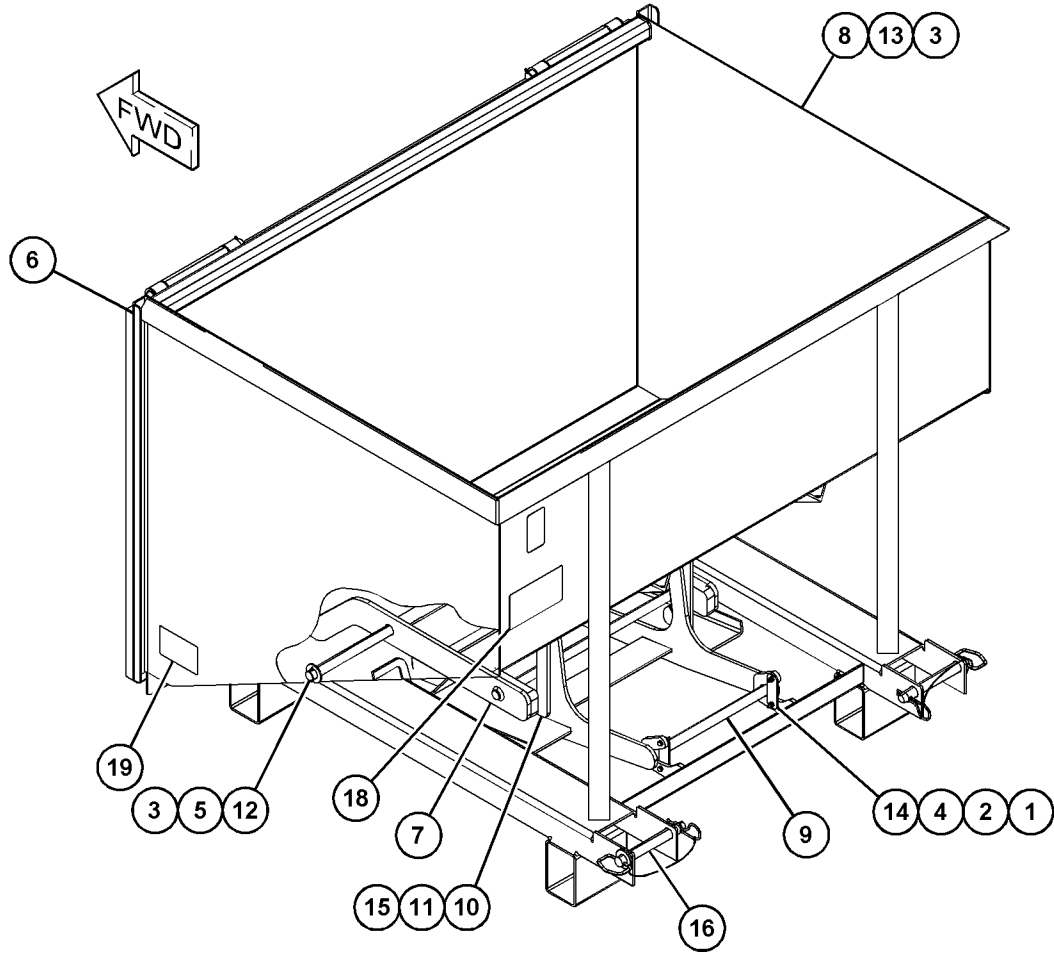
NOTE	REF NO	GRAPHIC REF	PART NUMBER	QTY	PART NAME						SEE PAGE
					1	2	3	4	5	6 (PRODUCT LEVEL)	
M	1	1	8T-4971	4	BOLT (M6X1X30-MM)						
M	2	1	344-5673	4	NUT (M6X1-THD)						
	3	1	309-8533	6	PIN-COTTER						
	4	1	8T-4205	8	WASHER-HARD (7.2X14.5X2-MM THK)						
	5	1	8T-4167	4	WASHER-HARD (26X44X4-MM THK)						
	6	1	504-5709	1	DOOR AS						
	7	1	504-5710	1	HOOK AS						
	8	1	504-5711	1	HOPPER AS						
	9	1	504-5712	1	TRAY AS						
	10	1	504-5713	2	ARM						
	11	1	504-5714	1	ROD						
	12	1	504-5715	1	BAR						
	13	1	504-5716	2	PIN AS						
	14	1	504-5717	2	PLATE						
	15	1	504-5718	2	SPACER (28X34X25-MM THK)						
	16	1	340-8979	2	PIN-HITCH						
	18	1	503-7488	1	FILM-IDENTIFICATION (TRASH HOPPER TILT)						
	19	1	303-4943	2	FILM-WARNING (PINCH POINT)						

M - METRIC PART

WORK TOOLS

486-0529 HOPPER GP (contd.)

i06836838



GRAPHIC #1

<END>

g06150712

WORK TOOLS

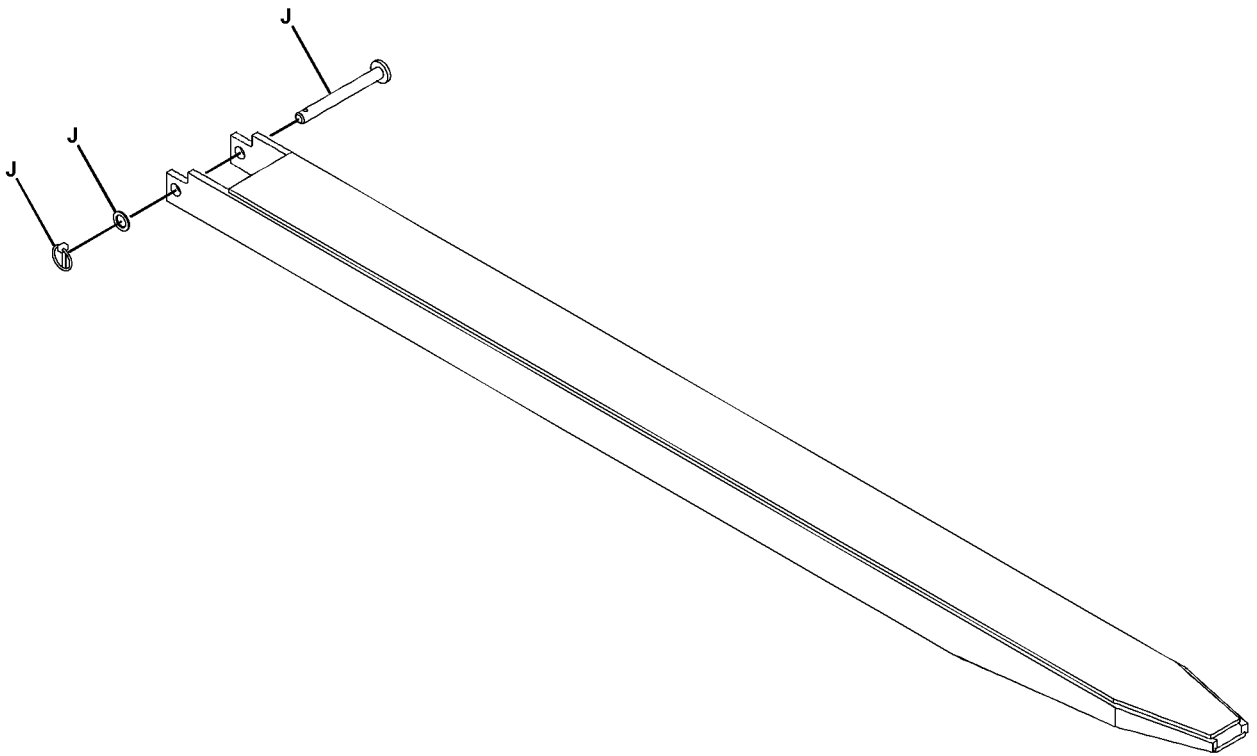
491-1372 KIT-FORK EXTENSION

S/N: TD71-UP
AN ATTACHMENT

SMCS-6406

i06889495

NOTE	REF NO	GRAPHIC REF	PART NUMBER	QTY	PART NAME 1 2 3 4 5 6 (PRODUCT LEVEL)	SEE PAGE
PARTS SHOWN IN GRAPHIC(S) WITHOUT A REFERENCE NUMBER ARE NOT SERVICED SEPARATELY						
AVAILABLE REPAIR KIT(S):						
			509-8143	1	KIT-PIN	
(INCLUDES PARTS MARKED 'J' IN THE GRAPHIC)						



GRAPHIC #1

<END>

g06165122

WORK TOOLS

485 - 7239 KIT - TOOTH - DIRT

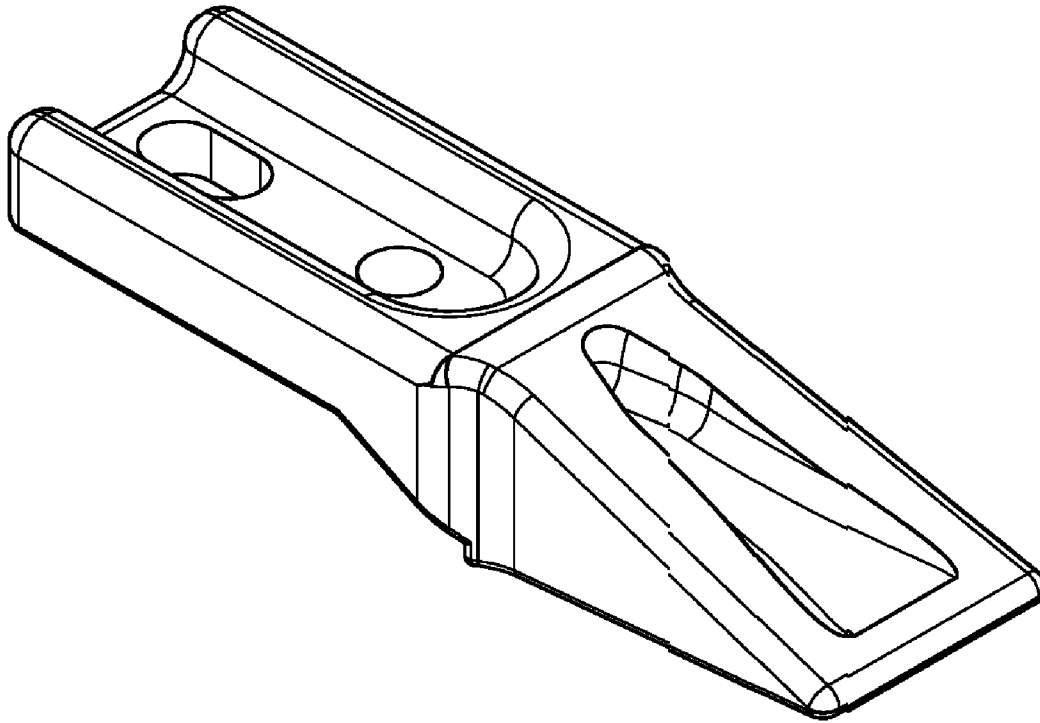
S/N: TD61-UP; TD71-UP

AN ATTACHMENT

SMCS - 6803

i07210850

NOTE	REF NO	GRAPHIC REF	PART NUMBER	QTY	PART NAME	SEE PAGE
					1 2 3 4 5 6 (PRODUCT LEVEL)	
(NO SERVICED PARTS)						



GRAPHIC #1

<END>

g06254050

WORK TOOLS

491-9892 MOTOR & MTG GP-AUGER

S/N: TD61-UP; TD71-UP

AN ATTACHMENT

SMCS-5061, 5082, 6282

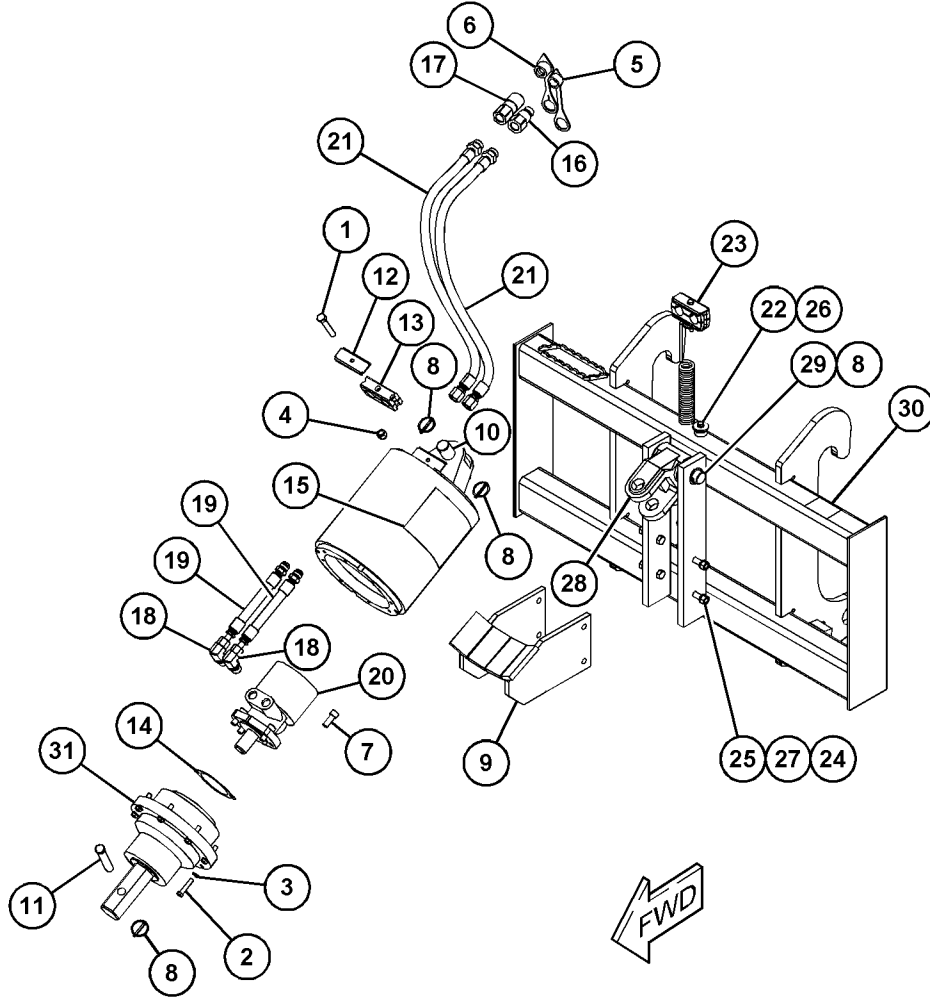
i06907145

NOTE	REF NO	GRAPHIC REF	PART NUMBER	QTY	PART NAME						SEE PAGE
					1	2	3	4	5	6 (PRODUCT LEVEL)	
	1	1	476-3713	1	BOLT						
	2	1	525-3164	8	BOLT						
	3	1	327-6330	8	LOCKWASHER						
	4	1	525-3165	1	LOCKNUT						
	5	1	340-5954	1	CAP-DUST						
	6	1	340-5953	1	CAP-DUST						
	7	1	525-3166	4	BOLT						
	8	1	525-3167	5	PIN						
	9	1	525-3168	1	BRACKET						
	10	1	525-3169	1	PIN						
	11	1	525-3170	1	PIN						
	12	1	525-3171	1	PLATE						
	13	1	525-3172	1	BLOCK						
	14	1	525-3173	1	GASKET						
	15	1	525-3174	2	FILM-DANGER						
	16	1	153-2995	1	COUPLING (MALE)						
	17	1	153-2994	1	COUPLING (FEMALE)						
	18	1	525-3175	2	FITTING						
	19	1	525-3176	2	HOSE						
	20	1	525-3177	1	MOTOR						
	21	1	525-3178	2	HOSE						
	22	1	525-3179	1	BOLT						
	23	1	525-3180	1	CLAMP						
	24	1	525-3181	4	BOLT						
	25	1	490-6360	4	NUT						
	26	1	362-2102	1	LOCKWASHER						
	27	1	327-6329	4	LOCKWASHER						
	28	1	525-3182	1	SWIVEL						
	29	1	525-3183	1	PIN						
	30	1	525-3184	1	FILM-WARNING						
	31	1	525-3185	1	GEARBOX						

WORK TOOLS

491-9892 MOTOR & MTG GP-AUGER (contd.)

i06907145



GRAPHIC #1

<END>

g06164705

WORK TOOLS

343-9736 PLATFORM AR-ACCESS

S/N: TD61-UP

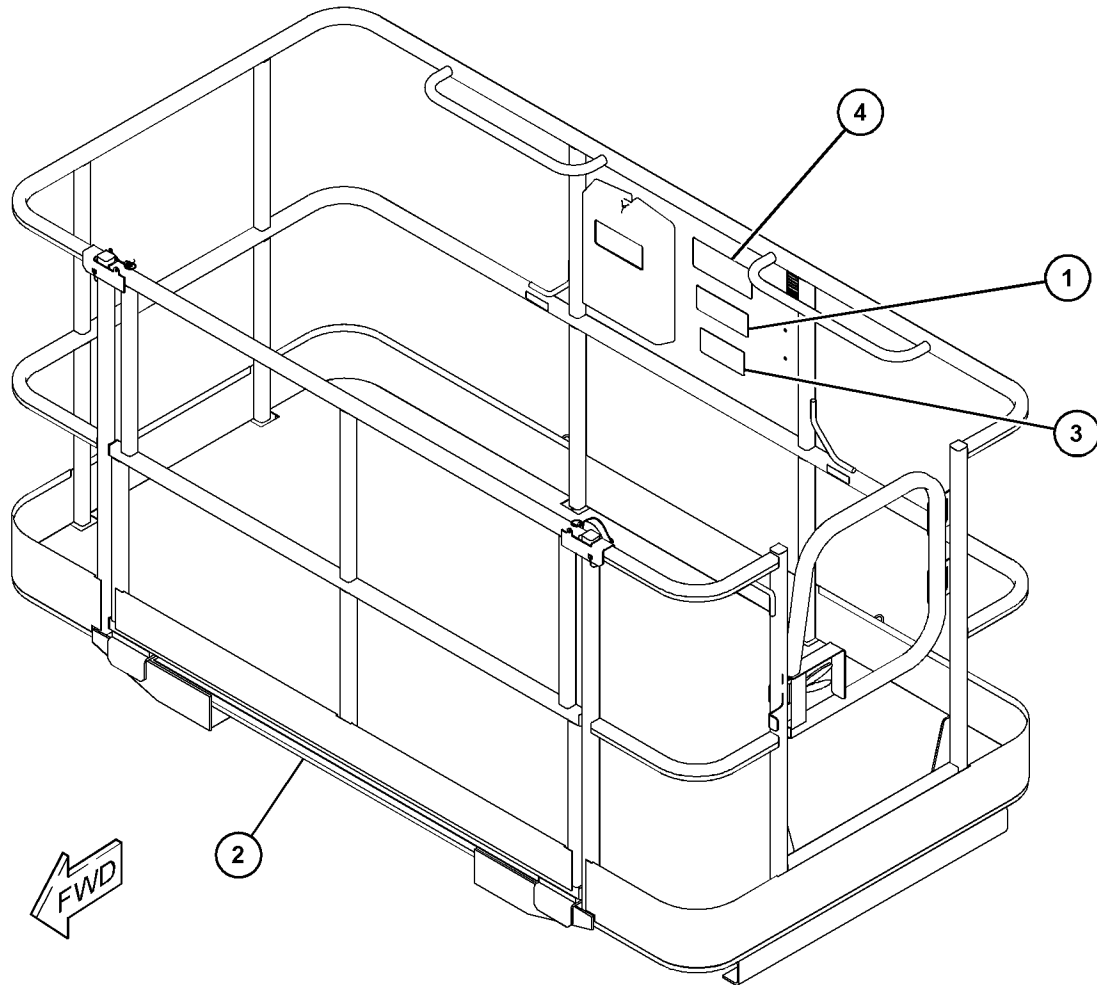
ENGLISH, FOR USE IN NACD REGION
AN ATTACHMENT

SMCS-6461

i06117495

NOTE	REF NO	GRAPHIC REF	PART NUMBER	QTY	PART NAME						SEE PAGE
					1	2	3	4	5	6 (PRODUCT LEVEL)	
	1	1	338-9998	1	FILM-WARNING (PLATFORM)						
Y	2	1	340-8976	1	PLATFORM GP-ACCESS						880
	3	1	338-9999	1	FILM-WARNING (PLATFORM)						
	4	1	339-0000	1	FILM-WARNING (TIPPING HAZARD, READ OMM)						

Y - SEPARATE ILLUSTRATION



GRAPHIC #1

<END>

g03823007

WORK TOOLS

343-9737 PLATFORM AR-ACCESS

S/N: TD61-UP

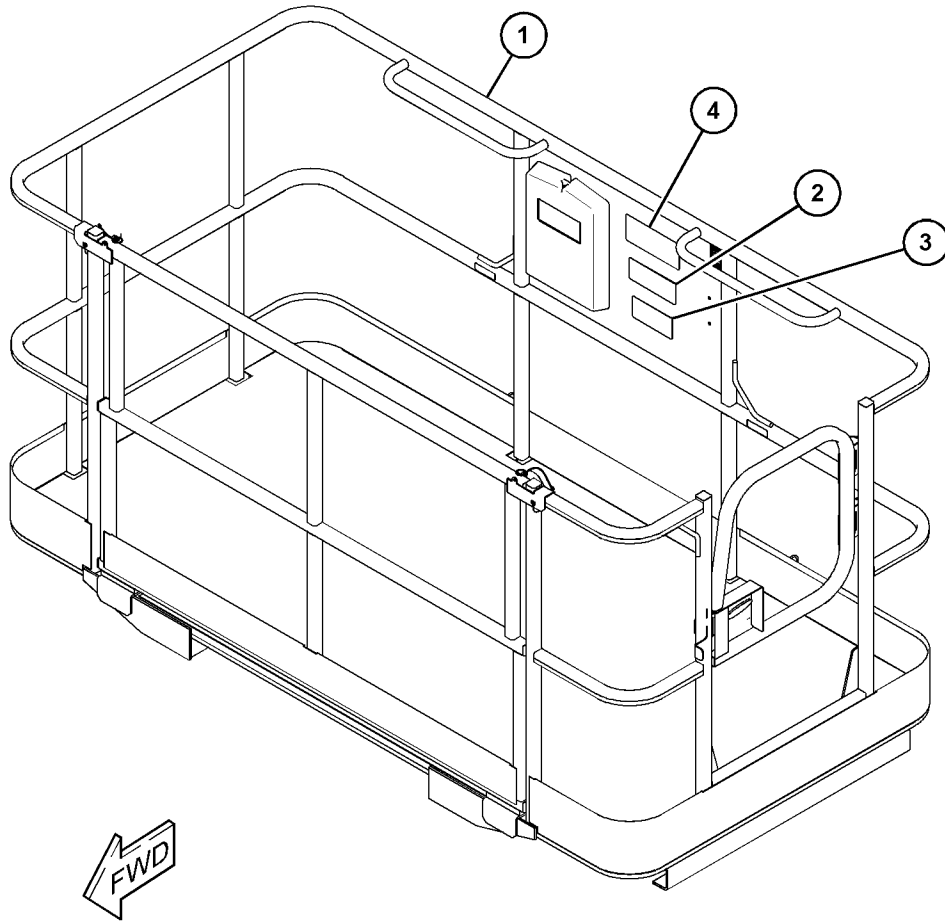
PORTUGUESE, SPANISH, FOR USE IN NACD REGION
AN ATTACHMENT

SMCS-6461

i06117634

NOTE	REF NO	GRAPHIC REF	PART NUMBER	QTY	PART NAME						SEE PAGE
					1	2	3	4	5	6 (PRODUCT LEVEL)	
Y	1	1	340-8976	1	PLATFORM GP-ACCESS						880
	2	1	328-7293	1	FILM-WARNING (OPERATOR PLATFORM)						
	3	1	328-7290	1	FILM-WARNING (TIPPING HAZARD, WEIGHT)						
	4	1	328-7291	1	FILM-WARNING (LOAD CAPACITY, READ OMM)						

Y - SEPARATE ILLUSTRATION



GRAPHIC #1

<END>

g03820409

WORK TOOLS

343-9738 PLATFORM AR-ACCESS

S/N: TD61-UP

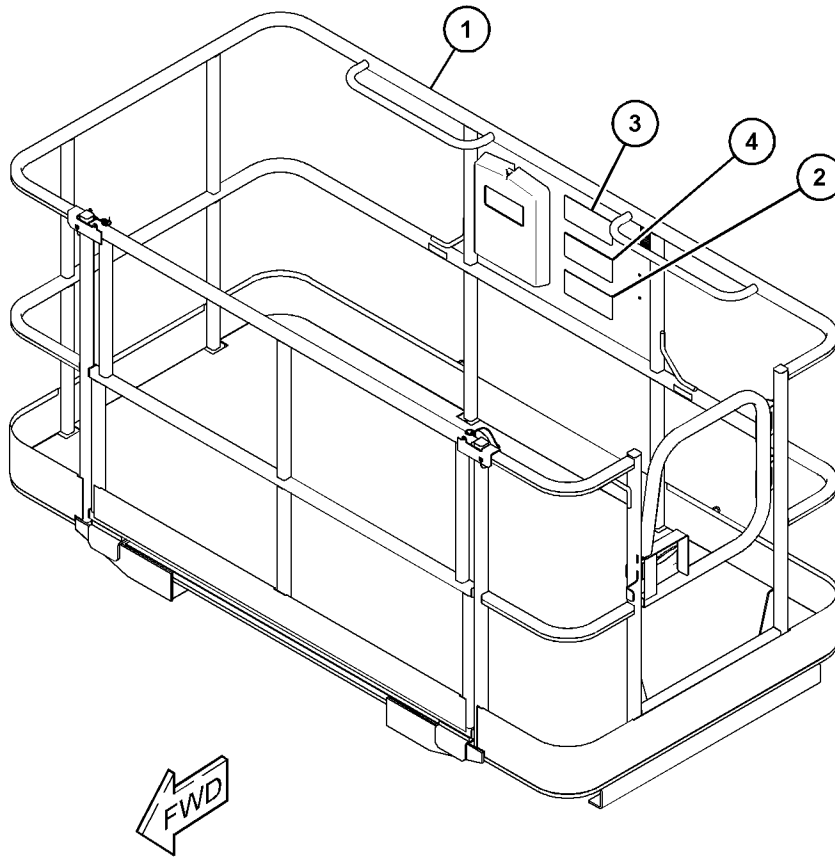
**FRENCH, FOR USE IN NACD REGION
AN ATTACHMENT**

SMCS-6461

i06116188

NOTE	REF NO	GRAPHIC REF	PART NUMBER	QTY	PART NAME						SEE PAGE
					1	2	3	4	5	6 (PRODUCT LEVEL)	
Y	1	1	340-8976	1	PLATFORM GP-ACCESS						880
	2	1	328-7288	1	FILM-WARNING (PLATFORM)						
	3	1	328-7289	1	FILM-WARNING (TIPPING HAZARD, READ OMM)						
	4	1	328-7292	1	FILM-WARNING (PLATFORM)						

Y - SEPARATE ILLUSTRATION



GRAPHIC #1

<END>

g03822398

WORK TOOLS

340-8976 PLATFORM GP-ACCESS

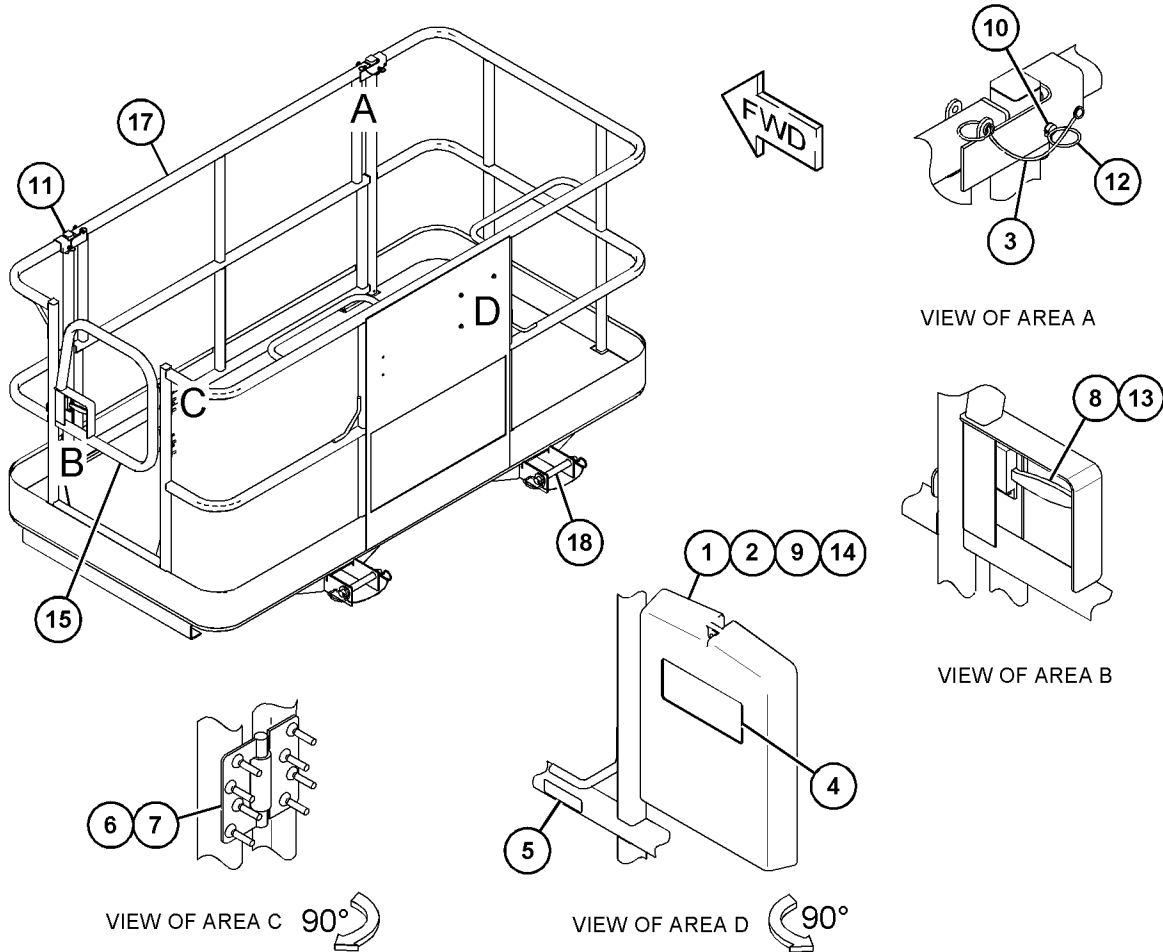
S/N: TD61-UP

PART OF 343-9736, 343-9737, 343-9738 PLATFORM AR-ACCESS
AN ATTACHMENT

SMCS-6461

i05982809

NOTE	REF NO	GRAPHIC REF	PART NUMBER	QTY	PART NAME						SEE PAGE
					1	2	3	4	5	6 (PRODUCT LEVEL)	
	1	1	297-7010	4	SCREW (1/4X0.62-IN)						
	2	1	304-2566	1	BOX-STORAGE						
	3	1	340-8977	2	LANYARD						
	4	1	338-9997	1	FILM-IDENTIFICATION (MANUAL)						
	5	1	335-8059	3	FILM-IDENTIFICATION (LANYARD ATTACH)						
	6	1	335-8065	16	STUD						
	7	1	335-8066	2	HINGE AS						
	8	1	336-2804	1	LATCH						
	9	1	298-0549	4	LOCKNUT (1/4-20-THD)						
	10	1	340-8978	2	PIN-SNAP						
	11	1	335-8077	10	PLUG						
	12	1	466-8177	4	RING-BACKUP						
	13	1	335-8080	4	RIVET						
	14	1	298-7363	8	WASHER (0.28X0.63X0.065-IN THK)						
	15	1	335-8098	1	GATE AS						
	17	1	340-8975	1	GATE AS						
	18	1	340-8979	2	PIN-HITCH						



GRAPHIC #1

<END>

g03785566

OPERATOR STATION

501-0753 AIR CONDITIONER & MOUNTING GP

S/N: TD61-UP; TD71-UP

PART OF 508-7849, 521-2180 AIR CONDITIONER AR
AN ATTACHMENT

SMCS-7320, 7322

i07085892

NOTE	REF NO	GRAPHIC REF	PART NUMBER	QTY	PART NAME						SEE PAGE
					1	2	3	4	5	6 (PRODUCT LEVEL)	
M	1	1	8T-4971	2	BOLT (M6X1X30-MM)						
M	2	1	482-1340	3	SCREW (M10X1.50X55-MM)						
M	3	1	8T-4189	6	BOLT (M8X1.25X20-MM)						
M	4	1	5C-2890	1	NUT (M6X1-THD)						
	5	1	8T-4205	3	WASHER-HARD (7.2X14.5X2-MM THK)						
	6	1	8T-4224	8	WASHER-HARD (8.8X16X2-MM THK)						
	7	1	309-3997	2	WASHER (8.4X25X2-MM THK)						
Y	8	1	<i>525-3137</i>	1	AIR CONDITIONER & MOUNTING GP						886
	9	1	3B-4505	6	LOCKWASHER						
	10	1	399-7779	1	COMPRESSOR AS						
Y	11	1	<i>450-0003</i>	1	BELT TENSIONER GP (WITH AIR CONDITIONER)						21
M	12	1	399-7790	4	BOLT (M8X1.25X95-MM)						
	13	1	459-8862	2	TUBE						
Y	14	1	<i>474-3810</i>	1	CONDENSER GP-REFRIGERANT (CAB)						896
	15	1	474-4083	1	HOSE AS						
	16	1	474-4084	1	HOSE AS						
	17	1	474-4085	1	TUBE AS						
	18	1	474-4086	1	TUBE AS						
Y	19	1	474-4112	1	HARNESS AS-HEATER & AIR COND (CONDENSER FAN, PRESSURE SWITCH)						349
	20	1	474-4115	1	BRACKET AS						
Y	21	1	<i>496-8258</i>	1	LINES GP-AIR CONDITIONER						945
	22	1	482-1147	1	FILM-IDENTIFICATION (AIR CONDITIONER REFRIGERANT)						
	23	1	299-0309	1	CLAMP						

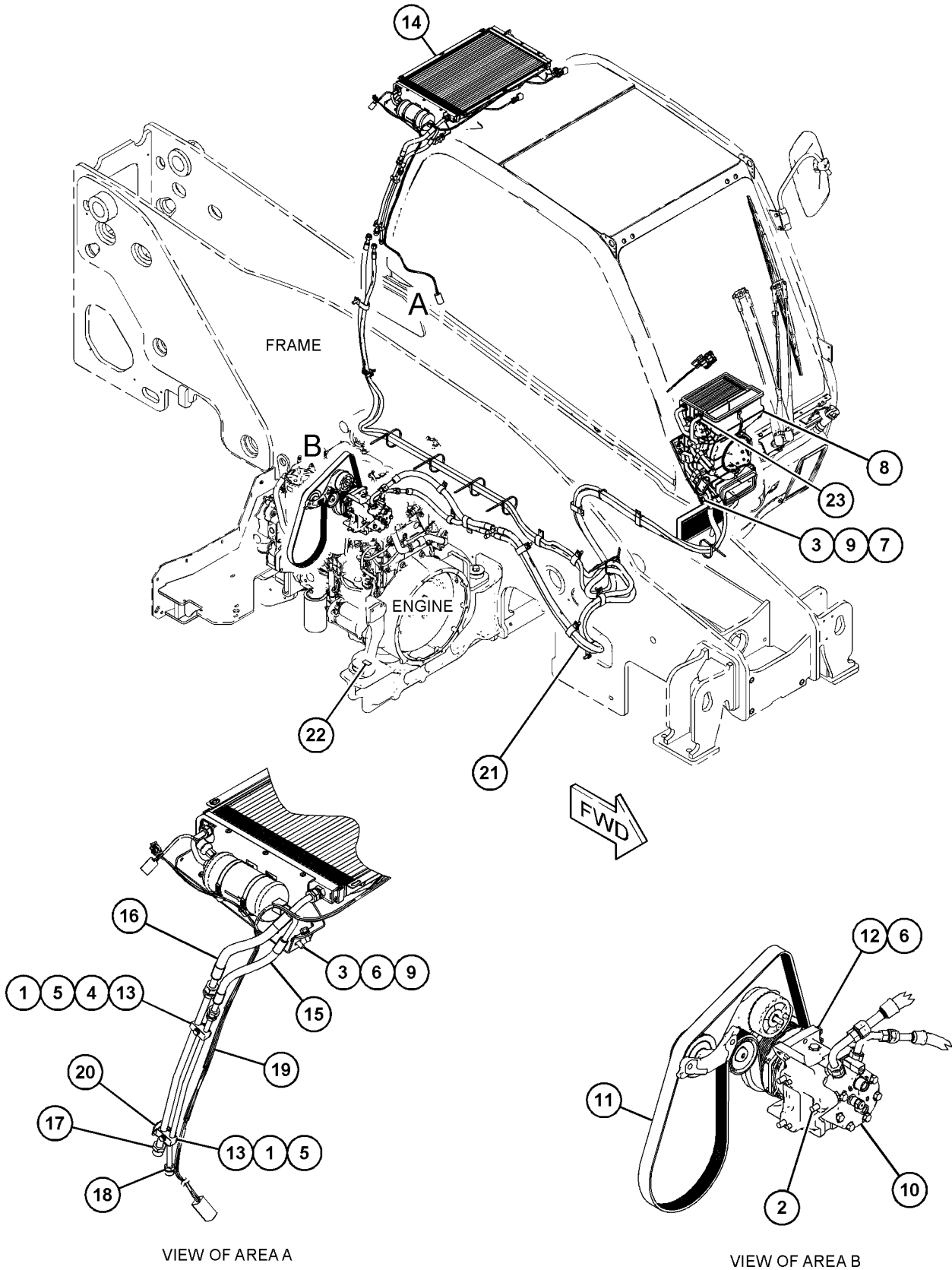
M - METRIC PART

Y - SEPARATE ILLUSTRATION

OPERATOR STATION

501-0753 AIR CONDITIONER & MOUNTING GP (contd.)

i07085892



GRAPHIC #1

<END>

g06220234

OPERATOR STATION

514-4876 AIR CONDITIONER & MOUNTING GP

S/N: TD61-UP

PART OF 520-8643 AIR CONDITIONER AR
AN ATTACHMENT

SMCS-7320, 7322

i06893355

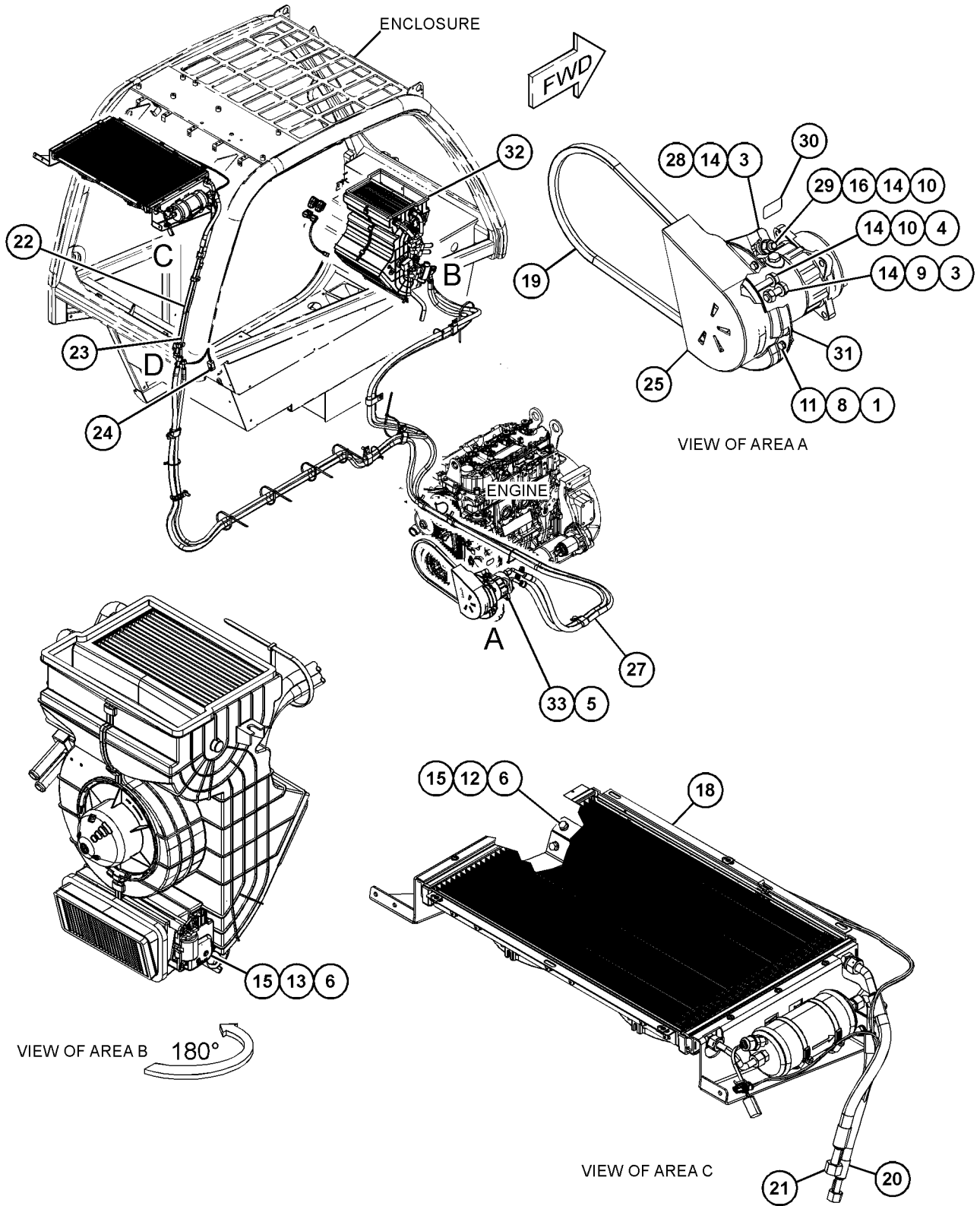
NOTE	REF NO	GRAPHIC REF	PART NUMBER	QTY	PART NAME						SEE PAGE
					1	2	3	4	5	6 (PRODUCT LEVEL)	
M	1	1	8T-4138	3	BOLT (M6X1X20-MM)						
M	2	2	8T-4971	2	BOLT (M6X1X30-MM)						
M	3	1	8T-4195	3	BOLT (M10X1.5X30-MM)						
M	4	1	8T-4185	1	BOLT (M10X1.5X50-MM)						
M	5	1	8T-5436	1	BOLT (M10X1.5X130-MM)						
M	6	1	8T-4189	6	BOLT (M8X1.25X20-MM)						
M	7	2	5C-2890	1	NUT (M6X1-THD)						
	8	1	303-4779	3	LOCKNUT (M6X1-THD)						
M	9	1	344-5675	2	NUT (M10X1.5-THD)						
M	10	1	8T-0389	2	LOCKNUT (M10X1.5-THD)						
	11	1,2	8T-4205	9	WASHER-HARD (7.2X14.5X2-MM THK)						
	12	1	8T-4224	4	WASHER-HARD (8.8X16X2-MM THK)						
	13	1	309-3997	2	WASHER (8.4X25X2-MM THK)						
	14	1	8T-4121	5	WASHER-HARD (11X21X2.5-MM THK)						
	15	1	298-7387	6	LOCKWASHER						
	16	1	309-2978	1	WASHER (11X22X10-MM)						
	17	2	459-8862	2	TUBE						
Y	18	1	<i>474-3810</i>	1	CONDENSER GP-REFRIGERANT (CAB)						896
	19	1	477-3325	1	BELT						
	20	1	474-4083	1	HOSE AS						
	21	1	474-4084	1	HOSE AS						
	22	1	474-4085	1	TUBE AS						
	23	1	474-4086	1	TUBE AS						
Y	24	1	474-4112	1	HARNES AS-HEATER & AIR COND (CONDENSER FAN, PRESSURE SWITCH)						349
	25	1	477-3328	1	COVER						
	26	2	474-4115	1	BRACKET AS						
Y	27	1	<i>496-8251</i>	1	LINES GP-AIR CONDITIONER						943
	28	1	483-8200	1	PLATE						
	29	1	483-8201	1	ROD END						
	30	1	482-1147	1	FILM-IDENTIFICATION (AIR CONDITIONER REFRIGERANT)						
	31	1	495-0017	1	SUPPORT						
Y	32	1	<i>525-3137</i>	1	AIR CONDITIONER & MOUNTING GP						886
	33	1	365-9915	1	COMPRESSOR						

M - METRIC PART
Y - SEPARATE ILLUSTRATION

OPERATOR STATION

514-4876 AIR CONDITIONER & MOUNTING GP (contd.)

i06893355



REFER TO ALL ILLUSTRATIONS OF THIS GROUP FOR AUXILIARY VIEWS

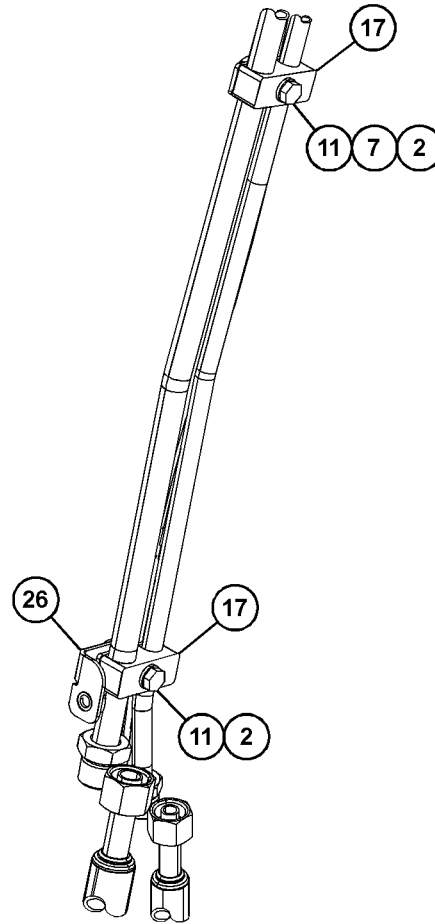
GRAPHIC #1

g06163648

OPERATOR STATION

514-4876 AIR CONDITIONER & MOUNTING GP (contd.)

106893355



VIEW OF AREA D
<END>

GRAPHIC #2

g06163650

OPERATOR STATION

525-3137 AIR CONDITIONER & MOUNTING GP

S/N: TD61-UP; TD71-UP

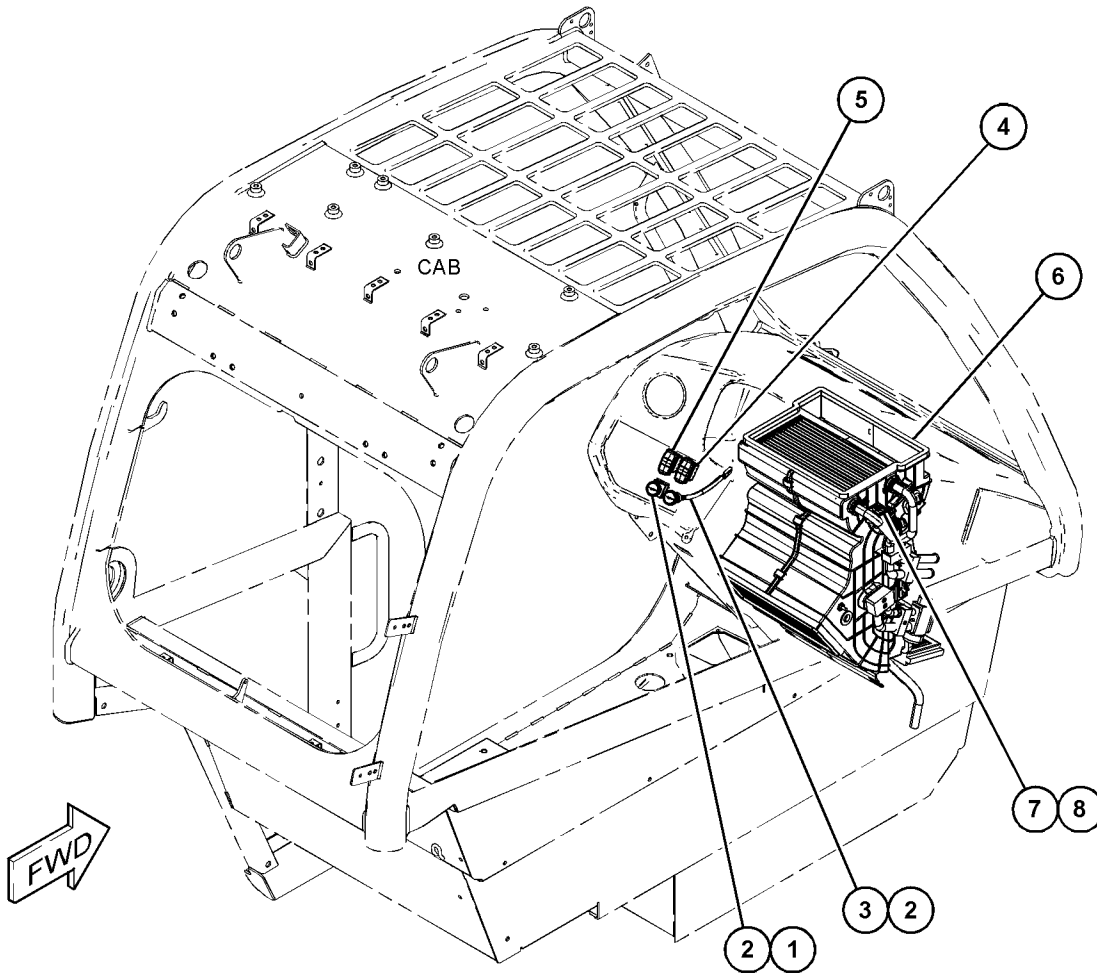
PART OF 501-0753, 514-4876 AIR CONDITIONER & MOUNTING GP
AN ATTACHMENT

SMCS-7320, 7322

i07059314

NOTE	REF NO	GRAPHIC REF	PART NUMBER	QTY	PART NAME						SEE PAGE
					1	2	3	4	5	6 (PRODUCT LEVEL)	
	1	1	473-2085	1	SWITCH AS-AIR CONDITIONER (ROTARY)						
	2	1	473-2086	2	KNOB (CONTROL)						
	3	1	536-9853	1	SWITCH AS-AIR CONDITIONER (HVAC)						
	4	1	496-8264	1	SWITCH AS-ROCKER (HVAC) (RECIRCULATION)						
	5	1	501-0755	1	SWITCH AS (ON/OFF)						
Y	6	1	525-3040	1	AIR CONDITIONER GP						888
	7	1	536-9761	2	SHIM (0.5-MM THK)						
	8	1	484-8325	2	GROMMET						

Y - SEPARATE ILLUSTRATION



GRAPHIC #1

<END>

g06213121

OPERATOR STATION

508-7849 AIR CONDITIONER AR

S/N: TD61-UP
AN ATTACHMENT

SMCS-7320

i06645681

NOTE	PART NUMBER	QTY	PART NAME						SEE PAGE
			1	2	3	4	5	6 (PRODUCT LEVEL)	
Y	501-0753	1	AIR CONDITIONER & MOUNTING GP						881
Y	492-3933	1	COVER GP-CAB (ROOF)						905
Y	496-8262	1	LINES GP-HEATER & AIR COND						947

Y - SEPARATE ILLUSTRATION

<END>

520-8643 AIR CONDITIONER AR

S/N: TD61-UP
AN ATTACHMENT

SMCS-7320

i06893352

NOTE	PART NUMBER	QTY	PART NAME						SEE PAGE
			1	2	3	4	5	6 (PRODUCT LEVEL)	
Y	514-4876	1	AIR CONDITIONER & MOUNTING GP						883
Y	492-3933	1	COVER GP-CAB (ROOF)						905
Y	497-3809	1	LINES GP-HEATER & AIR COND						949

Y - SEPARATE ILLUSTRATION

<END>

521-2180 AIR CONDITIONER AR

S/N: TD71-UP
AN ATTACHMENT

SMCS-7320

i06818933

NOTE	PART NUMBER	QTY	PART NAME						SEE PAGE
			1	2	3	4	5	6 (PRODUCT LEVEL)	
Y	501-0753	1	AIR CONDITIONER & MOUNTING GP						881
Y	492-3933	1	COVER GP-CAB (ROOF)						905
Y	497-9625	1	LINES GP-HEATER & AIR COND						952

Y - SEPARATE ILLUSTRATION

<END>

OPERATOR STATION

525-3040 AIR CONDITIONER GP

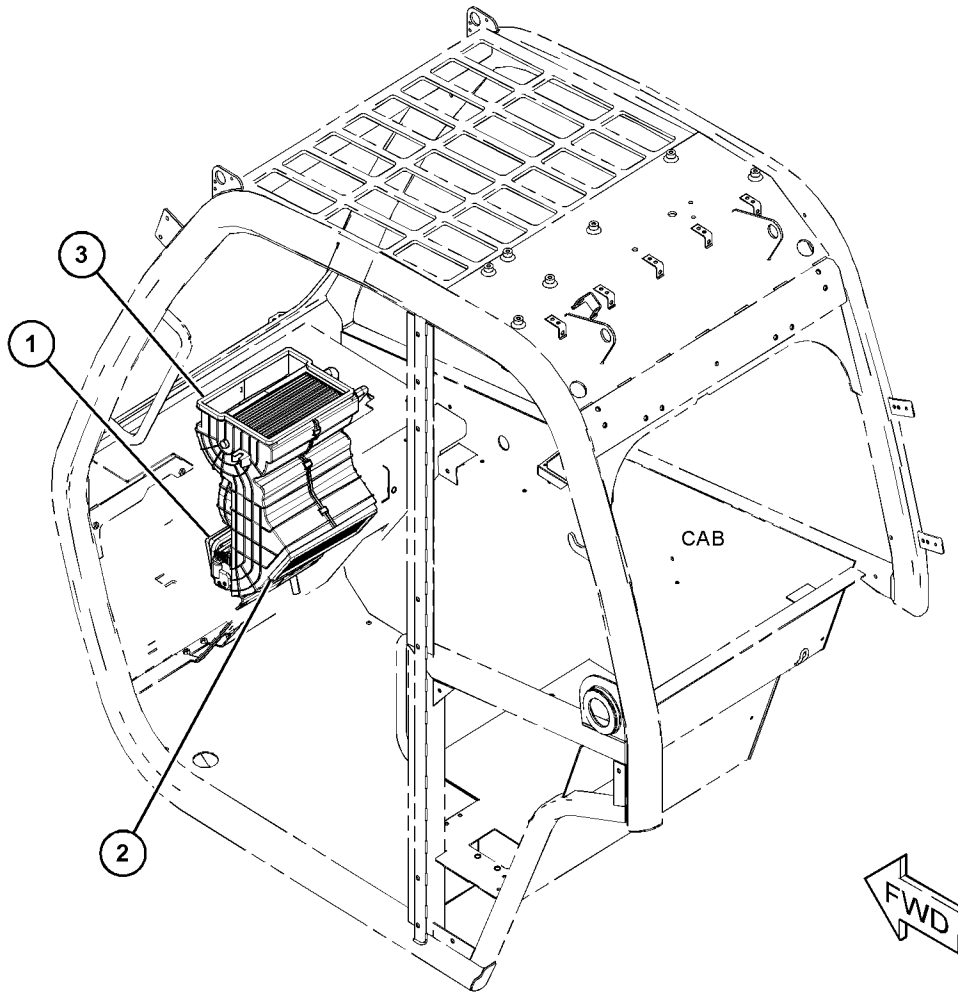
S/N: TD61-UP; TD71-UP
PART OF 525-3137 AIR CONDITIONER & MOUNTING GP
AN ATTACHMENT

SMCS-7320

i07162646

NOTE	REF NO	GRAPHIC REF	PART NUMBER	QTY	PART NAME						SEE PAGE
					1	2	3	4	5	6 (PRODUCT LEVEL)	
	1	1	528-8853	1	FILTER-AIR (FRESH AIR)						
	2	1	473-2651	1	FILTER (HVAC) (RECIRCULATION)						
Y	3	1	525-3038	1	HEATER & AIR CONDITIONER GP						924

Y - SEPARATE ILLUSTRATION



GRAPHIC #1

<END>

g06165664

OPERATOR STATION

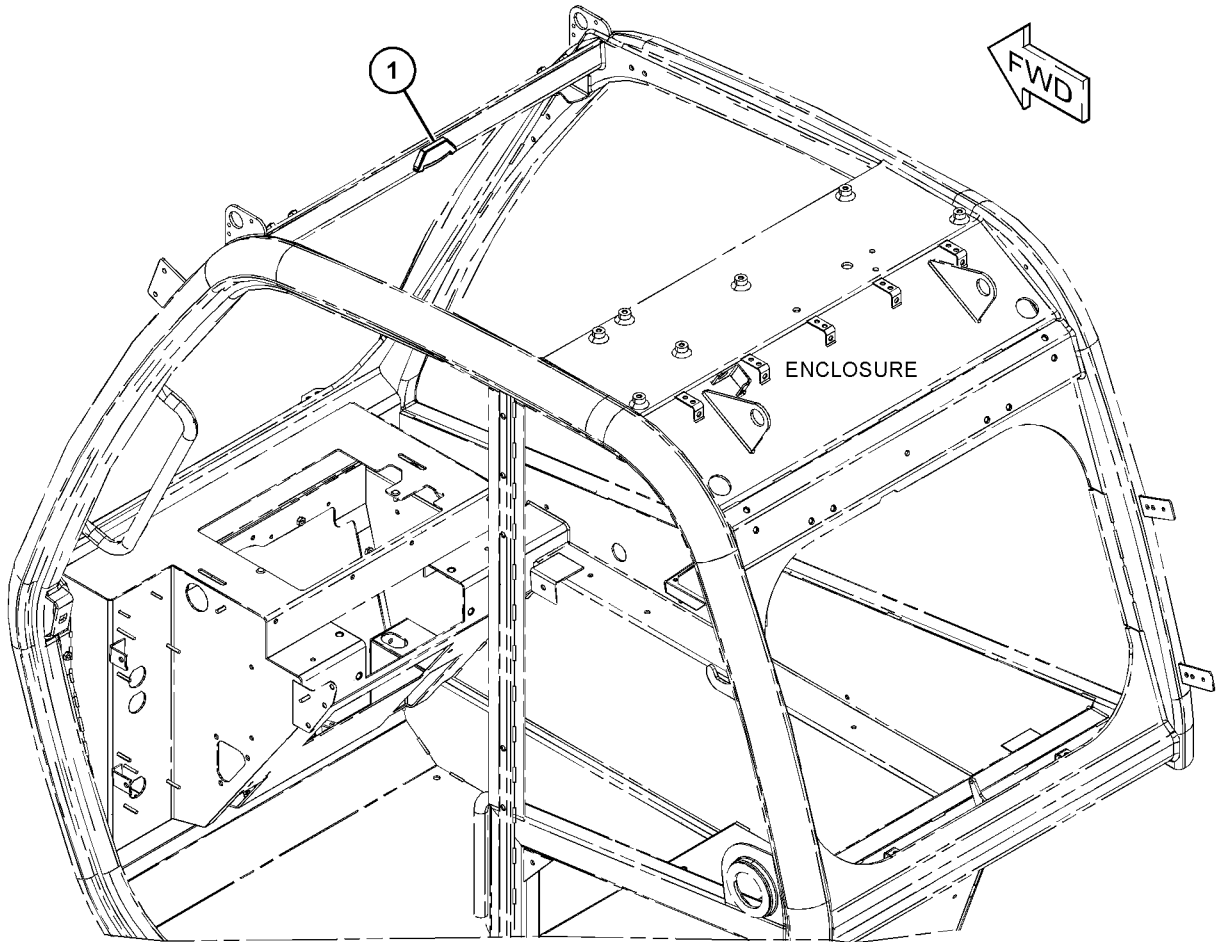
473-4949 ANGLE-INDICATOR

S/N: TD61-UP; TD71-UP
PART OF 517-9179, 517-9180 CAB AR
AN ATTACHMENT

SMCS-7858

i06893262

NOTE	REF NO	GRAPHIC REF	PART NUMBER	QTY	PART NAME						SEE PAGE
					1	2	3	4	5	6 (PRODUCT LEVEL)	
	1	1	299-0354	1	GAUGE (TILT ANGLE)						



GRAPHIC #1

<END>

g06163600

OPERATOR STATION

495-6206 ARMREST GP-ADJUSTABLE

S/N: TD61-UP; TD71-UP
PART OF 495-6202 TRIM GP-CAB
AN ATTACHMENT

SMCS-7307

i06649604

NOTE	REF NO	GRAPHIC REF	PART NUMBER	QTY	PART NAME						SEE PAGE
					1	2	3	4	5	6 (PRODUCT LEVEL)	
M	1	1	8T-4138	4	BOLT (M6X1X20-MM)						
M	2	1	5C-8312	2	NUT (M4X0.7-THD)						
	3	1	5W-5038	2	WASHER (4.3X9X0.8-MM THK)						
	4	1	8T-4205	4	WASHER-HARD (7.2X14.5X2-MM THK)						
	5	1	473-9270	2	WASHER-SPRING						
	6	1	495-6207	2	SCREW-SOCKET HEAD						
	7	1	473-6930	2	MOUNT						
	8	1	495-4796	1	ARMREST GP						
		1	494-0158	6	SCREW-SELF-TAPPING						
	9	1	<i>495-4799</i>	1	BRACKET GP-MOUNTING (FIXED)						
		1	495-4800	1	BRACKET						
		1	495-4801	4	BLOCK						
		1	495-6228	8	SCREW-DRIVE (M6X1X25-MM)						
Y	10	1	<i>495-4802</i>	1	BRACKET GP-MOUNTING						22
	11	1	<i>495-6230</i>	1	SPRING AS-GAS						
		1	495-4791	1	SPRING AS-GAS						
		1	495-4792	1	CABLE						
	12	1	495-6208	2	SCREW (M6X1X30-MM)						
	13	1	303-4779	2	LOCKNUT (M6X1-THD)						
	14	1	495-6228	4	SCREW-DRIVE (M6X1X25-MM)						
M	15	1	5C-9553	2	BOLT (M6X1X16-MM)						
M	16	1	5C-2890	2	NUT (M6X1-THD)						
	17	1	512-0429	1	BRACKET						

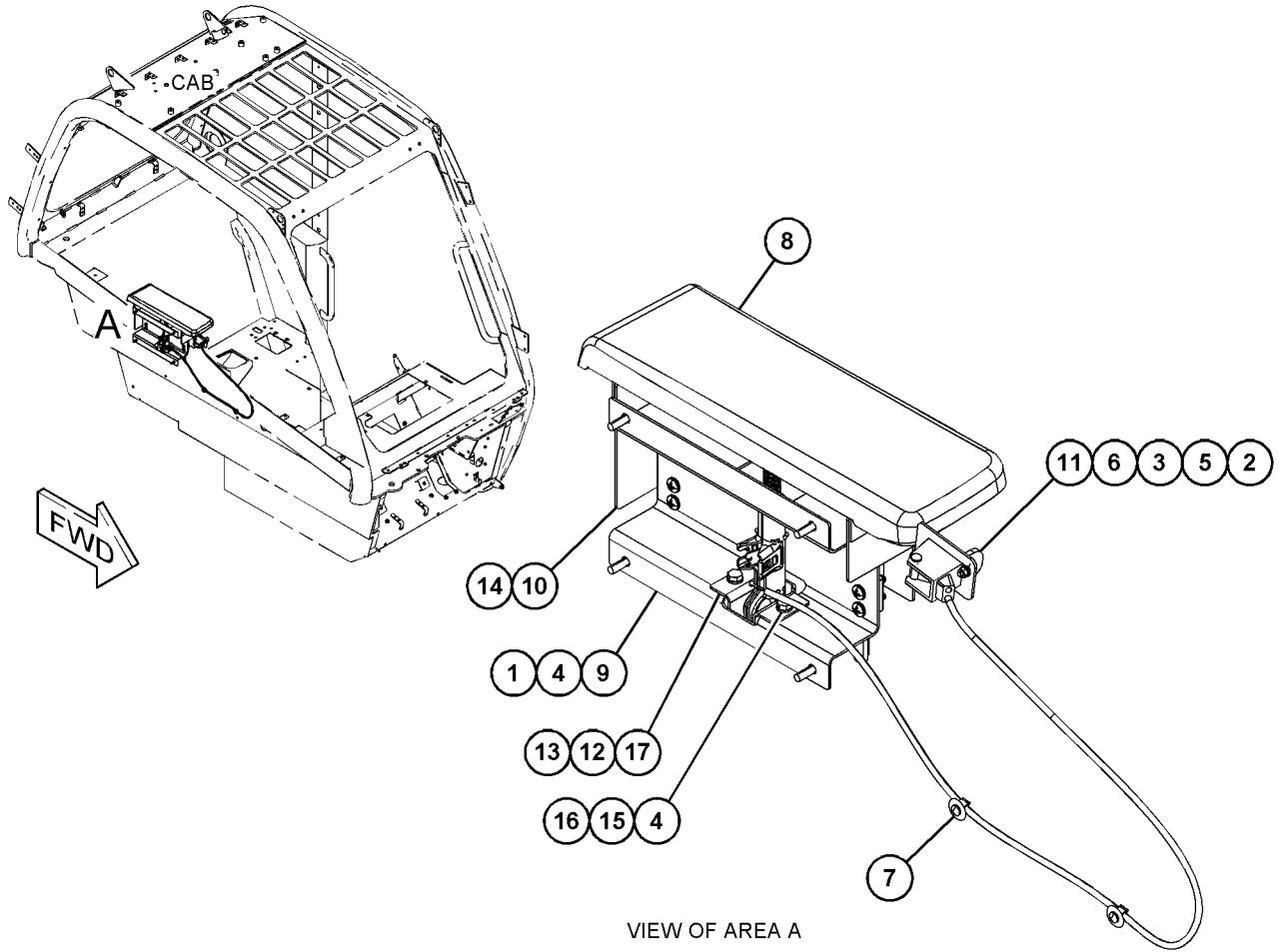
M - METRIC PART

Y - SEPARATE ILLUSTRATION

OPERATOR STATION

495-6206 ARMREST GP (contd.)

106649604



GRAPHIC #1

<END>

g06105760

OPERATOR STATION

517-9179 CAB AR

S/N: TD61-UP
AN ATTACHMENT

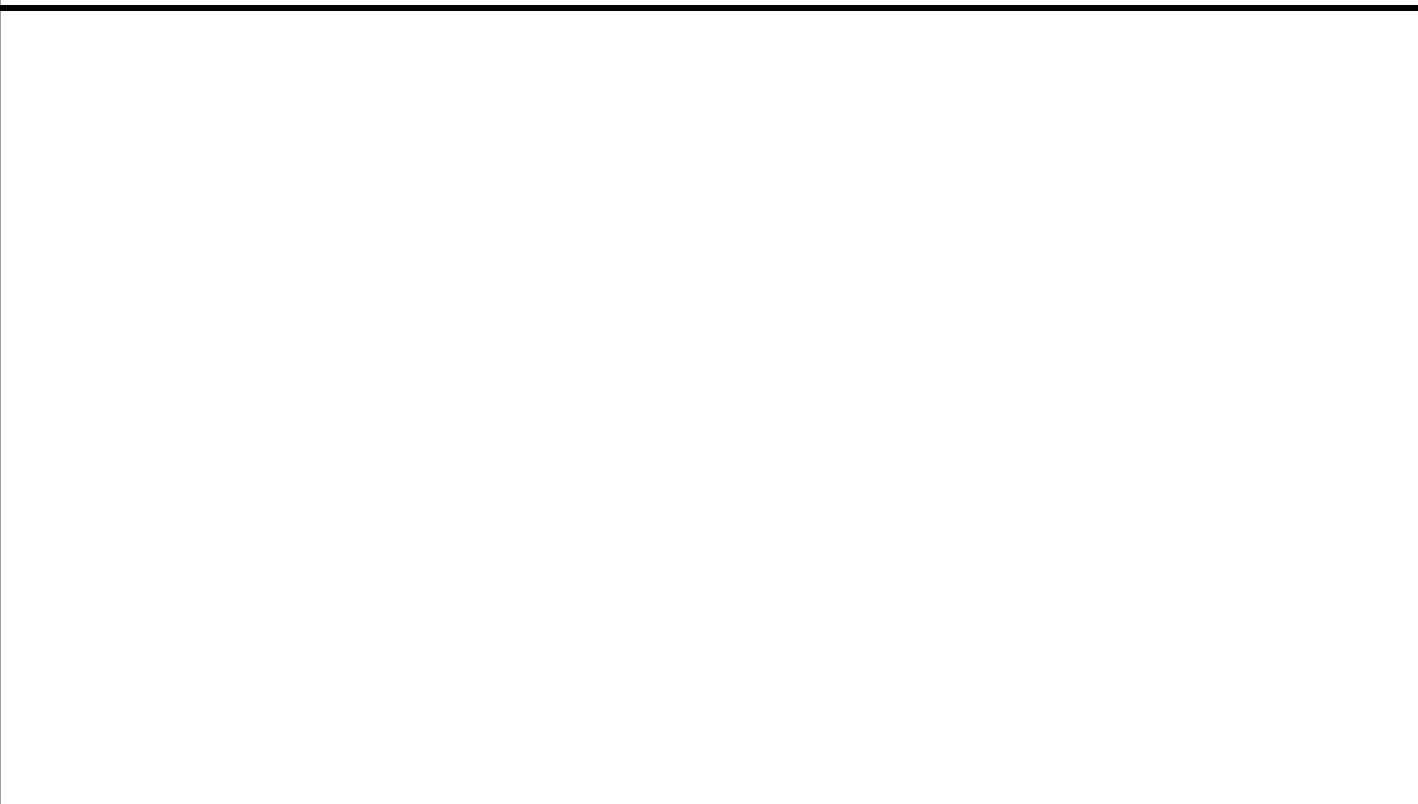
SMCS-7301, 7325

i07104539

NOTE	PART NUMBER	QTY	PART NAME	SEE PAGE
			1 2 3 4 5 6 (PRODUCT LEVEL)	
Y	473-4949	1	ANGLE-INDICATOR	889
Y	495-6210	1	CAB GP	894
Y	487-3912	1	CONTROL GP-JOYSTICK	898
Y	495-6135	1	DOOR GP-CAB	908
Y	476-0697	1	FLOOR MAT GP (CAB)	919
Y	471-6121	1	MIRROR GP (EXTERNAL)	954
Y	474-9043	1	MIRROR GP (INTERNAL)	955
Y	495-4594	1	PANEL GP-SWITCH (IGNITION)	398
Y	505-7484	1	PEDAL & MOUNTING GP-BRAKE	630
Y	476-8924	1	PEDAL GP-GOVERNOR (ACCELERATOR)	966
Y	486-4417	1	STEERING GP-HYDRAULIC	641
Y	497-6972	1	SWITCH GP-ROCKER (ENG SPEED CTL)	430
Y	520-7778	1	SWITCH GP-TRANSMISSION (DISCONNECT)	433
Y	495-7646	1	TANK GP-WINDOW WASHER	984
Y	495-6209	1	TRIM GP-CAB	988
Y	497-9587	1	VISOR GP-CAB (SUN SCREEN)	990
Y	495-3426	1	WINDOW GP-CAB (REAR)	991
Y	503-1675	1	WIPER GP-UPPER (ROOF)	994
Y	471-6094	1	WIPER GP-WINDOW (FRONT)	995
Y	471-6158	1	WIPER GP-WINDOW (REAR)	997
Y	492-2937	1	WIRING GP-CAB (HEATER)	437
Y	493-1110	1	WIRING GP-CAB (MAIN)	438

Y - SEPARATE ILLUSTRATION

<END>



OPERATOR STATION

517-9180 CAB AR

S/N: TD71-UP
AN ATTACHMENT

SMCS-7301, 7325

i06893268

NOTE	PART NUMBER	QTY	PART NAME	SEE PAGE
			1 2 3 4 5 6 (PRODUCT LEVEL)	
Y	473-4949	1	ANGLE-INDICATOR	889
Y	495-6210	1	CAB GP	894
Y	487-3912	1	CONTROL GP-JOYSTICK	898
Y	495-6135	1	DOOR GP-CAB	908
Y	476-0697	1	FLOOR MAT GP (CAB)	919
Y	471-6121	1	MIRROR GP (EXTERNAL)	954
Y	474-9043	1	MIRROR GP (INTERNAL)	955
Y	519-2695	1	PANEL GP-INSTRUMENT	964
Y	505-7484	1	PEDAL & MOUNTING GP-BRAKE	630
Y	476-8924	1	PEDAL GP-GOVERNOR (ACCELERATOR)	966
Y	486-4417	1	STEERING GP-HYDRAULIC	641
Y	497-6972	1	SWITCH GP-ROCKER (ENG SPEED CTL)	430
Y	520-7778	1	SWITCH GP-TRANSMISSION (DISCONNECT)	433
Y	495-7646	1	TANK GP-WINDOW WASHER	984
Y	495-6209	1	TRIM GP-CAB	988
Y	497-9587	1	VISOR GP-CAB (SUN SCREEN)	990
Y	495-3426	1	WINDOW GP-CAB (REAR)	991
Y	503-1675	1	WIPER GP-UPPER (ROOF)	994
Y	471-6094	1	WIPER GP-WINDOW (FRONT)	995
Y	471-6158	1	WIPER GP-WINDOW (REAR)	997
Y	492-2937	1	WIRING GP-CAB (HEATER)	437
Y	493-1110	1	WIRING GP-CAB (MAIN)	438

Y - SEPARATE ILLUSTRATION

<END>

OPERATOR STATION

495-6210 CAB GP

S/N: TD61-UP; TD71-UP
 PART OF 517-9179, 517-9180 CAB AR
 AN ATTACHMENT

SMCS-7301, 7325

i06591330

NOTE	REF NO	GRAPHIC REF	PART NUMBER	QTY	PART NAME						SEE PAGE
					1	2	3	4	5	6 (PRODUCT LEVEL)	
	1	1	495-6213	1	CAB AS						
	2	1	323-5620	28	RIVET						
M	3	1	342-0434	16	NUT (M6X1 - THD)						
	4	1	342-0438	2	RIVET						
	5	1	325-4928	4	INSERT - THREADED						
	6	1	473-8917	1	GLASS						
	7	1	473-8920	1	GLASS						
	8	1	473-9410	1	PANEL AS (CAB)						
Y	9	1	473-9471	1	PLUG GP - CAB						967
	10	1	473-8879	4	FASTENER						
	11	1	473-8933	1	STRIKER						
	12	1	473-9411	1	SEAL - DOOR						
	13	1	495-6211	1	GLASS						
	14	1	495-6212	1	GLASS						

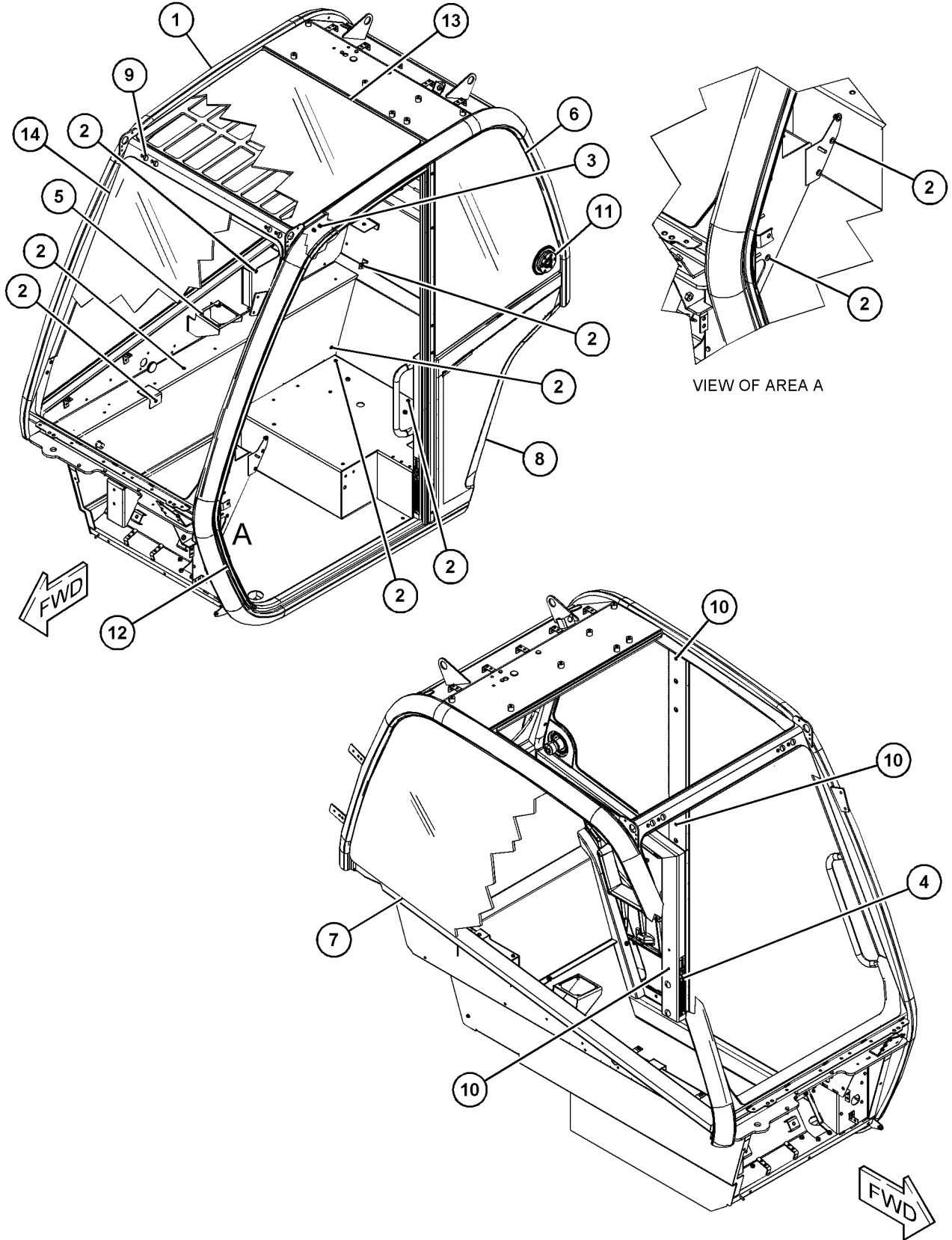
M - METRIC PART

Y - SEPARATE ILLUSTRATION

OPERATOR STATION

495-6210 CAB GP (contd.)

i06591330



GRAPHIC #1

<END>

g06041324

OPERATOR STATION

474-3810 CONDENSER GP-REFRIGERANT-CAB

S/N: TD61-UP; TD71-UP

PART OF 501-0753, 514-4876 AIR CONDITIONER & MOUNTING GP
AN ATTACHMENT

SMCS-1805

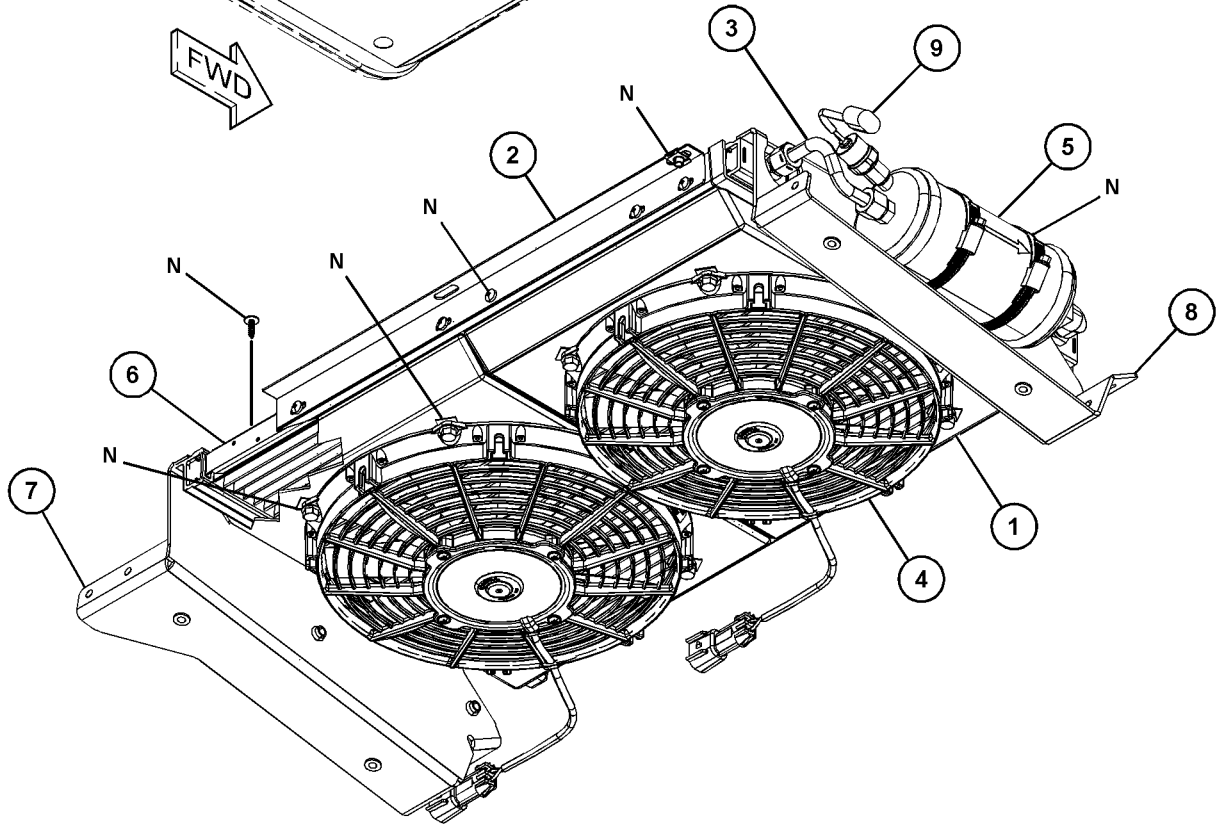
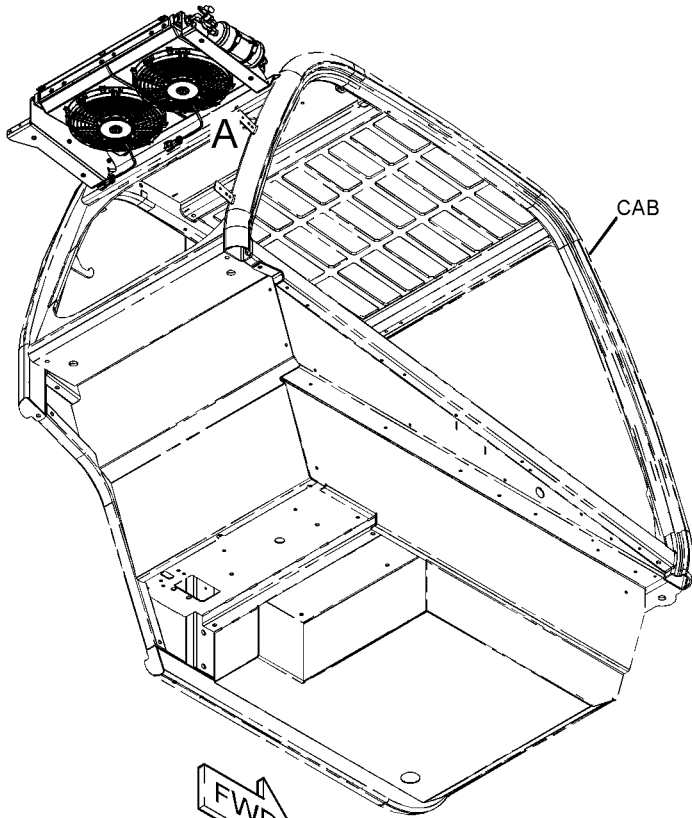
i07059327

NOTE	REF NO	GRAPHIC REF	PART NUMBER	QTY	PART NAME						SEE PAGE
					1	2	3	4	5	6	
	1	1	497-7205	1	BRACKET						
	2	1	497-7206	2	SUPPORT						
	3	1	497-6388	1	TUBE						
	4	1	497-7207	2	FAN-CONDENSER						
	5	1	497-6389	1	HEATER (CONDENSER)						
	6	1	497-7208	1	CONDENSER						
	7	1	474-4156	1	BRACKET AS (CONDENSER)						
	8	1	474-4157	1	BRACKET AS						
	9	1	497-6391	1	CONNECTOR						
					AVAILABLE REPAIR KIT(S):						
			479-5954	1	KIT-FASTENER						
					(INCLUDES PARTS MARKED 'N' IN THE GRAPHIC)						
			479-5955	1	KIT-O-RING						
					(INCLUDES O-RINGS)						

OPERATOR STATION

474-3810 CONDENSER GP-REFRIGERANT (contd.)

i07059327



VIEW OF AREA A

GRAPHIC #1

<END>

g06212919

OPERATOR STATION

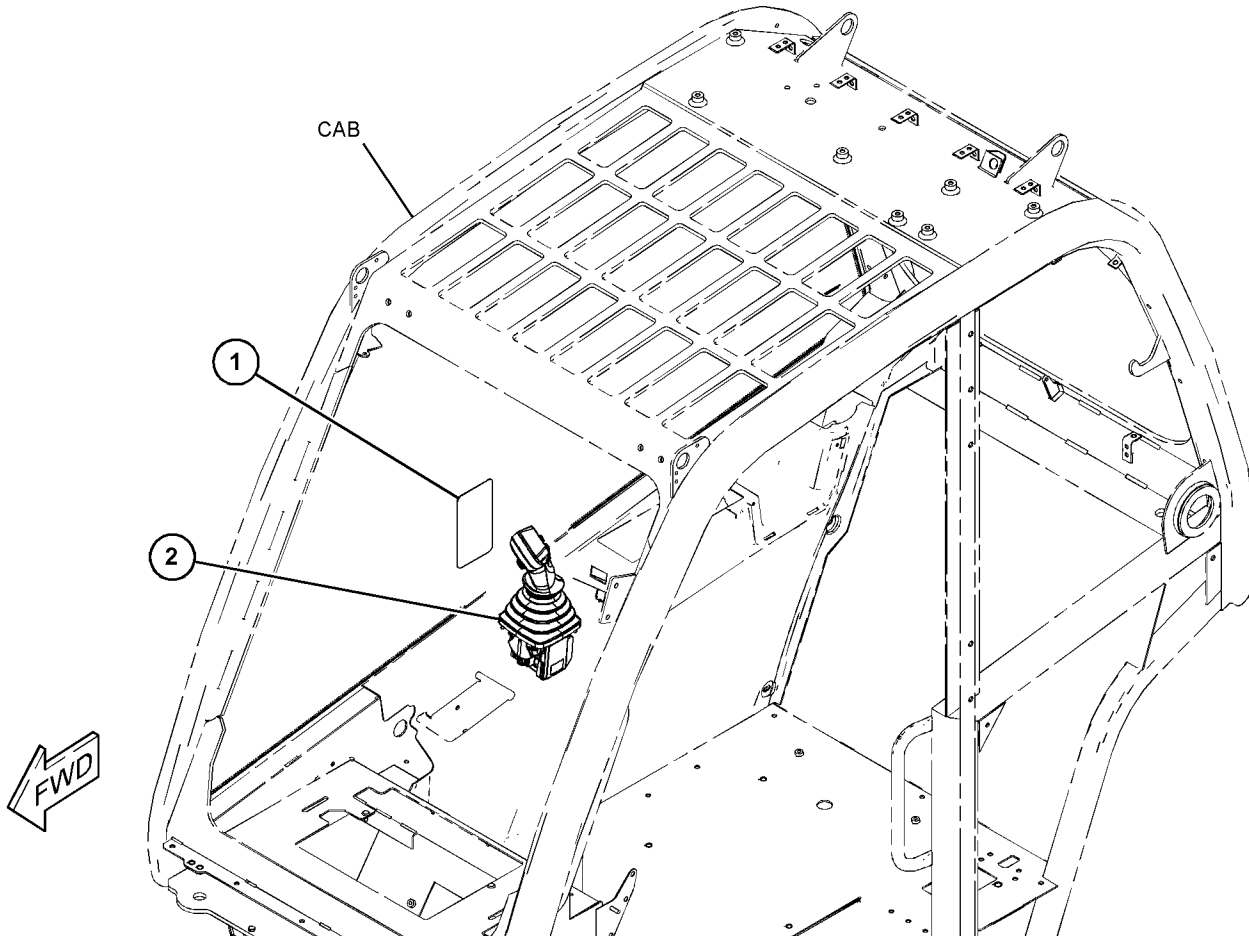
487-3912 CONTROL GP-JOYSTICK

S/N: TD61-UP; TD71-UP
PART OF 517-9179, 517-9180 CAB AR
AN ATTACHMENT

SMCS-5063, 5705

i07104563

NOTE	REF NO	GRAPHIC REF	PART NUMBER	QTY	PART NAME						SEE PAGE
					1	2	3	4	5	6 (PRODUCT LEVEL)	
	1	1	477-2618	1	FILM-IDENTIFICATION (JOYSTICK)						
	2	1	477-2614	1	CONTROL GP-JOYSTICK						
		1	472-7793	4	SCREW (M6X1X20-MM)						
		1	541-7470	1	CONTROL AS-JOYSTICK						



GRAPHIC #1

<END>

g06042296

OPERATOR STATION

492-3937 COVER GP-ACCESS-CAB ROOF

S/N: TD61-UP; TD71-UP

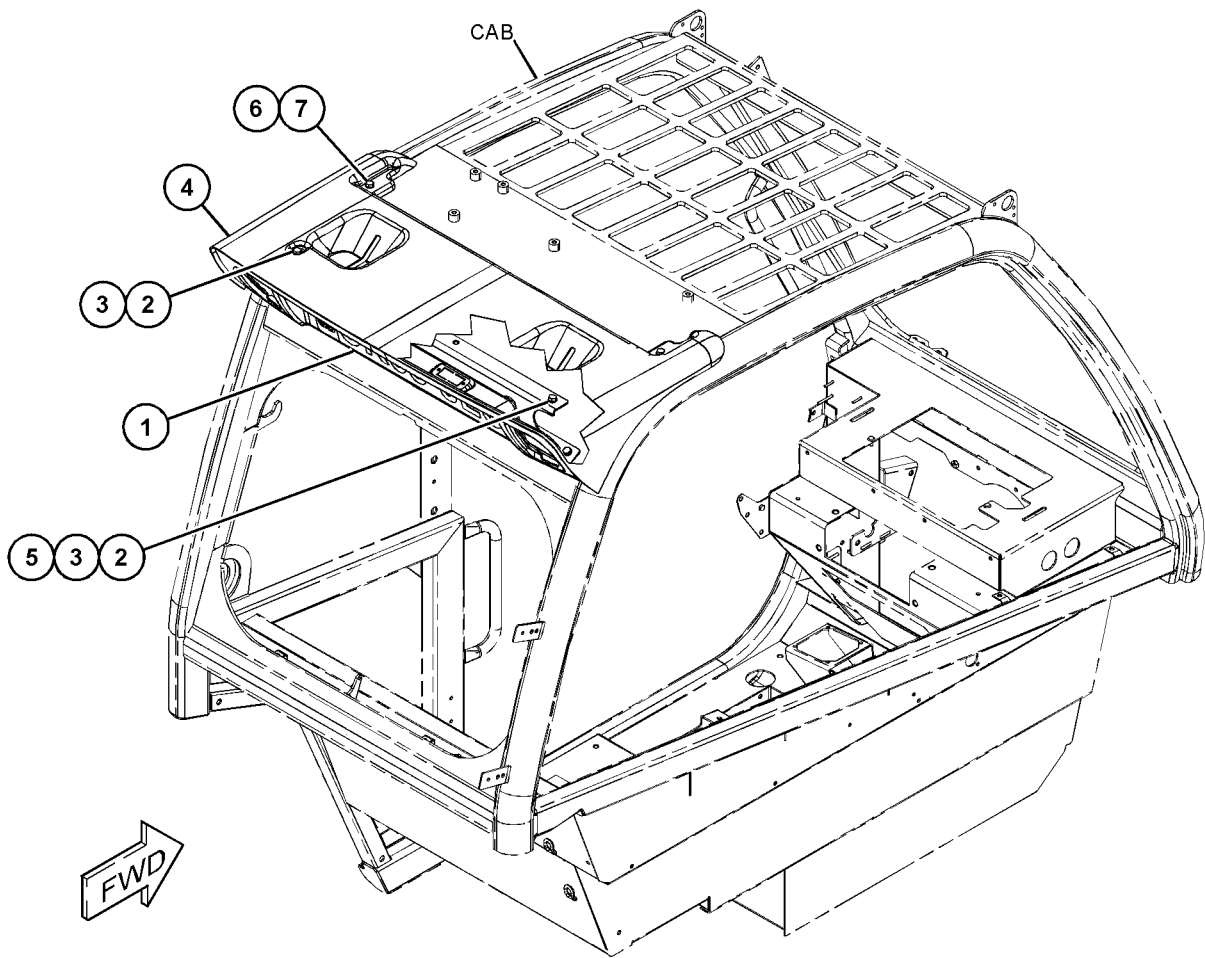
PART OF 508-7851, 508-7852, 521-2181 HEATER AR-CAB
AN ATTACHMENT

SMCS-726A

i07081254

NOTE	REF NO	GRAPHIC REF	PART NUMBER	QTY	PART NAME						SEE PAGE
					1	2	3	4	5	6 (PRODUCT LEVEL)	
	1	1	492-3939	1	COVER						
M	2	1	8T-4189	8	BOLT (M8X1.25X20-MM)						
	3	1	8T-4224	8	WASHER-HARD (8.8X16X2-MM THK)						
	4	1	492-3938	1	COVER						
	5	1	474-6081	1	BRACKET AS						
	6	1	309-3997	2	WASHER (8.4X25X2-MM THK)						
M	7	1	8T-4200	2	BOLT (M8X1.25X16-MM)						

M - METRIC PART



GRAPHIC #1

<END>

g06218973

OPERATOR STATION

497-9628 COVER GP-ACCESS-FRAME

S/N: TD61-UP; TD71-UP

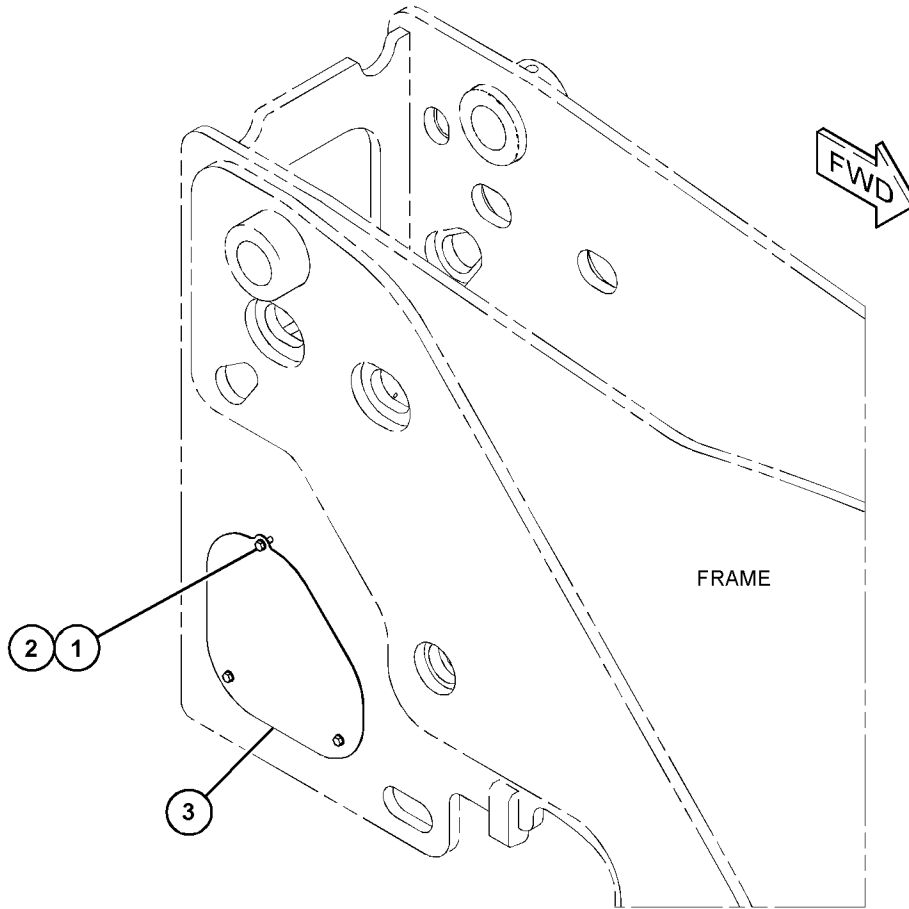
PART OF 506-7647, 521-6813 TRAILER AR
AN ATTACHMENT

SMCS-726A

i06613305

NOTE	REF NO	GRAPHIC REF	PART NUMBER	QTY	PART NAME						SEE PAGE
					1	2	3	4	5	6 (PRODUCT LEVEL)	
M	1	1	8T-4189	3	BOLT (M8X1.25X20-MM)						
	2	1	8T-4224	3	WASHER-HARD (8.8X16X2-MM THK)						
	3	1	497-9629	1	PLATE						

M - METRIC PART



GRAPHIC #1

<END>

g06046722

OPERATOR STATION

497-9630 COVER GP-ACCESS-TRAILER BRAKE

S/N: TD61-UP; TD71-UP

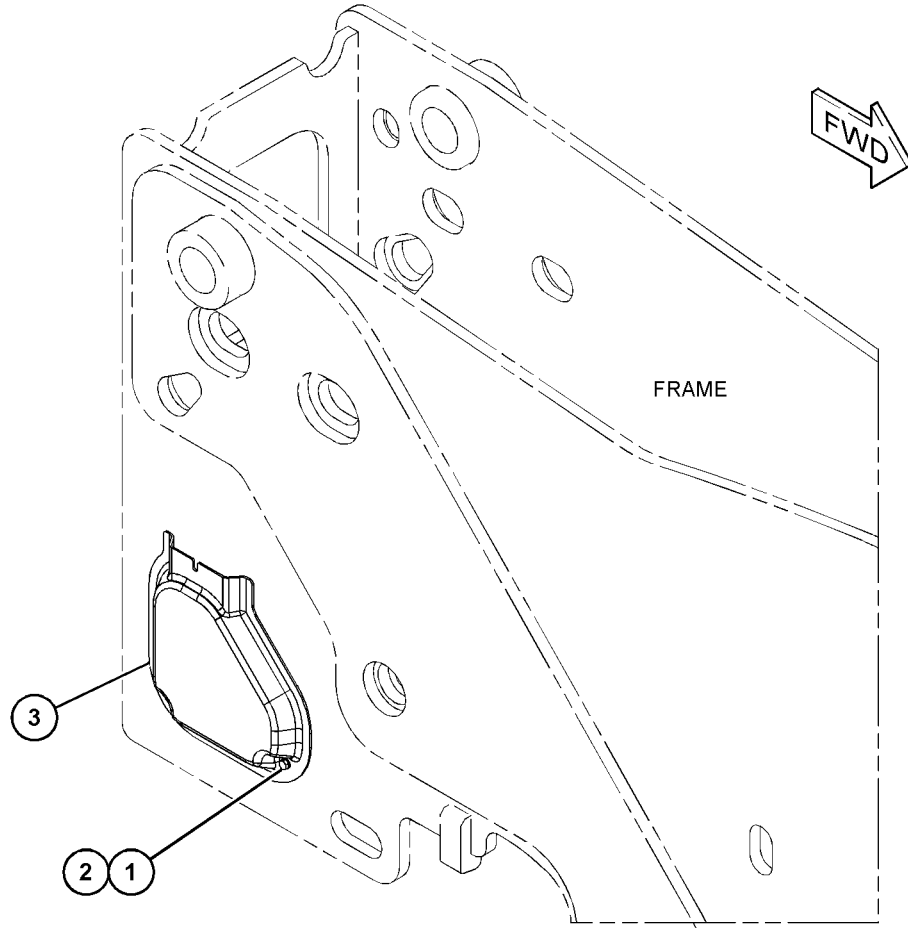
PART OF 506-7649, 506-7651, 506-7652 BRAKE AR-TRAILER, 506-7655 TRAILER AR
AN ATTACHMENT

SMCS-726A

i06613301

NOTE	REF NO	GRAPHIC REF	PART NUMBER	QTY	PART NAME						SEE PAGE
					1	2	3	4	5	6 (PRODUCT LEVEL)	
M	1	1	8T-4189	2	BOLT (M8X1.25X20-MM)						
	2	1	8T-4224	2	WASHER-HARD (8.8X16X2-MM THK)						
	3	1	497-9631	1	COVER						

M - METRIC PART



GRAPHIC #1

<END>

g06046720

OPERATOR STATION

501-5070 COVER GP-ACCESS-BOOM

S/N: TD61-UP; TD71-UP

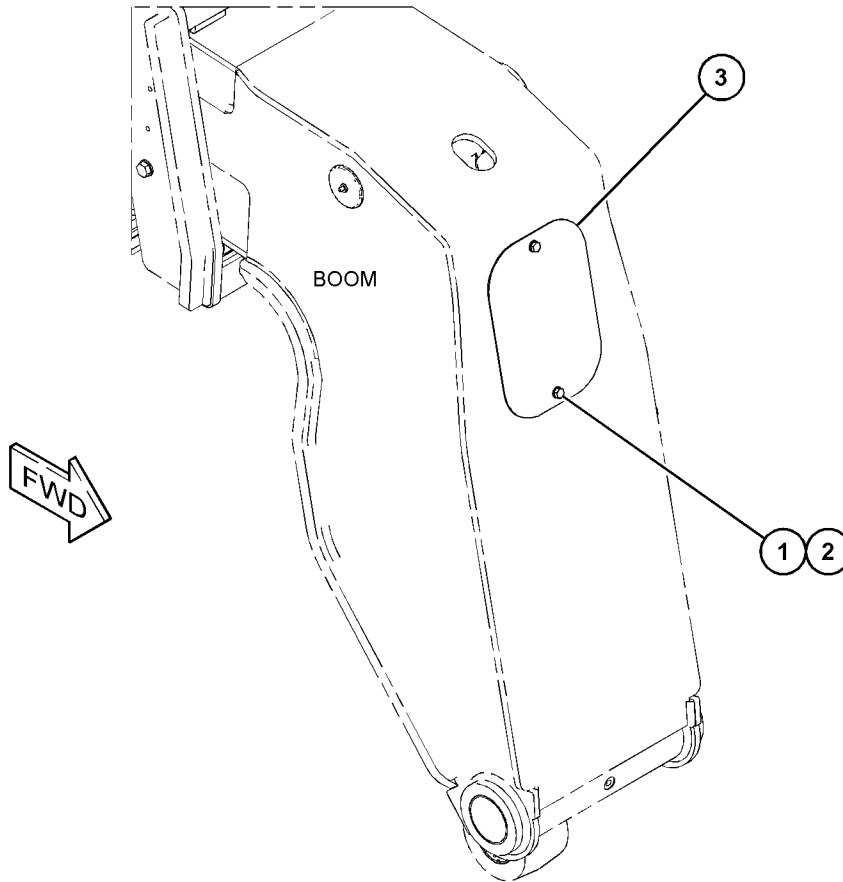
PART OF 517-9883, 517-9885 CHASSIS AR

SMCS-726A

i06702579

NOTE	REF NO	GRAPHIC REF	PART NUMBER	QTY	PART NAME						SEE PAGE
					1	2	3	4	5	6 (PRODUCT LEVEL)	
M	1	1	8T-4189	2	BOLT (M8X1.25X20-MM)						
	2	1	8T-4224	2	WASHER-HARD (8.8X16X2-MM THK)						
	3	1	494-1901	1	PLATE-COVER						

M - METRIC PART



GRAPHIC #1

<END>

g06091872

OPERATOR STATION

501-7477 COVER GP-ACCESS-REAR AUXILIARY HYDRAULICS

S/N: TD61-UP; TD71-UP

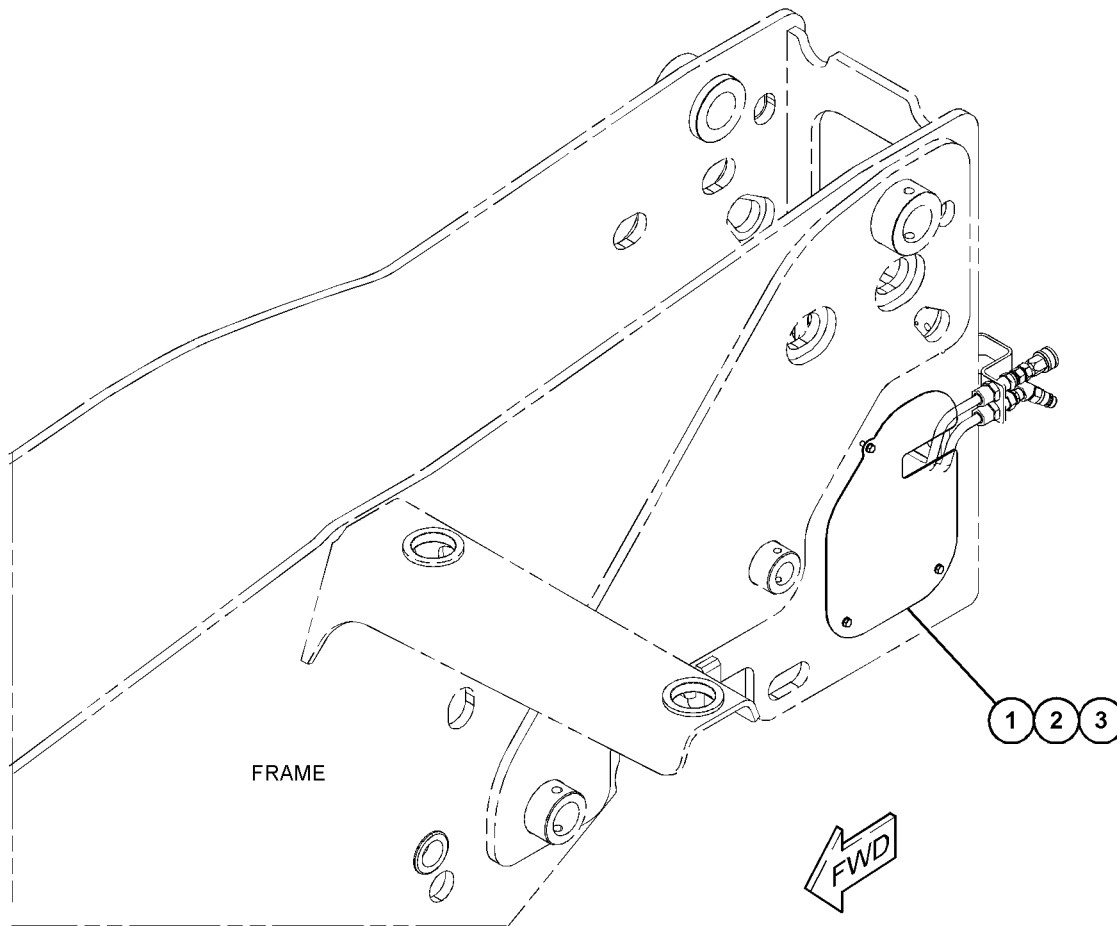
PART OF 506-3319 CONTROL AR-AUXILIARY, 506-3318 HYDRAULIC AR-AUXILIARY
AN ATTACHMENT

SMCS-726A

i06608810

NOTE	REF NO	GRAPHIC REF	PART NUMBER	QTY	PART NAME						SEE PAGE
					1	2	3	4	5	6 (PRODUCT LEVEL)	
M	1	1	8T-4189	3	BOLT (M8X1.25X20-MM)						
	2	1	8T-4224	3	WASHER-HARD (8.8X16X2-MM THK)						
	3	1	501-7478	1	PLATE						

M - METRIC PART



GRAPHIC #1

<END>

g06048402

OPERATOR STATION

472-2275 COVER GP-CAB

S/N: TD71-UP

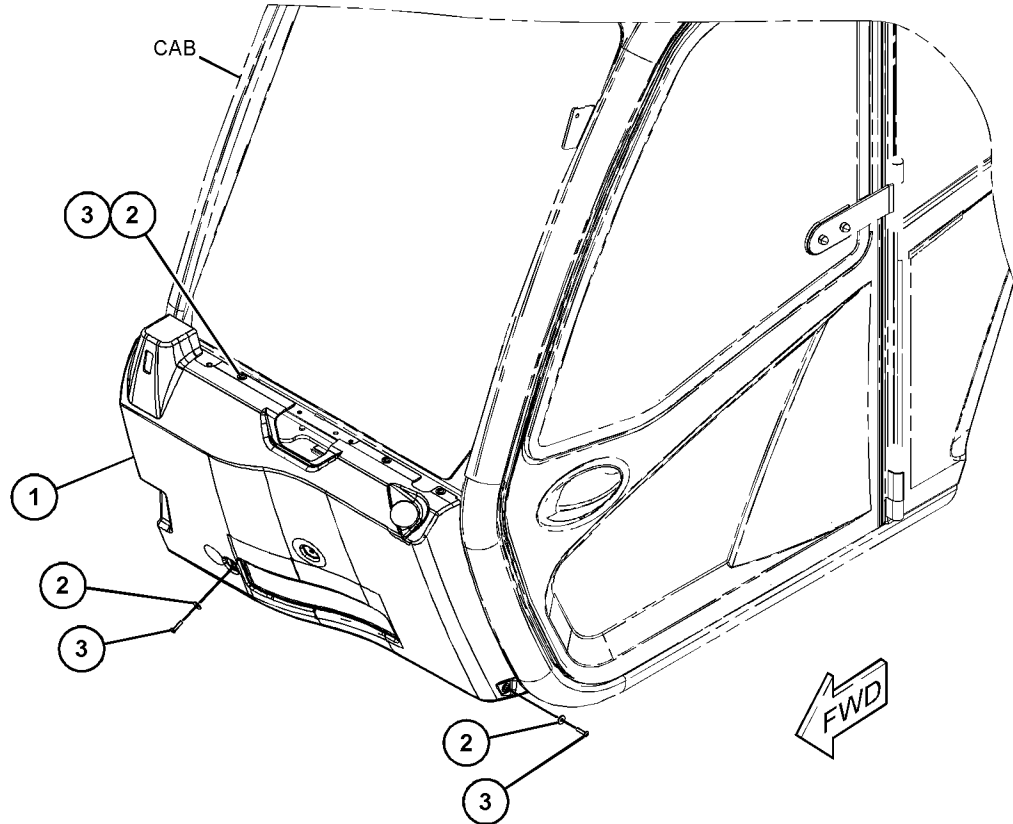
PART OF 515-0971 LIGHTING GP-ROADING
AN ATTACHMENT

SMCS-7301

i06081553

NOTE	REF NO	GRAPHIC REF	PART NUMBER	QTY	PART NAME						SEE PAGE
					1	2	3	4	5	6 (PRODUCT LEVEL)	
	1	1	472-1078	1	COVER						
	2	1	5W-1417	6	WASHER (6.4X18X1.6-MM THK)						
M	3	1	166-3777	6	SCREW-BUTTON HEAD (M6X1X28-MM)						

M - METRIC PART



GRAPHIC #1

<END>

g03819559

OPERATOR STATION

492-3933 COVER GP-CAB-ROOF

S/N: TD61-UP; TD71-UP

PART OF 508-7849, 520-8643, 521-2180 AIR CONDITIONER AR
AN ATTACHMENT

SMCS-7301

i07175291

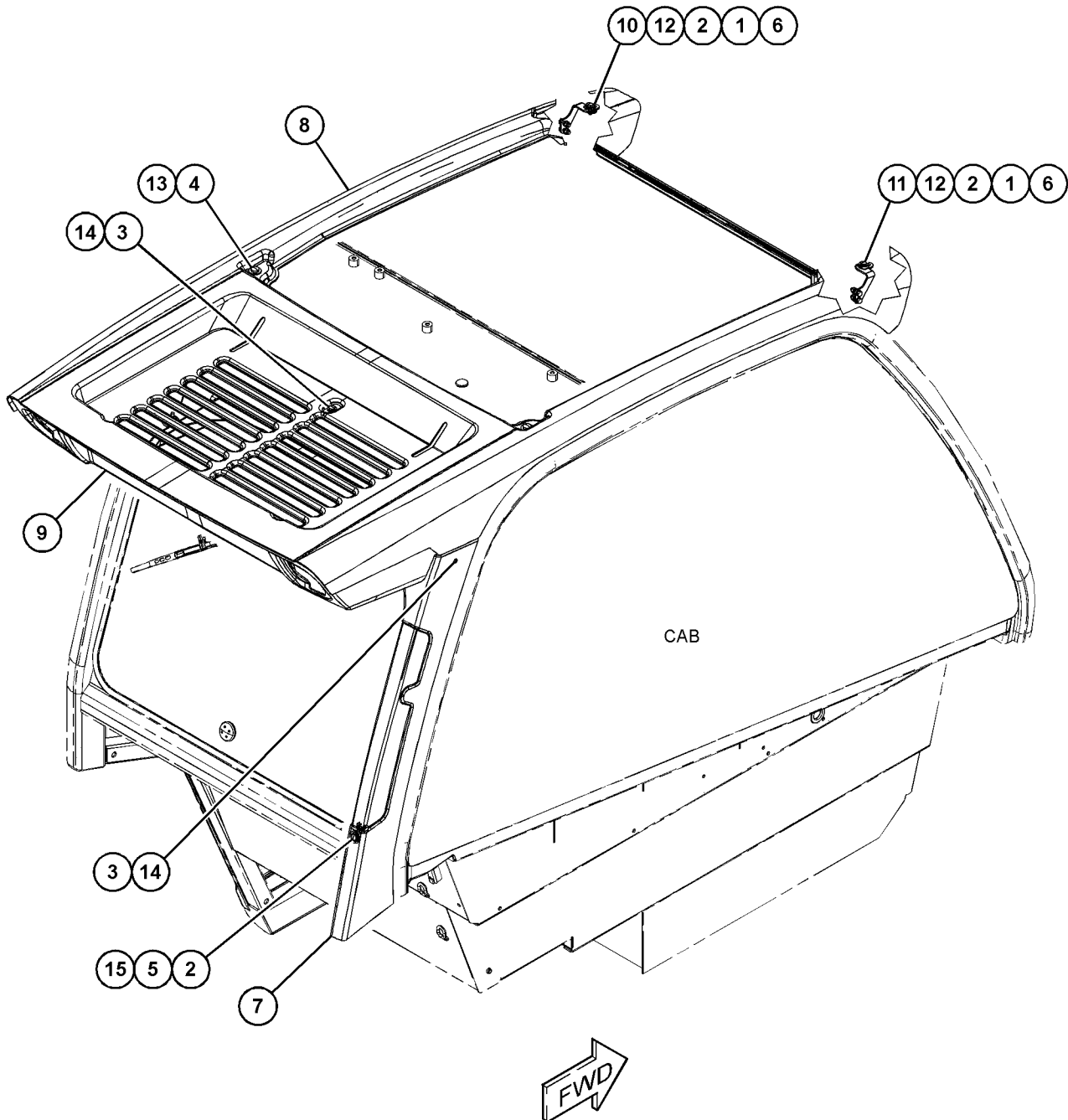
NOTE	REF NO	GRAPHIC REF	PART NUMBER	QTY	PART NAME						SEE PAGE
					1	2	3	4	5	6 (PRODUCT LEVEL)	
M	1	1	5C-2890	4	NUT (M6X1-THD)						
	2	1	8T-4205	9	WASHER-HARD (7.2X14.5X2-MM THK)						
	3	1	5Y-2425	10	WASHER (6.5X17.5X1.5-MM THK)						
	4	1	309-3997	2	WASHER (8.4X25X2-MM THK)						
	5	1	303-4787	1	WASHER (6.1X11.8X1.6-MM THK)						
M	6	1	341-7590	3	NUT (M6X1-THD)						
	7	1	471-6125	1	COVER						
	8	1	492-3941	1	COVER GP-CAB						
	9	1	492-3934	1	COVER-ROOF						
	10	1	492-3935	1	BRACKET						
	11	1	492-3936	1	BRACKET						
M	12	1	8T-4138	4	BOLT (M6X1X20-MM)						
M	13	1	8T-4200	2	BOLT (M8X1.25X16-MM)						
M	14	1	8T-8998	10	SCREW-MACHINE (M6X1X20-MM)						
M	15	1	471-6671	1	SCREW (M6X1X16-MM)						

M - METRIC PART

OPERATOR STATION

492-3933 COVER GP-CAB (contd.)

i07175291



GRAPHIC #1

<END>

g06248371

OPERATOR STATION

546-5767 DISPLAY AR-MONITOR

S/N: TD61-UP; TD71-UP

AN ATTACHMENT

SMCS-7490

i07195211

NOTE	PART NUMBER	QTY	PART NAME						SEE PAGE
			1	2	3	4	5	6 (PRODUCT LEVEL)	
Y	474-6061	1	MONITOR & MOUNTING GP						961
	546-5411	1	SOFTWARE GP-MACHINE						
	546-5410	1	SOFTWARE GP-MACHINE						

Y - SEPARATE ILLUSTRATION

<END>

OPERATOR STATION

495-6135 DOOR GP-CAB

S/N: TD61-UP; TD71-UP

PART OF 517-9179, 517-9180 CAB AR
AN ATTACHMENT

SMCS-7308

i06810936

NOTE	REF NO	GRAPHIC REF	PART NUMBER	QTY	PART NAME						SEE PAGE
					1	2	3	4	5	6 (PRODUCT LEVEL)	
	1	2	495-6138	1	NUT						
	2	2	473-8907	2	BUSHING						
M	3	2	312-3282	4	SCREW (M6X1.0X10-MM)						
M	4	2	8T-4970	4	BOLT (M6X1X14-MM)						
M	5	2	5C-7261	2	NUT (M8X1.25-THD)						
	6	1	473-8905	1	COVER-DOOR						
	7	2	8T-4205	4	WASHER-HARD (7.2X14.5X2-MM THK)						
	8	1,2	8T-4224	11	WASHER-HARD (8.8X16X2-MM THK)						
	9	2	329-3663	1	PIN-THREADED						
M	10	1	7Y-7394	5	SCREW-BUTTON HEAD (M8X1.25X25-MM)						
M	11	2	142-2304	2	SCREW-BUTTON HEAD (M8X1.25X35-MM)						
	12	1	343-7429	10	SLEEVE						
	13	1	459-2772	5	PLUG						
Y	14	1	513-3136	1	WINDOW GP-CAB						992
	15	2	495-2033	1	LATCH AS						
		2	495-2043	1	LINK						
M		2	178-9983	1	LOCKNUT (M4X0.7-THD)						
		2	495-2042	1	LATCH AS						
	16	2	473-9375	1	HANDLE AS						
		2	497-8800	1	CABLE AS						
	17	1	495-6136	1	HANDLE GP-DOOR						
Y	18	1	495-6139	1	DOOR GP-CAB						911
	19	2	473-8799	2	SCREW (M6X1X12-MM)						
	20	2	473-8881	1	BRACKET AS						
	21	1	495-6146	1	STRAP GP						
		1	329-3664	2	HOLDER-DOOR						
		1	515-9909	1	STRAP						
		1	495-6147	4	SCREW						
		1	495-6148	1	PLATE						
	22	1	473-8911	7	HINGE						
	23	2	5W-1417	2	WASHER (6.4X18X1.6-MM THK)						
M	24	1	198-3899	2	SCREW-BUTTON HEAD (M8X1.25X20-MM)						
	25	1	329-3604	2	WASHER						
	26	1	513-7913	1	PIN-HINGE						

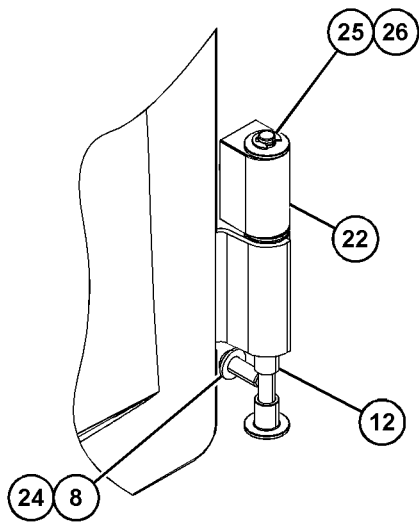
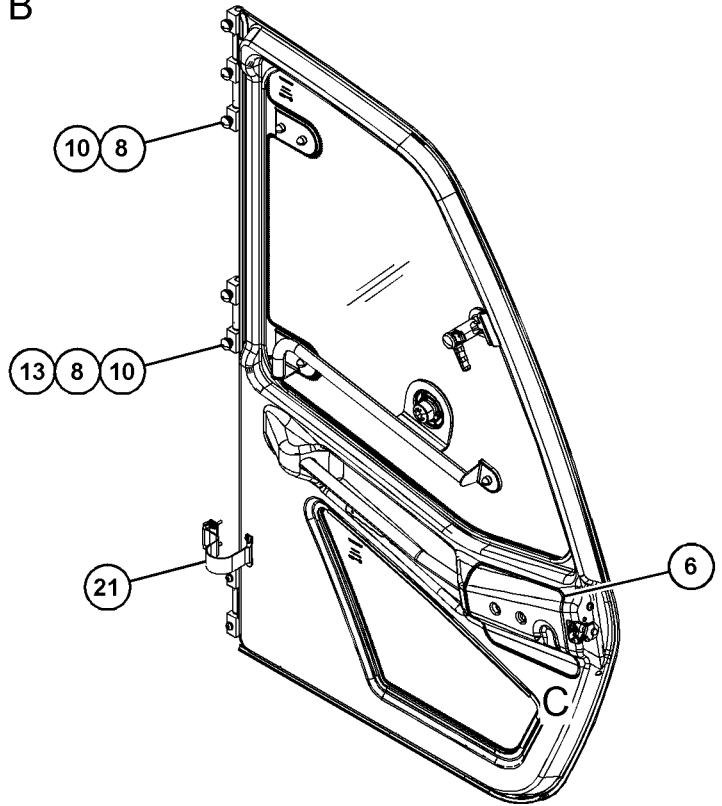
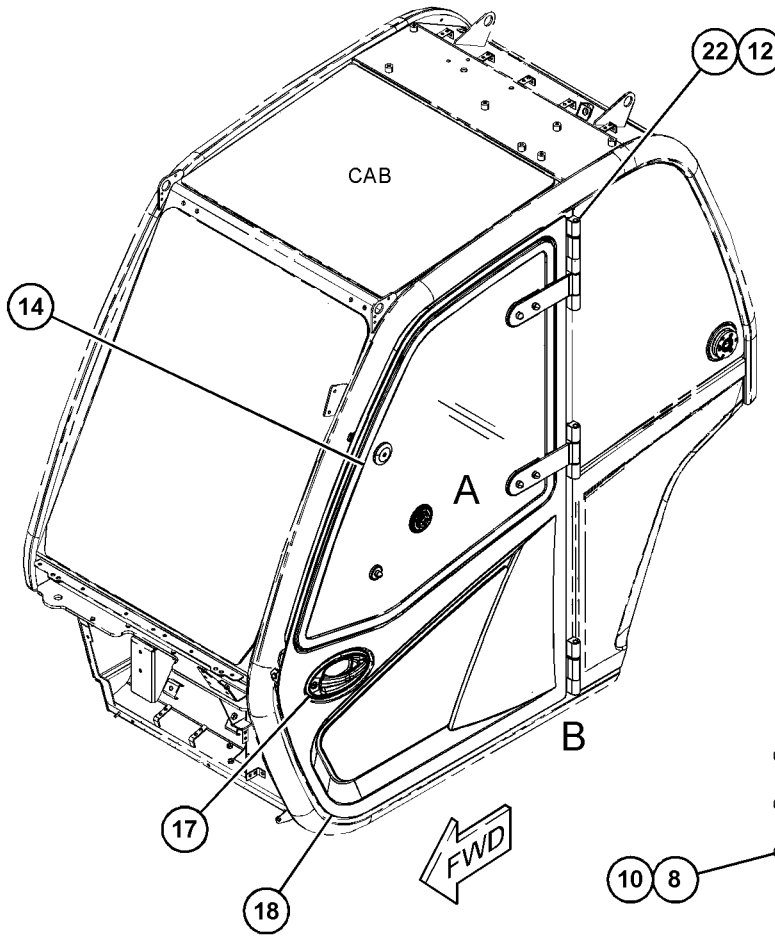
M - METRIC PART
Y - SEPARATE ILLUSTRATION

OPERATOR STATION

495-6135 DOOR GP-CAB (contd.)

106810936

REFER TO ALL ILLUSTRATIONS OF THIS GROUP FOR AUXILIARY VIEWS



VIEW OF AREA B
(PARTS REMOVED FOR CLARITY)

VIEW OF AREA A 90°

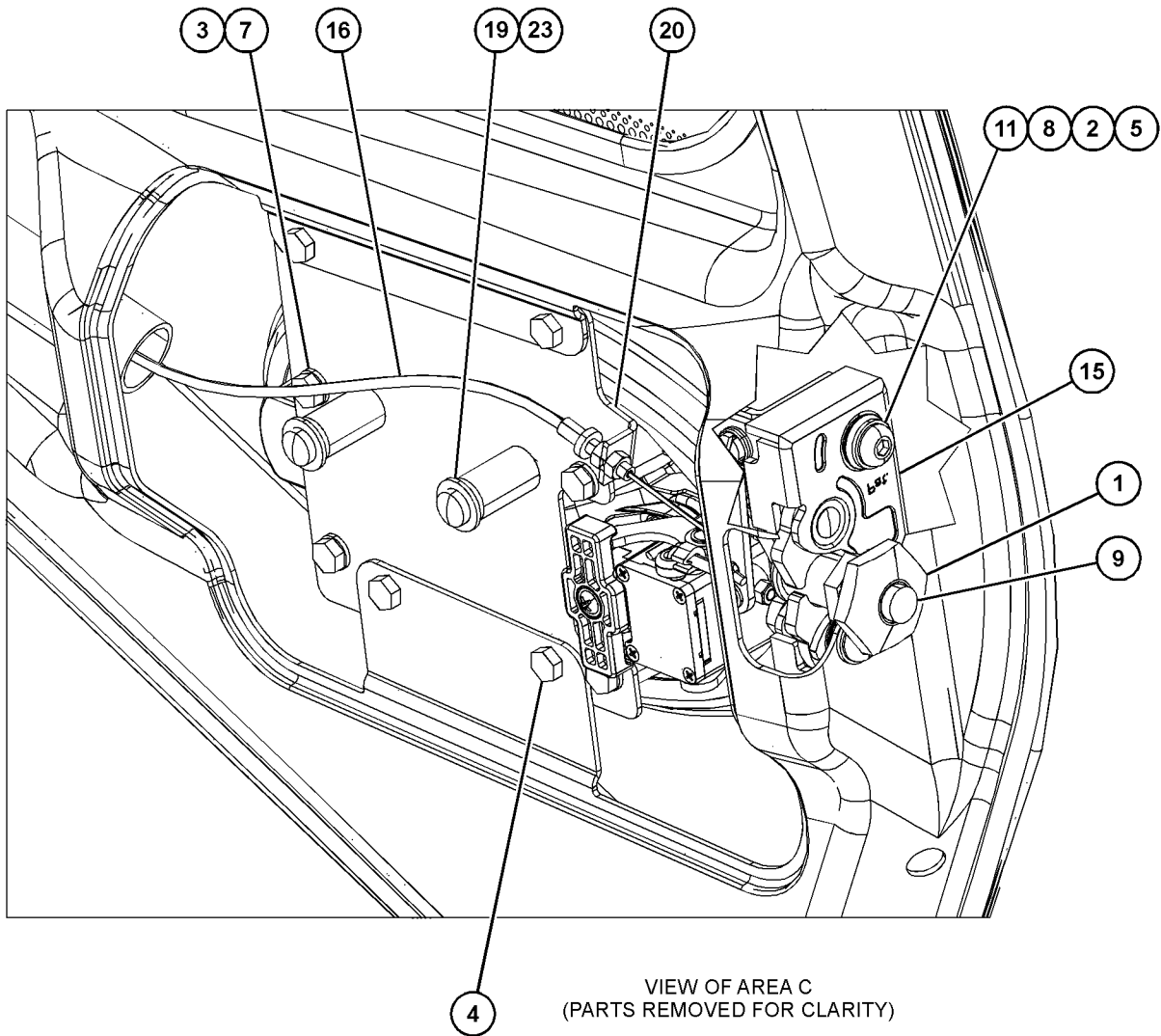
GRAPHIC #1

g06130713

OPERATOR STATION

495-6135 DOOR GP-CAB (contd.)

i06810936



GRAPHIC #2

<END>

g06130743

OPERATOR STATION

495-6139 DOOR GP-CAB

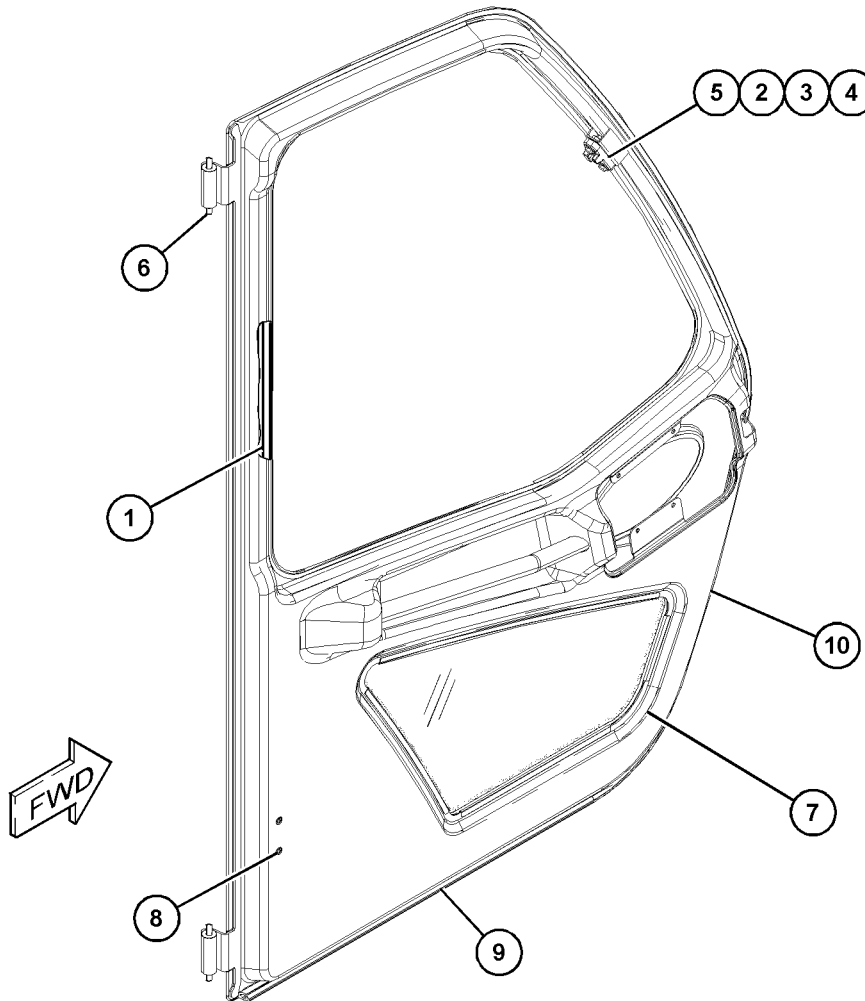
S/N: TD61-UP; TD71-UP
PART OF 495-6135 DOOR GP-CAB
AN ATTACHMENT

SMCS-7308

i06601140

NOTE	REF NO	GRAPHIC REF	PART NUMBER	QTY	PART NAME						SEE PAGE
					1	2	3	4	5	6 (PRODUCT LEVEL)	
	1	1	473-8906	1	SEAL - DOOR						
B	2	1	495-6142	1	SHIM (1-MM THK)						
M	3	1	6V-7357	2	BOLT (M6X1X25-MM)						
	4	1	5W-1417	2	WASHER (6.4X18X1.6-MM THK)						
	5	1	459-2776	1	LATCH						
	6	1	473-8729	1	PIN						
	7	1	495-6140	1	GLASS						
	8	1	473-8879	2	FASTENER						
	9	1	473-8903	1	SEAL - DOOR						
	10	1	495-6141	1	DOOR AS						

B - USE AS REQUIRED
M - METRIC PART



GRAPHIC #1

g06088898

OPERATOR STATION

516-1393 ENCLOSURE GP-CAB

S/N: TD61-UP

PART OF 517-9883 CHASSIS AR

SMCS-7276

i06907152

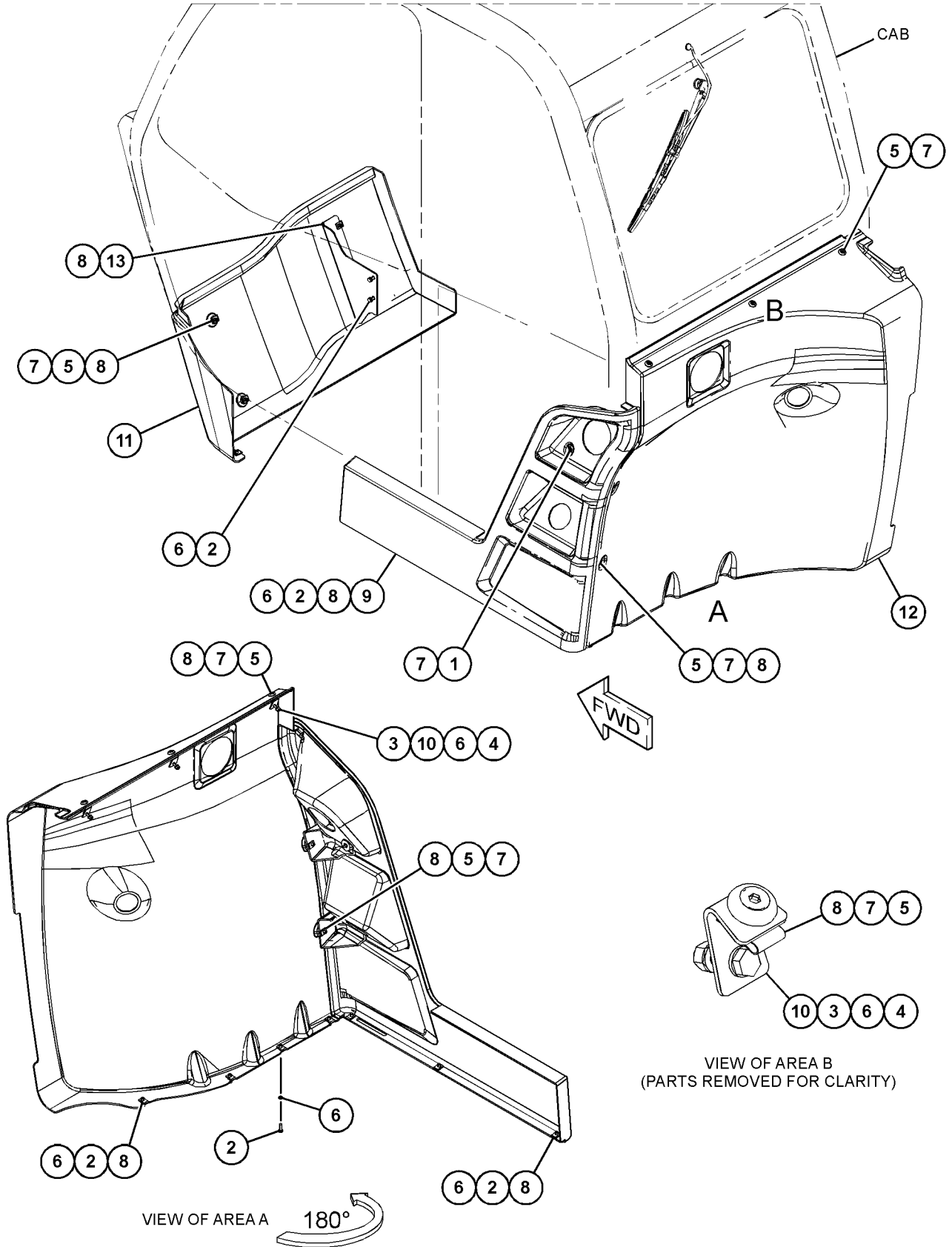
NOTE	REF NO	GRAPHIC REF	PART NUMBER	QTY	PART NAME						SEE PAGE
					1	2	3	4	5	6 (PRODUCT LEVEL)	
M	1	1	9X-6155	1	BOLT-SOCKET HEAD (M6X1X16.7-MM)						
M	2	1	8T-4138	10	BOLT (M6X1X20-MM)						
M	3	1	6V-7357	3	BOLT (M6X1X25-MM)						
M	4	1	208-8469	3	LOCKNUT (M6X1-THD)						
M	5	1	280-2651	9	SCREW-FLAT HEAD (M6X1X25-MM)						
	6	1	8T-4205	16	WASHER-HARD (7.2X14.5X2-MM THK)						
	7	1	315-3901	10	WASHER (6.2X20X5-MM THK)						
M	8	1	473-0014	17	NUT (M6X1-THD)						
	9	1	477-1614	1	COVER (TANK) (SIDE)						
	10	1	477-1617	3	PLATE						
	11	1	477-1616	1	COVER (LOWER FRONT)						
	12	1	501-2810	1	COVER (TANK) (REAR)						
	13	1	501-2811	1	BRACKET AS						

M - METRIC PART

OPERATOR STATION

516-1393 ENCLOSURE GP-CAB (contd.)

106907152



GRAPHIC #1

<END>

g06165686

OPERATOR STATION

516-1437 ENCLOSURE GP-CAB-CAB

S/N: TD71-UP

PART OF 517-9885 CHASSIS AR

SMCS-7276

i06907216

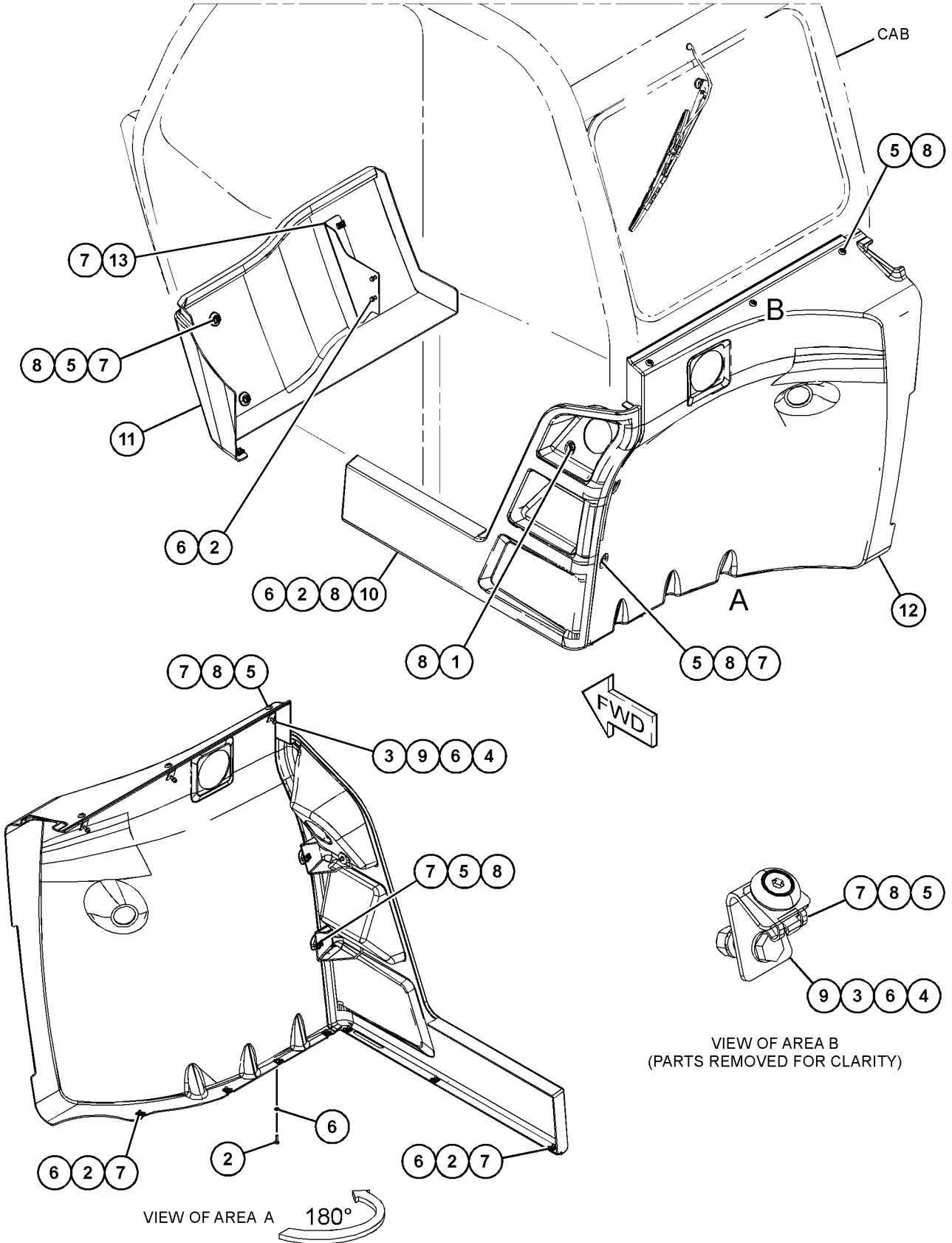
NOTE	REF NO	GRAPHIC REF	PART NUMBER	QTY	PART NAME						SEE PAGE
					1	2	3	4	5	6 (PRODUCT LEVEL)	
M	1	1	112-2095	1	SCREW-HEX SOCKET (M6X1X16.7-MM)						
M	2	1	8T-4138	10	BOLT (M6X1X20-MM)						
M	3	1	6V-7357	3	BOLT (M6X1X25-MM)						
	4	1	303-4779	3	LOCKNUT (M6X1-THD)						
M	5	1	119-5025	9	SCREW-FLAT HEAD (M6X1X25-MM)						
	6	1	8T-4205	16	WASHER-HARD (7.2X14.5X2-MM THK)						
M	7	1	341-7590	17	NUT (M6X1-THD)						
	8	1	315-3901	10	WASHER (6.2X20X5-MM THK)						
	9	1	477-1617	3	PLATE						
	10	1	477-1629	1	COVER						
	11	1	477-1616	1	COVER (LOWER FRONT)						
	12	1	501-2810	1	COVER (TANK)						
	13	1	501-2811	1	BRACKET AS						

M - METRIC PART

OPERATOR STATION

516-1437 ENCLOSURE GP-CAB (contd.)

106907216



GRAPHIC #1

<END>

g06165825

OPERATOR STATION

516-1438 ENCLOSURE GP-CAB-CHASSIS

S/N: TD61-UP

PART OF 517-9883 CHASSIS AR

SMCS-7276

i06907150

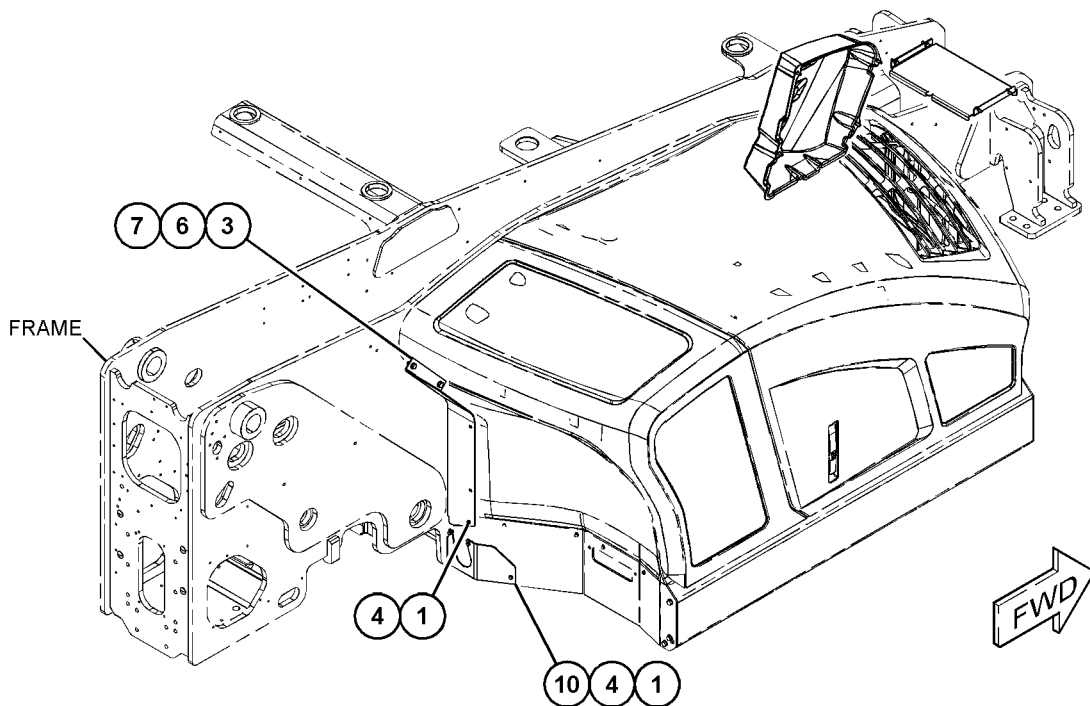
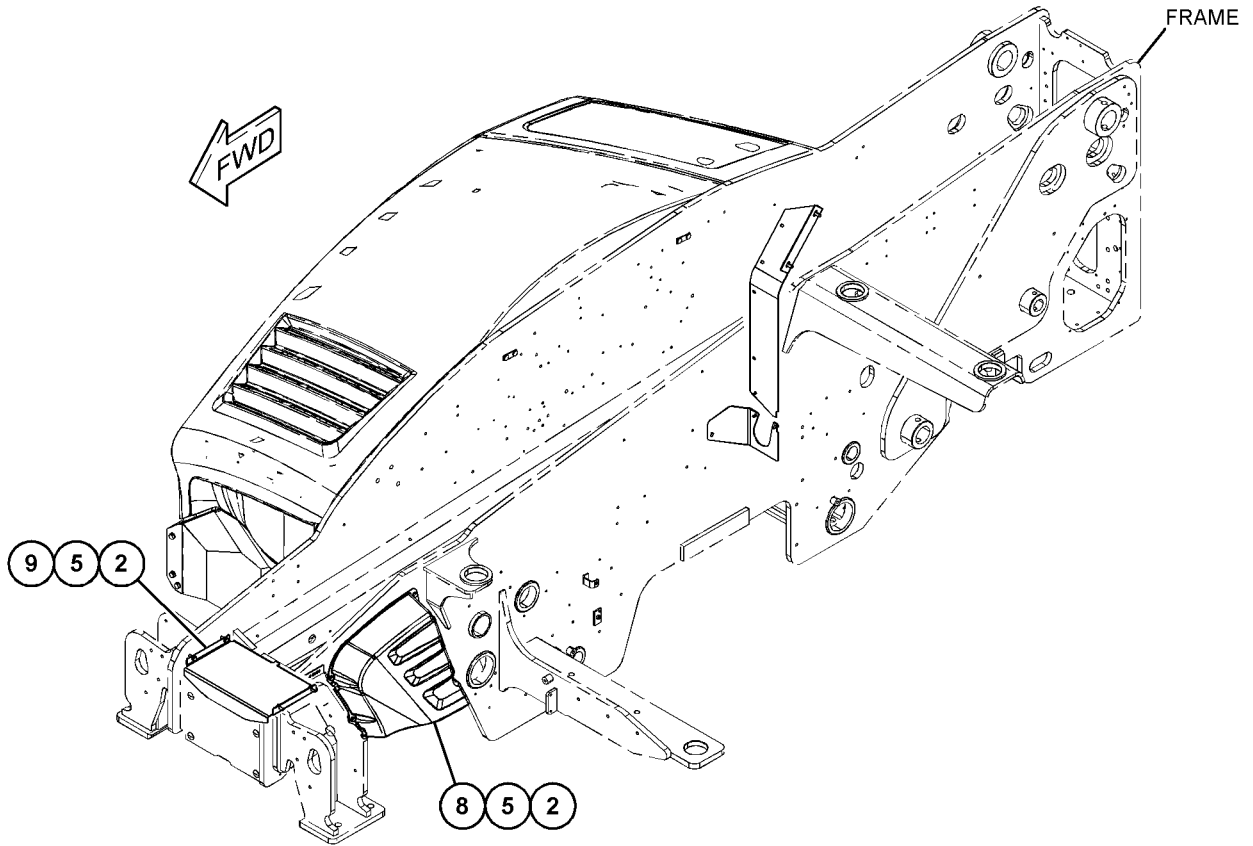
NOTE	REF NO	GRAPHIC REF	PART NUMBER	QTY	PART NAME						SEE PAGE
					1	2	3	4	5	6 (PRODUCT LEVEL)	
M	1	1	5C-9553	4	BOLT (M6X1X16-MM)						
M	2	1	8T-4189	8	BOLT (M8X1.25X20-MM)						
M	3	1	8T-4136	2	BOLT (M10X1.5X25-MM)						
	4	1	8T-4205	4	WASHER-HARD (7.2X14.5X2-MM THK)						
	5	1	8T-4224	8	WASHER-HARD (8.8X16X2-MM THK)						
	6	1	8T-4121	2	WASHER-HARD (11X21X2.5-MM THK)						
	7	1	500-3074	1	PLATE (REAR EXHAUST)						
	8	1	499-7306	1	COVER						
	9	1	499-7308	1	PLATE (FRAME)						
	10	1	500-3082	1	PLATE (COVER)						

M - METRIC PART

OPERATOR STATION

516-1438 ENCLOSURE GP-CAB (contd.)

106907150



GRAPHIC #1

<END>

g06165375

OPERATOR STATION

516-1439 ENCLOSURE GP-CAB-CHASSIS

S/N: TD71-UP

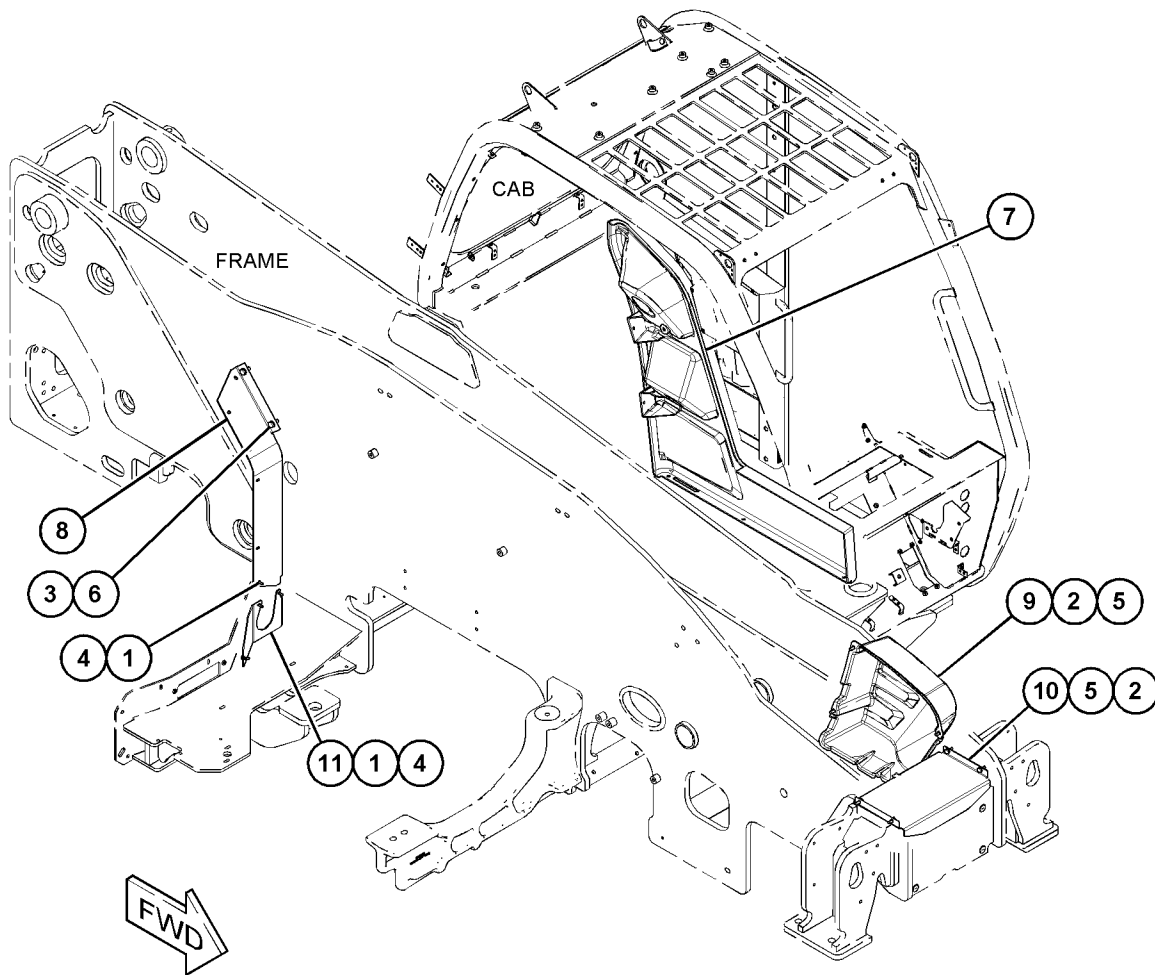
PART OF 517-9885 CHASSIS AR

SMCS-7276

i07175295

NOTE	REF NO	GRAPHIC REF	PART NUMBER	QTY	PART NAME						SEE PAGE
					1	2	3	4	5	6 (PRODUCT LEVEL)	
M	1	1	8T-4138	4	BOLT (M6X1X20-MM)						
M	2	1	8T-4189	8	BOLT (M8X1.25X20-MM)						
M	3	1	8T-4136	2	BOLT (M10X1.5X25-MM)						
	4	1	8T-4205	4	WASHER-HARD (7.2X14.5X2-MM THK)						
	5	1	8T-4224	8	WASHER-HARD (8.8X16X2-MM THK)						
	6	1	8T-4121	2	WASHER-HARD (11X21X2.5-MM THK)						
	7	1	477-1614	1	COVER (TANK)						
	8	1	500-3074	1	PLATE (REAR EXHAUST)						
	9	1	499-7306	1	COVER						
	10	1	499-7308	1	PLATE (FRAME)						
	11	1	500-3082	1	PLATE (COVER)						
M	12	1	388-4063	2	SCREW (M6X16-MM)						
	13	1	539-2408	1	PLATE						

M - METRIC PART



GRAPHIC #1

<END>

g06165563

OPERATOR STATION

476-0697 FLOOR MAT GP

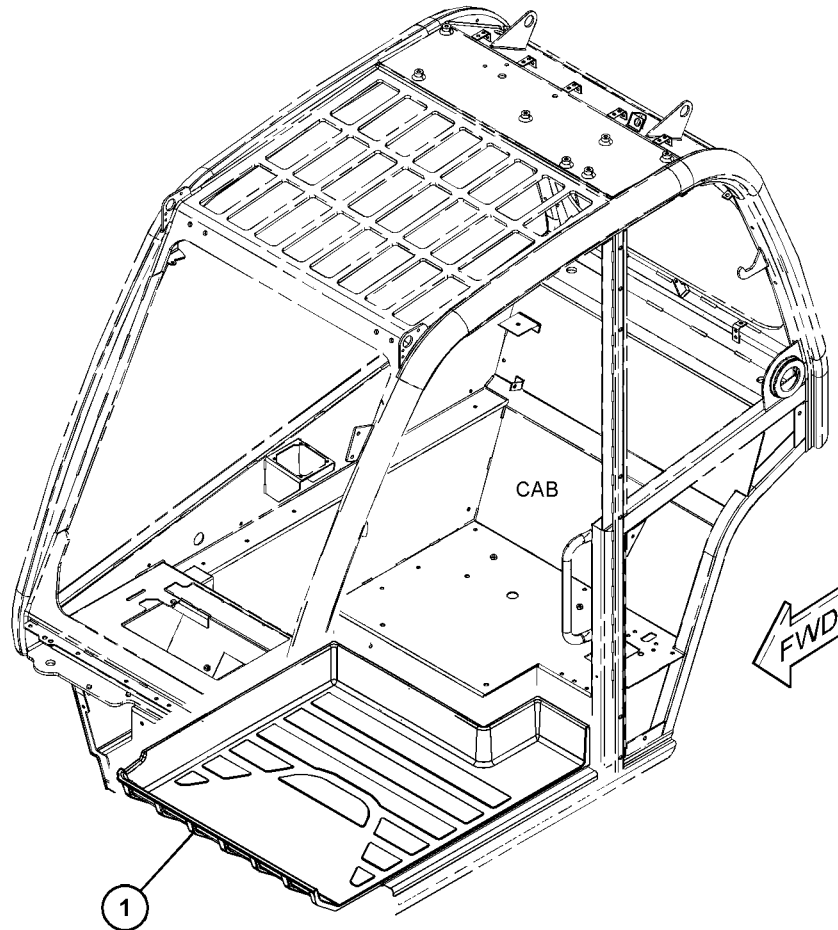
S/N: TD61-UP; TD71-UP

PART OF 517-9179, 517-9180 CAB AR
AN ATTACHMENT

SMCS-726M

i06603243

NOTE	REF NO	GRAPHIC REF	PART NUMBER	QTY	PART NAME						SEE PAGE
					1	2	3	4	5	6 (PRODUCT LEVEL)	
	1	1	476-0698	1	FLOOR MAT						



GRAPHIC #1

<END>

g06046095

OPERATOR STATION

471-9523 GUARD GP-FRONT WINDOW

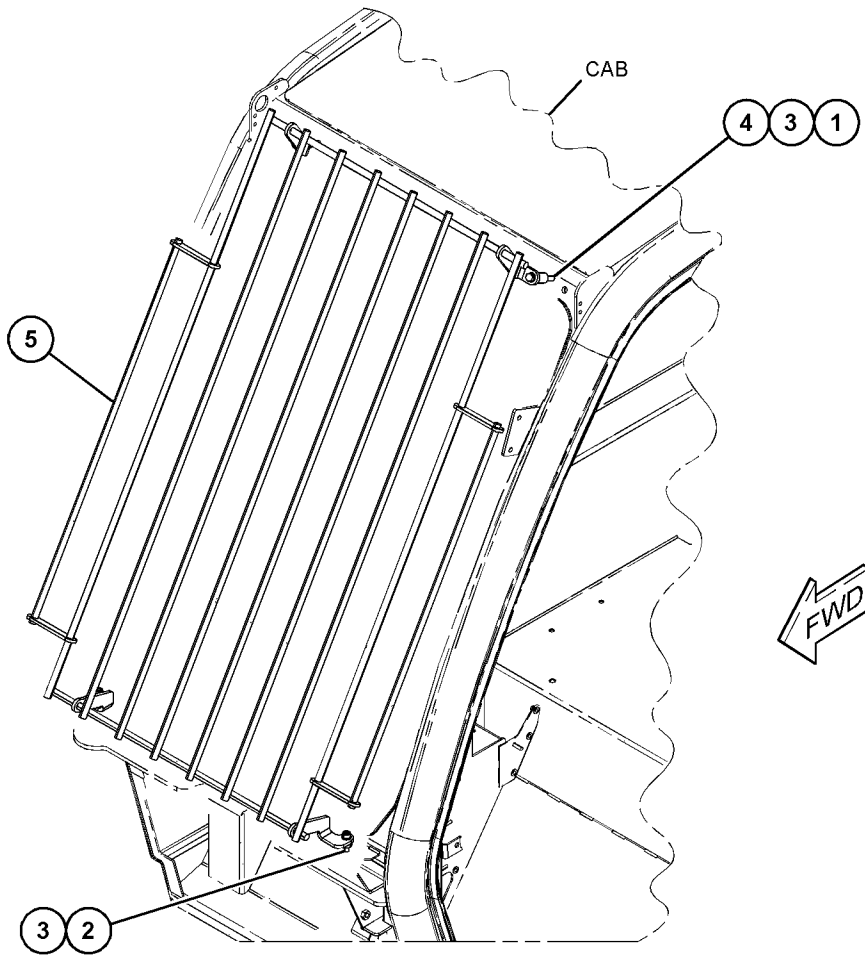
S/N: TD61-UP; TD71-UP
AN ATTACHMENT

SMCS-7182, 7315

i06102993

NOTE	REF NO	GRAPHIC REF	PART NUMBER	QTY	PART NAME						SEE PAGE
					1	2	3	4	5	6 (PRODUCT LEVEL)	
	1	1	471-9527	2	SPACER (9X18X28-MM THK)						
M	2	1	6V-5192	2	BOLT-SOCKET HEAD (M8X1.25X30-MM)						
	3	1	8T-4224	4	WASHER-HARD (8.8X16X2-MM THK)						
M	4	1	8T-6869	2	BOLT (M8X1.25X60-MM)						
	5	1	471-6162	1	GUARD AS-SCREEN						

M - METRIC PART



GRAPHIC #1

<END>

g03822403

OPERATOR STATION

472-0940 GUARD GP-ROOF

S/N: TD61-UP; TD71-UP

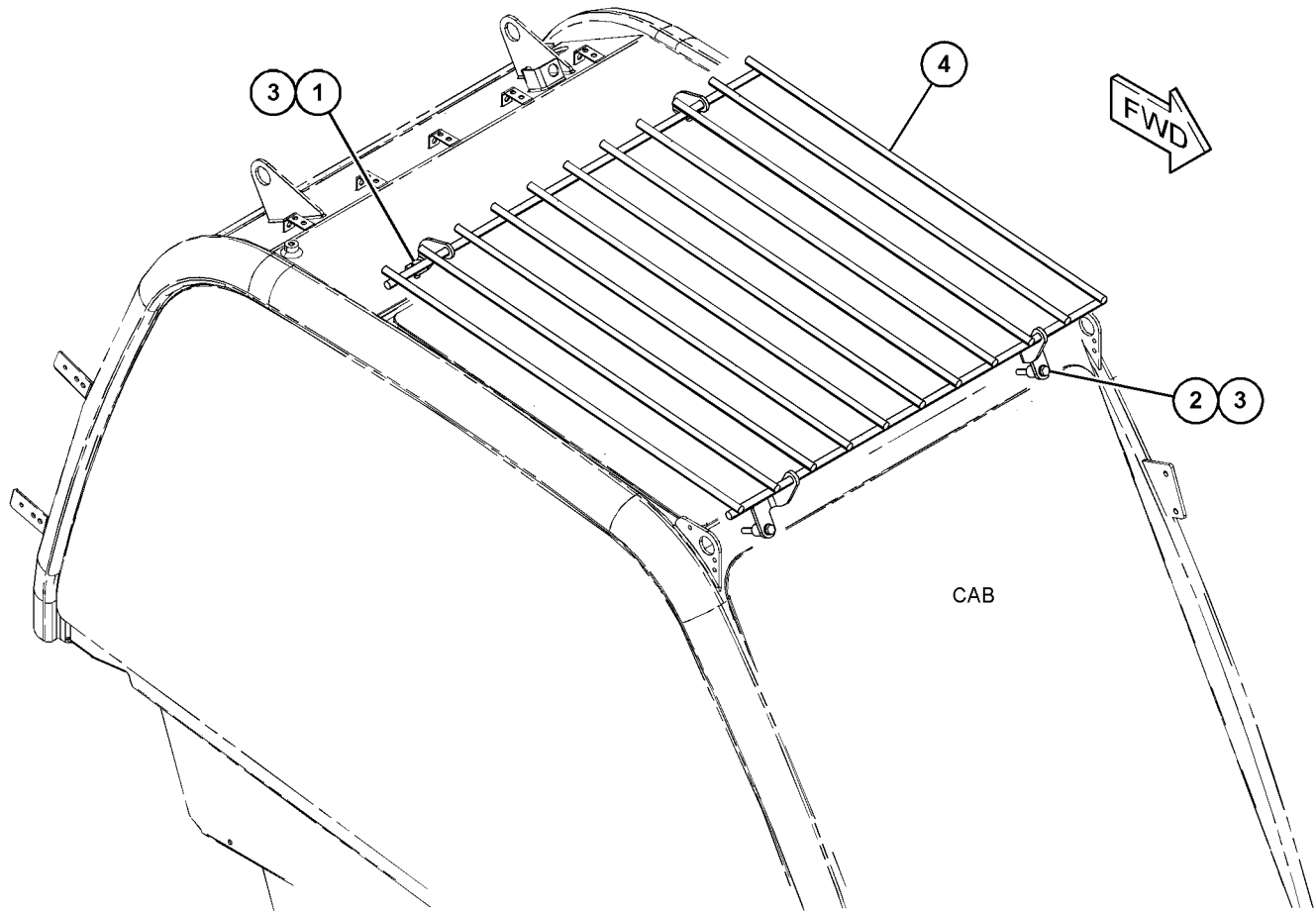
AN ATTACHMENT

SMCS-7150

i06102979

NOTE	REF NO	GRAPHIC REF	PART NUMBER	QTY	PART NAME						SEE PAGE
					1	2	3	4	5	6 (PRODUCT LEVEL)	
M	1	1	8T-4189	2	BOLT (M8X1.25X20-MM)						
M	2	1	8T-6869	2	BOLT (M8X1.25X60-MM)						
	3	1	8T-4224	4	WASHER-HARD (8.8X16X2-MM THK)						
	4	1	471-6160	1	GUARD AS-SCREEN						

M - METRIC PART



GRAPHIC #1

<END>

g03820939

OPERATOR STATION

495-3735 HEADLINER GP-CAB

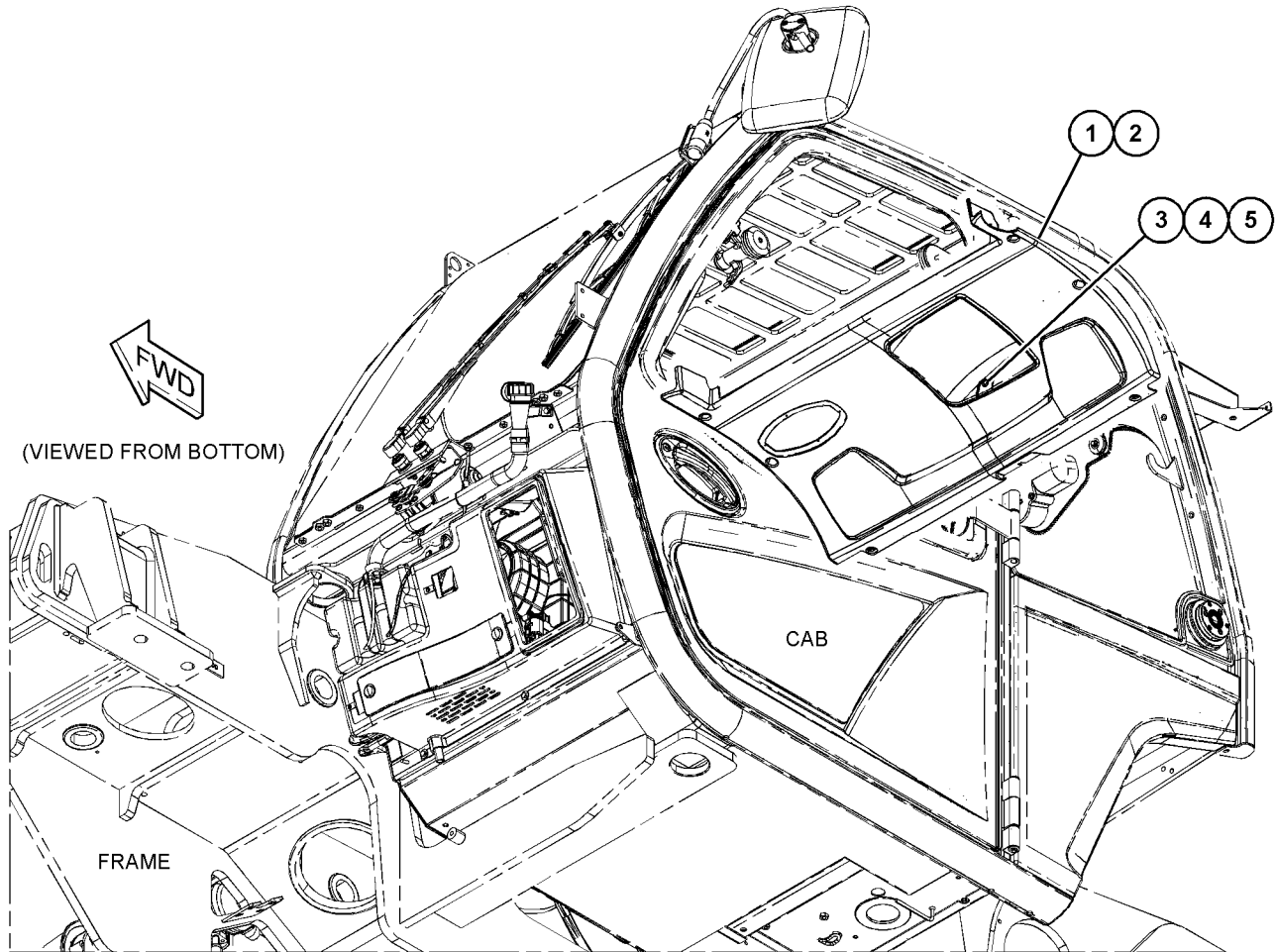
S/N: TD61-UP; TD71-UP

PART OF 513-4181 INSTALLATION GP-RADIO
AN ATTACHMENT

SMCS-7325

i06708102

NOTE	REF NO	GRAPHIC REF	PART NUMBER	QTY	PART NAME						SEE PAGE
					1	2	3	4	5	6 (PRODUCT LEVEL)	
	1	1	495-3737	1	HEADLINER						
	2	1	477-0903	1	PANEL-CAB ROOF						
	3	1	8T-4205	2	WASHER-HARD (7.2X14.5X2-MM THK)						
	4	1	474-9867	2	NUT						
	5	1	474-6671	2	PLATE						



GRAPHIC #1

<END>

g06085060

OPERATOR STATION

513-4180 HEADLINER GP-CAB

S/N: TD61-UP; TD71-UP

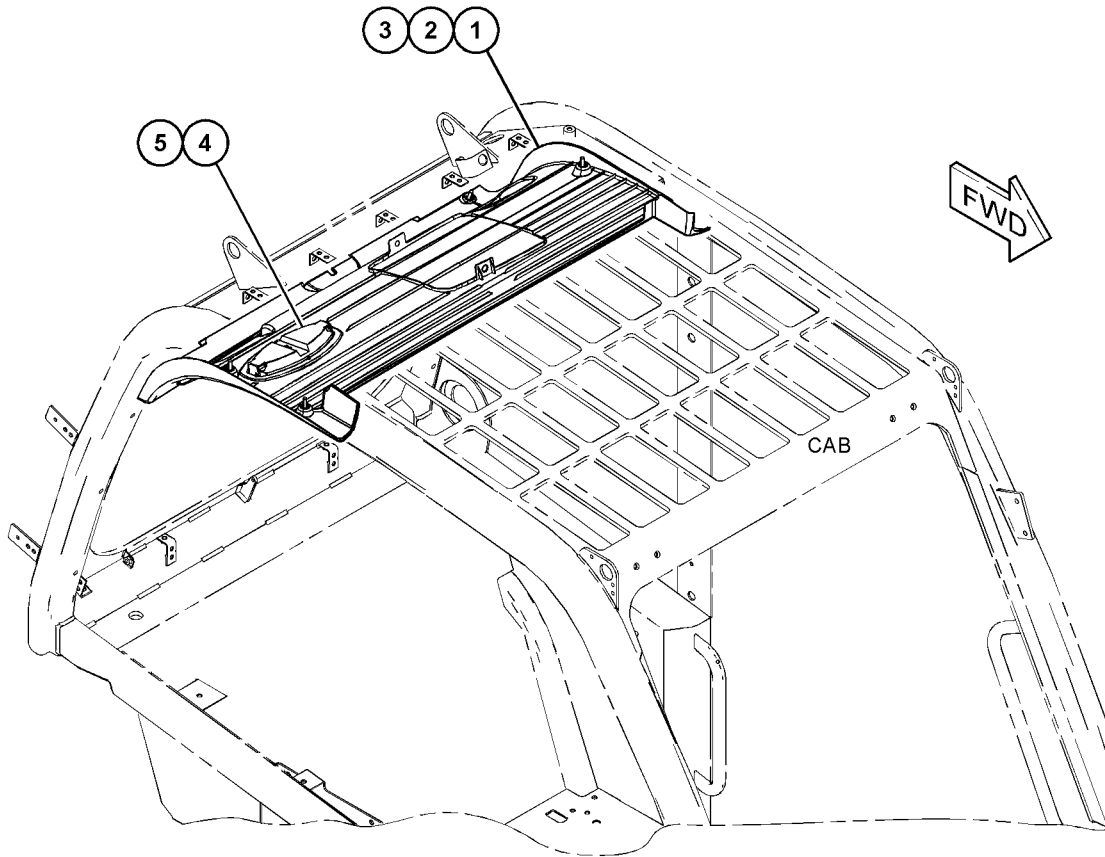
AN ATTACHMENT

SMCS-7325

i06893233

NOTE	REF NO	GRAPHIC REF	PART NUMBER	QTY	PART NAME						SEE PAGE
					1	2	3	4	5	6 (PRODUCT LEVEL)	
	1	1	495-3741	1	HEADLINER						
	2	1	8T-4205	6	WASHER-HARD (7.2X14.5X2-MM THK)						
M	3	1	8T-8998	6	SCREW-MACHINE (M6X1X20-MM)						
	4	1	474-9787	1	LAMP (DOME)						
	5	1	347-5373	4	SCREW-PAN HEAD						

M - METRIC PART



GRAPHIC #1

<END>

g06163181

OPERATOR STATION

525-3038 HEATER & AIR CONDITIONER GP-CAB

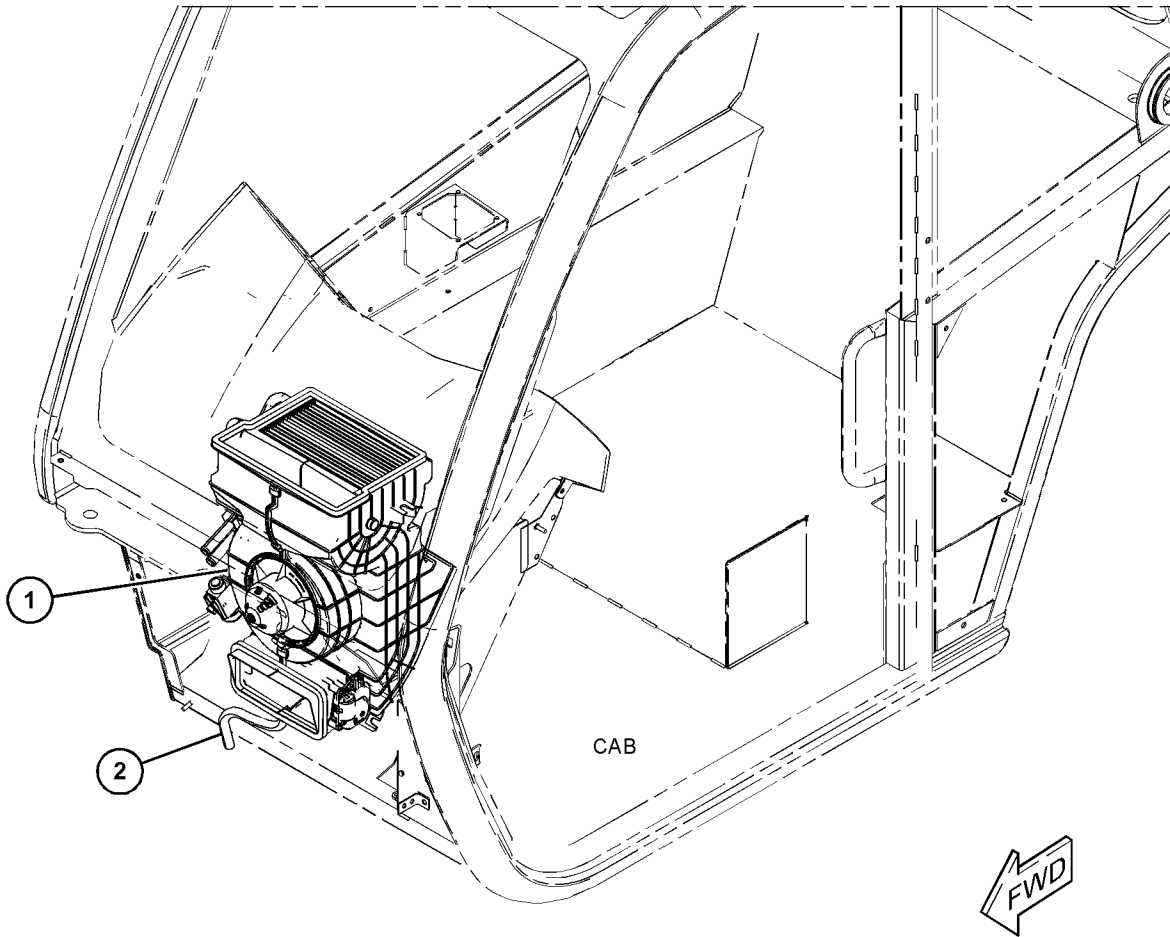
S/N: TD61-UP; TD71-UP
PART OF 525-3040 AIR CONDITIONER GP
AN ATTACHMENT

SMCS-7304, 7309, 7320

i07047366

NOTE	REF NO	GRAPHIC REF	PART NUMBER	QTY	PART NAME						SEE PAGE
					1	2	3	4	5	6 (PRODUCT LEVEL)	
Y	1	1	484-8312	1	HEATER GP-CAB (HEATER, AIR CONDITIONER)						931
	2	1	5P-5674	1	TUBE (12.7-OD DIA)						

Y - SEPARATE ILLUSTRATION



GRAPHIC #1

<END>

g06218534

OPERATOR STATION

496-8263 HEATER & MTG GP-CAB

S/N: TD61-UP; TD71-UP

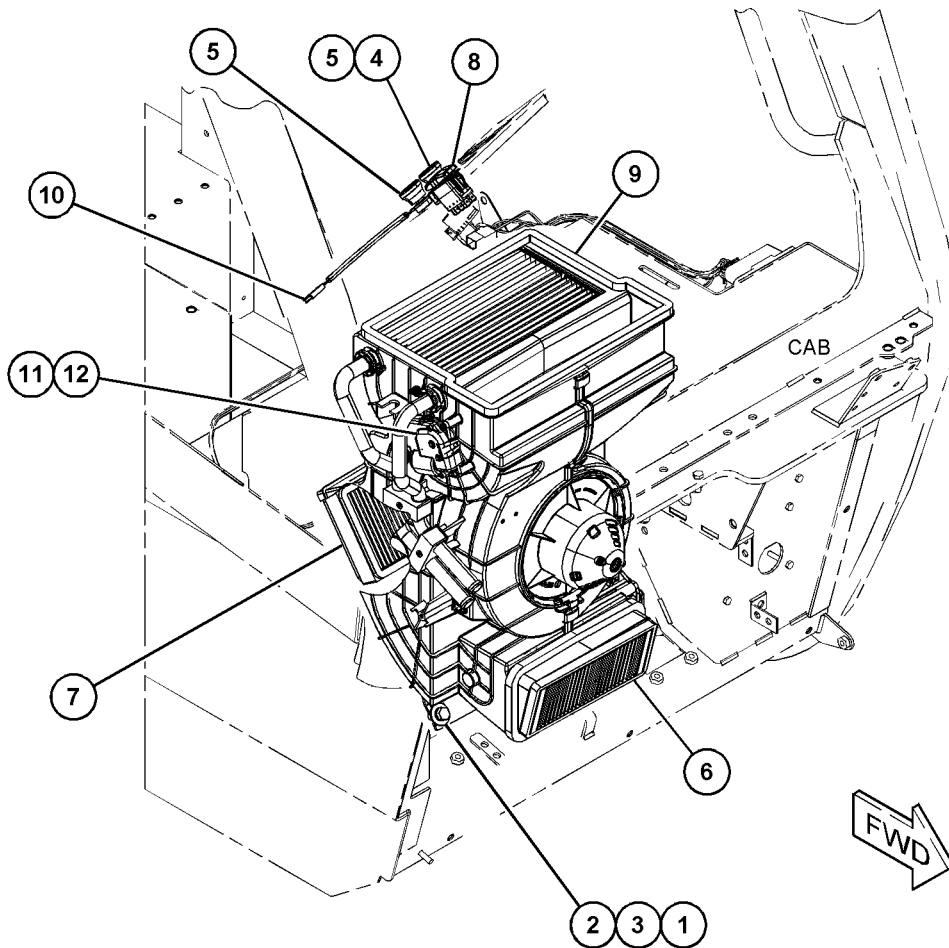
PART OF 508-7851, 508-7852, 521-2181 HEATER AR-CAB
AN ATTACHMENT

SMCS-7304

i07213659

NOTE	REF NO	GRAPHIC REF	PART NUMBER	QTY	PART NAME						SEE PAGE
					1	2	3	4	5	6 (PRODUCT LEVEL)	
M	1	1	8T-4189	2	BOLT (M8X1.25X20-MM)						
	2	1	309-3997	2	WASHER (8.4X25X2-MM THK)						
	3	1	3B-4505	2	LOCKWASHER						
	4	1	473-2085	1	SWITCH AS-AIR CONDITIONER (ROTARY)						
	5	1	473-2086	2	KNOB (CONTROL) (HVAC)						
	6	1	528-8853	1	FILTER-AIR (FRESH AIR)						
	7	1	473-2651	1	FILTER (HVAC) (RECIRCULATION)						
	8	1	496-8264	1	SWITCH AS-ROCKER (HVAC) (RECIRCULATION)						
Y	9	1	496-8265	1	HEATER GP-CAB						935
	10	1	536-9853	1	SWITCH AS-AIR CONDITIONER (HVAC)						
	11	1	536-9761	2	SHIM (0.5-MM THK)						
	12	1	484-8325	2	GROMMET						

M - METRIC PART
Y - SEPARATE ILLUSTRATION



GRAPHIC #1

<END>

g06205979

OPERATOR STATION

508-7851 HEATER AR-CAB

S/N: TD61-UP
AN ATTACHMENT

SMCS-1380, 1408, 7304

i06645683

NOTE	PART NUMBER	QTY	PART NAME						SEE PAGE
			1	2	3	4	5	6 (PRODUCT LEVEL)	
Y	492-3937	1	COVER GP-ACCESS (CAB ROOF)						899
Y	496-8263	1	HEATER & MTG GP-CAB						925
Y	497-3809	1	LINES GP-HEATER & AIR COND						949

Y - SEPARATE ILLUSTRATION

<END>

508-7852 HEATER AR-CAB

S/N: TD61-UP
AN ATTACHMENT

SMCS-1380, 1408, 7304

i06645684

NOTE	PART NUMBER	QTY	PART NAME						SEE PAGE
			1	2	3	4	5	6 (PRODUCT LEVEL)	
Y	492-3937	1	COVER GP-ACCESS (CAB ROOF)						899
Y	496-8263	1	HEATER & MTG GP-CAB						925
Y	496-8262	1	LINES GP-HEATER & AIR COND						947

Y - SEPARATE ILLUSTRATION

<END>

521-2181 HEATER AR-CAB

S/N: TD71-UP
AN ATTACHMENT

SMCS-1380, 1408, 7304

i06818934

NOTE	PART NUMBER	QTY	PART NAME						SEE PAGE
			1	2	3	4	5	6 (PRODUCT LEVEL)	
Y	492-3937	1	COVER GP-ACCESS (CAB ROOF)						899
Y	496-8263	1	HEATER & MTG GP-CAB						925
Y	497-9625	1	LINES GP-HEATER & AIR COND						952

Y - SEPARATE ILLUSTRATION

<END>

OPERATOR STATION

473-2084 HEATER GP-CAB

S/N: TD61-UP; TD71-UP

PART OF 496-8265 HEATER GP-CAB

AN ATTACHMENT

TYPE 1

SMCS-7304

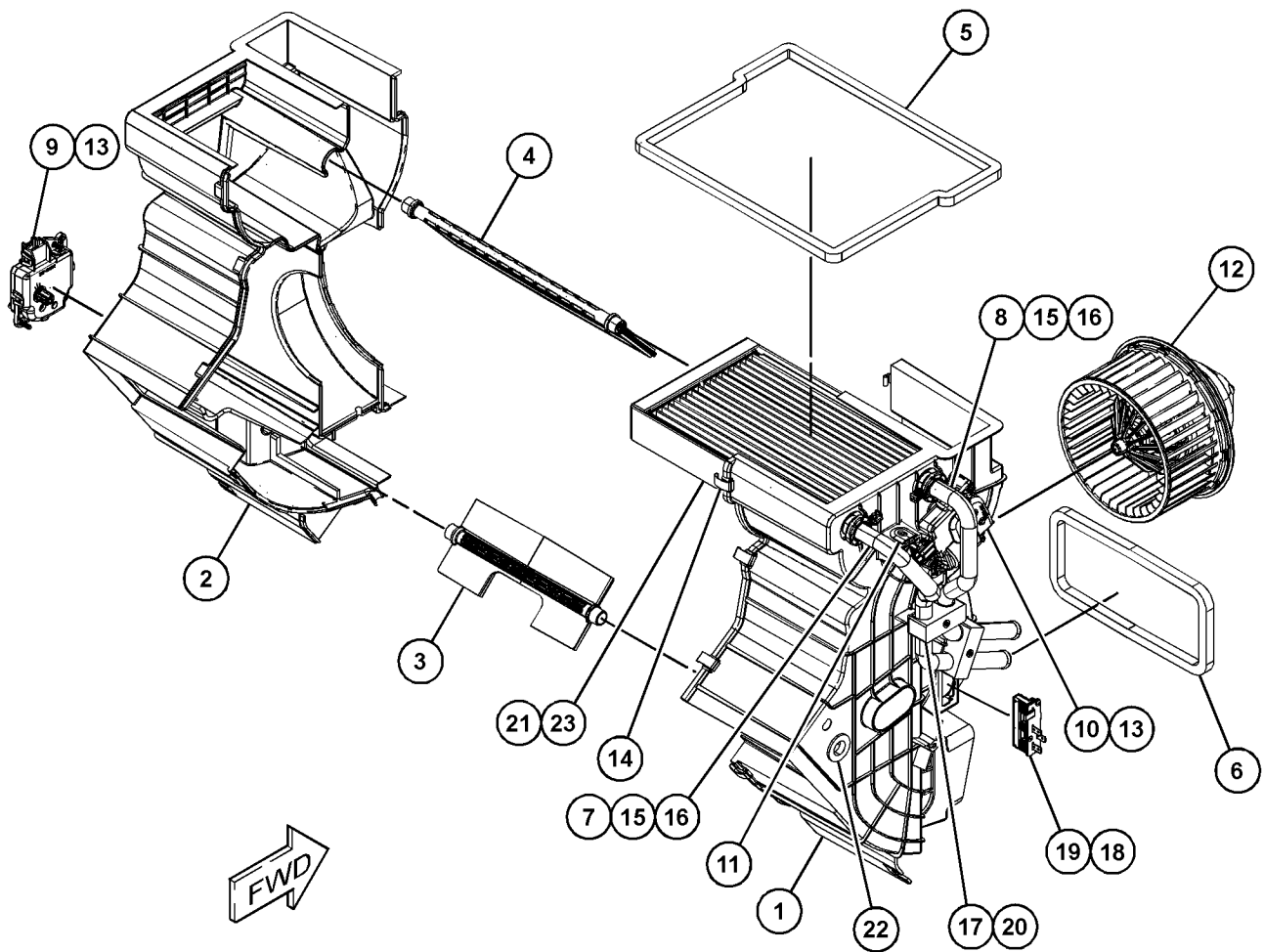
i06708438

NOTE	REF NO	GRAPHIC REF	PART NUMBER	QTY	PART NAME						SEE PAGE
					1	2	3	4	5	6 (PRODUCT LEVEL)	
	1	1	484-8317	1	HOUSING						
	2	1	484-8318	1	HOUSING						
	3	1	484-8313	1	HEATER AS-CAB (FRESH AIR)						
		1	484-9149	1	FOAM						
		1	484-9150	2	FOAM						
	4	1	484-8314	1	HEATER AS-CAB (MIXING CHAMBER)						
		1	484-8350	2	FOAM						
	5	1	484-9138	1	FOAM						
	6	1	484-9139	1	FOAM						
	7	1	484-9140	1	PIPE-WATER						
	8	1	484-8319	1	PIPE-WATER						
	9	1	484-8323	1	ACTUATOR						
	10	1	484-8324	1	ACTUATOR						
	11	1	484-8325	2	GROMMET						
	12	1	484-8327	1	FAN						
	13	1	484-8328	4	SCREW						
	14	1	484-8330	9	CLAMP						
	15	1	484-8331	2	CLAMP						
	16	1	484-8332	2	SCREW						
	17	1	484-8333	2	CLAMP						
	18	1	484-8334	1	RESISTOR						
	19	1	484-8337	2	SCREW						
	20	1	484-8338	2	SCREW						
	21	1	484-8316	1	HEATER AS-CAB (RADIATOR)						
	22	1	484-8340	1	GROMMET						
	23	1	484-8345	2	SEAL-O-RING						

OPERATOR STATION

473-2084 HEATER GP-CAB (contd.)

i06708438



GRAPHIC #1

<END>

g06096204

OPERATOR STATION

473-2084 HEATER GP-CAB

S/N: TD61-UP; TD71-UP

PART OF 496-8265 HEATER GP-CAB

AN ATTACHMENT

TYPE 2

SMCS-7304

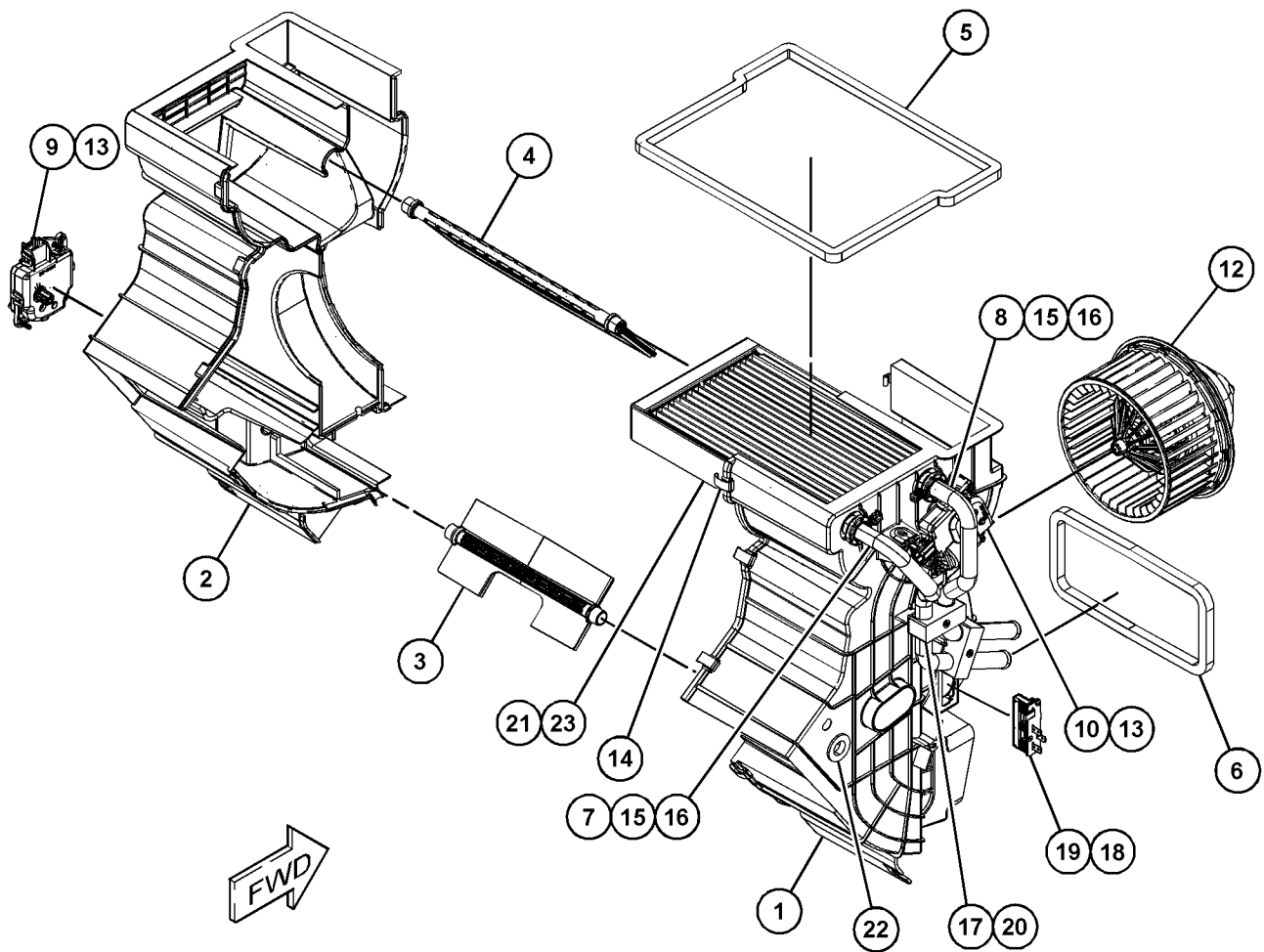
i07184379

NOTE	REF NO	GRAPHIC REF	PART NUMBER	QTY	PART NAME						SEE PAGE
					1	2	3	4	5	6 (PRODUCT LEVEL)	
	1	1	484-8317	1	HOUSING						
	2	1	484-8318	1	HOUSING						
	3	1	484-8313	1	HEATER AS-CAB (FRESH AIR)						
		1	484-9149	1	FOAM						
		1	484-9150	2	FOAM						
	4	1	484-8314	1	HEATER AS-CAB (MIXING CHAMBER)						
		1	484-8350	2	FOAM						
	5	1	484-9138	1	FOAM						
	6	1	484-9139	1	FOAM						
	7	1	484-9140	1	PIPE-WATER						
	8	1	484-8319	1	PIPE-WATER						
	9	1	484-8323	1	ACTUATOR						
	10	1	484-8324	1	ACTUATOR						
	12	1	484-8327	1	FAN						
	13	1	484-8328	4	SCREW						
	14	1	484-8330	9	CLAMP						
	15	1	484-8331	2	CLAMP						
	16	1	484-8332	2	SCREW						
	17	1	484-8333	2	CLAMP						
	18	1	484-8334	1	RESISTOR						
	19	1	484-8337	2	SCREW						
	20	1	484-8338	2	SCREW						
	21	1	484-8316	1	HEATER AS-CAB (RADIATOR)						
	22	1	484-8340	1	GROMMET						
	23	1	484-8345	2	SEAL-O-RING						

OPERATOR STATION

473-2084 HEATER GP-CAB (contd.)

i07184379



GRAPHIC #1

<END>

g06244746

OPERATOR STATION

484-8312 HEATER GP-CAB-HEATER, AIR CONDITIONER

S/N: TD61-UP; TD71-UP

PART OF 525-3038 HEATER & AIR CONDITIONER GP
AN ATTACHMENT

SMCS-7304

i06783859

NOTE	REF NO	GRAPHIC REF	PART NUMBER	QTY	PART NAME						SEE PAGE
					1	2	3	4	5	6 (PRODUCT LEVEL)	
	1	1	484-8317	1	HOUSING (RIGHT)						
	2	2	484-8318	1	HOUSING (LEFT)						
	3	2	484-8313	1	HEATER AS-CAB (FRESH AIR)						
		2	484-9149	1	FOAM						
		2	484-9150	2	FOAM						
	4	2	484-8314	1	HEATER AS-CAB (MIXING CHAMBER)						
		2	484-8350	2	FOAM						
	5	2	484-8316	1	HEATER AS-CAB (RADIATOR)						
	6	2	484-9138	1	FOAM (AIR OUTLET)						
	7	2	484-9139	1	FOAM (AIR INLET)						
	8	1	484-9140	1	PIPE-WATER						
	9	1	484-8319	1	PIPE-WATER						
	10	1	484-8321	1	PIPE AS						
	11	2	484-8323	1	ACTUATOR						
	12	1	484-8324	1	ACTUATOR						
	13	2	484-8325	2	GROMMET						
	14	1	484-8326	1	VALVE (HVAC)						
	15	2	484-8327	1	FAN						
	16	1,2	484-8328	4	SCREW						
	17	2	484-8330	9	CLAMP						
	18	1	484-8331	2	CLAMP						
	19	1	484-8332	2	SCREW						
	20	1	484-8333	3	CLAMP						
	21	2	484-8334	1	RESISTOR						
	22	1	484-8335	4	BOLT						
	23	1	484-8336	1	BOLT						
	24	2	484-8337	2	SCREW						
	25	1	484-8338	3	SCREW						
	26	1	484-8339	1	SENSOR (HVAC) (THERMOSTAT)						
Y	27	2	484-8315	1	HEATER GP-CAB (EVAPORATOR)						934
	28	1	484-8340	1	GROMMET						
	29	1	484-8341	1	CLAMP						
	30	1	484-8342	1	CLAMP						
	31	1	484-8343	1	SEAL-O-RING						
	32	1	484-8344	1	SEAL-O-RING						
	33	2	484-8345	2	SEAL-O-RING						
	34	1	484-8346	1	WASHER						
	35	1	484-8348	1	WASHER						

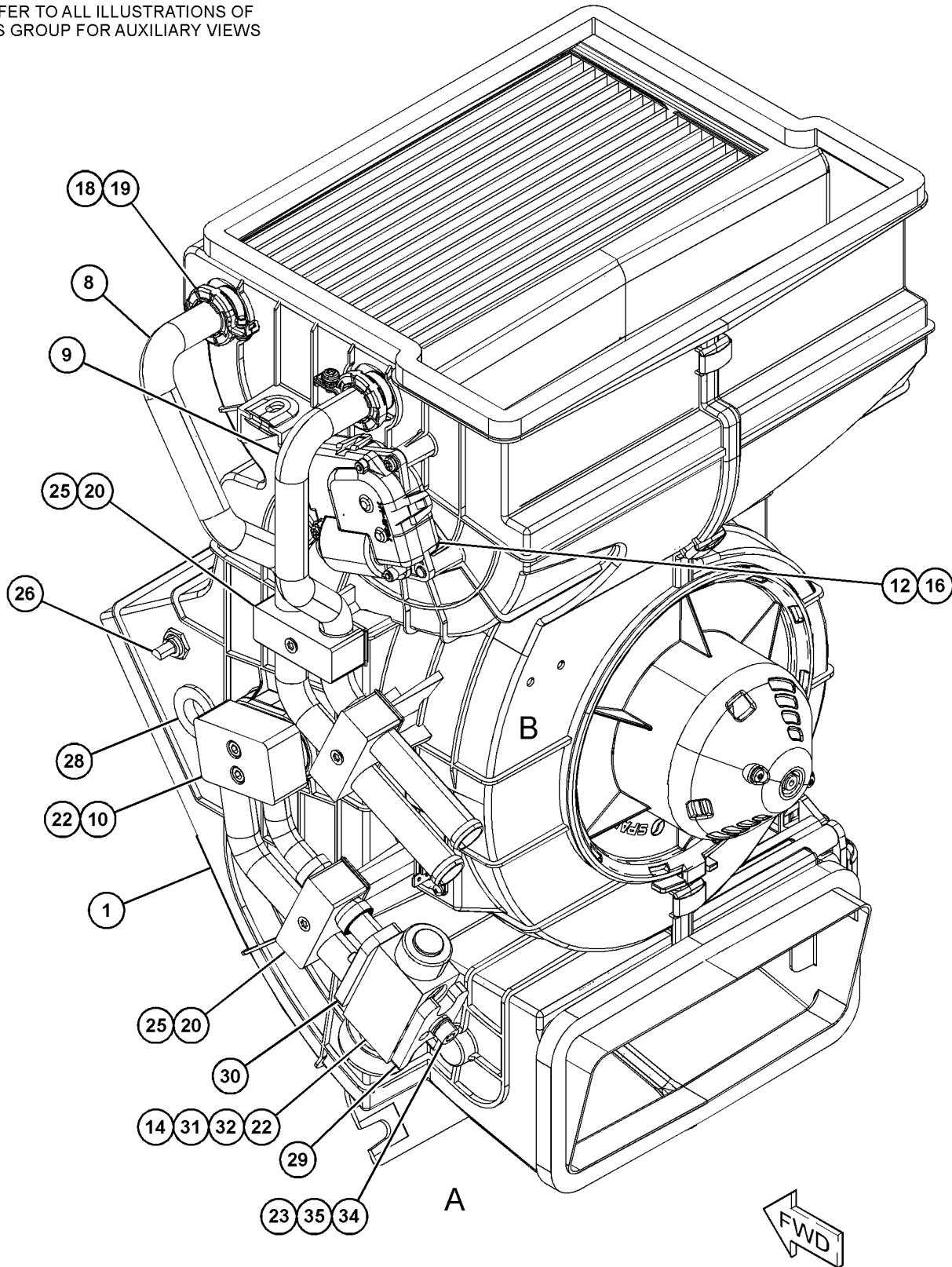
Y - SEPARATE ILLUSTRATION

OPERATOR STATION

484-8312 HEATER GP-CAB (contd.)

i06783859

REFER TO ALL ILLUSTRATIONS OF THIS GROUP FOR AUXILIARY VIEWS



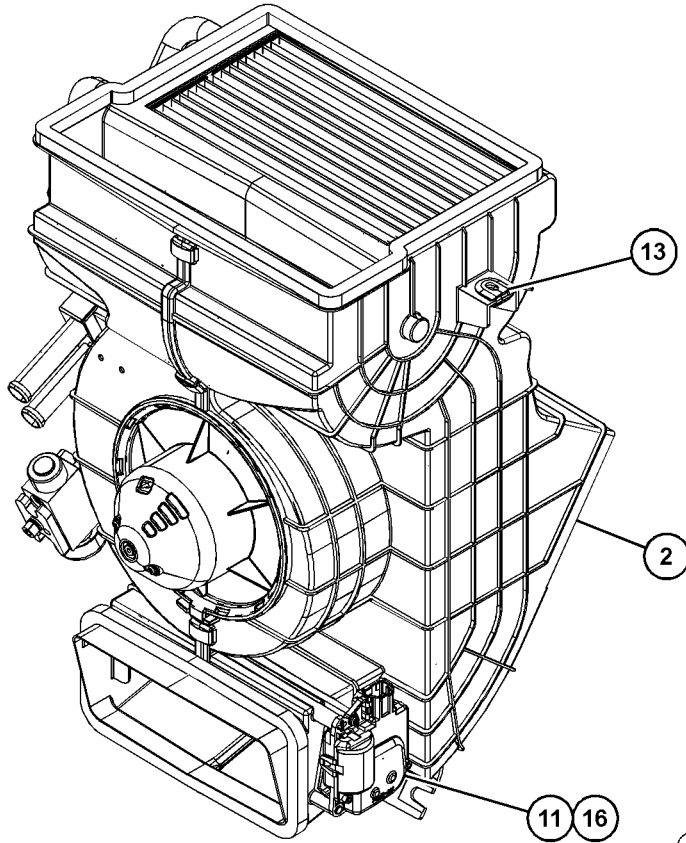
GRAPHIC #1

g06113581

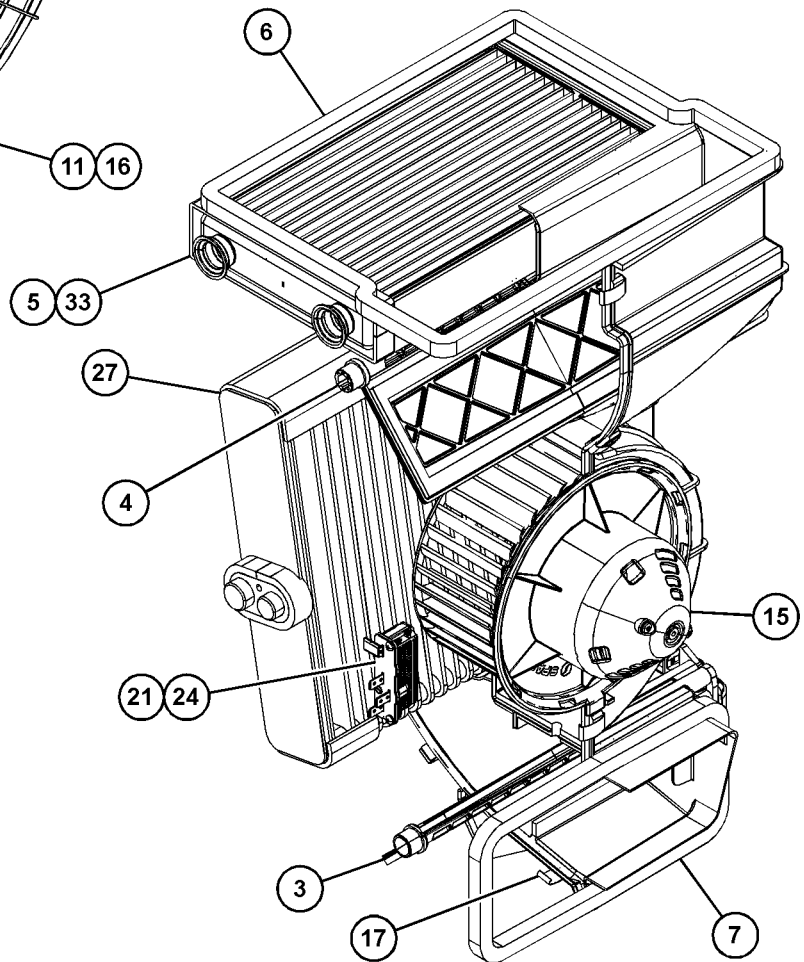
OPERATOR STATION

484-8312 HEATER GP-CAB (contd.)

106783859



VIEW OF AREA A 90°



VIEW OF AREA B
(PARTS REMOVED FOR CLARITY)

GRAPHIC #2

<END>

g06113582

OPERATOR STATION

484-8315 HEATER GP-CAB-EVAPORATOR

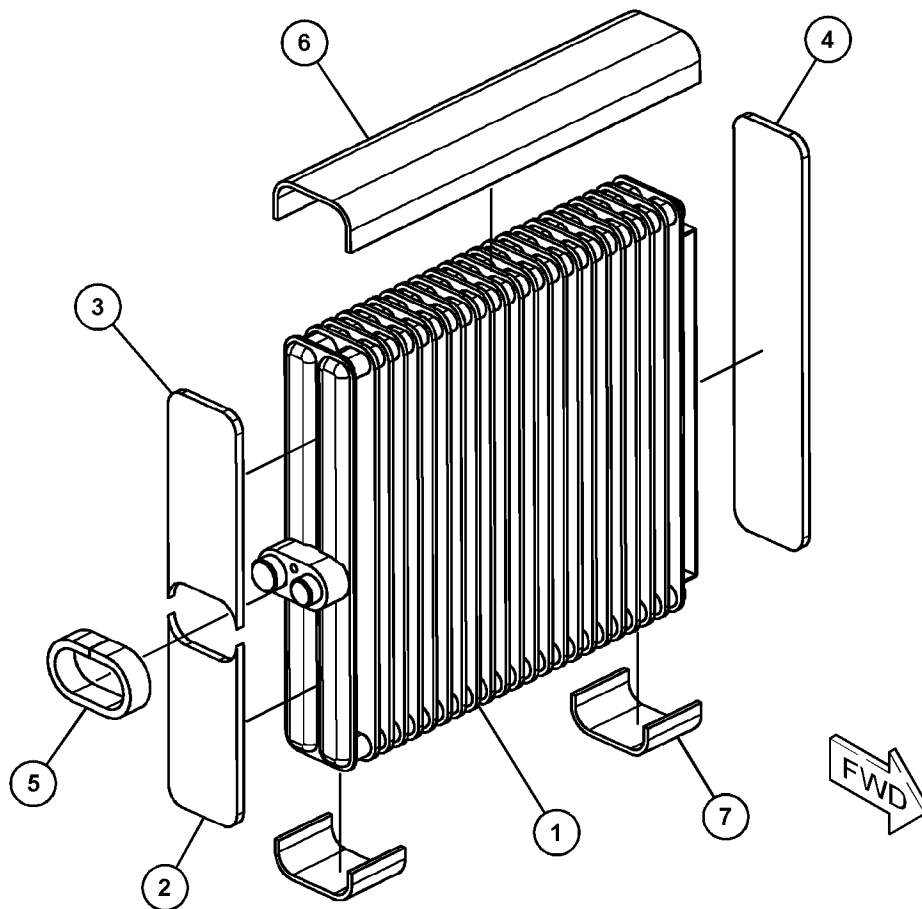
S/N: TD61-UP; TD71-UP

PART OF 484-8312 HEATER GP-CAB
AN ATTACHMENT

SMCS-7304

i06249055

NOTE	REF NO	GRAPHIC REF	PART NUMBER	QTY	PART NAME						SEE PAGE
					1	2	3	4	5	6 (PRODUCT LEVEL)	
	1	1	484-8351	1	HEATER						
	2	1	484-8352	1	FOAM						
	3	1	484-8353	1	FOAM						
	4	1	484-8354	1	FOAM						
	5	1	484-8355	1	SEAL						
	6	1	484-8356	1	INSULATOR						
	7	1	484-8357	2	INSULATOR						



GRAPHIC #1

<END>

g03886638

OPERATOR STATION

496-8265 HEATER GP-CAB

S/N: TD61-UP; TD71-UP

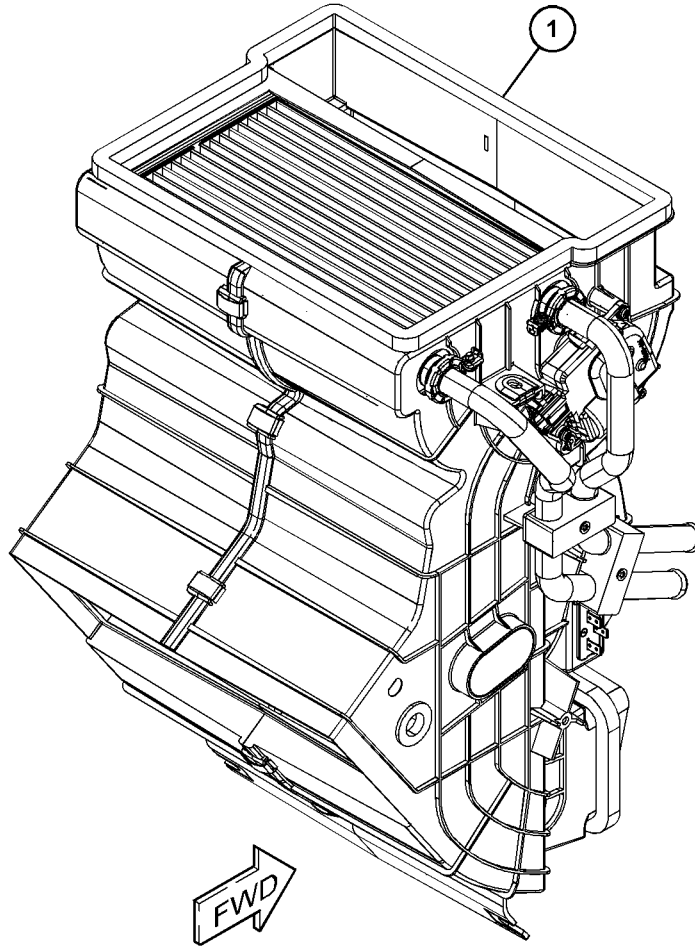
PART OF 496-8263 HEATER & MTG GP-CAB
AN ATTACHMENT

SMCS-7304

i06893887

NOTE	REF NO	GRAPHIC REF	PART NUMBER	QTY	PART NAME						SEE PAGE
					1	2	3	4	5	6 (PRODUCT LEVEL)	
Y	1	1	473-2084	1	HEATER GP-CAB						927

Y - SEPARATE ILLUSTRATION



GRAPHIC #1

<END>

g06158528

OPERATOR STATION

499-0186 HORN GP-ELECTRIC

S/N: TD61-UP; TD71-UP

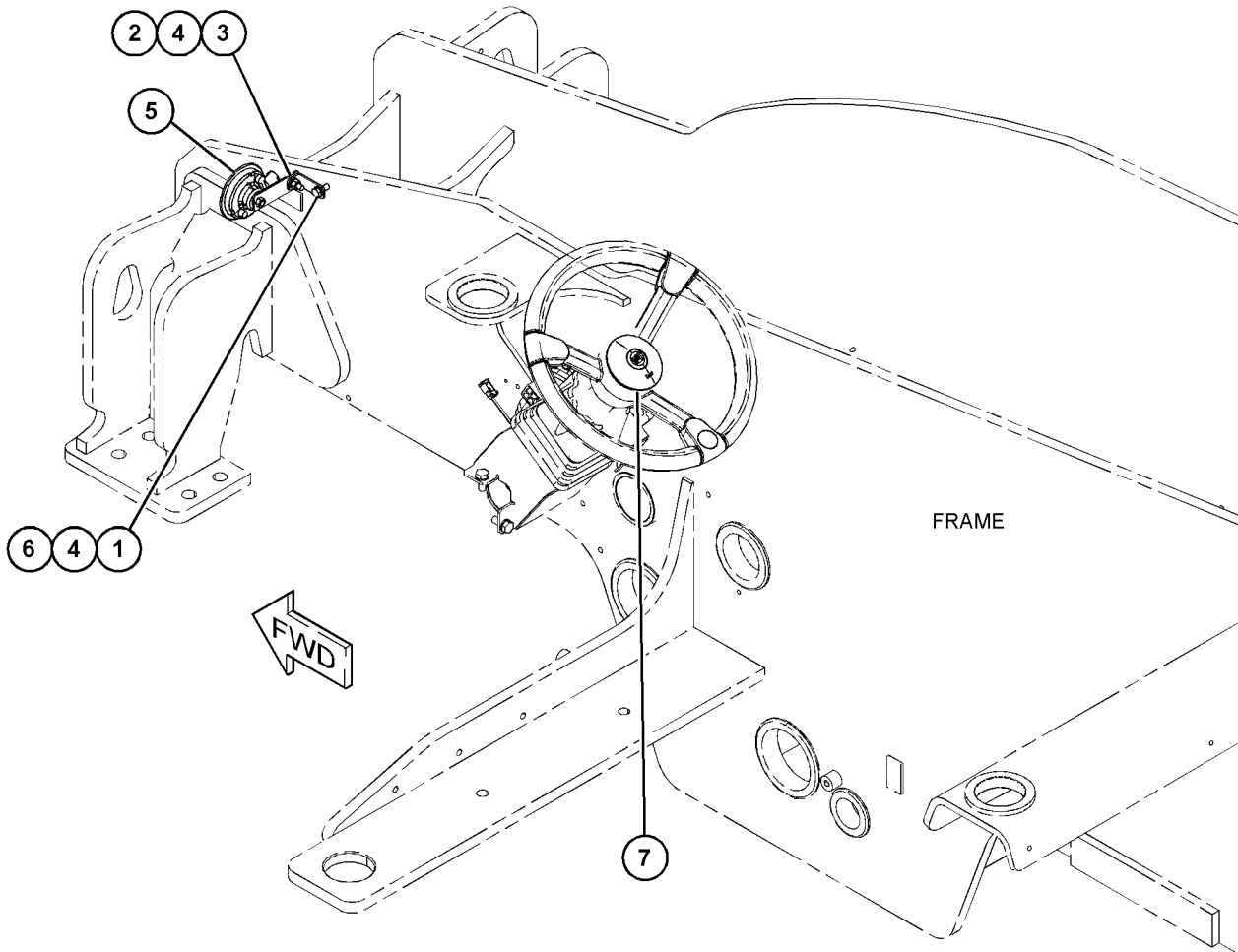
PART OF 517-9883, 517-9885 CHASSIS AR

SMCS-7402

i06603113

NOTE	REF NO	GRAPHIC REF	PART NUMBER	QTY	PART NAME						SEE PAGE
					1	2	3	4	5	6 (PRODUCT LEVEL)	
M	1	1	8T-4189	1	BOLT (M8X1.25X20-MM)						
M	2	1	8T-4908	1	BOLT (M8X1.25X25-MM)						
M	3	1	309-9184	1	LOCKNUT (M8X1.25-THD)						
	4	1	8T-4224	3	WASHER-HARD (8.8X16X2-MM THK)						
	5	1	164-9425	1	HORN AS (12-VOLT, LOW TONE)						
	6	1	341-3075	1	BRACKET-HORN						
	7	1	474-1502	1	SWITCH (HORN) (BUTTON)						

M - METRIC PART



GRAPHIC #1

<END>

g06051224

OPERATOR STATION

513-4181 INSTALLATION GP-RADIO

S/N: TD61-UP; TD71-UP

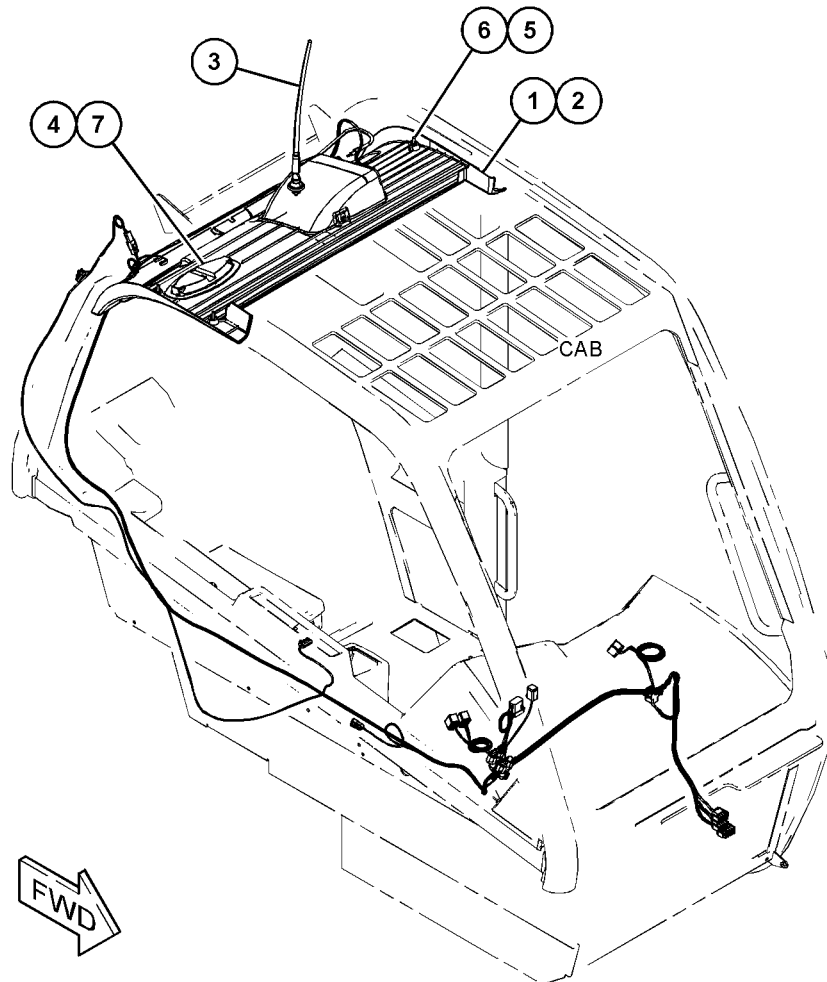
AN ATTACHMENT

SMCS-7338

i06893235

NOTE	REF NO	GRAPHIC REF	PART NUMBER	QTY	PART NAME						SEE PAGE
					1	2	3	4	5	6 (PRODUCT LEVEL)	
Y	1	1	495-3735	1	HEADLINER GP-CAB						922
	2	1	495-3736	1	PLATE						
	3	1	337-6457	1	ANTENNA (RADIO)						
	4	1	347-5373	4	SCREW-PAN HEAD						
	5	1	8T-4205	6	WASHER-HARD (7.2X14.5X2-MM THK)						
M	6	1	8T-8998	6	SCREW-MACHINE (M6X1X20-MM)						
	7	1	474-9787	1	LAMP (DOME)						

M - METRIC PART
Y - SEPARATE ILLUSTRATION



GRAPHIC #1

<END>

g06163216

OPERATOR STATION

535-5874 KIT-D00R

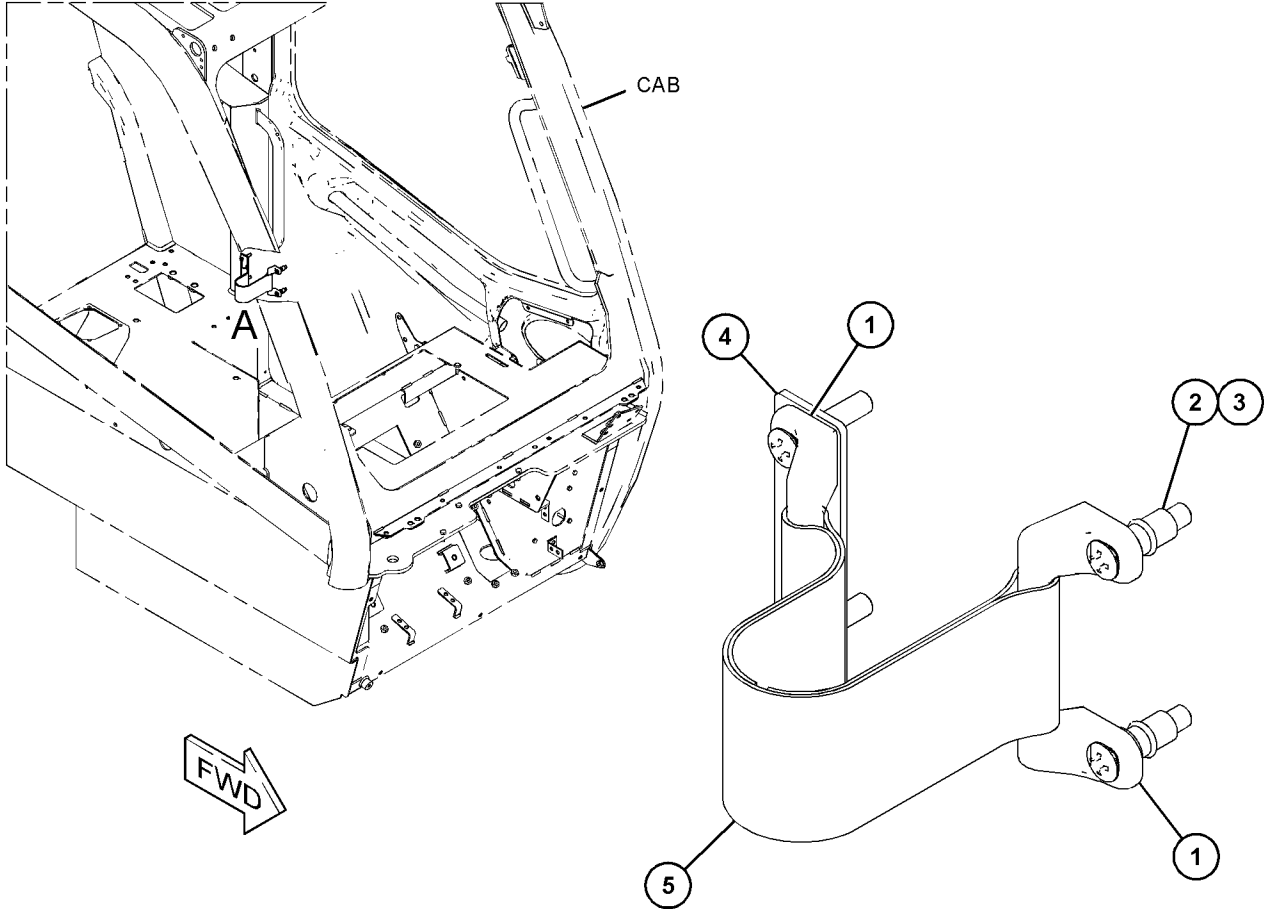
S/N: TD61-UP; TD71-UP

AN ATTACHMENT

SMCS-7308

i07046048

NOTE	REF NO	GRAPHIC REF	PART NUMBER	QTY	PART NAME						SEE PAGE
					1	2	3	4	5	6 (PRODUCT LEVEL)	
	1	1	329-3664	2	HOLDER - DOOR						
	2	1	473-8879	2	FASTENER						
	3	1	495-6147	4	SCREW						
	4	1	495-6148	1	PLATE						
	5	1	515-9909	1	STRAP						



GRAPHIC #1

<END>

VIEW OF AREA A

g06208262

OPERATOR STATION

535-5875 KIT-D00R

S/N: TD61-UP; TD71-UP

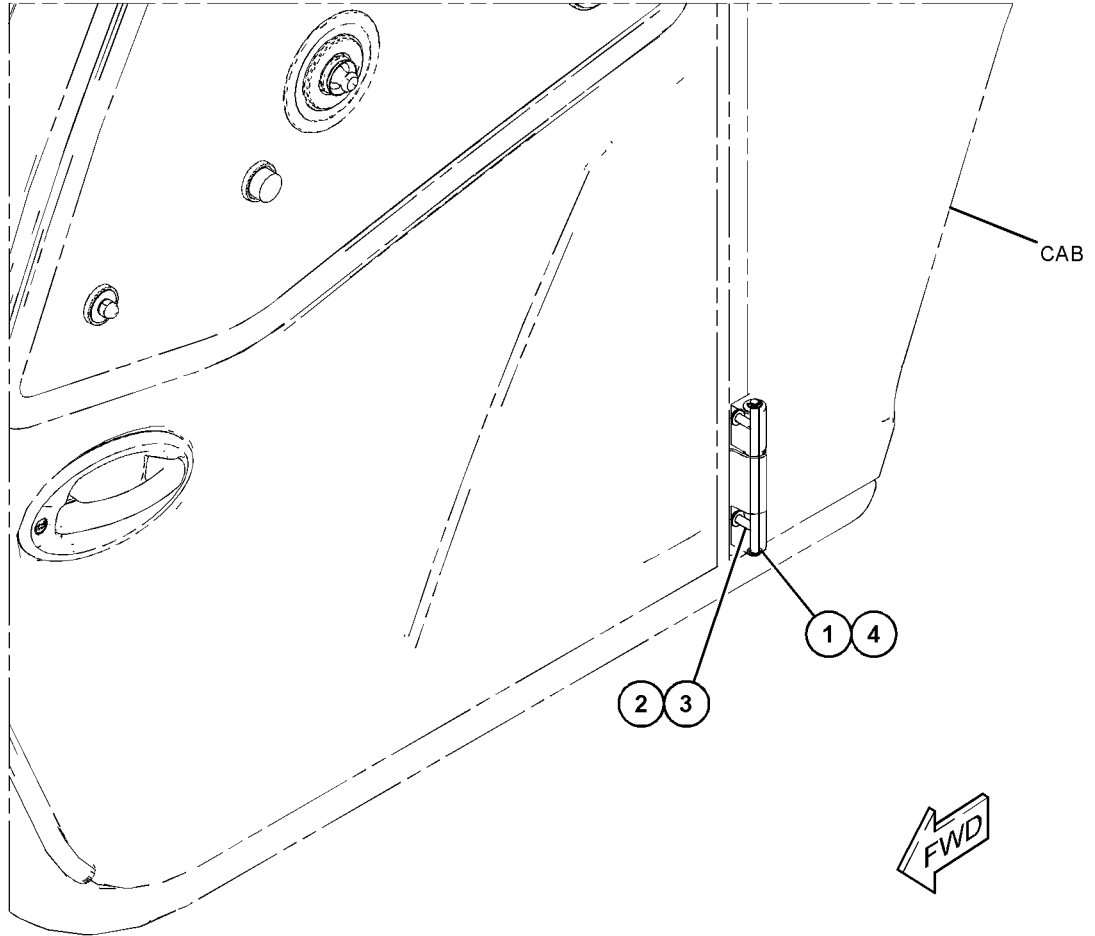
AN ATTACHMENT

SMCS-7308

i07046052

NOTE	REF NO	GRAPHIC REF	PART NUMBER	QTY	PART NAME						SEE PAGE
					1	2	3	4	5	6 (PRODUCT LEVEL)	
	1	1	327-1749	2	RING						
	2	1	8T-4224	2	WASHER-HARD (8.8X16X2-MM THK)						
M	3	1	198-3899	2	SCREW-BUTTON HEAD (M8X1.25X20-MM)						
	4	1	513-7913	1	PIN-HINGE						

M - METRIC PART



GRAPHIC #1

<END>

g06208253

OPERATOR STATION

213-4578 KIT-SEAT SUSPENSION

S/N: TD61-UP; TD71-UP
PART OF 476-8931 SEAT GP
AN ATTACHMENT

SMCS-7312

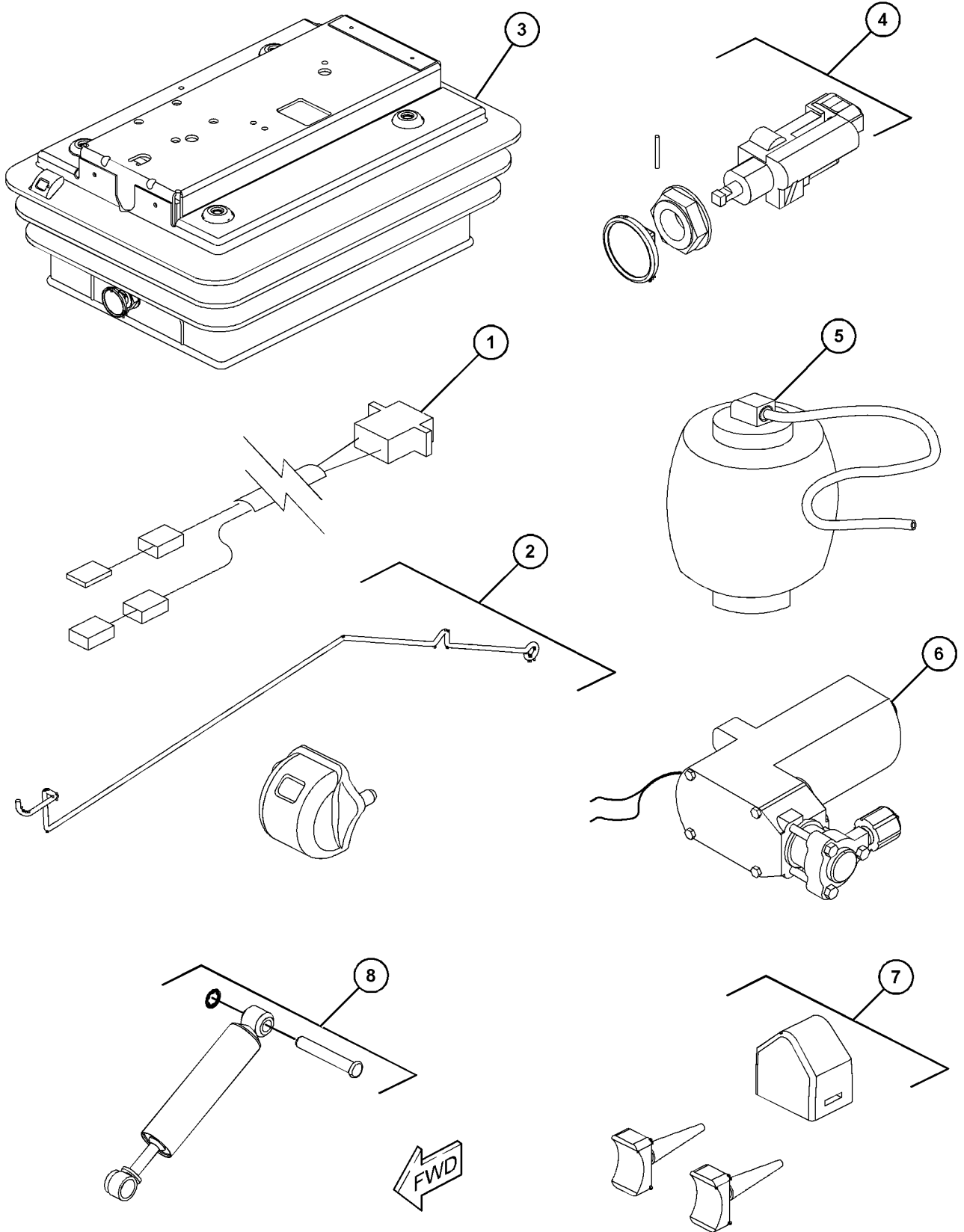
i07085852

NOTE	REF NO	GRAPHIC REF	PART NUMBER	QTY	PART NAME						SEE PAGE
					1	2	3	4	5	6 (PRODUCT LEVEL)	
1	1	1	322-8073	1	KIT-FLY LEAD						
2	1	1	322-8071	1	KIT-INDICATOR (INCLUDES RIDE INDICATOR, INDICATOR WIRE & WASHERS)						
3	1	1	213-4575	1	KIT-BOOT (SUSPENSION SEAT) (INCLUDES COVER CLIPS & SUSPENSION COVER)						
4	1	1	210-8332	1	KIT-AIR VALVE (SUSPENSION SEAT) (INCLUDES STRAP, NUT, VALVE, AIR VALVE NUT, AIR VALVE KNOB & RETAINING PIN)						
5	1	1	322-8067	1	KIT-AIR SPRING (INCLUDES AIR SPRING, CLIP & BOLT)						
6	1	1	210-8334	1	AIR COMPRESSOR GP (SUSPENSION SEAT)						
7	1	1	322-8069	1	KIT-STOP (INCLUDES UPSTOPS & BUMPSTOP)						
8	1	1	210-8277	1	KIT-SHOCK ABSORBER (SUSPENSION SEAT) (INCLUDES HEAD PINS, DAMPER & WASHERS)						

OPERATOR STATION

213-4578 KIT-SEAT SUSPENSION (contd.)

i07085852



GRAPHIC #1

<END>

g06138132

OPERATOR STATION

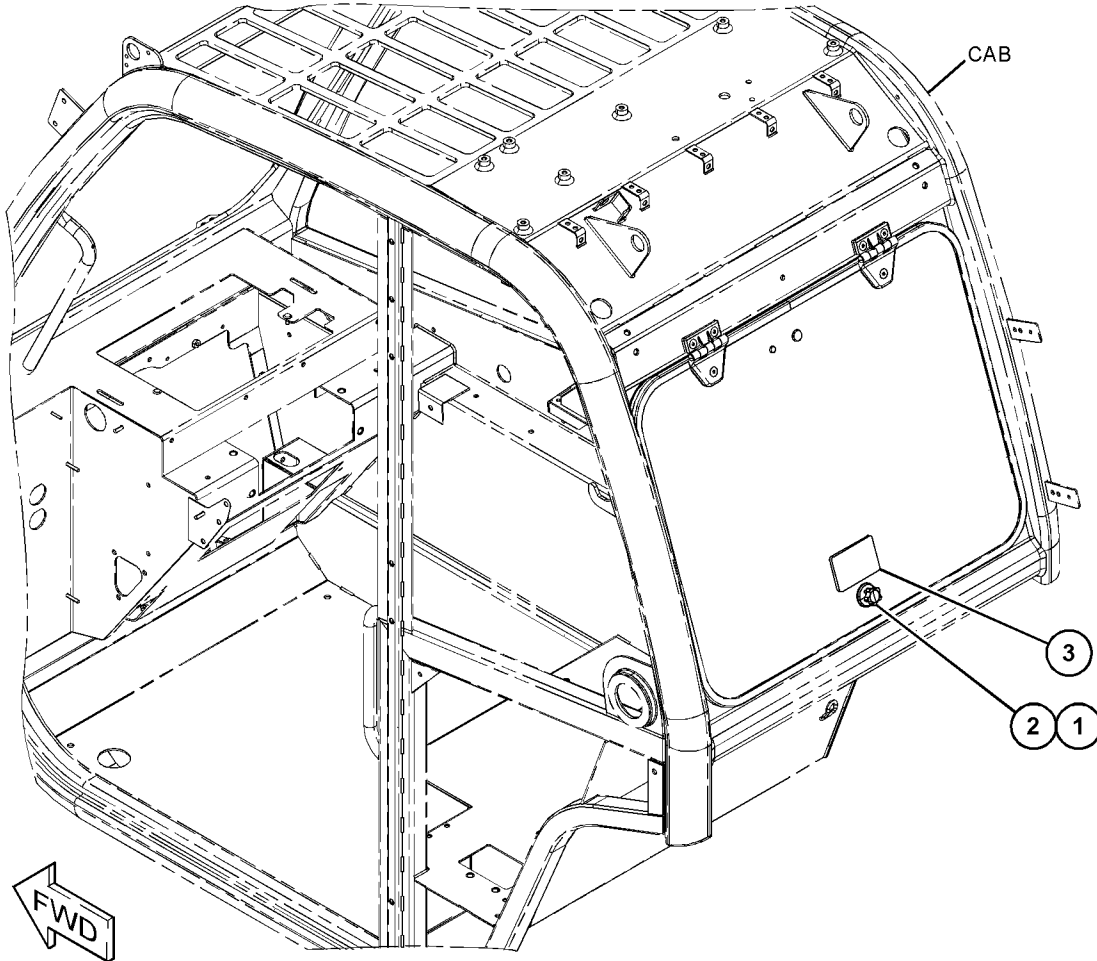
496-6529 KNOB GP-REAR WINDOW-REAR VIEW

S/N: TD61-UP; TD71-UP
 CANNOT BE USED WITH OPEN CAB
 AN ATTACHMENT

SMCS-7310

i06645699

NOTE	REF NO	GRAPHIC REF	PART NUMBER	QTY	PART NAME						SEE PAGE
					1	2	3	4	5	6 (PRODUCT LEVEL)	
	1	1	473-7168	1	CAP						
	2	1	473-7169	1	KNOB						
	3	1	496-6530	2	FILM-IDENTIFICATION (EMERGENCY EXIT)						



GRAPHIC #1

<END>

g06072527

OPERATOR STATION

496-8251 LINES GP-AIR CONDITIONER

S/N: TD61-UP

PART OF 514-4876 AIR CONDITIONER & MOUNTING GP
AN ATTACHMENT

SMCS-1808, 7320

i06645732

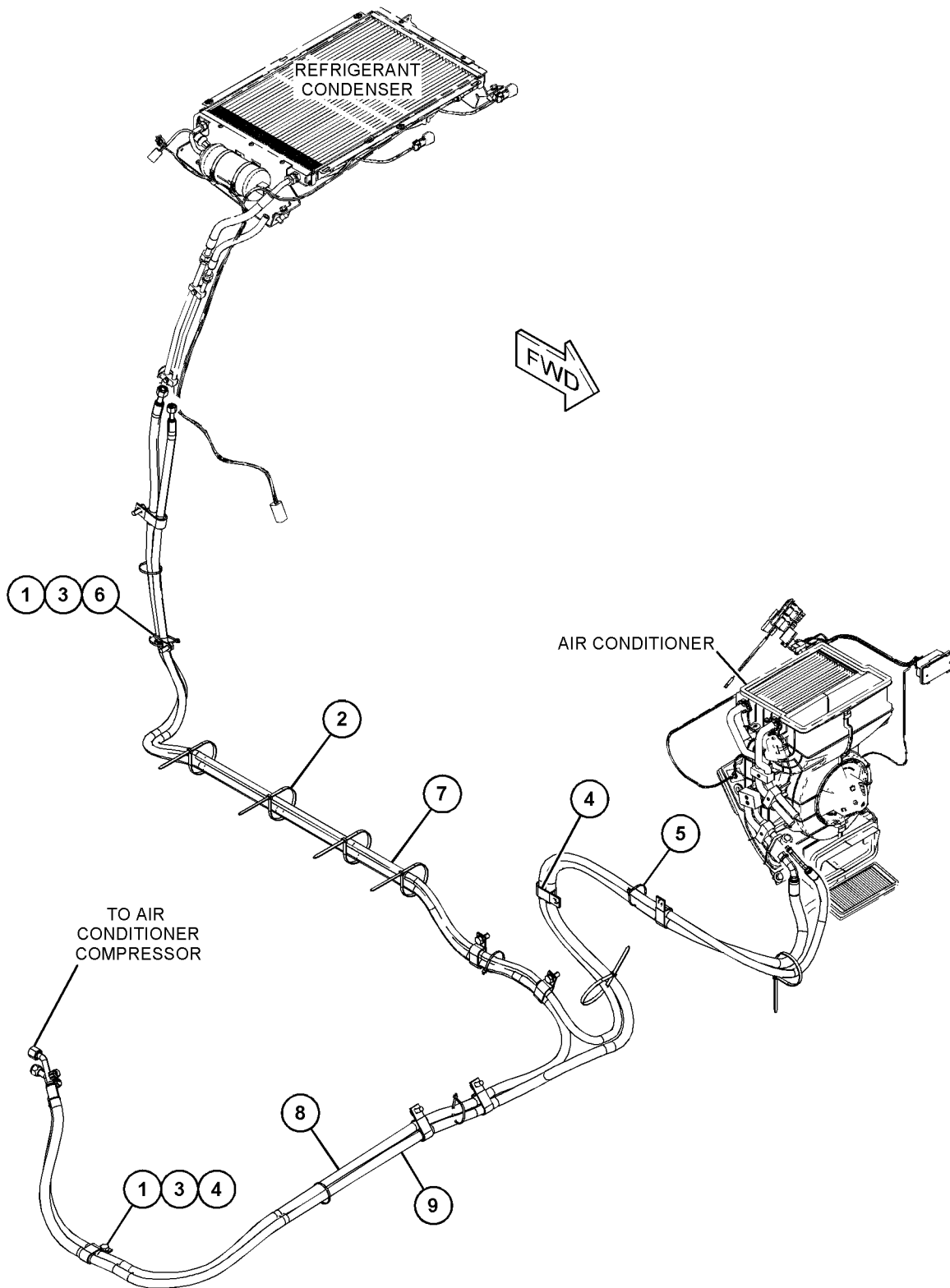
NOTE	REF NO	GRAPHIC REF	PART NUMBER	QTY	PART NAME						SEE PAGE
					1	2	3	4	5	6 (PRODUCT LEVEL)	
M	1	1	8T-4136	7	BOLT (M10X1.5X25-MM)						
	2	1	7K-1181	6	STRAP-CABLE						
	3	1	8T-4121	7	WASHER-HARD (11X21X2.5-MM THK)						
	4	1	6D-1641	8	CLIP						
	5	1	3S-2093	6	STRAP-CABLE						
	6	1	4P-7581	1	CLIP (LADDER)						
	7	1	496-8252	1	HOSE AS						
	8	1	496-8253	1	HOSE AS						
	9	1	496-8254	1	HOSE AS						

M - METRIC PART

OPERATOR STATION

496-8251 LINES GP-AIR CONDITIONER (contd.)

106645732



GRAPHIC #1

<END>

g06097592

OPERATOR STATION

496-8258 LINES GP-AIR CONDITIONER

S/N: TD61-UP; TD71-UP

PART OF 501-0753 AIR CONDITIONER & MOUNTING GP
AN ATTACHMENT

SMCS-1808, 7320

i06981503

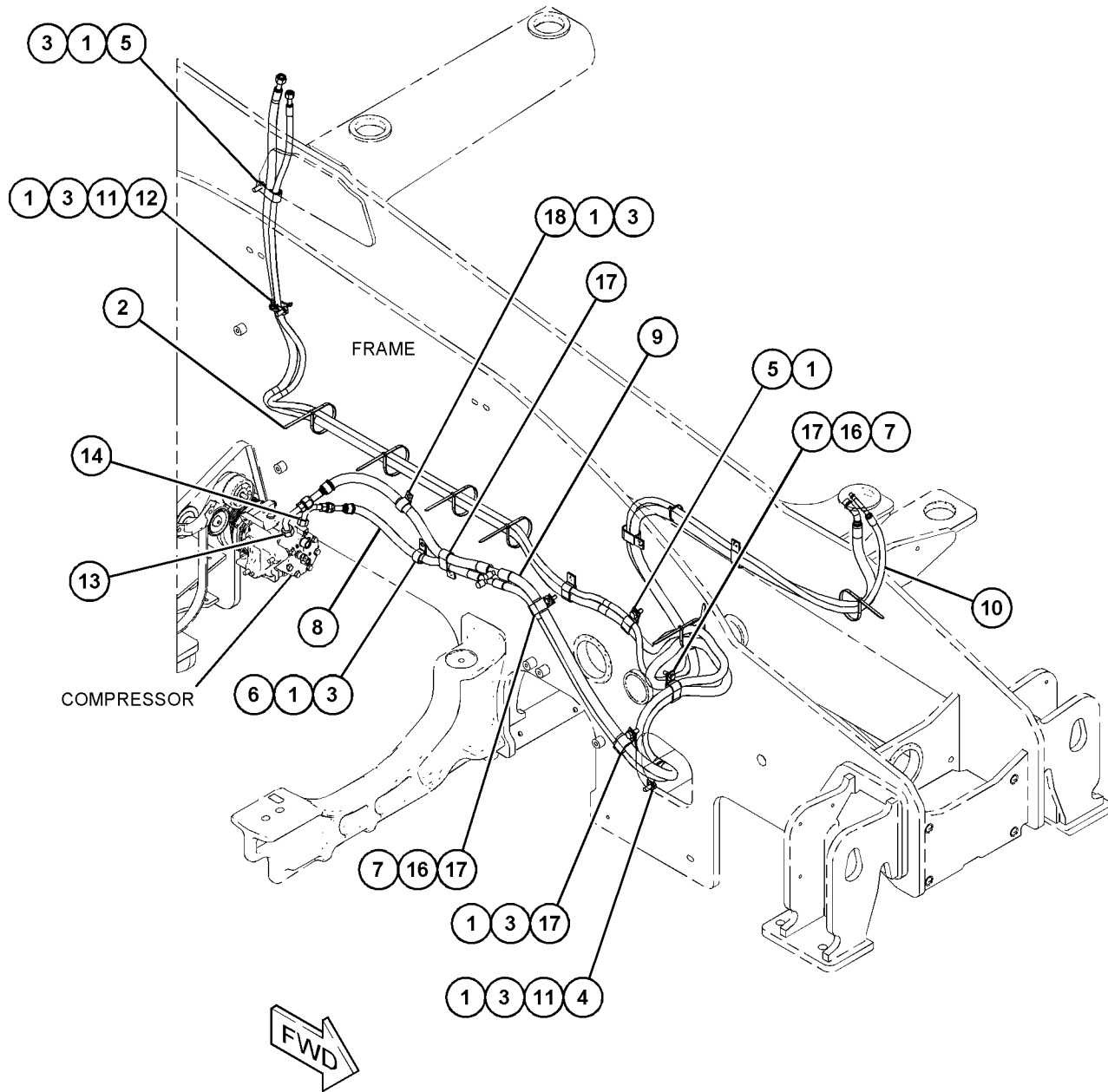
NOTE	REF NO	GRAPHIC REF	PART NUMBER	QTY	PART NAME						SEE PAGE
					1	2	3	4	5	6 (PRODUCT LEVEL)	
M	1	1	8T-4136	6	BOLT (M10X1.5X25-MM)						
	2	1	7K-1181	7	STRAP-CABLE						
	3	1	8T-4121	6	WASHER-HARD (11X21X2.5-MM THK)						
	4	1	132-5789	1	CLIP (LADDER)						
	5	1	100-4336	3	CLIP						
	6	1	9X-8250	1	CLIP						
M	7	1	8T-4908	2	BOLT (M8X1.25X25-MM)						
	8	1	496-8259	1	HOSE AS						
	9	1	496-8260	1	HOSE AS						
	10	1	496-8261	1	HOSE AS						
	11	1	3S-2093	3	STRAP-CABLE						
	12	1	4P-7581	1	CLIP (LADDER)						
	13	1	453-0805	1	TUBE AS						
	14	1	453-0806	1	TUBE AS						
	16	1	309-3997	2	WASHER (8.4X25X2-MM THK)						
	17	1	6D-1641	6	CLIP						
	18	1	7C-4354	1	CLIP						

M - METRIC PART

OPERATOR STATION

496-8258 LINES GP-AIR CONDITIONER (contd.)

i06981503



GRAPHIC #1

<END>

g06197767

OPERATOR STATION

496-8262 LINES GP-HEATER & AIR COND

S/N: TD61-UP

PART OF 508-7849 AIR CONDITIONER AR, 508-7852 HEATER AR-CAB
AN ATTACHMENT

SMCS-1380, 1808, 1812, 7304

i07043955

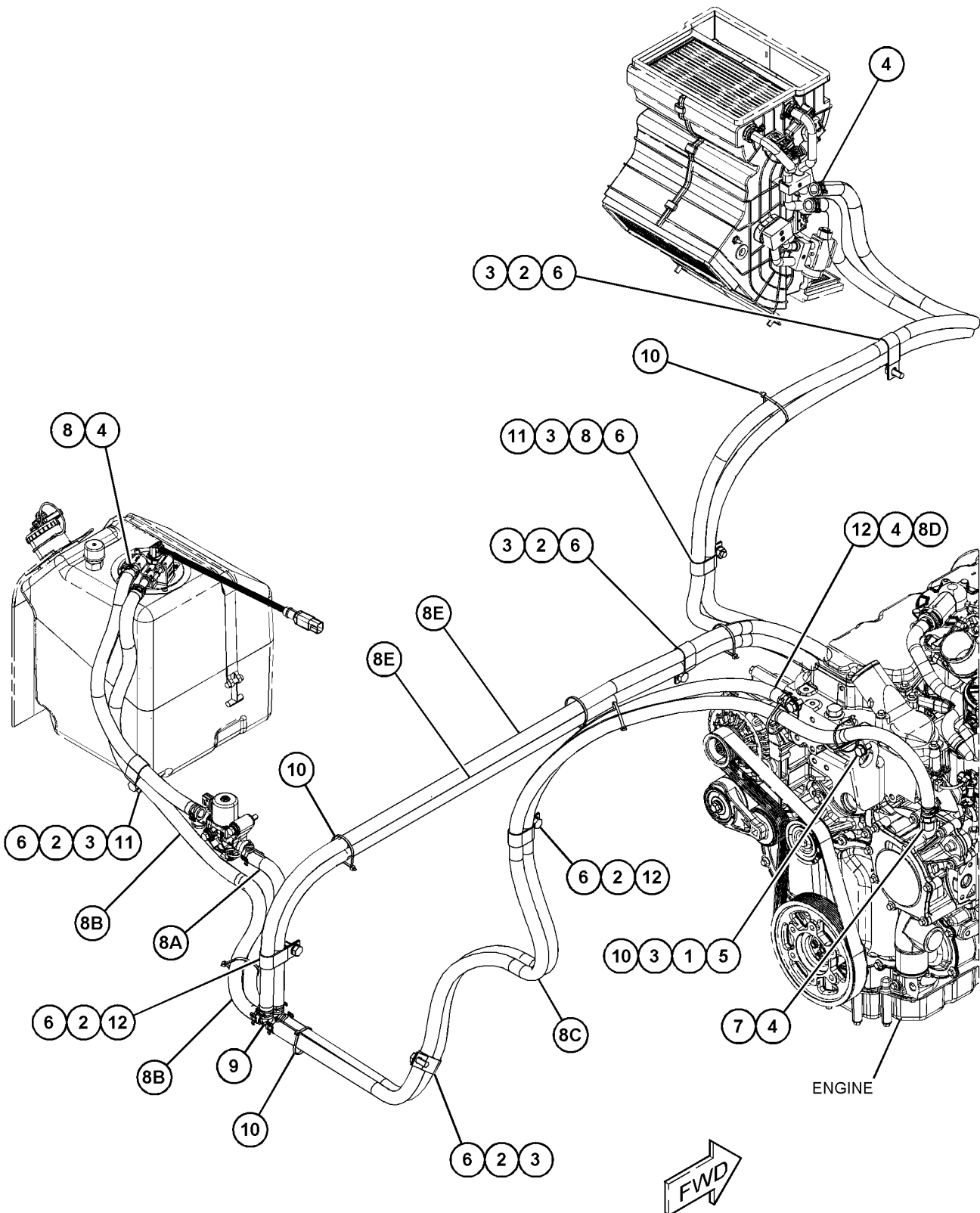
NOTE	REF NO	GRAPHIC REF	PART NUMBER	QTY	PART NAME						SEE PAGE
					1	2	3	4	5	6 (PRODUCT LEVEL)	
M	1	1	8T-4137	2	BOLT (M10X1.5X20-MM)						
CM	2	1	8T-4136	7	BOLT (M10X1.5X25-MM)						
C	3	1	8T-4121	11	WASHER-HARD (11X21X2.5-MM THK)						
C	4	1	502-3818	14	CLAMP						
	5	1	132-5789	2	CLIP (LADDER)						
C	6	1	6D-1641	7	CLIP						
	7	1	464-1335	1	ADAPTER						
CE	8	1	5P-0767		HOSE (62-CM)						
CE	8A	1	5P-0767		HOSE (39-CM)						
CE	8B	1	5P-0767		HOSE (112-CM)						
CE	8C	1	5P-0767		HOSE (207-CM)						
CE	8D	1	5P-0767		HOSE (175-CM)						
CE	8E	1	5P-0767		HOSE (357-CM EACH)						
	9	1	492-3930	2	TEE						
	10	1	3S-2093	9	STRAP-CABLE						
CM	11	1	344-5675	2	NUT (M10X1.5-THD)						
C	12	1	474-4980	1	ADAPTER						

C - CHANGE FROM PREVIOUS TYPE
E - ORDER BY THE CENTIMETER
M - METRIC PART

OPERATOR STATION

496-8262 LINES GP-HEATER & AIR COND (contd.)

i07043955



GRAPHIC #1

<END>

g06207746

OPERATOR STATION

497-3809 LINES GP-HEATER & AIR COND

S/N: TD61-UP

PART OF 520-8643 AIR CONDITIONER AR, 508-7851 HEATER AR-CAB
AN ATTACHMENT

SMCS-1380, 1808, 1812, 7304

i06980475

NOTE	REF NO	GRAPHIC REF	PART NUMBER	QTY	PART NAME						SEE PAGE
					1	2	3	4	5	6 (PRODUCT LEVEL)	
	1	2	7X-0872	1	TEE-SWIVEL						
M	2	1	8T-4200	2	BOLT (M8X1.25X16-MM)						
M	3	1,2	8T-4137	9	BOLT (M10X1.5X20-MM)						
	4	1,2	8T-4224	5	WASHER-HARD (8.8X16X2-MM THK)						
	5	1,2	8T-4121	10	WASHER-HARD (11X21X2.5-MM THK)						
	6	1,2	309-2982	10	CLAMP						
	7	2	333-0736	4	CLAMP						
	8	1,2	132-5789	2	CLIP (LADDER)						
	9	1	4P-7581	1	CLIP (LADDER)						
	10	1,2	6D-1641	8	CLIP						
M	11	1	344-5675	1	NUT (M10X1.5-THD)						
	12	1	464-1335	1	ADAPTER						
	13	2	5W-1417	1	WASHER (6.4X18X1.6-MM THK)						
	14	2	474-4980	1	ADAPTER						
	15	1	478-5155	1	ADAPTER						
M	16	2	5C-9553	1	BOLT (M6X1X16-MM)						
E	17	1	5P-0767		HOSE (488-CM)						
E	17A	1	5P-0767		HOSE (338-CM)						
E	17B	1	5P-0767		HOSE (355-CM)						
E	17C	2	5P-0767		HOSE (51-CM)						
E	17D	1	5P-0767		HOSE (98-CM)						
	18	1	269-3086	2	CLAMP-BAND						
	19	2	5K-8451	1	CLIP						
	20	1	7K-1181	1	STRAP-CABLE						
E	21	1	326-1178		HOSE (194-CM)						
	22	1	496-8135	1	HOSE AS						
	23	1	496-8133	1	HOSE AS						
	24	2	478-5154	1	ADAPTER						
	25	2	496-8257	1	ADAPTER						
	26	1,2	3S-2093	10	STRAP-CABLE						
	27	2	496-8255	1	BRACKET AS						
	28	2	7C-4354	1	CLIP						
M	29	2	8T-4189	3	BOLT (M8X1.25X20-MM)						
	30	2	298-7356	1	FITTING-ADAPTER						
	31	2	496-8256	1	HOSE						
	32	2	227-0056	1	ELBOW						

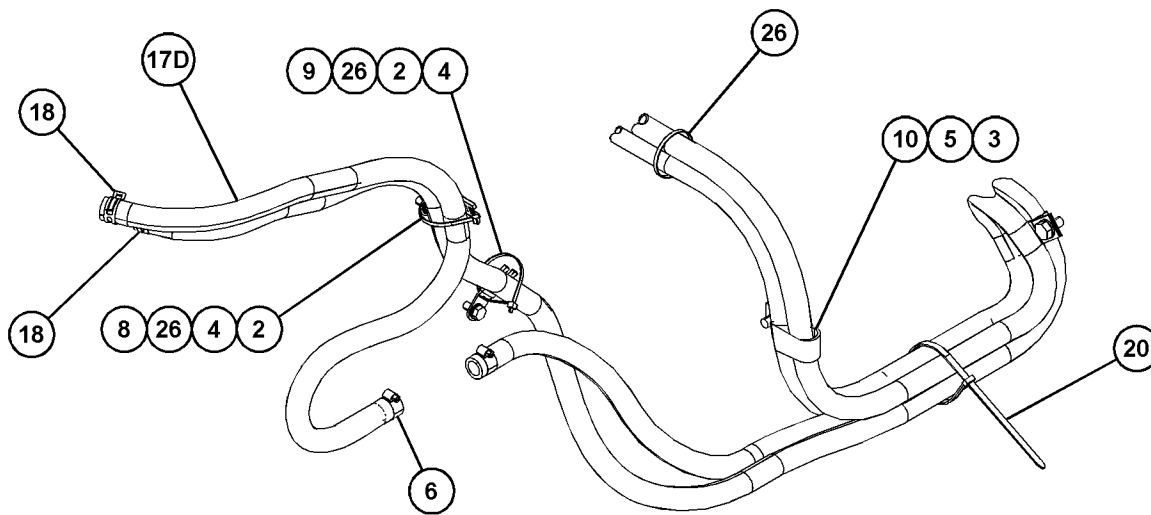
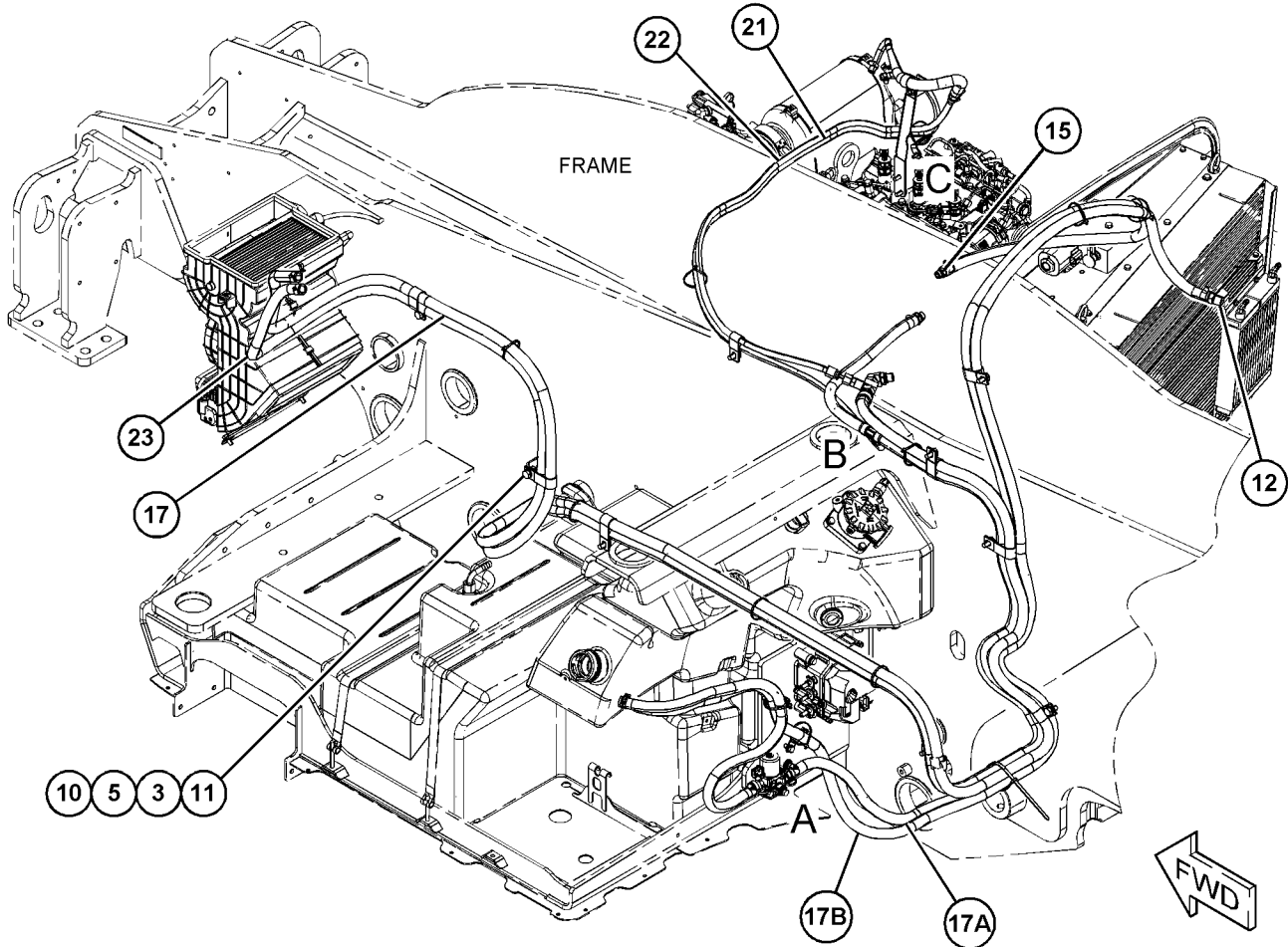
E - ORDER BY THE CENTIMETER
M - METRIC PART

OPERATOR STATION

497-3809 LINES GP-HEATER & AIR COND (contd.)

i06980475

REFER TO ALL ILLUSTRATIONS OF THIS GROUP FOR AUXILIARY VIEWS



VIEW OF AREA A

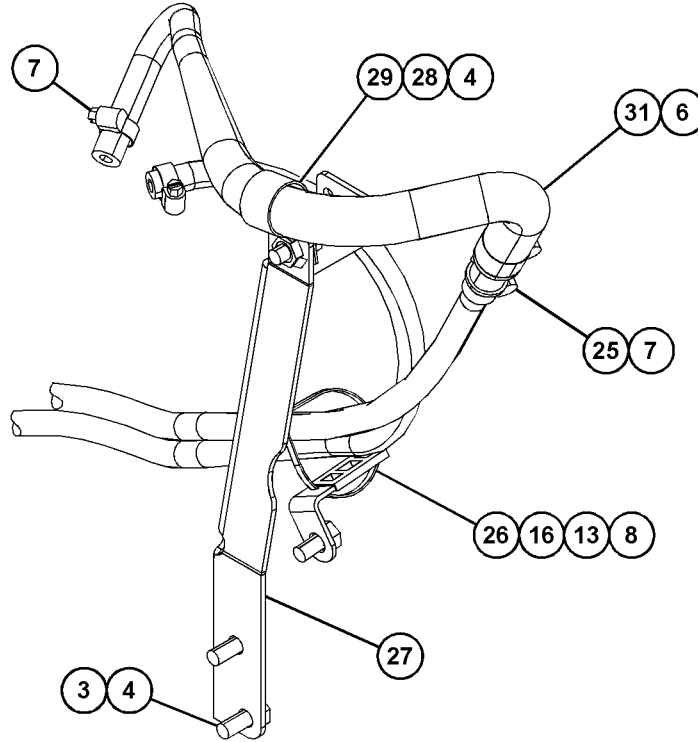
GRAPHIC #1

g06203288

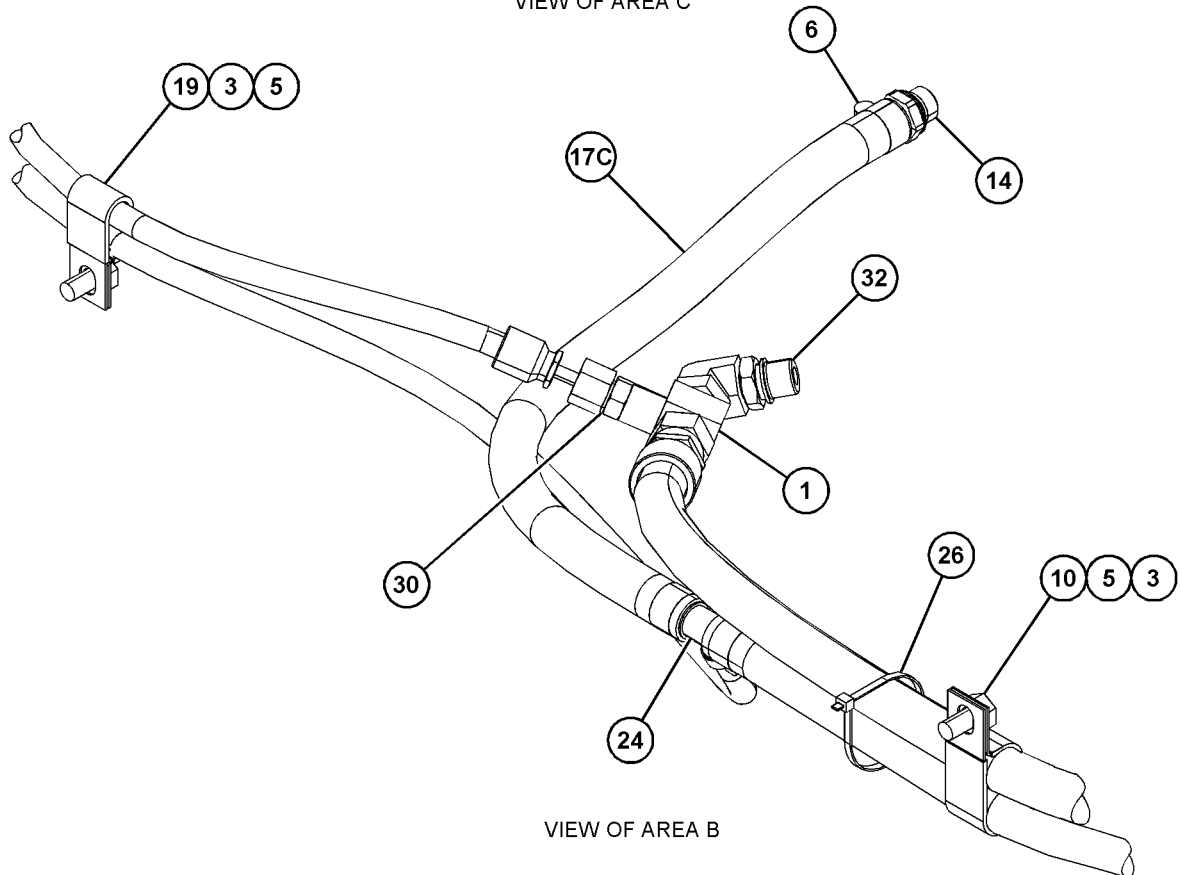
OPERATOR STATION

497-3809 LINES GP-HEATER & AIR COND (contd.)

i06980475



VIEW OF AREA C



VIEW OF AREA B

GRAPHIC #2

<END>

g06203290

OPERATOR STATION

497-9625 LINES GP-HEATER & AIR COND

S/N: TD71-UP

PART OF 521-2180 AIR CONDITIONER AR, 521-2181 HEATER AR-CAB
AN ATTACHMENT

SMCS-1380, 1808, 1812, 7304

i06645727

NOTE	REF NO	GRAPHIC REF	PART NUMBER	QTY	PART NAME						SEE PAGE
					1	2	3	4	5	6 (PRODUCT LEVEL)	
	1	1	7K-1181	3	STRAP-CABLE						
	2	1	497-9626	1	ADAPTER						
M	3	1	8T-4137	1	BOLT (M10X1.5X20-MM)						
M	4	1	8T-4136	6	BOLT (M10X1.5X25-MM)						
	5	1	464-1335	1	ADAPTER						
	6	1	8T-4121	7	WASHER-HARD (11X21X2.5-MM THK)						
	7	1	309-2982	3	CLAMP						
	8	1	309-6455	1	ADAPTER						
	9	1	3S-2093	4	STRAP-CABLE						
	10	1	497-9910	1	HOSE AS						
	11	1	132-5789	1	CLIP (LADDER)						
E	12	1	5P-0767		HOSE (579-CM)						
	13	1	6D-1641	6	CLIP						

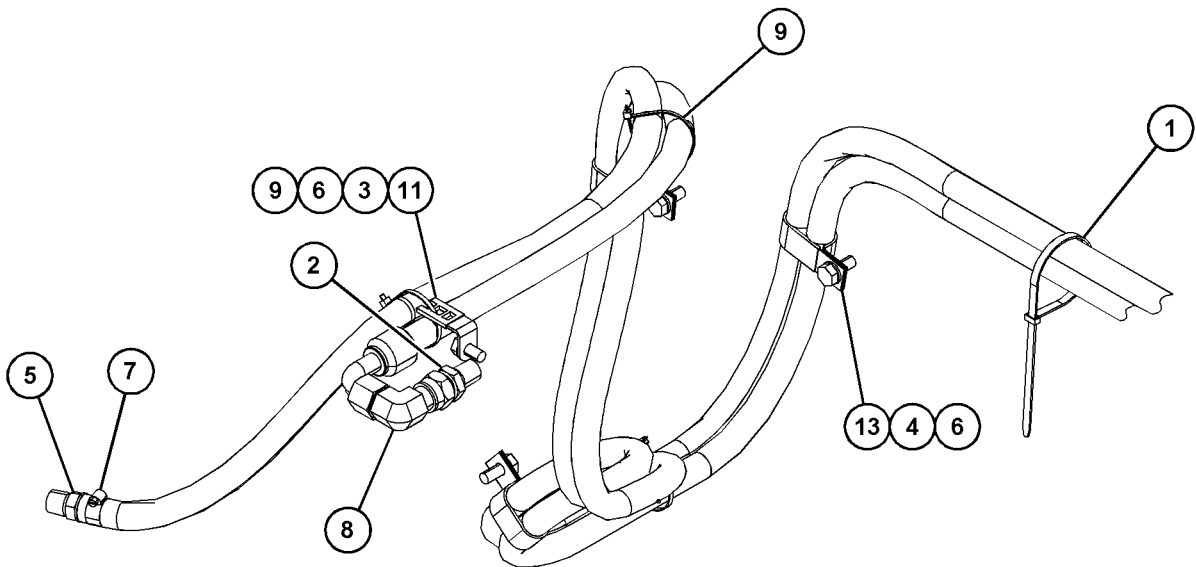
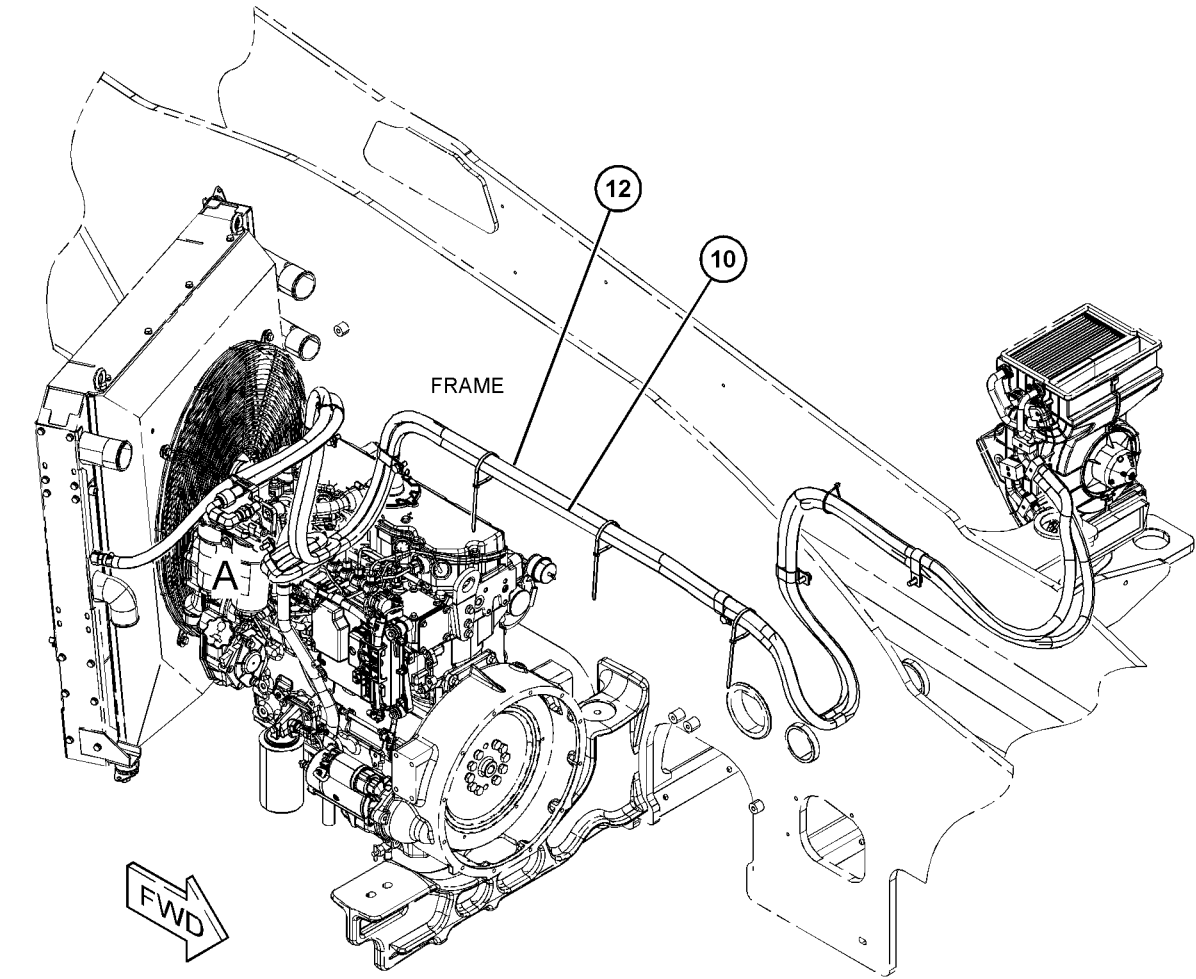
E - ORDER BY THE CENTIMETER

M - METRIC PART

OPERATOR STATION

497-9625 LINES GP-HEATER & AIR COND (contd.)

106645727



GRAPHIC #1

VIEW OF AREA A
<END>

g06116615

OPERATOR STATION

471-6121 MIRROR GP-EXTERNAL

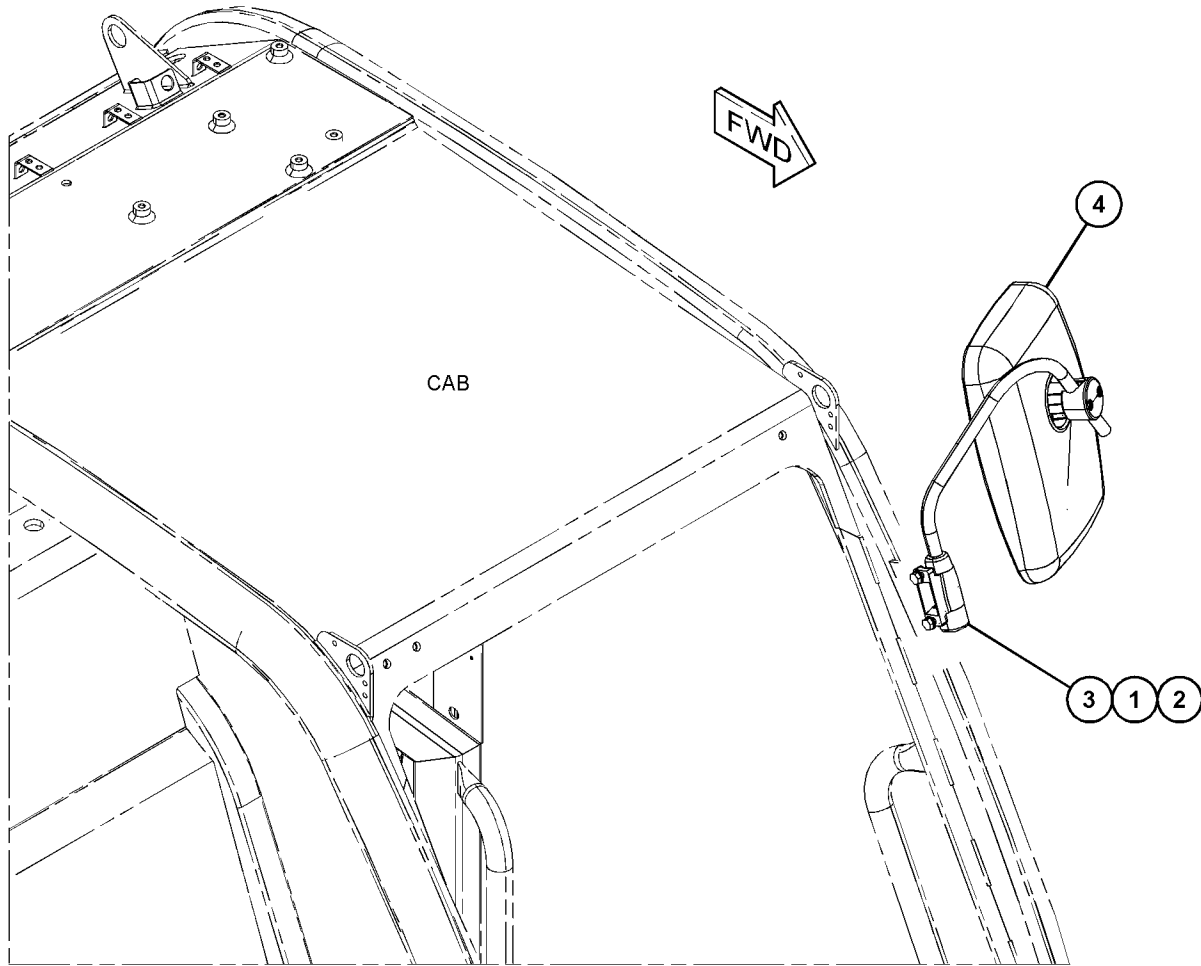
S/N: TD61-UP; TD71-UP
PART OF 517-9179, 517-9180 CAB AR
AN ATTACHMENT

SMCS-7319

i06080041

NOTE	REF NO	GRAPHIC REF	PART NUMBER	QTY	PART NAME						SEE PAGE
					1	2	3	4	5	6 (PRODUCT LEVEL)	
M	1	1	8T-4200	2	BOLT (M8X1.25X16-MM)						
	2	1	8T-4224	2	WASHER-HARD (8.8X16X2-MM THK)						
	3	1	471-6105	1	BRACKET-MIRROR						
	4	1	299-0334	1	MIRROR						

M - METRIC PART



GRAPHIC #1

<END>

g03821996

OPERATOR STATION

474-9043 MIRROR GP-INTERNAL

S/N: TD61-UP; TD71-UP

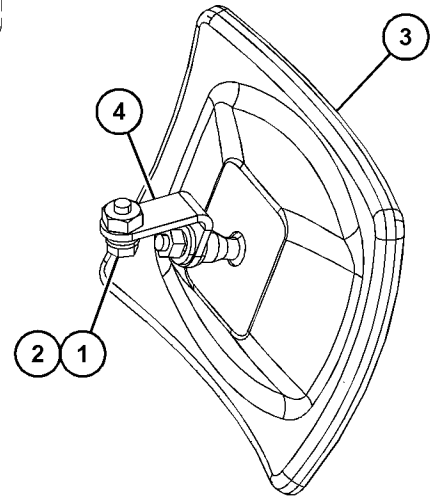
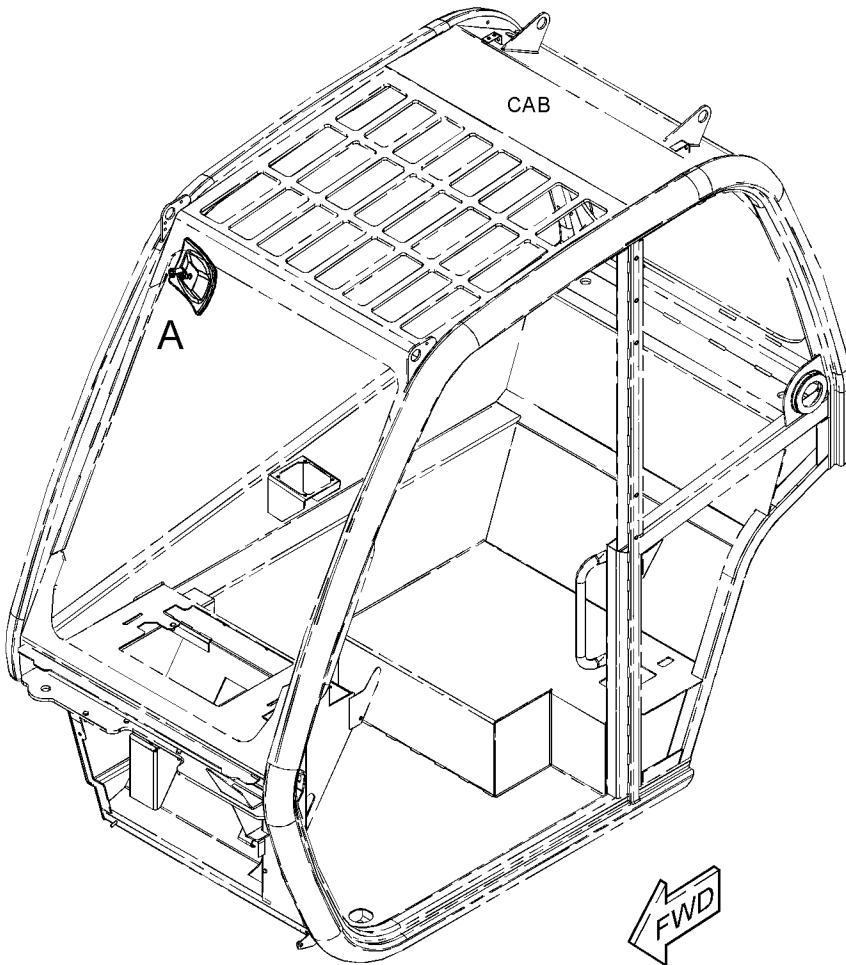
PART OF 517-9179, 517-9180 CAB AR
AN ATTACHMENT

SMCS-7319

i06080184

NOTE	REF NO	GRAPHIC REF	PART NUMBER	QTY	PART NAME						SEE PAGE
					1	2	3	4	5	6 (PRODUCT LEVEL)	
M	1	1	5C-9553	1	BOLT (M6X1X16-MM)						
	2	1	8T-4205	1	WASHER-HARD (7.2X14.5X2-MM THK)						
Y	3	1	315-3786	1	MIRROR GP-REAR VIEW						957
	4	1	474-9044	1	BRACKET AS						

M - METRIC PART
Y - SEPARATE ILLUSTRATION



VIEW OF AREA A

GRAPHIC #1

<END>

g03820043

OPERATOR STATION

257-8403 MIRROR GP-REAR VIEW-INTERIOR

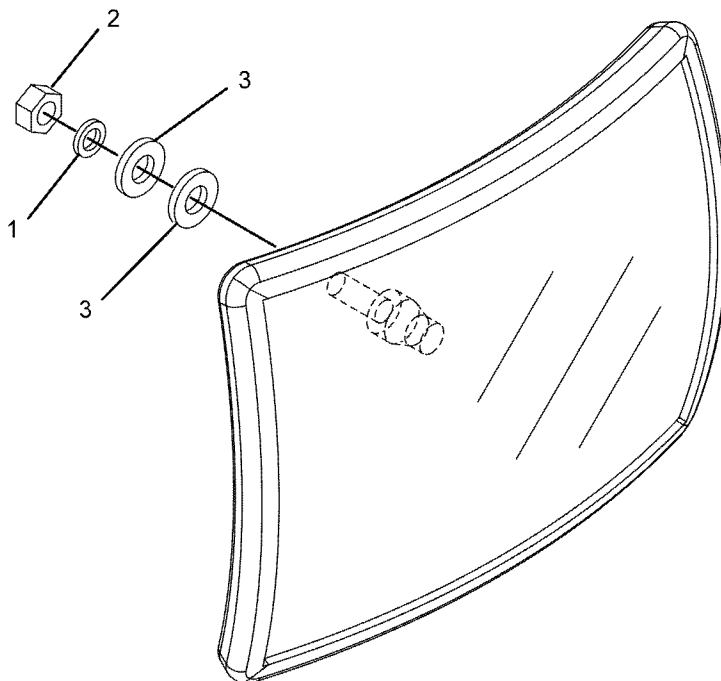
S/N: TD61-UP; TD71-UP
PART OF 315-3786 MIRROR GP-REAR VIEW
AN ATTACHMENT

SMCS-7319

i02179710

NOTE	REF NO	GRAPHIC REF	PART NUMBER	QTY	PART NAME						SEE PAGE
					1	2	3	4	5	6 (PRODUCT LEVEL)	
	1	1	3B-4503	1	LOCKWASHER						
M	2	1	5C-2890	1	NUT (M6X1-THD)						
	3	1	8T-4205	2	WASHER-HARD (7.2X14.5X2-MM THK)						

M - METRIC PART



GRAPHIC #1

<END>

g01105769

OPERATOR STATION

315-3786 MIRROR GP-REAR VIEW

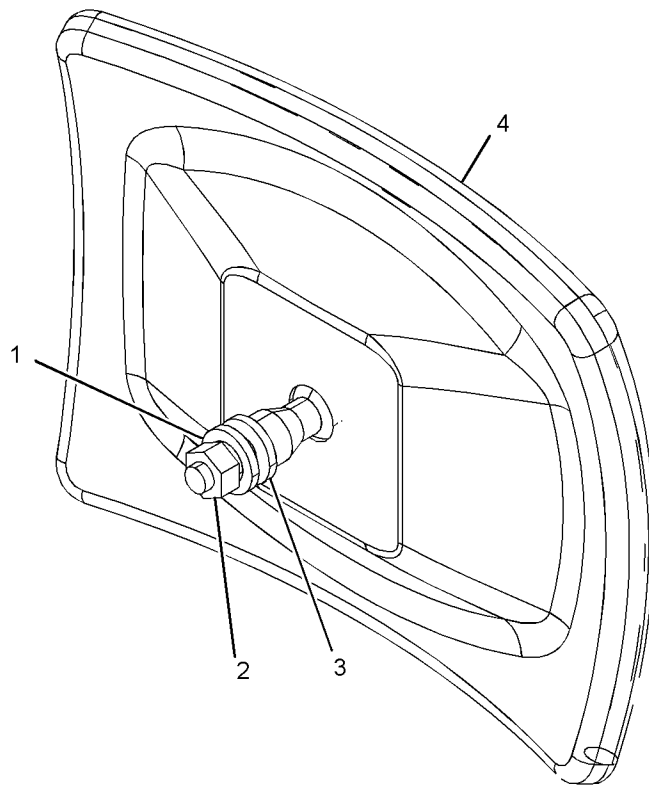
S/N: TD61-UP; TD71-UP
PART OF 474-9043 MIRROR GP
AN ATTACHMENT

SMCS-7319

i05691753

NOTE	REF NO	GRAPHIC REF	PART NUMBER	QTY	PART NAME						SEE PAGE
					1	2	3	4	5	6 (PRODUCT LEVEL)	
	1	1	3B-4503	1	LOCKWASHER						
M	2	1	344-5673	1	NUT (M6X1-THD)						
	3	1	8T-4205	2	WASHER-HARD (7.2X14.5X2-MM THK)						
Y	4	1	257-8403	1	MIRROR GP-REAR VIEW (INTERIOR)						956

M - METRIC PART
Y - SEPARATE ILLUSTRATION



GRAPHIC #1

<END>

g03662232

OPERATOR STATION

496-8301 MIRROR GP-REAR VIEW

S/N: TD61-UP; TD71-UP

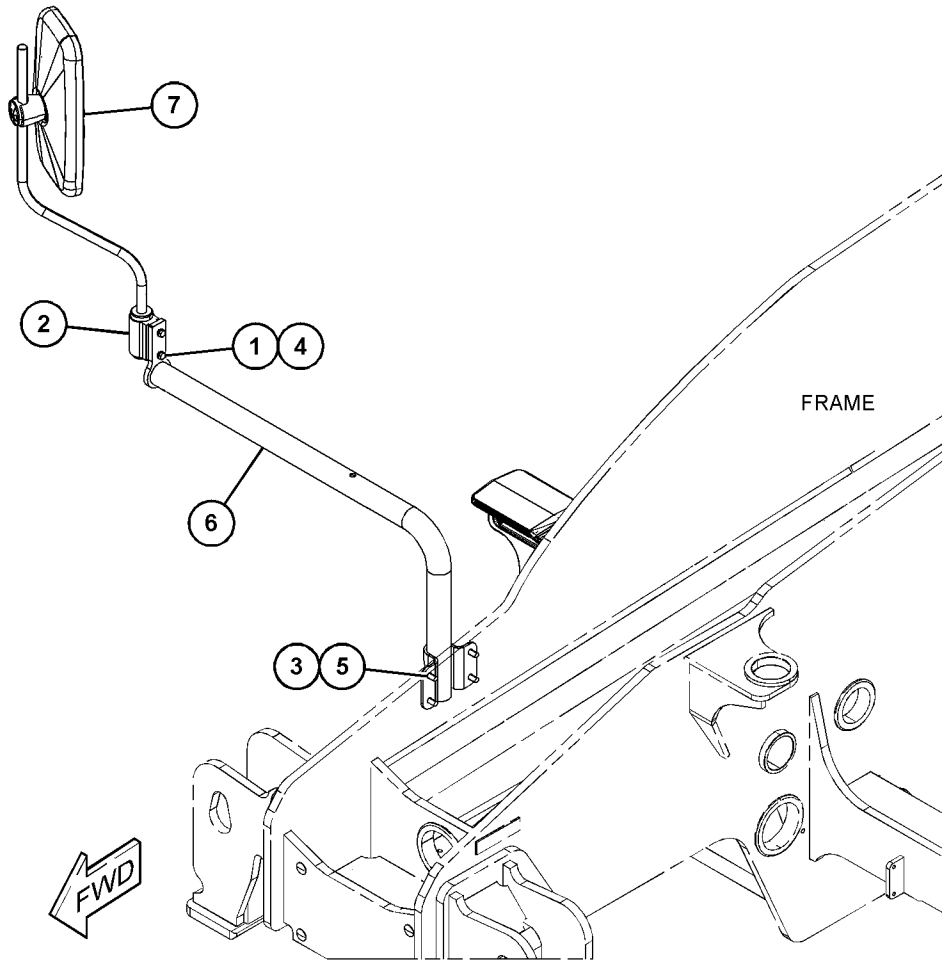
PART OF 517-9883, 517-9885 CHASSIS AR

SMCS-7319

i06645737

NOTE	REF NO	GRAPHIC REF	PART NUMBER	QTY	PART NAME						SEE PAGE
					1	2	3	4	5	6 (PRODUCT LEVEL)	
M	1	1	8T-4908	2	BOLT (M8X1.25X25-MM)						
	2	1	496-8303	1	ARM AS						
M	3	1	8T-4136	4	BOLT (M10X1.5X25-MM)						
	4	1	8T-4224	2	WASHER-HARD (8.8X16X2-MM THK)						
	5	1	8T-4121	4	WASHER-HARD (11X21X2.5-MM THK)						
	6	1	496-8302	1	ARM AS						
	7	1	476-0760	1	MIRROR						

M - METRIC PART



GRAPHIC #1

<END>

g06064311

OPERATOR STATION

497-9575 MIRROR GP-REAR VIEW

S/N: TD61-UP; TD71-UP

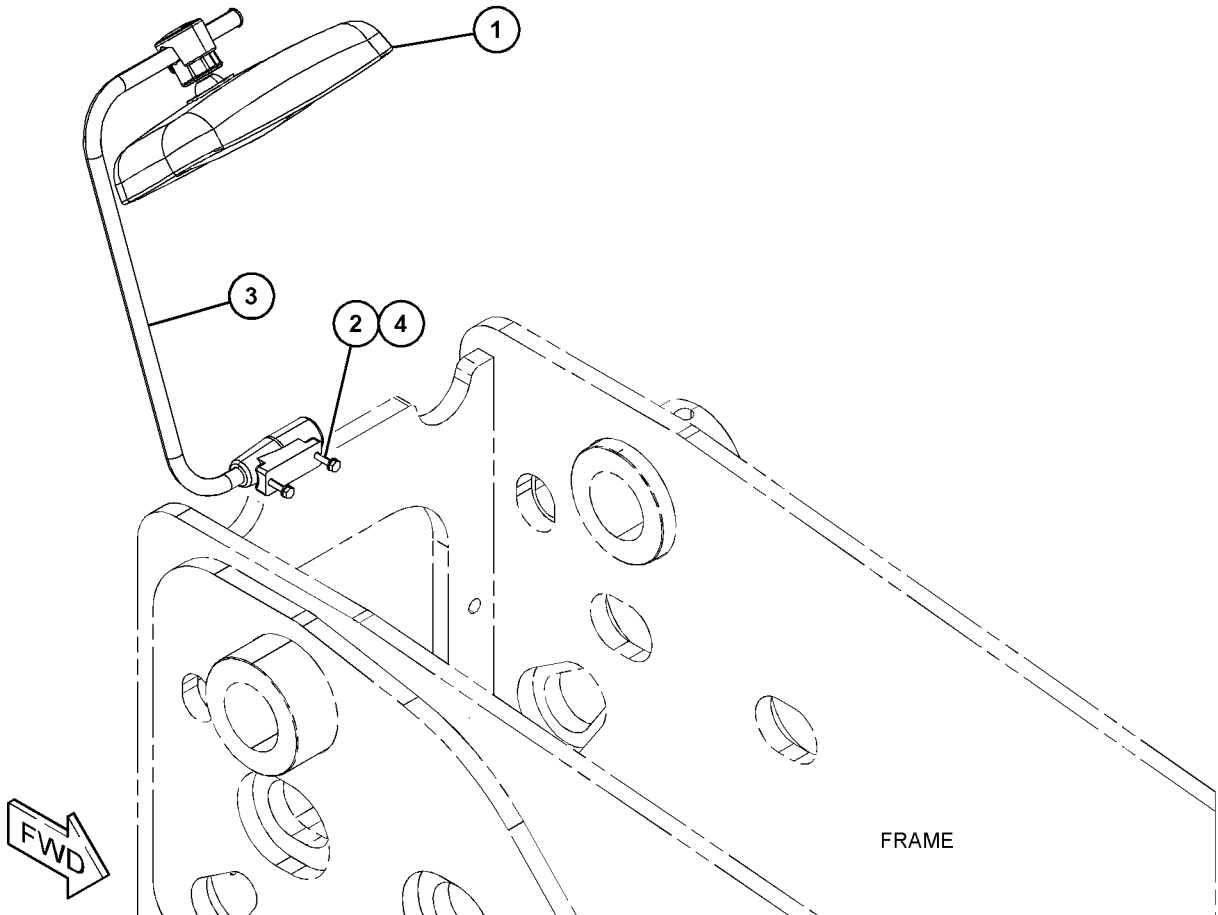
AN ATTACHMENT

SMCS-7319

i06645700

NOTE	REF NO	GRAPHIC REF	PART NUMBER	QTY	PART NAME						SEE PAGE
					1	2	3	4	5	6 (PRODUCT LEVEL)	
	1	1	220-4050	1	MIRROR (EXTERIOR, REAR)						
M	2	1	8T-4971	2	BOLT (M6X1X30-MM)						
	3	1	220-4049	1	ARM AS						
	4	1	8T-4205	2	WASHER-HARD (7.2X14.5X2-MM THK)						

M - METRIC PART



GRAPHIC #1

<END>

g06064754

OPERATOR STATION

497-9576 MIRROR GP-REAR VIEW

S/N: TD61-UP; TD71-UP

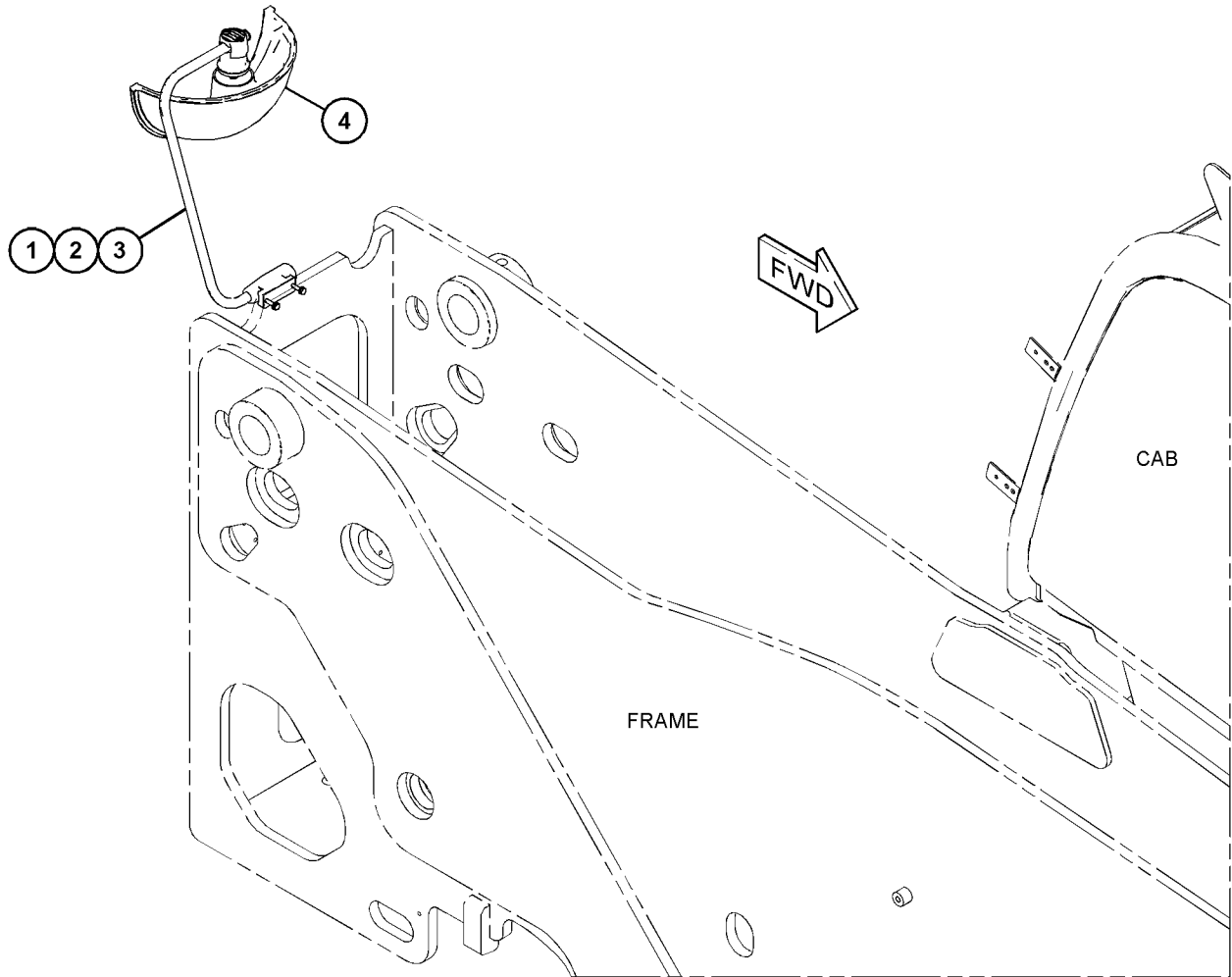
AN ATTACHMENT

SMCS-7319

i06645698

NOTE	REF NO	GRAPHIC REF	PART NUMBER	QTY	PART NAME						SEE PAGE
					1	2	3	4	5	6 (PRODUCT LEVEL)	
M	1	1	8T-4971	2	BOLT (M6X1X30-MM)						
	2	1	8T-4205	2	WASHER-HARD (7.2X14.5X2-MM THK)						
	3	1	220-4049	1	ARM AS						
	4	1	336-7619	1	MIRROR AS						

M - METRIC PART



GRAPHIC #1

<END>

g06096490

OPERATOR STATION

474-6061 MONITOR & MOUNTING GP

S/N: TD61-UP; TD71-UP

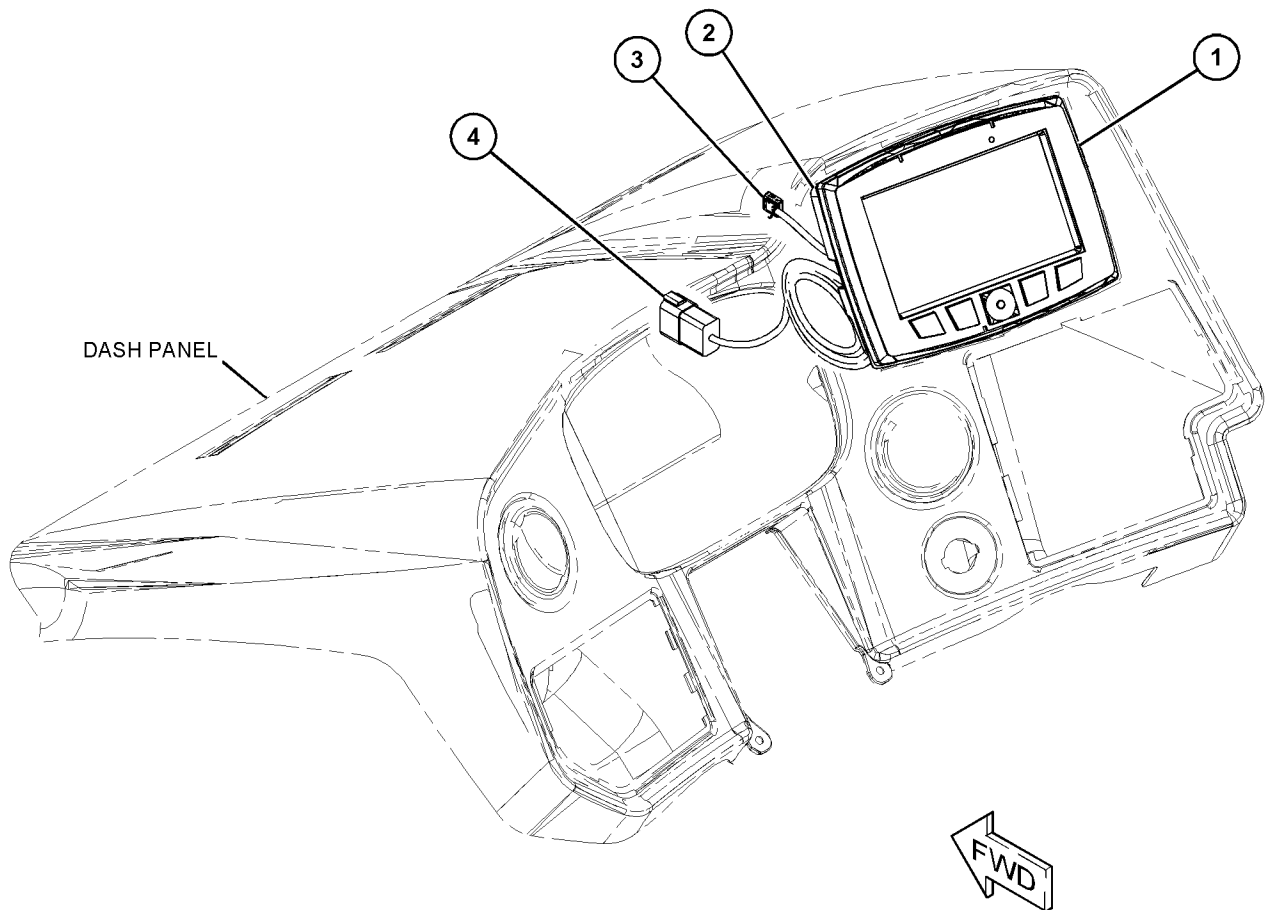
FOR USE WITH 499-5902-PAGE: 331

PART OF 546-5767 DISPLAY AR-MONITOR
AN ATTACHMENT

SMCS-7490

i06881722

NOTE	REF NO	GRAPHIC REF	PART NUMBER	QTY	PART NAME						SEE PAGE
					1	2	3	4	5	6 (PRODUCT LEVEL)	
	1	1	502-3075	1	DISPLAY GP-MONITOR						
		1	474-6089	4	SCREW-PAN HEAD (10-24X0.5-IN)						
2		1	474-6090	1	COVER GP-CAB						
		1	474-6091	1	BEZEL						
		1	474-6092	6	CLIP						
3		1	474-6062	1	CABLE						
4		1	474-6063	1	CABLE						



GRAPHIC #1

<END>

g03820574

OPERATOR STATION

471-6019 MOUNTING GP-CAB

S/N: TD61-UP; TD71-UP

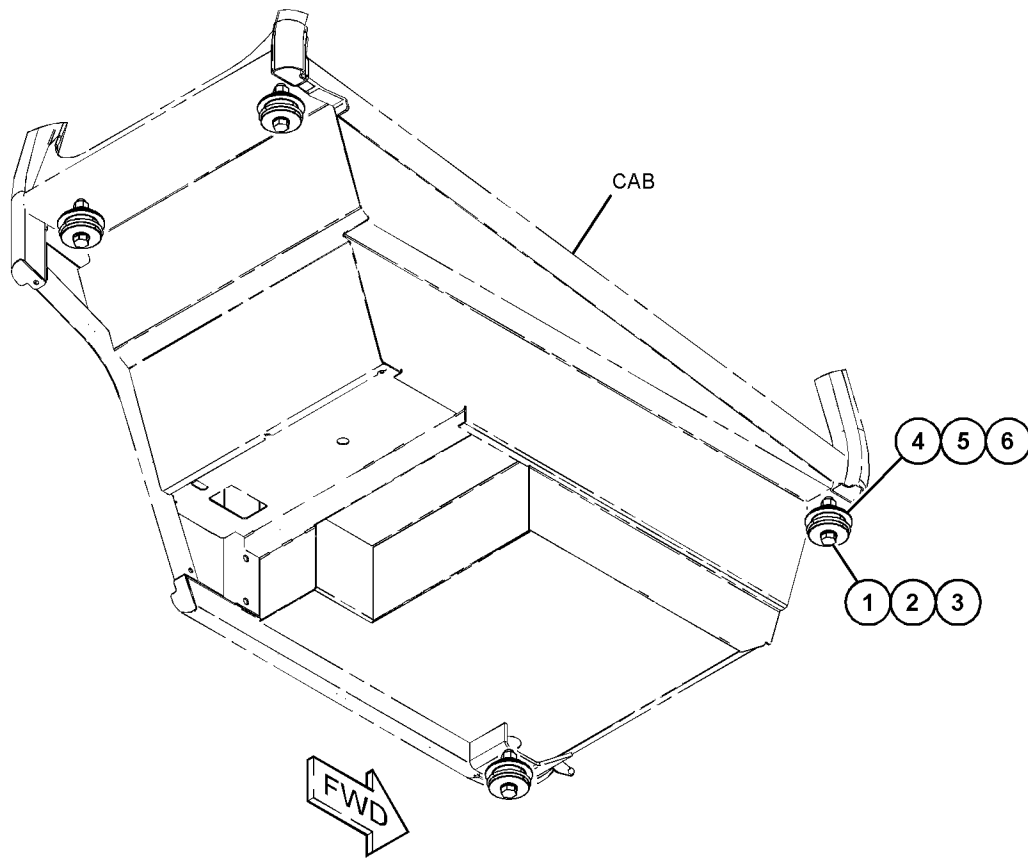
PART OF 517-9883, 517-9885 CHASSIS AR

SMCS-7266, 7301

i06981502

NOTE	REF NO	GRAPHIC REF	PART NUMBER	QTY	PART NAME						SEE PAGE
					1	2	3	4	5	6 (PRODUCT LEVEL)	
M	1	1	471-5583	4	BOLT (M20X2.5X100-MM)						
M	2	1	6V-7742	4	NUT-FULL (M20X2.5-THD)						
	3	1	7Y-1858	8	WASHER (21X37X3-MM THK)						
	4	1	471-6025	4	MOUNT						
	5	1	471-6024	4	WASHER (21X90X10-MM THK)						
	6	1	528-8583	4	SPACER (21X100X5-MM THK)						

M - METRIC PART



(VIEWED FROM BOTTOM)

GRAPHIC #1

<END>

g06197768

OPERATOR STATION

476-5226 PANEL GP-INSTRUMENT

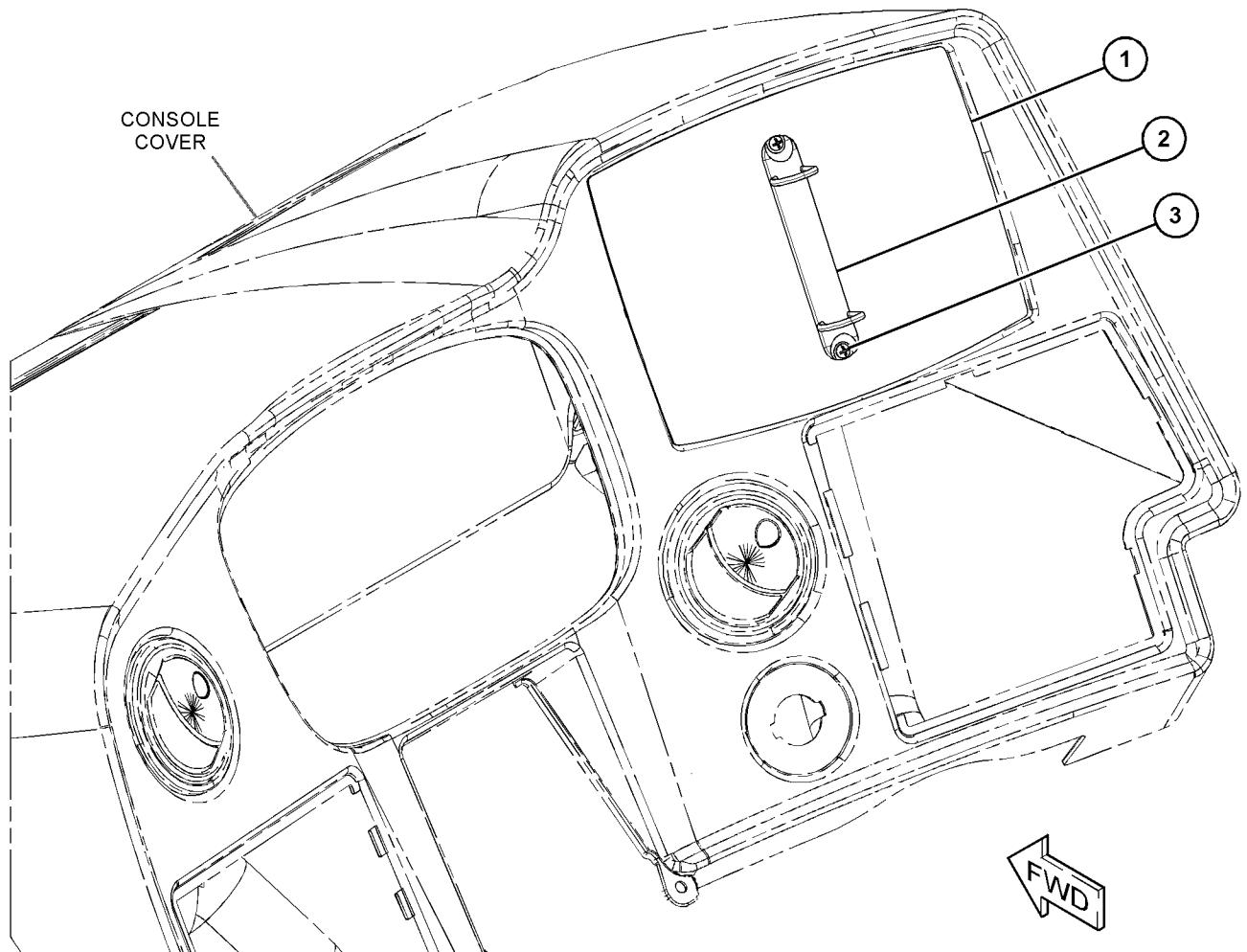
S/N: TD61-UP; TD71-UP

AN ATTACHMENT

SMCS-7451

i06078511

NOTE	REF NO	GRAPHIC REF	PART NUMBER	QTY	PART NAME						SEE PAGE
					1	2	3	4	5	6 (PRODUCT LEVEL)	
	1	1	476-5237	1	PANEL AS-FUSE						
		1	474-6092	6	CLIP						
		1	476-5238	1	BEZEL						
2		1	220-2608	1	HOLDER-FLIP CHART						
3		1	347-5373	2	SCREW-PAN HEAD						



GRAPHIC #1

<END>

g03814447

OPERATOR STATION

519-2695 PANEL GP-INSTRUMENT

S/N: TD71-UP

PART OF 517-9180 CAB AR

AN ATTACHMENT

SMCS-7451

i06811758

NOTE	REF NO	GRAPHIC REF	PART NUMBER	QTY	PART NAME						SEE PAGE
					1	2	3	4	5	6 (PRODUCT LEVEL)	
	1	1	323-5605	1	RECEPTACLE-POWER						
	2	1	325-4927	1	SWITCH-IGNITION						
	3	1	473-4956	1	PANEL-SWITCH (RH)						
	4	1	473-4957	1	PANEL-SWITCH (LH)						
	5	1	495-4595	1	SWITCH AS (USB CHARGER)						
	6	1	497-5476	1	FILM-IDENTIFICATION (IGNITION SWITCH)						
	7	1	484-1477	1	FILM-IDENTIFICATION (HVAC)						
	8	1	495-4596	1	PLUG						
	9	1	495-4597	1	SWITCH AS-ROCKER (HAZARD)						
	10	1	495-4598	1	SWITCH AS-ROCKER (FOG LIGHT)						
	11	1	495-4599	1	SWITCH AS-ROCKER (AUXILIARY CONTROL)						
	12	1	495-4600	1	SWITCH AS-ROCKER (OVERRIDE)						
	13	1	495-4601	1	SWITCH AS-ROCKER (ROADING)						
	14	1	495-4602	1	SWITCH AS-ROCKER (AUXILIARY, DECOMPRESSION)						
	15	1	495-4603	1	SWITCH AS-ROCKER (STEERING MODE)						
	16	1	495-4604	1	SWITCH AS-ROCKER (DRIVING LIGHT)						
	17	1	495-4605	1	SWITCH AS-ROCKER (LOADER)						
	18	1	505-5334	1	PANEL-INSTRUMENT						

OPERATOR STATION

476-8924 PEDAL GP-GOVERNOR-ACCELERATOR

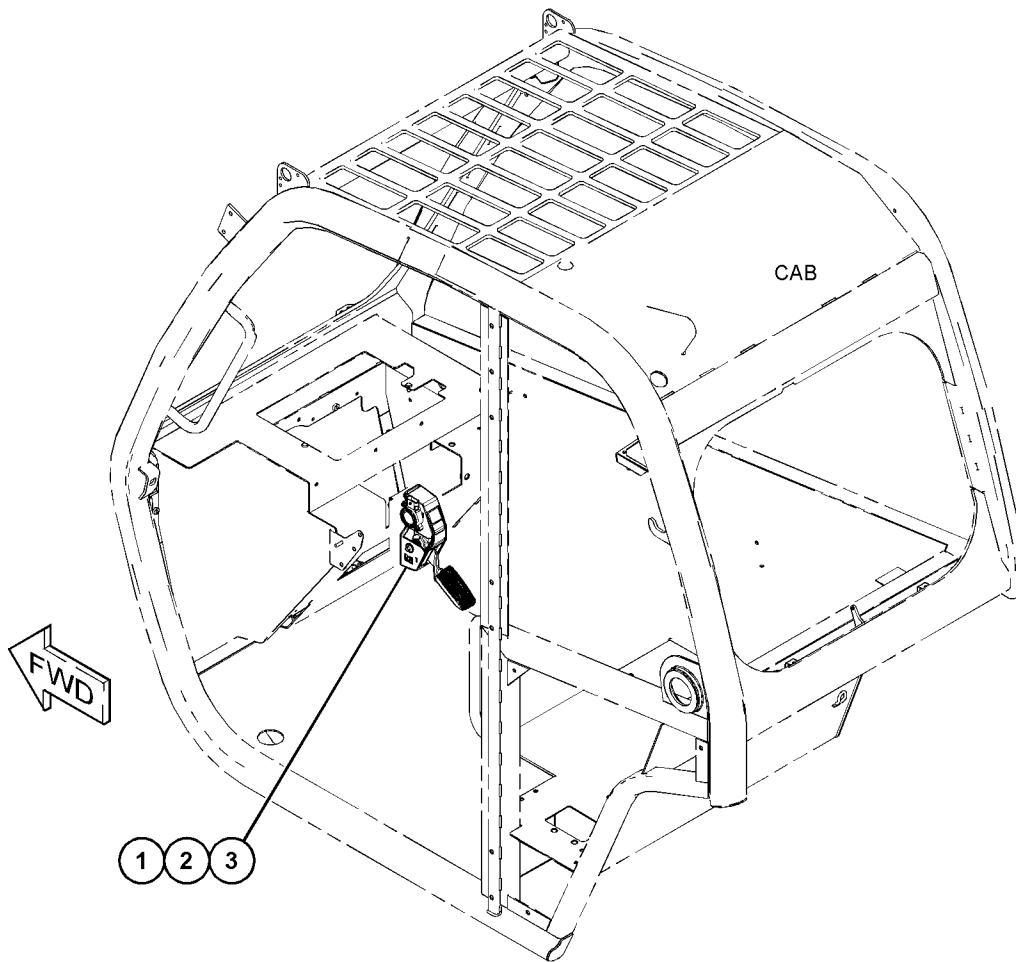
S/N: TD61-UP; TD71-UP
PART OF 517-9179, 517-9180 CAB AR
AN ATTACHMENT

SMCS-1265, 1276

i06230716

NOTE	REF NO	GRAPHIC REF	PART NUMBER	QTY	PART NAME						SEE PAGE
					1	2	3	4	5	6 (PRODUCT LEVEL)	
M	1	1	5C-7261	2	NUT (M8X1.25-THD)						
	2	1	8T-4224	2	WASHER-HARD (8.8X16X2-MM THK)						
	3	1	473-4960	1	PEDAL GP-GOVERNOR						
		1	458-8876	1	PAD						
		1	458-8877	1	COVER						

M - METRIC PART



GRAPHIC #1

<END>

g03871732

OPERATOR STATION

473-9471 PLUG GP-CAB

S/N: TD61-UP; TD71-UP
PART OF 495-6210 CAB GP
AN ATTACHMENT

SMCS-7301

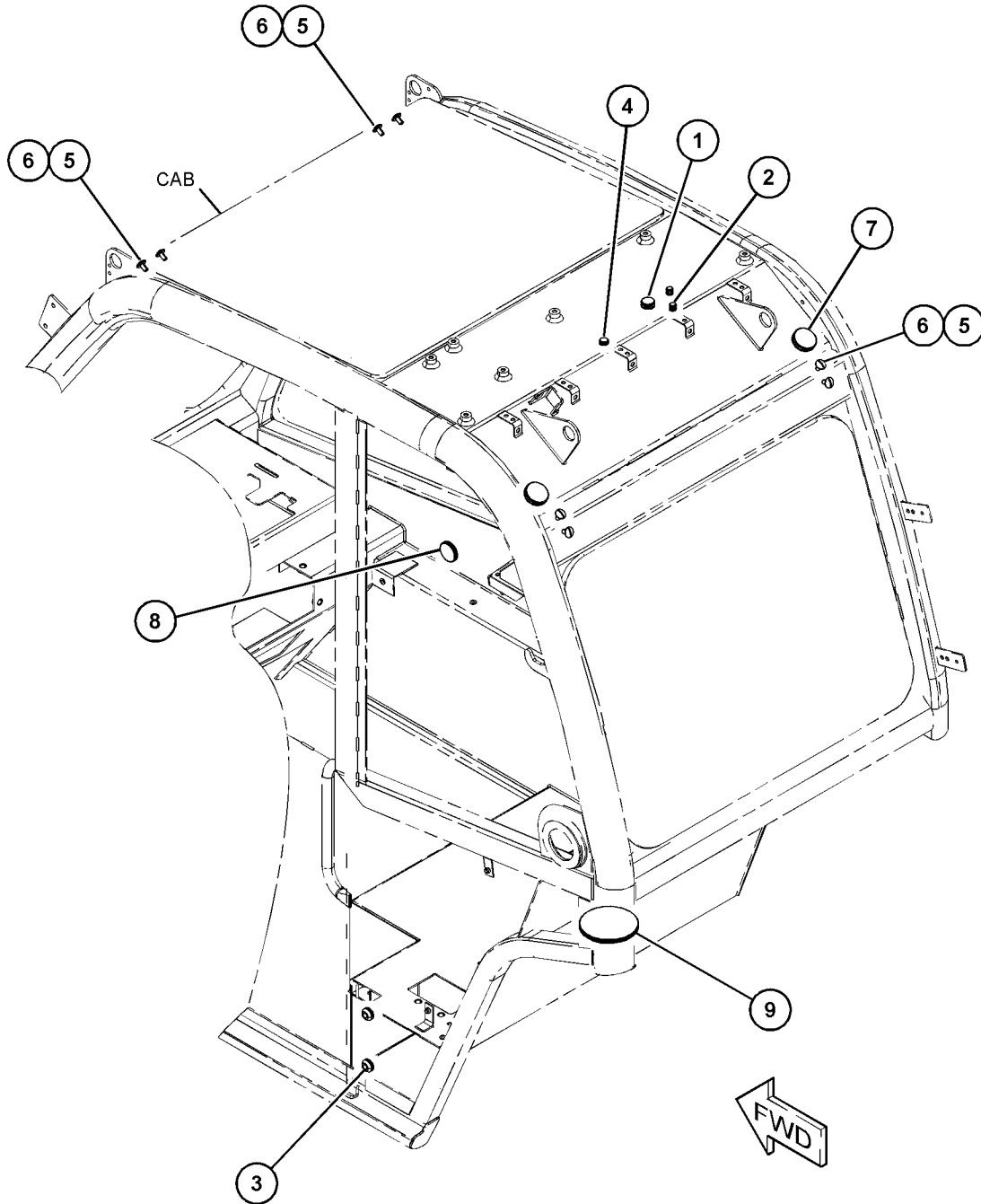
i06812691

NOTE	REF NO	GRAPHIC REF	PART NUMBER	QTY	PART NAME						SEE PAGE
					1	2	3	4	5	6 (PRODUCT LEVEL)	
	1	1	468-5335	1	PLUG						
	2	1	468-5334	2	PLUG						
	3	1	459-2772	2	PLUG						
	4	1	468-5337	1	PLUG						
	5	1	473-9385	8	SCREW (M8X1.25X16-MM)						
	6	1	473-9386	8	WASHER (8.4X18X1.5-MM THK)						
	7	1	473-9387	2	PLUG						
	8	1	473-9388	1	PLUG						
	9	1	518-3803	1	CAP						

OPERATOR STATION

473-9471 PLUG GP-CAB (contd.)

i06812691



GRAPHIC #1

<END>

g06129801

OPERATOR STATION

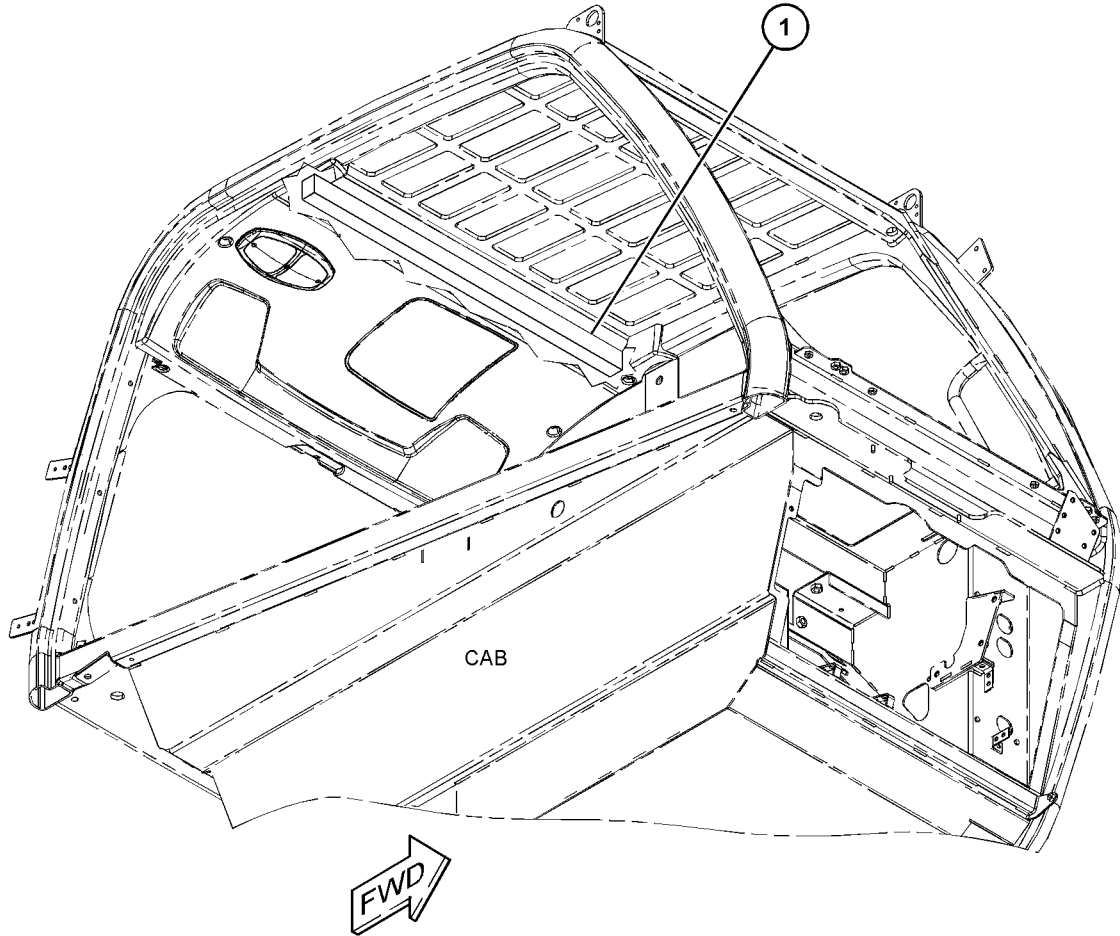
515-9736 SCREEN GP-SUN

S/N: TD61-UP; TD71-UP
CANNOT BE USED WITH OPEN CAB
AN ATTACHMENT

SMCS-7165

i06735411

NOTE	REF NO	GRAPHIC REF	PART NUMBER	QTY	PART NAME						SEE PAGE
					1	2	3	4	5	6 (PRODUCT LEVEL)	
	1	1	515-9739	1	SEAL (FOAM)						



(VIEWED FROM BOTTOM)

GRAPHIC #1

<END>

g06102340

OPERATOR STATION

476-7796 SEAT & MOUNTING GP

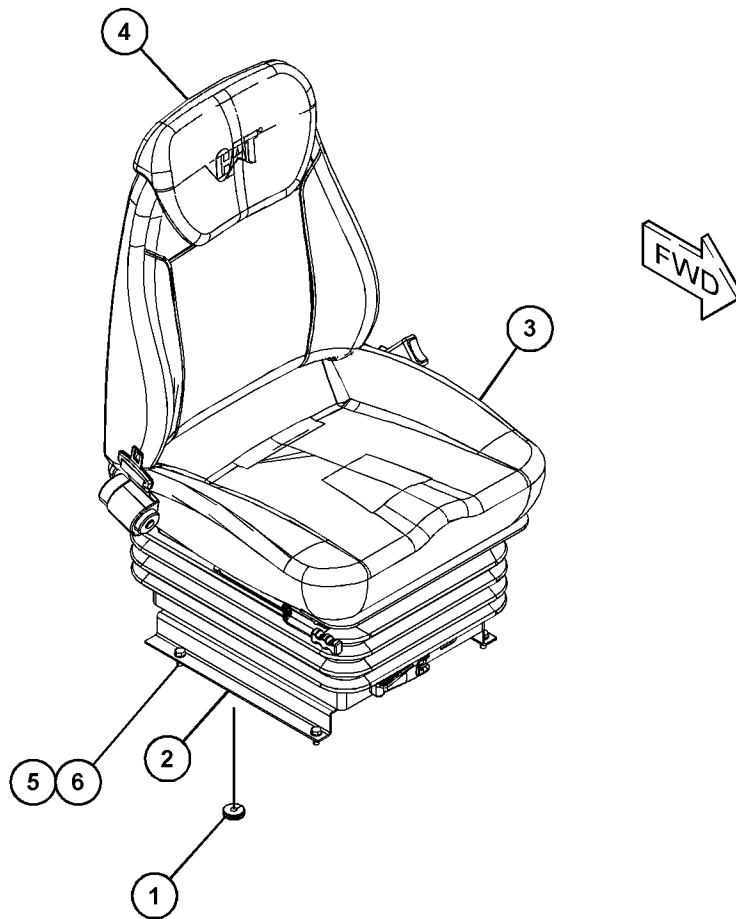
S/N: TD71-UP
AN ATTACHMENT

SMCS-7312

i06826606

NOTE	REF NO	GRAPHIC REF	PART NUMBER	QTY	PART NAME						SEE PAGE
					1	2	3	4	5	6 (PRODUCT LEVEL)	
	1	1	521-6487	1	GROMMET						
	2	1	476-7795	1	BRACKET AS						
Y	3	1	460-0318	1	SEAT GP						977
	4	1	460-0319	1	HEADREST						
	5	1	8T-4224	8	WASHER-HARD (8.8X16X2-MM THK)						
M	6	1	8T-4189	8	BOLT (M8X1.25X20-MM)						

M - METRIC PART
Y - SEPARATE ILLUSTRATION



GRAPHIC #1

<END>

g06039890

OPERATOR STATION

476-7798 SEAT & MOUNTING GP

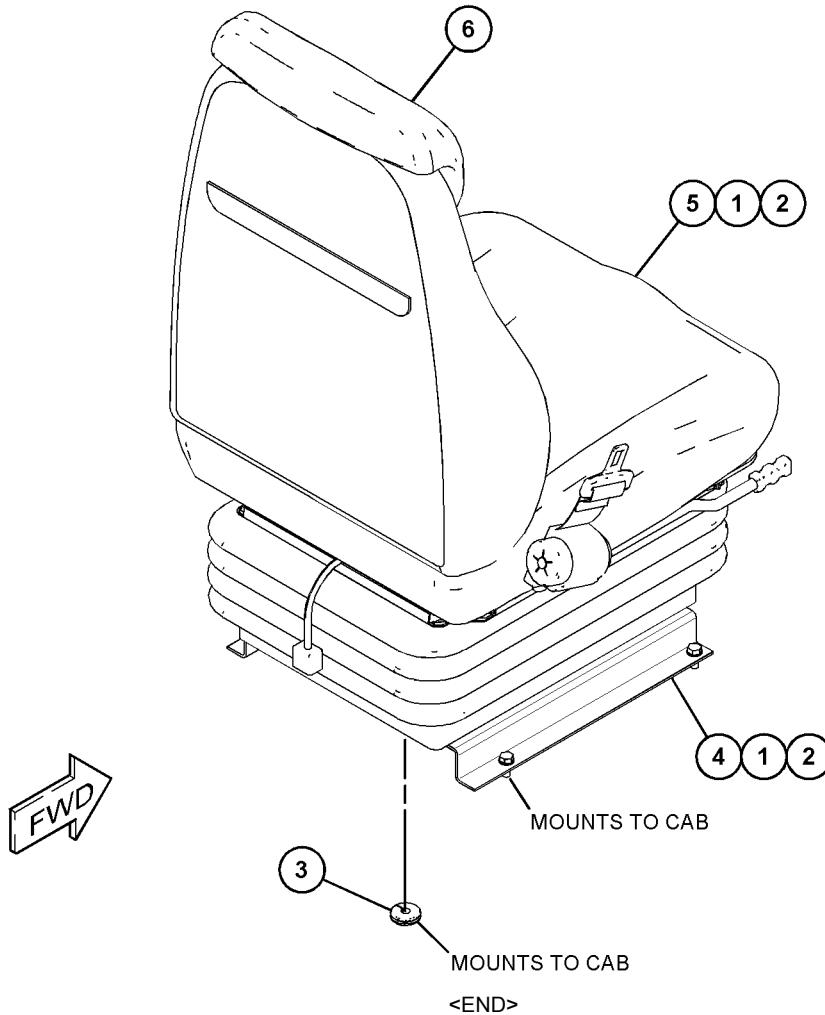
S/N: TD71-UP
AN ATTACHMENT

SMCS-7312

i06824016

NOTE	REF NO	GRAPHIC REF	PART NUMBER	QTY	PART NAME						SEE PAGE
					1	2	3	4	5	6 (PRODUCT LEVEL)	
M	1	1	8T-4189	8	BOLT (M8X1.25X20-MM)						
	2	1	8T-4224	8	WASHER-HARD (8.8X16X2-MM THK)						
	3	1	521-6487	1	GROMMET						
	4	1	476-7795	1	BRACKET AS						
Y	5	1	460-0320	1	SEAT GP						978
	6	1	460-0321	1	HEADREST						

M - METRIC PART
Y - SEPARATE ILLUSTRATION



GRAPHIC #1

g06040606

OPERATOR STATION

476-8930 SEAT & MOUNTING GP-AIR SUSPENSION

S/N: TD61-UP; TD71-UP

AN ATTACHMENT

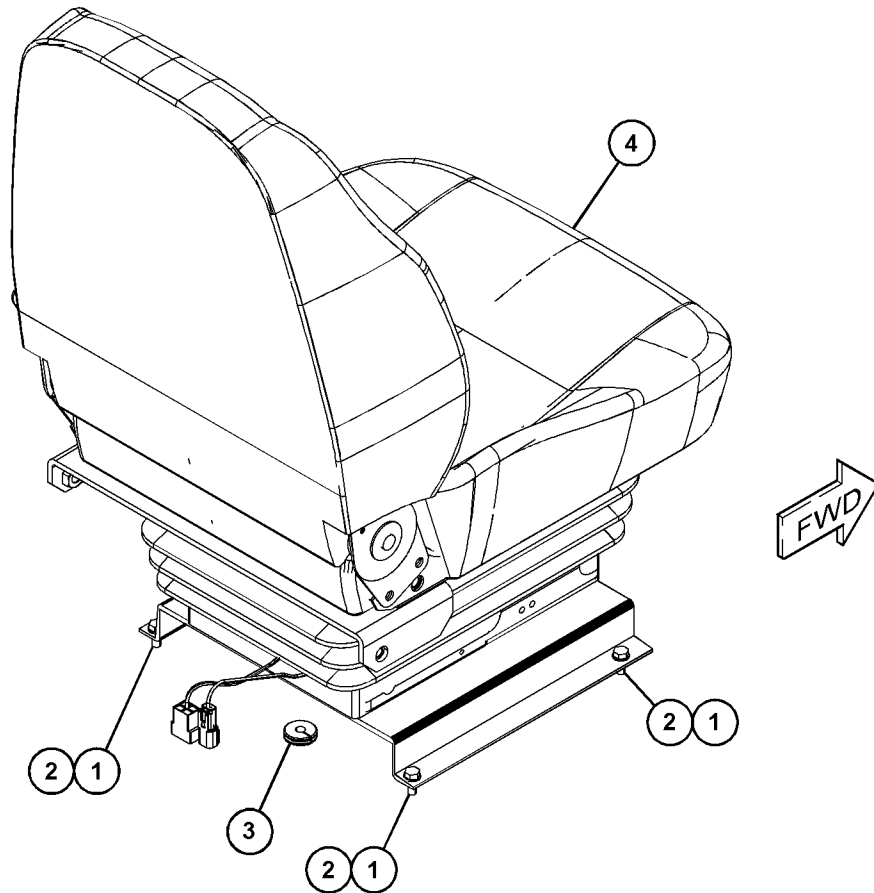
SMCS-7312

i06823988

NOTE	REF NO	GRAPHIC REF	PART NUMBER	QTY	PART NAME						SEE PAGE
					1	2	3	4	5	6 (PRODUCT LEVEL)	
M	1	1	8T-4189	4	BOLT (M8X1.25X20-MM)						
	2	1	8T-4224	4	WASHER-HARD (8.8X16X2-MM THK)						
	3	1	521-6487	1	GROMMET						
Y	4	1	476-8931	1	SEAT GP						980

M - METRIC PART

Y - SEPARATE ILLUSTRATION



GRAPHIC #1

<END>

g06042291

OPERATOR STATION

492-4861 SEAT & MOUNTING GP-AIR SUSPENSION

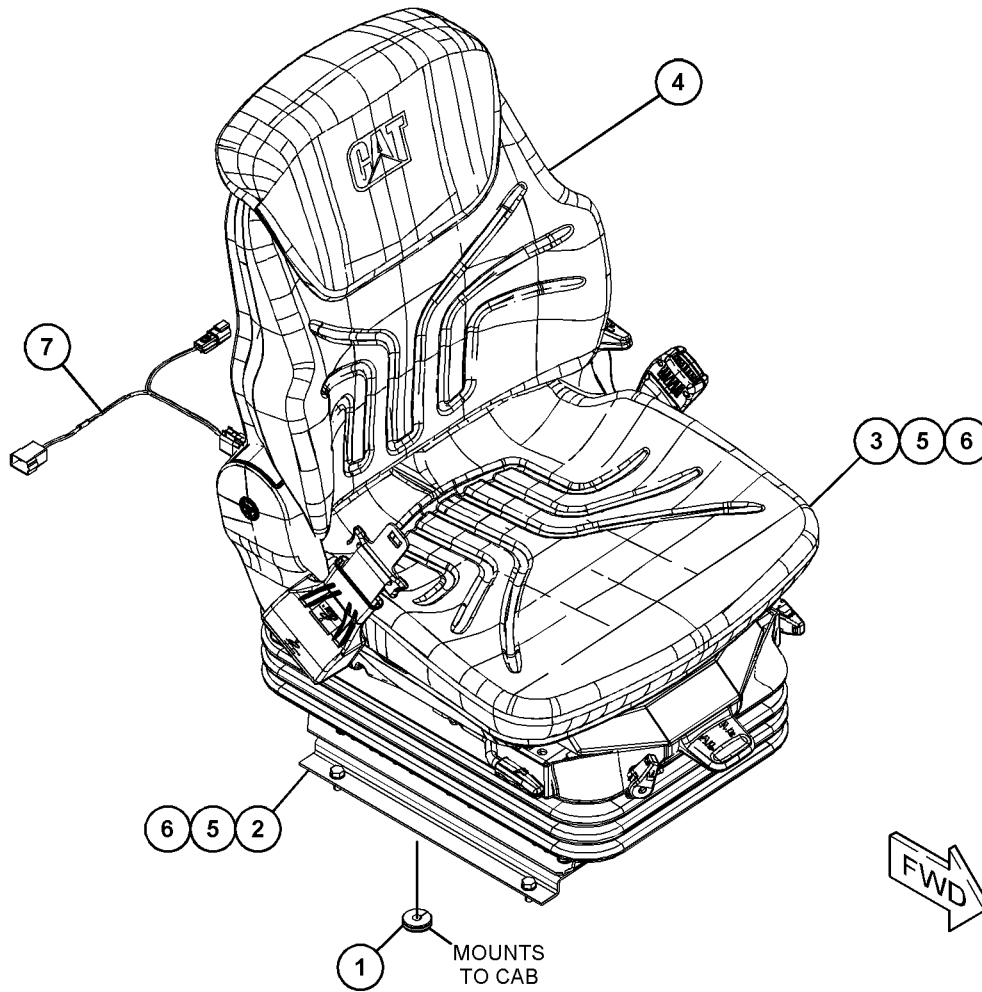
S/N: TD71-UP
AN ATTACHMENT

SMCS-7312

i06822967

NOTE	REF NO	GRAPHIC REF	PART NUMBER	QTY	PART NAME						SEE PAGE
					1	2	3	4	5	6 (PRODUCT LEVEL)	
	1	1	521-6487	1	GROMMET						
	2	1	492-4862	1	PLATE AS						
	3	1	463-2072	1	SEAT GP-SUSPENSION						
	4	1	450-9503	1	SUPPORT						
	5	1	8T-4224	8	WASHER-HARD (8.8X16X2-MM THK)						
M	6	1	8T-4189	8	BOLT (M8X1.25X20-MM)						
	7	1	463-2071	1	HARNESS AS-SWITCH						

M - METRIC PART



GRAPHIC #1

<END>

g06037926

OPERATOR STATION

503-1690 SEAT & MOUNTING GP-AIR SUSPENSION

S/N: TD61-UP; TD71-UP

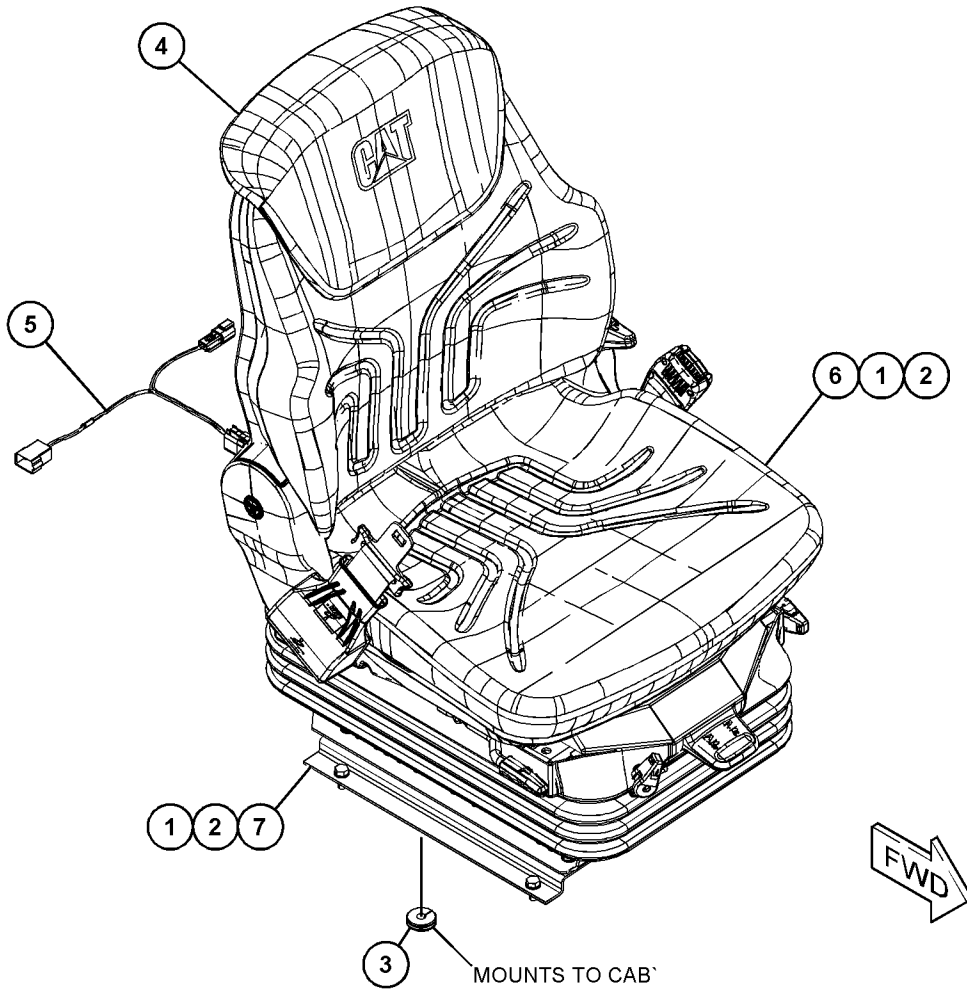
AN ATTACHMENT

SMCS-7312

i06825094

NOTE	REF NO	GRAPHIC REF	PART NUMBER	QTY	PART NAME						SEE PAGE
					1	2	3	4	5	6 (PRODUCT LEVEL)	
M	1	1	8T-4189	8	BOLT (M8X1.25X20-MM)						
	2	1	8T-4224	8	WASHER-HARD (8.8X16X2-MM THK)						
	3	1	521-6487	1	GROMMET						
	4	1	450-9503	1	SUPPORT						
	5	1	463-2071	1	HARNESS AS-SWITCH						
	6	1	463-2072	1	SEAT GP-SUSPENSION						
	7	1	492-4862	1	PLATE AS						

M - METRIC PART



GRAPHIC #1

<END>

g06038395

OPERATOR STATION

229-0582 SEAT BELT GP-2 IN

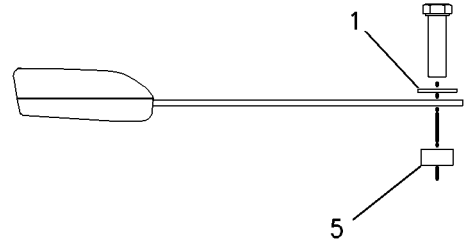
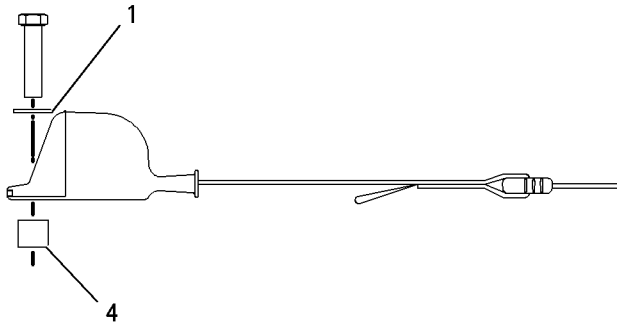
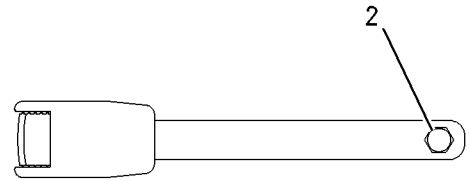
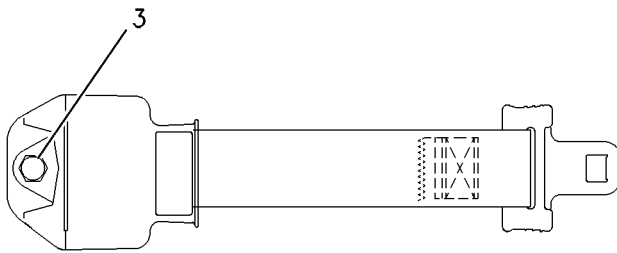
S/N: TD61-UP; TD71-UP

AN ATTACHMENT

SMCS-7327

i01996488

NOTE	REF NO	GRAPHIC REF	PART NUMBER	QTY	PART NAME						SEE PAGE
					1	2	3	4	5	6 (PRODUCT LEVEL)	
	1	1	3K-6113	2	WASHER-HARD (12X18.5X3-MM THK)						
	2	1	5P-8282	1	BOLT-LOCKING (7/16-14X1.5-IN)						
	3	1	5P-9940	1	BOLT-LOCKING						
	4	1	215-9632	1	SPACER (12X20X20-MM THK)						
	5	1	161-3357	1	SPACER (12X20X10-MM THK)						



GRAPHIC #1

<END>

g00951155

OPERATOR STATION

229-0583 SEAT BELT GP-3 IN

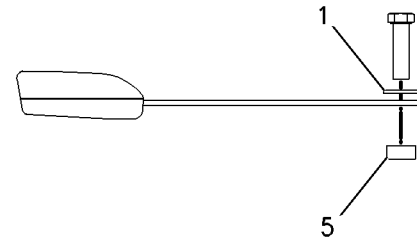
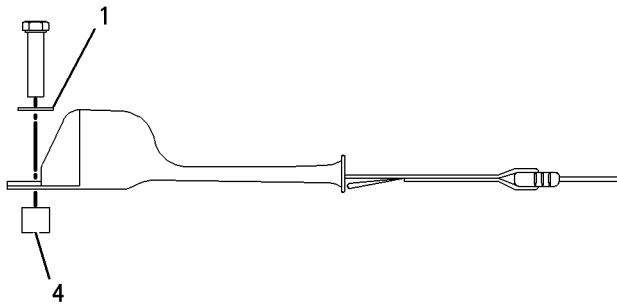
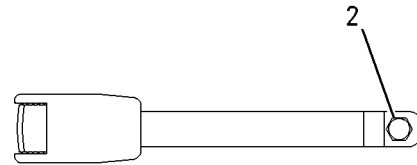
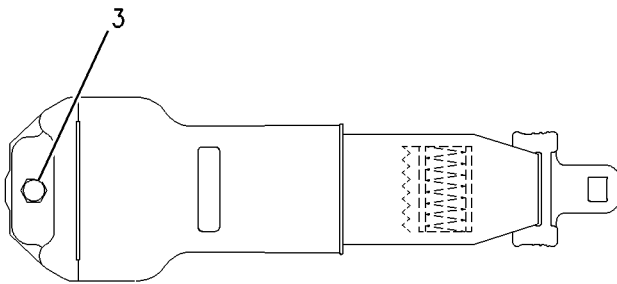
S/N: TD61-UP; TD71-UP

AN ATTACHMENT

SMCS-7327

i01996489

NOTE	REF NO	GRAPHIC REF	PART NUMBER	QTY	PART NAME						SEE PAGE
					1	2	3	4	5	6 (PRODUCT LEVEL)	
	1	1	3K-6113	2	WASHER-HARD (12X18.5X3-MM THK)						
	2	1	5P-8282	1	BOLT-LOCKING (7/16-14X1.5-IN)						
	3	1	5P-9940	1	BOLT-LOCKING						
	4	1	215-9632	1	SPACER (12X20X20-MM THK)						
	5	1	161-3357	1	SPACER (12X20X10-MM THK)						



GRAPHIC #1

<END>

g00951160

OPERATOR STATION

460-0320 SEAT GP

S/N: TD61-UP; TD71-UP

PART OF 476-7798 SEAT & MOUNTING GP, 503-1691 SEAT GP
AN ATTACHMENT

SMCS-7312, 7324

i06586855

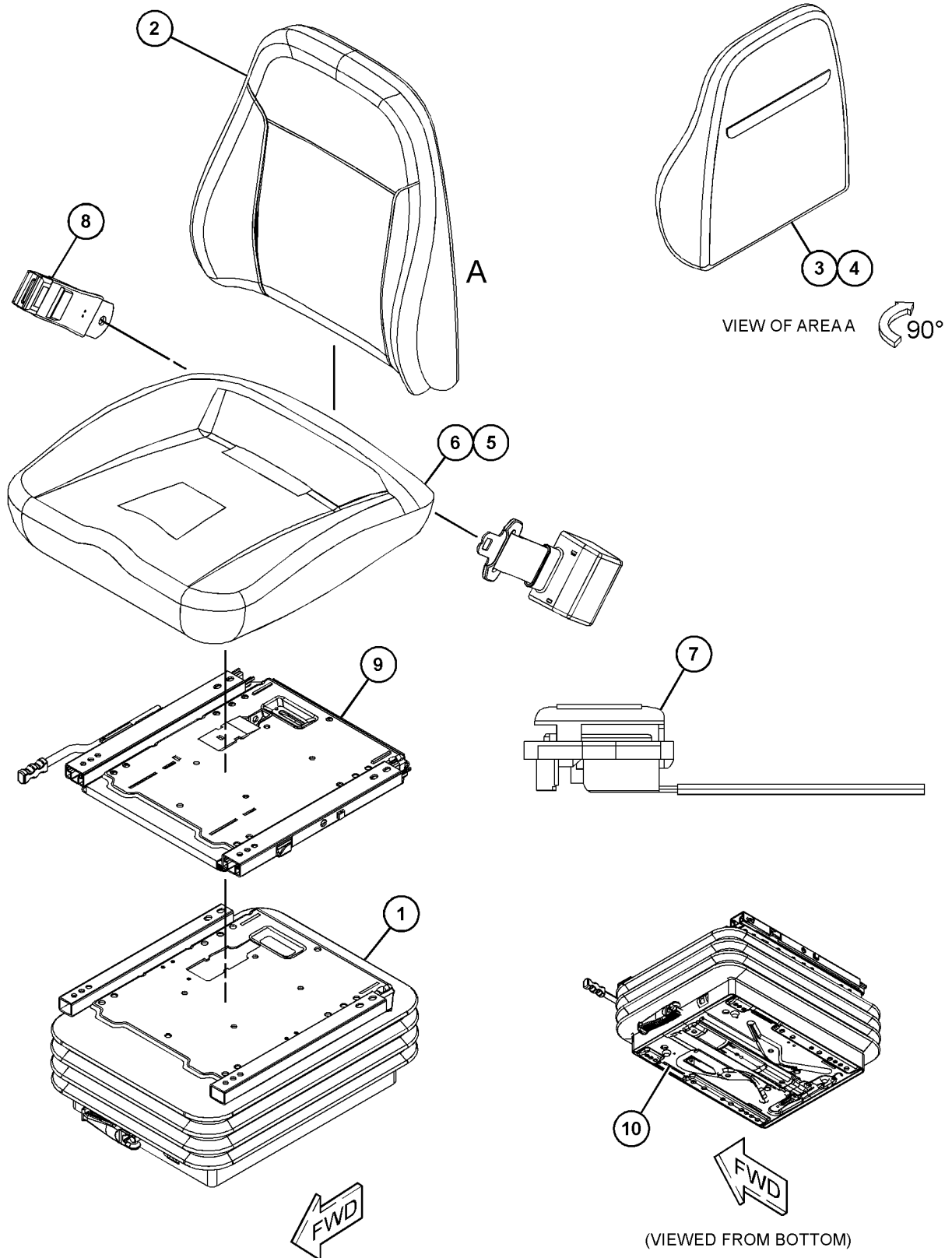
NOTE	REF NO	GRAPHIC REF	PART NUMBER	QTY	PART NAME						SEE PAGE
					1	2	3	4	5	6 (PRODUCT LEVEL)	
	1	1	458-8422	1	COVER						
	2	1	458-8423	1	SEAT						
	3	1	458-8424	1	COVER-REAR						
	4	1	458-8425	1	FOAM						
	5	1	458-8426	1	COVER-SEAT						
	6	1	458-8419	1	FOAM-SEAT						
	7	1	458-8420	1	SWITCH						
	8	1	458-8421	1	SEAT BELT						
	9	1	322-5996	1	FRAME-SLIDE						
	10	1	322-5995	1	FRAME-SEAT						

PARTS SHOWN IN GRAPHIC(S) WITHOUT A REFERENCE NUMBER ARE NOT SERVICED SEPARATELY

OPERATOR STATION

460-0320 SEAT GP (contd.)

106586855



GRAPHIC #1

<END>

g06037820

OPERATOR STATION

476-8931 SEAT GP

S/N: TD61-UP; TD71-UP

PART OF 476-8930 SEAT & MOUNTING GP
AN ATTACHMENT

SMCS-7312, 7324

i06823989

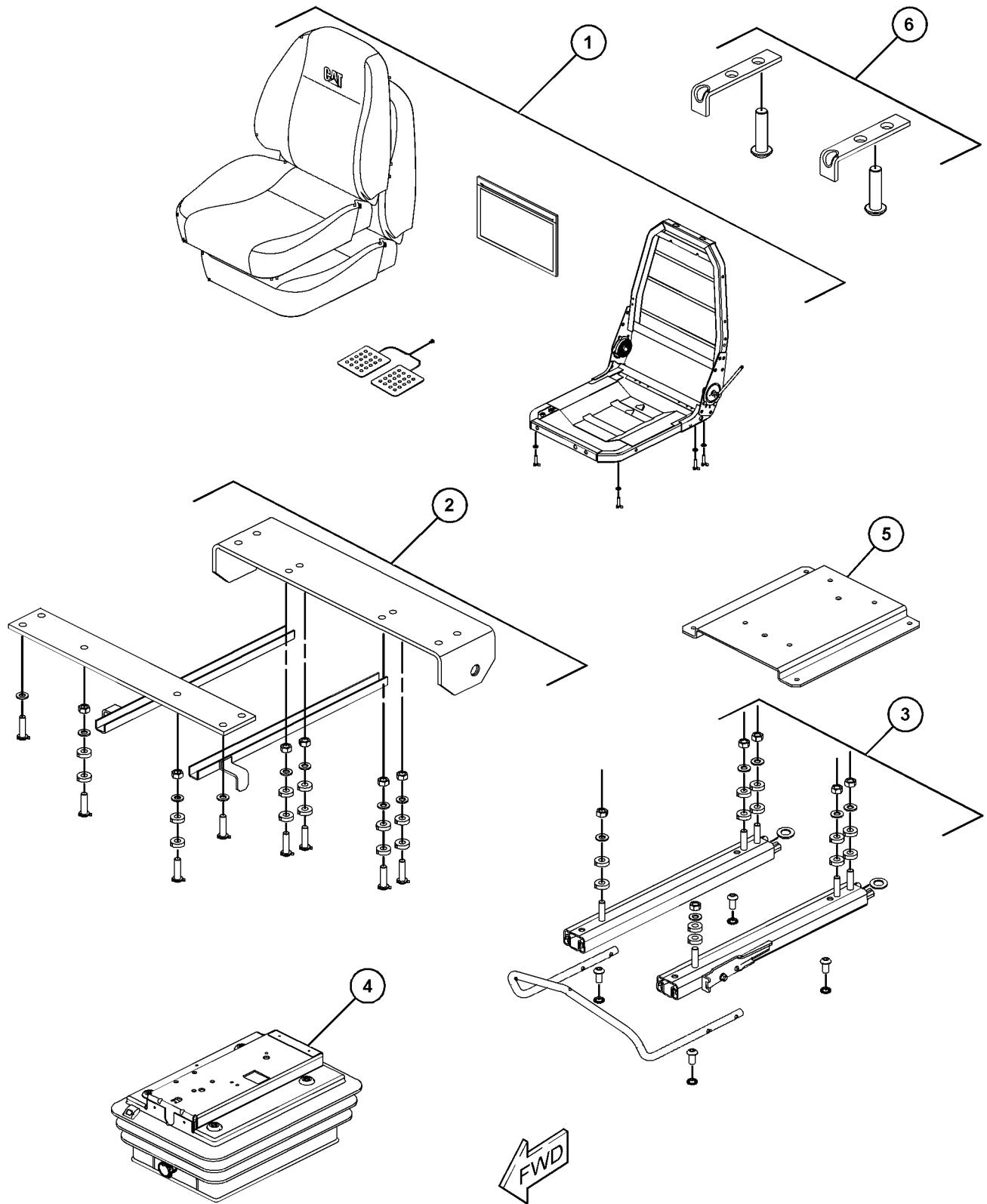
NOTE	REF NO	GRAPHIC REF	PART NUMBER	QTY	PART NAME						SEE PAGE
					1	2	3	4	5	6 (PRODUCT LEVEL)	
Y	1	1	515-8400	1	SEAT GP						983
	2	1	322-8060	1	KIT-STRAP						
					(INCLUDES CHANNELS, STRAPS, SCREWS, NUTS, WASHERS & SPACERS)						
	3	1	322-8061	1	KIT-SEAT ADJUSTER						
					(INCLUDES SPRING WASHERS, NUTS, SCREWS, WASHERS, SPACERS & SLIDE RAILS)						
Y	4	1	213-4578	1	KIT-SEAT SUSPENSION						940
	5	1	515-8220	1	KIT-PLATE						
					(INCLUDES SCREWS, WASHERS & ADAPTER PLATE)						
	6	1	322-8065	1	KIT-STOP						
					(INCLUDES SLIDE RAILS & SCREWS)						

Y - SEPARATE ILLUSTRATION

OPERATOR STATION

476-8931 SEAT GP (contd.)

106823989



GRAPHIC #1

<END>

g06136130

OPERATOR STATION

503-1691 SEAT GP

S/N: TD61-UP; TD71-UP

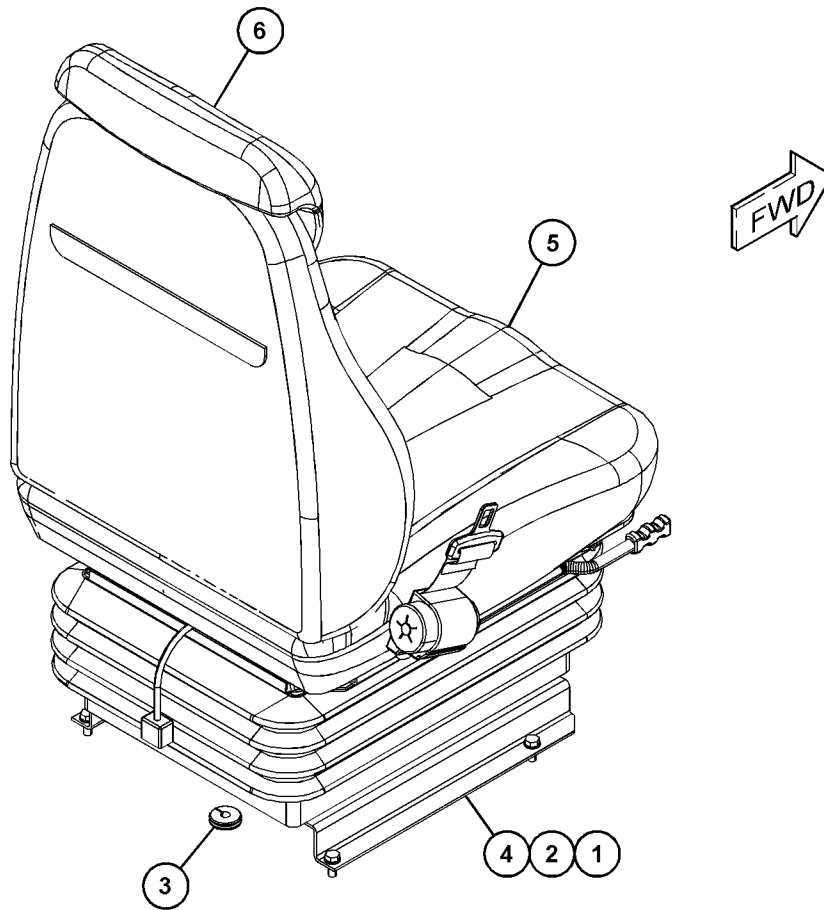
CLOTH
AN ATTACHMENT

SMCS-7312, 7324

i06825097

NOTE	REF NO	GRAPHIC REF	PART NUMBER	QTY	PART NAME						SEE PAGE
					1	2	3	4	5	6 (PRODUCT LEVEL)	
M	1	1	8T-4189	8	BOLT (M8X1.25X20-MM)						
	2	1	8T-4224	8	WASHER-HARD (8.8X16X2-MM THK)						
	3	1	521-6487	1	GROMMET						
	4	1	503-1693	1	PLATE AS						
Y	5	1	460-0320	1	SEAT GP						978
	6	1	460-0321	1	HEADREST						

M - METRIC PART
Y - SEPARATE ILLUSTRATION



GRAPHIC #1

<END>

g06038858

OPERATOR STATION

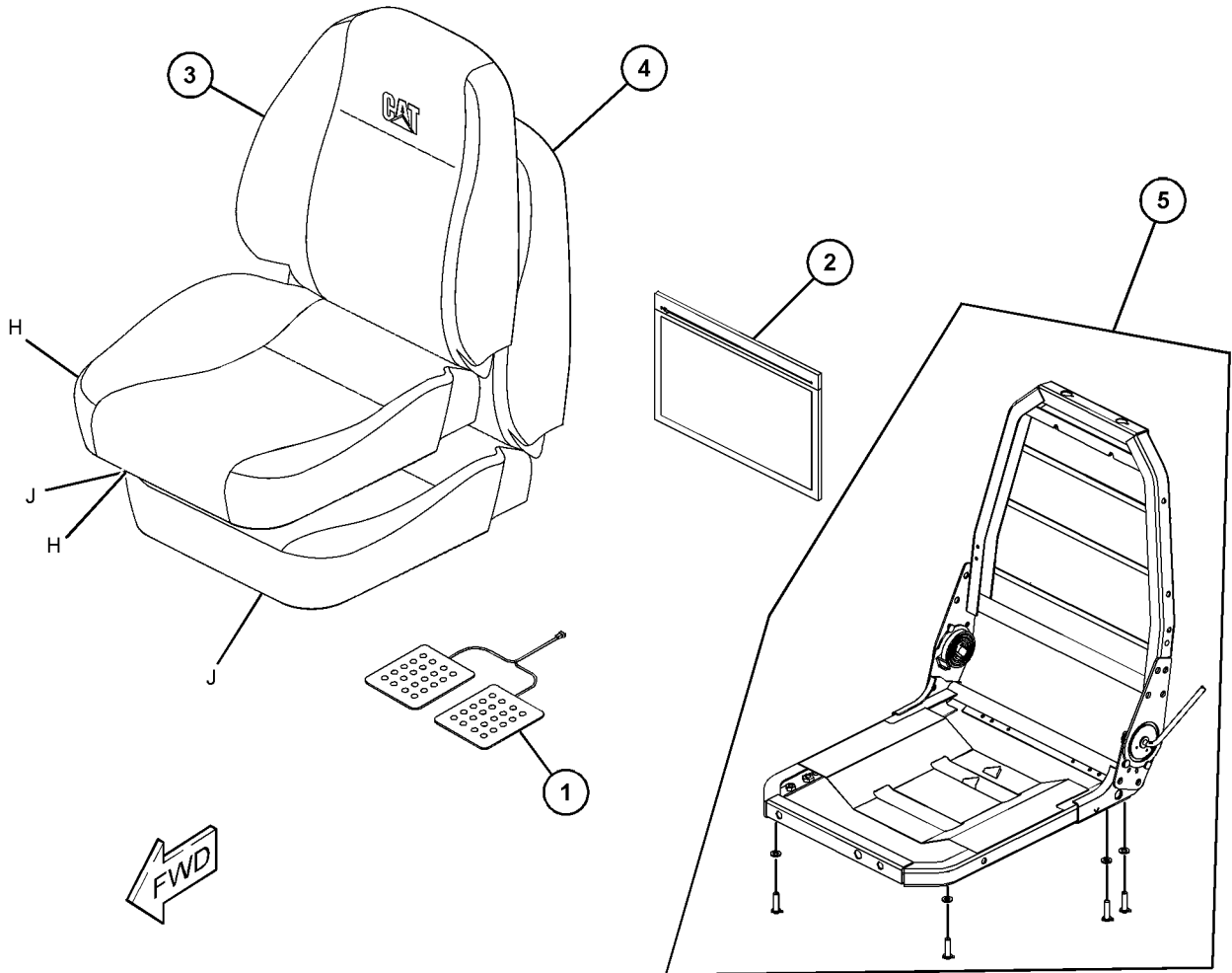
515-8400 SEAT GP

S/N: TD61-UP; TD71-UP
PART OF 476-8931 SEAT GP
AN ATTACHMENT

SMCS-7312, 7324

i06823990

NOTE	REF NO	GRAPHIC REF	PART NUMBER	QTY	PART NAME						SEE PAGE
					1	2	3	4	5	6 (PRODUCT LEVEL)	
	1	1	451-8375	1	KIT-SENSOR (OPERATOR PRESENT)						
					(INCLUDES PADS)						
	2	1	322-8059	1	KIT-LITERATURE HOLDER						
	3	1	515-8262	1	COVER-BACK						
	4	1	322-8080	1	KIT-BACK FOAM						
					(INCLUDES BACK FOAM, TRIM BARS & HOG RINGS)						
	5	1	322-8057	1	KIT-FRAME AS						
					(INCLUDES FRAME, SCREWS & WASHERS)						
					AVAILABLE REPAIR KIT(S) :						
			110-5059	1	KIT-SEAT (BOTTOM)						
					(INCLUDES PARTS MARKED "J" IN THE GRAPHICS)						
			515-8263	1	KIT-SEAT COVER						
					(INCLUDES PARTS MARKED "H" IN THE GRAPHICS)						



GRAPHIC #1

<END>

g06134910

OPERATOR STATION

495-7646 TANK GP-WINDOW WASHER

S/N: TD61-UP; TD71-UP
 PART OF 517-9179, 517-9180 CAB AR
 AN ATTACHMENT

SMCS-7306

i06591329

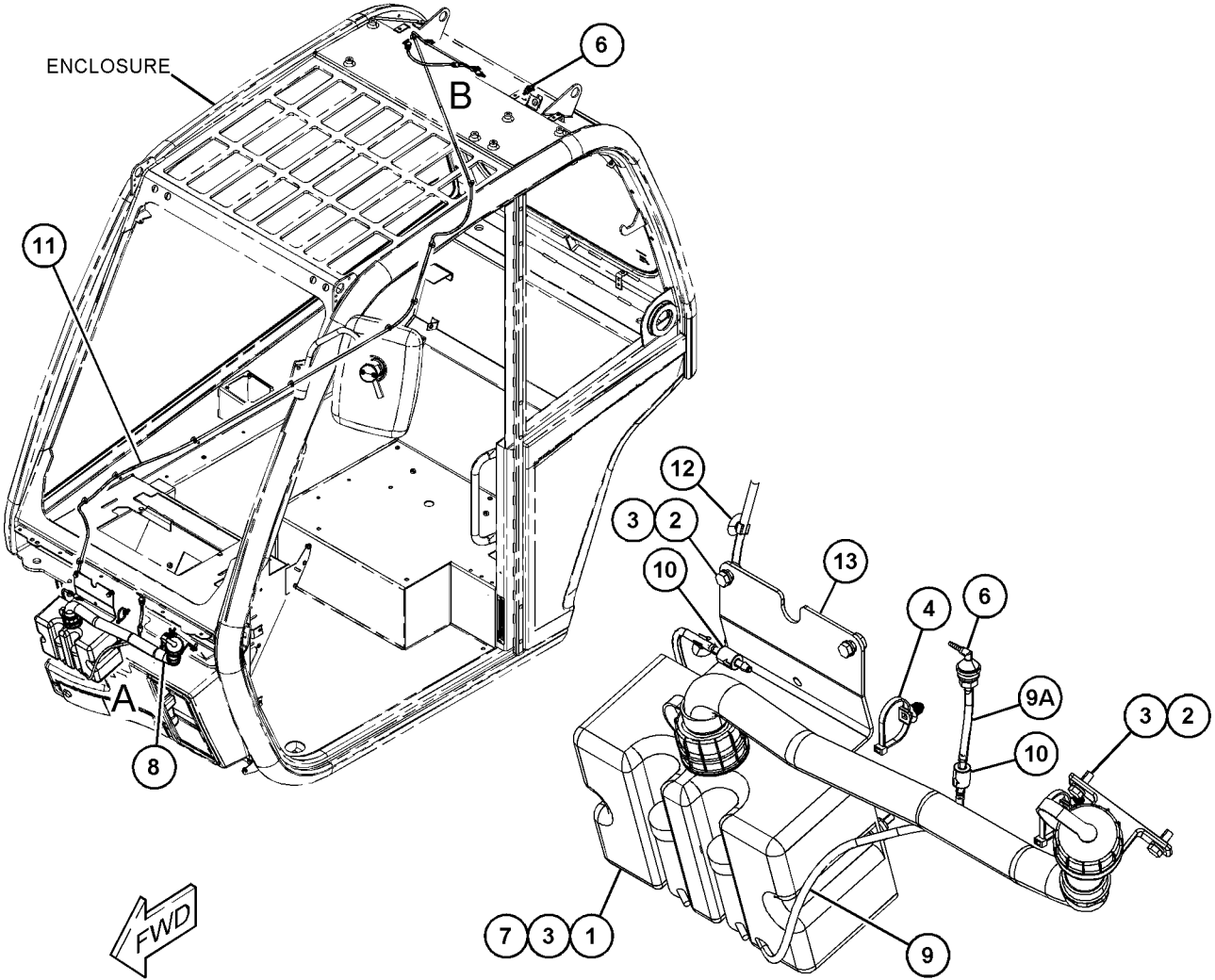
NOTE	REF NO	GRAPHIC REF	PART NUMBER	QTY	PART NAME						SEE PAGE
					1	2	3	4	5	6 (PRODUCT LEVEL)	
M	1	1	473-7230	2	BOLT (M5X0.8X25-MM)						
M	2	1	5C-9553	4	BOLT (M6X1X16-MM)						
	3	1	8T-4205	6	WASHER-HARD (7.2X14.5X2-MM THK)						
	4	1	206-1345	2	STRAP-CABLE						
	5	1	6K-9632	1	TEE						
	6	1	315-3812	3	CONNECTOR						
	7	1	495-7649	1	TANK AS-WINDOW WASHER						
	8	1	473-6830	1	HOSE AS						
E	9	1	144-0195		HOSE (47-CM)						
E	9A	1	144-0195		HOSE (10-CM)						
E	9B	1	144-0195		HOSE (4-CM EACH)						
E	9C	1	144-0195		HOSE (16-CM)						
	10	1	489-4104	4	VALVE-CHECK						
	11	1	495-7650	1	HOSE						
	12	1	473-6930	16	MOUNT						
	13	1	474-9857	1	BRACKET AS						

E - ORDER BY THE CENTIMETER
 M - METRIC PART

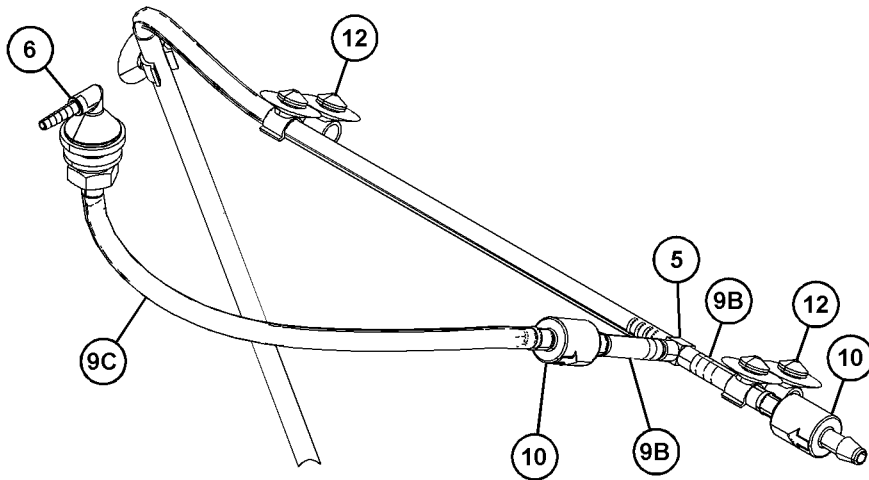
OPERATOR STATION

495-7646 TANK GP-WINDOW WASHER (contd.)

106591329



VIEW OF AREA A



VIEW OF AREA B

GRAPHIC #1

<END>

g06040613

OPERATOR STATION

495-6202 TRIM GP-CAB

S/N: TD61-UP; TD71-UP
PART OF 495-6209 TRIM GP-CAB
AN ATTACHMENT

SMCS-7329, 7450

i07213660

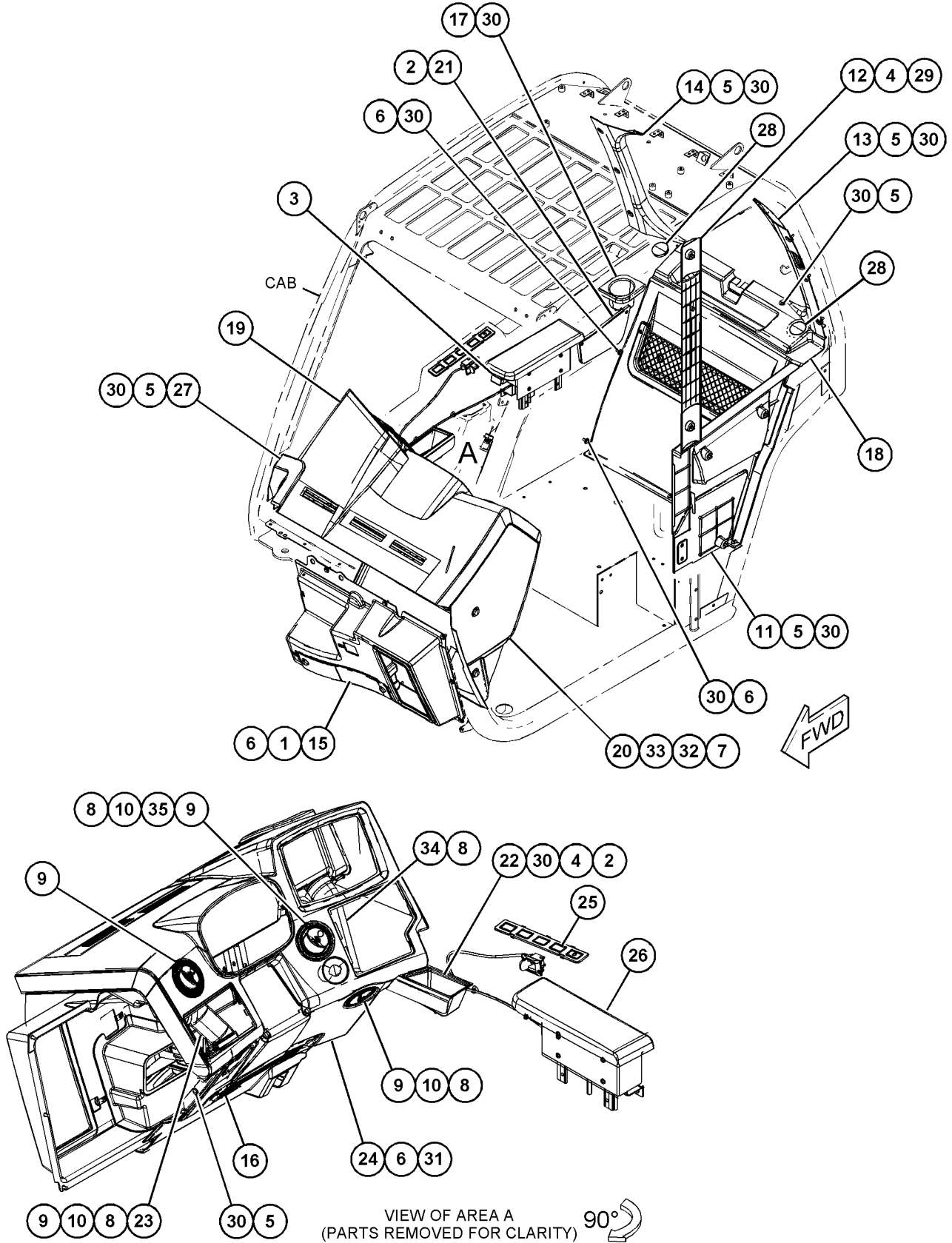
NOTE	REF NO	GRAPHIC REF	PART NUMBER	QTY	PART NAME						SEE PAGE
					1	2	3	4	5	6 (PRODUCT LEVEL)	
	1	1	303-4779	2	LOCKNUT (M6X1-THD)						
M	2	1	455-2256	3	BOLT-SOCKET HEAD (M5X0.8X20-MM)						
	3	1	323-7233	1	COVER-SWITCH						
	4	1	309-3996	3	WASHER (5.3X12.5X5-MM THK)						
	5	1	8T-4205	24	WASHER-HARD (7.2X14.5X2-MM THK)						
	6	1	5W-1417	5	WASHER (6.4X18X1.6-MM THK)						
M	7	1	341-7590	2	NUT (M6X1-THD)						
	8	1	323-7265	6	CLAMP						
	9	1	459-5371	4	VENT						
	10	1	459-5188	3	CONNECTOR						
	11	1	477-5914	1	COVER						
	12	1	473-6967	1	COVER						
	13	1	495-6203	1	COVER						
	14	1	477-5891	1	COVER						
Y	15	1	<i>474-9856</i>	1	COVER GP (FRONT)						583
	16	1	473-6971	1	COVER AS-ACCESS (GRILL)						
M		1	388-4063	2	SCREW (M6X16-MM)						
		1	460-4126	2	WASHER						
	17	1	473-6968	1	CUP HOLDER						
	18	1	<i>473-6974</i>	1	COVER AS-ACCESS (REAR PANEL)						
		1	473-6842	6	SCREW (NO 6 X 1-IN)						
		1	473-6977	1	COVER-REAR						
		1	473-6986	1	NET AS-STORAGE						
	19	1	475-0755	1	COVER GP-CONSOLE (DASH)						
		1	315-3850	1	TUBE						
		1	323-5629	2	ELBOW-HOSE						
		1	494-0160	2	STUD						
	20	1	473-6983	1	CONSOLE (LH)						
	21	1	473-6841	1	BEZEL						
	22	1	473-7034	1	BOX-STORAGE						
	23	1	474-9789	1	HOSE						
	24	1	<i>474-9859</i>	1	COVER GP (DASH, LOWER)						
		1	473-6985	2	CLIP						
		1	474-9860	1	CONSOLE						
	25	1	495-6204	1	PLATE						
Y	26	1	<i>495-6206</i>	1	ARMREST GP						890
	27	1	495-6205	1	COVER						
	28	1	484-1473	2	CAP						
M	29	1	484-1475	2	SCREW (M5X20-THD)						
M	30	1	471-6671	28	SCREW (M6X1X16-MM)						
M	31	1	473-6822	1	SCREW (M6X1X20-MM)						
	32	1	460-4126	2	WASHER						
	33	1	515-2777	1	SCREW-THUMB						
	34	1	474-9797	1	HOSE						
	35	1	474-9790	1	HOSE						

M - METRIC PART
Y - SEPARATE ILLUSTRATION

OPERATOR STATION

495-6202 TRIM GP-CAB (contd.)

i07213660



GRAPHIC #1

<END>

g06133367

OPERATOR STATION

495-6209 TRIM GP-CAB

S/N: TD61-UP; TD71-UP

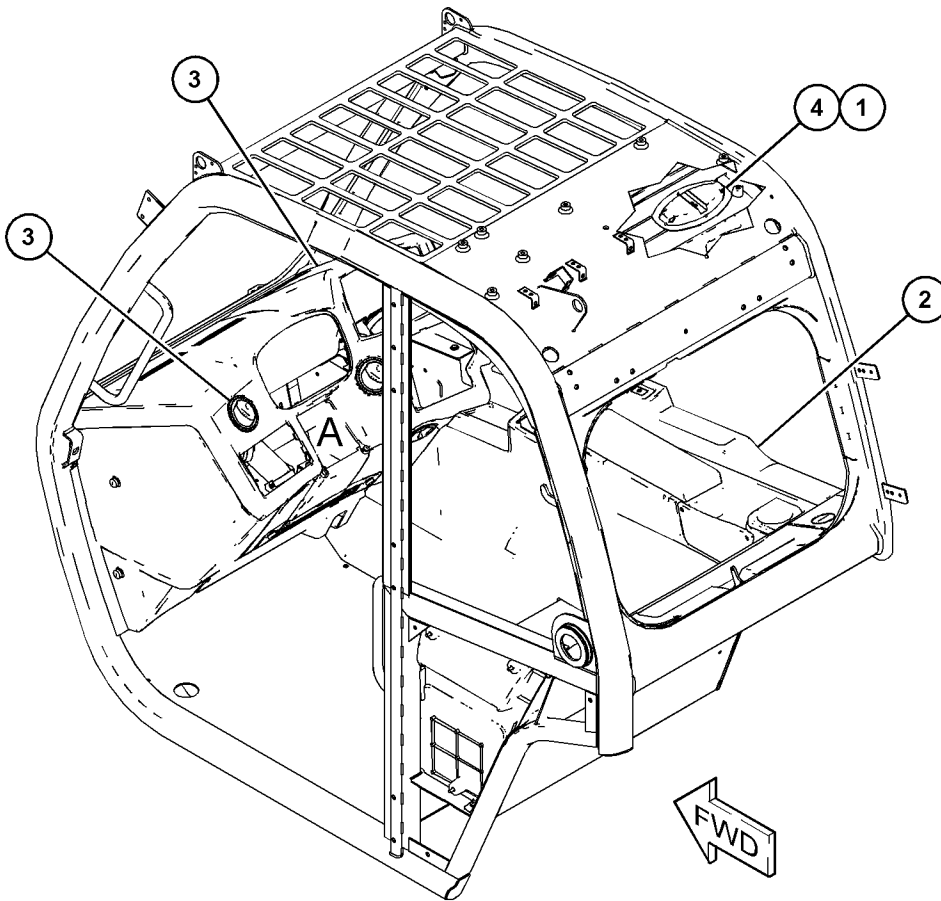
PART OF 517-9179, 517-9180 CAB AR
AN ATTACHMENT

SMCS-7329, 7450

i06810934

NOTE	REF NO	GRAPHIC REF	PART NUMBER	QTY	PART NAME						SEE PAGE
					1	2	3	4	5	6 (PRODUCT LEVEL)	
	1	1	347-5373	4	SCREW-PAN HEAD						
Y	2	1	495-6240	1	TRIM GP-CAB (FRONT) (RH)						989
Y	3	1	495-6202	1	TRIM GP-CAB (FRONT)						986
	4	1	474-9787	1	LAMP (DOME)						

Y - SEPARATE ILLUSTRATION



GRAPHIC #1

<END>

g06125482

OPERATOR STATION

495-6240 TRIM GP-CAB-SIDE

S/N: TD61-UP; TD71-UP

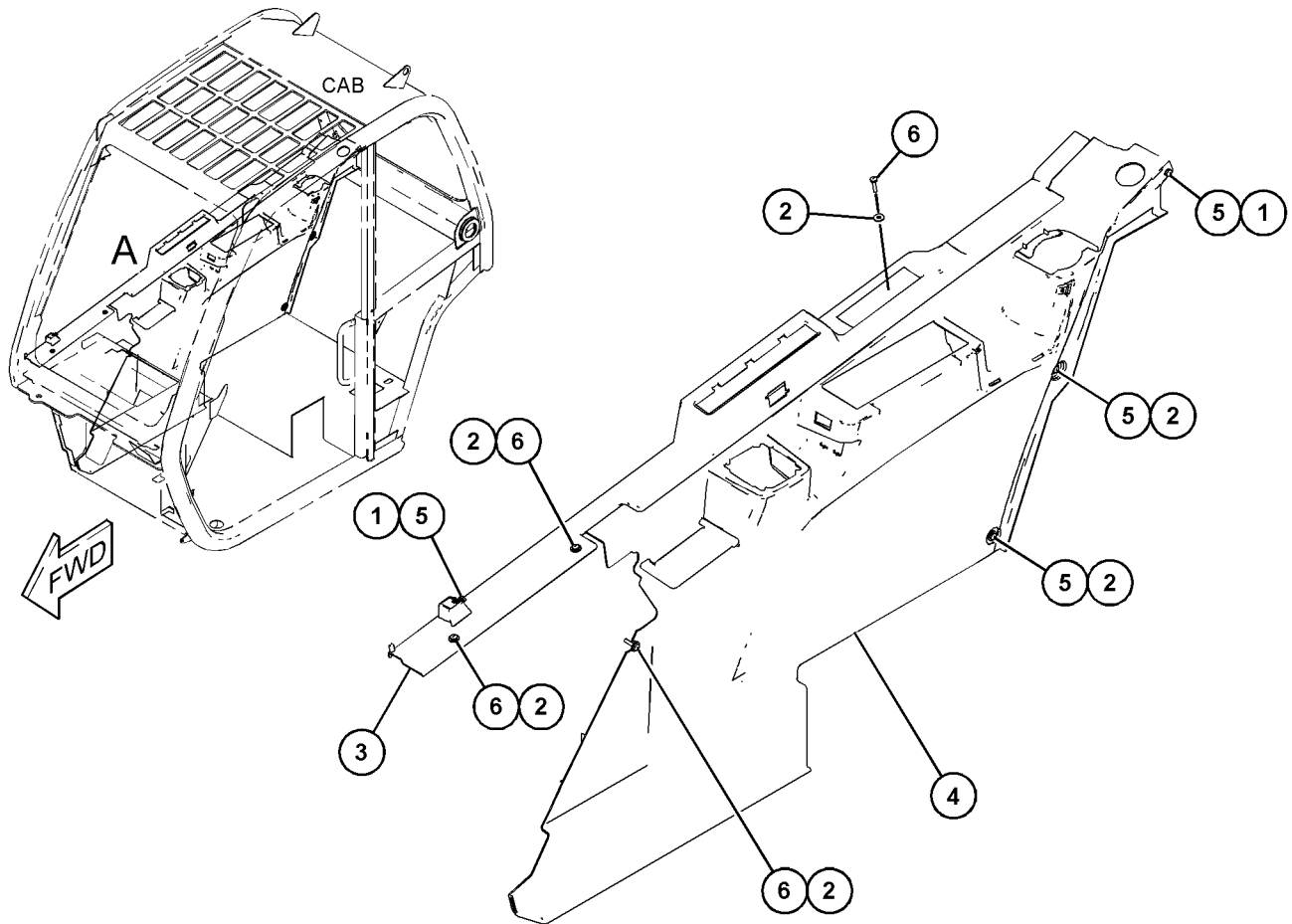
PART OF 495-6209 TRIM GP-CAB
AN ATTACHMENT

SMCS-7329, 7450

i06591348

NOTE	REF NO	GRAPHIC REF	PART NUMBER	QTY	PART NAME						SEE PAGE
					1	2	3	4	5	6 (PRODUCT LEVEL)	
	1	1	8T-4205	2	WASHER-HARD (7.2X14.5X2-MM THK)						
	2	1	5W-1417	6	WASHER (6.4X18X1.6-MM THK)						
	3	1	495-4512	1	COVER GP-ACCESS (EXTENSION)						
M		1	341-7590	1	NUT (M6X1-THD)						
	4	1	495-4514	1	COVER GP-ACCESS (AUGER)						
M		1	494-0157	1	NUT (M5X0.8-THD)						
M	5	1	471-6671	4	SCREW (M6X1X16-MM)						
	6	1	495-6228	4	SCREW-DRIVE (M6X1X25-MM)						

M - METRIC PART



VIEW OF AREA A
<END>

GRAPHIC #1

g06042294

OPERATOR STATION

497-9587 VISOR GP-CAB

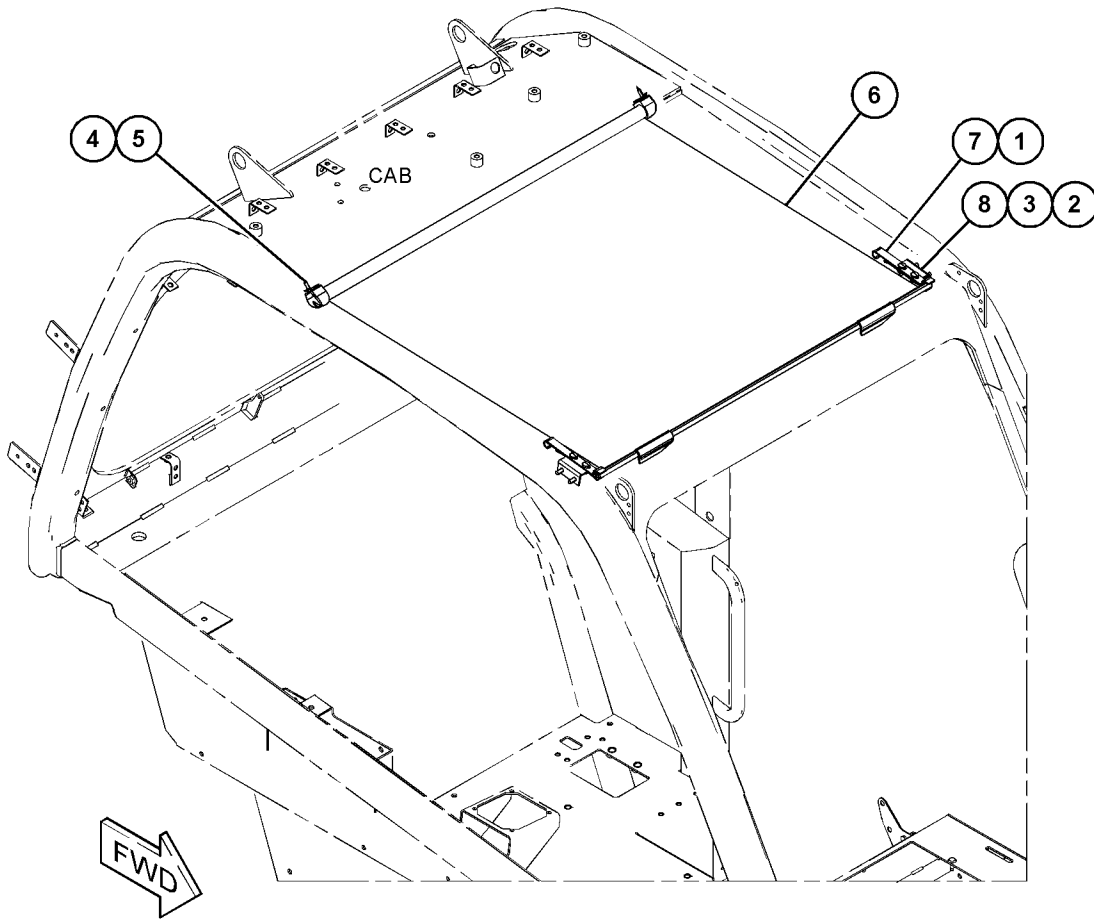
S/N: TD61-UP; TD71-UP
PART OF 517-9179, 517-9180 CAB AR
AN ATTACHMENT

SMCS-7301

i06735169

NOTE	REF NO	GRAPHIC REF	PART NUMBER	QTY	PART NAME						SEE PAGE
					1	2	3	4	5	6 (PRODUCT LEVEL)	
M	1	1	471-6671	4	SCREW (M6X1X16-MM)						
M	2	1	5C-9553	4	BOLT (M6X1X16-MM)						
	3	1	8T-4205	4	WASHER-HARD (7.2X14.5X2-MM THK)						
	4	1	347-4596	2	CLIP						
	5	1	347-4597	2	SCREW-PAN HEAD						
	6	1	497-9588	1	VISOR						
	7	1	513-8862	2	BRACKET						
	8	1	477-0897	2	BRACKET AS						

M - METRIC PART



GRAPHIC #1

<END>

g06113331

OPERATOR STATION

495-3426 WINDOW GP-CAB

S/N: TD61-UP; TD71-UP

REAR

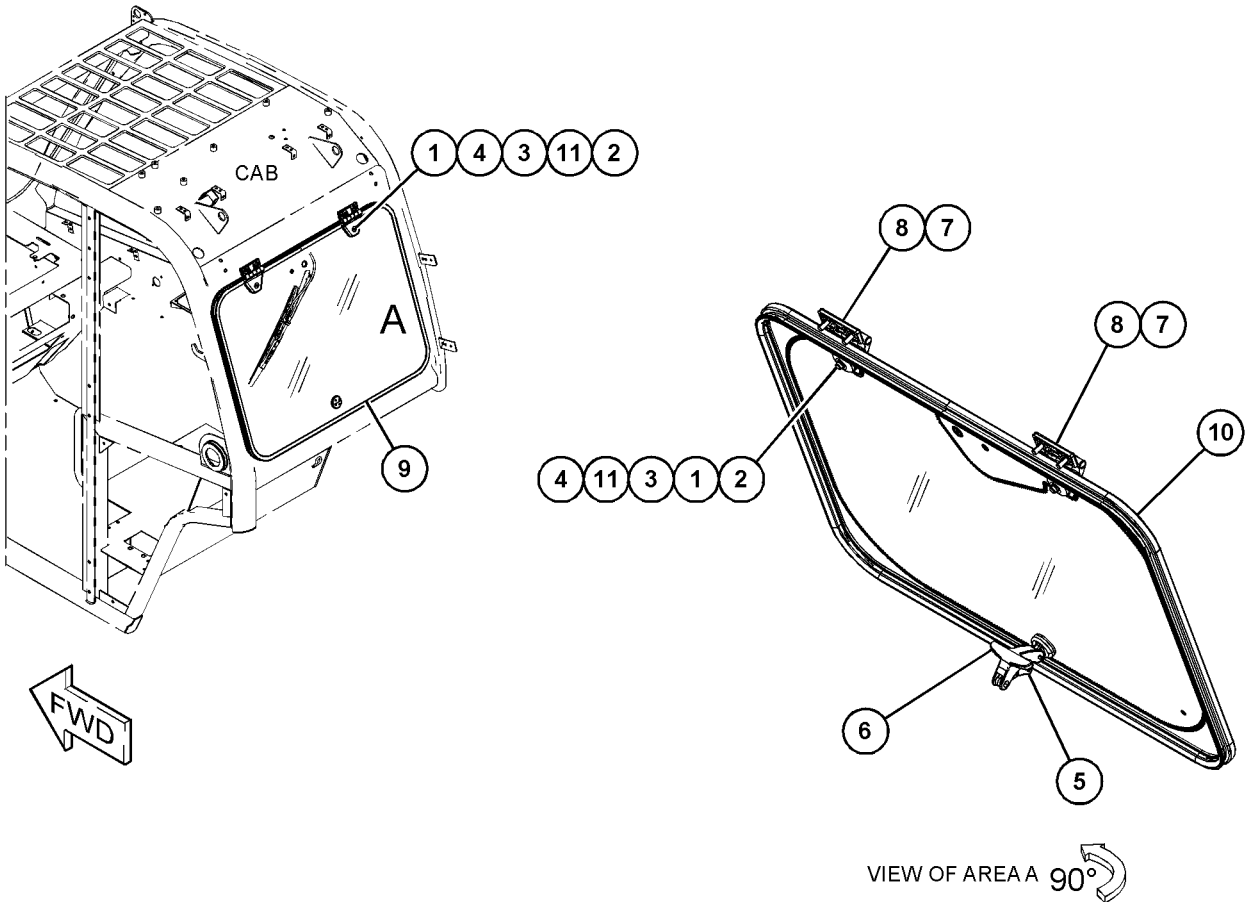
PART OF 517-9179, 517-9180 CAB AR
AN ATTACHMENT

SMCS-7310

i06591350

NOTE	REF NO	GRAPHIC REF	PART NUMBER	QTY	PART NAME						SEE PAGE
					1	2	3	4	5	6 (PRODUCT LEVEL)	
M	1	1	131-3539	2	SCREW-FLAT HEAD (M8X1.25X30-MM)						
M	2	1	459-8911	2	NUT (M8X1.25-THD)						
	3	1	459-1977	2	SPACER						
	4	1	459-1978	2	SPACER						
	5	1	095-0880	1	PIN						
	6	1	213-3263	1	LATCH AS						
		1	226-2754	1	PIN AS						
M	7	1	101-7541	4	SCREW-FLAT HEAD (M8X1.25X25-MM)						
	8	1	459-2708	2	HINGE AS						
	9	1	495-3427	1	GLASS						
	10	1	495-3428	1	SEAL-BULK						
	11	1	473-6966	2	FOAM						

M - METRIC PART



GRAPHIC #1

<END>

g06055409

OPERATOR STATION

513-3136 WINDOW GP-CAB

S/N: TD61-UP; TD71-UP
 PART OF 495-6135 DOOR GP-CAB
 AN ATTACHMENT

SMCS-7310

i06756400

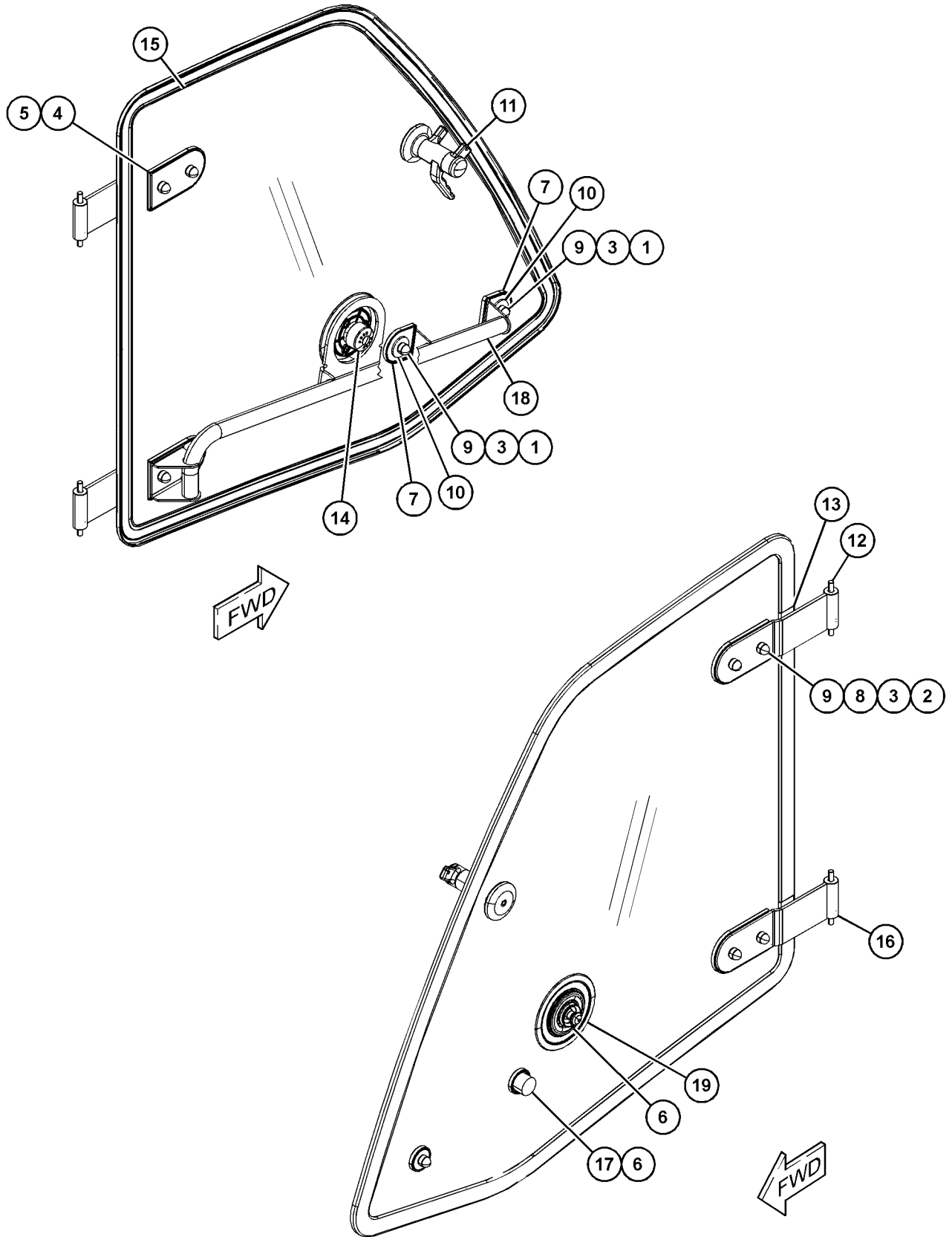
NOTE	REF NO	GRAPHIC REF	PART NUMBER	QTY	PART NAME						SEE PAGE
					1	2	3	4	5	6 (PRODUCT LEVEL)	
M	1	1	8T-7547	1	BOLT (M8X1.25X30-MM)						
M	2	1	7X-2537	5	BOLT (M8X1.25X35-MM)						
	3	1	8T-4224	11	WASHER-HARD (8.8X16X2-MM THK)						
	4	1	315-3760	4	PLATE-MOUNTING						
	5	1	315-3761	1	PLATE-MOUNTING						
	6	1	315-3763	2	MOUNT-RUBBER						
	7	1	315-3767	2	MOUNT-LATCH						
M	8	1	6V-9189	5	LOCKNUT (M8X1.25-THD)						
	9	1	188-8391	11	CAP						
	10	1	459-2758	3	MOUNT						
	11	1	459-2760	1	LATCH-WINDOW						
	12	1	473-8729	2	PIN						
	13	1	473-8730	1	PANEL						
	14	1	473-8731	1	STRIKER						
	15	1	513-3137	1	GLASS						
	16	1	513-3138	2	HINGE AS						
	17	1	513-3139	1	MOUNT						
	18	1	513-3140	1	HANDLE AS						
	19	1	513-3141	1	GASKET						

M - METRIC PART

OPERATOR STATION

513-3136 WINDOW GP-CAB (contd.)

106756400



GRAPHIC #1

<END>

g06136666

OPERATOR STATION

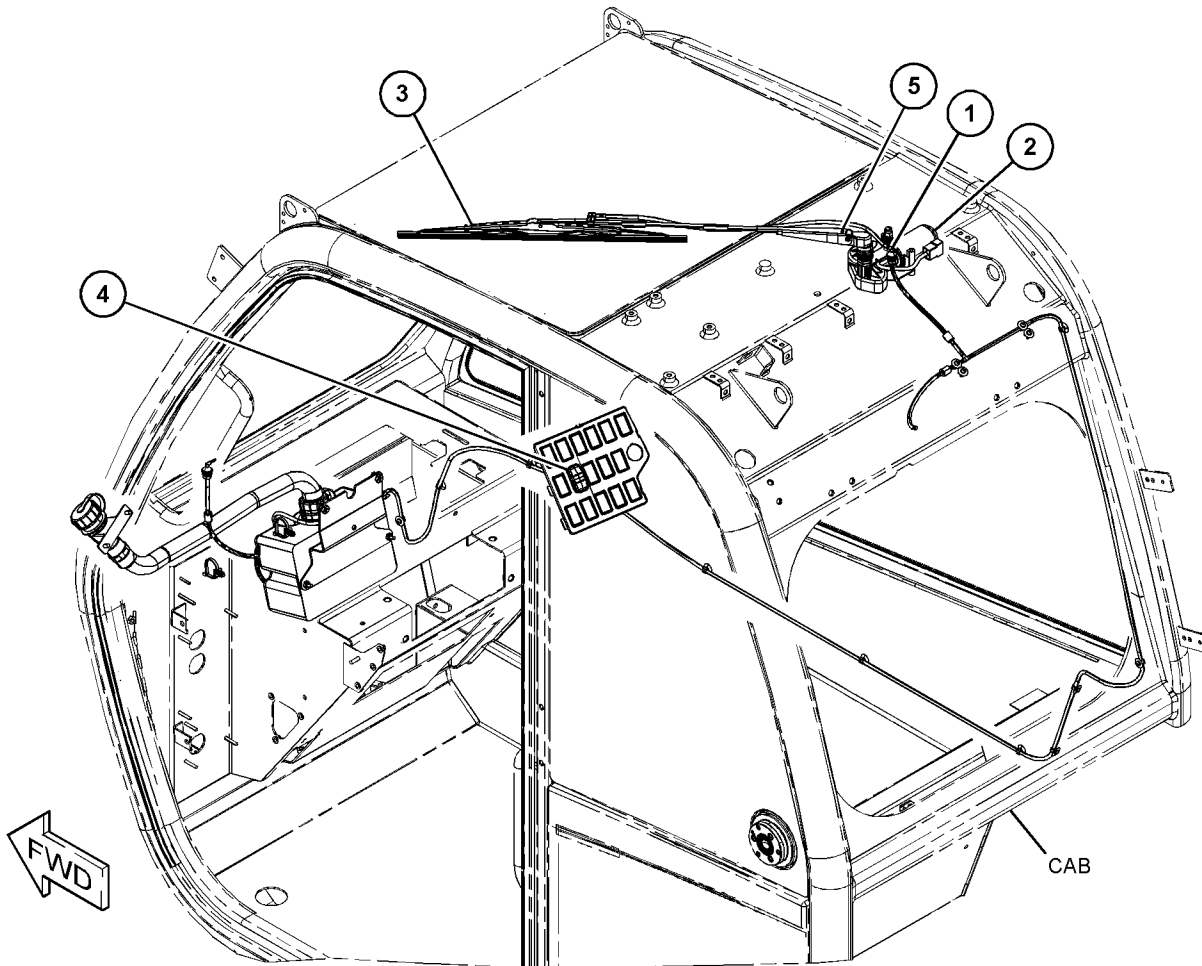
503-1675 WIPER GP-UPPER

S/N: TD61-UP; TD71-UP
PART OF 517-9179, 517-9180 CAB AR
AN ATTACHMENT

SMCS-7305

i06645701

NOTE	REF NO	GRAPHIC REF	PART NUMBER	QTY	PART NAME						SEE PAGE
					1	2	3	4	5	6 (PRODUCT LEVEL)	
	1	1	315-3812	1	CONNECTOR						
	2	1	459-9780	1	MOTOR-WIPER						
	3	1	459-9783	1	BLADE-WIPER						
	4	1	503-1676	1	SWITCH AS-ROCKER						
	5	1	459-9782	1	BLADE-WIPER (ARM)						



GRAPHIC #1

<END>

g06092596

OPERATOR STATION

471-6094 WIPER GP-WINDOW-FRONT

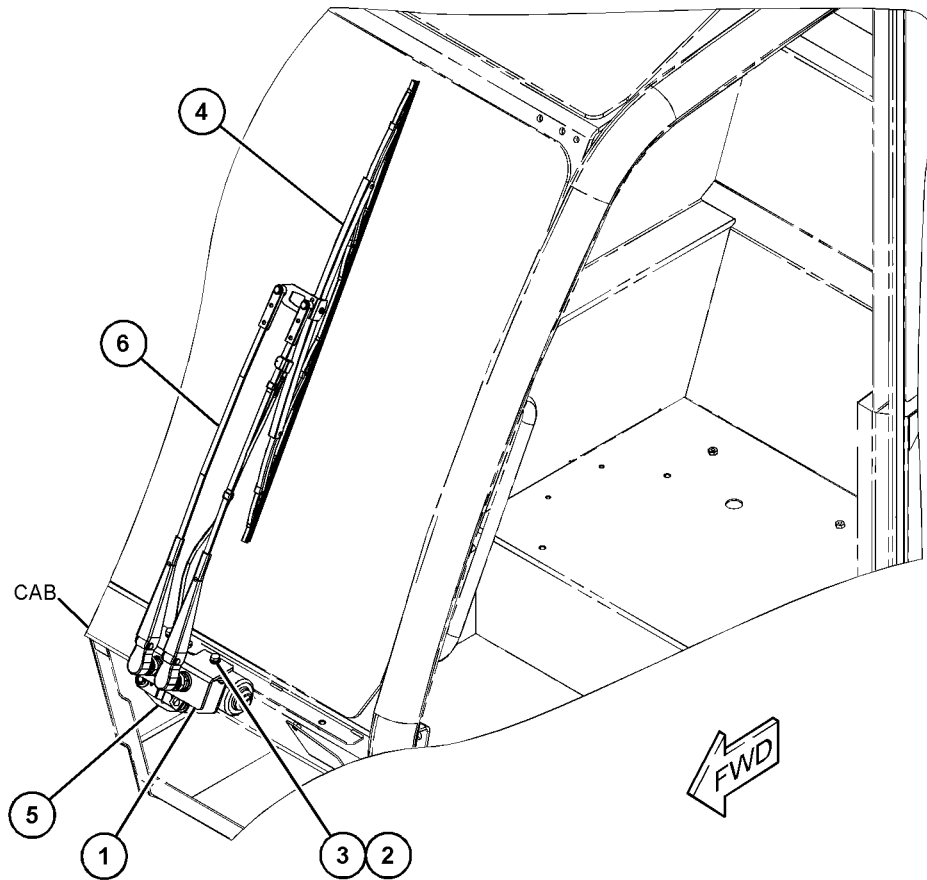
S/N: TD61-UP; TD71-UP
PART OF 517-9179, 517-9180 CAB AR
AN ATTACHMENT

SMCS-7305

i06936271

NOTE	REF NO	GRAPHIC REF	PART NUMBER	QTY	PART NAME						SEE PAGE
					1	2	3	4	5	6 (PRODUCT LEVEL)	
	1	1	471-6093	1	PLATE AS						
M	2	1	8T-4189	2	BOLT (M8X1.25X20-MM)						
	3	1	8T-4224	2	WASHER-HARD (8.8X16X2-MM THK)						
	4	1	459-7645	1	WIPER						
	5	1	315-3805	1	MOTOR AS-WINDOW WIPER						
		1	322-8051	1	KIT-FASTENER						
C	6	1	517-0147	1	ARM-WINDOW WIPER						

C - CHANGE FROM PREVIOUS TYPE
M - METRIC PART



GRAPHIC #1

<END>

g06106922

OPERATOR STATION

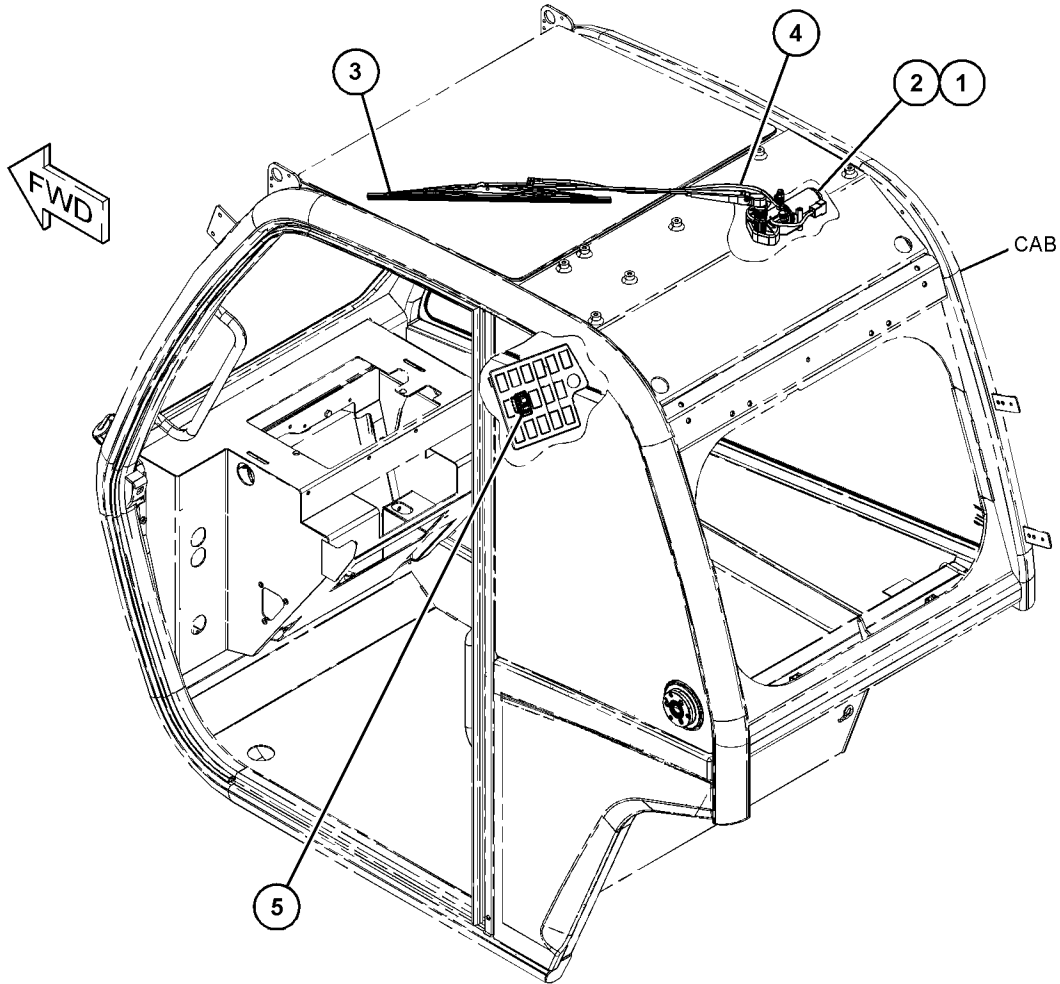
471-6107 WIPER GP-WINDOW-ROOF

S/N: TD71-UP
AN ATTACHMENT

SMCS-7305

i06103021

NOTE	REF NO	GRAPHIC REF	PART NUMBER	QTY	PART NAME						SEE PAGE
					1	2	3	4	5	6 (PRODUCT LEVEL)	
	1	1	315-3812	1	CONNECTOR						
	2	1	459-9780	1	MOTOR-WIPER						
	3	1	459-9783	1	BLADE-WIPER						
	4	1	459-9782	1	BLADE-WIPER						
	5	1	471-6106	1	SWITCH AS-WIPER (REAR)						



GRAPHIC #1

<END>

g03819373

OPERATOR STATION

471-6158 WIPER GP-WINDOW-REAR

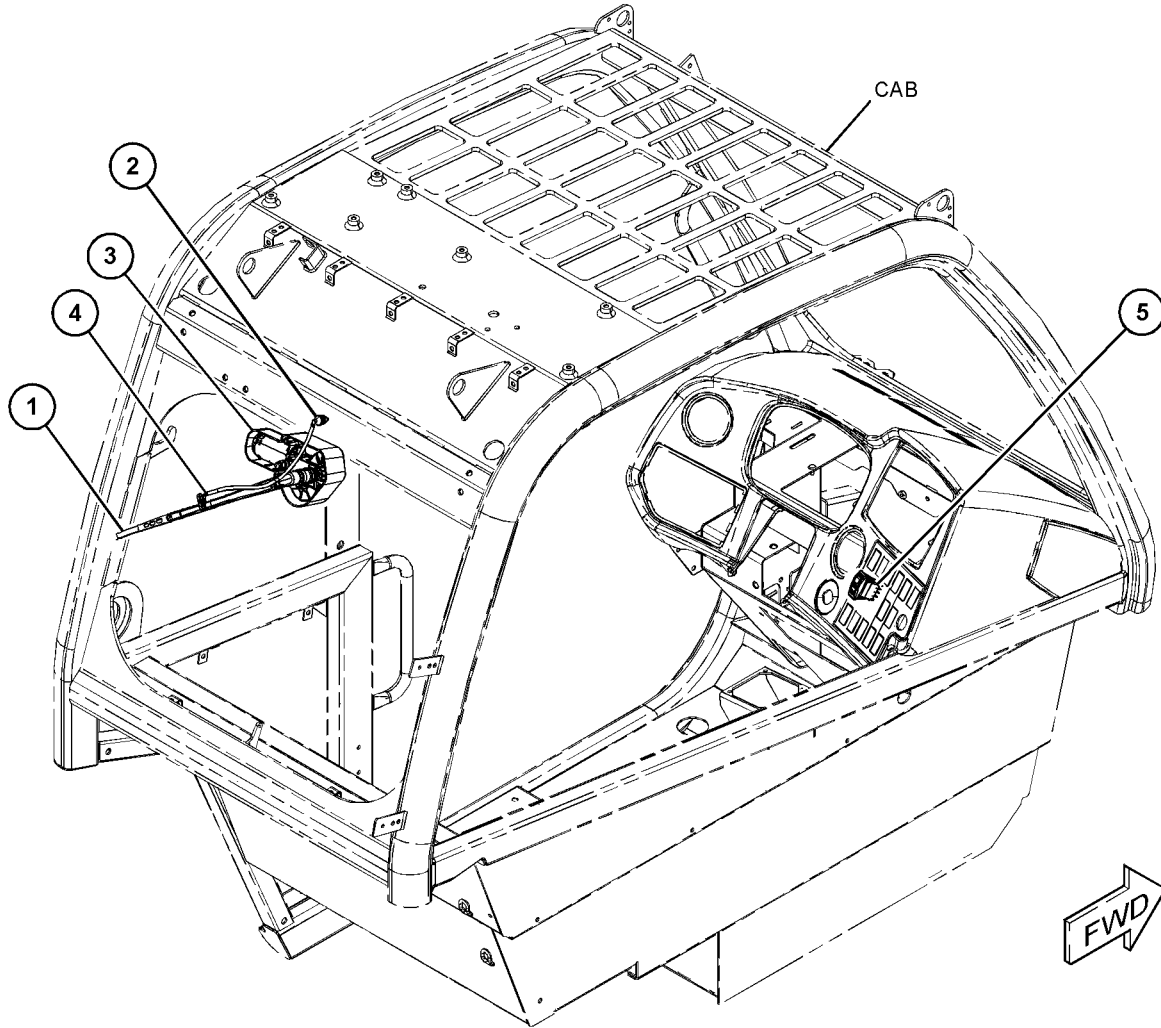
S/N: TD61-UP; TD71-UP

PART OF 517-9179, 517-9180 CAB AR
AN ATTACHMENT

SMCS-7305

i06103004

NOTE	REF NO	GRAPHIC REF	PART NUMBER	QTY	PART NAME						SEE PAGE
					1	2	3	4	5	6 (PRODUCT LEVEL)	
	1	1	459-2710	1	BLADE-WIPER						
	2	1	299-0341	1	CONNECTOR						
	3	1	459-2707	1	MOTOR AS-WINDOW WIPER						
	4	1	459-2709	1	BLADE-WIPER						
	5	1	471-6156	1	SWITCH AS-WIPER (REAR WIPER)						



GRAPHIC #1

<END>

g03817944

SERVICE EQUIPMENT AND SUPPLIES

528-8179 BRACKET GP-TRANSPORT-FORKS

S/N: TD61-UP; TD71-UP

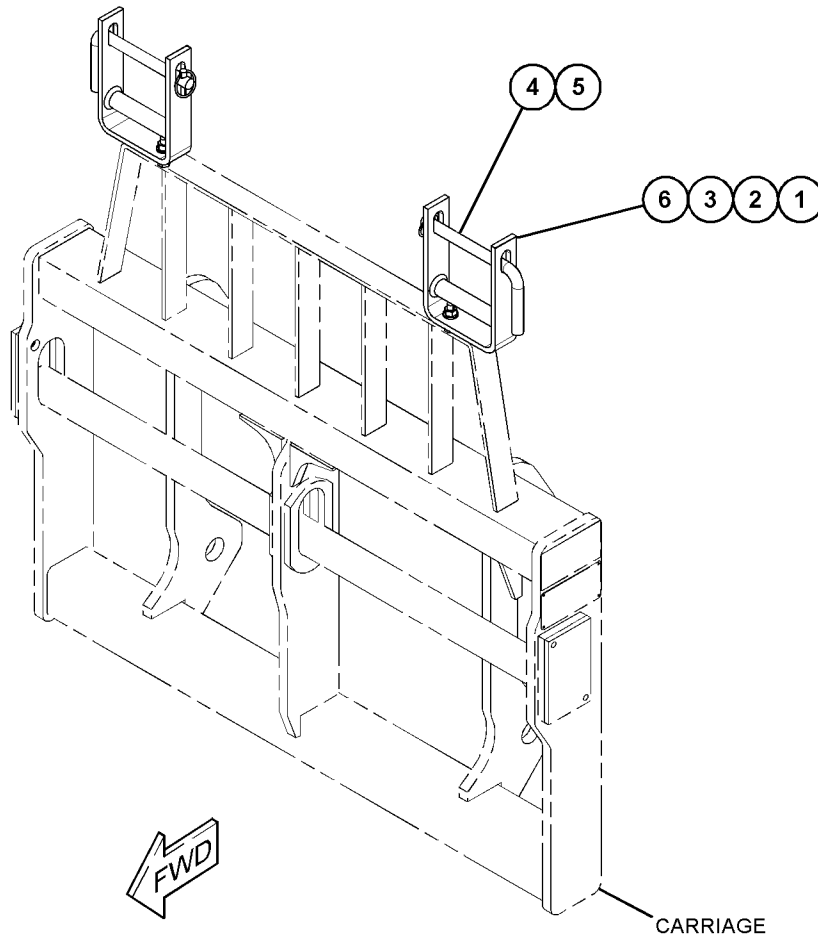
AN ATTACHMENT

SMCS-0659, 7505

i07046046

NOTE	REF NO	GRAPHIC REF	PART NUMBER	QTY	PART NAME						SEE PAGE
					1	2	3	4	5	6 (PRODUCT LEVEL)	
M	1	1	8T-4184	2	BOLT (M12X1.75X45-MM)						
M	2	1	471-2121	2	NUT (M12X1.75-THD)						
	3	1	309-2979	4	WASHER (14X25.7X4.5-MM THK)						
	4	1	326-1976	2	PIN-RETAINER						
	5	1	339-8840	2	PIN-LINCH						
	6	1	453-5783	2	BRACKET AS						

M - METRIC PART



GRAPHIC #1

<END>

g06208114

SERVICE EQUIPMENT AND SUPPLIES

538-1164 CHART GP-LIFT/LOAD EXTENSION-METRIC

S/N: TD71-UP

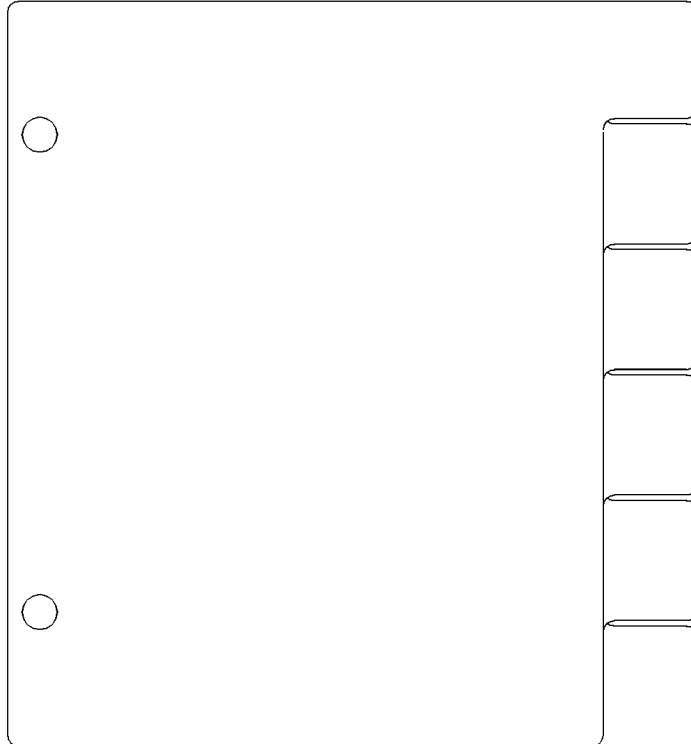
PART OF 522-6038, 522-6039, 522-6040, 522-6041 CONFIGURATION AR
AN ATTACHMENT

SMCS-6001, 6402, 6501, 7557

i07195867

NOTE	REF NO	GRAPHIC REF	PART NUMBER	QTY	PART NAME	SEE PAGE
------	--------	-------------	-------------	-----	-----------	----------

(NO SERVICED PARTS)



GRAPHIC #1

<END>

g06252154

SERVICE EQUIPMENT AND SUPPLIES

497-9589 CHOCK GP-WHEEL

S/N: TD61-UP; TD71-UP

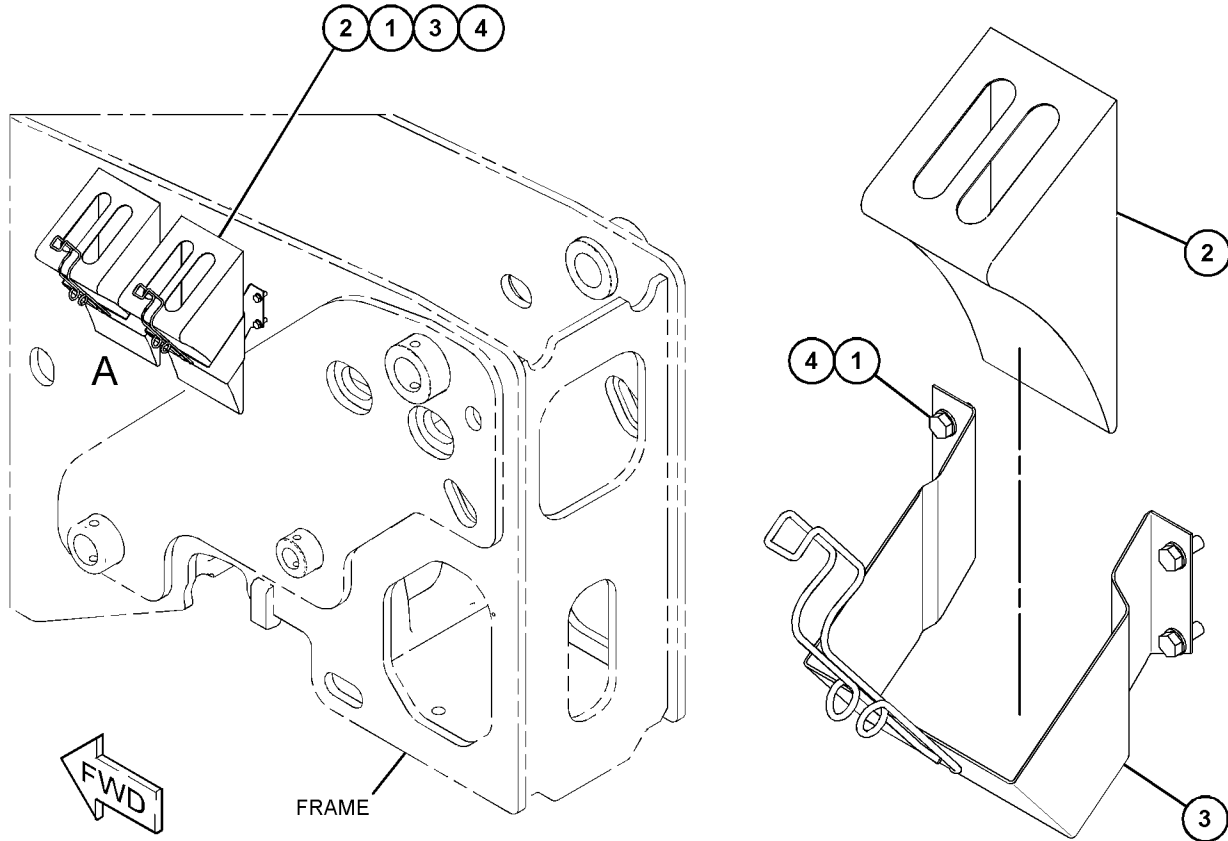
AN ATTACHMENT

SMCS-7000, 7192

i06649602

NOTE	REF NO	GRAPHIC REF	PART NUMBER	QTY	PART NAME						SEE PAGE
					1	2	3	4	5	6 (PRODUCT LEVEL)	
M	1	1	8T-4189	8	BOLT (M8X1.25X20-MM)						
	2	1	148-6596	2	CHOCK-WHEEL						
	3	1	148-6598	2	BRACKET						
	4	1	8T-4224	8	WASHER-HARD (8.8X16X2-MM THK)						

M - METRIC PART



VIEW OF AREA A
(PARTS REMOVED FOR CLARITY)

GRAPHIC #1

<END>

g06123043

SERVICE EQUIPMENT AND SUPPLIES

329-8098 FILM GP

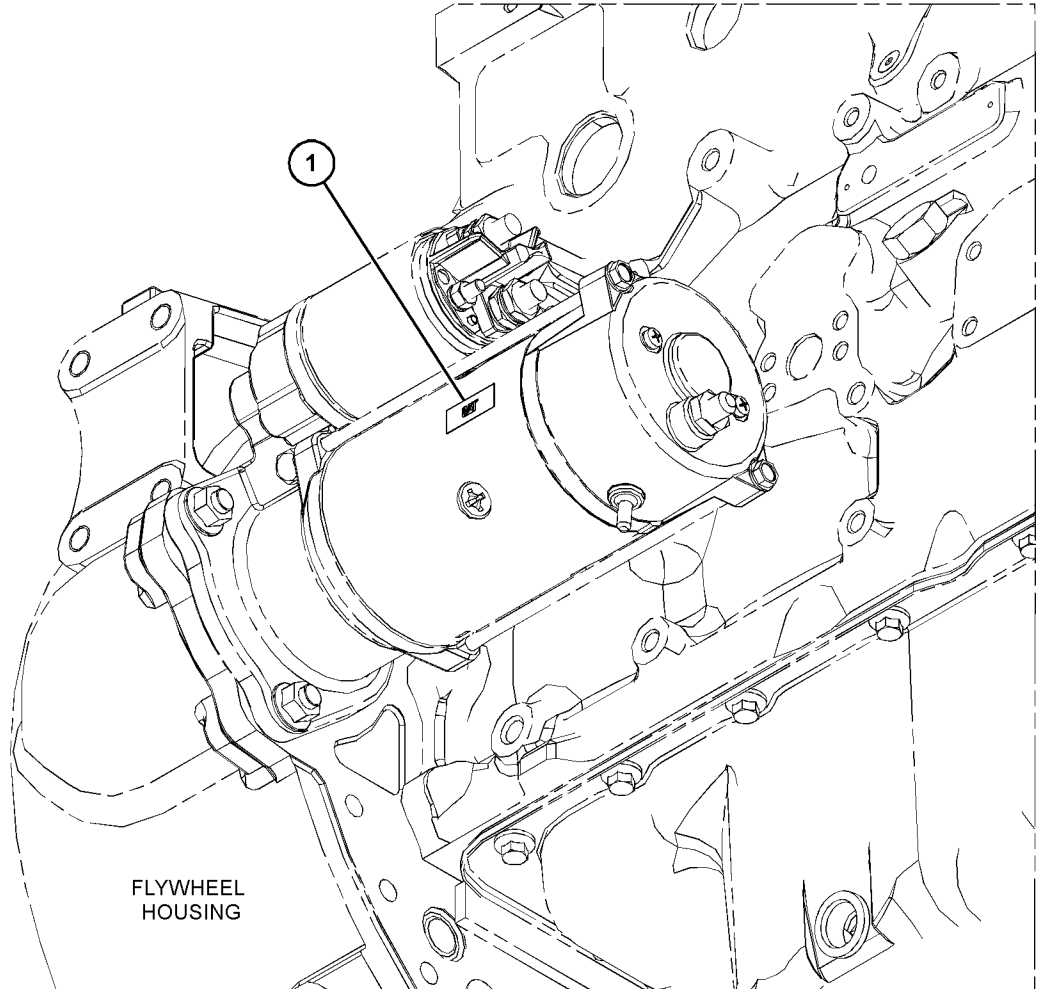
S/N: JKT1-UP

PART OF 464-2308 ENGINE AR-PRIMARY

SMCS-0375, 7405, 7557

i05775637

NOTE	REF NO	GRAPHIC REF	PART NUMBER	QTY	PART NAME						SEE PAGE
					1	2	3	4	5	6 (PRODUCT LEVEL)	
	1	1	451-7225	1	FILM-IDENTIFICATION (CAT)						



GRAPHIC #1

<END>

g03667489

SERVICE EQUIPMENT AND SUPPLIES

329-8409 FILM GP

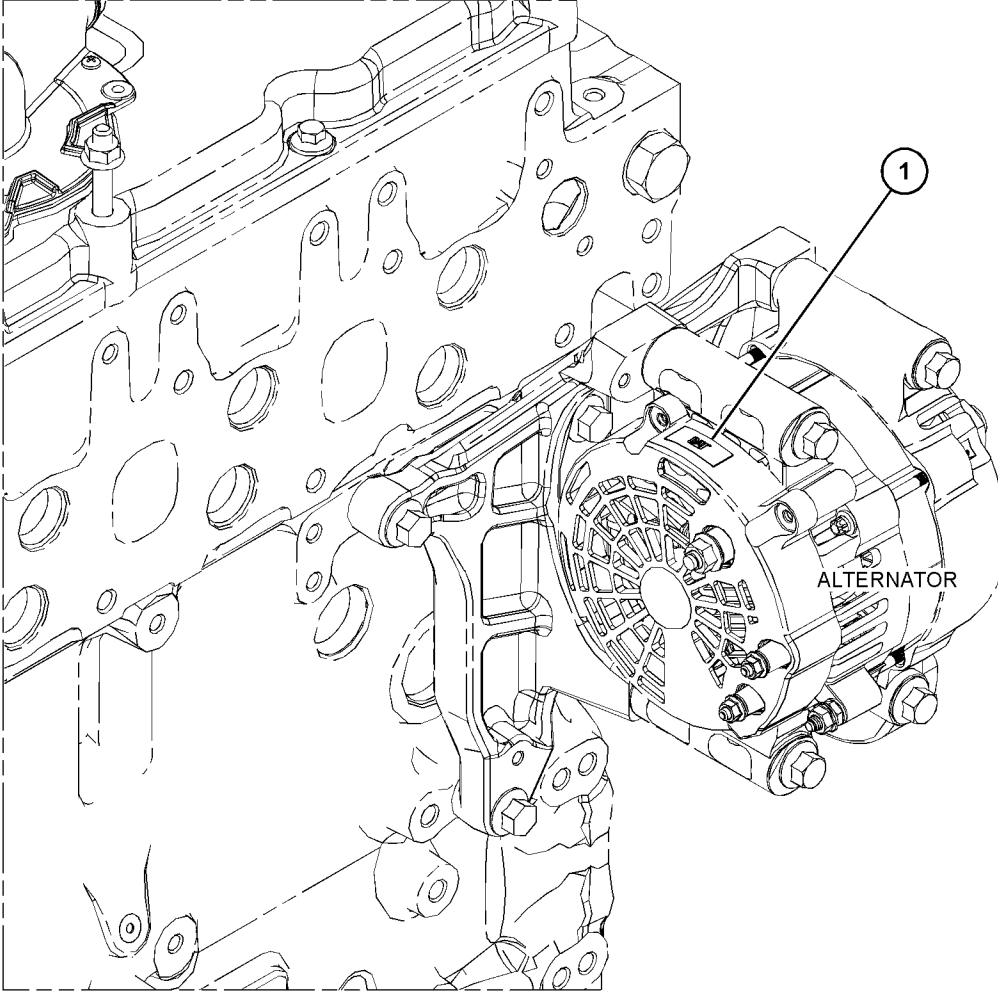
S/N: JKT1-UP

PART OF 464-2308 ENGINE AR-PRIMARY

SMCS-0375, 7405, 7557

i05775650

NOTE	REF NO	GRAPHIC REF	PART NUMBER	QTY	PART NAME						SEE PAGE
					1	2	3	4	5	6 (PRODUCT LEVEL)	
	1	1	451-7225	1	FILM-IDENTIFICATION (CAT)						



GRAPHIC #1

<END>

g03667401

SERVICE EQUIPMENT AND SUPPLIES

416-1042 FILM GP

S/N: W231-UP

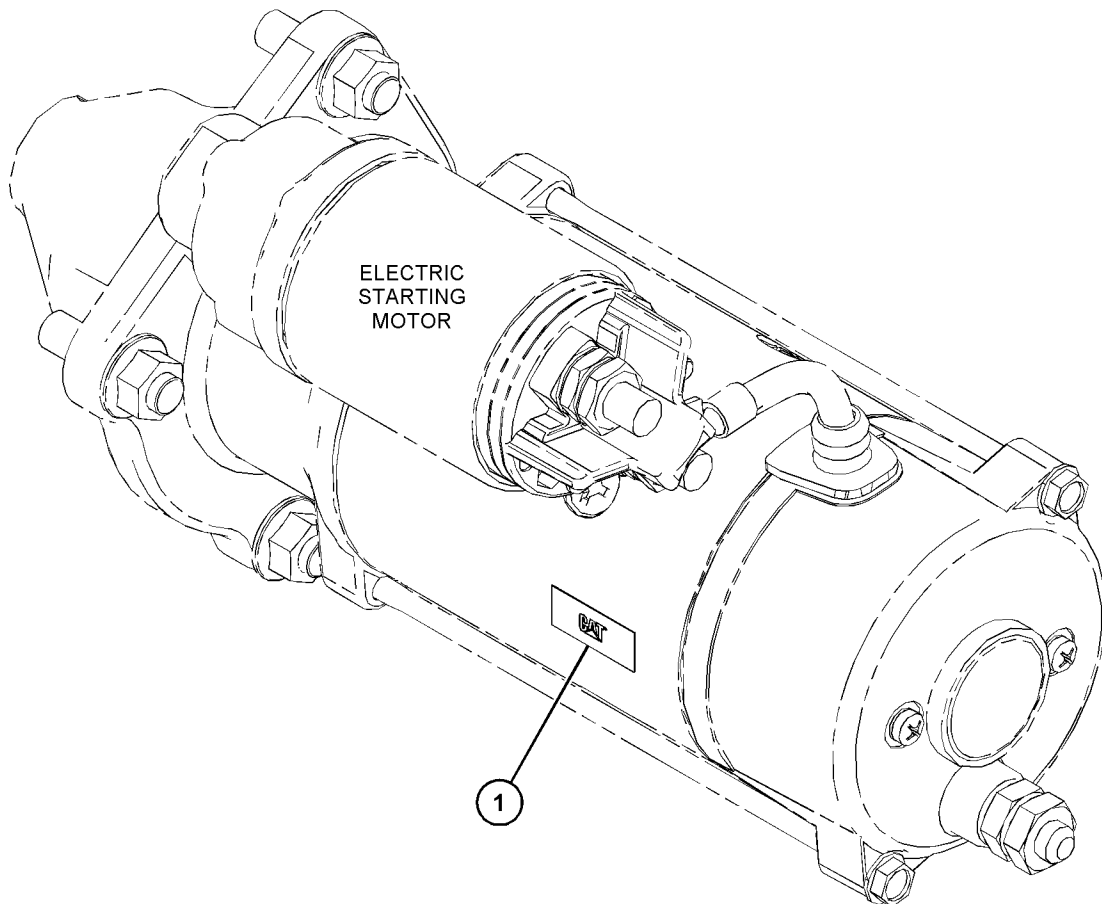
PART OF 463-8820, 463-8910 ENGINE AR-PRIMARY

ALSO AN ATTACHMENT

SMCS-0375, 7405, 7557

i06138513

NOTE	REF NO	GRAPHIC REF	PART NUMBER	QTY	PART NAME						SEE PAGE
					1	2	3	4	5	6 (PRODUCT LEVEL)	
	1	1	329-7312	1	FILM-IDENTIFICATION (CAT)						



GRAPHIC #1

<END>

g03818117

SERVICE EQUIPMENT AND SUPPLIES

416-8716 FILM GP

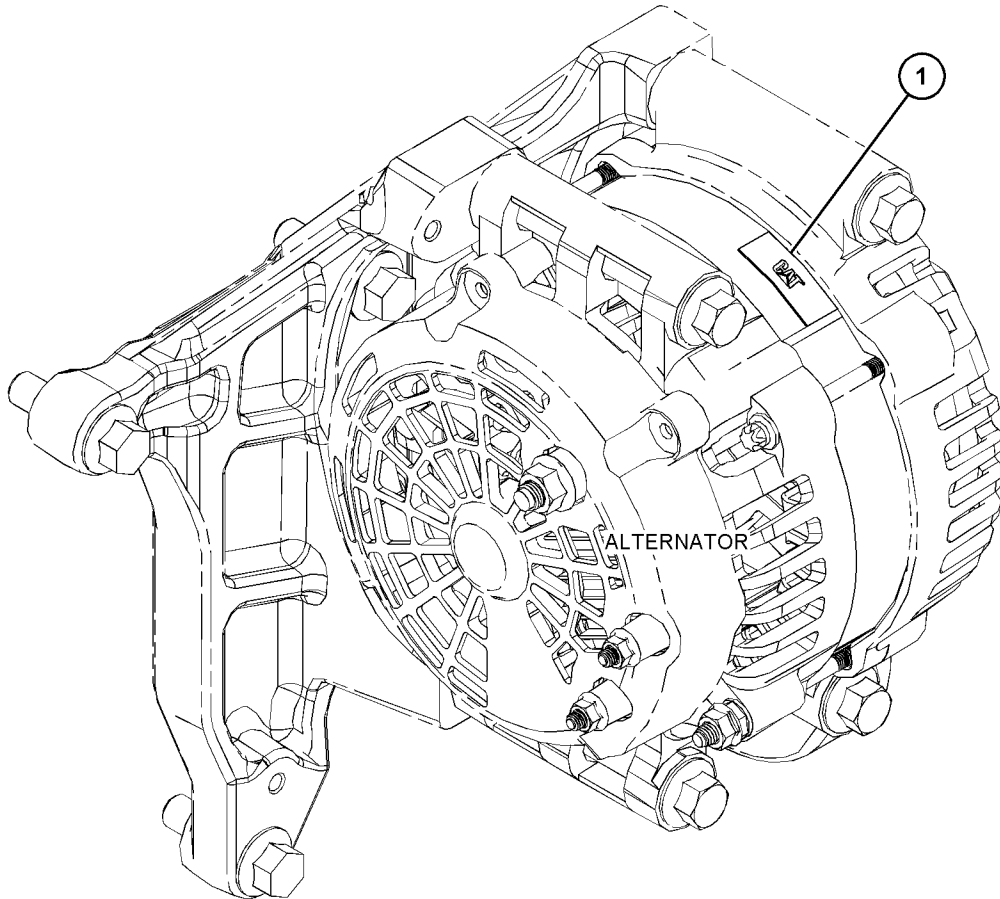
S/N: W231-UP

PART OF 463-8820, 463-8910 ENGINE AR-PRIMARY
ALSO AN ATTACHMENT

SMCS-0375, 7405, 7557

i06134089

NOTE	REF NO	GRAPHIC REF	PART NUMBER	QTY	PART NAME						SEE PAGE
					1	2	3	4	5	6 (PRODUCT LEVEL)	
	1	1	451-7225	1	FILM-IDENTIFICATION (CAT)						



GRAPHIC #1

<END>

g03818177

SERVICE EQUIPMENT AND SUPPLIES

417-4284 FILM GP

S/N: W231-UP

EMISSIONS

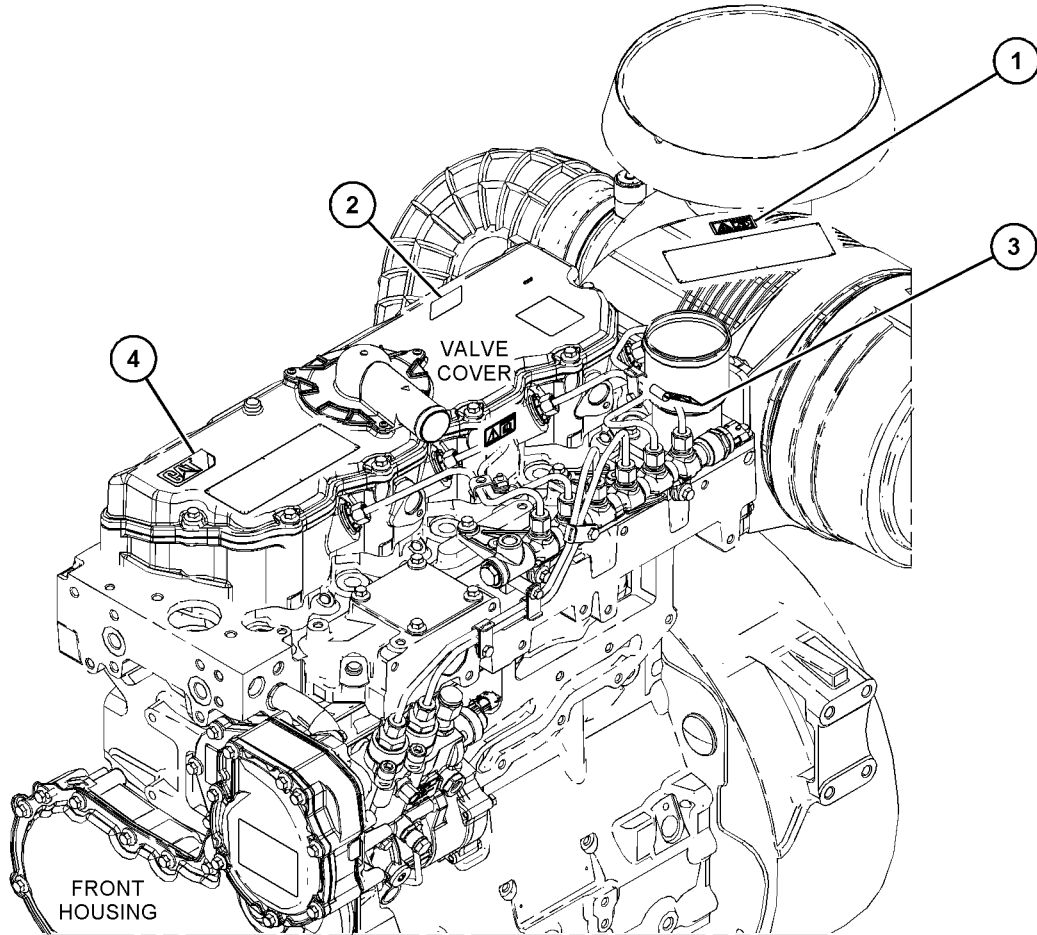
PART OF 463-8820, 463-8910 ENGINE AR-PRIMARY

ALSO AN ATTACHMENT

SMCS-0375, 7405, 7557

i06801303

NOTE	REF NO	GRAPHIC REF	PART NUMBER	QTY	PART NAME						SEE PAGE
					1	2	3	4	5	6 (PRODUCT LEVEL)	
1	1	1	326-9053	1	FILM-WARNING (DO NOT SPRAY, READ OMM)						
2	1	1	346-8219	2	FILM-WARNING (UNIVERSAL WARNING)						
3	1	1	355-3486	1	STRIP-ADHESIVE						
4	1	1	450-9772	1	PLATE-IDENTIFICATION (CAT)						



GRAPHIC #1

<END>

g06117384

SERVICE EQUIPMENT AND SUPPLIES

447-1044 FILM GP

S/N: JKT1-UP

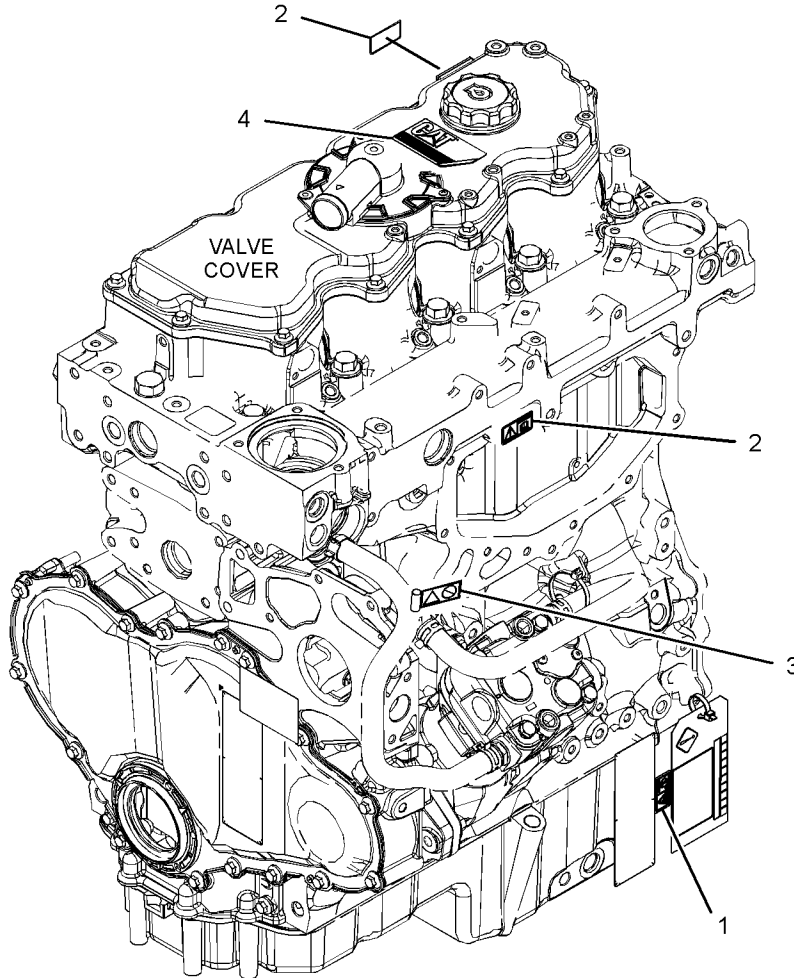
EMISSIONS

PART OF 464-2308 ENGINE AR-PRIMARY

SMCS-0375, 7405, 7557

i05943806

NOTE	REF NO	GRAPHIC REF	PART NUMBER	QTY	PART NAME						SEE PAGE
					1	2	3	4	5	6 (PRODUCT LEVEL)	
1		1	326-9053	1	FILM-WARNING (DO NOT SPRAY, READ OMM)						
2		1	346-8219	2	FILM-WARNING (UNIVERSAL WARNING)						
3		1	355-3486	1	STRIP-ADHESIVE						
4		1	363-3084	1	PLATE-IDENTIFICATION (CAT, C4.4)						



GRAPHIC #1

<END>

g03628479

SERVICE EQUIPMENT AND SUPPLIES

501-7261 FILM GP

S/N: TD61-UP

PART OF 522-5800, 522-5801, 522-5802, 522-5803, 522-5804 CONFIGURATION AR
AN ATTACHMENT

SMCS-0375, 7405, 7557

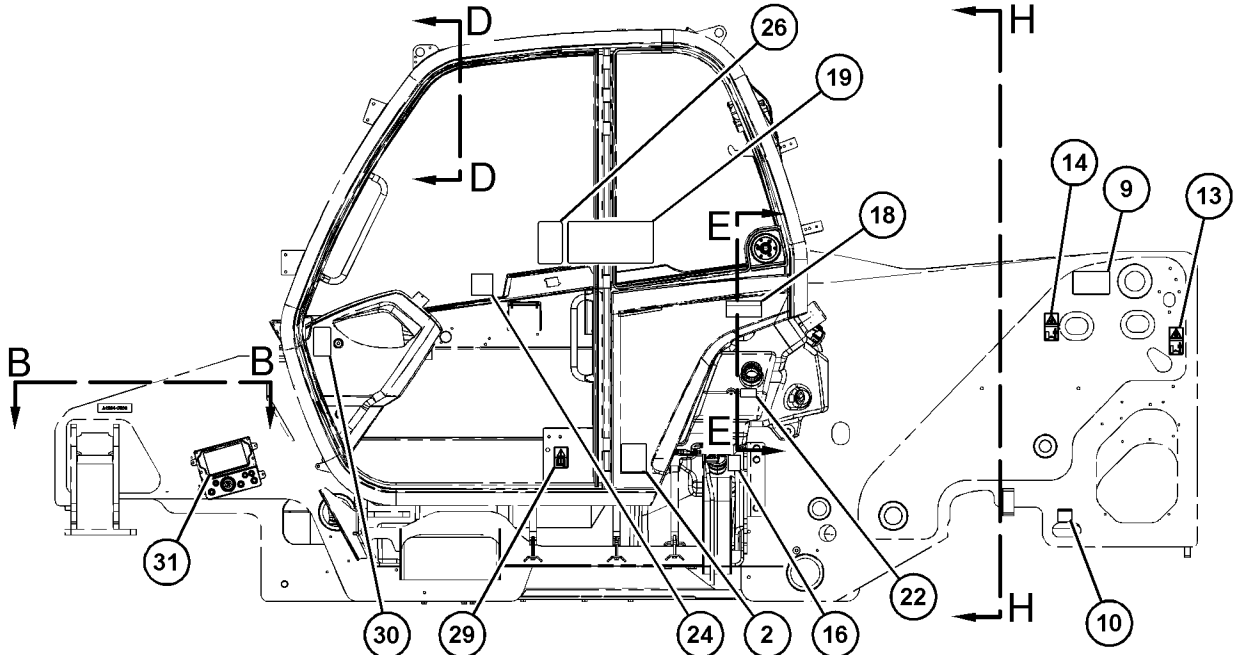
i06645733

NOTE	REF NO	GRAPHIC REF	PART NUMBER	QTY	PART NAME						SEE PAGE
					1	2	3	4	5	6 (PRODUCT LEVEL)	
1	2		335-8056	1	FILM-INFORMATION (MANUAL)						
2	1		329-3617	1	FILM-INFORMATION (100-DB)						
3	1		323-5615	1	FILM-WARNING (ETHER START)						
4	2		314-5318	1	FILM-WARNING (BATTERY)						
5	3		314-5319	1	FILM-WARNING (CARRY PERSONNEL)						
6	2		314-5321	1	FILM-WARNING (ELECTROCUTION HAZARD)						
7	1		314-5322	1	FILM-WARNING (MOVING PARTS)						
8	2		314-5324	1	FILM-WARNING (TIP OVER)						
9	1		314-5326	2	FILM-WARNING (PINCH POINT)						
10	1,3		303-4963	4	FILM-IDENTIFICATION (TIE-DOWN LOCATION)						
11	1,2		323-7256	2	FILM-WARNING (CYLINDER LOCK)						
12	1		323-7257	2	FILM-WARNING (RAISED BOOM, BUCKET)						
13	1		323-7262	2	FILM-WARNING (STAY CLEAR OF SWING AREA)						
14	1,2		421-2302	4	FILM-WARNING (SET BRAKE LEVER)						
15	3		495-2446	1	FILM-IDENTIFICATION (HYDRAULIC OIL FILLER)						
16	1		486-9888	1	FILM-WARNING (DIESEL)						
17	2		314-5315	1	FILM-WARNING (CRUSH HAZARD)						
18	1		314-5316	1	FILM-WARNING (NO RIDERS)						
19	1		330-4301	1	FILM-WARNING (CAB)						
20	3		389-3574	1	FILM-IDENTIFICATION (OIL LEVEL)						
21	1		453-8398	1	FILM-INSTRUCTION (NO PRESSURE WASHER)						
22	1		425-9082	1	FILM-INFORMATION (ULTRA LOW SULFUR FUEL)						
23	1		473-6954	1	FILM-INFORMATION (BOOM EXTEND, RETRACT)						
24	1		473-6955	1	FILM-INFORMATION (NO WELD, NO DRILL, READ OMM)						
25	1		460-2867	1	FILM-IDENTIFICATION (EAC)						
26	1		477-2612	1	FILM-INFORMATION (JOYSTICK)						
27	2		478-5100	1	FILM-IDENTIFICATION (PARKING BRAKE, SERVICE BRAKE)						
28	3		473-6957	1	FILM-INFORMATION (BATTERY POSITIVE)						
29	1		486-9886	2	FILM-IDENTIFICATION (READ OMM)						
30	1		480-9880	1	FILM-IDENTIFICATION (FUSE PANEL)						
31	1		480-9877	1	FILM-IDENTIFICATION (FUSE PANEL)						
32	3		488-7889	1	FILM-IDENTIFICATION (BATTERY DISCONNECT, READ OMM)						

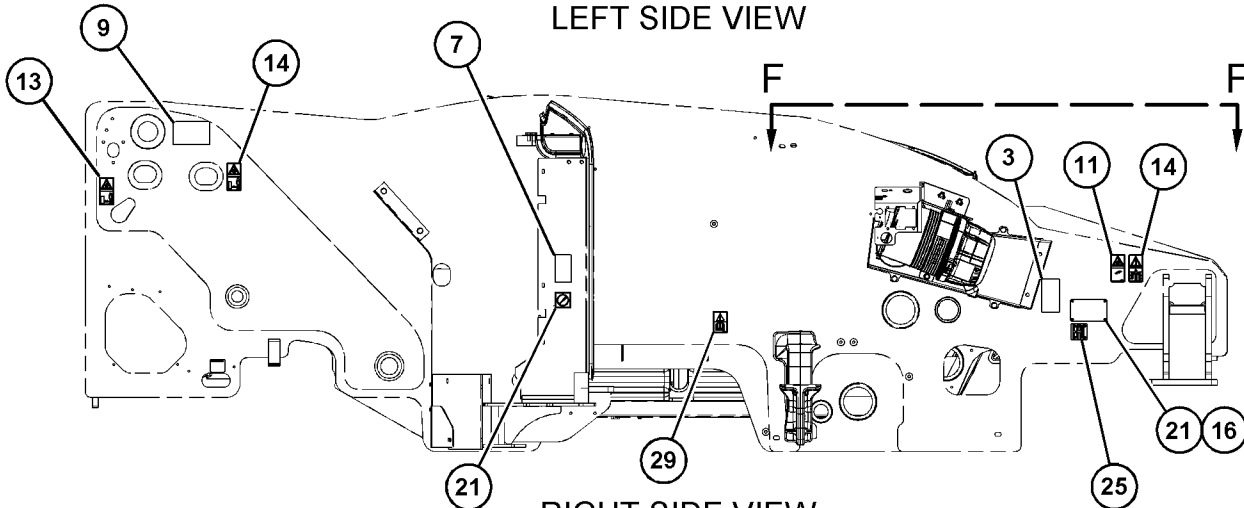
SERVICE EQUIPMENT AND SUPPLIES

501-7261 FILM GP (contd.)

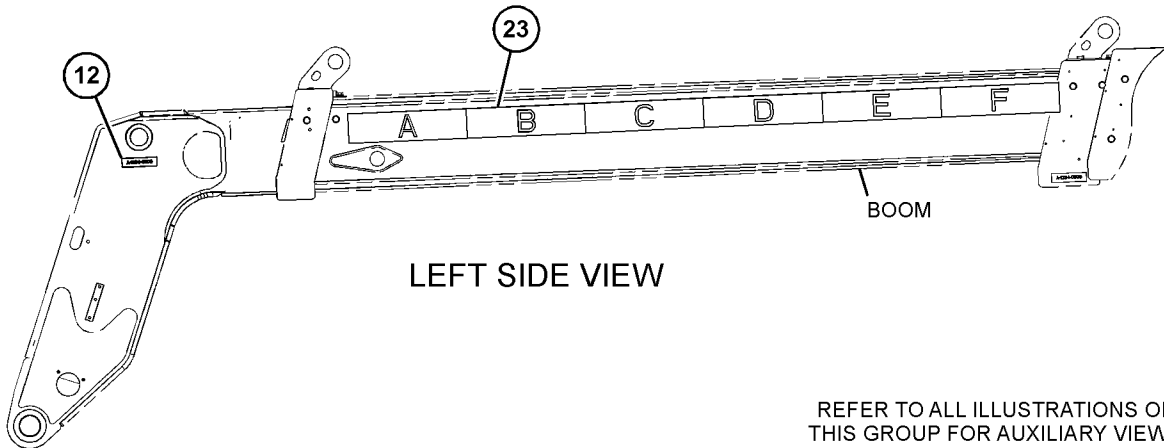
i06645733



LEFT SIDE VIEW



RIGHT SIDE VIEW



LEFT SIDE VIEW

REFER TO ALL ILLUSTRATIONS OF THIS GROUP FOR AUXILIARY VIEWS

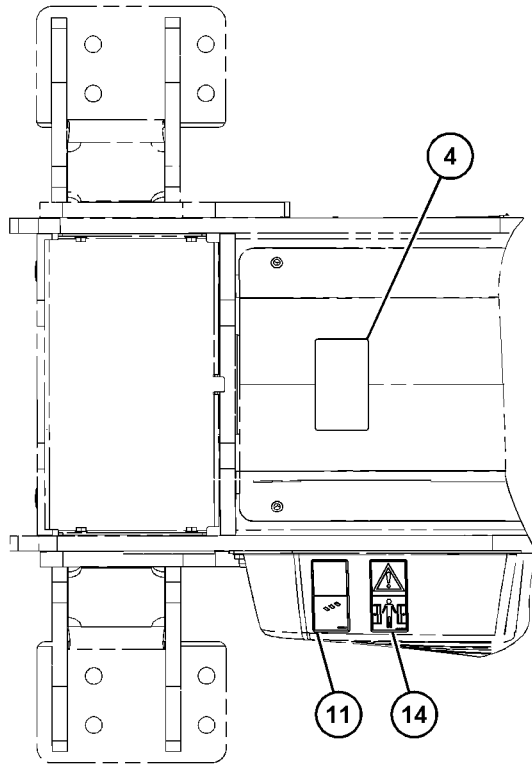
GRAPHIC #1

g06094594

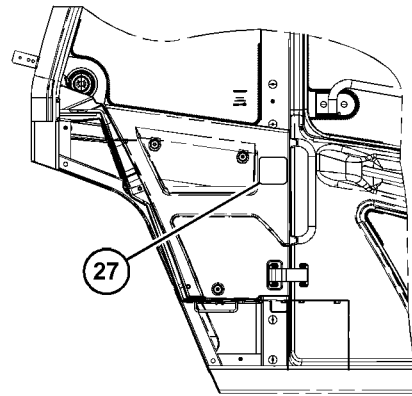
SERVICE EQUIPMENT AND SUPPLIES

501-7261 FILM GP (contd.)

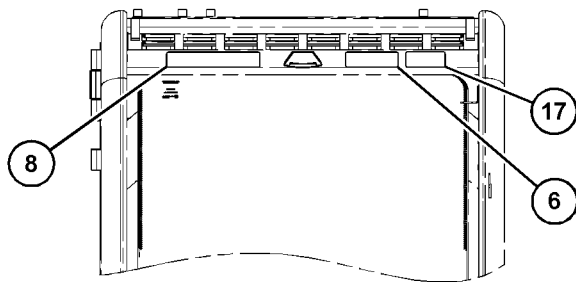
106645733



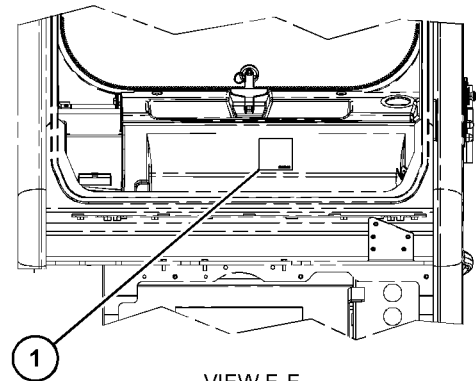
VIEW B-B



VIEW C-C



VIEW D-D



VIEW E-E

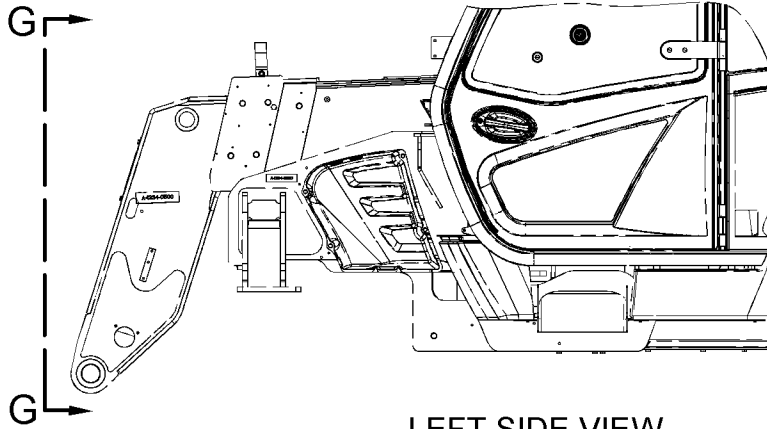
GRAPHIC #2

g06094595

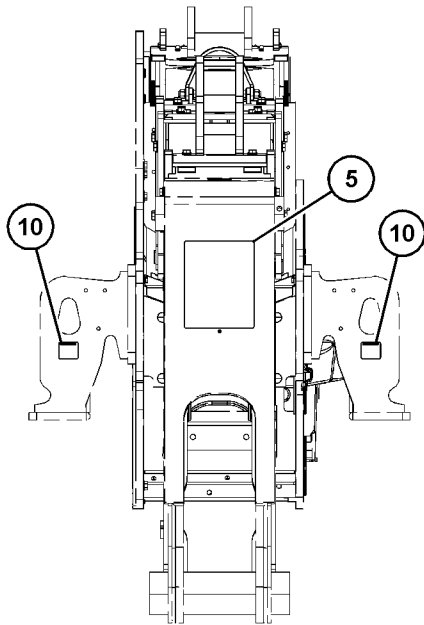
SERVICE EQUIPMENT AND SUPPLIES

501-7261 FILM GP (contd.)

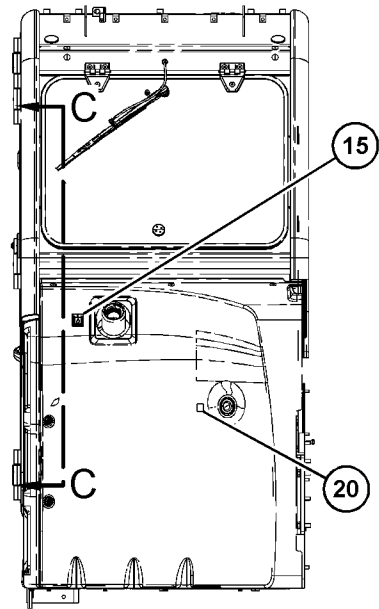
i06645733



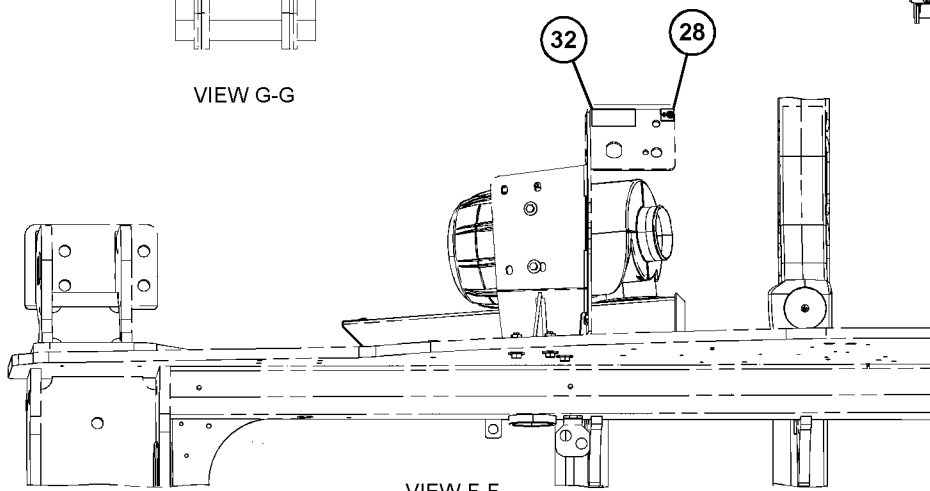
LEFT SIDE VIEW



VIEW G-G



VIEW H-H



VIEW F-F

REFER TO ALL ILLUSTRATIONS OF THIS GROUP FOR AUXILIARY VIEWS

GRAPHIC #3

<END>

g06094596

SERVICE EQUIPMENT AND SUPPLIES

501-7262 FILM GP

S/N: TD71-UP

PART OF 522-6038, 522-6039, 522-6040 CONFIGURATION AR
AN ATTACHMENT

SMCS-0375, 7405, 7557

i06735417

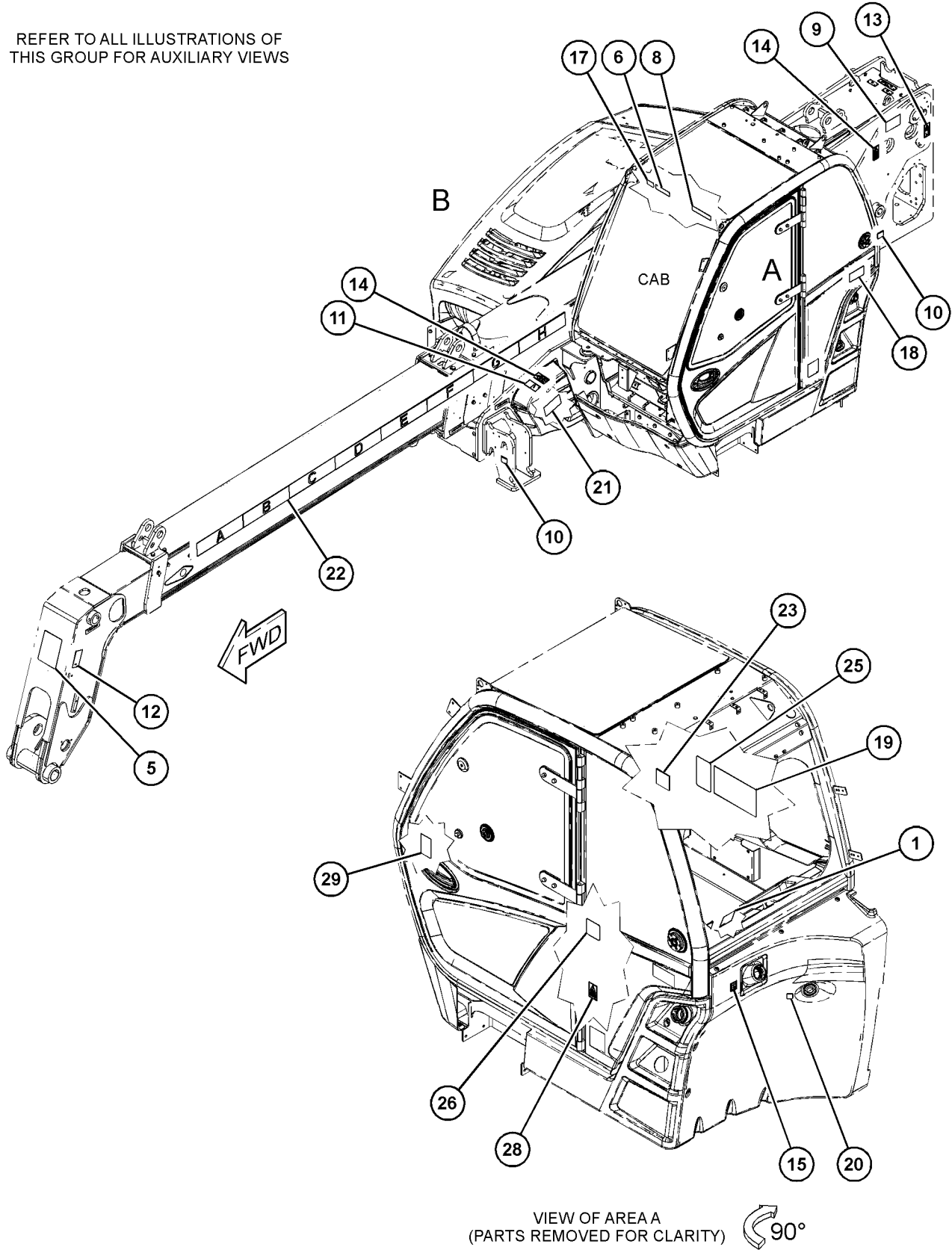
NOTE	REF NO	GRAPHIC REF	PART NUMBER	QTY	PART NAME						SEE PAGE
					1	2	3	4	5	6 (PRODUCT LEVEL)	
1	1	1	335-8056	1	FILM-INFORMATION (MANUAL)						
2	2	2	453-8398	1	FILM-INSTRUCTION (NO PRESSURE WASHER)						
3	2	2	323-5615	1	FILM-WARNING (ETHER START)						
4	2	2	314-5318	1	FILM-WARNING (BATTERY)						
5	1	1	314-5319	1	FILM-WARNING (CARRY PERSONNEL)						
6	1	1	314-5321	1	FILM-WARNING (ELECTROCUTION HAZARD)						
7	2	2	314-5322	1	FILM-WARNING (MOVING PARTS)						
8	1	1	314-5324	1	FILM-WARNING (TIP OVER)						
9	1,2	1,2	314-5326	2	FILM-WARNING (PINCH POINT)						
10	1,2	1,2	303-4963	4	FILM-IDENTIFICATION (TIE-DOWN LOCATION)						
11	1,2	1,2	323-7256	2	FILM-WARNING (CYLINDER LOCK)						
12	1	1	323-7257	2	FILM-WARNING (RAISED BOOM, BUCKET)						
13	1,2	1,2	323-7262	2	FILM-WARNING (STAY CLEAR OF SWING AREA)						
14	1,2	1,2	421-2302	4	FILM-WARNING (SET BRAKE LEVER)						
15	1	1	495-2446	1	FILM-IDENTIFICATION (HYDRAULIC OIL FILLER)						
16	2	2	488-7889	1	FILM-IDENTIFICATION (BATTERY DISCONNECT, READ OMM)						
17	1	1	314-5315	1	FILM-WARNING (CRUSH HAZARD)						
18	1	1	314-5316	1	FILM-WARNING (NO RIDERS)						
19	1	1	330-4301	1	FILM-WARNING (CAB)						
20	1	1	389-3574	1	FILM-IDENTIFICATION (OIL LEVEL)						
21	1,2	1,2	480-9877	1	FILM-IDENTIFICATION (FUSE PANEL)						
22	1	1	473-6954	1	FILM-INFORMATION (BOOM EXTEND, RETRACT)						
23	1	1	473-6955	1	FILM-INFORMATION (NO WELD, NO DRILL, READ OMM)						
24	2	2	460-2867	1	FILM-IDENTIFICATION (EAC)						
25	1	1	477-2612	1	FILM-INFORMATION (JOYSTICK)						
26	1	1	478-5100	1	FILM-IDENTIFICATION (PARKING BRAKE, SERVICE BRAKE)						
27	2	2	473-6957	1	FILM-INFORMATION (BATTERY POSITIVE)						
28	1,2	1,2	486-9886	2	FILM-IDENTIFICATION (READ OMM)						
29	1	1	480-9880	1	FILM-IDENTIFICATION (FUSE PANEL)						

SERVICE EQUIPMENT AND SUPPLIES

501-7262 FILM GP (contd.)

i06735417

REFER TO ALL ILLUSTRATIONS OF THIS GROUP FOR AUXILIARY VIEWS



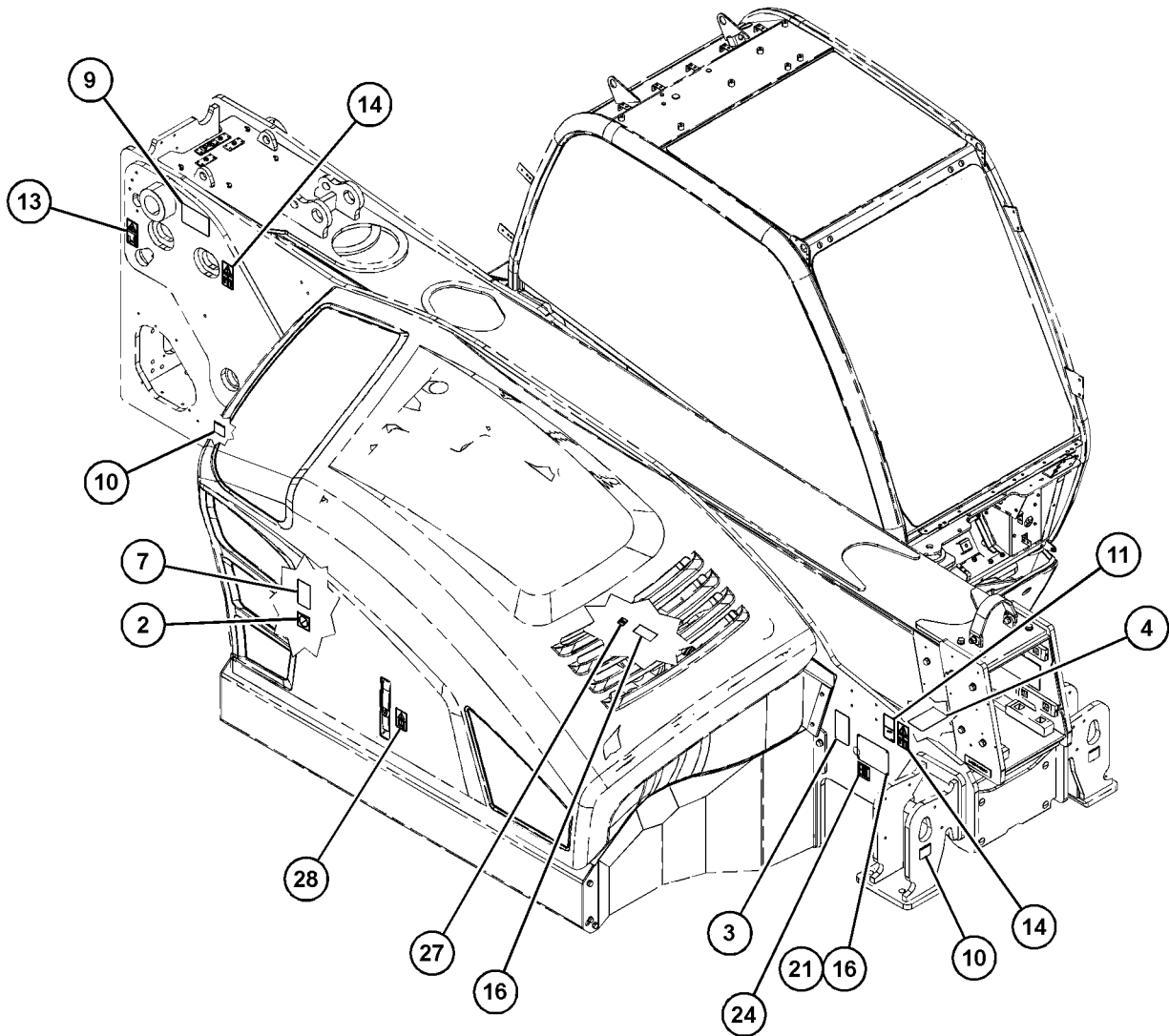
GRAPHIC #1

g06105081

SERVICE EQUIPMENT AND SUPPLIES

501-7262 FILM GP (contd.)

106735417



VIEW OF AREA B 

GRAPHIC #2

<END>

g06105082

SERVICE EQUIPMENT AND SUPPLIES

501-7264 FILM GP

S/N: TD71-UP

PART OF 522-6041 CONFIGURATION AR
AN ATTACHMENT

SMCS-0375, 7405, 7557

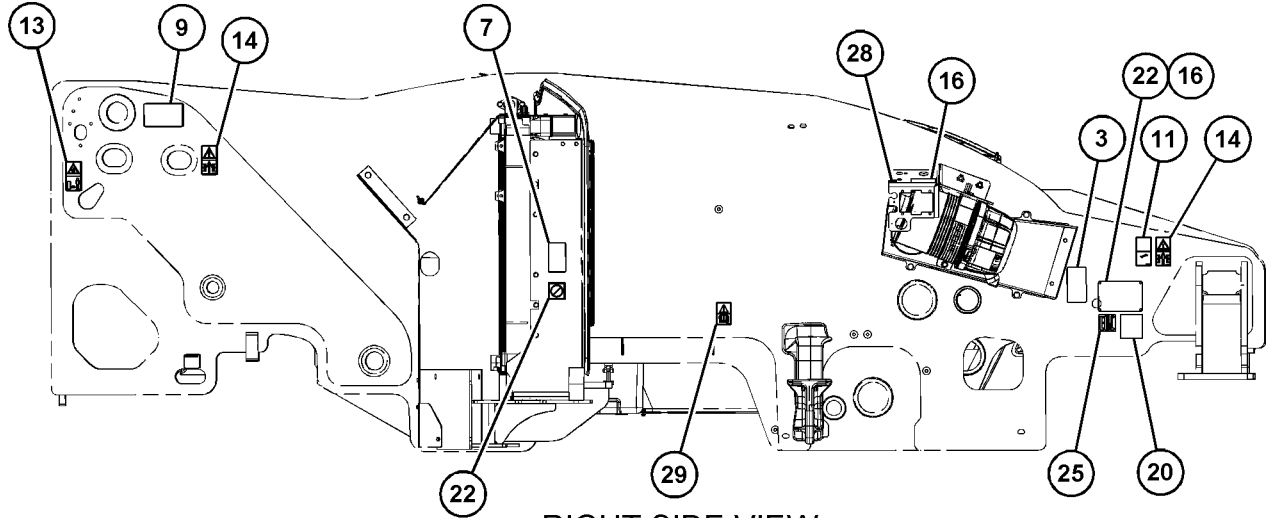
i06735415

NOTE	REF NO	GRAPHIC REF	PART NUMBER	QTY	PART NAME						SEE PAGE
					1	2	3	4	5	6 (PRODUCT LEVEL)	
1	1	2	335-8056	1	FILM-INFORMATION (MANUAL)						
2	2	1	480-9877	1	FILM-IDENTIFICATION (FUSE PANEL)						
3	3	1	323-5615	1	FILM-WARNING (ETHER START)						
4	4	1	314-5318	1	FILM-WARNING (BATTERY)						
5	5	2	314-5319	1	FILM-WARNING (CARRY PERSONNEL)						
6	6	1	314-5321	1	FILM-WARNING (ELECTROCUTION HAZARD)						
7	7	1	314-5322	1	FILM-WARNING (MOVING PARTS)						
8	8	1	314-5324	1	FILM-WARNING (TIP OVER)						
9	9	1	314-5326	2	FILM-WARNING (PINCH POINT)						
10	10	1,2	303-4963	4	FILM-IDENTIFICATION (TIE-DOWN LOCATION)						
11	11	1	323-7256	2	FILM-WARNING (CYLINDER LOCK)						
12	12	2	323-7257	2	FILM-WARNING (RAISED BOOM, BUCKET)						
13	13	1	323-7262	2	FILM-WARNING (STAY CLEAR OF SWING AREA)						
14	14	1	421-2302	4	FILM-WARNING (SET BRAKE LEVER)						
15	15	2	495-2446	1	FILM-IDENTIFICATION (HYDRAULIC OIL FILLER)						
16	16	1	488-7889	1	FILM-IDENTIFICATION (BATTERY DISCONNECT, READ OMM)						
17	17	1	314-5315	1	FILM-WARNING (CRUSH HAZARD)						
18	18	1	314-5316	1	FILM-WARNING (NO RIDERS)						
19	19	1	330-4301	1	FILM-WARNING (CAB)						
20	20	1	368-7759	1	FILM-INFORMATION (PCT)						
21	21	2	389-3574	1	FILM-IDENTIFICATION (OIL LEVEL)						
22	22	1	453-8398	1	FILM-INSTRUCTION (NO PRESSURE WASHER)						
23	23	2	473-6954	1	FILM-INFORMATION (BOOM EXTEND, RETRACT)						
24	24	1	473-6955	1	FILM-INFORMATION (NO WELD, NO DRILL, READ OMM)						
25	25	1	460-2867	1	FILM-IDENTIFICATION (EAC)						
26	26	1	477-2612	1	FILM-INFORMATION (JOYSTICK)						
27	27	2	478-5100	1	FILM-IDENTIFICATION (PARKING BRAKE, SERVICE BRAKE)						
28	28	1	473-6957	1	FILM-INFORMATION (BATTERY POSITIVE)						
29	29	1	486-9886	2	FILM-IDENTIFICATION (READ OMM)						
30	30	1	480-9880	1	FILM-IDENTIFICATION (FUSE PANEL)						

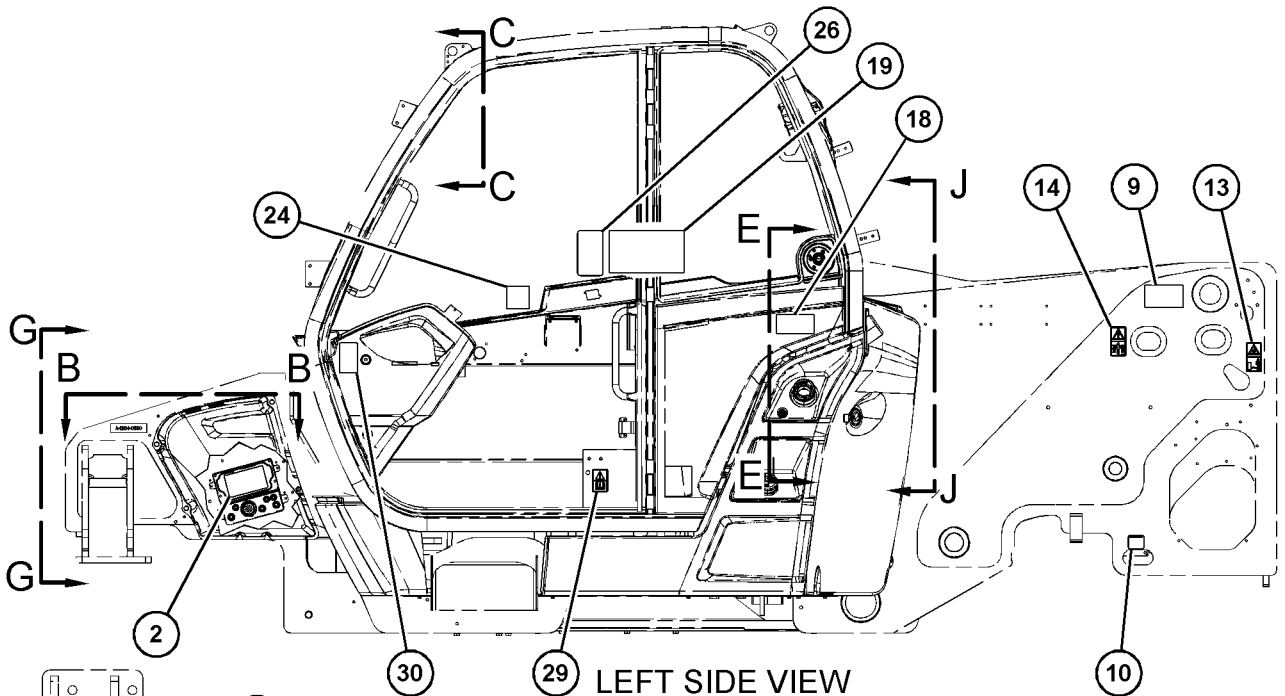
SERVICE EQUIPMENT AND SUPPLIES

501-7264 FILM GP (contd.)

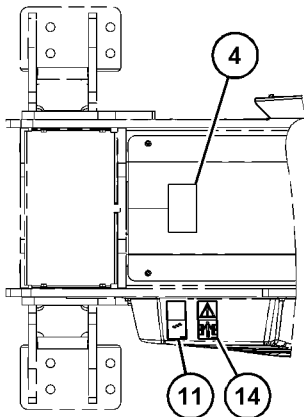
i06735415



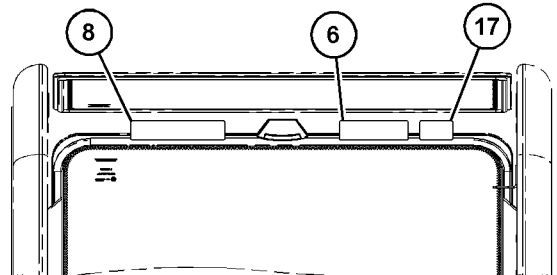
RIGHT SIDE VIEW



LEFT SIDE VIEW



VIEW B-B



VIEW C-C

REFER TO ALL ILLUSTRATIONS OF THIS GROUP FOR AUXILIARY VIEWS

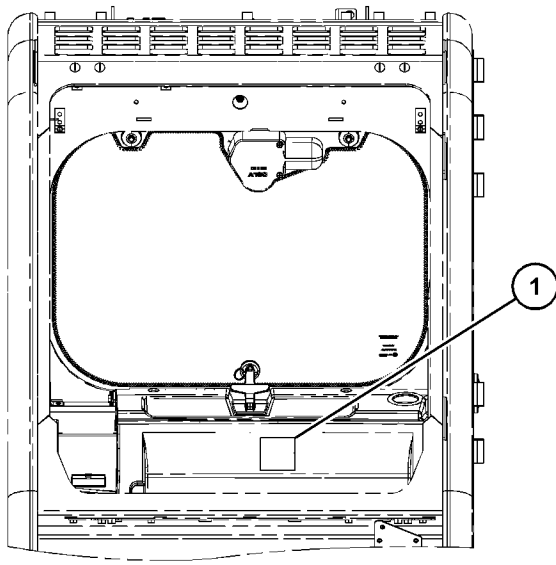
GRAPHIC #1

g06103610

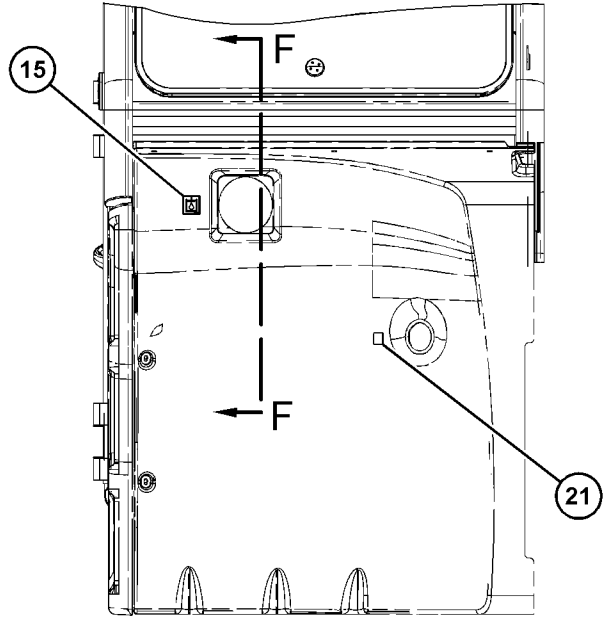
SERVICE EQUIPMENT AND SUPPLIES

501-7264 FILM GP (contd.)

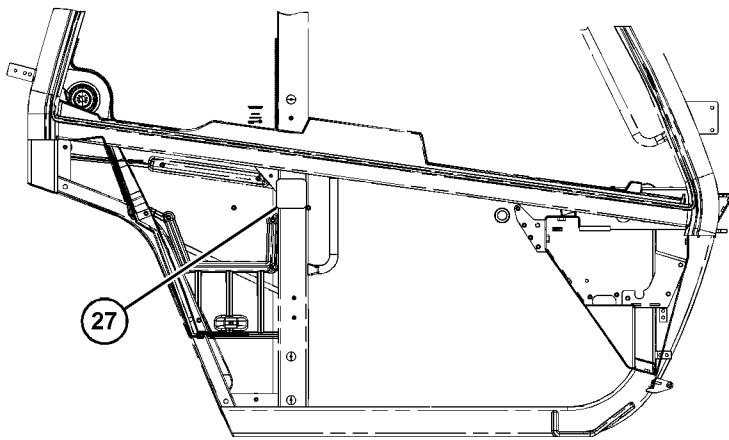
i06735415



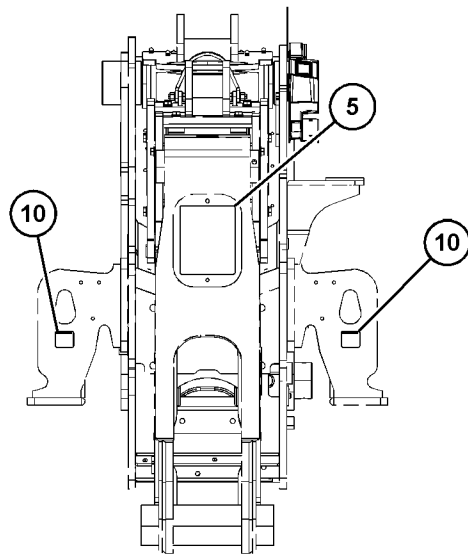
VIEW E-E



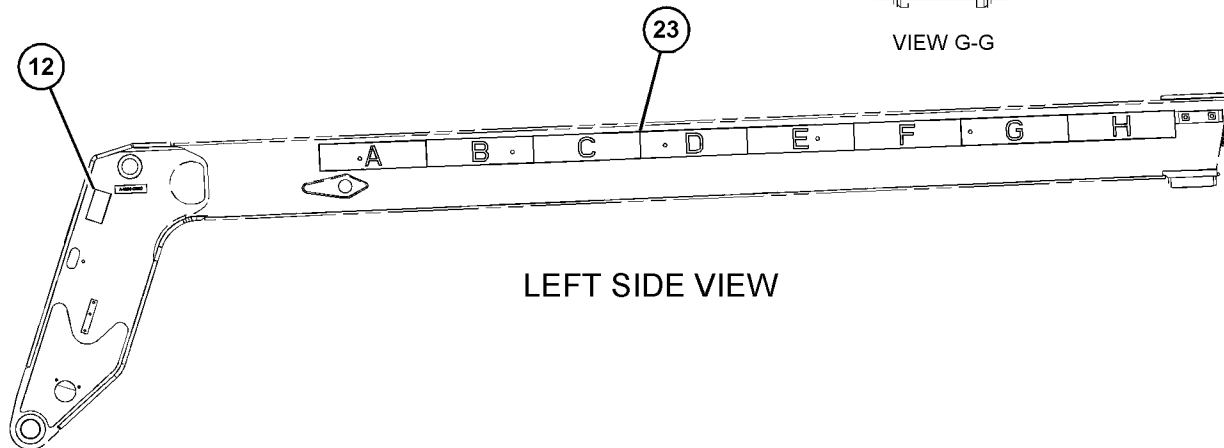
VIEW J-J



VIEW F-F



VIEW G-G



LEFT SIDE VIEW

GRAPHIC #2

<END>

g06103613

SERVICE EQUIPMENT AND SUPPLIES

513-4185 FILM GP

S/N: TD61-UP; TD71-UP

PART OF 517-9883, 517-9885 CHASSIS AR

SMCS-0375, 7405, 7557

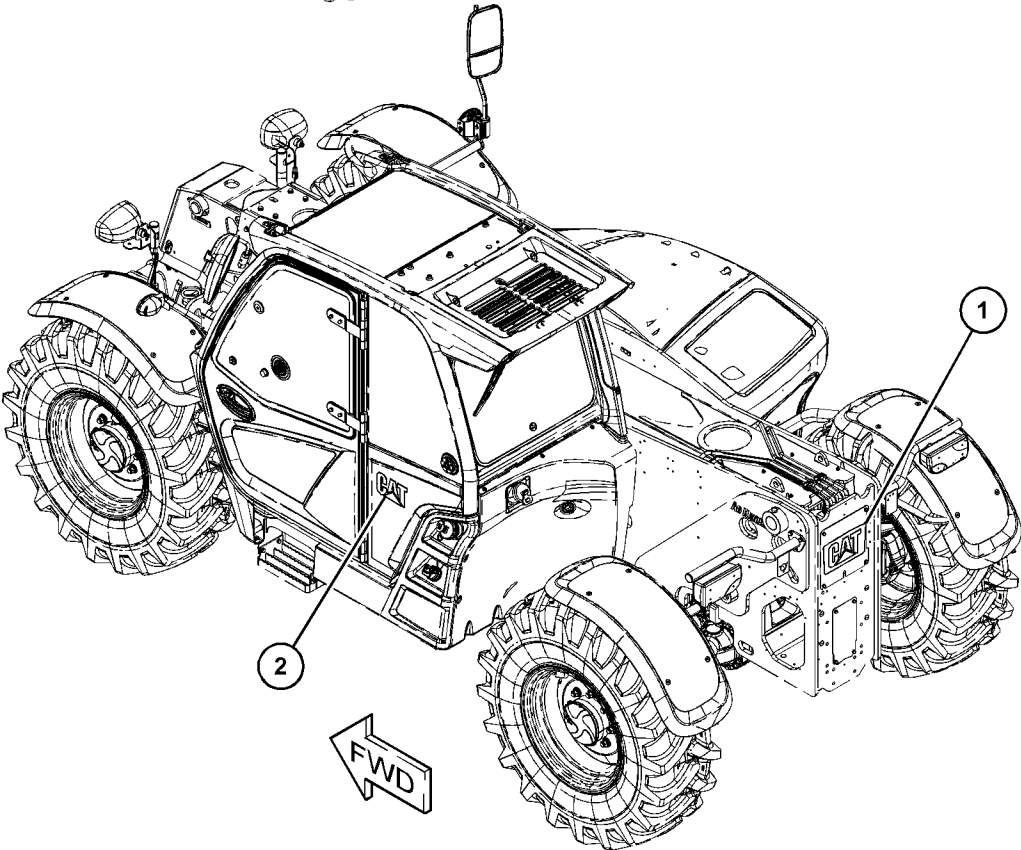
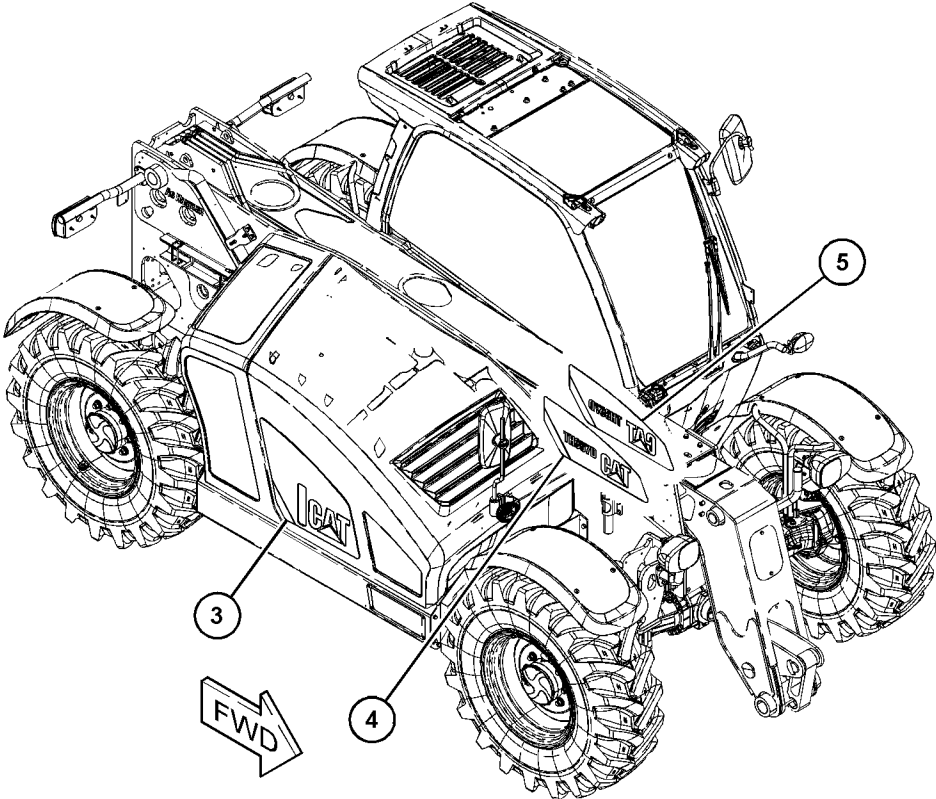
i06906441

NOTE	REF NO	GRAPHIC REF	PART NUMBER	QTY	PART NAME	SEE PAGE
					1 2 3 4 5 6 (PRODUCT LEVEL)	
	1	1	322-8032	1	FILM-IDENTIFICATION (CAT, REAR)	
	2	1	473-0029	1	FILM-IDENTIFICATION (CAT)	
	3	1	503-1714	1	FILM-IDENTIFICATION (CAT HOOD)	
	4	1	513-4186	1	FILM-IDENTIFICATION (CAT, TH357D, BOOM, RH)	
	5	1	513-4187	1	FILM-IDENTIFICATION (CAT, TH357D, BOOM, LH)	

SERVICE EQUIPMENT AND SUPPLIES

513-4185 FILM GP (contd.)

i06906441



GRAPHIC #1

<END>

g06166361

SERVICE EQUIPMENT AND SUPPLIES

519-3821 FILM GP-SENSING

S/N: TD61-UP

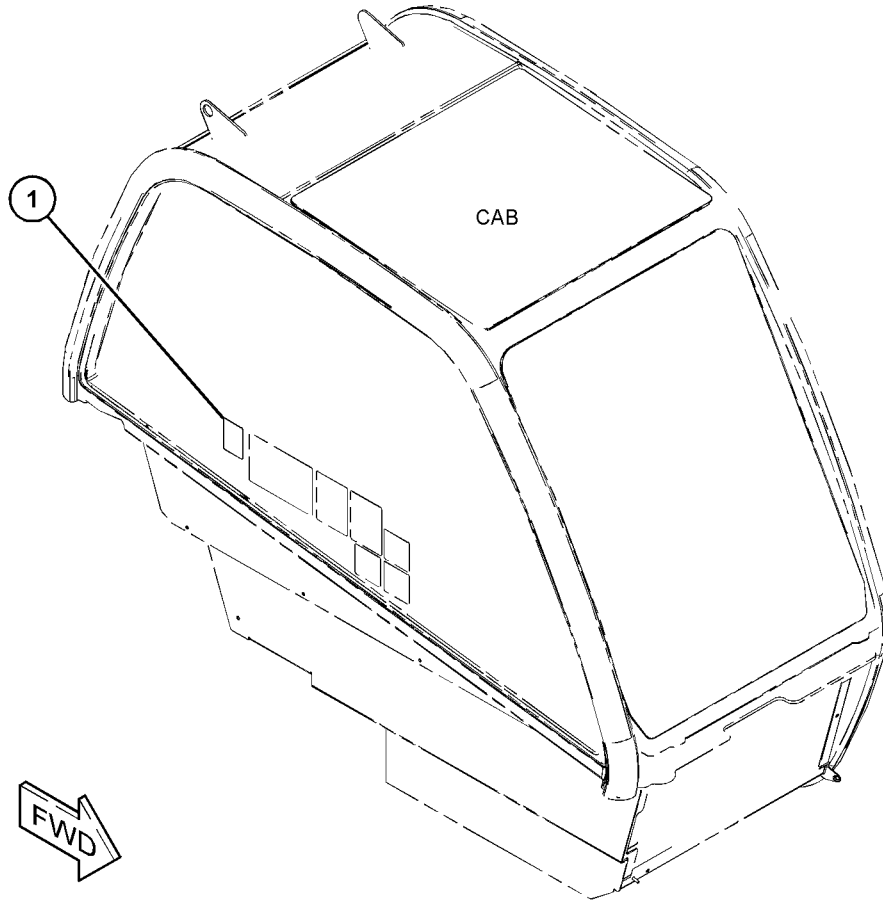
REVERSE

PART OF 522-5805 FILM GP
AN ATTACHMENT

SMCS-0375, 7405, 7557

i06810221

NOTE	REF NO	GRAPHIC REF	PART NUMBER	QTY	PART NAME						SEE PAGE
					1	2	3	4	5	6 (PRODUCT LEVEL)	
	1	1	484-5235	1	FILM-INFORMATION (REVERSE ALARM)						



GRAPHIC #1

<END>

g06124411

SERVICE EQUIPMENT AND SUPPLIES

519-3822 FILM GP-SENSING

S/N: TD61-UP

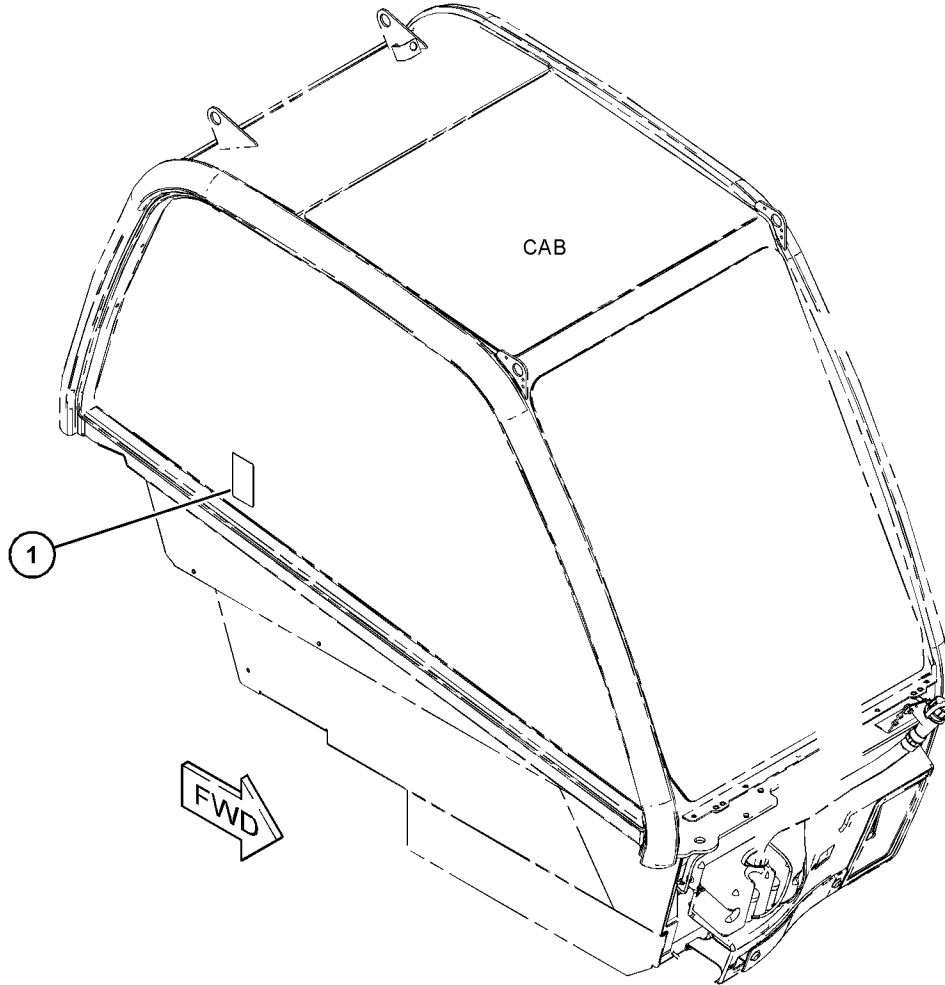
REVERSE

PART OF 522-5806 FILM GP
AN ATTACHMENT

SMCS-0375, 7405, 7557

i06810242

NOTE	REF NO	GRAPHIC REF	PART NUMBER	QTY	PART NAME						SEE PAGE
					1	2	3	4	5	6 (PRODUCT LEVEL)	
	1	1	484-5240	1	FILM (REVERSE ALARM)						



GRAPHIC #1

<END>

g06126889

SERVICE EQUIPMENT AND SUPPLIES

519-3823 FILM GP

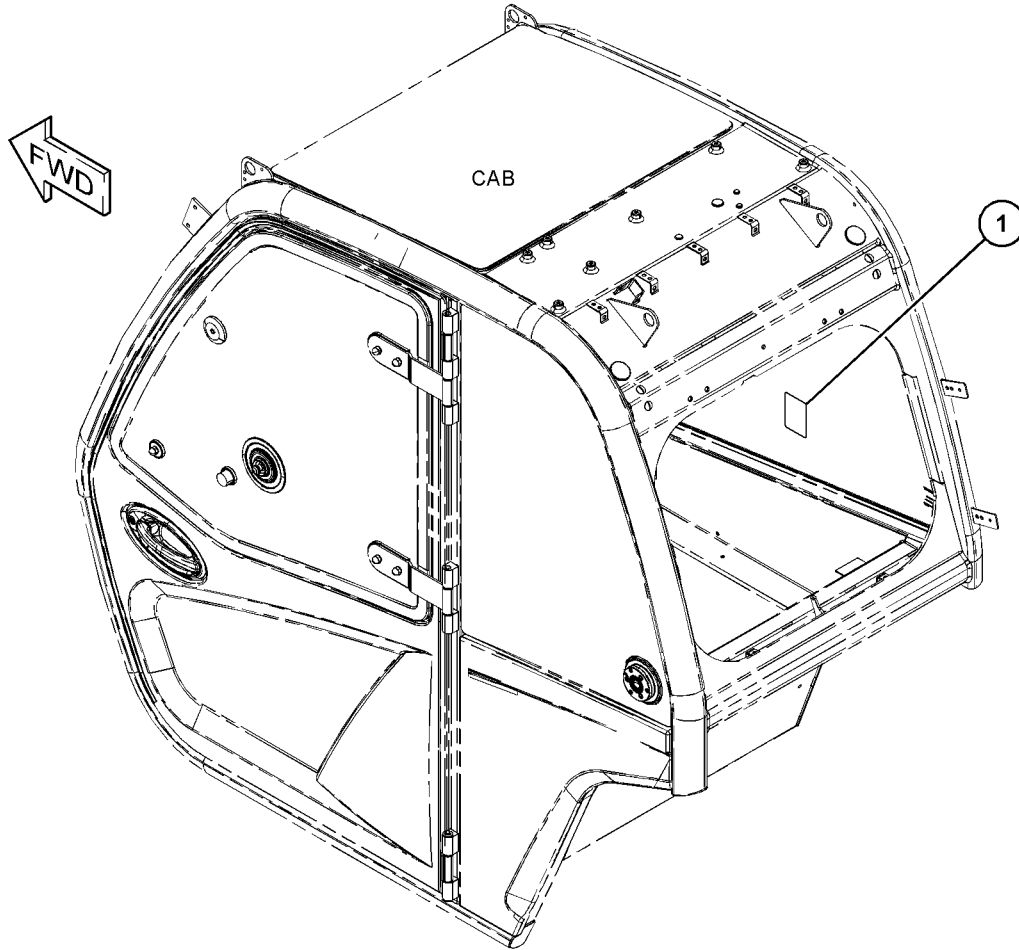
S/N: TD61-UP; TD71-UP

PART OF 522-5800, 522-5801, 522-5802, 522-5803, 522-5804, 522-6038, 522-6039, 522-6040, 522-6041, 522-6042 CONFIGURATION AR
AN ATTACHMENT

SMCS-0375, 7405, 7557

i06809354

NOTE	REF NO	GRAPHIC REF	PART NUMBER	QTY	PART NAME 1 2 3 4 5 6 (PRODUCT LEVEL)	SEE PAGE
	1	1	484-5239	1	FILM-INFORMATION (REAR WINDOW)	



GRAPHIC #1

<END>

g06125760

SERVICE EQUIPMENT AND SUPPLIES

520-6928 FILM GP

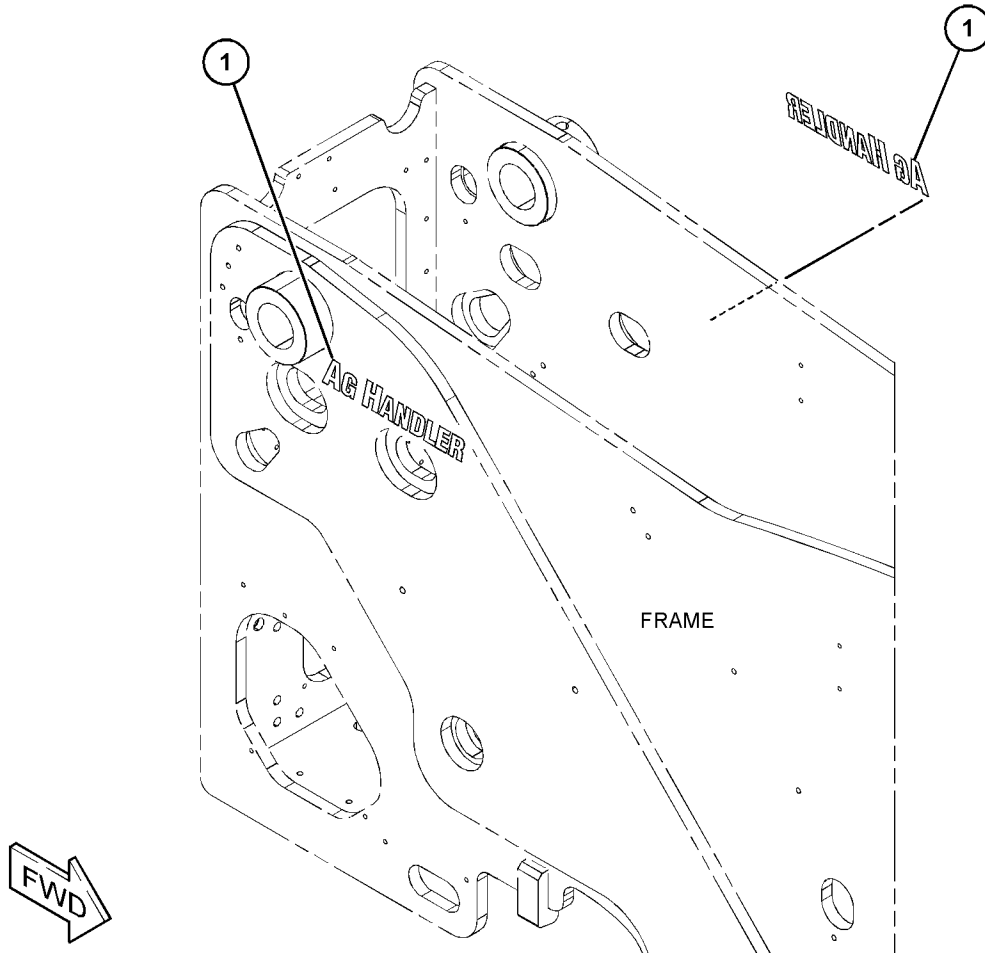
S/N: TD71-UP

PART OF 517-9885 CHASSIS AR

SMCS-0375, 7405, 7557

i06811738

NOTE	REF NO	GRAPHIC REF	PART NUMBER	QTY	PART NAME	SEE PAGE
					1 2 3 4 5 6 (PRODUCT LEVEL)	
	1	1	520-6930	2	FILM-IDENTIFICATION (AGGREGATE HANDLER)	



GRAPHIC #1

<END>

g06129848

SERVICE EQUIPMENT AND SUPPLIES

522-5805 FILM GP

S/N: TD61-UP
UNITED STATES
AN ATTACHMENT

SMCS-0375, 7405, 7557

i07046007

NOTE	PART NUMBER	QTY	PART NAME 1 2 3 4 5 6 (PRODUCT LEVEL)	SEE PAGE
Y	519-3821	1	FILM GP (SENSING)	1019
Y	514-9456	1	PLATE & FILM GP	1028
Y - SEPARATE ILLUSTRATION				
<END>				

522-5806 FILM GP

S/N: TD61-UP
CANADA
AN ATTACHMENT

SMCS-0375, 7405, 7557

i07046015

NOTE	PART NUMBER	QTY	PART NAME 1 2 3 4 5 6 (PRODUCT LEVEL)	SEE PAGE
Y	519-3822	1	FILM GP (SENSING)	1020
Y	514-9456	1	PLATE & FILM GP	1028
Y - SEPARATE ILLUSTRATION				
<END>				

457-3521 LOCK GP-VANDALISM

S/N: TD61-UP; TD71-UP
AN ATTACHMENT

SMCS-7315, 7430

i05743053

NOTE	PART NUMBER	QTY	PART NAME 1 2 3 4 5 6 (PRODUCT LEVEL)	SEE PAGE
	246-2641	3	PADLOCK GP	
			(EACH INCLUDES)	
	5P-8500	1	KEY	
<END>				

503-6003 LOCK GP-VANDALISM

S/N: TD61-UP
AN ATTACHMENT

SMCS-7315, 7430

i06586879

NOTE	PART NUMBER	QTY	PART NAME 1 2 3 4 5 6 (PRODUCT LEVEL)	SEE PAGE
	246-2641	4	PADLOCK GP	
			(EACH INCLUDES)	
	5P-8500	1	KEY	
<END>				

SERVICE EQUIPMENT AND SUPPLIES

443-1143 PLATE & FILM GP

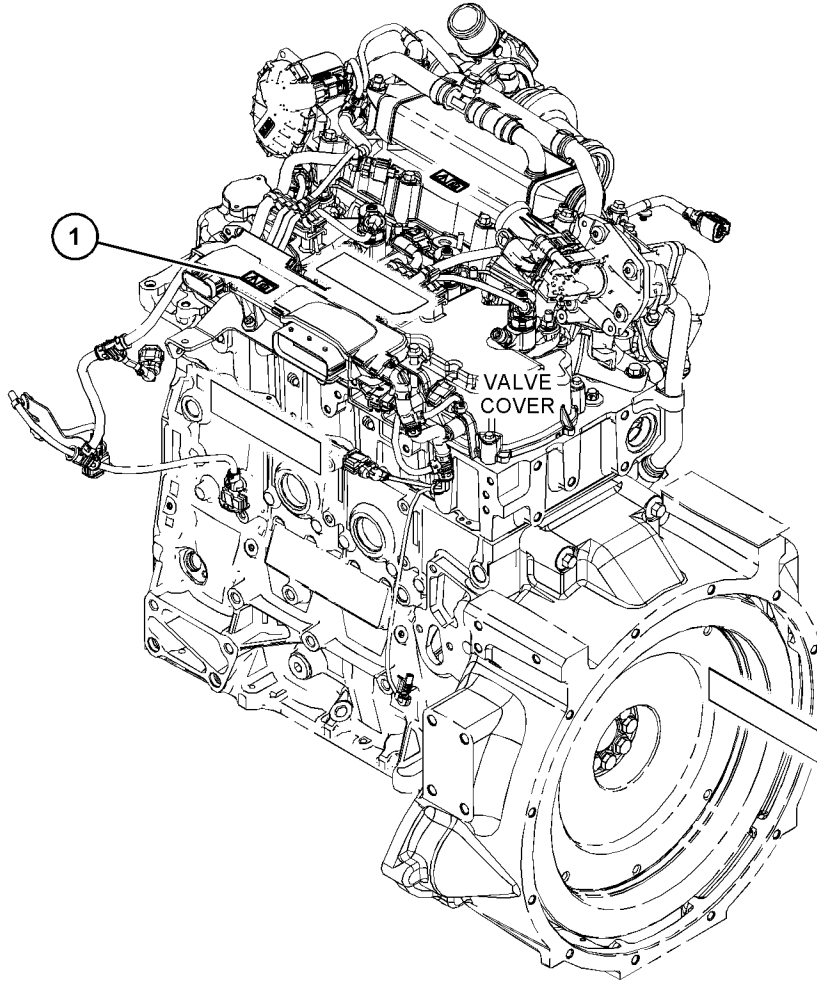
S/N: CJ41-UP

PART OF 465-2880 ENGINE AR-PRIMARY

SMCS-7405, 7557

i06252216

NOTE	REF NO	GRAPHIC REF	PART NUMBER	QTY	PART NAME						SEE PAGE
					1	2	3	4	5	6 (PRODUCT LEVEL)	
1	1	1	346-8219	2	FILM-WARNING (UNIVERSAL WARNING)						
2	1	1	381-1799	1	PLATE						
3	1	1	469-0462	1	FILM-IDENTIFICATION (EMISSION)						



GRAPHIC #1

<END>

g03825159

SERVICE EQUIPMENT AND SUPPLIES

501-7263 PLATE & FILM GP

S/N: TD71-UP

PART OF 522-6042 CONFIGURATION AR
AN ATTACHMENT

SMCS-7405, 7557

i06735413

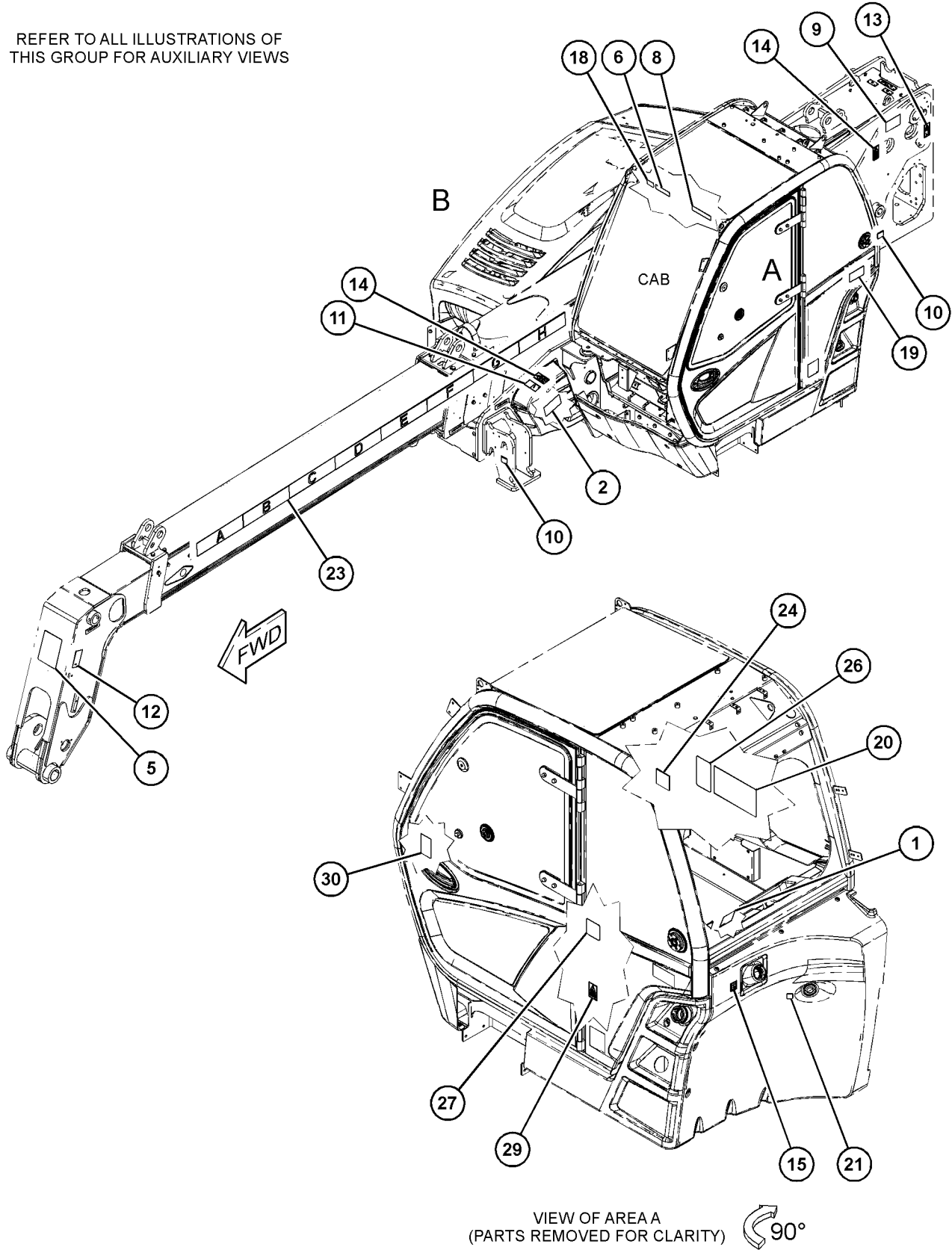
NOTE	REF NO	GRAPHIC REF	PART NUMBER	QTY	PART NAME						SEE PAGE
					1	2	3	4	5	6 (PRODUCT LEVEL)	
	1	1	335-8056	1	FILM-INFORMATION (MANUAL)						
	2	1	480-9877	1	FILM-IDENTIFICATION (FUSE PANEL)						
	3	2	323-5615	1	FILM-WARNING (ETHER START)						
	4	2	314-5318	1	FILM-WARNING (BATTERY)						
	5	1	314-5319	1	FILM-WARNING (CARRY PERSONNEL)						
	6	1	314-5321	1	FILM-WARNING (ELECTROCUTION HAZARD)						
	7	2	314-5322	1	FILM-WARNING (MOVING PARTS)						
	8	1	314-5324	1	FILM-WARNING (TIP OVER)						
	9	1,2	314-5326	2	FILM-WARNING (PINCH POINT)						
	10	1,2	303-4963	4	FILM-IDENTIFICATION (TIE-DOWN LOCATION)						
	11	1,2	323-7256	2	FILM-WARNING (CYLINDER LOCK)						
	12	1	323-7257	2	FILM-WARNING (RAISED BOOM, BUCKET)						
	13	1,2	323-7262	2	FILM-WARNING (STAY CLEAR OF SWING AREA)						
	14	1,2	421-2302	4	FILM-WARNING (SET BRAKE LEVER)						
	15	1	495-2446	1	FILM-IDENTIFICATION (HYDRAULIC OIL FILLER)						
	16	2	299-0354	1	GAUGE (TILT ANGLE)						
	17	2	488-7889	1	FILM-IDENTIFICATION (BATTERY DISCONNECT, READ OMM)						
	18	1	314-5315	1	FILM-WARNING (CRUSH HAZARD)						
	19	1	314-5316	1	FILM-WARNING (NO RIDERS)						
	20	1	330-4301	1	FILM-WARNING (CAB)						
	21	1,2	389-3574	1	FILM-IDENTIFICATION (OIL LEVEL)						
	22	2	453-8398	1	FILM-INSTRUCTION (NO PRESSURE WASHER)						
	23	1	473-6954	1	FILM-INFORMATION (BOOM EXTEND, RETRACT)						
	24	1	473-6955	1	FILM-INFORMATION (NO WELD, NO DRILL, READ OMM)						
	25	2	460-2867	1	FILM-IDENTIFICATION (EAC)						
	26	1	477-2612	1	FILM-INFORMATION (JOYSTICK)						
	27	1	478-5100	1	FILM-IDENTIFICATION (PARKING BRAKE, SERVICE BRAKE)						
	28	2	473-6957	1	FILM-INFORMATION (BATTERY POSITIVE)						
	29	1	486-9886	2	FILM-IDENTIFICATION (READ OMM)						
	30	1	480-9880	1	FILM-IDENTIFICATION (FUSE PANEL)						

SERVICE EQUIPMENT AND SUPPLIES

501-7263 PLATE & FILM GP (contd.)

i06735413

REFER TO ALL ILLUSTRATIONS OF THIS GROUP FOR AUXILIARY VIEWS



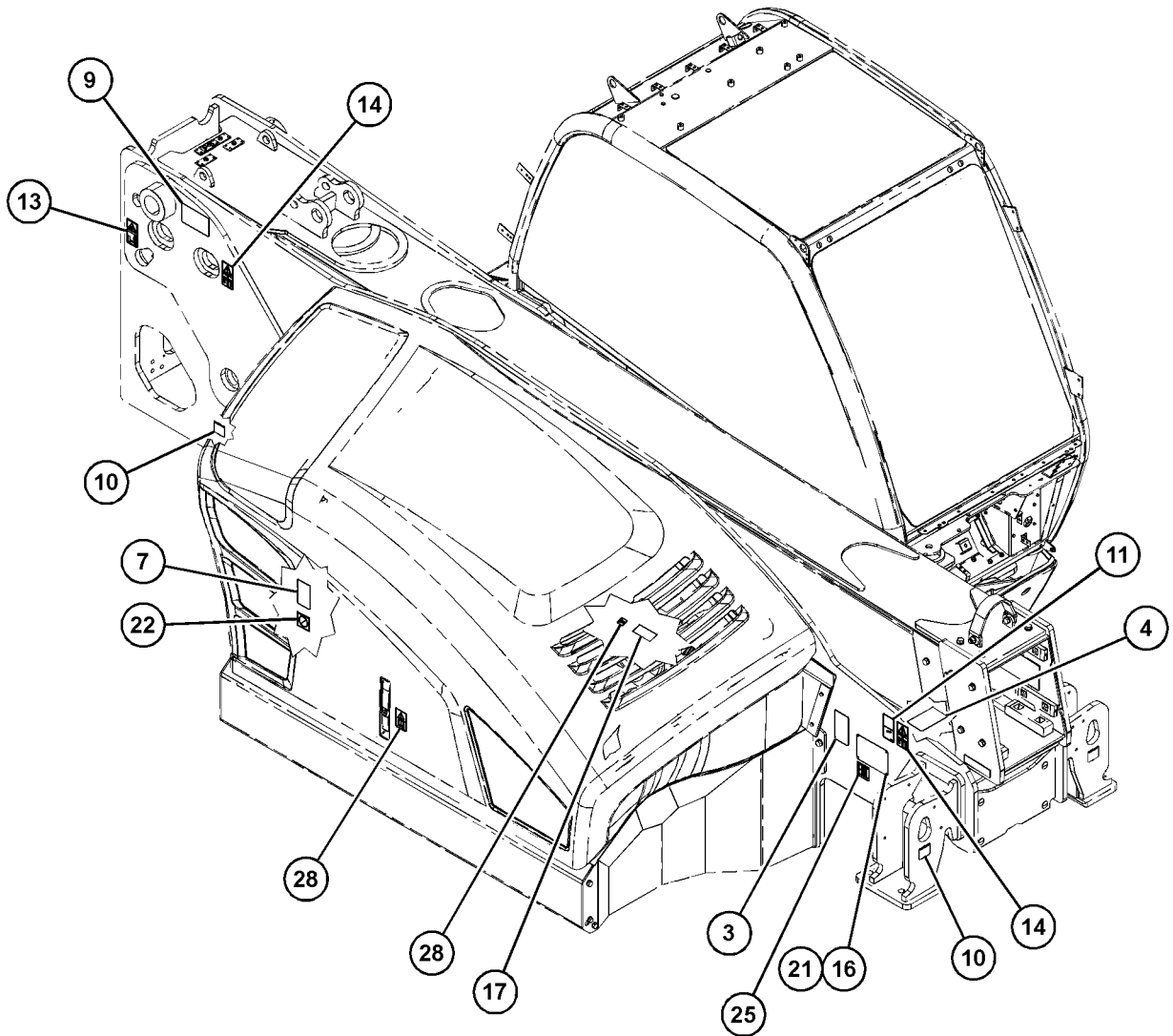
GRAPHIC #1

g06105129

SERVICE EQUIPMENT AND SUPPLIES

501-7263 PLATE & FILM GP (contd.)

106735413



VIEW OF AREA B 

GRAPHIC #2

<END>

g06105130

SERVICE EQUIPMENT AND SUPPLIES

514-9456 PLATE & FILM GP

S/N: TD61-UP

PART OF 522-5805, 522-5806 FILM GP
AN ATTACHMENT

SMCS-7405, 7557

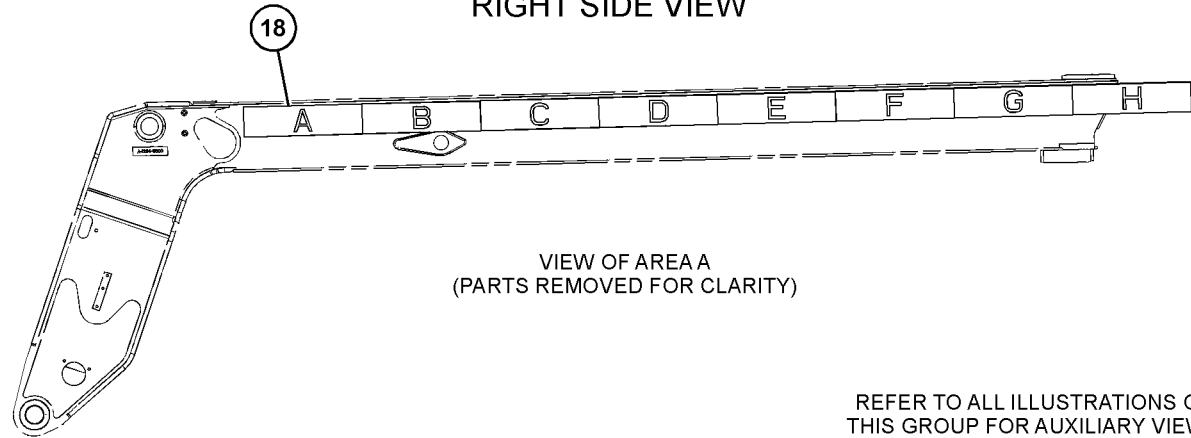
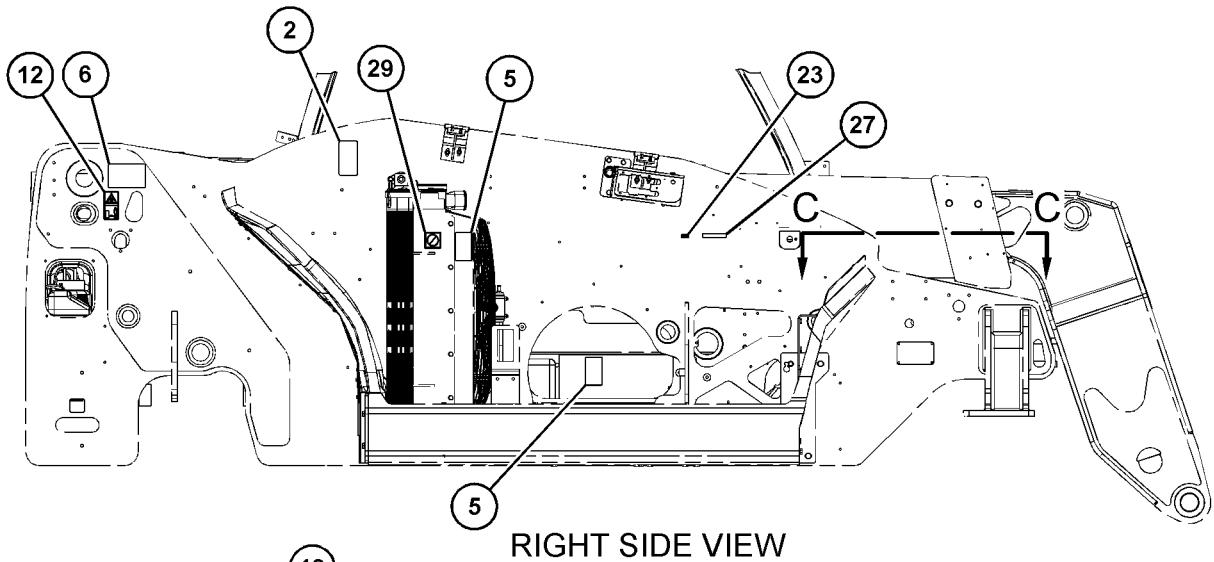
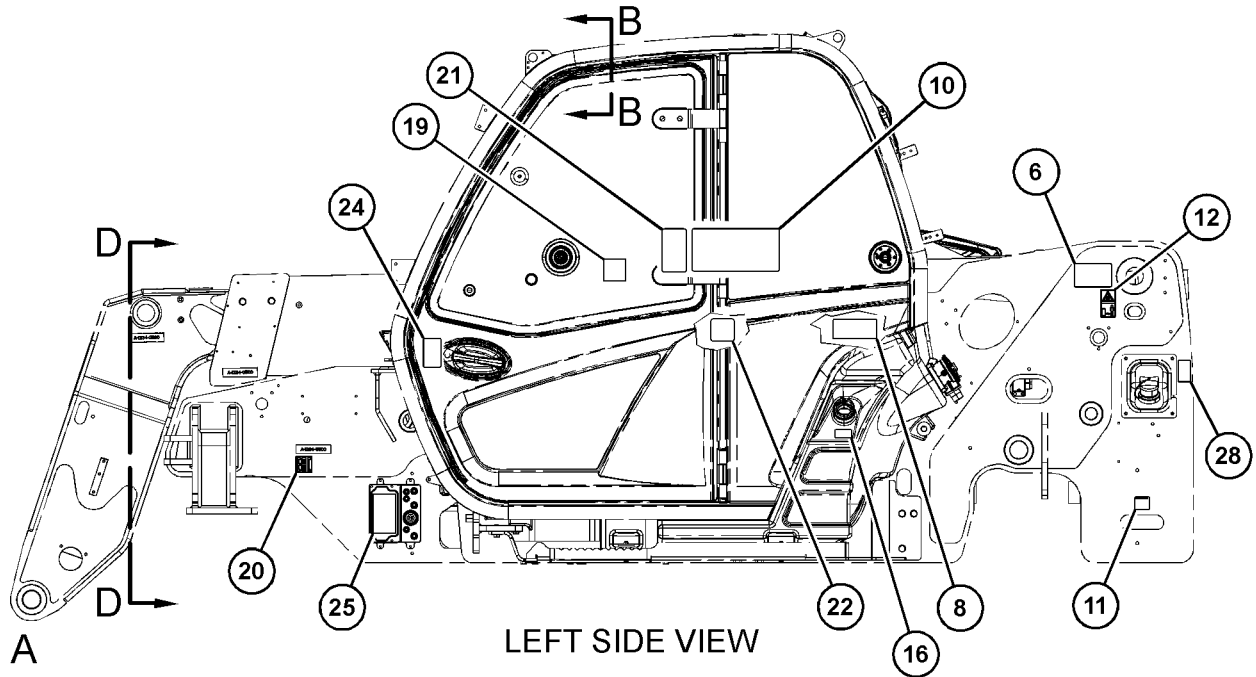
i06893212

NOTE	REF NO	GRAPHIC REF	PART NUMBER	QTY	PART NAME						SEE PAGE
					1	2	3	4	5	6 (PRODUCT LEVEL)	
	1	2	335-8056	1	FILM-INFORMATION (MANUAL)						
	2	1	323-5615	1	FILM-WARNING (ETHER START)						
	3	2	303-4939	1	FILM-WARNING (BATTERY, EXPLOSIVE GAS)						
	4	2	303-4941	1	FILM-WARNING (POWER LINES CLEARANCE)						
	5	1	303-4942	2	FILM-WARNING (ROTATING)						
	6	1	303-4943	2	FILM-WARNING (PINCH POINT)						
	7	2	303-4946	1	FILM-WARNING (TIP OVER)						
	8	1	303-4948	1	FILM-WARNING (NO RIDERS)						
	9	2	303-4949	1	FILM-WARNING (CRUSH HAZARD)						
	10	1	330-4304	1	FILM-WARNING (HAZARD, READ OMM)						
	11	1,2	303-4963	4	FILM-IDENTIFICATION (TIE-DOWN LOCATION)						
	12	1	323-7262	2	FILM-WARNING (STAY CLEAR OF SWING AREA)						
	13	2	495-2446	1	FILM-IDENTIFICATION (HYDRAULIC OIL FILLER)						
	16	1	421-2305	1	FILM-INFORMATION (ULTRA LOW SULFUR FUEL)						
	17	2	389-3574	1	FILM-IDENTIFICATION (OIL LEVEL)						
	18	1	473-6954	1	FILM-INFORMATION (BOOM EXTEND, RETRACT)						
	19	1	473-6955	1	FILM-INFORMATION (NO WELD, NO DRILL, READ OMM)						
	20	1	460-2867	1	FILM-IDENTIFICATION (EAC)						
	21	1	477-2612	1	FILM-INFORMATION (JOYSTICK)						
	22	1	478-5100	1	FILM-IDENTIFICATION (PARKING BRAKE, SERVICE BRAKE)						
	23	1	473-6957	1	FILM-INFORMATION (BATTERY POSITIVE)						
	24	1	480-9880	1	FILM-IDENTIFICATION (FUSE PANEL)						
	25	1	480-9877	1	FILM-IDENTIFICATION (FUSE PANEL)						
	26	2	486-9892	1	FILM-WARNING (CARRY PERSONNEL)						
	27	1	488-7889	1	FILM-IDENTIFICATION (BATTERY DISCONNECT, READ OMM)						
	28	1	486-9888	1	FILM-WARNING (DIESEL)						
	29	1	453-8398	1	FILM-INSTRUCTION (NO PRESSURE WASHER)						

SERVICE EQUIPMENT AND SUPPLIES

514-9456 PLATE & FILM GP (contd.)

106893212



GRAPHIC #1

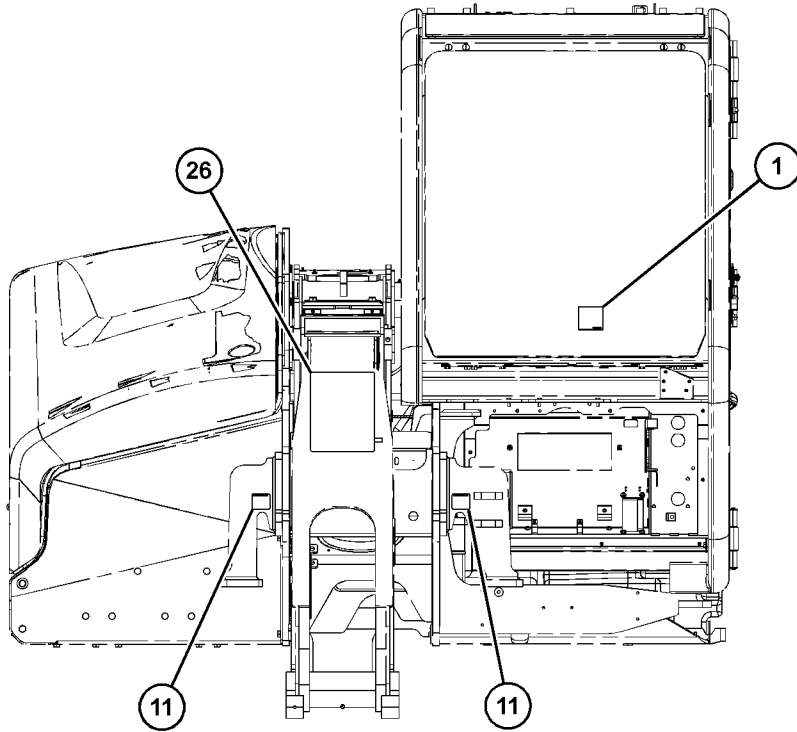
REFER TO ALL ILLUSTRATIONS OF THIS GROUP FOR AUXILIARY VIEWS

g06163827

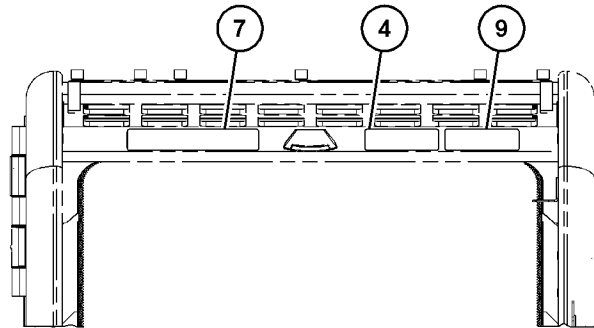
SERVICE EQUIPMENT AND SUPPLIES

514-9456 PLATE & FILM GP (contd.)

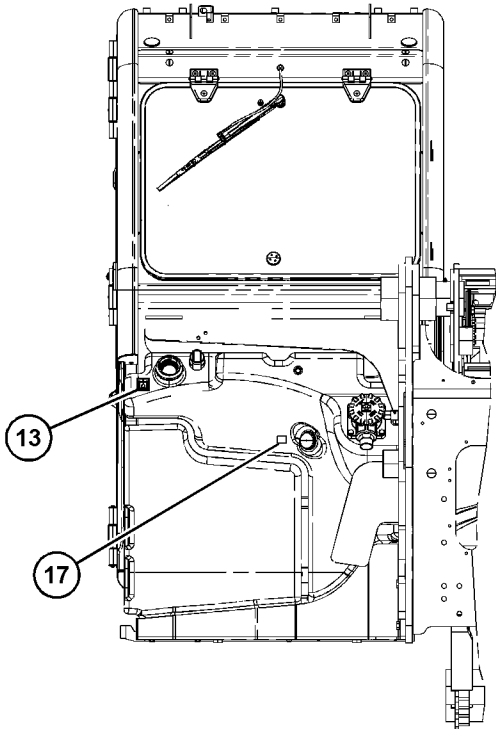
i06893212



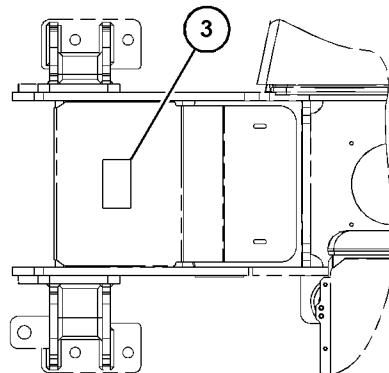
FRONT VIEW



VIEW B-B



REAR VIEW



VIEW C-C

GRAPHIC #2

<END>

g06163828

SERVICE EQUIPMENT AND SUPPLIES

509-4663 PLATE GP-IDENTIFICATION

S/N: TD61-UP; TD71-UP

2300-MM (90.5-IN)

AN ATTACHMENT

SMCS-7557

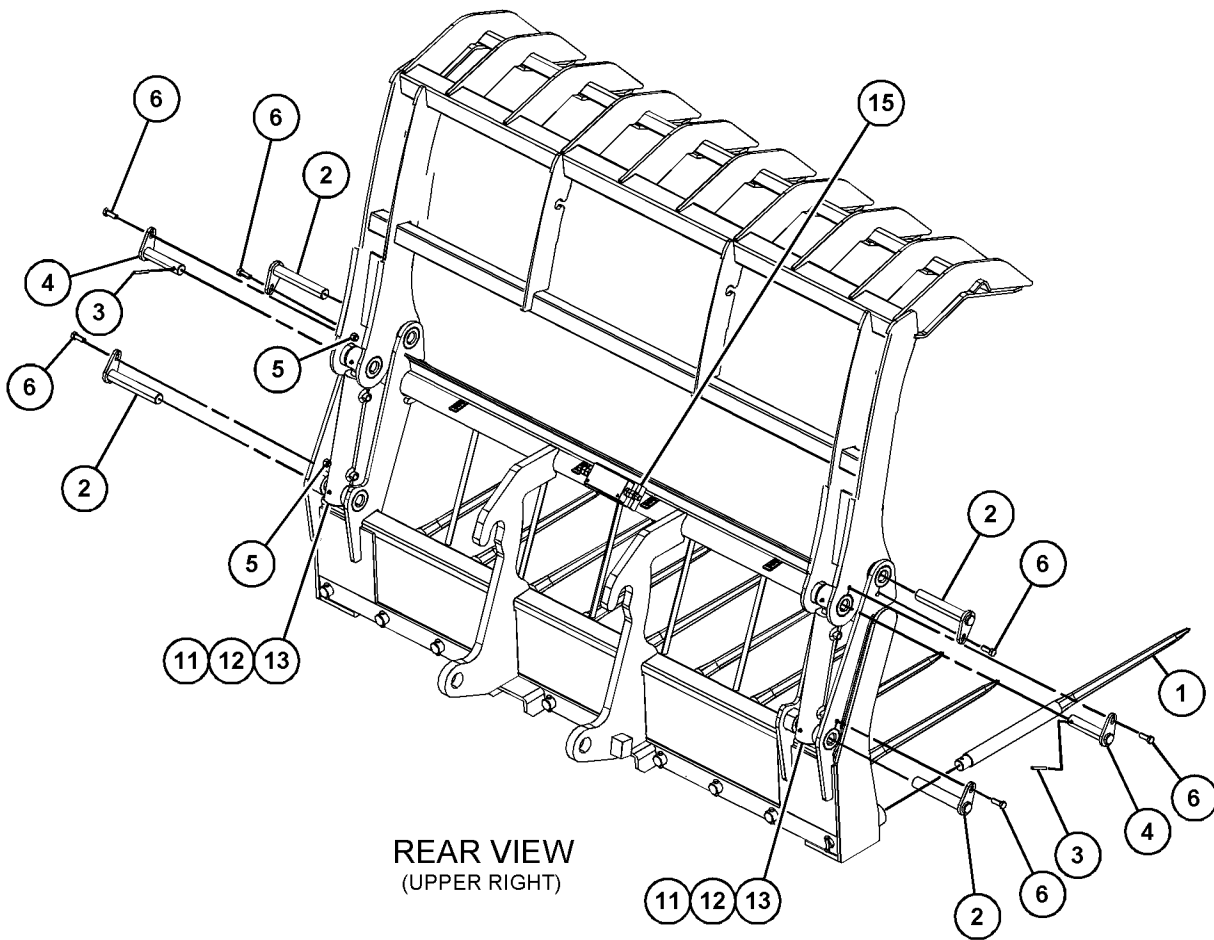
i07175296

NOTE	REF NO	GRAPHIC REF	PART NUMBER	QTY	PART NAME						SEE PAGE
					1	2	3	4	5	6 (PRODUCT LEVEL)	
	1	1	512-8037	10	PLATE AS						
	2	1	512-6796	4	PIN AS						
	3	1	512-6802	2	PIN-ROLL						
	4	1	512-6795	2	PIN AS						
	5	1	512-6800	6	NUT						
	6	1	512-6801	6	SCREW						
	7	1	545-9415	1	HOSE						
	8	1	545-9416	1	HOSE						
	9	1	545-9418	1	HOSE						
	10	1	545-9419	1	HOSE						
	11	1	512-6798	10	RETAINER-RING						
	12	1	512-6799	6	FITTING						
	13	1	512-6797	2	CYLINDER AS						
	14	1	512-6793	1	VALVE						
	15	1	512-6794	1	SUPPORT						

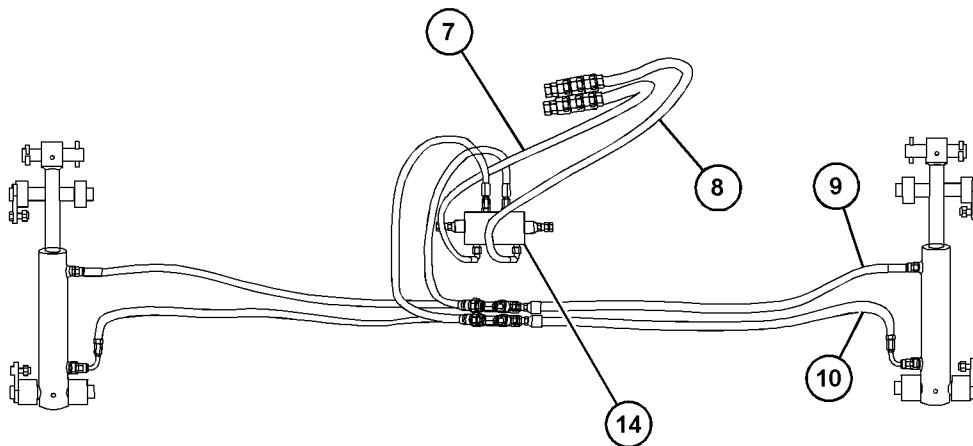
SERVICE EQUIPMENT AND SUPPLIES

509-4663 PLATE GP-IDENTIFICATION (contd.)

i07175296



REAR VIEW
(UPPER RIGHT)



REAR VIEW
(PARTS REMOVED FOR CLARITY)

GRAPHIC #1

<END>

g06251402

PART NUMBER INDEX

Part	Page	Part	Page	Part	Page	Part	Page
	556		424		503	6V-8397	625
	557	6I-0631	92	6T-9164	491		626
	558		95		495		628
	▶576		307		503		679
6D-1641	611		414	6T-9165	491		681
	943		446		495		690
	945	6I-0645	96	6T-9166	491		701
	947		99		495	6V-8398	709
	949		101		495		611
	952		181		503		625
6E-0122	651		184	6V-0852	217		632
	662		313		219		636
6F-7037	651	6I-0646	103		611		638
	662		133		727		677
6F-7045	428	6I-0650	99		729		679
6H-3616	129		101		731		681
	131	6I-0654	107	6V-3265	626		683
6H-3957	103		109		628		684
6I-0217	30		307	6V-3303	114		686
	31		312	6V-3668	797	6V-8399	510
	96		326		858		574
	99	6I-0789	96	6V-3965	217		575
	101	6I-0839	173		219	6V-8400	199
	117		208		611		706
	120	6I-0846	149		727		707
	180		159		729		709
	181		270		731		711
	208		275	6V-4589	491		727
	252		307		494	6V-8628	485
	268		446		495		496
	289		450		509	6V-8636	679
	312	6I-0917	227		510		681
6I-0254	152		318		515		701
	173	6I-0918	159	6V-5192	642	6V-8638	679
	208	6I-1090	104		920		681
	227		180	6V-5215	485	6V-8676	313
	252		227		496	6V-8715	690
	283		300	6V-5264	563	6V-8729	638
	411		307	6V-5683	178	6V-8731	636
6I-0260	28	6I-1497	162		270	6V-8754	646
	117		163		275	6V-8757	505
	120		164	6V-5815	513		507
	121	6I-4012	424		516		513
	149		426		519		516
	180	6I-4068	224	6V-5842	485		519
	206	6I-4072	121		496		523
	224		313		559		525
	226	6I-4200	92		561		812
	307		95		563		814
6I-0289	319	6I-4374	149	6V-7238	79	6V-8939	611
	162		152		80	6V-9169	625
	163		166	6V-7357	213		510
6I-0293	224	6I-4709	32		365		743
6I-0363	120		178		385	6V-9189	187
6I-0423	92		227		387		992
	95	6J-1972	651		911	6V-9509	677
6I-0455	76		662		912	6V-9746	677
	237	6J-5733	651		914		697
6I-0456	333		662	6V-7742	460		699
	334	6K-4076	777		461	6V-9804	265
6I-0563	234		778		962		321
	259		779	6V-7970	632	6V-9843	701
	267		780	6V-8097	487	6W-5652	756
	268		790		498	6W-5656	756
6I-0572	117		794		513	6W-5677	756
	120	6K-9632	984		516	6W-5678	756
	157	6T-9142	503		519	6W-5679	756
	181	6T-9143	503	6V-8154	513	6Y-1192	505
	184	6T-9144	503		519		507
	397	6T-9145	503	6V-8200	720		523
	446	6T-9146	503	6V-8213	672		525
6I-0593	85	6T-9147	503		684	6Y-7929	505
	283	6T-9163	491		686		507
6I-0594	326		495		688		

PART NUMBER INDEX

Part	Page	Part	Page	Part	Page	Part	Page
7							
		7X-0872	692	8T-0389	370		645
7C-0351	79		694		371		671
	80	7X-2532	459		372		672
7C-4354	238	7X-2534	438		373		674
	945		451		619		690
	949		634	8T-0707	812		694
7C-4616	96		681		814		697
	99	7X-2535	611	8T-1114	812		699
	101	7X-2536	625		814		705
7I-8935	406	7X-2537	265	8T-1158	410		712
7J-9108	672		638		699		714
	674		677	8T-1580	487		723
	677		992		491		724
	697	7X-2538	796		494		727
	699	7X-2553	113		495		731
	709		604		498		754
7K-1181	193		605		503		883
	197		606		515		916
	248		607	8T-1581	505		918
	302		609		513		943
	304		611		516		945
	380	7X-4744	510		519		947
	382		743		527		949
	403	7X-6312	359	8T-1891	701		952
	436	7Y-1858	962	8T-1892	701	8T-4122	844
	451	7Y-7394	908	8T-2394	699		845
	455			8T-3647	636	8T-4133	302
	629			8T-4121	193		304
	686				195		367
	688				197		613
	692				215		690
	694	8C-3364	727		217		694
	697	8C-3982	559		219		709
	699		561		229		712
	712		563		232		714
	714	8C-6354	344		238	8T-4136	199
	943		353		240		229
	945	8C-8451	679		241		232
	949	8D-3791	756		242		238
	952	8E-8313	559		244		240
7M-8485	727		561		247		241
	738		563		248		242
7N-0718	428	8H-5303	428		302		244
	451	8H-5306	428		304		248
	455	8I-1362	193		328		302
7R-2750	347		195		329		304
	349		197		331		321
7R-2751	345	8I-3860	464		332		328
	347		471		367		329
7T-0094	349		476		368		404
7T-3195	487	8I-3959	679		369		440
	498		681		374		451
	505	8I-4641	440		401		455
	507	8J-2574	651		404		586
	513		662		406		588
	516	8L-2746	509		440		641
	519		510		451		672
7W-2326	153	8L-2777	165		455		674
	154	8L-2786	487		565		707
7W-2632	277		498		566		709
	316	8L-6565	574		567		712
	333		575		578		714
	334	8Q-2143	465		586		727
7W-4642	92	8Q-2150	465		588		735
7X-0622	751	8Q-6229	646		613		916
	752	8T-0075	701		619		918
7X-0632	217	8T-0269	59		622		943
	219		62		624		945
7X-0818	712		117		626		947
	714		121		628		952
	816	8T-0325	322		632		958
	818		838		634	8T-4137	193
7X-0820	628	8T-0328	405		641		195

8

PART NUMBER INDEX

Part	Page	Part	Page	Part	Page	Part	Page
	197		190		565		321
	215		197		566		385
	217		199		694		387
	219		217	8T-4199	248		522
	223		219	8T-4200	193		586
	247		221		197		588
	328		222		221		647
	329		238		366		692
	331		360		395		694
	401		361		406		812
	406		381		671		814
	440		400		838		820
	451		451		840	8T-4224	193
	455		455		899		197
	586		584		905		199
	588		601		949		215
	613		611		954		217
	622		613	8T-4205	215		219
	624		615		217		238
	626		616		219		244
	628		617		232		248
	671		618		238		265
	705		630		240		321
	947		635		241		338
	949		683		242		360
	952		697		323		361
8T-4138	213		699		365		366
	365		717		366		381
	366		881		374		395
	381		883		381		400
	382		899		383		406
	383		900		385		451
	384		901		387		455
	389		902		389		510
	451		903		403		565
	455		916		427		566
	586		918		438		581
	588		921		451		584
	624		925		586		601
	883		936		588		611
	890		949		611		613
	905		970		622		615
	912		971		624		616
	914		972		630		617
	918		973		634		618
8T-4139	229		974		679		620
	522		982		681		625
	586		995		753		630
	588		1000		871		632
	694	8T-4192	692		881		634
8T-4167	871		752		883		635
8T-4171	866		812		890		636
8T-4172	724		814		905		638
8T-4173	115		820		908		647
	116	8T-4193	600		912		648
8T-4177	338		820		914		671
8T-4183	113	8T-4195	229		916		677
	232		232		918		681
	752		368		922		692
8T-4184	385		369		923		694
	387		374		937		697
	998		586		955		699
8T-4185	302		588		956		707
	709		619		957		709
	883		632		959		721
8T-4186	222		634		960		724
	223		703		984		725
	302		712		986		838
	567		714		989		840
	645		727		990		881
	672		754	8T-4223	113		883
	674		883		114		899
	690	8T-4196	302		229		900
8T-4189	188		304		232		901

PART NUMBER INDEX

Part	Page	Part	Page	Part	Page	Part	Page
	902	8T-5092	822	8T-9535	111		765
	903		823	8T-9636	330	9V-6588	681
	908		824		336	9W-0844	342
	916		825				350
	918		826			9W-0852	6
	920		827				340
	921		828				349
	936		837				350
	939		839				352
	949	8T-5093	188	9F-5644	428		375
	954		190	9G-5127	485		458
	958	8T-5353	492		496	9W-1441	336
	966		494	9M-4814	302		438
	970		501	9M-8406	611	9W-1442	330
	971		515		705		438
	972	8T-5436	883	9R-1004	690	9W-3324	370
	973	8T-6868	582	9R-1005	690		371
	974		764	9R-4649	777		372
	982		765	9R-4668	794		373
	992		870		776	9X-1056	345
	995	8T-6869	265	9R-4675	821	9X-2040	701
	1000		681	9R-4676	792	9X-2133	193
8T-4647	375		709	9R-4677	718		195
8T-4648	692		920	9R-4678	718		197
	694		921	9R-5205	774	9X-2230	491
8T-4776	717	8T-6870	620		777		492
8T-4896	756	8T-6895	625		790		495
8T-4908	188	8T-6912	451	9R-5206	774		501
	190		455		777	9X-2480	242
	193	8T-7329	632		790	9X-3401	340
	197		677	9R-5271	794		341
	215	8T-7524	217	9R-5294	821		342
	217		244	9R-5313	774		343
	219		245		777		344
	581		420		781		347
	647		725		790		349
	648	8T-7547	215		821		353
	692		217	9R-5320	774		416
	694		219		790	9X-3402	344
	721		630		792	9X-6032	723
	724		707		845	9X-6155	912
	752		725	9R-5786	794	9X-6615	510
	755		992	9R-5832	774	9X-6772	360
	936	8T-8442	498	9S-4181	727		361
	945	8T-8729	370	9S-4183	725	9X-7345	451
	958		371	9S-4190	322		455
8T-4910	232		372		491	9X-8250	692
8T-4956	321		373		494		694
	385		733		495		712
	387	8T-8730	343		515		714
8T-4970	215		344	9S-4191	485		945
	217	8T-8737	6		492	9X-8257	114
	219		340		496		115
	232		341		501		116
	248		342		503		604
	908		343		559		605
8T-4971	385		344		561		606
	387		345		563		607
	403		347	9S-8004	501		608
	451		348	9T-2212	651		609
	455		349		662		611
	871		350	9T-4007	651		648
	881		351		662		820
	883		352	9T-4008	662		
	959		353	9T-4009	662		
	960		370	9U-8875	505		
8T-5005	367		371		507		
8T-5041	822		372		523		
	823		373		525		
	824		458	9V-2714	756	005-0469	487
	825	8T-8902	611		764		498
	826	8T-8998	905		765	005-0471	487
	828		923	9V-2715	756		498
	837		937		764		523

9

0

PART NUMBER INDEX

Part	Page	Part	Page	Part	Page	Part	Page
	525		312	112-2095	213	123-8909	507
030-8491	302	100-4838	396		914		527
032-9090	44	100-4841	94	112-7704	270	123-8910	487
032-9091	44		105	113-1504	152		498
033-7687	89		106	113-8129	208		507
	91	101-3771	117	113-8490	330	124-0506	29
034-1432	232		120		438		33
	260		204	113-8493	336	124-3536	122
	302	101-3895	30	116-6159	345		124
	304		31		347		125
035-8063	227		96	116-8517	188	124-3815	99
035-8068	55		99		190		101
067-3045	158		101		199		121
067-6002	48		104		222		224
	55		119		223		226
067-6006	49		156		229		267
	55		183		232		270
067-6043	49		204		321		307
	55		307		328		410
067-6070	423		319		329		411
067-6135	25	101-3917	307		703	125-2627	341
	36	101-4411	866		707	125-7874	353
	40	101-4412	866		709	126-1767	344
	42	101-4413	866		735		353
	44	101-4414	866	117-1385	485	126-1768	344
	46	101-7178	237		496	126-3212	82
067-6179	96		318	118-1974	794		103
	99	101-7541	991		795	126-9093	285
	101	102-2073	103	118-1979	794	127-2909	755
067-6213	117	102-2075	103	118-1980	794	127-3361	158
	120	102-2076	103	118-7110	845	127-8609	358
067-6823	128	102-2078	103	118-9145	484	128-4123	347
	130	102-8705	681	119-5025	914	128-5016	341
081-6352	690		816	120-9051	736		347
085-8091	626		818	120-9054	736		352
091-7473	344	102-8801	345	120-9762	487	130-9888	149
095-0742	401		347		498		152
095-0880	991		349	121-0694	505	131-3539	991
095-1390	195		352	121-0883	92	132-3056	725
096-5866	217	102-8802	733		95	132-5789	248
	219	102-8805	370		134		302
096-5969	400		371		425		304
	405		372	121-2500	505		440
097-5154	465		373		507		451
099-6418	256	103-2529	302		523		455
	414		304		525		485
		103-5705	30	122-1883	513		496
			31		516		945
		104-7622	341		519		947
		105-3478	404	122-1886	525		949
		105-3479	729	122-3652	492		952
100-3751	96	105-3480	431		501	133-1011	96
	99		725	122-4382	347		99
	101	105-3487	406	122-4401	341		101
	180		671	123-1373	328	133-3413	358
	237	106-3887	592	123-2899	109		359
	275	106-8916	204		176	133-4409	592
100-3752	313		252		237	133-6517	358
100-4336	302		268	123-2920	492		359
	304	106-9387	775		501	133-7442	302
	451		793		505		304
	455	106-9586	510		523	134-8626	741
	945		743		525	135-6362	187
100-4458	175	107-2348	250	123-8905	525	135-6363	187
	283	110-5059	983	123-8906	498	136-4184	697
	300	111-0859	87	123-8907	507		699
	307		88		513	137-6645	485
	316		119		516		496
100-4461	169		324		519	137-9775	614
	172		327	123-8908	491		744
	326	111-3422	313		494	141-0888	744
100-4830	82	111-3423	313		495	141-2759	330
	101	111-8222	226		503		438
	103	112-1775	794		515	142-2304	908
						142-8937	724

1

PART NUMBER INDEX

Part	Page	Part	Page	Part	Page	Part	Page
144-0195	984	156-3691	690		789	185-7149	313
145-4911	89	156-6964	157		803	186-5838	▶790
	91	157-3584	342		812	187-5086	694
147-0209	509		343		814	187-7395	774
	510	157-4835	803	169-0705	344		781
	▶743		812		347	188-5102	63
147-0232	503		814	169-3943	764		64
147-0238	505	159-8035	867		765	188-6161	▶679
	507	159-8038	775		870		775
	523		793	169-3945	▶764		793
	525	159-9495	438		765	188-8391	992
147-5553	234		442	170-5121	635	189-3650	679
	267		443	170-5632	331	191-8303	485
148-2270	385		444		332		496
	387	159-9496	352		427	192-9207	285
	▶614		438	170-8555	115	194-5390	268
148-6596	1000		442		116	195-0189	▶370
148-6598	1000		443	172-5317	505		387
148-8319	690		444		507	195-0190	▶371
148-8336	679	160-0064	646		523		387
	681	160-4129	812		525	195-0191	▶372
	701		814	174-2844	600		385
148-8338	701	160-4657	814	175-4390	328	195-0192	▶373
148-8345	679		820	175-7141	312		385
	681	160-4658	646		426	195-7657	485
148-8373	727	160-4659	812	175-7739	624		496
148-8408	725		814	176-1031	▶777	195-9245	29
148-8410	322	160-8742	513		790		30
148-8434	701		516		791		33
149-6549	592		519	177-3350	777	196-2385	345
150-3067	638	161-3357	975	177-3351	777	196-5486	215
150-3072	677		976	177-3868	736	196-7729	341
152-5717	679	161-9820	21	178-0119	780	197-7261	349
	681		324	178-0120	780	198-3899	908
152-5718	679		327	178-0121	779		939
	681	162-6816	635	178-0122	779	198-8262	82
152-6578	326	163-3101	812	178-0123	778		103
152-9860	142		814	178-0124	778	198-8263	82
	144		820	178-2510	319		103
153-0983	272	163-4261	▶774	178-3336	178	199-9252	410
153-2994	672	163-4265	▶775		242		411
	674	163-4284	775		275	199-9267	410
	679		▶776		277		411
	681		793		313	199-9751	52
	683	163-4286	776		328		68
	684		▶792		329		224
	686	163-4289	792	178-8164	559		411
	688		▶795		561		419
	690	163-6283	812		563		
	768	164-5567	217	178-8169	485		
	875		219		496		
153-2995	672		611	178-9983	367		
	674		727		401		
	681		729		908	202-0313	347
	683		731	179-2801	464	202-0315	347
	684	164-5572	636		471	202-8285	677
	686	164-7468	283		477	203-8977	352
	688		324	179-4324	385	203-8999	352
	690		327		387	203-9000	352
	768	164-9425	936	179-8593	464	203-9001	352
	875	164-9989	867		471	203-9007	352
154-2704	775	165-7019	113		477	204-5258	866
	789		114	180-3516	764	204-5259	866
154-4378	614		586	180-7826	870	204-5260	866
155-2260	341		588	180-7827	870	204-5261	▶866
	345	166-0321	744	184-7211	193	204-7274	636
	347	166-3777	585		195	204-7464	147
	348		904		197	205-3686	104
	349	167-2186	651	185-0884	49	205-9362	345
155-2270	736		662		55		347
155-2271	344	167-2294	651	185-1839	▶662	206-1345	353
	348		662		776		404
	353	168-8389	764	185-1860	353		984
155-7327	701		775	185-6627	226	206-1826	410

2

PART NUMBER INDEX

Part	Page	Part	Page	Part	Page	Part	Page
206-2423	440	223-8913	778	227-5749	812	234-1858	341
206-6410	686	223-8914	789		814	235-0354	662
	688		▶842	227-5751	812	235-1061	103
206-9480	842	223-8922	▶779	227-5754	812	235-1063	103
208-8469	912		788	227-5756	812	235-2662	▶646
209-3768	518	224-5065	803	227-6676	▶701		812
209-9219	52		▶820		776		814
	54	224-5066	820	228-6052	370	235-2663	▶690
210-0066	672	224-5072	820		371		812
	684	224-5079	820		372		814
	686	224-5082	820		373	236-5539	445
	688	224-5083	▶645	228-6054	370		446
210-8277	940		803		371		449
210-8314	352	224-5084	645		372	238-0112	410
210-8332	940	224-5087	645		373	238-0120	411
210-8334	940	224-5091	645	228-6056	370	238-5080	510
211-1389	672		▶651		371	238-5084	727
	674	224-5092	▶681		372	238-6532	487
211-9032	684		803		373		499
	686	224-5093	681	228-7089	163		559
	688	224-5094	681		164		561
211-9462	600	224-5311	651		307		563
212-3350	733	224-5312	651	228-7090	721	238-7563	487
213-3263	991	224-6211	▶780		723	238-7564	487
213-4575	940		787	228-7100	283		498
213-4578	▶940	224-6212	779	228-7102	278		509
	980		780	228-7103	418		510
213-8351	341	224-6213	843		510	238-8245	344
214-3203	103	224-6526	787	228-7105	632	238-8288	226
	133		788	228-9502	681	238-8292	252
	121		▶843	229-0582	▶975	239-7352	344
214-3281	217	225-5438	124	229-0583	▶976	241-6157	283
214-7568	219		125	229-9714	▶756	243-3811	32
	416	225-5501	75	229-9715	756	243-4278	89
	611	225-6041	117	230-4011	344		91
	727		120		345	245-1043	353
	729	225-6522	151		347	245-1044	353
	731	225-6524	132		349	245-1048	353
215-3790	423		151		353	246-2641	578
215-9632	975	225-7738	208	230-5008	347		1023
	976	225-7941	167	230-7001	781	246-4361	283
216-8314	42		168	230-8094	62		307
	44	225-7944	181		120	247-1385	221
	46		184		121	247-2717	44
217-0099	333	225-8019	208	231-3229	▶814	247-4928	283
217-5888	341	225-8287	99	231-3230	814		301
	352	225-8524	249	231-9308	812	247-8195	349
217-9039	344		268	232-1322	52		352
	353	225-8526	249		68	249-0974	184
	411		268		224	250-1477	667
	423	225-8530	229		419		744
	445	225-8858	55	232-1693	445	251-3227	221
	449	226-2754	991		446	251-4336	101
219-3270	▶358	226-4560	370		449	252-1456	▶863
	360		371	232-3657	99	252-9051	792
219-3271	358		372	232-3666	96		▶821
219-3272	▶359		373		99	252-9088	821
	361	226-4561	370		101	254-3633	445
219-3273	359		371	232-3751	181		446
219-4562	632		372		184		449
219-6331	672		373	232-7449	52	256-6454	217
	684	226-6494	688		54		219
	686		▶733	232-7596	49		244
	688	226-8202	651		55		245
220-2608	963		662	232-7597	49		360
220-4049	959	226-8766	101		55		361
	960	226-8767	101	232-7599	49		411
220-4050	959	227-0056	949		55		418
220-4759	▶787	227-0136	632	232-7724	683		420
220-4760	▶788	227-2000	701	233-2944	756		510
220-4761	▶789	227-2001	701	233-9436	129		725
222-6210	▶803	227-2002	701		131		731
223-8912	▶778	227-2004	701	234-1457	690	257-8403	▶956
	789	227-5748	▶812	234-1857	341		957

PART NUMBER INDEX

Part	Page	Part	Page	Part	Page	Part	Page
260-3939	449		101	297-7077	816	298-1807	463
260-6673	672	277-4223	82		818		470
	674		313	298-0414	674	298-1808	463
262-1618	317	277-4409	423	298-0462	731		470
264-3627	332	277-4993	283	298-0463	634		476
	578		307		638	298-1811	463
264-5726	741	277-9938	283		642		470
265-4123	345	278-0361	254		676	298-1812	463
	347	278-3242	208		677		470
266-5360	579	278-5111	139		729	298-1813	463
	582	278-5112	139	298-0464	217		470
	692	278-5113	139		219		476
	694	278-5126	25		684	298-1814	512
267-7207	353	278-5170	295		686	298-1816	472
267-7208	353		296		688	298-1819	472
267-9572	349	278-5203	333	298-0466	672	298-1820	472
	353		334		677	298-1821	472
268-5612	193	278-5226	410		719	298-1822	472
	247	279-9651	109		727	298-1825	464
268-6677	449	280-1912	139	298-0468	199		471
269-3086	268	280-1913	139	298-0470	711		477
	949	280-1914	139		729	298-1853	463
270-1784	344	280-2651	912	298-0471	636		470
	353	281-1784	401	298-0472	634		476
274-1639	410	281-3133	344	298-0473	727	298-1854	471
	411	281-8744	176	298-0474	636	298-1857	464
274-4553	505	281-8751	81		638		471
	507	281-8801	344	298-0475	188		476
	523	281-8802	411		217		478
	525	281-8803	344		219	298-1863	464
274-4559	510	281-8804	344	298-0476	199		471
	574		353		201		477
	575	281-8805	416		696	298-1865	463
274-4560	510	281-8811	348		697		470
	574	283-4148	88		699		476
	575	285-9066	731	298-0487	642	298-1877	463
274-4990	353	286-0123	312	298-0490	636		470
274-8267	349	286-0867	510	298-0491	201		476
275-2428	423		574		696	298-1878	465
275-9891	162		575	298-0493	611		472
	163	286-2890	283	298-0496	712		477
	164		301		714	298-4527	65
276-5603	52	286-7845	85		719	298-4528	63
	411		87	298-0503	674		64
276-5604	52	286-7851	252	298-0507	611		65
276-5605	106	287-8597	92		620	298-4533	139
276-7394	34		95		694		145
	35	289-8336	88	298-0530	229	298-4558	180
	42	289-9555	510		232	298-4560	180
	44	291-4146	94	298-0549	880	298-4570	254
	46	291-6570	292	298-0576	754	298-7242	692
276-7478	122	292-2896	344	298-1610	626		694
276-8116	65		353		628	298-7311	542
276-8117	63	293-1875	283	298-1612	816	298-7356	686
	64	294-9810	505		818		688
	65		507	298-1758	232		949
276-8123	145		523	298-1799	463	298-7357	735
	148		525		470	298-7358	620
276-8133	145	294-9812	505		476		717
	148		507	298-1800	465		727
276-8134	70		523		472		729
276-9200	111		525		477	298-7363	880
	139	295-4670	283	298-1802	463	298-7387	193
276-9201	111		301		470		195
	139	295-6661	68		476		197
276-9206	139		70	298-1803	463		221
276-9207	111		72		470		688
	139		75		476		755
276-9230	139	296-5747	629	298-1804	463		883
277-2923	208	297-7010	880		470	298-7392	816
277-2925	208	297-7015	565	298-1805	463	298-7430	472
277-3012	99		566		470	298-7438	638
	101	297-7033	816	298-1806	463	298-7867	472
277-3013	99		818		470	298-7868	464

PART NUMBER INDEX

Part	Page	Part	Page	Part	Page	Part	Page
	471		478		455		369
	477	299-7134	463		622	305-2108	368
298-7870	472		476		905		369
298-7873	464	299-7170	463	303-4939	1028	305-2109	368
	472		470	303-4941	1028		369
	477		476	303-4942	1028		374
298-7884	247			303-4943	871	305-2110	686
298-8186	472				1028		688
298-8187	472	3		303-4946	1028	305-5426	464
298-8188	472			303-4948	1028		471
298-8189	472			303-4949	1028		477
298-8191	465	300-6078	749	303-4955	368	305-5502	341
	472		784	303-4956	368	306-2337	149
	477		805	303-4957	798		152
298-8194	464		807		816	309-2963	735
	471		816	303-4958	799	309-2978	883
	477		818		818	309-2979	998
298-8195	464	300-6079	749	303-4963	1007	309-2982	81
	471		784		1011		629
	477		805		1014		705
298-8295	477		807		1025		706
298-8300	464		816		1028		711
	471	300-6096	217	303-4969	341		949
	477		219		342		952
299-0196	478		697		343	309-2986	632
299-0197	478	300-6714	333		345	309-3992	458
299-0205	464		334		347	309-3996	385
	471	301-7012	411		349		387
	477	301-8255	268		351		400
299-0206	464	301-8256	254		352		458
	471	301-9752	▶850		400		986
	472	301-9752	▶851	303-4970	405	309-3997	193
	477	301-9753	▶852		340		195
299-0207	464	301-9754	▶853		341		197
	471	301-9755	▶847		342		215
	472	301-9756	▶798		345		217
	477	301-9757	▶799		347		219
299-0235	463	301-9758	▶799		348		221
	470	302-1606	563		349		222
	476	303-4741	798		352		242
299-0236	463		799	303-4971	345		611
	470		811		347		709
	476		816	303-4988	798		712
299-0240	472		818		799		714
299-0285	656	303-4754	731		811		752
299-0308	656	303-4755	620		816		881
299-0309	881	303-4756	632		818		883
299-0320	345		714	303-5002	242		899
299-0334	954	303-4759	199	303-8559	608		905
299-0341	997		706	303-8599	238		925
299-0348	347		707		302		945
	348	303-4760	611	304-2241	463	309-4001	195
299-0354	889		729		470	309-4002	238
	1025		816		476	309-4311	816
299-0471	721		818	304-2566	880		818
299-0520	463	303-4762	706	304-2603	463	309-4312	816
	470		707		470		818
	476	303-4777	400		476	309-4318	816
299-0789	512		438	304-2604	451		818
299-0821	463		458		455	309-4320	816
	464	303-4779	22		725	309-4321	818
	470		401	304-3220	512	309-4322	816
	476		883	304-3221	512		818
299-0827	464		890	304-3222	463	309-4323	816
	471		914		470		818
	476		986		476	309-6344	632
299-5511	145	303-4782	798	304-3223	512	309-6350	611
	148		799	304-3231	470	309-6355	712
299-6644	638		811	304-3232	463		714
	686		816		470	309-6362	611
	688		818		476	309-6455	952
299-7103	464	303-4787	248	304-4582	512	309-6678	145
	471		403	305-2095	345		148
	476		451	305-2107	368	309-8533	871

PART NUMBER INDEX

Part	Page	Part	Page	Part	Page	Part	Page
309-9182	▶868	314-5322	1007		40	322-8060	980
309-9184	451		1011	317-5487	44	322-8061	980
	613		1014	317-5982	669	322-8065	980
	688		1025	317-5987	193	322-8067	940
	692	314-5324	1007		195	322-8069	940
	694		1011		197	322-8071	940
	936		1014		692	322-8073	940
309-9185	647		1025		694	322-8080	983
	650	314-5326	1007	317-6373	729	323-5605	398
	692		1011	317-6379	395		964
	694		1014	317-7012	193	323-5612	839
	822		1025		197	323-5615	1007
	823	314-5545	672	317-8720	622		1011
	824		674	317-8726	427		1014
	825		735	318-7351	751		1025
	826	314-5567	368		752		1028
	827		369	318-7355	755	323-5620	894
	828		374	319-7658	672	323-5622	677
	837	315-3384	25	319-7671	642		699
	839	315-3638	755	319-8426	24		735
309-9192	796	315-3760	992	319-9361	96	323-5623	827
310-8520	75	315-3761	992	320-3060	410	323-5629	986
311-2854	▶848	315-3763	992		411	323-5644	395
311-3901	292	315-3767	992	320-3061	411	323-5646	380
311-3903	292	315-3786	955	320-3062	410		381
311-8219	538		▶957		411		389
	539	315-3805	995	320-3063	411	323-5648	374
	555	315-3812	984	320-7149	295		385
	556		994	320-7883	754		387
	557		996	320-8616	297	323-5649	374
	558	315-3850	986	320-8617	297		385
311-8220	541	315-3901	912	321-0556	▶869		387
	547		914	321-2383	149	323-5737	▶849
	548	316-1999	188		152	323-7222	649
	549		717	321-5594	92	323-7223	624
	550	316-5553	822		95	323-7233	986
	551		823	321-5595	92	323-7236	340
	552		824		95		341
	553		825	321-6131	19		375
	554		826		20	323-7237	351
311-8221	540		827	321-8927	324		352
	544		828	321-8928	327		400
	545		837	321-8952	324		405
312-3282	427		839		327		436
	630	316-5554	822	322-0640	464	323-7256	1007
	908		823		471		1011
312-3332	380		824		477		1014
	381		825	322-0641	464		1025
	389		826		471	323-7257	1007
312-3345	113		827		476		1011
312-3348	719		828	322-4110	111		1014
313-5544	507		837	322-4120	63		1025
	523		839		64	323-7262	1007
	525	316-7999	369	322-4838	347		1011
314-5315	1007	316-8000	369		349		1014
	1011	316-8038	374		352		1025
	1014	316-8039	374	322-5944	▶597		1028
	1025	316-8073	660		604	323-7265	195
314-5316	1007	316-9351	157		607		986
	1011		158	322-5945	▶598	323-7347	445
	1014		227		605		446
	1025		339	322-5946	606		449
314-5318	1007		344	322-5947	▶599	323-7381	▶538
	1011		353		609	323-7401	▶539
	1014		449	322-5951	606	323-9312	122
	1025	316-9551	549		609		124
314-5319	1007		550	322-5995	977		125
	1011	316-9552	551		978	324-0444	99
	1014		552	322-5996	977		101
	1025	317-2236	292		978	325-4374	96
314-5321	1007	317-3270	395	322-8032	1017	325-4927	398
	1011	317-5485	38	322-8051	995		964
	1014		40	322-8057	983	325-4928	894
	1025	317-5486	38	322-8059	983	325-7701	323

PART NUMBER INDEX

Part	Page	Part	Page	Part	Page	Part	Page
325-9568	341		117	331-7316	94		501
326-0477	109	329-7312	1003	332-0137	34		503
326-1178	193	329-7884	14	332-0905	62		559
	195		▶92	332-3058	367		561
	197	329-7900	14	332-4634	14		563
	265		▶89		▶173	334-5841	487
	949	329-7919	15	332-4667	14		498
326-1976	998		▶424		▶79	334-5864	347
326-1997	▶797	329-7945	14	332-7540	238	334-5867	345
326-1998	809		▶117		240		347
	▶854	329-7997	14		241	334-5870	341
	804		▶135		242		342
326-1999	804	329-8098	14	332-7624	272		352
326-2013	▶804		▶1001	332-7865	445	334-5871	341
326-4516	339	329-8386	14		446		345
326-7289	29		▶153		449		347
326-9028	622	329-8409	14	332-9700	334		348
326-9053	1005		▶1002	333-0736	630		349
	1006	329-8421	14		949		352
327-1749	939		▶96	333-5465	122		436
327-5313	652	329-8428	14	333-5572	600	334-5872	341
327-5534	302		▶82	333-7914	14		349
	692	329-8435	14		▶204		350
	694		▶169	333-8052	33		352
327-6271	869	329-8473	14	333-8792	385	334-5873	6
327-6272	869		▶167		387		342
327-6277	807	329-8482	14	333-8793	385		349
327-6285	749		▶128		387		350
327-6307	652	330-1714	82	333-9770	832		458
327-6308	652	330-1725	21		834	334-5874	341
327-6309	652	330-3036	313	333-9774	830		342
327-6310	652	330-3037	509		834		343
327-6311	652	330-4258	683	333-9776	834		347
327-6312	652	330-4301	1007	333-9849	830		349
327-6314	652		1011	333-9850	830	334-5875	352
327-6317	869	330-4304	1028	333-9852	830	334-5876	341
327-6318	869	330-4773	683	333-9855	830		351
327-6325	749	330-5898	167	333-9856	830	334-5879	342
	807		168	333-9857	830		349
327-6328	807	330-8103	193	333-9860	830	334-6623	507
327-6329	749		195		832	334-6641	487
	807		197	333-9864	830		498
	875		265	333-9866	830	334-6649	487
327-6330	749		302	334-0451	830		498
	875		304		832	334-6652	523
327-6331	652		692	334-0453	830		525
327-6333	807		694		832	334-6658	487
327-6335	869		694	334-0456	834		498
327-6739	522	330-8325	611	334-1073	195	334-6668	507
328-7288	879		719		304	334-6676	505
328-7289	879		816	334-3059	492	334-6678	527
328-7290	878		818		501	334-6764	518
328-7291	878		14		503	334-6837	527
328-7292	879	330-9652	59	334-3553	487	334-6846	487
328-7293	878		▶105		498		498
328-7837	313	330-9723	283	334-3562	487	334-6849	518
328-9686	725	330-9726	632		498	334-6859	523
328-9688	248	330-9847	181	334-3567	518	334-7232	318
	328	331-1571	401	334-3570	487	334-7395	505
	697	331-1572	401		498	334-7399	507
	699	331-3797	82	334-3575	521	334-7402	485
328-9691	635	331-3890	302		521		496
	714		672	334-4206	518	334-7404	485
329-3604	908		674	334-4921	518		496
329-3606	592		703	334-4963	492		▶518
329-3613	755	331-4387	229		501	334-7407	507
329-3617	1007		232		503	334-7415	507
329-3624	579		49	334-4979	492	334-7416	505
329-3638	401	331-6835	104		501		523
329-3645	458	331-6839	716		503		525
329-3645	458		313		507	334-7417	505
329-3663	908	331-6841	424	334-5131	485	334-7418	513
329-3664	908	331-7010	426		492		516
	938				496		519
329-3796	105						
329-5230	59						

PART NUMBER INDEX

Part	Page	Part	Page	Part	Page	Part	Page
334-7427	519	334-7562	487	336-2804	85	340-8979	871
334-7428	519		498	336-3689	738	341-0643	417
334-7438	487	334-7563	523	336-5439	142	341-3075	936
334-7439	521		525	336-5446	142	341-3566	307
334-7440	513	334-7564	505	336-5447	142	341-4028	42
	516	334-7566	507		144		44
	519	334-7568	507		144		46
334-7441	494	334-7572	507	336-5469	496	341-7110	736
	515	334-7573	507	336-7526	574		741
334-7442	559	334-7574	507		575	341-7590	583
	561	334-7576	507	336-7529	574		586
334-7443	487	334-7577	507		575		588
	498	334-7578	507	336-7619	960		905
334-7444	505	334-7579	507	336-7700	193		914
	507	334-7581	507		197		986
	523	334-7582	507	337-3905	313	341-8536	295
	525	334-7583	487	337-6264	638	342-0434	894
334-7448	507		498	337-6457	937	342-0438	894
334-7449	505	334-7603	487	337-7304	232	342-1306	96
334-7450	521		498	337-8032	14	342-3782	283
334-7452	505	334-7604	487		129	342-3830	492
	507		498	337-9647	217		501
334-7453	523	334-7605	487	338-1402	36	342-3862	628
	525		498		38	342-6508	40
334-7459	513	334-7608	487		40	343-5908	234
	516		498	338-9479	14	343-5964	63
	519	334-7611	487		162		64
334-7485	491		498	338-9595	111	343-7429	908
	492	334-7615	487	338-9997	880	343-7928	672
	495		498	338-9998	877		684
334-7486	523	334-7624	487	338-9999	877		686
	525		498	339-0000	877		688
334-7492	559	334-7625	487	339-1048	156	343-9736	877
	561		498	339-2997	14	343-9737	878
334-7500	487	334-7627	487		85	343-9738	879
	492		498	339-4396	816	344-1686	344
334-7502	559	334-7629	487		818		353
	561		498	339-4397	816	344-4775	423
334-7503	487	334-7638	487		818	344-5673	366
	498		498	339-5858	14		871
334-7505	487	334-7649	487		24		957
	498		498	339-8047	749	344-5674	360
334-7523	487	334-7659	505	339-8780	34		641
	498		507		35		671
334-7524	559	334-7682	503		42	344-5675	883
	561	334-7684	503		44		947
	563	334-7693	492		46		949
334-7525	513	334-9333	44	339-8822	411	344-7219	174
	516	334-9334	135	339-8840	998	345-0835	272
	519		137	339-9637	145	345-4153	318
334-7526	559	335-2233	841		148	345-6605	267
	561	335-2234	841	340-0571	96	345-7560	608
334-7527	559	335-4870	600	340-2293	699	346-0006	312
	561	335-5330	96	340-4933	699	346-0007	312
334-7531	509	335-7585	79	340-4934	697	346-0407	99
	510		80		699	346-0408	99
334-7532	505	335-8056	1007	340-5927	699		101
	569		1011	340-5953	784	346-2972	855
	571		1014		816	346-2973	846
	572		1025		818	346-2974	846
334-7541	527		1028	340-5954	784		855
	569	335-8059	880		816	346-2975	846
	571	335-8065	880		818	346-4197	14
	572	335-8066	880		875		36
334-7556	523	335-8077	880		875		38
	569	335-8080	880	340-8975	880	346-4709	145
	571	335-8098	880	340-8976	877	346-4712	142
	572	335-8269	138		878	346-4772	140
334-7558	521	335-8270	135		879		141
334-7559	559		137		880	346-6185	234
	561	335-8611	249	340-8977	880	346-8219	1005
334-7560	487		250	340-8978	880		1006
	498	336-1294	21				

PART NUMBER INDEX

Part	Page	Part	Page	Part	Page	Part	Page
	1024		▶325	355-5592	14		293
346-9507	272	350-1569	16		▶234	360-8960	279
347-1645	684		▶170	355-7044	14	360-9027	309
	686	350-1802	16		▶70	360-9028	310
	688		▶255	356-1124	14	360-9030	309
347-2165	313	350-1826	16		▶252	360-9031	310
347-3429	307		▶108	356-2911	341	360-9034	309
347-4584	384	350-1959	16		342		310
	389		▶202		343	360-9061	▶309
347-4596	990	350-2524	477		345		318
347-4597	990	350-3745	16		347	360-9062	▶310
347-5373	923		▶51		348		318
	937	350-3746	16		349	361-0841	181
	963		▶39	356-4035	▶249	361-1224	14
	988	350-5188	16		267		▶280
347-6547	14		▶118	356-4036	249	361-1225	181
	▶132	350-5644	16	356-4042	250	361-1562	14
347-8645	301		▶205	356-4590	157		▶289
347-9981	157	350-6268	14	356-7156	14	361-1758	156
348-0495	283		▶19		▶181	361-1777	156
348-1612	720	350-8571	476	356-7282	14	361-2883	15
348-2822	107		▶512		▶157		▶318
348-8082	165	350-8573	465	356-7409	14	361-3488	446
348-8510	597		477		▶224	361-4910	406
	598	350-8959	62	356-8242	234	361-6344	307
348-8512	597	351-2098	164	356-8338	157	361-7141	325
348-8513	597	351-2099	162	356-9640	63		▶326
	598	351-2100	162		64	361-7346	278
348-8514	597		163	357-0147	29	361-7347	▶278
348-8515	597	351-7528	529		149		317
348-8516	598		530	357-0617	156	361-7402	307
348-8517	599		531	357-0646	252	361-7519	254
348-8518	599		532	357-3355	156		259
348-8608	165		533	357-6165	351	361-7856	▶352
348-9331	272		534	357-6217	703		367
348-9442	529		535	357-7345	224	361-7866	118
	530		536	357-7346	224		▶119
348-9443	542		537	357-7350	224	361-7867	118
	577		577	357-7350	224	361-7883	425
348-9444	531	351-8228	▶48	357-8722	174	362-0555	83
	532		49	357-9545	307		▶84
	535	351-8229	▶49	358-2583	313	362-2100	807
349-1835	252		52	358-7592	252	362-2102	807
349-2761	▶174	351-9797	15	358-8132	107		875
	204		▶142	359-0719	124	362-2103	807
349-4716	▶111	352-7822	181		125	362-2104	707
	142		▶484	359-1310	33	362-2106	749
349-4729	111	353-3477	268	359-4462	252		807
349-4732	111	353-3478	268	359-5885	231	362-2107	807
	▶140	353-7423	44		232	362-2108	807
349-4733	111	353-7424	44		260	362-2111	749
	▶141	353-7425	44	359-6302	446		807
349-7415	16	353-7426	44	360-1731	260	362-2112	807
	▶93	353-7715	180	360-1978	40	362-2113	807
349-8256	741	353-7717	▶180	360-3680	510	362-2114	807
349-9649	16		184	360-3986	122	362-2115	807
	▶90	353-8578	204		124	362-2116	807
350-0562	16	353-9607	▶63		125	362-2117	807
	▶425		72	360-3988	38	362-2118	807
350-0644	16	353-9662	▶64		40	362-2119	807
	▶86		70	360-4063	224	362-2120	▶652
350-1044	14	354-7356	764	360-4064	224		807
	▶107		775	360-4065	224	362-2121	652
350-1054	16	355-0632	317	360-4066	224		807
	▶179	355-2495	252	360-5450	307	362-2122	807
350-1102	16	355-3486	1005	360-5695	307	362-2148	830
	▶136		1006	360-5696	157	362-2915	156
350-1117	16	355-3530	14	360-7817	14	362-3760	834
	▶134		▶52		▶156	362-3765	834
350-1459	14		59	360-8054	446	362-3768	834
	▶324	355-4951	16	360-8847	136	362-3821	341
350-1474	16		▶83	360-8958	▶279	362-4935	348
	▶186	355-5048	14		281		349
350-1486	16		▶28		287	362-5031	446

PART NUMBER INDEX

Part	Page	Part	Page	Part	Page	Part	Page
362-5412	279	369-7799	296	377-9003	▶300	384-4080	74
	281	370-6891	70		306		▶144
	287	370-6892	70	377-9082	19	384-4082	▶72
	293	370-8363	313		20		74
	294	370-8376	279	377-9255	21	384-4902	7
362-6352	6		293		85		▶73
	341	371-2691	312		87	384-4906	73
	458	371-3354	224	377-9560	632		▶74
362-6353	341	371-5658	307	377-9597	635	384-8512	304
362-6360	349	371-8057	96	377-9847	7	385-1174	411
	352	371-8062	96		15		▶417
362-6742	341	371-8298	87		▶418	385-1398	283
362-8011	341	371-8537	345	378-9703	403	385-1422	178
362-8013	341		347	378-9763	505	385-1451	134
362-8040	341	372-0494	84		507	385-1649	27
362-8041	341	372-4967	170	378-9766	507		94
362-8205	292		▶171		523	385-3595	463
362-9021	234	372-8164	16		525		476
362-9401	232		▶306	378-9814	519	385-3597	463
	260	373-0282	▶149	378-9815	519		470
362-9689	281		150	378-9816	519		476
	287	373-7250	7	378-9817	495	385-3598	470
	293		14	379-2999	134	385-3606	463
	294		▶260	379-3061	159		470
363-0171	82	373-9526	281	379-3064	159	385-3607	463
363-0559	36		414	379-3066	159		470
	38	373-9785	121	379-3111	119	385-3608	463
	40	374-2640	333	379-3141	57		470
363-3084	1006	374-4419	208	379-3142	56	385-3609	463
363-3890	24	374-6307	224		57		470
363-5813	158	374-6765	202	379-3144	57	385-3620	463
363-8035	260		▶203	379-3145	57		476
363-9725	119	374-7352	816	379-3146	57	385-3639	465
364-5145	36		818		69		477
	38	374-7353	816	379-3147	57	385-4313	24
	40		818	379-3158	56	385-5360	322
364-5356	▶856	374-8331	347	379-3163	56	385-9059	43
364-5843	▶40	374-8332	344	379-3164	56	385-9063	43
	59	375-0099	816	379-3314	94	385-9077	27
365-2985	21		818	379-4372	632	385-9082	178
365-5772	344	375-0351	224	380-1659	204	385-9087	178
365-5773	344	375-1397	▶277		▶207	385-9093	326
365-5774	344		306	380-2065	124	386-0145	464
365-7861	735	375-1424	422		125		471
365-9915	883	375-2016	816	380-2622	88		477
366-8853	55		818	380-9615	29	386-0153	414
366-9821	16	375-2647	▶311		30	386-0154	414
	▶290		312	381-1799	1024	386-0163	414
367-2071	231	375-6292	▶816	381-3316	507	386-0164	414
	232	375-6293	▶818	381-3317	507	386-0166	414
367-6033	205	375-6294	816	381-3502	▶253	386-1864	283
	▶206		818		269	386-1910	275
367-6363	294	375-6988	319	381-3504	69	386-1911	149
367-6694	▶655	375-8190	90	381-3510	66		270
	840	375-8223	94		104		275
367-6788	▶175	375-8254	311	381-3513	43	386-1919	396
	205	375-9272	92	381-3514	43	386-1921	104
367-6803	446		95	381-3515	27	386-1922	104
367-9085	▶281	376-1398	161	381-3938	159	386-1927	175
	282		238	381-3940	90	386-2061	147
368-3140	345	376-4078	34	381-9267	446	386-2062	147
368-3147	421		35	382-9620	136	386-2068	275
368-7759	1014	376-6403	296	383-0799	66	386-2096	316
368-9616	341	376-6405	296	383-1333	27	386-2737	301
369-1255	21	376-6409	311	383-1335	27	386-2777	104
369-1658	227	376-6410	311	383-4141	232	386-2778	104
369-3707	75	376-6411	311		260	386-2783	256
369-3793	93	376-6895	307	383-6037	252		716
	▶94	377-0399	65	383-6121	307	386-2911	716
369-3795	90	377-0400	65	383-6123	307	386-2971	311
369-3867	149	377-5991	16	384-2284	354	386-2976	311
369-3869	29		▶150	384-3682	352	386-3036	450
369-6035	291	377-6012	16	384-3887	410	386-3819	311
	▶292		▶98	384-3888	410	386-6247	127

PART NUMBER INDEX

Part	Page	Part	Page	Part	Page	Part	Page
386-6368	270	389-2868	104	392-3996	▶507		498
386-6451	182		112		569	399-5410	509
386-6507	183	389-2870	171		571		510
386-6508	414	389-2872	104		572		▶575
386-6510	414	389-2875	275	392-6032	414	399-7779	881
387-7697	270	389-3448	247	392-6301	522	399-7790	881
387-7702	253	389-3465	192	392-9458	30	399-8470	319
387-7707	84	389-3543	▶354	392-9459	29	399-8728	413
387-7709	414	389-3574	1007	392-9460	▶29		
387-7711	118		1011		31		
387-7713	84		1014	392-9471	30		
387-7717	84		1025	392-9472	30		
387-7725	253		1028		31		
387-7727	203	390-0057	341	393-0301	84	415-3299	10
387-7732	175	390-0313	277	393-0383	326		12
387-7747	66	390-0316	716	393-0900	414		▶54
387-8113	270	390-0319	66	393-4006	95	415-5518	62
387-9123	118	390-0320	57	393-5525	290		▶124
387-9130	84	390-0321	183		▶291	415-5519	10
387-9134	118	390-0324	166	393-7228	716		12
387-9136	84	390-0341	70	393-7738	127		▶125
387-9152	171	390-0347	300	394-8799	237	415-5520	10
387-9154	84	390-2384	326		299		12
387-9162	110	390-2386	185		316		▶75
387-9343	237	390-2387	326	394-9569	344	415-5522	10
387-9503	142	390-2388	84	395-9551	348		12
	144	390-2396	275	396-1025	188		▶296
388-0519	183	390-2397	270	396-2052	319	415-5523	10
388-0731	563	390-2401	127	396-2102	301		12
388-1200	300	390-2402	127	396-2103	283		▶312
388-1201	300	390-2403	127		▶301	415-5527	10
388-1289	277	390-2404	127	396-2421	283		12
	291	390-2405	104	396-2602	319		▶319
388-2068	104	390-2468	270	396-2603	319	415-5534	10
	182	390-2594	300	396-2604	319		12
388-4063	586	390-3066	43	396-2606	319		▶333
	918	390-3076	43	396-2607	319	415-7105	12
	986	390-3077	43	396-2608	319		▶30
388-6986	112	390-3117	166	396-2609	319	415-7115	10
388-7602	90	390-3118	166	396-2610	319		▶99
388-7604	166	390-3119	275	396-2611	319	415-7116	12
388-7644	207	390-3122	316	396-5615	449		▶101
388-7649	207	390-3130	183	397-1559	▶65	415-7947	10
388-7651	207		256		68		12
388-7652	207	390-3144	425		75		▶145
388-8350	574	390-3292	275	397-4750	217	415-7948	10
	575	390-3298	275		219		12
389-1863	27	390-5138	110	397-5684	204		62
	84	390-6784	247	397-6114	▶864		▶106
	90	390-7681	476	397-6836	319	415-7949	10
	175	390-7746	463	397-6838	▶805		12
	186		470	398-2009	238		▶397
389-1874	27	390-8959	112	398-3296	99	415-9833	62
	178	391-2085	300	398-3671	344	416-1042	10
	183	391-2094	300	398-5596	510		12
	396	391-5559	110	398-6226	319		▶1003
	450		118	398-7219	319	416-1043	12
389-1920	76	391-8781	574	398-8198	14		▶87
	94	391-9654	509		▶307	416-1051	12
	166		510	399-1143	472		▶120
	182		▶574	399-1147	472	416-1070	10
389-1934	253	392-0563	179	399-1164	487		▶151
	270		▶182		498	416-1089	12
389-1935	253	392-0744	185	399-1166	487		▶137
389-2722	326	392-1366	14		498	416-1864	10
389-2854	326		59	399-1167	487		12
389-2856	203		▶122		498		▶208
389-2857	326	392-1368	14	399-1168	488	416-1867	10
389-2858	84		▶295		498		12
389-2862	299	392-2042	166	399-1209	7		▶176
389-2863	206	392-2045	182		▶258	416-8113	328
389-2864	84		▶183	399-1355	357	416-8716	10
389-2865	175	392-2047	183	399-1368	357		12
389-2867	256	392-2147	185	399-1528	488		

4

PART NUMBER INDEX

Part	Page	Part	Page	Part	Page	Part	Page
	▶1004		▶155		▶416	432-5917	▶344
416-8722	12	418-3788	16	423-7576	21		446
	▶103		▶282		87	432-6628	11
416-8775	10	418-6370	611	423-8220	186		13
	12	418-6381	10	425-2264	632		▶268
	▶259		▶31	425-5274	247	432-8596	275
416-9543	10	418-7407	▶521	425-6359	7	433-1316	283
	12		569		15	433-1900	158
	▶226		571		▶273	433-2688	158
416-9552	10	418-7411	▶509	425-7103	99	433-4674	14
	12		569	425-8162	101		▶334
	▶254		571		12	433-4677	14
417-2855	719		572		▶327		▶446
417-3394	10	418-7425	10	425-9082	1007	433-4681	15
	12		12	425-9111	410		▶411
	▶154		▶20	425-9174	11	433-5258	10
417-3401	10	418-7659	10		13		12
	▶133		12		▶426	433-6323	12
417-3453	11		▶184	425-9258	193		▶42
	13	418-9987	507		195		62
	▶421	418-9988	507		197	433-7466	492
417-3463	10	419-0423	96	425-9719	15	434-0513	227
	12	419-0677	14		▶267	434-6401	84
	▶109		▶313	425-9760	11	434-7061	307
417-4190	10	419-3740	226		13	435-4932	339
	12	419-8538	10		▶410	435-5221	344
	▶168		12	425-9824	▶250		347
417-4227	11		▶80		267	435-5222	344
	▶445	419-8715	450	425-9955	397		347
417-4284	10	419-8726	166	426-0441	250	435-5717	414
	12	420-0291	10	426-3230	10	435-5729	▶185
	▶1005		▶187		▶138		270
417-4286	10	420-0471	172	428-7127	108	435-5842	185
	12	420-1641	313		▶110	435-5844	185
	▶130	421-2302	1007	428-7171	110	435-7778	10
417-5749	44		1011	428-7183	110		12
417-7782	176		1014	428-8151	270		▶25
417-8427	277		1025	428-8153	270	435-9905	112
417-8452	277	421-2305	1028	428-8158	256	436-0523	142
417-9196	275	421-3853	10	428-8163	178		144
417-9861	805		12	428-8168	270	436-0524	145
417-9862	805		▶283	428-8196	15		148
417-9863	805	421-5383	109		▶409	436-0525	142
417-9864	805	421-6171	679	428-8210	256		144
417-9865	805	421-7760	122	428-8227	256	437-0940	647
417-9866	784	421-7763	122	428-8230	256		648
	805	421-7786	409	428-8232	256		752
417-9867	805	421-7787	409	428-8237	256		755
417-9868	805	422-0638	159	430-5204	11		822
417-9869	805	422-0642	159		13		823
417-9870	805	422-0643	159		▶419		824
417-9871	805	422-0655	112	430-5748	559		825
417-9872	658	422-0893	656		561		826
	805	422-0894	656		563		828
417-9873	784	422-0895	656	430-9520	446		837
	805	422-0896	656	431-7048	10	437-1994	▶355
417-9874	805	422-0897	656		12	437-2042	355
417-9875	805	422-7716	250		▶95	437-4176	▶356
417-9876	805	422-9961	159	432-0065	12	437-4177	356
417-9877	805	423-0030	27		▶152	437-4178	356
417-9878	805	423-0594	341	432-1403	411	437-7007	635
417-9879	805	423-1270	10	432-1689	255	437-7653	115
417-9880	805		12		▶256		116
417-9882	657		▶91	432-1856	10	437-9758	86
417-9883	657	423-1280	10		▶88		▶112
417-9884	657		▶121	432-4133	367	438-7763	▶285
417-9885	657	423-1982	692		▶394		286
417-9886	657		694	432-4134	394	439-1624	104
417-9887	657	423-1983	672	432-4135	394	439-1841	285
417-9888	657		674	432-4136	394	439-5037	285
417-9889	657		705	432-4137	394	439-5039	285
418-3229	295	423-3785	275	432-4138	394	439-5040	285
	▶297	423-6434	294	432-4139	394	440-8443	142
418-3402	16						

PART NUMBER INDEX

Part	Page	Part	Page	Part	Page	Part	Page
441-1161	94	446-0181	59	451-8375	983	455-0706	347
441-1215	10	446-1264	339	451-8483	16	455-0707	344
	12	446-1273	339		▶161		348
	▶286	446-1405	26	451-9869	193	455-2256	451
441-5129	409		▶27		195		455
441-5130	409	446-2236	10		197		986
441-6852	155		12	452-0344	280	455-3027	232
441-7483	821		▶131		▶293		302
441-9154	12	446-4785	146	452-1488	16		304
	▶163		▶147		▶266		380
441-9155	10	446-5393	289	452-3112	421		382
	▶164		▶317		423		403
441-9195	721	446-7562	28	452-7079	404		404
	723		▶33	452-7366	7		438
441-9673	16	447-1044	14		▶61		440
	▶127		▶1006	452-7386	61		451
441-9675	16	447-1847	17		▶62		455
	▶76	447-1936	307	452-7394	7		601
441-9676	16	447-3888	231		▶77		684
	▶146	447-5249	125	452-7397	77		686
441-9678	16	447-5250	125		▶78		688
	▶26	447-5251	124	452-8547	287	455-3693	42
441-9679	16	447-5252	125		288	455-6923	30
	▶298	447-8576	169	452-8698	316		31
441-9680	16	448-0757	353	452-8769	316	456-0454	▶857
	▶315		445	452-9198	316	456-0465	▶870
441-9700	16		449	453-0790	311	456-0473	▶765
	▶413	448-2620	44	453-0805	945	456-0492	781
441-9720	16		46	453-0806	945		791
	▶335	448-4227	36	453-2214	367		▶844
441-9739	16	448-4869	642	453-5783	998	456-0493	665
	▶32	448-5787	157	453-6390	533	456-0494	844
441-9785	16	449-1083	269	453-6476	534	456-0498	▶781
	▶177		▶275	453-6510	411	456-0507	▶791
441-9792	16	449-2730	159	453-6997	411	456-1357	203
	▶269		161	453-7110	538	456-1364	283
441-9798	16	449-3315	296		555	456-1570	345
	▶407	449-3333	312		556		347
442-0486	16	449-5062	59	453-7117	539		348
	▶235		60		553		349
442-1585	16	449-5064	7		554		352
	▶236		▶60	453-7163	10	456-3152	816
442-2287	16	449-6115	721		12		818
	▶274	449-8810	509		▶288	457-1255	197
442-2325	16	449-8814	521	453-7296	▶357		238
	▶231	450-0003	▶21	453-8398	1007	457-3521	▶1023
442-3478	727		881		1011	457-5842	796
443-0630	16	450-0307	672		1014	457-7727	262
	▶422	450-1871	267		1025	457-7728	262
443-0632	16	450-4786	188		1028	457-8672	252
	▶448		717	453-9534	▶559	457-9914	240
443-1143	16	450-5251	193		571		241
	▶1024		197	453-9535	▶561		247
443-3644	821	450-7212	408		569	458-0536	665
443-3645	821	450-7214	237		572	458-3745	445
443-9253	101		408	454-0683	25		449
443-9543	124	450-7215	408	454-3966	411	458-5992	463
	125	450-8101	▶261	454-3970	411		470
444-0274	723		263	454-4171	403		476
444-6164	98	450-9503	973	454-4678	401	458-5997	463
	▶104		974	454-5109	311		470
444-6523	370	450-9772	1005	454-5820	43		476
	371	451-0188	263	454-6981	266	458-6003	464
	372	451-0189	263	454-6988	266		471
	373	451-0357	721	454-8293	339		476
444-6962	238		723	454-8813	411	458-6004	464
444-7241	104	451-2764	721	454-9427	265		471
444-7262	17		723	454-9914	283		476
445-0847	329	451-4751	231	455-0704	344	458-6005	464
445-0848	329	451-7225	1001		345		471
445-9016	312		1002		347		476
445-9440	▶66		1004		353	458-6006	464
	76	451-7736	54	455-0705	344		471
445-9442	76		▶55		353		476

PART NUMBER INDEX

Part	Page	Part	Page	Part	Page	Part	Page
458-6007	. 464	458-8424	. 978	459-8912	. 115	461-3100	. 665
	471	458-8425	. 977		116	461-5511	. 408
	477		978		592	461-5573	. 408
458-6009	. 464	458-8426	. 978		648	461-5585	. 408
	471	458-8876	. 966	459-8921	. 542	461-7838	. 491
	477	458-8877	. 966		546		495
458-6014	. 464	458-8885	. 630	459-9625	. 329	461-9107	. 251
	471	458-8886	. 630	459-9780	. 994	461-9110	. 251
	477	459-0424	. 464		996	461-9113	. 251
458-6015	. 464	459-0425	. 463	459-9782	. 994	461-9115	. 251
	471		470		996	461-9739	. 197
	477		476	459-9783	. 994	462-3219	▶ 251
458-6016	. 463	459-1953	. 751		996		258
	471		752	460-0318	. 970	462-5368	. 620
	476	459-1954	. 751		▶ 977		625
458-6017	. 463		752	460-0319	. 970	462-6745	. 270
	471	459-1977	. 991	460-0320	. 971	462-7347	. 658
	476	459-1978	. 991		▶ 978	463-1675	▶ 858
458-6018	. 463	459-2707	. 997		982	463-2071	. 973
	471	459-2708	. 991	460-0321	. 971		974
	476	459-2709	. 997		982	463-2072	. 973
458-6091	. 464	459-2710	. 997	460-2115	. 655		974
	471	459-2758	. 992		▶ 656	463-5618	. 611
	477	459-2760	. 992	460-2117	. 655		719
458-6092	. 464	459-2772	. 908	460-2323	. 43	463-6993	. 159
	471		967	460-2707	. 341	463-6995	. 159
	477	459-2776	. 911		348	463-7715	. 69
458-6093	. 464	459-3345	. 464		349	463-7717	. 66
	471		471		352	463-7718	. 66
	477		477	460-2867	. 1007	463-7726	. 66
458-6094	. 464	459-3346	. 477		1011	463-7727	. 66
	471	459-3347	. 465		1014	463-7731	. 66
	477		477		1025	463-7732	. 66
458-6095	. 464	459-3348	. 465		1028	463-7733	. 66
458-6096	. 464		472	460-4116	. 341	463-7736	. 66
458-6098	. 464		477		342	463-7737	. 69
458-6099	. 465	459-3350	. 465		345	463-7738	. 66
458-6100	. 465		472		347		▶ 69
458-6132	. 465		478		348	463-7776	. 76
458-6136	. 465	459-3499	. 341		349	463-7831	. 76
458-6138	. 465	459-3500	. 341		352	463-7837	. 147
458-6141	. 465	459-3633	. 14		436	463-7876	. 147
458-6143	. 465		▶ 227	460-4126	. 986	463-8336	. 319
	472	459-3673	. 751	460-6528	. 62	463-8750	. 147
	477	459-3693	. 434	460-7780	. 68	463-8751	. 147
458-6148	. 512	459-5188	. 986		78	463-8773	. 27
458-6149	. 512	459-5371	. 986	460-7781	. 78	463-8775	. 27
458-6153	. 465	459-6115	. 838		▶ 148	463-8776	. 27
458-6154	. 477	459-6647	. 231	460-8951	. 513	463-8785	. 450
458-6157	. 470	459-6656	. 231		516	463-8787	. 450
458-6846	. 471	459-6912	. 592	460-8952	. 513	463-8791	. 450
458-6851	. 464	459-6913	. 592		516	463-8792	. 300
	471	459-6914	. 649	460-8953	. 513	463-8811	. 299
	476	459-6915	. 649		516	463-8812	. 299
458-6852	. 472	459-6916	. 649	460-8954	. 513	463-8816	. 299
458-6854	. 472	459-7275	. 485		516	463-8820	. 7
458-7273	. 334		496	460-9943	. 566		▶ 10
458-7526	. 341	459-7645	. 995		▶ 569	463-8910	. 7
458-8403	. 209	459-7674	. 586	460-9945	. 513		▶ 12
	211		588		569	463-8911	. 275
	212	459-8174	. 39		571	463-8913	. 275
458-8404	. 211		▶ 43	460-9946	. 513	463-9169	. 237
458-8415	. 977	459-8308	. 519		516	464-0959	. 122
458-8416	. 977		571	460-9947	. 513	464-1143	. 51
458-8418	. 977	459-8309	. 494		516		▶ 56
458-8419	. 977		519	460-9948	. 513	464-1147	. 32
	978	459-8310	. 494		516	464-1152	. 298
458-8420	. 977	459-8801	. 451	460-9949	. 513		▶ 299
	978		455		516	464-1169	. 315
458-8421	. 977	459-8862	. 881	460-9956	. 563		▶ 316
	978		883	460-9958	. 510	464-1175	. 269
458-8422	. 977	459-8867	. 613	461-1160	. 513		▶ 270
	978	459-8891	. 592		▶ 515	464-1257	. 451
458-8423	. 978	459-8911	. 991		516		455

PART NUMBER INDEX

Part	Page	Part	Page	Part	Page	Part	Page
464-1268	242		516	470-9832	263	473-2651	888
464-1334	193		519	471-2121	998		925
	197	466-7874	227	471-2882	117	473-2656	638
464-1335	947		▶272		120	473-2944	258
	949	466-7876	272		121	473-4949	▶889
	952	466-8177	880	471-5583	962		892
464-2121	235	466-8285	258	471-6019	1		893
	▶237		▶262		▶962	473-4952	672
464-2308	7	466-8288	262	471-6024	962		674
	▶14	466-8312	▶665	471-6025	962	473-4953	398
464-3477	335		816	471-6029	339	473-4956	398
	▶396		818	471-6032	754		964
464-3491	413	466-8480	▶34	471-6093	995	473-4957	398
	▶414		40	471-6094	892		964
464-3548	269	467-1399	236		893	473-4960	966
	▶716	467-1400	236		▶995	473-6297	838
464-3819	420	467-8282	▶7	471-6105	954	473-6822	622
	669	467-8302	▶7	471-6106	996		624
464-5019	▶491	468-0114	563	471-6107	▶996		986
	513	468-0118	525	471-6121	892	473-6830	984
	516	468-0119	▶525		893	473-6841	986
464-5020	▶495		571		▶954	473-6842	986
	519	468-0120	▶510	471-6125	905	473-6930	890
464-6221	727		571	471-6156	997		984
464-6417	56	468-0122	▶496	471-6158	892	473-6954	1007
464-6447	57		571		893		1011
464-6623	242	468-0123	▶563		▶997		1014
464-8101	32		571	471-6160	921		1025
464-8160	32	468-0127	496	471-6162	920		1028
464-8169	▶166		▶498	471-6671	905	473-6955	1007
	179	468-0128	499		986		1011
464-8216	32		▶501		989		1014
464-8225	422	468-0130	498		990		1025
464-8795	237	468-0132	563	471-7003	485		1028
464-8797	237	468-0133	563		496	473-6957	1007
464-8806	237	468-0141	501	471-9523	▶920		1011
464-8829	237	468-0143	525	471-9527	920		1014
464-8891	237	468-0145	567	472-0209	35		1025
464-8973	237		▶571	472-0940	▶921		1028
464-9128	716	468-0149	501	472-1078	904	473-6966	991
464-9136	716	468-5334	967	472-1148	222	473-6967	986
464-9137	716	468-5335	967	472-1149	222	473-6968	986
464-9140	716	468-5337	967	472-2275	393	473-6971	986
464-9702	316	468-7762	122		▶904	473-6973	583
464-9707	316		125	472-5352	321	473-6974	986
464-9735	316	468-7769	122	472-7793	898	473-6976	583
464-9741	316		125	472-7833	431	473-6977	986
465-0250	149	468-7770	122		434	473-6983	986
465-0307	396		125	472-7843	395	473-6985	986
465-1034	414	469-0462	1024	472-7844	395	473-6986	986
465-1037	414	469-1359	422	472-7846	638	473-7034	986
465-1038	414	469-3523	559	472-7847	638	473-7168	942
465-1167	716	469-3524	561	473-0008	438	473-7169	942
465-2880	▶16	470-0924	231	473-0009	438	473-7230	984
465-3458	270	470-4390	620	473-0014	912	473-7236	636
465-3473	270	470-4925	70	473-0029	1017	473-7237	636
465-3480	270		72	473-0267	14	473-7238	636
465-3481	270		227		▶228	473-7632	377
465-3482	270	470-7719	476	473-1344	223		▶389
465-3619	15	470-7971	42	473-1345	223	473-7633	381
	▶423		46	473-1346	222		389
465-4973	422	470-7995	42	473-1347	223	473-7634	381
465-8761	407		46	473-1593	641		389
	▶408	470-8021	42	473-1595	636	473-7652	724
465-8913	15		46	473-1597	636	473-7653	724
466-2880	411	470-8023	42	473-2080	115	473-7701	400
466-2881	411		46	473-2084	▶927		405
466-2883	▶7	470-8027	396		▶929	473-7750	376
466-4849	124	470-8031	42		935		▶381
	125		46	473-2085	886	473-8155	370
466-4921	34	470-8101	36		925		371
466-4938	487	470-8171	36	473-2086	886		372
	498	470-9781	235		925		373
	513		▶263	473-2087	437	473-8156	370

PART NUMBER INDEX

Part	Page	Part	Page	Part	Page	Part	Page
	371		883	474-9866	583	477-1801	▶350
	372	474-4112	▶349	474-9867	583		385
	373		881		922		387
473-8503	629		883	475-0755	986	477-1863	322
473-8713	302	474-4115	881	475-1216	470	477-1868	322
473-8714	302		883	475-6698	396	477-1872	322
473-8717	437	474-4148	438	475-8373	42	477-2357	321
473-8729	911	474-4149	▶330	475-9070	▶657	477-2358	321
	992		438		805	477-2457	338
473-8730	992	474-4156	896	476-0031	665	477-2612	1007
473-8731	992	474-4157	896	476-0104	665		1011
473-8799	908	474-4891	438	476-0697	892		1014
473-8879	894	474-4959	9		893		1025
	911		▶192		▶919		1028
	938	474-4980	947	476-0698	919	477-2614	898
473-8881	908		949	476-0760	958	477-2618	898
473-8903	911	474-5150	8	476-3713	875	477-3267	431
473-8905	908		9	476-5226	▶963	477-3325	883
473-8906	911		▶81	476-5228	811	477-3328	883
473-8907	908	474-6053	630	476-5235	229	477-4113	725
473-8911	908	474-6058	630	476-5236	229	477-4116	629
473-8917	894	474-6061	907	476-5237	963	477-4117	629
473-8920	894		▶961	476-5238	963	477-5535	725
473-8933	894	474-6062	961	476-6640	238	477-5548	840
473-8956	611	474-6063	961	476-6644	238	477-5624	206
	620	474-6067	438	476-7795	970	477-5625	266
	727	474-6081	899		971	477-5891	986
473-8964	328	474-6089	961	476-7796	▶970	477-5914	986
473-8975	404	474-6090	961	476-7798	▶971	477-6069	113
	451	474-6091	961	476-8924	892		114
	455	474-6092	398		893	477-6070	113
473-9270	375		961		▶966		114
	437		963	476-8930	▶972	477-7924	115
	890	474-6095	630	476-8931	972		116
473-9271	725	474-6096	630		▶980		648
473-9371	451	474-6097	630	477-0021	▶340	478-2120	113
	455	474-6671	922		438	478-5100	1007
473-9375	908	474-7178	591	477-0027	578		1011
473-9385	967	474-7179	590	477-0655	406		1014
473-9386	400		591		451		1025
	405	474-8225	510		455		1028
	967	474-8989	692		671	478-5125	330
473-9387	967		694	477-0663	222	478-5127	438
473-9388	967	474-9043	892		223	478-5135	336
473-9410	894		893	477-0667	630	478-5136	336
473-9411	894		▶955	477-0692	193	478-5142	336
473-9471	894	474-9044	955		195	478-5143	336
	▶967	474-9465	222	477-0693	195	478-5144	336
474-0135	▶800	474-9466	222	477-0696	195	478-5153	193
474-0136	▶801	474-9674	▶336	477-0695	195		195
474-0141	▶807		451	477-0696	195		197
474-0142	▶784		455	477-0897	990	478-5154	949
474-0144	▶748	474-9758	265	477-0901	717	478-5155	949
474-0147	▶749	474-9760	265	477-0903	922	478-6580	667
474-0599	29	474-9787	923	477-0968	406	478-6612	741
474-1421	665		937		671	478-6615	741
474-1502	936		988	477-1410	665	478-6898	741
474-2467	647	474-9789	986	477-1413	665	478-6916	193
474-2534	▶782	474-9790	986	477-1415	665		197
474-2537	▶783	474-9797	986	477-1417	665	478-7684	341
474-3360	223	474-9802	331	477-1419	665	478-8887	540
474-3386	223		332	477-1420	665		544
474-3810	881	474-9810	248	477-1422	665		545
	883	474-9848	265	477-1495	665	478-8923	▶540
	▶896	474-9851	265	477-1614	912	479-0237	▶809
474-4048	242	474-9856	▶583		918	479-0239	▶766
474-4050	242		986	477-1616	912	479-2647	339
474-4083	881	474-9857	984		914	479-4133	294
	883	474-9859	986	477-1617	912	479-4137	294
474-4084	881	474-9860	986		914	479-5684	667
	883	474-9861	583	477-1629	914	479-5954	896
474-4085	881	474-9863	583	477-1675	855	479-5955	896
	883	474-9864	583	477-1687	465	479-6503	228
474-4086	881	474-9865	583		472		▶257

PART NUMBER INDEX

Part	Page	Part	Page	Part	Page	Part	Page
479-7010	738		▶487	484-8313	927	484-8350	927
479-7011	738	482-1147	881		929		929
479-7013	738		883		931		931
479-7014	738	482-1340	881	484-8314	927	484-8351	934
479-7015	738	482-2978	565		929	484-8352	934
479-7276	738		▶571		931	484-8353	934
479-7277	738	482-4975	650	484-8315	931	484-8354	934
479-7278	738	482-8491	241		▶934	484-8355	934
479-7279	738		242	484-8316	927	484-8356	934
479-7280	738	483-1002	280		929	484-8357	934
479-7281	738		▶294		931	484-9138	927
479-7282	738	483-3923	630	484-8317	927		929
479-7285	738	483-5158	676		929		931
479-7289	738	483-6606	451		931	484-9139	927
479-7292	738		455	484-8318	927		929
479-7459	294	483-8200	883		929		931
479-7786	738	483-8201	883		931	484-9140	927
479-9423	805	483-9533	▶867	484-8319	927		929
479-9424	805	484-1473	986		929		931
479-9425	805	484-1475	986		931	484-9149	927
479-9426	805	484-1477	398	484-8321	931		929
479-9470	257		964	484-8323	927		931
	▶339	484-1744	197		929	484-9150	927
480-4406	117	484-1800	115		931		929
	120		116	484-8324	927		931
480-5397	640	484-1801	451		929	484-9576	510
480-5398	640		455		931	484-9787	261
480-5399	640	484-1870	642	484-8325	886	484-9788	261
480-5400	640	484-5235	1019		925	484-9789	261
480-5401	640	484-5239	1021		927	484-9790	261
480-6174	640	484-5240	1020		931	485-1677	459
480-7030	375	484-6062	667	484-8326	931		▶476
480-7035	375	484-6065	667	484-8327	927	485-1681	221
480-7044	▶375	484-6067	809		929	485-2934	732
	390	484-7147	784		931	485-2943	732
	391	484-7150	784	484-8328	927	485-4894	208
	392	484-7153	784		929	485-4895	208
	393	484-7154	784		931	485-5329	578
480-7425	640	484-7155	784	484-8330	927	485-7238	▶865
480-9044	640	484-7156	784		929	485-7239	▶874
480-9877	1007	484-7157	784		931	485-7240	▶859
	1011	484-7158	784	484-8331	927	485-9160	66
	1014	484-7159	784		929	486-0141	▶793
	1025	484-7160	784		931	486-0527	▶810
	1028	484-7161	784	484-8332	927	486-0528	▶768
480-9880	1007	484-7162	784		929	486-0529	▶871
	1011	484-7163	784		931	486-4417	▶641
	1014	484-7164	784	484-8333	927		892
	1025	484-7165	784		929		893
	1028	484-7170	784		931	486-4419	▶640
481-1051	451	484-7171	784	484-8334	927		641
481-3374	261	484-7172	784		929	486-7983	8
481-3375	261	484-7173	784		931		9
481-3598	159	484-7174	784	484-8335	931		▶113
481-3653	641	484-7175	784	484-8336	931	486-8069	529
481-3654	641	484-7176	784	484-8337	927		530
481-3658	641	484-7177	784		929		531
481-4381	178	484-7178	784		931		532
481-4382	177	484-7179	658	484-8338	927		533
	▶178	484-7180	658		929		534
481-4436	238	484-7181	658		931		535
	240	484-7182	658	484-8339	931		536
481-6648	725	484-7183	658	484-8340	927		537
481-6649	725	484-7184	658		929		577
481-6650	725	484-7185	658		931	486-9886	1007
481-7718	451	484-7186	658	484-8341	931		1011
481-8596	360	484-7187	658	484-8342	931		1014
	361	484-7188	658	484-8343	931		1025
482-0957	725	484-7189	658	484-8344	931	486-9888	1007
482-1134	▶485	484-7195	▶658	484-8345	927		1028
	569		784		929	486-9892	1028
	571	484-7952	658		931	487-0690	▶796
	572	484-8312	924	484-8346	931	487-2925	252
482-1135	485		▶931	484-8348	931	487-3912	892

PART NUMBER INDEX

Part	Page	Part	Page	Part	Page	Part	Page
	893	492-3941	905		755		892
	▶898	492-4839	▶431	494-2035	647	495-4595	398
487-5857	275	492-4851	697	494-2037	647		964
487-6726	449		699	494-3707	647	495-4596	398
487-8468	267	492-4858	697	494-3708	647		964
	268		699	494-3709	647	495-4597	398
487-8469	268	492-4861	▶973	494-8824	451		964
487-8470	268	492-4862	973		455	495-4598	398
488-1825	268		974	494-9551	451		964
488-7889	1007	492-4867	▶584		455	495-4599	398
	1011		593	494-9793	755		964
	1014		594	494-9794	755	495-4600	398
	1025	492-4869	6	494-9795	755		964
	1028		458	494-9797	755	495-4601	398
488-9824	400	492-4896	664	495-0017	883		964
	405		697	495-1404	626	495-4602	398
489-0637	256	492-4927	697	495-1408	199		964
	270		699		201	495-4603	398
489-4104	984	492-4992	400		707		964
490-1203	322	492-5067	579		709	495-4604	398
490-6358	749	492-5068	579	495-2033	908		964
490-6359	749	492-5069	754	495-2042	908	495-4605	398
490-6360	749	492-5074	584	495-2043	908		964
	875	492-5086	▶400	495-2268	724	495-4683	195
490-6361	749	492-5088	▶579	495-2278	376	495-4704	328
490-6362	749	492-5089	579		377	495-4791	890
490-6363	749	492-5091	4		▶380	495-4792	890
490-6364	749		▶754	495-2446	1007	495-4796	890
490-6365	749	492-5709	265		1011	495-4799	890
490-6366	749	493-1110	▶438		1014	495-4800	890
490-6367	749		892		1025	495-4801	890
490-6368	749		893		1028	495-4802	▶22
490-6369	749	493-1111	▶341	495-2470	▶593		890
490-6371	749		438	495-2471	▶593	495-4803	22
490-6372	749	493-1118	593	495-2472	▶593	495-4804	22
490-6373	749		595	495-2473	▶593	495-4805	22
490-8043	321		▶600	495-2474	▶594	495-4806	22
	▶322	493-1119	593	495-2475	▶594	495-6135	892
491-0615	630		595	495-2476	▶594		893
491-1372	▶873		▶604	495-3013	377		▶908
491-2597	864	493-1120	604	495-3014	▶376	495-6136	908
491-2599	864		605	495-3015	▶377	495-6138	908
491-5234	▶35		606	495-3016	838	495-6139	908
	36		607		840		▶911
	38		609	495-3017	840	495-6140	911
491-7329	56	493-1121	593	495-3020	822	495-6141	911
	▶57		595		823	495-6142	911
491-9892	▶875		▶605		824	495-6146	908
491-9893	▶767	493-1123	593		825	495-6147	908
492-2133	403		595		826		938
492-2937	▶437		▶606		827	495-6148	908
	892	493-1124	594		828		938
	893		596		837	495-6202	▶986
492-2944	437		▶607		839		988
492-2945	13	493-1125	607	495-3047	▶351	495-6203	986
	▶449	493-1126	594		380	495-6204	986
	▶683		596		382	495-6205	986
492-3922	683		▶608	495-3415	385	495-6206	▶890
492-3923	683	493-1292	594		387		986
492-3924	683		596	495-3416	385	495-6207	890
	684		▶609		387	495-6208	890
	686	493-1296	721	495-3426	892	495-6209	892
	688		723		893		893
492-3925	▶684		122		▶991		▶988
492-3930	947	493-3286	341	495-3427	991	495-6210	892
492-3933	887	493-5720	342	495-3428	991		893
	▶905	493-5721	342	495-3735	▶922		▶894
492-3934	905	493-5892	342		937	495-6211	894
492-3935	905	493-8976	630	495-3736	937	495-6212	894
492-3936	905	494-0157	989	495-3737	922	495-6213	894
492-3937	▶899	494-0158	890	495-3741	923	495-6218	582
	926	494-0160	986	495-4512	989	495-6228	22
492-3938	899	494-1901	902	495-4514	989		890
492-3939	899	494-1910	648	495-4514	989		890
492-3940	▶434	494-1912	648	495-4594	▶398		989

PART NUMBER INDEX

Part	Page	Part	Page	Part	Page	Part	Page
495-6230	890		197		▶338	497-9606	672
495-6240	988	496-3419	193		364		674
	▶989		197	496-8313	364	497-9608	▶697
495-6347	586	496-3420	193		▶406	497-9609	697
	588	496-3421	193	496-8314	406	497-9610	697
495-7583	▶734	496-3423	8		671	497-9611	697
	735		▶193	496-8315	406		699
495-7600	686	496-3424	723	496-8316	406	497-9612	▶699
	688	496-3425	8		671	497-9615	699
495-7633	188		▶723	496-8317	406	497-9616	699
	717	496-6524	▶522		671	497-9617	17
495-7646	892		568	496-8318	5		18
	893	496-6525	522		364		▶229
	▶984	496-6526	522		▶435	497-9619	229
495-7648	613	496-6527	522	496-8319	▶342		232
495-7649	984	496-6528	522		435	497-9620	229
495-7650	984	496-6529	▶942	496-8320	▶367		232
495-7651	▶686	496-6530	942		435	497-9621	229
495-7652	▶688	496-8133	949	496-8321	367	497-9622	229
495-7653	686	496-8135	949	497-3809	887		232
	688	496-8243	▶541		926	497-9623	9
495-7659	▶395	496-8245	541		▶949		▶195
495-7692	395		547	497-3854	721	497-9625	887
495-7754	1		548	497-3881	744		926
	▶323	496-8247	536	497-3998	173		▶952
495-7762	752		▶542	497-5476	398	497-9626	952
495-8379	752	496-8248	542		964	497-9628	6
495-8381	677		546	497-6388	896		▶900
495-8471	▶401	496-8249	537	497-6389	896	497-9629	900
	747		▶543	497-6391	896	497-9630	6
495-8472	401	496-8250	537	497-6972	▶430		621
495-8473	401	496-8251	883		892		▶901
495-8474	401		▶943		893	497-9631	901
495-8489	676	496-8252	943	497-6973	430	497-9632	▶405
495-8706	686	496-8253	943	497-6985	▶860	497-9633	405
495-8722	381	496-8254	943	497-7205	896	497-9662	732
495-8723	381	496-8255	949	497-7206	896	497-9663	732
495-8853	729	496-8256	949	497-7207	896	497-9666	732
495-8854	729	496-8257	949	497-7208	896	497-9821	692
	▶741	496-8258	881	497-8539	622		694
495-8855	727		▶945	497-8541	622	497-9822	692
	▶738	496-8259	945		624		694
495-8856	727	496-8260	945	497-8542	622	497-9823	692
495-8984	719	496-8261	945	497-8800	908	497-9824	694
495-8985	▶719	496-8262	887	497-9575	▶959	497-9825	694
	720		926	497-9576	▶960	497-9826	694
495-8986	670		▶947	497-9578	753	497-9827	694
	▶720	496-8263	▶925	497-9587	892	497-9828	694
495-9759	705		926		893	497-9829	697
495-9793	670	496-8264	886		▶990		699
	▶729		925	497-9588	990	497-9830	697
495-9795	670	496-8265	925	497-9589	▶1000		699
	▶727		▶935	497-9592	8	497-9833	732
495-9804	462	496-8301	1		9	497-9903	732
	▶705		▶958		▶188	497-9906	732
495-9805	705	496-8302	958	497-9593	188	497-9908	732
495-9807	626	496-8303	958		190	497-9910	952
495-9881	462	496-8305	390	497-9594	188	497-9955	672
	▶626		391	497-9595	188		674
495-9882	626		392	497-9596	188	497-9958	672
495-9896	17		▶585	497-9597	8		674
	18	496-8306	585		▶692	497-9959	672
	▶221	496-8307	▶403	497-9598	692		674
496-3408	248		747	497-9599	8	497-9965	732
496-3412	▶248	496-8308	403		9	497-9966	732
	265	496-8309	2		▶694	497-9967	732
496-3413	721		3	497-9600	694	498-0992	478
496-3414	721		4	497-9601	694	498-0999	463
496-3416	721		▶404	497-9602	265		470
	723	496-8310	6	497-9603	672		476
496-3417	8		▶458		674	498-1002	463
	9		621		▶735		470
	▶721	496-8311	▶364	497-9605	643		476
496-3418	193	496-8312	5		▶672	498-1005	463

PART NUMBER INDEX

Part	Page	Part	Page	Part	Page	Part	Page
	470		455	499-7323	199	500-0952	217
498-2822	476	499-4243	451	499-7342	460		219
	273		455		461	500-1095	709
498-2943	274	499-4247	451	499-7358	199	500-1096	711
	463		455		706	500-1123	17
	470	499-4248	451		711		▶706
498-2944	470		455	499-7362	706	500-1124	706
498-2945	464	499-4249	451	499-7363	707	500-1125	17
	471		455		709		▶707
498-2947	464	499-4251	451	499-7364	707	500-1126	707
	471		455	499-8465	461	500-1127	707
	477	499-4258	201		▶470	500-1288	244
498-2948	464		696	499-8468	215	500-1289	244
	471	499-4260	201	499-8469	215	500-1290	244
	477		696	499-8470	215	500-1291	244
498-2949	472	499-4849	263	499-8471	215	500-1292	244
498-2950	465	499-4850	263	499-8472	215	500-1293	244
	472	499-4942	644		217	500-1294	18
	477		▶717		219		▶240
498-2951	465	499-4943	717	499-8473	215	500-1295	240
	472	499-4944	644		217	500-1296	17
	477		▶731		219		18
498-2952	465	499-4945	731	499-8474	215		▶115
	472		▶736	499-8477	199	500-2096	199
	477	499-4946	▶213		707		706
498-2954	465		644		709		711
	472	499-4947	213	499-8543	253	500-2293	455
	478	499-4948	213	499-8656	459	500-2294	451
498-5771	217	499-4949	213		460		455
	219	499-4950	8		461	500-2295	▶345
498-8990	660		9	499-9419	199		455
498-8992	660		▶644		706	500-2296	451
498-8993	660	499-5286	▶190		711		455
498-8994	660		644	499-9420	17	500-2297	451
498-8999	660	499-5287	190		18		455
498-9357	628	499-5288	190		▶222	500-2299	247
499-0079	636	499-5289	245	499-9421	222	500-2300	247
499-0080	636	499-5290	245	499-9429	17	500-2301	247
499-0089	636	499-5291	245		▶238	500-2507	199
499-0182	▶349	499-5292	245	499-9432	238	500-3055	312
	440	499-5293	245	499-9433	238	500-3067	▶211
499-0183	▶352	499-5294	245	499-9434	238		215
	440	499-5296	114		240	500-3068	18
499-0185	321	499-5297	8		241		▶241
499-0186	1		▶114	499-9435	238	500-3069	586
	▶936	499-5900	331		240		588
499-0187	▶636	499-5902	▶331		241		▶613
	670	499-5904	331		241	500-3070	613
499-0188	636		332		242	500-3071	613
499-0189	▶628	499-7135	215			500-3072	8
	670		217				9
499-0190	628		219				▶586
499-0191	625	499-7136	215			500-3073	586
499-0192	628	499-7137	215				588
499-0258	328	499-7138	215	500-0768	▶209	500-3074	586
499-0260	329	499-7139	215		217		588
499-0261	329	499-7169	624	500-0769	217		916
499-0262	329	499-7298	617		219		918
499-0265	647	499-7299	615	500-0770	217	500-3075	586
499-0267	648	499-7300	615		219		588
	▶660	499-7304	592	500-0771	217	500-3076	586
499-0268	648	499-7306	916		219		588
499-0273	706		918	500-0772	217	500-3077	586
	707	499-7307	328		219		588
499-2172	751		329	500-0773	217	500-3078	586
499-2332	628	499-7308	916	500-0775	217		588
499-3144	592		918		219	500-3079	586
499-3351	188	499-7312	460	500-0781	217		588
499-4234	452		▶463		219	500-3080	586
	455	499-7319	199	500-0786	209		588
499-4240	452	499-7320	199		211	500-3081	586
499-4241	451	499-7321	706		212	500-3082	586
	455		711		217		588
499-4242	451	499-7322	199		219		916

5

PART NUMBER INDEX

Part	Page	Part	Page	Part	Page	Part	Page
	918		837	501-2810	912	502-0301	703
500-3083	586		839		914	502-0304	703
	588	500-4374	827	501-2811	912	502-0305	703
500-3084	420		840		914	502-0306	703
	568	500-4375	838	501-2996	670	502-0307	703
500-3085	420		840		674	502-0308	703
500-3104	17	500-4475	811	501-2998	8	502-0309	703
	232	500-9502	591		9	502-0311	703
500-3135	232	500-9503	591		197	502-0312	629
500-3136	232	500-9504	591	501-2999	197	502-0313	629
500-3137	232	500-9600	590	501-3000	197	502-0314	629
500-3138	17	500-9601	590	501-4953	368	502-0369	670
	265	500-9602	590		369		703
500-3139	17	500-9603	590	501-5070	1	502-0375	703
	242	500-9605	590		902	502-0376	629
500-3140	242	500-9606	590	501-5075	368	502-0379	703
500-3141	242	501-0348	442		369	502-0400	703
500-3142	17	501-0349	342	501-7256	724	502-0401	703
	116		443	501-7257	724	502-0403	703
500-3143	116	501-0350	343	501-7258	724	502-0661	625
500-3149	212		444		725	502-0662	625
	219	501-0359	362	501-7259	725	502-0663	625
500-3150	347		363	501-7261	2	502-0664	629
	451		365		3		670
500-3151	219	501-0360	362		1007	502-1188	241
500-3152	348		363	501-7262	3	502-2907	165
	451		366		4		252
500-3153	17	501-0361	366		1011	502-3075	961
	18	501-0751	827	501-7263	4	502-3579	96
	709		829		1025	502-3818	947
500-3154	709	501-0753	881	501-7264	4	503-1113	723
500-3155	709		887		1014	503-1114	721
500-3156	709	501-0755	886	501-7278	376	503-1675	892
500-3157	17	501-0761	385		377		893
	18		387	501-7455	601		994
	711	501-0765	8		610	503-1676	994
500-3158	711		9	501-7457	601	503-1688	671
500-3159	17		429	501-7458	601	503-1689	406
	18	501-0766	429	501-7459	611		671
	223	501-0767	712		732	503-1690	974
500-3160	223		714	501-7460	602	503-1691	982
500-3310	232	501-0768	712		611	503-1693	982
500-3311	232		714	501-7462	611	503-1702	462
500-4353	565	501-0769	712	501-7463	611		528
	568		714	501-7464	611	503-1703	528
500-4356	8	501-0770	712	501-7465	611	503-1714	1017
	9		714	501-7466	611	503-1968	464
	588	501-0771	712	501-7467	596		471
500-4357	588		714		610		477
500-4359	588	501-0772	638	501-7468	621	503-1970	476
500-4360	588	501-0773	638		714	503-4909	8
500-4362	566	501-1119	442	501-7469	714		9
	568		443	501-7470	621		302
500-4363	432		444		634	503-4910	302
	568	501-2452	6	501-7471	6	503-4911	302
500-4364	432		621		621	503-4913	302
500-4366	432		712		635	503-4914	302
500-4367	568	501-2453	712	501-7472	635	503-4915	302
	669		714	501-7473	594	503-6003	1023
500-4368	567	501-2454	712		595	503-6870	8
	568		714		596		304
500-4369	838	501-2455	712		615	503-6871	304
	839	501-2456	6	501-7474	596	503-6872	304
500-4370	836		621		616	503-6874	304
	839		632	501-7475	616	503-7086	376
500-4371	827	501-2457	632	501-7476	617		378
	839		714		643		379
500-4373	822	501-2458	632	501-7477	643	503-7087	376
	823		634		670		377
	824	501-2459	638		903		378
	825		670	501-7478	903		379
	826	501-2460	638	501-8492	610	503-7088	376
	827	501-2461	638		611		377
	828	501-2462	638	501-9264	610		378

PART NUMBER INDEX

Part	Page	Part	Page	Part	Page	Part	Page
	379	506-3317	▶643	509-7199	602		496
503-7089	382	506-3318	▶670	509-7200	602		▶503
503-7090	378	506-3319	▶643	509-7201	602	512-4763	▶529
	379	506-3892	341	509-8143	865	512-4764	▶530
	▶382	506-3893	341		873	512-4765	▶531
503-7091	383	506-3894	341	510-1175	755	512-4766	▶532
503-7092	383	506-3898	342	510-5297	10	512-4767	▶533
503-7093	378	506-5127	699		12	512-4768	▶534
	▶383	506-5128	699		▶44	512-4769	▶535
503-7260	379	506-5129	699		▶46	512-4770	▶536
	▶384	506-7530	▶594	510-5662	856	512-4771	▶537
503-7262	382	506-7531	▶595		860	512-6176	725
	383	506-7532	▶595	510-6619	667	512-6793	861
	384	506-7533	▶595	510-6869	667		1031
503-7266	384	506-7534	▶595	510-6870	667	512-6794	1031
503-7267	383	506-7535	▶596	510-7708	653	512-6795	861
	384	506-7536	▶596	510-7710	653		1031
503-7268	383	506-7537	▶596	510-7714	653	512-6796	861
	384	506-7538	▶596	510-7837	653		1031
503-7488	871	506-7647	▶6	510-8126	667	512-6797	861
504-1306	385	506-7649	▶621	510-8400	212		1031
	387	506-7651	▶621	510-8401	212	512-6798	861
504-1315	217	506-7652	▶621	510-8402	212		1031
	219	506-7655	▶6	510-8403	209	512-6799	861
	▶744	506-9153	378		212		1031
504-1913	159		379	510-8404	209	512-6800	861
504-3282	16	507-0387	464		212		1031
504-5534	622	507-5019	268	510-8405	209	512-6801	861
504-5535	622	507-6922	738		212		1031
504-5709	871	507-6923	738	510-8406	209	512-6802	861
504-5710	871	507-6925	738	510-8407	209		1031
504-5711	871	507-6975	738	510-8408	209	512-8037	861
504-5712	871	507-6976	738	510-8409	209		1031
504-5713	871	507-6979	738	510-8410	211	513-0881	676
504-5714	871	507-6981	738	510-8411	211	513-0902	1
504-5715	871	507-6982	738	510-8412	211		▶753
504-5716	871	507-7130	738	510-8413	211	513-0903	753
504-5717	871	507-7131	738	510-8414	211	513-0904	753
504-5718	871	507-7132	738		219	513-0905	753
504-8890	716	507-7158	738	510-8415	211	513-0906	753
505-0884	1	507-7179	738	510-8416	211	513-0917	▶642
	▶619	507-7255	738	510-8417	211		670
505-0885	619	507-7282	738	510-8419	211	513-2327	244
505-0886	▶582	507-7348	738	510-8420	219		245
	593	507-7349	738	510-8432	211	513-2328	244
	594	507-7398	738	511-5393	253		245
505-0887	582	507-7399	738	511-5487	450	513-2421	464
505-0902	462	507-7400	738	511-5488	448		471
	▶622	507-7401	738		▶450		477
505-0905	622	507-8147	738	511-5835	734	513-3136	908
505-1112	622	508-2599	634	511-5836	734		▶992
505-3926	463	508-2600	634	511-5837	734	513-3137	992
505-5334	964	508-3673	10	511-5864	734	513-3138	992
505-5341	9		12	511-5865	734	513-3139	992
	▶568		▶172	511-7127	119	513-3140	992
505-7484	▶630	508-7849	▶887	511-7697	736	513-3141	992
	892	508-7851	▶926		741	513-3276	752
	893	508-7852	▶926	511-7698	741	513-3277	752
505-7485	630	509-4662	▶861	511-7699	741	513-3278	752
505-7629	▶427	509-4663	▶1031	511-7700	741	513-3285	677
	630	509-4664	▶786	511-7701	741	513-3297	677
505-7678	427	509-7186	602	511-7802	736	513-3878	676
505-8341	427	509-7187	602	511-7803	736	513-3879	676
505-8342	427	509-7188	602	511-7804	736	513-3880	676
505-8348	810	509-7189	602	511-8394	744	513-3881	676
505-8350	810	509-7190	602	511-8395	744	513-3882	676
505-9432	360	509-7191	602	511-8398	744	513-4180	▶923
	361	509-7192	602	511-8399	744	513-4181	▶937
505-9433	▶360	509-7193	602	512-0429	890	513-4184	8
505-9579	▶361	509-7194	602		385		9
506-1894	590	509-7195	602		387		▶244
506-3031	▶829	509-7196	602	512-1676	503	513-4185	1
506-3306	628	509-7197	602	512-1677	503		▶1017
506-3313	727	509-7198	602	512-1678	485	513-4186	1017

PART NUMBER INDEX

Part	Page	Part	Page	Part	Page	Part	Page
513-4187	1017	514-4637	624	515-9723	229	518-5884	8
513-4292	▶328	514-4638	▶591	515-9726	17		9
513-4293	328	514-4639	591		18		▶568
513-4297	329	514-4640	▶590		▶219	518-5885	46
513-4298	329	514-4642	590	515-9736	▶969	518-5891	46
513-4299	▶329	514-4876	▶883	515-9739	969	518-5892	46
513-4354	670		887	515-9909	908	518-5893	46
	▶676	514-9456	1023		938	518-5954	8
513-4355	▶436		▶1028	516-1391	17		▶17
	747	515-0077	275		▶451	518-5955	9
513-4357	436	515-0961	▶368	516-1392	17		▶18
513-4358	746		392		18	518-5956	9
	▶751	515-0962	▶385		▶455		▶18
513-4359	751		390	516-1393	1	518-6040	8
513-4360	746	515-0963	▶390		▶912	518-6042	9
	▶752	515-0964	▶374	516-1396	452	518-6043	9
513-4361	752		390		455	518-6720	672
513-5013	▶757		391	516-1397	452	518-7551	248
513-5014	▶758		392		455	518-7574	248
513-5015	▶759		393	516-1437	1	519-0945	624
513-5016	▶760	515-0965	385		▶914	519-1668	229
513-5017	▶761		387	516-1438	1	519-1731	735
513-5018	▶762	515-0966	▶387		▶916	519-1732	672
513-5019	▶763		391	516-1439	1		674
513-5767	620	515-0967	▶391		▶918	519-1733	672
513-5768	620	515-0968	▶392	517-0147	995		674
513-5769	620	515-0969	374	517-4329	823	519-1734	674
513-5770	462	515-0970	374		▶841	519-1735	672
	▶620	515-0971	▶393	517-4330	826	519-1736	674
513-5772	8	515-0972	▶369	517-4332	822	519-1737	674
	▶245		393		▶830	519-2695	893
513-5779	677	515-1885	▶378	517-4333	▶832		▶964
513-5780	677	515-1886	▶379		837	519-3821	▶1019
513-6542	9	515-1888	1	517-4334	824		1023
	▶247		▶440	517-4335	825	519-3822	▶1020
513-6555	9	515-1960	747	517-4336	828		1023
	▶199		▶755		▶834	519-3823	2
513-7370	868	515-2728	▶746	517-6763	▶836		3
513-7371	868		747	517-6817	▶802		4
513-7375	868	515-2729	▶677	517-8243	296		▶1021
513-7376	868		746	517-9179	▶892	520-6928	1
513-7379	868	515-2730	677	517-9180	▶893		▶1022
513-7380	868	515-2731	677	517-9299	▶462	520-6930	1022
513-7913	908	515-2732	677	517-9300	▶462	520-7768	5
	939	515-2733	677	517-9881	2		▶671
513-8862	990	515-2742	677		▶747	520-7773	462
513-9440	1	515-2743	677	517-9883	▶1		▶625
	▶592	515-2777	986		2	520-7778	▶433
513-9442	▶647	515-5764	650	517-9885	▶1		892
	670	515-5765	▶650		2		893
513-9444	647		747	518-0019	2	520-7783	433
	▶653	515-5766	650		▶670	520-7784	▶5
513-9446	▶648		▶667	518-0042	▶2	520-8643	▶887
	670	515-5771	649	518-0044	▶2	521-2180	▶887
513-9451	1	515-5772	649	518-0627	699	521-2181	▶926
	▶321	515-5773	649	518-0703	699	521-5502	630
513-9452	670	515-5865	▶649	518-1351	365	521-6487	970
	▶724		747	518-2671	580		971
513-9564	477	515-5866	649	518-2672	581		972
513-9565	465		▶664	518-2673	▶580		973
	472	515-8220	980	518-2674	▶581		974
	477	515-8262	983	518-3803	967		982
513-9576	465	515-8263	983	518-5431	36	521-6813	▶6
514-0659	465	515-8400	980	518-5432	36	521-7497	626
514-4631	▶459		▶983	518-5433	36	521-7498	626
	462	515-8961	18	518-5436	36	521-7499	626
514-4632	▶460		▶215	518-5437	46	521-9023	667
	462	515-9553	8	518-5440	46	522-0711	653
514-4633	▶461		9	518-5441	46	522-0723	653
	462		▶201	518-5444	46		664
514-4634	462	515-9554	8	518-5877	▶8	522-0724	653
	▶624		▶696	518-5880	8	522-0782	653
514-4635	624	515-9703	17		▶17	522-1430	667
514-4636	624		▶217	518-5883	8	522-1431	667
					▶568		

PART NUMBER INDEX

Part	Page	Part	Page	Part	Page	Part	Page
522-1432	. 667	525-7707	. 664	527-7896	. 832	536-9761	. 886
522-1433	. 667	525-7708	. 664		834		925
522-1434	. 667	525-7709	. 664	527-7897	. 832	536-9853	. 886
522-1446	. 667	525-7710	. 664	527-7898	. 832		925
522-4418	. 403	525-9189	. 802	527-7899	. 832	538-1164	. 3
522-5800	▶2	526-0580	. 529	527-7900	. 832		4
522-5801	▶2		▶544	527-7901	. 832		▶999
522-5802	▶3	526-0581	. 529		834	539-2408	. 586
522-5803	▶3		▶545	527-7902	. 832		918
522-5804	▶3	526-0637	. 516	527-7903	. 834	539-3063	. 332
522-5805	▶1023		569	527-7904	. 834	539-4427	. 618
522-5806	▶1023	526-0654	. 569	527-7905	. 834	539-4494	. 595
522-6038	▶3		▶572	527-7906	. 834		596
522-6039	▶4	526-2655	. 464	527-7907	. 834		▶618
522-6040	▶4		471	527-7908	. 834	540-6562	. 826
522-6041	▶4	526-4258	. 577	527-7909	. 834	540-6609	. 824
522-6042	▶4	526-4259	. 546	527-7910	. 834	540-6685	. 825
523-4877	. 727		577	527-7913	. 834	540-8046	. 828
523-5678	. 699	526-4589	. 317	527-7914	. 834	541-7470	. 898
523-5702	. 699	526-5726	. 532	527-7915	. 834	541-9094	. 578
523-8303	▶362		▶547	527-7917	. 834	545-6982	. 861
523-8304	▶362	526-5727	. 532	527-7918	. 834	545-7587	. 861
523-8305	▶362		▶548	527-7919	. 834	545-7591	. 861
523-8306	▶362	526-5728	. 531	527-7920	. 834	545-7596	. 861
523-8307	▶363		▶549	527-7921	. 834	545-9415	. 1031
523-8308	▶363	526-6911	. 531	527-7923	. 834	545-9416	. 1031
524-1805	. 672		▶550	528-2072	▶332	545-9418	. 1031
	674	526-6913	. 533	528-3015	. 768	545-9419	. 1031
524-2574	. 13		▶551	528-3023	. 768	546-5410	. 907
524-2576	. 11	526-6914	. 533	528-3024	. 768	546-5411	. 907
524-3872	. 854		▶552	528-3027	. 768	546-5767	▶907
524-4689	. 672	526-7162	. 534	528-3191	. 768	548-1091	. 321
	674		▶553	528-3194	. 768		
524-8428	. 362	526-7163	. 534	528-3702	. 768		
	▶442		▶554	528-3710	. 768		
524-8429	. 363	526-7378	. 744	528-3722	. 768		
	▶443	526-7387	. 744	528-3741	. 768		
524-8430	. 362	526-7389	. 744	528-3751	. 768		
	▶444	526-8387	. 273	528-3806	. 768		
524-8951	. 557		274	528-3807	. 768		
	558	526-8388	. 273	528-3812	. 768		
525-3038	. 888		274	528-3858	. 768		
	▶924	526-8391	. 273	528-3859	. 768		
525-3040	. 886		274	528-3866	. 768		
	▶888	526-9589	. 535	528-4293	. 769		
525-3137	. 881		▶555	528-4296	. 769		
	883	526-9591	. 535	528-4544	. 769		
	▶886		▶556	528-4804	. 768		
525-3164	. 875	526-9592	. 530	528-4805	. 768		
525-3165	. 875		▶557	528-4806	. 768		
525-3166	. 875	526-9593	. 530	528-4807	. 768		
525-3167	. 875		▶558	528-4808	. 768		
525-3168	. 875	527-7879	. 800	528-4809	. 768		
525-3169	. 875	527-7880	. 800	528-4810	. 768		
525-3170	. 875		801	528-4811	. 768		
525-3171	. 875	527-7881	. 800	528-4812	. 768		
525-3172	. 875		801	528-4813	. 768		
525-3173	. 875	527-7882	. 800	528-8179	▶998		
525-3174	. 875		801	528-8260	. 632		
525-3175	. 875		834	528-8583	. 962		
525-3176	. 875	527-7883	. 801	528-8853	. 888		
525-3177	. 875	527-7884	. 830		925		
525-3178	. 875	527-7885	. 830	529-6465	▶822		
525-3179	. 875	527-7886	. 830	529-6466	▶823		
525-3180	. 875	527-7887	. 830	529-8470	▶837		
525-3181	. 875	527-7888	. 830	532-7513	. 17		
525-3182	. 875	527-7889	. 830		18		
525-3183	. 875	527-7890	. 830		▶264		
525-3184	. 875		834	532-7514	. 264		
525-3185	. 875	527-7891	. 832	532-7515	. 264		
525-7703	. 664	527-7892	. 832	535-5874	▶938		
525-7704	. 664	527-7893	. 832	535-5875	▶939		
525-7705	. 664	527-7894	. 832	535-6691	. 398		
525-7706	. 664	527-7895	. 832	535-6692	. 398		

MEMORANDA



M0078697-06

TH357D Telehandler

CJ41-UP