

Dry Manifold with SCAC

CAT® ENGINE SPECIFICATIONS

V-12, 4-Stroke-Cycle-Diesel

Emissions	Non-current EPA & CARB Tier 2 & China Nonroad Mobile Stage III Emission Certified
Peak Torque at Speed	6910 lbs-ft
Bore	170 mm (6.7 in)
Stroke	215 mm (8.5 in)
Displacement	58.9 L (3596 in ³)
Aspiration	Turbocharged-Aftercooled
Governor and Protection	Electronic (ADEM™ A3)
Engine Weight, with oil (approx)*	6416 kg (14,145 lb)
Capacity for Liquids	
Lube Oil System (refill)	151.4 L (40 gal)
Cooling System	134 L (35.4 gal)
Oil Change Interval	250 hours
Rotation (from flywheel end)	Counterclockwise
Flywheel and Flywheel Housing	SAE No. 0
Flywheel Teeth	151

Image is a representation only, and may show optional attachments.

*Weight includes attachments

FEATURES

Engine Design

- Proven reliability and durability
- Robust diesel strength design prolongs life and lowers owning and operating costs
- Broad operating speed range
- Air shutoff — integrated with engine controls

Cooling System

Separate Circuit Aftercooler (SCAC)

Optional Attachments

Engine Mounted Transmission Oil Cooler —

Integration with engine cooling system allows ease of installation and a tighter overall engine package

Advanced Digital Engine Management

ADEM A3 engine management system integrates speed control, air/fuel ratio control and ignition/detonation controls into a complete engine management system with integrated digital ignition, engine protection and monitoring

Custom Packaging

For any petroleum application, trust Caterpillar to meet your exact needs with a factory custom package. Cat® engines, generators, enclosures, controls, radiators, transmissions — anything your project requires — can be custom designed and matched to create a one-of-a kind solution. Custom packages are globally supported and are covered by a one-year warranty after startup.

Full Range of Attachments

Large variety of factory-installed engine attachments reduces packaging time

Testing

Every engine is full-load tested to ensure proper engine performance

Product Support Offered Through Global Cat Dealer Network

- More than 2,200 dealer outlets
- Cat factory-trained dealer technicians service every aspect of your petroleum engine
- Cat parts and labor warranty
- Preventive maintenance agreements available for repair-before-failure options
- S•O•SSM program matches your oil and coolant samples against Caterpillar set standards to determine:
 - Internal engine component condition
 - Presence of unwanted fluids
 - Presence of combustion by-products
 - Site-specific oil change interval

Over 80 Years of Engine Manufacturing Experience

- Ownership of these manufacturing processes enables Caterpillar to produce high quality, dependable products.
 - Cast engine blocks, heads, cylinder liners, front and flywheel housings
 - Machine critical components
 - Assemble complete engine

Web Site

For all your petroleum power requirements, visit www.cat.com/oilandgas

STANDARD EQUIPMENT

Air Inlet System

Heavy-duty air cleaners (dual element/service indicator)
Four center-mounted turbochargers

Control System

Cat® ADEM A3 ECU — LH
With electronic fuel injector fuel system (10 amp DC power required to drive electronic engine control module)

Cooling System

Separate Circuit SCAC system
Torque converter connections
Thermostats and housing, jacket and separate circuit water pump, gear-driven centrifugal

Exhaust System

Land well service engine
Exhaust manifold, dry, slip joint with stainless steel wire seal
Four turbochargers with watercooled bearings (center mounted)
Exhaust outlet, dual 203 mm (8 in) round flange

Flywheel and Flywheel Housings

Flywheel, SAE No. 0, 151 teeth
Flywheel housing, SAE No. 0

Fuel System

Primary fuel filter
Fuel priming pump
Fuel filter — RH spin-on type
Fuel transfer pump
Electronically controlled unit injectors

Instrumentation

No standard instrumentation
Optional, remote instrumentation available
Service meter

Lube System

Crankcase breather — top mounted
Oil cooler
Oil filler and dipstick — LH
Oil pump
Oil filter — RH spin-on type
Rear sump oil pan — 250-hour change interval
Oil pan drain valve — 1" NPT female connection
Fumes disposal
Scavenger pump

Mounting System

Trunion front support

Power Take-Offs

Accessory drive — lower LH
Front housing — two-sided

Protection System

ADEM A3 ECU system to provide customer programmable engine deration strategies to protect against adverse operating conditions
Emergency stop logic inputs provided at 40-pin customer interface connection
Dual air inlet shutoff
Oil pressure monitor

General

Paint — Cat yellow
Vibration damper and guard
Lifting eyes

OPTIONAL ATTACHMENTS

Charging System

Charging alternators

Control System

Local speed throttle control
Throttle position sensors
Governor conversion

Cooling System

Coolant regulator conversion
Water level switch gauge
Coolant level sensors and coolant conditioner

Exhaust System

Flexible exhaust fitting
Elbows, flange, exhaust adapters
Manifold and mufflers

Fuel Systems

Flexible fuel lines
Water/fuel separator
Fuel level switch

Instrumentation

Remote panel display and remote cylinder temperature display
Gauges and instrument panels

Lube System

Oil pans and filters
Deep sump oil pan and front sump pan

Power Take-Offs

Front crankshaft adapter
Flywheel stub shaft

Protection System

Sensors
Shutoff controls

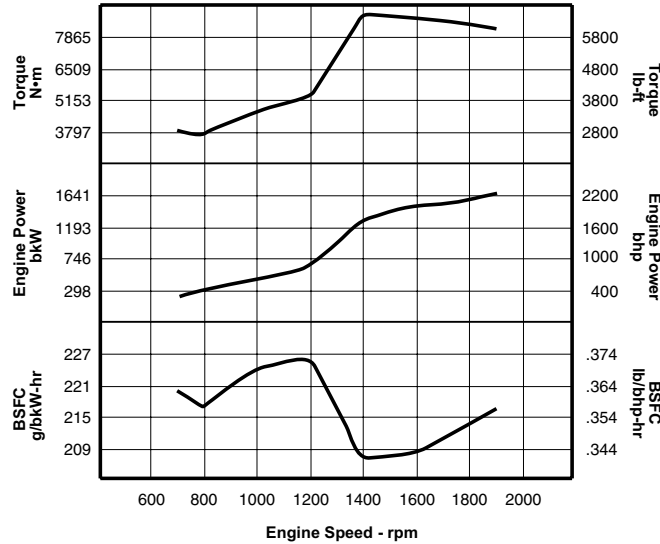
Starting System

Air starting motors
Electric starting motors
Hydraulic starter
Ether starting aids
Battery sets — 24V
Battery cable and battery rack

PERFORMANCE CURVES

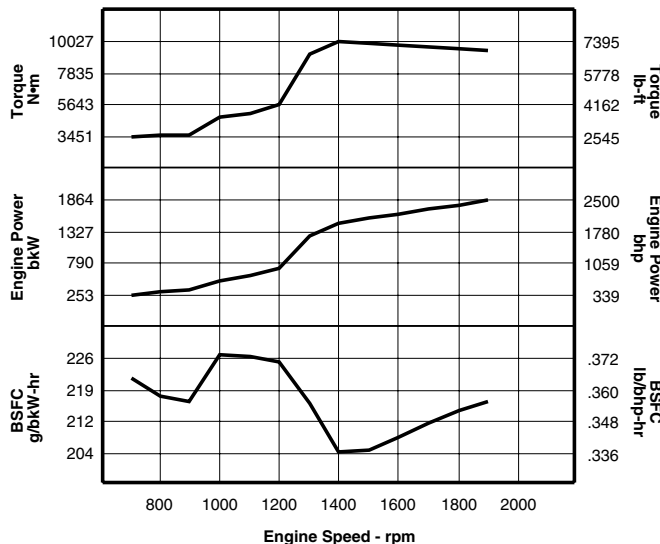
Turbocharged-Aftercooled
Well Service Rating

DM8865-00 — 1678 kW (2250 bhp) @ 1900 rpm*



Heat Rejection Data										
Engine Speed rpm	Engine Power		Rej to JW		Rej to Atmos		Rej to Exh		From 2nd Stage Aft Clr	
	bkW	bhp	bkW	Btu/min	bkW	Btu/min	bkW	Btu/min	bkW	Btu/min
1900	1678	2250	927	52752	129	7339	1620	92178	249	14168

DM8864-00 — 1864 kW (2500 bhp) @ 1900 rpm*

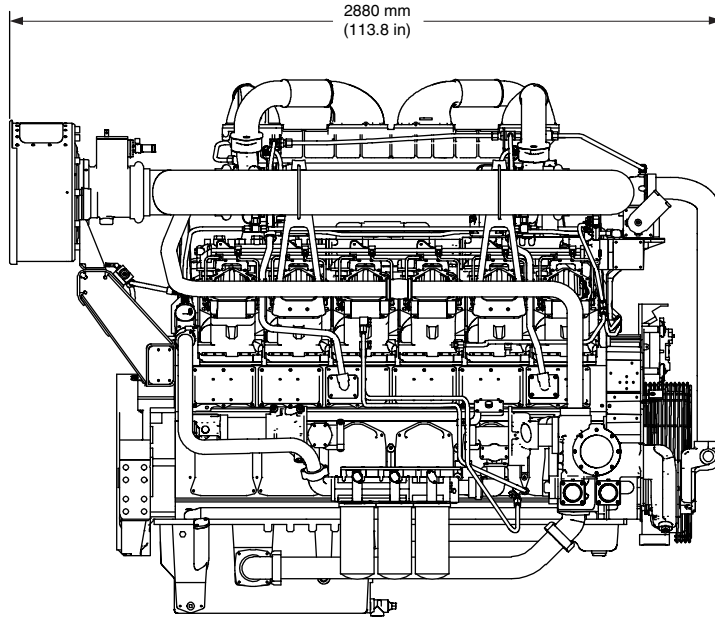


Heat Rejection Data										
Engine Speed rpm	Engine Power		Rej to JW		Rej to Atmos		Rej to Exh		From 2nd Stage Aft Clr	
	bkW	bhp	bkW	Btu/min	bkW	Btu/min	bkW	Btu/min	bkW	Btu/min
1900	1864	2500	994	56529	143	8132	1818	103389	270	15385

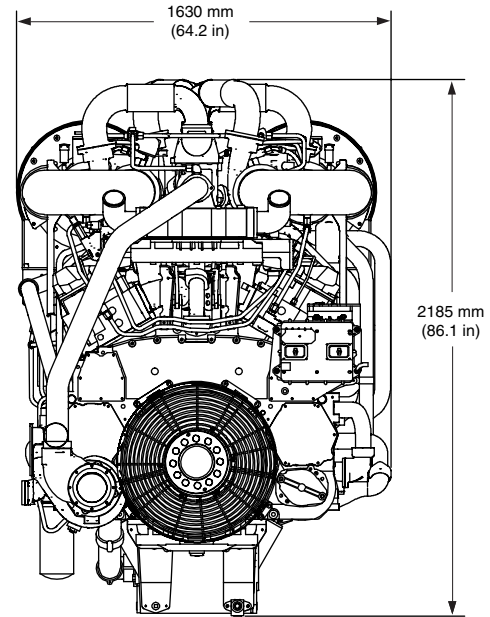
*Other engine ratings are available. Please contact dealer for performance data.

PETROLEUM ENGINE

DIMENSIONS



Right Side View



Front View

Engine Dimensions		
Length	2880 mm	113.8 in
Width	1630 mm	64.2 in
Height	2185 mm	86.1 in
Engine Weight (with oil)	6416 kg	14,145 lb

Note: Do not use for installation design. See general dimension drawings for detail (Drawing #283-6356).

RATING DEFINITIONS AND CONDITIONS

IND-E

For service where maximum power is required for a short time for initial starting or sudden overload. For emergency service where standard power is unavailable (time at full load not to exceed 5% of the duty cycle).

Engine Performance is corrected to inlet air standard conditions of 99 kPa (29.31 in Hg) dry barometer and 25°C (77°F) temperature. These values correspond to the standard atmospheric pressure and temperature as shown in SAE J1995.

Performance measured using a standard fuel with fuel gravity of 35 degrees API having a lower heating value of 42 780 kJ/kg (18,390 BTU/lb) when used at 29°C (84.2°F) where the density is 838.9 g/L (7.001 lb/U.S. gal).

The corrected performance values shown for Cat engines will approximate the values obtained when the observed performance data is corrected to SAE J1995, ISO 3046-2, ISO 8665, ISO 2288, ISO 9249, ISO 1585, EEC 80/1269, and DIN 70020 standard reference conditions.

Information contained in this publication may be considered confidential. Discretion is recommended when distributing. Materials and specifications are subject to change without notice. The International System of Units (SI) is used in this publication. CAT, CATERPILLAR, their respective logos, ADEM, S•O•S, "Caterpillar Yellow" and the "Power Edge" trade dress, as well as corporate and product identity used herein, are trademarks of Caterpillar and may not be used without permission.

© 2023 Caterpillar. All Rights Reserved. CAT, CATERPILLAR, LET'S DO THE WORK, their respective logos, "Caterpillar Corporate Yellow", the "Power Edge" and Cat "Modern Hex" trade dress as well as corporate and product identity used herein, are trademarks of Caterpillar and may not be used without permission.