



966 XE

Wheel Loader

Technical Specifications

Not all attachments available in all regions. Consult your Cat® dealer for specific configurations available in your region.

Table of Contents

Specifications	2
Engine	2
Bucket Capacities	2
Weight	2
Operating Specifications	2
Transmission	2
Hydraulic System	3
Brakes	3
Axles	3
Service Refill Capacities	3
Cab	3
Sound	3
Air Conditioning System	3
Dimensions	4
Tire Options	5
Bucket Fill Factors and Selection Guide	7
Operating Specifications – Buckets	13
Fork Specifications	45
Material Handling Arm Specifications	59
Standard and Optional Equipment	60
966 XE Environmental Declaration	62
966 XE Waste & Scrap Handler Configuration	63
Key Features and Benefits	63
966 Waste and Scrap Handler Features	64
Tire Options	65
Operating Specifications – Buckets	66
966 XE Forestry Machine Configuration	76
Key Features and Benefits	76
966 Forestry Machine Features	77
Tire Options	78
Operating Specifications – Buckets	79
Fork Specifications	80
Material Handling Arm Specifications	109
966 XE Corrosion Resistant Configuration	110
Key Features and Benefits	110
966 Corrosion Resistant Features	111

966 XE Wheel Loader Specifications

Engine

Engine Model	Cat® C9.3B	
Engine Power @ 1,600 rpm – ISO 14396:2002	239 kW	321 hp
	325 hp (metric)	
Gross Power @ 1,600 rpm – SAE J1995:2014	242 kW	325 hp
	329 hp (metric)	
Net Power @ 1,600 rpm – ISO 9249:2007, SAE J1349:2011	222 kW	298 hp
	302 hp (metric)	
Engine Torque @ 1,200 rpm – ISO 14396:2002	1781 N·m	1,313 lbf·ft
Gross Torque @ 1,200 rpm – SAE J1995:2014	1799 N·m	1,327 lbf·ft
Net Torque @ 1,200 rpm – ISO 9249:2007, SAE J1349:2011	1662 N·m	1,226 lbf·ft
Bore	115 mm	
Stroke	149 mm	
Displacement	9.3 L	

- Cat engine meets U.S. EPA Tier 4 Final, EU Stage V, Korea Stage V, and Japan 2014 emission standards.
- The net power advertised is the power available at the flywheel when the engine is equipped with fan, alternator, air cleaner and aftertreatment.
- Cat diesel engines are required to use ULSD (ultra-low sulfur diesel fuel with 15 ppm of sulfur or less) or ULSD blended with the following lower-carbon intensity fuels** up to:
 - 20% biodiesel FAME (fatty acid methyl ester)*
 - 100% renewable diesel, HVO (hydrotreated vegetable oil) and GTL (gas-to-liquid) fuels
 Refer to guidelines for successful application. Please consult your Cat dealer or “Caterpillar Machine Fluids Recommendations” (SEBU6250) for details.
- * Engines with no aftertreatment devices can use higher blends, up to 100% biodiesel.
- ** Tailpipe greenhouse gas emissions from lower-carbon intensity fuels are essentially the same as traditional fuels.

Bucket Capacities

Bucket Range	2.8-11.9 m ³	3.75-15.5 yd ³
--------------	-------------------------	---------------------------

Weight

Operating Weight	23 196 kg	51,124 lb
------------------	-----------	-----------

- Weight based on a machine configuration with Bridgestone 26.5R25 VJT L3 radial tires, full fluids, operator, standard counterweight, ride control, cold start, roading fenders, Product Link™, front manual differential/open rear axles, power train guard, secondary steering, sound suppression, and a 4.2 m³ (5.5 yd³) general purpose bucket with BOCE.

Operating Specifications

Static Tipping Load – Full Turn		
Maximum Articulation Angle (Full Turn)	37°	
With Tire Deflection	14,849 kg	32,727 lb
No Tire Deflection	15,981 kg	35,224 lb
Breakout Force	174 kN	38,999 lbf

- For a machine configuration as defined under “Weight.”
- Full compliance to ISO 14397-1:2007 Sections 1 thru 6, which requires 2% verification between calculations and testing.

Transmission

Forward 1	6.9 km/h	4.3 mph
Forward 2	13.0 km/h	8.0 mph
Forward 3	22.7 km/h	14.1 mph
Forward 4	39.5 km/h	24.5 mph
Reverse 1	6.9 km/h	4.3 mph
Reverse 2	13.0 km/h	8.0 mph
Reverse 3	28.8 km/h	17.9 mph
Reverse 4	N/A	N/A

- Maximum travel speed in standard vehicle with empty bucket and standard L3 tires with 849 mm (33 in) roll radius.

966 XE Wheel Loader Specifications

Hydraulic System

Implement Pump Type	Variable Displacement Piston, load sensing	
Implement System:		
Maximum Pump Output (1,400 rpm)	348 L/min	92 gal/min
Maximum Operating Pressure	31 000 kPa	4,496 psi
Optional 3 rd Function Maximum Flow at Work Tool	240 L/min	63 gal/min
Optional 3 rd Function Maximum Pressure at Work Tool	20 684 kPa	3,000 psi
Optional 4 th Function Maximum Flow at Work Tool	240 L/min	63 gal/min
Optional 4 th Function Maximum Pressure at Work Tool	20 684 kPa	3,000 psi
Hydraulic Cycle Time with Rated Payload:		
Raise from Carry Position	5.5 seconds	
Dump, at Maximum Raise	1.4 seconds	
Lower, Empty, Float Down	2.6 seconds	
Total	9.5 seconds	

Brakes

Brakes	Brakes meet ISO 3450:2011 standards
--------	-------------------------------------

Axles

Front	Fixed
Rear	Oscillating, ±13 degrees

Service Refill Capacities

Fuel Tank	303 L	80.1 gal
DEF Tank	26 L	6.9 gal
Cooling System	66 L	17.4 gal
Crankcase	23 L	6.1 gal
Transmission	63 L	16.6 gal
Differentials and Final Drives – Front	57 L	15.1 gal
Differentials and Final Drives – Rear	57 L	15.1 gal
Hydraulic Tank	114 L	30.1 gal

Cab

ROPS/FOPS	ROPS/FOPS meet ISO 3471:2008 and ISO 3449:2005 Level II standards
-----------	---

Sound Performance

Operator Sound Pressure Level (ISO 6396:2008)	67 dB(A)
Exterior Sound Power Level (ISO 6395:2008)	107 dB(A)
Operator Sound Pressure Level (ISO 6396:2008)*	67 dB(A)
Exterior Sound Power Level (ISO 6395:2008)**	105 dB(A)

*Including countries that adopt the EU and UK Directives
 **EU Noise Directive 2000/14/EC and UK Noise Regulation 2001 No. 1701

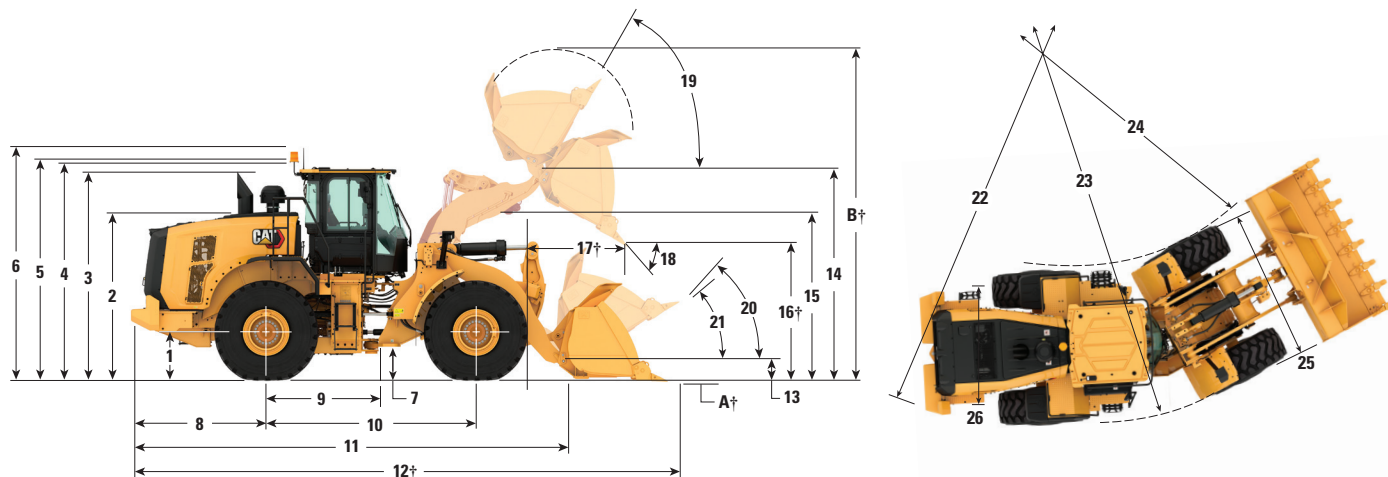
Air Conditioning System

- The air conditioning system on this machine contains the fluorinated greenhouse gas refrigerant R134a (Global Warming Potential = 1430). The system contains 1.6 kg (3.5 lb) of refrigerant which has a CO₂ equivalent 2.288 metric tonnes (2.522 tons).

966 XE Wheel Loader Specifications

Dimensions

All dimensions are approximate.



	Standard Lift		High Lift	
1 Height to Axle Centerline	809 mm	2'7"	809 mm	2'7"
2 Height to Top of Hood	2850 mm	9'5"	2850 mm	9'5"
3 Height to Top of Exhaust Pipe	3531 mm	11'8"	3531 mm	11'8"
4 Height to Top of ROPS	3593 mm	11'10"	3593 mm	11'10"
5 Height to Top of Product Link™ Antenna	3607 mm	11'11"	3607 mm	11'11"
6 Height to Top of Warning Beacon	3871 mm	12'9"	3871 mm	12'9"
7 Ground Clearance	424 mm	1'4"	424 mm	1'4"
8 Center Line of Rear Axle to Edge of Counterweight	2290 mm	7'7"	2458 mm	8'1"
9 Center Line of Rear Axle to Hitch	1775 mm	5'10"	1775 mm	5'10"
10 Wheelbase	3550 mm	11'8"	3550 mm	11'8"
11 Overall Length (without bucket)	7399 mm	24'4"	8069 mm	26'6"
12 Shipping Length (with bucket level on ground)*†	8851 mm	29'1"	9521 mm	31'3"
13 Hinge Pin Height at Carry Height	635 mm	2'0"	782 mm	2'6"
14 Hinge Pin Height at Maximum Lift	4245 mm	13'11"	4804 mm	15'9"
15 Lift Arm Clearance at Maximum Lift	3687 mm	12'1"	4183 mm	13'8"
16 Dump Clearance at Maximum Lift and 45° Discharge*†	3001 mm	9'10"	3560 mm	11'8"
17 Reach at Maximum Lift and 45° Discharge*†	1350 mm	4'5"	1326 mm	4'4"
18 Dump Angle at Maximum Lift and Dump (on stops)*	49 degrees		48 degrees	
19 Rack Back at Maximum Lift*	62 degrees		71 degrees	
20 Rack Back at Carry Height*	50 degrees		49 degrees	
21 Rack Back at Ground*	39 degrees		37 degrees	
22 Clearance Circle (dia) to Counterweight	13 588 mm	44'7"	13 608 mm	44'8"
23 Clearance Circle (dia) to Outside of Tires	13 621 mm	44'9"	13 621 mm	44'9"
24 Clearance Circle (dia) to Inside of Tires	7598 mm	25'0"	7598 mm	25'0"
25 Width over Tires (unloaded)	2978 mm	9'10"	2978 mm	9'10"
Width over Tires (loaded)	3012 mm	9'11"	3012 mm	9'11"
26 Tread Width	2230 mm	7'3"	2230 mm	7'3"

†Dimensions are listed in Operating Specifications charts.

All height and tire related dimensions are with Bridgestone 26.5R25 VJT L3 radial tires (see Tire Option Chart for other tires). "Width over Tires" dimensions are over the bulge and include growth.

*All dimensions are approximate and based on machine equipped with 4.2 m³ (5.5 yd³) general purpose bucket with BOCE. (see Operating Specifications for other buckets)

966 XE Wheel Loader Specifications

Tire Options

Tire Brand	BRIDGESTONE	BRIDGESTONE	BRIDGESTONE	BRIDGESTONE	BRIDGESTONE	BRIDGESTONE
Tire Size	26.5R25	26.5R25	26.5R25	26.5-25	26.5-25	775/65R29
Tread Type	L3	L4	L5	L3	L4	L3
Tread Pattern	VJT	VSNT	VSDL	VL2	RLS	VTS
Casing Strength	*	*	*	20PR	26PR	*
Width over Tires – Maximum (empty)*	2978 mm 9'10"	2960 mm 9'9"	2959 mm 9'9"	2937 mm 9'8"	2942 mm 9'8"	3046 mm 10'0"
Width over Tires – Maximum (loaded)*	3012 mm 9'11"	2991 mm 9'10"	2983 mm 9'10"	2948 mm 9'9"	2960 mm 9'9"	3070 mm 10'1"
Change in Vertical Dimensions (average of front and rear)		26 mm 1"	43 mm 1.7"	-4 mm -0.1"	38 mm 1.5"	11 mm 0.4"
Change in Horizontal Reach		-21 mm -0.8"	-26 mm -1"	0 mm 0"	-24 mm -0.9"	-1 mm 0"
Change in Clearance Circle to Outside of Tires		-21 mm -0.8"	-29 mm -1.1"	-63 mm -2.5"	-52 mm -2"	58 mm 2.3"
Change in Clearance Circle to Inside of Tires		21 mm 0.8"	29 mm 1.1"	63 mm 2.5"	52 mm 2"	-58 mm -2.3"
Change in Operating Weight (without Ballast)		460 kg 1,014 lb	972 kg 2,143 lb	-364 kg -803 lb	112 kg 247 lb	692 kg 1,525 lb
Change in Static Tipping Load – Straight		334 kg 735 lb	705 kg 1,554 lb	-264 kg -582 lb	81 kg 179 lb	501 kg 1,106 lb
Change in Static Tipping Load – Articulated		297 kg 654 lb	627 kg 1,382 lb	-235 kg -518 lb	72 kg 159 lb	446 kg 984 lb
Rear Axle Oscillation Angle	±13 degrees	±13 degrees	±8 degrees	±13 degrees	±13 degrees	±8 degrees
Maximum Single-wheel Rise and Fall	502 mm 1'8"	502 mm 1'8"	310 mm 1'1"	502 mm 1'8"	502 mm 1'8"	310 mm 1'1"

Tire Brand	MICHELIN	MICHELIN	MICHELIN	MAXAM	MAXAM	MAXAM
Tire Size	26.5R25	26.5R25	775/65R29	26.5R25	26.5R25	775/65R29
Tread Type	L3	L5	L3	L3	L5	L3
Tread Pattern	XHA2	XLDD2	XHA2	MS302	MS503	MS302
Casing Strength	**	*	*	**	**	**
Width over Tires – Maximum (empty)*	2986 mm 9'10"	2970 mm 9'9"	3019 mm 9'11"	2972 mm 9'9"	2960 mm 9'9"	3038 mm 10'0"
Width over Tires – Maximum (loaded)*	3016 mm 9'11"	3005 mm 9'11"	3049 mm 10'1"	2947 mm 9'9"	2986 mm 9'10"	3063 mm 10'1"
Change in Vertical Dimensions (average of front and rear)	-11 mm -0.4"	39 mm 1.5"	4 mm 0.1"	14 mm 0.5"	47 mm 1.9"	38 mm 1.5"
Change in Horizontal Reach	3 mm 0.1"	-31 mm -1.2"	2 mm 0.1"	-7 mm -0.3"	-28 mm -1.1"	-23 mm -0.9"
Change in Clearance Circle to Outside of Tires	5 mm 0.2"	-7 mm -0.3"	38 mm 1.5"	-65 mm -2.6"	-26 mm -1"	52 mm 2"
Change in Clearance Circle to Inside of Tires	-5 mm -0.2"	7 mm 0.3"	-38 mm -1.5"	65 mm 2.6"	26 mm 1"	-52 mm -2"
Change in Operating Weight (without Ballast)	-164 kg -362 lb	552 kg 1,217 lb	504 kg 1,110 lb	-16 kg -35 lb	692 kg 1,526 lb	684 kg 1,507 lb
Change in Static Tipping Load – Straight	-119 kg -262 lb	400 kg 882 lb	365 kg 805 lb	-12 kg -26 lb	502 kg 1,106 lb	496 kg 1,093 lb
Change in Static Tipping Load – Articulated	-106 kg -233 lb	356 kg 785 lb	325 kg 716 lb	-10 kg -23 lb	446 kg 984 lb	441 kg 972 lb
Rear Axle Oscillation Angle	±13 degrees	±8 degrees	±8 degrees	±13 degrees	±8 degrees	±8 degrees
Maximum Single-wheel Rise and Fall	502 mm 1'8"	310 mm 1'1"	310 mm 1'1"	502 mm 1'8"	310 mm 1'1"	310 mm 1'1"

*Width over tire bulge and includes tire growth.

966 XE Wheel Loader Specifications

Tire Options

Tire Brand	TRIANGLE	TRIANGLE	GOODYEAR	GOODYEAR	GOODYEAR
Tire Size	26.5R25	26.5-25	26.5R25	26.5R25	26.5R25
Tread Type	L3	L3	L3	L4	L5
Tread Pattern	TB516	TL612	RT3B	GP4D	RT5D
Casing Strength	**	20PR	**	**	**
Width over Tires – Maximum (empty)*	2969 mm 9'9"	2948 mm 9'9"	2979 mm 9'10"	2985 mm 9'10"	2982 mm 9'10"
Width over Tires – Maximum (loaded)*	2991 mm 9'10"	2958 mm 9'9"	2994 mm 9'10"	3033 mm 10'0"	3013 mm 9'11"
Change in Vertical Dimensions (average of front and rear)	14 mm 0.5"	17 mm 0.7"	20 mm 0.8"	5 mm 0.2"	41 mm 1.6"
Change in Horizontal Reach	-6 mm -0.2"	-2 mm -0.1"	-2 mm -0.1"	-5 mm -0.2"	-26 mm -1"
Change in Clearance Circle to Outside of Tires	-21 mm -0.8"	-54 mm -2.1"	-17 mm -0.7"	22 mm 0.8"	1 mm 0"
Change in Clearance Circle to Inside of Tires	21 mm 0.8"	54 mm 2.1"	17 mm 0.7"	-22 mm -0.8"	-1 mm 0"
Change in Operating Weight (without Ballast)	-64 kg -141 lb	-372 kg -820 lb	276 kg 609 lb	272 kg 600 lb	988 kg 2,179 lb
Change in Static Tipping Load – Straight	-46 kg -102 lb	-270 kg -595 lb	200 kg 441 lb	197 kg 435 lb	716 kg 1,579 lb
Change in Static Tipping Load – Articulated	-41 kg -91 lb	-240 kg -529 lb	178 kg 393 lb	175 kg 387 lb	637 kg 1,405 lb
Rear Axle Oscillation Angle	±13 degrees	±13 degrees	±13 degrees	±13 degrees	±8 degrees
Maximum Single-wheel Rise and Fall	502 mm 1'8"	502 mm 1'8"	502 mm 1'8"	502 mm 1'8"	310 mm 1'1"

Tire Brand	GOODYEAR	GOODYEAR	BRAWLER HPS SMOOTH	BRAWLER HPS TRACTION
Tire Size	26.5R25	775/65R29	26.5R25	26.5R25
Tread Type	L5	L4	N/A	N/A
Tread Pattern	RL5K	GP4D	Smooth	Traction
Casing Strength	**	**	N/A	N/A
Width over Tires – Maximum (empty)*	3046 mm 10'0"	3072 mm 10'1"	2959 mm 9'9"	2959 mm 9'9"
Width over Tires – Maximum (loaded)*	3171 mm 10'5"	3118 mm 10'3"	2968 mm 9'9"	2968 mm 9'9"
Change in Vertical Dimensions (average of front and rear)	45 mm 1.8"	13 mm 0.5"	37 mm 1.5"	34 mm 1.3"
Change in Horizontal Reach	-23 mm -0.9"	-6 mm -0.2"	11 mm 0.4"	11 mm 0.4"
Change in Clearance Circle to Outside of Tires	160 mm 6.3"	107 mm 4.2"	-44 mm -1.7"	-44 mm -1.7"
Change in Clearance Circle to Inside of Tires	-160 mm -6.3"	-107 mm -4.2"	44 mm 1.7"	44 mm 1.7"
Change in Operating Weight (without Ballast)	896 kg 1,976 lb	720 kg 1,587 lb	4300 kg 9,482 lb	4076 kg 8,988 lb
Change in Static Tipping Load – Straight	650 kg 1,432 lb	522 kg 1,150 lb	3118 kg 6,874 lb	2955 kg 6,516 lb
Change in Static Tipping Load – Articulated	578 kg 1,274 lb	464 kg 1,023 lb	2774 kg 6,116 lb	2629 kg 5,797 lb
Rear Axle Oscillation Angle	±8 degrees	±8 degrees	±8 degrees	±8 degrees
Maximum Single-wheel Rise and Fall	310 mm 1'1"	310 mm 1'1"	310 mm 1'1"	310 mm 1'1"

*Width over tire bulge and includes tire growth.

966 XE Wheel Loader Specifications

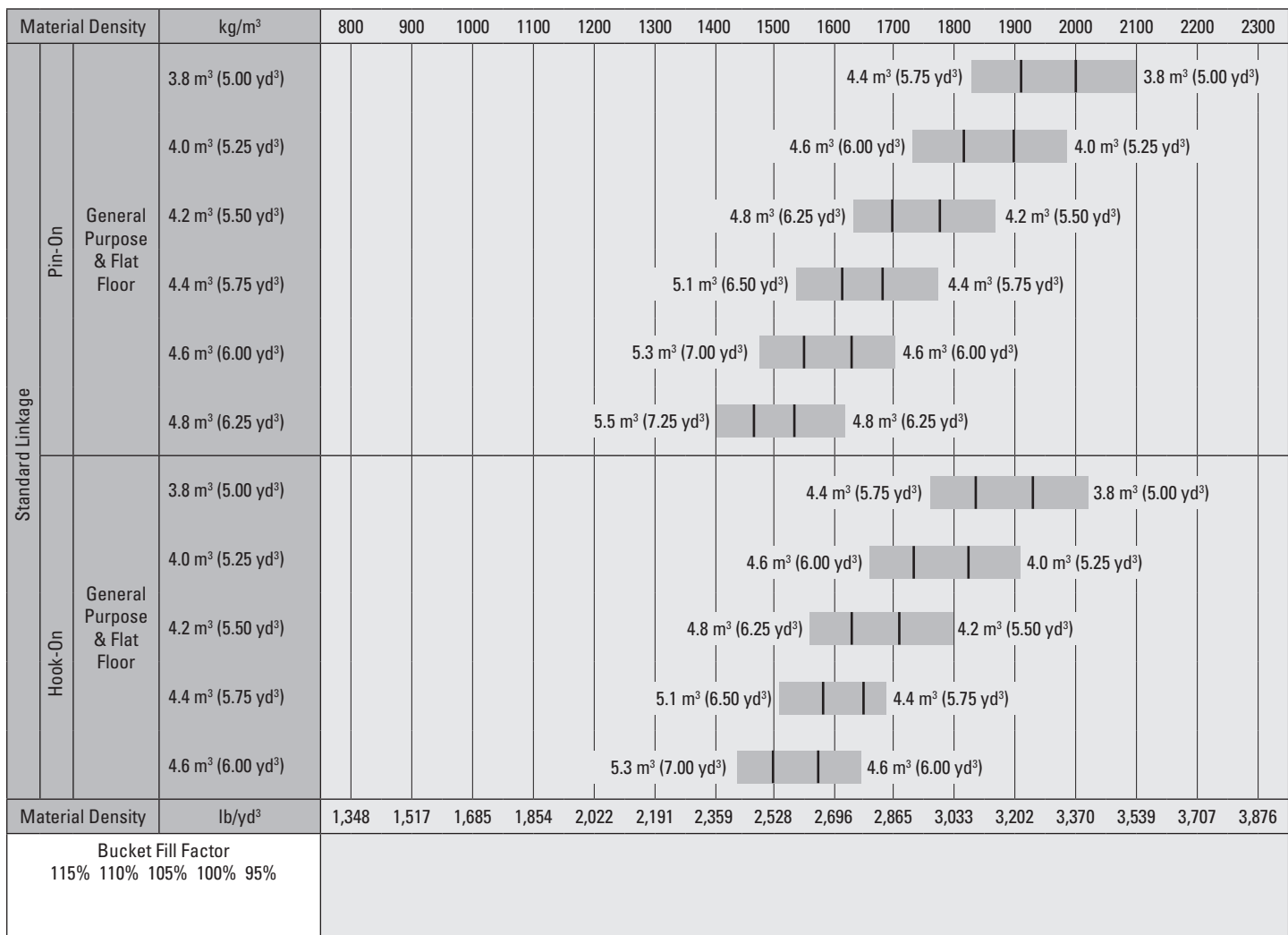
Bucket Fill Factors and Selection Guide

The bucket size must be chosen based on the density of the material and on the expected fill factor. The Cat Performance Series Buckets with longer floor, larger bucket opening, increased repository angle, rounded side boards and integrated spill guard demonstrate fill factors significantly higher than previous generation or non-Cat buckets. The actual volume handled by the machine is thus often larger than the rated capacity.

Loose Material		Fill Factor (%)*	Material Density
Earth/Clay		115	1.5-1.7
Sand and Gravel		115	1.5-1.7
Aggregate:	25-76 mm (1 to 3 in)	110	1.6-1.7
	19 mm (0.75 in) and smaller	105	1.8
Rock:	76 mm (3 in) and larger	100	1.6

*As a % of ISO 7546:1983 rated capacity.

Note: Fill Factors achieved will also depend on whether the product is washed or not washed.



Note: All buckets are showing Bolt-On Edges.

966 XE Wheel Loader Specifications

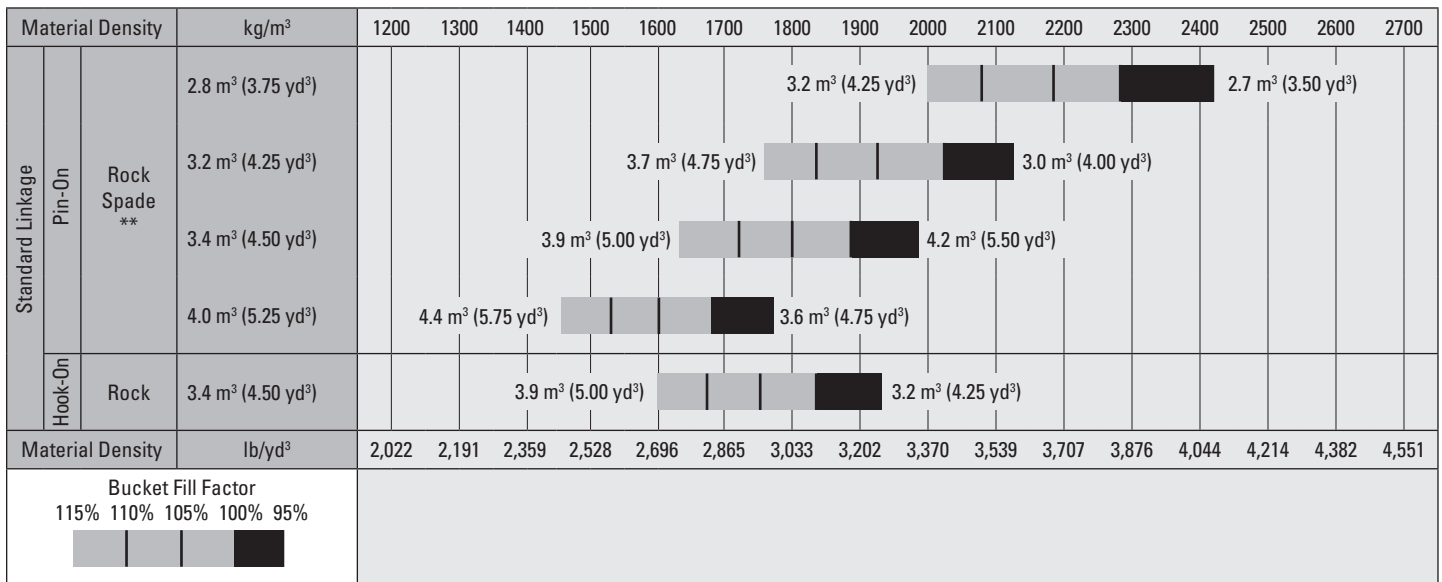
Bucket Fill Factors and Selection Guide

The bucket size must be chosen based on the density of the material and on the expected fill factor. The Cat Performance Series Buckets with longer floor, larger bucket opening, increased repository angle, rounded side boards and integrated spill guard demonstrate fill factors significantly higher than previous generation or non-Cat buckets. The actual volume handled by the machine is thus often larger than the rated capacity.

Loose Material		Fill Factor (%)*	Material Density
Earth/Clay		115	1.5-1.7
Sand and Gravel		115	1.5-1.7
Aggregate:	25-76 mm (1 to 3 in)	110	1.6-1.7
	19 mm (0.75 in) and smaller	105	1.8
Rock:	76 mm (3 in) and larger	100	1.6

*As a % of ISO 7546:1983 rated capacity.

Note: Fill Factors achieved will also depend on whether the product is washed or not washed.



Note: All buckets are showing Bolt-On Edges.

966 XE Wheel Loader Specifications

Bucket Fill Factors and Selection Guide

The bucket size must be chosen based on the density of the material and on the expected fill factor. The Cat Performance Series Buckets with longer floor, larger bucket opening, increased repository angle, rounded side boards and integrated spill guard demonstrate fill factors significantly higher than previous generation or non-Cat buckets. The actual volume handled by the machine is thus often larger than the rated capacity.

Loose Material		Fill Factor (%)*	Material Density
Earth/Clay		115	1.5-1.7
Sand and Gravel		115	1.5-1.7
Aggregate:	25-76 mm (1 to 3 in)	110	1.6-1.7
	19 mm (0.75 in) and smaller	105	1.8
Rock:	76 mm (3 in) and larger	100	1.6

*As a % of ISO 7546:1983 rated capacity.

Note: Fill Factors achieved will also depend on whether the product is washed or not washed.

Material Density		kg/m ³	300	400	500	600	700	800	900	1000	1100	1200	1300	1400	
Standard Linkage	Pin-On	Coal	7.1 m ³ (9.25 yd ³)							8.2 m ³ (10.75 yd ³)					
		Coal	6.7 m ³ (8.75 yd ³)							7.7 m ³ (10.00 yd ³)					
	Pin-On	High Dump	7.6 m ³ (10.00 yd ³)								8.7 m ³ (11.50 yd ³)				
			9.2 m ³ (12.00 yd ³)									9.2 m ³ (12.00 yd ³)			
			11.1 m ³ (14.50 yd ³)									10.6 m ³ (13.75 yd ³)			
	Hook-On	High Dump	7.6 m ³ (10.00 yd ³)												
			9.2 m ³ (12.00 yd ³)												
			11.1 m ³ (14.50 yd ³)												
Material Density		lb/yd ³	506	674	843	1,011	1,180	1,348	1,517	1,685	1,854	2,022	2,191	2,359	
Bucket Fill Factor															
			115%	110%	105%	100%	95%								



Note: All buckets are showing Bolt-On Edges.

966 XE Wheel Loader Specifications

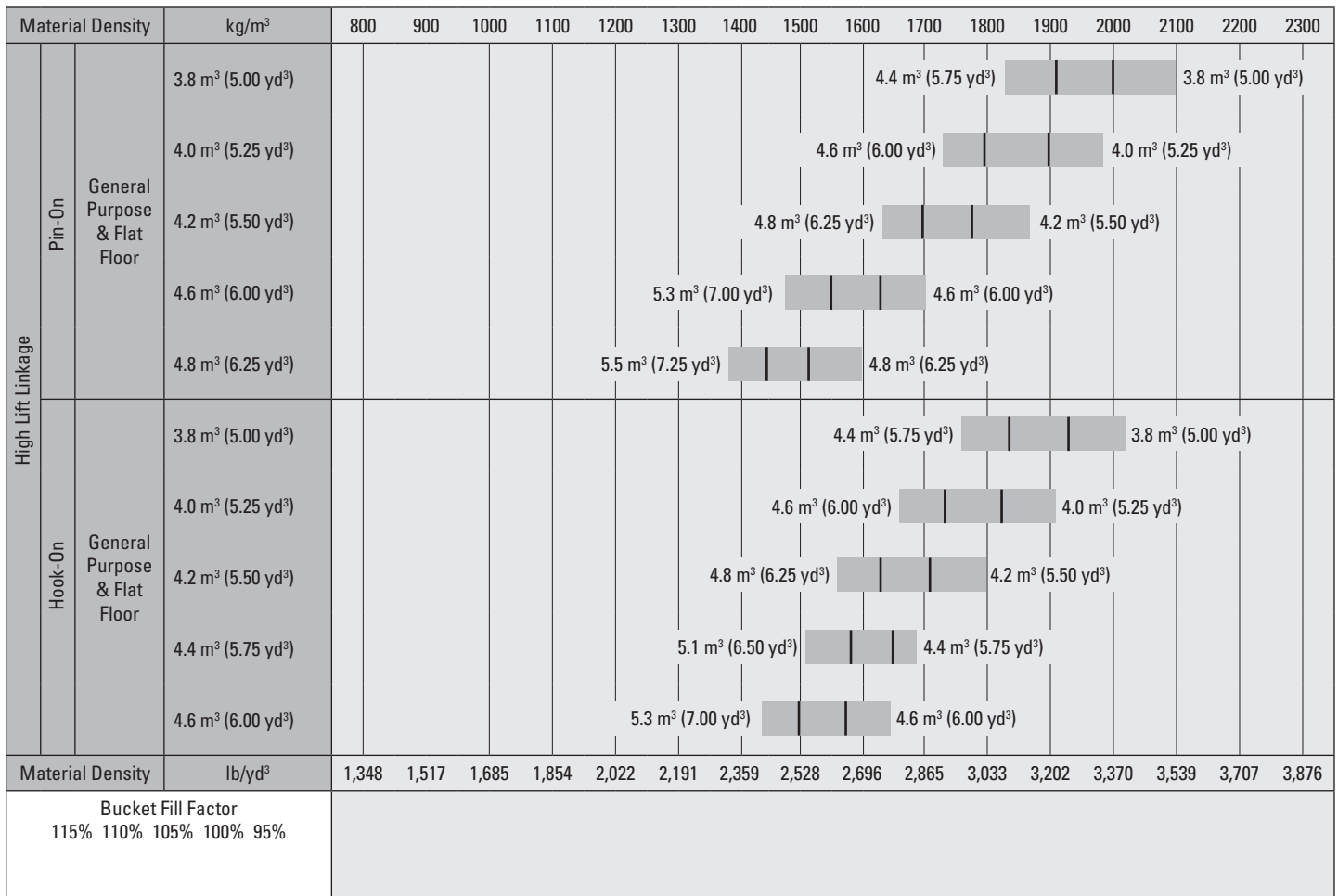
Bucket Fill Factors and Selection Guide

The bucket size must be chosen based on the density of the material and on the expected fill factor. The Cat Performance Series Buckets with longer floor, larger bucket opening, increased repository angle, rounded side boards and integrated spill guard demonstrate fill factors significantly higher than previous generation or non-Cat buckets. The actual volume handled by the machine is thus often larger than the rated capacity.

Loose Material		Fill Factor (%)*	Material Density
Earth/Clay		115	1.5-1.7
Sand and Gravel		115	1.5-1.7
Aggregate:	25-76 mm (1 to 3 in)	110	1.6-1.7
	19 mm (0.75 in) and smaller	105	1.8
Rock:	76 mm (3 in) and larger	100	1.6

*As a % of ISO 7546:1983 rated capacity.

Note: Fill Factors achieved will also depend on whether the product is washed or not washed.



Note: All buckets are showing Bolt-On Edges.

Bucket Fill Factors and Selection Guide

The bucket size must be chosen based on the density of the material and on the expected fill factor. The Cat Performance Series Buckets with longer floor, larger bucket opening, increased repository angle, rounded side boards and integrated spill guard demonstrate fill factors significantly higher than previous generation or non-Cat buckets. The actual volume handled by the machine is thus often larger than the rated capacity.

Loose Material		Fill Factor (%)*	Material Density
Earth/Clay		115	1.5-1.7
Sand and Gravel		115	1.5-1.7
Aggregate:	25-76 mm (1 to 3 in)	110	1.6-1.7
	19 mm (0.75 in) and smaller	105	1.8
Rock:	76 mm (3 in) and larger	100	1.6

*As a % of ISO 7546:1983 rated capacity.

Note: Fill Factors achieved will also depend on whether the product is washed or not washed.

Material Density		kg/m ³	300	400	500	600	700	800	900	1000	1100	1200	1300	1400		
High Lift Linkage	Pin-On	Coal	7.1 m ³ (9.25 yd ³)							8.2 m ³ (10.75 yd ³)		7.1 m ³ (9.25 yd ³)				
		Coal	6.7 m ³ (8.75 yd ³)							7.7 m ³ (10.00 yd ³)		6.7 m ³ (8.75 yd ³)				
	Pin-On	High Dump	7.6 m ³ (10.00 yd ³)								8.7 m ³ (11.50 yd ³)		7.6 m ³ (10.00 yd ³)			
			9.2 m ³ (12.00 yd ³)									10.6 m ³ (13.75 yd ³)		9.2 m ³ (12.00 yd ³)		
			11.1 m ³ (14.50 yd ³)									12.8 m ³ (16.75 yd ³)		11.1 m ³ (14.50 yd ³)		
	Hook-On	High Dump	7.6 m ³ (10.00 yd ³)								8.7 m ³ (11.50 yd ³)		7.6 m ³ (10.00 yd ³)			
			9.2 m ³ (12.00 yd ³)									10.6 m ³ (13.75 yd ³)		9.2 m ³ (12.00 yd ³)		
			11.1 m ³ (14.50 yd ³)									12.8 m ³ (16.75 yd ³)		11.1 m ³ (14.50 yd ³)		
	Material Density	lb/yd ³	506	674	843	1,011	1,180	1,348	1,517	1,685	1,854	2,022	2,191	2,359		
	Bucket Fill Factor															
		115% 110% 105% 100% 95%														



Note: All buckets are showing Bolt-On Edges.

966 XE Wheel Loader Specifications

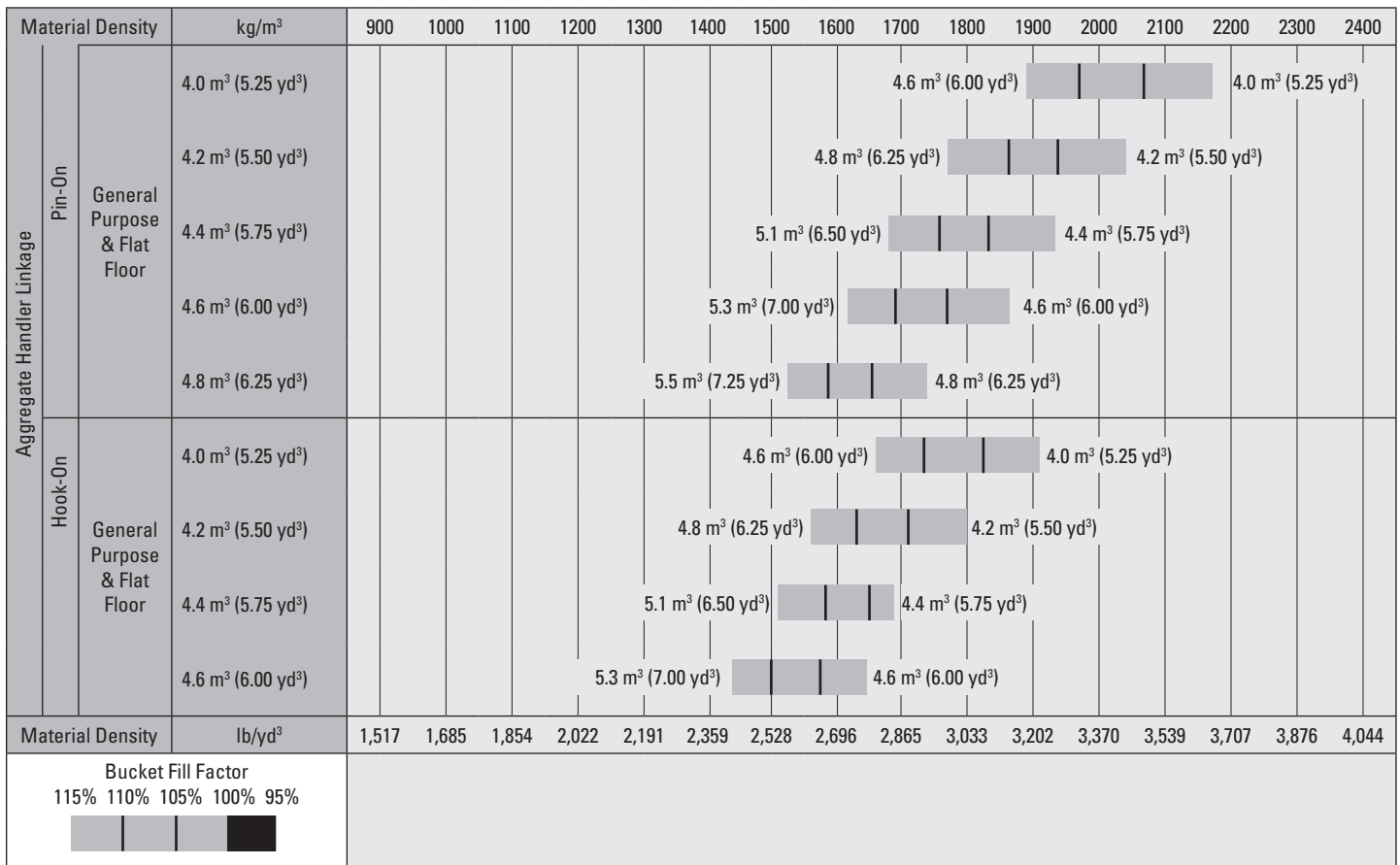
Bucket Fill Factors and Selection Guide

The bucket size must be chosen based on the density of the material and on the expected fill factor. The Cat Performance Series Buckets with longer floor, larger bucket opening, increased repository angle, rounded side boards and integrated spill guard demonstrate fill factors significantly higher than previous generation or non-Cat buckets. The actual volume handled by the machine is thus often larger than the rated capacity.

Loose Material		Fill Factor (%)*	Material Density
Earth/Clay		115	1.5-1.7
Sand and Gravel		115	1.5-1.7
Aggregate:	25-76 mm (1 to 3 in)	110	1.6-1.7
	19 mm (0.75 in) and smaller	105	1.8
Rock:	76 mm (3 in) and larger	100	1.6

*As a % of ISO 7546:1983 rated capacity.

Note: Fill Factors achieved will also depend on whether the product is washed or not washed.



Note: All buckets are showing Bolt-On Edges.

Operating Specifications – Buckets

Linkage		Standard Linkage			
Bucket Type		General Purpose – Pin-On			
Edge Type		Bolt-On Cutting Edges	Teeth and Segments	Bolt-On Cutting Edges	Teeth and Segments
Capacity – Rated	m ³	3.80	3.80	4.00	4.00
	yd ³	5.00	5.00	5.25	5.25
Capacity – Rated at 110% Fill Factor	m ³	4.20	4.20	4.40	4.40
	yd ³	5.50	5.50	5.75	5.75
Width	mm	3220	3301	3220	3301
	ft/in	10'6"	10'9"	10'6"	10'9"
16† Dump Clearance at Maximum Lift and 45° Discharge	mm	3077	2901	3068	2892
	ft/in	10'1"	9'6"	10'0"	9'5"
17† Reach at Maximum Lift and 45° Discharge	mm	1289	1422	1296	1427
	ft/in	4'2"	4'7"	4'3"	4'8"
Reach at Level Lift Arm and Bucket Level	mm	2701	2916	2712	2926
	ft/in	8'10"	9'6"	8'10"	9'7"
A† Digging Depth	mm	114	114	114	114
	in	4.5"	4.5"	4.5"	4.5"
12† Overall Length	mm	8753	9007	8765	9017
	ft/in	28'9"	29'7"	28'10"	29'7"
B† Overall Height with Bucket at Maximum Lift	mm	5787	5787	5898	5898
	ft/in	19'0"	19'0"	19'5"	19'5"
Loader Clearance Circle Radius with Bucket at Carry Position	mm	7488	7597	7491	7600
	ft/in	24'7"	25'0"	24'7"	25'0"
Static Tipping Load, Straight (With tire deflection)	kg	17 116	16 821	17 098	16 861
	lb	37,724	37,074	37,685	37,163
Static Tipping Load, Straight (No tire deflection)	kg	18 240	17 927	18 232	17 992
	lb	40,202	39,513	40,185	39,654
Static Tipping Load, Articulated (With tire deflection)	kg	15 058	14 770	15 037	14 799
	lb	33,189	32,554	33,142	32,619
Static Tipping Load, Articulated (No tire deflection)	kg	16 189	15 884	16 177	15 936
	lb	35,681	35,008	35,656	35,124
Breakout Force (§)	kN	187	185	185	183
	lbf	42,167	41,580	41,712	41,134
Operating Weight*	kg	23 088	23 262	23 140	23 311
	lb	50,886	51,269	51,001	51,377

*Static tipping loads and operating weights shown are based on a machine configuration with Bridgestone 26.5R25 VJT L3 radial tires, full fluids, operator, counterweight, ride control, cold start, roading fenders, Product Link™, manual diff lock/open axles (front and rear), powertrain guard, secondary steering and sound suppression.

† Illustration shown with Dimension charts.

***Rock bucket specifications are given on Bridgestone 26.5R25 VSDL L5 radial tires.

(§) Measured 100 mm (4") behind tip of cutting edge with bucket hinge pin as pivot point in accordance with ISO 14397-2:2007.

(With tire deflection) Full compliance to ISO 14397-1:2007 Sections 1 thru 6, which requires 2% verification between calculations and testing.

(No tire deflection) Compliance to ISO 14397-1:2007 Sections 1 thru 5.

Other buckets are available and offerings vary by region. Consult your local Cat dealer for further details.

966 XE Wheel Loader Specifications

Operating Specifications – Buckets *(continued)*

Linkage		Standard Linkage			
Bucket Type		General Purpose – Pin-On			
Edge Type		Bolt-On Cutting Edges	Teeth and Segments	Bolt-On Cutting Edges	Teeth and Segments
Capacity – Rated	m ³	4.20	4.20	4.60	4.60
	yd ³	5.50	5.50	6.00	6.00
Capacity – Rated at 110% Fill Factor	m ³	4.60	4.60	5.10	5.10
	yd ³	6.00	6.00	6.75	6.75
Width	mm	3220	3301	3264	3301
	ft/in	10'6"	10'9"	10'8"	10'9"
16 † Dump Clearance at Maximum Lift and 45° Discharge	mm	3001	2832	2987	2829
	ft/in	9'10"	9'3"	9'9"	9'3"
17 † Reach at Maximum Lift and 45° Discharge	mm	1350	1487	1361	1497
	ft/in	4'5"	4'10"	4'5"	4'10"
Reach at Level Lift Arm and Bucket Level	mm	2800	3015	2818	3024
	ft/in	9'2"	9'10"	9'2"	9'11"
A † Digging Depth	mm	114	114	114	114
	in	4.5"	4.5"	4.5"	4.5"
12 † Overall Length	mm	8852	9096	8870	9101
	ft/in	29'1"	29'11"	29'2"	29'11"
B † Overall Height with Bucket at Maximum Lift	mm	5898	5898	6021	6021
	ft/in	19'5"	19'5"	19'10"	19'10"
Loader Clearance Circle Radius with Bucket at Carry Position	mm	7512	7618	7537	7618
	ft/in	24'8"	25'0"	24'9"	25'0"
Static Tipping Load, Straight (With tire deflection)	kg	16 896	16 691	16 885	16 578
	lb	37,239	36,787	37,214	36,538
Static Tipping Load, Straight (No tire deflection)	kg	18 022	17 814	18 037	17 724
	lb	39,720	39,262	39,754	39,065
Static Tipping Load, Articulated (With tire deflection)	kg	14 849	14 643	14 827	14 520
	lb	32,727	32,275	32,679	32,003
Static Tipping Load, Articulated (No tire deflection)	kg	15 981	15 773	15 985	15 673
	lb	35,224	34,764	35,232	34,544
Breakout Force (§)	kN	173	171	170	167
	lbf	38,999	38,523	38,302	37,614
Operating Weight*	kg	23 196	23 341	23 279	23 451
	lb	51,124	51,443	51,307	51,686

* Static tipping loads and operating weights shown are based on a machine configuration with Bridgestone 26.5R25 VJT L3 radial tires, full fluids, operator, counterweight, ride control, cold start, roading fenders, Product Link™, manual diff lock/open axles (front and rear), powertrain guard, secondary steering and sound suppression.

† Illustration shown with Dimension charts.

*** Rock bucket specifications are given on Bridgestone 26.5R25 VSDL L5 radial tires.

(§) Measured 100 mm (4") behind tip of cutting edge with bucket hinge pin as pivot point in accordance with ISO 14397-2:2007.

(With tire deflection) Full compliance to ISO 14397-1:2007 Sections 1 thru 6, which requires 2% verification between calculations and testing.

(No tire deflection) Compliance to ISO 14397-1:2007 Sections 1 thru 5.

Other buckets are available and offerings vary by region. Consult your local Cat dealer for further details.

966 XE Wheel Loader Specifications

Operating Specifications – Buckets *(continued)*

Linkage		Standard Linkage			
Bucket Type		General Purpose – Hook-On – Fusion™			
Edge Type		Bolt-On Cutting Edges	Teeth and Segments	Bolt-On Cutting Edges	Teeth and Segments
Capacity – Rated	m ³	3.80	3.80	4.00	4.00
	yd ³	5.00	5.00	5.25	5.25
Capacity – Rated at 110% Fill Factor	m ³	4.20	4.20	4.40	4.40
	yd ³	5.50	5.50	5.75	5.75
Width	mm	3220	3271	3201	3201
	ft/in	10'6"	10'8"	10'6"	10'6"
16† Dump Clearance at Maximum Lift and 45° Discharge	mm	3048	2896	3035	2880
	ft/in	10'0"	9'6"	9'11"	9'5"
17† Reach at Maximum Lift and 45° Discharge	mm	1324	1463	1327	1468
	ft/in	4'4"	4'9"	4'4"	4'9"
Reach at Level Lift Arm and Bucket Level	mm	2745	2950	2757	2965
	ft/in	9'0"	9'8"	9'0"	9'8"
A† Digging Depth	mm	114	114	84	84
	in	4.5"	4.5"	3.3"	3.3"
12† Overall Length	mm	8798	9023	8813	9042
	ft/in	28'11"	29'8"	28'11"	29'8"
B† Overall Height with Bucket at Maximum Lift	mm	5813	5813	5929	5929
	ft/in	19'1"	19'1"	19'6"	19'6"
Loader Clearance Circle Radius with Bucket at Carry Position	mm	7512	7601	7508	7575
	ft/in	24'8"	25'0"	24'8"	24'11"
Static Tipping Load, Straight (With tire deflection)	kg	16 536	16 354	16 488	16 272
	lb	36,446	36,045	36,339	35,865
Static Tipping Load, Straight (No tire deflection)	kg	17 637	17 453	17 601	17 383
	lb	38,872	38,466	38,793	38,313
Static Tipping Load, Articulated (With tire deflection)	kg	14 505	14 322	14 456	14 241
	lb	31,969	31,567	31,862	31,388
Static Tipping Load, Articulated (No tire deflection)	kg	15 613	15 429	15 576	15 359
	lb	34,411	34,005	34,331	33,851
Breakout Force (§)	kN	180	179	190	188
	lbf	40,648	40,284	42,726	42,275
Operating Weight*	kg	23 503	23 641	23 551	23 713
	lb	51,801	52,105	51,906	52,263

*Static tipping loads and operating weights shown are based on a machine configuration with Bridgestone 26.5R25 VJT L3 radial tires, full fluids, operator, counterweight, ride control, cold start, roading fenders, Product Link™, manual diff lock/open axles (front and rear), powertrain guard, secondary steering and sound suppression.

† Illustration shown with Dimension charts.

***Rock bucket specifications are given on Bridgestone 26.5R25 VSDL L5 radial tires.

(§) Measured 100 mm (4") behind tip of cutting edge with bucket hinge pin as pivot point in accordance with ISO 14397-2:2007.

(With tire deflection) Full compliance to ISO 14397-1:2007 Sections 1 thru 6, which requires 2% verification between calculations and testing.

(No tire deflection) Compliance to ISO 14397-1:2007 Sections 1 thru 5.

Other buckets are available and offerings vary by region. Consult your local Cat dealer for further details.

966 XE Wheel Loader Specifications

Operating Specifications – Buckets *(continued)*

Linkage		Standard Linkage			
Bucket Type		General Purpose – Hook-On – Fusion			
Edge Type		Bolt-On Cutting Edges	Teeth and Segments	Bolt-On Cutting Edges	Teeth and Segments
Capacity – Rated	m ³	4.20	4.20	4.60	4.60
	yd ³	5.50	5.50	6.00	6.00
Capacity – Rated at 110% Fill Factor	m ³	4.60	4.60	5.10	5.10
	yd ³	6.00	6.00	6.75	6.75
Width	mm	3220	3271	3220	3271
	ft/in	10'6"	10'8"	10'6"	10'8"
16 † Dump Clearance at Maximum Lift and 45° Discharge	mm	2970	2816	2957	2803
	ft/in	9'8"	9'2"	9'8"	9'2"
17 † Reach at Maximum Lift and 45° Discharge	mm	1395	1533	1398	1535
	ft/in	4'6"	5'0"	4'7"	5'0"
Reach at Level Lift Arm and Bucket Level	mm	2855	3059	2865	3070
	ft/in	9'4"	10'0"	9'4"	10'0"
A † Digging Depth	mm	106	106	113	113
	in	4.2"	4.2"	4.4"	4.4"
12 † Overall Length	mm	8900	9126	8916	9142
	ft/in	29'3"	30'0"	29'4"	30'0"
B † Overall Height with Bucket at Maximum Lift	mm	5970	5970	6048	6048
	ft/in	19'8"	19'8"	19'11"	19'11"
Loader Clearance Circle Radius with Bucket at Carry Position	mm	7539	7629	7544	7634
	ft/in	24'9"	25'1"	24'9"	25'1"
Static Tipping Load, Straight (With tire deflection)	kg	16 266	16 083	16 391	16 205
	lb	35,851	35,448	36,126	35,716
Static Tipping Load, Straight (No tire deflection)	kg	17 366	17 180	17 532	17 344
	lb	38,274	37,866	38,642	38,226
Static Tipping Load, Articulated (With tire deflection)	kg	14 255	14 072	14 351	14 165
	lb	31,419	31,015	31,630	31,219
Static Tipping Load, Articulated (No tire deflection)	kg	15 362	15 177	15 499	15 310
	lb	33,859	33,451	34,160	33,744
Breakout Force (§)	kN	166	164	164	163
	lbf	37,396	37,040	37,021	36,663
Operating Weight*	kg	23 567	23 705	23 681	23 819
	lb	51,940	52,244	52,192	52,496

* Static tipping loads and operating weights shown are based on a machine configuration with Bridgestone 26.5R25 VJT L3 radial tires, full fluids, operator, counterweight, ride control, cold start, roading fenders, Product Link™, manual diff lock/open axles (front and rear), powertrain guard, secondary steering and sound suppression.

† Illustration shown with Dimension charts.

*** Rock bucket specifications are given on Bridgestone 26.5R25 VSDL L5 radial tires.

(§) Measured 100 mm (4") behind tip of cutting edge with bucket hinge pin as pivot point in accordance with ISO 14397-2:2007.

(With tire deflection) Full compliance to ISO 14397-1:2007 Sections 1 thru 6, which requires 2% verification between calculations and testing.

(No tire deflection) Compliance to ISO 14397-1:2007 Sections 1 thru 5.

Other buckets are available and offerings vary by region. Consult your local Cat dealer for further details.

966 XE Wheel Loader Specifications

Operating Specifications – Buckets (continued)

Linkage		Standard Linkage			
Bucket Type		Flat Floor – Pin-On			
Edge Type		Bolt-On Cutting Edges	Teeth and Segments	Bolt-On Cutting Edges	Teeth and Segments
Capacity – Rated	m ³	4.20	4.20	4.40	4.40
	yd ³	5.50	5.50	5.75	5.75
Capacity – Rated at 110% Fill Factor	m ³	4.60	4.60	4.80	4.80
	yd ³	6.00	6.00	6.25	6.25
Width	mm	3220	3271	3220	3271
	ft/in	10'6"	10'8"	10'6"	10'8"
16 † Dump Clearance at Maximum Lift and 45° Discharge	mm	2959	2797	2931	2768
	ft/in	9'8"	9'2"	9'7"	9'1"
17 † Reach at Maximum Lift and 45° Discharge	mm	1242	1369	1271	1398
	ft/in	4'0"	4'5"	4'2"	4'7"
Reach at Level Lift Arm and Bucket Level	mm	2771	2975	2811	3015
	ft/in	9'1"	9'9"	9'2"	9'10"
A † Digging Depth	mm	114	114	114	114
	in	4.5"	4.5"	4.5"	4.5"
12 † Overall Length	mm	8823	9048	8863	9088
	ft/in	29'0"	29'9"	29'1"	29'10"
B † Overall Height with Bucket at Maximum Lift	mm	5911	5911	5941	5941
	ft/in	19'5"	19'5"	19'6"	19'6"
Loader Clearance Circle Radius with Bucket at Carry Position	mm	7504	7589	7514	7599
	ft/in	24'8"	24'11"	24'8"	25'0"
Static Tipping Load, Straight (With tire deflection)	kg	16 818	16 635	16 738	16 554
	lb	37,067	36,664	36,891	36,486
Static Tipping Load, Straight (No tire deflection)	kg	17 924	17 739	17 850	17 663
	lb	39,504	39,096	39,341	38,931
Static Tipping Load, Articulated (With tire deflection)	kg	14 785	14 601	14 706	14 522
	lb	32,586	32,182	32,413	32,008
Static Tipping Load, Articulated (No tire deflection)	kg	15 898	15 713	15 825	15 639
	lb	35,039	34,631	34,880	34,469
Breakout Force (§)	kN	177	175	171	170
	lbf	39,850	39,488	38,633	38,273
Operating Weight*	kg	23 193	23 331	23 247	23 385
	lb	51,118	51,422	51,235	51,539

* Static tipping loads and operating weights shown are based on a machine configuration with Bridgestone 26.5R25 VJT L3 radial tires, full fluids, operator, counterweight, ride control, cold start, roading fenders, Product Link™, manual diff lock/open axles (front and rear), powertrain guard, secondary steering and sound suppression.

† Illustration shown with Dimension charts.

*** Rock bucket specifications are given on Bridgestone 26.5R25 VSDL L5 radial tires.

(§) Measured 100 mm (4") behind tip of cutting edge with bucket hinge pin as pivot point in accordance with ISO 14397-2:2007.

(With tire deflection) Full compliance to ISO 14397-1:2007 Sections 1 thru 6, which requires 2% verification between calculations and testing.

(No tire deflection) Compliance to ISO 14397-1:2007 Sections 1 thru 5.

Other buckets are available and offerings vary by region. Consult your local Cat dealer for further details.

966 XE Wheel Loader Specifications

Operating Specifications – Buckets *(continued)*

Linkage		Standard Linkage			
Bucket Type		Flat Floor – Pin-On			
Edge Type		Bolt-On Cutting Edges	Teeth and Segments	Bolt-On Cutting Edges	Teeth and Segments
Capacity – Rated	m ³	4.60	4.60	4.80	4.80
	yd ³	6.00	6.00	6.25	6.25
Capacity – Rated at 110% Fill Factor	m ³	5.10	5.10	5.30	5.30
	yd ³	6.75	6.75	7.00	7.00
Width	mm	3220	3271	3220	3271
	ft/in	10'6"	10'8"	10'6"	10'8"
16† Dump Clearance at Maximum Lift and 45° Discharge	mm	2903	2740	2875	2712
	ft/in	9'6"	8'11"	9'5"	8'10"
17† Reach at Maximum Lift and 45° Discharge	mm	1299	1426	1327	1454
	ft/in	4'3"	4'8"	4'4"	4'9"
Reach at Level Lift Arm and Bucket Level	mm	2851	3055	2891	3095
	ft/in	9'4"	10'0"	9'5"	10'1"
A† Digging Depth	mm	114	114	114	114
	in	4.5"	4.5"	4.5"	4.5"
12† Overall Length	mm	8903	9128	8943	9168
	ft/in	29'3"	30'0"	29'5"	30'1"
B† Overall Height with Bucket at Maximum Lift	mm	5992	5992	6033	6033
	ft/in	19'8"	19'8"	19'10"	19'10"
Loader Clearance Circle Radius with Bucket at Carry Position	mm	7524	7610	7534	7620
	ft/in	24'9"	25'0"	24'9"	25'0"
Static Tipping Load, Straight (With tire deflection)	kg	16 676	16 491	16 603	16 417
	lb	36,754	36,347	36,594	36,184
Static Tipping Load, Straight (No tire deflection)	kg	17 793	17 606	17 726	17 538
	lb	39,217	38,805	39,070	38,655
Static Tipping Load, Articulated (With tire deflection)	kg	14 646	14 461	14 575	14 389
	lb	32,280	31,873	32,124	31,714
Static Tipping Load, Articulated (No tire deflection)	kg	15 771	15 584	15 706	15 518
	lb	34,760	34,347	34,616	34,201
Breakout Force (§)	kN	166	165	162	160
	lbf	37,495	37,136	36,405	36,047
Operating Weight*	kg	23 282	23 419	23 328	23 466
	lb	51,312	51,616	51,413	51,717

* Static tipping loads and operating weights shown are based on a machine configuration with Bridgestone 26.5R25 VJT L3 radial tires, full fluids, operator, counterweight, ride control, cold start, roading fenders, Product Link™, manual diff lock/open axles (front and rear), powertrain guard, secondary steering and sound suppression.

† Illustration shown with Dimension charts.

*** Rock bucket specifications are given on Bridgestone 26.5R25 VSDL L5 radial tires.

(§) Measured 100 mm (4") behind tip of cutting edge with bucket hinge pin as pivot point in accordance with ISO 14397-2:2007.

(With tire deflection) Full compliance to ISO 14397-1:2007 Sections 1 thru 6, which requires 2% verification between calculations and testing.

(No tire deflection) Compliance to ISO 14397-1:2007 Sections 1 thru 5.

Other buckets are available and offerings vary by region. Consult your local Cat dealer for further details.

966 XE Wheel Loader Specifications

Operating Specifications – Buckets (continued)

Linkage		Standard Linkage			
Bucket Type	Edge Type	Flat Floor – Pin-On – Abrasion			Flat Floor – Pin-On – Light Material
		Bolt-On Cutting Edges	Bolt-On Cutting Edges	Bolt-On Cutting Edges	Bolt-On Cutting Edges
Capacity – Rated	m ³	4.40	4.60	4.80	6.00
	yd ³	5.75	6.00	6.25	7.75
Capacity – Rated at 110% Fill Factor	m ³	4.80	5.10	5.30	6.60
	yd ³	6.25	6.75	7.00	8.75
Width	mm	3220	3220	3230	3405
	ft/in	10'6"	10'6"	10'7"	11'2"
16 † Dump Clearance at Maximum Lift and 45° Discharge	mm	2932	2903	2875	2753
	ft/in	9'7"	9'6"	9'5"	9'0"
17 † Reach at Maximum Lift and 45° Discharge	mm	1269	1299	1320	1428
	ft/in	4'1"	4'3"	4'3"	4'8"
Reach at Level Lift Arm and Bucket Level	mm	2809	2851	2886	3048
	ft/in	9'2"	9'4"	9'5"	10'0"
A † Digging Depth	mm	114	114	119	89
	in	4.5"	4.5"	4.7"	3.5"
12 † Overall Length	mm	8861	8903	8942	9112
	ft/in	29'1"	29'3"	29'5"	29'11"
B † Overall Height with Bucket at Maximum Lift	mm	5943	5984	6033	6505
	ft/in	19'6"	19'8"	19'10"	21'5"
Loader Clearance Circle Radius with Bucket at Carry Position	mm	7513	7524	7539	7675
	ft/in	24'8"	24'9"	24'9"	25'3"
Static Tipping Load, Straight (With tire deflection)	kg	16 620	16 569	16 465	15 994
	lb	36,631	36,519	36,290	35,251
Static Tipping Load, Straight (No tire deflection)	kg	17 732	17 673	17 587	17 134
	lb	39,082	38,952	38,761	37,763
Static Tipping Load, Articulated (With tire deflection)	kg	14 587	14 550	14 437	13 975
	lb	32,150	32,070	31,821	30,800
Static Tipping Load, Articulated (No tire deflection)	kg	15 707	15 662	15 566	15 122
	lb	34,618	34,520	34,308	33,329
Breakout Force (§)	kN	171	166	161	152
	lbf	38,560	37,473	36,323	34,227
Operating Weight*	kg	23 375	23 299	23 437	23 762
	lb	51,518	51,351	51,655	52,371

* Static tipping loads and operating weights shown are based on a machine configuration with Bridgestone 26.5R25 VJT L3 radial tires, full fluids, operator, counterweight, ride control, cold start, roading fenders, Product Link™, manual diff lock/open axles (front and rear), powertrain guard, secondary steering and sound suppression.

† Illustration shown with Dimension charts.

*** Rock bucket specifications are given on Bridgestone 26.5R25 VSDL L5 radial tires.

(§) Measured 100 mm (4") behind tip of cutting edge with bucket hinge pin as pivot point in accordance with ISO 14397-2:2007.

(With tire deflection) Full compliance to ISO 14397-1:2007 Sections 1 thru 6, which requires 2% verification between calculations and testing.

(No tire deflection) Compliance to ISO 14397-1:2007 Sections 1 thru 5.

Other buckets are available and offerings vary by region. Consult your local Cat dealer for further details.

966 XE Wheel Loader Specifications

Operating Specifications – Buckets *(continued)*

Linkage		Standard Linkage			
Bucket Type		Flat Floor – Hook-On – Fusion			
Edge Type		Bolt-On Cutting Edges	Teeth and Segments	Bolt-On Cutting Edges	Teeth and Segments
Capacity – Rated	m ³	4.20	4.20	4.40	4.40
	yd ³	5.50	5.50	5.75	5.75
Capacity – Rated at 110% Fill Factor	m ³	4.60	4.60	4.80	4.80
	yd ³	6.00	6.00	6.25	6.25
Width	mm	3220	3271	3220	3271
	ft/in	10'6"	10'8"	10'6"	10'8"
16† Dump Clearance at Maximum Lift and 45° Discharge	mm	2909	2746	2882	2719
	ft/in	9'6"	9'0"	9'5"	8'11"
17† Reach at Maximum Lift and 45° Discharge	mm	1293	1420	1320	1447
	ft/in	4'2"	4'7"	4'3"	4'8"
Reach at Level Lift Arm and Bucket Level	mm	2842	3047	2881	3085
	ft/in	9'3"	9'11"	9'5"	10'1"
A† Digging Depth	mm	114	114	114	114
	in	4.5"	4.5"	4.5"	4.5"
12† Overall Length	mm	8894	9119	8933	9158
	ft/in	29'3"	30'0"	29'4"	30'1"
B† Overall Height with Bucket at Maximum Lift	mm	5953	5953	5983	5983
	ft/in	19'7"	19'7"	19'8"	19'8"
Loader Clearance Circle Radius with Bucket at Carry Position	mm	7538	7628	7549	7639
	ft/in	24'9"	25'1"	24'10"	25'1"
Static Tipping Load, Straight (With tire deflection)	kg	16 152	15 970	16 077	15 894
	lb	35,600	35,198	35,434	35,031
Static Tipping Load, Straight (No tire deflection)	kg	17 244	17 060	17 175	16 989
	lb	38,007	37,600	37,854	37,445
Static Tipping Load, Articulated (With tire deflection)	kg	14 148	13 966	14 074	13 891
	lb	31,183	30,781	31,020	30,616
Static Tipping Load, Articulated (No tire deflection)	kg	15 248	15 064	15 180	14 995
	lb	33,608	33,201	33,457	33,048
Breakout Force (§)	kN	167	166	162	161
	lbf	37,690	37,331	36,614	36,256
Operating Weight*	kg	23 653	23 790	23 707	23 845
	lb	52,130	52,433	52,249	52,553

* Static tipping loads and operating weights shown are based on a machine configuration with Bridgestone 26.5R25 VJT L3 radial tires, full fluids, operator, counterweight, ride control, cold start, roading fenders, Product Link™, manual diff lock/open axles (front and rear), powertrain guard, secondary steering and sound suppression.

† Illustration shown with Dimension charts.

*** Rock bucket specifications are given on Bridgestone 26.5R25 VSDL L5 radial tires.

(§) Measured 100 mm (4") behind tip of cutting edge with bucket hinge pin as pivot point in accordance with ISO 14397-2:2007.

(With tire deflection) Full compliance to ISO 14397-1:2007 Sections 1 thru 6, which requires 2% verification between calculations and testing.

(No tire deflection) Compliance to ISO 14397-1:2007 Sections 1 thru 5.

Other buckets are available and offerings vary by region. Consult your local Cat dealer for further details.

966 XE Wheel Loader Specifications

Operating Specifications – Buckets (continued)

Linkage		Standard Linkage			
		Rock, Spade – Pin-On		Rock, Spade – Hook-On – Fusion	Iron Ore, Spade – Pin-On
Bucket Type		Teeth and Segments	Teeth and Segments	Teeth and Segments	Bolt-On Cutting Edges
Edge Type		Teeth and Segments	Teeth and Segments	Teeth and Segments	Bolt-On Cutting Edges
Capacity – Rated	m ³	3.40	4.00	3.40	3.20
	yd ³	4.50	5.25	4.50	4.25
Capacity – Rated at 110% Fill Factor	m ³	3.70	4.40	3.70	3.50
	yd ³	4.75	5.75	4.75	4.50
Width	mm	3286	3255	3286	3288
	ft/in	10'9"	10'8"	10'9"	10'9"
16 † Dump Clearance at Maximum Lift and 45° Discharge	mm	2990	2757	2970	3164
	ft/in	9'9"	9'0"	9'8"	10'4"
17 † Reach at Maximum Lift and 45° Discharge	mm	1538	1660	1577	1354
	ft/in	5'0"	5'5"	5'2"	4'5"
Reach at Level Lift Arm and Bucket Level	mm	2947	3211	2991	2696
	ft/in	9'8"	10'6"	9'9"	8'10"
A † Digging Depth	mm	83	83	75	78
	in	3.2"	3.2"	2.9"	3"
12 † Overall Length	mm	9021	9269	9057	8744
	ft/in	29'8"	30'5"	29'9"	28'9"
B † Overall Height with Bucket at Maximum Lift	mm	5827	5827	5633	5953
	ft/in	19'2"	19'2"	18'6"	19'7"
Loader Clearance Circle Radius with Bucket at Carry Position	mm	7597	7647	7624	7529
	ft/in	25'0"	25'2"	25'1"	24'9"
Static Tipping Load, Straight (With tire deflection)	kg	17 612	17 090	17 257	17 357
	lb	38,817	37,666	38,036	38,256
Static Tipping Load, Straight (No tire deflection)	kg	18 789	18 250	18 441	18 539
	lb	41,412	40,224	40,645	40,861
Static Tipping Load, Articulated (With tire deflection)	kg	15 464	14 979	15 115	15 201
	lb	34,084	33,014	33,314	33,503
Static Tipping Load, Articulated (No tire deflection)	kg	16 650	16 148	16 306	16 391
	lb	36,696	35,591	35,940	36,125
Breakout Force (§)	kN	184	151	179	182
	lbf	41,538	34,117	40,256	41,055
Operating Weight*	kg	24 488	24 635	24 857	24 872
	lb	53,971	54,295	54,784	54,817

* Static tipping loads and operating weights shown are based on a machine configuration with Bridgestone 26.5R25 VJT L3 radial tires, full fluids, operator, counterweight, ride control, cold start, roading fenders, Product Link™, manual diff lock/open axles (front and rear), powertrain guard, secondary steering and sound suppression.

† Illustration shown with Dimension charts.

*** Rock bucket specifications are given on Bridgestone 26.5R25 VSDL L5 radial tires.

(§) Measured 100 mm (4") behind tip of cutting edge with bucket hinge pin as pivot point in accordance with ISO 14397-2:2007.

(With tire deflection) Full compliance to ISO 14397-1:2007 Sections 1 thru 6, which requires 2% verification between calculations and testing.

(No tire deflection) Compliance to ISO 14397-1:2007 Sections 1 thru 5.

Other buckets are available and offerings vary by region. Consult your local Cat dealer for further details.

966 XE Wheel Loader Specifications

Operating Specifications – Buckets *(continued)*

Linkage		Standard Linkage	
Bucket Type		Side Dump – Pin-On	Side Dump – Hook-On – Fusion
Edge Type		Bolt-On Cutting Edges	Bolt-On Cutting Edges
Capacity – Rated	m ³	3.60	3.60
	yd ³	4.75	4.75
Capacity – Rated at 110% Fill Factor	m ³	4.00	4.00
	yd ³	5.25	5.25
Width	mm	3677	3677
	ft/in	12'0"	12'0"
16 † Dump Clearance at Maximum Lift and 45° Discharge	mm	2899	2852
	ft/in	9'6"	9'4"
17 † Reach at Maximum Lift and 45° Discharge	mm	1294	1370
	ft/in	4'2"	4'5"
Reach at Level Lift Arm and Bucket Level	mm	2850	2937
	ft/in	9'4"	9'7"
A † Digging Depth	mm	120	100
	in	4.7"	3.9"
12 † Overall Length	mm	8908	8977
	ft/in	29'3"	29'6"
B † Overall Height with Bucket at Maximum Lift	mm	5786	5855
	ft/in	19'0"	19'3"
Loader Clearance Circle Radius with Bucket at Carry Position	mm	7722	7832
	ft/in	25'4"	25'9"
Static Tipping Load, Straight (With tire deflection)	kg	15 656	13 905
	lb	34,507	30,648
Static Tipping Load, Straight (No tire deflection)	kg	16 713	14 780
	lb	36,837	32,576
Static Tipping Load, Articulated (With tire deflection)	kg	13 708	12 118
	lb	30,212	26,708
Static Tipping Load, Articulated (No tire deflection)	kg	14 775	13 006
	lb	32,564	28,666
Breakout Force (§)	kN	165	155
	lbf	37,103	34,916
Operating Weight*	kg	23 635	24 172
	lb	52,091	53,274

* Static tipping loads and operating weights shown are based on a machine configuration with Bridgestone 26.5R25 VJT L3 radial tires, full fluids, operator, counterweight, ride control, cold start, roading fenders, Product Link™, manual diff lock/open axles (front and rear), powertrain guard, secondary steering and sound suppression.

† Illustration shown with Dimension charts.

*** Rock bucket specifications are given on Bridgestone 26.5R25 VSDL L5 radial tires.

(§) Measured 100 mm (4") behind tip of cutting edge with bucket hinge pin as pivot point in accordance with ISO 14397-2:2007.

(With tire deflection) Full compliance to ISO 14397-1:2007 Sections 1 thru 6, which requires 2% verification between calculations and testing.

(No tire deflection) Compliance to ISO 14397-1:2007 Sections 1 thru 5.

Other buckets are available and offerings vary by region. Consult your local Cat dealer for further details.

966 XE Wheel Loader Specifications

Operating Specifications – Buckets (continued)

Linkage		Standard Linkage					
Bucket Type		High Dump – Pin-On			High Dump – Hook-On – Fusion		
		Bolt-On Cutting Edges	Bolt-On Cutting Edges	Bolt-On Cutting Edges	Bolt-On Cutting Edges	Bolt-On Cutting Edges	Bolt-On Cutting Edges
Edge Type							
Capacity – Rated	m ³	7.60	9.20	11.10	7.60	9.20	11.10
	yd ³	10.00	12.00	14.50	10.00	12.00	14.50
Capacity – Rated at 110% Fill Factor	m ³	8.40	10.10	12.20	8.40	10.10	12.20
	yd ³	11.00	13.25	16.00	11.00	13.25	16.00
Width	mm	3350	3656	3656	3350	3656	3656
	ft/in	10'11"	11'11"	11'11"	10'11"	11'11"	11'11"
16 † Dump Clearance at Maximum Height and High Dump Fully Rolled Out (43°)	mm	4898	4843	4669	4916	4953	4686
	ft/in	16'1"	15'9"	15'3"	16'1"	16'3"	15'4"
17 † Reach at Maximum Height and High Dump Fully Rolled Out (43°)	mm	1665	1723	1907	1676	1778	1916
	ft/in	5'5"	5'7"	6'3"	5'5"	5'8"	6'3"
Reach at Level Lift Arm and Bucket Level	mm	3525	3605	3825	3545	3625	3845
	ft/in	11'6"	11'9"	12'6"	11'7"	11'10"	12'7"
A † Digging Depth	mm	84	84	84	84	84	84
	in	3.3"	3.3"	3.3"	3.3"	3.3"	3.3"
12 † Overall Length	mm	9577	9657	9877	9597	9677	9897
	ft/in	31'6"	31'9"	32'5"	31'6"	31'9"	32'6"
B † Overall Height at Maximum Height and High Dump Fully Rolled Out (43°)	mm	7263	7323	7512	7281	7341	7529
	ft/in	23'8"	24'0"	24'6"	23'9"	24'1"	24'7"
Loader Clearance Circle Radius with Bucket at Carry Position	mm	7795	7956	8023	7802	7963	8032
	ft/in	25'7"	26'2"	26'4"	25'8"	26'2"	26'5"
Static Tipping Load, Straight (With tire deflection)	kg	14 725	14 455	14 112	14 279	14 008	13 670
	lb	32,454	31,859	31,103	31,471	30,874	30,128
Static Tipping Load, Straight (No tire deflection)	kg	15 885	15 623	15 302	15 430	15 167	14 850
	lb	35,010	34,433	33,725	34,009	33,428	32,729
Static Tipping Load, Articulated (With tire deflection)	kg	12 780	12 513	12 180	12 341	12 074	11 746
	lb	28,167	27,579	26,846	27,201	26,612	25,889
Static Tipping Load, Articulated (No tire deflection)	kg	13 947	13 688	13 377	13 501	13 240	12 933
	lb	30,740	30,170	29,485	29,756	29,182	28,505
Breakout Force (§)	kN	111	106	94	110	104	92
	lbf	25,125	23,825	21,126	24,821	23,539	20,884
Operating Weight*	kg	24 300	24 516	24 723	24 779	24 995	25 202
	lb	53,557	54,033	54,489	54,612	55,089	55,545

* Static tipping loads and operating weights shown are based on a machine configuration with Bridgestone 26.5R25 VJT L3 radial tires, full fluids, operator, counterweight, ride control, cold start, roading fenders, Product Link™, manual diff lock/open axles (front and rear), powertrain guard, secondary steering and sound suppression.

† Illustration shown with Dimension charts.

*** Rock bucket specifications are given on Bridgestone 26.5R25 VSDL L5 radial tires.

(§) Measured 100 mm (4") behind tip of cutting edge with bucket hinge pin as pivot point in accordance with ISO 14397-2:2007.

(With tire deflection) Full compliance to ISO 14397-1:2007 Sections 1 thru 6, which requires 2% verification between calculations and testing.

(No tire deflection) Compliance to ISO 14397-1:2007 Sections 1 thru 5.

Other buckets are available and offerings vary by region. Consult your local Cat dealer for further details.

966 XE Wheel Loader Specifications

Operating Specifications – Buckets (continued)

Linkage		High Lift Linkage			
Bucket Type		General Purpose – Pin-On			
Edge Type		Bolt-On Cutting Edges	Teeth and Segments	Bolt-On Cutting Edges	Teeth and Segments
Capacity – Rated	m ³	3.80	3.80	4.00	4.00
	yd ³	5.00	5.00	5.25	5.25
Capacity – Rated at 110% Fill Factor	m ³	4.20	4.20	4.40	4.40
	yd ³	5.50	5.50	5.75	5.75
Width	mm	3220	3301	3220	3301
	ft/in	10'6"	10'9"	10'6"	10'9"
16† Dump Clearance at Maximum Lift and 45° Discharge	mm	3635	3459	3626	3450
	ft/in	11'11"	11'4"	11'10"	11'3"
17† Reach at Maximum Lift and 45° Discharge	mm	1265	1397	1272	1403
	ft/in	4'1"	4'7"	4'2"	4'7"
Reach at Level Lift Arm and Bucket Level	mm	3105	3320	3117	3330
	ft/in	10'2"	10'10"	10'2"	10'11"
A† Digging Depth	mm	89	89	89	89
	in	3.5"	3.5"	3.5"	3.5"
12† Overall Length	mm	9422	9669	9434	9679
	ft/in	30'11"	31'9"	31'0"	31'10"
B† Overall Height with Bucket at Maximum Lift	mm	6345	6345	6456	6456
	ft/in	20'10"	20'10"	21'3"	21'3"
Loader Clearance Circle Radius with Bucket at Carry Position	mm	7717	7837	7721	7840
	ft/in	25'4"	25'9"	25'4"	25'9"
Static Tipping Load, Straight (With tire deflection)	kg	17 143	16 859	17 126	16 899
	lb	37,784	37,159	37,747	37,247
Static Tipping Load, Straight (No tire deflection)	kg	18 183	17 883	18 175	17 944
	lb	40,077	39,415	40,059	39,550
Static Tipping Load, Articulated (With tire deflection)	kg	14 919	14 643	14 898	14 671
	lb	32,883	32,273	32,837	32,335
Static Tipping Load, Articulated (No tire deflection)	kg	15 984	15 691	15 971	15 740
	lb	35,229	34,584	35,202	34,692
Breakout Force (§)	kN	172	168	170	166
	lbf	38,838	37,910	38,411	37,495
Operating Weight*	kg	24 741	24 915	24 793	24 964
	lb	54,528	54,911	54,643	55,019

* Static tipping loads and operating weights shown are based on a machine configuration with Bridgestone 26.5R25 VJT L3 radial tires, full fluids, operator, counterweight, ride control, cold start, roading fenders, Product Link™, manual diff lock/open axles (front and rear), powertrain guard, secondary steering and sound suppression.

† Illustration shown with Dimension charts.

*** Rock bucket specifications are given on Bridgestone 26.5R25 VSDL L5 radial tires.

(§) Measured 100 mm (4") behind tip of cutting edge with bucket hinge pin as pivot point in accordance with ISO 14397-2:2007.

(With tire deflection) Full compliance to ISO 14397-1:2007 Sections 1 thru 6, which requires 2% verification between calculations and testing.

(No tire deflection) Compliance to ISO 14397-1:2007 Sections 1 thru 5.

Other buckets are available and offerings vary by region. Consult your local Cat dealer for further details.

966 XE Wheel Loader Specifications

Operating Specifications – Buckets (continued)

Linkage		High Lift Linkage			
Bucket Type		General Purpose – Pin-On			
Edge Type		Bolt-On Cutting Edges	Teeth and Segments	Bolt-On Cutting Edges	Teeth and Segments
Capacity – Rated	m ³	4.20	4.20	4.60	4.60
	yd ³	5.50	5.50	6.00	6.00
Capacity – Rated at 110% Fill Factor	m ³	4.60	4.60	5.10	5.10
	yd ³	6.00	6.00	6.75	6.75
Width	mm	3220	3301	3264	3300
	ft/in	10'6"	10'9"	10'8"	10'9"
16† Dump Clearance at Maximum Lift and 45° Discharge	mm	3559	3390	3545	3387
	ft/in	11'8"	11'1"	11'7"	11'1"
17† Reach at Maximum Lift and 45° Discharge	mm	1325	1462	1337	1472
	ft/in	4'4"	4'9"	4'4"	4'9"
Reach at Level Lift Arm and Bucket Level	mm	3204	3419	3222	3428
	ft/in	10'6"	11'2"	10'6"	11'2"
A† Digging Depth	mm	89	89	89	89
	in	3.5"	3.5"	3.5"	3.5"
12† Overall Length	mm	9521	9760	9539	9766
	ft/in	31'3"	32'1"	31'4"	32'1"
B† Overall Height with Bucket at Maximum Lift	mm	6456	6456	6579	6579
	ft/in	21'3"	21'3"	21'8"	21'8"
Loader Clearance Circle Radius with Bucket at Carry Position	mm	7747	7862	7772	7863
	ft/in	25'5"	25'10"	25'6"	25'10"
Static Tipping Load, Straight (With tire deflection)	kg	16 953	16 757	16 947	16 663
	lb	37,364	36,933	37,352	36,726
Static Tipping Load, Straight (No tire deflection)	kg	17 998	17 799	18 017	17 729
	lb	39,668	39,230	39,711	39,075
Static Tipping Load, Articulated (With tire deflection)	kg	14 737	14 541	14 719	14 435
	lb	32,480	32,048	32,442	31,816
Static Tipping Load, Articulated (No tire deflection)	kg	15 807	15 607	15 813	15 525
	lb	34,838	34,400	34,852	34,217
Breakout Force (§)	kN	159	156	156	152
	lbf	35,899	35,188	35,240	34,357
Operating Weight*	kg	24 849	24 994	24 932	25 104
	lb	54,766	55,085	54,949	55,328

* Static tipping loads and operating weights shown are based on a machine configuration with Bridgestone 26.5R25 VJT L3 radial tires, full fluids, operator, counterweight, ride control, cold start, roading fenders, Product Link™, manual diff lock/open axles (front and rear), powertrain guard, secondary steering and sound suppression.

† Illustration shown with Dimension charts.

*** Rock bucket specifications are given on Bridgestone 26.5R25 VSDL L5 radial tires.

(§) Measured 100 mm (4") behind tip of cutting edge with bucket hinge pin as pivot point in accordance with ISO 14397-2:2007.

(With tire deflection) Full compliance to ISO 14397-1:2007 Sections 1 thru 6, which requires 2% verification between calculations and testing.

(No tire deflection) Compliance to ISO 14397-1:2007 Sections 1 thru 5.

Other buckets are available and offerings vary by region. Consult your local Cat dealer for further details.

966 XE Wheel Loader Specifications

Operating Specifications – Buckets (continued)

Linkage		High Lift Linkage			
Bucket Type		General Purpose – Hook-On – Fusion			
Edge Type		Bolt-On Cutting Edges	Teeth and Segments	Bolt-On Cutting Edges	Teeth and Segments
Capacity – Rated	m ³	3.80	3.80	4.00	4.00
	yd ³	5.00	5.00	5.25	5.25
Capacity – Rated at 110% Fill Factor	m ³	4.20	4.20	4.40	4.40
	yd ³	5.50	5.50	5.75	5.75
Width	mm	3220	3271	3201	3201
	ft/in	10'6"	10'8"	10'6"	10'6"
16† Dump Clearance at Maximum Lift and 45° Discharge	mm	3606	3454	3594	3439
	ft/in	11'10"	11'4"	11'9"	11'3"
17† Reach at Maximum Lift and 45° Discharge	mm	1299	1439	1302	1444
	ft/in	4'3"	4'8"	4'3"	4'8"
Reach at Level Lift Arm and Bucket Level	mm	3149	3354	3161	3369
	ft/in	10'4"	11'0"	10'4"	11'0"
A† Digging Depth	mm	89	89	59	59
	in	3.5"	3.5"	2.3"	2.3"
12† Overall Length	mm	9467	9688	9481	9706
	ft/in	31'1"	31'10"	31'2"	31'11"
B† Overall Height with Bucket at Maximum Lift	mm	6371	6371	6488	6488
	ft/in	20'11"	20'11"	21'4"	21'4"
Loader Clearance Circle Radius with Bucket at Carry Position	mm	7746	7845	7743	7820
	ft/in	25'5"	25'9"	25'5"	25'8"
Static Tipping Load, Straight (With tire deflection)	kg	16 588	16 413	16 552	16 346
	lb	36,561	36,176	36,481	36,026
Static Tipping Load, Straight (No tire deflection)	kg	17 609	17 432	17 586	17 377
	lb	38,812	38,422	38,761	38,300
Static Tipping Load, Articulated (With tire deflection)	kg	14 388	14 213	14 350	14 143
	lb	31,712	31,326	31,628	31,173
Static Tipping Load, Articulated (No tire deflection)	kg	15 434	15 257	15 409	15 200
	lb	34,017	33,627	33,962	33,500
Breakout Force (§)	kN	166	164	174	171
	lbf	37,426	36,887	39,256	38,619
Operating Weight*	kg	25 156	25 294	25 203	25 365
	lb	55,443	55,746	55,548	55,905

* Static tipping loads and operating weights shown are based on a machine configuration with Bridgestone 26.5R25 VJT L3 radial tires, full fluids, operator, counterweight, ride control, cold start, roading fenders, Product Link™, manual diff lock/open axles (front and rear), powertrain guard, secondary steering and sound suppression.

† Illustration shown with Dimension charts.

*** Rock bucket specifications are given on Bridgestone 26.5R25 VSDL L5 radial tires.

(§) Measured 100 mm (4") behind tip of cutting edge with bucket hinge pin as pivot point in accordance with ISO 14397-2:2007.

(With tire deflection) Full compliance to ISO 14397-1:2007 Sections 1 thru 6, which requires 2% verification between calculations and testing.

(No tire deflection) Compliance to ISO 14397-1:2007 Sections 1 thru 5.

Other buckets are available and offerings vary by region. Consult your local Cat dealer for further details.

966 XE Wheel Loader Specifications

Operating Specifications – Buckets (continued)

Linkage		High Lift Linkage			
Bucket Type		General Purpose – Hook-On – Fusion			
Edge Type		Bolt-On Cutting Edges	Teeth and Segments	Bolt-On Cutting Edges	Teeth and Segments
Capacity – Rated	m ³	4.20	4.20	4.60	4.60
	yd ³	5.50	5.50	6.00	6.00
Capacity – Rated at 110% Fill Factor	m ³	4.60	4.60	5.10	5.10
	yd ³	6.00	6.00	6.75	6.75
Width	mm	3220	3271	3220	3271
	ft/in	10'6"	10'8"	10'6"	10'8"
16† Dump Clearance at Maximum Lift and 45° Discharge	mm	3528	3374	3515	3361
	ft/in	11'6"	11'0"	11'6"	11'0"
17† Reach at Maximum Lift and 45° Discharge	mm	1371	1508	1373	1511
	ft/in	4'5"	4'11"	4'6"	4'11"
Reach at Level Lift Arm and Bucket Level	mm	3259	3464	3269	3474
	ft/in	10'8"	11'4"	10'8"	11'4"
A† Digging Depth	mm	81	81	88	88
	in	3.2"	3.2"	3.4"	3.4"
12† Overall Length	mm	9571	9792	9586	9807
	ft/in	31'5"	32'2"	31'6"	32'3"
B† Overall Height with Bucket at Maximum Lift	mm	6528	6528	6606	6606
	ft/in	21'5"	21'5"	21'9"	21'9"
Loader Clearance Circle Radius with Bucket at Carry Position	mm	7778	7877	7784	7883
	ft/in	25'7"	25'11"	25'7"	25'11"
Static Tipping Load, Straight (With tire deflection)	kg	16 368	16 192	16 472	16 294
	lb	36,075	35,689	36,306	35,913
Static Tipping Load, Straight (No tire deflection)	kg	17 395	17 217	17 535	17 354
	lb	38,339	37,947	38,647	38,249
Static Tipping Load, Articulated (With tire deflection)	kg	14 184	14 008	14 260	14 081
	lb	31,261	30,874	31,429	31,036
Static Tipping Load, Articulated (No tire deflection)	kg	15 235	15 057	15 346	15 165
	lb	33,579	33,187	33,822	33,424
Breakout Force (§)	kN	153	151	151	149
	lbf	34,463	33,942	34,066	33,546
Operating Weight*	kg	25 219	25 357	25 333	25 471
	lb	55,582	55,886	55,834	56,138

* Static tipping loads and operating weights shown are based on a machine configuration with Bridgestone 26.5R25 VJT L3 radial tires, full fluids, operator, counterweight, ride control, cold start, roading fenders, Product Link™, manual diff lock/open axles (front and rear), powertrain guard, secondary steering and sound suppression.

† Illustration shown with Dimension charts.

*** Rock bucket specifications are given on Bridgestone 26.5R25 VSDL L5 radial tires.

(§) Measured 100 mm (4") behind tip of cutting edge with bucket hinge pin as pivot point in accordance with ISO 14397-2:2007.

(With tire deflection) Full compliance to ISO 14397-1:2007 Sections 1 thru 6, which requires 2% verification between calculations and testing.

(No tire deflection) Compliance to ISO 14397-1:2007 Sections 1 thru 5.

Other buckets are available and offerings vary by region. Consult your local Cat dealer for further details.

966 XE Wheel Loader Specifications

Operating Specifications – Buckets *(continued)*

Linkage		High Lift Linkage			
Bucket Type		Flat Floor – Pin-On			
Edge Type		Bolt-On Cutting Edges	Teeth and Segments	Bolt-On Cutting Edges	Teeth and Segments
Capacity – Rated	m ³	4.20	4.20	4.40	4.40
	yd ³	5.50	5.50	5.75	5.75
Capacity – Rated at 110% Fill Factor	m ³	4.60	4.60	4.80	4.80
	yd ³	6.00	6.00	6.25	6.25
Width	mm	3220	3271	3220	3271
	ft/in	10'6"	10'8"	10'6"	10'8"
16† Dump Clearance at Maximum Lift and 45° Discharge	mm	3518	3355	3489	3327
	ft/in	11'6"	11'0"	11'5"	10'10"
17† Reach at Maximum Lift and 45° Discharge	mm	1218	1345	1246	1373
	ft/in	3'11"	4'4"	4'1"	4'6"
Reach at Level Lift Arm and Bucket Level	mm	3175	3380	3215	3420
	ft/in	10'5"	11'1"	10'6"	11'2"
A† Digging Depth	mm	89	89	89	89
	in	3.5"	3.5"	3.5"	3.5"
12† Overall Length	mm	9492	9714	9532	9754
	ft/in	31'2"	31'11"	31'4"	32'0"
B† Overall Height with Bucket at Maximum Lift	mm	6469	6469	6500	6500
	ft/in	21'3"	21'3"	21'4"	21'4"
Loader Clearance Circle Radius with Bucket at Carry Position	mm	7737	7831	7749	7843
	ft/in	25'5"	25'9"	25'6"	25'9"
Static Tipping Load, Straight (With tire deflection)	kg	16 878	16 703	16 810	16 634
	lb	37,200	36,813	37,050	36,662
Static Tipping Load, Straight (No tire deflection)	kg	17 906	17 728	17 845	17 666
	lb	39,465	39,074	39,331	38,937
Static Tipping Load, Articulated (With tire deflection)	kg	14 676	14 500	14 609	14 432
	lb	32,346	31,959	32,198	31,809
Static Tipping Load, Articulated (No tire deflection)	kg	15 729	15 551	15 668	15 489
	lb	34,666	34,275	34,533	34,139
Breakout Force (§)	kN	163	160	158	155
	lbf	36,686	36,151	35,557	35,028
Operating Weight*	kg	24 846	24 984	24 899	25 037
	lb	54,760	55,064	54,877	55,181

* Static tipping loads and operating weights shown are based on a machine configuration with Bridgestone 26.5R25 VJT L3 radial tires, full fluids, operator, counterweight, ride control, cold start, roading fenders, Product Link™, manual diff lock/open axles (front and rear), powertrain guard, secondary steering and sound suppression.

† Illustration shown with Dimension charts.

*** Rock bucket specifications are given on Bridgestone 26.5R25 VSDL L5 radial tires.

(§) Measured 100 mm (4") behind tip of cutting edge with bucket hinge pin as pivot point in accordance with ISO 14397-2:2007.

(With tire deflection) Full compliance to ISO 14397-1:2007 Sections 1 thru 6, which requires 2% verification between calculations and testing.

(No tire deflection) Compliance to ISO 14397-1:2007 Sections 1 thru 5.

Other buckets are available and offerings vary by region. Consult your local Cat dealer for further details.

966 XE Wheel Loader Specifications

Operating Specifications – Buckets (continued)

Linkage		High Lift Linkage			
Bucket Type		Flat Floor – Pin-On			
Edge Type		Bolt-On Cutting Edges	Teeth and Segments	Bolt-On Cutting Edges	Teeth and Segments
Capacity – Rated	m ³	4.60	4.60	4.80	4.80
	yd ³	6.00	6.00	6.25	6.25
Capacity – Rated at 110% Fill Factor	m ³	5.10	5.10	5.30	5.30
	yd ³	6.75	6.75	7.00	7.00
Width	mm	3220	3271	3220	3271
	ft/in	10'6"	10'8"	10'6"	10'8"
16† Dump Clearance at Maximum Lift and 45° Discharge	mm	3461	3298	3433	3270
	ft/in	11'4"	10'9"	11'3"	10'8"
17† Reach at Maximum Lift and 45° Discharge	mm	1274	1401	1303	1430
	ft/in	4'2"	4'7"	4'3"	4'8"
Reach at Level Lift Arm and Bucket Level	mm	3255	3460	3295	3500
	ft/in	10'8"	11'4"	10'9"	11'5"
A† Digging Depth	mm	89	89	89	89
	in	3.5"	3.5"	3.5"	3.5"
12† Overall Length	mm	9572	9794	9612	9834
	ft/in	31'5"	32'2"	31'7"	32'4"
B† Overall Height with Bucket at Maximum Lift	mm	6550	6550	6591	6591
	ft/in	21'6"	21'6"	21'8"	21'8"
Loader Clearance Circle Radius with Bucket at Carry Position	mm	7761	7856	7773	7868
	ft/in	25'6"	25'10"	25'6"	25'10"
Static Tipping Load, Straight (With tire deflection)	kg	16 760	16 583	16 699	16 521
	lb	36,940	36,550	36,806	36,414
Static Tipping Load, Straight (No tire deflection)	kg	17 802	17 623	17 748	17 568
	lb	39,236	38,841	39,118	38,720
Static Tipping Load, Articulated (With tire deflection)	kg	14 559	14 382	14 499	14 321
	lb	32,089	31,698	31,956	31,564
Static Tipping Load, Articulated (No tire deflection)	kg	15 626	15 446	15 572	15 392
	lb	34,439	34,044	34,322	33,924
Breakout Force (§)	kN	153	151	149	146
	lbf	34,502	33,979	33,489	32,973
Operating Weight*	kg	24 934	25 072	24 980	25 118
	lb	54,954	55,258	55,055	55,359

* Static tipping loads and operating weights shown are based on a machine configuration with Bridgestone 26.5R25 VJT L3 radial tires, full fluids, operator, counterweight, ride control, cold start, roading fenders, Product Link™, manual diff lock/open axles (front and rear), powertrain guard, secondary steering and sound suppression.

† Illustration shown with Dimension charts.

*** Rock bucket specifications are given on Bridgestone 26.5R25 VSDL L5 radial tires.

(§) Measured 100 mm (4") behind tip of cutting edge with bucket hinge pin as pivot point in accordance with ISO 14397-2:2007.

(With tire deflection) Full compliance to ISO 14397-1:2007 Sections 1 thru 6, which requires 2% verification between calculations and testing.

(No tire deflection) Compliance to ISO 14397-1:2007 Sections 1 thru 5.

Other buckets are available and offerings vary by region. Consult your local Cat dealer for further details.

966 XE Wheel Loader Specifications

Operating Specifications – Buckets (continued)

Linkage		High Lift Linkage			
		Flat Floor – Pin-On – Abrasion			Flat Floor – Pin-On – Light Material
Bucket Type		Bolt-On Cutting Edges	Bolt-On Cutting Edges	Bolt-On Cutting Edges	Bolt-On Cutting Edges
Edge Type					
Capacity – Rated	m ³	4.40	4.60	4.80	6.00
	yd ³	5.75	6.00	6.25	7.75
Capacity – Rated at 110% Fill Factor	m ³	4.80	5.10	5.30	6.60
	yd ³	6.25	6.75	7.00	8.75
Width	mm	3220	3220	3230	3405
	ft/in	10'6"	10'6"	10'7"	11'2"
16 † Dump Clearance at Maximum Lift and 45° Discharge	mm	3491	3461	3433	3311
	ft/in	11'5"	11'4"	11'3"	10'10"
17 † Reach at Maximum Lift and 45° Discharge	mm	1245	1274	1296	1403
	ft/in	4'1"	4'2"	4'3"	4'7"
Reach at Level Lift Arm and Bucket Level	mm	3213	3255	3290	3452
	ft/in	10'6"	10'8"	10'9"	11'3"
A † Digging Depth	mm	89	89	94	64
	in	3.5"	3.5"	3.7"	2.5"
12 † Overall Length	mm	9530	9572	9610	9779
	ft/in	31'4"	31'5"	31'7"	32'1"
B † Overall Height with Bucket at Maximum Lift	mm	6501	6550	6591	7063
	ft/in	21'4"	21'6"	21'8"	23'3"
Loader Clearance Circle Radius with Bucket at Carry Position	mm	7748	7761	7778	7919
	ft/in	25'6"	25'6"	25'7"	26'0"
Static Tipping Load, Straight (With tire deflection)	kg	16 691	16 612	16 566	16 147
	lb	36,787	36,613	36,512	35,590
Static Tipping Load, Straight (No tire deflection)	kg	17 725	17 652	17 612	17 217
	lb	39,066	38,905	38,818	37,948
Static Tipping Load, Articulated (With tire deflection)	kg	14 488	14 411	14 366	13 951
	lb	31,931	31,762	31,662	30,748
Static Tipping Load, Articulated (No tire deflection)	kg	15 547	15 475	15 437	15 045
	lb	34,266	34,108	34,023	33,159
Breakout Force (§)	kN	157	152	148	139
	lbf	35,479	34,361	33,366	31,322
Operating Weight*	kg	25 028	25 080	25 090	25 415
	lb	55,160	55,275	55,297	56,013

* Static tipping loads and operating weights shown are based on a machine configuration with Bridgestone 26.5R25 VJT L3 radial tires, full fluids, operator, counterweight, ride control, cold start, roading fenders, Product Link™, manual diff lock/open axles (front and rear), powertrain guard, secondary steering and sound suppression.

† Illustration shown with Dimension charts.

*** Rock bucket specifications are given on Bridgestone 26.5R25 VSDL L5 radial tires.

(§) Measured 100 mm (4") behind tip of cutting edge with bucket hinge pin as pivot point in accordance with ISO 14397-2:2007.

(With tire deflection) Full compliance to ISO 14397-1:2007 Sections 1 thru 6, which requires 2% verification between calculations and testing.

(No tire deflection) Compliance to ISO 14397-1:2007 Sections 1 thru 5.

Other buckets are available and offerings vary by region. Consult your local Cat dealer for further details.

966 XE Wheel Loader Specifications

Operating Specifications – Buckets (continued)

Linkage		High Lift Linkage			
Bucket Type		Flat Floor – Hook-On – Fusion			
Edge Type		Bolt-On Cutting Edges	Teeth and Segments	Bolt-On Cutting Edges	Teeth and Segments
Capacity – Rated	m ³	4.20	4.20	4.40	4.40
	yd ³	5.50	5.50	5.75	5.75
Capacity – Rated at 110% Fill Factor	m ³	4.60	4.60	4.80	4.80
	yd ³	6.00	6.00	6.25	6.25
Width	mm	3220	3271	3220	3271
	ft/in	10'6"	10'8"	10'6"	10'8"
16† Dump Clearance at Maximum Lift and 45° Discharge	mm	3467	3304	3440	3277
	ft/in	11'4"	10'10"	11'3"	10'9"
17† Reach at Maximum Lift and 45° Discharge	mm	1268	1395	1296	1423
	ft/in	4'1"	4'6"	4'3"	4'8"
Reach at Level Lift Arm and Bucket Level	mm	3246	3451	3285	3490
	ft/in	10'7"	11'3"	10'9"	11'5"
A† Digging Depth	mm	89	89	89	89
	in	3.5"	3.5"	3.5"	3.5"
12† Overall Length	mm	9563	9785	9602	9824
	ft/in	31'5"	32'2"	31'7"	32'3"
B† Overall Height with Bucket at Maximum Lift	mm	6511	6511	6541	6541
	ft/in	21'5"	21'5"	21'6"	21'6"
Loader Clearance Circle Radius with Bucket at Carry Position	mm	7777	7876	7789	7889
	ft/in	25'7"	25'11"	25'7"	25'11"
Static Tipping Load, Straight (With tire deflection)	kg	16 256	16 081	16 191	16 016
	lb	35,829	35,443	35,687	35,299
Static Tipping Load, Straight (No tire deflection)	kg	17 276	17 099	17 218	17 040
	lb	38,078	37,687	37,950	37,557
Static Tipping Load, Articulated (With tire deflection)	kg	14 079	13 904	14 014	13 838
	lb	31,030	30,644	30,888	30,500
Static Tipping Load, Articulated (No tire deflection)	kg	15 124	14 947	15 066	14 888
	lb	33,334	32,943	33,206	32,813
Breakout Force (§)	kN	154	152	149	147
	lbf	34,679	34,155	33,680	33,162
Operating Weight*	kg	25 305	25 443	25 359	25 497
	lb	55,771	56,075	55,891	56,195

* Static tipping loads and operating weights shown are based on a machine configuration with Bridgestone 26.5R25 VJT L3 radial tires, full fluids, operator, counterweight, ride control, cold start, roading fenders, Product Link™, manual diff lock/open axles (front and rear), powertrain guard, secondary steering and sound suppression.

† Illustration shown with Dimension charts.

*** Rock bucket specifications are given on Bridgestone 26.5R25 VSDL L5 radial tires.

(§) Measured 100 mm (4") behind tip of cutting edge with bucket hinge pin as pivot point in accordance with ISO 14397-2:2007.

(With tire deflection) Full compliance to ISO 14397-1:2007 Sections 1 thru 6, which requires 2% verification between calculations and testing.

(No tire deflection) Compliance to ISO 14397-1:2007 Sections 1 thru 5.

Other buckets are available and offerings vary by region. Consult your local Cat dealer for further details.

966 XE Wheel Loader Specifications

Operating Specifications – Buckets (continued)

Linkage		High Lift Linkage			
		Rock, Spade – Pin-On		Rock, Spade – Hook-On – Fusion	Iron Ore, Spade – Pin-On
Bucket Type		Teeth and Segments	Teeth and Segments	Teeth and Segments	Bolt-On Cutting Edges
Edge Type					
Capacity – Rated	m ³	3.40	4.00	3.40	3.20
	yd ³	4.50	5.25	4.50	4.25
Capacity – Rated at 110% Fill Factor	m ³	3.70	4.40	3.70	3.50
	yd ³	4.75	5.75	4.75	4.50
Width	mm	3252	3255	3286	3288
	ft/in	10'8"	10'8"	10'9"	10'9"
16† Dump Clearance at Maximum Lift and 45° Discharge	mm	3565	3316	3529	3722
	ft/in	11'8"	10'10"	11'6"	12'2"
17† Reach at Maximum Lift and 45° Discharge	mm	1522	1636	1553	1329
	ft/in	4'11"	5'4"	5'1"	4'4"
Reach at Level Lift Arm and Bucket Level	mm	3348	3615	3395	3100
	ft/in	10'11"	11'10"	11'1"	10'2"
A† Digging Depth	mm	62	58	50	53
	in	2.4"	2.3"	1.9"	2.1"
12† Overall Length	mm	9674	9942	9729	9419
	ft/in	31'9"	32'8"	31'11"	30'11"
B† Overall Height with Bucket at Maximum Lift	mm	6385	6385	6191	6511
	ft/in	21'0"	21'0"	20'4"	21'5"
Loader Clearance Circle Radius with Bucket at Carry Position	mm	7816	7902	7872	7760
	ft/in	25'8"	26'0"	25'10"	25'6"
Static Tipping Load, Straight (With tire deflection)	kg	17 472	17 068	17 165	17 233
	lb	38,509	37,618	37,831	37,981
Static Tipping Load, Straight (No tire deflection)	kg	18 541	18 138	18 245	18 307
	lb	40,865	39,976	40,212	40,348
Static Tipping Load, Articulated (With tire deflection)	kg	15 183	14 799	14 868	14 926
	lb	33,465	32,619	32,771	32,897
Static Tipping Load, Articulated (No tire deflection)	kg	16 279	15 896	15 976	16 027
	lb	35,880	35,036	35,211	35,323
Breakout Force (§)	kN	171	140	165	169
	lbf	38,561	31,506	37,141	38,047
Operating Weight*	kg	26 122	26 287	26 509	26 524
	lb	57,573	57,937	58,426	58,459

* Static tipping loads and operating weights shown are based on a machine configuration with Bridgestone 26.5R25 VJT L3 radial tires, full fluids, operator, counterweight, ride control, cold start, roading fenders, Product Link™, manual diff lock/open axles (front and rear), powertrain guard, secondary steering and sound suppression.

† Illustration shown with Dimension charts.

*** Rock bucket specifications are given on Bridgestone 26.5R25 VSDL L5 radial tires.

(§) Measured 100 mm (4") behind tip of cutting edge with bucket hinge pin as pivot point in accordance with ISO 14397-2:2007.

(With tire deflection) Full compliance to ISO 14397-1:2007 Sections 1 thru 6, which requires 2% verification between calculations and testing.

(No tire deflection) Compliance to ISO 14397-1:2007 Sections 1 thru 5.

Other buckets are available and offerings vary by region. Consult your local Cat dealer for further details.

966 XE Wheel Loader Specifications

Operating Specifications – Buckets (continued)

Linkage		High Lift Linkage	
Bucket Type		Side Dump – Pin-On	Side Dump – Hook-On – Fusion
Edge Type		Bolt-On Cutting Edges	Bolt-On Cutting Edges
Capacity – Rated	m ³	3.60	3.60
	yd ³	4.75	4.75
Capacity – Rated at 110% Fill Factor	m ³	4.00	4.00
	yd ³	5.25	5.25
Width	mm	3677	3677
	ft/in	12'0"	12'0"
16 † Dump Clearance at Maximum Lift and 45° Discharge	mm	3457	3410
	ft/in	11'4"	11'2"
17 † Reach at Maximum Lift and 45° Discharge	mm	1270	1345
	ft/in	4'2"	4'4"
Reach at Level Lift Arm and Bucket Level	mm	3255	3341
	ft/in	10'8"	10'11"
A † Digging Depth	mm	95	75
	in	3.7"	2.9"
12 † Overall Length	mm	9576	9649
	ft/in	31'5"	31'8"
B † Overall Height with Bucket at Maximum Lift	mm	6344	6413
	ft/in	20'10"	21'1"
Loader Clearance Circle Radius with Bucket at Carry Position	mm	7268	8075
	ft/in	23'11"	26'6"
Static Tipping Load, Straight (With tire deflection)	kg	15 851	14 208
	lb	34,937	31,315
Static Tipping Load, Straight (No tire deflection)	kg	16 854	15 056
	lb	37,146	33,184
Static Tipping Load, Articulated (With tire deflection)	kg	13 723	12 235
	lb	30,246	26,966
Static Tipping Load, Articulated (No tire deflection)	kg	14 751	13 109
	lb	32,511	28,894
Breakout Force (§)	kN	151	161
	lbf	34,069	36,329
Operating Weight*	kg	25 287	25 824
	lb	55,733	56,916

* Static tipping loads and operating weights shown are based on a machine configuration with Bridgestone 26.5R25 VJT L3 radial tires, full fluids, operator, counterweight, ride control, cold start, roading fenders, Product Link™, manual diff lock/open axles (front and rear), powertrain guard, secondary steering and sound suppression.

† Illustration shown with Dimension charts.

*** Rock bucket specifications are given on Bridgestone 26.5R25 VSDL L5 radial tires.

(§) Measured 100 mm (4") behind tip of cutting edge with bucket hinge pin as pivot point in accordance with ISO 14397-2:2007.

(With tire deflection) Full compliance to ISO 14397-1:2007 Sections 1 thru 6, which requires 2% verification between calculations and testing.

(No tire deflection) Compliance to ISO 14397-1:2007 Sections 1 thru 5.

Other buckets are available and offerings vary by region. Consult your local Cat dealer for further details.

966 XE Wheel Loader Specifications

Operating Specifications – Buckets (continued)

Linkage		High Lift Linkage					
Bucket Type		High Dump – Pin-On			High Dump – Hook-On – Fusion		
		Bolt-On Cutting Edges	Bolt-On Cutting Edges	Bolt-On Cutting Edges	Bolt-On Cutting Edges	Bolt-On Cutting Edges	Bolt-On Cutting Edges
Edge Type							
Capacity – Rated	m ³	7.60	9.20	11.10	7.60	9.20	11.10
	yd ³	10.00	12.00	14.50	10.00	12.00	14.50
Capacity – Rated at 110% Fill Factor	m ³	8.40	10.10	12.20	8.40	10.10	12.20
	yd ³	11.00	13.25	16.00	11.00	13.25	16.00
Width	mm	3350	3656	3656	3350	3656	3656
	ft/in	10'11"	11'11"	11'11"	10'11"	11'11"	11'11"
16 † Dump Clearance at Maximum Height and High Dump Fully Rolled Out (34°)	mm	5662	5618	5478	5682	5736	5496
	ft/in	18'6"	18'4"	17'10"	18'6"	18'8"	18'0"
17 † Reach at Maximum Height and High Dump Fully Rolled Out (34°)	mm	1511	1577	1789	1519	1613	1795
	ft/in	4'10"	5'2"	5'9"	4'10"	5'3"	5'9"
Reach at Level Lift Arm and Bucket Level	mm	3929	4009	4229	3949	4029	4249
	ft/in	12'10"	13'1"	13'10"	12'11"	13'2"	13'11"
A † Digging Depth	mm	59	59	59	59	59	59
	in	2.3"	2.3"	2.3"	2.3"	2.3"	2.3"
12 † Overall Length	mm	10 246	10 326	10 546	10 266	10 346	10 566
	ft/in	33'8"	33'11"	34'8"	33'9"	34'0"	34'8"
B † Overall Height at Maximum Height and High Dump Fully Rolled Out (34°)	mm	7948	8008	8197	7967	8027	8216
	ft/in	26'1"	26'3"	26'9"	26'1"	26'3"	26'10"
Loader Clearance Circle Radius with Bucket at Carry Position	mm	8062	8223	8300	8071	8232	8310
	ft/in	26'6"	27'0"	27'3"	26'6"	27'1"	27'4"
Static Tipping Load, Straight (With tire deflection)	kg	15 081	14 833	14 546	14 628	14 379	14 095
	lb	33,239	32,693	32,061	32,240	31,691	31,067
Static Tipping Load, Straight (No tire deflection)	kg	16 200	15 961	15 704	15 735	15 495	15 239
	lb	35,705	35,180	34,612	34,681	34,151	33,588
Static Tipping Load, Articulated (With tire deflection)	kg	12 939	12 692	12 410	12 492	12 245	11 966
	lb	28,518	27,974	27,352	27,534	26,988	26,373
Static Tipping Load, Articulated (No tire deflection)	kg	14 080	13 843	13 589	13 623	13 383	13 131
	lb	31,034	30,510	29,950	30,025	29,497	28,941
Breakout Force (§)	kN	102	96	85	100	95	84
	lbf	22,962	21,744	19,238	22,679	21,477	19,012
Operating Weight*	kg	25 953	26 169	26 376	26 431	26 647	26 854
	lb	57,199	57,675	58,131	58,254	58,730	59,187

* Static tipping loads and operating weights shown are based on a machine configuration with Bridgestone 26.5R25 VJT L3 radial tires, full fluids, operator, counterweight, ride control, cold start, roading fenders, Product Link™, manual diff lock/open axles (front and rear), powertrain guard, secondary steering and sound suppression.

† Illustration shown with Dimension charts.

*** Rock bucket specifications are given on Bridgestone 26.5R25 VSDL L5 radial tires.

(§) Measured 100 mm (4") behind tip of cutting edge with bucket hinge pin as pivot point in accordance with ISO 14397-2:2007.

(With tire deflection) Full compliance to ISO 14397-1:2007 Sections 1 thru 6, which requires 2% verification between calculations and testing.

(No tire deflection) Compliance to ISO 14397-1:2007 Sections 1 thru 5.

Other buckets are available and offerings vary by region. Consult your local Cat dealer for further details.

966 XE Wheel Loader Specifications

Operating Specifications – Buckets (continued)

Linkage		Aggregate Handler Linkage			
Bucket Type		General Purpose – Pin-On			
Edge Type		Bolt-On Cutting Edges	Teeth and Segments	Bolt-On Cutting Edges	Teeth and Segments
Capacity – Rated	m ³	3.80	3.80	4.00	4.00
	yd ³	5.00	5.00	5.25	5.25
Capacity – Rated at 110% Fill Factor	m ³	4.20	4.20	4.40	4.40
	yd ³	5.50	5.50	5.75	5.75
Width	mm	3220	3301	3220	3301
	ft/in	10'6"	10'9"	10'6"	10'9"
16† Dump Clearance at Maximum Lift and 45° Discharge	mm	3077	2901	3068	2892
	ft/in	10'1"	9'6"	10'0"	9'5"
17† Reach at Maximum Lift and 45° Discharge	mm	1289	1422	1296	1427
	ft/in	4'2"	4'7"	4'3"	4'8"
Reach at Level Lift Arm and Bucket Level	mm	2701	2916	2712	2926
	ft/in	8'10"	9'6"	8'10"	9'7"
A† Digging Depth	mm	114	114	114	114
	in	4.5"	4.5"	4.5"	4.5"
12† Overall Length	mm	8919	9173	8931	9184
	ft/in	29'4"	30'2"	29'4"	30'2"
B† Overall Height with Bucket at Maximum Lift	mm	5787	5787	5898	5898
	ft/in	19'0"	19'0"	19'5"	19'5"
Loader Clearance Circle Radius with Bucket at Carry Position	mm	7488	7597	7491	7600
	ft/in	24'7"	25'0"	24'7"	25'0"
Static Tipping Load, Straight (With tire deflection)	kg	18 678	18 379	18 662	18 426
	lb	41,167	40,509	41,133	40,612
Static Tipping Load, Straight (No tire deflection)	kg	19 935	19 616	19 930	19 690
	lb	43,938	43,235	43,927	43,398
Static Tipping Load, Articulated (With tire deflection)	kg	16 378	16 086	16 358	16 121
	lb	36,097	35,455	36,054	35,531
Static Tipping Load, Articulated (No tire deflection)	kg	17 647	17 337	17 638	17 397
	lb	38,895	38,210	38,875	38,344
Breakout Force (§)	kN	187	185	185	183
	lbf	42,167	41,580	41,712	41,134
Operating Weight*	kg	23 739	23 913	23 791	23 962
	lb	52,321	52,704	52,435	52,812

* Static tipping loads and operating weights shown are based on a machine configuration with Bridgestone 26.5R25 VJT L3 radial tires, full fluids, operator, counterweight, ride control, cold start, roading fenders, Product Link™, manual diff lock/open axles (front and rear), powertrain guard, secondary steering and sound suppression.

† Illustration shown with Dimension charts.

** Aggregate Handler configuration is not compatible with rock buckets, and high lift.

(§) Measured 100 mm (4") behind tip of cutting edge with bucket hinge pin as pivot point in accordance with ISO 14397-2:2007.

(With tire deflection) Full compliance to ISO 14397-1:2007 Sections 1 thru 6, which requires 2% verification between calculations and testing.

(No tire deflection) Compliance to ISO 14397-1:2007 Sections 1 thru 5.

Other buckets are available and offerings vary by region. Consult your local Cat dealer for further details.

966 XE Wheel Loader Specifications

Operating Specifications – Buckets (continued)

Linkage		Aggregate Handler Linkage			
Bucket Type		General Purpose – Pin-On			
Edge Type		Bolt-On Cutting Edges	Teeth and Segments	Bolt-On Cutting Edges	Teeth and Segments
Capacity – Rated	m ³	4.20	4.20	4.60	4.60
	yd ³	5.50	5.50	6.00	6.00
Capacity – Rated at 110% Fill Factor	m ³	4.60	4.60	5.10	5.10
	yd ³	6.00	6.00	6.75	6.75
Width	mm	3220	3301	3264	3301
	ft/in	10'6"	10'9"	10'8"	10'9"
16† Dump Clearance at Maximum Lift and 45° Discharge	mm	3001	2832	2987	2829
	ft/in	9'10"	9'3"	9'9"	9'3"
17† Reach at Maximum Lift and 45° Discharge	mm	1350	1487	1361	1497
	ft/in	4'5"	4'10"	4'5"	4'10"
Reach at Level Lift Arm and Bucket Level	mm	2800	3015	2818	3024
	ft/in	9'2"	9'10"	9'2"	9'11"
A† Digging Depth	mm	114	114	114	114
	in	4.5"	4.5"	4.5"	4.5"
12† Overall Length	mm	9018	9262	9037	9267
	ft/in	29'8"	30'5"	29'8"	30'5"
B† Overall Height with Bucket at Maximum Lift	mm	5898	5898	6021	6021
	ft/in	19'5"	19'5"	19'10"	19'10"
Loader Clearance Circle Radius with Bucket at Carry Position	mm	7512	7618	7537	7618
	ft/in	24'8"	25'0"	24'9"	25'0"
Static Tipping Load, Straight (With tire deflection)	kg	18 449	18 244	18 444	18 136
	lb	40,661	40,211	40,651	39,972
Static Tipping Load, Straight (No tire deflection)	kg	19 708	19 500	19 733	19 419
	lb	43,436	42,979	43,491	42,801
Static Tipping Load, Articulated (With tire deflection)	kg	16 160	15 955	16 143	15 836
	lb	35,617	35,165	35,579	34,903
Static Tipping Load, Articulated (No tire deflection)	kg	17 432	17 224	17 444	17 131
	lb	38,420	37,961	38,447	37,758
Breakout Force (§)	kN	173	171	170	167
	lbf	38,999	38,523	38,302	37,614
Operating Weight*	kg	23 847	23 992	23 930	24 102
	lb	52,559	52,878	52,741	53,120

* Static tipping loads and operating weights shown are based on a machine configuration with Bridgestone 26.5R25 VJT L3 radial tires, full fluids, operator, counterweight, ride control, cold start, roading fenders, Product Link™, manual diff lock/open axles (front and rear), powertrain guard, secondary steering and sound suppression.

† Illustration shown with Dimension charts.

** Aggregate Handler configuration is not compatible with rock buckets, and high lift.

(§) Measured 100 mm (4") behind tip of cutting edge with bucket hinge pin as pivot point in accordance with ISO 14397-2:2007.

(With tire deflection) Full compliance to ISO 14397-1:2007 Sections 1 thru 6, which requires 2% verification between calculations and testing.

(No tire deflection) Compliance to ISO 14397-1:2007 Sections 1 thru 5.

Other buckets are available and offerings vary by region. Consult your local Cat dealer for further details.

966 XE Wheel Loader Specifications

Operating Specifications – Buckets (continued)

Linkage		Aggregate Handler Linkage			
Bucket Type		General Purpose – Hook-On – Fusion			
Edge Type		Bolt-On Cutting Edges	Teeth and Segments	Bolt-On Cutting Edges	Teeth and Segments
Capacity – Rated	m ³	3.80	3.80	4.00	4.00
	yd ³	5.00	5.00	5.25	5.25
Capacity – Rated at 110% Fill Factor	m ³	4.20	4.20	4.40	4.40
	yd ³	5.50	5.50	5.75	5.75
Width	mm	3220	3271	3201	3201
	ft/in	10'6"	10'8"	10'6"	10'6"
16† Dump Clearance at Maximum Lift and 45° Discharge	mm	3048	2896	3035	2880
	ft/in	10'0"	9'6"	9'11"	9'5"
17† Reach at Maximum Lift and 45° Discharge	mm	1324	1463	1327	1468
	ft/in	4'4"	4'9"	4'4"	4'9"
Reach at Level Lift Arm and Bucket Level	mm	2745	2950	2757	2965
	ft/in	9'0"	9'8"	9'0"	9'8"
A† Digging Depth	mm	114	114	84	84
	in	4.5"	4.5"	3.3"	3.3"
12† Overall Length	mm	8964	9189	8979	9208
	ft/in	29'5"	30'2"	29'6"	30'3"
B† Overall Height with Bucket at Maximum Lift	mm	5813	5813	5929	5929
	ft/in	19'1"	19'1"	19'6"	19'6"
Loader Clearance Circle Radius with Bucket at Carry Position	mm	7512	7601	7508	7575
	ft/in	24'8"	25'0"	24'8"	24'11"
Static Tipping Load, Straight (With tire deflection)	kg	18 079	17 897	18 029	17 814
	lb	39,846	39,445	39,736	39,262
Static Tipping Load, Straight (No tire deflection)	kg	19 309	19 125	19 274	19 056
	lb	42,559	42,153	42,480	41,999
Static Tipping Load, Articulated (With tire deflection)	kg	15 807	15 625	15 757	15 542
	lb	34,840	34,438	34,730	34,256
Static Tipping Load, Articulated (No tire deflection)	kg	17 052	16 867	17 015	16 798
	lb	37,582	37,176	37,503	37,023
Breakout Force (§)	kN	180	179	190	188
	lbf	40,648	40,284	42,726	42,275
Operating Weight*	kg	24 154	24 292	24 202	24 364
	lb	53,235	53,539	53,341	53,698

* Static tipping loads and operating weights shown are based on a machine configuration with Bridgestone 26.5R25 VJT L3 radial tires, full fluids, operator, counterweight, ride control, cold start, roading fenders, Product Link™, manual diff lock/open axles (front and rear), powertrain guard, secondary steering and sound suppression.

† Illustration shown with Dimension charts.

** Aggregate Handler configuration is not compatible with rock buckets, and high lift.

(§) Measured 100 mm (4") behind tip of cutting edge with bucket hinge pin as pivot point in accordance with ISO 14397-2:2007.

(With tire deflection) Full compliance to ISO 14397-1:2007 Sections 1 thru 6, which requires 2% verification between calculations and testing.

(No tire deflection) Compliance to ISO 14397-1:2007 Sections 1 thru 5.

Other buckets are available and offerings vary by region. Consult your local Cat dealer for further details.

966 XE Wheel Loader Specifications

Operating Specifications – Buckets (continued)

Linkage		Aggregate Handler Linkage			
Bucket Type		General Purpose – Hook-On – Fusion			
Edge Type		Bolt-On Cutting Edges	Teeth and Segments	Bolt-On Cutting Edges	Teeth and Segments
Capacity – Rated	m ³	4.20	4.20	4.60	4.60
	yd ³	5.50	5.50	6.00	6.00
Capacity – Rated at 110% Fill Factor	m ³	4.60	4.60	5.10	5.10
	yd ³	6.00	6.00	6.75	6.75
Width	mm	3220	3271	3220	3271
	ft/in	10'6"	10'8"	10'6"	10'8"
16† Dump Clearance at Maximum Lift and 45° Discharge	mm	2970	2816	2957	2803
	ft/in	9'8"	9'2"	9'8"	9'2"
17† Reach at Maximum Lift and 45° Discharge	mm	1395	1533	1398	1535
	ft/in	4'6"	5'0"	4'7"	5'0"
Reach at Level Lift Arm and Bucket Level	mm	2855	3059	2865	3070
	ft/in	9'4"	10'0"	9'4"	10'0"
A† Digging Depth	mm	106	106	113	113
	in	4.2"	4.2"	4.4"	4.4"
12† Overall Length	mm	9067	9292	9083	9308
	ft/in	29'9"	30'6"	29'10"	30'7"
B† Overall Height with Bucket at Maximum Lift	mm	5970	5970	6048	6048
	ft/in	19'8"	19'8"	19'11"	19'11"
Loader Clearance Circle Radius with Bucket at Carry Position	mm	7539	7629	7544	7634
	ft/in	24'9"	25'1"	24'9"	25'1"
Static Tipping Load, Straight (With tire deflection)	kg	17 792	17 609	17 935	17 749
	lb	39,214	38,811	39,530	39,120
Static Tipping Load, Straight (No tire deflection)	kg	19 021	18 836	19 213	19 024
	lb	41,923	41,515	42,346	41,930
Static Tipping Load, Articulated (With tire deflection)	kg	15 543	15 360	15 655	15 468
	lb	34,257	33,854	34,503	34,093
Static Tipping Load, Articulated (No tire deflection)	kg	16 786	16 601	16 944	16 756
	lb	36,998	36,590	37,346	36,930
Breakout Force (§)	kN	166	164	164	163
	lbf	37,396	37,040	37,021	36,663
Operating Weight*	kg	24 218	24 355	24 332	24 470
	lb	53,375	53,679	53,627	53,930

* Static tipping loads and operating weights shown are based on a machine configuration with Bridgestone 26.5R25 VJT L3 radial tires, full fluids, operator, counterweight, ride control, cold start, roading fenders, Product Link™, manual diff lock/open axles (front and rear), powertrain guard, secondary steering and sound suppression.

† Illustration shown with Dimension charts.

** Aggregate Handler configuration is not compatible with rock buckets, and high lift.

(§) Measured 100 mm (4") behind tip of cutting edge with bucket hinge pin as pivot point in accordance with ISO 14397-2:2007.

(With tire deflection) Full compliance to ISO 14397-1:2007 Sections 1 thru 6, which requires 2% verification between calculations and testing.

(No tire deflection) Compliance to ISO 14397-1:2007 Sections 1 thru 5.

Other buckets are available and offerings vary by region. Consult your local Cat dealer for further details.

966 XE Wheel Loader Specifications

Operating Specifications – Buckets (continued)

Linkage		Aggregate Handler Linkage			
Bucket Type		Flat Floor – Pin-On			
Edge Type		Bolt-On Cutting Edges	Teeth and Segments	Bolt-On Cutting Edges	Teeth and Segments
Capacity – Rated	m ³	4.20	4.20	4.40	4.40
	yd ³	5.50	5.50	5.75	5.75
Capacity – Rated at 110% Fill Factor	m ³	4.60	4.60	4.80	4.80
	yd ³	6.00	6.00	6.25	6.25
Width	mm	3220	3271.4	3220	3271.4
	ft/in	10'6"	10'8"	10'6"	10'8"
16 † Dump Clearance at Maximum Lift and 45° Discharge	mm	2959	2797	2931	2768
	ft/in	9'8"	9'2"	9'7"	9'1"
17 † Reach at Maximum Lift and 45° Discharge	mm	1242	1369	1271	1398
	ft/in	4'0"	4'5"	4'2"	4'7"
Reach at Level Lift Arm and Bucket Level	mm	2771	2975	2811	3015
	ft/in	9'1"	9'9"	9'2"	9'10"
A † Digging Depth	mm	114	114	114	114
	in	4.5"	4.5"	4.5"	4.5"
12 † Overall Length	mm	8989	9215	9029	9255
	ft/in	29'6"	30'3"	29'8"	30'5"
B † Overall Height with Bucket at Maximum Lift	mm	5911	5911	5941	5941
	ft/in	19'5"	19'5"	19'6"	19'6"
Loader Clearance Circle Radius with Bucket at Carry Position	mm	7504	7589	7514	7599
	ft/in	24'8"	24'11"	24'8"	25'0"
Static Tipping Load, Straight (With tire deflection)	kg	18 362	18 179	18 280	18 096
	lb	40,470	40,067	40,289	39,884
Static Tipping Load, Straight (No tire deflection)	kg	19 598	19 413	19 522	19 336
	lb	43,194	42,786	43,028	42,618
Static Tipping Load, Articulated (With tire deflection)	kg	16 088	15 905	16 008	15 824
	lb	35,460	35,056	35,282	34,877
Static Tipping Load, Articulated (No tire deflection)	kg	17 338	17 153	17 264	17 078
	lb	38,213	37,805	38,051	37,641
Breakout Force (§)	kN	177	175	171	170
	lbf	39,850	39,488	38,633	38,273
Operating Weight*	kg	23 844	23 982	23 898	24 036
	lb	52,552	52,856	52,670	52,974

* Static tipping loads and operating weights shown are based on a machine configuration with Bridgestone 26.5R25 VJT L3 radial tires, full fluids, operator, counterweight, ride control, cold start, roading fenders, Product Link™, manual diff lock/open axles (front and rear), powertrain guard, secondary steering and sound suppression.

† Illustration shown with Dimension charts.

** Aggregate Handler configuration is not compatible with rock buckets, and high lift.

(§) Measured 100 mm (4") behind tip of cutting edge with bucket hinge pin as pivot point in accordance with ISO 14397-2:2007.

(With tire deflection) Full compliance to ISO 14397-1:2007 Sections 1 thru 6, which requires 2% verification between calculations and testing.

(No tire deflection) Compliance to ISO 14397-1:2007 Sections 1 thru 5.

Other buckets are available and offerings vary by region. Consult your local Cat dealer for further details.

966 XE Wheel Loader Specifications

Operating Specifications – Buckets (continued)

Linkage		Aggregate Handler Linkage			
Bucket Type		Flat Floor – Pin-On			
Edge Type		Bolt-On Cutting Edges	Teeth and Segments	Bolt-On Cutting Edges	Teeth and Segments
Capacity – Rated	m ³	4.60	4.60	4.80	4.80
	yd ³	6.00	6.00	6.25	6.25
Capacity – Rated at 110% Fill Factor	m ³	5.10	5.10	5.30	5.30
	yd ³	6.75	6.75	7.00	7.00
Width	mm	3220	3271.4	3220	3271.4
	ft/in	10'6"	10'8"	10'6"	10'8"
16† Dump Clearance at Maximum Lift and 45° Discharge	mm	2903	2740	2875	2712
	ft/in	9'6"	8'11"	9'5"	8'10"
17† Reach at Maximum Lift and 45° Discharge	mm	1299	1426	1327	1454
	ft/in	4'3"	4'8"	4'4"	4'9"
Reach at Level Lift Arm and Bucket Level	mm	2851	3055	2891	3095
	ft/in	9'4"	10'0"	9'5"	10'1"
A† Digging Depth	mm	114	114	114	114
	in	4.5"	4.5"	4.5"	4.5"
12† Overall Length	mm	9069	9295	9109	9335
	ft/in	29'10"	30'6"	29'11"	30'8"
B† Overall Height with Bucket at Maximum Lift	mm	5992	5992	6033	6033
	ft/in	19'8"	19'8"	19'10"	19'10"
Loader Clearance Circle Radius with Bucket at Carry Position	mm	7524	7610	7534	7620
	ft/in	24'9"	25'0"	24'9"	25'0"
Static Tipping Load, Straight (With tire deflection)	kg	18 215	18 030	18 140	17 954
	lb	40,147	39,740	39,981	39,572
Static Tipping Load, Straight (No tire deflection)	kg	19 465	19 278	19 396	19 208
	lb	42,901	42,488	42,750	42,335
Static Tipping Load, Articulated (With tire deflection)	kg	15 946	15 761	15 873	15 687
	lb	35,145	34,737	34,984	34,574
Static Tipping Load, Articulated (No tire deflection)	kg	17 209	17 021	17 142	16 954
	lb	37,928	37,516	37,782	37,367
Breakout Force (§)	kN	166	165	162	160
	lbf	37,495	37,136	36,405	36,047
Operating Weight*	kg	23 932	24 070	23 979	24 116
	lb	52,746	53,050	52,848	53,152

* Static tipping loads and operating weights shown are based on a machine configuration with Bridgestone 26.5R25 VJT L3 radial tires, full fluids, operator, counterweight, ride control, cold start, roading fenders, Product Link™, manual diff lock/open axles (front and rear), powertrain guard, secondary steering and sound suppression.

† Illustration shown with Dimension charts.

** Aggregate Handler configuration is not compatible with rock buckets, and high lift.

(§) Measured 100 mm (4") behind tip of cutting edge with bucket hinge pin as pivot point in accordance with ISO 14397-2:2007.

(With tire deflection) Full compliance to ISO 14397-1:2007 Sections 1 thru 6, which requires 2% verification between calculations and testing.

(No tire deflection) Compliance to ISO 14397-1:2007 Sections 1 thru 5.

Other buckets are available and offerings vary by region. Consult your local Cat dealer for further details.

966 XE Wheel Loader Specifications

Operating Specifications – Buckets (continued)

Linkage		Aggregate Handler Linkage			
Bucket Type	Edge Type	Flat Floor – Pin-On – Abrasion			Flat Floor – Pin-On – Light Material
		Bolt-On Cutting Edges	Bolt-On Cutting Edges	Bolt-On Cutting Edges	Bolt-On Cutting Edges
Capacity – Rated	m ³	4.40	4.60	4.80	6.00
	yd ³	5.75	6.00	6.25	7.75
Capacity – Rated at 110% Fill Factor	m ³	4.80	5.10	5.30	6.60
	yd ³	6.25	6.75	7.00	8.75
Width	mm	3220	3220	3230	3405
	ft/in	10'6"	10'6"	10'7"	11'2"
16 † Dump Clearance at Maximum Lift and 45° Discharge	mm	2932	2903	2875	2753
	ft/in	9'7"	9'6"	9'5"	9'0"
17 † Reach at Maximum Lift and 45° Discharge	mm	1269	1299	1320	1428
	ft/in	4'1"	4'3"	4'3"	4'8"
Reach at Level Lift Arm and Bucket Level	mm	2809	2851	2886	3048
	ft/in	9'2"	9'4"	9'5"	10'0"
A † Digging Depth	mm	114	114	119	89
	in	4.5"	4.5"	4.7"	3.5"
12 † Overall Length	mm	9028	9069	9108	9278
	ft/in	29'8"	29'10"	29'11"	30'6"
B † Overall Height with Bucket at Maximum Lift	mm	5943	5992	6033	6505
	ft/in	19'6"	19'8"	19'10"	21'5"
Loader Clearance Circle Radius with Bucket at Carry Position	mm	7513	7524	7539	7675
	ft/in	24'8"	24'9"	24'9"	25'3"
Static Tipping Load, Straight (With tire deflection)	kg	18 163	18 067	18 002	17 521
	lb	40,031	39,819	39,678	38,616
Static Tipping Load, Straight (No tire deflection)	kg	19 406	19 315	19 256	18 796
	lb	42,772	42,571	42,441	41,428
Static Tipping Load, Articulated (With tire deflection)	kg	15 890	15 797	15 735	15 263
	lb	35,021	34,817	34,680	33,639
Static Tipping Load, Articulated (No tire deflection)	kg	17 147	17 059	17 002	16 552
	lb	37,792	37,598	37,474	36,481
Breakout Force (§)	kN	171	166	161	152
	lbf	38,560	37,355	36,323	34,227
Operating Weight*	kg	24 026	24 078	24 088	24 413
	lb	52,953	53,067	53,089	53,806

* Static tipping loads and operating weights shown are based on a machine configuration with Bridgestone 26.5R25 VJT L3 radial tires, full fluids, operator, counterweight, ride control, cold start, roading fenders, Product Link™, manual diff lock/open axles (front and rear), powertrain guard, secondary steering and sound suppression.

† Illustration shown with Dimension charts.

** Aggregate Handler configuration is not compatible with rock buckets, and high lift.

(§) Measured 100 mm (4") behind tip of cutting edge with bucket hinge pin as pivot point in accordance with ISO 14397-2:2007.

(With tire deflection) Full compliance to ISO 14397-1:2007 Sections 1 thru 6, which requires 2% verification between calculations and testing.

(No tire deflection) Compliance to ISO 14397-1:2007 Sections 1 thru 5.

Other buckets are available and offerings vary by region. Consult your local Cat dealer for further details.

966 XE Wheel Loader Specifications

Operating Specifications – Buckets (continued)

Linkage		Aggregate Handler Linkage			
Bucket Type		Flat Floor – Hook-On – Fusion			
Edge Type		Bolt-On Cutting Edges	Teeth and Segments	Bolt-On Cutting Edges	Teeth and Segments
Capacity – Rated	m ³	4.20	4.20	4.40	4.40
	yd ³	5.50	5.50	5.75	5.75
Capacity – Rated at 110% Fill Factor	m ³	4.60	4.60	4.80	4.80
	yd ³	6.00	6.00	6.25	6.25
Width	mm	3220	3271.4	3220	3271.4
	ft/in	10'6"	10'8"	10'6"	10'8"
16† Dump Clearance at Maximum Lift and 45° Discharge	mm	2909	2746	2882	2719
	ft/in	9'6"	9'0"	9'5"	8'11"
17† Reach at Maximum Lift and 45° Discharge	mm	1293	1420	1320	1447
	ft/in	4'2"	4'7"	4'3"	4'8"
Reach at Level Lift Arm and Bucket Level	mm	2842	3047	2881	3085
	ft/in	9'3"	9'11"	9'5"	10'1"
A† Digging Depth	mm	114	114	114	114
	in	4.5"	4.5"	4.5"	4.5"
12† Overall Length	mm	9061	9286	9099	9325
	ft/in	29'9"	30'6"	29'11"	30'8"
B† Overall Height with Bucket at Maximum Lift	mm	5953	5953	5983	5983
	ft/in	19'7"	19'7"	19'8"	19'8"
Loader Clearance Circle Radius with Bucket at Carry Position	mm	7538	7628	7549	7639
	ft/in	24'9"	25'1"	24'10"	25'1"
Static Tipping Load, Straight (With tire deflection)	kg	17 673	17 490	17 596	17 412
	lb	38,951	38,549	38,781	38,377
Static Tipping Load, Straight (No tire deflection)	kg	18 893	18 709	18 823	18 638
	lb	41,642	41,235	41,486	41,078
Static Tipping Load, Articulated (With tire deflection)	kg	15 432	15 249	15 356	15 173
	lb	34,012	33,610	33,846	33,441
Static Tipping Load, Articulated (No tire deflection)	kg	16 667	16 483	16 598	16 412
	lb	36,735	36,328	36,582	36,174
Breakout Force (§)	kN	167	166	162	161
	lbf	37,690	37,331	36,614	36,256
Operating Weight*	kg	24 303	24 441	24 358	24 496
	lb	53,564	53,868	53,684	53,988

* Static tipping loads and operating weights shown are based on a machine configuration with Bridgestone 26.5R25 VJT L3 radial tires, full fluids, operator, counterweight, ride control, cold start, roading fenders, Product Link™, manual diff lock/open axles (front and rear), powertrain guard, secondary steering and sound suppression.

† Illustration shown with Dimension charts.

** Aggregate Handler configuration is not compatible with rock buckets, and high lift.

(§) Measured 100 mm (4") behind tip of cutting edge with bucket hinge pin as pivot point in accordance with ISO 14397-2:2007.

(With tire deflection) Full compliance to ISO 14397-1:2007 Sections 1 thru 6, which requires 2% verification between calculations and testing.

(No tire deflection) Compliance to ISO 14397-1:2007 Sections 1 thru 5.

Other buckets are available and offerings vary by region. Consult your local Cat dealer for further details.

966 XE Wheel Loader Specifications

Operating Specifications – Buckets (continued)

Linkage		Aggregate Handler Linkage	
Bucket Type		Side Dump – Pin-On	Side Dump – Hook-On – Fusion
		Bolt-On Cutting Edges	Bolt-On Cutting Edges
Capacity – Rated	m ³	3.63	3.63
	yd ³	4.75	4.75
Capacity – Rated at 110% Fill Factor	m ³	4.00	4.00
	yd ³	5.25	5.25
Width	mm	3677	3677
	ft/in	12'0"	12'0"
16 † Dump Clearance at Maximum Lift and 45° Discharge	mm	2899	2852
	ft/in	9'6"	9'4"
17 † Reach at Maximum Lift and 45° Discharge	mm	1294	1370
	ft/in	4'2"	4'5"
Reach at Level Lift Arm and Bucket Level	mm	2850	2937
	ft/in	9'4"	9'7"
A † Digging Depth	mm	120	100
	in	4.7"	3.9"
12 † Overall Length	mm	9074	9144
	ft/in	29'10"	30'0"
B † Overall Height with Bucket at Maximum Lift	mm	5786	5855
	ft/in	19'0"	19'3"
Loader Clearance Circle Radius with Bucket at Carry Position	mm	7722	7832
	ft/in	25'4"	25'9"
Static Tipping Load, Straight (With tire deflection)	kg	17 133	15 268
	lb	37,763	33,651
Static Tipping Load, Straight (No tire deflection)	kg	18 315	16 247
	lb	40,368	35,808
Static Tipping Load, Articulated (With tire deflection)	kg	14 955	13 269
	lb	32,960	29,245
Static Tipping Load, Articulated (No tire deflection)	kg	16 153	14 267
	lb	35,602	31,446
Breakout Force (§)	kN	165	155
	lbf	37,103	34,916
Operating Weight*	kg	24 286	24 823
	lb	53,525	54,709

* Static tipping loads and operating weights shown are based on a machine configuration with Bridgestone 26.5R25 VJT L3 radial tires, full fluids, operator, counterweight, ride control, cold start, roading fenders, Product Link™, manual diff lock/open axles (front and rear), powertrain guard, secondary steering and sound suppression.

† Illustration shown with Dimension charts.

**Aggregate Handler configuration is not compatible with rock buckets, and high lift.

(§) Measured 100 mm (4") behind tip of cutting edge with bucket hinge pin as pivot point in accordance with ISO 14397-2:2007.

(With tire deflection) Full compliance to ISO 14397-1:2007 Sections 1 thru 6, which requires 2% verification between calculations and testing.

(No tire deflection) Compliance to ISO 14397-1:2007 Sections 1 thru 5.

Other buckets are available and offerings vary by region. Consult your local Cat dealer for further details.

966 XE Wheel Loader Specifications

Operating Specifications – Buckets (continued)

Linkage		Aggregate Handler Linkage				
		Bucket Type	Bolt-On Cutting Edges	High Dump – Pin-On		High Dump – Hook-On – Fusion
Edge Type				Bolt-On Cutting Edges	Bolt-On Cutting Edges	Bolt-On Cutting Edges
Capacity – Rated	m ³	7.60	9.20	11.10	7.60	9.20
	yd ³	10.00	12.00	14.50	10.00	12.00
Capacity – Rated at 110% Fill Factor	m ³	8.40	10.10	12.20	8.40	10.10
	yd ³	11.00	13.25	16.00	11.00	13.25
Width	mm	3350	3656	3656	3350	3656
	ft/in	10'11"	11'11"	11'11"	10'11"	11'11"
16 † Dump Clearance at Maximum Height and High Dump Fully Rolled Out (43°)	mm	4898	4843	4669	4916	4953
	ft/in	16'1"	15'9"	15'3"	16'1"	16'3"
17 † Reach at Maximum Height and High Dump Fully Rolled Out (43°)	mm	1723	1723	1907	1676	1778
	ft/in	5'7"	5'7"	6'3"	5'5"	5'8"
Reach at Level Lift Arm and Bucket Level	mm	3525	3605	3825	3545	3625
	ft/in	11'6"	11'9"	12'6"	11'7"	11'10"
A † Digging Depth	mm	84	84	84	84	84
	in	3.3"	3.3"	3.3"	3.3"	3.3"
12 † Overall Length	mm	9743	9823	10043	9763	9843
	ft/in	32'0"	32'3"	33'0"	32'1"	32'4"
B † Overall Height at Maximum Height and High Dump Fully Rolled Out (43°)	mm	7263	7323	7512	7281	7341
	ft/in	23'8"	24'0"	24'6"	23'9"	24'1"
Loader Clearance Circle Radius with Bucket at Carry Position	mm	7795	7956	8023	7802	7963
	ft/in	25'7"	26'2"	26'4"	25'8"	26'2"
Static Tipping Load, Straight (With tire deflection)	kg	16 185	15 911	15 556	15 734	15 458
	lb	35,673	35,069	34,286	34,677	34,071
Static Tipping Load, Straight (No tire deflection)	kg	17 486	17 221	16 892	17 025	16 758
	lb	38,539	37,956	37,230	37,524	36,936
Static Tipping Load, Articulated (With tire deflection)	kg	14 009	13 739	13 395	13 566	13 295
	lb	30,877	30,281	29,523	29,901	29,303
Static Tipping Load, Articulated (No tire deflection)	kg	15 325	15 063	14 745	14 872	14 610
	lb	33,776	33,200	32,499	32,779	32,200
Breakout Force (§)	kN	111	106	94	110	104
	lbf	25,125	23,825	21,126	24,821	23,539
Operating Weight*	kg	24 951	25 167	25 374	25 430	25 646
	lb	54,992	55,468	55,924	56,047	56,523

* Static tipping loads and operating weights shown are based on a machine configuration with Bridgestone 26.5R25 VJT L3 radial tires, full fluids, operator, counterweight, ride control, cold start, roading fenders, Product Link™, manual diff lock/open axles (front and rear), powertrain guard, secondary steering and sound suppression.

† Illustration shown with Dimension charts.

**Aggregate Handler configuration is not compatible with rock buckets, and high lift.

(§) Measured 100 mm (4") behind tip of cutting edge with bucket hinge pin as pivot point in accordance with ISO 14397-2:2007.

(With tire deflection) Full compliance to ISO 14397-1:2007 Sections 1 thru 6, which requires 2% verification between calculations and testing.

(No tire deflection) Compliance to ISO 14397-1:2007 Sections 1 thru 5.

Other buckets are available and offerings vary by region. Consult your local Cat dealer for further details.

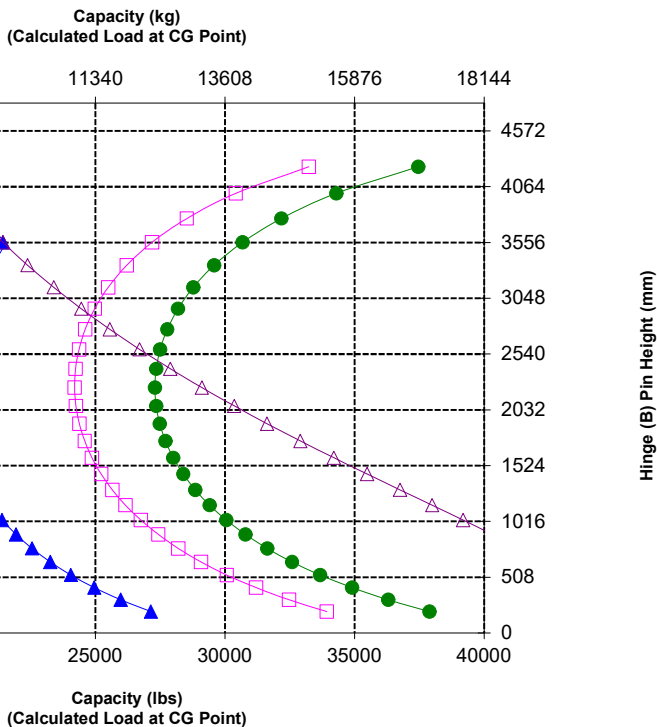
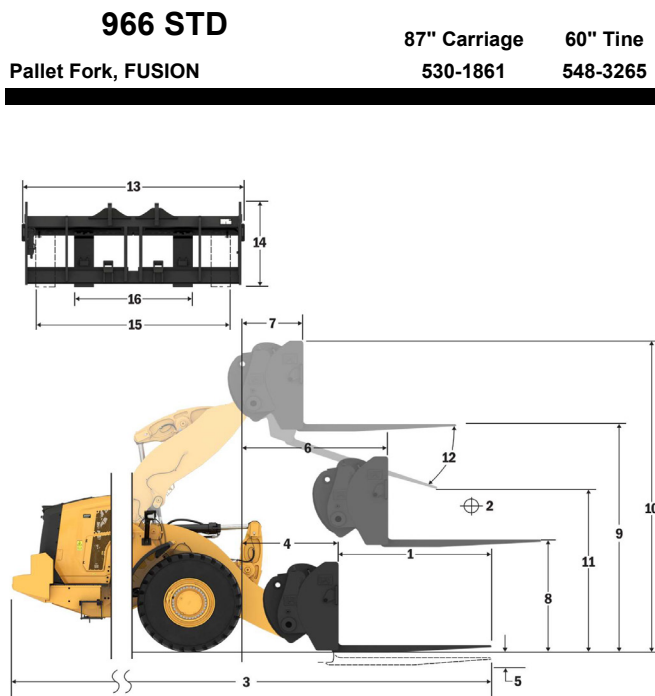
966 XE Wheel Loader Specifications

Fork Specifications

Fork Specifications

1	Tine Length	mm	1524
		in	60.0
2	Load Center	mm	762
		in	30.0
	Static Tipping Load - Straight (Forks Level)	kq	12382
		lbs	27289
	Static Tipping Load - Articulated (Forks Level)	kq	10976
		lbs	24192
	Rated Load (SAE J1197 - 50% FTSTL)	kq	5488
		lbs	12096
	Rated Load (CEN EN 474-3 Rough Terrain - 60% FTSTL)	kq	6586
		lbs	14515
	Rated Load (CEN EN 474-3 Firm and Level Ground - 80% FTSTL)	kq	8656
		lbs	19078
3	Maximum Overall Length	mm	9359
		in	368.5
4	Reach with Forks at Ground Level	mm	1126
		in	44.3
5	*Ground to Bottom of Tine at Minimum Height and Fork Level	mm	-166
		in	-6.5
6	Reach with Arms Horizontal and Forks Level	mm	1694
		in	66.7
7	Reach with Fork at Maximum Height	mm	826
		in	32.5
8	Ground to Top of Tine with Arms Horizontal and Fork Level	mm	1866
		in	73.4
9	Ground to Top of Tine at Maximum Height and Fork Level	mm	3949
		in	155.5
10	Overall Height of Fork at Full Lift (top of carriage to ground)	mm	4724
		in	186.0
11	Clearance at Full Lift and Max Dump	mm	2652
		in	104.4
12	Max Discharge Angle from Horizontal	deg	43
13	Overall Carriage Width	mm	2217
		in	87.3
14	Overall Carriage Height	mm	840
		in	33.1
15	Outside Tine Width (max spread)	mm	2070
		in	81.5
16	Outside Tine Width (min spread)	mm	470
		in	18.5
	Tine Width (single tine)	mm	150.0
		in	5.9
	Tine Thickness	mm	65.0
		in	2.6
	Tine Capacity	kq	6300
		lbs	13885
	Operating Weight	kq	22225
		lbs	48983

*Negative values indicate below grade



WARNING: Do not exceed tine load capacity. Individual tine capacity is stamped on the side of each tine.

966 XE Wheel Loader Specifications

Fork Specifications

Fork Specifications

1	Tine Length	mm	1830
		in	72.0
2	Load Center	mm	915
		in	36.0
	Static Tipping Load - Straight (Forks Level)	kq	11799
		lbs	26004
	Static Tipping Load - Articulated (Forks Level)	kq	10454
		lbs	23042
	Rated Load (SAE J1197 - 50% FTSTL)	kq	5227
		lbs	11521
	Rated Load (CEN EN 474-3 Rough Terrain - 60% FTSTL)	kq	6273
		lbs	13825
	Rated Load (CEN EN 474-3 Firm and Level Ground - 80% FTSTL)	kq	7618
		lbs	16790
3	Maximum Overall Length	mm	9665
		in	380.5
4	Reach with Forks at Ground Level	mm	1126
		in	44.3
5	*Ground to Bottom of Tine at Minimum Height and Fork Level	mm	-166
		in	-6.5
6	Reach with Arms Horizontal and Forks Level	mm	1694
		in	66.7
7	Reach with Fork at Maximum Height	mm	826
		in	32.5
8	Ground to Top of Tine with Arms Horizontal and Fork Level	mm	1866
		in	73.4
9	Ground to Top of Tine at Maximum Height and Fork Level	mm	3949
		in	155.5
10	Overall Height of Fork at Full Lift (top of carriage to ground)	mm	4724
		in	186.0
11	Clearance at Full Lift and Max Dump	mm	2444
		in	96.2
12	Max Discharge Angle from Horizontal	deg	43
13	Overall Carriage Width	mm	2217
		in	87.3
14	Overall Carriage Height	mm	840
		in	33.1
15	Outside Tine Width (max spread)	mm	2070
		in	81.5
16	Outside Tine Width (min spread)	mm	470
		in	18.5
	Tine Width (single tine)	mm	150.0
		in	5.9
	Tine Thickness	mm	65.0
		in	2.6
	Tine Capacity	kq	5246
		lbs	11562
	Operating Weight	kq	22272
		lbs	49087

*Negative values indicate below grade

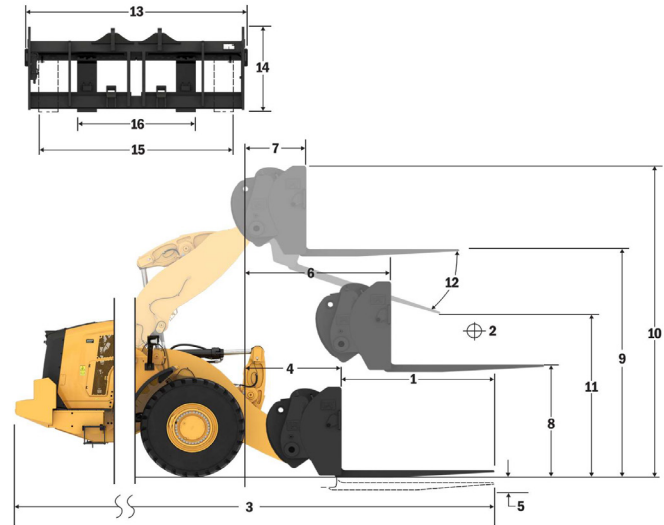
966 STD Pallet Fork, FUSION

87" Carriage

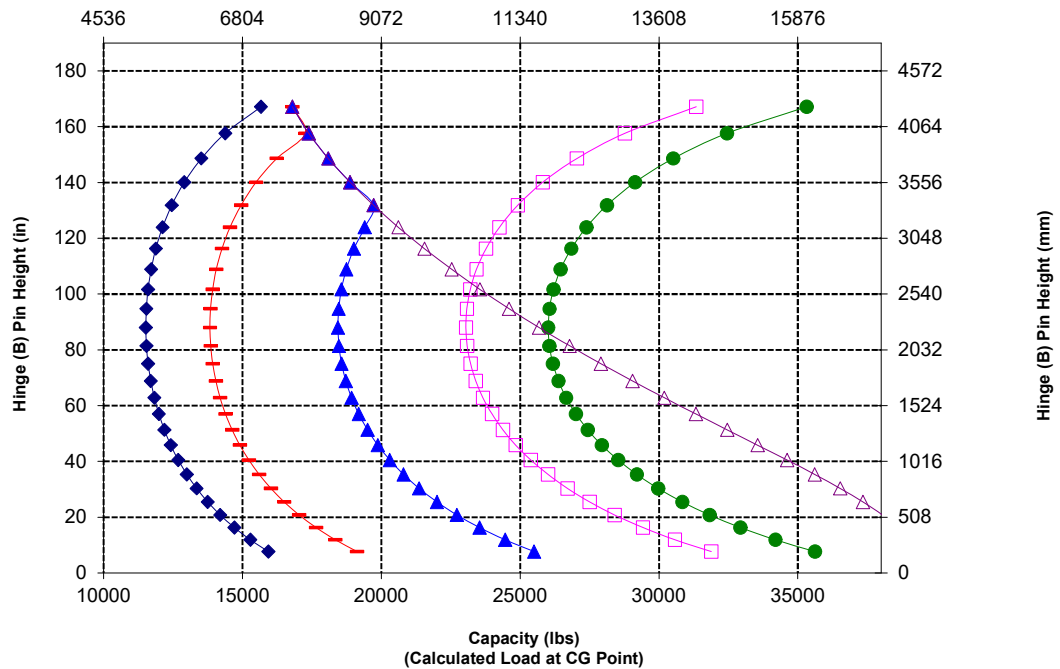
72" Tine

530-1861

530-1869



Capacity (kg)
(Calculated Load at CG Point)



966 XE Wheel Loader Specifications

Fork Specifications

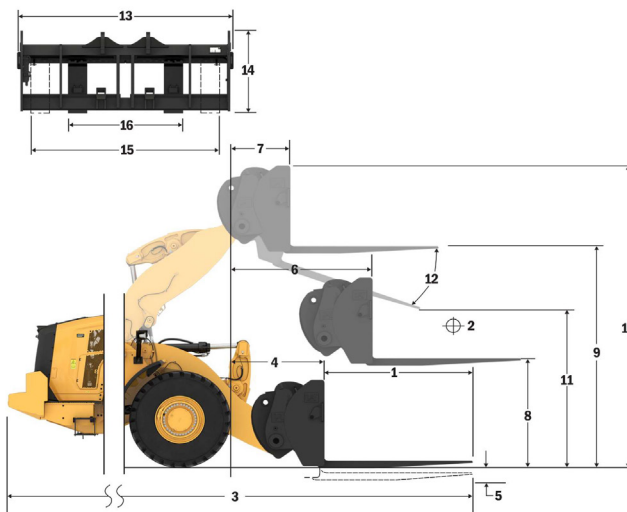
Fork Specifications

1	Tine Length	mm	1829
		in	72.0
2	Load Center	mm	915
		in	36.0
	Static Tipping Load - Straight (Forks Level)	kg	11532
		lbs	25416
	Static Tipping Load - Articulated (Forks Level)	kg	10184
		lbs	22445
	Rated Load (SAE J1197 - 50% FTSTL)	kg	5092
		lbs	11222
	Rated Load (CEN EN 474-3 Rough Terrain - 60% FTSTL)	kg	6110
		lbs	13467
	Rated Load (CEN EN 474-3 Firm and Level Ground - 80% FTSTL)	kg	7807
		lbs	17206
3	Maximum Overall Length	mm	9615
		in	378.5
4	Reach with Forks at Ground Level	mm	1077
		in	42.4
5	*Ground to Bottom of Tine at Minimum Height and Fork Level	mm	-87
		in	-3.4
6	Reach with Arms Horizontal and Forks Level	mm	1685
		in	66.4
7	Reach with Fork at Maximum Height	mm	818
		in	32.2
8	Ground to Top of Tine with Arms Horizontal and Fork Level	mm	1970
		in	77.5
9	Ground to Top of Tine at Maximum Height and Fork Level	mm	4053
		in	159.6
10	Overall Height of Fork at Full Lift (top of carriage to ground)	mm	5093
		in	200.5
11	Clearance at Full Lift and Max Dump	mm	2359
		in	92.9
12	Max Discharge Angle from Horizontal	deg	49
13	Overall Carriage Width	mm	2528
		in	99.5
14	Overall Carriage Height	mm	1130
		in	44.5
15	Outside Tine Width (max spread)	mm	2178
		in	85.7
16	Outside Tine Width (min spread)	mm	576
		in	22.7
	Tine Width (single tine)	mm	180.0
		in	7.1
	Tine Thickness	mm	90.0
		in	3.5
	Tine Capacity	kg	14800
		lbs	32619
	Operating Weight	kg	22661
		lbs	49944

*Negative values indicate below grade

966 STD Construction Fork, Fusion

96" Carriage 72" Tine
520-7957 520-7979



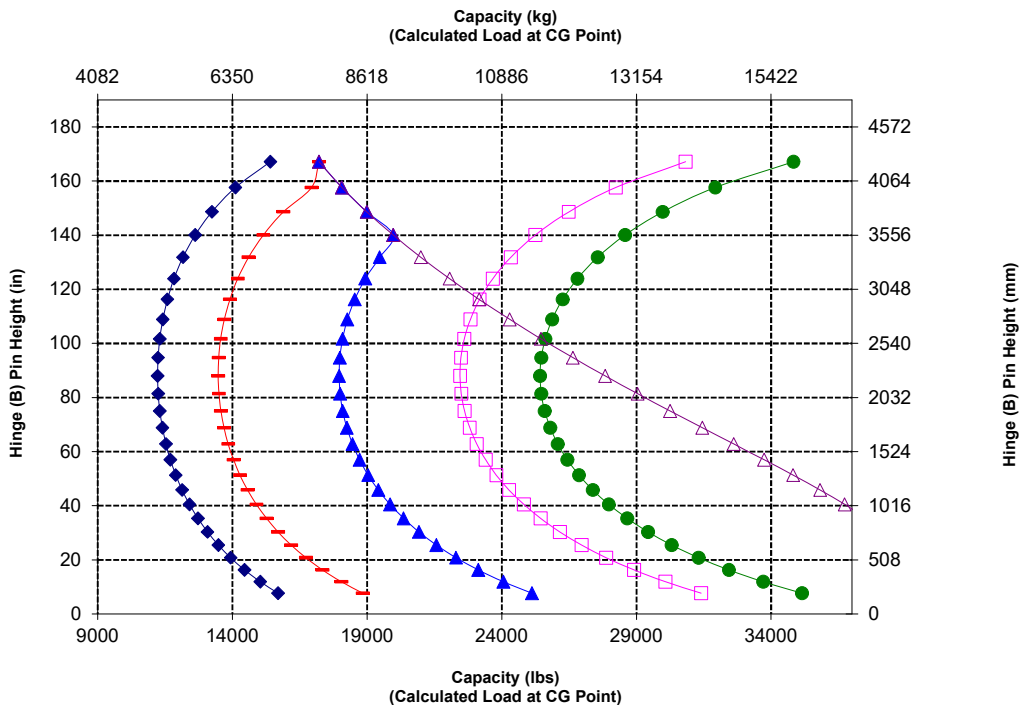
- Payload (SAE J1197)
- Payload (CEN EN 474-3 - Rough Terrain)
- Payload (CEN EN 474-3 - Firm & Level)
- Static Tipping Load - Articulated
- Static Tipping Load - Straight
- Hydraulic Tilt Capacity
- Hydraulic Lift Capacity

NOTE: Static tipping loads and operating weight are based on the following loader configuration: Bridgestone VJTL3 Tires, Air Conditioning, Ride Control, Powertrain Guard, Full Fluids, Fuel Tank, Coolant, Lubricants, and Operator.

Specifications and ratings conform to the following standards: SAE* J1197, ISO 14397-1, CEN** EN 474-3.

The rated operating load for a loader equipped with a pallet fork is determined by:
SAE J1197: 50% of full turn static tipping load or hydraulic limit.
CEN EN 474-3: 60% of full turn static tipping load on rough terrain or hydraulic limit.
CEN EN 474-3: 80% of full turn static tipping load on firm and level ground or hydraulic limit.

*SAE - Society of Automotive Engineers
**CEN - European Committee for Standardization



WARNING: Do not exceed tine load capacity. Individual tine capacity is stamped on the side of each tine.

966 XE Wheel Loader Specifications

Fork Specifications

Fork Specifications

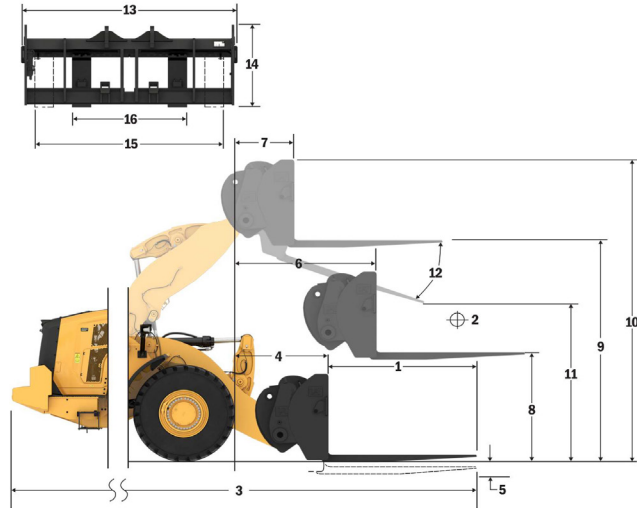
1	Tine Length	mm	2438
		in	96.0
2	Load Center	mm	1219
		in	48.0
	Static Tipping Load - Straight (Forks Level)	kg	10479
		lbs	23096
	Static Tipping Load - Articulated (Forks Level)	kg	9238
		lbs	20361
	Rated Load (SAE J1197 - 50% FTSTL)	kg	4619
		lbs	10181
	Rated Load (CEN EN 474-3 Rough Terrain - 60% FTSTL)	kg	5543
		lbs	12217
	Rated Load (CEN EN 474-3 Firm and Level Ground - 80% FTSTL)	kg	6207
		lbs	13681
3	Maximum Overall Length	mm	10224
		in	402.5
4	Reach with Forks at Ground Level	mm	1077
		in	42.4
5	*Ground to Bottom of Tine at Minimum Height and Fork Level	mm	-87
		in	-3.4
6	Reach with Arms Horizontal and Forks Level	mm	1685
		in	66.4
7	Reach with Fork at Maximum Height	mm	818
		in	32.2
8	Ground to Top of Tine with Arms Horizontal and Fork Level	mm	1970
		in	77.5
9	Ground to Top of Tine at Maximum Height and Fork Level	mm	4053
		in	159.6
10	Overall Height of Fork at Full Lift (top of carriage to ground)	mm	5093
		in	200.5
11	Clearance at Full Lift and Max Dump	mm	1899
		in	74.7
12	Max Discharge Angle from Horizontal	deg	49
13	Overall Carriage Width	mm	2528
		in	99.5
14	Overall Carriage Height	mm	1130
		in	44.5
15	Outside Tine Width (max spread)	mm	2178
		in	85.7
16	Outside Tine Width (min spread)	mm	576
		in	22.7
	Tine Width (single tine)	mm	180.0
		in	7.1
	Tine Thickness	mm	90.0
		in	3.5
	Tine Capacity	kg	11300
		lbs	24905
	Operating Weight	kg	22786
		lbs	50220

*Negative values indicate below grade

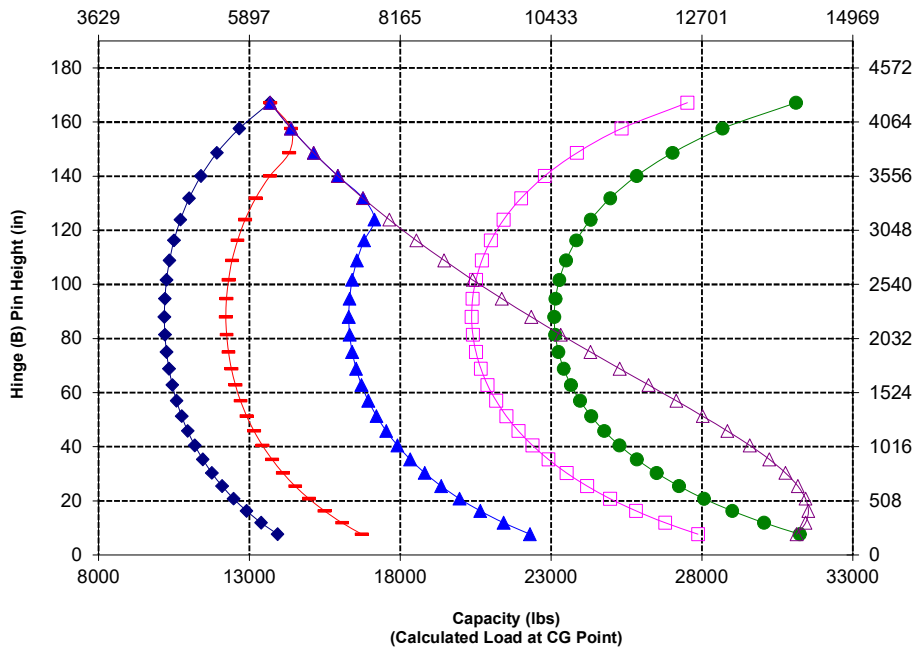
966 STD Construction Fork, Fusion

96" Carriage
520-7957

96" Tine
520-7981



Capacity (kg) (Calculated Load at CG Point)



WARNING: Do not exceed tine load capacity. Individual tine capacity is stamped on the side of each tine.

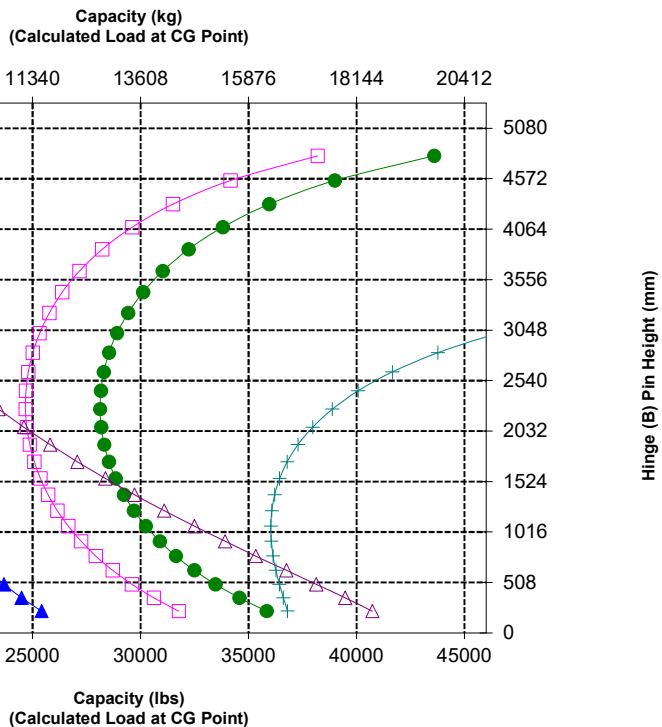
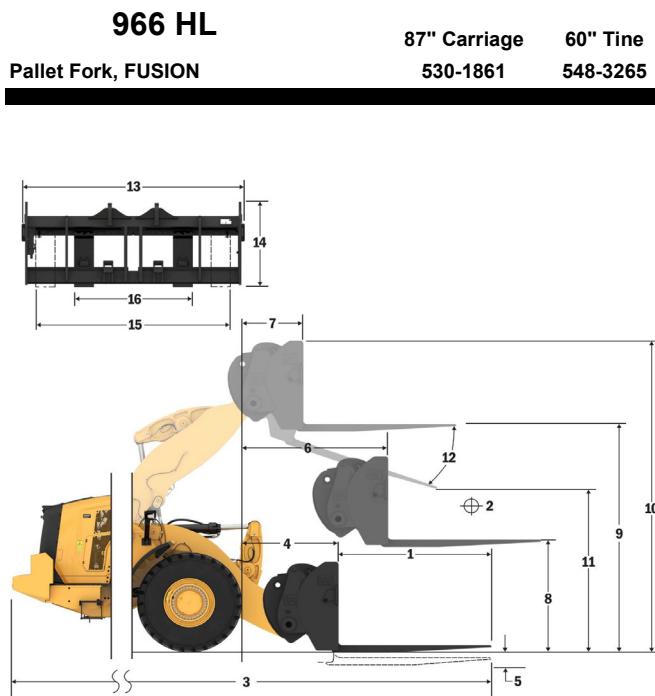
966 XE Wheel Loader Specifications

Fork Specifications

Fork Specifications

1	Tine Length	mm	1524
		in	60.0
2	Load Center	mm	762
		in	30.0
	Static Tipping Load - Straight (Forks Level)	kq	12757
		lbs	28117
	Static Tipping Load - Articulated (Forks Level)	kq	11191
		lbs	24665
	Rated Load (SAE J1197 - 50% FTSTL)	kq	5596
		lbs	12333
	Rated Load (CEN EN 474-3 Rough Terrain - 60% FTSTL)	kq	5754
		lbs	12682
	Rated Load (CEN EN 474-3 Firm and Level Ground - 80% FTSTL)	kq	5754
		lbs	12682
3	Maximum Overall Length	mm	10012
		in	394.2
4	Reach with Forks at Ground Level	mm	1612
		in	63.5
5	*Ground to Bottom of Tine at Minimum Height and Fork Level	mm	-141
		in	-5.6
6	Reach with Arms Horizontal and Forks Level	mm	2098
		in	82.6
7	Reach with Fork at Maximum Height	mm	802
		in	31.6
8	Ground to Top of Tine with Arms Horizontal and Fork Level	mm	1866
		in	73.4
9	Ground to Top of Tine at Maximum Height and Fork Level	mm	4507
		in	177.4
10	Overall Height of Fork at Full Lift (top of carriage to ground)	mm	5292
		in	208.0
11	Clearance at Full Lift and Max Dump	mm	3189
		in	125.6
12	Max Discharge Angle from Horizontal	deg	44
13	Overall Carriage Width	mm	2217
		in	87.3
14	Overall Carriage Height	mm	840
		in	33.1
15	Outside Tine Width (max spread)	mm	2070
		in	81.5
16	Outside Tine Width (min spread)	mm	470
		in	18.5
	Tine Width (single tine)	mm	150.0
		in	5.9
	Tine Thickness	mm	65.0
		in	2.6
	Tine Capacity	kq	6300
		lbs	13885
	Operating Weight	kq	23877
		lbs	52625

*Negative values indicate below grade



NOTE: Static tipping loads and operating weight are based on the following loader configuration: Bridgestone VJT L3 Tires, Air Conditioning, Ride Control, Powertrain Guard, Full Fluids, Fuel Tank, Coolant, Lubricants, and Operator.

Specifications and ratings conform to the following standards: SAE* J1197, ISO 14397-1, CEN** EN 474-3.

The rated operating load for a loader equipped with a pallet fork is determined by:
 SAE J1197: 50% of full turn static tipping load or hydraulic limit.
 CEN EN 474-3: 60% of full turn static tipping load on rough terrain or hydraulic limit.
 CEN EN 474-3: 80% of full turn static tipping load on firm and level ground or hydraulic limit.

*SAE - Society of Automotive Engineers
 **CEN - European Committee for Standardization



WARNING: Do not exceed tine load capacity. Individual tine capacity is stamped on the side of each tine.

966 XE Wheel Loader Specifications

Fork Specifications

Fork Specifications

1	Tine Length	mm	1830
		in	72.0
2	Load Center	mm	915
		in	36.0
	Static Tipping Load - Straight (Forks Level)	kq	12215
		lbs	26921
	Static Tipping Load - Articulated (Forks Level)	kq	10710
		lbs	23605
	Rated Load (SAE J1197 - 50% FTSTL)	kq	5046
		lbs	11121
	Rated Load (CEN EN 474-3 Rough Terrain - 60% FTSTL)	kq	5046
		lbs	11121
	Rated Load (CEN EN 474-3 Firm and Level Ground - 80% FTSTL)	kq	5046
		lbs	11121
3	Maximum Overall Length	mm	10318
		in	406.2
4	Reach with Forks at Ground Level	mm	1612
		in	63.5
5	*Ground to Bottom of Tine at Minimum Height and Fork Level	mm	-141
		in	-5.6
6	Reach with Arms Horizontal and Forks Level	mm	2098
		in	82.6
7	Reach with Fork at Maximum Height	mm	802
		in	31.6
8	Ground to Top of Tine with Arms Horizontal and Fork Level	mm	1866
		in	73.4
9	Ground to Top of Tine at Maximum Height and Fork Level	mm	4507
		in	177.4
10	Overall Height of Fork at Full Lift (top of carriage to ground)	mm	5282
		in	208.0
11	Clearance at Full Lift and Max Dump	mm	2977
		in	117.2
12	Max Discharge Angle from Horizontal	deg	44
13	Overall Carriage Width	mm	2217
		in	87.3
14	Overall Carriage Height	mm	840
		in	33.1
15	Outside Tine Width (max spread)	mm	2070
		in	81.5
16	Outside Tine Width (min spread)	mm	470
		in	18.5
	Tine Width (single tine)	mm	150.0
		in	5.9
	Tine Thickness	mm	65.0
		in	2.6
	Tine Capacity	kq	5246
		lbs	11562
	Operating Weight	kq	23924
		lbs	52729

*Negative values indicate below grade

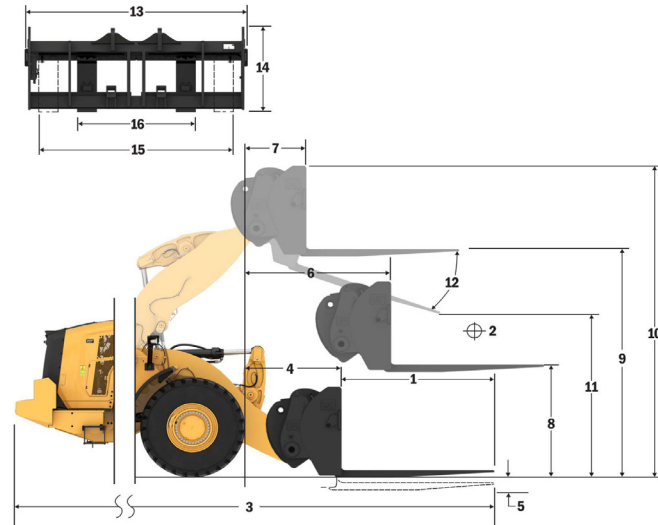
966 HL Pallet Fork, FUSION

87" Carriage

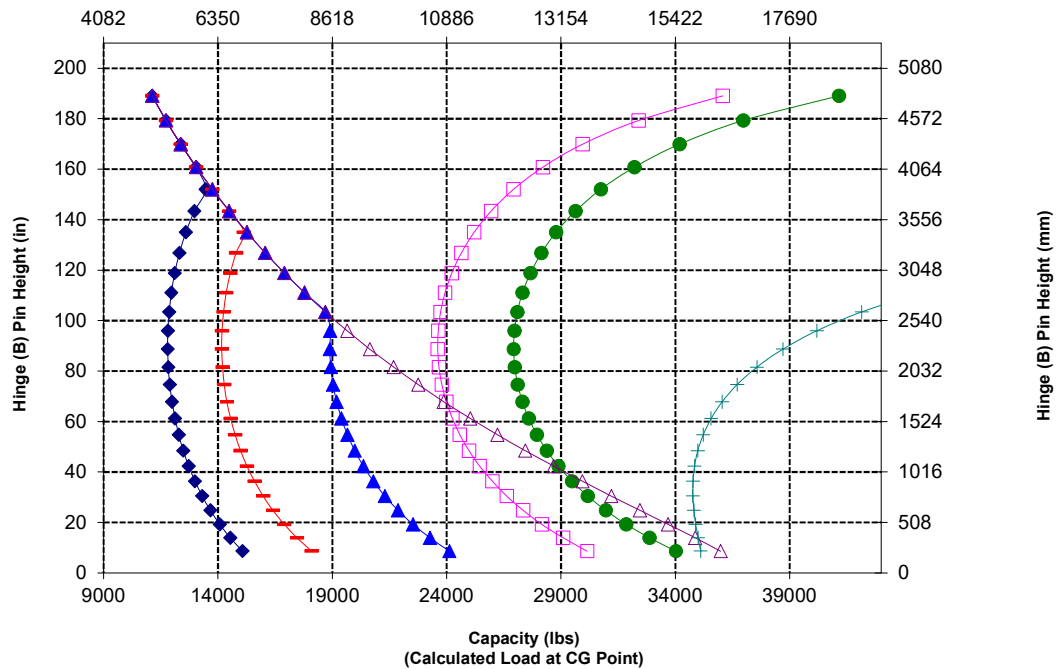
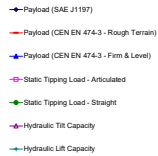
72" Tine

530-1861

530-1869



Capacity (kg) (Calculated Load at CG Point)



NOTE: Static tipping loads and operating weight are based on the following loader configuration: Bridgestone VJT L3 Tires, Air Conditioning, Ride Control, Powertrain Guard, Full Fluids, Fuel Tank, Coolant, Lubricants, and Operator.

Specifications and ratings conform to the following standards: SAE* J1197, ISO 14397-1, CEN** EN 474-3.

The rated operating load for a loader equipped with a pallet fork is determined by:
SAE J1197: 50% of full turn static tipping load or hydraulic limit.
CEN EN 474-3: 60% of full turn static tipping load on rough terrain or hydraulic limit.
CEN EN 474-3: 80% of full turn static tipping load on firm and level ground or hydraulic limit.

*SAE - Society of Automotive Engineers
**CEN - European Committee for Standardization

966 XE Wheel Loader Specifications

Fork Specifications

Fork Specifications

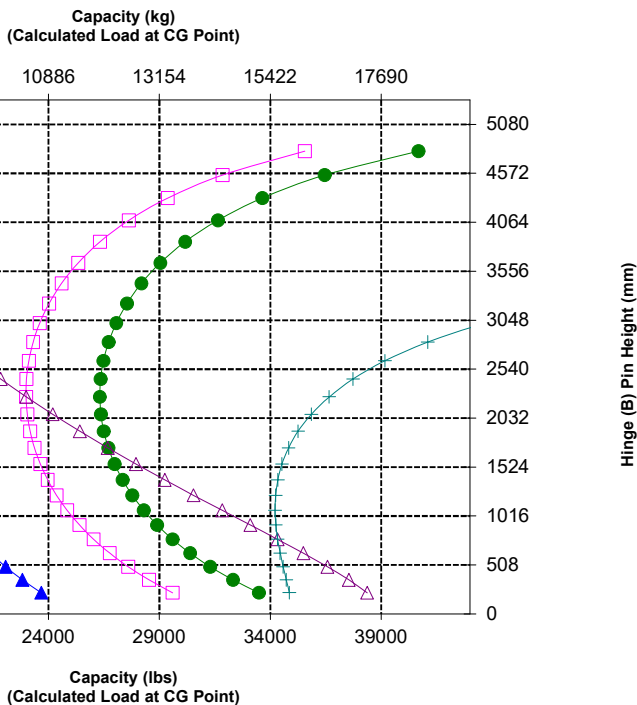
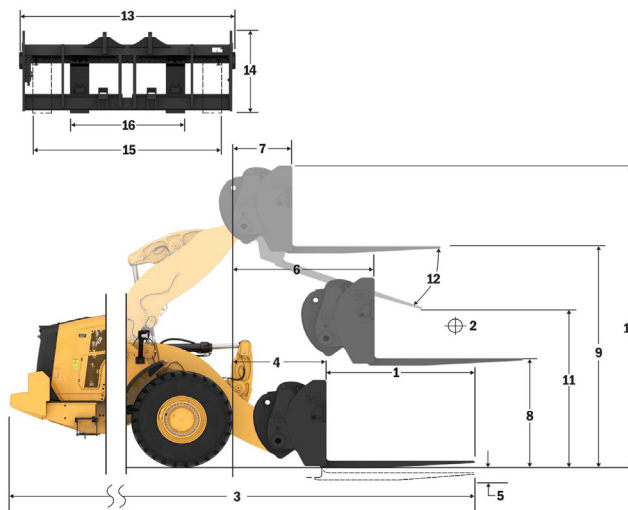
1	Tine Length	mm	1829
		in	72.0
2	Load Center	mm	915
		in	36.0
	Static Tipping Load - Straight (Forks Level)	kg	11936
		lbs	26307
	Static Tipping Load - Articulated (Forks Level)	kg	10427
		lbs	22981
	Rated Load (SAE J1197 - 50% FTSTL)	kg	5214
		lbs	11491
	Rated Load (CEN EN 474-3 Rough Terrain - 60% FTSTL)	kg	5231
		lbs	11530
	Rated Load (CEN EN 474-3 Firm and Level Ground - 80% FTSTL)	kg	5231
		lbs	11530
3	Maximum Overall Length	mm	10275
		in	404.5
4	Reach with Forks at Ground Level	mm	1570
		in	61.8
5	*Ground to Bottom of Tine at Minimum Height and Fork Level	mm	-62
		in	-2.4
6	Reach with Arms Horizontal and Forks Level	mm	2090
		in	82.3
7	Reach with Fork at Maximum Height	mm	793
		in	31.2
8	Ground to Top of Tine with Arms Horizontal and Fork Level	mm	1970
		in	77.5
9	Ground to Top of Tine at Maximum Height and Fork Level	mm	4611
		in	181.5
10	Overall Height of Fork at Full Lift (top of carriage to ground)	mm	5651
		in	222.5
11	Clearance at Full Lift and Max Dump	mm	2895
		in	114.0
12	Max Discharge Angle from Horizontal	deg	50
13	Overall Carriage Width	mm	2528
		in	99.5
14	Overall Carriage Height	mm	1130
		in	44.5
15	Outside Tine Width (max spread)	mm	2178
		in	85.7
16	Outside Tine Width (min spread)	mm	576
		in	22.7
	Tine Width (single tine)	mm	180.0
		in	7.1
	Tine Thickness	mm	90.0
		in	3.5
	Tine Capacity	kg	14800
		lbs	32619
	Operating Weight	kg	24313
		lbs	53586

*Negative values indicate below grade

966 HL Construction Fork, Fusion

96" Carriage
520-7957

72" Tine
520-7979



NOTE: Static tipping loads and operating weight are based on the following loader configuration: Bridgestone VJT L3 Tires, Air Conditioning, Ride Control, Powertrain Guard, Full Fluids, Fuel Tank, Coolant, Lubricants, and Operator.

Specifications and ratings conform to the following standards: SAE* J1197, ISO 14397-1, CEN** EN 474-3.

The rated operating load for a loader equipped with a pallet fork is determined by:
SAE J1197: 50% of full turn static tipping load or hydraulic limit.
CEN EN 474-3: 60% of full turn static tipping load on rough terrain or hydraulic limit.
CEN EN 474-3: 80% of full turn static tipping load on firm and level ground or hydraulic limit.

*SAE - Society of Automotive Engineers
**CEN - European Committee for Standardization



WARNING: Do not exceed tine load capacity. Individual tine capacity is stamped on the side of each tine.

966 XE Wheel Loader Specifications

Fork Specifications

Fork Specifications

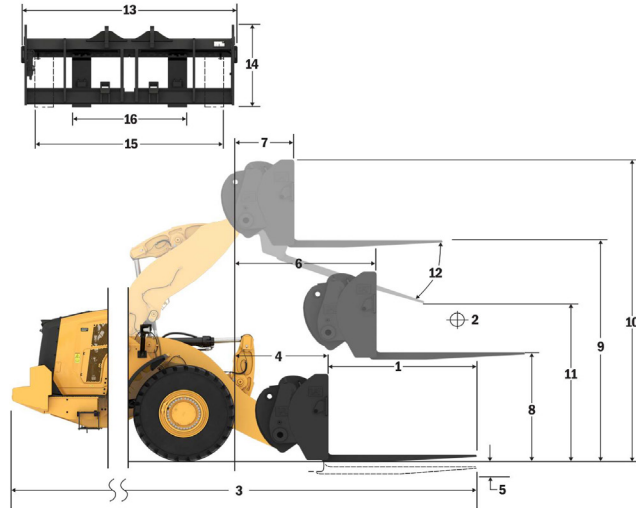
1	Tine Length	mm	2438
		in	96.0
2	Load Center	mm	1219
		in	48.0
	Static Tipping Load - Straight (Forks Level)	kg	10943
		lbs	24119
	Static Tipping Load - Articulated (Forks Level)	kg	9543
		lbs	21033
	Rated Load (SAE J1197 - 50% FTSTL)	kg	4110
		lbs	9059
	Rated Load (CEN EN 474-3 Rough Terrain - 60% FTSTL)	kg	4110
		lbs	9059
	Rated Load (CEN EN 474-3 Firm and Level Ground - 80% FTSTL)	kg	4110
		lbs	9059
3	Maximum Overall Length	mm	10884
		in	428.5
4	Reach with Forks at Ground Level	mm	1570
		in	61.8
5	*Ground to Bottom of Tine at Minimum Height and Fork Level	mm	-62
		in	-2.4
6	Reach with Arms Horizontal and Forks Level	mm	2090
		in	82.3
7	Reach with Fork at Maximum Height	mm	793
		in	31.2
8	Ground to Top of Tine with Arms Horizontal and Fork Level	mm	1970
		in	77.5
9	Ground to Top of Tine at Maximum Height and Fork Level	mm	4611
		in	181.5
10	Overall Height of Fork at Full Lift (top of carriage to ground)	mm	5651
		in	222.5
11	Clearance at Full Lift and Max Dump	mm	2427
		in	95.6
12	Max Discharge Angle from Horizontal	deg	50
13	Overall Carriage Width	mm	2528
		in	99.5
14	Overall Carriage Height	mm	1130
		in	44.5
15	Outside Tine Width (max spread)	mm	2178
		in	85.7
16	Outside Tine Width (min spread)	mm	576
		in	22.7
	Tine Width (single tine)	mm	180.0
		in	7.1
	Tine Thickness	mm	90.0
		in	3.5
	Tine Capacity	kg	11300
		lbs	24905
	Operating Weight	kg	24438
		lbs	53861

*Negative values indicate below grade

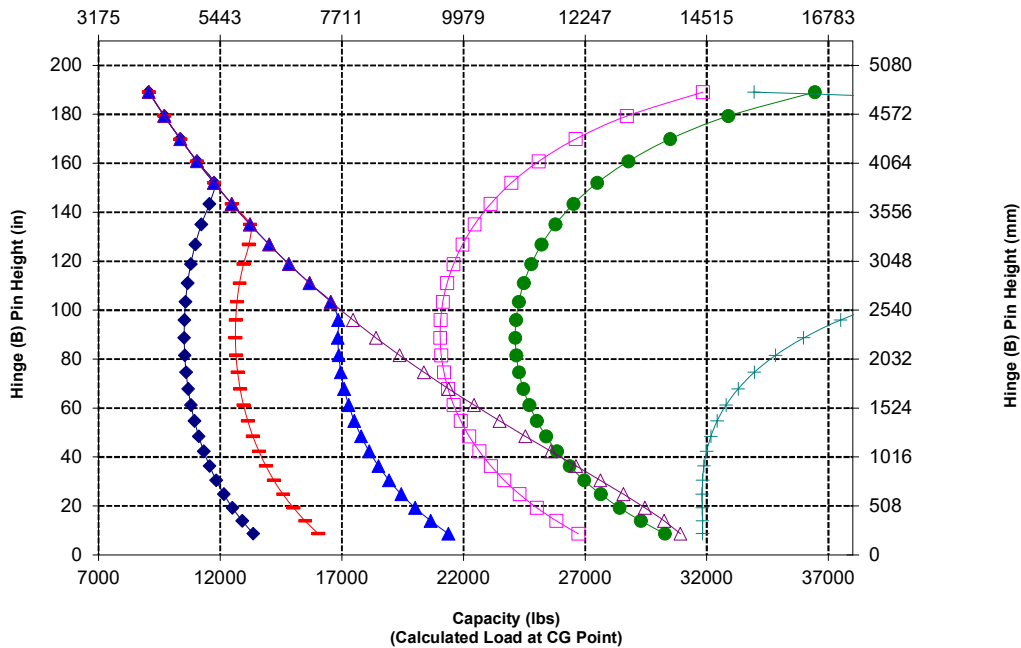
966 HL Construction Fork, Fusion

96" Carriage
520-7957

96" Tine
520-7981



Capacity (kg)
(Calculated Load at CG Point)



WARNING: Do not exceed tine load capacity. Individual tine capacity is stamped on the side of each tine.

966 XE Wheel Loader Specifications

Fork Specifications

Fork Specifications

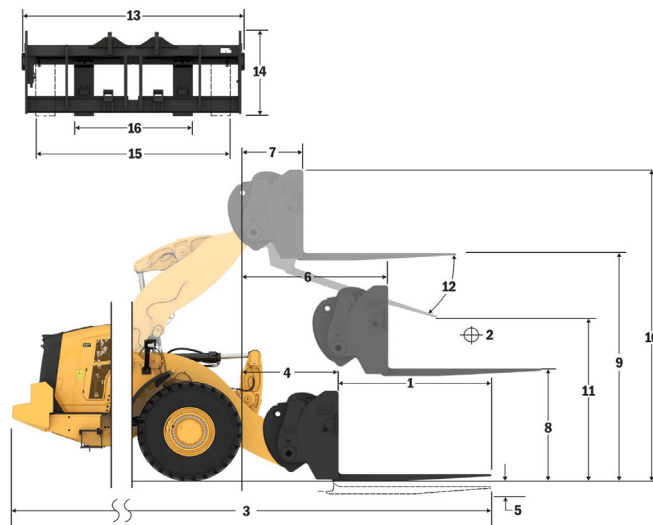
1	Tine Length	mm	1524
		in	60.0
2	Load Center	mm	762
		in	30.0
	Static Tipping Load - Straight (Forks Level)	kq	13477
		lbs	29703
	Static Tipping Load - Articulated (Forks Level)	kq	11905
		lbs	26238
	Rated Load (SAE J1197 - 50% FTSTL)	kq	5952
		lbs	13119
	Rated Load (CEN EN 474-3 Rough Terrain - 60% FTSTL)	kq	7143
		lbs	15743
	Rated Load (CEN EN 474-3 Firm and Level Ground - 80% FTSTL)	kq	8656
		lbs	19078
3	Maximum Overall Length	mm	9526
		in	375.0
4	Reach with Forks at Ground Level	mm	1126
		in	44.3
5	*Ground to Bottom of Tine at Minimum Height and Fork Level	mm	-166
		in	-6.5
6	Reach with Arms Horizontal and Forks Level	mm	1694
		in	66.7
7	Reach with Fork at Maximum Height	mm	826
		in	32.5
8	Ground to Top of Tine with Arms Horizontal and Fork Level	mm	1866
		in	73.4
9	Ground to Top of Tine at Maximum Height and Fork Level	mm	3949
		in	155.5
10	Overall Height of Fork at Full Lift (top of carriage to ground)	mm	4724
		in	186.0
11	Clearance at Full Lift and Max Dump	mm	2652
		in	104.4
12	Max Discharge Angle from Horizontal	deg	43
13	Overall Carriage Width	mm	2217
		in	87.3
14	Overall Carriage Height	mm	840
		in	33.1
15	Outside Tine Width (max spread)	mm	2070
		in	81.5
16	Outside Tine Width (min spread)	mm	470
		in	18.5
	Tine Width (single tine)	mm	150.0
		in	5.9
	Tine Thickness	mm	65.0
		in	2.6
	Tine Capacity	kq	6300
		lbs	13885
	Operating Weight	kq	22876
		lbs	50418

*Negative values indicate below grade

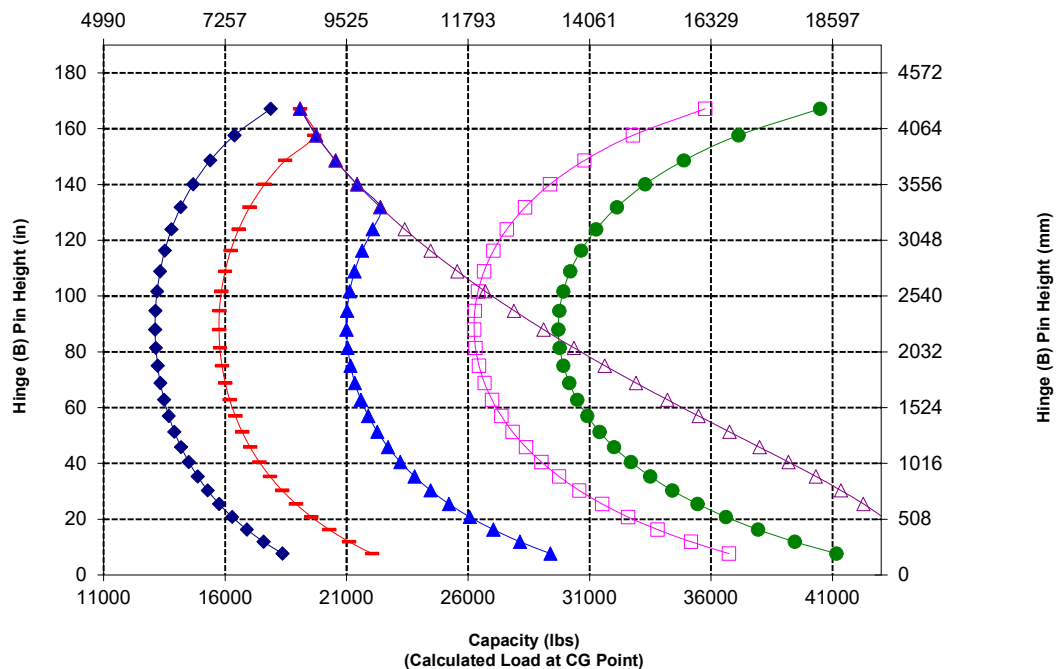
966 AGG Pallet Fork, FUSION

87" Carriage
530-1861

60" Tine
548-3265



Capacity (kg)
(Calculated Load at CG Point)



WARNING: Do not exceed tine load capacity. Individual tine capacity is stamped on the side of each tine.

966 XE Wheel Loader Specifications

Fork Specifications

Fork Specifications

1	Tine Length	mm	1830
		in	72.0
2	Load Center	mm	915
		in	36.0
	Static Tipping Load - Straight (Forks Level)	kq	12847
		lbs	28315
	Static Tipping Load - Articulated (Forks Level)	kq	11344
		lbs	25002
	Rated Load (SAE J1197 - 50% FTSTL)	kq	5672
		lbs	12501
	Rated Load (CEN EN 474-3 Rough Terrain - 60% FTSTL)	kq	6806
		lbs	15001
	Rated Load (CEN EN 474-3 Firm and Level Ground - 80% FTSTL)	kq	7618
		lbs	16790
3	Maximum Overall Length	mm	9832
		in	387.1
4	Reach with Forks at Ground Level	mm	1126
		in	44.3
5	*Ground to Bottom of Tine at Minimum Height and Fork Level	mm	-166
		in	-6.5
6	Reach with Arms Horizontal and Forks Level	mm	1694
		in	66.7
7	Reach with Fork at Maximum Height	mm	826
		in	32.5
8	Ground to Top of Tine with Arms Horizontal and Fork Level	mm	1866
		in	73.4
9	Ground to Top of Tine at Maximum Height and Fork Level	mm	3949
		in	155.5
10	Overall Height of Fork at Full Lift (top of carriage to ground)	mm	4724
		in	186.0
11	Clearance at Full Lift and Max Dump	mm	2444
		in	96.2
12	Max Discharge Angle from Horizontal	deg	43
13	Overall Carriage Width	mm	2217
		in	87.3
14	Overall Carriage Height	mm	840
		in	33.1
15	Outside Tine Width (max spread)	mm	2070
		in	81.5
16	Outside Tine Width (min spread)	mm	470
		in	18.5
	Tine Width (single tine)	mm	150.0
		in	5.9
	Tine Thickness	mm	65.0
		in	2.6
	Tine Capacity	kq	5246
		lbs	11562
	Operating Weight	kq	22923
		lbs	50521

*Negative values indicate below grade

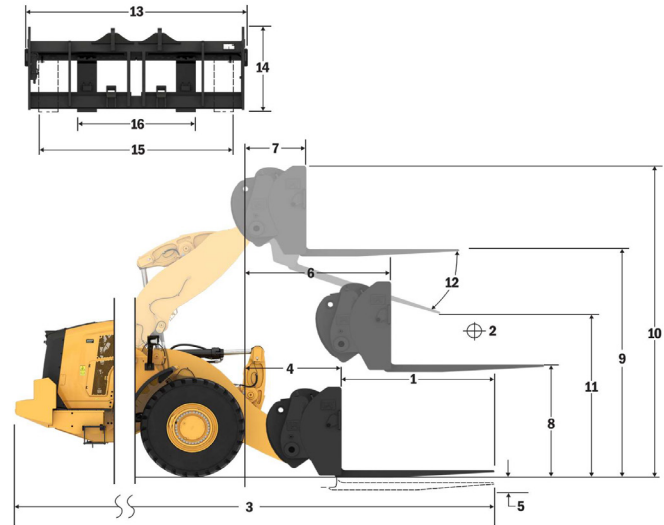
966 AGG Pallet Fork, FUSION

87" Carriage

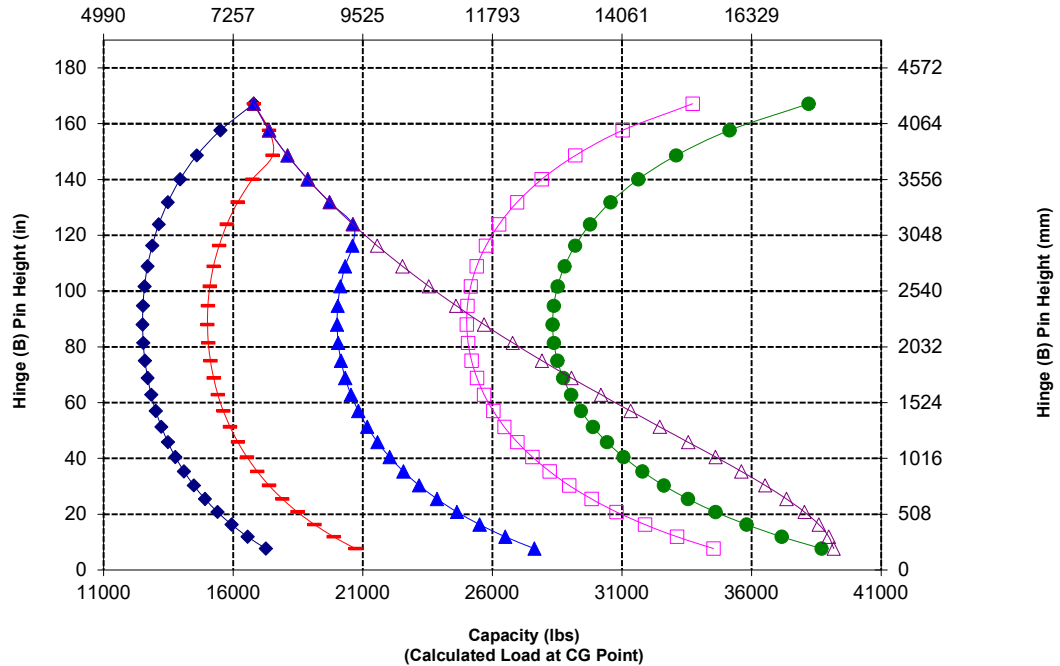
72" Tine

530-1861

530-1869



Capacity (kg) (Calculated Load at CG Point)



966 XE Wheel Loader Specifications

Fork Specifications

Fork Specifications

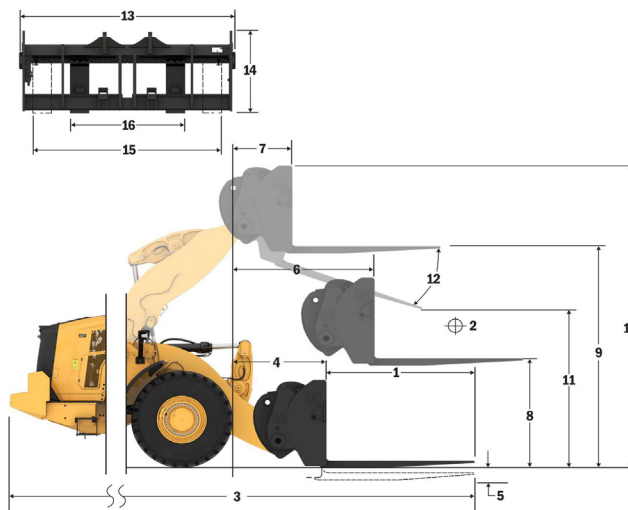
1	Tine Length	mm	1829
		in	72.0
2	Load Center	mm	915
		in	36.0
	Static Tipping Load - Straight (Forks Level)	kg	12583
		lbs	27733
	Static Tipping Load - Articulated (Forks Level)	kg	11075
		lbs	24409
	Rated Load (SAE J1197 - 50% FTSTL)	kg	5537
		lbs	12204
	Rated Load (CEN EN 474-3 Rough Terrain - 60% FTSTL)	kg	6645
		lbs	14645
	Rated Load (CEN EN 474-3 Firm and Level Ground - 80% FTSTL)	kg	7807
		lbs	17206
3	Maximum Overall Length	mm	9782
		in	385.1
4	Reach with Forks at Ground Level	mm	1077
		in	42.4
5	*Ground to Bottom of Tine at Minimum Height and Fork Level	mm	-87
		in	-3.4
6	Reach with Arms Horizontal and Forks Level	mm	1685
		in	66.4
7	Reach with Fork at Maximum Height	mm	818
		in	32.2
8	Ground to Top of Tine with Arms Horizontal and Fork Level	mm	1970
		in	77.5
9	Ground to Top of Tine at Maximum Height and Fork Level	mm	4053
		in	159.6
10	Overall Height of Fork at Full Lift (top of carriage to ground)	mm	5093
		in	200.5
11	Clearance at Full Lift and Max Dump	mm	2359
		in	92.9
12	Max Discharge Angle from Horizontal	deg	49
13	Overall Carriage Width	mm	2528
		in	99.5
14	Overall Carriage Height	mm	1130
		in	44.5
15	Outside Tine Width (max spread)	mm	2178
		in	85.7
16	Outside Tine Width (min spread)	mm	576
		in	22.7
	Tine Width (single tine)	mm	180.0
		in	7.1
	Tine Thickness	mm	90.0
		in	3.5
	Tine Capacity	kg	14800
		lbs	32619
	Operating Weight	kg	23312
		lbs	51379

*Negative values indicate below grade

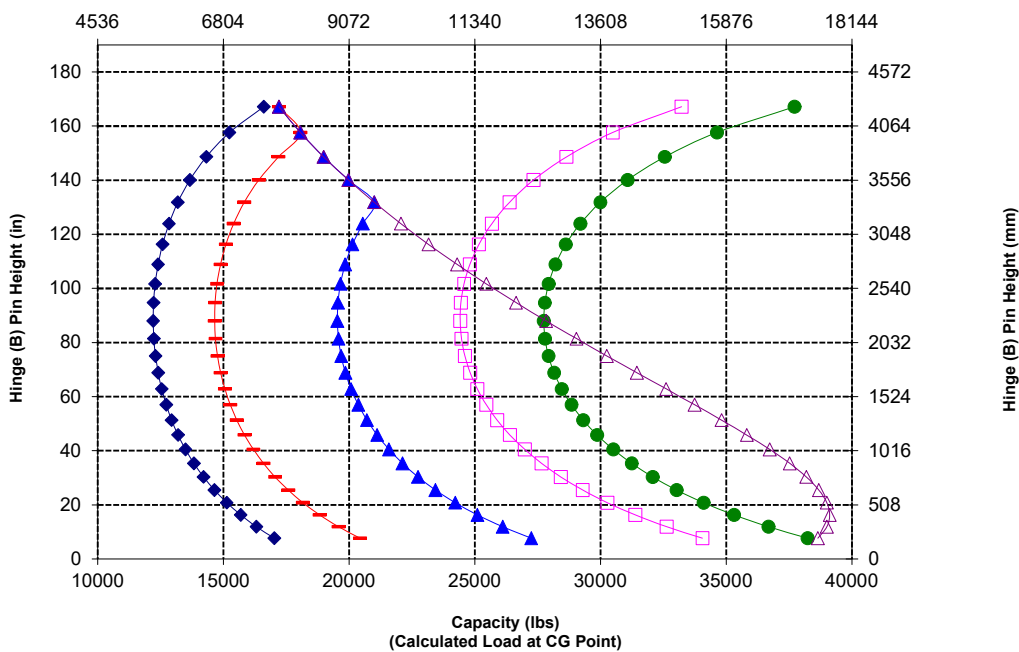
966 AGG Construction Fork, Fusion

96" Carriage
520-7957

72" Tine
520-7979



Capacity (kg)
(Calculated Load at CG Point)



WARNING: Do not exceed tine load capacity. Individual tine capacity is stamped on the side of each tine.

966 XE Wheel Loader Specifications

Fork Specifications

Fork Specifications

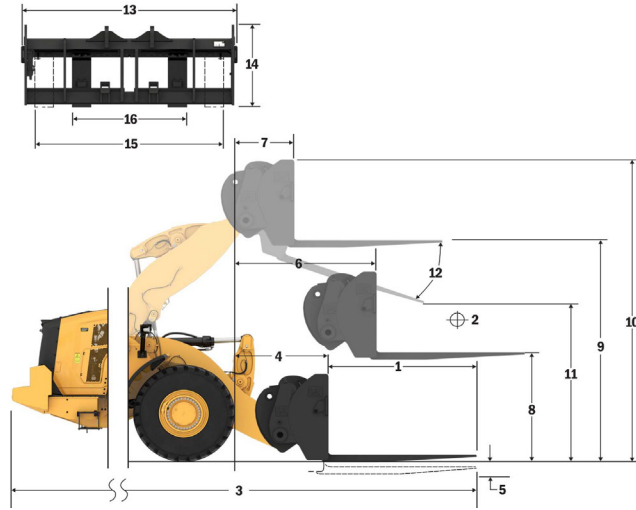
1	Tine Length	mm	2438
		in	96.0
2	Load Center	mm	1219
		in	48.0
	Static Tipping Load - Straight (Forks Level)	kg	11448
		lbs	25232
	Static Tipping Load - Articulated (Forks Level)	kg	10060
		lbs	22173
	Rated Load (SAE J1197 - 50% FTSTL)	kg	5030
		lbs	11087
	Rated Load (CEN EN 474-3 Rough Terrain - 60% FTSTL)	kg	6036
		lbs	13304
	Rated Load (CEN EN 474-3 Firm and Level Ground - 80% FTSTL)	kg	6207
		lbs	13681
3	Maximum Overall Length	mm	10391
		in	409.1
4	Reach with Forks at Ground Level	mm	1077
		in	42.4
5	*Ground to Bottom of Tine at Minimum Height and Fork Level	mm	-87
		in	-3.4
6	Reach with Arms Horizontal and Forks Level	mm	1685
		in	66.4
7	Reach with Fork at Maximum Height	mm	818
		in	32.2
8	Ground to Top of Tine with Arms Horizontal and Fork Level	mm	1970
		in	77.5
9	Ground to Top of Tine at Maximum Height and Fork Level	mm	4053
		in	159.6
10	Overall Height of Fork at Full Lift (top of carriage to ground)	mm	5093
		in	200.5
11	Clearance at Full Lift and Max Dump	mm	1899
		in	74.7
12	Max Discharge Angle from Horizontal	deg	49
13	Overall Carriage Width	mm	2528
		in	99.5
14	Overall Carriage Height	mm	1130
		in	44.5
15	Outside Tine Width (max spread)	mm	2178
		in	85.7
16	Outside Tine Width (min spread)	mm	576
		in	22.7
	Tine Width (single tine)	mm	180.0
		in	7.1
	Tine Thickness	mm	90.0
		in	3.5
	Tine Capacity	kg	11300
		lbs	24905
	Operating Weight	kg	23437
		lbs	51654

*Negative values indicate below grade

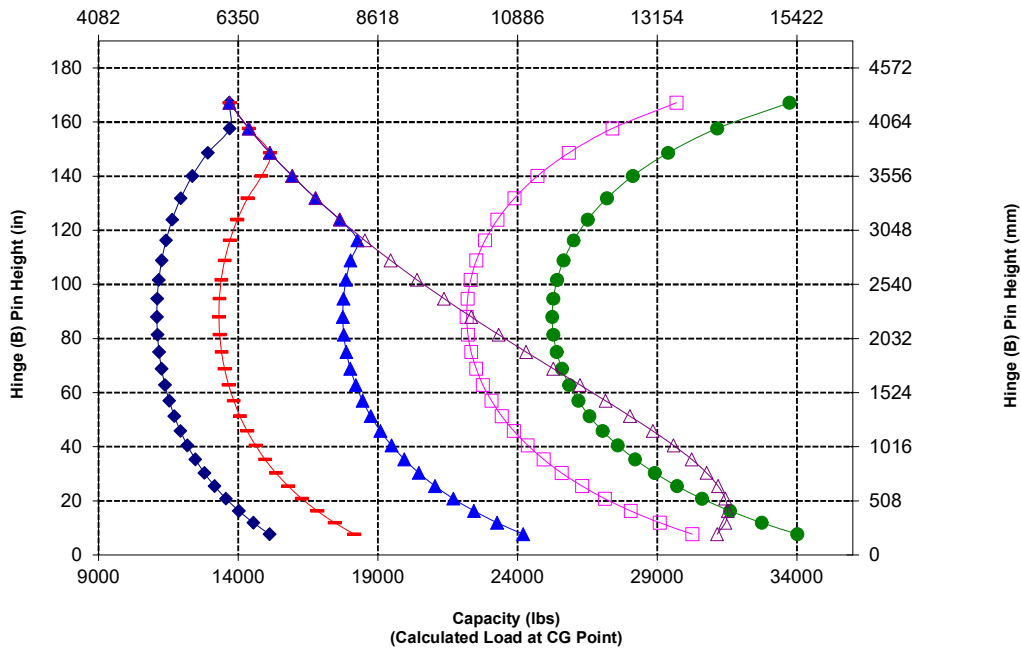
966 AGG Construction Fork, Fusion

96" Carriage
520-7957

96" Tine
520-7981



Capacity (kg)
(Calculated Load at CG Point)



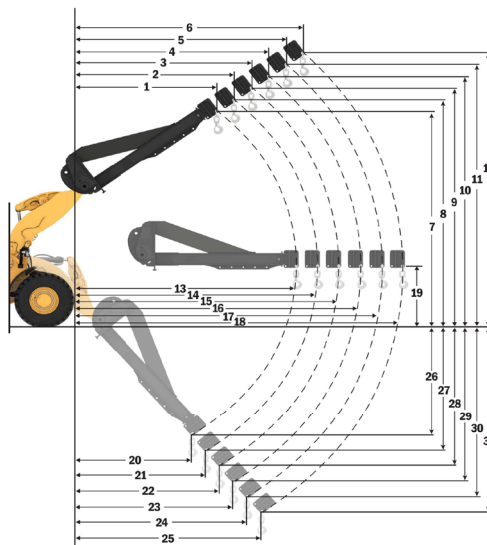
WARNING: Do not exceed tine load capacity. Individual tine capacity is stamped on the side of each tine.

966 XE Wheel Loader Specifications

Material Handling Arm Specifications

966 STD Fusion Material Handling Arm 6Pos

MHA Specifications		Retracted	Extension 1	Extension 2	Extension 3	Extension 4	Extended
Max Lift - Hook Reach (1, 2, 3, 4, 5, 6)	mm	1,823	1,936	2,049	2,162	2,275	2,388
	ft, in	5' 11"	6' 4"	6' 8"	7' 1"	7' 5"	7' 10"
Max Lift - Hook Height (7, 8, 9, 10, 11, 12)	mm	7,218	7,501	7,784	8,067	8,350	8,633
	ft, in	23' 8"	24' 7"	25' 6"	26' 5"	27' 4"	28' 3"
Level - Hook Reach (13, 14, 15, 16, 17, 18)	mm	4,553	4,858	5,162	5,467	5,772	6,077
	ft, in	14' 11"	15' 11"	16' 11"	17' 11"	18' 11"	19' 11"
Level - Hook Height (19)	mm	1,937	1,937	1,937	1,937	1,937	1,937
	ft, in	6' 4.2"	6' 4.2"	6' 4.2"	6' 4.2"	6' 4.2"	6' 4.2"
Min Lift - Hook Reach (20, 21, 22, 23, 24, 25)	mm	1,720	1,852	1,983	2,114	2,245	2,377
	ft, in	5' 7"	6' 0"	6' 6"	6' 11"	7' 4"	7' 9"
Min Lift - Hook Height (26, 27, 28, 29, 30, 31)	mm	(2,871)	(3,146)	(3,421)	(3,696)	(3,971)	(4,246)
	ft, in	-9' 6"	-10' 8"	-11' 9"	-12' 10"	-13' 11"	-13' 0"
Static Tipping Load, Straight	kg	7,689	7,275	6,902	6,564	6,258	5,977
	lb	16,947	16,033	15,211	14,468	13,792	13,174
Static Tipping Load, Articulated	kg	6,830	6,461	6,129	5,829	5,556	5,306
	lb	15,053	14,240	13,509	12,847	12,245	11,695
Operating Weight	kg	21,986	21,986	21,986	21,986	21,986	21,986
	lb	48,456	48,456	48,456	48,456	48,456	48,456



**Payload Capacity (kg)
(Calculated Load at CG Point)**

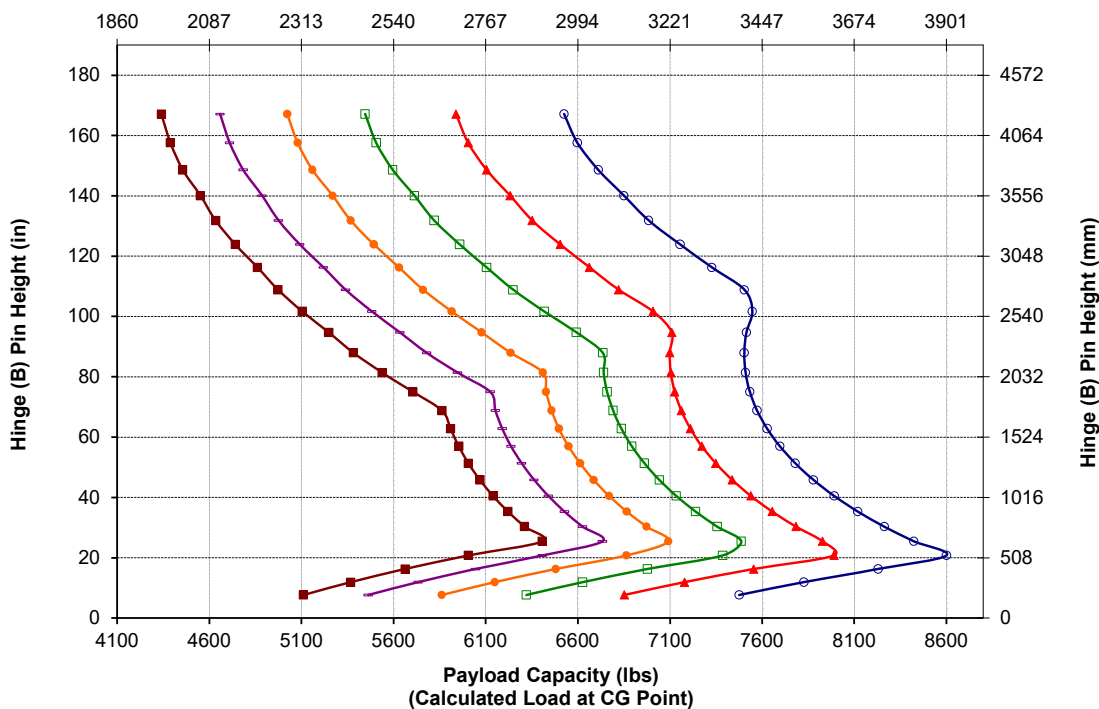
- Retracted
- Extension 1
- Extension 2
- Extension 3
- Extension 4
- Extended

NOTE: Static tipping loads and operating weight are based on the following loader configuration: Bridgestone VJT L3 Tires, Air Conditioning, Ride Control, Powertrain Guard, Full Fluids, Fuel Tank, Coolant, Lubricants, and Operator.

Specifications and ratings conform to the following standards: SAE* J1197, ISO 14397-1

The rated operating load for a loader equipped with a material handling arm is determined by: SAE J1197: 50% of full turn static tipping load or hydraulic limit.

*SAE - Society of Automotive Engineers

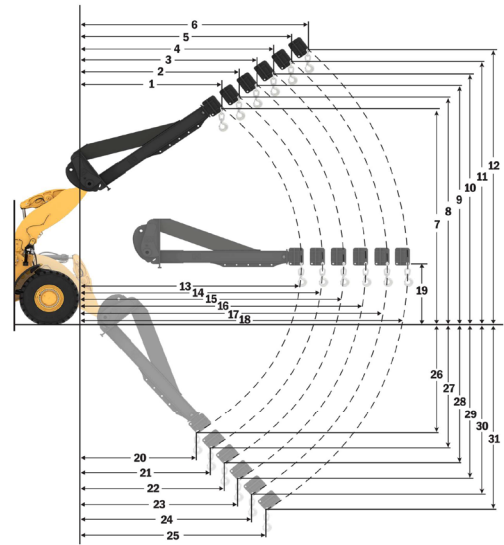


966 XE Wheel Loader Specifications

Material Handling Arm Specifications

966 HL Fusion Material Handling Arm 6Pos

MHA Specifications		Retracted	Extension 1	Extension 2	Extension 3	Extension 4	Extended
Max Lift - Hook Reach (1, 2, 3, 4, 5, 6)	mm	1,273	1,336	1,399	1,462	1,525	1,589
	ft, in	4' 2"	4' 4"	4' 7"	4' 9"	5' 0"	5' 2"
Max Lift - Hook Height (7, 8, 9, 10, 11, 12)	mm	7,975	8,273	8,572	8,870	9,168	9,466
	ft, in	26' 1"	27' 1"	28' 1"	29' 1"	30' 0"	31' 0"
Level - Hook Reach (13, 14, 15, 16, 17, 18)	mm	4,957	5,262	5,567	5,871	6,176	6,481
	ft, in	16' 3"	17' 3"	18' 3"	19' 3"	20' 3"	21' 3"
Level - Hook Height (19)	mm	1,937	1,937	1,937	1,937	1,937	1,937
	ft, in	6' 4.2"	6' 4.2"	6' 4.2"	6' 4.2"	6' 4.2"	6' 4.2"
Min Lift - Hook Reach (20, 21, 22, 23, 24, 25)	mm	(413)	(529)	(645)	(761)	(877)	(993)
	ft, in	-1' 7"	-1' 3"	-2' 10"	-2' 6"	-2' 1"	-3' 8"
Min Lift - Hook Height (26, 27, 28, 29, 30, 31)	mm	(2,737)	(3,019)	(3,301)	(3,583)	(3,864)	(4,146)
	ft, in	-8' 0"	-9' 1"	-10' 2"	-11' 2"	-12' 3"	-13' 4"
Static Tipping Load, Straight	kg	8,280	7,864	7,487	7,143	6,829	6,541
	lb	18,249	17,332	16,500	15,744	15,051	14,416
Static Tipping Load, Articulated	kg	7,283	6,917	6,584	6,282	6,005	5,751
	lb	16,053	15,244	14,512	13,845	13,235	12,675
Operating Weight	kg	23,638	23,638	23,638	23,638	23,638	23,638
	lb	52,098	52,098	52,098	52,098	52,098	52,098



Payload Capacity (kg)
(Calculated Load at CG Point)

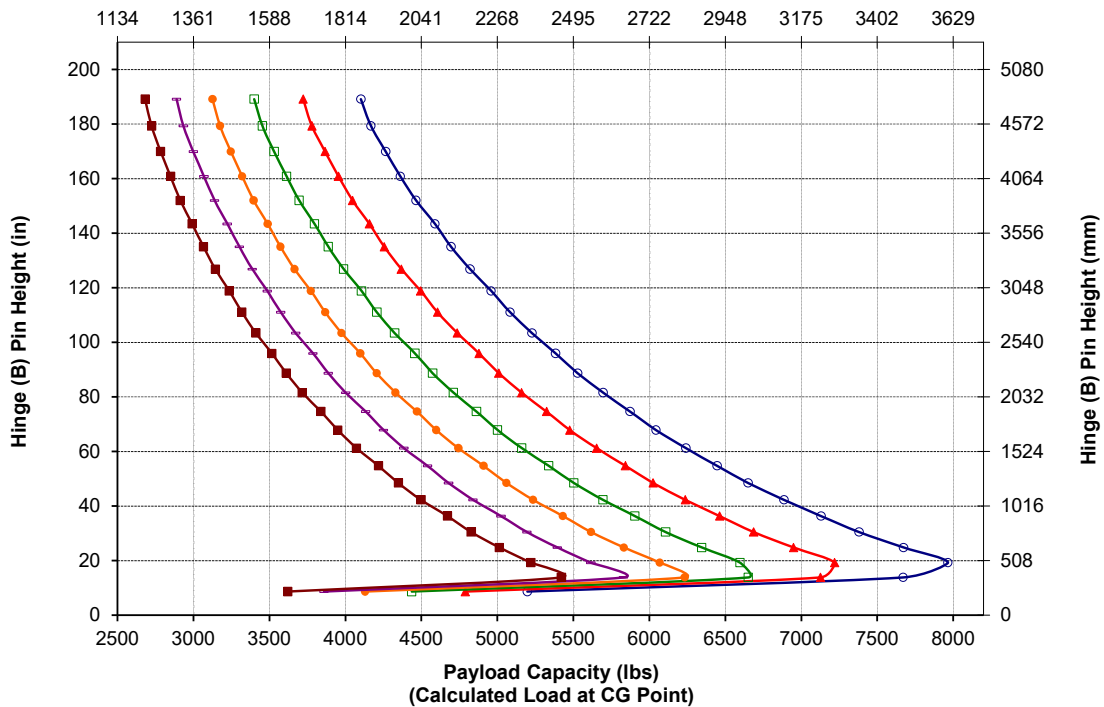
- Retracted
- Extension 1
- Extension 2
- Extension 3
- Extension 4
- Extended

NOTE: Static tipping loads and operating weight are based on the following loader configuration: Bridgestone VJ/T L3 Tires, Air Conditioning, Ride Control, Powertrain Guard, Full Fluids, Fuel Tank, Coolant, Lubricants, and Operator.

Specifications and ratings conform to the following standards: SAE* J1197, ISO 14397-1

The rated operating load for a loader equipped with a material handling arm is determined by: SAE J1197: 50% of full turn static tipping load or hydraulic limit.

*SAE - Society of Automotive Engineers



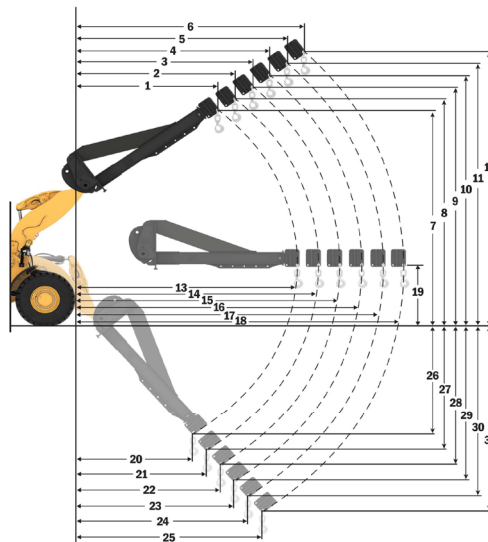
966 XE Wheel Loader Specifications

Material Handling Arm Specifications

966 AGG

Fusion Material Handling Arm 6Pos

MHA Specifications		Retracted	Extension 1	Extension 2	Extension 3	Extension 4	Extended
Max Lift - Hook Reach (1, 2, 3, 4, 5, 6)	mm	1,823	1,936	2,049	2,162	2,275	2,388
	ft. in	5' 11"	6' 4"	6' 8"	7' 1"	7' 5"	7' 10"
Max Lift - Hook Height (7, 8, 9, 10, 11, 12)	mm	7,218	7,501	7,784	8,067	8,350	8,633
	ft. in	23' 8"	24' 7"	25' 6"	26' 5"	27' 4"	28' 3"
Level - Hook Reach (13, 14, 15, 16, 17, 18)	mm	4,553	4,858	5,162	5,467	5,772	6,077
	ft. in	14' 11"	15' 11"	16' 11"	17' 11"	18' 11"	19' 11"
Level - Hook Height (19)	mm	1,937	1,937	1,937	1,937	1,937	1,937
	ft. in	6' 4.2"	6' 4.2"	6' 4.2"	6' 4.2"	6' 4.2"	6' 4.2"
Min Lift - Hook Reach (20, 21, 22, 23, 24, 25)	mm	1,720	1,852	1,983	2,114	2,245	2,377
	ft. in	5' 7"	6' 0"	6' 6"	6' 11"	7' 4"	7' 9"
Min Lift - Hook Height (26, 27, 28, 29, 30, 31)	mm	(2,871)	(3,146)	(3,421)	(3,696)	(3,971)	(4,246)
	ft. in	-9' 6"	-10' 8"	-11' 9"	-12' 10"	-13' 11"	-13' 0"
Static Tipping Load, Straight	kg	8,375	7,925	7,519	7,153	6,819	6,515
	lb	18,459	17,466	16,573	15,764	15,029	14,358
Static Tipping Load, Articulated	kg	7,415	7,016	6,656	6,331	6,035	5,765
	lb	16,343	15,463	14,670	13,953	13,301	12,706
Operating Weight	kg	22,637	22,637	22,637	22,637	22,637	22,637
	lb	49,891	49,891	49,891	49,891	49,891	49,891



Payload Capacity (kg)
(Calculated Load at CG Point)

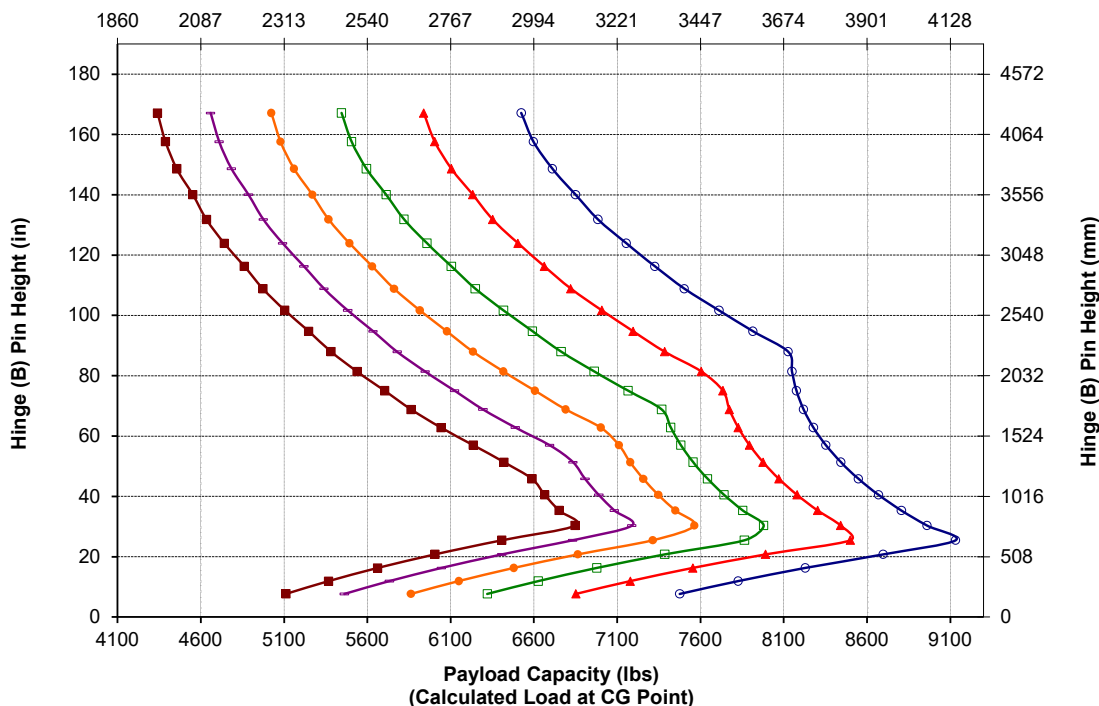
- Retracted
- Extension 1
- Extension 2
- Extension 3
- Extension 4
- Extended

NOTE: Static tipping loads and operating weight are based on the following loader configuration: Bridgestone VJT L3 Tires, Air Conditioning, Ride Control, Powertrain Guard, Full Fluids, Fuel Tank, Coolant, Full Lubricants, and Operator.

Specifications and ratings conform to the following standards: SAE* J1197, ISO 14397-1

The rated operating load for a loader equipped with a material handling arm is determined by: SAE J1197: 50% of full turn static tipping load or hydraulic limit.

*SAE - Society of Automotive Engineers



966 XE Wheel Loader Specifications

Standard and Optional Equipment

Standard and optional equipment may vary. Consult your Cat dealer for details.

	Standard	Optional		Standard	Optional
OPERATOR ENVIRONMENT			HYDRAULICS		
Cab, pressurized, sound suppression	✓		Implement system, load sensing with electro-hydraulic variable displacement piston pump	✓	
Door, remote opening system	✓		Steering system, load sensing with dedicated variable displacement piston pump	✓	
EH implement controls, parking brake	✓		Ride control, dual accumulators	✓	
Footrest		✓	3 rd and 4 th auxiliary functions with ride control		✓
Steering, joystick	✓		Oil sampling valves, Cat XT™ hoses	✓	
Implement joystick (2V, 3V only)		✓	Quick coupler control		✓
Entertainment radio (FM, AM, USB, BT)		✓	POWERTRAIN		
Entertainment radio (DAB+)		✓	Cat C9.3B engine	✓	
CB radio ready		✓	Electric fuel priming pump	✓	
Seat belt, monitored	✓		Fuel-water separator and secondary fuel filter	✓	
Seat, suede/cloth, air suspension, heated	✓		Engine, air precleaner	✓	
Seat, leather/cloth, air suspension, heated/cooled		✓	Turbine, air precleaner		✓
Touchscreen display	✓		Radiator, high debris		✓
Keypad, programmable buttons	✓		Cooling fan, reversible		✓
Mirrors, heated	✓		Axles, auto front differential lock	✓	
Air conditioner, heater, defroster (auto temp, fan)	✓		Axles, auto front and rear differential locks		✓
Sun visor, front, retractable	✓		Axles, ecology drains	✓	
Sun visor, rear, retractable	✓		Axles, AOC ready, extreme temperature seals		✓
Windows, front, laminated	✓		Axles, oil cooler		✓
Windows, front, heavy duty		✓	Transmission, continuous variable	✓	
Full cab window guard		✓	Rimpull control	✓	
ON-BOARD TECHNOLOGIES			Throttle lock mode	✓	
Autodig with Auto Set Tires	✓		Hill and speed hold on grades	✓	
Operator ID & machine security	✓		Service brakes, hydraulic, fully enclosed wet disc, wear indicators	✓	
Application Profiles	✓		Park brake, caliper on front axles, spring applied-pressure released	✓	
Job Aids	✓		ELECTRICAL		
Controls Help and eOMM*	✓		Starting and charging system, 24V	✓	
Cat Payload scale	✓		Starter, electric, heavy duty	✓	
Cat Advanced Payload		✓	Cold start, 120V or 240V		✓
Cat Payload for Trade****		✓	Lights: halogen, 4 work lights, 2 rearview lights	✓	
Cat Payload Printer with E-ticket		✓	Lights: roading with turn signals	✓	
Key Features Inform	✓		Lights: LED		✓
Bucket Carry Display Widget	✓				
Remote Flash	✓				

* Not available in all languages

** Standard where mandated

*** Not Compatible with roading arrangements

**** Available in Europe, Türkiye, Australia, and New Zealand. Country certifications vary. Contact your Cat dealer for more information.

(continued on next page)

966 XE Wheel Loader Specifications

Standard and Optional Equipment *(continued)*

Standard and optional equipment may vary. Consult your Cat dealer for details.

	Standard	Optional		Standard	Optional
MONITORING SYSTEM			SAFETY		
Front dash with analog gauges, LCD display, and warning lights	✓		Cat Detect rear radar system		✓
Primary touchscreen monitor (Cat Payload, quad screens, machine settings & messages)	✓		Dedicated rearview screen		✓
Tire Pressure Monitor		✓	Visibility: mirrors, rearview camera	✓	
Maintenance Reminders	✓		Multiview (360°) vision system		✓
LINKAGE			Window cleaning platform, front	✓	
Standard lift, Z-bar	✓		4-Point seat belt retractor		✓
High lift, Z-bar		✓	Reversing strobe lights***		✓
Kickouts: lift and tilt	✓		Secondary steering system, electrical**		✓
ADDITIONAL EQUIPMENT			Wheel chocks		✓
Cat Autolube system		✓	Warning beacon		✓
Fenders, roading		✓	Collision Warning System with Motion Inhibit and People Detection		✓
Guards: power train, crankcase, cab, cylinders, rear		✓	Remote Control		✓
Biodegradable hydraulic oil		✓	SPECIAL CONFIGURATIONS		
High-speed oil change system		✓	Aggregate handler		✓
Toolbox		✓	Waste and industrial		✓
			Forestry		✓
			Corrosion resistant		✓

* Not available in all languages

** Standard where mandated

*** Not Compatible with roading arrangements

**** Available in Europe, Türkiye, Australia, and New Zealand.

Country certifications vary. Contact your Cat dealer for more information.

966 XE Environmental Declaration

The following information applies to the machine at the time of final manufacture as configured for sale in the regions covered in this document. The content of this declaration is valid as of the date issued; however, content related to machine features and specifications are subject to change without notice. For additional information, please see the machine's Operation and Maintenance Manual.

For more information on sustainability in action and our progress, please visit <https://www.caterpillar.com/en/company/sustainability.html>.

Engine

- The Cat® C9.3B engine meets U.S. EPA Tier 4 Final, EU Stage V, Korea Stage V, and Japan 2014 emission standards
- Cat diesel engines are required to use ULSD (ultra-low sulfur diesel fuel with 15 ppm of sulfur or less) or ULSD blended with the following lower-carbon intensity fuels** up to:
 - ✓ 20% biodiesel FAME (fatty acid methyl ester)*
 - ✓ 100% renewable diesel, HVO (hydrotreated vegetable oil) and GTL (gas-to-liquid) fuels
 Refer to guidelines for successful application. Please consult your Cat dealer or "Caterpillar Machine Fluids Recommendations" (SEBU6250) for details.
- * Engines with no aftertreatment devices can use higher blends, up to 100% biodiesel.
- ** Tailpipe greenhouse gas emissions from lower-carbon intensity fuels are essentially the same as traditional fuels.

Air Conditioning System

The air conditioning system on this machine contains the fluorinated greenhouse gas refrigerant R134a (Global Warming Potential = 1430). The system contains 1.6 kg (3.5 lb) of refrigerant, which has a CO₂ equivalent of 2.288 metric tonnes (2.522 tons).

Paint

- Based on best available knowledge, the maximum allowable concentration, measured in parts per million (PPM), of the following heavy metals in paint are:
 - Barium < 0.01%
 - Cadmium < 0.01%
 - Chromium < 0.01%
 - Lead < 0.01%

Sound Performance

Operator Sound Pressure Level (ISO 6396:2008)	67 dB(A)
Exterior Sound Power Level (ISO 6395:2008)	107 dB(A)
Operator Sound Pressure Level (ISO 6396:2008)*	67 dB(A)
Exterior Sound Power Level (ISO 6395:2008)**	105 dB(A)

*Including countries that adopt the EU and UK Directives
 **EU Noise Directive 2000/14/EC and UK Noise Regulation 2001 No. 1701

Oils and Fluids

- Caterpillar factory fills with ethylene glycol coolants. Cat Diesel Engine Antifreeze/Coolant (DEAC) and Cat Extended Life Coolant (ELC) can be recycled. Consult your Cat dealer for more information.
- Cat Bio HYDO™ Advanced is an EU Ecolabel approved biodegradable hydraulic oil.
- Additional fluids are likely to be present, please consult the Operations and Maintenance Manual or the Application and Installation guide for complete fluid recommendations and maintenance intervals.

Features and Technology

- The following features and technology may contribute to fuel savings and/or carbon reduction. Features may vary. Consult your Cat dealer for details.
 - Deep integration of continuously variable transmission, engine, hydraulic, and cooling systems increases performance and fuel efficiency
 - Automatic engine idle shutdown system reduces idle hours
 - Automatic Cat regeneration system, Cat Clean Emissions Module (CEM) with Diesel Particulate Filter (DPF), and Diesel Exhaust Fluid (DEF) tank and pump
 - Autodig with Auto Set Tires provides consistent high bucket fill factors
 - Extended maintenance intervals reduce fluid and filter consumption

Recycling

- The materials included in machines are categorized as below with approximate weight percentage. Because of variations of product configurations, the following values in the table may vary.

Material Type	Weight Percentage
Steel	68.65%
Iron	17.15%
Nonferrous Metal	2.46%
Mixed Metal	0.27%
Mixed-Metal and Nonmetal	0.59%
Plastic	1.13%
Rubber	4.92%
Mixed Nonmetallic	0.02%
Fluid	1.69%
Other	3.11%
Uncategorized	0%
Total	100%

- A machine with higher recyclability rate will ensure more efficient usage of valuable natural resources and enhance End-of-Life value of the product. According to ISO 16714 (Earthmoving machinery – Recyclability and recoverability – Terminology and calculation method), recyclability rate is defined as percentage by mass (mass fraction in percent) of the new machine potentially able to be recycled, reused, or both.

All parts in the bill of material are first evaluated by component type based on a list of components defined by the ISO 16714 and Japan CEMA (Construction Equipment Manufacturers Association) standards. Remaining parts are further evaluated for recyclability based on material type.

Because of variations of product configurations, the following value in the table may vary.

Recyclability – 97%



966 XE

Waste & Scrap Handler

The Cat 966 XE Wheel Loader Waste and Scrap Handler package features guarding and reinforcement necessary for work in transfer stations, recycling depots, scrap yards, and demolition sites.

Proven Reliability

- Cat C9.3B engine offers high power density with a combination of proven electronics, fuel, and air systems.
- Equipped with automatic Cat regeneration system, Cat Clean Emissions Module (CEM) with Diesel Particulate Filter (DPF), and Diesel Exhaust Fluid (DEF) tank and pump.
- Features an electric fuel priming pump, fuel-water separator, and secondary fuel filter.
- Thorough component design and machine validation processes result in unmatched reliability and uptime.

Durability

- Waste and scrap handler package adds additional steel guards all around the machine to protect your investment and keep debris out of the implement valve and engine compartments.
- Heavy-duty steel cable lower steps stand up to the harshest of conditions.
- Heavy-duty transmission and axles designed to handle waste and scrap applications.

Superior Fuel Efficiency & Productivity

- Up to 35% better fuel efficiency compared to previous Cat model.
- Deep system integration of the Cat continuously variable transmission, engine, hydraulic, and cooling systems results in significantly increased performance and fuel efficiency.
- Eliminating the torque converter allows the capability to control engine rpm and machine speed independently, resulting in efficient digging, fine control, and easy operation.
- Lower rated engine speed reduces component wear and operating noise.
- Optional high lift linkage provides additional dump clearance.
- Optional 3rd and 4th valve hydraulics for work tools that require additional functions.
- Optional variable pitch fan and high debris cooling cores keep the cores free from debris.

Safety Features

- Rearview camera enhances visibility behind the machine, helping you work safely and confidently.
- Optional Multiview (360°) vision system helps the operator monitor the surroundings of the machine at all times.
- Optional Cat Detect radar technology enhances awareness by monitoring the working environment and alerts operators to hazards.
- Cab access with wide door, optional remote door opening, and stair-like steps add solid stability.
- Floor-to-ceiling windshield, large mirrors with integrated spot mirrors, and rearview camera provide industry leading all-around visibility.

Reduced Maintenance Time and Costs

- Extended fluid and filter change intervals reduce maintenance costs by up to 20%.
- Optional turbine engine air precleaner improves air filter life.
- Remote Troubleshoot can connect the machine to the dealer service department to help diagnose problems quickly so you can get back to work.
- Remote Flash works around your schedule to ensure your machine's software is up to date for optimal performance.
- The Cat App helps you manage fleet location, hours, and maintenance schedules; it also alerts you for required maintenance and allows you to request service from your local Cat dealer.
- One-piece tilting hood makes engine compartment access fast and easy.

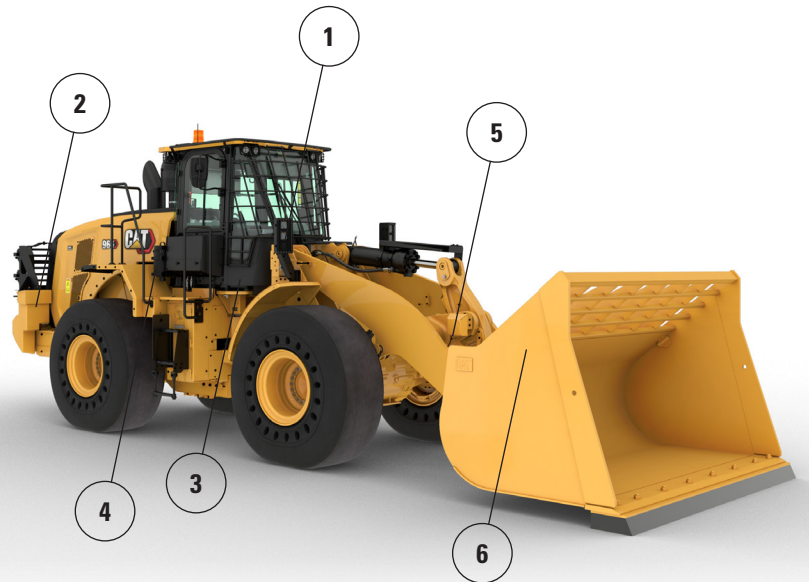
Work in Comfort in the All New Cab

- Carbon cab air filter reduces cabin odors.
- Optional powered cabin precleaner filters the incoming air and pressurize the cab.
- Next-generation, easily adjustable seat and suspension for improved operator comfort. It comes in three trim levels and can be equipped with a 4-point harness.
- New in-cab dashboard and high-resolution touch display(s) are easy to use, intuitive, and user friendly.
- Sound suppression, seals, and viscous cab mounts decrease noise and vibration for a quieter work environment.
- The seat-mounted electro-hydraulic joystick steering system provides precision control and dramatically reduces arm fatigue, resulting in excellent comfort and accuracy. An HMU steering wheel is also available.

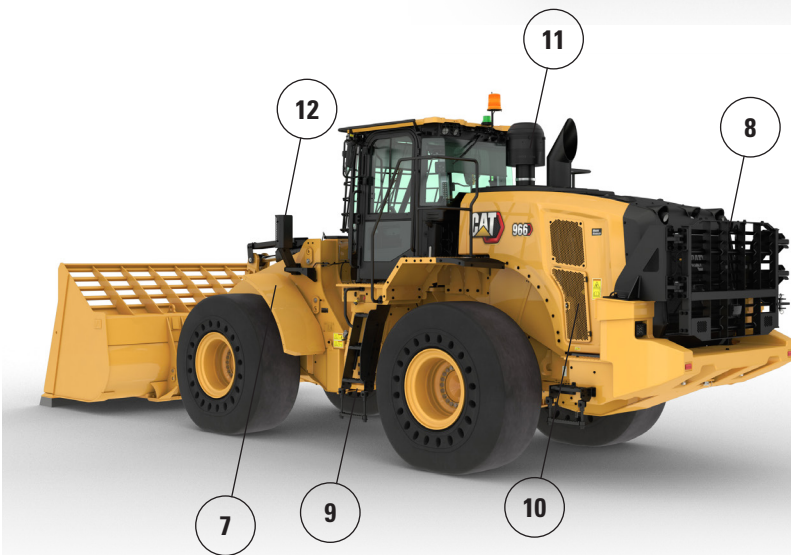
966 XE Waste & Scrap Handler Specifications

966 XE Waste and Scrap Handler Features

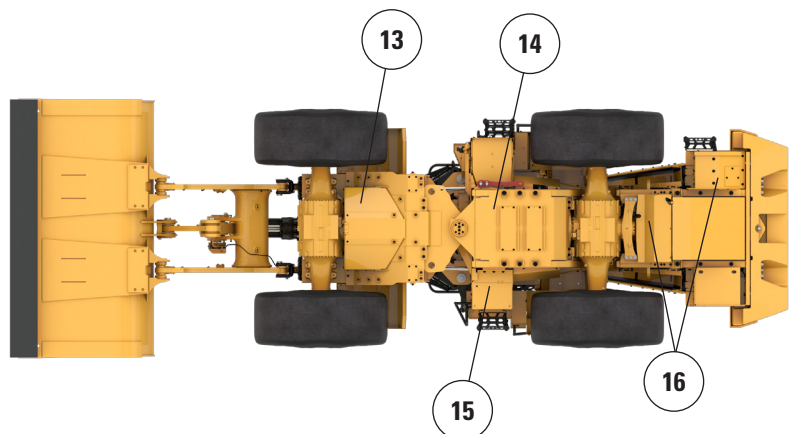
1. Optional window guarding to provide impact resistance to the glass
2. Added steel guards include crankcase, power train, front frame, hitch, steering cylinder, service center, cab, platform, implement valve cover, and tilt cylinder
3. Carbon cab air filter removes harsh odors
4. Optional powered cab precleaner helps to improve cab filter life and keeps the cab pressurized
5. Optional 3rd and 4th valve hydraulics available to control a large variety of work tools
6. Large line of Cat waste and scrap work tools



7. Narrow front steel fenders help to keep the windshield clean and are set inboard of the outer edge of the tire for added protection
8. Optional rear guard protects the rear grill and cooling package from impact
9. Heavy-duty steel cable lower steps stand up to the harshest conditions
10. Optional variable pitch fan and high debris cooling cores help to keep the cooling package clean
11. Optional turbine engine air precleaner with a trash screen option help to extend engine air filter life
12. Front lights are guarded and positioned close to the frame for added protection



13. Lower front frame guard protects vital drivetrain components and keeps trash from getting in the front frame compartment
14. Power train guard protects the transmission and helps keep trash out of the engine compartment
15. Lower hydraulic service center guard protects the transmission filter and keep trash out of the service center
16. Rear crankcase and platform guards keeps trash and debris out



966 XE Waste & Scrap Handler Specifications

Tire Options

Tire Brand	BRAWLER HPS SMOOTH	BRAWLER HPS TRACTION	BRIDGESTONE	MICHELIN	MAXAM
Tire Size	26.5R25	26.5R25	26.5R25	26.5R25	26.5R25
Tread Type	N/A	N/A	L3	L3	L3
Tread Pattern	SMOOTH	TRACTION	VJT	XHA2	MS302
Casing Strength	N/A	N/A	*	**	**
Width over Tires – Maximum (empty)*	2959 mm 9'9"	2959 mm 9'9"	2978 mm 9'10"	2986 mm 9'10"	2972 mm 9'9"
Width over Tires – Maximum (loaded)*	2968 mm 9'9"	2968 mm 9'9"	3012 mm 9'11"	3016 mm 9'11"	2947 mm 9'9"
Change in Vertical Dimensions (average of front and rear)		-3 mm -0.1"	-37 mm -1.5"	-48 mm -1.9"	-23 mm -0.9"
Change in Horizontal Reach		0 mm 0"	-11 mm -0.4"	-8 mm -0.3"	-18 mm -0.7"
Change in Clearance Circle to Outside of Tires		0 mm 0"	44 mm 1.7"	48 mm 1.9"	-21 mm -0.8"
Change in Clearance Circle to Inside of Tires		0 mm 0"	-44 mm -1.7"	-48 mm -1.9"	21 mm 0.8"
Change in Operating Weight (without Ballast)		-224 kg -494 lb	-4300 kg -9,482 lb	-4464 kg -9,843 lb	-4316 kg -9,517 lb
Change in Static Tipping Load – Straight		-162 kg -358 lb	-3118 kg -6,874 lb	-3236 kg -7,136 lb	-3129 kg -6,900 lb
Change in Static Tipping Load – Articulated		-144 kg -319 lb	-2774 kg -6,116 lb	-2879 kg -6,349 lb	-2784 kg -6,138 lb
Rear Axle Oscillation Angle	±8 degrees	±8 degrees	±13 degrees	±13 degrees	±13 degrees
Maximum Single-wheel Rise and Fall	310 mm 1'1"	310 mm 1'1"	502 mm 1'8"	502 mm 1'8"	502 mm 1'8"

*Width over tire bulge and includes tire growth.

966 XE Waste & Scrap Handler Specifications

Operating Specifications – Buckets

Linkage		Standard Linkage		
Bucket Type		General Purpose – Hook-On – Fusion		
Edge Type		Bolt-On Cutting Edges	Teeth and Segments	Tips
Capacity – Rated	m ³	4.20	4.20	4.00
	yd ³	5.50	5.50	5.25
Capacity – Rated at 110% Fill Factor	m ³	4.60	4.60	4.40
	yd ³	6.00	6.00	5.75
Width	mm	3220	3271	3271
	ft/in	10'6"	10'8"	10'8"
16 † Dump Clearance at Maximum Lift and 45° Discharge	mm	2998	2844	2844
	ft/in	9'10"	9'3"	9'3"
17 † Reach at Maximum Lift and 45° Discharge	mm	1406	1544	1544
	ft/in	4'7"	5'0"	5'0"
Reach at Level Lift Arm and Bucket Level	mm	2866	3070	3070
	ft/in	9'4"	10'0"	10'0"
A † Digging Depth	mm	78	78	48
	in	3.0"	3.0"	1.9"
12 † Overall Length	mm	8767	8993	8993
	ft/in	28'10"	29'7"	29'7"
B † Overall Height with Bucket at Maximum Lift	mm	5998	5998	5998
	ft/in	19'9"	19'9"	19'9"
Loader Clearance Circle Radius with Bucket at Carry Position	mm	7539	7629	7629
	ft/in	24'9"	25'1"	25'1"
Static Tipping Load, Straight (With tire deflection)	kg	19 632	19 449	19 814
	lb	43,280	42,877	43,682
Static Tipping Load, Straight (No tire deflection)	kg	21 122	20 937	21 319
	lb	46,554	46,146	46,988
Static Tipping Load, Articulated (With tire deflection)	kg	17 832	17 649	18 001
	lb	39,313	38,910	39,685
Static Tipping Load, Articulated (No tire deflection)	kg	19 330	19 145	19 513
	lb	42,604	42,196	43,007
Breakout Force (§)	kN	166	165	176
	lbf	37,424	37,081	39,622
Operating Weight*	kg	28 578	28 716	28 553
	lb	62,985	63,289	62,930

* Static tipping loads and operating weights shown are based on a machine configuration with Brawler 26.5X25 Smooth solid tires, full fluids, operator, cab precleaner, fabricated counterweight with rear guard (1300 kg), flat window glass with front guard, industrial package, ride control, standard starting, narrow fenders, turbine engine precleaner, Product Link, auto diff lock axles (front/rear), power train guard, standard steering, industrial sound suppression and variable pitch fan.

† Illustration shown with Dimension charts.

(§) Measured 100 mm (4") behind tip of cutting edge with bucket hinge pin as pivot point in accordance with ISO 14397-2:2007.

(With tire deflection) Full compliance to ISO 14397-1:2007 Sections 1 thru 6, which requires 2% verification between calculations and testing.

(No tire deflection) Compliance to ISO 14397-1:2007 Sections 1 thru 5.

Other buckets are available and offerings vary by region. Consult your local Cat dealer for further details.

966 XE Waste & Scrap Handler Specifications

Operating Specifications – Buckets

Linkage		Standard Linkage					
Bucket Type		General Purpose – Hook-On – Fusion					
Edge Type		Bolt-On Cutting Edges	Teeth and Segments	Tips	Bolt-On Cutting Edges	Teeth and Segments	Tips
Capacity – Rated	m ³	3.80	3.80	3.60	4.60	4.60	4.40
	yd ³	5.00	5.00	4.75	6.00	6.00	5.75
Capacity – Rated at 110% Fill Factor	m ³	4.20	4.20	4.00	5.10	5.10	4.80
	yd ³	5.50	5.50	5.25	6.75	6.75	6.25
Width	mm	3220	3271	3271	3220	3271	3271
	ft/in	10'6"	10'8"	10'8"	10'6"	10'8"	10'8"
16 † Dump Clearance at Maximum Lift and 45° Discharge	mm	3076	2924	2924	2985	2831	2831
	ft/in	10'1"	9'7"	9'7"	9'9"	9'3"	9'3"
17 † Reach at Maximum Lift and 45° Discharge	mm	1335	1474	1474	1409	1546	1546
	ft/in	4'4"	4'10"	4'10"	4'7"	5'0"	5'0"
Reach at Level Lift Arm and Bucket Level	mm	2756	2961	2961	2876	3081	3081
	ft/in	9'0"	9'8"	9'8"	9'5"	10'1"	10'1"
A † Digging Depth	mm	86	86	56	85	85	55
	in	3.4"	3.4"	2.2"	3.3"	3.3"	2.1"
12 † Overall Length	mm	8664	8890	8890	8783	9009	9009
	ft/in	28'6"	29'2"	29'2"	28'10"	29'7"	29'7"
B † Overall Height with Bucket at Maximum Lift	mm	5841	5841	5841	6076	6076	6076
	ft/in	19'2"	19'2"	19'2"	20'0"	20'0"	20'0"
Loader Clearance Circle Radius with Bucket at Carry Position	mm	7513	7602	7602	7545	7635	7635
	ft/in	24'8"	25'0"	25'0"	24'10"	25'1"	25'1"
Static Tipping Load, Straight (With tire deflection)	kg	19 940	19 758	20 132	19 767	19 611	19 971
	lb	43,960	43,559	44,383	43,644	43,234	44,028
Static Tipping Load, Straight (No tire deflection)	kg	21 432	21 248	21 639	21 345	21 157	21 536
	lb	47,237	46,831	47,692	47,046	46,630	47,466
Static Tipping Load, Articulated (With tire deflection)	kg	18 123	17 941	18 300	17 972	17 786	18 133
	lb	39,954	39,553	40,345	39,621	39,212	39,976
Static Tipping Load, Articulated (No tire deflection)	kg	19 622	19 437	19 813	19 526	19 338	19 704
	lb	43,247	42,840	43,669	43,037	42,621	43,428
Breakout Force (§)	kN	181	179	192	164	163	174
	lbf	40,682	40,332	43,265	37,052	36,706	39,210
Operating Weight*	kg	28 515	28 653	28 489	28 692	28 830	28 667
	lb	62,846	63,150	62,790	63,237	63,541	63,181

* Static tipping loads and operating weights shown are based on a machine configuration with Brawler 26.5X25 Smooth solid tires, full fluids, operator, cab precleaner, fabricated counterweight with rear guard (1300 kg), flat window glass with front guard, industrial package, ride control, standard starting, narrow fenders, turbine engine precleaner, Product Link, auto diff lock axles (front/rear), power train guard, standard steering, industrial sound suppression and variable pitch fan.

† Illustration shown with Dimension charts.

(§) Measured 100 mm (4") behind tip of cutting edge with bucket hinge pin as pivot point in accordance with ISO 14397-2:2007.

(With tire deflection) Full compliance to ISO 14397-1:2007 Sections 1 thru 6, which requires 2% verification between calculations and testing.

(No tire deflection) Compliance to ISO 14397-1:2007 Sections 1 thru 5.

Other buckets are available and offerings vary by region. Consult your local Cat dealer for further details.

966 XE Waste & Scrap Handler Specifications

Operating Specifications – Buckets

Linkage		Standard Linkage				
Bucket Type		General Purpose – Pin-On				
Edge Type		Bolt-On Cutting Edges	Teeth and Segments	Tips	Bolt-On Cutting Edges	Tips
Capacity – Rated	m ³	4.60	4.60	4.40	3.80	3.60
	yd ³	6.00	6.00	5.75	5.00	4.75
Capacity – Rated at 110% Fill Factor	m ³	5.10	5.10	4.80	4.20	4.00
	yd ³	6.75	6.75	6.25	5.50	5.25
Width	mm	3264	3301	3301	3220	3271
	ft/in	10'8"	10'9"	10'9"	10'6"	10'8"
16 † Dump Clearance at Maximum Lift and 45° Discharge	mm	3015	2857	2857	3105	2953
	ft/in	9'10"	9'4"	9'4"	10'2"	9'8"
17 † Reach at Maximum Lift and 45° Discharge	mm	1372	1508	1508	1300	1440
	ft/in	4'6"	4'11"	4'11"	4'3"	4'8"
Reach at Level Lift Arm and Bucket Level	mm	2829	3035	3035	2712	2916
	ft/in	9'3"	9'11"	9'11"	8'10"	9'6"
A † Digging Depth	mm	86	86	56	86	56
	in	3.4"	3.4"	2.2"	3.4"	2.2"
12 † Overall Length	mm	8737	8968	8968	8620	8846
	ft/in	28'8"	29'6"	29'6"	28'4"	29'1"
B † Overall Height with Bucket at Maximum Lift	mm	6049	6049	6049	5815	5815
	ft/in	19'11"	19'11"	19'11"	19'1"	19'1"
Loader Clearance Circle Radius with Bucket at Carry Position	mm	7538	7619	7619	7488	7573
	ft/in	24'9"	25'0"	25'0"	24'7"	24'11"
Static Tipping Load, Straight (With tire deflection)	kg	20 322	20 014	20 393	20 562	20 599
	lb	44,803	44,123	44,958	45,332	45,414
Static Tipping Load, Straight (No tire deflection)	kg	21 884	21 570	21 966	22 086	22 106
	lb	48,234	47,541	48,413	48,678	48,722
Static Tipping Load, Articulated (With tire deflection)	kg	18 481	18 174	18 537	18 722	18 751
	lb	40,743	40,066	40,868	41,274	41,339
Static Tipping Load, Articulated (No tire deflection)	kg	20 049	19 735	20 116	20 251	20 263
	lb	44,189	43,498	44,336	44,635	44,661
Breakout Force (§)	kN	170	167	179	187	200
	lbf	38,334	37,661	40,281	42,203	44,976
Operating Weight*	kg	28 291	28 463	28 302	28 100	28 074
	lb	62,352	62,731	62,376	61,931	61,875

*Static tipping loads and operating weights shown are based on a machine configuration with Brawler 26.5X25 Smooth solid tires, full fluids, operator, cab precleaner, fabricated counterweight with rear guard (1300 kg), flat window glass with front guard, industrial package, ride control, standard starting, narrow fenders, turbine engine precleaner, Product Link, auto diff lock axles (front/rear), power train guard, standard steering, industrial sound suppression and variable pitch fan.

† Illustration shown with Dimension charts.

(§) Measured 100 mm (4") behind tip of cutting edge with bucket hinge pin as pivot point in accordance with ISO 14397-2:2007.

(With tire deflection) Full compliance to ISO 14397-1:2007 Sections 1 thru 6, which requires 2% verification between calculations and testing.

(No tire deflection) Compliance to ISO 14397-1:2007 Sections 1 thru 5.

Other buckets are available and offerings vary by region. Consult your local Cat dealer for further details.

966 XE Waste & Scrap Handler Specifications

Operating Specifications – Buckets

Linkage		Standard Linkage			
Bucket Type		General Purpose – Pin-On			
Edge Type		Bolt-On Cutting Edges	Tips	Bolt-On Cutting Edges	Tips
Capacity – Rated	m ³	4.20	4.00	4.00	3.80
	yd ³	5.50	5.25	5.25	5.00
Capacity – Rated at 110% Fill Factor	m ³	4.60	4.40	4.40	4.20
	yd ³	6.00	5.75	5.75	5.50
Width	mm	3220	3271	3220	3271
	ft/in	10'6"	10'8"	10'6"	10'8"
16 † Dump Clearance at Maximum Lift and 45° Discharge	mm	3029	2875	3096	2943
	ft/in	9'11"	9'5"	10'1"	9'7"
17 † Reach at Maximum Lift and 45° Discharge	mm	1361	1498	1307	1446
	ft/in	4'5"	4'11"	4'3"	4'8"
Reach at Level Lift Arm and Bucket Level	mm	2811	3016	2723	2928
	ft/in	9'2"	9'10"	8'11"	9'7"
A † Digging Depth	mm	86	56	86	56
	in	3.4"	2.2"	3.4"	2.2"
12 † Overall Length	mm	8719	8945	8631	8857
	ft/in	28'8"	29'5"	28'4"	29'1"
B † Overall Height with Bucket at Maximum Lift	mm	5926	5926	5926	5926
	ft/in	19'6"	19'6"	19'6"	19'6"
Loader Clearance Circle Radius with Bucket at Carry Position	mm	7513	7598	7491	7576
	ft/in	24'8"	25'0"	24'7"	24'11"
Static Tipping Load, Straight (With tire deflection)	kg	20 321	20 410	20 549	20 630
	lb	44,800	44,996	45,302	45,482
Static Tipping Load, Straight (No tire deflection)	kg	21 847	21 939	22 085	22 170
	lb	48,152	48,354	48,677	48,863
Static Tipping Load, Articulated (With tire deflection)	kg	18 489	18 565	18 704	18 772
	lb	40,762	40,928	41,236	41,386
Static Tipping Load, Articulated (No tire deflection)	kg	20 022	20 099	20 247	20 317
	lb	44,130	44,298	44,625	44,778
Breakout Force (§)	kN	173	184	185	197
	lbf	39,032	41,412	41,747	44,465
Operating Weight*	kg	28 208	28 182	28 152	28 126
	lb	62,169	62,113	62,046	61,990

* Static tipping loads and operating weights shown are based on a machine configuration with Brawler 26.5X25 Smooth solid tires, full fluids, operator, cab precleaner, fabricated counterweight with rear guard (1300 kg), flat window glass with front guard, industrial package, ride control, standard starting, narrow fenders, turbine engine precleaner, Product Link, auto diff lock axles (front/rear), power train guard, standard steering, industrial sound suppression and variable pitch fan.

† Illustration shown with Dimension charts.

(§) Measured 100 mm (4") behind tip of cutting edge with bucket hinge pin as pivot point in accordance with ISO 14397-2:2007.

(With tire deflection) Full compliance to ISO 14397-1:2007 Sections 1 thru 6, which requires 2% verification between calculations and testing.

(No tire deflection) Compliance to ISO 14397-1:2007 Sections 1 thru 5.

Other buckets are available and offerings vary by region. Consult your local Cat dealer for further details.

966 XE Waste & Scrap Handler Specifications

Operating Specifications – Buckets

Linkage		Standard Linkage	
Bucket Type		Waste, Dozing – Pin-On	Waste, Load and Carry – Pin-On
Edge Type		Steel Bolt-On Cutting Edges	Steel Bolt-On Cutting Edges
Capacity – Rated	m ³	6.50	7.40
	yd ³	8.50	9.75
Capacity – Rated at 110% Fill Factor	m ³	7.20	8.10
	yd ³	9.50	10.50
Width	mm	3357	3357
	ft/in	11'0"	11'0"
16 † Dump Clearance at Maximum Lift and 45° Discharge	mm	2951	2670
	ft/in	9'8"	8'9"
17 † Reach at Maximum Lift and 45° Discharge	mm	1245	1526
	ft/in	4'1"	5'0"
Reach at Level Lift Arm and Bucket Level	mm	2802	3199
	ft/in	9'2"	10'5"
A † Digging Depth	mm	118	78
	in	4.6"	3.0"
12 † Overall Length	mm	8736	9133
	ft/in	28'8"	30'0"
B † Overall Height with Bucket at Maximum Lift	mm	6600	6377
	ft/in	21'8"	21'0"
Loader Clearance Circle Radius with Bucket at Carry Position	mm	7584	7686
	ft/in	24'11"	25'3"
Static Tipping Load, Straight (With tire deflection)	kg	20 566	18 761
	lb	45,340	41,361
Static Tipping Load, Straight (No tire deflection)	kg	22 389	20 344
	lb	49,345	44,840
Static Tipping Load, Articulated (With tire deflection)	kg	18 643	16 970
	lb	41,101	37,412
Static Tipping Load, Articulated (No tire deflection)	kg	20 465	18 559
	lb	45,106	40,905
Breakout Force (§)	kN	169	136
	lbf	38,181	30,669
Operating Weight*	kg	28 905	29 129
	lb	63,705	64,199

* Static tipping loads and operating weights shown are based on a machine configuration with Brawler 26.5X25 Smooth solid tires, full fluids, operator, cab precleaner, fabricated counterweight with rear guard (1300 kg), flat window glass with front guard, industrial package, ride control, standard starting, narrow fenders, turbine engine precleaner, Product Link, auto diff lock axles (front/rear), power train guard, standard steering, industrial sound suppression and variable pitch fan.

† Illustration shown with Dimension charts.

(§) Measured 100 mm (4") behind tip of cutting edge with bucket hinge pin as pivot point in accordance with ISO 14397-2:2007.

(With tire deflection) Full compliance to ISO 14397-1:2007 Sections 1 thru 6, which requires 2% verification between calculations and testing.

(No tire deflection) Compliance to ISO 14397-1:2007 Sections 1 thru 5.

Other buckets are available and offerings vary by region. Consult your local Cat dealer for further details.

966 XE Waste & Scrap Handler Specifications

Operating Specifications – Buckets

Linkage		Standard Linkage
Bucket Type		Waste, Top Clamp – Pin-On
Edge Type		Steel Bolt-On Cutting Edges
Capacity – Rated	m ³	5.00
	yd ³	6.50
Capacity – Rated at 110% Fill Factor	m ³	5.50
	yd ³	7.25
Width	mm	3357
	ft/in	11'0"
16 † Dump Clearance at Maximum Lift and 45° Discharge	mm	2457
	ft/in	8'0"
17 † Reach at Maximum Lift and 45° Discharge	mm	1740
	ft/in	5'8"
Reach at Level Lift Arm and Bucket Level	mm	3501
	ft/in	11'5"
A † Digging Depth	mm	78
	in	3.0"
12 † Overall Length	mm	9435
	ft/in	31'0"
B † Overall Height with Bucket at Maximum Lift	mm	5516
	ft/in	18'2"
Loader Clearance Circle Radius with Bucket at Carry Position	mm	7768
	ft/in	25'6"
Static Tipping Load, Straight (With tire deflection)	kg	16 608
	lb	36,615
Static Tipping Load, Straight (No tire deflection)	kg	17 923
	lb	39,503
Static Tipping Load, Articulated (With tire deflection)	kg	14 949
	lb	32,956
Static Tipping Load, Articulated (No tire deflection)	kg	16 275
	lb	35,872
Breakout Force (§)	kN	112
	lbf	25,206
Operating Weight*	kg	29 916
	lb	65,933

* Static tipping loads and operating weights shown are based on a machine configuration with Brawler 26.5X25 Smooth solid tires, full fluids, operator, cab precleaner, fabricated counterweight with rear guard (1300 kg), flat window glass with front guard, industrial package, ride control, standard starting, narrow fenders, turbine engine precleaner, Product Link, auto diff lock axles (front/rear), power train guard, standard steering, industrial sound suppression and variable pitch fan.

† Illustration shown with Dimension charts.

(§) Measured 100 mm (4") behind tip of cutting edge with bucket hinge pin as pivot point in accordance with ISO 14397-2:2007.

(With tire deflection) Full compliance to ISO 14397-1:2007 Sections 1 thru 6, which requires 2% verification between calculations and testing.

(No tire deflection) Compliance to ISO 14397-1:2007 Sections 1 thru 5.

Other buckets are available and offerings vary by region. Consult your local Cat dealer for further details.

966 XE Waste & Scrap Handler Specifications

Operating Specifications – Buckets

Linkage		High Lift Linkage					
Bucket Type		General Purpose – Hook-On – Fusion					
Edge Type		Bolt-On Cutting Edges	Teeth and Segments	Tips	Bolt-On Cutting Edges	Teeth and Segments	Tips
Capacity – Rated	m ³	4.20	4.20	4.00	3.80	3.80	3.60
	yd ³	5.50	5.50	5.25	5.00	5.00	4.75
Capacity – Rated at 110% Fill Factor	m ³	4.60	4.60	4.40	4.20	4.20	4.00
	yd ³	6.00	6.00	5.75	5.50	5.50	5.25
Width	mm	3220	3271	3271	3220	3271	3271
	ft/in	10'6"	10'8"	10'8"	10'6"	10'8"	10'8"
16 † Dump Clearance at Maximum Lift and 45° Discharge	mm	3556	3402	3402	3634	3482	3482
	ft/in	11'8"	11'1"	11'1"	11'11"	11'5"	11'5"
17 † Reach at Maximum Lift and 45° Discharge	mm	1382	1519	1519	1310	1450	1450
	ft/in	4'6"	4'11"	4'11"	4'3"	4'9"	4'9"
Reach at Level Lift Arm and Bucket Level	mm	3270	3475	3475	3160	3365	3365
	ft/in	10'8"	11'4"	11'4"	10'4"	11'0"	11'0"
A † Digging Depth	mm	53	53	23	61	61	31
	in	2.1"	2.1"	0.9"	2.4"	2.4"	1.2"
12 † Overall Length	mm	9274	9496	9496	9170	9392	9392
	ft/in	30'6"	31'2"	31'2"	30'2"	30'10"	30'10"
B † Overall Height with Bucket at Maximum Lift	mm	6556	6556	6556	6399	6399	6399
	ft/in	21'7"	21'7"	21'7"	21'0"	21'0"	21'0"
Loader Clearance Circle Radius with Bucket at Carry Position	mm	7778	7878	7878	7747	7845	7845
	ft/in	25'7"	25'11"	25'11"	25'5"	25'9"	25'9"
Static Tipping Load, Straight (With tire deflection)	kg	16 503	16 328	16 638	16 725	16 550	16 865
	lb	36,383	35,996	36,680	36,872	36,487	37,182
Static Tipping Load, Straight (No tire deflection)	kg	17 608	17 431	17 750	17 825	17 648	17 972
	lb	38,809	38,418	39,122	39,286	38,896	39,611
Static Tipping Load, Articulated (With tire deflection)	kg	14 933	14 757	15 058	15 144	14 969	15 274
	lb	32,921	32,534	33,197	33,386	33,000	33,674
Static Tipping Load, Articulated (No tire deflection)	kg	16 053	15 875	16 185	16 258	16 081	16 395
	lb	35,381	34,990	35,672	35,832	35,442	36,135
Breakout Force (§)	kN	154	152	162	167	165	177
	lbf	34,684	34,165	36,535	37,665	37,129	39,857
Operating Weight*	kg	28 813	28 951	28 788	28 750	28 888	28 725
	lb	63,504	63,808	63,448	63,364	63,668	63,308

* Static tipping loads and operating weights shown are based on a machine configuration with Brawler 26.5X25 Smooth solid tires, full fluids, operator, cab precleaner, fabricated counterweight with rear guard (1300 kg), flat window glass with front guard, industrial package, ride control, standard starting, narrow fenders, turbine engine precleaner, Product Link, auto diff lock axles (front/rear), power train guard, standard steering, industrial sound suppression and variable pitch fan.

† Illustration shown with Dimension charts.

(§) Measured 100 mm (4") behind tip of cutting edge with bucket hinge pin as pivot point in accordance with ISO 14397-2:2007.

(With tire deflection) Full compliance to ISO 14397-1:2007 Sections 1 thru 6, which requires 2% verification between calculations and testing.

(No tire deflection) Compliance to ISO 14397-1:2007 Sections 1 thru 5.

Other buckets are available and offerings vary by region. Consult your local Cat dealer for further details.

966 XE Waste & Scrap Handler Specifications

Operating Specifications – Buckets

Linkage		High Lift Linkage					
Bucket Type	Edge Type	General Purpose – Hook-On – Fusion			General Purpose – Pin-On		
		Bolt-On Cutting Edges	Teeth and Segments	Tips	Bolt-On Cutting Edges	Teeth and Segments	Tips
Capacity – Rated	m ³	4.60	4.60	4.40	4.60	4.60	4.40
	yd ³	6.00	6.00	5.75	6.00	6.00	5.75
Capacity – Rated at 110% Fill Factor	m ³	5.10	5.10	4.80	5.10	5.10	4.80
	yd ³	6.75	6.75	6.25	6.75	6.75	6.25
Width	mm	3220	3271	3271	3264	3301	3301
	ft/in	10'6"	10'8"	10'8"	10'8"	10'9"	10'9"
16† Dump Clearance at Maximum Lift and 45° Discharge	mm	3543	3389	3389	3573	3415	3415
	ft/in	11'7"	11'1"	11'1"	11'8"	11'2"	11'2"
17† Reach at Maximum Lift and 45° Discharge	mm	1384	1522	1522	1348	1483	1483
	ft/in	4'6"	4'11"	4'11"	4'5"	4'10"	4'10"
Reach at Level Lift Arm and Bucket Level	mm	3280	3485	3485	3233	3439	3439
	ft/in	10'9"	11'5"	11'5"	10'7"	11'3"	11'3"
A† Digging Depth	mm	60	60	30	61	61	31
	in	2.3"	2.3"	1.1"	2.4"	2.4"	1.2"
12† Overall Length	mm	9289	9511	9511	9243	9469	9469
	ft/in	30'6"	31'3"	31'3"	30'4"	31'1"	31'1"
B† Overall Height with Bucket at Maximum Lift	mm	6634	6634	6634	6607	6607	6607
	ft/in	21'10"	21'10"	21'10"	21'9"	21'9"	21'9"
Loader Clearance Circle Radius with Bucket at Carry Position	mm	7784	7884	7884	7772	7863	7863
	ft/in	25'7"	25'11"	25'11"	25'6"	25'10"	25'10"
Static Tipping Load, Straight (With tire deflection)	kg	16 608	16 430	16 739	17 084	16 800	17 117
	lb	36,615	36,222	36,903	37,664	37,037	37,737
Static Tipping Load, Straight (No tire deflection)	kg	17 751	17 570	17 891	18 235	17 947	18 273
	lb	39,124	38,726	39,432	40,191	39,555	40,274
Static Tipping Load, Articulated (With tire deflection)	kg	15 018	14 840	15 139	15 482	15 199	15 506
	lb	33,108	32,716	33,376	34,132	33,507	34,184
Static Tipping Load, Articulated (No tire deflection)	kg	16 174	15 994	16 305	16 648	16 359	16 675
	lb	35,649	35,251	35,936	36,692	36,057	36,753
Breakout Force (§)	kN	152	150	160	157	153	164
	lbf	34,285	33,768	36,100	35,467	34,587	37,021
Operating Weight*	kg	28 927	29 065	28 902	28 526	28 698	28 537
	lb	63,755	64,059	63,700	62,870	63,249	62,894

* Static tipping loads and operating weights shown are based on a machine configuration with Brawler 26.5X25 Smooth solid tires, full fluids, operator, cab precleaner, fabricated counterweight with rear guard (1300 kg), flat window glass with front guard, industrial package, ride control, standard starting, narrow fenders, turbine engine precleaner, Product Link, auto diff lock axles (front/rear), power train guard, standard steering, industrial sound suppression and variable pitch fan.

† Illustration shown with Dimension charts.

(§) Measured 100 mm (4") behind tip of cutting edge with bucket hinge pin as pivot point in accordance with ISO 14397-2:2007.

(With tire deflection) Full compliance to ISO 14397-1:2007 Sections 1 thru 6, which requires 2% verification between calculations and testing.

(No tire deflection) Compliance to ISO 14397-1:2007 Sections 1 thru 5.

Other buckets are available and offerings vary by region. Consult your local Cat dealer for further details.

966 XE Waste & Scrap Handler Specifications

Operating Specifications – Buckets

Linkage		High Lift Linkage					
Bucket Type		General Purpose – Pin-On					
Edge Type		Bolt-On Cutting Edges		Bolt-On Cutting Edges		Bolt-On Cutting Edges	
		Tips	Tips	Tips	Tips	Tips	Tips
Capacity – Rated	m ³	3.80	3.60	4.20	4.00	4.00	3.80
	yd ³	5.00	4.75	5.50	5.25	5.25	5.00
Capacity – Rated at 110% Fill Factor	m ³	4.20	4.00	4.60	4.40	4.40	4.20
	yd ³	5.50	5.25	6.00	5.75	5.75	5.50
Width	mm	3220	3271	3220	3271	3220	3271
	ft/in	10'6"	10'8"	10'6"	10'8"	10'6"	10'8"
16 † Dump Clearance at Maximum Lift and 45° Discharge	mm	3663	3511	3587	3433	3654	3501
	ft/in	12'0"	11'6"	11'9"	11'3"	11'11"	11'5"
17 † Reach at Maximum Lift and 45° Discharge	mm	1276	1415	1336	1474	1283	1422
	ft/in	4'2"	4'7"	4'4"	4'10"	4'2"	4'7"
Reach at Level Lift Arm and Bucket Level	mm	3116	3321	3215	3420	3128	3332
	ft/in	10'2"	10'10"	10'6"	11'2"	10'3"	10'11"
A † Digging Depth	mm	61	31	61	31	61	31
	in	2.4"	1.2"	2.4"	1.2"	2.4"	1.2"
12 † Overall Length	mm	9125	9347	9225	9447	9137	9359
	ft/in	30'0"	30'8"	30'4"	31'0"	30'0"	30'9"
B † Overall Height with Bucket at Maximum Lift	mm	6373	6373	6484	6484	6484	6484
	ft/in	20'11"	20'11"	21'4"	21'4"	21'4"	21'4"
Loader Clearance Circle Radius with Bucket at Carry Position	mm	7718	7812	7747	7842	7721	7815
	ft/in	25'4"	25'8"	25'5"	25'9"	25'4"	25'8"
Static Tipping Load, Straight (With tire deflection)	kg	17 281	17 283	17 090	17 135	17 264	17 304
	lb	38,098	38,102	37,676	37,776	38,061	38,149
Static Tipping Load, Straight (No tire deflection)	kg	18 401	18 387	18 215	18 258	18 393	18 431
	lb	40,556	40,525	40,146	40,241	40,539	40,622
Static Tipping Load, Articulated (With tire deflection)	kg	15 682	15 680	15 497	15 532	15 662	15 693
	lb	34,573	34,569	34,164	34,243	34,529	34,597
Static Tipping Load, Articulated (No tire deflection)	kg	16 817	16 798	16 636	16 669	16 806	16 833
	lb	37,065	37,024	36,667	36,739	37,041	37,101
Breakout Force (§)	kN	173	184	160	169	172	182
	lbf	39,085	41,447	36,129	38,141	38,656	40,968
Operating Weight*	kg	28 335	28 310	28 443	28 418	28 387	28 362
	lb	62,450	62,394	62,688	62,632	62,564	62,508

* Static tipping loads and operating weights shown are based on a machine configuration with Brawler 26.5X25 Smooth solid tires, full fluids, operator, cab precleaner, fabricated counterweight with rear guard (1300 kg), flat window glass with front guard, industrial package, ride control, standard starting, narrow fenders, turbine engine precleaner, Product Link, auto diff lock axles (front/rear), power train guard, standard steering, industrial sound suppression and variable pitch fan.

† Illustration shown with Dimension charts.

(§) Measured 100 mm (4") behind tip of cutting edge with bucket hinge pin as pivot point in accordance with ISO 14397-2:2007.

(With tire deflection) Full compliance to ISO 14397-1:2007 Sections 1 thru 6, which requires 2% verification between calculations and testing.

(No tire deflection) Compliance to ISO 14397-1:2007 Sections 1 thru 5.

Other buckets are available and offerings vary by region. Consult your local Cat dealer for further details.

966 XE Waste & Scrap Handler Specifications

Operating Specifications – Buckets

Linkage		High Lift Linkage		
Bucket Type		Waste, Dozing – Pin-On	Waste, Load and Carry – Pin-On	Waste, Top Clamp – Pin-On
Edge Type		Steel Bolt-On Cutting Edges	Steel Bolt-On Cutting Edges	Steel Bolt-On Cutting Edges
Capacity – Rated	m ³	6.50	7.40	5.00
	yd ³	8.50	9.75	6.50
Capacity – Rated at 110% Fill Factor	m ³	7.20	8.10	5.50
	yd ³	9.50	10.50	7.25
Width	mm	3357	3357	3357
	ft/in	11'0"	11'0"	11'0"
16 † Dump Clearance at Maximum Lift and 45° Discharge	mm	3509	3228	3015
	ft/in	11'6"	10'7"	9'10"
17 † Reach at Maximum Lift and 45° Discharge	mm	1221	1501	1715
	ft/in	4'0"	4'11"	5'7"
Reach at Level Lift Arm and Bucket Level	mm	3206	3603	3905
	ft/in	10'6"	11'9"	12'9"
A † Digging Depth	mm	93	53	53
	in	3.6"	2.0"	2.0"
12 † Overall Length	mm	9237	9634	9936
	ft/in	30'4"	31'8"	32'8"
B † Overall Height with Bucket at Maximum Lift	mm	7158	6935	6074
	ft/in	23'6"	22'10"	20'0"
Loader Clearance Circle Radius with Bucket at Carry Position	mm	7817	7937	8032
	ft/in	25'8"	26'1"	26'5"
Static Tipping Load, Straight (With tire deflection)	kg	17 196	15 798	13 948
	lb	37,911	34,828	30,750
Static Tipping Load, Straight (No tire deflection)	kg	18 524	16 982	14 948
	lb	40,827	37,428	32,947
Static Tipping Load, Articulated (With tire deflection)	kg	15 524	14 225	12 481
	lb	34,225	31,361	27,516
Static Tipping Load, Articulated (No tire deflection)	kg	16 863	15 423	13 499
	lb	37,166	33,993	29,752
Breakout Force (§)	kN	155	124	102
	lbf	35,038	28,070	22,995
Operating Weight*	kg	29 140	29 364	30 151
	lb	64,224	64,717	66,452

* Static tipping loads and operating weights shown are based on a machine configuration with Brawler 26.5X25 Smooth solid tires, full fluids, operator, cab precleaner, fabricated counterweight with rear guard (1300 kg), flat window glass with front guard, industrial package, ride control, standard starting, narrow fenders, turbine engine precleaner, Product Link, auto diff lock axles (front/rear), power train guard, standard steering, industrial sound suppression and variable pitch fan.

† Illustration shown with Dimension charts.

(§) Measured 100 mm (4") behind tip of cutting edge with bucket hinge pin as pivot point in accordance with ISO 14397-2:2007.

(With tire deflection) Full compliance to ISO 14397-1:2007 Sections 1 thru 6, which requires 2% verification between calculations and testing.

(No tire deflection) Compliance to ISO 14397-1:2007 Sections 1 thru 5.

Other buckets are available and offerings vary by region. Consult your local Cat dealer for further details.



966 XE

Forestry Machine

The Cat 966 XE Wheel Loader Forestry Package provides the additional performance, productivity, and safety that is demanded in the woods and the millyard.

Proven Reliability

- Cat C9.3B engine offers high power density with a combination of proven electronics, fuel, and air systems.
- Equipped with automatic Cat regeneration system, Cat Clean Emissions Module (CEM) with Diesel Particulate Filter (DPF), and Diesel Exhaust Fluid (DEF) tank and pump.
- Features an electric fuel priming pump, fuel-water separator, and secondary fuel filter.
- Thorough component design and machine validation processes result in unmatched reliability and uptime.

Durability

- Forestry package includes a lift arm with additional weld treatments for added durability.
- Heavy-duty axles are designed to handle extreme applications.

Superior Fuel Efficiency & Productivity

- Up to 35% better fuel efficiency compared to previous Cat model.
- Deep system integration of the Cat continuously variable transmission, engine, hydraulic, and cooling systems results in significantly increased performance and fuel efficiency.
- Eliminating the torque converter allows the capability to control engine rpm and machine speed independently, resulting in efficient digging, fine control, and easy operation.
- Lower rated engine speed reduces component wear and operating noise.
- Forestry package includes additional counterweight, a larger tilt cylinder, and increased tilt relief pressure to increase machine capacity over the base model.
- Optional variable pitch fan and high debris coolers minimize the potential for overheating and reduce downtime for radiator clean out in high debris applications.
- Optional 3rd and 4th valve auxiliary hydraulics to control work tools requiring the additional function.

Safety Features

- Rearview camera enhances visibility behind the machine, helping you work safely and confidently.
- Optional Multiview (360°) vision system helps the operator monitor the surroundings of the machine at all times.
- Optional Cat Detect radar technology enhances awareness by monitoring the working environment and alerts operators to hazards.
- Cab access with wide door, optional remote door opening, and stair-like steps add solid stability.
- Floor-to-ceiling windshield, large mirrors with integrated spot mirrors, and rearview camera provide industry leading all-around visibility.

Reduced Maintenance Time and Costs

- Extended fluid and filter change intervals reduce maintenance costs by up to 20%.
- Optional turbine engine air precleaner improves air filter life.
- Remote Troubleshoot can connect the machine to the dealer service department to help diagnose problems quickly so you can get back to work.
- Remote Flash works around your schedule to ensure your machine's software is up to date for optimal performance.
- The Cat App helps you manage fleet location, hours, and maintenance schedules; it also alerts you for required maintenance and allows you to request service from your local Cat dealer.
- One-piece tilting hood makes engine compartment access fast and easy.

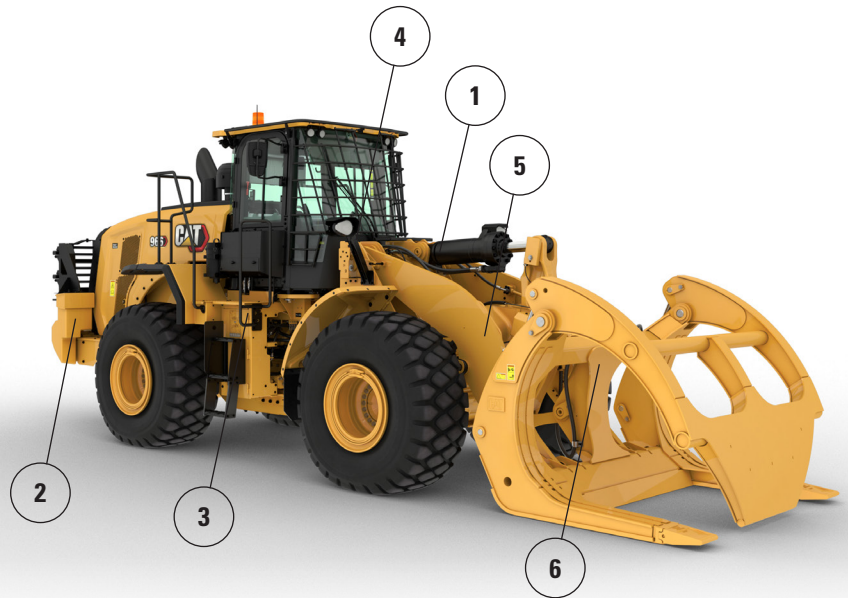
Work in Comfort in the All New Cab

- Optional powered cabin precleaner filters the incoming air and pressurize the cab.
- Next-generation, easily adjustable seat and suspension for improved operator comfort. It comes in three trim levels and can be equipped with a 4-point harness.
- New in-cab dashboard and high-resolution touch display(s) are easy to use, intuitive, and user friendly.
- Sound suppression, seals, and viscous cab mounts decrease noise and vibration for a quieter work environment.
- The seat-mounted electro-hydraulic joystick steering system provides precision control and dramatically reduces arm fatigue, resulting in excellent comfort and accuracy. An HMU steering wheel is also available.

966 XE Forestry Machine Specifications

966 XE Forestry Machine Features

1. Larger tilt cylinder and relief valves for increased load control in fork applications
2. Heavier counterweight provides increased tipping loads in a millyard application
3. Optional window guarding to provide impact resistance to the glass
4. Optional 3rd and 4th function hydraulics provide auxiliary hydraulic control for work tools like millyard or logging forks
5. Wide range of millyard work tools



6. Optional variable pitch fan help to keep rear grill and cooling cores clean in high debris applications
7. Optional high debris/wide fin spacing cooling cores are less prone to plugging
8. Optional axle oil cooler provides lower axle oil temperatures in high braking applications
9. Optional engine and cab precleaners for use in high debris applications
10. Optional rear guard protects the rear grill and cooling package from impact

966 XE Forestry Machine Specifications

Tire Options

Tire Brand	BRIDGESTONE	BRIDGESTONE	BRIDGESTONE	MICHELIN	MICHELIN	MAXAM
Tire Size	26.5R25	26.5R25	775/65R29	26.5R25	775/65R29	26.5R25
Tread Type	L3	L4	L3	L3	L3	L3
Tread Pattern	VJT	VSNT	VTS	XHA2	XHA2	MS302
Casing Strength	*	*	*	**	*	**
Width over Tires – Maximum (empty)*	2978 mm 9'10"	2960 mm 9'9"	3046 mm 10'0"	2986 mm 9'10"	3019 mm 9'11"	2972 mm 9'9"
Width over Tires – Maximum (loaded)*	3012 mm 9'11"	2991 mm 9'10"	3070 mm 10'1"	3016 mm 9'11"	3049 mm 10'1"	2947 mm 9'9"
Change in Vertical Dimensions (average of front and rear)		26 mm 1.0"	11 mm 0.4"	-11 mm -0.4"	4 mm 0.1"	14 mm 0.5"
Change in Horizontal Reach		-21 mm -0.8"	-1 mm 0"	3 mm 0.1"	2 mm 0.1"	-7 mm -0.3"
Change in Clearance Circle to Outside of Tires		-21 mm -0.8"	58 mm 2.3"	5 mm 0.2"	38 mm 1.5"	-65 mm -2.6"
Change in Clearance Circle to Inside of Tires		21 mm 0.8"	-58 mm -2.3"	-5 mm -0.2"	-38 mm -1.5"	65 mm 2.6"
Change in Operating Weight (without Ballast)		460 kg 1,014 lb	692 lb 1,525 lb	-164 kg -362 lb	504 kg 1,110 lb	-16 kg -35 lb
Change in Static Tipping Load – Straight		334 kg 735 lb	501 kg 1,106 lb	-119 kg -262 lb	365 kg 805 lb	-12 kg -26 lb
Change in Static Tipping Load – Articulated		297 kg 654 lb	446 kg 984 lb	-106 kg -233 lb	325 kg 716 lb	-10 kg -23 lb
Rear Axle Oscillation Angle	±13 degrees	±13 degrees	±8 degrees	±13 degrees	±8 degrees	±13 degrees
Maximum Single-wheel Rise and Fall	502 mm 1'8"	502 mm 1'8"	310 mm 1'1"	502 mm 1'8"	310 mm 1'1"	502 mm 1'8"

*Width over tire bulge and includes tire growth.

966 XE Forestry Machine Specifications

Operating Specifications – Buckets

Linkage		Forestry Linkage	
Bucket Type		Woodchip – Hook-On – Fusion	Woodchip – Pin-On
Edge Type		Bolt-On Cutting Edges	Bolt-On Cutting Edges
Capacity – Rated	m ³	11.90	11.90
	yd ³	15.50	15.50
Capacity – Rated at 110% Fill Factor	m ³	13.10	13.10
	yd ³	17.25	17.25
Width	mm	3943	3943
	ft/in	12'11"	12'11"
16 † Dump Clearance at Maximum Lift and 45° Discharge	mm	2442	2442
	ft/in	8'0"	8'0"
17 † Reach at Maximum Lift and 45° Discharge	mm	1771	1732
	ft/in	5'9"	5'8"
Reach at Level Lift Arm and Bucket Level	mm	3511	3483
	ft/in	11'6"	11'5"
A † Digging Depth	mm	106	134
	in	4.2"	5.3"
12 † Overall Length	mm	9724	9719
	ft/in	31'11"	31'11"
B † Overall Height with Bucket at Maximum Lift	mm	6680	6689
	ft/in	21'11"	22'0"
Loader Clearance Circle Radius with Bucket at Carry Position	mm	8055	8026
	ft/in	26'6"	26'4"
Static Tipping Load, Straight (With tire deflection)	kg	18 714	18 935
	lb	41,245	41,732
Static Tipping Load, Straight (No tire deflection)	kg	20 361	20 529
	lb	44,876	45,245
Static Tipping Load, Articulated (With tire deflection)	kg	16 151	16 399
	lb	35,597	36,143
Static Tipping Load, Articulated (No tire deflection)	kg	17 817	18 014
	lb	39,269	39,703
Breakout Force (§)	kN	139	141
	lbf	31,266	31,780
Operating Weight*	kg	26 085	25 620
	lb	57,490	56,465

* Static tipping loads and operating weights shown are based on a machine configuration with Bridgestone 26.5R25 VJT L3 radial tires, full fluids, operator, axle oil cooler, logger counterweight, ride control, cold start, roading fenders, Product Link, manual diff lock/open axles (front/rear), logger package, power train guard, secondary steering and sound suppression.

† Illustration shown with Dimension charts.

(§) Measured 100 mm (4") behind tip of cutting edge with bucket hinge pin as pivot point in accordance with ISO 14397-2:2007.

(With tire deflection) Full compliance to ISO 14397-1:2007 Sections 1 thru 6, which requires 2% verification between calculations and testing.

(No tire deflection) Compliance to ISO 14397-1:2007 Sections 1 thru 5.

Other buckets are available and offerings vary by region. Consult your local Cat dealer for further details.

966 XE Forestry Machine Specifications

Fork Specifications

Fork Specifications

1	Tine Length	mm	1524
		in	60.0
2	Load Center	mm	762
		in	30.0
	Static Tipping Load - Straight (Forks Level)	kg	14730
		lbs	32464
	Static Tipping Load - Articulated (Forks Level)	kg	12970
		lbs	28586
	Rated Load (SAE J1197 - 50% FTSTL)	kg	6485
		lbs	14293
	Rated Load (CEN EN 474-3 Rough Terrain - 60% FTSTL)	kg	7782
		lbs	17151
	Rated Load (CEN EN 474-3 Firm and Level Ground - 80% FTSTL)	kg	10376
		lbs	22868
3	Maximum Overall Length	mm	9527
		in	375.1
4	Reach with Forks at Ground Level	mm	1126
		in	44.3
5	*Ground to Bottom of Tine at Minimum Height and Fork Level	mm	-166
		in	-6.5
6	Reach with Arms Horizontal and Forks Level	mm	1694
		in	66.7
7	Reach with Fork at Maximum Height	mm	826
		in	32.5
8	Ground to Top of Tine with Arms Horizontal and Fork Level	mm	1866
		in	73.4
9	Ground to Top of Tine at Maximum Height and Fork Level	mm	3949
		in	155.5
10	Overall Height of Fork at Full Lift (top of carriage to ground)	mm	4724
		in	186.0
11	Clearance at Full Lift and Max Dump	mm	2652
		in	104.4
12	Max Discharge Angle from Horizontal	deg	43
13	Overall Carriage Width	mm	2217
		in	87.3
14	Overall Carriage Height	mm	840
		in	33.1
15	Outside Tine Width (max spread)	mm	2070
		in	81.5
16	Outside Tine Width (min spread)	mm	470
		in	18.5
	Tine Width (single tine)	mm	150.0
		in	5.9
	Tine Thickness	mm	65.0
		in	2.6
	Tine Capacity	kg	6300
		lbs	13885
	Operating Weight	kg	23815
		lbs	52488

*Negative values indicate below grade

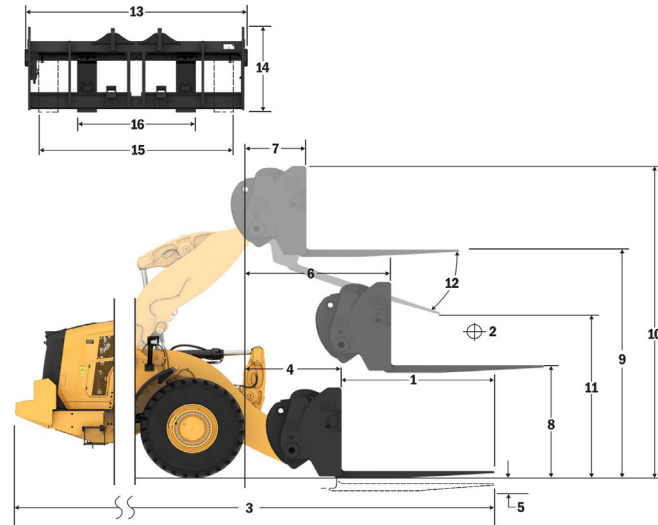
966 LOG Pallet Fork, FUSION

87" Carriage

60" Tine

530-1861

548-3265



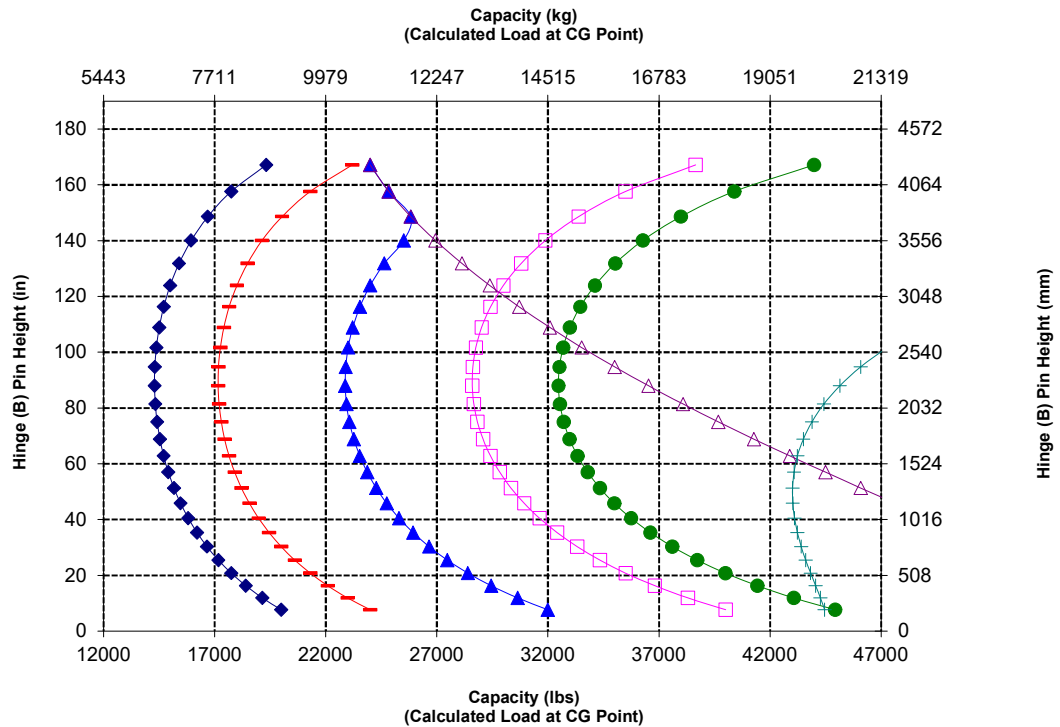
- ◆ Payload (SAE J1197)
- ◆ Payload (CEN EN 474-3 - Rough Terrain)
- ◆ Payload (CEN EN 474-3 - Firm & Level)
- ◆ Static Tipping Load - Articulated
- ◆ Static Tipping Load - Straight
- ◆ Hydraulic TIR Capacity
- ◆ Hydraulic Lift Capacity

NOTE: Static tipping loads and operating weight are based on the following loader configuration: Bridgestone VJT L3 Tires, Air Conditioning, Ride Control, Powertrain Guard, Full Fluids, Fuel Tank, Coolant, Lubricants, and Operator.

Specifications and ratings conform to the following standards: SAE* J1197, ISO 14397-1, CEN** EN 474-3.

The rated operating load for a loader equipped with a pallet fork is determined by:
SAE J1197: 50% of full turn static tipping load or hydraulic limit.
CEN EN 474-3: 60% of full turn static tipping load on rough terrain or hydraulic limit.
CEN EN 474-3: 80% of full turn static tipping load on firm and level ground or hydraulic limit.

*SAE - Society of Automotive Engineers
**CEN - European Committee for Standardization



WARNING: Do not exceed tine load capacity. Individual tine capacity is stamped on the side of each tine.

966 XE Forestry Machine Specifications

Fork Specifications

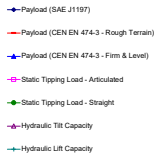
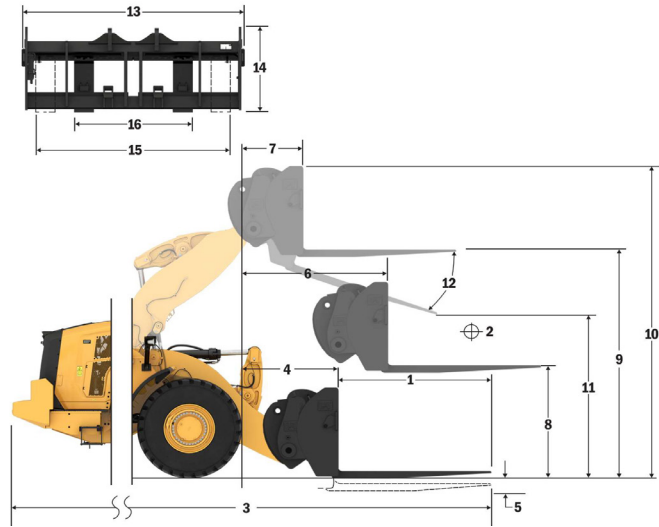
Fork Specifications

1	Tine Length	mm	1830
		in	72.0
2	Load Center	mm	915
		in	36.0
	Static Tipping Load - Straight (Forks Level)	kq	14047
		lbs	30960
	Static Tipping Load - Articulated (Forks Level)	kq	12364
		lbs	27251
	Rated Load (SAE J1197 - 50% FTSTL)	kq	6182
		lbs	13625
	Rated Load (CEN EN 474-3 Rough Terrain - 60% FTSTL)	kq	7418
		lbs	16350
	Rated Load (CEN EN 474-3 Firm and Level Ground - 80% FTSTL)	kq	9594
		lbs	21146
3	Maximum Overall Length	mm	9833
		in	387.1
4	Reach with Forks at Ground Level	mm	1126
		in	44.3
5	*Ground to Bottom of Tine at Minimum Height and Fork Level	mm	-166
		in	-6.5
6	Reach with Arms Horizontal and Forks Level	mm	1694
		in	66.7
7	Reach with Fork at Maximum Height	mm	826
		in	32.5
8	Ground to Top of Tine with Arms Horizontal and Fork Level	mm	1866
		in	73.4
9	Ground to Top of Tine at Maximum Height and Fork Level	mm	3949
		in	155.5
10	Overall Height of Fork at Full Lift (top of carriage to ground)	mm	4724
		in	186.0
11	Clearance at Full Lift and Max Dump	mm	2444
		in	96.2
12	Max Discharge Angle from Horizontal	deg	43
13	Overall Carriage Width	mm	2217
		in	87.3
14	Overall Carriage Height	mm	840
		in	33.1
15	Outside Tine Width (max spread)	mm	2070
		in	81.5
16	Outside Tine Width (min spread)	mm	470
		in	18.5
	Tine Width (single tine)	mm	150.0
		in	5.9
	Tine Thickness	mm	65.0
		in	2.6
	Tine Capacity	kq	5246
		lbs	11562
	Operating Weight	kq	23862
		lbs	52592

*Negative values indicate below grade

966 LOG Construction Fork, FUSION

87" Carriage 72" Tine
530-1861 530-1869

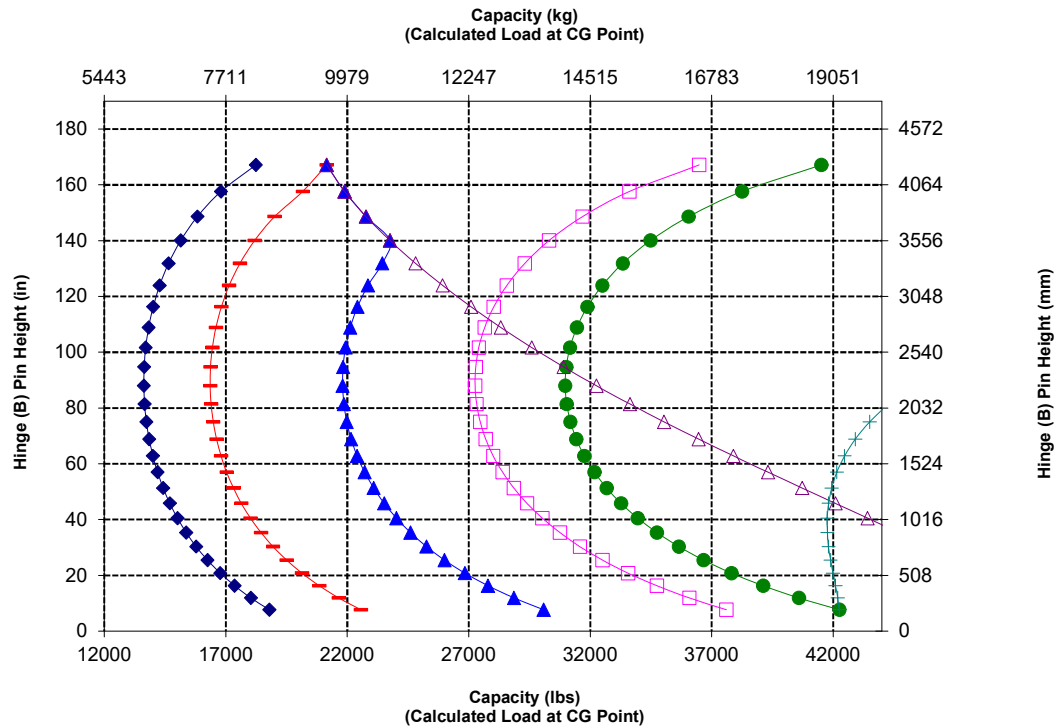


NOTE: Static tipping loads and operating weight are based on the following loader configuration: Bridgestone VJT L3 Tires, Air Conditioning, Ride Control, Powertrain Guard, Full Fluids, Fuel Tank, Coolant, Lubricants, and Operator.

Specifications and ratings conform to the following standards: SAE* J1197, ISO 14397-1, CEN** EN 474-3.

The rated operating load for a loader equipped with a pallet fork is determined by:
SAE J1197: 50% of full turn static tipping load or hydraulic limit.
CEN EN 474-3: 60% of full turn static tipping load on rough terrain or hydraulic limit.
CEN EN 474-3: 80% of full turn static tipping load on firm and level ground or hydraulic limit.

*SAE - Society of Automotive Engineers
**CEN - European Committee for Standardization



WARNING: Do not exceed tine load capacity. Individual tine capacity is stamped on the side of each tine.

966 XE Forestry Machine Specifications

Fork Specifications

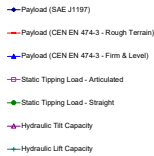
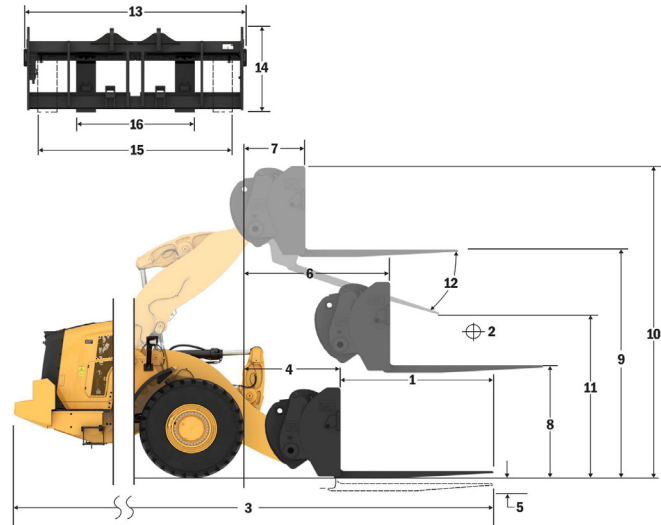
Fork Specifications

1	Tine Length	mm	1219
		in	48.0
2	Load Center	mm	610
		in	24.0
	Static Tipping Load - Straight (Forks Level)	kq	15225
		lbs	33555
	Static Tipping Load - Articulated (Forks Level)	kq	13376
		lbs	29481
	Rated Load (SAE J1197 - 50% FTSTL)	kq	6688
		lbs	14741
	Rated Load (CEN EN 474-3 Rough Terrain - 60% FTSTL)	kq	8026
		lbs	17689
	Rated Load (CEN EN 474-3 Firm and Level Ground - 80% FTSTL)	kq	10701
		lbs	23585
3	Maximum Overall Length	mm	9173
		in	361.1
4	Reach with Forks at Ground Level	mm	1077
		in	42.4
5	*Ground to Bottom of Tine at Minimum Height and Fork Level	mm	-87
		in	-3.4
6	Reach with Arms Horizontal and Forks Level	mm	1685
		in	66.3
7	Reach with Fork at Maximum Height	mm	818
		in	32.2
8	Ground to Top of Tine with Arms Horizontal and Fork Level	mm	1970
		in	77.5
9	Ground to Top of Tine at Maximum Height and Fork Level	mm	4053
		in	159.6
10	Overall Height of Fork at Full Lift (top of carriage to ground)	mm	5093
		in	200.5
11	Clearance at Full Lift and Max Dump	mm	2820
		in	111.0
12	Max Discharge Angle from Horizontal	deg	49
13	Overall Carriage Width	mm	2528
		in	99.5
14	Overall Carriage Height	mm	1130
		in	44.5
15	Outside Tine Width (max spread)	mm	2178
		in	85.7
16	Outside Tine Width (min spread)	mm	576
		in	22.7
	Tine Width (single tine)	mm	180.0
		in	7.1
	Tine Thickness	mm	90.0
		in	3.5
	Tine Capacity	kq	22200
		lbs	48929
	Operating Weight	kq	24124
		lbs	53170

*Negative values indicate below grade

966 LOG Construction Fork, FUSION

96" Carriage 48" Tine
520-7957 520-7985

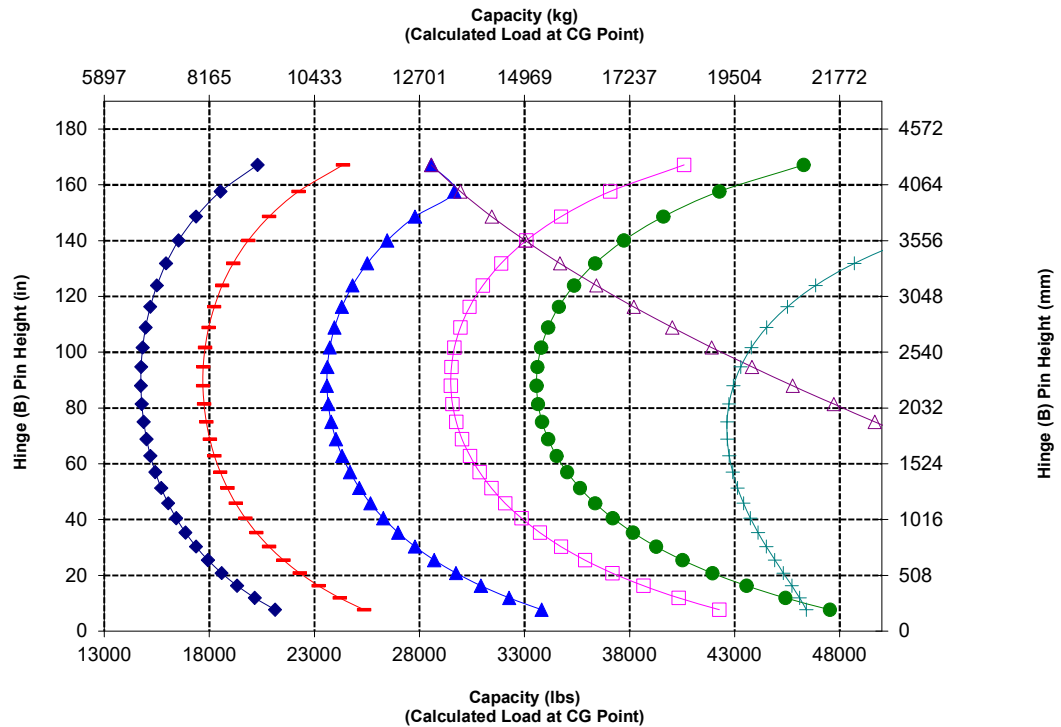


NOTE: Static tipping loads and operating weight are based on the following loader configuration: Bridgestone VJT L3 Tires, Air Conditioning, Ride Control, Powertrain Guard, Full Fluids, Fuel Tank, Coolant, Lubricants, and Operator.

Specifications and ratings conform to the following standards: SAE* J1197, ISO 14397-1, CEN** EN 474-3.

The rated operating load for a loader equipped with a pallet fork is determined by:
SAE J1197: 50% of full turn static tipping load or hydraulic limit.
CEN EN 474-3: 60% of full turn static tipping load on rough terrain or hydraulic limit.
CEN EN 474-3: 80% of full turn static tipping load on firm and level ground or hydraulic limit.

*SAE - Society of Automotive Engineers
**CEN - European Committee for Standardization



WARNING: Do not exceed tine load capacity. Individual tine capacity is stamped on the side of each tine.

966 XE Forestry Machine Specifications

Fork Specifications

Fork Specifications

1	Tine Length	mm	1524
		in	60.0
2	Load Center	mm	762
		in	30.0
	Static Tipping Load - Straight (Forks Level)	kq	14474
		lbs	31901
	Static Tipping Load - Articulated (Forks Level)	kq	12709
		lbs	28011
	Rated Load (SAE J1197 - 50% FTSTL)	kq	6355
		lbs	14005
	Rated Load (CEN EN 474-3 Rough Terrain - 60% FTSTL)	kq	7625
		lbs	16806
	Rated Load (CEN EN 474-3 Firm and Level Ground - 80% FTSTL)	kq	10167
		lbs	22409
3	Maximum Overall Length	mm	9478
		in	373.1
4	Reach with Forks at Ground Level	mm	1077
		in	42.4
5	*Ground to Bottom of Tine at Minimum Height and Fork Level	mm	-87
		in	-3.4
6	Reach with Arms Horizontal and Forks Level	mm	1685
		in	66.4
7	Reach with Fork at Maximum Height	mm	818
		in	32.2
8	Ground to Top of Tine with Arms Horizontal and Fork Level	mm	1970
		in	77.5
9	Ground to Top of Tine at Maximum Height and Fork Level	mm	4053
		in	159.6
10	Overall Height of Fork at Full Lift (top of carriage to ground)	mm	5093
		in	200.5
11	Clearance at Full Lift and Max Dump	mm	2589
		in	101.9
12	Max Discharge Angle from Horizontal	deg	49
13	Overall Carriage Width	mm	2528
		in	99.5
14	Overall Carriage Height	mm	1130
		in	44.5
15	Outside Tine Width (max spread)	mm	2178
		in	85.7
16	Outside Tine Width (min spread)	mm	576
		in	22.7
	Tine Width (single tine)	mm	180.0
		in	7.1
	Tine Thickness	mm	90.0
		in	3.5
	Tine Capacity	kq	17800
		lbs	39231
	Operating Weight	kq	24190
		lbs	53315

*Negative values indicate below grade

966 LOG

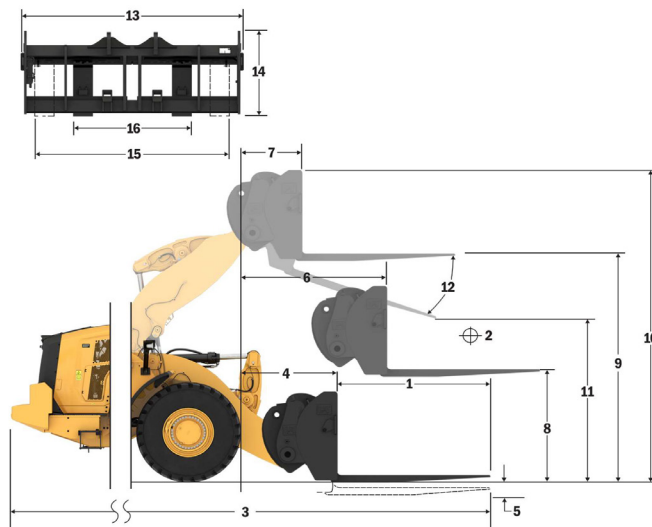
Construction Fork, FUSION

96" Carriage

60" Tine

520-7957

520-7980



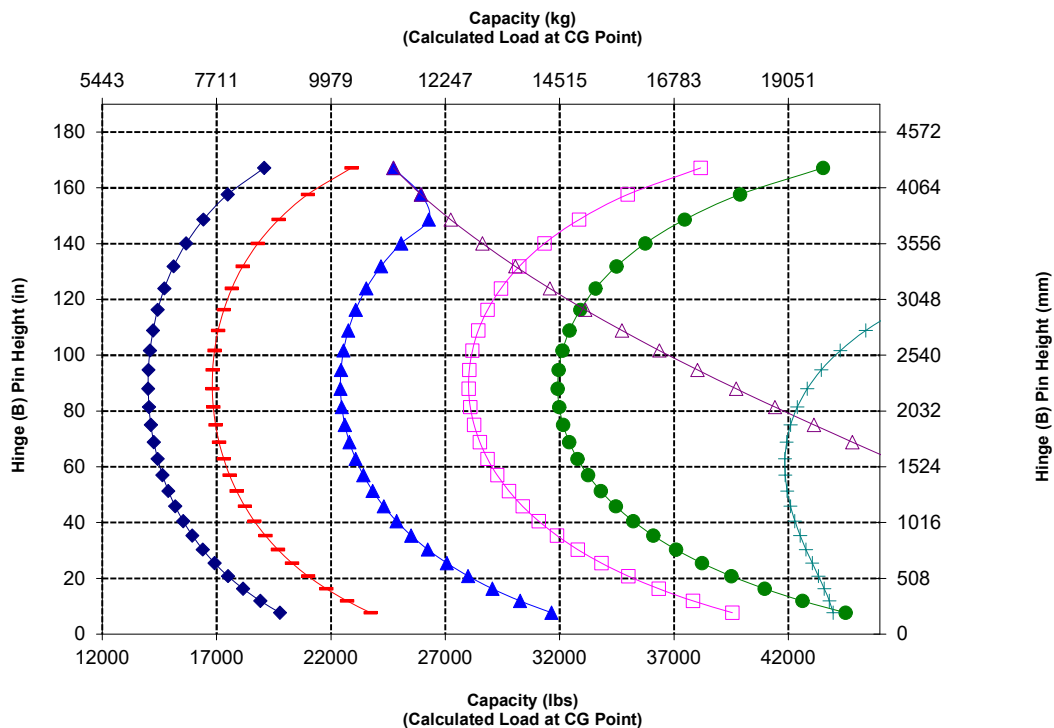
- ◆ Payload (SAE J1197)
- ◆ Payload (CEN EN 474-3 - Rough Terrain)
- ◆ Payload (CEN EN 474-3 - Firm & Level)
- ◆ Static Tipping Load - Articulated
- ◆ Static Tipping Load - Straight
- ◆ Hydraulic TR Capacity
- ◆ Hydraulic LR Capacity

NOTE: Static tipping loads and operating weight are based on the following loader configuration: Bridgestone VJT L3 Tires, Air Conditioning, Ride Control, Powertrain Guard, Full Fluids, Fuel Tank, Coolant, Lubricants, and Operator.

Specifications and ratings conform to the following standards: SAE* J1197, ISO 14397-1, CEN** EN 474-3.

The rated operating load for a loader equipped with a pallet fork is determined by:
 SAE J1197: 50% of full turn static tipping load or hydraulic limit.
 CEN EN 474-3: 60% of full turn static tipping load on rough terrain or hydraulic limit.
 CEN EN 474-3: 80% of full turn static tipping load on firm and level ground or hydraulic limit.

*SAE - Society of Automotive Engineers
 **CEN - European Committee for Standardization



WARNING: Do not exceed tine load capacity. Individual tine capacity is stamped on the side of each tine.

966 XE Forestry Machine Specifications

Fork Specifications

Fork Specifications

1	Tine Length	mm	1829
		in	72.0
2	Load Center	mm	915
		in	36.0
	Static Tipping Load - Straight (Forks Level)	kg	13786
		lbs	30384
	Static Tipping Load - Articulated (Forks Level)	kg	12097
		lbs	26662
	Rated Load (SAE J1197 - 50% FTSTL)	kg	6049
		lbs	13331
	Rated Load (CEN EN 474-3 Rough Terrain - 60% FTSTL)	kg	7258
		lbs	15997
	Rated Load (CEN EN 474-3 Firm and Level Ground - 80% FTSTL)	kg	9678
		lbs	21330
3	Maximum Overall Length	mm	9783
		in	385.1
4	Reach with Forks at Ground Level	mm	1077
		in	42.4
5	*Ground to Bottom of Tine at Minimum Height and Fork Level	mm	-87
		in	-3.4
6	Reach with Arms Horizontal and Forks Level	mm	1685
		in	66.4
7	Reach with Fork at Maximum Height	mm	818
		in	32.2
8	Ground to Top of Tine with Arms Horizontal and Fork Level	mm	1970
		in	77.5
9	Ground to Top of Tine at Maximum Height and Fork Level	mm	4053
		in	159.6
10	Overall Height of Fork at Full Lift (top of carriage to ground)	mm	5093
		in	200.5
11	Clearance at Full Lift and Max Dump	mm	2359
		in	92.9
12	Max Discharge Angle from Horizontal	deg	49
13	Overall Carriage Width	mm	2528
		in	99.5
14	Overall Carriage Height	mm	1130
		in	44.5
15	Outside Tine Width (max spread)	mm	2178
		in	85.7
16	Outside Tine Width (min spread)	mm	576
		in	22.7
	Tine Width (single tine)	mm	180.0
		in	7.1
	Tine Thickness	mm	90.0
		in	3.5
	Tine Capacity	kg	14800
		lbs	32619
	Operating Weight	kg	24251
		lbs	53449

*Negative values indicate below grade

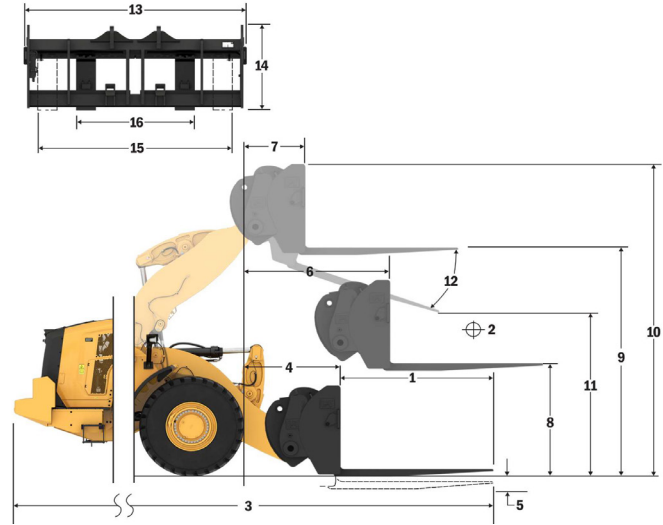
966 LOG Construction Fork, FUSION

96" Carriage

72" Tine

520-7957

520-7979



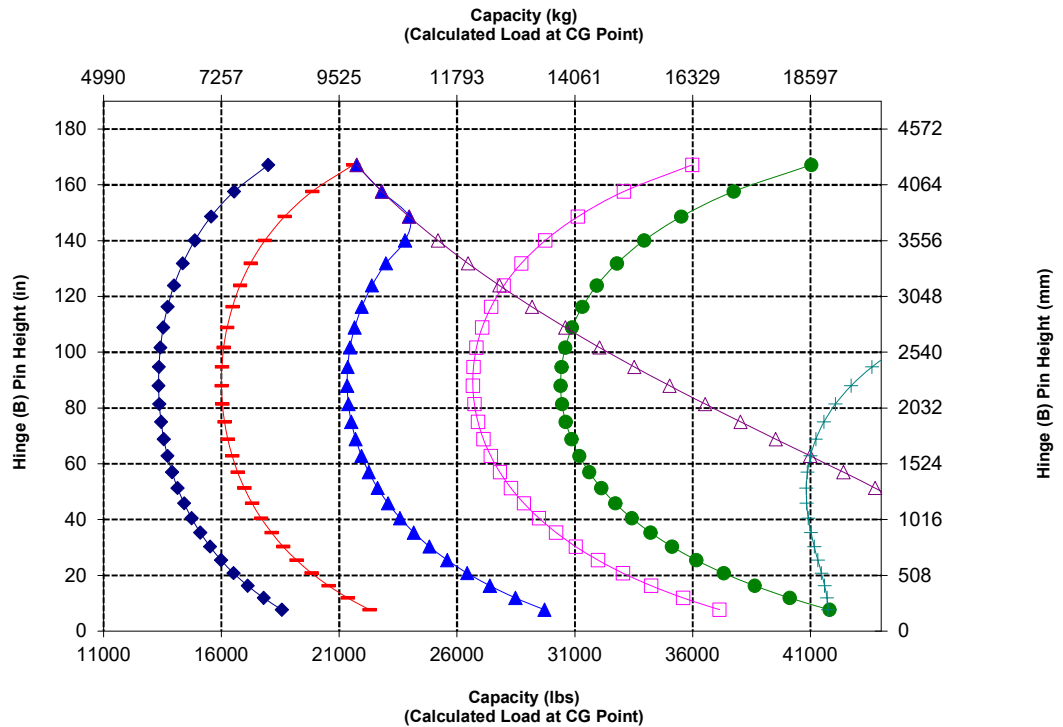
- ◆ Payload (SAE J1197)
- ◆ Payload (CEN EN 474-3 - Rough Terrain)
- ◆ Payload (CEN EN 474-3 - Firm & Level)
- ◆ Static Tipping Load - Articulated
- ◆ Static Tipping Load - Straight
- ◆ Hydraulic TIR Capacity
- ◆ Hydraulic Lift Capacity

NOTE: Static tipping loads and operating weight are based on the following loader configuration: Bridgestone VJT L3 Tires, Air Conditioning, Ride Control, Powertrain Guard, Full Fluids, Fuel Tank, Coolant, Lubricants, and Operator.

Specifications and ratings conform to the following standards: SAE* J1197, ISO 14397-1, CEN** EN 474-3.

The rated operating load for a loader equipped with a pallet fork is determined by:
SAE J1197: 50% of full turn static tipping load or hydraulic limit.
CEN EN 474-3: 60% of full turn static tipping load on rough terrain or hydraulic limit.
CEN EN 474-3: 80% of full turn static tipping load on firm and level ground or hydraulic limit.

*SAE - Society of Automotive Engineers
**CEN - European Committee for Standardization



WARNING: Do not exceed tine load capacity. Individual tine capacity is stamped on the side of each tine.

966 XE Forestry Machine Specifications

Fork Specifications

Fork Specifications

1	Tine Length	mm	2134
		in	84.0
2	Load Center	mm	1067
		in	42.0
	Static Tipping Load - Straight (Forks Level)	kq	13147
		lbs	28976
	Static Tipping Load - Articulated (Forks Level)	kq	11529
		lbs	25410
	Rated Load (SAE J1197 - 50% FTSTL)	kq	5764
		lbs	12705
	Rated Load (CEN EN 474-3 Rough Terrain - 60% FTSTL)	kq	6917
		lbs	15246
	Rated Load (CEN EN 474-3 Firm and Level Ground - 80% FTSTL)	kq	8773
		lbs	19337
3	Maximum Overall Length	mm	10088
		in	397.1
4	Reach with Forks at Ground Level	mm	1077
		in	42.4
5	*Ground to Bottom of Tine at Minimum Height and Fork Level	mm	-87
		in	-3.4
6	Reach with Arms Horizontal and Forks Level	mm	1685
		in	66.4
7	Reach with Fork at Maximum Height	mm	818
		in	32.2
8	Ground to Top of Tine with Arms Horizontal and Fork Level	mm	1970
		in	77.5
9	Ground to Top of Tine at Maximum Height and Fork Level	mm	4053
		in	159.6
10	Overall Height of Fork at Full Lift (top of carriage to ground)	mm	5093
		in	200.5
11	Clearance at Full Lift and Max Dump	mm	2128
		in	83.8
12	Max Discharge Angle from Horizontal	deg	49
13	Overall Carriage Width	mm	2528
		in	99.5
14	Overall Carriage Height	mm	1130
		in	44.5
15	Outside Tine Width (max spread)	mm	2178
		in	85.7
16	Outside Tine Width (min spread)	mm	576
		in	22.7
	Tine Width (single tine)	mm	180.0
		in	7.1
	Tine Thickness	mm	90.0
		in	3.5
	Tine Capacity	kq	12700
		lbs	27991
	Operating Weight	kq	24314
		lbs	53588

*Negative values indicate below grade

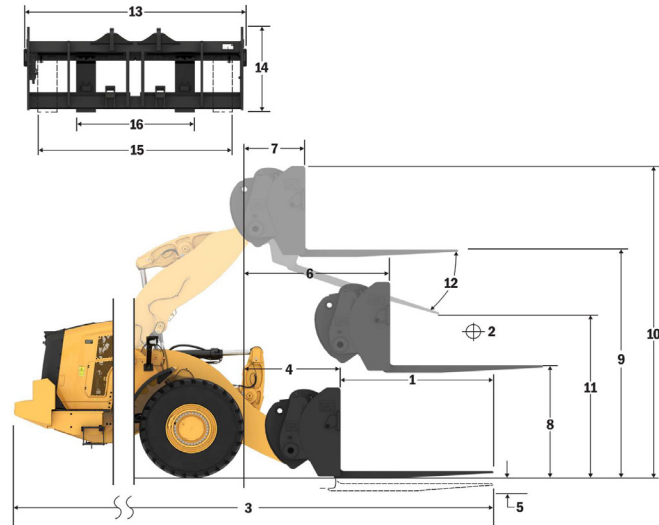
966 LOG Construction Fork, FUSION

96" Carriage

84" Tine

520-7957

520-7986



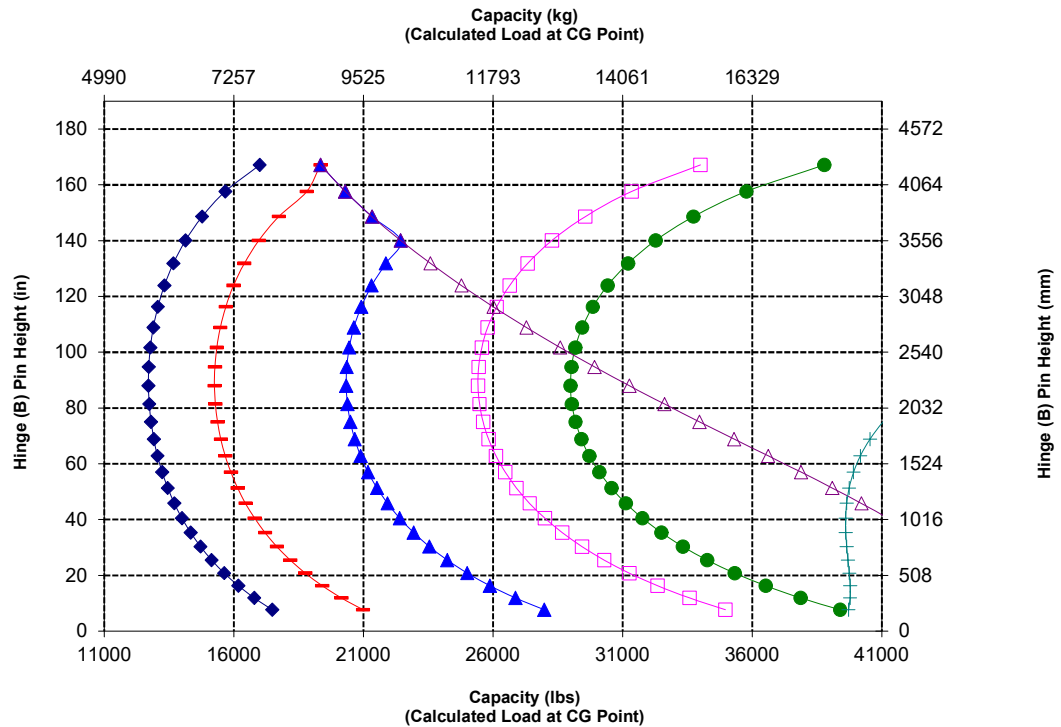
- ◆ Payload (SAE J1197)
- ◆ Payload (CEN EN 474-3 - Rough Terrain)
- ◆ Payload (CEN EN 474-3 - Firm & Level)
- ◆ Static Tipping Load - Articulated
- ◆ Static Tipping Load - Straight
- ◆ Hydraulic TR Capacity
- ◆ Hydraulic LR Capacity

NOTE: Static tipping loads and operating weight are based on the following loader configuration: Bridgestone VJT L3 Tires, Air Conditioning, Ride Control, Powertrain Guard, Full Fluids, Fuel Tank, Coolant, Lubricants, and Operator.

Specifications and ratings conform to the following standards: SAE* J1197, ISO 14397-1, CEN** EN 474-3.

The rated operating load for a loader equipped with a pallet fork is determined by:
SAE J1197: 50% of full turn static tipping load or hydraulic limit.
CEN EN 474-3: 60% of full turn static tipping load on rough terrain or hydraulic limit.
CEN EN 474-3: 80% of full turn static tipping load on firm and level ground or hydraulic limit.

*SAE - Society of Automotive Engineers
**CEN - European Committee for Standardization



WARNING: Do not exceed tine load capacity. Individual tine capacity is stamped on the side of each tine.

966 XE Forestry Machine Specifications

Fork Specifications

Fork Specifications

1	Tine Length	mm	2438
		in	96.0
2	Load Center	mm	1219
		in	48.0
	Static Tipping Load - Straight (Forks Level)	kg	12557
		lbs	27677
	Static Tipping Load - Articulated (Forks Level)	kg	11004
		lbs	24252
	Rated Load (SAE J1197 - 50% FTSTL)	kg	5502
		lbs	12126
	Rated Load (CEN EN 474-3 Rough Terrain - 60% FTSTL)	kg	6602
		lbs	14551
	Rated Load (CEN EN 474-3 Firm and Level Ground - 80% FTSTL)	kg	7882
		lbs	17371
3	Maximum Overall Length	mm	10392
		in	409.1
4	Reach with Forks at Ground Level	mm	1077
		in	42.4
5	*Ground to Bottom of Tine at Minimum Height and Fork Level	mm	-87
		in	-3.4
6	Reach with Arms Horizontal and Forks Level	mm	1685
		in	66.4
7	Reach with Fork at Maximum Height	mm	818
		in	32.2
8	Ground to Top of Tine with Arms Horizontal and Fork Level	mm	1970
		in	77.5
9	Ground to Top of Tine at Maximum Height and Fork Level	mm	4053
		in	159.6
10	Overall Height of Fork at Full Lift (top of carriage to ground)	mm	5093
		in	200.5
11	Clearance at Full Lift and Max Dump	mm	1899
		in	74.7
12	Max Discharge Angle from Horizontal	deg	49
13	Overall Carriage Width	mm	2528
		in	99.5
14	Overall Carriage Height	mm	1130
		in	44.5
15	Outside Tine Width (max spread)	mm	2178
		in	85.7
16	Outside Tine Width (min spread)	mm	576
		in	22.7
	Tine Width (single tine)	mm	180.0
		in	7.1
	Tine Thickness	mm	90.0
		in	3.5
	Tine Capacity	kg	11300
		lbs	24905
	Operating Weight	kg	24376
		lbs	53725

*Negative values indicate below grade

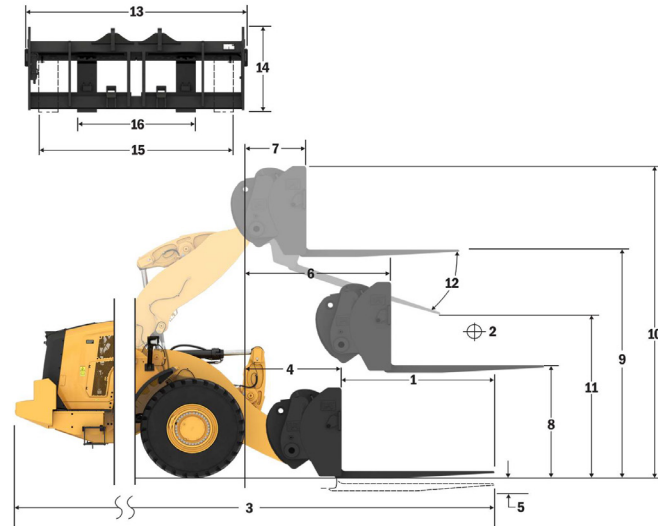
966 LOG Construction Fork, FUSION

96" Carriage

96" Tine

520-7957

520-7981



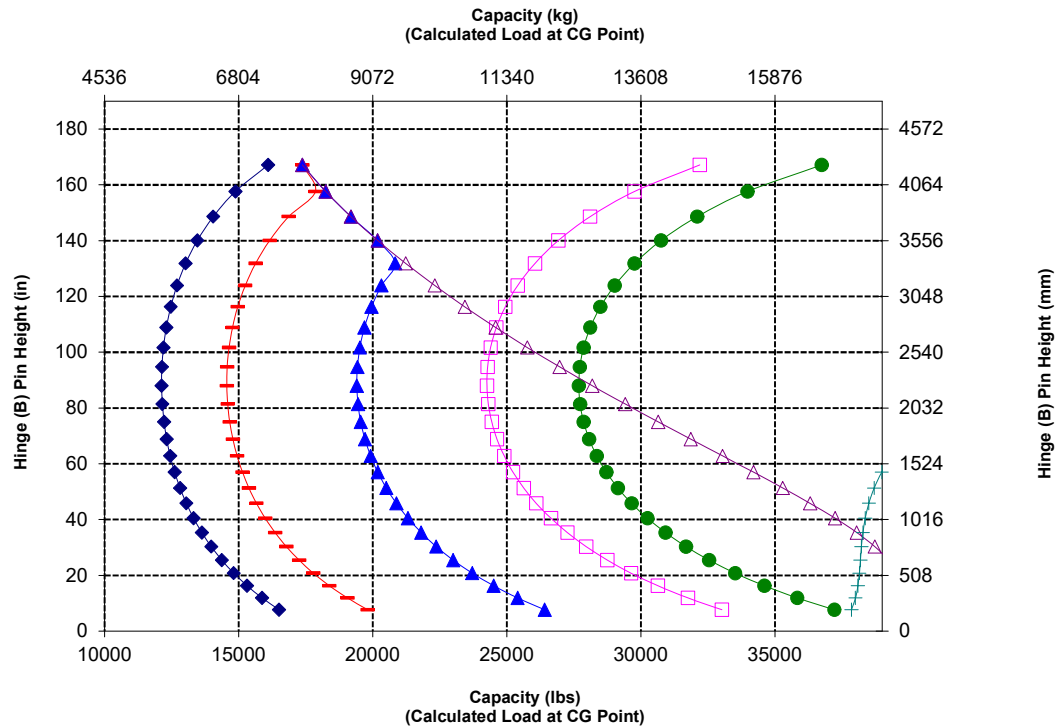
- ◆ Payload (SAE J1197)
- ◆ Payload (CEN EN 474-3 - Rough Terrain)
- ◆ Payload (CEN EN 474-3 - Firm & Level)
- ◆ Static Tipping Load - Articulated
- ◆ Static Tipping Load - Straight
- ◆ Hydraulic TIR Capacity
- ◆ Hydraulic Lift Capacity

NOTE: Static tipping loads and operating weight are based on the following loader configuration: Bridgestone VJT L3 Tires, Air Conditioning, Ride Control, Powertrain Guard, Full Fluids, Fuel Tank, Coolant, Lubricants, and Operator.

Specifications and ratings conform to the following standards: SAE* J1197, ISO 14397-1, CEN** EN 474-3.

The rated operating load for a loader equipped with a pallet fork is determined by:
SAE J1197: 50% of full turn static tipping load or hydraulic limit.
CEN EN 474-3: 60% of full turn static tipping load on rough terrain or hydraulic limit.
CEN EN 474-3: 80% of full turn static tipping load on firm and level ground or hydraulic limit.

*SAE - Society of Automotive Engineers
**CEN - European Committee for Standardization



WARNING: Do not exceed tine load capacity. Individual tine capacity is stamped on the side of each tine.

966 XE Forestry Machine Specifications

Fork Specifications

Fork Specifications

1	Tine Length	mm	1219
		in	48.0
2	Load Center	mm	610
		in	24.0
	Static Tipping Load - Straight (Forks Level)	kg	15184
		lbs	33466
	Static Tipping Load - Articulated (Forks Level)	kg	13336
		lbs	29392
	Rated Load (SAE J1197 - 50% FTSTL)	kg	6668
		lbs	14696
	Rated Load (CEN EN 474-3 Rough Terrain - 60% FTSTL)	kg	8001
		lbs	17635
	Rated Load (CEN EN 474-3 Firm and Level Ground - 80% FTSTL)	kg	10669
		lbs	23513
3	Maximum Overall Length	mm	9173
		in	361.1
4	Reach with Forks at Ground Level	mm	1077
		in	42.4
5	*Ground to Bottom of Tine at Minimum Height and Fork Level	mm	-87
		in	-3.4
6	Reach with Arms Horizontal and Forks Level	mm	1685
		in	66.3
7	Reach with Fork at Maximum Height	mm	818
		in	32.2
8	Ground to Top of Tine with Arms Horizontal and Fork Level	mm	1970
		in	77.5
9	Ground to Top of Tine at Maximum Height and Fork Level	mm	4053
		in	159.6
10	Overall Height of Fork at Full Lift (top of carriage to ground)	mm	5093
		in	200.5
11	Clearance at Full Lift and Max Dump	mm	2820
		in	111.0
12	Max Discharge Angle from Horizontal	deg	49
13	Overall Carriage Width	mm	2833
		in	111.5
14	Overall Carriage Height	mm	1130
		in	44.5
15	Outside Tine Width (max spread)	mm	2493
		in	98.1
16	Outside Tine Width (min spread)	mm	590
		in	23.2
	Tine Width (single tine)	mm	180.0
		in	7.1
	Tine Thickness	mm	90.0
		in	3.5
	Tine Capacity	kg	22200
		lbs	48929
	Operating Weight	kg	24177
		lbs	53286

*Negative values indicate below grade

966 LOG

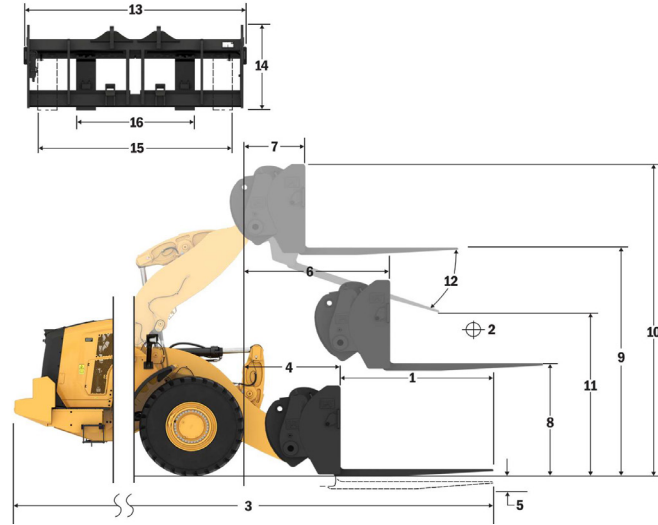
Construction Fork, FUSION

108" Carriage

48" Tine

520-7968

520-7985



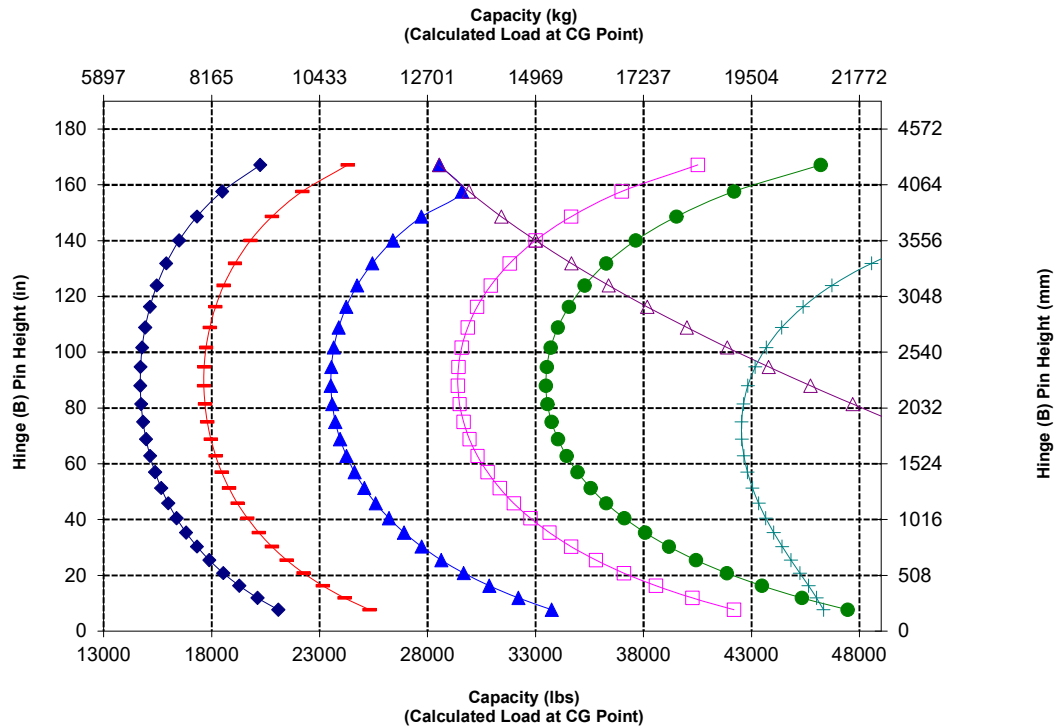
- ◆ Payload (SAE J1197)
- ◆ Payload (CEN EN 474-3 - Rough Terrain)
- ◆ Payload (CEN EN 474-3 - Firm & Level)
- ◆ Static Tipping Load - Articulated
- ◆ Static Tipping Load - Straight
- ◆ Hydraulic TIR Capacity
- ◆ Hydraulic Lift Capacity

NOTE: Static tipping loads and operating weight are based on the following loader configuration: Bridgestone VJT L3 Tires, Air Conditioning, Ride Control, Powertrain Guard, Full Fluids, Fuel Tank, Coolant, Lubricants, and Operator.

Specifications and ratings conform to the following standards: SAE* J1197, ISO 14397-1, CEN** EN 474-3.

The rated operating load for a loader equipped with a pallet fork is determined by:
SAE J1197: 50% of full turn static tipping load or hydraulic limit.
CEN EN 474-3: 60% of full turn static tipping load on rough terrain or hydraulic limit.
CEN EN 474-3: 80% of full turn static tipping load on firm and level ground or hydraulic limit.

*SAE - Society of Automotive Engineers
**CEN - European Committee for Standardization



WARNING: Do not exceed tine load capacity. Individual tine capacity is stamped on the side of each tine.

966 XE Forestry Machine Specifications

Fork Specifications

Fork Specifications

1	Tine Length	mm	1524
		in	60.0
2	Load Center	mm	762
		in	30.0
	Static Tipping Load - Straight (Forks Level)	kq	14439
		lbs	31824
	Static Tipping Load - Articulated (Forks Level)	kq	12674
		lbs	27933
	Rated Load (SAE J1197 - 50% FTSTL)	kq	6337
		lbs	13967
	Rated Load (CEN EN 474-3 Rough Terrain - 60% FTSTL)	kq	7604
		lbs	16760
	Rated Load (CEN EN 474-3 Firm and Level Ground - 80% FTSTL)	kq	10139
		lbs	22347
3	Maximum Overall Length	mm	9478
		in	373.1
4	Reach with Forks at Ground Level	mm	1077
		in	42.4
5	*Ground to Bottom of Tine at Minimum Height and Fork Level	mm	-87
		in	-3.4
6	Reach with Arms Horizontal and Forks Level	mm	1685
		in	66.4
7	Reach with Fork at Maximum Height	mm	818
		in	32.2
8	Ground to Top of Tine with Arms Horizontal and Fork Level	mm	1970
		in	77.5
9	Ground to Top of Tine at Maximum Height and Fork Level	mm	4053
		in	159.6
10	Overall Height of Fork at Full Lift (top of carriage to ground)	mm	5093
		in	200.5
11	Clearance at Full Lift and Max Dump	mm	2589
		in	101.9
12	Max Discharge Angle from Horizontal	deg	49
13	Overall Carriage Width	mm	2833
		in	111.5
14	Overall Carriage Height	mm	1130
		in	44.5
15	Outside Tine Width (max spread)	mm	2483
		in	97.8
16	Outside Tine Width (min spread)	mm	590
		in	23.2
	Tine Width (single tine)	mm	180.0
		in	7.1
	Tine Thickness	mm	90.0
		in	3.5
	Tine Capacity	kq	17800
		lbs	39231
	Operating Weight	kq	24239
		lbs	53423

*Negative values indicate below grade

966 LOG

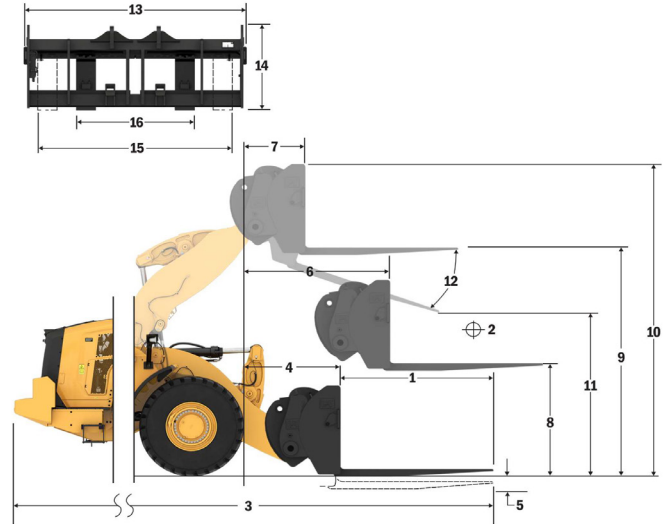
Construction Fork, FUSION

108" Carriage

60" Tine

520-7968

520-7980



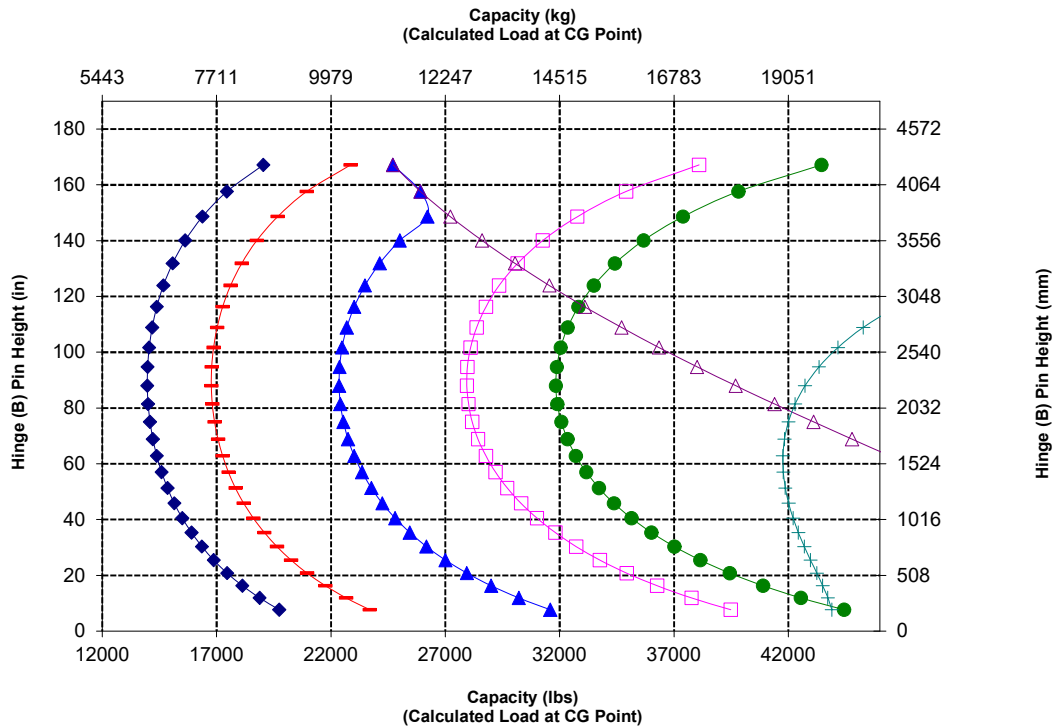
- ◆ Payload (SAE J1197)
- ◆ Payload (CEN EN 474-3 - Rough Terrain)
- ◆ Payload (CEN EN 474-3 - Firm & Level)
- ◆ Static Tipping Load - Articulated
- ◆ Static Tipping Load - Straight
- ◆ Hydraulic TR Capacity
- ◆ Hydraulic LR Capacity

NOTE: Static tipping loads and operating weight are based on the following loader configuration: Bridgestone VJT L3 Tires, Air Conditioning, Ride Control, Powertrain Guard, Full Fluids, Fuel Tank, Coolant, Lubricants, and Operator.

Specifications and ratings conform to the following standards: SAE* J1197, ISO 14397-1, CEN** EN 474-3.

The rated operating load for a loader equipped with a pallet fork is determined by:
 SAE J1197: 50% of full turn static tipping load or hydraulic limit.
 CEN EN 474-3: 60% of full turn static tipping load on rough terrain or hydraulic limit.
 CEN EN 474-3: 80% of full turn static tipping load on firm and level ground or hydraulic limit.

*SAE - Society of Automotive Engineers
 **CEN - European Committee for Standardization



WARNING: Do not exceed tine load capacity. Individual tine capacity is stamped on the side of each tine.

966 XE Forestry Machine Specifications

Fork Specifications

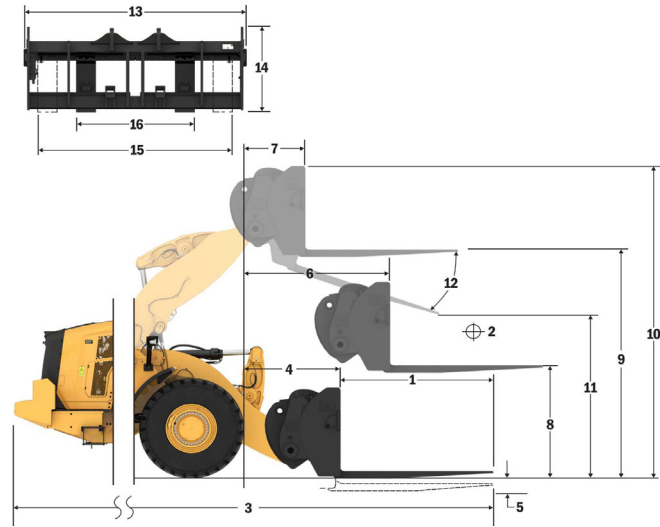
Fork Specifications

1	Tine Length	mm	1829
		in	72.0
2	Load Center	mm	915
		in	36.0
	Static Tipping Load - Straight (Forks Level)	kg	13751
		lbs	30307
	Static Tipping Load - Articulated (Forks Level)	kg	12062
		lbs	26585
	Rated Load (SAE J1197 - 50% FTSTL)	kg	6031
		lbs	13293
	Rated Load (CEN EN 474-3 Rough Terrain - 60% FTSTL)	kg	7237
		lbs	15951
	Rated Load (CEN EN 474-3 Firm and Level Ground - 80% FTSTL)	kg	9650
		lbs	21268
3	Maximum Overall Length	mm	9783
		in	385.1
4	Reach with Forks at Ground Level	mm	1077
		in	42.4
5	*Ground to Bottom of Tine at Minimum Height and Fork Level	mm	-87
		in	-3.4
6	Reach with Arms Horizontal and Forks Level	mm	1685
		in	66.4
7	Reach with Fork at Maximum Height	mm	818
		in	32.2
8	Ground to Top of Tine with Arms Horizontal and Fork Level	mm	1970
		in	77.5
9	Ground to Top of Tine at Maximum Height and Fork Level	mm	4053
		in	159.6
10	Overall Height of Fork at Full Lift (top of carriage to ground)	mm	5093
		in	200.5
11	Clearance at Full Lift and Max Dump	mm	2359
		in	92.9
12	Max Discharge Angle from Horizontal	deg	49
13	Overall Carriage Width	mm	2833
		in	111.5
14	Overall Carriage Height	mm	1130
		in	44.5
15	Outside Tine Width (max spread)	mm	2483
		in	97.8
16	Outside Tine Width (min spread)	mm	590
		in	23.2
	Tine Width (single tine)	mm	180.0
		in	7.1
	Tine Thickness	mm	90.0
		in	3.5
	Tine Capacity	kg	14800
		lbs	32619
	Operating Weight	kg	24301
		lbs	53560

*Negative values indicate below grade

966 LOG Construction Fork, FUSION

108" Carriage 72" Tine
520-7968 520-7979



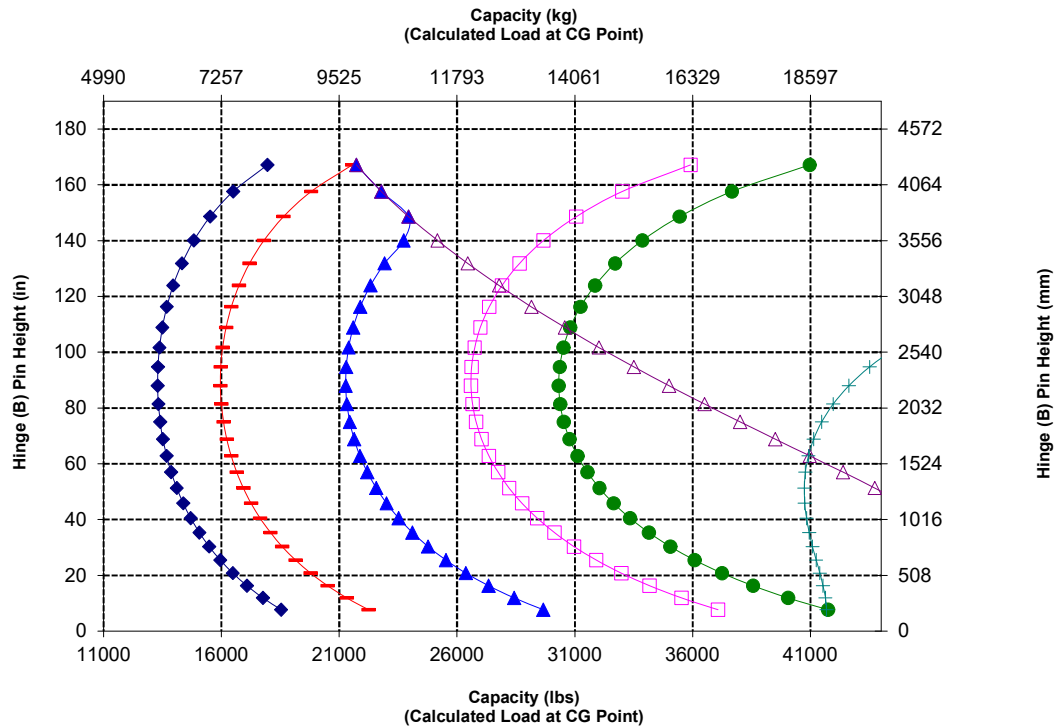
- ◆ Payload (SAE J1197)
- ◆ Payload (CEN EN 474-3 - Rough Terrain)
- ◆ Payload (CEN EN 474-3 - Firm & Level)
- ◆ Static Tipping Load - Articulated
- ◆ Static Tipping Load - Straight
- ◆ Hydraulic TIR Capacity
- ◆ Hydraulic Lift Capacity

NOTE: Static tipping loads and operating weight are based on the following loader configuration: Bridgestone VJT L3 Tires, Air Conditioning, Ride Control, Powertrain Guard, Full Fluids, Fuel Tank, Coolant, Lubricants, and Operator.

Specifications and ratings conform to the following standards: SAE* J1197, ISO 14397-1, CEN** EN 474-3.

The rated operating load for a loader equipped with a pallet fork is determined by:
SAE J1197: 50% of full turn static tipping load or hydraulic limit.
CEN EN 474-3: 60% of full turn static tipping load on rough terrain or hydraulic limit.
CEN EN 474-3: 80% of full turn static tipping load on firm and level ground or hydraulic limit.

*SAE - Society of Automotive Engineers
**CEN - European Committee for Standardization



WARNING: Do not exceed tine load capacity. Individual tine capacity is stamped on the side of each tine.

966 XE Forestry Machine Specifications

Fork Specifications

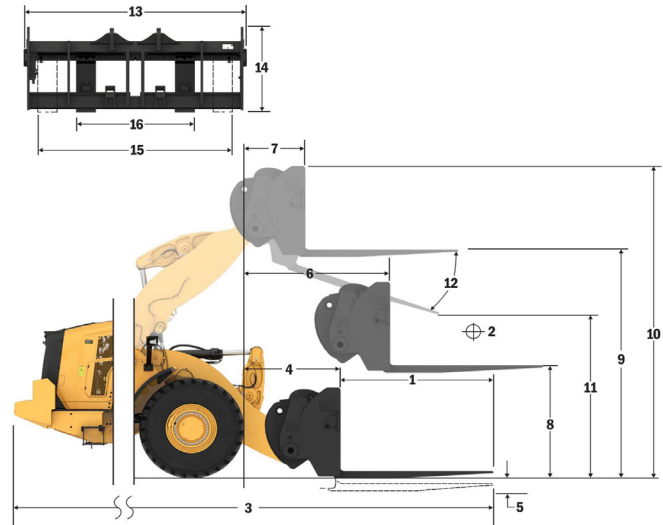
Fork Specifications

1	Tine Length	mm	2134
		in	84.0
2	Load Center	mm	1067
		in	42.0
	Static Tipping Load - Straight (Forks Level)	kq	13115
		lbs	28905
	Static Tipping Load - Articulated (Forks Level)	kq	11497
		lbs	25338
	Rated Load (SAE J1197 - 50% FTSTL)	kq	5748
		lbs	12669
	Rated Load (CEN EN 474-3 Rough Terrain - 60% FTSTL)	kq	6898
		lbs	15203
	Rated Load (CEN EN 474-3 Firm and Level Ground - 80% FTSTL)	kq	8767
		lbs	19322
3	Maximum Overall Length	mm	10088
		in	397.1
4	Reach with Forks at Ground Level	mm	1077
		in	42.4
5	*Ground to Bottom of Tine at Minimum Height and Fork Level	mm	-87
		in	-3.4
6	Reach with Arms Horizontal and Forks Level	mm	1685
		in	66.4
7	Reach with Fork at Maximum Height	mm	818
		in	32.2
8	Ground to Top of Tine with Arms Horizontal and Fork Level	mm	1970
		in	77.5
9	Ground to Top of Tine at Maximum Height and Fork Level	mm	4053
		in	159.6
10	Overall Height of Fork at Full Lift (top of carriage to ground)	mm	5093
		in	200.5
11	Clearance at Full Lift and Max Dump	mm	2128
		in	83.8
12	Max Discharge Angle from Horizontal	deg	49
13	Overall Carriage Width	mm	2833
		in	111.5
14	Overall Carriage Height	mm	1130
		in	44.5
15	Outside Tine Width (max spread)	mm	2483
		in	97.8
16	Outside Tine Width (min spread)	mm	590
		in	23.2
	Tine Width (single tine)	mm	180.0
		in	7.1
	Tine Thickness	mm	90.0
		in	3.5
	Tine Capacity	kq	12700
		lbs	27991
	Operating Weight	kq	24363
		lbs	53696

*Negative values indicate below grade

966 LOG Construction Fork, FUSION

108" Carriage 84" Tine
520-7968 520-7986



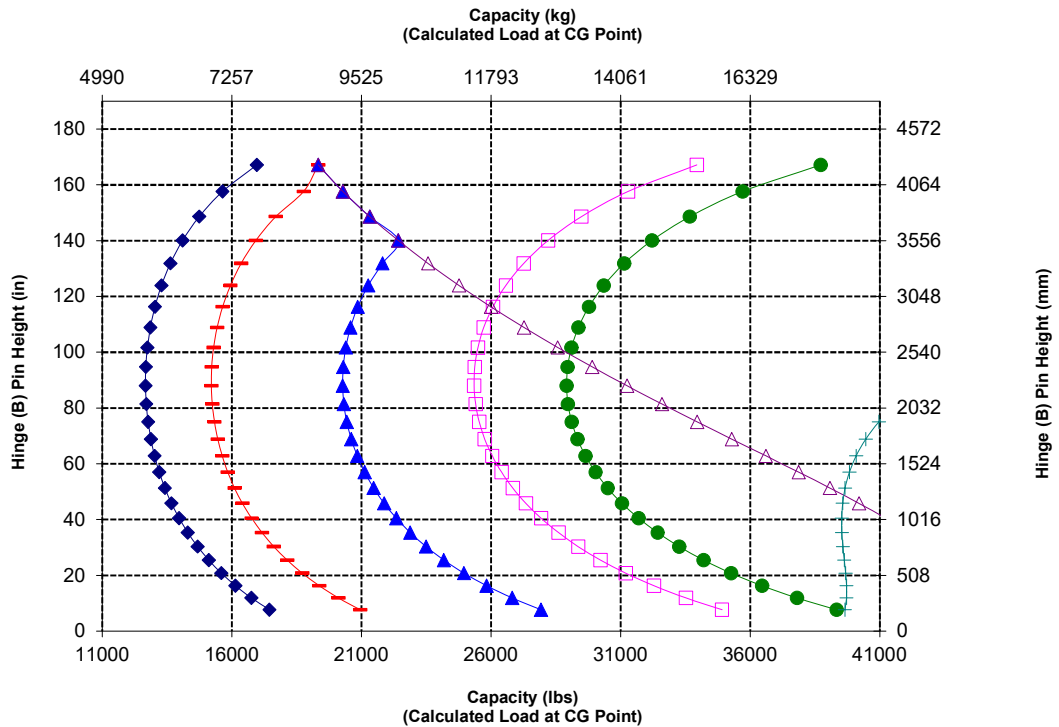
- ◆ Payload (SAE J1197)
- ◆ Payload (CEN EN 474-3 - Rough Terrain)
- ◆ Payload (CEN EN 474-3 - Firm & Level)
- ◆ Static Tipping Load - Articulated
- ◆ Static Tipping Load - Straight
- ◆ Hydraulic TR Capacity
- ◆ Hydraulic LR Capacity

NOTE: Static tipping loads and operating weight are based on the following loader configuration: Bridgestone VJT L3 Tires, Air Conditioning, Ride Control, Powertrain Guard, Full Fluids, Fuel Tank, Coolant, Lubricants, and Operator.

Specifications and ratings conform to the following standards: SAE* J1197, ISO 14397-1, CEN** EN 474-3.

The rated operating load for a loader equipped with a pallet fork is determined by:
SAE J1197: 50% of full turn static tipping load or hydraulic limit.
CEN EN 474-3: 60% of full turn static tipping load on rough terrain or hydraulic limit.
CEN EN 474-3: 80% of full turn static tipping load on firm and level ground or hydraulic limit.

*SAE - Society of Automotive Engineers
**CEN - European Committee for Standardization



WARNING: Do not exceed tine load capacity. Individual tine capacity is stamped on the side of each tine.

966 XE Forestry Machine Specifications

Fork Specifications

Fork Specifications

1	Tine Length	mm	2438
		in	96.0
2	Load Center	mm	1219
		in	48.0
	Static Tipping Load - Straight (Forks Level)	kg	12526
		lbs	27606
	Static Tipping Load - Articulated (Forks Level)	kg	10972
		lbs	24182
	Rated Load (SAE J1197 - 50% FTSTL)	kg	5486
		lbs	12091
	Rated Load (CEN EN 474-3 Rough Terrain - 60% FTSTL)	kg	6583
		lbs	14509
	Rated Load (CEN EN 474-3 Firm and Level Ground - 80% FTSTL)	kg	7875
		lbs	17357
3	Maximum Overall Length	mm	10392
		in	409.1
4	Reach with Forks at Ground Level	mm	1077
		in	42.4
5	*Ground to Bottom of Tine at Minimum Height and Fork Level	mm	-87
		in	-3.4
6	Reach with Arms Horizontal and Forks Level	mm	1685
		in	66.4
7	Reach with Fork at Maximum Height	mm	818
		in	32.2
8	Ground to Top of Tine with Arms Horizontal and Fork Level	mm	1970
		in	77.5
9	Ground to Top of Tine at Maximum Height and Fork Level	mm	4053
		in	159.6
10	Overall Height of Fork at Full Lift (top of carriage to ground)	mm	5093
		in	200.5
11	Clearance at Full Lift and Max Dump	mm	1899
		in	74.7
12	Max Discharge Angle from Horizontal	deg	49
13	Overall Carriage Width	mm	2833
		in	111.5
14	Overall Carriage Height	mm	1130
		in	44.5
15	Outside Tine Width (max spread)	mm	2483
		in	97.8
16	Outside Tine Width (min spread)	mm	590
		in	23.2
	Tine Width (single tine)	mm	180.0
		in	7.1
	Tine Thickness	mm	90.0
		in	3.5
	Tine Capacity	kg	11300
		lbs	24905
	Operating Weight	kg	24426
		lbs	53835

*Negative values indicate below grade

966 LOG

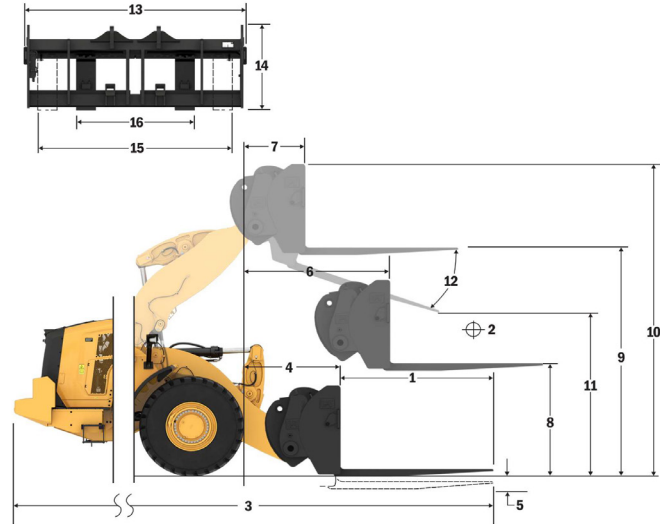
Construction Fork, FUSION

108" Carriage

96" Tine

520-7968

520-7981



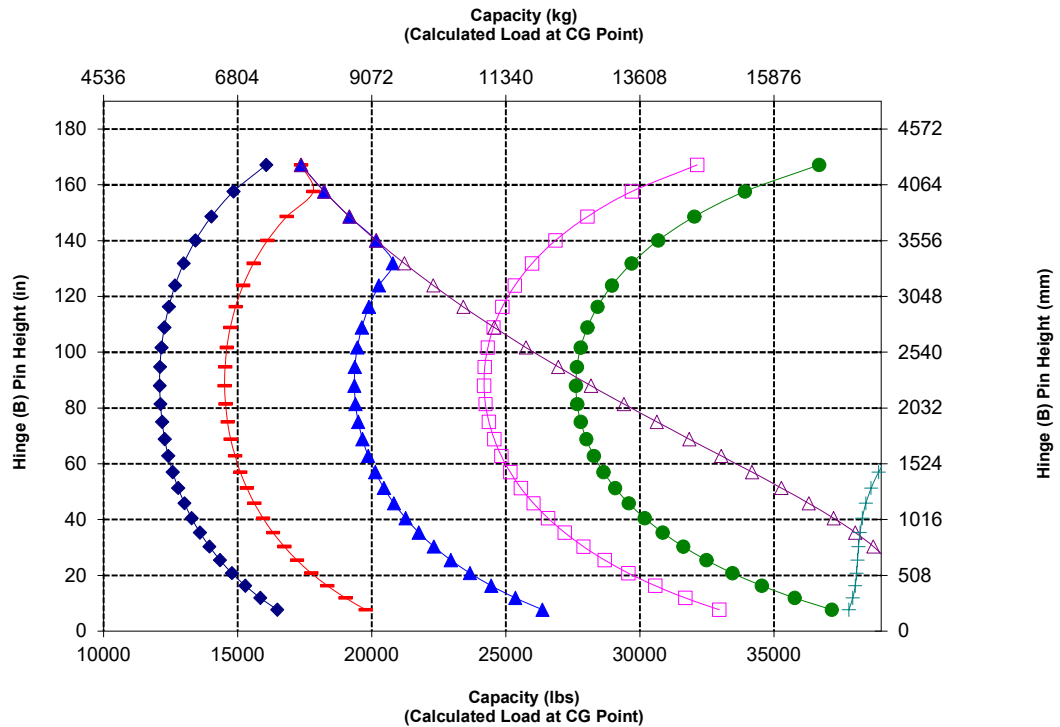
- ◆ Payload (SAE J1197)
- ◆ Payload (CEN EN 474-3 - Rough Terrain)
- ◆ Payload (CEN EN 474-3 - Firm & Level)
- ◆ Static Tipping Load - Articulated
- ◆ Static Tipping Load - Straight
- ◆ Hydraulic TIR Capacity
- ◆ Hydraulic Lift Capacity

NOTE: Static tipping loads and operating weight are based on the following loader configuration: Bridgestone VJT L3 Tires, Air Conditioning, Ride Control, Powertrain Guard, Full Fluids, Fuel Tank, Coolant, Lubricants, and Operator.

Specifications and ratings conform to the following standards: SAE* J1197, ISO 14397-1, CEN** EN 474-3.

The rated operating load for a loader equipped with a pallet fork is determined by:
SAE J1197: 50% of full turn static tipping load or hydraulic limit.
CEN EN 474-3: 60% of full turn static tipping load on rough terrain or hydraulic limit.
CEN EN 474-3: 80% of full turn static tipping load on firm and level ground or hydraulic limit.

*SAE - Society of Automotive Engineers
**CEN - European Committee for Standardization



WARNING: Do not exceed tine load capacity. Individual tine capacity is stamped on the side of each tine.

966 XE Forestry Machine Specifications

Fork Specifications

Fork Specifications

1	Tine Length	mm	1829
		in	72.0
2	Load Center	mm	915
		in	36.0
	Static Tipping Load - Straight (Forks Level)	kq	13665
		lbs	30118
	Static Tipping Load - Articulated (Forks Level)	kq	11994
		lbs	26435
	Rated Load (SAE J1197 - 50% FTSTL)	kq	5997
		lbs	13217
	Rated Load (CEN EN 474-3 Rough Terrain - 60% FTSTL)	kq	7196
		lbs	15861
	Rated Load (CEN EN 474-3 Firm and Level Ground - 80% FTSTL)	kq	9443
		lbs	20812
3	Maximum Overall Length	mm	9826
		in	386.8
4	Reach with Forks at Ground Level	mm	1120
		in	44.1
5	*Ground to Bottom of Tine at Minimum Height and Fork Level	mm	-88
		in	-3.5
6	Reach with Arms Horizontal and Forks Level	mm	1728
		in	68.0
7	Reach with Fork at Maximum Height	mm	860
		in	33.9
8	Ground to Top of Tine with Arms Horizontal and Fork Level	mm	1968
		in	77.5
9	Ground to Top of Tine at Maximum Height and Fork Level	mm	4052
		in	159.5
10	Overall Height of Fork at Full Lift (top of carriage to ground)	mm	5565
		in	219.1
11	Clearance at Full Lift and Max Dump	mm	2377
		in	93.6
12	Max Discharge Angle from Horizontal	deg	47
13	Overall Carriage Width	mm	2470
		in	97.3
14	Overall Carriage Height	mm	1603
		in	63.1
15	Outside Tine Width (max spread)	mm	2366
		in	93.1
16	Outside Tine Width (min spread)	mm	1002
		in	39.4
	Tine Width (single tine)	mm	180.0
		in	7.1
	Tine Thickness	mm	90.0
		in	3.5
	Tine Capacity	kq	12600
		lbs	27770
	Operating Weight	kq	24202
		lbs	53341

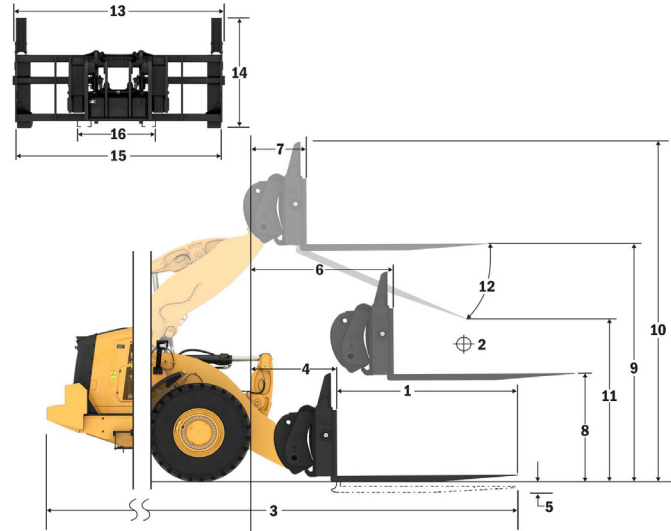
*Negative values indicate below grade

966 LOG

Log & Lumber No Clamp, FUSION

72" Tine

379-2199



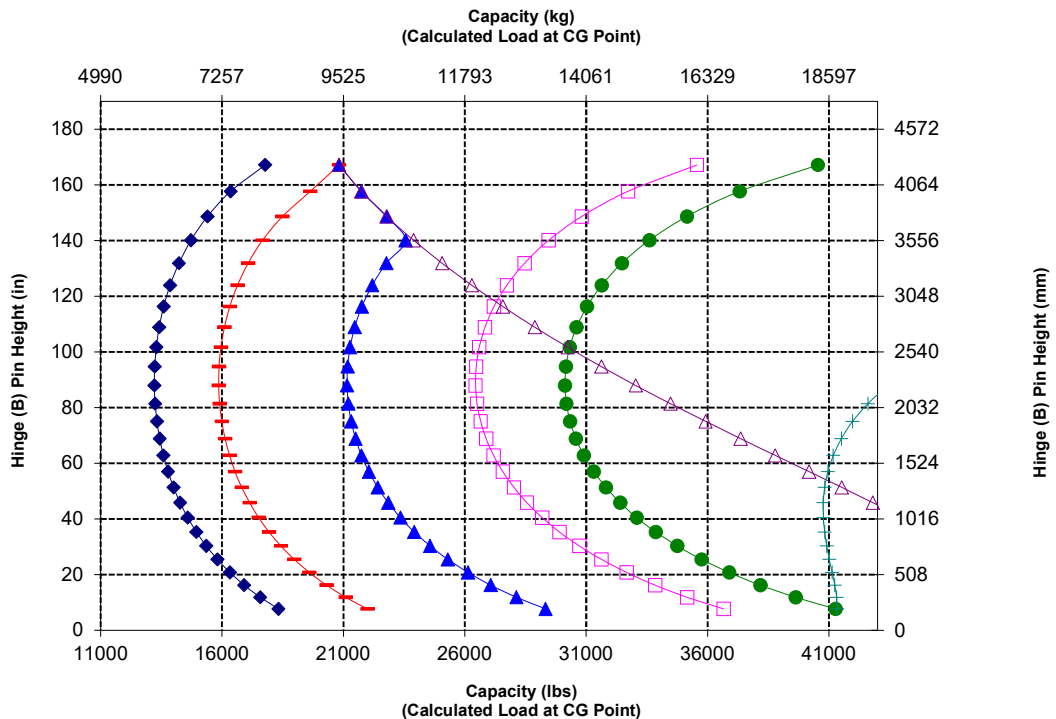
- ◆ Payload (SAE J1197)
- ◆ Payload (CEN EN 474-3 - Rough Terrain)
- ◆ Payload (CEN EN 474-3 - Firm & Level)
- ◆ Static Tipping Load - Articulated
- ◆ Static Tipping Load - Straight
- ◆ Hydraulic Tilt Capacity
- ◆ Hydraulic Lift Capacity

NOTE: Static tipping loads and operating weight are based on the following loader configuration: Bridgestone VJT L3 Tires, Air Conditioning, Ride Control, Powertrain Guard, Full Fluids, Fuel Tank, Coolant, Lubricants, and Operator.

Specifications and ratings conform to the following standards: SAE* J1197, ISO 14397-1, CEN** EN 474-3.

The rated operating load for a loader equipped with a pallet fork is determined by:
 SAE J1197: 50% of full turn static tipping load or hydraulic limit.
 CEN EN 474-3: 60% of full turn static tipping load on rough terrain or hydraulic limit.
 CEN EN 474-3: 80% of full turn static tipping load on firm and level ground or hydraulic limit.

*SAE - Society of Automotive Engineers
 **CEN - European Committee for Standardization



WARNING: Do not exceed tine load capacity. Individual tine capacity is stamped on the side of each tine.

966 XE Forestry Machine Specifications

Fork Specifications

Fork Specifications

1	Tine Length	mm	2438
		in	96.0
2	Load Center	mm	1219
		in	48.0
	Static Tipping Load - Straight (Forks Level)	kg	12453
		lbs	27445
	Static Tipping Load - Articulated (Forks Level)	kg	10914
		lbs	24055
	Rated Load (SAE J1197 - 50% FTSTL)	kg	5457
		lbs	12027
	Rated Load (CEN EN 474-3 Rough Terrain - 60% FTSTL)	kg	6548
		lbs	14433
	Rated Load (CEN EN 474-3 Firm and Level Ground - 80% FTSTL)	kg	7575
		lbs	16695
3	Maximum Overall Length	mm	10435
		in	410.8
4	Reach with Forks at Ground Level	mm	1121
		in	44.1
5	*Ground to Bottom of Tine at Minimum Height and Fork Level	mm	-88
		in	-3.5
6	Reach with Arms Horizontal and Forks Level	mm	1728
		in	68.0
7	Reach with Fork at Maximum Height	mm	861
		in	33.9
8	Ground to Top of Tine with Arms Horizontal and Fork Level	mm	1968
		in	77.5
9	Ground to Top of Tine at Maximum Height and Fork Level	mm	4052
		in	159.5
10	Overall Height of Fork at Full Lift (top of carriage to ground)	mm	5565
		in	219.1
11	Clearance at Full Lift and Max Dump	mm	1932
		in	76.1
12	Max Discharge Angle from Horizontal	deg	47
13	Overall Carriage Width	mm	2470
		in	97.3
14	Overall Carriage Height	mm	1603
		in	63.1
15	Outside Tine Width (max spread)	mm	2366
		in	93.1
16	Outside Tine Width (min spread)	mm	1002
		in	39.4
	Tine Width (single tine)	mm	180.0
		in	7.1
	Tine Thickness	mm	90.0
		in	3.5
	Tine Capacity	kg	10100
		lbs	22260
	Operating Weight	kg	24330
		lbs	53624

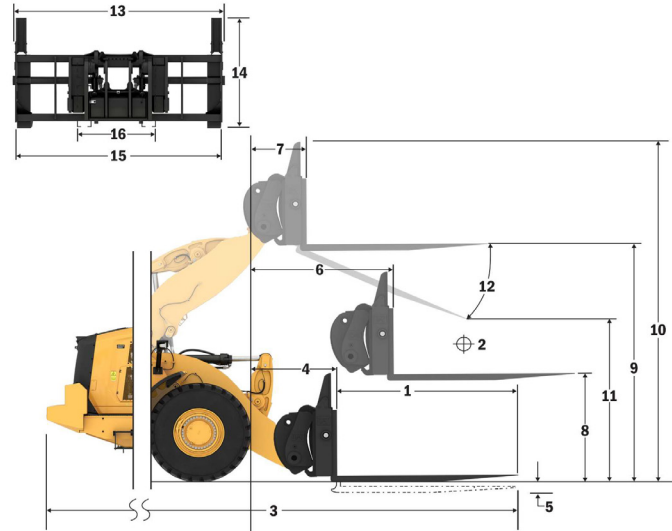
*Negative values indicate below grade

966 LOG

Log & Lumber No Clamp, FUSION

96" Tine

379-2321



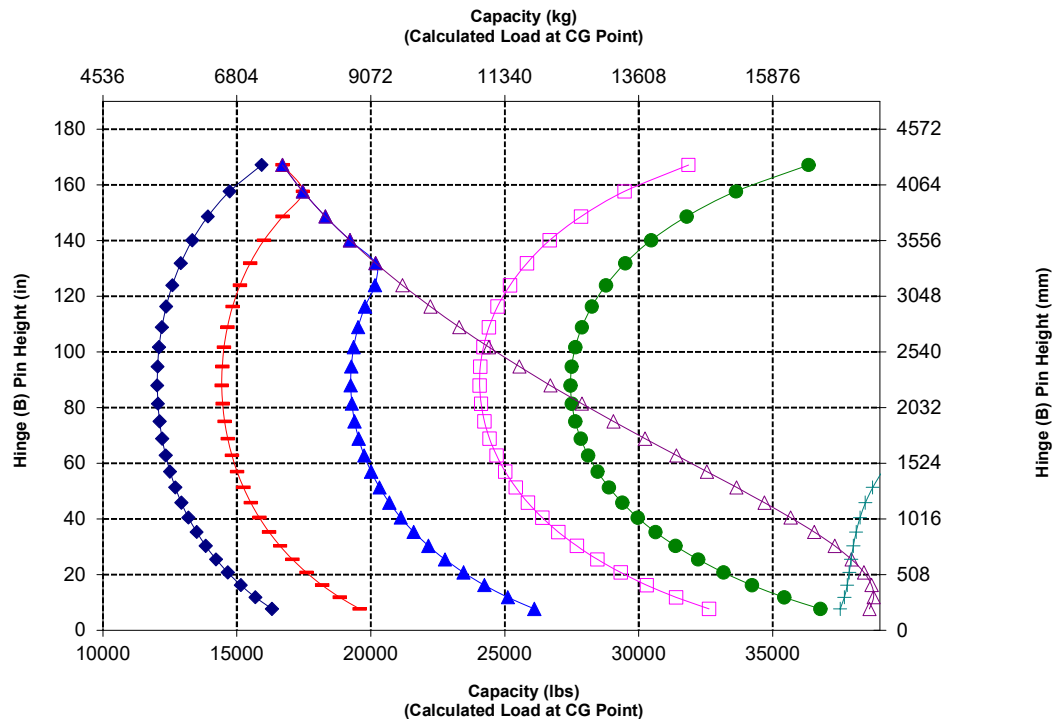
- ◆ Payload (SAE J1197)
- ◆ Payload (CEN EN 474-3 - Rough Terrain)
- ◆ Payload (CEN EN 474-3 - Firm & Level)
- ◆ Static Tipping Load - Articulated
- ◆ Static Tipping Load - Straight
- ◆ Hydraulic Tilt Capacity
- ◆ Hydraulic Lift Capacity

NOTE: Static tipping loads and operating weight are based on the following loader configuration: Bridgestone VJT L3 Tires, Air Conditioning, Ride Control, Powertrain Guard, Full Fluids, Fuel Tank, Coolant, Lubricants, and Operator.

Specifications and ratings conform to the following standards: SAE* J1197, ISO 14397-1, CEN** EN 474-3.

The rated operating load for a loader equipped with a pallet fork is determined by:
SAE J1197: 50% of full turn static tipping load or hydraulic limit.
CEN EN 474-3: 60% of full turn static tipping load on rough terrain or hydraulic limit.
CEN EN 474-3: 80% of full turn static tipping load on firm and level ground or hydraulic limit.

*SAE - Society of Automotive Engineers
**CEN - European Committee for Standardization



WARNING: Do not exceed tine load capacity. Individual tine capacity is stamped on the side of each tine.

966 XE Forestry Machine Specifications

Fork Specifications

Fork Specifications

1	Tine Length	mm	2438
		in	96.0
2	Load Center	mm	1219
		in	48.0
	Static Tipping Load - Straight (Forks Level)	kg	10803
		lbs	23810
	Static Tipping Load - Articulated (Forks Level)	kg	9285
		lbs	20465
	Rated Load (SAE J1197 - 50% FTSTL)	kg	4643
		lbs	10232
	Rated Load (CEN EN 474-3 Rough Terrain - 60% FTSTL)	kg	5571
		lbs	12279
	Rated Load (CEN EN 474-3 Firm and Level Ground - 80% FTSTL)	kg	6276
		lbs	13833
3	Maximum Overall Length	mm	10479
		in	412.6
4	Reach with Forks at Ground Level	mm	1164
		in	45.8
5	*Ground to Bottom of Tine at Minimum Height and Fork Level	mm	-64
		in	-2.5
6	Reach with Arms Horizontal and Forks Level	mm	1790
		in	70.5
7	Reach with Fork at Maximum Height	mm	923
		in	36.3
8	Ground to Top of Tine with Arms Horizontal and Fork Level	mm	1993
		in	78.5
9	Ground to Top of Tine at Maximum Height and Fork Level	mm	4076
		in	160.5
10	Overall Height of Fork at Full Lift (top of carriage to ground)	mm	5539
		in	218.1
11	Clearance at Full Lift and Max Dump	mm	1774
		in	69.9
12	Max Discharge Angle from Horizontal	deg	51
13	Overall Carriage Width	mm	3131
		in	123.3
14	Overall Carriage Height	mm	1553
		in	61.1
15	Outside Tine Width (max spread)	mm	2991
		in	117.8
16	Outside Tine Width (min spread)	mm	2991
		in	117.8
	Tine Width (single tine)	mm	200.0
		in	7.9
	Tine Thickness	mm	90.0
		in	3.5
	Operating Weight	kg	25869
		lbs	57015
	Active-Clamp Tine Lift Capacity	kg	7621
		lbs	16796
	Tine Capacity	kg	12701
		lbs	27993

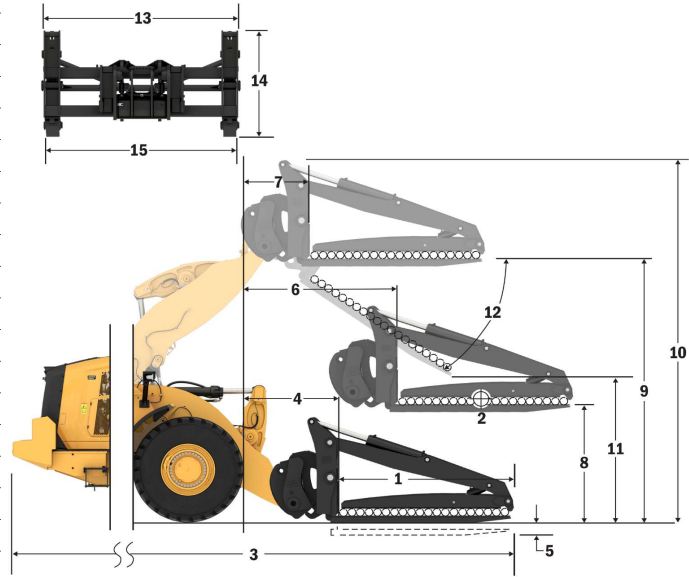
*Negative values indicate below grade

966 LOG

Pipe & Pole 3" Row, FUSION

96" Tine

365-1318



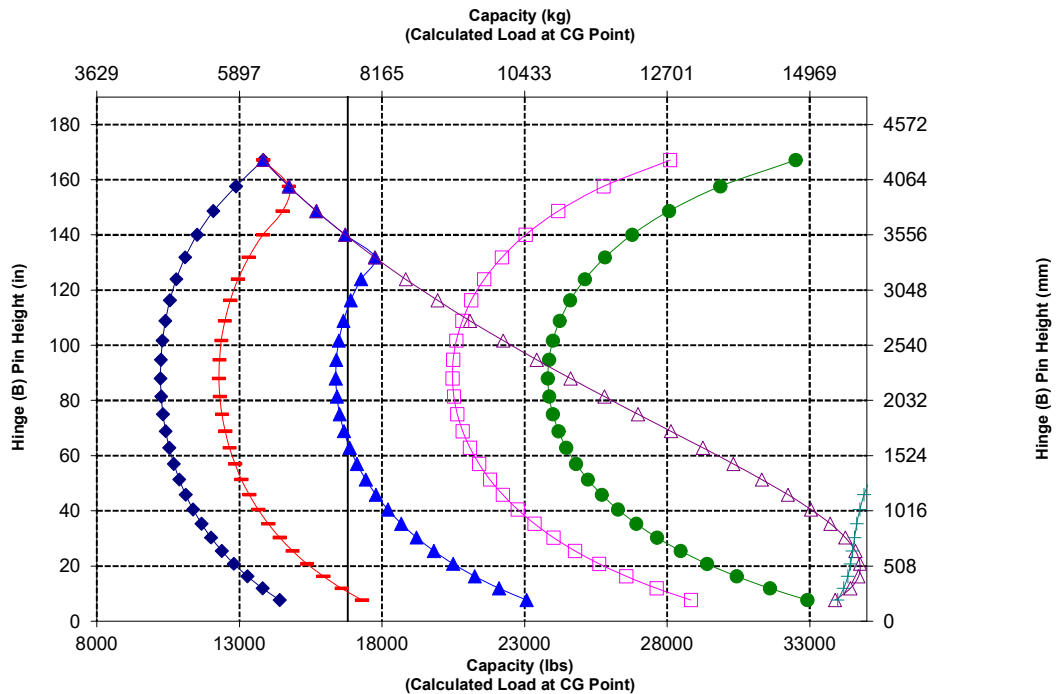
- Active-Clamp Tine Capacity
- ▲ Payload (SAE J1197)
- ▲ Payload (CEN EN 474-3 - Rough Terrain)
- ▲ Payload (CEN EN 474-3 - Firm & Level)
- ▲ Static Tipping Load - Articulated
- ▲ Static Tipping Load - Straight
- ▲ Hydraulic Tilt Capacity
- ▲ Hydraulic Lift Capacity

NOTE: Static tipping loads and operating weight are based on the following loader configuration: Bridgestone VJT L3 Tires, Air Conditioning, Ride Control, Powertrain Guard, Full Fluids, Fuel Tank, Coolant, Lubricants, and Operator.

Specifications and ratings conform to the following standards: SAE* J1197, ISO 14397-1, CEN** EN 474-3.

The rated operating load for a loader equipped with a pallet fork is determined by:
SAE J1197: 50% of full turn static tipping load or hydraulic limit.
CEN EN 474-3: 60% of full turn static tipping load on rough terrain or hydraulic limit.
CEN EN 474-3: 80% of full turn static tipping load on firm and level ground or hydraulic limit.

*SAE - Society of Automotive Engineers
**CEN - European Committee for Standardization



WARNING: Do not exceed tine load capacity. Individual tine capacity is stamped on the side of each tine.



WARNING: When clamp is continuously supplied with 15513 kPa (2250 psi), tine rating is 7621 kg (16796 lbs.) at 1219 mm (48") load center per pair.

966 XE Forestry Machine Specifications

Fork Specifications

Fork Specifications

1	Tine Length	mm	2438
		in	96.0
2	Load Center	mm	1219
		in	48.0
	Static Tipping Load - Straight (Forks Level)	kg	13277
		lbs	29262
	Static Tipping Load - Articulated (Forks Level)	kg	11401
		lbs	25128
	Rated Load (SAE J1197 - 50% FTSTL)	kg	5701
		lbs	12564
	Rated Load (CEN EN 474-3 Rough Terrain - 60% FTSTL)	kg	6841
		lbs	15077
	Rated Load (CEN EN 474-3 Firm and Level Ground - 80% FTSTL)	kg	9121
		lbs	20103
3	Maximum Overall Length	mm	10479
		in	412.6
4	Reach with Forks at Ground Level	mm	1164
		in	45.8
5	*Ground to Bottom of Tine at Minimum Height and Fork Level	mm	-64
		in	-2.5
6	Reach with Arms Horizontal and Forks Level	mm	1790
		in	70.5
7	Reach with Fork at Maximum Height	mm	923
		in	36.3
8	Ground to Top of Tine with Arms Horizontal and Fork Level	mm	1993
		in	78.5
9	Ground to Top of Tine at Maximum Height and Fork Level	mm	4076
		in	160.5
10	Overall Height of Fork at Full Lift (top of carriage to ground)	mm	5539
		in	218.1
11	Clearance at Full Lift and Max Dump	mm	1774
		in	69.9
12	Max Discharge Angle from Horizontal	deg	51
13	Overall Carriage Width	mm	3131
		in	123.3
14	Overall Carriage Height	mm	1553
		in	61.1
15	Outside Tine Width (max spread)	mm	2991
		in	117.8
16	Outside Tine Width (min spread)	mm	2991
		in	117.8
	Tine Width (single tine)	mm	200.0
		in	7.9
	Tine Thickness	mm	90.0
		in	3.5
	Operating Weight	kg	25869
		lbs	57015
	Active-Clamp Tine Lift Capacity	kg	7621
		lbs	16796
	Tine Capacity	kg	12701
		lbs	27993

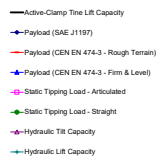
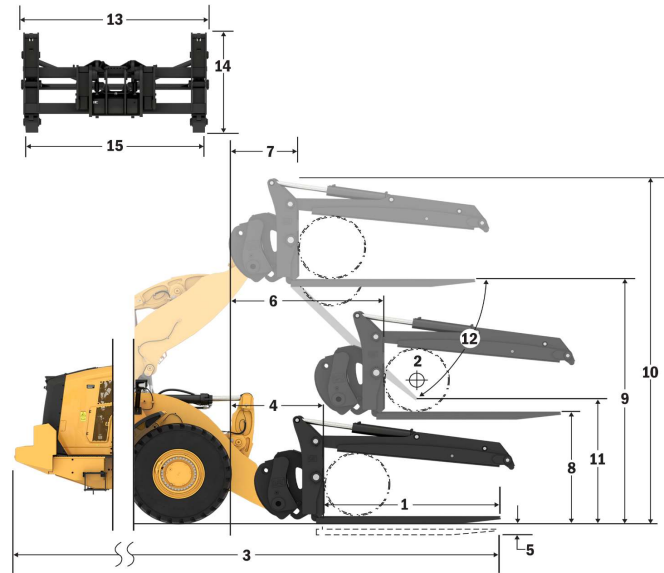
*Negative values indicate below grade

966 LOG

Pipe & Pole 30" Row, FUSION

96" Tine

365-1318

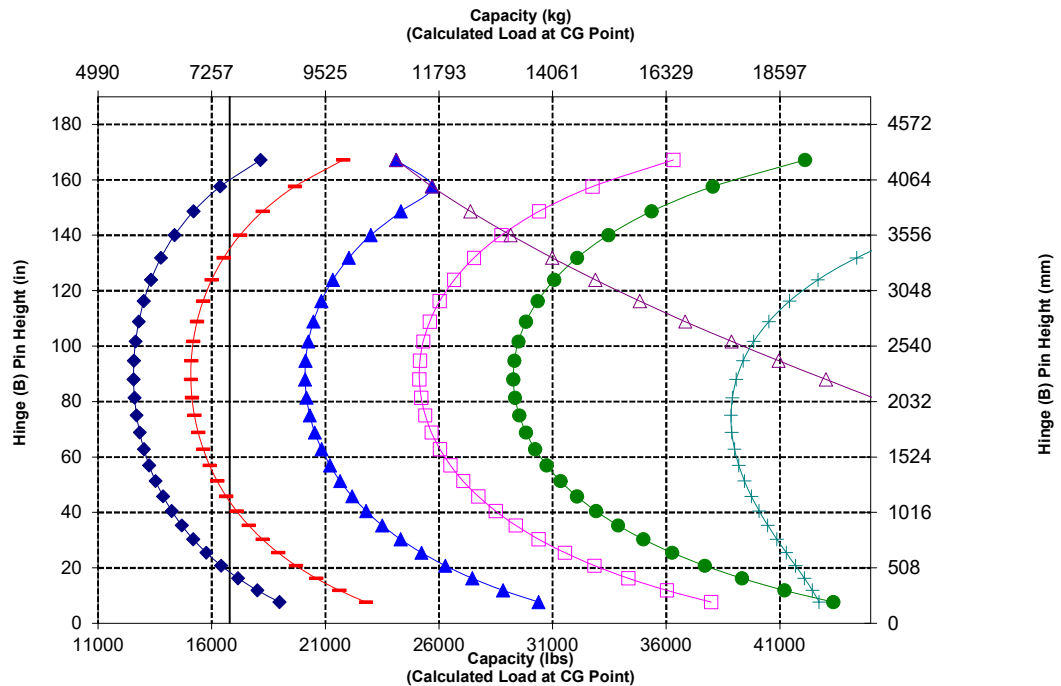


NOTE: Static tipping loads and operating weight are based on the following loader configuration: Bridgestone VJT L3 Tires, Air Conditioning, Ride Control, Powertrain Guard, Full Fluids, Fuel Tank, Coolant, Lubricants, and Operator.

Specifications and ratings conform to the following standards: SAE* J1197, ISO 14397-1, CEN** EN 474-3.

The rated operating load for a loader equipped with a pallet fork is determined by:
SAE J1197: 50% of full turn static tipping load or hydraulic limit.
CEN EN 474-3: 60% of full turn static tipping load on rough terrain or hydraulic limit.
CEN EN 474-3: 80% of full turn static tipping load on firm and level ground or hydraulic limit.

*SAE - Society of Automotive Engineers
**CEN - European Committee for Standardization



WARNING: Do not exceed tine load capacity. Individual tine capacity is stamped on the side of each tine.



WARNING: When clamp is continuously supplied with 15513 kPa (2250 psi), tine rating is 7621 kg (16796 lbs.) at 1219 mm (48") load center per pair.

966 XE Forestry Machine Specifications

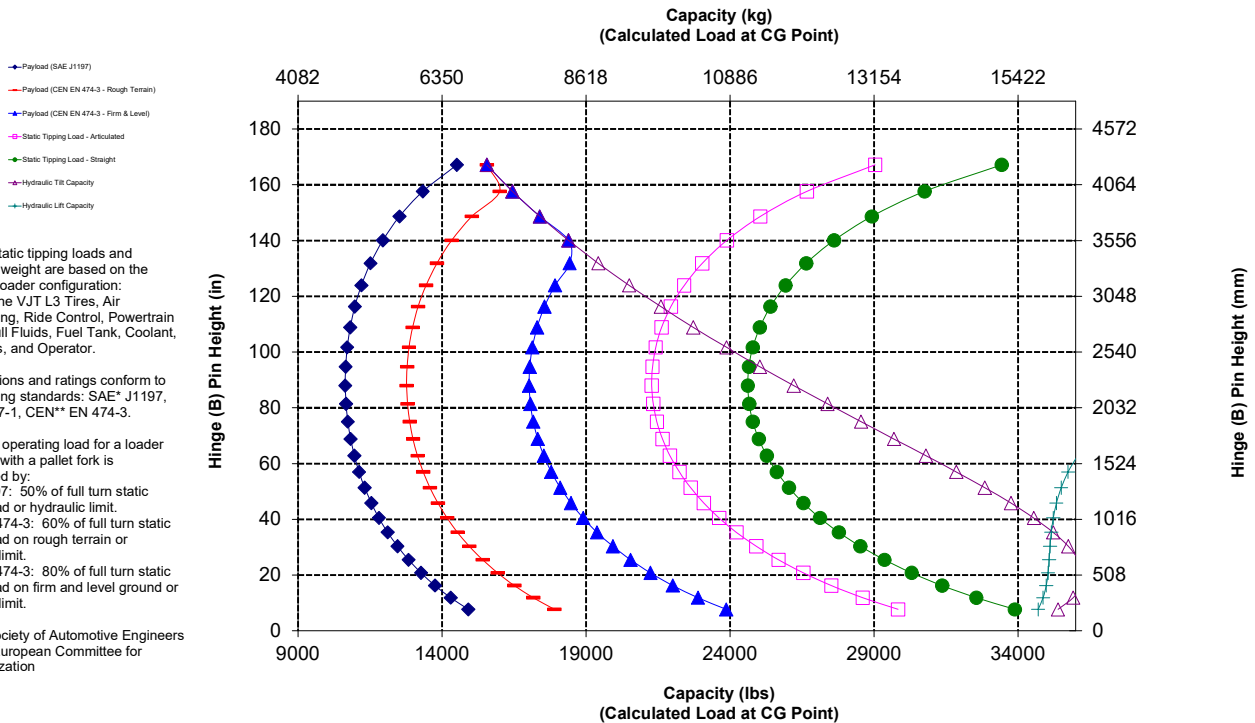
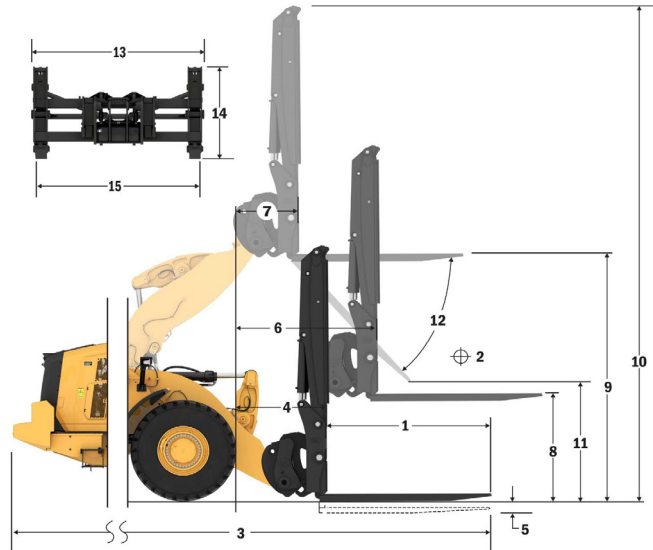
Fork Specifications

Fork Specifications

1	Tine Length	mm	2438
		in	96.0
2	Load Center	mm	1219
		in	48.0
	Static Tipping Load - Straight (Forks Level)	kq	11165
		lbs	24608
	Static Tipping Load - Articulated (Forks Level)	kq	9653
		lbs	21275
	Rated Load (SAE J1197 - 50% FTSTL)	kq	4826
		lbs	10637
	Rated Load (CEN EN 474-3 Rough Terrain - 60% FTSTL)	kq	5792
		lbs	12765
	Rated Load (CEN EN 474-3 Firm and Level Ground - 80% FTSTL)	kq	7055
		lbs	15549
3	Maximum Overall Length	mm	10479
		in	412.6
4	Reach with Forks at Ground Level	mm	1164
		in	45.8
5	*Ground to Bottom of Tine at Minimum Height and Fork Level	mm	-64
		in	-2.5
6	Reach with Arms Horizontal and Forks Level	mm	1790
		in	70.5
7	Reach with Fork at Maximum Height	mm	923
		in	36.3
8	Ground to Top of Tine with Arms Horizontal and Fork Level	mm	1993
		in	78.5
9	Ground to Top of Tine at Maximum Height and Fork Level	mm	4076
		in	160.5
10	Overall Height of Fork at Full Lift (top of carriage to ground)	mm	7074
		in	278.5
11	Clearance at Full Lift and Max Dump	mm	1774
		in	69.9
12	Max Discharge Angle from Horizontal	deg	51
13	Overall Carriage Width	mm	3131
		in	123.3
14	Overall Carriage Height	mm	3088
		in	121.6
15	Outside Tine Width (max spread)	mm	2991
		in	117.8
16	Outside Tine Width (min spread)	mm	2991
		in	117.8
	Tine Width (single tine)	mm	200.0
		in	7.9
	Tine Thickness	mm	90.0
		in	3.5
	Operating Weight	kq	25869
		lbs	57015
	Tine Capacity	kq	12700
		lbs	27991

*Negative values indicate below grade

966 LOG 96" Tine Pipe & Pole Open Clamp, FUSION 365-1318



WARNING: Do not exceed tine load capacity. Individual tine capacity is stamped on the side of each tine.

966 XE Forestry Machine Specifications

Fork Specifications

Fork Specifications

1	Tine length	mm	1609
		in	63.3
2	Fork width	mm	2324
		in	91.5
	End area	m ²	1.26
		ft ²	14
3	Inside Height (only applies to double top clamp)	mm	0
		in	0
4	Min. opening (only applies to millyard forks)	mm	427
		in	17
	Operating Weight	kg	25632
		lbs	56509
5	Distance inside of tine tips	mm	1780
		in	70
	Static tipping load, articulated Fork level	kg	12603
		lbs	27785.7
	Static tipping load, straight Fork level	kg	14550
		lbs	32077.8
6	Max. height of fork (w/clamp open if applicable)	mm	2843
		in	111.9
7	Clearance w/full lift, 45 deg dump (if max. dump <=> 45)	mm	2765
		in	108.8
8	Clearance @ full lift fork level	mm	3987
		in	157.0
9	Reach w/full lift, 45 deg dump (if max. dump <=> 45)	mm	1511
		in	59.5
10	Reach w/lift arm horizontal and fork level	mm	3099
		in	122.0
11	*Ground to Bottom of Tool at Minimum Height and Tool Level	mm	-63
		in	-2.5
12	Width over tines	mm	2286
		in	90.0
13	Reach @ ground level	mm	2398
		in	94
14	Max. opening across tine and clamp	mm	2709
		in	106.7
15	Overall height of fork @ full lift and clamp open	mm	6830
		in	268.9
16	Overall length Tip of tine to rear of machine	mm	9275
		in	365.2
17	Clearance @ full lift and max. dump Discharge (if <=> 45)	mm	2526
		in	99.5
18	Clearance w/horizontal lift arms and fork level	mm	1903.2
		in	74.9
19	Reach @ full lift and fork level	mm	2231.4
		in	87.8
20	Max. discharge angle from horizontal	deg	60
		rad	1.0

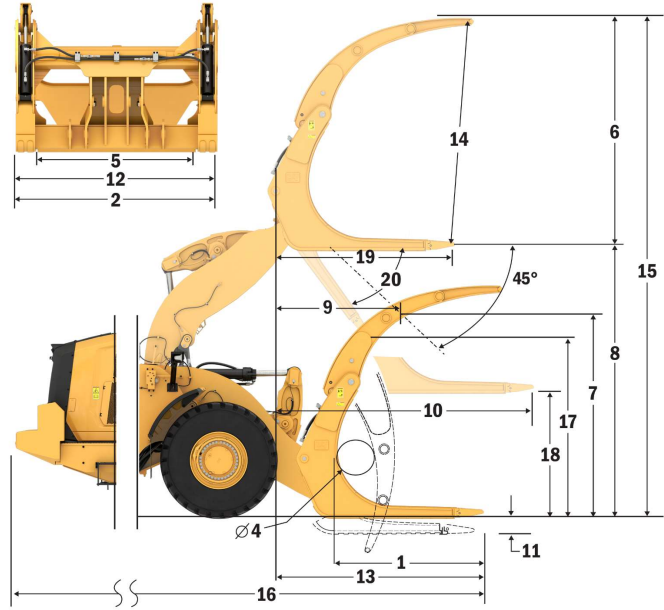
*Negative values indicate below grade

966 LOG

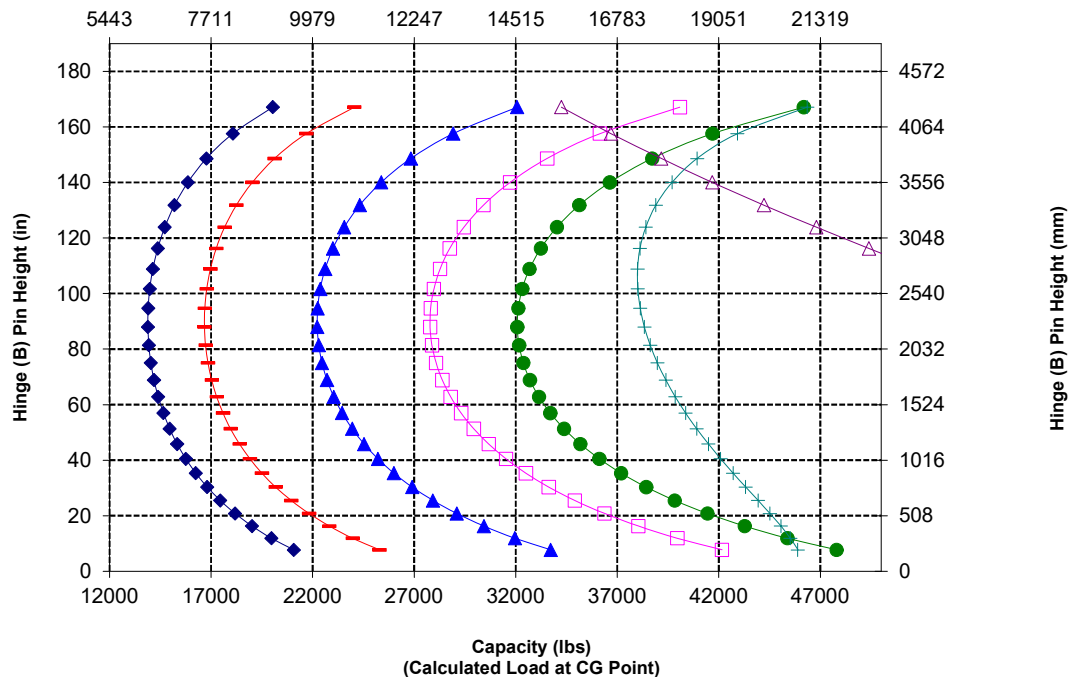
Millyard Fork, FUSION

63" Tine

383-3523



Capacity (kg)
(Calculated Load at CG Point)



966 XE Forestry Machine Specifications

Fork Specifications

Fork Specifications

1	Tine length	mm	1609
		in	63.4
2	Fork width	mm	2498
		in	98.3
	End area	m ²	1.91
		ft ²	21
3	Inside Height (only applies to double top clamp)	mm	1376
		in	54
4	Min. opening (only applies to millyard forks)	mm	N/A
		in	N/A
	Operating Weight	kg	24875
		lbs	54840
5	Distance inside of tine tips	mm	1892
		in	74
	Static tipping load, articulated Fork level	kg	13196
		lbs	29092.2
	Static tipping load, straight Fork level	kg	15125
		lbs	33343.8
6	Max. height of fork (w/clamp open if applicable)	mm	2943
		in	115.9
7	Clearance w/full lift, 45 deg dump (if max. dump <= 45)	mm	2859
		in	112.5
8	Clearance @ full lift fork level	mm	3981
		in	156.7
9	Reach w/full lift, 45 deg dump (if max. dump <= 45)	mm	1409
		in	55.5
10	Reach w/lift arm horizontal and fork level	mm	2960
		in	116.5
11	*Ground to Bottom of Tool at Minimum Height and Tool Level	mm	-69
		in	-2.7
12	Width over tines	mm	2414
		in	95.0
13	Reach @ ground level	mm	2264
		in	89
14	Max. opening across tine and clamp	mm	2542
		in	100.1
15	Overall height of fork @ full lift and clamp open	mm	6925
		in	272.6
16	Overall length Tip of tine to rear of machine	mm	9141
		in	359.9
17	Clearance @ full lift and max. dump Discharge (if <= 45)	mm	2862
		in	112.7
18	Clearance w/horizontal lift arms and fork level	mm	1897.7
		in	74.7
19	Reach @ full lift and fork level	mm	2092.8
		in	82.4
20	Max. discharge angle from horizontal	deg	45
		rad	0.8

*Negative values indicate below grade

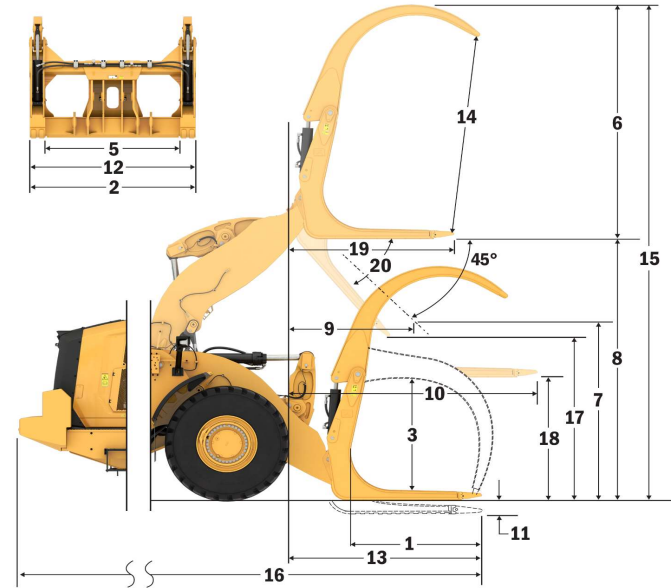
966 LOG

Logging Fork, Pin-On

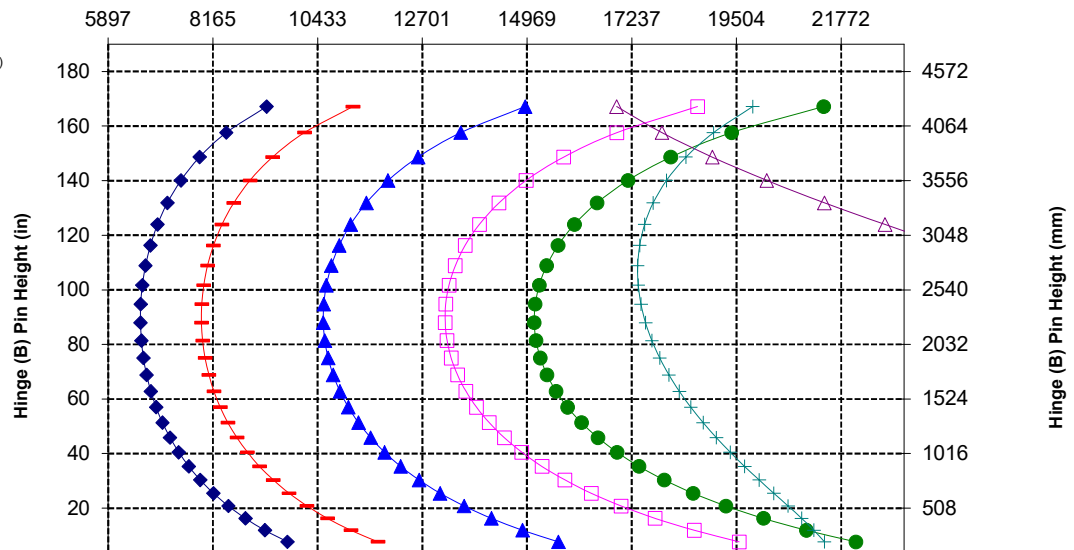
63" Tine

398-4960

*Build 14A
*Z-Bar Linkage
*Logging Configuration



Capacity (kg)
(Calculated Load at CG Point)



NOTE: Static tipping loads and operating weight are based on the following loader configuration: Bridgestone VJT L3 Tires, Air Conditioning, Ride Control, Powertrain Guard, Full Fluids, Fuel Tank, Coolant, Lubricants, and Operator.

Specifications and ratings conform to the following standards: SAE* J1197, ISO 14397-1, CEN** EN 474-3.

The rated operating load for a loader equipped with a pallet fork is determined by:

SAE J1197: 50% of full turn static tipping load or hydraulic limit.
CEN EN 474-3: 60% of full turn static tipping load on rough terrain or hydraulic limit.
CEN EN 474-3: 80% of full turn static

966 XE Forestry Machine Specifications

Fork Specifications

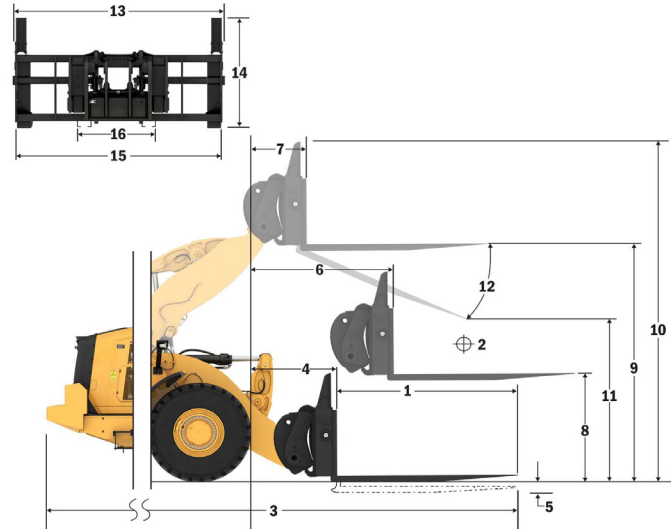
Fork Specifications

1	Tine Length	mm	1524
		in	60.0
2	Load Center	mm	762
		in	30.0
	Static Tipping Load - Straight (Forks Level)	kq	14329
		lbs	31582
	Static Tipping Load - Articulated (Forks Level)	kq	12586
		lbs	27740
	Rated Load (SAE J1197 - 50% FTSTL)	kq	6293
		lbs	13870
	Rated Load (CEN EN 474-3 Rough Terrain - 60% FTSTL)	kq	7552
		lbs	16644
	Rated Load (CEN EN 474-3 Firm and Level Ground - 80% FTSTL)	kq	10069
		lbs	22192
3	Maximum Overall Length	mm	9521
		in	374.8
4	Reach with Forks at Ground Level	mm	1120
		in	44.1
5	*Ground to Bottom of Tine at Minimum Height and Fork Level	mm	-88
		in	-3.5
6	Reach with Arms Horizontal and Forks Level	mm	1728
		in	68.0
7	Reach with Fork at Maximum Height	mm	860
		in	33.9
8	Ground to Top of Tine with Arms Horizontal and Fork Level	mm	1968
		in	77.5
9	Ground to Top of Tine at Maximum Height and Fork Level	mm	4052
		in	159.5
10	Overall Height of Fork at Full Lift (top of carriage to ground)	mm	5562
		in	219.0
11	Clearance at Full Lift and Max Dump	mm	2600
		in	102.4
12	Max Discharge Angle from Horizontal	deg	47
13	Overall Carriage Width	mm	2176
		in	85.7
14	Overall Carriage Height	mm	1601
		in	63.0
15	Outside Tine Width (max spread)	mm	2084
		in	82.0
16	Outside Tine Width (min spread)	mm	1002
		in	39.4
	Tine Width (single tine)	mm	180.0
		in	7.1
	Tine Thickness	mm	90.0
		in	3.5
	Tine Capacity	kq	15906
		lbs	35057
	Operating Weight	kq	24120
		lbs	53161

*Negative values indicate below grade

966 LOG Log & Lumber No Clamp, FUSION

60" Tine
435-4634



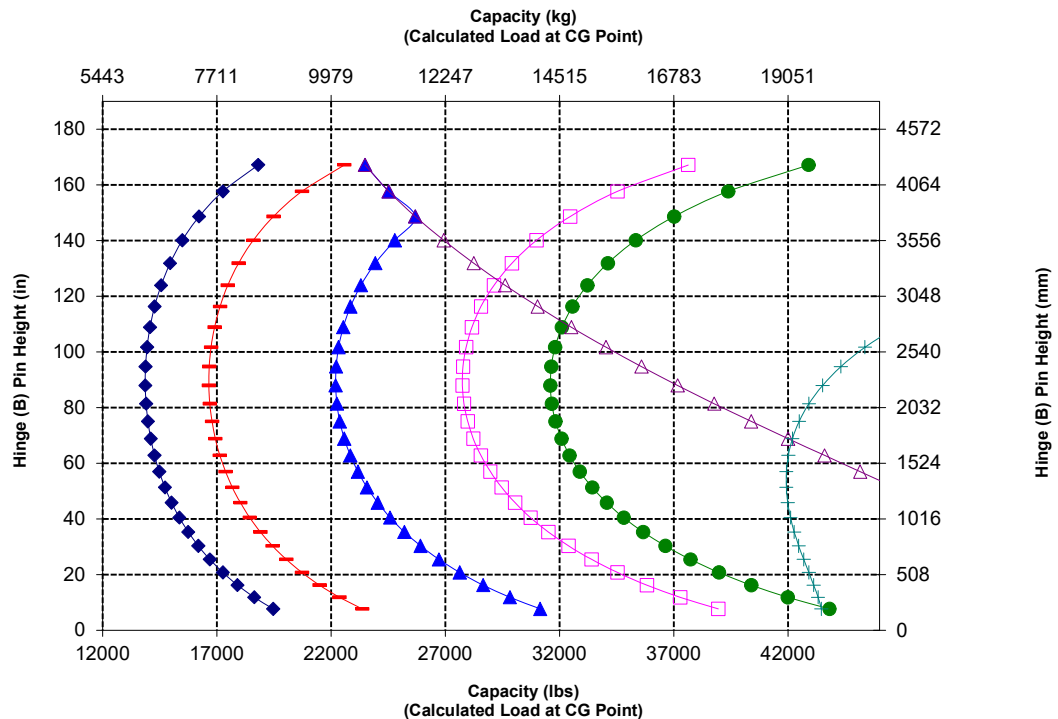
- ◆ Payload (SAE J1197)
- ◆ Payload (CEN EN 474-3 - Rough Terrain)
- ◆ Payload (CEN EN 474-3 - Firm & Level)
- ◆ Static Tipping Load - Articulated
- ◆ Static Tipping Load - Straight
- ◆ Hydraulic Tilt Capacity
- ◆ Hydraulic Lift Capacity

NOTE: Static tipping loads and operating weight are based on the following loader configuration: Bridgestone VJT L3 Tires, Air Conditioning, Ride Control, Powertrain Guard, Full Fluids, Fuel Tank, Coolant, Lubricants, and Operator.

Specifications and ratings conform to the following standards: SAE* J1197, ISO 14397-1, CEN** EN 474-3.

The rated operating load for a loader equipped with a pallet fork is determined by:
SAE J1197: 50% of full turn static tipping load or hydraulic limit.
CEN EN 474-3: 60% of full turn static tipping load on rough terrain or hydraulic limit.
CEN EN 474-3: 80% of full turn static tipping load on firm and level ground or hydraulic limit.

*SAE - Society of Automotive Engineers
**CEN - European Committee for Standardization



WARNING: Do not exceed tine load capacity. Individual tine capacity is stamped on the side of each tine.

966 XE Forestry Machine Specifications

Fork Specifications

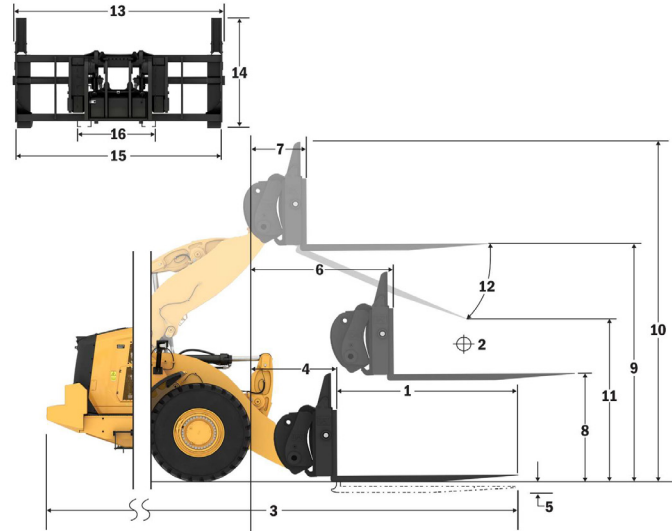
Fork Specifications

1	Tine Length	mm	1829
		in	72.0
2	Load Center	mm	915
		in	36.0
	Static Tipping Load - Straight (Forks Level)	kg	13653
		lbs	30091
	Static Tipping Load - Articulated (Forks Level)	kg	11985
		lbs	26415
	Rated Load (SAE J1197 - 50% FTSTL)	kg	5992
		lbs	13207
	Rated Load (CEN EN 474-3 Rough Terrain - 60% FTSTL)	kg	7191
		lbs	15849
	Rated Load (CEN EN 474-3 Firm and Level Ground - 80% FTSTL)	kg	9398
		lbs	20714
3	Maximum Overall Length	mm	9826
		in	386.8
4	Reach with Forks at Ground Level	mm	1120
		in	44.1
5	*Ground to Bottom of Tine at Minimum Height and Fork Level	mm	-88
		in	-3.5
6	Reach with Arms Horizontal and Forks Level	mm	1728
		in	68.0
7	Reach with Fork at Maximum Height	mm	860
		in	33.9
8	Ground to Top of Tine with Arms Horizontal and Fork Level	mm	1968
		in	77.5
9	Ground to Top of Tine at Maximum Height and Fork Level	mm	4052
		in	159.5
10	Overall Height of Fork at Full Lift (top of carriage to ground)	mm	5562
		in	219.0
11	Clearance at Full Lift and Max Dump	mm	2377
		in	93.6
12	Max Discharge Angle from Horizontal	deg	47
13	Overall Carriage Width	mm	2176
		in	85.7
14	Overall Carriage Height	mm	1601
		in	63.0
15	Outside Tine Width (max spread)	mm	2084
		in	82.0
16	Outside Tine Width (min spread)	mm	1002
		in	39.4
	Tine Width (single tine)	mm	180.0
		in	7.1
	Tine Thickness	mm	90.0
		in	3.5
	Tine Capacity	kg	12600
		lbs	27770
	Operating Weight	kg	24182
		lbs	53297

*Negative values indicate below grade

966 LOG Log & Lumber No Clamp, FUSION

72" Tine
435-4684



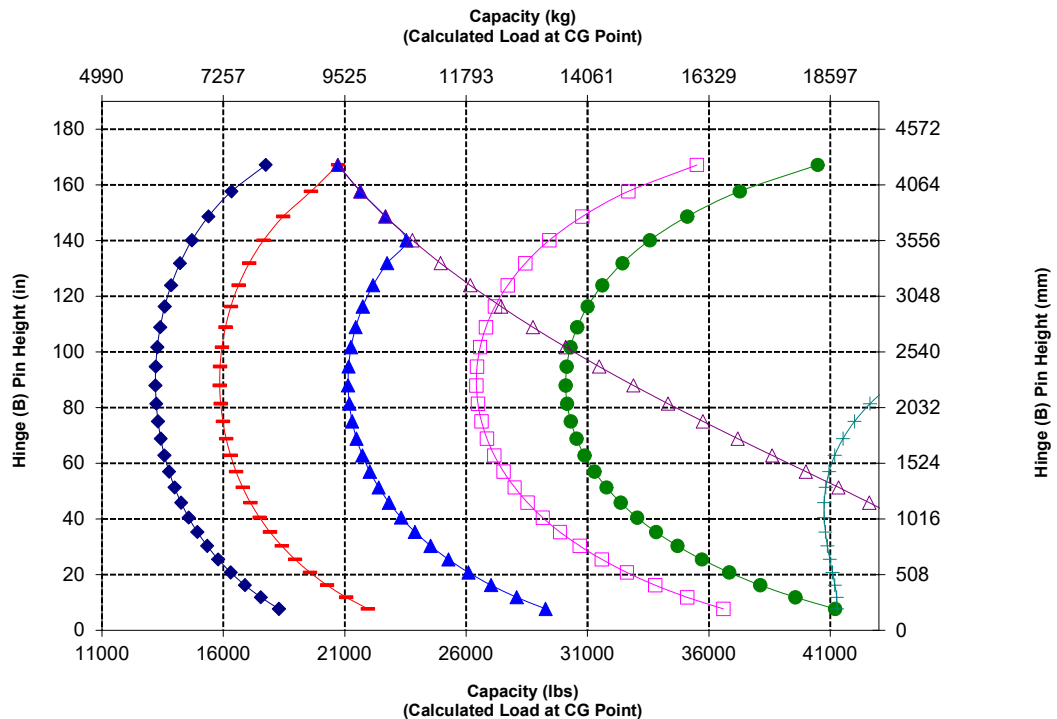
- ◆ Payload (SAE J1197)
- ◆ Payload (CEN EN 474-3 - Rough Terrain)
- ◆ Payload (CEN EN 474-3 - Firm & Level)
- ◆ Static Tipping Load - Articulated
- ◆ Static Tipping Load - Straight
- ◆ Hydraulic Tilt Capacity
- ◆ Hydraulic Lift Capacity

NOTE: Static tipping loads and operating weight are based on the following loader configuration: Bridgestone VJT L3 Tires, Air Conditioning, Ride Control, Powertrain Guard, Full Fluids, Fuel Tank, Coolant, Lubricants, and Operator.

Specifications and ratings conform to the following standards: SAE* J1197, ISO 14397-1, CEN** EN 474-3.

The rated operating load for a loader equipped with a pallet fork is determined by:
SAE J1197: 50% of full turn static tipping load or hydraulic limit.
CEN EN 474-3: 60% of full turn static tipping load on rough terrain or hydraulic limit.
CEN EN 474-3: 80% of full turn static tipping load on firm and level ground or hydraulic limit.

*SAE - Society of Automotive Engineers
**CEN - European Committee for Standardization



WARNING: Do not exceed tine load capacity. Individual tine capacity is stamped on the side of each tine.

966 XE Forestry Machine Specifications

Fork Specifications

Fork Specifications

1	Tine Length	mm	2438
		in	96.0
2	Load Center	mm	1219
		in	48.0
	Static Tipping Load - Straight (Forks Level)	kq	12443
		lbs	27425
	Static Tipping Load - Articulated (Forks Level)	kq	10907
		lbs	24040
	Rated Load (SAE J1197 - 50% FTSTL)	kq	5454
		lbs	12020
	Rated Load (CEN EN 474-3 Rough Terrain - 60% FTSTL)	kq	6544
		lbs	14424
	Rated Load (CEN EN 474-3 Firm and Level Ground - 80% FTSTL)	kq	7545
		lbs	16630
3	Maximum Overall Length	mm	10435
		in	410.8
4	Reach with Forks at Ground Level	mm	1121
		in	44.1
5	*Ground to Bottom of Tine at Minimum Height and Fork Level	mm	-88
		in	-3.5
6	Reach with Arms Horizontal and Forks Level	mm	1728
		in	68.0
7	Reach with Fork at Maximum Height	mm	861
		in	33.9
8	Ground to Top of Tine with Arms Horizontal and Fork Level	mm	1968
		in	77.5
9	Ground to Top of Tine at Maximum Height and Fork Level	mm	4052
		in	159.5
10	Overall Height of Fork at Full Lift (top of carriage to ground)	mm	5562
		in	219.0
11	Clearance at Full Lift and Max Dump	mm	1932
		in	76.1
12	Max Discharge Angle from Horizontal	deg	47
13	Overall Carriage Width	mm	2176
		in	85.7
14	Overall Carriage Height	mm	1601
		in	63.0
15	Outside Tine Width (max spread)	mm	2084
		in	82.0
16	Outside Tine Width (min spread)	mm	1002
		in	39.4
	Tine Width (single tine)	mm	180.0
		in	7.1
	Tine Thickness	mm	90.0
		in	3.5
	Tine Capacity	kq	10100
		lbs	22260
	Operating Weight	kq	24310
		lbs	53579

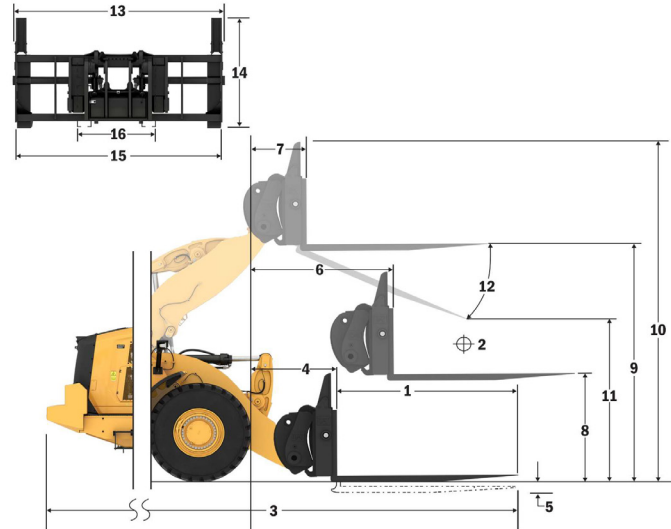
*Negative values indicate below grade

966 LOG

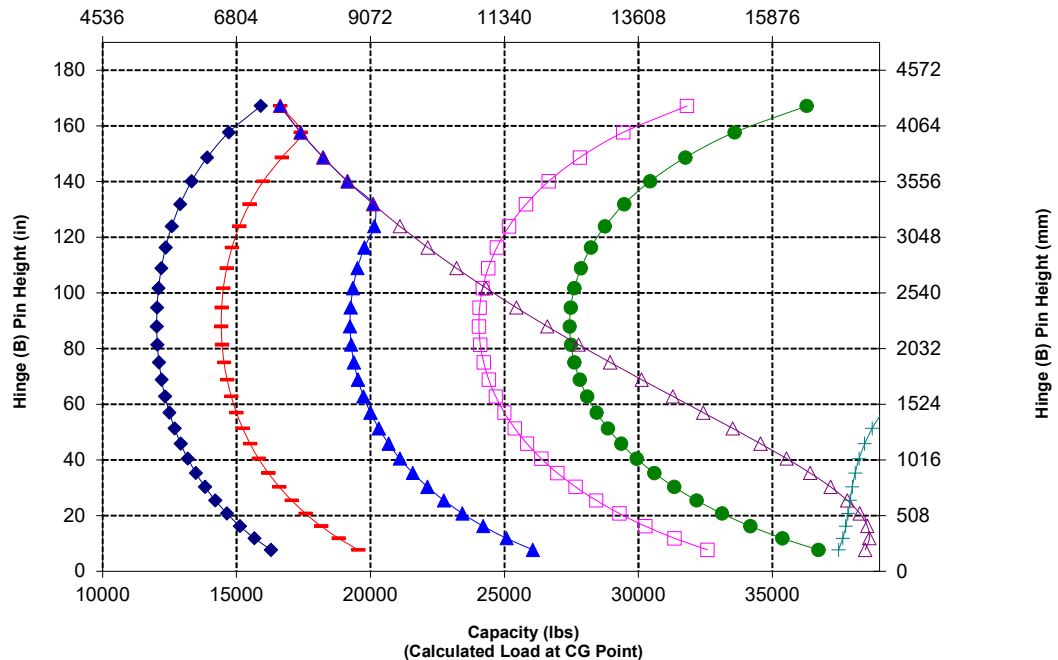
Log & Lumber No Clamp, FUSION

96" Tine

435-4686



Capacity (kg)
(Calculated Load at CG Point)



NOTE: Static tipping loads and operating weight are based on the following loader configuration: Bridgestone VJT L3 Tires, Air Conditioning, Ride Control, Powertrain Guard, Full Fluids, Fuel Tank, Coolant, Lubricants, and Operator.

Specifications and ratings conform to the following standards: SAE* J1197, ISO 14397-1, CEN** EN 474-3.

The rated operating load for a loader equipped with a pallet fork is determined by:
SAE J1197: 50% of full turn static tipping load or hydraulic limit.
CEN EN 474-3: 60% of full turn static tipping load on rough terrain or hydraulic limit.
CEN EN 474-3: 80% of full turn static tipping load on firm and level ground or hydraulic limit.

*SAE - Society of Automotive Engineers
**CEN - European Committee for Standardization



WARNING: Do not exceed tine load capacity. Individual tine capacity is stamped on the side of each tine.

966 XE Forestry Machine Specifications

Fork Specifications

Fork Specifications

1	Tine Length	mm	2438
		in	96.0
2	Load Center	mm	1219
		in	48.0
	Static Tipping Load - Straight (Forks Level)	kg	11511
		lbs	25370
	Static Tipping Load - Articulated (Forks Level)	kg	9950
		lbs	21930
	Rated Load (SAE J1197 - 50% FTSTL)	kg	4975
		lbs	10965
	Rated Load (CEN EN 474-3 Rough Terrain - 60% FTSTL)	kg	5970
		lbs	13158
	Rated Load (CEN EN 474-3 Firm and Level Ground - 80% FTSTL)	kg	7960
		lbs	17544
3	Maximum Overall Length	mm	10406
		in	409.7
4	Reach with Forks at Ground Level	mm	1091
		in	42.9
5	*Ground to Bottom of Tine at Minimum Height and Fork Level	mm	-109
		in	-4.3
6	Reach with Arms Horizontal and Forks Level	mm	1682
		in	66.2
7	Reach with Fork at Maximum Height	mm	815
		in	32.1
8	Ground to Top of Tine with Arms Horizontal and Fork Level	mm	1947
		in	76.7
9	Ground to Top of Tine at Maximum Height and Fork Level	mm	4031
		in	158.7
10	Overall Height of Fork at Full Lift (top of carriage to ground)	mm	5493
		in	216.3
11	Clearance at Full Lift and Max Dump	mm	2016
		in	79.4
12	Max Discharge Angle from Horizontal	deg	45
13	Overall Carriage Width	mm	3131
		in	123.3
14	Overall Carriage Height	mm	1553
		in	61.1
15	Outside Tine Width (max spread)	mm	2991
		in	117.8
16	Outside Tine Width (min spread)	mm	2991
		in	117.8
	Tine Width (single tine)	mm	200.0
		in	7.9
	Tine Thickness	mm	90.0
		in	3.5
	Operating Weight	kg	25315
		lbs	55794
	Active-Clamp Tine Lift Capacity	kg	7621
		lbs	16796
	Tine Capacity	kg	12701
		lbs	27993

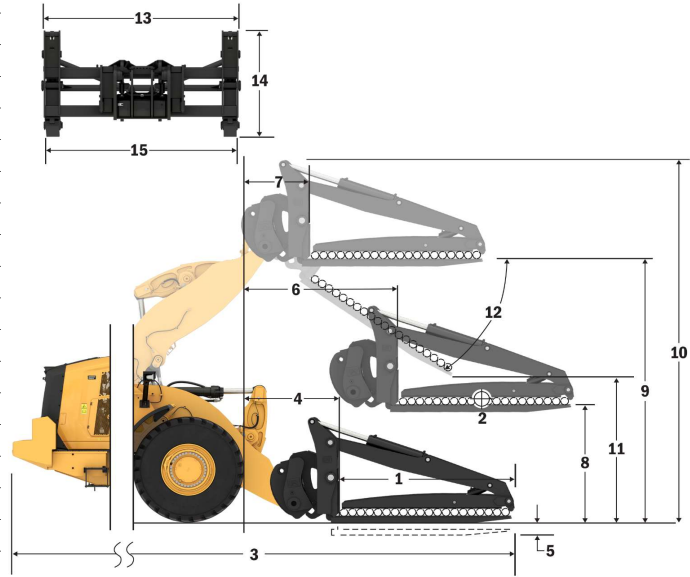
*Negative values indicate below grade

966 LOG

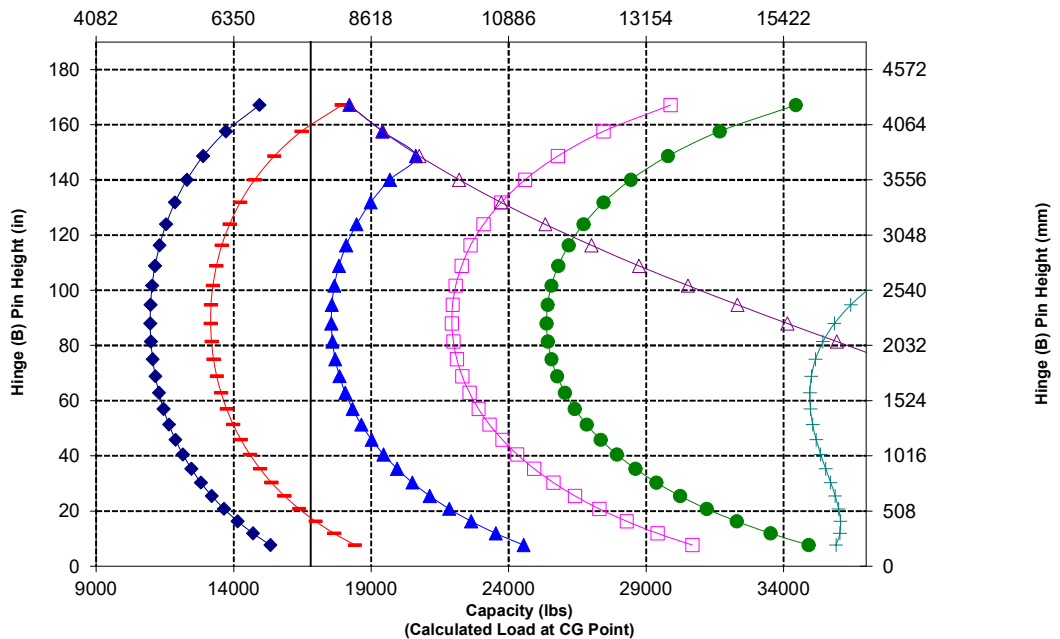
Pipe & Pole 3" Row, Pin-On

96" Tine

447-9939



Capacity (kg)
(Calculated Load at CG Point)



NOTE: Static tipping loads and operating weight are based on the following loader configuration: Bridgestone VJT L3 Tires, Air Conditioning, Ride Control, Powertrain Guard, Full Fluids, Fuel Tank, Coolant, Lubricants, and Operator.

Specifications and ratings conform to the following standards: SAE* J1197, ISO 14397-1, CEN** EN 474-3.

The rated operating load for a loader equipped with a pallet fork is determined by:
SAE J1197: 50% of full turn static tipping load or hydraulic limit.
CEN EN 474-3: 60% of full turn static tipping load on rough terrain or hydraulic limit.
CEN EN 474-3: 80% of full turn static tipping load on firm and level ground or hydraulic limit.

*SAE - Society of Automotive Engineers

**CEN - European Committee for Standardization



WARNING: Do not exceed tine load capacity. Individual tine capacity is stamped on the side of each tine.



WARNING: When clamp is continuously supplied with 15513 kPa (2250 psi), tine rating is 7621 kg (16796 lbs.) at 1219 mm (48") load center per pair.

Fork Specifications

Fork Specifications

1	Tine Length	mm	2438
		in	96.0
2	Load Center	mm	1219
		in	48.0
	Static Tipping Load - Straight (Forks Level)	kg	14236
		lbs	31377
	Static Tipping Load - Articulated (Forks Level)	kg	12295
		lbs	27098
	Rated Load (SAE J1197 - 50% FTSTL)	kg	6147
		lbs	13549
	Rated Load (CEN EN 474-3 Rough Terrain - 60% FTSTL)	kg	7377
		lbs	16259
	Rated Load (CEN EN 474-3 Firm and Level Ground - 80% FTSTL)	kg	9836
		lbs	21678
3	Maximum Overall Length	mm	10406
		in	409.7
4	Reach with Forks at Ground Level	mm	1091
		in	42.9
5	*Ground to Bottom of Tine at Minimum Height and Fork Level	mm	-109
		in	-4.3
6	Reach with Arms Horizontal and Forks Level	mm	1682
		in	66.2
7	Reach with Fork at Maximum Height	mm	815
		in	32.1
8	Ground to Top of Tine with Arms Horizontal and Fork Level	mm	1947
		in	76.7
9	Ground to Top of Tine at Maximum Height and Fork Level	mm	4031
		in	158.7
10	Overall Height of Fork at Full Lift (top of carriage to ground)	mm	5493
		in	216.3
11	Clearance at Full Lift and Max Dump	mm	2016
		in	79.4
12	Max Discharge Angle from Horizontal	deg	45
13	Overall Carriage Width	mm	3131
		in	123.3
14	Overall Carriage Height	mm	1553
		in	61.1
15	Outside Tine Width (max spread)	mm	2991
		in	117.8
16	Outside Tine Width (min spread)	mm	2991
		in	117.8
	Tine Width (single tine)	mm	200.0
		in	7.9
	Tine Thickness	mm	90.0
		in	3.5
	Operating Weight	kg	25315
		lbs	55794
	Active-Clamp Tine Lift Capacity	kg	7621
		lbs	16796
	Tine Capacity	kg	12701
		lbs	27993

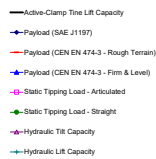
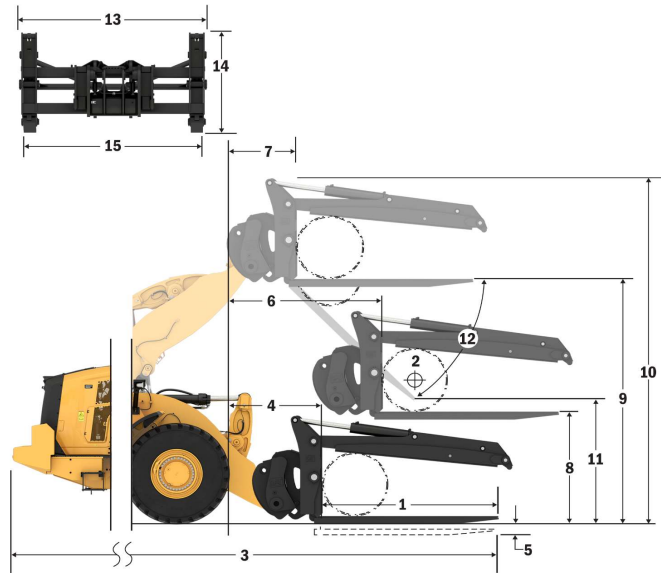
*Negative values indicate below grade

966 LOG

Pipe & Pole 30" Row, Pin-On

96" Tine

447-9939

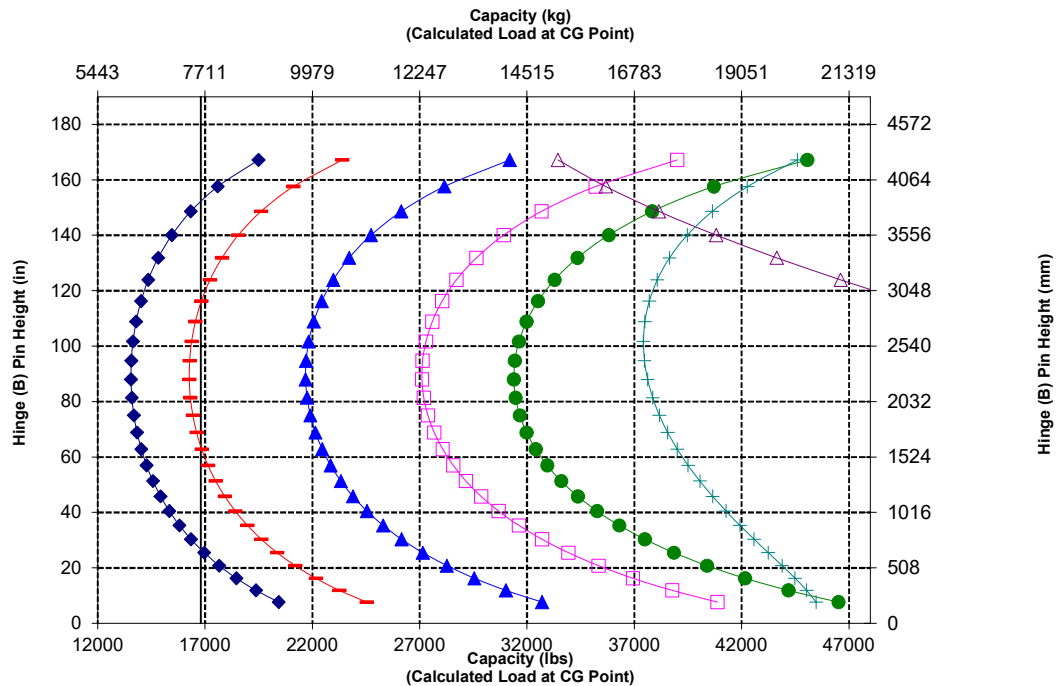


NOTE: Static tipping loads and operating weight are based on the following loader configuration: Bridgestone VJT L3 Tires, Air Conditioning, Ride Control, Powertrain Guard, Full Fluids, Fuel Tank, Coolant, Lubricants, and Operator.

Specifications and ratings conform to the following standards: SAE* J1197, ISO 14397-1, CEN** EN 474-3.

The rated operating load for a loader equipped with a pallet fork is determined by:
SAE J1197: 50% of full turn static tipping load or hydraulic limit.
CEN EN 474-3: 60% of full turn static tipping load on rough terrain or hydraulic limit.
CEN EN 474-3: 80% of full turn static tipping load on firm and level ground or hydraulic limit.

*SAE - Society of Automotive Engineers
**CEN - European Committee for Standardization



WARNING: Do not exceed tine load capacity. Individual tine capacity is stamped on the side of each tine.



WARNING: When clamp is continuously supplied with 15513 kPa (2250 psi), tine rating is 7621 kg (16796 lbs.) at 1219 mm (48") load center per pair.

966 XE Forestry Machine Specifications

Fork Specifications

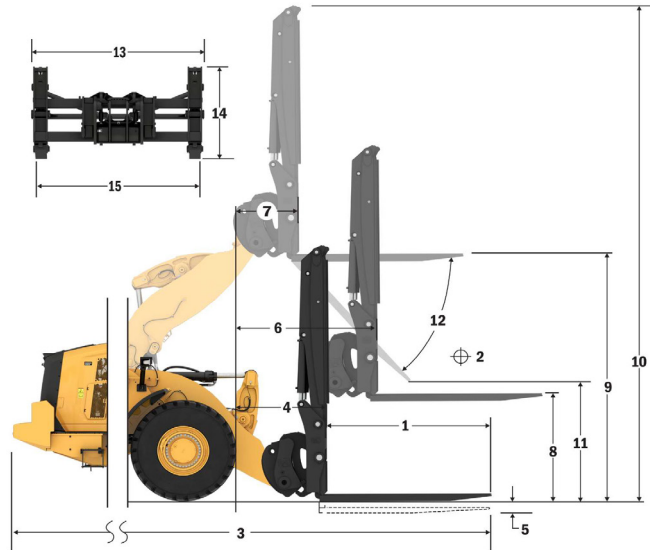
Fork Specifications

1	Tine Length	mm	2438
		in	96.0
2	Load Center	mm	1219
		in	48.0
	Static Tipping Load - Straight (Forks Level)	kg	11865
		lbs	26151
	Static Tipping Load - Articulated (Forks Level)	kg	10310
		lbs	22724
	Rated Load (SAE J1197 - 50% FTSTL)	kg	5155
		lbs	11362
	Rated Load (CEN EN 474-3 Rough Terrain - 60% FTSTL)	kg	6186
		lbs	13634
	Rated Load (CEN EN 474-3 Firm and Level Ground - 80% FTSTL)	kg	8248
		lbs	18179
3	Maximum Overall Length	mm	10406
		in	409.7
4	Reach with Forks at Ground Level	mm	1091
		in	42.9
5	*Ground to Bottom of Tine at Minimum Height and Fork Level	mm	-109
		in	-4.3
6	Reach with Arms Horizontal and Forks Level	mm	1682
		in	66.2
7	Reach with Fork at Maximum Height	mm	815
		in	32.1
8	Ground to Top of Tine with Arms Horizontal and Fork Level	mm	1947
		in	76.7
9	Ground to Top of Tine at Maximum Height and Fork Level	mm	4031
		in	158.7
10	Overall Height of Fork at Full Lift (top of carriage to ground)	mm	7103
		in	279.7
11	Clearance at Full Lift and Max Dump	mm	2016
		in	79.4
12	Max Discharge Angle from Horizontal	deg	45
13	Overall Carriage Width	mm	3131
		in	123.3
14	Overall Carriage Height	mm	3163
		in	124.5
15	Outside Tine Width (max spread)	mm	2991
		in	117.8
16	Outside Tine Width (min spread)	mm	2991
		in	117.8
	Tine Width (single tine)	mm	200.0
		in	7.9
	Tine Thickness	mm	90.0
		in	3.5
	Operating Weight	kg	25315
		lbs	55794
	Tine Capacity	kg	12701
		lbs	27993

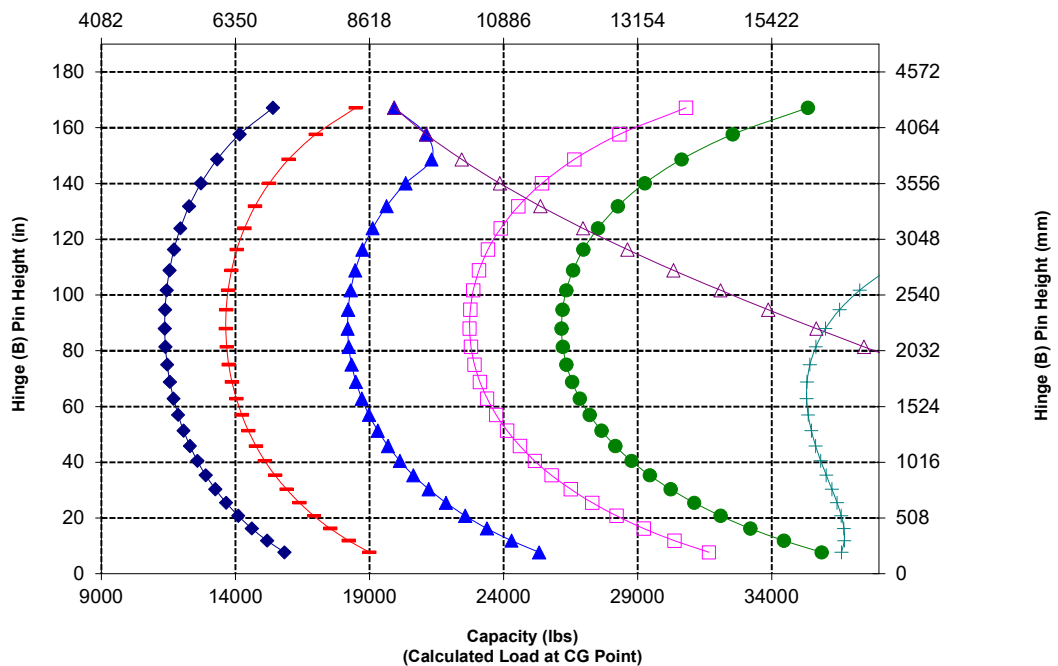
*Negative values indicate below grade

966 LOG Pipe & Pole Open Clamp, Pin-On

96" Tine
447-9939



Capacity (kg) (Calculated Load at CG Point)



WARNING: Do not exceed tine load capacity. Individual tine capacity is stamped on the side of each tine.

966 XE Forestry Machine Specifications

Fork Specifications

Fork Specifications

1	Tine length	mm	1221
		in	48.1
2	Fork width	mm	1943
		in	76.5
	End area	m ²	3.1
		ft ²	33
3	Inside Height (only applies to double top clamp)	mm	0
		in	0
4	Min. opening (only applies to millyard forks)	mm	1390
		in	55
	Operating Weight	kg	24892
		lbs	54877
5	Distance inside of tine tips	mm	1402
		in	55
	Static tipping load, articulated Fork level	kg	12221
		lbs	26942.2
	Static tipping load, straight Fork level	kg	14033
		lbs	30937.5
6	Max. height of fork (w/clamp open if applicable)	mm	3762
		in	148.1
7	Clearance w/full lift, 45 deg dump (if max. dump <= 45)	mm	3086
		in	121.5
8	Clearance @ full lift fork level	mm	3925
		in	154.5
9	Reach w/full lift, 45 deg dump (if max. dump <= 45)	mm	1103
		in	43.4
10	Reach w/lift arm horizontal and fork level	mm	2584
		in	101.7
11	*Ground to Bottom of Tool at Minimum Height and Tool Level	mm	-125
		in	-4.9
12	Width over tines	mm	1938
		in	76.3
13	Reach @ ground level	mm	1934
		in	76
14	Max. opening across tine and clamp	mm	3465
		in	136.4
15	Overall height of fork @ full lift and clamp open	mm	7687
		in	302.7
16	Overall length Tip of tine to rear of machine	mm	8810
		in	346.9
17	Clearance @ full lift and max. dump Discharge (if <= 45)	mm	3088
		in	121.6
18	Clearance w/horizontal lift arms and fork level	mm	1842.0
		in	72.5
19	Reach @ full lift and fork level	mm	1716.2
		in	67.6
20	Max. discharge angle from horizontal	deg	45
		rad	0.8

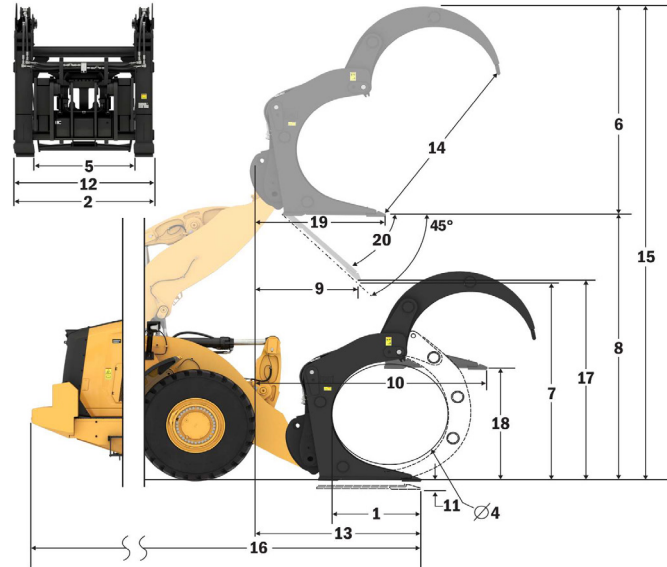
*Negative values indicate below grade

966 LOG

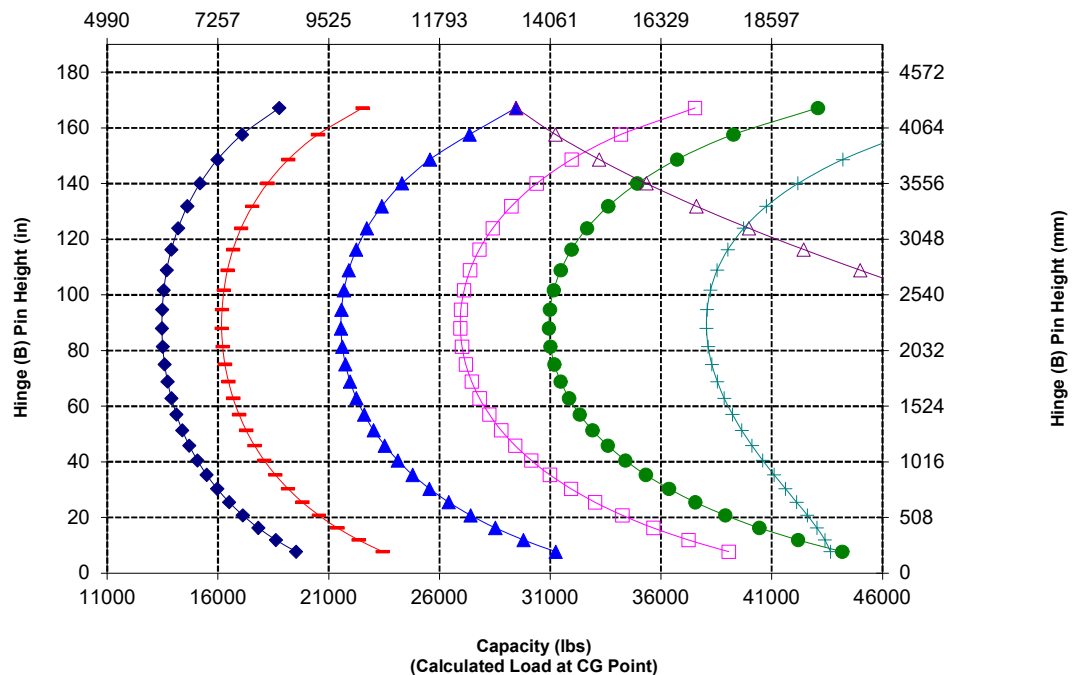
Grapple, Pin-On

48" Tine

448-9058



Capacity (kg)
(Calculated Load at CG Point)



NOTE: Static tipping loads and operating weight are based on the following loader configuration: Bridgestone VJT L3 Tires, Air Conditioning, Ride Control, Powertrain Guard, Full Fluids, Fuel Tank, Coolant, Lubricants, and Operator.

Specifications and ratings conform to the following standards: SAE* J1197, ISO 14397-1, CEN** EN 474-3.

The rated operating load for a loader equipped with a pallet fork is determined by:
SAE J1197: 50% of full turn static tipping load or hydraulic limit.
CEN EN 474-3: 60% of full turn static tipping load on rough terrain or hydraulic limit.
CEN EN 474-3: 80% of full turn static tipping load on firm and level ground or hydraulic limit.

*SAE - Society of Automotive Engineers
**CEN - European Committee for Standardization

Capacity (lbs)
(Calculated Load at CG Point)

966 XE Forestry Machine Specifications

Fork Specifications

Fork Specifications

1	Tine length	mm	1611
		in	63.4
2	Fork width	mm	2500
		in	98.4
	End area	m ²	1.42
		ft ²	15
3	Inside Height (only applies to double top clamp)	mm	1259
		in	50
4	Min. opening (only applies to millyard forks)	mm	N/A
		in	N/A
	Operating Weight	kg	24840
		lbs	54762
5	Distance inside of tine tips	mm	1892
		in	74
	Static tipping load, articulated Fork level	kg	13809
		lbs	30443.1
	Static tipping load, straight Fork level	kg	15820
		lbs	34876.0
6	Max. height of fork (w/clamp open if applicable)	mm	2700
		in	106.3
7	Clearance w/full lift, 45 deg dump (if max. dump <= 45)	mm	2857
		in	112.5
8	Clearance @ full lift fork level	mm	3981
		in	156.7
9	Reach w/full lift, 45 deg dump (if max. dump <= 45)	mm	1410
		in	55.5
10	Reach w/lift arm horizontal and fork level	mm	2962
		in	116.6
11	*Ground to Bottom of Tool at Minimum Height and Tool Level	mm	-69
		in	-2.7
12	Width over tines	mm	2414
		in	95.0
13	Reach @ ground level	mm	2267
		in	89
14	Max. opening across tine and clamp	mm	2493
		in	98.1
15	Overall height of fork @ full lift and clamp open	mm	6680
		in	263.0
16	Overall length Tip of tine to rear of machine	mm	9143
		in	360.0
17	Clearance @ full lift and max. dump Discharge (if <= 45)	mm	2861
		in	112.6
18	Clearance w/horizontal lift arms and fork level	mm	1897.5
		in	74.7
19	Reach @ full lift and fork level	mm	2094.8
		in	82.5
20	Max. discharge angle from horizontal	deg	45
		rad	0.8

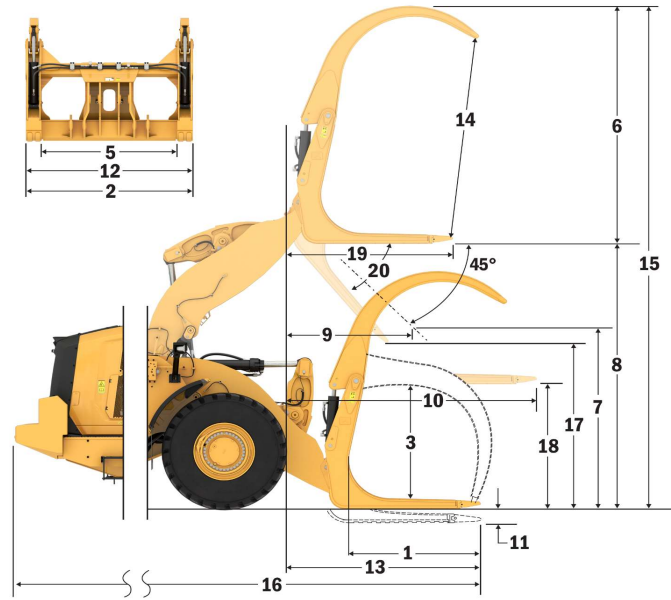
*Negative values indicate below grade

966 LOG

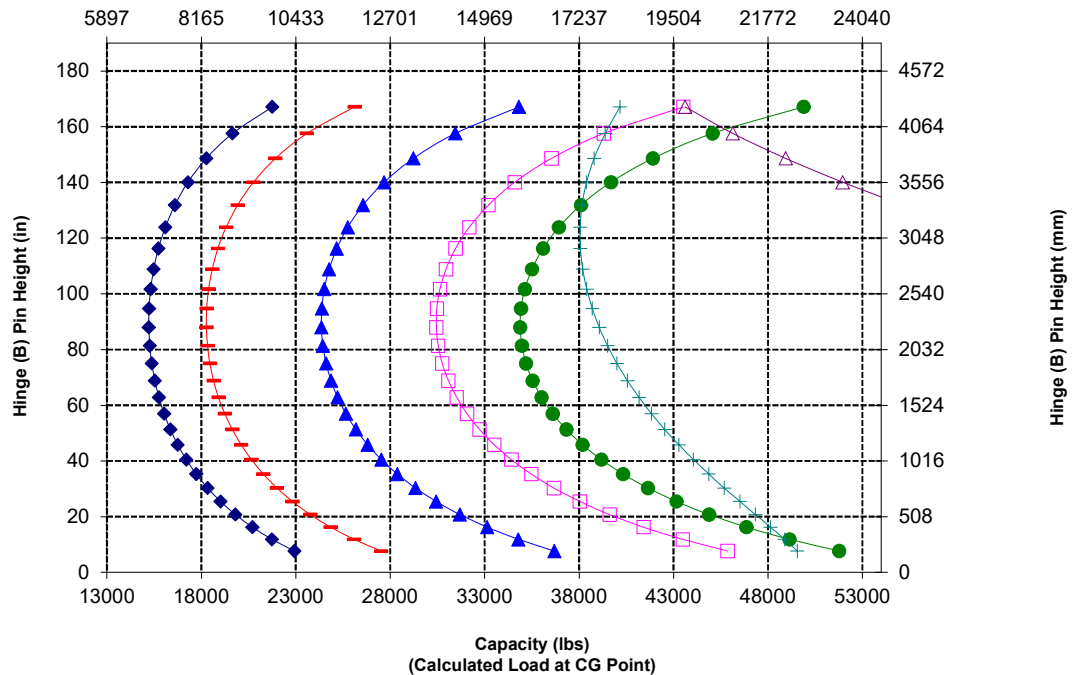
Logging Fork, Pin-On

63" Tine

472-1174



Capacity (kg)
(Calculated Load at CG Point)



966 XE Forestry Machine Specifications

Fork Specifications

Fork Specifications

1	Tine length	mm	1611
		in	63.4
2	Fork width	mm	2500
		in	98.4
	End area	m ²	1.42
		ft ²	15
3	Inside Height (only applies to double top clamp)	mm	1259
		in	50
4	Min. opening (only applies to millyard forks)	mm	N/A
		in	N/A
	Operating Weight	kg	25114
		lbs	55367
5	Distance inside of tine tips	mm	1892
		in	74
	Static tipping load, articulated Fork level	kg	13562
		lbs	29899.3
	Static tipping load, straight Fork level	kg	15573
		lbs	34332.4
6	Max. height of fork (w/clamp open if applicable)	mm	2700
		in	106.3
7	Clearance w/full lift, 45 deg dump (if max. dump <= 45)	mm	2857
		in	112.5
8	Clearance @ full lift fork level	mm	3981
		in	156.7
9	Reach w/full lift, 45 deg dump (if max. dump <= 45)	mm	1410
		in	55.5
10	Reach w/lift arm horizontal and fork level	mm	2962
		in	116.6
11	*Ground to Bottom of Tool at Minimum Height and Tool Level	mm	-69
		in	-2.7
12	Width over tines	mm	2414
		in	95.0
13	Reach @ ground level	mm	2267
		in	89
14	Max. opening across tine and clamp	mm	2493
		in	98.1
15	Overall height of fork @ full lift and clamp open	mm	6680
		in	263.0
16	Overall length Tip of tine to rear of machine	mm	9143
		in	360.0
17	Clearance @ full lift and max. dump Discharge (if <= 45)	mm	2861
		in	112.6
18	Clearance w/horizontal lift arms and fork level	mm	1897.5
		in	74.7
19	Reach @ full lift and fork level	mm	2094.8
		in	82.5
20	Max. discharge angle from horizontal	deg	45
		rad	0.8

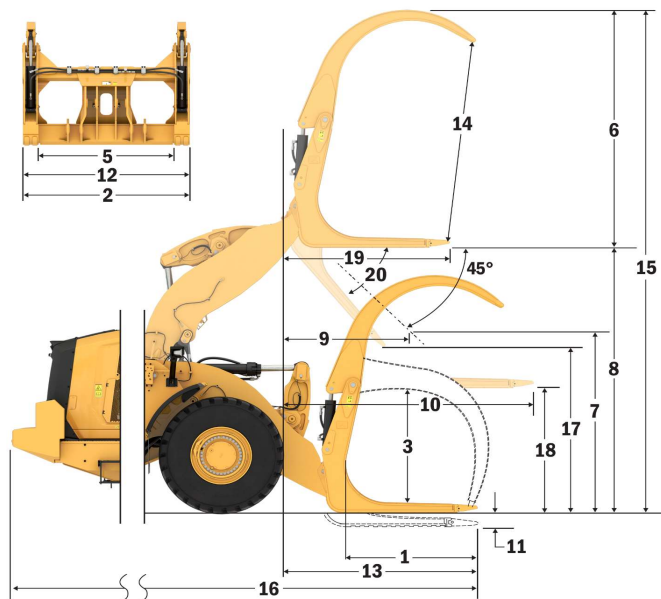
*Negative values indicate below grade

966 LOG

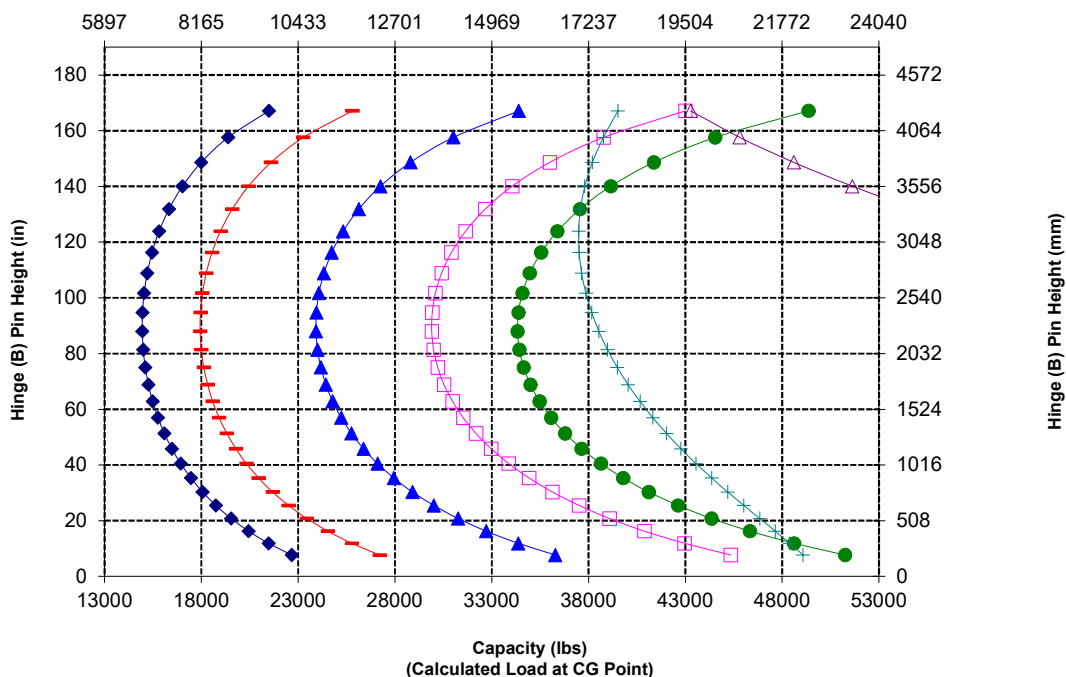
Logging Fork, Pin-On

63" Tine

472-4662



Capacity (kg)
(Calculated Load at CG Point)



966 XE Forestry Machine Specifications

Fork Specifications

Fork Specifications

1	Tine length	mm	1611
		in	63.4
2	Fork width	mm	2508
		in	98.8
	End area	m ²	1.59
		ft ²	17
3	Inside Height (only applies to double top clamp)	mm	0
		in	0
4	Min. opening (only applies to millyard forks)	mm	662
		in	26
	Operating Weight	kg	25144
		lbs	55433
5	Distance inside of tine tips	mm	1907
		in	75
	Static tipping load, articulated Fork level	kg	13212
		lbs	29126.4
	Static tipping load, straight Fork level	kg	15193
		lbs	33495.2
6	Max. height of fork (w/clamp open if applicable)	mm	2805
		in	110.4
7	Clearance w/full lift, 45 deg dump (if max. dump <=> 45)	mm	2857
		in	112.5
8	Clearance @ full lift fork level	mm	3981
		in	156.7
9	Reach w/full lift, 45 deg dump (if max. dump <=> 45)	mm	1410
		in	55.5
10	Reach w/lift arm horizontal and fork level	mm	2962
		in	116.6
11	*Ground to Bottom of Tool at Minimum Height and Tool Level	mm	-69
		in	-2.7
12	Width over tines	mm	2413
		in	95.0
13	Reach @ ground level	mm	2267
		in	89
14	Max. opening across tine and clamp	mm	2727
		in	107.4
15	Overall height of fork @ full lift and clamp open	mm	6786
		in	267.2
16	Overall length Tip of tine to rear of machine	mm	9143
		in	360.0
17	Clearance @ full lift and max. dump Discharge (if <=> 45)	mm	2861
		in	112.6
18	Clearance w/horizontal lift arms and fork level	mm	1897.8
		in	74.7
19	Reach @ full lift and fork level	mm	2095.0
		in	82.5
20	Max. discharge angle from horizontal	deg	45
		rad	0.8

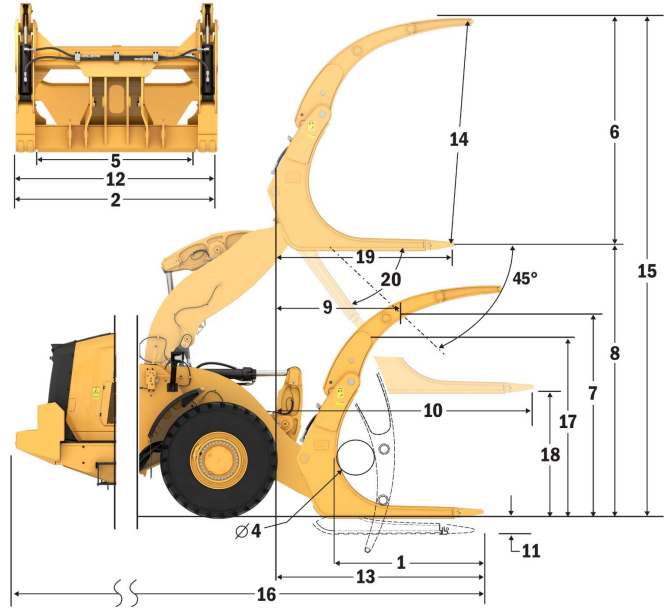
*Negative values indicate below grade

966 LOG

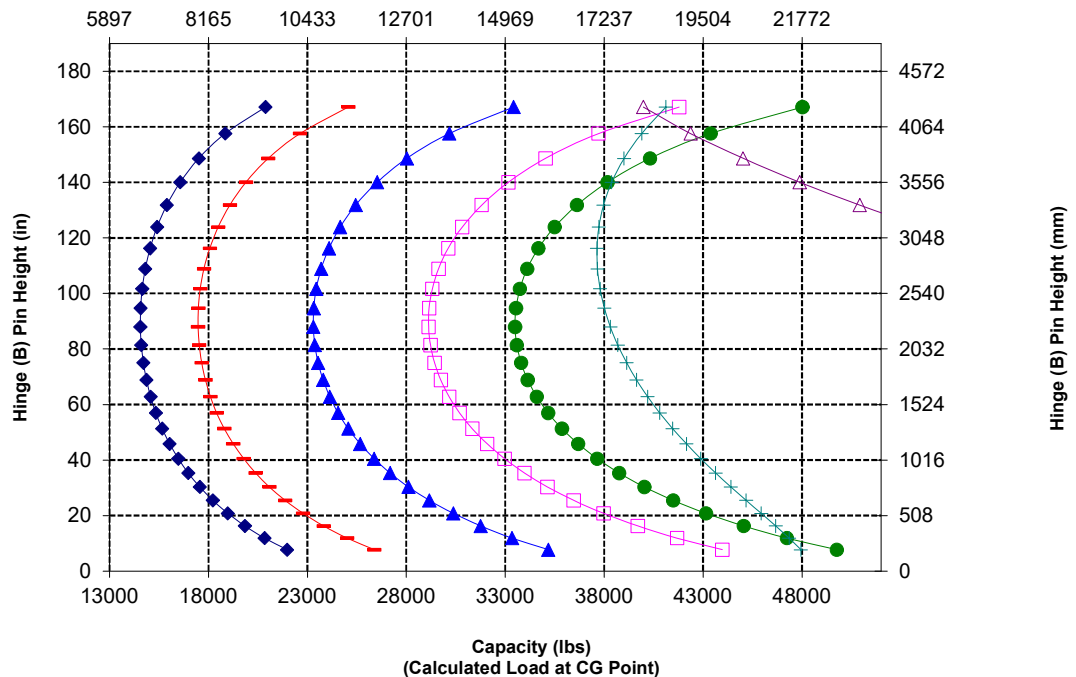
Millyard Fork, Pin-On

63" Tine

506-1946



Capacity (kg)
(Calculated Load at CG Point)

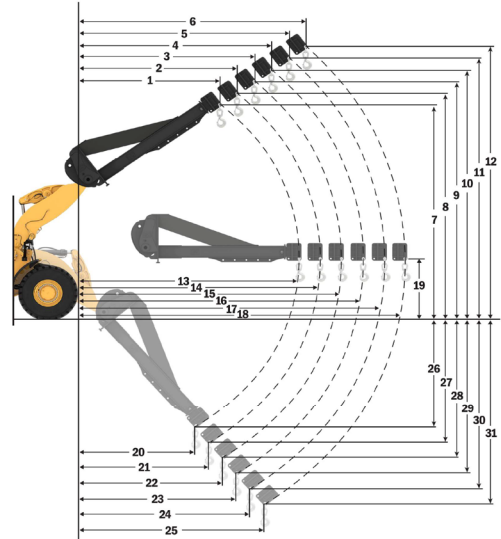


966 XE Forestry Machine Specifications

Material Handling Arm Specifications

966 LOG Fusion Material Handling Arm 6Pos

MHA Specifications	Retracted	Extension 1	Extension 2	Extension 3	Extension 4	Extended
Max Lift - Hook Reach (1, 2, 3, 4, 5, 6)	mm 1,823 ft, in 5' 11"	mm 1,936 ft, in 6' 4"	mm 2,049 ft, in 6' 8"	mm 2,162 ft, in 7' 1"	mm 2,275 ft, in 7' 5"	mm 2,388 ft, in 7' 10"
Max Lift - Hook Height (7, 8, 9, 10, 11, 12)	mm 7,218 ft, in 23' 8"	mm 7,501 ft, in 24' 7"	mm 7,784 ft, in 25' 6"	mm 8,067 ft, in 26' 5"	mm 8,350 ft, in 27' 4"	mm 8,633 ft, in 28' 3"
Level - Hook Reach (13, 14, 15, 16, 17, 18)	mm 4,553 ft, in 14' 11"	mm 4,858 ft, in 15' 11"	mm 5,162 ft, in 16' 11"	mm 5,467 ft, in 17' 11"	mm 5,772 ft, in 18' 11"	mm 6,077 ft, in 19' 11"
Level - Hook Height (19)	mm 1,937 ft, in 6' 4.2"	mm 1,937 ft, in 6' 4.2"	mm 1,937 ft, in 6' 4.2"	mm 1,937 ft, in 6' 4.2"	mm 1,937 ft, in 6' 4.2"	mm 1,937 ft, in 6' 4.2"
Min Lift - Hook Reach (20, 21, 22, 23, 24, 25)	mm 1,720 ft, in 5' 7"	mm 1,852 ft, in 6' 0"	mm 1,983 ft, in 6' 6"	mm 2,114 ft, in 6' 11"	mm 2,245 ft, in 7' 4"	mm 2,377 ft, in 7' 9"
Min Lift - Hook Height (26, 27, 28, 29, 30, 31)	mm (2,871) ft, in -9' 6"	mm (3,146) ft, in -10' 8"	mm (3,421) ft, in -11' 9"	mm (3,696) ft, in -12' 10"	mm (3,971) ft, in -13' 11"	mm (4,246) ft, in -13' 0"
Static Tipping Load, Straight	kg 9,131 lb 20,125	kg 8,641 lb 19,045	kg 8,200 lb 18,073	kg 7,801 lb 17,193	kg 7,438 lb 16,394	kg 7,107 lb 15,663
Static Tipping Load, Articulated	kg 8,060 lb 17,765	kg 7,627 lb 16,810	kg 7,237 lb 15,951	kg 6,885 lb 15,174	kg 6,564 lb 14,467	kg 6,271 lb 13,821
Operating Weight	kg 23,488 lb 51,767	kg 23,488 lb 51,767	kg 23,488 lb 51,767	kg 23,488 lb 51,767	kg 23,488 lb 51,767	kg 23,488 lb 51,767



Payload Capacity (kg)
(Calculated Load at CG Point)

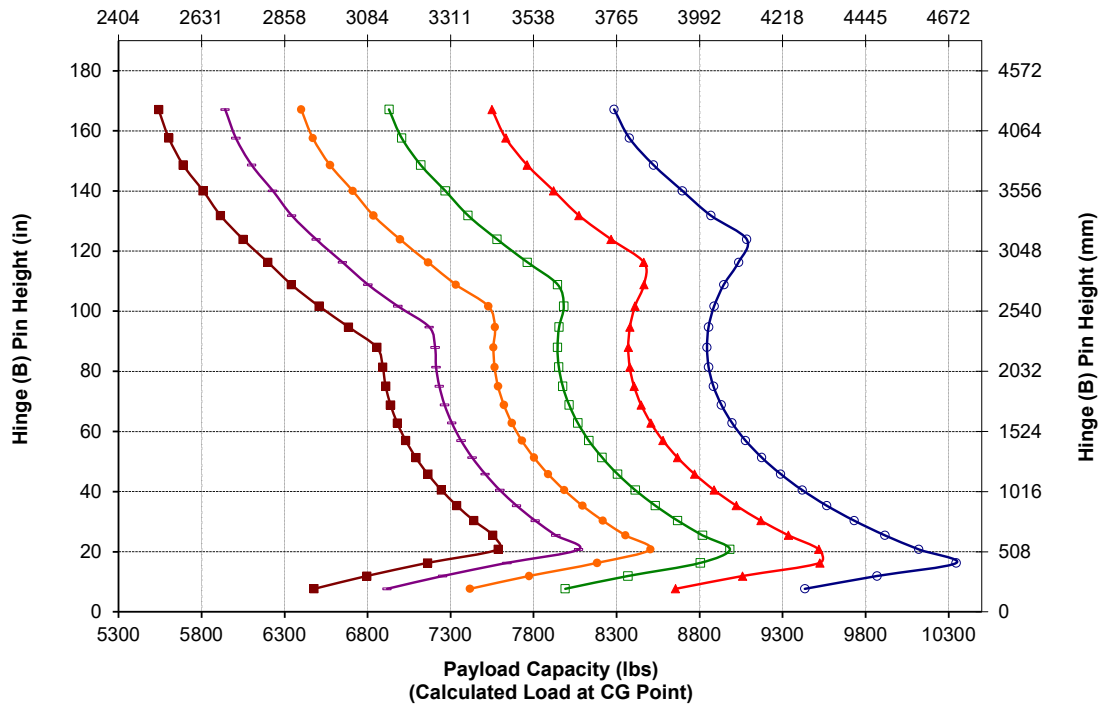
- Retracted
- Extension 1
- Extension 2
- Extension 3
- Extension 4
- Extended

NOTE: Static tipping loads and operating weight are based on the following loader configuration: Bridgestone VJT L3 Tires, Air Conditioning, Ride Control, Powertrain Guard, Full Fluids, Fuel Tank, Coolant, Lubricants, and Operator.

Specifications and ratings conform to the following standards: SAE* J1197, ISO 14397-1

The rated operating load for a loader equipped with a material handling arm is determined by: SAE J1197: 50% of full turn static tipping load or hydraulic limit.

*SAE - Society of Automotive Engineers





966 XE

Corrosion Resistant

The Cat 966 XE Wheel Loader Corrosion Resistant Package adds real value in protecting your machine investment. An industry-unique factory treatment provides more protection for all machine components that can be affected by corrosive materials. It's designed for improving reliability and durability in demanding corrosive environments such as fertilizer plants, chemical industries, agriculture, saltwater ports, and others.

Proven Reliability

- Cat C9.3B engine offers high power density with a combination of proven electronics, fuel, and air systems.
- Equipped with automatic Cat regeneration system, Cat Clean Emissions Module (CEM) with Diesel Particulate Filter (DPF), and Diesel Exhaust Fluid (DEF) tank and pump.
- Features an electric fuel priming pump, fuel-water separator, and secondary fuel filter.
- Thorough component design and machine validation processes result in unmatched reliability and uptime.

Durability

- Corrosion Resistant package includes silicon protection applied to all electrical terminals: alternator, engine starter, engine ground cable, and battery cables to maximize component life.
- Exposed electrical connectors are treated with shrinkable heat tube.
- Heavy-duty brushless alternator is utilized for increased durability.
- Optional paint protection that is more than two times the thickness of the standard paint. Extra primer coats are applied before the final polyurethane topcoat.
- Heavy-duty axles are designed to handle extreme applications.

Superior Fuel Efficiency & Productivity

- Up to 35% better fuel efficiency compared to previous Cat model.
- Deep system integration of the Cat continuously variable transmission, engine, hydraulic, and cooling systems results in significantly increased performance and fuel efficiency.
- Eliminating the torque converter allows the capability to control engine rpm and machine speed independently, resulting in efficient digging, fine control, and easy operation.
- Lower rated engine speed reduces component wear and operating noise.

Safety Features

- Rearview camera enhances visibility behind the machine, helping you work safely and confidently.
- Cab access with wide door, optional remote door opening, and stair-like steps add solid stability.
- Floor-to-ceiling windshield, large mirrors with integrated spot mirrors, and rearview camera provide industry leading all-around visibility.

Reduced Maintenance Time and Costs

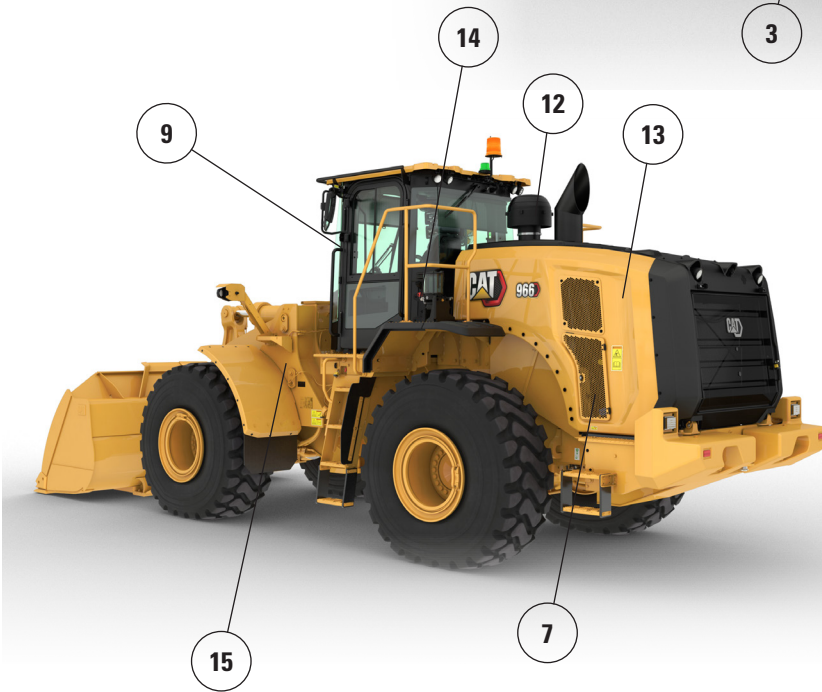
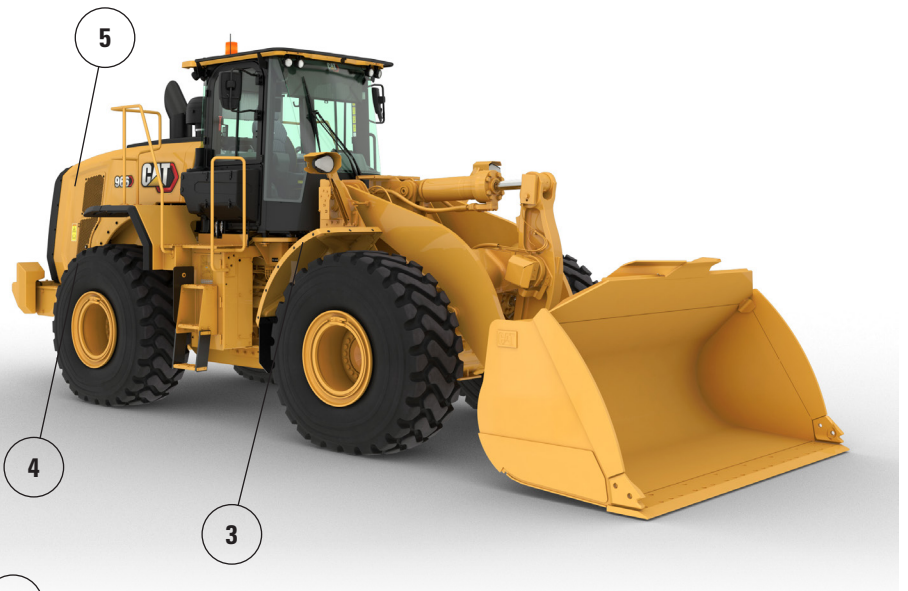
- Extended fluid and filter change intervals reduce maintenance costs by up to 20%.
- Remote Troubleshoot can connect the machine to the dealer service department to help diagnose problems quickly so you can get back to work.
- Remote Flash works around your schedule to ensure your machine's software is up to date for optimal performance.
- The Cat App helps you manage fleet location, hours, and maintenance schedules; it also alerts you for required maintenance and allows you to request service from your local Cat dealer.
- One-piece tilting hood makes engine compartment access fast and easy.

Work in Comfort in the All New Cab

- Optional powered cabin precleaner filters the incoming air and pressurize the cab.
- Next-generation, easily adjustable seat and suspension for improved operator comfort. It comes in three trim levels and can be equipped with a 4-point harness.
- New in-cab dashboard and high-resolution touch display(s) are easy to use, intuitive, and user friendly.
- Sound suppression, seals, and viscous cab mounts decrease noise and vibration for a quieter work environment.
- The seat-mounted electro-hydraulic joystick steering system provides precision control and dramatically reduces arm fatigue, resulting in excellent comfort and accuracy.

966 XE Corrosion Resistant Features

1. Silicon protection applied to all electric terminals
2. Shrinkable heat-tube on exposed electrical connectors
3. Zerust vapor capsules in electrical compartments
4. Grease points on hood articulation pins
5. Optional corrosion resistant cooling package: E-coated cooling cores, heavy-duty latch, and greaseable hinges
6. Optional hydraulic system protection that includes silicone sealant and heat shrinkable tubing over the couplings



7. Heavy-duty brushless alternator
8. Sealed disconnect switch
9. Grease points on the cab door hinges
10. Additional coats of paint. Extra primer coats are applied before the final polyurethane topcoat
11. Varnish protection applied to under hood components
12. Optional turbine precleaner
13. Optional variable pitch fan
14. Optional autolube system
15. Anti-corrosion transmission fill cover

Note: For machine performance data please refer to page 7.

For more complete information on Cat products, dealer services, and industry solutions, visit us on the web at www.cat.com.

Materials and specifications are subject to change without notice. Featured machines in photos may include additional equipment. See your Cat dealer for available options.

© 2025 Caterpillar. All Rights Reserved. CAT, CATERPILLAR, LET'S DO THE WORK, their respective logos, Product Link, Fusion, "Caterpillar Corporate Yellow", the "Power Edge" and Cat "Modern Hex" trade dress as well as corporate and product identity used herein, are trademarks of Caterpillar and may not be used without permission.

AEXQ3858-01 (1-2025)
Replaces AEXQ3858-00
Build Number: 14B
(N Am, Europe, Aus-NZ,
Türkiye, Chile, Colombia)

