



# 972 XE

## Wheel Loader

# Technical Specifications

Not all attachments available in all regions. Consult your Cat® dealer for specific configurations available in your region.

## Table of Contents

<b>Specifications</b> .....	<b>2</b>
Engine .....	2
Bucket Capacities .....	2
Weight .....	2
Operating Specifications .....	2
Transmission .....	2
Hydraulic System .....	3
Brakes .....	3
Axles .....	3
Service Refill Capacities .....	3
Cab .....	3
Sound .....	3
Air Conditioning System .....	3
Dimensions .....	4
Tire Options .....	5
Bucket Fill Factors and Selection Guide .....	7
Operating Specifications – Buckets .....	13
Standard and Optional Equipment .....	67
<b>972 XE Environmental Declaration</b> .....	<b>69</b>
<b>972 XE Waste &amp; Scrap Handler Configuration</b> .....	<b>70</b>
Key Features and Benefits .....	70
972 XE Waste and Scrap Handler Features .....	71
Tire Options .....	72
Operating Specifications – Buckets .....	73
<b>972 XE Corrosion Resistant Configuration</b> .....	<b>85</b>
Key Features and Benefits .....	85
972 XE Corrosion Resistant Features .....	86

# 972 XE Wheel Loader Specifications

## Engine

Engine Model	Cat® C9.3B	
Engine Power @ 1,600 rpm – ISO 14396:2002	253 kW	339 hp
	344 hp (metric)	
Gross Power @ 1,600 rpm – SAE J1995:2014	256 kW	343 hp
	348 hp (metric)	
Net Power @ 1,600 rpm – ISO 9249:2007, SAE J1349:2011	236 kW	316 hp
	321 hp (metric)	
Engine Torque @ 1,200 rpm – ISO 14396:2002	1864 N·m	1,375 lbf·ft
Gross Torque @ 1,200 rpm – SAE J1995:2014	1882 N·m	1,388 lbf·ft
Net Torque @ 1,200 rpm – ISO 9249:2007, SAE J1349:2011	1745 N·m	1,287 lbf·ft
Bore	115 mm	
Stroke	149 mm	
Displacement	9.3 L	

- Cat engine meets U.S. EPA Tier 4 Final, EU Stage V, Korea Stage V, and Japan 2014 emission standards.
- The net power advertised is the power available at the flywheel when the engine is equipped with fan, alternator, air cleaner and aftertreatment.
- Cat diesel engines are required to use ULSD (ultra-low sulfur diesel fuel with 15 ppm of sulfur or less) or ULSD blended with the following lower-carbon intensity fuels\*\* up to:
  - 20% biodiesel FAME (fatty acid methyl ester)\*
  - 100% renewable diesel, HVO (hydrotreated vegetable oil) and GTL (gas-to-liquid) fuels
 Refer to guidelines for successful application. Please consult your Cat dealer or “Caterpillar Machine Fluids Recommendations” (SEBU6250) for details.
- \* Engines with no aftertreatment devices can use higher blends, up to 100% biodiesel.
- \*\* Tailpipe greenhouse gas emissions from lower-carbon intensity fuels are essentially the same as traditional fuels.

## Bucket Capacities

Bucket Range	2.8-14.0 m <sup>3</sup>	3.75-18.25 yd <sup>3</sup>
--------------	-------------------------	----------------------------

## Weight

Operating Weight	24 890 kg	54,858 lb
------------------	-----------	-----------

- Weight based on a machine configuration with Bridgestone 26.5R25 VJT L3 radial tires, full fluids, operator, standard counterweight, ride control, cold start, roading fenders, Product Link™, front manual differential/open rear axles, power train guard, secondary steering, sound suppression, and a 4.8 m<sup>3</sup> (6.25 yd<sup>3</sup>) general purpose bucket with BOCE.

## Operating Specifications

Static Tipping Load – Full Turn		
Maximum Articulation Angle (Full Turn)	37°	
With Tire Deflection	16 297 kg	35,919 lb
No Tire Deflection	17 505 kg	38,582 lb
Breakout Force	196 kN	44,702 lbf

- For a machine configuration as defined under “Weight.”
- Full compliance to ISO 14397-1:2007 Sections 1 thru 6, which requires 2% verification between calculations and testing.

## Transmission

Forward 1	6.9 km/h	4.3 mph
Forward 2	12.9 km/h	8.0 mph
Forward 3	22.7 km/h	14.1 mph
Forward 4	39.5 km/h	24.5 mph
Reverse 1	6.9 km/h	4.3 mph
Reverse 2	12.9 km/h	8.0 mph
Reverse 3	28.7 km/h	17.9 mph
Reverse 4	N/A	N/A

- Maximum travel speed in standard vehicle with empty bucket and standard L3 tires with 849 mm (33 in) roll radius.

# 972 XE Wheel Loader Specifications

## Hydraulic System

Implement Pump Type	Variable Displacement Piston, load sensing	
Implement System:		
Maximum Pump Output (1,400 rpm)	348 L/min	92 gal/min
Maximum Operating Pressure	31 000 kPa	4,496 psi
Optional 3 <sup>rd</sup> Function Maximum Flow at Work Tool	240 L/min	63 gal/min
Optional 3 <sup>rd</sup> Function Maximum Pressure at Work Tool	20 684 kPa	3,000 psi
Optional 4 <sup>th</sup> Function Maximum Flow at Work Tool	240 L/min	63 gal/min
Optional 4 <sup>th</sup> Function Maximum Pressure at Work Tool	20 684 kPa	3,000 psi
Hydraulic Cycle Time with Rated Payload:		
Raise from Carry Position	5.5 seconds	
Dump, at Maximum Raise	1.5 seconds	
Lower, Empty, Float Down	3.1 seconds	
Total	10.1 seconds	

## Brakes

Brakes	Brakes meet ISO 3450:2011 standards
--------	-------------------------------------

## Axles

Front	Fixed, manual differential
Rear	Oscillating, open differential

## Service Refill Capacities

Fuel Tank	303 L	80.1 gal
DEF Tank	26 L	6.9 gal
Cooling System	66 L	17.4 gal
Crankcase	23 L	6.1 gal
Transmission	63 L	16.6 gal
Differentials and Final Drives – Front	57 L	15.1 gal
Differentials and Final Drives – Rear	57 L	15.1 gal
Hydraulic Tank	114 L	30.1 gal

## Cab

ROPS/FOPS	ROPS/FOPS meet ISO 3471:2008 and ISO 3449:2005 Level II standards
-----------	---

## Sound Performance

Operator Sound Pressure Level (ISO 6396:2008)	67 dB(A)
Exterior Sound Power Level (ISO 6395:2008)	107 dB(A)
Operator Sound Pressure Level (ISO 6396:2008)*	67 dB(A)
Exterior Sound Power Level (ISO 6395:2008)**	105 dB(A)

\*Including countries that adopt the EU and UK Directives  
 \*\*EU Noise Directive 2000/14/EC and UK Noise Regulation 2001 No. 1701

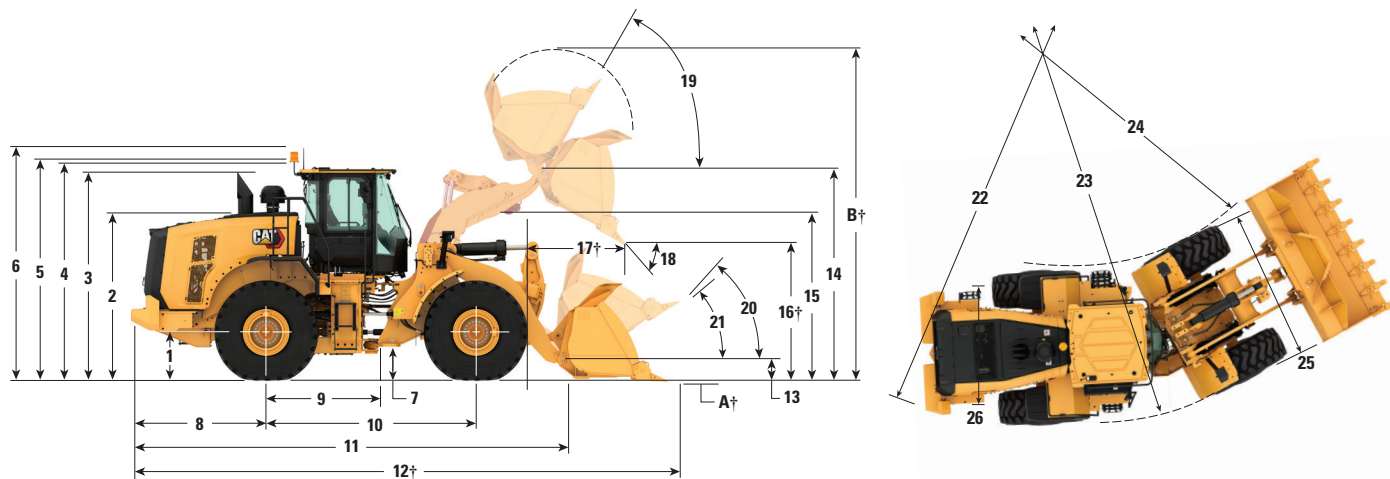
## Air Conditioning System

- The air conditioning system on this machine contains the fluorinated greenhouse gas refrigerant R134a (Global Warming Potential = 1430). The system contains 1.6 kg (3.5 lb) of refrigerant which has a CO<sub>2</sub> equivalent 2.288 metric tonnes (2.522 tons).

# 972 XE Wheel Loader Specifications

## Dimensions

All dimensions are approximate.



	Standard Lift		High Lift	
1 Height to Axle Centerline	805 mm	2'7"	805 mm	2'7"
2 Height to Top of Hood	2846 mm	9'4"	2846 mm	9'4"
3 Height to Top of Exhaust Pipe	3527 mm	11'7"	3527 mm	11'7"
4 Height to Top of ROPS	3589 mm	11'10"	3589 mm	11'10"
5 Height to Top of Product Link™ Antenna	3603 mm	11'10"	3603 mm	11'10"
6 Height to Top of Warning Beacon	3867 mm	12'9"	3867 mm	12'9"
7 Ground Clearance	420 mm	1'4"	420 mm	1'4"
8 Center Line of Rear Axle to Edge of Counterweight	2458 mm	8'0"	2458 mm	8'0"
9 Center Line of Rear Axle to Hitch	1775 mm	5'10"	1775 mm	5'10"
10 Wheelbase	3550 mm	11'8"	3550 mm	11'8"
11 Overall Length (without bucket)	7731 mm	25'5"	8069 mm	26'6"
12 Shipping Length (with bucket level on ground)*†	9268 mm	30'5"	9604 mm	31'7"
13 Hinge Pin Height at Carry Height	682 mm	2'2"	780 mm	2'6"
14 Hinge Pin Height at Maximum Lift	4464 mm	14'7"	4800 mm	15'8"
15 Lift Arm Clearance at Maximum Lift	3842 mm	12'7"	4179 mm	13'8"
16 Dump Clearance at Maximum Lift and 45° Discharge*†	3160 mm	10'4"	3495 mm	11'5"
17 Reach at Maximum Lift and 45° Discharge*†	1354 mm	4'5"	1377 mm	4'6"
18 Dump Angle at Maximum Lift and Dump (on stops)*	48 degrees		48 degrees	
19 Rack Back at Maximum Lift*	56 degrees		71 degrees	
20 Rack Back at Carry Height*	49 degrees		49 degrees	
21 Rack Back at Ground*	39 degrees		37 degrees	
22 Clearance Circle (dia) to Counterweight	13 608 mm	44'8"	13 608 mm	44'8"
23 Clearance Circle (dia) to Outside of Tires	13 621 mm	44'9"	13 621 mm	44'9"
24 Clearance Circle (dia) to Inside of Tires	7599 mm	25'0"	7599 mm	25'0"
25 Width over Tires (unloaded)	2988 mm	9'10"	2988 mm	9'10"
Width over Tires (loaded)	3011 mm	9'11"	3011 mm	9'11"
26 Tread Width	2230 mm	7'3"	2230 mm	7'3"

† Dimensions are listed in Operating Specifications charts.

All height and tire related dimensions are with Bridgestone 26.5R25 VJT L3 radial tires (see Tire Option Chart for other tires). "Width over Tires" dimensions are over the bulge and include growth.

• All dimensions are approximate and based on machine equipped with 4.8 m<sup>3</sup> (6.25 yd<sup>3</sup>) general purpose pin-on bucket with BOCE. (see Operating Specifications for other buckets)

# 972 XE Wheel Loader Specifications

## Tire Options

Tire Brand	BRIDGESTONE	BRIDGESTONE	BRIDGESTONE	BRIDGESTONE	BRIDGESTONE	BRIDGESTONE
Tire Size	26.5R25	26.5R25	26.5R25	26.5-25	26.5-25	775/65R29
Tread Type	L3	L4	L5	L3	L4	L3
Tread Pattern	VJT	VSNT	VSDL	VL2	RLS	VTS
Casing Strength	*	*	*	20PR	26PR	*
Width over Tires – Maximum (empty)*	2988 mm 9'10"	2968 mm 9'9"	2967 mm 9'9"	2943 mm 9'8"	2946 mm 9'8"	3053 mm 10'1"
Width over Tires – Maximum (loaded)*	3011 mm 9'11"	2991 mm 9'10"	2987 mm 9'10"	2943 mm 9'8"	2959 mm 9'9"	3073 mm 10'1"
Change in Vertical Dimensions (average of front and rear)		26 mm 1"	42 mm 1.7"	-4 mm -0.1"	38 mm 1.5"	10 mm 0.4"
Change in Horizontal Reach		-21 mm -0.8"	-26 mm -1"	0 mm 0"	-24 mm -0.9"	-1 mm 0"
Change in Clearance Circle to Outside of Tires		-20 mm -0.8"	-25 mm -1"	-68 mm -2.7"	-52 mm -2"	62 mm 2.4"
Change in Clearance Circle to Inside of Tires		20 mm 0.8"	25 mm 1"	68 mm 2.7"	52 mm 2"	-62 mm -2.4"
Change in Operating Weight (without Ballast)		460 kg 1,014 lb	972 kg 2,143 lb	-364 kg -803 lb	112 kg 247 lb	692 kg 1,525 lb
Change in Static Tipping Load – Straight		315 kg 695 lb	666 kg 1,468 lb	-249 kg -550 lb	77 kg 169 lb	474 kg 1,045 lb
Change in Static Tipping Load – Articulated		278 kg 614 lb	588 kg 1,297 lb	-220 kg -486 lb	68 kg 149 lb	418 kg 923 lb
Rear Axle Oscillation Angle	±13 degrees	±13 degrees	±8 degrees	±13 degrees	±13 degrees	±8 degrees
Maximum Single-wheel Rise and Fall	502 mm 1'8"	502 mm 1'8"	310 mm 1'1"	502 mm 1'8"	502 mm 1'8"	310 mm 1'1"

Tire Brand	MICHELIN	MICHELIN	MICHELIN	MAXAM	MAXAM	MAXAM
Tire Size	26.5R25	26.5R25	775/65R29	26.5R25	26.5R25	775/65R29
Tread Type	L3	L5	L3	L3	L5	L3
Tread Pattern	XHA2	XLDD2	XHA2	MS302	MS503	MS302
Casing Strength	**	*	*	**	**	**
Width over Tires – Maximum (empty)*	2997 mm 9'10"	2981 mm 9'10"	3030 mm 10'0"	2964 mm 9'9"	2966 mm 9'9"	3045 mm 10'0"
Width over Tires – Maximum (loaded)*	3020 mm 9'11"	3009 mm 9'11"	3053 mm 10'1"	2942 mm 9'8"	2980 mm 9'10"	3075 mm 10'2"
Change in Vertical Dimensions (average of front and rear)	-14 mm -0.5"	38 mm 1.5"	2 mm 0.1"	15 mm 0.6"	52 mm 2"	37 mm 1.5"
Change in Horizontal Reach	3 mm 0.1"	-31 mm -1.2"	2 mm 0.1"	-7 mm -0.3"	-28 mm -1.1"	-23 mm -0.9"
Change in Clearance Circle to Outside of Tires	9 mm 0.4"	-2 mm -0.1"	42 mm 1.6"	-70 mm -2.7"	-31 mm -1.2"	64 mm 2.5"
Change in Clearance Circle to Inside of Tires	-9 mm -0.4"	2 mm 0.1"	-42 mm -1.6"	70 mm 2.7"	31 mm 1.2"	-64 mm -2.5"
Change in Operating Weight (without Ballast)	-164 kg -362 lb	552 kg 1,217 lb	504 kg 1,110 lb	-16 kg -35 lb	692 kg 1,526 lb	684 kg 1,507 lb
Change in Static Tipping Load – Straight	-112 kg -248 lb	378 kg 834 lb	345 kg 761 lb	-11 kg -24 lb	474 kg 1,045 lb	468 kg 1,033 lb
Change in Static Tipping Load – Articulated	-99 kg -219 lb	334 kg 736 lb	305 kg 672 lb	-10 kg -21 lb	419 kg 923 lb	414 kg 912 lb
Rear Axle Oscillation Angle	±13 degrees	±8 degrees	±8 degrees	±13 degrees	±8 degrees	±8 degrees
Maximum Single-wheel Rise and Fall	502 mm 1'8"	310 mm 1'1"	310 mm 1'1"	502 mm 1'8"	310 mm 1'1"	310 mm 1'1"

\*Width over tire bulge and includes tire growth.

# 972 XE Wheel Loader Specifications

## Tire Options

Tire Brand	TRIANGLE	TRIANGLE	GOODYEAR	GOODYEAR	GOODYEAR
Tire Size	26.5R25	26.5-25	26.5R25	26.5R25	26.5R25
Tread Type	L3	L3	L3	L4	L5
Tread Pattern	TB516	TL612	RT3B	GP4D	RT5D
Casing Strength	**	20PR	**	**	**
Width over Tires – Maximum (empty)*	2977 mm 9'10"	2954 mm 9'9"	2983 mm 9'10"	3000 mm 9'11"	2990 mm 9'10"
Width over Tires – Maximum (loaded)*	3001 mm 9'11"	2965 mm 9'9"	3001 mm 9'11"	3027 mm 10'0"	3016 mm 9'11"
Change in Vertical Dimensions (average of front and rear)	11 mm 0.4"	15 mm 0.6"	20 mm 0.8"	6 mm 0.3"	40 mm 1.6"
Change in Horizontal Reach	-6 mm -0.2"	-2 mm -0.1"	-2 mm -0.1"	-5 mm -0.2"	-26 mm -1"
Change in Clearance Circle to Outside of Tires	-10 mm -0.4"	-46 mm -1.8"	-10 mm -0.4"	16 mm 0.6"	5 mm 0.2"
Change in Clearance Circle to Inside of Tires	10 mm 0.4"	46 mm 1.8"	10 mm 0.4"	-16 mm -0.6"	-5 mm -0.2"
Change in Operating Weight (without Ballast)	-64 kg -141 lb	-372 kg -820 lb	276 kg 609 lb	272 kg 600 lb	988 kg 2,179 lb
Change in Static Tipping Load – Straight	-44 kg -97 lb	-255 kg -562 lb	189 kg 417 lb	186 kg 411 lb	677 kg 1,492 lb
Change in Static Tipping Load – Articulated	-39 kg -85 lb	-225 kg -496 lb	167 kg 368 lb	165 kg 363 lb	598 kg 1,318 lb
Rear Axle Oscillation Angle	±13 degrees	±13 degrees	±13 degrees	±13 degrees	±8 degrees
Maximum Single-wheel Rise and Fall	310 mm 1'1"	310 mm 1'1"	310 mm 1'1"	310 mm 1'1"	310 mm 1'1"

Tire Brand	GOODYEAR	GOODYEAR	BRAWLER HPS SMOOTH	BRAWLER HPS TRACTION
Tire Size	26.5R25	775/65R29	26.5R25	26.5R25
Tread Type	L5	L4	N/A	N/A
Tread Pattern	RL5K	GP4D	Smooth	Traction
Casing Strength	**	**	N/A	N/A
Width over Tires – Maximum (empty)*	3085 mm 10'2"	3091 mm 10'2"	2959 mm 9'9"	2959 mm 9'9"
Width over Tires – Maximum (loaded)*	3195 mm 10'6"	3136 mm 10'4"	2968 mm 9'9"	2968 mm 9'9"
Change in Vertical Dimensions (average of front and rear)	44 mm 1.7"	12 mm 0.5"	40 mm 1.6"	37 mm 1.5"
Change in Horizontal Reach	-23 mm -0.9"	-6 mm -0.2"	11 mm 0.4"	11 mm 0.4"
Change in Clearance Circle to Outside of Tires	184 mm 7.2"	125 mm 4.9"	-43 mm -1.7"	-43 mm -1.7"
Change in Clearance Circle to Inside of Tires	-184 mm -7.2"	-125 mm -4.9"	43 mm 1.7"	43 mm 1.7"
Change in Operating Weight (without Ballast)	896 kg 1,976 lb	720 kg 1,587 lb	4300 kg 9,482 lb	4076 kg 8,988 lb
Change in Static Tipping Load – Straight	614 kg 1,353 lb	493 kg 1,087 lb	2946 kg 6,495 lb	2792 kg 6,156 lb
Change in Static Tipping Load – Articulated	542 kg 1,195 lb	435 kg 960 lb	2602 kg 5,736 lb	2466 kg 5,437 lb
Rear Axle Oscillation Angle	±8 degrees	±8 degrees	±8 degrees	±8 degrees
Maximum Single-wheel Rise and Fall	310 mm 1'1"	310 mm 1'1"	310 mm 1'1"	310 mm 1'1"

\*Width over tire bulge and includes tire growth.



# 972 XE Wheel Loader Specifications

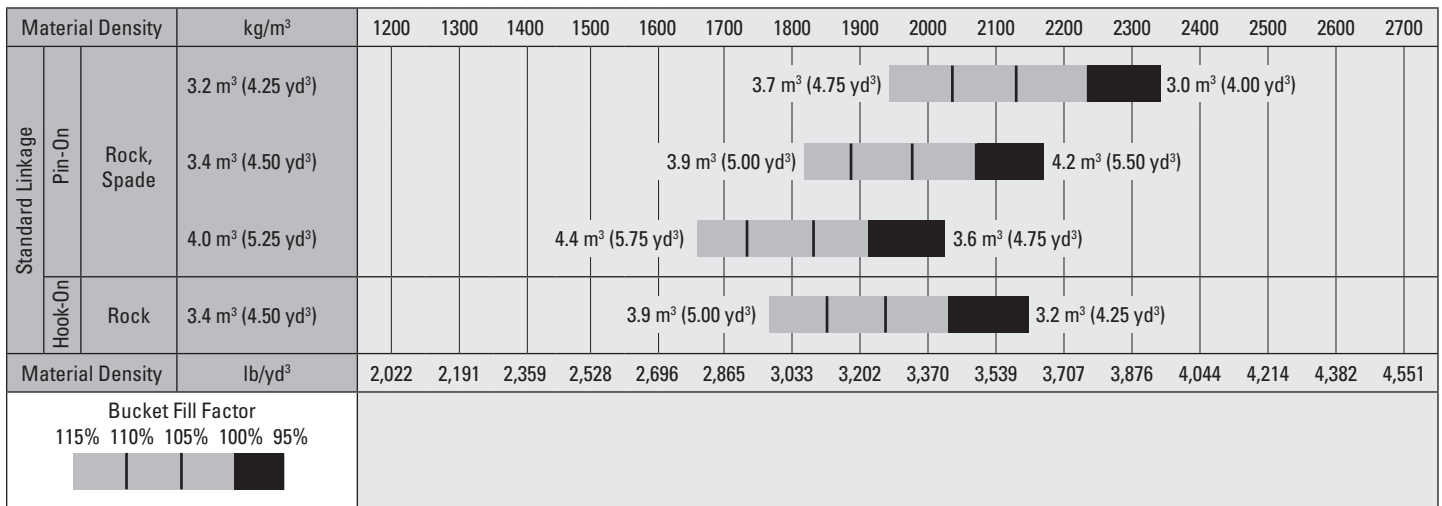
## Bucket Fill Factors and Selection Guide

The bucket size must be chosen based on the density of the material and on the expected fill factor. The Cat Performance Series Buckets with longer floor, larger bucket opening, increased repository angle, rounded side boards and integrated spill guard demonstrate fill factors significantly higher than previous generation or non-Cat buckets. The actual volume handled by the machine is thus often larger than the rated capacity.

Loose Material		Fill Factor (%)*	Material Density
Earth/Clay		115	1.5-1.7
Sand and Gravel		115	1.5-1.7
Aggregate:	25-76 mm (1 to 3 in)	110	1.6-1.7
	19 mm (0.75 in) and smaller	105	1.8
Rock:	76 mm (3 in) and larger	100	1.6

\*As a % of ISO 7546:1983 rated capacity.

**Note:** Fill Factors achieved will also depend on whether the product is washed or not washed.



**Note:** All buckets are showing Bolt-On Edges.

\*Bucket availability may vary by region.

\*\* Data with Rock, Spade buckets equipped with Teeth and Segments and machine with L5 tires.



# 972 XE Wheel Loader Specifications

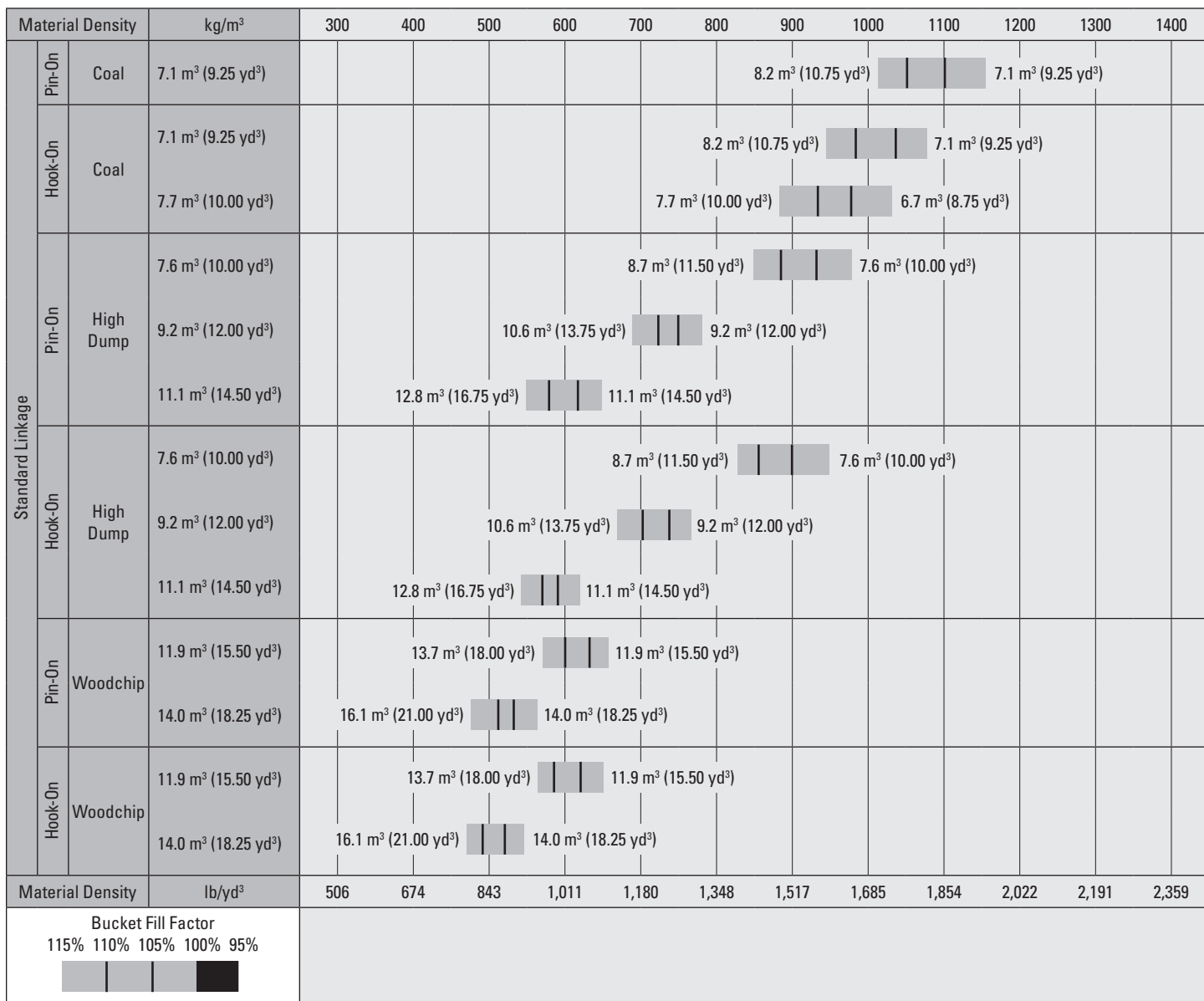
## Bucket Fill Factors and Selection Guide

The bucket size must be chosen based on the density of the material and on the expected fill factor. The Cat Performance Series Buckets with longer floor, larger bucket opening, increased repository angle, rounded side boards and integrated spill guard demonstrate fill factors significantly higher than previous generation or non-Cat buckets. The actual volume handled by the machine is thus often larger than the rated capacity.

Loose Material		Fill Factor (%)*	Material Density
Earth/Clay		115	1.5-1.7
Sand and Gravel		115	1.5-1.7
Aggregate:	25-76 mm (1 to 3 in)	110	1.6-1.7
	19 mm (0.75 in) and smaller	105	1.8
Rock:	76 mm (3 in) and larger	100	1.6

\*As a % of ISO 7546:1983 rated capacity.

**Note:** Fill Factors achieved will also depend on whether the product is washed or not washed.



**Note:** All buckets are showing Bolt-On Edges.

\*Bucket availability may vary by region.

# 972 XE Wheel Loader Specifications

## Bucket Fill Factors and Selection Guide

The bucket size must be chosen based on the density of the material and on the expected fill factor. The Cat Performance Series Buckets with longer floor, larger bucket opening, increased repository angle, rounded side boards and integrated spill guard demonstrate fill factors significantly higher than previous generation or non-Cat buckets. The actual volume handled by the machine is thus often larger than the rated capacity.

Loose Material		Fill Factor (%)*	Material Density
Earth/Clay		115	1.5-1.7
Sand and Gravel		115	1.5-1.7
Aggregate:	25-76 mm (1 to 3 in)	110	1.6-1.7
	19 mm (0.75 in) and smaller	105	1.8
Rock:	76 mm (3 in) and larger	100	1.6

\*As a % of ISO 7546:1983 rated capacity.

**Note:** Fill Factors achieved will also depend on whether the product is washed or not washed.

Material Density	kg/m <sup>3</sup>	900	1000	1100	1200	1300	1400	1500	1600	1700	1800	1900	2000	2100	2200	2300	2400	
High Lift Linkage	Pin-On General Purpose & Flat Floor	4.2 m <sup>3</sup> (5.50 yd <sup>3</sup> )									4.8 m <sup>3</sup> (6.25 yd <sup>3</sup> )							4.2 m <sup>3</sup> (5.50 yd <sup>3</sup> )
		4.4 m <sup>3</sup> (5.75 yd <sup>3</sup> )									5.1 m <sup>3</sup> (6.50 yd <sup>3</sup> )							4.4 m <sup>3</sup> (5.75 yd <sup>3</sup> )
		4.6 m <sup>3</sup> (6.00 yd <sup>3</sup> )									5.3 m <sup>3</sup> (7.00 yd <sup>3</sup> )							4.6 m <sup>3</sup> (6.00 yd <sup>3</sup> )
		4.8 m <sup>3</sup> (6.25 yd <sup>3</sup> )									5.5 m <sup>3</sup> (7.25 yd <sup>3</sup> )							4.8 m <sup>3</sup> (6.25 yd <sup>3</sup> )
		5.0 m <sup>3</sup> (6.50 yd <sup>3</sup> )									5.8 m <sup>3</sup> (7.50 yd <sup>3</sup> )							5.0 m <sup>3</sup> (6.50 yd <sup>3</sup> )
		5.2 m <sup>3</sup> (6.75 yd <sup>3</sup> )									5.6 m <sup>3</sup> (7.75 yd <sup>3</sup> )							5.2 m <sup>3</sup> (6.75 yd <sup>3</sup> )
		5.5 m <sup>3</sup> (7.25 yd <sup>3</sup> )									6.3 m <sup>3</sup> (8.25 yd <sup>3</sup> )							5.5 m <sup>3</sup> (7.25 yd <sup>3</sup> )
Hook-On General Purpose & Flat Floor	4.2 m <sup>3</sup> (5.50 yd <sup>3</sup> )										4.8 m <sup>3</sup> (6.25 yd <sup>3</sup> )						4.2 m <sup>3</sup> (5.50 yd <sup>3</sup> )	
	4.4 m <sup>3</sup> (5.75 yd <sup>3</sup> )										5.1 m <sup>3</sup> (6.50 yd <sup>3</sup> )						4.4 m <sup>3</sup> (5.75 yd <sup>3</sup> )	
	4.6 m <sup>3</sup> (6.00 yd <sup>3</sup> )										5.3 m <sup>3</sup> (7.00 yd <sup>3</sup> )						4.6 m <sup>3</sup> (6.00 yd <sup>3</sup> )	
	4.8 m <sup>3</sup> (6.25 yd <sup>3</sup> )										5.5 m <sup>3</sup> (7.25 yd <sup>3</sup> )						4.8 m <sup>3</sup> (6.25 yd <sup>3</sup> )	
	5.0 m <sup>3</sup> (6.50 yd <sup>3</sup> )										5.8 m <sup>3</sup> (7.50 yd <sup>3</sup> )						5.0 m <sup>3</sup> (6.50 yd <sup>3</sup> )	
Material Density	lb/yd <sup>3</sup>	1,517	1,685	1,854	2,022	2,191	2,359	2,528	2,696	2,865	3,033	3,202	3,370	3,539	3,707	3,876	4,044	
Bucket Fill Factor		115% 110% 105% 100% 95%																



**Note:** All buckets are showing Bolt-On Edges.

\*Bucket availability may vary by region.

# 972 XE Wheel Loader Specifications

## Bucket Fill Factors and Selection Guide

The bucket size must be chosen based on the density of the material and on the expected fill factor. The Cat Performance Series Buckets with longer floor, larger bucket opening, increased repository angle, rounded side boards and integrated spill guard demonstrate fill factors significantly higher than previous generation or non-Cat buckets. The actual volume handled by the machine is thus often larger than the rated capacity.

Loose Material		Fill Factor (%)*	Material Density
Earth/Clay		115	1.5-1.7
Sand and Gravel		115	1.5-1.7
Aggregate:	25-76 mm (1 to 3 in)	110	1.6-1.7
	19 mm (0.75 in) and smaller	105	1.8
Rock:	76 mm (3 in) and larger	100	1.6

\*As a % of ISO 7546:1983 rated capacity.

**Note:** Fill Factors achieved will also depend on whether the product is washed or not washed.

Material Density		kg/m <sup>3</sup>	300	400	500	600	700	800	900	1000	1100	1200	1300	1400
High Lift Linkage	Pin-On	Coal	7.1 m <sup>3</sup> (9.25 yd <sup>3</sup> )											
			8.2 m <sup>3</sup> (10.75 yd <sup>3</sup> )   7.1 m <sup>3</sup> (9.25 yd <sup>3</sup> )											
	Hook-On	Coal	7.1 m <sup>3</sup> (9.25 yd <sup>3</sup> )											
			7.7 m <sup>3</sup> (10.00 yd <sup>3</sup> )   8.2 m <sup>3</sup> (10.75 yd <sup>3</sup> )   7.1 m <sup>3</sup> (9.25 yd <sup>3</sup> )											
	Pin-On	High Dump	7.6 m <sup>3</sup> (10.00 yd <sup>3</sup> )											
			8.7 m <sup>3</sup> (11.50 yd <sup>3</sup> )   7.6 m <sup>3</sup> (10.00 yd <sup>3</sup> )											
	Hook-On	High Dump	7.6 m <sup>3</sup> (10.00 yd <sup>3</sup> )											
			7.7 m <sup>3</sup> (10.00 yd <sup>3</sup> )   8.7 m <sup>3</sup> (11.50 yd <sup>3</sup> )   7.6 m <sup>3</sup> (10.00 yd <sup>3</sup> )											
Material Density		lb/yd <sup>3</sup>	506	674	843	1,011	1,180	1,348	1,517	1,685	1,854	2,022	2,191	2,359
Bucket Fill Factor		115% 110% 105% 100% 95%												

**Note:** All buckets are showing Bolt-On Edges.

\*Bucket availability may vary by region.

# 972 XE Wheel Loader Specifications

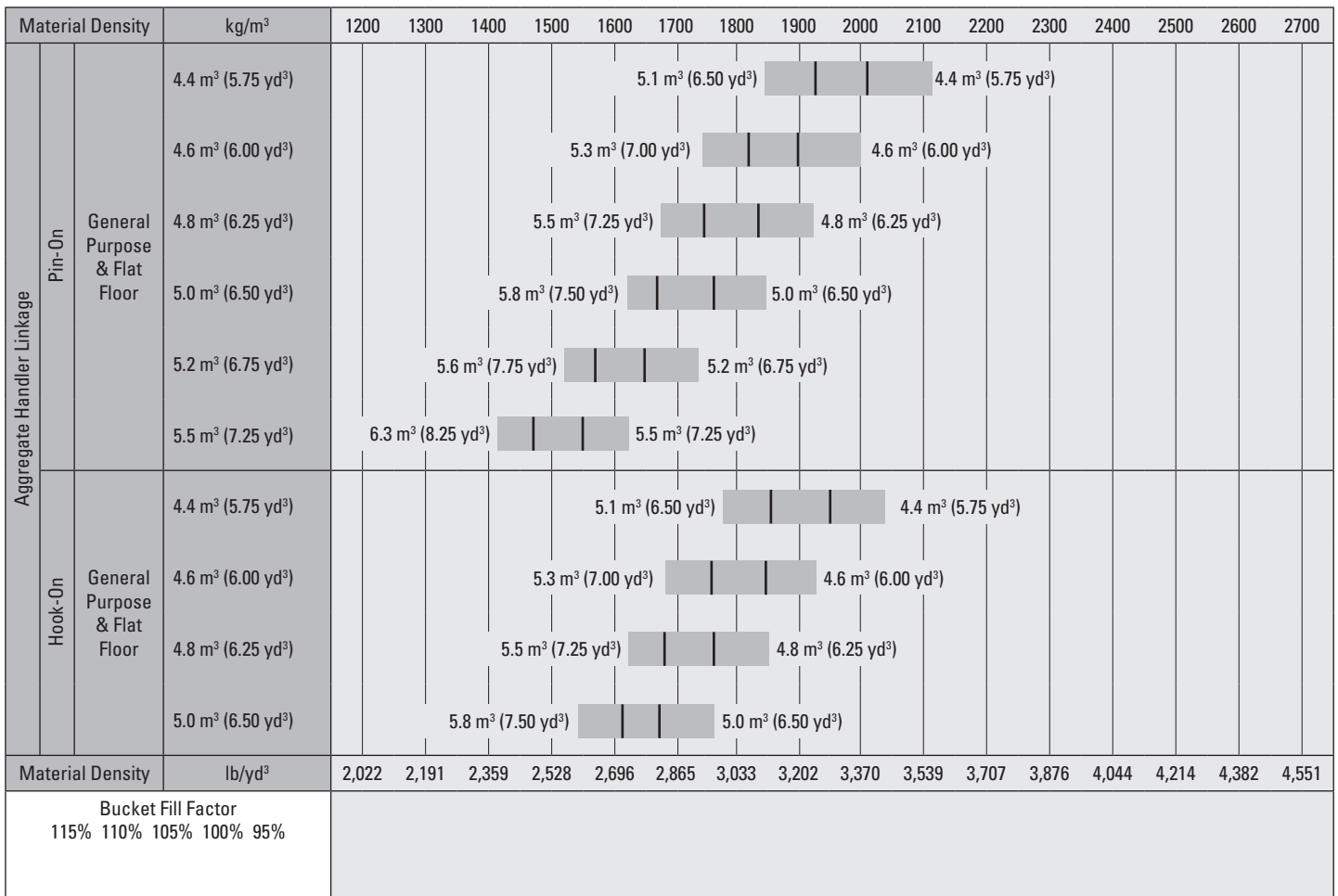
## Bucket Fill Factors and Selection Guide

The bucket size must be chosen based on the density of the material and on the expected fill factor. The Cat Performance Series Buckets with longer floor, larger bucket opening, increased repository angle, rounded side boards and integrated spill guard demonstrate fill factors significantly higher than previous generation or non-Cat buckets. The actual volume handled by the machine is thus often larger than the rated capacity.

Loose Material		Fill Factor (%)*	Material Density
Earth/Clay		115	1.5-1.7
Sand and Gravel		115	1.5-1.7
Aggregate:	25-76 mm (1 to 3 in)	110	1.6-1.7
	19 mm (0.75 in) and smaller	105	1.8
Rock:	76 mm (3 in) and larger	100	1.6

\*As a % of ISO 7546:1983 rated capacity.

**Note:** Fill Factors achieved will also depend on whether the product is washed or not washed.



**Note:** All buckets are showing Bolt-On Edges.

\*Bucket availability may vary by region.

# 972 XE Wheel Loader Specifications

## Operating Specifications – Buckets

Linkage		Standard Linkage					
Bucket Type		General Purpose – Pin-On					
Edge Type		Bolt-On Cutting Edges	Teeth and Segments	Bolt-On Cutting Edges	Teeth and Segments	Bolt-On Cutting Edges	Teeth and Segments
Capacity – Rated	m <sup>3</sup>	4.20	4.20	4.60	4.60	4.80	4.80
	yd <sup>3</sup>	5.50	5.50	6.00	6.00	6.25	6.25
Capacity – Rated at 110% Fill Factor	m <sup>3</sup>	4.60	4.60	5.10	5.10	5.30	5.30
	yd <sup>3</sup>	6.00	6.00	6.75	6.75	7.00	7.00
Width	mm	3220	3271	3220	3271	3220	3271
	ft/in	10'6"	10'8"	10'6"	10'8"	10'6"	10'8"
<b>16</b> † Dump Clearance at Maximum Lift and 45° Discharge	mm	3230	3076	3192	3038	3159	3004
	ft/in	10'7"	10'1"	10'5"	9'11"	10'4"	9'10"
<b>17</b> † Reach at Maximum Lift and 45° Discharge	mm	1294	1432	1325	1462	1354	1490
	ft/in	4'2"	4'8"	4'4"	4'9"	4'5"	4'10"
Reach at Level Lift Arm and Bucket Level	mm	2917	3122	2966	3171	3011	3216
	ft/in	9'6"	10'2"	9'8"	10'4"	9'10"	10'6"
<b>A</b> † Digging Depth	mm	98	98	98	98	98	98
	in	3.8"	3.8"	3.8"	3.8"	3.8"	3.8"
<b>12</b> † Overall Length	mm	9175	9399	9224	9448	9269	9493
	ft/in	30'2"	30'11"	30'4"	31'0"	30'5"	31'2"
<b>B</b> † Overall Height with Bucket at Maximum Lift	mm	5942	5942	6200	6200	6036	6036
	ft/in	19'6"	19'6"	20'5"	20'5"	19'10"	19'10"
Loader Clearance Circle Radius with Bucket at Carry Position	mm	7583	7671	7596	7685	7608	7697
	ft/in	24'11"	25'2"	25'0"	25'3"	25'0"	25'4"
Static Tipping Load, Straight (With tire deflection)	kg	18 764	18 580	18 652	18 467	18 677	18 491
	lb	41,355	40,950	41,109	40,701	41,166	40,756
Static Tipping Load, Straight (No tire deflection)	kg	19 939	19 754	19 837	19 650	19 868	19 680
	lb	43,947	43,538	43,721	43,309	43,789	43,375
Static Tipping Load, Articulated (With tire deflection)	kg	16 376	16 192	16 269	16 084	16 297	16 111
	lb	36,094	35,688	35,857	35,449	35,919	35,509
Static Tipping Load, Articulated (No tire deflection)	kg	17 570	17 384	17 472	17 285	17 505	17 317
	lb	38,725	38,315	38,508	38,096	38,582	38,168
Breakout Force (§)	kN	210	208	202	201	196	194
	lbf	47,186	46,879	45,479	45,172	44,072	43,765
Operating Weight*	kg	24 902	25 040	24 962	25 100	24 890	25 028
	lb	54,883	55,187	55,016	55,320	54,858	55,162

\* Static tipping loads and operating weights shown are based on a machine configuration with Bridgestone 26.5R25 VJT L3 radial tires, full fluids, operator, counterweight, ride control, cold start, roading fenders, Product Link™, manual diff lock/open axles (front and rear), powertrain guard, secondary steering and sound suppression.

† Illustration shown with Dimension charts.

\*\*\* Rock bucket specifications are given on Bridgestone 26.5R25 VSDL L5 radial tires.

(§) Measured 100 mm (4") behind tip of cutting edge with bucket hinge pin as pivot point in accordance with ISO 14397-2:2007.

(With tire deflection) Full compliance to ISO 14397-1:2007 Sections 1 thru 6, which requires 2% verification between calculations and testing.

(No tire deflection) Compliance to ISO 14397-1:2007 Sections 1 thru 5.

Other buckets are available and offerings vary by region. Consult your local Cat dealer for further details.

# 972 XE Wheel Loader Specifications

## Operating Specifications – Buckets *(continued)*

Linkage		Standard Linkage		
Bucket Type		General Purpose – Pin-On – Abrasion		
Edge Type		Bolt-On Cutting Edges	Bolt-On Cutting Edges	Bolt-On Cutting Edges
Capacity – Rated	m <sup>3</sup>	5.10	5.30	5.50
	yd <sup>3</sup>	6.75	7.00	7.25
Capacity – Rated at 110% Fill Factor	m <sup>3</sup>	5.60	5.80	6.10
	yd <sup>3</sup>	7.25	7.50	8.00
Width	mm	3357	3357	3357
	ft/in	11'0"	11'0"	11'0"
16† Dump Clearance at Maximum Lift and 45° Discharge	mm	3132	3105	3077
	ft/in	10'3"	10'2"	10'1"
17† Reach at Maximum Lift and 45° Discharge	mm	1372	1396	1421
	ft/in	4'6"	4'6"	4'7"
Reach at Level Lift Arm and Bucket Level	mm	3043	3080	3118
	ft/in	9'11"	10'1"	10'2"
A† Digging Depth	mm	103	103	103
	in	4.0"	4.0"	4.0"
12† Overall Length	mm	9305	9342	9380
	ft/in	30'7"	30'8"	30'10"
B† Overall Height with Bucket at Maximum Lift	mm	6240	6277	6298
	ft/in	20'6"	20'8"	20'8"
Loader Clearance Circle Radius with Bucket at Carry Position	mm	7681	7691	7701
	ft/in	25'3"	25'3"	25'4"
Static Tipping Load, Straight (With tire deflection)	kg	18 295	18 221	18 153
	lb	40,322	40,160	40,010
Static Tipping Load, Straight (No tire deflection)	kg	19 480	19 411	19 349
	lb	42,934	42,783	42,646
Static Tipping Load, Articulated (With tire deflection)	kg	15 919	15 848	15 782
	lb	35,087	34,930	34,784
Static Tipping Load, Articulated (No tire deflection)	kg	17 122	17 056	16 996
	lb	37,738	37,593	37,459
Breakout Force (§)	kN	190	185	180
	lbf	42,753	41,648	40,570
Operating Weight*	kg	25 199	25 241	25 279
	lb	55,538	55,631	55,715

\* Static tipping loads and operating weights shown are based on a machine configuration with Bridgestone 26.5R25 VJT L3 radial tires, full fluids, operator, counterweight, ride control, cold start, roading fenders, Product Link™, manual diff lock/open axles (front and rear), powertrain guard, secondary steering and sound suppression.

† Illustration shown with Dimension charts.

\*\*\*Rock bucket specifications are given on Bridgestone 26.5R25 VSDL L5 radial tires.

(§) Measured 100 mm (4") behind tip of cutting edge with bucket hinge pin as pivot point in accordance with ISO 14397-2:2007.

(With tire deflection) Full compliance to ISO 14397-1:2007 Sections 1 thru 6, which requires 2% verification between calculations and testing.

(No tire deflection) Compliance to ISO 14397-1:2007 Sections 1 thru 5.

Other buckets are available and offerings vary by region. Consult your local Cat dealer for further details.

# 972 XE Wheel Loader Specifications

## Operating Specifications – Buckets *(continued)*

Linkage		Standard Linkage					
Bucket Type		General Purpose – Hook-on – Fusion™					
Edge Type		Bolt-On Cutting Edges	Teeth and Segments	Bolt-On Cutting Edges	Teeth and Segments	Bolt-On Cutting Edges	Teeth and Segments
Capacity – Rated	m <sup>3</sup>	4.20	4.20	4.40	4.40	4.60	4.60
	yd <sup>3</sup>	5.50	5.50	5.75	5.75	6.00	6.00
Capacity – Rated at 110% Fill Factor	m <sup>3</sup>	4.60	4.60	4.80	4.80	5.10	5.10
	yd <sup>3</sup>	6.00	6.00	6.25	6.25	6.75	6.75
Width	mm	3220	3271	3220	3271	3220	3271
	ft/in	10'6"	10'8"	10'6"	10'8"	10'6"	10'8"
<b>16</b> † Dump Clearance at Maximum Lift and 45° Discharge	mm	3200	3046	3205	3052	3162	3008
	ft/in	10'5"	9'11"	10'6"	10'0"	10'4"	9'10"
<b>17</b> † Reach at Maximum Lift and 45° Discharge	mm	1329	1466	1324	1462	1359	1497
	ft/in	4'4"	4'9"	4'4"	4'9"	4'5"	4'10"
Reach at Level Lift Arm and Bucket Level	mm	2962	3167	2955	3160	3012	3217
	ft/in	9'8"	10'4"	9'8"	10'4"	9'10"	10'6"
<b>A</b> † Digging Depth	mm	98	98	98	98	98	98
	in	3.8"	3.8"	3.8"	3.8"	3.8"	3.8"
<b>12</b> † Overall Length	mm	9220	9444	9213	9437	9270	9494
	ft/in	30'3"	31'0"	30'3"	31'0"	30'5"	31'2"
<b>B</b> † Overall Height with Bucket at Maximum Lift	mm	6041	6041	6210	6210	6216	6216
	ft/in	19'10"	19'10"	20'5"	20'5"	20'5"	20'5"
Loader Clearance Circle Radius with Bucket at Carry Position	mm	7611	7705	7609	7702	7626	7719
	ft/in	25'0"	25'4"	25'0"	25'4"	25'1"	25'4"
Static Tipping Load, Straight (With tire deflection)	kg	18 251	18 067	18 254	18 071	18 103	17 918
	lb	40,225	39,821	40,233	39,829	39,899	39,493
Static Tipping Load, Straight (No tire deflection)	kg	19 416	19 231	19 431	19 245	19 277	19 091
	lb	42,794	42,386	42,827	42,418	42,488	42,077
Static Tipping Load, Articulated (With tire deflection)	kg	15 886	15 703	15 884	15 700	15 742	15 557
	lb	35,014	34,610	35,009	34,604	34,696	34,289
Static Tipping Load, Articulated (No tire deflection)	kg	17 070	16 885	17 078	16 893	16 935	16 748
	lb	37,623	37,215	37,641	37,232	37,325	36,914
Breakout Force (§)	kN	203	201	203	202	195	194
	lbf	45,612	45,305	45,785	45,478	43,938	43,631
Operating Weight*	kg	25 276	25 414	25 318	25 456	25 377	25 515
	lb	55,708	56,012	55,801	56,105	55,930	56,234

\* Static tipping loads and operating weights shown are based on a machine configuration with Bridgestone 26.5R25 VJT L3 radial tires, full fluids, operator, counterweight, ride control, cold start, roading fenders, Product Link™, manual diff lock/open axles (front and rear), powertrain guard, secondary steering and sound suppression.

† Illustration shown with Dimension charts.

\*\*\* Rock bucket specifications are given on Bridgestone 26.5R25 VSDL L5 radial tires.

(§) Measured 100 mm (4") behind tip of cutting edge with bucket hinge pin as pivot point in accordance with ISO 14397-2:2007.

(With tire deflection) Full compliance to ISO 14397-1:2007 Sections 1 thru 6, which requires 2% verification between calculations and testing.

(No tire deflection) Compliance to ISO 14397-1:2007 Sections 1 thru 5.

Other buckets are available and offerings vary by region. Consult your local Cat dealer for further details.

# 972 XE Wheel Loader Specifications

## Operating Specifications – Buckets (continued)

Linkage		Standard Linkage			
Bucket Type		General Purpose – Hook-on – Fusion			
Edge Type		Bolt-On Cutting Edges	Teeth and Segments	Bolt-On Cutting Edges	Teeth and Segments
Capacity – Rated	m <sup>3</sup>	4.80	4.80	5.00	5.00
	yd <sup>3</sup>	6.25	6.25	6.50	6.50
Capacity – Rated at 110% Fill Factor	m <sup>3</sup>	5.30	5.30	5.50	5.50
	yd <sup>3</sup>	7.00	7.00	7.25	7.25
Width	mm	3220	3271	3220	3271
	ft/in	10'6"	10'8"	10'6"	10'8"
16† Dump Clearance at Maximum Lift and 45° Discharge	mm	3135	2980	3111	2956
	ft/in	10'3"	9'9"	10'2"	9'8"
17† Reach at Maximum Lift and 45° Discharge	mm	1381	1517	1402	1538
	ft/in	4'6"	4'11"	4'7"	5'0"
Reach at Level Lift Arm and Bucket Level	mm	3047	3252	3079	3284
	ft/in	9'11"	10'8"	10'1"	10'9"
A† Digging Depth	mm	98	98	98	98
	in	3.8"	3.8"	3.8"	3.8"
12† Overall Length	mm	9305	9529	9337	9561
	ft/in	30'7"	31'4"	30'8"	31'5"
B† Overall Height with Bucket at Maximum Lift	mm	6275	6275	6301	6301
	ft/in	20'8"	20'8"	20'9"	20'9"
Loader Clearance Circle Radius with Bucket at Carry Position	mm	7636	7730	7646	7740
	ft/in	25'1"	25'5"	25'1"	25'5"
Static Tipping Load, Straight (With tire deflection)	kg	18 095	17 910	17 976	17 790
	lb	39,882	39,474	39,619	39,209
Static Tipping Load, Straight (No tire deflection)	kg	19 275	19 088	19 159	18 970
	lb	42,483	42,070	42,226	41,811
Static Tipping Load, Articulated (With tire deflection)	kg	15 735	15 549	15 617	15 431
	lb	34,680	34,272	34,420	34,010
Static Tipping Load, Articulated (No tire deflection)	kg	16 933	16 746	16 818	16 630
	lb	37,321	36,908	37,068	36,653
Breakout Force (§)	kN	190	189	186	185
	lbf	42,894	42,587	41,878	41,571
Operating Weight*	kg	25 372	25 510	25 463	25 600
	lb	55,919	56,223	56,119	56,423

\* Static tipping loads and operating weights shown are based on a machine configuration with Bridgestone 26.5R25 VJT L3 radial tires, full fluids, operator, counterweight, ride control, cold start, roading fenders, Product Link™, manual diff lock/open axles (front and rear), powertrain guard, secondary steering and sound suppression.

† Illustration shown with Dimension charts.

\*\*\* Rock bucket specifications are given on Bridgestone 26.5R25 VSDL L5 radial tires.

(§) Measured 100 mm (4") behind tip of cutting edge with bucket hinge pin as pivot point in accordance with ISO 14397-2:2007.

(With tire deflection) Full compliance to ISO 14397-1:2007 Sections 1 thru 6, which requires 2% verification between calculations and testing.

(No tire deflection) Compliance to ISO 14397-1:2007 Sections 1 thru 5.

Other buckets are available and offerings vary by region. Consult your local Cat dealer for further details.



# 972 XE Wheel Loader Specifications

## Operating Specifications – Buckets *(continued)*

Linkage		Standard Linkage					
Bucket Type		Flat Floor – Pin-On					
Edge Type		Bolt-On Cutting Edges	Teeth and Segments	Bolt-On Cutting Edges	Teeth and Segments	Bolt-On Cutting Edges	Teeth and Segments
Capacity – Rated	m <sup>3</sup>	4.40	4.40	4.60	4.60	4.80	4.80
	yd <sup>3</sup>	5.75	5.75	6.00	6.00	6.25	6.25
Capacity – Rated at 110% Fill Factor	m <sup>3</sup>	4.80	4.80	5.10	5.10	5.30	5.30
	yd <sup>3</sup>	6.25	6.25	6.75	6.75	7.00	7.00
Width	mm	3220	3271.4	3220	3271	3220	3271
	ft/in	10'6"	10'8"	10'6"	10'8"	10'6"	10'8"
<b>16</b> † Dump Clearance at Maximum Lift and 45° Discharge	mm	3150	2987	3125	2962	3104	2941
	ft/in	10'4"	9'9"	10'3"	9'8"	10'2"	9'7"
<b>17</b> † Reach at Maximum Lift and 45° Discharge	mm	1223	1350	1248	1375	1269	1396
	ft/in	4'0"	4'5"	4'1"	4'6"	4'1"	4'6"
Reach at Level Lift Arm and Bucket Level	mm	2941	3146	2976	3181	3006	3211
	ft/in	9'7"	10'3"	9'9"	10'5"	9'10"	10'6"
<b>A</b> † Digging Depth	mm	98	98	98	98	98	98
	in	3.8"	3.8"	3.8"	3.8"	3.8"	3.8"
<b>12</b> † Overall Length	mm	9199	9423	9234	9458	9264	9488
	ft/in	30'3"	30'11"	30'4"	31'1"	30'5"	31'2"
<b>B</b> † Overall Height with Bucket at Maximum Lift	mm	6160	6160	6167	6167	6198	6198
	ft/in	20'3"	20'3"	20'3"	20'3"	20'5"	20'5"
Loader Clearance Circle Radius with Bucket at Carry Position	mm	7589	7678	7599	7687	7607	7696
	ft/in	24'11"	25'3"	25'0"	25'3"	25'0"	25'3"
Static Tipping Load, Straight (With tire deflection)	kg	18 436	18 255	18 605	18 420	18 553	18 368
	lb	40,634	40,234	41,007	40,599	40,892	40,484
Static Tipping Load, Straight (No tire deflection)	kg	19 578	19 395	19 771	19 584	19 725	19 537
	lb	43,151	42,746	43,577	43,165	43,474	43,061
Static Tipping Load, Articulated (With tire deflection)	kg	16 085	15 903	16 233	16 048	16 182	15 997
	lb	35,452	35,051	35,778	35,370	35,666	35,257
Static Tipping Load, Articulated (No tire deflection)	kg	17 246	17 062	17 417	17 230	17 372	17 184
	lb	38,011	37,606	38,388	37,976	38,288	37,875
Breakout Force (§)	kN	206	204	201	199	196	195
	lbf	46,294	45,987	45,185	44,876	44,213	43,906
Operating Weight*	kg	24 959	25 097	24 936	25 074	24 970	25 108
	lb	55,009	55,312	54,958	55,262	55,034	55,338

\* Static tipping loads and operating weights shown are based on a machine configuration with Bridgestone 26.5R25 VJT L3 radial tires, full fluids, operator, counterweight, ride control, cold start, roading fenders, Product Link™, manual diff lock/open axles (front and rear), powertrain guard, secondary steering and sound suppression.

† Illustration shown with Dimension charts.

\*\*\* Rock bucket specifications are given on Bridgestone 26.5R25 VSDL L5 radial tires.

(§) Measured 100 mm (4") behind tip of cutting edge with bucket hinge pin as pivot point in accordance with ISO 14397-2:2007.

(With tire deflection) Full compliance to ISO 14397-1:2007 Sections 1 thru 6, which requires 2% verification between calculations and testing.

(No tire deflection) Compliance to ISO 14397-1:2007 Sections 1 thru 5.

Other buckets are available and offerings vary by region. Consult your local Cat dealer for further details.

# 972 XE Wheel Loader Specifications

## Operating Specifications – Buckets *(continued)*

Linkage		Standard Linkage			
Bucket Type		Flat Floor – Pin-On			
Edge Type		Bolt-On Cutting Edges	Teeth and Segments	Bolt-On Cutting Edges	Teeth and Segments
Capacity – Rated	m <sup>3</sup>	5.00	5.00	5.20	5.20
	yd <sup>3</sup>	6.50	6.50	6.75	6.75
Capacity – Rated at 110% Fill Factor	m <sup>3</sup>	5.50	5.50	5.70	5.70
	yd <sup>3</sup>	7.25	7.25	7.50	7.50
Width	mm	3220	3271	3220	3271
	ft/in	10'6"	10'8"	10'6"	10'8"
16† Dump Clearance at Maximum Lift and 45° Discharge	mm	3075	2913	3054	2891
	ft/in	10'1"	9'6"	10'0"	9'5"
17† Reach at Maximum Lift and 45° Discharge	mm	1297	1424	1318	1445
	ft/in	4'3"	4'8"	4'3"	4'8"
Reach at Level Lift Arm and Bucket Level	mm	3046	3251	3076	3281
	ft/in	9'11"	10'8"	10'1"	10'9"
A† Digging Depth	mm	98	98	98	98
	in	3.8"	3.8"	3.8"	3.8"
12† Overall Length	mm	9304	9528	9334	9558
	ft/in	30'7"	31'4"	30'8"	31'5"
B† Overall Height with Bucket at Maximum Lift	mm	6228	6228	6270	6270
	ft/in	20'6"	20'6"	20'7"	20'7"
Loader Clearance Circle Radius with Bucket at Carry Position	mm	7618	7707	7626	7715
	ft/in	25'0"	25'4"	25'1"	25'4"
Static Tipping Load, Straight (With tire deflection)	kg	18 479	18 293	18 426	18 239
	lb	40,729	40,318	40,612	40,200
Static Tipping Load, Straight (No tire deflection)	kg	19 657	19 469	19 609	19 420
	lb	43,325	42,910	43,220	42,803
Static Tipping Load, Articulated (With tire deflection)	kg	16 109	15 923	16 058	15 871
	lb	35,506	35,095	35,392	34,979
Static Tipping Load, Articulated (No tire deflection)	kg	17 306	17 118	17 259	17 070
	lb	38,142	37,728	38,040	37,623
Breakout Force (§)	kN	191	189	187	185
	lbf	42,965	42,658	42,071	41,764
Operating Weight*	kg	25 020	25 158	25 055	25 193
	lb	55,144	55,448	55,221	55,525

\* Static tipping loads and operating weights shown are based on a machine configuration with Bridgestone 26.5R25 VJT L3 radial tires, full fluids, operator, counterweight, ride control, cold start, roading fenders, Product Link™, manual diff lock/open axles (front and rear), powertrain guard, secondary steering and sound suppression.

† Illustration shown with Dimension charts.

\*\*\*Rock bucket specifications are given on Bridgestone 26.5R25 VSDL L5 radial tires.

(§) Measured 100 mm (4") behind tip of cutting edge with bucket hinge pin as pivot point in accordance with ISO 14397-2:2007.

(With tire deflection) Full compliance to ISO 14397-1:2007 Sections 1 thru 6, which requires 2% verification between calculations and testing.

(No tire deflection) Compliance to ISO 14397-1:2007 Sections 1 thru 5.

Other buckets are available and offerings vary by region. Consult your local Cat dealer for further details.

# 972 XE Wheel Loader Specifications

## Operating Specifications – Buckets *(continued)*

Linkage		Standard Linkage			
Bucket Type		Flat Floor – Pin-On – Abrasion			
Edge Type		Bolt-On Cutting Edges	Teeth and Segments	Bolt-On Cutting Edges	Teeth and Segments
Capacity – Rated	m <sup>3</sup>	4.60	4.60	4.80	4.80
	yd <sup>3</sup>	6.00	6.00	6.25	6.25
Capacity – Rated at 110% Fill Factor	m <sup>3</sup>	5.10	5.10	5.30	5.30
	yd <sup>3</sup>	6.75	6.75	7.00	7.00
Width	mm	3220	3271	3220	3271
	ft/in	10'6"	10'8"	10'6"	10'8"
<b>16</b> † Dump Clearance at Maximum Lift and 45° Discharge	mm	3125	2962	3104	2941
	ft/in	10'3"	9'8"	10'2"	9'7"
<b>17</b> † Reach at Maximum Lift and 45° Discharge	mm	1248	1375	1269	1396
	ft/in	4'1"	4'6"	4'1"	4'6"
Reach at Level Lift Arm and Bucket Level	mm	2976	3181	3006	3211
	ft/in	9'9"	10'5"	9'10"	10'6"
<b>A</b> † Digging Depth	mm	98	98	98	98
	in	3.8"	3.8"	3.8"	3.8"
<b>12</b> † Overall Length	mm	9234	9458	9264	9488
	ft/in	30'4"	31'1"	30'5"	31'2"
<b>B</b> † Overall Height with Bucket at Maximum Lift	mm	6167	6167	6198	6198
	ft/in	20'3"	20'3"	20'5"	20'5"
Loader Clearance Circle Radius with Bucket at Carry Position	mm	7599	7687	7607	7696
	ft/in	25'0"	25'3"	25'0"	25'3"
Static Tipping Load, Straight (With tire deflection)	kg	18 461	18 277	18 405	18 220
	lb	40,688	40,282	40,566	40,158
Static Tipping Load, Straight (No tire deflection)	kg	19 626	19 440	19 576	19 389
	lb	43,257	42,846	43,145	42,733
Static Tipping Load, Articulated (With tire deflection)	kg	16 088	15 904	16 034	15 848
	lb	35,459	35,053	35,339	34,930
Static Tipping Load, Articulated (No tire deflection)	kg	17 272	17 086	17 223	17 035
	lb	38,068	37,658	37,959	37,547
Breakout Force (§)	kN	200	199	196	194
	lbf	45,052	44,745	44,075	43,768
Operating Weight*	kg	25 077	25 215	25 114	25 252
	lb	55,269	55,573	55,351	55,655

\* Static tipping loads and operating weights shown are based on a machine configuration with Bridgestone 26.5R25 VJT L3 radial tires, full fluids, operator, counterweight, ride control, cold start, roading fenders, Product Link™, manual diff lock/open axles (front and rear), powertrain guard, secondary steering and sound suppression.

† Illustration shown with Dimension charts.

\*\*\* Rock bucket specifications are given on Bridgestone 26.5R25 VSDL L5 radial tires.

(§) Measured 100 mm (4") behind tip of cutting edge with bucket hinge pin as pivot point in accordance with ISO 14397-2:2007.

(With tire deflection) Full compliance to ISO 14397-1:2007 Sections 1 thru 6, which requires 2% verification between calculations and testing.

(No tire deflection) Compliance to ISO 14397-1:2007 Sections 1 thru 5.

Other buckets are available and offerings vary by region. Consult your local Cat dealer for further details.

# 972 XE Wheel Loader Specifications

## Operating Specifications – Buckets (continued)

Linkage		Standard Linkage				
Bucket Type		Flat Floor – Pin-On – Abrasion			Flat Floor – Pin-On – Light Material	
		Bolt-On Cutting Edges	Teeth and Segments	Bolt-On Cutting Edges	Teeth and Segments	Bolt-On Cutting Edges
Edge Type						
Capacity – Rated	m <sup>3</sup>	5.00	5.00	5.20	5.20	10.00
	yd <sup>3</sup>	6.50	6.50	6.75	6.75	13.00
Capacity – Rated at 110% Fill Factor	m <sup>3</sup>	5.50	5.50	5.70	5.70	10.90
	yd <sup>3</sup>	7.25	7.25	7.50	7.50	14.25
Width	mm	3220	3271	3220	3271	3943
	ft/in	10'6"	10'8"	10'6"	10'8"	12'11"
16† Dump Clearance at Maximum Lift and 45° Discharge	mm	3075	2913	3054	2891	2818
	ft/in	10'1"	9'6"	10'0"	9'5"	9'2"
17† Reach at Maximum Lift and 45° Discharge	mm	1297	1424	1318	1445	1525
	ft/in	4'3"	4'8"	4'3"	4'8"	5'0"
Reach at Level Lift Arm and Bucket Level	mm	3046	3251	3076	3281	3389
	ft/in	9'11"	10'8"	10'1"	10'9"	11'1"
A† Digging Depth	mm	98	98	98	98	119
	in	3.8"	3.8"	3.8"	3.8"	4.7"
12† Overall Length	mm	9304	9528	9334	9558	9663
	ft/in	30'7"	31'4"	30'8"	31'5"	31'9"
B† Overall Height with Bucket at Maximum Lift	mm	6239	6239	6270	6270	6690
	ft/in	20'6"	20'6"	20'7"	20'7"	22'0"
Loader Clearance Circle Radius with Bucket at Carry Position	mm	7618	7707	7626	7715	8046
	ft/in	25'0"	25'4"	25'1"	25'4"	26'5"
Static Tipping Load, Straight (With tire deflection)	kg	18 323	18 137	18 266	18 079	18 315
	lb	40,384	39,974	40,258	39,846	40,366
Static Tipping Load, Straight (No tire deflection)	kg	19 500	19 312	19 448	19 259	19 595
	lb	42,978	42,564	42,863	42,446	43,189
Static Tipping Load, Articulated (With tire deflection)	kg	15 953	15 767	15 897	15 710	15 952
	lb	35,161	34,751	35,037	34,625	35,158
Static Tipping Load, Articulated (No tire deflection)	kg	17 148	16 960	17 097	16 908	17 249
	lb	37,796	37,381	37,683	37,266	38,018
Breakout Force (§)	kN	190	189	186	185	153
	lbf	42,821	42,514	41,923	41,616	34,556
Operating Weight*	kg	25 170	25 308	25 209	25 347	24 982
	lb	55,474	55,778	55,560	55,863	55,059

\* Static tipping loads and operating weights shown are based on a machine configuration with Bridgestone 26.5R25 VJT L3 radial tires, full fluids, operator, counterweight, ride control, cold start, roading fenders, Product Link™, manual diff lock/open axles (front and rear), powertrain guard, secondary steering and sound suppression.

† Illustration shown with Dimension charts.

\*\*\*Rock bucket specifications are given on Bridgestone 26.5R25 VSDL L5 radial tires.

(§) Measured 100 mm (4") behind tip of cutting edge with bucket hinge pin as pivot point in accordance with ISO 14397-2:2007.

(With tire deflection) Full compliance to ISO 14397-1:2007 Sections 1 thru 6, which requires 2% verification between calculations and testing.

(No tire deflection) Compliance to ISO 14397-1:2007 Sections 1 thru 5.

Other buckets are available and offerings vary by region. Consult your local Cat dealer for further details.

# 972 XE Wheel Loader Specifications

## Operating Specifications – Buckets (continued)

Linkage		Standard Linkage			
Bucket Type		Flat Floor – Hook-On – Fusion			
Edge Type		Bolt-On Cutting Edges	Teeth and Segments	Bolt-On Cutting Edges	Teeth and Segments
Capacity – Rated	m <sup>3</sup>	4.40	4.40	4.60	4.60
	yd <sup>3</sup>	5.75	5.75	6.00	6.00
Capacity – Rated at 110% Fill Factor	m <sup>3</sup>	4.80	4.80	5.10	5.10
	yd <sup>3</sup>	6.25	6.25	6.75	6.75
Width	mm	3220	3271	3220	3271
	ft/in	10'6"	10'8"	10'6"	10'8"
16† Dump Clearance at Maximum Lift and 45° Discharge	mm	3100	2937	3074	2912
	ft/in	10'2"	9'7"	10'1"	9'6"
17† Reach at Maximum Lift and 45° Discharge	mm	1272	1399	1298	1425
	ft/in	4'2"	4'7"	4'3"	4'8"
Reach at Level Lift Arm and Bucket Level	mm	3011	3216	3047	3252
	ft/in	9'10"	10'6"	9'11"	10'8"
A† Digging Depth	mm	98	98	98	98
	in	3.8"	3.8"	3.8"	3.8"
12† Overall Length	mm	9269	9493	9305	9529
	ft/in	30'5"	31'2"	30'7"	31'4"
B† Overall Height with Bucket at Maximum Lift	mm	6201	6201	6204	6204
	ft/in	20'5"	20'5"	20'5"	20'5"
Loader Clearance Circle Radius with Bucket at Carry Position	mm	7625	7719	7636	7730
	ft/in	25'1"	25'4"	25'1"	25'5"
Static Tipping Load, Straight (With tire deflection)	kg	17 748	17 567	17 932	17 749
	lb	39,118	38,718	39,524	39,119
Static Tipping Load, Straight (No tire deflection)	kg	18 876	18 693	19 082	18 897
	lb	41,603	41,200	42,058	41,649
Static Tipping Load, Articulated (With tire deflection)	kg	15 431	15 249	15 595	15 411
	lb	34,009	33,610	34,372	33,967
Static Tipping Load, Articulated (No tire deflection)	kg	16 578	16 395	16 764	16 579
	lb	36,538	36,135	36,949	36,540
Breakout Force (§)	kN	195	194	191	190
	lbf	43,922	43,615	43,094	42,787
Operating Weight*	kg	25 419	25 557	25 401	25 539
	lb	56,022	56,326	55,983	56,287

\* Static tipping loads and operating weights shown are based on a machine configuration with Bridgestone 26.5R25 VJT L3 radial tires, full fluids, operator, counterweight, ride control, cold start, roading fenders, Product Link™, manual diff lock/open axles (front and rear), powertrain guard, secondary steering and sound suppression.

† Illustration shown with Dimension charts.

\*\*\* Rock bucket specifications are given on Bridgestone 26.5R25 VSDL L5 radial tires.

(§) Measured 100 mm (4") behind tip of cutting edge with bucket hinge pin as pivot point in accordance with ISO 14397-2:2007.

(With tire deflection) Full compliance to ISO 14397-1:2007 Sections 1 thru 6, which requires 2% verification between calculations and testing.

(No tire deflection) Compliance to ISO 14397-1:2007 Sections 1 thru 5.

Other buckets are available and offerings vary by region. Consult your local Cat dealer for further details.

# 972 XE Wheel Loader Specifications

## Operating Specifications – Buckets *(continued)*

Linkage		Standard Linkage			
Bucket Type		Flat Floor – Hook-On – Fusion			
Edge Type		Bolt-On Cutting Edges	Teeth and Segments	Bolt-On Cutting Edges	Teeth and Segments
Capacity – Rated	m <sup>3</sup>	4.80	4.80	5.20	5.20
	yd <sup>3</sup>	6.25	6.25	6.75	6.75
Capacity – Rated at 110% Fill Factor	m <sup>3</sup>	5.30	5.30	5.70	5.70
	yd <sup>3</sup>	7.00	7.00	7.50	7.50
Width	mm	3220	3271	3220	3271
	ft/in	10'6"	10'8"	10'6"	10'8"
16† Dump Clearance at Maximum Lift and 45° Discharge	mm	3053	2890	3004	2841
	ft/in	10'0"	9'5"	9'10"	9'3"
17† Reach at Maximum Lift and 45° Discharge	mm	1319	1446	1369	1496
	ft/in	4'3"	4'8"	4'5"	4'10"
Reach at Level Lift Arm and Bucket Level	mm	3077	3282	3147	3352
	ft/in	10'1"	10'9"	10'3"	10'11"
A† Digging Depth	mm	98	98	98	98
	in	3.8"	3.8"	3.8"	3.8"
12† Overall Length	mm	9335	9559	9405	9629
	ft/in	30'8"	31'5"	30'11"	31'8"
B† Overall Height with Bucket at Maximum Lift	mm	6236	6236	6307	6307
	ft/in	20'6"	20'6"	20'9"	20'9"
Loader Clearance Circle Radius with Bucket at Carry Position	mm	7645	7739	7666	7760
	ft/in	25'1"	25'5"	25'2"	25'6"
Static Tipping Load, Straight (With tire deflection)	kg	17 880	17 695	17 751	17 565
	lb	39,408	39,001	39,123	38,713
Static Tipping Load, Straight (No tire deflection)	kg	19 035	18 848	18 917	18 728
	lb	41,953	41,542	41,693	41,278
Static Tipping Load, Articulated (With tire deflection)	kg	15 544	15 359	15 417	15 231
	lb	34,259	33,852	33,980	33,570
Static Tipping Load, Articulated (No tire deflection)	kg	16 717	16 531	16 602	16 414
	lb	36,846	36,435	36,591	36,176
Breakout Force (§)	kN	187	186	179	177
	lbf	42,201	41,894	40,229	39,922
Operating Weight*	kg	25 436	25 574	25 525	25 663
	lb	56,060	56,364	56,256	56,560

\* Static tipping loads and operating weights shown are based on a machine configuration with Bridgestone 26.5R25 VJT L3 radial tires, full fluids, operator, counterweight, ride control, cold start, roading fenders, Product Link™, manual diff lock/open axles (front and rear), powertrain guard, secondary steering and sound suppression.

† Illustration shown with Dimension charts.

\*\*\* Rock bucket specifications are given on Bridgestone 26.5R25 VSDL L5 radial tires.

(§) Measured 100 mm (4") behind tip of cutting edge with bucket hinge pin as pivot point in accordance with ISO 14397-2:2007.

(With tire deflection) Full compliance to ISO 14397-1:2007 Sections 1 thru 6, which requires 2% verification between calculations and testing.

(No tire deflection) Compliance to ISO 14397-1:2007 Sections 1 thru 5.

Other buckets are available and offerings vary by region. Consult your local Cat dealer for further details.

## Operating Specifications – Buckets *(continued)*

Linkage		Standard Linkage	
Bucket Type		Rock, Spade – Pin-On	Iron Ore, Spade – Pin-On
Edge Type		Teeth and Segments	Bolt-On Cutting Edges
Capacity – Rated	m <sup>3</sup>	4.00	3.20
	yd <sup>3</sup>	5.25	4.25
Capacity – Rated at 110% Fill Factor	m <sup>3</sup>	4.40	3.50
	yd <sup>3</sup>	5.75	4.50
Width	mm	3252	3288
	ft/in	10'8"	10'9"
<b>16</b> † Dump Clearance at Maximum Lift and 45° Discharge	mm	3120	3383
	ft/in	10'2"	11'1"
<b>17</b> † Reach at Maximum Lift and 45° Discharge	mm	1541	1306
	ft/in	5'0"	4'3"
Reach at Level Lift Arm and Bucket Level	mm	3184	2826
	ft/in	10'5"	9'3"
<b>A</b> † Digging Depth	mm	66	61
	in	2.6"	2.4"
<b>12</b> † Overall Length	mm	9447	9082
	ft/in	31'0"	29'10"
<b>B</b> † Overall Height with Bucket at Maximum Lift	mm	6137	6172
	ft/in	20'2"	20'3"
Loader Clearance Circle Radius with Bucket at Carry Position	mm	7681	7603
	ft/in	25'3"	25'0"
Static Tipping Load, Straight (With tire deflection)	kg	19 403	19 062
	lb	42,764	42,014
Static Tipping Load, Straight (No tire deflection)	kg	20 645	20 271
	lb	45,502	44,677
Static Tipping Load, Articulated (With tire deflection)	kg	16 918	16 583
	lb	37,287	36,550
Static Tipping Load, Articulated (No tire deflection)	kg	18 179	17 811
	lb	40,066	39,257
Breakout Force (§)	kN	204	218
	lbf	45,915	49,136
Operating Weight*	kg	26 209	26 584
	lb	57,764	58,590

\* Static tipping loads and operating weights shown are based on a machine configuration with Bridgestone 26.5R25 VJT L3 radial tires, full fluids, operator, counterweight, ride control, cold start, roading fenders, Product Link™, manual diff lock/open axles (front and rear), powertrain guard, secondary steering and sound suppression.

† Illustration shown with Dimension charts.

\*\*\* Rock bucket specifications are given on Bridgestone 26.5R25 VSDL L5 radial tires.

(§) Measured 100 mm (4") behind tip of cutting edge with bucket hinge pin as pivot point in accordance with ISO 14397-2:2007.

(With tire deflection) Full compliance to ISO 14397-1:2007 Sections 1 thru 6, which requires 2% verification between calculations and testing.

(No tire deflection) Compliance to ISO 14397-1:2007 Sections 1 thru 5.

Other buckets are available and offerings vary by region. Consult your local Cat dealer for further details.

# 972 XE Wheel Loader Specifications

## Operating Specifications – Buckets *(continued)*

Linkage		Standard Linkage		
Bucket Type		High Dump – Pin-On		
Edge Type		Bolt-On Cutting Edges	Bolt-On Cutting Edges	Bolt-On Cutting Edges
Capacity – Rated	m <sup>3</sup>	7.60	9.20	11.10
	yd <sup>3</sup>	10.00	12.00	14.50
Capacity – Rated at 110% Fill Factor	m <sup>3</sup>	8.40	10.10	12.20
	yd <sup>3</sup>	11.00	13.25	16.00
Width	mm	3350	3656	3656
	ft/in	10'11"	11'11"	11'11"
<b>16</b> † Dump Clearance at Maximum Height and High Dump Fully Rolled Out (49°)	mm	4987	4927	4735
	ft/in	16'4"	16'2"	15'5"
<b>17</b> † Reach at Maximum Height and High Dump Fully Rolled Out (49°)	mm	1676	1728	1894
	ft/in	5'5"	5'7"	6'2"
Reach at Level Lift Arm and Bucket Level	mm	3655	3735	3955
	ft/in	11'11"	12'3"	12'11"
<b>A</b> † Digging Depth	mm	68	68	68
	in	2.6"	2.6"	2.6"
<b>12</b> † Overall Length	mm	9913	9993	10 213
	ft/in	32'7"	32'10"	33'7"
<b>B</b> † Overall Height at Maximum Height and High Dump Fully Rolled Out (49°)	mm	7391	7451	7639
	ft/in	24'2"	24'4"	25'1"
Loader Clearance Circle Radius with Bucket at Carry Position	mm	7880	8041	8111
	ft/in	25'11"	26'5"	26'8"
Static Tipping Load, Straight (With tire deflection)	kg	16 237	15 952	15 566
	lb	35,787	35,158	34,308
Static Tipping Load, Straight (No tire deflection)	kg	17 415	17 136	16 769
	lb	38,383	37,769	36,959
Static Tipping Load, Articulated (With tire deflection)	kg	13 999	13 719	13 349
	lb	30,854	30,237	29,423
Static Tipping Load, Articulated (No tire deflection)	kg	15 198	14 925	14 574
	lb	33,496	32,895	32,121
Breakout Force (§)	kN	135	129	114
	lbf	30,510	29,009	25,826
Operating Weight*	kg	26 012	26 228	26 435
	lb	57,330	57,806	58,262

\* Static tipping loads and operating weights shown are based on a machine configuration with Bridgestone 26.5R25 VJT L3 radial tires, full fluids, operator, counterweight, ride control, cold start, roading fenders, Product Link™, manual diff lock/open axles (front and rear), powertrain guard, secondary steering and sound suppression.

† Illustration shown with Dimension charts.

\*\*\* Rock bucket specifications are given on Bridgestone 26.5R25 VSDL L5 radial tires.

(§) Measured 100 mm (4") behind tip of cutting edge with bucket hinge pin as pivot point in accordance with ISO 14397-2:2007.

(With tire deflection) Full compliance to ISO 14397-1:2007 Sections 1 thru 6, which requires 2% verification between calculations and testing.

(No tire deflection) Compliance to ISO 14397-1:2007 Sections 1 thru 5.

Other buckets are available and offerings vary by region. Consult your local Cat dealer for further details.



# 972 XE Wheel Loader Specifications

## Operating Specifications – Buckets *(continued)*

Linkage		Standard Linkage		
Bucket Type		High Dump – Hook-On – Fusion		
Edge Type		Bolt-On Cutting Edges	Bolt-On Cutting Edges	Bolt-On Cutting Edges
Capacity – Rated	m <sup>3</sup>	7.60	9.20	11.10
	yd <sup>3</sup>	10.00	12.00	14.50
Capacity – Rated at 110% Fill Factor	m <sup>3</sup>	8.40	10.10	12.20
	yd <sup>3</sup>	11.00	13.25	16.00
Width	mm	3350	3656	3656
	ft/in	10'11"	11'11"	11'11"
<b>16†</b> Dump Clearance at Maximum Height and High Dump Fully Rolled Out (49°)	mm	5004	5031	4752
	ft/in	16'4"	16'5"	15'6"
<b>17†</b> Reach at Maximum Height and High Dump Fully Rolled Out (49°)	mm	1688	1793	1905
	ft/in	5'5"	5'9"	6'3"
Reach at Level Lift Arm and Bucket Level	mm	3675	3755	3975
	ft/in	12'0"	12'3"	13'0"
<b>A†</b> Digging Depth	mm	68	68	68
	in	2.6"	2.6"	2.6"
<b>12†</b> Overall Length	mm	9933	10 013	10 233
	ft/in	32'8"	32'11"	33'7"
<b>B†</b> Overall Height at Maximum Height and High Dump Fully Rolled Out (49°)	mm	7407	7467	7656
	ft/in	24'3"	24'5"	25'1"
Loader Clearance Circle Radius with Bucket at Carry Position	mm	7888	8049	8121
	ft/in	25'11"	26'5"	26'8"
Static Tipping Load, Straight (With tire deflection)	kg	15 787	15 501	15 122
	lb	34,795	34,166	33,329
Static Tipping Load, Straight (No tire deflection)	kg	16 957	16 678	16 316
	lb	37,375	36,759	35,961
Static Tipping Load, Articulated (With tire deflection)	kg	13 558	13 278	12 914
	lb	29,882	29,265	28,464
Static Tipping Load, Articulated (No tire deflection)	kg	14 749	14 476	14 130
	lb	32,508	31,905	31,142
Breakout Force (§)	kN	134	127	113
	lbf	30,153	28,675	25,545
Operating Weight*	kg	26 491	26 707	26 914
	lb	58,386	58,862	59,318

\*Static tipping loads and operating weights shown are based on a machine configuration with Bridgestone 26.5R25 VJT L3 radial tires, full fluids, operator, counterweight, ride control, cold start, roading fenders, Product Link™, manual diff lock/open axles (front and rear), powertrain guard, secondary steering and sound suppression.

† Illustration shown with Dimension charts.

\*\*\*Rock bucket specifications are given on Bridgestone 26.5R25 VSDL L5 radial tires.

(§) Measured 100 mm (4") behind tip of cutting edge with bucket hinge pin as pivot point in accordance with ISO 14397-2:2007.

(With tire deflection) Full compliance to ISO 14397-1:2007 Sections 1 thru 6, which requires 2% verification between calculations and testing.

(No tire deflection) Compliance to ISO 14397-1:2007 Sections 1 thru 5.

Other buckets are available and offerings vary by region. Consult your local Cat dealer for further details.

# 972 XE Wheel Loader Specifications

## Operating Specifications – Buckets *(continued)*

Linkage		Standard Linkage	
Bucket Type		Side Dump – Pin-On	Side Dump – Hook-On – Fusion
Edge Type		Bolt-On Cutting Edges	Bolt-On Cutting Edges
Capacity – Rated	m <sup>3</sup>	3.60	3.60
	yd <sup>3</sup>	4.75	4.75
Capacity – Rated at 110% Fill Factor	m <sup>3</sup>	4.00	4.00
	yd <sup>3</sup>	5.25	5.25
Width	mm	3677	3677
	ft/in	12'0"	12'0"
16† Dump Clearance at Maximum Lift and 45° Discharge	mm	3117	3070
	ft/in	10'2"	10'0"
17† Reach at Maximum Lift and 45° Discharge	mm	1247	1322
	ft/in	4'1"	4'4"
Reach at Level Lift Arm and Bucket Level	mm	2981	3067
	ft/in	9'9"	10'0"
A† Digging Depth	mm	104	84
	in	4.1"	3.3"
12† Overall Length	mm	9243	9314
	ft/in	30'4"	30'7"
B† Overall Height with Bucket at Maximum Lift	mm	6004	6074
	ft/in	19'9"	20'0"
Loader Clearance Circle Radius with Bucket at Carry Position	mm	7800	7910
	ft/in	25'8"	26'0"
Static Tipping Load, Straight (With tire deflection)	kg	17 294	15 517
	lb	38,117	34,200
Static Tipping Load, Straight (No tire deflection)	kg	18 381	16 426
	lb	40,511	36,205
Static Tipping Load, Articulated (With tire deflection)	kg	15 038	13 436
	lb	33,144	29,614
Static Tipping Load, Articulated (No tire deflection)	kg	16 146	14 369
	lb	35,585	31,671
Breakout Force (§)	kN	198	182
	lbf	44,572	41,106
Operating Weight*	kg	25 347	25 884
	lb	55,864	57,048

\* Static tipping loads and operating weights shown are based on a machine configuration with Bridgestone 26.5R25 VJT L3 radial tires, full fluids, operator, counterweight, ride control, cold start, roading fenders, Product Link™, manual diff lock/open axles (front and rear), powertrain guard, secondary steering and sound suppression.

† Illustration shown with Dimension charts.

\*\*\*Rock bucket specifications are given on Bridgestone 26.5R25 VSDL L5 radial tires.

(§) Measured 100 mm (4") behind tip of cutting edge with bucket hinge pin as pivot point in accordance with ISO 14397-2:2007.

(With tire deflection) Full compliance to ISO 14397-1:2007 Sections 1 thru 6, which requires 2% verification between calculations and testing.

(No tire deflection) Compliance to ISO 14397-1:2007 Sections 1 thru 5.

Other buckets are available and offerings vary by region. Consult your local Cat dealer for further details.

# 972 XE Wheel Loader Specifications

## Operating Specifications – Buckets

Linkage		High Lift Linkage					
Bucket Type		General Purpose – Pin-On					
Edge Type		Bolt-On Cutting Edges	Teeth and Segments	Bolt-On Cutting Edges	Teeth and Segments	Bolt-On Cutting Edges	Teeth and Segments
Capacity – Rated	m <sup>3</sup>	4.20	4.20	4.60	4.60	4.80	4.80
	yd <sup>3</sup>	5.50	5.50	6.00	6.00	6.25	6.25
Capacity – Rated at 110% Fill Factor	m <sup>3</sup>	4.60	4.60	5.10	5.10	5.30	5.30
	yd <sup>3</sup>	6.00	6.00	6.75	6.75	7.00	7.00
Width	mm	3220	3271	3220	3271	3220	3271
	ft/in	10'6"	10'8"	10'6"	10'8"	10'6"	10'8"
<b>16†</b> Dump Clearance at Maximum Lift and 45° Discharge	mm	3565	3412	3528	3374	3495	3340
	ft/in	11'8"	11'2"	11'6"	11'0"	11'5"	10'11"
<b>17†</b> Reach at Maximum Lift and 45° Discharge	mm	1317	1455	1348	1485	1377	1514
	ft/in	4'3"	4'9"	4'5"	4'10"	4'6"	4'11"
Reach at Level Lift Arm and Bucket Level	mm	3191	3396	3240	3445	3285	3490
	ft/in	10'5"	11'1"	10'7"	11'3"	10'9"	11'5"
<b>A†</b> Digging Depth	mm	93	93	93	93	93	93
	in	3.6"	3.6"	3.6"	3.6"	3.6"	3.6"
<b>12†</b> Overall Length	mm	9511	9732	9560	9781	9605	9826
	ft/in	31'3"	32'0"	31'5"	32'2"	31'7"	32'3"
<b>B†</b> Overall Height with Bucket at Maximum Lift	mm	6278	6278	6536	6536	6372	6372
	ft/in	20'8"	20'8"	21'6"	21'6"	20'11"	20'11"
Loader Clearance Circle Radius with Bucket at Carry Position	mm	7742	7836	7756	7851	7770	7865
	ft/in	25'5"	25'9"	25'6"	25'10"	25'6"	25'10"
Static Tipping Load, Straight (With tire deflection)	kg	17 135	16 957	17 058	16 879	17 107	16 927
	lb	37,767	37,374	37,597	37,202	37,705	37,308
Static Tipping Load, Straight (No tire deflection)	kg	18 150	17 970	18 085	17 903	18 142	17 959
	lb	40,004	39,606	39,860	39,459	39,985	39,582
Static Tipping Load, Articulated (With tire deflection)	kg	14 911	14 733	14 835	14 655	14 884	14 704
	lb	32,865	32,471	32,696	32,301	32,805	32,407
Static Tipping Load, Articulated (No tire deflection)	kg	15 942	15 761	15 876	15 695	15 933	15 750
	lb	35,136	34,738	34,992	34,592	35,117	34,714
Breakout Force (§)	kN	203	201	196	194	190	187
	lbf	45,826	45,241	44,165	43,588	42,797	42,229
Operating Weight*	kg	24 904	25 042	24 964	25 102	24 892	25 030
	lb	54,888	55,191	55,021	55,325	54,862	55,166

\* Static tipping loads and operating weights shown are based on a machine configuration with Bridgestone 26.5R25 VJT L3 radial tires, full fluids, operator, counterweight, ride control, cold start, roading fenders, Product Link™, manual diff lock/open axles (front and rear), powertrain guard, secondary steering and sound suppression.

† Illustration shown with Dimension charts.

\*\*\* Rock bucket specifications are given on Bridgestone 26.5R25 VSDL L5 radial tires.

(§) Measured 100 mm (4") behind tip of cutting edge with bucket hinge pin as pivot point in accordance with ISO 14397-2:2007.

(With tire deflection) Full compliance to ISO 14397-1:2007 Sections 1 thru 6, which requires 2% verification between calculations and testing.

(No tire deflection) Compliance to ISO 14397-1:2007 Sections 1 thru 5.

Other buckets are available and offerings vary by region. Consult your local Cat dealer for further details.

# 972 XE Wheel Loader Specifications

## Operating Specifications – Buckets *(continued)*

Linkage		High Lift Linkage		
Bucket Type		General Purpose – Pin-On – Abrasion		
Edge Type		Bolt-On Cutting Edges	Bolt-On Cutting Edges	Bolt-On Cutting Edges
Capacity – Rated	m <sup>3</sup>	5.10	5.30	5.50
	yd <sup>3</sup>	6.75	7.00	7.25
Capacity – Rated at 110% Fill Factor	m <sup>3</sup>	5.60	5.80	6.10
	yd <sup>3</sup>	7.25	7.50	8.00
Width	mm	3357	3357	3357
	ft/in	11'0"	11'0"	11'0"
<b>16</b> † Dump Clearance at Maximum Lift and 45° Discharge	mm	3468	3440	3413
	ft/in	11'4"	11'3"	11'2"
<b>17</b> † Reach at Maximum Lift and 45° Discharge	mm	1395	1419	1444
	ft/in	4'6"	4'7"	4'8"
Reach at Level Lift Arm and Bucket Level	mm	3317	3354	3392
	ft/in	10'10"	11'0"	11'1"
<b>A</b> † Digging Depth	mm	98	98	98
	in	3.8"	3.8"	3.8"
<b>12</b> † Overall Length	mm	9640	9677	9715
	ft/in	31'8"	31'9"	31'11"
<b>B</b> † Overall Height with Bucket at Maximum Lift	mm	6576	6612	6634
	ft/in	21'7"	21'9"	21'10"
Loader Clearance Circle Radius with Bucket at Carry Position	mm	7842	7854	7865
	ft/in	25'9"	25'10"	25'10"
Static Tipping Load, Straight (With tire deflection)	kg	16 738	16 684	16 636
	lb	36,891	36,772	36,667
Static Tipping Load, Straight (No tire deflection)	kg	17 767	17 719	17 678
	lb	39,158	39,054	38,964
Static Tipping Load, Articulated (With tire deflection)	kg	14 518	14 465	14 417
	lb	31,999	31,881	31,775
Static Tipping Load, Articulated (No tire deflection)	kg	15 562	15 515	15 473
	lb	34,300	34,195	34,104
Breakout Force (§)	kN	184	179	175
	lbf	41,453	40,378	39,330
Operating Weight*	kg	25 201	25 243	25 281
	lb	55,543	55,635	55,719

\* Static tipping loads and operating weights shown are based on a machine configuration with Bridgestone 26.5R25 VJT L3 radial tires, full fluids, operator, counterweight, ride control, cold start, roading fenders, Product Link™, manual diff lock/open axles (front and rear), powertrain guard, secondary steering and sound suppression.

† Illustration shown with Dimension charts.

\*\*\*Rock bucket specifications are given on Bridgestone 26.5R25 VSDL L5 radial tires.

(§) Measured 100 mm (4") behind tip of cutting edge with bucket hinge pin as pivot point in accordance with ISO 14397-2:2007.

(With tire deflection) Full compliance to ISO 14397-1:2007 Sections 1 thru 6, which requires 2% verification between calculations and testing.

(No tire deflection) Compliance to ISO 14397-1:2007 Sections 1 thru 5.

Other buckets are available and offerings vary by region. Consult your local Cat dealer for further details.

# 972 XE Wheel Loader Specifications

## Operating Specifications – Buckets *(continued)*

Linkage		High Lift Linkage					
Bucket Type		General Purpose – Hook-on – Fusion					
Edge Type		Bolt-On Cutting Edges	Teeth and Segments	Bolt-On Cutting Edges	Teeth and Segments	Bolt-On Cutting Edges	Teeth and Segments
Capacity – Rated	m <sup>3</sup>	4.20	4.20	4.40	4.40	4.60	4.60
	yd <sup>3</sup>	5.50	5.50	5.75	5.75	6.00	6.00
Capacity – Rated at 110% Fill Factor	m <sup>3</sup>	4.60	4.60	4.80	4.80	5.10	5.10
	yd <sup>3</sup>	6.00	6.00	6.25	6.25	6.75	6.75
Width	mm	3220	3271	3220	3271	3220	3271
	ft/in	10'6"	10'8"	10'6"	10'8"	10'6"	10'8"
<b>16†</b> Dump Clearance at Maximum Lift and 45° Discharge	mm	3535	3382	3541	3387	3498	3343
	ft/in	11'7"	11'1"	11'7"	11'1"	11'5"	10'11"
<b>17†</b> Reach at Maximum Lift and 45° Discharge	mm	1352	1490	1347	1485	1383	1520
	ft/in	4'5"	4'10"	4'5"	4'10"	4'6"	4'11"
Reach at Level Lift Arm and Bucket Level	mm	3236	3441	3229	3434	3286	3491
	ft/in	10'7"	11'3"	10'7"	11'3"	10'9"	11'5"
<b>A†</b> Digging Depth	mm	93	93	93	93	93	93
	in	3.6"	3.6"	3.6"	3.6"	3.6"	3.6"
<b>12†</b> Overall Length	mm	9556	9778	9549	9771	9606	9827
	ft/in	31'5"	32'1"	31'4"	32'1"	31'7"	32'3"
<b>B†</b> Overall Height with Bucket at Maximum Lift	mm	6377	6377	6546	6546	6551	6551
	ft/in	21'0"	21'0"	21'6"	21'6"	21'6"	21'6"
Loader Clearance Circle Radius with Bucket at Carry Position	mm	7774	7873	7772	7871	7790	7890
	ft/in	25'7"	25'10"	25'6"	25'10"	25'7"	25'11"
Static Tipping Load, Straight (With tire deflection)	kg	16 667	16 489	16 673	16 495	16 551	16 372
	lb	36,734	36,342	36,747	36,355	36,479	36,085
Static Tipping Load, Straight (No tire deflection)	kg	17 675	17 495	17 691	17 510	17 570	17 389
	lb	38,957	38,560	38,992	38,594	38,726	38,326
Static Tipping Load, Articulated (With tire deflection)	kg	14 459	14 281	14 459	14 280	14 343	14 164
	lb	31,868	31,476	31,867	31,474	31,613	31,219
Static Tipping Load, Articulated (No tire deflection)	kg	15 483	15 303	15 492	15 311	15 378	15 196
	lb	34,126	33,728	34,145	33,747	33,893	33,493
Breakout Force (§)	kN	197	194	197	195	189	187
	lbf	44,294	43,717	44,461	43,883	42,664	42,095
Operating Weight*	kg	25 278	25 416	25 320	25 458	25 379	25 517
	lb	55,713	56,017	55,805	56,109	55,934	56,238

\* Static tipping loads and operating weights shown are based on a machine configuration with Bridgestone 26.5R25 VJT L3 radial tires, full fluids, operator, counterweight, ride control, cold start, roading fenders, Product Link™, manual diff lock/open axles (front and rear), powertrain guard, secondary steering and sound suppression.

† Illustration shown with Dimension charts.

\*\*\* Rock bucket specifications are given on Bridgestone 26.5R25 VSDL L5 radial tires.

(§) Measured 100 mm (4") behind tip of cutting edge with bucket hinge pin as pivot point in accordance with ISO 14397-2:2007.

(With tire deflection) Full compliance to ISO 14397-1:2007 Sections 1 thru 6, which requires 2% verification between calculations and testing.

(No tire deflection) Compliance to ISO 14397-1:2007 Sections 1 thru 5.

Other buckets are available and offerings vary by region. Consult your local Cat dealer for further details.

# 972 XE Wheel Loader Specifications

## Operating Specifications – Buckets (continued)

Linkage		High Lift Linkage			
Bucket Type		General Purpose – Hook-on – Fusion			
Edge Type		Bolt-On Cutting Edges	Teeth and Segments	Bolt-On Cutting Edges	Teeth and Segments
Capacity – Rated	m <sup>3</sup>	4.80	4.80	5.00	5.00
	yd <sup>3</sup>	6.25	6.25	6.50	6.50
Capacity – Rated at 110% Fill Factor	m <sup>3</sup>	5.30	5.30	5.50	5.50
	yd <sup>3</sup>	7.00	7.00	7.25	7.25
Width	mm	3220	3271	3220	3271
	ft/in	10'6"	10'8"	10'6"	10'8"
16† Dump Clearance at Maximum Lift and 45° Discharge	mm	3471	3316	3447	3292
	ft/in	11'4"	10'10"	11'3"	10'9"
17† Reach at Maximum Lift and 45° Discharge	mm	1404	1541	1425	1561
	ft/in	4'7"	5'0"	4'8"	5'1"
Reach at Level Lift Arm and Bucket Level	mm	3321	3526	3353	3558
	ft/in	10'10"	11'6"	11'0"	11'8"
A† Digging Depth	mm	93	93	93	93
	in	3.6"	3.6"	3.6"	3.6"
12† Overall Length	mm	9641	9862	9673	9895
	ft/in	31'8"	32'5"	31'9"	32'6"
B† Overall Height with Bucket at Maximum Lift	mm	6611	6611	6636	6636
	ft/in	21'9"	21'9"	21'10"	21'10"
Loader Clearance Circle Radius with Bucket at Carry Position	mm	7801	7901	7812	7912
	ft/in	25'8"	26'0"	25'8"	26'0"
Static Tipping Load, Straight (With tire deflection)	kg	16 558	16 378	16 452	16 271
	lb	36,494	36,097	36,261	35,863
Static Tipping Load, Straight (No tire deflection)	kg	17 584	17 401	17 481	17 298
	lb	38,755	38,353	38,529	38,126
Static Tipping Load, Articulated (With tire deflection)	kg	14 349	14 169	14 243	14 063
	lb	31,626	31,229	31,393	30,995
Static Tipping Load, Articulated (No tire deflection)	kg	15 390	15 208	15 287	15 104
	lb	33,920	33,518	33,694	33,291
Breakout Force (§)	kN	185	182	180	178
	lbf	41,649	41,086	40,658	40,101
Operating Weight*	kg	25 374	25 512	25 465	25 602
	lb	55,924	56,228	56,123	56,427

\* Static tipping loads and operating weights shown are based on a machine configuration with Bridgestone 26.5R25 VJT L3 radial tires, full fluids, operator, counterweight, ride control, cold start, roading fenders, Product Link™, manual diff lock/open axles (front and rear), powertrain guard, secondary steering and sound suppression.

† Illustration shown with Dimension charts.

\*\*\* Rock bucket specifications are given on Bridgestone 26.5R25 VSDL L5 radial tires.

(§) Measured 100 mm (4") behind tip of cutting edge with bucket hinge pin as pivot point in accordance with ISO 14397-2:2007.

(With tire deflection) Full compliance to ISO 14397-1:2007 Sections 1 thru 6, which requires 2% verification between calculations and testing.

(No tire deflection) Compliance to ISO 14397-1:2007 Sections 1 thru 5.

Other buckets are available and offerings vary by region. Consult your local Cat dealer for further details.

# 972 XE Wheel Loader Specifications

## Operating Specifications – Buckets (continued)

Linkage		High Lift Linkage					
Bucket Type		Flat Floor – Pin-On					
Edge Type		Bolt-On Cutting Edges	Teeth and Segments	Bolt-On Cutting Edges	Teeth and Segments	Bolt-On Cutting Edges	Teeth and Segments
Capacity – Rated	m <sup>3</sup>	4.40	4.40	4.60	4.60	4.80	4.80
	yd <sup>3</sup>	5.75	5.75	6.00	6.00	6.25	6.25
Capacity – Rated at 110% Fill Factor	m <sup>3</sup>	4.80	4.80	5.10	5.10	5.30	5.30
	yd <sup>3</sup>	6.25	6.25	6.75	6.75	7.00	7.00
Width	mm	3220	3271.4	3220	3271	3220	3271
	ft/in	10'6"	10'8"	10'6"	10'8"	10'6"	10'8"
<b>16</b> † Dump Clearance at Maximum Lift and 45° Discharge	mm	3485	3323	3461	3298	3439	3277
	ft/in	11'5"	10'10"	11'4"	10'9"	11'3"	10'9"
<b>17</b> † Reach at Maximum Lift and 45° Discharge	mm	1246	1373	1271	1398	1292	1419
	ft/in	4'1"	4'6"	4'2"	4'7"	4'2"	4'7"
Reach at Level Lift Arm and Bucket Level	mm	3215	3420	3250	3455	3280	3485
	ft/in	10'6"	11'2"	10'7"	11'4"	10'9"	11'5"
<b>A</b> † Digging Depth	mm	93	93	93	93	93	93
	in	3.6"	3.6"	3.6"	3.6"	3.6"	3.6"
<b>12</b> † Overall Length	mm	9535	9756	9570	9791	9600	9821
	ft/in	31'4"	32'1"	31'5"	32'2"	31'6"	32'3"
<b>B</b> † Overall Height with Bucket at Maximum Lift	mm	6496	6496	6499	6503	6534	6534
	ft/in	21'4"	21'4"	21'4"	21'4"	21'6"	21'6"
Loader Clearance Circle Radius with Bucket at Carry Position	mm	7749	7843	7759	7854	7768	7863
	ft/in	25'6"	25'9"	25'6"	25'10"	25'6"	25'10"
Static Tipping Load, Straight (With tire deflection)	kg	16 852	16 676	16 936	16 827	16 970	16 790
	lb	37,143	36,754	37,328	37,088	37,402	37,007
Static Tipping Load, Straight (No tire deflection)	kg	17 842	17 663	17 941	17 834	17 985	17 803
	lb	39,324	38,931	39,543	39,307	39,640	39,239
Static Tipping Load, Articulated (With tire deflection)	kg	14 659	14 482	14 730	14 615	14 757	14 577
	lb	32,309	31,920	32,466	32,211	32,525	32,129
Static Tipping Load, Articulated (No tire deflection)	kg	15 665	15 487	15 751	15 638	15 788	15 606
	lb	34,527	34,133	34,716	34,466	34,797	34,396
Breakout Force (§)	kN	200	197	195	192	191	188
	lbf	44,957	44,376	43,861	43,303	42,934	42,364
Operating Weight*	kg	24 961	25 099	24 956	25 076	24 972	25 110
	lb	55,013	55,317	55,003	55,267	55,039	55,342

\* Static tipping loads and operating weights shown are based on a machine configuration with Bridgestone 26.5R25 VJT L3 radial tires, full fluids, operator, counterweight, ride control, cold start, roading fenders, Product Link™, manual diff lock/open axles (front and rear), powertrain guard, secondary steering and sound suppression.

† Illustration shown with Dimension charts.

\*\*\* Rock bucket specifications are given on Bridgestone 26.5R25 VSDL L5 radial tires.

(§) Measured 100 mm (4") behind tip of cutting edge with bucket hinge pin as pivot point in accordance with ISO 14397-2:2007.

(With tire deflection) Full compliance to ISO 14397-1:2007 Sections 1 thru 6, which requires 2% verification between calculations and testing.

(No tire deflection) Compliance to ISO 14397-1:2007 Sections 1 thru 5.

Other buckets are available and offerings vary by region. Consult your local Cat dealer for further details.

# 972 XE Wheel Loader Specifications

## Operating Specifications – Buckets *(continued)*

Linkage		High Lift Linkage			
Bucket Type		Flat Floor – Pin-On			
Edge Type		Bolt-On Cutting Edges	Teeth and Segments	Bolt-On Cutting Edges	Teeth and Segments
Capacity – Rated	m <sup>3</sup>	5.00	5.00	5.20	5.20
	yd <sup>3</sup>	6.50	6.50	6.75	6.75
Capacity – Rated at 110% Fill Factor	m <sup>3</sup>	5.50	5.50	5.70	5.70
	yd <sup>3</sup>	7.25	7.25	7.50	7.50
Width	mm	3220	3271	3220	3271
	ft/in	10'6"	10'8"	10'6"	10'8"
<b>16</b> † Dump Clearance at Maximum Lift and 45° Discharge	mm	3411	3248	3390	3227
	ft/in	11'2"	10'7"	11'1"	10'7"
<b>17</b> † Reach at Maximum Lift and 45° Discharge	mm	1320	1447	1342	1468
	ft/in	4'4"	4'8"	4'4"	4'9"
Reach at Level Lift Arm and Bucket Level	mm	3320	3525	3350	3555
	ft/in	10'10"	11'6"	10'11"	11'7"
<b>A</b> † Digging Depth	mm	93	93	93	93
	in	3.6"	3.6"	3.6"	3.6"
<b>12</b> † Overall Length	mm	9640	9861	9670	9891
	ft/in	31'8"	32'5"	31'9"	32'6"
<b>B</b> † Overall Height with Bucket at Maximum Lift	mm	6563	6563	6605	6605
	ft/in	21'7"	21'7"	21'9"	21'9"
Loader Clearance Circle Radius with Bucket at Carry Position	mm	7780	7876	7789	7885
	ft/in	25'7"	25'11"	25'7"	25'11"
Static Tipping Load, Straight (With tire deflection)	kg	16 916	16 736	16 878	16 697
	lb	37,283	36,886	37,200	36,802
Static Tipping Load, Straight (No tire deflection)	kg	17 939	17 757	17 908	17 724
	lb	39,539	39,136	39,469	39,065
Static Tipping Load, Articulated (With tire deflection)	kg	14 702	14 522	14 664	14 483
	lb	32,405	32,007	32,321	31,922
Static Tipping Load, Articulated (No tire deflection)	kg	15 741	15 558	15 709	15 525
	lb	34,694	34,291	34,623	34,219
Breakout Force (§)	kN	185	183	181	179
	lbf	41,718	41,156	40,848	40,290
Operating Weight*	kg	25 022	25 160	25 057	25 195
	lb	55,148	55,452	55,225	55,529

\* Static tipping loads and operating weights shown are based on a machine configuration with Bridgestone 26.5R25 VJT L3 radial tires, full fluids, operator, counterweight, ride control, cold start, roading fenders, Product Link™, manual diff lock/open axles (front and rear), powertrain guard, secondary steering and sound suppression.

† Illustration shown with Dimension charts.

\*\*\*Rock bucket specifications are given on Bridgestone 26.5R25 VSDL L5 radial tires.

(§) Measured 100 mm (4") behind tip of cutting edge with bucket hinge pin as pivot point in accordance with ISO 14397-2:2007.

(With tire deflection) Full compliance to ISO 14397-1:2007 Sections 1 thru 6, which requires 2% verification between calculations and testing.

(No tire deflection) Compliance to ISO 14397-1:2007 Sections 1 thru 5.

Other buckets are available and offerings vary by region. Consult your local Cat dealer for further details.



# 972 XE Wheel Loader Specifications

## Operating Specifications – Buckets *(continued)*

Linkage		High Lift Linkage			
Bucket Type		Flat Floor – Pin-On – Abrasion			
Edge Type		Bolt-On Cutting Edges	Teeth and Segments	Bolt-On Cutting Edges	Teeth and Segments
Capacity – Rated	m <sup>3</sup>	4.60	4.60	4.80	4.80
	yd <sup>3</sup>	6.00	6.00	6.25	6.25
Capacity – Rated at 110% Fill Factor	m <sup>3</sup>	5.10	5.10	5.30	5.30
	yd <sup>3</sup>	6.75	6.75	7.00	7.00
Width	mm	3220	3271	3220	3271
	ft/in	10'6"	10'8"	10'6"	10'8"
<b>16</b> † Dump Clearance at Maximum Lift and 45° Discharge	mm	3461	3298	3439	3277
	ft/in	11'4"	10'9"	11'3"	10'9"
<b>17</b> † Reach at Maximum Lift and 45° Discharge	mm	1271	1398	1292	1419
	ft/in	4'2"	4'7"	4'2"	4'7"
Reach at Level Lift Arm and Bucket Level	mm	3250	3455	3280	3485
	ft/in	10'7"	11'4"	10'9"	11'5"
<b>A</b> † Digging Depth	mm	93	93	93	93
	in	3.6"	3.6"	3.6"	3.6"
<b>12</b> † Overall Length	mm	9570	9791	9600	9821
	ft/in	31'5"	32'2"	31'6"	32'3"
<b>B</b> † Overall Height with Bucket at Maximum Lift	mm	6503	6503	6534	6534
	ft/in	21'4"	21'4"	21'6"	21'6"
Loader Clearance Circle Radius with Bucket at Carry Position	mm	7759	7854	7768	7863
	ft/in	25'6"	25'10"	25'6"	25'10"
Static Tipping Load, Straight (With tire deflection)	kg	16 861	16 683	16 821	16 642
	lb	37,163	36,769	37,074	36,679
Static Tipping Load, Straight (No tire deflection)	kg	17 869	17 688	17 834	17 653
	lb	39,384	38,985	39,308	38,907
Static Tipping Load, Articulated (With tire deflection)	kg	14 649	14 470	14 608	14 428
	lb	32,287	31,893	32,196	31,800
Static Tipping Load, Articulated (No tire deflection)	kg	15 672	15 491	15 637	15 455
	lb	34,543	34,144	34,464	34,064
Breakout Force (§)	kN	194	192	190	187
	lbf	43,747	43,172	42,796	42,227
Operating Weight*	kg	25 079	25 217	25 116	25 254
	lb	55,274	55,578	55,356	55,660

\* Static tipping loads and operating weights shown are based on a machine configuration with Bridgestone 26.5R25 VJT L3 radial tires, full fluids, operator, counterweight, ride control, cold start, roading fenders, Product Link™, manual diff lock/open axles (front and rear), powertrain guard, secondary steering and sound suppression.

† Illustration shown with Dimension charts.

\*\*\* Rock bucket specifications are given on Bridgestone 26.5R25 VSDL L5 radial tires.

(§) Measured 100 mm (4") behind tip of cutting edge with bucket hinge pin as pivot point in accordance with ISO 14397-2:2007.

(With tire deflection) Full compliance to ISO 14397-1:2007 Sections 1 thru 6, which requires 2% verification between calculations and testing.

(No tire deflection) Compliance to ISO 14397-1:2007 Sections 1 thru 5.

Other buckets are available and offerings vary by region. Consult your local Cat dealer for further details.

# 972 XE Wheel Loader Specifications

## Operating Specifications – Buckets (continued)

Linkage		High Lift Linkage				
Bucket Type		Flat Floor – Pin-On – Abrasion			Flat Floor – Pin-On – Light Material	
		Bolt-On Cutting Edges	Teeth and Segments	Bolt-On Cutting Edges	Teeth and Segments	Bolt-On Cutting Edges
Edge Type						
Capacity – Rated	m <sup>3</sup>	5.00	5.00	5.20	5.20	10.00
	yd <sup>3</sup>	6.50	6.50	6.75	6.75	13.00
Capacity – Rated at 110% Fill Factor	m <sup>3</sup>	5.50	5.50	5.70	5.70	10.90
	yd <sup>3</sup>	7.25	7.25	7.50	7.50	14.25
Width	mm	3220	3271	3220	3271	3943
	ft/in	10'6"	10'8"	10'6"	10'8"	12'11"
16† Dump Clearance at Maximum Lift and 45° Discharge	mm	3411	3248	3390	3227	3153
	ft/in	11' 2"	10' 7"	11' 1"	10' 7"	10'4"
17† Reach at Maximum Lift and 45° Discharge	mm	1320	1447	1342	1468	1548
	ft/in	4'4"	4'8"	4'4"	4'9"	5'0"
Reach at Level Lift Arm and Bucket Level	mm	3320	3525	3350	3555	3663
	ft/in	10'10"	11'6"	10'11"	11'7"	12'0"
A† Digging Depth	mm	93	93	93	93	114
	in	3.6"	3.6"	3.6"	3.6"	4.5"
12† Overall Length	mm	9640	9861	9670	9891	9997
	ft/in	31'8"	32'5"	31'9"	32'6"	32'10"
B† Overall Height with Bucket at Maximum Lift	mm	6574	6574	6605	6605	7026
	ft/in	21'7"	21'7"	21'9"	21'9"	23'1"
Loader Clearance Circle Radius with Bucket at Carry Position	mm	7780	7876	7789	7885	8213
	ft/in	25'7"	25'11"	25'7"	25'11"	27'0"
Static Tipping Load, Straight (With tire deflection)	kg	16 759	16 579	16 717	16 536	17 000
	lb	36,938	36,541	36,845	36,447	37,469
Static Tipping Load, Straight (No tire deflection)	kg	17 780	17 598	17 744	17 561	18 146
	lb	39,189	38,786	39,109	38,705	39,994
Static Tipping Load, Articulated (With tire deflection)	kg	14 546	14 365	14 503	14 322	14 767
	lb	32,059	31,662	31,965	31,566	32,547
Static Tipping Load, Articulated (No tire deflection)	kg	15 582	15 400	15 545	15 362	15 924
	lb	34,344	33,941	34,263	33,858	35,097
Breakout Force (§)	kN	185	182	181	178	148
	lbf	41,574	41,012	40,700	40,142	33,358
Operating Weight*	kg	25 172	25 310	25 211	25 349	24 984
	lb	55,479	55,783	55,564	55,868	55,064

\* Static tipping loads and operating weights shown are based on a machine configuration with Bridgestone 26.5R25 VJT L3 radial tires, full fluids, operator, counterweight, ride control, cold start, roading fenders, Product Link™, manual diff lock/open axles (front and rear), powertrain guard, secondary steering and sound suppression.

† Illustration shown with Dimension charts.

\*\*\*Rock bucket specifications are given on Bridgestone 26.5R25 VSDL L5 radial tires.

(§) Measured 100 mm (4") behind tip of cutting edge with bucket hinge pin as pivot point in accordance with ISO 14397-2:2007.

(With tire deflection) Full compliance to ISO 14397-1:2007 Sections 1 thru 6, which requires 2% verification between calculations and testing.

(No tire deflection) Compliance to ISO 14397-1:2007 Sections 1 thru 5.

Other buckets are available and offerings vary by region. Consult your local Cat dealer for further details.

# 972 XE Wheel Loader Specifications

## Operating Specifications – Buckets (continued)

Linkage		High Lift Linkage			
Bucket Type		Flat Floor – Hook-On – Fusion			
Edge Type		Bolt-On Cutting Edges	Teeth and Segments	Bolt-On Cutting Edges	Teeth and Segments
Capacity – Rated	m <sup>3</sup>	4.40	4.40	4.60	4.60
	yd <sup>3</sup>	5.75	5.75	6.00	6.00
Capacity – Rated at 110% Fill Factor	m <sup>3</sup>	4.80	4.80	5.10	5.10
	yd <sup>3</sup>	6.25	6.25	6.75	6.75
Width	mm	3220	3271	3220	3271
	ft/in	10'6"	10'8"	10'6"	10'8"
16† Dump Clearance at Maximum Lift and 45° Discharge	mm	3436	3273	3410	3247
	ft/in	11'3"	10'8"	11'2"	10'7"
17† Reach at Maximum Lift and 45° Discharge	mm	1296	1423	1321	1448
	ft/in	4'3"	4'8"	4'4"	4'9"
Reach at Level Lift Arm and Bucket Level	mm	3285	3490	3321	3526
	ft/in	10'9"	11'5"	10'10"	11'6"
A† Digging Depth	mm	93	93	93	93
	in	3.6"	3.6"	3.6"	3.6"
12† Overall Length	mm	9605	9826	9641	9862
	ft/in	31'7"	32'3"	31'8"	32'5"
B† Overall Height with Bucket at Maximum Lift	mm	6537	6537	6540	6540
	ft/in	21'6"	21'6"	21'6"	21'6"
Loader Clearance Circle Radius with Bucket at Carry Position	mm	7789	7889	7801	7901
	ft/in	25'7"	25'11"	25'8"	26'0"
Static Tipping Load, Straight (With tire deflection)	kg	16 234	16 058	16 398	16 220
	lb	35,779	35,392	36,142	35,750
Static Tipping Load, Straight (No tire deflection)	kg	17 215	17 037	17 398	17 218
	lb	37,943	37,551	38,346	37,949
Static Tipping Load, Articulated (With tire deflection)	kg	14 065	13 889	14 211	14 033
	lb	30,999	30,611	31,323	30,930
Static Tipping Load, Articulated (No tire deflection)	kg	15 063	14 885	15 227	15 046
	lb	33,199	32,807	33,561	33,163
Breakout Force (§)	kN	189	187	186	183
	lbf	42,647	42,079	41,848	41,286
Operating Weight*	kg	25 421	25 559	25 403	25 541
	lb	56,027	56,331	55,988	56,292

\* Static tipping loads and operating weights shown are based on a machine configuration with Bridgestone 26.5R25 VJT L3 radial tires, full fluids, operator, counterweight, ride control, cold start, roading fenders, Product Link™, manual diff lock/open axles (front and rear), powertrain guard, secondary steering and sound suppression.

† Illustration shown with Dimension charts.

\*\*\* Rock bucket specifications are given on Bridgestone 26.5R25 VSDL L5 radial tires.

(§) Measured 100 mm (4") behind tip of cutting edge with bucket hinge pin as pivot point in accordance with ISO 14397-2:2007.

(With tire deflection) Full compliance to ISO 14397-1:2007 Sections 1 thru 6, which requires 2% verification between calculations and testing.

(No tire deflection) Compliance to ISO 14397-1:2007 Sections 1 thru 5.

Other buckets are available and offerings vary by region. Consult your local Cat dealer for further details.

# 972 XE Wheel Loader Specifications

## Operating Specifications – Buckets (continued)

Linkage		High Lift Linkage			
Bucket Type		Flat Floor – Hook-On – Fusion			
Edge Type		Bolt-On Cutting Edges	Teeth and Segments	Bolt-On Cutting Edges	Teeth and Segments
Capacity – Rated	m <sup>3</sup>	4.80	4.80	5.20	5.20
	yd <sup>3</sup>	6.25	6.25	6.75	6.75
Capacity – Rated at 110% Fill Factor	m <sup>3</sup>	5.30	5.30	5.70	5.70
	yd <sup>3</sup>	7.00	7.00	7.50	7.50
Width	mm	3220	3271	3220	3271
	ft/in	10'6"	10'8"	10'6"	10'8"
16† Dump Clearance at Maximum Lift and 45° Discharge	mm	3389	3226	3340	3177
	ft/in	11'1"	10'7"	10'11"	10'5"
17† Reach at Maximum Lift and 45° Discharge	mm	1342	1469	1392	1519
	ft/in	4'4"	4'9"	4'6"	4'11"
Reach at Level Lift Arm and Bucket Level	mm	3351	3556	3421	3626
	ft/in	10'11"	11'8"	11'2"	11'10"
A† Digging Depth	mm	93	93	93	93
	in	3.6"	3.6"	3.6"	3.6"
12† Overall Length	mm	9671	9892	9741	9962
	ft/in	31'9"	32'6"	32'0"	32'9"
B† Overall Height with Bucket at Maximum Lift	mm	6571	6571	6643	6643
	ft/in	21'7"	21'7"	21'10"	21'10"
Loader Clearance Circle Radius with Bucket at Carry Position	mm	7811	7911	7834	7935
	ft/in	25'8"	26'0"	25'9"	26'1"
Static Tipping Load, Straight (With tire deflection)	kg	16 360	16 182	16 265	16 085
	lb	36,059	35,665	35,849	35,451
Static Tipping Load, Straight (No tire deflection)	kg	17 366	17 185	17 283	17 101
	lb	38,275	37,875	38,093	37,690
Static Tipping Load, Articulated (With tire deflection)	kg	14 173	13 994	14 077	13 896
	lb	31,238	30,843	31,025	30,627
Static Tipping Load, Articulated (No tire deflection)	kg	15 194	15 013	15 110	14 927
	lb	33,488	33,088	33,303	32,900
Breakout Force (§)	kN	182	179	173	171
	lbf	40,979	40,422	39,059	38,512
Operating Weight*	kg	25 438	25 576	25 527	25 665
	lb	56,064	56,368	56,260	56,564

\* Static tipping loads and operating weights shown are based on a machine configuration with Bridgestone 26.5R25 VJT L3 radial tires, full fluids, operator, counterweight, ride control, cold start, roading fenders, Product Link™, manual diff lock/open axles (front and rear), powertrain guard, secondary steering and sound suppression.

† Illustration shown with Dimension charts.

\*\*\* Rock bucket specifications are given on Bridgestone 26.5R25 VSDL L5 radial tires.

(§) Measured 100 mm (4") behind tip of cutting edge with bucket hinge pin as pivot point in accordance with ISO 14397-2:2007.

(With tire deflection) Full compliance to ISO 14397-1:2007 Sections 1 thru 6, which requires 2% verification between calculations and testing.

(No tire deflection) Compliance to ISO 14397-1:2007 Sections 1 thru 5.

Other buckets are available and offerings vary by region. Consult your local Cat dealer for further details.

# 972 XE Wheel Loader Specifications

## Operating Specifications – Buckets *(continued)*

Linkage		High Lift Linkage		
Bucket Type		High Dump – Pin-On		
Edge Type		Bolt-On Cutting Edges	Bolt-On Cutting Edges	Bolt-On Cutting Edges
Capacity – Rated	m <sup>3</sup>	7.60	9.20	11.10
	yd <sup>3</sup>	10.00	12.00	14.50
Capacity – Rated at 110% Fill Factor	m <sup>3</sup>	8.40	10.10	12.20
	yd <sup>3</sup>	11.00	13.25	16.00
Width	mm	3350	3656	3656
	ft/in	10'11"	11'11"	11'11"
<b>16</b> † Dump Clearance at Maximum Height and High Dump Fully Rolled Out (34°)	mm	5658	5614	5474
	ft/in	18'6"	18'4"	17'10"
<b>17</b> † Reach at Maximum Height and High Dump Fully Rolled Out (34°)	mm	1511	1577	1789
	ft/in	4'10"	5'2"	5'9"
Reach at Level Lift Arm and Bucket Level	mm	3929	4009	4229
	ft/in	12'10"	13'1"	13'10"
<b>A</b> † Digging Depth	mm	63	63	63
	in	2.5"	2.5"	2.5"
<b>12</b> † Overall Length	mm	10 249	10 329	10 549
	ft/in	33'8"	33'11"	34'8"
<b>B</b> † Overall Height at Maximum Height and High Dump Fully Rolled Out (34°)	mm	7944	8004	8193
	ft/in	26'1"	26'3"	26'9"
Loader Clearance Circle Radius with Bucket at Carry Position	mm	8063	8223	8300
	ft/in	26'6"	27'0"	27'3"
Static Tipping Load, Straight (With tire deflection)	kg	15 128	14 881	14 596
	lb	33,343	32,798	32,170
Static Tipping Load, Straight (No tire deflection)	kg	16 197	15 959	15 701
	lb	35,699	35,173	34,605
Static Tipping Load, Articulated (With tire deflection)	kg	12 995	12 749	12 468
	lb	28,641	28,099	27,480
Static Tipping Load, Articulated (No tire deflection)	kg	14 078	13 840	13 586
	lb	31,027	30,504	29,944
Breakout Force (§)	kN	131	125	111
	lbf	29,570	28,104	25,006
Operating Weight*	kg	26 014	26 230	26 437
	lb	57,335	57,811	58,267

\*Static tipping loads and operating weights shown are based on a machine configuration with Bridgestone 26.5R25 VJT L3 radial tires, full fluids, operator, counterweight, ride control, cold start, roading fenders, Product Link™, manual diff lock/open axles (front and rear), powertrain guard, secondary steering and sound suppression.

† Illustration shown with Dimension charts.

\*\*\*Rock bucket specifications are given on Bridgestone 26.5R25 VSDL L5 radial tires.

(§) Measured 100 mm (4") behind tip of cutting edge with bucket hinge pin as pivot point in accordance with ISO 14397-2:2007.

(With tire deflection) Full compliance to ISO 14397-1:2007 Sections 1 thru 6, which requires 2% verification between calculations and testing.

(No tire deflection) Compliance to ISO 14397-1:2007 Sections 1 thru 5.

Other buckets are available and offerings vary by region. Consult your local Cat dealer for further details.

# 972 XE Wheel Loader Specifications

## Operating Specifications – Buckets *(continued)*

Linkage		High Lift Linkage		
Bucket Type		High Dump – Hook-On – Fusion		
Edge Type		Bolt-On Cutting Edges	Bolt-On Cutting Edges	Bolt-On Cutting Edges
Capacity – Rated	m <sup>3</sup>	7.60	9.20	11.10
	yd <sup>3</sup>	10.00	12.00	14.50
Capacity – Rated at 110% Fill Factor	m <sup>3</sup>	8.40	10.10	12.20
	yd <sup>3</sup>	11.00	13.25	16.00
Width	mm	3350	3656	3656
	ft/in	10'11"	11'11"	11'11"
<b>16</b> † Dump Clearance at Maximum Height and High Dump Fully Rolled Out (34°)	mm	5678	5732	5492
	ft/in	18'6"	18'8"	18'0"
<b>17</b> † Reach at Maximum Height and High Dump Fully Rolled Out (34°)	mm	1519	1613	1795
	ft/in	4'10"	5'3"	5'9"
Reach at Level Lift Arm and Bucket Level	mm	3949	4029	4249
	ft/in	12'11"	13'2"	13'11"
<b>A</b> † Digging Depth	mm	63	63	63
	in	2.5"	2.5"	2.5"
<b>12</b> † Overall Length	mm	10 269	10 349	10 569
	ft/in	33'9"	34'0"	34'9"
<b>B</b> † Overall Height at Maximum Height and High Dump Fully Rolled Out (34°)	mm	7963	8023	8212
	ft/in	26'1"	26'3"	26'9"
Loader Clearance Circle Radius with Bucket at Carry Position	mm	8071	8232	8310
	ft/in	26'6"	27'1"	27'4"
Static Tipping Load, Straight (With tire deflection)	kg	14 674	14 426	14 144
	lb	32,343	31,795	31,173
Static Tipping Load, Straight (No tire deflection)	kg	15 732	15 492	15 236
	lb	34,675	34,144	33,581
Static Tipping Load, Articulated (With tire deflection)	kg	12 548	12 301	12 023
	lb	27,656	27,111	26,500
Static Tipping Load, Articulated (No tire deflection)	kg	13 619	13 380	13 128
	lb	30,018	29,490	28,934
Breakout Force (§)	kN	130	123	110
	lbf	29,224	27,779	24,732
Operating Weight*	kg	26 493	26 709	26 916
	lb	58,390	58,866	59,322

\* Static tipping loads and operating weights shown are based on a machine configuration with Bridgestone 26.5R25 VJT L3 radial tires, full fluids, operator, counterweight, ride control, cold start, roading fenders, Product Link™, manual diff lock/open axles (front and rear), powertrain guard, secondary steering and sound suppression.

† Illustration shown with Dimension charts.

\*\*\* Rock bucket specifications are given on Bridgestone 26.5R25 VSDL L5 radial tires.

(§) Measured 100 mm (4") behind tip of cutting edge with bucket hinge pin as pivot point in accordance with ISO 14397-2:2007.

(With tire deflection) Full compliance to ISO 14397-1:2007 Sections 1 thru 6, which requires 2% verification between calculations and testing.

(No tire deflection) Compliance to ISO 14397-1:2007 Sections 1 thru 5.

Other buckets are available and offerings vary by region. Consult your local Cat dealer for further details.

# 972 XE Wheel Loader Specifications

## Operating Specifications – Buckets (continued)

Linkage		High Lift Linkage	
Bucket Type		Side Dump – Pin-On	Side Dump – Hook-On – Fusion
Edge Type		Bolt-On Cutting Edges	Bolt-On Cutting Edges
Capacity – Rated	m <sup>3</sup>	3.60	3.60
	yd <sup>3</sup>	4.75	4.75
Capacity – Rated at 110% Fill Factor	m <sup>3</sup>	4.00	4.00
	yd <sup>3</sup>	5.25	5.25
Width	mm	3677	3677
	ft/in	12'0"	12'0"
<b>16</b> † Dump Clearance at Maximum Lift and 45° Discharge	mm	3453	3406
	ft/in	11'3"	11'2"
<b>17</b> † Reach at Maximum Lift and 45° Discharge	mm	1270	1345
	ft/in	4'2"	4'4"
Reach at Level Lift Arm and Bucket Level	mm	3255	3341
	ft/in	10'8"	10'11"
<b>A</b> † Digging Depth	mm	99	79
	in	3.9"	3.1"
<b>12</b> † Overall Length	mm	9578	9651
	ft/in	31'6"	31'8"
<b>B</b> † Overall Height with Bucket at Maximum Lift	mm	6340	6409
	ft/in	20'10"	21'1"
Loader Clearance Circle Radius with Bucket at Carry Position	mm	7268	8075
	ft/in	23'11"	26'6"
Static Tipping Load, Straight (With tire deflection)	kg	15 893	14 243
	lb	35,028	31,392
Static Tipping Load, Straight (No tire deflection)	kg	16 851	15 054
	lb	37,140	33,179
Static Tipping Load, Articulated (With tire deflection)	kg	13 773	12 277
	lb	30,355	27,059
Static Tipping Load, Articulated (No tire deflection)	kg	14 748	13 107
	lb	32,505	28,888
Breakout Force (§)	kN	192	203
	lbf	43,206	45,779
Operating Weight*	kg	25 349	25 886
	lb	55,869	57,052

\* Static tipping loads and operating weights shown are based on a machine configuration with Bridgestone 26.5R25 VJT L3 radial tires, full fluids, operator, counterweight, ride control, cold start, roading fenders, Product Link™, manual diff lock/open axles (front and rear), powertrain guard, secondary steering and sound suppression.

† Illustration shown with Dimension charts.

\*\*\*Rock bucket specifications are given on Bridgestone 26.5R25 VSDL L5 radial tires.

(§) Measured 100 mm (4") behind tip of cutting edge with bucket hinge pin as pivot point in accordance with ISO 14397-2:2007.

(With tire deflection) Full compliance to ISO 14397-1:2007 Sections 1 thru 6, which requires 2% verification between calculations and testing.

(No tire deflection) Compliance to ISO 14397-1:2007 Sections 1 thru 5.

Other buckets are available and offerings vary by region. Consult your local Cat dealer for further details.

# 972 XE Wheel Loader Specifications

## Operating Specifications – Buckets (continued)

Linkage		Aggregate Handler Linkage					
Bucket Type		General Purpose – Pin-On					
Edge Type		Bolt-On Cutting Edges	Teeth and Segments	Bolt-On Cutting Edges	Teeth and Segments	Bolt-On Cutting Edges	Teeth and Segments
Capacity – Rated	m <sup>3</sup>	4.20	4.20	4.60	4.60	4.80	4.80
	yd <sup>3</sup>	5.50	5.50	6.00	6.00	6.25	6.25
Capacity – Rated at 110% Fill Factor	m <sup>3</sup>	4.60	4.60	5.10	5.10	5.30	5.30
	yd <sup>3</sup>	6.00	6.00	6.75	6.75	7.00	7.00
Width	mm	3220	3271	3220	3271	3220	3271
	ft/in	10'6"	10'8"	10'6"	10'8"	10'6"	10'8"
<b>16</b> † Dump Clearance at Maximum Lift and 45° Discharge	mm	3230	3076	3192	3038	3159	3004
	ft/in	10'7"	10'1"	10'5"	9'11"	10'4"	9'10"
<b>17</b> † Reach at Maximum Lift and 45° Discharge	mm	1294	1432	1325	1462	1354	1490
	ft/in	4'2"	4'8"	4'4"	4'9"	4'5"	4'10"
Reach at Level Lift Arm and Bucket Level	mm	2917	3122	2966	3171	3011	3216
	ft/in	9'6"	10'2"	9'8"	10'4"	9'10"	10'6"
<b>A</b> † Digging Depth	mm	98	98	98	98	98	98
	in	3.8"	3.8"	3.8"	3.8"	3.8"	3.8"
<b>12</b> † Overall Length	mm	9167	9391	9216	9440	9261	9485
	ft/in	30'1"	30'10"	30'3"	31'0"	30'5"	31'2"
<b>B</b> † Overall Height with Bucket at Maximum Lift	mm	5942	5942	6200	6200	6036	6036
	ft/in	19'6"	19'6"	20'5"	20'5"	19'10"	19'10"
Loader Clearance Circle Radius with Bucket at Carry Position	mm	7583	7671	7596	7685	7608	7697
	ft/in	24'11"	25'2"	25'0"	25'3"	25'0"	25'4"
Static Tipping Load, Straight (With tire deflection)	kg	19 975	19 791	19 860	19 675	19 884	19 698
	lb	44,026	43,621	43,772	43,364	43,824	43,414
Static Tipping Load, Straight (No tire deflection)	kg	21 244	21 058	21 139	20 952	21 169	20 981
	lb	46,823	46,413	46,591	46,179	46,657	46,242
Static Tipping Load, Articulated (With tire deflection)	kg	17 401	17 217	17 290	17 105	17 317	17 131
	lb	38,352	37,947	38,109	37,701	38,167	37,757
Static Tipping Load, Articulated (No tire deflection)	kg	18 694	18 508	18 593	18 406	18 626	18 438
	lb	41,202	40,792	40,980	40,568	41,052	40,637
Breakout Force (§)	kN	210	208	202	201	196	194
	lbf	47,186	46,879	45,479	45,172	44,072	43,765
Operating Weight*	kg	25 451	25 589	25 511	25 649	25 439	25 577
	lb	56,093	56,397	56,227	56,531	56,068	56,372

\* Static tipping loads and operating weights shown are based on a machine configuration with Bridgestone 26.5R25 VJT L3 radial tires, full fluids, operator, counterweight, ride control, cold start, roading fenders, Product Link™, manual diff lock/open axles (front and rear), powertrain guard, secondary steering and sound suppression.

† Illustration shown with Dimension charts.

\*\* Aggregate Handler configuration is not compatible with rock buckets, and high lift.

(§) Measured 100 mm (4") behind tip of cutting edge with bucket hinge pin as pivot point in accordance with ISO 14397-2:2007.

(With tire deflection) Full compliance to ISO 14397-1:2007 Sections 1 thru 6, which requires 2% verification between calculations and testing.

(No tire deflection) Compliance to ISO 14397-1:2007 Sections 1 thru 5.

Other buckets are available and offerings vary by region. Consult your local Cat dealer for further details.



# 972 XE Wheel Loader Specifications

## Operating Specifications – Buckets *(continued)*

Linkage		Aggregate Handler Linkage		
Bucket Type		General Purpose – Pin-On – Abrasion		
Edge Type		Bolt-On Cutting Edges	Bolt-On Cutting Edges	Bolt-On Cutting Edges
Capacity – Rated	m <sup>3</sup>	5.10	5.30	5.50
	yd <sup>3</sup>	6.75	7.00	7.25
Capacity – Rated at 110% Fill Factor	m <sup>3</sup>	5.60	5.80	6.10
	yd <sup>3</sup>	7.25	7.50	8.00
Width	mm	3357	3357	3357
	ft/in	11'0"	11'0"	11'0"
<b>16</b> † Dump Clearance at Maximum Lift and 45° Discharge	mm	3132	3105	3077
	ft/in	10'3"	10'2"	10'1"
<b>17</b> † Reach at Maximum Lift and 45° Discharge	mm	1372	1396	1421
	ft/in	4'6"	4'6"	4'7"
Reach at Level Lift Arm and Bucket Level	mm	3043	3080	3118
	ft/in	9'11"	10'1"	10'2"
<b>A</b> † Digging Depth	mm	103	103	103
	in	4"	4"	4"
<b>12</b> † Overall Length	mm	9297	9334	9372
	ft/in	30'6"	30'8"	30'9"
<b>B</b> † Overall Height with Bucket at Maximum Lift	mm	6240	6277	6298
	ft/in	20'6"	20'8"	20'8"
Loader Clearance Circle Radius with Bucket at Carry Position	mm	7681	7691	7701
	ft/in	25'3"	25'3"	25'4"
Static Tipping Load, Straight (With tire deflection)	kg	19,498	19,423	19,353
	lb	42,974	42,809	42,655
Static Tipping Load, Straight (No tire deflection)	kg	20,778	20,708	20,645
	lb	45,794	45,641	45,501
Static Tipping Load, Articulated (With tire deflection)	kg	16,937	16,864	16,796
	lb	37,329	37,169	37,019
Static Tipping Load, Articulated (No tire deflection)	kg	18,240	18,173	18,112
	lb	40,203	40,055	39,919
Breakout Force (§)	kN	190	185	180
	lbf	42,753	41,648	40,570
Operating Weight*	kg	25,748	25,790	25,828
	lb	56,749	56,841	56,925

\* Static tipping loads and operating weights shown are based on a machine configuration with Bridgestone 26.5R25 VJT L3 radial tires, full fluids, operator, counterweight, ride control, cold start, roading fenders, Product Link™, manual diff lock/open axles (front and rear), powertrain guard, secondary steering and sound suppression.

† Illustration shown with Dimension charts.

\*\*Aggregate Handler configuration is not compatible with rock buckets, and high lift.

(§) Measured 100 mm (4") behind tip of cutting edge with bucket hinge pin as pivot point in accordance with ISO 14397-2:2007.

(With tire deflection) Full compliance to ISO 14397-1:2007 Sections 1 thru 6, which requires 2% verification between calculations and testing.

(No tire deflection) Compliance to ISO 14397-1:2007 Sections 1 thru 5.

Other buckets are available and offerings vary by region. Consult your local Cat dealer for further details.

# 972 XE Wheel Loader Specifications

## Operating Specifications – Buckets *(continued)*

Linkage		Aggregate Handler Linkage					
Bucket Type		General Purpose – Hook-on – Fusion					
Edge Type		Bolt-On Cutting Edges	Teeth and Segments	Bolt-On Cutting Edges	Teeth and Segments	Bolt-On Cutting Edges	Teeth and Segments
Capacity – Rated	m <sup>3</sup>	4.20	4.20	4.40	4.40	4.60	4.60
	yd <sup>3</sup>	5.50	5.50	5.75	5.75	6.00	6.00
Capacity – Rated at 110% Fill Factor	m <sup>3</sup>	4.60	4.60	4.80	4.80	5.10	5.10
	yd <sup>3</sup>	6.00	6.00	6.25	6.25	6.75	6.75
Width	mm	3220	3271	3220	3271.4	3220	3271
	ft/in	10'6"	10'8"	10'6"	10'8"	10'6"	10'8"
<b>16</b> † Dump Clearance at Maximum Lift and 45° Discharge	mm	3200	3046	3205	3052	3162	3008
	ft/in	10'5"	9'11"	10'6"	10'0"	10'4"	9'10"
<b>17</b> † Reach at Maximum Lift and 45° Discharge	mm	1329	1466	1324	1462	1359	1497
	ft/in	4'4"	4'9"	4'4"	4'9"	4'5"	4'10"
Reach at Level Lift Arm and Bucket Level	mm	2962	3167	2955	3160	3012	3217
	ft/in	9'8"	10'4"	9'8"	10'4"	9'10"	10'6"
<b>A</b> † Digging Depth	mm	98	98	98	98	98	98
	in	3.8"	3.8"	3.8"	3.8"	3.8"	3.8"
<b>12</b> † Overall Length	mm	9212	9436	9205	9429	9262	9486
	ft/in	30'3"	31'0"	30'3"	31'0"	30'5"	31'2"
<b>B</b> † Overall Height with Bucket at Maximum Lift	mm	6041	6041	6210	6210	6216	6216
	ft/in	19'10"	19'10"	20'5"	20'5"	20'5"	20'5"
Loader Clearance Circle Radius with Bucket at Carry Position	mm	7611	7705	7609	7702	7626	7719
	ft/in	25'0"	25'4"	25'0"	25'4"	25'1"	25'4"
Static Tipping Load, Straight (With tire deflection)	kg	19 450	19 267	19 456	19 273	19 299	19 115
	lb	42,868	42,464	42,882	42,478	42,536	42,130
Static Tipping Load, Straight (No tire deflection)	kg	20 708	20 523	20 726	20 541	20 567	20 381
	lb	45,641	45,233	45,682	45,273	45,331	44,920
Static Tipping Load, Articulated (With tire deflection)	kg	16 900	16 717	16 900	16 716	16 753	16 569
	lb	37,249	36,845	37,248	36,844	36,925	36,518
Static Tipping Load, Articulated (No tire deflection)	kg	18 183	17 998	18 194	18 009	18 046	17 859
	lb	40,076	39,667	40,101	39,692	39,774	39,363
Breakout Force (§)	kN	203	201	203	202	195	194
	lbf	45,612	45,305	45,785	45,478	43,938	43,631
Operating Weight*	kg	25 825	25 963	25 867	26 005	25 926	26 064
	lb	56,918	57,222	57,011	57,315	57,140	57,444

\* Static tipping loads and operating weights shown are based on a machine configuration with Bridgestone 26.5R25 VJT L3 radial tires, full fluids, operator, counterweight, ride control, cold start, roading fenders, Product Link™, manual diff lock/open axles (front and rear), powertrain guard, secondary steering and sound suppression.

† Illustration shown with Dimension charts.

\*\*Aggregate Handler configuration is not compatible with rock buckets, and high lift.

(§) Measured 100 mm (4") behind tip of cutting edge with bucket hinge pin as pivot point in accordance with ISO 14397-2:2007.

(With tire deflection) Full compliance to ISO 14397-1:2007 Sections 1 thru 6, which requires 2% verification between calculations and testing.

(No tire deflection) Compliance to ISO 14397-1:2007 Sections 1 thru 5.

Other buckets are available and offerings vary by region. Consult your local Cat dealer for further details.

# 972 XE Wheel Loader Specifications

## Operating Specifications – Buckets (continued)

Linkage		Aggregate Handler Linkage			
Bucket Type		General Purpose – Hook-on – Fusion			
Edge Type		Bolt-On Cutting Edges	Teeth and Segments	Bolt-On Cutting Edges	Teeth and Segments
Capacity – Rated	m <sup>3</sup>	4.80	4.80	5.00	5.00
	yd <sup>3</sup>	6.25	6.25	6.50	6.50
Capacity – Rated at 110% Fill Factor	m <sup>3</sup>	5.30	5.30	5.50	5.50
	yd <sup>3</sup>	7.00	7.00	7.25	7.25
Width	mm	3220	3271	3220	3271
	ft/in	10'6"	10'8"	10'6"	10'8"
16† Dump Clearance at Maximum Lift and 45° Discharge	mm	3135	2980	3111	2956
	ft/in	10'3"	9'9"	10'2"	9'8"
17† Reach at Maximum Lift and 45° Discharge	mm	1381	1517	1402	1538
	ft/in	4'6"	4'11"	4'7"	5'0"
Reach at Level Lift Arm and Bucket Level	mm	3047	3252	3079	3284
	ft/in	9'11"	10'8"	10'1"	10'9"
A† Digging Depth	mm	98	98	98	98
	in	3.8"	3.8"	3.8"	3.8"
12† Overall Length	mm	9297	9521	9329	9553
	ft/in	30'6"	31'3"	30'8"	31'5"
B† Overall Height with Bucket at Maximum Lift	mm	6275	6275	6301	6301
	ft/in	20'8"	20'8"	20'9"	20'9"
Loader Clearance Circle Radius with Bucket at Carry Position	mm	7636	7730	7646	7740
	ft/in	25'1"	25'5"	25'1"	25'5"
Static Tipping Load, Straight (With tire deflection)	kg	19 291	19 105	19 170	18 984
	lb	42,517	42,109	42,251	41,841
Static Tipping Load, Straight (No tire deflection)	kg	20 565	20 377	20 447	20 259
	lb	45,325	44,912	45,067	44,651
Static Tipping Load, Articulated (With tire deflection)	kg	16 746	16 560	16 627	16 440
	lb	36,908	36,499	36,645	36,235
Static Tipping Load, Articulated (No tire deflection)	kg	18 044	17 857	17 928	17 740
	lb	39,770	39,356	39,514	39,099
Breakout Force (§)	kN	190	189	186	185
	lbf	42,894	42,587	41,878	41,571
Operating Weight*	kg	25 921	26 059	26 012	26 150
	lb	57,129	57,433	57,329	57,633

\* Static tipping loads and operating weights shown are based on a machine configuration with Bridgestone 26.5R25 VJT L3 radial tires, full fluids, operator, counterweight, ride control, cold start, roading fenders, Product Link™, manual diff lock/open axles (front and rear), powertrain guard, secondary steering and sound suppression.

† Illustration shown with Dimension charts.

\*\* Aggregate Handler configuration is not compatible with rock buckets, and high lift.

(§) Measured 100 mm (4") behind tip of cutting edge with bucket hinge pin as pivot point in accordance with ISO 14397-2:2007.

(With tire deflection) Full compliance to ISO 14397-1:2007 Sections 1 thru 6, which requires 2% verification between calculations and testing.

(No tire deflection) Compliance to ISO 14397-1:2007 Sections 1 thru 5.

Other buckets are available and offerings vary by region. Consult your local Cat dealer for further details.

# 972 XE Wheel Loader Specifications

## Operating Specifications – Buckets *(continued)*

Linkage		Aggregate Handler Linkage					
Bucket Type		Flat Floor – Pin-On					
Edge Type		Bolt-On Cutting Edges	Teeth and Segments	Bolt-On Cutting Edges	Teeth and Segments	Bolt-On Cutting Edges	Teeth and Segments
Capacity – Rated	m <sup>3</sup>	4.40	4.40	4.60	4.60	4.80	4.80
	yd <sup>3</sup>	5.75	5.75	6.00	6.00	6.25	6.25
Capacity – Rated at 110% Fill Factor	m <sup>3</sup>	4.80	4.80	5.10	5.10	5.30	5.30
	yd <sup>3</sup>	6.25	6.25	6.75	6.75	7.00	7.00
Width	mm	3220	3271.4	3220	3271	3220	3271
	ft/in	10'6"	10'8"	10'6"	10'8"	10'6"	10'8"
<b>16</b> † Dump Clearance at Maximum Lift and 45° Discharge	mm	3150	2987	3125	2962	3104	2941
	ft/in	10'4"	9'9"	10'3"	9'8"	10'2"	9'7"
<b>17</b> † Reach at Maximum Lift and 45° Discharge	mm	1223	1350	1248	1375	1269	1396
	ft/in	4'0"	4'5"	4'1"	4'6"	4'1"	4'6"
Reach at Level Lift Arm and Bucket Level	mm	2941	3146	2976	3181	3006	3211
	ft/in	9'7"	10'3"	9'9"	10'5"	9'10"	10'6"
<b>A</b> † Digging Depth	mm	98	98	98	98	98	98
	in	3.8"	3.8"	3.8"	3.8"	3.8"	3.8"
<b>12</b> † Overall Length	mm	9191	9415	9226	9450	9256	9480
	ft/in	30'2"	30'11"	30'4"	31'1"	30'5"	31'2"
<b>B</b> † Overall Height with Bucket at Maximum Lift	mm	6160	6160	6164	6167	6198	6198
	ft/in	20'3"	20'3"	20'3"	20'3"	20'5"	20'5"
Loader Clearance Circle Radius with Bucket at Carry Position	mm	7589	7678	7599	7687	7607	7696
	ft/in	24'11"	25'3"	25'0"	25'3"	25'0"	25'3"
Static Tipping Load, Straight (With tire deflection)	kg	19 630	19 449	19 722	19 624	19 756	19 571
	lb	43,266	42,865	43,467	43,253	43,543	43,135
Static Tipping Load, Straight (No tire deflection)	kg	20 862	20 679	20 973	20 881	21 020	20 833
	lb	45,981	45,577	46,225	46,022	46,329	45,917
Static Tipping Load, Articulated (With tire deflection)	kg	17 095	16 913	17 172	17 066	17 199	17 014
	lb	37,678	37,277	37,849	37,614	37,908	37,499
Static Tipping Load, Articulated (No tire deflection)	kg	18 352	18 169	18 448	18 347	18 488	18 301
	lb	40,449	40,044	40,661	40,437	40,747	40,335
Breakout Force (§)	kN	206	204	201	199	196	195
	lbf	46,294	45,987	45,166	44,876	44,213	43,906
Operating Weight*	kg	25 508	25 646	25 503	25 623	25 519	25 657
	lb	56,219	56,523	56,209	56,472	56,244	56,548

\* Static tipping loads and operating weights shown are based on a machine configuration with Bridgestone 26.5R25 VJT L3 radial tires, full fluids, operator, counterweight, ride control, cold start, roading fenders, Product Link™, manual diff lock/open axles (front and rear), powertrain guard, secondary steering and sound suppression.

† Illustration shown with Dimension charts.

\*\* Aggregate Handler configuration is not compatible with rock buckets, and high lift.

(§) Measured 100 mm (4") behind tip of cutting edge with bucket hinge pin as pivot point in accordance with ISO 14397-2:2007.

(With tire deflection) Full compliance to ISO 14397-1:2007 Sections 1 thru 6, which requires 2% verification between calculations and testing.

(No tire deflection) Compliance to ISO 14397-1:2007 Sections 1 thru 5.

Other buckets are available and offerings vary by region. Consult your local Cat dealer for further details.

# 972 XE Wheel Loader Specifications

## Operating Specifications – Buckets *(continued)*

Linkage		Aggregate Handler Linkage			
Bucket Type		Flat Floor – Pin-On			
Edge Type		Bolt-On Cutting Edges	Teeth and Segments	Bolt-On Cutting Edges	Teeth and Segments
Capacity – Rated	m <sup>3</sup>	5.00	5.00	5.20	5.20
	yd <sup>3</sup>	6.50	6.50	6.75	6.75
Capacity – Rated at 110% Fill Factor	m <sup>3</sup>	5.50	5.50	5.70	5.70
	yd <sup>3</sup>	7.25	7.25	7.50	7.50
Width	mm	3220	3271	3220	3271
	ft/in	10'6"	10'8"	10'6"	10'8"
<b>16</b> † Dump Clearance at Maximum Lift and 45° Discharge	mm	3075	2913	3054	2891
	ft/in	10'1"	9'6"	10'0"	9'5"
<b>17</b> † Reach at Maximum Lift and 45° Discharge	mm	1297	1424	1318	1445
	ft/in	4'3"	4'8"	4'3"	4'8"
Reach at Level Lift Arm and Bucket Level	mm	3046	3251	3076	3281
	ft/in	9'11"	10'8"	10'1"	10'9"
<b>A</b> † Digging Depth	mm	98	98	98	98
	in	3.8"	3.8"	3.8"	3.8"
<b>12</b> † Overall Length	mm	9296	9520	9326	9550
	ft/in	30'6"	31'3"	30'8"	31'4"
<b>B</b> † Overall Height with Bucket at Maximum Lift	mm	6228	6228	6270	6270
	ft/in	20'6"	20'6"	20'7"	20'7"
Loader Clearance Circle Radius with Bucket at Carry Position	mm	7618	7707	7626	7715
	ft/in	25'0"	25'4"	25'1"	25'4"
Static Tipping Load, Straight (With tire deflection)	kg	19 680	19 494	19 626	19 439
	lb	43,376	42,966	43,257	42,845
Static Tipping Load, Straight (No tire deflection)	kg	20 952	20 764	20 904	20 715
	lb	46,179	45,764	46,072	45,655
Static Tipping Load, Articulated (With tire deflection)	kg	17 125	16 939	17 072	16 885
	lb	37,744	37,334	37,628	37,215
Static Tipping Load, Articulated (No tire deflection)	kg	18 421	18 233	18 374	18 185
	lb	40,601	40,186	40,497	40,080
Breakout Force (§)	kN	191	189	187	185
	lbf	42,965	42,658	42,071	41,764
Operating Weight*	kg	25 569	25 707	25 604	25 742
	lb	56,354	56,658	56,431	56,735

\* Static tipping loads and operating weights shown are based on a machine configuration with Bridgestone 26.5R25 VJT L3 radial tires, full fluids, operator, counterweight, ride control, cold start, roading fenders, Product Link™, manual diff lock/open axles (front and rear), powertrain guard, secondary steering and sound suppression.

† Illustration shown with Dimension charts.

\*\*Aggregate Handler configuration is not compatible with rock buckets, and high lift.

(§) Measured 100 mm (4") behind tip of cutting edge with bucket hinge pin as pivot point in accordance with ISO 14397-2:2007.

(With tire deflection) Full compliance to ISO 14397-1:2007 Sections 1 thru 6, which requires 2% verification between calculations and testing.

(No tire deflection) Compliance to ISO 14397-1:2007 Sections 1 thru 5.

Other buckets are available and offerings vary by region. Consult your local Cat dealer for further details.

# 972 XE Wheel Loader Specifications

## Operating Specifications – Buckets *(continued)*

Linkage		Aggregate Handler Linkage			
Bucket Type		Flat Floor – Pin-On – Abrasion			
Edge Type		Bolt-On Cutting Edges	Teeth and Segments	Bolt-On Cutting Edges	Teeth and Segments
Capacity – Rated	m <sup>3</sup>	4.60	4.60	4.80	4.80
	yd <sup>3</sup>	6.00	6.00	6.25	6.25
Capacity – Rated at 110% Fill Factor	m <sup>3</sup>	5.10	5.10	5.30	5.30
	yd <sup>3</sup>	6.75	6.75	7.00	7.00
Width	mm	3220	3271	3220	3271
	ft/in	10'6"	10'8"	10'6"	10'8"
16† Dump Clearance at Maximum Lift and 45° Discharge	mm	3125	2962	3104	2941
	ft/in	10'3"	9'8"	10'2"	9'7"
17† Reach at Maximum Lift and 45° Discharge	mm	1248	1375	1269	1396
	ft/in	4'1"	4'6"	4'1"	4'6"
Reach at Level Lift Arm and Bucket Level	mm	2976	3181	3006	3211
	ft/in	9'9"	10'5"	9'10"	10'6"
A† Digging Depth	mm	98	98	98	98
	in	3.8"	3.8"	3.8"	3.8"
12† Overall Length	mm	9226	9450	9256	9480
	ft/in	30'4"	31'1"	30'5"	31'2"
B† Overall Height with Bucket at Maximum Lift	mm	6167	6167	6198	6198
	ft/in	20'3"	20'3"	20'5"	20'5"
Loader Clearance Circle Radius with Bucket at Carry Position	mm	7599	7687	7607	7696
	ft/in	25'0"	25'3"	25'0"	25'3"
Static Tipping Load, Straight (With tire deflection)	kg	19 665	19 480	19 608	19 423
	lb	43,342	42,935	43,217	42,809
Static Tipping Load, Straight (No tire deflection)	kg	20 922	20 736	20 871	20 684
	lb	46,114	45,703	46,001	45,589
Static Tipping Load, Articulated (With tire deflection)	kg	17 107	16 922	17 051	16 866
	lb	37,704	37,297	37,581	37,172
Static Tipping Load, Articulated (No tire deflection)	kg	18 389	18 202	18 339	18 151
	lb	40,529	40,119	40,419	40,006
Breakout Force (§)	kN	200	199	196	194
	lbf	45,052	44,745	44,075	43,768
Operating Weight*	kg	25 626	25 764	25 663	25 801
	lb	56,480	56,783	56,562	56,866

\* Static tipping loads and operating weights shown are based on a machine configuration with Bridgestone 26.5R25 VJT L3 radial tires, full fluids, operator, counterweight, ride control, cold start, roading fenders, Product Link™, manual diff lock/open axles (front and rear), powertrain guard, secondary steering and sound suppression.

† Illustration shown with Dimension charts.

\*\*Aggregate Handler configuration is not compatible with rock buckets, and high lift.

(§) Measured 100 mm (4") behind tip of cutting edge with bucket hinge pin as pivot point in accordance with ISO 14397-2:2007.

(With tire deflection) Full compliance to ISO 14397-1:2007 Sections 1 thru 6, which requires 2% verification between calculations and testing.

(No tire deflection) Compliance to ISO 14397-1:2007 Sections 1 thru 5.

Other buckets are available and offerings vary by region. Consult your local Cat dealer for further details.

# 972 XE Wheel Loader Specifications

## Operating Specifications – Buckets (continued)

Linkage		Aggregate Handler Linkage				
Bucket Type		Flat Floor – Pin-On – Abrasion				Flat Floor – Pin-On – Light Material
		Bolt-On Cutting Edges	Teeth and Segments	Bolt-On Cutting Edges	Teeth and Segments	Bolt-On Cutting Edges
Edge Type						
Capacity – Rated	m <sup>3</sup>	5.00	5.00	5.20	5.20	10.00
	yd <sup>3</sup>	6.50	6.50	6.75	6.75	13.00
Capacity – Rated at 110% Fill Factor	m <sup>3</sup>	5.50	5.50	5.70	5.70	10.90
	yd <sup>3</sup>	7.25	7.25	7.50	7.50	14.25
Width	mm	3220	3271	3220	3271	3943
	ft/in	10'6"	10'8"	10'6"	10'8"	12'11"
16† Dump Clearance at Maximum Lift and 45° Discharge	mm	3075	2913	3054	2891	2818
	ft/in	10'1"	9'6"	10'0"	9'5"	9'2"
17† Reach at Maximum Lift and 45° Discharge	mm	1297	1424	1318	1445	1525
	ft/in	4'3"	4'8"	4'3"	4'8"	5'0"
Reach at Level Lift Arm and Bucket Level	mm	3046	3251	3076	3281	3389
	ft/in	9'11"	10'8"	10'1"	10'9"	11'1"
A† Digging Depth	mm	98	98	98	98	119
	in	3.8"	3.8"	3.8"	3.8"	4.7"
12† Overall Length	mm	9296	9520	9326	9550	9655
	ft/in	30'6"	31'3"	30'8"	31'4"	31'9"
B† Overall Height with Bucket at Maximum Lift	mm	6239	6239	6270	6270	6690
	ft/in	20'6"	20'6"	20'7"	20'7"	22'0"
Loader Clearance Circle Radius with Bucket at Carry Position	mm	7618	7707	7626	7715	8046
	ft/in	25'0"	25'4"	25'1"	25'4"	26'5"
Static Tipping Load, Straight (With tire deflection)	kg	19,524	19,338	19,466	19,279	19,503
	lb	43,032	42,622	42,903	42,491	42,985
Static Tipping Load, Straight (No tire deflection)	kg	20,795	20,606	20,742	20,553	20,887
	lb	45,832	45,417	45,715	45,299	46,036
Static Tipping Load, Articulated (With tire deflection)	kg	16,969	16,782	16,912	16,724	16,955
	lb	37,400	36,989	37,274	36,861	37,368
Static Tipping Load, Articulated (No tire deflection)	kg	18,264	18,076	18,212	18,023	18,362
	lb	40,254	39,839	40,140	39,723	40,471
Breakout Force (§)	kN	190	189	186	185	153
	lbf	42,821	42,514	41,923	41,616	34,556
Operating Weight*	kg	25,719	25,857	25,758	25,896	25,531
	lb	56,684	56,988	56,770	57,074	56,270

\* Static tipping loads and operating weights shown are based on a machine configuration with Bridgestone 26.5R25 VJT L3 radial tires, full fluids, operator, counterweight, ride control, cold start, roading fenders, Product Link™, manual diff lock/open axles (front and rear), powertrain guard, secondary steering and sound suppression.

† Illustration shown with Dimension charts.

\*\*Aggregate Handler configuration is not compatible with rock buckets, and high lift.

(§) Measured 100 mm (4") behind tip of cutting edge with bucket hinge pin as pivot point in accordance with ISO 14397-2:2007.

(With tire deflection) Full compliance to ISO 14397-1:2007 Sections 1 thru 6, which requires 2% verification between calculations and testing.

(No tire deflection) Compliance to ISO 14397-1:2007 Sections 1 thru 5.

Other buckets are available and offerings vary by region. Consult your local Cat dealer for further details.

# 972 XE Wheel Loader Specifications

## Operating Specifications – Buckets (continued)

Linkage		Aggregate Handler Linkage			
Bucket Type		Flat Floor – Hook-On – Fusion			
Edge Type		Bolt-On Cutting Edges	Teeth and Segments	Bolt-On Cutting Edges	Teeth and Segments
Capacity – Rated	m <sup>3</sup>	4.40	4.40	4.60	4.60
	yd <sup>3</sup>	5.75	5.75	6.00	6.00
Capacity – Rated at 110% Fill Factor	m <sup>3</sup>	4.80	4.80	5.10	5.10
	yd <sup>3</sup>	6.25	6.25	6.75	6.75
Width	mm	3220	3271	3220	3271
	ft/in	10'6"	10'8"	10'6"	10'8"
16† Dump Clearance at Maximum Lift and 45° Discharge	mm	3100	2937	3074	2912
	ft/in	10'2"	9'7"	10'1"	9'6"
17† Reach at Maximum Lift and 45° Discharge	mm	1272	1399	1298	1425
	ft/in	4'2"	4'7"	4'3"	4'8"
Reach at Level Lift Arm and Bucket Level	mm	3011	3216	3047	3252
	ft/in	9'10"	10'6"	9'11"	10'8"
A† Digging Depth	mm	98	98	98	98
	in	3.8"	3.8"	3.8"	3.8"
12† Overall Length	mm	9261	9485	9297	9521
	ft/in	30'5"	31'2"	30'7"	31'3"
B† Overall Height with Bucket at Maximum Lift	mm	6201	6201	6204	6204
	ft/in	20'5"	20'5"	20'5"	20'5"
Loader Clearance Circle Radius with Bucket at Carry Position	mm	7625	7719	7636	7730
	ft/in	25'1"	25'4"	25'1"	25'5"
Static Tipping Load, Straight (With tire deflection)	kg	18 924	18 743	19 118	18 934
	lb	41,709	41,310	42,136	41,731
Static Tipping Load, Straight (No tire deflection)	kg	20 141	19 958	20 359	20 173
	lb	44,391	43,988	44,872	44,463
Static Tipping Load, Articulated (With tire deflection)	kg	16 425	16 244	16 597	16 413
	lb	36,201	35,802	36,581	36,176
Static Tipping Load, Articulated (No tire deflection)	kg	17 668	17 485	17 864	17 678
	lb	38,940	38,537	39,372	38,963
Breakout Force (§)	kN	195	194	191	190
	lbf	43,922	43,615	43,094	42,787
Operating Weight*	kg	25 968	26 106	25 950	26 088
	lb	57,233	57,537	57,194	57,498

\* Static tipping loads and operating weights shown are based on a machine configuration with Bridgestone 26.5R25 VJT L3 radial tires, full fluids, operator, counterweight, ride control, cold start, roading fenders, Product Link™, manual diff lock/open axles (front and rear), powertrain guard, secondary steering and sound suppression.

† Illustration shown with Dimension charts.

\*\* Aggregate Handler configuration is not compatible with rock buckets, and high lift.

(§) Measured 100 mm (4") behind tip of cutting edge with bucket hinge pin as pivot point in accordance with ISO 14397-2:2007.

(With tire deflection) Full compliance to ISO 14397-1:2007 Sections 1 thru 6, which requires 2% verification between calculations and testing.

(No tire deflection) Compliance to ISO 14397-1:2007 Sections 1 thru 5.

Other buckets are available and offerings vary by region. Consult your local Cat dealer for further details.



# 972 XE Wheel Loader Specifications

## Operating Specifications – Buckets (continued)

Linkage		Aggregate Handler Linkage			
Bucket Type		Flat Floor – Hook-On – Fusion			
Edge Type		Bolt-On Cutting Edges	Teeth and Segments	Bolt-On Cutting Edges	Teeth and Segments
Capacity – Rated	m <sup>3</sup>	4.80	4.80	5.20	5.20
	yd <sup>3</sup>	6.25	6.25	6.75	6.75
Capacity – Rated at 110% Fill Factor	m <sup>3</sup>	5.30	5.30	5.70	5.70
	yd <sup>3</sup>	7.00	7.00	7.50	7.50
Width	mm	3220	3271	3220	3271
	ft/in	10'6"	10'8"	10'6"	10'8"
16† Dump Clearance at Maximum Lift and 45° Discharge	mm	3053	2890	3004	2841
	ft/in	10'0"	9'5"	9'10"	9'3"
17† Reach at Maximum Lift and 45° Discharge	mm	1319	1446	1369	1496
	ft/in	4'3"	4'8"	4'5"	4'10"
Reach at Level Lift Arm and Bucket Level	mm	3077	3282	3147	3352
	ft/in	10'1"	10'9"	10'3"	10'11"
A† Digging Depth	mm	98	98	98	98
	in	3.8"	3.8"	3.8"	3.8"
12† Overall Length	mm	9327	9551	9397	9621
	ft/in	30'8"	31'5"	30'10"	31'7"
B† Overall Height with Bucket at Maximum Lift	mm	6236	6236	6307	6307
	ft/in	20'6"	20'6"	20'9"	20'9"
Loader Clearance Circle Radius with Bucket at Carry Position	mm	7645	7739	7666	7760
	ft/in	25'1"	25'5"	25'2"	25'6"
Static Tipping Load, Straight (With tire deflection)	kg	19 064	18 879	18 932	18 746
	lb	42,017	41,611	41,727	41,317
Static Tipping Load, Straight (No tire deflection)	kg	20 311	20 124	20 191	20 003
	lb	44,765	44,354	44,502	44,087
Static Tipping Load, Articulated (With tire deflection)	kg	16 545	16 360	16 416	16 230
	lb	36,466	36,059	36,181	35,770
Static Tipping Load, Articulated (No tire deflection)	kg	17 816	17 630	17 700	17 511
	lb	39,268	38,857	39,011	38,596
Breakout Force (§)	kN	187	186	179	177
	lbf	42,201	41,894	40,229	39,922
Operating Weight*	kg	25 985	26 123	26 074	26 212
	lb	57,270	57,574	57,466	57,770

\* Static tipping loads and operating weights shown are based on a machine configuration with Bridgestone 26.5R25 VJT L3 radial tires, full fluids, operator, counterweight, ride control, cold start, roading fenders, Product Link™, manual diff lock/open axles (front and rear), powertrain guard, secondary steering and sound suppression.

† Illustration shown with Dimension charts.

\*\* Aggregate Handler configuration is not compatible with rock buckets, and high lift.

(§) Measured 100 mm (4") behind tip of cutting edge with bucket hinge pin as pivot point in accordance with ISO 14397-2:2007.

(With tire deflection) Full compliance to ISO 14397-1:2007 Sections 1 thru 6, which requires 2% verification between calculations and testing.

(No tire deflection) Compliance to ISO 14397-1:2007 Sections 1 thru 5.

Other buckets are available and offerings vary by region. Consult your local Cat dealer for further details.

# 972 XE Wheel Loader Specifications

## Operating Specifications – Buckets *(continued)*

Linkage		Aggregate Handler Linkage		
Bucket Type		High Dump – Pin-On		
Edge Type		Bolt-On Cutting Edges	Bolt-On Cutting Edges	Bolt-On Cutting Edges
Capacity – Rated	m <sup>3</sup>	7.60	9.20	11.10
	yd <sup>3</sup>	10.00	12.00	14.50
Capacity – Rated at 110% Fill Factor	m <sup>3</sup>	8.40	10.10	12.20
	yd <sup>3</sup>	11.00	13.25	16.00
Width	mm	3350	3656	3656
	ft/in	10'11"	11'11"	11'11"
<b>16</b> † Dump Clearance at Maximum Height and High Dump Fully Rolled Out (49°)	mm	4987	4927	4735
	ft/in	16'4"	16'2"	15'5"
<b>17</b> † Reach at Maximum Height and High Dump Fully Rolled Out (49°)	mm	1676	1728	1894
	ft/in	5'5"	5'7"	6'2"
Reach at Level Lift Arm and Bucket Level	mm	3655	3735	3955
	ft/in	11'11"	12'3"	12'11"
<b>A</b> † Digging Depth	mm	68	68	68
	in	2.6"	2.6"	2.6"
<b>12</b> † Overall Length	mm	9905	9985	10 205
	ft/in	32'6"	32'10"	33'6"
<b>B</b> † Overall Height at Maximum Height and High Dump Fully Rolled Out (49°)	mm	7391	7451	7639
	ft/in	24'2"	24'4"	25'1"
Loader Clearance Circle Radius with Bucket at Carry Position	mm	7880	8041	8112
	ft/in	25'11"	26'5"	26'8"
Static Tipping Load, Straight (With tire deflection)	kg	17 362	17 072	16 675
	lb	38,266	37,628	36,753
Static Tipping Load, Straight (No tire deflection)	kg	18 635	18 354	17 977
	lb	41,073	40,452	39,622
Static Tipping Load, Articulated (With tire deflection)	kg	14 948	14 664	14 285
	lb	32,945	32,320	31,484
Static Tipping Load, Articulated (No tire deflection)	kg	16 249	15 974	15 615
	lb	35,814	35,207	34,416
Breakout Force (§)	kN	135	129	114
	lbf	30,510	29,009	25,826
Operating Weight*	kg	26 561	26 777	26 984
	lb	58,540	59,016	59,473

\*Static tipping loads and operating weights shown are based on a machine configuration with Bridgestone 26.5R25 VJT L3 radial tires, full fluids, operator, counterweight, ride control, cold start, roading fenders, Product Link™, manual diff lock/open axles (front and rear), powertrain guard, secondary steering and sound suppression.

† Illustration shown with Dimension charts.

\*\*Aggregate Handler configuration is not compatible with rock buckets, and high lift.

(§) Measured 100 mm (4") behind tip of cutting edge with bucket hinge pin as pivot point in accordance with ISO 14397-2:2007.

(With tire deflection) Full compliance to ISO 14397-1:2007 Sections 1 thru 6, which requires 2% verification between calculations and testing.

(No tire deflection) Compliance to ISO 14397-1:2007 Sections 1 thru 5.

Other buckets are available and offerings vary by region. Consult your local Cat dealer for further details.

# 972 XE Wheel Loader Specifications

## Operating Specifications – Buckets *(continued)*

Linkage		Aggregate Handler Linkage		
Bucket Type		High Dump – Hook-On – Fusion		
Edge Type		Bolt-On Cutting Edges	Bolt-On Cutting Edges	Bolt-On Cutting Edges
Capacity – Rated	m <sup>3</sup>	7.60	9.20	11.10
	yd <sup>3</sup>	10.00	12.00	14.50
Capacity – Rated at 110% Fill Factor	m <sup>3</sup>	8.40	10.10	12.20
	yd <sup>3</sup>	11.00	13.25	16.00
Width	mm	3350	3656	3656
	ft/in	10'11"	11'11"	11'11"
<b>16</b> † Dump Clearance at Maximum Height and High Dump Fully Rolled Out (49°)	mm	5004	5031	4752
	ft/in	16'4"	16'5"	15'6"
<b>17</b> † Reach at Maximum Height and High Dump Fully Rolled Out (49°)	mm	1688	1793	1905
	ft/in	5'5"	5'9"	6'3"
Reach at Level Lift Arm and Bucket Level	mm	3675	3755	3975
	ft/in	12'0"	12'3"	13'0"
<b>A</b> † Digging Depth	mm	68	68	68
	in	2.6"	2.6"	2.6"
<b>12</b> † Overall Length	mm	9925	10 005	10 225
	ft/in	32'7"	32'10"	33'7"
<b>B</b> † Overall Height at Maximum Height and High Dump Fully Rolled Out (49°)	mm	4707	7467	7656
	ft/in	15'4"	24'5"	25'1"
Loader Clearance Circle Radius with Bucket at Carry Position	mm	7888	8049	8121
	ft/in	25'11"	26'5"	26'8"
Static Tipping Load, Straight (With tire deflection)	kg	16 907	16 617	16 227
	lb	37,264	36,625	35,764
Static Tipping Load, Straight (No tire deflection)	kg	18 173	17 890	17 519
	lb	40,054	39,431	38,613
Static Tipping Load, Articulated (With tire deflection)	kg	14 503	14 219	13 845
	lb	31,965	31,340	30,516
Static Tipping Load, Articulated (No tire deflection)	kg	15 797	15 520	15 166
	lb	34,816	34,207	33,427
Breakout Force (§)	kN	134	127	113
	lbf	30,153	28,675	25,545
Operating Weight*	kg	27 040	27 256	27 463
	lb	59,596	60,072	60,528

\* Static tipping loads and operating weights shown are based on a machine configuration with Bridgestone 26.5R25 VJT L3 radial tires, full fluids, operator, counterweight, ride control, cold start, roading fenders, Product Link™, manual diff lock/open axles (front and rear), powertrain guard, secondary steering and sound suppression.

† Illustration shown with Dimension charts.

\*\*Aggregate Handler configuration is not compatible with rock buckets, and high lift.

(§) Measured 100 mm (4") behind tip of cutting edge with bucket hinge pin as pivot point in accordance with ISO 14397-2:2007.

(With tire deflection) Full compliance to ISO 14397-1:2007 Sections 1 thru 6, which requires 2% verification between calculations and testing.

(No tire deflection) Compliance to ISO 14397-1:2007 Sections 1 thru 5.

Other buckets are available and offerings vary by region. Consult your local Cat dealer for further details.



# 972 XE Wheel Loader Specifications

## Fork Specifications

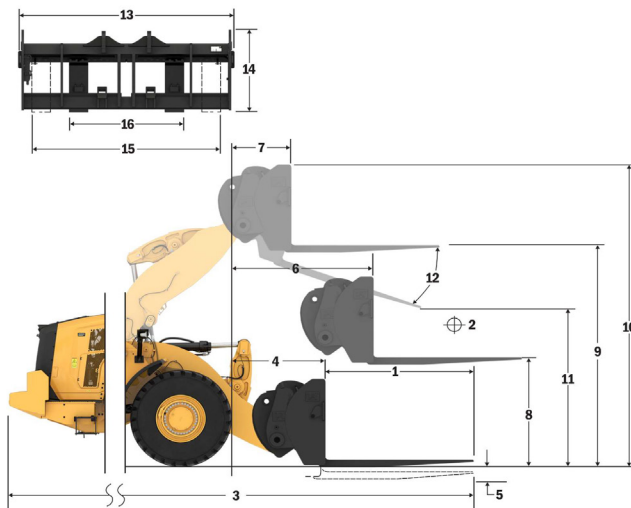
### Fork Specifications

1	Tine Length	mm	1830
		in	72.0
2	Load Center	mm	915
		in	36.0
	Static Tipping Load - Straight (Forks Level)	kg	13419
		lbs	29576
	Static Tipping Load - Articulated (Forks Level)	kg	11807
		lbs	26023
	Rated Load (SAE J1197 - 50% FTSTL)	kg	5904
		lbs	13012
	Rated Load (CEN EN 474-3 Rough Terrain - 60% FTSTL)	kg	7084
		lbs	15614
	Rated Load (CEN EN 474-3 Firm and Level Ground - 80% FTSTL)	kg	9446
		lbs	20818
3	Maximum Overall Length	mm	9995
		in	393.5
4	Reach with Forks at Ground Level	mm	1288
		in	50.7
5	*Ground to Bottom of Tine at Minimum Height and Fork Level	mm	-150
		in	-5.9
6	Reach with Arms Horizontal and Forks Level	mm	1824
		in	71.8
7	Reach with Fork at Maximum Height	mm	779
		in	30.7
8	Ground to Top of Tine with Arms Horizontal and Fork Level	mm	1862
		in	73.3
9	Ground to Top of Tine at Maximum Height and Fork Level	mm	4167
		in	164.1
10	Overall Height of Fork at Full Lift (top of carriage to ground)	mm	4942
		in	194.6
11	Clearance at Full Lift and Max Dump	mm	2663
		in	104.9
12	Max Discharge Angle from Horizontal	deg	43
13	Overall Carriage Width	mm	2217
		in	87.3
14	Overall Carriage Height	mm	840
		in	33.1
15	Outside Tine Width (max spread)	mm	2070
		in	81.5
16	Outside Tine Width (min spread)	mm	470
		in	18.5
	Tine Width (single tine)	mm	150.0
		in	5.9
	Tine Thickness	mm	65.0
		in	2.6
	Tine Capacity	kg	5246
		lbs	11562
	Operating Weight	kg	23984
		lbs	52860

\*Negative values indicate below grade

### 972 STD Pallet Fork, FUSION

87" Carriage 72" Tine  
530-1861 530-1869



### Capacity (kg) (Calculated Load at CG Point)

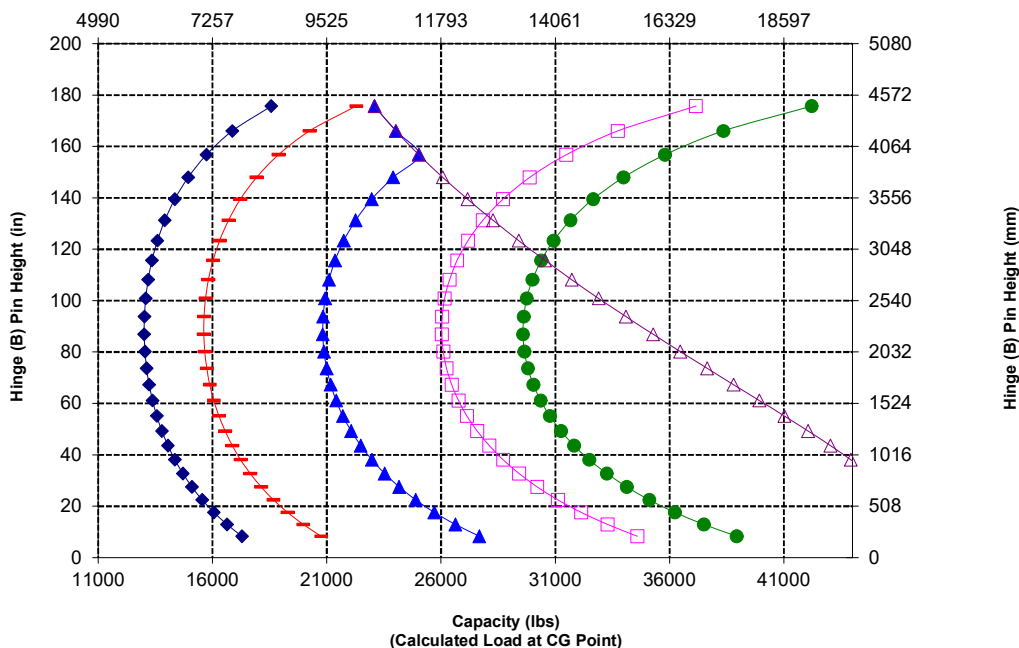
- ◆ Payload (SAE J1197)
- ◆ Payload (CEN EN 474-3 - Rough Terrain)
- ◆ Payload (CEN EN 474-3 - Firm & Level)
- ◆ Static Tipping Load - Articulated
- ◆ Static Tipping Load - Straight
- ◆ Hydraulic Tilt Capacity
- ◆ Hydraulic Lift Capacity

NOTE: Static tipping loads and operating weight are based on the following loader configuration: Bridgestone VJT L3 Tires, Air Conditioning, Ride Control, Powertrain Guard, Full Fluids, Fuel Tank, Coolant, Lubricants, and Operator.

Specifications and ratings conform to the following standards: SAE\* J1197, ISO 14397-1, CEN\*\* EN 474-3.

The rated operating load for a loader equipped with a pallet fork is determined by:  
SAE J1197: 50% of full turn static tipping load or hydraulic limit.  
CEN EN 474-3: 60% of full turn static tipping load on rough terrain or hydraulic limit.  
CEN EN 474-3: 80% of full turn static tipping load on firm and level ground or hydraulic limit.

\*SAE - Society of Automotive Engineers  
\*\*CEN - European Committee for Standardization



**WARNING:** Do not exceed tine load capacity. Individual tine capacity is stamped on the side of each tine.

# 972 XE Wheel Loader Specifications

## Fork Specifications

### Fork Specifications

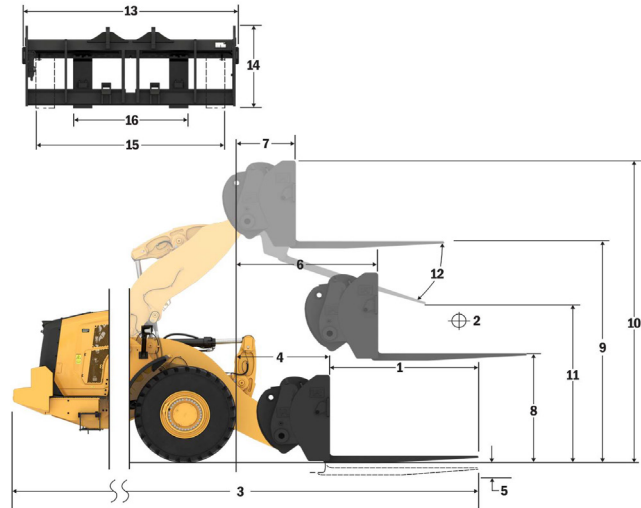
1	Tine Length	mm	1829
		in	72.0
2	Load Center	mm	915
		in	36.0
	Static Tipping Load - Straight (Forks Level)	kg	13152
		lbs	28987
	Static Tipping Load - Articulated (Forks Level)	kg	11535
		lbs	25423
	Rated Load (SAE J1197 - 50% FTSTL)	kg	5768
		lbs	12712
	Rated Load (CEN EN 474-3 Rough Terrain - 60% FTSTL)	kg	6921
		lbs	15254
	Rated Load (CEN EN 474-3 Firm and Level Ground - 80% FTSTL)	kg	9228
		lbs	20339
3	Maximum Overall Length	mm	9948
		in	391.6
4	Reach with Forks at Ground Level	mm	1242
		in	48.9
5	*Ground to Bottom of Tine at Minimum Height and Fork Level	mm	-71
		in	-2.8
6	Reach with Arms Horizontal and Forks Level	mm	1816
		in	71.5
7	Reach with Fork at Maximum Height	mm	770
		in	30.3
8	Ground to Top of Tine with Arms Horizontal and Fork Level	mm	1966
		in	77.4
9	Ground to Top of Tine at Maximum Height and Fork Level	mm	4271
		in	168.2
10	Overall Height of Fork at Full Lift (top of carriage to ground)	mm	5312
		in	209.1
11	Clearance at Full Lift and Max Dump	mm	2578
		in	101.5
12	Max Discharge Angle from Horizontal	deg	49
13	Overall Carriage Width	mm	2528
		in	99.5
14	Overall Carriage Height	mm	1130
		in	44.5
15	Outside Tine Width (max spread)	mm	2178
		in	85.7
16	Outside Tine Width (min spread)	mm	576
		in	22.7
	Tine Width (single tine)	mm	180.0
		in	7.1
	Tine Thickness	mm	90.0
		in	3.5
	Tine Capacity	kg	14800
		lbs	32619
	Operating Weight	kg	24373
		lbs	53717

\*Negative values indicate below grade

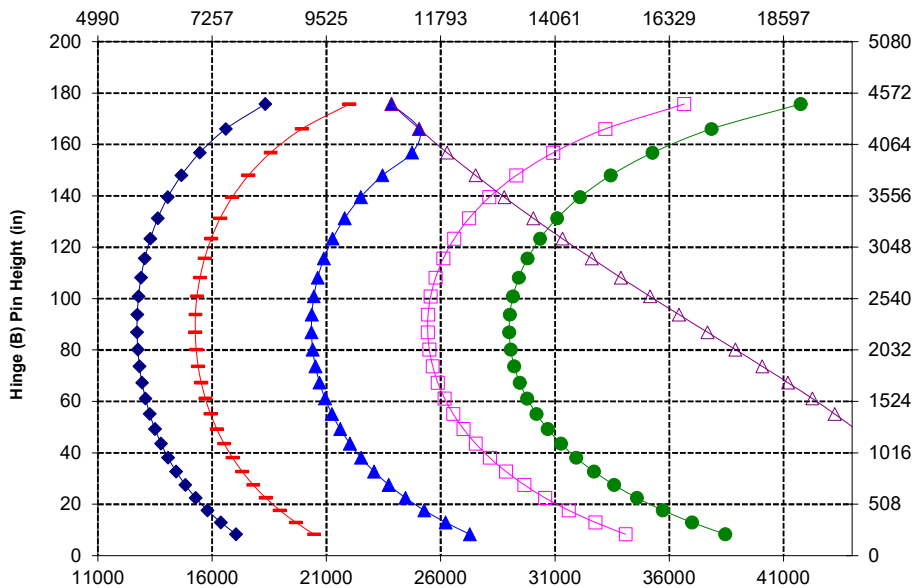
### 972 STD Construction Fork, Fusion

96" Carriage  
520-7957

72" Tine  
520-7979



### Capacity (kg) (Calculated Load at CG Point)



### Capacity (lbs) (Calculated Load at CG Point)

NOTE: Static tipping loads and operating weight are based on the following loader configuration: Bridgestone VJT L3 Tires, Air Conditioning, Ride Control, Powertrain Guard, Full Fluids, Fuel Tank, Coolant, Lubricants, and Operator.

Specifications and ratings conform to the following standards: SAE\* J1197, ISO 14397-1, CEN\*\* EN 474-3.

The rated operating load for a loader equipped with a pallet fork is determined by:  
SAE J1197: 50% of full turn static tipping load or hydraulic limit.  
CEN EN 474-3: 60% of full turn static tipping load on rough terrain or hydraulic limit.  
CEN EN 474-3: 80% of full turn static tipping load on firm and level ground or hydraulic limit.

\*SAE - Society of Automotive Engineers  
\*\*CEN - European Committee for Standardization



**WARNING:** Do not exceed tine load capacity. Individual tine capacity is stamped on the side of each tine.

# 972 XE Wheel Loader Specifications

## Fork Specifications

### Fork Specifications

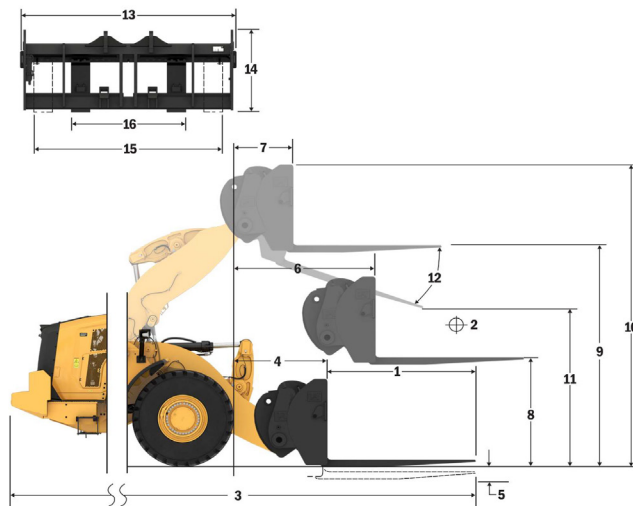
1	Tine Length	mm	2438
		in	96.0
2	Load Center	mm	1219
		in	48.0
	Static Tipping Load - Straight (Forks Level)	kg	12006
		lbs	26462
	Static Tipping Load - Articulated (Forks Level)	kg	10514
		lbs	23173
	Rated Load (SAE J1197 - 50% FTSTL)	kg	5257
		lbs	11587
	Rated Load (CEN EN 474-3 Rough Terrain - 60% FTSTL)	kg	6308
		lbs	13904
	Rated Load (CEN EN 474-3 Firm and Level Ground - 80% FTSTL)	kg	8411
		lbs	18539
3	Maximum Overall Length	mm	10557
		in	415.6
4	Reach with Forks at Ground Level	mm	1242
		in	48.9
5	*Ground to Bottom of Tine at Minimum Height and Fork Level	mm	-71
		in	-2.8
6	Reach with Arms Horizontal and Forks Level	mm	1816
		in	71.5
7	Reach with Fork at Maximum Height	mm	770
		in	30.3
8	Ground to Top of Tine with Arms Horizontal and Fork Level	mm	1966
		in	77.4
9	Ground to Top of Tine at Maximum Height and Fork Level	mm	4271
		in	168.2
10	Overall Height of Fork at Full Lift (top of carriage to ground)	mm	5312
		in	209.1
11	Clearance at Full Lift and Max Dump	mm	2118
		in	83.4
12	Max Discharge Angle from Horizontal	deg	49
13	Overall Carriage Width	mm	2528
		in	99.5
14	Overall Carriage Height	mm	1130
		in	44.5
15	Outside Tine Width (max spread)	mm	2178
		in	85.7
16	Outside Tine Width (min spread)	mm	576
		in	22.7
	Tine Width (single tine)	mm	180.0
		in	7.1
	Tine Thickness	mm	90.0
		in	3.5
	Tine Capacity	kg	11300
		lbs	24905
	Operating Weight	kg	24498
		lbs	53993

\*Negative values indicate below grade

### 972 STD Construction Fork, Fusion

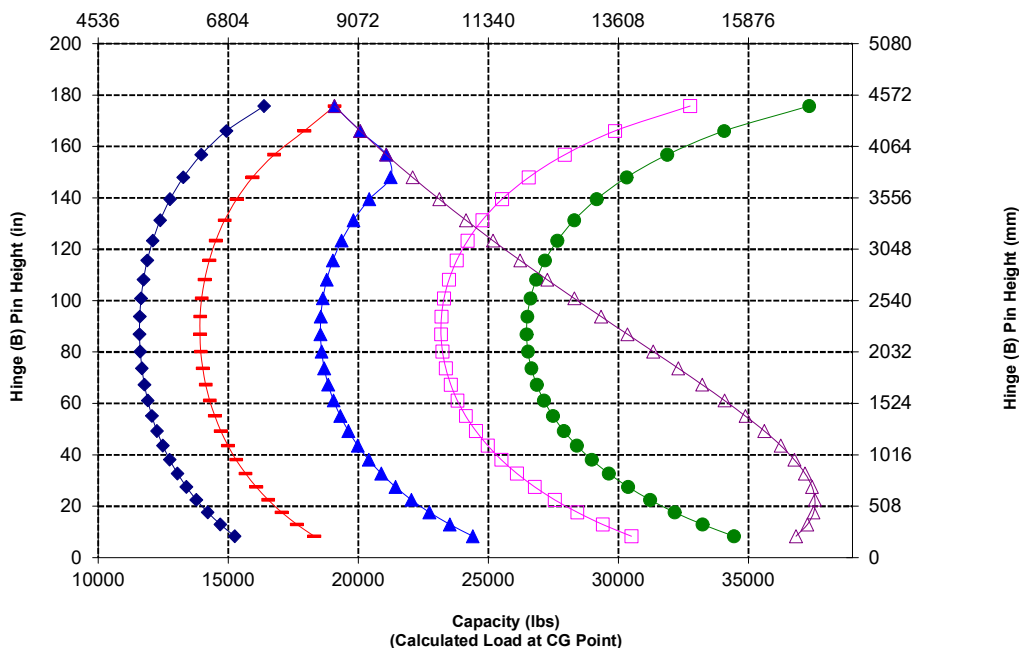
96" Carriage  
520-7957

96" Tine  
520-7981



### Capacity (kg) (Calculated Load at CG Point)

- Payload (SAE J1197)
- Payload (CEN EN 474-3 - Rough Terrain)
- Payload (CEN EN 474-3 - Firm & Level)
- Static Tipping Load - Articulated
- Static Tipping Load - Straight
- Hydraulic Tilt Capacity
- Hydraulic Lift Capacity



NOTE: Static tipping loads and operating weight are based on the following loader configuration: Bridgestone VJT L3 Tires, Air Conditioning, Ride Control, Powertrain Guard, Full Fluids, Fuel Tank, Coolant, Lubricants, and Operator.

Specifications and ratings conform to the following standards: SAE\* J1197, ISO 14397-1, CEN\*\* EN 474-3.

The rated operating load for a loader equipped with a pallet fork is determined by:  
SAE J1197: 50% of full turn static tipping load or hydraulic limit.  
CEN EN 474-3: 60% of full turn static tipping load on rough terrain or hydraulic limit.  
CEN EN 474-3: 80% of full turn static tipping load on firm and level ground or hydraulic limit.

\*SAE - Society of Automotive Engineers  
\*\*CEN - European Committee for Standardization



**WARNING:** Do not exceed tine load capacity. Individual tine capacity is stamped on the side of each tine.



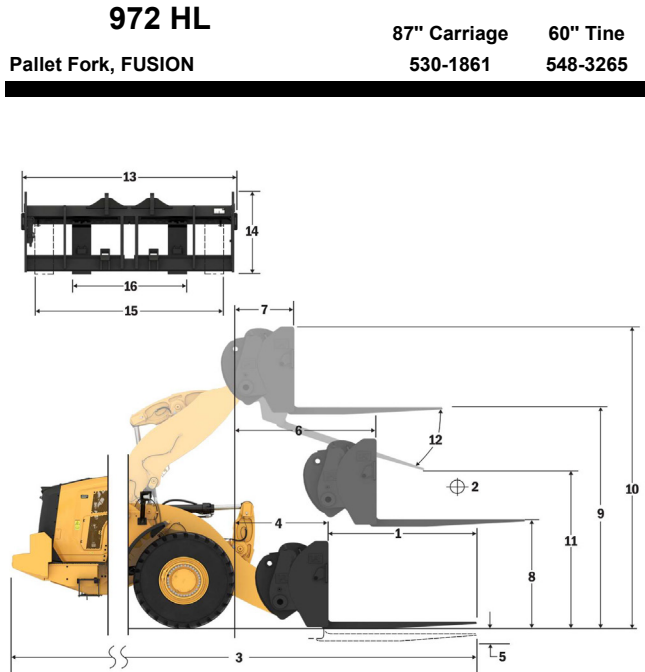
# 972 XE Wheel Loader Specifications

## Fork Specifications

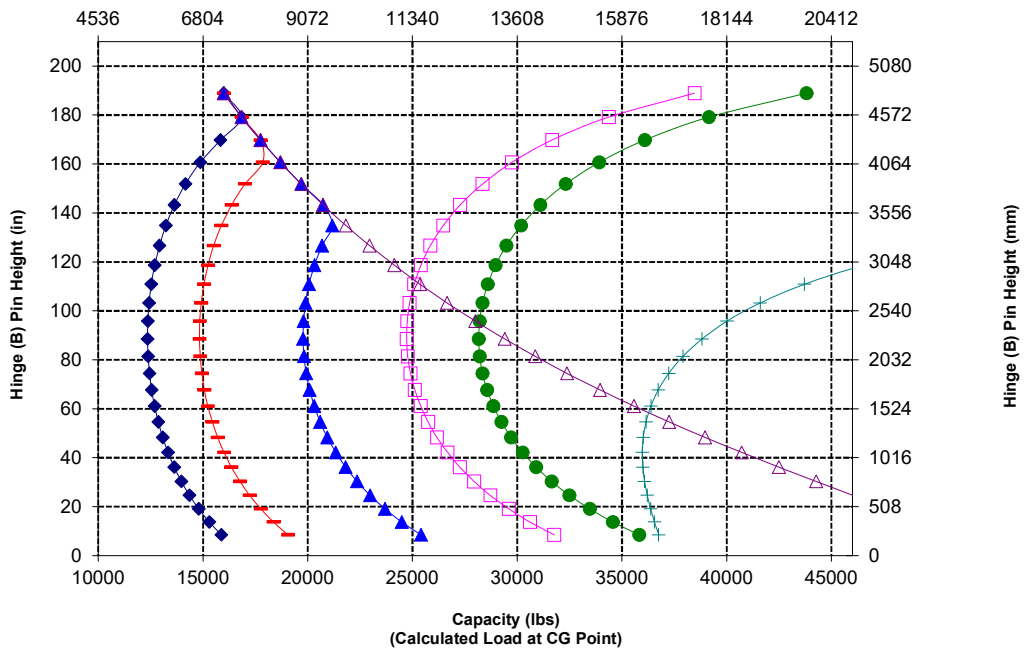
### Fork Specifications

1	Tine Length	mm	1524
		in	60.0
2	Load Center	mm	762
		in	30.0
	Static Tipping Load - Straight (Forks Level)	kg	12773
		lbs	28153
	Static Tipping Load - Articulated (Forks Level)	kg	11214
		lbs	24715
	Rated Load (SAE J1197 - 50% FTSTL)	kg	5607
		lbs	12357
	Rated Load (CEN EN 474-3 Rough Terrain - 60% FTSTL)	kg	6728
		lbs	14829
	Rated Load (CEN EN 474-3 Firm and Level Ground - 80% FTSTL)	kg	7254
		lbs	15988
3	Maximum Overall Length	mm	10015
		in	394.3
4	Reach with Forks at Ground Level	mm	1614
		in	63.5
5	*Ground to Bottom of Tine at Minimum Height and Fork Level	mm	-145
		in	-5.7
6	Reach with Arms Horizontal and Forks Level	mm	2098
		in	82.6
7	Reach with Fork at Maximum Height	mm	802
		in	31.6
8	Ground to Top of Tine with Arms Horizontal and Fork Level	mm	1862
		in	73.3
9	Ground to Top of Tine at Maximum Height and Fork Level	mm	4503
		in	177.3
10	Overall Height of Fork at Full Lift (top of carriage to ground)	mm	5278
		in	207.8
11	Clearance at Full Lift and Max Dump	mm	3185
		in	125.4
12	Max Discharge Angle from Horizontal	deg	44
13	Overall Carriage Width	mm	2217
		in	87.3
14	Overall Carriage Height	mm	840
		in	33.1
15	Outside Tine Width (max spread)	mm	2070
		in	81.5
16	Outside Tine Width (min spread)	mm	470
		in	18.5
	Tine Width (single tine)	mm	150.0
		in	5.9
	Tine Thickness	mm	65.0
		in	2.6
	Tine Capacity	kg	6300
		lbs	13885
	Operating Weight	kg	23939
		lbs	52761

\*Negative values indicate below grade



Capacity (kg)  
(Calculated Load at CG Point)



NOTE: Static tipping loads and operating weight are based on the following loader configuration: Bridgestone VJT L3 Tires, Air Conditioning, Ride Control, Powertrain Guard, Full Fluids, Fuel Tank, Coolant, Lubricants, and Operator.

Specifications and ratings conform to the following standards: SAE\* J1197, ISO 14397-1, CEN\*\* EN 474-3.

The rated operating load for a loader equipped with a pallet fork is determined by:  
SAE J1197: 50% of full turn static tipping load or hydraulic limit.  
CEN EN 474-3: 60% of full turn static tipping load on rough terrain or hydraulic limit.  
CEN EN 474-3: 80% of full turn static tipping load on firm and level ground or hydraulic limit.

\*SAE - Society of Automotive Engineers  
\*\*CEN - European Committee for Standardization



**WARNING:** Do not exceed tine load capacity. Individual tine capacity is stamped on the side of each tine.



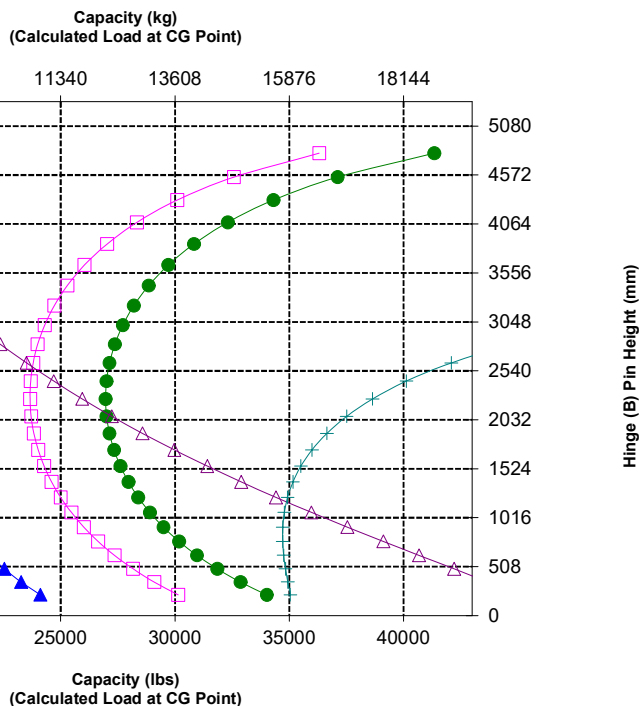
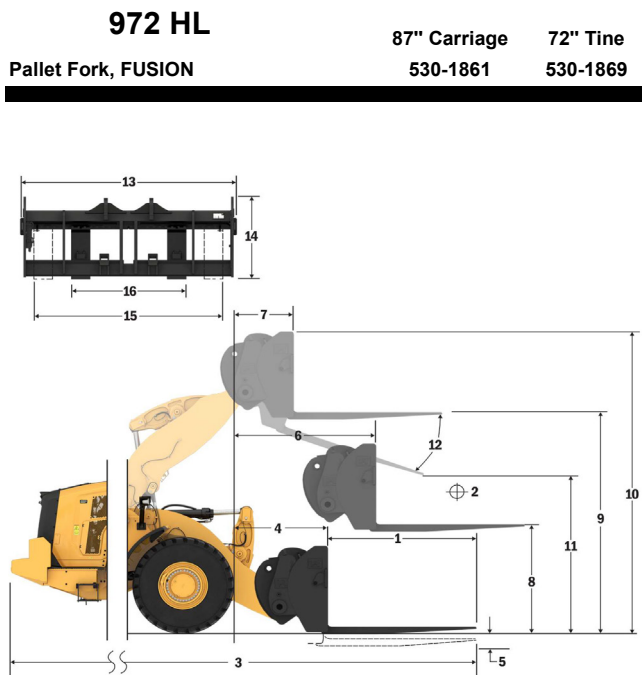
# 972 XE Wheel Loader Specifications

## Fork Specifications

### Fork Specifications

1	Tine Length	mm	1830
		in	72.0
2	Load Center	mm	915
		in	36.0
	Static Tipping Load - Straight (Forks Level)	kg	12230
		lbs	26954
	Static Tipping Load - Articulated (Forks Level)	kg	10731
		lbs	23651
	Rated Load (SAE J1197 - 50% FTSTL)	kg	5365
		lbs	11825
	Rated Load (CEN EN 474-3 Rough Terrain - 60% FTSTL)	kg	6376
		lbs	14052
	Rated Load (CEN EN 474-3 Firm and Level Ground - 80% FTSTL)	kg	6376
		lbs	14052
3	Maximum Overall Length	mm	10321
		in	406.3
4	Reach with Forks at Ground Level	mm	1614
		in	63.5
5	*Ground to Bottom of Tine at Minimum Height and Fork Level	mm	-145
		in	-5.7
6	Reach with Arms Horizontal and Forks Level	mm	2098
		in	82.6
7	Reach with Fork at Maximum Height	mm	802
		in	31.6
8	Ground to Top of Tine with Arms Horizontal and Fork Level	mm	1862
		in	73.3
9	Ground to Top of Tine at Maximum Height and Fork Level	mm	4503
		in	177.3
10	Overall Height of Fork at Full Lift (top of carriage to ground)	mm	5278
		in	207.8
11	Clearance at Full Lift and Max Dump	mm	2973
		in	117.1
12	Max Discharge Angle from Horizontal	deg	44
13	Overall Carriage Width	mm	2217
		in	87.3
14	Overall Carriage Height	mm	840
		in	33.1
15	Outside Tine Width (max spread)	mm	2070
		in	81.5
16	Outside Tine Width (min spread)	mm	470
		in	18.5
	Tine Width (single tine)	mm	150.0
		in	5.9
	Tine Thickness	mm	65.0
		in	2.6
	Tine Capacity	kg	5246
		lbs	11562
	Operating Weight	kg	23986
		lbs	52864

\*Negative values indicate below grade



**WARNING:** Do not exceed tine load capacity. Individual tine capacity is stamped on the side of each tine.

# 972 XE Wheel Loader Specifications

## Fork Specifications

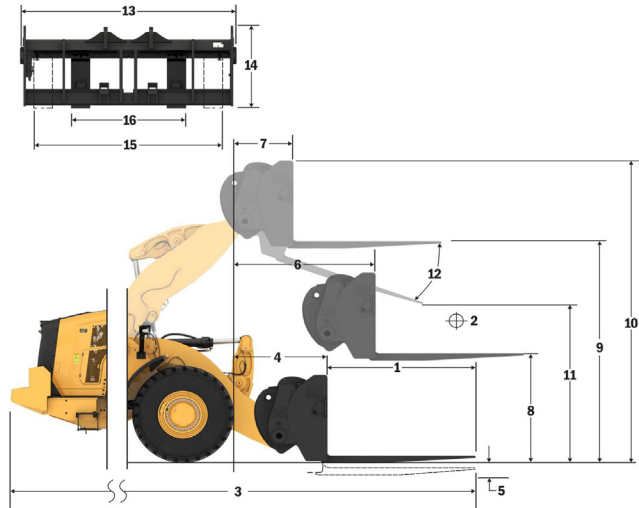
### Fork Specifications

1	Tine Length	mm	1829
		in	72.0
2	Load Center	mm	915
		in	36.0
	Static Tipping Load - Straight (Forks Level)	kg	11951
		lbs	26341
	Static Tipping Load - Articulated (Forks Level)	kg	10448
		lbs	23028
	Rated Load (SAE J1197 - 50% FTSTL)	kg	5224
		lbs	11514
	Rated Load (CEN EN 474-3 Rough Terrain - 60% FTSTL)	kg	6269
		lbs	13817
	Rated Load (CEN EN 474-3 Firm and Level Ground - 80% FTSTL)	kg	6639
		lbs	14633
3	Maximum Overall Length	mm	10278
		in	404.6
4	Reach with Forks at Ground Level	mm	1572
		in	61.9
5	*Ground to Bottom of Tine at Minimum Height and Fork Level	mm	-66
		in	-2.6
6	Reach with Arms Horizontal and Forks Level	mm	2090
		in	82.3
7	Reach with Fork at Maximum Height	mm	793
		in	31.2
8	Ground to Top of Tine with Arms Horizontal and Fork Level	mm	1966
		in	77.4
9	Ground to Top of Tine at Maximum Height and Fork Level	mm	4607
		in	181.4
10	Overall Height of Fork at Full Lift (top of carriage to ground)	mm	5647
		in	222.3
11	Clearance at Full Lift and Max Dump	mm	2891
		in	113.8
12	Max Discharge Angle from Horizontal	deg	50
13	Overall Carriage Width	mm	2528
		in	99.5
14	Overall Carriage Height	mm	1130
		in	44.5
15	Outside Tine Width (max spread)	mm	2178
		in	85.7
16	Outside Tine Width (min spread)	mm	576
		in	22.7
	Tine Width (single tine)	mm	180.0
		in	7.1
	Tine Thickness	mm	90.0
		in	3.5
	Tine Capacity	kg	14800
		lbs	32619
	Operating Weight	kg	24375
		lbs	53722

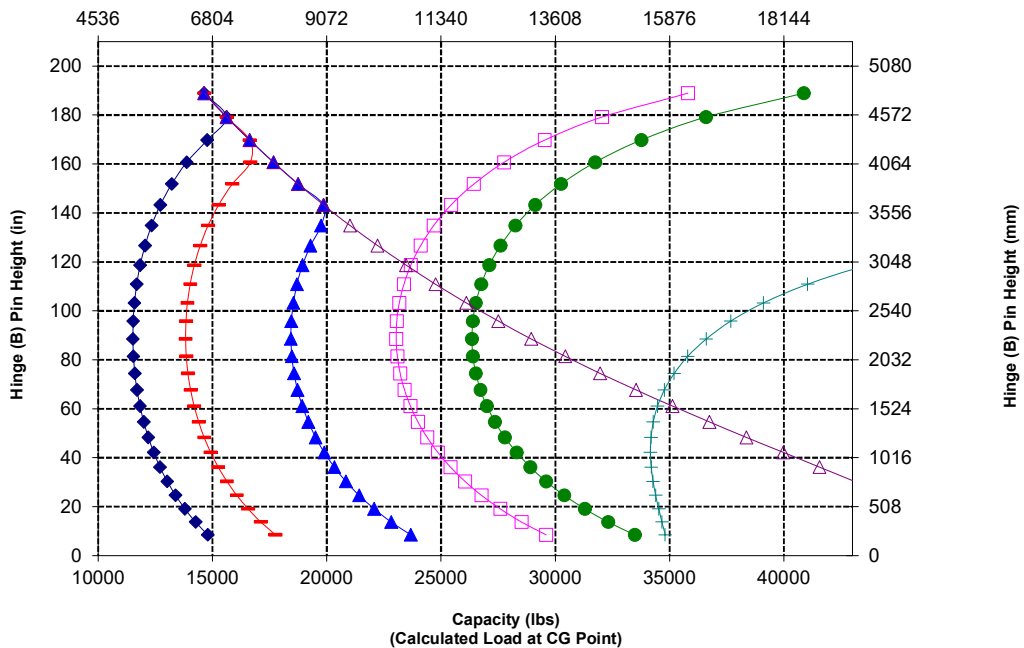
\*Negative values indicate below grade

### 972 HL Construction Fork, Fusion

96" Carriage 72" Tine  
520-7957 520-7979



Capacity (kg)  
(Calculated Load at CG Point)



**WARNING:** Do not exceed tine load capacity. Individual tine capacity is stamped on the side of each tine.

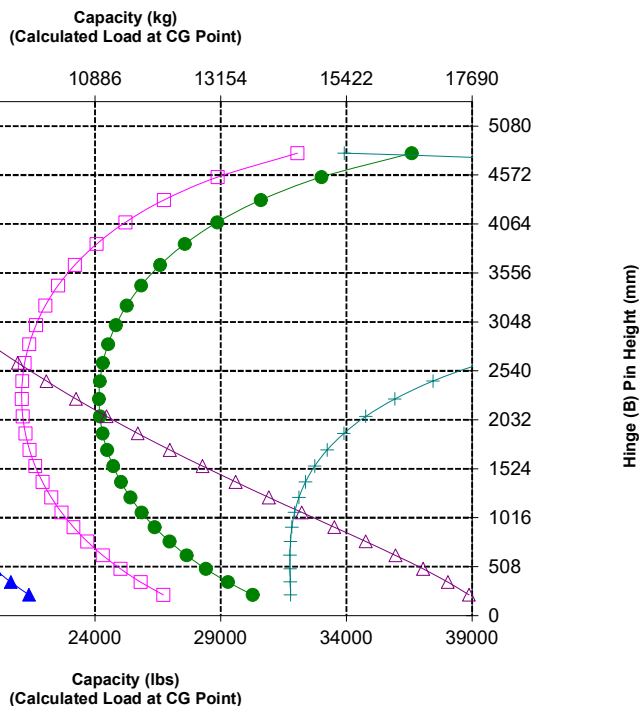
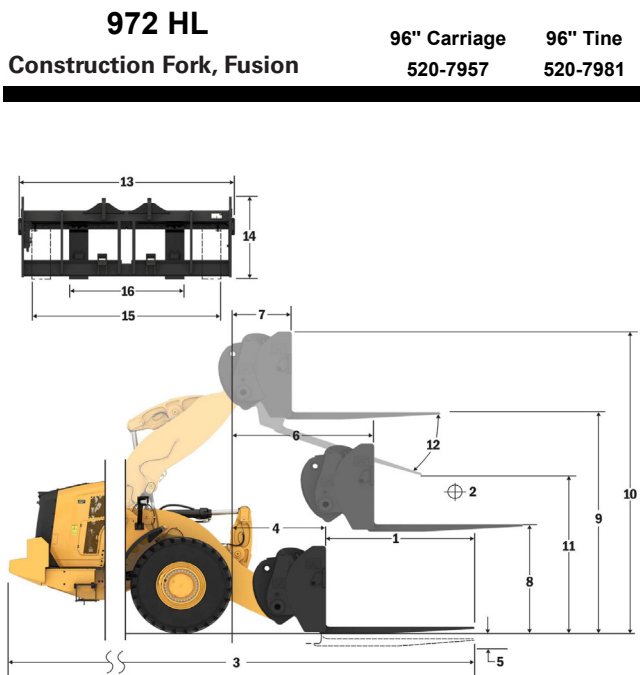
# 972 XE Wheel Loader Specifications

## Fork Specifications

### Fork Specifications

1	Tine Length	mm	2438
		in	96.0
2	Load Center	mm	1219
		in	48.0
	Static Tipping Load - Straight (Forks Level)	kg	10957
		lbs	24148
	Static Tipping Load - Articulated (Forks Level)	kg	9562
		lbs	21075
	Rated Load (SAE J1197 - 50% FTSTL)	kg	4781
		lbs	10537
	Rated Load (CEN EN 474-3 Rough Terrain - 60% FTSTL)	kg	5257
		lbs	11586
	Rated Load (CEN EN 474-3 Firm and Level Ground - 80% FTSTL)	kg	5257
		lbs	11586
3	Maximum Overall Length	mm	10887
		in	428.6
4	Reach with Forks at Ground Level	mm	1572
		in	61.9
5	*Ground to Bottom of Tine at Minimum Height and Fork Level	mm	-66
		in	-2.6
6	Reach with Arms Horizontal and Forks Level	mm	2090
		in	82.3
7	Reach with Fork at Maximum Height	mm	793
		in	31.2
8	Ground to Top of Tine with Arms Horizontal and Fork Level	mm	1966
		in	77.4
9	Ground to Top of Tine at Maximum Height and Fork Level	mm	4607
		in	181.4
10	Overall Height of Fork at Full Lift (top of carriage to ground)	mm	5647
		in	222.3
11	Clearance at Full Lift and Max Dump	mm	2423
		in	95.4
12	Max Discharge Angle from Horizontal	deg	50
13	Overall Carriage Width	mm	2528
		in	99.5
14	Overall Carriage Height	mm	1130
		in	44.5
15	Outside Tine Width (max spread)	mm	2178
		in	85.7
16	Outside Tine Width (min spread)	mm	576
		in	22.7
	Tine Width (single tine)	mm	180.0
		in	7.1
	Tine Thickness	mm	90.0
		in	3.5
	Tine Capacity	kg	11300
		lbs	24905
	Operating Weight	kg	24500
		lbs	53997

\*Negative values indicate below grade



NOTE: Static tipping loads and operating weight are based on the following loader configuration: Bridgestone VJT L3 Tires, Air Conditioning, Ride Control, Powertrain Guard, Full Fluids, Fuel Tank, Coolant, Lubricants, and Operator.

Specifications and ratings conform to the following standards: SAE\* J1197, ISO 14397-1, CEN\*\* EN 474-3.

The rated operating load for a loader equipped with a pallet fork is determined by:  
SAE J1197: 50% of full turn static tipping load or hydraulic limit.  
CEN EN 474-3: 60% of full turn static tipping load on rough terrain or hydraulic limit.  
CEN EN 474-3: 80% of full turn static tipping load on firm and level ground or hydraulic limit.

\*SAE - Society of Automotive Engineers  
\*\*CEN - European Committee for Standardization



**WARNING:** Do not exceed tine load capacity. Individual tine capacity is stamped on the side of each tine.

# 972 XE Wheel Loader Specifications

## Fork Specifications

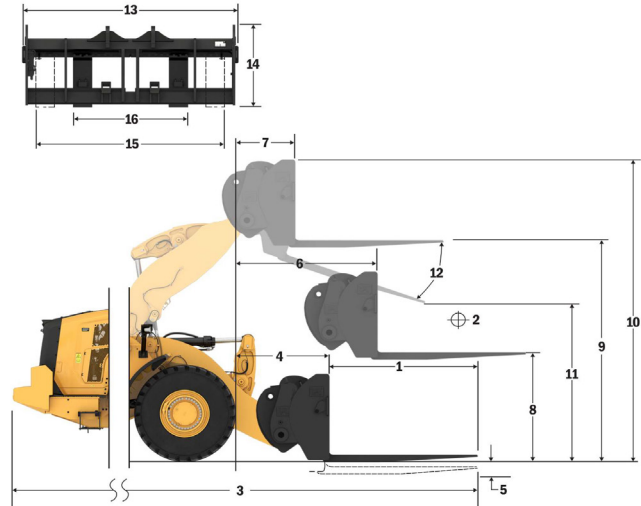
### Fork Specifications

1	Tine Length	mm	1524
		in	60.0
2	Load Center	mm	762
		in	30.0
	Static Tipping Load - Straight (Forks Level)	kg	14928
		lbs	32901
	Static Tipping Load - Articulated (Forks Level)	kg	13114
		lbs	28902
	Rated Load (SAE J1197 - 50% FTSTL)	kg	6557
		lbs	14451
	Rated Load (CEN EN 474-3 Rough Terrain - 60% FTSTL)	kg	7868
		lbs	17341
	Rated Load (CEN EN 474-3 Firm and Level Ground - 80% FTSTL)	kg	10491
		lbs	23122
3	Maximum Overall Length	mm	9681
		in	381.1
4	Reach with Forks at Ground Level	mm	1288
		in	50.7
5	*Ground to Bottom of Tine at Minimum Height and Fork Level	mm	-150
		in	-5.9
6	Reach with Arms Horizontal and Forks Level	mm	1824
		in	71.8
7	Reach with Fork at Maximum Height	mm	779
		in	30.7
8	Ground to Top of Tine with Arms Horizontal and Fork Level	mm	1862
		in	73.3
9	Ground to Top of Tine at Maximum Height and Fork Level	mm	4167
		in	164.1
10	Overall Height of Fork at Full Lift (top of carriage to ground)	mm	4942
		in	194.6
11	Clearance at Full Lift and Max Dump	mm	2871
		in	113.0
12	Max Discharge Angle from Horizontal	deg	43
13	Overall Carriage Width	mm	2217
		in	87.3
14	Overall Carriage Height	mm	840
		in	33.1
15	Outside Tine Width (max spread)	mm	2070
		in	81.5
16	Outside Tine Width (min spread)	mm	470
		in	18.5
	Tine Width (single tine)	mm	150.0
		in	5.9
	Tine Thickness	mm	65.0
		in	2.6
	Tine Capacity	kg	6300
		lbs	13885
	Operating Weight	kg	24486
		lbs	53967

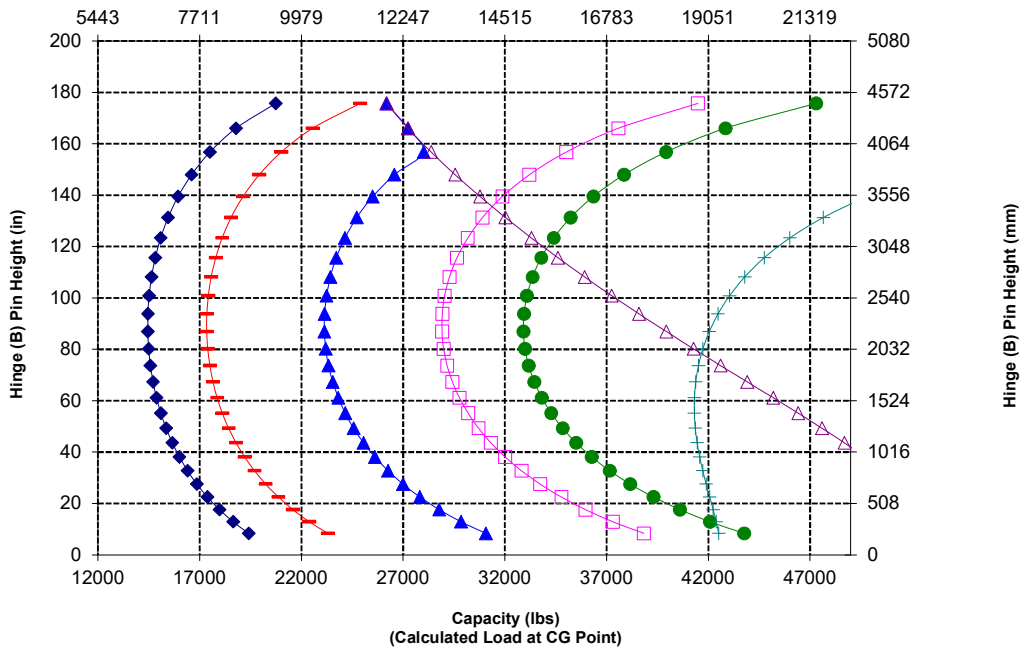
\*Negative values indicate below grade

## 972 AGG Pallet Fork, FUSION

87" Carriage      60" Tine  
530-1861      548-3265



### Capacity (kg) (Calculated Load at CG Point)



**WARNING:** Do not exceed tine load capacity.  
Individual tine capacity is stamped on the side of each tine.

# 972 XE Wheel Loader Specifications

## Fork Specifications

### Fork Specifications

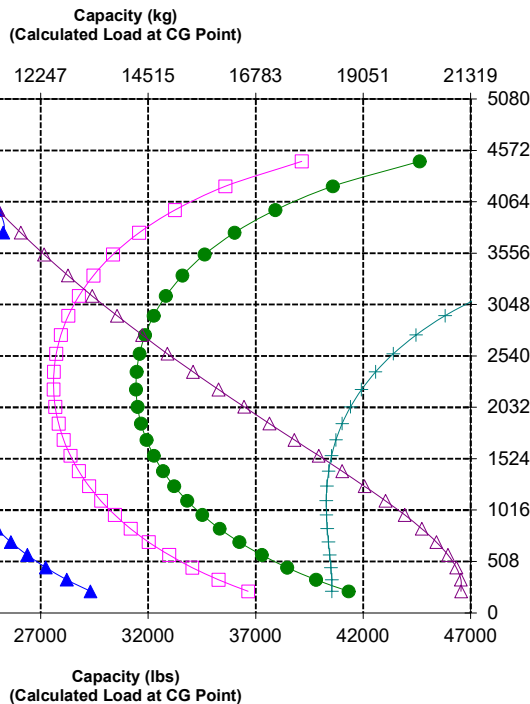
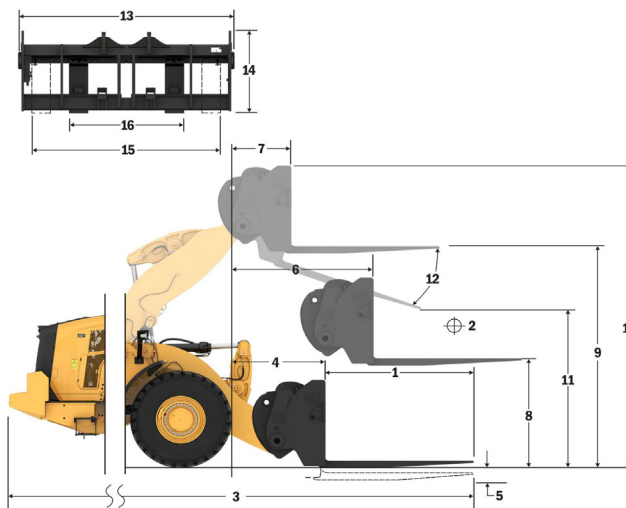
1	Tine Length	mm	1830
		in	72.0
2	Load Center	mm	915
		in	36.0
	Static Tipping Load - Straight (Forks Level)	kg	14259
		lbs	31426
	Static Tipping Load - Articulated (Forks Level)	kg	12521
		lbs	27596
	Rated Load (SAE J1197 - 50% FTSTL)	kg	6260
		lbs	13798
	Rated Load (CEN EN 474-3 Rough Terrain - 60% FTSTL)	kg	7513
		lbs	16558
	Rated Load (CEN EN 474-3 Firm and Level Ground - 80% FTSTL)	kg	10017
		lbs	22077
3	Maximum Overall Length	mm	9987
		in	393.2
4	Reach with Forks at Ground Level	mm	1288
		in	50.7
5	*Ground to Bottom of Tine at Minimum Height and Fork Level	mm	-150
		in	-5.9
6	Reach with Arms Horizontal and Forks Level	mm	1824
		in	71.8
7	Reach with Fork at Maximum Height	mm	779
		in	30.7
8	Ground to Top of Tine with Arms Horizontal and Fork Level	mm	1862
		in	73.3
9	Ground to Top of Tine at Maximum Height and Fork Level	mm	4167
		in	164.1
10	Overall Height of Fork at Full Lift (top of carriage to ground)	mm	4942
		in	194.6
11	Clearance at Full Lift and Max Dump	mm	2663
		in	104.9
12	Max Discharge Angle from Horizontal	deg	43
13	Overall Carriage Width	mm	2217
		in	87.3
14	Overall Carriage Height	mm	840
		in	33.1
15	Outside Tine Width (max spread)	mm	2070
		in	81.5
16	Outside Tine Width (min spread)	mm	470
		in	18.5
	Tine Width (single tine)	mm	150.0
		in	5.9
	Tine Thickness	mm	65.0
		in	2.6
	Tine Capacity	kg	5246
		lbs	11562
	Operating Weight	kg	24533
		lbs	54070

\*Negative values indicate below grade

### 972 AGG Pallet Fork, FUSION

87" Carriage  
530-1861

72" Tine  
530-1869



NOTE: Static tipping loads and operating weight are based on the following loader configuration: Bridgestone VJT L3 Tires, Air Conditioning, Ride Control, Powertrain Guard, Full Fluids, Fuel Tank, Coolant, Lubricants, and Operator.

Specifications and ratings conform to the following standards: SAE\* J1197, ISO 14397-1, CEN\*\* EN 474-3.

The rated operating load for a loader equipped with a pallet fork is determined by:  
SAE J1197: 50% of full turn static tipping load or hydraulic limit.  
CEN EN 474-3: 60% of full turn static tipping load on rough terrain or hydraulic limit.  
CEN EN 474-3: 80% of full turn static tipping load on firm and level ground or hydraulic limit.

\*SAE - Society of Automotive Engineers  
\*\*CEN - European Committee for Standardization



**WARNING:** Do not exceed tine load capacity. Individual tine capacity is stamped on the side of each tine.

# 972 XE Wheel Loader Specifications

## Fork Specifications

### Fork Specifications

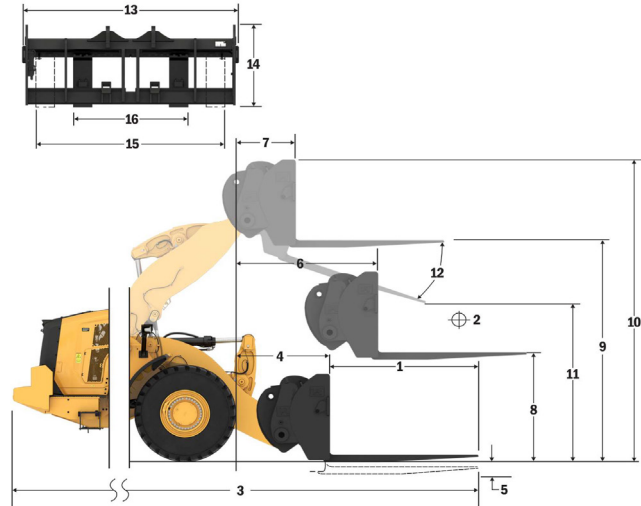
1	Tine Length	mm	1829
		in	72.0
2	Load Center	mm	915
		in	36.0
	Static Tipping Load - Straight (Forks Level)	kg	13993
		lbs	30842
	Static Tipping Load - Articulated (Forks Level)	kg	12250
		lbs	26999
	Rated Load (SAE J1197 - 50% FTSTL)	kg	6125
		lbs	13500
	Rated Load (CEN EN 474-3 Rough Terrain - 60% FTSTL)	kg	7350
		lbs	16200
	Rated Load (CEN EN 474-3 Firm and Level Ground - 80% FTSTL)	kg	9800
		lbs	21600
3	Maximum Overall Length	mm	9940
		in	391.3
4	Reach with Forks at Ground Level	mm	1242
		in	48.9
5	*Ground to Bottom of Tine at Minimum Height and Fork Level	mm	-71
		in	-2.8
6	Reach with Arms Horizontal and Forks Level	mm	1816
		in	71.5
7	Reach with Fork at Maximum Height	mm	770
		in	30.3
8	Ground to Top of Tine with Arms Horizontal and Fork Level	mm	1966
		in	77.4
9	Ground to Top of Tine at Maximum Height and Fork Level	mm	4271
		in	168.2
10	Overall Height of Fork at Full Lift (top of carriage to ground)	mm	5312
		in	209.1
11	Clearance at Full Lift and Max Dump	mm	2578
		in	101.5
12	Max Discharge Angle from Horizontal	deg	49
13	Overall Carriage Width	mm	2528
		in	99.5
14	Overall Carriage Height	mm	1130
		in	44.5
15	Outside Tine Width (max spread)	mm	2178
		in	85.7
16	Outside Tine Width (min spread)	mm	576
		in	22.7
	Tine Width (single tine)	mm	180.0
		in	7.1
	Tine Thickness	mm	90.0
		in	3.5
	Tine Capacity	kg	14800
		lbs	32619
	Operating Weight	kg	24922
		lbs	54928

\*Negative values indicate below grade

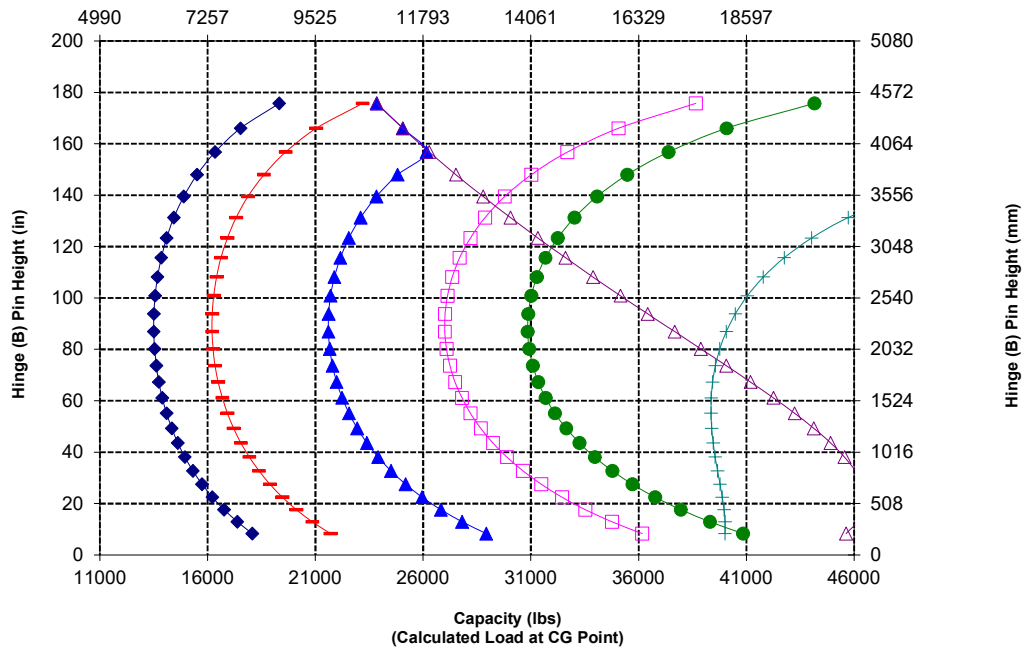
### 972 AGG Construction Fork, Fusion

96" Carriage  
520-7957

72" Tine  
520-7979



### Capacity (kg) (Calculated Load at CG Point)



**WARNING:** Do not exceed tine load capacity.  
Individual tine capacity is stamped on the side of each tine.



# 972 XE Wheel Loader Specifications

## Fork Specifications

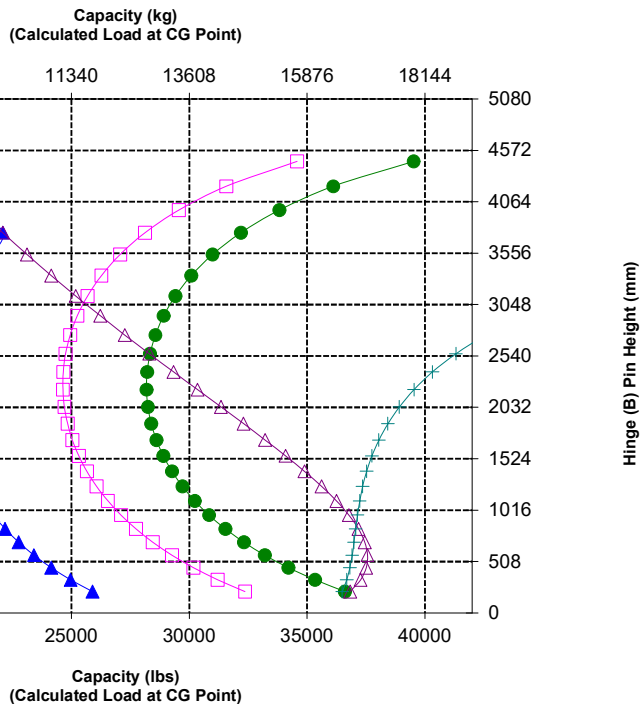
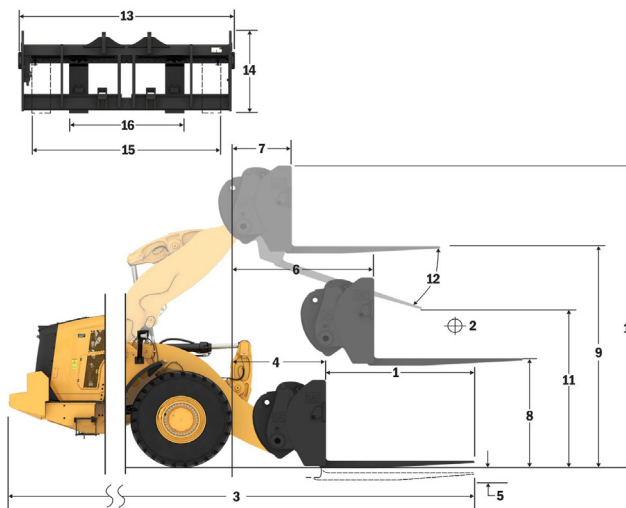
### Fork Specifications

1	Tine Length	mm	2438
		in	96.0
2	Load Center	mm	1219
		in	48.0
	Static Tipping Load - Straight (Forks Level)	kg	12784
		lbs	28176
	Static Tipping Load - Articulated (Forks Level)	kg	11176
		lbs	24631
	Rated Load (SAE J1197 - 50% FTSTL)	kg	5588
		lbs	12315
	Rated Load (CEN EN 474-3 Rough Terrain - 60% FTSTL)	kg	6705
		lbs	14779
	Rated Load (CEN EN 474-3 Firm and Level Ground - 80% FTSTL)	kg	8658
		lbs	19082
3	Maximum Overall Length	mm	10549
		in	415.3
4	Reach with Forks at Ground Level	mm	1242
		in	48.9
5	*Ground to Bottom of Tine at Minimum Height and Fork Level	mm	-71
		in	-2.8
6	Reach with Arms Horizontal and Forks Level	mm	1816
		in	71.5
7	Reach with Fork at Maximum Height	mm	770
		in	30.3
8	Ground to Top of Tine with Arms Horizontal and Fork Level	mm	1966
		in	77.4
9	Ground to Top of Tine at Maximum Height and Fork Level	mm	4271
		in	168.2
10	Overall Height of Fork at Full Lift (top of carriage to ground)	mm	5312
		in	209.1
11	Clearance at Full Lift and Max Dump	mm	2118
		in	83.4
12	Max Discharge Angle from Horizontal	deg	49
13	Overall Carriage Width	mm	2528
		in	99.5
14	Overall Carriage Height	mm	1130
		in	44.5
15	Outside Tine Width (max spread)	mm	2178
		in	85.7
16	Outside Tine Width (min spread)	mm	576
		in	22.7
	Tine Width (single tine)	mm	180.0
		in	7.1
	Tine Thickness	mm	90.0
		in	3.5
	Tine Capacity	kg	11300
		lbs	24905
	Operating Weight	kg	25047
		lbs	55203

\*Negative values indicate below grade

### 972 AGG Construction Fork, Fusion 96" Carriage 96" Tine

520-7957 520-7981



NOTE: Static tipping loads and operating weight are based on the following loader configuration: Bridgestone VJT L3 Tires, Air Conditioning, Ride Control, Powertrain Guard, Full Fluids, Fuel Tank, Coolant, Lubricants, and Operator.

Specifications and ratings conform to the following standards: SAE\* J1197, ISO 14397-1, CEN\*\* EN 474-3.

The rated operating load for a loader equipped with a pallet fork is determined by:  
SAE J1197: 50% of full turn static tipping load or hydraulic limit.  
CEN EN 474-3: 60% of full turn static tipping load on rough terrain or hydraulic limit.  
CEN EN 474-3: 80% of full turn static tipping load on firm and level ground or hydraulic limit.

\*SAE - Society of Automotive Engineers  
\*\*CEN - European Committee for Standardization



**WARNING:** Do not exceed tine load capacity. Individual tine capacity is stamped on the side of each tine.

# 972 XE Wheel Loader Specifications

## Material Handling Arm Specifications

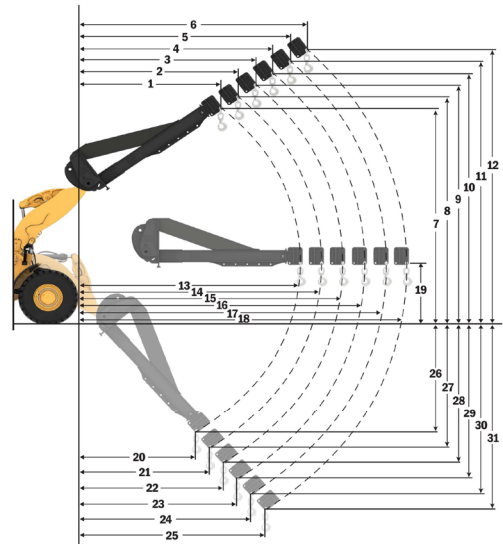
### 972 STD

Fusion Material Handling Arm

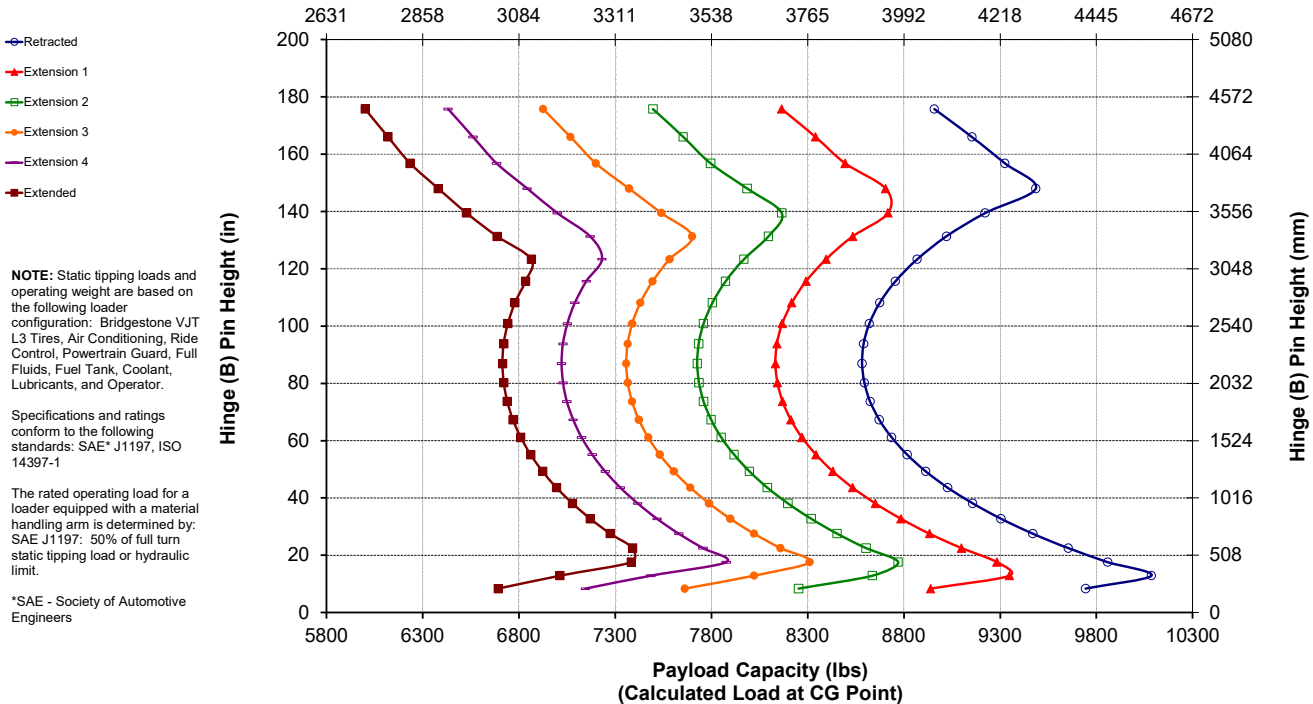
6Pos

#### MHA Specifications

	Retracted	Extension 1	Extension 2	Extension 3	Extension 4	Extended	
Max Lift - Hook Reach (1, 2, 3, 4, 5, 6)	mm ft. in	2,064 6' 9"	2,204 7' 2"	2,344 7' 8"	2,485 8' 1"	2,625 8' 7"	2,766 9' 0"
Max Lift - Hook Height (7, 8, 9, 10, 11, 12)	mm ft. in	7,280 23' 10"	7,550 24' 9"	7,821 25' 7"	8,091 26' 6"	8,362 27' 5"	8,632 28' 3"
Level - Hook Reach (13, 14, 15, 16, 17, 18)	mm ft. in	4,683 15' 4"	4,988 16' 4"	5,293 17' 4"	5,597 18' 4"	5,902 19' 4"	6,207 20' 4"
Level - Hook Height (19)	mm ft. in	1,933 6' 4"	1,933 6' 4"	1,933 6' 4"	1,933 6' 4"	1,933 6' 4"	1,933 6' 4"
Min Lift - Hook Reach (20, 21, 22, 23, 24, 25)	mm ft. in	1,887 6' 2"	2,017 6' 7"	2,146 7' 0"	2,275 7' 5"	2,404 7' 10"	2,534 8' 3"
Min Lift - Hook Height (26, 27, 28, 29, 30, 31)	mm ft. in	(2,863) -9' 7"	(3,139) -10' 8"	(3,415) -11' 9"	(3,691) -12' 10"	(3,967) -13' 11"	(4,243) -13' 0"
Static Tipping Load, Straight	kg lb	8,860 19,528	8,395 18,502	7,975 17,576	7,594 16,737	7,247 15,973	6,930 15,273
Static Tipping Load, Articulated	kg lb	7,817 17,228	7,405 16,321	7,034 15,504	6,698 14,762	6,391 14,087	6,111 13,468
Operating Weight	kg lb	23,698 52,230	23,698 52,230	23,698 52,230	23,698 52,230	23,698 52,230	23,698 52,230



Payload Capacity (kg)  
(Calculated Load at CG Point)



**NOTE:** Static tipping loads and operating weight are based on the following loader configuration: Bridgestone VJT L3 Tires, Air Conditioning, Ride Control, Powertrain Guard, Full Fluids, Fuel Tank, Coolant, Lubricants, and Operator.

Specifications and ratings conform to the following standards: SAE J1197, ISO 14397-1

The rated operating load for a loader equipped with a material handling arm is determined by: SAE J1197: 50% of full turn static tipping load or hydraulic limit.

\*SAE - Society of Automotive Engineers

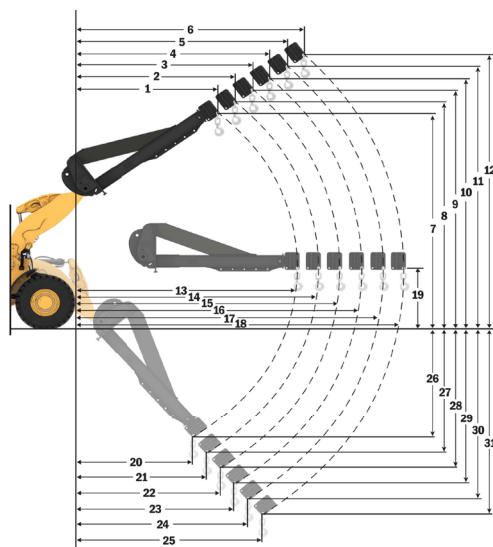


# 972 XE Wheel Loader Specifications

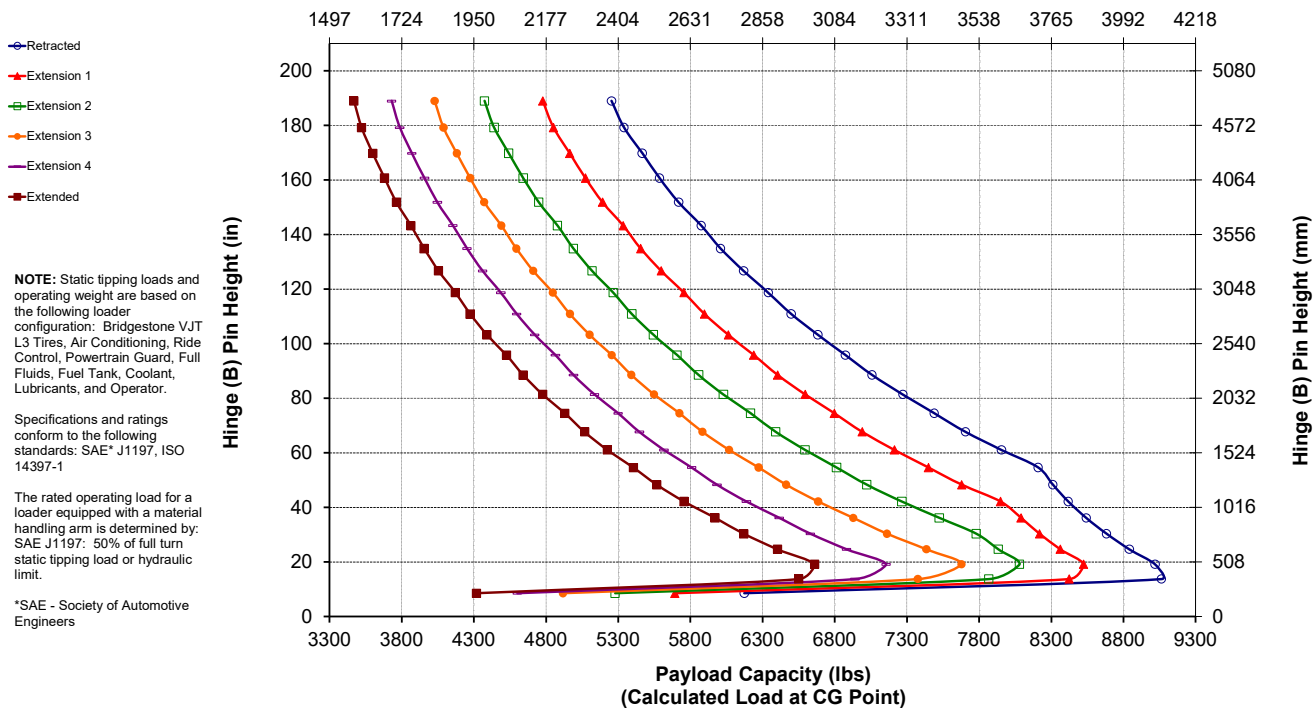
## Material Handling Arm Specifications

### 972 HL Fusion Material Handling Arm 6Pos

MHA Specifications		Retracted	Extension 1	Extension 2	Extension 3	Extension 4	Extended
Max Lift - Hook Reach (1, 2, 3, 4, 5, 6)	mm	1,273	1,336	1,399	1,462	1,525	1,589
	ft. in	4' 2"	4' 4"	4' 7"	4' 9"	5' 0"	5' 2"
Max Lift - Hook Height (7, 8, 9, 10, 11, 12)	mm	7,971	8,269	8,568	8,866	9,164	9,462
	ft. in	26' 1"	27' 1"	28' 1"	29' 1"	30' 0"	31' 0"
Level - Hook Reach (13, 14, 15, 16, 17, 18)	mm	4,957	5,262	5,567	5,871	6,176	6,481
	ft. in	16' 3"	17' 3"	18' 3"	19' 3"	20' 3"	21' 3"
Level - Hook Height (19)	mm	1,933	1,933	1,933	1,933	1,933	1,933
	ft. in	6' 4"	6' 4"	6' 4"	6' 4"	6' 4"	6' 4"
Min Lift - Hook Reach (20, 21, 22, 23, 24, 25)	mm	(413)	(529)	(645)	(761)	(877)	(993)
	ft. in	-1' 7"	-1' 3"	-2' 10"	-2' 6"	-2' 1"	-3' 8"
Min Lift - Hook Height (26, 27, 28, 29, 30, 31)	mm	(2,741)	(3,023)	(3,305)	(3,587)	(3,868)	(4,150)
	ft. in	-8' 0"	-9' 0"	-10' 1"	-11' 2"	-12' 3"	-13' 4"
Static Tipping Load, Straight	kg	8,285	7,868	7,490	7,147	6,832	6,544
	lb	18,259	17,341	16,509	15,751	15,059	14,423
Static Tipping Load, Articulated	kg	7,290	6,923	6,590	6,287	6,010	5,756
	lb	16,068	15,258	14,525	13,857	13,246	12,685
Operating Weight	kg	23,700	23,700	23,700	23,700	23,700	23,700
	lb	52,234	52,234	52,234	52,234	52,234	52,234



**Payload Capacity (kg)  
(Calculated Load at CG Point)**



# 972 XE Wheel Loader Specifications

## Material Handling Arm Specifications

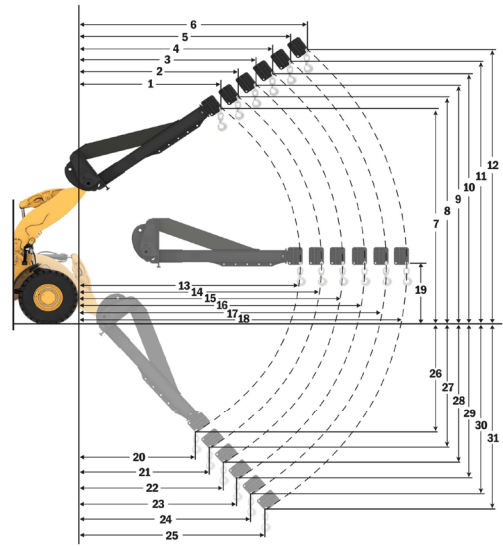
### 972 AGG

Fusion Material Handling Arm

6Pos

#### MHA Specifications

	Retracted	Extension 1	Extension 2	Extension 3	Extension 4	Extended	
Max Lift - Hook Reach (1, 2, 3, 4, 5, 6)	mm	2,064	2,204	2,344	2,485	2,625	2,766
	ft. in	6' 9"	7' 2"	7' 8"	8' 1"	8' 7"	9' 0"
Max Lift - Hook Height (7, 8, 9, 10, 11, 12)	mm	7,280	7,550	7,821	8,091	8,362	8,632
	ft. in	23' 10"	24' 9"	25' 7"	26' 6"	27' 5"	28' 3"
Level - Hook Reach (13, 14, 15, 16, 17, 18)	mm	4,683	4,988	5,293	5,597	5,902	6,207
	ft. in	15' 4"	16' 4"	17' 4"	18' 4"	19' 4"	20' 4"
Level - Hook Height (19)	mm	1,933	1,933	1,933	1,933	1,933	1,933
	ft. in	6' 4"	6' 4"	6' 4"	6' 4"	6' 4"	6' 4"
Min Lift - Hook Reach (20, 21, 22, 23, 24, 25)	mm	1,887	2,017	2,146	2,275	2,404	2,534
	ft. in	6' 2"	6' 7"	7' 0"	7' 5"	7' 10"	8' 3"
Min Lift - Hook Height (26, 27, 28, 29, 30, 31)	mm	(2,863)	(3,139)	(3,415)	(3,691)	(3,967)	(4,243)
	ft. in	-9' 7"	-10' 8"	-11' 9"	-12' 10"	-13' 11"	-13' 0"
Static Tipping Load, Straight	kg	9,416	8,922	8,477	8,072	7,704	7,368
	lb	20,754	19,665	18,682	17,792	16,980	16,238
Static Tipping Load, Articulated	kg	8,292	7,857	7,464	7,107	6,782	6,485
	lb	18,276	17,316	16,450	15,664	14,949	14,294
Operating Weight	kg	24,247	24,247	24,247	24,247	24,247	24,247
	lb	53,440	53,440	53,440	53,440	53,440	53,440



#### Payload Capacity (kg) (Calculated Load at CG Point)

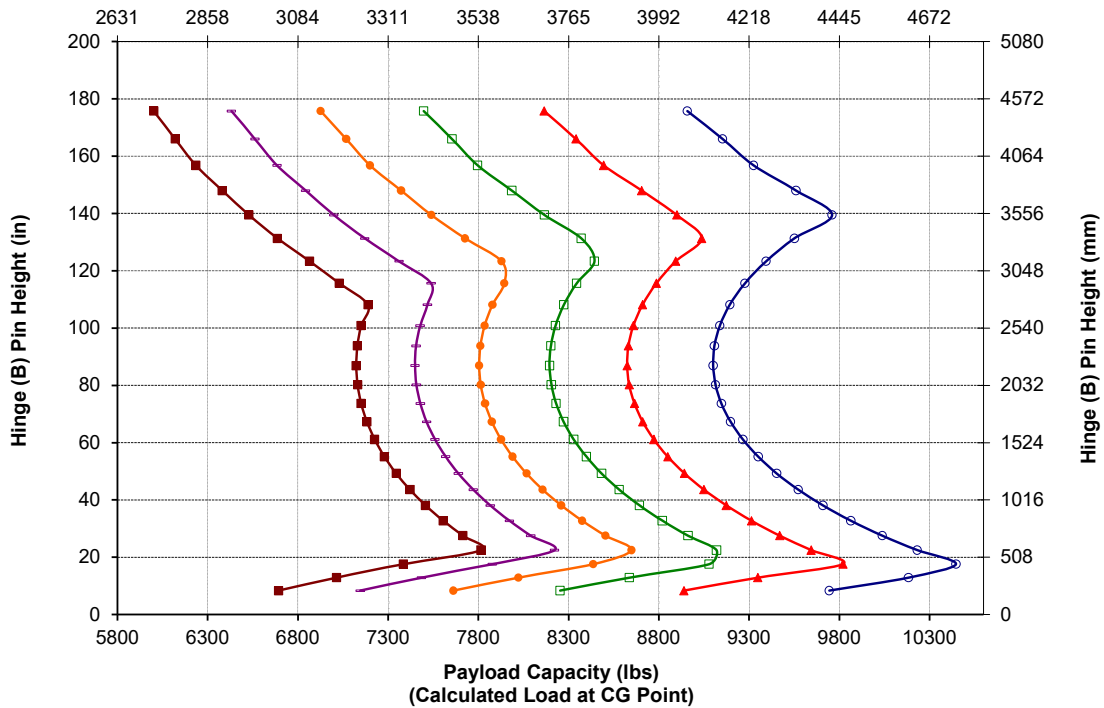
- Retracted
- Extension 1
- Extension 2
- Extension 3
- Extension 4
- Extended

**NOTE:** Static tipping loads and operating weight are based on the following loader configuration: Bridgestone VJT L3 Tires, Air Conditioning, Ride Control, Powertrain Guard, Full Fluids, Fuel Tank, Coolant, Lubricants, and Operator.

Specifications and ratings conform to the following standards: SAE J1197, ISO 14397-1

The rated operating load for a loader equipped with a material handling arm is determined by: SAE J1197: 50% of full turn static tipping load or hydraulic limit.

\*SAE - Society of Automotive Engineers



# 972 XE Wheel Loader Specifications

## Standard and Optional Equipment

Standard and optional equipment may vary. Consult your Cat dealer for details.

	Standard	Optional		Standard	Optional
<b>OPERATOR ENVIRONMENT</b>			<b>HYDRAULICS</b>		
Cab, pressurized, sound suppression	✓		Implement system, load sensing with electro-hydraulic variable displacement piston pump	✓	
Door, remote opening system	✓		Steering system, load sensing with dedicated variable displacement piston pump	✓	
EH implement controls, parking brake	✓		Ride control, dual accumulators	✓	
Footrest		✓	3 <sup>rd</sup> and 4 <sup>th</sup> auxiliary function with ride control		✓
Steering, joystick	✓		Oil sampling valves, Cat XT™ hoses	✓	
Implement joystick (2V, 3V only)		✓	Quick coupler control		✓
Entertainment radio (FM, AM, USB, BT)		✓	<b>POWERTRAIN</b>		
Entertainment radio (DAB+)		✓	Cat C9.3B engine	✓	
CB radio ready		✓	Electric fuel priming pump	✓	
Seat belt, monitored	✓		Fuel-water separator and secondary fuel filter	✓	
Seat, suede/cloth, air suspension, heated	✓		Engine, air precleaner	✓	
Seat, leather/cloth, air suspension, heated/cooled		✓	Turbine, air precleaner		✓
Touchscreen display	✓		Radiator, high debris		✓
Keypad, programmable buttons	✓		Cooling fan, reversible		✓
Mirrors, heated	✓		Axles, auto front differential lock	✓	
Air conditioner, heater, defroster (auto temp, fan)	✓		Axles, auto front and rear differential locks		✓
Sun visor, front, retractable	✓		Axles, ecology drains	✓	
Sun visor, rear, retractable	✓		Axles, AOC ready, extreme temperature seals		✓
Windows, front, laminated	✓		Axles, oil cooler		✓
Windows, front, heavy duty		✓	Transmission, continuous variable	✓	
Full cab window guard		✓	Rimpull control	✓	
<b>ON-BOARD TECHNOLOGIES</b>			Throttle lock mode	✓	
Autodig with Auto Set Tires	✓		Hill and speed hold on grades	✓	
Operator ID & machine security	✓		Service brakes, hydraulic, fully enclosed wet disc, wear indicators	✓	
Application Profiles	✓		Park brake, caliper on front axles, spring applied-pressure released	✓	
Job Aids	✓		<b>ELECTRICAL</b>		
Controls Help and eOMM*	✓		Starting and charging system, 24V	✓	
Cat Payload scale	✓		Starter, electric, heavy duty	✓	
Cat Advanced Payload		✓	Cold start, 120V or 240V		✓
Cat Payload for Trade****		✓	Lights: halogen, 4 work lights, 2 rearview lights	✓	
Cat Payload Printer with E-ticket		✓	Lights: roading with turn signals	✓	
Key Features Inform	✓		Lights: LED		✓
Bucket Carry Display Widget	✓				
Remote Flash	✓				

\* Not available in all languages

\*\* Standard where mandated

\*\*\* Not Compatible with roading arrangements

\*\*\*\* Available in Europe, Türkiye, Australia, and New Zealand. Country certifications vary. Contact your Cat dealer for more information.

(continued on next page)

# 972 XE Wheel Loader Specifications

## Standard and Optional Equipment *(continued)*

Standard and optional equipment may vary. Consult your Cat dealer for details.

	Standard	Optional		Standard	Optional
<b>MONITORING SYSTEM</b>			<b>SAFETY</b>		
Front dash with analog gauges, LCD display, and warning lights	✓		Cat Detect rear radar system		✓
Primary touchscreen monitor (Cat Payload, quad screens, machine settings & messages)	✓		Dedicated rearview screen		✓
Tire Pressure Monitor		✓	Visibility: mirrors, rearview camera	✓	
Maintenance Reminders	✓		Multiview (360°) vision system		✓
<b>LINKAGE</b>			Window cleaning platform, front	✓	
Standard lift, Z-bar	✓		4-Point seat belt retractor		✓
High lift, Z-bar		✓	Reversing strobe lights***		✓
Kickouts: lift and tilt	✓		Seat belt monitoring beacon		✓
<b>ADDITIONAL EQUIPMENT</b>			Secondary steering system, electrical**		✓
Cat Autolube system		✓	Wheel chocks		✓
Fenders, roading		✓	Warning beacon		✓
Guards: power train, crankcase, cab, cylinders, rear		✓	Collision Warning System with Motion Inhibit and People Detection		✓
Biodegradable hydraulic oil		✓	Remote Control		✓
High-speed oil change system		✓	<b>SPECIAL CONFIGURATIONS</b>		
Toolbox		✓	Aggregate handler		✓
			Waste and industrial		✓
			Corrosion resistant		✓

\* Not available in all languages

\*\* Standard where mandated

\*\*\* Not Compatible with roading arrangements

\*\*\*\* Available in Europe, Türkiye, Australia, and New Zealand.  
Country certifications vary. Contact your Cat dealer for more information.

The following information applies to the machine at the time of final manufacture as configured for sale in the regions covered in this document. The content of this declaration is valid as of the date issued; however, content related to machine features and specifications are subject to change without notice. For additional information, please see the machine's Operation and Maintenance Manual.

For more information on sustainability in action and our progress, please visit <https://www.caterpillar.com/en/company/sustainability.html>.

## Engine

- The Cat® C9.3B engine meets U.S. EPA Tier 4 Final, EU Stage V, Korea Stage V, and Japan 2014 emission standards.
- Cat diesel engines are required to use ULSD (ultra-low sulfur diesel fuel with 15 ppm of sulfur or less) or ULSD blended with the following lower-carbon intensity fuels\*\* up to:
  - ✓ 20% biodiesel FAME (fatty acid methyl ester)\*
  - ✓ 100% renewable diesel, HVO (hydrotreated vegetable oil) and GTL (gas-to-liquid) fuels
 Refer to guidelines for successful application. Please consult your Cat dealer or "Caterpillar Machine Fluids Recommendations" (SEBU6250) for details.
- \* Engines with no aftertreatment devices can use higher blends, up to 100% biodiesel.
- \*\* Tailpipe greenhouse gas emissions from lower-carbon intensity fuels are essentially the same as traditional fuels.

## Air Conditioning System

The air conditioning system on this machine contains the fluorinated greenhouse gas refrigerant R134a (Global Warming Potential = 1430). The system contains 1.6 kg (3.5 lb) of refrigerant, which has a CO<sub>2</sub> equivalent of 2.288 metric tonnes (2.522 tons).

## Paint

- Based on best available knowledge, the maximum allowable concentration, measured in parts per million (PPM), of the following heavy metals in paint are:
  - Barium < 0.01%
  - Cadmium < 0.01%
  - Chromium < 0.01%
  - Lead < 0.01%

## Sound Performance

Operator Sound Pressure Level (ISO 6396:2008)	67 dB(A)
Exterior Sound Power Level (ISO 6395:2008)	107 dB(A)
Operator Sound Pressure Level (ISO 6396:2008)*	67 dB(A)
Exterior Sound Power Level (ISO 6395:2008)**	105 dB(A)

\*Including countries that adopt the EU and UK Directives

\*\*EU Noise Directive 2000/14/EC and UK Noise Regulation 2001 No. 1701

## Oils and Fluids

- Caterpillar factory fills with ethylene glycol coolants. Cat Diesel Engine Antifreeze/Coolant (DEAC) and Cat Extended Life Coolant (ELC) can be recycled. Consult your Cat dealer for more information.
- Cat Bio HYDO™ Advanced is an EU Ecolabel approved biodegradable hydraulic oil.
- Additional fluids are likely to be present, please consult the Operations and Maintenance Manual or the Application and Installation guide for complete fluid recommendations and maintenance intervals.

## Features and Technology

- The following features and technology may contribute to fuel savings and/or carbon reduction. Features may vary. Consult your Cat dealer for details.
  - Deep integration of continuously variable transmission, engine, hydraulic, and cooling systems increases performance and fuel efficiency
  - Automatic engine idle shutdown system reduces idle hours
  - Automatic Cat regeneration system, Cat Clean Emissions Module (CEM) with Diesel Particulate Filter (DPF), and Diesel Exhaust Fluid (DEF) tank and pump
  - Autodig with Auto Set Tires provides consistent high bucket fill factors
  - Extended maintenance intervals reduce fluid and filter consumption

## Recycling

- The materials included in machines are categorized as below with approximate weight percentage. Because of variations of product configurations, the following values in the table may vary.

Material Type	Weight Percentage
Steel	67.20%
Iron	18.36%
Nonferrous Metal	2.20%
Mixed Metal	0.25%
Mixed-Metal and Nonmetal	0.54%
Plastic	1.05%
Rubber	5.74%
Mixed Nonmetallic	0.02%
Fluid	1.91%
Other	2.73%
Uncategorized	0%
Total	100%

- A machine with higher recyclability rate will ensure more efficient usage of valuable natural resources and enhance End-of-Life value of the product. According to ISO 16714 (Earthmoving machinery – Recyclability and recoverability – Terminology and calculation method), recyclability rate is defined as percentage by mass (mass fraction in percent) of the new machine potentially able to be recycled, reused, or both.

All parts in the bill of material are first evaluated by component type based on a list of components defined by the ISO 16714 and Japan CEMA (Construction Equipment Manufacturers Association) standards. Remaining parts are further evaluated for recyclability based on material type.

Because of variations of product configurations, the following value in the table may vary.

Recyclability – 98%



# 972 XE

## Waste & Scrap Handler

**The Cat® 972 XE Wheel Loader Waste and Scrap Handler Package features guarding and reinforcement necessary for work in transfer stations, recycling depots, scrap yards, and demolition sites.**

### Proven Reliability

- Cat C9.3B engine offers high power density with a combination of proven electronics, fuel, and air systems.
- Equipped with automatic Cat regeneration system, Cat Clean Emissions Module (CEM) with Diesel Particulate Filter (DPF), and Diesel Exhaust Fluid (DEF) tank and pump.
- Features an electric fuel priming pump, fuel-water separator, and secondary fuel filter.
- Thorough component design and machine validation processes result in unmatched reliability and uptime.

### Durability

- Waste and Scrap Handler Package adds additional steel guards all around the machine to protect your investment and keep debris out of the implement valve and engine compartments.
- Heavy-duty steel cable lower steps stand up to the harshest of conditions.
- Heavy-duty transmission and axles designed to handle waste and scrap applications.

### Superior Fuel Efficiency & Productivity

- Up to 35% better fuel efficiency compared to previous Cat model.
- Deep system integration of the Cat continuously variable transmission, engine, hydraulic, and cooling systems results in significantly increased performance and fuel efficiency.
- Eliminating the torque converter allows the capability to control engine rpm and machine speed independently, resulting in efficient digging, fine control, and easy operation.
- Lower rated engine speed reduces component wear and operating noise.
- Optional high lift linkage provides additional dump clearance.
- Optional 3rd and 4th valve hydraulics for work tools that require additional functions.
- Optional variable pitch fan and high debris cooling cores keep the cores free from debris.

### Safety Features

- Rearview camera enhances visibility behind the machine, helping you work safely and confidently.
- Optional Multiview (360°) vision system helps the operator monitor the surroundings of the machine at all times.
- Optional Cat Detect radar technology enhances awareness by monitoring the working environment and alerts operators to hazards.
- Cab access with wide door, optional remote door opening, and stair-like steps add solid stability.
- Floor-to-ceiling windshield, large mirrors with integrated spot mirrors, and rearview camera provide industry leading all-around visibility.

### Reduced Maintenance Time and Costs

- Extended fluid and filter change intervals reduce maintenance costs by up to 20%.
- Optional turbine engine air precleaner improves air filter life.
- Remote Troubleshoot can connect the machine to the dealer service department to help diagnose problems quickly so you can get back to work.
- Remote Flash works around your schedule to ensure your machine's software is up to date for optimal performance.
- The Cat App helps you manage fleet location, hours, and maintenance schedules; it also alerts you for required maintenance and allows you to request service from your local Cat dealer.
- One-piece tilting hood makes engine compartment access fast and easy.

### Work in Comfort in the All New Cab

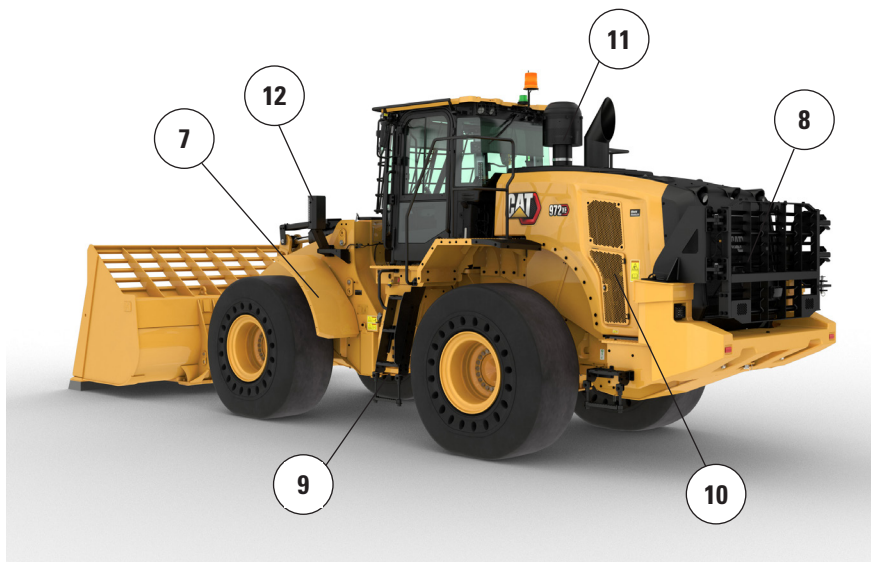
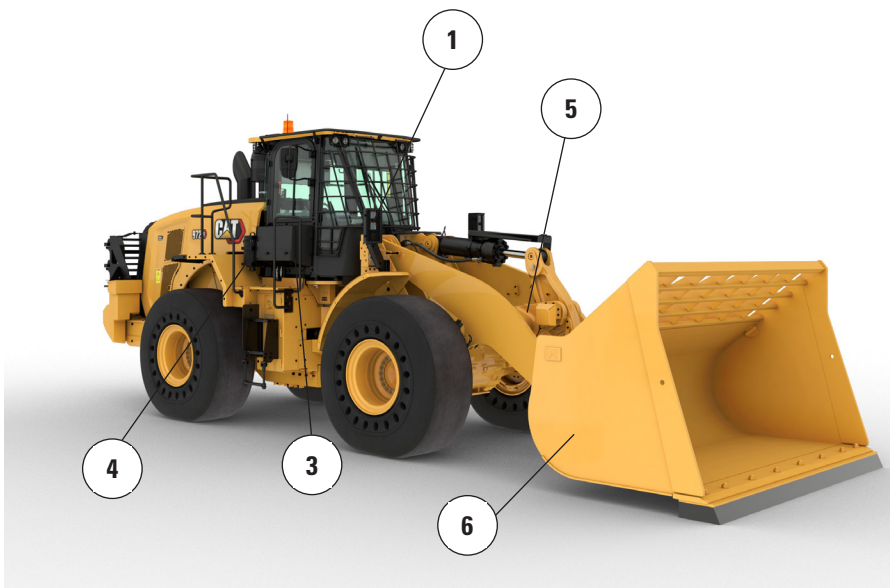
- Carbon cab air filter reduces cabin odors.
- Optional powered cabin precleaner filters the incoming air and pressurize the cab.
- Next-generation, easily adjustable seat and suspension for improved operator comfort. It comes in three trim levels and can be equipped with a 4-point harness.
- New in-cab dashboard and high-resolution touch display(s) are easy to use, intuitive, and user friendly.
- Sound suppression, seals, and viscous cab mounts decrease noise and vibration for a quieter work environment.
- The seat-mounted electro-hydraulic joystick steering system provides precision control and dramatically reduces arm fatigue, resulting in excellent comfort and accuracy. An HMU steering wheel is also available.



# 972 XE Waste & Scrap Handler Specifications

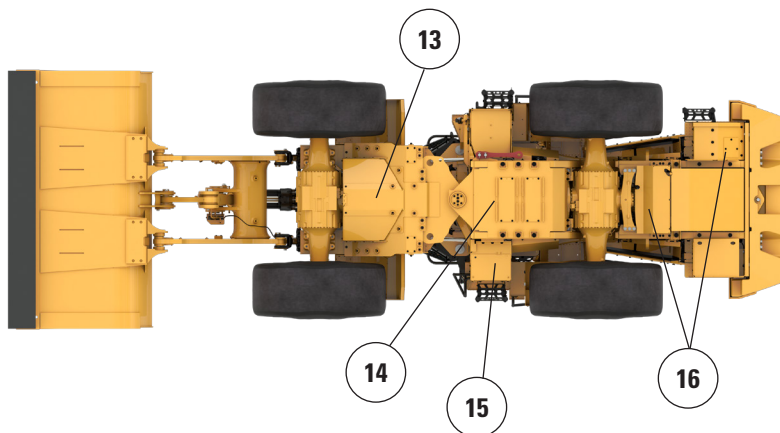
## 972 XE Waste and Scrap Handler Features

1. Optional window guarding to provide impact resistance to the glass
2. Added steel guards include crankcase, power train, front frame, hitch, steering cylinder, service center, cab, platform, implement valve cover, and tilt cylinder
3. Carbon cab air filter removes harsh odors
4. Optional powered cab precleaner helps to improve cab filter life and keeps the cab pressurized
5. Optional 3<sup>rd</sup> and 4<sup>th</sup> valve hydraulics available to control a large variety of work tools
6. Large line of Cat waste and scrap work tools



7. Narrow front steel fenders help to keep the windshield clean and are set inboard of the outer edge of the tire for added protection
8. Optional rear guard protects the rear grill and cooling package from impact
9. Heavy-duty steel cable lower steps stand up to the harshest conditions
10. Optional variable pitch fan and high debris cooling cores help to keep the cooling package clean
11. Optional turbine engine air precleaner with a trash screen option help to extend engine air filter life
12. Front lights are guarded and positioned close to the frame for added protection

13. Lower front frame guard protects vital drivetrain components and keeps trash from getting in the front frame compartment
14. Power train guard protects the transmission and helps keep trash out of the engine compartment
15. Lower hydraulic service center guard protects the transmission filter and keep trash out of the service center
16. Rear crankcase and platform guards keeps trash and debris out



# 972 XE Waste & Scrap Handler Specifications

## Tire Options

Tire Brand	BRAWLER HPS SMOOTH	BRAWLER HPS TRACTION	BRIDGESTONE	MICHELIN	MAXAM
Tire Size	26.5R25	26.5R25	26.5R25	26.5R25	26.5R25
Tread Type	N/A	N/A	L3	L3	L3
Tread Pattern	SMOOTH	TRACTION	VJT	XHA2	MS302
Casing Strength	N/A	N/A	*	**	**
Width over Tires – Maximum (empty)*	2959 mm 9'9"	2959 mm 9'9"	2988 mm 9'10"	2997 mm 9'10"	2964 mm 9'9"
Width over Tires – Maximum (loaded)*	2968 mm 9'9"	2968 mm 9'9"	3011 mm 9'11"	3020 mm 9'11"	2942 mm 9'8"
Change in Vertical Dimensions (average of front and rear)		-3 mm -0.1"	-40 mm -1.6"	-54 mm -2.1"	-26 mm -1"
Change in Horizontal Reach		0 mm 0"	-11 mm -0.4"	-8 mm -0.3"	-18 mm -0.7"
Change in Clearance Circle to Outside of Tires		0 mm 0"	43 mm 1.7"	52 mm 2.1"	-27 mm -1"
Change in Clearance Circle to Inside of Tires		0 mm 0"	-43 mm -1.7"	-52 mm -2.1"	27 mm 1"
Change in Operating Weight (without Ballast)		-224 kg -494 lb	-4300 kg -9,482 lb	-4464 kg -9,843 lb	-4316 kg -9,517 lb
Change in Static Tipping Load – Straight		-153 kg -338 lb	-2946 kg -6,495 lb	-3058 kg -6,743 lb	-2956 kg -6,519 lb
Change in Static Tipping Load – Articulated		-136 kg -299 lb	-2602 kg -5,736 lb	-2701 kg -5,955 lb	-2611 kg -5,758 lb
Rear Axle Oscillation Angle	±8 degrees	±8 degrees	±13 degrees	±13 degrees	±13 degrees
Maximum Single-wheel Rise and Fall	310 mm 1'1"	310 mm 1'1"	502 mm 1'8"	502 mm 1'8"	502 mm 1'8"

\*Width over tire bulge and includes tire growth.



# 972 XE Waste & Scrap Handler Specifications

## Operating Specifications – Buckets *(continued)*

Linkage		Standard Linkage					
Bucket Type		General Purpose – Pin-On					
Edge Type		Bolt-On Cutting Edges	Teeth and Segments	Tips	Bolt-On Cutting Edges	Teeth and Segments	Tips
Capacity – Rated	m <sup>3</sup>	4.20	4.20	4.00	4.80	4.80	4.60
	yd <sup>3</sup>	5.50	5.50	5.25	6.25	6.25	6.00
Capacity – Rated at 110% Fill Factor	m <sup>3</sup>	4.60	4.60	4.40	5.30	5.30	5.10
	yd <sup>3</sup>	6.00	6.00	5.75	7.00	7.00	6.75
Width	mm	3220	3271	3271	3220	3271	3271
	ft/in	10'6"	10'8"	10'8"	10'6"	10'8"	10'8"
<b>16</b> † Dump Clearance at Maximum Lift and 45° Discharge	mm	3262	3108	3108	3191	3036	3036
	ft/in	10'8"	10'2"	10'2"	10'5"	9'11"	9'11"
<b>17</b> † Reach at Maximum Lift and 45° Discharge	mm	1305	1443	1443	1365	1501	1501
	ft/in	4'3"	4'8"	4'8"	4'5"	4'11"	4'11"
Reach at Level Lift Arm and Bucket Level	mm	2928	3133	3133	3022	3227	3227
	ft/in	9'7"	10'3"	10'3"	9'10"	10'7"	10'7"
<b>A</b> † Digging Depth	mm	66	66	36	66	66	36
	in	2.6"	2.6"	1.4"	2.6"	2.6"	1.4"
<b>12</b> † Overall Length	mm	8873	9097	9097	8967	9191	9191
	ft/in	29'2"	29'11"	29'11"	29'6"	30'2"	30'2"
<b>B</b> † Overall Height with Bucket at Maximum Lift	mm	5974	5974	5974	6068	6068	6068
	ft/in	19'8"	19'8"	19'8"	19'11"	19'11"	19'11"
Loader Clearance Circle Radius with Bucket at Carry Position	mm	7583	7672	7672	7608	7697	7697
	ft/in	24'11"	25'3"	25'3"	25'0"	25'4"	25'4"
Static Tipping Load, Straight (With tire deflection)	kg	18 905	18 721	18 974	18 817	18 631	20 898
	lb	41,685	41,280	41,838	41,491	41,081	46,079
Static Tipping Load, Straight (No tire deflection)	kg	20 180	19 994	20 251	20 108	19 920	22 590
	lb	44,477	44,068	44,633	44,318	43,903	49,788
Static Tipping Load, Articulated (With tire deflection)	kg	17 194	17 010	17 252	17 111	16 926	18 987
	lb	37,913	37,508	38,040	37,730	37,321	41,867
Static Tipping Load, Articulated (No tire deflection)	kg	18 472	18 287	18 530	18 405	18 217	20 669
	lb	40,714	40,304	40,841	40,566	40,151	45,554
Breakout Force (§)	kN	209	208	223	196	194	207
	lbf	47,155	46,862	50,119	44,044	43,750	46,637
Operating Weight*	kg	28 499	28 637	28 474	28 488	28 626	28 462
	lb	62,812	63,115	62,756	62,786	63,090	62,730

\* Static tipping loads and operating weights shown are based on a machine configuration with Brawler 26.5X25 Smooth solid tires, full fluids, operator, cab precleaner, fabricated counterweight with rear guard (1300 kg), flat window glass with front guard, industrial package, ride control, standard starting, narrow fenders, turbine engine precleaner, Product Link, auto diff lock axles (front/rear), power train guard, standard steering, industrial sound suppression and variable pitch fan.

† Illustration shown with Dimension charts.

(§) Measured 100 mm (4") behind tip of cutting edge with bucket hinge pin as pivot point in accordance with ISO 14397-2:2007.

(With tire deflection) Full compliance to ISO 14397-1:2007 Sections 1 thru 6, which requires 2% verification between calculations and testing.

(No tire deflection) Compliance to ISO 14397-1:2007 Sections 1 thru 5.

Other buckets are available and offerings vary by region. Consult your local Cat dealer for further details.

# 972 XE Waste & Scrap Handler Specifications

## Operating Specifications – Buckets (continued)

Linkage		Standard Linkage					
Bucket Type		General Purpose – Pin-On					
Edge Type		Bolt-On Cutting Edges	Teeth and Segments	Tips	Bolt-On Cutting Edges	Teeth and Segments	Tips
Capacity – Rated	m <sup>3</sup>	4.60	4.60	4.40	5.00	5.00	4.80
	yd <sup>3</sup>	6.00	6.00	5.75	6.50	6.50	6.25
Capacity – Rated at 110% Fill Factor	m <sup>3</sup>	5.10	5.10	4.80	5.50	5.50	5.30
	yd <sup>3</sup>	6.75	6.75	6.25	7.25	7.25	7.00
Width	mm	3220	3271	3271	3220	3271	3271
	ft/in	10'6"	10'8"	10'8"	10'6"	10'8"	10'8"
16† Dump Clearance at Maximum Lift and 45° Discharge	mm	3224	3070	3070	3174	3019	3019
	ft/in	10'6"	10'0"	10'0"	10'4"	9'10"	9'10"
17† Reach at Maximum Lift and 45° Discharge	mm	1336	1473	1473	1380	1516	1516
	ft/in	4'4"	4'9"	4'9"	4'6"	4'11"	4'11"
Reach at Level Lift Arm and Bucket Level	mm	2977	3182	3182	3045	3250	3250
	ft/in	9'9"	10'5"	10'5"	9'11"	10'7"	10'7"
A† Digging Depth	mm	66	66	36	66	66	36
	in	2.6"	2.6"	1.4"	2.6"	2.6"	1.4"
12† Overall Length	mm	8922	9146	9146	8990	9214	9214
	ft/in	29'4"	30'1"	30'1"	29'6"	30'3"	30'3"
B† Overall Height with Bucket at Maximum Lift	mm	6232	6232	6232	6321	6321	6321
	ft/in	20'6"	20'6"	20'6"	20'9"	20'9"	20'9"
Loader Clearance Circle Radius with Bucket at Carry Position	mm	7596	7685	7685	7615	7704	7704
	ft/in	25'0"	25'3"	25'3"	25'0"	25'4"	25'4"
Static Tipping Load, Straight (With tire deflection)	kg	18 792	18 607	18 867	18 916	18 729	18 969
	lb	41,436	41,029	41,601	41,710	41,298	41,826
Static Tipping Load, Straight (No tire deflection)	kg	20 077	19 890	20 152	20 209	20 020	20 261
	lb	44,250	43,838	44,415	44,541	44,124	44,656
Static Tipping Load, Articulated (With tire deflection)	kg	17 084	16 900	17 146	17 210	17 024	17 251
	lb	37,671	37,264	37,807	37,949	37,538	38,039
Static Tipping Load, Articulated (No tire deflection)	kg	18 372	18 186	18 433	18 506	18 317	18 545
	lb	40,494	40,082	40,627	40,787	40,371	40,874
Breakout Force (§)	kN	202	200	214	198	197	210
	lbf	45,450	45,156	48,209	44,603	44,309	47,188
Operating Weight*	kg	28 560	28 698	28 534	28 601	28 739	28 575
	lb	62,945	63,249	62,889	63,035	63,339	62,979

\* Static tipping loads and operating weights shown are based on a machine configuration with Brawler 26.5X25 Smooth solid tires, full fluids, operator, cab precleaner, fabricated counterweight with rear guard (1300 kg), flat window glass with front guard, industrial package, ride control, standard starting, narrow fenders, turbine engine precleaner, Product Link, auto diff lock axles (front/rear), power train guard, standard steering, industrial sound suppression and variable pitch fan.

† Illustration shown with Dimension charts.

(§) Measured 100 mm (4") behind tip of cutting edge with bucket hinge pin as pivot point in accordance with ISO 14397-2:2007.

(With tire deflection) Full compliance to ISO 14397-1:2007 Sections 1 thru 6, which requires 2% verification between calculations and testing.

(No tire deflection) Compliance to ISO 14397-1:2007 Sections 1 thru 5.

Other buckets are available and offerings vary by region. Consult your local Cat dealer for further details.

# 972 XE Waste & Scrap Handler Specifications

## Operating Specifications – Buckets (continued)

Linkage		Standard Linkage					
Bucket Type		General Purpose – Pin-On			General Purpose – Hook-On – Fusion		
Edge Type		Bolt-On Cutting Edges	Teeth and Segments	Tips	Bolt-On Cutting Edges	Teeth and Segments	Tips
Capacity – Rated	m <sup>3</sup>	4.40	4.40	4.20	4.20	4.20	4.00
	yd <sup>3</sup>	5.75	5.75	5.50	5.50	5.50	5.25
Capacity – Rated at 110% Fill Factor	m <sup>3</sup>	4.80	4.80	4.60	4.60	4.60	4.40
	yd <sup>3</sup>	6.25	6.25	6.00	6.00	6.00	5.75
Width	mm	3220	3271	3271	3220	3271	3271
	ft/in	10'6"	10'8"	10'8"	10'6"	10'8"	10'8"
<b>16</b> † Dump Clearance at Maximum Lift and 45° Discharge	mm	3266	3113	3113	3232	3078	3078
	ft/in	10'8"	10'2"	10'2"	10'7"	10'1"	10'1"
<b>17</b> † Reach at Maximum Lift and 45° Discharge	mm	1300	1438	1438	1340	1477	1477
	ft/in	4'3"	4'8"	4'8"	4'4"	4'10"	4'10"
Reach at Level Lift Arm and Bucket Level	mm	2921	3126	3126	2973	3178	3178
	ft/in	9'7"	10'3"	10'3"	9'9"	10'5"	10'5"
<b>A</b> † Digging Depth	mm	66	66	36	66	66	36
	in	2.6"	2.6"	1.4"	2.6"	2.6"	1.4"
<b>12</b> † Overall Length	mm	8866	9090	9090	8918	9143	9143
	ft/in	29'2"	29'10"	29'10"	29'4"	30'0"	30'0"
<b>B</b> † Overall Height with Bucket at Maximum Lift	mm	6267	6267	6267	6073	6073	6073
	ft/in	20'7"	20'7"	20'7"	20'0"	20'0"	20'0"
Loader Clearance Circle Radius with Bucket at Carry Position	mm	7581	7670	7670	7612	7705	7705
	ft/in	24'11"	25'2"	25'2"	25'0"	25'4"	25'4"
Static Tipping Load, Straight (With tire deflection)	kg	18 953	18 769	19 021	18 390	18 207	18 564
	lb	41,791	41,386	41,941	40,550	40,147	40,933
Static Tipping Load, Straight (No tire deflection)	kg	20 241	20 055	20 310	19 654	19 469	19 840
	lb	44,611	44,201	44,763	43,319	42,910	43,728
Static Tipping Load, Articulated (With tire deflection)	kg	17 238	17 054	17 293	16 697	16 513	16 857
	lb	38,009	37,603	38,130	36,816	36,412	37,170
Static Tipping Load, Articulated (No tire deflection)	kg	18 528	18 342	18 583	17 964	17 779	18 136
	lb	40,836	40,426	40,959	39,593	39,184	39,973
Breakout Force (§)	kN	210	209	224	202	201	215
	lbf	47,385	47,092	50,378	45,582	45,289	48,356
Operating Weight*	kg	28 505	28 643	28 479	28 874	29 011	28 848
	lb	62,824	63,128	62,768	63,637	63,941	63,581

\* Static tipping loads and operating weights shown are based on a machine configuration with Brawler 26.5X25 Smooth solid tires, full fluids, operator, cab precleaner, fabricated counterweight with rear guard (1300 kg), flat window glass with front guard, industrial package, ride control, standard starting, narrow fenders, turbine engine precleaner, Product Link, auto diff lock axles (front/rear), power train guard, standard steering, industrial sound suppression and variable pitch fan.

† Illustration shown with Dimension charts.

(§) Measured 100 mm (4") behind tip of cutting edge with bucket hinge pin as pivot point in accordance with ISO 14397-2:2007.

(With tire deflection) Full compliance to ISO 14397-1:2007 Sections 1 thru 6, which requires 2% verification between calculations and testing.

(No tire deflection) Compliance to ISO 14397-1:2007 Sections 1 thru 5.

Other buckets are available and offerings vary by region. Consult your local Cat dealer for further details.

# 972 XE Waste & Scrap Handler Specifications

## Operating Specifications – Buckets (continued)

Linkage		Standard Linkage					
Bucket Type		General Purpose – Hook-On – Fusion					
Edge Type		Bolt-On Cutting Edges	Teeth and Segments	Tips	Bolt-On Cutting Edges	Teeth and Segments	Tips
Capacity – Rated	m <sup>3</sup>	4.60	4.60	4.40	4.80	4.80	4.60
	yd <sup>3</sup>	6.00	6.00	5.75	6.25	6.25	6.00
Capacity – Rated at 110% Fill Factor	m <sup>3</sup>	5.10	5.10	4.80	5.30	5.30	5.10
	yd <sup>3</sup>	6.75	6.75	6.25	7.00	7.00	6.75
Width	mm	3220	3271	3271	3220	3271	3271
	ft/in	10'6"	10'8"	10'8"	10'6"	10'8"	10'8"
<b>16</b> † Dump Clearance at Maximum Lift and 45° Discharge	mm	3194	3040	3040	3167	3012	3012
	ft/in	10'5"	9'11"	9'11"	10'4"	9'10"	9'10"
<b>17</b> † Reach at Maximum Lift and 45° Discharge	mm	1370	1508	1508	1392	1528	1528
	ft/in	4'5"	4'11"	4'11"	4'6"	5'0"	5'0"
Reach at Level Lift Arm and Bucket Level	mm	3023	3228	3228	3058	3263	3263
	ft/in	9'11"	10'7"	10'7"	10'0"	10'8"	10'8"
<b>A</b> † Digging Depth	mm	66	66	36	66	66	36
	in	2.6"	2.6"	1.4"	2.6"	2.6"	1.4"
<b>12</b> † Overall Length	mm	8968	9192	9192	9003	9227	9227
	ft/in	29'6"	30'2"	30'2"	29'7"	30'4"	30'4"
<b>B</b> † Overall Height with Bucket at Maximum Lift	mm	6248	6248	6248	6307	6307	6307
	ft/in	20'6"	20'6"	20'6"	20'9"	20'9"	20'9"
Loader Clearance Circle Radius with Bucket at Carry Position	mm	7626	7720	7720	7636	7730	7730
	ft/in	25'1"	25'4"	25'4"	25'1"	25'5"	25'5"
Static Tipping Load, Straight (With tire deflection)	kg	18 242	18 057	18 414	18 234	18 048	18 403
	lb	40,223	39,816	40,602	40,205	39,796	40,579
Static Tipping Load, Straight (No tire deflection)	kg	19 515	19 329	19 699	19 513	19 325	19 695
	lb	43,012	42,601	43,418	43,007	42,594	43,409
Static Tipping Load, Articulated (With tire deflection)	kg	16 551	16 366	16 710	16 543	16 358	16 700
	lb	36,494	36,088	36,845	36,477	36,069	36,824
Static Tipping Load, Articulated (No tire deflection)	kg	17 827	17 641	17 998	17 825	17 638	17 995
	lb	39,291	38,880	39,669	39,288	38,874	39,661
Breakout Force (§)	kN	195	194	206	190	189	201
	lbf	43,909	43,615	46,493	42,866	42,572	45,331
Operating Weight*	kg	28 974	29 112	28 949	28 969	29 107	28 944
	lb	63,858	64,162	63,803	63,848	64,152	63,792

\* Static tipping loads and operating weights shown are based on a machine configuration with Brawler 26.5X25 Smooth solid tires, full fluids, operator, cab precleaner, fabricated counterweight with rear guard (1300 kg), flat window glass with front guard, industrial package, ride control, standard starting, narrow fenders, turbine engine precleaner, Product Link, auto diff lock axles (front/rear), power train guard, standard steering, industrial sound suppression and variable pitch fan.

† Illustration shown with Dimension charts.

(§) Measured 100 mm (4") behind tip of cutting edge with bucket hinge pin as pivot point in accordance with ISO 14397-2:2007.

(With tire deflection) Full compliance to ISO 14397-1:2007 Sections 1 thru 6, which requires 2% verification between calculations and testing.

(No tire deflection) Compliance to ISO 14397-1:2007 Sections 1 thru 5.

Other buckets are available and offerings vary by region. Consult your local Cat dealer for further details.

# 972 XE Waste & Scrap Handler Specifications

## Operating Specifications – Buckets *(continued)*

Linkage		Standard Linkage					
Bucket Type		General Purpose – Hook-On – Fusion					
Edge Type		Bolt-On Cutting Edges	Teeth and Segments	Tips	Bolt-On Cutting Edges	Teeth and Segments	Tips
Capacity – Rated	m <sup>3</sup>	5.00	5.00	4.80	4.40	4.40	4.20
	yd <sup>3</sup>	6.50	6.50	6.25	5.75	5.75	5.50
Capacity – Rated at 110% Fill Factor	m <sup>3</sup>	5.50	5.50	5.30	4.80	4.80	4.60
	yd <sup>3</sup>	7.25	7.25	7.00	6.25	6.25	6.00
Width	mm	3220	3271	3271	3220	3271	3271
	ft/in	10'6"	10'8"	10'8"	10'6"	10'8"	10'8"
<b>16</b> † Dump Clearance at Maximum Lift and 45° Discharge	mm	3143	2988	2988	3237	3084	3084
	ft/in	10'3"	9'9"	9'9"	10'7"	10'1"	10'1"
<b>17</b> † Reach at Maximum Lift and 45° Discharge	mm	1413	1549	1549	1335	1473	1473
	ft/in	4'7"	5'1"	5'1"	4'4"	4'10"	4'10"
Reach at Level Lift Arm and Bucket Level	mm	3090	3295	3295	2966	3171	3171
	ft/in	10'1"	10'9"	10'9"	9'8"	10'4"	10'4"
<b>A</b> † Digging Depth	mm	66	66	36	66	66	36
	in	2.6"	2.6"	1.4"	2.6"	2.6"	1.4"
<b>12</b> † Overall Length	mm	9035	9260	9260	8911	9136	9136
	ft/in	29'8"	30'5"	30'5"	29'3"	30'0"	30'0"
<b>B</b> † Overall Height with Bucket at Maximum Lift	mm	6333	6333	6333	6242	6242	6242
	ft/in	20'10"	20'10"	20'10"	20'6"	20'6"	20'6"
Loader Clearance Circle Radius with Bucket at Carry Position	mm	7646	7740	7740	7610	7703	7703
	ft/in	25'2"	25'5"	25'5"	25'0"	25'4"	25'4"
Static Tipping Load, Straight (With tire deflection)	kg	18 114	17 928	18 281	18 394	18 211	18 573
	lb	39,941	39,531	40,310	40,559	40,155	40,954
Static Tipping Load, Straight (No tire deflection)	kg	19 396	19 208	19 576	19 670	19 484	19 862
	lb	42,750	42,335	43,145	43,353	42,944	43,777
Static Tipping Load, Articulated (With tire deflection)	kg	16 424	16 239	16 579	16 696	16 512	16 862
	lb	36,215	35,806	36,557	36,814	36,410	37,180
Static Tipping Load, Articulated (No tire deflection)	kg	17 710	17 521	17 876	17 975	17 789	18 153
	lb	39,033	38,618	39,400	39,617	39,207	40,010
Breakout Force (§)	kN	186	184	196	203	202	216
	lbf	41,851	41,556	44,208	45,755	45,462	48,554
Operating Weight*	kg	29 060	29 198	29 035	28 915	29 053	28 890
	lb	64,047	64,351	63,992	63,729	64,033	63,673

\* Static tipping loads and operating weights shown are based on a machine configuration with Brawler 26.5X25 Smooth solid tires, full fluids, operator, cab precleaner, fabricated counterweight with rear guard (1300 kg), flat window glass with front guard, industrial package, ride control, standard starting, narrow fenders, turbine engine precleaner, Product Link, auto diff lock axles (front/rear), power train guard, standard steering, industrial sound suppression and variable pitch fan.

† Illustration shown with Dimension charts.

(§) Measured 100 mm (4") behind tip of cutting edge with bucket hinge pin as pivot point in accordance with ISO 14397-2:2007.

(With tire deflection) Full compliance to ISO 14397-1:2007 Sections 1 thru 6, which requires 2% verification between calculations and testing.

(No tire deflection) Compliance to ISO 14397-1:2007 Sections 1 thru 5.

Other buckets are available and offerings vary by region. Consult your local Cat dealer for further details.

# 972 XE Waste & Scrap Handler Specifications

## Operating Specifications – Buckets (continued)

Linkage		Standard Linkage		
Bucket Type		Waste, Dozing – Pin-On	Waste, Load & Carry – Pin-On	Waste, Top Clamp – Pin-On
Edge Type		Steel Bolt-On Cutting Edges	Steel Bolt-On Cutting Edges	Steel Bolt-On Cutting Edges
Capacity – Rated	m <sup>3</sup>	7.40	6.50	5.00
	yd <sup>3</sup>	9.75	8.50	6.50
Capacity – Rated at 110% Fill Factor	m <sup>3</sup>	8.10	7.20	5.50
	yd <sup>3</sup>	10.50	9.50	7.25
Width	mm	3357	3357	3357
	ft/in	11'0"	11'0"	11'0"
<b>16</b> † Dump Clearance at Maximum Lift and 45° Discharge	mm	2893	3173	2679
	ft/in	9'5"	10'4"	8'9"
<b>17</b> † Reach at Maximum Lift and 45° Discharge	mm	1478	1198	1692
	ft/in	4'10"	3'11"	5'6"
Reach at Level Lift Arm and Bucket Level	mm	3329	2932	3631
	ft/in	10'11"	9'7"	11'10"
<b>A</b> † Digging Depth	mm	57	97	57
	in	2.2"	3.8"	2.2"
<b>12</b> † Overall Length	mm	9298	8901	9600
	ft/in	30'7"	29'3"	31'6"
<b>B</b> † Overall Height with Bucket at Maximum Lift	mm	6599	6822	5739
	ft/in	21'8"	22'5"	18'10"
Loader Clearance Circle Radius with Bucket at Carry Position	mm	7767	7659	7853
	ft/in	25'6"	25'2"	25'10"
Static Tipping Load, Straight (With tire deflection)	kg	17 164	18 767	15 102
	lb	37,846	41,381	33,299
Static Tipping Load, Straight (No tire deflection)	kg	18 451	20 236	16 187
	lb	40,666	44,600	35,678
Static Tipping Load, Articulated (With tire deflection)	kg	15 511	17 001	13 559
	lb	34,202	37,487	29,898
Static Tipping Load, Articulated (No tire deflection)	kg	16 802	18 468	14 654
	lb	37,032	40,704	32,297
Breakout Force (§)	kN	165	204	135
	lbf	37,096	45,954	30,551
Operating Weight*	kg	29 426	29 203	30 352
	lb	64,855	64,362	66,896

\* Static tipping loads and operating weights shown are based on a machine configuration with Brawler 26.5X25 Smooth solid tires, full fluids, operator, cab precleaner, fabricated counterweight with rear guard (1300 kg), flat window glass with front guard, industrial package, ride control, standard starting, narrow fenders, turbine engine precleaner, Product Link, auto diff lock axles (front/rear), power train guard, standard steering, industrial sound suppression and variable pitch fan.

† Illustration shown with Dimension charts.

(§) Measured 100 mm (4") behind tip of cutting edge with bucket hinge pin as pivot point in accordance with ISO 14397-2:2007.

(With tire deflection) Full compliance to ISO 14397-1:2007 Sections 1 thru 6, which requires 2% verification between calculations and testing.

(No tire deflection) Compliance to ISO 14397-1:2007 Sections 1 thru 5.

Other buckets are available and offerings vary by region. Consult your local Cat dealer for further details.

# 972 XE Waste & Scrap Handler Specifications

## Operating Specifications – Buckets (continued)

Linkage		High Lift Linkage					
Bucket Type		General Purpose – Pin-On					
Edge Type		Bolt-On Cutting Edges	Teeth and Segments	Tips	Bolt-On Cutting Edges	Teeth and Segments	Tips
Capacity – Rated	m <sup>3</sup>	4.20	4.20	4.00	4.80	4.80	4.60
	yd <sup>3</sup>	5.50	5.50	5.25	6.25	6.25	6.00
Capacity – Rated at 110% Fill Factor	m <sup>3</sup>	4.60	4.60	4.40	5.30	5.30	5.10
	yd <sup>3</sup>	6.00	6.00	5.75	7.00	7.00	6.75
Width	mm	3220	3271	3271	3220	3271	3271
	ft/in	10'6"	10'8"	10'8"	10'6"	10'8"	10'8"
<b>16</b> † Dump Clearance at Maximum Lift and 45° Discharge	mm	3262	3108	3108	3191	3036	3036
	ft/in	10'8"	10'2"	10'2"	10'5"	9'11"	9'11"
<b>17</b> † Reach at Maximum Lift and 45° Discharge	mm	1305	1443	1443	1365	1501	1501
	ft/in	4'3"	4'8"	4'8"	4'5"	4'11"	4'11"
Reach at Level Lift Arm and Bucket Level	mm	2928	3133	3133	3022	3227	3227
	ft/in	9'7"	10'3"	10'3"	9'10"	10'7"	10'7"
<b>A</b> † Digging Depth	mm	66	66	36	66	66	36
	in	2.6"	2.6"	1.4"	2.6"	2.6"	1.4"
<b>12</b> † Overall Length	mm	8873	9097	9097	8967	9191	9191
	ft/in	29'2"	29'11"	29'11"	29'6"	30'2"	30'2"
<b>B</b> † Overall Height with Bucket at Maximum Lift	mm	5974	5974	5974	6068	6068	6068
	ft/in	19'8"	19'8"	19'8"	19'11"	19'11"	19'11"
Loader Clearance Circle Radius with Bucket at Carry Position	mm	7583	7672	7672	7608	7697	7697
	ft/in	24'11"	25'3"	25'3"	25'0"	25'4"	25'4"
Static Tipping Load, Straight (With tire deflection)	kg	18 905	18 721	18 974	18 817	18 631	20 898
	lb	41,685	41,280	41,838	41,491	41,081	46,079
Static Tipping Load, Straight (No tire deflection)	kg	20 180	19 994	20 251	20 108	19 920	22 590
	lb	44,477	44,068	44,633	44,318	43,903	49,788
Static Tipping Load, Articulated (With tire deflection)	kg	17 194	17 010	17 252	17 111	16 926	18 987
	lb	37,913	37,508	38,040	37,730	37,321	41,867
Static Tipping Load, Articulated (No tire deflection)	kg	18 472	18 287	18 530	18 405	18 217	20 669
	lb	40,714	40,304	40,841	40,566	40,151	45,554
Breakout Force (§)	kN	209	208	223	196	194	207
	lbf	47,155	46,862	50,119	44,044	43,750	46,637
Operating Weight*	kg	28 499	28 637	28 474	28 488	28 626	28 462
	lb	62,812	63,115	62,756	62,786	63,090	62,730

\* Static tipping loads and operating weights shown are based on a machine configuration with Brawler 26.5X25 Smooth solid tires, full fluids, operator, cab precleaner, fabricated counterweight with rear guard (1300 kg), flat window glass with front guard, industrial package, ride control, standard starting, narrow fenders, turbine engine precleaner, Product Link, auto diff lock axles (front/rear), power train guard, standard steering, industrial sound suppression and variable pitch fan.

† Illustration shown with Dimension charts.

(§) Measured 100 mm (4") behind tip of cutting edge with bucket hinge pin as pivot point in accordance with ISO 14397-2:2007.

(With tire deflection) Full compliance to ISO 14397-1:2007 Sections 1 thru 6, which requires 2% verification between calculations and testing.

(No tire deflection) Compliance to ISO 14397-1:2007 Sections 1 thru 5.

Other buckets are available and offerings vary by region. Consult your local Cat dealer for further details.



# 972 XE Waste & Scrap Handler Specifications

## Operating Specifications – Buckets (continued)

Linkage		High Lift Linkage					
Bucket Type		General Purpose – Pin-On					
Edge Type		Bolt-On Cutting Edges	Teeth and Segments	Tips	Bolt-On Cutting Edges	Teeth and Segments	Tips
Capacity – Rated	m <sup>3</sup>	4.60	4.60	4.40	5.00	5.00	4.80
	yd <sup>3</sup>	6.00	6.00	5.75	6.50	6.50	6.25
Capacity – Rated at 110% Fill Factor	m <sup>3</sup>	5.10	5.10	4.80	5.50	5.50	5.30
	yd <sup>3</sup>	6.75	6.75	6.25	7.25	7.25	7.00
Width	mm	3220	3271	3271	3220	3271	3271
	ft/in	10'6"	10'8"	10'8"	10'6"	10'8"	10'8"
16† Dump Clearance at Maximum Lift and 45° Discharge	mm	3224	3070	3070	3174	3019	3019
	ft/in	10'6"	10'0"	10'0"	10'4"	9'10"	9'10"
17† Reach at Maximum Lift and 45° Discharge	mm	1336	1473	1473	1380	1516	1516
	ft/in	4'4"	4'9"	4'9"	4'6"	4'11"	4'11"
Reach at Level Lift Arm and Bucket Level	mm	2977	3182	3182	3045	3250	3250
	ft/in	9'9"	10'5"	10'5"	9'11"	10'7"	10'7"
A† Digging Depth	mm	66	66	36	66	66	36
	in	2.6"	2.6"	1.4"	2.6"	2.6"	1.4"
12† Overall Length	mm	8922	9146	9146	8990	9214	9214
	ft/in	29'4"	30'1"	30'1"	29'6"	30'3"	30'3"
B† Overall Height with Bucket at Maximum Lift	mm	6232	6232	6232	6321	6321	6321
	ft/in	20'6"	20'6"	20'6"	20'9"	20'9"	20'9"
Loader Clearance Circle Radius with Bucket at Carry Position	mm	7596	7685	7685	7615	7704	7704
	ft/in	25'0"	25'3"	25'3"	25'0"	25'4"	25'4"
Static Tipping Load, Straight (With tire deflection)	kg	18 792	18 607	18 867	18 916	18 729	18 969
	lb	41,436	41,029	41,601	41,710	41,298	41,826
Static Tipping Load, Straight (No tire deflection)	kg	20 077	19 890	20 152	20 209	20 020	20 261
	lb	44,250	43,838	44,415	44,541	44,124	44,656
Static Tipping Load, Articulated (With tire deflection)	kg	17 084	16 900	17 146	17 210	17 024	17 251
	lb	37,671	37,264	37,807	37,949	37,538	38,039
Static Tipping Load, Articulated (No tire deflection)	kg	18 372	18 186	18 433	18 506	18 317	18 545
	lb	40,494	40,082	40,627	40,787	40,371	40,874
Breakout Force (§)	kN	202	200	214	198	197	210
	lbf	45,450	45,156	48,209	44,603	44,309	47,188
Operating Weight*	kg	28 560	28 698	28 534	28 601	28 739	28 575
	lb	62,945	63,249	62,889	63,035	63,339	62,979

\* Static tipping loads and operating weights shown are based on a machine configuration with Brawler 26.5X25 Smooth solid tires, full fluids, operator, cab precleaner, fabricated counterweight with rear guard (1300 kg), flat window glass with front guard, industrial package, ride control, standard starting, narrow fenders, turbine engine precleaner, Product Link, auto diff lock axles (front/rear), power train guard, standard steering, industrial sound suppression and variable pitch fan.

† Illustration shown with Dimension charts.

(§) Measured 100 mm (4") behind tip of cutting edge with bucket hinge pin as pivot point in accordance with ISO 14397-2:2007.

(With tire deflection) Full compliance to ISO 14397-1:2007 Sections 1 thru 6, which requires 2% verification between calculations and testing.

(No tire deflection) Compliance to ISO 14397-1:2007 Sections 1 thru 5.

Other buckets are available and offerings vary by region. Consult your local Cat dealer for further details.



# 972 XE Waste & Scrap Handler Specifications

## Operating Specifications – Buckets (continued)

Linkage		High Lift Linkage					
Bucket Type		General Purpose – Pin-On			General Purpose – Hook-On – Fusion		
Edge Type		Bolt-On Cutting Edges	Teeth and Segments	Tips	Bolt-On Cutting Edges	Teeth and Segments	Tips
Capacity – Rated	m <sup>3</sup>	4.40	4.40	4.20	4.20	4.20	4.00
	yd <sup>3</sup>	5.75	5.75	5.50	5.50	5.50	5.25
Capacity – Rated at 110% Fill Factor	m <sup>3</sup>	4.80	4.80	4.60	4.60	4.60	4.40
	yd <sup>3</sup>	6.25	6.25	6.00	6.00	6.00	5.75
Width	mm	3220	3271	3271	3220	3271	3271
	ft/in	10'6"	10'8"	10'8"	10'6"	10'8"	10'8"
<b>16</b> † Dump Clearance at Maximum Lift and 45° Discharge	mm	3266	3113	3113	3232	3078	3078
	ft/in	10'8"	10'2"	10'2"	10'7"	10'1"	10'1"
<b>17</b> † Reach at Maximum Lift and 45° Discharge	mm	1300	1438	1438	1340	1477	1477
	ft/in	4'3"	4'8"	4'8"	4'4"	4'10"	4'10"
Reach at Level Lift Arm and Bucket Level	mm	2921	3126	3126	2973	3178	3178
	ft/in	9'7"	10'3"	10'3"	9'9"	10'5"	10'5"
<b>A</b> † Digging Depth	mm	66	66	36	66	66	36
	in	2.6"	2.6"	1.4"	2.6"	2.6"	1.4"
<b>12</b> † Overall Length	mm	8866	9090	9090	8918	9143	9143
	ft/in	29'2"	29'10"	29'10"	29'4"	30'0"	30'0"
<b>B</b> † Overall Height with Bucket at Maximum Lift	mm	6267	6267	6267	6073	6073	6073
	ft/in	20'7"	20'7"	20'7"	20'0"	20'0"	20'0"
Loader Clearance Circle Radius with Bucket at Carry Position	mm	7581	7670	7670	7612	7705	7705
	ft/in	24'11"	25'2"	25'2"	25'0"	25'4"	25'4"
Static Tipping Load, Straight (With tire deflection)	kg	18 953	18 769	19 021	18 390	18 207	18 564
	lb	41,791	41,386	41,941	40,550	40,147	40,933
Static Tipping Load, Straight (No tire deflection)	kg	20 241	20 055	20 310	19 654	19 469	19 840
	lb	44,611	44,201	44,763	43,319	42,910	43,728
Static Tipping Load, Articulated (With tire deflection)	kg	17 238	17 054	17 293	16 697	16 513	16 857
	lb	38,009	37,603	38,130	36,816	36,412	37,170
Static Tipping Load, Articulated (No tire deflection)	kg	18 528	18 342	18 583	17 964	17 779	18 136
	lb	40,836	40,426	40,959	39,593	39,184	39,973
Breakout Force (§)	kN	210	209	224	202	201	215
	lbf	47,385	47,092	50,378	45,582	45,289	48,356
Operating Weight*	kg	28 505	28 643	28 479	28 874	29 011	28 848
	lb	62,824	63,128	62,768	63,637	63,941	63,581

\* Static tipping loads and operating weights shown are based on a machine configuration with Brawler 26.5X25 Smooth solid tires, full fluids, operator, cab precleaner, fabricated counterweight with rear guard (1300 kg), flat window glass with front guard, industrial package, ride control, standard starting, narrow fenders, turbine engine precleaner, Product Link, auto diff lock axles (front/rear), power train guard, standard steering, industrial sound suppression and variable pitch fan.

† Illustration shown with Dimension charts.

(§) Measured 100 mm (4") behind tip of cutting edge with bucket hinge pin as pivot point in accordance with ISO 14397-2:2007.

(With tire deflection) Full compliance to ISO 14397-1:2007 Sections 1 thru 6, which requires 2% verification between calculations and testing.

(No tire deflection) Compliance to ISO 14397-1:2007 Sections 1 thru 5.

Other buckets are available and offerings vary by region. Consult your local Cat dealer for further details.

# 972 XE Waste & Scrap Handler Specifications

## Operating Specifications – Buckets (continued)

Linkage		High Lift Linkage					
Bucket Type		General Purpose – Hook-On – Fusion					
Edge Type		Bolt-On Cutting Edges	Teeth and Segments	Tips	Bolt-On Cutting Edges	Teeth and Segments	Tips
Capacity – Rated	m <sup>3</sup>	4.60	4.60	4.40	4.80	4.80	4.60
	yd <sup>3</sup>	6.00	6.00	5.75	6.25	6.25	6.00
Capacity – Rated at 110% Fill Factor	m <sup>3</sup>	5.10	5.10	4.80	5.30	5.30	5.10
	yd <sup>3</sup>	6.75	6.75	6.25	7.00	7.00	6.75
Width	mm	3220	3271	3271	3220	3271	3271
	ft/in	10'6"	10'8"	10'8"	10'6"	10'8"	10'8"
16† Dump Clearance at Maximum Lift and 45° Discharge	mm	3194	3040	3040	3167	3012	3012
	ft/in	10'5"	9'11"	9'11"	10'4"	9'10"	9'10"
17† Reach at Maximum Lift and 45° Discharge	mm	1370	1508	1508	1392	1528	1528
	ft/in	4'5"	4'11"	4'11"	4'6"	5'0"	5'0"
Reach at Level Lift Arm and Bucket Level	mm	3023	3228	3228	3058	3263	3263
	ft/in	9'11"	10'7"	10'7"	10'0"	10'8"	10'8"
A† Digging Depth	mm	66	66	36	66	66	36
	in	2.6"	2.6"	1.4"	2.6"	2.6"	1.4"
12† Overall Length	mm	8968	9192	9192	9003	9227	9227
	ft/in	29'6"	30'2"	30'2"	29'7"	30'4"	30'4"
B† Overall Height with Bucket at Maximum Lift	mm	6248	6248	6248	6307	6307	6307
	ft/in	20'6"	20'6"	20'6"	20'9"	20'9"	20'9"
Loader Clearance Circle Radius with Bucket at Carry Position	mm	7626	7720	7720	7636	7730	7730
	ft/in	25'1"	25'4"	25'4"	25'1"	25'5"	25'5"
Static Tipping Load, Straight (With tire deflection)	kg	18 242	18 057	18 414	18 234	18 048	18 403
	lb	40,223	39,816	40,602	40,205	39,796	40,579
Static Tipping Load, Straight (No tire deflection)	kg	19 515	19 329	19 699	19 513	19 325	19 695
	lb	43,012	42,601	43,418	43,007	42,594	43,409
Static Tipping Load, Articulated (With tire deflection)	kg	16 551	16 366	16 710	16 543	16 358	16 700
	lb	36,494	36,088	36,845	36,477	36,069	36,824
Static Tipping Load, Articulated (No tire deflection)	kg	17 827	17 641	17 998	17 825	17 638	17 995
	lb	39,291	38,880	39,669	39,288	38,874	39,661
Breakout Force (§)	kN	195	194	206	190	189	201
	lbf	43,909	43,615	46,493	42,866	42,572	45,331
Operating Weight*	kg	28 974	29 112	28 949	28 969	29 107	28 944
	lb	63,858	64,162	63,803	63,848	64,152	63,792

\* Static tipping loads and operating weights shown are based on a machine configuration with Brawler 26.5X25 Smooth solid tires, full fluids, operator, cab precleaner, fabricated counterweight with rear guard (1300 kg), flat window glass with front guard, industrial package, ride control, standard starting, narrow fenders, turbine engine precleaner, Product Link, auto diff lock axles (front/rear), power train guard, standard steering, industrial sound suppression and variable pitch fan.

† Illustration shown with Dimension charts.

(§) Measured 100 mm (4") behind tip of cutting edge with bucket hinge pin as pivot point in accordance with ISO 14397-2:2007.

(With tire deflection) Full compliance to ISO 14397-1:2007 Sections 1 thru 6, which requires 2% verification between calculations and testing.

(No tire deflection) Compliance to ISO 14397-1:2007 Sections 1 thru 5.

Other buckets are available and offerings vary by region. Consult your local Cat dealer for further details.

# 972 XE Waste & Scrap Handler Specifications

## Operating Specifications – Buckets (continued)

Linkage		High Lift Linkage					
Bucket Type		General Purpose – Hook-On – Fusion					
Edge Type		Bolt-On Cutting Edges	Teeth and Segments	Tips	Bolt-On Cutting Edges	Teeth and Segments	Tips
Capacity – Rated	m <sup>3</sup>	5.00	5.00	4.80	4.40	4.40	4.20
	yd <sup>3</sup>	6.50	6.50	6.25	5.75	5.75	5.50
Capacity – Rated at 110% Fill Factor	m <sup>3</sup>	5.50	5.50	5.30	4.80	4.80	4.60
	yd <sup>3</sup>	7.25	7.25	7.00	6.25	6.25	6.00
Width	mm	3220	3271	3271	3220	3271	3271
	ft/in	10'6"	10'8"	10'8"	10'6"	10'8"	10'8"
16† Dump Clearance at Maximum Lift and 45° Discharge	mm	3143	2988	2988	3237	3084	3084
	ft/in	10'3"	9'9"	9'9"	10'7"	10'1"	10'1"
17† Reach at Maximum Lift and 45° Discharge	mm	1413	1549	1549	1335	1473	1473
	ft/in	4'7"	5'1"	5'1"	4'4"	4'10"	4'10"
Reach at Level Lift Arm and Bucket Level	mm	3090	3295	3295	2966	3171	3171
	ft/in	10'1"	10'9"	10'9"	9'8"	10'4"	10'4"
A† Digging Depth	mm	66	66	36	66	66	36
	in	2.6"	2.6"	1.4"	2.6"	2.6"	1.4"
12† Overall Length	mm	9035	9260	9260	8911	9136	9136
	ft/in	29'8"	30'5"	30'5"	29'3"	30'0"	30'0"
B† Overall Height with Bucket at Maximum Lift	mm	6333	6333	6333	6242	6242	6242
	ft/in	20'10"	20'10"	20'10"	20'6"	20'6"	20'6"
Loader Clearance Circle Radius with Bucket at Carry Position	mm	7646	7740	7740	7610	7703	7703
	ft/in	25'2"	25'5"	25'5"	25'0"	25'4"	25'4"
Static Tipping Load, Straight (With tire deflection)	kg	18 114	17 928	18 281	18 394	18 211	18 573
	lb	39,941	39,531	40,310	40,559	40,155	40,954
Static Tipping Load, Straight (No tire deflection)	kg	19 396	19 208	19 576	19 670	19 484	19 862
	lb	42,750	42,335	43,145	43,353	42,944	43,777
Static Tipping Load, Articulated (With tire deflection)	kg	16 424	16 239	16 579	16 696	16 512	16 862
	lb	36,215	35,806	36,557	36,814	36,410	37,180
Static Tipping Load, Articulated (No tire deflection)	kg	17 710	17 521	17 876	17 975	17 789	18 153
	lb	39,033	38,618	39,400	39,617	39,207	40,010
Breakout Force (§)	kN	186	184	196	203	202	216
	lbf	41,851	41,556	44,208	45,755	45,462	48,554
Operating Weight*	kg	29 060	29 198	29 035	28 915	29 053	28 890
	lb	64,047	64,351	63,992	63,729	64,033	63,673

\* Static tipping loads and operating weights shown are based on a machine configuration with Brawler 26.5X25 Smooth solid tires, full fluids, operator, cab precleaner, fabricated counterweight with rear guard (1300 kg), flat window glass with front guard, industrial package, ride control, standard starting, narrow fenders, turbine engine precleaner, Product Link, auto diff lock axles (front/rear), power train guard, standard steering, industrial sound suppression and variable pitch fan.

† Illustration shown with Dimension charts.

(§) Measured 100 mm (4") behind tip of cutting edge with bucket hinge pin as pivot point in accordance with ISO 14397-2:2007.

(With tire deflection) Full compliance to ISO 14397-1:2007 Sections 1 thru 6, which requires 2% verification between calculations and testing.

(No tire deflection) Compliance to ISO 14397-1:2007 Sections 1 thru 5.

Other buckets are available and offerings vary by region. Consult your local Cat dealer for further details.

# 972 XE Waste & Scrap Handler Specifications

## Operating Specifications – Buckets (continued)

Linkage		High Lift Linkage		
Bucket Type		Waste, Dozing – Pin-On	Waste, Load & Carry – Pin-On	Waste, Top Clamp – Pin-On
Edge Type		Steel Bolt-On Cutting Edges	Steel Bolt-On Cutting Edges	Steel Bolt-On Cutting Edges
Capacity – Rated	m <sup>3</sup>	6.50	7.40	5.00
	yd <sup>3</sup>	8.50	9.75	6.50
Capacity – Rated at 110% Fill Factor	m <sup>3</sup>	7.20	8.10	5.50
	yd <sup>3</sup>	9.50	10.50	7.25
Width	mm	3357	3357	3357
	ft/in	11'0"	11'0"	11'0"
<b>16</b> † Dump Clearance at Maximum Lift and 45° Discharge	mm	3173	2893	2679
	ft/in	10'4"	9'5"	8'9"
<b>17</b> † Reach at Maximum Lift and 45° Discharge	mm	1198	1478	1692
	ft/in	3'11"	4'10"	5'6"
Reach at Level Lift Arm and Bucket Level	mm	2932	3329	3631
	ft/in	9'7"	10'11"	11'10"
<b>A</b> † Digging Depth	mm	97	57	57
	in	3.8"	2.2"	2.2"
<b>12</b> † Overall Length	mm	8901	9298	9600
	ft/in	29'3"	30'7"	31'6"
<b>B</b> † Overall Height with Bucket at Maximum Lift	mm	6822	6599	5739
	ft/in	22'5"	21'8"	18'10"
Loader Clearance Circle Radius with Bucket at Carry Position	mm	7659	7767	7853
	ft/in	25'2"	25'6"	25'10"
Static Tipping Load, Straight (With tire deflection)	kg	18 767	17 164	15 102
	lb	41,381	37,846	33,299
Static Tipping Load, Straight (No tire deflection)	kg	20 236	18 451	16 187
	lb	44,600	40,666	35,678
Static Tipping Load, Articulated (With tire deflection)	kg	17 001	15 511	13 559
	lb	37,487	34,202	29,898
Static Tipping Load, Articulated (No tire deflection)	kg	18 468	16 802	14 654
	lb	40,704	37,032	32,297
Breakout Force (§)	kN	204	165	135
	lbf	45,954	37,096	30,551
Operating Weight*	kg	29 203	29 426	30 352
	lb	64,362	64,855	66,896

\* Static tipping loads and operating weights shown are based on a machine configuration with Brawler 26.5X25 Smooth solid tires, full fluids, operator, cab precleaner, fabricated counterweight with rear guard (1300 kg), flat window glass with front guard, industrial package, ride control, standard starting, narrow fenders, turbine engine precleaner, Product Link, auto diff lock axles (front/rear), power train guard, standard steering, industrial sound suppression and variable pitch fan.

† Illustration shown with Dimension charts.

(§) Measured 100 mm (4") behind tip of cutting edge with bucket hinge pin as pivot point in accordance with ISO 14397-2:2007.

(With tire deflection) Full compliance to ISO 14397-1:2007 Sections 1 thru 6, which requires 2% verification between calculations and testing.

(No tire deflection) Compliance to ISO 14397-1:2007 Sections 1 thru 5.

Other buckets are available and offerings vary by region. Consult your local Cat dealer for further details.



# 972 XE

## Corrosion Resistant

***The Cat 972 XE Wheel Loader Corrosion Resistant Package adds real value in protecting your machine investment. An industry-unique factory treatment provides more protection for all machine components that can be affected by corrosive materials. It's designed for improving reliability and durability in demanding corrosive environments such as fertilizer plants, chemical industries, agriculture, saltwater ports, and others.***

### Proven Reliability

- Cat C9.3B engine offers high power density with a combination of proven electronics, fuel, and air systems.
- Equipped with automatic Cat regeneration system, Cat Clean Emissions Module (CEM) with Diesel Particulate Filter (DPF), and Diesel Exhaust Fluid (DEF) tank and pump.
- Features an electric fuel priming pump, fuel-water separator, and secondary fuel filter.
- Thorough component design and machine validation processes result in unmatched reliability and uptime.

### Durability

- Corrosion Resistant Package includes silicon protection applied to all electrical terminals: alternator, engine starter, engine ground cable, and battery cables to maximize component life.
- Exposed electrical connectors are treated with shrinkable heat tube.
- Heavy-duty brushless alternator is utilized for increased durability.
- Optional paint protection that is more than two times the thickness of the standard paint. Extra primer coats are applied before the final polyurethane topcoat.
- Heavy-duty axles are designed to handle extreme applications.

### Superior Fuel Efficiency & Productivity

- Up to 35% better fuel efficiency compared to previous Cat model.
- Deep system integration of the Cat continuously variable transmission, engine, hydraulic, and cooling systems results in significantly increased performance and fuel efficiency.
- Eliminating the torque converter allows the capability to control engine rpm and machine speed independently, resulting in efficient digging, fine control, and easy operation.
- Lower rated engine speed reduces component wear and operating noise.

### Safety Features

- Rearview camera enhances visibility behind the machine, helping you work safely and confidently.
- Cab access with wide door, optional remote door opening, and stair-like steps add solid stability.
- Floor-to-ceiling windshield, large mirrors with integrated spot mirrors, and rearview camera provide industry leading all-around visibility.

### Reduced Maintenance Time and Costs

- Extended fluid and filter change intervals reduce maintenance costs by up to 20%.
- Remote Troubleshoot can connect the machine to the dealer service department to help diagnose problems quickly so you can get back to work.
- Remote Flash works around your schedule to ensure your machine's software is up to date for optimal performance.
- The Cat App helps you manage fleet location, hours, and maintenance schedules; it also alerts you for required maintenance and allows you to request service from your local Cat dealer.
- One-piece tilting hood makes engine compartment access fast and easy.

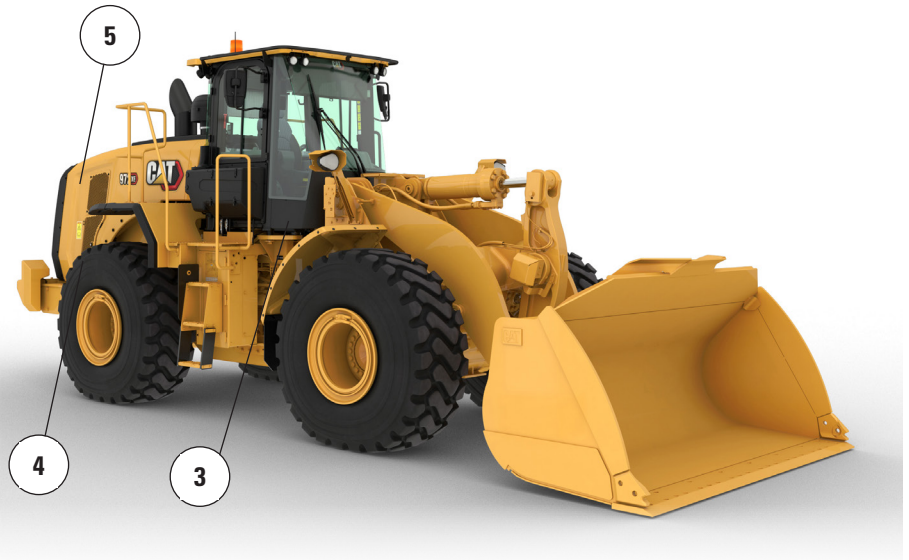
### Work in Comfort in the All New Cab

- Optional powered cabin precleaner filters the incoming air and pressurize the cab.
- Next-generation, easily adjustable seat and suspension for improved operator comfort. It comes in three trim levels and can be equipped with a 4-point harness.
- New in-cab dashboard and high-resolution touch display(s) are easy to use, intuitive, and user friendly.
- Sound suppression, seals, and viscous cab mounts decrease noise and vibration for a quieter work environment.
- The seat-mounted electro-hydraulic joystick steering system provides precision control and dramatically reduces arm fatigue, resulting in excellent comfort and accuracy.

# 972 XE Corrosion Resistant Specifications

## 972 XE Corrosion Resistant Features

1. Silicon protection applied to all electric terminals
2. Shrinkable heat-tube on exposed electrical connectors
3. Zerust vapor capsules in electrical compartments
4. Grease points on hood articulation pins
5. Optional corrosion resistant cooling package: E-coated cooling cores, heavy-duty latch, and greaseable hinges
6. Optional hydraulic system protection that includes silicone sealant and heat shrinkable tubing over the couplings



7. Heavy-duty brushless alternator
8. Sealed disconnect switch
9. Grease points on the cab door hinges
10. Additional coats of paint. Extra primer coats are applied before the final polyurethane topcoat
11. Varnish protection applied to under hood components
12. Optional turbine precleaner
13. Optional variable pitch fan
14. Optional autolube system
15. Anti-corrosion transmission fill cover

# 972 XE Wheel Loader Specifications

For more complete information on Cat products, dealer services, and industry solutions, visit us on the web at [www.cat.com](http://www.cat.com).

Materials and specifications are subject to change without notice. Featured machines in photos may include additional equipment. See your Cat dealer for available options.

© 2025 Caterpillar. All Rights Reserved. CAT, CATERPILLAR, LET'S DO THE WORK, their respective logos, XT, Product Link, Fusion, "Caterpillar Corporate Yellow", the "Power Edge" and Cat "Modern Hex" trade dress as well as corporate and product identity used herein, are trademarks of Caterpillar and may not be used without permission.

AEXQ3861-01 (1-2025)  
Replaces AEXQ3861-00  
Build Number: 14B  
(N Am, Europe, Türkiye,  
Aus-NZ, Chile, Colombia)

