

TRENCHERS

SKID STEER LOADERS
COMPACT TRACK LOADERS
COMPACT WHEEL LOADERS



Models	Machine Compatibility
T109	216B3, 226B3, 226D3, 232D3, 236D3, 239D3, 242D3, 246D3, 255, 259D3, 262D3, 265, 272D3, 279D3, 289D3, 299D3 903, 906, 907, 908
T112	216B3, 226B3, 226D3, 232D3, 236D3, 239D3, 242D3, 246D3, 255, 259D3, 262D3, 265, 272D3, 279D3, 289D3, 299D3 903, 906, 907, 908
T315	226D3, 242D3, 246D3, 255, 259D3, 262D3, 265, 272D3, 279D3, 289D3, 299D3 906, 907, 908

Machine model availability and attachment vary by region. Contact your local Cat® dealer for exact compatibility and availability.



Cat® Trenchers are designed for cutting narrow straight trenches in the soil prior to laying electrical, telephone and cable lines, or water and gas pipe. Trenchers are ideal for residential, commercial, agricultural, building construction, lawn care and golf course maintenance.

FEATURES



DIRECT DRIVE SYSTEM

Direct drive system features a variable speed, bi-directional, gerotor style motor that delivers optimal chain speed, chain pull and torque for maximum trenching performance in a broad range of soil types.



DURABLE ANTI-BACK FLEX CHAIN

Durable, double standard anti-back flex chain eliminates chain backlash and ensures teeth are positioned at the most efficient angle for smooth cutting and longer tooth life.



LARGE DIAMETER BOLT-ON SPOILER

Large diameter bolt-on spoil auger improves loose soil removal from trenching area and allows for quick, easy removal and servicing.



HYDRAULIC OR MANUAL SIDE SHIFT

Hydraulic or manual side shift provides close trenching flexibility near structures or obstructions. Hydraulic side shift, standard on the T315 (optional on T109 and T112) is controlled from operator's compartment using the standard flow auxiliary hydraulic circuit selector control.



OPTIONAL CHAIN TYPES AND CUTTING WIDTHS

Optional chain types and cuttings widths are available for specific soil, digging requirements and trench widths. These chain types include standard, combo, terminator and rockfrost.



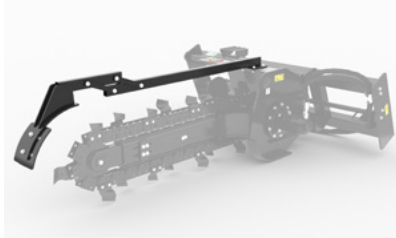
HARD-FACED, TUNGSTEN CARBIDE STEEL CUPPED TEETH

Hard-faced, tungsten carbide steel cupped teeth deliver long life in many soil conditions. Teeth are spaced for optimum digging performance in most soil types.



STANDARD TWO-YEAR WARRANTY

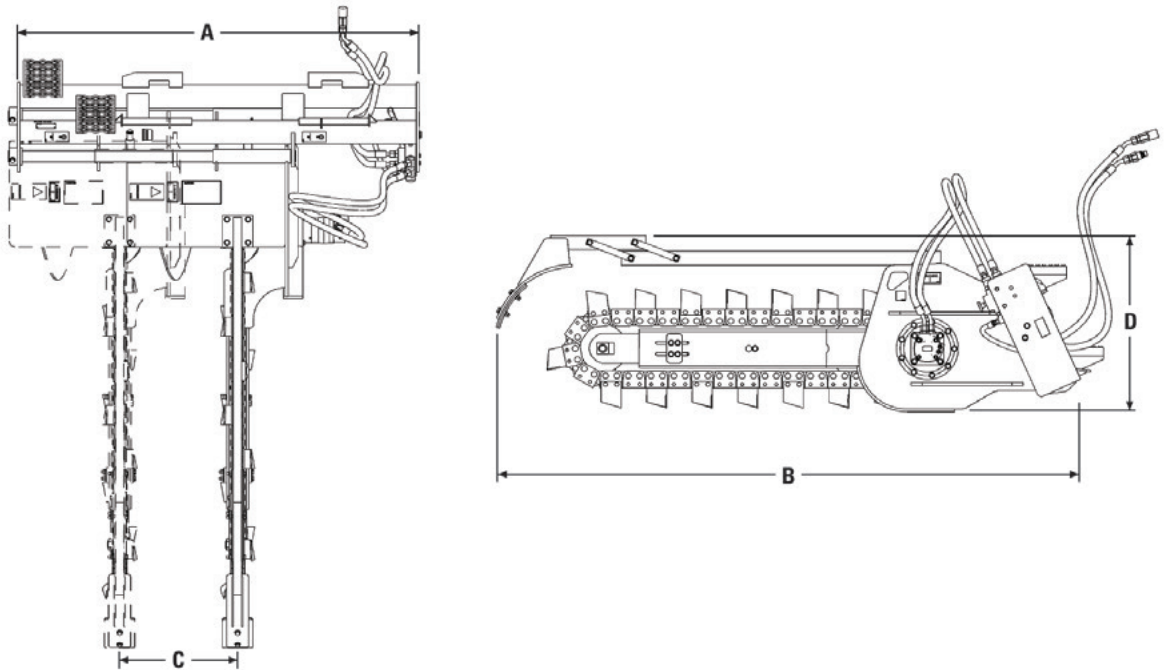
All trenchers come standard with a two-year warranty to give you peace of mind when purchasing a quality Cat Trencher attachment.



OPTIONAL BOLT-ON CRUMBER BAR AND SHOES

Optional bolt-on crumbar with shoe improves soil removal to provide cleaner trench. Shoes available in size range to accommodate trench width.

SPECIFICATIONS



SNOW BLOWERS			
Model	T109	T112	T315
A Overall Width – mm (in)	1426 (56)	1901 (75)	1901 (75)
B Overall Length – mm (in)	2348 (92)	2705 (107)	3010 (119)
C Side Shift Travel – mm (in)	419 (17)	559 (22)	559 (22)
D Overall Height – mm (in)	786 (31)	786 (31)	786 (31)
Standard Boom Length – mm (in)	914 (36)	1219 (48)	1524 (60)
Spoil Auger Diameter – mm (in)	457 (18)	457 (18)	457 (18)
Weight* – kg (lb)	391-512 (861-1,128)	441-558 (973-1,229)	479-584 (1,055-1,287)
Optional Cutting Widths – mm (in)	152, 203, 254, 305 (6, 8, 10, 12)		
Chain Pull – Maximum Pressure – kg (lb)	1207 (2,661)	1207 (2,661)	2424 (5,344)
Chain Speed – Maximum Flow – m/min (ft/min)	155 (509)	155 (509)	158 (518)
Drive Shaft Torque – N-m (lb/ft)	1447 (1,067)	1447 (1,067)	2905 (2,143)
Required Hydraulics	Standard Flow	Standard Flow	High Flow XPS
Optimal Hydraulic Flow – L/min (gpm)	42-86 (11-23)	42-86 (11-23)	95-152 (25-40)
Optimal Hydraulic Pressure – bar (psi)	145-235 (2,100-3,400)	145-235 (2,100-3,400)	207-310 (3,300-4,500)
Interface	Skid Steer Loader		

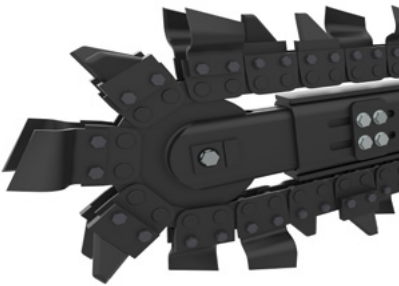
*Weight ranges based on manual or hydraulic side shift and optional chain type/widths.

TRENCHER CHAINS



STANDARD – STANDARD CUP TEETH IN DOUBLE STANDARD PATTERN.

Double standard chains have cup teeth on every link segment and are ideal for sandy, loose, dry, and small rocks. The cup tooth design is excellent for removing loose soil from the trench. Single standard chains have cup teeth on every other segment, making this tooth pattern ideal for clay and wet soil conditions. The wide tooth pattern helps prevent the soil for clogging the chain.



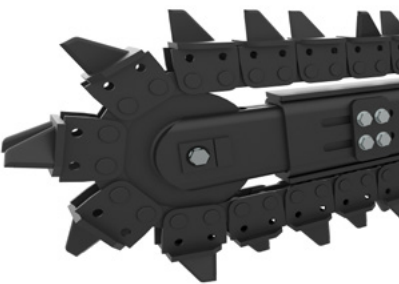
COMBINATION – CARBIDE TEETH COMBINED WITH STANDARD CUPS.

Combination chains alternate between cup teeth and carbide teeth, where the combination works as a “pick and shovel” to break the ground and remove spoil from the trench. Combo chains are typically used in medium to hard soil density.



ROCKFROST – CONICAL BITS IN DOUBLE STANDARD PATTERN FOR SEVERE GROUND CONDITIONS.

Rockfrost chains are comprised of 100% conical carbide bit teeth and are recommended for severe digging conditions such as hard caliche, coral, rock, asphalt frost and hard clay. The rock frost chain is recommended for extreme digging conditions. The conical bits are self-sharpening as they are allowed to rotate in their bit holder during trenching.



TERMINATOR – CARBIDE TEETH ARRANGED IN DOUBLE STANDARD CONFIGURATION.

Terminator chains are comprised of 100% carbide teeth and recommended for tough, rocky, compact soil conditions. The carbide teeth are ideal for breaking up hardpan and limestone.

For more complete information on Cat products, dealer services and industry solutions, visit us on the web at www.cat.com

AEHQ8463 (03-2024)
(Global)

© 2024 Caterpillar. All Rights Reserved.

Materials and specifications are subject to change without notice. Featured machines in photos may include additional equipment. See your Cat dealer for available options.

CAT, CATERPILLAR, LET'S DO THE WORK, their respective logos, “Caterpillar Corporate Yellow,” the “Power Edge” and Cat “Modern Hex” trade dress as well as corporate and product identity used herein, are trademarks of Caterpillar and may not be used without permission.

www.cat.com www.caterpillar.com

