



Cat[®] CS11

Smooth Drum Vibratory Soil Compactor

The Cat[®] CS11 Vibratory Soil Compactor features a smooth drum and is ideally suited for granular soil applications or cohesive soil applications with the use of an optional padfoot shell kit. A reliable propel system improves performance and efficiency and compaction technology solutions help you reach target density faster.

Efficient Power

- Built around a dual pump propel system, two pumps provide separate dedicated flow to the drum drive motor and rear axle motor for exceptional gradeability and traction in forward and reverse.
- Powered by a Cat[®] C4.4 engine that meets Brazil MAR-1 emission standards, equivalent to U.S. EPA Tier 3 and EU Stage IIIA.
- Eco-mode limits engine RPM helping to reduce fuel consumption.
- Engine Idle Shutdown Timer reduces fuel burn and unnecessary idle time by shutting down the machine after a pre-set idling period.
- A variable speed cooling fan operates at the lowest possible speed for optimal cooling.

Exceptional Compaction Performance

- High static linear loads and amplitudes.
- Exclusive eccentric weight design provides high reliability, smooth performance and low noise.
- The Auto-vibe function makes it easy to ensure consistent, high-quality compaction.
- The Variable Frequency option provides a wide range of frequencies to help maximize compaction performance.
- Increase machine versatility with the addition of an oval or square padfoot shell kit, allowing your smooth drum machine to compact semi-cohesive and cohesive materials.

Safe and Comfortable Work Environment

- A rear vision camera with large color touchscreen display enhances visibility for more complete operator control and safety.
- The pivoting seat with integrated multifunction LCD display and control console move with the operator.
- Outstanding visibility to the front and rear of machine.
- Low sound levels and vibration for greater operator comfort and productivity.
- Operators are protected from the elements by a standard equipped sun canopy, optional ROPS/FOPS canopy or optional climate-controlled ROPS/FOPS cab with hinged glass windows.

Enhance Quality and Productivity with Technology

- Optional Cat Compact technologies help you consistently meet compaction targets faster, more uniformly, and in fewer passes – saving on fuel and reducing rework and material costs.
 - Exclusive Machine Drive Power (MDP) is an energy-based measurement and can be used on all soil types.
 - Compaction Meter Value (CMV) is an accelerometer-based measurement for granular soils.

Cat® CS11 Smooth Drum Vibratory Soil Compactor

Virtually Maintenance Free

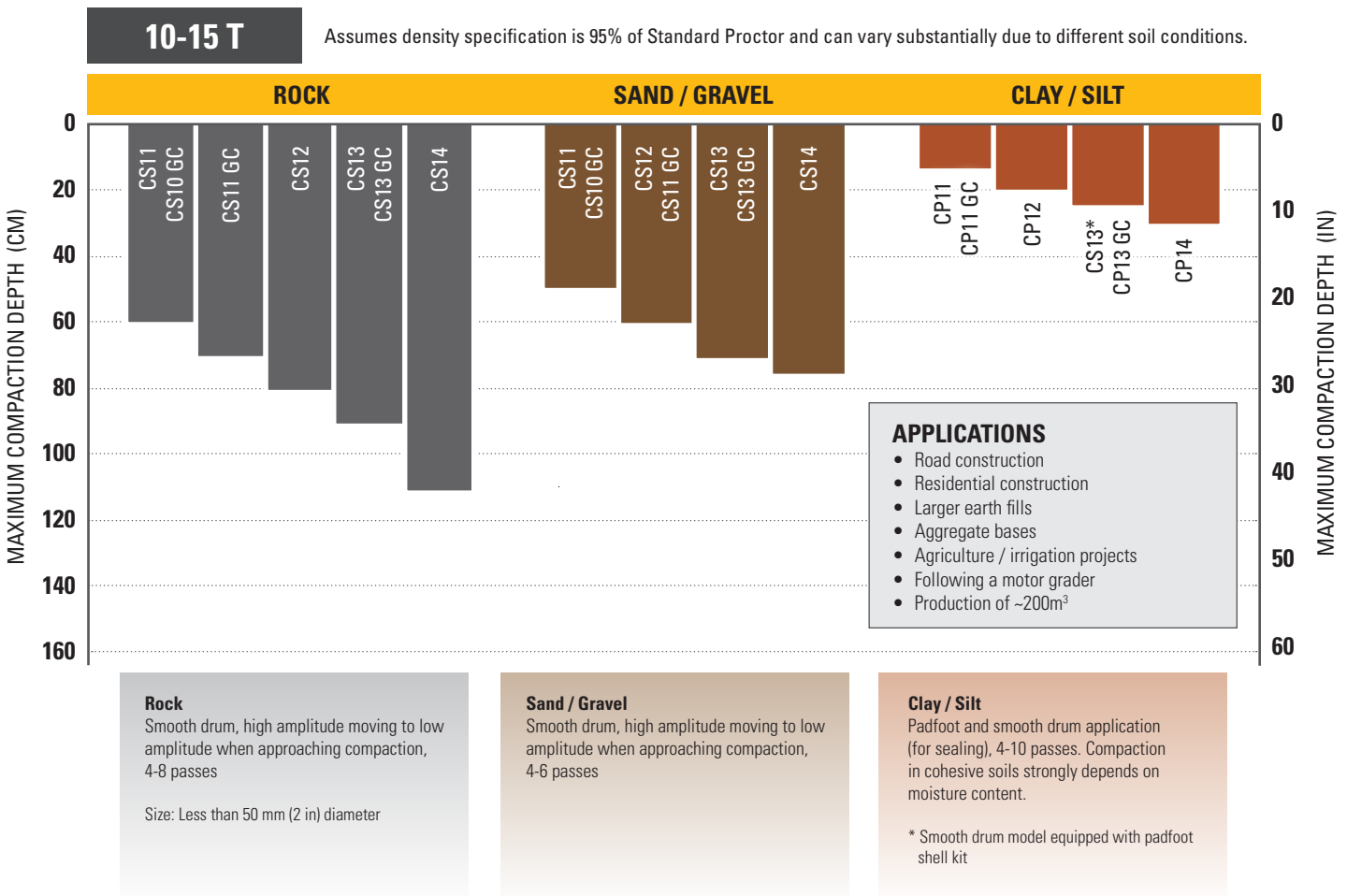
- Maintenance-free hitch with sealed-for-life bearings.
- Ground-level access to the engine compartment and cooling module for easy service and fluid sampling.
- Monitor fluid conditions with regular sampling to help extend change intervals up to 500 hours engine oil, 3000 hours eccentric housing and hydraulic oil, and 12000 hours coolant.
- Extended maintenance intervals not only reduce downtime but decrease the amount of fluid and filters that are replaced over the life of the machine.

- VisionLink® takes the guesswork out of managing your entire fleet—regardless of size or equipment manufacturer*—by providing maintenance needs, machine hours, location, fuel usage, idle time, diagnostic codes, and more through interactive dashboards on your mobile device or desktop, helping you make informed decisions that lower costs, simplify maintenance, and improve safety and security on your jobsite.

* Data field availability can vary by equipment manufacturer and is provided through an application programming interface (API).

Vibratory Soil Compactor Selection Guide

This chart helps you select which model is best suited for your work. Not all models listed are available in each region. Contact your Cat dealer representative for more information.



Cat® CS11 Smooth Drum Vibratory Soil Compactor

Standard and Optional Equipment

Standard and optional equipment may vary. Consult your Cat dealer for details.

	Standard	Optional		Standard	Optional
OPERATOR ENVIRONMENT			POWERTRAIN		
Steel Sun Canopy with Handrails, Floor Mat, Vinyl Seat	✓		Cat® C4.4 Engine	✓	
ROPS/FOPS Canopy with Handrails, Floor Mat, Vinyl Seat		✓	Air Cleaner, Dual Element	✓	
ROPS/FOPS Cab with Climate Control, Cloth Seat, Exterior Rear View Mirrors		✓	Three Speed Throttle Switch including Eco-mode	✓	
Sun Visor (Cab)		✓	Dual Propel Pumps; One for Drum Drive, One for Rear Axle	✓	
Roll-Down Screen (Cab)		✓	Fuel Filter, Water Separator, Priming Pump, Water Indicator	✓	
Adjustable Seat with Integrated Console	✓		Tilting Radiator / Hydraulic Oil Cooler	✓	
LCD Display with Lockable Vandalism Guard	✓		Dual Braking System	✓	
Adjustable Tilting Steering Column with Integrated Cup Holders	✓		Two-Speed Hydrostatic Transmission	✓	
Rear Vision Camera System with Color Touchscreen Display	✓		Limited Slip Differential	✓	
High Visibility 50 mm (2 in) Seat Belt	✓		Transmission Guard		✓
12-volt Power Outlet	✓		ELECTRICAL		
Horn, Backup Alarm	✓		24 volt Electrical System	✓	
VIBRATORY SYSTEM			85 ampere Alternator	✓	
Smooth Drum	✓		750 Cold-cranking Amps Battery Capacity	✓	
Removable Shell Kit – Oval or Square Pads		✓	OTHER		
Pod-Style Eccentric Weight Housings	✓		Lockable Engine Enclosure, Hydraulic and Fuel Tanks	✓	
Dual Amplitude, Single Frequency	✓		Sight Gauges for Hydraulic Oil Level and Radiator Coolant Level	✓	
Variable Frequency		✓	S•O•S SM Sampling Values: Engine Oil, Hydraulic Oil, and Coolant	✓	
Auto-vibe Function	✓		Halogen Working Lights (4)	✓	
MicroVibe™		✓	Halogen Working Lights (8)		✓
Single Adjustable Steel Scraper	✓		Amber Rotating Beacon		✓
Dual Adjustable Steel Scrapers		✓			
Dual Adjustable Polyurethane Scrapers		✓			
TECHNOLOGY SOLUTIONS					
VisionLink®	✓				
Measure – Machine Drive Power (MDP)		✓			
Measure – Compaction Meter Value (CMV)		✓			

Cat® CS11 Smooth Drum Vibratory Soil Compactor

Technical Specifications

Engine and Powertrain

Engine Model	Cat C4.4	
Emissions	Brazil MAR-1, equivalent to U.S. EPA Tier 3 and EU Stage IIIA	
Engine Power – ISO 14396:2002	96.5 kW	129.4 hp
Gross Power – SAE J1995:2014	97.1 kW	130.2 hp
Net Power – ISO 9249:2007*	85.3 kW	114.4 hp
Net Power – SAE J1349:2011*	84.3 kW	113 hp
Number of Cylinders	4	
Displacement	4.4 L	268.5 in ³
Stroke	127 mm	5 in
Bore	105 mm	4.1 in
Max. Travel Speed (Forward or Reverse)	11 km/h	6.8 mph
Theoretical Gradeability, with or without vibration**	55%	

* Net power advertised is the power available at the engine flywheel when equipped with a fan at maximum speed, air cleaner, and alternator.

** Actual gradeability may vary based on site conditions and machine configuration. Refer to the Operation and Maintenance Manual for more information.

Weights

Operating Weight

Steel Sun Canopy	10 080 kg	22,223 lb
ROPS/FOPS Canopy	10 605 kg	23,380 lb
ROPS/FOPS Cab	10 806 kg	23,823 lb

Weight at Drum

Steel Sun Canopy	5690 kg	12,544 lb
ROPS/FOPS Canopy	5787 kg	12,758 lb
ROPS/FOPS Cab	5880 kg	12,963 lb

Overall Weight Increase with Optional Attachments

Oval Padfoot Shell Kit	1517 kg	3344 lb
Square Padfoot Shell Kit	1676 kg	3695 lb

Operating weights are approximate and consider full fluids and 80 kg (176 lb) operator. Cab weights include heat and air conditioning.

Optional attachment weight reflects the overall weight of the attachment itself, not the weight of the attachment installed on the machine.

Vibratory System

Frequency		
Standard	30.5 Hz	1830 vpm
During Eco-mode Operation	27.7 Hz	1664 vpm
Optional Variable Frequency	23.3-30.5 Hz	1400-1830 vpm
Nominal Amplitude @ 30.5 Hz (1830 vpm)		
High	1.9 mm	0.075 in
Low	0.96 mm	0.038 in
Centrifugal Force @ 30.5 Hz (1830 vpm)		
Maximum	244 kN	54,765 lb
Minimum	122 kN	27,491 lb
VM Class at High Amplitude (Cab Configuration)	VM2	
Micro-Vibe™ Nominal Amplitude @ 30.5 Hz (1830 vpm)		
High	1.2 mm	0.047 in
Low	0.21 mm	0.008 in
Micro-Vibe Centrifugal Force @ 30.5 Hz (1830 vpm)		
Maximum	151 kN	33,989 lb
Minimum	26.5 kN	5950 lb
Micro-Vibe VM Class at High Amplitude (Cab Configuration)	VM2	
Static Linear Load		
Steel Sun Canopy	26.7 kg/cm	149.3 lbs/in
ROPS/FOPS Canopy	27.1 kg/cm	151.9 lbs/in
ROPS/FOPS Cab	27.6 kg/cm	154.3 lbs/in

Service Refill Capacities

Fuel Tank	242 L	63.9 gal
Cooling System	29.4 L	7.8 gal
Heating System	1.2 L	0.3 gal
Engine Oil with Filter	9.5 L	2.5 gal
Eccentric Weight Housings (combined)	26 L	6.9 gal
Axle and Final Drives	18 L	4.8 gal
Hydraulic Tank	50 L	13.2 gal

Cat® CS11 Smooth Drum Vibratory Soil Compactor

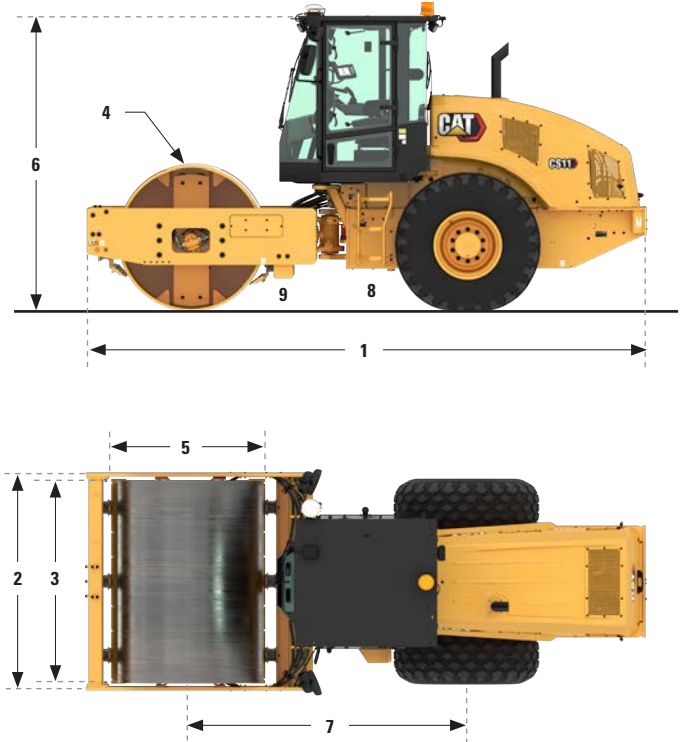
Technical Specifications

Dimensions

1	Overall Length	5.9 m	19.2 ft
2	Overall Width	2.3 m	7.5 ft
3	Drum Width	2134 mm	84 in
4	Drum Shell Thickness	25 mm	1 in
5	Drum Diameter	1534 mm	60.4 in
6	Overall Height		
	Canopy	3.1 m	10.1 ft
	Cab	3.1 m	10.2 ft
7	Wheelbase	2.9 m	9.5 ft
8	Ground Clearance	433 mm	17 in
9	Curb Clearance	535 mm	21.1 in
	Inside Turning Radius	3.7 m	12.1 ft
	Hitch Articulation Angle	34°	
	Hitch Oscillation Angle	15°	

Optional Padfoot Shell Kits

Number of Pads	120
Number of Chevrons	16
Oval Pads	
Pad Height	89.1 mm 3.5 in
Pad Face Area	63.5 cm ² 9.8 in ²
Square Pads	
Pad Height	89.2 mm 3.5 in
Pad Face Area	105.7 cm ² 16.4 in ²



Cat® CS11 Smooth Drum Vibratory Soil Compactor

Environmental Declaration

The following information applies to the machine at the time of final manufacture as configured for sale in the regions covered in this document. The content of this declaration is valid as of the date issued; however, content related to machine features and specifications are subject to change without notice. For additional information, please see the machine's Operation and Maintenance Manual.

For more information on sustainability in action and our progress, please visit www.caterpillar.com/en/company/sustainability.html.

ENGINE

- The Cat C4.4 meets Brazil MAR-1 emission standards, equivalent to U.S. EPA Tier 3 and EU Stage IIIA.
- Cat engines are compatible with diesel fuel blended with the following lower-carbon intensity fuels* up to:
 - ✓ 20% biodiesel FAME (fatty acid methyl ester)
 - ✓ 100% renewable diesel, HVO (hydrotreated vegetable oil) and GTL (gas-to-liquid) fuels

Refer to guidelines for successful application. Please consult your Cat dealer or "Caterpillar Machine Fluids Recommendations" (SEBU6250) for details.

**Tailpipe greenhouse gas emissions from lower-carbon intensity fuels are essentially the same as traditional fuels.*

AIR CONDITIONING SYSTEM

The air conditioning system on this machine contains the fluorinated greenhouse gas refrigerant R134a (Global Warming Potential = 1430). The system contains 0.8 kg (1.8 lb) of refrigerant, which has a CO₂ equivalent of 1.144 metric tonnes (1.261 tons).

PAINT

- Based on best available knowledge, the maximum allowable concentration, measured in parts per million (PPM), of the following heavy metals in paint are:
 - Barium < 0.01%
 - Cadmium < 0.01%
 - Chromium < 0.01%
 - Lead < 0.01%

SOUND PERFORMANCE

Operator Sound Pressure Level (ISO 6396:2008) with cooling fan speed at 70% of maximum value – 79 dB(A)

Exterior Sound Power Level (ISO 6395:2008) with cooling fan speed at 100% of maximum value – 108 dB(A)

- The operator sound pressure level is measured according to the test procedures and conditions specified in ISO 6396:2008 for a cab offered by Caterpillar, when properly installed and maintained and tested with the door and windows closed. The measurements were conducted at 70% of the maximum engine cooling fan speed.
- The exterior sound power level is measured according to the test procedures and conditions specified in ISO 6395:2008 for a Caterpillar machine that is properly equipped and maintained. The measurements were conducted at 100% of the maximum engine cooling fan speed.
- Hearing protection may be needed when operating with an open operator station and cab (when not properly maintained for doors/windows open) for extended periods or in noisy environment(s).

OILS AND FLUIDS

- Caterpillar factory fills with ethylene glycol coolants. Cat Diesel Engine Antifreeze/Coolant (DEAC) and Cat Extended Life Coolant (ELC) can be recycled. Consult your Cat dealer for more information.
- Cat BIO HYDO™ Advanced is an EU Ecolabel approved biodegradable hydraulic oil.
- Additional fluids are likely to be present, please consult the Operations and Maintenance Manual or the Application and Installation guide for complete fluid recommendations and maintenance intervals.

FEATURES AND TECHNOLOGY

- The following features and technology may contribute to fuel savings and/or carbon reduction. Features may vary. Consult your Cat dealer for details.
 - Standard Eco-mode limits engine RPM, lowering overall fuel consumption
 - Optional compaction control technology reduces unnecessary passes, increasing operating efficiency
 - Extended maintenance intervals reduce fluid and filter consumption
 - Engine Idle Shutdown Timer reduces unproductive hours and fuel burned
 - Variable speed cooling fan operates at the lowest speed for optimal cooling

RECYCLING

- The materials included in machines are categorized as below with approximate weight percentage. Because of variations of product configurations, the following values in the table may vary.

Material Type	Weight Percentage
Steel	71.61%
Iron	7.36%
Nonferrous Metal	1.36%
Mixed Metal	0.01%
Mixed-Metal and Nonmetal	1.15%
Plastic	1.19%
Rubber	0.39%
Mixed Nonmetallic	0.17%
Fluid	2.11%
Other	3.13%
Uncategorized	11.53%
Total	100%

- A machine with higher recyclability rate will ensure more efficient usage of valuable natural resources and enhance End-of-Life value of the product. According to ISO 16714:2008 (Earthmoving machinery – Recyclability and recoverability – Terminology and calculation method), recyclability rate is defined as percentage by mass (mass fraction in percent) of the new machine potentially able to be recycled, reused or both.

All parts in the bill of material are first evaluated by component type based on a list of components defined by the ISO 16714:2008 and Japan CEMA (Construction Equipment Manufacturers Association) standards. Remaining parts are further evaluated for recyclability based on material type.

Because of variations of product configurations, the following value in the table may vary.

Recyclability – 96%

Cat® CS11 Smooth Drum Vibratory Soil Compactor



For more complete information on Cat products, dealer services, and industry solutions, visit us on the web at www.cat.com

© 2023 Caterpillar
All rights reserved

Materials and specifications are subject to change without notice. Featured machines in photos may include additional equipment.
See your Cat dealer for available options.

CAT, CATERPILLAR, LET'S DO THE WORK, their respective logos, "Caterpillar Corporate Yellow," the "Power Edge" and Cat "Modern Hex" trade dress as well as corporate and product identity used herein, are trademarks of Caterpillar and may not be used without permission.

VisionLink is a trademark of Caterpillar Inc., registered in the United States and in other countries.

QEHO3089 (12-2023)
Build Number: 03A
(Brazil MAR-1, equivalent to
U.S. EPA Tier 3 and EU Stage IIIA)

