

AP400 | AP455 AP500 | AP555

ASPHALT PAVERS



Engine Power

AP400, AP455

AP500, AP555

Standard Paving Range

90 kW (120 hp)

110 kW (148 hp)

2.4 m - 4.7 m (8' - 15' 6")

See Technical Specifications for detailed engine emissions information.



CAT® MID-SIZED ASPHALT PAVERS

MOBILE. TRANSPORTABLE. SERVICEABLE.

These models fit the needs of both small and large contractors with features that excel in urban and rural applications.



COMPACT ASPHALT PAVERS

The Cat® line of compact asphalt pavers provide easy transport, application versatility, and a wide paving range, making them the perfect match for urban streets, parking lots, rural roads, and many other small to mid-sized applications:

- + COMPACT SIZE
- + SIMPLE OPERATION
- + MORE FLEXIBILITY

Ready to help you make your business stronger, Cat Asphalt Pavers provide new opportunities to get the most work done at the lowest cost—so you can put more money in your pocket.



COMPACT SIZE

The small footprint of the paver and screed combinations simplify maneuverability in tight spaces and minimize handwork near obstacles. In addition, the lighter weight and optimal width accommodate easier transport on a variety of trailer types.

SIMPLE OPERATION

High-definition displays with short-cut keys and similar functionality across the entire Cat Paver and Screed line simplifies operation. Enhanced all-around visibility with elimination of the exhaust stack, and swingout seats provide great operational features.

MORE FLEXIBILITY

Standard paving ranges from 2.4 m to 4.7 m (8' to 15' 6") with a maximum of 6.1 m (20' 6") offers contractor's versatility to move between commercial applications and support work for mainline paving. In addition, screeds with front or rear extenders provide contractors more options to fit their needs.



EXCEPTIONAL MOBILITY

INCREASES JOBSITE EFFICIENCY

Mobility is one of the keys to jobsite efficiency, maneuvering in confined areas, backing up to curbs and repositioning at the starting point are real advantages of the Cat® Mobil-Trac™ system.

SMOOTH TRANSITIONS

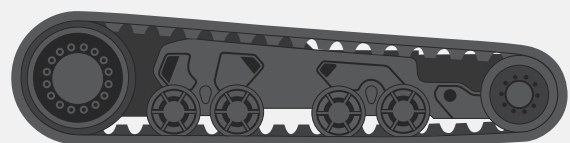
The Mobil-Trac undercarriage combines a large ground contact area with oscillating front and rear bogie sets that effortlessly crawl over milled cuts and surface irregularities to help limit tow-point movement and deliver smoother asphalt mats.

DURABLE COMPONENTS

When it comes to durability, rubber-coated components help shed asphalt and prevent accumulation that can cause premature wear. In addition, self-tensioning accumulators, center guide blocks, and rugged internal belt cables promote lasting durability.

MORE REASONS TO CHOOSE A CAT MOBIL-TRAC™ UNDERCARRIAGE

- ✓ 48-MONTH BELT WARRANTY
- ✓ HIGH SPEED TRAVEL
- ✓ OSCILLATING BOGIE DESIGN
- ✓ SMOOTH RIDE
- ✓ EXCELLENT TRACTION



WHEEL UNDERCARRIAGE

The wheel undercarriage combines high travel speeds with mobility and smooth turning capabilities to efficiently move around the jobsite. In addition, front-wheel assist and all-wheel drive options help maintain consistent traction, while the power turning system helps provide steady speeds through curves and turnouts.



MOBILITY AND MANEUVERABILITY

Exceptional mobility and fast travel speeds provide unmatched maneuverability around the jobsite. Additionally, the high ground clearance helps avoid storm drains, curbs, and other obstacles.



ALL-WHEEL DRIVE

All-wheel drive option (AP500) utilizes a flow divider that powers both sets of front bogie wheels for optimal tractive effort.



FRONT-WHEEL ASSIST

The adjustable front-wheel assist option (AP400, AP500) delivers power to the rear set of bogie wheels for increased traction to push heavy loads and power up inclines.



POWER TURNING SYSTEM

The power turning system utilizes a position sensor located in the left steering cylinder that helps maintain consistent travel speeds when making turns. The adjustable design modifies the drive speed of the propel motors according to the steering angle of the front wheels, leading to better mat quality and less wear on the drive system.



Operating conditions can have a direct effect on performance and quality outcomes.

PERFORMANCE BOOSTING DESIGN ENHANCEMENTS



ENHANCED VISIBILITY, QUIET OPERATION

Elimination of the exhaust stack and swing out seats, provide good visibility into the hopper and auger chamber to support good material flow.

The AP400 and AP455 utilize a single sliding console, while the AP500 and AP555 are equipped with dual consoles. Both designs provide good visibility for joint matching or when precision next to obstacles is needed.

Eco-mode and Automatic Engine Speed Control combine to optimize engine speed and reduce sound levels, while the on-demand fan offers lower sound levels and draws ambient air from the side of the machine for enhanced cooling capability.



The standard ventilation system draws air from the conveyor tunnel as well as the auger chamber and redirects it away from the operator for a more comfortable working environment.



FINGER-TIP CONTROL

SIMPLIFIES ADJUSTMENTS

SIMILAR FUNCTIONS

Consistency and familiarity with paver and screed functions help operators perform at their best. Whether paving straight-line rural or urban applications, Cat pavers and screeds utilize similar functions across the entire product line that enables personnel to easily move between crews and train new members when necessary.

SHORT-CUT KEYS

High-definition touchscreen displays utilize simplified menu structures with short-cut keys that provide single-touch activation for screed heat, washdown, and ventilation systems all from the main menu. As with all Cat pavers, these models also provide single-touch activation of the feeder system and hopper fold functions.

ADDITIONAL FLEXIBILITY

When equipped with Cat Grade Control, the "AUTO" buttons on the paver console can activate/deactivate Grade Controls. In addition, the tow-point adjusters become target value adjusters enabling easy modification to existing settings.

AUTOMATED FUNCTIONS

The versatility of adjustable and automated controls help operators efficiently manage material flow. Adjustable mix height dials assist when nearing obstacles and turnouts, while reversible augers and conveyors help manage material at the end of the pass. Furthermore, automated functions help provide consistency and fight fatigue when routine conditions exist.



CONSISTENCY DRIVES QUALITY

Consistent material flow is a critical component that can help contractors achieve quality targets. A low truck entry height combines with 355 mm (14") diameter augers too efficiently move material through the conveyors and auger chamber at both narrow and wide paving widths.



SINGLE-TOUCH ACTIVATION

The single-touch feeder system activates the entire feeder system with a single button push for better efficiency, while auto-fill simplifies starts by alternating the conveyors and augers until the mix height reaches the sensor set point.



INDEPENDENT CONTROL

Mix height adjustment from the tractor LCD display offers more control, simply use the touchscreen to modify material height in the auger chamber. The ability to control each material feed sensor independently when utilizing cut-off shoes or when paving at narrow widths is a great feature, simply switch to manual and utilize the proportional control dial to modify material flow.



SIMPLIFIED CLEANOUT

The manual fold front hopper apron on the AP400 and AP455 simplifies cleanout, while the optional power folding apron on the AP500 and AP555 goes a step further to reduce effort. To make cleanout easier, a cleanout/warmup mode activates the augers and conveyors at slow speed, enabling the application of release agents to help prevent material build-up.

SMOOTH MATERIAL FLOW HELPS INCREASE QUALITY





FUEL EFFICIENT POWER

BALANCES PERFORMANCE

Lower fuel consumption, reduced sound levels, and easier communication are real advantages of the Advanced Eco-mode system.

BETTER FUEL ECONOMY

- + **Eco-mode** utilizes an engine speed of 1650 rpm and is well-suited for most applications
- + **Automatic Engine Speed Control (AESC)** reduces engine speed to 1000 rpm when the propel lever is moved to neutral, or 1500 if screed heating is active for better overall conditions
- + **Advanced Eco-mode** combines Eco-mode and Automatic Engine Speed Control for optimal fuel efficiency. It increases engine speed to 1650 rpm when the propel lever moves from neutral and makes modifications based on engine load. If the upper power threshold is exceeded, the speed will increase to 2200 rpm until the load drops below the minimum threshold and remains there for 30 seconds.

INCREASE FUEL SAVINGS

Activate Eco-mode and Automatic Engine Speed Control for better engine efficiency and more fuel savings.



**AUTOMATIC ENGINE
SPEED CONTROL**



ECO-MODE

ADVANCED ECO-MODE DELIVERS

FROM 20% TO 30% MORE FUEL SAVINGS*

* Fuel savings may vary by paver model, paving conditions and application. Consult your Cat dealer for more information.



CAT GRADE CONTROL

OPTIMIZES YIELD AND QUALITY

The Cat Grade Control option helps deliver smoother surfaces and control mat thickness for increased performance, lower operating costs, and higher profitability. Text-based user-friendly displays, accurate control, and great reliability can help ensure quality targets are being met.



TEXT-BASED DISPLAYS

User-friendly system with text-based displays allow operation from the paver or screed consoles (screed display required). Split-screen mode enables a single-side operator to monitor settings for each side of the screed.



QUICK ACCESS

The Grade Control activation button enables operators to toggle between Grade Control and the previous screen. Simply press the Grade Control activation button a second time and the system returns to the previous screen.



EASY SETUP

Simple activation of the 10-point auto-calibration helps eliminate over/under adjustment, while cross-coupling maintains slope and height when height adjustments are made.



RELIABLE SYSTEM

The highly reliable system utilizes water-resistant displays and sealed components with-stand heat, moisture, and vibration. The system is compatible with Cat Electronic Technician (Cat ET) for simplified diagnostics.

ASPHALT SCREEDS

APPLICATION VERSATILITY

Cat Asphalt Screeds come equipped with front or rear extenders that provide high quality results for parking lots, urban streets, and rural roads. The easy-to-use operating consoles and standard remote pendants provide the ability to modify material flow from the screed or remotely. When equipped with Cat Grade Control, conveyor ratio adjustment or conveyor material height can be performed through the displays.



SE47 FM (4B5) ASPHALT SCREED FRONT-EXTENDER VERSATILITY

The Cat SE47 FM Asphalt Screed features front extenders, multiple berm options, and a small foot print for starting next to curbs and obstacles. The front extenders excel in applications with varying paving widths and enables quick reaction when maneuvering around obstacles.

- + Front extenders provide the ability to retract without first clearing material from the extenders, simplifying maneuverability around obstacles
- + Power berm options provide 305 mm (12") or 457 mm (18") wide berms with a variable height up to 102 mm (4")
- + Inner and outer strike-off adjustments are connected to provide single point modification that ensures equal adjustment across the width of the screed
- + Remote pendants offer mix height adjustments for complete control from extended positions

SE47 V ASPHALT SCREED REAR-EXTENDER STABILITY

The Cat SE47 V Asphalt Screed with rear extenders provides stability, easy set-up, and a versatile paving range. The rear extenders deliver smooth material flow and excellent stability on wide width paving applications.

- + Rear extenders provide effortless material flow to the end gates when increasing paving widths
- + Walkway clearance height of 127 mm (5") enables close starting capability next to curbs and other obstacles
- + Simple, bolt-on extensions offer a maximum paving width of 6.1 m (20')
- + Remote pendants offer mix height adjustments for complete control from extended positions

PARTS AND SERVICE

EXTEND MACHINE LIFE

REPAIR WITH GENUINE CAT PARTS

Whether you are a Do-it-myself, Do-it-with-me, or a Do-it-for-me customer, Cat dealers are ready to assist with parts orders to complete rebuilds of your equipment.

DO-IT-MYSELF – If you prefer to do the work in-house, your Cat dealer can help you determine parts needs. One of our experts will utilize Caterpillar Service Information, or can perform a (TA1) visual inspection, or (TA2) technical inspection to help identify parts replacement needs.

DO-IT-WITH-ME – In addition to providing parts, Cat dealers can supplement your repair capabilities with fully trained technicians and specialized tooling.

DO-IT-FOR-ME – Cat dealers can manage the replacement of vital wear parts or a complete rebuild. Ask your dealer about an inspection and a repair option plan to meet your needs.

CERTIFIED PAVER REBUILDS – Take advantage of the extra value built into Cat equipment. The Cat Certified Rebuild Programs return your end-of-life machines, systems, and components to like-new condition at a fraction of the cost. From single component to complete machine options, we've got you covered.



GET FULL ACCESS TO SERVICE AND REPAIR KITS

The Parts Reference Guide includes diagrams, part descriptions and part number lists for common wear and maintenance components to make online or in person ordering fast and easy.

DOWNLOAD THE PARTS REFERENCE GUIDE TODAY!



CAT EQUIPMENT MANAGEMENT TECHNOLOGY

ELIMINATE THE GUESSWORK

Cat equipment management technology helps take the complexity out of managing multiple jobsites – by gathering data generated from equipment, materials, as well as people and serving it up in customizable formats.



VISIONLINK® EQUIPMENT MANAGEMENT

VisionLink® takes the guesswork out of managing entire fleets regardless of size or equipment manufacturer.* Review equipment data from desktop or mobile devices to maximize uptime and optimize assets. With interactive dashboards, VisionLink makes it easier for operations of all sizes to make informed decisions that lower costs and boost productivity. With various subscription-level options, Cat dealers can help determine what's needed to connect your fleet and help manage your business.

- + 24/7 Fleet Monitoring
- + Mixed Fleet Management
- + Optimize Fleet Utilization
- + Track Assets by Location
- + View Asset Health Status
- + Review Inspection Reports
- + Assign Maintenance Tasks
- + Schedule Downtime
- + Request Service Parts Orders
- + Download Summary Reports

REMOTE SERVICES EQUIPMENT MANAGEMENT

Remote Services* is a suite of technologies that help improve jobsite efficiency.

- + **Remote Troubleshoot** allows Cat dealers to perform diagnostic testing and pinpoint potential issues on connected machines while in operation. It can also help ensure that technicians arrive with the correct parts and tools the first time, eliminating additional trips to save time and money.
- + **Remote Flash** allows updates to onboard software without a technician being present. Enabling the initiation of software updates when convenient can help increase overall operating efficiency.

** Must be within cell range coverage.*

Caterpillar releases products, services and technologies in each region at different time intervals. Please verify with your local Cat dealer for technology availability and specifications.

AP400 TECHNICAL SPECIFICATIONS

POWERTRAIN

Engine Model	Cat C3.6
Emissions	U.S. EPA Tier 4 Final
Engine Power @ 2200 rpm (ISO 14396-2002)	90 kW 120 hp
Speed – Paving	61 m/min 200 ft/min
Speed – Travel	16 km/hr 10 mph
Tire Size	15.5 R25

CAPACITIES

Maximum Throughput Capacity	774 Tonnes 853 US Tons
Hopper Capacity	5.8 m ³ 205 ft ³
Fuel Tank	200 L 53 gal
Cooling System	24 L 6.3 gal
Engine Oil	11 L 2.9 gal
Hydraulic Tank	121 L 32 gal
Diesel Exhaust Fluid (DEF) Tank	19 L 5 gal
Washdown Spray Tank	32 L 8.5 gal

MACHINE WEIGHT

Paver Only (shipping)	10 581 kg 23,327 lb
Operating w/ SE47 V Screed	13 510 kg 29,800 lb
Operating w/ SE47 FM Screed	13 618 kg 30,000 lb

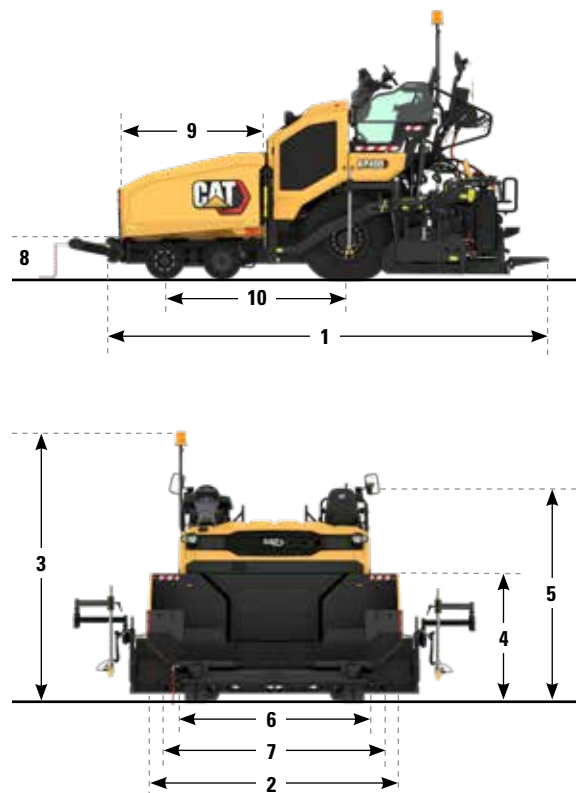
Operating weights are approximate and include coolant, lubricants, full fuel tank, 75 kg (165 lb) operator, and grade control components.

PAVING RANGE

SE47 V	
Standard Range	2.4 m - 4.7 m 8' - 15' 6"
Maximum Width w/ Extensions	6.1 m 20'
SE47 FM	
Standard range	2.4 m - 4.7 m 8' - 15' 6"
Maximum Width w/ Extensions	5.9 m 19' 6"

DIMENSIONS

1 Operating Length w/ SE47 V Screed	5784 mm 19'
Shipping Length w/ SE47 V Screed	5523 mm 18' 1"
1 Operating Length w/ SE47 FM Screed	5740 mm 18' 10"
Shipping Length w/ SE47 FM Screed	5505 mm 18' 1"
2 Operating Width (hoppers lowered)	3281 mm 10' 9"
3 Operating Height (beacon)	3252 mm 11'
4 Operating Platform height	1731 mm 5' 8"
5 Transport Height (steering wheel)	2853 mm 9' 4"
6 Transport Width w/ End Gates	2590 mm 8' 6"
7 Truck Entry Width	3161 mm 10' 4"
8 Truck Entry Height (hopper)	544 mm 21"
Truck Entry Height (apron)	498 mm 20"
Ground Clearance	203 mm 8"
9 Hopper Length	1803 mm 5' 11"
10 Axle to Axle (center drive to front idler)	2372 mm 93"
Auger Diameter	355 mm 14"



AP455 TECHNICAL SPECIFICATIONS

POWERTRAIN	
Engine Model	Cat C3.6
Emissions	U.S. EPA Tier 4 Final
Engine Power @ 2200 rpm (ISO 14396-2002)	90 kW 120 hp
Speed – Paving	61 m/min 200 ft/min
Speed – Travel	11 km/hr 7 mph

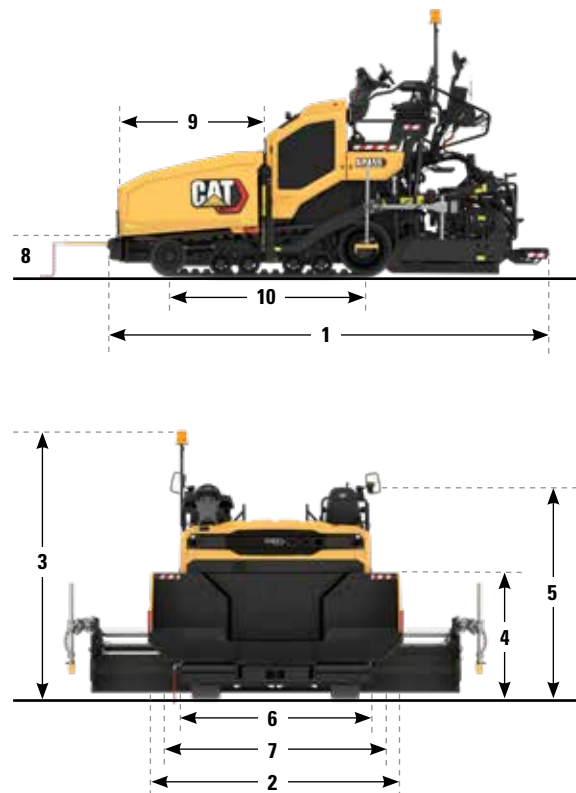
CAPACITIES	
Maximum Throughput Capacity	774 Tonnes 853 US Tons
Hopper Capacity	5.8 m ³ 205 ft ³
Fuel Tank	200 L 53 gal
Cooling System	24 L 6.3 gal
Engine Oil	11 L 2.9 gal
Hydraulic Tank	121 L 32 gal
Diesel Exhaust Fluid (DEF) Tank	19 L 5 gal
Washdown Spray Tank	32 L 8.5 gal

MACHINE WEIGHT	
Paver Only (shipping)	11 266 kg 24,837 lb
Operating w/ SE47 V Screed	14 194 kg 31,292 lb
Operating w/ SE47 FM Screed	14 303 kg 31,533 lb

Operating weights are approximate and include coolant, lubricants, full fuel tank, 75 kg (165 lb) operator, and grade control components.

PAVING RANGE	
SE47 V	
Standard Range	2.4 m - 4.7 m 8' - 15' 6"
Maximum Width w/ Extensions	6.1 m 20'
SE47 FM	
Standard range	2.4 m - 4.7 m 8' - 15' 6"
Maximum Width w/ Extensions	5.9 m 19' 6"

DIMENSIONS	
1 Operating Length w/ SE47 V Screed	5784 mm 19'
Shipping Length w/ SE47 V Screed	5523 mm 18' 1"
1 Operating Length w/ SE47 FM Screed	5740 mm 18' 10"
Shipping Length w/ SE47 FM Screed	5505 mm 18' 1"
2 Operating Width (hoppers lowered)	3281 mm 10' 9"
3 Operating Height (beacon)	3275 mm 10' 9"
4 Operating Platform height	1655 mm 5' 5"
5 Transport Height (steering wheel)	2814 mm 9' 3"
6 Transport Width w/ End Gates	2590 mm 8' 6"
7 Truck Entry Width	3161 mm 10' 4"
8 Truck Entry Height (hopper)	567 mm 22"
Truck Entry Height (apron)	525 mm 21"
Ground Clearance	210 mm 8"
9 Hopper Length	1803 mm 5' 11"
10 Axle to Axle (center drive to front idler)	2533 mm 100"
Auger Diameter	355 mm 14"



AP500 TECHNICAL SPECIFICATIONS

POWERTRAIN

Engine Model	Cat C4.4
Emissions	U.S. EPA Tier 4 Final
Engine Power @ 2200 rpm (ISO 14396-2002)	110 kW 148 hp
Speed – Paving	61 m/min 200 ft/min
Speed – Travel	16 km/hr 10 mph
Tire Size	17.5 R25

CAPACITIES

Maximum Throughput Capacity	1000 Tonnes 1100 US Tons
Hopper Capacity	6.1 m ³ 215 ft ³
Fuel Tank	200 L 53 gal
Cooling System	24 L 6.3 gal
Engine Oil	9 L 2.4 gal
Hydraulic Tank	121 L 32 gal
Diesel Exhaust Fluid (DEF) Tank	19 L 5 gal
Washdown Spray Tank	32 L 8.5 gal

MACHINE WEIGHT

Paver Only (shipping)	11 481 kg 25,311 lb
Operating w/ SE47 V Screed	14 409 kg 31,772 lb
Operating w/ SE47 FM Screed	14 518 kg 32,012 lb

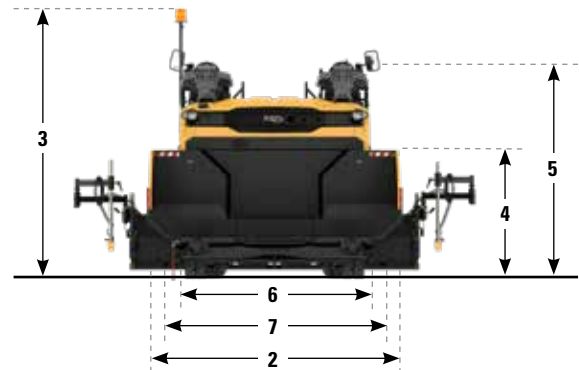
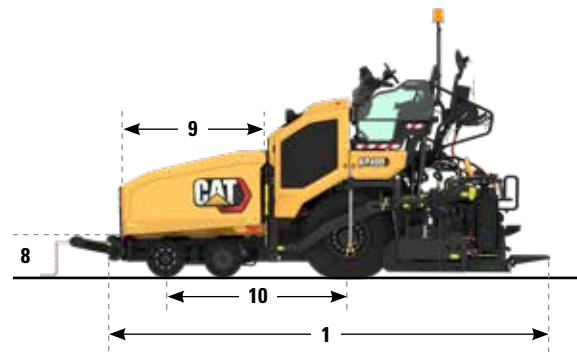
Operating weights are approximate and include coolant, lubricants, full fuel tank, 75 kg (165 lb) operator, and grade control components.

PAVING RANGE

SE47 V	
Standard Range	2.4 m - 4.7 m 8' - 15' 6"
Maximum Width w/ Extensions	6.1 m 20"
SE47 FM	
Standard range	2.4 m - 4.7 m 8' - 15' 6"
Maximum Width w/ Extensions	6.2 m 20' 6"

DIMENSIONS

1 Operating Length w/ SE47 V Screed	5909 mm 19' 4"
Shipping Length w/ SE47 V Screed	5648 mm 18' 6"
1 Operating Length w/ SE47 FM Screed	5865 mm 19' 3"
Shipping Length w/ SE47 FM Screed	5630 mm 18' 6"
2 Operating Width (hoppers lowered)	3281 mm 10' 9"
3 Operating Height (beacon)	3352 mm 11'
4 Operating Platform height	1731 mm 5' 8"
5 Transport Height (steering wheel)	2890 mm 9' 6"
6 Transport Width w/ End Gates	2590 mm 8' 6"
7 Truck Entry Width	3149 mm 10' 4"
8 Truck Entry Height (hopper)	537 mm 21"
Truck Entry Height (apron)	507 mm 20"
Ground Clearance	197 mm 7.8"
9 Hopper Length	1925 mm 6' 4"
10 Axle to Axle (center drive to front idler)	2338 mm 92"
Auger Diameter	355 mm 14"



AP555 TECHNICAL SPECIFICATIONS

POWERTRAIN	
Engine Model	Cat C4.4
Emissions	U.S. EPA Tier 4 Final
Engine Power @ 2200 rpm (ISO 14396-2002)	110 kW 148 hp
Speed – Paving	61 m/min 200 ft/min
Speed – Travel	11 km/hr 7 mph

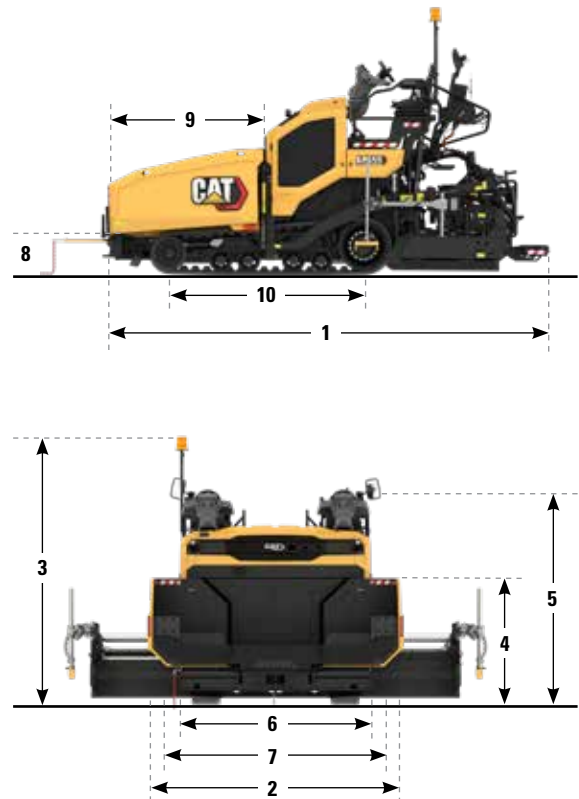
CAPACITIES	
Maximum Throughput Capacity	1000 Tonnes 1100 US Tons
Hopper Capacity	6.1 m ³ 215 ft ³
Fuel Tank	200 L 53 gal
Cooling System	24 L 6.3 gal
Engine Oil	9 L 2.4 gal
Hydraulic Tank	121 L 32 gal
Diesel Exhaust Fluid (DEF) Tank	19 L 5 gal
Washdown Spray Tank	32 L 8.5 gal

MACHINE WEIGHT	
Paver Only (shipping)	12 244 kg 26,993 lb
Operating w/ SE47 V Screed	15 172 kg 33,448 lb
Operating w/ SE47 FM Screed	15 281 kg 33,689 lb

Operating weights are approximate and include coolant, lubricants, full fuel tank, 75 kg (165 lb) operator, and grade control components.

PAVING RANGE	
SE47 V	
Standard Range	2.4 m - 4.7 m 8' - 15' 6"
Maximum Width w/ Extensions	6.1 m 20'
SE47 FM	
Standard range	2.4 m - 4.7 m 8' - 15' 6"
Maximum Width w/ Extensions	6.2 m 20' 6"

DIMENSIONS	
1 Operating Length w/ SE47 V Screed	5909 mm 19' 4"
Shipping Length w/ SE47 V Screed	5648 mm 18' 6"
1 Operating Length w/ SE47 FM Screed	5865 mm 19' 3"
Shipping Length w/ SE47 FM Screed	5630 mm 18' 6"
2 Operating Width (hoppers lowered)	3281 mm 10' 9"
3 Operating Height (beacon)	3352 mm 11'
4 Operating Platform height	1731 mm 5' 8"
5 Transport Height (steering wheel)	2890 mm 9' 6"
6 Transport Width w/ End Gates	2590 mm 8' 6"
7 Truck Entry Width	3149 mm 10' 4"
8 Truck Entry Height (hopper)	537 mm 21"
Truck Entry Height (apron)	507 mm 20"
Ground Clearance	197 mm 7.8"
9 Hopper Length	1925 mm 6' 4"
10 Axle to Axle (center drive to front idler)	2338 mm 92"
Auger Diameter	355 mm 14"



AP400 / AP500 STANDARD & OPTIONAL EQUIPMENT

Standard and optional equipment may vary. Consult your Cat dealer for details.

OPERATOR ENVIRONMENT	STANDARD	OPTIONAL
Canopy		○
Deceleration Pedal		○
Dual operating consoles (AP500)	●	
Heated Seat		○
Single Sliding Console (AP400)	●	
Steering Guide	●	
Umbrella – tractor or screed		○
Ventilation System	●	
Side Shields		○
Windshield – requires canopy		○

TECHNOLOGY	STANDARD	OPTIONAL
Cat® Grade Control		○
Basic Grade Control		○
Product Link™ Elite 643 (cellular)	●	
Product Link Elite 683 (cellular/satellite)		○

POWERTRAIN	STANDARD	OPTIONAL
All-wheel Drive (AP500)		○
Ballast – front weights		○
Cat C3.6 – four-cylinder (AP400)	●	
Cat C4.4 – four-cylinder (AP500)	●	
Cooling Fan – variable speed	●	
Front-wheel Assist		○
Radial Drive Tires		○
Sand-rib Drive Tires		○

ELECTRICAL SYSTEM	STANDARD	OPTIONAL
1400 CCA Battery	●	
150-amp Alternator	●	
12-volt Charging System	●	
Automotive-type Fuse System	●	
Auto-reset Breaker for Material Sensors	●	
Battery – maintenance-free	●	
Cat Electronic Technician (Cat ET)	●	

MATERIAL DELIVERY	STANDARD	OPTIONAL
Auger Extensions – 0.15 m (6")	●	
Auger Extensions – 0.46 m (1.5')		○
Mainframe Extensions – power		○
Mainframe Extensions – manual		○
Material Feed Sensors – contact	●	
Material Feed Sensors – sonic		○
Push-roller – adjustable	●	
Truck Hitch		○
Wash-down Pump and Reel		○

SERVICE AND MAINTENANCE	STANDARD	OPTIONAL
Hydraulic Oil – Cat HYDO™ Advanced	●	
Remote Access Drains	●	
Remote Flash	●	
Service Repair Kits	●	
Sampling Ports for Scheduled Oil Sampling (S-O-S SM)	●	
Sight Gauges – engine coolant, hydraulic oil	●	

SAFETY AND SECURITY	STANDARD	OPTIONAL
Alarm – back-up	●	
Horn – warning (front and rear)	●	
Lights – LED Working	●	
Lights – LED Rooding		○
Mirror Package	●	
Warning Beacon – LED		○

AP455 / AP555 STANDARD & OPTIONAL EQUIPMENT

Standard and optional equipment may vary. Consult your Cat dealer for details.

OPERATOR ENVIRONMENT	STANDARD	OPTIONAL
Canopy		○
Deceleration Pedal		○
Dual operating consoles (AP555)	●	
Heated Seat		○
Single Sliding Console (AP455)	●	
Steering Guide	●	
Steering – friction		○
Steering – spring return	●	
Umbrella – tractor or screed		○
Ventilation System	●	
Side Shields		○
Windshield – requires canopy		○

TECHNOLOGY	STANDARD	OPTIONAL
Cat Grade Control		○
Basic Grade Control		○
Product Link™ Elite 643 (cellular)	●	
Product Link Elite 683 (cellular/satellite)		○

POWERTRAIN	STANDARD	OPTIONAL
Ballast – front weights		○
Cat C3.6 – four-cylinder (AP455)	●	
Cat C4.4 – four-cylinder (AP555)	●	
Cooling Fan – variable speed	●	
Mobil-trac belt™ – smooth belt	●	

ELECTRICAL SYSTEM	STANDARD	OPTIONAL
1400 CCA Battery	●	
150-amp Alternator	●	
12-volt Charging System	●	
Automotive-type Fuse System	●	
Auto-reset Breaker for Material Sensors	●	
Battery – maintenance-free	●	
Cat Electronic Technician (Cat ET)	●	
Remote start charge receptacle (AP455)	●	

MATERIAL DELIVERY	STANDARD	OPTIONAL
Auger Extensions – 0.15 m (6")	●	
Auger Extensions – 0.46 m (1.5')		○
Mainframe Extensions – power		○
Mainframe Extensions – manual		○
Material Feed Sensors – contact	●	
Material Feed Sensors – sonic		○
Push-roller – adjustable	●	
Truck Hitch		○
Wash-down Pump and Reel		○

SERVICE AND MAINTENANCE	STANDARD	OPTIONAL
Hydraulic Oil – Cat HYDO™ Advanced	●	
Remote Access Drains	●	
Remote Flash	●	
Service Repair Kits	●	
Sampling Ports for Scheduled Oil Sampling (S-O-S SM)	●	
Sight Gauges – engine coolant, hydraulic oil	●	

SAFETY AND SECURITY	STANDARD	OPTIONAL
Alarm – back-up	●	
Horn – warning (front and rear)	●	
Lights – LED Working	●	
Lights – LED Rooding		○
Mirror Package	●	
Warning Beacon – LED		○

For more complete information on Cat products, dealer services and industry solutions, visit us on the web at www.cat.com

Materials and specifications are subject to change without notice. Featured machines in photos may include additional equipment. See your Cat dealer for available options.

© 2023 Caterpillar. All Rights Reserved. CAT, CATERPILLAR, LET'S DO THE WORK, their respective logos, "Caterpillar Corporate Yellow", the "Power Edge" and Cat "Modern Hex" trade dress as well as corporate and product identity used herein, are trademarks of Caterpillar and may not be used without permission.

VisionLink is a trademark of VisualSite LLC, registered in the United States and in other countries.

QEHQ3219 (10/2023)
Build Number: 07A
N Am

