



M320

Wheeled Excavator

Technical Specifications

Configurations and features may vary by region. Please consult your Cat® dealer for availability in your area.

Table of Contents

Specifications	2
Engine	2
Transmission	2
Service Refill Capacities	2
Swing Mechanism	2
Undercarriage	2
Operating Weights	2
Major Component Weights	3
Hydraulic System	3
Tires	3
Dozer Blade	4
Emissions and Safety	4
Standards	4
Sound Performance	4
Air Conditioning System	4
Dimensions	5
Undercarriage Dimensions	6
Working Ranges	7
Lift Capacities:	
Variable Adjustable Boom	8
One-Piece Boom	16
Bucket Specifications and Compatibility:	
Europe and Turkey	24
North America	31
Australia and New Zealand	32
Attachments Offering Guide	
Europe	33
Turkey	86
North America	97
ANZ-Pacific	102
Standard and Optional Equipment	103
Dealer Installed Kits and Attachments	106
Cab Options	107
M320 Environmental Declaration	108

M320 Wheeled Excavator Specifications

Engine

Engine Model	Cat® C4.4	
Maximum Gross Power		
ISO 14396	129.4 kW	174 hp
ISO 14396 (DIN)	176 hp (metric)	
Maximum Net Power		
ISO 9249	127.8 kW	171 hp
ISO 9249 (DIN)	174 hp (metric)	
Bore	105 mm	4.1 in
Stroke	135 mm	5.3 in
Displacement	4.4 L	268.5 in ³
Biodiesel Capability	Up to B20 ⁽¹⁾	
Number of Cylinders	4	

- Meets U.S. EPA Tier 4 Final and EU Stage V emission standards.
- Advertised power is tested per the specified standard in effect at the time of manufacture.
- Net power advertised is the power available at the flywheel when engine is equipped with fan, air cleaner, CEM exhaust gas aftertreatment, alternator, and cooling fan running at intermediate speed.
- Recommended for use up to 4500 m (14,760 ft) altitude with engine power derate above 3000 m (9,840 ft).
- Rated speed 2,200 rpm.

⁽¹⁾Cat diesel engines are required to use ULSD (ultra-low sulfur diesel fuel with 15 ppm of sulfur or less) or ULSD blended with the following lower-carbon intensity fuels** up to:

- ✓ 20% biodiesel FAME (fatty acid methyl ester)*
- ✓ 100% renewable diesel, HVO (hydrotreated vegetable oil) and GTL (gas-to-liquid) fuels

Refer to guidelines for successful application. Please consult your Cat dealer or "Caterpillar Machine Fluids Recommendations" (SEBU6250) for details.

**Engines with no aftertreatment devices can use higher blends, up to 100% biodiesel (for use of blends higher than 20% biodiesel, consult your Cat dealer).*

***Tailpipe greenhouse gas emissions from lower-carbon intensity fuels are essentially the same as traditional fuels.*

Transmission

Forward/Reverse		
1st Gear	10 km/h	6.2 mph
2nd Gear	35 km/h	21.7 mph
Creep Speed		
1st Gear	5.5 km/h	3.4 mph
2nd Gear	15 km/h	9.3 mph
Drawbar Pull	104 kN	23,380 lbf
Maximum Gradeability at (19 500 kg/42,990 lb)	61.0%	

Service Refill Capacities

Fuel Tank (total capacity)	470 L	124.2 gal
Diesel Exhaust Fluid (DEF) Tank	30 L	7.9 gal
Cooling System	31.7 L	8.4 gal
Engine Oil	13 L	3.4 gal
Hydraulic Tank	155 L	40.9 gal
Hydraulic System (including tank)	270 L	71.3 gal
Rear Axle Housing (differential)	14 L	3.7 gal
Front Steering Axle (differential)	10.5 L	2.8 gal
Final Drive (each)	2.5 L	0.7 gal
Powershift Transmission	2.5 L	0.7 gal

Swing Mechanism

Maximum Swing Speed	9.2 rpm	
Maximum Swing Torque	52.5 kN·m	38,722 lbf-ft

Undercarriage

Ground Clearance	360 mm	14.2 in
Maximum Steering Angle	35°	
Oscillation Axle Angle	± 8.5°	
Minimum Turning Radius		
Outside of Tire	6600 mm	21.6 ft
Outside of Tire (Plastic Fender)	7900 mm	25.9 ft
End of One-Piece (1 PC) Boom	9200 mm	30.2 ft
End of Variable Adjustable (VA) Boom	7500 mm	24.6 ft

Operating Weights*

Minimum	18 800 kg	41,450 lb
Maximum	21 200 kg	46,740 lb
Typical configurations:		
Variable Adjustable Boom**		
Rear Blade Only	19 500 kg	42,990 lb
Blade and Outriggers	20 500 kg	45,190 lb
Front and Rear Outriggers	20 600 kg	45,410 lb
One-Piece Boom **		
Rear Blade Only	19 050 kg	42,000 lb
Blade and Outriggers	20 050 kg	44,200 lb
Front and Rear Outriggers	20 150 kg	44,420 lb

*Operating weight includes full fuel tank, operator, bucket 700 kg (1,543 lb) and dual pneumatic tires. Weight varies depending on configuration.

**Typical configurations include 2500 mm (8'2") stick, 3600 kg (7,937 lb) counterweight, bucket and 220 kg (485 lb) quick coupler.

M320 Wheeled Excavator Specifications

Major Component Weights

Boom (including VA and stick cylinder, pins and standard hydraulic lines):

One-Piece Boom 5650 mm (18'6")	2280 kg	5,030 lb
-----------------------------------	---------	----------

Variable Adjustable Boom 5260 mm (17'3")	2720 kg	6,000 lb
---	---------	----------

Sticks (including cylinder, bucket linkage, pins and standard hydraulic lines):

Stick 2500 mm (8'2")	990 kg	2,180 lb
----------------------	--------	----------

Stick 2900 mm (9'6")	1040 kg	2,290 lb
----------------------	---------	----------

Counterweights:

3600 kg (7,937 kg) Counterweight	3600 kg	7,940 lb
----------------------------------	---------	----------

4200 kg (9,259 kg) Counterweight	4200 kg	9,260 lb
----------------------------------	---------	----------

Undercarriage (including axles, standard tires and steps):

Rear Blade	4960 kg	10,930 lb
------------	---------	-----------

Rear Blade/Front Outrigger	5970 kg	13,160 lb
----------------------------	---------	-----------

Rear Outrigger/Front Blade	5970 kg	13,160 lb
----------------------------	---------	-----------

Rear Outrigger/Front Outrigger	6150 kg	13,560 lb
--------------------------------	---------	-----------

Buckets:

Pin-On Bucket GD 1.0 m ³ (1.31 yd ³)	700 kg	1,540 lb
---	--------	----------

CW Bucket GD 1.0 m ³ (1.31 yd ³)	700 kg	1,540 lb
---	--------	----------

Quick Couplers:

CW30 Dedicated Quick Coupler	220 kg	490 lb
------------------------------	--------	--------

Pin Grabber Quick Coupler	380 kg	840 lb
---------------------------	--------	--------

Hydraulic System

Maximum Pressure – Implement Circuit

Normal	35 000 kPa	5,076 psi
--------	------------	-----------

Heavy Lift	37 000 kPa	5,366 psi
------------	------------	-----------

Travel Circuit	35 000 kPa	5,076 psi
----------------	------------	-----------

Maximum Pressure – Auxiliary Circuit

High Pressure	35 000 kPa	5,076 psi
---------------	------------	-----------

Medium Pressure	17 000 kPa	2,466 psi
-----------------	------------	-----------

Swing Mechanism	39 500 kPa	5,729 psi
-----------------	------------	-----------

Maximum Flow

Implements	306 L/min	81 gal/min
------------	-----------	------------

Travel Circuit	235 L/min	62 gal/min
----------------	-----------	------------

Auxiliary Circuit

High Pressure	250 L/min	66.0 gal/min
---------------	-----------	--------------

Medium Pressure	55 L/min	14.5 gal/min
-----------------	----------	--------------

Swing Mechanism	90 L/min	23.8 gal/min
-----------------	----------	--------------

Cylinders

Boom Cylinder (VA) – Bore	130 mm	0'5"
---------------------------	--------	------

Boom Cylinder (VA) – Stroke	906 mm	2'12"
-----------------------------	--------	-------

VAB cylinder – Bore	160 mm	0'6"
---------------------	--------	------

VAB cylinder – Stroke	731 mm	2'5"
-----------------------	--------	------

Boom Cylinder (1 PC) – Bore	130 mm	0'5"
-----------------------------	--------	------

Boom Cylinder (1 PC) – Stroke	906 mm	2'12"
-------------------------------	--------	-------

Stick Cylinder (VA) – Bore	130 mm	0'5"
----------------------------	--------	------

Stick Cylinder (VA) – Stroke	1205 mm	3'11"
------------------------------	---------	-------

Stick Cylinder (1 PC) – Bore	140 mm	0'6"
------------------------------	--------	------

Stick Cylinder (1 PC) – Stroke	1205 mm	3'11"
--------------------------------	---------	-------

Bucket Cylinder – Bore	110 mm	0'4"
------------------------	--------	------

Bucket Cylinder – Stroke	1077 mm	3'6"
--------------------------	---------	------

Tires

Standard	10.00 – 20 (dual pneumatic)
----------	-----------------------------

Optional	11.00 – 20 (dual pneumatic)
	315/70R22.5 (dual pneumatic spacerless)
	300-80-22.5 (dual pneumatic, spacerless)
	445/70/R19.5 TL XF (single pneumatic)

M320 Wheeled Excavator Specifications

Dozer Blade

Blade Type	Parallel	
Width	2540 mm	8'4"
Blade Roll-Over Height	570 mm	1'10"
Blade Total Height	610 mm	2'0"
Maximum Lowering Depth From Ground	130 mm	0'5"
Maximum Raising Height Above Ground	495 mm	1'7"

Emissions and Safety

Engine Emissions	Tier 4 Final and Stage V	
Vibration Levels		
Maximum Hand/Arm (ISO 5349-2001)	<2.5 m/s ²	<8.2
Maximum Whole Body (ISO/TR 25398:2006)	<0.5 m/s ²	<1.6
Seat Transmissibility Factor (ISO 7096:2020-spectral class EM6)	<0.7	

Standards

Brakes	ISO 3450:2011
Cab Rollover Protective Structure (ROPS)	ISO 12117-2:2008
Operator Protective Guards (OPG) (optional)	ISO 10262:1998
Cab/Sound Levels	Meets appropriate standards as listed below

Sound Performance

ISO 6396:2008 internal	70 dB(A)
ISO 6395:2008 external	99 dB(A)

- External Sound – The labelled spectator sound power level represents the Guaranteed Value per 2000/14/EC amended by 2005/88/EC, when properly equipped, and is measured according to the test procedures and conditions specified in ISO 6395:2008. The measurements were conducted at 70% of the maximum engine cooling fan speed.
- Internal Sound – The operator sound pressure level is measured according to the test procedures and conditions specified in ISO 6396:2008 for a cab offered by Caterpillar, when properly installed and maintained and tested with the door and windows closed. The measurements were conducted at 70% of the maximum engine cooling fan speed.
- Hearing protection may be needed when operating with an open operator station and cab (when not properly maintained for doors/windows open) for extended periods or in noisy environment(s).
- Blue Angel certified.

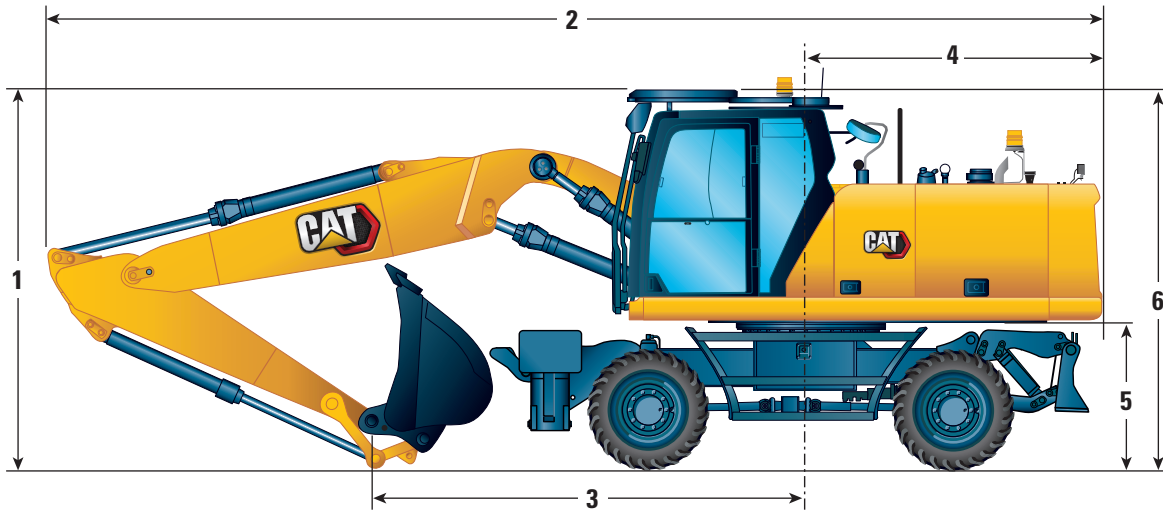
Air Conditioning System

The air conditioning system on this machine contains the fluorinated greenhouse gas refrigerant R134a (Global Warming Potential = 1430). The system contains 0.85 kg of refrigerant which has a CO₂ equivalent of 1.216 metric tonnes.

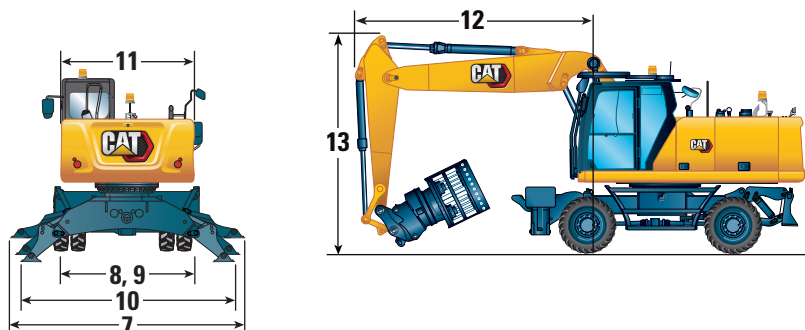
M320 Wheeled Excavator Specifications

Dimensions

All Dimensions are approximate. Values are with 10.00-20 Dual Pneumatic Tires.



Boom Options	Variable Adjustable Boom 5260 mm (17'3")		One-Piece Boom 5650 mm (18'6")	
	Bucket Linkage 2500 mm (8'2")	Bucket Linkage 2900 mm (9'6")	Bucket Linkage 2500 mm (8'2")	Bucket Linkage 2900 mm (9'6")
1 Shipping Height with OPG (highest point between boom and cab)	3370 mm (11'1")	3370 mm (11'1")	3370 mm (11'1")	3370 mm (11'1")
Shipping Height without OPG	3360 mm (11'0")	3490 mm (11'5")	3230 mm (10'7")	3340 mm (10'11")
2 Shipping Length	8925 mm (29'3")	8875 mm (29'1")	9325 mm (30'7")	9300 mm (30'6")
3 Support Point	3580 mm (11'9")	3420 mm (11'3")	3820 mm (12'6")	3610 mm (11'10")
4 Tail Swing Radius	2600 mm (8'6")	2600 mm (8'6")	2600 mm (8'6")	2600 mm (8'6")
5 Counterweight Clearance	1306 mm (4'3")	1306 mm (4'3")	1306 mm (4'3")	1306 mm (4'3")
6 Cab Height				
No OPG	3199 mm (10'6")	3199 mm (10'6")	3199 mm (10'6")	3199 mm (10'6")
With OPG	3361 mm (11'0")	3361 mm (11'0")	3361 mm (11'0")	3361 mm (11'0")
Overall Machine Width				
7 Width with outriggers on ground	3820 mm (12'6")	3820 mm (12'6")	3820 mm (12'6")	3820 mm (12'6")
8 Width with outriggers up	2540 mm (8'4")	2540 mm (8'4")	2540 mm (8'4")	2540 mm (8'4")
9 Width with blade	2540 mm (8'4")	2540 mm (8'4")	2540 mm (8'4")	2540 mm (8'4")
10 Width with Outriggers Fully Down	3650 mm (12'0")	3650 mm (12'0")	3650 mm (12'0")	3650 mm (12'0")
Enclosure Height (Doors)	2506 mm (8'3")	2506 mm (8'3")	2506 mm (8'3")	2506 mm (8'3")
11 Upperframe Width	2540 mm (8'4")	2540 mm (8'4")	2540 mm (8'4")	2540 mm (8'4")
Roading Position				
12 Steering Wheel to Linkage in Roding Position	3040 mm (10'0")	3040 mm (10'0")	—	—
13 Height in Roding Position	3970 mm (13'0")	3970 mm (13'0")	—	—



M320 Wheeled Excavator Specifications

Undercarriage Dimensions

All Dimensions are approximate. Values are with 10.00-20 Dual Pneumatic Tires.

Undercarriage	Rear Blade	Rear Blade/ Front Outrigger	Rear Outrigger/ Front Blade	Rear Outrigger/ Front Outrigger
14 Overall Undercarriage Length	4440 mm (14'7")	5050 mm (16'7")	5050 mm (16'7")	4955 mm (16'3")
15 Wheel Base	2700 mm (8'10")	2700 mm (8'10")	2700 mm (8'10")	2700 mm (8'10")
16 Swing Bearing Center to Rear Axle Center	1250 mm (4'1")	1250 mm (4'1")	1250 mm (4'1")	1250 mm (4'1")
17 Swing Bearing Center to Front Axle Center	1450 mm (4'9")	1450 mm (4'9")	1450 mm (4'9")	1450 mm (4'9")
18 Rear Axle to Rear Outrigger (mid)	—	—	950 mm (3'1")	950 mm (3'1")
19 Front Axle to Front Outrigger (mid)	—	750 mm (2'6")	—	—
20 Rear Axle to Blade (end)	1200 mm (3'11")	1200 mm (3'11")	—	—
Front Axle to Blade (end)	—	—	1245 mm (4'1")	—
21 Maximum Outrigger Depth below Ground	—	120 mm (0'5")	120 mm (0'5")	120 mm (0'5")
22 Blade Width	2540 mm (8'4")	2540 mm (8'4")	2540 mm (8'4")	—
Maximum Blade Depth below Ground	130 mm (0'5")	130 mm (0'5")	130 mm (0'5")	—
Ground Clearance				
Lowest Step Clearance	420 mm (1'5")	420 mm (1'5")	420 mm (1'5")	420 mm (1'5")
23 Outrigger Clearance	325 mm (1'1")	325 mm (1'1")	325 mm (1'1")	325 mm (1'1")
24 Blade Clearance (parallel)	495 mm (1'7")	495 mm (1'7")	495 mm (1'7")	495 mm (1'7")
25 Axle Clearance	360 mm (1'2")	360 mm (1'2")	360 mm (1'2")	360 mm (1'2")

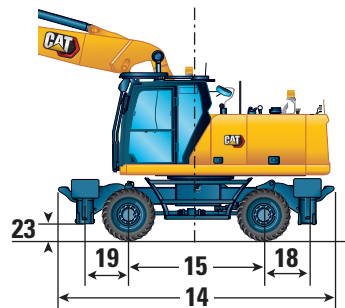
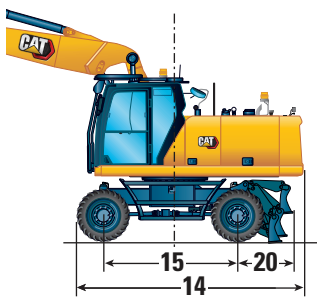
*Maximum tire clearance with outrigger fully down



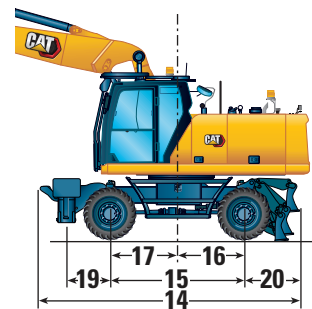
Undercarriage with dozer only



Undercarriage with 2 sets of outriggers



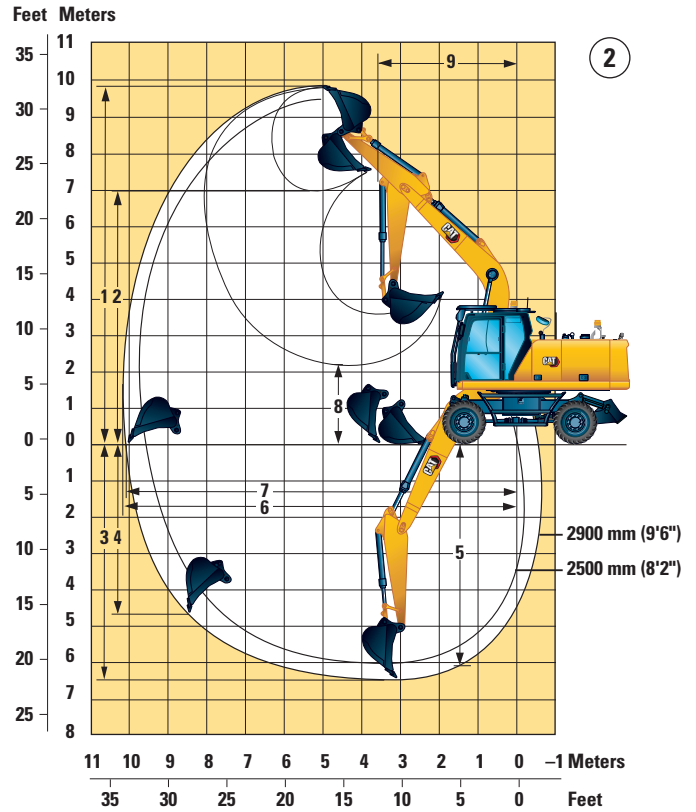
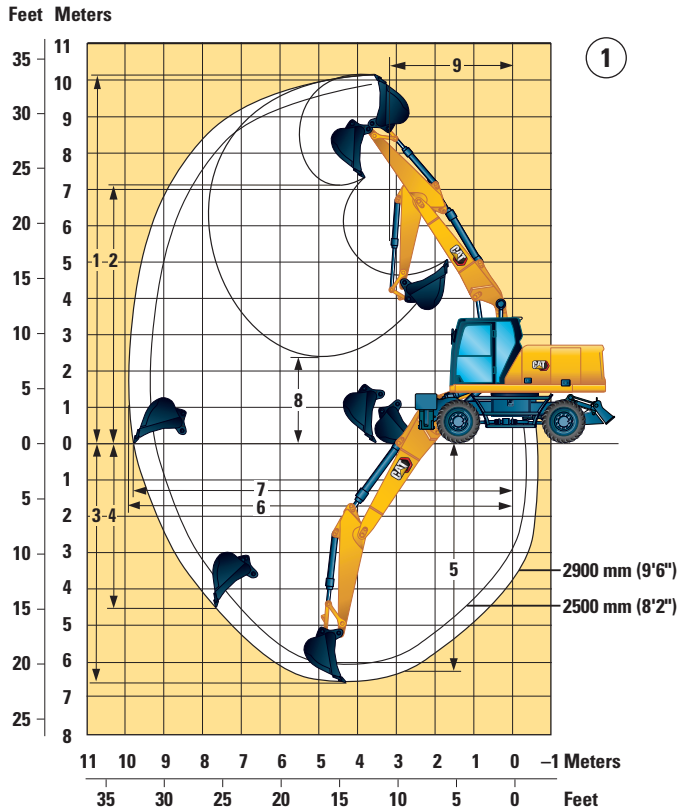
Undercarriage with 1 set of outriggers and dozer



M320 Wheeled Excavator Specifications

Working Ranges

All Dimensions are approximate. Values are with 10.00-20 Dual Pneumatic Tires.



Boom Options

Variable Adjustable Boom
5260 mm (17'3")

One-Piece Boom
5650 mm (18'6")

①

②

Stick Options

	Bucket Linkage 2500 mm (8'2")	Bucket Linkage 2900 mm (9'6")	Bucket Linkage 2500 mm (8'2")	Bucket Linkage 2900 mm (9'6")
1 Maximum Cutting Height	9950 mm (32'8")	10 240 mm (33'7")	9550 mm (31'4")	9790 mm (32'1")
2 Maximum Loading Height	6960 mm (22'10")	7250 mm (23'9")	6680 mm (21'11")	6910 mm (22'8")
3 Maximum Digging Depth	6030 mm (19'9")	6430 mm (21'1")	6000 mm (19'8")	6400 mm (21'0")
4 Maximum Vertical Wall Digging Depth	4230 mm (13'11")	4670 mm (15'4")	4250 mm (13'11")	4740 mm (15'7")
5 Maximum Depth Cut for 2440 mm (8'0") Level Bottom	5930 mm (19'5")	6330 mm (20'9")	5800 mm (19'0")	6220 mm (20'5")
6 Maximum Reach	9470 mm (31'1")	9850 mm (32'4")	9820 mm (32'3")	10 190 mm (33'5")
7 Maximum Reach at Ground Line	9290 mm (30'6")	9680 mm (31'9")	9640 mm (31'8")	10 030 mm (32'11")
8 Minimum Loading Height	2810 mm (9'3")	2420 mm (7'11")	2790 mm (9'2")	2390 mm (7'10")
9 Minimum Front Swing Radius	3180 mm (10'5")	3300 mm (10'10")	3620 mm (11'11")	3610 mm (11'10")
Bucket Forces (ISO)	137 kN 30,799 (lbf)	137 kN 30,799 (lbf)	137 kN 30,799 (lbf)	137 kN 30,799 (lbf)
Stick Forces (ISO)	92 kN 20,682 (lbf)	83 kN 18,659 (lbf)	106 kN 23,830 (lbf)	96 kN 21,582 (lbf)
Bucket Type	GD	GD	GD	GD
Bucket Capacity	0.98 m ³ (1.28 yd ³)	0.98 m ³ (1.28 yd ³)	0.98 m ³ (1.28 yd ³)	0.98 m ³ (1.28 yd ³)
Bucket Tip Radius (Pin-On)	1462 mm (4'10")	1462 mm (4'10")	1462 mm (4'10")	1462 mm (4'10")
Bucket Tip Radius (QC)	1535 mm (5'0")	1535 mm (5'0")	1535 mm (5'0")	1535 mm (5'0")

Range values are with dual pneumatic tires (10.00-20).

Range values are calculated with a GD bucket (CW) and CW-30 quick coupler with a tip radius of 1535 mm (5'0").

Force values are calculated with heavy lift on, a GD bucket (pin-on) and a tip radius of 1462 mm (4'10").

M320 Wheeled Excavator Specifications

Lift Capacities – Variable Adjustable Boom 2500 mm Stick

All values are in kg, work tool: none, bucket cylinder and bucket linkage installed, counterweight: 3600 kg, heavy lift function on.

Stick length	Undercarriage configuration	Load at maximum reach (sticknose/bucket pin)			Load over front			Load over rear			Load over side			Load point height			mm	
		3000 mm	4500 mm	6000 mm	7500 mm	3000 mm	4500 mm	6000 mm	7500 mm	3000 mm	4500 mm	6000 mm	7500 mm	3000 mm	4500 mm	6000 mm		
7500 mm	Front empty – rear parallel dozer – raised				*5800	*5800	5250									*3700	*3700	*3700
	Front empty – rear parallel dozer – lowered				*5800	*5800	*5800									*3700	*3700	*3700
	Front parallel dozer – rear stabilizer – lowered				*5800	*5800	*5800									*3700	*3700	*3700
	Front stabilizer – rear stabilizer – lowered				*5800	*5800	*5800									*3700	*3700	*3700
	Wide axle – front empty – rear parallel dozer – lowered				*5800	*5800	5750									*3700	*3700	*3700
6000 mm	Front empty – rear parallel dozer – raised				*6200	*6200	5250	5250	4000	3200						*3250	*3250	2650
	Front empty – rear parallel dozer – lowered				*6200	*6200	5800	5200	*5500	3550						*3250	*3250	2900
	Front parallel dozer – rear stabilizer – lowered				*6200	*6200	*6200	*5500	*5500	5300						*3250	*3250	*3250
	Front stabilizer – rear stabilizer – lowered				*6200	*6200	*6200	*5500	*5500	5300						*3250	*3250	*3250
	Wide axle – front empty – rear parallel dozer – lowered				*6200	*6200	5750	5250	4050	3550						*3250	*3250	2900
4500 mm	Front empty – rear parallel dozer – raised				*7150	6250	4950	5150	3900	3100						*3100	2650	2100
	Front empty – rear parallel dozer – lowered				*7150	*7150	5500	5100	*6000	3450						*3100	*3100	2350
	Front parallel dozer – rear stabilizer – lowered				*7150	*7150	*7150	*6000	*6000	5200						*3100	*3100	*3100
	Front stabilizer – rear stabilizer – lowered				*7150	*7150	*7150	*6000	*6000	*6000						*3100	*3100	*3100
	Wide axle – front empty – rear parallel dozer – lowered				*7150	6250	5450	5150	3900	3400						*3100	2700	2350
3000 mm	Front empty – rear parallel dozer – raised				7650	5750	4450	4900	3700	2900	3450	2550	2000			*3100	2350	1850
	Front empty – rear parallel dozer – lowered				7650	*8600	5000	4900	*6550	3250	3450	*5350	2250			*3100	*3100	2100
	Front parallel dozer – rear stabilizer – lowered				*8600	*8600	7750	*6550	*6550	4950	*5350	*5350	3500			*3100	*3100	*3100
	Front stabilizer – rear stabilizer – lowered				*8600	*8600	*8600	*6550	*6550	5950	*5350	*5350	4150			*3100	*3100	*3100
	Wide axle – front empty – rear parallel dozer – lowered				7700	5750	4950	4950	3700	3200	3450	2600	2250			*3100	2400	2050
1500 mm	Front empty – rear parallel dozer – raised				7150	5250	4000	4650	3450	2700	3350	2500	1950			3050	2250	1750
	Front empty – rear parallel dozer – lowered				7100	*9800	4550	4650	*7100	3050	3350	5400	2200			3050	*3300	2000
	Front parallel dozer – rear stabilizer – lowered				*9800	*9800	7250	*7100	*7100	4700	*5650	5450	3400			*3300	*3300	3100
	Front stabilizer – rear stabilizer – lowered				*9800	*9800	8850	*7100	*7100	5700	*5650	5600	4050			*3300	*3300	*3300
	Wide axle – front empty – rear parallel dozer – lowered				7200	5250	4450	4700	3500	3000	3350	2500	2150			3100	2250	1950
0 mm	Front empty – rear parallel dozer – raised				6850	5000	3750	4500	3300	2550	3300	2400	1850			3150	2300	1800
	Front empty – rear parallel dozer – lowered				6850	*10 000	4300	4500	*7250	2900	3250	5350	2100			3150	*3650	2000
	Front parallel dozer – rear stabilizer – lowered				*10 000	*10 000	6950	*7250	*7250	4550	*5500	5400	3300			*3650	*3650	3200
	Front stabilizer – rear stabilizer – lowered				*10 000	*10 000	8600	*7250	*7250	5500	*5500	5500	4000			*3650	*3650	*3650
	Wide axle – front empty – rear parallel dozer – lowered				6900	5000	4200	4550	3300	2850	3300	2400	2100			3150	2300	2000
-1500 mm	Front empty – rear parallel dozer – raised	*9300	*9300	6850	6800	4900	3700	4450	3250	2500					3500	2550	2000	
	Front empty – rear parallel dozer – lowered	*9300	*9300	7950	6800	*9250	4250	4450	*6800	2850					3450	*4350	2250	
	Front parallel dozer – rear stabilizer – lowered	*9300	*9300	*9300	*9250	*9250	6900	*6800	*6800	4500					*4350	*4350	3500	
	Front stabilizer – rear stabilizer – lowered	*9300	*9300	*9300	*9250	*9250	8500	*6800	*6800	5450					*4350	*4350	4250	
	Wide axle – front empty – rear parallel dozer – lowered	*9300	*9300	7800	6850	4950	4150	4500	3250	2800					3500	2550	2200	
-3000 mm	Front empty – rear parallel dozer – raised				6900	5000	3800	4550	3350	2600					4300	3200	2450	
	Front empty – rear parallel dozer – lowered				6900	*7450	4300	4500	*5150	2900					4300	*4650	2800	
	Front parallel dozer – rear stabilizer – lowered				*7450	*7450	7000	*5150	*5150	4600					*4650	*4650	4350	
	Front stabilizer – rear stabilizer – lowered				*7450	*7450	*7450	*5150	*5150	*5150					*4650	*4650	*4650	
	Wide axle – front empty – rear parallel dozer – lowered				6950	5050	4250	4550	3350	2900					4350	3200	2750	

*Limited by hydraulic rather than tipping load.

Oscillating axle needs to be locked. Weight of all lifting accessories must be subtracted from the lifting capacities. All lift capacities calculated and rated per ISO 10567:2007. Rated loads do not exceed 87% of hydraulic lift capacity or 75% of tipping load. Heavy Lift Function ON. Lifting capacities are based on the machine standing on a firm uniform supporting surface. The load point is the center line of the bucket pivot mounting pin on the stick. Lift capacity is calculated with VA cylinder completely extracted. The use of a work tool attachment point to handle/lift objects, could affect the machine lift performance.

Always refer to the appropriate Operation and Maintenance Manual for specific product information.

M320 Wheeled Excavator Specifications

Lift Capacities – Variable Adjustable Boom 8'2" Stick

All values are in lb, work tool: none, bucket cylinder and bucket linkage installed, counterweight: 7,940 lb, heavy lift function on.

Stick ft	Undercarriage configuration	Load at maximum reach (sticknose/bucket pin)			Load over front			Load over rear			Load over side			Load point height			ft		
		10 ft	15 ft	20 ft	25 ft	10 ft	15 ft	20 ft	25 ft	10 ft	15 ft	20 ft	25 ft	10 ft	15 ft	20 ft			
25 ft	Front empty – rear parallel dozer – raised				*12,300	*12,300	11,300										*8,300	*8,300	*8,300
	Front empty – rear parallel dozer – lowered				*12,300	*12,300	*12,300										*8,300	*8,300	*8,300
	Front parallel dozer – rear stabilizer – lowered				*12,300	*12,300	*12,300										*8,300	*8,300	*8,300
	Front stabilizer – rear stabilizer – lowered				*12,300	*12,300	*12,300										*8,300	*8,300	*8,300
	Wide axle – front empty – rear parallel dozer – lowered				*12,300	*12,300	*12,300										*8,300	*8,300	*8,300
20 ft	Front empty – rear parallel dozer – raised				*13,500	*13,500	11,300	11,200	8,600	6,900							*7,200	*7,200	5,900
	Front empty – rear parallel dozer – lowered				*13,500	*13,500	12,500	11,200	*11,500	7,600							*7,200	*7,200	6,600
	Front parallel dozer – rear stabilizer – lowered				*13,500	*13,500	*13,500	*11,500	*11,500	11,400							*7,200	*7,200	*7,200
	Front stabilizer – rear stabilizer – lowered				*13,500	*13,500	*13,500	*11,500	*11,500	*11,500							*7,200	*7,200	*7,200
	Wide axle – front empty – rear parallel dozer – lowered				*13,500	*13,500	12,300	11,300	8,600	7,600							*7,200	*7,200	6,500
15 ft	Front empty – rear parallel dozer – raised				*15,400	13,500	10,700	11,000	8,400	6,700							*6,800	5,900	4,700
	Front empty – rear parallel dozer – lowered				*15,400	*15,400	11,900	11,000	*13,000	7,500							*6,800	*6,800	5,200
	Front parallel dozer – rear stabilizer – lowered				*15,400	*15,400	*15,400	*13,000	*13,000	11,100							*6,800	*6,800	*6,800
	Front stabilizer – rear stabilizer – lowered				*15,400	*15,400	*15,400	*13,000	*13,000	*13,000							*6,800	*6,800	*6,800
	Wide axle – front empty – rear parallel dozer – lowered				*15,400	13,500	11,700	11,100	8,400	7,400							*6,800	6,000	5,200
10 ft	Front empty – rear parallel dozer – raised				16,500	12,400	9,600	10,600	8,000	6,300	7,400	5,500	4,300				*6,900	5,200	4,100
	Front empty – rear parallel dozer – lowered				16,500	*18,600	10,800	10,500	*14,300	7,000	7,400	*10,300	4,900				*6,900	*6,900	4,600
	Front parallel dozer – rear stabilizer – lowered				*18,600	*18,600	16,700	*14,300	*14,300	10,700	*10,300	*10,300	7,500				*6,900	*6,900	*6,900
	Front stabilizer – rear stabilizer – lowered				*18,600	*18,600	*18,600	*14,300	*14,300	12,800	*10,300	*10,300	8,900				*6,900	*6,900	*6,900
	Wide axle – front empty – rear parallel dozer – lowered				16,600	12,400	10,700	10,600	8,000	6,900	7,500	5,500	4,800				*6,900	5,300	4,600
5 ft	Front empty – rear parallel dozer – raised				15,400	11,300	8,700	10,100	7,500	5,800	7,200	5,300	4,100				6,800	5,000	3,900
	Front empty – rear parallel dozer – lowered				15,300	*21,200	9,800	10,000	*15,400	6,600	7,200	11,600	4,700				6,700	*7,200	4,400
	Front parallel dozer – rear stabilizer – lowered				*21,200	*21,200	15,600	*15,400	*15,400	10,200	*12,300	11,800	7,300				*7,200	*7,200	6,800
	Front stabilizer – rear stabilizer – lowered				*21,200	*21,200	19,100	*15,400	*15,400	12,200	*12,300	12,000	8,700				*7,200	*7,200	*7,200
	Wide axle – front empty – rear parallel dozer – lowered				15,500	11,300	9,600	10,100	7,500	6,500	7,300	5,300	4,600				6,800	5,000	4,300
0 ft	Front empty – rear parallel dozer – raised				14,800	10,700	8,100	9,700	7,100	5,500	7,100	5,200	4,000				6,900	5,100	3,900
	Front empty – rear parallel dozer – lowered				14,700	*21,700	9,200	9,700	*15,700	6,200	7,000	*10,700	4,500				6,900	*8,000	4,500
	Front parallel dozer – rear stabilizer – lowered				*21,700	*21,700	15,000	*15,700	*15,700	9,800	*10,700	*10,700	7,100				*8,000	*8,000	7,000
	Front stabilizer – rear stabilizer – lowered				*21,700	*21,700	18,400	*15,700	*15,700	11,900	*10,700	*10,700	8,600				*8,000	*8,000	*8,000
	Wide axle – front empty – rear parallel dozer – lowered				14,900	10,800	9,100	9,800	7,200	6,100	7,100	5,200	4,500				7,000	5,100	4,400
-5 ft	Front empty – rear parallel dozer – raised	*21,200	20,500	14,700	14,700	10,600	8,000	9,600	7,000	5,400						7,700	5,700	4,400	
	Front empty – rear parallel dozer – lowered	*21,200	*21,200	17,000	14,600	*20,000	9,100	9,500	*14,600	6,100						7,600	*9,600	4,900	
	Front parallel dozer – rear stabilizer – lowered	*21,200	*21,200	*21,200	*20,000	*20,000	14,800	*14,600	*14,600	9,700						*9,600	*9,600	7,800	
	Front stabilizer – rear stabilizer – lowered	*21,200	*21,200	*21,200	*20,000	*20,000	18,300	*14,600	*14,600	11,700						*9,600	*9,600	9,300	
	Wide axle – front empty – rear parallel dozer – lowered	*21,200	20,600	16,700	14,700	10,600	9,000	9,700	7,000	6,000						7,700	5,700	4,900	
-10 ft	Front empty – rear parallel dozer – raised				14,900	10,800	8,200	9,800	7,200	5,600						9,600	7,100	5,500	
	Front empty – rear parallel dozer – lowered				14,800	*16,000	9,300	9,800	*10,700	6,300						9,600	*10,200	6,200	
	Front parallel dozer – rear stabilizer – lowered				*16,000	*16,000	15,100	*10,700	*10,700	9,900						*10,200	*10,200	9,700	
	Front stabilizer – rear stabilizer – lowered				*16,000	*16,000	*16,000	*10,700	*10,700	*10,700						*10,200	*10,200	*10,200	
	Wide axle – front empty – rear parallel dozer – lowered				15,000	10,800	9,200	9,900	7,300	6,200						9,700	7,100	6,100	

*Limited by hydraulic rather than tipping load.

Oscillating axle needs to be locked. Weight of all lifting accessories must be subtracted from the lifting capacities. All lift capacities calculated and rated per ISO 10567:2007. Rated loads do not exceed 87% of hydraulic lift capacity or 75% of tipping load. Heavy Lift Function ON. Lifting capacities are based on the machine standing on a firm uniform supporting surface. The load point is the center line of the bucket pivot mounting pin on the stick. Lift capacity is calculated with VA cylinder completely extracted. The use of a work tool attachment point to handle/lift objects, could affect the machine lift performance.

Always refer to the appropriate Operation and Maintenance Manual for specific product information.

M320 Wheeled Excavator Specifications

Lift Capacities – Variable Adjustable Boom 2900 mm Stick

All values are in kg, work tool: none, bucket cylinder and bucket linkage installed, counterweight: 3600 kg, heavy lift function on.

Stick mm	Undercarriage configuration	Load at maximum reach (sticknose/bucket pin)			Load over front			Load over rear			Load over side			Load point height			mm				
		3000 mm	4500 mm	6000 mm	7500 mm	3000 mm	4500 mm	6000 mm	7500 mm	3000 mm	4500 mm	6000 mm	7500 mm	3000 mm	4500 mm	6000 mm					
7500 mm	Front empty – rear parallel dozer – raised																				
	Front empty – rear parallel dozer – lowered																				
	Front parallel dozer – rear stabilizer – lowered																				
	Front stabilizer – rear stabilizer – lowered																				
	Wide axle – front empty – rear parallel dozer – lowered																				
6000 mm	Front empty – rear parallel dozer – raised																				
	Front empty – rear parallel dozer – lowered																				
	Front parallel dozer – rear stabilizer – lowered																				
	Front stabilizer – rear stabilizer – lowered																				
	Wide axle – front empty – rear parallel dozer – lowered																				
4500 mm	Front empty – rear parallel dozer – raised																				
	Front empty – rear parallel dozer – lowered																				
	Front parallel dozer – rear stabilizer – lowered																				
	Front stabilizer – rear stabilizer – lowered																				
	Wide axle – front empty – rear parallel dozer – lowered																				
3000 mm	Front empty – rear parallel dozer – raised																				
	Front empty – rear parallel dozer – lowered																				
	Front parallel dozer – rear stabilizer – lowered																				
	Front stabilizer – rear stabilizer – lowered																				
	Wide axle – front empty – rear parallel dozer – lowered																				
1500 mm	Front empty – rear parallel dozer – raised																				
	Front empty – rear parallel dozer – lowered																				
	Front parallel dozer – rear stabilizer – lowered																				
	Front stabilizer – rear stabilizer – lowered																				
	Wide axle – front empty – rear parallel dozer – lowered																				
0 mm	Front empty – rear parallel dozer – raised																				
	Front empty – rear parallel dozer – lowered																				
	Front parallel dozer – rear stabilizer – lowered																				
	Front stabilizer – rear stabilizer – lowered																				
	Wide axle – front empty – rear parallel dozer – lowered																				
-1500 mm	Front empty – rear parallel dozer – raised																				
	Front empty – rear parallel dozer – lowered																				
	Front parallel dozer – rear stabilizer – lowered																				
	Front stabilizer – rear stabilizer – lowered																				
	Wide axle – front empty – rear parallel dozer – lowered																				
-3000 mm	Front empty – rear parallel dozer – raised																				
	Front empty – rear parallel dozer – lowered																				
	Front parallel dozer – rear stabilizer – lowered																				
	Front stabilizer – rear stabilizer – lowered																				
	Wide axle – front empty – rear parallel dozer – lowered																				

*Limited by hydraulic rather than tipping load.

Oscillating axle needs to be locked. Weight of all lifting accessories must be subtracted from the lifting capacities. All lift capacities calculated and rated per ISO 10567:2007. Rated loads do not exceed 87% of hydraulic lift capacity or 75% of tipping load. Heavy Lift Function ON. Lifting capacities are based on the machine standing on a firm uniform supporting surface. The load point is the center line of the bucket pivot mounting pin on the stick. Lift capacity is calculated with VA cylinder completely extracted. The use of a work tool attachment point to handle/lift objects, could affect the machine lift performance.

Always refer to the appropriate Operation and Maintenance Manual for specific product information.

M320 Wheeled Excavator Specifications

Lift Capacities – Variable Adjustable Boom 9'6" Stick

All values are in lb, work tool: none, bucket cylinder and bucket linkage installed, counterweight: 7,940 lb, heavy lift function on.

		Load at maximum reach (sticknose/bucket pin)			Load over front			Load over rear			Load over side			Load point height				
	Undercarriage configuration	10 ft			15 ft			20 ft			25 ft							
																	ft	
25 ft	Front empty – rear parallel dozer – raised															*6,800	*6,800	*6,800
	Front empty – rear parallel dozer – lowered															*6,800	*6,800	*6,800
	Front parallel dozer – rear stabilizer – lowered															*6,800	*6,800	*6,800
	Front stabilizer – rear stabilizer – lowered															*6,800	*6,800	*6,800
	Wide axle – front empty – rear parallel dozer – lowered															*6,800	*6,800	*6,800
20 ft	Front empty – rear parallel dozer – raised							*10,800	8,800	7,100						*6,000	*6,000	5,300
	Front empty – rear parallel dozer – lowered							*10,800	*10,800	7,800						*6,000	*6,000	5,900
	Front parallel dozer – rear stabilizer – lowered							*10,800	*10,800	*10,800						*6,000	*6,000	*6,000
	Front stabilizer – rear stabilizer – lowered							*10,800	*10,800	*10,800						*6,000	*6,000	*6,000
	Wide axle – front empty – rear parallel dozer – lowered							*10,800	8,800	7,700						*6,000	*6,000	5,800
15 ft	Front empty – rear parallel dozer – raised				*13,400	*13,400	10,900	11,200	8,500	6,800	7,600	5,700	4,500	*5,700	5,400	4,300		
	Front empty – rear parallel dozer – lowered				*13,400	*13,400	12,100	11,100	*12,400	7,600	7,600	*7,900	5,100	*5,700	*5,700	4,800		
	Front parallel dozer – rear stabilizer – lowered				*13,400	*13,400	*13,400	*12,400	*12,400	11,300	*7,900	*7,900	7,700	*5,700	*5,700	*5,700		
	Front stabilizer – rear stabilizer – lowered				*13,400	*13,400	*13,400	*12,400	*12,400	*12,400	*7,900	*7,900	*7,900	*5,700	*5,700	*5,700		
	Wide axle – front empty – rear parallel dozer – lowered				*13,400	*13,400	12,000	11,200	8,500	7,500	7,700	5,700	5,000	*5,700	5,500	4,700		
10 ft	Front empty – rear parallel dozer – raised				16,800	12,600	9,900	10,700	8,000	6,400	7,500	5,600	4,400	*5,700	4,800	3,800		
	Front empty – rear parallel dozer – lowered				16,700	*17,600	11,000	10,600	*13,700	7,100	7,400	*11,300	4,900	*5,700	*5,700	4,300		
	Front parallel dozer – rear stabilizer – lowered				*17,600	*17,600	17,000	*13,700	*13,700	10,800	*11,300	*11,300	7,500	*5,700	*5,700	*5,700		
	Front stabilizer – rear stabilizer – lowered				*17,600	*17,600	*17,600	*13,700	*13,700	12,900	*11,300	*11,300	9,000	*5,700	*5,700	*5,700		
	Wide axle – front empty – rear parallel dozer – lowered				16,900	12,600	10,900	10,700	8,100	7,000	7,500	5,600	4,800	*5,700	4,900	4,200		
5 ft	Front empty – rear parallel dozer – raised				15,600	11,400	8,800	10,100	7,500	5,900	7,200	5,300	4,100	*6,000	4,600	3,600		
	Front empty – rear parallel dozer – lowered				15,500	*20,500	9,900	10,100	*15,000	6,600	7,200	11,600	4,700	*6,000	*6,000	4,000		
	Front parallel dozer – rear stabilizer – lowered				*20,500	*20,500	15,700	*15,000	*15,000	10,200	*12,100	11,800	7,300	*6,000	*6,000	*6,000		
	Front stabilizer – rear stabilizer – lowered				*20,500	*20,500	19,300	*15,000	*15,000	12,300	*12,100	12,100	8,700	*6,000	*6,000	*6,000		
	Wide axle – front empty – rear parallel dozer – lowered				15,600	11,500	9,800	10,200	7,500	6,500	7,300	5,300	4,600	*6,000	4,600	4,000		
0 ft	Front empty – rear parallel dozer – raised				14,800	10,700	8,100	9,700	7,100	5,500	7,000	5,100	4,000	6,400	4,700	3,600		
	Front empty – rear parallel dozer – lowered				14,700	*21,600	9,200	9,700	*15,600	6,200	7,000	11,400	4,500	6,400	*6,600	4,100		
	Front parallel dozer – rear stabilizer – lowered				*21,600	*21,600	15,000	*15,600	*15,600	9,800	*12,100	11,600	7,100	*6,600	*6,600	6,500		
	Front stabilizer – rear stabilizer – lowered				*21,600	*21,600	18,500	*15,600	*15,600	11,900	*12,100	11,800	8,500	*6,600	*6,600	*6,600		
	Wide axle – front empty – rear parallel dozer – lowered				14,900	10,800	9,100	9,800	7,100	6,100	7,100	5,200	4,400	6,500	4,700	4,000		
-5 ft	Front empty – rear parallel dozer – raised	*19,800	*19,800	14,400	14,600	10,500	7,900	9,500	6,900	5,300				7,000	5,100	4,000		
	Front empty – rear parallel dozer – lowered	*19,800	*19,800	16,700	14,500	*20,600	9,000	9,500	*15,000	6,000				7,000	*7,800	4,500		
	Front parallel dozer – rear stabilizer – lowered	*19,800	*19,800	*19,800	*20,600	*20,600	14,700	*15,000	*15,000	9,600				*7,800	*7,800	7,100		
	Front stabilizer – rear stabilizer – lowered	*19,800	*19,800	*19,800	*20,600	*20,600	18,200	*15,000	*15,000	11,700				*7,800	*7,800	*7,800		
	Wide axle – front empty – rear parallel dozer – lowered	*19,800	*19,800	16,400	14,600	10,500	8,900	9,600	7,000	6,000				7,100	5,100	4,400		
-10 ft	Front empty – rear parallel dozer – raised	*23,900	20,700	14,800	14,700	10,600	8,000	9,600	7,000	5,400				8,500	6,300	4,800		
	Front empty – rear parallel dozer – lowered	*23,900	*23,900	17,100	14,600	*17,300	9,100	9,600	*12,300	6,100				8,500	*10,000	5,500		
	Front parallel dozer – rear stabilizer – lowered	*23,900	*23,900	*23,900	*17,300	*17,300	14,900	*12,300	*12,300	9,700				*10,000	*10,000	8,600		
	Front stabilizer – rear stabilizer – lowered	*23,900	*23,900	*23,900	*17,300	*17,300	*17,300	*12,300	*12,300	11,800				*10,000	*10,000	*10,000		
	Wide axle – front empty – rear parallel dozer – lowered	*23,900	20,700	16,800	14,800	10,600	9,000	9,700	7,100	6,000				8,600	6,300	5,400		

*Limited by hydraulic rather than tipping load.

Oscillating axle needs to be locked. Weight of all lifting accessories must be subtracted from the lifting capacities. All lift capacities calculated and rated per ISO 10567:2007. Rated loads do not exceed 87% of hydraulic lift capacity or 75% of tipping load. Heavy Lift Function ON. Lifting capacities are based on the machine standing on a firm uniform supporting surface. The load point is the center line of the bucket pivot mounting pin on the stick. Lift capacity is calculated with VA cylinder completely extracted. The use of a work tool attachment point to handle/lift objects, could affect the machine lift performance.

Always refer to the appropriate Operation and Maintenance Manual for specific product information.

M320 Wheeled Excavator Specifications

Lift Capacities – Variable Adjustable Boom 2500 mm Stick

All values are in kg, work tool: none, bucket cylinder and bucket linkage installed, counterweight: 4200 kg, heavy lift function on.

Stick length	Undercarriage configuration	Load at maximum reach (sticknose/bucket pin)			Load over front			Load over rear			Load over side			Load point height			mm	
		3000 mm	4500 mm	6000 mm	7500 mm	3000 mm	4500 mm	6000 mm	7500 mm	3000 mm	4500 mm	6000 mm	7500 mm	3000 mm	4500 mm	6000 mm		
7500 mm	Front empty – rear parallel dozer – raised				*5800	*5800	5700									*3700	*3700	*3700
	Front empty – rear parallel dozer – lowered				*5800	*5800	*5800									*3700	*3700	*3700
	Front parallel dozer – rear stabilizer – lowered				*5800	*5800	*5800									*3700	*3700	*3700
	Front stabilizer – rear stabilizer – lowered				*5800	*5800	*5800									*3700	*3700	*3700
	Wide axle – front empty – rear parallel dozer – lowered				*5800	*5800	*5800									*3700	*3700	*3700
6000 mm	Front empty – rear parallel dozer – raised				*6200	*6200	5650	*5500	4350	3500						*3250	*3250	2900
	Front empty – rear parallel dozer – lowered				*6200	*6200	*6200	*5500	*5500	3900						*3250	*3250	3200
	Front parallel dozer – rear stabilizer – lowered				*6200	*6200	*6200	*5500	*5500	*5500						*3250	*3250	*3250
	Front stabilizer – rear stabilizer – lowered				*6200	*6200	*6200	*5500	*5500	*5500						*3250	*3250	*3250
	Wide axle – front empty – rear parallel dozer – lowered				*6200	*6200	6200	*5500	4350	3850						*3250	*3250	3150
4500 mm	Front empty – rear parallel dozer – raised				*7150	6750	5350	5500	4250	3400						*3100	2950	2350
	Front empty – rear parallel dozer – lowered				*7150	*7150	5950	5500	*6000	3750						*3100	*3100	2600
	Front parallel dozer – rear stabilizer – lowered				*7150	*7150	*7150	*6000	*6000	5550						*3100	*3100	*3100
	Front stabilizer – rear stabilizer – lowered				*7150	*7150	*7150	*6000	*6000	*6000						*3100	*3100	*3100
	Wide axle – front empty – rear parallel dozer – lowered				*7150	6750	5850	5550	4250	3750						*3100	2950	2550
3000 mm	Front empty – rear parallel dozer – raised				8200	6200	4850	5300	4050	3200	3750	2850	2250			*3100	2600	2050
	Front empty – rear parallel dozer – lowered				8200	*8600	5450	5250	*6550	3550	3700	*5350	2500			*3100	*3100	2300
	Front parallel dozer – rear stabilizer – lowered				*8600	*8600	8300	*6550	*6550	5350	*5350	*5350	3750			*3100	*3100	*3100
	Front stabilizer – rear stabilizer – lowered				*8600	*8600	*8600	*6550	*6550	6350	*5350	*5350	4450			*3100	*3100	*3100
	Wide axle – front empty – rear parallel dozer – lowered				8200	6250	5350	5300	4050	3500	3750	2850	2500			*3100	2600	2300
1500 mm	Front empty – rear parallel dozer – raised				7700	5750	4400	5050	3800	3000	3650	2750	2150			*3300	2500	1950
	Front empty – rear parallel dozer – lowered				7650	*9800	4950	5000	*7100	3350	3600	*5650	2400			*3300	*3300	2200
	Front parallel dozer – rear stabilizer – lowered				*9800	*9800	7800	*7100	*7100	5100	*5650	*5650	3650			*3300	*3300	*3300
	Front stabilizer – rear stabilizer – lowered				*9800	*9800	9500	*7100	*7100	6100	*5650	*5650	4350			*3300	*3300	*3300
	Wide axle – front empty – rear parallel dozer – lowered				7750	5750	4900	5050	3800	3300	3650	2750	2400			*3300	2500	2200
0 mm	Front empty – rear parallel dozer – raised				7450	5450	4200	4900	3650	2850	3550	2650	2100			3400	2550	2000
	Front empty – rear parallel dozer – lowered				7400	*10 000	4750	4850	*7250	3200	3550	*5500	2350			3400	*3650	2250
	Front parallel dozer – rear stabilizer – lowered				*10 000	*10 000	7500	*7250	*7250	4950	*5500	*5500	3600			*3650	*3650	3450
	Front stabilizer – rear stabilizer – lowered				*10 000	*10 000	9200	*7250	*7250	5900	*5500	*5500	4300			*3650	*3650	*3650
	Wide axle – front empty – rear parallel dozer – lowered				7450	5500	4650	4900	3650	3150	3600	2650	2300			3450	2550	2250
-1500 mm	Front empty – rear parallel dozer – raised	*9300	*9300	7550	7350	5400	4150	4800	3600	2800					3750	2850	2200	
	Front empty – rear parallel dozer – lowered	*9300	*9300	8700	7350	*9250	4650	4800	*6800	3150					3750	*4350	2500	
	Front parallel dozer – rear stabilizer – lowered	*9300	*9300	*9300	*9250	*9250	7450	*6800	*6800	4850					*4350	*4350	3800	
	Front stabilizer – rear stabilizer – lowered	*9300	*9300	*9300	*9250	*9250	9150	*6800	*6800	5850					*4350	*4350	*4350	
	Wide axle – front empty – rear parallel dozer – lowered	*9300	*9300	8550	7400	5450	4600	4850	3600	3100					3800	*2850	2450	
-3000 mm	Front empty – rear parallel dozer – raised				*7450	5500	4200	4900	3700	2850					*4650	3500	2750	
	Front empty – rear parallel dozer – lowered				7450	*7450	4750	4900	*5150	3200					4650	*4650	3100	
	Front parallel dozer – rear stabilizer – lowered				*7450	*7450	*7450	*5150	*5150	4950					*4650	*4650	*4650	
	Front stabilizer – rear stabilizer – lowered				*7450	*7450	*7450	*5150	*5150	*5150					*4650	*4650	*4650	
	Wide axle – front empty – rear parallel dozer – lowered				*7450	5500	4700	4950	3700	3200					*4650	3500	3050	

*Limited by hydraulic rather than tipping load.

Oscillating axle needs to be locked. Weight of all lifting accessories must be subtracted from the lifting capacities. All lift capacities calculated and rated per ISO 10567:2007. Rated loads do not exceed 87% of hydraulic lift capacity or 75% of tipping load. Heavy Lift Function ON. Lifting capacities are based on the machine standing on a firm uniform supporting surface. The load point is the center line of the bucket pivot mounting pin on the stick. Lift capacity is calculated with VA cylinder completely extracted. The use of a work tool attachment point to handle/lift objects, could affect the machine lift performance.

Always refer to the appropriate Operation and Maintenance Manual for specific product information.

M320 Wheeled Excavator Specifications

Lift Capacities – Variable Adjustable Boom 8'2" Stick

All values are in lb, work tool: none, bucket cylinder and bucket linkage installed, counterweight: 9,260 lb, heavy lift function on.

Stick height	Undercarriage configuration	Load at maximum reach (sticknose/bucket pin)			Load over front			Load over rear			Load over side			Load point height			ft		
		10 ft	15 ft	20 ft	25 ft	10 ft	15 ft	20 ft	25 ft	10 ft	15 ft	20 ft	25 ft	10 ft	15 ft	20 ft			
25 ft	Front empty – rear parallel dozer – raised				*12,300	*12,300	12,200										*8,300	*8,300	*8,300
	Front empty – rear parallel dozer – lowered				*12,300	*12,300	*12,300										*8,300	*8,300	*8,300
	Front parallel dozer – rear stabilizer – lowered				*12,300	*12,300	*12,300										*8,300	*8,300	*8,300
	Front stabilizer – rear stabilizer – lowered				*12,300	*12,300	*12,300										*8,300	*8,300	*8,300
	Wide axle – front empty – rear parallel dozer – lowered				*12,300	*12,300	*12,300										*8,300	*8,300	*8,300
20 ft	Front empty – rear parallel dozer – raised				*13,500	*13,500	12,200	*11,500	9,300	7,500							*7,200	*7,200	6,500
	Front empty – rear parallel dozer – lowered				*13,500	*13,500	13,500	*11,500	*11,500	8,300							*7,200	*7,200	7,200
	Front parallel dozer – rear stabilizer – lowered				*13,500	*13,500	*13,500	*11,500	*11,500	*11,500							*7,200	*7,200	*7,200
	Front stabilizer – rear stabilizer – lowered				*13,500	*13,500	*13,500	*11,500	*11,500	*11,500							*7,200	*7,200	*7,200
	Wide axle – front empty – rear parallel dozer – lowered				*13,500	*13,500	13,300	*11,500	9,400	8,200							*7,200	*7,200	7,100
15 ft	Front empty – rear parallel dozer – raised				*15,400	14,500	11,600	11,800	9,100	7,300							*6,800	6,500	5,200
	Front empty – rear parallel dozer – lowered				*15,400	*15,400	12,800	11,800	*13,000	8,100							*6,800	*6,800	5,800
	Front parallel dozer – rear stabilizer – lowered				*15,400	*15,400	*15,400	*13,000	*13,000	12,000							*6,800	*6,800	*6,800
	Front stabilizer – rear stabilizer – lowered				*15,400	*15,400	*15,400	*13,000	*13,000	*13,000							*6,800	*6,800	*6,800
	Wide axle – front empty – rear parallel dozer – lowered				*15,400	14,600	12,700	11,900	9,200	8,000							*6,800	6,500	5,700
10 ft	Front empty – rear parallel dozer – raised				17,700	13,400	10,500	11,400	8,700	6,900	8,000	6,100	4,800				*6,900	5,800	4,600
	Front empty – rear parallel dozer – lowered				17,600	*18,600	11,700	11,300	*14,300	7,700	8,000	*10,300	5,400				*6,900	*6,900	5,100
	Front parallel dozer – rear stabilizer – lowered				*18,600	*18,600	17,900	*14,300	*14,300	11,500	*10,300	*10,300	8,100				*6,900	*6,900	*6,900
	Front stabilizer – rear stabilizer – lowered				*18,600	*18,600	*18,600	*14,300	*14,300	13,700	*10,300	*10,300	9,600				*6,900	*6,900	*6,900
	Wide axle – front empty – rear parallel dozer – lowered				17,800	13,500	11,600	11,400	8,700	7,600	8,100	6,100	5,300				*6,900	5,800	5,100
5 ft	Front empty – rear parallel dozer – raised				16,600	12,400	9,600	10,900	8,200	6,500	7,800	5,900	4,600				*7,200	5,500	4,300
	Front empty – rear parallel dozer – lowered				16,500	*21,200	10,700	10,800	*15,400	7,200	7,800	*12,300	5,200				*7,200	*7,200	4,900
	Front parallel dozer – rear stabilizer – lowered				*21,200	*21,200	16,800	*15,400	*15,400	11,000	*12,300	*12,300	7,900				*7,200	*7,200	*7,200
	Front stabilizer – rear stabilizer – lowered				*21,200	*21,200	20,400	*15,400	*15,400	13,100	*12,300	*12,300	9,400				*7,200	*7,200	*7,200
	Wide axle – front empty – rear parallel dozer – lowered				16,700	12,400	10,600	10,900	8,200	7,100	7,900	5,900	5,100				*7,200	5,500	4,800
0 ft	Front empty – rear parallel dozer – raised				16,000	11,800	9,000	10,500	7,900	6,100	7,700	5,700	4,500				7,500	5,600	4,400
	Front empty – rear parallel dozer – lowered				15,900	*21,700	10,200	10,500	*15,700	6,900	7,600	*10,700	5,100				7,500	*8,000	5,000
	Front parallel dozer – rear stabilizer – lowered				*21,700	*21,700	16,200	*15,700	*15,700	10,600	*10,700	*10,700	7,700				*8,000	*8,000	7,600
	Front stabilizer – rear stabilizer – lowered				*21,700	*21,700	19,800	*15,700	*15,700	12,800	*10,700	*10,700	9,200				*8,000	*8,000	*8,000
	Wide axle – front empty – rear parallel dozer – lowered				16,100	11,800	10,100	10,600	7,900	6,800	7,700	5,800	5,000				7,600	5,700	4,900
-5 ft	Front empty – rear parallel dozer – raised	*21,200	*21,200	16,300	15,800	11,700	8,900	10,400	7,800	6,000						8,300	6,200	4,900	
	Front empty – rear parallel dozer – lowered	*21,200	*21,200	18,700	15,800	*20,000	10,100	10,300	*14,600	6,800						8,300	*9,600	5,500	
	Front parallel dozer – rear stabilizer – lowered	*21,200	*21,200	*21,200	*20,000	*20,000	16,000	*14,600	*14,600	10,500						*9,600	*9,600	8,400	
	Front stabilizer – rear stabilizer – lowered	*21,200	*21,200	*21,200	*20,000	*20,000	19,600	*14,600	*14,600	12,600						*9,600	*9,600	*9,600	
	Wide axle – front empty – rear parallel dozer – lowered	*21,200	*21,200	18,400	15,900	11,700	9,900	10,500	7,800	6,700						8,400	6,300	5,400	
-10 ft	Front empty – rear parallel dozer – raised				*16,000	11,900	9,100	10,600	8,000	6,200						*10,200	7,800	6,100	
	Front empty – rear parallel dozer – lowered				16,000	*16,000	10,300	10,600	*10,700	7,000						*10,200	*10,200	6,900	
	Front parallel dozer – rear stabilizer – lowered				*16,000	*16,000	*16,000	*10,700	*10,700	7,000						*10,200	*10,200	*10,200	
	Front stabilizer – rear stabilizer – lowered				*16,000	*16,000	*16,000	*10,700	*10,700	*10,700						*10,200	*10,200	*10,200	
	Wide axle – front empty – rear parallel dozer – lowered				*16,000	11,900	10,100	10,700	8,000	6,900						*10,200	7,800	6,800	

*Limited by hydraulic rather than tipping load.

Oscillating axle needs to be locked. Weight of all lifting accessories must be subtracted from the lifting capacities. All lift capacities calculated and rated per ISO 10567:2007. Rated loads do not exceed 87% of hydraulic lift capacity or 75% of tipping load. Heavy Lift Function ON. Lifting capacities are based on the machine standing on a firm uniform supporting surface. The load point is the center line of the bucket pivot mounting pin on the stick. Lift capacity is calculated with VA cylinder completely extracted. The use of a work tool attachment point to handle/lift objects, could affect the machine lift performance.

Always refer to the appropriate Operation and Maintenance Manual for specific product information.

M320 Wheeled Excavator Specifications

Lift Capacities – Variable Adjustable Boom 2900 mm Stick

All values are in kg, work tool: none, bucket cylinder and bucket linkage installed, counterweight: 4200 kg, heavy lift function on.

Stick length	Undercarriage configuration	Load at maximum reach (sticknose/bucket pin)			Load over front			Load over rear			Load over side			Load point height			
		3000 mm	4500 mm	6000 mm	7500 mm	3000 mm	4500 mm	6000 mm	7500 mm	3000 mm	4500 mm	6000 mm	7500 mm	3000 mm	4500 mm	6000 mm	
7500 mm	Front empty – rear parallel dozer – raised																
	Front empty – rear parallel dozer – lowered																
	Front parallel dozer – rear stabilizer – lowered																
	Front stabilizer – rear stabilizer – lowered																
	Wide axle – front empty – rear parallel dozer – lowered																
6000 mm	Front empty – rear parallel dozer – raised																
	Front empty – rear parallel dozer – lowered																
	Front parallel dozer – rear stabilizer – lowered																
	Front stabilizer – rear stabilizer – lowered																
	Wide axle – front empty – rear parallel dozer – lowered																
4500 mm	Front empty – rear parallel dozer – raised																
	Front empty – rear parallel dozer – lowered																
	Front parallel dozer – rear stabilizer – lowered																
	Front stabilizer – rear stabilizer – lowered																
	Wide axle – front empty – rear parallel dozer – lowered																
3000 mm	Front empty – rear parallel dozer – raised																
	Front empty – rear parallel dozer – lowered																
	Front parallel dozer – rear stabilizer – lowered																
	Front stabilizer – rear stabilizer – lowered																
	Wide axle – front empty – rear parallel dozer – lowered																
1500 mm	Front empty – rear parallel dozer – raised																
	Front empty – rear parallel dozer – lowered																
	Front parallel dozer – rear stabilizer – lowered																
	Front stabilizer – rear stabilizer – lowered																
	Wide axle – front empty – rear parallel dozer – lowered																
0 mm	Front empty – rear parallel dozer – raised																
	Front empty – rear parallel dozer – lowered																
	Front parallel dozer – rear stabilizer – lowered																
	Front stabilizer – rear stabilizer – lowered																
	Wide axle – front empty – rear parallel dozer – lowered																
-1500 mm	Front empty – rear parallel dozer – raised																
	Front empty – rear parallel dozer – lowered																
	Front parallel dozer – rear stabilizer – lowered																
	Front stabilizer – rear stabilizer – lowered																
	Wide axle – front empty – rear parallel dozer – lowered																
-3000 mm	Front empty – rear parallel dozer – raised																
	Front empty – rear parallel dozer – lowered																
	Front parallel dozer – rear stabilizer – lowered																
	Front stabilizer – rear stabilizer – lowered																
	Wide axle – front empty – rear parallel dozer – lowered																

*Limited by hydraulic rather than tipping load.

Oscillating axle needs to be locked. Weight of all lifting accessories must be subtracted from the lifting capacities. All lift capacities calculated and rated per ISO 10567:2007. Rated loads do not exceed 87% of hydraulic lift capacity or 75% of tipping load. Heavy Lift Function ON. Lifting capacities are based on the machine standing on a firm uniform supporting surface. The load point is the center line of the bucket pivot mounting pin on the stick. Lift capacity is calculated with VA cylinder completely extracted. The use of a work tool attachment point to handle/lift objects, could affect the machine lift performance.

Always refer to the appropriate Operation and Maintenance Manual for specific product information.

M320 Wheeled Excavator Specifications

Lift Capacities – Variable Adjustable Boom 9'6" Stick

All values are in lb, work tool: none, bucket cylinder and bucket linkage installed, counterweight: 9,260 lb, heavy lift function on.

		Load at maximum reach (sticknose/bucket pin)			Load over front			Load over rear			Load over side			Load point height					
	Undercarriage configuration	10 ft			15 ft			20 ft			25 ft								
																	ft		
25 ft	Front empty – rear parallel dozer – raised																*6,800	*6,800	*6,800
	Front empty – rear parallel dozer – lowered																*6,800	*6,800	*6,800
	Front parallel dozer – rear stabilizer – lowered																*6,800	*6,800	*6,800
	Front stabilizer – rear stabilizer – lowered																*6,800	*6,800	*6,800
	Wide axle – front empty – rear parallel dozer – lowered																*6,800	*6,800	*6,800
20 ft	Front empty – rear parallel dozer – raised							*10,800	9,500	7,700							*6,000	*6,000	5,800
	Front empty – rear parallel dozer – lowered							*10,800	*10,800	8,500							*6,000	*6,000	*6,000
	Front parallel dozer – rear stabilizer – lowered							*10,800	*10,800	*10,800							*6,000	*6,000	*6,000
	Front stabilizer – rear stabilizer – lowered							*10,800	*10,800	*10,800							*6,000	*6,000	*6,000
	Wide axle – front empty – rear parallel dozer – lowered							*10,800	9,500	8,400							*6,000	*6,000	*6,000
15 ft	Front empty – rear parallel dozer – raised				*13,400	*13,400	11,800	12,000	9,300	7,500	*7,900	6,300	5,000	*5,700	*5,700	4,800	*5,700	*5,700	5,300
	Front empty – rear parallel dozer – lowered				*13,400	*13,400	13,100	11,900	*12,400	8,200	*7,900	*7,900	5,600	*5,700	*5,700	5,300	*5,700	*5,700	5,300
	Front parallel dozer – rear stabilizer – lowered				*13,400	*13,400	*13,400	*12,400	*12,400	12,100	*7,900	*7,900	*7,900	*5,700	*5,700	5,300	*5,700	*5,700	5,300
	Front stabilizer – rear stabilizer – lowered				*13,400	*13,400	*13,400	*12,400	*12,400	*12,400	*7,900	*7,900	*7,900	*5,700	*5,700	5,300	*5,700	*5,700	5,300
	Wide axle – front empty – rear parallel dozer – lowered				*13,400	*13,400	12,900	12,000	9,300	8,100	*7,900	6,300	5,500	*5,700	*5,700	5,200	*5,700	*5,700	5,200
10 ft	Front empty – rear parallel dozer – raised				*17,600	13,700	10,800	11,500	8,800	7,000	8,100	6,100	4,900	*5,700	5,300	4,200	*5,700	*5,700	4,700
	Front empty – rear parallel dozer – lowered				*17,600	*17,600	12,000	11,400	*13,700	7,800	8,000	*11,300	5,400	*5,700	*5,700	4,700	*5,700	*5,700	4,700
	Front parallel dozer – rear stabilizer – lowered				*17,600	*17,600	*17,600	*13,700	*13,700	11,600	*11,300	*11,300	8,100	*5,700	*5,700	5,300	*5,700	*5,700	5,300
	Front stabilizer – rear stabilizer – lowered				*17,600	*17,600	*17,600	*13,700	*13,700	*13,700	*11,300	*11,300	9,600	*5,700	*5,700	5,300	*5,700	*5,700	5,300
	Wide axle – front empty – rear parallel dozer – lowered				*17,600	13,700	11,800	11,500	8,800	7,700	8,100	6,100	5,400	*5,700	*5,700	4,700	*5,700	*5,700	4,700
5 ft	Front empty – rear parallel dozer – raised				16,700	12,500	9,700	10,900	8,200	6,500	7,800	5,900	4,600	*6,000	5,100	4,000	*6,000	*6,000	4,500
	Front empty – rear parallel dozer – lowered				16,700	*20,500	10,900	10,900	*15,000	7,300	7,800	*12,100	5,200	*6,000	*6,000	4,500	*6,000	*6,000	4,500
	Front parallel dozer – rear stabilizer – lowered				*20,500	*20,500	16,900	*15,000	*15,000	11,000	*12,100	*12,100	7,900	*6,000	*6,000	4,500	*6,000	*6,000	4,500
	Front stabilizer – rear stabilizer – lowered				*20,500	*20,500	*20,500	*15,000	*15,000	13,200	*12,100	*12,100	9,400	*6,000	*6,000	4,500	*6,000	*6,000	4,500
	Wide axle – front empty – rear parallel dozer – lowered				16,800	12,500	10,700	11,000	8,300	7,200	7,900	5,900	5,100	*6,000	5,100	4,400	*6,000	*6,000	4,400
0 ft	Front empty – rear parallel dozer – raised				16,000	11,800	9,000	10,500	7,900	6,100	7,600	5,700	4,500	*6,600	5,200	4,100	*6,600	*6,600	4,600
	Front empty – rear parallel dozer – lowered				15,900	*21,600	10,200	10,500	*15,600	6,900	7,600	*12,100	5,000	*6,600	*6,600	4,600	*6,600	*6,600	4,600
	Front parallel dozer – rear stabilizer – lowered				*21,600	*21,600	16,200	*15,600	*15,600	10,600	*12,100	*12,100	7,700	*6,600	*6,600	4,600	*6,600	*6,600	4,600
	Front stabilizer – rear stabilizer – lowered				*21,600	*21,600	19,800	*15,600	*15,600	12,700	*12,100	*12,100	9,200	*6,600	*6,600	4,600	*6,600	*6,600	4,600
	Wide axle – front empty – rear parallel dozer – lowered				16,100	11,800	10,100	10,600	7,900	6,800	7,700	5,700	4,900	*6,600	5,200	4,500	*6,600	*6,600	4,500
-5 ft	Front empty – rear parallel dozer – raised	*19,800	*19,800	16,000	15,700	11,600	8,800	10,300	7,700	6,000				7,600	5,700	4,400	7,600	*7,800	5,000
	Front empty – rear parallel dozer – lowered	*19,800	*19,800	18,400	15,700	*20,600	10,000	10,300	*15,000	6,700				7,600	*7,800	5,000	7,600	*7,800	5,000
	Front parallel dozer – rear stabilizer – lowered	*19,800	*19,800	*19,800	*20,600	*20,600	15,900	*15,000	*15,000	10,400				*7,800	*7,800	7,700	*7,800	*7,800	7,700
	Front stabilizer – rear stabilizer – lowered	*19,800	*19,800	*19,800	*20,600	*20,600	19,500	*15,000	*15,000	12,500				*7,800	*7,800	7,700	*7,800	*7,800	7,700
	Wide axle – front empty – rear parallel dozer – lowered	*19,800	*19,800	18,100	15,800	11,600	9,800	10,400	7,700	6,600				7,700	5,700	4,900	7,700	*7,800	5,000
-10 ft	Front empty – rear parallel dozer – raised	*23,900	22,600	16,400	15,900	11,700	8,900	10,400	7,800	6,000				9,200	6,900	5,400	9,200	*10,000	6,100
	Front empty – rear parallel dozer – lowered	*23,900	*23,900	18,800	15,800	*17,300	10,100	10,400	*12,300	6,800				9,200	*10,000	6,100	9,200	*10,000	6,100
	Front parallel dozer – rear stabilizer – lowered	*23,900	*23,900	*23,900	*17,300	*17,300	16,100	*12,300	*12,300	10,500				*10,000	*10,000	9,300	*10,000	*10,000	9,300
	Front stabilizer – rear stabilizer – lowered	*23,900	*23,900	*23,900	*17,300	*17,300	*17,300	*12,300	*12,300	*12,300				*10,000	*10,000	*10,000	*10,000	*10,000	*10,000
	Wide axle – front empty – rear parallel dozer – lowered	*23,900	22,700	18,500	16,000	11,700	9,900	10,500	7,800	6,700				9,300	6,900	6,000	9,300	*10,000	6,000

*Limited by hydraulic rather than tipping load.

Oscillating axle needs to be locked. Weight of all lifting accessories must be subtracted from the lifting capacities. All lift capacities calculated and rated per ISO 10567:2007. Rated loads do not exceed 87% of hydraulic lift capacity or 75% of tipping load. Heavy Lift Function ON. Lifting capacities are based on the machine standing on a firm uniform supporting surface. The load point is the center line of the bucket pivot mounting pin on the stick. Lift capacity is calculated with VA cylinder completely extracted. The use of a work tool attachment point to handle/lift objects, could affect the machine lift performance.

Always refer to the appropriate Operation and Maintenance Manual for specific product information.

M320 Wheeled Excavator Specifications

Lift Capacities – One-Piece Boom 2500 mm Stick

All values are in kg, work tool: none, bucket cylinder and bucket linkage installed, counterweight: 3600 kg, heavy lift function on.

		Load at maximum reach (sticknose/bucket pin)			Load over front			Load over rear			Load over side			Load point height		
	Undercarriage configuration	3000 mm			4500 mm			6000 mm			7500 mm					
																mm
7500 mm	Front empty – rear parallel dozer – raised													*4150	4100	3300
	Front empty – rear parallel dozer – lowered													*4150	*4150	3650
	Front parallel dozer – rear stabilizer – lowered													*4150	*4150	*4150
	Front stabilizer – rear stabilizer – lowered													*4150	*4150	*4150
	Wide axle – front empty – rear parallel dozer – lowered													*4150	*4150	3650
6000 mm	Front empty – rear parallel dozer – raised							5200	4000	3200				*3750	2950	2350
	Front empty – rear parallel dozer – lowered							5200	*5600	3550				*3750	*3750	2600
	Front parallel dozer – rear stabilizer – lowered							*5600	*5600	5250				*3750	*3750	*3750
	Front stabilizer – rear stabilizer – lowered							*5600	*5600	*5600				*3750	*3750	*3750
	Wide axle – front empty – rear parallel dozer – lowered							5250	4000	3500				*3750	2950	2600
4500 mm	Front empty – rear parallel dozer – raised				*7350	6100	4800	5050	3850	3050	3500	2650	2100	3250	2450	1900
	Front empty – rear parallel dozer – lowered				*7350	*7350	5350	5000	*6000	3400	3500	*5250	2350	3250	*3650	2150
	Front parallel dozer – rear stabilizer – lowered				*7350	*7350	*7350	*6000	*6000	5100	*5250	*5250	3550	*3650	*3650	3300
	Front stabilizer – rear stabilizer – lowered				*7350	*7350	*7350	*6000	*6000	*6000	*5250	*5250	4200	*3650	*3650	*3650
	Wide axle – front empty – rear parallel dozer – lowered				*7350	6100	5300	5050	3850	3350	3500	2650	2300	3250	2450	2150
3000 mm	Front empty – rear parallel dozer – raised				7400	5500	4300	4800	3600	2850	3400	2550	2000	2950	2200	1700
	Front empty – rear parallel dozer – lowered				7400	*8900	4800	4750	*6600	3200	3400	5400	2250	2900	*3700	1900
	Front parallel dozer – rear stabilizer – lowered				*8900	*8900	7500	*6600	*6600	4850	*5450	*5450	3450	*3700	*3700	2950
	Front stabilizer – rear stabilizer – lowered				*8900	*8900	*8900	*6600	*6600	5800	*5450	*5450	4100	*3700	*3700	3550
	Wide axle – front empty – rear parallel dozer – lowered				7450	5500	4750	4800	3600	3150	3400	2550	2200	2950	2200	1900
1500 mm	Front empty – rear parallel dozer – raised				6900	5050	3850	4550	3350	2650	3300	2450	1900	2850	2100	1600
	Front empty – rear parallel dozer – lowered				6900	*9900	4350	4550	*7100	2950	3250	5300	2150	2800	*3950	1850
	Front parallel dozer – rear stabilizer – lowered				*9900	*9900	7000	*7100	*7100	4600	*5650	5350	3300	*3950	*3950	2850
	Front stabilizer – rear stabilizer – lowered				*9900	*9900	8600	*7100	*7100	5550	*5650	5500	4000	*3950	*3950	3400
	Wide axle – front empty – rear parallel dozer – lowered				6950	5050	4300	4600	3400	2900	3300	2450	2100	2850	2100	1800
0 mm	Front empty – rear parallel dozer – raised				6700	4850	3650	4400	3200	2500	3200	2350	1800	2900	2100	1650
	Front empty – rear parallel dozer – lowered				6650	*9900	4150	4400	*7200	2800	3200	5200	2050	2850	*4400	1850
	Front parallel dozer – rear stabilizer – lowered				*9900	*9900	6750	*7200	*7200	4450	*5550	5250	3250	*4400	*4400	2900
	Front stabilizer – rear stabilizer – lowered				*9900	*9900	8350	*7200	*7200	5400	*5550	5400	3900	*4400	*4400	3500
	Wide axle – front empty – rear parallel dozer – lowered				6750	4850	4100	4450	3250	2800	3250	2350	2050	2900	2100	1850
-1500 mm	Front empty – rear parallel dozer – raised	*8700	*8700	6750	6650	4800	3650	4350	3150	2450	3200	2350	1800	3150	2300	1800
	Front empty – rear parallel dozer – lowered	*8700	*8700	7800	6600	*9050	4150	4300	*6800	2750	3200	*4950	2050	3150	*4850	2050
	Front parallel dozer – rear stabilizer – lowered	*8700	*8700	*8700	*9050	*9050	6750	*6800	*6800	4400	*4950	*4950	3250	*4850	*4850	3200
	Front stabilizer – rear stabilizer – lowered	*8700	*8700	*8700	*9050	*9050	8300	*6800	*6800	5300	*4950	*4950	3900	*4850	*4850	3850
	Wide axle – front empty – rear parallel dozer – lowered	*8700	*8700	7700	6700	4800	4050	4350	3200	2750	3200	2350	2000	3200	2300	2000
-3000 mm	Front empty – rear parallel dozer – raised	*9400	*9400	6900	6750	4900	3700	4400	3200	2500				3800	2800	2200
	Front empty – rear parallel dozer – lowered	*9400	*9400	8000	6700	*7450	4200	4400	*5500	2800				3800	*4500	2450
	Front parallel dozer – rear stabilizer – lowered	*9400	*9400	*9400	*7450	*7450	6850	*5500	*5500	4450				*4500	*4500	3850
	Front stabilizer – rear stabilizer – lowered	*9400	*9400	*9400	*7450	*7450	*7450	*5500	*5500	5400				*4500	*4500	*4500
	Wide axle – front empty – rear parallel dozer – lowered	*9400	*9400	7850	6800	4900	4150	4450	3250	2800				3850	2800	2450

*Limited by hydraulic rather than tipping load.

Oscillating axle needs to be locked. Weight of all lifting accessories must be subtracted from the lifting capacities. All lift capacities calculated and rated per ISO 10567:2007. Rated loads do not exceed 87% of hydraulic lift capacity or 75% of tipping load. Heavy Lift Function ON. Lifting capacities are based on the machine standing on a firm uniform supporting surface. The load point is the center line of the bucket pivot mounting pin on the stick. Lift capacity is calculated with VA cylinder completely extracted. The use of a work tool attachment point to handle/lift objects, could affect the machine lift performance.

Always refer to the appropriate Operation and Maintenance Manual for specific product information.

M320 Wheeled Excavator Specifications

Lift Capacities – One-Piece Boom 8'2" Stick

All values are in lb, work tool: none, bucket cylinder and bucket linkage installed, counterweight: 7,940 lb, heavy lift function on.

Stick height	Undercarriage configuration	Load at maximum reach (sticknose/bucket pin)			Load over front			Load over rear			Load over side			Load point height						
		10 ft	15 ft	20 ft	25 ft	10 ft	15 ft	20 ft	25 ft	10 ft	15 ft	20 ft	25 ft	10 ft	15 ft	20 ft	ft			
25 ft	Front empty – rear parallel dozer – raised																	*9,200	*9,200	7,600
	Front empty – rear parallel dozer – lowered																	*9,200	*9,200	8,400
	Front parallel dozer – rear stabilizer – lowered																	*9,200	*9,200	*9,200
	Front stabilizer – rear stabilizer – lowered																	*9,200	*9,200	*9,200
	Wide axle – front empty – rear parallel dozer – lowered																	*9,200	*9,200	8,300
20 ft	Front empty – rear parallel dozer – raised							11,200	8,600	6,900								*8,300	6,600	5,300
	Front empty – rear parallel dozer – lowered							11,100	*12,200	7,600								*8,300	*8,300	5,900
	Front parallel dozer – rear stabilizer – lowered							*12,200	*12,200	11,300								*8,300	*8,300	*8,300
	Front stabilizer – rear stabilizer – lowered							*12,200	*12,200	*12,200								*8,300	*8,300	*8,300
	Wide axle – front empty – rear parallel dozer – lowered							11,200	8,600	7,500								*8,300	6,600	5,800
15 ft	Front empty – rear parallel dozer – raised				*15,900	13,100	10,400	10,800	8,300	6,600	7,500	5,600	4,500	7,200	5,400	4,300				
	Front empty – rear parallel dozer – lowered				*15,900	*15,900	11,500	10,800	*13,000	7,300	7,500	*10,400	5,000	7,200	*8,000	4,800				
	Front parallel dozer – rear stabilizer – lowered				*15,900	*15,900	*15,900	*13,000	*13,000	11,000	*10,400	*10,400	7,600	*8,000	*8,000	7,300				
	Front stabilizer – rear stabilizer – lowered				*15,900	*15,900	*15,900	*13,000	*13,000	*13,000	*10,400	*10,400	9,000	*8,000	*8,000	*8,000				
	Wide axle – front empty – rear parallel dozer – lowered				*15,900	13,100	11,400	10,900	8,300	7,300	7,500	5,600	4,900	7,300	5,400	4,700				
10 ft	Front empty – rear parallel dozer – raised				16,000	11,900	9,300	10,300	7,800	6,100	7,300	5,500	4,300	6,500	4,800	3,800				
	Front empty – rear parallel dozer – lowered				15,900	*19,100	10,400	10,300	*14,300	6,900	7,300	11,600	4,800	6,500	*8,200	4,200				
	Front parallel dozer – rear stabilizer – lowered				*19,100	*19,100	16,200	*14,300	*14,300	10,400	*11,900	11,800	7,400	*8,200	*8,200	6,600				
	Front stabilizer – rear stabilizer – lowered				*19,100	*19,100	*19,100	*14,300	*14,300	12,500	*11,900	*11,900	8,800	*8,200	*8,200	7,800				
	Wide axle – front empty – rear parallel dozer – lowered				16,100	11,900	10,300	10,400	7,800	6,800	7,400	5,500	4,800	6,500	4,800	4,200				
5 ft	Front empty – rear parallel dozer – raised				14,900	10,900	8,300	9,800	7,300	5,700	7,100	5,200	4,100	6,200	4,600	3,600				
	Front empty – rear parallel dozer – lowered				14,800	*21,400	9,400	9,800	*15,400	6,400	7,000	11,400	4,600	6,200	*8,700	4,000				
	Front parallel dozer – rear stabilizer – lowered				*21,400	*21,400	15,100	*15,400	*15,400	9,900	*12,200	11,500	7,100	*8,700	*8,700	6,300				
	Front stabilizer – rear stabilizer – lowered				*21,400	*21,400	18,500	*15,400	*15,400	11,900	*12,200	11,800	8,600	*8,700	*8,700	7,500				
	Wide axle – front empty – rear parallel dozer – lowered				15,000	10,900	9,300	9,900	7,300	6,300	7,100	5,200	4,500	6,300	4,600	4,000				
0 ft	Front empty – rear parallel dozer – raised				14,400	10,400	7,900	9,500	6,900	5,400	6,900	5,100	3,900	6,400	4,700	3,600				
	Front empty – rear parallel dozer – lowered				14,300	*21,400	9,000	9,400	*15,600	6,100	6,900	11,200	4,400	6,300	*9,700	4,100				
	Front parallel dozer – rear stabilizer – lowered				*21,400	*21,400	14,600	*15,600	*15,600	9,600	*12,000	11,400	7,000	*9,700	*9,700	6,400				
	Front stabilizer – rear stabilizer – lowered				*21,400	*21,400	18,000	*15,600	*15,600	11,600	*12,000	11,600	8,400	*9,700	*9,700	7,700				
	Wide axle – front empty – rear parallel dozer – lowered				14,500	10,400	8,800	9,500	7,000	6,000	7,000	5,100	4,400	6,400	4,700	4,000				
-5 ft	Front empty – rear parallel dozer – raised	*19,800	*19,800	14,500	14,300	10,300	7,800	9,400	6,800	5,300				7,000	5,100	4,000				
	Front empty – rear parallel dozer – lowered	*19,800	*19,800	16,800	14,200	*19,700	8,900	9,300	*14,700	6,000				6,900	*10,700	4,500				
	Front parallel dozer – rear stabilizer – lowered	*19,800	*19,800	*19,800	*19,700	*19,700	14,500	*14,700	*14,700	9,500				*10,700	*10,700	7,000				
	Front stabilizer – rear stabilizer – lowered	*19,800	*19,800	*19,800	*19,700	*19,700	17,900	*14,700	*14,700	11,500				*10,700	*10,700	8,500				
	Wide axle – front empty – rear parallel dozer – lowered	*19,800	*19,800	16,500	14,400	10,400	8,800	9,400	6,900	5,900				7,000	5,100	4,400				
-10 ft	Front empty – rear parallel dozer – raised	*20,400	*20,400	14,900	14,500	10,500	8,000	9,500	7,000	5,400				8,500	6,200	4,800				
	Front empty – rear parallel dozer – lowered	*20,400	*20,400	17,100	14,400	*16,100	9,100	9,400	*11,800	6,100				8,400	*9,900	5,500				
	Front parallel dozer – rear stabilizer – lowered	*20,400	*20,400	*20,400	*16,100	*16,100	14,700	*11,800	*11,800	9,600				*9,900	*9,900	8,600				
	Front stabilizer – rear stabilizer – lowered	*20,400	*20,400	*20,400	*16,100	*16,100	*16,100	*11,800	*11,800	11,600				*9,900	*9,900	*9,900				
	Wide axle – front empty – rear parallel dozer – lowered	*20,400	*20,400	16,800	14,600	10,500	8,900	9,600	7,000	6,000				8,500	6,300	5,400				

*Limited by hydraulic rather than tipping load.

Oscillating axle needs to be locked. Weight of all lifting accessories must be subtracted from the lifting capacities. All lift capacities calculated and rated per ISO 10567:2007. Rated loads do not exceed 87% of hydraulic lift capacity or 75% of tipping load. Heavy Lift Function ON. Lifting capacities are based on the machine standing on a firm uniform supporting surface. The load point is the center line of the bucket pivot mounting pin on the stick. Lift capacity is calculated with VA cylinder completely extracted. The use of a work tool attachment point to handle/lift objects, could affect the machine lift performance.

Always refer to the appropriate Operation and Maintenance Manual for specific product information.

M320 Wheeled Excavator Specifications

Lift Capacities – One-Piece Boom 2900 mm Stick

All values are in kg, work tool: none, bucket cylinder and bucket linkage installed, counterweight: 3600 kg, heavy lift function on.

Stick length	Undercarriage configuration	Load at maximum reach (sticknose/bucket pin)			Load over front			Load over rear			Load over side			Load point height			mm
		3000 mm	4500 mm	6000 mm	7500 mm	3000 mm	4500 mm	6000 mm	7500 mm	3000 mm	4500 mm	6000 mm	7500 mm	3000 mm	4500 mm	6000 mm	
7500 mm	Front empty – rear parallel dozer – raised																
	Front empty – rear parallel dozer – lowered																
	Front parallel dozer – rear stabilizer – lowered																
	Front stabilizer – rear stabilizer – lowered																
	Wide axle – front empty – rear parallel dozer – lowered																
6000 mm	Front empty – rear parallel dozer – raised																
	Front empty – rear parallel dozer – lowered																
	Front parallel dozer – rear stabilizer – lowered																
	Front stabilizer – rear stabilizer – lowered																
	Wide axle – front empty – rear parallel dozer – lowered																
4500 mm	Front empty – rear parallel dozer – raised																
	Front empty – rear parallel dozer – lowered																
	Front parallel dozer – rear stabilizer – lowered																
	Front stabilizer – rear stabilizer – lowered																
	Wide axle – front empty – rear parallel dozer – lowered																
3000 mm	Front empty – rear parallel dozer – raised																
	Front empty – rear parallel dozer – lowered																
	Front parallel dozer – rear stabilizer – lowered																
	Front stabilizer – rear stabilizer – lowered																
	Wide axle – front empty – rear parallel dozer – lowered																
1500 mm	Front empty – rear parallel dozer – raised																
	Front empty – rear parallel dozer – lowered																
	Front parallel dozer – rear stabilizer – lowered																
	Front stabilizer – rear stabilizer – lowered																
	Wide axle – front empty – rear parallel dozer – lowered																
0 mm	Front empty – rear parallel dozer – raised																
	Front empty – rear parallel dozer – lowered																
	Front parallel dozer – rear stabilizer – lowered																
	Front stabilizer – rear stabilizer – lowered																
	Wide axle – front empty – rear parallel dozer – lowered																
-1500 mm	Front empty – rear parallel dozer – raised																
	Front empty – rear parallel dozer – lowered																
	Front parallel dozer – rear stabilizer – lowered																
	Front stabilizer – rear stabilizer – lowered																
	Wide axle – front empty – rear parallel dozer – lowered																
-3000 mm	Front empty – rear parallel dozer – raised																
	Front empty – rear parallel dozer – lowered																
	Front parallel dozer – rear stabilizer – lowered																
	Front stabilizer – rear stabilizer – lowered																
	Wide axle – front empty – rear parallel dozer – lowered																

*Limited by hydraulic rather than tipping load.

Oscillating axle needs to be locked. Weight of all lifting accessories must be subtracted from the lifting capacities. All lift capacities calculated and rated per ISO 10567:2007. Rated loads do not exceed 87% of hydraulic lift capacity or 75% of tipping load. Heavy Lift Function ON. Lifting capacities are based on the machine standing on a firm uniform supporting surface. The load point is the center line of the bucket pivot mounting pin on the stick. Lift capacity is calculated with VA cylinder completely extracted. The use of a work tool attachment point to handle/lift objects, could affect the machine lift performance.

Always refer to the appropriate Operation and Maintenance Manual for specific product information.

M320 Wheeled Excavator Specifications

Lift Capacities – One-Piece Boom 9'6" Stick

All values are in lb, work tool: none, bucket cylinder and bucket linkage installed, counterweight: 7,940 lb, heavy lift function on.

		Load at maximum reach (sticknose/bucket pin)			Load over front			Load over rear			Load over side			Load point height			
	Undercarriage configuration	10 ft			15 ft			20 ft			25 ft						
																	ft
25 ft	Front empty – rear parallel dozer – raised							9,100	8,600	7,000				7,600	7,600	6,600	20.57
	Front empty – rear parallel dozer – lowered							9,100	9,100	7,700				7,600	7,600	7,300	
	Front parallel dozer – rear stabilizer – lowered							9,100	9,100	9,100				7,600	7,600	7,600	
	Front stabilizer – rear stabilizer – lowered							9,100	9,100	9,100				7,600	7,600	7,600	
	Wide axle – front empty – rear parallel dozer – lowered							9,100	8,700	7,600				7,600	7,600	7,200	
20 ft	Front empty – rear parallel dozer – raised							11,300	8,700	7,000				6,900	6,000	4,800	24.48
	Front empty – rear parallel dozer – lowered							11,300	11,500	7,800				6,900	6,900	5,300	
	Front parallel dozer – rear stabilizer – lowered							11,500	11,500	11,400				6,900	6,900	6,900	
	Front stabilizer – rear stabilizer – lowered							11,500	11,500	11,500				6,900	6,900	6,900	
	Wide axle – front empty – rear parallel dozer – lowered							11,400	8,700	7,700				6,900	6,000	5,300	
15 ft	Front empty – rear parallel dozer – raised							11,000	8,400	6,700	7,600	5,700	4,500	6,700	5,000	3,900	26.84
	Front empty – rear parallel dozer – lowered							10,900	12,300	7,400	7,500	11,000	5,100	6,600	6,700	4,400	
	Front parallel dozer – rear stabilizer – lowered							12,300	12,300	11,100	11,000	11,000	7,600	6,700	6,700	6,700	
	Front stabilizer – rear stabilizer – lowered							12,300	12,300	12,300	11,000	11,000	9,100	6,700	6,700	6,700	
	Wide axle – front empty – rear parallel dozer – lowered							11,000	8,400	7,400	7,600	5,700	5,000	6,700	5,000	4,300	
10 ft	Front empty – rear parallel dozer – raised				16,300	12,100	9,500	10,400	7,800	6,200	7,300	5,500	4,300	6,000	4,400	3,500	28.12
	Front empty – rear parallel dozer – lowered				16,200	18,200	10,600	10,400	13,800	6,900	7,300	11,500	4,800	6,000	6,800	3,900	
	Front parallel dozer – rear stabilizer – lowered				18,200	18,200	16,400	13,800	13,800	10,500	11,500	11,500	7,400	6,800	6,800	6,100	
	Front stabilizer – rear stabilizer – lowered				18,200	18,200	18,200	13,800	13,800	12,600	11,500	11,500	8,800	6,800	6,800	6,800	
	Wide axle – front empty – rear parallel dozer – lowered				16,300	12,200	10,500	10,500	7,900	6,800	7,400	5,500	4,800	6,100	4,500	3,900	
5 ft	Front empty – rear parallel dozer – raised				15,000	11,000	8,400	9,900	7,300	5,700	7,100	5,200	4,100	5,800	4,200	3,300	28.41
	Front empty – rear parallel dozer – lowered				15,000	20,900	9,500	9,800	15,000	6,400	7,000	11,400	4,600	5,800	7,200	3,700	
	Front parallel dozer – rear stabilizer – lowered				20,900	20,900	15,200	15,000	15,000	10,000	12,000	11,500	7,100	7,200	7,200	5,900	
	Front stabilizer – rear stabilizer – lowered				20,900	20,900	18,700	15,000	15,000	12,000	12,000	11,800	8,600	7,200	7,200	7,000	
	Wide axle – front empty – rear parallel dozer – lowered				15,100	11,000	9,400	9,900	7,300	6,300	7,100	5,200	4,500	5,800	4,300	3,700	
0 ft	Front empty – rear parallel dozer – raised				14,400	10,400	7,900	9,500	6,900	5,300	6,900	5,000	3,900	5,900	4,300	3,300	27.79
	Front empty – rear parallel dozer – lowered				14,300	21,500	9,000	9,400	15,600	6,000	6,800	11,100	4,400	5,900	8,000	3,800	
	Front parallel dozer – rear stabilizer – lowered				21,500	21,500	14,600	15,600	15,600	9,600	12,100	11,300	6,900	8,000	8,000	6,000	
	Front stabilizer – rear stabilizer – lowered				21,500	21,500	18,000	15,600	15,600	11,600	12,100	11,600	8,300	8,000	8,000	7,200	
	Wide axle – front empty – rear parallel dozer – lowered				14,500	10,400	8,800	9,500	6,900	6,000	6,900	5,000	4,300	5,900	4,300	3,700	
-5 ft	Front empty – rear parallel dozer – raised	18,800	18,800	14,200	14,200	10,200	7,700	9,300	6,700	5,200	6,800	4,900	3,800	6,400	4,700	3,600	26.15
	Front empty – rear parallel dozer – lowered	18,800	18,800	16,400	14,100	20,300	8,800	9,200	15,000	5,900	6,800	11,100	4,300	6,400	9,400	4,100	
	Front parallel dozer – rear stabilizer – lowered	18,800	18,800	18,800	20,300	20,300	14,400	15,000	15,000	9,400	11,200	11,200	6,900	9,400	9,400	6,500	
	Front stabilizer – rear stabilizer – lowered	18,800	18,800	18,800	20,300	20,300	17,800	15,000	15,000	11,400	11,200	11,200	8,300	9,400	9,400	7,800	
	Wide axle – front empty – rear parallel dozer – lowered	18,800	18,800	16,100	14,300	10,200	8,700	9,300	6,800	5,800	6,800	5,000	4,300	6,400	4,700	4,000	
-10 ft	Front empty – rear parallel dozer – raised	22,900	20,200	14,500	14,300	10,300	7,800	9,300	6,800	5,200				7,600	5,600	4,300	23.33
	Front empty – rear parallel dozer – lowered	22,900	22,900	16,800	14,300	17,200	8,900	9,300	12,700	5,900				7,600	9,700	4,900	
	Front parallel dozer – rear stabilizer – lowered	22,900	22,900	22,900	17,200	17,200	14,500	12,700	12,700	9,400				9,700	9,700	7,700	
	Front stabilizer – rear stabilizer – lowered	22,900	22,900	22,900	17,200	17,200	17,200	12,700	12,700	11,400				9,700	9,700	9,200	
	Wide axle – front empty – rear parallel dozer – lowered	22,900	20,300	16,500	14,400	10,400	8,800	9,400	6,800	5,900				7,600	5,600	4,800	

*Limited by hydraulic rather than tipping load.

Oscillating axle needs to be locked. Weight of all lifting accessories must be subtracted from the lifting capacities. All lift capacities calculated and rated per ISO 10567:2007. Rated loads do not exceed 87% of hydraulic lift capacity or 75% of tipping load. Heavy Lift Function ON. Lifting capacities are based on the machine standing on a firm uniform supporting surface. The load point is the center line of the bucket pivot mounting pin on the stick. Lift capacity is calculated with VA cylinder completely extracted. The use of a work tool attachment point to handle/lift objects, could affect the machine lift performance.

Always refer to the appropriate Operation and Maintenance Manual for specific product information.

M320 Wheeled Excavator Specifications

Lift Capacities – One-Piece Boom 2500 mm Stick

All values are in kg, work tool: none, bucket cylinder and bucket linkage installed, counterweight: 4200 kg, heavy lift function on.

Stick height	Undercarriage configuration	Load at maximum reach (sticknose/bucket pin)			Load over front			Load over rear			Load over side			Load point height			mm			
		3000 mm	4500 mm	6000 mm	7500 mm	3000 mm	4500 mm	6000 mm	7500 mm	3000 mm	4500 mm	6000 mm	7500 mm	3000 mm	4500 mm	6000 mm				
7500 mm	Front empty – rear parallel dozer – raised																	*4150	*4150	3600
	Front empty – rear parallel dozer – lowered																	*4150	*4150	4000
	Front parallel dozer – rear stabilizer – lowered																	*4150	*4150	*4150
	Front stabilizer – rear stabilizer – lowered																	*4150	*4150	*4150
	Wide axle – front empty – rear parallel dozer – lowered																	*4150	*4150	3950
6000 mm	Front empty – rear parallel dozer – raised							5550	4350	3500								*3750	3250	2600
	Front empty – rear parallel dozer – lowered							5550	*5600	3850								*3750	*3750	2900
	Front parallel dozer – rear stabilizer – lowered							*5600	*5600	*5600								*3750	*3750	*3750
	Front stabilizer – rear stabilizer – lowered							*5600	*5600	*5600								*3750	*3750	*3750
	Wide axle – front empty – rear parallel dozer – lowered							*5600	4350	3800								*3750	3250	2850
4500 mm	Front empty – rear parallel dozer – raised				*7350	6550	5200	5400	4150	3350	3750	2900	2300	3500	2700	2150				
	Front empty – rear parallel dozer – lowered				*7350	*7350	5800	5400	*6000	3700	3750	*5250	2550	3500	*3650	2400				
	Front parallel dozer – rear stabilizer – lowered				*7350	*7350	*7350	*6000	*6000	5450	*5250	*5250	3800	*3650	*3650	3550				
	Front stabilizer – rear stabilizer – lowered				*7350	*7350	*7350	*6000	*6000	*6000	*5250	*5250	4500	*3650	*3650	*3650				
	Wide axle – front empty – rear parallel dozer – lowered				*7350	6600	5700	5450	4200	3650	3800	2900	2550	3550	2700	2350				
3000 mm	Front empty – rear parallel dozer – raised				7950	6000	4700	5150	3950	3150	3700	2800	2200	3200	2400	1900				
	Front empty – rear parallel dozer – lowered				7950	*8900	5250	5150	*6600	3500	3650	*5450	2500	3200	*3700	2150				
	Front parallel dozer – rear stabilizer – lowered				*8900	*8900	8050	*6600	*6600	5200	*5450	*5450	3700	*3700	*3700	3200				
	Front stabilizer – rear stabilizer – lowered				*8900	*8900	*8900	*6600	*6600	6200	*5450	*5450	4400	*3700	*3700	*3700				
	Wide axle – front empty – rear parallel dozer – lowered				8000	6000	5200	5200	3950	3450	3700	2800	2450	3200	2400	2100				
1500 mm	Front empty – rear parallel dozer – raised				7450	5550	4250	4950	3700	2900	3550	2700	2100	3100	2300	1800				
	Front empty – rear parallel dozer – lowered				7450	*9900	4800	4900	*7100	3250	3550	*5650	2350	3050	*3950	2050				
	Front parallel dozer – rear stabilizer – lowered				*9900	*9900	7550	*7100	*7100	5000	*5650	3600	*3950	*3950	*3950	3100				
	Front stabilizer – rear stabilizer – lowered				*9900	*9900	9250	*7100	*7100	5950	*5650	*5650	4300	*3950	*3950	3700				
	Wide axle – front empty – rear parallel dozer – lowered				7500	5550	4750	4950	3700	3250	3600	2700	2350	3100	2300	2000				
0 mm	Front empty – rear parallel dozer – raised				7250	5300	4050	4750	3550	2800	3500	2600	2050	3150	2350	1850				
	Front empty – rear parallel dozer – lowered				7200	*9900	4600	4750	*7200	3100	3450	*5550	2300	3150	*4400	2050				
	Front parallel dozer – rear stabilizer – lowered				*9900	*9900	7350	*7200	*7200	4800	*5550	*5550	3500	*4400	*4400	3150				
	Front stabilizer – rear stabilizer – lowered				*9900	*9900	9000	*7200	*7200	5800	*5550	*5550	4200	*4400	*4400	3800				
	Wide axle – front empty – rear parallel dozer – lowered				7300	5350	4550	4800	3550	3100	3500	2600	2250	3150	2350	2050				
-1500 mm	Front empty – rear parallel dozer – raised	*8700	*8700	7500	7200	5300	4050	4700	3500	2750	3450	2600	2050	3450	2550	2000				
	Front empty – rear parallel dozer – lowered	*8700	*8700	8600	7200	*9050	4550	4700	*6800	3050	3450	*4950	2300	3400	*4850	2250				
	Front parallel dozer – rear stabilizer – lowered	*8700	*8700	*8700	*9050	*9050	7300	*6800	*6800	4750	*4950	*4950	3500	*4850	*4850	3450				
	Front stabilizer – rear stabilizer – lowered	*8700	*8700	*8700	*9050	*9050	8950	*6800	*6800	5750	*4950	*4950	4200	*4850	*4850	4150				
	Wide axle – front empty – rear parallel dozer – lowered	*8700	*8700	8450	7250	5300	4500	4750	3500	3050	3500	2600	2250	3450	2550	2250				
-3000 mm	Front empty – rear parallel dozer – raised	*9400	*9400	7650	7300	5400	4100	4750	3550	2800				4150	3100	2450				
	Front empty – rear parallel dozer – lowered	*9400	*9400	8750	7250	*7450	4650	4750	*5500	3100				4100	*4500	2750				
	Front parallel dozer – rear stabilizer – lowered	*9400	*9400	*9400	*7450	*7450	7400	*5500	*5500	4800				*4500	*4500	4200				
	Front stabilizer – rear stabilizer – lowered	*9400	*9400	*9400	*7450	*7450	*7450	*5500	*5500	*5500				*4500	*4500	*4500				
	Wide axle – front empty – rear parallel dozer – lowered	*9400	*9400	8600	7350	5400	4600	4800	3550	3100				4150	3100	2700				

*Limited by hydraulic rather than tipping load.

Oscillating axle needs to be locked. Weight of all lifting accessories must be subtracted from the lifting capacities. All lift capacities calculated and rated per ISO 10567:2007. Rated loads do not exceed 87% of hydraulic lift capacity or 75% of tipping load. Heavy Lift Function ON. Lifting capacities are based on the machine standing on a firm uniform supporting surface. The load point is the center line of the bucket pivot mounting pin on the stick. Lift capacity is calculated with VA cylinder completely extracted. The use of a work tool attachment point to handle/lift objects, could affect the machine lift performance.

Always refer to the appropriate Operation and Maintenance Manual for specific product information.

M320 Wheeled Excavator Specifications

Lift Capacities – One-Piece Boom 8'2" Stick

All values are in lb, work tool: none, bucket cylinder and bucket linkage installed, counterweight: 9,260 lb, heavy lift function on.

Stick Point Height	Undercarriage configuration	10 ft			15 ft			20 ft			25 ft			Stick Point Height							
		Load at maximum reach (sticknose/bucket pin)	Load over front	Load over rear	Load at maximum reach (sticknose/bucket pin)	Load over front	Load over rear	Load at maximum reach (sticknose/bucket pin)	Load over front	Load over rear	Load at maximum reach (sticknose/bucket pin)	Load over front	Load over rear	Load at maximum reach (sticknose/bucket pin)	Load over front	Load over rear	ft				
25 ft	Front empty – rear parallel dozer – raised																	*9,200	*9,200	8,300	
	Front empty – rear parallel dozer – lowered																		*9,200	*9,200	9,100
	Front parallel dozer – rear stabilizer – lowered																		*9,200	*9,200	*9,200
	Front stabilizer – rear stabilizer – lowered																		*9,200	*9,200	*9,200
	Wide axle – front empty – rear parallel dozer – lowered																		*9,200	*9,200	9,000
20 ft	Front empty – rear parallel dozer – raised								12,000	9,300	7,500								*8,300	7,200	5,800
	Front empty – rear parallel dozer – lowered								11,900	*12,200	8,300								*8,300	*8,300	6,400
	Front parallel dozer – rear stabilizer – lowered								*12,200	*12,200	12,100								*8,300	*8,300	*8,300
	Front stabilizer – rear stabilizer – lowered								*12,200	*12,200	*12,200								*8,300	*8,300	*8,300
	Wide axle – front empty – rear parallel dozer – lowered								12,000	9,300	8,200								*8,300	7,200	6,400
15 ft	Front empty – rear parallel dozer – raised				*15,900	14,200	11,300	11,700	9,000	7,200	8,100	6,200	5,000	7,800	5,900	4,800					
	Front empty – rear parallel dozer – lowered				*15,900	*15,900	12,500	11,600	*13,000	8,000	8,100	*10,400	5,500	7,800	*8,000	5,300					
	Front parallel dozer – rear stabilizer – lowered				*15,900	*15,900	*15,900	*13,000	*13,000	11,800	*10,400	*10,400	8,200	*8,000	*8,000	7,900					
	Front stabilizer – rear stabilizer – lowered				*15,900	*15,900	*15,900	*13,000	*13,000	*13,000	*10,400	*10,400	9,700	*8,000	*8,000	*8,000					
	Wide axle – front empty – rear parallel dozer – lowered				*15,900	14,200	12,400	11,700	9,000	7,900	8,100	6,200	5,400	7,800	6,000	5,200					
10 ft	Front empty – rear parallel dozer – raised				17,200	13,000	10,200	11,100	8,500	6,800	7,900	6,000	4,800	7,000	5,300	4,200					
	Front empty – rear parallel dozer – lowered				17,100	*19,100	11,400	11,100	*14,300	7,500	7,900	*11,900	5,300	7,000	*8,200	4,700					
	Front parallel dozer – rear stabilizer – lowered				*19,100	*19,100	17,400	*14,300	*14,300	11,200	*11,900	*11,900	8,000	*8,200	*8,200	7,100					
	Front stabilizer – rear stabilizer – lowered				*19,100	*19,100	*19,100	*14,300	*14,300	13,400	*11,900	*11,900	9,500	*8,200	*8,200	*8,200					
	Wide axle – front empty – rear parallel dozer – lowered				17,300	13,000	11,200	11,200	8,500	7,400	8,000	6,000	5,300	7,100	5,300	4,700					
5 ft	Front empty – rear parallel dozer – raised				16,100	11,900	9,200	10,600	8,000	6,300	7,700	5,800	4,600	6,800	5,100	4,000					
	Front empty – rear parallel dozer – lowered				16,000	*21,400	10,400	10,600	*15,400	7,100	7,600	12,200	5,100	6,700	*8,700	4,500					
	Front parallel dozer – rear stabilizer – lowered				*21,400	*21,400	16,300	*15,400	*15,400	10,700	*12,200	*12,200	7,800	*8,700	*8,700	6,800					
	Front stabilizer – rear stabilizer – lowered				*21,400	*21,400	19,900	*15,400	*15,400	12,800	*12,200	*12,200	9,200	*8,700	*8,700	8,100					
	Wide axle – front empty – rear parallel dozer – lowered				16,200	12,000	10,200	10,700	8,000	7,000	7,700	5,800	5,100	6,800	5,100	4,400					
0 ft	Front empty – rear parallel dozer – raised				15,600	11,500	8,800	10,300	7,700	6,000	7,500	5,600	4,400	6,900	5,200	4,100					
	Front empty – rear parallel dozer – lowered				15,500	*21,400	9,900	10,200	*15,600	6,700	7,500	12,000	5,000	6,900	*9,700	4,600					
	Front parallel dozer – rear stabilizer – lowered				*21,400	*21,400	15,800	*15,600	*15,600	10,400	*12,000	*12,000	7,600	*9,700	*9,700	7,000					
	Front stabilizer – rear stabilizer – lowered				*21,400	*21,400	19,300	*15,600	*15,600	12,500	*12,000	*12,000	9,100	*9,700	*9,700	8,300					
	Wide axle – front empty – rear parallel dozer – lowered				15,700	11,500	9,800	10,300	7,700	6,700	7,600	5,600	4,900	7,000	5,200	4,500					
-5 ft	Front empty – rear parallel dozer – raised	*19,800	*19,800	16,100	15,500	11,400	8,700	10,200	7,600	5,900				7,600	*5,700	4,400					
	Front empty – rear parallel dozer – lowered	*19,800	*19,800	18,500	15,400	*19,700	9,900	10,100	*14,700	6,600				7,500	*10,700	5,000					
	Front parallel dozer – rear stabilizer – lowered	*19,800	*19,800	*19,800	*19,700	*19,700	15,700	*14,700	*14,700	10,300				*10,700	*10,700	7,700					
	Front stabilizer – rear stabilizer – lowered	*19,800	*19,800	*19,800	*19,700	*19,700	19,200	*14,700	*14,700	12,400				*10,700	*10,700	9,100					
	Wide axle – front empty – rear parallel dozer – lowered	*19,800	*19,800	18,200	15,600	11,400	9,700	10,200	7,600	6,500				7,600	5,700	4,900					
-10 ft	Front empty – rear parallel dozer – raised	*20,400	*20,400	16,400	15,700	11,600	8,900	10,300	7,700	6,000				9,200	6,900	5,400					
	Front empty – rear parallel dozer – lowered	*20,400	*20,400	18,800	15,600	*16,100	10,000	10,300	*11,800	6,700				9,200	*9,900	6,100					
	Front parallel dozer – rear stabilizer – lowered	*20,400	*20,400	*20,400	*16,100	*16,100	15,900	*11,800	*11,800	10,400				*9,900	*9,900	9,300					
	Front stabilizer – rear stabilizer – lowered	*20,400	*20,400	*20,400	*16,100	*16,100	*16,100	*11,800	*11,800	*11,800				*9,900	*9,900	*9,900					
	Wide axle – front empty – rear parallel dozer – lowered	*20,400	*20,400	18,500	15,800	11,600	9,900	10,400	7,700	6,700				9,300	6,900	6,000					

*Limited by hydraulic rather than tipping load.

Oscillating axle needs to be locked. Weight of all lifting accessories must be subtracted from the lifting capacities. All lift capacities calculated and rated per ISO 10567:2007. Rated loads do not exceed 87% of hydraulic lift capacity or 75% of tipping load. Heavy Lift Function ON. Lifting capacities are based on the machine standing on a firm uniform supporting surface. The load point is the center line of the bucket pivot mounting pin on the stick. Lift capacity is calculated with VA cylinder completely extracted. The use of a work tool attachment point to handle/lift objects, could affect the machine lift performance.

Always refer to the appropriate Operation and Maintenance Manual for specific product information.

M320 Wheeled Excavator Specifications

Lift Capacities – One-Piece Boom 2900 mm Stick

All values are in kg, work tool: none, bucket cylinder and bucket linkage installed, counterweight: 4200 kg, heavy lift function on.

Stick length	Undercarriage configuration	Load at maximum reach (sticknose/bucket pin)			Load over front			Load over rear			Load over side			Load point height			mm
		3000 mm	4500 mm	6000 mm	7500 mm	3000 mm	4500 mm	6000 mm	7500 mm	3000 mm	4500 mm	6000 mm	7500 mm	3000 mm	4500 mm	6000 mm	
7500 mm	Front empty – rear parallel dozer – raised																
	Front empty – rear parallel dozer – lowered																
	Front parallel dozer – rear stabilizer – lowered																
	Front stabilizer – rear stabilizer – lowered																
	Wide axle – front empty – rear parallel dozer – lowered																
6000 mm	Front empty – rear parallel dozer – raised																
	Front empty – rear parallel dozer – lowered																
	Front parallel dozer – rear stabilizer – lowered																
	Front stabilizer – rear stabilizer – lowered																
	Wide axle – front empty – rear parallel dozer – lowered																
4500 mm	Front empty – rear parallel dozer – raised																
	Front empty – rear parallel dozer – lowered																
	Front parallel dozer – rear stabilizer – lowered																
	Front stabilizer – rear stabilizer – lowered																
	Wide axle – front empty – rear parallel dozer – lowered																
3000 mm	Front empty – rear parallel dozer – raised																
	Front empty – rear parallel dozer – lowered																
	Front parallel dozer – rear stabilizer – lowered																
	Front stabilizer – rear stabilizer – lowered																
	Wide axle – front empty – rear parallel dozer – lowered																
1500 mm	Front empty – rear parallel dozer – raised																
	Front empty – rear parallel dozer – lowered																
	Front parallel dozer – rear stabilizer – lowered																
	Front stabilizer – rear stabilizer – lowered																
	Wide axle – front empty – rear parallel dozer – lowered																
0 mm	Front empty – rear parallel dozer – raised																
	Front empty – rear parallel dozer – lowered																
	Front parallel dozer – rear stabilizer – lowered																
	Front stabilizer – rear stabilizer – lowered																
	Wide axle – front empty – rear parallel dozer – lowered																
-1500 mm	Front empty – rear parallel dozer – raised																
	Front empty – rear parallel dozer – lowered																
	Front parallel dozer – rear stabilizer – lowered																
	Front stabilizer – rear stabilizer – lowered																
	Wide axle – front empty – rear parallel dozer – lowered																
-3000 mm	Front empty – rear parallel dozer – raised																
	Front empty – rear parallel dozer – lowered																
	Front parallel dozer – rear stabilizer – lowered																
	Front stabilizer – rear stabilizer – lowered																
	Wide axle – front empty – rear parallel dozer – lowered																

*Limited by hydraulic rather than tipping load.

Oscillating axle needs to be locked. Weight of all lifting accessories must be subtracted from the lifting capacities. All lift capacities calculated and rated per ISO 10567:2007. Rated loads do not exceed 87% of hydraulic lift capacity or 75% of tipping load. Heavy Lift Function ON. Lifting capacities are based on the machine standing on a firm uniform supporting surface. The load point is the center line of the bucket pivot mounting pin on the stick. Lift capacity is calculated with VA cylinder completely extracted. The use of a work tool attachment point to handle/lift objects, could affect the machine lift performance.

Always refer to the appropriate Operation and Maintenance Manual for specific product information.

M320 Wheeled Excavator Specifications

Lift Capacities – One-Piece Boom 9'6" Stick

All values are in lb, work tool: none, bucket cylinder and bucket linkage installed, counterweight: 9,260 lb, heavy lift function on.

		Load at maximum reach (sticknose/bucket pin)			Load over front			Load over rear			Load over side			Load point height			
	Undercarriage configuration	10 ft			15 ft			20 ft			25 ft						
																	ft
25 ft	Front empty – rear parallel dozer – raised							*9,100	*9,100	7,600				*7,600	*7,600	7,200	20.57
	Front empty – rear parallel dozer – lowered							*9,100	*9,100	8,400				*7,600	*7,600	*7,600	
	Front parallel dozer – rear stabilizer – lowered							*9,100	*9,100	*9,100				*7,600	*7,600	*7,600	
	Front stabilizer – rear stabilizer – lowered							*9,100	*9,100	*9,100				*7,600	*7,600	*7,600	
	Wide axle – front empty – rear parallel dozer – lowered							*9,100	*9,100	8,300				*7,600	*7,600	*7,600	
20 ft	Front empty – rear parallel dozer – raised							*11,500	9,400	7,600				*6,900	6,600	5,300	24.48
	Front empty – rear parallel dozer – lowered							*11,500	*11,500	8,400				*6,900	*6,900	5,800	
	Front parallel dozer – rear stabilizer – lowered							*11,500	*11,500	*11,500				*6,900	*6,900	*6,900	
	Front stabilizer – rear stabilizer – lowered							*11,500	*11,500	*11,500				*6,900	*6,900	*6,900	
	Wide axle – front empty – rear parallel dozer – lowered							*11,500	9,400	8,300				*6,900	6,600	5,800	
15 ft	Front empty – rear parallel dozer – raised							11,800	9,100	7,300	8,200	6,300	5,000	*6,700	5,500	4,400	26.84
	Front empty – rear parallel dozer – lowered							11,700	*12,300	8,100	8,100	*11,000	5,600	*6,700	*6,700	4,900	
	Front parallel dozer – rear stabilizer – lowered							*12,300	*12,300	11,900	*11,000	*11,000	8,200	*6,700	*6,700	*6,700	
	Front stabilizer – rear stabilizer – lowered							*12,300	*12,300	*12,300	*11,000	*11,000	9,700	*6,700	*6,700	*6,700	
	Wide axle – front empty – rear parallel dozer – lowered							11,800	9,100	8,000	8,200	6,300	5,500	*6,700	5,500	4,800	
10 ft	Front empty – rear parallel dozer – raised				17,400	13,200	10,400	11,200	8,600	6,800	7,900	6,000	4,800	6,600	4,900	3,900	28.12
	Front empty – rear parallel dozer – lowered				17,400	*18,200	11,600	11,200	*13,800	7,600	7,900	*11,500	5,400	6,500	*6,800	4,400	
	Front parallel dozer – rear stabilizer – lowered				*18,200	*18,200	17,600	*13,800	*13,800	11,300	*11,500	*11,500	8,000	*6,800	*6,800	6,600	
	Front stabilizer – rear stabilizer – lowered				*18,200	*18,200	*18,200	*13,800	*13,800	13,500	*11,500	*11,500	9,500	*6,800	*6,800	*6,800	
	Wide axle – front empty – rear parallel dozer – lowered				17,500	13,200	11,400	11,300	8,600	7,500	8,000	6,100	5,300	6,600	4,900	4,300	
5 ft	Front empty – rear parallel dozer – raised				16,200	12,100	9,300	10,700	8,000	6,300	7,700	5,800	4,600	6,300	4,700	3,700	28.41
	Front empty – rear parallel dozer – lowered				16,200	*20,900	10,500	10,600	*15,000	7,100	7,600	*12,000	5,100	6,300	*7,200	4,200	
	Front parallel dozer – rear stabilizer – lowered				*20,900	*20,900	16,400	*15,000	*15,000	10,800	*12,000	*12,000	7,800	*7,200	*7,200	6,400	
	Front stabilizer – rear stabilizer – lowered				*20,900	*20,900	20,000	*15,000	*15,000	12,900	*12,000	*12,000	9,200	*7,200	*7,200	*7,200	
	Wide axle – front empty – rear parallel dozer – lowered				16,300	12,100	10,400	10,700	8,100	7,000	7,700	5,800	5,000	6,400	4,700	4,100	
0 ft	Front empty – rear parallel dozer – raised				15,600	11,500	8,800	10,300	7,700	6,000	7,500	5,600	4,400	6,400	4,800	3,700	27.79
	Front empty – rear parallel dozer – lowered				15,500	*21,500	9,900	10,200	*15,600	6,700	7,400	12,000	4,900	6,400	*8,000	4,200	
	Front parallel dozer – rear stabilizer – lowered				*21,500	*21,500	15,800	*15,600	*15,600	10,400	*12,100	*12,100	7,500	*8,000	*8,000	6,500	
	Front stabilizer – rear stabilizer – lowered				*21,500	*21,500	19,300	*15,600	*15,600	12,500	*12,100	*12,100	9,000	*8,000	*8,000	7,700	
	Wide axle – front empty – rear parallel dozer – lowered				15,700	11,500	9,800	10,300	7,700	6,600	7,500	5,600	4,800	6,500	4,800	4,200	
-5 ft	Front empty – rear parallel dozer – raised	*18,800	*18,800	15,800	15,400	11,300	8,600	10,100	7,500	5,800	7,400	5,500	4,300	7,000	5,200	4,100	26.15
	Front empty – rear parallel dozer – lowered	*18,800	*18,800	18,100	15,300	*20,300	9,700	10,000	*15,000	6,500	7,400	*11,200	4,800	6,900	*9,400	4,600	
	Front parallel dozer – rear stabilizer – lowered	*18,800	*18,800	*18,800	*20,300	*20,300	15,600	*15,000	*15,000	10,200	*11,200	*11,200	7,500	*9,400	*9,400	7,000	
	Front stabilizer – rear stabilizer – lowered	*18,800	*18,800	*18,800	*20,300	*20,300	19,100	*15,000	*15,000	12,300	*11,200	*11,200	8,900	*9,400	*9,400	8,400	
	Wide axle – front empty – rear parallel dozer – lowered	*18,800	*18,800	17,800	15,500	11,300	9,600	10,100	7,500	6,500	7,400	5,500	4,800	7,000	5,200	4,500	
-10 ft	Front empty – rear parallel dozer – raised	*22,900	22,200	16,100	15,500	11,400	8,700	10,100	7,500	5,900				8,300	6,200	4,800	23.33
	Front empty – rear parallel dozer – lowered	*22,900	*22,900	18,500	15,500	*17,200	9,900	10,100	*12,700	6,600				8,200	*9,700	5,400	
	Front parallel dozer – rear stabilizer – lowered	*22,900	*22,900	*22,900	*17,200	*17,200	15,700	*12,700	*12,700	10,200				*9,700	*9,700	8,300	
	Front stabilizer – rear stabilizer – lowered	*22,900	*22,900	*22,900	*17,200	*17,200	*17,200	*12,700	*12,700	12,300				*9,700	*9,700	*9,700	
	Wide axle – front empty – rear parallel dozer – lowered	*22,900	22,200	18,200	15,600	11,400	9,700	10,200	7,600	6,500				8,300	6,200	5,400	

*Limited by hydraulic rather than tipping load.

Oscillating axle needs to be locked. Weight of all lifting accessories must be subtracted from the lifting capacities. All lift capacities calculated and rated per ISO 10567:2007. Rated loads do not exceed 87% of hydraulic lift capacity or 75% of tipping load. Heavy Lift Function ON. Lifting capacities are based on the machine standing on a firm uniform supporting surface. The load point is the center line of the bucket pivot mounting pin on the stick. Lift capacity is calculated with VA cylinder completely extracted. The use of a work tool attachment point to handle/lift objects, could affect the machine lift performance.

Always refer to the appropriate Operation and Maintenance Manual for specific product information.

M320 Wheeled Excavator Specifications

Bucket Specifications and Compatibility – Europe and Turkey

Contact your Cat dealer for special bucket requirements.

	Width		Capacity		Weight		Fill	Free on wheels	Only dozer (blade) lowered	Dozer (blade) and two stabilizers (outrigger) lowered	Four stabilizers (outrigger) lowered	Free on wheels	Only dozer (blade) lowered	Dozer (blade) and two stabilizers (outrigger) lowered	Four stabilizers (outrigger) lowered	Free on wheels	Only dozer (blade) lowered	Dozer (blade) and two stabilizers (outrigger) lowered	Four stabilizers (outrigger) lowered	Free on wheels	Only dozer (blade) lowered	Dozer (blade) and two stabilizers (outrigger) lowered	Four stabilizers (outrigger) lowered	
	mm	in	m ³	yd ³	kg	lb																		%
Variable Adjustable Boom																								
Pin-On (No Quick Coupler)								4200 kg (9,259 lb) Counterweight				3600 kg (7,937 lb) Counterweight												
								2500 mm (8'2") Stick		2900 mm (9'6") Stick		2500 mm (8'2") Stick		2900 mm (9'6") Stick										
General Duty	1200	48	0.98	1.28	707	1,558	100	○	⊖	●	●	◇	○	●	●	◇	○	●	●	X	◇	●	●	
	1300	51	1.07	1.41	736	1,623	100	◇	○	●	●	◇	○	●	●	◇	◇	●	●	X	◇	●	●	
	1400	55	1.18	1.54	777	1,713	100	◇	○	●	●	X	◇	●	●	X	◇	●	●	X	X	⊖	●	
Heavy Duty	900	36	0.68	0.88	628	1,384	100	⊖	○	●	●	⊖	○	●	●	⊖	○	●	●	○	⊖	●	●	
	1050	42	0.83	1.09	679	1,496	100	⊖	⊖	●	●	○	⊖	○	●	○	⊖	●	●	○	◇	○	●	
	1200	48	0.98	1.29	746	1,644	100	○	⊖	●	●	◇	○	●	●	◇	○	●	●	X	◇	●	●	
Ditch Cleaning Tilt	2000	79	1.23	1.61	1096	2,416	100	X	◇	⊖	●	X	X	⊖	●	X	X	⊖	●	X	X	⊖	●	
Maximum load with pin-on (payload + bucket)								kg	1924	2200	3528	4267	1738	1995	3229	3911	1685	1950	3232	3944	1514	1760	2952	3609
								lb	4,242	4,849	7,779	9,406	3,833	4,398	7,119	8,622	3,715	4,299	7,126	8,694	3,337	3,881	6,509	7,957

Pin-On (No Quick Coupler)	One-Piece Boom																							
	4200 kg (9,259 lb) Counterweight								3600 kg (7,937 lb) Counterweight															
	2500 mm (8'2") Stick				2900 mm (9'6") Stick				2500 mm (8'2") Stick				2900 mm (9'6") Stick											
General Duty	1200	48	0.98	1.28	707	1,558	100	◇	○	●	●	◇	○	●	●	◇	◇	●	●	X	◇	●	●	
	1300	51	1.07	1.41	736	1,623	100	◇	○	●	●	X	◇	●	●	X	◇	●	●	X	X	⊖	●	
	1400	55	1.18	1.54	777	1,713	100	X	◇	●	●	X	◇	●	●	X	◇	●	●	X	X	⊖	●	
Heavy Duty	900	36	0.68	0.88	628	1,384	100	⊖	○	●	●	⊖	○	●	●	⊖	○	●	●	○	⊖	●	●	
	1050	42	0.83	1.09	679	1,496	100	○	⊖	●	●	◇	○	●	●	◇	○	●	●	◇	○	●	●	
	1200	48	0.98	1.29	746	1,644	100	◇	○	●	●	◇	○	●	●	X	◇	●	●	X	◇	●	●	
Ditch Cleaning Tilt	2000	79	1.23	1.61	1096	2,416	100	X	X	⊖	●	X	X	⊖	●	X	X	⊖	●	X	X	○	⊖	
Maximum load with pin-on (payload + bucket)								kg	1781	2039	3288	3980	1611	1852	3018	3660	1551	1799	3005	3671	1394	1626	2752	3370
								lb	3,926	4,494	7,250	8,775	3,551	4,083	6,654	8,070	3,419	3,966	6,624	8,094	3,073	3,585	6,067	7,430

Maximum Material Density:

- 2100 kg/m³ (3,500 lb/yd³)
- ⊖ 1800 kg/m³ (3,000 lb/yd³)
- 1500 kg/m³ (2,500 lb/yd³)
- 1200 kg/m³ (2,000 lb/yd³)
- ◇ 900 kg/m³ (1,500 lb/yd³)
- X Not Recommended

The above loads are in compliance with hydraulic excavator standard EN474-5:2006+A3:2013, they do not exceed 87% of hydraulic lifting capacity or 75% of tipping capacity with front linkage fully extended at ground line with bucket curled.

Capacity based on ISO 7451:2007.

Caterpillar recommends using appropriate work tools to maximize the value customers receive from our products. Use of work tools, including buckets, which are outside of Caterpillar's recommendations or specifications for weight, dimensions, flows, pressures, etc. may result in less-than-optimal performance, including but not limited to reductions in production, stability, reliability, and component durability. Improper use of a work tool resulting in sweeping, prying, twisting and/or catching of heavy loads will reduce the life of the boom and stick.

(continued on next page)

M320 Wheeled Excavator Specifications

Bucket Specifications and Compatibility – Europe and Turkey (continued)

Contact your Cat dealer for special bucket requirements.

	Width		Capacity		Weight		Fill	Free on wheels	Only dozer (blade) lowered	Dozer (blade) and two stabilizers (outrigger) lowered	Four stabilizers (outrigger) lowered	Free on wheels	Only dozer (blade) lowered	Dozer (blade) and two stabilizers (outrigger) lowered	Four stabilizers (outrigger) lowered	Free on wheels	Only dozer (blade) lowered	Dozer (blade) and two stabilizers (outrigger) lowered	Four stabilizers (outrigger) lowered	Free on wheels	Only dozer (blade) lowered	Dozer (blade) and two stabilizers (outrigger) lowered	Four stabilizers (outrigger) lowered					
	mm	in	m ³	yd ³	kg	lb																		%				
Variable Adjustable Boom																												
								4200 kg (9,259 lb) Counterweight												3600 kg (7,937 lb) Counterweight								
								2500 mm (8'2") Stick				2900 mm (9'6") Stick				2500 mm (8'2") Stick				2900 mm (9'6") Stick								
With Pin Grabber Coupler								X	◇	●	●	X	◇	●	●	X	X	●	●	X	X	●	●	X	X	⊖	●	
General Duty	1200	48	0.98	1.28	707	1,558	100	X	◇	●	●	X	X	⊖	●	●	X	X	⊖	●	●	X	X	⊖	●	●	●	
	1300	51	1.07	1.41	736	1,623	100	X	◇	●	●	X	X	⊖	●	●	X	X	⊖	●	●	X	X	⊖	●	●	●	
	1400	55	1.18	1.54	777	1,713	100	X	X	⊖	●	X	X	⊖	●	●	X	X	⊖	●	●	X	X	⊖	●	●	●	
Heavy Duty	900	36	0.68	0.88	628	1,384	100	○	⊖	●	●	◇	○	●	●	◇	○	●	●	◇	○	●	●	X	X	◇	●	●
	1050	42	0.83	1.09	679	1,496	100	◇	⊖	●	●	X	○	●	●	X	○	●	●	X	○	●	●	X	X	●	●	●
	1200	48	0.98	1.29	746	1,644	100	X	◇	●	●	X	X	●	●	X	X	●	●	X	X	●	●	X	X	⊖	●	●
Ditch Cleaning Tilt	2000	79	1.23	1.61	1096	2,416	100	X	X	⊖	●	X	X	○	⊖	X	X	○	⊖	X	X	○	⊖	X	X	○	⊖	⊖
Maximum load with pin-on (payload + bucket)								kg	1503	1778	3107	3845	1317	1573	2808	3489	1263	1528	2811	3522	1092	1339	2531	3188				
								lb	3,313	3,920	6,849	8,477	2,903	3,468	6,190	7,693	2,786	3,369	6,197	7,764	2,407	2,951	5,579	7,027				

								One-Piece Boom																			
								4200 kg (9,259 lb) Counterweight								3600 kg (7,937 lb) Counterweight											
								2500 mm (8'2") Stick				2900 mm (9'6") Stick				2500 mm (8'2") Stick				2900 mm (9'6") Stick							
With Pin Grabber Coupler								X	◇	●	●	X	X	⊖	●	●	X	X	⊖	●	●	X	X	⊖	●	●	●
General Duty	1200	48	0.98	1.28	707	1,558	100	X	◇	●	●	X	X	⊖	●	●	X	X	⊖	●	●	X	X	⊖	●	●	●
	1300	51	1.07	1.41	736	1,623	100	X	X	⊖	●	X	X	⊖	●	●	X	X	⊖	●	●	X	X	⊖	●	●	●
	1400	55	1.18	1.54	777	1,713	100	X	X	⊖	●	X	X	⊖	●	●	X	X	⊖	●	●	X	X	⊖	●	●	●
Heavy Duty	900	36	0.68	0.88	628	1,384	100	◇	⊖	●	●	X	○	●	●	X	◇	○	●	●	X	◇	○	●	●	●	●
	1050	42	0.83	1.09	679	1,496	100	X	◇	●	●	X	◇	○	●	●	X	X	●	●	X	X	⊖	●	●	●	●
	1200	48	0.98	1.29	746	1,644	100	X	◇	●	●	X	X	⊖	●	●	X	X	⊖	●	●	X	X	⊖	●	●	●
Ditch Cleaning Tilt	2000	79	1.23	1.61	1096	2,416	100	X	X	⊖	●	X	X	○	⊖	X	X	○	⊖	X	X	○	⊖	X	X	◇	⊖
Maximum load with pin-on (payload + bucket)								kg	1359	1617	2867	3559	1189	1430	2597	3239	1129	1377	2583	3250	972	1204	2330	2949			
								lb	2,996	3,565	6,320	7,846	2,621	3,154	5,724	7,140	2,490	3,036	5,695	7,164	2,144	2,655	5,137	6,501			

Maximum Material Density:

- 2100 kg/m³ (3,500 lb/yd³)
- ⊖ 1800 kg/m³ (3,000 lb/yd³)
- 1500 kg/m³ (2,500 lb/yd³)
- ◇ 1200 kg/m³ (2,000 lb/yd³)
- X 900 kg/m³ (1,500 lb/yd³)
- X Not Recommended

The above loads are in compliance with hydraulic excavator standard EN474-5:2006+A3:2013, they do not exceed 87% of hydraulic lifting capacity or 75% of tipping capacity with front linkage fully extended at ground line with bucket curled. Capacity based on ISO 7451:2007.

Caterpillar recommends using appropriate work tools to maximize the value customers receive from our products. Use of work tools, including buckets, which are outside of Caterpillar's recommendations or specifications for weight, dimensions, flows, pressures, etc. may result in less-than-optimal performance, including but not limited to reductions in production, stability, reliability, and component durability. Improper use of a work tool resulting in sweeping, prying, twisting and/or catching of heavy loads will reduce the life of the boom and stick.

(continued on next page)

M320 Wheeled Excavator Specifications

Bucket Specifications and Compatibility – Europe and Turkey (continued)

Contact your Cat dealer for special bucket requirements.

	Width		Capacity		Weight		Fill	Free on wheels	Only dozer (blade) lowered	Dozer (blade) and two stabilizers (outrigger) lowered	Four stabilizers (outrigger) lowered	Free on wheels	Only dozer (blade) lowered	Dozer (blade) and two stabilizers (outrigger) lowered	Four stabilizers (outrigger) lowered	Free on wheels	Only dozer (blade) lowered	Dozer (blade) and two stabilizers (outrigger) lowered	Four stabilizers (outrigger) lowered	Free on wheels	Only dozer (blade) lowered	Dozer (blade) and two stabilizers (outrigger) lowered	Four stabilizers (outrigger) lowered	
	mm	in	m ³	yd ³	kg	lb																		%
Variable Adjustable Boom																								
								4200 kg (9,259 lb) Counterweight												3600 kg (7,937 lb) Counterweight				
								2500 mm (8'2") Stick				2900 mm (9'6") Stick				2500 mm (8'2") Stick				2900 mm (9'6") Stick				
With CW-30 Coupler																								
General Duty	750	30	0.49	0.64	475	1,047	100	●	●	●	●	●	●	●	●	●	●	●	●	●	●	●	●	
	900	36	0.62	0.81	534	1,177	100	⊙	●	●	●	⊖	⊙	●	●	○	⊙	●	●	○	⊙	●	●	
	1100	43	0.80	1.04	593	1,307	100	○	⊖	●	●	◇	○	●	●	◇	○	●	●	◇	○	●	●	
	1200	48	0.90	1.18	646	1,423	100	◇	○	●	●	◇	○	●	●	X	○	●	●	X	○	●	●	
	1300	51	1.00	1.31	677	1,492	100	◇	○	●	●	X	◇	○	●	●	X	◇	○	●	●	X	X	
	1400	55	1.09	1.43	707	1,558	100	◇	◇	●	●	X	◇	○	●	●	X	◇	○	●	●	X	X	
General Duty – Leveling Edge	650	25.6	0.47	0.61	506	1,116	100	●	●	●	●	●	●	●	●	●	●	●	●	●	●	●	●	
	800	31	0.56	0.73	548	1,208	100	⊙	●	●	●	⊖	●	●	⊖	●	●	⊖	●	●	⊖	●	●	
	996	39.2	0.70	0.93	631	1,391	100	⊖	⊙	●	●	○	⊖	●	●	◇	⊖	●	●	◇	⊖	●	●	
	1200	47	0.91	1.19	725	1,598	100	◇	○	●	●	X	◇	○	●	●	X	◇	○	●	●	X	X	
	1400	55	1.09	1.43	801	1,766	100	X	◇	●	●	X	X	⊙	●	X	X	⊙	●	X	X	⊙	●	
Heavy Duty	1200	48	0.91	1.19	662	1,460	100	◇	○	●	●	◇	○	●	●	X	◇	○	●	●	X	◇	○	
	1300	51	1.00	1.31	694	1,529	100	◇	○	●	●	X	◇	○	●	●	X	◇	○	●	●	X	◇	
Ditch Cleaning	1800	72	1.24	1.62	660	1,455	100	X	◇	●	●	X	X	⊙	●	X	X	⊙	●	X	X	⊙	●	
Ditch Cleaning Tilt	2000	79	1.23	1.61	1,168	2,575	100	X	X	⊖	●	X	X	⊖	●	X	X	⊖	●	X	X	⊖	●	
Maximum load with pin-on (payload + bucket)								kg	1649	1924	3253	3991	1463	1719	2954	3635	1409	1674	2957	3668	1238	1485	2677	3334
								lb	3,634	4,241	7,171	8,799	3,225	3,790	6,512	8,014	3,107	3,691	6,518	8,086	2,729	3,273	5,901	7,349

	Width		Capacity		Weight		Fill	Free on wheels	Only dozer (blade) lowered	Dozer (blade) and two stabilizers (outrigger) lowered	Four stabilizers (outrigger) lowered	Free on wheels	Only dozer (blade) lowered	Dozer (blade) and two stabilizers (outrigger) lowered	Four stabilizers (outrigger) lowered	Free on wheels	Only dozer (blade) lowered	Dozer (blade) and two stabilizers (outrigger) lowered	Four stabilizers (outrigger) lowered	Free on wheels	Only dozer (blade) lowered	Dozer (blade) and two stabilizers (outrigger) lowered	Four stabilizers (outrigger) lowered	
	mm	in	m ³	yd ³	kg	lb																		%
One-Piece Boom																								
								4200 kg (9,259 lb) Counterweight												3600 kg (7,937 lb) Counterweight				
								2500 mm (8'2") Stick				2900 mm (9'6") Stick				2500 mm (8'2") Stick				2900 mm (9'6") Stick				
With CW-30 Coupler																								
General Duty	750	30	0.49	0.64	475	1,047	100	●	●	●	●	⊙	●	●	●	⊖	●	●	○	⊙	●	●		
	900	36	0.62	0.81	534	1,177	100	⊖	⊙	●	●	○	⊖	●	●	○	⊖	●	●	◇	○	●	●	
	1100	43	0.80	1.04	593	1,307	100	○	⊖	●	●	◇	○	●	●	X	○	●	●	X	◇	○	●	
	1200	48	0.90	1.18	646	1,423	100	◇	○	●	●	X	◇	○	●	●	X	◇	○	●	●	X	X	
	1300	51	1.00	1.31	677	1,492	100	X	◇	●	●	X	◇	○	●	●	X	X	○	●	X	X	⊙	
	1400	55	1.09	1.43	707	1,558	100	X	◇	●	●	X	X	⊙	●	X	X	⊙	●	X	X	⊖	●	
General Duty – Leveling Edge	650	25.6	0.47	0.61	506	1,116	100	●	●	●	●	⊙	●	●	●	⊖	●	●	○	⊙	●	●	●	
	800	31	0.56	0.73	548	1,208	100	⊖	●	●	●	○	⊙	●	●	⊖	●	●	◇	○	⊖	●	●	
	996	39.2	0.70	0.93	631	1,391	100	○	⊖	●	●	◇	○	●	●	◇	○	●	●	X	◇	○	●	
	1200	47	0.91	1.19	725	1,598	100	◇	○	●	●	X	◇	○	●	●	X	◇	○	●	●	X	X	
	1400	55	1.09	1.43	801	1,766	100	X	◇	●	●	X	X	⊙	●	X	X	⊙	●	X	X	⊖	●	
Heavy Duty	1200	48	0.91	1.19	662	1,460	100	◇	○	●	●	X	◇	○	●	●	X	◇	○	●	●	X	◇	
	1300	51	1.00	1.31	694	1,529	100	X	◇	●	●	X	◇	○	●	●	X	X	○	●	X	X	⊙	
Ditch Cleaning	1800	72	1.24	1.62	660	1,455	100	X	◇	●	●	X	X	⊖	●	X	X	⊖	●	X	X	⊖	●	
Ditch Cleaning Tilt	2000	79	1.23	1.61	1,168	2,575	100	X	X	⊖	●	X	X	○	⊙	X	X	○	⊙	X	X	◇	⊖	
Maximum load with pin-on (payload + bucket)								kg	1505	1763	3013	3705	1335	1576	2743	3385	1275	1523	2729	3395	1118	1350	2476	3095
								lb	3,318	3,887	6,642	8,167	2,943	3,475	6,046	7,462	2,811	3,358	6,017	7,486	2,465	2,977	5,459	6,823

Maximum Material Density:

- 2100 kg/m³ (3,500 lb/yd³)
- ⊙ 1800 kg/m³ (3,000 lb/yd³)
- ⊖ 1500 kg/m³ (2,500 lb/yd³)
- 1200 kg/m³ (2,000 lb/yd³)
- ◇ 900 kg/m³ (1,500 lb/yd³)
- X Not Recommended

The above loads are in compliance with hydraulic excavator standard EN474-5:2006+A3:2013, they do not exceed 87% of hydraulic lifting capacity or 75% of tipping capacity with front linkage fully extended at ground line with bucket curled. Capacity based on ISO 7451:2007.

Caterpillar recommends using appropriate work tools to maximize the value customers receive from our products. Use of work tools, including buckets, which are outside of Caterpillar's recommendations or specifications for weight, dimensions, flows, pressures, etc. may result in less-than-optimal performance, including but not limited to reductions in production, stability, reliability, and component durability. Improper use of a work tool resulting in sweeping, prying, twisting and/or catching of heavy loads will reduce the life of the boom and stick.

(continued on next page)

M320 Wheeled Excavator Specifications

Bucket Specifications and Compatibility – Europe and Turkey (continued)

Contact your Cat dealer for special bucket requirements.

	Width		Capacity		Weight		Fill	Free on wheels	Only dozer (blade) lowered	Dozer (blade) and two stabilizers (outrigger) lowered	Four stabilizers (outrigger) lowered	Free on wheels	Only dozer (blade) lowered	Dozer (blade) and two stabilizers (outrigger) lowered	Four stabilizers (outrigger) lowered	Free on wheels	Only dozer (blade) lowered	Dozer (blade) and two stabilizers (outrigger) lowered	Four stabilizers (outrigger) lowered	Free on wheels	Only dozer (blade) lowered	Dozer (blade) and two stabilizers (outrigger) lowered	Four stabilizers (outrigger) lowered	
	mm	in	m ³	yd ³	kg	lb																		%
Variable Adjustable Boom																								
4200 kg (9,259 lb) Counterweight																								
3600 kg (7,937 lb) Counterweight																								
With CW-30S Coupler																								
2500 mm (8'2") Stick																								
2900 mm (9'6") Stick																								
2500 mm (8'2") Stick																								
2900 mm (9'6") Stick																								
General Duty	600	36	0.35	0.46	423	932	100	●	●	●	●	●	●	●	●	●	●	●	●	●	●	●	●	
	750	30	0.49	0.64	471	1,038	100	●	●	●	●	●	●	●	●	●	●	●	●	●	○	●	●	
	900	36	0.63	0.81	534	1,177	100	⊙	●	●	●	⊖	●	●	●	⊖	●	●	●	●	○	●	●	
	1100	43	0.80	1.04	593	1,307	100	○	⊙	●	●	○	⊙	●	●	◇	●	●	●	◇	○	●	●	
	1200	48	0.91	1.18	646	1,423	100	○	⊖	●	●	◇	○	●	●	◇	○	●	●	●	X	◇	●	
	1300	51	1.00	1.31	677	1,492	100	◇	○	●	●	X	◇	●	●	X	◇	●	●	X	◇	●	●	
	1400	55	1.09	1.43	707	1,558	100	◇	○	●	●	X	◇	●	●	X	◇	●	●	X	X	⊙	●	
Heavy Duty	1200	48	0.90	1.18	663	1,461	100	○	⊖	●	●	◇	○	●	●	◇	○	●	●	X	◇	●	●	
	1300	51	1.00	1.31	695	1,531	100	◇	○	●	●	X	◇	●	●	X	◇	●	●	X	X	⊙	●	
Ditch Cleaning	1800	72	1.14	1.49	664	1,464	100	◇	○	●	●	X	◇	●	●	X	◇	●	●	X	X	⊙	●	
	2000	78	0.94	1.23	700	1,544	100	◇	○	●	●	◇	○	●	●	X	◇	●	●	X	◇	●	●	
Ditch Cleaning Tilt	2000	79	1.23	1.61	1,149	2,533	100	X	X	⊙	●	X	X	⊖	●	X	X	⊖	●	X	X	○	⊙	
Maximum load with pin-on (payload + bucket)								kg	1,702	1,978	3,306	4,045	1,516	1,773	3,007	3,689	1,463	1,728	3,010	3,722	1,292	1,538	2,730	3,387
								lb	3,753	4,360	7,290	8,917	3,343	3,909	6,630	8,133	3,226	3,809	6,637	8,205	2,847	3,392	6,019	7,468

	Width		Capacity		Weight		Fill	One-Piece Boom																
	mm	in	m ³	yd ³	kg	lb		4200 kg (9,259 lb) Counterweight								3600 kg (7,937 lb) Counterweight								
With CW-30S Coupler																								
2500 mm (8'2") Stick																								
2900 mm (9'6") Stick																								
2500 mm (8'2") Stick																								
2900 mm (9'6") Stick																								
General Duty	600	36	0.35	0.46	423	932	100	●	●	●	●	●	●	●	●	●	●	●	●	●	●	●	●	
	750	30	0.49	0.64	471	1,038	100	●	●	●	●	⊙	●	●	●	⊙	●	●	●	●	⊖	●	●	
	900	36	0.63	0.81	534	1,177	100	⊖	●	●	●	○	⊙	●	●	○	⊖	●	●	●	◇	○	●	
	1100	43	0.80	1.04	593	1,307	100	○	⊖	●	●	◇	○	●	●	◇	○	●	●	X	◇	●	●	
	1200	48	0.91	1.18	646	1,423	100	◇	○	●	●	X	◇	●	●	X	◇	●	●	X	X	⊙	●	
	1300	51	1.00	1.31	677	1,492	100	◇	○	●	●	X	◇	●	●	X	◇	●	●	X	X	⊙	●	
	1400	55	1.09	1.43	707	1,558	100	X	◇	●	●	X	X	⊙	●	X	X	⊙	●	X	X	⊖	●	
Heavy Duty	1200	48	0.90	1.18	663	1,461	100	◇	○	●	●	X	◇	●	●	X	◇	●	●	X	X	●	●	
	1300	51	1.00	1.31	695	1,531	100	◇	◇	●	●	X	◇	●	●	X	◇	●	●	X	X	⊙	●	
Ditch Cleaning	1800	72	1.14	1.49	664	1,464	100	X	○	●	●	X	X	⊙	●	X	X	⊙	●	X	X	⊖	●	
	2000	78	0.94	1.23	700	1,544	100	◇	○	●	●	X	◇	●	●	X	◇	●	●	X	X	⊙	●	
Ditch Cleaning Tilt	2000	79	1.23	1.61	1,149	2,533	100	X	X	⊖	●	X	X	○	⊙	X	X	○	⊙	X	X	◇	⊖	
Maximum load with pin-on (payload + bucket)								kg	1,559	1,817	3,066	3,758	1,389	1,630	2,796	3,438	1,329	1,577	2,783	3,449	1,172	1,404	2,530	3,148
								lb	3,436	4,005	6,760	8,286	3,062	3,594	6,165	7,580	2,930	3,476	6,135	7,604	2,584	3,095	5,577	6,941

Maximum Material Density:

- 2100 kg/m³ (3,500 lb/yd³)
- ⊙ 1800 kg/m³ (3,000 lb/yd³)
- ⊖ 1500 kg/m³ (2,500 lb/yd³)
- 1200 kg/m³ (2,000 lb/yd³)
- ◇ 900 kg/m³ (1,500 lb/yd³)
- X Not Recommended

The above loads are in compliance with hydraulic excavator standard EN474-5:2006+A3:2013, they do not exceed 87% of hydraulic lifting capacity or 75% of tipping capacity with front linkage fully extended at ground line with bucket curled.

Capacity based on ISO 7451:2007.

Caterpillar recommends using appropriate work tools to maximize the value customers receive from our products. Use of work tools, including buckets, which are outside of Caterpillar's recommendations or specifications for weight, dimensions, flows, pressures, etc. may result in less-than-optimal performance, including but not limited to reductions in production, stability, reliability, and component durability. Improper use of a work tool resulting in sweeping, prying, twisting and/or catching of heavy loads will reduce the life of the boom and stick.

(continued on next page)

M320 Wheeled Excavator Specifications

Bucket Specifications and Compatibility – Europe and Turkey (continued)

Contact your Cat dealer for special bucket requirements.

	Width		Capacity		Weight		Fill	Free on wheels	Only dozer (blade) lowered	Dozer (blade) and two stabilizers (outrigger) lowered	Four stabilizers (outrigger) lowered	Free on wheels	Only dozer (blade) lowered	Dozer (blade) and two stabilizers (outrigger) lowered	Four stabilizers (outrigger) lowered	Free on wheels	Only dozer (blade) lowered	Dozer (blade) and two stabilizers (outrigger) lowered	Four stabilizers (outrigger) lowered	Free on wheels	Only dozer (blade) lowered	Dozer (blade) and two stabilizers (outrigger) lowered	Four stabilizers (outrigger) lowered								
	mm	in	m ³	yd ³	kg	lb																		%							
Variable Adjustable Boom																															
								4200 kg (9,259 lb) Counterweight				3600 kg (7,937 lb) Counterweight																			
								2500 mm (8'2") Stick			2900 mm (9'6") Stick			2500 mm (8'2") Stick				2900 mm (9'6") Stick													
No Machine Coupler, TRS18 CW30								X	X	⊙	●	X	X	⊖	●	X	X	⊖	●	X	X	⊖	●	X	X	○	⊙				
Grading – General Duty								1800	71	1.10	1.44	785	1,731	100	○	⊖	●	●	◇	○	●	●	X	○	●	●	X	◇	●	●	
Trenching – General Duty								660	26	0.55	0.72	506	1,116	100	kg	1165	1441	2769	3508	979	1236	2470	3152	926	1191	2473	3185	755	1001	2193	2850
Maximum load with pin-on (payload + bucket)								lb	2,569	3,176	6,106	7,733	2,159	2,725	5,446	6,949	2,042	2,625	5,453	7,021	1,664	2,208	4,835	6,284							

	Width		Capacity		Weight		Fill	Free on wheels	Only dozer (blade) lowered	Dozer (blade) and two stabilizers (outrigger) lowered	Four stabilizers (outrigger) lowered	Free on wheels	Only dozer (blade) lowered	Dozer (blade) and two stabilizers (outrigger) lowered	Four stabilizers (outrigger) lowered	Free on wheels	Only dozer (blade) lowered	Dozer (blade) and two stabilizers (outrigger) lowered	Four stabilizers (outrigger) lowered	Free on wheels	Only dozer (blade) lowered	Dozer (blade) and two stabilizers (outrigger) lowered	Four stabilizers (outrigger) lowered								
	mm	in	m ³	yd ³	kg	lb																		%							
One-Piece Boom																															
								4200 kg (9,259 lb) Counterweight				3600 kg (7,937 lb) Counterweight																			
								2500 mm (8'2") Stick			2900 mm (9'6") Stick			2500 mm (8'2") Stick				2900 mm (9'6") Stick													
No Machine Coupler, TRS18 CW30								X	X	⊖	●	X	X	○	⊙	X	X	○	⊙	X	X	◇	⊖								
Grading – General Duty								1800	71	1.10	1.44	785	1,731	100	◇	○	●	●	X	◇	●	●	X	◇	●	●	X	X	●	●	
Trenching – General Duty								660	26	0.55	0.72	506	1,116	100	kg	1022	1280	2529	3221	852	1093	2259	2901	792	1040	2246	2912	635	867	1993	2611
Maximum load with pin-on (payload + bucket)								lb	2,253	2,821	5,577	7,102	1,878	2,410	4,981	6,396	1,746	2,292	4,951	6,420	1,400	1,911	4,393	5,757							

	Width		Capacity		Weight		Fill	Free on wheels	Only dozer (blade) lowered	Dozer (blade) and two stabilizers (outrigger) lowered	Four stabilizers (outrigger) lowered	Free on wheels	Only dozer (blade) lowered	Dozer (blade) and two stabilizers (outrigger) lowered	Four stabilizers (outrigger) lowered	Free on wheels	Only dozer (blade) lowered	Dozer (blade) and two stabilizers (outrigger) lowered	Four stabilizers (outrigger) lowered	Free on wheels	Only dozer (blade) lowered	Dozer (blade) and two stabilizers (outrigger) lowered	Four stabilizers (outrigger) lowered								
	mm	in	m ³	yd ³	kg	lb																		%							
Variable Adjustable Boom																															
								4200 kg (9,259 lb) Counterweight				3600 kg (7,937 lb) Counterweight																			
								2500 mm (8'2") Stick			2900 mm (9'6") Stick			2500 mm (8'2") Stick				2900 mm (9'6") Stick													
No Machine Coupler, TRS18 CW30S								X	X	⊙	●	X	X	⊖	●	X	X	⊖	●	X	X	○	⊙								
Grading – General Duty								1800	71	1.10	1.44	774	1,706	100	○	⊙	●	●	◇	⊖	●	●	X	◇	○	●	X	◇	●	●	
Trenching – General Duty								600	24	0.55	0.72	496	1,093	100	kg	1211	1487	2815	3554	1025	1282	2516	3198	972	1237	2519	3231	801	1047	2239	2896
Maximum load with pin-on (payload + bucket)								lb	2,670	3,277	6,207	7,835	2,261	2,826	5,548	7,050	2,143	2,727	5,554	7,122	1,765	2,309	4,937	6,385							

	Width		Capacity		Weight		Fill	Free on wheels	Only dozer (blade) lowered	Dozer (blade) and two stabilizers (outrigger) lowered	Four stabilizers (outrigger) lowered	Free on wheels	Only dozer (blade) lowered	Dozer (blade) and two stabilizers (outrigger) lowered	Four stabilizers (outrigger) lowered	Free on wheels	Only dozer (blade) lowered	Dozer (blade) and two stabilizers (outrigger) lowered	Four stabilizers (outrigger) lowered	Free on wheels	Only dozer (blade) lowered	Dozer (blade) and two stabilizers (outrigger) lowered	Four stabilizers (outrigger) lowered								
	mm	in	m ³	yd ³	kg	lb																		%							
One-Piece Boom																															
								4200 kg (9,259 lb) Counterweight				3600 kg (7,937 lb) Counterweight																			
								2500 mm (8'2") Stick			2900 mm (9'6") Stick			2500 mm (8'2") Stick				2900 mm (9'6") Stick													
No Machine Coupler, TRS18 CW30S								X	X	⊖	●	X	X	○	⊙	X	X	○	⊙	X	X	○	⊙								
Grading – General Duty								1800	71	1.10	1.44	774	1,706	100	◇	⊖	●	●	X	○	●	●	X	◇	●	●	X	X	○	⊙	
Trenching – General Duty								600	24	0.55	0.72	496	1,093	100	kg	1068	1326	2575	3267	898	1139	2305	2947	838	1086	2292	2958	681	913	2039	2657
Maximum load with pin-on (payload + bucket)								lb	2,354	2,922	5,678	7,203	1,979	2,511	5,082	6,498	1,847	2,394	5,053	6,522	1,501	2,013	4,495	5,859							

Maximum Material Density:

- 2100 kg/m³ (3,500 lb/yd³)
- ⊙ 1800 kg/m³ (3,000 lb/yd³)
- ⊖ 1500 kg/m³ (2,500 lb/yd³)
- 1200 kg/m³ (2,000 lb/yd³)
- ◇ 900 kg/m³ (1,500 lb/yd³)
- X Not Recommended

The above loads are in compliance with hydraulic excavator standard EN474-5:2006+A3:2013, they do not exceed 87% of hydraulic lifting capacity or 75% of tipping capacity with front linkage fully extended at ground line with bucket curled. Capacity based on ISO 7451:2007.

Caterpillar recommends using appropriate work tools to maximize the value customers receive from our products. Use of work tools, including buckets, which are outside of Caterpillar's recommendations or specifications for weight, dimensions, flows, pressures, etc. may result in less-than-optimal performance, including but not limited to reductions in production, stability, reliability, and component durability. Improper use of a work tool resulting in sweeping, prying, twisting and/or catching of heavy loads will reduce the life of the boom and stick.

(continued on next page)

M320 Wheeled Excavator Specifications

Bucket Specifications and Compatibility – Europe and Turkey (continued)

Contact your Cat dealer for special bucket requirements.

	Width		Capacity		Weight		Fill	Free on wheels	Only dozer (blade) lowered	Dozer (blade) and two stabilizers (outrigger) lowered	Four stabilizers (outrigger) lowered	Free on wheels	Only dozer (blade) lowered	Dozer (blade) and two stabilizers (outrigger) lowered	Four stabilizers (outrigger) lowered	Free on wheels	Only dozer (blade) lowered	Dozer (blade) and two stabilizers (outrigger) lowered	Four stabilizers (outrigger) lowered	Free on wheels	Only dozer (blade) lowered	Dozer (blade) and two stabilizers (outrigger) lowered	Four stabilizers (outrigger) lowered	
	mm	in	m ³	yd ³	kg	lb																		%
Variable Adjustable Boom																								
No Machine Coupler, TRS18 S70								4200 kg (9,259 lb) Counterweight				3600 kg (7,937 lb) Counterweight												
								2500 mm (8'2") Stick		2900 mm (9'6") Stick		2500 mm (8'2") Stick		2900 mm (9'6") Stick										
Grading – General Duty	1800	71	1.10	1.44	798	1,759	100	X	X	⊙	●	X	X	⊖	●	X	X	⊖	●	X	X	○	⊙	
Trenching – General Duty	600	24	0.55	0.72	516	1,138	100	○	⊙	●	●	◇	○	●	●	X	○	●	●	X	◇	●	●	
Maximum load with pin-on (payload + bucket)								kg	1244	1520	2848	3587	1058	1315	2549	3231	1005	1270	2552	3264	834	1080	2272	2929
								lb	2,743	3,350	6,280	7,907	2,333	2,899	5,620	7,123	2,216	2,800	5,627	7,195	1,838	2,382	5,009	6,458

	Width		Capacity		Weight		Fill	Free on wheels	Only dozer (blade) lowered	Dozer (blade) and two stabilizers (outrigger) lowered	Four stabilizers (outrigger) lowered	Free on wheels	Only dozer (blade) lowered	Dozer (blade) and two stabilizers (outrigger) lowered	Four stabilizers (outrigger) lowered	Free on wheels	Only dozer (blade) lowered	Dozer (blade) and two stabilizers (outrigger) lowered	Four stabilizers (outrigger) lowered	Free on wheels	Only dozer (blade) lowered	Dozer (blade) and two stabilizers (outrigger) lowered	Four stabilizers (outrigger) lowered	
	mm	in	m ³	yd ³	kg	lb																		%
One-Piece Boom																								
No Machine Coupler, TRS18 S70								4200 kg (9,259 lb) Counterweight				3600 kg (7,937 lb) Counterweight												
								2500 mm (8'2") Stick		2900 mm (9'6") Stick		2500 mm (8'2") Stick		2900 mm (9'6") Stick										
Grading – General Duty	1800	71	1.10	1.44	798	1,759	100	X	X	⊖	●	X	X	○	⊙	X	X	○	⊙	X	X	○	⊙	
Trenching – General Duty	600	24	0.55	0.72	516	1,138	100	◇	⊖	●	●	X	○	●	●	X	◇	●	●	X	X	●	●	
Maximum load with pin-on (payload + bucket)								kg	1101	1359	2608	3300	931	1172	2338	2980	871	1119	2325	2991	714	946	2072	2690
								lb	2,427	2,995	5,751	7,276	2,052	2,584	5,155	6,570	1,920	2,466	5,125	6,594	1,574	2,086	4,567	5,931

	Width		Capacity		Weight		Fill	Free on wheels	Only dozer (blade) lowered	Dozer (blade) and two stabilizers (outrigger) lowered	Four stabilizers (outrigger) lowered	Free on wheels	Only dozer (blade) lowered	Dozer (blade) and two stabilizers (outrigger) lowered	Four stabilizers (outrigger) lowered	Free on wheels	Only dozer (blade) lowered	Dozer (blade) and two stabilizers (outrigger) lowered	Four stabilizers (outrigger) lowered	Free on wheels	Only dozer (blade) lowered	Dozer (blade) and two stabilizers (outrigger) lowered	Four stabilizers (outrigger) lowered	
	mm	in	m ³	yd ³	kg	lb																		%
Variable Adjustable Boom																								
CW30, TRS18 CW30								4200 kg (9,259 lb) Counterweight				3600 kg (7,937 lb) Counterweight												
								2500 mm (8'2") Stick		2900 mm (9'6") Stick		2500 mm (8'2") Stick		2900 mm (9'6") Stick										
Grading – General Duty	1800	71	1.10	1.44	785	1,731	100	X	X	⊖	●	X	X	○	⊙	X	X	○	⊙	X	X	◇	⊖	
Trenching – General Duty	660	26	0.55	0.72	506	1,116	100	X	○	●	●	X	◇	●	●	X	◇	●	●	X	X	●	●	
Maximum load with pin-on (payload + bucket)								kg	953	1229	2557	3296	767	1024	2258	2940	714	979	2261	2973	543	789	1981	2638
								lb	2,102	2,708	5,638	7,266	1,692	2,257	4,979	6,482	1,574	2,158	4,985	6,553	1,196	1,740	4,368	5,816

	Width		Capacity		Weight		Fill	Free on wheels	Only dozer (blade) lowered	Dozer (blade) and two stabilizers (outrigger) lowered	Four stabilizers (outrigger) lowered	Free on wheels	Only dozer (blade) lowered	Dozer (blade) and two stabilizers (outrigger) lowered	Four stabilizers (outrigger) lowered	Free on wheels	Only dozer (blade) lowered	Dozer (blade) and two stabilizers (outrigger) lowered	Four stabilizers (outrigger) lowered	Free on wheels	Only dozer (blade) lowered	Dozer (blade) and two stabilizers (outrigger) lowered	Four stabilizers (outrigger) lowered	
	mm	in	m ³	yd ³	kg	lb																		%
One-Piece Boom																								
CW30, TRS18 CW30								4200 kg (9,259 lb) Counterweight				3600 kg (7,937 lb) Counterweight												
								2500 mm (8'2") Stick		2900 mm (9'6") Stick		2500 mm (8'2") Stick		2900 mm (9'6") Stick										
Grading – General Duty	1800	71	1.10	1.44	785	1,731	100	X	X	○	●	X	X	○	⊙	X	X	◇	⊙	X	X	◇	⊖	
Trenching – General Duty	660	26	0.55	0.72	506	1,116	100	X	◇	●	●	X	X	●	●	X	X	●	●	X	X	●	●	
Maximum load with pin-on (payload + bucket)								kg	810	1,068	2,317	3,009	640	881	2,047	2,689	580	828	2,034	2,700	423	655	1,781	2,399
								lb	1,785	2,354	5,109	6,635	1,410	1,942	4,513	5,929	1,279	1,825	4,484	5,953	932	1,444	3,926	5,290

Maximum Material Density:

- 2100 kg/m³ (3,500 lb/yd³)
- ⊙ 1800 kg/m³ (3,000 lb/yd³)
- ⊖ 1500 kg/m³ (2,500 lb/yd³)
- 1200 kg/m³ (2,000 lb/yd³)
- ◇ 900 kg/m³ (1,500 lb/yd³)
- X Not Recommended

The above loads are in compliance with hydraulic excavator standard EN474-5:2006+A3:2013, they do not exceed 87% of hydraulic lifting capacity or 75% of tipping capacity with front linkage fully extended at ground line with bucket curled. Capacity based on ISO 7451:2007.

Caterpillar recommends using appropriate work tools to maximize the value customers receive from our products. Use of work tools, including buckets, which are outside of Caterpillar's recommendations or specifications for weight, dimensions, flows, pressures, etc. may result in less-than-optimal performance, including but not limited to reductions in production, stability, reliability, and component durability. Improper use of a work tool resulting in sweeping, prying, twisting and/or catching of heavy loads will reduce the life of the boom and stick.

(continued on next page)

M320 Wheeled Excavator Specifications

Bucket Specifications and Compatibility – Europe and Turkey (continued)

Contact your Cat dealer for special bucket requirements.

	Width		Capacity		Weight		Fill	Free on wheels	Only dozer (blade) lowered	Dozer (blade) and two stabilizers (outrigger) lowered	Four stabilizers (outrigger) lowered	Free on wheels	Only dozer (blade) lowered	Dozer (blade) and two stabilizers (outrigger) lowered	Four stabilizers (outrigger) lowered	Free on wheels	Only dozer (blade) lowered	Dozer (blade) and two stabilizers (outrigger) lowered	Four stabilizers (outrigger) lowered	Free on wheels	Only dozer (blade) lowered	Dozer (blade) and two stabilizers (outrigger) lowered	Four stabilizers (outrigger) lowered	
	mm	in	m ³	yd ³	kg	lb																		%
Variable Adjustable Boom																								
								4200 kg (9,259 lb) Counterweight				3600 kg (7,937 lb) Counterweight												
								2500 mm (8'2") Stick			2900 mm (9'6") Stick			2500 mm (8'2") Stick				2900 mm (9'6") Stick						
CW30S, TRS18 CW30S								X	X	⊖	●	X	X	○	●	X	X	○	●	X	X	○	●	
Grading – General Duty	1800	71	1.10	1.44	774	1,706	100	X	X	⊖	●	X	X	○	●	X	X	○	●	X	X	○	●	
Trenching – General Duty	600	24	0.55	0.72	496	1,093	100	◇	⊖	●	●	X	◇	●	●	X	◇	●	●	X	X	●	●	
Maximum load with pin-on (payload + bucket)								kg	1020	1296	2624	3363	834	1091	2325	3007	781	1046	2328	3040	610	856	2048	2705
								lb	2,249	2,856	5,786	7,413	1,840	2,405	5,126	6,629	1,722	2,306	5,133	6,701	1,344	1,888	4,516	5,964

	Width		Capacity		Weight		Fill	Free on wheels	Only dozer (blade) lowered	Dozer (blade) and two stabilizers (outrigger) lowered	Four stabilizers (outrigger) lowered	Free on wheels	Only dozer (blade) lowered	Dozer (blade) and two stabilizers (outrigger) lowered	Four stabilizers (outrigger) lowered	Free on wheels	Only dozer (blade) lowered	Dozer (blade) and two stabilizers (outrigger) lowered	Four stabilizers (outrigger) lowered	Free on wheels	Only dozer (blade) lowered	Dozer (blade) and two stabilizers (outrigger) lowered	Four stabilizers (outrigger) lowered	
	mm	in	m ³	yd ³	kg	lb																		%
One-Piece Boom																								
								4200 kg (9,259 lb) Counterweight				3600 kg (7,937 lb) Counterweight												
								2500 mm (8'2") Stick			2900 mm (9'6") Stick			2500 mm (8'2") Stick				2900 mm (9'6") Stick						
CW30S, TRS18 CW30S								X	X	⊖	●	X	X	○	●	X	X	○	●	X	X	○	●	
Grading – General Duty	1800	71	1.10	1.44	774	1,706	100	X	X	⊖	●	X	X	○	●	X	X	○	●	X	X	○	●	
Trenching – General Duty	600	24	0.55	0.72	496	1,093	100	X	○	●	●	X	X	●	●	X	X	●	●	X	X	●	●	
Maximum load with pin-on (payload + bucket)								kg	877	1135	2384	3076	707	948	2114	2756	647	895	2101	2767	490	722	1848	2466
								lb	1,933	2,501	5,257	6,782	1,558	2,090	4,661	6,077	1,426	1,973	4,631	6,101	1,080	1,592	4,074	5,438

	Width		Capacity		Weight		Fill	Free on wheels	Only dozer (blade) lowered	Dozer (blade) and two stabilizers (outrigger) lowered	Four stabilizers (outrigger) lowered	Free on wheels	Only dozer (blade) lowered	Dozer (blade) and two stabilizers (outrigger) lowered	Four stabilizers (outrigger) lowered	Free on wheels	Only dozer (blade) lowered	Dozer (blade) and two stabilizers (outrigger) lowered	Four stabilizers (outrigger) lowered	Free on wheels	Only dozer (blade) lowered	Dozer (blade) and two stabilizers (outrigger) lowered	Four stabilizers (outrigger) lowered	
	mm	in	m ³	yd ³	kg	lb																		%
Variable Adjustable Boom																								
								4200 kg (9,259 lb) Counterweight				3600 kg (7,937 lb) Counterweight												
								2500 mm (8'2") Stick			2900 mm (9'6") Stick			2500 mm (8'2") Stick				2900 mm (9'6") Stick						
S70, TRS14 S70								X	X	⊖	●	X	X	⊖	●	X	X	⊖	●	X	X	○	●	
Grading – General Duty	1800	71	1.10	1.44	798	1,759	100	X	X	⊖	●	X	X	⊖	●	X	X	⊖	●	X	X	○	●	
Trenching – General Duty	600	24	0.55	0.72	516	1,138	100	◇	⊖	●	●	◇	○	●	●	X	○	●	●	X	◇	●	●	
Maximum load with pin-on (payload + bucket)								kg	996	1484	2812	3551	1022	1279	2513	3195	969	1234	2516	3228	798	1044	2236	2893
								lb	2,196	3,271	6,200	7,828	2,254	2,820	5,541	7,044	2,137	2,720	5,548	7,115	1,758	2,302	4,930	6,378

	Width		Capacity		Weight		Fill	Free on wheels	Only dozer (blade) lowered	Dozer (blade) and two stabilizers (outrigger) lowered	Four stabilizers (outrigger) lowered	Free on wheels	Only dozer (blade) lowered	Dozer (blade) and two stabilizers (outrigger) lowered	Four stabilizers (outrigger) lowered	Free on wheels	Only dozer (blade) lowered	Dozer (blade) and two stabilizers (outrigger) lowered	Four stabilizers (outrigger) lowered	Free on wheels	Only dozer (blade) lowered	Dozer (blade) and two stabilizers (outrigger) lowered	Four stabilizers (outrigger) lowered	
	mm	in	m ³	yd ³	kg	lb																		%
One-Piece Boom																								
								4200 kg (9,259 lb) Counterweight				3600 kg (7,937 lb) Counterweight												
								2500 mm (8'2") Stick			2900 mm (9'6") Stick			2500 mm (8'2") Stick				2900 mm (9'6") Stick						
S70, TRS14 S70								X	X	⊖	●	X	X	○	●	X	X	○	●	X	X	◇	⊖	
Grading – General Duty	1800	71	1.10	1.44	798	1,759	100	X	X	⊖	●	X	X	○	●	X	X	○	●	X	X	◇	⊖	
Trenching – General Duty	600	24	0.55	0.72	516	1,138	100	◇	⊖	●	●	X	◇	●	●	X	◇	●	●	X	X	●	●	
Maximum load with pin-on (payload + bucket)								kg	1065	1323	2572	3264	895	1136	2302	2944	835	1083	2289	2955	678	910	2036	2654
								lb	2,347	2,916	5,671	7,197	1,973	2,505	5,076	6,491	1,841	2,387	5,046	6,515	1,495	2,006	4,488	5,852

Maximum Material Density:

- 2100 kg/m³ (3,500 lb/yd³)
- ⊖ 1800 kg/m³ (3,000 lb/yd³)
- 1500 kg/m³ (2,500 lb/yd³)
- ◇ 900 kg/m³ (1,500 lb/yd³)
- X Not Recommended

The above loads are in compliance with hydraulic excavator standard EN474-5:2006+A3:2013, they do not exceed 87% of hydraulic lifting capacity or 75% of tipping capacity with front linkage fully extended at ground line with bucket curled. Capacity based on ISO 7451:2007.

Caterpillar recommends using appropriate work tools to maximize the value customers receive from our products. Use of work tools, including buckets, which are outside of Caterpillar's recommendations or specifications for weight, dimensions, flows, pressures, etc. may result in less-than-optimal performance, including but not limited to reductions in production, stability, reliability, and component durability. Improper use of a work tool resulting in sweeping, prying, twisting and/or catching of heavy loads will reduce the life of the boom and stick.

M320 Wheeled Excavator Specifications

Bucket Specifications and Compatibility – North America

Contact your Cat dealer for special bucket requirements.

	Width		Capacity		Weight		Fill	4200 kg (9,259 lb) Counterweight																
	mm	in	m ³	yd ³	kg	lb		%	Free on wheels	Only dozer (blade) lowered	Dozer (blade) and two stabilizers (outrigger) lowered	Four stabilizers (outrigger) lowered	Free on wheels	Only dozer (blade) lowered	Dozer (blade) and two stabilizers (outrigger) lowered	Four stabilizers (outrigger) lowered	Free on wheels	Only dozer (blade) lowered	Dozer (blade) and two stabilizers (outrigger) lowered	Four stabilizers (outrigger) lowered	Free on wheels	Only dozer (blade) lowered	Dozer (blade) and two stabilizers (outrigger) lowered	Four stabilizers (outrigger) lowered
Pin-On (No Quick Coupler)								Variable Adjustable Boom				One-Piece Boom												
								2500 mm (8'2") Stick				2900 mm (9'6") Stick				2500 mm (8'2") Stick				2900 mm (9'6") Stick				
General Duty	600	24	0.39	0.50	475	1,048	100	●	●	●	●	●	●	●	●	●	●	●	●	●	●	●	●	●
Heavy Duty	900	36	0.68	0.88	626	1,379	100	⊙	●	●	●	⊖	●	●	●	⊖	●	●	●	⊖	⊙	●	●	●
	1050	42	0.83	1.09	677	1,492	100	⊖	⊙	●	●	○	⊖	●	●	○	⊖	●	●	○	●	●	●	●
	1200	48	0.98	1.28	745	1,642	100	○	⊖	●	●	◇	○	●	●	◇	○	●	●	◇	○	●	●	●
Ditch Cleaning	1500	60	1.01	1.32	651	1,436	100	○	⊖	●	●	◇	○	●	●	◇	○	●	●	◇	○	●	●	●
	1800	72	1.24	1.62	740	1,630	100	◇	○	●	●	X	◇	●	●	X	◇	●	●	X	◇	⊙	●	●
Ditch Cleaning Tilt	1500	60	0.90	1.18	954	2,104	100	◇	○	●	●	◇	○	●	●	◇	○	●	●	X	◇	●	●	●
	1800	72	1.11	1.45	1069	2,357	100	X	◇	●	●	X	X	⊙	●	X	◇	●	●	X	X	⊙	●	●
	2000	79	1.23	1.61	1137	2,507	100	X	◇	⊙	●	X	X	⊖	●	X	X	⊙	●	X	X	⊖	●	●
Maximum load with pin-on (payload + bucket)							kg	1924	2200	3528	4267	1738	1995	3229	3911	1781	2039	3288	3980	1611	1852	3018	3660	
							lb	4,242	4,849	7,779	9,406	3,833	4,398	7,119	8,622	3,926	4,494	7,250	8,775	3,551	4,083	6,654	8,070	

	Width		Capacity		Weight		Fill	4200 kg (9,259 lb) Counterweight																
	mm	in	m ³	yd ³	kg	lb		%	Free on wheels	Only dozer (blade) lowered	Dozer (blade) and two stabilizers (outrigger) lowered	Four stabilizers (outrigger) lowered	Free on wheels	Only dozer (blade) lowered	Dozer (blade) and two stabilizers (outrigger) lowered	Four stabilizers (outrigger) lowered	Free on wheels	Only dozer (blade) lowered	Dozer (blade) and two stabilizers (outrigger) lowered	Four stabilizers (outrigger) lowered	Free on wheels	Only dozer (blade) lowered	Dozer (blade) and two stabilizers (outrigger) lowered	Four stabilizers (outrigger) lowered
With Pin Grabber Coupler								Variable Adjustable Boom				One-Piece Boom												
								2500 mm (8'2") Stick				2900 mm (9'6") Stick				2500 mm (8'2") Stick				2900 mm (9'6") Stick				
General Duty	600	24	0.39	0.50	475	1,048	100	●	●	●	●	●	●	●	●	●	●	●	●	●	●	●	●	●
Heavy Duty	900	36	0.68	0.88	626	1,379	100	○	⊖	●	●	◇	○	●	●	◇	⊖	●	●	X	○	●	●	●
	1050	42	0.83	1.09	677	1,492	100	◇	○	●	●	X	◇	●	●	X	◇	●	●	X	◇	●	●	●
	1200	48	0.98	1.28	745	1,642	100	X	◇	●	●	X	X	●	●	X	◇	●	●	X	X	⊙	●	●
Ditch Cleaning	1500	60	1.01	1.32	651	1,436	100	X	◇	●	●	X	◇	●	●	X	◇	●	●	X	X	⊙	●	●
	1800	72	1.24	1.62	740	1,630	100	X	X	⊙	●	X	X	⊖	●	X	X	⊙	●	X	X	⊖	●	●
Ditch Cleaning Tilt	1500	60	0.90	1.18	954	2,104	100	X	◇	●	●	X	X	●	●	X	X	●	●	X	X	⊙	●	●
	1800	72	1.11	1.45	1069	2,357	100	X	X	⊙	●	X	X	⊖	●	X	X	⊖	●	X	X	○	⊙	●
	2000	79	1.23	1.61	1137	2,507	100	X	X	⊖	●	X	X	○	⊙	X	X	○	⊙	X	X	○	⊖	●
Maximum load with pin-on (payload + bucket)							kg	1503	1778	3107	3845	1317	1573	2808	3489	1359	1617	2867	3559	1189	1430	2597	3239	
							lb	3,313	3,920	6,849	8,477	2,903	3,468	6,190	7,693	2,996	3,565	6,320	7,846	2,621	3,154	5,724	7,140	

Maximum Material Density:

- 2100 kg/m³ (3,500 lb/yd³)
- ⊙ 1800 kg/m³ (3,000 lb/yd³)
- 1500 kg/m³ (2,500 lb/yd³)
- ◇ 1200 kg/m³ (2,000 lb/yd³)
- X Not Recommended

The above loads are in compliance with hydraulic excavator standard EN474-5:2006+A3:2013, they do not exceed 87% of hydraulic lifting capacity or 75% of tipping capacity with front linkage fully extended at ground line with bucket curled. Capacity based on ISO 7451:2007.

Caterpillar recommends using appropriate work tools to maximize the value customers receive from our products. Use of work tools, including buckets, which are outside of Caterpillar's recommendations or specifications for weight, dimensions, flows, pressures, etc. may result in less-than-optimal performance, including but not limited to reductions in production, stability, reliability, and component durability. Improper use of a work tool resulting in sweeping, prying, twisting and/or catching of heavy loads will reduce the life of the boom and stick.

M320 Wheeled Excavator Specifications

Bucket Specifications and Compatibility – Australia and New Zealand

Contact your Cat dealer for special bucket requirements.

	Width		Capacity		Weight		Fill	Free on wheels	Only dozer (blade) lowered	Dozer (blade) and two stabilizers (outrigger) lowered	Four stabilizers (outrigger) lowered	Free on wheels	Only dozer (blade) lowered	Dozer (blade) and two stabilizers (outrigger) lowered	Four stabilizers (outrigger) lowered	Free on wheels	Only dozer (blade) lowered	Dozer (blade) and two stabilizers (outrigger) lowered	Four stabilizers (outrigger) lowered	Free on wheels	Only dozer (blade) lowered	Dozer (blade) and two stabilizers (outrigger) lowered	Four stabilizers (outrigger) lowered	
	mm	in	m ³	yd ³	kg	lb																		%
4200 kg (9,259 lb) Counterweight																								
Pin-On (No Quick Coupler)																								
								Variable Adjustable Boom								One-Piece Boom								
								2500 mm (8'2") Stick				2900 mm (9'6") Stick				2500 mm (8'2") Stick			2900 mm (9'6") Stick					
General Duty	1200	48	1.00	1.31	692	1,525	100	○	⊖	●	●	◇	○	●	●	◇	○	●	●	◇	○	●	●	
Maximum load with pin-on (payload + bucket)								kg	1924	2200	3528	4267	1738	1995	3229	3911	1781	2039	3288	3980	1611	1852	3018	3660
								lb	4,242	4,849	7,779	9,406	3,833	4,398	7,119	8,622	3,926	4,494	7,250	8,775	3,551	4,083	6,654	8,070
4200 kg (9,259 lb) Counterweight																								
With Pin Grabber Coupler																								
								Variable Adjustable Boom								One-Piece Boom								
								2500 mm (8'2") Stick				2900 mm (9'6") Stick				2500 mm (8'2") Stick			2900 mm (9'6") Stick					
General Duty	1200	48	1.00	1.31	692	1,525	100	X	◇	●	●	X	◇	●	●	X	◇	●	●	X	X	⊙	●	
Maximum load with pin-on (payload + bucket)								kg	1503	1778	3107	3845	1317	1573	2808	3489	1359	1617	2867	3559	1189	1430	2597	3239
								lb	3,313	3,920	6,849	8,477	2,903	3,468	6,190	7,693	2,996	3,565	6,320	7,846	2,621	3,154	5,724	7,140

Maximum Material Density:

- 2100 kg/m³ (3,500 lb/yd³)
- ⊙ 1800 kg/m³ (3,000 lb/yd³)
- ⊖ 1500 kg/m³ (2,500 lb/yd³)
- 1200 kg/m³ (2,000 lb/yd³)
- ◇ 900 kg/m³ (1,500 lb/yd³)
- X Not Recommended

The above loads are in compliance with hydraulic excavator standard EN474-5:2006+A3:2013, they do not exceed 87% of hydraulic lifting capacity or 75% of tipping capacity with front linkage fully extended at ground line with bucket curled. Capacity based on ISO 7451:2007

Caterpillar recommends using appropriate work tools to maximize the value customers receive from our products. Use of work tools, including buckets, which are outside of Caterpillar's recommendations or specifications for weight, dimensions, flows, pressures, etc. may result in less-than-optimal performance, including but not limited to reductions in production, stability, reliability, and component durability. Improper use of a work tool resulting in sweeping, prying, twisting and/or catching of heavy loads will reduce the life of the boom and stick.

M320 Wheeled Excavator Specifications

Attachments Offering Guide – Europe

Not all Attachments are available in all regions. Consult your Cat dealer for configurations available in your region.

Match

No Match

PIN-ON ATTACHMENTS

Undercarriage		Front Blade; Rear Outriggers							
		4200 kg (9,260 lb)				3600 kg (7,937 lb)			
Counterweight		VA		1 PC		VA		1 PC	
Boom Type		2.50 m (8'2")	2.90 m (9'6")	2.50 m (8'2")	2.90 m (9'6")	2.50 m (8'2")	2.90 m (9'6")	2.50 m (8'2")	2.90 m (9'6")
Stick Length									
Hydraulic Hammers	H115 S	✓	✓	✓	✓	✓	✓	✓	✓
	H120 GC S	✓	✓	✓	✓	✓	✓	✓	✓
	H120 S	✓	✓	✓	✓	✓	✓	✓	✓
	H130 S	✓	✓	✓	✓	✓	✓	✓	✓
Multi-Processors	MP318 Concrete Cutter Jaw	✓		✓	✓	✓		✓	✓
	MP318 Demolition Jaw	✓		✓	✓	✓		✓	✓
	MP318 Pulverizer Jaw	✓		✓	✓	✓		✓	✓
	MP318 Shear Jaw	✓		✓	✓	✓		✓	✓
	MP318 Universal Jaw	✓		✓	✓	✓		✓	✓
Demolition and Sorting Grapples	G317 GC	✓	✓	✓	✓	✓	✓	✓	✓
	G318	✓		✓	✓	✓		✓	✓
	G318 WH-800	✓	✓	✓	✓	✓	✓	✓	✓
	G318 WH-1100	✓		✓	✓	✓		✓	✓
Mobile Scrap and Demolition Shears	S3025 Flat Top			✓				✓	
Pulverizers	P214 Secondary Pulverizer	✓	✓	✓	✓	✓	✓	✓	✓
	P218 Secondary Pulverizer	✓		✓	✓	✓		✓	✓
	P318 Primary Pulverizer	✓		✓	✓	✓		✓	✓
Compactors (Vibratory Plate)	CVP110	✓	✓	✓	✓	✓	✓	✓	✓

(continued on next page)

M320 Wheeled Excavator Specifications

Attachments Offering Guide – Europe (continued)

Not all Attachments are available in all regions. Consult your Cat dealer for configurations available in your region.

1800 kg/m³ (3,000 lb/yd³)
 1200 kg/m³ (2,000 lb/yd³)
 600 kg/m³ (1,000 lb/yd³)
 No Match

PIN-ON ATTACHMENTS (continued)

Undercarriage		Front Blade; Rear Outriggers							
		4200 kg (9,260 lb)				3600 kg (7,937 lb)			
Counterweight		VA		1 PC		VA		1 PC	
Boom Type		2.50 m (8'2")	2.90 m (9'6")	2.50 m (8'2")	2.90 m (9'6")	2.50 m (8'2")	2.90 m (9'6")	2.50 m (8'2")	2.90 m (9'6")
Stick Length									
Orange Peel Grapples	GSH420-500	●	●	●	●	●	●	●	●
	GSH420-600	●	●	●	●	●	●	●	●
	GSH420-750	●	○	●	●	●	○	●	●
	GSH425-750	●	○	●	○	●	○	○	○
	GSH425-950	○		○	○	○		○	
	GSH425-1150			○					
	GSH520-500	●	●	●	●	●	●	●	●
	GSH520-600	●	●	●	●	●	●	●	●
	GSH520-750	●	○	●	●	●	○	●	○
	GSH525-750	○		○	○	○		○	
	GSH525-950			○					
	GSH525-1150								
	GSV420-400	●	●	●	●	●	●	●	●
	GSV420-500	●	●	●	●	●	●	●	●
	GSV420-600	●	●	●	●	●	●	●	●
	GSV420-750	●	●	●	●	●	●	●	●
	GSV420-1250	◇	◇	◇	◇	◇	◇	◇	◇
	GSV425-600	●	○	●	●	●	○	●	●
	GSV425-750	●	○	●	○	●	○	○	○
	GSV425-950	○		○	○	○		○	
	GSV425-1150	○		○		○			
	GSV425-1550	◇		◇	◇	◇		◇	
	GSV520 GC-400	●	●	●	●	●	●	●	●
	GSV520 GC-500	●	●	●	●	●	●	●	●
	GSV520 GC-600	●	●	●	●	●	●	●	●
	GSV520 GC-750	●	○	●	●	●	○	●	●
	GSV520 GC-1250	◇	◇	◇	◇	◇	◇	◇	◇
	GSV520-400	●	●	●	●	●	●	●	●
	GSV520-500	●	●	●	●	●	●	●	●
	GSV520-600	●	●	●	●	●	●	●	●
	GSV520-750	●	○	●	●	●	○	●	○
	GSV520-1250	◇	◇	◇	◇	◇	◇	◇	◇
GSV525-600	●	○	●	●	●	○	●	○	
GSV525-750	○		○	○	○		○		
GSV525-950	○		○		○				
GSV525-1150									
GSV525-1550			◇		◇		◇		
Clamshell Grapples	CTV15-1000	○	○	●	○	○	○	○	○
	CTV15-1200	○		○	○	○		○	
	CTV15-1500								
	CTV15-1700								

(continued on next page)

M320 Wheeled Excavator Specifications

Attachments Offering Guide – Europe (continued)

Not all Attachments are available in all regions. Consult your Cat dealer for configurations available in your region.

Match

No Match

PIN-ON ATTACHMENTS (continued)

Undercarriage		Front and Rear Outriggers							
		4200 kg (9,260 lb)				3600 kg (7,937 lb)			
Counterweight		VA		1 PC		VA		1 PC	
Boom Type		2.50 m (8'2")		2.90 m (9'6")		2.50 m (8'2")		2.90 m (9'6")	
Stick Length		2.50 m (8'2")		2.90 m (9'6")		2.50 m (8'2")		2.90 m (9'6")	
Hydraulic Hammers	H115 S	✓	✓	✓	✓	✓	✓	✓	✓
	H120 GC S	✓	✓	✓	✓	✓	✓	✓	✓
	H120 S	✓	✓	✓	✓	✓	✓	✓	✓
	H130 S	✓	✓	✓	✓	✓	✓	✓	✓
Multi-Processors	MP318 Concrete Cutter Jaw	✓		✓	✓	✓		✓	✓
	MP318 Demolition Jaw	✓		✓	✓	✓		✓	✓
	MP318 Pulverizer Jaw	✓		✓	✓	✓		✓	✓
	MP318 Shear Jaw	✓		✓	✓	✓		✓	✓
	MP318 Universal Jaw	✓		✓	✓	✓		✓	✓
Demolition and Sorting Grapples	G317 GC	✓	✓	✓	✓	✓	✓	✓	✓
	G318	✓		✓	✓	✓		✓	✓
	G318 WH-800	✓	✓	✓	✓	✓	✓	✓	✓
	G318 WH-1100	✓		✓	✓	✓		✓	✓
Mobile Scrap and Demolition Shears	S3025 Flat Top			✓				✓	
Pulverizers	P214 Secondary Pulverizer	✓	✓	✓	✓	✓	✓	✓	✓
	P218 Secondary Pulverizer	✓		✓	✓	✓		✓	✓
	P318 Primary Pulverizer	✓		✓	✓	✓		✓	✓
Compactors (Vibratory Plate)	CVP110	✓	✓	✓	✓	✓	✓	✓	✓

(continued on next page)

M320 Wheeled Excavator Specifications

Attachments Offering Guide – Europe (continued)

Not all Attachments are available in all regions. Consult your Cat dealer for configurations available in your region.

1800 kg/m³ (3,000 lb/yd³)
 1200 kg/m³ (2,000 lb/yd³)
 600 kg/m³ (1,000 lb/yd³)
 No Match

PIN-ON ATTACHMENTS (continued)

Undercarriage		Front and Rear Outriggers							
		4200 kg (9,260 lb)				3600 kg (7,937 lb)			
Counterweight		VA		1 PC		VA		1 PC	
Boom Type		2.50 m (8'2")	2.90 m (9'6")	2.50 m (8'2")	2.90 m (9'6")	2.50 m (8'2")	2.90 m (9'6")	2.50 m (8'2")	2.90 m (9'6")
Stick Length									
Orange Peel Grapples	GSH420-500	●	●	●	●	●	●	●	●
	GSH420-600	●	●	●	●	●	●	●	●
	GSH420-750	●	○	●	●	●	○	●	●
	GSH425-750	●	○	●	●	●	○	●	●
	GSH425-950	○		●	○	○		●	○
	GSH425-1150			○				○	
	GSH520-500	●	●	●	●	●	●	●	●
	GSH520-600	●	●	●	●	●	●	●	●
	GSH520-750	●	○	●	●	●	○	●	●
	GSH525-750	○		●	○	○		●	○
	GSH525-950			○				○	
	GSH525-1150			○				○	
	GSV420-400	●	●	●	●	●	●	●	●
	GSV420-500	●	●	●	●	●	●	●	●
	GSV420-600	●	●	●	●	●	●	●	●
	GSV420-750	●	●	●	●	●	●	●	●
	GSV420-1250	◇	◇	◇	◇	◇	◇	◇	◇
	GSV425-600	●	○	●	●	●	○	●	●
	GSV425-750	●	○	●	●	●	○	●	●
	GSV425-950	○		●	○	○		●	○
	GSV425-1150	○		○		○		○	
	GSV425-1550	◇		◇	◇	◇		◇	◇
	GSV520 GC-400	●	●	●	●	●	●	●	●
	GSV520 GC-500	●	●	●	●	●	●	●	●
	GSV520 GC-600	●	●	●	●	●	●	●	●
	GSV520 GC-750	●	○	●	●	●	○	●	●
	GSV520 GC-1250	◇	◇	◇	◇	◇	◇	◇	◇
	GSV520-400	●	●	●	●	●	●	●	●
	GSV520-500	●	●	●	●	●	●	●	●
	GSV520-600	●	●	●	●	●	●	●	●
	GSV520-750	●	○	●	●	●	○	●	●
	GSV520-1250	◇	◇	◇	◇	◇	◇	◇	◇
	GSV525-600	●	○	●	●	●	○	●	●
	GSV525-750	○		●	○	○		●	○
GSV525-950	○		●	○	○		○	○	
GSV525-1150			○				○		
GSV525-1550			◇		◇		◇		
Clamshell Grapples	CTV15-1000	○	○	●	○	○	○	●	○
	CTV15-1200	○		●	○	○		○	○
	CTV15-1500			○				○	
	CTV15-1700			○					

(continued on next page)

M320 Wheeled Excavator Specifications

Attachments Offering Guide – Europe (continued)

Not all Attachments are available in all regions. Consult your Cat dealer for configurations available in your region.

Match

No Match

PIN-ON ATTACHMENTS (continued)

Undercarriage		Front Outriggers; Rear Blade (Wide Undercarriage)							
		4200 kg (9,260 lb)				3600 kg (7,937 lb)			
Counterweight		VA		1 PC		VA		1 PC	
Boom Type		2.50 m (8'2")	2.90 m (9'6")	2.50 m (8'2")	2.90 m (9'6")	2.50 m (8'2")	2.90 m (9'6")	2.50 m (8'2")	2.90 m (9'6")
Stick Length									
Hydraulic Hammers	H115 S	✓	✓	✓	✓	✓	✓	✓	✓
	H120 GC S	✓	✓	✓	✓	✓	✓	✓	✓
	H120 S	✓	✓	✓	✓	✓	✓	✓	✓
	H130 S	✓	✓	✓	✓	✓	✓	✓	✓
Multi-Processors	MP318 Concrete Cutter Jaw	✓		✓	✓	✓		✓	✓
	MP318 Demolition Jaw	✓		✓	✓	✓		✓	✓
	MP318 Pulverizer Jaw	✓		✓	✓	✓		✓	✓
	MP318 Shear Jaw	✓		✓	✓	✓		✓	✓
	MP318 Universal Jaw	✓		✓	✓	✓		✓	✓
Demolition and Sorting Grapples	G317 GC	✓	✓	✓	✓	✓	✓	✓	✓
	G318	✓		✓	✓	✓		✓	✓
	G318 WH-800	✓	✓	✓	✓	✓	✓	✓	✓
	G318 WH-1100	✓		✓	✓	✓		✓	✓
Mobile Scrap and Demolition Shears	S3025 Flat Top			✓				✓	
Pulverizers	P214 Secondary Pulverizer	✓	✓	✓	✓	✓	✓	✓	✓
	P218 Secondary Pulverizer	✓		✓	✓	✓		✓	✓
	P318 Primary Pulverizer	✓		✓	✓	✓		✓	✓
Compactors (Vibratory Plate)	CVP110	✓	✓	✓	✓	✓	✓	✓	✓

(continued on next page)

M320 Wheeled Excavator Specifications

Attachments Offering Guide – Europe (continued)

Not all Attachments are available in all regions. Consult your Cat dealer for configurations available in your region.

1800 kg/m³ (3,000 lb/yd³)
 1200 kg/m³ (2,000 lb/yd³)
 600 kg/m³ (1,000 lb/yd³)
 No Match

PIN-ON ATTACHMENTS (continued)

Undercarriage		Front Outriggers; Rear Blade (Wide Undercarriage)							
Counterweight		4200 kg (9,260 lb)				3600 kg (7,937 lb)			
Boom Type		VA		1 PC		VA		1 PC	
Stick Length		2.50 m (8'2")	2.90 m (9'6")	2.50 m (8'2")	2.90 m (9'6")	2.50 m (8'2")	2.90 m (9'6")	2.50 m (8'2")	2.90 m (9'6")
Orange Peel Grapples	GSH420-500	●	●	●	●	●	●	●	●
	GSH420-600	●	●	●	●	●	●	●	●
	GSH420-750	●	○	●	●	●	○	●	●
	GSH425-750	●	○	●	●	●	○	○	○
	GSH425-950	○		○	○	○		○	
	GSH425-1150			○					
	GSH520-500	●	●	●	●	●	●	●	●
	GSH520-600	●	●	●	●	●	●	●	●
	GSH520-750	●	○	●	●	●	○	●	○
	GSH525-750	○		○	○	○		○	
	GSH525-950			○					
	GSH525-1150								
	GSV420-400	●	●	●	●	●	●	●	●
	GSV420-500	●	●	●	●	●	●	●	●
	GSV420-600	●	●	●	●	●	●	●	●
	GSV420-750	●	●	●	●	●	●	●	●
	GSV420-1250	◇	◇	◇	◇	◇	◇	◇	◇
	GSV425-600	●	○	●	●	●	○	●	●
	GSV425-750	●	○	●	●	●	○	●	○
	GSV425-950	○		○	○	○		○	
	GSV425-1150	○		○		○			
	GSV425-1550	◇		◇	◇	◇		◇	◇
	GSV520 GC-400	●	●	●	●	●	●	●	●
	GSV520 GC-500	●	●	●	●	●	●	●	●
	GSV520 GC-600	●	●	●	●	●	●	●	●
	GSV520 GC-750	●	○	●	●	●	○	●	●
	GSV520 GC-1250	◇	◇	◇	◇	◇	◇	◇	◇
	GSV520-400	●	●	●	●	●	●	●	●
	GSV520-500	●	●	●	●	●	●	●	●
	GSV520-600	●	●	●	●	●	●	●	●
	GSV520-750	●	○	●	●	●	○	●	●
	GSV520-1250	◇	◇	◇	◇	◇	◇	◇	◇
GSV525-600	●	○	●	●	●	○	●	○	
GSV525-750	○		●	○	○		○	○	
GSV525-950	○		○		○				
GSV525-1150									
GSV525-1550	◇	◇	◇		◇	◇	◇		
Clamshell Grapples	CTV15-1000	○	○	●	○	○	○	○	○
	CTV15-1200	○		○	○	○		○	
	CTV15-1500								
	CTV15-1700								

(continued on next page)

M320 Wheeled Excavator Specifications

Attachments Offering Guide – Europe (continued)

Not all Attachments are available in all regions. Consult your Cat dealer for configurations available in your region.

Match

* Working range front only

No Match

PIN-ON ATTACHMENTS (continued)

Undercarriage		Front Outriggers; Rear Blade							
		4200 kg (9,260 lb)				3600 kg (7,937 lb)			
Counterweight		VA		1 PC		VA		1 PC	
Boom Type		2.50 m (8'2")	2.90 m (9'6")	2.50 m (8'2")	2.90 m (9'6")	2.50 m (8'2")	2.90 m (9'6")	2.50 m (8'2")	2.90 m (9'6")
Stick Length		2.50 m (8'2")	2.90 m (9'6")	2.50 m (8'2")	2.90 m (9'6")	2.50 m (8'2")	2.90 m (9'6")	2.50 m (8'2")	2.90 m (9'6")
Hydraulic Hammers	H115 S	✓	✓	✓	✓	✓	✓	✓	✓
	H120 GC S	✓	✓	✓	✓	✓	✓	✓	✓
	H120 S	✓	✓	✓	✓	✓	✓	✓	✓
	H130 S	✓	✓	✓	✓	✓	✓	✓	✓
Multi-Processors	MP318 Concrete Cutter Jaw	✓		✓	✓	✓		✓	✓
	MP318 Demolition Jaw	✓		✓	✓	✓		✓	✓
	MP318 Pulverizer Jaw	✓		✓	✓	✓		✓	✓
	MP318 Shear Jaw	✓		✓	✓	✓		✓	✓
	MP318 Universal Jaw	✓		✓	✓	✓		✓	✓
Demolition and Sorting Grapples	G317 GC	✓	✓	✓	✓	✓	✓	✓	✓
	G318	✓		✓	✓	✓		✓	✓
	G318 WH-800	✓	✓	✓	✓	✓	✓	✓	✓
	G318 WH-1100	✓		✓	✓	✓		✓	✓*
Mobile Scrap and Demolition Shears	S3025 Flat Top			✓				✓	
Pulverizers	P214 Secondary Pulverizer			✓		✓	✓*	✓	✓
	P218 Secondary Pulverizer	✓		✓	✓	✓		✓	✓
	P318 Primary Pulverizer	✓		✓	✓	✓		✓	✓
Compactors (Vibratory Plate)	CVP110	✓	✓	✓	✓	✓	✓	✓	✓

(continued on next page)

M320 Wheeled Excavator Specifications

Attachments Offering Guide – Europe (continued)

Not all Attachments are available in all regions. Consult your Cat dealer for configurations available in your region.

1800 kg/m³ (3,000 lb/yd³)
 1200 kg/m³ (2,000 lb/yd³)
 600 kg/m³ (1,000 lb/yd³)
 No Match

PIN-ON ATTACHMENTS (continued)

Undercarriage		Front Outriggers; Rear Blade							
		4200 kg (9,260 lb)				3600 kg (7,937 lb)			
Counterweight		VA		1 PC		VA		1 PC	
Boom Type		2.50 m (8'2")	2.90 m (9'6")	2.50 m (8'2")	2.90 m (9'6")	2.50 m (8'2")	2.90 m (9'6")	2.50 m (8'2")	2.90 m (9'6")
Stick Length									
Orange Peel Grapples	GSH420-500	●	●	●	●	●	●	●	●
	GSH420-600	●	●	●	●	●	●	●	●
	GSH420-750	●	○	●	●	●	○	●	●
	GSH425-750	●	○	●	○	●	○	○	○
	GSH425-950	○		○	○	○		○	
	GSH425-1150								
	GSH520-500	●	●	●	●	●	●	●	●
	GSH520-600	●	●	●	●	●	●	●	●
	GSH520-750	●	○	●	●	●	○	○	○
	GSH525-750	○		○	○	○			
	GSH525-950								
	GSH525-1150								
	GSV420-400	●	●	●	●	●	●	●	●
	GSV420-500	●	●	●	●	●	●	●	●
	GSV420-600	●	●	●	●	●	●	●	●
	GSV420-750	●	●	●	●	●	●	●	●
	GSV420-1250	◇	◇	◇	◇	◇	◇	◇	◇
	GSV425-600	●	○	●	●	●	○	●	○
	GSV425-750	●	○	●	○	●	○	○	○
	GSV425-950	○		○	○	○		○	
	GSV425-1150	○							
	GSV425-1550	◇		◇	◇	◇		◇	
	GSV520 GC-400	●	●	●	●	●	●	●	●
	GSV520 GC-500	●	●	●	●	●	●	●	●
	GSV520 GC-600	●	●	●	●	●	●	●	●
	GSV520 GC-750	●	○	●	●	●	○	●	○
	GSV520 GC-1250							◇	
	GSV520-400	●	●	●	●	●	●	●	●
	GSV520-500	●	●	●	●	●	●	●	●
	GSV520-600	●	●	●	●	●	●	●	●
	GSV520-750	●	○	●	●	●	○	●	○
	GSV520-1250							◇	
GSV525-600	●	○	●	○	●	○	○	○	
GSV525-750	○		○	○	○		○		
GSV525-950	○		○		○				
GSV525-1150									
GSV525-1550									
Clamshell Grapples	CTV15-1000	○	○	○	○	○	○	○	○
	CTV15-1200	○		○	○	○			
	CTV15-1500								
	CTV15-1700								

(continued on next page)

M320 Wheeled Excavator Specifications

Attachments Offering Guide – Europe (continued)

Not all Attachments are available in all regions. Consult your Cat dealer for configurations available in your region.

Match * Working range front only No Match

PIN-ON ATTACHMENTS (continued)

Undercarriage		Rear Blade							
		4200 kg (9,260 lb)				3600 kg (7,937 lb)			
Counterweight		VA		1 PC		VA		1 PC	
Boom Type		2.50 m (8'2")	2.90 m (9'6")	2.50 m (8'2")	2.90 m (9'6")	2.50 m (8'2")	2.90 m (9'6")	2.50 m (8'2")	2.90 m (9'6")
Stick Length									
Hydraulic Hammers	H115 S	✓	✓	✓	✓	✓	✓	✓	✓
	H120 GC S	✓	✓	✓	✓*	✓	✓*		
	H120 S	✓	✓	✓	✓	✓	✓	✓	✓*
	H130 S	✓	✓*	✓*		✓*			
Multi-Processors	MP318 Concrete Cutter Jaw								
	MP318 Demolition Jaw								
	MP318 Pulverizer Jaw								
	MP318 Shear Jaw	✓*							
	MP318 Universal Jaw								
Demolition and Sorting Grapples	G317 GC	✓	✓*	✓*					
	G318								
	G318 WH-800	✓*							
	G318 WH-1100								
Mobile Scrap and Demolition Shears	S3025 Flat Top								
Pulverizers	P214 Secondary Pulverizer	✓	✓*	✓	✓	✓	✓	✓	✓
	P218 Secondary Pulverizer								
	P318 Primary Pulverizer								
Compactors (Vibratory Plate)	CVP110	✓	✓	✓	✓	✓	✓	✓	✓

(continued on next page)

M320 Wheeled Excavator Specifications

Attachments Offering Guide – Europe (continued)

Not all Attachments are available in all regions. Consult your Cat dealer for configurations available in your region.

1800 kg/m³ (3,000 lb/yd³)
 1200 kg/m³ (2,000 lb/yd³)
 600 kg/m³ (1,000 lb/yd³)
 No Match

PIN-ON ATTACHMENTS (continued)

Undercarriage		Rear Blade							
		4200 kg (9,260 lb)				3600 kg (7,937 lb)			
Counterweight		VA		1 PC		VA		1 PC	
Boom Type		2.50 m (8'2")	2.90 m (9'6")	2.50 m (8'2")	2.90 m (9'6")	2.50 m (8'2")	2.90 m (9'6")	2.50 m (8'2")	2.90 m (9'6")
Stick Length									
Orange Peel Grapples	GSH420-500	●	○	○	○	○	○	○	
	GSH420-600	○	○	○		○			
	GSH420-750	○							
	GSH425-750								
	GSH425-950								
	GSH425-1150								
	GSH520-500	○	○	○		○			
	GSH520-600	○							
	GSH520-750								
	GSH525-750								
	GSH525-950								
	GSH525-1150								
	GSV420-400	●	●	●	●	●	●	●	○
	GSV420-500	●	●	●	○	●	○	○	○
	GSV420-600	●	○	○	○	○	○		
	GSV420-750	○							
	GSV420-1250	◇	◇	◇					
	GSV425-600								
	GSV425-750								
	GSV425-950								
	GSV425-1150								
	GSV425-1550								
	GSV520 GC-400	●	●	●	●	●	○	○	○
	GSV520 GC-500	●	○	○	○	○	○	○	
	GSV520 GC-600	○	○	○		○			
	GSV520 GC-750	○							
	GSV520 GC-1250				◇		◇		◇
	GSV520-400	●	●	●	○	●	○	○	
	GSV520-500	●	○	○	○	○			
	GSV520-600	○	○	○					
	GSV520-750								
	GSV520-1250				◇		◇		◇
GSV525-600									
GSV525-750									
GSV525-950									
GSV525-1150									
GSV525-1550									
Clamshell Grapples	CTV15-1000								
	CTV15-1200								
	CTV15-1500								
	CTV15-1700								

(continued on next page)

M320 Wheeled Excavator Specifications

Attachments Offering Guide – Europe (continued)

Not all Attachments are available in all regions. Consult your Cat dealer for configurations available in your region.

Match

* Working range front only

No Match

PIN-ON ATTACHMENTS (continued)

Undercarriage		Rear Blade (Wide Undercarriage)							
		4200 kg (9,260 lb)				3600 kg (7,937 lb)			
Counterweight		VA		1 PC		VA		1 PC	
Boom Type		2.50 m (8'2")	2.90 m (9'6")	2.50 m (8'2")	2.90 m (9'6")	2.50 m (8'2")	2.90 m (9'6")	2.50 m (8'2")	2.90 m (9'6")
Stick Length									
Hydraulic Hammers	H115 S	✓	✓	✓	✓	✓	✓	✓	✓
	H120 GC S	✓	✓	✓	✓	✓	✓	✓	✓*
	H120 S	✓	✓	✓	✓	✓	✓	✓	✓
	H130 S	✓	✓	✓	✓	✓	✓*	✓*	
Multi-Processors	MP318 Concrete Cutter Jaw	✓		✓*					
	MP318 Demolition Jaw	✓		✓*					
	MP318 Pulverizer Jaw	✓*							
	MP318 Shear Jaw	✓		✓*		✓*			
	MP318 Universal Jaw	✓							
Demolition and Sorting Grapples	G317 GC	✓	✓	✓	✓*	✓	✓*	✓*	
	G318	✓		✓*					
	G318 WH-800	✓	✓*	✓*		✓*			
	G318 WH-1100								
Mobile Scrap and Demolition Shears	S3025 Flat Top								
Pulverizers	P214 Secondary Pulverizer	✓	✓	✓	✓	✓	✓	✓	✓
	P218 Secondary Pulverizer	✓*							
	P318 Primary Pulverizer	✓*							
Compactors (Vibratory Plate)	CVP110	✓	✓	✓	✓	✓	✓	✓	✓

(continued on next page)

M320 Wheeled Excavator Specifications

Attachments Offering Guide – Europe (continued)

Not all Attachments are available in all regions. Consult your Cat dealer for configurations available in your region.

1800 kg/m³ (3,000 lb/yd³)
 1200 kg/m³ (2,000 lb/yd³)
 600 kg/m³ (1,000 lb/yd³)
 No Match

PIN-ON ATTACHMENTS (continued)

Undercarriage		Rear Blade (Wide Undercarriage)							
		4200 kg (9,260 lb)				3600 kg (7,937 lb)			
Counterweight		VA		1 PC		VA		1 PC	
Boom Type		2.50 m (8'2")	2.90 m (9'6")	2.50 m (8'2")	2.90 m (9'6")	2.50 m (8'2")	2.90 m (9'6")	2.50 m (8'2")	2.90 m (9'6")
Stick Length									
Orange Peel Grapples	GSH420-500	●	●	●	●	●	●	○	○
	GSH420-600	●	●	●	○	○	○	○	
	GSH420-750	○	○	○		○			
	GSH425-750								
	GSH425-950								
	GSH425-1150								
	GSH520-500	●	○	○	○	○	○	○	
	GSH520-600	○	○	○		○			
	GSH520-750	○							
	GSH525-750								
	GSH525-950								
	GSH525-1150								
	GSV420-400	●	●	●	●	●	●	●	●
	GSV420-500	●	●	●	●	●	●	●	○
	GSV420-600	●	●	●	○	●	○	○	○
	GSV420-750	○	○	○	○	○			
	GSV420-1250	◇	◇	◇	◇	◇	◇	◇	
	GSV425-600	○	○	○					
	GSV425-750								
	GSV425-950								
	GSV425-1150								
	GSV425-1550								
	GSV520 GC-400	●	●	●	●	●	●	●	●
	GSV520 GC-500	●	●	●	●	●	○	○	○
	GSV520 GC-600	●	○	○	○	○	○	○	
	GSV520 GC-750	○	○	○		○			
	GSV520 GC-1250	◇	◇	◇	◇	◇	◇	◇	◇
	GSV520-400	●	●	●	●	●	●	●	○
	GSV520-500	●	●	●	○	●	○	○	○
	GSV520-600	●	○	○	○	○	○	○	
	GSV520-750	○	○	○					
	GSV520-1250	◇	◇	◇	◇	◇	◇	◇	◇
GSV525-600									
GSV525-750									
GSV525-950									
GSV525-1150									
GSV525-1550				◇		◇	◇	◇	
Clamshell Grapples	CTV15-1000								
	CTV15-1200								
	CTV15-1500								
	CTV15-1700								

(continued on next page)

M320 Wheeled Excavator Specifications

Attachments Offering Guide – Europe (continued)

Not all Attachments are available in all regions. Consult your Cat dealer for configurations available in your region.

Match

* Working range front only

No Match

CAT PIN GRABBER COUPLER ATTACHMENTS

Undercarriage		Front Blade; Rear Outriggers							
Counterweight		4200 kg (9,260 lb)				3600 kg (7,937 lb)			
Boom Type		VA		1 PC		VA		1 PC	
Stick Length		2.50 m (8'2")	2.90 m (9'6")	2.50 m (8'2")	2.90 m (9'6")	2.50 m (8'2")	2.90 m (9'6")	2.50 m (8'2")	2.90 m (9'6")
Hydraulic Hammers	H115 S	✓	✓	✓	✓	✓	✓	✓	✓
	H120 GC S	✓		✓	✓	✓		✓	✓
	H120 S	✓	✓	✓	✓	✓	✓	✓	✓
	H130 S	✓		✓	✓	✓		✓	✓
Multi-Processors	MP318 Concrete Cutter Jaw			✓				✓	
	MP318 Demolition Jaw			✓				✓	
	MP318 Pulverizer Jaw			✓				✓*	
	MP318 Shear Jaw			✓				✓	
	MP318 Universal Jaw			✓				✓*	
Demolition and Sorting Grapples	G317 GC	✓		✓	✓	✓		✓	✓
	G318			✓				✓	
	G318 WH-800			✓				✓	
Pulverizers	P214 Secondary Pulverizer	✓	✓	✓		✓	✓	✓	
	P318 Primary Pulverizer			✓				✓*	
Compactors (Vibratory Plate)	CVP110	✓	✓	✓	✓	✓	✓	✓	✓

CAT PIN GRABBER COUPLER ATTACHMENTS (continued)

Undercarriage		Front and Rear Outriggers							
Counterweight		4200 kg (9,260 lb)				3600 kg (7,937 lb)			
Boom Type		VA		1 PC		VA		1 PC	
Stick Length		2.50 m (8'2")	2.90 m (9'6")	2.50 m (8'2")	2.90 m (9'6")	2.50 m (8'2")	2.90 m (9'6")	2.50 m (8'2")	2.90 m (9'6")
Hydraulic Hammers	H115 S	✓	✓	✓	✓	✓	✓	✓	✓
	H120 GC S	✓		✓	✓	✓		✓	✓
	H120 S	✓	✓	✓	✓	✓	✓	✓	✓
	H130 S	✓		✓	✓	✓		✓	✓
Multi-Processors	MP318 Concrete Cutter Jaw			✓				✓	
	MP318 Demolition Jaw			✓				✓	
	MP318 Pulverizer Jaw			✓				✓	
	MP318 Shear Jaw			✓				✓	
	MP318 Universal Jaw			✓				✓	
Demolition and Sorting Grapples	G317 GC	✓		✓	✓	✓		✓	✓
	G318			✓				✓	
	G318 WH-800			✓				✓	
Pulverizers	P214 Secondary Pulverizer	✓	✓	✓		✓	✓	✓	
	P318 Primary Pulverizer			✓				✓	
Compactors (Vibratory Plate)	CVP110	✓	✓	✓	✓	✓	✓	✓	✓

(continued on next page)

M320 Wheeled Excavator Specifications

Attachments Offering Guide – Europe (continued)

Not all Attachments are available in all regions. Consult your Cat dealer for configurations available in your region.

Match

* Working range front only

No Match

CAT PIN GRABBER COUPLER ATTACHMENTS (continued)

Undercarriage		Front Outriggers; Rear Blade (Wide Undercarriage)							
Counterweight		4200 kg (9,260 lb)				3600 kg (7,937 lb)			
Boom Type		VA		1 PC		VA		1 PC	
Stick Length		2.50 m (8'2")	2.90 m (9'6")	2.50 m (8'2")	2.90 m (9'6")	2.50 m (8'2")	2.90 m (9'6")	2.50 m (8'2")	2.90 m (9'6")
Hydraulic Hammers	H115 S	✓	✓	✓	✓	✓	✓	✓	✓
	H120 GC S	✓		✓	✓	✓		✓	✓
	H120 S	✓	✓	✓	✓	✓	✓	✓	✓
	H130 S	✓		✓	✓	✓		✓	✓
Multi-Processors	MP318 Concrete Cutter Jaw			✓				✓	
	MP318 Demolition Jaw			✓				✓	
	MP318 Pulverizer Jaw			✓				✓*	
	MP318 Shear Jaw			✓				✓	
	MP318 Universal Jaw			✓				✓	
Demolition and Sorting Grapples	G317 GC	✓		✓	✓	✓		✓	✓
	G318			✓				✓	
	G318 WH-800			✓				✓	
Pulverizers	P214 Secondary Pulverizer	✓	✓	✓		✓	✓	✓	
	P318 Primary Pulverizer			✓				✓*	
Compactors (Vibratory Plate)	CVP110	✓	✓	✓	✓	✓	✓	✓	✓

CAT PIN GRABBER COUPLER ATTACHMENTS (continued)

Undercarriage		Front Outriggers; Rear Blade							
Counterweight		4200 kg (9,260 lb)				3600 kg (7,937 lb)			
Boom Type		VA		1 PC		VA		1 PC	
Stick Length		2.50 m (8'2")	2.90 m (9'6")	2.50 m (8'2")	2.90 m (9'6")	2.50 m (8'2")	2.90 m (9'6")	2.50 m (8'2")	2.90 m (9'6")
Hydraulic Hammers	H115 S	✓	✓	✓	✓	✓	✓	✓	✓
	H120 GC S	✓		✓	✓	✓		✓	✓
	H120 S	✓	✓	✓	✓	✓	✓	✓	✓
	H130 S	✓		✓	✓	✓		✓	✓
Multi-Processors	MP318 Concrete Cutter Jaw			✓				✓*	
	MP318 Demolition Jaw			✓				✓*	
	MP318 Pulverizer Jaw			✓					
	MP318 Shear Jaw			✓				✓	
	MP318 Universal Jaw			✓				✓*	
Demolition and Sorting Grapples	G317 GC	✓		✓	✓	✓		✓	✓
	G318			✓				✓*	
	G318 WH-800			✓				✓	
Pulverizers	P214 Secondary Pulverizer			✓					
	P318 Primary Pulverizer			✓					
Compactors (Vibratory Plate)	CVP110	✓	✓	✓	✓	✓	✓	✓	✓

(continued on next page)

M320 Wheeled Excavator Specifications

Attachments Offering Guide – Europe (continued)

Not all Attachments are available in all regions. Consult your Cat dealer for configurations available in your region.

Match

* Working range front only

No Match

CAT PIN GRABBER COUPLER ATTACHMENTS (continued)

Undercarriage		Rear Blade							
Counterweight		4200 kg (9,260 lb)				3600 kg (7,937 lb)			
Boom Type		VA		1 PC		VA		1 PC	
Stick Length		2.50 m (8'2")	2.90 m (9'6")	2.50 m (8'2")	2.90 m (9'6")	2.50 m (8'2")	2.90 m (9'6")	2.50 m (8'2")	2.90 m (9'6")
Hydraulic Hammers	H115 S	✓	✓	✓	✓	✓	✓	✓	✓*
	H120 GC S								
	H120 S	✓							
	H130 S								
Multi-Processors	MP318 Concrete Cutter Jaw								
	MP318 Demolition Jaw								
	MP318 Pulverizer Jaw								
	MP318 Shear Jaw								
	MP318 Universal Jaw								
Demolition and Sorting Grapples	G317 GC								
	G318								
	G318 WH-800								
Pulverizers	P214 Secondary Pulverizer					✓*		✓	
	P318 Primary Pulverizer								
Compactors (Vibratory Plate)	CVP110	✓	✓	✓	✓	✓	✓	✓	✓*

CAT PIN GRABBER COUPLER ATTACHMENTS (continued)

Undercarriage		Rear Blade (Wide Undercarriage)							
Counterweight		4200 kg (9,260 lb)				3600 kg (7,937 lb)			
Boom Type		VA		1 PC		VA		1 PC	
Stick Length		2.50 m (8'2")	2.90 m (9'6")	2.50 m (8'2")	2.90 m (9'6")	2.50 m (8'2")	2.90 m (9'6")	2.50 m (8'2")	2.90 m (9'6")
Hydraulic Hammers	H115 S	✓	✓	✓	✓	✓	✓	✓	✓
	H120 GC S	✓		✓*					
	H120 S	✓	✓	✓	✓*	✓			
	H130 S	✓*							
Multi-Processors	MP318 Concrete Cutter Jaw								
	MP318 Demolition Jaw								
	MP318 Pulverizer Jaw								
	MP318 Shear Jaw								
	MP318 Universal Jaw								
Demolition and Sorting Grapples	G317 GC	✓*							
	G318								
	G318 WH-800								
Pulverizers	P214 Secondary Pulverizer	✓	✓	✓		✓	✓	✓	
	P318 Primary Pulverizer								
Compactors (Vibratory Plate)	CVP110	✓	✓	✓	✓	✓	✓	✓	✓

(continued on next page)

M320 Wheeled Excavator Specifications

Attachments Offering Guide – Europe (continued)

Not all Attachments are available in all regions. Consult your Cat dealer for configurations available in your region.

Match

No Match

CW-40s DEDICATED COUPLER ATTACHMENTS

Undercarriage		Front Blade; Rear Outriggers							
		4200 kg (9,260 lb)				3600 kg (7,937 lb)			
Counterweight		VA		1 PC		VA		1 PC	
Boom Type		2.50 m (8'2")	2.90 m (9'6")	2.50 m (8'2")	2.90 m (9'6")	2.50 m (8'2")	2.90 m (9'6")	2.50 m (8'2")	2.90 m (9'6")
Stick Length		2.50 m (8'2")	2.90 m (9'6")	2.50 m (8'2")	2.90 m (9'6")	2.50 m (8'2")	2.90 m (9'6")	2.50 m (8'2")	2.90 m (9'6")
Hydraulic Hammers	H115 S	✓	✓	✓	✓	✓	✓	✓	✓
	H120 GC S	✓	✓	✓	✓	✓	✓	✓	✓
	H120 S	✓	✓	✓	✓	✓	✓	✓	✓
	H130 S	✓		✓	✓	✓		✓	✓
Multi-Processors	MP318 Concrete Cutter Jaw			✓	✓			✓	✓
	MP318 Demolition Jaw			✓	✓			✓	✓
	MP318 Pulverizer Jaw			✓				✓	
	MP318 Shear Jaw	✓		✓	✓	✓		✓	✓
	MP318 Universal Jaw			✓	✓			✓	✓
Demolition and Sorting Grapples	G317 GC	✓	✓	✓	✓	✓	✓	✓	✓
	G318	✓		✓	✓	✓		✓	✓
	G318 WH-800	✓		✓	✓	✓		✓	✓
	G318 WH-1100			✓				✓	
Pulverizers	P214 Secondary Pulverizer	✓	✓	✓	✓	✓	✓	✓	✓
	P218 Secondary Pulverizer			✓				✓	
	P318 Primary Pulverizer			✓				✓	
Compactors (Vibratory Plate)	CVP110	✓	✓	✓	✓	✓	✓	✓	✓

CW-40s DEDICATED COUPLER ATTACHMENTS (continued)

Undercarriage		Front and Rear Outriggers							
		4200 kg (9,260 lb)				3600 kg (7,937 lb)			
Counterweight		VA		1 PC		VA		1 PC	
Boom Type		2.50 m (8'2")	2.90 m (9'6")	2.50 m (8'2")	2.90 m (9'6")	2.50 m (8'2")	2.90 m (9'6")	2.50 m (8'2")	2.90 m (9'6")
Stick Length		2.50 m (8'2")	2.90 m (9'6")	2.50 m (8'2")	2.90 m (9'6")	2.50 m (8'2")	2.90 m (9'6")	2.50 m (8'2")	2.90 m (9'6")
Hydraulic Hammers	H115 S	✓	✓	✓	✓	✓	✓	✓	✓
	H120 GC S	✓	✓	✓	✓	✓	✓	✓	✓
	H120 S	✓	✓	✓	✓	✓	✓	✓	✓
	H130 S	✓		✓	✓	✓		✓	✓
Multi-Processors	MP318 Concrete Cutter Jaw			✓	✓			✓	✓
	MP318 Demolition Jaw			✓	✓			✓	✓
	MP318 Pulverizer Jaw			✓				✓	
	MP318 Shear Jaw	✓		✓	✓	✓		✓	✓
	MP318 Universal Jaw			✓	✓			✓	✓
Demolition and Sorting Grapples	G317 GC	✓	✓	✓	✓	✓	✓	✓	✓
	G318	✓		✓	✓	✓		✓	✓
	G318 WH-800	✓		✓	✓	✓		✓	✓
	G318 WH-1100			✓				✓	
Pulverizers	P214 Secondary Pulverizer	✓	✓	✓	✓	✓	✓	✓	✓
	P218 Secondary Pulverizer			✓				✓	
	P318 Primary Pulverizer			✓				✓	
Compactors (Vibratory Plate)	CVP110	✓	✓	✓	✓	✓	✓	✓	✓

(continued on next page)

M320 Wheeled Excavator Specifications

Attachments Offering Guide – Europe (continued)

Not all Attachments are available in all regions. Consult your Cat dealer for configurations available in your region.

Match

* Working range front only

No Match

CW-40s DEDICATED COUPLER ATTACHMENTS (continued)

Undercarriage		Front Outriggers; Rear Blade (Wide Undercarriage)							
		4200 kg (9,260 lb)				3600 kg (7,937 lb)			
Counterweight		VA		1 PC		VA		1 PC	
		2.50 m (8'2")	2.90 m (9'6")	2.50 m (8'2")	2.90 m (9'6")	2.50 m (8'2")	2.90 m (9'6")	2.50 m (8'2")	2.90 m (9'6")
Boom Type		VA		1 PC		VA		1 PC	
Stick Length		2.50 m (8'2")	2.90 m (9'6")	2.50 m (8'2")	2.90 m (9'6")	2.50 m (8'2")	2.90 m (9'6")	2.50 m (8'2")	2.90 m (9'6")
Hydraulic Hammers	H115 S	✓	✓	✓	✓	✓	✓	✓	✓
	H120 GC S	✓	✓	✓	✓	✓	✓	✓	✓
	H120 S	✓	✓	✓	✓	✓	✓	✓	✓
	H130 S	✓		✓	✓	✓		✓	✓
Multi-Processors	MP318 Concrete Cutter Jaw			✓	✓			✓	✓
	MP318 Demolition Jaw			✓	✓			✓	✓
	MP318 Pulverizer Jaw			✓				✓	
	MP318 Shear Jaw	✓		✓	✓	✓		✓	✓
	MP318 Universal Jaw			✓	✓			✓	✓
Demolition and Sorting Grapples	G317 GC	✓	✓	✓	✓	✓	✓	✓	✓
	G318	✓		✓	✓	✓		✓	✓
	G318 WH-800	✓		✓	✓	✓		✓	✓
	G318 WH-1100			✓				✓	
Pulverizers	P214 Secondary Pulverizer	✓	✓	✓	✓	✓	✓	✓	✓
	P218 Secondary Pulverizer			✓				✓	
	P318 Primary Pulverizer			✓				✓	
Compactors (Vibratory Plate)	CVP110	✓	✓	✓	✓	✓	✓	✓	✓

CW-40s DEDICATED COUPLER ATTACHMENTS (continued)

Undercarriage		Front Outriggers; Rear Blade							
		4200 kg (9,260 lb)				3600 kg (7,937 lb)			
Counterweight		VA		1 PC		VA		1 PC	
		2.50 m (8'2")	2.90 m (9'6")	2.50 m (8'2")	2.90 m (9'6")	2.50 m (8'2")	2.90 m (9'6")	2.50 m (8'2")	2.90 m (9'6")
Boom Type		VA		1 PC		VA		1 PC	
Stick Length		2.50 m (8'2")	2.90 m (9'6")	2.50 m (8'2")	2.90 m (9'6")	2.50 m (8'2")	2.90 m (9'6")	2.50 m (8'2")	2.90 m (9'6")
Hydraulic Hammers	H115 S	✓	✓	✓	✓	✓	✓	✓	✓
	H120 GC S	✓	✓	✓	✓	✓	✓	✓	✓
	H120 S	✓	✓	✓	✓	✓	✓	✓	✓
	H130 S	✓		✓	✓	✓		✓	✓
Multi-Processors	MP318 Concrete Cutter Jaw			✓	✓			✓	✓*
	MP318 Demolition Jaw			✓	✓			✓	✓*
	MP318 Pulverizer Jaw			✓				✓	
	MP318 Shear Jaw	✓		✓	✓	✓		✓	✓
	MP318 Universal Jaw			✓	✓			✓	✓*
Demolition and Sorting Grapples	G317 GC	✓	✓	✓	✓	✓	✓	✓	✓
	G318	✓		✓	✓	✓		✓	✓
	G318 WH-800	✓		✓	✓	✓		✓	✓
	G318 WH-1100			✓				✓	
Pulverizers	P214 Secondary Pulverizer			✓*		✓*		✓	✓*
	P218 Secondary Pulverizer			✓				✓	
	P318 Primary Pulverizer			✓				✓	
Compactors (Vibratory Plate)	CVP110	✓	✓	✓	✓	✓	✓	✓	✓

(continued on next page)

M320 Wheeled Excavator Specifications

Attachments Offering Guide – Europe (continued)

Not all Attachments are available in all regions. Consult your Cat dealer for configurations available in your region.

Match * Working range front only No Match

CW-40s DEDICATED COUPLER ATTACHMENTS (continued)

Undercarriage		Rear Blade							
Counterweight		4200 kg (9,260 lb)				3600 kg (7,937 lb)			
Boom Type		VA		1 PC		VA		1 PC	
Stick Length		2.50 m (8'2")	2.90 m (9'6")	2.50 m (8'2")	2.90 m (9'6")	2.50 m (8'2")	2.90 m (9'6")	2.50 m (8'2")	2.90 m (9'6")
Hydraulic Hammers	H115 S	✓	✓	✓	✓	✓	✓	✓	✓
	H120 GC S	✓*							
	H120 S	✓	✓*	✓*		✓*			
	H130 S								
Multi-Processors	MP318 Concrete Cutter Jaw								
	MP318 Demolition Jaw								
	MP318 Pulverizer Jaw								
	MP318 Shear Jaw								
	MP318 Universal Jaw								
Demolition and Sorting Grapples	G317 GC	✓*							
	G318								
	G318 WH-800								
	G318 WH-1100								
Pulverizers	P214 Secondary Pulverizer	✓*		✓	✓*	✓	✓	✓	✓
	P218 Secondary Pulverizer								
	P318 Primary Pulverizer								
Compactors (Vibratory Plate)	CVP110	✓	✓	✓	✓	✓	✓	✓	✓

CW-40s DEDICATED COUPLER ATTACHMENTS (continued)

Undercarriage		Rear Blade (Wide Undercarriage)							
Counterweight		4200 kg (9,260 lb)				3600 kg (7,937 lb)			
Boom Type		VA		1 PC		VA		1 PC	
Stick Length		2.50 m (8'2")	2.90 m (9'6")	2.50 m (8'2")	2.90 m (9'6")	2.50 m (8'2")	2.90 m (9'6")	2.50 m (8'2")	2.90 m (9'6")
Hydraulic Hammers	H115 S	✓	✓	✓	✓	✓	✓	✓	✓
	H120 GC S	✓	✓	✓		✓*			
	H120 S	✓	✓	✓	✓	✓	✓*	✓*	
	H130 S	✓		✓*					
Multi-Processors	MP318 Concrete Cutter Jaw								
	MP318 Demolition Jaw								
	MP318 Pulverizer Jaw								
	MP318 Shear Jaw	✓*							
	MP318 Universal Jaw								
Demolition and Sorting Grapples	G317 GC	✓	✓*	✓*		✓*			
	G318	✓*							
	G318 WH-800	✓							
	G318 WH-1100								
Pulverizers	P214 Secondary Pulverizer	✓	✓	✓	✓	✓	✓	✓	✓
	P218 Secondary Pulverizer								
	P318 Primary Pulverizer								
Compactors (Vibratory Plate)	CVP110	✓	✓	✓	✓	✓	✓	✓	✓

(continued on next page)

M320 Wheeled Excavator Specifications

Attachments Offering Guide – Europe (continued)

Not all Attachments are available in all regions. Consult your Cat dealer for configurations available in your region.

Match

No Match

CW-40 DEDICATED COUPLER ATTACHMENTS

Undercarriage		Front Blade; Rear Outriggers							
Counterweight		4200 kg (9,260 lb)				3600 kg (7,937 lb)			
Boom Type		VA		1 PC		VA		1 PC	
Stick Length		2.50 m (8'2")	2.90 m (9'6")	2.50 m (8'2")	2.90 m (9'6")	2.50 m (8'2")	2.90 m (9'6")	2.50 m (8'2")	2.90 m (9'6")
Hydraulic Hammers	H115 S	✓	✓	✓	✓	✓	✓	✓	✓
	H120 GC S	✓	✓	✓	✓	✓	✓	✓	✓
	H120 S	✓	✓	✓	✓	✓	✓	✓	✓
	H130 S	✓		✓	✓	✓		✓	✓
Multi-Processors	MP318 Concrete Cutter Jaw			✓	✓			✓	✓
	MP318 Demolition Jaw	✓		✓	✓	✓		✓	✓
	MP318 Pulverizer Jaw			✓				✓	
	MP318 Shear Jaw	✓		✓	✓	✓		✓	✓
	MP318 Universal Jaw			✓	✓			✓	✓
Demolition and Sorting Grapples	G317 GC	✓		✓	✓	✓		✓	✓
	G317 GC Fixed CAN	✓	✓	✓	✓	✓	✓	✓	✓
	G318	✓		✓	✓	✓		✓	✓
	G318 Fixed CAN	✓		✓	✓	✓		✓	✓
	G318 WH-800	✓		✓	✓	✓		✓	✓
	G318 WH-1100			✓				✓	
Pulverizers	P214 Secondary Pulverizer	✓	✓	✓	✓	✓	✓	✓	✓
	P218 Secondary Pulverizer			✓				✓	
	P318 Primary Pulverizer			✓				✓	
Compactors (Vibratory Plate)	CVP110	✓	✓	✓	✓	✓	✓	✓	✓

CW-40 DEDICATED COUPLER ATTACHMENTS (continued)

Undercarriage		Front and Rear Outriggers							
Counterweight		4200 kg (9,260 lb)				3600 kg (7,937 lb)			
Boom Type		VA		1 PC		VA		1 PC	
Stick Length		2.50 m (8'2")	2.90 m (9'6")	2.50 m (8'2")	2.90 m (9'6")	2.50 m (8'2")	2.90 m (9'6")	2.50 m (8'2")	2.90 m (9'6")
Hydraulic Hammers	H115 S	✓	✓	✓	✓	✓	✓	✓	✓
	H120 GC S	✓	✓	✓	✓	✓	✓	✓	✓
	H120 S	✓	✓	✓	✓	✓	✓	✓	✓
	H130 S	✓		✓	✓	✓		✓	✓
Multi-Processors	MP318 Concrete Cutter Jaw			✓	✓			✓	✓
	MP318 Demolition Jaw	✓		✓	✓	✓		✓	✓
	MP318 Pulverizer Jaw			✓				✓	
	MP318 Shear Jaw	✓		✓	✓	✓		✓	✓
	MP318 Universal Jaw			✓	✓			✓	✓
Demolition and Sorting Grapples	G317 GC	✓		✓	✓	✓		✓	✓
	G317 GC Fixed CAN	✓	✓	✓	✓	✓	✓	✓	✓
	G318	✓		✓	✓	✓		✓	✓
	G318 Fixed CAN	✓		✓	✓	✓		✓	✓
	G318 WH-800	✓		✓	✓	✓		✓	✓
	G318 WH-1100			✓				✓	
Pulverizers	P214 Secondary Pulverizer	✓	✓	✓	✓	✓	✓	✓	✓
	P218 Secondary Pulverizer			✓				✓	
	P318 Primary Pulverizer			✓				✓	
Compactors (Vibratory Plate)	CVP110	✓	✓	✓	✓	✓	✓	✓	✓

(continued on next page)

M320 Wheeled Excavator Specifications

Attachments Offering Guide – Europe (continued)

Not all Attachments are available in all regions. Consult your Cat dealer for configurations available in your region.

Match

* Working range front only

No Match

CW-40 DEDICATED COUPLER ATTACHMENTS (continued)

Undercarriage		Front Outriggers; Rear Blade (Wide Undercarriage)							
Counterweight		4200 kg (9,260 lb)				3600 kg (7,937 lb)			
Boom Type		VA		1 PC		VA		1 PC	
Stick Length		2.50 m (8'2")	2.90 m (9'6")	2.50 m (8'2")	2.90 m (9'6")	2.50 m (8'2")	2.90 m (9'6")	2.50 m (8'2")	2.90 m (9'6")
Hydraulic Hammers	H115 S	✓	✓	✓	✓	✓	✓	✓	✓
	H120 GC S	✓	✓	✓	✓	✓	✓	✓	✓
	H120 S	✓	✓	✓	✓	✓	✓	✓	✓
	H130 S	✓		✓	✓	✓		✓	✓
Multi-Processors	MP318 Concrete Cutter Jaw			✓	✓			✓	✓
	MP318 Demolition Jaw	✓		✓	✓	✓		✓	✓
	MP318 Pulverizer Jaw			✓				✓	
	MP318 Shear Jaw	✓		✓	✓	✓		✓	✓
	MP318 Universal Jaw			✓	✓			✓	✓
Demolition and Sorting Grapples	G317 GC	✓		✓	✓	✓		✓	✓
	G317 GC Fixed CAN	✓	✓	✓	✓	✓	✓	✓	✓
	G318	✓		✓	✓	✓		✓	✓
	G318 Fixed CAN	✓		✓	✓	✓		✓	✓
	G318 WH-800	✓		✓	✓	✓		✓	✓
	G318 WH-1100			✓				✓	
Pulverizers	P214 Secondary Pulverizer	✓	✓	✓	✓	✓	✓	✓	✓
	P218 Secondary Pulverizer			✓				✓	
	P318 Primary Pulverizer			✓				✓	
Compactors (Vibratory Plate)	CVP110	✓	✓	✓	✓	✓	✓	✓	✓

CW-40 DEDICATED COUPLER ATTACHMENTS (continued)

Undercarriage		Front Outriggers; Rear Blade							
Counterweight		4200 kg (9,260 lb)				3600 kg (7,937 lb)			
Boom Type		VA		1 PC		VA		1 PC	
Stick Length		2.50 m (8'2")	2.90 m (9'6")	2.50 m (8'2")	2.90 m (9'6")	2.50 m (8'2")	2.90 m (9'6")	2.50 m (8'2")	2.90 m (9'6")
Hydraulic Hammers	H115 S	✓	✓	✓	✓	✓	✓	✓	✓
	H120 GC S	✓	✓	✓	✓	✓	✓	✓	✓
	H120 S	✓	✓	✓	✓	✓	✓	✓	✓
	H130 S	✓		✓	✓	✓		✓	✓
Multi-Processors	MP318 Concrete Cutter Jaw			✓	✓			✓	✓
	MP318 Demolition Jaw	✓		✓	✓	✓		✓	✓*
	MP318 Pulverizer Jaw			✓				✓	
	MP318 Shear Jaw	✓		✓	✓	✓		✓	✓
	MP318 Universal Jaw			✓	✓			✓	✓*
Demolition and Sorting Grapples	G317 GC	✓		✓	✓	✓		✓	✓
	G317 GC Fixed CAN	✓	✓	✓	✓	✓	✓	✓	✓
	G318	✓		✓	✓	✓		✓	✓
	G318 Fixed CAN	✓		✓	✓	✓		✓	✓
	G318 WH-800	✓		✓	✓	✓		✓	✓
	G318 WH-1100			✓				✓*	
Pulverizers	P214 Secondary Pulverizer					✓*		✓	✓*
	P218 Secondary Pulverizer			✓				✓	
	P318 Primary Pulverizer			✓				✓	
Compactors (Vibratory Plate)	CVP110	✓	✓	✓	✓	✓	✓	✓	✓

(continued on next page)

M320 Wheeled Excavator Specifications

Attachments Offering Guide – Europe (continued)

Not all Attachments are available in all regions. Consult your Cat dealer for configurations available in your region.

Match

* Working range front only

No Match

CW-40 DEDICATED COUPLER ATTACHMENTS (continued)

Undercarriage		Rear Blade							
		4200 kg (9,260 lb)				3600 kg (7,937 lb)			
Counterweight		VA		1 PC		VA		1 PC	
Boom Type		2.50 m (8'2")	2.90 m (9'6")	2.50 m (8'2")	2.90 m (9'6")	2.50 m (8'2")	2.90 m (9'6")	2.50 m (8'2")	2.90 m (9'6")
Stick Length									
Hydraulic Hammers	H115 S	✓	✓	✓	✓	✓	✓	✓	✓
	H120 GC S	✓*							
	H120 S	✓	✓*	✓*					
	H130 S								
Multi-Processors	MP318 Concrete Cutter Jaw								
	MP318 Demolition Jaw								
	MP318 Pulverizer Jaw								
	MP318 Shear Jaw								
	MP318 Universal Jaw								
Demolition and Sorting Grapples	G317 GC	✓*							
	G317 GC Fixed CAN	✓*							
	G318								
	G318 Fixed CAN								
	G318 WH-800								
Pulverizers	P214 Secondary Pulverizer	✓*		✓	✓*	✓	✓*	✓	✓
	P218 Secondary Pulverizer								
	P318 Primary Pulverizer								
Compactors (Vibratory Plate)	CVP110	✓	✓	✓	✓	✓	✓	✓	✓

CW-40 DEDICATED COUPLER ATTACHMENTS (continued)

Undercarriage		Rear Blade (Wide Undercarriage)							
		4200 kg (9,260 lb)				3600 kg (7,937 lb)			
Counterweight		VA		1 PC		VA		1 PC	
Boom Type		2.50 m (8'2")	2.90 m (9'6")	2.50 m (8'2")	2.90 m (9'6")	2.50 m (8'2")	2.90 m (9'6")	2.50 m (8'2")	2.90 m (9'6")
Stick Length									
Hydraulic Hammers	H115 S	✓	✓	✓	✓	✓	✓	✓	✓
	H120 GC S	✓	✓	✓	✓*	✓*			
	H120 S	✓	✓	✓	✓*	✓	✓*	✓*	
	H130 S	✓*							
Multi-Processors	MP318 Concrete Cutter Jaw								
	MP318 Demolition Jaw								
	MP318 Pulverizer Jaw								
	MP318 Shear Jaw	✓*							
	MP318 Universal Jaw								
Demolition and Sorting Grapples	G317 GC	✓		✓*		✓*			
	G317 GC Fixed CAN	✓	✓	✓		✓*			
	G318	✓*							
	G318 Fixed CAN	✓*							
	G318 WH-800	✓*							
Pulverizers	P214 Secondary Pulverizer	✓	✓	✓	✓	✓	✓	✓	✓
	P218 Secondary Pulverizer								
	P318 Primary Pulverizer								
Compactors (Vibratory Plate)	CVP110	✓	✓	✓	✓	✓	✓	✓	✓

(continued on next page)

M320 Wheeled Excavator Specifications

Attachments Offering Guide – Europe (continued)

Not all Attachments are available in all regions. Consult your Cat dealer for configurations available in your region.

Match

* Working range front only

No Match

HCCW40 DEDICATED COUPLER ATTACHMENTS

Undercarriage		Front Blade; Rear Outriggers							
Counterweight		3600 kg (7,937 lb)				4200 kg (9,260 lb)			
Boom Type		1 PC		VA		1 PC		VA	
Stick Length		2.50 m (8'2")	2.90 m (9'6")	2.50 m (8'2")	2.90 m (9'6")	2.50 m (8'2")	2.90 m (9'6")	2.50 m (8'2")	2.90 m (9'6")
Hydraulic Hammers	H115 S	✓	✓	✓	✓	✓	✓	✓	✓
	H120 GC S	✓	✓	✓		✓	✓	✓	
	H120 S	✓	✓	✓		✓	✓	✓	
	H130 S	✓				✓			
Multi-Processors	MP318 Concrete Cutter Jaw	✓*				✓			
	MP318 Demolition Jaw	✓*				✓			
	MP318 Shear Jaw	✓				✓			
	MP318 Universal Jaw	✓*				✓			
Demolition and Sorting Grapples	G317 GC	✓	✓	✓		✓	✓	✓	
	G318	✓*				✓			
	G318 WH-800	✓				✓			
Pulverizers	P214 Secondary Pulverizer	✓	✓	✓		✓	✓	✓	
Compactors (Vibratory Plate)	CVP110	✓	✓	✓	✓	✓	✓	✓	✓

HCCW40 DEDICATED COUPLER ATTACHMENTS (continued)

Undercarriage		Front Outriggers; Rear Blade							
Counterweight		3600 kg (7,937 lb)				4200 kg (9,260 lb)			
Boom Type		1 PC		VA		1 PC		VA	
Stick Length		2.50 m (8'2")	2.90 m (9'6")	2.50 m (8'2")	2.90 m (9'6")	2.50 m (8'2")	2.90 m (9'6")	2.50 m (8'2")	2.90 m (9'6")
Hydraulic Hammers	H115 S	✓	✓	✓	✓	✓	✓	✓	✓
	H120 GC S	✓	✓	✓		✓	✓	✓	
	H120 S	✓	✓	✓		✓	✓	✓	
	H130 S	✓				✓			
Multi-Processors	MP318 Concrete Cutter Jaw	✓*				✓			
	MP318 Demolition Jaw	✓*				✓			
	MP318 Shear Jaw	✓*				✓			
	MP318 Universal Jaw	✓*				✓			
Demolition and Sorting Grapples	G317 GC	✓	✓*	✓		✓	✓	✓	
	G318	✓*				✓			
	G318 WH-800	✓				✓			
Pulverizers	P214 Secondary Pulverizer	✓	✓	✓		✓	✓	✓	
Compactors (Vibratory Plate)	CVP110	✓	✓	✓	✓	✓	✓	✓	✓

(continued on next page)

M320 Wheeled Excavator Specifications

Attachments Offering Guide – Europe (continued)

Not all Attachments are available in all regions. Consult your Cat dealer for configurations available in your region.

Match

* Working range front only

No Match

HCCW40 DEDICATED COUPLER ATTACHMENTS (continued)

Undercarriage		Front and Rear Outriggers							
Counterweight		3600 kg (7,937 lb)				4200 kg (9,260 lb)			
Boom Type		1 PC		VA		1 PC		VA	
Stick Length		2.50 m (8'2")	2.90 m (9'6")	2.50 m (8'2")	2.90 m (9'6")	2.50 m (8'2")	2.90 m (9'6")	2.50 m (8'2")	2.90 m (9'6")
Hydraulic Hammers	H115 S	✓	✓	✓	✓	✓	✓	✓	✓
	H120 GC S	✓	✓	✓		✓	✓	✓	
	H120 S	✓	✓	✓		✓	✓	✓	
	H130 S	✓				✓			
Multi-Processors	MP318 Concrete Cutter Jaw	✓				✓			
	MP318 Demolition Jaw	✓				✓			
	MP318 Shear Jaw	✓				✓			
	MP318 Universal Jaw	✓				✓			
Demolition and Sorting Grapples	G317 GC	✓	✓	✓		✓	✓	✓	
	G318	✓				✓			
	G318 WH-800	✓				✓			
Pulverizers	P214 Secondary Pulverizer	✓	✓	✓		✓	✓	✓	
Compactors (Vibratory Plate)	CVP110	✓	✓	✓	✓	✓	✓	✓	✓

HCCW40 DEDICATED COUPLER ATTACHMENTS (continued)

Undercarriage		Rear Blade							
Counterweight		3600 kg (7,937 lb)				4200 kg (9,260 lb)			
Boom Type		1 PC		VA		1 PC		VA	
Stick Length		2.50 m (8'2")	2.50 m (8'2")	2.90 m (9'6")	2.50 m (8'2")	2.90 m (9'6")	2.50 m (8'2")	2.90 m (9'6")	
Hydraulic Hammers	H115 S	✓*	✓	✓*	✓	✓	✓	✓	
	H120 GC S								
	H120 S							✓*	
	H130 S								
Multi-Processors	MP318 Concrete Cutter Jaw								
	MP318 Demolition Jaw								
	MP318 Shear Jaw								
	MP318 Universal Jaw								
Demolition and Sorting Grapples	G317 GC								
	G318								
	G318 WH-800								
Pulverizers	P214 Secondary Pulverizer								
Compactors (Vibratory Plate)	CVP110	✓*	✓	✓*	✓	✓	✓	✓	

(continued on next page)

M320 Wheeled Excavator Specifications

Attachments Offering Guide – Europe (continued)

Not all Attachments are available in all regions. Consult your Cat dealer for configurations available in your region.

Match

* Working range front only

No Match

HCCW40 DEDICATED COUPLER ATTACHMENTS (continued)

Undercarriage		Rear Blade (Wide Undercarriage)							
Counterweight		3600 kg (7,937 lb)				4200 kg (9,260 lb)			
Boom Type		1 PC		VA		1 PC		VA	
Stick Length		2.50 m (8'2")	2.90 m (9'6")	2.50 m (8'2")	2.90 m (9'6")	2.50 m (8'2")	2.90 m (9'6")	2.50 m (8'2")	2.90 m (9'6")
Hydraulic Hammers	H115 S	✓	✓	✓	✓	✓	✓	✓	✓
	H120 GC S							✓*	
	H120 S			✓*		✓*		✓	
	H130 S								
Multi-Processors	MP318 Concrete Cutter Jaw								
	MP318 Demolition Jaw								
	MP318 Shear Jaw								
	MP318 Universal Jaw								
Demolition and Sorting Grapples	G317 GC								
	G318								
	G318 WH-800								
Pulverizers	P214 Secondary Pulverizer							✓	
Compactors (Vibratory Plate)	CVP110	✓	✓	✓	✓	✓	✓	✓	✓

HCCW40 DEDICATED COUPLER ATTACHMENTS (continued)

Undercarriage		Front Outriggers; Rear Blade (Wide Undercarriage)							
Counterweight		3600 kg (7,937 lb)				4200 kg (9,260 lb)			
Boom Type		1 PC		VA		1 PC		VA	
Stick Length		2.50 m (8'2")	2.90 m (9'6")	2.50 m (8'2")	2.90 m (9'6")	2.50 m (8'2")	2.90 m (9'6")	2.50 m (8'2")	2.90 m (9'6")
Hydraulic Hammers	H115 S	✓	✓	✓	✓	✓	✓	✓	✓
	H120 GC S	✓	✓	✓		✓	✓	✓	
	H120 S	✓	✓	✓		✓	✓	✓	
	H130 S	✓				✓			
Multi-Processors	MP318 Concrete Cutter Jaw	✓				✓			
	MP318 Demolition Jaw	✓				✓			
	MP318 Shear Jaw	✓				✓			
	MP318 Universal Jaw	✓				✓			
Demolition and Sorting Grapples	G317 GC	✓	✓	✓		✓	✓	✓	
	G318	✓				✓			
	G318 WH-800	✓				✓			
Pulverizers	P214 Secondary Pulverizer	✓	✓	✓		✓	✓	✓	
Compactors (Vibratory Plate)	CVP110	✓	✓	✓	✓	✓	✓	✓	✓

(continued on next page)

M320 Wheeled Excavator Specifications

Attachments Offering Guide – Europe (continued)

Not all Attachments are available in all regions. Consult your Cat dealer for configurations available in your region.

Match

* Working range front only

No Match

S70 DEDICATED COUPLER ATTACHMENTS

Undercarriage		Front Blade; Rear Outriggers							
		4200 kg (9,260 lb)				3600 kg (7,937 lb)			
Counterweight		VA		1 PC		VA		1 PC	
Boom Type		2.50 m (8'2")	2.90 m (9'6")	2.50 m (8'2")	2.90 m (9'6")	2.50 m (8'2")	2.90 m (9'6")	2.50 m (8'2")	2.90 m (9'6")
Stick Length		2.50 m (8'2")	2.90 m (9'6")	2.50 m (8'2")	2.90 m (9'6")	2.50 m (8'2")	2.90 m (9'6")	2.50 m (8'2")	2.90 m (9'6")
Hydraulic Hammers	H115 S	✓	✓	✓	✓	✓	✓	✓	✓
	H120 GC S	✓		✓	✓	✓		✓	✓
	H120 S	✓	✓	✓	✓	✓	✓	✓	✓
	H130 S	✓		✓	✓	✓		✓	✓
Multi-Processors	MP318 Concrete Cutter Jaw			✓				✓	
	MP318 Demolition Jaw			✓				✓	
	MP318 Pulverizer Jaw			✓				✓	
	MP318 Shear Jaw			✓	✓			✓	✓
	MP318 Universal Jaw			✓				✓	
Demolition and Sorting Grapples	G317 GC	✓		✓	✓	✓		✓	✓
	G318			✓	✓			✓	✓
	G318 WH-800	✓		✓	✓	✓		✓	✓
	G318 WH-1100			✓				✓*	
Pulverizers	P214 Secondary Pulverizer	✓	✓	✓	✓	✓	✓	✓	✓
	P218 Secondary Pulverizer			✓				✓	
	P318 Primary Pulverizer			✓				✓	
Compactors (Vibratory Plate)	CVP110	✓	✓	✓	✓	✓	✓	✓	✓

S70 DEDICATED COUPLER ATTACHMENTS (continued)

Undercarriage		Front and Rear Outriggers							
		4200 kg (9,260 lb)				3600 kg (7,937 lb)			
Counterweight		VA		1 PC		VA		1 PC	
Boom Type		2.50 m (8'2")	2.90 m (9'6")	2.50 m (8'2")	2.90 m (9'6")	2.50 m (8'2")	2.90 m (9'6")	2.50 m (8'2")	2.90 m (9'6")
Stick Length		2.50 m (8'2")	2.90 m (9'6")	2.50 m (8'2")	2.90 m (9'6")	2.50 m (8'2")	2.90 m (9'6")	2.50 m (8'2")	2.90 m (9'6")
Hydraulic Hammers	H115 S	✓	✓	✓	✓	✓	✓	✓	✓
	H120 GC S	✓		✓	✓	✓		✓	✓
	H120 S	✓	✓	✓	✓	✓	✓	✓	✓
	H130 S	✓		✓	✓	✓		✓	✓
Multi-Processors	MP318 Concrete Cutter Jaw			✓				✓	
	MP318 Demolition Jaw			✓				✓	
	MP318 Pulverizer Jaw			✓				✓	
	MP318 Shear Jaw			✓	✓			✓	✓
	MP318 Universal Jaw			✓				✓	
Demolition and Sorting Grapples	G317 GC	✓		✓	✓	✓		✓	✓
	G318			✓	✓			✓	✓
	G318 WH-800	✓		✓	✓	✓		✓	✓
	G318 WH-1100			✓				✓	
Pulverizers	P214 Secondary Pulverizer	✓	✓	✓	✓	✓	✓	✓	✓
	P218 Secondary Pulverizer			✓				✓	
	P318 Primary Pulverizer			✓				✓	
Compactors (Vibratory Plate)	CVP110	✓	✓	✓	✓	✓	✓	✓	✓

(continued on next page)

M320 Wheeled Excavator Specifications

Attachments Offering Guide – Europe (continued)

Not all Attachments are available in all regions. Consult your Cat dealer for configurations available in your region.

Match

* Working range front only

No Match

S70 DEDICATED COUPLER ATTACHMENTS (continued)

Undercarriage		Front Outriggers; Rear Blade (Wide Undercarriage)							
		4200 kg (9,260 lb)				3600 kg (7,937 lb)			
Counterweight		VA		1 PC		VA		1 PC	
Boom Type		2.50 m (8'2")	2.90 m (9'6")	2.50 m (8'2")	2.90 m (9'6")	2.50 m (8'2")	2.90 m (9'6")	2.50 m (8'2")	2.90 m (9'6")
Stick Length		2.50 m (8'2")	2.90 m (9'6")	2.50 m (8'2")	2.90 m (9'6")	2.50 m (8'2")	2.90 m (9'6")	2.50 m (8'2")	2.90 m (9'6")
Hydraulic Hammers	H115 S	✓	✓	✓	✓	✓	✓	✓	✓
	H120 GC S	✓		✓	✓	✓		✓	✓
	H120 S	✓	✓	✓	✓	✓	✓	✓	✓
	H130 S	✓		✓	✓	✓		✓	✓
Multi-Processors	MP318 Concrete Cutter Jaw			✓				✓	
	MP318 Demolition Jaw			✓				✓	
	MP318 Pulverizer Jaw			✓				✓	
	MP318 Shear Jaw			✓	✓			✓	✓
	MP318 Universal Jaw			✓				✓	
Demolition and Sorting Grapples	G317 GC	✓		✓	✓	✓		✓	✓
	G318			✓	✓			✓	✓
	G318 WH-800	✓		✓	✓	✓		✓	✓
	G318 WH-1100			✓				✓	
Pulverizers	P214 Secondary Pulverizer	✓	✓	✓	✓	✓	✓	✓	✓
	P218 Secondary Pulverizer			✓				✓	
	P318 Primary Pulverizer			✓				✓	
Compactors (Vibratory Plate)	CVP110	✓	✓	✓	✓	✓	✓	✓	✓

S70 DEDICATED COUPLER ATTACHMENTS (continued)

Undercarriage		Front Outriggers; Rear Blade							
		4200 kg (9,260 lb)				3600 kg (7,937 lb)			
Counterweight		VA		1 PC		VA		1 PC	
Boom Type		2.50 m (8'2")	2.90 m (9'6")	2.50 m (8'2")	2.90 m (9'6")	2.50 m (8'2")	2.90 m (9'6")	2.50 m (8'2")	2.90 m (9'6")
Stick Length		2.50 m (8'2")	2.90 m (9'6")	2.50 m (8'2")	2.90 m (9'6")	2.50 m (8'2")	2.90 m (9'6")	2.50 m (8'2")	2.90 m (9'6")
Hydraulic Hammers	H115 S	✓	✓	✓	✓	✓	✓	✓	✓
	H120 GC S	✓		✓	✓	✓		✓	✓
	H120 S	✓	✓	✓	✓	✓	✓	✓	✓
	H130 S	✓		✓	✓	✓		✓	✓
Multi-Processors	MP318 Concrete Cutter Jaw			✓				✓	
	MP318 Demolition Jaw			✓				✓	
	MP318 Pulverizer Jaw			✓				✓*	
	MP318 Shear Jaw			✓	✓			✓	✓
	MP318 Universal Jaw			✓				✓	
Demolition and Sorting Grapples	G317 GC	✓		✓	✓	✓		✓	✓
	G318			✓	✓			✓	✓*
	G318 WH-800	✓		✓	✓	✓		✓	✓
	G318 WH-1100			✓				✓*	
Pulverizers	P214 Secondary Pulverizer							✓*	
	P218 Secondary Pulverizer			✓				✓*	
	P318 Primary Pulverizer			✓				✓*	
Compactors (Vibratory Plate)	CVP110	✓	✓	✓	✓	✓	✓	✓	✓

(continued on next page)

M320 Wheeled Excavator Specifications

Attachments Offering Guide – Europe (continued)

Not all Attachments are available in all regions. Consult your Cat dealer for configurations available in your region.

Match * Working range front only No Match

S70 DEDICATED COUPLER ATTACHMENTS (continued)

Undercarriage		Rear Blade							
		4200 kg (9,260 lb)				3600 kg (7,937 lb)			
Counterweight		VA		1 PC		VA		1 PC	
Boom Type		2.50 m (8'2")	2.90 m (9'6")	2.50 m (8'2")	2.90 m (9'6")	2.50 m (8'2")	2.90 m (9'6")	2.50 m (8'2")	2.90 m (9'6")
Stick Length									
Hydraulic Hammers	H115 S	✓	✓	✓	✓	✓	✓	✓	✓
	H120 GC S	✓*							
	H120 S	✓	✓*	✓*					
	H130 S								
Multi-Processors	MP318 Concrete Cutter Jaw								
	MP318 Demolition Jaw								
	MP318 Pulverizer Jaw								
	MP318 Shear Jaw								
	MP318 Universal Jaw								
Demolition and Sorting Grapples	G317 GC								
	G318								
	G318 WH-800								
	G318 WH-1100								
Pulverizers	P214 Secondary Pulverizer			✓*		✓	✓*	✓	✓
	P218 Secondary Pulverizer								
	P318 Primary Pulverizer								
Compactors (Vibratory Plate)	CVP110	✓	✓	✓	✓	✓	✓	✓	✓

S70 DEDICATED COUPLER ATTACHMENTS (continued)

Undercarriage		Rear Blade (Wide Undercarriage)							
		4200 kg (9,260 lb)				3600 kg (7,937 lb)			
Counterweight		VA		1 PC		VA		1 PC	
Boom Type		2.50 m (8'2")	2.90 m (9'6")	2.50 m (8'2")	2.90 m (9'6")	2.50 m (8'2")	2.90 m (9'6")	2.50 m (8'2")	2.90 m (9'6")
Stick Length									
Hydraulic Hammers	H115 S	✓	✓	✓	✓	✓	✓	✓	✓
	H120 GC S	✓		✓*		✓*			
	H120 S	✓	✓	✓	✓*	✓	✓*	✓*	
	H130 S	✓*							
Multi-Processors	MP318 Concrete Cutter Jaw								
	MP318 Demolition Jaw								
	MP318 Pulverizer Jaw								
	MP318 Shear Jaw								
	MP318 Universal Jaw								
Demolition and Sorting Grapples	G317 GC	✓							
	G318								
	G318 WH-800	✓*							
	G318 WH-1100								
Pulverizers	P214 Secondary Pulverizer	✓	✓	✓	✓	✓	✓	✓	✓
	P218 Secondary Pulverizer								
	P318 Primary Pulverizer								
Compactors (Vibratory Plate)	CVP110	✓	✓	✓	✓	✓	✓	✓	✓

(continued on next page)

M320 Wheeled Excavator Specifications

Attachments Offering Guide – Europe (continued)

Not all Attachments are available in all regions. Consult your Cat dealer for configurations available in your region.

Match

* Working range front only

No Match

HCS70 DEDICATED COUPLER ATTACHMENTS

Undercarriage		Front Blade; Rear Outriggers							
Counterweight		4200 kg (9,260 lb)				3600 kg (7,937 lb)			
Boom Type		VA		1 PC		VA		1 PC	
Stick Length		2.50 m (8'2")	2.90 m (9'6")	2.50 m (8'2")	2.90 m (9'6")	2.50 m (8'2")	2.90 m (9'6")	2.50 m (8'2")	2.90 m (9'6")
Hydraulic Hammers	H115 S	✓	✓	✓	✓	✓	✓	✓	✓
	H120 S	✓	✓	✓	✓	✓	✓	✓	✓
	H130 S	✓		✓	✓	✓		✓	✓
Multi-Processors	MP318 Concrete Cutter Jaw			✓				✓	
	MP318 Demolition Jaw			✓				✓	
	MP318 Pulverizer Jaw			✓				✓*	
	MP318 Shear Jaw			✓				✓	
	MP318 Universal Jaw			✓				✓*	
Demolition and Sorting Grapples	G317 GC	✓		✓	✓	✓		✓	✓
	G318			✓				✓	
	G318 WH-800			✓				✓	
Pulverizers	P214 Secondary Pulverizer	✓	✓	✓		✓	✓	✓	
	P318 Primary Pulverizer			✓				✓*	
Compactors (Vibratory Plate)	CVP110	✓	✓	✓	✓	✓	✓	✓	✓

HCS70 DEDICATED COUPLER ATTACHMENTS (continued)

Undercarriage		Front and Rear Outriggers							
Counterweight		4200 kg (9,260 lb)				3600 kg (7,937 lb)			
Boom Type		VA		1 PC		VA		1 PC	
Stick Length		2.50 m (8'2")	2.90 m (9'6")	2.50 m (8'2")	2.90 m (9'6")	2.50 m (8'2")	2.90 m (9'6")	2.50 m (8'2")	2.90 m (9'6")
Hydraulic Hammers	H115 S	✓	✓	✓	✓	✓	✓	✓	✓
	H120 S	✓	✓	✓	✓	✓	✓	✓	✓
	H130 S	✓		✓	✓	✓		✓	✓
Multi-Processors	MP318 Concrete Cutter Jaw			✓				✓	
	MP318 Demolition Jaw			✓				✓	
	MP318 Pulverizer Jaw			✓				✓	
	MP318 Shear Jaw			✓				✓	
	MP318 Universal Jaw			✓				✓	
Demolition and Sorting Grapples	G317 GC	✓		✓	✓	✓		✓	✓
	G318			✓				✓	
	G318 WH-800			✓				✓	
Pulverizers	P214 Secondary Pulverizer	✓	✓	✓		✓	✓	✓	
	P318 Primary Pulverizer			✓				✓	
Compactors (Vibratory Plate)	CVP110	✓	✓	✓	✓	✓	✓	✓	✓

(continued on next page)

M320 Wheeled Excavator Specifications

Attachments Offering Guide – Europe (continued)

Not all Attachments are available in all regions. Consult your Cat dealer for configurations available in your region.

Match

* Working range front only

No Match

HCS70 DEDICATED COUPLER ATTACHMENTS (continued)

Undercarriage		Front Outriggers; Rear Blade (Wide Undercarriage)							
Counterweight		4200 kg (9,260 lb)				3600 kg (7,937 lb)			
Boom Type		VA		1 PC		VA		1 PC	
Stick Length		2.50 m (8'2")	2.90 m (9'6")	2.50 m (8'2")	2.90 m (9'6")	2.50 m (8'2")	2.90 m (9'6")	2.50 m (8'2")	2.90 m (9'6")
Hydraulic Hammers	H115 S	✓	✓	✓	✓	✓	✓	✓	✓
	H120 S	✓	✓	✓	✓	✓	✓	✓	✓
	H130 S	✓		✓	✓	✓		✓	✓
Multi-Processors	MP318 Concrete Cutter Jaw			✓				✓	
	MP318 Demolition Jaw			✓				✓	
	MP318 Pulverizer Jaw			✓				✓*	
	MP318 Shear Jaw			✓				✓	
	MP318 Universal Jaw			✓				✓	
Demolition and Sorting Grapples	G317 GC	✓		✓	✓	✓		✓	✓
	G318			✓				✓	
	G318 WH-800			✓				✓	
Pulverizers	P214 Secondary Pulverizer	✓	✓	✓		✓	✓	✓	
	P318 Primary Pulverizer			✓				✓*	
Compactors (Vibratory Plate)	CVP110	✓	✓	✓	✓	✓	✓	✓	✓

HCS70 DEDICATED COUPLER ATTACHMENTS (continued)

Undercarriage		Front Outriggers; Rear Blade							
Counterweight		4200 kg (9,260 lb)				3600 kg (7,937 lb)			
Boom Type		VA		1 PC		VA		1 PC	
Stick Length		2.50 m (8'2")	2.90 m (9'6")	2.50 m (8'2")	2.90 m (9'6")	2.50 m (8'2")	2.90 m (9'6")	2.50 m (8'2")	2.90 m (9'6")
Hydraulic Hammers	H115 S	✓	✓	✓	✓	✓	✓	✓	✓
	H120 S	✓	✓	✓	✓	✓	✓	✓	✓
	H130 S	✓		✓	✓	✓		✓	✓
Multi-Processors	MP318 Concrete Cutter Jaw			✓				✓*	
	MP318 Demolition Jaw			✓				✓*	
	MP318 Pulverizer Jaw			✓					
	MP318 Shear Jaw			✓				✓	
	MP318 Universal Jaw			✓				✓*	
Demolition and Sorting Grapples	G317 GC	✓		✓	✓	✓		✓	✓
	G318			✓				✓*	
	G318 WH-800			✓				✓	
Pulverizers	P214 Secondary Pulverizer								
	P318 Primary Pulverizer			✓					
Compactors (Vibratory Plate)	CVP110	✓	✓	✓	✓	✓	✓	✓	✓

(continued on next page)

M320 Wheeled Excavator Specifications

Attachments Offering Guide – Europe (continued)

Not all Attachments are available in all regions. Consult your Cat dealer for configurations available in your region.

Match

* Working range front only

No Match

HCS70 DEDICATED COUPLER ATTACHMENTS (continued)

Undercarriage		Rear Blade							
Counterweight		4200 kg (9,260 lb)				3600 kg (7,937 lb)			
Boom Type		VA		1 PC		VA		1 PC	
Stick Length		2.50 m (8'2")	2.90 m (9'6")	2.50 m (8'2")	2.90 m (9'6")	2.50 m (8'2")	2.90 m (9'6")	2.50 m (8'2")	2.90 m (9'6")
Hydraulic Hammers	H115 S	✓	✓	✓	✓	✓	✓	✓	✓*
	H120 S	✓							
	H130 S								
Multi-Processors	MP318 Concrete Cutter Jaw								
	MP318 Demolition Jaw								
	MP318 Pulverizer Jaw								
	MP318 Shear Jaw								
	MP318 Universal Jaw								
Demolition and Sorting Grapples	G317 GC								
	G318								
	G318 WH-800								
Pulverizers	P214 Secondary Pulverizer					✓*		✓	
	P318 Primary Pulverizer								
Compactors (Vibratory Plate)	CVP110	✓	✓	✓	✓	✓	✓	✓	✓*

HCS70 DEDICATED COUPLER ATTACHMENTS (continued)

Undercarriage		Rear Blade (Wide Undercarriage)							
Counterweight		4200 kg (9,260 lb)				3600 kg (7,937 lb)			
Boom Type		VA		1 PC		VA		1 PC	
Stick Length		2.50 m (8'2")	2.90 m (9'6")	2.50 m (8'2")	2.90 m (9'6")	2.50 m (8'2")	2.90 m (9'6")	2.50 m (8'2")	2.90 m (9'6")
Hydraulic Hammers	H115 S	✓	✓	✓	✓	✓	✓	✓	✓
	H120 S	✓	✓	✓	✓*	✓			
	H130 S	✓*							
Multi-Processors	MP318 Concrete Cutter Jaw								
	MP318 Demolition Jaw								
	MP318 Pulverizer Jaw								
	MP318 Shear Jaw								
	MP318 Universal Jaw								
Demolition and Sorting Grapples	G317 GC								
	G318								
	G318 WH-800								
Pulverizers	P214 Secondary Pulverizer	✓	✓	✓		✓	✓	✓	
	P318 Primary Pulverizer								
Compactors (Vibratory Plate)	CVP110	✓	✓	✓	✓	✓	✓	✓	✓

(continued on next page)

M320 Wheeled Excavator Specifications

Attachments Offering Guide – Europe (continued)

Not all Attachments are available in all regions. Consult your Cat dealer for configurations available in your region.

Match

* Working range front only

No Match

HCS70/55 DEDICATED COUPLER ATTACHMENTS

Undercarriage		Front Blade; Rear Outriggers							
Counterweight		4200 kg (9,260 lb)				3600 kg (7,937 lb)			
Boom Type		VA		1 PC		VA		1 PC	
Stick Length		2.50 m (8'2")	2.90 m (9'6")	2.50 m (8'2")	2.90 m (9'6")	2.50 m (8'2")	2.90 m (9'6")	2.50 m (8'2")	2.90 m (9'6")
Hydraulic Hammers	H115 S	✓	✓	✓	✓	✓	✓	✓	✓
	H120 S	✓	✓	✓	✓	✓	✓	✓	✓
	H130 S			✓	✓			✓	✓
Multi-Processors	MP318 Concrete Cutter Jaw			✓				✓*	
	MP318 Demolition Jaw			✓				✓*	
	MP318 Shear Jaw			✓				✓	
	MP318 Universal Jaw			✓				✓*	
Demolition and Sorting Grapples	G317 GC			✓	✓			✓	✓
	G318			✓				✓*	
	G318 WH-800			✓				✓	
Pulverizers	P214 Secondary Pulverizer	✓	✓	✓		✓	✓	✓	
Compactors (Vibratory Plate)	CVP110	✓	✓	✓	✓	✓	✓	✓	✓

HCS70/55 DEDICATED COUPLER ATTACHMENTS (continued)

Undercarriage		Front and Rear Outriggers							
Counterweight		4200 kg (9,260 lb)				3600 kg (7,937 lb)			
Boom Type		VA		1 PC		VA		1 PC	
Stick Length		2.50 m (8'2")	2.90 m (9'6")	2.50 m (8'2")	2.90 m (9'6")	2.50 m (8'2")	2.90 m (9'6")	2.50 m (8'2")	2.90 m (9'6")
Hydraulic Hammers	H115 S	✓	✓	✓	✓	✓	✓	✓	✓
	H120 S	✓	✓	✓	✓	✓	✓	✓	✓
	H130 S			✓	✓			✓	✓
Multi-Processors	MP318 Concrete Cutter Jaw			✓				✓	
	MP318 Demolition Jaw			✓				✓	
	MP318 Shear Jaw			✓				✓	
	MP318 Universal Jaw			✓				✓	
Demolition and Sorting Grapples	G317 GC			✓	✓			✓	✓
	G318			✓				✓	
	G318 WH-800			✓				✓	
Pulverizers	P214 Secondary Pulverizer	✓	✓	✓		✓	✓	✓	
Compactors (Vibratory Plate)	CVP110	✓	✓	✓	✓	✓	✓	✓	✓

(continued on next page)

M320 Wheeled Excavator Specifications

Attachments Offering Guide – Europe (continued)

Not all Attachments are available in all regions. Consult your Cat dealer for configurations available in your region.

Match

* Working range front only

No Match

HCS70/55 DEDICATED COUPLER ATTACHMENTS (continued)

Undercarriage		Front Outriggers; Rear Blade (Wide Undercarriage)							
Counterweight		4200 kg (9,260 lb)				3600 kg (7,937 lb)			
Boom Type		VA		1 PC		VA		1 PC	
Stick Length		2.50 m (8'2")	2.90 m (9'6")	2.50 m (8'2")	2.90 m (9'6")	2.50 m (8'2")	2.90 m (9'6")	2.50 m (8'2")	2.90 m (9'6")
Hydraulic Hammers	H115 S	✓	✓	✓	✓	✓	✓	✓	✓
	H120 S	✓	✓	✓	✓	✓	✓	✓	✓
	H130 S			✓	✓			✓	✓
Multi-Processors	MP318 Concrete Cutter Jaw			✓				✓	
	MP318 Demolition Jaw			✓				✓	
	MP318 Shear Jaw			✓				✓	
	MP318 Universal Jaw			✓				✓	
Demolition and Sorting Grapples	G317 GC			✓	✓			✓	✓
	G318			✓				✓	
	G318 WH-800			✓				✓	
Pulverizers	P214 Secondary Pulverizer	✓	✓	✓		✓	✓	✓	
Compactors (Vibratory Plate)	CVP110	✓	✓	✓	✓	✓	✓	✓	✓

HCS70/55 DEDICATED COUPLER ATTACHMENTS (continued)

Undercarriage		Front Outriggers; Rear Blade							
Counterweight		4200 kg (9,260 lb)				3600 kg (7,937 lb)			
Boom Type		VA		1 PC		VA		1 PC	
Stick Length		2.50 m (8'2")	2.90 m (9'6")	2.50 m (8'2")	2.90 m (9'6")	2.50 m (8'2")	2.90 m (9'6")	2.50 m (8'2")	2.90 m (9'6")
Hydraulic Hammers	H115 S	✓	✓	✓	✓	✓	✓	✓	✓
	H120 S	✓	✓	✓	✓	✓	✓	✓	✓
	H130 S			✓	✓			✓	✓
Multi-Processors	MP318 Concrete Cutter Jaw			✓				✓*	
	MP318 Demolition Jaw			✓				✓*	
	MP318 Shear Jaw			✓				✓*	
	MP318 Universal Jaw			✓				✓*	
Demolition and Sorting Grapples	G317 GC			✓	✓			✓	✓*
	G318			✓				✓*	
	G318 WH-800			✓				✓	
Pulverizers	P214 Secondary Pulverizer								
Compactors (Vibratory Plate)	CVP110	✓	✓	✓	✓	✓	✓	✓	✓

(continued on next page)

M320 Wheeled Excavator Specifications

Attachments Offering Guide – Europe (continued)

Not all Attachments are available in all regions. Consult your Cat dealer for configurations available in your region.

Match

* Working range front only

No Match

HCS70/55 DEDICATED COUPLER ATTACHMENTS (continued)

Undercarriage		Rear Blade							
Counterweight		4200 kg (9,260 lb)				3600 kg (7,937 lb)			
Boom Type		VA		1 PC		VA		1 PC	
Stick Length		2.50 m (8'2")	2.90 m (9'6")	2.50 m (8'2")	2.90 m (9'6")	2.50 m (8'2")	2.90 m (9'6")	2.50 m (8'2")	2.90 m (9'6")
Hydraulic Hammers	H115 S	✓	✓	✓	✓	✓	✓	✓	✓*
	H120 S	✓*							
	H130 S								
Multi-Processors	MP318 Concrete Cutter Jaw								
	MP318 Demolition Jaw								
	MP318 Shear Jaw								
	MP318 Universal Jaw								
Demolition and Sorting Grapples	G317 GC								
	G318								
	G318 WH-800								
Pulverizers	P214 Secondary Pulverizer								✓*
Compactors (Vibratory Plate)	CVP110	✓	✓	✓	✓	✓	✓	✓	✓*

HCS70/55 DEDICATED COUPLER ATTACHMENTS (continued)

Undercarriage		Rear Blade (Wide Undercarriage)							
Counterweight		4200 kg (9,260 lb)				3600 kg (7,937 lb)			
Boom Type		VA		1 PC		VA		1 PC	
Stick Length		2.50 m (8'2")	2.90 m (9'6")	2.50 m (8'2")	2.90 m (9'6")	2.50 m (8'2")	2.90 m (9'6")	2.50 m (8'2")	2.90 m (9'6")
Hydraulic Hammers	H115 S	✓	✓	✓	✓	✓	✓	✓	✓
	H120 S	✓	✓	✓		✓*			
	H130 S								
Multi-Processors	MP318 Concrete Cutter Jaw								
	MP318 Demolition Jaw								
	MP318 Shear Jaw								
	MP318 Universal Jaw								
Demolition and Sorting Grapples	G317 GC								
	G318								
	G318 WH-800								
Pulverizers	P214 Secondary Pulverizer	✓	✓	✓		✓	✓	✓	
Compactors (Vibratory Plate)	CVP110	✓	✓	✓	✓	✓	✓	✓	✓

(continued on next page)

M320 Wheeled Excavator Specifications

Attachments Offering Guide – Europe (continued)

Not all Attachments are available in all regions. Consult your Cat dealer for configurations available in your region.

Match

No Match

TRS18 (PIN-ON TOP/CW-30s BOTTOM) ATTACHMENTS

Some attachments require more hydraulic flow and are best suited with a machine that has HP2 circuits and a tiltrotator with a high flow swivel. Check the hydraulic capability of your machine and tiltrotator and the requirements of your attachment to ensure a proper match.

Undercarriage

Front Blade; Rear Outriggers

Counterweight		4200 kg (9,260 lb)				3600 kg (7,937 lb)			
		VA		1 PC		VA		1 PC	
Boom Type		2.50 m (8'2")	2.90 m (9'6")	2.50 m (8'2")	2.90 m (9'6")	2.50 m (8'2")	2.90 m (9'6")	2.50 m (8'2")	2.90 m (9'6")
Hydraulic Hammers	H115 GC S	✓		✓	✓	✓		✓	✓
	H115 S	✓	✓	✓	✓	✓	✓	✓	✓
Demolition and Sorting Grapples	G217 GC			✓	✓			✓	✓
	G217 GC Fixed CAN	✓		✓	✓	✓		✓	✓
Compactors (Vibratory Plate)	CVP75	✓	✓	✓	✓	✓	✓	✓	✓
	CVP110	✓	✓	✓	✓	✓	✓	✓	✓

NOTE: Use hammers on tiltrotators less than 10% of working hours per year or maximum 200 hours per year. Refer to your Operation and Maintenance Manual for recommended hydraulic flow requirements.

TRS18 (PIN-ON TOP/CW-30s BOTTOM) ATTACHMENTS (continued)

Some attachments require more hydraulic flow and are best suited with a machine that has HP2 circuits and a tiltrotator with a high flow swivel. Check the hydraulic capability of your machine and tiltrotator and the requirements of your attachment to ensure a proper match.

Undercarriage

Front and Rear Outriggers

Counterweight		4200 kg (9,260 lb)				3600 kg (7,937 lb)			
		VA		1 PC		VA		1 PC	
Boom Type		2.50 m (8'2")	2.90 m (9'6")	2.50 m (8'2")	2.90 m (9'6")	2.50 m (8'2")	2.90 m (9'6")	2.50 m (8'2")	2.90 m (9'6")
Hydraulic Hammers	H115 GC S	✓		✓	✓	✓		✓	✓
	H115 S	✓	✓	✓	✓	✓	✓	✓	✓
Demolition and Sorting Grapples	G217 GC			✓	✓			✓	✓
	G217 GC Fixed CAN	✓		✓	✓	✓		✓	✓
Compactors (Vibratory Plate)	CVP75	✓	✓	✓	✓	✓	✓	✓	✓
	CVP110	✓	✓	✓	✓	✓	✓	✓	✓

NOTE: Use hammers on tiltrotators less than 10% of working hours per year or maximum 200 hours per year. Refer to your Operation and Maintenance Manual for recommended hydraulic flow requirements.

TRS18 (PIN-ON TOP/CW-30s BOTTOM) ATTACHMENTS (continued)

Some attachments require more hydraulic flow and are best suited with a machine that has HP2 circuits and a tiltrotator with a high flow swivel. Check the hydraulic capability of your machine and tiltrotator and the requirements of your attachment to ensure a proper match.

Undercarriage

Front Outriggers; Rear Blade (Wide Undercarriage)

Counterweight		4200 kg (9,260 lb)				3600 kg (7,937 lb)			
		VA		1 PC		VA		1 PC	
Boom Type		2.50 m (8'2")	2.90 m (9'6")	2.50 m (8'2")	2.90 m (9'6")	2.50 m (8'2")	2.90 m (9'6")	2.50 m (8'2")	2.90 m (9'6")
Hydraulic Hammers	H115 GC S	✓		✓	✓	✓		✓	✓
	H115 S	✓	✓	✓	✓	✓	✓	✓	✓
Demolition and Sorting Grapples	G217 GC			✓	✓			✓	✓
	G217 GC Fixed CAN	✓		✓	✓	✓		✓	✓
Compactors (Vibratory Plate)	CVP75	✓	✓	✓	✓	✓	✓	✓	✓
	CVP110	✓	✓	✓	✓	✓	✓	✓	✓

NOTE: Use hammers on tiltrotators less than 10% of working hours per year or maximum 200 hours per year. Refer to your Operation and Maintenance Manual for recommended hydraulic flow requirements.

(continued on next page)

M320 Wheeled Excavator Specifications

Attachments Offering Guide – Europe (continued)

Not all Attachments are available in all regions. Consult your Cat dealer for configurations available in your region.

Match

* Working range front only

No Match

TRS18 (PIN-ON TOP/CW-30s BOTTOM) ATTACHMENTS (continued)

Some attachments require more hydraulic flow and are best suited with a machine that has HP2 circuits and a tiltrotator with a high flow swivel. Check the hydraulic capability of your machine and tiltrotator and the requirements of your attachment to ensure a proper match.

Undercarriage

Front Outriggers; Rear Blade

Counterweight		4200 kg (9,260 lb)				3600 kg (7,937 lb)			
		VA		1 PC		VA		1 PC	
Boom Type		2.50 m (8'2")	2.90 m (9'6")	2.50 m (8'2")	2.90 m (9'6")	2.50 m (8'2")	2.90 m (9'6")	2.50 m (8'2")	2.90 m (9'6")
Hydraulic Hammers	H115 GC S	✓		✓	✓	✓		✓	✓
	H115 S	✓	✓	✓	✓	✓	✓	✓	✓
Demolition and Sorting Grapples	G217 GC			✓	✓			✓	✓*
	G217 GC Fixed CAN	✓		✓	✓	✓		✓	✓
Compactors (Vibratory Plate)	CVP75	✓	✓	✓	✓	✓	✓	✓	✓
	CVP110	✓	✓	✓	✓	✓	✓	✓	✓

NOTE: Use hammers on tiltrotators less than 10% of working hours per year or maximum 200 hours per year. Refer to your Operation and Maintenance Manual for recommended hydraulic flow requirements.

TRS18 (PIN-ON TOP/CW-30s BOTTOM) ATTACHMENTS (continued)

Some attachments require more hydraulic flow and are best suited with a machine that has HP2 circuits and a tiltrotator with a high flow swivel. Check the hydraulic capability of your machine and tiltrotator and the requirements of your attachment to ensure a proper match.

Undercarriage

Rear Blade

Counterweight		4200 kg (9,260 lb)				3600 kg (7,937 lb)			
		VA		1 PC		VA		1 PC	
Boom Type		2.50 m (8'2")	2.90 m (9'6")	2.50 m (8'2")	2.90 m (9'6")	2.50 m (8'2")	2.90 m (9'6")	2.50 m (8'2")	2.90 m (8'2")
Hydraulic Hammers	H115 GC S								
	H115 S	✓	✓*	✓*					
Demolition and Sorting Grapples	G217 GC								
	G217 GC Fixed CAN								
Compactors (Vibratory Plate)	CVP75	✓	✓	✓	✓*	✓	✓*	✓*	✓*
	CVP110	✓	✓*	✓*					

NOTE: Use hammers on tiltrotators less than 10% of working hours per year or maximum 200 hours per year. Refer to your Operation and Maintenance Manual for recommended hydraulic flow requirements.

TRS18 (PIN-ON TOP/CW-30s BOTTOM) ATTACHMENTS (continued)

Some attachments require more hydraulic flow and are best suited with a machine that has HP2 circuits and a tiltrotator with a high flow swivel. Check the hydraulic capability of your machine and tiltrotator and the requirements of your attachment to ensure a proper match.

Undercarriage

Rear Blade (Wide Undercarriage)

Counterweight		4200 kg (9,260 lb)				3600 kg (7,937 lb)			
		VA		1 PC		VA		1 PC	
Boom Type		2.50 m (8'2")	2.90 m (9'6")	2.50 m (8'2")	2.90 m (9'6")	2.50 m (8'2")	2.90 m (9'6")	2.50 m (8'2")	2.90 m (9'6")
Hydraulic Hammers	H115 GC S	✓		✓*					
	H115 S	✓	✓	✓	✓*	✓	✓*	✓*	
Demolition and Sorting Grapples	G217 GC								
	G217 GC Fixed CAN	✓*							
Compactors (Vibratory Plate)	CVP75	✓	✓	✓	✓	✓	✓	✓	✓*
	CVP110	✓	✓	✓	✓*	✓	✓*	✓*	

NOTE: Use hammers on tiltrotators less than 10% of working hours per year or maximum 200 hours per year. Refer to your Operation and Maintenance Manual for recommended hydraulic flow requirements.

(continued on next page)

M320 Wheeled Excavator Specifications

Attachments Offering Guide – Europe (continued)

Not all Attachments are available in all regions. Consult your Cat dealer for configurations available in your region.

Match

* Working range front only

No Match

TRS18 (CW-30s TOP/CW-30s BOTTOM) ATTACHMENTS

Some attachments require more hydraulic flow and are best suited with a machine that has HP2 circuits and a tiltrotator with a high flow swivel. Check the hydraulic capability of your machine and tiltrotator and the requirements of your attachment to ensure a proper match.

Undercarriage

Front Blade; Rear Outriggers

Counterweight	4200 kg (9,260 lb)				3600 kg (7,937 lb)			
	VA		1 PC		VA		1 PC	
Boom Type	2.50 m (8'2")	2.90 m (9'6")	2.50 m (8'2")	2.90 m (9'6")	2.50 m (8'2")	2.90 m (9'6")	2.50 m (8'2")	2.90 m (9'6")
Stick Length								
	Hydraulic Hammers							
	H115 GC S			✓				✓
	H115 S	✓		✓	✓	✓		✓
Demolition and Sorting Grapples	G217 GC			✓				✓*
	G217 GC Fixed CAN			✓				✓
Compactors (Vibratory Plate)	CVP75	✓	✓	✓	✓	✓	✓	✓
	CVP110	✓		✓	✓	✓		✓

NOTE: Use hammers on tiltrotators less than 10% of working hours per year or maximum 200 hours per year. Refer to your Operation and Maintenance Manual for recommended hydraulic flow requirements.

TRS18 (CW-30s TOP/CW-30s BOTTOM) ATTACHMENTS (continued)

Some attachments require more hydraulic flow and are best suited with a machine that has HP2 circuits and a tiltrotator with a high flow swivel. Check the hydraulic capability of your machine and tiltrotator and the requirements of your attachment to ensure a proper match.

Undercarriage

Front and Rear Outriggers

Counterweight	4200 kg (9,260 lb)				3600 kg (7,937 lb)			
	VA		1 PC		VA		1 PC	
Boom Type	2.50 m (8'2")	2.90 m (9'6")	2.50 m (8'2")	2.90 m (9'6")	2.50 m (8'2")	2.90 m (9'6")	2.50 m (8'2")	2.90 m (9'6")
Stick Length								
	Hydraulic Hammers							
	H115 GC S			✓				✓
	H115 S	✓		✓	✓	✓		✓
Demolition and Sorting Grapples	G217 GC			✓				✓
	G217 GC Fixed CAN			✓				✓
Compactors (Vibratory Plate)	CVP75	✓	✓	✓	✓	✓	✓	✓
	CVP110	✓		✓	✓	✓		✓

NOTE: Use hammers on tiltrotators less than 10% of working hours per year or maximum 200 hours per year. Refer to your Operation and Maintenance Manual for recommended hydraulic flow requirements.

TRS18 (CW-30s TOP/CW-30s BOTTOM) ATTACHMENTS (continued)

Some attachments require more hydraulic flow and are best suited with a machine that has HP2 circuits and a tiltrotator with a high flow swivel. Check the hydraulic capability of your machine and tiltrotator and the requirements of your attachment to ensure a proper match.

Undercarriage

Front Outriggers; Rear Blade (Wide Undercarriage)

Counterweight	4200 kg (9,260 lb)				3600 kg (7,937 lb)			
	VA		1 PC		VA		1 PC	
Boom Type	2.50 m (8'2")	2.90 m (9'6")	2.50 m (8'2")	2.90 m (9'6")	2.50 m (8'2")	2.90 m (9'6")	2.50 m (8'2")	2.90 m (9'6")
Stick Length								
	Hydraulic Hammers							
	H115 GC S			✓				✓
	H115 S	✓		✓	✓	✓		✓
Demolition and Sorting Grapples	G217 GC			✓				✓
	G217 GC Fixed CAN			✓				✓
Compactors (Vibratory Plate)	CVP75	✓	✓	✓	✓	✓	✓	✓
	CVP110	✓		✓	✓	✓		✓

NOTE: Use hammers on tiltrotators less than 10% of working hours per year or maximum 200 hours per year. Refer to your Operation and Maintenance Manual for recommended hydraulic flow requirements.

(continued on next page)

M320 Wheeled Excavator Specifications

Attachments Offering Guide – Europe (continued)

Not all Attachments are available in all regions. Consult your Cat dealer for configurations available in your region.

Match

* Working range front only

No Match

TRS18 (CW-30s TOP/CW-30s BOTTOM) ATTACHMENTS (continued)

Some attachments require more hydraulic flow and are best suited with a machine that has HP2 circuits and a tiltrotator with a high flow swivel. Check the hydraulic capability of your machine and tiltrotator and the requirements of your attachment to ensure a proper match.

Undercarriage

Front Outriggers; Rear Blade

Counterweight	4200 kg (9,260 lb)				3600 kg (7,937 lb)			
	VA		1 PC		VA		1 PC	
Boom Type	2.50 m (8'2")	2.90 m (9'6")	2.50 m (8'2")	2.90 m (9'6")	2.50 m (8'2")	2.90 m (9'6")	2.50 m (8'2")	2.90 m (9'6")
Hydraulic Hammers	H115 GC S		✓				✓	
	H115 S		✓		✓		✓	
Demolition and Sorting Grapples	G217 GC		✓				✓*	
	G217 GC Fixed CAN		✓				✓	
Compactors (Vibratory Plate)	CVP75		✓		✓		✓	
	CVP110		✓		✓		✓	

NOTE: Use hammers on tiltrotators less than 10% of working hours per year or maximum 200 hours per year. Refer to your Operation and Maintenance Manual for recommended hydraulic flow requirements.

TRS18 (CW-30s TOP/CW-30s BOTTOM) ATTACHMENTS (continued)

Some attachments require more hydraulic flow and are best suited with a machine that has HP2 circuits and a tiltrotator with a high flow swivel. Check the hydraulic capability of your machine and tiltrotator and the requirements of your attachment to ensure a proper match.

Undercarriage

Rear Blade

Counterweight	4200 kg (9,260 lb)		
	VA		1 PC
Boom Type	2.50 m (8'2")		2.90 m (9'6")
Hydraulic Hammers	H115 GC S		
	H115 S		
Demolition and Sorting Grapples	G217 GC		
	G217 GC Fixed CAN		
Compactors (Vibratory Plate)	CVP75		✓*
	CVP110		✓*

NOTE: Use hammers on tiltrotators less than 10% of working hours per year or maximum 200 hours per year. Refer to your Operation and Maintenance Manual for recommended hydraulic flow requirements.

TRS18 (CW-30s TOP/CW-30s BOTTOM) ATTACHMENTS (continued)

Some attachments require more hydraulic flow and are best suited with a machine that has HP2 circuits and a tiltrotator with a high flow swivel. Check the hydraulic capability of your machine and tiltrotator and the requirements of your attachment to ensure a proper match.

Undercarriage

Rear Blade (Wide Undercarriage)

Counterweight	4200 kg (9,260 lb)				3600 kg (7,937 lb)		
	VA		1 PC		VA		1 PC
Boom Type	2.50 m (8'2")	2.90 m (9'6")	2.50 m (8'2")	2.90 m (9'6")	2.50 m (8'2")	2.90 m (9'6")	2.50 m (8'2")
Hydraulic Hammers	H115 GC S						
	H115 S		✓				✓*
Demolition and Sorting Grapples	G217 GC						
	G217 GC Fixed CAN						
Compactors (Vibratory Plate)	CVP75		✓		✓*		✓*
	CVP110		✓		✓*		✓*

NOTE: Use hammers on tiltrotators less than 10% of working hours per year or maximum 200 hours per year. Refer to your Operation and Maintenance Manual for recommended hydraulic flow requirements.

(continued on next page)

M320 Wheeled Excavator Specifications

Attachments Offering Guide – Europe (continued)

Not all Attachments are available in all regions. Consult your Cat dealer for configurations available in your region.

Match

No Match

TRS18 (PIN-ON TOP/CW-30 BOTTOM) ATTACHMENTS

Some attachments require more hydraulic flow and are best suited with a machine that has HP2 circuits and a tiltrotator with a high flow swivel. Check the hydraulic capability of your machine and tiltrotator and the requirements of your attachment to ensure a proper match.

Undercarriage

Front Blade; Rear Outriggers

Counterweight		4200 kg (9,260 lb)				3600 kg (7,937 lb)			
		VA		1 PC		VA		1 PC	
Boom Type		2.50 m (8'2")	2.90 m (9'6")	2.50 m (8'2")	2.90 m (9'6")	2.50 m (8'2")	2.90 m (9'6")	2.50 m (8'2")	2.90 m (9'6")
Stick Length	Hydraulic Hammers								
		H115 GC S	✓		✓	✓	✓		✓
		H115 S	✓	✓	✓	✓	✓	✓	✓
Demolition and Sorting Grapples		G217 GC			✓				✓
		G217 GC Fixed CAN	✓		✓	✓	✓		✓
Compactors (Vibratory Plate)		CVP75	✓	✓	✓	✓	✓	✓	✓
		CVP110	✓	✓	✓	✓	✓	✓	✓

NOTE: Use hammers on tiltrotators less than 10% of working hours per year or maximum 200 hours per year. Refer to your Operation and Maintenance Manual for recommended hydraulic flow requirements.

TRS18 (PIN-ON TOP/CW-30 BOTTOM) ATTACHMENTS (continued)

Some attachments require more hydraulic flow and are best suited with a machine that has HP2 circuits and a tiltrotator with a high flow swivel. Check the hydraulic capability of your machine and tiltrotator and the requirements of your attachment to ensure a proper match.

Undercarriage

Front and Rear Outriggers

Counterweight		4200 kg (9,260 lb)				3600 kg (7,937 lb)			
		VA		1 PC		VA		1 PC	
Boom Type		2.50 m (8'2")	2.90 m (9'6")	2.50 m (8'2")	2.90 m (9'6")	2.50 m (8'2")	2.90 m (9'6")	2.50 m (8'2")	2.90 m (9'6")
Stick Length	Hydraulic Hammers								
		H115 GC S	✓		✓	✓	✓		✓
		H115 S	✓	✓	✓	✓	✓	✓	✓
Demolition and Sorting Grapples		G217 GC			✓				✓
		G217 GC Fixed CAN	✓		✓	✓	✓		✓
Compactors (Vibratory Plate)		CVP75	✓	✓	✓	✓	✓	✓	✓
		CVP110	✓	✓	✓	✓	✓	✓	✓

NOTE: Use hammers on tiltrotators less than 10% of working hours per year or maximum 200 hours per year. Refer to your Operation and Maintenance Manual for recommended hydraulic flow requirements.

TRS18 (PIN-ON TOP/CW-30 BOTTOM) ATTACHMENTS (continued)

Some attachments require more hydraulic flow and are best suited with a machine that has HP2 circuits and a tiltrotator with a high flow swivel. Check the hydraulic capability of your machine and tiltrotator and the requirements of your attachment to ensure a proper match.

Undercarriage

Front Outriggers; Rear Blade (Wide Undercarriage)

Counterweight		4200 kg (9,260 lb)				3600 kg (7,937 lb)			
		VA		1 PC		VA		1 PC	
Boom Type		2.50 m (8'2")	2.90 m (9'6")	2.50 m (8'2")	2.90 m (9'6")	2.50 m (8'2")	2.90 m (9'6")	2.50 m (8'2")	2.90 m (9'6")
Stick Length	Hydraulic Hammers								
		H115 GC S	✓		✓	✓	✓		✓
		H115 S	✓	✓	✓	✓	✓	✓	✓
Demolition and Sorting Grapples		G217 GC			✓				✓
		G217 GC Fixed CAN	✓		✓	✓	✓		✓
Compactors (Vibratory Plate)		CVP75	✓	✓	✓	✓	✓	✓	✓
		CVP110	✓	✓	✓	✓	✓	✓	✓

NOTE: Use hammers on tiltrotators less than 10% of working hours per year or maximum 200 hours per year. Refer to your Operation and Maintenance Manual for recommended hydraulic flow requirements.

(continued on next page)

M320 Wheeled Excavator Specifications

Attachments Offering Guide – Europe (continued)

Not all Attachments are available in all regions. Consult your Cat dealer for configurations available in your region.

Match

* Working range front only

No Match

TRS18 (PIN-ON TOP/CW-30 BOTTOM) ATTACHMENTS (continued)

Some attachments require more hydraulic flow and are best suited with a machine that has HP2 circuits and a tiltrotator with a high flow swivel. Check the hydraulic capability of your machine and tiltrotator and the requirements of your attachment to ensure a proper match.

Undercarriage

Front Outriggers; Rear Blade

Counterweight		4200 kg (9,260 lb)				3600 kg (7,937 lb)			
Boom Type		VA		1 PC		VA		1 PC	
Stick Length		2.50 m (8'2")	2.90 m (9'6")	2.50 m (8'2")	2.90 m (9'6")	2.50 m (8'2")	2.90 m (9'6")	2.50 m (8'2")	2.90 m (9'6")
Hydraulic Hammers	H115 GC S	✓		✓	✓	✓		✓	✓
	H115 S	✓	✓	✓	✓	✓	✓	✓	✓
Demolition and Sorting Grapples	G217 GC			✓				✓	
	G217 GC Fixed CAN	✓		✓	✓	✓		✓	✓
Compactors (Vibratory Plate)	CVP75	✓	✓	✓	✓	✓	✓	✓	✓
	CVP110	✓	✓	✓	✓	✓	✓	✓	✓

NOTE: Use hammers on tiltrotators less than 10% of working hours per year or maximum 200 hours per year. Refer to your Operation and Maintenance Manual for recommended hydraulic flow requirements.

TRS18 (PIN-ON TOP/CW-30 BOTTOM) ATTACHMENTS (continued)

Some attachments require more hydraulic flow and are best suited with a machine that has HP2 circuits and a tiltrotator with a high flow swivel. Check the hydraulic capability of your machine and tiltrotator and the requirements of your attachment to ensure a proper match.

Undercarriage

Rear Blade

Counterweight		4200 kg (9,260 lb)				3600 kg (7,937 lb)	
Boom Type		VA		1 PC		VA	
Stick Length		2.50 m (8'2")	2.90 m (9'6")	2.50 m (8'2")	2.90 m (9'6")	2.50 m (8'2")	
Hydraulic Hammers	H115 GC S						
	H115 S	✓*					
Demolition and Sorting Grapples	G217 GC						
	G217 GC Fixed CAN						
Compactors (Vibratory Plate)	CVP75	✓	✓	✓	✓*	✓*	
	CVP110	✓*					

NOTE: Use hammers on tiltrotators less than 10% of working hours per year or maximum 200 hours per year. Refer to your Operation and Maintenance Manual for recommended hydraulic flow requirements.

TRS18 (PIN-ON TOP/CW-30 BOTTOM) ATTACHMENTS (continued)

Some attachments require more hydraulic flow and are best suited with a machine that has HP2 circuits and a tiltrotator with a high flow swivel. Check the hydraulic capability of your machine and tiltrotator and the requirements of your attachment to ensure a proper match.

Undercarriage

Rear Blade (Wide Undercarriage)

Counterweight		4200 kg (9,260 lb)				3600 kg (7,937 lb)			
Boom Type		VA		1 PC		VA		1 PC	
Stick Length		2.50 m (8'2")	2.90 m (9'6")	2.50 m (8'2")	2.90 m (9'6")	2.50 m (8'2")	2.90 m (9'6")	2.50 m (8'2")	2.90 m (9'6")
Hydraulic Hammers	H115 GC S	✓		✓*					
	H115 S	✓	✓	✓	✓*	✓*			
Demolition and Sorting Grapples	G217 GC								
	G217 GC Fixed CAN	✓*							
Compactors (Vibratory Plate)	CVP75	✓	✓	✓	✓	✓	✓	✓	✓*
	CVP110	✓	✓	✓	✓*	✓*			

NOTE: Use hammers on tiltrotators less than 10% of working hours per year or maximum 200 hours per year. Refer to your Operation and Maintenance Manual for recommended hydraulic flow requirements.

(continued on next page)

M320 Wheeled Excavator Specifications

Attachments Offering Guide – Europe (continued)

Not all Attachments are available in all regions. Consult your Cat dealer for configurations available in your region.

Match

* Working range front only

No Match

TRS18 (CW-30 TOP/CW-30 BOTTOM) ATTACHMENTS

Some attachments require more hydraulic flow and are best suited with a machine that has HP2 circuits and a tiltrotator with a high flow swivel. Check the hydraulic capability of your machine and tiltrotator and the requirements of your attachment to ensure a proper match.

Undercarriage

Front Blade; Rear Outriggers

Counterweight	4200 kg (9,260 lb)				3600 kg (7,937 lb)			
	VA		1 PC		VA		1 PC	
Boom Type	2.50 m (8'2")	2.90 m (9'6")	2.50 m (8'2")	2.90 m (9'6")	2.50 m (8'2")	2.90 m (9'6")	2.50 m (8'2")	2.90 m (9'6")
Hydraulic Hammers	H115 GC S		✓				✓	
	H115 S		✓	✓	✓		✓	✓
Demolition and Sorting Grapples	G217 GC		✓				✓*	
	G217 GC Fixed CAN		✓				✓	
Compactors (Vibratory Plate)	CVP75		✓	✓	✓	✓	✓	✓
	CVP110		✓	✓	✓		✓	✓

NOTE: Use hammers on tiltrotators less than 10% of working hours per year or maximum 200 hours per year. Refer to your Operation and Maintenance Manual for recommended hydraulic flow requirements.

TRS18 (CW-30 TOP/CW-30 BOTTOM) ATTACHMENTS (continued)

Some attachments require more hydraulic flow and are best suited with a machine that has HP2 circuits and a tiltrotator with a high flow swivel. Check the hydraulic capability of your machine and tiltrotator and the requirements of your attachment to ensure a proper match.

Undercarriage

Front and Rear Outriggers

Counterweight	4200 kg (9,260 lb)				3600 kg (7,937 lb)			
	VA		1 PC		VA		1 PC	
Boom Type	2.50 m (8'2")	2.90 m (9'6")	2.50 m (8'2")	2.90 m (9'6")	2.50 m (8'2")	2.90 m (9'6")	2.50 m (8'2")	2.90 m (9'6")
Hydraulic Hammers	H115 GC S		✓				✓	
	H115 S		✓	✓	✓		✓	✓
Demolition and Sorting Grapples	G217 GC		✓				✓	
	G217 GC Fixed CAN		✓				✓	
Compactors (Vibratory Plate)	CVP75		✓	✓	✓	✓	✓	✓
	CVP110		✓	✓	✓		✓	✓

NOTE: Use hammers on tiltrotators less than 10% of working hours per year or maximum 200 hours per year. Refer to your Operation and Maintenance Manual for recommended hydraulic flow requirements.

TRS18 (CW-30 TOP/CW-30 BOTTOM) ATTACHMENTS (continued)

Some attachments require more hydraulic flow and are best suited with a machine that has HP2 circuits and a tiltrotator with a high flow swivel. Check the hydraulic capability of your machine and tiltrotator and the requirements of your attachment to ensure a proper match.

Undercarriage

Front Outriggers; Rear Blade (Wide Undercarriage)

Counterweight	4200 kg (9,260 lb)				3600 kg (7,937 lb)			
	VA		1 PC		VA		1 PC	
Boom Type	2.50 m (8'2")	2.90 m (9'6")	2.50 m (8'2")	2.90 m (9'6")	2.50 m (8'2")	2.90 m (9'6")	2.50 m (8'2")	2.90 m (9'6")
Hydraulic Hammers	H115 GC S		✓				✓	
	H115 S		✓	✓	✓		✓	✓
Demolition and Sorting Grapples	G217 GC		✓				✓*	
	G217 GC Fixed CAN		✓				✓	
Compactors (Vibratory Plate)	CVP75		✓	✓	✓	✓	✓	✓
	CVP110		✓	✓	✓		✓	✓

NOTE: Use hammers on tiltrotators less than 10% of working hours per year or maximum 200 hours per year. Refer to your Operation and Maintenance Manual for recommended hydraulic flow requirements.

(continued on next page)

M320 Wheeled Excavator Specifications

Attachments Offering Guide – Europe (continued)

Not all Attachments are available in all regions. Consult your Cat dealer for configurations available in your region.

Match

* Working range front only

No Match

TRS18 (CW-30 TOP/CW-30 BOTTOM) ATTACHMENTS (continued)

Some attachments require more hydraulic flow and are best suited with a machine that has HP2 circuits and a tiltrotator with a high flow swivel. Check the hydraulic capability of your machine and tiltrotator and the requirements of your attachment to ensure a proper match.

Undercarriage		Front Outriggers; Rear Blade							
Counterweight		4200 kg (9,260 lb)				3600 kg (7,937 lb)			
Boom Type		VA		1 PC		VA		1 PC	
Stick Length		2.50 m (8'2")	2.90 m (9'6")	2.50 m (8'2")	2.90 m (9'6")	2.50 m (8'2")	2.90 m (9'6")	2.50 m (8'2")	2.90 m (9'6")
Hydraulic Hammers	H115 GC S			✓				✓	
	H115 S	✓		✓	✓	✓		✓	✓
Demolition and Sorting Grapples	G217 GC			✓					
	G217 GC Fixed CAN			✓				✓*	
Compactors (Vibratory Plate)	CVP75	✓	✓	✓	✓	✓	✓	✓	✓
	CVP110	✓		✓	✓	✓		✓	✓

NOTE: Use hammers on tiltrotators less than 10% of working hours per year or maximum 200 hours per year. Refer to your Operation and Maintenance Manual for recommended hydraulic flow requirements.

TRS18 (CW-30 TOP/CW-30 BOTTOM) ATTACHMENTS (continued)

Some attachments require more hydraulic flow and are best suited with a machine that has HP2 circuits and a tiltrotator with a high flow swivel. Check the hydraulic capability of your machine and tiltrotator and the requirements of your attachment to ensure a proper match.

Undercarriage		Rear Blade	
Counterweight		4200 kg (9,260 lb)	
Boom Type		VA	
Stick Length		2.50 m (8'2")	
Hydraulic Hammers	H115 GC S		
	H115 S		
Demolition and Sorting Grapples	G217 GC		
	G217 GC Fixed CAN		
Compactors (Vibratory Plate)	CVP75		✓*
	CVP110		

NOTE: Use hammers on tiltrotators less than 10% of working hours per year or maximum 200 hours per year. Refer to your Operation and Maintenance Manual for recommended hydraulic flow requirements.

TRS18 (CW-30 TOP/CW-30 BOTTOM) ATTACHMENTS (continued)

Some attachments require more hydraulic flow and are best suited with a machine that has HP2 circuits and a tiltrotator with a high flow swivel. Check the hydraulic capability of your machine and tiltrotator and the requirements of your attachment to ensure a proper match.

Undercarriage		Rear Blade (Wide Undercarriage)			
Counterweight		4200 kg (9,260 lb)		3600 kg (7,937 lb)	
Boom Type		VA		1 PC	
Stick Length		2.50 m (8'2")	2.90 m (9'6")	2.50 m (8'2")	2.50 m (8'2")
Hydraulic Hammers	H115 GC S				
	H115 S		✓*		
Demolition and Sorting Grapples	G217 GC				
	G217 GC Fixed CAN				
Compactors (Vibratory Plate)	CVP75	✓	✓	✓*	✓*
	CVP110	✓*			

NOTE: Use hammers on tiltrotators less than 10% of working hours per year or maximum 200 hours per year. Refer to your Operation and Maintenance Manual for recommended hydraulic flow requirements.

(continued on next page)

M320 Wheeled Excavator Specifications

Attachments Offering Guide – Europe (continued)

Not all Attachments are available in all regions. Consult your Cat dealer for configurations available in your region.

Match

* Working range front only

No Match

TRS18 (PIN-ON TOP/S70 BOTTOM) ATTACHMENTS

Some attachments require more hydraulic flow and are best suited with a machine that has HP2 circuits and a tiltrotator with a high flow swivel. Check the hydraulic capability of your machine and tiltrotator and the requirements of your attachment to ensure a proper match.

Undercarriage

Front Blade; Rear Outriggers

Counterweight	4200 kg (9,260 lb)				3600 kg (7,937 lb)			
	VA		1 PC		VA		1 PC	
Boom Type	2.50 m (8'2")	2.90 m (9'6")	2.50 m (8'2")	2.90 m (9'6")	2.50 m (8'2")	2.90 m (9'6")	2.50 m (8'2")	2.90 m (9'6")
Stick Length								
	Hydraulic Hammers							
	H115 GC S	✓		✓	✓		✓	✓
	H115 S	✓	✓	✓	✓	✓	✓	✓
Demolition and Sorting Grapples	G217 GC			✓	✓		✓	✓
Compactors (Vibratory Plate)	CVP75	✓	✓	✓	✓	✓	✓	✓
	CVP110	✓	✓	✓	✓	✓	✓	✓

NOTE: Use hammers on tiltrotators less than 10% of working hours per year or maximum 200 hours per year. Refer to your Operation and Maintenance Manual for recommended hydraulic flow requirements.

TRS18 (PIN-ON TOP/S70 BOTTOM) ATTACHMENTS (continued)

Some attachments require more hydraulic flow and are best suited with a machine that has HP2 circuits and a tiltrotator with a high flow swivel. Check the hydraulic capability of your machine and tiltrotator and the requirements of your attachment to ensure a proper match.

Undercarriage

Front and Rear Outriggers

Counterweight	4200 kg (9,260 lb)				3600 kg (7,937 lb)			
	VA		1 PC		VA		1 PC	
Boom Type	2.50 m (8'2")	2.90 m (9'6")	2.50 m (8'2")	2.90 m (9'6")	2.50 m (8'2")	2.90 m (9'6")	2.50 m (8'2")	2.90 m (9'6")
Stick Length								
	Hydraulic Hammers							
	H115 GC S	✓		✓	✓		✓	✓
	H115 S	✓	✓	✓	✓	✓	✓	✓
Demolition and Sorting Grapples	G217 GC			✓	✓		✓	✓
Compactors (Vibratory Plate)	CVP75	✓	✓	✓	✓	✓	✓	✓
	CVP110	✓	✓	✓	✓	✓	✓	✓

NOTE: Use hammers on tiltrotators less than 10% of working hours per year or maximum 200 hours per year. Refer to your Operation and Maintenance Manual for recommended hydraulic flow requirements.

TRS18 (PIN-ON TOP/S70 BOTTOM) ATTACHMENTS (continued)

Some attachments require more hydraulic flow and are best suited with a machine that has HP2 circuits and a tiltrotator with a high flow swivel. Check the hydraulic capability of your machine and tiltrotator and the requirements of your attachment to ensure a proper match.

Undercarriage

Front Outriggers; Rear Blade (Wide Undercarriage)

Counterweight	4200 kg (9,260 lb)				3600 kg (7,937 lb)			
	VA		1 PC		VA		1 PC	
Boom Type	2.50 m (8'2")	2.90 m (9'6")	2.50 m (8'2")	2.90 m (9'6")	2.50 m (8'2")	2.90 m (9'6")	2.50 m (8'2")	2.90 m (9'6")
Stick Length								
	Hydraulic Hammers							
	H115 GC S	✓		✓	✓		✓	✓
	H115 S	✓	✓	✓	✓	✓	✓	✓
Demolition and Sorting Grapples	G217 GC			✓	✓		✓	✓
Compactors (Vibratory Plate)	CVP75	✓	✓	✓	✓	✓	✓	✓
	CVP110	✓	✓	✓	✓	✓	✓	✓

NOTE: Use hammers on tiltrotators less than 10% of working hours per year or maximum 200 hours per year. Refer to your Operation and Maintenance Manual for recommended hydraulic flow requirements.

(continued on next page)

M320 Wheeled Excavator Specifications

Attachments Offering Guide – Europe (continued)

Not all Attachments are available in all regions. Consult your Cat dealer for configurations available in your region.

Match

* Working range front only

No Match

TRS18 (PIN-ON TOP/S70 BOTTOM) ATTACHMENTS (continued)

Some attachments require more hydraulic flow and are best suited with a machine that has HP2 circuits and a tiltrotator with a high flow swivel. Check the hydraulic capability of your machine and tiltrotator and the requirements of your attachment to ensure a proper match.

Undercarriage		Front Outriggers; Rear Blade								
		4200 kg (9,260 lb)				3600 kg (7,937 lb)				
Counterweight		VA		1 PC		VA		1 PC		
Boom Type		2.50 m (8'2")	2.90 m (9'6")	2.50 m (8'2")	2.90 m (9'6")	2.50 m (8'2")	2.90 m (9'6")	2.50 m (8'2")	2.90 m (9'6")	
Stick Length	Hydraulic Hammers	H115 GC S	✓		✓	✓	✓		✓	✓
		H115 S	✓	✓	✓	✓	✓	✓	✓	✓
	Demolition and Sorting Grapples	G217 GC			✓	✓			✓	✓*
	Compactors (Vibratory Plate)	CVP75	✓	✓	✓	✓	✓	✓	✓	✓
		CVP110				✓*		✓	✓*	✓*

NOTE: Use hammers on tiltrotators less than 10% of working hours per year or maximum 200 hours per year. Refer to your Operation and Maintenance Manual for recommended hydraulic flow requirements.

TRS18 (PIN-ON TOP/S70 BOTTOM) ATTACHMENTS (continued)

Some attachments require more hydraulic flow and are best suited with a machine that has HP2 circuits and a tiltrotator with a high flow swivel. Check the hydraulic capability of your machine and tiltrotator and the requirements of your attachment to ensure a proper match.

Undercarriage		Rear Blade							
		4200 kg (9,260 lb)				3600 kg (7,937 lb)			
Counterweight		VA		1 PC		VA		1 PC	
Boom Type		2.50 m (8'2")	2.90 m (9'6")	2.50 m (8'2")	2.90 m (9'6")	2.50 m (8'2")	2.90 m (9'6")	2.50 m (8'2")	2.90 m (9'6")
Stick Length	Hydraulic Hammers	H115 GC S	✓*						
		H115 S	✓	✓*	✓*				
	Demolition and Sorting Grapples	G217 GC							
	Compactors (Vibratory Plate)	CVP75	✓	✓	✓	✓	✓	✓*	✓*
		CVP110		✓	✓*	✓	✓*	✓	✓

NOTE: Use hammers on tiltrotators less than 10% of working hours per year or maximum 200 hours per year. Refer to your Operation and Maintenance Manual for recommended hydraulic flow requirements.

TRS18 (PIN-ON TOP/S70 BOTTOM) ATTACHMENTS (continued)

Some attachments require more hydraulic flow and are best suited with a machine that has HP2 circuits and a tiltrotator with a high flow swivel. Check the hydraulic capability of your machine and tiltrotator and the requirements of your attachment to ensure a proper match.

Undercarriage		Rear Blade (Wide Undercarriage)							
		4200 kg (9,260 lb)				3600 kg (7,937 lb)			
Counterweight		VA		1 PC		VA		1 PC	
Boom Type		2.50 m (8'2")	2.90 m (9'6")	2.50 m (8'2")	2.90 m (9'6")	2.50 m (8'2")	2.90 m (9'6")	2.50 m (8'2")	2.90 m (9'6")
Stick Length	Hydraulic Hammers	H115 GC S	✓		✓*	✓*			
		H115 S	✓	✓	✓	✓*	✓	✓*	✓*
	Demolition and Sorting Grapples	G217 GC							
	Compactors (Vibratory Plate)	CVP75	✓	✓	✓	✓	✓	✓	✓
		CVP110	✓	✓	✓	✓	✓	✓	✓

NOTE: Use hammers on tiltrotators less than 10% of working hours per year or maximum 200 hours per year. Refer to your Operation and Maintenance Manual for recommended hydraulic flow requirements.

(continued on next page)

M320 Wheeled Excavator Specifications

Attachments Offering Guide – Europe (continued)

Not all Attachments are available in all regions. Consult your Cat dealer for configurations available in your region.

Match

* Working range front only

No Match

TRS18 (S70 TOP/S70 BOTTOM) ATTACHMENTS

Some attachments require more hydraulic flow and are best suited with a machine that has HP2 circuits and a tiltrotator with a high flow swivel. Check the hydraulic capability of your machine and tiltrotator and the requirements of your attachment to ensure a proper match.

Undercarriage

Front Blade; Rear Outriggers

Counterweight	4200 kg (9,260 lb)				3600 kg (7,937 lb)			
	VA		1 PC		VA		1 PC	
Boom Type	2.50 m (8'2")	2.90 m (9'6")	2.50 m (8'2")	2.90 m (9'6")	2.50 m (8'2")	2.90 m (9'6")	2.50 m (8'2")	2.90 m (9'6")
Hydraulic Hammers	H115 GC S		✓	✓			✓	✓
	H115 S		✓		✓	✓		✓
Demolition and Sorting Grapples	G217 GC			✓			✓*	
Compactors (Vibratory Plate)	CVP75		✓	✓	✓	✓	✓	✓
	CVP110		✓		✓	✓		✓

NOTE: Use hammers on tiltrotators less than 10% of working hours per year or maximum 200 hours per year. Refer to your Operation and Maintenance Manual for recommended hydraulic flow requirements.

TRS18 (S70 TOP/S70 BOTTOM) ATTACHMENTS (continued)

Some attachments require more hydraulic flow and are best suited with a machine that has HP2 circuits and a tiltrotator with a high flow swivel. Check the hydraulic capability of your machine and tiltrotator and the requirements of your attachment to ensure a proper match.

Undercarriage

Front and Rear Outriggers

Counterweight	4200 kg (9,260 lb)				3600 kg (7,937 lb)			
	VA		1 PC		VA		1 PC	
Boom Type	2.50 m (8'2")	2.90 m (9'6")	2.50 m (8'2")	2.90 m (9'6")	2.50 m (8'2")	2.90 m (9'6")	2.50 m (8'2")	2.90 m (9'6")
Hydraulic Hammers	H115 GC S		✓	✓			✓	✓
	H115 S		✓		✓	✓		✓
Demolition and Sorting Grapples	G217 GC			✓			✓	
Compactors (Vibratory Plate)	CVP75		✓	✓	✓	✓	✓	✓
	CVP110		✓		✓	✓		✓

NOTE: Use hammers on tiltrotators less than 10% of working hours per year or maximum 200 hours per year. Refer to your Operation and Maintenance Manual for recommended hydraulic flow requirements.

TRS18 (S70 TOP/S70 BOTTOM) ATTACHMENTS (continued)

Some attachments require more hydraulic flow and are best suited with a machine that has HP2 circuits and a tiltrotator with a high flow swivel. Check the hydraulic capability of your machine and tiltrotator and the requirements of your attachment to ensure a proper match.

Undercarriage

Front Outriggers; Rear Blade (Wide Undercarriage)

Counterweight	4200 kg (9,260 lb)				3600 kg (7,937 lb)			
	VA		1 PC		VA		1 PC	
Boom Type	2.50 m (8'2")	2.90 m (9'6")	2.50 m (8'2")	2.90 m (9'6")	2.50 m (8'2")	2.90 m (9'6")	2.50 m (8'2")	2.90 m (9'6")
Hydraulic Hammers	H115 GC S		✓	✓			✓	✓
	H115 S		✓		✓	✓		✓
Demolition and Sorting Grapples	G217 GC			✓			✓*	
Compactors (Vibratory Plate)	CVP75		✓	✓	✓	✓	✓	✓
	CVP110		✓		✓	✓		✓

NOTE: Use hammers on tiltrotators less than 10% of working hours per year or maximum 200 hours per year. Refer to your Operation and Maintenance Manual for recommended hydraulic flow requirements.

(continued on next page)

M320 Wheeled Excavator Specifications

Attachments Offering Guide – Europe (continued)

Not all Attachments are available in all regions. Consult your Cat dealer for configurations available in your region.

Match

* Working range front only

No Match

TRS18 (S70 TOP/S70 BOTTOM) ATTACHMENTS (continued)

Some attachments require more hydraulic flow and are best suited with a machine that has HP2 circuits and a tiltrotator with a high flow swivel. Check the hydraulic capability of your machine and tiltrotator and the requirements of your attachment to ensure a proper match.

Undercarriage

Front Outriggers; Rear Blade

Counterweight	4200 kg (9,260 lb)				3600 kg (7,937 lb)			
	VA		1 PC		VA		1 PC	
Boom Type	2.50 m (8'2")	2.90 m (9'6")	2.50 m (8'2")	2.90 m (9'6")	2.50 m (8'2")	2.90 m (9'6")	2.50 m (8'2")	2.90 m (9'6")
Stick Length								
Hydraulic Hammers	H115 GC S		✓	✓			✓	✓
	H115 S		✓		✓	✓	✓	✓
Demolition and Sorting Grapples	G217 GC		✓					
Compactors (Vibratory Plate)	CVP75		✓	✓	✓	✓	✓	✓
	CVP110		✓		✓	✓	✓	✓

NOTE: Use hammers on tiltrotators less than 10% of working hours per year or maximum 200 hours per year. Refer to your Operation and Maintenance Manual for recommended hydraulic flow requirements.

TRS18 (S70 TOP/S70 BOTTOM) ATTACHMENTS (continued)

Some attachments require more hydraulic flow and are best suited with a machine that has HP2 circuits and a tiltrotator with a high flow swivel. Check the hydraulic capability of your machine and tiltrotator and the requirements of your attachment to ensure a proper match.

Undercarriage

Rear Blade

Counterweight	4200 kg (9,260 lb)		
	VA		1 PC
Boom Type	2.50 m (8'2")		2.90 m (9'6")
Stick Length	2.50 m (8'2")		2.50 m (8'2")
Hydraulic Hammers	H115 GC S		
	H115 S		
Demolition and Sorting Grapples	G217 GC		
Compactors (Vibratory Plate)	CVP75		✓*
	CVP110		✓*

NOTE: Use hammers on tiltrotators less than 10% of working hours per year or maximum 200 hours per year. Refer to your Operation and Maintenance Manual for recommended hydraulic flow requirements.

TRS18 (S70 TOP/S70 BOTTOM) ATTACHMENTS (continued)

Some attachments require more hydraulic flow and are best suited with a machine that has HP2 circuits and a tiltrotator with a high flow swivel. Check the hydraulic capability of your machine and tiltrotator and the requirements of your attachment to ensure a proper match.

Undercarriage

Rear Blade (Wide Undercarriage)

Counterweight	4200 kg (9,260 lb)				3600 kg (7,937 lb)		
	VA		1 PC		VA		1 PC
Boom Type	2.50 m (8'2")	2.90 m (9'6")	2.50 m (8'2")	2.90 m (9'6")	2.50 m (8'2")	2.90 m (9'6")	2.50 m (8'2")
Stick Length							
Hydraulic Hammers	H115 GC S						
	H115 S		✓				
Demolition and Sorting Grapples	G217 GC						
Compactors (Vibratory Plate)	CVP75		✓	✓	✓	✓*	✓*
	CVP110		✓				

NOTE: Use hammers on tiltrotators less than 10% of working hours per year or maximum 200 hours per year. Refer to your Operation and Maintenance Manual for recommended hydraulic flow requirements.

(continued on next page)

M320 Wheeled Excavator Specifications

Attachments Offering Guide – Europe (continued)

Not all Attachments are available in all regions. Consult your Cat dealer for configurations available in your region.

Match

* Working range front only

No Match

TRS18 (PIN-ON TOP/HCS70 BOTTOM) ATTACHMENTS

Some attachments require more hydraulic flow and are best suited with a machine that has HP2 circuits and a tiltrotator with a high flow swivel. Check the hydraulic capability of your machine and tiltrotator and the requirements of your attachment to ensure a proper match.

Undercarriage

Front Blade; Rear Outriggers

Counterweight		4200 kg (9,260 lb)				3600 kg (7,937 lb)			
Boom Type		VA		1 PC		VA		1 PC	
Stick Length		2.50 m (8'2")	2.90 m (9'6")	2.50 m (8'2")	2.90 m (9'6")	2.50 m (8'2")	2.90 m (9'6")	2.50 m (8'2")	2.90 m (9'6")
Hydraulic Hammers	H115 S	✓	✓	✓	✓	✓	✓	✓	✓
Compactors (Vibratory Plate)	CVP75	✓	✓	✓	✓	✓	✓	✓	✓
	CVP110	✓	✓	✓	✓	✓	✓	✓	✓

NOTE: Use hammers on tiltrotators less than 10% of working hours per year or maximum 200 hours per year. Refer to your Operation and Maintenance Manual for recommended hydraulic flow requirements.

TRS18 (PIN-ON TOP/HCS70 BOTTOM) ATTACHMENTS (continued)

Some attachments require more hydraulic flow and are best suited with a machine that has HP2 circuits and a tiltrotator with a high flow swivel. Check the hydraulic capability of your machine and tiltrotator and the requirements of your attachment to ensure a proper match.

Undercarriage

Front and Rear Outriggers

Counterweight		4200 kg (9,260 lb)				3600 kg (7,937 lb)			
Boom Type		VA		1 PC		VA		1 PC	
Stick Length		2.50 m (8'2")	2.90 m (9'6")	2.50 m (8'2")	2.90 m (9'6")	2.50 m (8'2")	2.90 m (9'6")	2.50 m (8'2")	2.90 m (9'6")
Hydraulic Hammers	H115 S	✓	✓	✓	✓	✓	✓	✓	✓
Compactors (Vibratory Plate)	CVP75	✓	✓	✓	✓	✓	✓	✓	✓
	CVP110	✓	✓	✓	✓	✓	✓	✓	✓

NOTE: Use hammers on tiltrotators less than 10% of working hours per year or maximum 200 hours per year. Refer to your Operation and Maintenance Manual for recommended hydraulic flow requirements.

TRS18 (PIN-ON TOP/HCS70 BOTTOM) ATTACHMENTS (continued)

Some attachments require more hydraulic flow and are best suited with a machine that has HP2 circuits and a tiltrotator with a high flow swivel. Check the hydraulic capability of your machine and tiltrotator and the requirements of your attachment to ensure a proper match.

Undercarriage

Front Outriggers; Rear Blade (Wide Undercarriage)

Counterweight		4200 kg (9,260 lb)				3600 kg (7,937 lb)			
Boom Type		VA		1 PC		VA		1 PC	
Stick Length		2.50 m (8'2")	2.90 m (9'6")	2.50 m (8'2")	2.90 m (9'6")	2.50 m (8'2")	2.90 m (9'6")	2.50 m (8'2")	2.90 m (9'6")
Hydraulic Hammers	H115 S	✓	✓	✓	✓	✓	✓	✓	✓
Compactors (Vibratory Plate)	CVP75	✓	✓	✓	✓	✓	✓	✓	✓
	CVP110	✓	✓	✓	✓	✓	✓	✓	✓

NOTE: Use hammers on tiltrotators less than 10% of working hours per year or maximum 200 hours per year. Refer to your Operation and Maintenance Manual for recommended hydraulic flow requirements.

(continued on next page)

M320 Wheeled Excavator Specifications

Attachments Offering Guide – Europe (continued)

Not all Attachments are available in all regions. Consult your Cat dealer for configurations available in your region.

Match

* Working range front only

No Match

TRS18 (PIN-ON TOP/HCS70 BOTTOM) ATTACHMENTS (continued)

Some attachments require more hydraulic flow and are best suited with a machine that has HP2 circuits and a tiltrotator with a high flow swivel. Check the hydraulic capability of your machine and tiltrotator and the requirements of your attachment to ensure a proper match.

Undercarriage

Front Outriggers; Rear Blade

Counterweight		4200 kg (9,260 lb)				3600 kg (7,937 lb)			
Boom Type		VA		1 PC		VA		1 PC	
Stick Length		2.50 m (8'2")	2.90 m (9'6")	2.50 m (8'2")	2.90 m (9'6")	2.50 m (8'2")	2.90 m (9'6")	2.50 m (8'2")	2.90 m (9'6")
Hydraulic Hammers	H115 S	✓	✓	✓	✓	✓	✓	✓	✓
Compactors (Vibratory Plate)	CVP75	✓	✓	✓	✓	✓	✓	✓	✓
	CVP110	✓	✓	✓	✓	✓	✓	✓	✓

NOTE: Use hammers on tiltrotators less than 10% of working hours per year or maximum 200 hours per year. Refer to your Operation and Maintenance Manual for recommended hydraulic flow requirements.

TRS18 (PIN-ON TOP/HCS70 BOTTOM) ATTACHMENTS (continued)

Some attachments require more hydraulic flow and are best suited with a machine that has HP2 circuits and a tiltrotator with a high flow swivel. Check the hydraulic capability of your machine and tiltrotator and the requirements of your attachment to ensure a proper match.

Undercarriage

Rear Blade

Counterweight		4200 kg (9,260 lb)				3600 kg (7,937 lb)	
Boom Type		VA		1 PC		VA	
Stick Length		2.50 m (8'2")	2.90 m (9'6")	2.50 m (8'2")	2.90 m (9'6")	2.50 m (8'2")	
Hydraulic Hammers	H115 S	✓*					
Compactors (Vibratory Plate)	CVP75	✓	✓	✓	✓*	✓*	
	CVP110	✓*					

NOTE: Use hammers on tiltrotators less than 10% of working hours per year or maximum 200 hours per year. Refer to your Operation and Maintenance Manual for recommended hydraulic flow requirements.

TRS18 (PIN-ON TOP/HCS70 BOTTOM) ATTACHMENTS (continued)

Some attachments require more hydraulic flow and are best suited with a machine that has HP2 circuits and a tiltrotator with a high flow swivel. Check the hydraulic capability of your machine and tiltrotator and the requirements of your attachment to ensure a proper match.

Undercarriage

Rear Blade (Wide Undercarriage)

Counterweight		4200 kg (9,260 lb)				3600 kg (7,937 lb)			
Boom Type		VA		1 PC		VA		1 PC	
Stick Length		2.50 m (8'2")	2.90 m (9'6")	2.50 m (8'2")	2.90 m (9'6")	2.50 m (8'2")	2.90 m (9'6")	2.50 m (8'2")	2.90 m (9'6")
Hydraulic Hammers	H115 S	✓	✓	✓	✓*	✓*			
Compactors (Vibratory Plate)	CVP75	✓	✓	✓	✓	✓	✓	✓	✓*
	CVP110	✓	✓	✓	✓*	✓*			

NOTE: Use hammers on tiltrotators less than 10% of working hours per year or maximum 200 hours per year. Refer to your Operation and Maintenance Manual for recommended hydraulic flow requirements.

(continued on next page)

M320 Wheeled Excavator Specifications

Attachments Offering Guide – Europe (continued)

Not all Attachments are available in all regions. Consult your Cat dealer for configurations available in your region.

Match

* Working range front only

No Match

TRS18 (HCS70 TOP/HCS70 BOTTOM) ATTACHMENTS

Some attachments require more hydraulic flow and are best suited with a machine that has HP2 circuits and a tiltrotator with a high flow swivel. Check the hydraulic capability of your machine and tiltrotator and the requirements of your attachment to ensure a proper match.

Undercarriage

Front Blade; Rear Outriggers

Counterweight	4200 kg (9,260 lb)			3600 kg (7,937 lb)		
Boom Type	VA	1 PC		VA	1 PC	
Stick Length	2.50 m (8'2")	2.50 m (8'2")	2.90 m (9'6")	2.50 m (8'2")	2.50 m (8'2")	2.90 m (9'6")
Hydraulic Hammers	H115 S	✓	✓	✓	✓	✓
Compactors (Vibratory Plate)	CVP75	✓	✓	✓	✓	✓
	CVP110	✓	✓	✓	✓	✓

NOTE: Use hammers on tiltrotators less than 10% of working hours per year or maximum 200 hours per year. Refer to your Operation and Maintenance Manual for recommended hydraulic flow requirements.

TRS18 (HCS70 TOP/HCS70 BOTTOM) ATTACHMENTS (continued)

Some attachments require more hydraulic flow and are best suited with a machine that has HP2 circuits and a tiltrotator with a high flow swivel. Check the hydraulic capability of your machine and tiltrotator and the requirements of your attachment to ensure a proper match.

Undercarriage

Front and Rear Outriggers

Counterweight	4200 kg (9,260 lb)			3600 kg (7,937 lb)		
Boom Type	VA	1 PC		VA	1 PC	
Stick Length	2.50 m (8'2")	2.50 m (8'2")	2.90 m (9'6")	2.50 m (8'2")	2.50 m (8'2")	2.90 m (9'6")
Hydraulic Hammers	H115 S	✓	✓	✓	✓	✓
Compactors (Vibratory Plate)	CVP75	✓	✓	✓	✓	✓
	CVP110	✓	✓	✓	✓	✓

NOTE: Use hammers on tiltrotators less than 10% of working hours per year or maximum 200 hours per year. Refer to your Operation and Maintenance Manual for recommended hydraulic flow requirements.

TRS18 (HCS70 TOP/HCS70 BOTTOM) ATTACHMENTS (continued)

Some attachments require more hydraulic flow and are best suited with a machine that has HP2 circuits and a tiltrotator with a high flow swivel. Check the hydraulic capability of your machine and tiltrotator and the requirements of your attachment to ensure a proper match.

Undercarriage

Front Outriggers; Rear Blade (Wide Undercarriage)

Counterweight	4200 kg (9,260 lb)			3600 kg (7,937 lb)		
Boom Type	VA	1 PC		VA	1 PC	
Stick Length	2.50 m (8'2")	2.50 m (8'2")	2.90 m (9'6")	2.50 m (8'2")	2.50 m (8'2")	2.90 m (9'6")
Hydraulic Hammers	H115 S	✓	✓	✓	✓	✓
Compactors (Vibratory Plate)	CVP75	✓	✓	✓	✓	✓
	CVP110	✓	✓	✓	✓	✓

NOTE: Use hammers on tiltrotators less than 10% of working hours per year or maximum 200 hours per year. Refer to your Operation and Maintenance Manual for recommended hydraulic flow requirements.

(continued on next page)

M320 Wheeled Excavator Specifications

Attachments Offering Guide – Europe (continued)

Not all Attachments are available in all regions. Consult your Cat dealer for configurations available in your region.

Match

* Working range front only

No Match

TRS18 (HCS70 TOP/HCS70 BOTTOM) ATTACHMENTS (continued)

Some attachments require more hydraulic flow and are best suited with a machine that has HP2 circuits and a tiltrotator with a high flow swivel. Check the hydraulic capability of your machine and tiltrotator and the requirements of your attachment to ensure a proper match.

Undercarriage

Front Outriggers; Rear Blade

Counterweight	4200 kg (9,260 lb)			3600 kg (7,937 lb)		
Boom Type	VA	1 PC		VA	1 PC	
Stick Length	2.50 m (8'2")	2.50 m (8'2")	2.90 m (9'6")	2.50 m (8'2")	2.50 m (8'2")	2.90 m (9'6")
Hydraulic Hammers	H115 S	✓	✓		✓	✓
Compactors (Vibratory Plate)	CVP75	✓	✓	✓	✓	✓
	CVP110		✓	✓	✓	✓

NOTE: Use hammers on tiltrotators less than 10% of working hours per year or maximum 200 hours per year. Refer to your Operation and Maintenance Manual for recommended hydraulic flow requirements.

TRS18 (HCS70 TOP/HCS70 BOTTOM) ATTACHMENTS (continued)

Some attachments require more hydraulic flow and are best suited with a machine that has HP2 circuits and a tiltrotator with a high flow swivel. Check the hydraulic capability of your machine and tiltrotator and the requirements of your attachment to ensure a proper match.

Undercarriage

Rear Blade (Wide Undercarriage)

Counterweight	4200 kg (9,260 lb)	
Boom Type	VA	1 PC
Stick Length	2.50 m (8'2")	2.50 m (8'2")
Hydraulic Hammers	H115 S	
Compactors (Vibratory Plate)	CVP75	✓
	CVP110	✓*

NOTE: Use hammers on tiltrotators less than 10% of working hours per year or maximum 200 hours per year. Refer to your Operation and Maintenance Manual for recommended hydraulic flow requirements.

(continued on next page)

M320 Wheeled Excavator Specifications

Attachments Offering Guide – Europe (continued)

Not all Attachments are available in all regions. Consult your Cat dealer for configurations available in your region.

Match

No Match

TRS18 (PIN-ON TOP/HCS70/55 BOTTOM) ATTACHMENTS

Some attachments require more hydraulic flow and are best suited with a machine that has HP2 circuits and a tiltrotator with a high flow swivel. Check the hydraulic capability of your machine and tiltrotator and the requirements of your attachment to ensure a proper match.

Undercarriage		Front Blade; Rear Outriggers							
Counterweight		4200 kg (9,260 lb)				3600 kg (7,937 lb)			
Boom Type		VA		1 PC		VA		1 PC	
Stick Length		2.50 m (8'2")	2.90 m (9'6")	2.50 m (8'2")	2.90 m (9'6")	2.50 m (8'2")	2.90 m (9'6")	2.50 m (8'2")	2.90 m (9'6")
Hydraulic Hammers	H115 S	✓		✓	✓	✓		✓	✓
Compactors (Vibratory Plate)	CVP75	✓	✓	✓	✓	✓	✓	✓	✓
	CVP110	✓	✓	✓	✓	✓	✓	✓	✓

NOTE: Use hammers on tiltrotators less than 10% of working hours per year or maximum 200 hours per year. Refer to your Operation and Maintenance Manual for recommended hydraulic flow requirements.

TRS18 (PIN-ON TOP/HCS70/55 BOTTOM) ATTACHMENTS (continued)

Some attachments require more hydraulic flow and are best suited with a machine that has HP2 circuits and a tiltrotator with a high flow swivel. Check the hydraulic capability of your machine and tiltrotator and the requirements of your attachment to ensure a proper match.

Undercarriage		Front and Rear Outriggers							
Counterweight		4200 kg (9,260 lb)				3600 kg (7,937 lb)			
Boom Type		VA		1 PC		VA		1 PC	
Stick Length		2.50 m (8'2")	2.90 m (9'6")	2.50 m (8'2")	2.90 m (9'6")	2.50 m (8'2")	2.90 m (9'6")	2.50 m (8'2")	2.90 m (9'6")
Hydraulic Hammers	H115 S	✓		✓	✓	✓		✓	✓
Compactors (Vibratory Plate)	CVP75	✓	✓	✓	✓	✓	✓	✓	✓
	CVP110	✓	✓	✓	✓	✓	✓	✓	✓

NOTE: Use hammers on tiltrotators less than 10% of working hours per year or maximum 200 hours per year. Refer to your Operation and Maintenance Manual for recommended hydraulic flow requirements.

TRS18 (PIN-ON TOP/HCS70/55 BOTTOM) ATTACHMENTS (continued)

Some attachments require more hydraulic flow and are best suited with a machine that has HP2 circuits and a tiltrotator with a high flow swivel. Check the hydraulic capability of your machine and tiltrotator and the requirements of your attachment to ensure a proper match.

Undercarriage		Front Outriggers; Rear Blade (Wide Undercarriage)							
Counterweight		4200 kg (9,260 lb)				3600 kg (7,937 lb)			
Boom Type		VA		1 PC		VA		1 PC	
Stick Length		2.50 m (8'2")	2.90 m (9'6")	2.50 m (8'2")	2.90 m (9'6")	2.50 m (8'2")	2.90 m (9'6")	2.50 m (8'2")	2.90 m (9'6")
Hydraulic Hammers	H115 S	✓		✓	✓	✓		✓	✓
Compactors (Vibratory Plate)	CVP75	✓	✓	✓	✓	✓	✓	✓	✓
	CVP110	✓	✓	✓	✓	✓	✓	✓	✓

NOTE: Use hammers on tiltrotators less than 10% of working hours per year or maximum 200 hours per year. Refer to your Operation and Maintenance Manual for recommended hydraulic flow requirements.

(continued on next page)

M320 Wheeled Excavator Specifications

Attachments Offering Guide – Europe (continued)

Not all Attachments are available in all regions. Consult your Cat dealer for configurations available in your region.

Match

* Working range front only

No Match

TRS18 (PIN-ON TOP/HCS70/55 BOTTOM) ATTACHMENTS

Some attachments require more hydraulic flow and are best suited with a machine that has HP2 circuits and a tiltrotator with a high flow swivel. Check the hydraulic capability of your machine and tiltrotator and the requirements of your attachment to ensure a proper match.

Undercarriage		Front Outriggers; Rear Blade							
Counterweight		4200 kg (9,260 lb)				3600 kg (7,937 lb)			
Boom Type		VA		1 PC		VA		1 PC	
Stick Length		2.50 m (8'2")	2.90 m (9'6")	2.50 m (8'2")	2.90 m (9'6")	2.50 m (8'2")	2.90 m (9'6")	2.50 m (8'2")	2.90 m (9'6")
Hydraulic Hammers	H115 S	✓		✓	✓	✓		✓	✓
Compactors (Vibratory Plate)	CVP75	✓	✓	✓	✓	✓	✓	✓	✓
	CVP110	✓	✓	✓	✓	✓	✓	✓	✓

NOTE: Use hammers on tiltrotators less than 10% of working hours per year or maximum 200 hours per year. Refer to your Operation and Maintenance Manual for recommended hydraulic flow requirements.

TRS18 (PIN-ON TOP/HCS70/55 BOTTOM) ATTACHMENTS (continued)

Some attachments require more hydraulic flow and are best suited with a machine that has HP2 circuits and a tiltrotator with a high flow swivel. Check the hydraulic capability of your machine and tiltrotator and the requirements of your attachment to ensure a proper match.

Undercarriage		Rear Blade			
Counterweight		4200 kg (9,260 lb)		3600 kg (7,937 lb)	
Boom Type		VA		1 PC	
Stick Length		2.50 m (8'2")	2.90 m (9'6")	2.50 m (8'2")	2.50 m (8'2")
Hydraulic Hammers	H115 S	✓*			
Compactors (Vibratory Plate)	CVP75	✓	✓*	✓*	✓*
	CVP110	✓*			

NOTE: Use hammers on tiltrotators less than 10% of working hours per year or maximum 200 hours per year. Refer to your Operation and Maintenance Manual for recommended hydraulic flow requirements.

TRS18 (PIN-ON TOP/HCS70/55 BOTTOM) ATTACHMENTS (continued)

Some attachments require more hydraulic flow and are best suited with a machine that has HP2 circuits and a tiltrotator with a high flow swivel. Check the hydraulic capability of your machine and tiltrotator and the requirements of your attachment to ensure a proper match.

Undercarriage		Rear Blade (Wide Undercarriage)					
Counterweight		4200 kg (9,260 lb)			3600 kg (7,937 lb)		
Boom Type		VA		1 PC		VA	
Stick Length		2.50 m (8'2")	2.90 m (9'6")	2.50 m (8'2")	2.90 m (9'6")	2.50 m (8'2")	2.50 m (8'2")
Hydraulic Hammers	H115 S	✓		✓*		✓*	
Compactors (Vibratory Plate)	CVP75	✓	✓	✓	✓	✓	✓*
	CVP110	✓	✓*	✓*		✓*	

NOTE: Use hammers on tiltrotators less than 10% of working hours per year or maximum 200 hours per year. Refer to your Operation and Maintenance Manual for recommended hydraulic flow requirements.

(continued on next page)

M320 Wheeled Excavator Specifications

Attachments Offering Guide – Europe (continued)

Not all Attachments are available in all regions. Consult your Cat dealer for configurations available in your region.

Match

No Match

TRS18 (HCS70/55 TOP/HCS70/55 BOTTOM) ATTACHMENTS

Some attachments require more hydraulic flow and are best suited with a machine that has HP2 circuits and a tiltrotator with a high flow swivel. Check the hydraulic capability of your machine and tiltrotator and the requirements of your attachment to ensure a proper match.

Undercarriage		Front Blade; Rear Outriggers				
Counterweight		4200 kg (9,260 lb)			3600 kg (7,937 lb)	
Boom Type		VA	1 PC	VA	1 PC	
Stick Length		2.50 m (8'2")	2.50 m (8'2")	2.90 m (9'6")	2.50 m (8'2")	2.90 m (9'6")
Hydraulic Hammers	H115 S		✓			✓
Compactors (Vibratory Plate)	CVP75	✓	✓	✓	✓	✓
	CVP110		✓			✓

NOTE: Use hammers on tiltrotators less than 10% of working hours per year or maximum 200 hours per year. Refer to your Operation and Maintenance Manual for recommended hydraulic flow requirements.

TRS18 (HCS70/55 TOP/HCS70/55 BOTTOM) ATTACHMENTS (continued)

Some attachments require more hydraulic flow and are best suited with a machine that has HP2 circuits and a tiltrotator with a high flow swivel. Check the hydraulic capability of your machine and tiltrotator and the requirements of your attachment to ensure a proper match.

Undercarriage		Front and Rear Outriggers				
Counterweight		4200 kg (9,260 lb)			3600 kg (7,937 lb)	
Boom Type		VA	1 PC	VA	1 PC	
Stick Length		2.50 m (8'2")	2.50 m (8'2")	2.90 m (9'6")	2.50 m (8'2")	2.90 m (9'6")
Hydraulic Hammers	H115 S		✓			✓
Compactors (Vibratory Plate)	CVP75	✓	✓	✓	✓	✓
	CVP110		✓			✓

NOTE: Use hammers on tiltrotators less than 10% of working hours per year or maximum 200 hours per year. Refer to your Operation and Maintenance Manual for recommended hydraulic flow requirements.

TRS18 (HCS70/55 TOP/HCS70/55 BOTTOM) ATTACHMENTS (continued)

Some attachments require more hydraulic flow and are best suited with a machine that has HP2 circuits and a tiltrotator with a high flow swivel. Check the hydraulic capability of your machine and tiltrotator and the requirements of your attachment to ensure a proper match.

Undercarriage		Front Outriggers; Rear Blade (Wide Undercarriage)				
Counterweight		4200 kg (9,260 lb)			3600 kg (7,937 lb)	
Boom Type		VA	1 PC	VA	1 PC	
Stick Length		2.50 m (8'2")	2.50 m (8'2")	2.90 m (9'6")	2.50 m (8'2")	2.90 m (9'6")
Hydraulic Hammers	H115 S		✓			✓
Compactors (Vibratory Plate)	CVP75	✓	✓	✓	✓	✓
	CVP110		✓			✓

NOTE: Use hammers on tiltrotators less than 10% of working hours per year or maximum 200 hours per year. Refer to your Operation and Maintenance Manual for recommended hydraulic flow requirements.

(continued on next page)

M320 Wheeled Excavator Specifications

Attachments Offering Guide – Europe (continued)

Not all Attachments are available in all regions. Consult your Cat dealer for configurations available in your region.

Match

* Working range front only

No Match

TRS18 (HCS70/55 TOP/HCS70/55 BOTTOM) ATTACHMENTS (continued)

Some attachments require more hydraulic flow and are best suited with a machine that has HP2 circuits and a tiltrotator with a high flow swivel. Check the hydraulic capability of your machine and tiltrotator and the requirements of your attachment to ensure a proper match.

Undercarriage

Front Outriggers; Rear Blade

Counterweight		4200 kg (9,260 lb)			3600 kg (7,937 lb)		
Boom Type		VA	1 PC	VA	1 PC	VA	1 PC
Stick Length		2.50 m (8'2")	2.50 m (8'2")	2.90 m (9'6")	2.50 m (8'2")	2.50 m (8'2")	2.90 m (9'6")
Hydraulic Hammers	H115 S		✓			✓	
Compactors (Vibratory Plate)	CVP75	✓	✓	✓	✓	✓	✓
	CVP110		✓			✓	

NOTE: Use hammers on tiltrotators less than 10% of working hours per year or maximum 200 hours per year. Refer to your Operation and Maintenance Manual for recommended hydraulic flow requirements.

TRS18 (HCS70/55 TOP/HCS70/55 BOTTOM) ATTACHMENTS (continued)

Some attachments require more hydraulic flow and are best suited with a machine that has HP2 circuits and a tiltrotator with a high flow swivel. Check the hydraulic capability of your machine and tiltrotator and the requirements of your attachment to ensure a proper match.

Undercarriage

Rear Blade (Wide Undercarriage)

Counterweight		4200 kg (9,260 lb)	
Boom Type		VA	
Stick Length		2.50 m (8'2")	
Hydraulic Hammers	H115 S		
Compactors (Vibratory Plate)	CVP75		✓*
	CVP110		

NOTE: Use hammers on tiltrotators less than 10% of working hours per year or maximum 200 hours per year. Refer to your Operation and Maintenance Manual for recommended hydraulic flow requirements.

M320 Wheeled Excavator Specifications

Attachments Offering Guide – Turkey

Not all Attachments are available in all regions. Consult your Cat dealer for configurations available in your region.

Match

No Match

PIN-ON ATTACHMENTS

Undercarriage		Front Blade; Rear Outriggers				Front Outriggers; Rear Blade			
Counterweight		4200 kg (9,260 lb)				4200 kg (9,260 lb)			
Boom Type		VA		1 PC		VA		1 PC	
Stick Length		2.50 m (8'2")	2.90 m (9'6")	2.50 m (8'2")	2.90 m (9'6")	2.50 m (8'2")	2.90 m (9'6")	2.50 m (8'2")	2.90 m (9'6")
Hydraulic Hammers	H115 S	✓	✓	✓	✓	✓	✓	✓	✓
	H120 GC	✓	✓	✓	✓	✓	✓	✓	✓
	H120 GC Side Mount	✓	✓	✓	✓	✓	✓	✓	✓
	H120 GC S	✓	✓	✓	✓	✓	✓	✓	✓
	H120 S	✓	✓	✓	✓	✓	✓	✓	✓
	H130 S	✓	✓	✓	✓	✓	✓	✓	✓
Multi-Processors	MP318 Concrete Cutter Jaw	✓		✓	✓	✓		✓	✓
	MP318 Demolition Jaw	✓		✓	✓	✓		✓	✓
	MP318 Pulverizer Jaw	✓		✓	✓	✓		✓	✓
	MP318 Shear Jaw	✓		✓	✓	✓		✓	✓
	MP318 Universal Jaw	✓		✓	✓	✓		✓	✓
Demolition and Sorting Grapples	G317 GC	✓	✓	✓	✓	✓	✓	✓	✓
	G318	✓		✓	✓	✓		✓	✓
	G318 WH-800	✓	✓	✓	✓	✓	✓	✓	✓
	G318 WH-1100	✓		✓	✓	✓		✓	✓
Mobile Scrap and Demolition Shears	S3025 Flat Top			✓				✓	
Pulverizers	P214 Secondary Pulverizer	✓	✓	✓	✓	✓	✓	✓	✓
	P218 Secondary Pulverizer	✓		✓	✓	✓		✓	✓
	P318 Primary Pulverizer	✓		✓	✓	✓		✓	✓
Compactors (Vibratory Plate)	CVP110	✓	✓	✓	✓	✓	✓	✓	✓

(continued on next page)

M320 Wheeled Excavator Specifications

Attachments Offering Guide – Turkey (continued)

Not all Attachments are available in all regions. Consult your Cat dealer for configurations available in your region.

1800 kg/m³ (3,000 lb/yd³)
 1200 kg/m³ (2,000 lb/yd³)
 600 kg/m³ (1,000 lb/yd³)
 No Match

PIN-ON ATTACHMENTS (continued)

Undercarriage	Front Blade; Rear Outriggers				Front Outriggers; Rear Blade			
Counterweight	4200 kg (9,260 lb)				4200 kg (9,260 lb)			
Boom Type	VA		1 PC		VA		1 PC	
Stick Length	2.50 m (8'2")	2.90 m (9'6")	2.50 m (8'2")	2.90 m (9'6")	2.50 m (8'2")	2.90 m (9'6")	2.50 m (8'2")	2.90 m (9'6")
Orange Peel Grapples	GSH420-500	●	●	●	●	●	●	●
	GSH420-600	●	●	●	●	●	●	●
	GSH420-750	●	○	●	●	●	○	●
	GSH425-750	●	○	●	○	●	○	●
	GSH425-950	○		○	○	○		○
	GSH425-1150			○				○
	GSH520-500	●	●	●	●	●	●	●
	GSH520-600	●	●	●	●	●	●	●
	GSH520-750	●	○	●	●	●	○	●
	GSH525-750	○		○	○	○		○
	GSH525-950			○				○
	GSH525-1150							
	GSV420-400	●	●	●	●	●	●	●
	GSV420-500	●	●	●	●	●	●	●
	GSV420-600	●	●	●	●	●	●	●
	GSV420-750	●	●	●	●	●	●	●
	GSV420-1250	◇	◇	◇	◇	◇	◇	◇
	GSV425-600	●	○	●	●	●	○	●
	GSV425-750	●	○	●	○	●	○	●
	GSV425-950	○		○	○	○		○
	GSV425-1150	○		○		○		
	GSV425-1550	◇		◇	◇	◇		◇
	GSV520 GC-400	●	●	●	●	●	●	●
	GSV520 GC-500	●	●	●	●	●	●	●
	GSV520 GC-600	●	●	●	●	●	●	●
	GSV520 GC-750	●	○	●	●	●	○	●
	GSV520 GC-1250	◇	◇	◇	◇	◇	◇	◇
	GSV520-400	●	●	●	●	●	●	●
	GSV520-500	●	●	●	●	●	●	●
	GSV520-600	●	●	●	●	●	●	●
GSV520-750	●	○	●	●	●	○	●	
GSV520-1250	◇	◇	◇	◇	◇	◇	◇	
GSV525-600	●	○	●	●	●	○	●	
GSV525-750	○		○	○	○		○	
GSV525-950	○		○		○		○	
GSV525-1150								
GSV525-1550	◇		◇		◇		◇	
Clamshell Grapples	CTV15-1000	○	○	●	○	○	○	○
	CTV15-1200	○		○	○	○	○	○
	CTV15-1500							
	CTV15-1700							

(continued on next page)

M320 Wheeled Excavator Specifications

Attachments Offering Guide – Turkey (continued)

Not all Attachments are available in all regions. Consult your Cat dealer for configurations available in your region.

Match

* Working range front only

No Match

PIN-ON ATTACHMENTS (continued)

Undercarriage		Front and Rear Outriggers				Rear Blade			
Counterweight		4200 kg (9,260 lb)				4200 kg (9,260 lb)			
Boom Type		VA		1 PC		VA		1 PC	
Stick Length		2.50 m (8'2")	2.90 m (9'6")	2.50 m (8'2")	2.90 m (9'6")	2.50 m (8'2")	2.90 m (9'6")	2.50 m (8'2")	2.90 m (9'6")
Hydraulic Hammers	H115 S	✓	✓	✓	✓	✓	✓	✓	✓
	H120 GC	✓	✓	✓	✓	✓*	✓	✓	✓*
	H120 GC Side Mount	✓	✓	✓	✓	✓	✓*	✓*	
	H120 GC S	✓	✓	✓	✓	✓	✓	✓	✓*
	H120 S	✓	✓	✓	✓	✓	✓	✓	✓
	H130 S	✓	✓	✓	✓	✓	✓*	✓*	
Multi-Processors	MP318 Concrete Cutter Jaw	✓		✓	✓				
	MP318 Demolition Jaw	✓		✓	✓				
	MP318 Pulverizer Jaw	✓		✓	✓				
	MP318 Shear Jaw	✓		✓	✓	✓*			
	MP318 Universal Jaw	✓		✓	✓				
Demolition and Sorting Grapples	G317 GC	✓	✓	✓	✓	✓	✓*	✓*	
	G318	✓		✓	✓				
	G318 WH-800	✓	✓	✓	✓	✓*			
	G318 WH-1100	✓		✓	✓				
Mobile Scrap and Demolition Shears	S3025 Flat Top			✓					
Pulverizers	P214 Secondary Pulverizer	✓	✓	✓	✓	✓	✓	✓	✓*
	P218 Secondary Pulverizer	✓		✓	✓				
	P318 Primary Pulverizer	✓		✓	✓				
Compactors (Vibratory Plate)	CVP110	✓	✓	✓	✓	✓	✓	✓	✓

(continued on next page)

M320 Wheeled Excavator Specifications

Attachments Offering Guide – Turkey (continued)

Not all Attachments are available in all regions. Consult your Cat dealer for configurations available in your region.

1800 kg/m³ (3,000 lb/yd³)
 1200 kg/m³ (2,000 lb/yd³)
 600 kg/m³ (1,000 lb/yd³)
 No Match

PIN-ON ATTACHMENTS (continued)

Undercarriage	Front and Rear Outriggers				Rear Blade				
	4200 kg (9,260 lb)				4200 kg (9,260 lb)				
Counterweight	4200 kg (9,260 lb)				4200 kg (9,260 lb)				
Boom Type	VA		1 PC		VA		1 PC		
Stick Length	2.50 m (8'2")	2.90 m (9'6")	2.50 m (8'2")	2.90 m (9'6")	2.50 m (8'2")	2.90 m (9'6")	2.50 m (8'2")	2.90 m (9'6")	
Orange Peel Grapples	GSH420-500	●	●	●	●	●	○	○	○
	GSH420-600	●	●	●	●	○	○	○	
	GSH420-750	●	○	●	●	○			
	GSH425-750	●	○	●	●				
	GSH425-950	○		●	○				
	GSH425-1150			○					
	GSH520-500	●	●	●	●	○	○	○	
	GSH520-600	●	●	●	●	○			
	GSH520-750	●	○	●	●				
	GSH525-750	○		●	○				
	GSH525-950			○					
	GSH525-1150			○					
	GSV420-400	●	●	●	●	●	●	●	●
	GSV420-500	●	●	●	●	●	●	●	○
	GSV420-600	●	●	●	●	●	○	○	○
	GSV420-750	●	●	●	●	○			
	GSV420-1250	◇	◇	◇	◇	◇	◇	◇	
	GSV425-600	●	○	●	●				
	GSV425-750	●	○	●	●				
	GSV425-950	○		●	○				
	GSV425-1150	○		○					
	GSV425-1550	◇		◇	◇				
	GSV520 GC-400	●	●	●	●	●	●	●	●
	GSV520 GC-500	●	●	●	●	●	○	○	○
	GSV520 GC-600	●	●	●	●	○	○	○	
	GSV520 GC-750	●	○	●	●	○			
	GSV520 GC-1250	◇	◇	◇	◇	◇			
	GSV520-400	●	●	●	●	●	●	●	○
	GSV520-500	●	●	●	●	●	○	○	○
	GSV520-600	●	●	●	●	○	○	○	
	GSV520-750	●	○	●	●				
	GSV520-1250	◇	◇	◇	◇	◇			
GSV525-600	●	○	●	●					
GSV525-750	○		●	○					
GSV525-950	○		●	○					
GSV525-1150			○						
GSV525-1550	◇		◇	◇					
Clamshell Grapples	CTV15-1000	○	○	●	○				
	CTV15-1200	○		●	○				
	CTV15-1500			○					
	CTV15-1700			○					

(continued on next page)

M320 Wheeled Excavator Specifications

Attachments Offering Guide – Turkey (continued)

Not all Attachments are available in all regions. Consult your Cat dealer for configurations available in your region.

Match

* Working range front only

No Match

PIN-ON ATTACHMENTS (continued)

Undercarriage		Rear Blade (Wide Undercarriage)				Front Outriggers; Rear Blade (Wide Undercarriage)			
		4200 kg (9,260 lb)				4200 kg (9,260 lb)			
Counterweight		VA		1 PC		VA		1 PC	
Boom Type		2.50 m (8'2")	2.90 m (9'6")	2.50 m (8'2")	2.90 m (9'6")	2.50 m (8'2")	2.90 m (9'6")	2.50 m (8'2")	2.90 m (9'6")
Stick Length									
Hydraulic Hammers	H115 S	✓	✓	✓	✓	✓	✓	✓	✓
	H120 GC	✓	✓	✓*	✓	✓	✓	✓	✓
	H120 GC Side Mount	✓	✓	✓	✓	✓	✓	✓	✓
	H120 GC S	✓	✓	✓	✓	✓	✓	✓	✓
	H120 S	✓	✓	✓	✓	✓	✓	✓	✓
	H130 S	✓	✓	✓	✓	✓	✓	✓	✓
Multi-Processors	MP318 Concrete Cutter Jaw	✓		✓*		✓		✓	✓
	MP318 Demolition Jaw	✓		✓*		✓		✓	✓
	MP318 Pulverizer Jaw	✓*				✓		✓	✓
	MP318 Shear Jaw	✓		✓*		✓		✓	✓
	MP318 Universal Jaw	✓				✓		✓	✓
Demolition and Sorting Grapples	G317 GC	✓	✓	✓	✓*	✓	✓	✓	✓
	G318	✓		✓*		✓		✓	✓
	G318 WH-800	✓	✓*	✓*		✓	✓	✓	✓
	G318 WH-1100					✓		✓	✓
Mobile Scrap and Demolition Shears	S3025 Flat Top							✓	
Pulverizers	P214 Secondary Pulverizer	✓	✓	✓	✓	✓	✓	✓	✓
	P218 Secondary Pulverizer	✓*				✓		✓	✓
	P318 Primary Pulverizer	✓*				✓		✓	✓
Compactors (Vibratory Plate)	CVP110	✓	✓	✓	✓	✓	✓	✓	✓

(continued on next page)

M320 Wheeled Excavator Specifications

Attachments Offering Guide – Turkey (continued)

Not all Attachments are available in all regions. Consult your Cat dealer for configurations available in your region.

1800 kg/m³ (3,000 lb/yd³)
 1200 kg/m³ (2,000 lb/yd³)
 600 kg/m³ (1,000 lb/yd³)
 No Match

PIN-ON ATTACHMENTS (continued)

Undercarriage	Rear Blade (Wide Undercarriage)				Front Outriggers; Rear Blade (Wide Undercarriage)			
	4200 kg (9,260 lb)				4200 kg (9,260 lb)			
Counterweight	4200 kg (9,260 lb)				4200 kg (9,260 lb)			
Boom Type	VA		1 PC		VA		1 PC	
Stick Length	2.50 m (8'2")	2.90 m (9'6")	2.50 m (8'2")	2.90 m (9'6")	2.50 m (8'2")	2.90 m (9'6")	2.50 m (8'2")	2.90 m (9'6")
Orange Peel Grapples	GSH420-500	●	●	●	●	●	●	●
	GSH420-600	●	●	●	○	●	●	●
	GSH420-750	○	○	○		●	○	●
	GSH425-750					●	○	●
	GSH425-950					○		○
	GSH425-1150							○
	GSH520-500	●	○	○	○	●	●	●
	GSH520-600	○	○	○		●	●	●
	GSH520-750	○				●	○	●
	GSH525-750					○		○
	GSH525-950							○
	GSH525-1150							
	GSV420-400	●	●	●	●	●	●	●
	GSV420-500	●	●	●	●	●	●	●
	GSV420-600	●	●	●	○	●	●	●
	GSV420-750	○	○	○	○	●	●	●
	GSV420-1250	◇	◇	◇	◇	◇	◇	◇
	GSV425-600	○	○	○		●	○	●
	GSV425-750					●	○	●
	GSV425-950					○		○
	GSV425-1150					○		○
	GSV425-1550					◇		◇
	GSV520 GC-400	●	●	●	●	●	●	●
	GSV520 GC-500	●	●	●	●	●	●	●
	GSV520 GC-600	●	○	○	○	●	●	●
	GSV520 GC-750	○	○	○		●	○	●
	GSV520 GC-1250	◇	◇	◇		◇	◇	◇
	GSV520-400	●	●	●	●	●	●	●
	GSV520-500	●	●	●	○	●	●	●
	GSV520-600	●	○	○	○	●	●	●
	GSV520-750	○	○	○		●	○	●
	GSV520-1250	◇	◇	◇		◇	◇	◇
GSV525-600					●	○	●	
GSV525-750					○		○	
GSV525-950					○		○	
GSV525-1150								
GSV525-1550					◇		◇	
Clamshell Grapples	CTV15-1000				○	○	●	○
	CTV15-1200				○		○	○
	CTV15-1500							
	CTV15-1700							

(continued on next page)

M320 Wheeled Excavator Specifications

Attachments Offering Guide – Turkey (continued)

Not all Attachments are available in all regions. Consult your Cat dealer for configurations available in your region.

Match

* Working range front only

No Match

CAT PIN GRABBER COUPLER ATTACHMENTS

Undercarriage		Front Blade; Rear Outriggers				Front Outriggers; Rear Blade			
Counterweight		4200 kg (9,260 lb)				4200 kg (9,260 lb)			
Boom Type		VA		1 PC		VA		1 PC	
Stick Length		2.50 m (8'2")	2.90 m (9'6")	2.50 m (8'2")	2.90 m (9'6")	2.50 m (8'2")	2.90 m (9'6")	2.50 m (8'2")	2.90 m (9'6")
Hydraulic Hammers	H115 S	✓	✓	✓	✓	✓	✓	✓	✓
	H120 GC	✓		✓	✓	✓		✓	✓
	H120 GC Side Mount	✓		✓	✓	✓		✓	✓
	H120 GC S	✓		✓	✓	✓		✓	✓
	H120 S	✓	✓	✓	✓	✓	✓	✓	✓
	H130 S	✓		✓	✓	✓		✓	✓
Multi-Processors	MP318 Concrete Cutter Jaw			✓				✓	
	MP318 Demolition Jaw			✓				✓	
	MP318 Pulverizer Jaw			✓				✓	
	MP318 Shear Jaw			✓				✓	
	MP318 Universal Jaw			✓				✓	
Demolition and Sorting Grapples	G317 GC	✓		✓	✓	✓		✓	✓
	G318			✓				✓	
	G318 WH-800			✓				✓	
Pulverizers	P214 Secondary Pulverizer	✓		✓	✓	✓		✓	✓
	P318 Primary Pulverizer			✓				✓	
Compactors (Vibratory Plate)	CVP110	✓	✓	✓	✓	✓	✓	✓	✓

CAT PIN GRABBER COUPLER ATTACHMENTS (continued)

Undercarriage		Front and Rear Outriggers				Rear Blade			
Counterweight		4200 kg (9,260 lb)				4200 kg (9,260 lb)			
Boom Type		VA		1 PC		VA		1 PC	
Stick Length		2.50 m (8'2")	2.90 m (9'6")	2.50 m (8'2")	2.90 m (9'6")	2.50 m (8'2")	2.90 m (9'6")	2.50 m (8'2")	2.90 m (9'6")
Hydraulic Hammers	H115 S	✓	✓	✓	✓	✓	✓	✓	✓
	H120 GC	✓		✓	✓				
	H120 GC Side Mount	✓		✓	✓				
	H120 GC S	✓		✓	✓				
	H120 S	✓	✓	✓	✓	✓*			
	H130 S	✓		✓	✓				
Multi-Processors	MP318 Concrete Cutter Jaw			✓					
	MP318 Demolition Jaw			✓					
	MP318 Pulverizer Jaw			✓					
	MP318 Shear Jaw			✓					
	MP318 Universal Jaw			✓					
Demolition and Sorting Grapples	G317 GC	✓		✓	✓				
	G318			✓					
	G318 WH-800			✓					
Pulverizers	P214 Secondary Pulverizer	✓		✓	✓				
	P318 Primary Pulverizer			✓					
Compactors (Vibratory Plate)	CVP110	✓	✓	✓	✓	✓	✓	✓	✓

(continued on next page)

M320 Wheeled Excavator Specifications

Attachments Offering Guide – Turkey (continued)

Not all Attachments are available in all regions. Consult your Cat dealer for configurations available in your region.

Match

* Working range front only

No Match

CAT PIN GRABBER COUPLER ATTACHMENTS (continued)

Undercarriage		Rear Blade (Wide Undercarriage)				Front Outriggers; Rear Blade (Wide Undercarriage)			
Counterweight		4200 kg (9,260 lb)				4200 kg (9,260 lb)			
Boom Type		VA		1 PC		VA		1 PC	
Stick Length		2.50 m (8'2")	2.90 m (9'6")	2.50 m (8'2")	2.90 m (9'6")	2.50 m (8'2")	2.90 m (9'6")	2.50 m (8'2")	2.90 m (9'6")
Hydraulic Hammers	H115 S	✓	✓	✓	✓	✓	✓	✓	✓
	H120 GC	✓				✓		✓	✓
	H120 GC Side Mount	✓*				✓		✓	✓
	H120 GC S	✓		✓*		✓		✓	✓
	H120 S	✓	✓	✓	✓*	✓	✓	✓	✓
	H130 S	✓*				✓		✓	✓
Multi-Processors	MP318 Concrete Cutter Jaw								✓
	MP318 Demolition Jaw								✓
	MP318 Pulverizer Jaw								✓
	MP318 Shear Jaw								✓
	MP318 Universal Jaw								✓
Demolition and Sorting Grapples	G317 GC	✓*				✓		✓	✓
	G318							✓	
	G318 WH-800							✓	
Pulverizers	P214 Secondary Pulverizer	✓		✓*		✓		✓	✓
	P318 Primary Pulverizer							✓	
Compactors (Vibratory Plate)	CVP110	✓	✓	✓	✓	✓	✓	✓	✓

CW-40s DEDICATED COUPLER ATTACHMENTS

Undercarriage		Front Blade; Rear Outriggers				Front Outriggers; Rear Blade			
Counterweight		4200 kg (9,260 lb)				4200 kg (9,260 lb)			
Boom Type		VA		1 PC		VA		1 PC	
Stick Length		2.50 m (8'2")	2.90 m (9'6")	2.50 m (8'2")	2.90 m (9'6")	2.50 m (8'2")	2.90 m (9'6")	2.50 m (8'2")	2.90 m (9'6")
Hydraulic Hammers	H115 S	✓	✓	✓	✓	✓	✓	✓	✓
	H120 GC			✓	✓			✓	✓
	H120 GC S	✓	✓	✓	✓	✓	✓	✓	✓
	H120 S	✓	✓	✓	✓	✓	✓	✓	✓
	H130 S	✓		✓	✓	✓		✓	✓
Multi-Processors	MP318 Concrete Cutter Jaw			✓	✓			✓	✓
	MP318 Demolition Jaw			✓	✓			✓	✓
	MP318 Pulverizer Jaw			✓				✓	
	MP318 Shear Jaw	✓		✓	✓	✓		✓	✓
	MP318 Universal Jaw			✓	✓			✓	✓
Demolition and Sorting Grapples	G317 GC	✓	✓	✓	✓	✓	✓	✓	✓
	G318	✓		✓	✓	✓		✓	✓
	G318 WH-800	✓		✓	✓	✓		✓	✓
	G318 WH-1100			✓				✓	
Pulverizers	P214 Secondary Pulverizer	✓	✓	✓	✓	✓	✓	✓	✓
	P218 Secondary Pulverizer			✓				✓	
	P318 Primary Pulverizer			✓				✓	
Compactors (Vibratory Plate)	CVP110	✓	✓	✓	✓	✓	✓	✓	✓

(continued on next page)

M320 Wheeled Excavator Specifications

Attachments Offering Guide – Turkey (continued)

Not all Attachments are available in all regions. Consult your Cat dealer for configurations available in your region.

Match

* Working range front only

No Match

CW-40s DEDICATED COUPLER ATTACHMENTS (continued)

Undercarriage		Front and Rear Outriggers				Rear Blade			
		4200 kg (9,260 lb)				4200 kg (9,260 lb)			
Counterweight		VA		1 PC		VA		1 PC	
Boom Type		2.50 m (8'2")	2.90 m (9'6")	2.50 m (8'2")	2.90 m (9'6")	2.50 m (8'2")	2.90 m (9'6")	2.50 m (8'2")	2.90 m (9'6")
Stick Length	Hydraulic Hammers								
		H115 S	✓	✓	✓	✓	✓	✓	✓
		H120 GC			✓	✓			
		H120 GC S	✓	✓	✓	✓	✓*		
		H120 S	✓	✓	✓	✓	✓	✓*	✓*
	H130 S	✓		✓	✓				
Multi-Processors		MP318 Concrete Cutter Jaw			✓	✓			
		MP318 Demolition Jaw			✓	✓			
		MP318 Pulverizer Jaw			✓				
		MP318 Shear Jaw	✓		✓	✓			
		MP318 Universal Jaw			✓	✓			
Demolition and Sorting Grapples		G317 GC	✓	✓	✓	✓	✓*		
		G318	✓		✓	✓			
		G318 WH-800	✓		✓	✓			
		G318 WH-1100			✓				
Pulverizers		P214 Secondary Pulverizer	✓	✓	✓	✓	✓	✓*	✓*
		P218 Secondary Pulverizer			✓				
		P318 Primary Pulverizer			✓				
Compactors (Vibratory Plate)	CVP110	✓	✓	✓	✓	✓	✓	✓	

CW-40s DEDICATED COUPLER ATTACHMENTS (continued)

Undercarriage		Rear Blade (Wide Undercarriage)				Front Outriggers; Rear Blade (Wide Undercarriage)			
		4200 kg (9,260 lb)				4200 kg (9,260 lb)			
Counterweight		VA		1 PC		VA		1 PC	
Boom Type		2.50 m (8'2")	2.90 m (9'6")	2.50 m (8'2")	2.90 m (9'6")	2.50 m (8'2")	2.90 m (9'6")	2.50 m (8'2")	2.90 m (9'6")
Stick Length	Hydraulic Hammers								
		H115 S	✓	✓	✓	✓	✓	✓	✓
		H120 GC							✓
		H120 GC S	✓	✓	✓		✓	✓	✓
		H120 S	✓	✓	✓	✓	✓	✓	✓
	H130 S	✓		✓*		✓		✓	
Multi-Processors		MP318 Concrete Cutter Jaw						✓	✓
		MP318 Demolition Jaw						✓	✓
		MP318 Pulverizer Jaw						✓	
		MP318 Shear Jaw	✓*				✓	✓	✓
		MP318 Universal Jaw						✓	✓
Demolition and Sorting Grapples		G317 GC	✓	✓*	✓*		✓	✓	✓
		G318	✓*				✓	✓	✓
		G318 WH-800	✓				✓	✓	✓
		G318 WH-1100						✓	
Pulverizers		P214 Secondary Pulverizer	✓	✓	✓	✓	✓	✓	✓
		P218 Secondary Pulverizer						✓	
		P318 Primary Pulverizer						✓	
Compactors (Vibratory Plate)	CVP110	✓	✓	✓	✓	✓	✓	✓	

(continued on next page)

M320 Wheeled Excavator Specifications

Attachments Offering Guide – Turkey (continued)

Not all Attachments are available in all regions. Consult your Cat dealer for configurations available in your region.

Match

* Working range front only

No Match

CW-40 DEDICATED COUPLER ATTACHMENTS

Undercarriage		Front Blade; Rear Outriggers				Front Outriggers; Rear Blade			
Counterweight		4200 kg (9,260 lb)				4200 kg (9,260 lb)			
Boom Type		VA		1 PC		VA		1 PC	
Stick Length		2.50 m (8'2")	2.90 m (9'6")	2.50 m (8'2")	2.90 m (9'6")	2.50 m (8'2")	2.90 m (9'6")	2.50 m (8'2")	2.90 m (9'6")
Hydraulic Hammers	H115 S	✓	✓	✓	✓	✓	✓	✓	✓
	H120 GC	✓		✓	✓	✓		✓	✓
	H120 GC S	✓	✓	✓	✓	✓	✓	✓	✓
	H120 S	✓	✓	✓	✓	✓	✓	✓	✓
	H130 S	✓		✓	✓	✓		✓	✓
Multi-Processors	MP318 Concrete Cutter Jaw			✓	✓			✓	✓
	MP318 Demolition Jaw	✓		✓	✓	✓		✓	✓
	MP318 Pulverizer Jaw			✓				✓	
	MP318 Shear Jaw	✓		✓	✓	✓		✓	✓
	MP318 Universal Jaw			✓	✓			✓	✓
Demolition and Sorting Grapples	G317 GC	✓		✓	✓	✓		✓	✓
	G317 GC Fixed CAN	✓	✓	✓	✓	✓	✓	✓	✓
	G318	✓		✓	✓	✓		✓	✓
	G318 Fixed CAN	✓		✓	✓	✓		✓	✓
	G318 WH-800	✓		✓	✓	✓		✓	✓
	G318 WH-1100			✓				✓	
Pulverizers	P214 Secondary Pulverizer	✓	✓	✓	✓	✓	✓	✓	✓
	P218 Secondary Pulverizer			✓				✓	
	P318 Primary Pulverizer			✓				✓	
Compactors (Vibratory Plate)	CVP110	✓	✓	✓	✓	✓	✓	✓	✓

CW-40 DEDICATED COUPLER ATTACHMENTS (continued)

Undercarriage		Front and Rear Outriggers				Rear Blade			
Counterweight		4200 kg (9,260 lb)				4200 kg (9,260 lb)			
Boom Type		VA		1 PC		VA		1 PC	
Stick Length		2.50 m (8'2")	2.90 m (9'6")	2.50 m (8'2")	2.90 m (9'6")	2.50 m (8'2")	2.90 m (9'6")	2.50 m (8'2")	2.90 m (9'6")
Hydraulic Hammers	H115 S	✓	✓	✓	✓	✓	✓	✓	✓
	H120 GC	✓		✓	✓	✓*			
	H120 GC S	✓	✓	✓	✓	✓*			
	H120 S	✓	✓	✓	✓	✓	✓*	✓*	
	H130 S	✓		✓	✓				
Multi-Processors	MP318 Concrete Cutter Jaw			✓	✓				
	MP318 Demolition Jaw	✓		✓	✓				
	MP318 Pulverizer Jaw			✓					
	MP318 Shear Jaw	✓		✓	✓				
	MP318 Universal Jaw			✓	✓				
Demolition and Sorting Grapples	G317 GC	✓		✓	✓	✓*			
	G317 GC Fixed CAN	✓	✓	✓	✓	✓*			
	G318	✓		✓	✓				
	G318 Fixed CAN	✓		✓	✓				
	G318 WH-800	✓		✓	✓				
	G318 WH-1100			✓					
Pulverizers	P214 Secondary Pulverizer	✓	✓	✓	✓	✓	✓*	✓*	
	P218 Secondary Pulverizer			✓					
	P318 Primary Pulverizer			✓					
Compactors (Vibratory Plate)	CVP110	✓	✓	✓	✓	✓	✓	✓	✓

(continued on next page)

M320 Wheeled Excavator Specifications

Attachments Offering Guide – Turkey (continued)

Not all Attachments are available in all regions. Consult your Cat dealer for configurations available in your region.

Match

* Working range front only

No Match

CW-40 DEDICATED COUPLER ATTACHMENTS (continued)

Undercarriage		Rear Blade (Wide Undercarriage)				Front Outriggers; Rear Blade (Wide Undercarriage)			
		4200 kg (9,260 lb)				4200 kg (9,260 lb)			
Counterweight		VA		1 PC		VA		1 PC	
Boom Type		2.50 m (8'2")	2.90 m (9'6")	2.50 m (8'2")	2.90 m (9'6")	2.50 m (8'2")	2.90 m (9'6")	2.50 m (8'2")	2.90 m (9'6")
Stick Length									
Hydraulic Hammers	H115 S	✓	✓	✓	✓	✓	✓	✓	✓
	H120 GC	✓		✓*		✓		✓	✓
	H120 GC S	✓	✓	✓	✓*	✓	✓	✓	✓
	H120 S	✓	✓	✓	✓*	✓	✓	✓	✓
	H130 S	✓*				✓		✓	✓
Multi-Processors	MP318 Concrete Cutter Jaw							✓	✓
	MP318 Demolition Jaw					✓		✓	✓
	MP318 Pulverizer Jaw							✓	
	MP318 Shear Jaw	✓*				✓		✓	✓
	MP318 Universal Jaw							✓	✓
Demolition and Sorting Grapples	G317 GC	✓		✓*		✓		✓	✓
	G317 GC Fixed CAN	✓	✓	✓		✓	✓	✓	✓
	G318	✓*				✓		✓	✓
	G318 Fixed CAN	✓*				✓		✓	✓
	G318 WH-800	✓*				✓		✓	✓
	G318 WH-1100							✓	
Pulverizers	P214 Secondary Pulverizer	✓	✓	✓	✓*	✓	✓	✓	✓
	P218 Secondary Pulverizer							✓	
	P318 Primary Pulverizer							✓	
Compactors (Vibratory Plate)	CVP110	✓	✓	✓	✓	✓	✓	✓	✓

M320 Wheeled Excavator Specifications

Attachments Offering Guide – North America

Not all Attachments are available in all regions. Consult your Cat dealer for configurations available in your region.

Match

* Working range front only

No Match

PIN-ON ATTACHMENTS

Undercarriage		Front Blade; Rear Outriggers				Front and Rear Outriggers				Front Outriggers; Rear Blade			
Counterweight		4200 kg (9,260 lb)				4200 kg (9,260 lb)				4200 kg (9,260 lb)			
Boom Type		VA		1 PC		VA		1 PC		VA		1 PC	
Stick Length		2.50 m (8'2")	2.90 m (9'6")	2.50 m (8'2")	2.90 m (9'6")	2.50 m (8'2")	2.90 m (9'6")	2.50 m (8'2")	2.90 m (9'6")	2.50 m (8'2")	2.90 m (9'6")	2.50 m (8'2")	2.90 m (9'6")
Hydraulic Hammers	H115 S	✓	✓	✓	✓	✓	✓	✓	✓	✓	✓	✓	✓
	H120 GC S	✓	✓	✓	✓	✓	✓	✓	✓	✓	✓	✓	✓
	H120 S	✓	✓	✓	✓	✓	✓	✓	✓	✓	✓	✓	✓
	H130 S	✓	✓	✓	✓	✓	✓	✓	✓	✓	✓	✓	✓
Multi-Processors	MP318 Concrete Cutter Jaw	✓		✓	✓	✓		✓	✓	✓		✓	✓
	MP318 Demolition Jaw	✓		✓	✓	✓		✓	✓	✓		✓	✓
	MP318 Pulverizer Jaw	✓		✓	✓	✓		✓	✓	✓		✓	✓
	MP318 Shear Jaw	✓		✓	✓	✓		✓	✓	✓		✓	✓
	MP318 Universal Jaw	✓		✓	✓	✓		✓	✓	✓		✓	✓
Demolition and Sorting Grapples	G318	✓		✓	✓	✓		✓	✓	✓		✓	✓
	G318 WH-800	✓	✓	✓	✓	✓	✓	✓	✓	✓	✓	✓	✓
	G318 WH-1100	✓		✓	✓	✓		✓	✓	✓		✓	✓
Mobile Scrap and Demolition Shears	S3025 Flat Top			✓				✓				✓	
Pulverizers	P214 Secondary Pulverizer	✓	✓	✓	✓	✓	✓	✓	✓	✓	✓*	✓	✓
	P218 Secondary Pulverizer	✓		✓	✓	✓		✓	✓	✓		✓	✓
	P318 Primary Pulverizer	✓		✓	✓	✓		✓	✓	✓		✓	✓
Compactors (Vibratory Plate)	CVP110	✓	✓	✓	✓	✓	✓	✓	✓	✓	✓	✓	✓
Mulchers	HM4015	✓	✓	✓	✓	✓	✓	✓	✓	✓	✓	✓	✓
	HM4815	✓	✓	✓	✓	✓	✓	✓	✓	✓	✓	✓	✓
Orange Peel Grapples	GSH420-500	●	●	●	●	●	●	●	●	●	●	●	●
	GSH420-600	●	●	●	●	●	●	●	●	●	●	●	●
	GSH420-750	●	○	●	●	●	○	●	●	●	○	●	●
	GSH425-750	●	○	●	○	●	○	●	●	●	○	●	○
	GSH425-950	○		○	○	○		●	○	○		○	○
	GSH425-1150			○				○					
	GSH520-500	●	●	●	●	●	●	●	●	●	●	●	●
	GSH520-600	●	●	●	●	●	●	●	●	●	●	●	●
	GSH520-750	●	○	●	●	●	○	●	●	●	○	●	●
	GSH525-750	○		○	○	○		●	○	○		○	○
	GSH525-950			○				○					
	GSH525-1150							○					

(continued on next page)

M320 Wheeled Excavator Specifications

Attachments Offering Guide – North America (continued)

Not all Attachments are available in all regions. Consult your Cat dealer for configurations available in your region.

Match

* Working range front only

No Match

CAT PIN GRABBER COUPLER ATTACHMENTS

Undercarriage		Front Blade; Rear Outriggers				Front and Rear Outriggers				Front Outriggers; Rear Blade			
Counterweight		4200 kg (9,260 lb)				4200 kg (9,260 lb)				4200 kg (9,260 lb)			
Boom Type		VA		1 PC		VA		1 PC		VA		1 PC	
Stick Length		2.50 m (8'2")	2.90 m (9'6")	2.50 m (8'2")	2.90 m (9'6")	2.50 m (8'2")	2.90 m (9'6")	2.50 m (8'2")	2.90 m (9'6")	2.50 m (8'2")	2.90 m (9'6")	2.50 m (8'2")	2.90 m (9'6")
Hydraulic Hammers	H115 S	✓	✓	✓	✓	✓	✓	✓	✓	✓	✓	✓	✓
	H120 GC S	✓		✓	✓	✓		✓	✓	✓		✓	✓
	H120 S	✓	✓	✓	✓	✓	✓	✓	✓	✓	✓	✓	✓
	H130 S	✓		✓	✓	✓		✓	✓	✓		✓	✓
Multi-Processors	MP318 Concrete Cutter Jaw			✓				✓				✓	
	MP318 Demolition Jaw			✓				✓				✓	
	MP318 Pulverizer Jaw			✓				✓				✓	
	MP318 Shear Jaw			✓				✓				✓	
	MP318 Universal Jaw			✓				✓				✓	
Demolition and Sorting Grapples	G318			✓				✓				✓	
	G318 WH-800			✓				✓				✓	
Pulverizers	P214 Secondary Pulverizer	✓	✓	✓	✓	✓	✓	✓	✓				
	P318 Primary Pulverizer			✓				✓				✓	
Compactors (Vibratory Plate)	CVP110	✓	✓	✓	✓	✓	✓	✓	✓	✓	✓	✓	✓
Mulchers	HM4015	✓		✓	✓	✓		✓	✓	✓		✓	✓
	HM4815	✓		✓	✓	✓		✓	✓	✓		✓	✓

S70 DEDICATED COUPLER ATTACHMENTS

Undercarriage		Front Blade; Rear Outriggers				Front and Rear Outriggers				Front Outriggers; Rear Blade			
Counterweight		4200 kg (9,260 lb)				4200 kg (9,260 lb)				4200 kg (9,260 lb)			
Boom Type		VA		1 PC		VA		1 PC		VA		1 PC	
Stick Length		2.50 m (8'2")	2.90 m (9'6")	2.50 m (8'2")	2.90 m (9'6")	2.50 m (8'2")	2.90 m (9'6")	2.50 m (8'2")	2.90 m (9'6")	2.50 m (8'2")	2.90 m (9'6")	2.50 m (8'2")	2.90 m (9'6")
Hydraulic Hammers	H115 S	✓	✓	✓	✓	✓	✓	✓	✓	✓	✓	✓	✓
	H120 GC S	✓		✓	✓	✓		✓	✓	✓		✓	✓
	H120 S	✓	✓	✓	✓	✓	✓	✓	✓	✓	✓	✓	✓
	H130 S	✓		✓	✓	✓		✓	✓	✓		✓	✓
Multi-Processors	MP318 Concrete Cutter Jaw			✓				✓				✓	
	MP318 Demolition Jaw			✓				✓				✓	
	MP318 Pulverizer Jaw			✓				✓				✓	
	MP318 Shear Jaw			✓	✓			✓	✓			✓	✓
	MP318 Universal Jaw			✓				✓				✓	
Demolition and Sorting Grapples	G318			✓	✓			✓	✓			✓	✓
	G318 WH-800	✓		✓	✓	✓		✓	✓	✓		✓	✓
	G318 WH-1100			✓				✓				✓	
Pulverizers	P214 Secondary Pulverizer	✓	✓	✓	✓	✓	✓	✓	✓			✓*	
	P218 Secondary Pulverizer			✓				✓				✓	
	P318 Primary Pulverizer			✓				✓				✓	
Compactors (Vibratory Plate)	CVP110	✓	✓	✓	✓	✓	✓	✓	✓	✓	✓	✓	✓

(continued on next page)

M320 Wheeled Excavator Specifications

Attachments Offering Guide – North America (continued)

Not all Attachments are available in all regions. Consult your Cat dealer for configurations available in your region.

Match No Match

HCS70 DEDICATED COUPLER ATTACHMENTS

Undercarriage		Front Blade; Rear Outriggers				Front and Rear Outriggers				Front Outriggers; Rear Blade			
Counterweight		4200 kg (9,260 lb)				4200 kg (9,260 lb)				4200 kg (9,260 lb)			
Boom Type		VA		1 PC		VA		1 PC		VA		1 PC	
Stick Length		2.50 m (8'2")	2.90 m (9'6")	2.50 m (8'2")	2.90 m (9'6")	2.50 m (8'2")	2.90 m (9'6")	2.50 m (8'2")	2.90 m (9'6")	2.50 m (8'2")	2.90 m (9'6")	2.50 m (8'2")	2.90 m (9'6")
Hydraulic Hammers	H115 S	✓	✓	✓	✓	✓	✓	✓	✓	✓	✓	✓	✓
	H120 S	✓	✓	✓	✓	✓	✓	✓	✓	✓	✓	✓	✓
	H130 S	✓		✓	✓	✓		✓	✓	✓		✓	✓
Multi-Processors	MP318 Concrete Cutter Jaw			✓				✓				✓	
	MP318 Demolition Jaw			✓				✓				✓	
	MP318 Pulverizer Jaw			✓				✓				✓	
	MP318 Shear Jaw			✓				✓				✓	
	MP318 Universal Jaw			✓				✓				✓	
Demolition and Sorting Grapples	G318			✓				✓				✓	
	G318 WH-800			✓				✓				✓	
Pulverizers	P214 Secondary Pulverizer	✓	✓	✓		✓	✓	✓					
	P318 Primary Pulverizer			✓				✓				✓	
Compactors (Vibratory Plate)	CVP110	✓	✓	✓	✓	✓	✓	✓	✓	✓	✓	✓	✓

HCS70/55 DEDICATED COUPLER ATTACHMENTS

Undercarriage		Front Blade; Rear Outriggers				Front and Rear Outriggers				Front Outriggers; Rear Blade			
Counterweight		4200 kg (9,260 lb)				4200 kg (9,260 lb)				4200 kg (9,260 lb)			
Boom Type		VA		1 PC		VA		1 PC		VA		1 PC	
Stick Length		2.50 m (8'2")	2.90 m (9'6")	2.50 m (8'2")	2.90 m (9'6")	2.50 m (8'2")	2.90 m (9'6")	2.50 m (8'2")	2.90 m (9'6")	2.50 m (8'2")	2.90 m (9'6")	2.50 m (8'2")	2.90 m (9'6")
Hydraulic Hammers	H115 S	✓	✓	✓	✓	✓	✓	✓	✓	✓	✓	✓	✓
	H120 S	✓	✓	✓	✓	✓	✓	✓	✓	✓	✓	✓	✓
	H130 S			✓	✓			✓	✓			✓	✓
Multi-Processors	MP318 Concrete Cutter Jaw			✓				✓				✓	
	MP318 Demolition Jaw			✓				✓				✓	
	MP318 Shear Jaw			✓				✓				✓	
	MP318 Universal Jaw			✓				✓				✓	
Demolition and Sorting Grapples	G318			✓				✓				✓	
	G318 WH-800			✓				✓				✓	
Pulverizers	P214 Secondary Pulverizer	✓	✓	✓		✓	✓	✓					
Compactors (Vibratory Plate)	CVP110	✓	✓	✓	✓	✓	✓	✓	✓	✓	✓	✓	✓

(continued on next page)

M320 Wheeled Excavator Specifications

Attachments Offering Guide – North America (continued)

Not all Attachments are available in all regions. Consult your Cat dealer for configurations available in your region.

Match

No Match

TRS18 (PIN-ON TOP/S70 BOTTOM) ATTACHMENTS

Some attachments require more hydraulic flow and are best suited with a machine that has HP2 circuits and a tiltrotator with a high flow swivel. Check the hydraulic capability of your machine and tiltrotator and the requirements of your attachment to ensure a proper match.

Undercarriage		Front Blade; Rear Outriggers				Front and Rear Outriggers				Front Outriggers; Rear Blade			
Counterweight		4200 kg (9,260 lb)											
Boom Type		VA		1 PC		VA		1 PC		VA		1 PC	
Stick Length		2.50 m (8'2")	2.90 m (9'6")	2.50 m (8'2")	2.90 m (9'6")	2.50 m (8'2")	2.90 m (9'6")	2.50 m (8'2")	2.90 m (9'6")	2.50 m (8'2")	2.90 m (9'6")	2.50 m (8'2")	2.90 m (9'6")
Hydraulic Hammers	H115 GC S	✓		✓	✓	✓		✓	✓	✓		✓	✓
	H115 S	✓	✓	✓	✓	✓	✓	✓	✓	✓	✓	✓	✓
Compactors (Vibratory Plate)	CVP75	✓	✓	✓	✓	✓	✓	✓	✓	✓	✓	✓	✓
	CVP110	✓	✓	✓	✓	✓	✓	✓	✓	✓	✓	✓	✓

NOTE: Use hammers on tiltrotators less than 10% of working hours per year or maximum 200 hours per year. Refer to your Operation and Maintenance Manual for recommended hydraulic flow requirements.

TRS18 (S70 TOP/S70 BOTTOM) ATTACHMENTS

Some attachments require more hydraulic flow and are best suited with a machine that has HP2 circuits and a tiltrotator with a high flow swivel. Check the hydraulic capability of your machine and tiltrotator and the requirements of your attachment to ensure a proper match.

Undercarriage		Front Blade; Rear Outriggers				Front and Rear Outriggers				Front Outriggers; Rear Blade			
Counterweight		4200 kg (9,260 lb)											
Boom Type		VA		1 PC		VA		1 PC		VA		1 PC	
Stick Length		2.50 m (8'2")	2.90 m (9'6")	2.50 m (8'2")	2.90 m (9'6")	2.50 m (8'2")	2.90 m (9'6")	2.50 m (8'2")	2.90 m (9'6")	2.50 m (8'2")	2.90 m (9'6")	2.50 m (8'2")	2.90 m (9'6")
Hydraulic Hammers	H115 GC S			✓	✓			✓	✓			✓	✓
	H115 S	✓		✓	✓	✓		✓	✓	✓		✓	✓
Compactors (Vibratory Plate)	CVP75	✓	✓	✓	✓	✓	✓	✓	✓	✓	✓	✓	✓
	CVP110	✓		✓	✓	✓		✓	✓	✓		✓	✓

NOTE: Use hammers on tiltrotators less than 10% of working hours per year or maximum 200 hours per year. Refer to your Operation and Maintenance Manual for recommended hydraulic flow requirements.

TRS18 (PIN-ON TOP/HCS70 BOTTOM) ATTACHMENTS

Some attachments require more hydraulic flow and are best suited with a machine that has HP2 circuits and a tiltrotator with a high flow swivel. Check the hydraulic capability of your machine and tiltrotator and the requirements of your attachment to ensure a proper match.

Undercarriage		Front Blade; Rear Outriggers				Front and Rear Outriggers				Front Outriggers; Rear Blade			
Counterweight		4200 kg (9,260 lb)											
Boom Type		VA		1 PC		VA		1 PC		VA		1 PC	
Stick Length		2.50 m (8'2")	2.90 m (9'6")	2.50 m (8'2")	2.90 m (9'6")	2.50 m (8'2")	2.90 m (9'6")	2.50 m (8'2")	2.90 m (9'6")	2.50 m (8'2")	2.90 m (9'6")	2.50 m (8'2")	2.90 m (9'6")
Hydraulic Hammers	H115 S	✓	✓	✓	✓	✓	✓	✓	✓	✓	✓	✓	✓
Compactors (Vibratory Plate)	CVP75	✓	✓	✓	✓	✓	✓	✓	✓	✓	✓	✓	✓
	CVP110	✓	✓	✓	✓	✓	✓	✓	✓	✓	✓	✓	✓

NOTE: Use hammers on tiltrotators less than 10% of working hours per year or maximum 200 hours per year. Refer to your Operation and Maintenance Manual for recommended hydraulic flow requirements.

(continued on next page)

M320 Wheeled Excavator Specifications

Attachments Offering Guide – North America (continued)

Not all Attachments are available in all regions. Consult your Cat dealer for configurations available in your region.

Match

No Match

TRS18 (HCS70 TOP/HCS70 BOTTOM) ATTACHMENTS

Some attachments require more hydraulic flow and are best suited with a machine that has HP2 circuits and a tiltrotator with a high flow swivel. Check the hydraulic capability of your machine and tiltrotator and the requirements of your attachment to ensure a proper match.

Undercarriage	Front Blade; Rear Outriggers			Front and Rear Outriggers			Front Outriggers; Rear Blade		
Counterweight	4200 kg (9,260 lb)			4200 kg (9,260 lb)			4200 kg (9,260 lb)		
Boom Type	VA		1 PC	VA		1 PC	VA		1 PC
Stick Length	2.50 m (8'2")	2.50 m (8'2")	2.90 m (9'6")	2.50 m (8'2")	2.50 m (8'2")	2.90 m (9'6")	2.50 m (8'2")	2.50 m (8'2")	2.90 m (9'6")
Hydraulic Hammers	H115 S								
			✓	✓		✓	✓		✓
Compactors (Vibratory Plate)	CVP75			✓	✓	✓	✓	✓	✓
	CVP110								
			✓	✓		✓	✓		✓

NOTE: Use hammers on tiltrotators less than 10% of working hours per year or maximum 200 hours per year. Refer to your Operation and Maintenance Manual for recommended hydraulic flow requirements.

TRS18 (PIN-ON TOP/HCS70/55 BOTTOM) ATTACHMENTS

Some attachments require more hydraulic flow and are best suited with a machine that has HP2 circuits and a tiltrotator with a high flow swivel. Check the hydraulic capability of your machine and tiltrotator and the requirements of your attachment to ensure a proper match.

Undercarriage	Front Blade; Rear Outriggers				Front and Rear Outriggers				Front Outriggers; Rear Blade			
Counterweight	4200 kg (9,260 lb)				4200 kg (9,260 lb)				4200 kg (9,260 lb)			
Boom Type	VA		1 PC		VA		1 PC		VA		1 PC	
Stick Length	2.50 m (8'2")	2.90 m (9'6")	2.50 m (8'2")	2.90 m (9'6")	2.50 m (8'2")	2.90 m (9'6")	2.50 m (8'2")	2.90 m (9'6")	2.50 m (8'2")	2.90 m (9'6")	2.50 m (8'2")	2.90 m (9'6")
Hydraulic Hammers	H115 S											
	✓		✓	✓	✓		✓	✓	✓	✓	✓	✓
Compactors (Vibratory Plate)	CVP75				✓	✓	✓	✓	✓	✓	✓	✓
	CVP110				✓	✓	✓	✓	✓	✓	✓	✓

NOTE: Use hammers on tiltrotators less than 10% of working hours per year or maximum 200 hours per year. Refer to your Operation and Maintenance Manual for recommended hydraulic flow requirements.

TRS18 (HCS70/55 TOP/HCS70/55 BOTTOM) ATTACHMENTS

Some attachments require more hydraulic flow and are best suited with a machine that has HP2 circuits and a tiltrotator with a high flow swivel. Check the hydraulic capability of your machine and tiltrotator and the requirements of your attachment to ensure a proper match.

Undercarriage	Front Blade; Rear Outriggers			Front and Rear Outriggers			Front Outriggers; Rear Blade		
Counterweight	4200 kg (9,260 lb)			4200 kg (9,260 lb)			4200 kg (9,260 lb)		
Boom Type	VA		1 PC	VA		1 PC	VA		1 PC
Stick Length	2.50 m (8'2")	2.50 m (8'2")	2.90 m (9'6")	2.50 m (8'2")	2.50 m (8'2")	2.90 m (9'6")	2.50 m (8'2")	2.50 m (8'2")	2.90 m (9'6")
Hydraulic Hammers	H115 S								
			✓			✓			✓
Compactors (Vibratory Plate)	CVP75			✓	✓	✓	✓	✓	✓
	CVP110								
			✓			✓			✓

NOTE: Use hammers on tiltrotators less than 10% of working hours per year or maximum 200 hours per year. Refer to your Operation and Maintenance Manual for recommended hydraulic flow requirements.

M320 Wheeled Excavator Specifications

Attachments Offering Guide – ANZ-Pacific

Not all Attachments are available in all regions. Consult your Cat dealer for configurations available in your region.

Match

No Match

PIN-ON ATTACHMENTS

Undercarriage		Front Blade; Rear Outriggers				Front and Rear Outriggers				Front Outriggers; Rear Blade			
Counterweight		4200 kg (9,260 lb)				4200 kg (9,260 lb)				4200 kg (9,260 lb)			
Boom Type		VA		1 PC		VA		1 PC		VA		1 PC	
Stick Length		2.50 m (8'2")	2.90 m (9'6")	2.50 m (8'2")	2.90 m (9'6")	2.50 m (8'2")	2.90 m (9'6")	2.50 m (8'2")	2.90 m (9'6")	2.50 m (8'2")	2.90 m (9'6")	2.50 m (8'2")	2.90 m (9'6")
Hydraulic Hammers	H115 S	✓	✓	✓	✓	✓	✓	✓	✓	✓	✓	✓	✓
	H120 GC	✓	✓	✓	✓	✓	✓	✓	✓	✓	✓	✓	✓
	H120 GC S	✓	✓	✓	✓	✓	✓	✓	✓	✓	✓	✓	✓
	H120 S	✓	✓	✓	✓	✓	✓	✓	✓	✓	✓	✓	✓
	H130 S	✓	✓	✓	✓	✓	✓	✓	✓	✓	✓	✓	✓
Demolition and Sorting Grapples	G318	✓		✓	✓	✓		✓	✓	✓		✓	✓
Mobile Scrap and Demolition Shears	S3025 Flat Top			✓				✓				✓	
Compactors (Vibratory Plate)	CVP110	✓	✓	✓	✓	✓	✓	✓	✓	✓	✓	✓	✓
Mulchers	HM4015	✓	✓	✓	✓	✓	✓	✓	✓	✓	✓	✓	✓
	HM4815	✓	✓	✓	✓	✓	✓	✓	✓	✓	✓	✓	✓

CAT PIN GRABBER COUPLER ATTACHMENTS

Undercarriage		Front Blade; Rear Outriggers				Front and Rear Outriggers				Front Outriggers; Rear Blade			
Counterweight		4200 kg (9,260 lb)				4200 kg (9,260 lb)				4200 kg (9,260 lb)			
Boom Type		VA		1 PC		VA		1 PC		VA		1 PC	
Stick Length		2.50 m (8'2")	2.90 m (9'6")	2.50 m (8'2")	2.90 m (9'6")	2.50 m (8'2")	2.90 m (9'6")	2.50 m (8'2")	2.90 m (9'6")	2.50 m (8'2")	2.90 m (9'6")	2.50 m (8'2")	2.90 m (9'6")
Hydraulic Hammers	H115 S	✓	✓	✓	✓	✓	✓	✓	✓	✓	✓	✓	✓
	H120 GC	✓		✓	✓	✓		✓	✓	✓		✓	✓
	H120 GC S	✓		✓	✓	✓		✓	✓	✓		✓	✓
	H120 S	✓	✓	✓	✓	✓	✓	✓	✓	✓	✓	✓	✓
	H130 S	✓		✓	✓	✓		✓	✓	✓		✓	✓
Demolition and Sorting Grapples	G318			✓				✓				✓	
Compactors (Vibratory Plate)	CVP110	✓	✓	✓	✓	✓	✓	✓	✓	✓	✓	✓	✓
Mulchers	HM4015	✓		✓	✓	✓		✓	✓	✓		✓	✓
	HM4815	✓		✓	✓	✓		✓	✓	✓		✓	✓

TRS18 (PIN-ON TOP/S70 BOTTOM) ATTACHMENTS

Some attachments require more hydraulic flow and are best suited with a machine that has HP2 circuits and a tiltrotator with a high flow swivel. Check the hydraulic capability of your machine and tiltrotator and the requirements of your attachment to ensure a proper match.

Undercarriage		Front Blade; Rear Outriggers				Front Outriggers; Rear Blade				Front and Rear Outriggers			
Counterweight		4200 kg (9,260 lb)				4200 kg (9,260 lb)				4200 kg (9,260 lb)			
Boom Type		1 PC		VA		1 PC		VA		1 PC		VA	
Stick Length		2.50 m (8'2")	2.90 m (9'6")	2.50 m (8'2")	2.90 m (9'6")	2.50 m (8'2")	2.90 m (9'6")	2.50 m (8'2")	2.90 m (9'6")	2.50 m (8'2")	2.90 m (9'6")	2.50 m (8'2")	2.90 m (9'6")
Hydraulic Hammers	H115 GC S	✓	✓	✓	✓	✓	✓	✓	✓	✓	✓	✓	✓
	H115 S	✓	✓	✓	✓	✓	✓	✓	✓	✓	✓	✓	✓
Compactors (Vibratory Plate)	CVP75	✓	✓	✓	✓	✓	✓	✓	✓	✓	✓	✓	✓
	CVP110	✓	✓	✓	✓	✓	✓	✓	✓	✓	✓	✓	✓

NOTE: Use hammers on tiltrotators less than 10% of working hours per year or maximum 200 hours per year. Refer to your Operation and Maintenance Manual for recommended hydraulic flow requirements.

M320 Wheeled Excavator Specifications

Standard and Optional Equipment

Standard and optional equipment may vary. Consult your Cat dealer for details.

	Standard	Optional		Standard	Optional
ENGINE			HYDRAULIC SYSTEM		
Cat® C4.4 Twin Turbo diesel engine (meets Tier 4 Final/Stage V emission standards)	✓		Boom, stick and bucket drift reduction valves	✓	
Power mode selector	✓		Boom/stick lowering check valves		✓
One-touch low idle with automatic engine speed control	✓		Overload warning	✓	
Automatic engine idle shutdown	✓		Electronic main control valve	✓	
Work up to 3000 m (9,842 ft) above sea level without engine power de-rating	✓		Automatic hydraulic oil warm up	✓	
52°C (125°F) high-ambient cooling capacity	✓		Element type main hydraulic filter	✓	
Cold starting capability for -18°C (0°F)	✓		One-slider joysticks	✓	
Double element air filter	✓		Two-slider joysticks		✓
Electric fuel priming pump	✓		Advanced Tool Control (one/two way high-pressure flow)	✓	
On-demand electric cooling fans with auto-reverse function	✓		Second high pressure auxiliary circuit (one/two way high-pressure flow)		✓
			Medium pressure auxiliary circuit (one/two way medium-pressure flow)		✓
			Heavy lift mode	✓	
			Quick coupler circuit for Cat Pin Grabber and CW-type coupler	✓	
			SmartBoom™		✓
			Ride control		✓
			Cat tiltrotator support		✓
			Joystick steering		✓
			Separate dedicated swing pump	✓	
			Automatic swing brake	✓	
			Cat BIO HYDO™ Advanced biodegradable hydraulic oil		✓
			Adjustable hydraulic aggressiveness	✓	
			Electronic pattern changer	✓	

(continued on next page)

M320 Standard and Optional Equipment

Standard and Optional Equipment *(continued)*

Standard and optional equipment may vary. Consult your Cat dealer for details.

	Standard	Optional		Standard	Optional
UNDERCARRIAGE AND STRUCTURES			BOOM, STICKS AND LINKAGES		
All wheel drive	✓		5650 mm (18'6") One-Piece boom		✓
Automatic brake/axle lock	✓		5260 mm (17'3") Variable Adjustable boom		✓
Creep speed	✓		2500 mm (8'2") stick		✓
Electronic swing and travel lock	✓		2900 mm (9'6") stick		✓
Heavy-duty axles, advanced disc brake system and travel motor, adjustable braking force	✓		Bucket linkage, 320-family with lifting eye		✓
Oscillating front axle, lockable, with remote greasing point	✓		Bucket linkage, 320-family without lifting eye		✓
10.00-20 16 PR, dual tires		✓	ELECTRICAL SYSTEM		
11.00-20- 16 PR, dual tires		✓	LED lights on boom and cab	✓	
315/70R22.5, no gap dual tires ⁽¹⁾		✓	LED lights on chassis (left-hand, right-hand) and counterweight	✓	
445/70R 19.5, single tires		✓	Programmable time-delay LED working lights	✓	
300-80-22.5 dual pneumatic, spacerless tire		✓	Rooding and indicator lights, front and rear	✓	
Steps with tool box in undercarriage (left and right)		✓	Maintenance free batteries	✓	
Two-piece drive shaft	✓		Centralized electrical disconnect switch	✓	
Two speed hydrostatic transmission	✓		Electrical refueling pump		✓
Rear blade (parallel) undercarriage		✓	<i>(continued on next page)</i>		
Rear blade (parallel) undercarriage wide axle gauge		✓			
Rear blade (parallel)/front outrigger undercarriage		✓			
Rear blade (parallel)/front outrigger undercarriage wide axle gauge		✓			
Rear outrigger/front blade (parallel) undercarriage		✓			
Rear outrigger/front outrigger undercarriage		✓			
Fenders, front and rear, synthetic		✓			
Travel restraint bracket for grapple/clamshell		✓			
3600 kg (7,937 kg) counterweight ⁽¹⁾		✓			
4200 kg (9,259 lb) counterweight		✓			

⁽¹⁾Available in Europe only.

M320 Standard and Optional Equipment

Standard and Optional Equipment *(continued)*

Standard and optional equipment may vary. Consult your Cat dealer for details.

	Standard	Optional		Standard	Optional
TECHNOLOGY			SAFETY AND SECURITY		
VisionLink®	✓*		Rear and right-side-view cameras	✓	
Remote Flash	✓		360° visibility		✓
Remote Troubleshoot	✓		Wide angle mirrors	✓	
Cat Grade Connectivity		✓	Heated and remotely adjustable mirrors		✓
Cat Grade 2D		✓	Travel alarm		✓
Cat Grade 2D with Attachment Ready Option (ARO)		✓	Signal/warning horn	✓	
Cat Grade 3D dual GNSS		✓	Rotating beacon on cab and chassis		✓
Laser catcher		✓	Cat Asset tracker		✓
Cat Assist: – Grade Assist		✓	Neutral lever (lock out) for all controls	✓	
Cat Payload: – Static weigh – Semiautomatic calibration – Payload/cycle information – USB reporting capability		✓	Ground-level accessible secondary engine shutoff switch in cab	✓	
Cat Tilt Rotator (TRS) Integration		✓	Lockable disconnect switch	✓	
SERVICE AND MAINTENANCE			Bluetooth® receiver	✓	
Scheduled Oil Sampling (S·O·S SM) ports	✓		Anti-skid plate and countersunk bolts on service platform	✓	
Automatic lubrication system for implement and swing system		✓	Inspection lighting		✓
Integrated vehicle health management system	✓		2D E-Fence		✓

*Connect subscription only. Additional subscriptions are available. Contact your Cat dealer for availability.

M320 Attachments

Dealer Installed Kits and Attachments

Attachments may vary. Consult your Cat dealer for details.

CAB

- 75 mm (3") retractable seat belt

SAFETY AND SECURITY

- Bluetooth key fob

GUARDS

- OPG (not compatible with cab light cover, rain protector)
- Mesh guard full front (not compatible with cab light cover, rain protector)

Cab Options

	Deluxe	Premium
Sound-suppressed ROPS cab	●	●
Heated seat with air-adjustable suspension	●	X
Heated and cooled seat with automatic adjustable suspension	X	●
Height-adjustable console, infinite with no tool	●	●
High-resolution 254 mm (10") LCD touchscreen monitor	●	●
Mechanical mirror	●	X
Electrical and adjustable heated mirror	X	●
Automatic bi-level air conditioner	●	●
Jog dial and shortcut keys for monitor control	●	●
Keyless push-to-start engine control	●	●
51 mm (2") orange seat belt	●	●
Unfastened seat belt warning	●	●
Bluetooth integrated radio (including USB, auxiliary port and microphone)	●	●
Auxiliary relay	○	○
2 x 12V DC outlets	●	●
Document storage	●	●
Cup and bottle holders	●	●
Openable two-piece front window (laminated)	●	○
Fixed one-piece front window (P5A classified)	X	○
Parallel wiper with washer	●	●
Fixed glass skylight	●	●
LED dome lights	●	●
Foot illumination	●	●
Roller rear sunscreen	X	●
Rear window emergency exit	●	●
Washable floor mat	●	●
Beacon ready	●	●
Operator Protective Guards (OPG) "ready"	●	●
Vandalism guard "ready"	●	●
Two LED cab lights	●	●
Rainvisor	●	●

- Standard
- Optional
- X Not available

M320 Environmental Declaration

The following information applies to the machine at the time of final manufacture as configured for sale in the regions covered in this document. The content of this declaration is valid as of the date issued; however, content related to machine features and specifications are subject to change without notice. For additional information, please see the machine's Operation and Maintenance Manual.

For more information on sustainability in action and our progress, please visit <https://www.caterpillar.com/en/company/sustainability>.

Engine

- The Cat® C4.4 engine meets U.S. EPA Tier 4 Final and EU Stage V emission standards.
- Cat diesel engines are required to use ULSD (ultra-low sulfur diesel fuel with 15 ppm of sulfur or less) or ULSD blended with the following lower-carbon intensity fuels** up to:
 - ✓ 20% biodiesel FAME (fatty acid methyl ester)*
 - ✓ 100% renewable diesel, HVO (hydrotreated vegetable oil) and GTL (gas-to-liquid) fuels

Refer to guidelines for successful application. Please consult your Cat dealer or "Caterpillar Machine Fluids Recommendations" (SEBU6250) for details.

**Engines with no aftertreatment devices can use higher blends, up to 100% biodiesel (for use of blends higher than 20% biodiesel, consult your Cat dealer).*

***Tailpipe greenhouse gas emissions from lower-carbon intensity fuels are essentially the same as traditional fuels.*

Air Conditioning System

- The air conditioning system on this machine contains the fluorinated greenhouse gas refrigerant R134a (Global Warming Potential = 1430). The system contains 0.85 kg (1.9 lb) of refrigerant which has a CO₂ equivalent of 1.216 metric tonnes (1.340 tons).

Paint

- Based on best available knowledge, the maximum allowable concentration, measured in parts per million (PPM), of the following heavy metals in paint are:
 - Barium < 0.01%
 - Cadmium < 0.01%
 - Chromium < 0.01%
 - Lead < 0.01%

Sound Performance

With cooling fan speed at maximum value:

ISO 6396:2008 internal 70 dB(A)

ISO 6395:2008 external 99 dB(A)

- External Sound – The labelled spectator sound power level represents the Guaranteed Value per 2000/14/EC amended by 2005/88/EC, when properly equipped, and is measured according to the test procedures and conditions specified in ISO 6395:2008. The measurements were conducted at 70% of the maximum engine cooling fan speed.
- Internal Sound – The operator sound pressure level is measured according to the test procedures and conditions specified in ISO 6396:2008 for a cab offered by Caterpillar, when properly installed and maintained and tested with the door and windows closed. The measurements were conducted at 70% of the maximum engine cooling fan speed.
- Hearing protection may be needed when operating with an open operator station and cab (when not properly maintained for doors/windows open) for extended periods or in noisy environment(s).
- Blue Angel certified.

Oils and Fluids

- Caterpillar factory fills with ethylene glycol coolants. Cat Diesel Engine Antifreeze/Coolant (DEAC) and Cat Extended Life Coolant (ELC) can be recycled. Consult your Cat dealer for more information.
- Cat Bio HYDO™ Advanced is an EU Ecolabel approved biodegradable hydraulic oil.
- Additional fluids are likely to be present, please consult the Operations and Maintenance Manual or the Application and Installation guide for complete fluid recommendations and maintenance intervals.

Features and Technology

- The following features and technology may contribute to fuel savings and/or carbon reduction. Features may vary. Consult your Cat dealer for details.
 - Advanced hydraulic systems balance power and efficiency
 - The latest hydraulic oil filter provides longer life with a 3,000-hour replacement interval – 50% longer than previous filter designs
 - ECO mode minimizes fuel consumption for light applications
 - One-touch low idle with automatic engine speed control
 - Optional Cat Grade with 2D improves operator efficiency by up to 45%
 - Optional Cat Payload on-board weighing system increases loading efficiency
 - Remote Flash and Remote Troubleshoot

For more complete information on Cat products, dealer services, and industry solutions, visit us on the web at www.cat.com

© 2024 Caterpillar
All rights reserved

Materials and specifications are subject to change without notice. Featured machines in photos may include additional equipment. See your Cat dealer for available options.

CAT, CATERPILLAR, LET'S DO THE WORK, their respective logos, "Caterpillar Corporate Yellow," the "Power Edge" and Cat "Modern Hex" trade dress as well as corporate and product identity used herein, are trademarks of Caterpillar and may not be used without permission. VisionLink is a trademark of Caterpillar Inc., registered in the United States and in other countries.

AEXQ2902-03 (01-2024)
Replaces AEXQ2902-02
Build Number: 07D
(N Am, Eur, Aus-NZ, Turkey)

