

# CAT® C9.3B

BRAZIL MAR-1/UN R96 STAGE IIIA

230-310 KW (308-416 HP)



INDUSTRIAL POWER UNIT (IPU)

The Cat® C9.3B IPU configuration not only provides the flexibility and options found on a standard industrial engine, but also comes fitted with air filter and mounting, an integrated cooling system with air and coolant lines, and full wire harnessing with an engine-mounted ECM.



## FEATURES AND BENEFITS

### Full Packaged Installation

The IPU is an example of an industrial configuration that has the aftertreatment system, the cooling pack, the fuel filter module, and the entire wiring harness all pre-mounted on the engine right out of the factory. Furthermore, a control panel and telematics unit can be added on for an even more complete package.

### Reliable, Quiet, and Durable Power

With over 109 million off-highway field hours on the core engine design, customers can rest assured that the world-class manufacturing capabilities and processes that went in to producing these products will result in reliable, quiet, and durable operations, translating to more time doing productive work.

### World-Class Product Support Offered Through Cat® Dealer Network

Our network of Cat dealers across the globe means no matter where you are, help is close by. And because our engines are covered by warranty, you can feel good about your purchase being protected. With programs like extended service coverage and customer value agreements, you can choose to continue your Cat engine's protection for the life of your machine.

## SPECIFICATION

Cylinders	6 vertical in-line		
Displacement, litres (in <sup>3</sup> )	9.3 (567.5)		
Aspiration	Turbocharged aftercooled		
Bore and stroke, mm (in)	115 x 149 (4.5 x 5.9)		
Maximum power, kW (hp)	250 (335)	280 (375)	310 (416)
Rated speed, rpm	1800-2200	1800-2000	1800-1900
Maximum torque, Nm (lb ft) @ rpm	1532 (1130) @ 1400	1715 (1265) @ 1400	1810 (1335) @ 1400
Combustion system	Direct injection (common rail)		
Weight, kg (lb)	1481 (3265)		
Rotation (viewed from flywheel)	Anti-clockwise		

For additional information on all your power requirements, visit [www.cat-industrial.com](http://www.cat-industrial.com)

All information in this document is substantially correct at time of printing and may be altered subsequently.  
Photographs are for illustrative purposes only and may not reflect final specification.  
Final weight and dimensions will depend on completed specification.  
Information subject to selected configuration, and subject to change without notice.  
Engine power measured per ISO 14396:2002

AEXJ0152-02 (10-23)

© 2023 Caterpillar. All Rights Reserved. CAT, CATERPILLAR, LET'S DO THE WORK, their respective logos, "Caterpillar Corporate Yellow", the "Power Edge" and Cat "Modern Hex" trade dress as well as corporate and product identity used herein, are trademarks of Caterpillar and may not be used without permission.

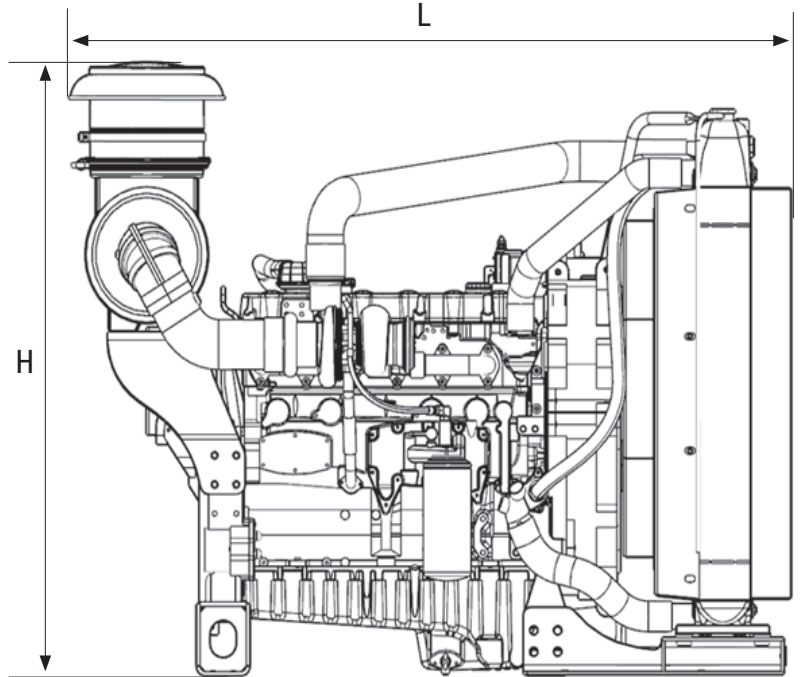
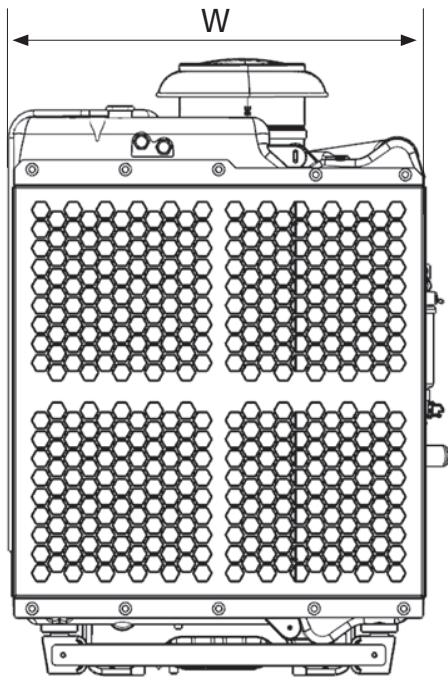
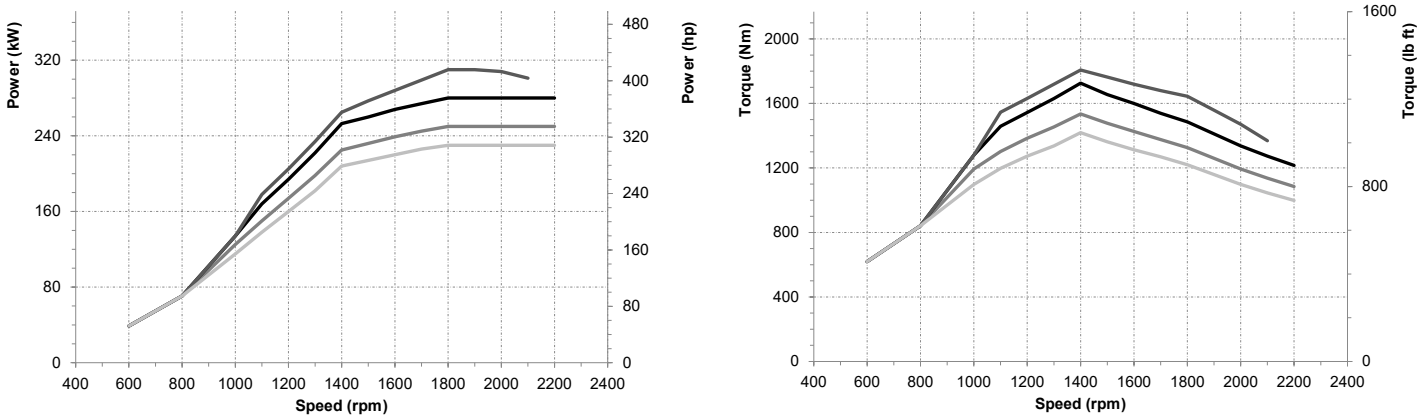
# CAT® C9.3B

BRAZIL MAR-1/UN R96 STAGE IIIA

230-310 KW (308-416 HP)



INDUSTRIAL POWER UNIT (IPU)



## DIMENSIONS AND WEIGHTS (POWER UNIT)

Length, mm (in)	2110 (83)
Width, mm (in)	1100 (43)
Height, mm (in)	1603 (63)
Weight, kg (lb)	1481 (3265)

For additional information on all your power requirements, visit [www.cat-industrial.com](http://www.cat-industrial.com)

All information in this document is substantially correct at time of printing and may be altered subsequently. Photographs are for illustrative purposes only and may not reflect final specification. Final weight and dimensions will depend on completed specification. Information subject to selected configuration, and subject to change without notice. Engine power measured per ISO 14396:2002

AEXJ0152-02 (10-23)

© 2023 Caterpillar. All Rights Reserved. CAT, CATERPILLAR, LET'S DO THE WORK, their respective logos, "Caterpillar Corporate Yellow", the "Power Edge" and Cat "Modern Hex" trade dress as well as corporate and product identity used herein, are trademarks of Caterpillar and may not be used without permission.