



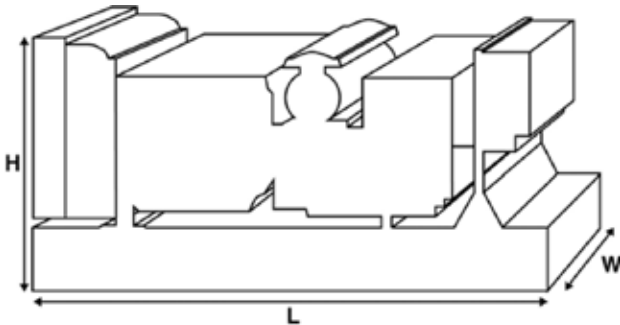
# P1500-1

## Output Ratings

Voltage, Frequency		Prime	Standby
400/230 V, 50 Hz	kVA	1350	1500
	kW	1080	1200
	kVA		
	kW		



Ratings at 0.8 power factor.  
Please refer to the output ratings technical data section for specific generator set outputs per voltage.



## Dimensions and Weights

Length	mm	4888 (192.4)
Width	mm	1895 (74.6)
Height	mm	2455 (96.7)
Weight (Dry)	kg	9247 (20386)
Weight (Wet)	kg	9448 (20829)

Ratings in accordance with ISO 8528, ISO 3046, IEC 60034, BS5000 and NEMA MG-1.22.  
Generator set pictured may include optional accessories.

### Prime Rating

These ratings are applicable for supplying continuous electrical power (at variable load) in lieu of commercially purchased power. There is no limitation to the annual hours of operation and this model can supply 10% overload power for 1 hour in 12 hours.

### Standby Rating

These ratings are applicable for supplying continuous electrical power (at variable load) in the event of a utility power failure. No overload is permitted on these ratings. The alternator on this model is peak continuous rated (as defined in ISO 8528-3).

### Standard Reference Conditions

Note: Standard reference conditions 25°C (77°F) Air Inlet Temp, 100m (328 ft) A.S.L. 30% relative humidity.  
Fuel consumption data at full load with diesel fuel with specific gravity of 0.85 and conforming to BS2869: 1998, Class A2.

FG Wilson offer a range of optional features to allow you to tailor our generator sets to meet your power needs.  
Options available include:

- Upgrade to CE Certification
- A wide range of Sound Attenuated Enclosures
- A variety of generator set control and synchronising panels
- Additional alarms and shutdowns
- A selection of exhaust silencer noise levels

For further information on all of the standard and optional features accompanying this product please contact your local Dealer or visit:

[www.fgwilson.com](http://www.fgwilson.com)

# P1500-1



## Ratings and Performance Data

Engine Make	Perkins		
Engine Model:	4012-46TWG3A		
Alternator Make	Leroy Somer		
Alternator Model:	LL8224L		
Control Panel:	DSE7410		
Base Frame:	Heavy Duty Fabricated Steel		
Circuit Breaker Type:	Options Available		
Frequency:	50 HZ		60 HZ
Engine Speed: RPM	rpm	1500	
Fuel Tank Capacity:	litres (US gal)	N/A (N/A)	
Fuel Consumption Prime	litres (US gal)/hr	279.2 (73.8)	
Fuel Consumption Standby	litres (US gal)/hr	313.4 (82.8)	

## Engine Technical Data

No. of Cylinders	12		
Alignment	VEE		
Cycle	4 STROKE		
Bore	mm (in)	160 (6.3)	
Stroke	mm (in)	190 (7.5)	
Induction	TURBOCHARGED		
Cooling Method	WATER		
Governing Type	ELECTRONIC		
Governing Class	ISO 8528 G3		
Compression Ratio	13.0:1		
Displacement	L (cu. in)	45.8 (2797.5)	
Moment of Inertia:	kg m <sup>2</sup> (lb/in <sup>2</sup> )	19.3 (65951)	
Voltage	24		
Ground	Negative		
Battery Charger Amps	40		
Engine Weight Dry	kg (lb)	4440 (9788)	
Engine Weight Wet	kg (lb)	4604 (10150)	

## Engine Performance Data

		50 Hz	60 Hz
Engine Speed	rpm	1500	
Gross Engine Power Prime	kW (hp)	1200 (1609)	
Gross Engine Power Standby	kW (hp)	1314 (1762)	
BMEP Prime	kPa (psi)	2094 (303.7)	
BMEP Standby	kPa (psi)	2293 (332.6)	

# P1500-1



## Fuel System

Fuel Filter Type:		Replaceable Element			
Recommended Fuel:		Class A2 Diesel			
Fuel Consumption at		110 % Load	100 % Load	75 % Load	50 % Load
50 Hz Prime:	l/hr (US gal/hr)	313.4 (82.8)	279.2 (73.8)	210.2 (55.5)	152.3 (40.2)
50 Hz Standby	l/hr (US gal/hr)	-	313.4 (82.8)	232 (61.3)	164.2 (43.4)
60 Hz Prime	l/hr (US gal/hr)				
60 Hz Standby	l/hr (US gal/hr)	-			

(Based on diesel fuel with a specific gravity of 0.85 and conforming to BS2869 classA2,EN590)

## Air System

Air System		50 Hz	60 Hz
Air Filter Type:		Replaceable Element	
Combustion Air Flow Prime	m <sup>3</sup> /min (cfm)	108 (3814)	
Combustion Air Flow Standby	m <sup>3</sup> /min (cfm)	114 (4026)	
Max. Combustion Air Intake Restriction	kPa	4 (16.1)	

## Cooling System

Cooling System		50 Hz	60 Hz
Cooling System Capacity	l (US gal)	215 (56.8)	
Water Pump Type:		Centrifugal	
Heat Rejected to Water & Lube Oil: Prime	kW (Btu/min)	395 (22463)	
Heat Rejected to Water & Lube Oil: Standby	kW (Btu/min)	441 (25079)	
Heat Radiation to Room*: Prime	kW (Btu/min)	144.2 (8201)	
Heat Radiation to Room*: Standby	kW (Btu/min)	159.6 (9076)	
Radiator Fan Load:	kW (hp)	53 (71.1)	
Radiator Cooling Airflow:	m <sup>3</sup> /min (cfm)	1524 (53820)	
External Restriction to Cooling Airflow:	Pa (in H <sub>2</sub> O)	250 (1)	

\*: Heat radiated from engine and alternator  
 Designed to operate in ambient conditions up to 50°C (122°F).  
 Contact your local FG Wilson Dealer for power ratings at specific site conditions.

## Lubrication System

Oil Filter Type:		Spin-On, Full Flow
Total Oil Capacity:	l (US gal)	177 (46.8)
Oil Pan Capacity:	l (US gal)	157.5 (41.6)
Oil Type:		API CH4 15W-40
Oil Cooling Method:		WATER

## Exhaust System

Exhaust System		50 Hz	60 Hz
Maximum Allowable Back Pressure:	kPa (in Hg)	5 (1.5)	
Exhaust Gas Flow: Prime	m <sup>3</sup> /min (cfm)	240 (8476)	
Exhaust Gas Flow: Standby	m <sup>3</sup> /min (cfm)	240 (8476)	
Exhaust Gas Temperature: Prime	°C (°F)	474 (885)	
Exhaust Gas Temperature: Standby	°C (°F)	474 (885)	

# P1500-1



## Alternator Physical Data

No. of Bearings:	1
Insulation Class:	H
Winding Pitch:	2/3
Winding Code	6S
Wires:	6
Ingress Protection Rating:	IP23
Excitation System:	AREP
AVR Model:	R450M/D350

\* dependant on voltage code selected

## Alternator Operating Data

Overspeed: rpm	2250
Voltage Regulation: (Steady state) %	+/- 0.5
Wave Form NEMA = TIF:	50
Wave Form IEC = THF: %	2
Total Harmonic content LL/LN: %	3.5
Radio Interference:	EN61000-6
Radiant Heat: 50 Hz kW (Btu/min)	63.6 (3617)
Radiant Heat: 60 Hz kW (Btu/min)	

## Alternator Performance Data 50 Hz:

		415/240 V	400/230 V	380/220 V	
Voltage Code					
Motor Starting Capability*	kVA	3093	2883	2613	
Short Circuit Capacity**	%	300	300	300	300
Reactances	Xd	3.56	3.84		
	X'd	0.25	0.27	0.186	
	X''d	0.148	0.148	0.149	

## Alternator Performance Data 60 Hz

Voltage Code					
Motor Starting Capability*	kVA				
Short Circuit Capacity**	%	300	300	300	300
Reactances	Xd				
	X'd				
	X''d				

Reactances shown are applicable to prime ratings.

\*Based on 30% voltage dip at 0.4 power factor.

\*\* With optional independant excitation system (PMG / AUX winding)

# P1500-1



## Output Ratings 50 Hz

Voltage Code	kVA	Prime		Standby	
		kW	kVA	kW	kVA
415/240V	1350	1080	1485	1188	
400/230V	1350	1080	1500	1200	
380/220V	1350	1080	1485	1188	
230/115V					
220/127V					
220/110V					
200/115V					
240V					
230V					
220V					

## Output Ratings 60 Hz

Voltage Code	kVA	Prime		Standby	
		kW	kVA	kW	kVA
480/277V					
440/254V					
416/240V					
400/230V					
380/220V					
240/139V					
240/120V					
230/115V					
220/127V					
220/110V					
208/120V					
240/120					
220/110					



## P1500-1

### Dealer Contact Details

### Documentation

Operation and maintenance manual including circuit wiring diagrams.

### Generator Set Standards

The equipment meets the following standards: BS5000, ISO 8528, ISO 3046, IEC 60034, NEMA MG-1.22.

Caterpillar (NI) Limited is the manufacturer of FG Wilson brand diesel generating sets, and our facilities manufacture products in the following locations:

Brazil • China • India

With headquarters in Northern Ireland, FG Wilson products are distributed through a Global Dealer Network.

To contact your local Sales Office, please visit the FG Wilson website at [www.fgwilson.com](http://www.fgwilson.com).

In line with our policy of continuous product development, we reserve the right to change specification without notice.