

C13

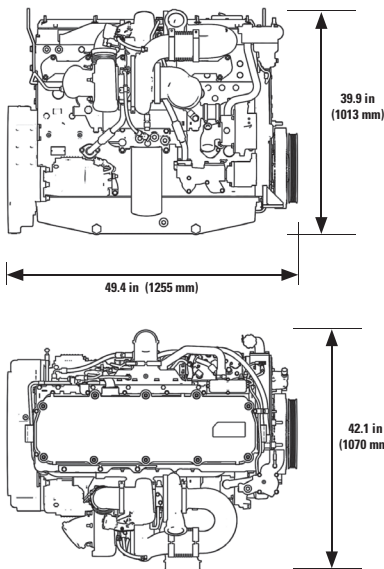
Engine | 600-711 bhp (447-530 kW) | 1,760-1,991 lb-ft (2386-2700 Nm)



Get legendary Cat reliability and durability with low operating costs using the Cat® C13 ACERT™ Diesel Engines.

Based on decades of diesel engine innovation and expertise, these engines are designed for severe duty equipment and the most demanding environments and applications around the world. It's available in two unregulated ratings: 600 bhp (447 kW) with a single turbocharger configuration and 711 bhp (530 kW) with a serial turbocharger configuration.

More importantly, they are backed by the Cat® global dealer network ready to keep missions moving anywhere in the world.



Specifications

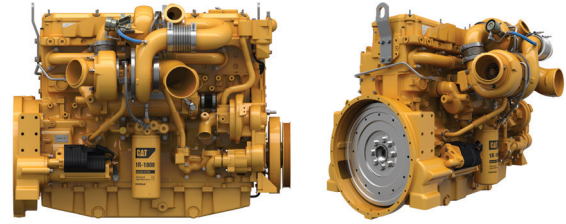
Engine Configuration	In-line 6 Cylinder
Bore and Stroke (in/mm)	5.12 x 6.18 / 130 x 157
Displacement (in ³ /L)	763 / 12.5
Aspiration	Turbocharged and Aftercooled
Cycle	4 Stroke
Combustion System	Direct Injection
Compression Ratio	15.8 to 18:1
Rotation from Flywheel End	Counterclockwise
Oil Capacity (gal/L)	8 / 30
Cooling System	Liquid
Coolant Capacity (gal/L)	3.8 / 14.2
Dry Weight (lb/kg)	2,371-2,520 / 1075-1143

Built to Power:

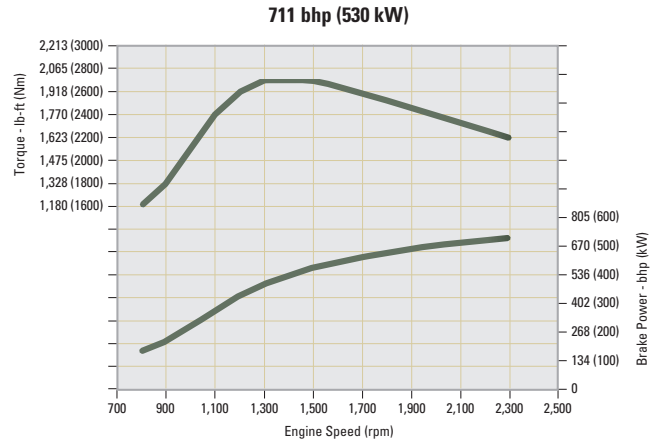
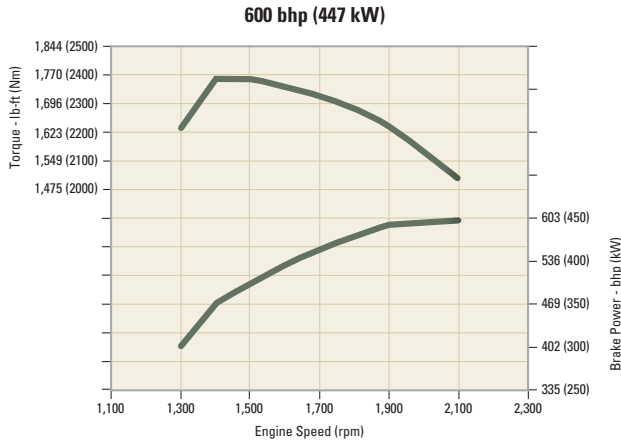
- Wheeled APCs and IFVs
- Wheeled MRAPs
- Medium Weight Utility Trucks
- Tracked Combat Vehicles

C13 Engine

600-711 bhp (447-530 kW) | 1,760-1,991 lb-ft (2386-2700 Nm)



Superior torque for optimal performance.
(based on SAE J1995)



Brake Power (bhp/kW)	Speed (rpm)	Torque (lb-ft/Nm)	Speed (rpm)	Emission Level
600 / 447	2,100	1,760 / 2386	1,400	Unregulated
711 / 530	2,300	1,991 / 2700	1,300	Unregulated

Standard Equipment

Air Inlet and Exhaust System

- Single or series sequential turbochargers
- Exhaust manifold, dry

Control System

- Electronic governing, PTO speed control
- Automatic altitude compensation
- Power compensation for fuel temperature
- Programmable low and high idle and total engine limit
- Electronic diagnostics and fault logging
- SAE J1939 broadcast and control
- ADEM™ A4 Electronic Control Unit (ECU)

Cooling System

- Thermostats and housing
- Jacket water pump, centrifugal
- Water pump, inlet

Flywheels and Flywheel Housing

- SAE No. 1 flywheel housing

Fuel System

- MEUI™ injection
- Fuel filter, secondary
- ACERT™ Technology
- Fuel transfer pump

Lube System

- Crankcase breather
- Oil cooler
- Oil filler
- Lube oil filter
- Oil pan
- Oil dipstick
- Gear driven oil pump

General

- Vibration damper
- Lifting eyes

Media number: AEHQ8281

© 2023 Caterpillar. All Rights Reserved. CAT, CATERPILLAR, LET'S DO THE WORK, their respective logos, "Caterpillar Yellow", the "Power Edge" and Cat "Modern Hex" trade dress as well as corporate and product identity used herein, are trademarks of Caterpillar and may not be used without permission.

