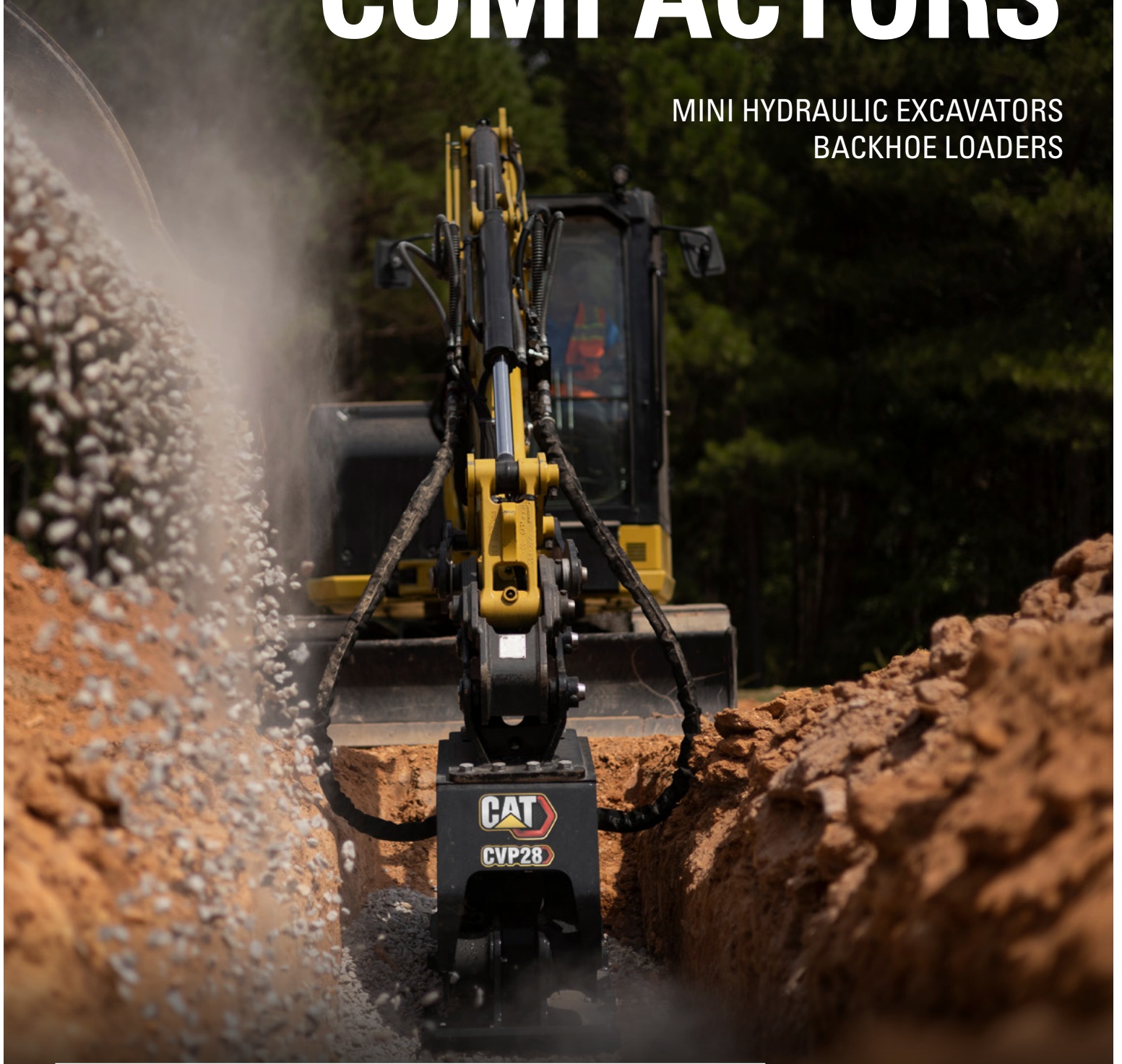


# VIBRATORY PLATE COMPACTORS

MINI HYDRAULIC EXCAVATORS  
BACKHOE LOADERS



---

**Models**  
CVP16, CVP28, CVP40, CVP55

Machine model availability and attachment vary by region. Contact your local Cat® dealer for exact compatibility and availability.



Cat® Vibratory Plate Compactors are used for compacting soil, sand or gravel prior to pouring concrete or laying asphalt surfaces. Their capabilities and lower investment and maintenance costs make them popular with pavers, general contractors and utility contractors in residential, commercial or industrial applications. Vibratory plate compactors are also ideal for asphalt patch work.

## FEATURES



### SUPERIOR COMPACTION FORCE

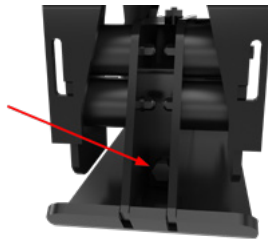
These units produce high-power impulses at a rate of 2200 impacts per minute driving soil particles close together for solid, stable compactions.

### PERFORMANCE MATCHED

Cat® Compactors are performance-matched to Cat machines. Brackets and hydraulic kits are interchangeable between hammers and compactors. Compactors can be used with pin grabber, dedicated hydraulic or pin lock couplers.

### PROTECTED HYDRAULICS

Hydraulic hoses are protected inside compactor frame and jumper lines are routed out the back. Hoses are out of the way — even in tight trenches.

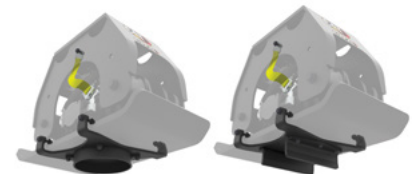


### EASY MAINTENANCE

Oil changes are simplified with the rear centerline plug and can be changed while the compactor is installed.

### RUBBER ISOLATORS

Solid rubber bushings deliver the maximum amount of power to the ground while minimizing machine impact.



### OPTIONAL BACKFILL BLADE

Optional bolt-on backfill blade can be mounted on both front and back of the compactor to backfill trenches.

### OPTIONAL SWIVEL PLATE

Optional bolt-on swivel plate allows compactor to manually rotate 90 degrees left or right (180 degrees total rotation), reducing the amount of machine repositioning that must be done.

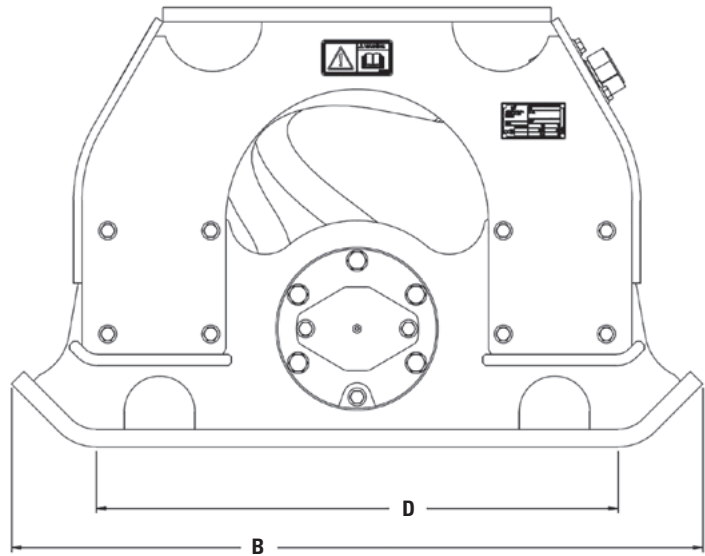
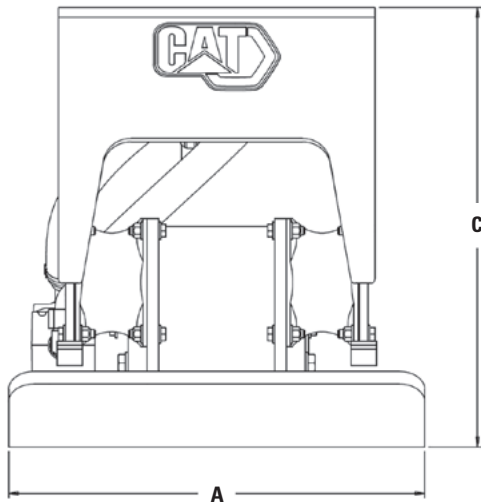
### OPTIONAL POST/PLATE DRIVER\*

- + Optional post driver allows compactor to drive posts up to 254 mm (10 in) in diameter.
- + Optional plate driver allows compactor to drive plates up to 152 mm (6 in) in size.

\* CVP28 only



# DIMENSIONS



Model	CVP16	CVP28	CVP40	CVP55
<b>A</b> Base Plate Width – mm (in)	305 (12)	450 (17.7)	590 (23.2)	660 (26)
<b>B</b> Base Plate Length – mm (in)	787 (31)	920 (36.2)	980 (38.6)	1046 (41.2)
<b>C</b> Overall Height – mm (in)	528 (20.8)	602 (23.7)	621 (24.4)	728 (28.7)
<b>D</b> Working Length – mm (in)	607 (23.9)	710 (28)	740 (29.1)	810 (31.9)
Compaction Area – m <sup>2</sup> (ft <sup>2</sup> )	0.19 (2.0)	0.32 (3.4)	0.44 (4.7)	0.53 (5.7)
Impulse Force – kN (lb)	16 (3,597)	28 (6,294.7)	40 (8,992.4)	55 (12,364.5)
Impact Frequency – bpm	2,200	2,200	2,200	2,200
Base Plate Pressure – kPa (psi)	86.5 (12.5)	87.6 (12.7)	91.8 (13.3)	102.7 (14.9)
Optimal Hydraulic Flow – L/min (gpm)	40-50 (11-13)	53-68 (14-18)	69-87 (18-23)	83-104 (22-27)
Minimum Operating Pressure – kPa (psi)	13 000 (1,885)	13 000 (1,885)	13 000 (1,885)	13 000 (1,885)
Weight	150 (330.7)	260 (573.2)	350 (771.6)	453 (998.7)
Compatibility	MHE 2.7-6 Ton	MHE 3-9 Ton BHL 428/432/434/444	MHE 6-10 Ton BHL 415-450	MHE 7-13 Ton *BHL 415-450

MHE = mini hydraulic excavators, BHL = backhoe loaders  
 \*Not compatible with side shift backhoe loaders.



## STANDARD TWO-YEAR WARRANTY

Standard two-year warranty gives you peace of mind when purchasing a quality Cat Vibratory Plate Compactor attachment.



**POST DRIVER**



For more complete information on Cat products, dealer services and industry solutions, visit us on the web at [www.cat.com](http://www.cat.com)

© 2023 Caterpillar. All Rights Reserved.

Materials and specifications are subject to change without notice. Featured machines in photos may include additional equipment. See your Cat dealer for available options.

CAT, CATERPILLAR, LET'S DO THE WORK, their respective logos, "Caterpillar Corporate Yellow," the "Power Edge" and Cat "Modern Hex" trade dress as well as corporate and product identity used herein, are trademarks of Caterpillar and may not be used without permission.  
[www.cat.com](http://www.cat.com) [www.caterpillar.com](http://www.caterpillar.com)

AEHQ8439-01 (04-2023)  
Replaces AEHQ8439  
(Global)

