



# 950H/962H MEDIUM WHEEL LOADER PARTS REFERENCE GUIDE

**LET'S DO THE WORK.™**




# PROTECT YOUR INVESTMENT WITH GENUINE CAT® PARTS

Thank you for selecting the Cat® 950H/962H Medium Wheel Loader.

This guide is designed to provide you with a quick reference for the parts and part numbers you need to keep your Cat 950H/962H Medium Wheel Loader running at peak efficiency. Always read and understand the machine's Operation and Maintenance Manual prior to performing any type of maintenance.

### MAINTENANCE

Proactive preventative maintenance extends the life of your machine and protects your investment. Only Caterpillar knows Cat equipment's filtration and lubrication requirements and offers parts kits to match your machine's maintenance cycles.



SCHEDULED MAINTENANCE PARTS	
	<b>GREASES</b>
	<b>PLANNED MAINTENANCE</b>

### REPLACEMENT PARTS

Proper maintenance minimizes the need for repair and replacement. In the event that replacement parts are required, the use of genuine Cat parts helps maximize machine performance and maintains high resale value.

WEAR PARTS
<b>COMMON GROUND ENGAGING TOOLS</b>
<b>COMMON REPAIR PARTS</b>
<b>CAB</b>
<b>MIRRORS AND LIGHTS</b>
<b>OCCASIONAL REPAIR PARTS</b>
<b>ENGINE AND COMPONENTS</b>
<b>MAJOR COMPONENTS</b>
<b>MISCELLANEOUS</b>
<b>CYLINDERS AND KITS</b>
<b>LINKAGE PINS AND HARDWARE</b>

### GREASES 950H / 962H

Previous Cat Product Name	STANDARD MAINTENANCE GREASES			GREASES FOR UNIQUE APPLICATIONS AND ENVIRONMENTS		
	Cat Ultra5 Moly #1	Cat Ultra5 Moly #2	Cat Advanced 3 Moly	Cat Arctic Platinum	Cat Desert Gold	Cat Multipurpose
Current Cat Product Name	Cat Extreme Application Grease 1	Cat Extreme Application Grease 2	Cat Prime Application Grease	Cat Extreme Application Grease - Arctic	Cat Extreme Application Grease - Desert	Cat Utility Grease
Grade (NLGI)	1	2	2	0	2	2
Melting Point C° (F°)	260 (500)	260 (500)	260 (500)	230 (446)	280 (536)	260 (500)
Ambient Temperature C° (F°)	35 to +40 (-31 to +104)	-30 to +50 (-22 to +122)	-20 to +40 (-4 to +104)	35 to +40 (-31 to +104)	-30 to +50 (-22 to +122)	-20 to +1100 (-4 to +2012)
Base Oil Type	Mineral	Mineral	Mineral	Semi-Synthetic	Mineral	Mineral
Color	Dark Gray	Dark Gray	Dark Gray	Dark Grey	Dark Grey	Blue
Cartridge (390 g / 14 oz)	452-5996	452-6001	452-6006	508-2184	452-6016	452-6011
Plastic Pail (5 kg / 11 lb)	-	-	-	-	-	-
Plastic Pail (16 kg / 35 lb)	452-5999	452-6004	452-6009	508-2187	452-6019	452-6014
Keg (55 kg / 120 lb)	452-5998	452-6003	452-6008	508-2186	452-6018	452-6013
Drum (180 kg / 400 lb)	452-5997	452-6002	452-6007	508-2185	452-6017	452-6012
						

# PLANNED MAINTENANCE

WHEEL LOADER		INITIAL 250 HOURS	EVERY 500 HOURS					EVERY 1,000 HOURS	
		Transmission Oil Filter	Engine Oil/Filter - Change		Primary Fuel Filter	Secondary Fuel Filter	Transmission Oil Filter	Hydraulic System	Transmission Oil
Sales Model	Serial Number Prefix	Filter Element	Filter Element	Oil Quantity - Gallon (L) DEO-ULS™	Water Separator	Filter Element	Filter Element	Filter Element	Oil Quantity - Gallon (L) TDTO
950H	K5K, N1A, J5J, M1G, JAD	341-6643	1R-1807	8 (30)	326-1644	1R-0762	341-6643	225-4118	9 (34)
950H	JLX, MXL							465-6506	
962H	K6K, N4A, J6J, M3G, MAL							225-4118	
962H	SSA, PCW							465-6506	
Additional Note		–	A 500 service hour engine oil change interval is available, provided that operating conditions and recommended multigrade oil types are met. When these requirements are not met, shorten the oil change interval to 250 service hours, or use an SOS oil sampling and analysis program to determine an acceptable oil change interval.		Filter Seal: 220-8678	–	–	465-6506	–

WHEEL LOADER		EVERY 2,000 HOURS						EVERY 3,000 HOURS
		Engine Valve Mechanism Cover	Magnetic Screen Filter Cover Seal	Front Differential Oil Change	Rear Differential Oil Change	Replace Air Conditioning	Hydraulic Tank	Replace Hydraulic Oil
Sales Model	Serial Number Prefix	Gasket	Seal	Oil Quantity - Gallon (L) TDTO	Oil Quantity - Gallon (L) TDTO	A/C Receiver/Dryer	Valve Breather	Oil Quantity - Gallon (L) HYDO Advanced 10
950H	K5K, N1A, J5J, M1G, JAD	272-0388	8H-7521	9.5 (36)	9.5 (36)	283-4236	258-2829	46 (175)
950H	JLX, MXL							
962H	K6K, N4A, J6J, M3G, MAL							
962H	SSA, PCW							
Additional Note		–	–	1U-9891 Noise Reduction Additive	1U-9891 Noise Reduction Additive	–	–	47 (178) with 3 valve hydraulic system.

WHEEL LOADER		EVERY 6,000 HOURS			EVERY 12,000 HOURS	
		Seat Belt - Replace	Cat ELC Extender - Replace	Thermostat/Water Temperature Regulator - Replace	Engine Cooling Fluid - Replace	
Sales Model	Serial Number Prefix	Or Every 3 Year	1.5 Containers	Regulator	Gasket	Coolant Quantity - Gallon (L), Cat ELC
950H	K5K, N1A, J5J, M1G, JAD	236-7019	119-5152	119-3075	222-5915	11.1 (42)
950H	JLX, MXL	206-1749				
962H	K6K, N4A, J6J, M3G, MAL	236-7019				
962H	SSA, PCW	206-1749				

WHEEL LOADER		WHEN REQUIRED					
		Engine Air Filter - Change		Cabin Air - Replace	Battery	Ether Starting Aid Cylinder - Replace	Fuel Tank Cap - Replace
Sales Model	Serial Number Prefix	Primary	Secondary	Filter			
950H	K5K, N1A, J5J, M1G, JAD	245-6375	245-6376	7X-6041 (Quantity 2)	153-5710 (Quantity 2)	7N-0296	338-0912
950H	JLX, MXL						
962H	K6K, N4A, J6J, M3G, MAL						
962H	SSA, PCW						

# COMMON GROUND ENGAGING TOOLS 950H / 962H

## CAT ADVANSYS™

Cutting Edge	Bucket Width		
	113.6" (2886mm)	119.4" (3032mm)	125.7" (3193mm)
<b>Full Cutting Edge - Bolt-On</b>			
<b>30mm Bolt-On Cutting Edge</b>			
End Right	–	233-1852	–
End Left	–	233-1853	–
End	(2) 4T-8101	–	–
Center	(2) 139-9230	(2) 1U-0593	–
Plow Bolt	(12) 4F-4042	(10) 5P-8823	–
Nut	(12) 2J-3507	(10) 3K-9770	–
<b>35mm Bolt-On Cutting Edge HD</b>			
Heavy Duty End	(2) 132-1033	–	(2) 167-7430
Heavy Duty Center	(2) 135-9666	–	(2) 140-6823
Plow Bolt	(12) 4F-4042	–	(12) 5P-8823
Nut	(12) 2J-3507	–	(12) 3K-9770
<b>30mm Bolt-On A.R.M. Cutting Edge</b>			
End Right	9W-3488	–	–
End Left	9W-3489	–	–
Center Right	138-0673	–	–
Center Left	138-0672	–	–
Plow Bolt	(12) 4F-4042	–	–
Nut	(12) 2J-3507	–	–
<b>30mm Bolt-On Cutting Edge Heavy Duty End Segements</b>			
Heavy Duty End	–	(2) 3G-6395	(2) 3G-6395
Center	–	(2) 1U-0593	(2) 100-6668
Plow Bolt	–	(10) 5P-8823	(12) 5P-8823
Nut	–	(10) 3K-9770	(12) 3K-9770
<b>Other GET</b>			
<b>Top Mounted Base Edge Wear Plate</b>			
Level Cut End Bit	(2) 4T-6659	–	(2) 3G-4285
Cutting Edge	4T-0731	–	4T-3017
Plow Bolt	(19) 4F-7827	–	(23) 4F-7827
Nut	(19) 2J-3506	–	(23) 2J-3506
<b>Corner Guard</b>			
Corner Guard Right	253-0062	253-0062	253-0064
Corner Guard Left	253-0063	253-0063	253-0065
Plow Bolt	(4) 8T-9079	(4) 8T-9079	(4) 6V-6535
Nut	(4) 3K-9770	(4) 3K-9770	(4) 3K-9770

These are common base edge widths, however there may be similar base edges that the parts listed do not fit. Contact your Cat dealer. This is a limited list of GET, other styles and configurations are available, contact your Cat dealer.

Adapters	Part Number
Flushmount	505-4040
Center Bolt-on	505-4041
Center Bolt-on	505-4042
Right Bolt-on	505-4043
Left Bolt-on	505-4044

Tips	Part Number
Heavy Abrasion	505-3981
Heavy Penetration	505-3980
Heavy Duty	505-3982
General Purpose	505-3984
Heavy Duty Long Life (ARM)	505-3983
Leveling Edge Conversion	505-3985



Cutting Edge	Bucket Width		
	113.6" (2886mm)	119.4" (3032mm)	125.7" (3193mm)
<b>Segments for Use Between Tips</b>			
<b>30mm Bolt-On Segments</b>			
Edge Segment Outer	(2) 263-7545	(2) 308-3054	(2) 308-4322
Edge Segment Inner	(5) 140-7601	(5) 4T-6699	(5) 100-6666
Plow Bolt	(14) 4F-4042	(14) 5P-8823	(14) 5P-8823
Nut	(14) 2J-3507	(14) 3K-9770	(14) 2J-3506
<b>35mm Bolt-On Segments</b>			
Edge Segment	–	–	(2) 140-6870
Edge Segment	–	–	(5) 310-4067
Plow Bolt	–	–	(14) 5P-8823
Nut	–	–	(14) 3K-9770
<b>30mm Bolt-On Half Arrow Segments</b>			
Bolt-on Half Arrow	–	(7) 313-5548	(7) 313-5550
Plow Bolt	–	(14) 5P-8823	(14) 5P-8823
Nut	–	(14) 3K-9770	(14) 3K-9770

## CAT ADVANSYS™ TIP & ADAPTER SYSTEM

BUILT TO DELIVER MAXIMUM PRODUCTIVITY AND THE LOWEST BUCKET LIFE CYCLE COST IN THE TOUGHEST APPLICATIONS.

Cat Advansys™ is built for machine productivity, balancing tip wear material and penetration requirements. Integrated hammerless retention ensures you are back to work in minutes without a separate retainer.

### PERFORMANCE & PRODUCTIVITY

Heavy abrasion and heavy penetration designs have more usable wear material while maintaining profile during the full life of the tip.

### EXTEND BUCKET LIFE CYCLE

Adapter design directs material flow over adapter strap, which can extend adapter service life and bucket life cycle.

### ENHANCE JOB SITE SAFETY

Hammerless system. A 3/4 inch retainer lock requires no special tools for installation and removal.

## BALANCED EDGE SYSTEMS FOR EVERY APPLICATION.

Finding the best solution for your bucket and application is easy with Cat's broad portfolio of edge options. Increase your machine's productivity by reducing operating costs and maintenance interval costs.

We have G.E.T. for your bucket, no matter the application or environment. Maximum wear life and breakage resistance is possible with our steel alloy that can endure 2 times the heat and pressure of traditional cutting edge steel products. Consult your local Cat dealer to help determine the best cutting edge system for your application to give you the lowest cost per hour.

Cat offers a range of work tools including loading and specialty buckets to fit the 950H /962H wheel loader. These tools configure the machine to fit a wide range of applications, giving customers the efficiency and performance they demand. Contact your local Cat sales representative or refer to [Parts.Cat.com](http://Parts.Cat.com) for additional information.

## CAB 950H/962H

Description	Serial Number Prefix	Part Number
Glass-Left Side Rear	All	107-4602
Glass-Right Side Rear	All	107-4600
Glass-Front	All	173-2142
Glass-Front Right	All	173-2143
Glass-Front Left	All	173-2144
Glass-Rear	K5K, N1A, J5J, M1G, JAD, K6K, N4A, J6J, M3G, MAL	255-4367
	JLX, MXL, SSA, PCW	373-4650
Glass-Cab Door Left	All	187-1469
Glass - Left, Sliding	K5K, N1A, J5J, M1G, JAD, K6K, N4A, J6J, M3G, MAL	352-4902
Glass - Left, Fixed	K5K, N1A, J5J, M1G, JAD, K6K, N4A, J6J, M3G, MAL	185-7525
Glass-Cab Door Right	K5K, N1A, J5J, M1G, JAD, K6K, N4A, J6J, M3G, MAL	185-7533
Glass - Right, Fixed	JLX, MXL, SSA, PCW	384-6527
Glass - Right, Sliding	JLX, MXL, SSA, PCW	384-6530
Wiper Blade - Front	All	6V-7419
Wiper Blade - Rear	K5K, N1A, J5J, M1G, JAD, K6K, N4A, J6J, M3G, MAL	6V-7419
	JLX, MXL, SSA, PCW	6V-5851
Seat Belt	K5K, N1A, J5J, M1G, JAD, K6K, N4A, J6J, M3G, MAL	236-7019
	JLX, MXL, SSA, PCW	206-1749
Radio - AM/FM	K5K, N1A, J5J, M1G, JAD, K6K, N4A, J6J, M3G, MAL	248-4152
	JLX, MXL, SSA, PCW	273-6356
Radio - Antenna	All	310-2393

## MIRRORS AND LIGHTS

Description	Serial Number Prefix	New	Reman
Exterior Rear Mirror - Heated	All	202-8649	-
Exterior Rear Mirror	All	5P-6879	-
<b>Lights</b>			
Flood Lamp, Cab Rear	All	332-9402	20R-7306
Flood Lamp, Cab Front	All	347-9427	20R-7307
Flood Lamp, Cab Rear	All	219-6487	-
Flood Lamp, Cab Front	All	219-6485	-
Dome Lamp	All	375-1478	-
Stop/ Tail / Turn Lamp	All	415-1086	-
Flood Lamp - Right	All	302-0406	-
Flood Lamp - Left	All	302-0408	-
Head and Turn Signal Lamp - Right	All	344-3455	-
Head and Turn Signal Lamp - Left	All	344-3456	-
Back Up Lamp	All	338-5716	-
Warning Beacon	JLX, MXL, SSA, PCW	275-8737	-
	K5K, N1A, J5J, M1G, JAD, K6K, N4A, J6J, M3G, MAL	284-3757	-

## ENGINE AND ENGINE COMPONENTS

Description	Serial Number Prefix	New	Reman
Water Pump	All	352-2109	10R-5407
Fuel Priming Pump	All	217-8342	-
Engine Oil Pump	All	496-4800	-
Fuel Transfer Pump	All	476-8766	20R-1635
Turbocharger	All	350-9729	10R-6465
Starter	All	390-0787	10R-0405
Injector Pump	All	557-7607	20R-9079
Engine Core	JLX, MXL, SSA, PCW	396-1168	-
	K5K, N1A, J5J, M1G, JAD, K6K, N4A, J6J, M3G, MAL	387-1975	20R-1709
Alternator	K5K, N1A, J5J, M1G, JAD, K6K, N4A, J6J, M3G, MAL	561-2998	-
	JLX, MXL, SSA, PCW	366-2756	20R-0957
Refrigerant Compressor	All	464-9988	-

## MAJOR COMPONENTS

Description	Serial Number Prefix	New	Reman
Piston Steering Pump	K5K, N1A, J5J, M1G, JAD, K6K, N4A, J6J, M3G, MAL	241-9299	10R-7733
	JLX, MXL, SSA, PCW	367-8078	20R-7879
Piston Implement Pump	K5K, N1A, J5J, M1G, JAD, K6K, N4A, J6J, M3G, MAL	292-8767	10R-7401
	JLX, MXL, SSA, PCW	367-8077	20R-7880
Piston Brake and Hydraulic Fan Pump	All	254-5146	10R-7697
Fan Motor	All	246-6152	-
Secondary Steering Pump	All	275-8544	-
Engine Mounted Powertrain Pump	All	241-8693	-
Transmission	All	268-6505	-

## MISCELLANEOUS

Description	Serial Number Prefix	Standard
Fuse-15Amp	All	9W-1441
Fuse-10Amp	All	9W-1442
Fuse-20Amp	All	9W-1446
Relay Assembly **	All	453-9924
Cup Bearing -Tapered Roller Lower Pin**	All	143-7356
Cone Bearing-Tapered Roller Lower Pin**	All	143-7356
Cup Bearing -Tapered Roller Upper Pin**	All	7D-8348
Cone Bearing-Tapered Roller Upper Pin**	All	7D-8349
Camera**	All	347-1668
Accumulator-Ride Control	All	348-9285
Accumulator-Pilot	All	355-9985
Accumulator-Brake	All	470-3802
Driveshaft Yoke	All	115-1653
Bearing Gp-Pillow Block	All	296-4292
Steering Valve	All	142-4000
Engine, Radiator, Cab Heater Drain	All	238-5080 Seal 6V-7238 Valve

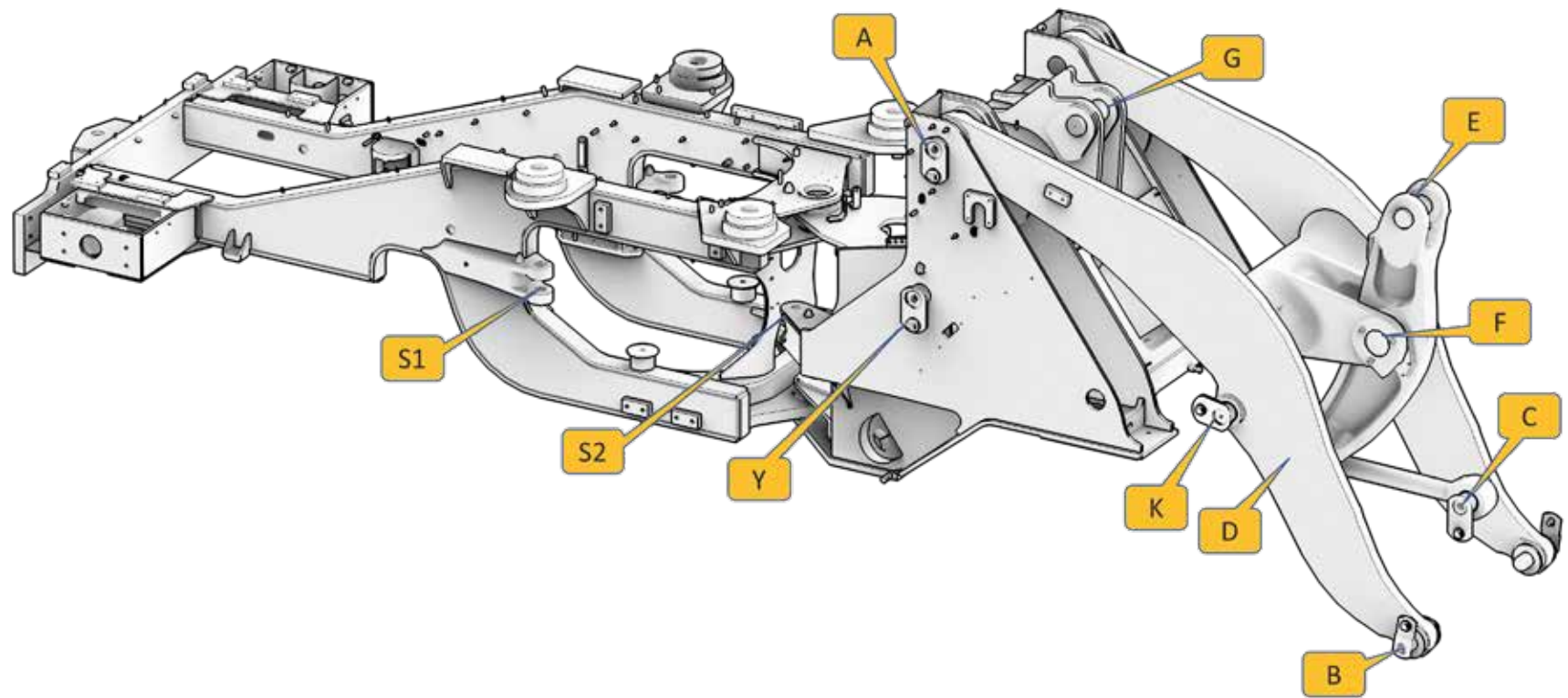
\*\* For Center Hitch

## CYLINDERS AND KITS

Description	Serial Number Prefix	New	Reman	Cylinder Seal Kit
Tilt Cylinder	All	356-2217	–	381-2334
Tilt Cylinder, High Lift	All	358-5187	–	381-2334
Steering Cylinder	All	369-6640	20R-8728	326-0503
Lift Cylinder - Right	JLX, MXL, SSA, PCW	381-4585	–	381-4591
	K5K, N1A, J5J, M1G, JAD, K6K, N4A, J6J, M3G, MAL	242-4271	20R-8699	381-2331
Lift Cylinder - Left	K5K, N1A, J5J, M1G, JAD, K6K, N4A, J6J, M3G, MAL	242-4272	20R-8701	381-2331
	JLX, MXL, SSA, PCW	381-4584	–	381-4591



# WHEEL LOADER LINKAGE CONFIGURATION



LINKAGE PINS													
Sales Model	Serial Number Prefix	Linkage Type	A	B	C	D	E	F	G	K	Y	S1	S2
950H	M1G	High Lift	136-9371 Pin (Quantity 2)	5V-1511 Pin (Quantity 2)	310-1899 Pin	4V-7099 Pin	4V-7099 Pin	9C-0093 Pin	136-9380 Pin	4E-3196 Pin (Quantity 2)	136-9371 Pin (Quantity 2)	365-2574 Pin (Quantity 2)	365-2574 Pin (Quantity 2)
		Autolube - High Lift					346-1656 Pin			330-3047 Pin (Quantity 2)			
		Standard Lift				5V-1508 Pin	5V-1508 Pin			4E-3196 Pin (Quantity 2)			
		Autolube - Standard Lift					346-1657 Pin			330-3047 Pin (Quantity 2)			
	K5K	High Lift				4V-7099 Pin	4V-7099 Pin			4E-3196 Pin (Quantity 2)			
		Autolube - High Lift					346-1656 Pin			330-3047 Pin (Quantity 2)			
		Standard Lift				5V-1508 Pin	5V-1508 Pin			4E-3196 Pin (Quantity 2)			
	MXL	High Lift				4V-7099 Pin	4V-7099 Pin			330-3047 Pin (Quantity 2)			
		Autolube - High Lift					346-1656 Pin			4E-3196 Pin (Quantity 2)			
		Standard Lift				5V-1508 Pin	5V-1508 Pin			330-3047 Pin (Quantity 2)			
		Autolube - Standard Lift					346-1657 Pin			330-3047 Pin (Quantity 2)			
	N1A	High Lift				4V-7099 Pin	4V-7099 Pin			4E-3196 Pin (Quantity 2)			
		Autolube - High Lift					346-1656 Pin			330-3047 Pin (Quantity 2)			
		Standard Lift				5V-1508 Pin	5V-1508 Pin						
	J5J	High Lift				4V-7099 Pin	4V-7099 Pin			4E-3196 Pin (Quantity 2)			
		Standard Lift				5V-1508 Pin	5V-1508 Pin						
	JAD	High Lift				4V-7099 Pin	4V-7099 Pin			330-3047 Pin (Quantity 2)			
		Autolube - High Lift					346-1656 Pin						
		Standard Lift				5V-1508 Pin	5V-1508 Pin			4E-3196 Pin (Quantity 2)			
	JLX	High Lift				4V-7099 Pin	4V-7099 Pin			330-3047 Pin (Quantity 2)			
Autolube - High Lift		346-1656 Pin	4E-3196 Pin (Quantity 2)										
Standard Lift		5V-1508 Pin	5V-1508 Pin	330-3047 Pin (Quantity 2)									
Autolube - Standard Lift			346-1657 Pin										

**LINKAGE PINS**

Sales Model	Serial Number Prefix	Linkage Type	A	B	C	D	E	F	G	K	Y	S1	S2
<b>962H</b>	K6K	High Lift	136-9371 Pin (Quantity 2)	5V-1511 Pin (Quantity 2)	310-1899 Pin	4V-7099 Pin	4V-7099 Pin	9C-0093 Pin	136-9380 Pin	4E-3196 Pin (Quantity 2)	136-9371 Pin (Quantity 2)	365-2574 Pin (Quantity 2)	365-2574 Pin (Quantity 2)
		Autolube - High Lift					346-1656 Pin			330-3047 Pin (Quantity 2)			
		Standard Lift				5V-1508 Pin	5V-1508 Pin			4E-3196 Pin (Quantity 2)			
	N4A	High Lift				4V-7099 Pin	4V-7099 Pin			330-3047 Pin (Quantity 2)			
		Autolube - High Lift				4V-7099 Pin	346-1656 Pin			4E-3196 Pin (Quantity 2)			
		Standard Lift				5V-1508 Pin	5V-1508 Pin			330-3047 Pin (Quantity 2)			
	J6J	High Lift				4V-7099 Pin	4V-7099 Pin			4E-3196 Pin (Quantity 2)			
		Standard Lift				5V-1508 Pin	5V-1508 Pin			330-3047 Pin (Quantity 2)			
		Autolube - Standard Lift				5V-1508 Pin	346-1657 Pin			4E-3196 Pin (Quantity 2)			
	M3G	High Lift				4V-7099 Pin	4V-7099 Pin			330-3047 Pin (Quantity 2)			
		Autolube - High Lift				4V-7099 Pin	346-1656 Pin			4E-3196 Pin (Quantity 2)			
		Standard Lift				5V-1508 Pin	5V-1508 Pin			330-3047 Pin (Quantity 2)			
		Autolube - Standard Lift				5V-1508 Pin	346-1657 Pin			4E-3196 Pin (Quantity 2)			
	MAL	High Lift				4V-7099 Pin	4V-7099 Pin			330-3047 Pin (Quantity 2)			
		Autolube - High Lift				4V-7099 Pin	346-1656 Pin			4E-3196 Pin (Quantity 2)			
		Standard Lift				5V-1508 Pin	5V-1508 Pin			330-3047 Pin (Quantity 2)			
		Autolube - Standard Lift				5V-1508 Pin	346-1657 Pin			4E-3196 Pin (Quantity 2)			
	SSA	High Lift				4V-7099 Pin	4V-7099 Pin			330-3047 Pin (Quantity 2)			
		Autolube - High Lift				4V-7099 Pin	346-1656 Pin			4E-3196 Pin (Quantity 2)			
		Standard Lift				5V-1508 Pin	5V-1508 Pin			330-3047 Pin (Quantity 2)			
		Autolube - Standard Lift				5V-1508 Pin	346-1657 Pin			4E-3196 Pin (Quantity 2)			
	PCW	High Lift				4V-7099 Pin	4V-7099 Pin			330-3047 Pin (Quantity 2)			
		Autolube - High Lift				4V-7099 Pin	346-1656 Pin			4E-3196 Pin (Quantity 2)			
		Standard Lift				5V-1508 Pin	5V-1508 Pin			330-3047 Pin (Quantity 2)			
Autolube - Standard Lift		5V-1508 Pin	346-1657 Pin	4E-3196 Pin (Quantity 2)									





**GREASE FITTINGS AND SEALS**

Sales Model	Serial Number Prefix	Linkage Type	A	B	C	D	E	F	G	K	Y	S1	S2
<b>950H</b>	M1G	High Lift	7K-9212 Seal (Quantity 4) 3B-8491 Grease Fitting (Quantity 2)	7K-9205 Seal (Quantity 4)	7K-9210 Seal (Quantity 2)	7K-9212 Seal (Quantity 2)	7K-9211 Seal (Quantity 2)	7K-9218 Seal (Quantity 2)	7K-9211 Seal (Quantity 2)	7K-9209 Seal (Quantity 4) 3B-8489 Grease Fitting (Quantity 2)	7K-9211 Seal (Quantity 4) 3B-8491 Grease Fitting (Quantity 2)	2D-4867 Grease Fitting (Quantity 2)	2D-4867 Grease Fitting (Quantity 2)
		Autolube - High Lift				7K-9212 Seal (Quantity 2)	7K-9211 Seal (Quantity 2)						
		Standard Lift				7K-9210 Seal (Quantity 2)	7K-9210 Seal (Quantity 2)						
		Autolube - Standard Lift				7K-9210 Seal (Quantity 2)	7K-9210 Seal (Quantity 2)						
	K5K	High Lift				7K-9212 Seal (Quantity 2)	7K-9211 Seal (Quantity 2)						
		Autolube - High Lift				7K-9210 Seal (Quantity 2)	7K-9210 Seal (Quantity 2)						
		Standard Lift				7K-9210 Seal (Quantity 2)	7K-9210 Seal (Quantity 2)						
	MXL	High Lift				7K-9212 Seal (Quantity 2)	7K-9211 Seal (Quantity 2)						
		Autolube - High Lift				7K-9210 Seal (Quantity 2)	7K-9210 Seal (Quantity 2)						
		Standard Lift				7K-9210 Seal (Quantity 2)	7K-9210 Seal (Quantity 2)						
		Autolube - Standard Lift				7K-9210 Seal (Quantity 2)	7K-9210 Seal (Quantity 2)						
	N1A	High Lift				7K-9212 Seal (Quantity 2)	7K-9211 Seal (Quantity 2)						
		Autolube - High Lift				7K-9210 Seal (Quantity 2)	7K-9210 Seal (Quantity 2)						
		Standard Lift				7K-9210 Seal (Quantity 2)	7K-9210 Seal (Quantity 2)						
	J5J	High Lift				7K-9212 Seal (Quantity 2)	7K-9211 Seal (Quantity 2)						
		Standard Lift				7K-9210 Seal (Quantity 2)	7K-9210 Seal (Quantity 2)						
	JAD	High Lift				7K-9212 Seal (Quantity 2)	7K-9211 Seal (Quantity 2)						
		Autolube - High Lift				7K-9210 Seal (Quantity 2)	7K-9210 Seal (Quantity 2)						
		Standard Lift				7K-9210 Seal (Quantity 2)	7K-9210 Seal (Quantity 2)						
	JLX	High Lift				7K-9212 Seal (Quantity 2)	7K-9211 Seal (Quantity 2)						
Autolube - High Lift		7K-9210 Seal (Quantity 2)	7K-9210 Seal (Quantity 2)										
Standard Lift		7K-9210 Seal (Quantity 2)	7K-9210 Seal (Quantity 2)										
Autolube - Standard Lift		7K-9210 Seal (Quantity 2)	7K-9210 Seal (Quantity 2)										

**GREASE FITTINGS AND SEALS**

Sales Model	Serial Number Prefix	Linkage Type	A	B	C	D	E	F	G	K	Y	S1	S2
962H	K6K	High Lift	7K-9212 Seal (Quantity 4) 3B-8491 Grease Fitting (Quantity 2)	7K-9205 Seal (Quantity 4)	7K-9210 Seal (Quantity 2)	7K-9212 Seal (Quantity 2)	7K-9211 Seal (Quantity 2)	7K-9218 Seal (Quantity 2)	7K-9211 Seal (Quantity 2)	7K-9209 Seal (Quantity 4) 3B-8489 Grease Fitting (Quantity 2)	7K-9211 Seal (Quantity 4) 3B-8491 Grease Fitting (Quantity 2)	2D-4867 Grease Fitting (Quantity 2)	2D-4867 Grease Fitting (Quantity 2)
		Autolube - High Lift				7K-9210 Seal (Quantity 2)	7K-9210 Seal (Quantity 2)						
		Standard Lift				7K-9212 Seal (Quantity 2)	7K-9211 Seal (Quantity 2)						
	N4A	High Lift				7K-9212 Seal (Quantity 2)	7K-9211 Seal (Quantity 2)						
		Autolube - High Lift				7K-9210 Seal (Quantity 2)	7K-9210 Seal (Quantity 2)						
		Standard Lift				7K-9212 Seal (Quantity 2)	7K-9211 Seal (Quantity 2)						
	J6J	High Lift				7K-9210 Seal (Quantity 2)	7K-9210 Seal (Quantity 2)						
		Standard Lift				7K-9212 Seal (Quantity 2)	7K-9210 Seal (Quantity 2)						
		Autolube - Standard Lift				7K-9212 Seal (Quantity 2)	7K-9211 Seal (Quantity 2)						
	M3G	High Lift				7K-9210 Seal (Quantity 2)	7K-9210 Seal (Quantity 2)						
		Autolube - High Lift				7K-9212 Seal (Quantity 2)	7K-9211 Seal (Quantity 2)						
		Standard Lift				7K-9210 Seal (Quantity 2)	7K-9210 Seal (Quantity 2)						
		Autolube - Standard Lift				7K-9212 Seal (Quantity 2)	7K-9211 Seal (Quantity 2)						
	MAL	High Lift				7K-9210 Seal (Quantity 2)	7K-9210 Seal (Quantity 2)						
		Autolube - High Lift				7K-9212 Seal (Quantity 2)	7K-9211 Seal (Quantity 2)						
		Standard Lift				7K-9210 Seal (Quantity 2)	7K-9210 Seal (Quantity 2)						
		Autolube - Standard Lift				7K-9212 Seal (Quantity 2)	7K-9211 Seal (Quantity 2)						
	SSA	High Lift				7K-9210 Seal (Quantity 2)	7K-9210 Seal (Quantity 2)						
		Autolube - High Lift				7K-9212 Seal (Quantity 2)	7K-9211 Seal (Quantity 2)						
		Standard Lift				7K-9210 Seal (Quantity 2)	7K-9210 Seal (Quantity 2)						
Autolube - Standard Lift		7K-9212 Seal (Quantity 2)	7K-9211 Seal (Quantity 2)										
PCW	High Lift	7K-9210 Seal (Quantity 2)	7K-9210 Seal (Quantity 2)										
	Autolube - High Lift	7K-9212 Seal (Quantity 2)	7K-9211 Seal (Quantity 2)										
	Standard Lift	7K-9210 Seal (Quantity 2)	7K-9210 Seal (Quantity 2)										
	Autolube - Standard Lift	7K-9212 Seal (Quantity 2)	7K-9211 Seal (Quantity 2)										



**RETENTION HARDWARE**

Sales Model	Serial Number Prefix	Linkage Type	A	B	C	D	E	F	G	K	Y	S1	S2
962H	K6K	High Lift	8T-4780 Bolt (Quantity 2) 096-6467 Washer (Quantity 2) 159-0268 Shim (Quantity 4) 159-0269 Shim (Quantity 4)	8T-5460 Bolt (Quantity 2) 5V-0353 Washer (Quantity 4) 5V-0354 Washer (Quantity 6) 8T-5439 Washer (Quantity 2) 9C-7907 Spacer (Quantity 2)	8T-5439 Washer 8T-5460 Bolt 9C-7907 Spacer	8T-6430 Bolt 8T-5439 Washer 9K-9731 Spacer	8T-6430 Bolt 8T-5439 Washer 9K-9731 Spacer	8T-4780 Bolt 096-6467 Washer 227-4343 Shim (Quantity 4)	096-6467 Washer 8T-4780 Bolt	8T-5439 Washer (Quantity 2) 8T-5460 Bolt (Quantity 2) 9C-7907 Spacer (Quantity 2)	096-6467 Washer (Quantity 2) 8T-4780 Bolt (Quantity 2)	8T-4780 Bolt (Quantity 2) 8T-4192 Bolt (Quantity 2) 365-2565 Washer (Quantity 4) 1K-6985 Retaining Ring (Quantity 4)	
		Autolube - High Lift				8T-5439 Washer 8T-5460 Bolt 9C-7907 Spacer	8T-5439 Washer 8T-5460 Bolt 9C-7907 Spacer	096-6467 Washer 8T-4780 Bolt					
		Standard Lift				8T-6430 Bolt 8T-5439 Washer 9K-9731 Spacer	8T-6430 Bolt 8T-5439 Washer 9K-9731 Spacer	8T-4780 Bolt 096-6467 Washer 227-4343 Shim (Quantity 4)					
	N4A	High Lift				8T-6430 Bolt 8T-5439 Washer 9K-9731 Spacer	8T-6430 Bolt 8T-5439 Washer 9K-9731 Spacer	8T-4780 Bolt 096-6467 Washer 227-4343 Shim (Quantity 4)					
		Autolube - High Lift				8T-5439 Washer 8T-5460 Bolt 9C-7907 Spacer	8T-5439 Washer 8T-5460 Bolt 9C-7907 Spacer	096-6467 Washer 8T-4780 Bolt					
		Standard Lift				8T-6430 Bolt 8T-5439 Washer 9K-9731 Spacer	8T-6430 Bolt 8T-5439 Washer 9K-9731 Spacer	8T-4780 Bolt 096-6467 Washer 227-4343 Shim (Quantity 4)					
	J6J	High Lift				8T-5439 Washer 8T-5460 Bolt 9C-7907 Spacer	8T-5439 Washer 8T-5460 Bolt 9C-7907 Spacer	096-6467 Washer 8T-4780 Bolt					
		Standard Lift				8T-6430 Bolt 8T-5439 Washer 9K-9731 Spacer	8T-6430 Bolt 8T-5439 Washer 9K-9731 Spacer	8T-4780 Bolt 096-6467 Washer 227-4343 Shim (Quantity 4)					
		Autolube - Standard Lift				8T-5439 Washer 8T-5460 Bolt 9C-7907 Spacer	8T-5439 Washer 8T-5460 Bolt 9C-7907 Spacer	096-6467 Washer 8T-4780 Bolt					
	M3G	High Lift				8T-6430 Bolt 8T-5439 Washer 9K-9731 Spacer	8T-6430 Bolt 8T-5439 Washer 9K-9731 Spacer	8T-4780 Bolt 096-6467 Washer 227-4343 Shim (Quantity 4)					
		Autolube - High Lift				8T-5439 Washer 8T-5460 Bolt 9C-7907 Spacer	8T-5439 Washer 8T-5460 Bolt 9C-7907 Spacer	096-6467 Washer 8T-4780 Bolt					
		Standard Lift				8T-6430 Bolt 8T-5439 Washer 9K-9731 Spacer	8T-6430 Bolt 8T-5439 Washer 9K-9731 Spacer	8T-4780 Bolt 096-6467 Washer 227-4343 Shim (Quantity 4)					
		Autolube - Standard Lift				8T-5439 Washer 8T-5460 Bolt 9C-7907 Spacer	8T-5439 Washer 8T-5460 Bolt 9C-7907 Spacer	096-6467 Washer 8T-4780 Bolt					
	MAL	High Lift				8T-6430 Bolt 8T-5439 Washer 9K-9731 Spacer	8T-6430 Bolt 8T-5439 Washer 9K-9731 Spacer	8T-4780 Bolt 096-6467 Washer 227-4343 Shim (Quantity 4)					
		Autolube - High Lift				8T-5439 Washer 8T-5460 Bolt 9C-7907 Spacer	8T-5439 Washer 8T-5460 Bolt 9C-7907 Spacer	096-6467 Washer 8T-4780 Bolt					
		Standard Lift				8T-6430 Bolt 8T-5439 Washer 9K-9731 Spacer	8T-6430 Bolt 8T-5439 Washer 9K-9731 Spacer	8T-4780 Bolt 096-6467 Washer 227-4343 Shim (Quantity 4)					
		Autolube - Standard Lift				8T-5439 Washer 8T-5460 Bolt 9C-7907 Spacer	8T-5439 Washer 8T-5460 Bolt 9C-7907 Spacer	096-6467 Washer 8T-4780 Bolt					
	SSA	High Lift				8T-6430 Bolt 8T-5439 Washer 9K-9731 Spacer	8T-6430 Bolt 8T-5439 Washer 9K-9731 Spacer	8T-4780 Bolt 096-6467 Washer 227-4343 Shim (Quantity 4)					
		Autolube - High Lift				8T-5439 Washer 8T-5460 Bolt 9C-7907 Spacer	8T-5439 Washer 8T-5460 Bolt 9C-7907 Spacer	096-6467 Washer 8T-4780 Bolt					
		Standard Lift				8T-6430 Bolt 8T-5439 Washer 9K-9731 Spacer	8T-6430 Bolt 8T-5439 Washer 9K-9731 Spacer	8T-4780 Bolt 096-6467 Washer 227-4343 Shim (Quantity 4)					
		Autolube - Standard Lift				8T-5439 Washer 8T-5460 Bolt 9C-7907 Spacer	8T-5439 Washer 8T-5460 Bolt 9C-7907 Spacer	096-6467 Washer 8T-4780 Bolt					
	PCW	High Lift				8T-6430 Bolt 8T-5439 Washer 9K-9731 Spacer	8T-6430 Bolt 8T-5439 Washer 9K-9731 Spacer	8T-4780 Bolt 096-6467 Washer 227-4343 Shim (Quantity 4)					
		Autolube - High Lift				8T-5439 Washer 8T-5460 Bolt 9C-7907 Spacer	8T-5439 Washer 8T-5460 Bolt 9C-7907 Spacer	096-6467 Washer 8T-4780 Bolt					
		Standard Lift				8T-6430 Bolt 8T-5439 Washer 9K-9731 Spacer	8T-6430 Bolt 8T-5439 Washer 9K-9731 Spacer	8T-4780 Bolt 096-6467 Washer 227-4343 Shim (Quantity 4)					
Autolube - Standard Lift		8T-5439 Washer 8T-5460 Bolt 9C-7907 Spacer	8T-5439 Washer 8T-5460 Bolt 9C-7907 Spacer	096-6467 Washer 8T-4780 Bolt									



# Cat Filters Provide Longer Injector Life

Chances are, you don't skip oil changes or regular maintenance on the family car. So why skip planned maintenance on your Cat equipment? Cat fuel filters outperform the competition, with up to 45% longer injector life and up to 80% decreased cost per hour.\*



# Productivity and Hydraulics Go Hand In Hand

If your hydraulic system isn't performing at peak efficiency, it's robbing your machine of performance. Efficiency losses usually occur slowly and can reach 20% before you detect a problem — that's one day of lost production every week! These losses can also increase your fuel consumption and operating costs.



# Need help?

Your local Cat dealer can provide:

- Technical Support
- Customer Value Agreements
- Oil sample analysis
- Parts needed and equipment fit
- Repair financing
- Rental Services

Find your local dealer at [www.cat.com](http://www.cat.com) today.



# LET'S DO THE WORK.™



To buy Cat parts online, visit [Parts.cat.com](http://Parts.cat.com).

\* Visit <https://www.cat.com/filtersandfluids> for more details

AEHJ0206-01  
(APD, CIS, EAME, N Am, S Am)

© 2022 Caterpillar. All Rights Reserved. CAT, CATERPILLAR, LET'S DO THE WORK, their respective logos, "Caterpillar Corporate Corporate Yellow", the "Power Edge" and Cat "Modern Hex" trade dress as well as corporate and product identity used herein, are trademarks of Caterpillar and may not be used without permission.

