

UNDERGROUND MINING LOADER

# CAT<sup>®</sup> BOLT – TOGETHER BUCKETS

FOR R1600H, R1700G, R1700 AND  
R1700 XE

MAY 2023

## BOLT TOGETHER BUCKETS AVAILABILITY

### Machines & Capacity

- **R1600G/H** – 5.3m<sup>3</sup> / 6.9Yds<sup>3</sup>
- **R1700G**
  - 5.3m<sup>3</sup> / 6.9Yds<sup>3</sup>
  - 6.5m<sup>3</sup> / 8.5Yds<sup>3</sup>
- **R1700**
  - 6.8m<sup>3</sup> / 8.9Yds<sup>3</sup>
  - 7.5m<sup>3</sup> / 9.8Yds<sup>3</sup>
- **R1700 XE** - 6.8m<sup>3</sup> / 8.9Yds<sup>3</sup> (common with R1700)

### GET Offerings

- BOHA 50 - R1600G/H,
- BOHA 65 - R1700G / R1700 / R1700 XE
- Durilock – Standard / Abrasion / Penetration
- Modular Weld-On

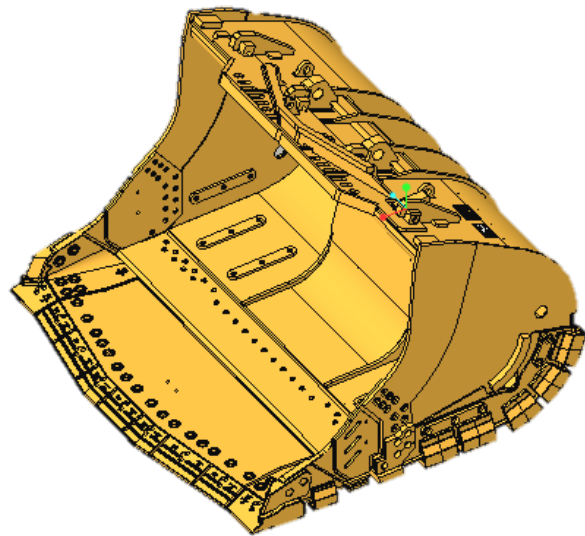
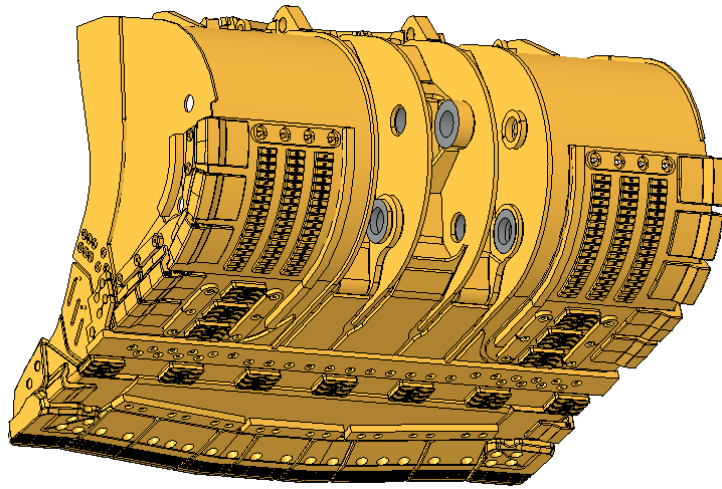
*Note: Please refer to BTB brochure (AEXQ3466) and GET Documentation (PEBJ0031) for further information on GET offerings.*

*Note: All Dimensions are for Shipping purposes.*

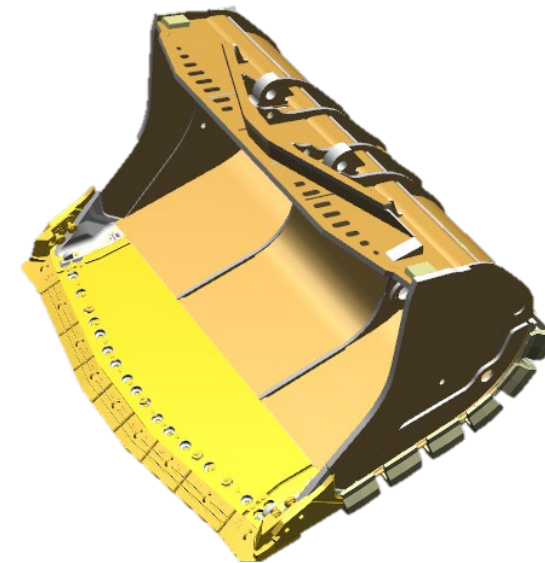
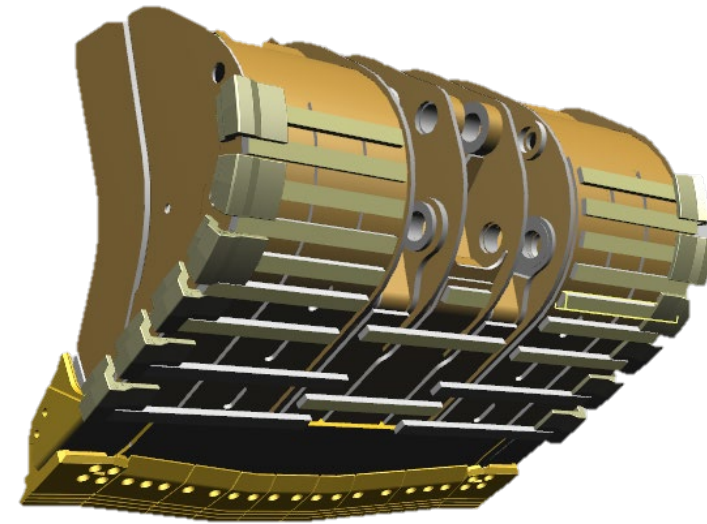


# BOLT TOGETHER BUCKETS VS WELDED BUCKET

## Bolt together Bucket



## Traditional Welded Bucket



# EASE OF BUCKET TRANSPORTATION AND ASSEMBLY

**Optional Wear Components give the ability to repair with reduced downtime .**

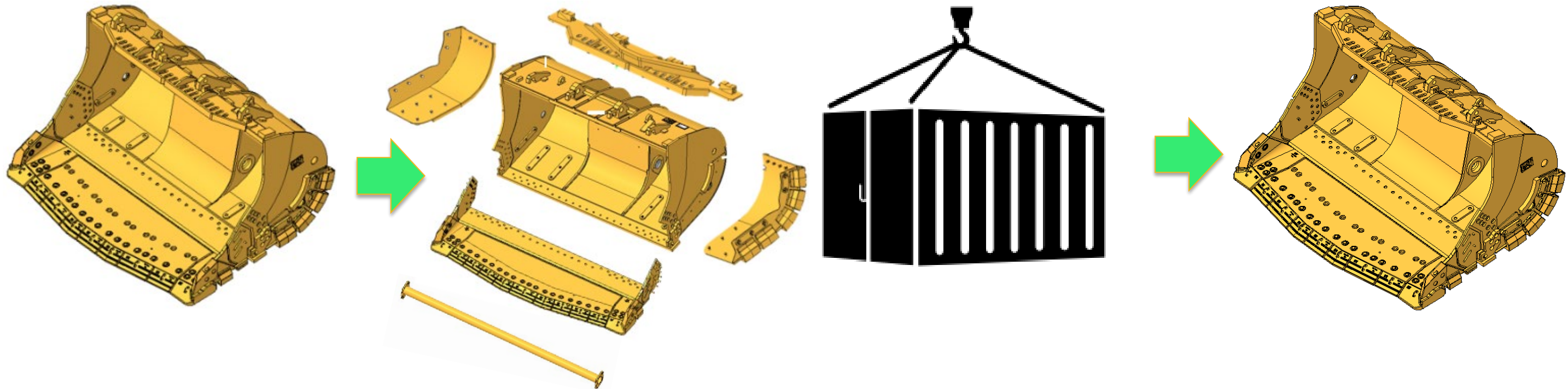
Note: Tube As. fitted for Edge Bracing, Remove upon fitment to Bucket As. (Tube As. Serviced Separately)



**1. HRV Production Facility**

**2. Transportation to Site**

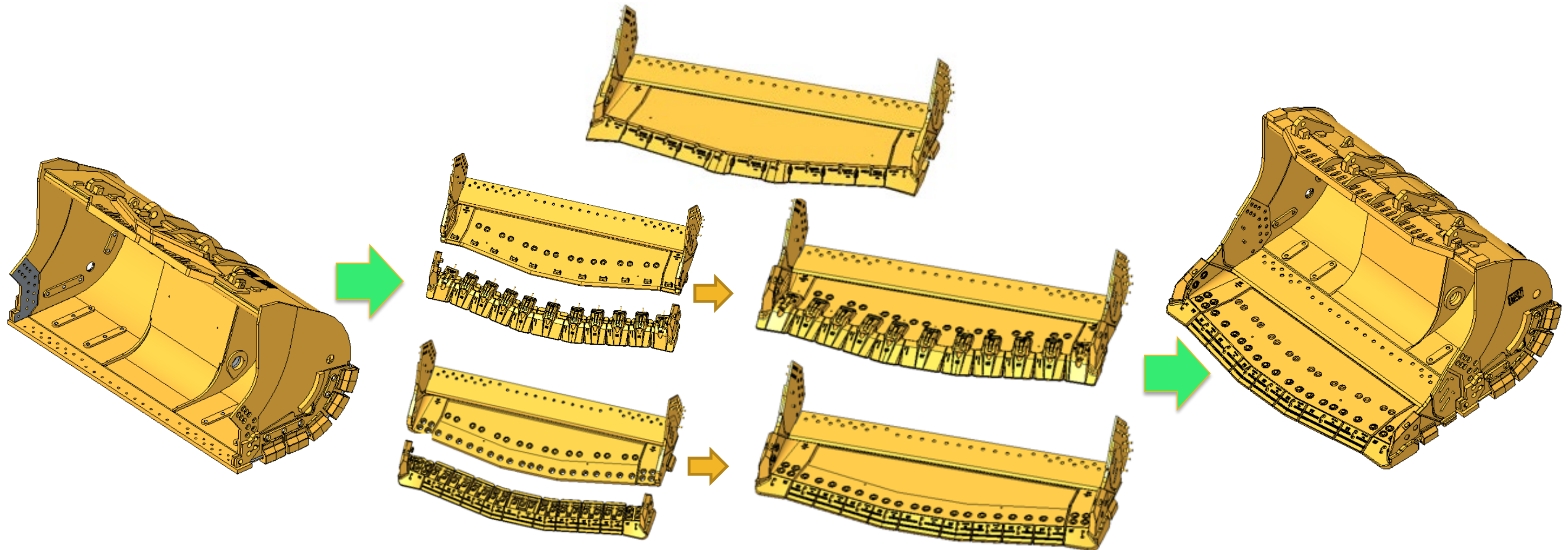
**3. Ready To Dig**



# EASE OF EDGE REPLACEMENT

**Base Edge replacements simply bolt on & off without welding for a safer & reduced downtime.**

Note: Aftermarket BOHA , Durilock Base Edges & GET Segments are Serviced Separately , Modular Weld-On Base Edge complete with GET.



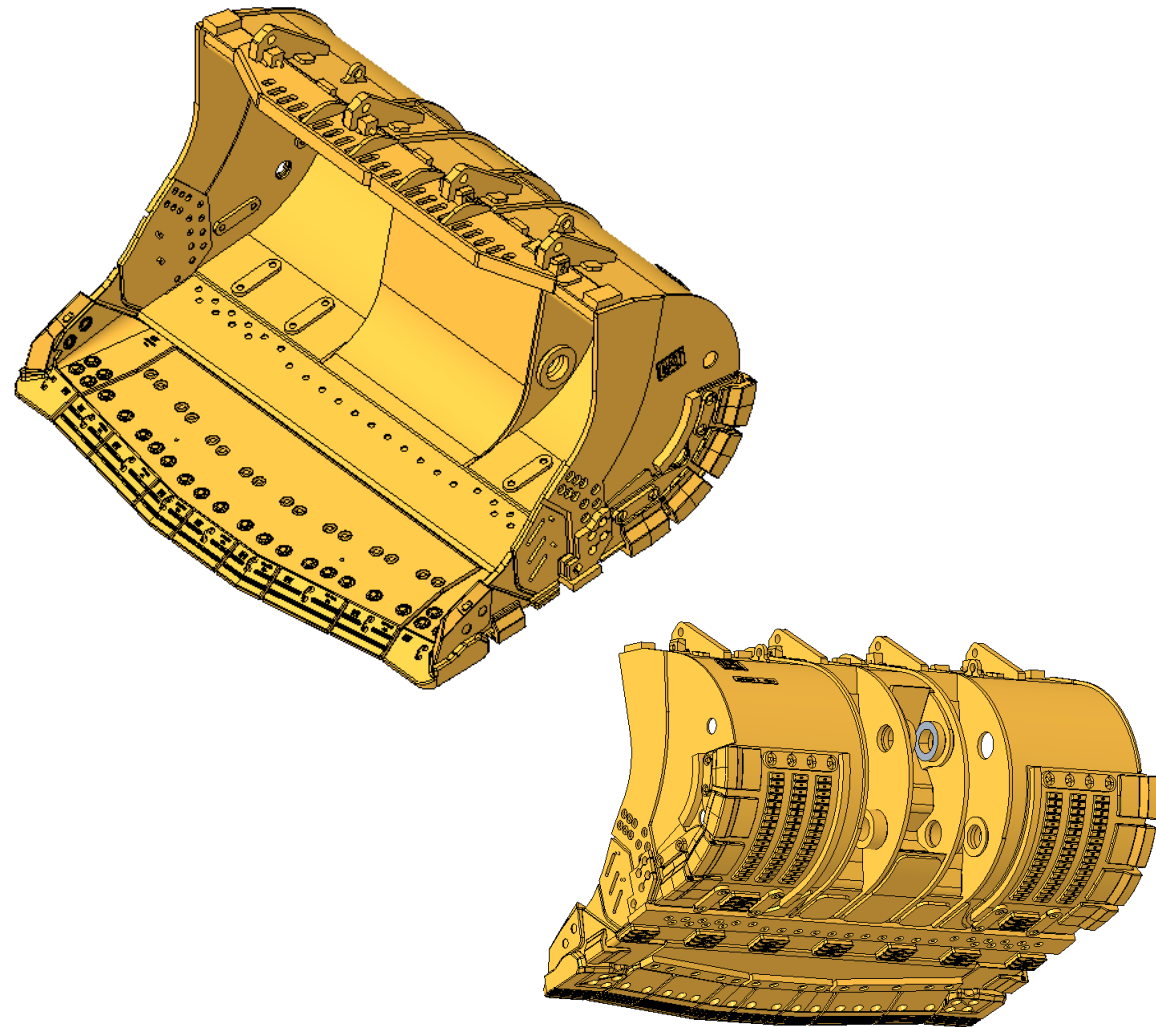


CAT R1600H

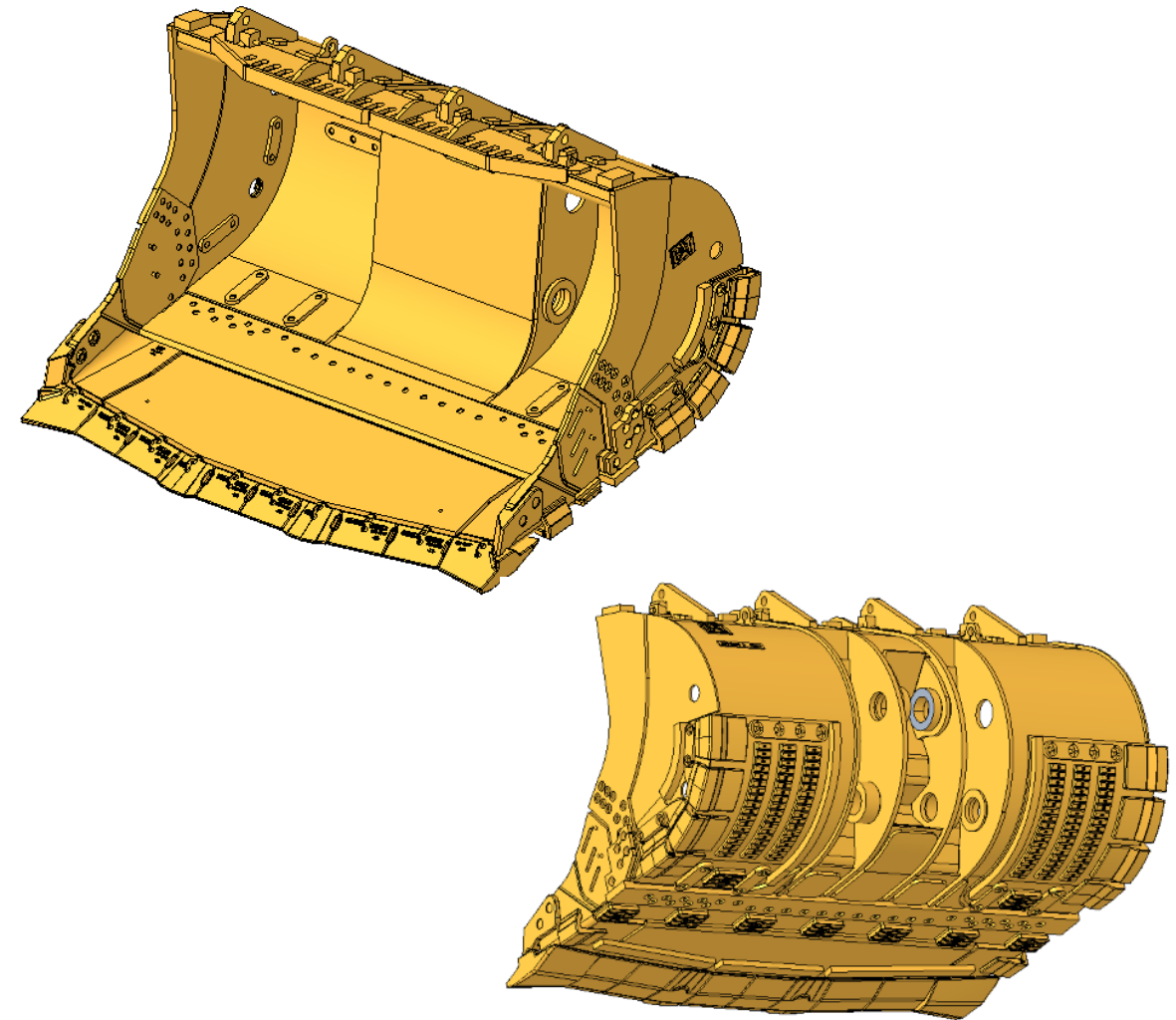
**BOLT – TOGETHER BUCKETS FOR R1600H**

# OPTIONS OF R1600G/H BTB - 5.3M<sup>3</sup> / 6.9YDS<sup>3</sup>

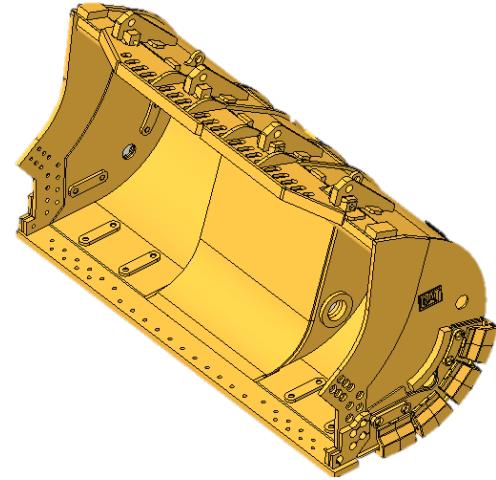
**Bolt-on Half Arrow (BOHA) segment  
(WxHxD: 3095x1808x2308)**



**Modular Weld-On GET  
(WxHxD: 3095x1826x2347)**



## 5.3 M3 BTB R1600H



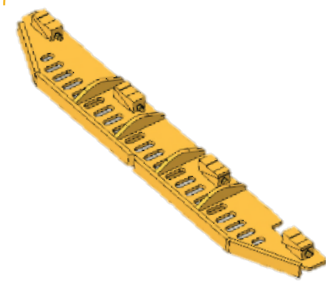
**598-8733**

**Bucket-GP-ROCK-A**

**Mass : 3390 kgs Est. (Not Incl. Edge Option)**

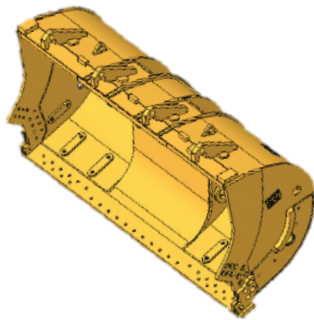
**Dimension(WxHxD): 3.1mx1.28x1.73m.**

**Capacity: 5.3m<sup>3</sup> / 6.9Yds<sup>3</sup>**



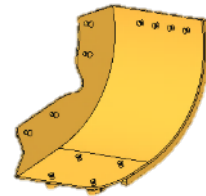
**587-6310**

**Guard Gp - Rock**  
Mass : 178 kgs Est.



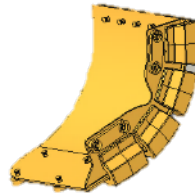
**598-8689**

**Bucket As.**  
Mass : 2545 kgs Est.

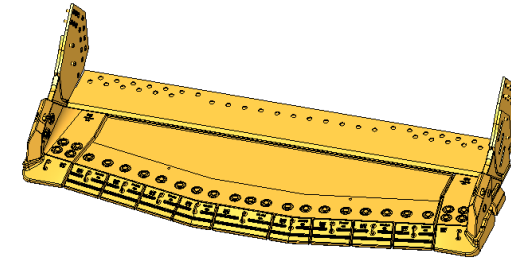


**587-4919/587-4920**

**Shroud Gps - Wear Protection**  
Mass : 333 kgs Est. Each.



**Base Edge  
Options  
(Edge + GET)**



**Bolt-On Half Arrow (BOHA50)  
Segment**

**604-1316** Edge Gp – Cutting

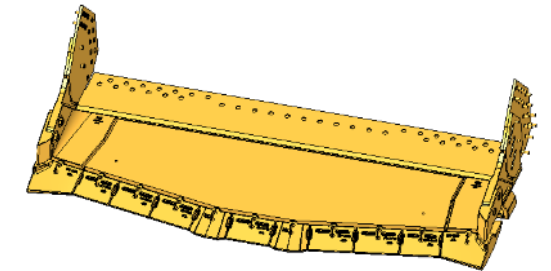
**477-5573** Edge Gp – Segments

Mass : 1925kg Est.

(Edge+Segment)

Dimension(WxHxD):

3044x807x1375



**Modular Weld-On GET**

**604-0194** Edge Gp – Cutting

Mass : 1915kg Est.

Dimension(WxHxD):

3042x824x1413

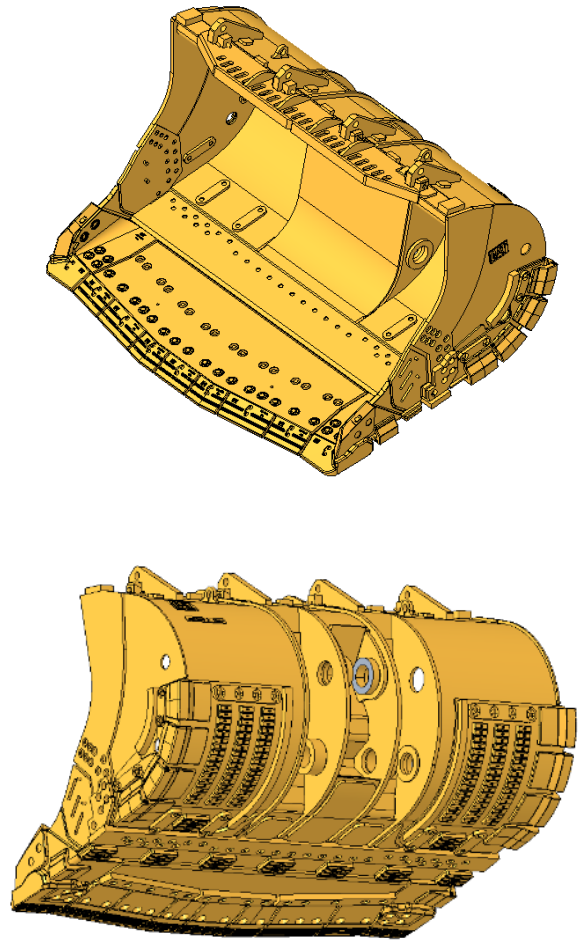


CAT R1700G

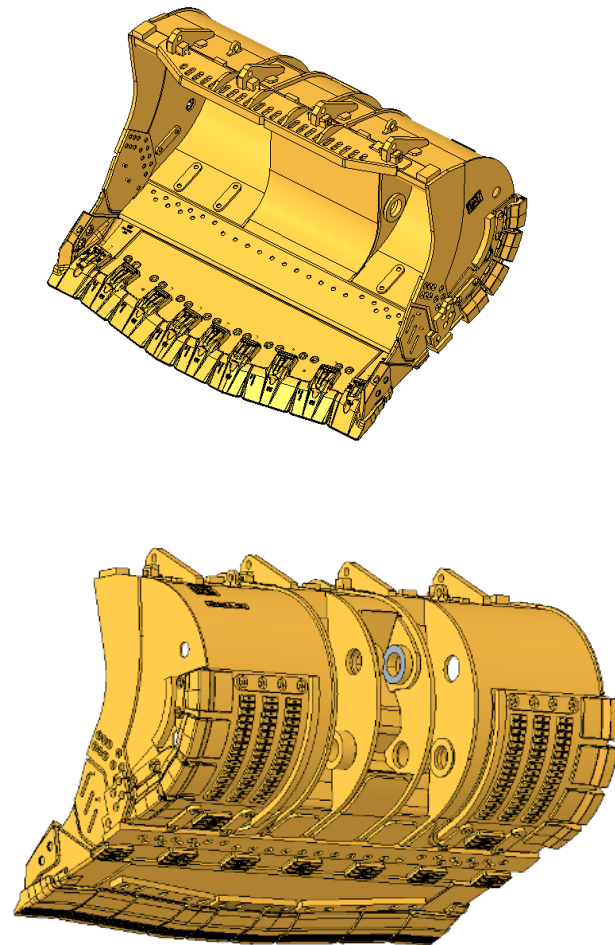
**BOLT – TOGETHER BUCKETS FOR R1700G**

# OPTIONS OF R1700G BTB - 5.3M<sup>3</sup> / 6.9YDS<sup>3</sup>

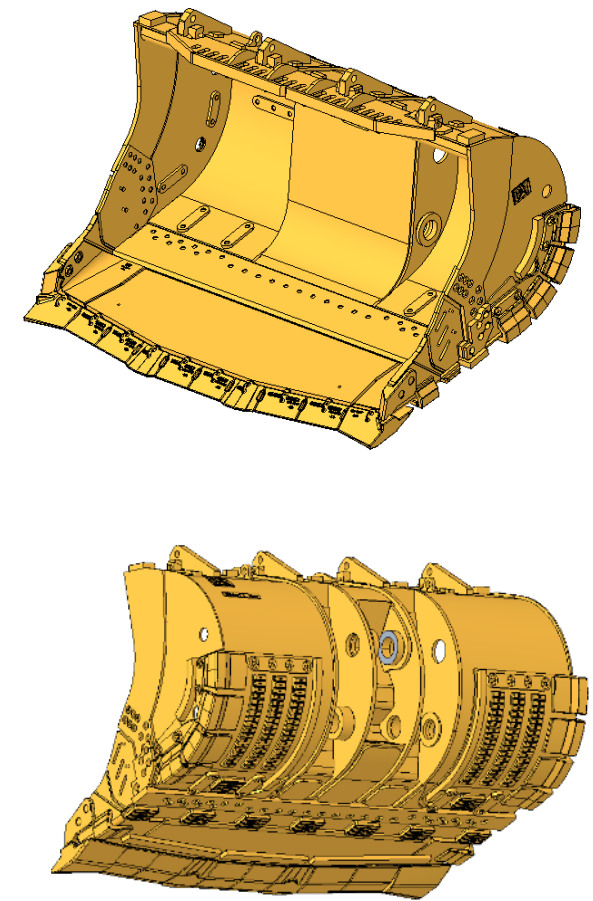
**Bolt-on Half Arrow (BOHA) segment**  
(WxHxD: 3095x1808x2308)



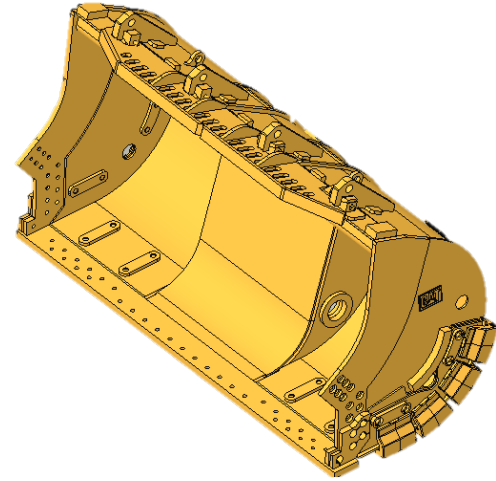
**Durilock shrouds**  
(WxHxD: 3095x1795x2347)



**Modular Weld-On GET**  
(WxHxD: 3095x1826x2347)



# 5.3 M3 BTB R1700G



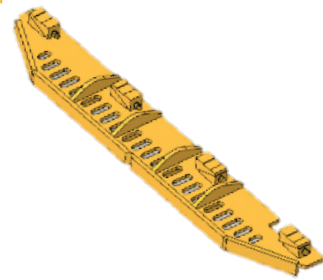
**590-0344**

**Bucket-GP-ROCK-A**

**Mass : 3390 kgs Est. (Not Incl. Edge Option)**

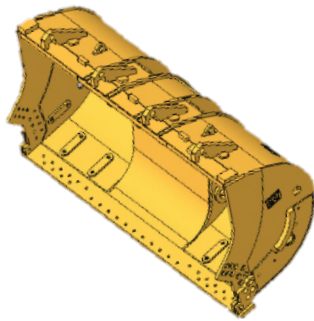
**Dimension(WxHxD): 3.1mx1.28x1.73m.**

**Capacity: 5.3m<sup>3</sup> / 6.9Yds<sup>3</sup>**



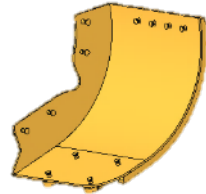
**587-6310**

**Guard Gp - Rock**  
Mass : 178 kgs Est.



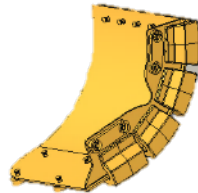
**587-4904**

**Bucket As.**  
Mass : 2545 kgs Est.

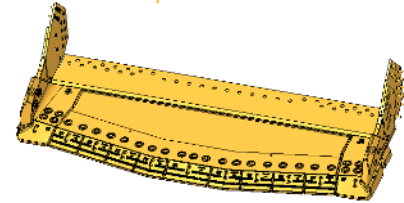


**587-4919/587-4920**

**Shroud Gps - Wear Protection**  
Mass : 333 kgs Est. Each.



**Base Edge Options**  
(Edge + GET)



**Bolt-On Half Arrow (BOHA65) Segment**

**604-1316** Edge Gp – Cutting

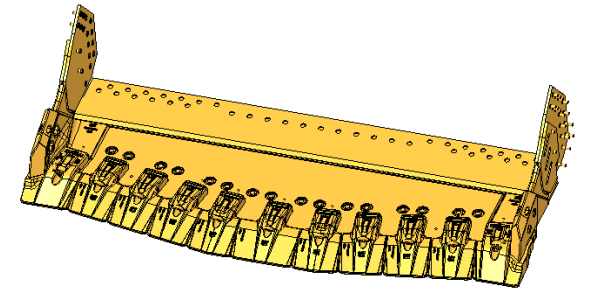
**586-5117** Edge Gp – Segments

Mass : 2055kg Est.

(Edge+Segment)

Dimension(WxHxD):

3044x807x1375



**Durilock Shrouds**

**604-0167** Edge Gp – Cutting

**507-8116** Protector Gp (D50S)

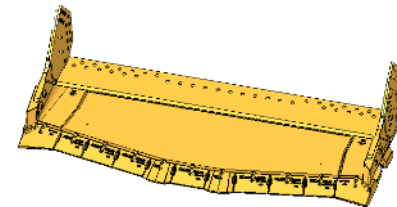
**583-3030** Protector Gp (D50A)

**583-3042** Protector Gp (D50P)

Mass : 2105kg Est. (Edge+Segment (D50A))

Dimension(WxHxD):

3044x828x1414



**Modular Weld-On GET**

**604-0194** Edge Gp – Cutting

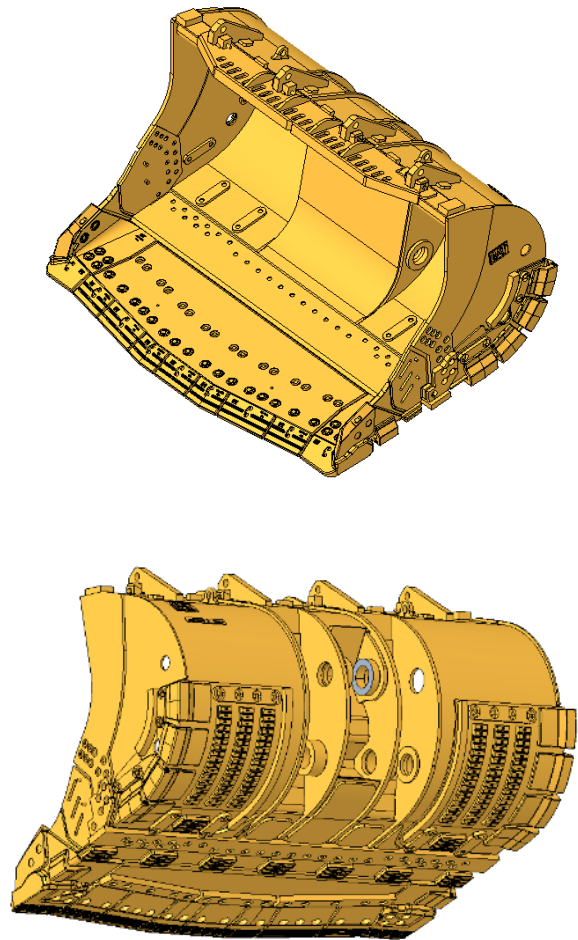
Mass : 1915kg Est.

Dimension(WxHxD):

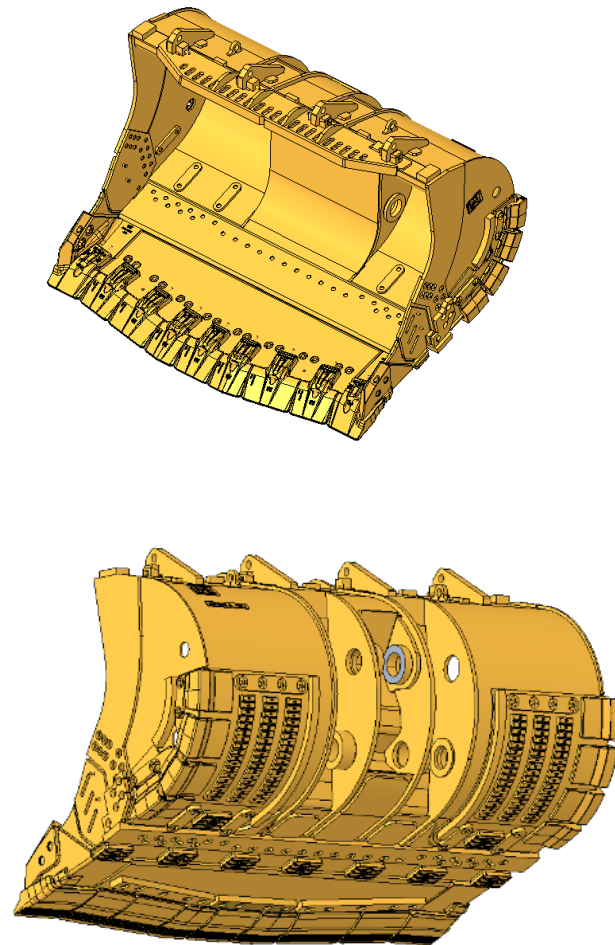
3042x824x1413

# OPTIONS OF R1700G BTB - 6.5M<sup>3</sup> / 8.5YDS<sup>3</sup>

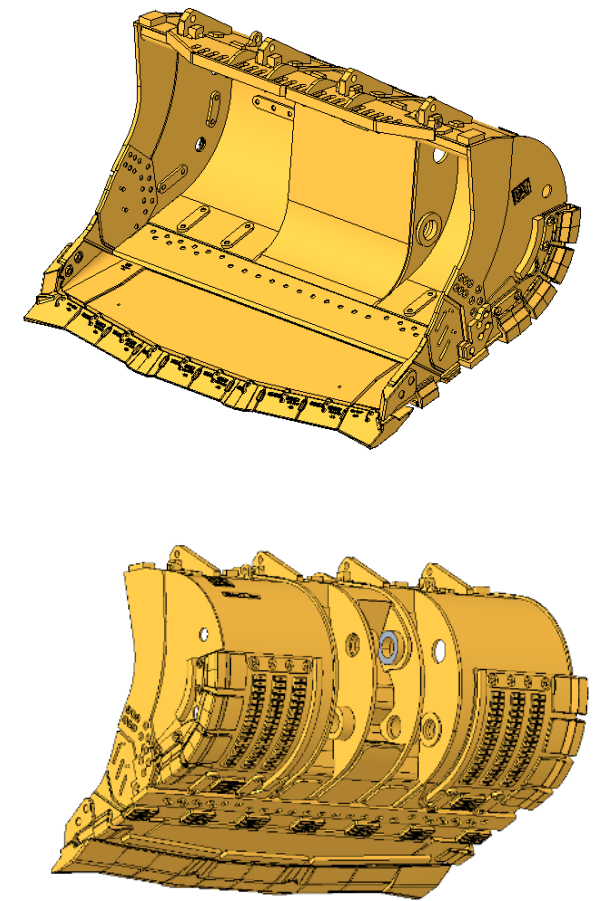
**Bolt-on Half Arrow (BOHA) segment**  
(WxHxD: 3095x1865x2560)



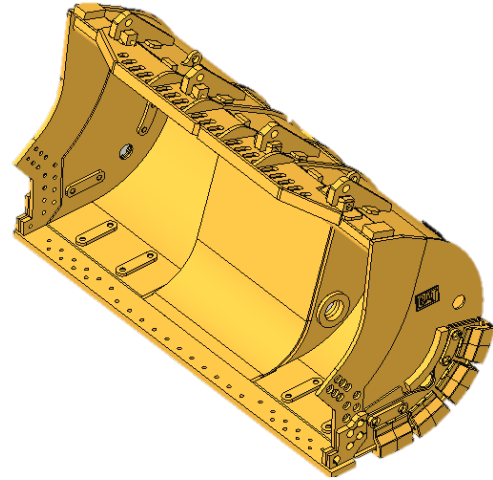
**Durilock shrouds**  
(WxHxD: 3095x1855x2598)



**Modular Weld-On GET**  
(WxHxD: 3095x1885x2598)



# 6.5 M3 BTB R1700G



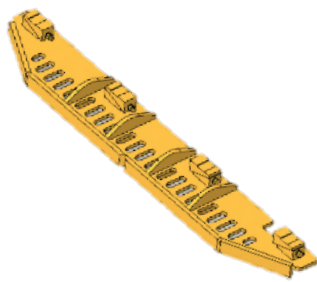
**542-2260**

**Bucket-GP-ROCK-A**

**Mass : 4025 kgs Est. (Not Incl. Edge Option)**

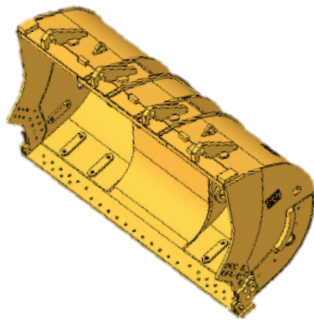
**Dimension(WxHxD): 3.1mx1.54x1.78m.**

**Capacity: 6.5m<sup>3</sup> / 8.5Yds<sup>3</sup>**



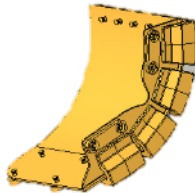
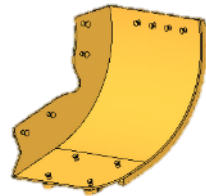
**472-3416**

**Guard Gp - Rock**  
Mass : 213 kgs Est.



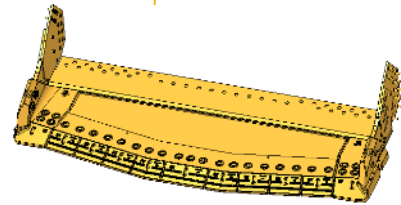
**481-4659**

**Bucket As.**  
Mass : 2966 kgs Est.



**481-4660/481-4662**

**Shroud Gps - Wear Protection**  
Mass : 422 kgs Est. Each.



**Bolt-On Half Arrow (BOHA65) Segment**

**604-1316** Edge Gp – Cutting

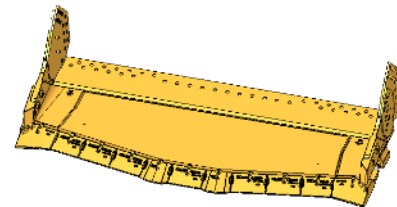
**586-5117** Edge Gp – Segments

Mass : 2055kg Est.

(Edge+Segment)

Dimension(WxHxD):

3044x807x1375



**Modular Weld-On GET**

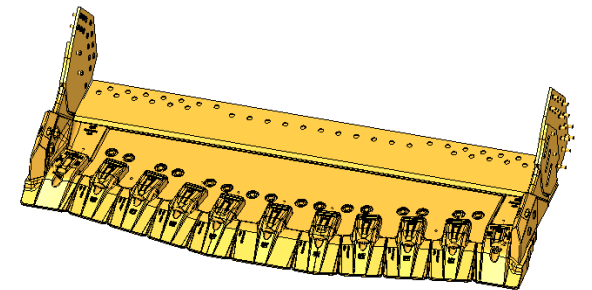
**604-0194** Edge Gp – Cutting

Mass : 1915kg Est.

Dimension(WxHxD):

3042x824x1413

**Base Edge Options**  
(Edge + GET)



**Durilock Shrouds**

**604-0167** Edge Gp – Cutting

**507-8116** Protector Gp (D50S)

**583-3030** Protector Gp (D50A)

**583-3042** Protector Gp (D50P)

Mass : 2105kg Est.

(Edge+Segment (D50A))

Dimension(WxHxD):

3044x828x1414

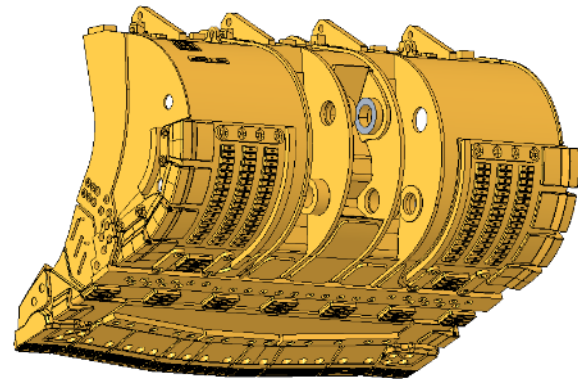
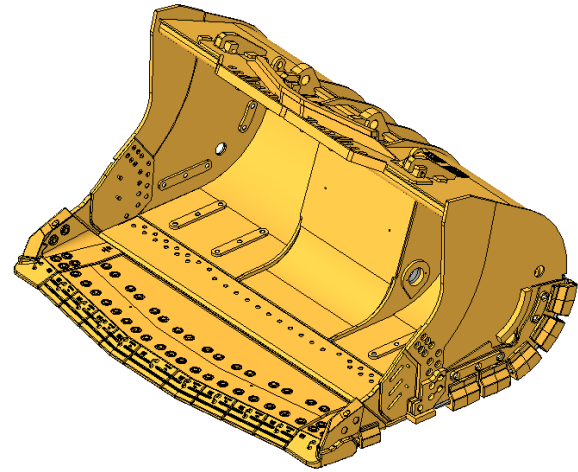


CAT R1700

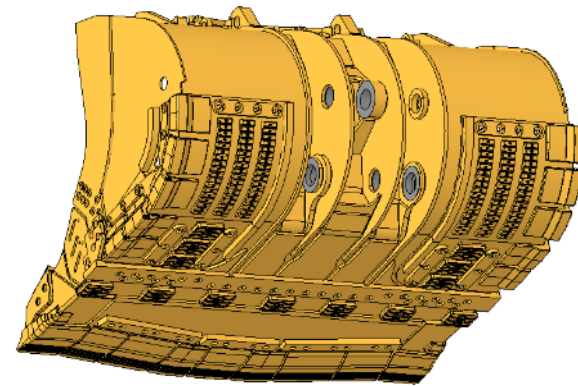
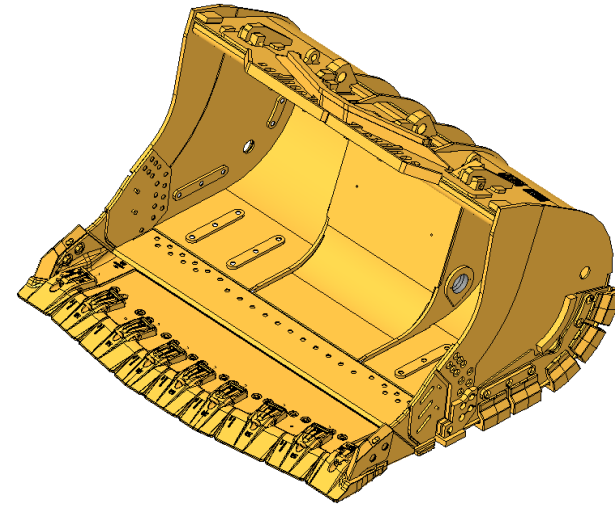
**BOLT – TOGETHER BUCKETS FOR R1700**

# OPTIONS OF R1700 BTB - 6.8M<sup>3</sup> / 8.9YDS<sup>3</sup>.

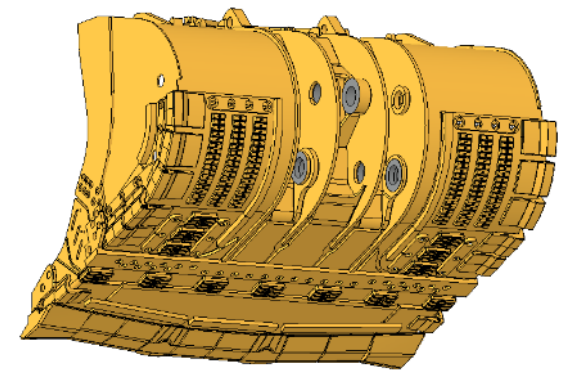
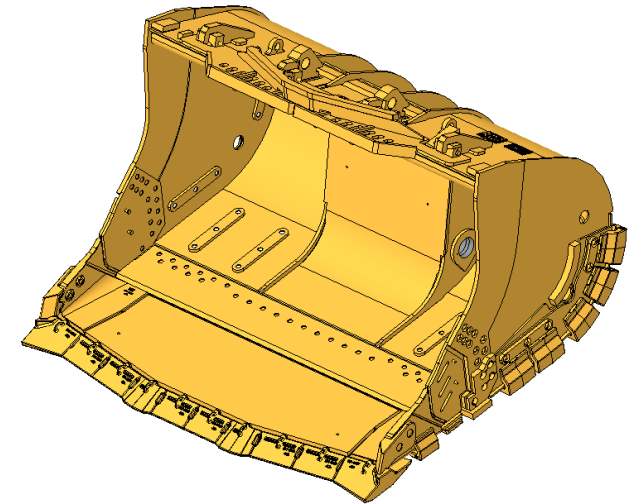
**Bolt-on Half Arrow (BOHA) segment**  
(WxHxD: 3096x1952x2630)



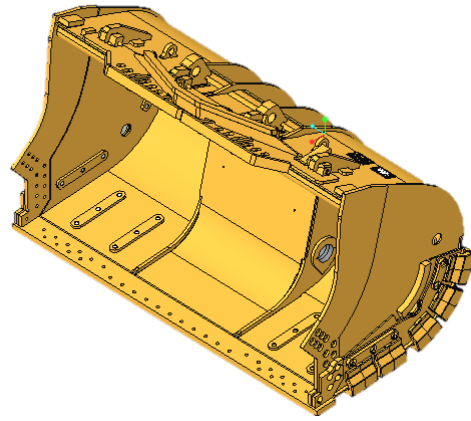
**Durilock shrouds**  
(WxHxD: 3096x1938x2668)



**Modular Weld-On GET**  
(WxHxD: 3096x1969x2673)



# 6.8 M3 BTB R1700



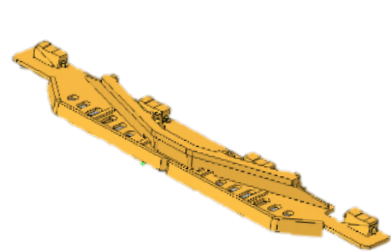
**561-1775**

**Bucket-GP-ROCK-A**

**Mass : 4250 kgs Est. (Not Incl. Edge Option)**

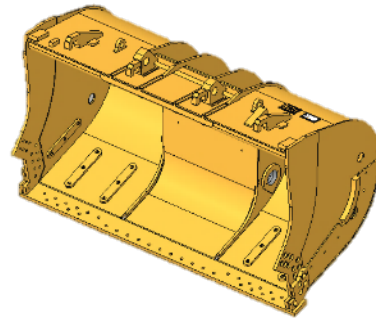
**Dimension(WxHxD): 3.1mx1.86x1.6m.**

**Capacity: 6.8m<sup>3</sup> / 8.9Yds<sup>3</sup>**



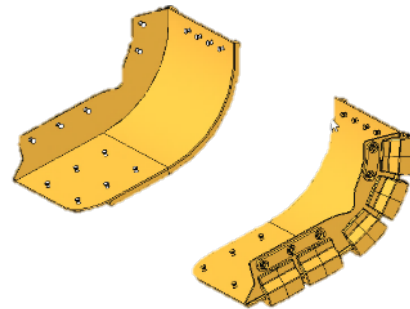
**561-1751**

**Guard Gp - Rock**  
Mass : 245 kgs Est.



**550-6735**

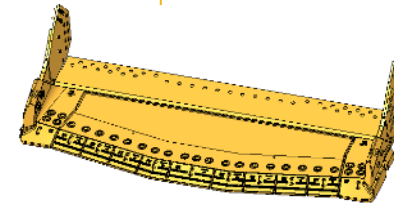
**Bucket As.**  
Mass : 3140 kgs Est.



**551-2551/551-2552**

**Shroud Gps - Wear Protection**  
Mass : 430 kgs Est. Each.

**Base Edge  
Options  
(Edge + GET)**



**Bolt-On Half Arrow (BOHA65)  
Segment**

**604-1316** Edge Gp – Cutting

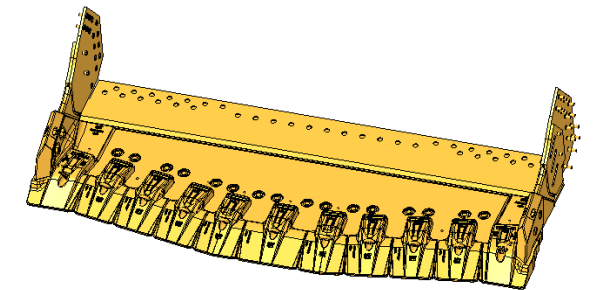
**586-5117** Edge Gp – Segments

Mass : 2055kg Est.

(Edge+Segment)

Dimension(WxHxD):

3044x807x1375



**Durilock Shrouds**

**604-0167** Edge Gp – Cutting

**507-8116** Protector Gp (D50S)

**583-3030** Protector Gp (D50A)

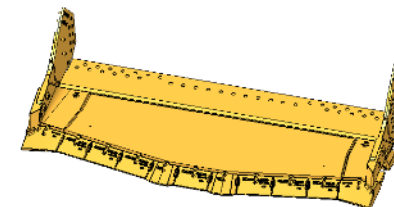
**583-3042** Protector Gp (D50P)

Mass : 2105kg Est.

(Edge+Segment (D50A))

Dimension(WxHxD):

3044x828x1414



**Modular Weld-On GET**

**604-0194** Edge Gp – Cutting

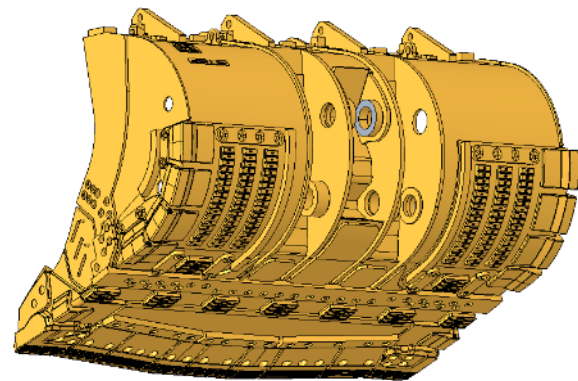
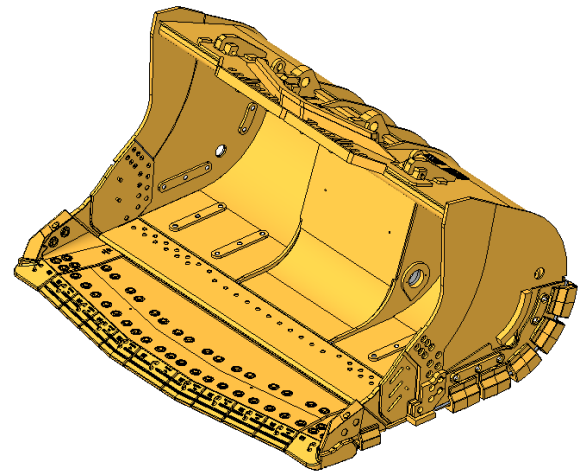
Mass : 1915kg Est.

Dimension(WxHxD):

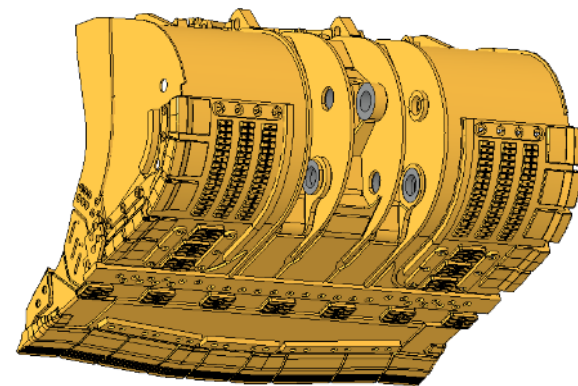
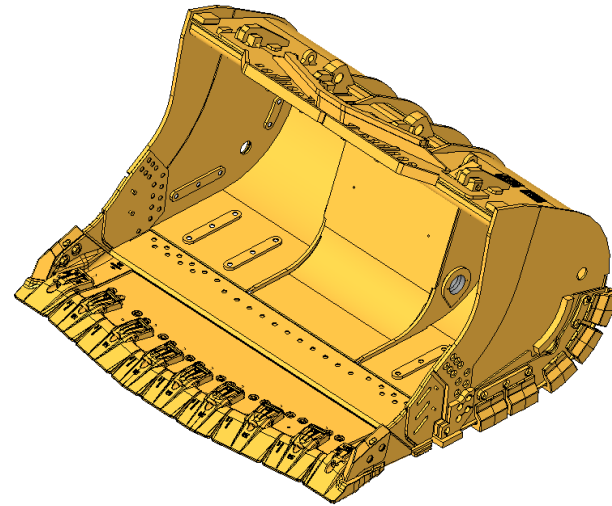
3042x824x1413

# OPTIONS OF R1700 BTB - 7.5M<sup>3</sup> / 9.8YDS<sup>3</sup>.

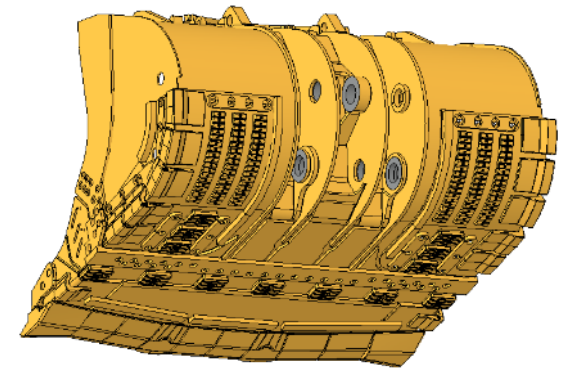
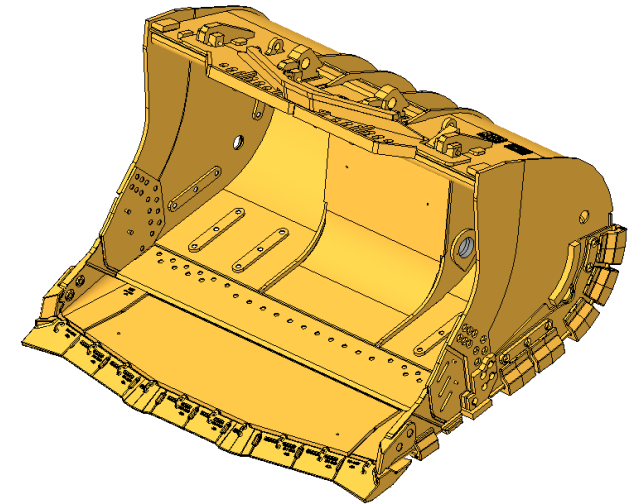
**Bolt-on Half Arrow (BOHA) segment**  
(WxHxD: 3418x1946x2564)



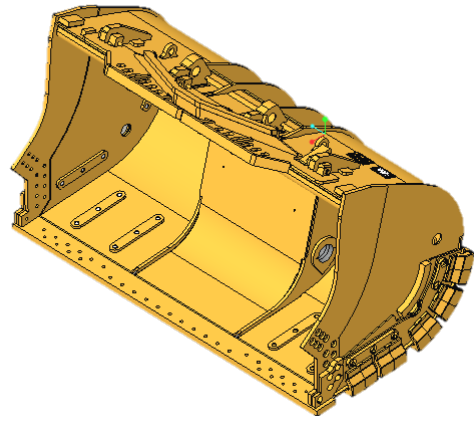
**Durilock shrouds**  
(WxHxD: 3418x1932x2600)



**Modular Weld-On GET**  
(WxHxD: 3418x1963x2638)



# 7.5 M3 BTB R1700



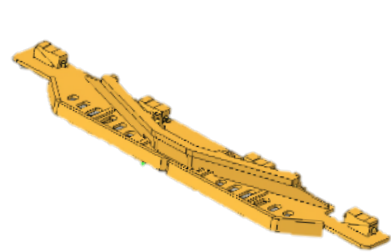
**581-6671**

**Bucket-GP-ROCK-A**

**Mass : 4425 kgs Est. (Not Incl. Edge Option)**

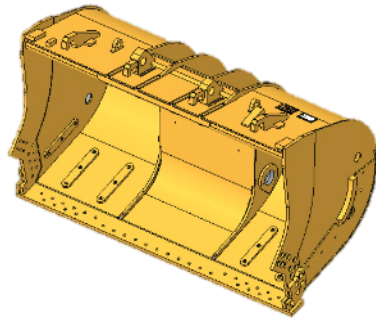
**Dimension(WxHxD): 3.42mx1.86x1.48m.**

**Capacity: 7.5m3 / 9.8Yds3**



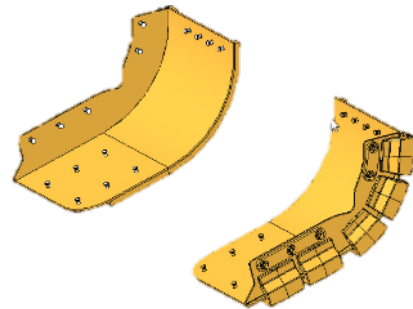
**561-1751**

**Guard Gp - Rock**  
Mass : 245 kgs Est.



**564-7229**

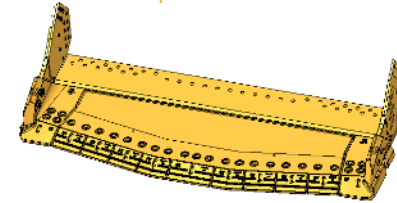
**Bucket As.**  
Mass : 3255 kgs Est.



**566-5864/566-5858**

**Shroud Gps - Wear Protection**  
Mass : 460 kgs Est. Each.

**Base Edge  
Options  
(Edge + GET)**



**Bolt-On Half Arrow (BOHA65)  
Segment**

**604-1331** Edge Gp – Cutting

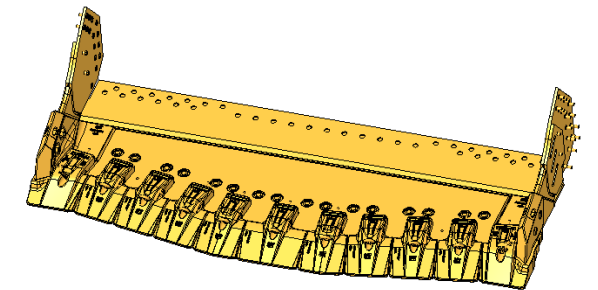
**586-5118** Edge Gp - Segments

Mass : 2250kg Est.

(Edge+Segment)

Dimension(WxHxD):

3372x807x1395



**Durilock Shrouds**

**604-1966** Edge Gp – Cutting

**508-7838** Protector Gp (D50S)

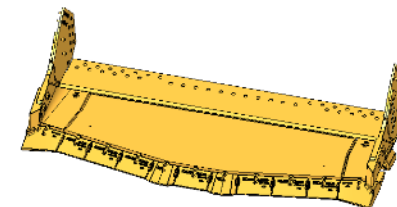
**583-3034** Protector Gp (D50A)

**583-3046** Protector Gp (D50P)

Mass : 2325kg Est. (Edge+Segment

(D50A)) Dimension(WxHxD):

3365x793x1436



**Modular Weld-On GET**

**604-1345** Edge Gp – Cutting

Mass : 2090kg Est.

Dimension(WxHxD):

3370x825x1463

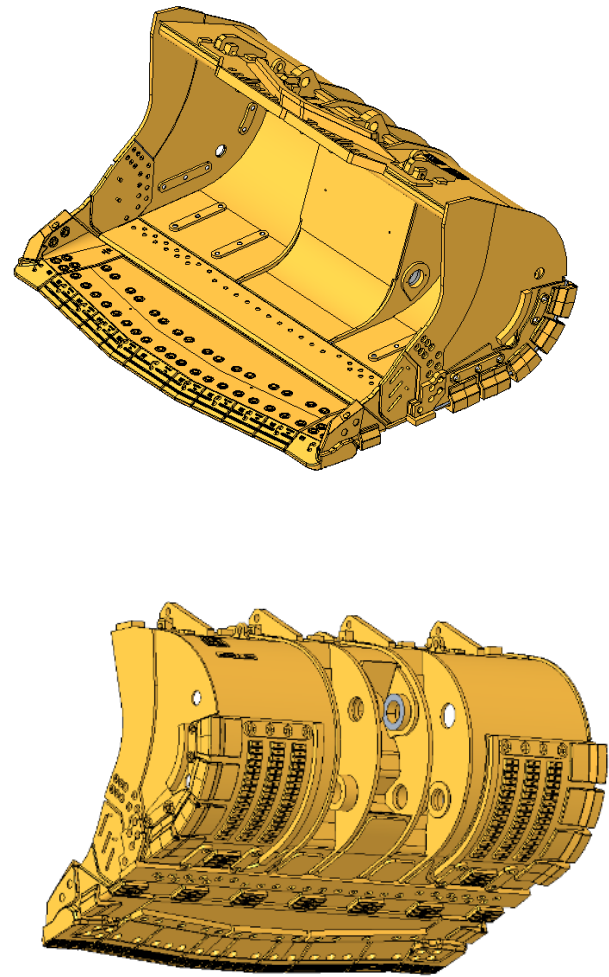


CAT R1700 XE

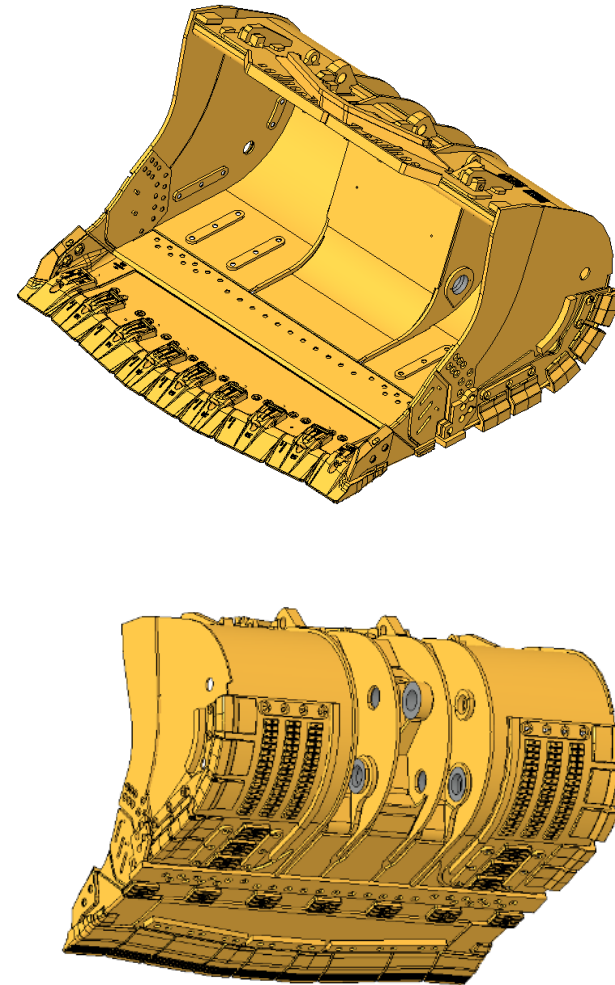
**BOLT – TOGETHER BUCKETS FOR R1700 XE**

# OPTIONS OF R1700 XE BTB - 6.8M<sup>3</sup> / 8.9YDS<sup>3</sup> (COMMON WITH R1700)

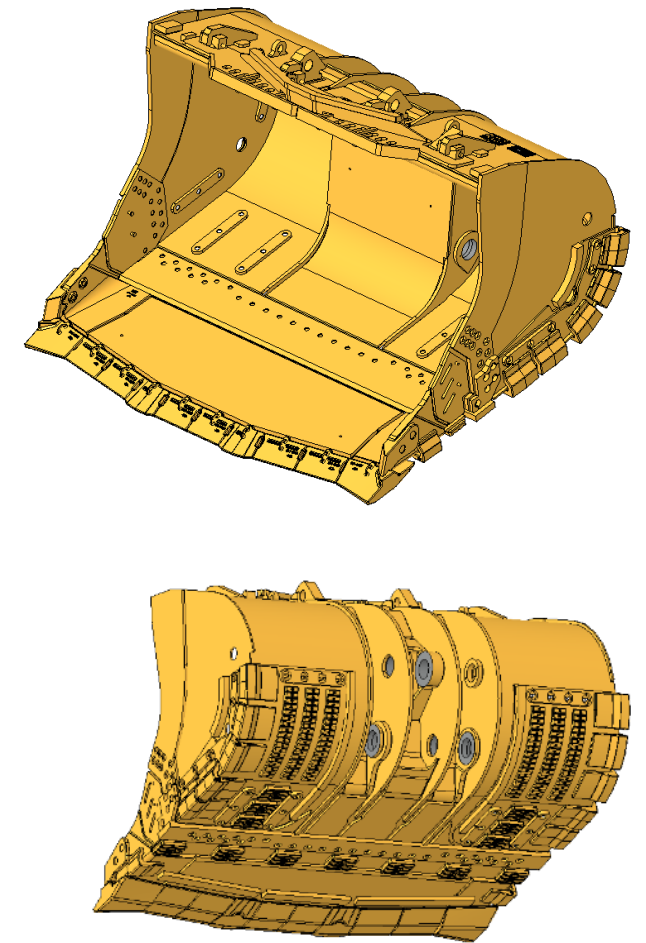
**Bolt-on Half Arrow (BOHA) segment**  
(WxHxD: 3096x1952x2630)



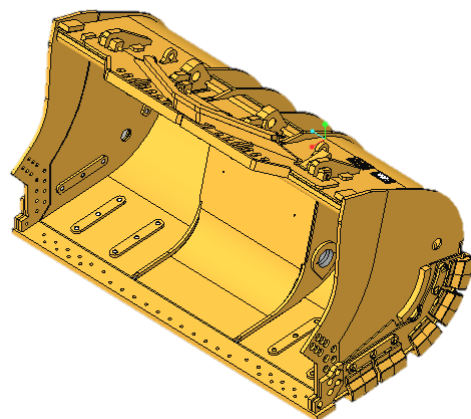
**Durilock shrouds**  
(WxHxD: 3096x1938x2668)



**Modular Weld-On GET**  
(WxHxD: 3096x1969x2673)



# 6.8 M3 BTB R1700 XE



**561-1775**

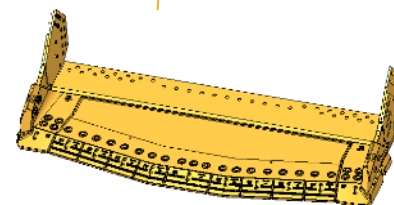
**Bucket-GP-ROCK-A**

**Mass : 4250 kgs Est. (Not Incl. Edge Option)**

**Dimension(WxHxD): 3.1mx1.86x1.6m.**

**Capacity: 6.8m<sup>3</sup> / 8.9Yds<sup>3</sup>**

**Base Edge  
Options  
(Edge + GET)**



**Bolt-On Half Arrow (BOHA65)  
Segment**

**604-1316** Edge Gp – Cutting

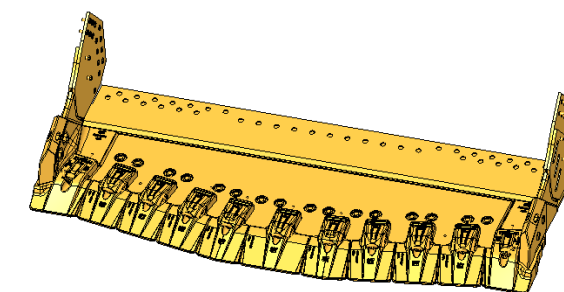
**586-5117** Edge Gp – Segments

**Mass : 2055kg Est.**

**(Edge+Segment)**

**Dimension(WxHxD):**

**3044x807x1375**



**Durilock Shrouds**

**604-0167** Edge Gp – Cutting

**507-8116** Protector Gp (D50S)

**583-3030** Protector Gp (D50A)

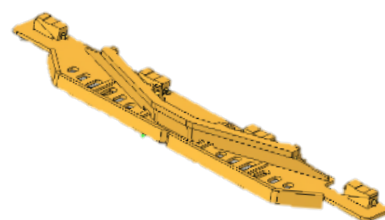
**583-3042** Protector Gp (D50P)

**Mass : 2105kg Est.**

**(Edge+Segment (D50A))**

**Dimension(WxHxD):**

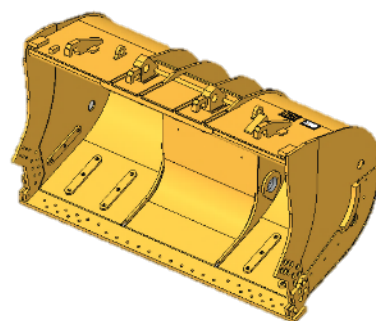
**3044x828x1414**



**561-1751**

**Guard Gp - Rock**

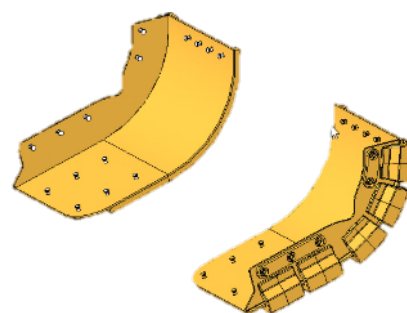
**Mass : 245 kgs Est.**



**550-6735**

**Bucket As.**

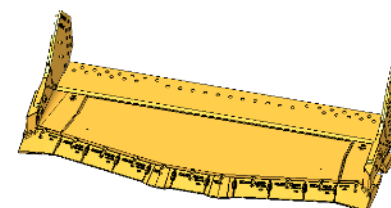
**Mass : 3140 kgs Est.**



**551-2551/551-2552**

**Shroud Gps - Wear Protection**

**Mass : 430 kgs Est. Each.**



**Modular Weld-On GET**

**604-0194** Edge Gp – Cutting

**Mass : 1915kg Est.**

**Dimension(WxHxD):**

**3042x824x1413**

# OUR COMMITMENT RUNS DEEP

