

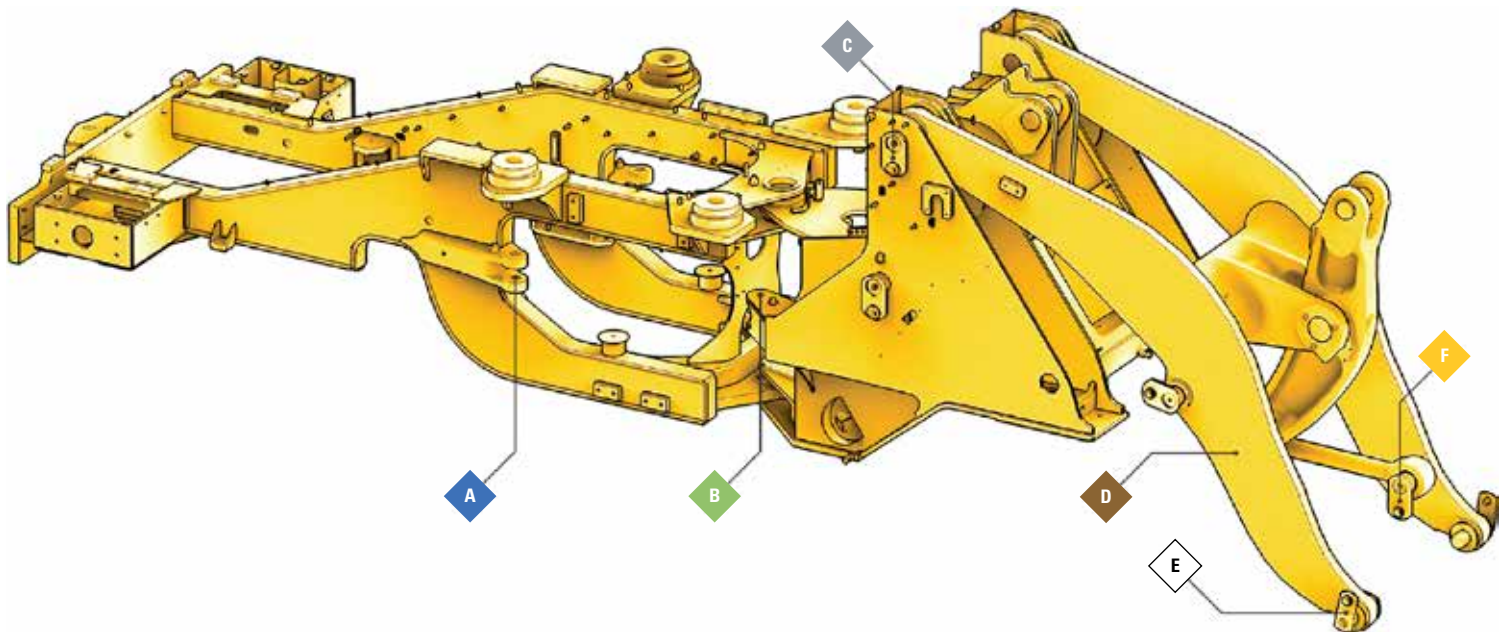
CAT® MEDIUM WHEEL LOADERS LINKAGE PIN KITS

Conveniently repair your wheel loader's linkage pin and bearing system with a single part number. Because Cat® Linkage Pin Kits include everything you need—pin, sleeve bearings, seals, and hardware—you can be confident you have the right repair parts on-hand.



Locate the pin joint in the image below. Match the corresponding letter to the table to find the correct kit part number.

- A Steering Cylinder to Rear Frame
- B Steering Cylinder to Front Frame
- C Lift Arm to Frame
- D Tilt Lever to Tilt Link
- E Lift Arm to Bucket
- F Tilt Link to Bucket



EACH KIT INCLUDES:



**LINKAGE
PIN**



**SLEEVE
BEARINGS**



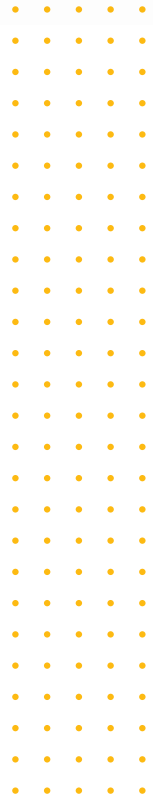
SEALS



HARDWARE

GET WHAT YOU NEED AND GET BACK TO WORK

Save time and get the right kit for your wheel loader with our interactive shopping chart. Just cross-reference your model and pin joint, then click the kit part number to purchase.



PIN JOINT	A	B	C						D	E				F								
PART NUMBER	614-9473	614-9472	614-9469	614-9466	614-9495	614-9494	614-9491	614-9490	614-9489	614-9488	614-9477	614-9476	614-9474	614-9487	614-9486	614-9485	614-9484	614-9482	614-9481	614-9480	614-9479	614-9478
950G		•		•						•		•						•				•
950G2		•		•						•		•						•				•
950H		•		•						•		•						•				•
950H2		•		•						•		•						•				•
950K		•		•			•				•			•					•			
950L T3										•		•						•				•
950M T3							•				•		•						•			
950M T4							•				•			•					•			
950MZ T4										•		•						•				•
962G		•		•						•		•						•				•
962G2		•		•						•		•						•				•
962H		•		•						•		•						•				•
962H2		•		•						•		•						•				•
962K		•		•			•				•			•					•			
962L T3										•		•						•				•
962M T3							•				•		•						•			
962M T4							•				•		•						•			
962MZ T4										•		•						•				•
966G		•		•						•					•						•	
966G2		•		•						•					•						•	
966H		•		•						•					•						•	
966H2		•		•						•					•						•	
966K		•		•						•					•						•	
966K XE		•		•						•					•						•	
966L T3							•								•						•	
966M T3							•								•						•	
966M T4							•								•						•	
966M XE							•								•						•	
972G		•		•						•					•						•	
972G2		•		•						•					•						•	
972H		•		•						•					•						•	
972H2		•		•						•					•						•	
972K		•		•						•					•						•	
972L T3							•								•						•	
972M T3							•								•						•	
972M T4							•								•						•	
972M XE							•								•						•	
980G		•		•						•					•						•	
980G2		•		•						•					•						•	
980H		•		•						•					•						•	
980H2		•		•						•					•						•	
980K		•		•						•					•						•	
980L T3												•			•						•	
980M T3												•			•						•	
980M T4												•			•						•	



PEBJ0221

© 2023 Caterpillar. All Rights Reserved. CAT, CATERPILLAR, LET'S DO THE WORK, their respective logos, "Caterpillar Corporate Yellow" the "Power Edge" and Cat "Modern Hex" trade dress as well as corporate and product identity used herein, are trademarks of Caterpillar and may not be used without permission.